

MEDIUM DUTY CARRIER PARTS MANUAL

JERR-DAN[®]

An Oshkosh Corporation Company

1080 Hykes Road
Greencastle, PA 17225
Phone (717) 597-7111
www.jerr-dan.com

5-376-000090
Rev 02 - March 01, 2010

© 2010 Jerr-Dan Corporation. All Rights Reserved.

This manual covers the following Jerr-Dan Models:

_75T2B - 7.5 Ton Steel Removable Rail
_75TRB - 7.5 Ton Steel B.I.C. Transporter

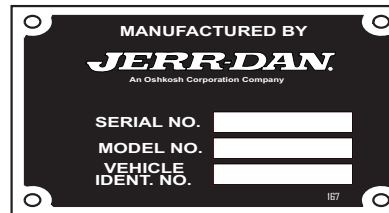
_75NGAF - 7.5 Ton Aluminum Pioneer Fixed Rail

Jerr-Dan Corporation strives to provide information that is accurate, complete and useful. Descriptions and illustrative material contained within this manual are as accurate as known at the time of publication and are subject to change, without notice, as a result of continuous product improvements. Jerr-Dan reserves the right to amend the information in this document at any time without prior notice.

Information contained in this manual reflects how this vehicle was built at the factory. Modifications or additions by the distributor or owner are not reflected in this manual.

This parts manual does not include service parts information for the commercial chassis (IHC, Ford, GM, etc.). That parts information is provided by the chassis manufacturer.

When ordering parts, please refer to your unit's Sales Order Number, Serial Number and Model Number. This information is found on the aluminum tag riveted to the front left corner of the deck as shown below:



Additional or replacement manuals can be ordered by calling Jerr-Dan Parts at 717-597-7111. Price and availability will be quoted at time of the request.

Please report comments and/or errors by contacting Jerr-Dan Corporation's Technical Publications Department by e-mail at technicalpublications@jerr-dan.com or by FAX on 717-593-2362.

Manufactured under one or more of the following patents: 5,133,633; 5,575,606; 5,697,741; 5,951,235; 6,231,294 B1; 6,315,515 B1; 6,336,783 B1; 6,447,239 B2 and 7,264,305 B2 with other Patents Pending.

Jerr-Dan and the Jerr-Dan logo are registered trademarks and Run Hard is a service mark of Jerr-Dan Corporation, Greencastle, PA USA.

The material in this document is confidential and the property of Jerr-Dan Corporation. No part of this document may be photocopied, reproduced or translated to another language without the express written consent of Jerr-Dan Corporation.

INDEX

DESCRIPTION	PAGE	DESCRIPTION	PAGE
Deck - 7.5 Ton Steel Removable Rail (_75T2B)	4 - 7	Deck Marker Lights	100 - 101
Deck - 7.5 Ton Steel Transporter (_75TRB)	8 - 9	Headboard Side Marker Lights	102 - 101
Deck - 7.5 Ton Aluminum Pioneer Fixed Rail (NGAF)	10 - 11	Electrical Components - Optional	104 - 105
Adjustable Roll Cylinder Bracket - Deck	12 - 13	Additional Deck Marker Lights	106 - 107
Steel Bolt-In Keyslots	14 - 15	IRL Wheel Lift	108 - 109
Standard Headboard & Std Remote Winch Free Spool (10,000 lb Worm Gear Winch).....	16 - 17	ZOD Wheel Lift	110 - 111
Deluxe Headboard & Std Remote Winch Free Spool (10,000 lb Worm Gear Winch)	18 - 19	Manual L-Arm Wheel Lift Grid	112 - 113
Bucket Rest Headboard	20 - 21	Manual T37 Pivoting Wheel Lift Grid	114 - 115
Stationary Headboard & Std Remote Winch Free Spool (10,000 lb Worm Gear Winch) ..	22 - 23	Hydraulic Rear Dock Stabilizer	116 - 117
Remote Winch Free Spool (12,000 lb Worm Gear Winch w/ Standard Headboard)	24 - 25	Stabilizer w/ Reese Hitch Receiver	118 - 119
Remote Winch Free Spool (12,000 lb Worm Gear Winch w/ Stationary Headboard)	26 - 27	Stabilizer w/ Manual Extend Pintle Hitch Mounting Plate	120 - 121
Worm Gear Winch (10,000 lb)	28 - 29	Stabilizer w/ Hydraulic Extend Pintle Hitch Mounting Plate	122 - 123
Worm Gear Winch (12,000 lb)	30 - 31	Stabilizer w/ Hydraulic Extend Wheel Lift	124 - 125
Worm Gear Winch Cable Roller / Tensioner Plate	32 - 33	Ball Hitch Mounting Plate - IRL	126 - 127
Remote Air Free Spool	34 - 35	Ball Hitch Mounting Plate - Hydraulic Extend	128 - 129
Subframe - 22' & 24' Decks	36 - 37	Ball Hitch Mounting Plate - Manual Extend	130 - 131
Subframe - 26' & 28' Decks	38 - 39	Pintle Hitch Mounting Plate - IRL	122 - 133
Hold Down - 22' & 24' Decks	40 - 41	Pintle Hitch Mounting Plate - Hydraulic Extend	134 - 135
Hold Down - 26' & 28' Decks	42 - 43	Pintle Hitch Mounting Plate - Manual Extend	136 - 137
Slide Pad	44 - 45	Towbar - IRL	138 - 139
Mud Flap	46 - 47	Towbar - Hydraulic Extend	140 - 141
Final Assembly	48 - 49	Roll Cylinder Assembly	142 - 143
Hydraulic Reservoir and Toolbox / Basket	50 - 55	Tilt Cylinder Assembly	144 - 145
Toolbox	56 - 57	Wheel Lift Extend Cylinder Assembly	146 - 147
Toolbox Shelf	58 - 59	IRL Cylinder Assembly	148 - 149
Toolbox Light	60 - 61	ZOD Cylinder Assembly	150 - 151
Toolbox Top Stowage Tray and Marker Lights	62 - 63	Stabilizer Cylinder Assembly	152 - 153
Dual Controls - 3 Bank	64 - 65	Tow Option Hydraulic Extend Cylinder Assembly	154 - 155
Dual Controls - 4 Bank	66 - 67	Stabilizer Cylinder Assembly	156 - 157
Dual Controls - 5 Bank	68 - 69	Lightbars	158 - 159
Dual Controls - 6 Bank	70 - 71	Switch Panels	160 - 161
Hydraulic Components - Standard	72 - 73	Work Lights	162 - 163
Hydraulic Components - Standard (Hose Track)	74 - 75	Bolt-On D-Rings	164 - 165
Hydraulic Components - Hose Routing / Mounting	76 - 77	Remote Control Operation(s)	166 - 169
Hydraulic Components - IRL Wheel Lift w/ Man Grids or IRL Ball / Pintle Hitch Mtg Plt ...	78 - 79	Remote Throttle Control	170 - 171
Hydraulic Components - ZOD Wheel Lift w/ Manual Grids	80 - 81	Glad Hands and 7- Way Connector	172 - 173
Hydraulic Components - Stabilizer	82 - 83	Air Supply Disconnect	174 - 175
Hydraulic Components - Stabilizer w/ Reese Hitch Receiver or Pintle Hitch Mtg Plate ...	84 - 85	Jump Start Kit	176 - 177
Hydraulic Components - Stabilizer w/ Hydraulic Extend Pintle Hitch Mounting Plate	86 - 87	Folding Deck Ladder	178 - 179
Hydraulic Components - Stabilizer w/ IRL Wheel Lift	88 - 89	Chains and Straps	180 - 181
Hydraulic Components - IRL Towbar	90 - 91	Towing Safety Tools	182 - 183
Hydraulic Components - Hydraulic Extend Tow Option	92 - 93	Decals	184 - 185
Electrical Components - Standard w/ Bolt-On Headboard (22' & 24' Decks)	94 - 95	Accessory Equipment	186 - 187
Electrical Components - Standard w/ Bolt-On Headboard (26' & 28' Decks)	96 - 97	Hydraulic Schematic	188 - 194
Electrical Components - Standard w/ Stationary Headboard	98 - 99	Electrical Schematic	195

DECK - 7.5 TON STEEL REMOVABLE RAIL (_75T2B)

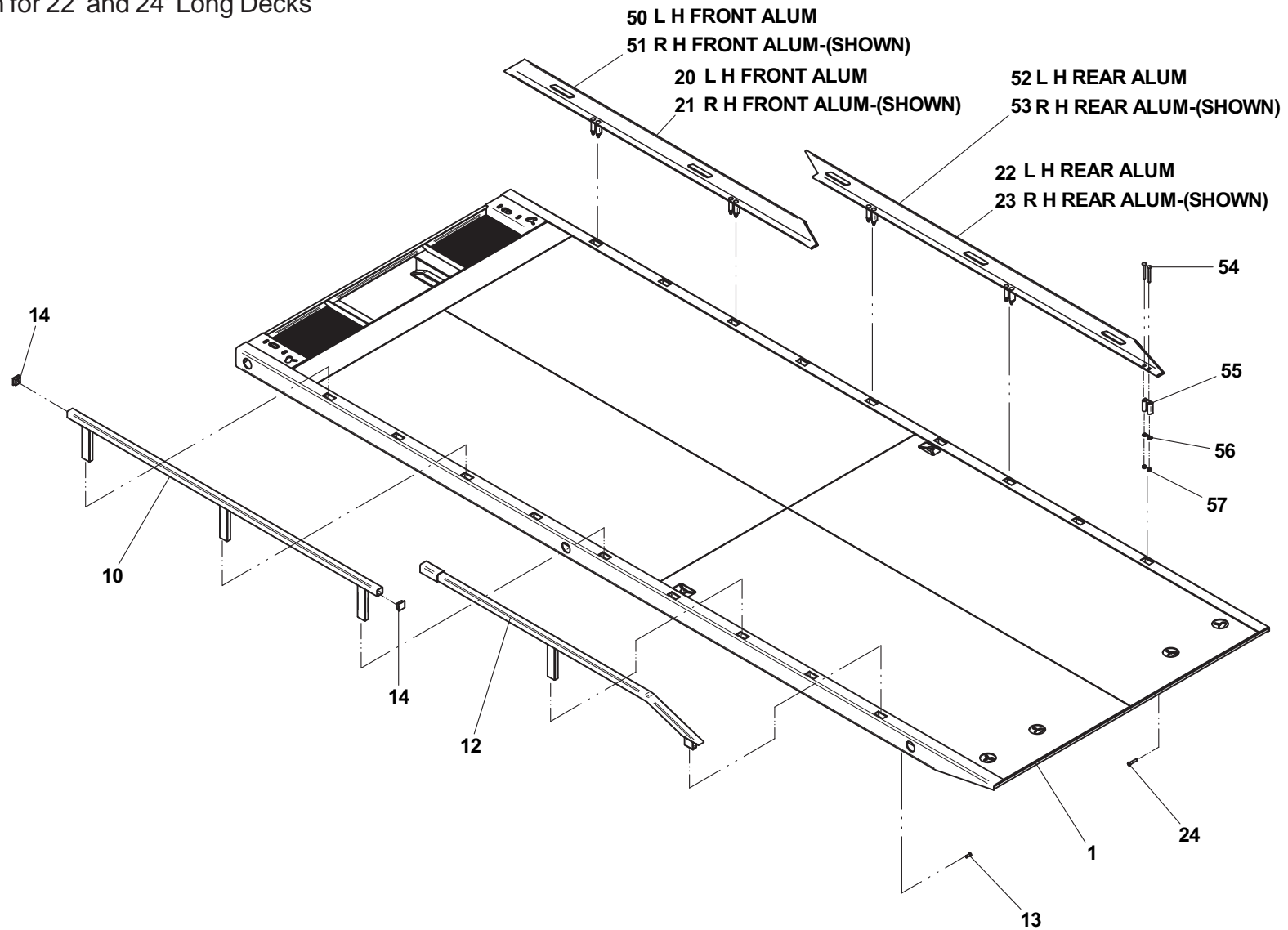
ITEM	PART NO.	DESCRIPTION	QTY	ITEM	PART NO.	DESCRIPTION	QTY
1	3097000696	22' Deck - 96" wide	1			<i>Standard Steel Tubular Removable Rails:</i>	
	3097000697	22' Deck - 102" wide					
	3097000698	24' Deck - 96" wide		10	3017000260	Rail Weldment Front (22' & 24' decks)	2
	3097000699	24' Deck - 102" wide		11	3017000263	Rail Weldment Front (26 & 28" decks)	2
	3097000700	26' Deck - 96" wide		12	Not Required	(22' & 24' decks)	
	3097000701	26' Deck - 102" wide		13	3017000259	Rail Weldment Mid (26' & 28' decks)	2
	3097000702	28' Deck - 96" wide		14	3017000261	Rail Weldment Rear (22' & 26' decks)	2
	3097000703	28' Deck - 102" wide			3017000262	Rail Weldment Rear (24' & 28' decks)	2
				7115181050	Capscrew, 0.50"-13NC x 1.25" (22' deck)	10	
				7115181050	Capscrew, 0.50"-13NC x 1.25" (24' & 26' decks)	12	
				7115181050	Capscrew, 0.50"-13NC x 1.25" (28' deck)	14	
				7701000033	End Cap (22' & 24' decks)	4	
				7701000033	End Cap (26' & 28' decks)	6	

DECK - 7.5 TON STEEL REMOVABLE RAIL (_75T2B)

ITEM	PART NO.	DESCRIPTION	QTY	ITEM	PART NO.	DESCRIPTION	QTY
		<i>Optional Aluminum Removable Rails:</i>				<i>Parts Breakdown of Angle Assemblies</i>	
20	3017000121	Angle Assembly LH Front (22' & 24' decks)	1	50	4017001699	Angle LH Front (22' & 24' decks)	1
	3017000123	Angle Assembly LH Front (26' & 28' decks)	1	51	4017001701	Angle LH Front (26' & 28' decks)	1
21	3017000122	Angle Assembly RH Front (22' & 24' decks)	1	52	4017001700	Angle RH Front (22' & 26' decks)	1
	3017000124	Angle Assembly RH Front (26' & 28' decks)	1	53	4017001702	Angle RH Front (26' & 28' decks)	1
22	3017000131	Angle Assembly LH Rear (22' & 26' decks)	1	54	4017001709	Angle LH Rear (22' & 26' decks)	1
	3017000133	Angle Assembly LH Rear (24' & 28' decks)	1	55	4017001711	Angle LH Rear (24' & 28' decks)	1
23	3017000132	Angle Assembly RH Rear (22' & 26' decks)	1	56	4017001710	Angle RH Rear (22' & 26' decks)	1
	3017000134	Angle Assembly RH Rear (24' & 28' decks)	1	57	4017001712	Angle RH Rear (24' & 28' decks)	1
24	7120000005	Capscrew, 0.50"-13NC x 2.50" (22' deck)	10		7115183664	Carriage Bolt, 0.50"-13NC x 4.50" (22' deck)	20
	7120000005	Capscrew, 0.50"-13NC x 2.50" (24' & 26' decks)	12		7115183664	Carriage Bolt, 0.50"-13NC x 4.50" (24' & 26' decks)	24
	7120000005	Capscrew, 0.50"-13NC x 2.50" (28' deck)	14		7115183664	Carriage Bolt, 0.50"-13NC x 4.50" (28' deck)	28
					8411080102	Extrusion (22' deck)	10
					8411080102	Extrusion (24' & 26' decks)	12
					8411080102	Extrusion (28' deck)	14
					4706006228	Plate (22' deck)	10
					4706006228	Plate (24' & 26' decks)	12
					4706006228	Plate (28' deck)	14
					7660182601	Locknut, 0.50"-13NC (22' deck)	20
					7660182601	Locknut, 0.50"-13NC (24' & 26' decks)	24
					7660182601	Locknut, 0.50"-13NC (28' deck)	28

DECK - 7.5 TON STEEL REMOVABLE RAIL (_75T2B)

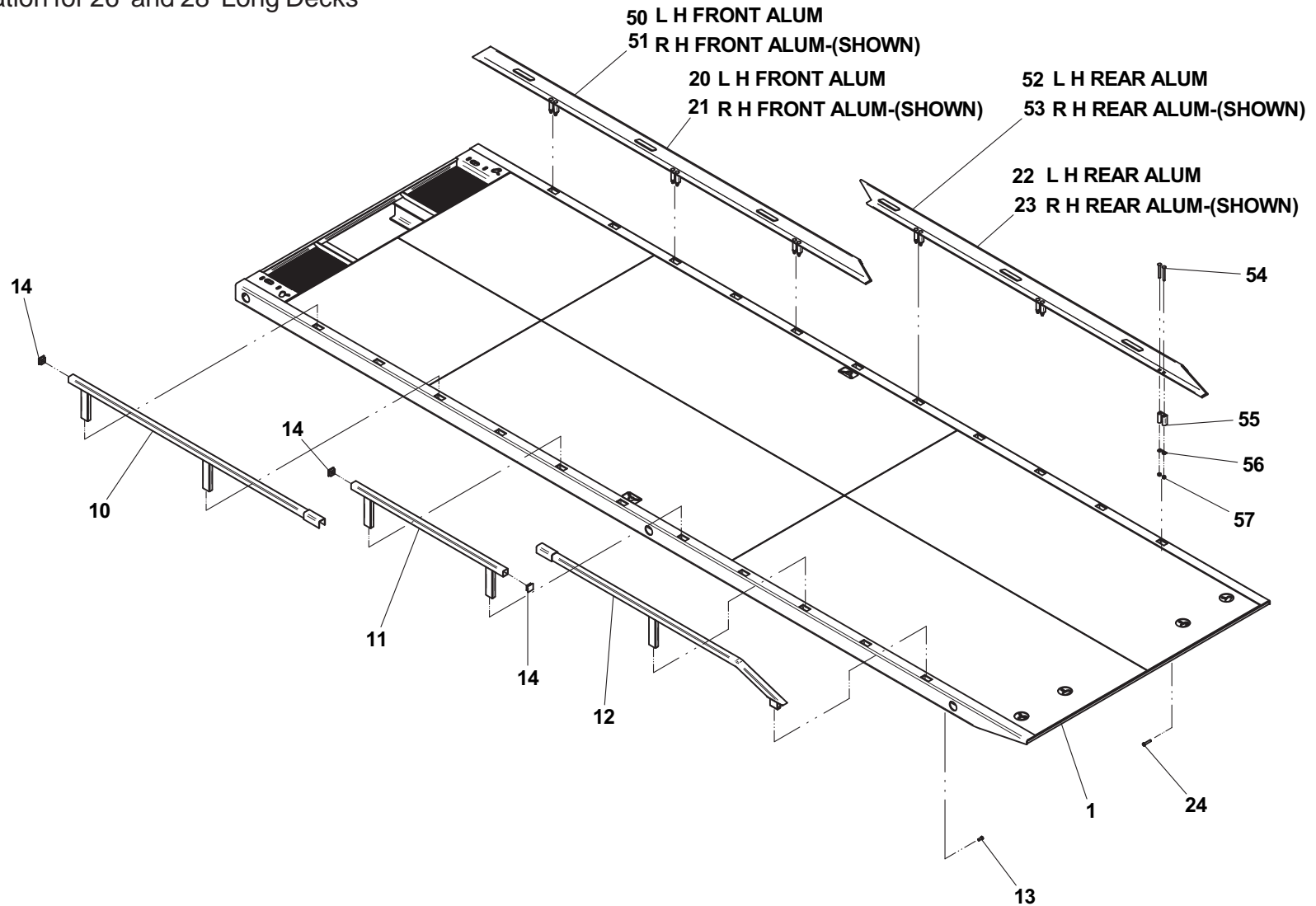
Illustration for 22' and 24' Long Decks



22' deck shown with standard removable steel rails on left side and optional aluminum removable rails on right side

DECK - 7.5 TON STEEL REMOVABLE RAIL (_75T2B)

Illustration for 26' and 28' Long Decks

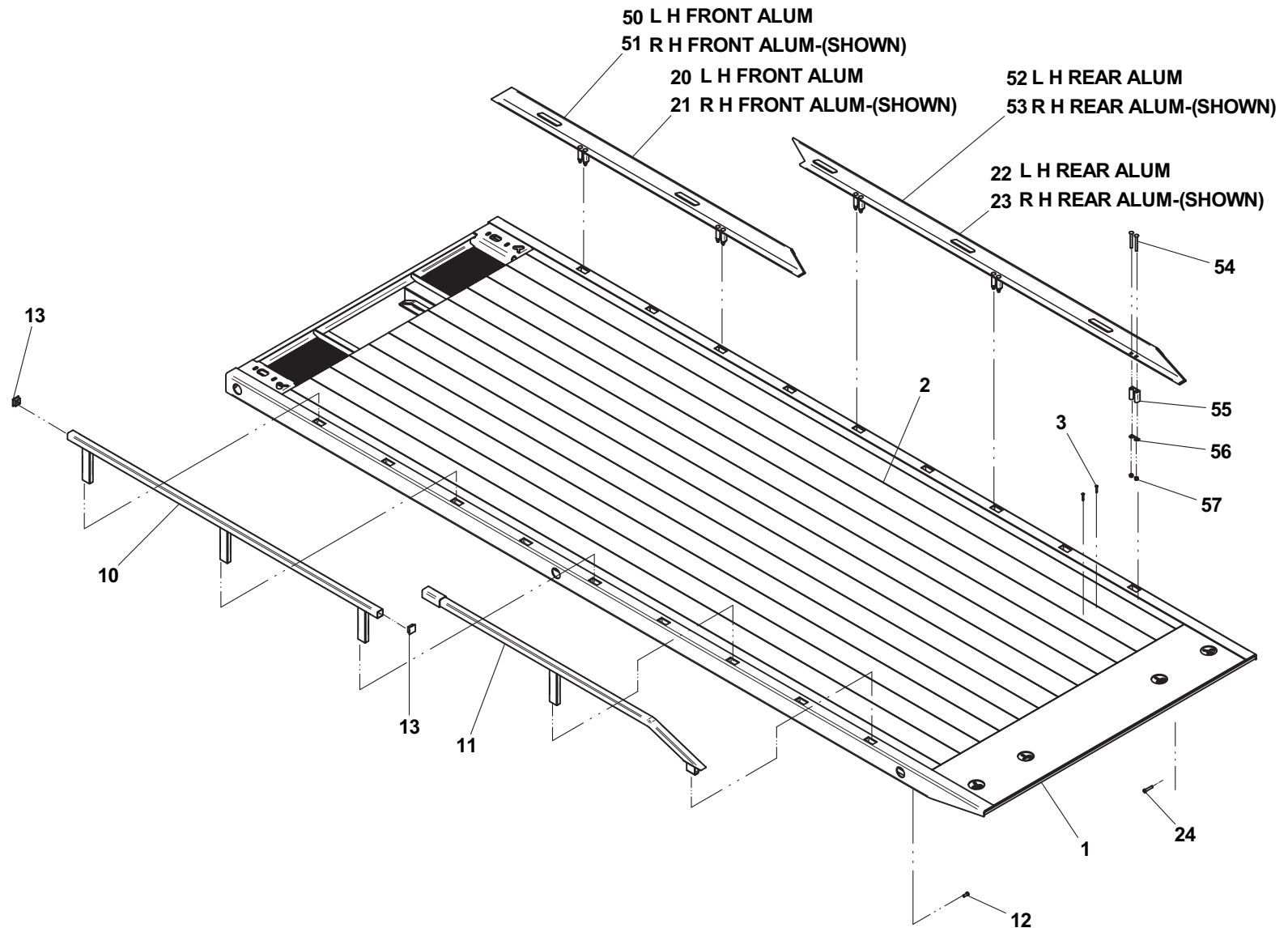


26' deck shown with standard removable steel rails on left side and optional aluminum removable rails on right side

DECK - 7.5 TON STEEL TRANSPORTER (_75TRB)

ITEM	PART NO.	DESCRIPTION	QTY	ITEM	PART NO.	DESCRIPTION	QTY
1	3097000704	22' Deck - 95" wide	1			<i>Optional Aluminum Removable Rails:</i>	
	3097000705	22' Deck - 102" wide					
	3097000706	24' Deck - 95" wide		20	3017000121	Angle Assembly LH Front	1
	3097000707	24' Deck - 102" wide		21	3017000122	Angle Assembly RH Front	1
2	Contact Parts	Keruing Board	A/R	22	3017000131	Angle Assembly LH Rear (22' deck)	1
3	7786000007	Screw, 0.31"-18NC x 2.00"	A/R		3017000133	Angle Assembly LH Rear (24' deck)	1
				23	3017000132	Angle Assembly RH Rear (22' deck)	1
					3017000134	Angle Assembly RH Rear (24' deck)	1
				24	7120000005	Capscrew, 0.50"-13NC x 2.50" (22' deck)	10
					7120000005	Capscrew, 0.50"-13NC x 2.50" (24' deck)	12
		<i>Standard Steel Tubular Removable Rails:</i>				<i>Parts Breakdown of Angle Assemblies</i>	
				50	4017001699	Angle LH Front (22' deck)	1
10	3017000260	Rail Weldment Front (22' & 24' decks)	2		4017001701	Angle LH Front (26' deck)	1
11	3017000261	Rail Weldment Rear (22' deck)	2	51	4017001700	Angle RH Front (22' deck)	1
	3017000262	Rail Weldment Rear (24' deck)	2	52	4017001709	Angle LH Rear (22' deck)	1
12	7115181050	Capscrew, 0.50"-13NC x 1.25" (22' deck)	10		4017001711	Angle LH Rear (24' deck)	1
	7115181050	Capscrew, 0.50"-13NC x 1.25" (24' deck)	12	53	4017001710	Angle RH Rear (22' deck)	1
13	7701000033	End Cap	4		4017001712	Angle RH Rear (24' deck)	1
				54	7115183664	Carriage Bolt, 0.50"-13NC x 4.50" (22' deck)	20
					7115183664	Carriage Bolt, 0.50"-13NC x 4.50" (24' deck)	24
				55	8411080102	Extrusion (22' deck)	10
					8411080102	Extrusion (24' deck)	12
				56	4706006228	Plate (22' deck)	10
					4706006228	Plate (24' deck)	12
				57	7660182601	Locknut, 0.50"-13NC (22' deck)	20
					7660182601	Locknut, 0.50"-13NC (24' deck)	24

DECK - 7.5 TON STEEL TRANSPORTER (_75TRB)

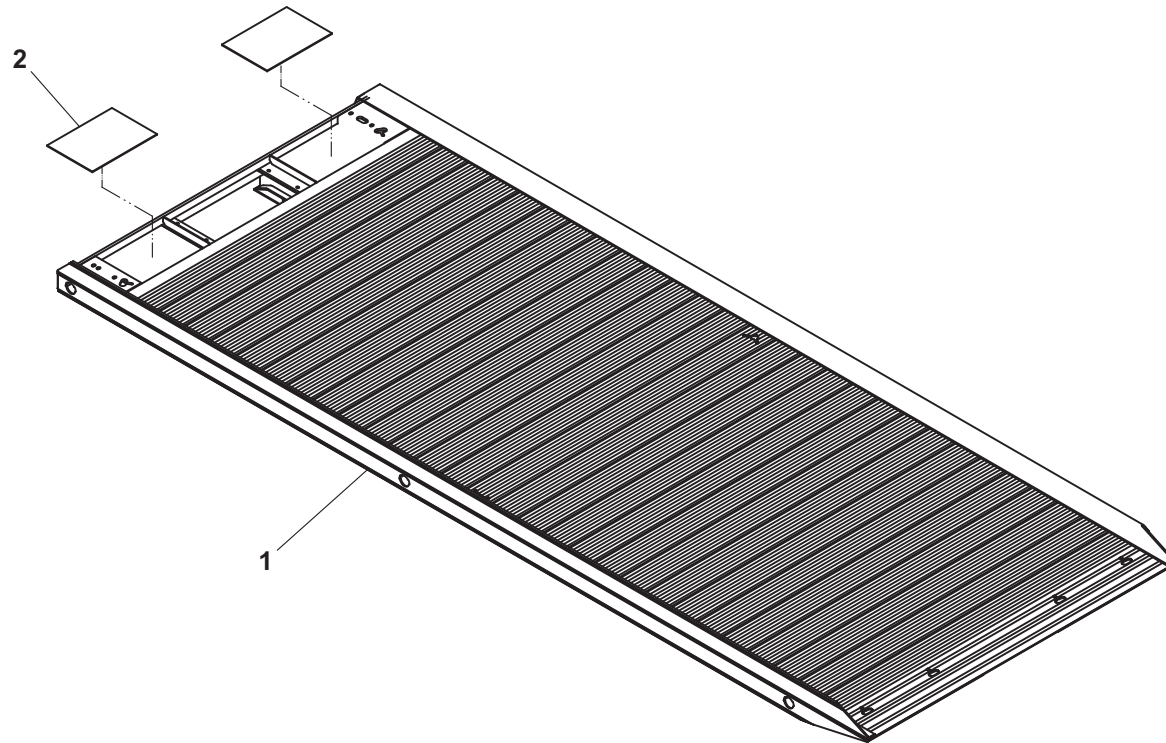


22' deck shown with standard removable steel rails on left side and optional aluminum removable rails on right side

DECK - 7.5 TON ALUMINUM PIONEER FIXED RAIL (NGAF)

ITEM	PART NO.	DESCRIPTION	QTY
1	3097000587	22' Deck - 96" wide	1
	3097000589	22' Deck - 102" wide	
	3097000588	24' Deck - 96" wide	
	3097000590	24' Deck - 102" wide	
2	7679000017	Chain Tray Mat	2

DECK - 7.5 TON ALUMINUM PIONEER FIXED RAIL (NGAF)

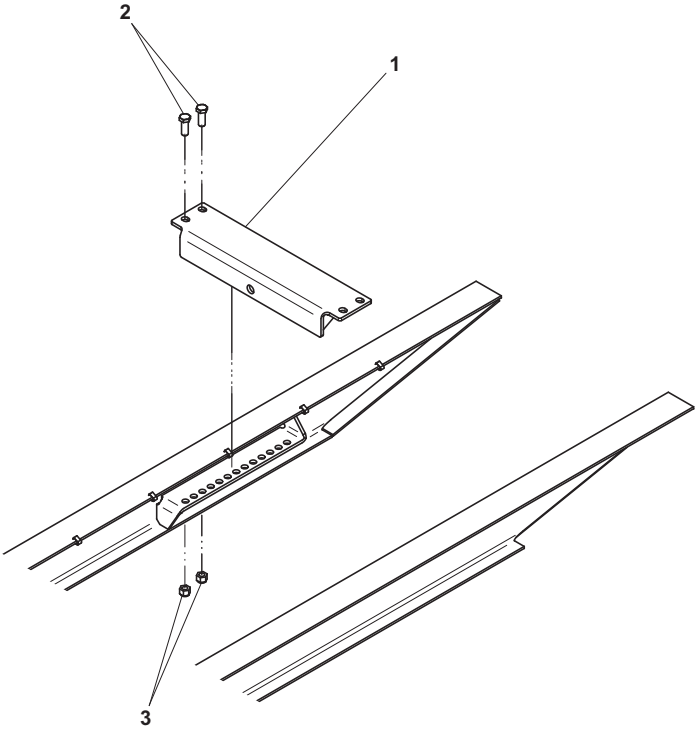


21' deck shown

ADJUSTABLE ROLL CYLINDER BRACKET - DECK

ITEM	PART NO.	DESCRIPTION	QTY
1	3017000104	Roll Cylinder Angle	1
2	7115221650	Capscrew, 0.75"-10NC x 2.00"	4
3	7660222601	Nut, 0.75-10NC, Nyloc	4

ADJUSTABLE ROLL CYLINDER BRACKET - DECK

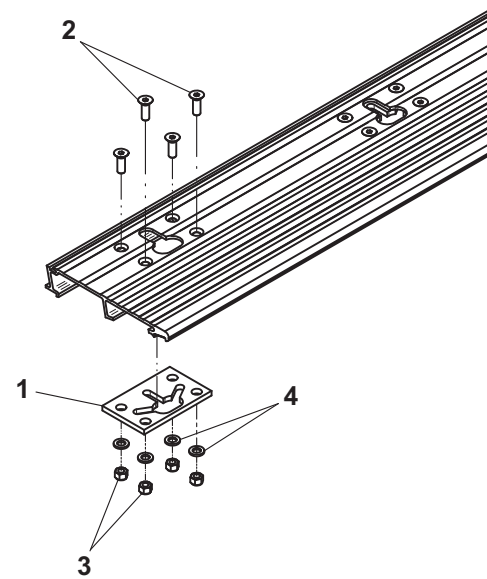
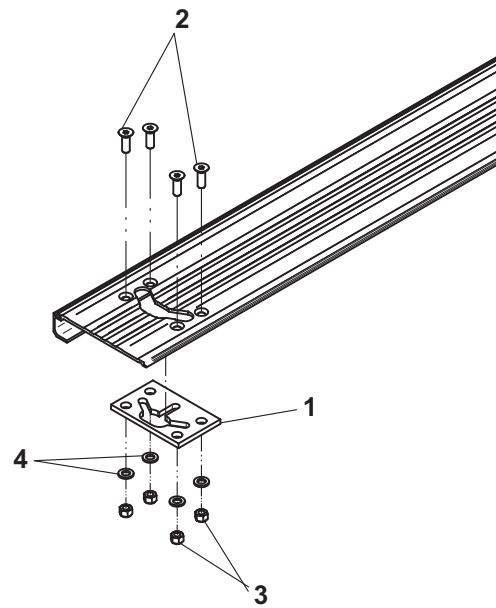


STEEL BOLT-IN KEYSLOTS

ITEM	PART NO.	DESCRIPTION	QTY
1	4706005551	Keyslot Plate	1
2	7115181223	Screw, 0.50"-13NC x 1.5" Flat Head	4*
3	7660182601	Locknut, .50"-13NC	4*
4	7950180153	Flatwasher, 0.50" ID	4*

* Quantities are per Item #1

STEEL BOLT-IN KEYSLOTS

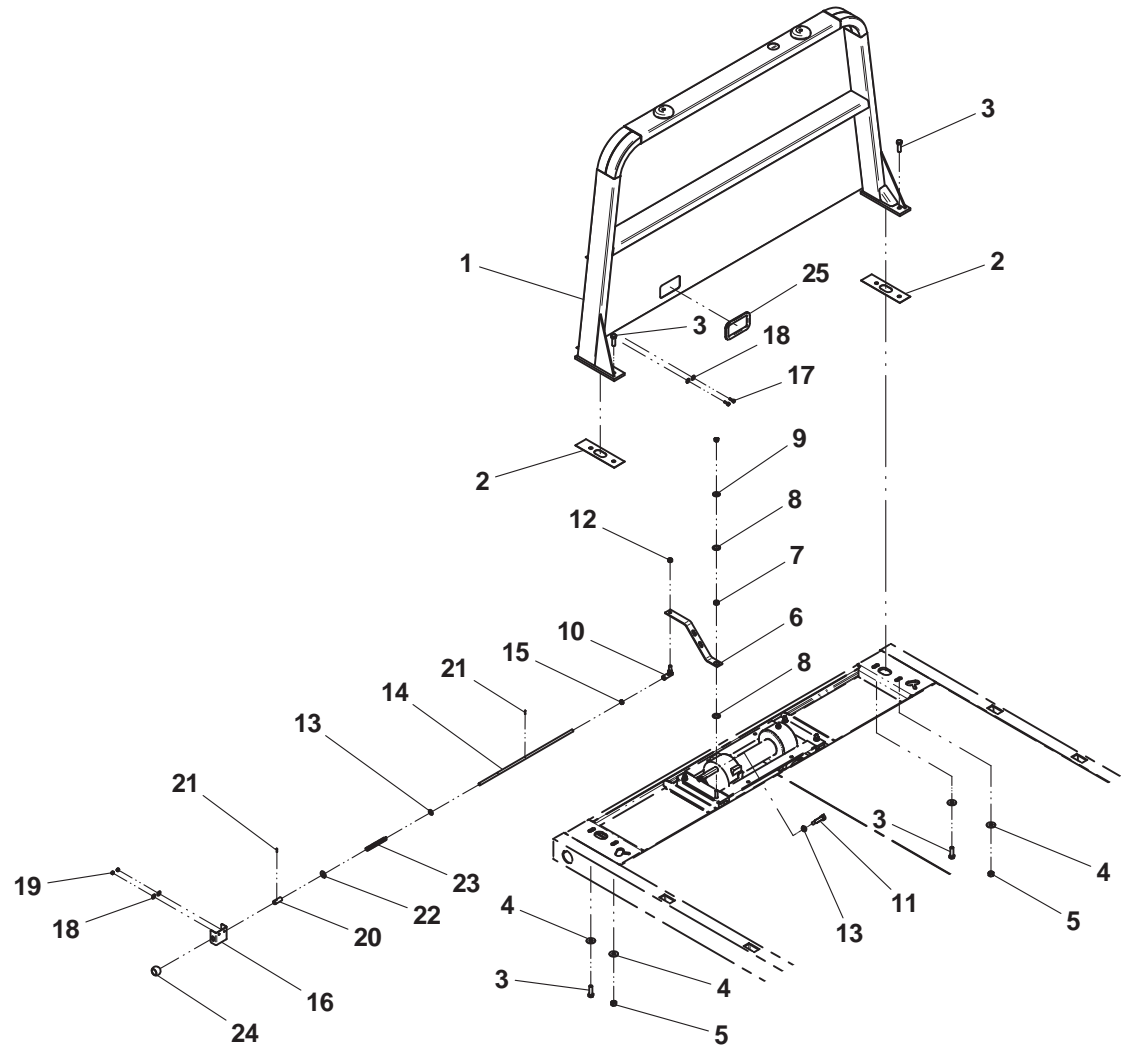


STANDARD HEADBOARD & STD REMOTE WINCH FREE SPOOL (10,000 LB WORM GEAR WINCH)

ITEM	PART NO.	DESCRIPTION	QTY	ITEM	PART NO.	DESCRIPTION	QTY
1	3241000140	Standard Headboard Weld - 40.50" (10,000 lb winch w/ std free spool)	1	14	4763000348*+	Rod	1
	3241000148	Standard Headboard Weld - 40.50" (10,000 lb winch w/ air free spool and 12,000 lb winch)		15	7660180234*+	Nut, 0.50"-20NF	1
	3241000141	Standard Headboard Weld - 45.50" (10,000 lb winch w/ std free spool)		16	4178000673*+	Bracket	1
	3241000149	Standard Headboard Weld - 45.50" (10,000 lb winch w/ air free spool and 12,000 lb winch)		17	7115150850*+	Capscrew, 0.31"-18NC x 1.00"	2
	3241000142	Standard Headboard Weld - 50.50" (10,000 lb winch w/ std free spool)		18	7950150161*+	Flatwasher, 0.31" ID	4
	3241000150	Standard Headboard Weld - 50.50" (10,000 lb winch w/ air free spool and 12,000 lb winch)		19	7660152601*+	Locknut, 0.31"-18NC	2
	3241000143	Standard Headboard Weld - 57.50" (10,000 lb winch w/ std free spool)		20	4209000147*+	Bushing	1
	3241000151	Standard Headboard Weld - 57.50" (10,000 lb winch w/air free spool and 12,000 lb winch)		21	7690051274*+	Pin	2
2	4796000037	Gasket	2	22	7949000030*+	Nylon Washer	1
3	7105201650	Capscrew, 0.63"-18NF x 2.00"	4	23	7843000027*+	Spring	1
4	7950200152	Flatwasher, 0.63" ID	4	24	7551000017*+	Knob	1
5	7660200035	Nut, 0.63"-18NF	2	25	4632000009*+	Trim Lok	1
6	4587000004*+	Lever	1				
7	4209000328*+	Bushing	1				
8	7082000010*+	Nylon Washer	2				
9	7950180161*+	Flatwasher, 0.50" ID	1				
10	7309000002*+	Coupling	1				
11	7691000046*+	Clevis Pin	1				
12	7660182631*+	Locknut, 0.50"-20NF	1				
13	7950180143*+	Flatwasher, 0.50" ID	2				

* also available in complete Remote Free Spool Installation:
P/N 2970000021 for 10,000 lb worm gear winch
+ use with 10,000 lb winch only

STANDARD HEADBOARD & STD REMOTE WINCH FREE SPOOL (10,000 LB WORM GEAR WINCH)



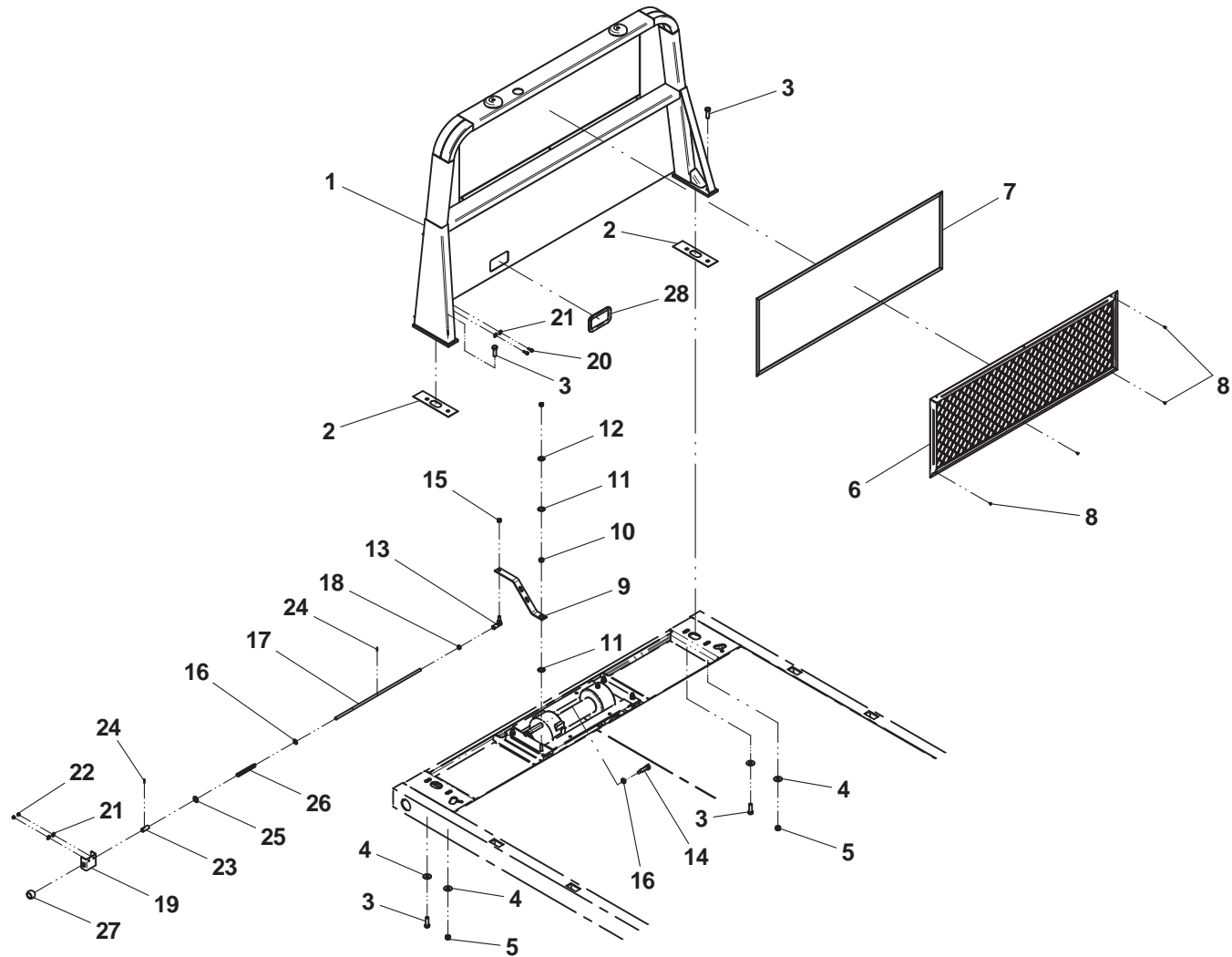
50.50" headboard shown with 10,000 lb worm gear winch and standard remote free spool

DELUXE HEADBOARD & STD REMOTE WINCH FREE SPOOL (10,000 LB WORM GEAR WINCH)

ITEM	PART NO.	DESCRIPTION	QTY	ITEM	PART NO.	DESCRIPTION	QTY
1	3241000133	Deluxe Headboard Weld - 40.50" (10,000 lb winch w/ std free spool)	1	11	7082000010*+	Nylon Washer	2
	3241000144	Deluxe Headboard Weld - 40.50" (10,000 lb winch w/ air free spool and 12,000 lb winch)		12	7950180161*+	Flatwasher, 0.50" ID	1
	3241000134	Deluxe Headboard Weld - 45.50" (10,000 lb winch w/ std free spool)		13	7309000002*+	Coupling	1
	3241000145	Deluxe Headboard Weld - 45.50" (10,000 lb winch w/ air free spool and 12,000 lb winch)		14	7691000046*+	Clevis Pin	1
	3241000135	Deluxe Headboard Weld - 50.50" (10,000 lb winch w/ std free spool)		15	7660182631*+	Locknut, 0.50"-20NF	1
	3241000146	Deluxe Headboard Weld - 50.50" (10,000 lb winch w/ air free spool and 12,000 lb winch)		16	7950180143*+	Flatwasher, 0.50" ID	2
	3241000136	Deluxe Headboard Weld - 57.50" (10,000 lb winch w/ std free spool)		17	4763000348*+	Rod	1
	3241000147	Deluxe Headboard Weld - 57.50" (10,000 lb winch w/ air free spool and 12,000 lb winch)		18	7660180234*+	Nut, 0.50"-20NF	1
2	4796000037	Gasket	2	19	4178000673*+	Bracket	1
3	7105201650	Capscrew, 0.63"-18NF x 2.00"	4	20	7115150850*+	Capscrew, 0.31"-18NC x 1.00"	2
4	7950200152	Flatwasher, 0.63" ID	4	21	7950150161*+	Flatwasher, 0.31" ID	4
5	7660200035	Nut, 0.63"-18NF	2	22	7660152601*+	Locknut, 0.31"-18NC	2
6	3391000014	Screen Weld (36.50", 40.50" & 45.50" headboards)	1	23	4209000147*+	Bushing	1
	3391000017	Screen Weld (50.50" headboard)		24	7690051274*+	Pin	2
	3391000018	Screen Weld (57.50" headboard)		25	7949000030*+	Nylon Washer	1
7	4796000003	Gasket	1	26	7843000027*+	Spring	1
8	7759000015	Rivet	6	27	7551000017*+	Knob	1
9	4587000004*+	Lever	1	28	4632000009*+	Trim Lok	1
10	4209000328*+	Bushing	1				

* also available in Remote Free Spool Installation:
P/N 2970000021 for 10,000 lb worm gear winch
+ use with 10,000 lb winch only

DELUXE HEADBOARD & STD REMOTE WINCH FREE SPOOL (10,000 LB WORM GEAR WINCH)

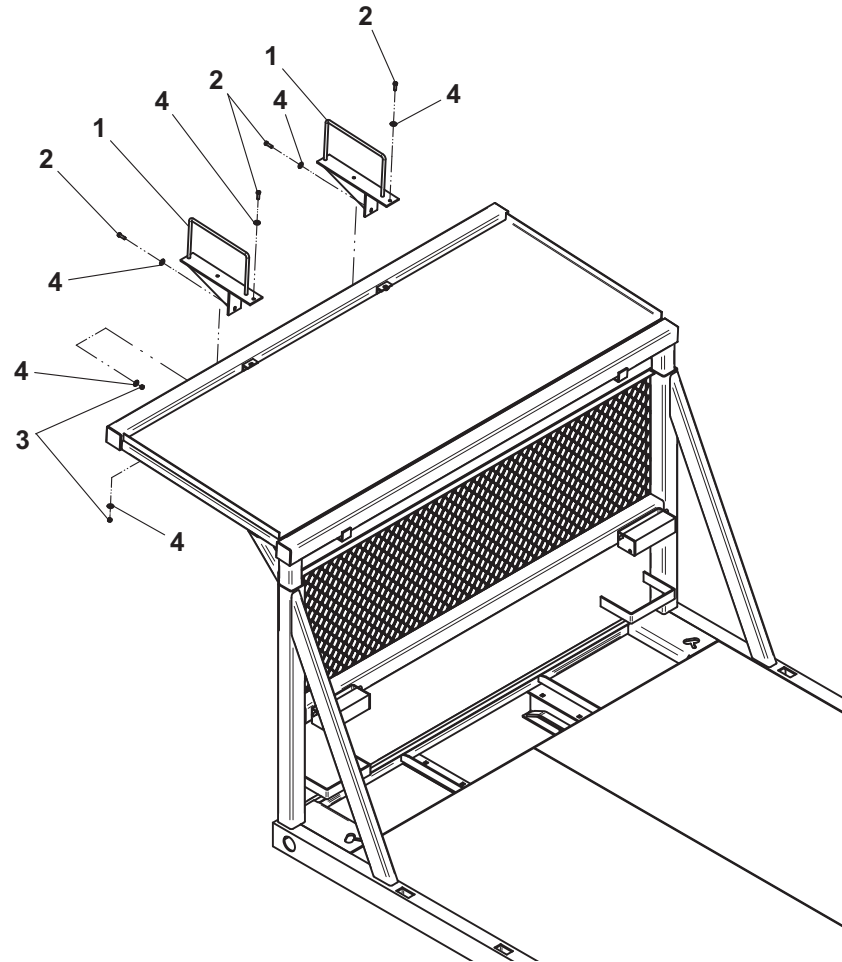


50.50" headboard shown with 10,000 lb worm gear winch and standard remote free spool

BUCKET REST HEADBOARD

ITEM	PART NO.	DESCRIPTION	QTY
1	3636000078	Lightbar Mount	2
2	7115161050	Capscrew, 0.38"-16NC x 1.25"	4
3	7660161600	Locknut, 0.38"-16NC	4
4	7950160160	Flatwasher, 0.38" ID	4

BUCKET REST HEADBOARD

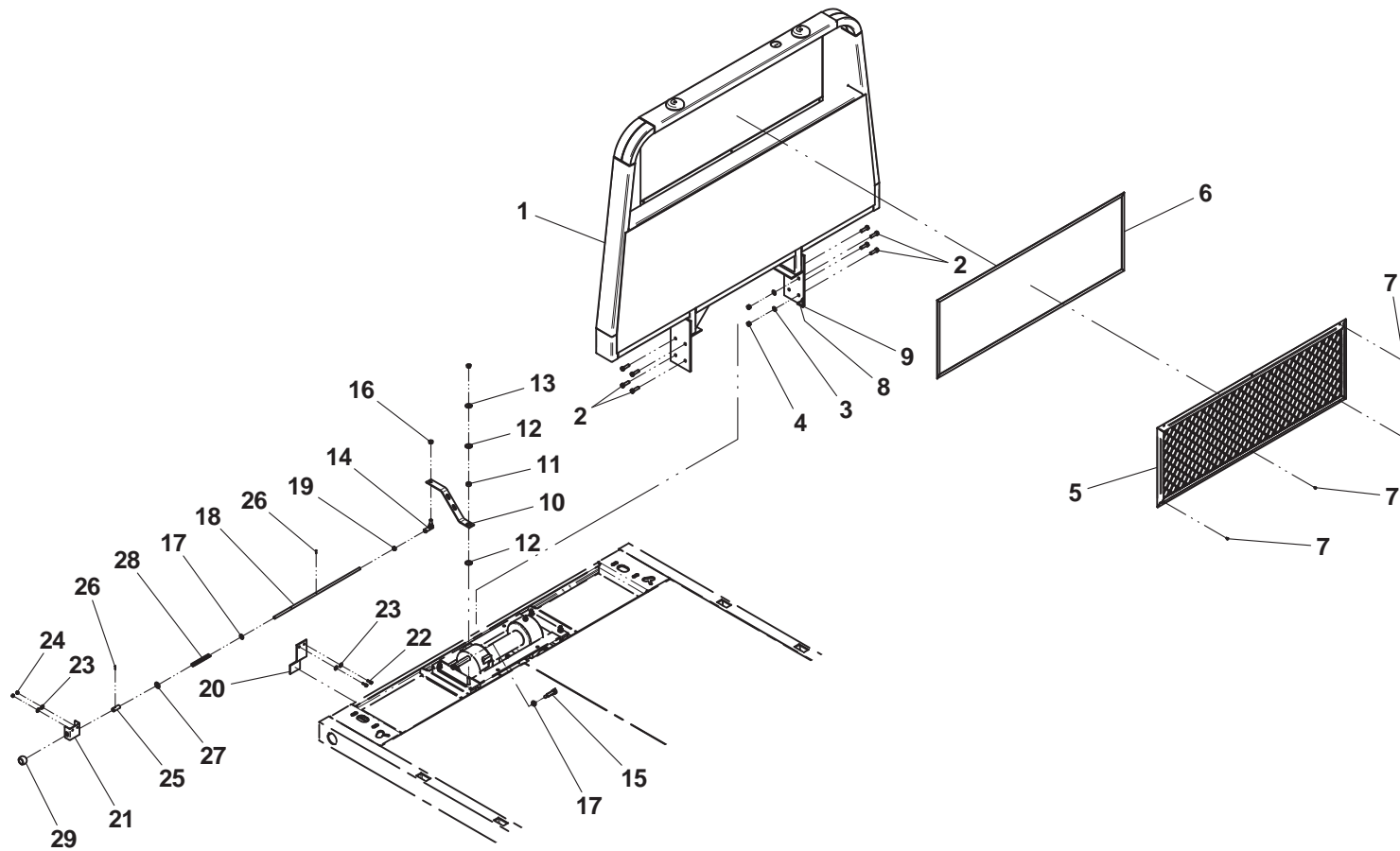


STATIONARY HEADBOARD & STD REMOTE WINCH FREE SPOOL (10,000 LB WORM GEAR WINCH)

ITEM	PART NO.	DESCRIPTION	QTY	ITEM	PART NO.	DESCRIPTION	QTY
1	3241000161	Stationary Headboard Weld - 57.00"	1	28	7843000027*+	Spring	1
	3241000162	Stationary Headboard Weld - 62.00"		29	7551000017*+	Knob	1
	3241000163	Stationary Headboard Weld - 69.00"					
2	7105181650	Capscrew, 0.50"-20NF x 2.00"	8				
3	7950180153	Flatwasher, 0.50" ID	8				
4	7660182333	Locknut, 0.50"-20NF	8				
5	3391000014	Screen Weld (57.00" headboard)	1				
	3391000017	Screen Weld (62.00" headboard)					
	3391000018	Screen Weld (69.00" headboard)					
6	4796000003	Gasket	1				
7	7759000015	Rivet	6				
8	4705000607	Shim - 0.25"	A/R				
9	4705000608	Shim - 0.12"	A/R				
10	4587000005*+	Lever	1				
11	4209000328*+	Bushing	1				
12	7082000010*+	Nylon Washer	2				
13	7950180161*+	Flatwasher, 0.50" ID	1				
14	7309000002*+	Coupling	1				
15	7691000046*+	Clevis Pin	1				
16	7660182631*+	Locknut, 0.50"-20NF	1				
17	7950180143*+	Flatwasher, 0.50" ID	2				
18	4763000348*+	Rod	1				
19	7660180234*+	Locknut, 0.50"-20NF	1				
20	4178000674*+	Bracket	1				
21	4178000673*+	Bracket	1				
22	7115150850*+	Capscrew, 0.31"-18NC x 1.00"	2				
23	7950150161*+	Flatwasher, 0.31" ID	4				
24	7660152601*+	Locknut, 0.31"-18NC	2				
25	4209000147*+	Bushing	1				
26	7690051274*+	Pin	2				
27	7949000030*+	Nylon Washer	1				

* also available in complete Remote Free Spool Installation:
P/N 2970000021 for 10,000 lb worm gear winch
+ use with 10,000 lb winch only

STATIONARY HEADBOARD & STD REMOTE WINCH FREE SPOOL (10,000 LB WORM GEAR WINCH)

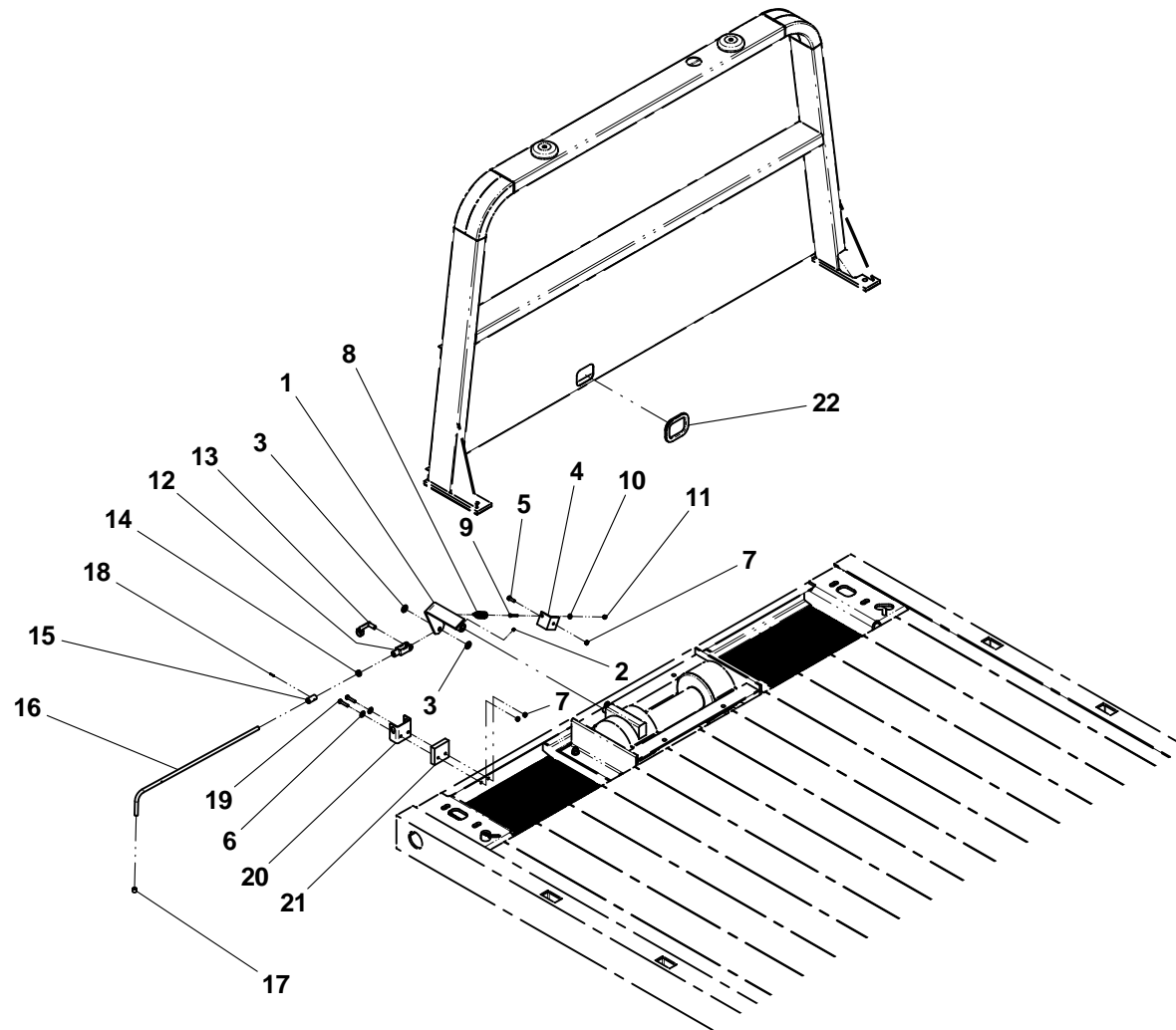


62.00" headboard shown with 10,000 lb worm gear winch and standard remote free spool

REMOTE WINCH FREE SPOOL (12,000 LB WORM GEAR WINCH WITH STANDARD HEADBOARD)

ITEM	PART NO.	DESCRIPTION	QTY
1	3020000091	Arm Lever Weld	1
2	7785150500	Set Screw, 0.31"-18NC x .31"	1
3	7950180143	Flatwasher, 0.50" ID	2
4	4017001194	Angle	1
5	7115150850	Capscrew, 0.31"-18NC x 1.00"	1
6	7950150161	Flatwasher, 0.31" ID	2
7	7660152601	Locknut, 0.31"-18NC	3
8	7843000007	Extension Spring	1
9	7111141407	Capscrew, 0.25"-20NC x 1.75"	1
10	7950140141	Flatwasher, 0.25" ID	1
11	7660142601	Locknut, 0.25"-20NC	1
12	7990000011	Yoke	1
13	7691000046	Clevis Pin	1
14	7660180234	Jam Nut 0.50"-20NF	1
15	4209000212	Bushing	1
16	4763000253	Rod	1
17	7254000016	Cap	1
18	7690051274	Pin	1
19	7115151250	Capscrew, 0.31"-18NC x 1.50"	2
20	4178000673	Bracket	1
21	4679000208	Pad	1
22	4632000030	Trim Loc	1

REMOTE WINCH FREE SPOOL (12,000 LB WORM GEAR WINCH WITH STANDARD HEADBOARD)

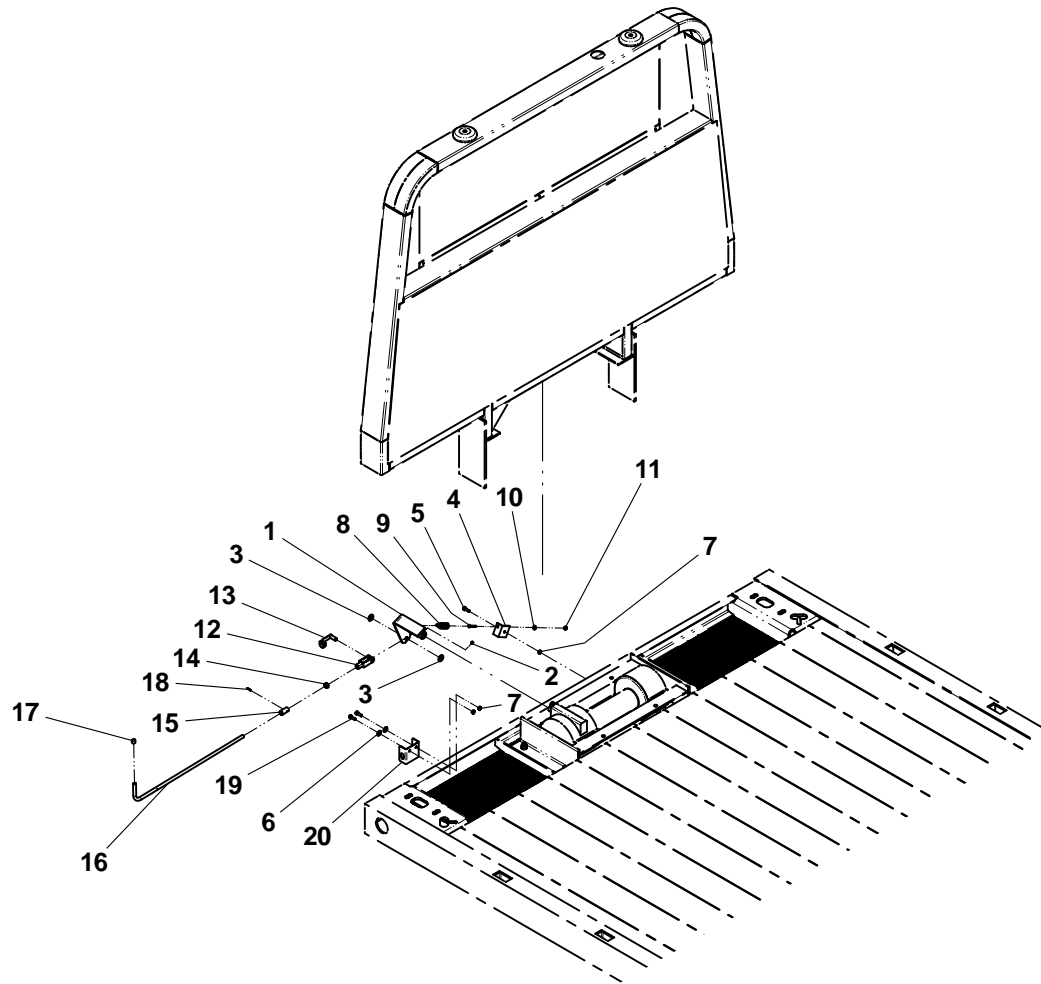


50.50" standard headboard shown

REMOTE WINCH FREE SPOOL (12,000 LB WORM GEAR WINCH WITH STATIONARY HEADBOARD)

ITEM	PART NO.	DESCRIPTION	QTY
1	3020000123	Arm Lever Weld	1
2	7785150500	Set Screw, 0.31"-18NC x .31"	1
3	7950180143	Flatwasher, 0.50" ID	2
4	4017001504	Angle	1
5	7115150850	Capscrew, 0.31"-18NC x 1.00"	1
6	7950150161	Flatwasher, 0.31" ID	2
7	7660152601	Locknut, 0.31"-18NC	3
8	7843000007	Extension Spring	1
9	7111141407	Capscrew, 0.25"-20NC x 1.75"	1
10	7950140141	Flatwasher, 0.25" ID	1
11	7660142601	Locknut, 0.25"-20NC	1
12	7990000011	Yoke	1
13	7691000046	Clevis Pin	1
14	7660180234	Jam Nut 0.50"-20NF	1
15	4209000212	Bushing	1
16	4763000253	Rod	1
17	7254000016	Cap	1
18	7690051274	Pin	1
19	7115150850	Capscrew, 0.31"-18NC x 1.00"	2
20	4178000673	Bracket	1

REMOTE WINCH FREE SPOOL (12,000 LB WORM GEAR WINCH WITH STATIONARY HEADBOARD)



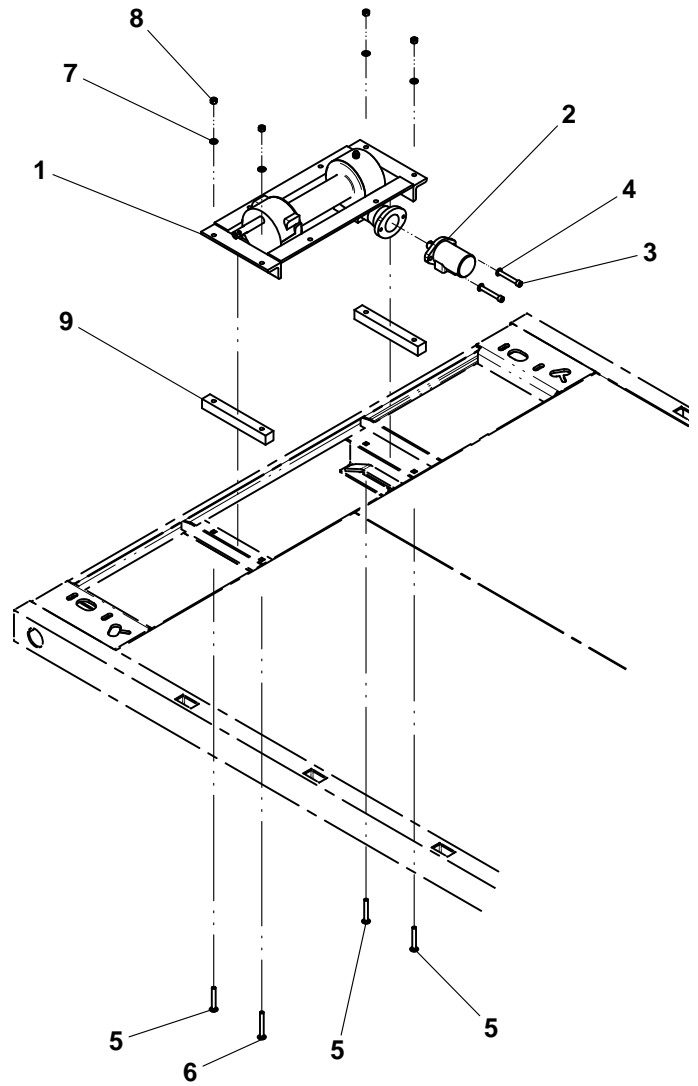
62.00" stationary headboard shown

WORM GEAR WINCH (10,000 LB)

ITEM	PART NO.	DESCRIPTION	QTY
1	797000123	Winch - 10,000 lb Worm Gear (w/ std remote free spool)	1
	797000140	Winch - 10,000 lb Worm Gear (w/ air remote free spool)	
2	762600014	Orbit Motor	1
3	7115181250	Capscrew, 0.50"-13NC x 1.50"	2
4	7950180400	Lockwasher, 0.50" ID	2
5	7115181464	Carriage Bolt, 0.50"-13NC x 1.75" (steel decks)	3
	7115182864	Carriage Bolt, 0.50"-13NC x 3.5" (steel transporters)	
6	7115181864	Carriage Bolt, 0.50"-13NC x 2.25" (steel decks)	1
	7115183264	Carriage, 0.50"-13NC x 4.00" (steel transporters)	
7	7950180153	Flatwasher, 0.50" ID	4
8	7660182601	Locknut, 0.50"-13NC	4
9	4062000318	Bar (transporters only)	2
10	7248000064	Cable, 0.44" dia x 56' (10,000 lb winch)	1

Refer to manufacturer's manual for winch parts list

WORM GEAR WINCH (10,000 LB)



Item #10, Winch Cable, not shown

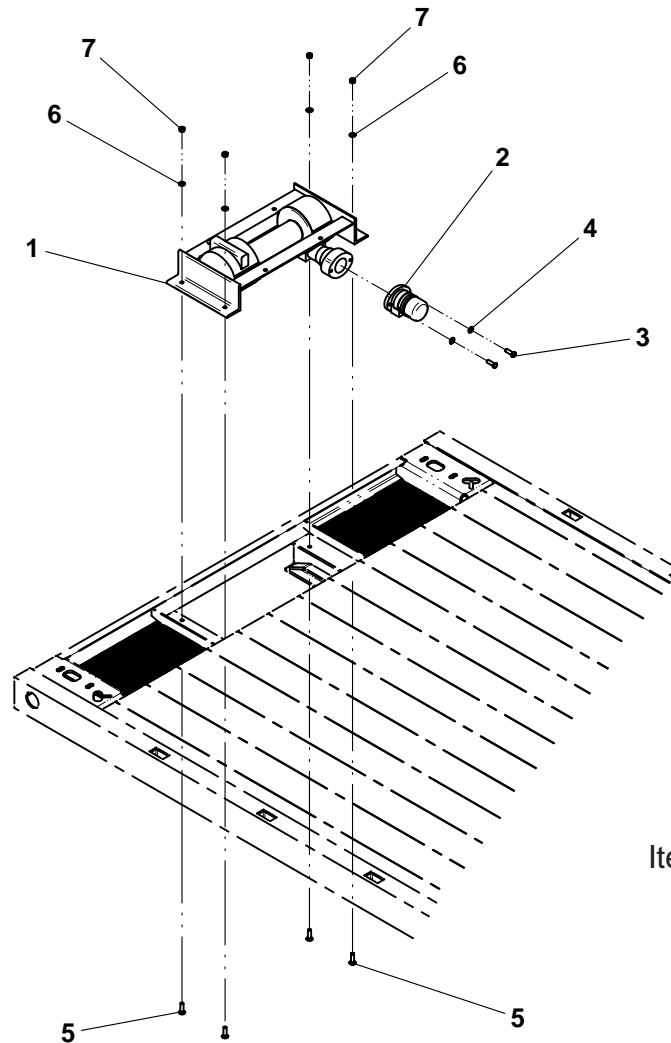
10,000 lb winch shown on transporter deck

WORM GEAR WINCH (12,000 LB)

ITEM	PART NO.	DESCRIPTION	QTY
1	7970000083	Winch -12,000 lb Worm Gear	1
2	7626000018	Orbit Motor	1
3	7115181250	Capscrew, 0.50"-13NC x 1.50"	2
4	7950180400	Lockwasher, 0.50" ID	2
5	7115181464	Carriage Bolt, 0.50"-13NC x 1.75"	4
6	7950180153	Flatwasher, 0.50" ID	4
7	7660182301	Locknut, 0.50"-13NC	4
8	7248000064	Cable, 0.44" dia x 56'	1

Refer to manufacturer's manual for winch parts list

WORM GEAR WINCH (12,000 LB)



Item #8, Winch Cable, not shown

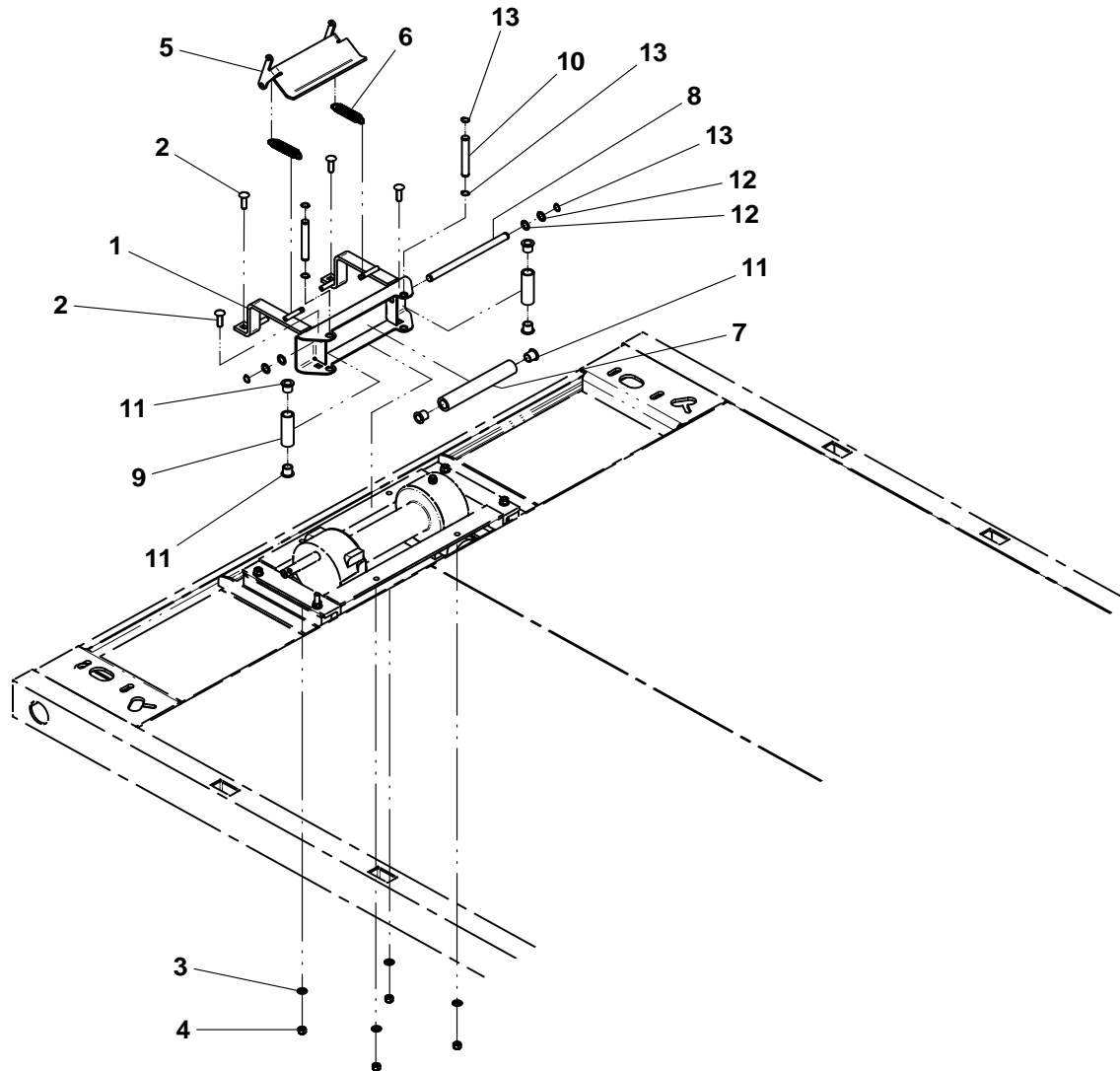
12,000 lb winch shown on transporter deck

WORM GEAR WINCH CABLE ROLLER GUIDE / TENSIONER PLATE

ITEM	PART NO.	DESCRIPTION	QTY
1	3178000433*	Bracket Weld	1
2	7115181464	Carriage Bolt, 0.50"-13NC x 1.75"	4
3	7950180153	Flatwasher, 0.50" ID	4
4	7660182601	Locknut, 0.50"-13NC	4
5	4706003766	Plate (10,000 lb winch)	1
	4706003857	Plate (12,000 lb winch)	
6	7843000035	Spring	2
7	4912000130*	Roller	1
8	4806000014*	Shaft	1
9	4912000394*	Roller	2
10	4806000011*	Shaft	2
11	7209000011*	Bushing	6
12	7949000034*	Spacer	4
13	7754000022*	Retaining Ring	6

* also available in Cable Guide / Tensioner Assembly, P/N 3249000036

WORM GEAR WINCH CABLE ROLLER GUIDE / TENSIONER PLATE



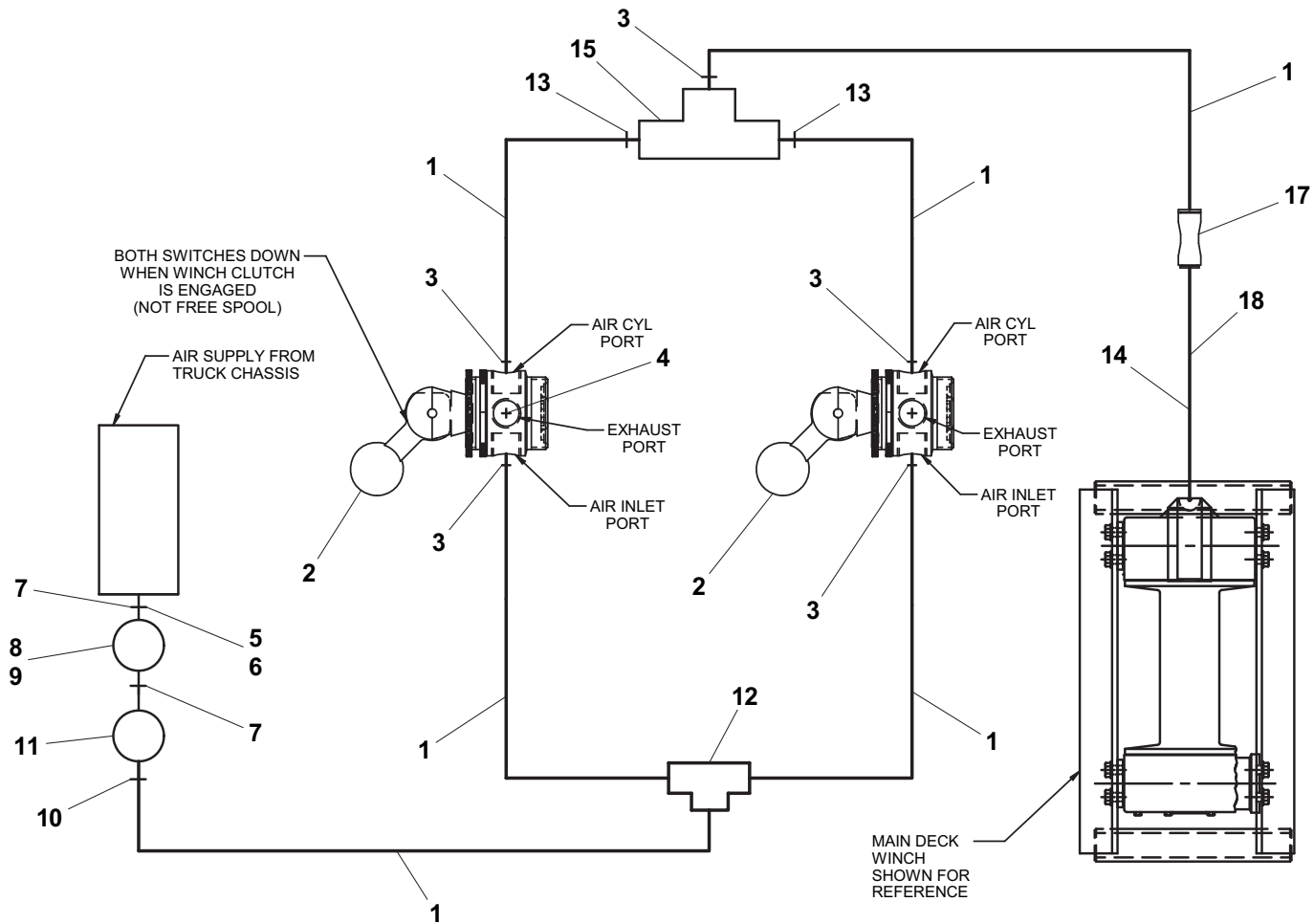
10,000 lb winch shown

REMOTE AIR FREE SPOOL

ITEM	PART NO.	DESCRIPTION	QTY
1	7565000014	Air line Tubing	*
2	7935000182	Air Valve	2
3	7443000364	Fitting	5
4	7640000002	Air Exhaust Muffler	2
5	7443000154	Fitting	1
6	7443000111	Fitting	1
7	7443000156	Nipple	2
8	7935000120	Pressure Protection Valve	1
9	7443000152	Plug	1
10	7443000366	Fitting	1
11	7935000248	Air Regulator	1
12	7443000371	Tee	1
13	7443000365	Fitting	2
14	8597650001	Loom	*
15	7935000229	Shuttle Valve	1
16	7894000004	Tie Strap	*
17	7443000443	Union	1
18	7565000016	Airline Tubing	*

* - Quantity varies depending on deck length and chassis

REMOTE AIR FREE SPOOL



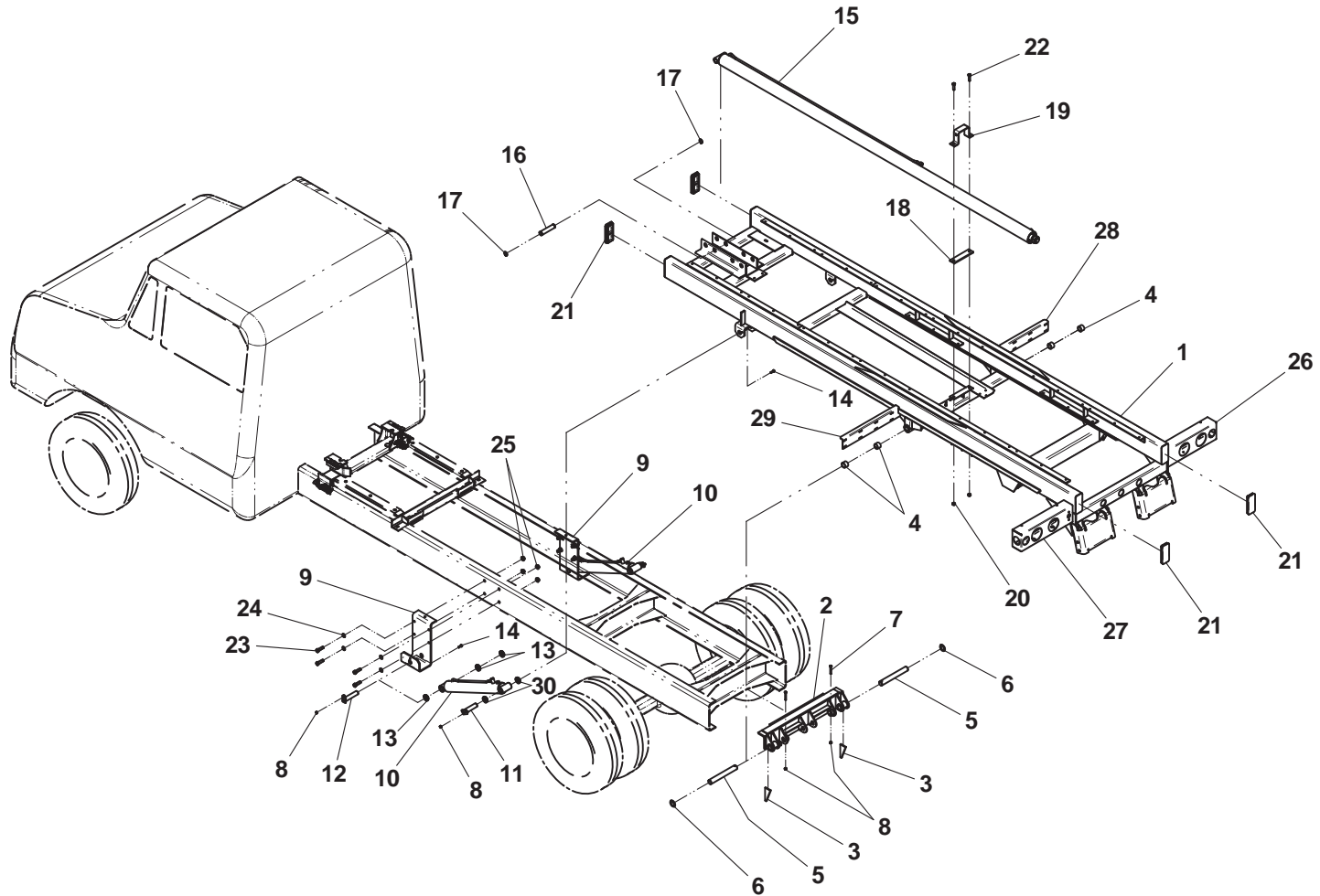
Item #16, Tie Strap, not shown

SUBFRAME - 22' & 24' DECKS

ITEM	PART NO.	DESCRIPTION	QTY	ITEM	PART NO.	DESCRIPTION	QTY
1	3868000271	Subframe Weld	1	28	4017001294*	Mud Flap Angle, RH	1
2	3905000013	Trunnion Weld	1	29	4017001293*	Mud Flap Angle, LH	1
3	4497000358	Gusset	2	30	4209000358	Bushing	4
4	7082000017*	Bearing	4				
5	4691000573	Pin	2				
6	7949000008	Washer, 2.25" ID	2				
7	7118162250	Capscrew, 0.38"-16NC x 2.75"	2				
8	7660162601	Locknut, 0.38"-16NC	6				
9	4178000805	Bracket	2				
10	3320000122	Tilt Cylinder Assembly	2				
11	3691000166	Pin Weld	2				
12	3691000273	Pin Weld	2				
13	4209000337	Bushing	6				
14	7115161050	Capscrew, 0.38"-16NC x 1.25"	4				
15	3320000121	Roll Cylinder Assembly	1				
16	4691000268	Pin	1				
17	7754000006	Retaining Ring	2				
18	4679000166	Pad	1				
19	4178000308	Bracket	1				
20	7660182631	Locknut, 0.50"-20NF	2				
21	7701000050*	Plug	4				
22	7105181650	Capscrew, 0.50:-20NF x 2.00"	2				
23	7105201850	Capscrew, 0.63"-18NF x 2.25"	8				
24	7950200242	Flatwasher, 0.63" ID	8				
25	7660202347	Locknut, 0.63"-18NF	8				
26	3178000234*	Light Box, RH	1				
27	3178000233*	Light Box, LH	1				

* included in Subframe Weld, P/N 3868000271

SUBFRAME - 22' & 24' DECKS

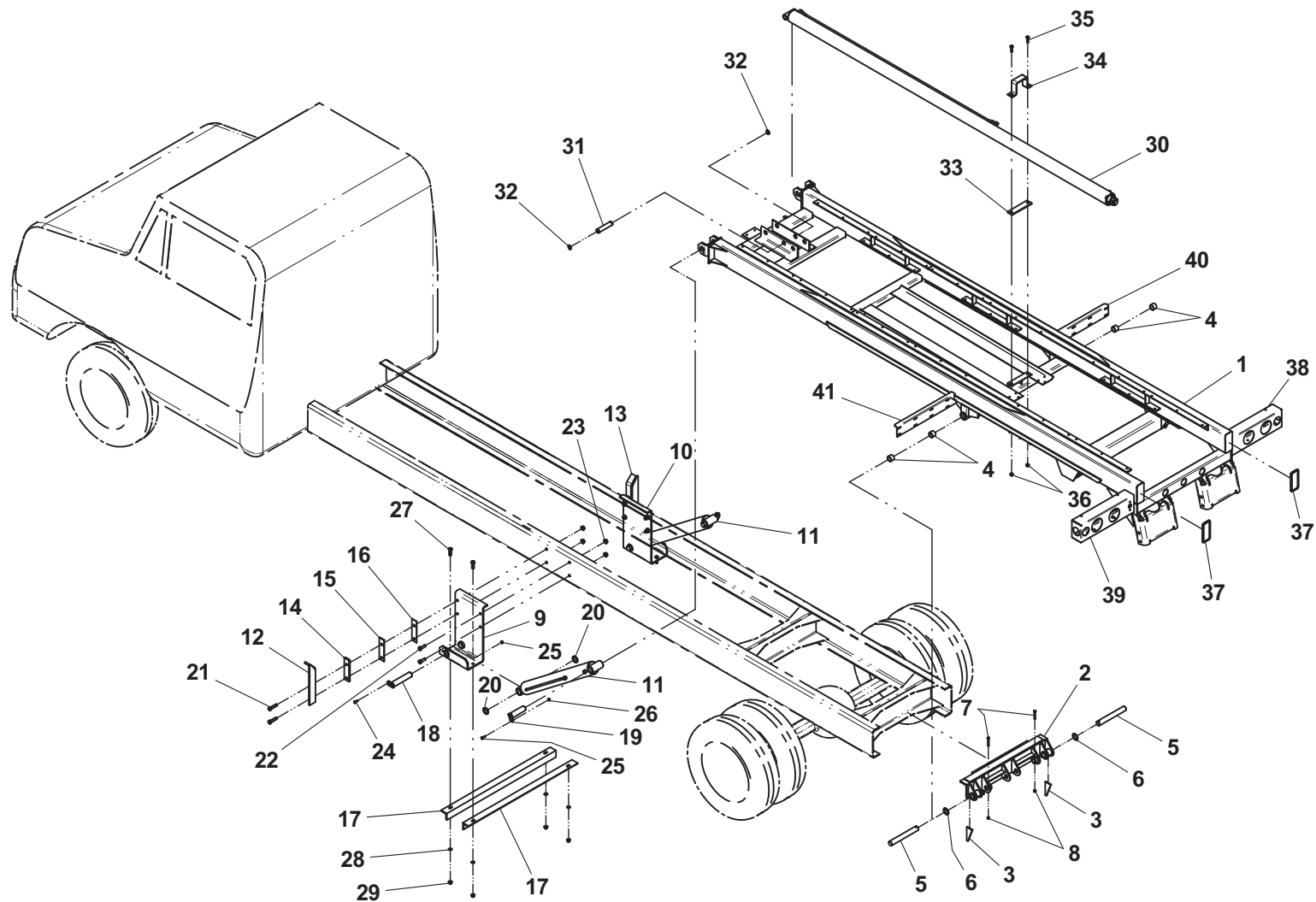


SUBFRAME - 26' & 28' DECKS

ITEM	PART NO.	DESCRIPTION	QTY	ITEM	PART NO.	DESCRIPTION	QTY
1	3868000272	Subframe Weld	1	33	4679000166	Pad	1
2	3905000013	Trunnion Weld	1	34	4178000308	Bracket	1
3	4497000358	Gusset	2	35	7115181450	Capscrew, 0.50"-13NC x 1.75"	2
4	7082000017*	Bearing	4	36	7660182601	Locknut, 0.50"-13NC	2
5	4691000573	Pin	2	37	7701000050*	Plug	2
6	7949000008	Washer, 2.25" ID	2	38	3178000234*	Light Box, RH	1
7	7118162250	Capscrew, 0.38"-16NC x 2.75"	2	39	3178000233*	Light Box, LH	1
8	7660162601	Locknut, 0.38"-16NC	2	40	4017001294*	Mud Flap Angle, RH	1
9	4178000288	Bracket, LH	1	41	4017001293*	Mud Flap Angle, LH	1
10	4178000289	Bracket, RH	1				
11	3320000129	Tilt Cylinder Weld	2				
12	3062000015	Bar Weld, LH	1				
13	3062000014	Bar Weld, RH	1				
14	4831000079	Spacer, 0.50"	2				
15	4831000083	Spacer, 0.25"	2				
16	4831000084	Spacer, 0.12"	2				
17	4017001093	Angle	2				
18	3691000164	Pin Weld	2				
19	3691000184	Pin Weld	2				
20	4209000204	Bushing	4				
21	7105202250	Capscrew, 0.63"-18NF x 2.75"	4				
22	7105201650	Capscrew, 0.63"-18NF x 2.00"	4				
23	7660202347	Locknut, 0.63"-18NF	8				
24	7115160850	Capscrew, 0.38"-16NC x 1.00"	2				
25	7660162301	Locknut, 0.38"-16NC	4				
26	7115161050	Capscrew, 0.38"-16NC x 1.25"	2				
27	7105181650	Capscrew, 0.50"-20NF x 2.00"	4				
28	7950180153	Flatwasher, 0.50" ID	4				
29	7660182333	Locknut, 0.50"-20NF	4				
30	3320000121	Roll Cylinder Assembly	1				
31	4691000268	Pin	1				
32	7754000006	Retaining Ring	2				

* included in Subframe Weld, P/N 3868000272

SUBFRAME - 26' & 28' DECKS

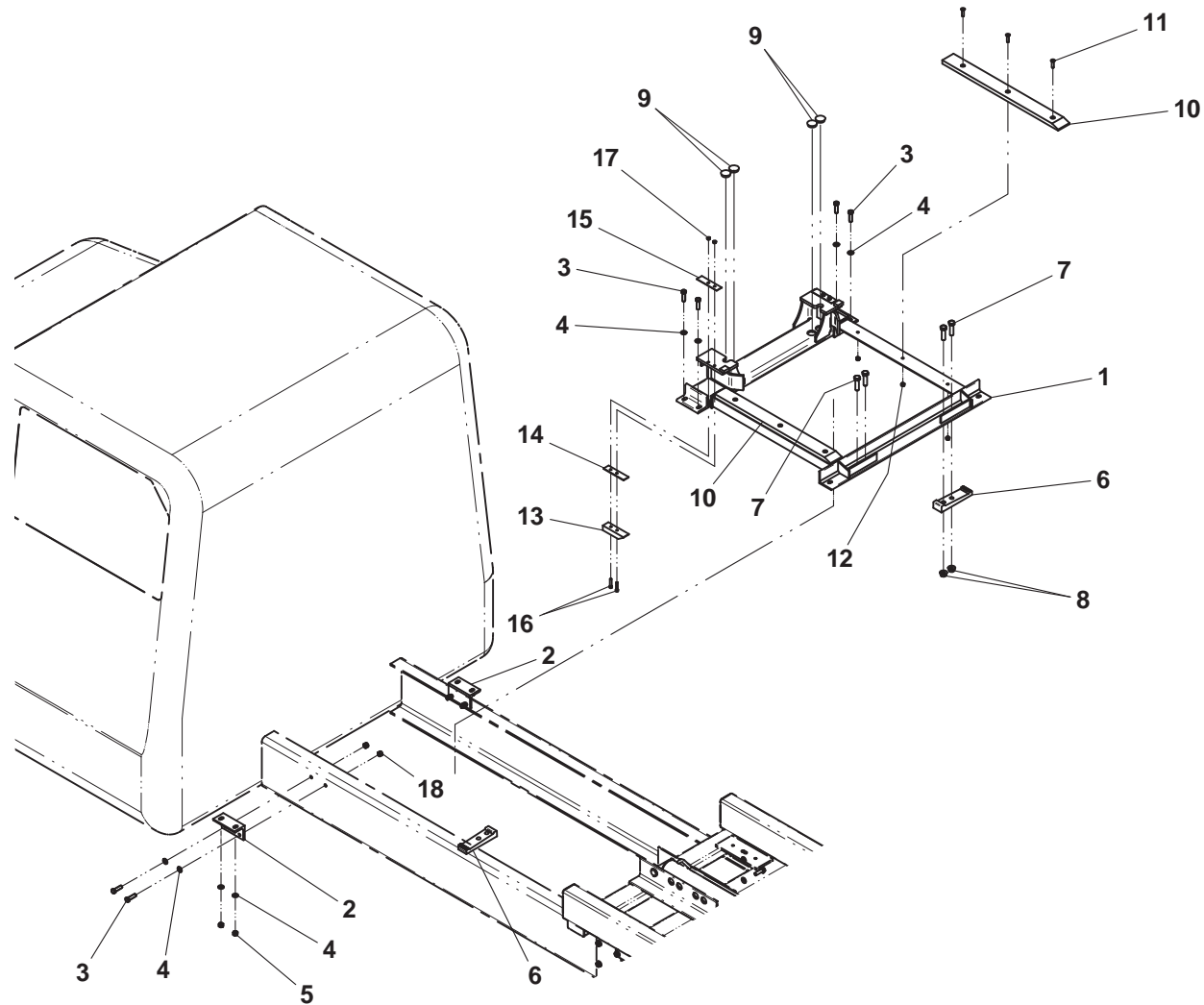


HOLD DOWN - 22' & 24' DECKS

ITEM	PART NO.	DESCRIPTION	QTY
1	3558000013*	Hold Down Weld	1
2	4017001271	Angle	2
3	7105181650	Capscrew, 0.50"-20NF x 2.00"	8
4	7950180153	Flatwasher, 0.50" ID	12
5	7660182631	Locknut, 0.50-20NF	4
6	7274000046	Retaining Clamp	2
7	7105201850	Capscrew, 0.63"-18NF x 2.25"	4
8	7660202347	Locknut, 0.63"-18NF	4
9	7701000063	Plug	4
10	4679000153*	Wear Pad	2
11	7118161026*	Flathead Screw, 0.38"-16NC x 1.25"	6
12	7660162601*	Locknut, 0.38-16NC	6
13	4679000221*	Wear Pad	2
14	4812000071*	Shim - 0.12"	2
15	4812000072*	Shim - 0.06"	2
16	7114151218*	Capscrew, 0.31"-18NC x 1.50"	4
17	7660152601*	Locknut, 0.31"-18NC	4
18	7660182333	Locknut, 0.50-20NF	4

* also available in Hold Down Assembly, P/N 3558000014

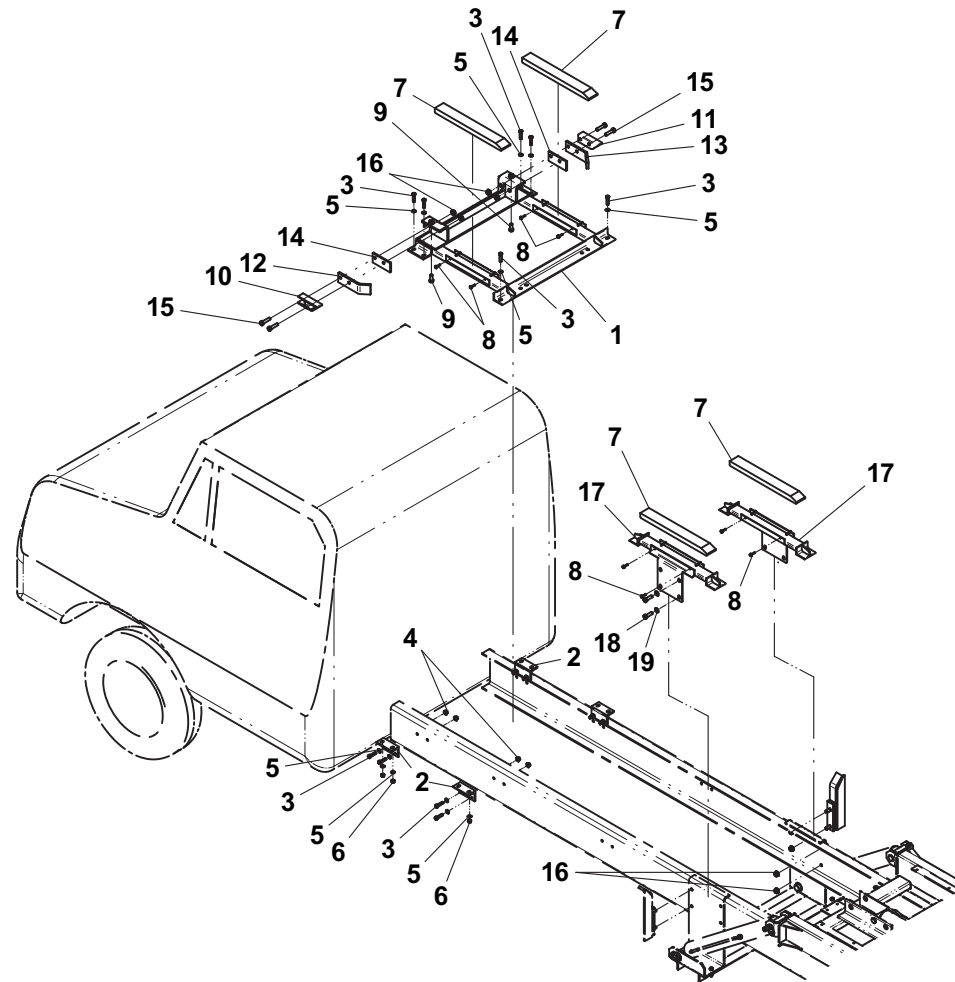
HOLD DOWN - 22' & 24' DECKS



HOLD DOWN - 26' & 28' DECKS

ITEM	PART NO.	DESCRIPTION	QTY
1	3558000008	Hold Down Weld - Primary	1
2	4017001271	Angle	4
3	7105181650	Capscrew, 0.50"-20NF x 2.00"	14
4	7660182333	Locknut, 0.50"-20NF	8
5	7950180153	Flatwasher, 0.50 ID	20
6	7660182631	Locknut, 0.50"-20NF	6
7	4679000194	Pad	4
8	7790152056	Screw, 0.31"-18NC x 1.25"	16
9	7105201250	Capscrew, 0.63"-18NF x 1.50"	2
10	7259000015	Hold Down Shoe LH	1
11	7259000016	Hold Down Shoe RH	1
12	4706003025	Rub Plate LH	1
13	4706003026	Rub Plate RH	1
14	4706003027	Plate	2
15	7105202050	Capscrew, 0.63"-18NF x 2.50"	4
16	7660202347	Locknut, 0.63"-18NF	8
17	3558000018	Hold Down Secondary Support	2
18	7105201650	Capscrew, 0.63" - 18NF x 2.00" Hex Head	4
19	7950200242	Flatwasher, 0.63" Nom Nar Hardened "B"	4

HOLD DOWN - 26' & 28' DECKS

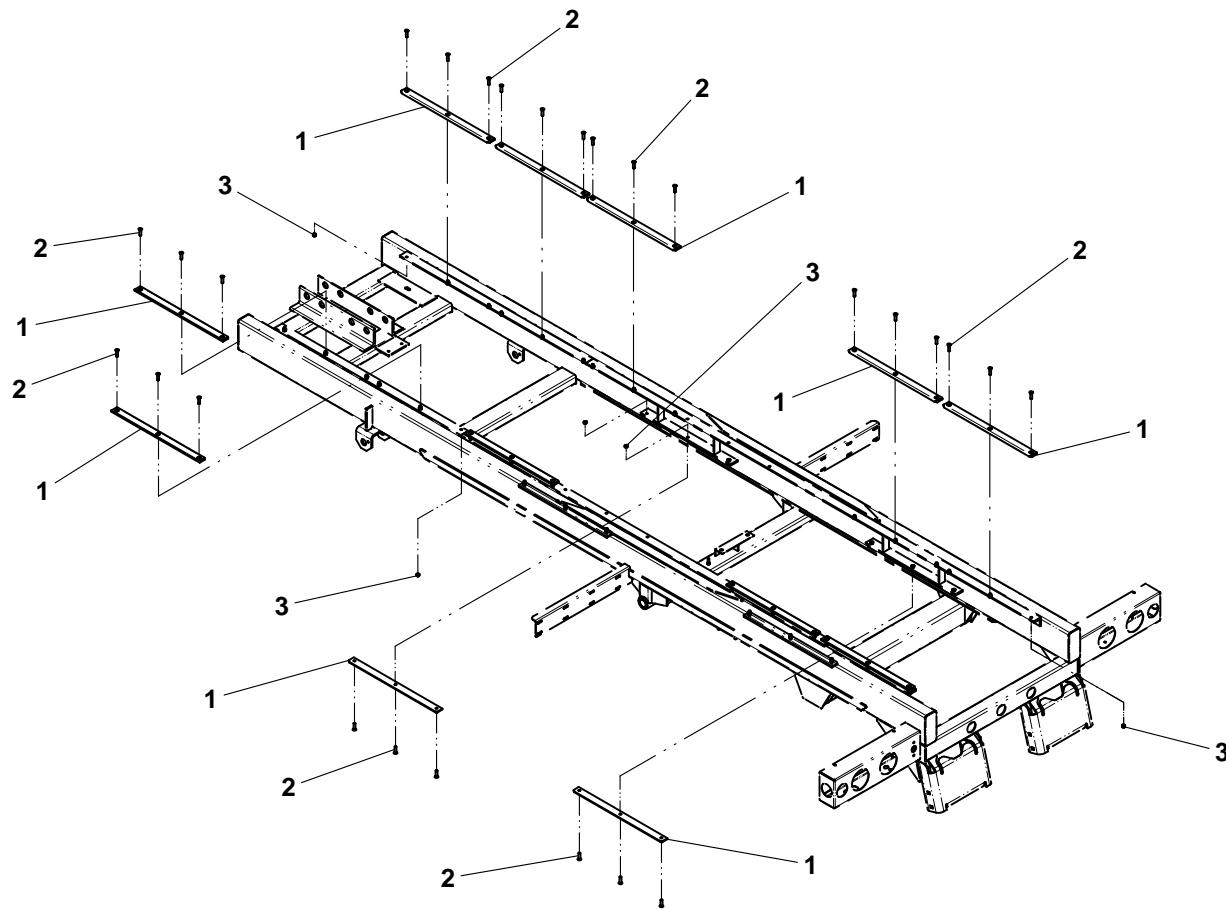


SLIDE PAD

ITEM	PART NO.	DESCRIPTION	QTY
1	4679000145*	Slide Pad (22' & 24' decks)	14
	4679000145	Slide Pad (26' & 28' decks)	16
2	7118161026*	Screw, 0.38"-16NC x 1.25" (22' & 24' decks)	42
	7118161026	Screw, 0.38"-16NC x 1.25" (26' & 28' decks)	48
3	7660162601*	Locknut, 0.38"-16NC (22' & 24' decks)	42
	7660162603	Locknut, 0.38"-16NC (26' & 28' decks)	48

* included in Slide Pad Kit, P/N 9577000228

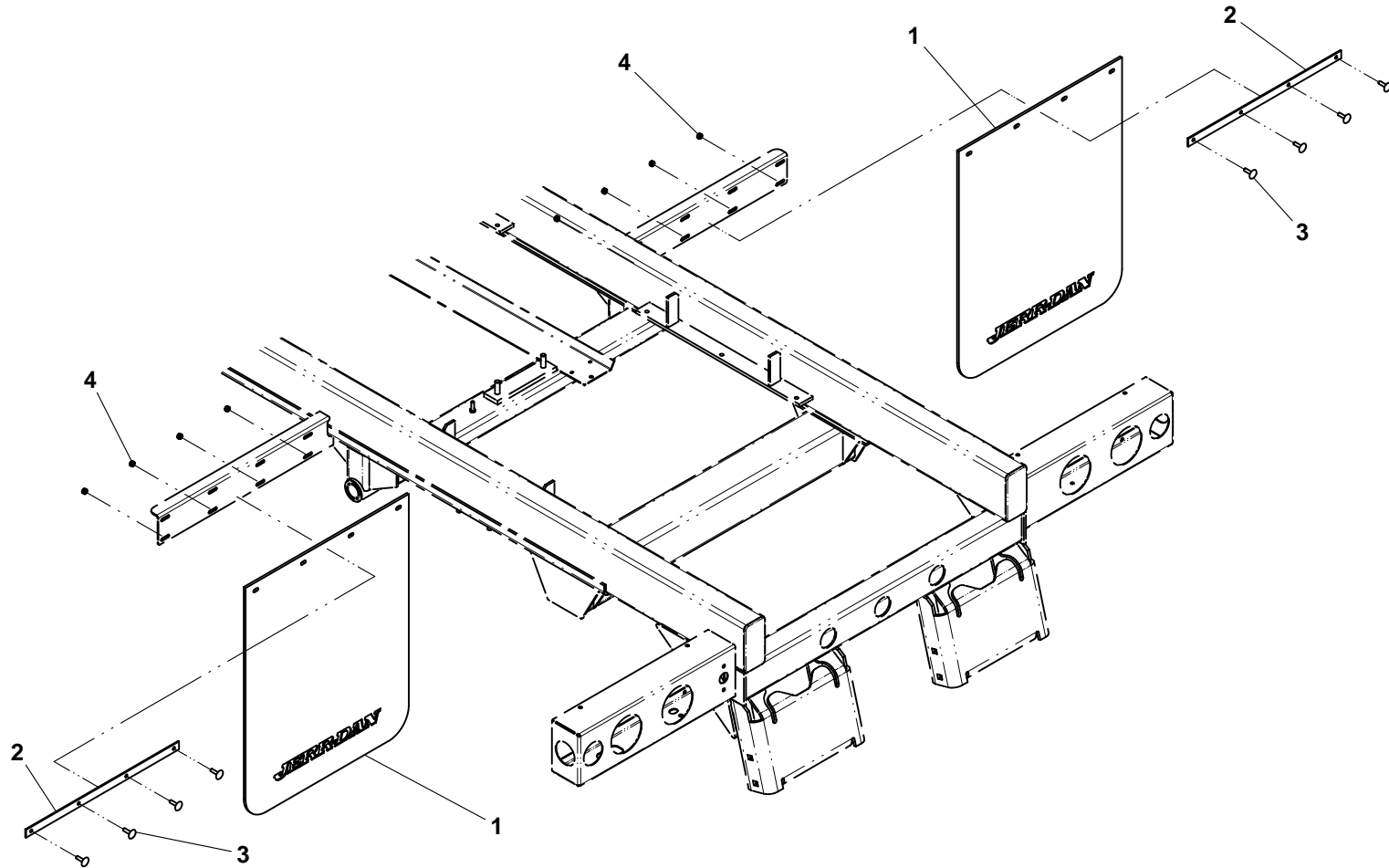
SLIDE PAD



MUD FLAP

ITEM	PART NO.	DESCRIPTION	QTY
1	7638000004	Mud Flap - Standard, 30" long	2
	7638000013	Mud Flap - High Frame, 36" long	
2	4706000233	Plate	2
3	7111150864	Carriage Bolt, 0.31"-18NC x 1.00"	8
4	7660152601	Locknut, 0.31"-18NC	8

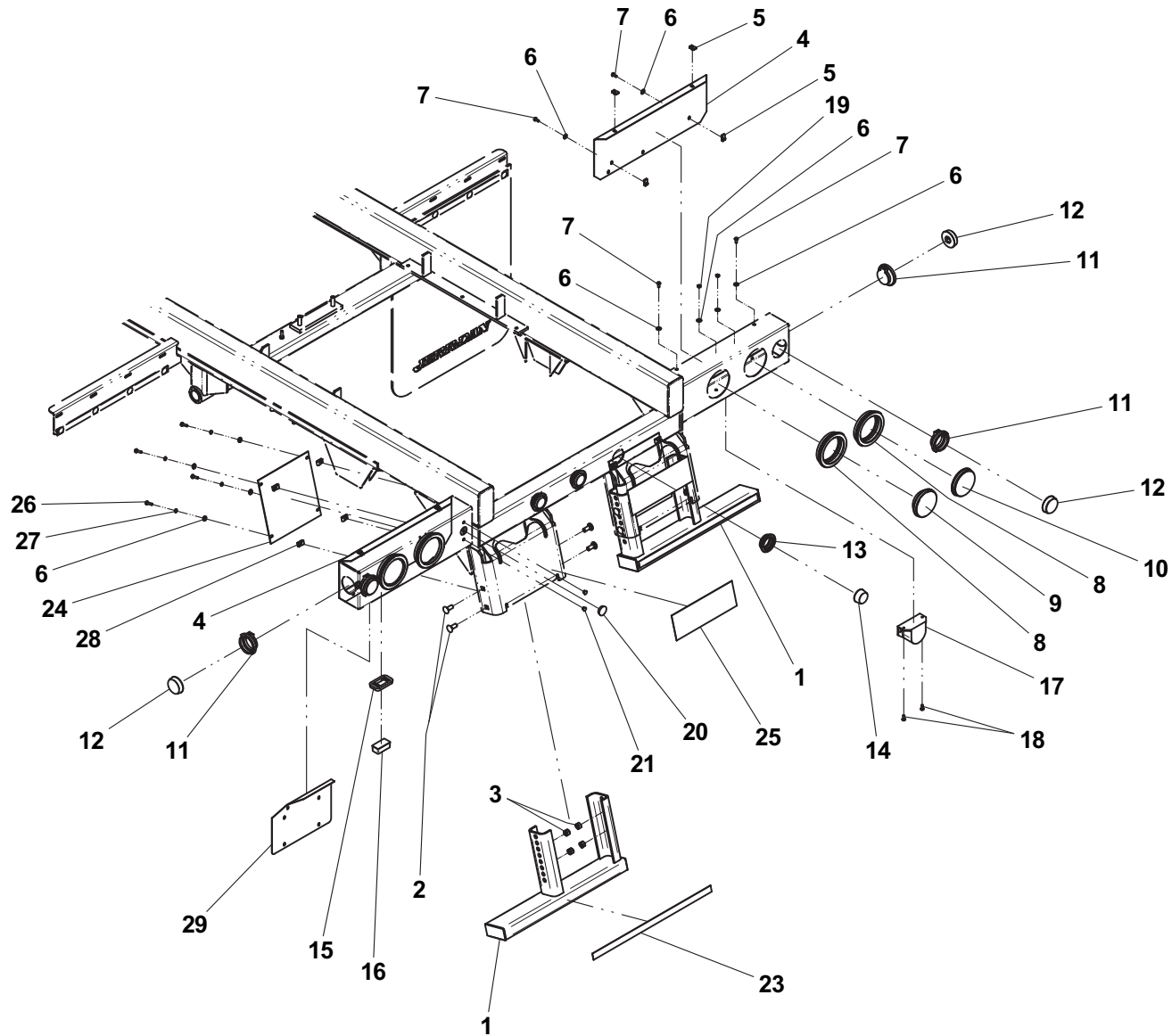
MUD FLAP



FINAL ASSEMBLY

ITEM	PART NO.	DESCRIPTION	QTY
1	3190000037	Bumper Tube Weld - Short	2
	3190000034	Bumper Tube Weld - Long	
2	7115181064	Carriage Bolt, 0.50"-13NC x 1.25"	8
3	7660182601	Locknut, 0.50"-13NC	8
4	4314000043	Light Box Cover	2
5	7661000042	U-Nut, 0.25"-20NC	8
6	7949000023	Nylon Washer, 0.26" ID	18
7	7114140529	Screw, 0.25"-20NC x 0.63"	8
8	7493000002	Grommet	4
9	7590000113	Back-Up Light - White (Std)	2
10	7590000341	Stop/Tail/Turn Light - Red (LED)	2
11	7493000009	Grommet	4
12	7590000343	Marker Light - Red (LED)	4
13	7493000023	Grommet	3
14	7590000340	Marker Light - Red (LED)	3
15	7493000010	Grommet	1
16	7590000251	License Plate Light	1
17	7011000007	Back-Up Alarm	1
18	7114140528	Screw, 0.25"-20NC x 0.63"	2
19	7660142601	Locknut, 0.25-20NC	2
20	7701000049	Plug	1
21	7701000055	Plug	2
22	Not Required		
23	7330000428	Reflective Tape	2
24	4314000200	Cover Plate	2
25	7679000020	Non-Skid Pad	2
26	7115140850	Screw, 0.25"-20NC x 1.00"	8
27	7950140000	Lockwasher, 0.25" ID	8
28	7661000064	U-Nut Clip, 0.25"-20NC	8
29	4178000863	Bracket	1

FINAL ASSEMBLY



HYDRAULIC RESERVOIR AND TOOLBOX / BASKET

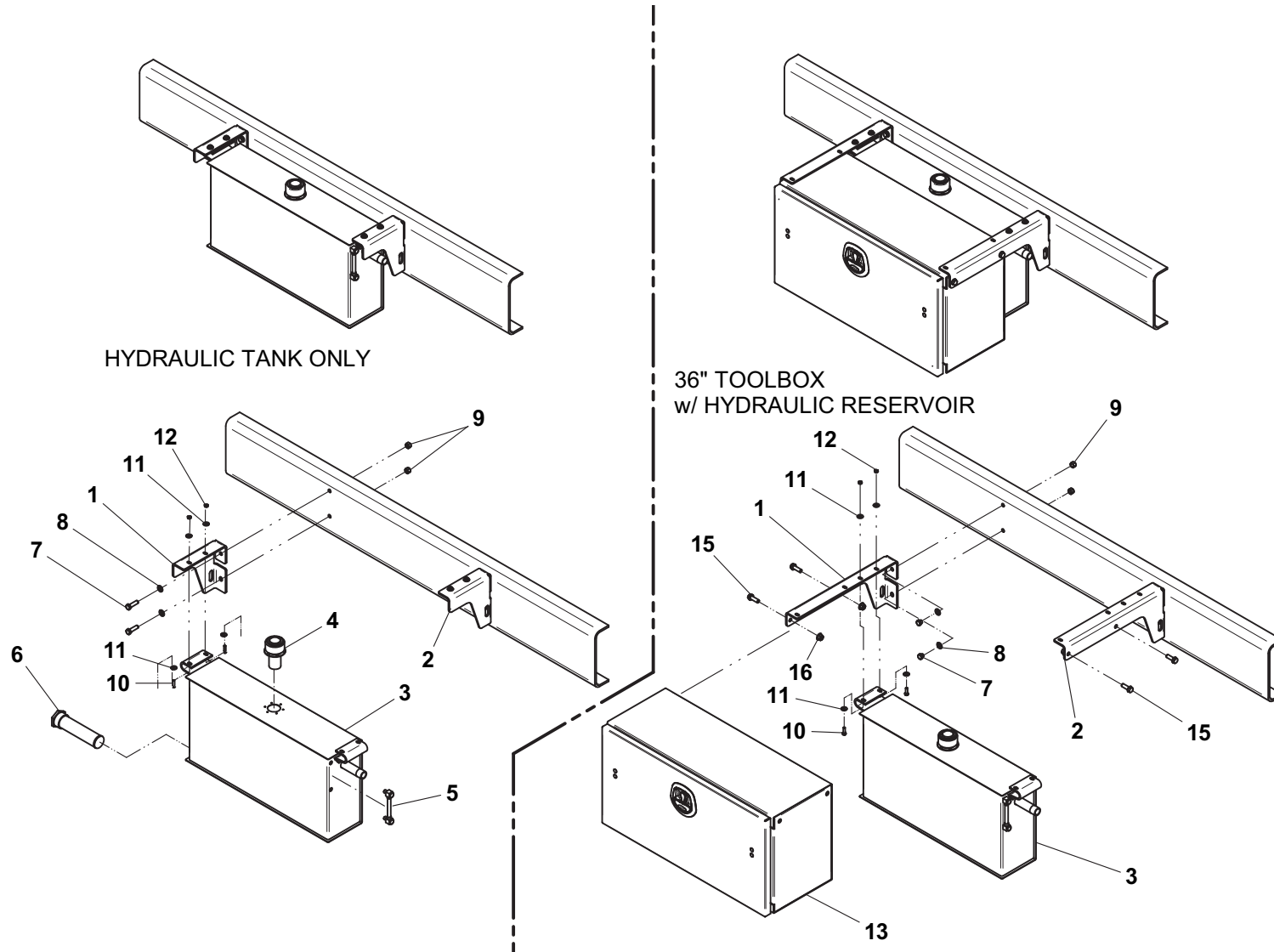
ITEM	PART NO.	DESCRIPTION	QTY*	ITEM	PART NO.	DESCRIPTION	QTY*
1	4178000331	Mounting Bracket - Short		20	4632000015	Moulding - 15" deep basket	
	4178000291	Mounting Bracket - Std			4632000048	Moulding - 24" deep basket	
	4178000339	Mounting Bracket - Long		21	7002000410	Stainless Steel Cover Plate for Basket includes rivets	
2	4178000330	Mounting Bracket - Short		22	3178000566	Bracket Weldment	
	4178000290	Mounting Bracket - Std		23	7701000051	Plug	
	4178000338	Mounting Bracket - Long					
3	3750000018	Hydraulic Reservoir Assembly					
4	7183000004+	Breather Filler Cap Assembly					
5	7470000027+	Level Gauge					
6	7430000014+	Strainer					
7	7105181650	Capscrew, 0.50"-20NF x 2.00"					
8	7950180153	Flat Washer, 0.50" ID					
9	7660182333	Locknut, 0.50"-20NF					
10	7115150850	Capscrew, 0.31"-18NC x 1.00"					
11	7950150161	Flatwasher, 0.31" ID					
12	7660152601	Locknut, 0.31"-18NC					
13	3899000130	Toolbox Assembly - 36" x 18" x 18"					
	3899000131	Toolbox Assembly - 36" x 18" x 14"					
	3899000132	Toolbox Assembly - 48" x 18" x 18"					
	3899000133	Toolbox Assembly - 60" x 18" x 18"					
	3899000172	Toolbox Assembly - 78" x 21" X 20"					
14	4679000256^	Rubber Pad (36" toolbox)					
	4679000257^	Rubber Pad (48" toolbox)					
	4679000258^	Rubber Pad (60" toolbox)					
	4679000322^	Rubber Pad (78" toolbox)					
15	7118181216	Capscrew, 0.50"-13NC x 1.50"					
16	7660182301	Locknut, 0.50"-13NC					
17	4706002361	Plate					
18	4017000777	High Mount Angle					
19	3899000053	Basket - 15" deep					
	3899000075	Basket - 24" deep					

+ also available in Hydraulic Reservoir Assembly, P/N 3750000018

^ included in Toolbox Assembly

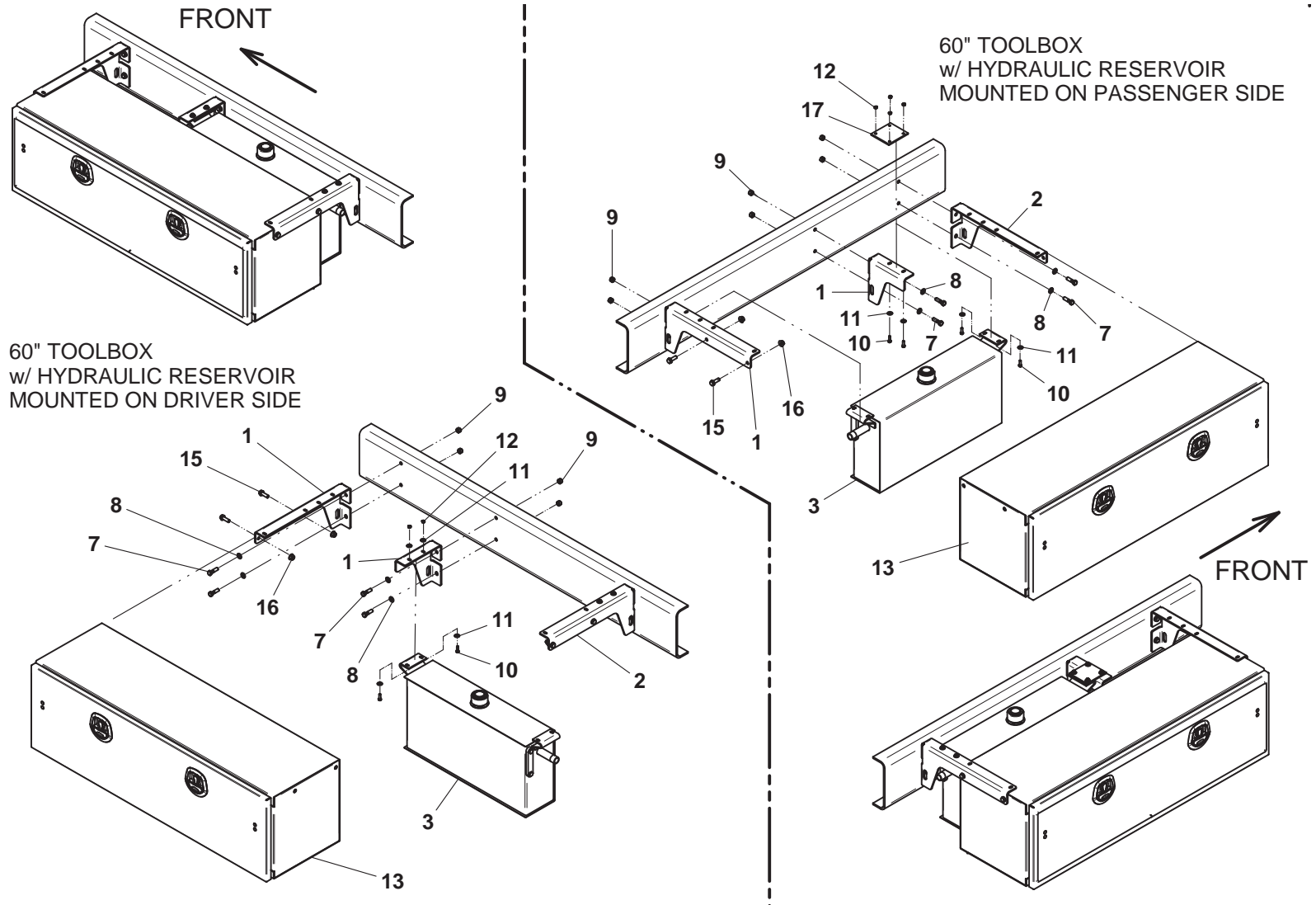
* Quantities vary depending on Hydraulic Tank / Toolbox / Basket mounting configuration.

HYDRAULIC RESERVOIR AND TOOLBOX / BASKET



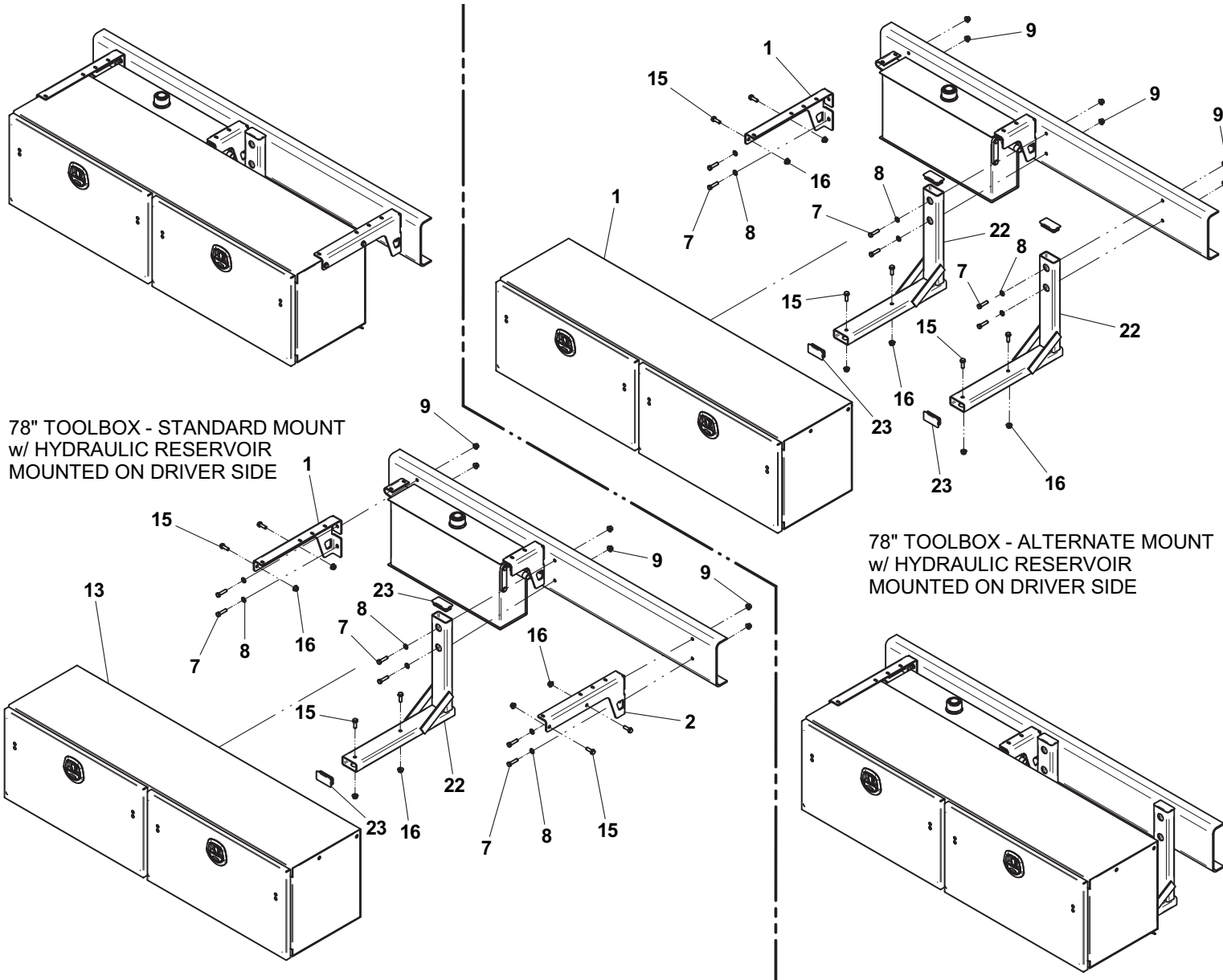
Item #14, Toolbox Rubber Pad, not shown

HYDRAULIC RESERVOIR AND TOOLBOX / BASKET



Item #14, Toolbox Rubber Pad, not shown

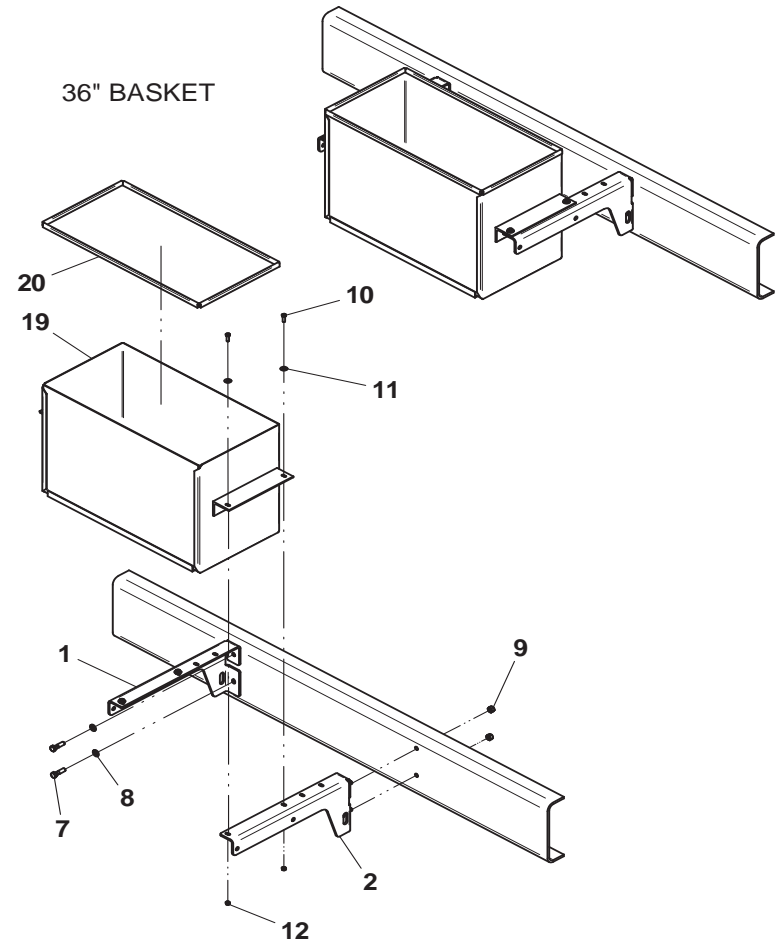
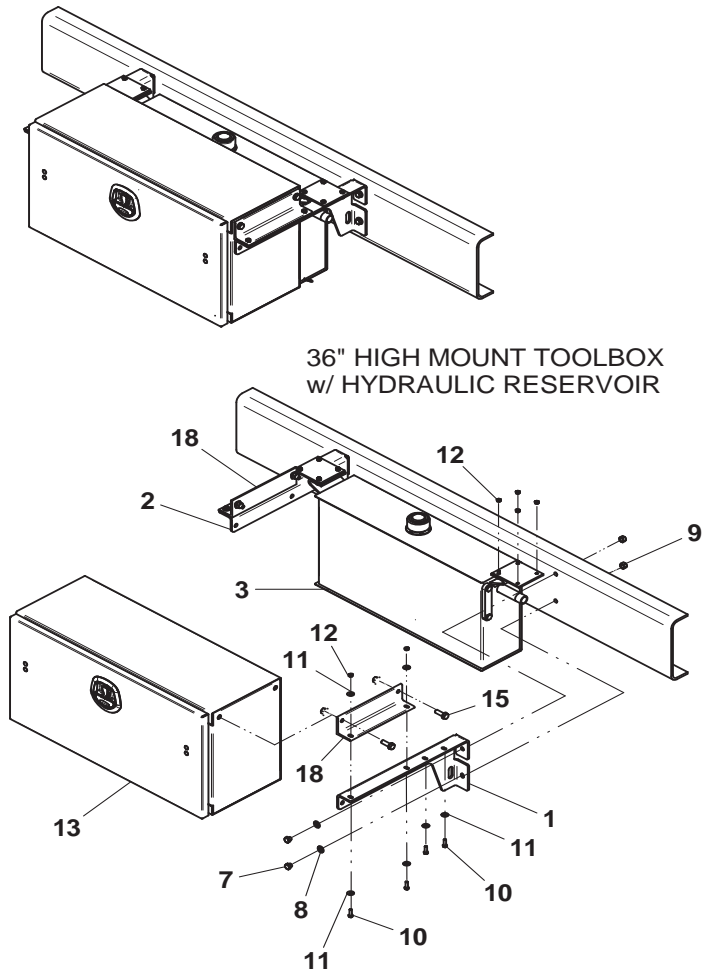
HYDRAULIC RESERVOIR AND TOOLBOX / BASKET



78" TOOLBOX - STANDARD MOUNT
w/ HYDRAULIC RESERVOIR
MOUNTED ON DRIVER SIDE

78" TOOLBOX - ALTERNATE MOUNT
w/ HYDRAULIC RESERVOIR
MOUNTED ON DRIVER SIDE

HYDRAULIC RESERVOIR AND TOOLBOX / BASKET



Items #14, Toolbox Rubber Pad and #21, Stainless Cover for Basket, not shown

THIS PAGE INTENTIONALLY LEFT BLANK

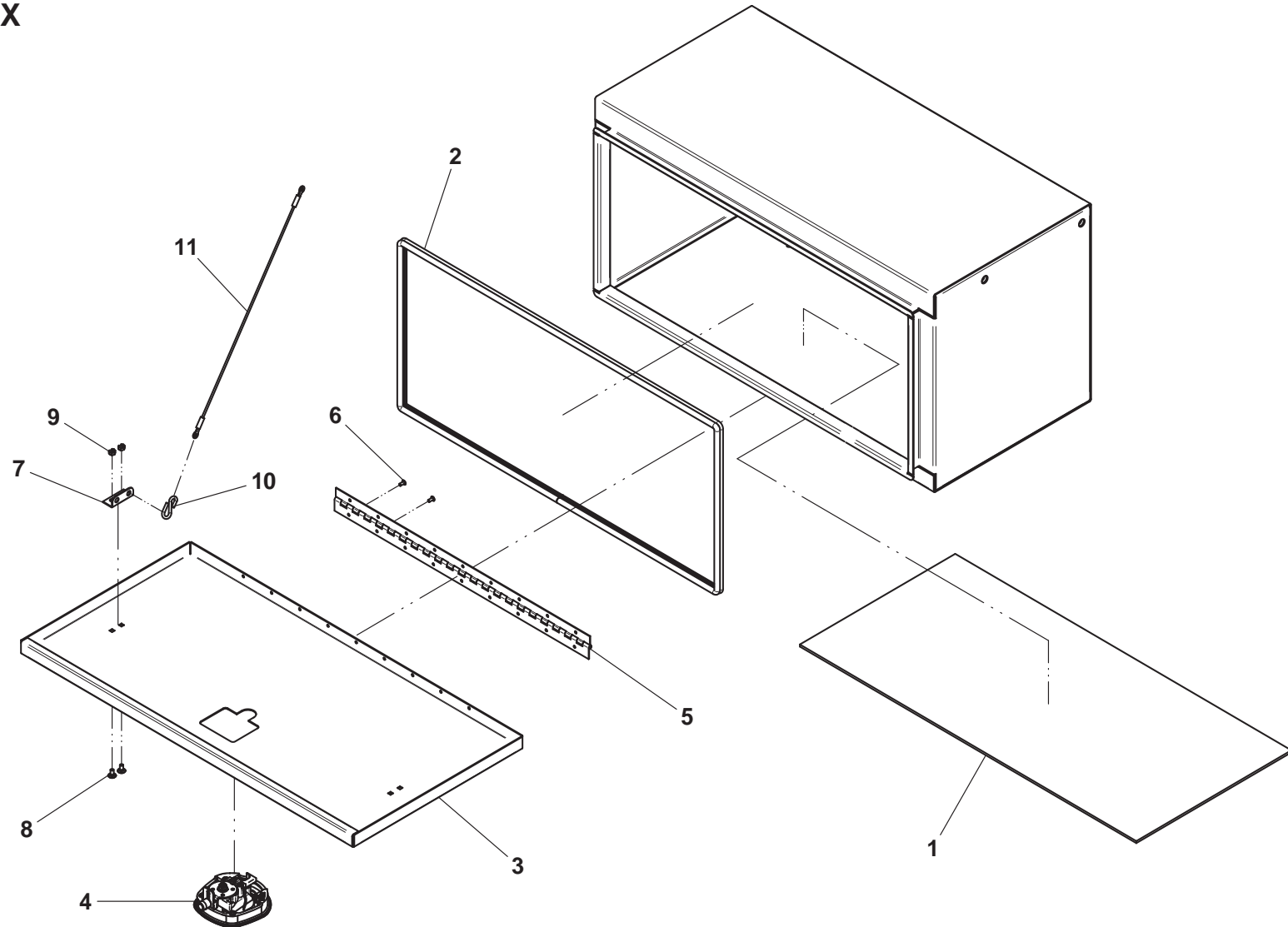
TOOLBOX

ITEM	PART NO.	DESCRIPTION	QTY*
1	4679000256	Rubber Pad (36" toolbox)	1
	4679000257	Rubber Pad (36" narrow toolbox)	1
	4679000258	Rubber Pad (48" toolbox)	1
	4679000259	Rubber Pad (60" toolbox)	1
	4679000322	Rubber Pad (78" toolbox)	1
2	4796000009	Gasket (36" toolbox)	1
	4796000010	Gasket (48" toolbox)	1
	4796000011	Gasket (60" toolbox)	1
	4796000012	Gasket (78" toolbox)	2
3	9899000014	Toolbox Door Assembly (36" toolbox)	1
	9899000015	Toolbox Door Assembly (48" toolbox)	1
	9899000016	Toolbox Door Assembly (60" toolbox)	1
	9899000023	Toolbox Door Assembly (78" toolbox)	1
4	7585000019^	Latch (36", 48", 60" toolbox)	1
	7585000019^	Latch (78" toolbox)	2
5	7555000016^	Hinge (36" toolbox)	1
	7555000015^	Hinge (48" toolbox)	2
	7555000016^	Hinge (60", 78" toolbox)	2
6	7759000020^	Rivet (36" toolbox)	9
	7759000020^	Rivet (48" toolbox)	14
	7759000020^	Rivet (60", 78" toolbox)	18
7	4178000599^	Bracket (36", 48", 60" toolbox)	2
	4178000599^	Bracket (78" toolbox)	4
8	7114140465^	Carriage Bolt, 0.25"-20NC x 0.50" (36", 48", 60" toolbox)	4
	7114140465^	Carriage Bolt, 0.25"-20NC x 0.50" (78" toolbox)	
9	7660142604^	Locknut, 0.25"-20NC (36", 48", 60" toolbox)	4
	7660142604^	Locknut, 0.25"-20NC (78" toolbox)	
10	7592000005^	S Link (36", 48", 60" toolbox)	4
	7592000005^	S Link (78" toolbox)	8
11	7248000114^	Cable (36", 48", 60" toolbox)	2
	7248000114^	Cable (78" toolbox)	4

* Quantities listed are for one toolbox

^ also included in Toolbox Door Assembly

TOOLBOX

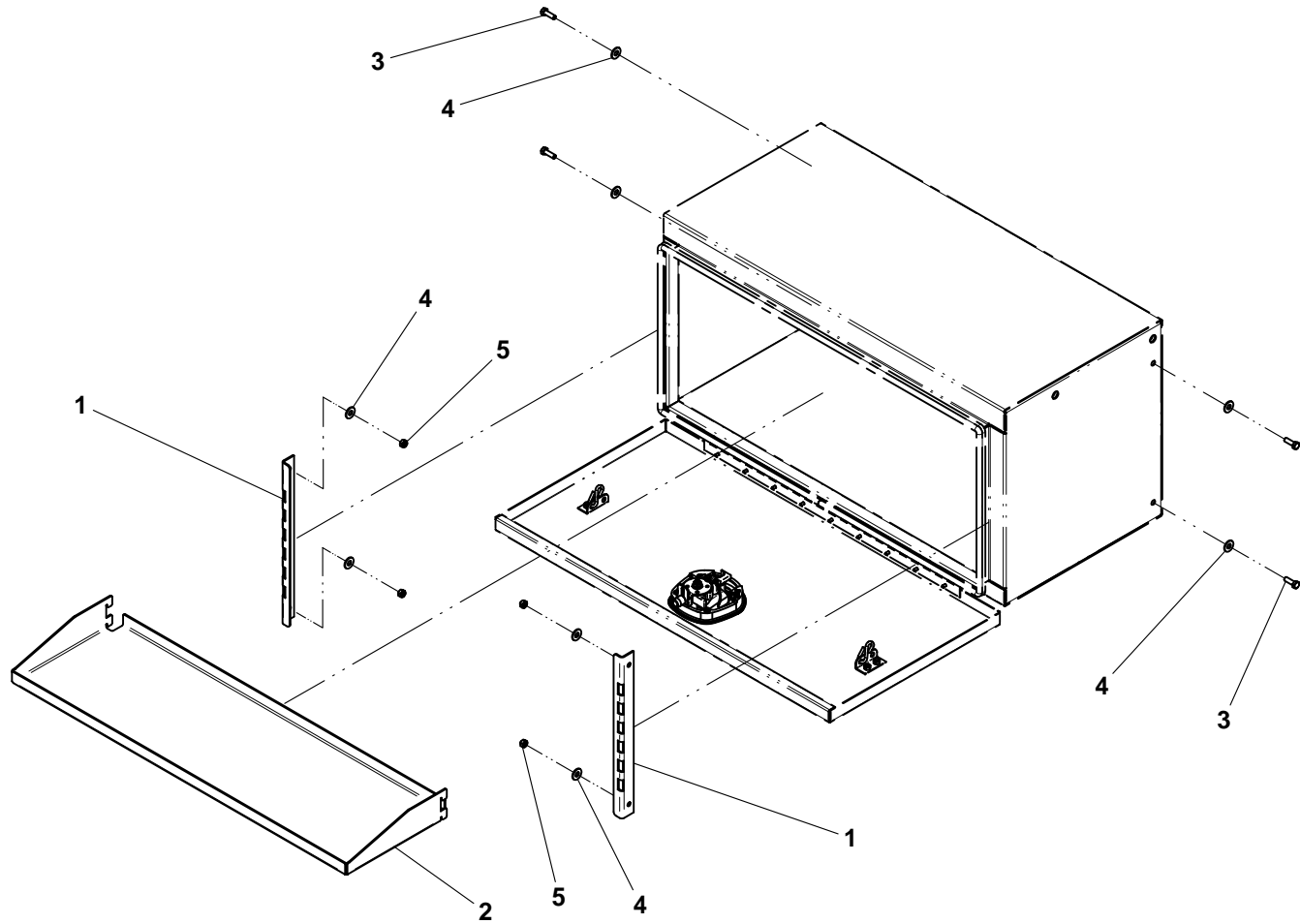


36" Toolbox shown

TOOLBOX SHELF

ITEM	PART NO.	DESCRIPTION	QTY
1	4017001403	Angle	2
2	4811000841	Shelf (36" toolbox)	1
	4811000843	Shelf (48" toolbox)	
	4811000868	Shelf (60" toolbox)	
3	7115150850	Capscrew, 0.31"-18NC x 1.00"	4
4	7950150161	Flatwasher, 0.31" ID	8
5	7660152601	Locknut, 0.31"-18NC	4

TOOLBOX SHELF



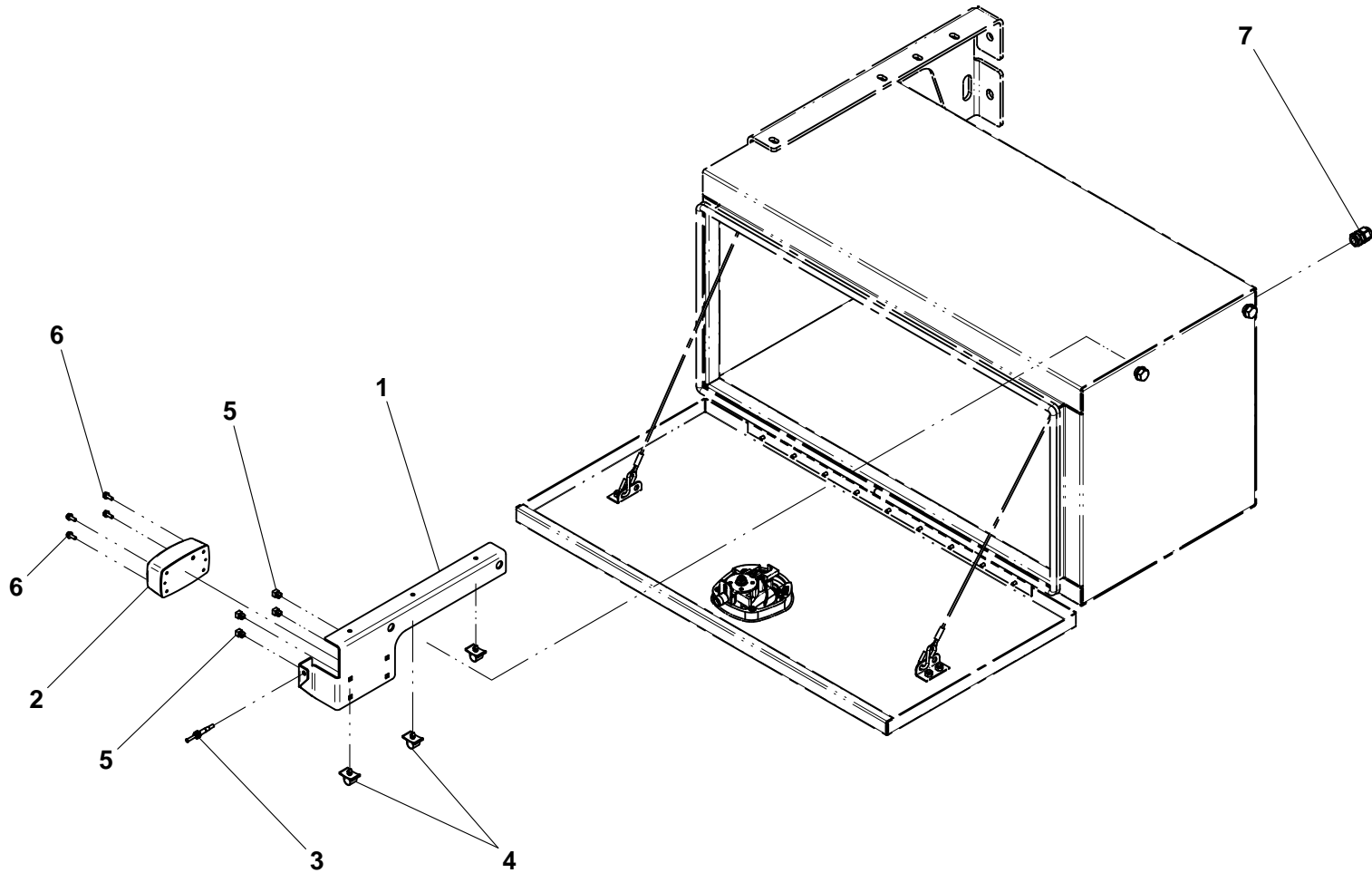
36" Toolbox shown

TOOLBOX LIGHT

ITEM	PART NO.	DESCRIPTION	QTY
1	4178000578*	Bracket	1
2	7590000273*	Dome Lamp	1
3	7870000115*	Switch	1
4	7280000007*	Wire Mount Clip	3
5	7661000047*	Panel Nut	4
6	7790100856*	Screw, #10 x 0.50"	4
7	7443000377	Fitting	1
8	7552000297	Toolbox Light Harness	1

* included in Toolbox Light Bracket Assembly

TOOLBOX LIGHT

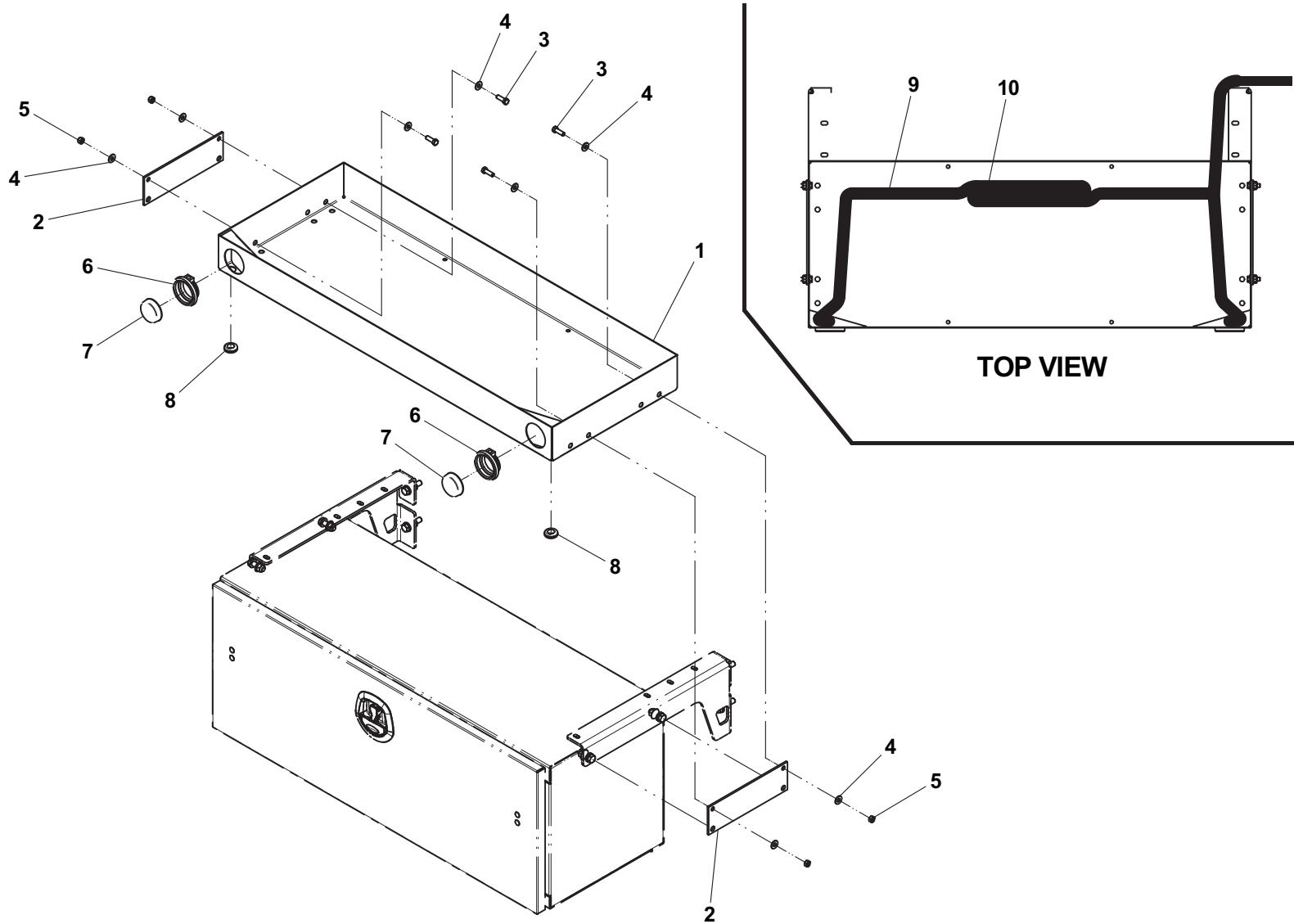


Item #8, Toolbox Light Harness, not shown
48" Toolbox Shown

TOOLBOX TOP STOWAGE TRAY AND MARKER LIGHTS

ITEM	PART NO.	DESCRIPTION	QTY
1	3811000053	Tray Weldment (36" Toolbox)	1
	3811000054	Tray Weldment (48" Toolbox)	
	3811000055	Tray Weldment (60" Toolbox)	
	3811000057	Tray Weldment (78" Toolbox)	
2	4706006216	Plate	2
3	7115160950	Capscrew, 0.38-16NC x 1.12"	4
4	7950150161	Flat Washer, 0.38" ID	8
5	7660162601	Locknut, 0.38"-16NC	8
6	7493000009	Grommet	2
7	7493000031	Marker Light - Amber (LED)	2
8	7493000031	Grommet	1
9	7552000451	Toolbox Light Tray Harness	1
10	7894000004	Tie Strap	6

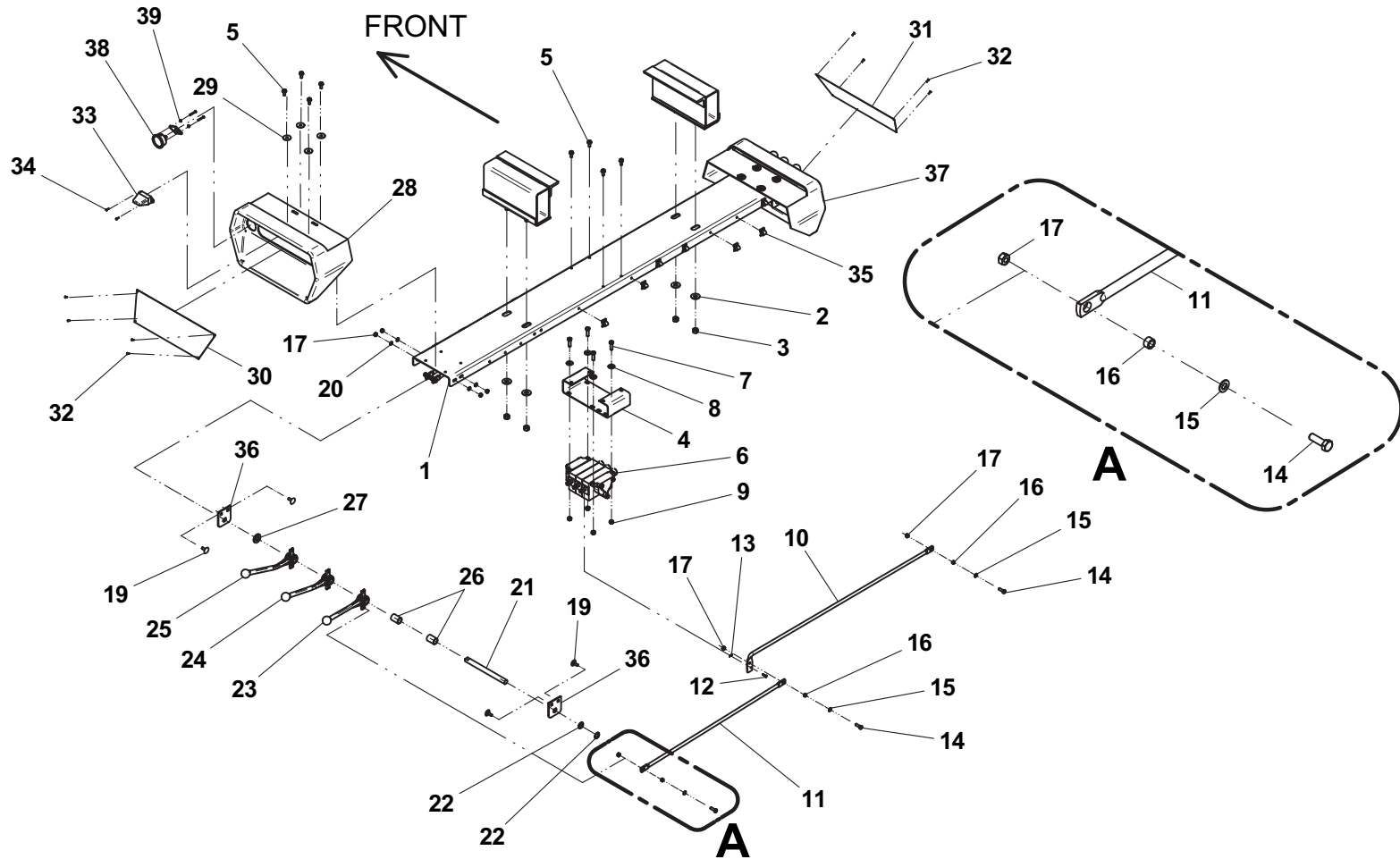
TOOLBOX TOP STOWAGE TRAY AND MARKER LIGHTS



DUAL CONTROLS - 3 BANK

ITEM	PART NO.	DESCRIPTION	QTY	ITEM	PART NO.	DESCRIPTION	QTY
1	4263000431	Channel	1	29	7949000054	Washer, 0.34" ID	8
2	7950180161	Flatwasher, 0.50" ID	4	30	7330000648	Control Panel, LH	1
3	7660182601	Locknut, 0.50"-13NC	4	31	7330000649	Control Panel, RH	1
4	4263000430	Channel	1	32	7759000006	Pop Rivet	8
5	7790151253	Screw, 0.31"-18NC x 0.75"	12	33	7590000087	Lamp	2
6	3935000115	Control Valve	1	34	7791060872	Screw, #6 x 0.50"	4
7	7111161050	Capscrew, 0.38"-16NC x 1.25"	4	35	7280000007	Wire Clip	11
8	7950160161	Flatwasher, 0.38" ID	4	36	4606000217	Lug	4
9	7660162601	Locknut, 0.38"-16NC	4	37	7560000007	Control Hood, RH	1
10	4763000280	Control Rod	3	38	7470000023	Gauge	1
11	4763000279	Control Rod	3				
12	7690101200	Clevis Pin	3				
13	7691000056	Cotter Pin	3				
14	7115150850	Capscrew, 0.31"-18NC x 1.00"	9				
15	7949000011	Flatwasher, 0.31" ID	9				
16	4831000069	Spacer	9				
17	7660152601	Locknut, 0.31"-18NC	17				
18	Not Required						
19	7115150664	Carriage Bolt, 0.31"-18NC x 0.75"	8				
20	7950150000	Washer, 0.31" ID	8				
21	4691000064	Pin	2				
22	7754000009	Retaining Ring	4				
23	7551000018	Control Handle	2				
24	7551000020	Control Handle	2				
25	7551000021	Control Handle	2				
26	4211000001	Bushing	4				
27	7950220141	Flatwasher, 0.75" ID	2				
28	7560000008	Control Hood, LH	1				

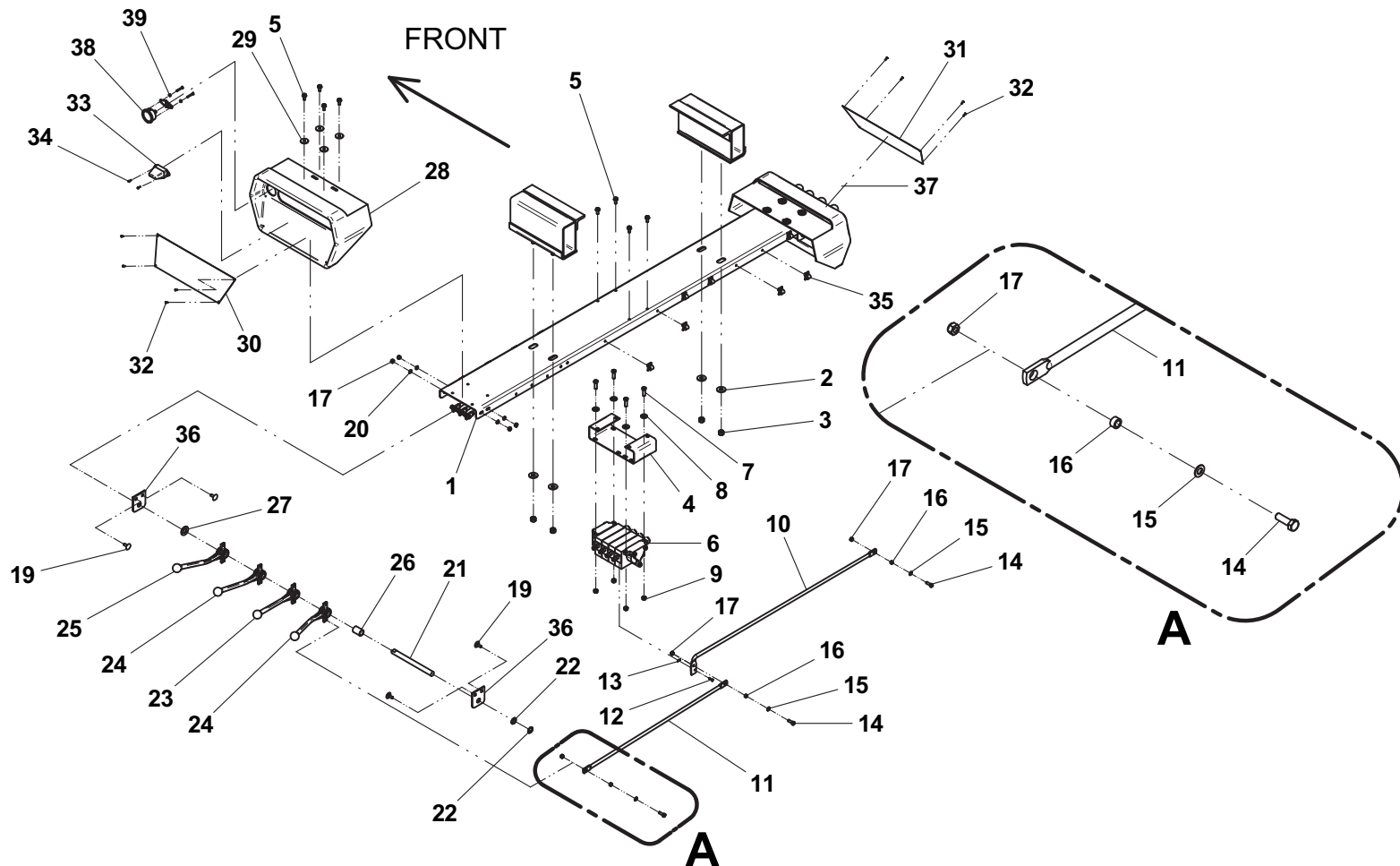
DUAL CONTROLS - 3 BANK



DUAL CONTROLS - 4 BANK

ITEM	PART NO.	DESCRIPTION	QTY	ITEM	PART NO.	DESCRIPTION	QTY
1	4263000431	Channel	1	29	7949000054	Washer, 0.34" ID	8
2	7950180161	Flatwasher, 0.50" ID	4	30	7330000650	Control Panel, LH (stabilizer)	1
3	7660182601	Locknut, 0.50"-13NC	4		7330000648	Control Panel, LH (hydraulic tow option)	
4	4263000430	Channel	1	31	7330000651	Control Panel, RH (stabilizer)	1
5	7790151253	Screw, 0.31"-18NC x 0.75"	12		7330000649	Control Panel, RH (hydraulic tow option)	
6	3935000116	Control Valve	1	32	7759000006	Pop Rivet	8
7	7111161050	Capscrew, 0.38"-16NC x 1.25"	4	33	7590000087	Lamp	2
8	7950160161	Flatwasher, 0.38" ID	4	34	7791060872	Screw, #6 x 0.50"	4
9	7660162601	Locknut, 0.38"-16NC	4	35	7280000007	Wire Clip	11
10	4763000280	Control Rod	4	36	4606000217	Lug	4
11	4763000279	Control Rod	4	37	7560000007	Control Hood, RH	1
12	7690101200	Clevis Pin	4	38	7470000023	Gauge	1
13	7691000056	Cotter Pin	4				
14	7115150850	Capscrew, 0.31"-18NC x 1.00"	12				
15	7949000011	Flatwasher, 0.31" ID	12				
16	4831000069	Spacer	12				
17	7660152601	Locknut, 0.31"-18NC	20				
18	Not Required						
19	7115150664	Carriage Bolt, 0.31"-18NC x 0.75"	8				
20	7950150000	Washer, 0.31" ID	8				
21	4691000141	Pin	2				
22	7754000009	Retaining Ring	4				
23	7551000018	Control Handle	2				
24	7551000020	Control Handle	4				
25	7551000021	Control Handle	2				
26	4211000001	Bushing	2				
27	7950220141	Flatwasher, 0.75" ID	2				
28	7560000003	Control Hood	2				

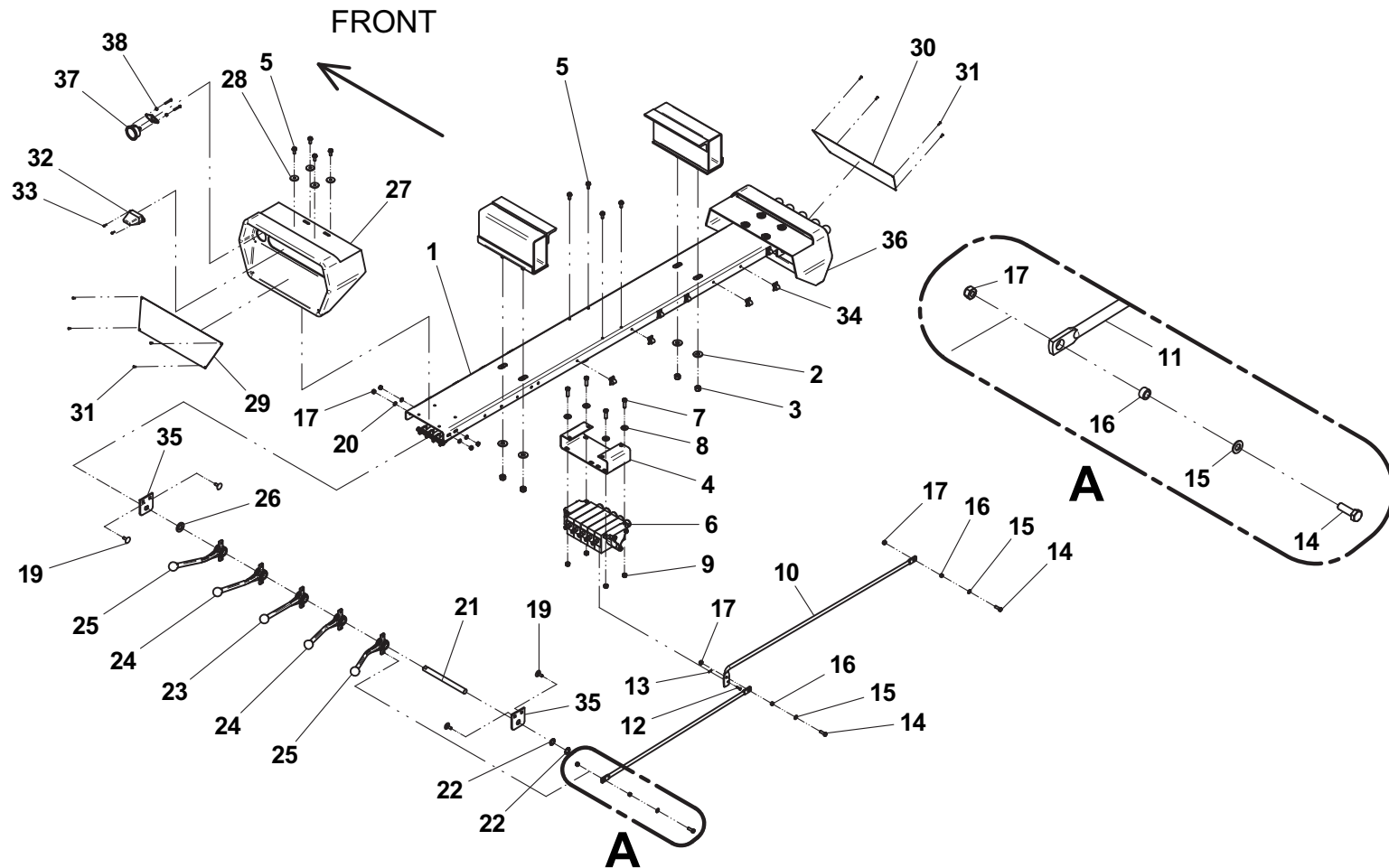
DUAL CONTROLS - 4 BANK



DUAL CONTROLS - 5 BANK

ITEM	PART NO.	DESCRIPTION	QTY	ITEM	PART NO.	DESCRIPTION	QTY
1	4263000431	Channel	1	29	7330000650	Control Panel, LH (stabilizer)	1
2	7950180161	Flatwasher, 0.50" ID	4		7330000648	Control Panel, LH (IRL)	
3	7660182601	Locknut, 0.50"-13NC	4	30	7330000651	Control Panel, RH (stabilizer)	1
4	4263000430	Channel	1		7330000649	Control Panel, RH (IRL)	
5	7790151253	Screw, 0.31"-18NC x 0.75"	12	31	7759000006	Pop Rivet	8
6	3935000117	Control Valve	1	32	7590000087	Lamp	2
7	7111161050	Capscrew, 0.38"-16NC x 1.25"	4	33	7791060872	Screw, #6 x 0.50"	4
8	7950160161	Flatwasher, 0.38" ID	4	34	7280000007	Wire Clip	11
9	7660162601	Locknut, 0.38"-16NC	4	35	4606000217	Lug	4
10	4763000280	Control Rod	5	36	7560000007	Control Hood, RH	1
11	4763000279	Control Rod	5	37	7470000023	Gauge	1
12	7690101200	Clevis Pin	5				
13	7691000056	Cotter Pin	5				
14	7115150850	Capscrew, 0.31"-18NC x 1.00"	15				
15	7949000011	Flatwasher, 0.31" ID	15				
16	4831000069	Spacer	15				
17	7660152601	Locknut, 0.31"-18NC	23				
18	Not Required						
19	7115150664	Carriage Bolt, 0.31"-18NC x 0.75"	8				
20	7950150000	Washer, 0.31" ID	8				
21	4691000064	Pin	2				
22	7754000009	Retaining Ring	4				
23	7551000018	Control Handle	2				
24	7551000020	Control Handle	4				
25	7551000021	Control Handle	4				
26	7950220141	Flatwasher, 0.75" ID	2				
27	7560000008	Control Hood, LH	1				
28	7949000054	Washer, 0.34" ID	8				

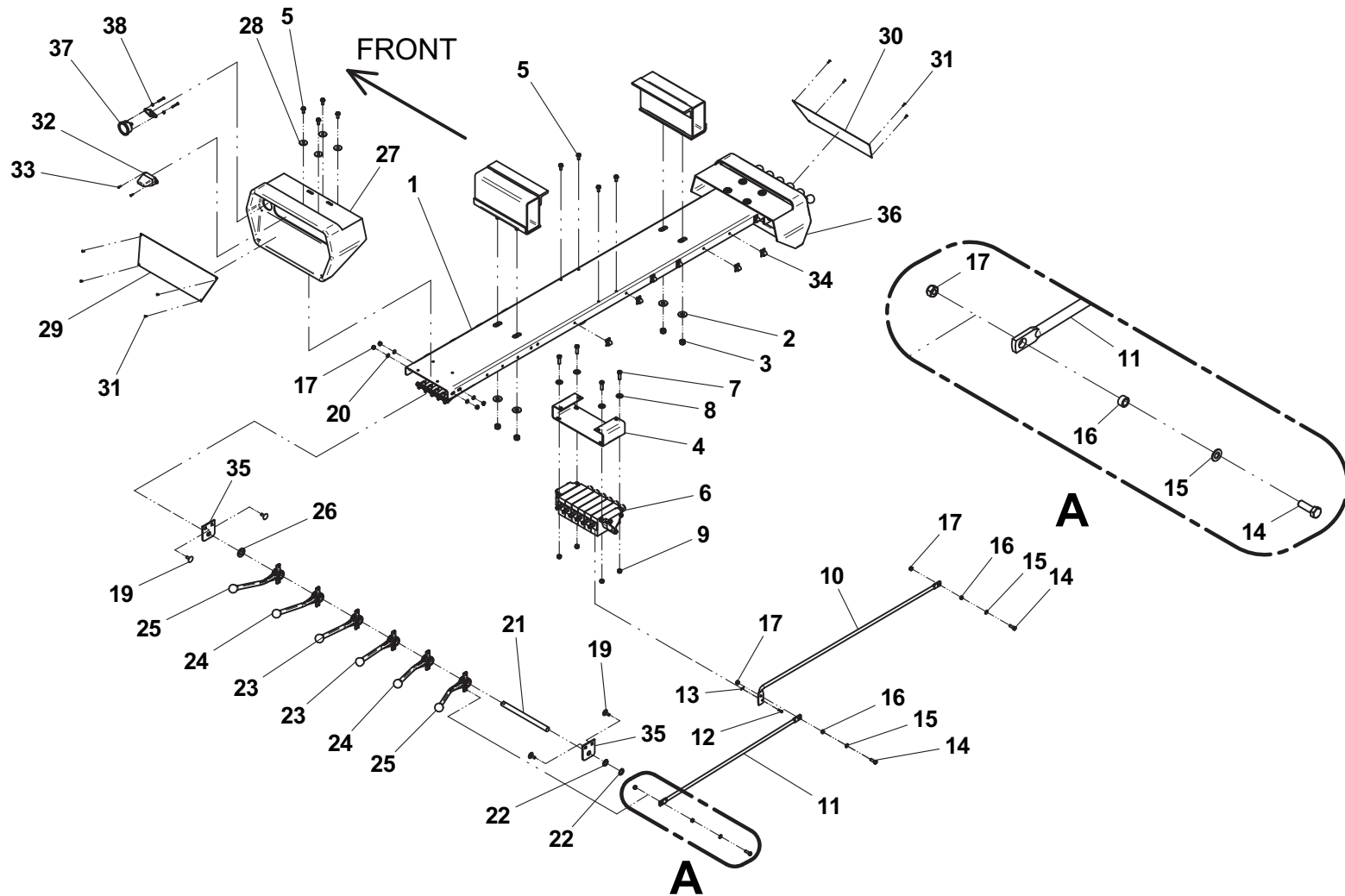
DUAL CONTROLS - 5 BANK



DUAL CONTROLS - 6 BANK

ITEM	PART NO.	DESCRIPTION	QTY	ITEM	PART NO.	DESCRIPTION	QTY
1	4263000431	Channel	1	29	7330000652	Control Panel, LH	1
2	7950180161	Flatwasher, 0.50 ID	4	30	7330000653	Control Panel, RH	1
3	7660182601	Locknut, 0.50-13NC	4	31	7759000006	Pop Rivet	8
4	4263000433	Channel	1	32	7590000087	Lamp	2
5	7790151253	Screw, 0.31-18NC x 0.75	12	33	7791060872	Screw, #6 x 0.50"	4
6	3935000118	Control Valve	1	34	7280000007	Wire Clip	11
7	7111161050	Capscrew, 0.38-16NC x 1.25"	4	35	4606000217	Lug	4
8	7950160161	Flatwasher, 0.38" ID	4	36	7560000007	Control Hood, RH	1
9	7660162601	Locknut, 0.38"-16NC	4	37	7470000023	Gauge	1
10	4763000280	Control Rod	6				
11	4763000279	Control Rod	6				
12	7690101200	Clevis Pin	6				
13	7691000056	Cotter Pin	6				
14	7115150850	Capscrew, 0.31"-18NC x 1.00"	18				
15	7949000011	Flatwasher, 0.31" ID	18				
16	4831000069	Spacer	18				
17	7660152601	Locknut, 0.31"-18NC	26				
18	Not Required						
19	7115150664	Carriage Bolt, 0.31"-18NC x 0.75"	8				
20	7950150000	Washer, 0.31" ID	8				
21	4691000064	Pin	2				
22	7754000009	Retaining Ring	4				
23	7551000019	Control Handle	4				
24	7551000020	Control Handle	4				
25	7551000021	Control Handle	4				
26	7950220141	Flatwasher, 0.75" ID	2				
27	7560000008	Control Hood, LH	1				
28	7949000054	Washer, 0.34" ID	8				

DUAL CONTROLS - 6 BANK



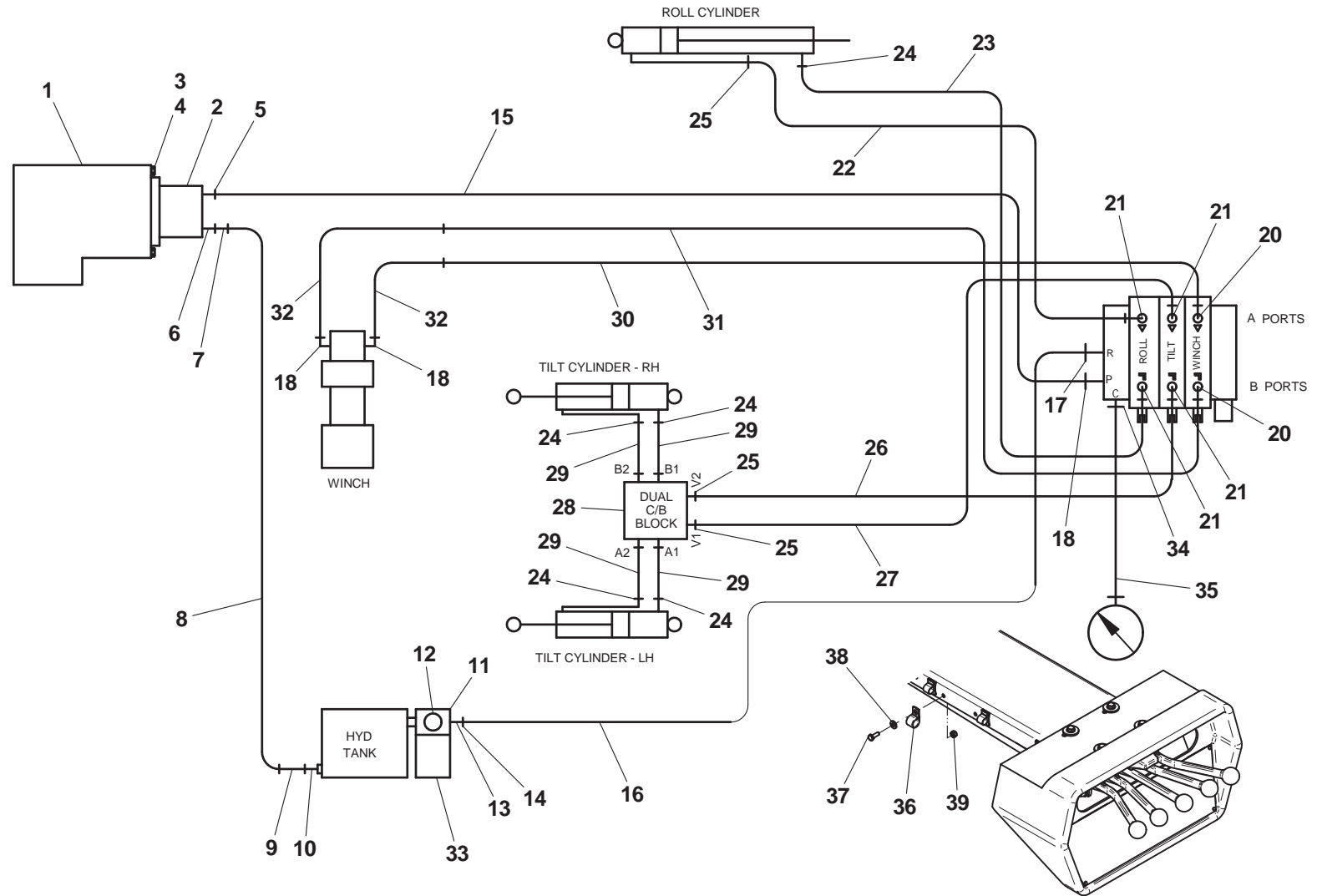
HYDRAULIC COMPONENTS - STANDARD

ITEM	PART NO.	DESCRIPTION	QTY	ITEM	PART NO.	DESCRIPTION	QTY
1	See Note 1	PTO	1	31	4569432122	Hose Assembly	1
2	7724000126	Pump	1	32	4567430133	Hose Assembly (22' deck)	2
3	7115181050	Capscrew, 0.50"-13NC x 1.25"	2		4567430153	Hose Assembly (24' deck)	2
4	7950180000	Lockwasher, 0.50" ID	2		4567430177	Hose Assembly (26' deck)	2
5	7443000101	Adapter	1		4567430199	Hose Assembly (28' deck)	2
6	7445081643	Adapter	1	33	7431000001*	Filter Element	1
7	7443000023	Elbow	1	34	7445040443	Adapter	1
8	See Note 1	Supply Hose	1	35	4567112039	Hose Assembly	1
9	7443000013	Nipple	1	36	7274000063	P-Clamp	1
10	7274000002	Clamp	2	37	7115140650	Capscrew, 0.25"-20NC x 0.75"	1
11	7430000003	Filter Assembly	1	38	7950140141	Flatwasher, 0.25" ID	1
12	7470000002	Gauge	1	39	7660142601	Locknut, .025"-20NC	1
13	7443000319	Fitting	1				
14	7274000080	Clamp	2				
15	See Note 1	Pressure Hose Assembly	1				
16	See Note 1	Return Hose	1				
17	7443000446	Adapter	1				
18	7445081045	Elbow	3				
19	Not Required						
20	7445080843	Adapter	2				
21	7445060843	Adapter	4				
22	4567123047	Hose Assembly	1				
23	4567122047	Hose Assembly	1				
24	7445060645	Elbow	5				
25	7445060643	Adapter	3				
26	4567123118	Hose Assembly	1				
27	4567122114	Hose Assembly	1				
28	7935000306	Dual Counterbalance Valve	1				
29	4570000195	Hose Assembly	1				
30	4569433122	Hose Assembly	1				

* also available in Filter Assembly, P/N 7430000003

Note 1: Varies depending on chassis, transmission , PTO type & deck length.
Consult factory for part numbers.

HYDRAULIC COMPONENTS - STANDARD

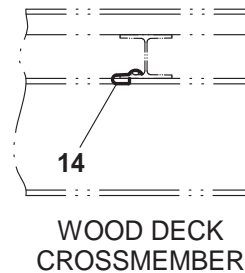
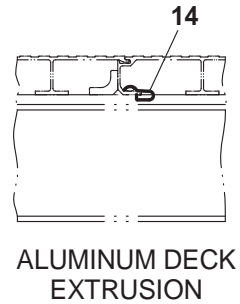
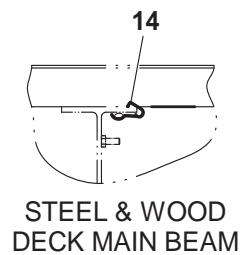
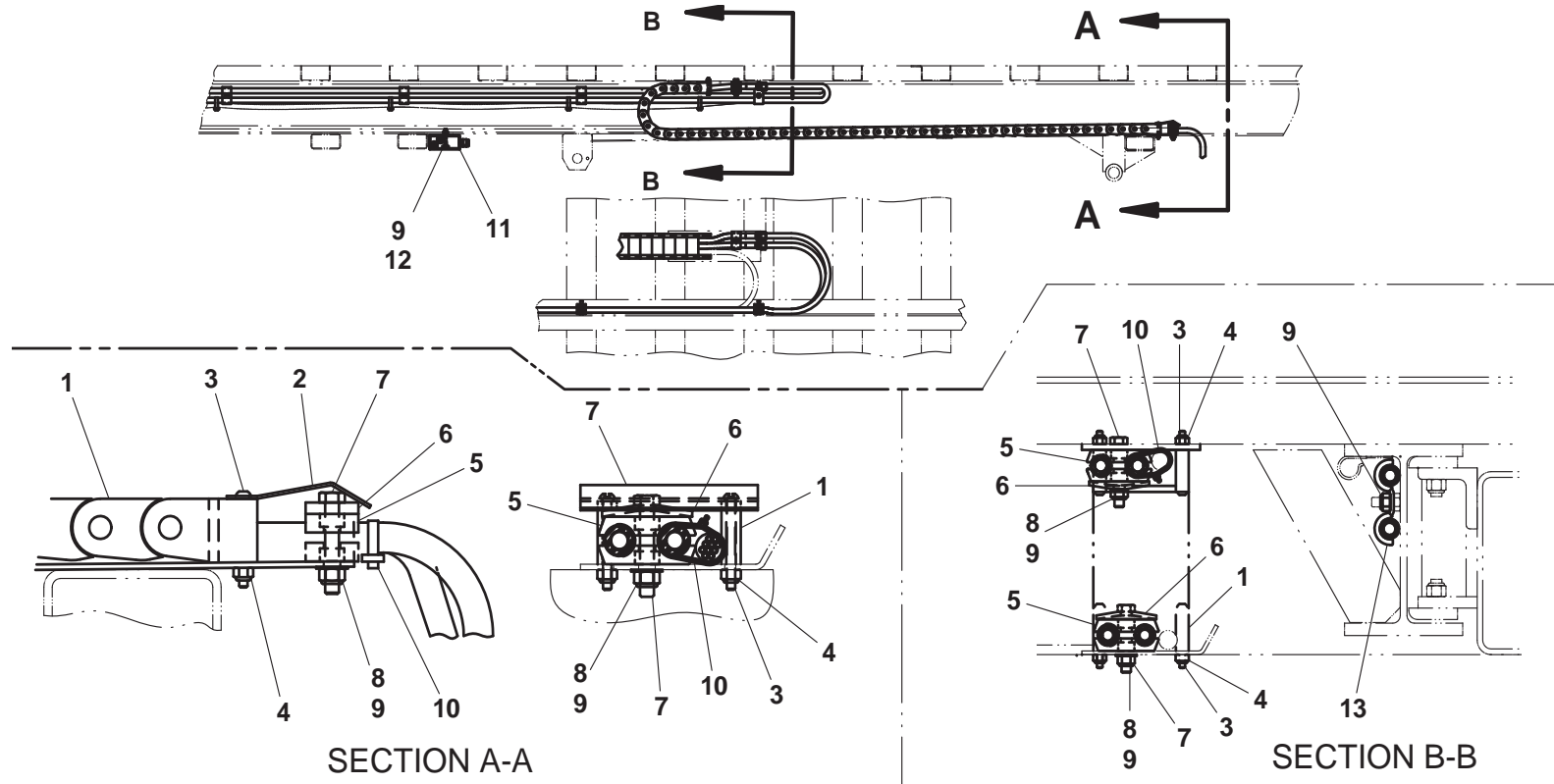


HYDRAULIC COMPONENTS - STANDARD (HOSE TRACK)

ITEM	PART NO.	DESCRIPTION	QTY
1	7904000001	Hose Track	1
2	4706003038	Plate	1
3	7114101618	Capscrew #10-24NC x 2.00"	4
4	7660102604	Locknut, #10-24NC	4
5	7274000038	Clamp	4
6	7274000039	Clamp Cover	2
7	7115151650	Capscrew, 0.31"-18NC x 2.00"	2
8	7950150161	Flatwasher, 0.31" ID	4
9	7660152601	Locknut, 0.31"-13NC (22' deck)	9
	7660152601	Locknut, 0.31"-13NC (24' deck)	10
	7660152601	Locknut, 0.31"-13NC (26' & 28' decks)	12
10	7894000004	Tie Strap (22' deck)	8
	7894000004	Tie Strap (24' deck)	10
	7894000004	Tie Strap (26' & 28' decks)	12
11	7935000197	Counterbalance Valve	1
12	7115151850	Capscrew, 0.31"-18NC x 2.25"	2
13	7274000066	Double Clamp (22' deck)	5
	7274000066	Double Clamp (24' & 26' decks)	6
	7274000066	Double Clamp (28' deck)	7
14	7280000013	Clip	*

* Quantity varies depending on deck length and deck type.

HYDRAULIC COMPONENTS - STANDARD (HOSE TRACK)

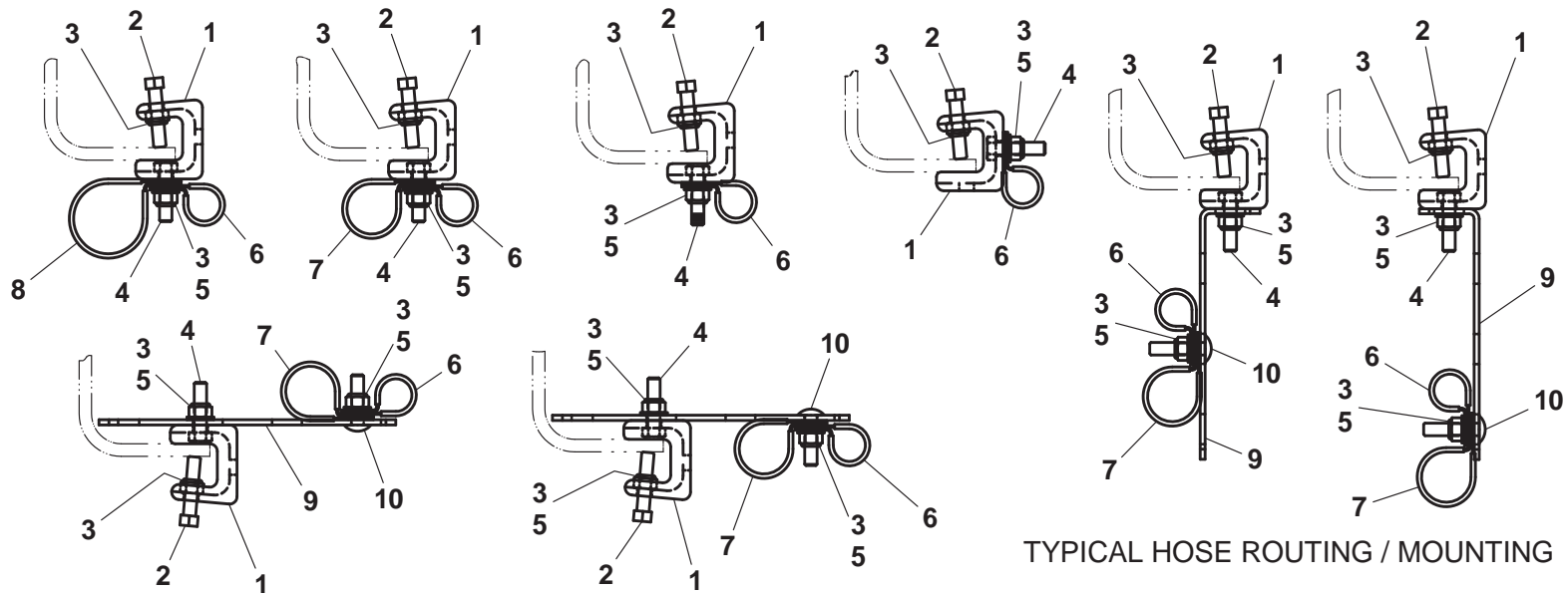
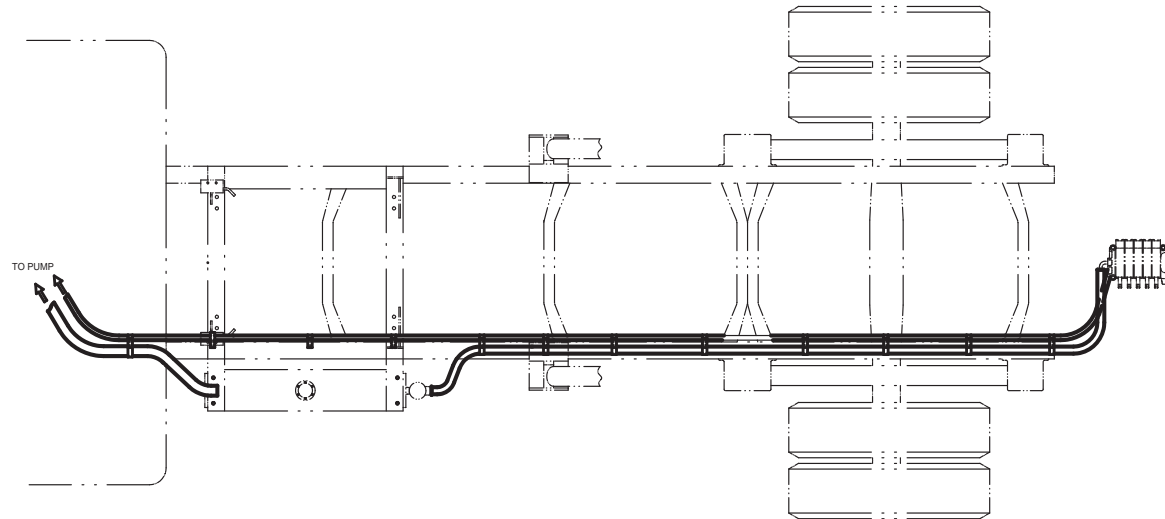


HYDRAULIC COMPONENTS - HOSE ROUTING / MOUNTING

ITEM	PART NO.	DESCRIPTION	QTY
1	7274000076	Cast Frame Clamp	*
2	7785152420	Set Screw, 0.31"-18NC x 1.50"	*
3	7660152601	Locknut, 0.31"-18NC	*
4	7115151050	Capscrew, 0.31"-18NC x 1.25"	*
5	7950150161	Flatwasher, 0.31" ID	*
6	7274000040	Clamp	*
7	7274000041	Clamp	*
8	7274000042	Clamp	*
9	4706003844	Plate	*
10	7115151064	Carriage Bolt, 0.31"-18NC x 1.25"	*

* Quantity varies depending on deck length and deck type

HYDRAULIC COMPONENTS - HOSE ROUTING / MOUNTING

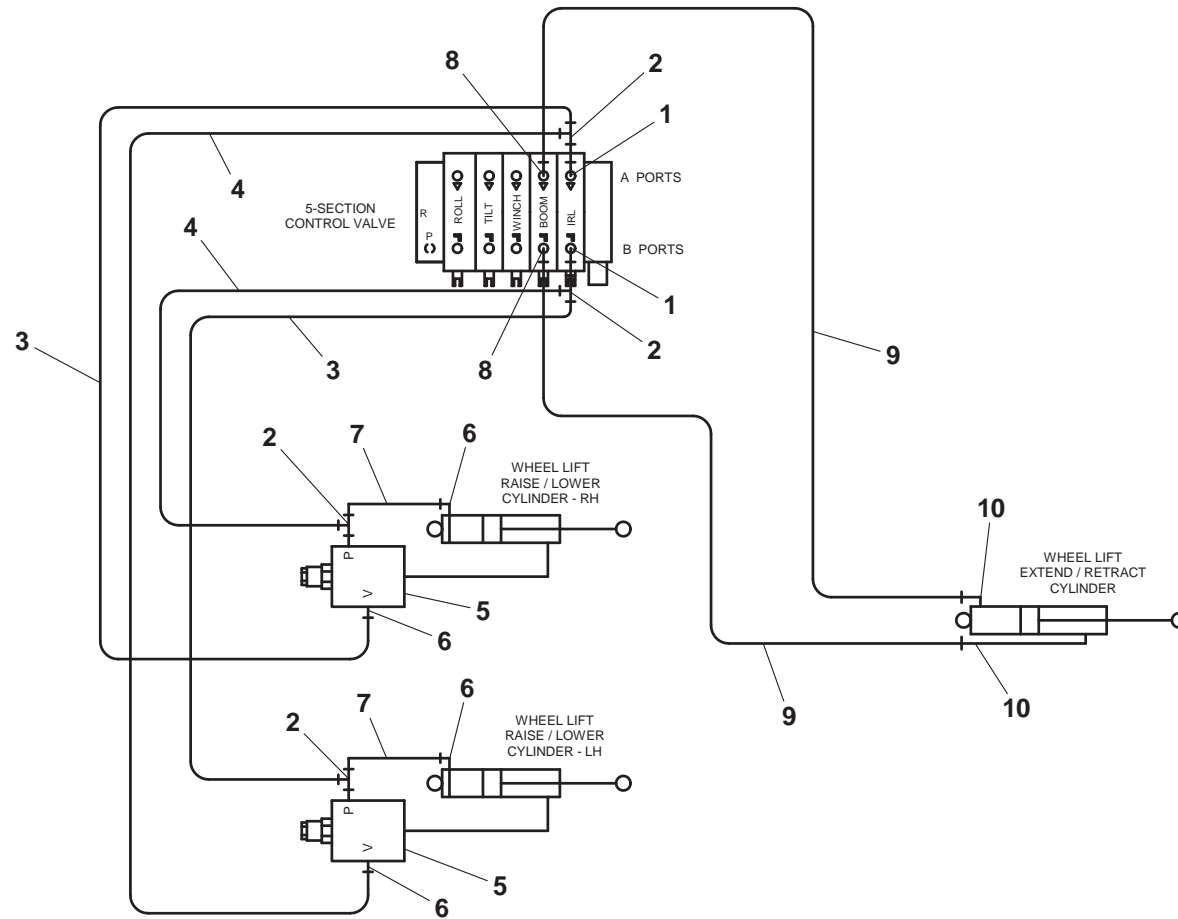


TYPICAL HOSE ROUTING / MOUNTING

HYDRAULIC COMPONENTS - IRL WHEEL LIFT W/ MAN GRIDS OR IRL BALL / PINTLE HITCH MTG PLT

ITEM	PART NO.	DESCRIPTION	QTY
1	7443000129	Reducer	2
2	7445060648	Tee	4
3	4567123045	Hose Assembly	2
4	4567122043	Hose Assembly	2
5	7935000305	Counterbalance Valve	2
6	7445060645	Elbow	4
7	4567122014	Hose Assembly	2
8	7443040643	Adapter	2
9	4567110034	Hose Assembly	2
10	7445040446	Elbow	2

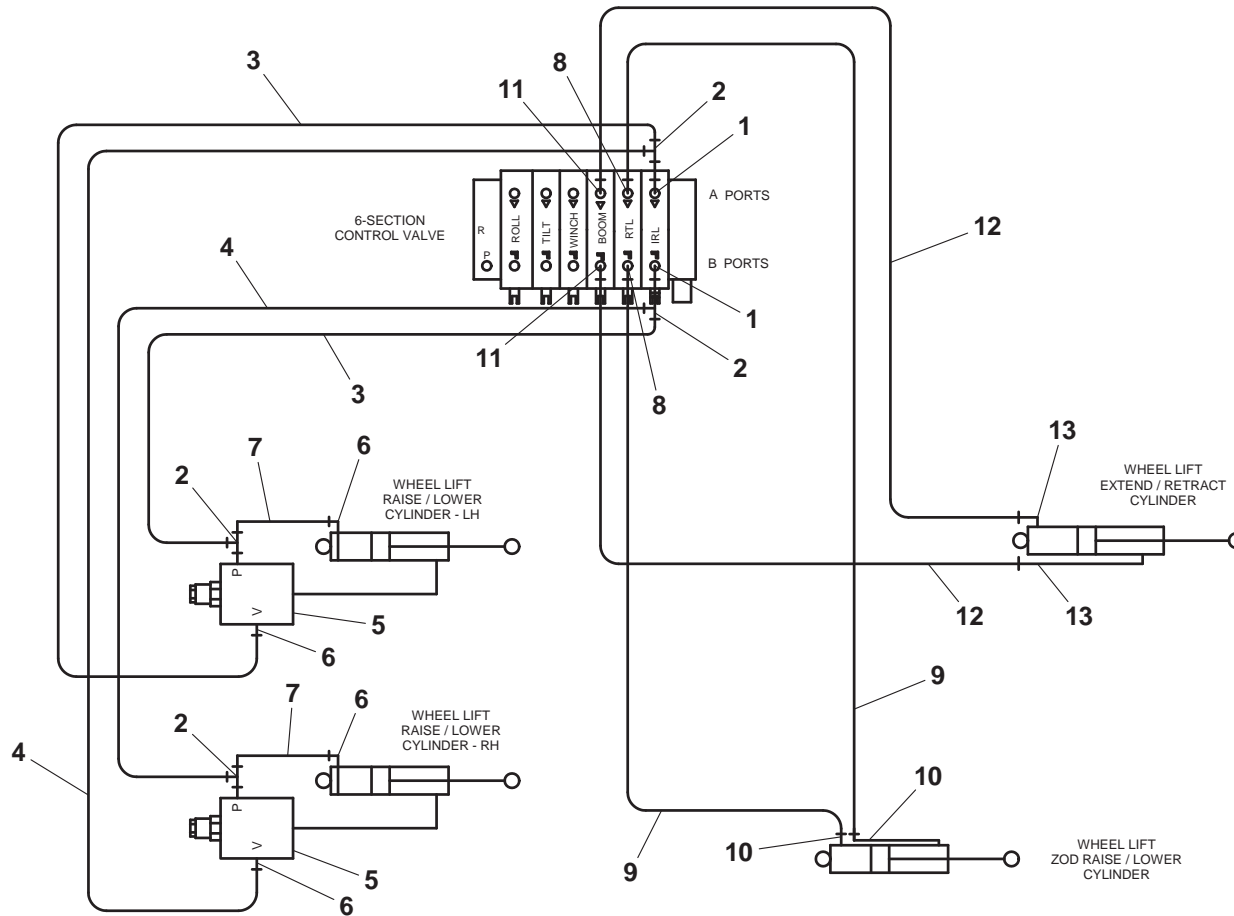
HYDRAULIC COMPONENTS - IRL WHEEL LIFT W/ MAN GRIDS OR IRL BALL / PINTLE HITCH MTG PLT



HYDRAULIC COMPONENTS - ZOD WHEEL LIFT WITH MANUAL GRIDS

ITEM	PART NO.	DESCRIPTION	QTY
1	7443000129	Reducer	2
2	7445060648	Tee	4
3	4567123045	Hose Assembly	2
4	4567122043	Hose Assembly	2
5	7935000305	Counterbalance Valve	2
6	7445060645	Elbow	4
7	4567122014	Hose Assembly	2
8	7445060843	Adapter	2
9	4567122032	Hose Assembly	2
10	7445060643	Adapter	4
11	7443040643	Adapter	2
12	4567110034	Hose Assembly	2
13	7445040446	Elbow	2

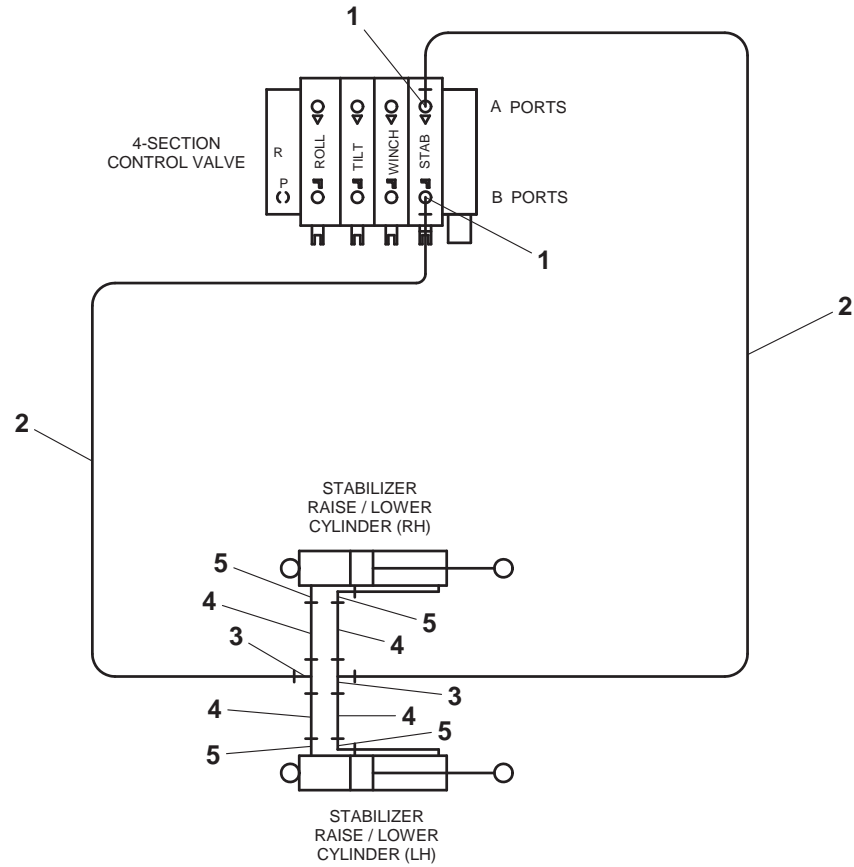
HYDRAULIC COMPONENTS - ZOD WHEEL LIFT WITH MANUAL GRIDS



HYDRAULIC COMPONENTS - HYDRAULIC REAR DOCK STABILIZER

ITEM	PART NO.	DESCRIPTION	QTY
1	7445060843	Adapter	2
2	4567122035	Hose Assembly	2
3	7445060637	Tee	2
4	4567120019	Hose Assembly	4
5	7445060645	Elbow	4

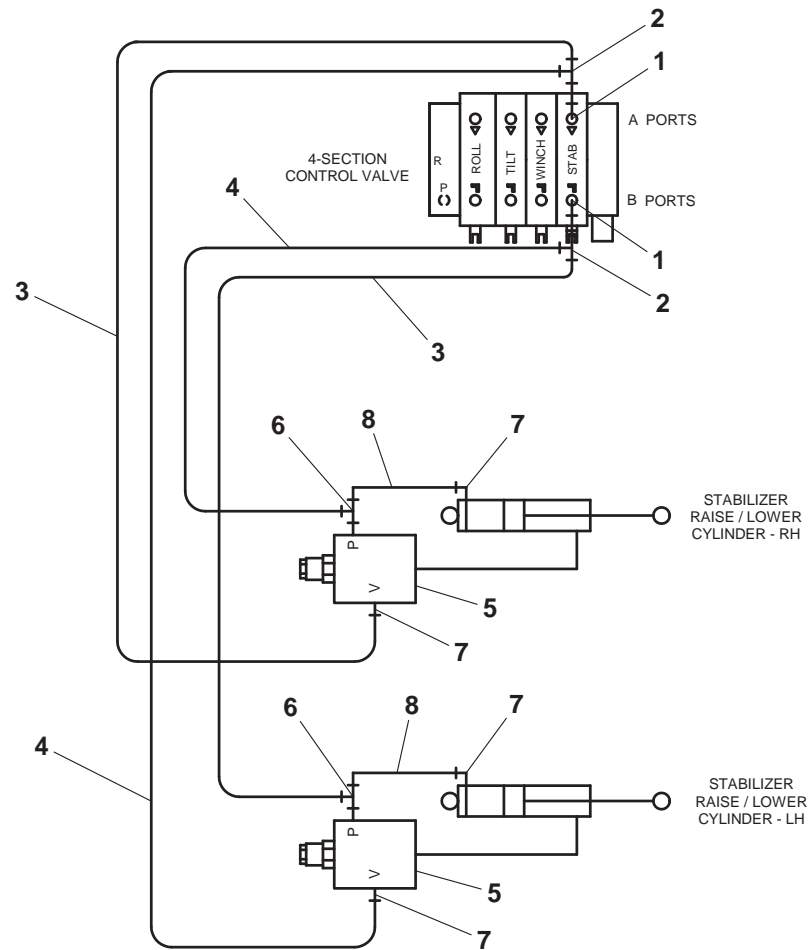
HYDRAULIC COMPONENTS - HYDRAULIC REAR DOCK STABILIZER



HYDRAULIC COMPONENTS - STABILIZER W/ REESE HITCH RECEIVER OR PINTLE HITCH MTG PLT

ITEM	PART NO.	DESCRIPTION	QTY
1	7445060845	Elbow	2
2	7443000030	Tee	2
3	4567123050	Hose Assembly	2
4	4567122046	Hose Assembly	2
5	7935000305	Counterbalance Valve	2
6	7445060648	Tee	2
7	7445060645	Elbow	4
8	4567122014	Hose Assembly	2

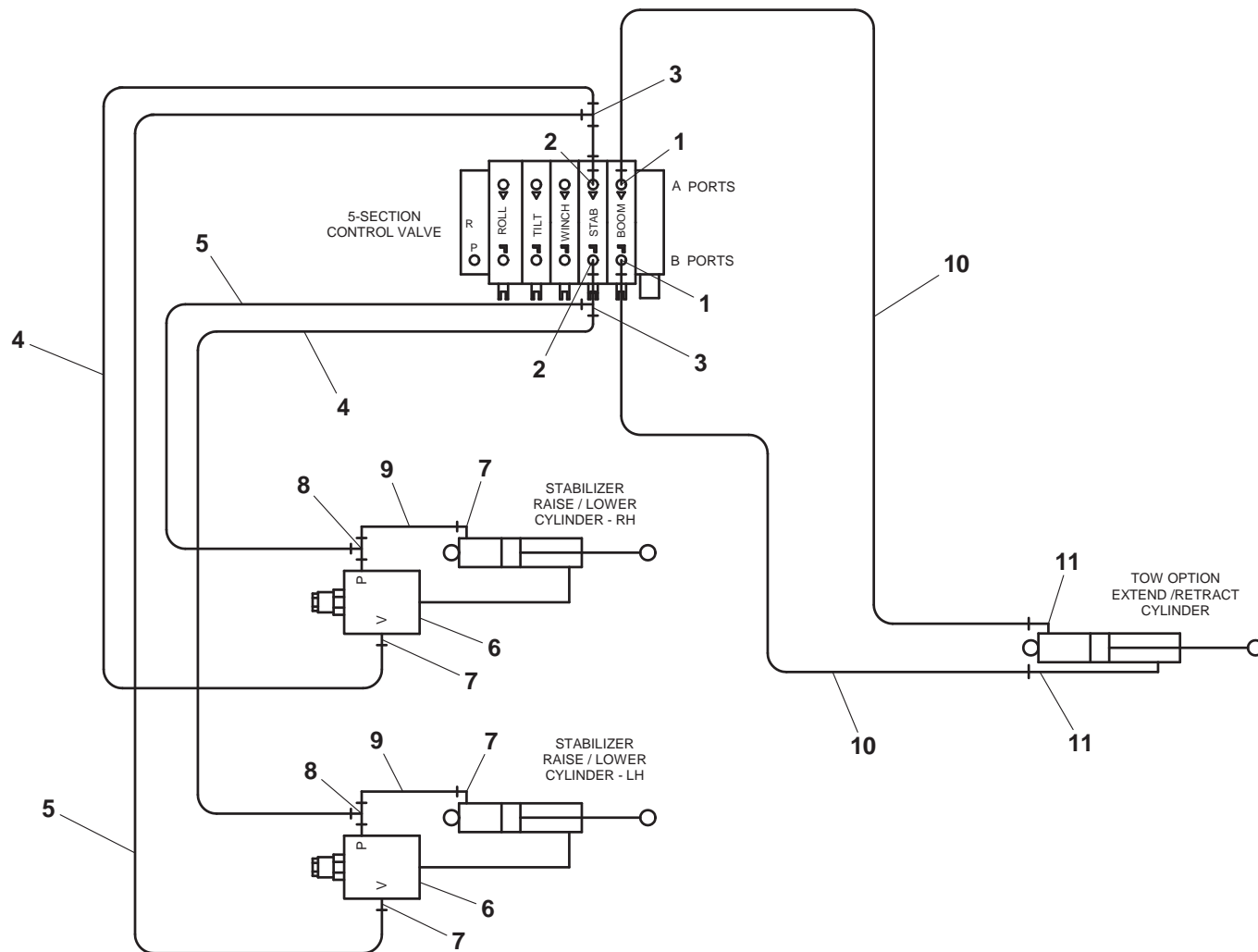
HYDRAULIC COMPONENTS - STABILIZER W/ REESE HITCH RECEIVER OR PINTLE HITCH MTG PLT



HYDRAULIC COMPONENTS - STABILIZER W/ HYDRAULIC EXTEND PINTLE HITCH MOUNTING PLATE

ITEM	PART NO.	DESCRIPTION	QTY
1	7445060843	Adapter	2
2	7445060845	Elbow	2
3	7443000030	Tee	2
4	4567123050	Hose Assembly	2
5	4567122046	Hose Assembly	2
6	7935000305	Counterbalance Valve	2
7	7445060645	Elbow	4
8	7445060648	Tee	2
9	4567122014	Hose Assembly	2
10	4567120034	Hose Assembly	2
11	7445060646	Elbow	2

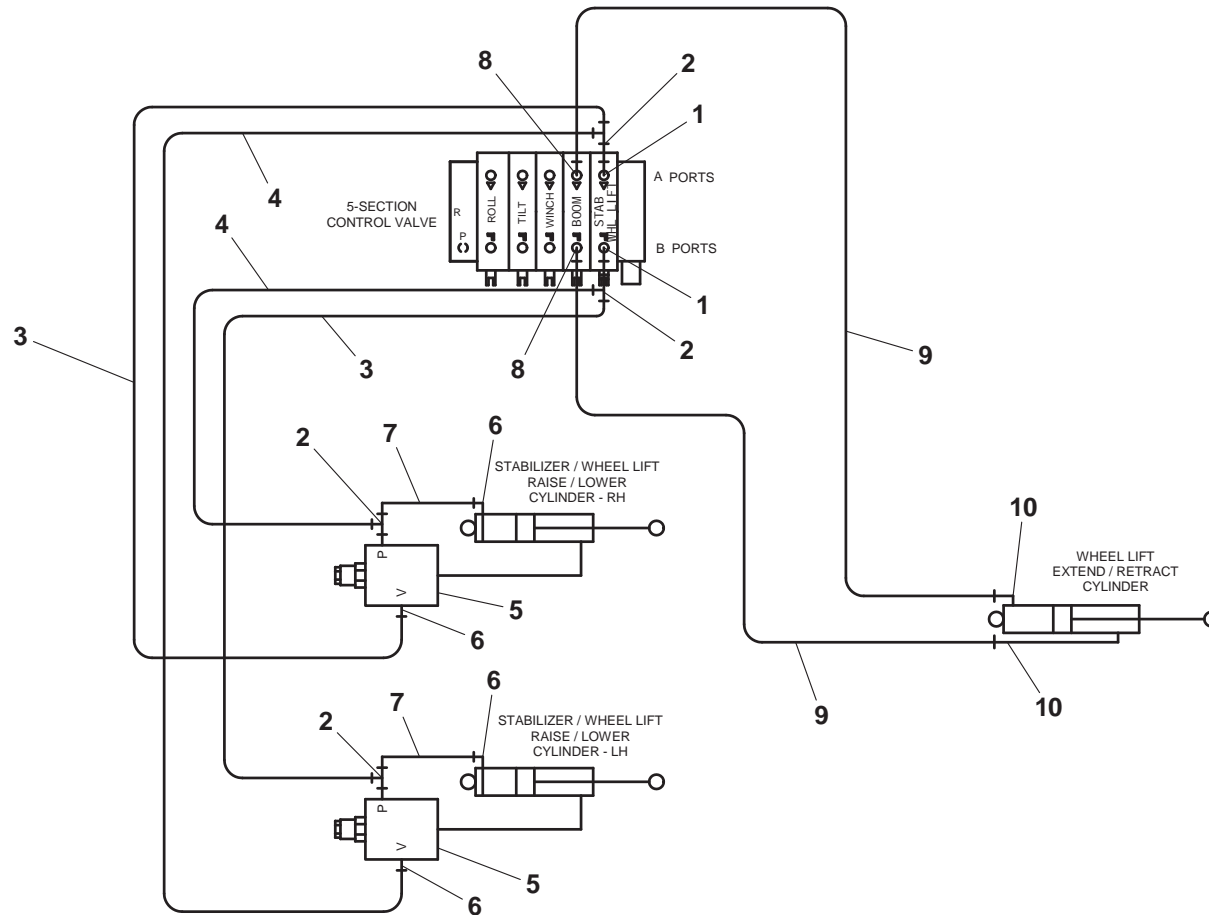
HYDRAULIC COMPONENTS - STABILIZER W/ HYDRAULIC EXTEND PINTLE HITCH MOUNTING PLATE



HYDRAULIC COMPONENTS - STABILIZER W/ IRL WHEEL LIFT

ITEM	PART NO.	DESCRIPTION	QTY
1	7443000129	Reducer	2
2	7445060648	Tee	4
3	4567123050	Hose Assembly	2
4	4567122046	Hose Assembly	2
5	7935000305	Counterbalance Valve	2
6	7445060645	Elbow	4
7	4567122014	Hose Assembly	2
8	7445040843	Adapter	2
9	4567110034	Hose Assembly	2
10	7445040445	Elbow	2

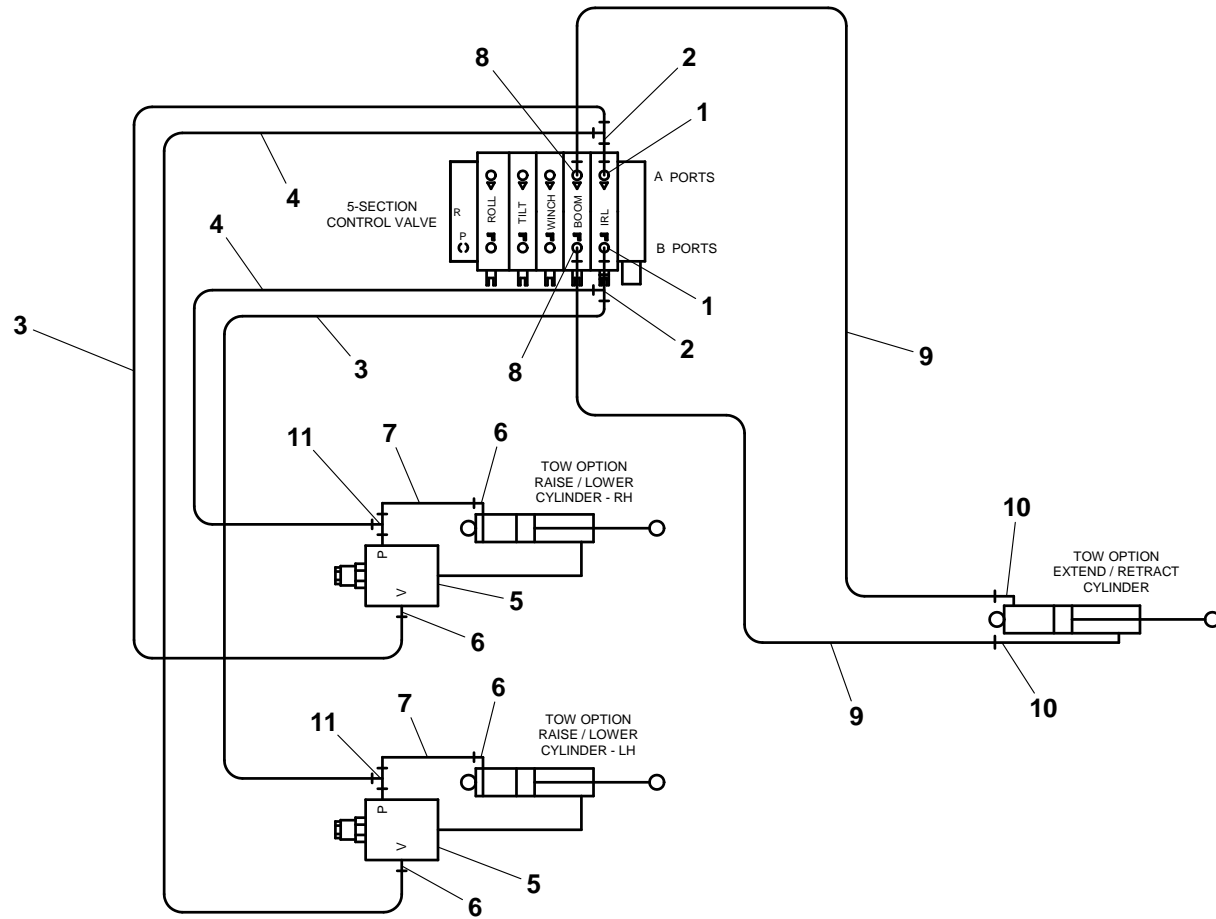
HYDRAULIC COMPONENTS - STABILIZER W/ IRL WHEEL LIFT



HYDRAULIC COMPONENTS - IRL TOWBAR

ITEM	PART NO.	DESCRIPTION	QTY
1	7445060845	Elbow	2
2	7443000030	Tee	2
3	4567123050	Hose Assembly	2
4	4567122046	Hose Assembly	2
5	7935000305	Counterbalance Valve	2
6	7445060645	Elbow	4
7	4567122014	Hose Assembly	2
8	7443060843	Adapter	2
9	4567122042	Hose Assembly	2
10	7445060643	Adapter	2
11	7445060648	Tee	2

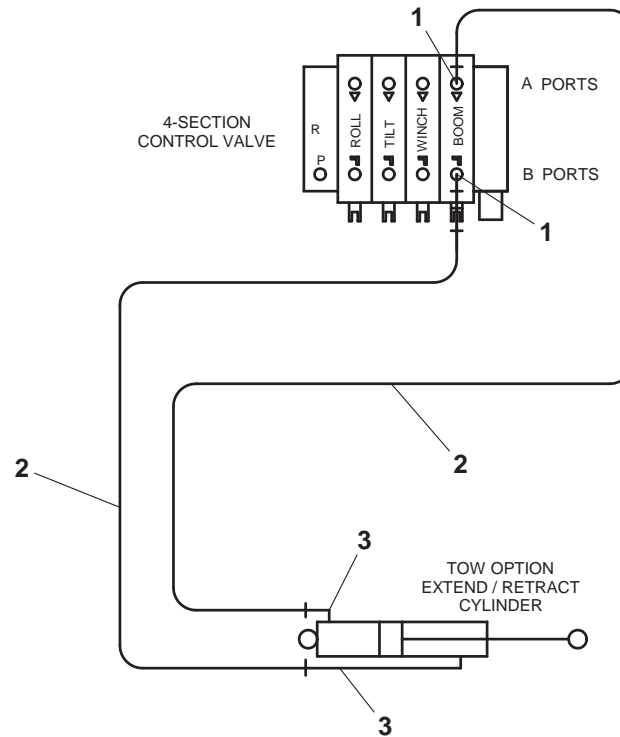
HYDRAULIC COMPONENTS - IRL TOWBAR



HYDRAULIC COMPONENTS - HYDRAULIC EXTEND TOW OPTION

ITEM	PART NO.	DESCRIPTION	QTY
1	7443060843	Adapter	2
2	4567122042	Hose Assembly	2
3	7445060643	Adapter	2

HYDRAULIC COMPONENTS - HYDRAULIC EXTEND TOW OPTION

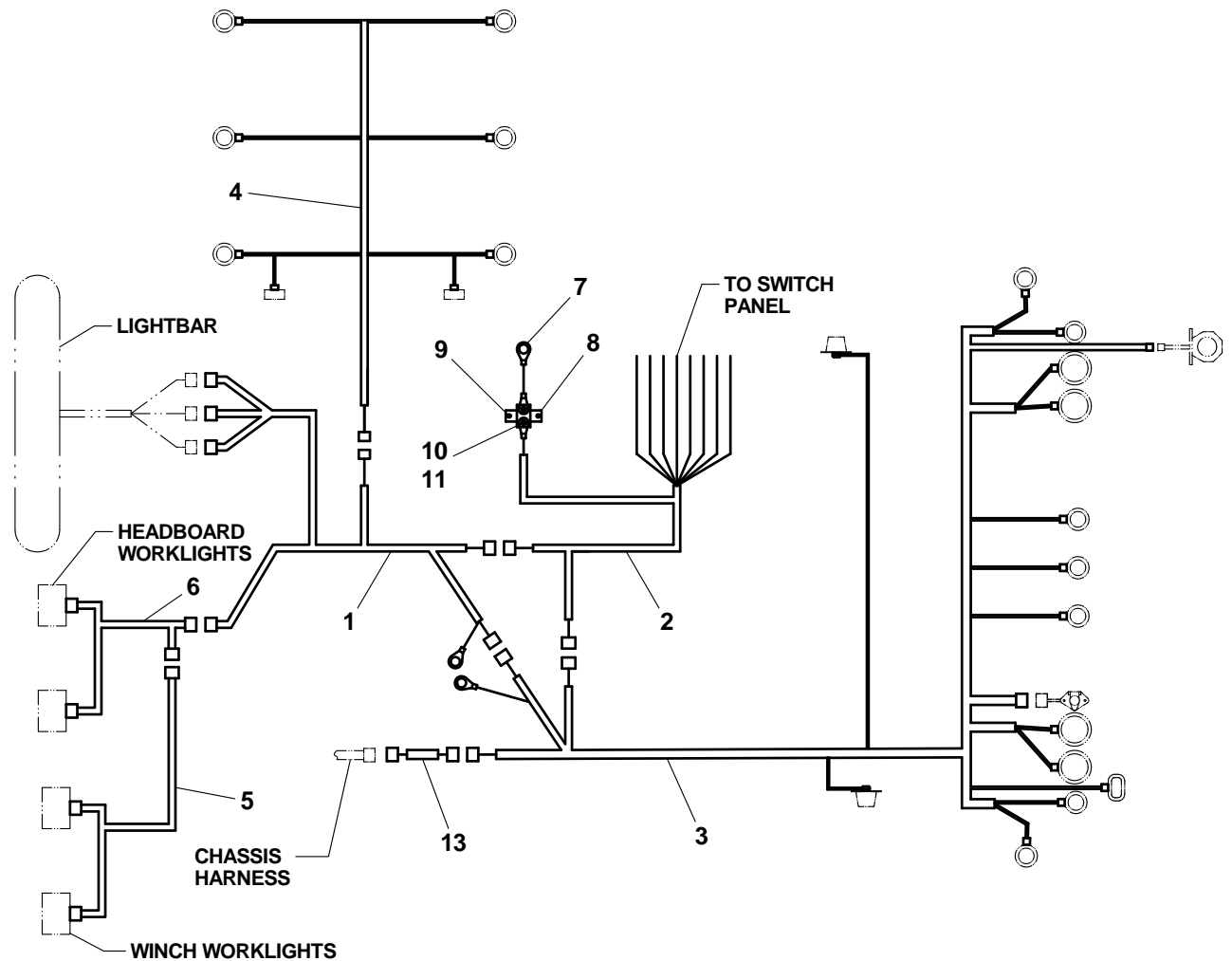


ELECTRICAL COMPONENTS - STANDARD W/ BOLT-ON HEADBOARD (22' & 24' DECKS)

ITEM	PART NO.	DESCRIPTION	QTY
1	7552000098	Subframe to Deck Harness	1
2	7552000074	Subframe to Cab Harness	1
3	7552000135	Subframe Harness	1
4	7552000179	Deck Harness	1
5	7552000166	Winch Lights Harness	1
6	7552000222	Worklights on Headboard Harness	1
7	7345241902	Terminal	1
8	7457000004	Circuit Breaker	1
9	7790100856	Screw, #10 x 0.50"	2
10	7345221902	Terminal	2
11	7950100151	Flatwasher, 0.19" ID	2
12	7280000013	Clip	*
13	7577000194	Wiring Connector Kit (Ford & GMC chassis)	1
	7552000117	Wiring Connector Kit (UD chassis)	

* Quantity varies depending on deck construction.

ELECTRICAL COMPONENTS - STANDARD W/ BOLT-ON HEADBOARD (22' & 24' DECKS)



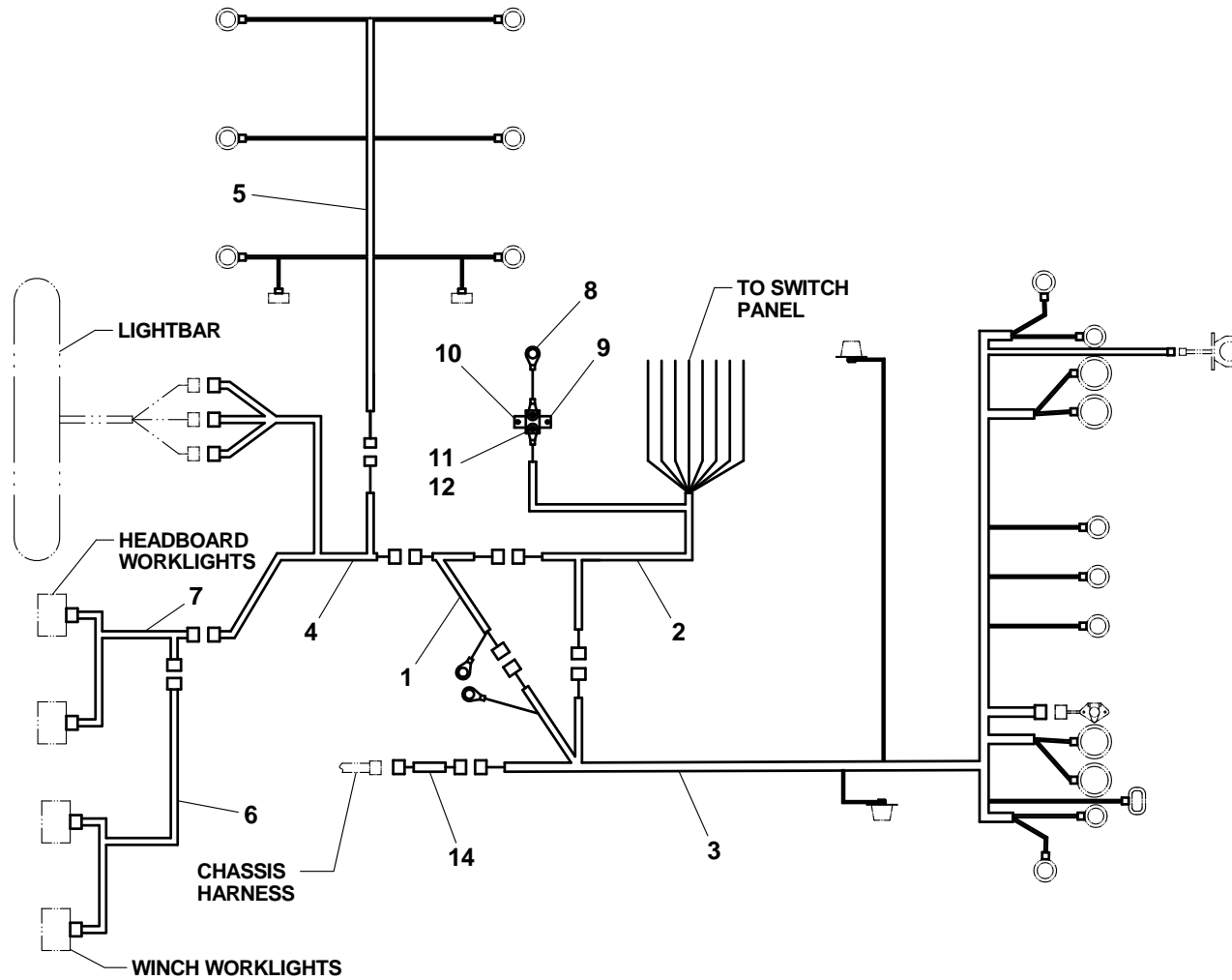
Item #12, Clip, not shown.

ELECTRICAL COMPONENTS - STANDARD W/ BOLT-ON HEADBOARD (26' & 28' DECKS)

ITEM	PART NO.	DESCRIPTION	QTY
1	7552000186	Subframe to Deck Harness	1
2	7552000178	Subframe to Cab Harness	1
3	7552000135	Subframe Harness	1
4	7552000187	Subframe to Deck Aux. Harness	1
5	7552000181	Deck Harness	1
6	7552000166	Winch Lights Harness	1
7	7552000222	Worklights on Headboard Harness	1
8	7345241902	Terminal	1
9	7457000004	Circuit Breaker	1
10	7790100856	Screw, #10 x 0.50"	2
11	7345221902	Terminal	2
12	7950100151	Flatwasher, 0.19" ID	2
13	7280000013	Clip	*
14	7577000194	Wiring Connector Kit (Ford & GMC chassis)	1
	3590000117	Wiring Connector Kit (UD chassis)	

* Quantity varies depending on deck construction.

ELECTRICAL COMPONENTS - STANDARD W/ BOLT-ON HEADBOARD (26' & 28' DECKS)



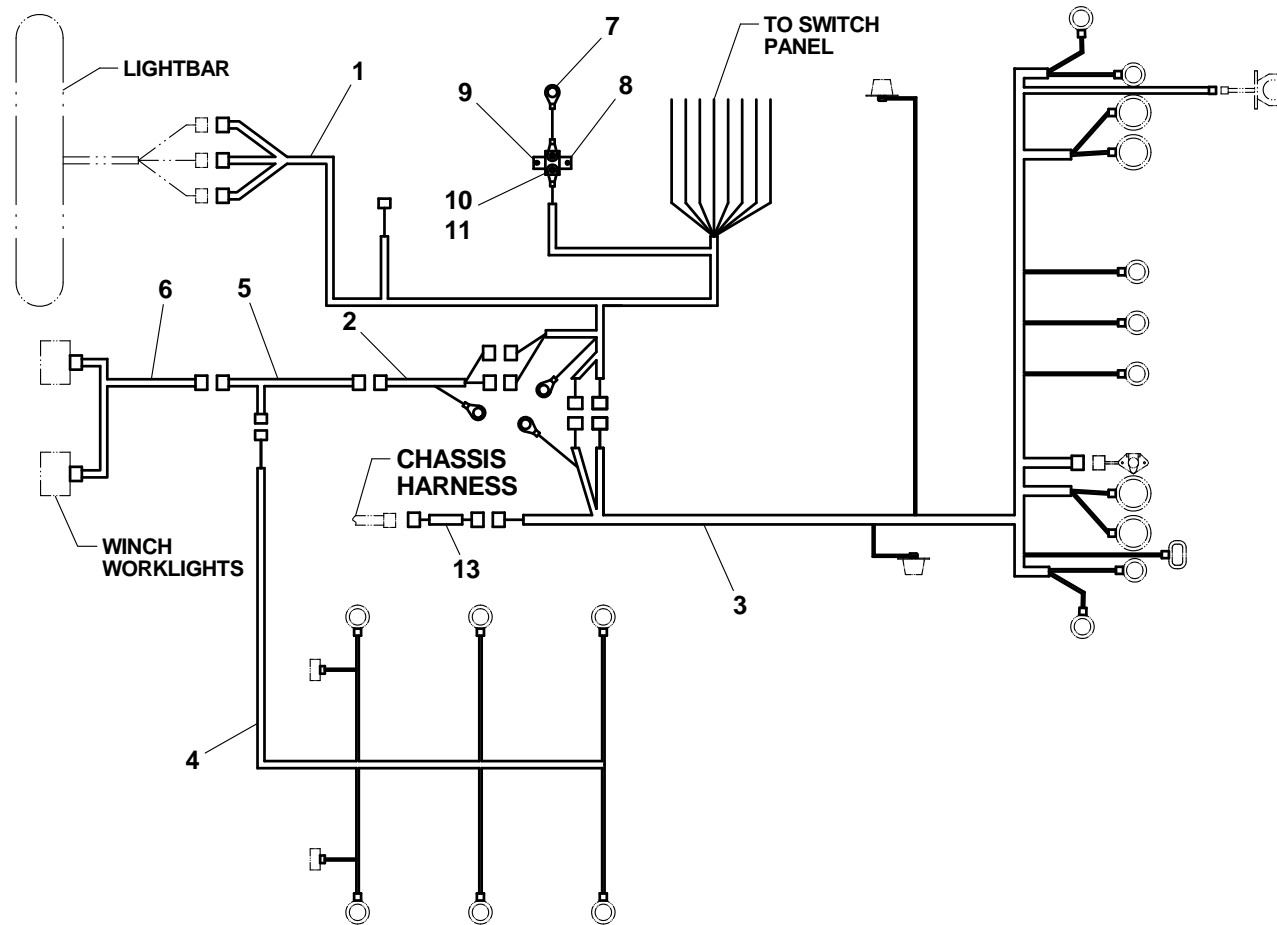
Item #13, Clip, not shown.

ELECTRICAL COMPONENTS - STANDARD W/ STATIONARY HEADBOARD

ITEM	PART NO.	DESCRIPTION	QTY
1	7552000302	Subframe to Cab Harness	1
2	7552000190	Subframe to Deck Harness	1
3	7552000135	Subframe Harness	1
4	7552000179	Deck Harness (22' & 24' decks)	1
	7552000181	Deck Harness (26' & 28' decks)	1
5	7552000191	Subframe to Deck Aux Harness (22' & 24' decks)	1
	7552000192	Subframe to Deck Aux Harness (26' & 28' decks)	
6	7552000166	Worklights on Winch Harness	1
7	7345241902	Terminal	1
8	7457000004	Circuit Breaker	1
9	7790100856	Screw, #10 x 0.50"	2
10	7345221902	Terminal	2
11	7950100151	Flatwasher, 0.19" ID	2
12	7280000013	Clip	*
13	7577000194	Wiring Connector Kit	1

* Quantity varies depending on deck construction.

ELECTRICAL COMPONENTS - STANDARD W/ STATIONARY HEADBOARD

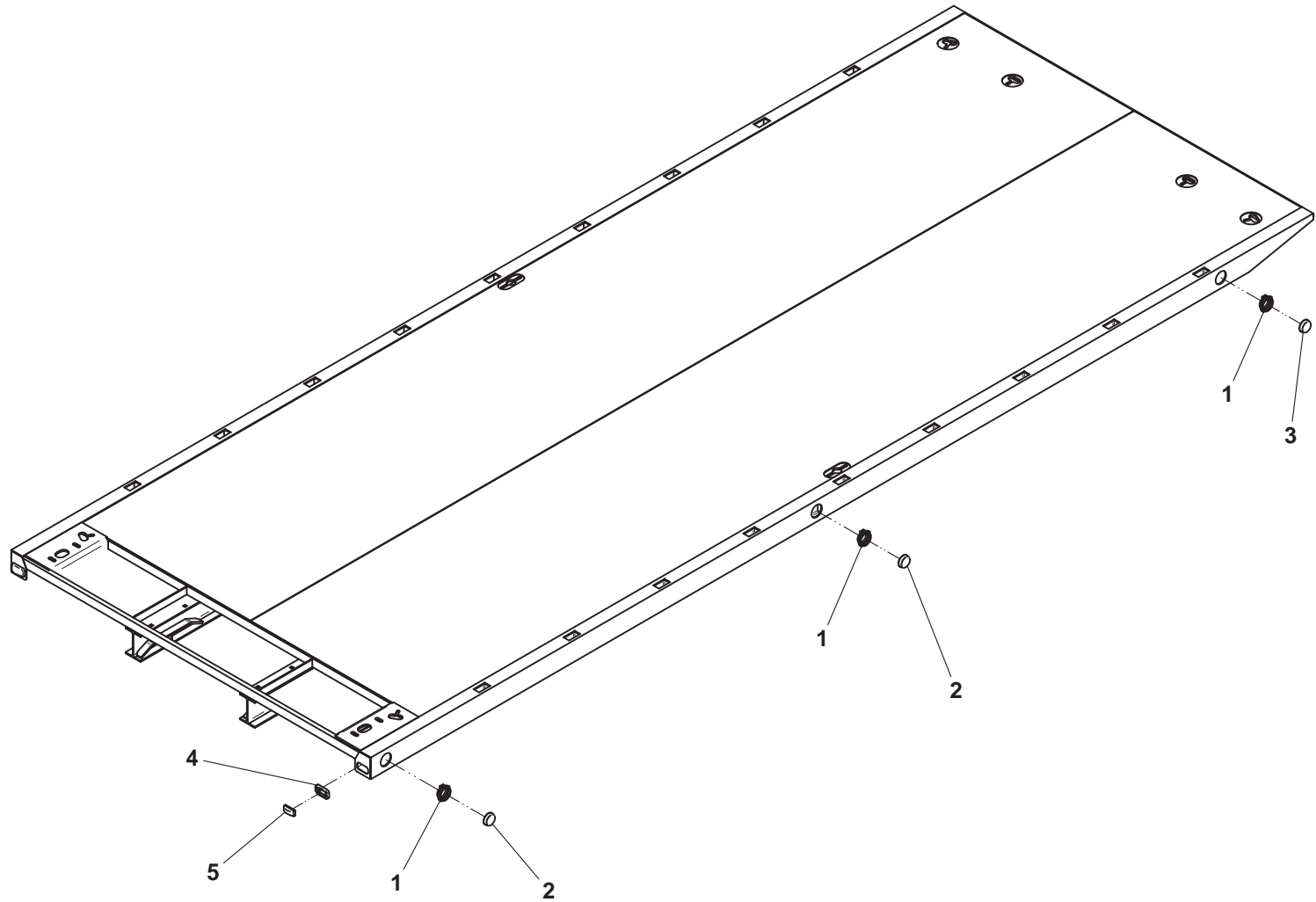


Item #12, Clip, not shown.

DECK MARKER LIGHTS

ITEM	PART NO.	DESCRIPTION	QTY
1	7493000009	Grommet	6
2	7590000342	Marker Light - Amber (LED)	4
3	7590000343	Marker Light - Red (LED)	2
4	7493000010	Grommet	2
5	7590000339	Marker Light - Amber (LED)	2

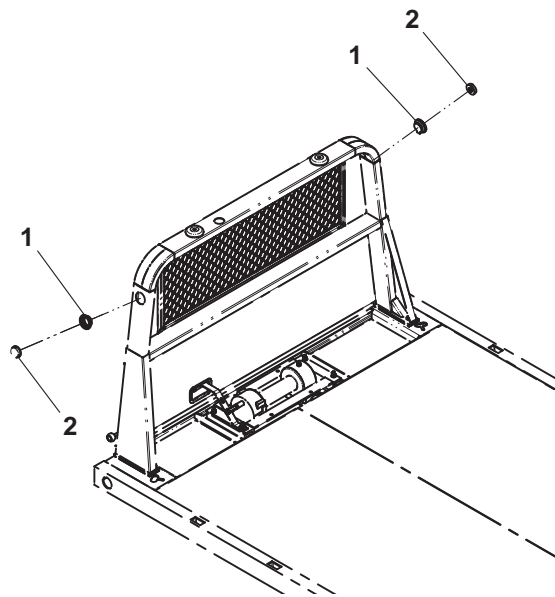
DECK MARKER LIGHTS



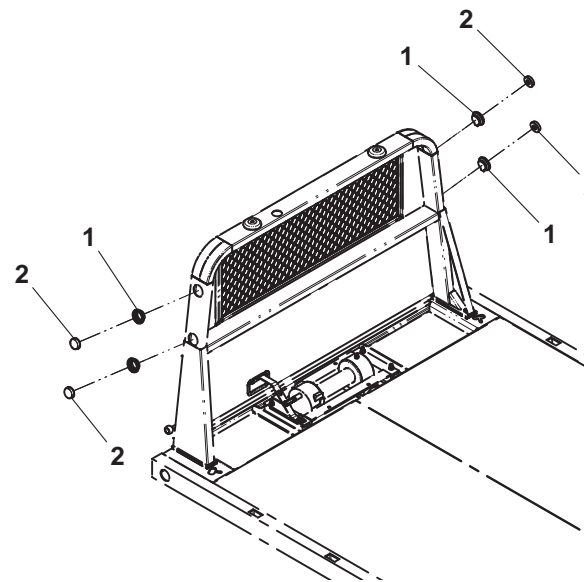
HEADBOARD SIDE MARKER LIGHTS

ITEM	PART NO.	DESCRIPTION	QTY
1	7493000009	Grommet (40" Headboard)	2
	7493000009	Grommet (45", 50" & 57" Headboard)	4
2	7590000342	Marker Light - Amber (LED) (40" Headboard)	2
	7590000342	Marker Light - Amber (LED) (45", 50" & 57" Headboard)	4
3	7552000409	Headboard to Cab Harness	1

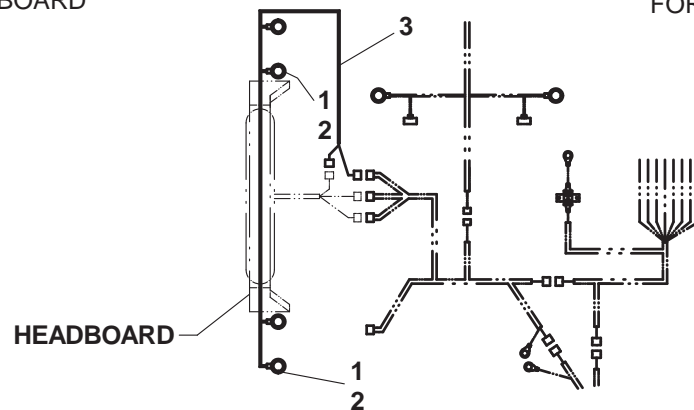
HEADBOARD SIDE MARKER LIGHTS



FOR 40" HEADBOARD



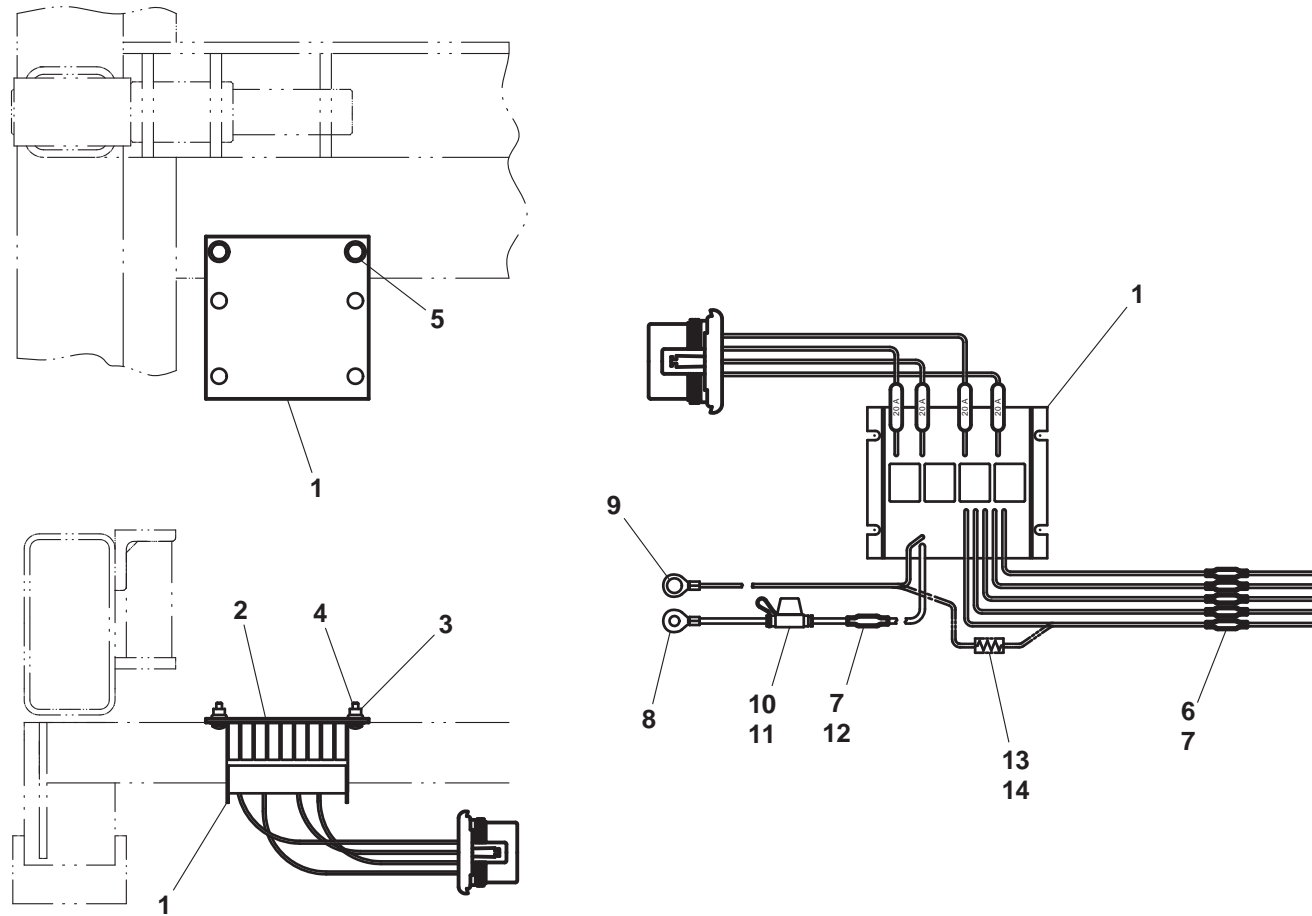
FOR 45", 50" & 57" HEADBOARD



ELECTRICAL COMPONENTS - OPTIONAL (TAIL LIGHT CONVERTER)

ITEM	PART NO.	DESCRIPTION	QTY
1	7297000008	Taillight Converter	1
2	4706002990	Plate	1
3	7661000007	Wellnut	4
4	7104100613	Screw, #10-32NF x 0.75"	4
5	7790151253	Screw, 0.31"-18NC x 1.50"	2
6	7345001714	Terminal	5
7	4346000005	Heak Shrink Tubing - 1.50"	5
8	7345221902	Terminal	1
9	7345241902	Terminal	1
10	7346000126	Fuse Holder	1
11	7457000017	Fuse - 30 amp	1
12	7345001914	Terminal	1
13	7346000209	Resistor (UD chassis w/ std lights)	1
14	7346000220	Resistor (UD chassis w/ LED lights)	1

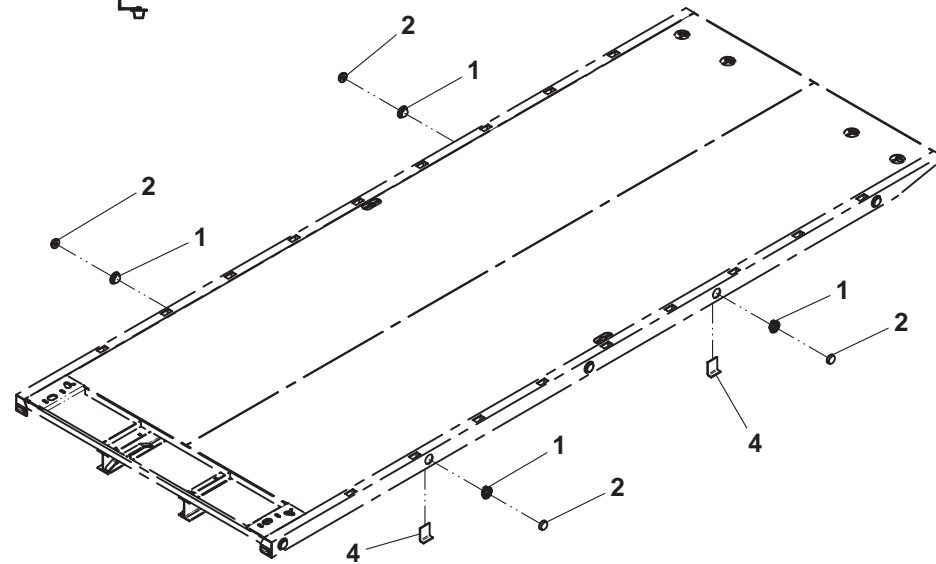
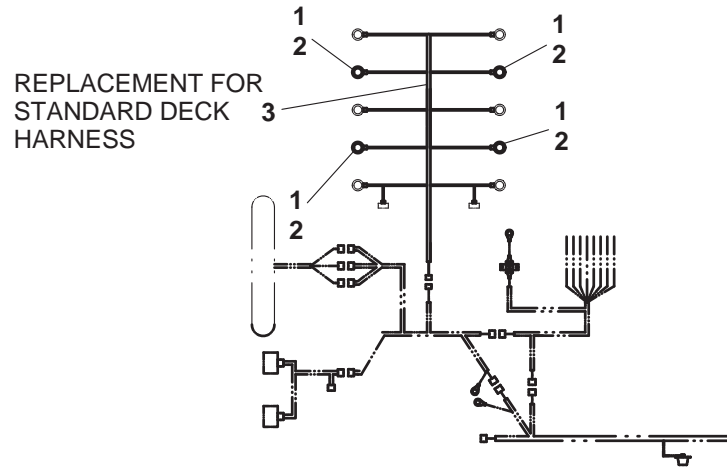
ELECTRICAL COMPONENTS - OPTIONAL (TAIL LIGHT CONVERTER)



ADDITIONAL DECK MARKER LIGHTS

ITEM	PART NO.	DESCRIPTION	QTY
1	7493000009	Grommet	4
2	7590000342	Marker Light - Amber (LED)	4
3	7552000212	Additional Markers Deck Harness	1
4	4017001059	Angle	4
5	7280000018	Wire Clip (Steel Decks with Channel x-members)	16
	7280000013	Clip (Steel Decks with mini I-Beam x-members)	16

ADDITIONAL DECK MARKER LIGHTS



Item #5, Wire Clip, not shown.

IRL WHEEL LIFT

ITEM	PART NO.	DESCRIPTION	QTY	ITEM	PART NO.	DESCRIPTION	QTY
1	3170000162	Outer Boom Weld (3,000 lb wheel lift)	1	23	7082000016^	Bearing	4
	3170000163	Outer Boom Weld (4,000 lb wheel lift)		24	7291000010	4-Way Receptacle	1
2	3911000056	Inner Boom Weld (3,000 lb wheel lift)	1	25	7796000048	Gasket	1
	3170000304	Inner Boom Weld (4,000 lb wheel lift)		26	7114140528	Screw, 0.25"-20NC x 0.63"	2
3	3320000115	Cylinder Assembly	1	27	7660142601	Locknut, 0.25"-20NC	2
4	4691000296	Pin	1				
5	4691000268	Pin	1				
6	7754000006	Retaining Ring	4				
7	7082000020*	Bushing (3,000 lb wheel lift)	1				
	7082000021<	Bushing (4,000 lb wheel lift)					
8	4679000046	Wear Pad	1				
9	4017000739	Angle	2				
10	7118140418	Capscrew, 0.25"-20NC x 0.50"	4				
11	7950100151	Washer, 0.19" ID	4				
12	4679000211	Wear Pad	1				
13	3320000123	Cylinder Assembly (3,000 lb wheel lift)	2				
	3320000124	Cylinder Assembly (4,000 lb wheel lift)					
14	3691000164	Pin Weld	2				
15	7115160950	Capscrew, 0.38"-16NC x 1.12"	6				
16	7660162601	Locknut, 0.38"-16NC	6				
17	3691000073	Pin Weld	3				
18	3020000101	Arm Weld (3,000 lb wheel lift)	2				
	3020000102	Arm Weld (4,000 lb wheel lift)					
19	7082000017+	Bearing	4				
20	7082000018+	Bearing	4				
21	3592000039	Link Assembly (3,000 lb wheel lift)	1				
	3592000040	Link Assembly (4,000 lb wheel lift)					
22	3691000069	Pin Weld	1				

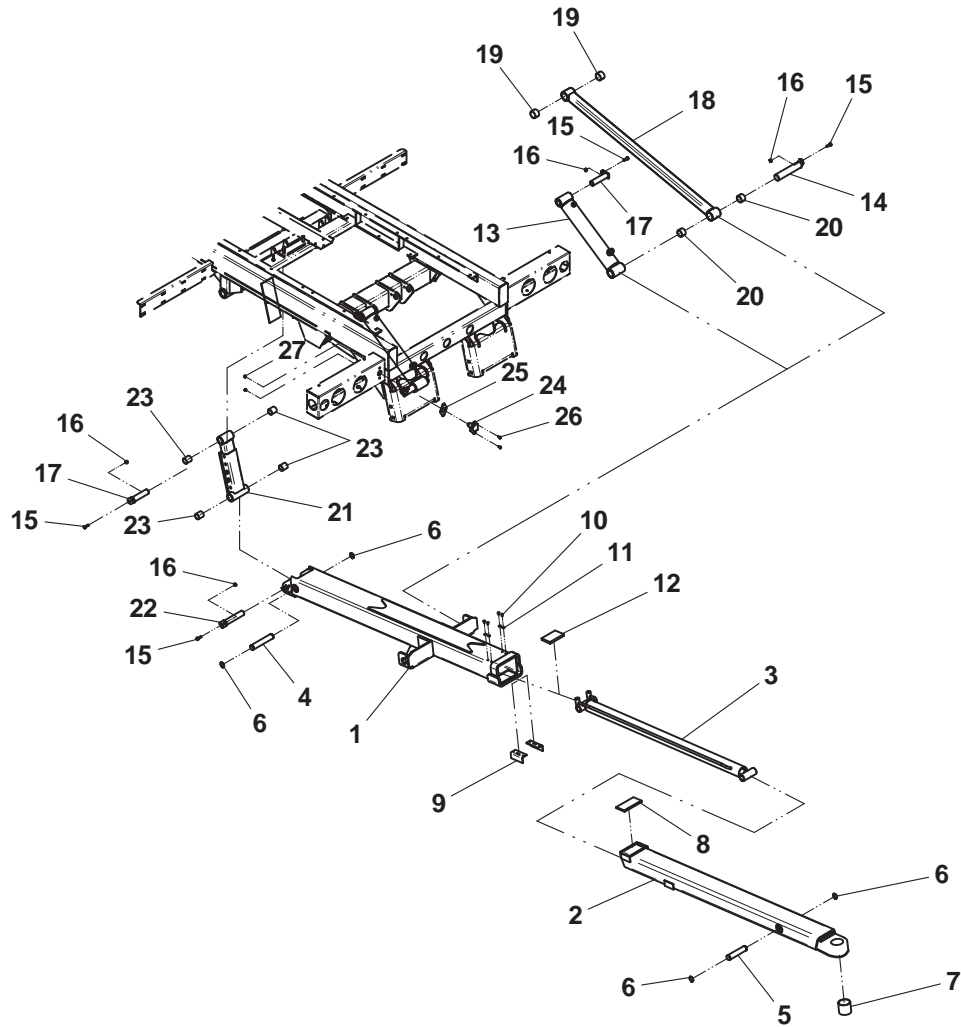
+ included in Arm Weld, P/Ns 3020000101 & 3020000102

^ included in Link Weld, P/Ns 359 2000034, 3592000041 & 3592000042

< included in Inner Boom Weld, P/N 3911000304

* included in Inner Boom Weld, P/N 3911000056

IRL WHEEL LIFT



3,000 lb wheel lift shown

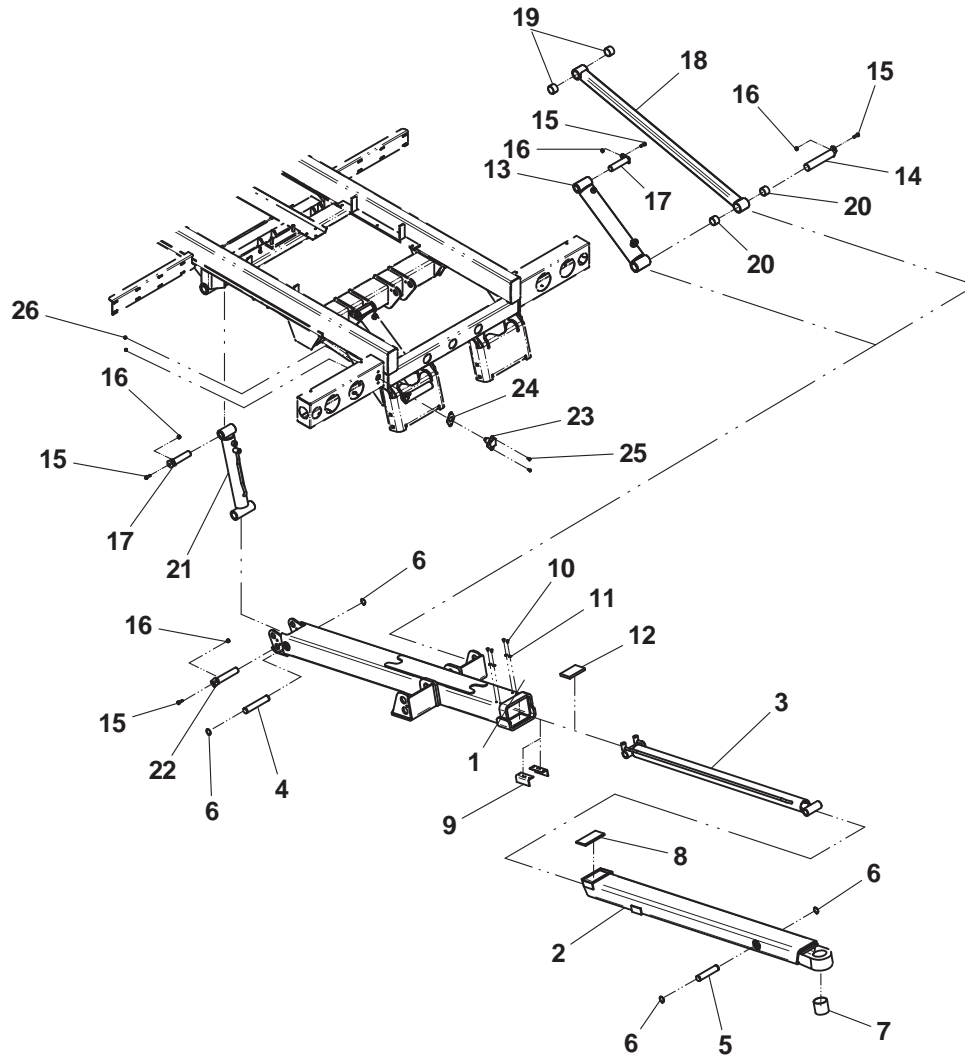
ZOD WHEEL LIFT

ITEM	PART NO.	DESCRIPTION	QTY
1	3170000237	Outer Boom Weld	1
2	3911000056	Inner Boom Weld	1
3	3320000115	Cylinder Assembly	1
4	4691000296	Pin	1
5	4691000268	Pin	1
6	7754000006	Retaining Ring	4
7	7082000020*	Bushing	1
8	4679000046	Wear Pad	1
9	4017000739	Angle	2
10	7118140418	Capscrew, 0.25"-20NC x 0.50"	4
11	7950100151	Washer, 0.19" ID	4
12	4679000211	Wear Pad	1
13	3320000123	Cylinder Assembly	2
14	3691000164	Pin Weld	2
15	7115160950	Capscrew, 0.38"-16NC x 1.12"	6
16	7660162601	Locknut, 0.38"-16NC	6
17	3691000073	Pin Weld	3
18	3020000101	Arm Weld	2
19	7082000017+	Bearing	4
20	7082000018+	Bearing	4
21	3320000125	Cylinder Assembly	1
22	3691000069	Pin Weld	1
23	7291000010	4-Way Receptacle	1
24	7796000048	Gasket	1
25	7114140528	Screw, 0.25"-20NC x 0.63"	2
26	7660142601	Locknut, 0.25"-20NC	2

* included in Inner Boom Weld, P/N 3911000056

+ included in Arm Welds, P/Ns 3020000101

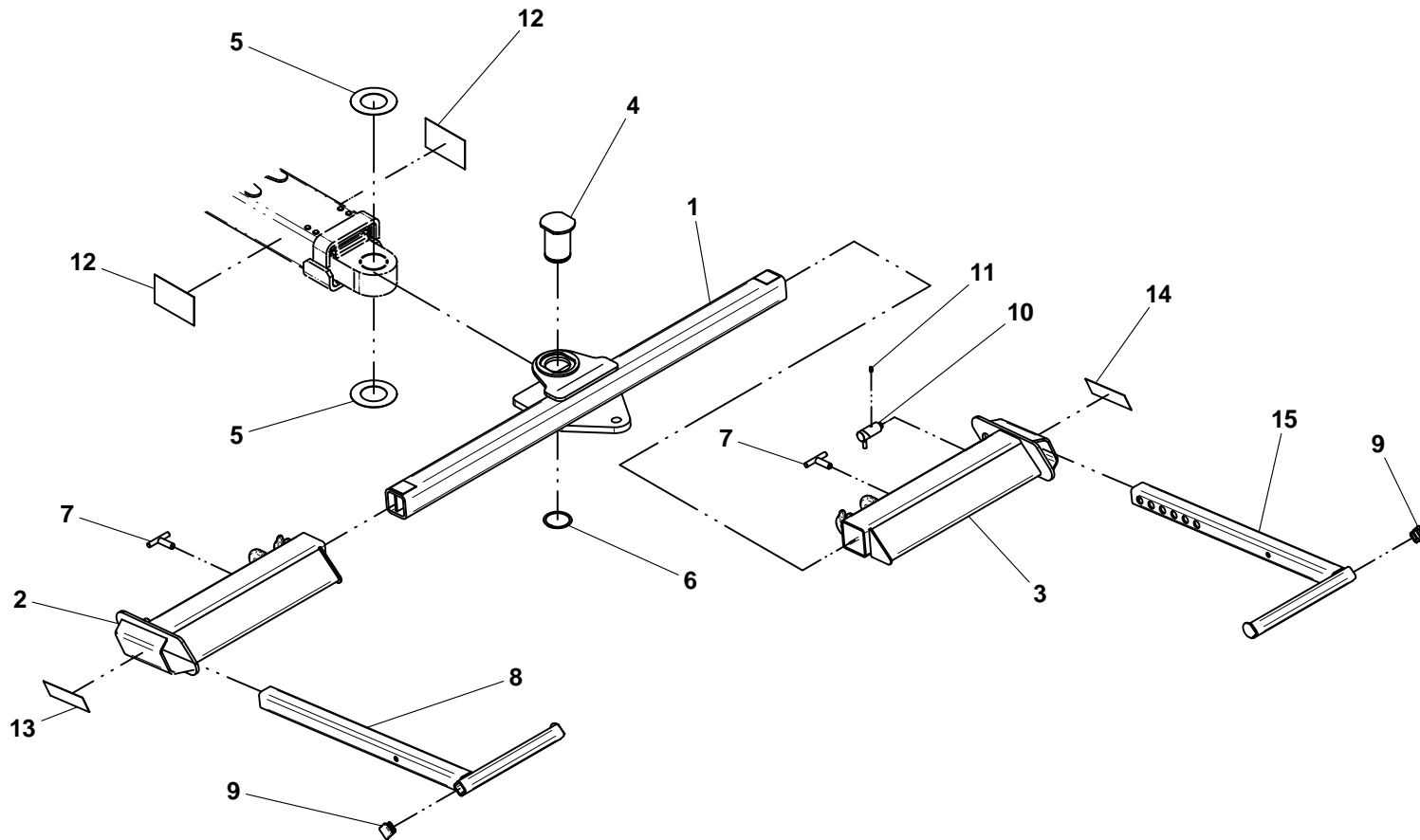
ZOD WHEEL LIFT



MANUAL L-ARM WHEEL LIFT GRID

ITEM	PART NO.	DESCRIPTION	QTY	ITEM	PART NO.	DESCRIPTION	QTY
1	3913000093	Pivot Tube Weld (3,000 lb IRL wheel lift) (3,000 lb IRL wheel lift w/ ball plate)	1	12	7330000419	Reflective Tape	2
	3913000096	Pivot Tube Weld (3,000 lb ZOD wheel lift w/ ball plate)		13	7330000417	Reflective Tape - LH	1
	3913000097	Pivot Tube Weld (4,000 lb IRL wheel lift w/ ball plate)		14	7330000418	Reflective Tape - RH	1
	3913000098	Pivot Tube Weld (3,000 lb IRL wheel lift w/ 2" Reese Rcvr)		15	3020000072	L-Arm Weld (3,000 lb IRL & ZOD wheel lift)	1
	3913000099	Pivot Tube Weld (3,000 lb ZOD wheel lift w/ 2" Reese Rcvr)			3020000038	L-Arm Weld RH (4,000 lb IRL wheel lift)	
	3913000100	Pivot Tube Weld (4,000 lb IRL wheel lift w/ 2" Reese Rcvr)					
	3913000101	Pivot Tube Weld (4,000 lb IRL wheel lift w/ 2.5" Reese Rcvr)					
2	3484000035	Grid Weld - LH (3,000 lb IRL & ZOD wheel lift)	1				
	3484000031	Grid Weld - LH (4,000 lb IRL wheel lift)					
3	3484000034	Grid Weld - RH (3,000 lb IRL & ZOD wheel lift)	1				
	3484000030	Grid Weld - RH (4,000 lb IRL wheel lift)					
4	4691000447	Pivot Pin (3,000 lb IRL & ZOD wheel lift)	1				
	4691000427	Pivot Pin (4,000 lb IRL wheel Lift)					
5	4949000047	Washer	2				
6	7754000024	Retaining Ring	1				
7	3551000036	T-Handle	2				
8	3020000072	L-Arm Weld (3,000 lb IRL & ZOD wheel lift)	1				
	3020000037	L-Arm Weld LH (4,000 lb IRL wheel lift)					
9	7701000062	Plug (3,000 lb IRL & ZOD wheel lift)	2				
10	3551000011	Cam Lock Assembly	2				
11	7440030000	Grease Fitting	2				

MANUAL L-ARM WHEEL LIFT GRID



Pivot tube weld with IRL ball hitch mounting plate shown

MANUAL T37 PIVOTING WHEEL LIFT GRID

ITEM	PART NO.	DESCRIPTION	QTY	ITEM	PART NO.	DESCRIPTION	QTY
1	3913000093	Pivot Tube Weld (3,000 lb IRL wheel lift) (3,000 lb IRL wheel lift w/ ball plate)	1	16	4691000183~	Pin	2
	3913000096	Pivot Tube Weld (3,000 lb ZOD wheel lift w/ ball plate)		17	4691000447	Pivot Pin (3,000 lb IRL & ZOD wheel lift)	1
	3913000097	Pivot Tube Weld (4,000 lb IRL wheel lift w/ ball plate)		18	4691000427	Pivot Pin (4,000 lb IRL wheel Lift)	
	3913000098	Pivot Tube Weld (3,000 lb IRL wheel lift w/ 2" Reese Rcvr)		19	4949000047	Washer	2
	3913000099	Pivot Tube Weld (3,000 lb ZOD wheel lift w/ 2" Reese Rcvr)		20	7754000024	Retaining Ring	1
	3913000100	Pivot Tube Weld (4,000 lb IRL wheel lift w/ 2" Reese Rcvr)		21	7440030000	Grease Fitting	6
	3913000101	Pivot Tube Weld (4,000 lb IRL wheel lift w/ 2.5" Reese Rcvr)		22	3020000029	L-Arm Weld - LH	1
2	3484000051*	Grid Weld - LH (3,000 lb IRL & ZOD wheel lift)	1	23	3020000030	L-Arm Weld - RH	1
	3484000017^	Grid Weld - LH (4,000 lb IRL wheel lift)		24	7330000419	Reflective Tape	2
3	3484000050+	Grid Weld - RH (3,000 lb IRL & ZOD wheel lift)	1	25	7330000420	Reflective Tape	1
	3484000016>	Grid Weld - RH (4,000 lb IRL wheel lift)		26	7330000432	Reflective Tape	1
4	4259000002*^	Pivot Casting, LH	1		7950200000	Lockwasher, 0.63" ID	2
5	4259000001+>	Pivot Casting, RH	1				
6	4691000354~	Pin	2				
7	4691000357~	Pin	2				
8	7754000037~	Retaining Ring	2				
9	3551000036	T-Handle	2				
10	4691000186~	Pin	2				
11	7843000006~	Spring	2				
12	4763000184~	Rod	2				
13	4254000005~	Cap	2				
14	7786000006~	Screw	2				
15	7843000016~	Spring	2				

* also available in Grid Assembly, LH, P/N 3484000053

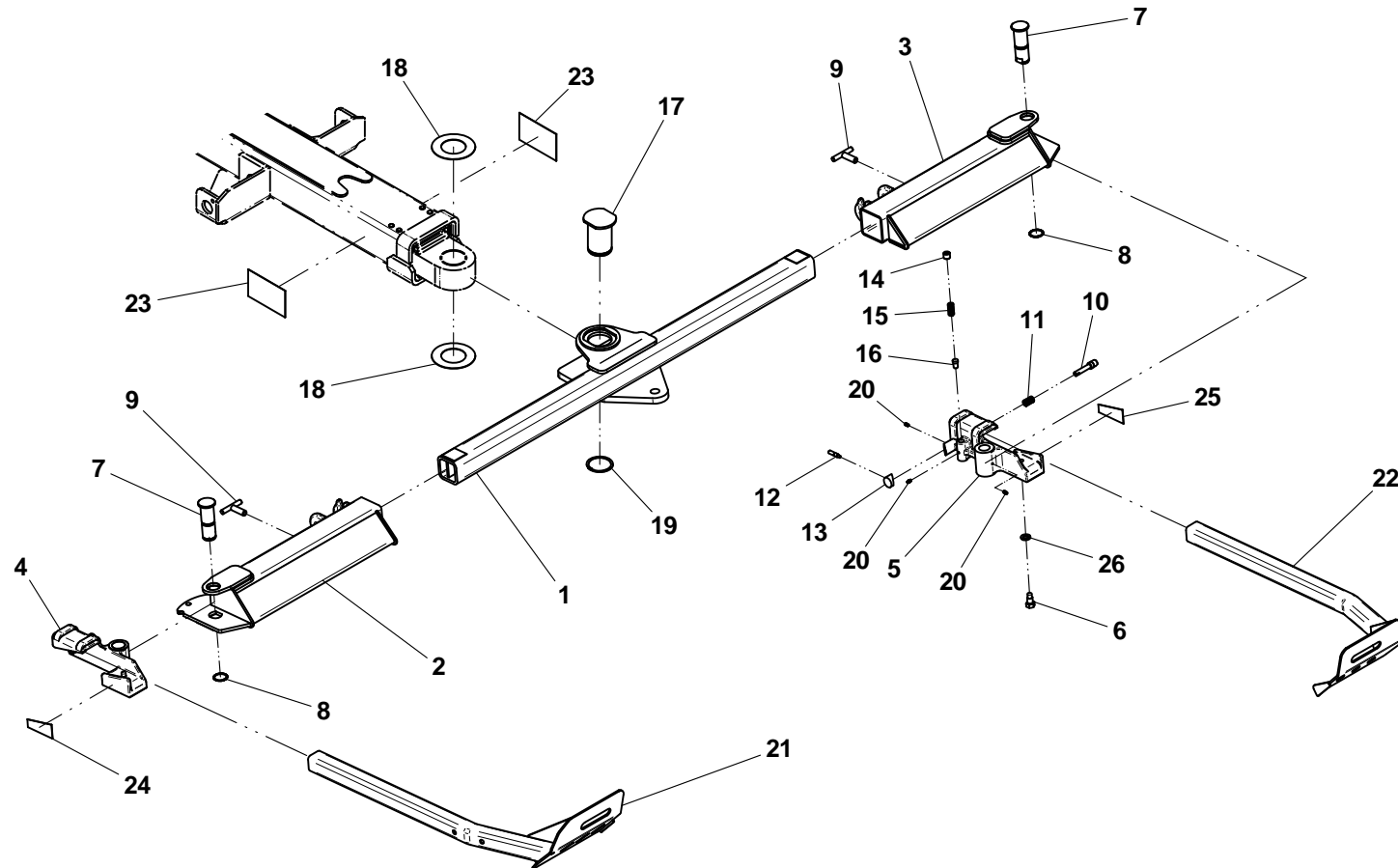
+ also available in Grid Assembly, RH, P/N 3484000052

~ also available in Grid Assembly, P/N's 3484000046, 3484000047, 3484000052 & 3484000053

^ also available in Grid Assembly, LH, P/N 3484000047

> also available in Grid Assembly, RH, P/N 3484000046

MANUAL T37 PIVOTING WHEEL LIFT GRID



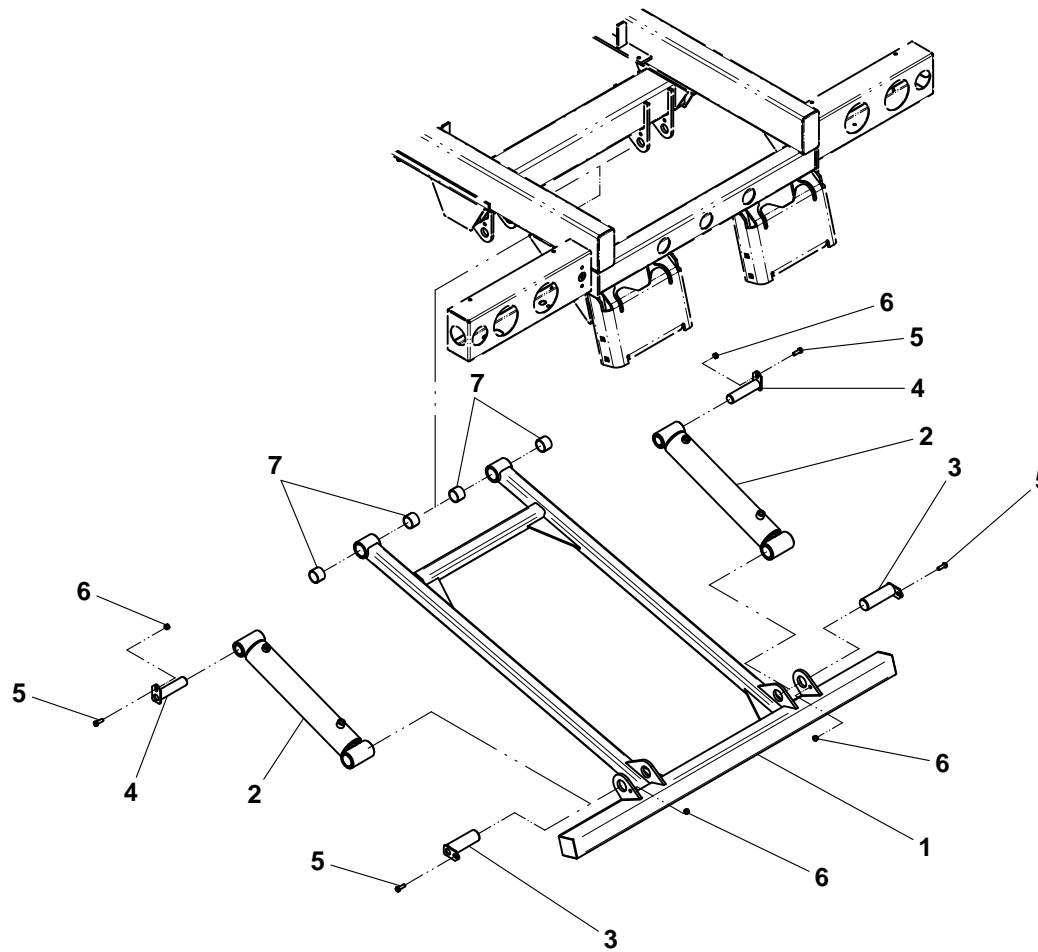
Pivot tube weld with IRL ball hitch mounting plate shown

HYDRAULIC REAR DOCK STABILIZER

ITEM	PART NO.	DESCRIPTION	QTY
1	3849000027	Stabilizer Weld	1
2	3320000126	Cylinder Assembly	2
3	3691000165	Pin Weld	2
4	3691000073	Pin Weld	2
5	7115160950	Capscrew, 0.38"-16NC x 1.12"	4
6	7660162601	Locknut, 0.38"-16NC	4
7	7082000017*	Bearing	4

* included in Stabilizer Weld, P/N 3849000027

HYDRAULIC REAR DOCK STABILIZER



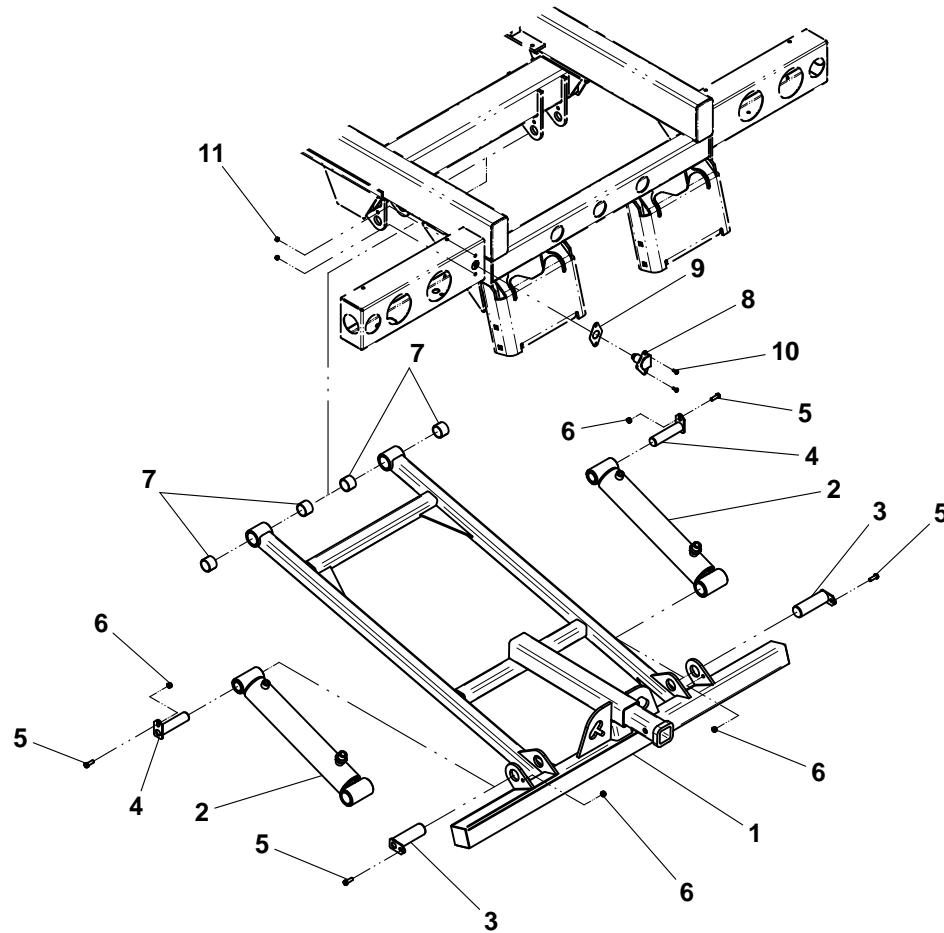
HYDRAULIC REAR DOCK STABILIZER WITH REESE HITCH RECEIVER

ITEM	PART NO.	DESCRIPTION	QTY
1	3849000029	Stabilizer Weld (with 2.00" Reese Hitch Receiver)	1
	3849000042	Stabilizer Weld (with 2.50" Reese Hitch Receiver)	
2	3320000123	Cylinder Assembly	2
3	3691000165	Pin Weld	2
4	3691000073	Pin Weld	2
5	7115160950	Capscrew, 0.38"-16NC x 1.12"	4
6	7660162601	Locknut, 0.38"-16NC	4
7	7082000017*^	Bearing	4
8	7291000010	4-Way Receptacle	1
9	7796000048	Gasket	1
10	7114140528	Screw, 0.25"-20NC x .63"	2
11	7660142601	Locknut, 0.25"-20NC	2

* included in Stabilizer Weld, P/N 3849000029

^ included in Stabilizer Weld, P/N 3849000042

HYDRAULIC REAR DOCK STABILIZER WITH REESE HITCH RECEIVER

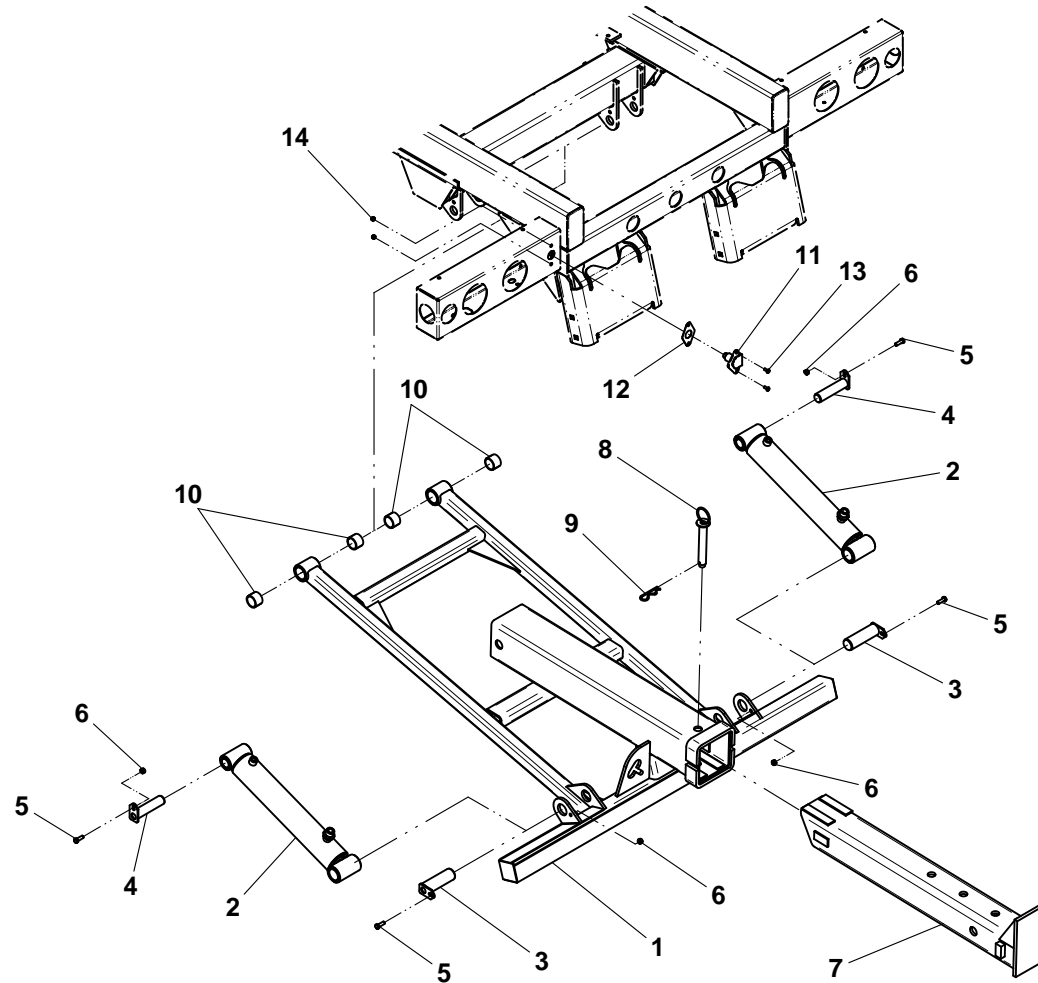


HYDRAULIC REAR DOCK STABILIZER WITH MANUAL EXTEND PINTLE HITCH MOUNTING PLATE

ITEM	PART NO.	DESCRIPTION	QTY
1	3849000028	Stabilizer Weld w/ Manual Pintle Plate	1
2	3320000123	Cylinder Assembly	2
3	3691000165	Pin Weld	2
4	3691000073	Pin Weld	2
5	7115160950	Capscrew, 0.38"-16NC x 1.12"	4
6	7660162601	Locknut, 0.38"-16NC	4
7	3170000203	Inner Boom Weld	1
8	3691000064	Pin Weld	1
9	7691000001	Hair Pin	1
10	7082000017*	Bearing	4
11	7291000010	4-Way Receptacle	1
12	7796000048	Gasket	1
13	7114140528	Screw, 0.25"-20NC x 0.63"	2
14	7660142601	Locknut, 0.25"-20NC	2

* included in Stabilizer Weld, P/N 3849000028

HYDRAULIC REAR DOCK STABILIZER WITH MANUAL EXTEND PINTLE HITCH MOUNTING PLATE

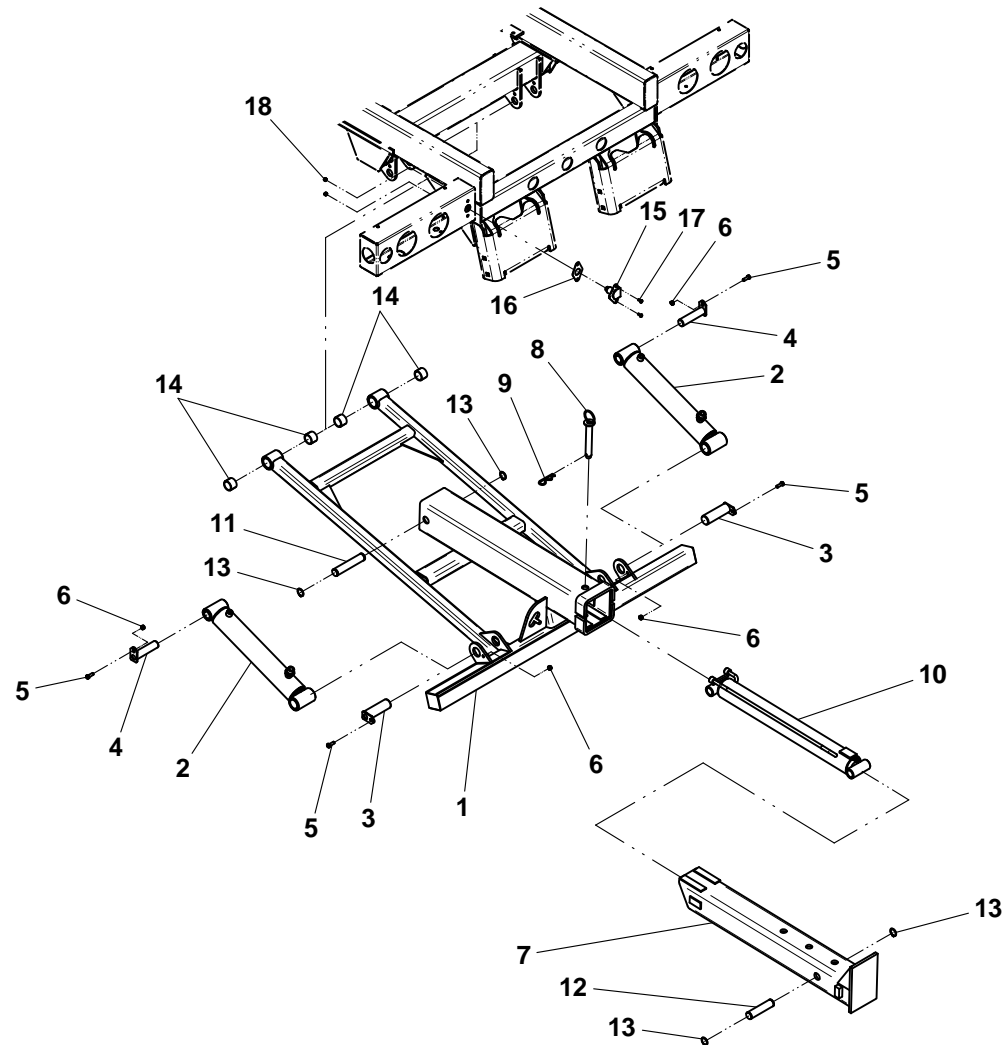


HYDRAULIC REAR DOCK STABILIZER WITH HYDRAULIC EXTEND PINTLE HITCH MOUNTING PLATE

ITEM	PART NO.	DESCRIPTION	QTY
1	3849000028	Stabilizer Weld w/ Manual Pintle Plate	1
2	3320000123	Cylinder Assembly	2
3	3691000165	Pin Weld	2
4	3691000073	Pin Weld	2
5	7115160950	Capscrew, 0.38"-16NC x 1.12"	4
6	7660162601	Locknut, 0.38"-16NC	4
7	3170000203	Inner Boom Weld	1
8	3691000064	Pin Weld	1
9	7691000001	Hair Pin	1
10	3320000117	Cylinder Assembly	1
11	4691000430	Pin	1
12	4691000429	Pin	1
13	7754000006	Retaining Ring	1
14	7082000017*	Bearing	4
15	7291000010	4-Way Receptacle	1
16	7796000048	Gasket	1
17	7114140528	Screw, 0.25"-20NC x 0.63"	2
18	7660142601	Locknut, 0.25"-20NC	2

* included in Stabilizer Weld, P/N 3849000028

HYDRAULIC REAR DOCK STABILIZER WITH HYDRAULIC EXTEND PINTLE HITCH MOUNTING PLATE



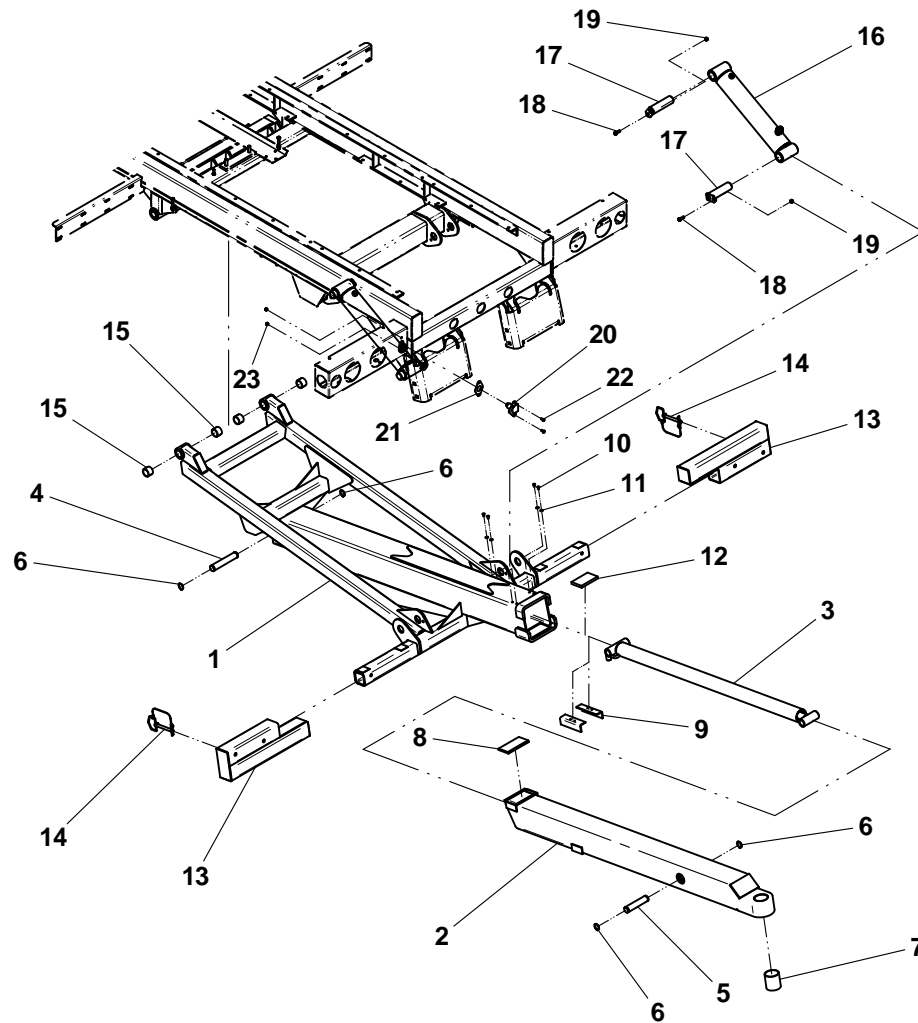
HYDRAULIC REAR DOCK STABILIZER WITH HYDRAULIC EXTEND WHEEL LIFT

ITEM	PART NO.	DESCRIPTION	QTY
1	3849000030	Stabilizer Weld	1
2	3170000304	Inner Boom Weld	1
3	3320000115	Cylinder Assembly	1
4	4691000296	Pin	1
5	4691000268	Pin	1
6	7754000006	Retaining Ring	4
7	7082000021*	Bushing	1
8	4679000046	Wear Pad	1
9	4017000739	Angle	2
10	7118140418	Capscrew, 0.25"-20NC x 0.50"	4
11	7950100151	Washer, 0.19" ID	4
12	4679000211	Wear Pad	1
13	3073000010	Stabilizer Base Weld	2
14	7691000071	Hitch Pin	2
15	7082000017+	Bearing	4
16	3320000132	Cylinder assembly	2
17	3691000184	Pin Weld	4
18	7115160950	Capscrew, 0.38"-16NC x 1.12"	2
19	7660162601	Locknut, 0.38"-16NC	2
20	7291000010	4-Way Receptacle	1
21	7796000048	Gasket	1
22	7114140528	Screw, 0.25"-20NC x 0.63"	1
23	7660142601	Locknut, 0.25"-20NC	1

* included in Inner Boom Weld, P/N 3170000304

+ included in Stabilizer Weld, P/N 3849000030

HYDRAULIC REAR DOCK STABILIZER WITH HYDRAULIC EXTEND WHEEL LIFT



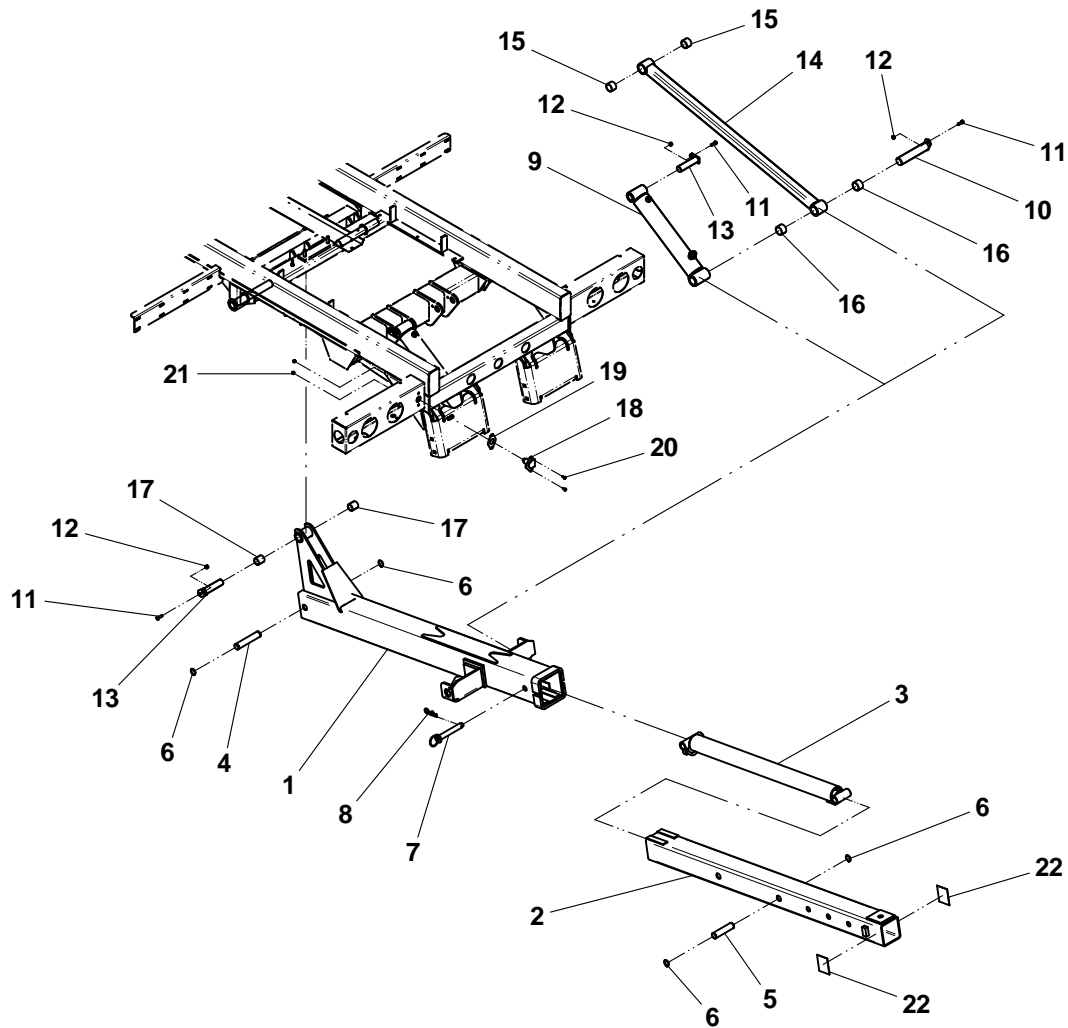
BALL HITCH MOUNTING PLATE - IRL

ITEM	PART NO.	DESCRIPTION	QTY
1	3170000313	Outer Boom Weld	1
2	3911000062	Inner Boom Weld	1
3	3320000116	Cylinder Assembly	1
4	4691000430	Pin	1
5	4691000429	Pin	1
6	7754000006	Retaining Ring	4
7	3691000064	Pin Weld	1
8	7691000001	Hair Pin	1
9	3320000124	Cylinder Assembly	2
10	3691000164	Pin Weld	2
11	7115160950	Capscrew, 0.38"-16NC x 1.12"	5
12	7660162601	Locknut, 0.38"-16NC	5
13	3691000073	Pin Weld	3
14	3020000102	Arm Weld	2
15	7082000017*	Bushing	4
16	7082000018*	Bushing	4
17	7082000016+	Bushing	2
18	7291000010	4-Way Receptacle	1
19	7796000048	Gasket	1
20	7114140528	Screw, 0.25"-20NC x 0.63"	2
21	7660142601	Locknut, 0.25"-20NC	2
22	4330000002	Reflective Tape	2

* included in Arm Weld, P/N 3020000102

+ included in Outer Boom Weld, P/N 3170000313

BALL HITCH MOUNTING PLATE - IRL

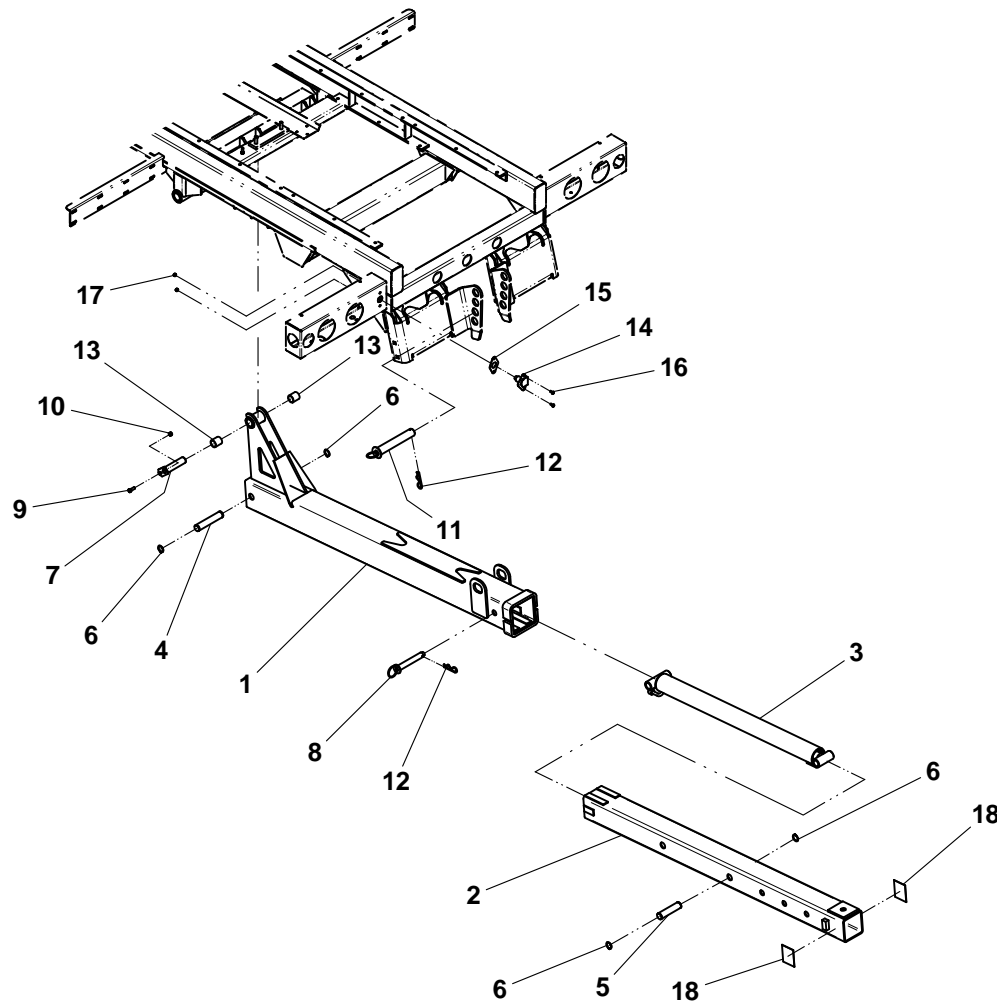


BALL HITCH MOUNTING PLATE - HYDRAULIC EXTEND

ITEM	PART NO.	DESCRIPTION	QTY
1	3170000314	Outer Boom Weld	1
2	3911000062	Inner Boom Weld	1
3	3320000116	Cylinder Assembly	1
4	4691000430	Pin	1
5	4691000429	Pin	1
6	7754000006	Retaining Ring	4
7	3691000073	Pin Weld	1
8	3691000064	Pin Weld	1
9	7115160950	Capscrew, 0.38"-16NC x 1.12"	1
10	7660162601	Locknut, 0.38"-16NC	1
11	3691000097	Pin Weld	1
12	7691000001	Hair Pin	2
13	7082000016*	Bushing	2
14	7291000010	4-Way Receptacle	1
15	7796000048	Gasket	1
16	7114140528	Screw, 0.25"-20NC x 0.63"	2
17	7660142601	Locknut, 0.25"-20NC	2
18	4330000002	Reflective Tape	1

* included in Outer Boom Weld, P/N 3170000314

BALL HITCH MOUNTING PLATE - HYDRAULIC EXTEND

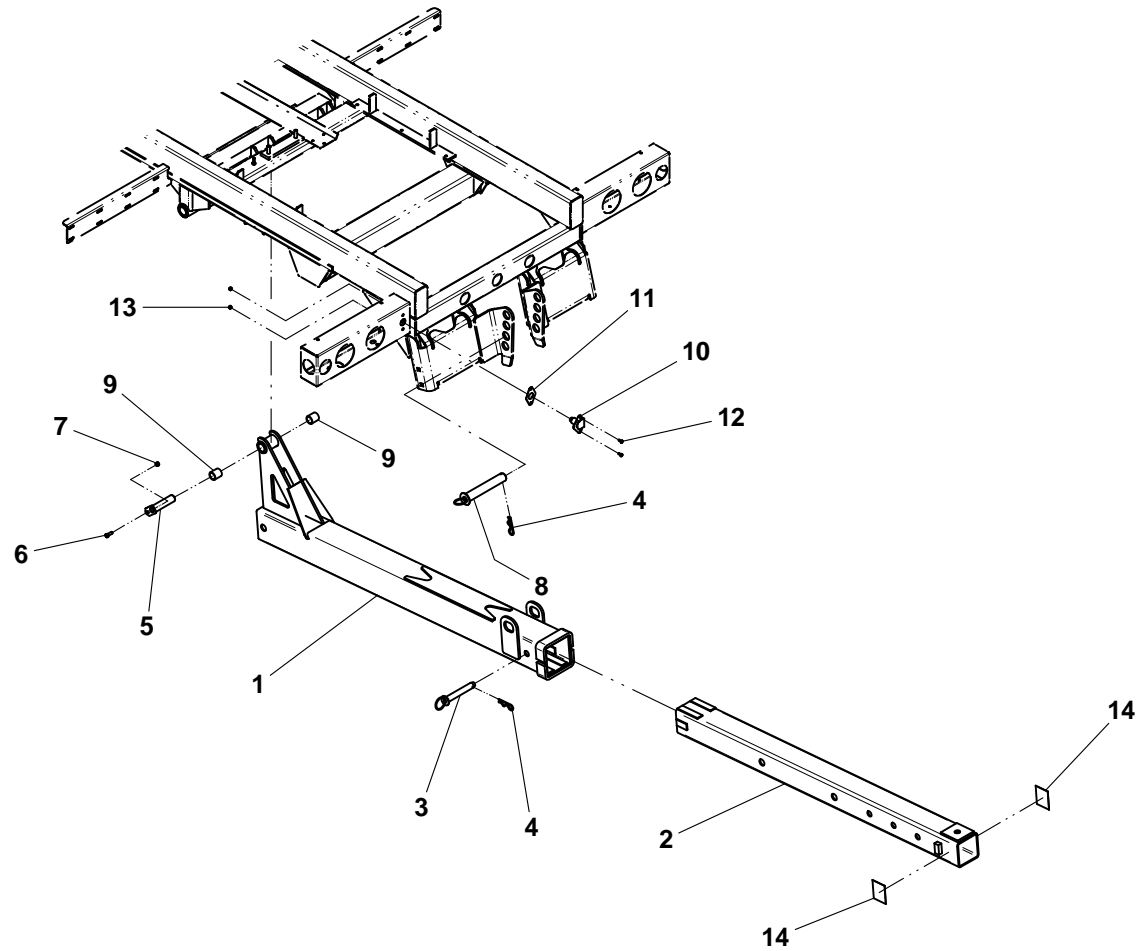


BALL HITCH MOUNTING PLATE - MANUAL EXTEND

ITEM	PART NO.	DESCRIPTION	QTY
1	3170000314	Outer Boom Weld	1
2	3911000062	Inner Boom Weld	1
3	3691000064	Pin Weld	1
4	7691000001	Hair Pin	2
5	3691000073	Pin Weld	1
6	7115160950	Capscrew, 0.38"-16NC x 1.12"	1
7	7660162601	Locknut, 0.38"-16NC	1
8	3691000097	Pin Weld	1
9	7082000016*	Bushing	2
10	7291000010	4-Way Receptacle	1
11	7796000048	Gasket	1
12	7114140528	Screw, 0.25"-20NC x 0.63"	2
13	7660142601	Locknut, 0.25"-20NC	2
14	4330000002	Reflective Tape	2

* included in Outer Boom Weld, P/N 3170000314

BALL HITCH MOUNTING PLATE - MANUAL EXTEND



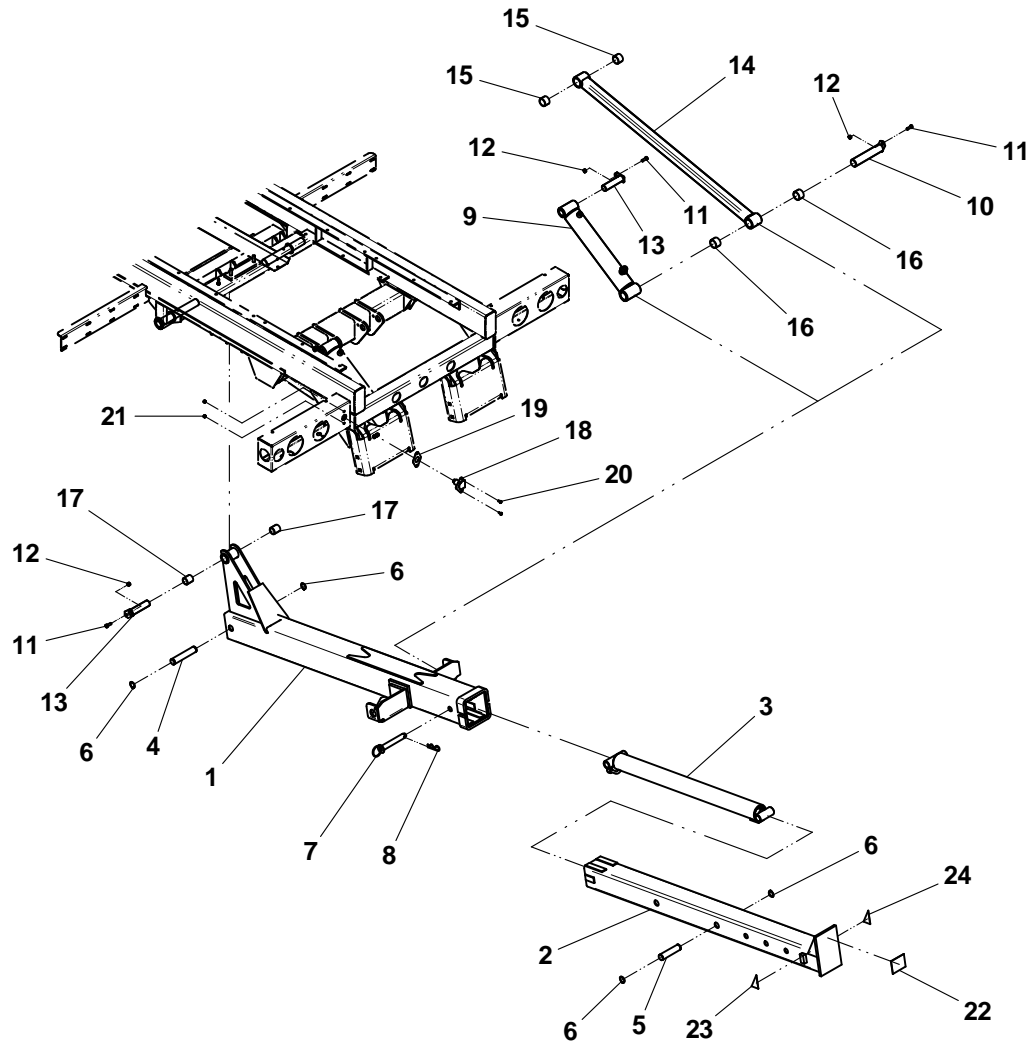
PINTLE HITCH MOUNTING PLATE - IRL

ITEM	PART NO.	DESCRIPTION	QTY
1	3170000313	Outer Boom Weld	1
2	3170000208	Inner Boom Weld	1
3	3320000116	Cylinder Assembly	1
4	4691000430	Pin	1
5	4691000429	Pin	1
6	7754000006	Retaining Ring	4
7	3691000064	Pin Weld	1
8	7691000001	Hair Pin	1
9	3320000124	Cylinder Assembly	1
10	3691000164	Pin Weld	2
11	7115160950	Capscrew, 0.38"-16NC x 1.12"	5
12	7660162601	Locknut, 0.38"-16NC	5
13	3691000073	Pin Weld	3
14	3020000102	Arm Weld	2
15	7082000017*	Bushing	4
16	7082000018*	Bushing	4
17	7082000016+	Bushing	2
18	7291000010	4-Way Receptacle	1
19	7796000048	Gasket	1
20	7114140528	Screw, 0.25"-20NC x 0.63"	2
21	7660142601	Locknut, 0.25"-20NC	2
22	4330000002	Reflective Tape	1
23	4330000645	Reflective Tape, LH	1
24	4330000646	Reflective Tape, RH	1

* included in Arm Weld, P/N 3020000102

+ included in Outer Boom Weld, P/N 3170000313

PINTLE HITCH MOUNTING PLATE - IRL

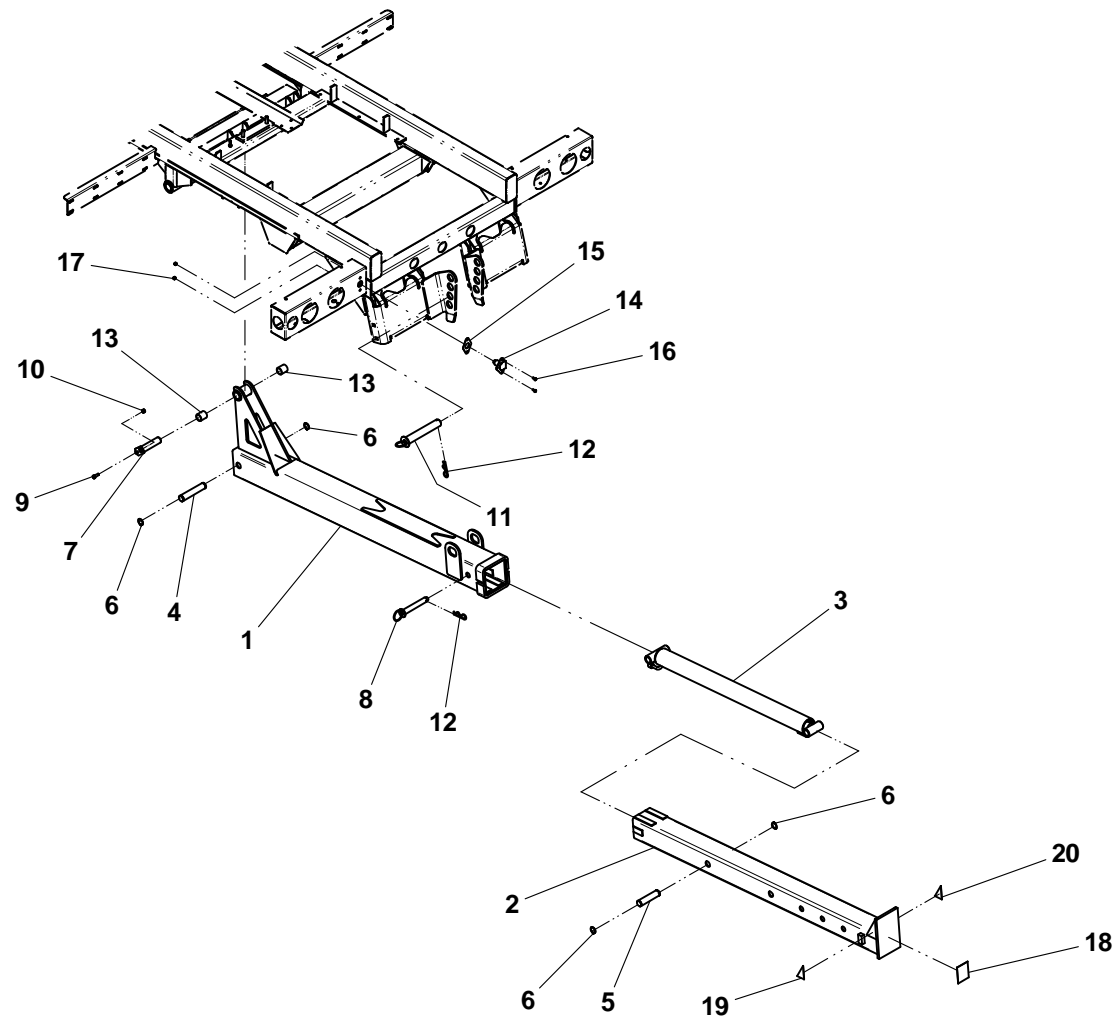


PINTLE HITCH MOUNTING PLATE - HYDRAULIC EXTEND

ITEM	PART NO.	DESCRIPTION	QTY
1	3170000314	Outer Boom Weld	1
2	3170000208	Inner Boom Weld	1
3	3320000116	Cylinder Assembly	1
4	4691000430	Pin	1
5	4691000429	Pin	1
6	7754000006	Retaining Ring	4
7	3691000073	Pin Weld	1
8	3691000064	Pin Weld	1
9	7115160950	Capscrew, 0.38"-16NC x 1.12"	1
10	7660162601	Locknut, 0.38"-16NC	1
11	3691000097	Pin Weld	1
12	7691000001	Hair Pin	2
13	7082000016*	Bushing	2
14	7291000010	4-Way Receptacle	1
15	7796000048	Gasket	1
16	7114140528	Screw, 0.25"-20NC x 0.63"	2
17	7660142601	Locknut, 0.25"-20NC	2
18	4330000002	Reflective Tape	1
19	4330000645	Reflective Tape, LH	1
20	4330000646	Reflective Tape, RH	1

* included in Outer Boom Weld, P/N 3170000314

PINTLE HITCH MOUNTING PLATE - HYDRAULIC EXTEND

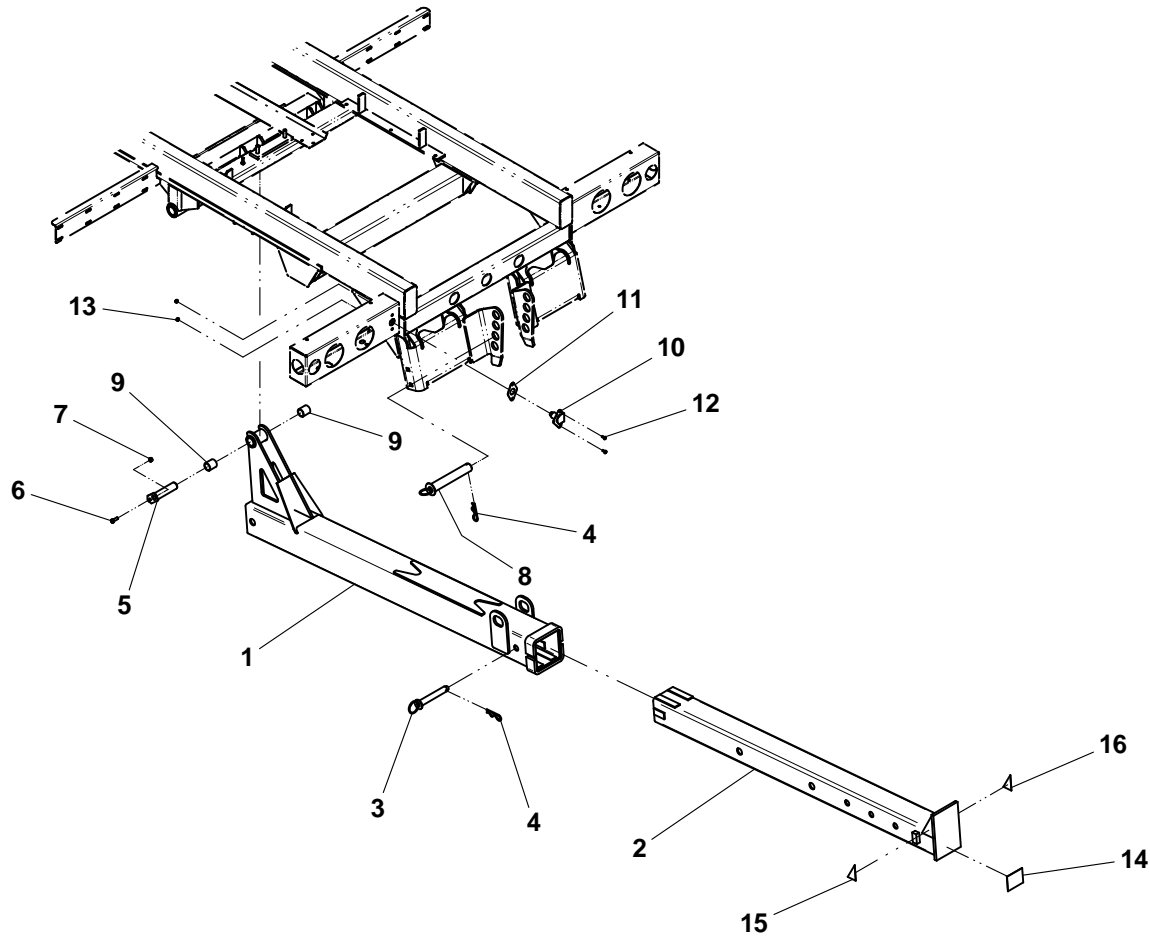


PINTLE HITCH MOUNTING PLATE - MANUAL EXTEND

ITEM	PART NO.	DESCRIPTION	QTY
1	3170000314	Outer Boom Weld	1
2	3170000208	Inner Boom Weld	1
3	3691000064	Pin Weld	1
4	7691000001	Hair Pin	2
5	3691000073	Pin Weld	1
6	7115160950	Capscrew, 0.38"-16NC x 1.12"	1
7	7660162601	Locknut, 0.38"-16NC	1
8	3691000097	Pin Weld	1
9	7082000016*	Bushing	2
10	7291000010	4-Way Receptacle	1
11	7796000048	Gasket	1
12	7114140528	Screw, 0.25"-20NC x 0.63"	2
13	7660142601	Locknut, 0.25"-20NC	2
14	4330000002	Reflective Tape	1
15	4330000645	Reflective Tape, LH	1
16	4330000646	Reflective Tape, RH	1

* included in Outer Boom Weld, P/N 3170000314

PINTLE HITCH MOUNTING PLATE - MANUAL EXTEND



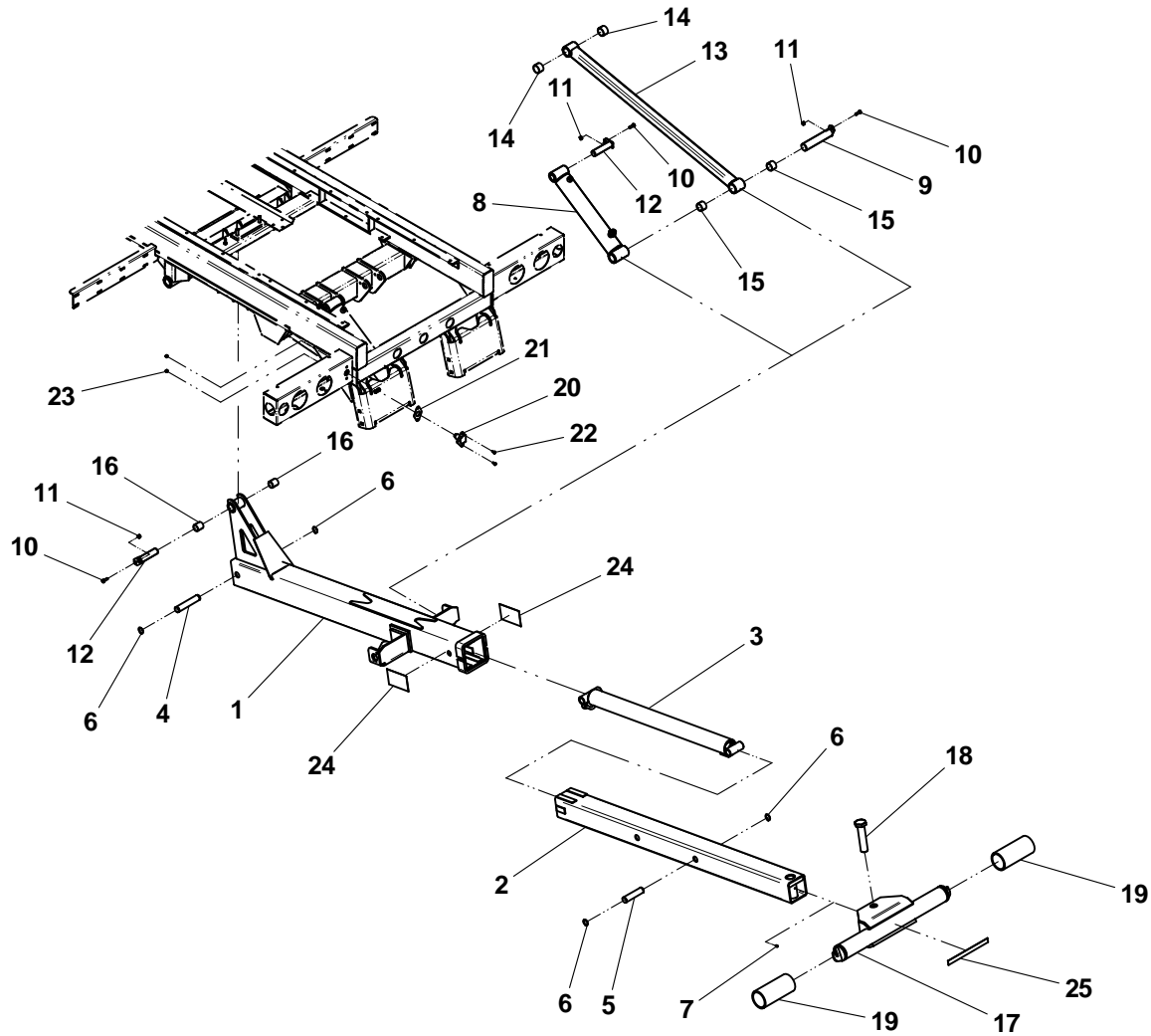
TOWBAR - IRL

ITEM	PART NO.	DESCRIPTION	QTY
1	3170000313	Outer Boom Weld	1
2	3170000078	Inner Boom Weld	1
3	3320000116	Cylinder Assembly	1
4	4691000430	Pin	1
5	4691000429	Pin	1
6	7754000006	Retaining Ring	4
7	7440030000	Grease Fitting	1
8	3320000114	Cylinder Assembly	2
9	3691000164	Pin Weld	2
10	7115160950	Capscrew, 0.38"-16NC x 1.12"	5
11	7660162601	Locknut, 0.38"-16NC	5
12	3691000073	Pin Weld	3
13	3020000102	Arm Weld	2
14	7082000017*	Bushing	4
15	7082000018*	Bushing	4
16	7082000016+	Bushing	2
17	3556000026	Tow Hitch Weld (rubber tubes)	1
	3556000028	Tow Hitch Weld (keyslots)	
18	4120000008	Capscrew, 1.50"-12NF x 6.38"	1
19	7912000011	Tube Rubber	2
20	7291000010	4-Way Receptacle	1
21	7796000048	Gasket	1
22	7114140528	Screw, 0.25"-20NC x 0.63"	2
23	7660142601	Locknut, .025"-20NC	2
24	7330000419	Reflective Tape	2
25	4330000001	Reflective Tape	1

* included in Arm Weld, P/N 3020000102

+ included in Outer Boom Weld, P/N 3170000313

TOWBAR - IRL



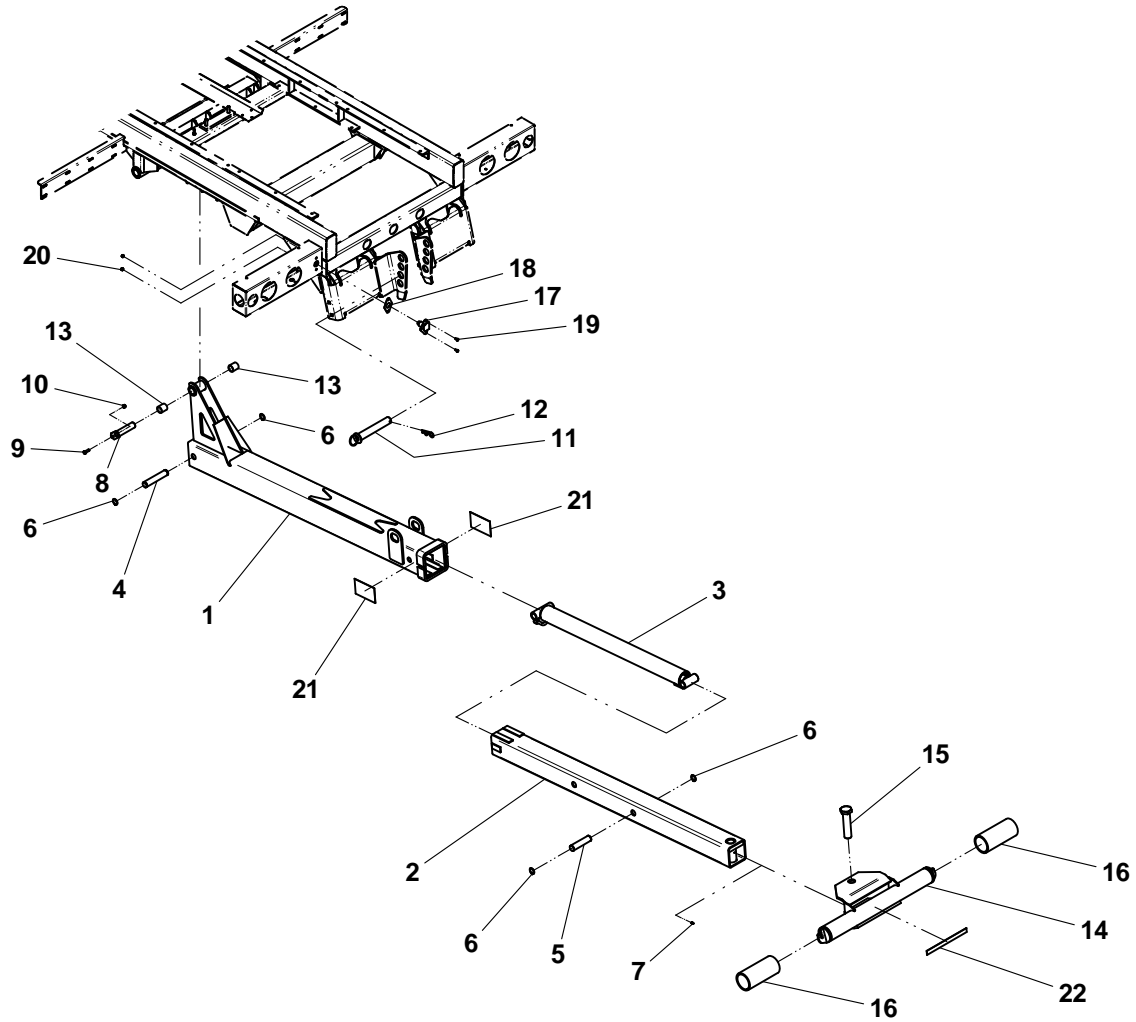
IRL towbar with rubber tubes shown

TOWBAR - HYDRAULIC EXTEND

ITEM	PART NO.	DESCRIPTION	QTY
1	3170000314	Outer Boom Weld	1
2	3170000048	Inner Boom Weld	1
3	3320000116	Cylinder Assembly	1
4	4691000430	Pin	1
5	4691000429	Pin	1
6	7754000006	Retaining Ring	4
7	7440030000	Grease Fitting	1
8	3691000073	Pin Weld	1
9	7115160950	Capscrew, 0.38"-16NC x 1.12"	1
10	7660162601	Locknut, 0.38"-16NC	1
11	3691000097	Pin Weld	1
12	7691000001	Hair Pin	1
13	7082000016*	Bushing	2
14	3556000023	Tow Hitch Weld	1
15	4120000008	Capscrew, 1.50"-12NF x 6.38"	1
16	7912000011	Tube Rubber	2
17	7291000010	4-Way Receptacle	1
18	7796000048	Gasket	1
19	7114140528	Screw, 0.25"-20NC x 0.63"	2
20	7660142601	Locknut, 0.25"-20NC	2
21	4330000002	Reflective Tape	2
22	4330000001	Reflective Tape	1

* included in Outer Boom Weld, P/N 3170000314

TOWBAR - HYDRAULIC EXTEND



ROLL CYLINDER ASSEMBLY - P/N 3320000121

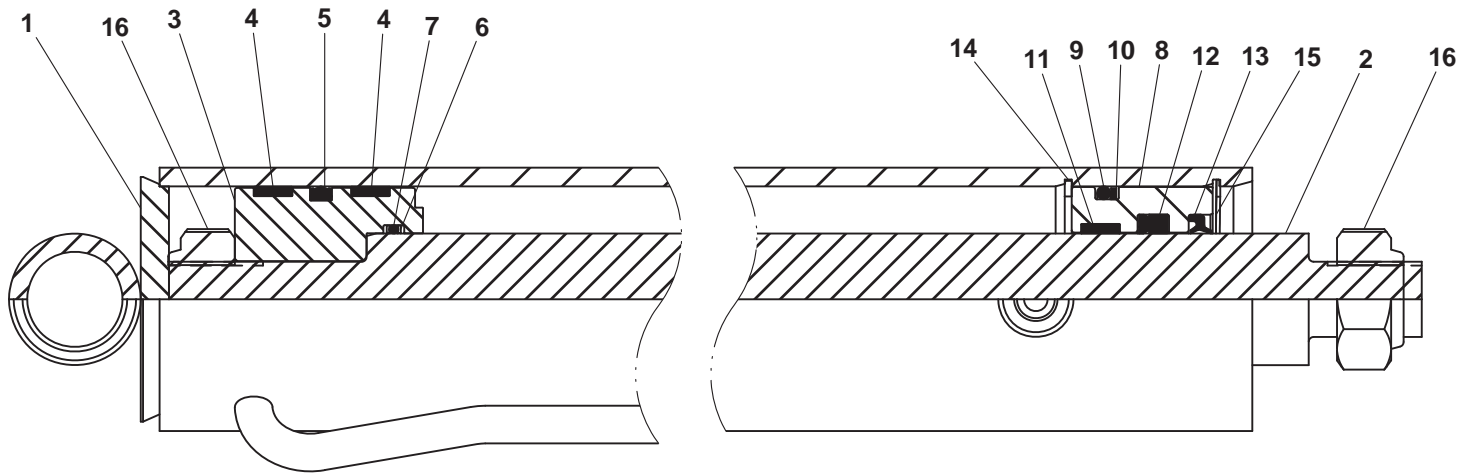
ITEM	PART NO.	DESCRIPTION	QTY
1	3071000116	Barrel Weld	1
2	4763000093	Rod	1
3	4698000009*	Piston	1
4	7796000013* #	Wear Ring	2
5	7796000064* #	Piston Locking "T" Seal	1
6	7755226609* #	Back-Up Ring	2
7	7755226000* #	"O" Ring	1
8	4553000010^	Head	1
9	7755338000^ #	"O" Ring	1
10	7755338609^ #	Back-Up Ring	1
11	7754000012^ #	Wear Ring	1
12	7796000025^ #	Rod Seal	1
13	7796000008^ #	Rod Wiper Seal	1
14	7754000016 #	Retaining Ring	1
15	7754000027 #	Retaining Ring	1
16	7661000035	Locknut	2

* included in Piston Assembly, P/N 3698000004

^ included in Head Assembly, P/N 3553000014

available only in Service Kit #7577250025

ROLL CYLINDER ASSEMBLY - P/N 3320000121



TILT CYLINDER ASSEMBLY - P/N 3320000122

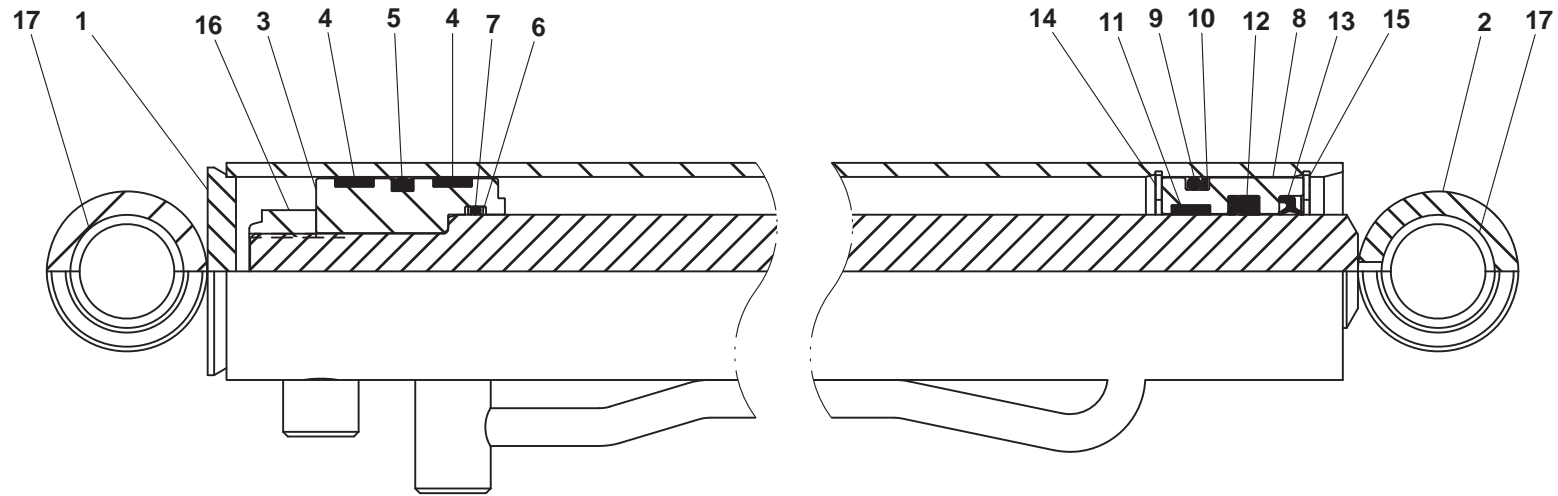
ITEM	PART NO.	DESCRIPTION	QTY
1	3071000117	Barrel Weld	1
2	3763000127	Rod Weld	1
3	4698000007*	Piston	1
4	7754000003* #	Wear Ring	2
5	7796000063* #	Piston Locking "T" Seal	1
6	7755224609* #	Back-Up Ring	2
7	7755224000* #	"O" Ring	1
8	4553000008^	Head	1
9	7755330008^ #	"O" Ring	1
10	7755334609^ #	Back-Up Ring	1
11	7754000004^ #	Wear Ring	1
12	7796000045^ #	Rod Seal	1
13	7796000024^ #	Rod Wiper Seal	1
14	7754000002#	Retaining Ring	1
15	7754000026#	Retaining Ring	1
16	7661000034	Locknut	1
17	7082000016	Bearing	4

* included in Piston Assembly, P/N 3698000001

^ included Head Assembly, P/N 3553000011

available only in Service Kit #7577250042

TILT CYLINDER ASSEMBLY - P/N 3320000122



WHEEL LIFT EXTEND CYLINDER ASSEMBLY - P/N 3320000115

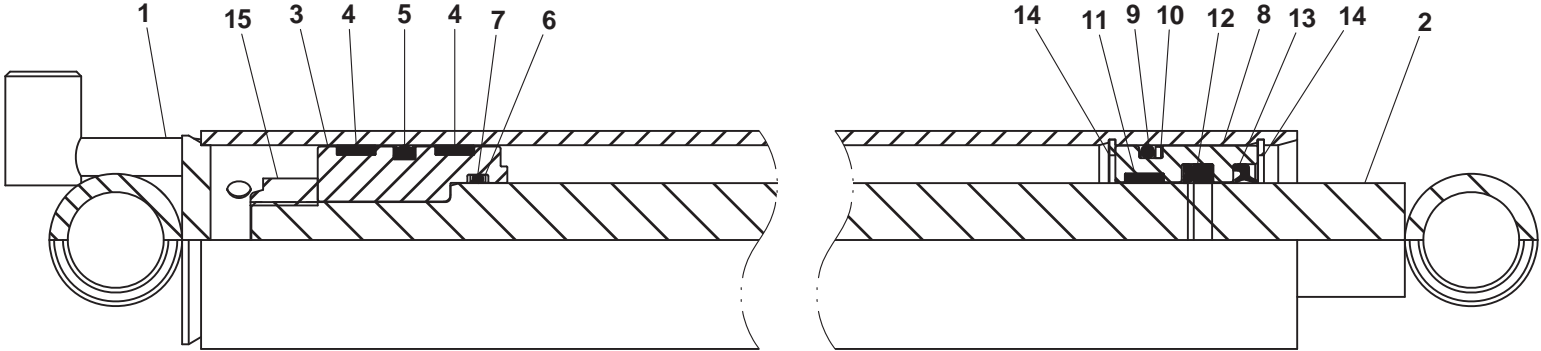
ITEM	PART NO.	DESCRIPTION	QTY
1	3071000106	Barrel Weld	1
2	3763000119	Rod Weld	1
3	4698000015*	Piston	1
4	7754000053* #	Wear Ring	2
5	7796000067* #	Piston Locking "T" Seal	1
6	7755222609* #	Back-Up Ring	2
7	7755222000* #	"O" Ring	1
8	4553000016^	Head	1
9	7755330000^ #	"O" Ring	1
10	7755330609^ #	Back-Up Ring	1
11	7754000054^ #	Wear Ring	1
12	7796000045^ #	Rod Seal	1
13	7796000046^ #	Rod Wiper Seal	1
14	7754000051#	Retaining Ring	2
15	7661000034	Locknut	1

* included in Piston Assembly, P/N 3698000006

^ included in Head Assembly, P/N 3553000016

available only in Service Kit #7577250206

WHEEL LIFT EXTEND CYLINDER ASSEMBLY - P/N 3320000115



IRL CYLINDER ASSEMBLY - P/N 3320000114, P/N 3320000123 & P/N 3320000124

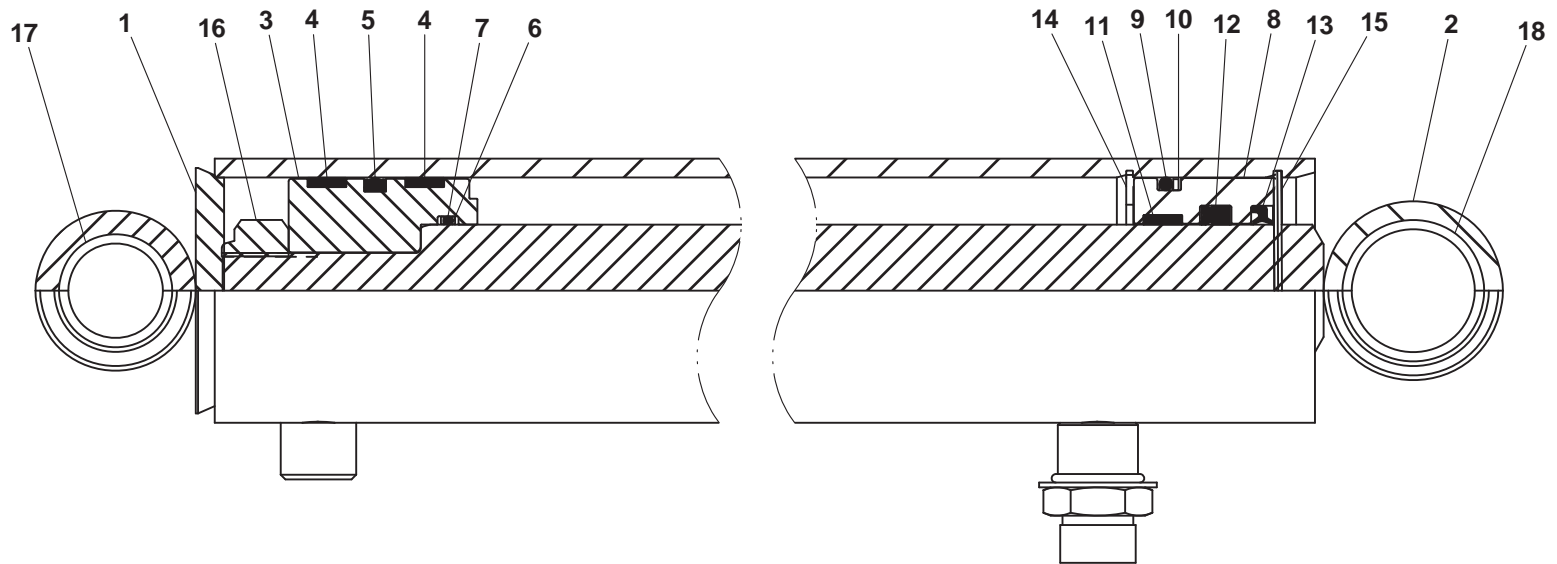
ITEM	PART NO.	DESCRIPTION	QTY
1	3071000105	Barrel Weld (P/N 3320000114)	1
	3071000118	Barrel Weld (P/N 3320000123)	
	3071000119	Barrel Weld (P/N 3320000124)	
2	3763000118	Rod Weld (P/N 3320000114)	1
	3763000128	Rod Weld (P/N 3320000123)	
	3763000129	Rod Weld (P/N 3320000124)	
3	4698000007*	Piston	1
4	7754000003* #	Wear Ring	2
5	7796000063* #	Piston Locking "T" Seal	1
6	7755224609* #	Back-Up Ring	2
7	7755224000* #	"O" Ring	1
8	4553000008^	Head	1
9	7755334000^ #	"O" Ring	1
10	7755334609^ #	Back-Up Ring	1
11	7754000004^ #	Wear Ring	1
12	7796000024^ #	Rod Seal	1
13	7796000008^ #	Rod Wiper Seal	1
14	7754000002 #	Retaining Ring	1
15	7754000026 #	Retaining Ring	1
16	7661000034	Locknut	1
17	7082000016	Bearing	2
18	7082000018	Bearing	2

* included in Piston Assembly, P/N 3698000001

^ included in Head Assembly, P/N 3553000011

available only in Service Kit #7577250024

IRL CYLINDER ASSEMBLY - P/N 3320000114, P/N 3320000123 & P/N 3320000124



ZOD CYLINDER ASSEMBLY - P/N 3320000125

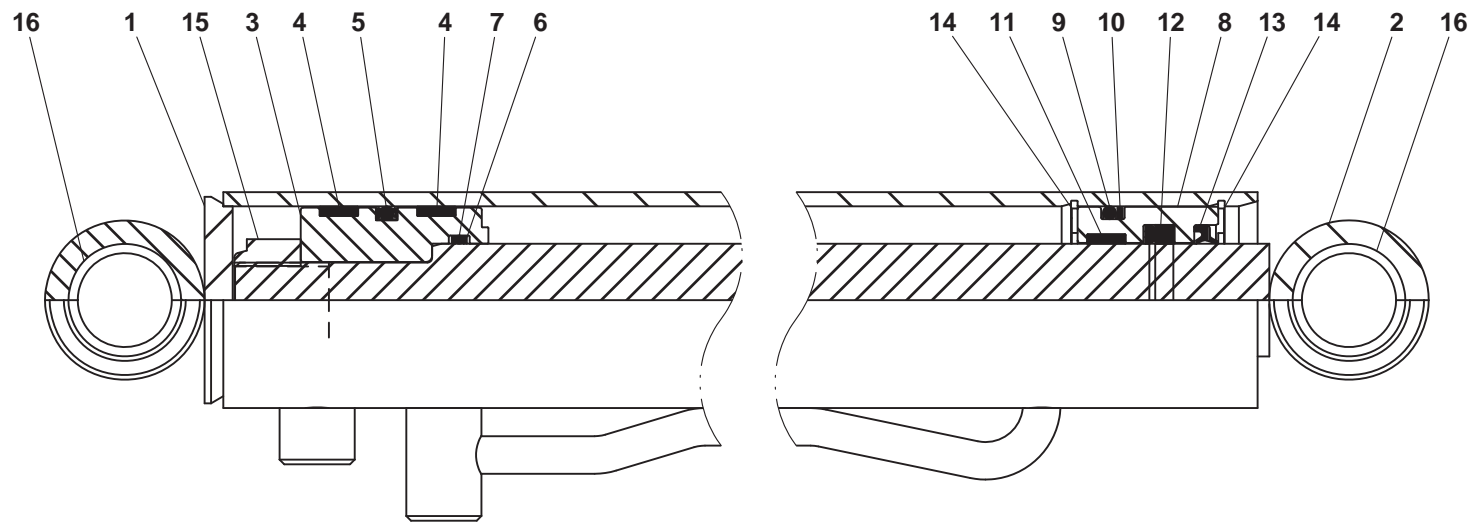
ITEM	PART NO.	DESCRIPTION	QTY
1	3071000120	Barrel Weld	1
2	3763000130	Rod Weld	1
3	4698000015*	Piston	1
4	7754000053* #	Wear Ring	2
5	7796000067* #	Piston Locking "T" Seal	1
6	7755222609* #	Back-Up Ring	2
7	7755222000* #	"O" Ring	1
8	4553000016^	Head	1
9	7755330000^ #	"O" Ring	1
10	7755330609^ #	Back-Up Ring	1
11	7754000054^ #	Wear Ring	1
12	7796000045^ #	Rod Seal	1
13	7796000046^ #	Rod Wiper Seal	1
14	7754000051 #	Retaining Ring	2
15	7661000034	Locknut	1
16	7082000016	Bearing	4

* include in Piston Assembly, P/N 3698000006

^ included in Head Assembly, P/N 3553000016

available only in Service Kit #7577250206

ZOD WHEEL LIFT CYLINDER ASSEMBLY - P/N 3320000125



STABILIZER CYLINDER ASSEMBLY - P/N 3320000126

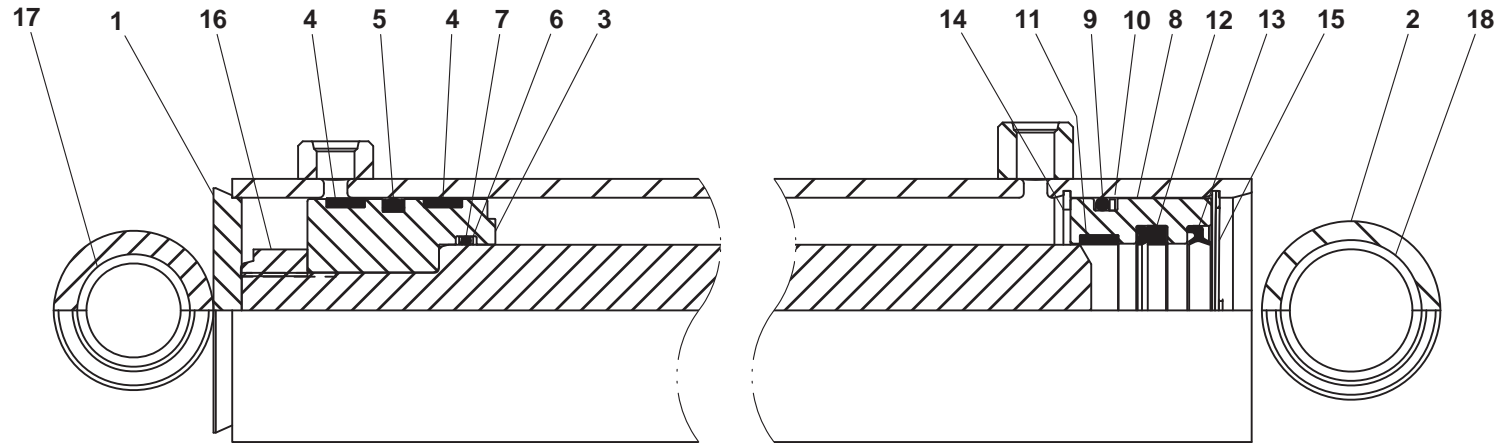
ITEM	PART NO.	DESCRIPTION	QTY
1	3071000121	Barrel Weld	1
2	3763000128	Rod Weld	1
3	4698000007*	Piston	1
4	7754000003* #	Wear Ring	2
5	7796000063* #	Piston Locking "T" Seal	1
6	7755224609* #	Back-Up Ring	2
7	7755224000* #	"O" Ring	1
8	4553000008^	Head	1
9	7755334000^ #	"O" Ring	1
10	7755334609^ #	Back-Up Ring	1
11	7754000004^ #	Wear Ring	1
12	7796000024^ #	Rod Seal	1
13	7796000008^ #	Rod Wiper Seal	1
14	7754000002 #	Retaining Ring	1
15	7754000026 #	Retaining Ring	1
16	7661000034	Locknut	1
17	7082000016	Bearing	2
18	7082000018	Bearing	2

* included in Piston Assembly, P/N 3698000001

^ included in Head Assembly, P/N 3553000011

available only in Service Kit #7577250024

STABILIZER CYLINDER ASSEMBLY - P/N 3320000126



TOW OPTION HYDRAULIC EXTEND CYLINDER ASSEMBLY - P/N 3320000116 & P/N 3320000117

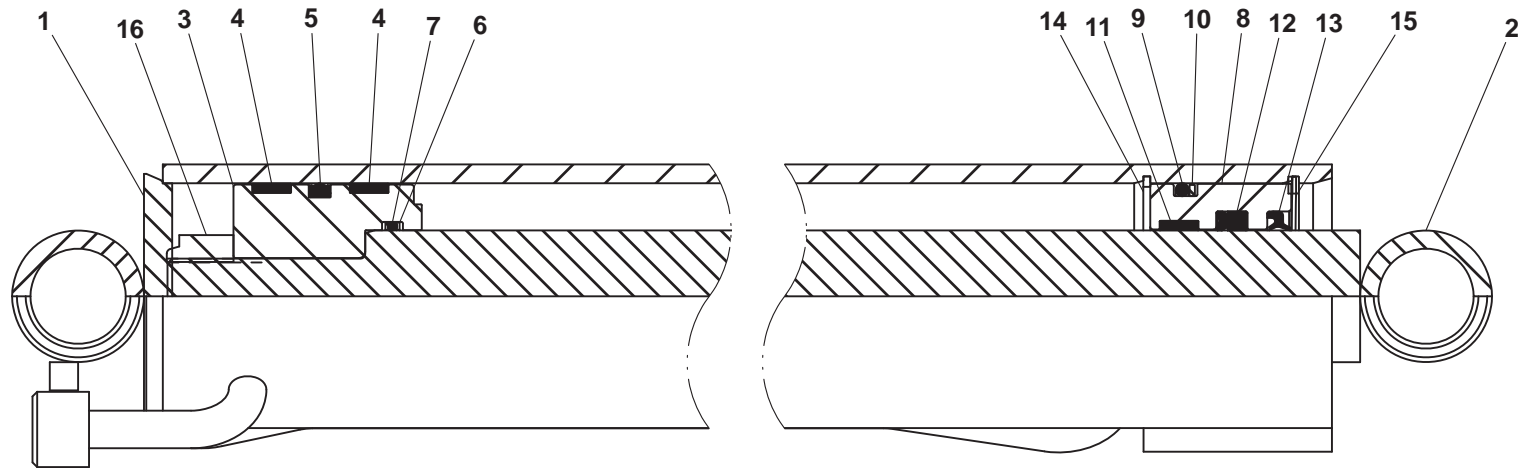
ITEM	PART NO.	DESCRIPTION	QTY
1	3071000107	Barrel Weld (IRL tow option extend)	1
	3071000108	Barrel Weld (stabilizer tow opt extend)	
2	3763000120	Rod Weld (IRL tow option extend)	1
	3763000121	Rod Weld (stabilizer tow opt extend)	
3	4698000007*	Piston	1
4	7754000003* #	Wear Ring	2
5	7796000063* #	Piston Locking "T" Seal	1
6	7755224609* #	Back-Up Ring	2
7	7755224000* #	"O" Ring	1
8	4553000008^	Head	1
9	7755334000^ #	"O" Ring	1
10	7755334609^ #	Back-Up Ring	1
11	7754000004^ #	Wear Ring	1
12	7796000024^ #	Rod Seal	1
13	7796000008^ #	Rod Wiper Seal	1
14	7754000002 #	Retaining Ring	1
15	7754000026 #	Retaining Ring	1
16	7661000034	Locknut	1

* included in Piston Assembly, P/N 3698000001

^ included in Head Assembly, P/N 3553000011

available only in Service Kit #7577250024

TOW OPTION HYDRAULIC EXTEND CYLINDER ASSEMBLY - P/N 3320000116 & P/N 3320000117



STABILIZER CYLINDER ASSEMBLY - P/N 3320000132

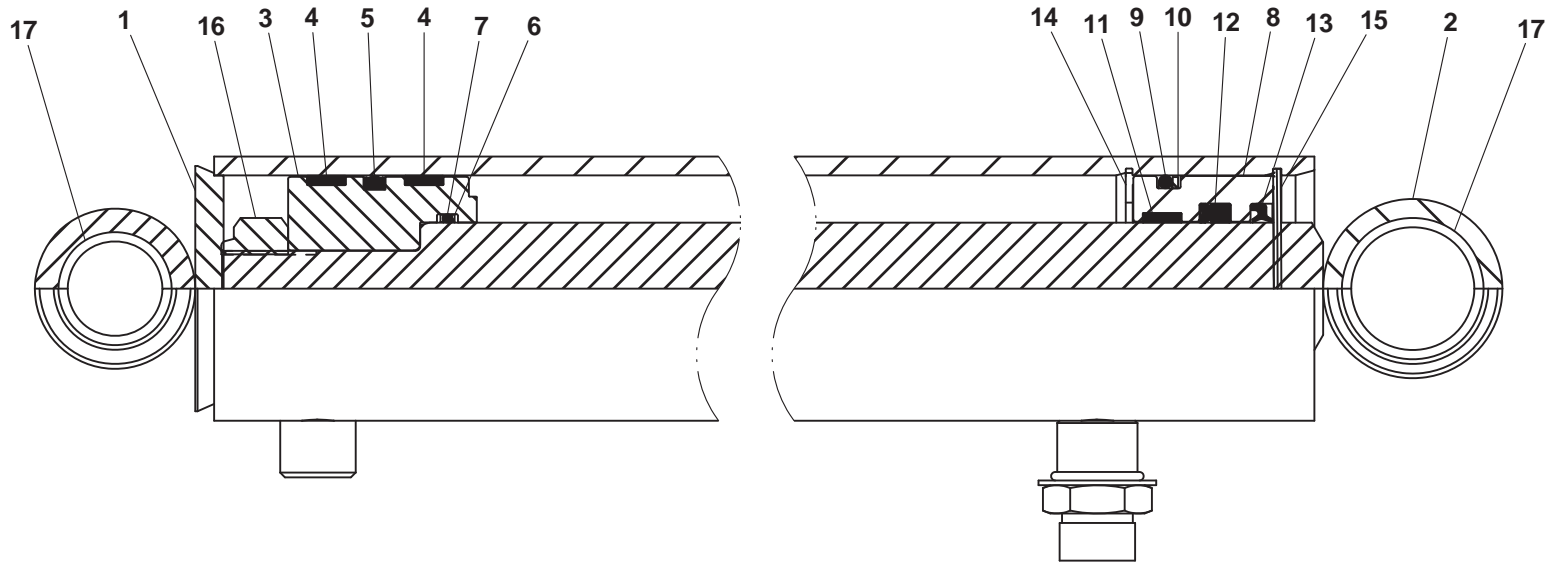
ITEM	PART NO.	DESCRIPTION	QTY
1	3071000124	Barrel Weld	1
2	3763000133	Rod Weld	1
3	4698000009*	Piston	1
4	7796000013* #	Wear Ring	2
5	7796000064* #	Piston Locking "T" Seal	1
6	7755226609* #	Back-Up Ring	2
7	7755226000* #	"O" Ring	1
8	4553000010^	Head	1
9	7755338000^ #	"O" Ring	1
10	7755338609^ #	Back-Up Ring	1
11	7754000012^ #	Wear Ring	1
12	7796000025^ #	Rod Seal	1
13	7796000011^ #	Rod Wiper Seal	1
14	7754000016 #	Retaining Ring	1
15	7754000027 #	Retaining Ring	1
16	7661000035	Locknut	1
17	7082222218	Bearing	4

* included in Piston Assembly, P/N 3698000004

^ included in Head Assembly, P/N 3553000014

available only in Service Kit #7577250024

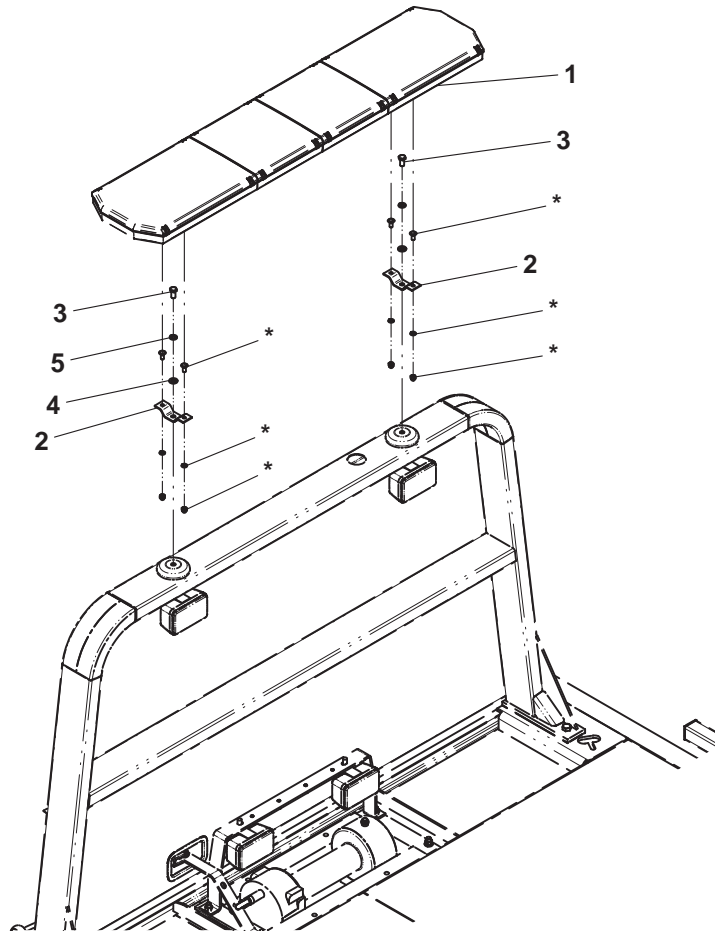
STABILIZER CYLINDER ASSEMBLY - P/N 3320000132



LIGHTBARS

ITEM	PART NO.	DESCRIPTION	QTY
1	7590000351	Lightbar, Amber LED	1
2	4178000402	Bracket (standard mount)	2
	4178000437	Bracket (high mount)	
3	7115180850	Capscrew, 0.50"-13NC x 1.00"	2
4	7950180252	Flatwasher, 0.50" ID	2
5	7950180000	Lockwasher, 0.50" ID	2

LIGHTBARS

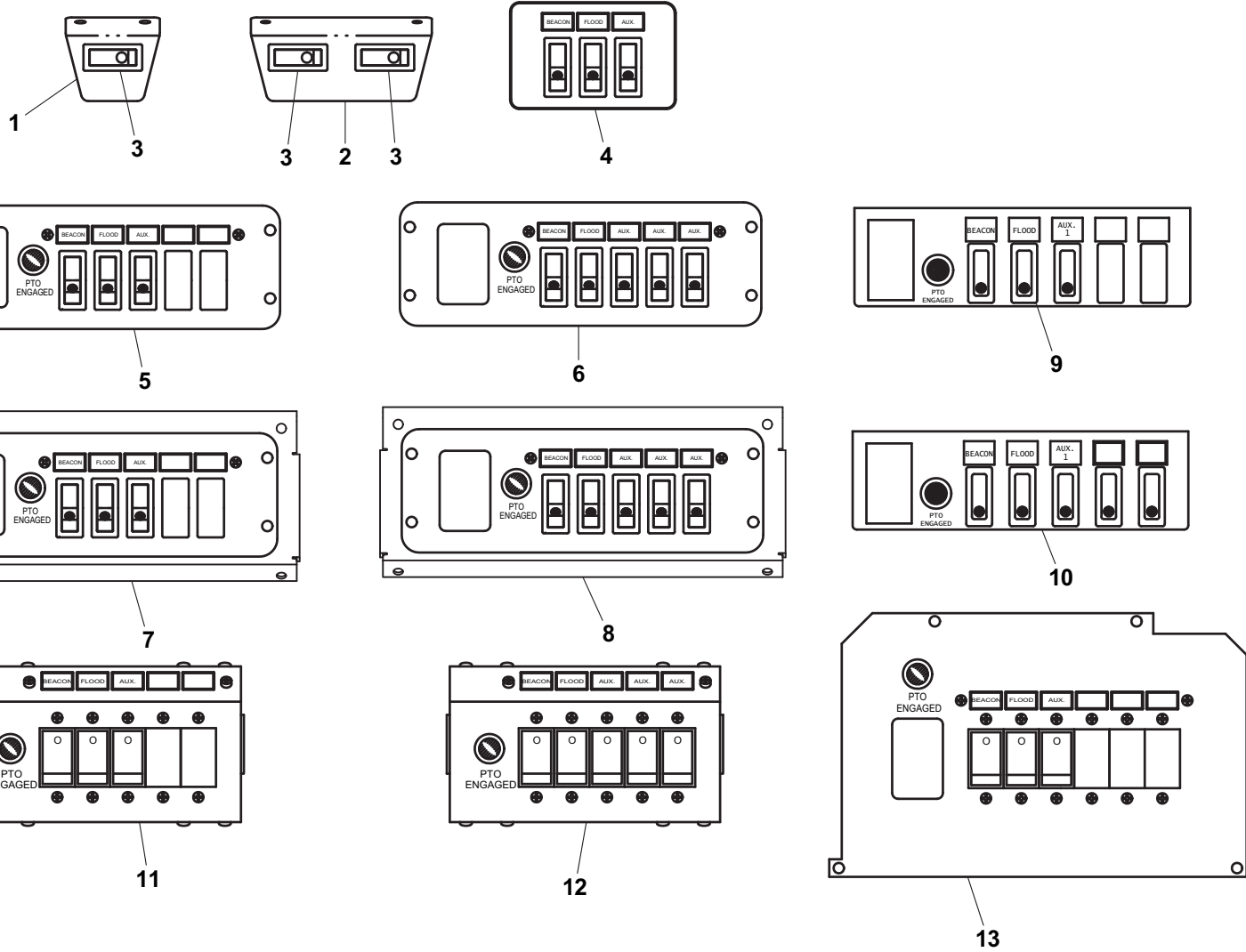


* included in Lightbar

SWITCH PANELS

ITEM	PART NO.	DESCRIPTION	QTY
1	4178000403	Bracket - 1 Function Switch Panel	1
2	4178000427	Bracket - 2 Function Switch Panel	1
3	7870000083	Switch	1
4	7870000113	Switch Panel - 3 Function, Mini In-Dash	1
5	7870000100	Switch Panel - 3 Function, In-Dash	1
6	7870000106	Switch Panel - 5 Function, In-Dash	1
7	7870000134	Switch Panel - 3 Function, Under Dash	1
8	7870000137	Switch Panel - 5 Function, Under Dash	1
9	2870000022	Switch Panel - 3 Function, In-Dash for Ford F650/750	1
10	2870000021	Switch Panel - 5 Function, In-Dash for Ford F650/750	1
11	7870000053	Switch Panel - 3 Function, Under Dash	1
12	7870000063	Switch Panel - 5 Function, Under Dash	1
13	7870000076	Switch Panel - 3 Function, In-Dash for IHC4300/4400	1

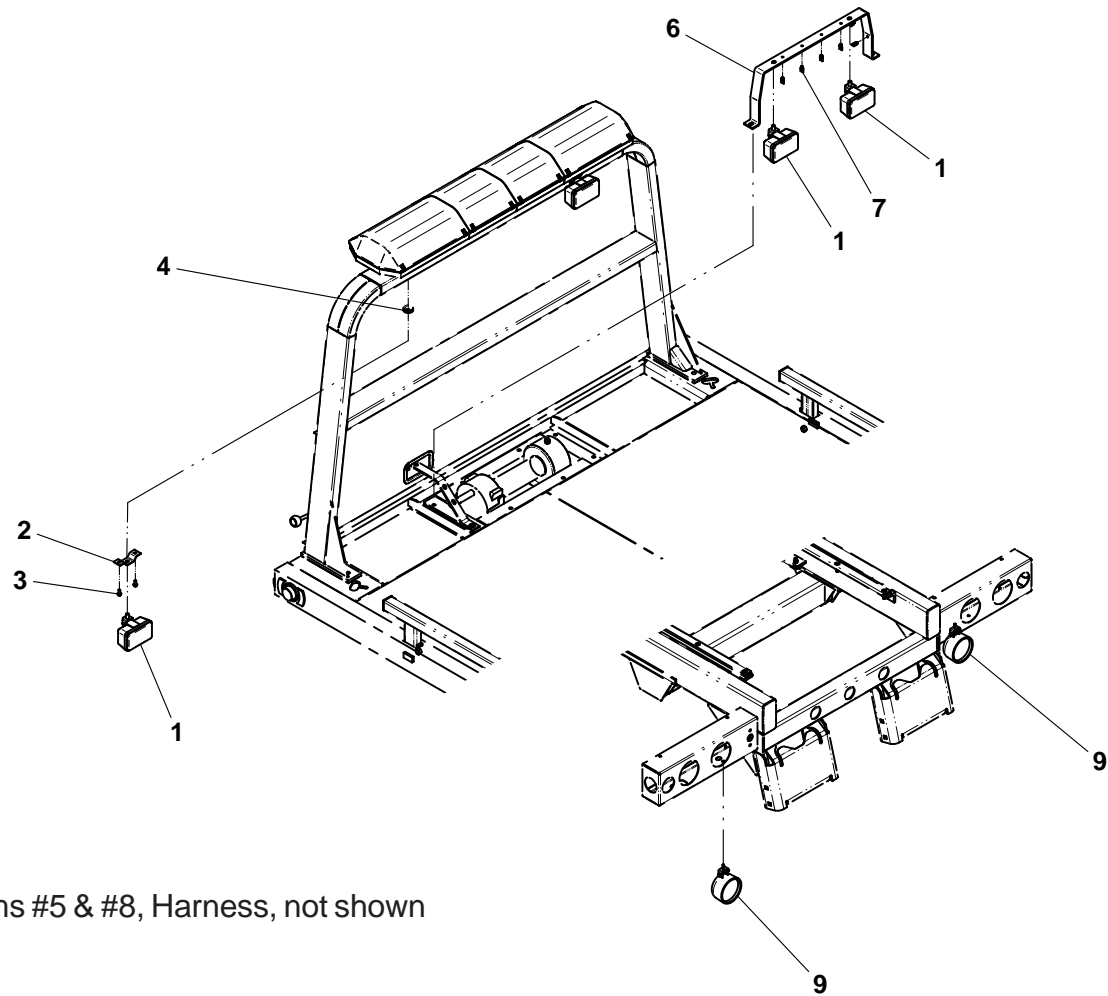
SWITCH PANELS



WORK LIGHTS

ITEM	PART NO.	DESCRIPTION	QTY
1	7590000223	Worklight	4
2	4178000402	Bracket	2
3	7790151253	Screw, 0.31"-18NC x 0.75	4
4	7493000003	Grommet	2
5	7552000222	Harness - Headboard Worklights	1
	7552000360	Harness - Headboard Worklights (Bucket Rest Headboard Only)	1
6	4178000423	Bracket	1
7	7280000011	Clip	6
8	7552000166	Harness - Winch Worklights	1
9	7590000185	Worklight	2

WORK LIGHTS

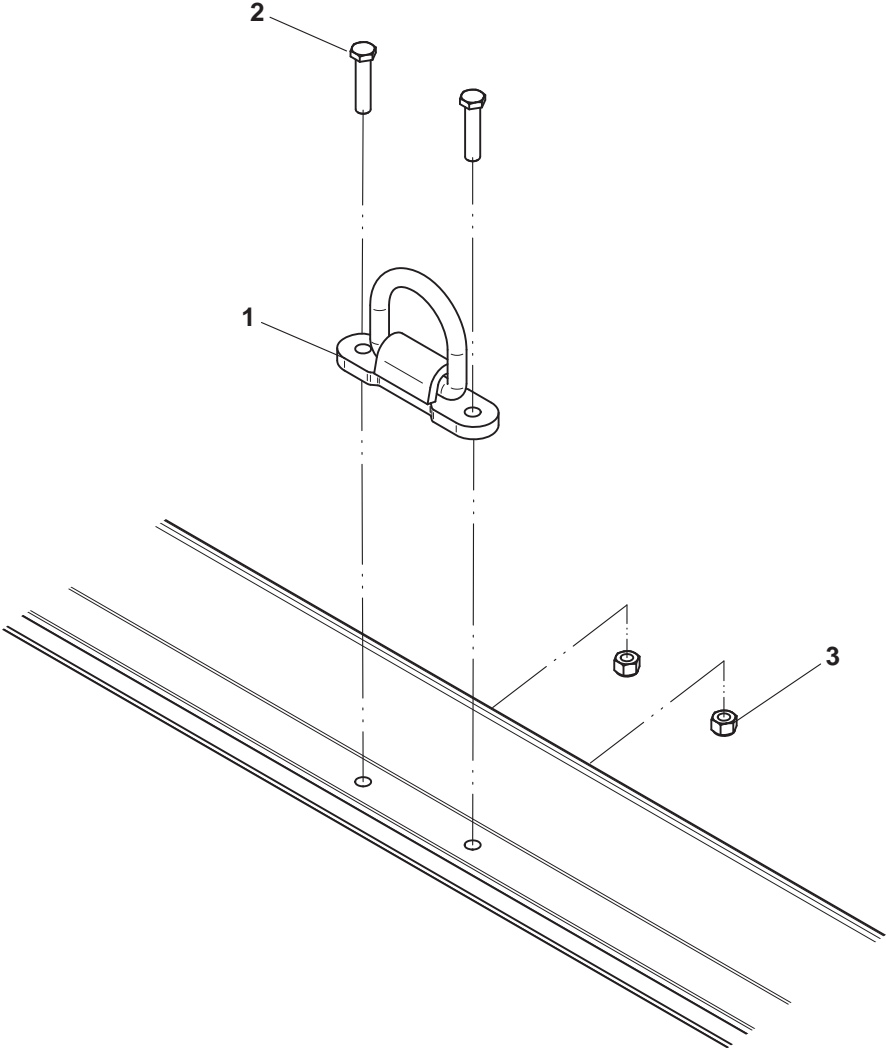


Items #5 & #8, Harness, not shown

BOLT-ON D-RINGS

ITEM	PART NO.	DESCRIPTION	QTY
1	3556000019	D-Ring	1
2	7115182050	Capscrew, 0.50"-13NC x 2.50"	2
3	7660182601	Locknut, 0.50"-13NC	2

BOLT-ON D-RINGS

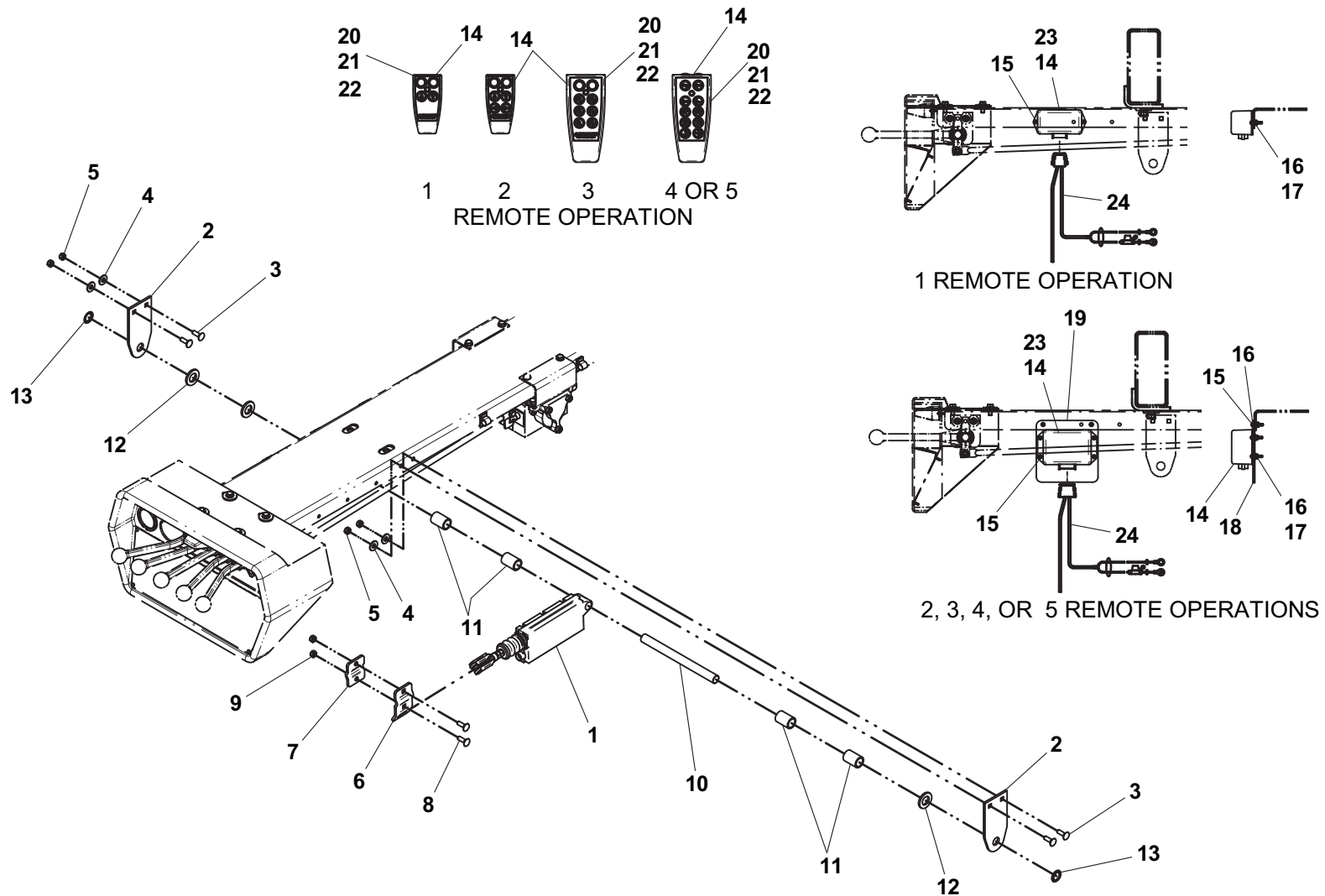


1, 2, 3, 4 OR 5 REMOTE CONTROL OPERATIONS

ITEM	PART NO.	DESCRIPTION	QTY	ITEM	PART NO.	DESCRIPTION	QTY
1	7005000003	Linear Actuator 12V	1*	18	4706005595	Plate (2, 3, 4, or 5 remote operations)	1
2	4706005361	Plate	2	19	7330000696	Decal - Controller Functions (3, 4, or 5 remote operations)	1
3	7115150864	Carriage Bolt, 0.31"-18NC x 1.00"	4				
4	7950150161	Flatwasher, 0.31" ID	4	20	9295310032#	Transmitter (1 remote operation)	1
5	7660152601	Locknut, 0.31"-18NC	4		9295310033#	Transmitter (2 remote operations)	
6	4178000664	Bracket	1*		9295310034#	Transmitter (3 remote operations)	
7	4178000665	Bracket	1*		9295310036#	Transmitter (4 or 5 remote operations)	
8	7115150864	Carriage Bolt, 0.31"-18NC x 1.00"	2*	21	9295310030#	Belt Clip	1
9	7660152601	Locknut, 0.31"-18NC	2*	22	9295310042#	Rubber Boot (1 or 2 remote operations)	1
10	4691000141	Pin (3, 4 or 5 section control valve)	1		9295310029#	Rubber Boot (3, 4, or 5 remote operations)	
	4691000373	Pin (6 section control valve)		23	9295310037#	Receiver (1 remote operation)	1
	4691000374	Pin (7 section control valve)			9295310038#	Receiver (2 remote operations)	
11	4211000001	Bushing	4*		9295310039#	Receiver (3 remote operations)	
12	7950220141	Flatwasher, 0.75" ID	4		9295310050#	Receiver (4 or 5 remote operations)	
13	7754000009	Retaining Ring	2	24	7552000391	Harness (1 remote operation)	1
14	7295000106	Controller (1 remote operation)	1		7552000392	Harness (2 remote operations)	
	7295000108	Controller (2 remote operations)			7552000393	Harness (3 remote operations)	
	7295000109	Controller (3 remote operations)			7552000426	Harness (4 or 5 remote operations)	
	7295000111	Controller (4 or 5 remote operations)					
15	7114100810	Screw, #10-24NC x 1.00" (1 remote operation)	2				
	7114100810	Screw, #10-24NC x 1.00" (2, 3, 4, or 5 remote operations)	6				
16	7950140151	Flatwasher, 0.19" ID (1 remote operation)	2				
	7950140151	Flatwasher, 0.19" ID (2, 3, 4, or 5 remote operations)	8				
17	7660102604	Locknut, #10-18NC (1 remote operation)	2				
	7660102604	Locknut, #10-18NC (2, 3, 4, or 5 remote operations)	6				

* quantities are for 1 remote operation, adjust quantities for 2, 3, 4, or 5 remote operations
included with Controller, item #14

1, 2, 3, 4 OR 5 REMOTE CONTROL OPERATIONS



One Remote Operaton shown

Items #19, Decal - Controller Functions, not shown

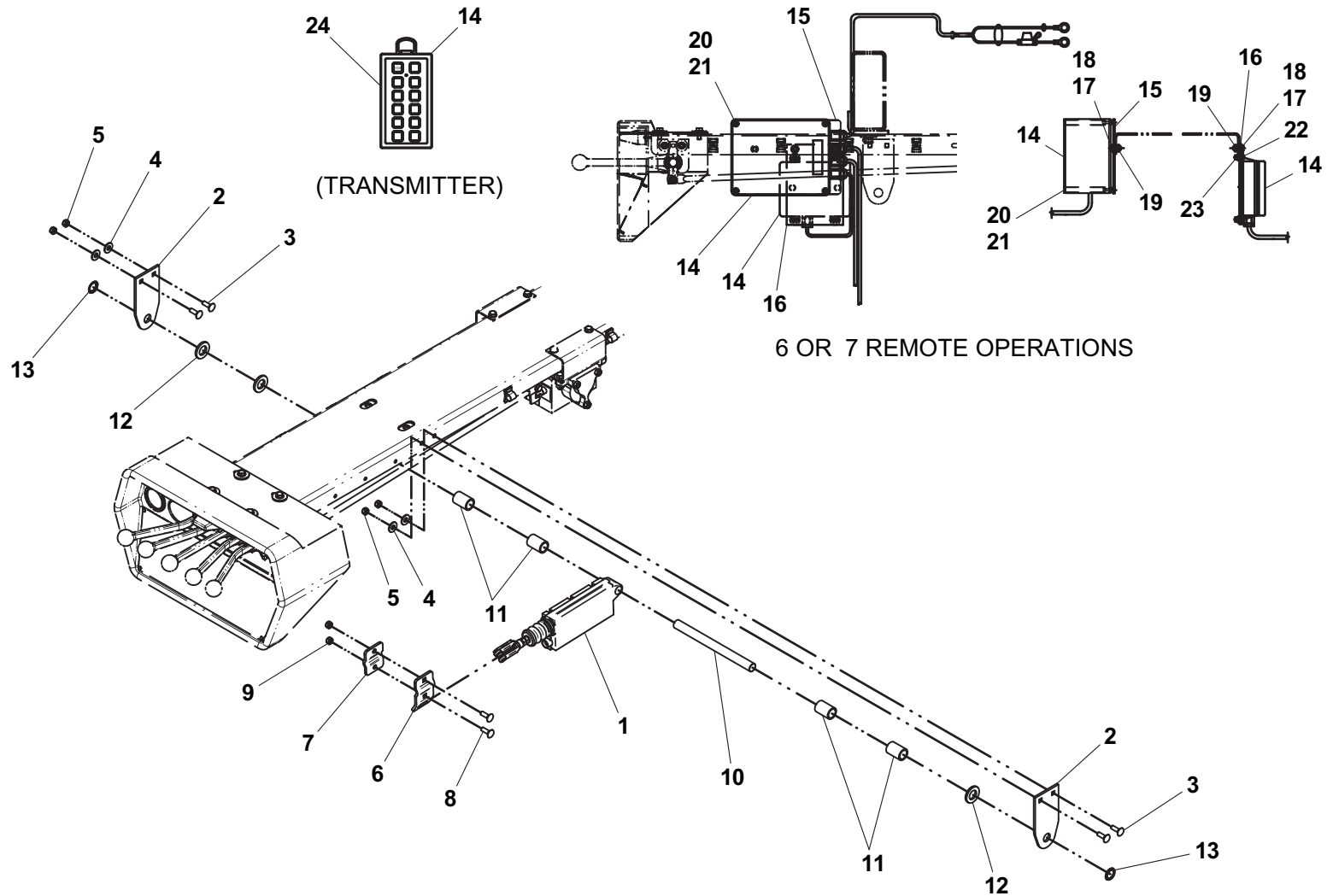
6 REMOTE CONTROL OPERATIONS

ITEM	PART NO.	DESCRIPTION	QTY
1	7005000003	Linear Actuator 12V	1*
2	4706005361	Plate	2
3	7115150864	Carriage Bolt, 0.31"-18NC x 1.00"	4
4	7950150161	Flatwasher, 0.31" ID	4
5	7660152601	Locknut, 0.31"-18NC	4
6	4178000664	Bracket	1*
7	4178000665	Bracket	1*
8	7115150864	Carriage Bolt, 0.31"-18NC x 1.00"	2*
9	7660152601	Locknut, 0.31"-18NC	2*
10	4691000373	Pin	1
11	4211000001	Bushing	4*
12	7950220141	Flatwasher, 0.75" ID	4
13	7754000009	Retaining Ring	2
14	7295000102	Controller	1
15	4706005396	Plate	1
16	4706003650	Plate	1
17	7115140650	Capscrew, 0.25"-20NC x 0.75"	5
18	7950140141	Flatwasher, 0.25" ID	5
19	7660142601	Locknut, 0.25"-20NC	5
20	7114080618	Capscrew, #8-32NC x 0.75"	4
21	7660082604	Locknut, #8-32NC	4
22	7104100613	Screw, #10-32NF x 0.34"	4
23	7661000007	Wellnut, #10-32NF	4
24	9295310026#	Transmitter	1
25	7330000612	Decal - Controller Functions	1

* quantities are for 1 remote operation, adjust quantities for 6 remote operations

included with Controller, item #14

6 REMOTE CONTROL OPERATIONS



One Remote Operaton shown

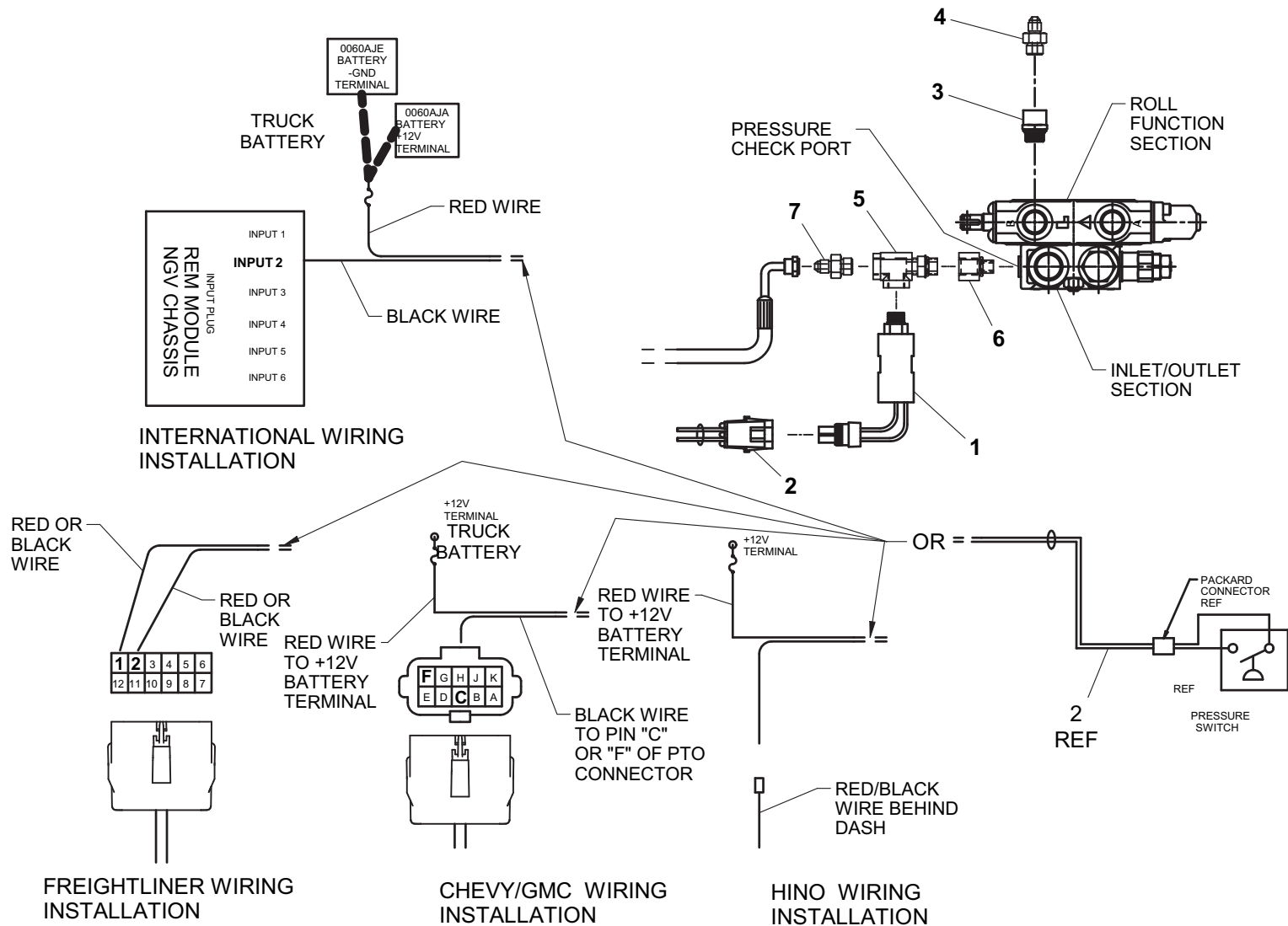
Item #25, Decal- Controller Functions, not shown

REMOTE THROTTLE CONTROL

ITEM	PART NO.	DESCRIPTION	QTY
1	7346000208	Pressure Switch	1
2	7552000241	Harness	1
3	7443000427*	Check Valve	1
4	7445060643*	Adapter	1
5	7443000432	Tee	1
6	7443000440	Fitting	1
7	7445040643	Adapter	1

* also available in Check Valve w/ Adapter, P/N 7443000428.

REMOTE THROTTLE CONTROL



GLAD HANDS AND 7- WAY CONNECTOR

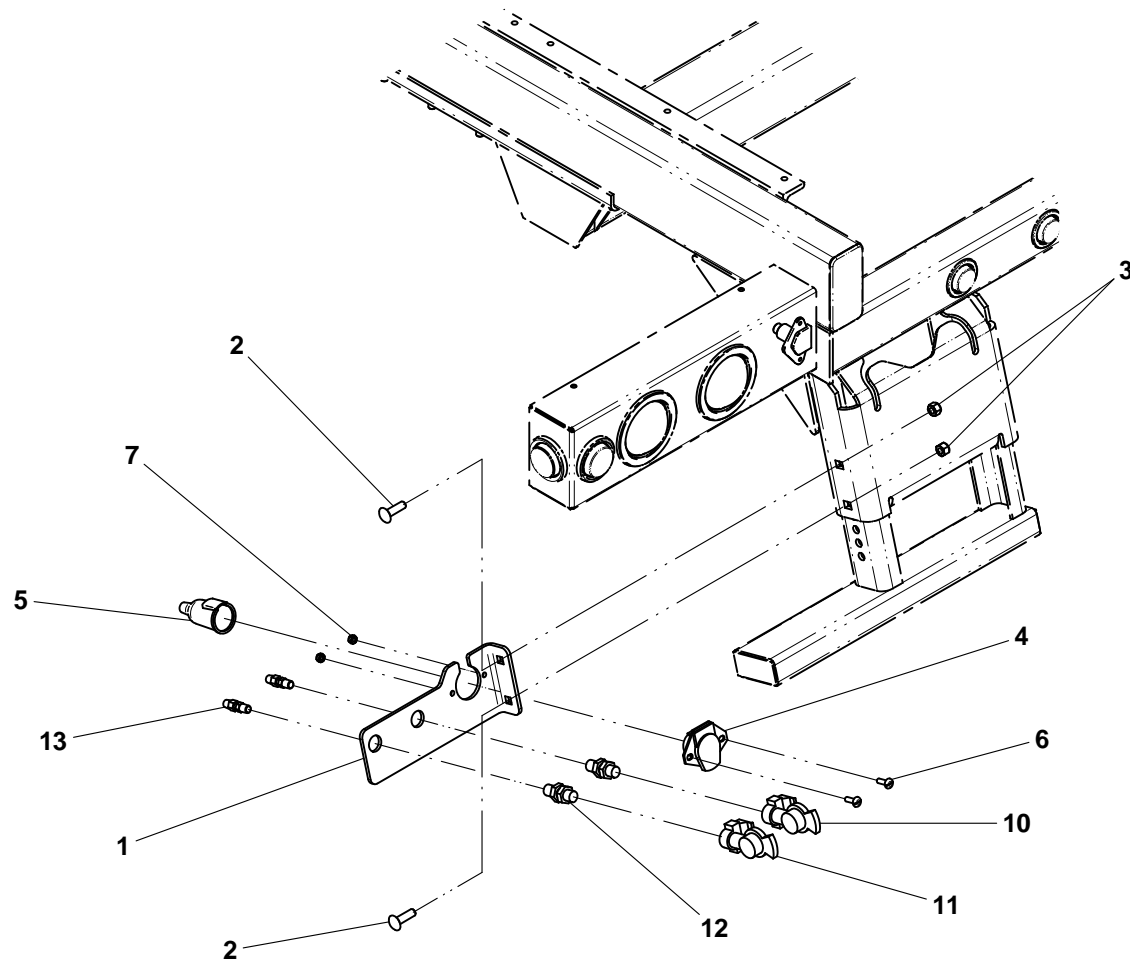
ITEM	PART NO.	DESCRIPTION	QTY
1	4178000666*	Bracket	1
2	7115181464*	Carriage Bolt, 0.50"-13NC x 1.75"	2
3	7660182601*	Locknut, 0.50"-13NC	2
4	7346000055+	Electrical Receptacle 7-way Connect	1
5	7346000078+	Electrical Boot	1
6	7111150813+	Capscrew, 0.31"-18NC x 1.00"	2
7	7660152601+	Locknut, 0.31"-18NC	2
8	7346000132	Electrical Adapter 7 to 4 way	1
9	7346000157	Electrical Adapter 7 to 6 way	1
10	7312000015^	Gladhand	1
11	7312000016^	Gladhand	1
12	7446502518^	Bulkhead Fitting	2
13	7446382506^	Connector	2
14	7577000145^	Seal Kit Gladhand	1
15	7565000014^	Airline Tubing	50 ft
16	7312000013^	Union	2

* also available in Bracket Install Glad Hands and 7 Way, P/N 2178000037

+ also available in Electrical Install 7 Way Connector, P/N 2346000008

^ also available in Glad Hand Install, P/N 2002000016

GLAD HANDS AND 7- WAY CONNECTOR

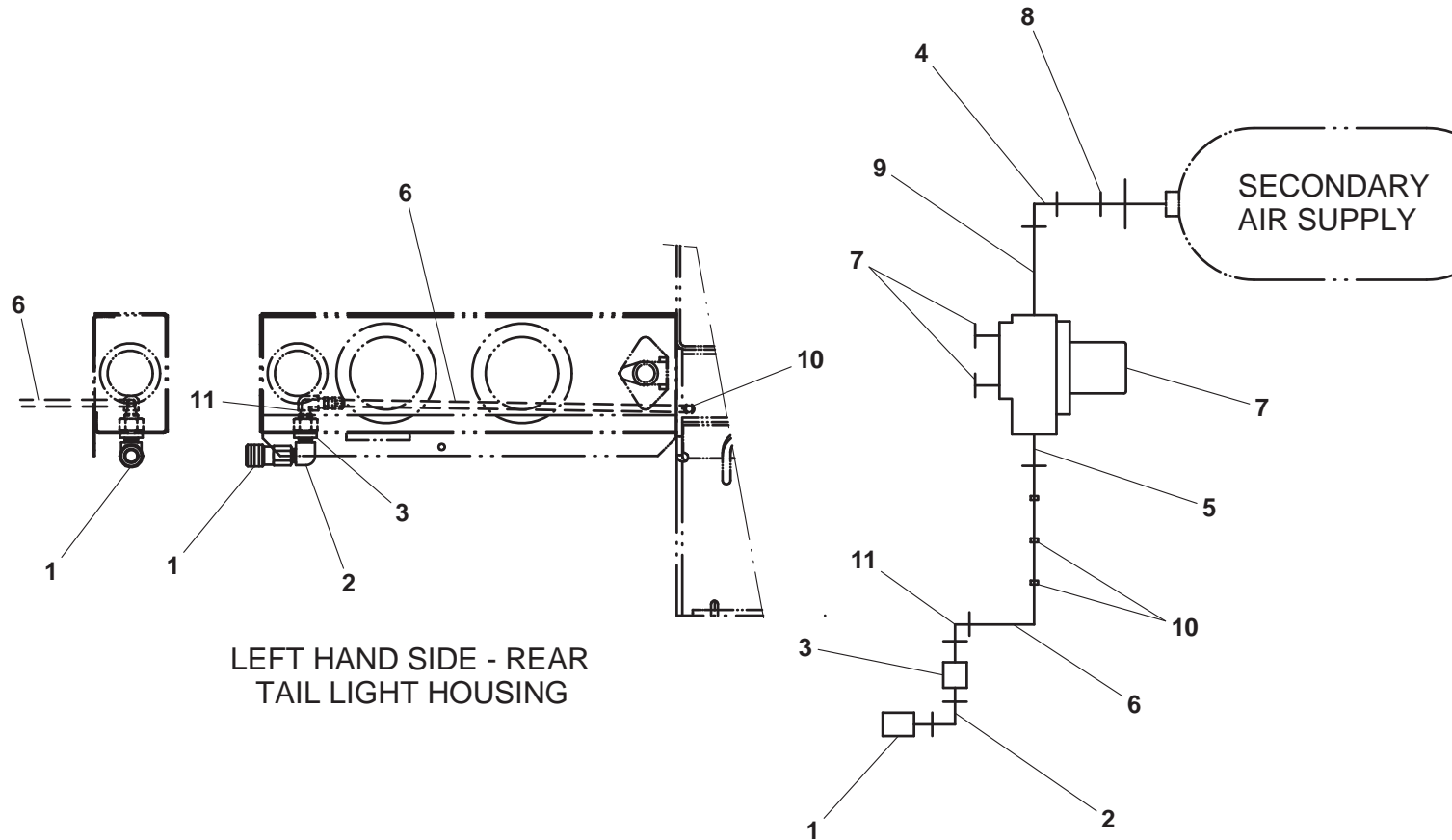


Item #8 Electrical Adapter 7 to 4 Way not shown
Item #9 Electrical Adapter 7 to 6 Way not shown

AIR SUPPLY DISCONNECT

ITEM	PART NO.	DESCRIPTION	QTY
1	7312000017	Coupling	1
2	7445080853	Elbow	1
3	7446502518	Bulkhead Fitting	1
4	7443000111	Elbow	1
5	7446382506	Connector	1
6	7565000014	Airline Tubing	32 ft
7	7935000120	Air Valve	1
8	7443000154	Bushing	1
9	7443000156	Nipple	1
10	7894000031	Cable Tie	6
11	7443000366	Fitting	1

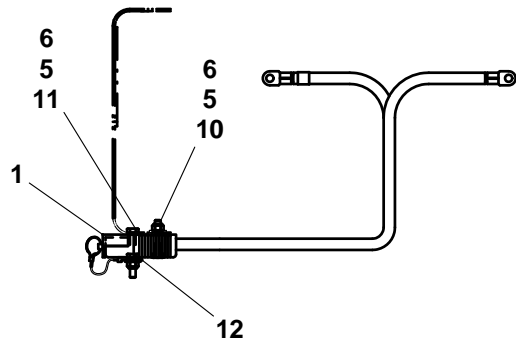
AIR SUPPLY DISCONNECT



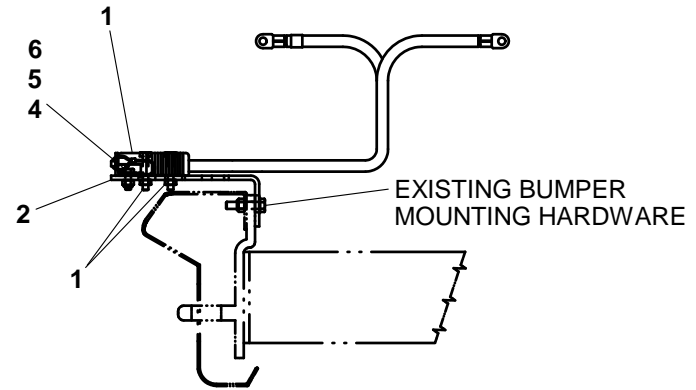
JUMP START KIT

ITEM	PART NO.	DESCRIPTION	QTY
1	7002000386	Jump Start Plug (IHC & Other)	1
	7002000385	Jump Start Plug (Ford & Chevy)	
2	4178000372	Bracket (Ford & Other)	1
	4178000202	Bracket (Chevy)	
3	4178000203	Bracket (Chevy)	1
	4706003210	Plate (Other)	
4	7110140605	Capscrew, 0.25"-20NC x 0.75" (Ford, Chevy & Other)	1
5	7950140161	Flatwasher, 0.25" ID (Ford & Other)	1
	7950140161	Flatwasher, 0.25" ID (IHC)	2
	7950140161	Flatwasher, 0.25" ID (Chevy)	3
6	7660142600	Locknut, 0.25"-20NC (Ford, Chevy & Other)	1
	7660142600	Locknut, 0.25"-20NC (IHC)	2
7	7115151064	Carriage Bolt, 0.31"-18NC x 1.25" (Other)	2
8	7950150161	Flatwasher, 0.31" ID (Other)	2
9	7660152601	Locknut, 0.31"-18NC (Other)	2
10	7115141450	Capscrew, 0.25"-20NC x 1.75" (IHC)	1
11	7115141650	CapScrew, 0.25"-20NC x 2.00" (IHC)	1
12	7660140000	Hex Nut, 0.25"-20NC (IHC)	1
	7660140000	Hex Nut, 0.25"-20NC (Chevy)	2
13	7111140850	Capscrew, 0.25"-20NC x 1.00" (Chevy)	2
14	7115181050	Capscrew, 0.50"-13NC x 1.25" (Chevy)	1
15	7950180153	Flatwasher, 0.50" ID (Chevy)	1
16	7660180000	Hex Nut, 0.50"-13NC (Chevy)	1

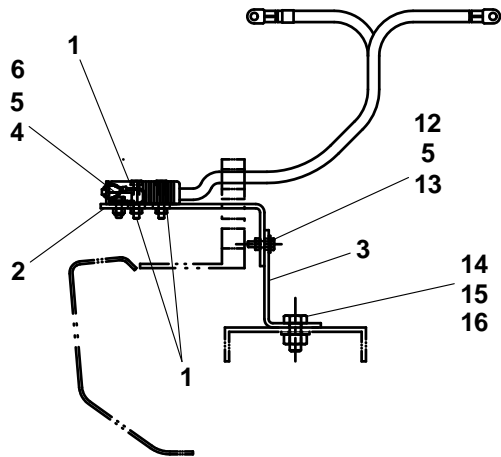
JUMP START KIT



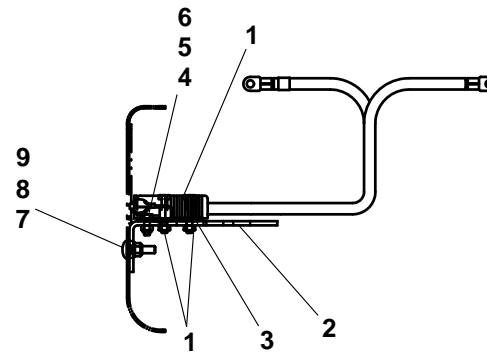
IHC FRONT BUMPER



FORD FRONT BUMPER



CHEVY FRONT BUMPER

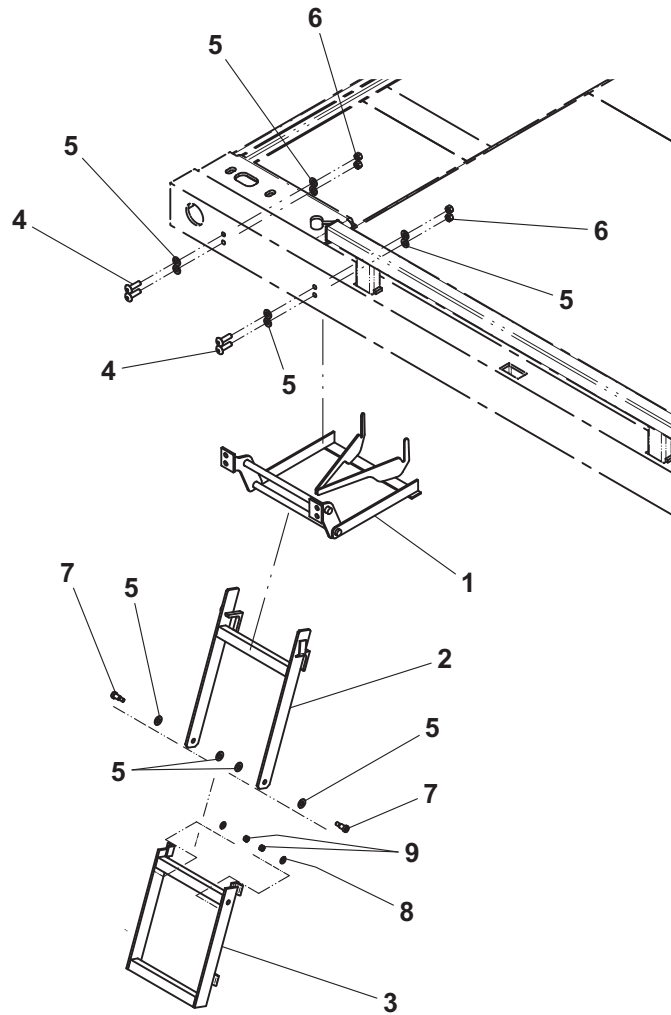


ALL OTHER FRONT BUMPERS

FOLDING DECK LADDER

ITEM	PART NO.	DESCRIPTION	QTY
1	3178000555	Bracket Weld	1
2	3002000009	Ladder Top Weld	1
3	3002000008	Ladder Bottom Weld	1
4	7114181418	Capscrew, 0.50"-13NC x 1.75"	4
5	7950180141	Flatwasher, 0.50" ID	12
6	7660182601	Locknut, 0.50"-13NC	4
7	7115180606	Shoulder Bolt, 0.50"-13NC x 0.75"	2
8	7950160161	Flatwasher, 0.38" ID	2
9	7660162601	Locknut, 0.38"-16NC	2

FOLDING DECK LADDER



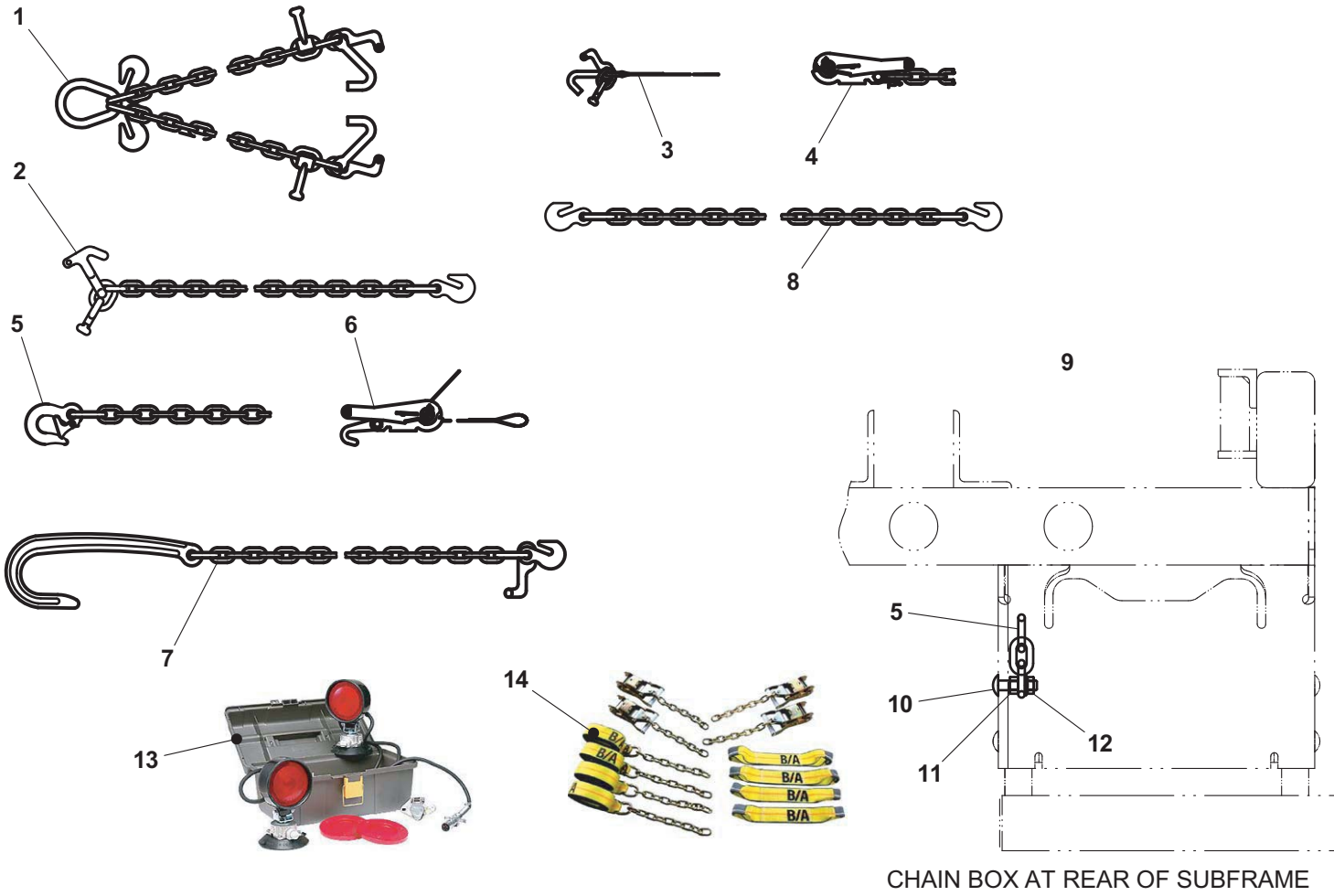
CHAIN AND STRAPS

ITEM	PART NO.	DESCRIPTION	QTY
1	7262000022*	Winch V-Chain	1
2	7262000059*	Front Tie-Down Chain	2
3	7894000019*	Rear Tie-Down Strap	2
4	7894000020*	Rear Tie Down Ratchet	2
5	7262000040	Wheel Lift Chain	2
6	7894000034^	Wheel Lift Tire Strap	2
7	7262000010	Towbar Chain (3,500 lb towbar)	2
8	7262000011	Towbar Chain (5,000 lb towbar)	2
9	7262000014	Towbar Chain (5,000 lb towbar)	2
10	7115181664	Carriage Bolt, 0.50"-13NC x 2.00"	2
11	7660180001	Nut, 0.50"-13NC	2
12	7660182601	Locknut, 0.50"-13NC	2
13	5525000752	Magnetic Tow Lights	1
14	7894000073	8 Point Tie-Down Kit	1

* also available in Deck Chain / Tie-Down Kit, P/N 7577000223

^ also available in Wheel Lift Tie-Down Strap & Ratchet Kit, P/N 7577000242

CHAIN AND STRAPS

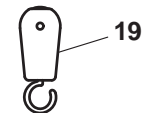
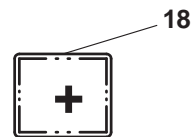
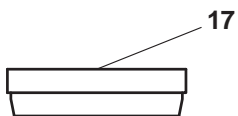
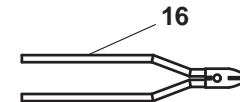
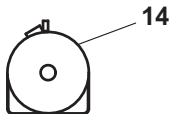
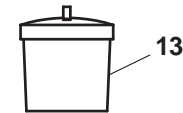
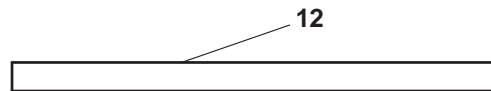
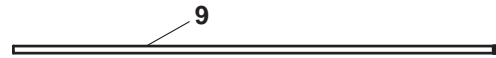
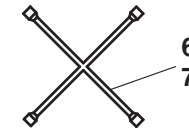
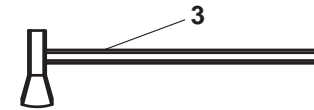
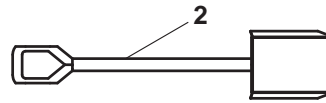
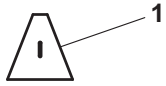


TOWING SAFETY TOOLS

ITEM	PART NO.	DESCRIPTION	QTY
1	9002000141*	Wheel Chock	1
2	9900000001*	Shovel	1
3	9900000006*	Maul Axe	1
4	9900000004*	Floor Jack -2.5 Ton	1
5	9900000005*	Floor Jack Handle	1
6	9900000007*	Lug Wrench -Metric	1
7	9900000008*	Lug Wrench -SAE	1
8	9900000002*	Broom Head	1
9	9900000003*	Broom Handle	1
10	9900000009*	Pry Bar	1
11	9611000001*	Wood Crossbeam -4'	1
12	9611000002*	Wood Crossbeam -5'	1
13	9002000142*	Trash Can -4 Gallon	2
14	9890000002*	Air Tank -5 Gallon	1
15	9002000143*	Flare -30 Minute	6
16	9900000010*	Bolt Cutters -24"	1
17	9002000144*	Triangle Flare Kit	1
18	9002000145*	First Aid Kit -25 Person	1
19	9900000008*	Snatch Block w/ Hook	1

* also available in Towing Safety Tools Kit, P/N 3577000120

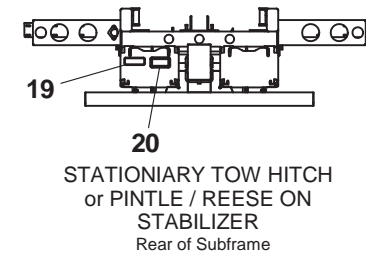
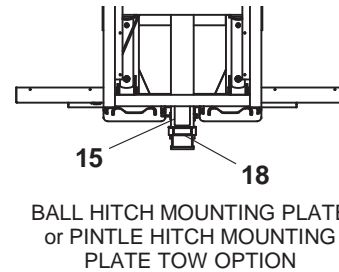
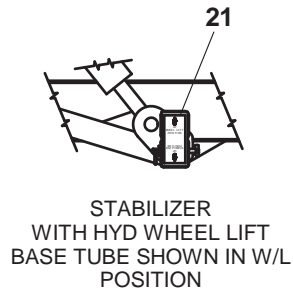
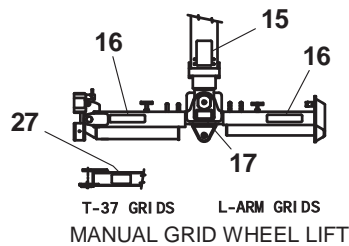
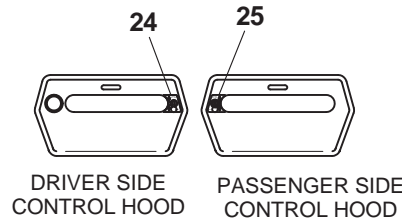
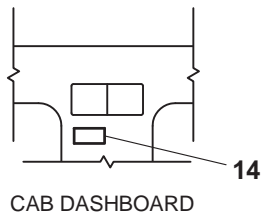
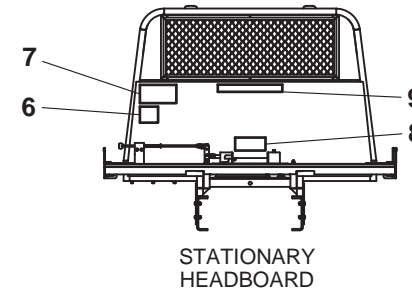
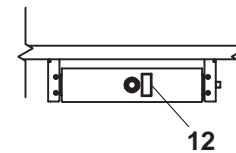
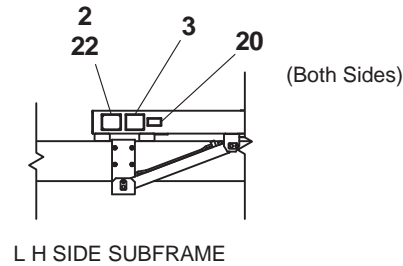
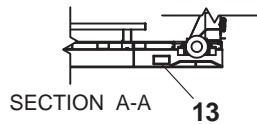
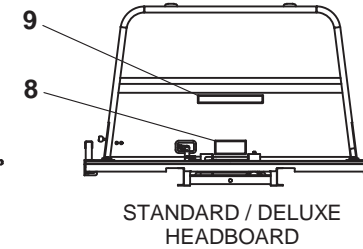
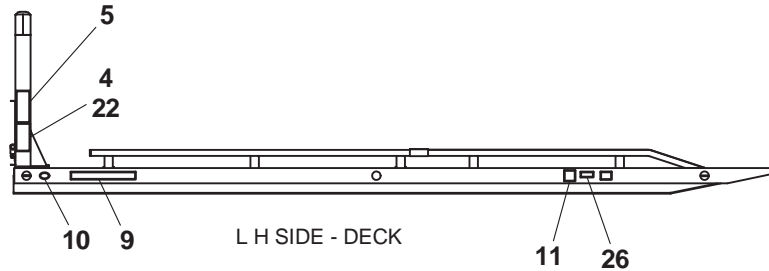
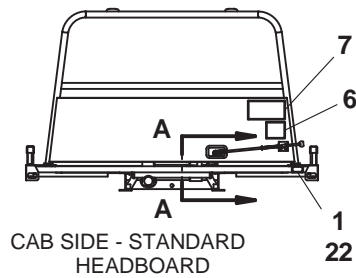
TOWING SAFETY TOOLS



DECALS

ITEM	PART NO.	DESCRIPTION	QTY
1	7330000167	Serial Number Tag	1
2	7330000338	Subframe / Patent Tag	1
3	7330000502	Decal - Slide Pad / Pivot Joint	1
4	7330000376	Structural Rating Placard	1
5	7330000275	Decal - Operator's Pre-Checklist	1
6	7330000242	Decal - Free Spool (bolt-on headboard)	1
	7330000495	Decal - Free Spool (stationary headboard)	1
7	7330000478	Decal - Lubrication Chart	1
8	7330000012	Decal - Winch	1
9	7330000408	Jerr-Dan Nameplate	3
10	7330000143	Decal - Made In The USA	1
11	7330000045	Decal - Align Arrow, White	2
12	7330000272	Decal - Oil Level	1
13	7330000330	Decal - Cable Track	1
14	7330000139	Decal - Checklist Reminder	1
15	7330000684	Decal - Safety	1
16	7330000683	Decal - Safety	2
17	7330000060	Decal - Wheel Lift Hitch	1
18	7330000391	Decal - Tow Boom Configuration	1
19	7330000274	Decal - Overloading Tow Option	1
20	7330000599	Decal - Pinch Point	3
21	7330000390	Decal - Stabilizer W/ 4,000 lb W/L	2
22	7759000004	Pop Rivet	12
23	9330740009	Decal Kit - Muncie PTO	1
24	7330000675	Decal - Air Free Spool Control, LH	1
25	7330000676	Decal - Air Free Spool Control, RH	1
26	7330000176	Decal - Air Suspension	1
27	7330000385	Decal - T37 Grids (3,000 lb wheel lift)	2
	7330000384	Decal - T37 Grids (4,000 lb wheel lift)	

DECALS



Item #23, Decal Kit, not shown

ACCESSORY EQUIPMENT

ITEM	PART NO.	DESCRIPTION	QTY
1	7002000449	Magnetic Tow Lights	1
2	7002000404	Fire Extinguisher	1
3	7002000448	Wheel Chock	1
4	7002000285	Reflective Triangles	1
5	7002000451	Load Binder - 0.38" Chain	1
6	Not Required		
7	7002000521	Remote Control Transmitter Holder	1
8	7002000447	Valve Stem Extension Kit	1
9	7002000503	Air Compressor with Hose Reel	1
10	7443000111	Elbow	1
11	7115161050	Capscrew, 0.38"-16NC x 1.25"	4
12	7950150161	Flatwasher, 0.31" ID	4
13	7660162601	Locknut, 0.38"-16NC	4
14	7115181050	Capscrew, 0.50"-13NC x 1.25"	4
15	7950180153	Flatwasher, 0.50" ID	8
16	7660182601	Locknut, 0.50"-13NC	4

ACCESSORY EQUIPMENT



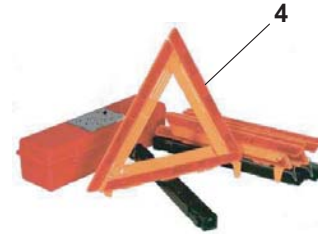
1



2



3

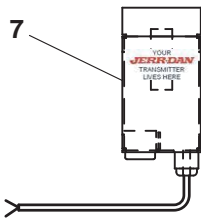


4



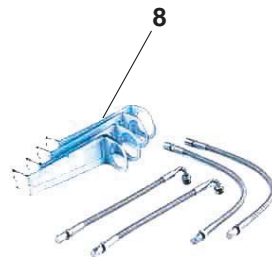
5

6

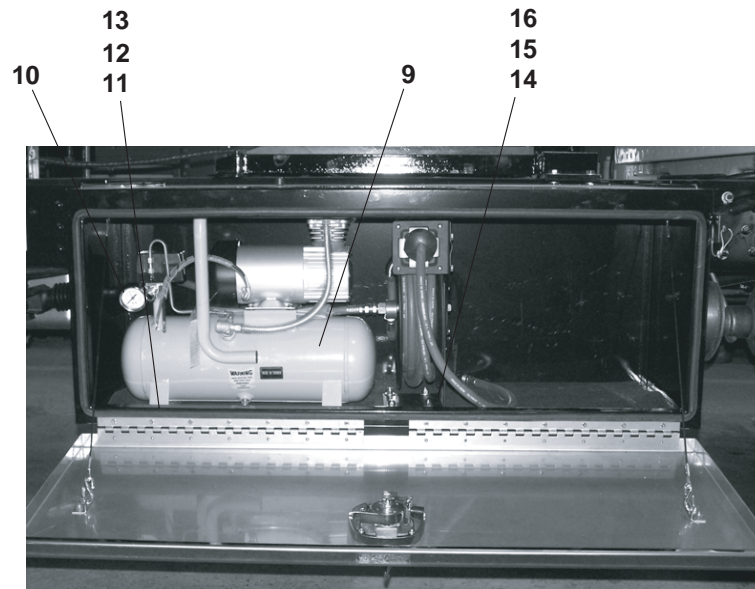


7

LOCATED INSIDE CAB

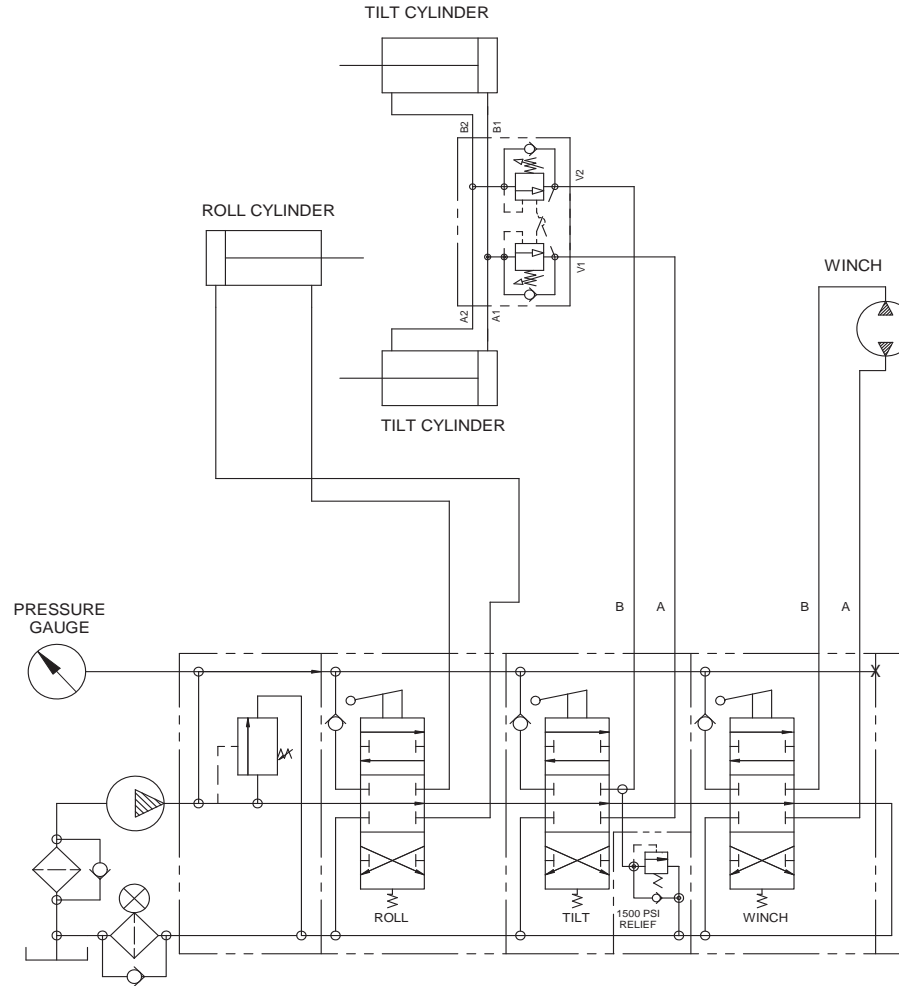


8



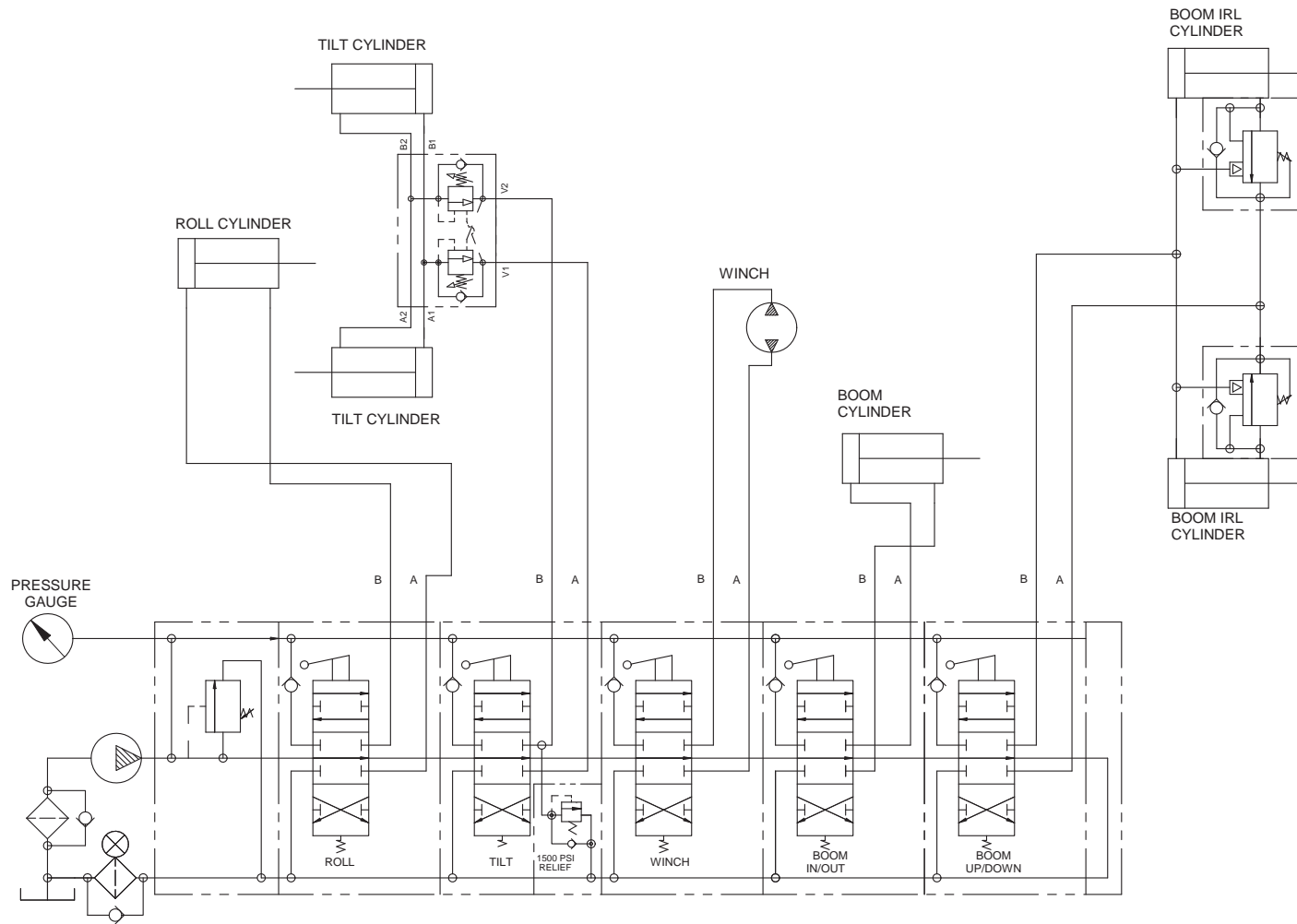
SHOWN MOUNTED INSIDE 48" TOOLBOX

HYDRAULIC SCHEMATIC



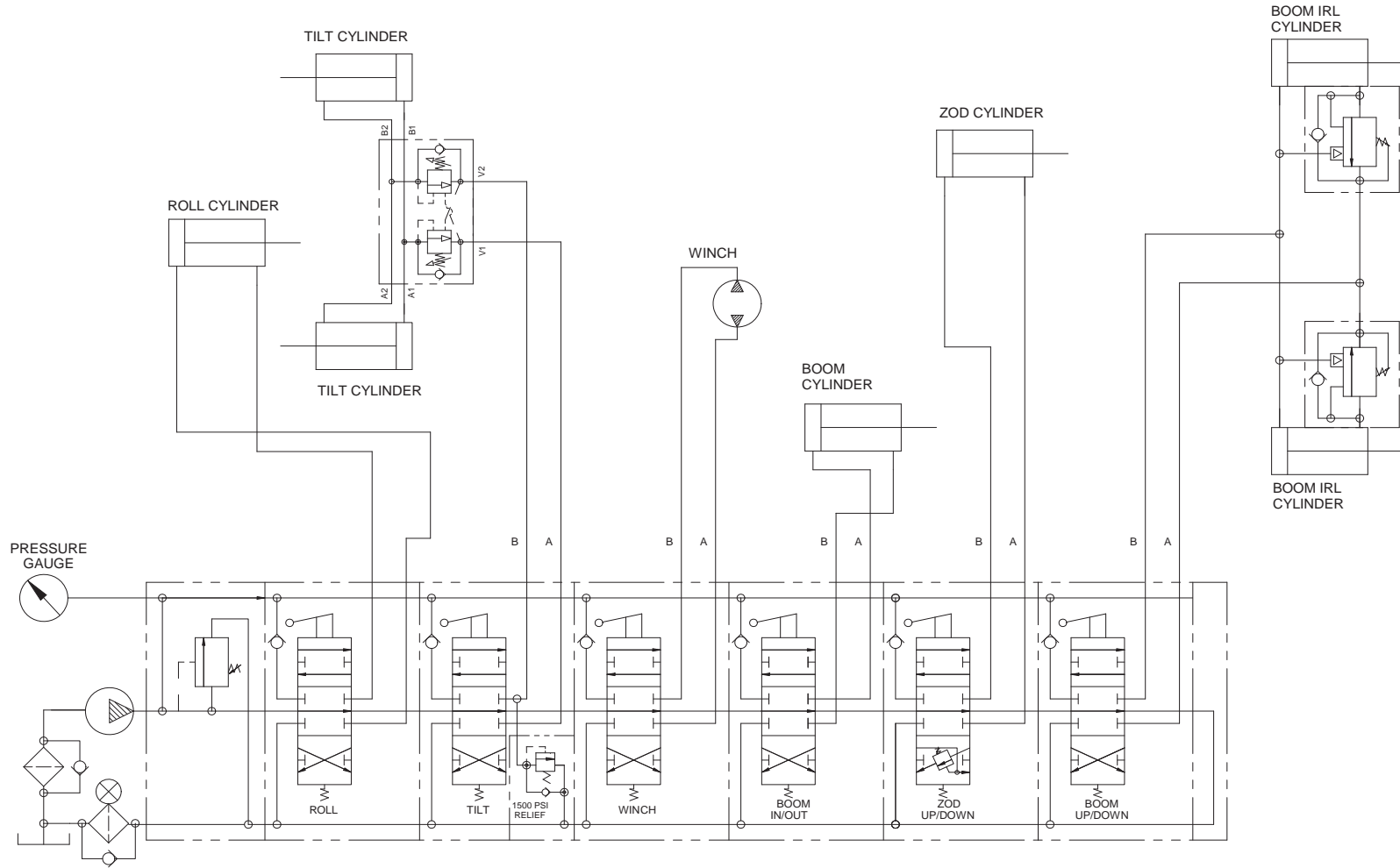
3 Bank Control Valve - No Tow Option

HYDRAULIC SCHEMATIC



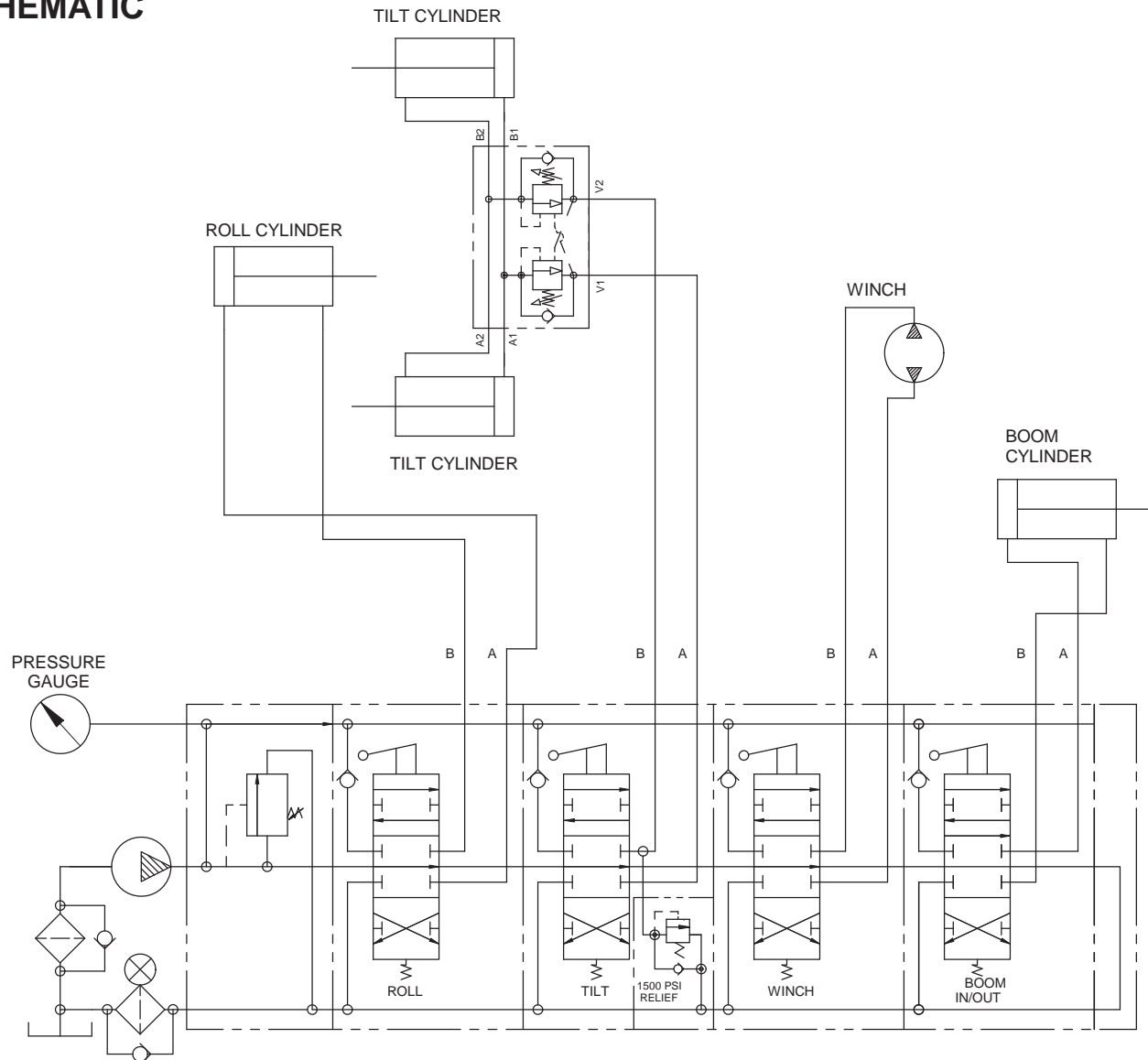
5 Bank Control Valve - IRL Tow Option

HYDRAULIC SCHEMATIC



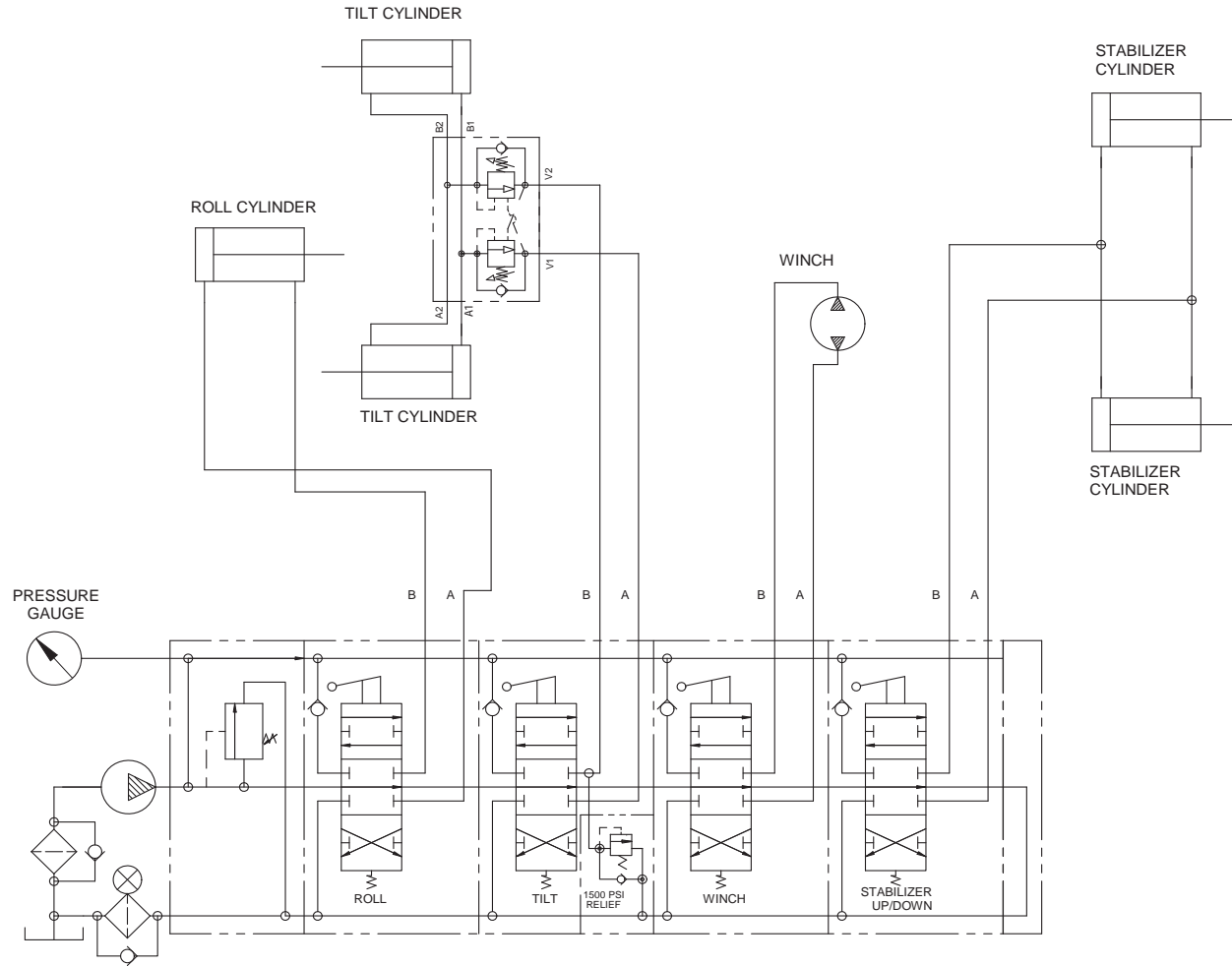
6 Bank Control Valve - ZOD Tow Option

HYDRAULIC SCHEMATIC



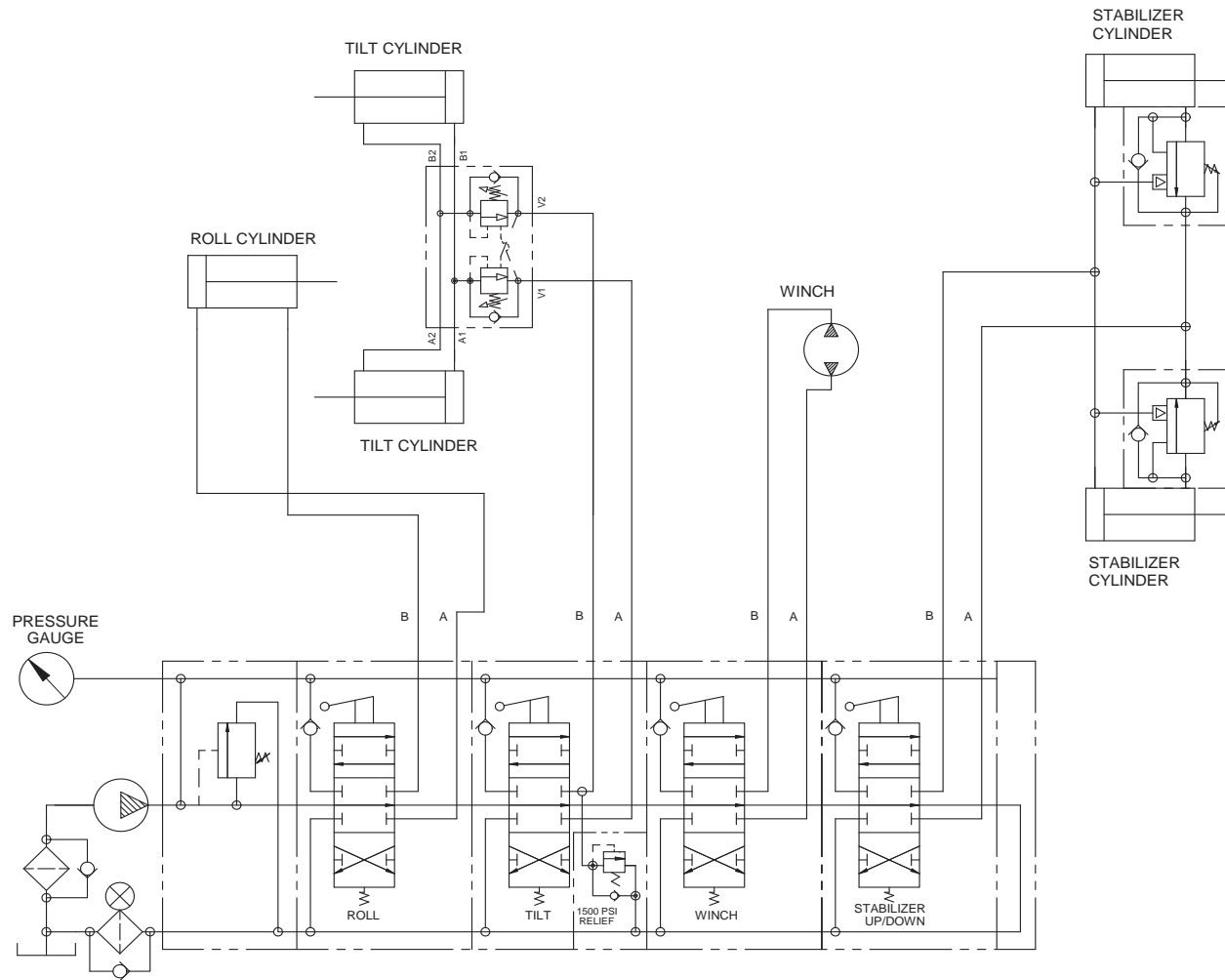
4 Bank Control Valve - Hydraulic Extended Boom Tow Option

HYDRAULIC SCHEMATIC



4 Bank Control Valve - Stabilizer Option

HYDRAULIC SCHEMATIC



4 Bank Control Valve - Stabilizer with Tow Option

THIS PAGE INTENTIONALLY LEFT BLANK

THIS PAGE INTENTIONALLY LEFT BLANK