

MPL40 WRECKER

PARTS MANUAL

JERR-DAN[®]

An Oshkosh Corporation Company

1080 Hykes Road
Greencastle, PA 17225
Phone (717) 597-7111
www.jerr-dan.com

5-376-000099
Rev 03 - July 01, 2010

© 2010 Jerr-Dan Corporation. All Rights Reserved.

This manual covers the following Jerr-Dan Model:

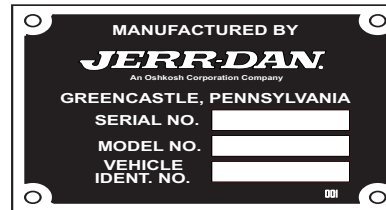
MPL40 Wrecker

Jerr-Dan Corporation strives to provide information that is accurate, complete and useful. Descriptions and illustrative material contained within this manual are as accurate as known at the time of publication and are subject to change, without notice, as a result of continuous product improvements. Jerr-Dan reserves the right to amend the information in this document at any time without prior notice.

Information contained in this manual reflects how this vehicle was built at the factory. Modifications or additions by the distributor or owner are not reflected in this manual.

This parts manual does not include service parts information for the commercial chassis (IHC, Ford, GM, etc.). This parts information is provided by the chassis manufacturer.

When ordering parts, please refer to your unit's Sales Order Number, Serial Number and Model Number. This information can be found on the aluminum tag riveted to the inside of the driver's side toolbox of the main body.



Additional or replacement manuals can be ordered by calling Jerr-Dan Parts at 717-597-7111. Price and availability will be quoted at time of the request.

Please report comments and/or errors by contacting Jerr-Dan Corporation's Technical Publications Department by e-mail at technicalpublications@jerr-dan.com or by FAX on 717-593-2362.

Manufactured under one or more of the following patents: 5,575,606; 5,722,810; 6,290,450 B1; 6,315,515 B1 and 6,527,495 B2 with other Patents Pending.

Jerr-Dan and the Jerr-Dan logo are registered trademarks and Run Hard is a service mark of Jerr-Dan Corporation, Greencastle, PA USA.

The material in this document is confidential and the property of Jerr-Dan Corporation. No part of this document may be photocopied, reproduced or translated to another language without the express written consent of Jerr-Dan Corporation.

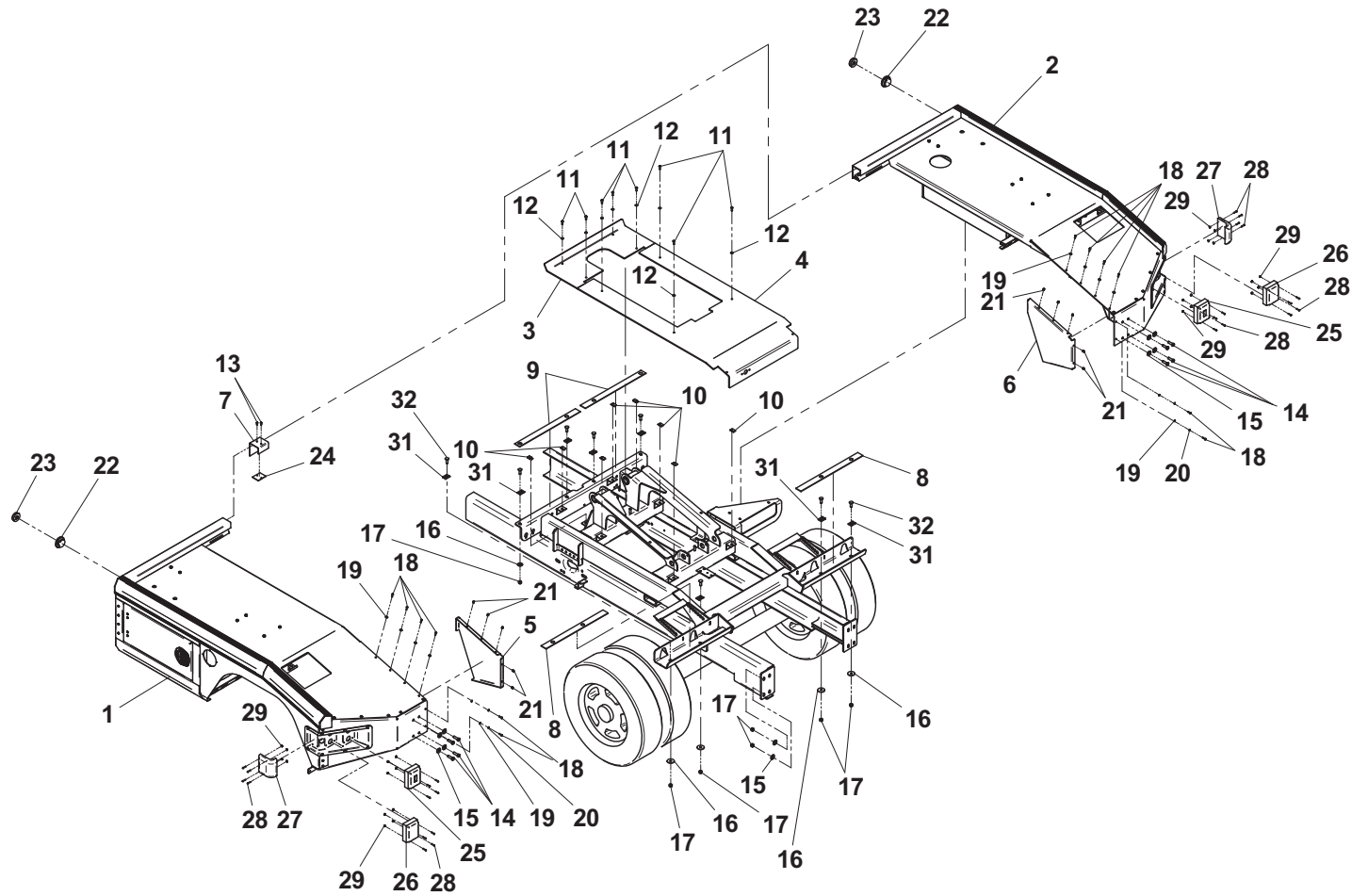
INDEX

DESCRIPTION	PAGE	DESCRIPTION	PAGE
Body - Complete	4 - 5	Tunnel Toolbox	100 - 101
Left Hand Body Assembly	6 - 7	Remote Control Operation	102 - 103
Right Hand Body Assembly	8 - 9	Wireless Remote Controls	104 - 105
Subframe	10 - 11	Bolt-On D-Rings	106 - 107
Hydraulic Reservoir	12 - 13	Jump Start Kit	108 - 109
Single Worm Gear Winch	14 - 15	Fold Down Lightbar Bracket	110 - 111
Dual Worm Gear Winch	16 - 17	Ball Hitch Mounting Bracket	112 - 113
Single Winch - Cable Guide	18 - 19	Tow Sling (Single or Dual Winch)	114 - 116
Dual Winch - Cable Guide	20 - 21	Self-Loading Dolly	118 - 119
Single Worm Gear Winch - Cable Tensioner	22 - 23	Motorcycle Adapter	120 - 121
Dual Worm Gear Winch - Cable Tensioner	24 - 25	Wheel Chocks	122 - 123
Dual Worm Gear Winch - Free Spool	26 - 27	Recovery Sheave	124 - 125
Mud Flap	28 - 29	L-Arm Spacer Storage	126 - 127
Fender Flares	30 - 31	Stone Guard - Body	128 - 129
Light Pylon - Deck Mounted	32 - 33	Stone Guard - Tunnel Toolbox	130 - 131
Light Pylon - Toolbox Mounted	34 - 35	Pull-Out Drawer - Tunnel Toolbox	132 - 133
Wrecker Boom	36 - 37	Fuel Filler	134 - 135
Underlift Boom - Manual Grid / Hydraulic Grid	38 - 39	Mid Deck Coverplate	136 - 137
Manual L-Arm Wheel Lift Grid	40 - 41	Mid Deck Storage Tray	138 - 139
Manual T-37 Pivoting Wheel Lift Grid	42 - 43	Fifth Wheel Attachment	140 - 141
Hydraulic Wheel Lift Grid	44 - 48	Gooseneck Attachment	142 - 143
Manual - L-Arm / T-37 Pivoting -Grid Storage	50 - 51	Ford Diesel 08 Exhaust Alteration	144 - 145
Manual / Electrical Controls - Hydraulic Grids (Single Winch)	52 - 53		
Manual / Electrical Controls - Manual / Hydraulic Grids (Dual Winch)	54 - 55		
Underlift Level Stop	56 - 57		
Hydraulic Components - Hose Routing / Mounting (Ford)	58 - 60		
Hydraulic Components - Hose Routing / Mounting (GMC)	62 - 64		
Hydraulic Components - Hose Routing / Mounting (Dodge)	66 - 68		
Hydraulic Components - Single Winch	70 - 71		
Hydraulic Components - Dual Winch	72 - 73		
Hydraulic Components - Underlift	74 - 75		
Hydraulic Components - Hydraulic Grid	76 - 77		
Electrical Components - Anti-Stall Control Module (Ford V10 Gas Engine)	78 - 79		
Electrical Components - Body - Standard	80 - 81		
Electrical Components - Pylon Lights / Tunnel Wiring	82 - 83		
Electrical Components - Tail Light Converter	84 - 85		
Work Lights - Marker Lights	86 - 87		
Lightbar	88 - 89		
Switch Panels	90 - 91		
Chain and Straps	92 - 93		
Decals	94 - 95		
Underlift Boom Extension Cylinder Assembly	96 - 97		
Knee Boom Fly Extension Cylinder Assembly	98 - 99		

BODY - COMPLETE

ITEM	PART NO.	DESCRIPTION	QTY	ITEM	PART NO.	DESCRIPTION	QTY
1	3097000521	Body Assembly LH	1	31	4706005695	Plate	8
2	3097000737	Body Assembly RH	1	32	7115181264	Capscrew, 0.50"-13NC x 1.50" Carriage	8
3	4314000089	Coverplate, Frt	1				
4	4314000090	Coverplate, Rear	1				
5	4811001158	Coverplate, LH	1				
6	4811001159	Coverplate, RH	1				
7	4314000175	Coverplate, Front	1				
8	4090000010	Pad	2				
9	4090000011	Pad	2				
10	7661000029	J-Nut, 0.31"-18NC	8				
11	7114150818	Capscrew, 0.31"-18NC x 1.00"	8				
12	7950150143	Flatwasher, 0.31" ID	8				
13	7120000046	Screw, 0.25"-20NC x .75"	2				
14	7115181450	Capscrew, 0.50"-13NC x 1.75"	8				
15	7950180153	Flatwasher, 0.50" ID	16				
16	7949000015	Head Washer, 0.50" ID	8				
17	7660182601	Locknut, 0.50"-13NC	16				
18	7114140818	Capscrew, 0.25"-20NC x 1.00"	12				
19	7950140143	Flatwasher, 0.25" ID	8				
20	7949000056	Nylon Washer, 0.25" ID	4				
21	7413000002	Nutsert, 0.25"-20NC	12				
22	7493000009	Marker Light Grommet	2				
23	7590000048	Marker Light - Amber (INC)	2				
	7590000342	Marker Light - Amber (LED)					
24	4706005751	Plate	1				
25	7590000130	Light, Backup	2				
26	7590000128	Light, Stop-Tail-Turn (INC)	2				
	7590000301	Light, Stop-Tail-Turn (LED)					
27	7590000131	Light, Wrap Around (INC)	2				
	7590000302	Light, Wrap Around (LED)					
28	7111100810	Capscrew, #10-24NC x 1.00"	24				
29	7661000002	Hex Nut, #10-24NC	24				
30	7796000012	Seal	150in				

BODY - COMPLETE



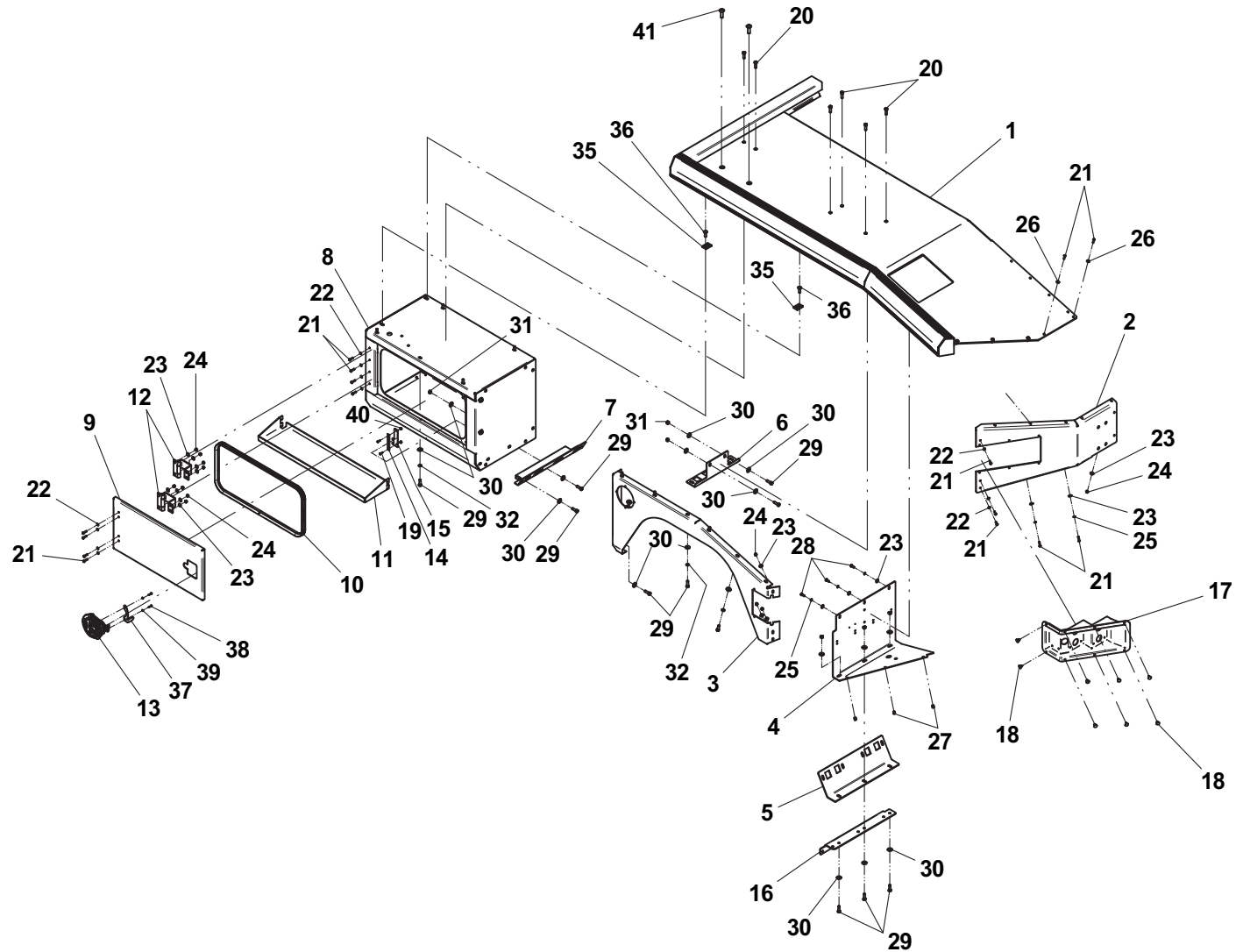
See pages 6 through 9 for LH and RH Body parts

Item #30, Seal, not shown

LEFT HAND BODY ASSEMBLY (3097000521)

ITEM	PART NO.	DESCRIPTION	QTY	ITEM	PART NO.	DESCRIPTION	QTY
1	3097000523	Deck Weld LH	1	34	7796000012	Seal	54in
2	3811000050	Tailplate Weld LH	1	35	4706005695	Plate	2
3	4811001193	Sheet LH	1	36	7115161064	Capscrew, 0.38"-16NC x 1.25" Carriage	2
4	4314000091	Coverplate LH	1	37	4178000849	Bracket	1
5	4178000744	Bracket	1	38	7114100618	Capscrew, #10-24NC x 0.75"	2
6	4178000577	Bracket	1	39	7950100003	Lockwasher, #10 ID	2
7	4811000840	Sheet	1	40	7660082604	Locknut, #8-32NC	2
8	3899000119	Toolbox Bond LH	1	41	7114181418	Capscrew, 0.50"-13NC x 1.75"	2
9	4686000207	Door	1				
10	4632000050	Seal, Toolbox Door	1				
11	4811000823	Shelf	1				
12	7555000012	Door Hinge	2				
13	7585000019	Latch, LH	1				
14	4062000569	Bar	1				
15	4178000848	Bracket	1				
16	4178000746	Bracket	1				
17	7571000001	Taillight Housing	1				
18	7413000013	Fastener	8				
19	7114080618	Capscrew, #8-32NC x 0.75"	2				
20	7114161018	Capscrew, 0.38"-16NC x 1.25"	6				
21	7114140818	Capscrew, 0.25"-20NC x 1.00"	19				
22	7949000056	Nylon Washer, 0.25" ID	11				
23	7950140161	Flatwasher, 0.25" ID	22				
24	7660142601	Locknut, 0.25"-20NC	16				
25	7950140000	Lockwasher, 0.25" ID	6				
26	7950140143	Flatwasher, 0.25" ID	5				
27	7413000002	Nutsert, 0.25"-20NC	3				
28	7115140650	Capscrew, 0.25"-20NC x .75"	3				
29	7115161050	Capscrew, 0.38"-16NC x 1.25"	21				
30	7950160161	Flatwasher, 0.38" ID	33				
31	7660162601	Locknut, 0.38"-16NC	12				
32	7950160000	Lockwasher, 0.38" ID	11				
33	4679000252	Pad	1				

LEFT HAND BODY ASSEMBLY (3097000521)

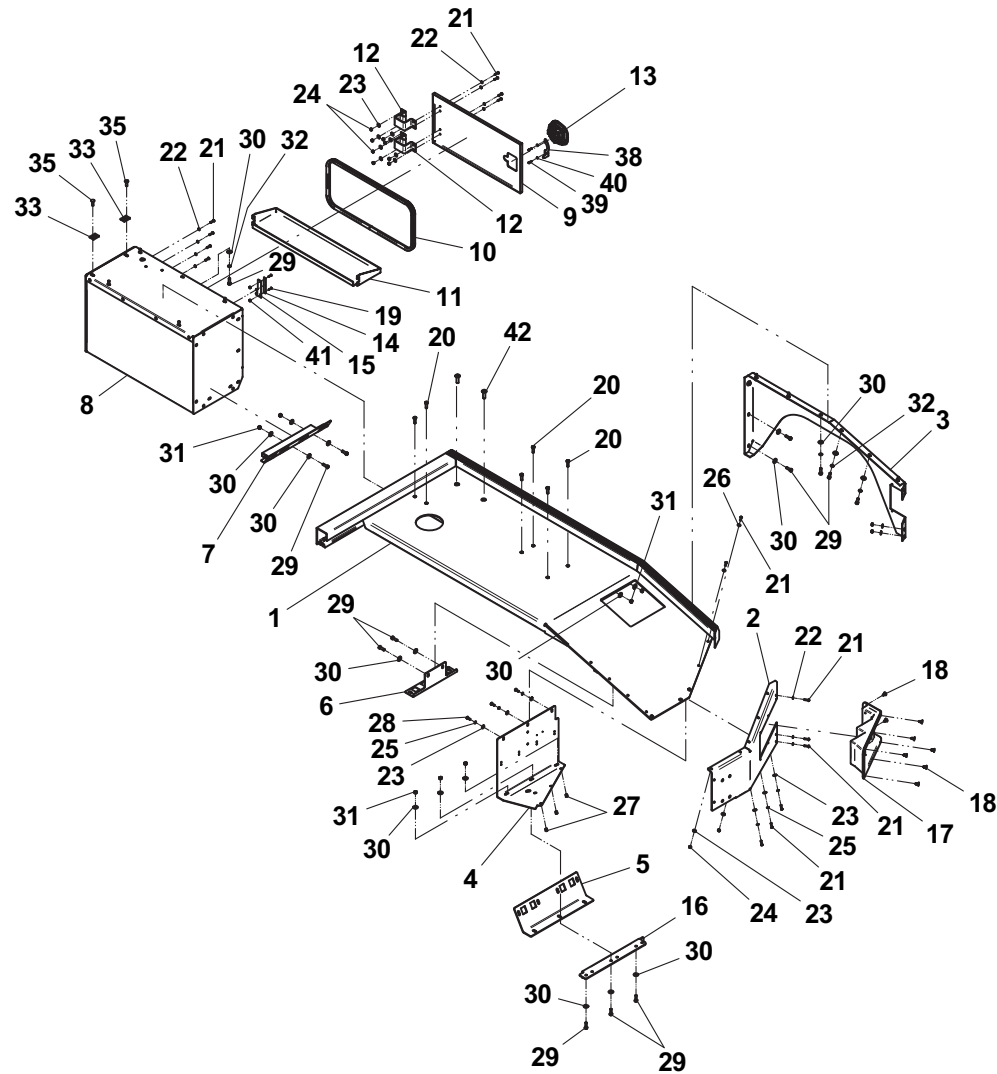


Item #33, Pad, not shown
 Item #34, Seal, not shown

RIGHT HAND BODY ASSEMBLY (3097000737)

ITEM	PART NO.	DESCRIPTION	QTY	ITEM	PART NO.	DESCRIPTION	QTY
1	3097000731	Deck Weld RH	1	34	7796000012	Seal	54in
2	3811000051	Tailplate Weld RH	1	35	7115161064	Capscrew, 0.38"-16NC x 1.25" Carriage	2
3	4811000820	Sheet RH	1	36	4679000295	Pad	1
4	4314000092	Coverplate RH	1	37	7679000294	Pad	1
5	4178000744	Bracket	1	38	4178000850	Bracket	1
6	4178000577	Bracket	1	39	7114100618	Capscrew, #10-24NC x 0.75"	2
7	4811000840	Sheet	1	40	7950100003	Lockwasher, #10 ID	2
8	3899000120	Toolbox Bond RH	1	41	7660082604	Locknut, #8-32NC	2
9	4686000207	Door	1	42	7114181418	Capscrew, 0.50"-13NC x 1.75"	2
10	4632000050	Seal, Toolbox Door	1				
11	4811000823	Shelf	1				
12	7555000012	Door Hinge	2				
13	7585000020	Latch, RH	1				
14	4062000569	Bar	1				
15	4178000848	Bracket	1				
16	4178000745	Bracket	1				
17	7571000001	Taillight Housing	1				
18	7413000013	Fastener	8				
19	7114080618	Capscrew, #8-32NC x 0.75"	2				
20	7114161018	Capscrew, 0.38"-16NC x 1.25"	6				
21	7114140818	Capscrew, 0.25"-20NC x 1.00"	19				
22	7949000056	Nylon Washer, 0.25" ID	11				
23	7950140161	Flatwasher, 0.25" ID	22				
24	7660142601	Locknut, 0.25"-20NC	16				
25	7950140000	Lockwasher, 0.25" ID	6				
26	7950140143	Flatwasher, 0.25" ID	5				
27	7413000002	Nutsert, 0.25"-20NC	3				
28	7115140650	Capscrew, 0.25"-20NC x .75"	3				
29	7115161050	Capscrew, 0.38"-16NC x 1.25"	21				
30	7950160161	Flatwasher, 0.38" ID	33				
31	7660162601	Locknut, 0.38"-16NC	12				
32	7950160000	Lockwasher, 0.38" ID	11				
33	4706005695	Plate	2				

RIGHT HAND BODY ASSEMBLY (3097000737)

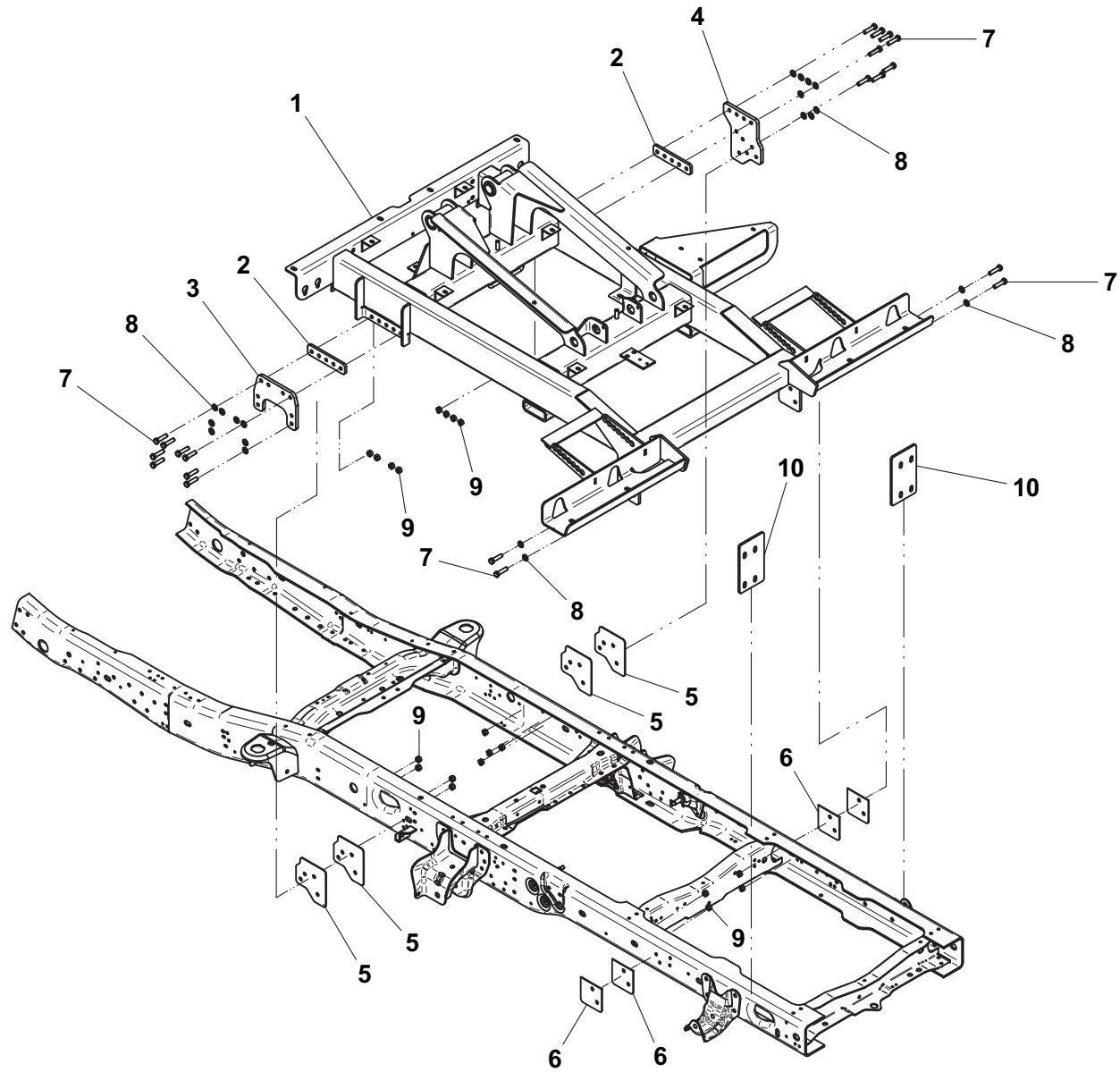


Item #34, Seal, not shown
Items #36 & #37, Pad, Not Shown

SUBFRAME

ITEM	PART NO.	DESCRIPTION	QTY	ITEM	PART NO.	DESCRIPTION	QTY
Ford F-Series				Dodge (60" CA)			
1	3868000255	Subframe Weld	1	1	3868000255	Subframe Weld	1
2	Not Required			2	Not Required		
3	4706005896	Plate	1	3	4706005897	Plate	1
4	4706005897	Plate	1	4	4706005897	Plate	1
5	Not Required			5	4706005634	Plate	4
6	Not required			6	4706005633	Plate	4
7	7115181650	Capscrew, 0.50"-13NC x 2.00"	20	7	7115181650	Capscrew, 0.50"-13NC x 2.00"	20
8	7950180153	Flatwasher, 0.50" ID	20	8	7950180153	Flatwasher, 0.50" ID	20
9	7660182601	Locknut, 0.50"-13NC	20	9	7660182601	Locknut, 0.50"-13NC	20
10	4706004919	Plate		10	4706004919	Plate	2
Ford F-Series with 19,000 lb GVWR				Dodge (84" CA)			
1	3868000255	Subframe Weld	1	1	3868000255	Subframe Weld	1
2	4706005898	Plate	2	2	Not Required		
3	4706005896	Plate	1	3	4706005897	Plate	1
4	4706005897	Plate	1	4	4706005897	Plate	1
5	Not Required			5	Not Required		
6	Not required			6	4706005633	Plate	4
7	7115181650	Capscrew, 0.50"-13NC x 2.00"	20	7	7115181650	Capscrew, 0.50"-13NC x 2.00"	20
8	7950180153	Flatwasher, 0.50" ID	20	8	7950180153	Flatwasher, 0.50" ID	20
9	7660182601	Locknut, 0.50"-13NC	20	9	7660182601	Locknut, 0.50"-13NC	20
10	4706004919	Plate	2	10	4706004919	Plate	2
GM C3500 / 4500							
1	3868000255	Subframe Weld	1				
2	Not Required						
3	4706005897	Plate	1				
4	4706005897	Plate	1				
5	4706005634	Plate	2				
6	4706005633	Plate	2				
7	7115181650	Capscrew, 0.50"-13NC x 2.00"	20				
8	7950180153	Flatwasher, 0.50" ID	20				
9	7660182601	Locknut, 0.50"-13NC	20				
10	4706004919	Plate	2				

SUBFRAME

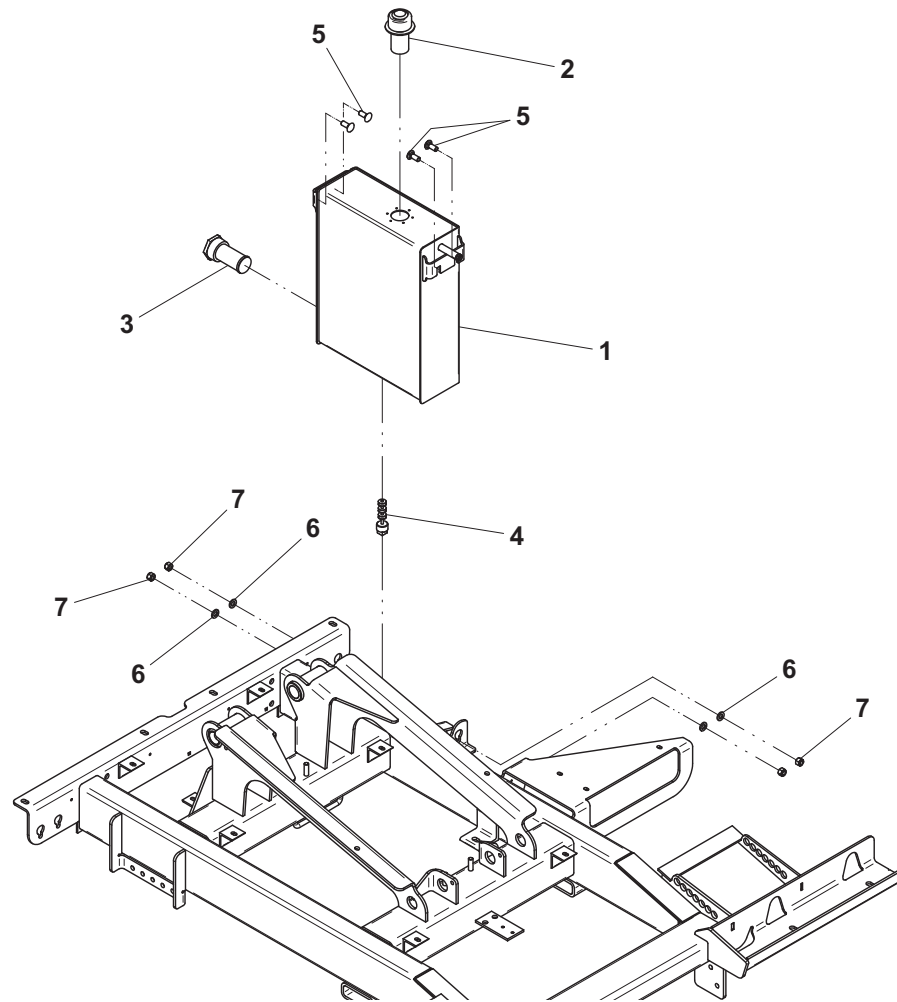


HYDRAULIC RESERVOIR

ITEM	PART NO.	DESCRIPTION	QTY
1	3750000061	Reservoir Assembly	1
2	7183000008*	Filler Cap	1
3	7430000010*	Tank Filter	1
4	7701000026*	Magnetic Plug	1
5	7115181064	Carriage Bolt, 0.50"-13NC x 1.25"	4
6	7950180153	Flatwasher, 0.50" ID	4
7	7660182601	Locknut, 0.50"-13NC	4

* also available in Reservoir Assembly, P/N 3750000061

HYDRAULIC RESERVOIR

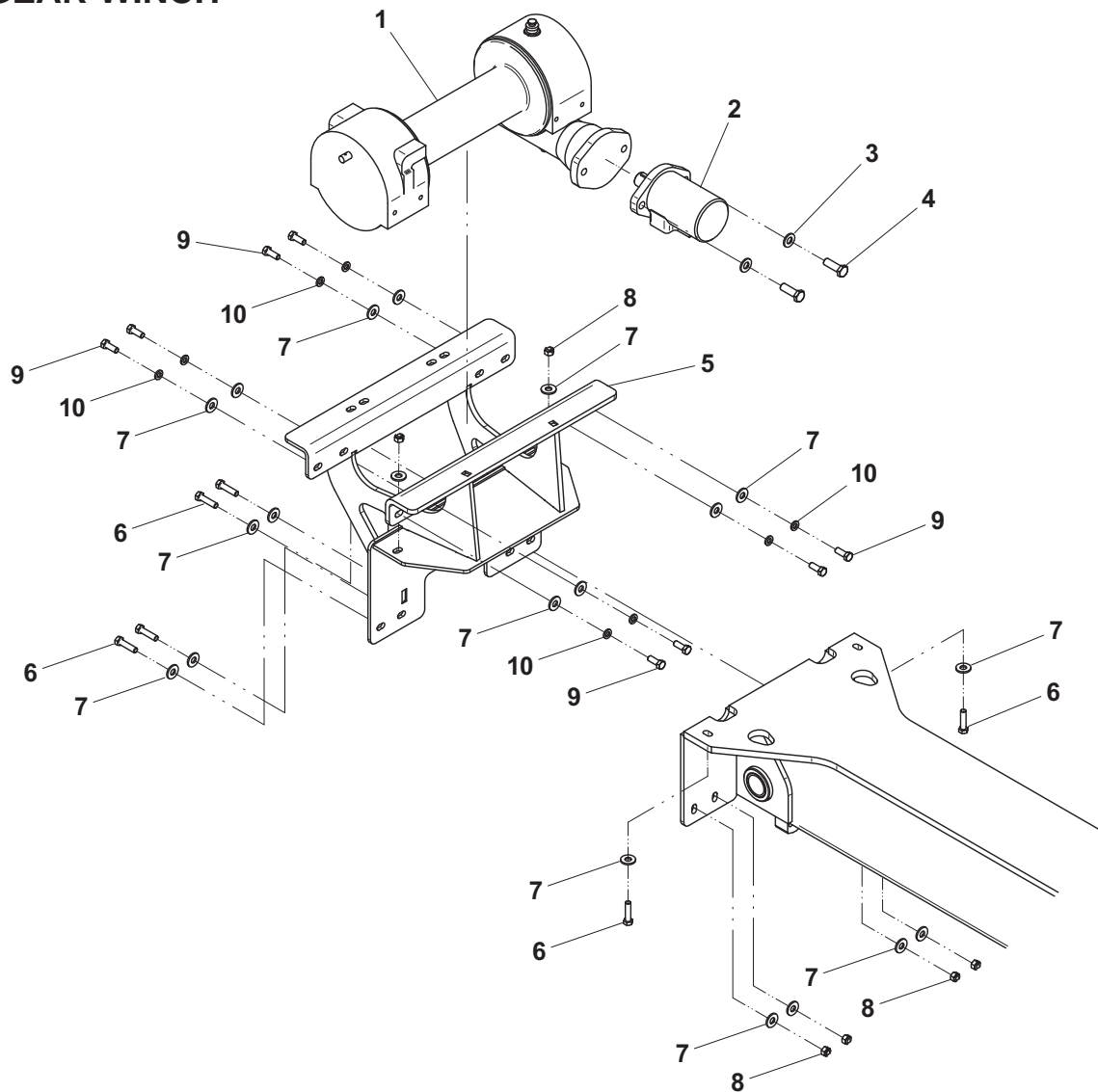


SINGLE WORM WINCH

ITEM	PART NO.	DESCRIPTION	QTY
1	7970000150	Winch - 8,000 lb Worm Gear	1
2	7626000014	Orbit Motor	1
3	7950180400	Lockwasher, 0.50" ID	4
4	7115181250	Capscrew, 0.50"-13NC x 1.50"	4
5	3178000552	Bracket Weld	1
6	7115161250	Capscrew, 0.38"-16NC x 1.50"	6
7	7950160162	Flatwasher, 0.38" ID	20
8	7660162601	Locknut, 0.38"-16NC	6
9	7115160850	Capscrew, 0.38"-13NC x 1.00"	8
10	7950160000	Lockwasher, 0.38" ID	8
11	7248000111	Winch Cable, 0.38 dia x 110'	1
	7248000140	Winch Cable, 0.38 dia x 110' w/ Swivel Hook	

Refer to manufacturer's manual for winch parts list.

SINGLE WORM GEAR WINCH



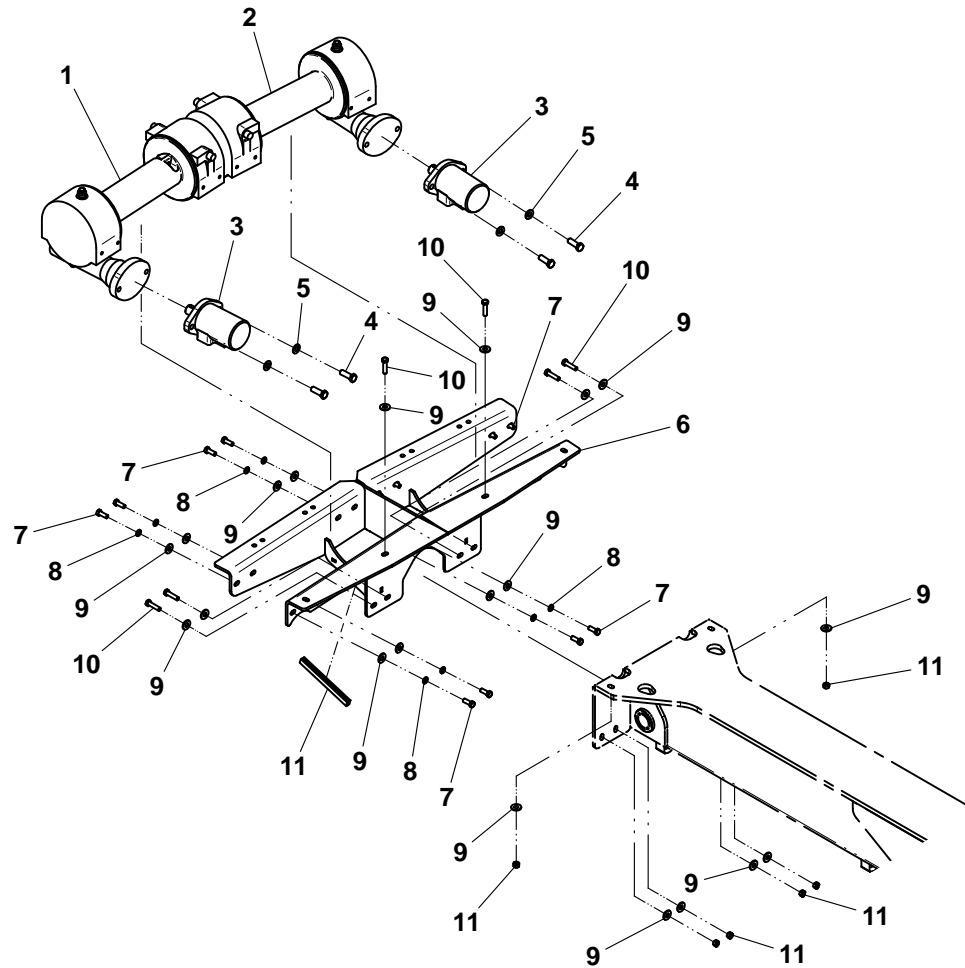
Item #11, Winch Cable, not shown

DUAL WORM GEAR WINCH

ITEM	PART NO.	DESCRIPTION	QTY
1	7970000103	Winch -8,000 lb Worm Gear - LH	1
2	7970000104	Winch -8,000 lb Worm Gear - RH	1
3	7626000014	Orbit Motor	2
4	7115181250	Capscrew, 0.50"-13NC x 1.50"	4
5	7950180400	Lockwasher, 0.50" ID	4
6	3178000419	Bracket Weld	1
7	7115160850	Capscrew, 0.38"-16NC x 1.00"	16
8	7950160000	Lockwasher, 0.38" ID	16
9	7950160162	Flatwasher, 0.38" ID	28
10	7115161250	Capscrew, 0.38"-16NC x 1.50"	6
11	7660162601	Locknut, 0.38"-16NC	6
12	8632000002	Trim	15in
13	7248000111	Winch Cable, 0.38 dia x 110'	2
	7248000140	Winch Cable, 0.38 dia x 110' w/ Swivel Hook	

Refer to manufacturer's manual for winch parts list.

DUAL WORM GEAR WINCH



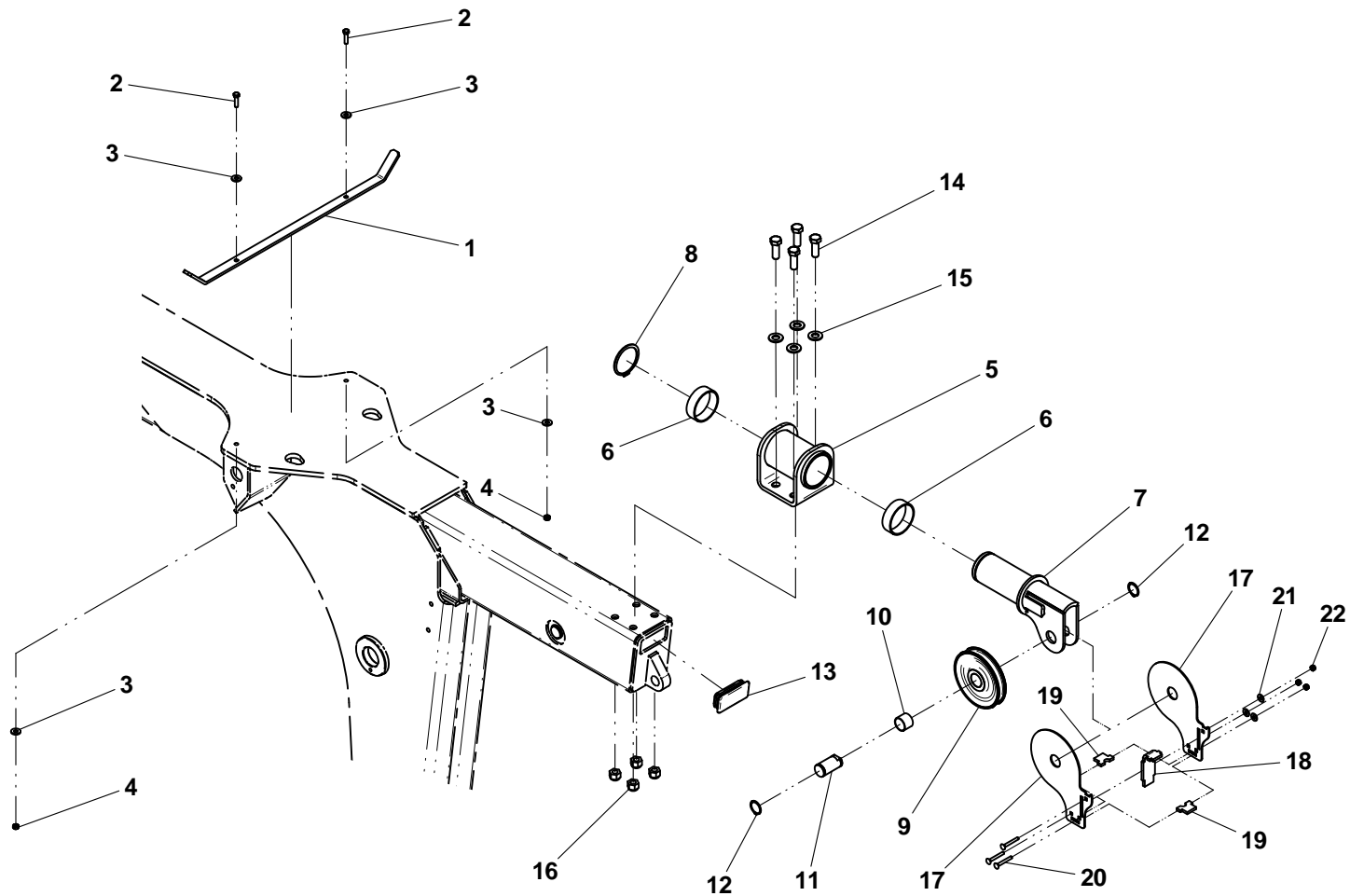
Item #13, Winch Cable, not shown

SINGLE WINCH - CABLE GUIDE

ITEM	PART NO.	DESCRIPTION	QTY
1	4062000541	Bar	1
2	7115151050	Capscrew, 0.31"-18NC x 1.50"	2
3	7950150161	Flatwasher, 0.31" ID	4
4	7660152601	Locknut, 0.31"-18NC	2
5	3170000358	Boom Nose Weld - Single	1
6	7082000031	Bearing	2
7	3249000033	Sheave Support Weld	1
8	7754000018	Retaining Ring	1
9	7809000013	Sheave	1
10	7082000032	Bearing	1
11	4691000513	Pin	1
12	7754000006	Retaining Ring	2
13	7701000051	Plug	1
14	7115201450	Capscrew, 0.63"-11NC x 1.75"	4
15	7950200141	Flatwasher, 0.63" ID	4
16	7660202601	Lockwasher, 0.63"-11NC	4
17	4811000760*	Sheet	2
18	4706004852*	Plate	1
19	4706004851*	Plate	2
20	7115141664*	Capscrew, 0.25"-20NC x 2.00" Carriage	3
21	7950140153*	Flatwasher, 0.25" ID	3
22	7660142604*	Locknut, 0.25"-20NC	3

* also available in Cable Guide Assembly, P/N 3249000034

SINGLE WINCH - CABLE GUIDE

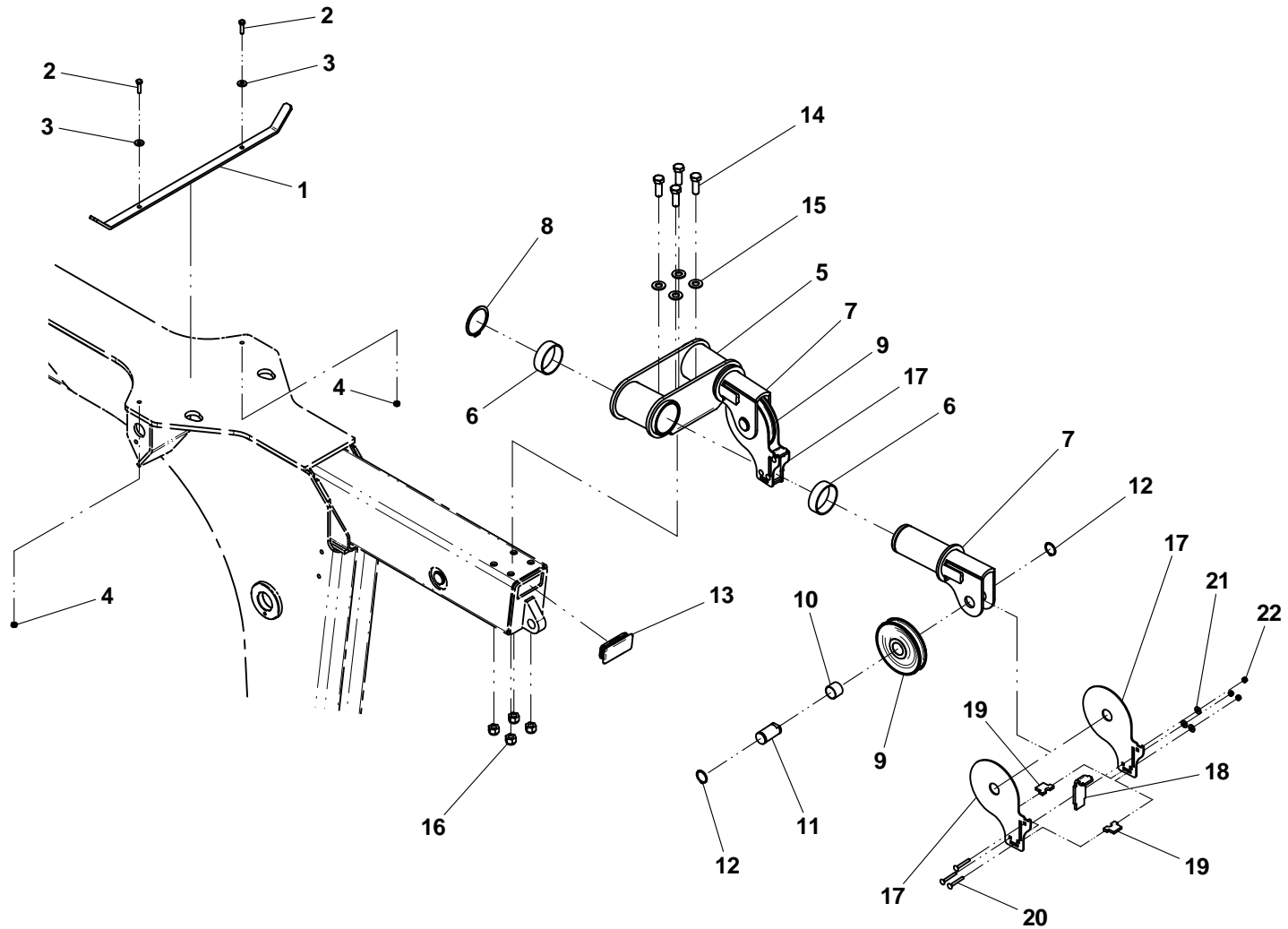


DUAL WINCH - CABLE GUIDE

ITEM	PART NO.	DESCRIPTION	QTY
1	4062000541	Bar	1
2	7115151050	Capscrew, 0.31"-18NC x 1.50"	2
3	7950150161	Flatwasher, 0.31" ID	4
4	7660152601	Locknut, 0.31"-18NC	2
5	3170000357	Boom Nose Weld - Dual	1
6	7082000031	Bearing	4
7	3249000033	Sheave Support Weld	2
8	7754000018	Retaining Ring	2
9	7809000013	Sheave	2
10	7082000032	Bearing	2
11	4691000513	Pin	2
12	7754000006	Retaining Ring	4
13	7701000051	Plug	1
14	7115201450	Capscrew, 0.63"-11NC x 1.75"	4
15	7950200141	Flatwasher, 0.63" ID	4
16	7660202601	Lockwasher, 0.63"-11NC	4
17	4811000760*	Sheet	4
18	4706004852*	Plate	2
19	4706004851*	Plate	4
20	7115141664*	Capscrew, 0.25"-20NC x 2.00" Carriage	6
21	7950140153*	Flatwasher, 0.25" ID	6
22	7660142604*	Locknut, 0.25"-20NC	6

* also available in Cable Guide Assembly, P/N 3249000034

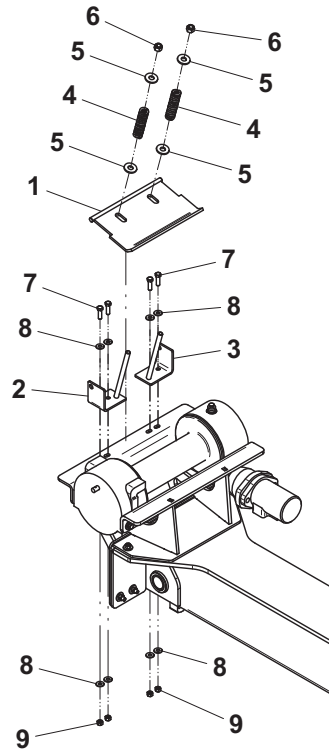
DUAL WINCH - CABLE GUIDE



SINGLE WORM GEAR WINCH - CABLE TENSIONER

ITEM	PART NO.	DESCRIPTION	QTY
1	3706000099	Pressure Plate Weld	1
2	3017000003	Angle Weld LH	1
3	3017000002	Angle Weld RH	1
4	7843000004	Spring	2
5	7950180161	Flatwasher, 0.50" ID	4
6	7660182600	Locknut, 0.50"-13NC	2
7	7115161050	Capscrew, 0.38"-16NC x 1.25"	4
8	7950150161	Flatwasher, 0.31" ID	8
9	7660162601	Locknut, 0.38"-16NC	4

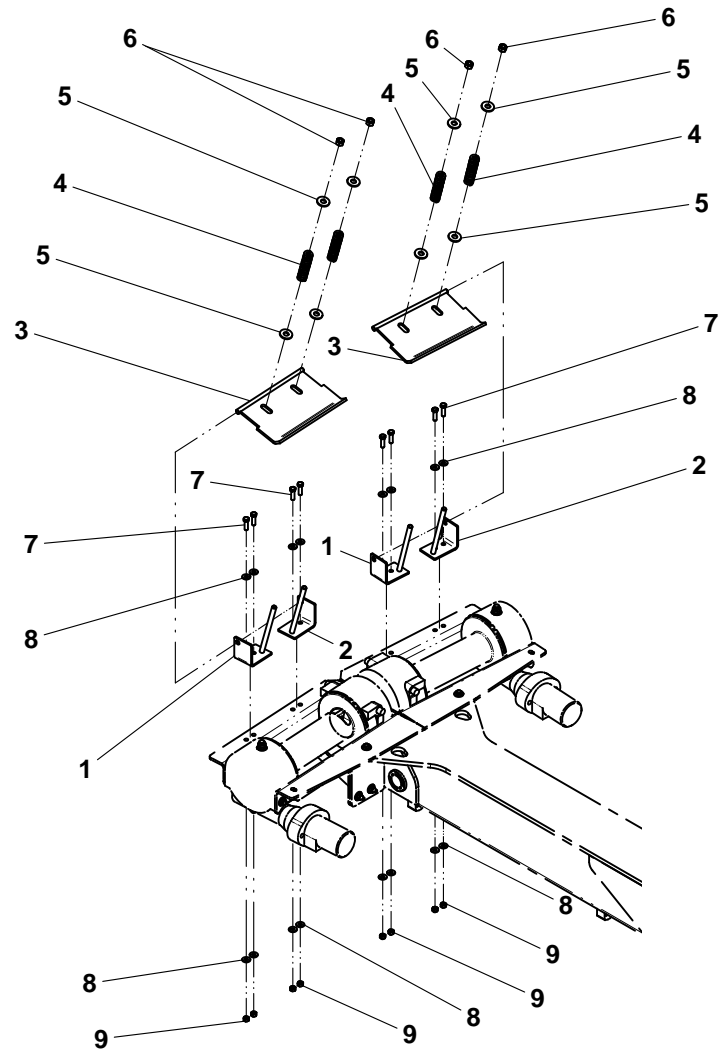
SINGLE WORM GEAR WINCH - CABLE TENSIONER



DUAL WORM GEAR WINCH - CABLE TENSIONER

ITEM	PART NO.	DESCRIPTION	QTY
1	3017000003	Angle Weld LH	2
2	3017000002	Angle Weld RH	2
3	3706000099	Pressure Plate Weld	2
4	7843000004	Spring	4
5	7950180161	Flatwasher, 0.50" ID	8
6	7660182600	Locknut, 0.50"-13NC	4
7	7115161050	Capscrew, 0.38"-16NC x 1.25"	8
8	7950150161	Flatwasher, 0.31" ID	16
9	7660162601	Locknut, 0.38"-16NC	8

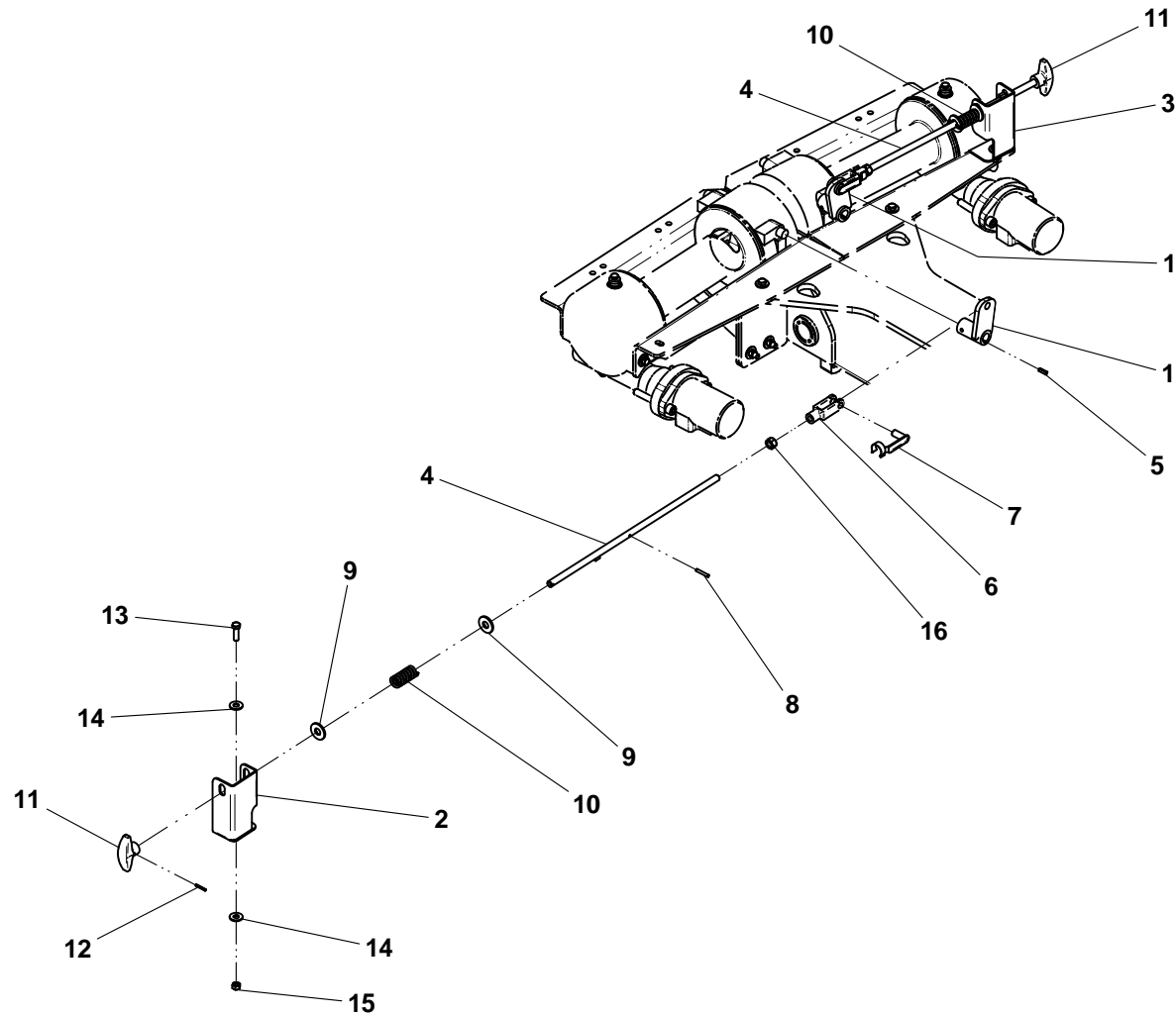
DUAL WORM GEAR WINCH - CABLE TENSIONER



DUAL WORM GEAR WINCH - FREE SPOOL

ITEM	PART NO.	DESCRIPTION	QTY
1	3587000007	Lever Weld	2
2	4178000166	Bracket LH	1
3	4178000167	Bracket RH	1
4	3587000008	Handle Weld	2
5	4575060600	Key	2
6	7990000011	Yoke	2
7	7691000046	Spring Clevis Pin	2
8	7690102041	Spring Pin	2
9	7950180161	Flatwasher, 0.50" ID	4
10	7843000010	Compression Spring	2
11	4551000005	T-Handle	2
12	7690051641	Spring Pin	2
13	7115161050	Capscrew, 0.38"-16NC x 1.25"	2
14	7950160162	Flatwasher, 0.38" ID	4
15	7660162601	Locknut, 0.38"-16NC	2
16	7660180030	Hex Nut, 0.50"-20NF	2

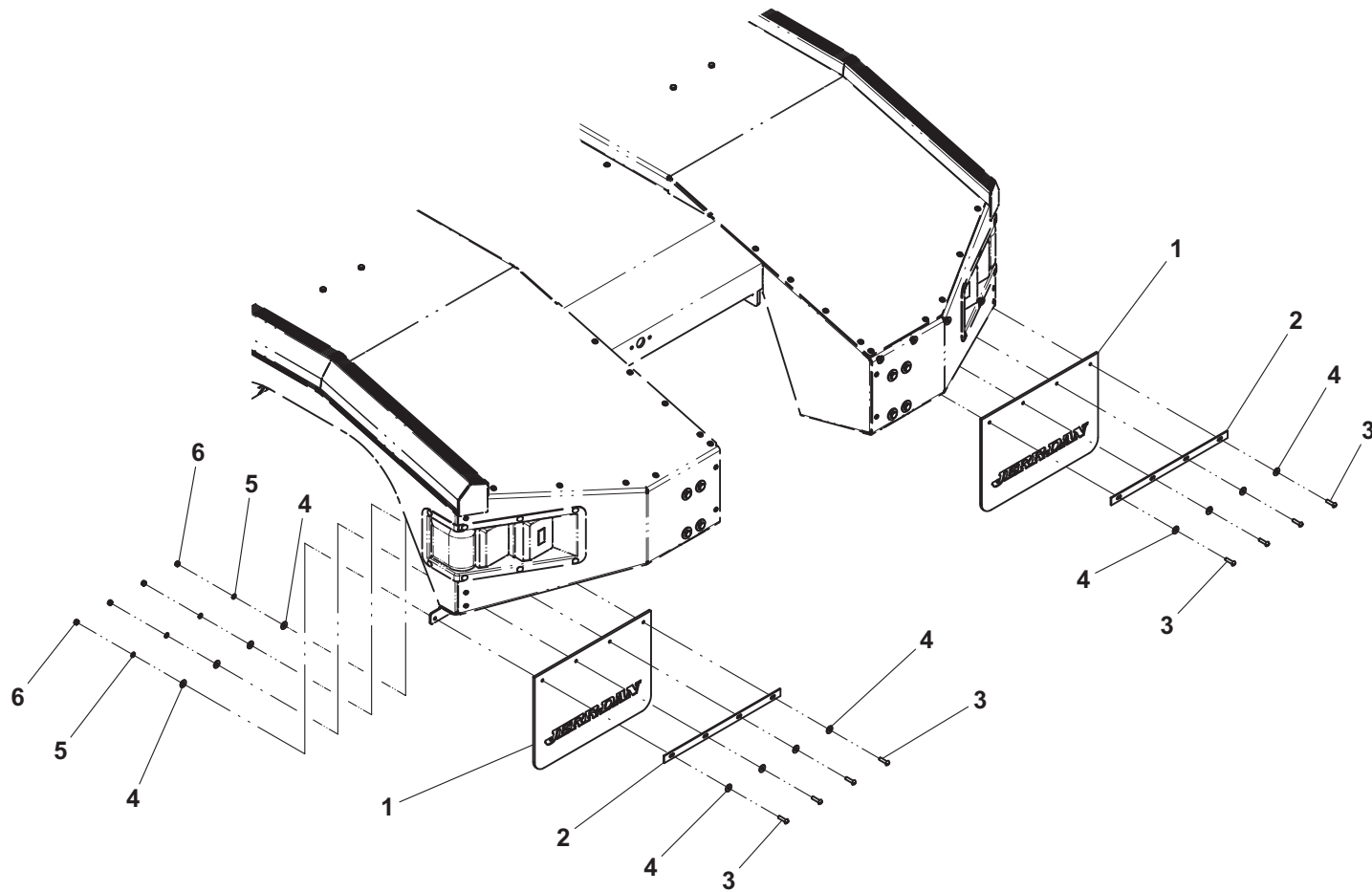
DUAL WORM GEAR WINCH - FREE SPOOL



MUD FLAP

ITEM	PART NO.	DESCRIPTION	QTY
1	7638000003	Mud Flap - 19" long	2
2	4706001123	Plate	2
3	7111151010	Capscrew, 0.31"-18NC x 1.25"	8
4	7950150161	Flatwasher, 0.31" ID	16
5	7950150000	Lockwasher, 0.31" ID	8
6	7660150000	Hex Nut, 0.31"-18NC	8

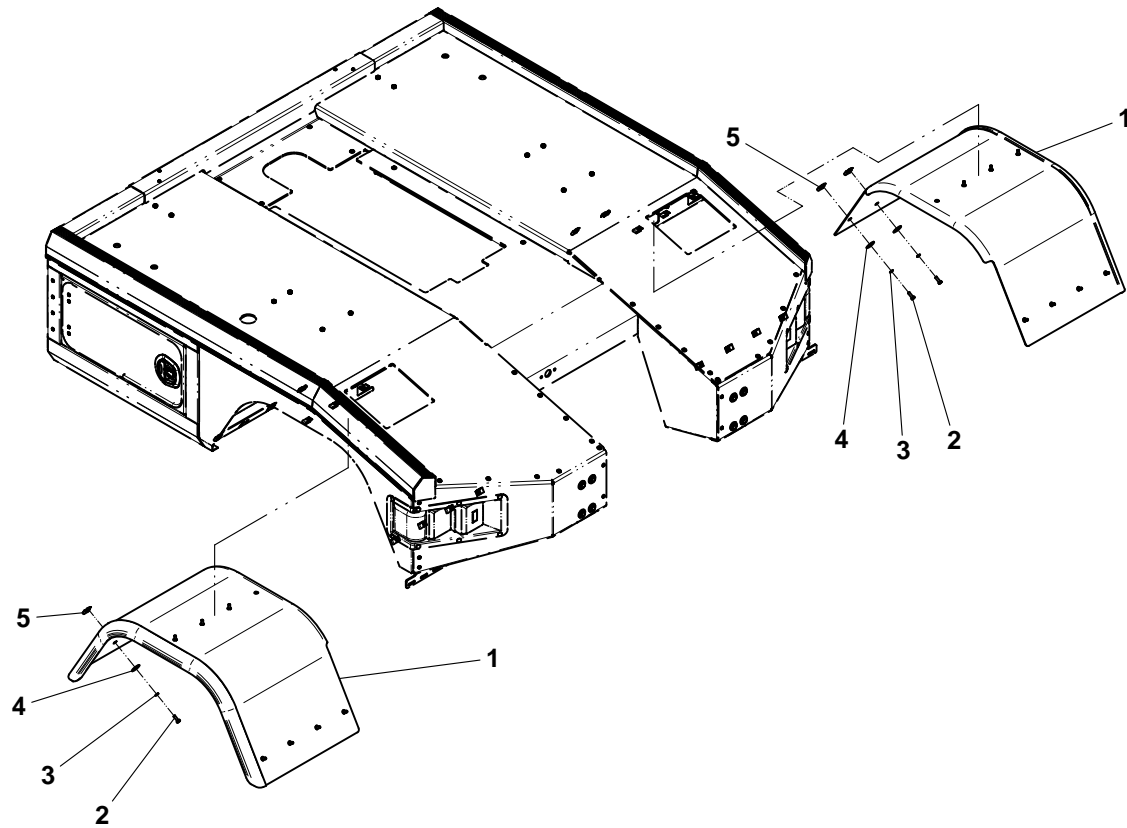
MUD FLAP



FENDER FLARES

ITEM	PART NO.	DESCRIPTION	QTY
1	7415000038	Fender (narrow)	2
	7415000039	Fender (wide)	
2	7114150850	Capscrew, 0.31"-18NC x 1.00"	22
3	7950150000	Lockwasher, 0.31" ID	22
4	7949000055	Fender Washer, 0.38" ID	22
5	7661000029	J-Nut, 0.31"-18NC	22

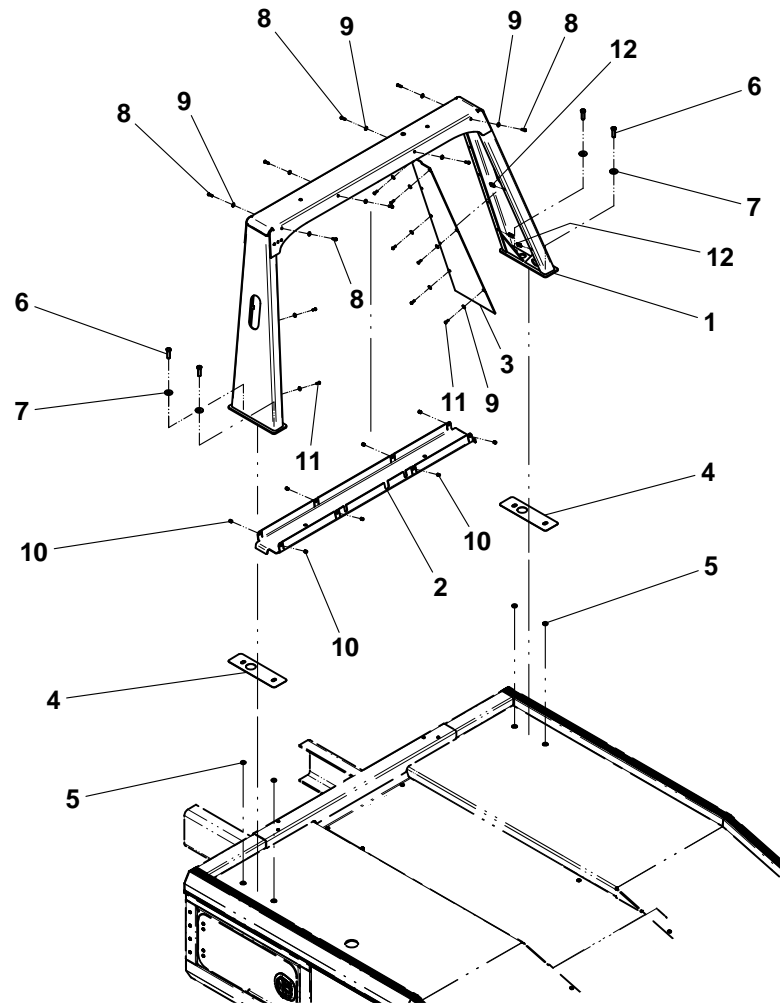
FENDER FLARES



LIGHT PYLON - DECK MOUNTED

ITEM	PART NO.	DESCRIPTION	QTY
1	3509570103	Light Pylon Weld - 37"	1
	3509570113	Light Pylon Weld - 50"	
2	4263000689	Channel	1
3	4706005002	Plate (37" Pylon)	2
	4314000125	Plate (50" Pylon)	
4	7796000101	Gasket	2
5	7949000058	Washer, 0.53" ID	4
6	7115181450	Capscrew, 0.50"-13NC x 1.75"	4
7	7950180161	Flatwasher, 0.50" ID	4
8	7114140818	Capscrew, 0.25"-20NC x 1.00"	8
9	7950140143	Flatwasher, 0.25" ID	20
10	7413000002	Nutsert, 0.25"-20NC	8
11	7114140618	Capscrew, 0.25"-20NC x .75"	12
12	7661000019	U-Nut, 0.25"-20NC	12

LIGHT PYLON - DECK MOUNTED

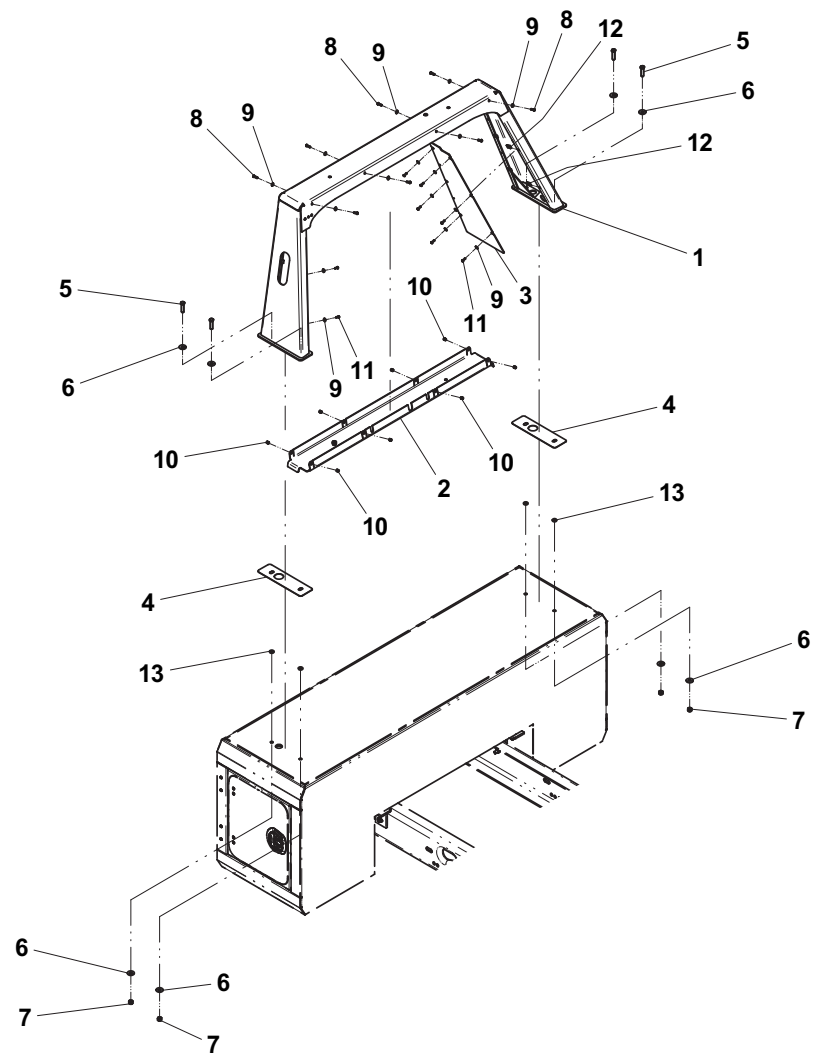


37" Pylon shown

LIGHT PYLON - TOOLBOX MOUNTED

ITEM	PART NO.	DESCRIPTION	QTY
1	3509570106	Light Pylon Weld - 28"	1
	3509570111	Light Pylon Weld - 41.50"	
2	4263000689	Channel	1
3	4314000102	Cover (28" Pylon)	2
	4314000103	Cover (41.50" Pylon)	
4	7796000091	Gasket	2
5	7115181650	Capscrew, 0.50"-13NC x 2.00"	4
6	7950180161	Flatwasher, 0.50" ID	8
7	7660182601	Locknut, 0.50"-13NC	4
8	7114140818	Capscrew, 0.25"-20NC x 1.00"	8
9	7950140143	Flatwasher, 0.25" ID	20
10	7413000002	Nutsert, 0.25"-20NC	8
11	7114140618	Capscrew, 0.25"-20NC x .75"	12
12	7661000019	U-Nut, 0.25"-20NC	12
13	7949000058	Washer, 0.53" ID	4

LIGHT PYLON - TOOLBOX MOUNTED



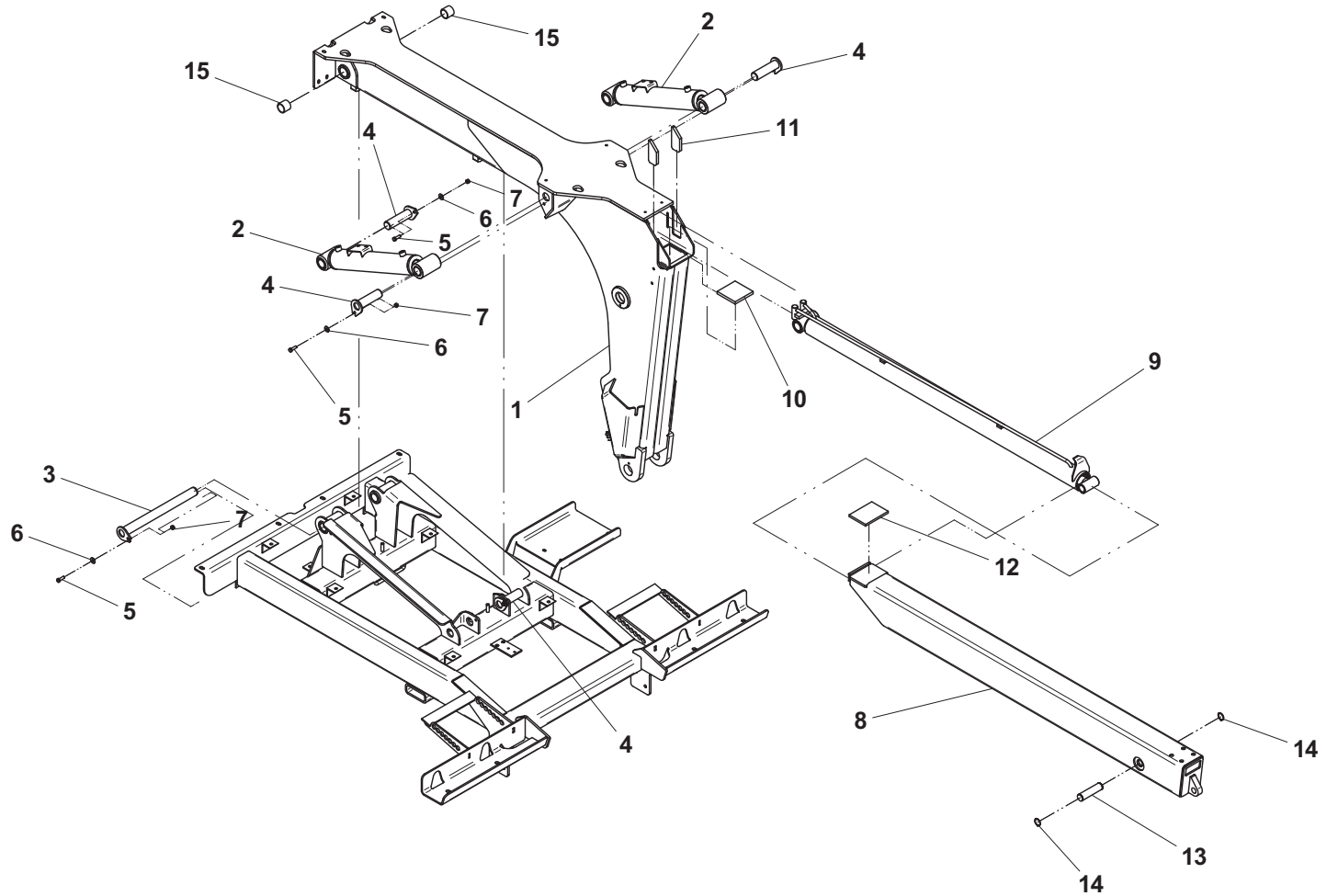
28" Pylon shown

WRECKER BOOM

ITEM	PART NO.	DESCRIPTION	QTY
1	3170000369	Outer Boom Weld	1
2	7320000087	Cylinder Assembly	2
3	3691000276	Pin Weld	1
4	3691000277	Pin Weld	4
5	7115161050	Capscrew, 0.38"-16NC x 1.25"	5
6	7950160161	Flatwasher, 0.38" ID	5
7	7660162601	Locknut, 0.38"-16NC	5
8	3170000345	Inner Boom Weld	1
9	3320000149	Cylinder Assembly	1
10	4679000278	Pad	1
11	4679000238	Pad	2
12	4679000237	Pad	1
13	4691000027	Pin	1
14	7754000006	Retaining Ring	2
15	7082000044*	Bearing	2

* also available in Outer Boom Weld, P/N 3170000369

WRECKER BOOM



UNDERLIFT BOOM - MANUAL GRID / HYDRAULIC GRID

ITEM	PART NO.	DESCRIPTION	QTY
1	3170000419	Base Boom Weld (manual grid)	1
	3170000415	Base Boom Weld (hydraulic grid)	
2	3170000393	Fly Boom Weld (manual grid)	1
	3170000346	Fly Boom Weld (hydraulic grid)	
3	7320000088	Cylinder Assembly	1
4	3691000278	Pin	2
5	3691000279	Pin	1
6	7115160824	Capscrew, 0.38"-16NC x 1.00"	3
7	7950160000	Lockwasher, 0.38" ID	3
8	7950160161	Flatwasher, 0.38" ID	3
9	4691000308	Pin	1
10	7754000056	Snap Ring	2
11	7082000043+	Bearing	2
12	3320000148	Cylinder Assembly (manual grid)	1
	7320000077*	Cylinder Assembly (hydraulic grid)	
13	4691000307	Pin	1
14	7754000019	Retaining Ring	2
15	7082000021^	Bearing (manual grid)	1
	7209000030<	Bushing (hydraulic grid)	
16	4679000046	Wear Pad	1
17	4017001502	Angle	2
18	4679000213	Pad	2
19	7785161274	Set Screw, 0.38"-16NC x .75"	4
20	7104150627	Capscrew, 0.31"-24NF x .75"	4
21	7950150000	Lockwasher, 0.31" ID	4
22	7950150161	Flatwasher, 0.31" ID	4

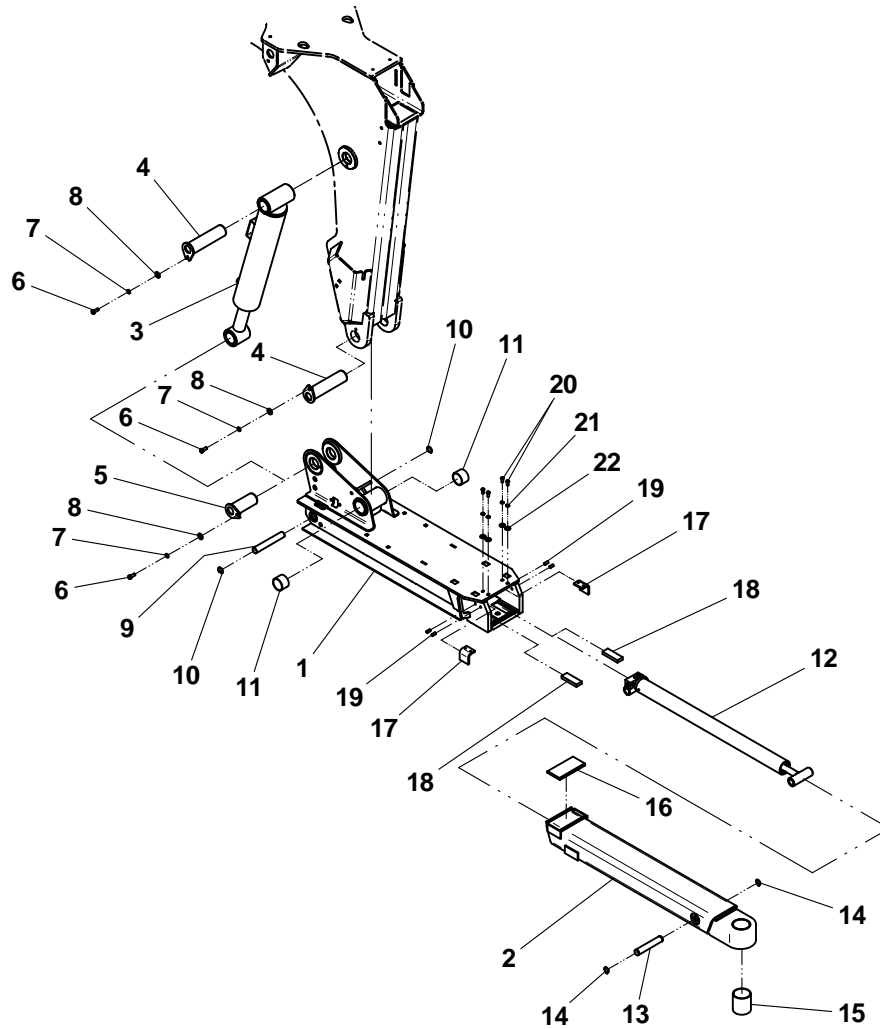
+ also available in Base Boom Weld, P/Ns 3020000415 & 3020000419

^ also available in Fly Boom Weld, P/N 3170000393

< also available in Fly Boom Weld, P/N 3170000346

* Service Seal Kit, P/N 9577820242

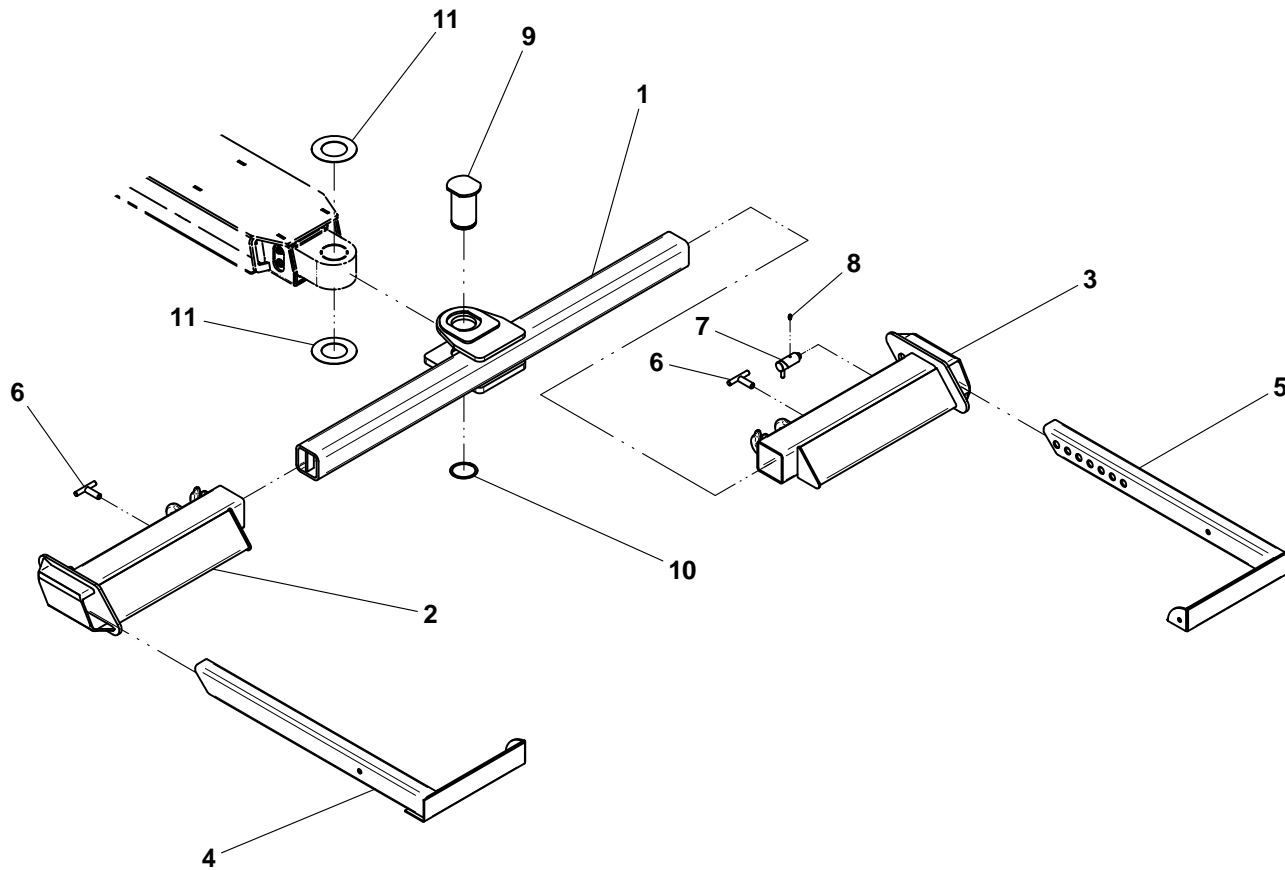
UNDERLIFT BOOM - MANUAL GRID / HYDRAULIC GRID



MANUAL L-ARM WHEEL LIFT GRID

ITEM	PART NO.	DESCRIPTION	QTY
1	3170000390	Crosstube Weld	1
2	3484000031	Grid Weld - LH	1
3	3484000030	Grid Weld - RH	1
4	3020000037	L-Arm Weld	1
5	3020000038	L-Arm Weld	1
6	3551000036	T-Handle	2
7	3551000011	Cam Lock Assembly	2
8	7440030000	Grease Fitting	2
9	4691000427	Pin	1
10	7754000024	Retaining Ring	1
11	4949000047	Washer	2

MANUAL L-ARM WHEEL LIFT GRID



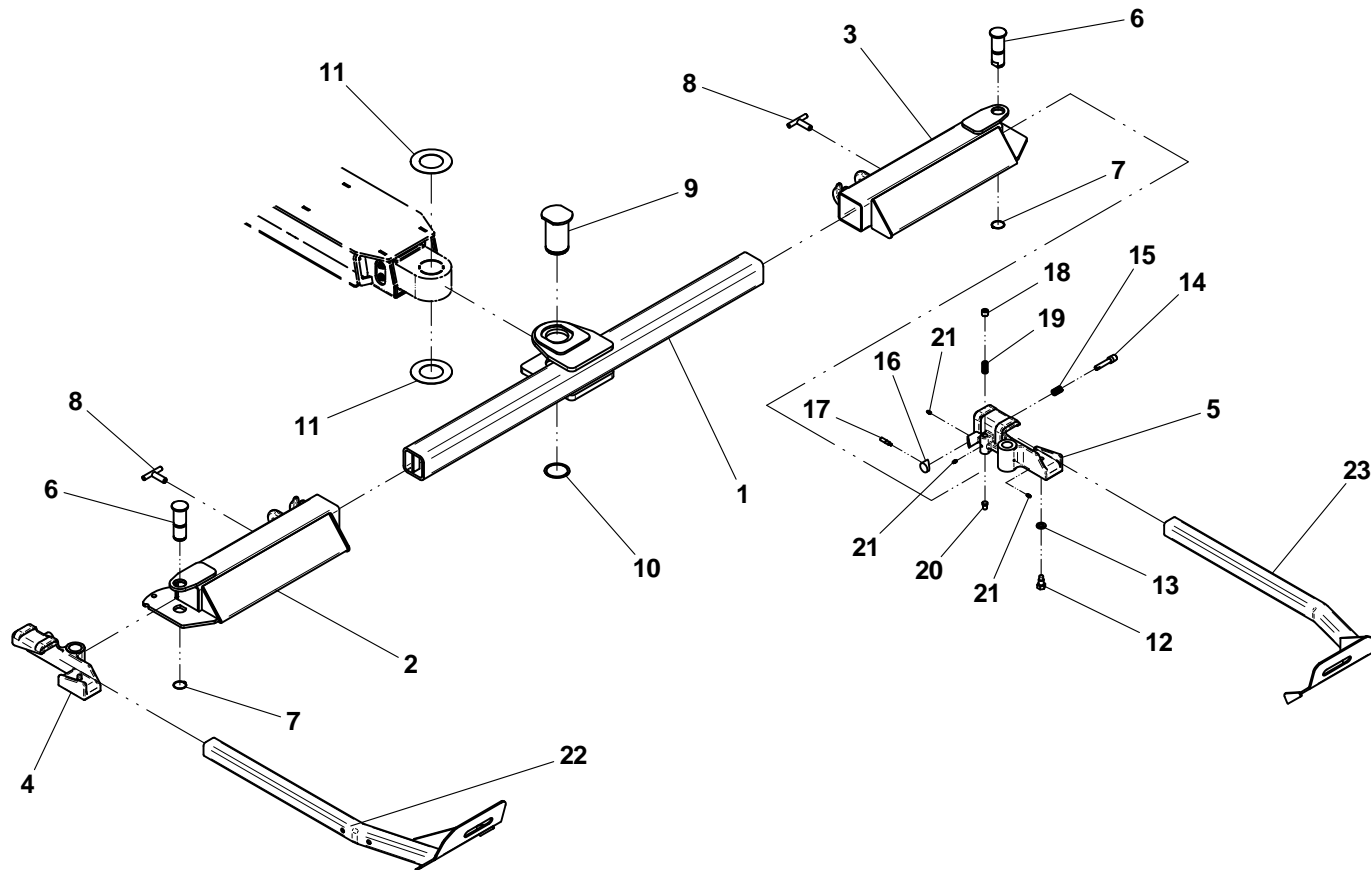
MANUAL T37 PIVOTING WHEEL LIFT GRID

ITEM	PART NO.	DESCRIPTION	QTY
1	3170000390	Crosstube Weld	1
2	3484000017*	Grid Weld - LH	1
3	3484000016+	Grid Weld - RH	1
4	4259000002*	Pivot Casting, LH	1
5	4259000001+	Pivot Casting, RH	1
6	4691000357*+	Pin	2
7	7754000037*+	Retaining Ring	2
8	3551000036*+	T-Handle	2
9	4691000427	Pivot Pin	1
10	7754000024	Retaining Ring	1
11	4949000047	Washer	2
12	4691000354*+	Pin	2
13	7950200000*+	Lockwasher, 0.63" ID	2
14	4691000186*+	Pin	2
15	7843000006*+	Spring	2
16	4254000005*+	Cap	2
17	4763000184*+	Rod	2
18	7786000006*+	Screw, 0.75"-10NC x .63"	2
19	7843000016*+	Compression Spring	2
20	4691000183*+	Pin	2
21	7440030000*+	Grease Fitting	6
22	3020000029	L-Arm Weld - LH	1
23	3020000030	L-Arm Weld - RH	1

* also available in Grid Assembly, LH, P/N 3484000047

+ also available in Grid Assembly, RH, P/N 3484000046

MANUAL T37 PIVOTING WHEEL LIFT GRID



HYRAULIC WHEEL LIFT GRID

ITEM	PART NO.	DESCRIPTION	QTY	ITEM	PART NO.	DESCRIPTION	QTY
1	4691000198^	Pin	1	33	4064000052^	Bar	1
2	4949000047^	Washer, 2.84" ID	2	34	4831000095^	Spacer	1
3	7754000024^	Retaining Ring	1	35	7843000037^	Compression Spring	1
4	3484000068^	Grid Weld	1	36	7786000009^	Set Screw, 0.75"-16NF x 1.50"	1
5	7320000064^	Cylinder Assembly	2	37	4706004066	Plate LH	1
6	3691000229^	Pin Weld	4	38	4706004067	Plate RH	1
7	7115151023^	Capscrew, 0.31"-18NC x 1.25"	6	39	7189000019	Rubber Bumper	2
8	7660152601^	Locknut, 0.31"-18NC	6	40	7114140618	Capscrew, 0.25"-20NC x .75"	2
9	part of item #5			41	7950140143	Flatwasher, 0.25" ID	18
10	3592000052^	Link Weld	2	42	7114140427	Capscrew, 0.25"-20NC x .50"	4
11	3592000051^	Link Weld	2	43	3619000001	Manifold Weld	2
12	4706003497^	Plate	2	44	7445040445	Elbow	4
13	7754000022^	Retaining Ring	4	45	7115140850	Capscrew, 0.25"-20NC x 1.00"	4
14	part of item #5			46	7660142604	Locknut, 0.25"-20NC	12
15	7440030000^	Grease Fitting	1	47	7592000004	Swivel Link	2
16	7701000007^	Plug Button	1	48	7843000031	Extension Spring	2
17	3691000230^	Pin Weld	2	49	4706003501	Plate	2
18	3020000116^	Arm Weld LH	1	50	7719000004	Roller	2
19	3020000117^	Arm Weld RH	1	51	7691000040	Clevis Pin	2
20	8411080091^	L-Arm Spacer	2	52	7691000042	Cotter Pin	2
21	7082000027#	Bearing	4	53	7912000174	Tube Assembly	2
22	7082000026*+	Bearing	10	54	7274000073	Hose Clamp	8
23	4314000076^	Coverplate	2	55	7950160153	Flatwasher, 0.38" ID	2
24	7114140518^	Capscrew, 0.25"-20NC x .62"	4	56	7660162604	Locknut, 0.38"-16NC	2
25	7785140400^	Set Screw, 0.25"-20NC x .25"	2				
26	7274000086^	Clamp Half	4				
27	7274000039^	Clamp Cover	2				
28	7115151250^	Capscrew, 0.31"-18NC x 1.50"	4				
29	7950160000^	Lockwasher, 0.38" ID	2				
30	4619000013^	Hydraulic Manifold	1				
31	7912000184^	Tube Assembly	4				
32	7445040443^	Adapter	4				

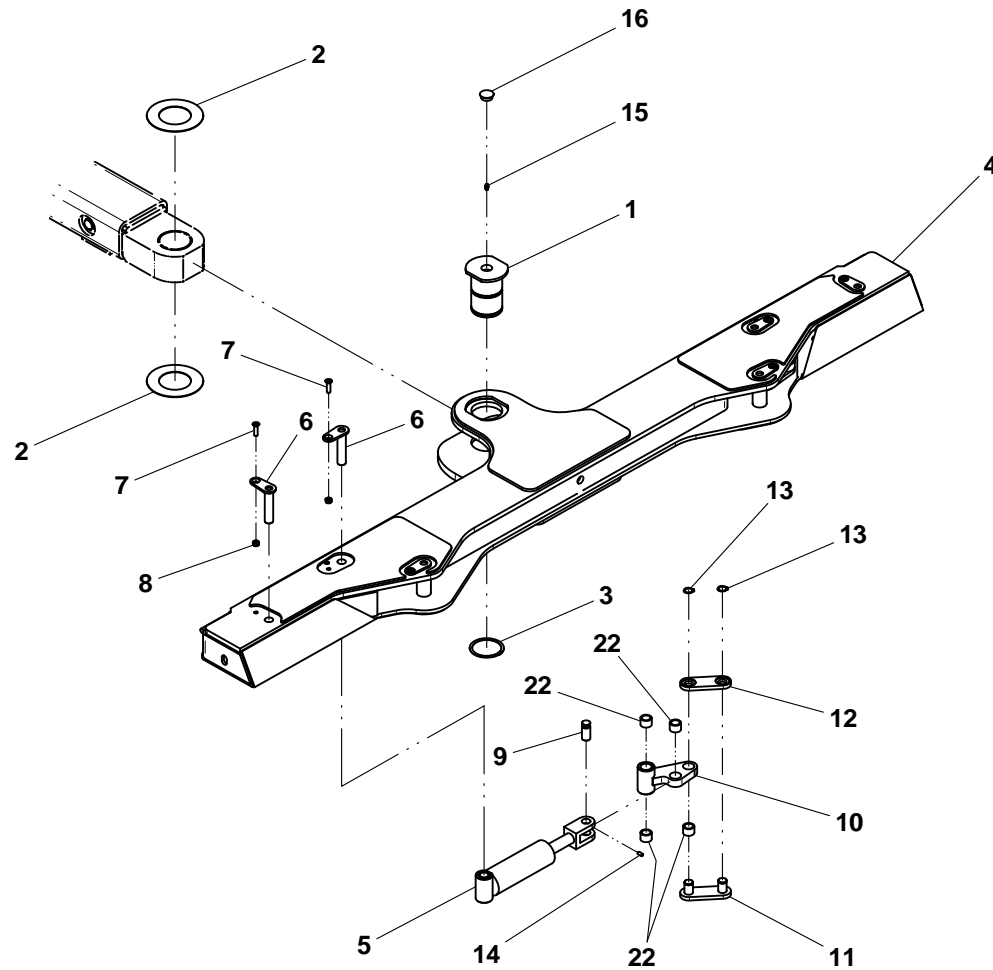
also available in Arm Weldments, P/N 3020000116 & 3020000117

* quantity of 1 also available in each of Arm Weldments, P/N 3020000116 & 3020000117

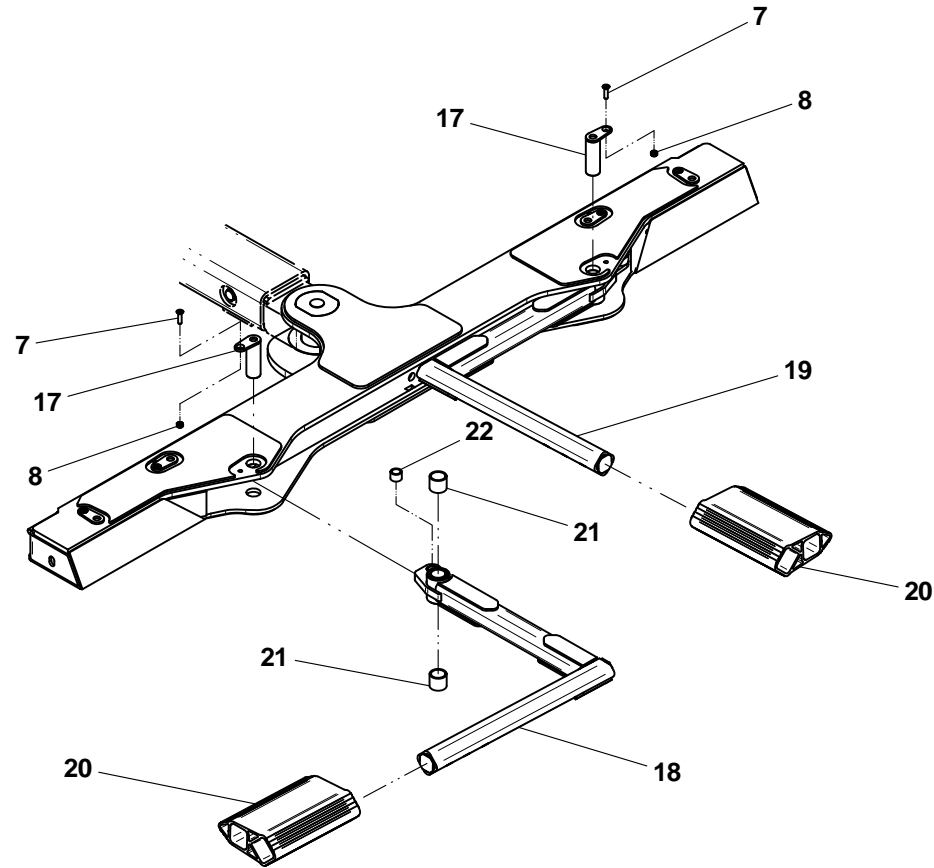
+ quantity of 8 also available in Link Weldments, P/N 3592000052

^ also available in Grid Assembly, P/N 3484000069

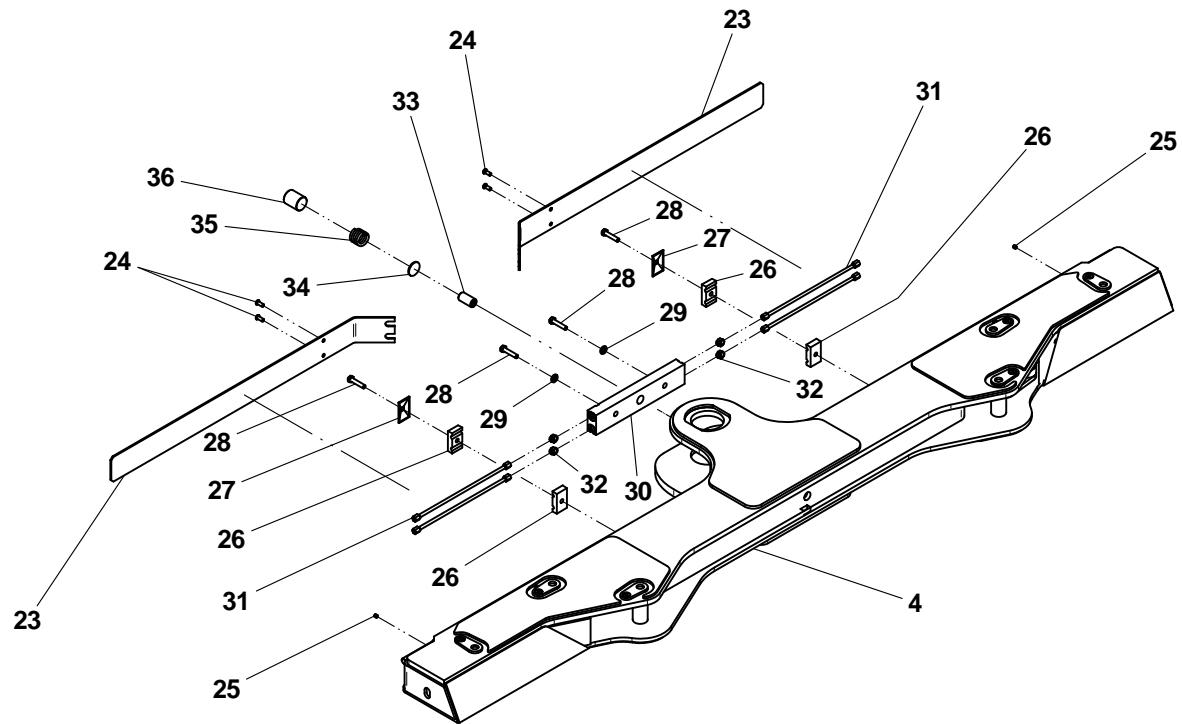
HYDRAULIC WHEEL LIFT GRID



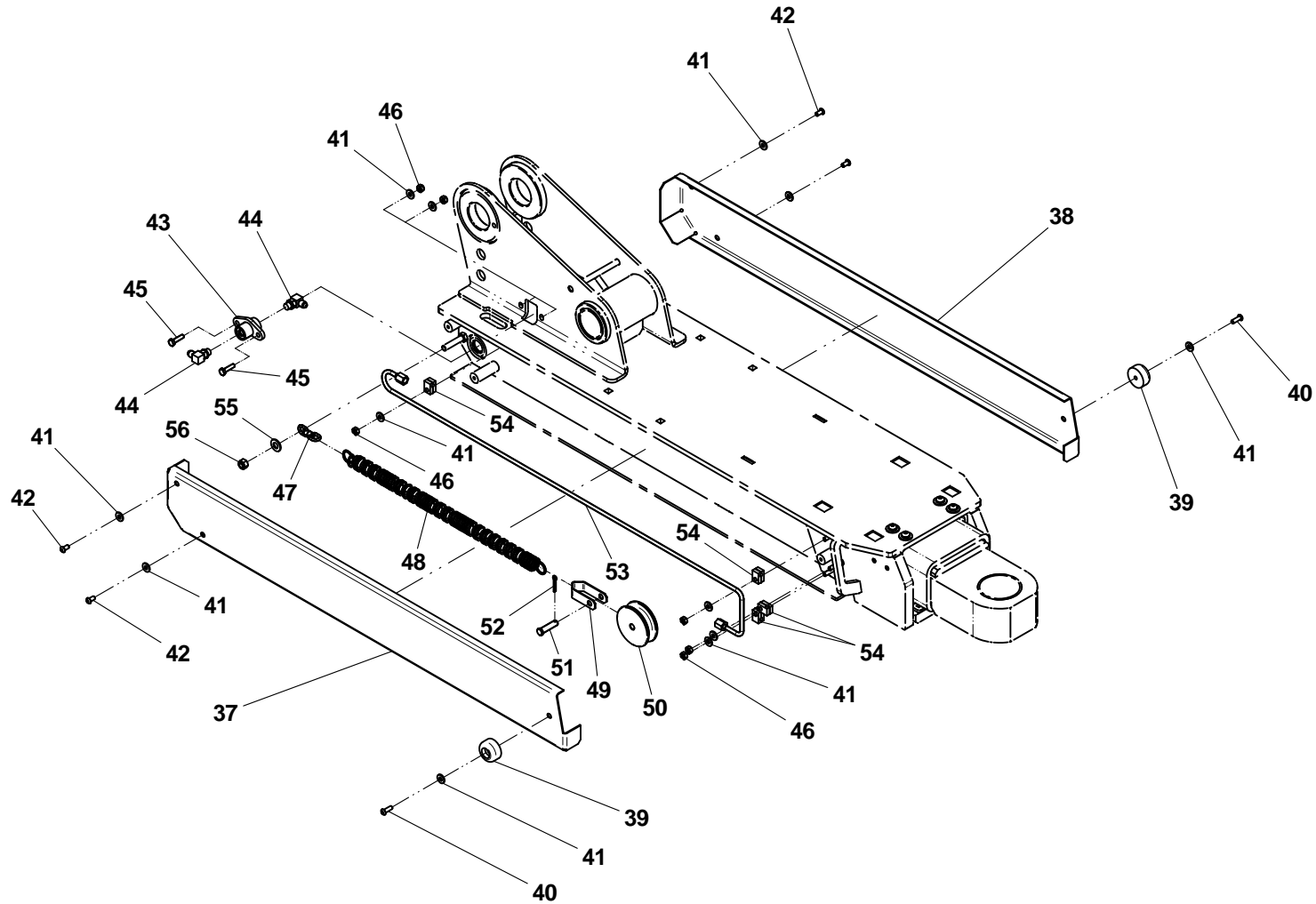
HYDRAULIC WHEEL LIFT GRID



HYDRAULIC WHEEL LIFT GRID



HYDRAULIC WHEEL LIFT GRID

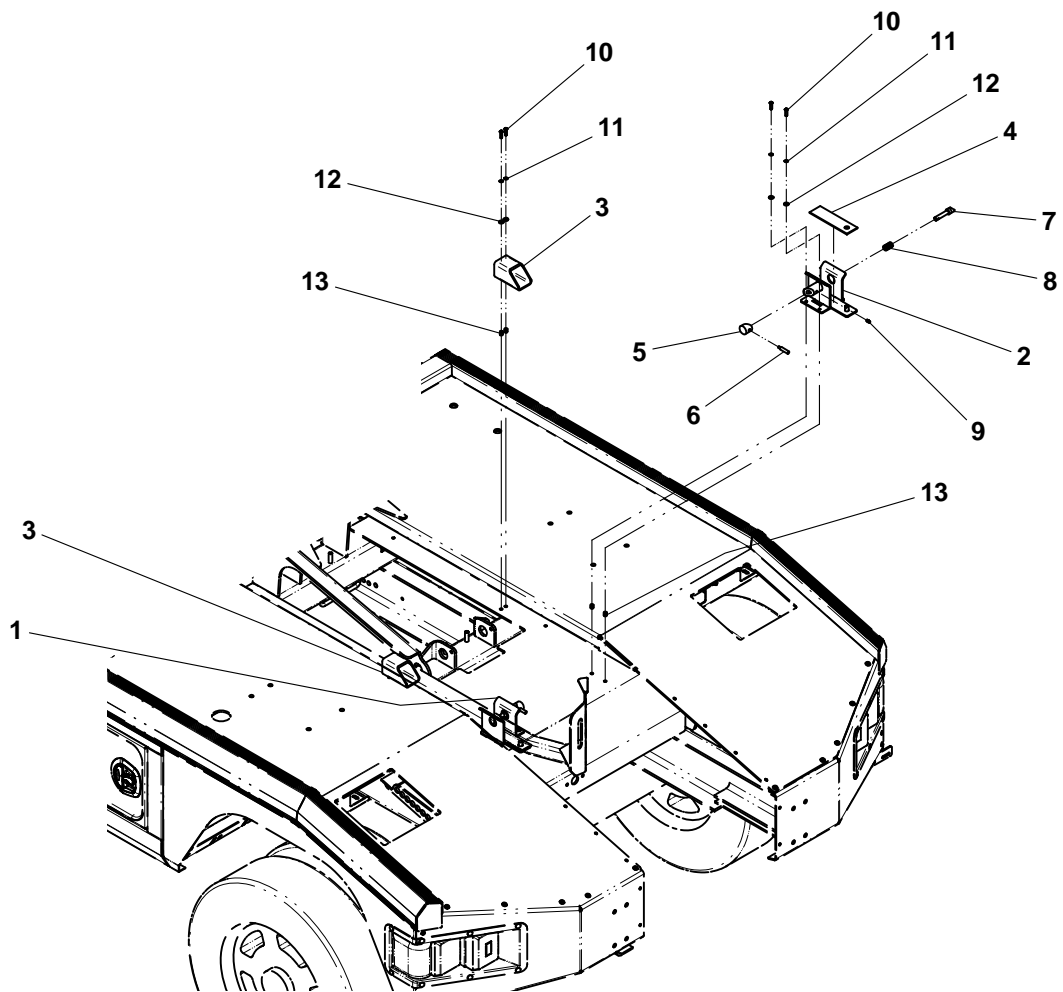


THIS PAGE INTENTIONALLY LEFT BLANK

MANUAL - L-ARM / T-37 PIVOTING -GRID STORAGE

ITEM	PART NO.	DESCRIPTION	QTY
1	3178000448	Rear Bracket Weld LH (L-Arm Grid)	1
	3178000446	Rear Bracket Weld LH (T-37 Piv Grid)	
2	3178000449	Rear Bracket Weld RH (L-Arm Grid)	1
	3178000447	Rear Bracket Weld RH (T-37 Piv Grid)	
3	4911000454	Tube (L-Arm Grid)	2
	4913000503	Tube (T-37 Piv Grid)	
4	4090000013	Pad	2
5	4254000005	Cap	2
6	4763000184	Rod	2
7	4691000186	Pin	2
8	7843000006	Compression Spring	2
9	7440030000	Grease Fitting	2
10	7114140818	Capscrew, 0.25"-20NC x 1.00"	8
11	7950140000	Lockwasher, 0.25" ID	8
12	7950140143	Flatwasher, 0.25" ID	8
13	7413000002	Nutsert, 0.25"-20NC	8

MANUAL - L-ARM / T-37 PIVOTING -GRID STORAGE

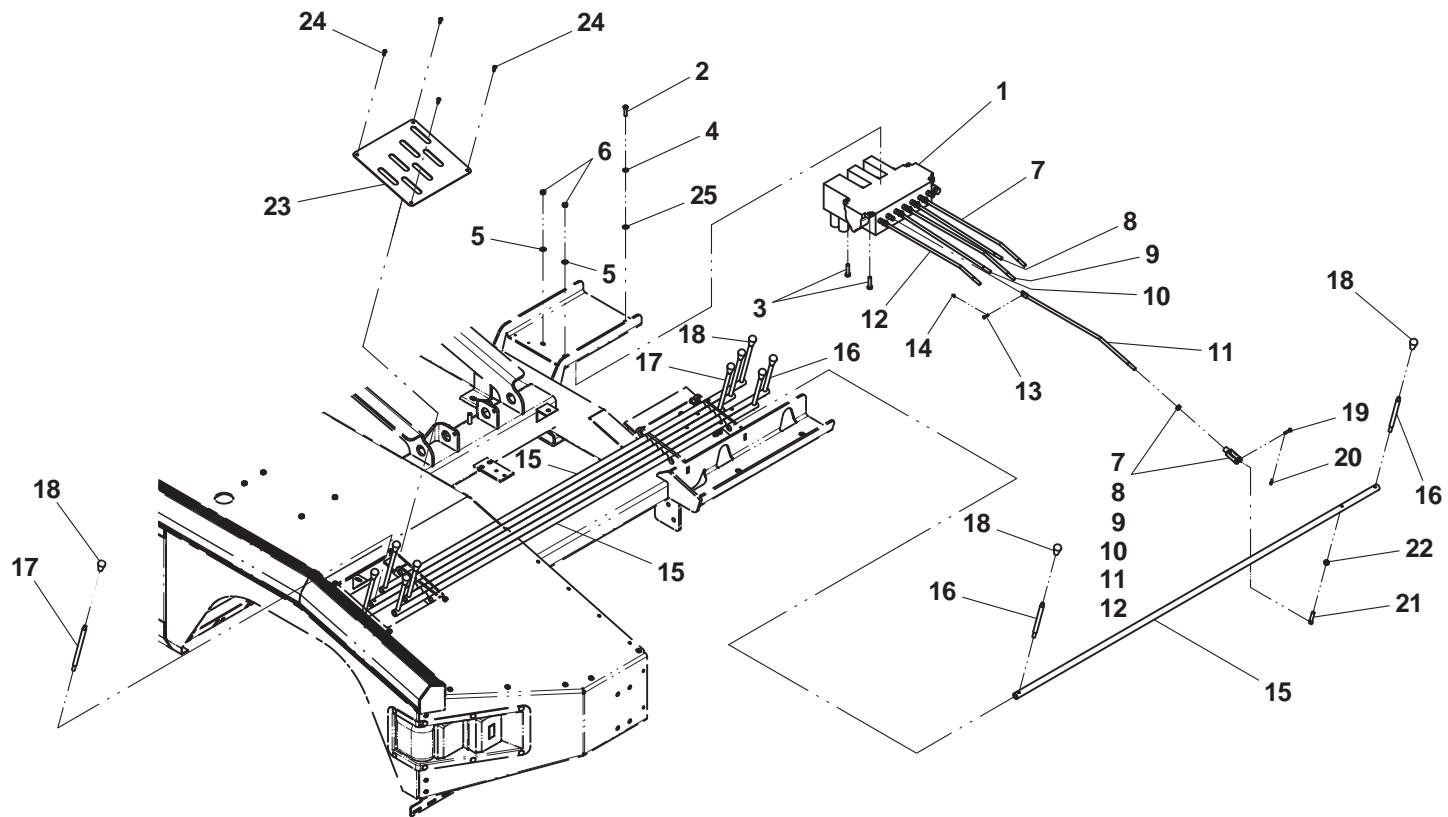


T-37 Grid shown

MANUAL / ELECTRICAL CONTROLS - HYDRAULIC GRIDS (SINGLE WINCH)

ITEM	PART NO.	DESCRIPTION	QTY
1	3935000170	Control Valve - 7 Bank/4 solenoid	1
2	7115151050	Capscrew, 0.31"-18NC x 1.25"	1
3	7115161250	Capscrew, 0.38"-16NC x 1.50"	2
4	7950150000	Lockwasher, 0.31" ID	1
5	7950160161	Flatwasher, 0.38" ID	2
6	7660162601	Locknut, 0.38"-16NC	2
7	4763000403	Control Rod	1
8	4763000400	Control Rod	1
9	4763000404	Control Rod	1
10	4763000401	Control Rod	1
11	4763000405	Control Rod	1
12	4763000402	Control Rod	1
13	7690101200	Clevis Pin	6
14	7690000810	Cotter Pin	6
15	4763000154	Rod	6
16	4763000302	Control Handle	6
17	4763000303	Control Handle	6
18	7551000015	Knob	12
19	7690141600	Clevis Pin	6
20	7691000075	Cotter Pin	6
21	7765000006	Rod End	6
22	7660160000	Hex Nut, 0.38"-16NC	6
23	4314000085	Coverplate	2
24	7120000046	Screw, 0.25"-20NC x 0.75"	8
25	7950150161	Flatwasher, 0.31" ID	1

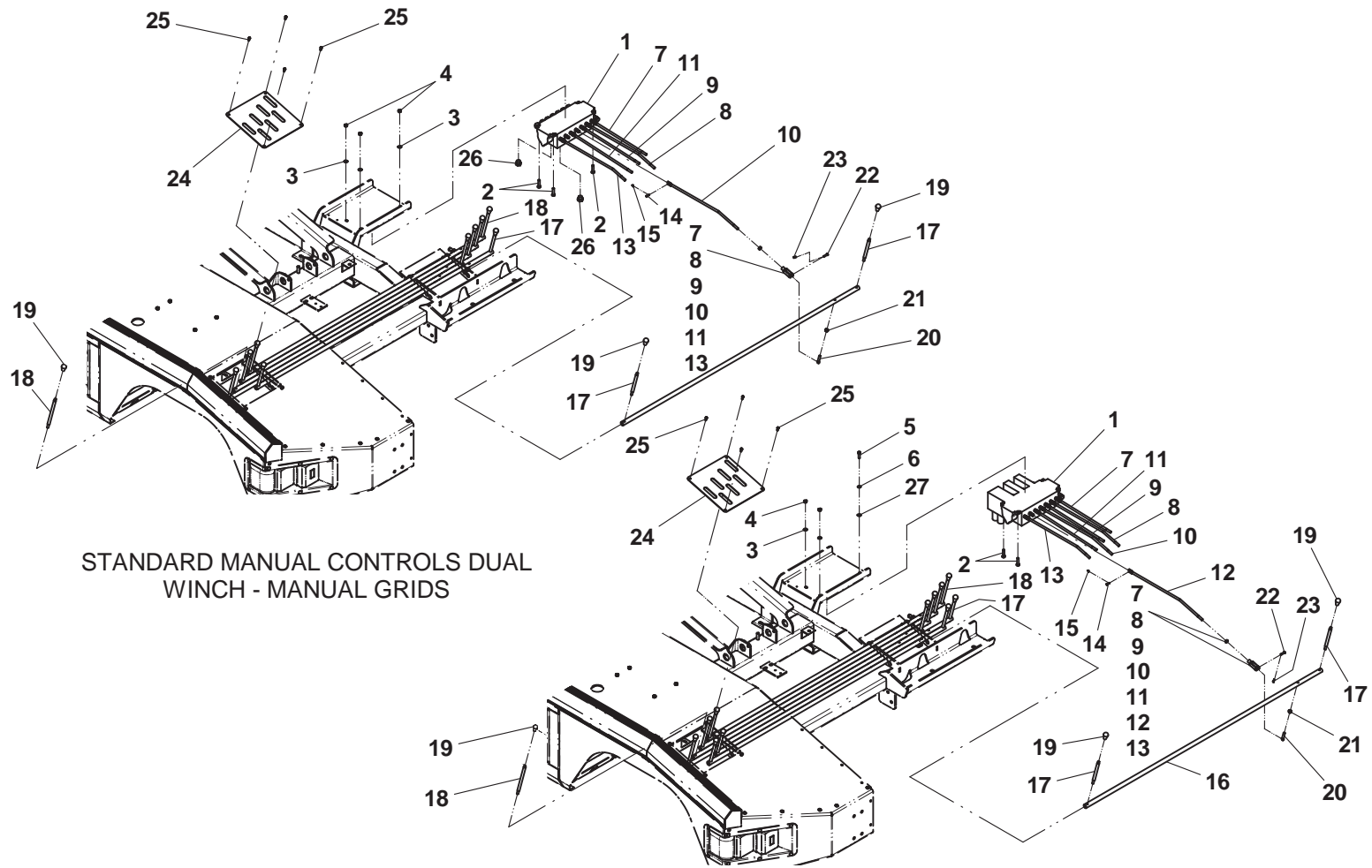
MANUAL / ELECTRICAL CONTROLS - HYDRAULIC GRIDS (SINGLE WINCH)



MANUAL / ELECTRIC CONTROLS - MANUAL / HYDRAULIC GRIDS (DUAL WINCH)

ITEM	PART NO.	DESCRIPTION	QTY	ITEM	PART NO.	DESCRIPTION	QTY
1	7935000261	Control Valve - 7 Bank (Manual Control)	1	21	7660160000	Hex Nut, 0.38"-16NC (Manual)	6
	3935000170	Control Valve - 7 Bank/4 solenoid (Manual/Electrical Control)			7660160000	Hex Nut, 0.38"-16NC (Manual/Electrical)	7
				22	7690141600	Clevis Pin (Manual)	6
2	7115161250	Capscrew, 0.38"-16NC x 1.50" (Manual)	3		7690141600	Clevis Pin (Manual/Electrical)	7
	7115161250	Capscrew, 0.38"-16NC x 1.50" (Manual/Electrical)	2	23	7691000075	Cotter Pin (Manual)	6
					7691000075	Cotter Pin (Manual)	7
3	7950160161	Flatwasher, 0.38" ID (Manual)	3	24	4314000085	Coverplate	2
	7950160161	Flatwasher, 0.38" ID (Manual/Electrical)	2	25	7120000046	Screw, 0.25"-20NC x .75"	8
4	7660162601	Locknut, 0.38"-16NC (Manual)	3	26	7443000048	Fitting Plug	2
	7660162601	Locknut, 0.38"-16NC (Manual/Electrical)	2	27	7950150161	Flatwasher, 0.31" ID	1
5	7115151050	Capscrew, 0.31"-18NC x 1.25" (Manual/Electrical)	1				
6	7950150000	Lockwasher, 0.31" ID (Manual/Electrical)	1				
7	4763000399	Control Rod	1				
8	4763000403	Control Rod	1				
9	4763000400	Control Rod	1				
10	4763000404	Control Rod	1				
11	4763000401	Control Rod	1				
12	4763000405	Control Rod	1				
13	4763000402	Control Rod	1				
14	7690101200	Clevis Pin (Manual)	6				
	7690101200	Clevis Pin (Manual/Electrical)	7				
15	7690000810	Cotter Pin (Manual)	6				
	7690000810	Cotter Pin (Manual/Electrical)	7				
16	4763000154	Rod (Manual)	6				
	4763000154	Rod (Manual/Electrical)	7				
17	4763000302	Control Handle (Manual)	4				
	4763000302	Control Handle (Manual/Electrical)	6				
18	4763000303	Control Handle	8				
19	7551000015	Knob (Manual)	12				
	7551000015	Knob (Manual/Electrical)	14				
20	7765000006	Rod End (Manual)	6				
	7765000006	Rod End (manual/Electrical)	7				

MANUAL / ELECTRICAL CONTROLS - MANUAL / HYDRAULIC GRIDS (DUAL WINCH)



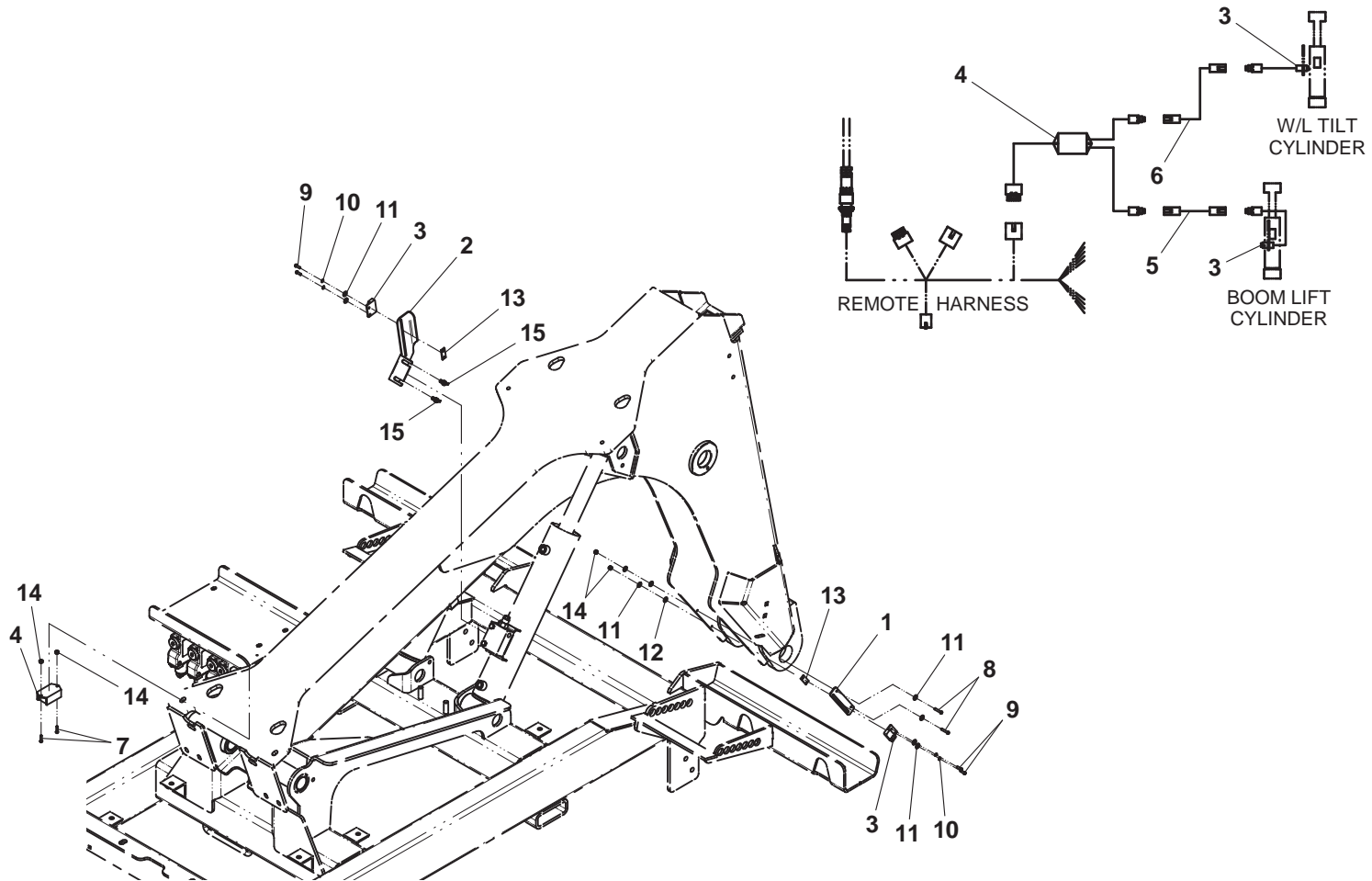
STANDARD MANUAL CONTROLS DUAL WINCH - MANUAL GRIDS

MANUAL / ELECTRICAL CONTROLS DUAL WINCH - HYDRAULIC GRIDS

UNDERLIFT LEVEL STOP

ITEM	PART NO.	DESCRIPTION	QTY
1	4178000709	Bracket	1
2	4178000707	Bracket	1
3	7870000126	Proxi Switch	2
4	7346000261	Controller	1
5	7552000367	Lift Cyl Switch to Controller Harness	1
6	7552000368	Tilt Cyl Switch to Controller Harness	1
7	7114100618	Capscrew, #10-24NC x 0.75"	2
8	7114100818	Capscrew, #10-24NC x 1.00"	2
9	7114100518	Capscrew, #10-24NC x 0.63"	4
10	7950100003	Lockwasher, 0.19" ID	4
11	7950100103	Flatwasher, 0.19" ID	8
12	7950100163	Flatwasher, 0.19" ID	8
13	7661000056	Weld Nut, #10-24NC	2
14	7660102604	Locknut, #10-24NC	4
15	7894000042	Tie Strap	4
16	5526000553	Tie Strap	10

UNDERLIFT LEVEL STOP



Item #16, Tie Strap, not shown
 2 of item #15, Tie Strap, not shown

HYDRAULIC COMPONENTS - HOSE ROUTING / MOUNTING (FORD)

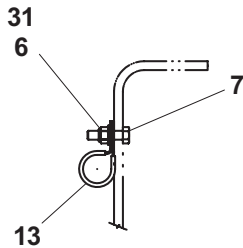
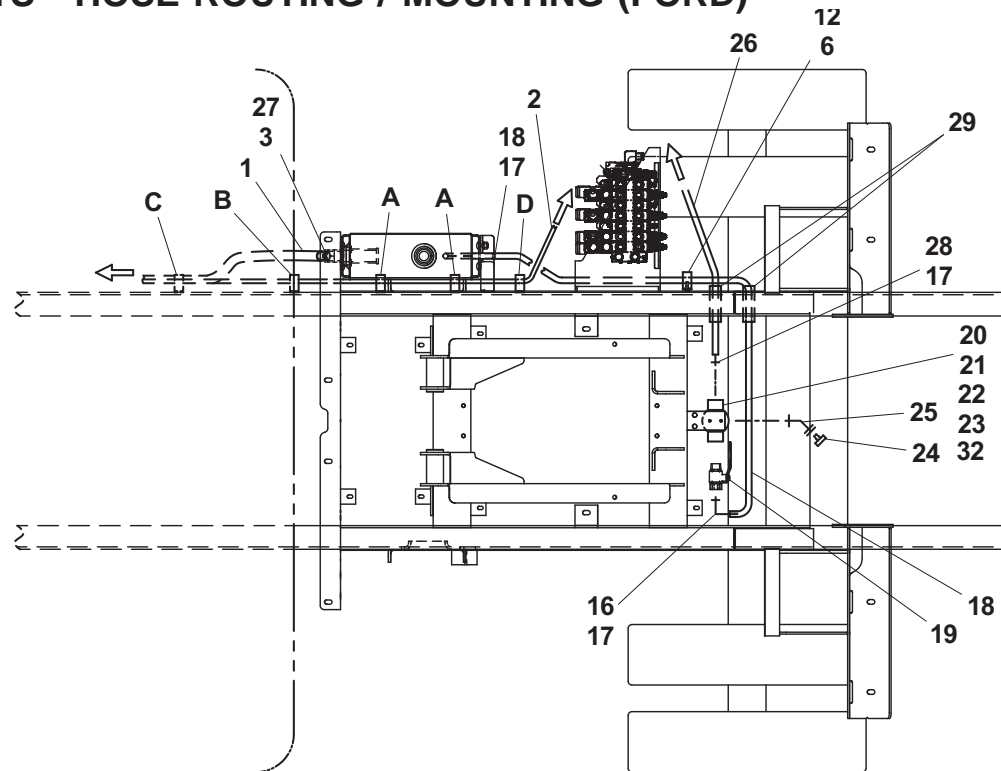
ITEM	PART NO.	DESCRIPTION	QTY
1	See Note 1	Hose - Supply	1
2	See Note 1	Hose - Pressure	1
3	7274000002	Clamp	2
4	7274000076	Cast Frame Clamp	5
5	7785152420	Set Screw, 0.31"-18NC x 1.50"	5
6	7660152601	Locknut, 0.31"-18NC	15
7	7115151050	Capscrew, 0.31"-18NC x 1.25"	10
8	7660150000	Nut, 0.31"-18NC	5
9	7274000071	Clamp	5
10	7661000027	Stacking Nut	1
11	7819000013	Sleeve	4
12	7274000042	Clamp	4
13	7274000105	Clamp	4
14	7443000426	Barb Fitting	1
15	7445081246	Fitting	1
16	7443000319	Barb Fitting	1
17	7274000122	Clamp	4
18	4570000307	Hose - Return	1
19	7935000259	Brass Ball Valve	1
20	7430000003	Filter Assembly	1
21	7114140618	Capscrew, 0.25"-20NC x 0.75"	2
22	7950140003	Lockwasher, 0.25" ID	2
23	7950140143	Flatwasher, 0.31" ID	2
24	7470000002	Oil Filter Gauge	1
25	7443000066	Fitting	1
26	4570000228	Hose - Return	1
27	7443000013	Nipple	1
28	7443000374	Barb Fitting	1
29	8565000007	Hose	2ft
30	8632000002	Trim	3in
31	7950150161	Flatwasher. 0.31" ID	22
32	7431000001^	Filter Element	1

Note 1: Varies depending on chassis, transmission and PTO type.
Consult factory for part numbers.

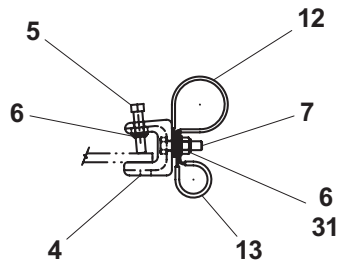
^ Also available in Filter Assembly, P/N 7430000003

* Quantity varies depending on frame length.

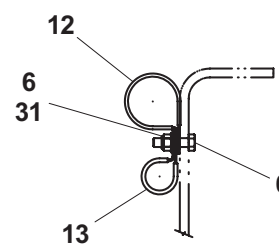
HYDRAULIC COMPONENTS - HOSE ROUTING / MOUNTING (FORD)



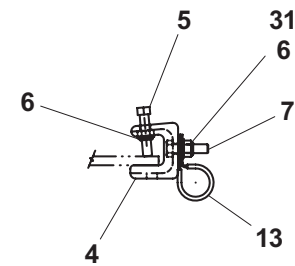
CLAMP POINT "A"
TYP-4 PLACES REF



CLAMP POINT "B"
TYP-2 PLACES REF



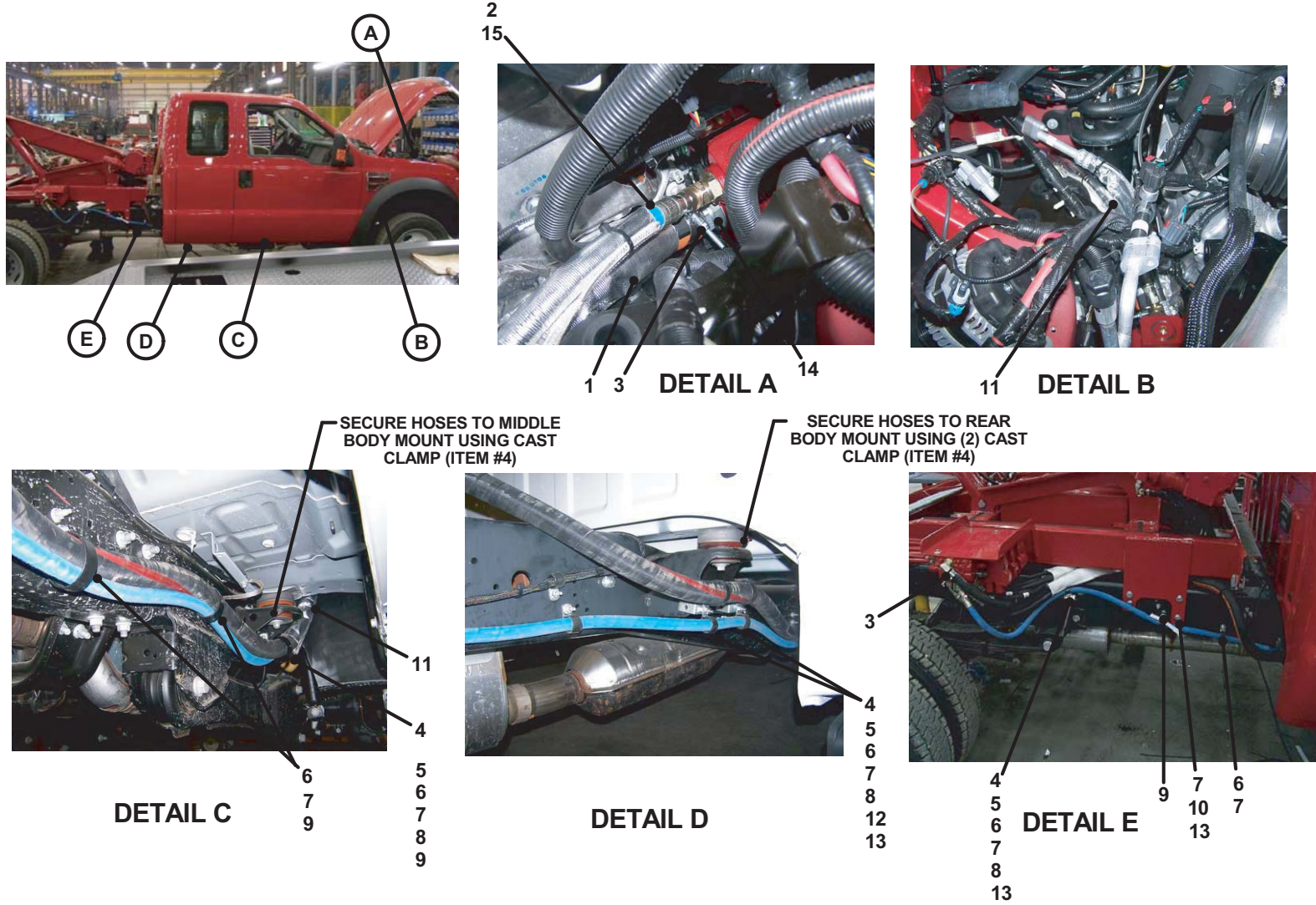
CLAMP POINT "C"
TYP-6 PLACES REF



CLAMP POINT "D"
1 POSITION REF

Item #30, Trim, not shown

HYDRAULIC COMPONENTS - HOSE ROUTING / MOUNTING (FORD)



THIS PAGE INTENTIONALLY LEFT BLANK

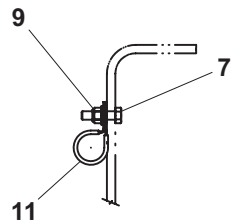
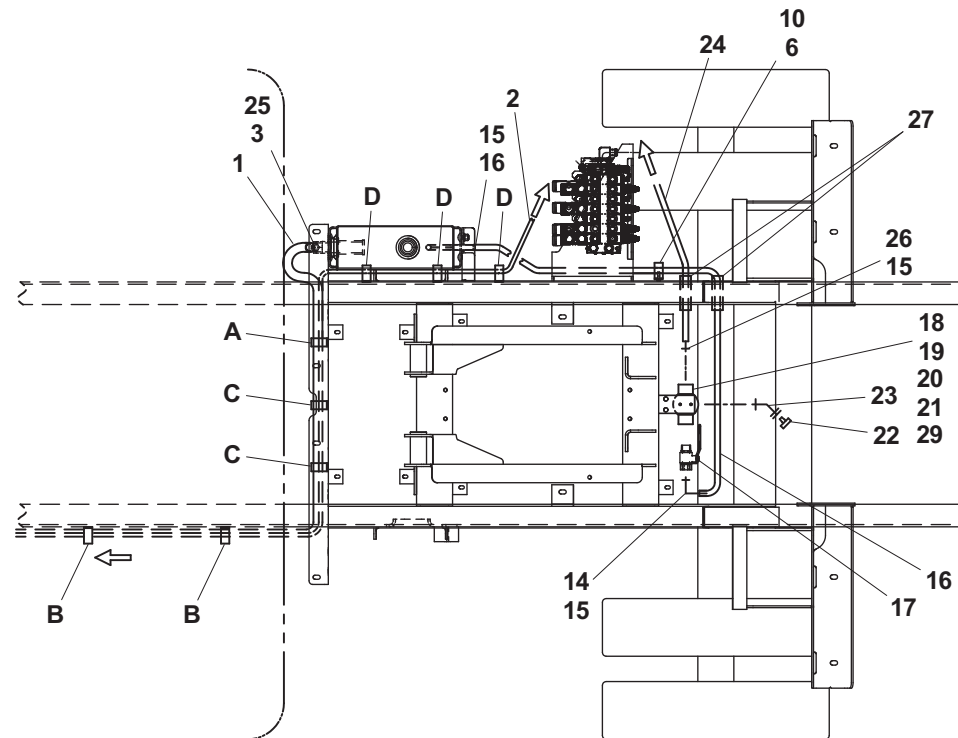
HYDRAULIC COMPONENTS - HOSE ROUTING / MOUNTING (GMC)

ITEM	PART NO.	DESCRIPTION	QTY
1	See Note 1	Hose - Supply	1
2	See Note 1	Hose - Pressure	1
3	7274000002	Clamp	2
4	7274000076	Cast Frame Clamp	6
5	7785152420	Set Screw, 0.31"-18NC x 1.50"	6
6	7660152601	Locknut, 0.31"-18NC	15
7	7115151050	Capscrew, 0.31"-18NC x 1.25"	6
8	7660150000	Nut, 0.31"-18NC	6
9	7115150864	Carriage Bolt, 0.31"-18NC x 1.00"	3
10	7274000042	Clamp	6
11	7274000105	Clamp	9
12	7443000426	Barb Fitting	1
13	7445081643	Fitting	1
14	7443000319	Barb Fitting	1
15	7274000122	Clamp	4
16	4570000307	Hose - Return	1
17	7935000259	Brass Ball Valve	1
18	7430000003	Filter Assembly	1
19	7114140650	Capscrew, 0.25"-20NC x 0.75"	2
20	7950140003	Lockwasher, 0.25" ID	2
21	7950140143	Flatwasher, 0.31" ID	2
22	7470000002	Oil Filter Gauge	1
23	7443000066	Fitting	1
24	4570000228	Hose - Return	1
25	7443000013	Nipple	1
26	7443000374	Barb Fitting	1
27	8565000007	Hose	2ft
28	8632000002	Trim	3in
29	7431000001^	Filter Element	1

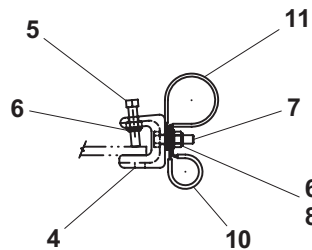
^ Also available in Filter Assembly, P/N 7430000003

Note 1: Varies depending on chassis, transmission and PTO type.
Consult factory for part numbers.

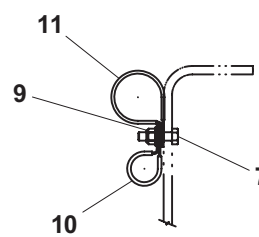
HYDRAULIC COMPONENTS - HOSE ROUTING / MOUNTING (GMC)



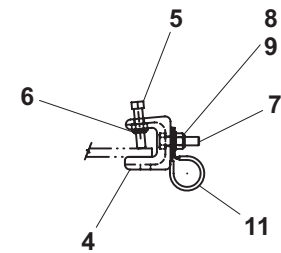
CLAMP POINT "A"
TYP- PLACES REF



CLAMP POINT "B"
TYP-2 PLACES REF



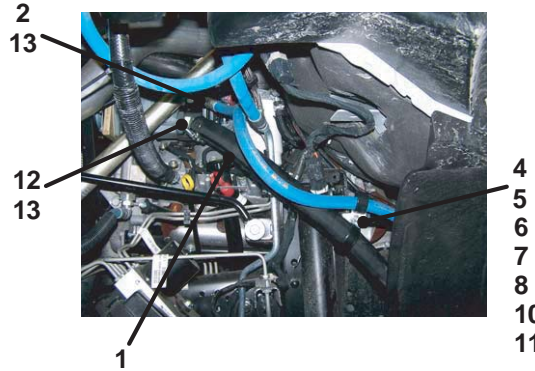
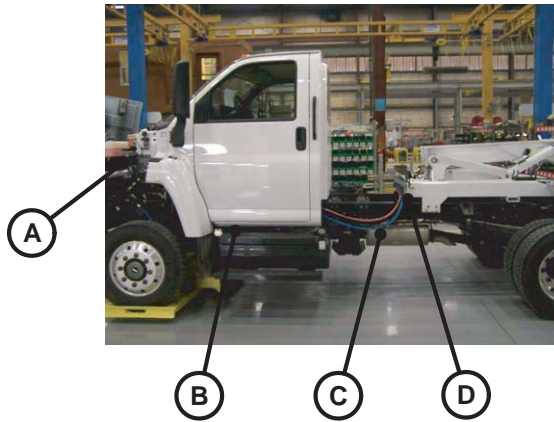
CLAMP POINT "C"
TYP-2 PLACES REF



CLAMP POINT "D"
3 POSITIONS REF

Item #28, Trim, not shown

HYDRAULIC COMPONENTS - HOSE ROUTING / MOUNTING (GMC)



DETAIL A

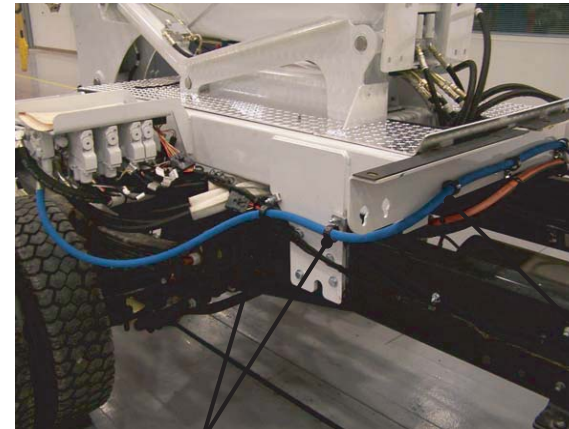


DETAIL B



DETAIL C

**THIS MOUNTING LOCATION NOT
NEEDED ON 60" CA CHASSIS**



DETAIL D

THIS PAGE INTENTIONALLY LEFT BLANK

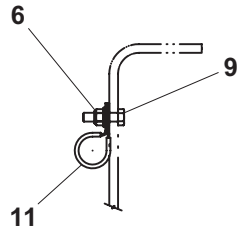
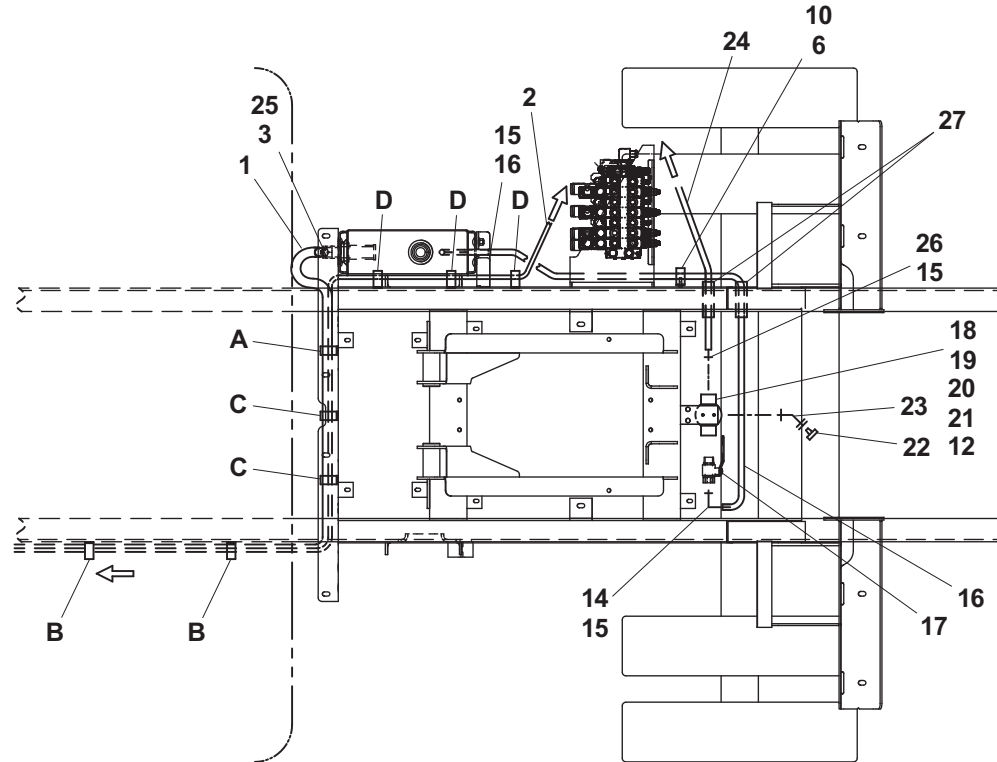
HYDRAULIC COMPONENTS - HOSE ROUTING / MOUNTING (DODGE)

ITEM	PART NO.	DESCRIPTION	QTY
1	See Note 1	Hose - Supply	1
2	See Note 1	Hose - Pressure	1
3	7274000002	Clamp	2
4	7274000076	Cast Frame Clamp	5
5	7785152420	Set Screw, 0.31"-18NC x 1.50"	5
6	7660152601	Locknut, 0.31"-18NC	15
7	7115151050	Capscrew, 0.31"-18NC x 1.25"	7
8	7660150000	Nut, 0.31"-18NC	5
9	7115150864	Carriage Bolt, 0.31"-18NC x 1.00"	3
10	7274000042	Clamp	6
11	7274000105	Clamp	5
12	7431000001^	Filter Element	1
13	7950150161	Flatwasher, 0.31" ID	14
14	7443000319	Barb Fitting	1
15	7274000122	Clamp	4
16	4570000307	Hose - Return	1
17	7935000259	Brass Ball Valve	1
18	7430000003	Filter Assembly	1
19	7114140618	Capscrew, 0.25"-20NC x 0.75"	2
20	7950140003	Lockwasher, 0.25" ID	2
21	7950140143	Flatwasher, 0.31" ID	2
22	7470000002	Oil Filter Gauge	1
23	7443000066	Fitting	1
24	4570000228	Hose - Return	1
25	7443000013	Nipple	1
26	7443000374	Barb Fitting	1
27	8565000007	Hose	2ft
28	8632000002	Trim	3in
29	7819000013	Sleeve	4
30	7274000071	Clamp	2

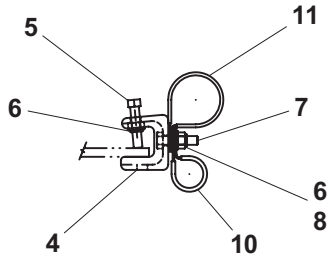
^ Also available in Filter Assembly, P/N 7430000003

Note 1: Varies depending on chassis, transmission and PTO type.
Consult factory for part numbers.

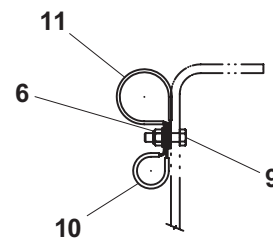
HYDRAULIC COMPONENTS - HOSE ROUTING / MOUNTING (DODGE)



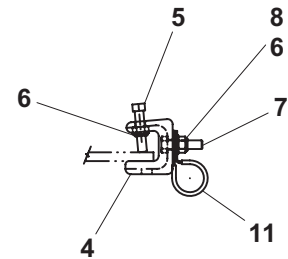
CLAMP POINT "A"
TYP- PLACES REF



CLAMP POINT "B"
TYP-2 PLACES REF



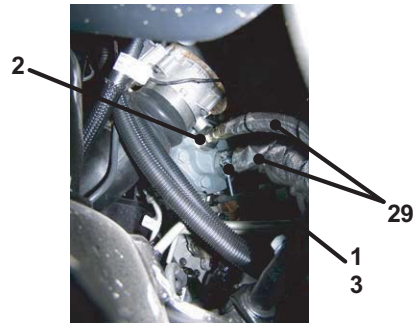
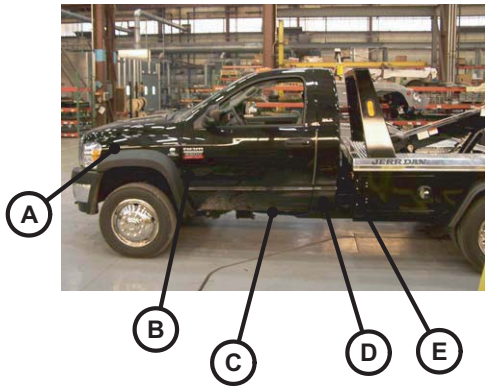
CLAMP POINT "C"
TYP-2 PLACES REF



CLAMP POINT "D"
3 POSITIONS REF

Item #28, Trim, not shown

HYDRAULIC COMPONENTS - HOSE ROUTING / MOUNTING (DODGE)



DETAIL A



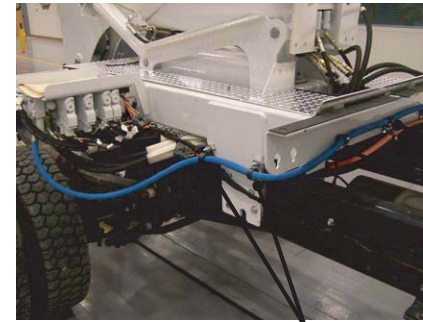
DETAIL B



DETAIL C



DETAIL D



DETAIL E

4
5
6
7
8
30

6
7
13
30

6
7
10
11
13

4
5
6
7
8
10
11

6
7
10
11
12
13

6
9
10
11

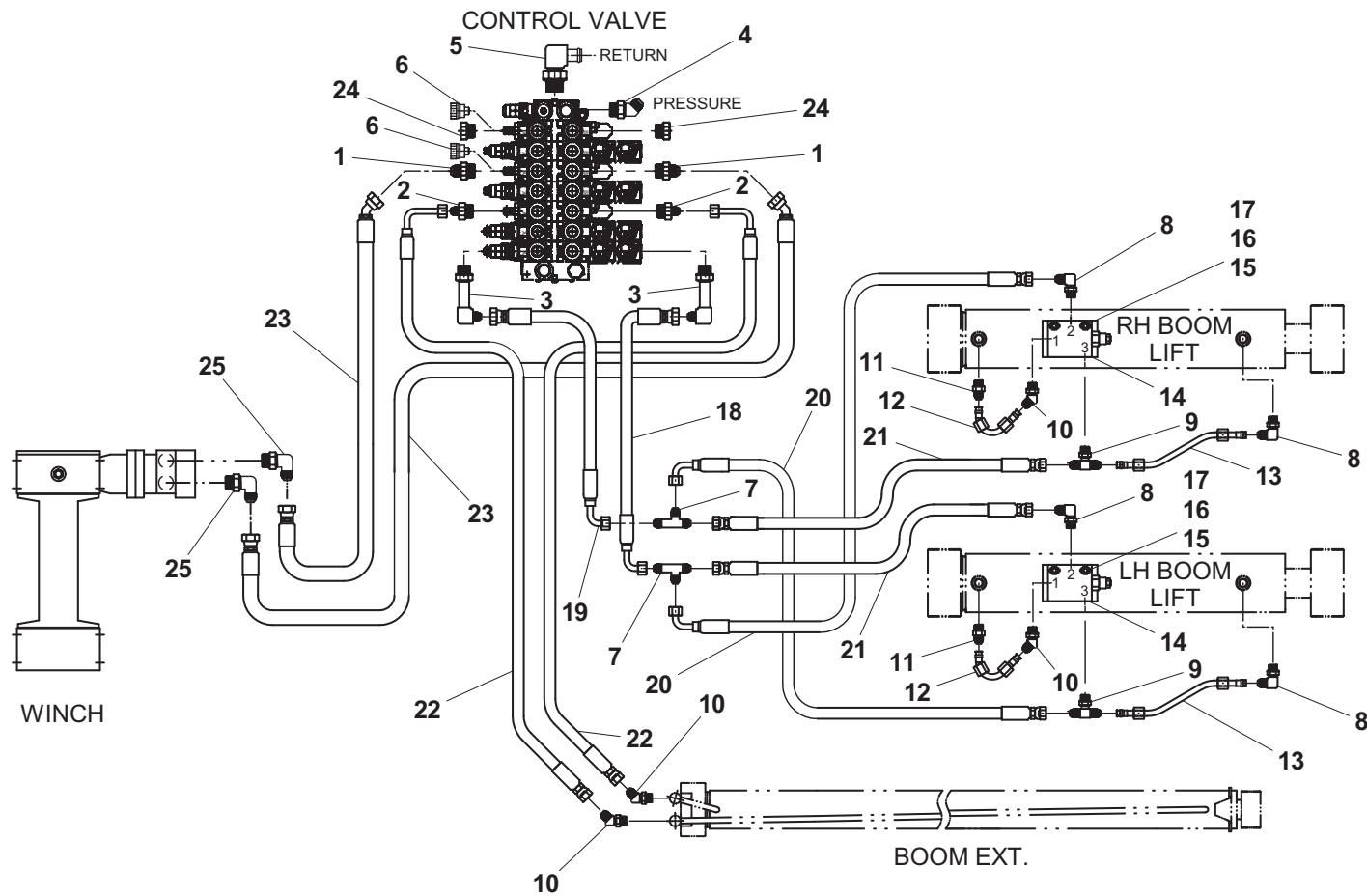
4
5
6
7
8
11

THIS PAGE INTENTIONALLY LEFT BLANK

HYDRAULIC COMPONENTS - SINGLE WINCH

ITEM	PART NO.	DESCRIPTION	QTY
1	7445080843	Adapter	2
2	7445060843	Adapter	2
3	7443000231	Fitting	2
4	7445081046	Elbow	1
5	7443000168	Adapter	1
6	7701000068	Plug	2
7	7443000372	Tee	2
8	7445060645	Elbow	4
9	7445060647	Tee	2
10	7445060646	Elbow	4
11	7445060643	Adapter	2
12	7912000028	Tube Assembly	2
13	7912000204	Tube Assembly	2
14	7935000308	Counterbalance Valve	2
15	7115151650	Capscrew, 0.31"-18NC x 2.00"	4
16	7950150161	Flatwasher, 0.31" ID	4
17	7660152601	Locknut, 0.31"-18NC	4
18	4567122026	Hose Assembly	1
19	4567122024	Hose Assembly	1
20	4567122023	Hose Assembly	2
21	4567120016	Hose Assembly	2
22	4567123056	Hose Assembly	2
23	4567120016	Hose Assembly	2
24	7443000048	Plug	2
25	7445081045	Elbow	2
26	8565000007	Hose	24in

HYDRAULIC COMPONENTS - SINGLE WINCH

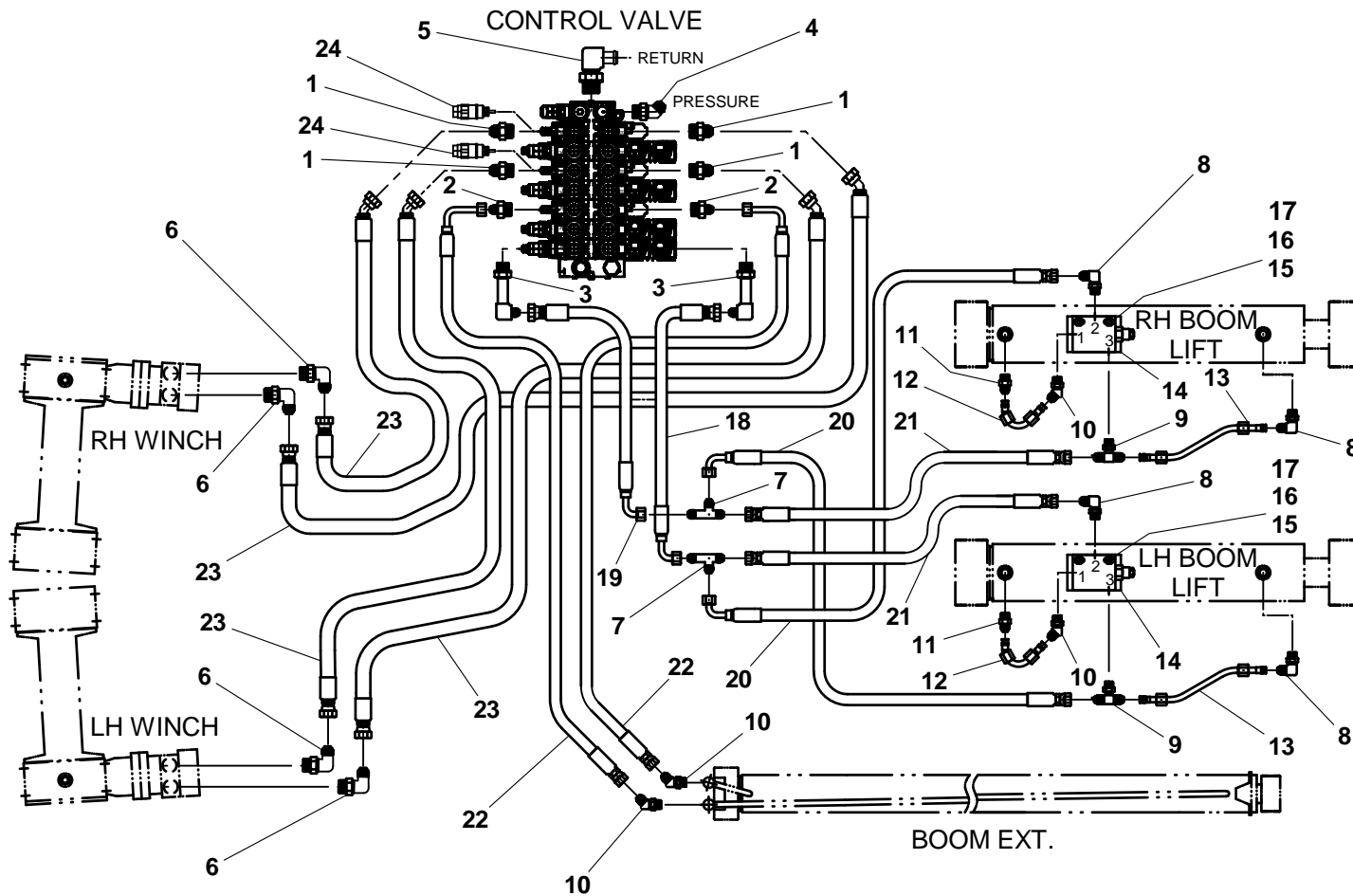


Item #26, Hose, not shown

HYDRAULIC COMPONENTS - DUAL WINCH

ITEM	PART NO.	DESCRIPTION	QTY
1	7445080843	Adapter	4
2	7445060843	Adapter	2
3	7443000231	Fitting	2
4	7445081046	Elbow	1
5	7443000168	Adapter	1
6	7445081045	Elbow	4
7	7443000372	Tee	2
8	7445060645	Elbow	4
9	7445060647	Tee	2
10	7445060646	Elbow	4
11	7445060643	Adapter	2
12	7912000028	Tube Assembly	2
13	7912000204	Tube Assembly	2
14	7935000308	Counterbalance Valve	2
15	7115151650	Capscrew, 0.31"-18NC x 2.00"	4
16	7950150161	Flatwasher, 0.31" ID	4
17	7660152601	Locknut, 0.31"-18NC	4
18	4567122026	Hose Assembly	1
19	4567122024	Hose Assembly	1
20	4567122023	Hose Assembly	2
21	4567120016	Hose Assembly	2
22	4567123056	Hose Assembly	2
23	4567131080	Hose Assembly	4
24	7935000174	Relief Valve	2
25	8565000007	Hose	24in

HYDRAULIC COMPONENTS - DUAL WINCH

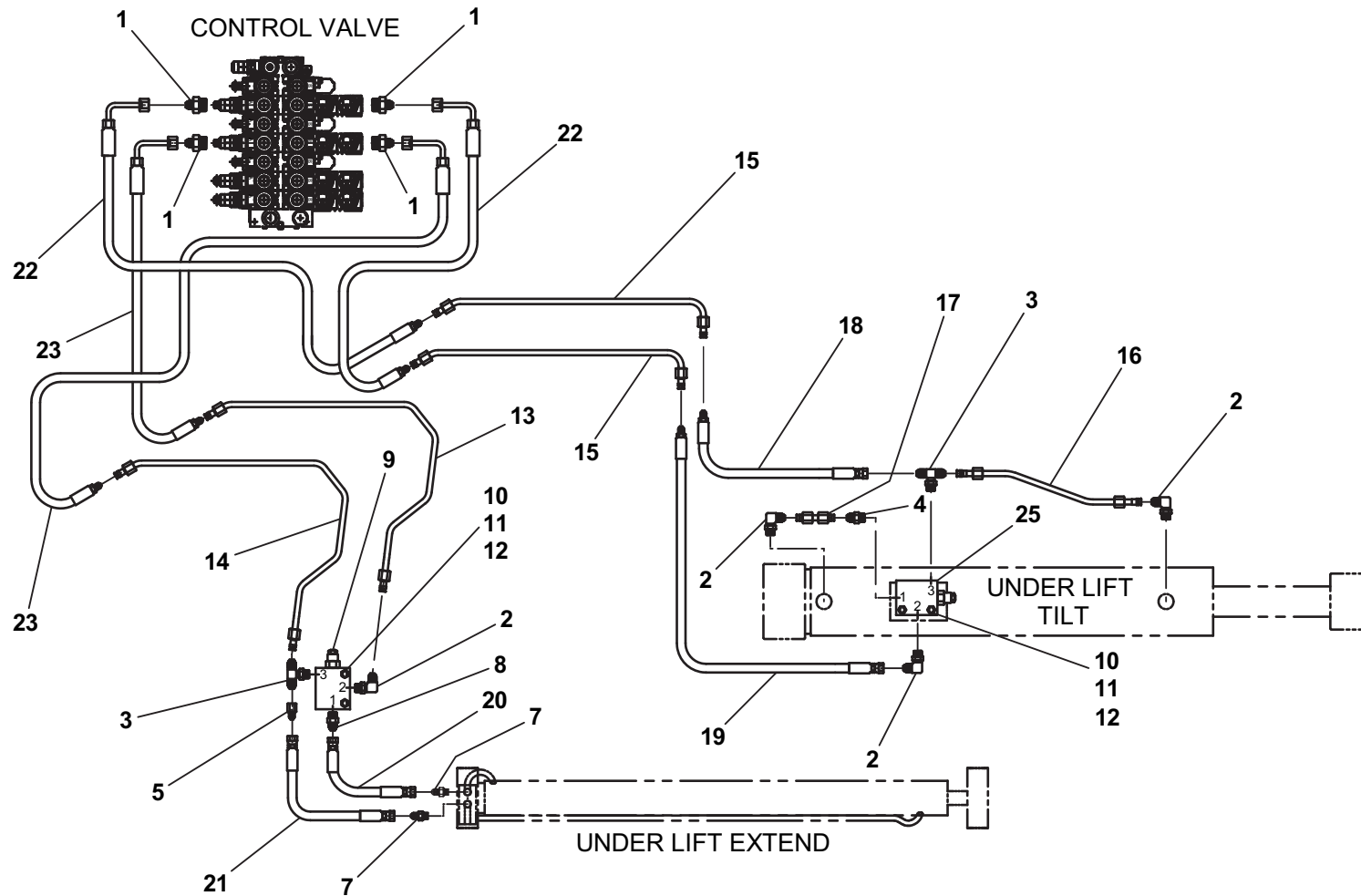


Item #25, Hose, not shown

HYDRAULIC COMPONENTS - UNDERLIFT

ITEM	PART NO.	DESCRIPTION	QTY
1	7445060843	Adapter	4
2	7445060645	Elbow	4
3	7445060647	Tee	2
4	7445060643	Adapter	1
5	7443000105	Reducer	1
6	Not Required		
7	7445040443	Adapter	2
8	7445040643	Adapter	1
9	7935000308	Counterbalance Valve	1
10	7115151650	Capscrew, 0.31"-18NC x 2.00"	4
11	7950150161	Flatwasher, 0.31" ID	4
12	7660152601	Locknut, 0.31"-18NC	4
13	7912000200	Tube Assembly	1
14	7912000201	Tube Assembly	1
15	7912000203	Tube Assembly	2
16	7912000205	Tube Assembly	1
17	7912000078	Tube Assembly	1
18	4569120018	Hose Assembly	1
19	4569120017	Hose Assembly	1
20	4567110024	Hose Assembly	1
21	4567110025	Hose Assembly	1
22	4569123061	Hose Assembly	2
23	4569123054	Hose Assembly	2
24	8565000007	Hose	24in
25	7935000354	Counterbalance Valve	1

HYDRAULIC COMPONENTS - UNDERLIFT

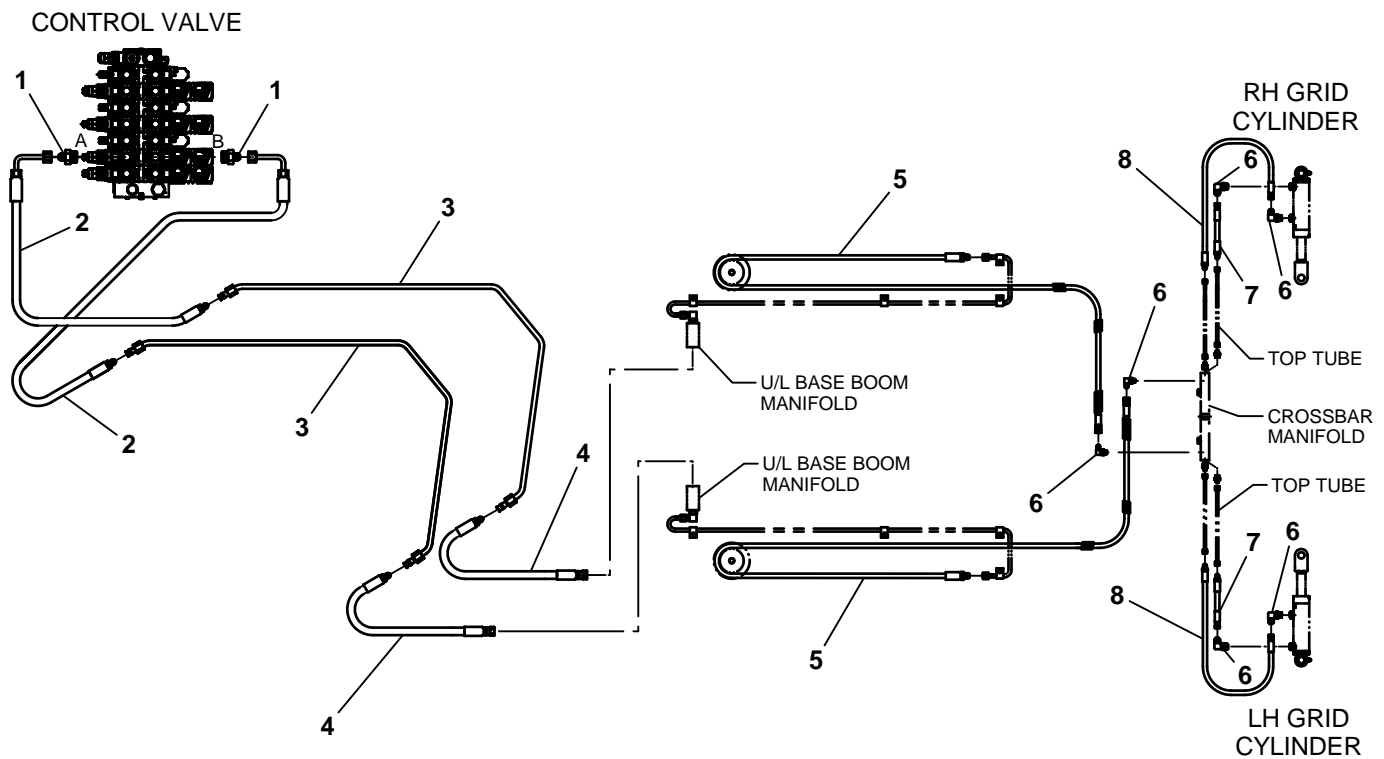


Item #24, Hose, not shown

HYDRAULIC COMPONENTS - HYDRAULIC GRID

ITEM	PART NO.	DESCRIPTION	QTY
1	7445060843	Adapter	2
2	4569123054	Hose Assembly	2
3	7912000202	Tube Assembly	2
4	4570000229	Hose Assembly	2
5	4570000210	Hose Assembly	2
6	7445040445	Elbow	6
7	4570000211	Hose Assembly	2
8	4570000212	Hose Assembly	2

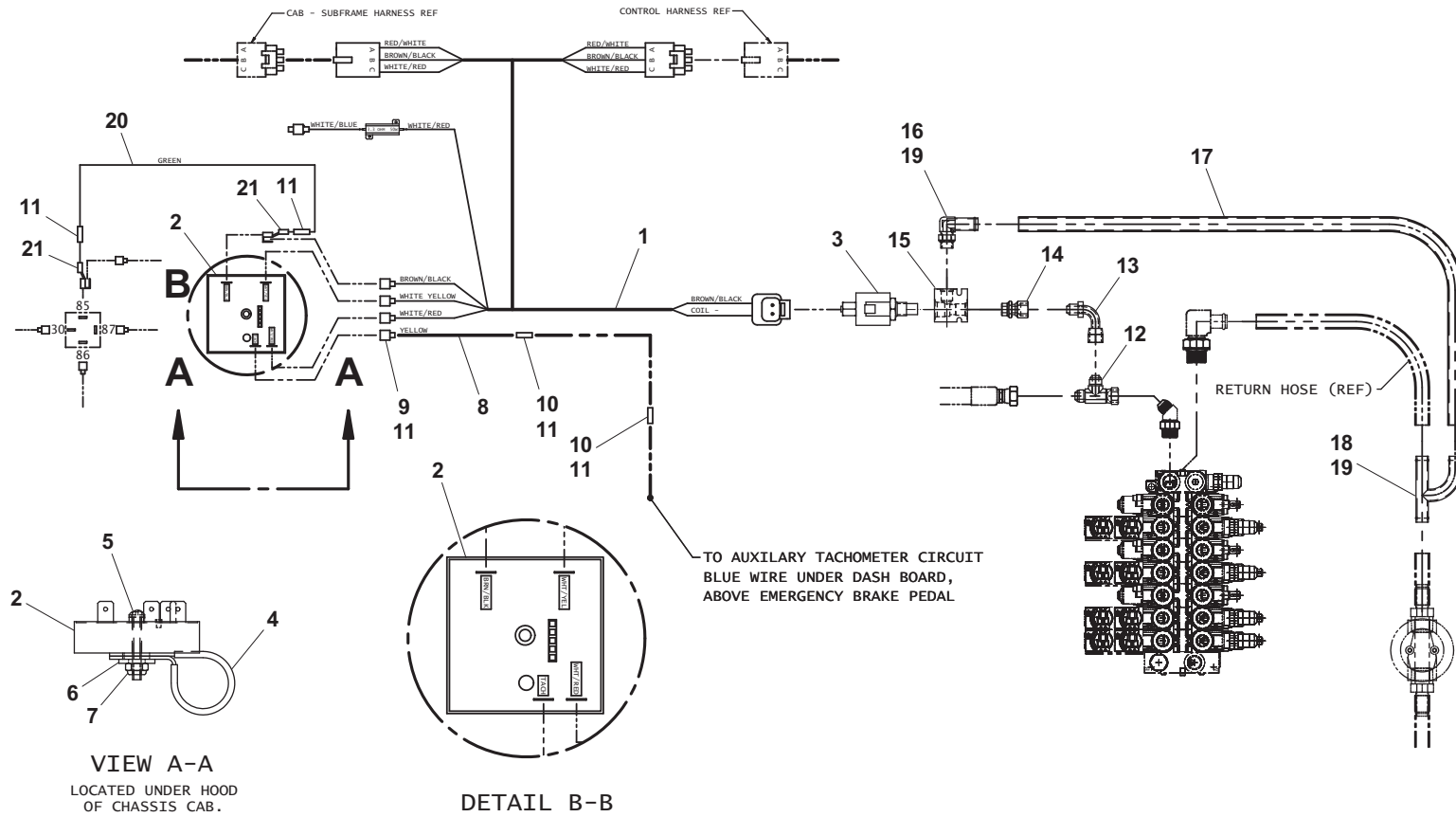
HYDRAULIC COMPONENTS - HYDRAULIC GRID



ELECTRICAL COMPONENTS - ANTI-STALL CONTROL MODULE (FORD V10 GAS ENGINE)

ITEM	PART NO.	DESCRIPTION	QTY
1	7552000427	Anti-Stall Control Module Harness	1
2	3295000003	Anti-Stall Control Module	1
3	7935000361	Proportional Dump Valve	1
4	7274000040	Clamp	1
5	7114060810	Capscrew, #6-32NC x 1.00"	1
6	7950100163	Flatwasher, #10 ID	1
7	7660062604	Locknut, #6-32NC	1
8	8977010400	Wire, #16 GA Yellow	2ft
9	7345001710	Terminal	1
10	7345001714	Terminal	2
11	7346000039	Heat Shrink Tubing	6in
12	7443000063	Tee	1
13	7443000023	Elbow	1
14	7445080898	Adapter	1
15	7935000370	Dump Valve Body	1
16	7443000436	Elbow	1
17	7450000227	Hose	1
18	7443000473	Fitting	1
19	7274000080	Clamp	4
20	8977010600	Wire, #16 GA Green	3ft
21	7345001747	Fastener	2

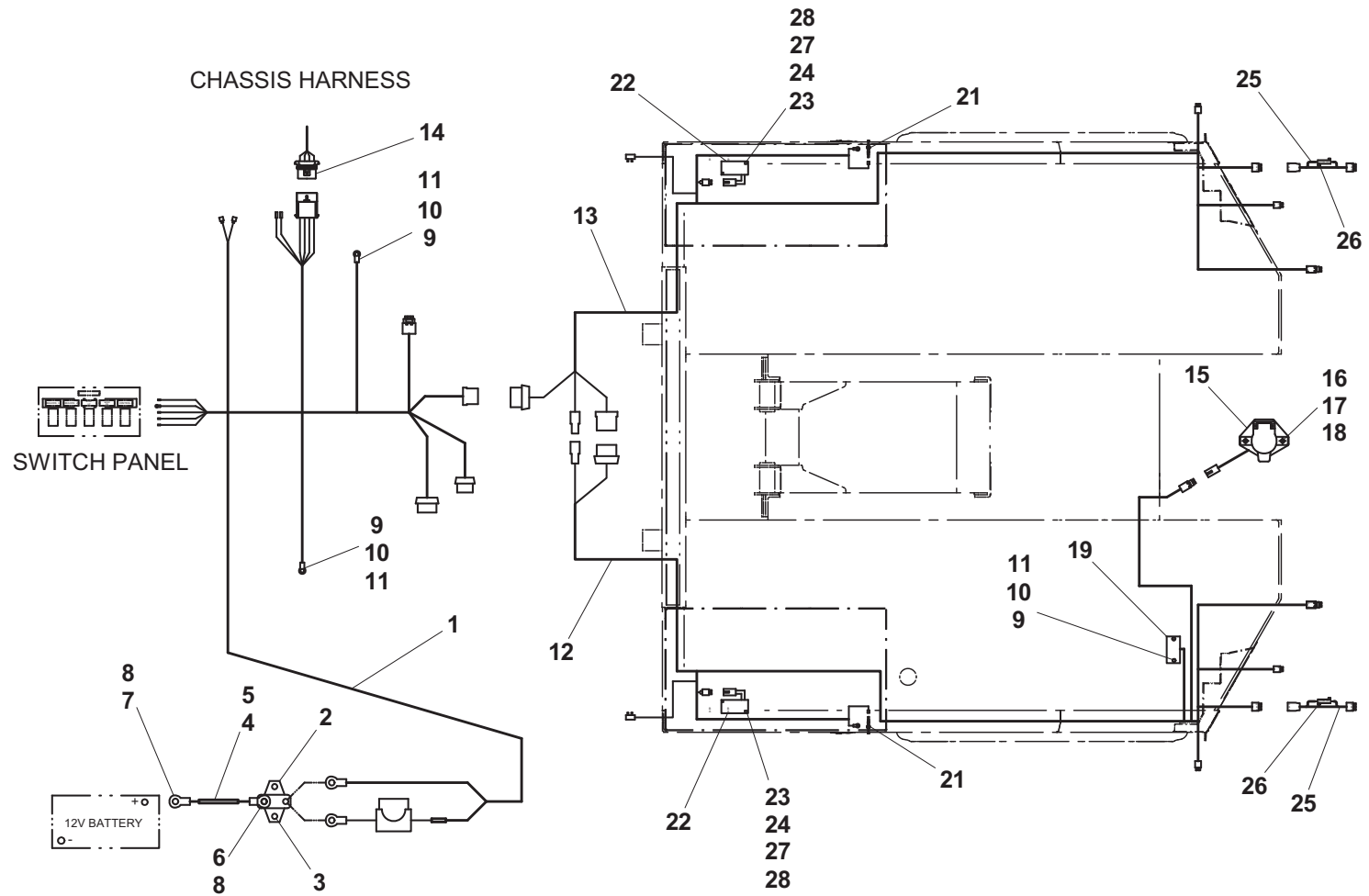
ELECTRICAL COMPONENTS - ANTI-STALL CONTROL MODULE (FORD V10 GAS ENGINE)



ELECTRICAL COMPONENTS - BODY - STANDARD

ITEM	PART NO.	DESCRIPTION	QTY
1	7552000292	Cab to Subframe Harness	1
2	7457000004	Circuit Breaker - 50 amp	1
3	7792000001	Screw, #10 x 0.75"	2
4	8977530200	Wire 10ga	36in
5	8597650002	Convolute Wire Loom	36in
6	7345211902	Terminal	1
7	7345221902	Terminal	1
8	7346000039	Heat Shrink Tubing	24in
9	7111141050	Capscrew, 0.25"-20NC x 1.25"	4
10	7950140141	Flatwasher, 0.25" ID	6
11	7660142600	Locknut, 0.25"-20NC	4
12	7552000290	LH Body Harness	1
13	7552000291	RH Body Harness	1
14	7577000194	Wiring Connector Kit - Chassis	1
15	7291000010	4-Way Receptacle	1
16	7111140613	Capscrew, 0.25"-20NC x 0.75"	2
17	7950140000	Lockwasher, 0.25" ID	2
18	7413000002	Nutsert, 0.25"-20NC	2
19	7011000003	Back-up Alarm	1
20	7894000042	Tie Strap	25
21	7870000115	Pin Switch	2
22	7590000273	Dome Light	2
23	7120000081	Screw, #10 x 0.88"	4
24	7661000047	Nylon Nut, #8	4
25	7552000400	Stop, Turn, Tail Light Resistor Harness (use with LED tail Lights)	2
26	7759000006	Pop Rivet (use with LED tail Lights)	2
27	7661000007	Rubber Wellnut #10-32NC	4
28	7831000040	Nylon Spacer	4

ELECTRICAL COMPONENTS - BODY - STANDARD

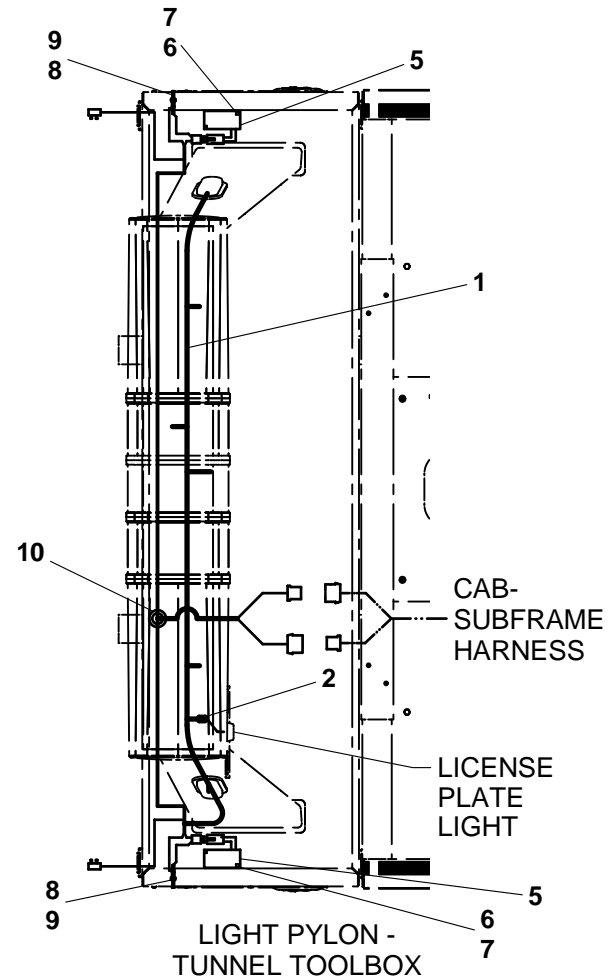
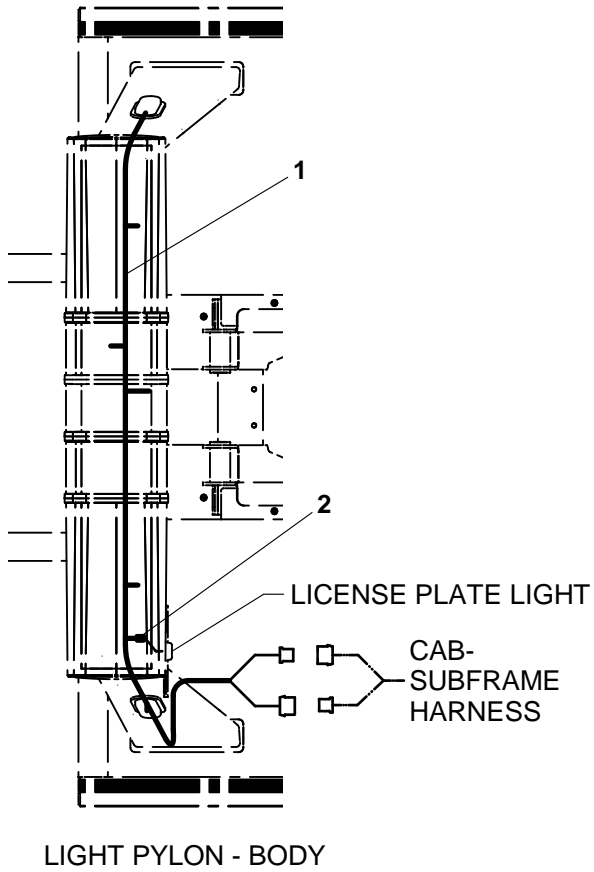


Item #20, Tie Strap, not shown.

ELECTRICAL COMPONENTS - PYLON LIGHTS / TUNNEL WIRING

ITEM	PART NO.	DESCRIPTION	QTY
1	7552000293	Headboard Harness (Headboard only)	1
	7552000295	Headboard/Tunnel Harness (Hdbd & Tunl)	
2	7346000039	Heat Shrink Tubing	6in
3	7894000042	Tie Strap (Headboard only)	1
	7894000042	Tie Strap (Headboard & Tunnel)	3
4	5526000553	Tie Strap (Headboard only)	1
	5526000553	Tie Strap (Headboard & Tunnel)	8
5	7590000274	Dome Light	2
6	7790100856	Screw, #10 x .50"	4
7	7661000047	Nylon Nut, #8	4
8	7870000115	Pin Switch	2
9	7413000013	Fastener	2
10	7493000011	Grommet	1

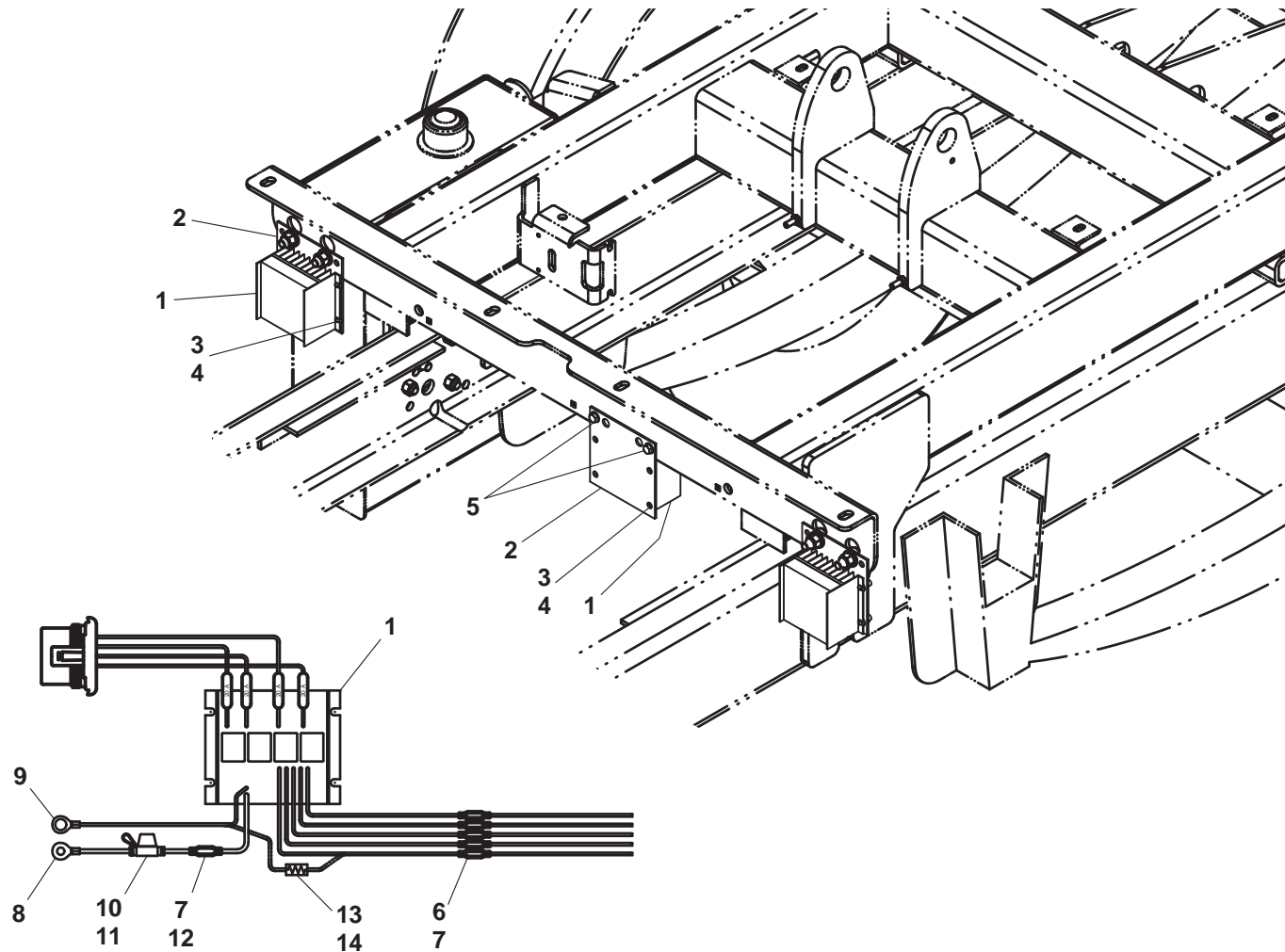
ELECTRICAL COMPONENTS - PYLON LIGHTS / TUNNEL WIRING



ELECTRICAL COMPONENTS - TAIL LIGHT CONVERTER

ITEM	PART NO.	DESCRIPTION	QTY
1	7297000008	Tail Light Converter	1
2	4706002990	Plate	1
3	7661000007	Wellnut, #10-32NF	4
4	7104100613	Capscrew, #10-32NF x 0.75"	4
5	7790151253	Screw, 0.31"-18NC x 0.75" (use to mount onto subframe with tunnel toolbox)	2
6	7345001714	Terminal	5
7	4346000005	Heat Shrink Tubing	6
8	7345221902	Terminal	1
9	7345241902	Terminal	1
10	7346000126	Fuse Holder	1
11	7457000017	Fuse-30 Amp	1
12	7345001914	Terminal	1
13	7346000209	Resistor (UD chassis w/ Incandes't lights)	1
14	7346000220	Resistor (UD chassis w/ LED lights)	1

ELECTRICAL COMPONENTS - TAIL LIGHT CONVERTER

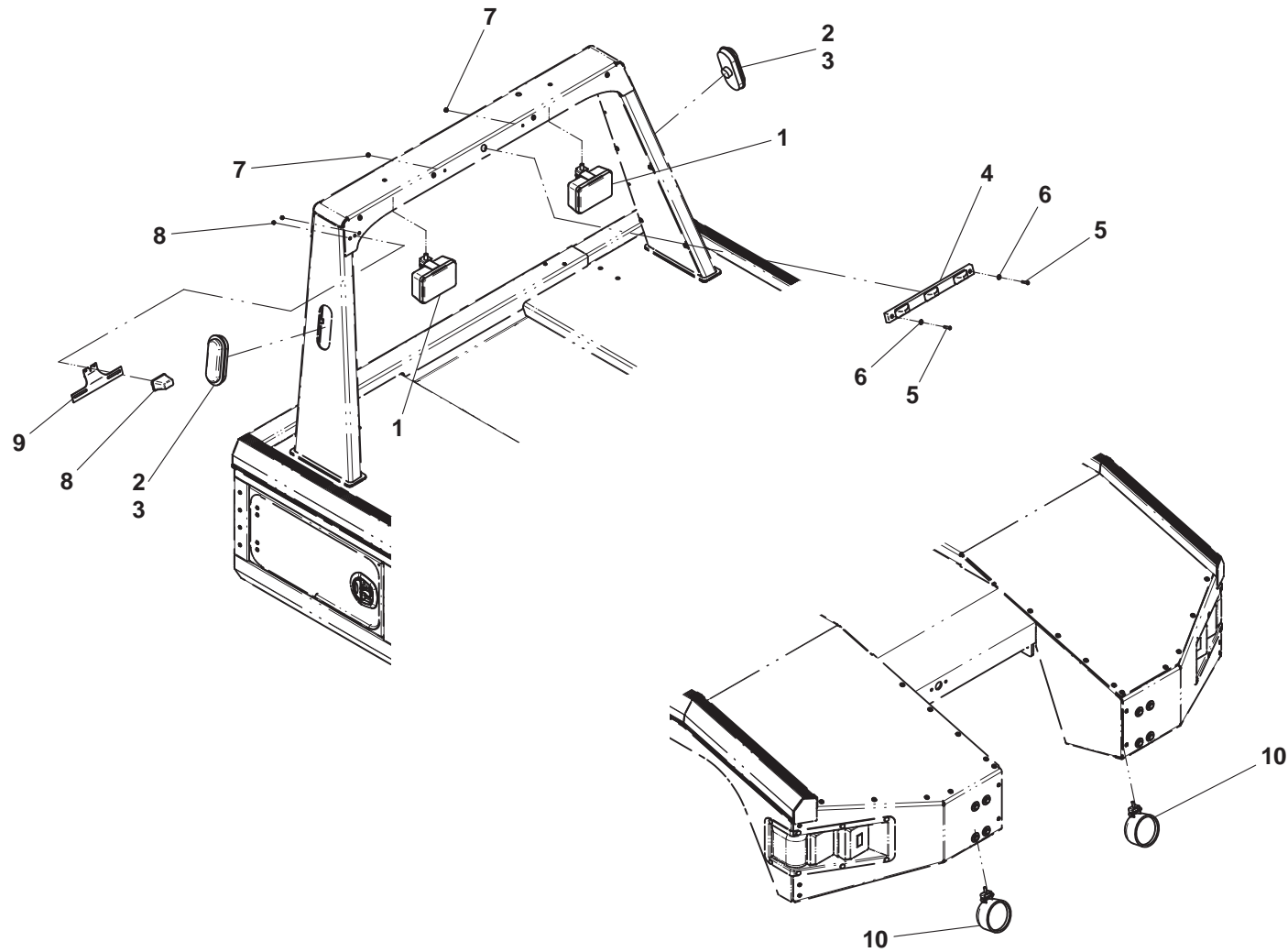


MPL subframe, shown
Alternate locations required due to other optional equipment.

WORK LIGHTS - MARKER LIGHTS

ITEM	PART NO.	DESCRIPTION	QTY
1	7590000144	Work Light	2
2	7590000095	Marker Light - Amber (Std)	2
	7590000300	Marker Light - Amber (LED)	
3	7493000026	Marker Light Grommet	2
4	7590000193	ID Marker Light - Amber (Std) (Dual 22" Lightbar)	1
	7590000316	ID Marker Light - Amber (LED) (Dual 22" Lightbar)	
5	7114141018	Capscrew, 0.25"-20NC x 1.25" (Dual 22" Lightbar)	2
6	7950140143	Flatwasher, 0.25" ID (Dual 22" Lightbar)	2
7	7660142601	Locknut, 0.25"-20NC (Dual 22" Lightbar)	2
8	7590000105	License Plate Light	1
9	7178000025	License Plate Bracket	1
10	7590000185	Worklight	2
11	7346000039	Heat Shrink Tubing (Upper wrk Lt)	6in
12	7894000010	Tie Strap (Pylon Marker Lights)	2
	7894000042	Tie Strap (License Plate Light)	1
	5526000553	Tie Strap (License Plate Light)	1

WORK LIGHTS - MARKER LIGHTS

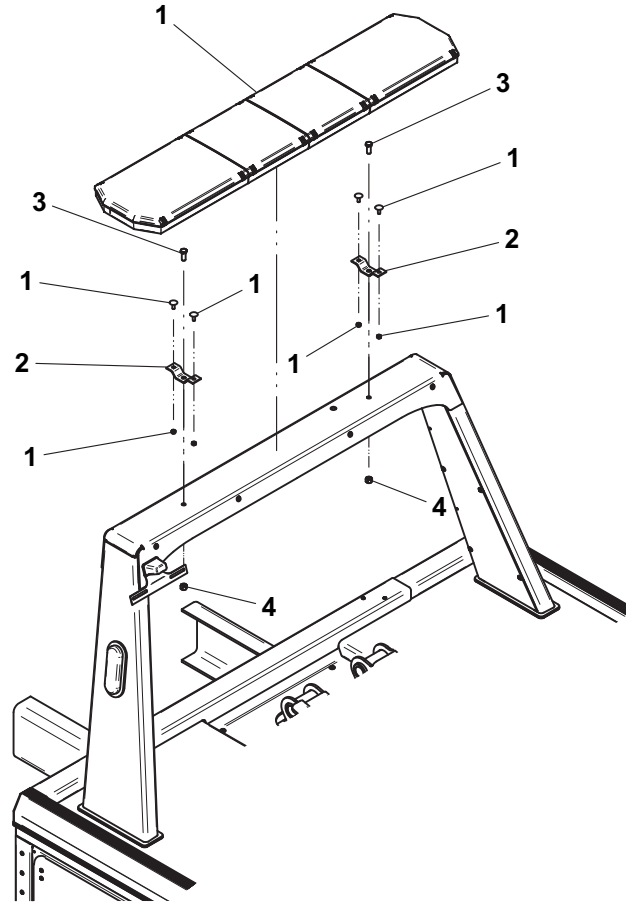


Item #11, Heat Shrink Tubing, not shown
Item #12, Cable Ties, not shown

LIGHTBAR

ITEM	PART NO.	DESCRIPTION	QTY
1	7590000307	Lightbar, Amber (Std)	1
	7590000395	Lightbar, Amber (LED)	1
	7590000336	Lightbar, Amber (Strobe)	1
2	4178000402	Bracket	2
3	7115181050	Capscrew, 0.50"-13NC x 1.25"	2
4	7660182601	Locknut, 0.50"-13NC	2

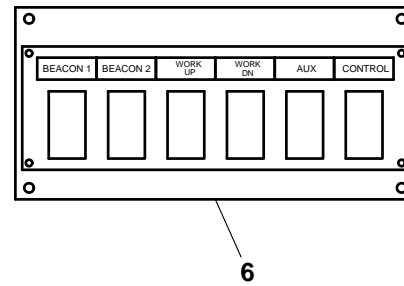
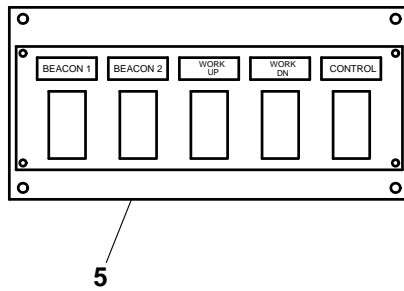
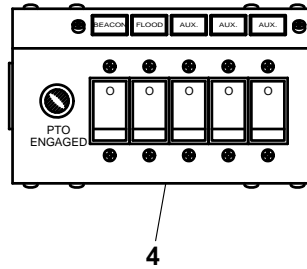
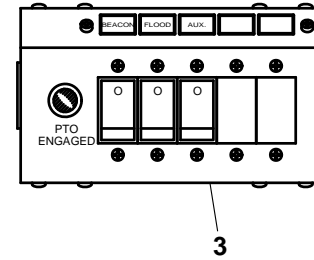
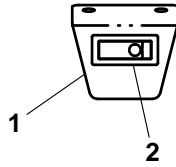
LIGHTBAR



SWITCH PANELS

ITEM	PART NO.	DESCRIPTION	QTY
1	4178000403	Bracket - 1 Function Switch Panel	1
2	7870000083	Switch	1
3	7870000053	Switch Panel - 3 Function, Under Dash	1
4	7870000063	Switch Panel - 5 Function, Under Dash	1
5	7870000089	Switch Panel - 5 Function	1
6	7870000117	Switch Panel - 6 Function, In-Dash	1

SWITCH PANELS



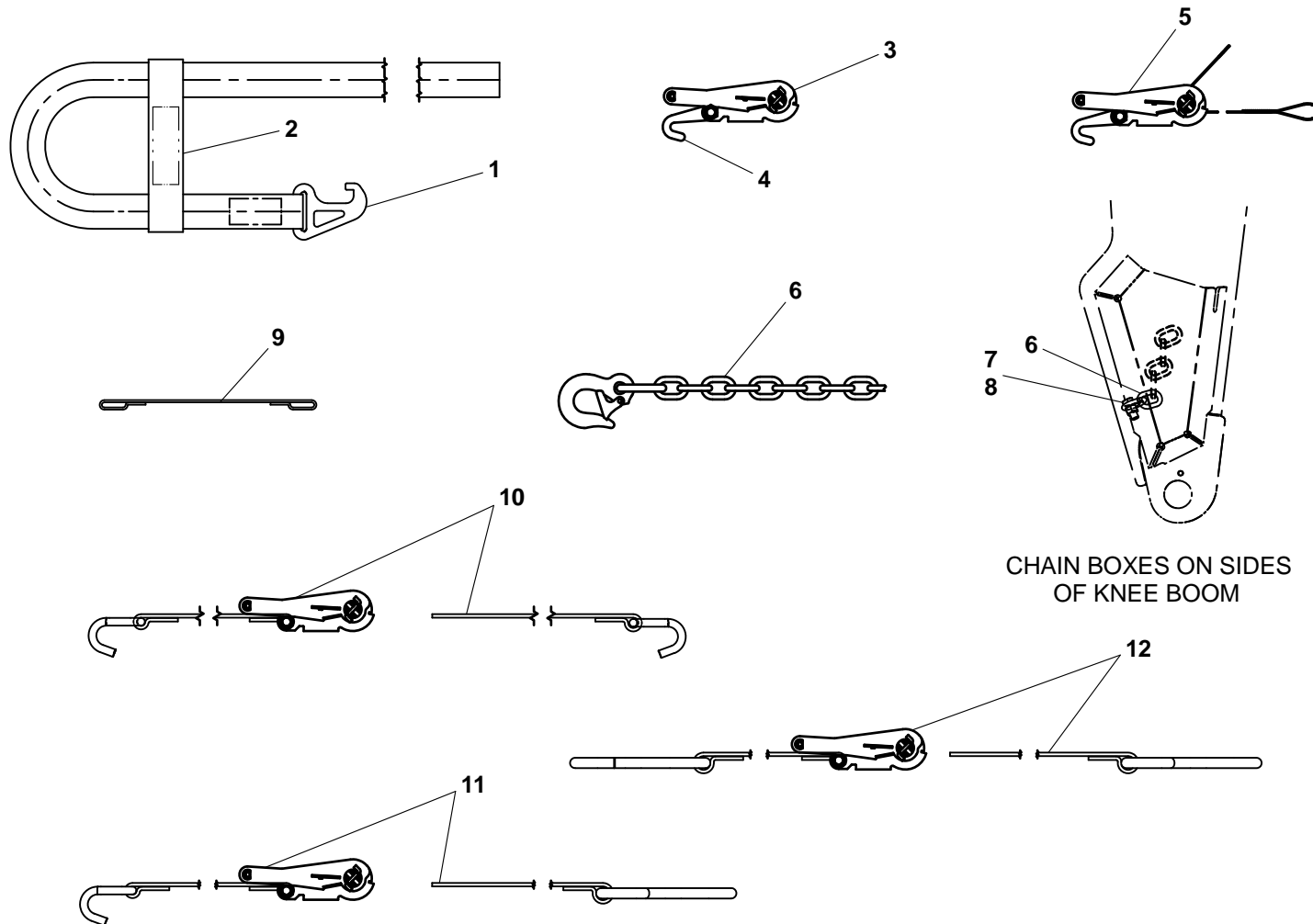
CHAIN AND STRAPS

ITEM	PART NO.	DESCRIPTION	QTY
1	7894000061*	Tire Tie-Down Strap	2
2	7894000059*	Tire Tie-Down Strap Choker	2
3	7894000028*	Tire Tie-Down Strap Ratchet	2
4	7561000024*	Tire Ratchet Hook	2
5	7894000034	Wheel Lift Tire Strap	2
6	7262000040	Wheel Lift Chain	2
7	7115181050	Capscrew, 0.50"-13NC x 1.25"	2
8	7660182601	Locknut, 0.50"-13NC	2
9	7894000065+	Tie-Down Strap (Motorcycle)	2
10	7894000064+	Front Tire Tie-Down Strap (Motorcycle)	1
11	7894000066+	Rear Tie-Down Strap (Motorcycle)	2
12	7894000067+	Front Tie-Down Strap (Motorcycle)	2

+ also available in Tie-Down Kit Motorcycle, P/N 7577000375

* also available in Wheel Lift Tie-Down Strap & Ratchet Kit, P/N 7577000367

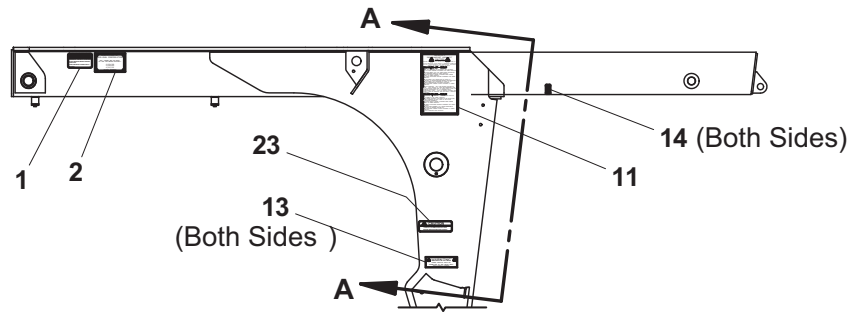
CHAIN AND STRAPS



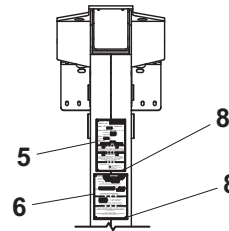
DECALS

ITEM	PART NO.	DESCRIPTION	QTY
1	7330000546	Decal - Winch Cable Wrap	1
2	7330000717	Decal - Patent	1
3	7330000272	Decal - Oil Level	1
4	7330000433	Jerr-Dan Nameplate	2
5	7330000287	Decal - Serial-Model Number -Rating	1
6	7330000307	Decal - Placard	1
7	7330000001	Serial Number Tag	1
8	7759000004	Pop Rivet	12
9	7330000851	Decal - Lubrication	1
10	7330000143	Decal - Made In The USA	1
11	7330000138	Decal - Wheel Lift Checklist	1
12	7330000139	Decal - Checklist Reminder	1
13	7330000122	Decal - Wheel Lift Polycarbonate	2
14	7330000556	Decal - Tow Sling Position	2
15	7330000424	Decal - Tow Hitch	1
16	7330000036	Decal - Secure Vehicle	2
17	7330000599	Decal - Moving Parts (Manual Grid W/L)	1
	7330000599	Decal - Moving Parts (Hydraulic Grid W/L)	2
18	7330000553	Decal - L-Arm Storage	2
19	7330000725	Decal - Lock-Out Valve (Recovery Sheave)	1
20	7330000384	Decal - Grid Service (T-37 Manual Grid)	2
21	7330000609	Decal - Grease Required	1
22	7330000538	Decal - Controls	2

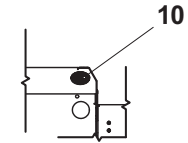
DECALS



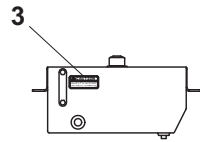
LH SIDE KNEE BOOM



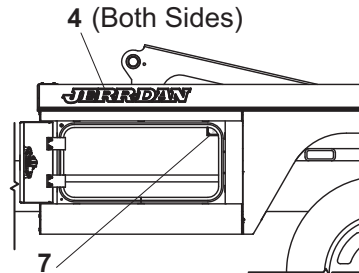
VIEW A-A



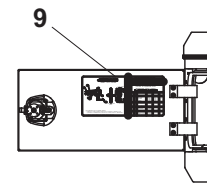
DRIVER'S SIDE
BODYFRONT
RUBRAIL



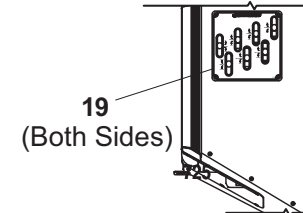
LH HYDRAULIC TANK



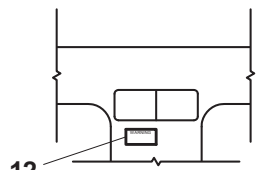
LH SIDE BODY



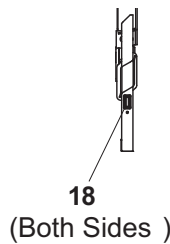
DRIVER'S SIDE
TOOLBOX DOOR



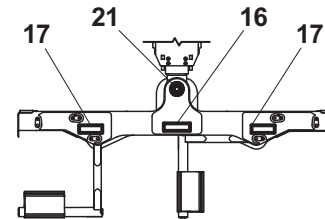
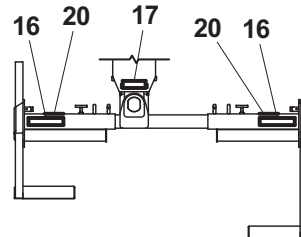
TOP OF DECK AT
MANUAL CONTROLS



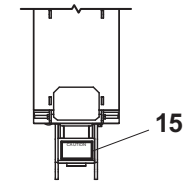
CAB DASHBOARD



MANUAL GRID WHEEL LIFT



HYDRAULIC GRID
WHEEL LIFT



TOW BALL HITCH

UNDERLIFT BOOM EXTENSION CYLINDER ASSEMBLY - P/N 3320000148

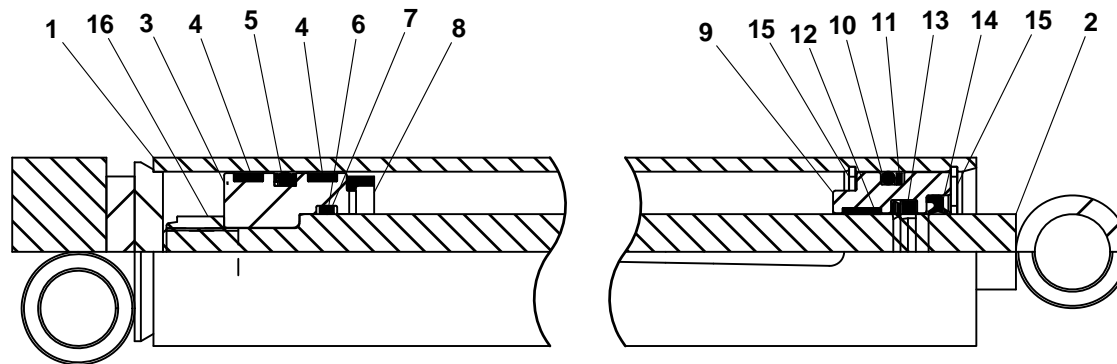
ITEM	PART NO.	DESCRIPTION	QTY
1	3071000133	Barrel Weld	1
2	3763000142	Rod Weld	1
3	4698000011*	Piston	1
4	7754000030* #	Wear Ring	2
5	7796000062* #	Piston Locking "T" Seal	1
6	7755214000* #	"O" Ring	1
7	7755214609* #	Back-Up Ring	2
8	4831000117*	Spacer	1
9	4553000015^	Head	1
10	7755327000^ #	"O" Ring	1
11	7755327609^ #	Back-Up Ring	1
12	7754000036^ #	Wear Ring	1
13	7796000023^ #	Rod Seal	1
14	7796000005^ #	Wiper Seal	1
15	7754000001 #	Retaining Ring	2
16	7661000037	Locknut	1

* included in Piston Assembly, P/N 3698000015

^ included in Head Assembly, P/N 3553000015

available only in Service Kit #7577250023

UNDERLIFT BOOM EXTENSION CYLINDER ASSEMBLY - P/N 3320000148



KNEE BOOM FLY EXTENSION CYLINDER ASSEMBLY - P/N 3320000149

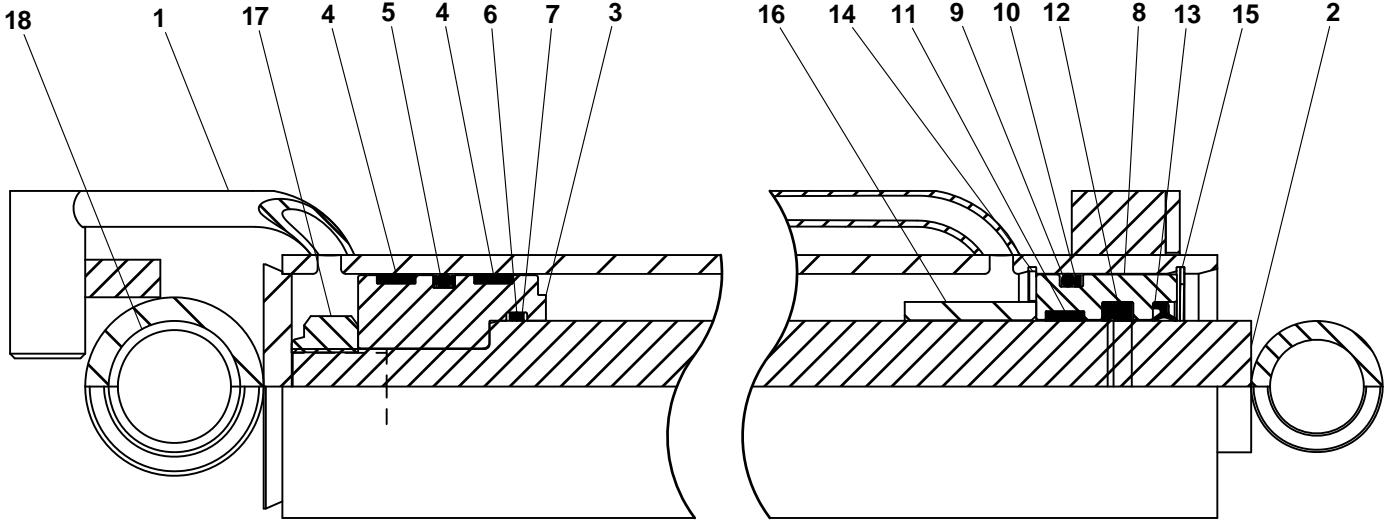
ITEM	PART NO.	DESCRIPTION	QTY
1	3071000134	Barrel Weld	1
2	3763000040	Rod Weld	1
3	4698000007*	Piston	1
4	7754000003* #	Wear Ring	2
5	7796000063* #	Piston Locking "T" Seal	1
6	7755224000* #	"O" Ring	1
7	7755224609* #	Back-Up Ring	2
8	4553000008^	Head	1
9	7755334000^ #	"O" Ring	1
10	7755334609^ #	Back-Up Ring	1
11	7754000004^ #	Wear Ring	1
12	7796000024^ #	Rod Seal	1
13	7796000008^ #	Rod Wiper Seal	1
14	7754000002#	Retaining Ring	1
15	7754000026#	Retaining Ring	1
16	4912000358	Tube	1
17	7661000034	Locknut	1
18	7082000017	Bearing	2

* included in Piston Assembly, P/N 3698000001

^ included Head Assembly, P/N 3553000011

available only in Service Kit #7577250024

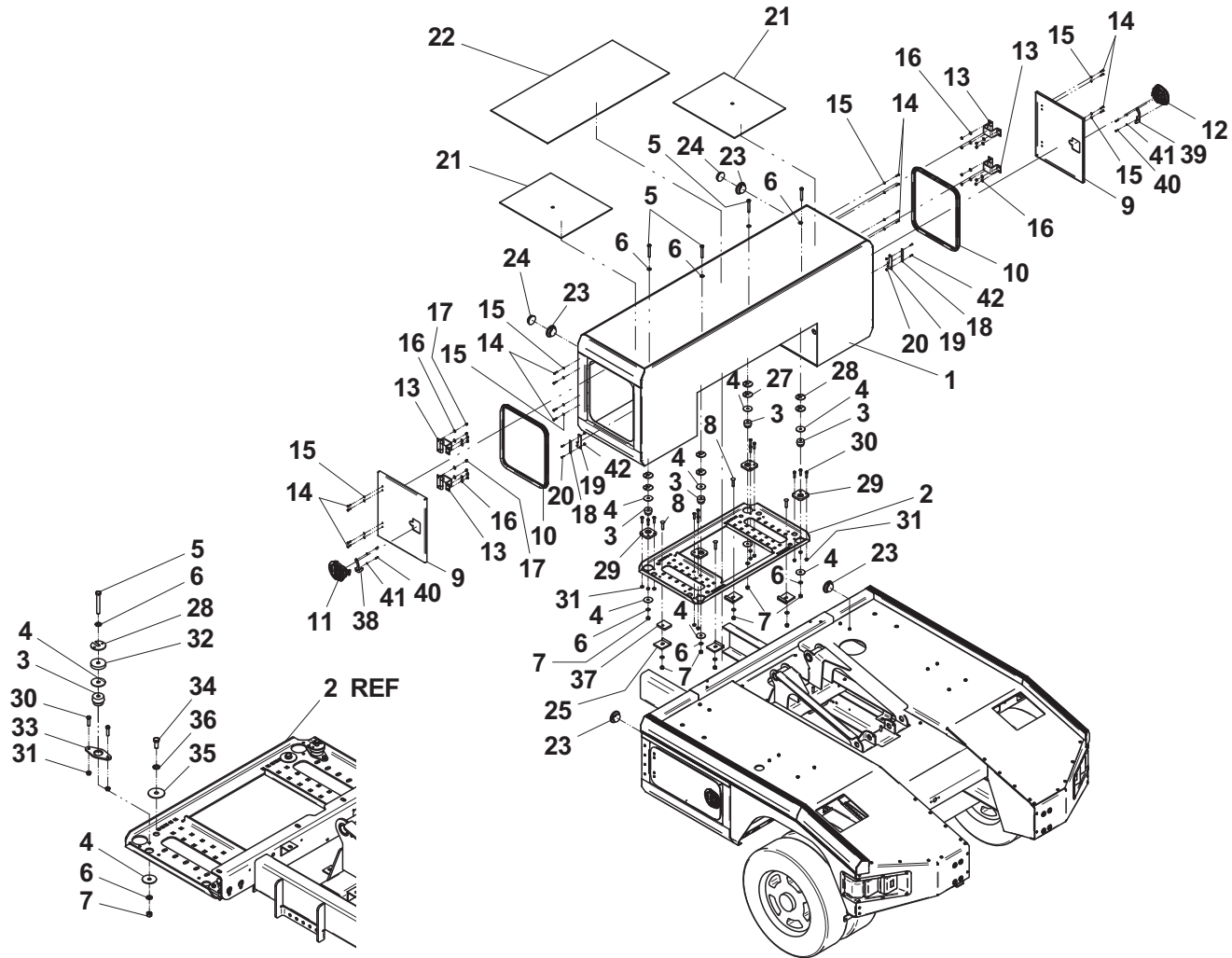
KNEE BOOM FLY EXTENSION CYLINDER ASSEMBLY - P/N 3320000149



TUNNEL TOOLBOX

ITEM	PART NO.	DESCRIPTION	QTY	ITEM	PART NO.	DESCRIPTION	QTY
1	3899000121	Tunnel Toolbox Weld	1	25	3274000007	Clamp Weldment	4
2	4636000041	Toolbox Mount	1	26	7796000078	Moulding	12.5ft
3	7636000005	Rubber Mount	4	27	4812000108	Shim	4
4	7949000013	Washer, Head	8	28	4812000107	Shim	4
5	7115182850	Capscrew, 0.50"-13NC x 3.50"	4	29	4706005869	Plate	4
6	7950180153	Flatwasher, 0.50" ID	8		4706005869	Plate	2
	7590180153	Flatwasher, 0.50" ID (Chevy/GMC C3500)	10	30	7115161250	Capscrew, 0.38"-16NC x 1.50"	12
7	7660182601	Locknut, 0.50"-13NC	8		7115161250	Capscrew, 0.38"-16NC x 1.50" (Chevy/GMC C3500)	10
	7660182601	Locknut, 0.50"-13NC (Chevy/GMC C3500)	6	31	7660162301	Locknut, 0.38"-16NC	12
8	7115181864	Capscrew, 0.50"-13NC x 2.25" Carriage	4		7660162301	Locknut, 0.38"-16NC (Chevy/GMC C3500)	10
	7115181864	Capscrew, 0.50"-13NC x 2.25" Carriage (Chevy/GMC C3500)	2	32	4831000121	Spacer (Chevy/GMC C3500)	2
9	4686000208	Panel, Door	2	33	4706005880	Plate (Chevy/GMC C3500)	2
10	4632000053	Seal Door	2				
11	7585000019	Latch, LH	1	34	7120000075	Capscrew, M14-20 x 35 (Chevy/GMC C3500)	2
12	7585000020	Latch, RH	1				
13	7555000012	Door Hinge	4	35	7949000019	Washer, Snub Head (Chevy/GMC C3500)	2
14	7114140818	Capscrew, 0.25"-20NC x 1.00"	16				
15	7949000056	Nylon Washer	16	36	7950200000	Flatwasher, 0.63" ID (Chevy/GMC C3500)	2
16	7950140161	Flatwasher, 0.25" ID	16				
17	7660142601	Locknut, 0.25"-20NC	16	37	4705000705	Plate	1
18	4062000569	Bar	2	38	4178000849	Bracket, LH	1
19	4178000848	Bracket	2	39	4178000850	Bracket, RH	1
20	7114080618	Capscrew, #8-32NC x 0.75"	4	40	7114100618	Capscrew, #10-24NC x 0.75"	4
21	4679000249	Pad	2	41	7950100003	Lockwasher, #10 ID	4
22	4679000250	Pad	1	42	7660082604	Locknut, #8-32NC	4
23	7493000009	Marker Light Grommet	4				
24	7590000048	Marker Light - Amber (INC)	2				
	7590000342	Marker Light - Amber (LED)					

TUNNEL TOOLBOX



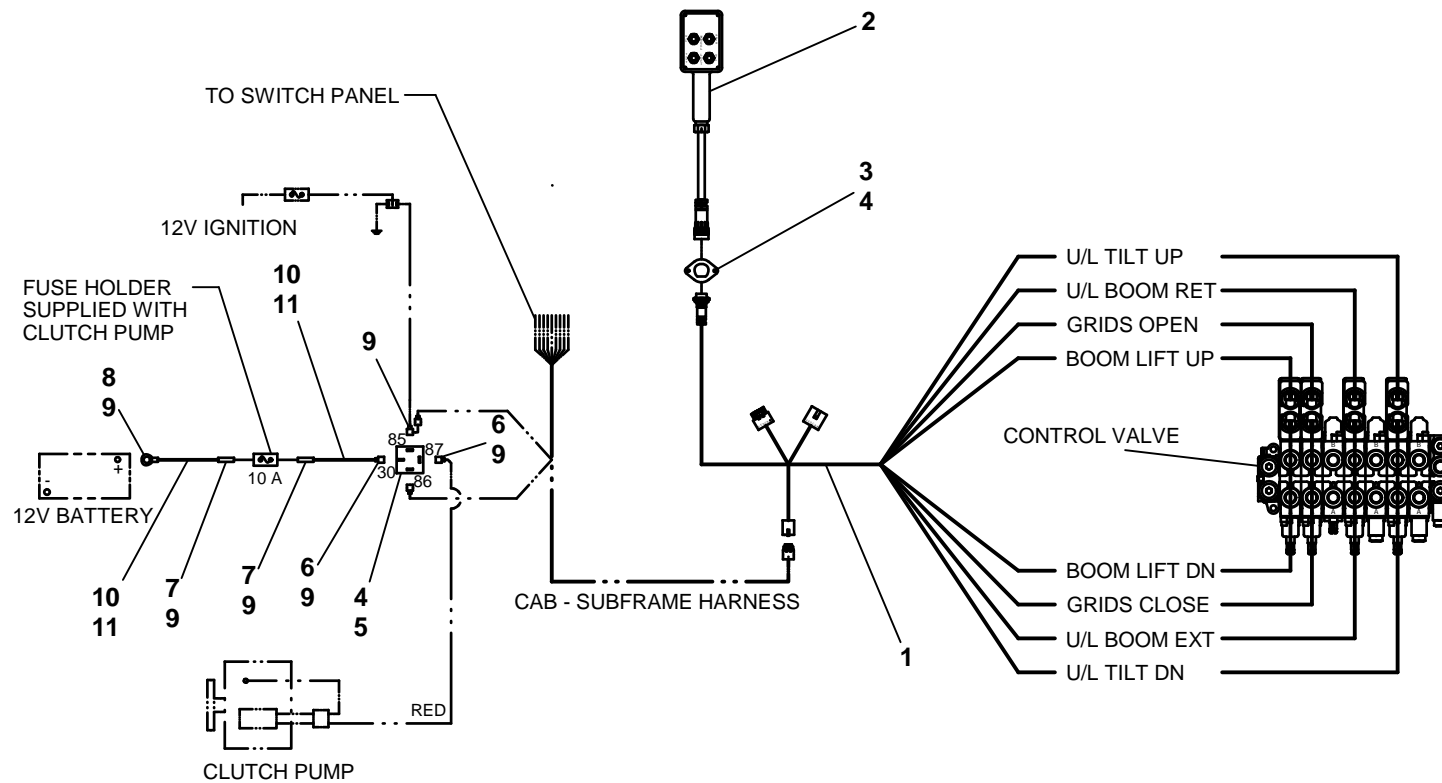
C3500 CHASSIS ONLY

Item #26, Moulding, not shown

REMOTE CONTROL OPERATION

ITEM	PART NO.	DESCRIPTION	QTY
1	7552000289	Remote Harness	1
2	7295000062	Hand Controller, 8 Func	1
3	4706003402	Plate	1
4	7790100856	Screw, #10 x 0.50"	3
5	7740000003	Relay	1
6	7345001710	Tab	2
7	7345001714	Terminal	1
8	7345221702	Terminal	1
9	7346000039	Tubing	12in
10	8977500100	Wire, #16 Ga	36in
11	8597650002	Wire Loom	36in

REMOTE CONTROL OPERATION

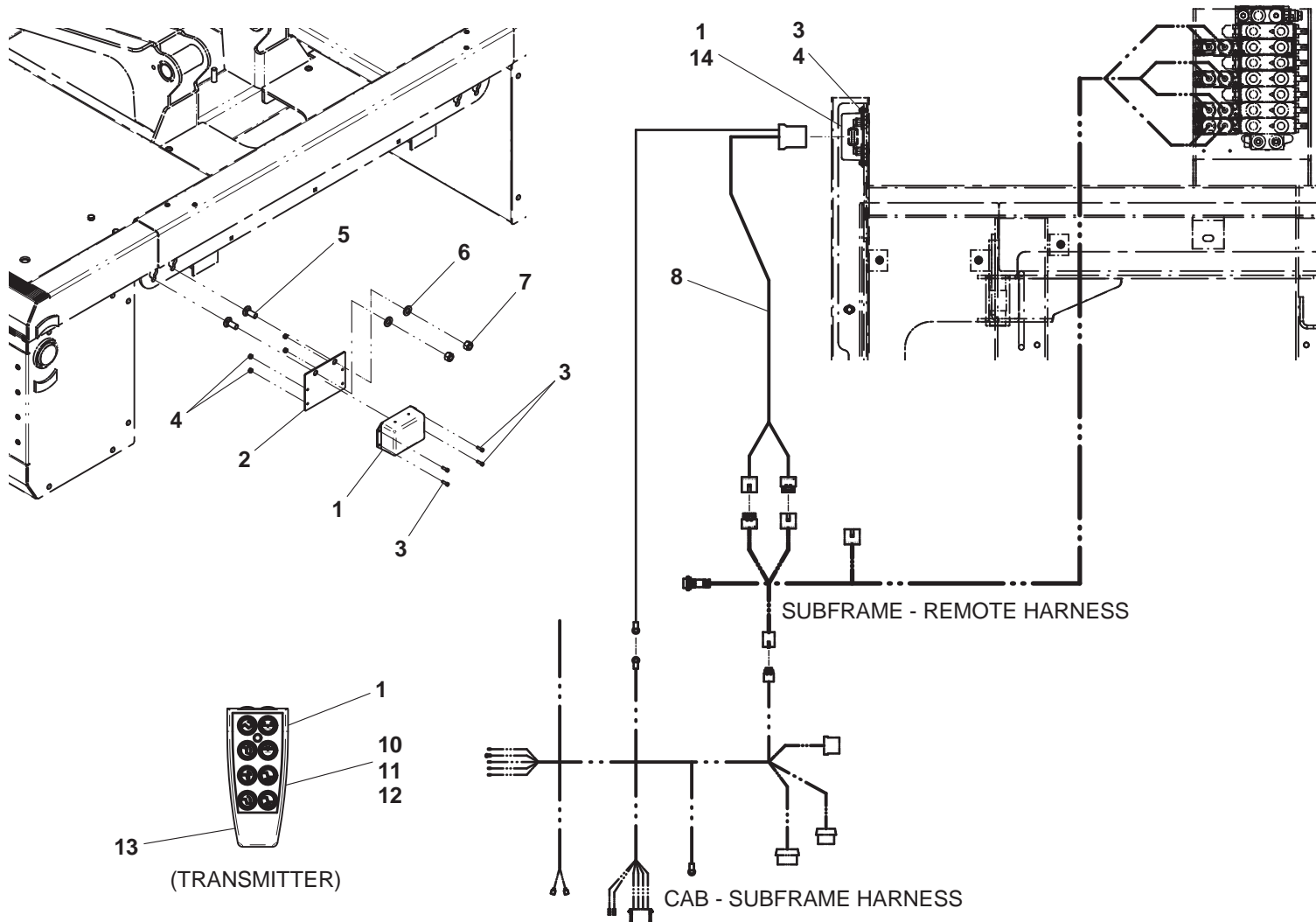


WIRELESS REMOTE CONTROLS

ITEM	PART NO.	DESCRIPTION	QTY
1	7295000116	Wireless Controller 8 Func	1
2	4636000038	Mounting Plate	1
3	7114100518	Capscrew, #10-24NC X 0.62"	4
4	7660102604	Locknut, #10-24NC	4
5	7115181064	Capscrew, 0.50"-13NC x 1.25"	2
6	7950180153	Flatwasher, 0.50" ID	2
7	7660182601	Locknut, 0.50"-13NC	2
8	7552000384	Controller to 7 Sect Harness	1
9	5526000553	Tie Strap	5
10	9295310045*	Transmitter	1
11	9295310029*	Rubber Boot	1
12	9295310030*	Belt Clip	1
13	7075000003	Battery, 9V	1
14	9295310049*	Receiver	1

* included in Wireless Controller 8 Func, P/N 7295000116

WIRELESS REMOTE CONTROLS

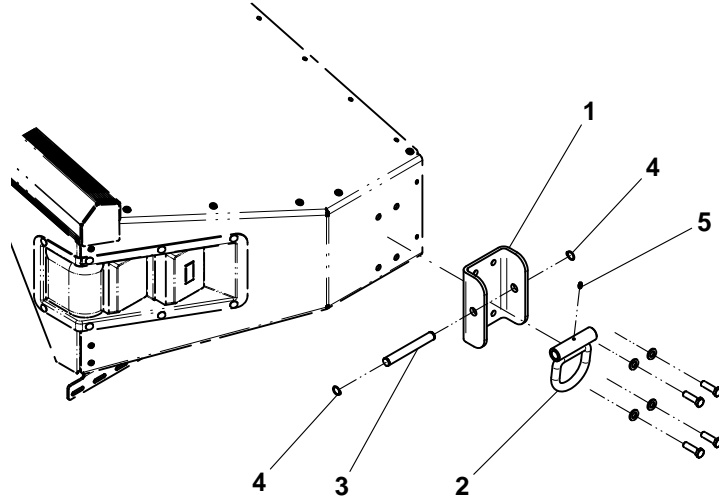


Item #9, Tie Strap, not shown

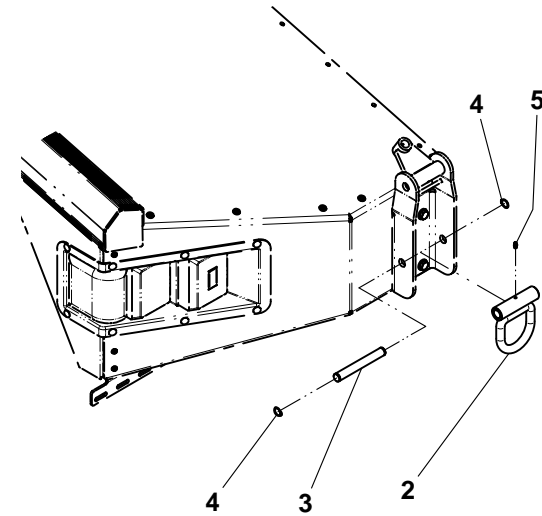
BOLT-ON D-RINGS

ITEM	PART NO.	DESCRIPTION	QTY
1	4263000705	Channel (no tow sling)	2
2	3754000004	D-Ring Weld	2
3	4691000541	Pin	2
4	7754000022	Retaining Ring	4
5	7440030000	Grease Fitting	2

BOLT-ON D-RINGS



TAILPLATE WITHOUT TOW SLING



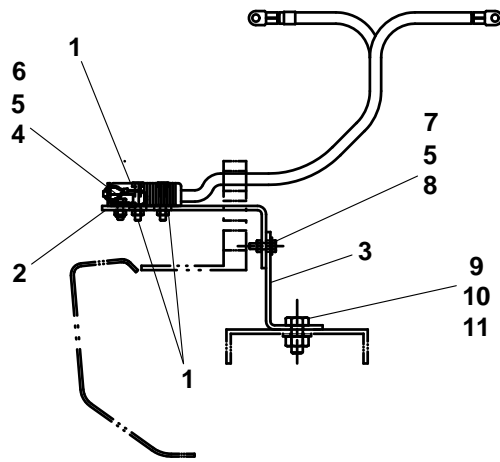
TAILPLATE WITH TOW SLING

Left side body shown. Typical both sides.

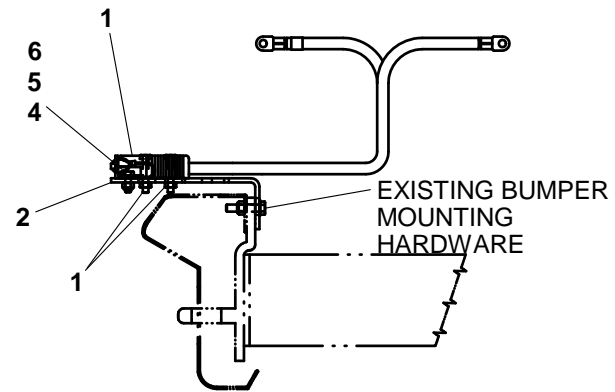
JUMP START KIT

ITEM	PART NO.	DESCRIPTION	QTY
1	7002000385	Jump Start Plug	1
2	4178000372	Bracket (Ford)	1
	4178000202	Bracket (Chevy)	
3	4178000203	Bracket (Chevy)	1
4	7110140605	Capscrew, 0.25"-20NC x 0.75"	1
5	7950140161	Flatwasher, 0.25" ID (Ford)	1
	7950140161	Flatwasher, 0.25" ID (Chevy)	3
6	7660142600	Locknut, 0.25"-20NC (Ford, Chevy)	1
7	7660140000	Hex Nut, 0.25"-20NC	2
8	7111140850	Capscrew, 0.25"-20NC x 1.00"	2
9	7115181050	Capscrew, 0.50"-13NC x 1.25"	1
10	7950180153	Flatwasher, 0.50" ID	1
16	7660180000	Hex Nut, 0.50"-13NC	1

JUMP START KIT



CHEVY FRONT BUMPER

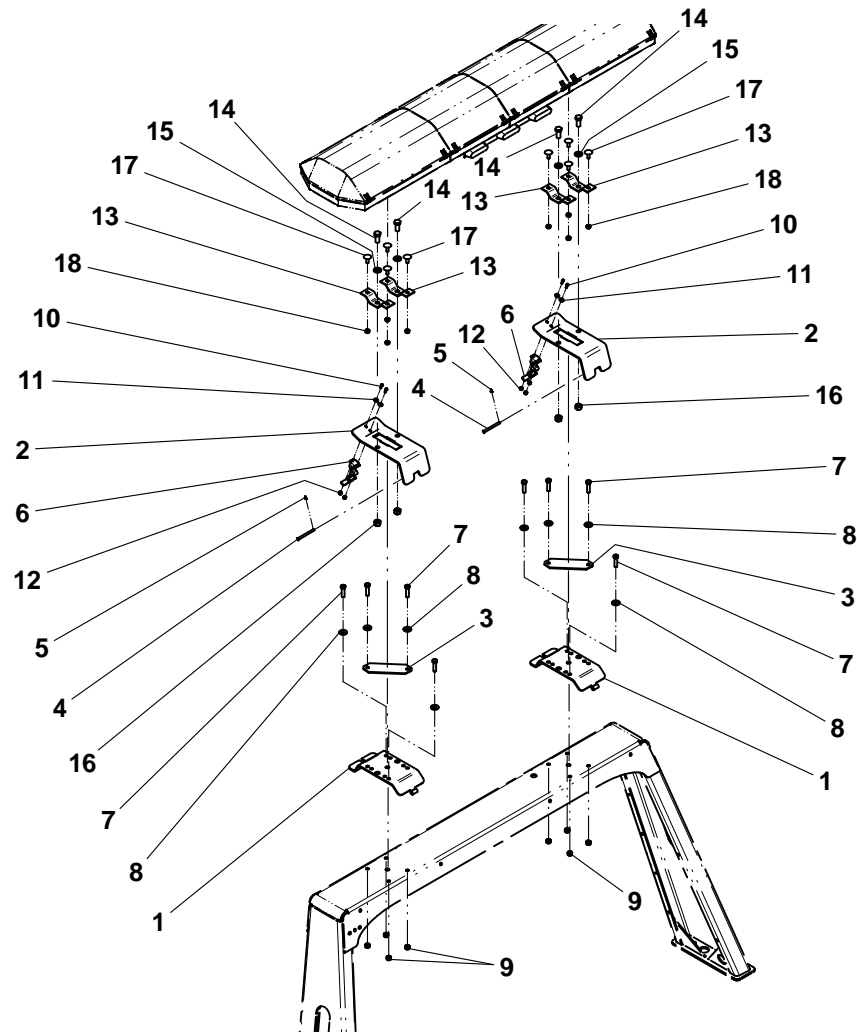


FORD FRONT BUMPER

FOLD DOWN LIGHTBAR BRACKET

ITEM	PART NO.	DESCRIPTION	QTY
1	3178000443	Fold Down Bracket - Bottom	1
2	3178000444	Fold Down Bracket - Top	2
3	4090000012	Belt	2
4	7690144800	Clevis Pin	2
5	7690000810	Cotter Pin	2
6	7585000001	Draw Latch	2
7	7115161250	Capscrew, 0.38"-16NC x 1.50"	8
8	7950160161	Flatwasher, 0.38" ID	8
9	7660162601	Locknut, 0.38"-16NC	8
10	7114100518	Capscrew, #10-24NC x .62"	4
11	7950100103	Flatwasher, 0.19 ID	4
12	7660102604	Locknut, #10-24NC	4
13	4178000402	Bracket	4
14	7115180950	Capscrew, 0.50"-13NC x 1.12"	4
15	7950180252	Flatwasher, 0.50" ID	4
16	7660182601	Lockwasher, 0.50"-13NC	4
17	7115150664	Carriage Bolt, 0.31"-18NC x .75"	8
18	7660152601	Lockwasher, 0.31" ID	8

FOLD DOWN LIGHTBAR BRACKET

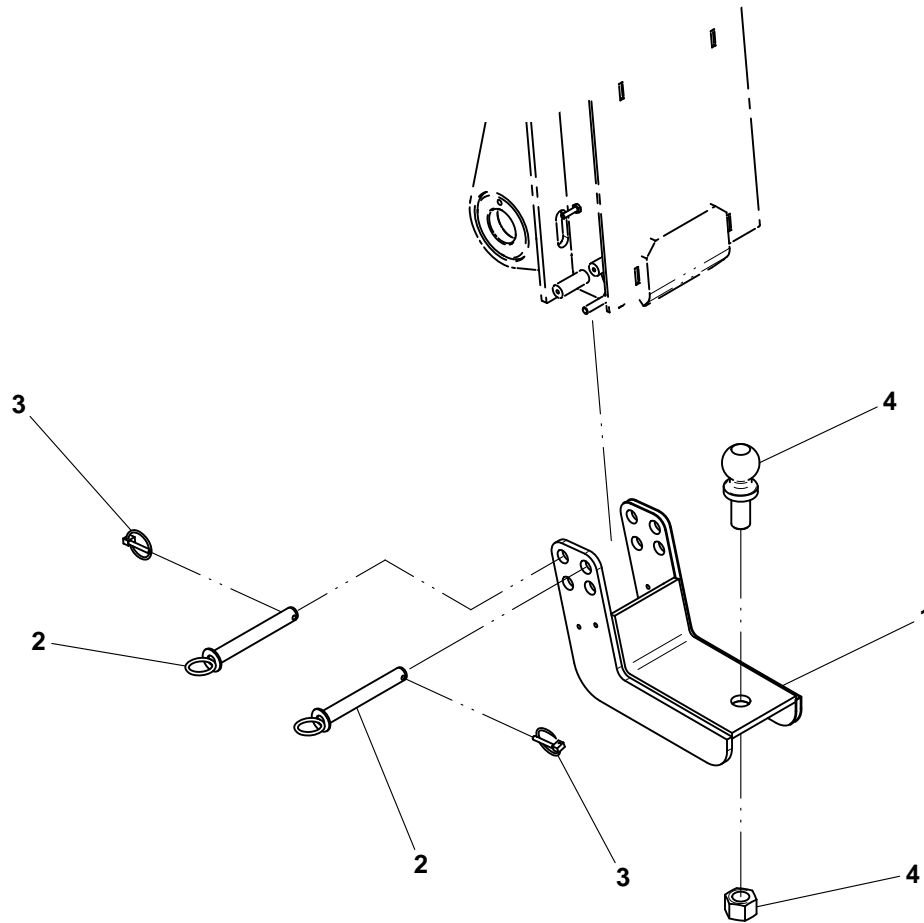


Standard Lightbar shown

BALL HITCH MOUNTING BRACKET

ITEM	PART NO.	DESCRIPTION	QTY
1	3178000507	Bracket Weld	1
2	3691000195	Pin Weld	2
3	7691000027	Pin Linch	2
4	7056000007	Ball (1.88 dia)	1
	7056000008	Ball (2.00 dia)	
	7056000009	Ball (2.31 dia)	

BALL HITCH MOUNTING BRACKET

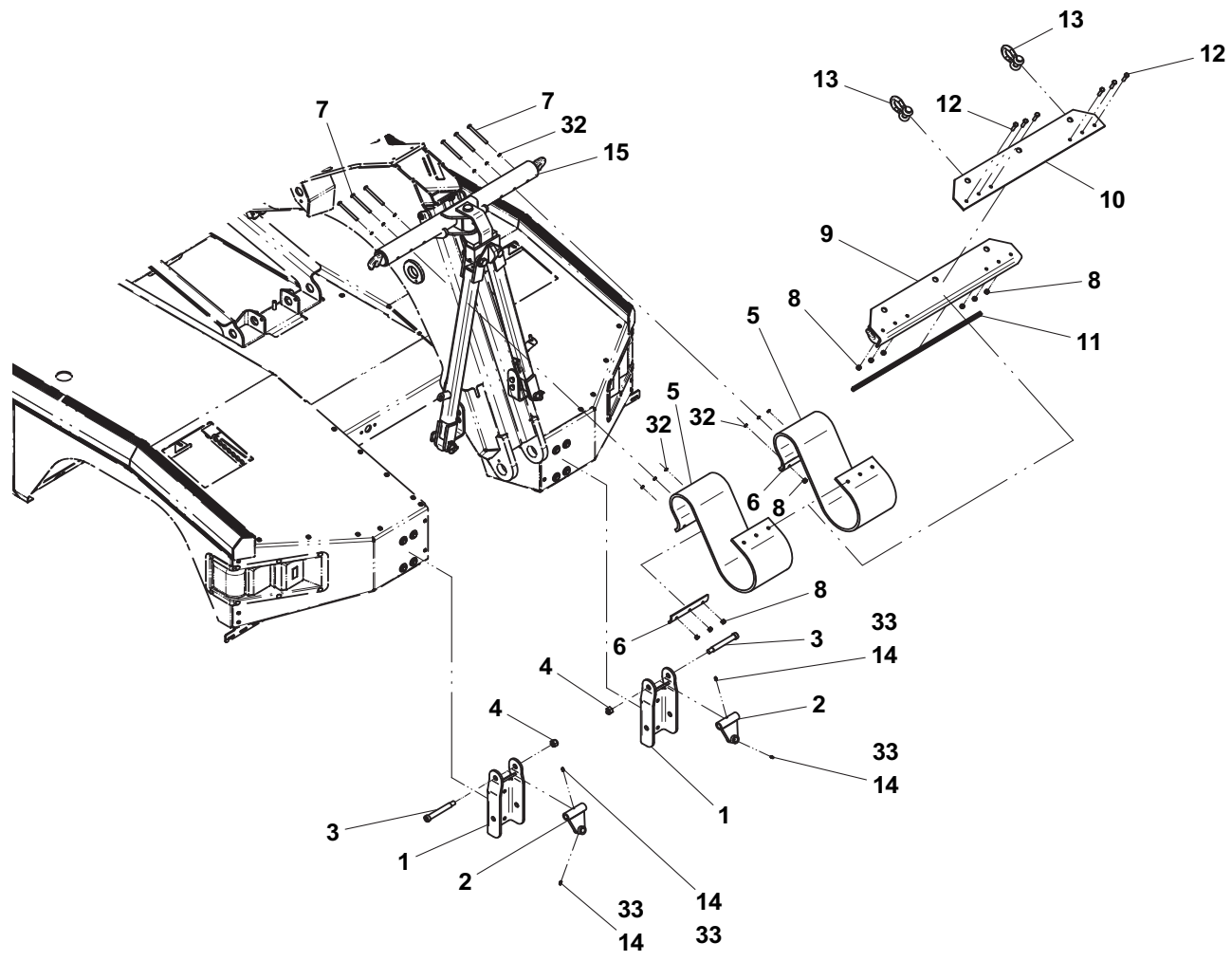


TOW SLING (SINGLE OR DUAL WINCH)

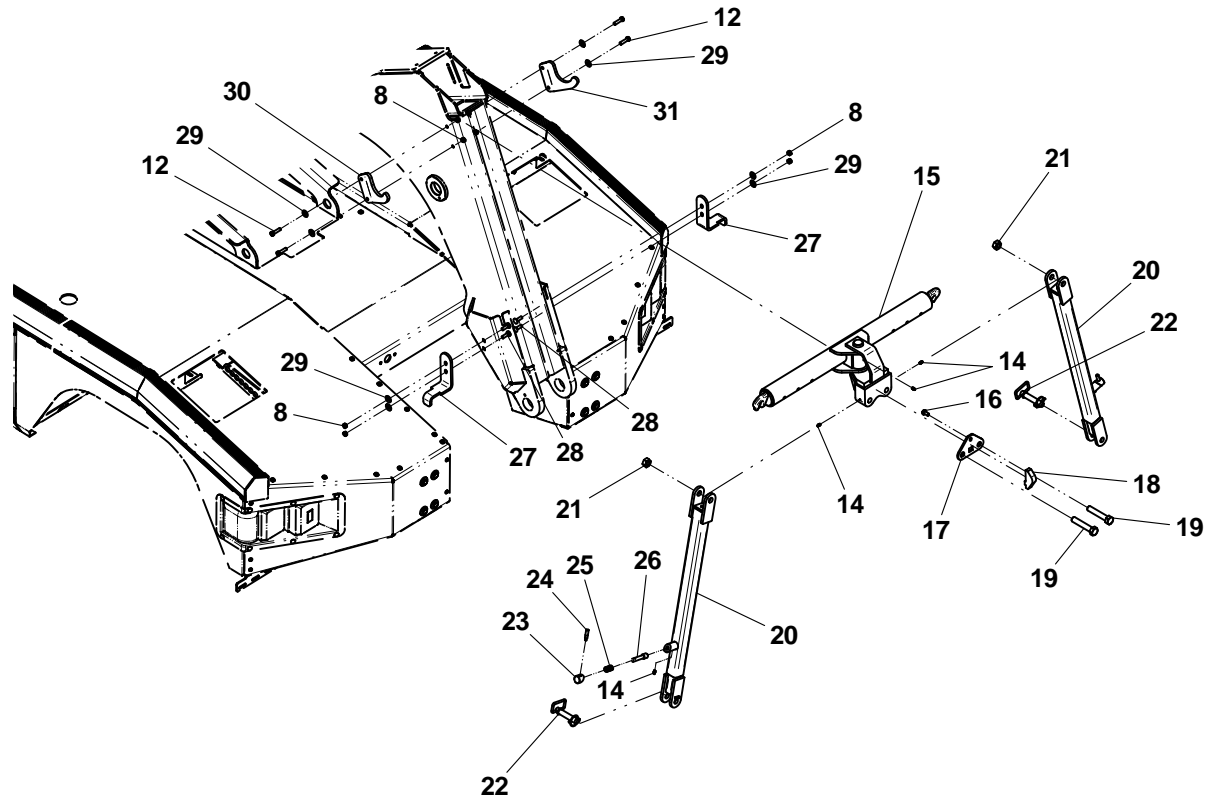
ITEM	PART NO.	DESCRIPTION	QTY
1	4178000621	Bracket	2
2	3309000007	U-Joint Weld	2
3	7115223806	Shoulder Bolt, 0.63"-11NC x 4.75"	2
4	7660202601	Locknut, 0.63"-11NC	2
5	7822000003	Sling Belt	2
6	4062000556	Bar	2
7	7118163218	Capscrew, 0.38"-16NC x 4.00"	6
8	7660162601	Locknut, 0.38"-16NC	20
9	3017000008	Anchor Weld	1
10	4706000727	Plate	1
11	8632000002	Trim	29in
12	7115161250	Capscrew, 0.38"-16NC x 1.50"	10
13	7804000001	Anchor Shackle (single winch)	1
	7804000001	Anchor Shackle (dual winch)	2
14	7440030000	Grease Fitting	9
15	3500800073	Tow Sling Head Weld	1
16	7790161253	Screw, 0.38"-16NC x .75"	1
17	4706005225	Plate	1
18	4679000276	Pad	1
19	7105223250	Capscrew, 0.75"-16NF x 4.00"	2
20	3020000007	Hold Back Arm Assembly	2
21	7661000017	Locknut, 0.75"-16NF	2
22	7691000053	Hitch Pin	2
23	4254000006*	Rod	2
24	4691000184*	Rod	2
25	7843000006*	Compression Spring	2
26	4691000188*	Pin	2
27	4178000622	Bracket	2
28	7115161064	Carriage Bolt, 0.38"-16NC x 1.25"	4
29	7950160161	Flatwasher, 0.38" ID	8
30	4178000624	Bracket LH	1
31	4178000625	Bracket RH	1
32	7796000102	Seal, O-Ring	1
33	7253000002	Grease Fitting Cap	4

* also available in Arm Weld Outer, P/N 3020000005

TOW SLING (SINGLE OR DUAL WINCH)



TOW SLING (SINGLE OR DUAL WINCH)

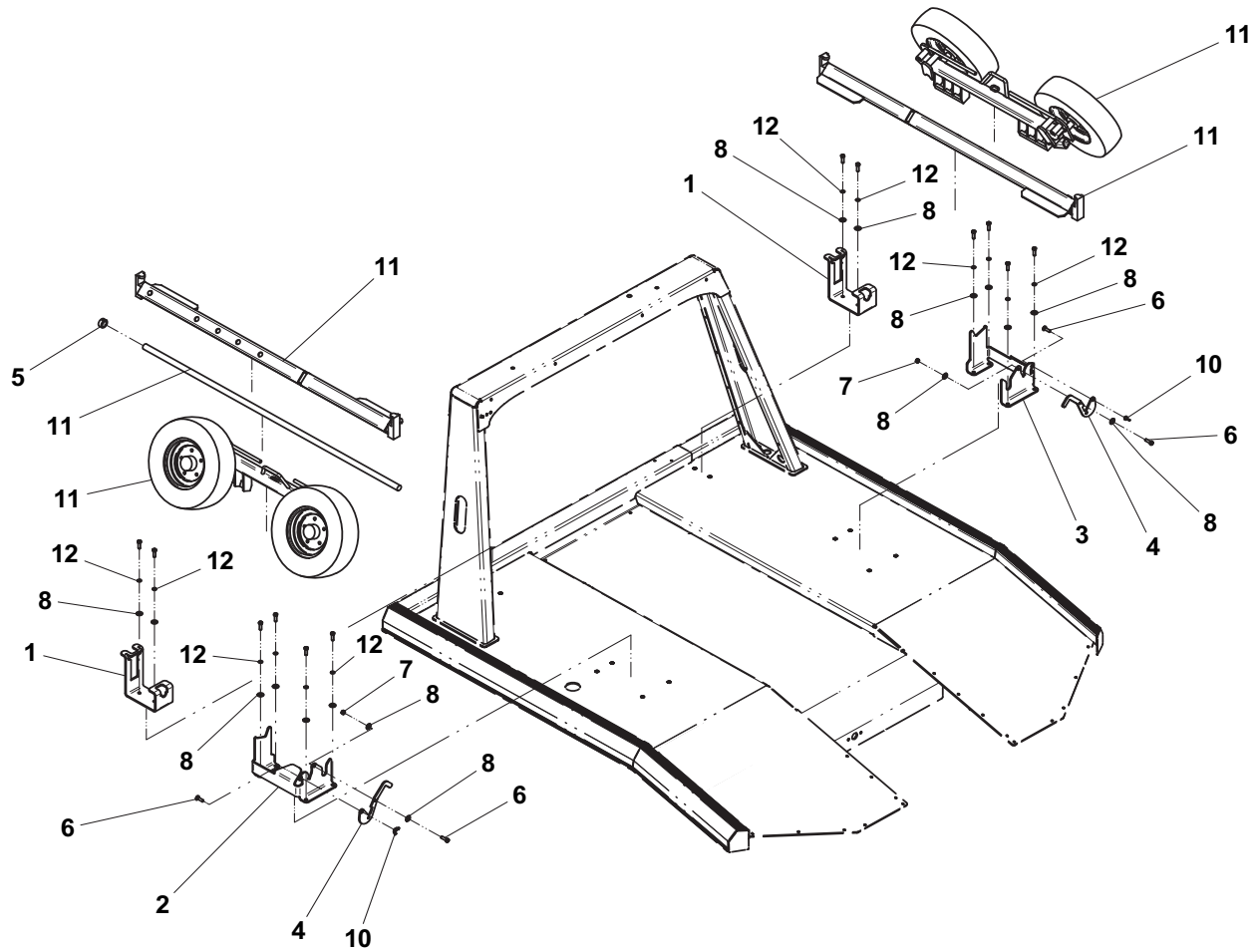


THIS PAGE INTENTIONALLY LEFT BLANK

SELF-LOADING DOLLY

ITEM	PART NO.	DESCRIPTION	QTY
1	4178000654	Bracket	2
2	4178000655	Bracket LH	1
3	4178000656	Bracket RH	1
4	4706005244	Plate	2
5	7283000004	Collar	1
6	7114161050	Capscrew, 0.38"-16NC x 1.25"	16
7	7660162604	Locknut, 0.38"-16NC	2
8	7950160163	Flatwasher, 0.38" ID	16
9	Not Required		
10	7660162100	Wingnut, 0.38"-16NC	2
11	7002000022	Dollies - Self-Loading (Steel Axle)	1
	7002000380	Dollies - Self-Loading (Aluminum Axle)	
12	7950160000	Lockwasher, 0.38" ID	12

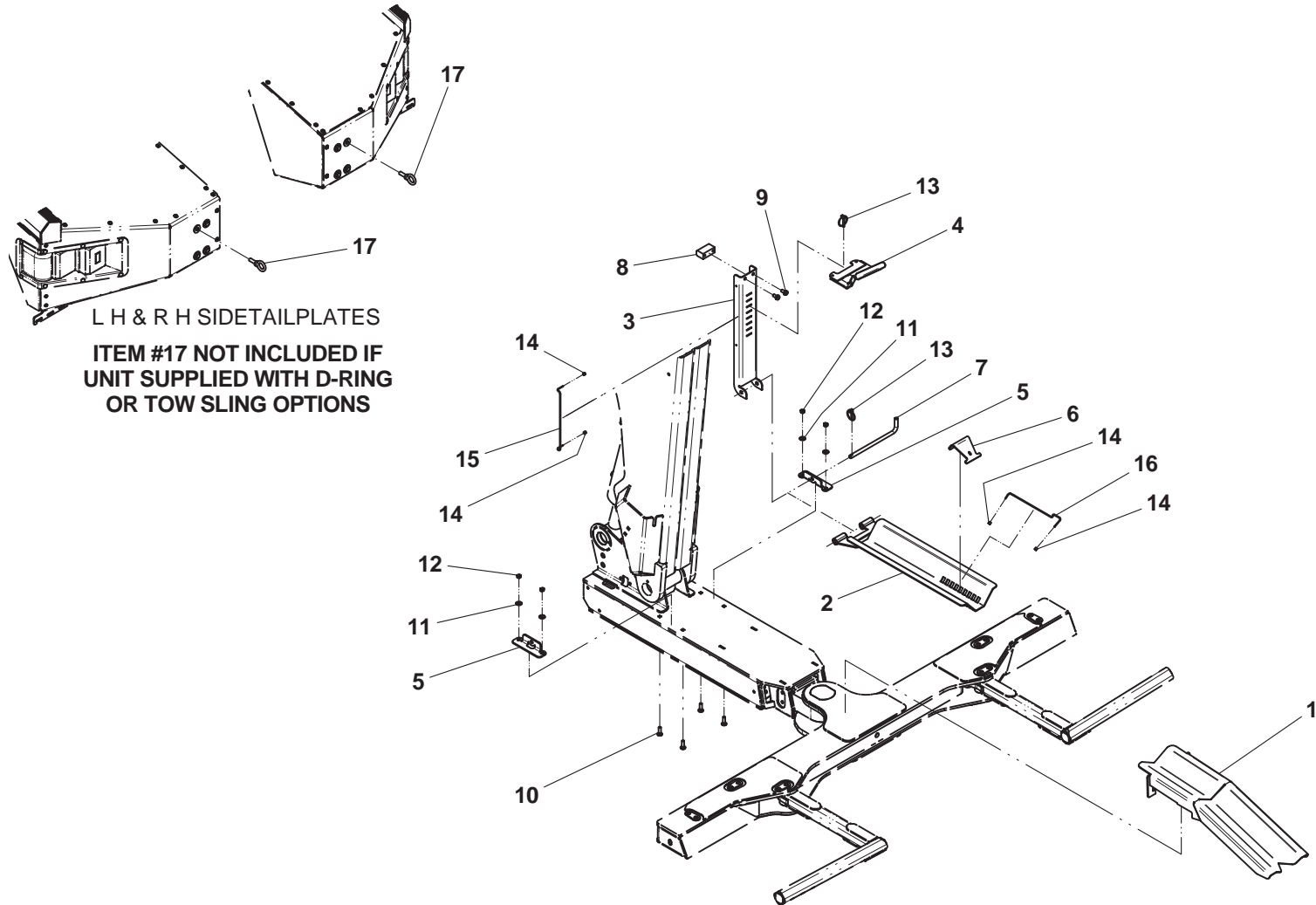
SELF-LOADING DOLLY



MOTORCYCLE ADAPTER

ITEM	PART NO.	DESCRIPTION	QTY
1	3178000470	Bracket Weld - Rear Ramp	1
2	2178000468	Bracket Weld - Lower	1
3	4263000710	Channel	1
4	3178000469	Bracket Weld - Tire Stop	1
5	4178000636	Bracket	2
6	4178000639	Bracket	1
7	4691000547	Pin	1
8	4679000275	Pad	1
9	7790161253	Screw, 0.38"-16NC x .75"	2
10	7115161064	Carriage Bolt, 0.38"-16NC x 1.25"	4
11	7950160161	Flatwasher, 0.38" ID	4
12	7660162601	Locknut, 0.38"-16NC	4
13	7691000047	Pin Linch	2
14	7819000012	Compression Sleeve	4
15	4248000002	Wire Rope	1
16	4248000003	Wire Rope	1
17	7120000052	Eye Bolt, 0.50"-13NC x 1.50"	2

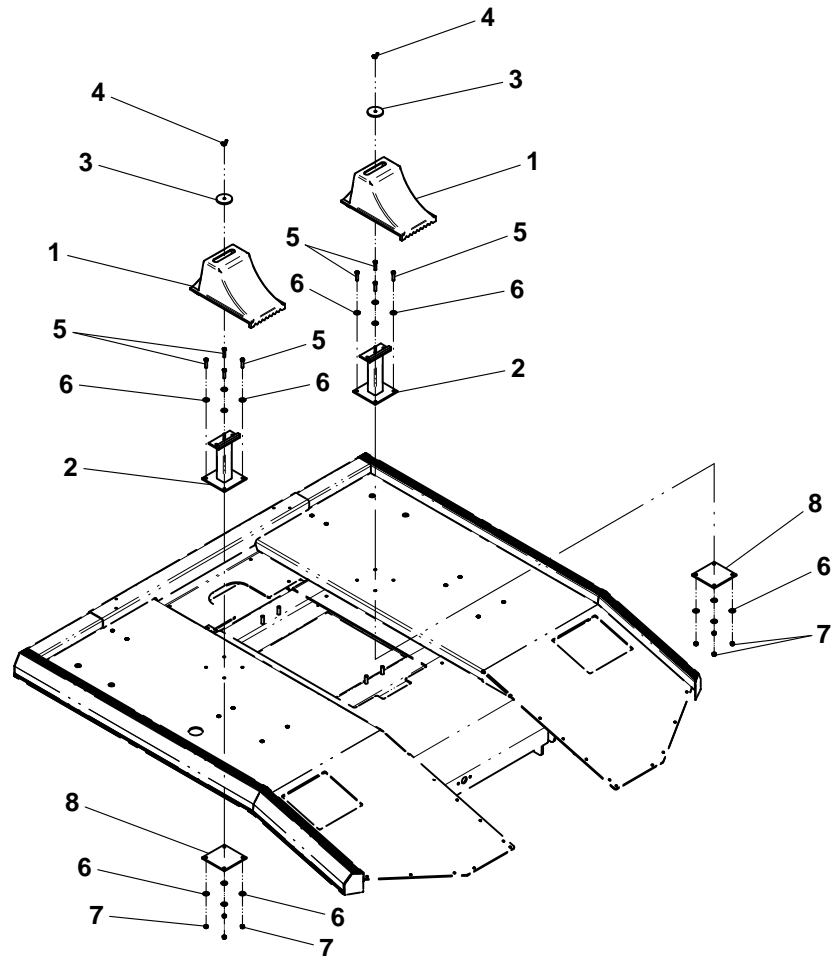
MOTORCYCLE ADAPTER



WHEEL CHOCKS

ITEM	PART NO.	DESCRIPTION	QTY
1	7002000120	Wheel Chock	2
2	3636000012	Mount Weld	2
3	4949000016	Flatwasher, 0.41" ID	2
4	7660162100	Wing Nut, 0.38"-16NC	2
5	7111161250	Capscrew, 0.38"-16NC x 1.50"	8
6	7950160161	Flatwasher, 0.38" ID	16
7	7660162601	Locknut, 0.38"-16NC	8
8	4706005553	Plate	2

WHEEL CHOCKS

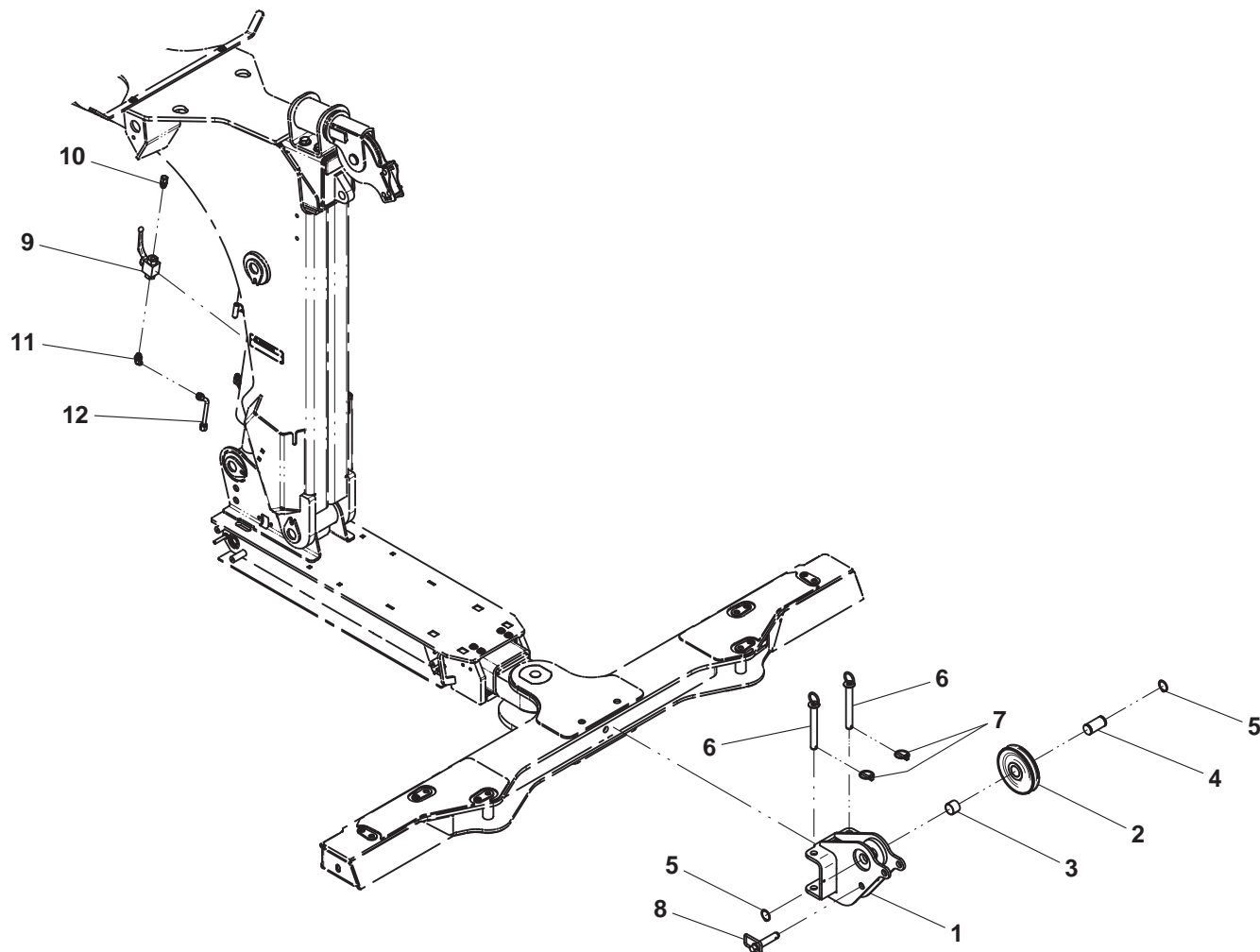


RECOVERY SHEAVE

ITEM	PART NO.	DESCRIPTION	QTY
1	3249000040*	Sheave Weld	1
2	7809000013*	Sheave	1
3	7082000032*	Bearing	1
4	4691000572*	Pin	1
5	7754000006*	Retaining Ring	2
6	3691000195*	Pin Weld	2
7	7691000027*	Linch Pin	2
8	7691000053*	Hitch Pin	1
9	7935000345	Valve	1
10	7445060698	Fitting	1
11	7445060646	Elbow	1
12	7912000324	Tube Assembly	1

* also available in Cross Bar Sheave Assembly, P/N 3249000041

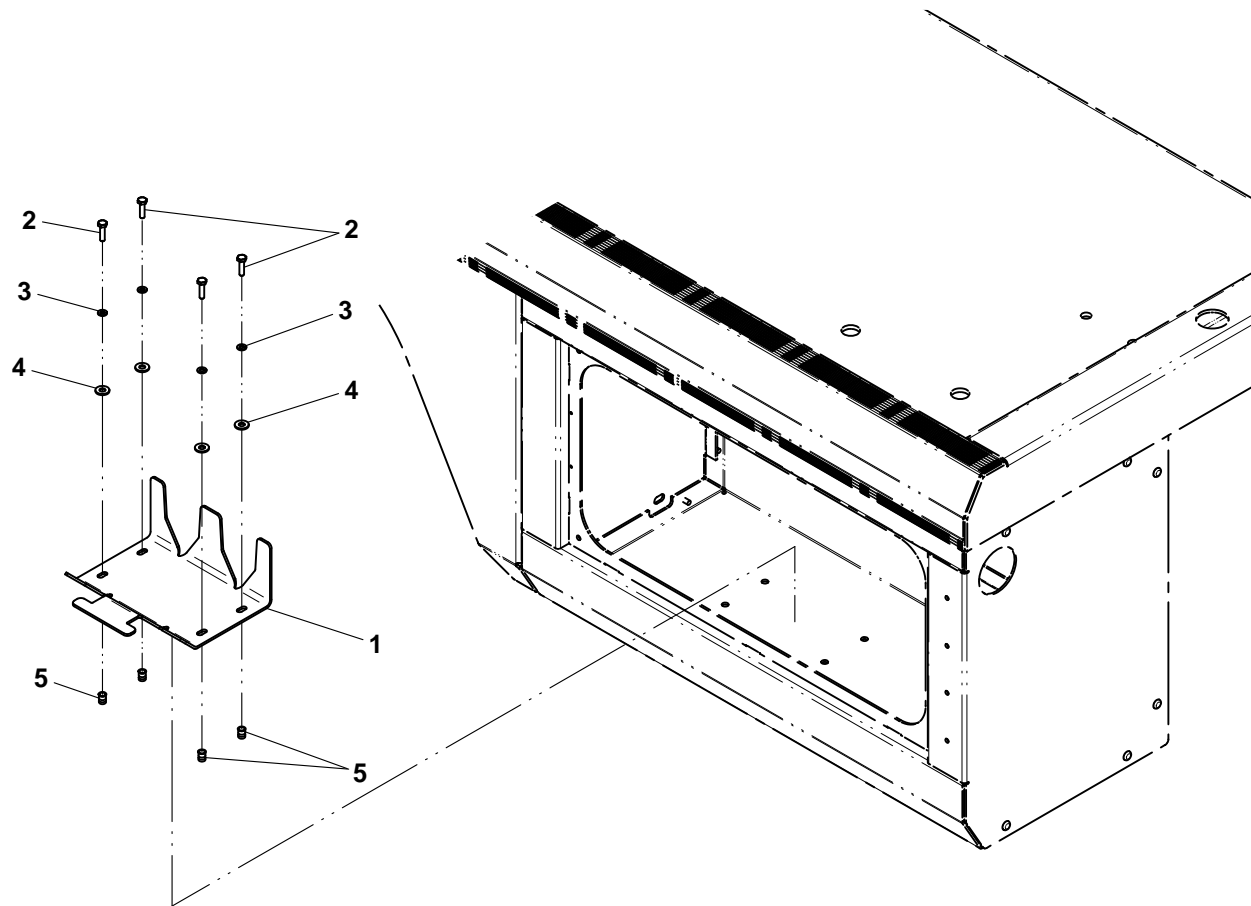
RECOVERY SHEAVE



L-ARM SPACER STORAGE

ITEM	PART NO.	DESCRIPTION	QTY
1	4178000721	Bracket	1
2	7115140550	Capscrew, 0.25"-20NC x 0.63"	4
3	7950140000	Lockwasher, 0.25" ID	4
4	7950140161	Flatwasher, 0.25" ID	4
5	7413000002	Nutsert, 0.25"-20NC	4

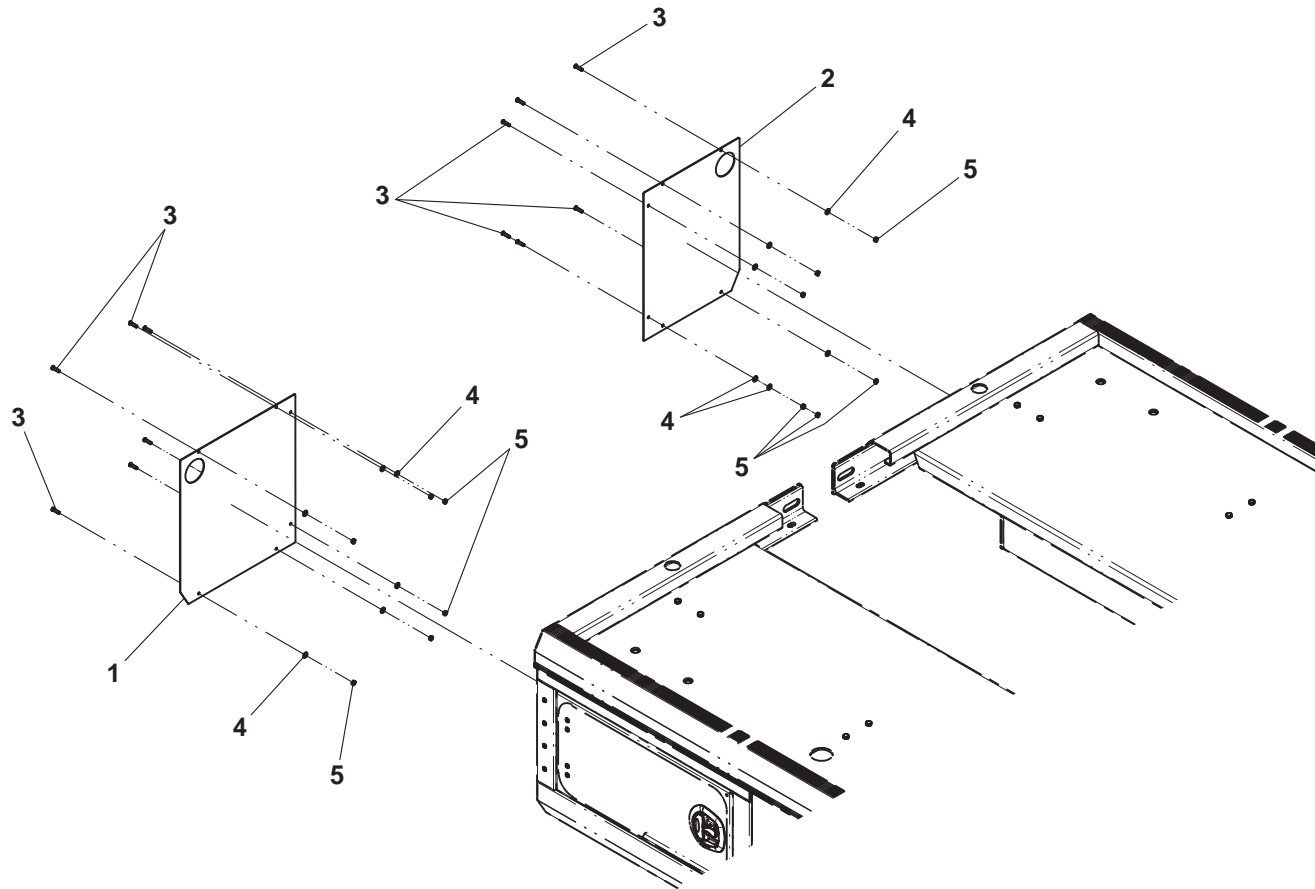
L-ARM SPACER STORAGE



STONE GUARD - BODY

ITEM	PART NO.	DESCRIPTION	QTY
1	4706005533	Plate LH (Stainless Steel)	1
	4707000314	Plate LH (Aluminum Diamond)	
2	4706005534	Plate RH (Stainless Steel)	1
	4707000315	Plate RH (Aluminum Diamond)	
3	7114140818	Capscrew, 0.25"-20NC x 1.00"	12
4	7950140141	Flatwasher, 0.25" ID	12
5	7660142600	Locknut, 0.25"-20NC	12

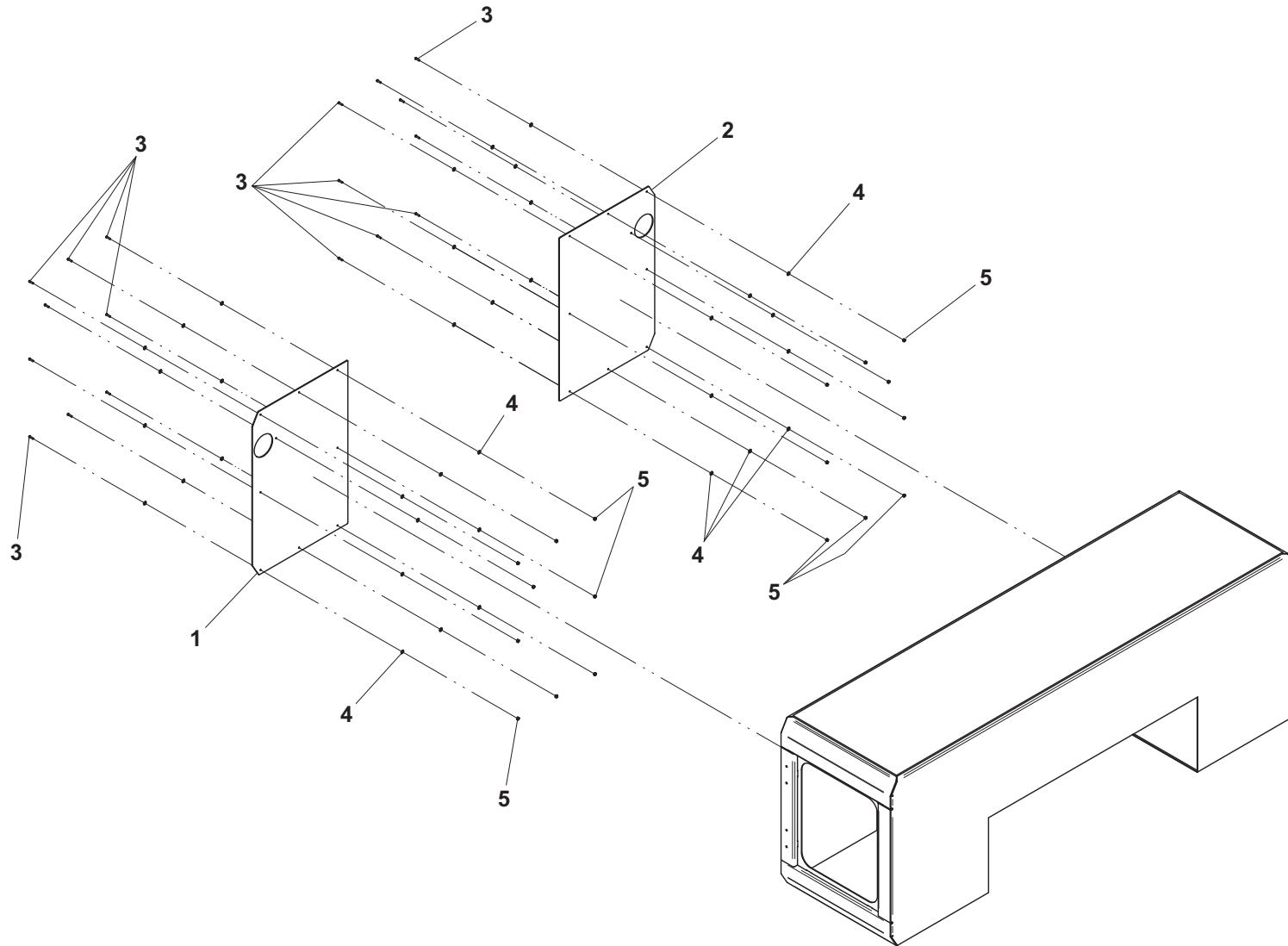
STONE GUARD - BODY



STONE GUARD - TUNNEL TOOLBOX

ITEM	PART NO.	DESCRIPTION	QTY
1	4706005881	Plate LH (Stainless Steel)	1
	4707000346	Plate LH (Aluminum Diamond)	
2	4706005882	Plate RH (Stainless Steel)	1
	4707000347	Plate RH (Aluminum Diamond)	
3	7114100618	Capscrew, #10-24NC x 0.75"	18
4	7950100103	Flatwasher, #10 ID	18
5	7660102604	Locknut, #10-24NC	18

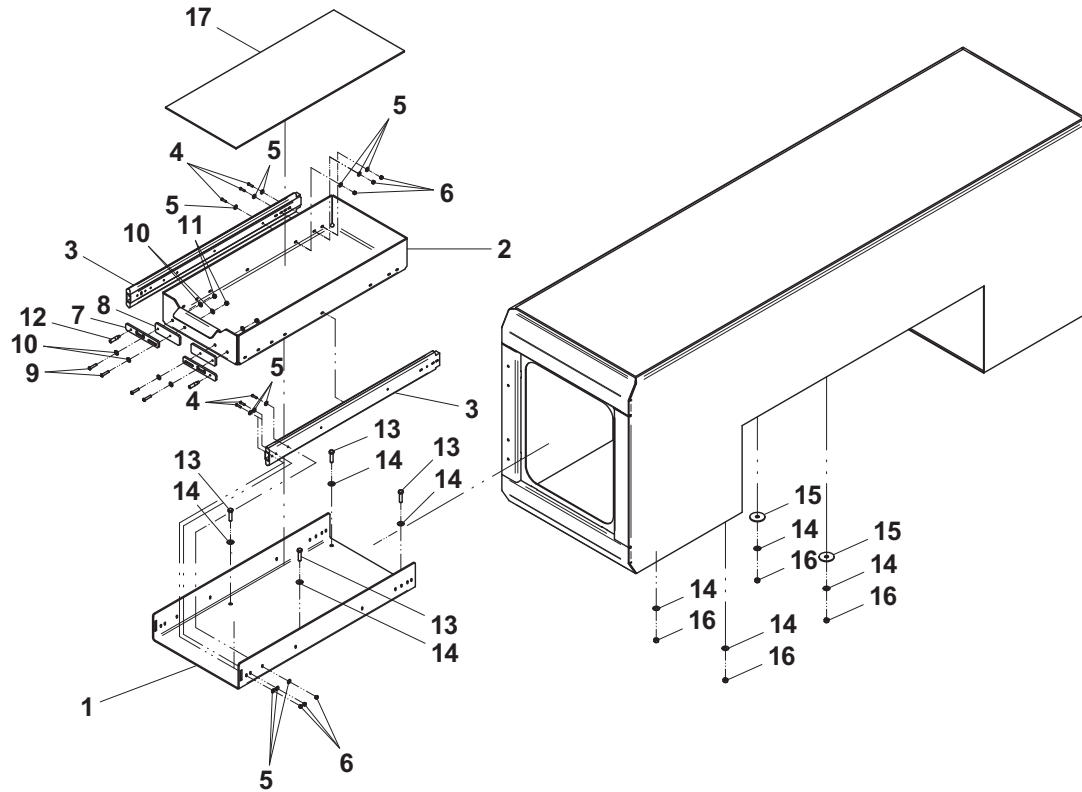
STONE GUARD - TUNNEL TOOLBOX



PULL-OUT DRAWER - TUNNEL TOOLBOX

ITEM	PART NO.	DESCRIPTION	QTY
1	4811001178	Sheet	1
2	4811001179	Sheet	1
3	7821000006	Slide	1pr
4	7114100618	Capscrew, #10-24NC x 0.75"	34
5	7950100103	Flatwasher, #10 ID	68
6	7660102601	Locknut, #10-24NC	34
7	4706005865	Plate	2
8	4706005864	Plate	2
9	7114100618	Capscrew, 0.25"-20NC x 1.25"	4
10	7950140141	Flatwasher, 0.25" ID	8
11	7660142601	Locknut, 0.25"-24NC	4
12	4763000184	Rod	2
13	7115161250	Capscrew, 0.38"-16NC x 1.50"	4
14	7950160153	Flatwasher, 0.38" ID	8
15	7949000015	Washer	2
16	7660162601	Locknut, 0.38"-16NC	4
17	4679000361	Pad	1

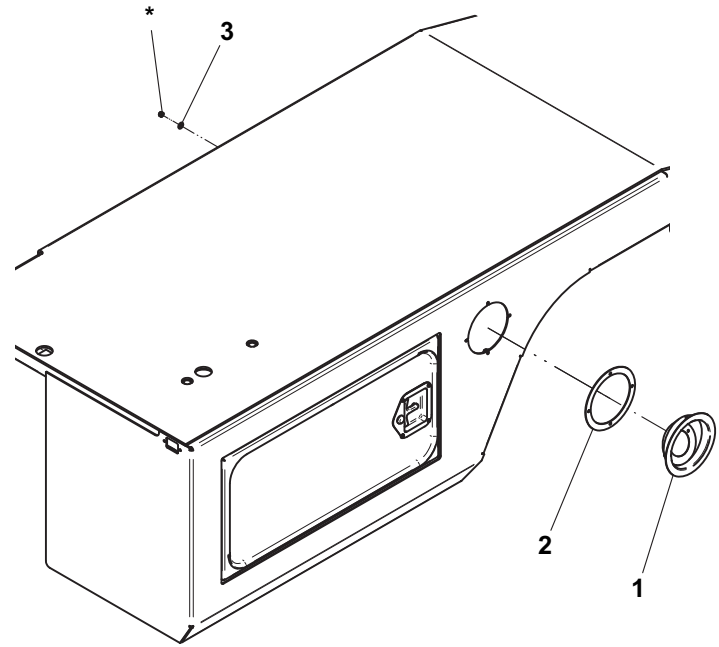
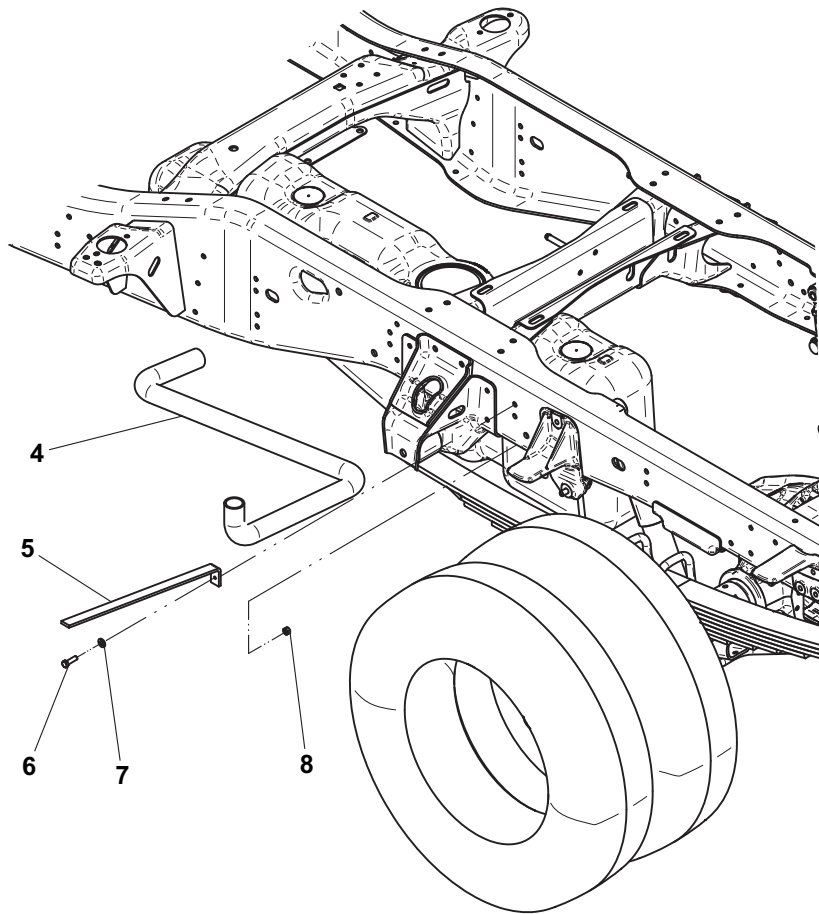
PULL-OUT DRAWER - TUNNEL TOOLBOX



FUEL FILLER

ITEM	PART NO.	DESCRIPTION	QTY
1	7449000019	Fuel Bezel	1
2	7796000100	Gasket	1
3	7950100151	Flatwasher, 0.19" ID	4
4	7570000016	Fuel Hose (Ford)	1
	7570000027	Fuel Hose (GMC, diesel)	
	7570000028	Fuel Hose (GMC, gas)	
	7570000037	Fuel Hose (Dodge)	
5	4533000415	Bracket	1
6	7115161050	Capscrew, 0.38"-16NC x 1.25"	1
7	7950160141	Flatwasher, 0.38" ID	1
8	7660162601	Locknut, 0.38"-16NC	1
9	5526000553	Tie Strap	8
10	7570000021	Vent Hose (GMC)	6 ft
	7570000036	Vent Hose (Dodge)	
11	7443000354	Fitting (GMC, gas)	2

FUEL FILLER

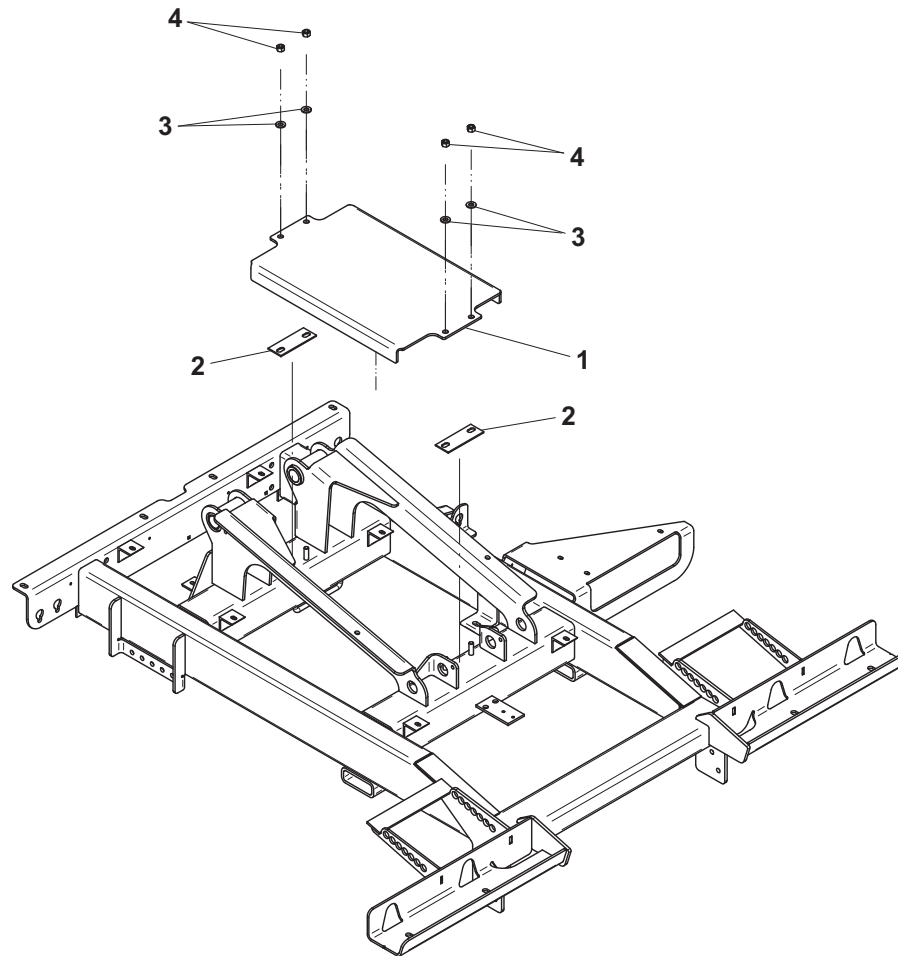


* - nuts included with fuel bezel
Not all items shown because of chassis variation

MID DECK COVERPLATE

ITEM	PART NO.	DESCRIPTION	QTY
1	4314000205	Coverplate	1
2	4090000008	Belt	2
3	7950180141	Flatwasher 0.50" ID	4
4	7660182601	Locknut, 0.50"-13NC	4

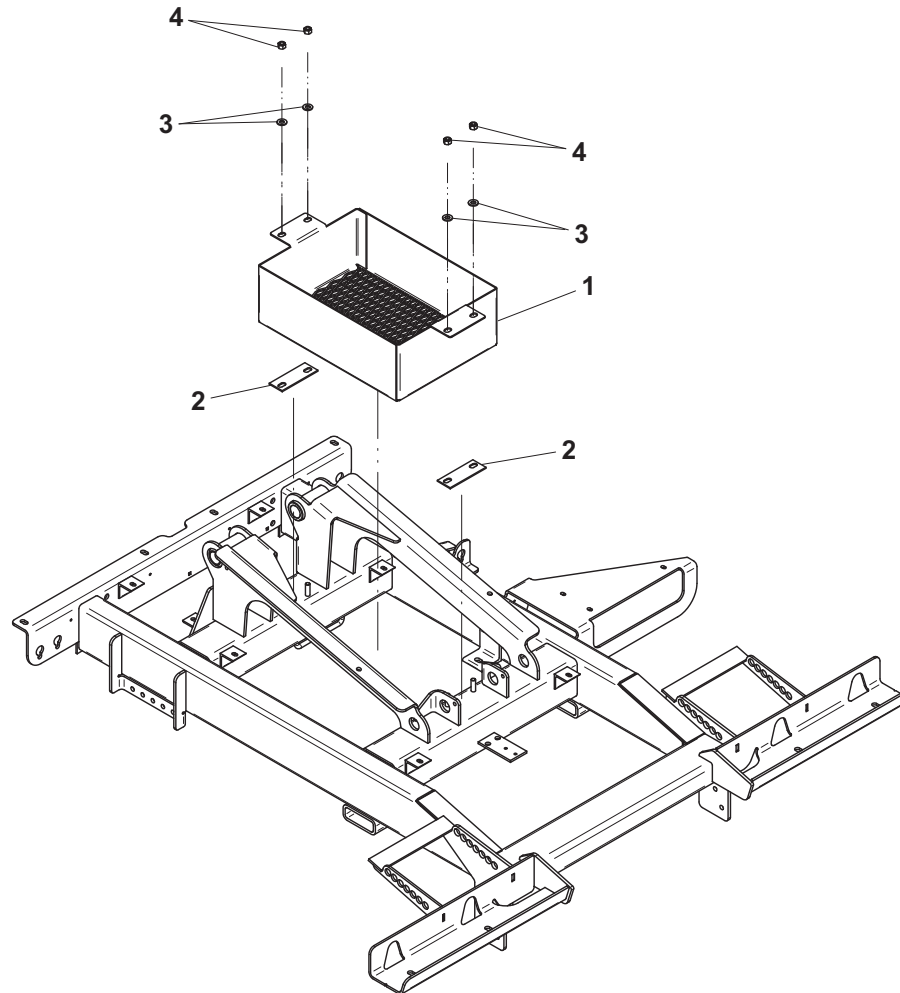
MID DECK COVERPLATE



MID DECK STORAGE TRAY

ITEM	PART NO.	DESCRIPTION	QTY
1	4178000557	Storage Tray	1
2	4090000008	Belt	2
3	7950180141	Flatwasher 0.50" ID	4
4	7660182601	Locknut, 0.50"-13NC	4

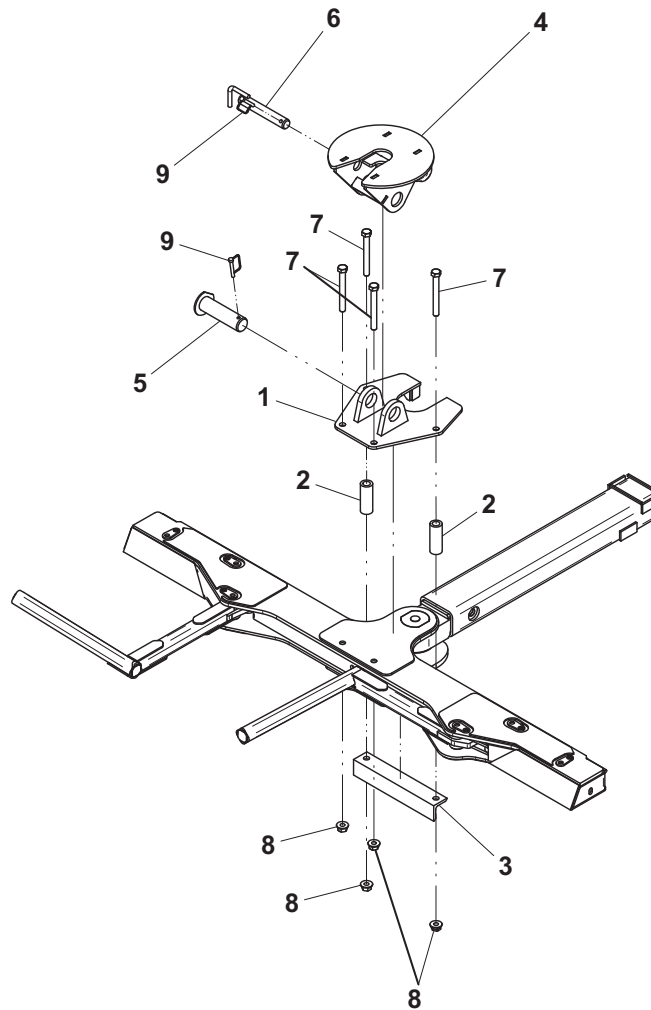
MID DECK STORAGE TRAY



FIFTH WHEEL ATTACHMENT

ITEM	PART NO.	DESCRIPTION	QTY
1	3178000543	Bracket	1
2	4912000432	Tube	2
3	4017001612	Angle	1
4	3178000562	Bracket	1
5	3691000144	Pin	1
6	3691000145	Pin	1
7	7118225250	Capscrew, 0.75"-10NC x 6.50"	4
8	7661000069	Locknut, 0.75"-10NC	4
9	7691000025	Snap Pin	2

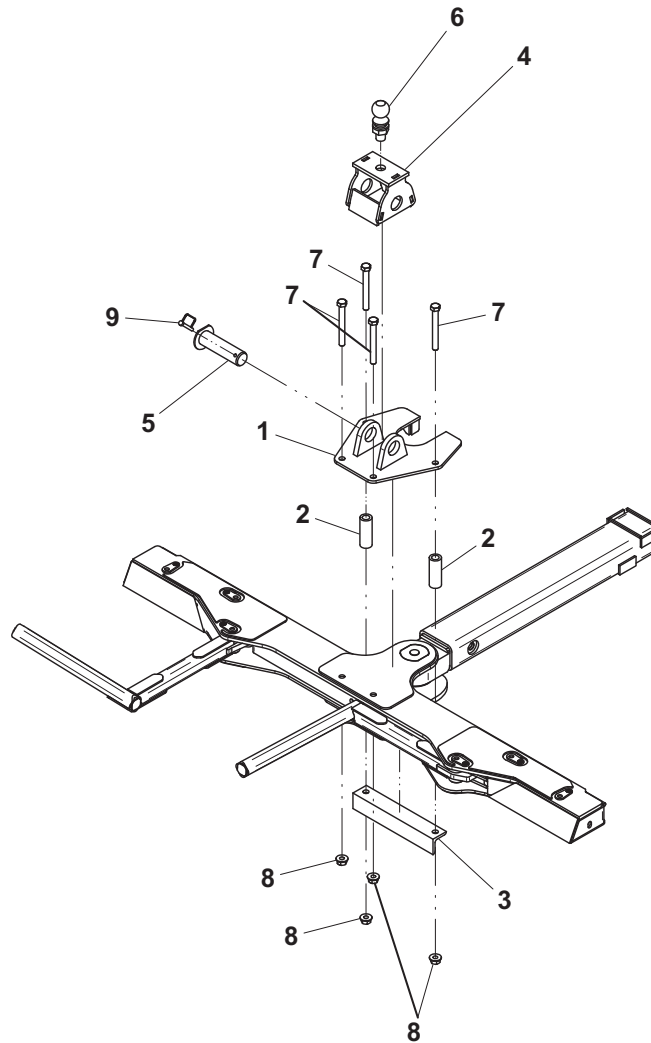
FIFTH WHEEL ATTACHMENT



GOOSENECK ATTACHMENT

ITEM	PART NO.	DESCRIPTION	QTY
1	3178000543	Bracket	1
2	4912000432	Tube	2
3	4017001612	Angle	1
4	3178000560	Bracket	1
5	3691000144	Pin	1
6	7056000011	2-5/16" Dia Ball w/ Nut	1
7	7118225250	Capscrew, 0.75"-10NC x 6.50"	4
8	7661000069	Locknut, 0.75"-10NC	4
9	7691000025	Snap Pin	1

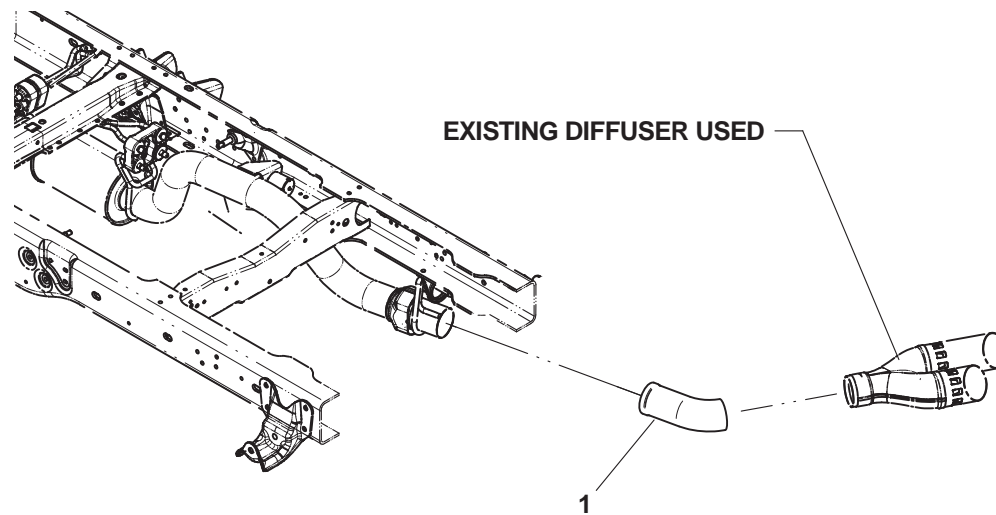
GOOSENECK ATTACHMENT



FORD DIESEL 08 EXHAUST ALTERATION

ITEM	PART NO.	DESCRIPTION	QTY
1	7696000069	Elbow Pipe	1

FORD DIESEL 08 EXHAUST ALTERATION



THIS PAGE INTENTIONALLY LEFT BLANK