

JD60 TON IND JFB BODY HEAVY DUTY WRECKER PARTS MANUAL

JERR-DAN[®]

An Oshkosh Corporation Company

13224 Fountainhead Plaza
Hagerstown, MD 21742
Phone (717) 597-7111
www.jerr-dan.com



5-376-000187
Rev 0 - November 1, 2016

© 2016 Jerr-Dan Corporation. All Rights Reserved

This manual covers the following Jerr-Dan Models:

JD60IND - 60 Ton Independent With JFB Body

Jerr-Dan Corporation strives to provide information that is accurate, complete and useful. Descriptions and illustrative material contained within this manual are as accurate as known at the time of publication and are subject to change, without notice, as a result of continuous product improvements. Jerr-Dan reserves the right to amend the information in this document at any time without prior notice.

Information contained in this manual reflects how this vehicle was built at the factory. Modifications or additions by the distributor or owner are not reflected in this manual.

This parts manual does not include service parts information for the commercial chassis (IHC, Ford, GM, etc.). That information is provided by the chassis manufacturer.

When ordering parts, please refer to your unit's Serial Number and Model Number. This information is be found on the aluminum tag riveted to the inside of the driver's side rear compartment of the main body.



Additional or replacement manuals can be ordered by calling Jerr-Dan Parts at 717-597-7111. Price and availability will be quoted at time of the request.

Please report comments and/or errors by contacting Jerr-Dan Corporation's Technical Publications Department by e-mail at technicalpublications@jerr-dan.com or by FAX on 717-485-7162.

Manufactured under one or more of the following patents: 5,575,606; 5,672,042; 5,697,741; 5,713,714; 5,722,810; 5,782,596; 5,839,775 and 6,315,515 B1 with other Patents Pending.

Jerr-Dan and the Jerr-Dan logo are registered trademarks and Run Hard is a service mark of Jerr-Dan Corporation, Greencastle, PA USA.

The material in this document is confidential and the property of Jerr-Dan Corporation. No part of this document may be photocopied, Reproduced or translated to another language without the express written consent of Jerr-Dan Corporation.

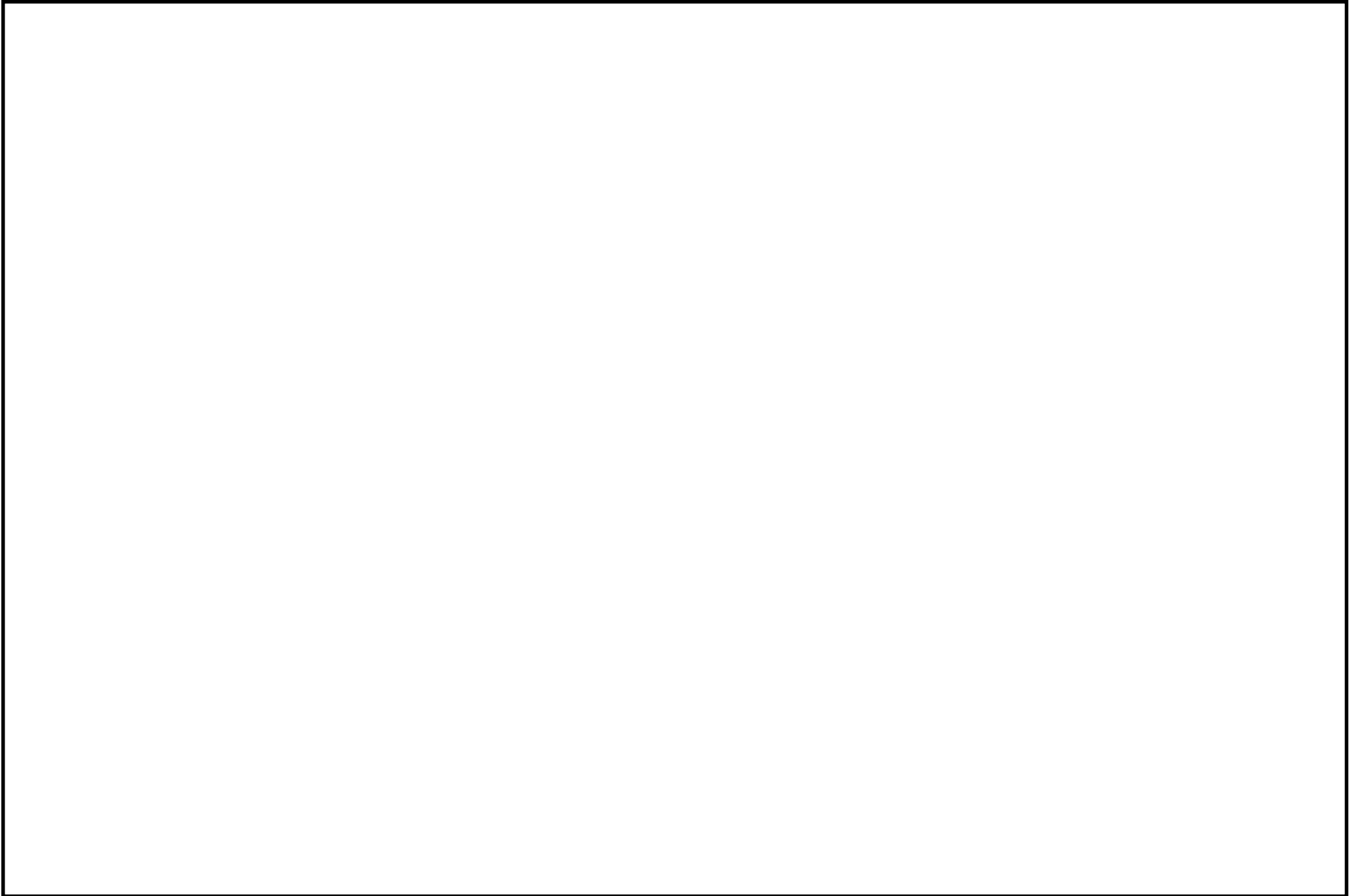
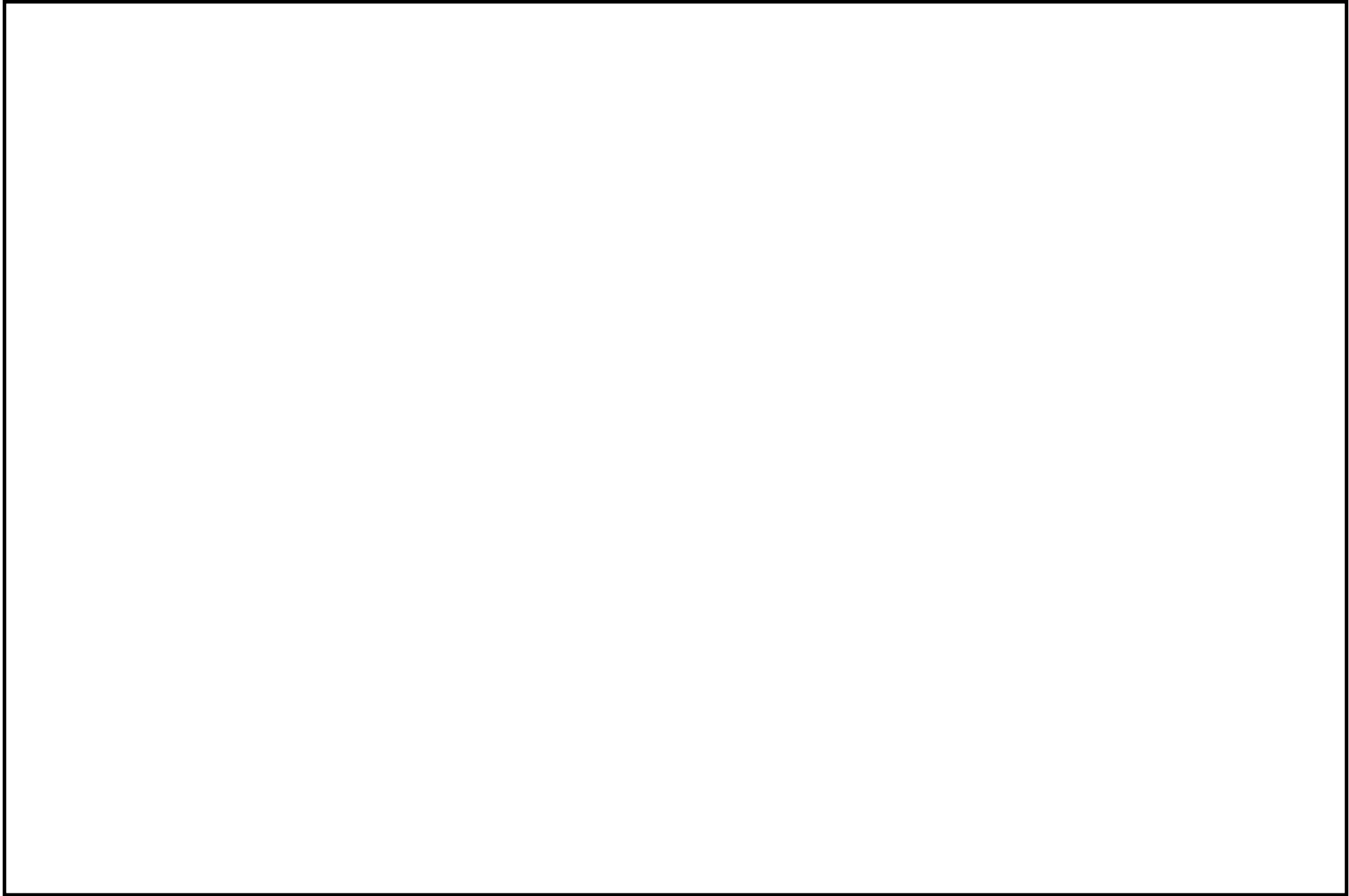


TABLE OF CONTENTS

Subframe Installation.....	8	Underlift Extension Cylinder Assembly - 7320000068.....	86
Rear Tail Plate Installation.....	10	Underlift Assembly - 3170000381 - Optional - 565 4 Piece u/L.....	88
Subframe Hydraulic Tubing.....	12	Underlift Extension Cylinder Assembly - 7320000038.....	90
Hydraulic Tank Installation - W/O UL Winch.....	14	Underlift Winch Installation.....	92
Hydraulic Tank Assembly - W/O UL Winch.....	16	DP Winch 35K - 1001143297 - Cable Winch Drum Installation.....	94
Hydraulic Tank Installation w/ UL Winch - 3750000055.....	18	DP Winch 35K - 1001143297 - Gear End Installation.....	96
Hydraulic Tank Assembly w/ UL Winch.....	20	DP Winch 35K - 1001143297 - Input Shaft Installation.....	98
Rear Spade Installation.....	22	DP Winch 35K - 1001143297 - Base Mount Installation.....	100
Spade Cylinder Assembly - 7320000006.....	24	DP Winch 35K - 1001143297 - Gear End Cover Installation.....	102
Rear Spade Tubing.....	26	DP Winch 35K - 1001143297 - Motor End Installation.....	104
Boom Installation - 2 Piece Boom.....	28	DP Winch 35K - 1001143297 - Cable Hold Down Kit.....	106
Boom Lift Cylinder - 7320000027.....	30	Crosstube Installation.....	108
Boom Lift Cylinder - 7320000062.....	32	Underlift Tools - 5th Wheel Installation.....	110
Wrecker Boom Assembly - 2 Piece.....	34	Underlift Tools - Frame Forks.....	112
Wrecker Boom Cylinder - 7320000028.....	36	Underlift Tools - 14,000 Lb Tire Lift.....	114
Wrecker Boom Decal Installation.....	38	Underlift Tools - 25,000 Lb Tire Lift.....	116
Winch Installation.....	40	Underlift Tools - Pintle Hook.....	118
Winch Air Installation.....	42	Trailer Air Installation.....	120
DP Winch 50K - 7970000168 - Gear End Cover installation.....	44	Trailer Plug Installation.....	122
DP Winch 50K - 7970000168 - Gear End Installation.....	46	Control Installation - 9 Section - 3 Solenoid.....	124
DP Winch 50K - 7970000168 - Input Shaft Installation.....	48	Control Valve Assembly - 1001202432.....	128
DP Winch 50K - 7970000168 - Base Mount Installation.....	50	Valve Assembly - 7935000313.....	130
DP Winch 50K - 7970000168 - Drum Installation.....	52	Control Installation - 9 Section - 7 Solenoid.....	132
DP Winch 50K - 7970000168 - Motor End Installation.....	54	Control Valve Assembly - 1001202433.....	136
DP Winch 50K - 7970000169 - Gear End Cover installation.....	56	Valve Assembly - 1001203506.....	138
DP Winch 50K - 7970000169 - Drum Installation.....	58	Control Installation - 10 Section - 8 Solenoid.....	140
DP Winch 50K - 7970000169 - Base Mount Installation.....	60	Control Valve Assembly - 1001202434.....	144
DP Winch 50K - 7970000169 - Input Shaft Installation.....	62	Valve Assembly - 7935000374.....	146
DP Winch 50K - 7970000169 - Motor End Installation.....	64	Wireless Remote 6 Function - 9 Section.....	148
DP Winch 50K - 7970000169 - Gear End Installation.....	66	Wireless Remote 14 Function Non-Proportional.....	150
Power Take Off - CS Series.....	68	Wireless Remote 14 Function Proportional.....	152
Power Take Off - SH Series.....	70	Wireless Remote 16 Function Proportional.....	154
Hydraulic Supply Pressure Installation.....	72	Hydraulic Lines and Fittings - 2 Pc Boom W/O U/L Winch.....	156
Knee Boom Installation.....	74	Hydraulic Lines and Fittings - 3 Pc Boom W/O U/L Winch.....	162
Underlift Tilt Cylinder - 7320000097.....	76	Hydraulic Lines and Fittings - 2 Pc Wrecker Boom W/ U/L Winch.....	168
Underlift Tilt Cylinder - 7320000096.....	78	Hydraulic Lines and Fittings - 3 Pc Wrecker Boom W/ U/L Winch.....	174
Underlift Assembly - 3507100001.....	80	Electrical Installation - Tri-Axle.....	180
Underlift Extension Cylinder Assembly - 7320000026.....	82	Electrical Installation - Tandem Axle.....	184
Underlift Assembly - 3170000407 - Optional - 565 3 Piece U/L.....	84	Center Harness Installation - 174" CT.....	188

TABLE OF CONTENTS

Center Harness Installation - 225" CT.....	190	Traffic Cone Storage.....	274
Center Harness Installation - 265" CT.....	192	Ladder Storage.....	276
Backup Alarm Installation.....	194	Stay Dry Silo Installation.....	278
E-Stop Installation.....	196	Tow Light Storage.....	280
Driver Side Gauge Installation.....	198	Wheel Chock Storage.....	282
Body Installation - Tandem.....	200	Flare Storage.....	284
Diamond Plate Installation - Tandem.....	202	Bottle Jack Storage.....	286
Marker Light Installation - Tandem.....	204	Tool Drawer Installation - Tandem.....	288
Compartment Light Installation - Tandem.....	206	Tool Drawer Installation - Tri-Axle.....	290
Mudflap Installation.....	208	Fifth Wheel Storage Installation.....	292
Fender Installation - Tandem.....	210	Frame Fork Storage Installation.....	294
Body Installation - Tri-Axle.....	212	Fork Riser Storage Installation.....	296
Diamond Plate Installation - Tri-Axle.....	214	Grizzly Bar Storage - Tandem.....	298
Marker Light Installation - Tri-Axle.....	216	Grizzly Bar Storage - Tri-Axle.....	300
Compartment Light Installation - Tri-Axle.....	218	Broom Storage.....	302
Fender Installation - Tri-Axle.....	220	Strap Storage.....	304
Step Installation.....	222	Cribbing Storage.....	306
Grab Handle Installation.....	224	Spill Kit.....	308
Front Diamond Plate Installation.....	226	Storage Shelf Installation.....	310
Toolbox Installation - 51" w/ Batteries.....	228	Spreader Bar Storage.....	312
Toolbox Installation - 51" w/ Batteries and Counter Weight.....	230	Spreader Bar Kit - 1001175920.....	314
Toolbox Assembly - 51" w/ Batteries.....	232	Spreader Bar accessories - 1001174493.....	316
Toolbox Installation - 39" w/ Batteries.....	234	Rugged Accessory Package - 1001174490.....	318
Toolbox Installation - 49" w/o Batteries.....	238	Switch Panel Installation.....	320
Toolbox Installation - 37" w/o Batteries.....	242	Pylon Installation.....	322
Door Installation - Tandem Body.....	246	Pylon Dress-Up Kit.....	326
Door Installation - Tri-Axle.....	248	Wing Light Bracket Installation.....	328
Door Installation - 51" and 49" Tunnel Toolbox.....	250	Wing Light Installation.....	330
Door Installation - 39" and 37" Tunnel Toolbox.....	252	22" Public Safety Light Bar - 1001133591.....	332
Shackle Rack Installation - Tandem.....	254	22" Whelen Light Bar - 1001199478.....	334
Shackle Rack Installation - Tri-Axle.....	256	Light Bar Installation.....	336
Snatch Block Storage Installation - Tandem.....	258	58" Amber Lightbar - Code 3 - 1001136990.....	338
Snatch Block Storage Installation - Tri-Axle.....	260	58" Red Lightbar - Code 3 - 1001152815.....	340
Tool Storage.....	262	60" Lightbar - Whelen - 1001199475.....	342
Tilt Down Storage Tray.....	264	Cab Mounted Light Bar.....	346
Rotary Chain Rack.....	266	72" Whelen Light Bar.....	348
Chain Binder Installation.....	268	Decal Installation.....	350
Tire Lift Storage - Tandem Body.....	270	Part Number Index.....	352
Tire Lift Storage - 39" and 37" Toolbox.....	272		

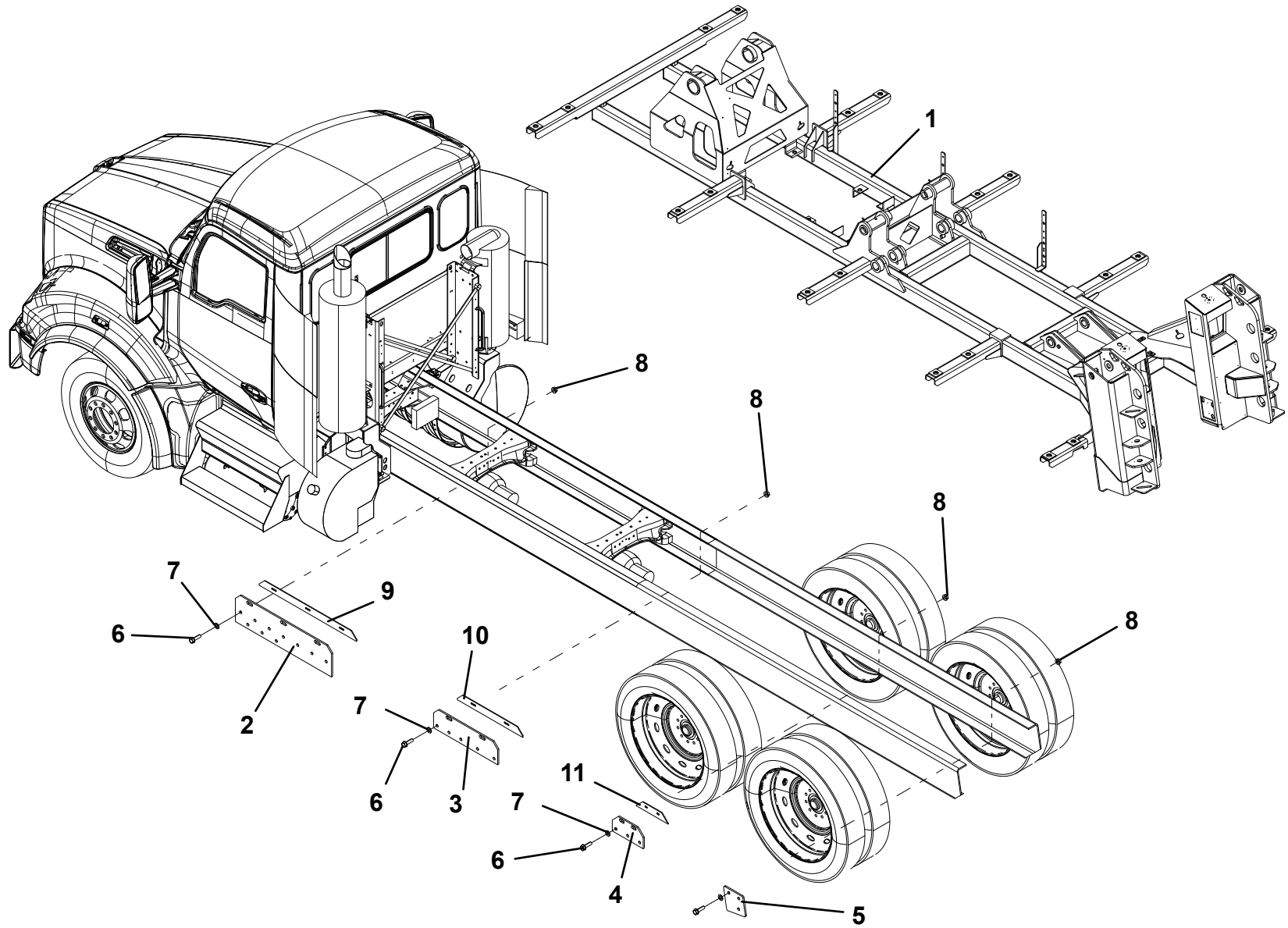


SUBFRAME INSTALLATION

ITEM	PART NO.	DESCRIPTION	QTY
1	1001204816	Subframe	1
2	1001152381	Plate, Front	2
3	1001152511	Plate, Middle	2
4	1001144730	Plate, HDL	2
5	4706006016	Plate	2
6	7118242450	Capscrew, 0.88" - 9NC x 3.00"	42
7	7949000061	Washer, 0.88" ID	42
8	7660242308	Locknut, 0.88" - 9NC	42
9	1001152548*	Plate, Front	2
10	1001152549*	Plate, Middle	2
11	4706002555*	Plate	2

* Also Available In Shim Kit - 1001152547

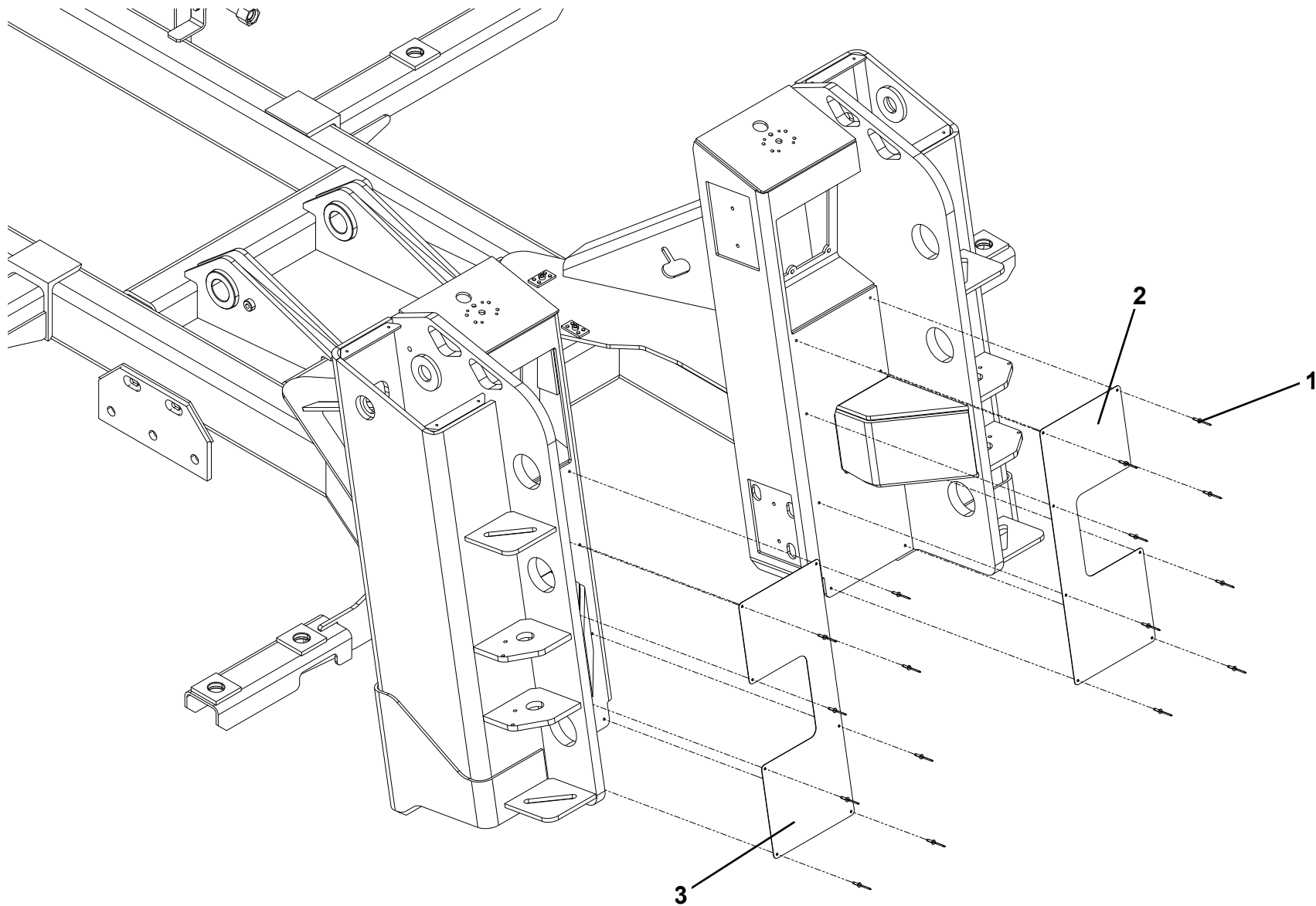
SUBFRAME INSTALLATION



REAR TAIL PLATE INSTALLATION

ITEM	PART NO.	DESCRIPTION	QTY
1	4706006008	Plate, LH	1
2	4706006009	Plate, RH	1
3	7759000018	Rivet	16

REAR TAIL PLATE INSTALLATION



SUBFRAME HYDRAULIC TUBING

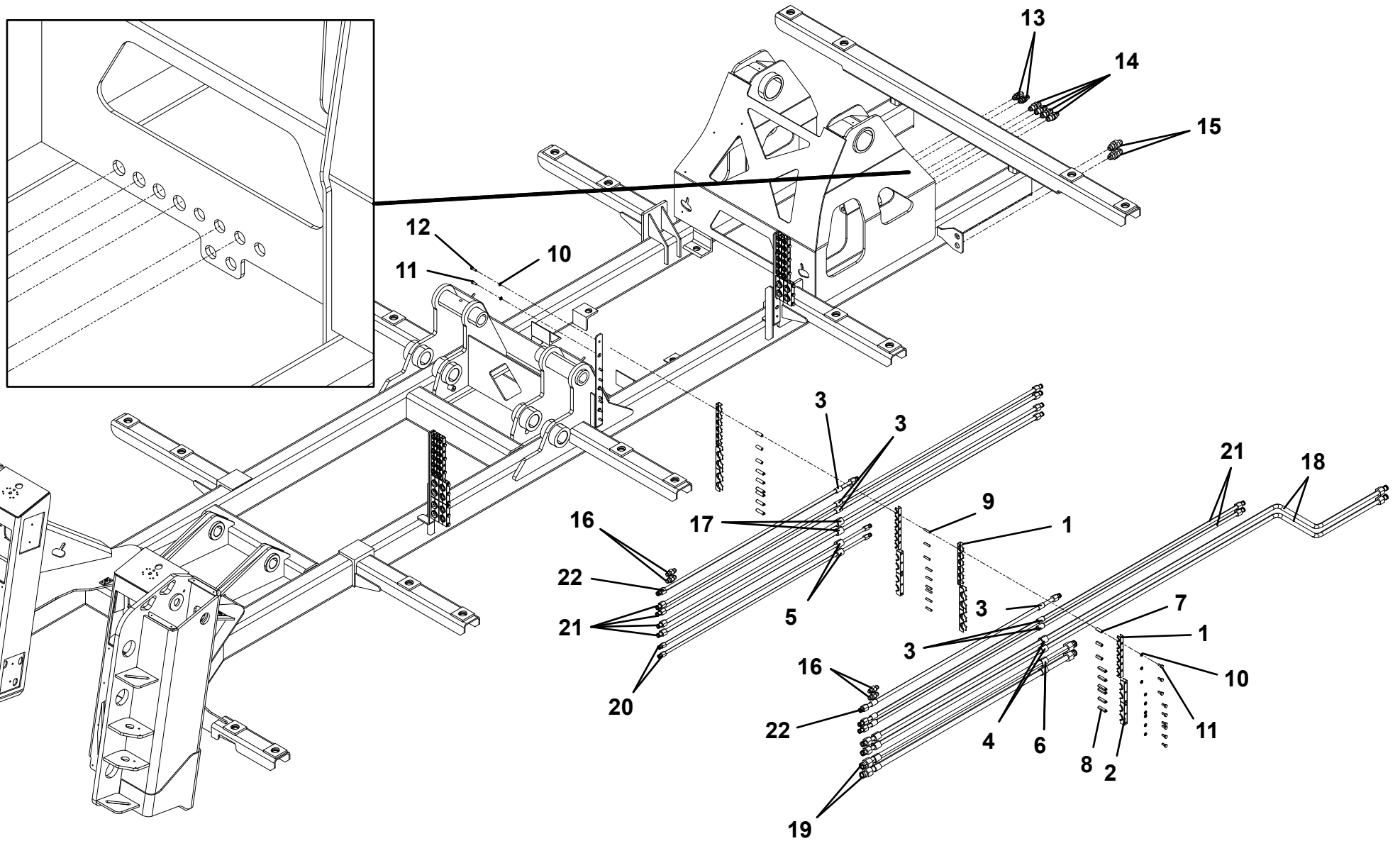
ITEM	PART NO.	DESCRIPTION	QTY
W/O WINCH			
1	7274000030	Clamp	12
2	7274000049	Clamp	20
3	7209000024	Bushing	12
4	7209000032	Bushing	6
5	7209000031	Bushing	4
6	7209000033	Bushing	4
7	7661000022	Nut, 0.31" - 18NC	18
8	7661000027	Stacking Nut	30
9	7007000036	Adapter	24
10	7950150000	Washer, 0.31" ID	48
11	7115150650	Capscrew, 0.31" - 18NC x 0.75"	32
12	7115150850	Capscrew, 0.31" - 18NC x 1.00"	16
13	7445080825	Fitting	2
14	7445101025	Fitting	4
15	7445121225	Fitting	2
16	7443000209	Fitting	4
17	7209000066	Bushing	6
18	7912000068*	Tube	2
19	7912000069*	Tube	2
20	7912000070*	Tube	2
21	7912000341*	Tube	6

ITEM	PART NO.	DESCRIPTION	QTY
WITH WINCH			
1	7274000030	Clamp	12
2	7274000049	Clamp	20
3	7209000024	Bushing	12
4	7209000032	Bushing	6
5	7209000031	Bushing	4
6	7209000033	Bushing	4
7	7661000022	Nut, 0.31" - 18NC	18
8	7661000027	Stacking Nut	30
9	7007000036	Adapter	24
10	7950150000	Washer, 0.31" ID	48
11	7115150650	Capscrew, 0.31" - 18NC x 0.75"	32
12	7115150850	Capscrew, 0.31" - 18NC x 1.00"	16
13	7445080825	Fitting	2
14	7445101025	Fitting	4
15	7445121225	Fitting	2
16	7443000209	Fitting	4
17	7209000066	Bushing	6
18	7912000068*	Tube	2
19	7912000069*	Tube	2
20	7912000070*	Tube	2
21	7912000341*	Tube	6
22	7912000238*	Tube	2

* Also Available In Tubing Kit - 7577000597

* Also Available In Tubing Kit - 7577000596

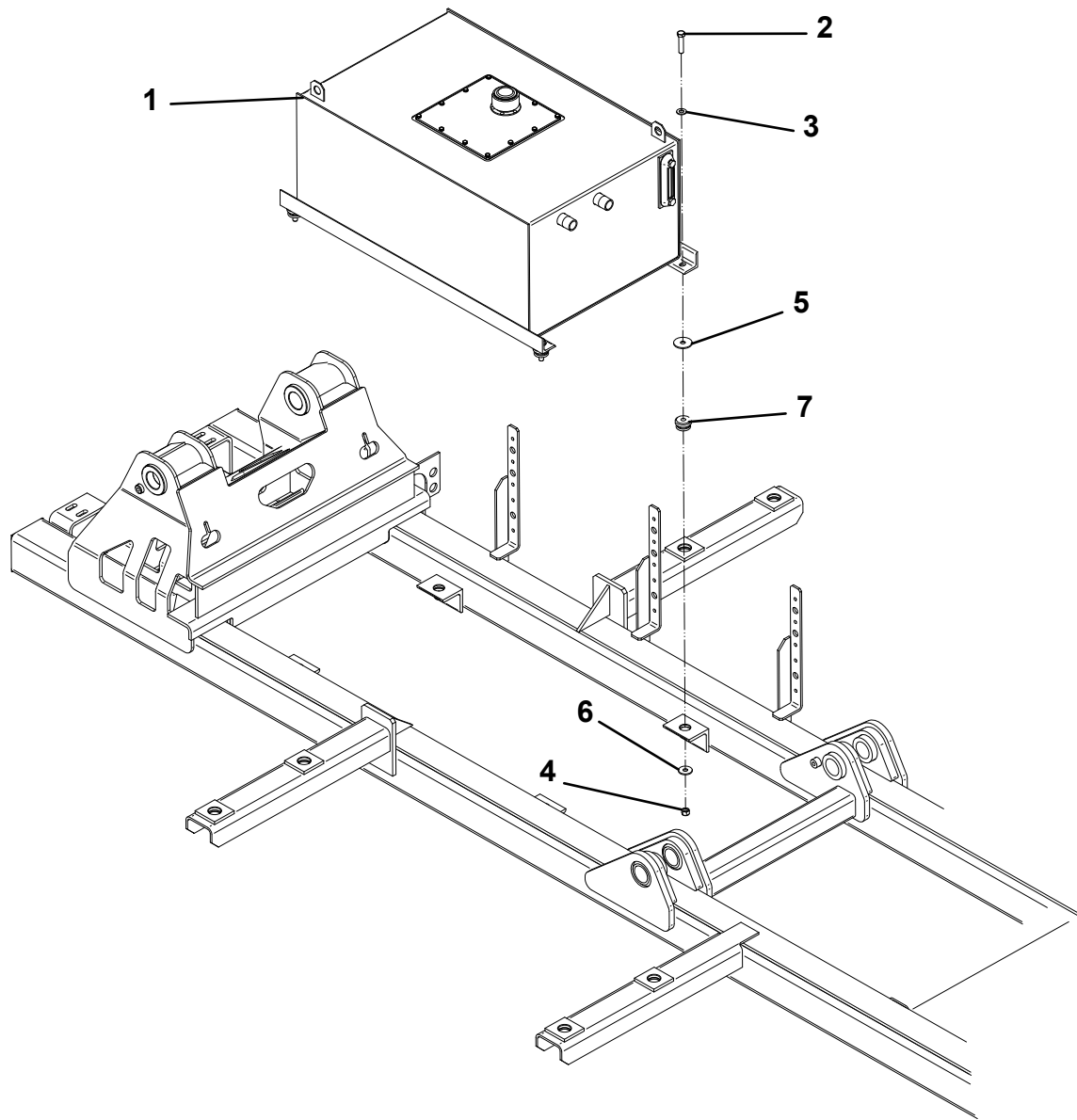
SUBFRAME HYDRAULIC TUBING



HYDRAULIC TANK INSTALLATION - W/O UL WINCH

ITEM	PART NO.	DESCRIPTION	QTY
1	3750000022	Hydraulic Tank Assembly	1
2	7115181850	Capscrew, 0.50" - 13NC x 2.25"	4
3	7950180141	Flatwasher, 0.50" ID	4
4	7660182601	Locknut, 0.50" - 13NC	4
5	7949000015	Washer, Head	4
6	7949000016	Washer, Tail	4
7	7636000006	Rubber Mount	4

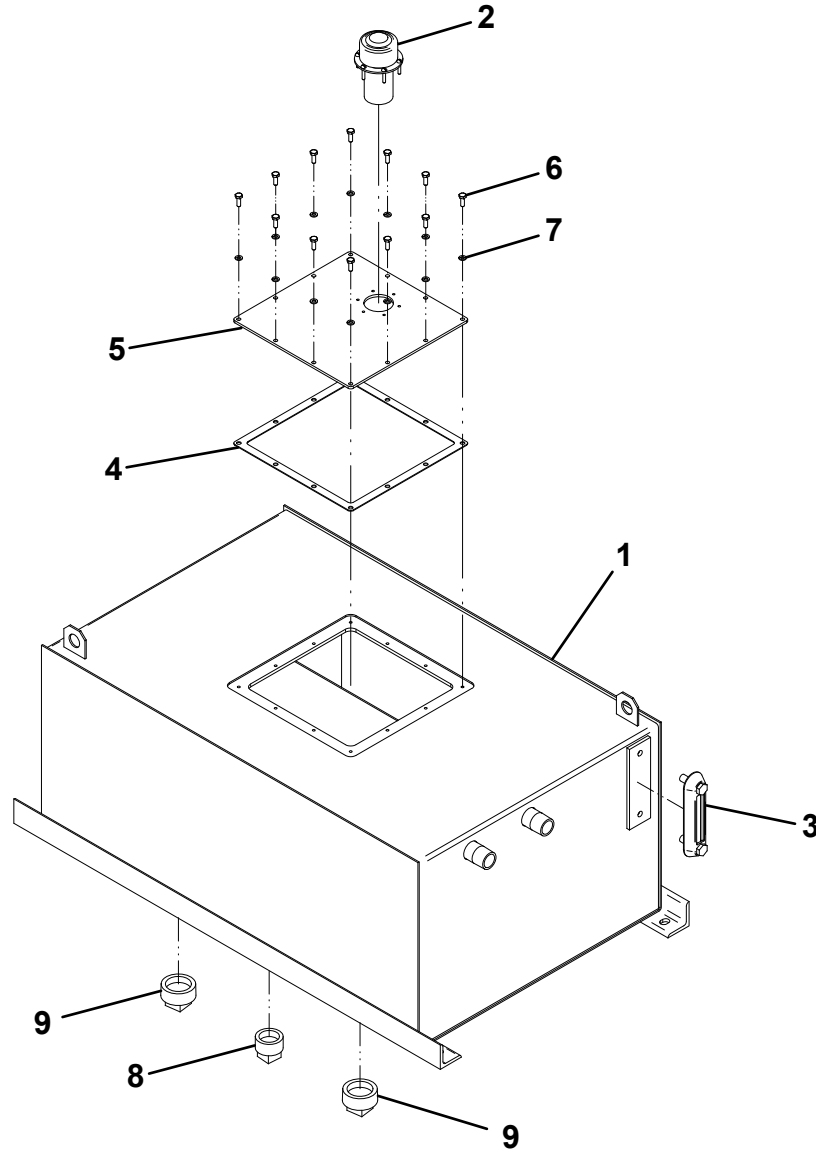
HYDRAULIC TANK INSTALLATION - W/O UL WINCH



HYDRAULIC TANK ASSEMBLY - W/O UL WINCH

ITEM	PART NO.	DESCRIPTION	QTY
1	3750000021	Hydraulic Tank	1
2	7183000004	Breather, Filler Cap	1
3	7470000003	Gauge	1
4	7796000051	Gasket, Oil Tank Cover	1
5	4706002235	Plate	1
6	7115140650	Capscrew, 0.25" - 20NC x 0.75"	12
7	7950140000	Lockwasher, 0.25" ID	12
8	7444120014	Plug	1
9	7444160011	Plug	2

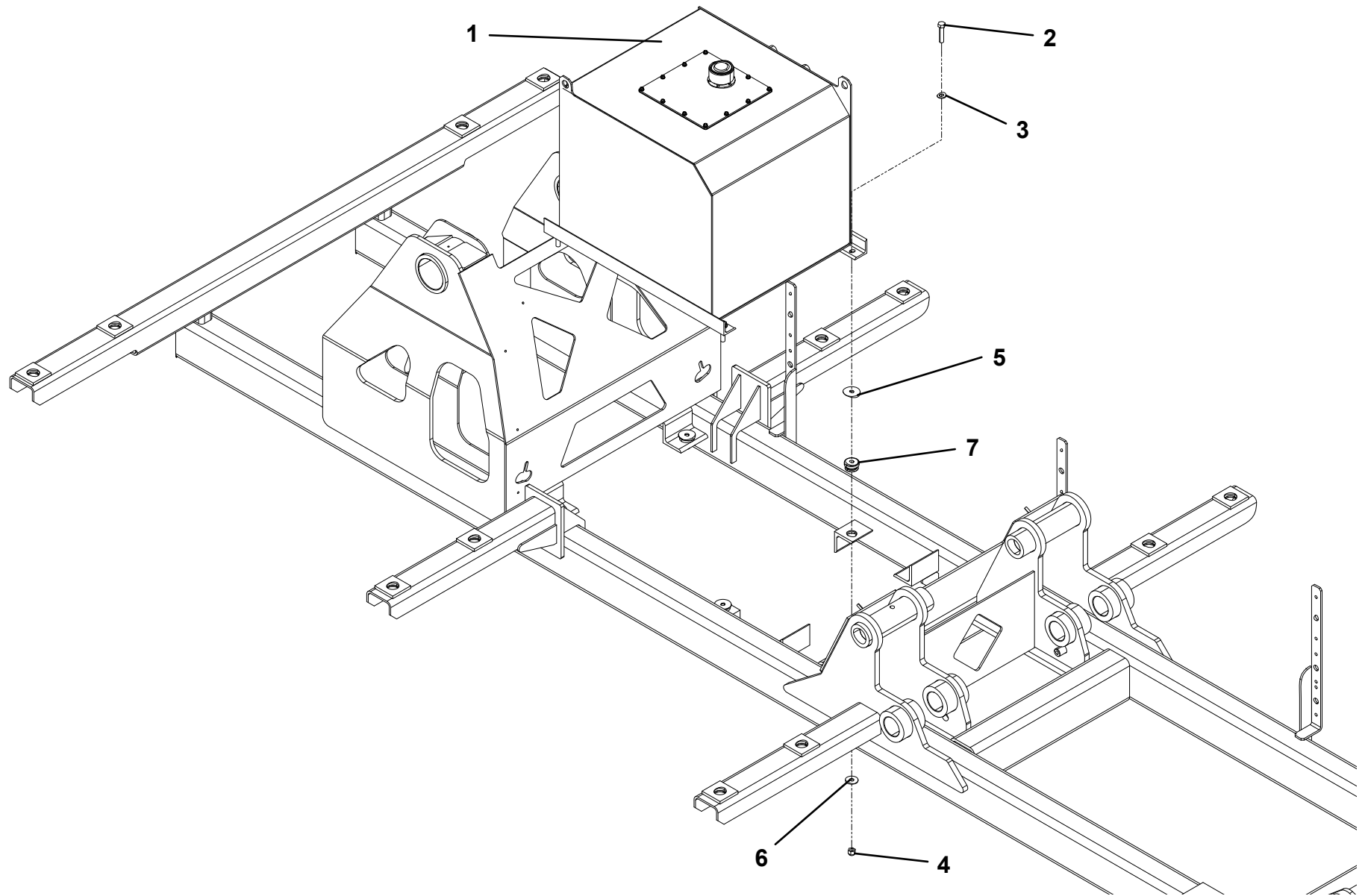
HYDRAULIC TANK ASSEMBLY - W/O UL WINCH



HYDRAULIC TANK INSTALLATION W/ UL WINCH - 3750000055

ITEM	PART NO.	DESCRIPTION	QTY
1	3750000055	Hydraulic Tank Assembly	1
2	7115181850	Capscrew, 0.50" - 13NC x 2.25"	4
3	7950180141	Flatwasher, 0.50" ID	4
4	7660182601	Locknut, 0.50" - 13NC	4
5	7949000015	Washer, Head	4
6	7949000016	Washer, Tail	4
7	7636000006	Rubber Mount	4

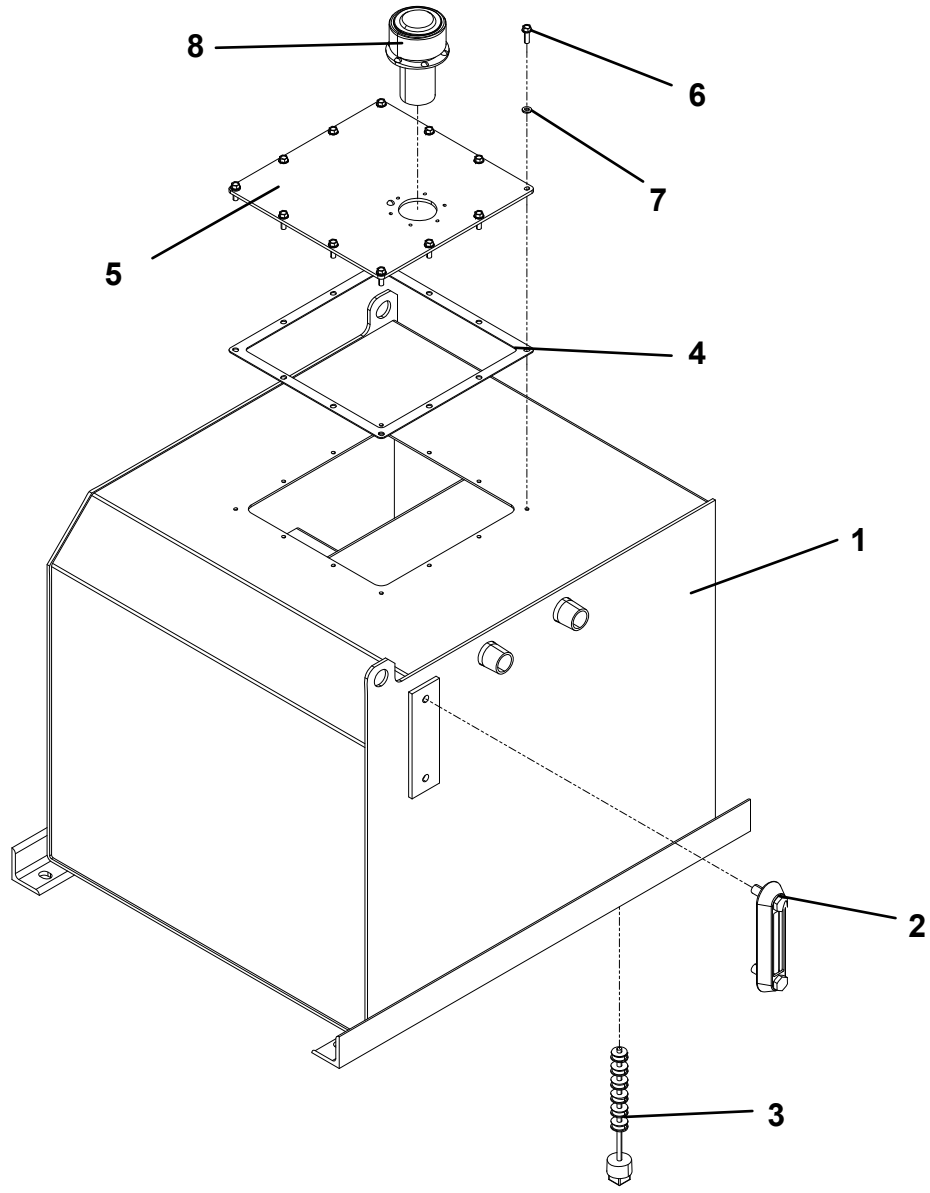
HYDRAULIC TANK INSTALLATION W/ UL WINCH - 3750000055



HYDRAULIC TANK ASSEMBLY W/ UL WINCH

ITEM	PART NO.	DESCRIPTION	QTY
1	3750000056	Tank	1
2	7470000003	Gauge	1
3	7701000025	Plug	1
4	7796000051	Gasket	1
5	4706002235	Plate	1
6	7790141253	Screw, 0.25" - 20NC x 0.75"	12
7	7950140000	Lockwasher, 0.25" ID	12
8	7183000004	Breather Cap	1

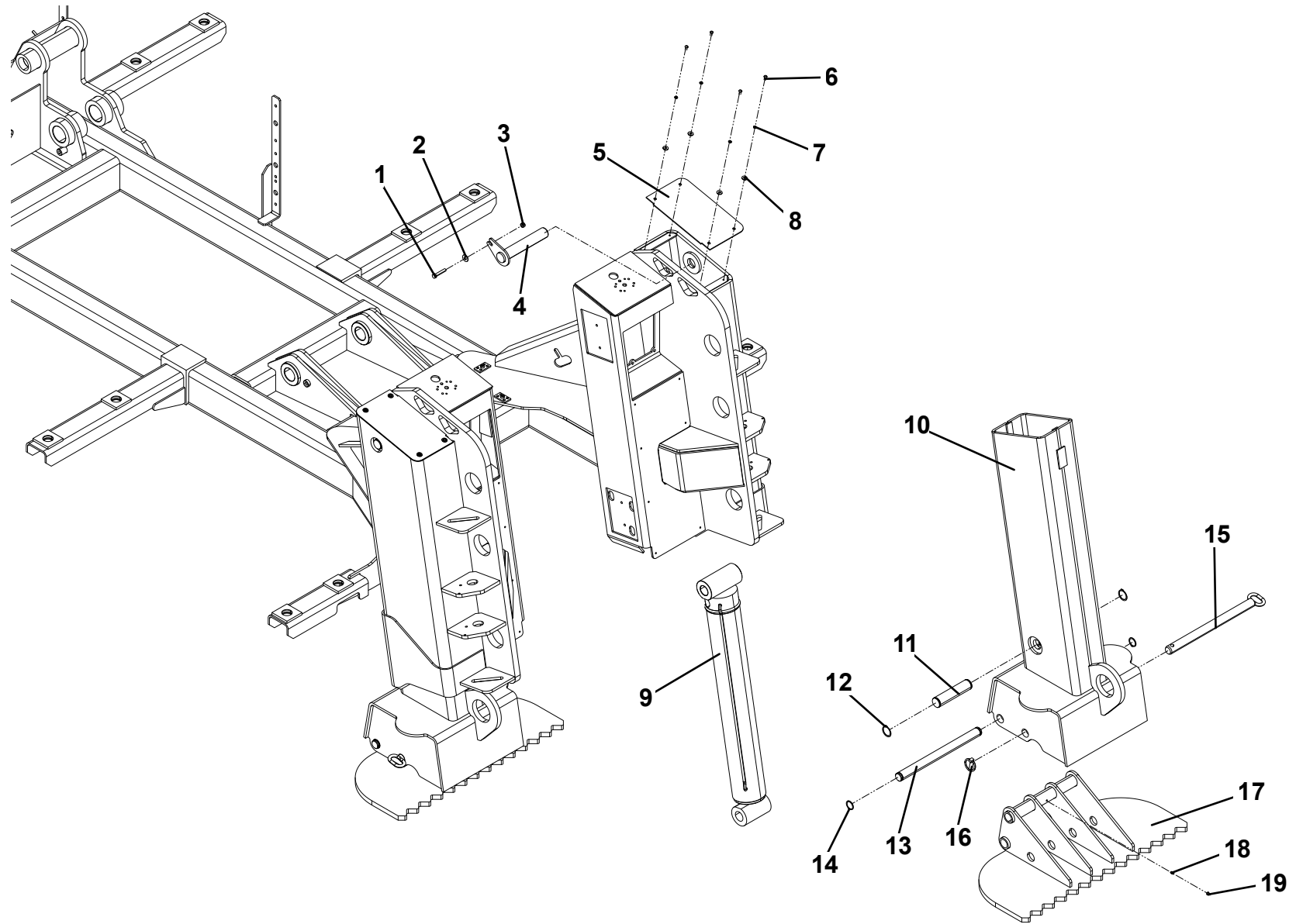
HYDRAULIC TANK ASSEMBLY W/ UL WINCH



REAR SPADE INSTALLATION

ITEM	PART NO.	DESCRIPTION	QTY
1	7115161650	Bolt, 0.38"-16NC X 2.00"	2
2	7950160161	Flatwasher, 0.38"	2
3	7660162601	Locknut, 0.38"-16UNC	2
4	3691000267	Pin	2
5	4706003716	Plate	2
6	7114140518	Capscrew, 0.25"-20NC X 0.62"	8
7	7949000025	Lockwasher, 11MM x 6.4MM	8
8	7950140153	Flatwasher, 0.25" ID	8
9	7320000006	Cylinder	2
10	3263000118	Spade Weldment	2
11	4691000207	Pin	2
12	7754000033	Retaining Ring	4
13	4691000200	Pin	2
14	7754000008	Retaining Ring	4
15	3691000126	Pin	2
16	7691000019	Lynch Pin	2
17	3706000261	Plate	2
18	7440030000	Grease Fitting	4
19	7253000002	Grease Fitting Cap	4

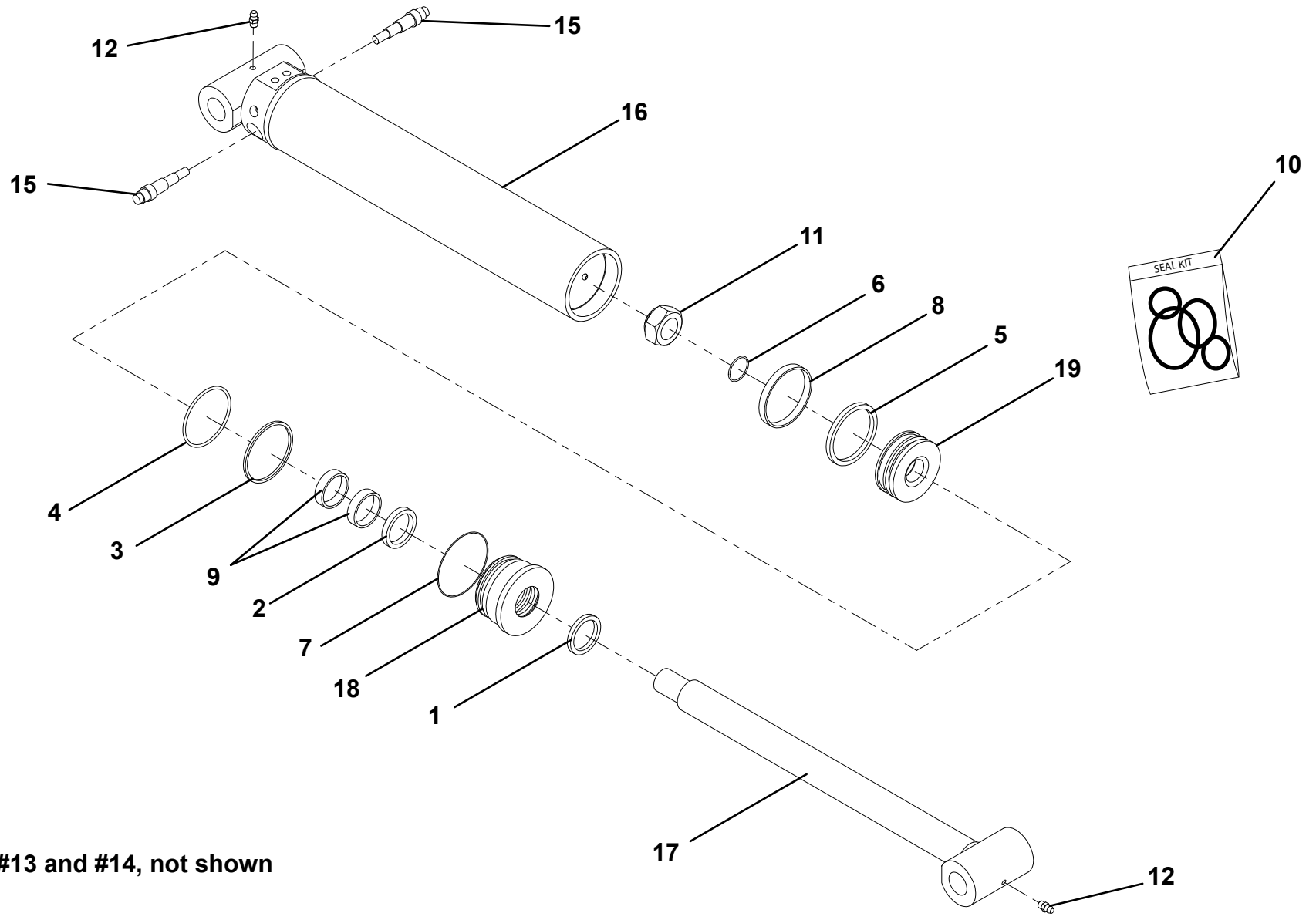
REAR SPADE INSTALLATION



SPADE CYLINDER ASSEMBLY - 7320000006

ITEM	PART NO.	DESCRIPTION	QTY
1	9796250080	Seal, Wiper	1
2	7019828	Seal	1
3	9754250009	Ring, Back-up	1
4	9796250057	Seal, "O" Ring	1
5	9796250073	Seal	1
6	9796250061	Seal, "O" Ring	1
7	9796250066	Seal, "O" Ring	1
8	9724250014	Ring, Wear	1
9	9754250015	Ring, Wear	2
10	7577000167	Kit, Seal	1
11	7003212	Locknut	1
12	7005322	Grease Fitting	2
13	7005365	Plug, Port	2
14	70021648	Plug, Port	2
15	70050215	Valve, Counterbalance	2
16	9912250004	Assembly, Tube	1
17	9763250009	Assembly, Rod	1
18	9553250009	Head	1
19	70050531	Piston	1

SPADE CYLINDER ASSEMBLY - 7320000006

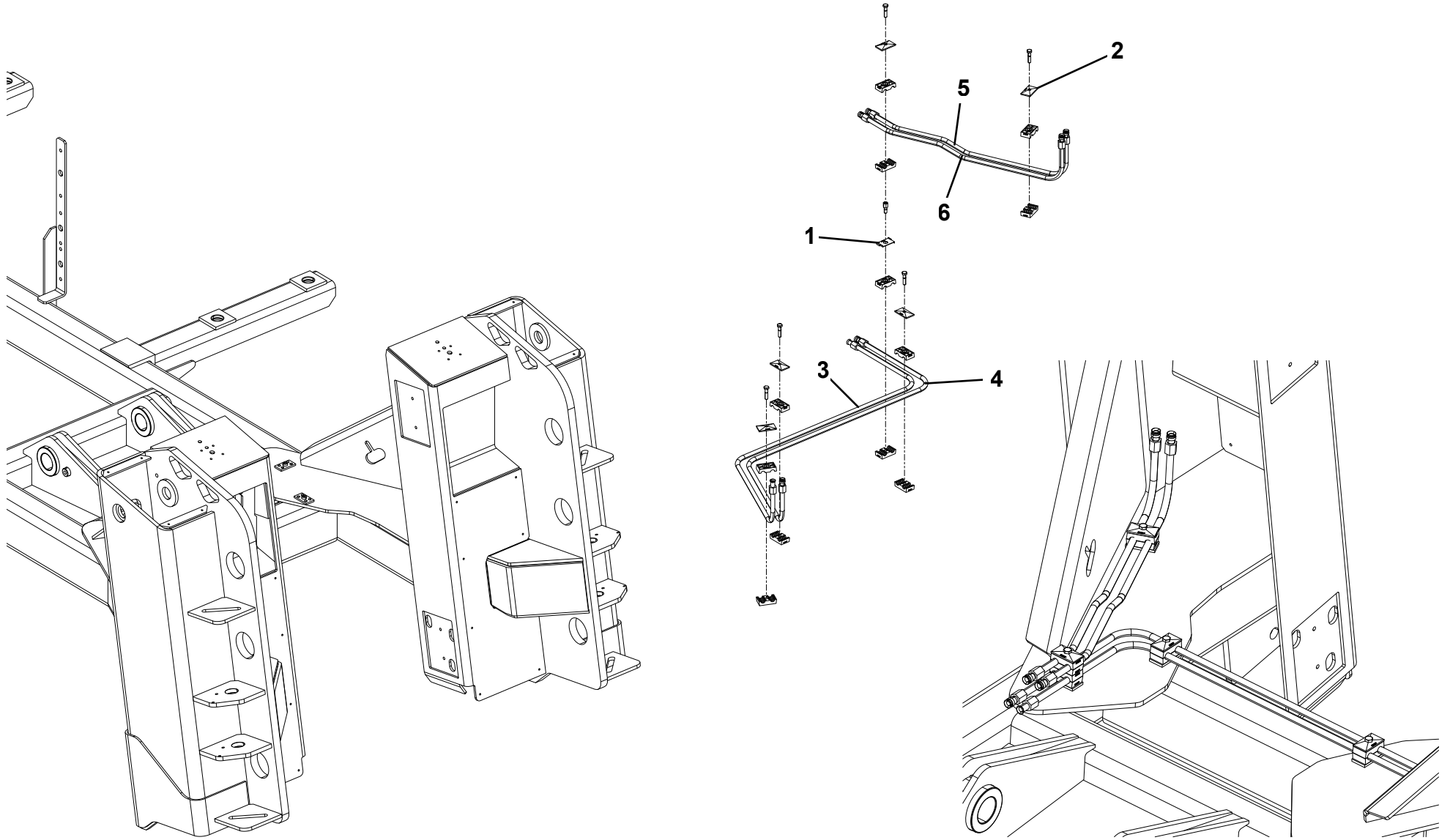


REAR SPADE TUBING

ITEM	PART NO.	DESCRIPTION	QTY
1	1001137487	Clamp	1
2	1001136447	Clamp	5
3	7912000245*	Tube Assembly	1
4	7912000246*	Tube Assembly	1
5	7912000247*	Tube Assembly	1
6	7912000248*	Tube Assembly	1

* Also Available In Tubing Kit - 7577000637

REAR SPADE TUBING



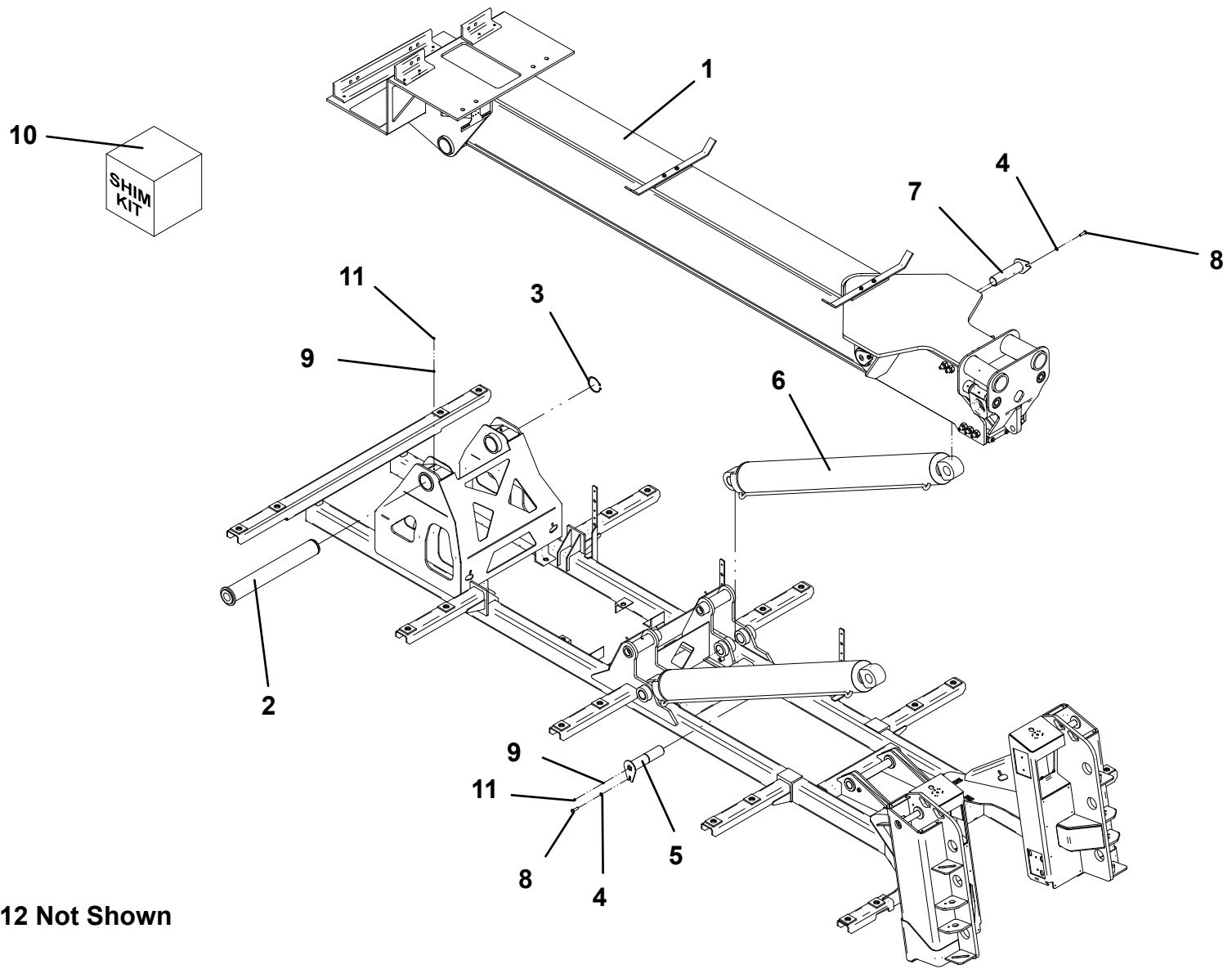
BOOM INSTALLATION - 2 PIECE BOOM

ITEM	PART NO.	DESCRIPTION	QTY	ITEM	PART NO.	DESCRIPTION	QTY
		W/O Winch				W/ Winch	
1	3170000136	Wrecker Boom Assembly	1	1	3170000136	Wrecker Boom Assembly	1
2	3691000274	Pin	1	2	3691000274	Pin	1
3	7754000059	Retaining Ring	1	3	7754000059	Retaining Ring	1
4	7950180000	Lockwasher, 0.59" ID	4	4	7950180000	Lockwasher, 0.59" ID	4
5	3691000149	Pin	2	5	3691000149	Pin	2
6	7320000027	Cylinder	2	6	7320000062	Cylinder	2
7	3691000148	Pin	2	7	3691000148	Pin	2
8	7115181450	Capscrew, 0.50" - 13NC x 1.75"	4	8	7115181450	Capscrew, 0.50" - 13NC x 1.75"	4
9	7440030000	Grease Fitting	5	9	7440030000	Grease Fitting	5
10	4949000059*	Shim, 0.062"	2	10	4949000059*	Shim, 0.062"	2
	4949000060*	Shim, 0.125"	2		4949000059*	Shim, 0.125"	2
11	7253000002	Grease Fitting Cap	7	11	7253000002	Grease Fitting Cap	7
12	1001172491	Strap	1	12	1001172491	Strap	1

* Also Available In Shim Kit - 3577000071

* Also Available In Shim Kit - 3577000071

BOOM INSTALLATION - 2 PIECE BOOM

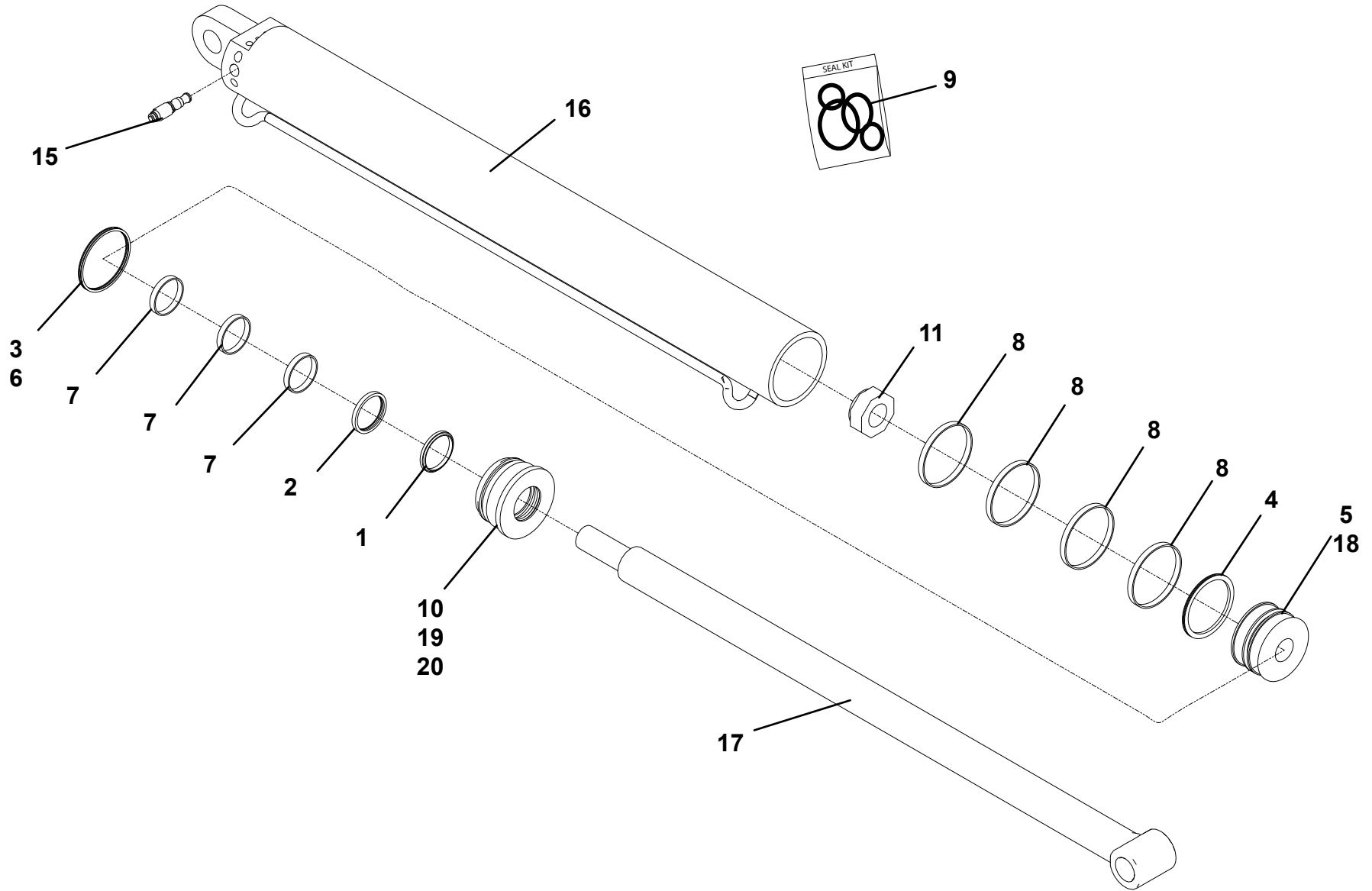


Item #12 Not Shown

BOOM LIFT CYLINDER - 732000027

ITEM	PART NO.	DESCRIPTION	QTY
1	NSS	Wiper	1
2	NSS	Seal	1
3	NSS	Back-Up	1
4	NSS	Seal	1
5	NSS	O-Ring	1
6	NSS	O-Ring	1
7	NSS	Wear Ring	4
8	NSS	Wear Ring	2
9	7577250190	Seal Kit	1
10	9786250005	SetScrew	1
11	9661250018	Locknut	1
12	7005365	Port Plug	4
13	7023593	Port Plug	2
14	7440030200	Lube Fitting	1
15	9935250032	Counterbalance Valve	2
16	9912250007	Tube Assembly	1
17	9763250012	Rod Assembly	1
18	9698250002	Piston	1
19	9254250009	Headcap	1
20	9553250004	Head	1

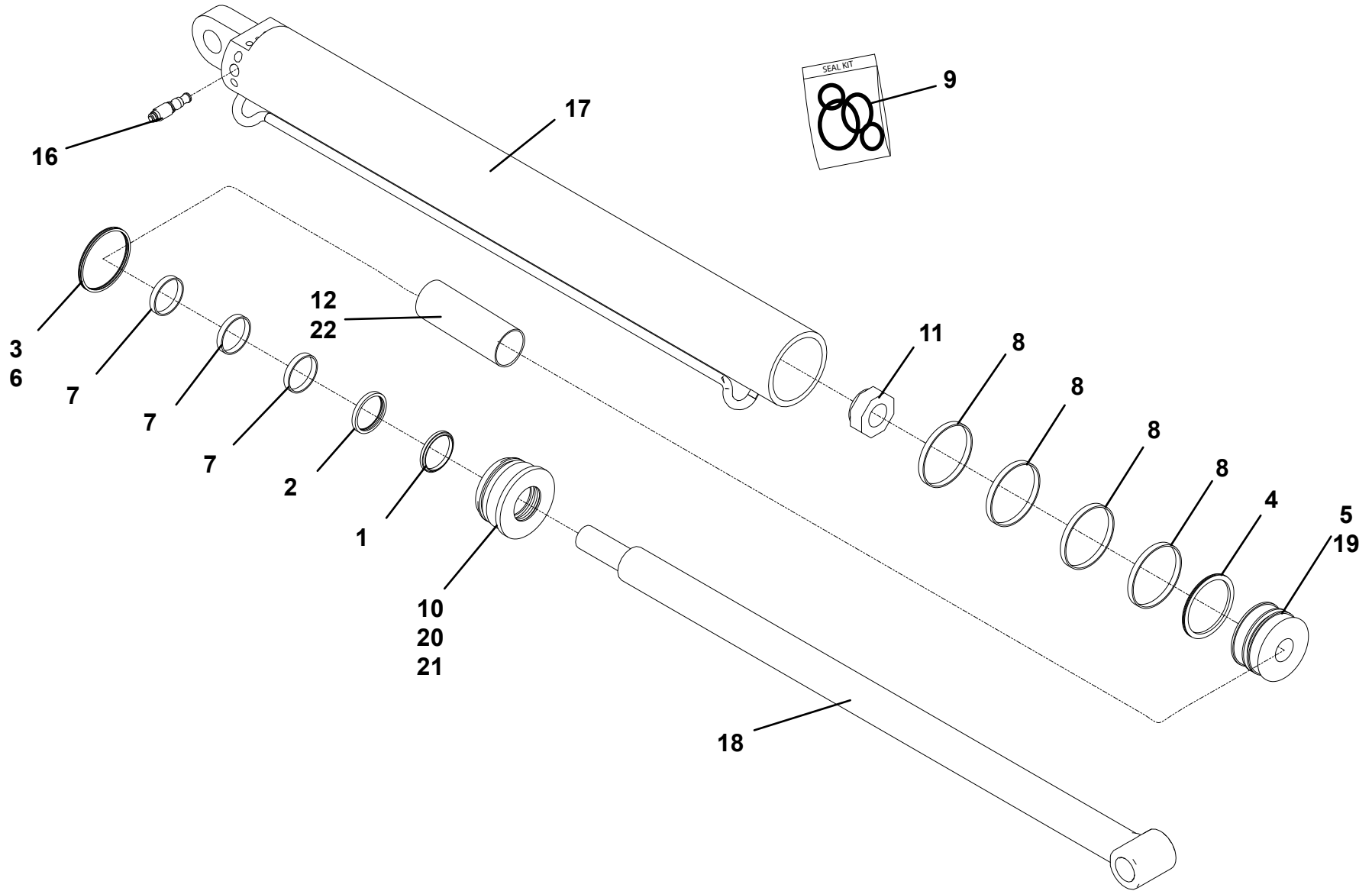
BOOM LIFT CYLINDER - 732000027



BOOM LIFT CYLINDER - 7320000062

ITEM	PART NO.	DESCRIPTION	QTY
1	NSS	Wiper	1
2	NSS	Seal	1
3	NSS	Back-Up	1
4	NSS	Seal	1
5	NSS	O-Ring	1
6	NSS	O-Ring	1
7	NSS	Wear Ring	4
8	NSS	Wear Ring	2
9	7577250190	Seal Kit	1
10	9786250005	Set Screw	1
11	9661250018	Locknut	1
12	9754250056	Wear Ring	2
13	7005365	Port Plug	4
14	7023593	Port Plug	2
15	7440030200	Lube Fitting	1
16	9935250032	Counterbalance	2
17	9912250007	Tube Assembly	1
18	9763250012	Rod Assembly	1
19	9698250002	Piston	1
20	9254250009	Headcap	1
21	9553250004	Head	1
22	70051333	Spacer	1

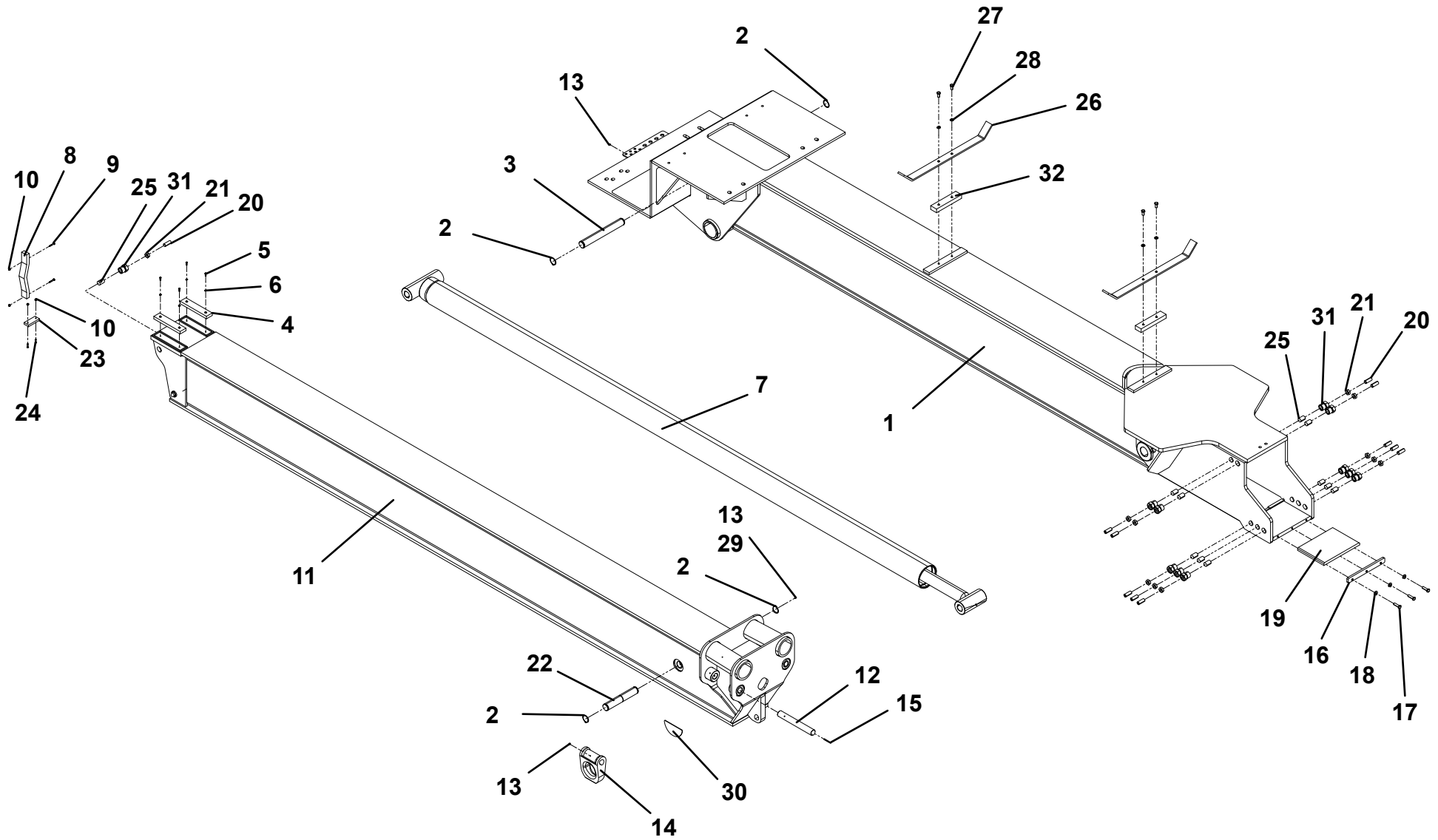
BOOM LIFT CYLINDER - 7320000062



WRECKER BOOM ASSEMBLY - 2 PIECE

ITEM	PART NO.	DESCRIPTION	QTY
1	3170000133	Outer Boom Weld	1
2	7754000055	Retaining Ring	4
3	4691000281	Pin	1
4	4679000140	Pad	2
5	7114140618	Capscrew, 0.25" - 20NC X 0.75"	4
6	7950140000	Lockwasher, 0.25" ID	4
7	7320000028	Cylinder	1
8	4062000273	Bar	2
9	7115141250	Capscrew, 0.25"-20NC X 1.50"	2
10	7660142600	Locknut, 0.25"-20NC	4
11	3170000135	Fly Boom Weld	1
12	4691000285	Pin	2
13	7440030000	Grease Fitting	3
14	4754000004	D-Ring	2
15	7690144840	Pin	2
16	4706002276	Plate	1
17	7115181450	Capscrew, 0.50"-13NC X 1.75"	5
18	7950180141	Flatwasher, 0.50" ID	3
19	4679000139	Pad	1
20	7786000005	Setscrew, 0.75"-16NF x 2.00"	14
21	7660220230	Nut, 0.75"-16NF	14
22	4691000280	Pin	1
23	4679000150	Pad	1
24	7114140818	Capscrew, 0.25"-20 X 1.00"	2
25	4064000033	Bar	14
26	4062000746	Bar	2
27	7115180723	Capscrew, 0.50"-13NC x 0.88"	4
28	7950180000	Lockwasher, 0.59" ID	2
29	7253000002	Grease Cap	6
30	1001151805	Decal	2
31	4701000004	Keeper	14
32	4062000562	Bar	1

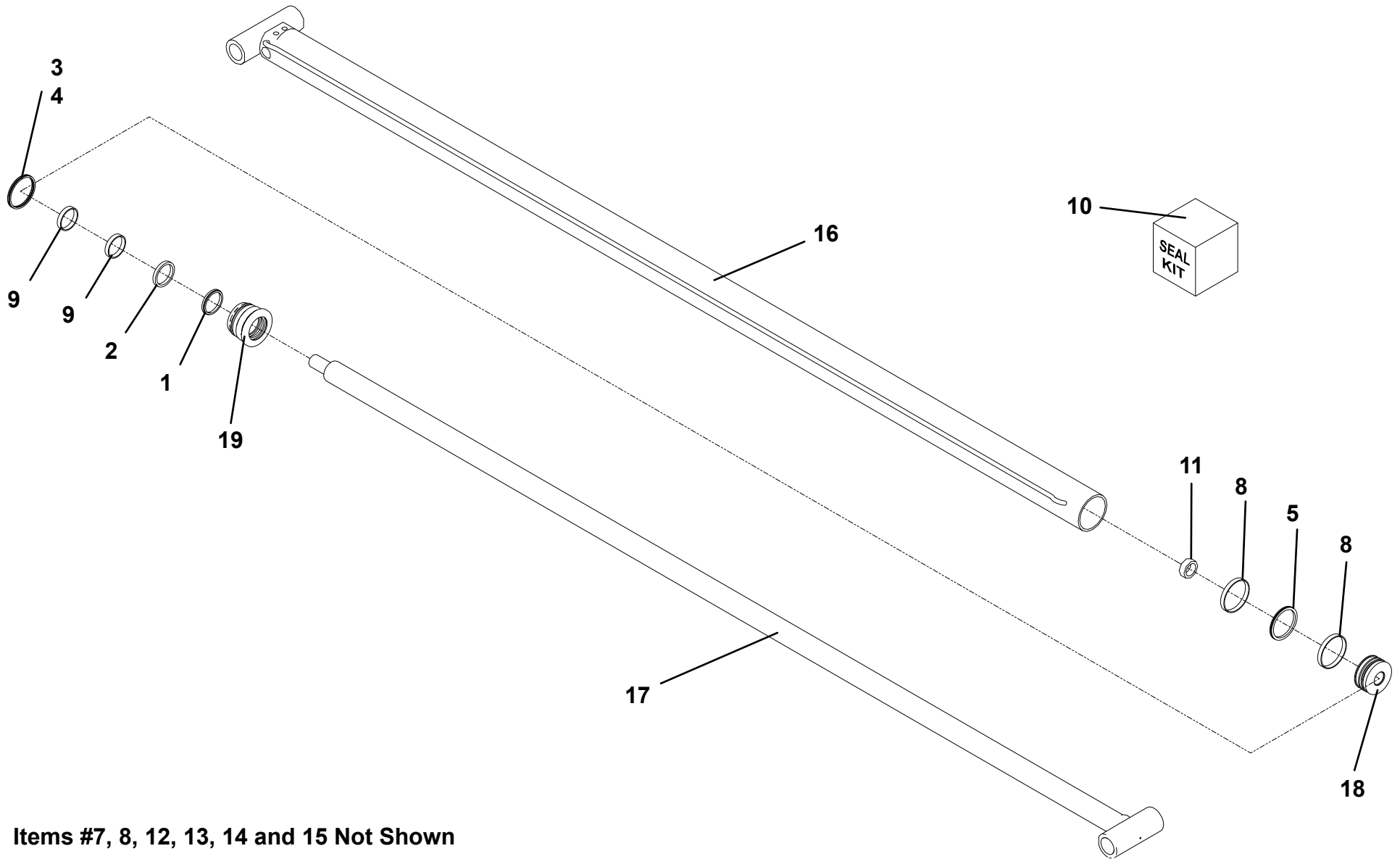
WRECKER BOOM ASSEMBLY - 2 PIECE



WRECKER BOOM CYLINDER - 732000028

ITEM	PART NO.	DESCRIPTION	QTY
1	NSS	Wiper	1
2	NSS	Seal	1
3	NSS	Back-Up	1
4	NSS	O-Ring	1
5	NSS	Seal	1
6	NSS	O-Ring	1
7	NSS	O-Ring	1
8	NSS	Wear Ring	2
9	NSS	Wear Ring	2
10	7577000167	Seal Kit	1
11	7003116	Locknut	1
12	7005365	Port Plug	1
13	70021648	Port Plug	2
14	7440030400	Grease Fitting	2
15	9935250032	Counterbalance Valve	1
16	9912250014	Tube	1
17	9763250019	Rod	1
18	9553250010	Head	1
19	7698250012	Piston	1

WRECKER BOOM CYLINDER - 7320000028

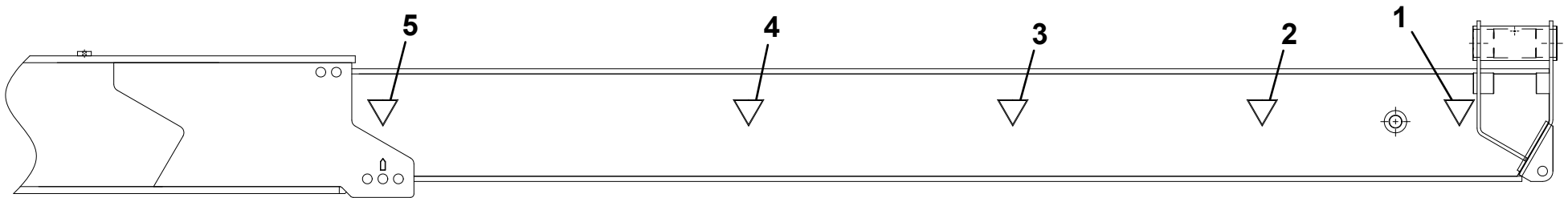


Items #7, 8, 12, 13, 14 and 15 Not Shown

WRECKER BOOM DECAL INSTALLATION

ITEM	PART NO.	DESCRIPTION	QTY
1	7330000487	Decal, Boom Rating 60 Ton	2
2	7330000449	Decal, Boom Rating 50 Ton	2
3	7330000486	Decal, Boom Rating 37 Ton	2
4	7330000485	Decal, Boom Rating 24 Ton	2
5	7330000268	Decal, Boom Rating 22 Ton	2

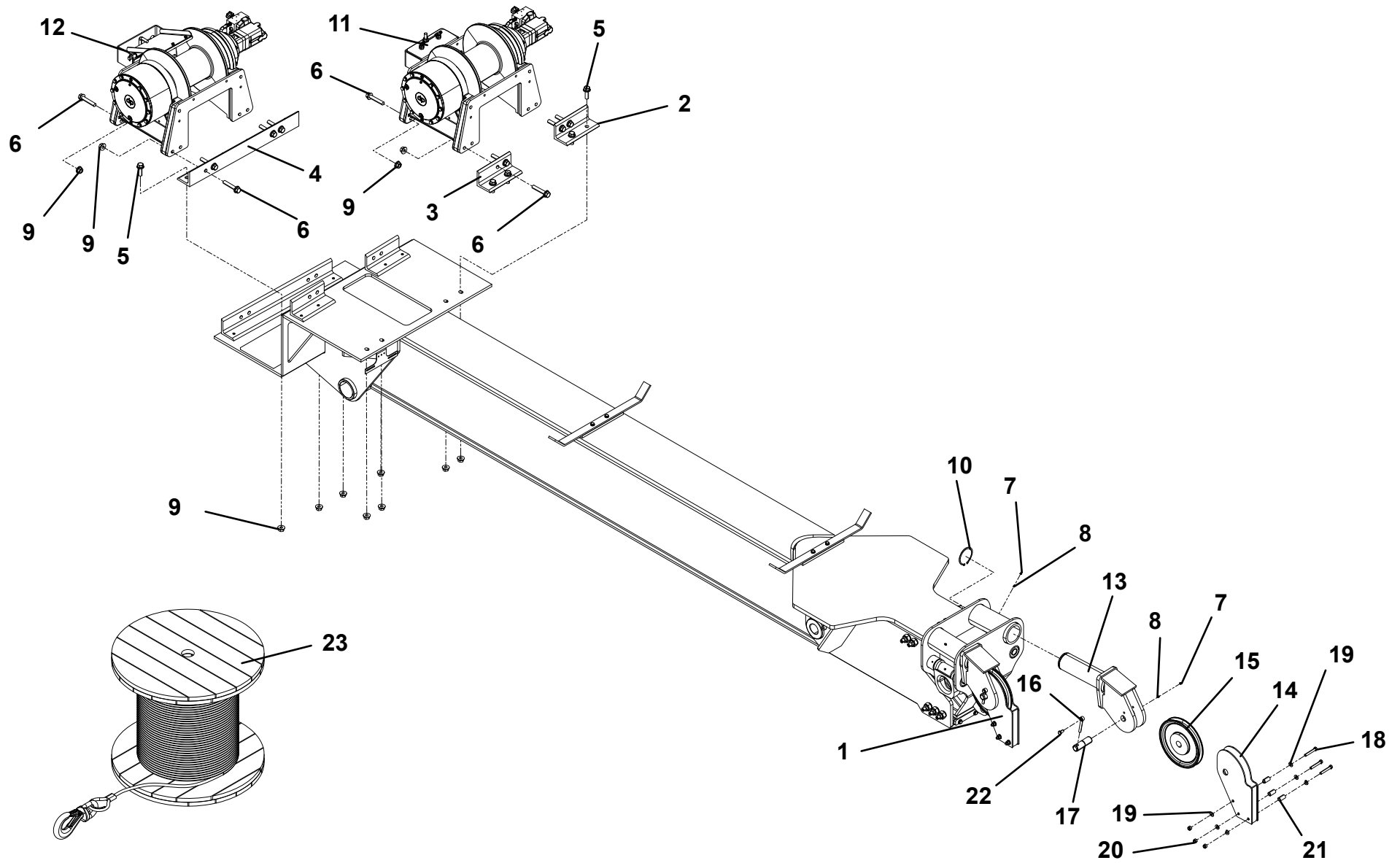
WRECKER BOOM DECAL INSTALLATION



WINCH INSTALLATION

ITEM	PART NO.	DESCRIPTION	QTY
1	3249000009	Sheave Head Assembly	2
2	4017000788	Angle Bracket	1
3	4017000789	Angle Bracket	1
4	4017000792	Angle Bracket	1
5	7118221816	Capscrew, 0.75"-10NC x 2.25"	8
6	7118223216	Capscrew, 0.75"-10NC x 4.00"	16
7	7253000002	Grease Fitting Cap	2
8	7440030000	Grease Fitting	2
9	7660222308	Locknut, 0.75"-10NC	24
10	7754000059	Snap Ring	2
11	7970000168	DP50 Winch, LH	1
12	7970000169	DP50 Winch, RH	1
13	1001169560	Sheave Support	1
14	3249000035	Cable Guide	1
15	7809000004	Sheave	1
16	3841203	Rod, Keeper	1
17	1001169893	Pin	1
18	7115182650	Capscrew, 0.50"-13NC x 3.25"	3
19	7950180141	Flatwasher, 0.50" ID	6
20	7660182601	Locknut, 0.50"-13UNC	3
21	4831000104	Spacer	3
22	7115180850	Capscrew, 0.50"-13NC x 1.00"	1
23	1001207367	Wire Rope 0.75" Dia x 250'	2
	1001207368	Wire Rope, 0.75" Dia x 250', SWVL Hook	2

WINCH INSTALLATION

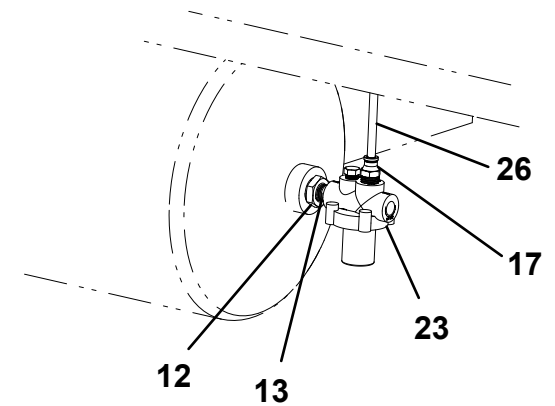
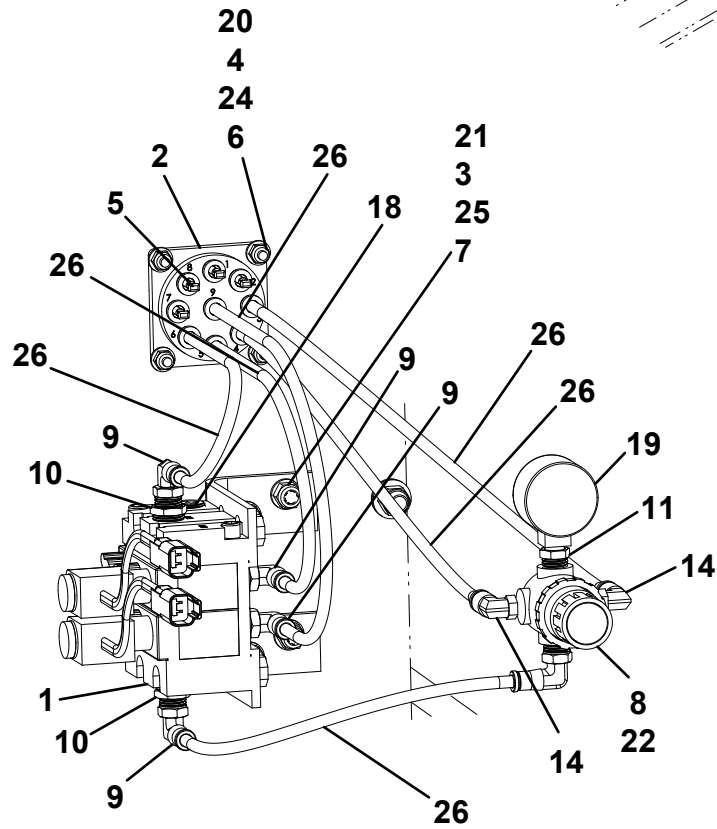
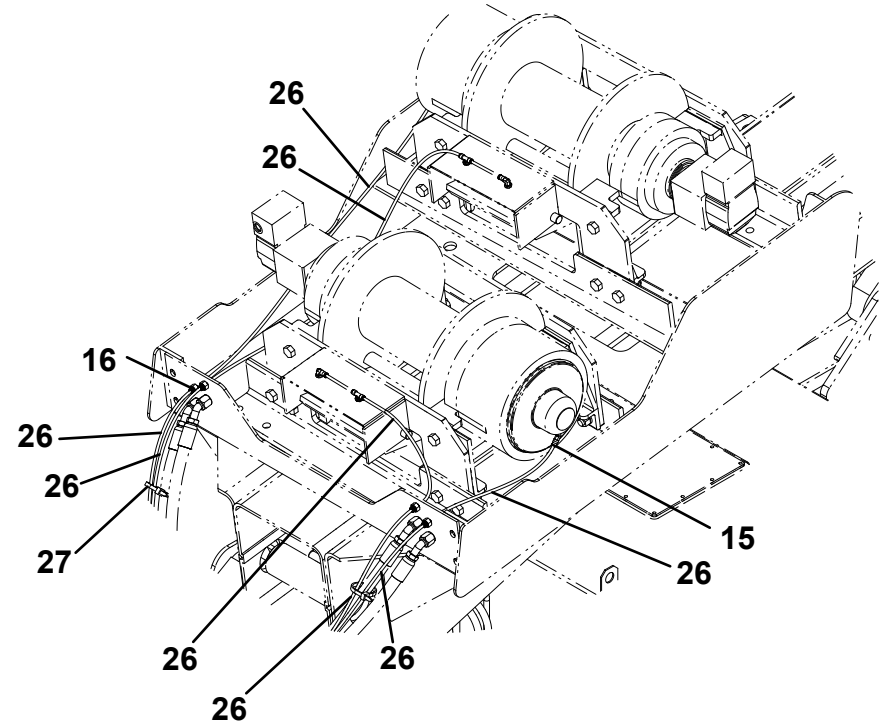
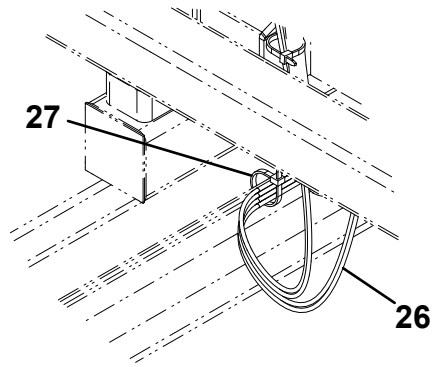


WINCH AIR INSTALLATION

ITEM	PART NO.	DESCRIPTION	QTY
1	1001129800	Valve, Air Section	1
2	1001184765	Terminal	1
3	1001197482	Washer, 0.31" ID	4
4	1001197483	Washer, #10	4
5	1001197506	Seal	4
6	7114100818	Screw, #10-24 x 1.00"	4
7	7114150850	Capscrew, 0.31"-18NC x 1.00"	4
8	7295000029	Air Regulator	1
9	7443000139	Fitting	5
10	7443000148	Bushing	2
11	7443000149	Bushing	1
12	7443000154	Bushing	1
13	7443000156	Fitting	1
14	7443000173	Fitting	2
15	7443000176	Elbow	2
16	7443000178	Union	4
17	7443000329	Fitting	1
18	7444030037	Plug	1
19	7470000006	Air Pressure Gauge	1
20	7660102601	Nut, #10-24NC	4
21	7660152601	Locknut, 0.31"-18NC	4
22	7661000041	Nut	1
23	7935000120	Valve	1
24	7950100143	Flatwasher, 0.19" ID	8
25	7950140143	Flatwasher, 0.25" ID	8
26	7565000016	Air Tubing	125FT
27	7894000004	Tie Strap	35

WINCH AIR INSTALLATION

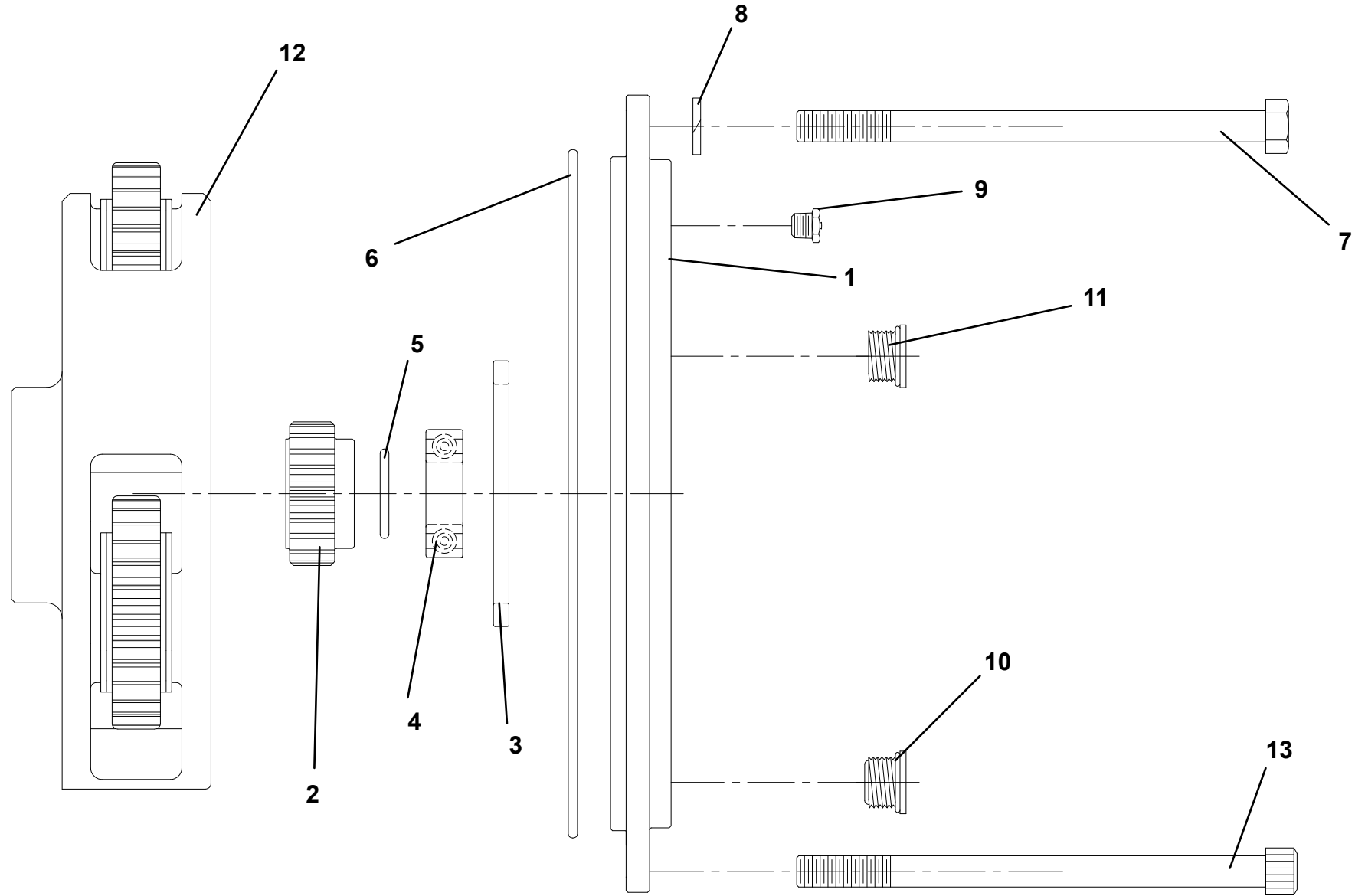
AIR BULKHEAD PORTS	
PORT 1	FRONT WINCH 2-SPD
PORT 2	DRAG WINCH TENSIONER
PORT 3	FRONT WINCH TENSIONER
PORT 4	REAR WINCH TENSIONER
PORT 5	FRONT WINCH FREESPOOL
PORT 6	SUPPLY
PORT 7	REAR WINCH 2-SPD
PORT 8	DRAG WINCH FREESPOOL
PORT 9	REAR WINCH FREESPOOL



DP WINCH 50K - 7970000168 - GEAR END COVER INSTALLATION

ITEM	PART NO.	DESCRIPTION	QTY
1	70050375	Cover, End	1
2	70050376	Gear, Sun Primary 29 Teeth	1
3	9949960013	Washer, Thrust Nylon 4.25"OD x 0.25" Thk	1
4	9082960015	Bearing, Ball	1
5	9754960030	Ring, Retainer 1.15"ID x 0.14" Round	1
6	9796960085	O-Ring 10.50"ID x 0.125" Section	1
7	70051300	Capscrew Hex 0.50"-13NC x 7.50" Grade 5	10
8	7950180000	Washer, Lock 0.50"	10
9	9183960001	Vent, Relief	1
10	9701960012	Plug, Socket Head O-Ring Boss Mag #10	1
11	9701960011	Plug, O-Ring #10 Socket Head 0.875"-14	1
12	70050378	Carrier Assembly Primary	1
13	70050379	Capscrew, Socket Head 0.50"-13NC x 7.00"	2

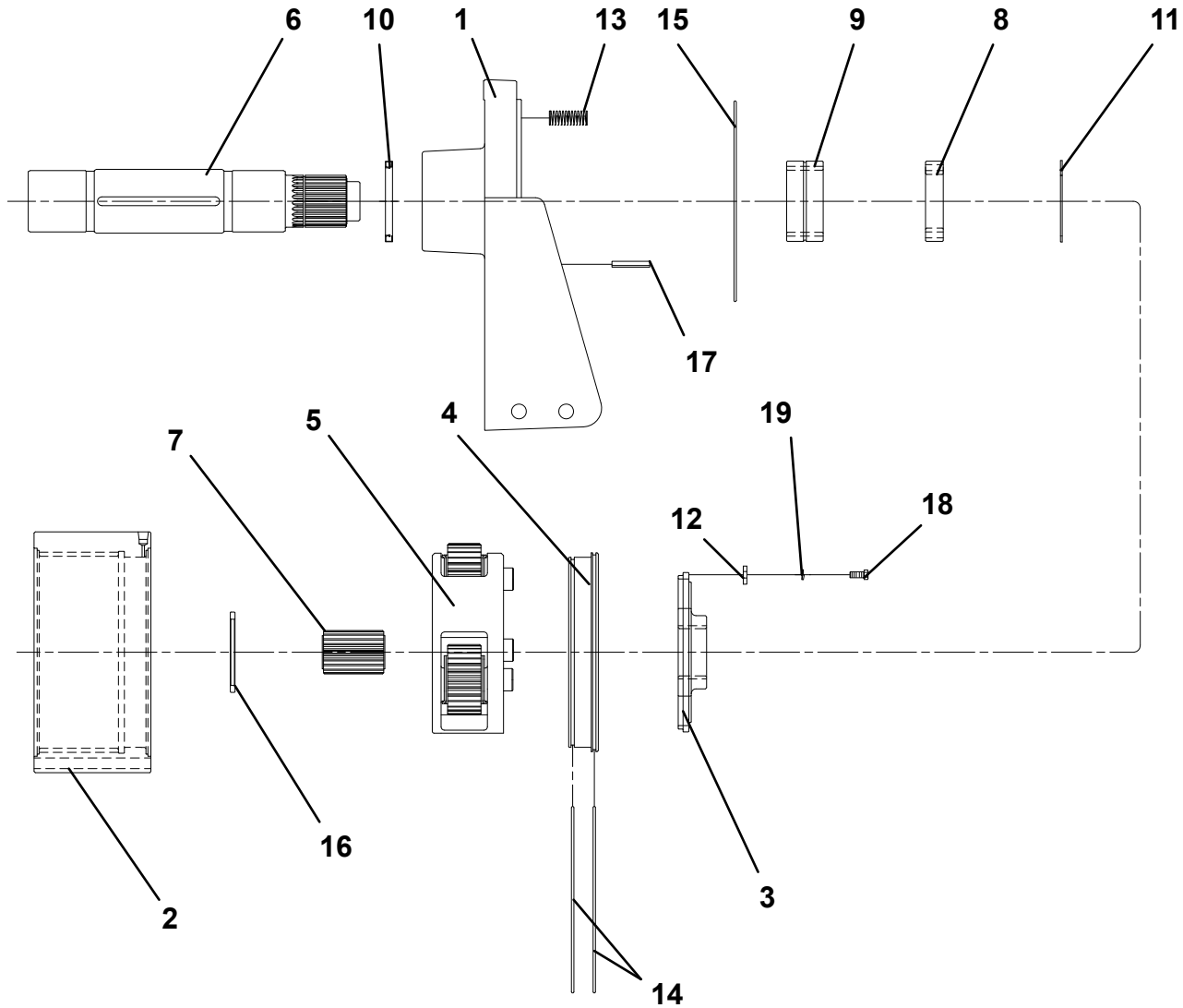
DP WINCH 50K - 7970000168 - GEAR END COVER INSTALLATION



DP WINCH 50K - 7970000168 - GEAR END INSTALLATION

ITEM	PART NO.	DESCRIPTION	QTY
1	9177960001	Support, Gear End	1
2	9472960036	Gear Ring 103 Teeth	1
3	9281960004	Clutch	1
4	9698960009	Piston	1
5	9472960030	Carrier Assembly Secondary	1
6	9806960015	Shaft, Output	1
7	70050380	Gear Sun Sec 20T/10P Mod 50	1
8	9754960027	Ring, Thrust	1
9	9082960014	Bearing, Roller	1
10	9796960087	Seal 3.25"ID x 4.00"OD x 0.468"	1
11	9754960029	Ring, Retainer 4.25" x 0.109" Thk	1
12	9698960010	Retainer, Piston	3
13	9843960025	Spring Compression 0.75"OD x 2.00"	3
14	9796960093	O-Ring 9.75"ID x 0.125" Section	2
15	9796960085	O-Ring 10.50"ID x 0.125" Section	1
16	9949960013	Washer, Thrust Nylon 4.25"OD x 0.25"	1
17	7690153245	Pin, Spiral 0.31" x 2.00"	2
18	7115150650	Capscrew, Hex Head 0.31"-18NC x 0.75"	6
19	7950150000	Washer, Lock 0.31"	6

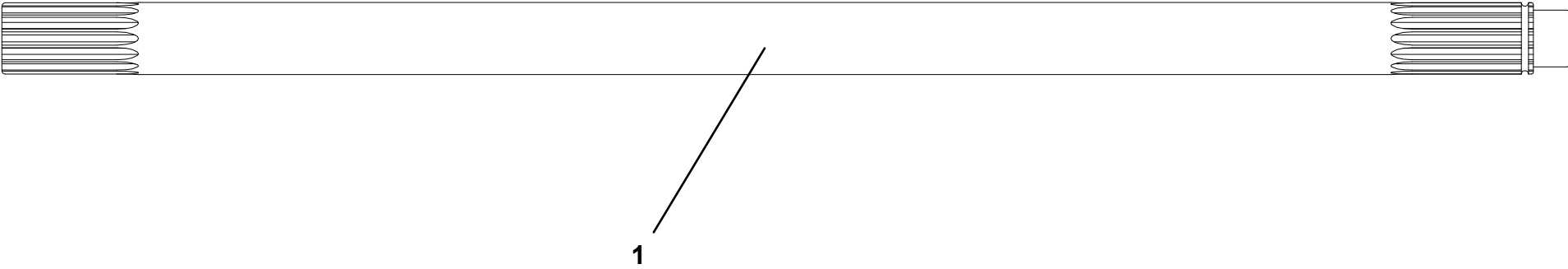
DP WINCH 50K - 7970000168 - GEAR END INSTALLATION



DP WINCH 50K - 7970000168 - INPUT SHAFT INSTALLATION

ITEM	PART NO.	DESCRIPTION	QTY
1	70050374	Input Shaft Installation	1

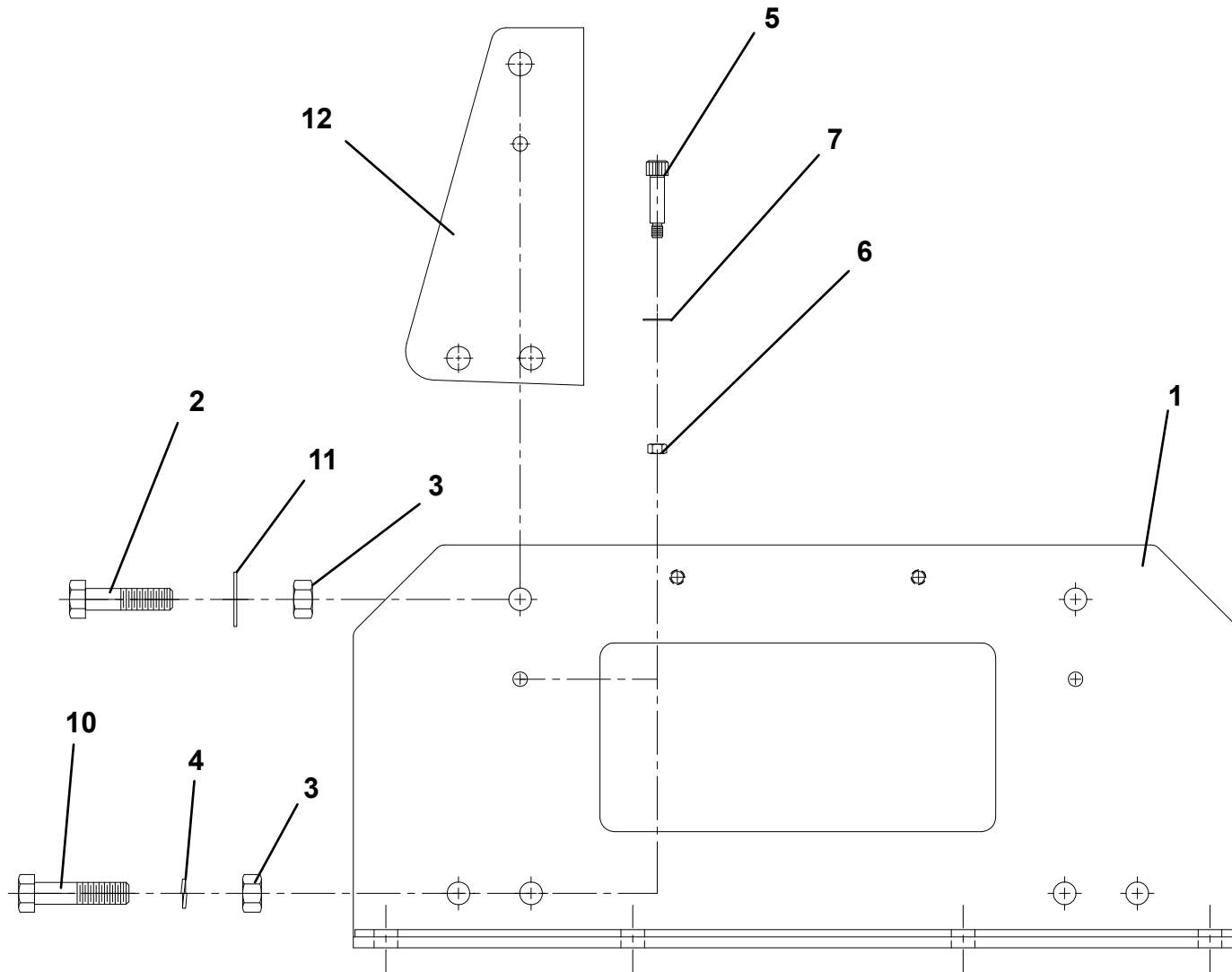
DP WINCH 50K - 7970000168 - INPUT SHAFT INSTALLATION



DP WINCH 50K - 7970000168 - BASE MOUNT INSTALLATION

ITEM	PART NO.	DESCRIPTION	QTY
1	9073960002	Base Mount	2
2	7115222450	Capscrew Hex 0.75"-10NC x 3.00" Grade 5	4
3	7660220001	Nut, Hex 0.75"-10NC	12
4	7950220000	Lock, Washer 0.75"	8
5	9120960020	Shoulder Bolt Socket Head 0.50" x 2.00"	4
6	7660160001	Nut, Hex 0.38"-16NC Grade 2	4
7	7950160151	Washer Flat 0.38"	4
8	9706960026	Plate, Information Winch	1
9	9759960001	Rivet, Type U	4
10	7115222650	Capscrew, Hex 0.75"-10NC x 3.25" Grade 5	8
11	7950220151	Washer, Flat 0.75"	4
12	9831960007	Spacer, Base Angle 1.00" Thick	4

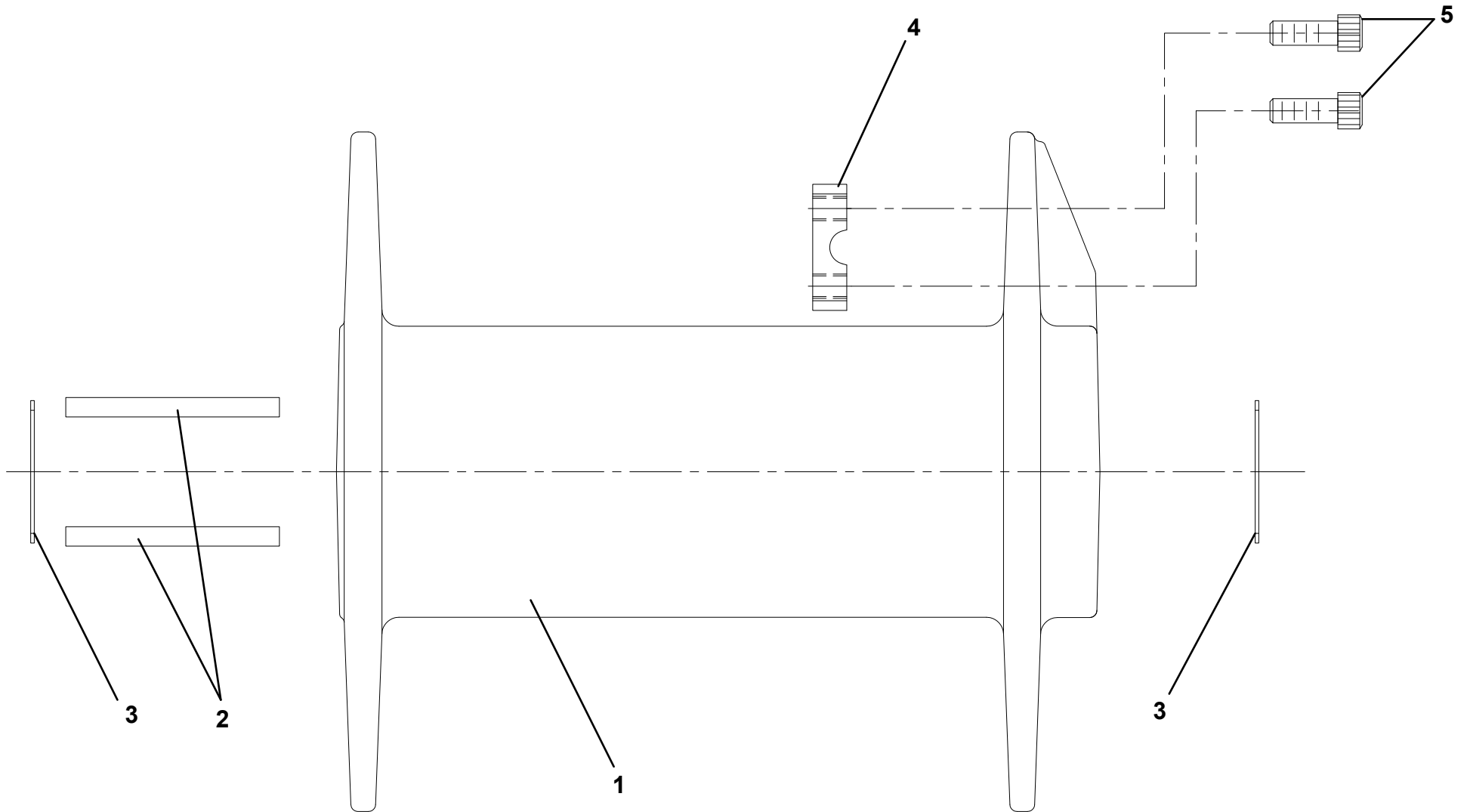
DP WINCH 50K - 7970000168 - BASE MOUNT INSTALLATION



DP WINCH 50K - 7970000168 - DRUM INSTALLATION

ITEM	PART NO.	DESCRIPTION	QTY
1	70050381	Drum, Winch	1
2	70050382	Key, Shaft Output	2
3	70050383	Ring, Retainer External 3.35"OD x 0.93"	2
4	9280960002	Clip, Cable Threaded	1
5	7110201823	Capscrew, Flat Socket 0.625"-11NC x 2.25"	2

DP WINCH 50K - 7970000168 - DRUM INSTALLATION



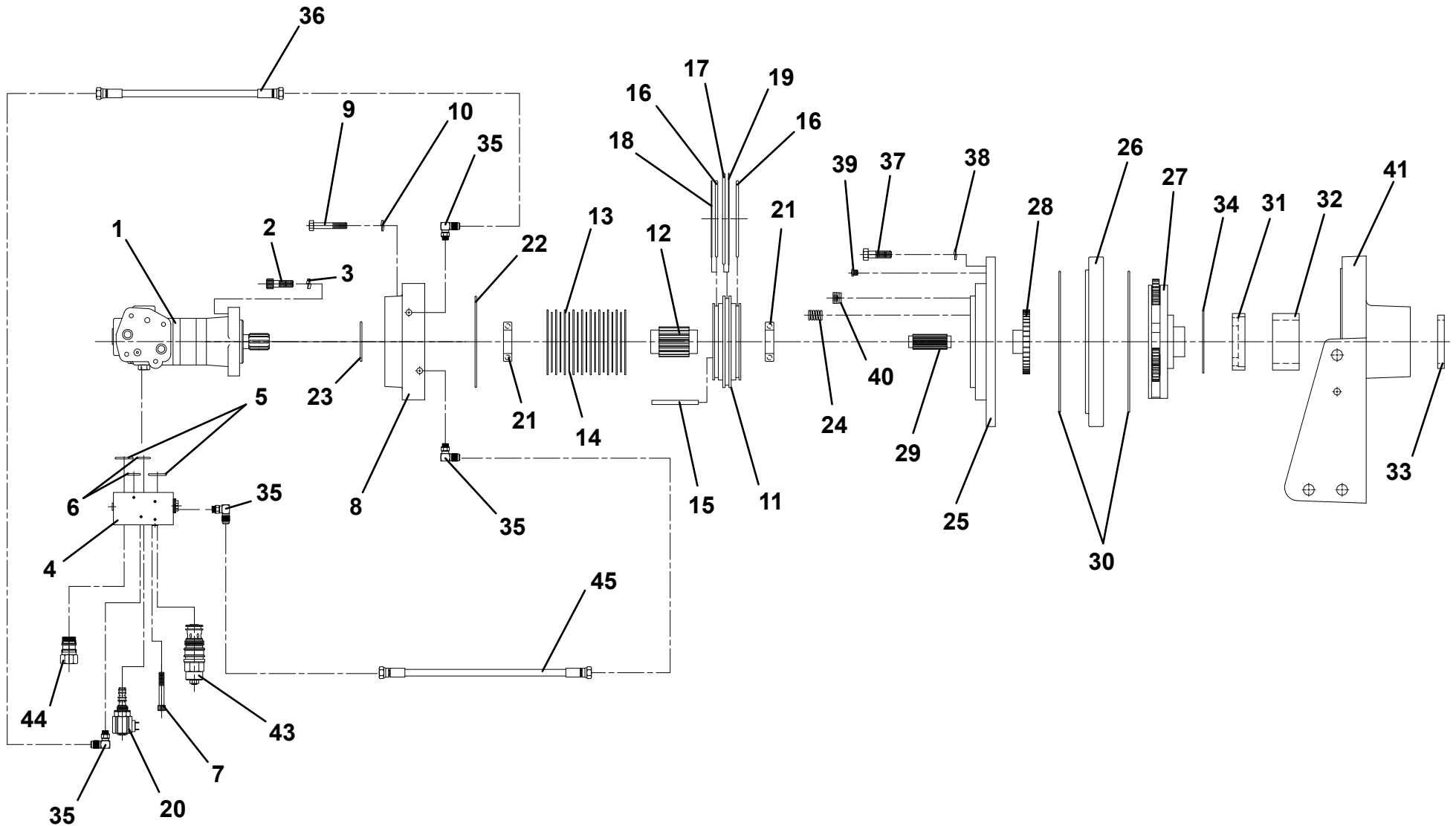
DP WINCH 50K - 7970000168 - MOTOR END INSTALLATION

ITEM	PART NO.	DESCRIPTION	QTY	ITEM	PART NO.	DESCRIPTION	QTY
1	70050367	Motor, Hydraulic	1	37	7115182250	Capscrew, Hex 0.50"-13NC x 2.75" Grade 5	4
2	7118181205	Capscrew, Socket 0.50"-13NC x 1.50"	2	38	7950180000	Washer, Lock 0.50"	4
3	7950180800	Washer, Lock 0.50" Hi Collar	2	39	9183960001	Vent, Relief	1
4	70050368	Valve, Counterbalance	1	40	9701960010	Plug, O-Ring SAE #8 Socket 0.75"-16	2
5	70050369	O-Ring, 1.125"ID x 0.125" Section	2	41	9177960002	Support, End Motor	1
6	9796960088	O-Ring, 0.812"ID x 0.0937" Section	2	42	9443960006	Adapter, Straight #4 O-Ring #4 MJIC	1
7	70050370	Capscrew, Socket 0.38"-24NF x 2.50"	4	43	9935960026	Cartridge, Counterbalance	1
8	9571960006	Housing, Brake Outer	1	44	9701960013	Plug, Assembly Valve Counterbalance	1
9	7118172050	Capscrew, Hex 0.437"-UNC x 2.50" Grade 8	6	45	70050373	Hose, 0.25"-R1 x 14.00"	
10	7950170000	Washer, Lock 0.437"	6				
11	9698960008	Piston, Brake	1				
12	9806960013	Shaft, Brake	1				
13		Plate, Disc Friction	10				
14		Plate, Drive Brake	9				
15	9691960021	Pin, Dowel 0.312" x 3.50"	2				
16		O-Ring, 5.375"ID x 0.187" Section	2				
17		O-Ring, 6.50"ID x 0.187" Section	1				
18		Ring, Backup 5.278"ID x 0.076"	1				
19		Ring, Backup 6.25"ID x 0.183	1				
20	70050371	Cartridge, Valve	1				
21	9082960013	Bearing, Ball 1.75"ID	2				
22		O-Ring, 6.75"ID x 7.00"OD x 0.125" Section	1				
23	9796960090	O-Ring, 3.00"ID x 0.125" Section	1				
24		Spring, Compression 0.75"	12				
25	7007960040	Adapter, Brake	1				
26	9472960032	Gear, Ring 92 Teeth	1				
27	9472960029	Carrier Assembly Planetary	1				
28	9472960033	Gear, Sun	1				
29	9806960014	Shaft, Extension	1				
30	9796960085	O-Ring, 10.50"ID x 0.125" Section	2				
31	9706960027	Plate, Thrust 45	1				
32	9082960014	Bearing, Roller	1				
33	9796960087	Seal, 3.25"ID x 4.00"OD x 0.468"	1				
34	9754960029	Ring, Retainer 4.25" x 0.109" Thick	1				
35	7445040445	Adapter 90 degree	3				
36	70050372	Hose, 0.25"-R1 x 16.00"	1				

** Items sold only as part of 9401 kit 9577960119

> Items sold only as part of 9406 kit only 9577960120

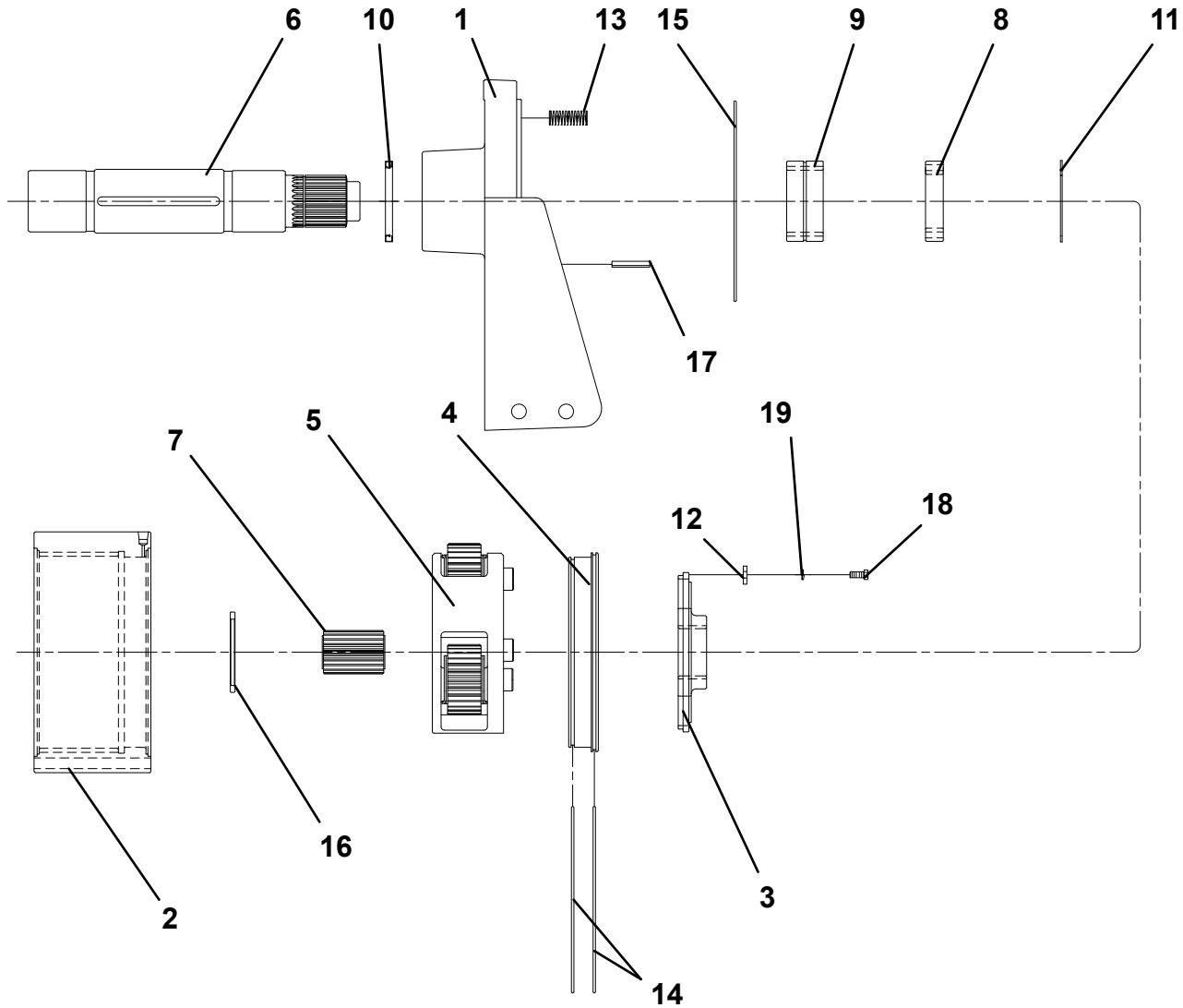
DP WINCH 50K - 7970000168 - MOTOR END INSTALLATION



DP WINCH 50K - 7970000169 - GEAR END COVER INSTALLATION

ITEM	PART NO.	DESCRIPTION	QTY
1	9177960001	Support, Gear End	1
2	9472960036	Gear, Ring - 103 Teeth	1
3	9281960004	Clutch	1
4	9698960009	Piston	1
5	9472960030	Carrier Assembly	1
6	9806960015	Shaft, Output	1
7	70050380	Gear, Sun	1
8	9154960027	Ring, Thrust	1
9	9082960014	Bearing, Roller	1
10	9796960087	Seal	1
11	9754960029	Retaining Ring	1
12	9698960010	Piston Retainer	3
13	9843960025	Spring	3
14	9796960093	O-Ring, 9.75" ID	2
15	9796960085	O-Ring, 10.50" ID	1
16	9949960013	Washer, Nylon 4.25" OD	1
17	7690153245	Pin	2
18	7115150650	Capscrew, 0.32"-18NC x 0.75"	6
19	9949960050	Lockwasher, 0.32" ID	6

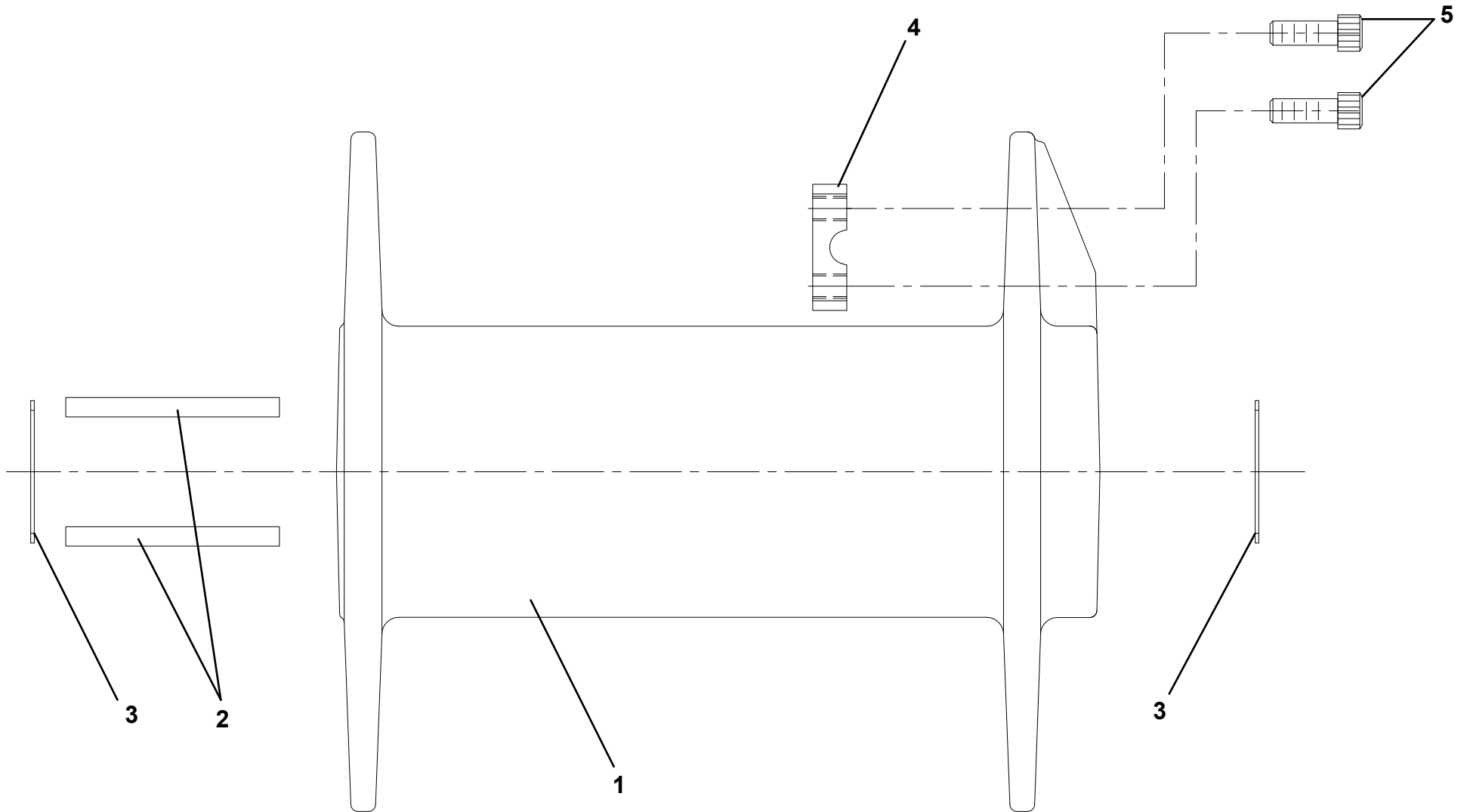
DP WINCH 50K - 7970000169 - GEAR END COVER INSTALLATION



DP WINCH 50K - 7970000169 - DRUM INSTALLATION

ITEM	PART NO.	DESCRIPTION	QTY
1	70050381	Drum, Winch	1
2	70050382	Key, Shaft Output	2
3	70050383	Ring, Retainer External 3.35"OD x 0.093"	2
4	9280960002	Clip, Cable Threaded	1
5	7110201823	Capscrew, Flat Socket 0.625"-11NC x 2.25" Grade 8	2

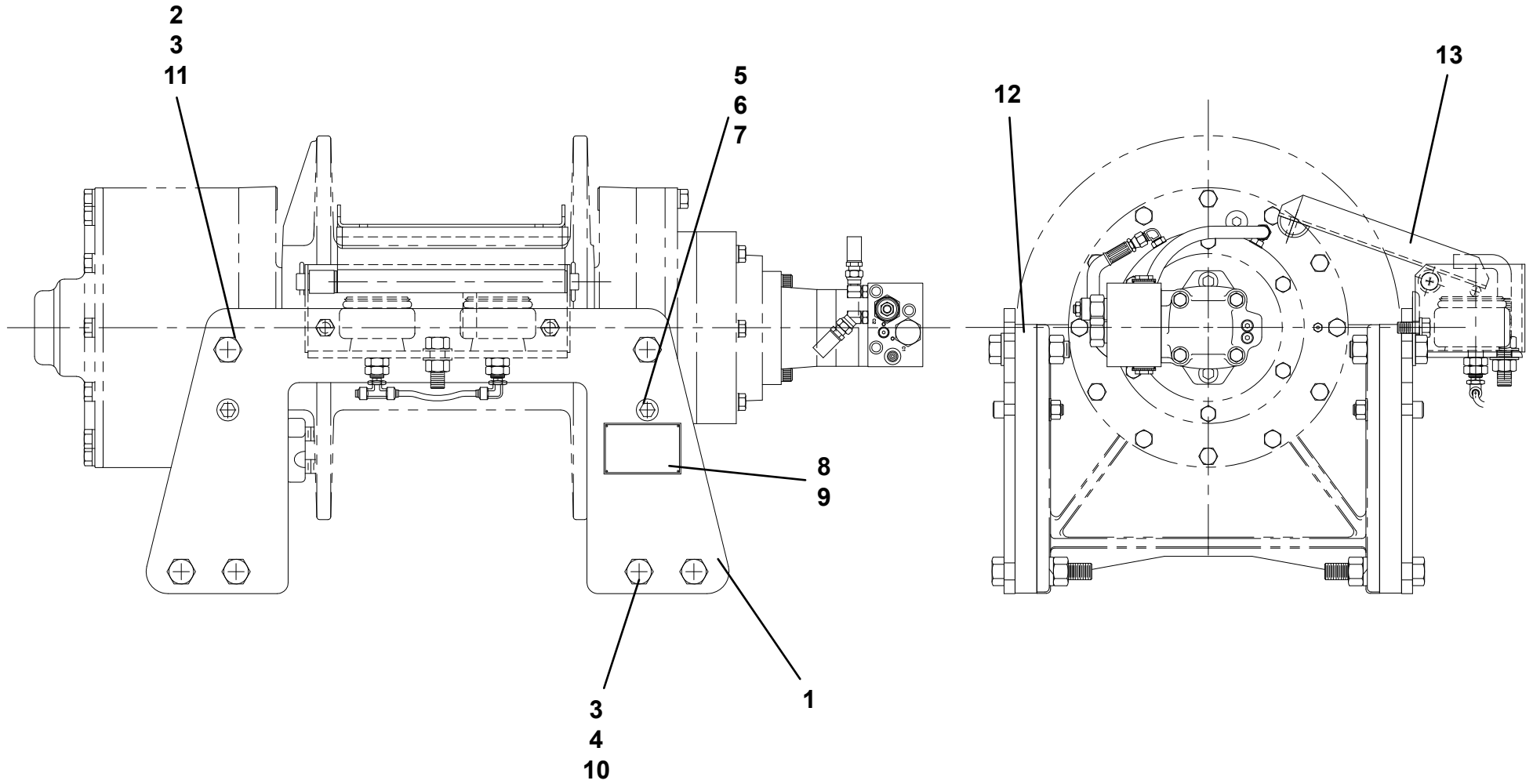
DP WINCH 50K - 7970000169 - DRUM INSTALLATION



DP WINCH 50K - 7970000169 - BASE MOUNT INSTALLATION

ITEM	PART NO.	DESCRIPTION	QTY
1	70051310	Base Mount	2
2	7115222450	Capscrew, Hex 0.75"-10NC x 3.00" Grade 5	4
3	7660220001	Nut, Hex 0.75"-10NC	12
4	7950220000	Washer, Lock 0.75"	8
5	9120960020	Shoulder Bolt Socket Head 0.50" x 2.00"	4
6	7660160001	Nut, Hex 0.375"-16NC Grade 2	4
7	7950160151	Washer, Flat 0.375"	4
8	9759960001	Rivet Drive U Type	4
9	9706960026	Plate, ID Winch	1
10	70051311	Capscrew, Hex 0.375"-10NC x 4.00"	8
11	7950220151	Washer, Flat 0.375" SAE	4
12	9831960007	Spacer, Base Angle 1.00" Thick	4
13	9577960113	Kit, Cable Hold Down	1

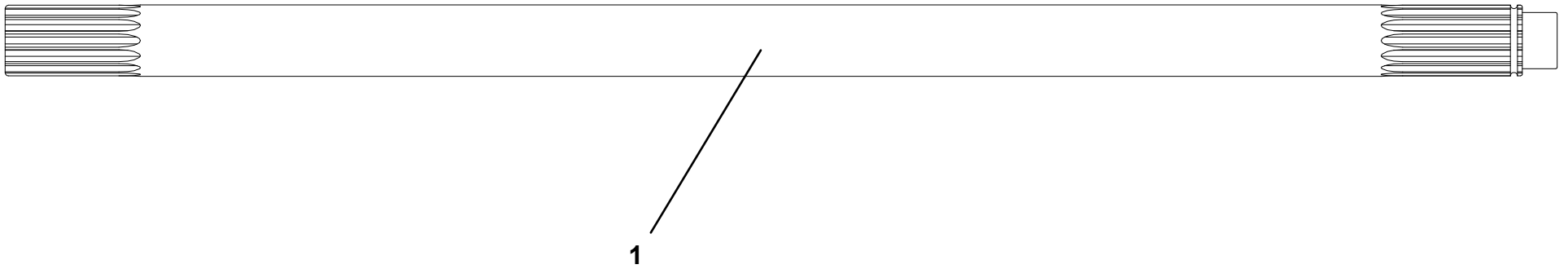
DP WINCH 50K - 7970000169 - BASE MOUNT INSTALLATION



DP WINCH 50K - 7970000169 - INPUT SHAFT INSTALLATION

ITEM	PART NO.	DESCRIPTION	QTY
1	70050374	Input Shaft	1

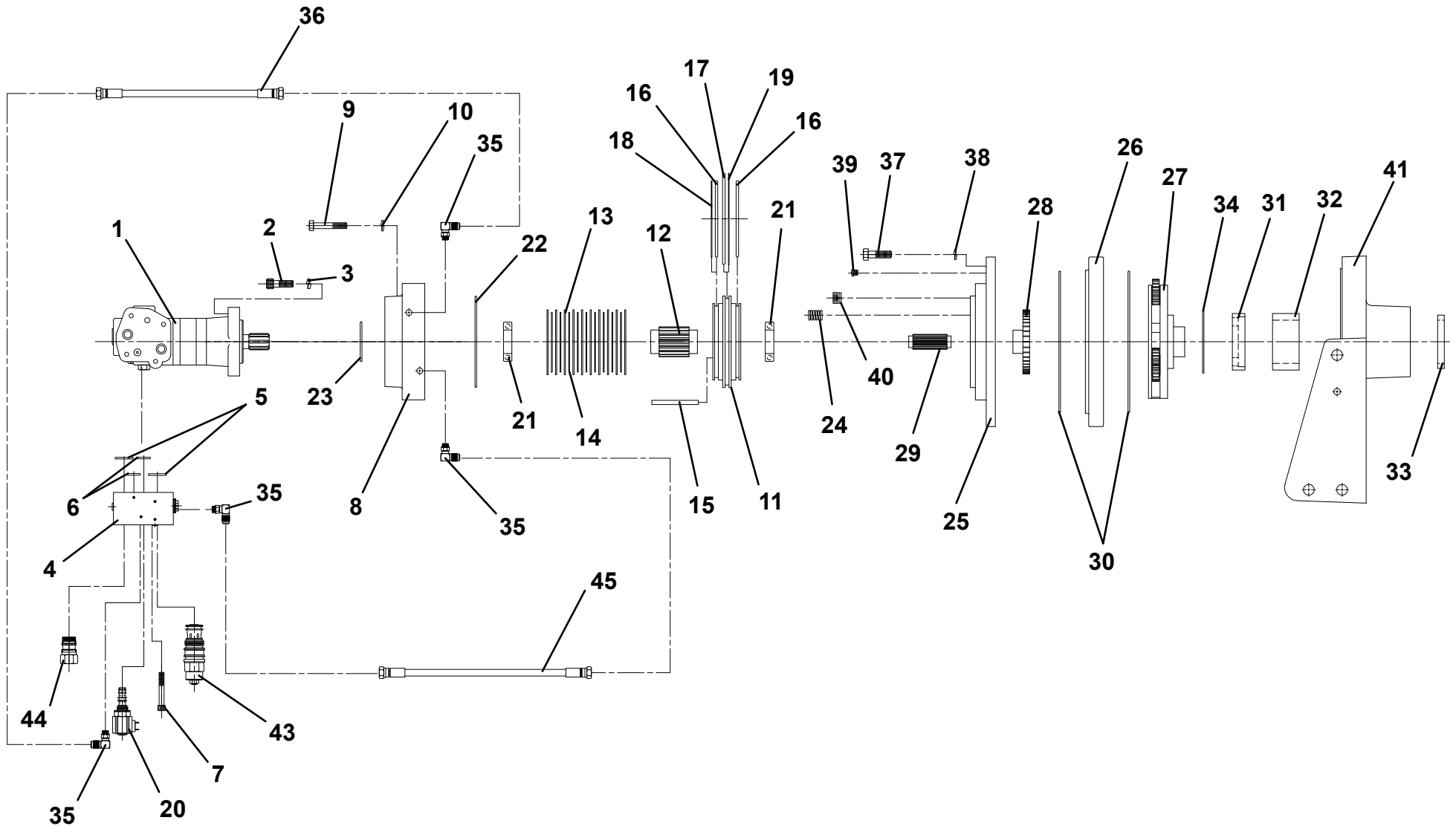
DP WINCH 50K - 7970000169 - INPUT SHAFT INSTALLATION



DP WINCH 50K - 7970000169 - MOTOR END INSTALLATION

ITEM	PART NO.	DESCRIPTION	QTY	ITEM	PART NO.	DESCRIPTION	QTY
1	70050367	Motor, Hydraulic	1	37	7115182250	Capscrew, Hex 0.50"-13NC x 2.75 Grade 5	4
2	7118181205	Capscrew, Socket 0.50"-13NC x 1.50"	2	38	7950180000	Washer, Lock 0.50"	4
3	7950180800	Washer, Lock 0.50" Hi Collar	2	39	9183960001	Vent, Relief	1
4	70050368	Valve, Counterbalance	1	40	9701960010	Plug, O-Ring Socket 0.75"-16	2
5	70050369	O-Ring, 1.125"ID x 0.125" Section	2	41	9177960002	Support, End Motor	1
6	979696088	O-Ring, 0.8125"ID x 0.0937 Section	2	42	9443960006	Adapter, Straight	1
7	70050370	Capscrew, Socket 0.375"-24NF x 2.50"	4	43	9935960026	Cartridge, Counterbalance	2
8	9571960006	Housing, Brake Outer	1	44	70051309	Hose, 0.25-R1 x 14.00"	1
9	7118172050	Capscrew, Hex 0.437"-UNC x 2.50" Grade 8	6				
10	7950170000	Washer, Lock 0.437"	6				
11	9698960008	Piston, Brake	1				
12	9806960013	Shaft, Brake	1				
13	9706960023	Plate, Disc Friction	10				
14	9706960025	Plate, Drive Brake	9				
15	9691960021	Pin, Dowel 0.312" x 3.50"	2				
16	70051303	O-Ring, 5.375"ID x 0.187" Section	2				
17	70051304	O-Ring, 6.50"ID x 0.187" Section	1				
18	70051305	Ring, Backup 5.278"ID x 0.76"	1				
19	70051306	Ring, Backup 6.25"ID x 0.183	1				
20	70050371	Cartridge	1				
21	9082960013	Bearing, Ball 1.75"ID	2				
22	70051307	O-Ring, 6.75"ID x 7.00"OD x 0.125" Section	1				
23	9796960090	O-Ring, 3.00"ID x 0.125" Section	1				
24	9843960024	Spring, Compression 0.75"	12				
25	7007960040	Adapter, Brake Support	1				
26	9472960032	Gear, Ring 92 Teeth	1				
27	9472960029	Carrier Assembly	1				
28	9472960033	Gear, Sun	1				
29	9806960014	Shaft Extension	1				
30	9796960085	O-Ring, 10.50"ID x 0.125" Section	2				
31	9706960027	Plate, Thrust	1				
32	9082960014	Bearing, Roller Torrington	1				
33	9796960087	Seal, 3.25"ID x 4.00"OD x 0.468"	1				
34	9754960029	Ring, Retainer 4.25" x 0.109" Thick	1				
35	7445040445	Adapter 90 Degree	3				
36	70050372	Hose, 0.25"-R1 x 16.00"	1				

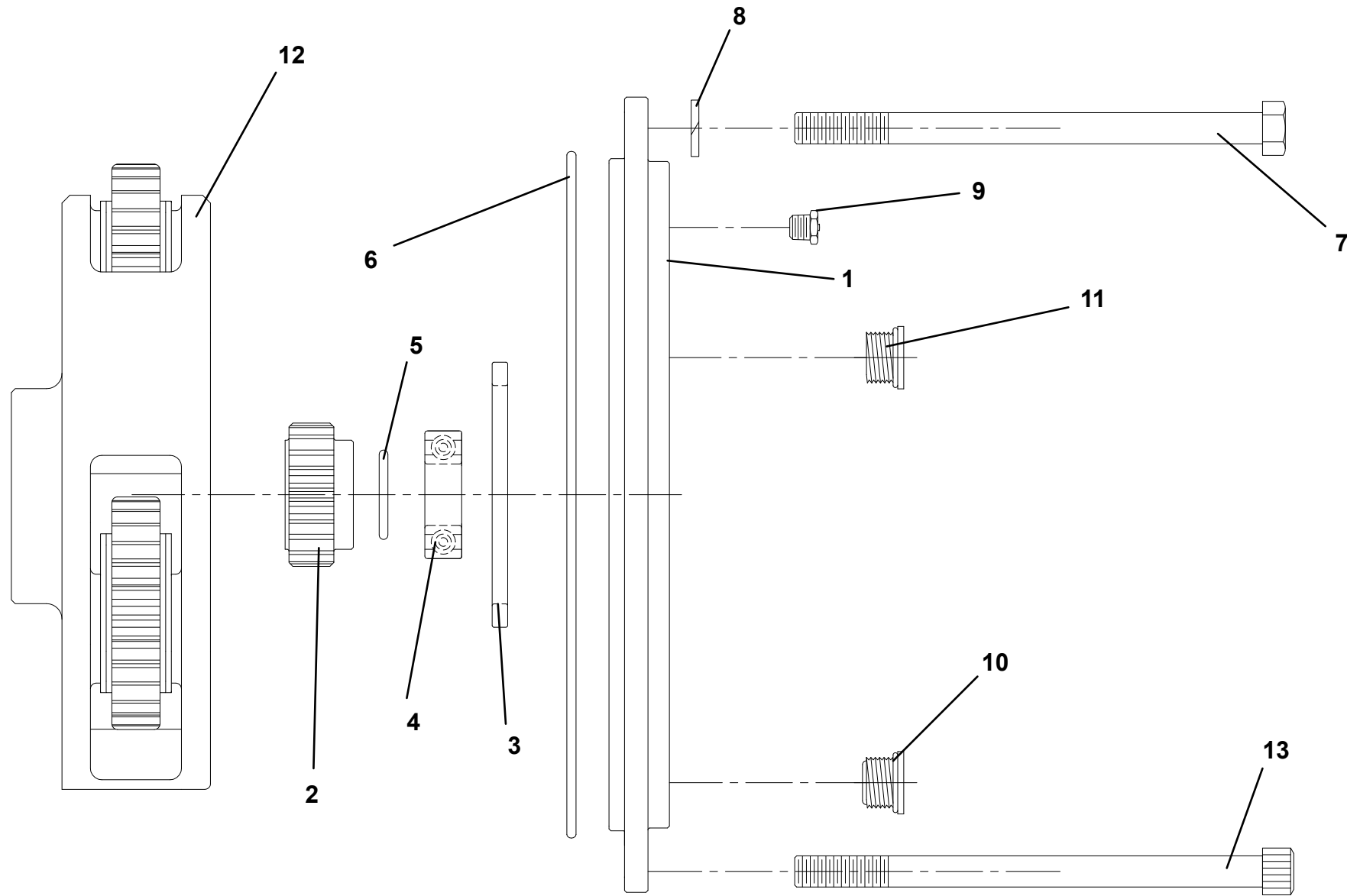
DP WINCH 50K - 7970000169 - MOTOR END INSTALLATION



DP WINCH 50K - 7970000169 - GEAR END INSTALLATION

ITEM	PART NO.	DESCRIPTION	QTY
1	70050375	Cover	1
2	70050376	Gear, Sun Primary 29 Teeth	1
3	9949960013	Washer, Thrust - Nylon 4.25" OD x .25"	1
4	9082960015	Bearing	1
5	9754960030	Retaining Ring	1
6	9796960085	O-Ring, 10.50" ID	1
7	70050377	Capscrew, 0.50"-13NC x 7.50"	10
8	7950180000	Lockwasher, 0.50" ID	10
9	9183960001	Vent	1
10	9701960012	Plug	1
11	9701960011	Plug	1
12	70050378	Carrier Assembly	1
13	70050379	Capscrew, 0.50"-13NC x 7.00"	2

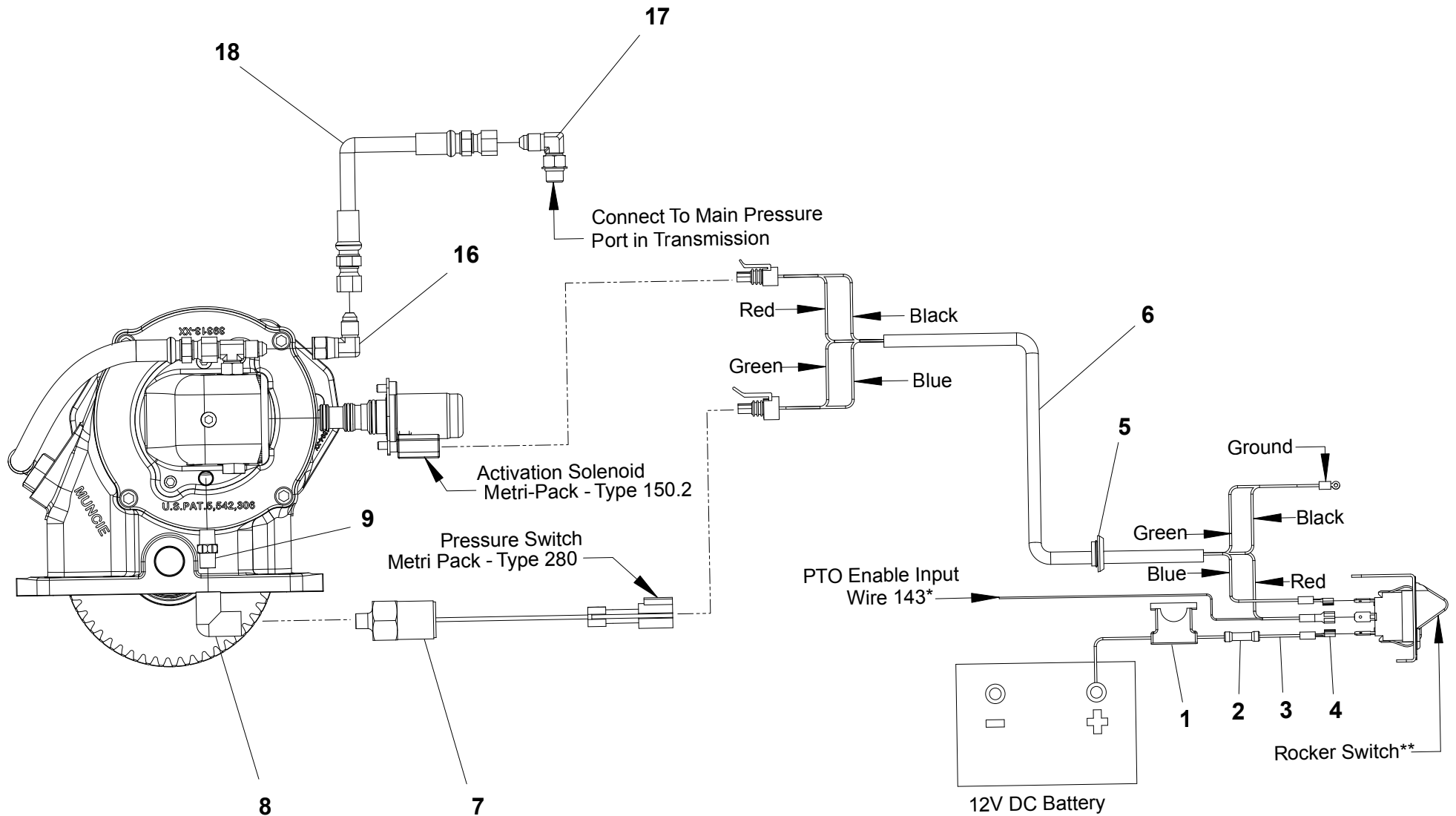
DP WINCH 50K - 7970000169 - GEAR END INSTALLATION



POWER TAKE OFF - CS SERIES

ITEM	PART NO.	DESCRIPTION	QTY
1	70050316	Fuse	1
2	70050315	Splice	1
3	70050312	Wire	6 FT
4	70050314	Connector	1
5	70050325	Grommet	1
6	70050328	Harness, Wire	1
7	7870000062	Switch, Pressure	1
8	70050329	Fitting, Elbow	1
9	70050330	Nipple	1
10	70050313	Terminal	2
11	70050331	Connector	3
12	7706000005	Bracket, Switch	1
13	7706000001	Plate	1
14	7870000045	Switch	1
15	70050319	Kit, Bolt	1
16	7443000431	Fitting (Also available in kit #70050467)	1
17	7443000244	Fitting (Also available in kit #70050467)	1
18	70050468	Hose (Also available in kit #70050467)	1

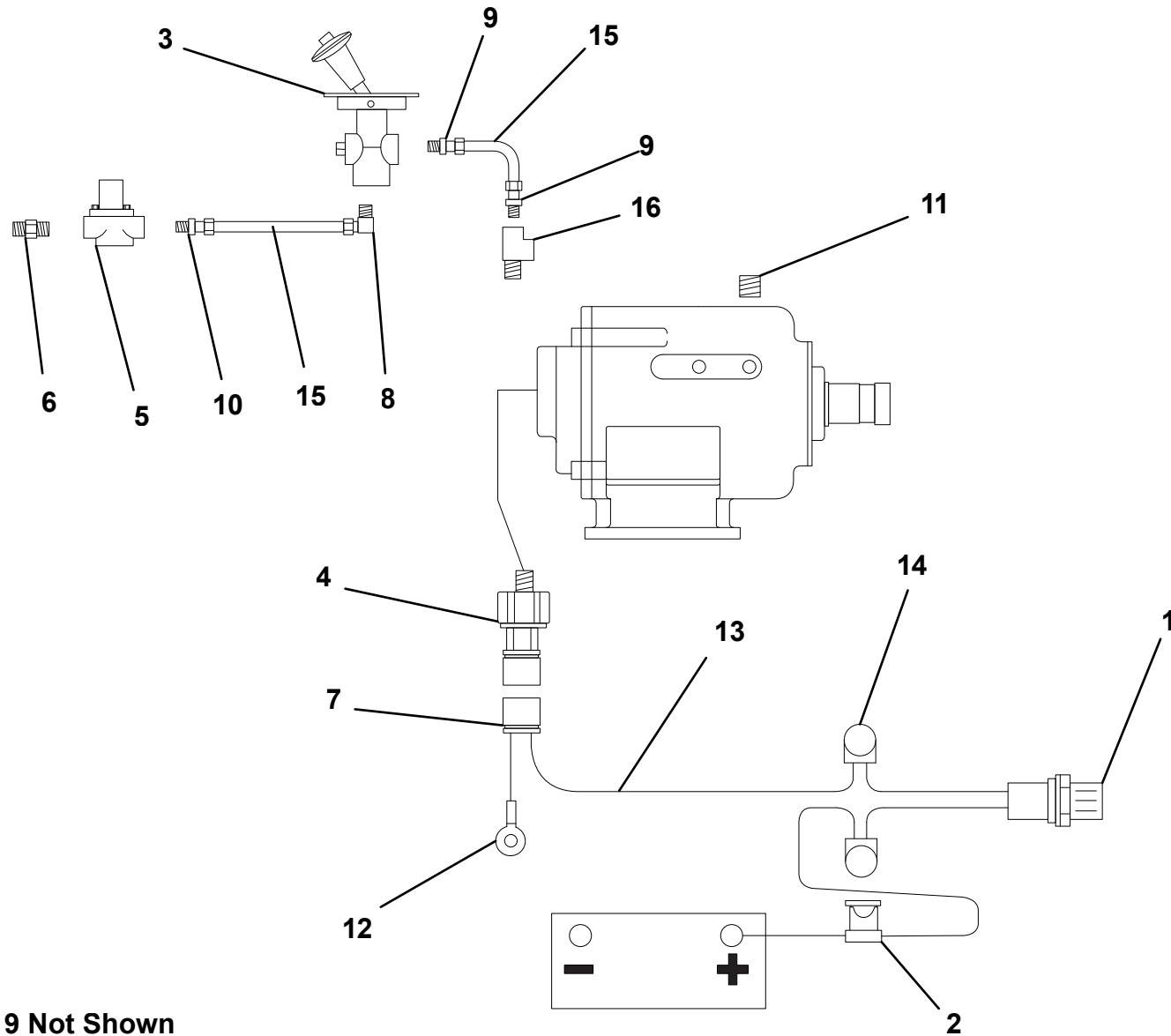
POWER TAKE OFF - CS SERIES



POWER TAKE OFF - SH SERIES

ITEM	PART NO.	DESCRIPTION	QTY
1	7590000049	Assembly. - Light 12V	1
2	70050316	Assembly, Fuse	1
3	7935000104	Valve, Air	1
4	7870000062	Switch, Pressure	1
5	9935740034	Valve, Pressure Protection	1
6	70050308	Nipple, Pipe	1
7	70050668	Wiring Pigtail	1
8	70050310	Fitting	1
9	70050320	Connector	2
10	70050309	Connector	1
11	70050669	Plug	1
12	70050313	Terminal	2
13	70050312	Wire	12 FT
14	70050977	Terminal, Closed End Crimp	3
15	7565000019	Tubing, Air	1
16	9443760018	Fitting	1
17	70050322	Bracket, Dash (Not shown on drawing)	1
18	7706000004	Plate, Face (Not shown on drawing)	1
19	70050319	Kit, Bolt (Not shown on drawing)	1

POWER TAKE OFF - SH SERIES

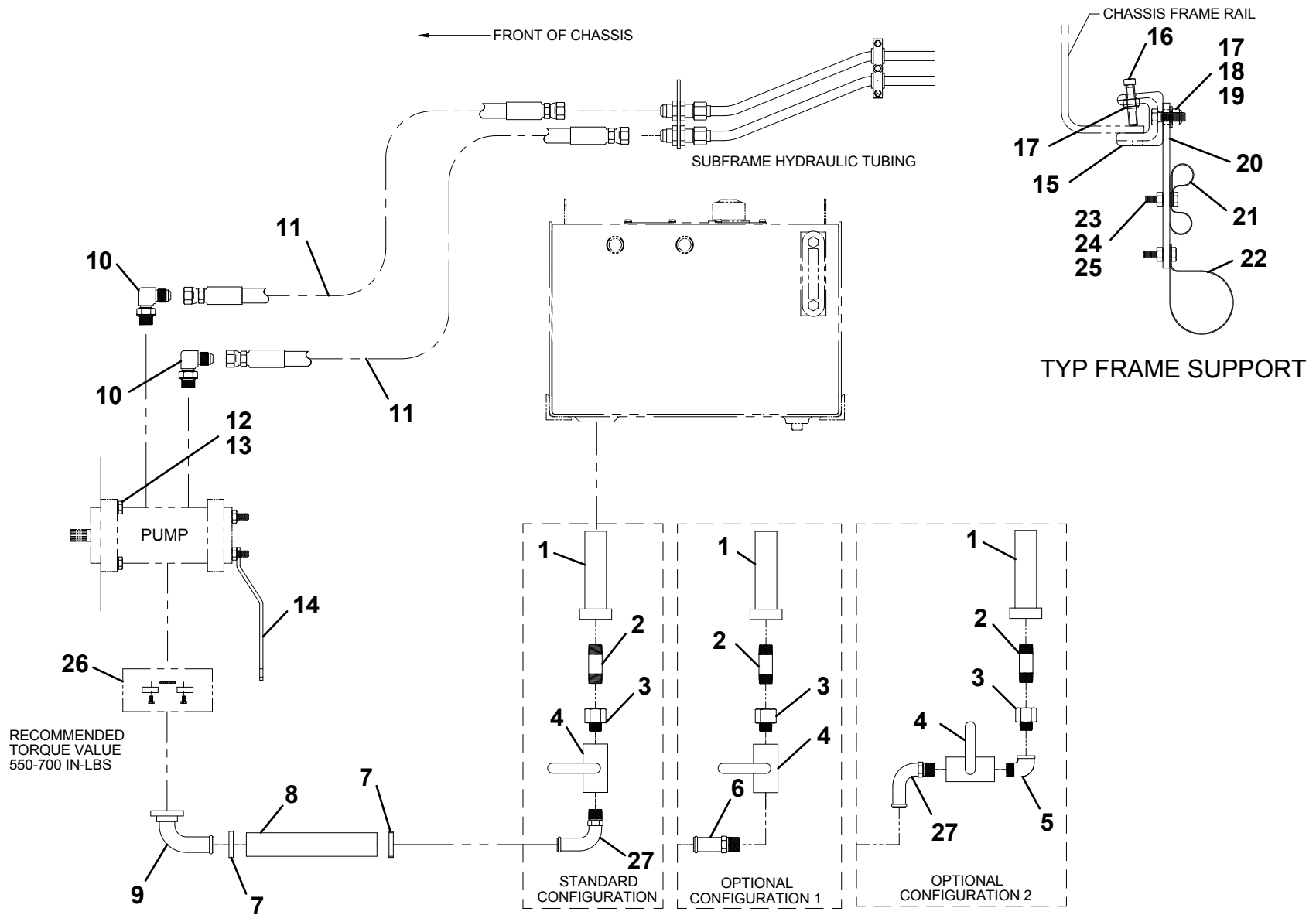


Items # 17, 18 & 19 Not Shown

HYDRAULIC SUPPLY PRESSURE INSTALLATION

ITEM	PART NO.	DESCRIPTION	QTY
1	7430000010	Filter	1
2	7650100137	Nipple	1
3	7444121050	Reducer	1
4	7935000116	Ball Valve	1
5	7444121271	Elbow	A/R
6	7443000130	Fitting	A/R
7	7274000028	Clamp	2
8	8565000026	Hose	19FT
9	1001145056	Elbow	1
10	7445121645	Elbow	2
11	4567160111	Hose - 245-285 Wheel Base	2
	4567160146	Hose - 275-325 Wheel Base	2
	1001208610	Hose - 326-365 Wheel Base	2
	1001204565	Hose - 366-405 Wheel Base	2
	1001218611	Hose - 406-445 Wheel Base	2
12	7115181050	Capscrew, 0.50"-13NC x 1.25"	2
13	7950180000	Lockwasher, 0.59" ID	2
14	4178000248	Bracket	1
15	7274000076	Clamp	10
16	7785152420	Screw, 0.31" - 18 x 1.50"	10
17	7660152601	Locknut 0.31"-18NC	20
18	7115151050	Capscrew, 0.31"-18NC x 1.25"	10
19	7950150161	Flatwasher, 0.31" ID	10
20	4706003844	Plate	10
21	7274000041	Clamp	20
22	7274000071	Clamp	10
23	7115140850	Capscrew, 0.25"-20NC x 1.00"	20
24	7950140152	Washer, 0.25" ID	20
25	7660142601	Locknut, 0.25" -20NC	20
26	7577000213	Flange	1
27	7443000254	Fitting	1

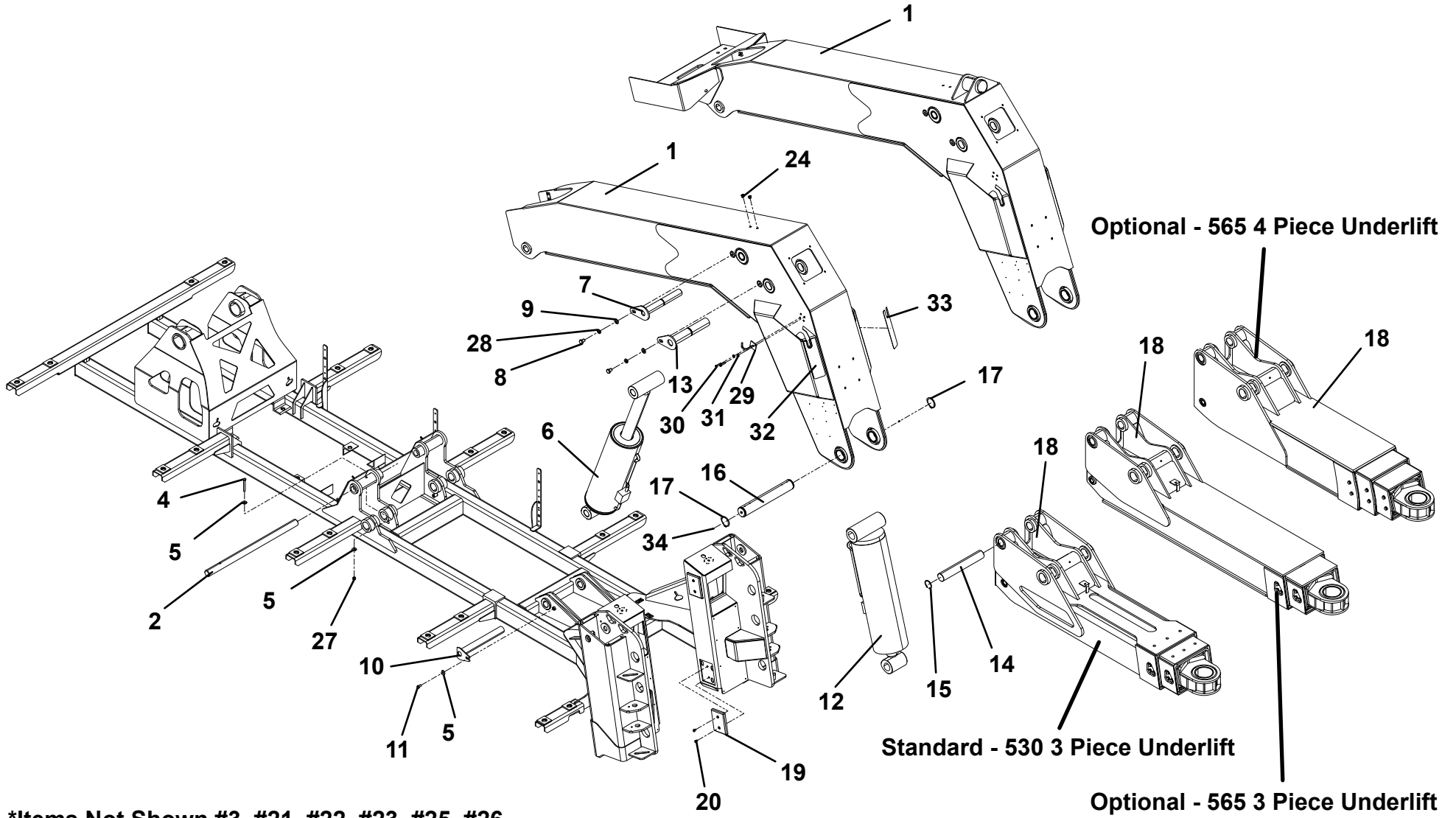
HYDRAULIC SUPPLY PRESSURE INSTALLATION



KNEE BOOM INSTALLATION

ITEM	PART NO.	DESCRIPTION	QTY	ITEM	PART NO.	DESCRIPTION	QTY
		W/ Drag				W/O Drag	
1	3170000409	Knee Boom w Drag Winch	1	1	3170000408	Knee Boom w/o Drag Winch	1
2	4691000284	Pin	1	2	4691000284	Pin	1
3	3577000037	Shim Kit	1	3	3577000037	Shim Kit	1
4	7115183250	Capscrew, 0.50"-13NC X 4.00"	1	4	7115183250	Capscrew, 0.50"-13NC X 4.00"	1
5	7950180161	Flatwasher, 0.50" ID	3	5	7950180161	Flatwasher, 0.50" ID	3
6	7320000024	Cylinder	1	6	7320000024	Cylinder	1
7	3691000251	Pin	1	7	3691000251	Pin	1
8	7115220850	Capscrew, 0.75"-10NC X 1.00"	2	8	7115220850	Capscrew, 0.75"-10NC X 1.00"	2
9	7950220141	Flatwasher, 0.75" ID	2	9	7950220141	Flatwasher, 0.75" ID	2
10	3691000152	Pin	1	10	3691000152	Pin	1
11	7115180850	Capscrew, 0.50"-13NC X 1.00"	1	11	7115180850	Capscrew, 0.50"-13NC X 1.00"	1
12	7320000096	Cylinder U/L Tilt UL530	1	12	7320000096	Cylinder U/L Tilt UL530	1
	7320000097	Cylinder U/L Tilt UL565	1		7320000097	Cylinder U/L Tilt UL565	1
13	3691000232	Pin	1	13	3691000232	Pin	1
14	4691000290	Pin	1	14	4691000290	Pin	1
15	7754000051	Retaining Ring	2	15	7754000051	Retaining Ring	2
16	4691000291	Pin	1	16	4691000291	Pin	1
17	7754000018	Retaining Ring	2	17	7754000018	Retaining Ring	2
18	3507100001	Underlift - Standard - 530 3 Piece	1	18	3507100001	Underlift - Standard - 530 3 Piece	1
	3170000407	Underlift - Optional - 565 3 Piece	1		3170000407	Underlift - Optional - 565 3 Piece	1
	3170000381	Underlift - Optional - 565 4 Piece	1		3170000381	Underlift - Optional - 565 4 Piece	1
19	4679000127	Pad	4	19	4679000127	Pad	4
20	7115160623	Capscrew, 0.38"-16 x 0.70"	8	20	7115160623	Capscrew, 0.38"-16 x 0.70"	8
21	7262000025	Chain	2	21	7262000025	Chain	2
22	7115201250	Capscrew, 0.63"-11NC X 1.50"	2	22	7115201250	Capscrew, 0.63"-11NC X 1.50"	2
23	7660202601	Locknut, 0.63"-11NC	2	23	7660202601	Locknut, 0.63"-11NC	2
24	7189000017	Rubber Bumper	2	24	7189000017	Rubber Bumper	2
25	7440030000	Grease Fitting	5	25	7440030000	Grease Fitting	5
26	7253000002	Grease Fitting Cap	5	26	7253000002	Grease Fitting Cap	5
27	7660182601	Locknut, 0.50"-13NC	1	27	7660182601	Locknut, 0.50"-13NC	1
28	7950220000	Washer, 0.75" ID	2	28	7950220000	Washer, 0.75" ID	2
29	3561000017	Hook Weldment	2	29	3561000017	Hook Weldment	2
30	7115161450	Capscrew, 0.38"-16NC X 1.75"	4	30	7115161450	Capscrew, 0.38"-16NC X 1.75"	4
31	7950160141	Flatwasher, 0.38" ID	4	31	7950160141	Flatwasher, 0.38" ID	4
32	1001151184	Decal, LH	1	32	1001151184	Decal, LH	1
33	1001151185	Decal, RH	1	33	1001151185	Decal, RH	1
34	7440000000	Grease Fitting	1	34	7440000000	Grease Fitting	1

KNEE BOOM INSTALLATION

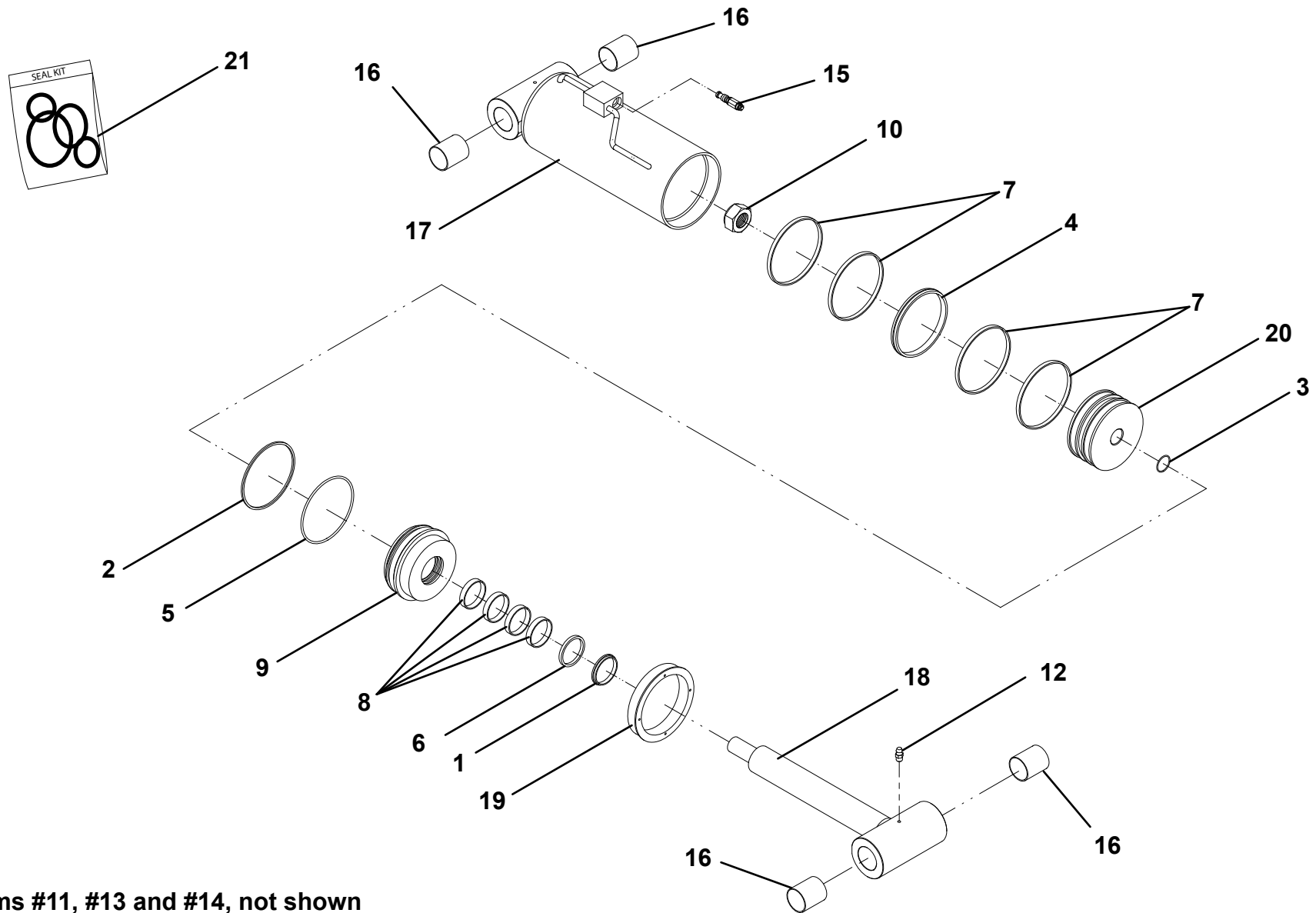


*Items Not Shown #3, #21, #22, #23, #25, #26

UNDERLIFT TILT CYLINDER - 7320000097

ITEM	PART NO.	DESCRIPTION	QTY
1	9796250084	Wiper	1
2	9796250059	O-Ring	1
3	9796250065	O-Ring	1
4	9796250077	Seal	1
5	9754250012	Back-Up Ring	1
6	9796250078	Seal	1
7	9754250022	Wear Ring	2
8	9754250023	Wear Ring	2
9	70051199	Piston Head	1
10	9661250019	Nut	1
11	9701250006	Nylon Plug	2
12	83304181	Grease Fitting	2
13	9786250005	Setscrew	1
14	9786250004	Setscrew	4
15	9935250032	Counterbalance	1
16	70050232	Bushing	4
17	9912250008	Tube Assembly	1
18	9763250013	Rod Assembly	1
19	9254250008	Headcap	1
20	9698250005	Piston	1
21	7577250188	Seal Kit	1

UNDERLIFT TILT CYLINDER - 7320000097

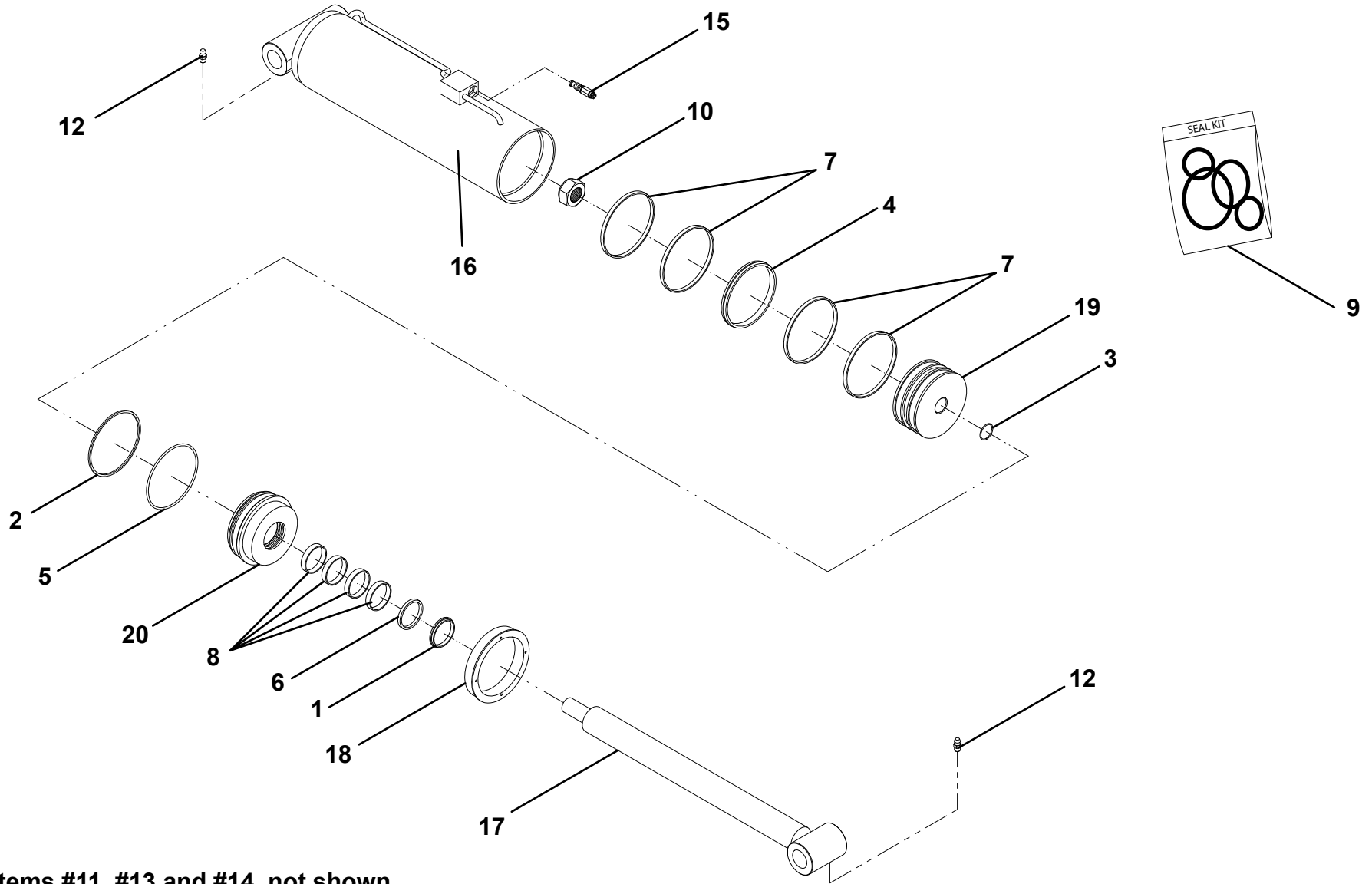


Items #11, #13 and #14, not shown

UNDERLIFT TILT CYLINDER - 7320000096

ITEM	PART NO.	DESCRIPTION	QTY
1	9796250083	Seal, Wiper	1
2	9754250011	Ring, Back-up	1
3	9796250062	Seal, "O" Ring	1
4	70050544	Seal	1
5	9796250068	Seal, "O" Ring	1
6	70050545	Seal	1
7	9754250017	Ring, Wear	4
8	80004049	Ring, Wear	4
9	7577000063	Kit, Seal	1
10	7005314	Locknut	1
11	70021757	Setscrew	1
12	7005348	Grease Fitting	2
13	70021648	Plug, Port	2
14	7005365	Plug, Port	1
15	70050215	Valve, Counterbalance	1
16	70050594	Assembly, Tube	1
17	70050595	Assembly, Rod	1
18	9254250007	Headcap	1
19	70050548	Piston	1
20	70050549	Head	1

UNDERLIFT TILT CYLINDER - 7320000096

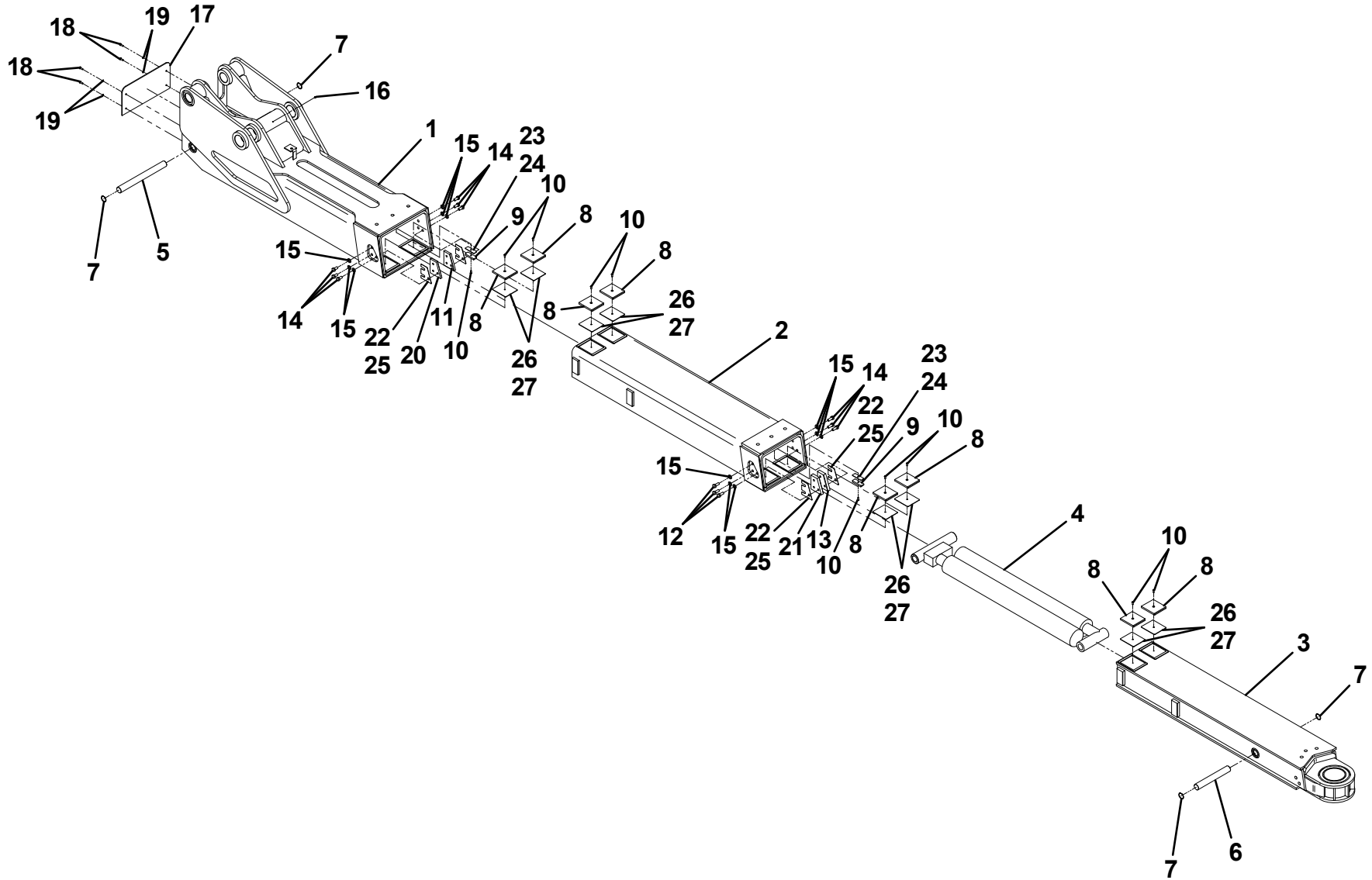


Items #11, #13 and #14, not shown

UNDERLIFT ASSEMBLY - 3507100001

ITEM	PART NO.	DESCRIPTION	QTY
1	3170000125	Base Section Boom Weldment	1
2	3170000124	Mid Section Boom Weldment	1
3	3170000123	Fly Section Boom Weldment	1
4	7320000026	Underlift Extension Cylinder Assembly	1
5	4691000292	Pin	1
6	4691000293	Pin	1
7	7754000043	Retaining Ring	4
8	4679000146	Pad	8
9	4679000147	Pad	2
10	7114140518	Capscrew, 0.25"-20NC x 0.63"	10
11	4706002209	Plate	1
12	7108181050	Capscrew, 0.50"-20NF x 1.25"	6
13	4706002208	Plate	1
14	7108180850	Capscrew, 0.50"-20NF x 1.00"	6
15	7950180153	Flatwasher, 0.50" ID	12
16	7440030000	Grease Fitting	1
17	4706002207	Plate	1
18	7115140650	Plate	4
19	7950140000	Lockwasher, 0.25" ID	4
20	4706002211	Plate	1
21	4706002210	Plate	1
22	4812000057	Shim, 14GA	2
23	4706003708	Plate	2
24	4706003709	Plate	2
25	4706003710	Plate	4
26	4706003717	Plate	8
27	4706003718	Plate	8

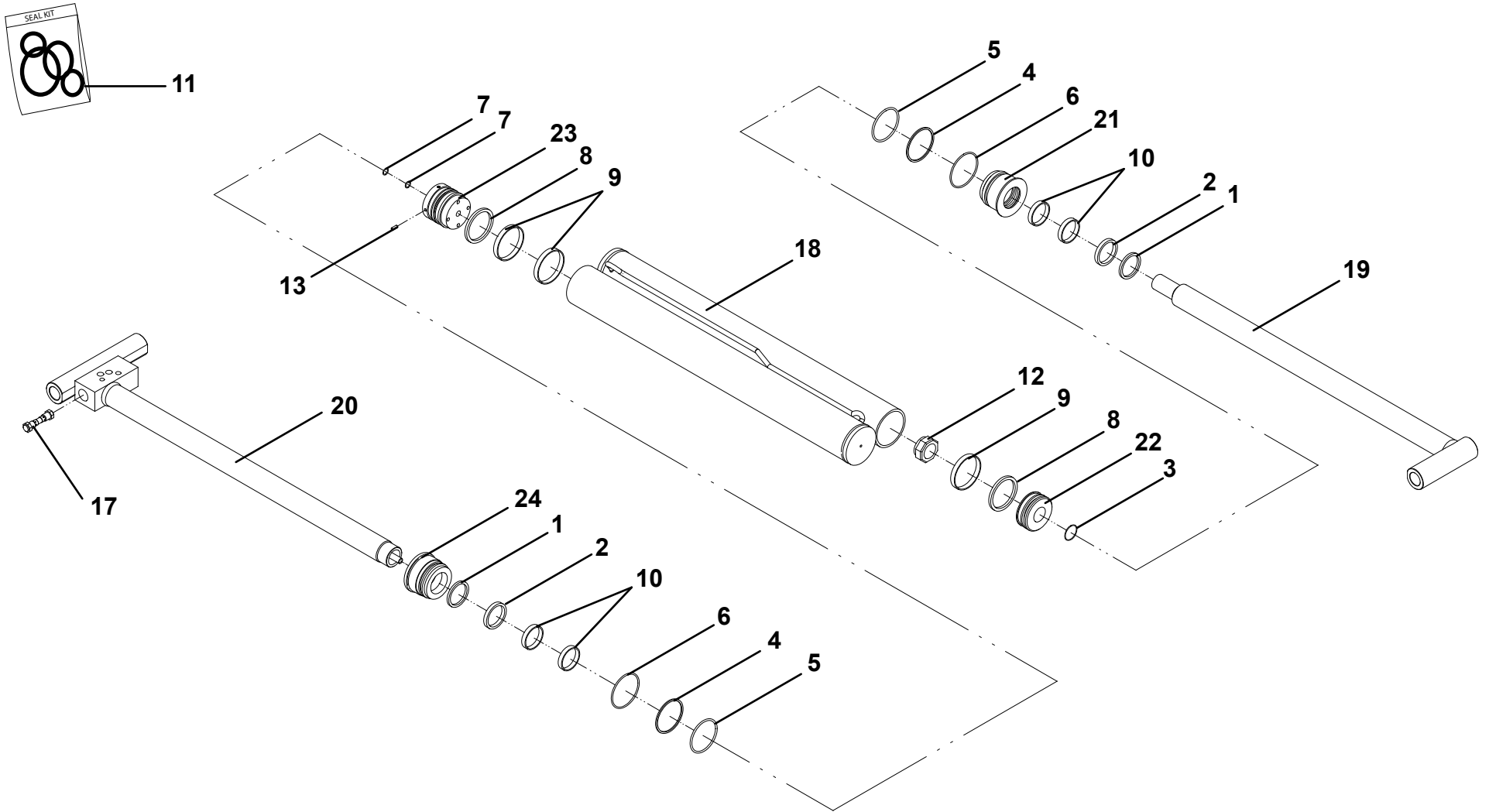
UNDERLIFT ASSEMBLY - 3507100001



UNDERLIFT EXTENSION CYLINDER ASSEMBLY - 732000026

ITEM	PART NO.	DESCRIPTION	QTY
1	9796250081	Seal, Wiper	2
2	7019829	Seal	2
3	7023518	Seal, "O" Ring	1
4	9754250009	Ring, Back-up	2
5	9796250057	Seal, "O" Ring	2
6	9796250058	Seal, "O" Ring	2
7	70050534	Seal, "O" Ring	2
8	9796250073	Seal	2
9	9754250014	Ring, Wear	3
10	70050568	Ring, Wear	4
11	7577250334	Kit, Seal	1
12	7003116	Locknut	1
13	70050535	Setscrew	4
14	7005348	Grease Fitting	2
15	7005365	Plug, Port	2
16	70021648	Plug, Port	2
17	9935250025	Kit, Check Cartridge	1
18	70050536	Assembly, Tube	1
19	70050537	Assembly, Rod	1
20	70050538	Assembly, Rod-Tube	1
21	9553250010	Head	1
22	7024101	Piston	1
23	70050540	Piston	1
24	70050541	Head	1

UNDERLIFT EXTENSION CYLINDER ASSEMBLY - 732000026

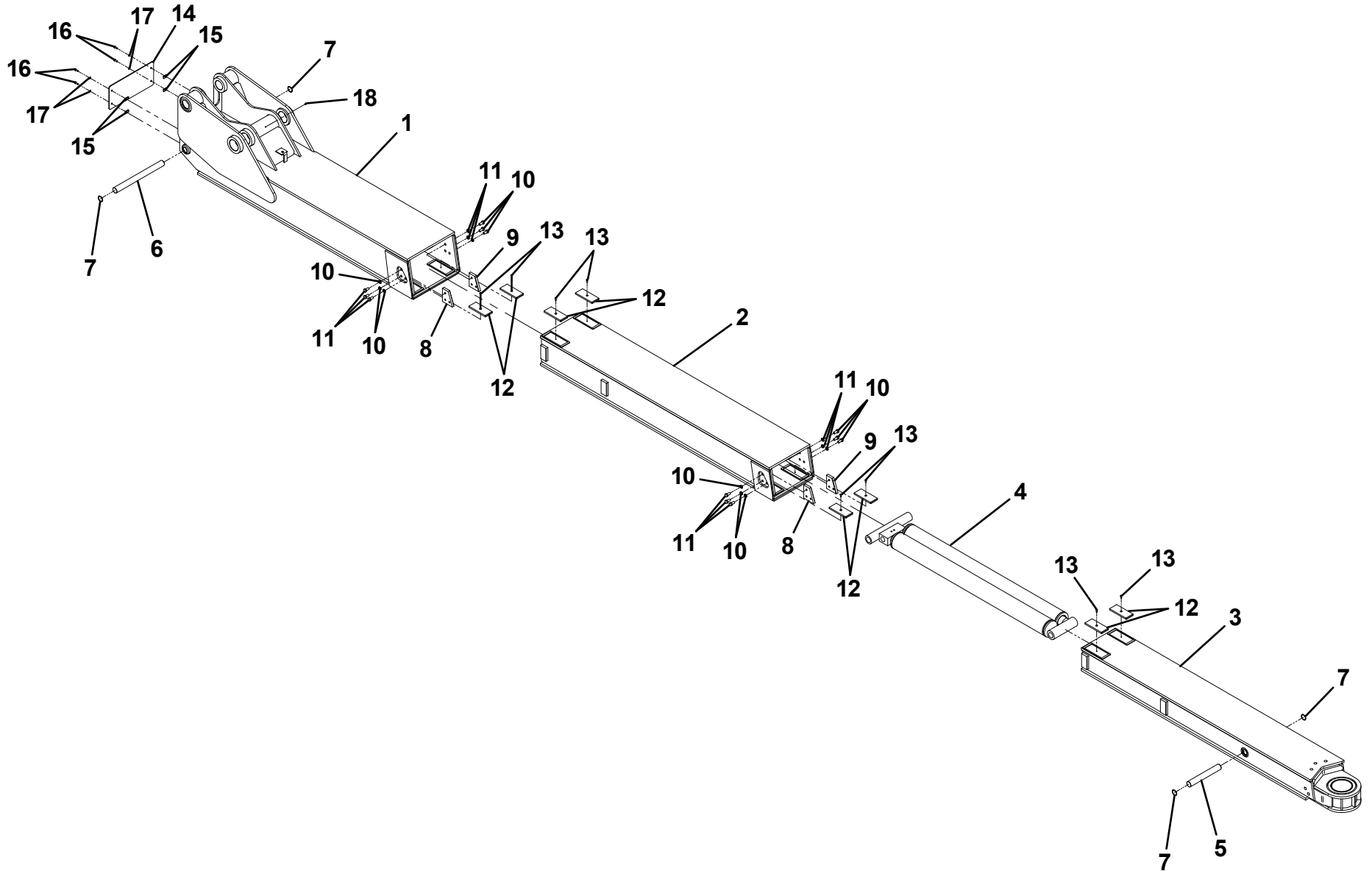


Items #14, #15 and #16, not shown

UNDERLIFT ASSEMBLY - 3170000407 - OPTIONAL - 565 3 PIECE U/L

ITEM	PART NO.	DESCRIPTION	QTY
1	3170000400	Base Section Boom Weldment	1
2	3170000401	Mid Section Boom Weldment	1
3	3170000406	Fly Section Boom Weldment	1
4	7320000068	Underlift Extension Cylinder Assembly	1
5	4691000293	Pin	1
6	4691000321	Pin	1
7	7754000043	Retaining Ring	4
8	4706005262	Plate	2
9	4706005263	Plate	2
10	7108180850	Capscrew, 0.50"-20NF x 1.00"	12
11	7950180000	Lockwasher, 0.50" ID	12
12	4679000277	Pad, 0.38" Thk	8
	4679000293	Pad, 0.25" Thk	
13	7114140518	Capscrew, 0.25"-20NC x 0.63"	8
14	4706005281	Plate	1
15	7661000019	U-Nut, 0.25"-20NC	4
16	7115140650	Capscrew, 0.25"-20NC x 0.75"	4
17	7950140000	Lockwasher, 0.25" ID	4
18	7440030000	Grease Fitting	1

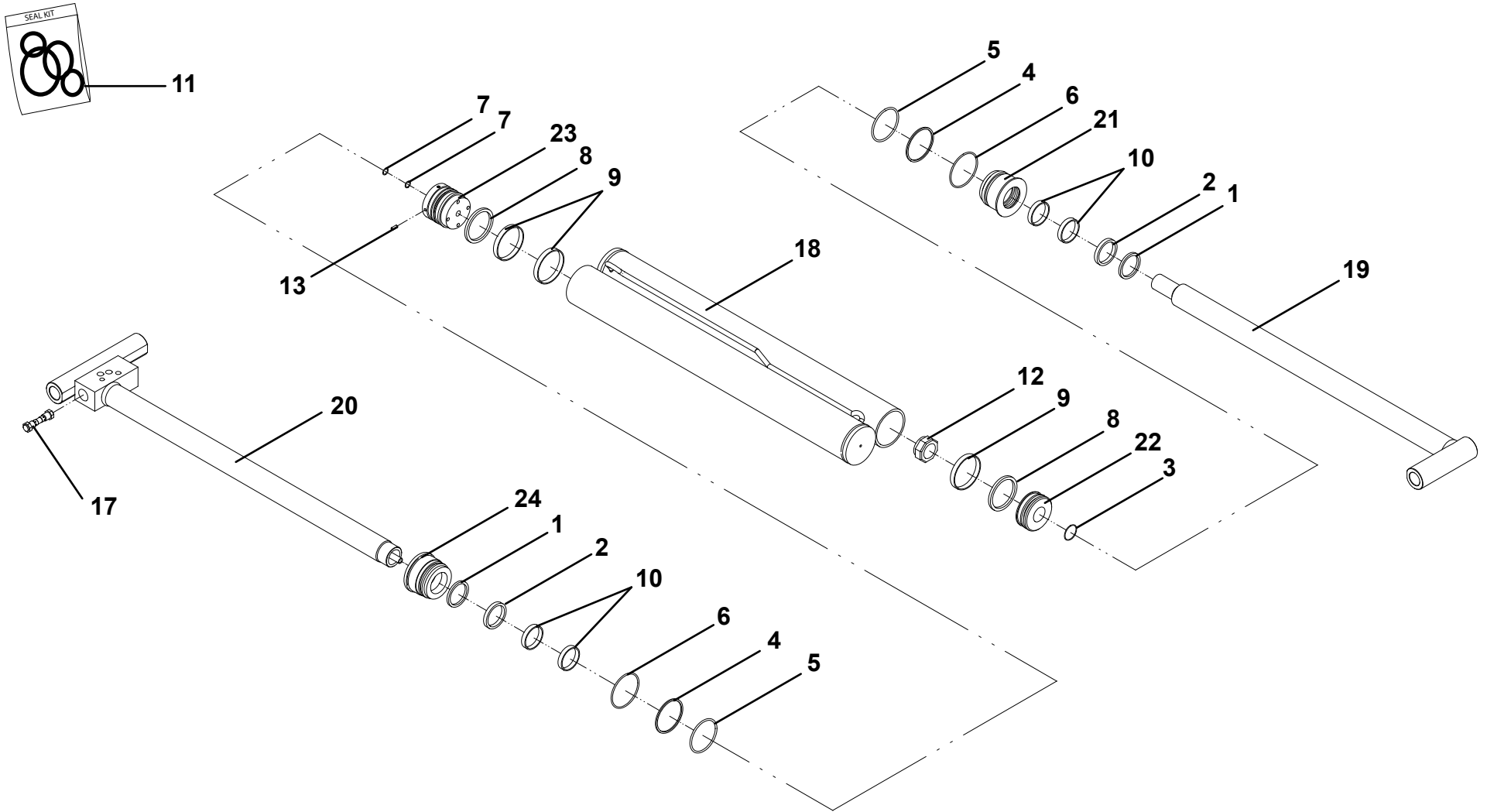
UNDERLIFT ASSEMBLY - 3170000407 - OPTIONAL - 565 3 PIECE U/L



UNDERLIFT EXTENSION CYLINDER ASSEMBLY - 7320000068

ITEM	PART NO.	DESCRIPTION	QTY
1	9796250081	Seal, Wiper	2
2	7019829	Seal	2
3	7023518	Seal, "O" Ring	1
4	9754250009	Ring, Back-up	2
5	9796250057	Seal, "O" Ring	2
6	9796250058	Seal, "O" Ring	2
7	70050534	Seal, "O" Ring	2
8	9796250073	Seal	2
9	9754250014	Ring, Wear	3
10	80004056	Ring, Wear	4
11	7577250334	Kit, Seal	1
12	7003116	Locknut	1
13	70050535	Setscrew	4
14	7005348	Grease Fitting	2
15	7005365	Plug, Port	2
16	70021648	Plug, Port	2
17	9935250025	Kit, Check Cartridge	1
18	70050550	Assembly, Tube	1
19	70050551	Assembly, Rod	1
20	70050552	Assembly, Rod-Tube	1
21	9553250010	Head	1
22	7024101	Piston	1
23	70050540	Piston	1
24	70050541	Head	1

UNDERLIFT EXTENSION CYLINDER ASSEMBLY - 7320000068

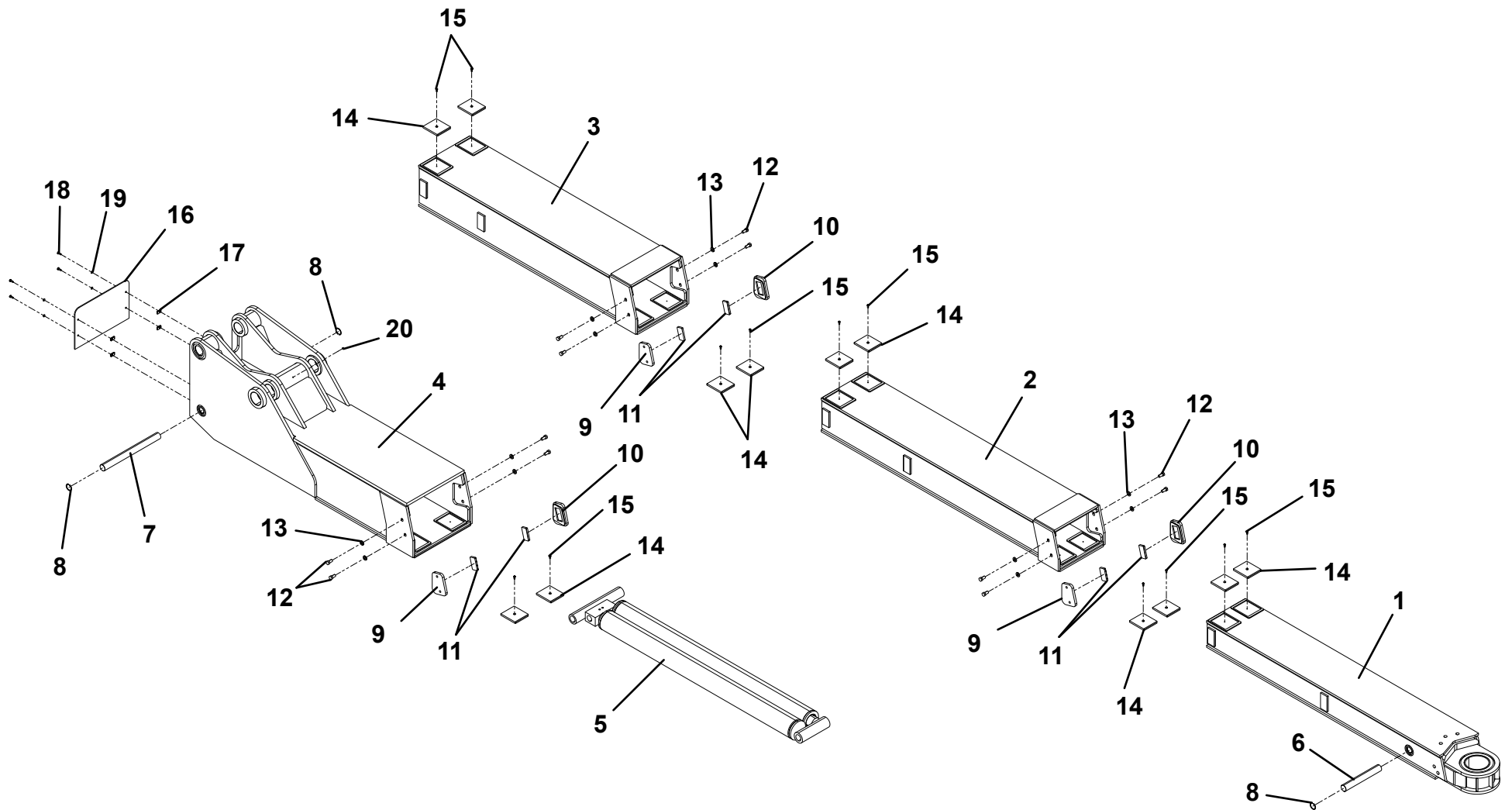


Items #14, #15 and #16, not shown

UNDERLIFT ASSEMBLY - 3170000381 - OPTIONAL - 565 4 PIECE U/L

ITEM	PART NO.	DESCRIPTION	QTY
1	3170000379	Boom Weldment Fly Section	1
2	3170000380	Boom Weldment 2nd Stage Section	1
3	3170000178	Boom Weldment 3rd Stage Section	1
4	3170000179	Boom Weldment Outer Section	1
5	7320000038	Cylinder	1
6	4691000293	Pin	1
7	4691000321	Pin	1
8	7754000043	Snap-Ring	4
9	3178000273	Bracket LH	3
10	3178000275	Bracket RH	3
11	4679000170	Pad	6
12	7108180850	Capscrew, 0.50"-20NF X 1.00"	12
13	7950180153	Flatwasher, 0.50" ID	12
14	4679000146	Pad	12
15	7114140518	Capscrew, 0.25"-20NC X 0.62"	12
16	4706002428	Plate	1
17	7661000019	U-Nut, 0.25"-20NC	4
18	7115140650	Capscrew, 0.25"-20NC X 0.75"	4
19	7950140000	Lockwasher, 0.25" ID	4
20	7440030000	Grease Fitting	1

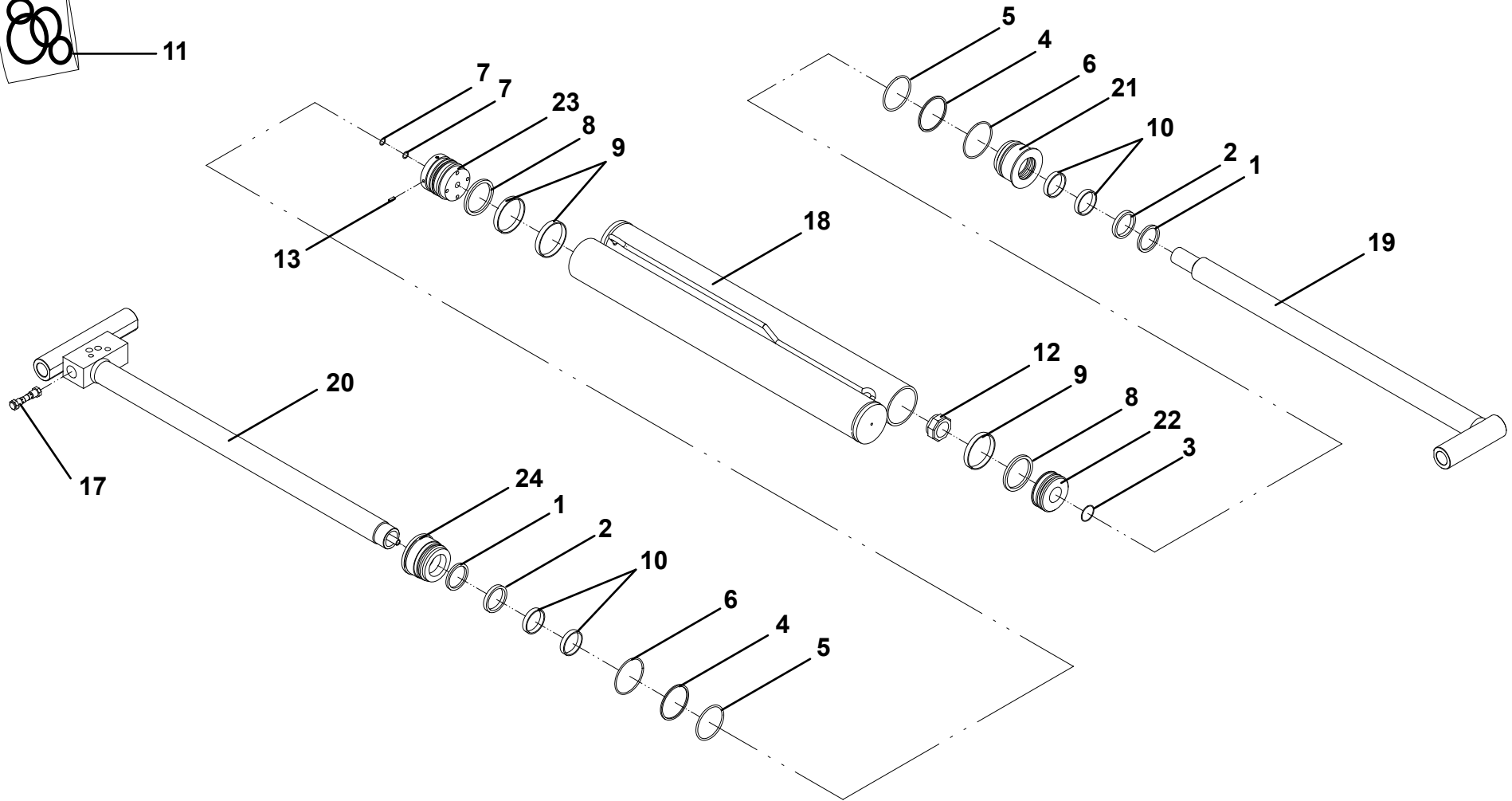
UNDERLIFT ASSEMBLY - 3170000381 - OPTIONAL - 565 4 PIECE U/L



UNDERLIFT EXTENSION CYLINDER ASSEMBLY - 7320000038

ITEM	PART NO.	DESCRIPTION	QTY
1	9796250081	Seal, Wiper	2
2	7019829	Seal	2
3	7023518	Seal, "O" Ring	1
4	9754250009	Ring, Back-up	2
5	9796250057	Seal, "O" Ring	2
6	9796250058	Seal, "O" Ring	2
7	70050534	Seal, "O" Ring	2
8	9796250073	Seal	2
9	9754250014	Ring, Wear	3
10	70050568	Ring, Wear	4
11	7577250334	Kit, Seal	1
12	7003116	Locknut	1
13	70050535	Setscrew	4
14	7005348	Grease Fitting	2
15	7005365	Plug, Port	2
16	70021648	Plug, Port	2
17	9935250025	Kit, Check Cartridge	1
18	70051197	Assembly, Tube	1
19	70051196	Assembly, Rod	1
20	70050075	Assembly, Rod-Tube	1
21	9553250010	Head	1
22	7024101	Piston	1
23	70050540	Piston	1
24	70050541	Head	1

UNDERLIFT EXTENSION CYLINDER ASSEMBLY - 7320000038

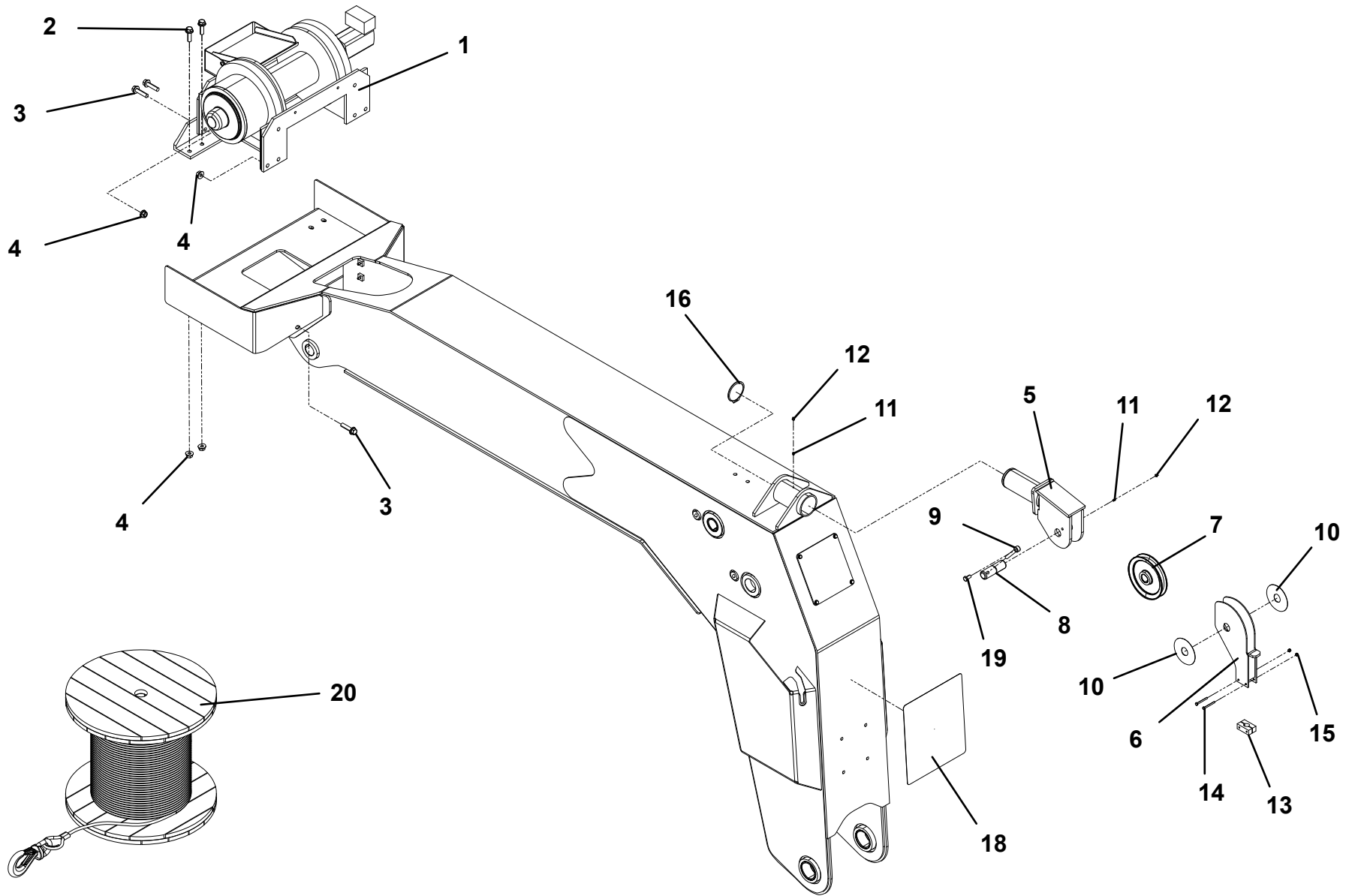


Items #14, #15 and #16, not shown

UNDERLIFT WINCH INSTALLATION

ITEM	PART NO.	DESCRIPTION	QTY
1	1001143297	Winch 35K	1
2	7118201616	Capscrew, 0.63"-11NC x 2.00"	4
3	7118202016	Bolt, 0.63"-11NC X 2.50"	4
4	7661000018	Nut, 0.63"-11NC	8
5	1001169617	Sheave Support	1
6	3249000012	Cable Guide Weldment	1
7	7809000006	Sheave	1
8	1001169893	Pin	1
9	3841203	Rod	1
10	4949000045	Washer	2
11	7440030000	Grease Fitting	2
12	7253000002	Grease Fitting Cap	2
13	4249000002	Cable Guide	2
14	7115142050	Capscrew, 0.25"-20NC x 2.50"	2
15	7660142604	Locknut, 0.25"-20NC	2
16	7754000049	Retaining Ring	1
17	3249000038	Cable Tie Back	1
18	1001151050	Decal	1
19	7115180850	Capscrew, 0.50"-13NC X 1.00"	1
20	1001209014	Wire Rope, 0.63" DIA X 250'	1
	1001209015	Wire Rope, 0.63" DIA X 250', SWVL Hook	
	1001209024	Wire Rope, 0.75" DIA X 200'	
	1001209025	Wire Rope, 0.75" DIA X 200'	

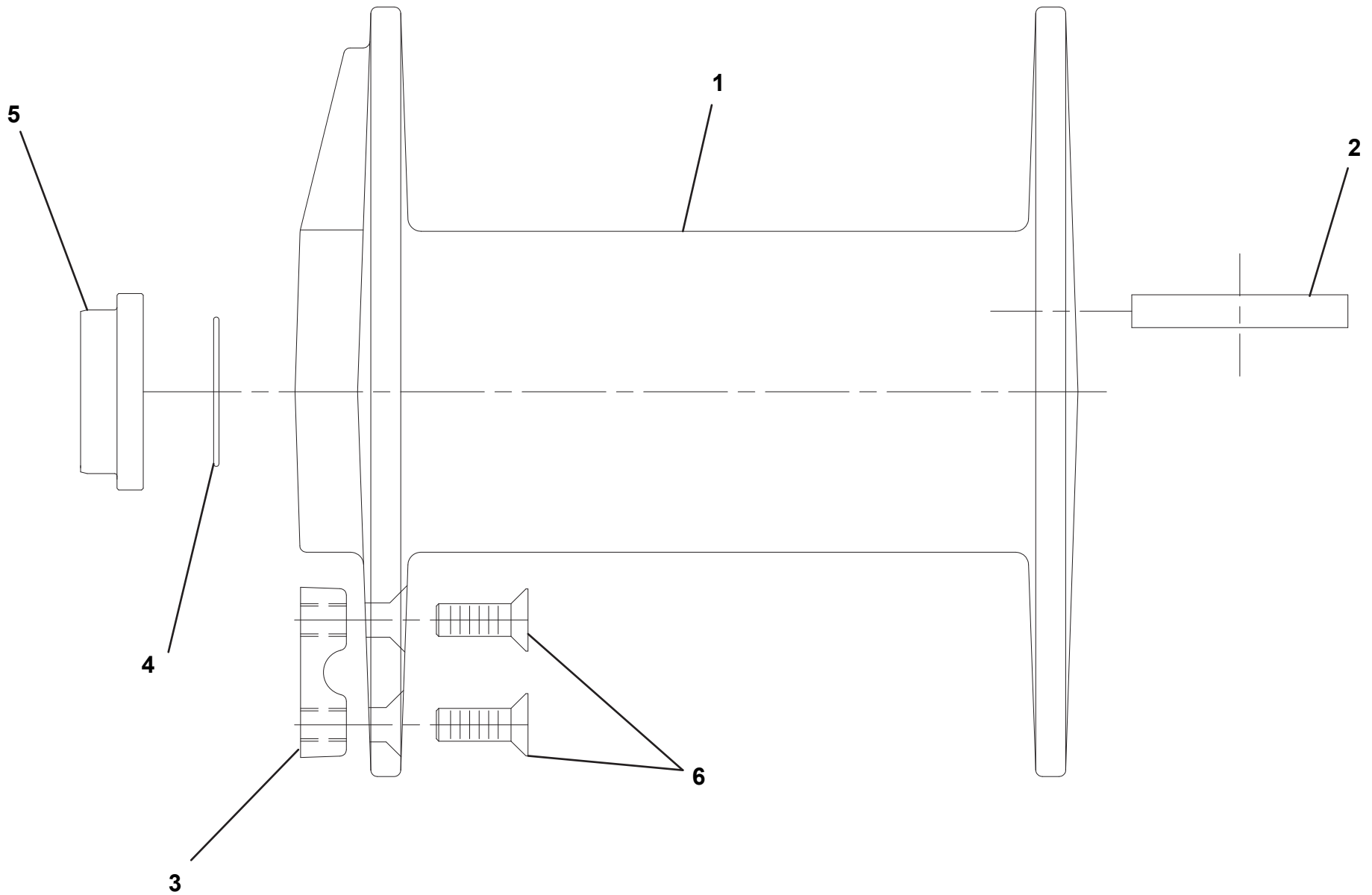
UNDERLIFT WINCH INSTALLATION



DP WINCH 35K - 1001143297 - CABLE WINCH DRUM INSTALLATION

ITEM	PART NO.	DESCRIPTION	QTY
1	9970960020	Drum	1
2	9575960012	Key, Drum	2
3	9280960002	Clip	1
4	9796960089	O-Ring, 2.50" ID	1
5	9831960018	Spacer	1
6	7110201423	Capscrew, 0.63"-11NC x 1.75"	2

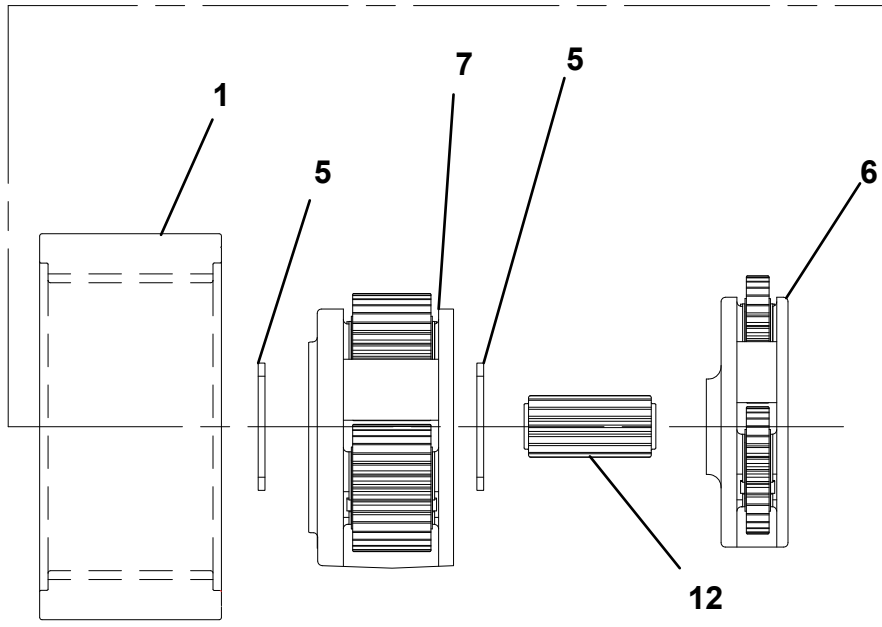
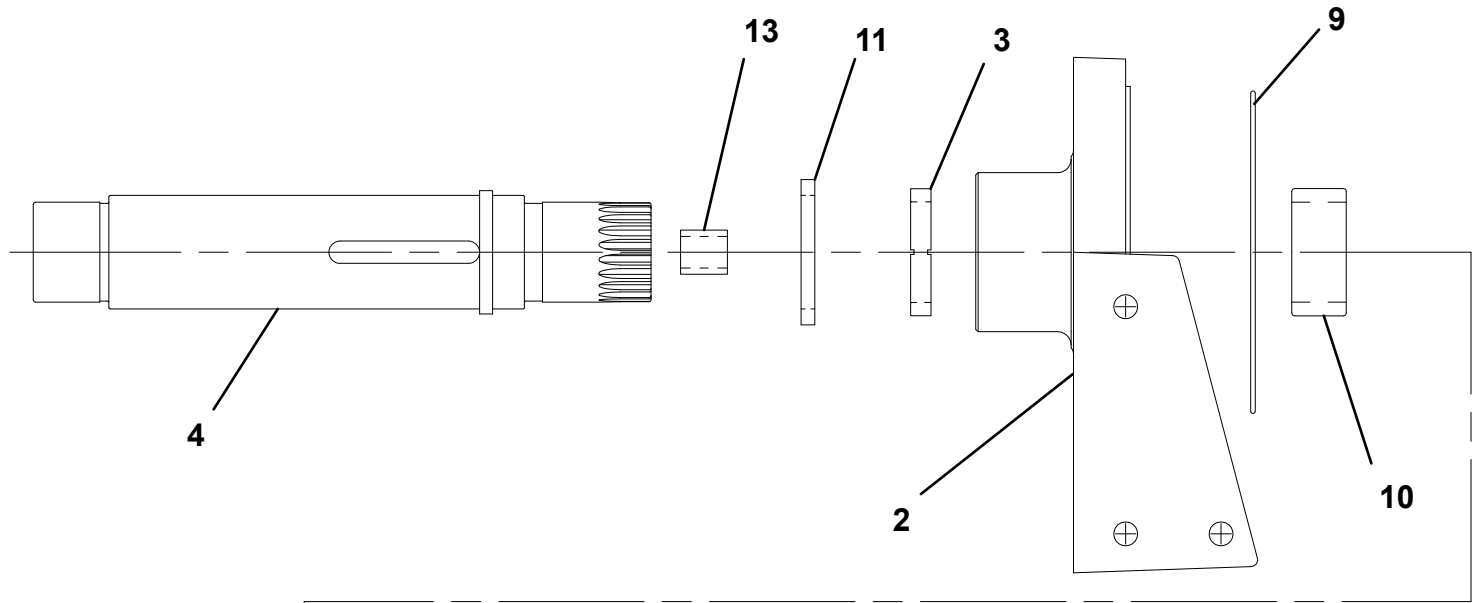
DP WINCH 35K - 1001143297 - CABLE DRUM INSTALLATION



DP WINCH 35K - 1001143297 - GEAR END INSTALLATION

ITEM	PART NO.	DESCRIPTION	QTY
1	9472960056	Gear	1
2	9177960003	Support, Gear End	1
3	9949960028	Thrust Washer, 3.82" OD x 0.046"	1
4	9806960021	Shaft, Output	1
5	9949960027	Thrust Washer, 3.50" OD x 0.19"	2
6	9472960052	Carrier Assembly, Primary	1
7	9472960053	Carrier Assembly, Secondary	1
8	9330960006	Label, Warning	1
9	9796960120	O-Ring, 8.75" ID	1
10	9082960018	Bearing	1
11	9796960121	Seal, 3.13" ID x 0.38"	1
12	9472960055	Gear, Sun Secondary	1
13	9209960025	Bushing	1

DP WINCH 35K - 1001143297 - GEAR END INSTALLATION

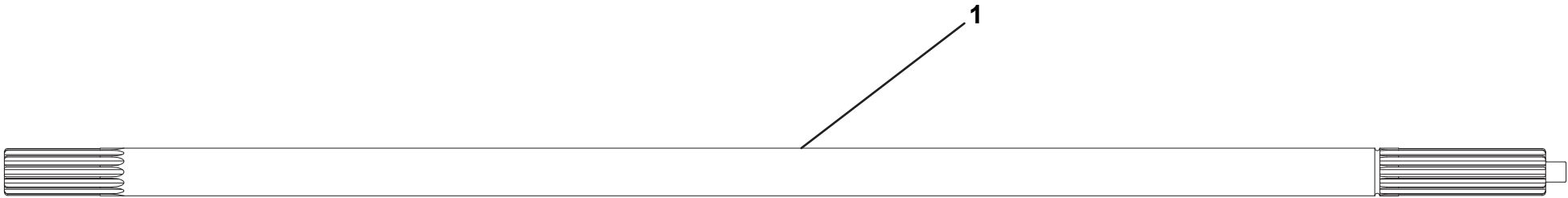


Items #8 not shown

DP WINCH 35K - 1001143297 - INPUT SHAFT INSTALLATION

ITEM	PART NO.	DESCRIPTION	QTY
1	9806960020	Input Shaft	1

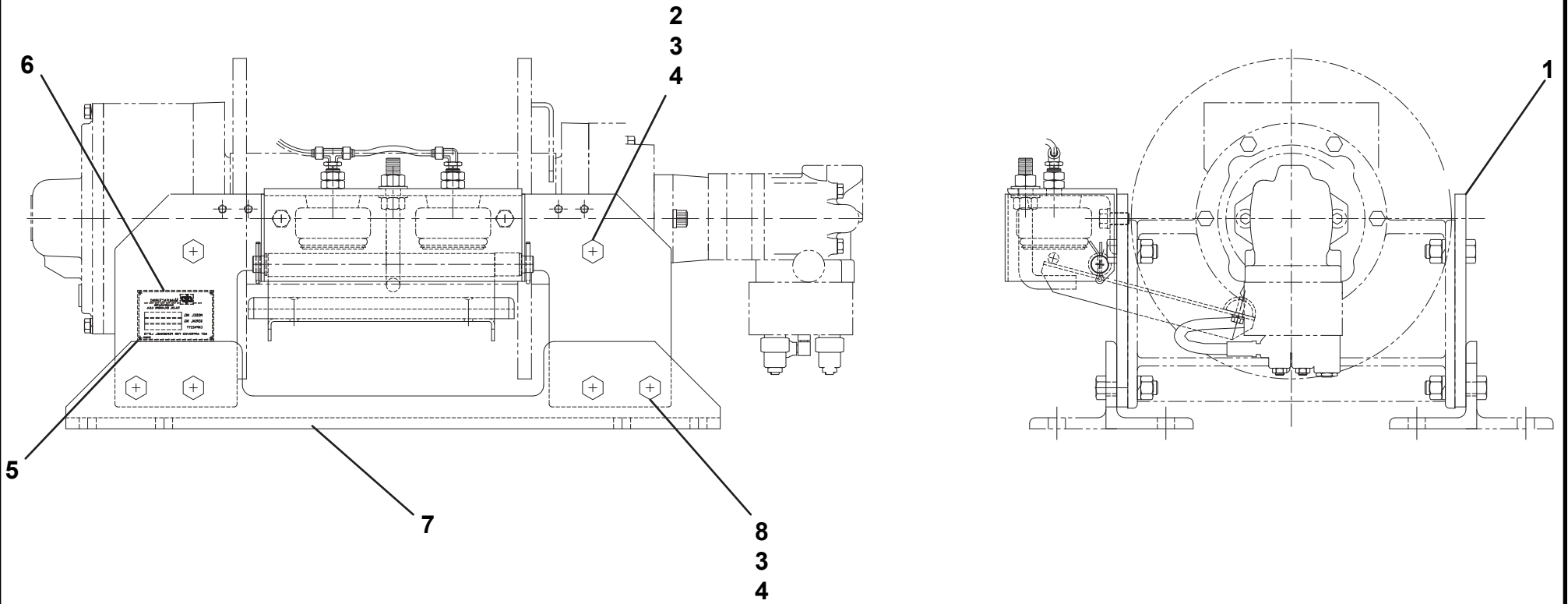
DP WINCH 35K - 1001143297 - INPUT SHAFT INSTALLATION



DP WINCH 35K - 1001143297 - BASE MOUNT INSTALLATION

ITEM	PART NO.	DESCRIPTION	QTY
1	9073960003	Base Mount	2
2	7115201850	Capscrew, 0.63"-11NC x 2.25"	4
3	7660200001	Nut, 0.63"-11NC	12
4	7950200000	Lockwasher, 0.63" ID	12
5	70050147	Rivet	4
6	70050384	Plate, Winch ID	1
7	9073960004	Base Mount	2
8	7115202250	Capscrew, 0.63"-11NC x 2.75"	8

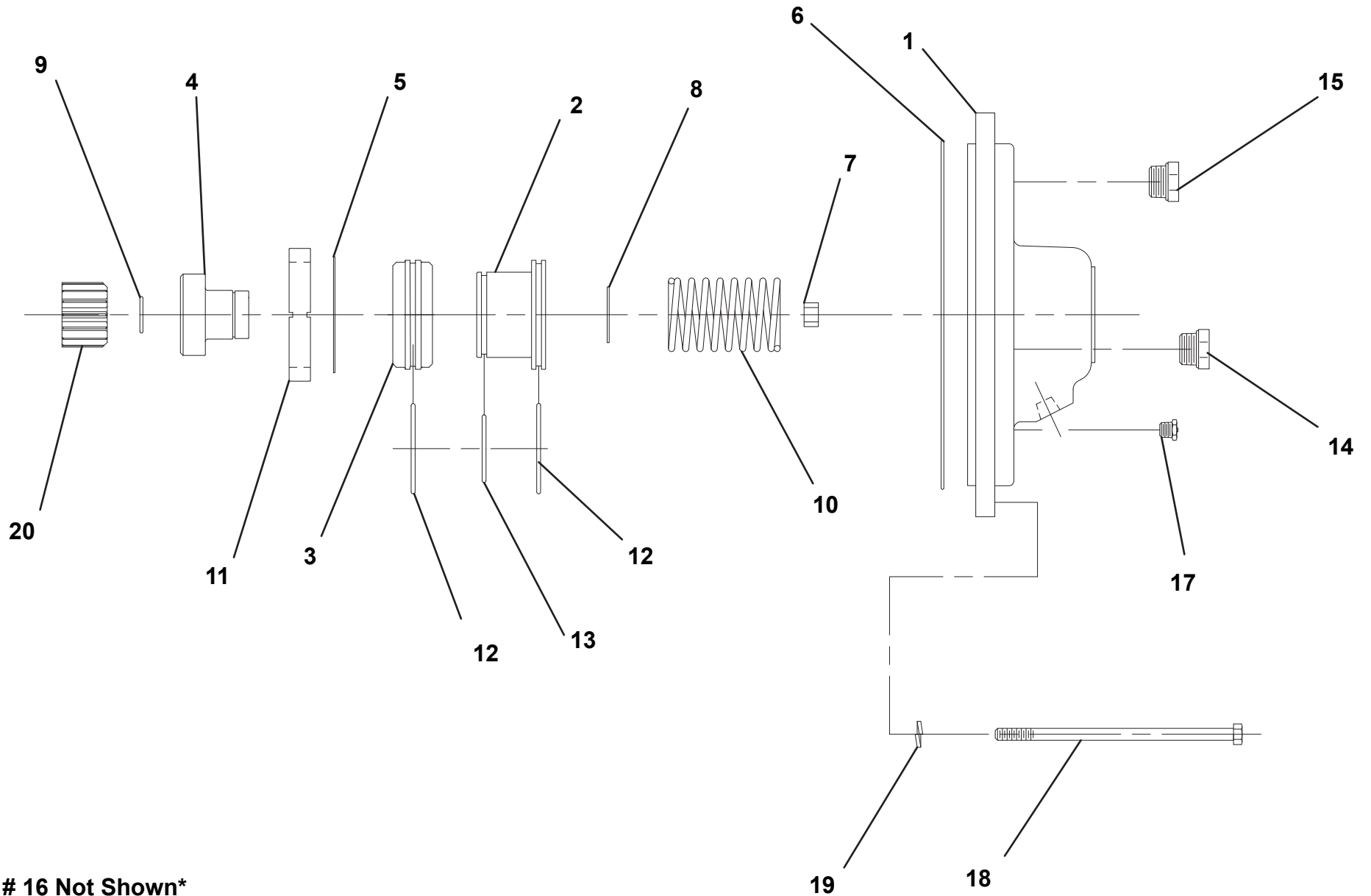
DP WINCH 35K - 1001143297 - BASE MOUNT INSTALLATION



DP WINCH 35K - 1001143297 - GEAR END COVER INSTALLATION

ITEM	PART NO.	DESCRIPTION	QTY
1	9314960022	Cover, Gear End	1
2	9698960016	Piston	1
3	9698960015	Cylinder, Piston	1
4	9309960011	Coupling	1
5	9754960026	Retainer Ring	1
6	9796960120	O-Ring, 8.75" ID	1
7	9209960026	Bushing	1
8	9754960046	Retainer Ring	1
9	9754960047	Retainer Ring	1
10	9843960032	Spring	1
11	9949960028	Thrust Washer	1
12	9796960119	O-Ring, 2.63" ID	2
13	9796960118	O-Ring, 2.13" ID	1
14	9701960011	Plug	1
15	9701960012	Plug	1
16	9701960018	Plug	1
17	9183960001	Vent	1
18	7118165250	Capscrew, 0.38"-16NC x 6.50"	12
19	7950160000	Lockwasher, 0.38" ID	12
20	9472960054	Gear, 15 Teeth	1

DP WINCH 35K - 1001143297 - GEAR END COVER INSTALLATION



Item # 16 Not Shown

DP WINCH 35K - 1001143297 - MOTOR END INSTALLATION

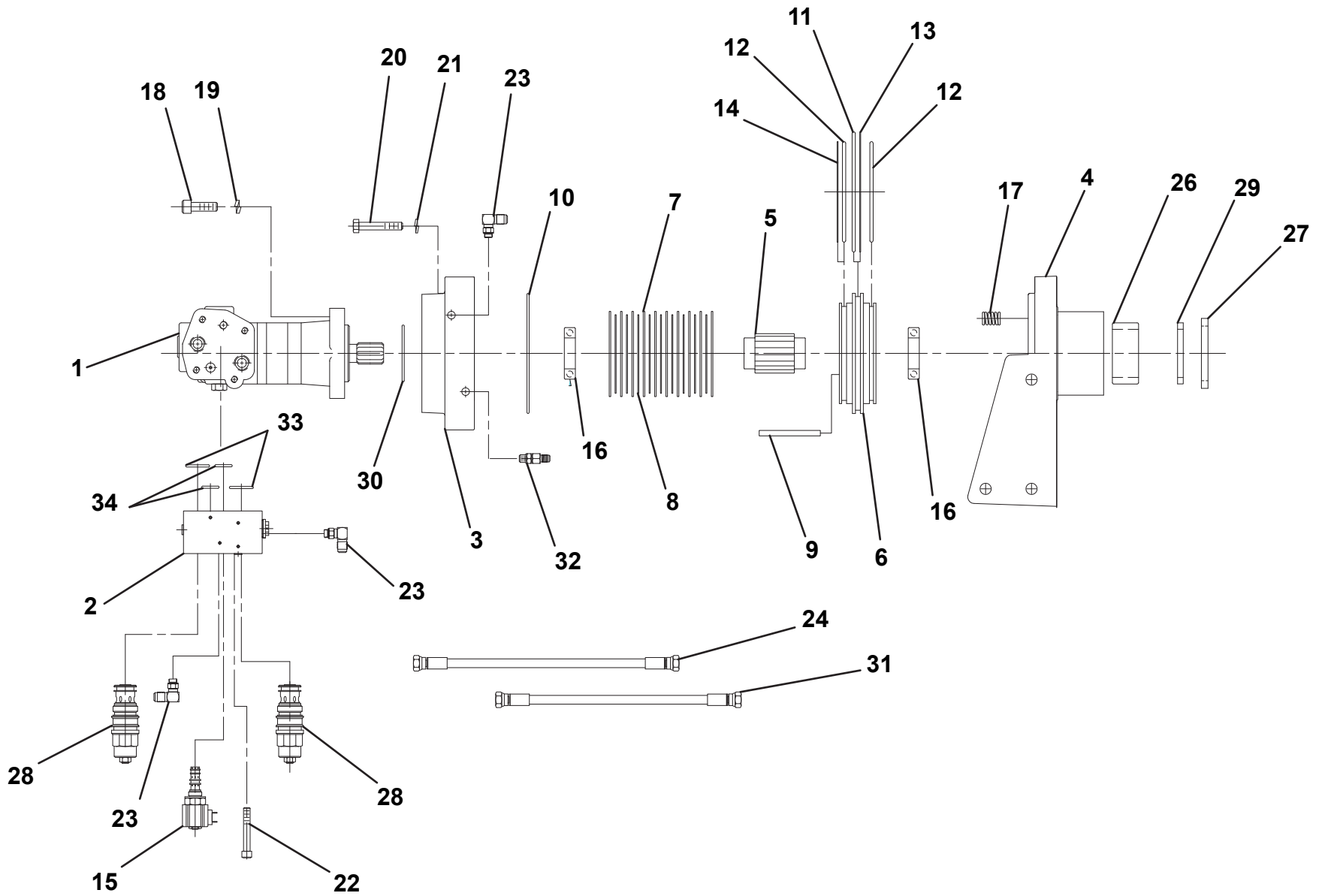
ITEM	PART NO.	DESCRIPTION	QTY
1	70050399	Motor, Hydraulic	1
2	70050368	Valve, Counterbalance	1
3	9571960006	Brake Housing	1
4	9177960004	Support, Motor End	1
5	6906960019	Shaft Brake	1
6	9698960008	Piston, Brake	1
7	#	Plate, Friction Disc	10
8	#	Plate, Drive Brake	9
9	9691960021	Pin	2
10	##	O-Ring, 6.75" ID	1
11	##	O-Ring, 6.50" ID	1
12	##	O-Ring, 5.38" ID	2
13	##	Ring, Back-Up 6.50" ID	1
14	##	Ring, Back-Up 5.278" ID	1
15	70050371	Cartridge	1
16	9082960013	Bearing, 1.75" ID	2
17	#	Compression Spring	12
18	7118181205	Capscrew, 0.50"-13NC x 1.50"	2
19	7950180800	Lockwasher, 0.50" ID	2
20	7118172050	Capscrew, 0.44"-14NC x 2.50"	6
21	7950170000	Lockwasher, 0.44" ID	6
22	70050370	Capscrew, 0.38"-24NF x 2.50"	4
23	7445040445	Adapter	3
24	70050400	Hose	1
25	70050401*	Tag, Warning	1
26	9082960018	Bearing	1
27	<	Seal, 3.13" ID	1
28	9935960026	Cartridge	2
29	9949960028	Thrust Washer	1
30	<	O-Ring, 3.00" ID	1
31	70050372	Hose	1
32	9443960006	Adapter	1
33	70050369<	O-Ring, 1.13" ID	2
34	9796960088<	O-Ring, 0.82" ID	2

< Part Sold With Winch Service Kit - 70050402

Part Sold With Disk & Spring Kit - 9577960139

Part Sold With Brake Seal Kit - 9577960120

DP WINCH 35K - 1001143297 - MOTOR END INSTALLATION

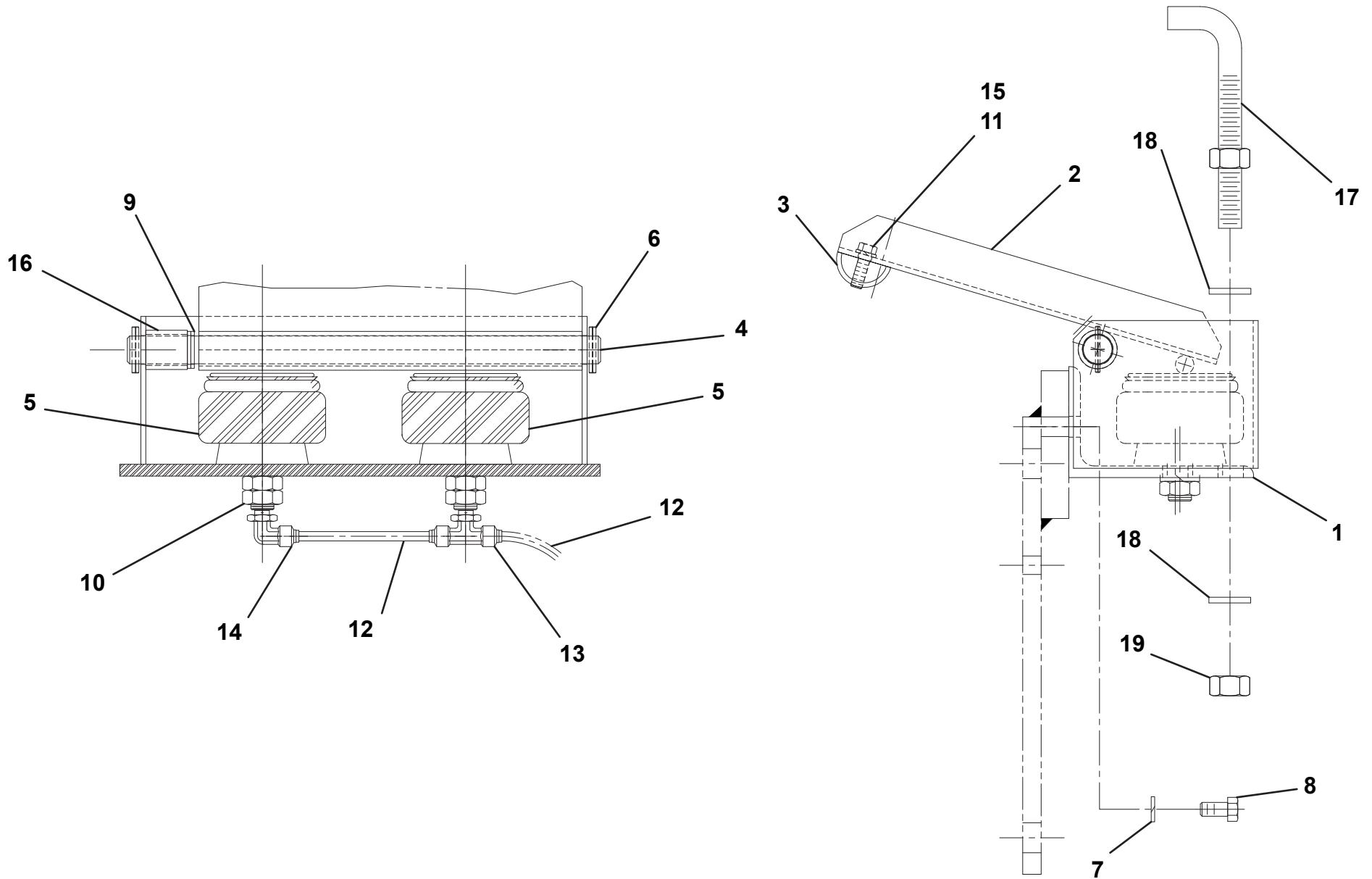


Items #25 not shown

DP WINCH 35K - 1001143297 - CABLE HOLD DOWN KIT

ITEM	PART NO.	DESCRIPTION	QTY
1	9178960011	Mounting Bracket	1
2	9020960002	Pivot Arm	1
3	9064960007	Rub Bar	1
4	9691960019	Pin	1
5	9843960023	Air Spring	2
6	9690960039	Cotter Pin	2
7	7950180000	Lockwasher, 0.50" ID	2
8	7115181650	Capscrew, 0.50"-13NC x 1.00"	2
9	9949960012	Thrust Washer	2
10	7660200200	Nut, 0.63"-11NC	4
11	9120960063	Capscrew, 0.32"-18NC x 1.00"	2
12	9912960010	Tubing	3
13	7443000205	Adapter	3
14	7443000204	Adapter	1
15	9949960050	Lockwasher, 0.32" ID	2
16	9831960009	Spacer	1
17	9120960019	Anchor Bolt	1
18	7950200151	Flatwasher, 0.63" ID	2
19	7660200001	Nut, 0.63"-11NC	1

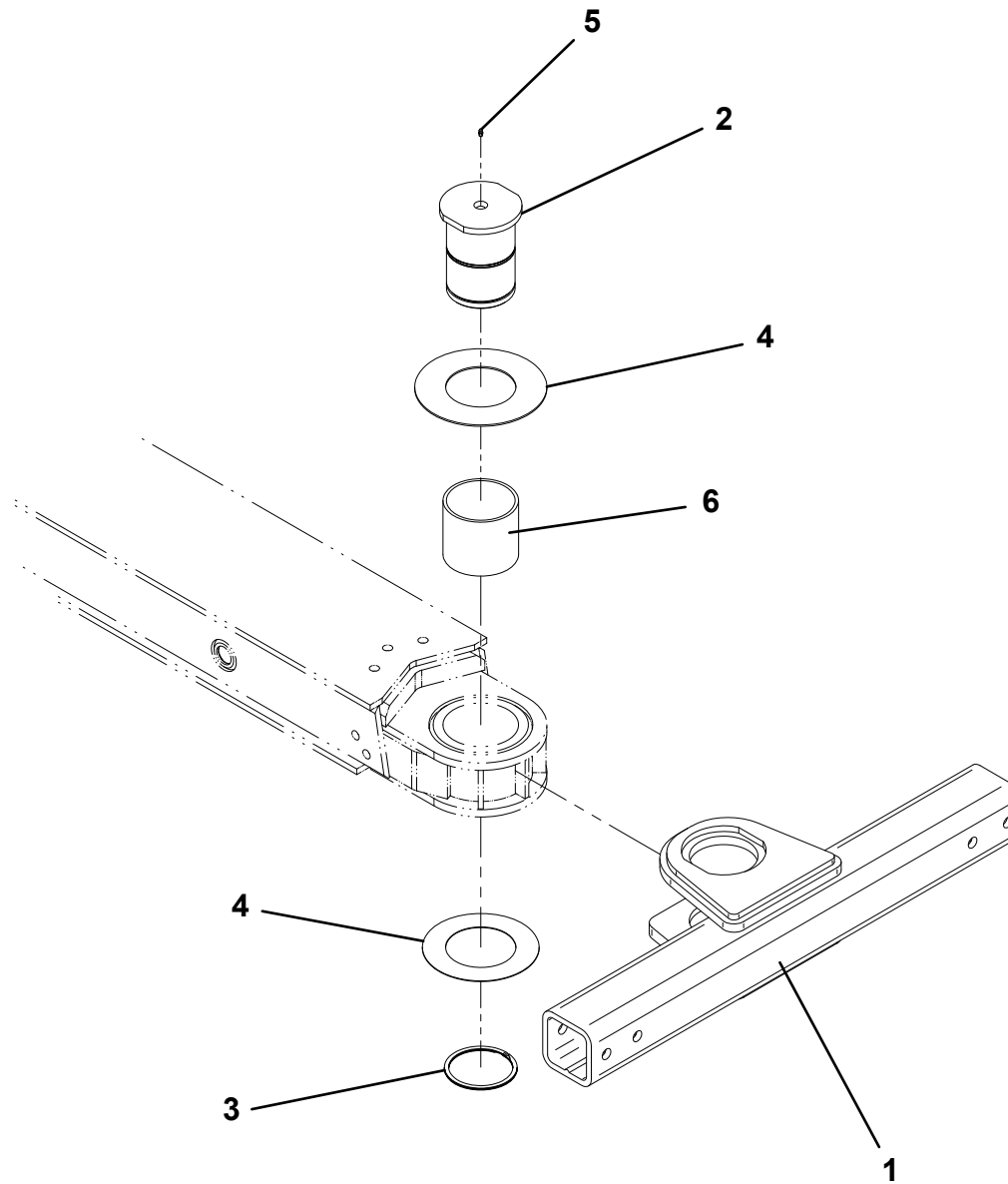
DP WINCH 35K - 1001143297 - CABLE HOLD DOWN KIT



CROSSTUBE INSTALLATION

ITEM	PART NO.	DESCRIPTION	QTY
1	3913000094	Crosstube	1
2	4691000242	Pin	1
3	7754000042	Retaining Ring	1
4	3577000018	Shim	1
5	7440030000	Grease Fitting	1
6	7209000022	Bushing	1

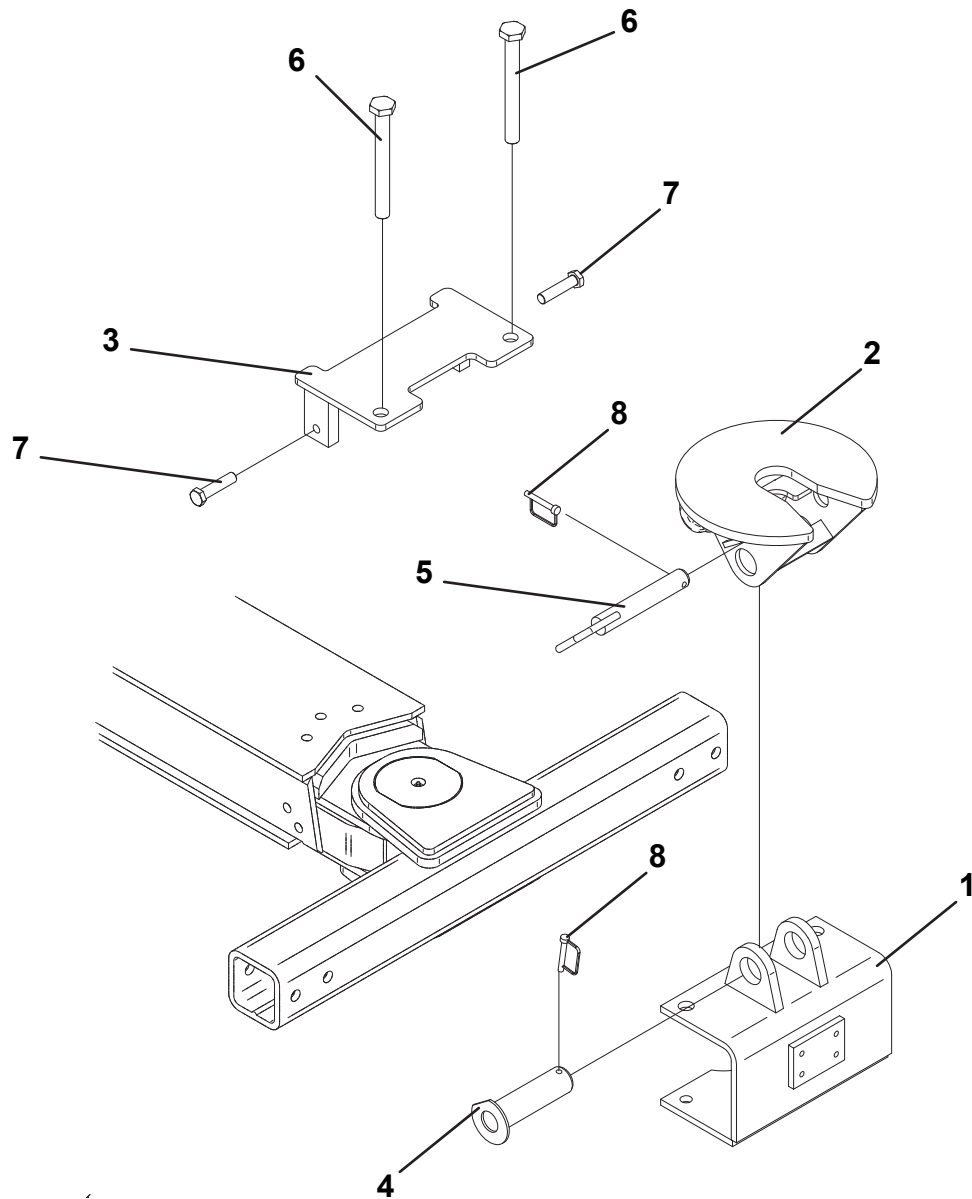
CROSTUBE INSTALLATION



UNDERLIFT TOOLS - 5TH WHEEL INSTALLATION

ITEM	PART NO.	DESCRIPTION	QTY
1	3178000240	Bracket	1
2	3178000499	Bracket	1
3	3706000080	Plate	1
4	3691000144	Pin	1
5	3691000144	Pin	1
6	7118267250	Capscrew, 1.00" - 8NC x 9.00"	2
7	7120000036	Capscrew, 0.75" - 10NC x 3.25"	2
8	7691000025	Pin	2

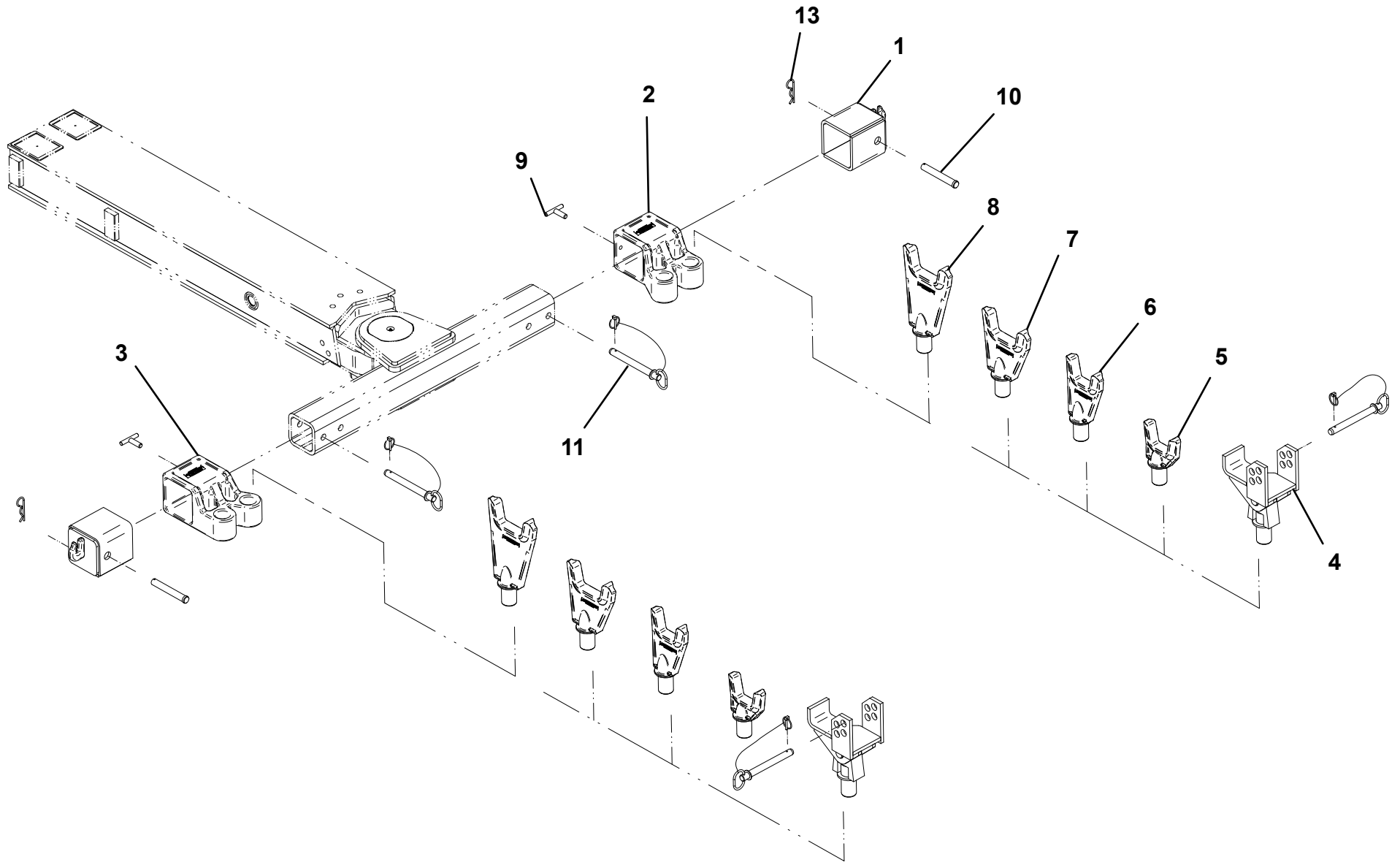
UNDERLIFT TOOLS - 5TH WHEEL INSTALLATION



UNDERLIFT TOOLS - FRAME FORKS

ITEM	PART NO.	DESCRIPTION	QTY
1	3007000004	Chain Hook Adapter	2
2	7007000056	Frame Fork Adapter, RH	1
3	7007000055	Frame Fork Adapter, LH	1
4	3178000226	Spring Lift Bracket	2
5	7454000006	Fork, 3.00" Short	2
6	7454000005	Fork, 3.00" Medium	2
7	7454000003	Fork, 4.50" Medium	2
8	7454000004	Fork, 4.50" Long	2
9	3551000036	T-Handle	2
10	7691000022	Pin	2
11	7691000021	Pin	2
12	1001159568	Strap (Not Shown)	1
13	1001198300	Pin	2

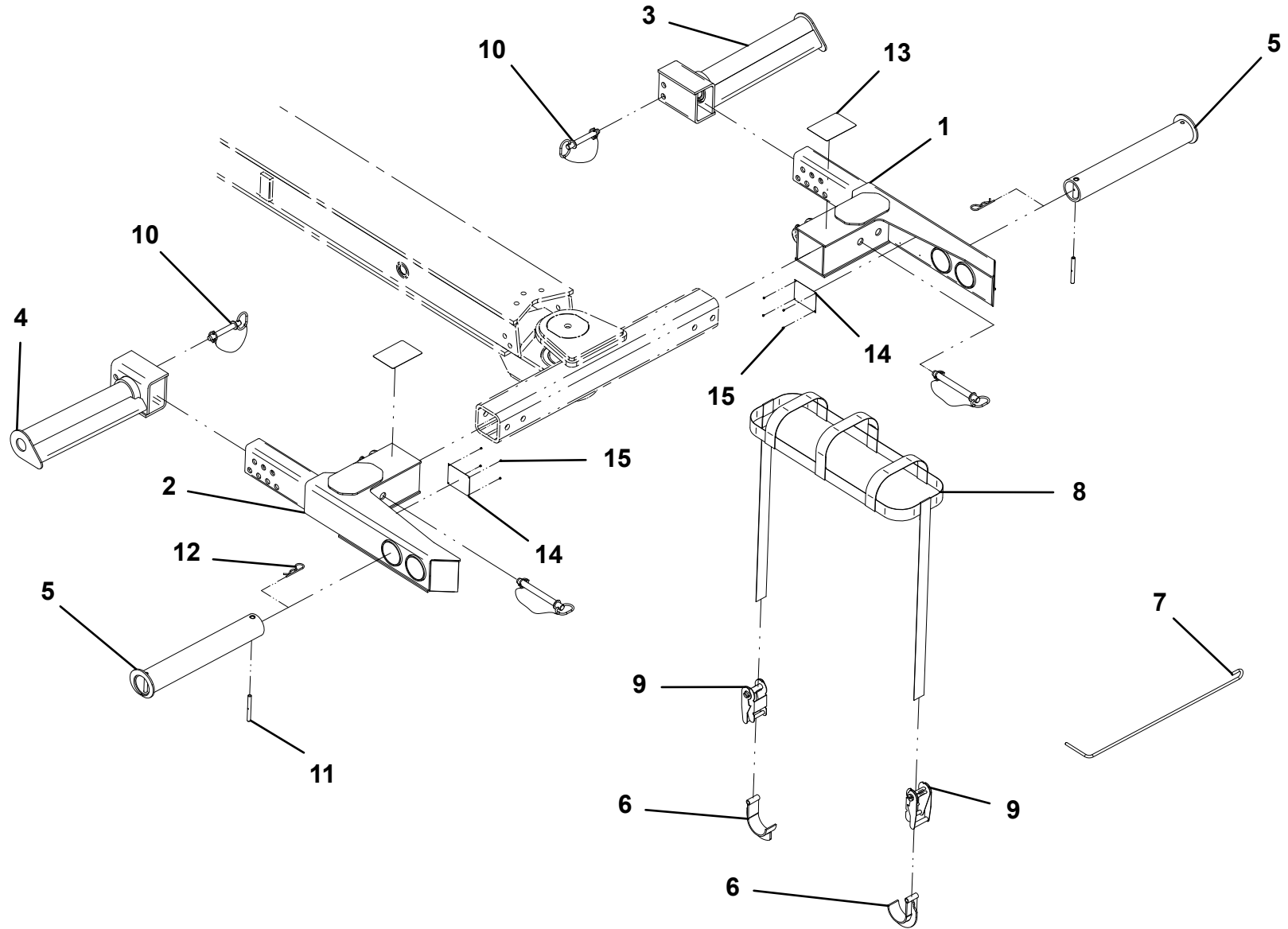
UNDERLIFT TOOLS - FRAME FORKS



UNDERLIFT TOOLS - 14,000 LB TIRE LIFT

ITEM	PART NO.	DESCRIPTION	QTY
1	3484000048	Tire Lift Grid - RH	1
2	3484000049	Tire Lift Grid - LH	1
3	3020000120	Tire Lift Arm Weldment - RH	1
4	3020000119	Tire Lift Arm Weldment - LH	1
5	3912000038	Tire Lift Tube Weldment	2
6	3561000008	Hook, 2" Wide Strap	4
7	4561000012	Pull Hook	1
8	7894000037	Strap, 2" Wide (Standard - Yellow)	2
9	7894000028	Ratchet, 2" Wide Strap	4
10	7691000026	Hitch Pin	2
11	4691000274	Pin	4
12	7691000020	Hairpin	4
13	7330000278	Decal, Caution	2
14	1001132268	Decal, Rating	2
15	7759000004	Pop Rivet	8

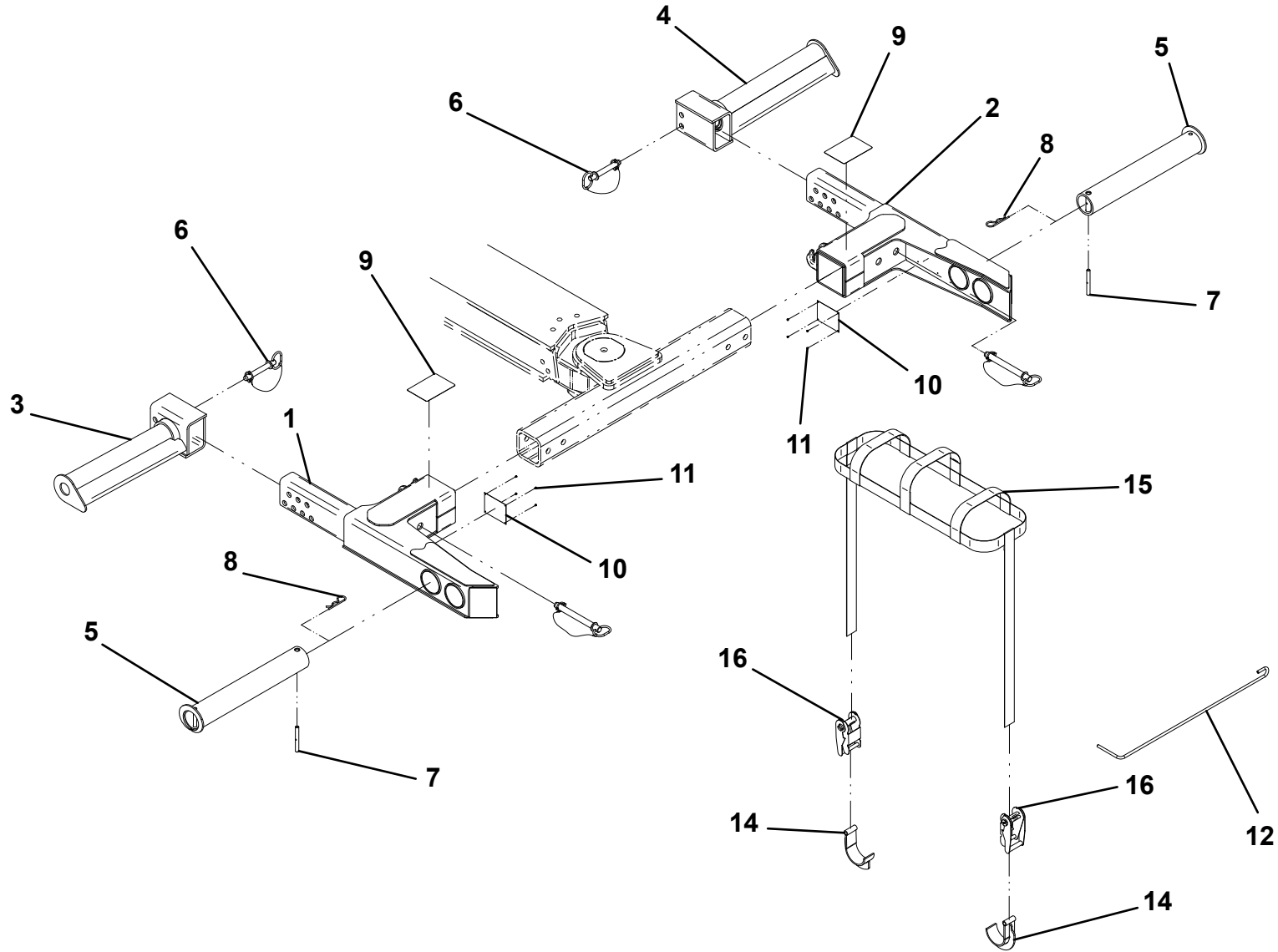
UNDERLIFT TOOLS - 14,000 LB TIRE LIFT



UNDERLIFT TOOLS - 25,000 LB TIRE LIFT

ITEM	PART NO.	DESCRIPTION	QTY
1	3484000072	Tire Lift Grid - LH	1
2	3484000073	Tire Lift Grid - RH	1
3	3020000119	Tire Lift Arm Weldment - LH	1
4	3020000120	Tire Lift Arm Weldment - RH	1
5	3912000033	Tire Lift Tube Weldment	2
6	7691000026	Hitch Pin	2
7	4691000274	Pin	4
8	7691000020	Hairpin	4
9	7330000278	Decal, Caution	2
10	1001132265	Decal, Rating	2
11	7759000004	Pop Rivet	8
12	4561000012	Pull Hook	1
13	7577000368	Strap	1
14	3912000038	Tube Weldment	2
15	3561000008	Hook	4
16	7894000037	Strap	2
17	7894000028	Ratchet Strap	4

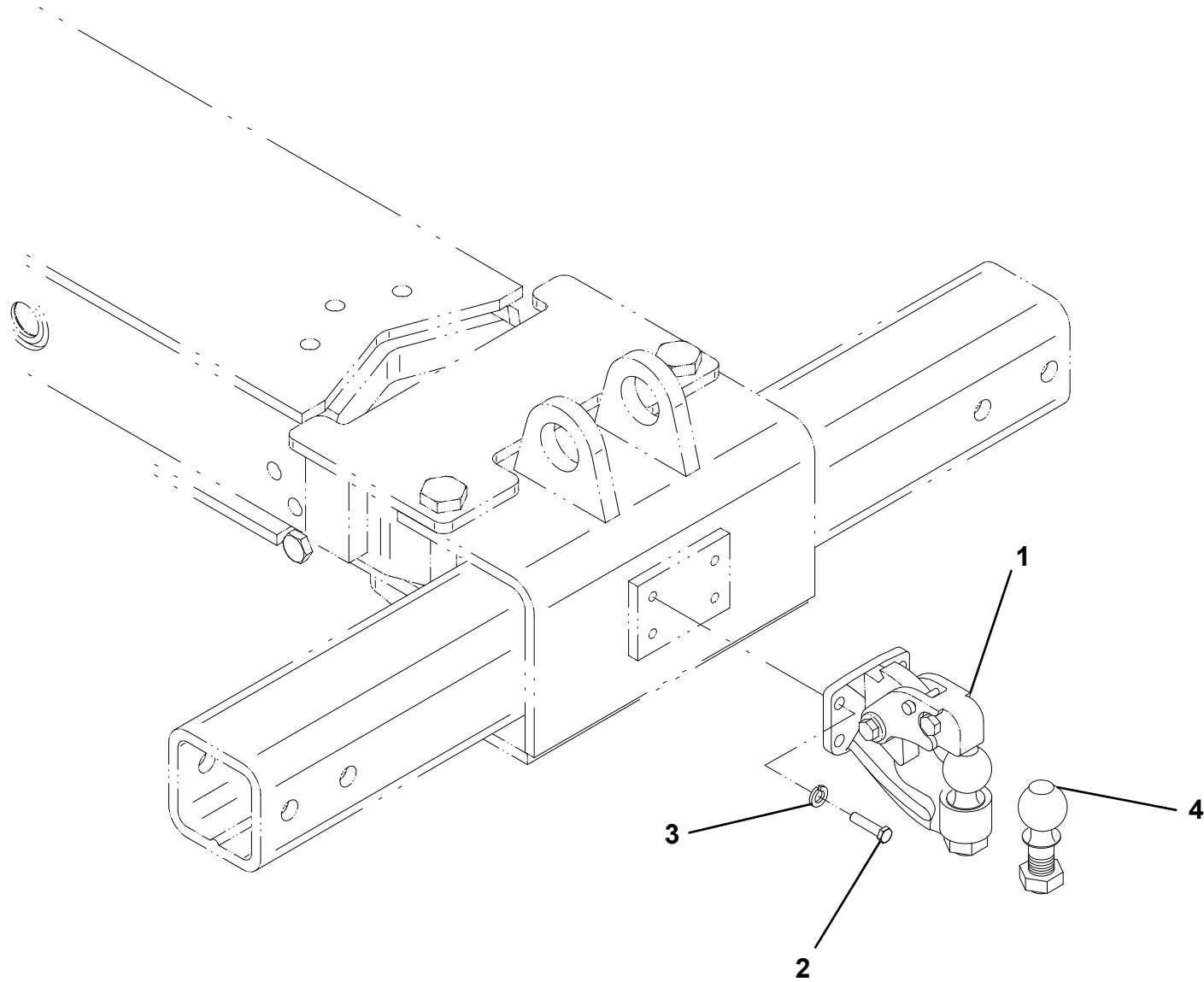
UNDERLIFT TOOLS - 25,000 LB TIRE LIFT



UNDERLIFT TOOLS - PINTLE HOOK

ITEM	PART NO.	DESCRIPTION	QTY
1	7561000020	Hitch, Pintle Hook with 2" Dia. Ball	1
2	7118181250	Capscrew, 0.50"-13NC x 1.50"	4
3	7950180000	Lockwasher, 0.50" ID	4
4	7056000003	Ball, 1.88" Dia	1
	7056000004	Ball, 2.00" Dia	
	7056000005	Ball, 2.31" Dia	
	7056000006	Ball, 50mm Dia	

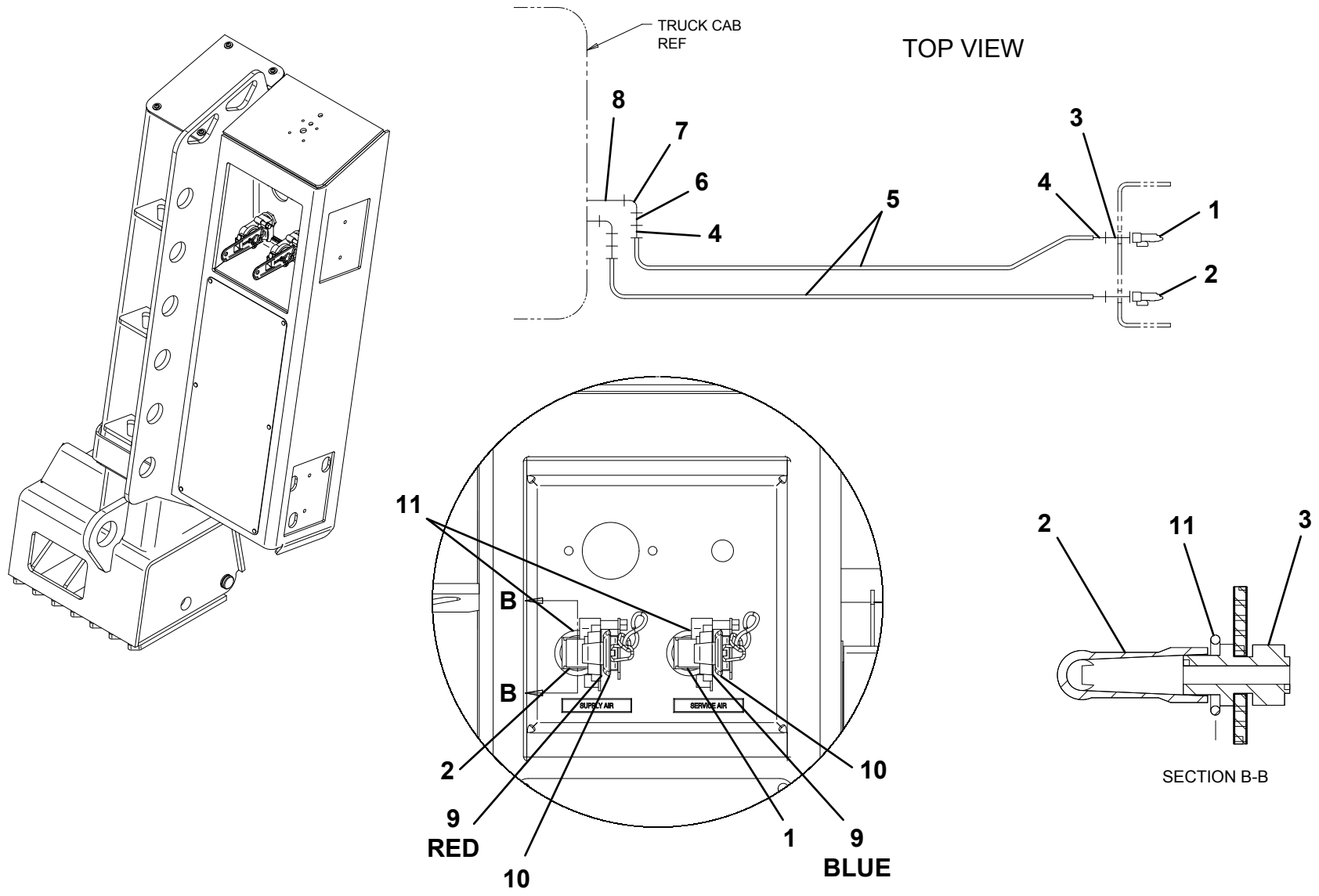
UNDERLIFT TOOLS - PINTLE HOOK



TRAILER AIR INSTALLATION

ITEM	PART NO.	DESCRIPTION	QTY
1	7312000015	Gladhand	1
2	7312000016	Gladhand	1
3	7446502518	Fitting	2
4	7445060435	Fitting	4
5	7565000014	Airline	50 FT
6	7443000148	Bushing	2
7	7443000146	Elbow	2
8	7443000145	Bushing	2
9	7577000145	Seal Kit	1
10	1001170036	Shield	2
11	1001171933	Ring	2

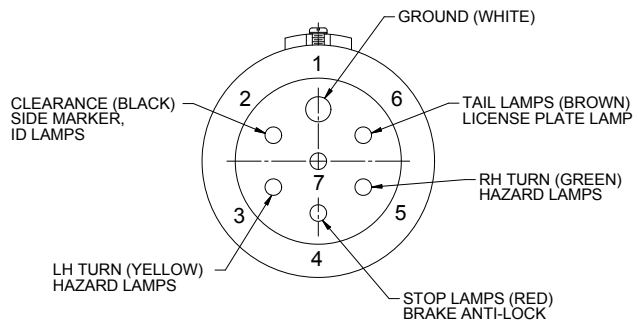
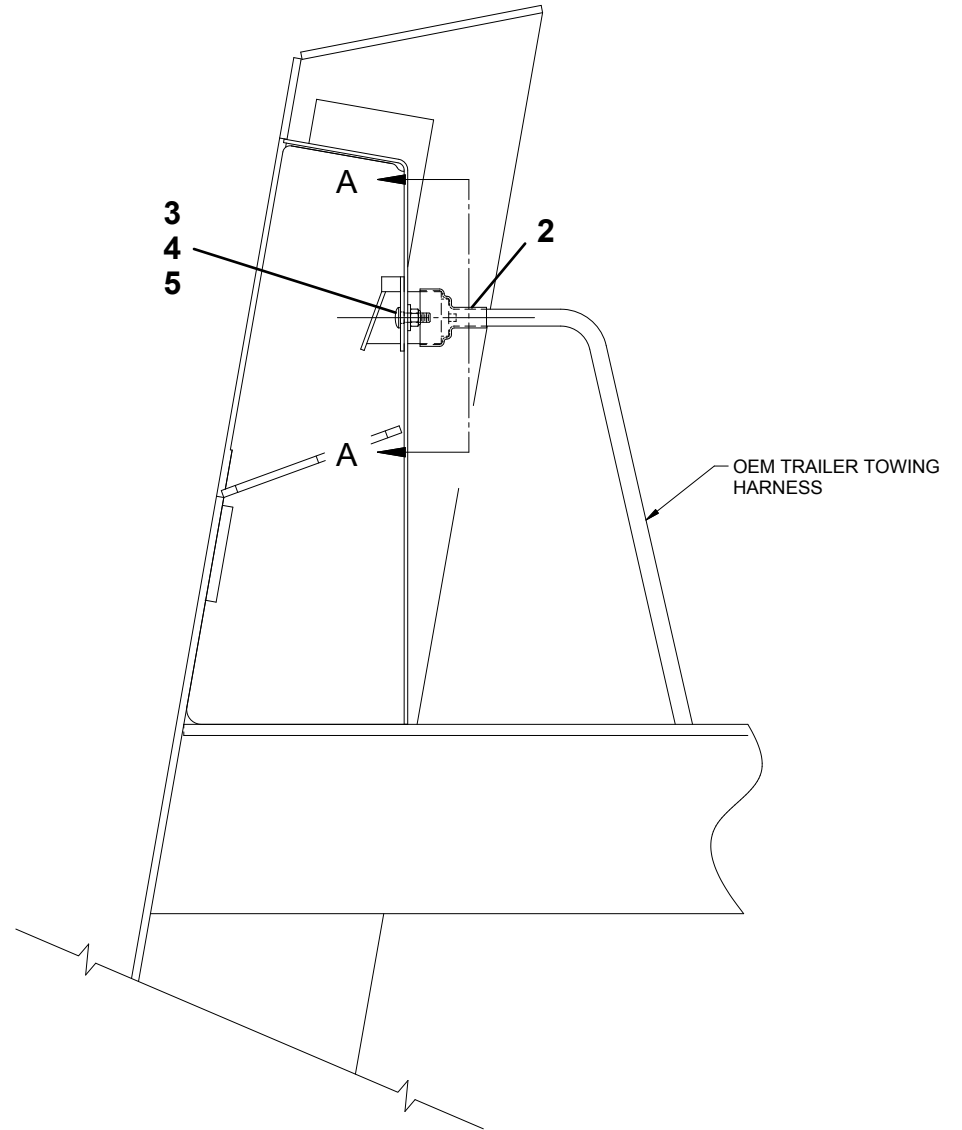
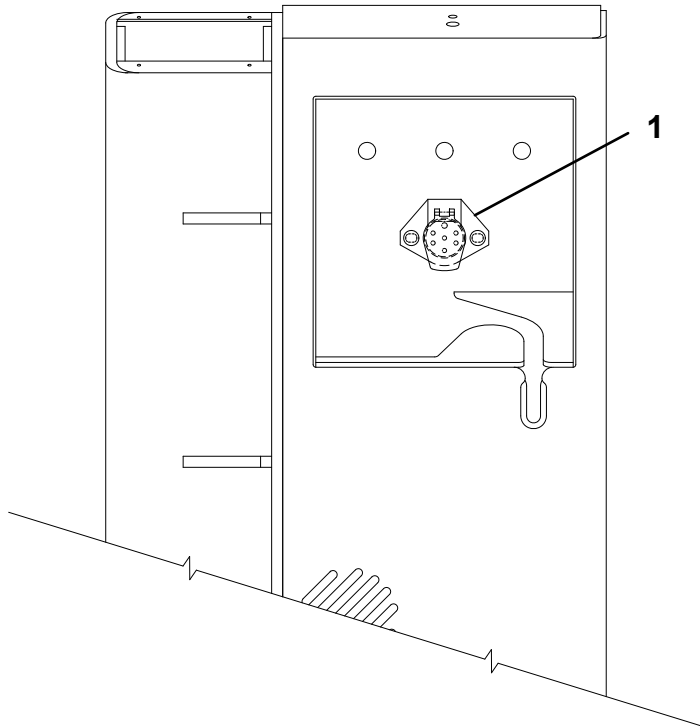
TRAILER AIR INSTALLATION



TRAILER PLUG INSTALLATION

ITEM	PART NO.	DESCRIPTION	QTY
1	7346000055	7-Way Plug	1
2	7346000078	7-Way Plug Boot	1
3	7115150864	Bolt, 0.31"-18NC x 1.00"	2
4	7950150161	Flatwasher, 0.31" ID	2
5	7660152601	Locknut, 0.31"-18NC	2

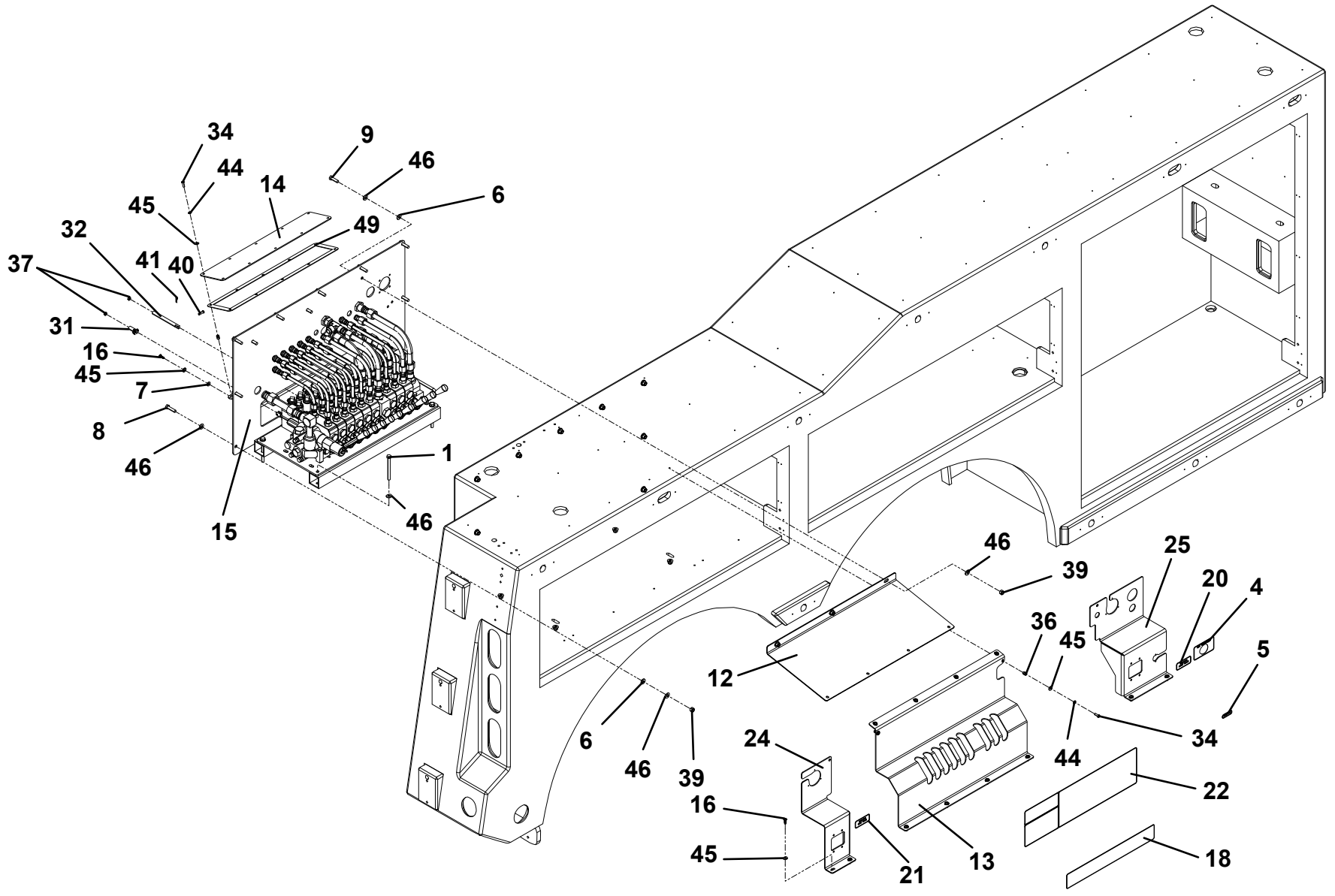
TRAILER PLUG INSTALLATION

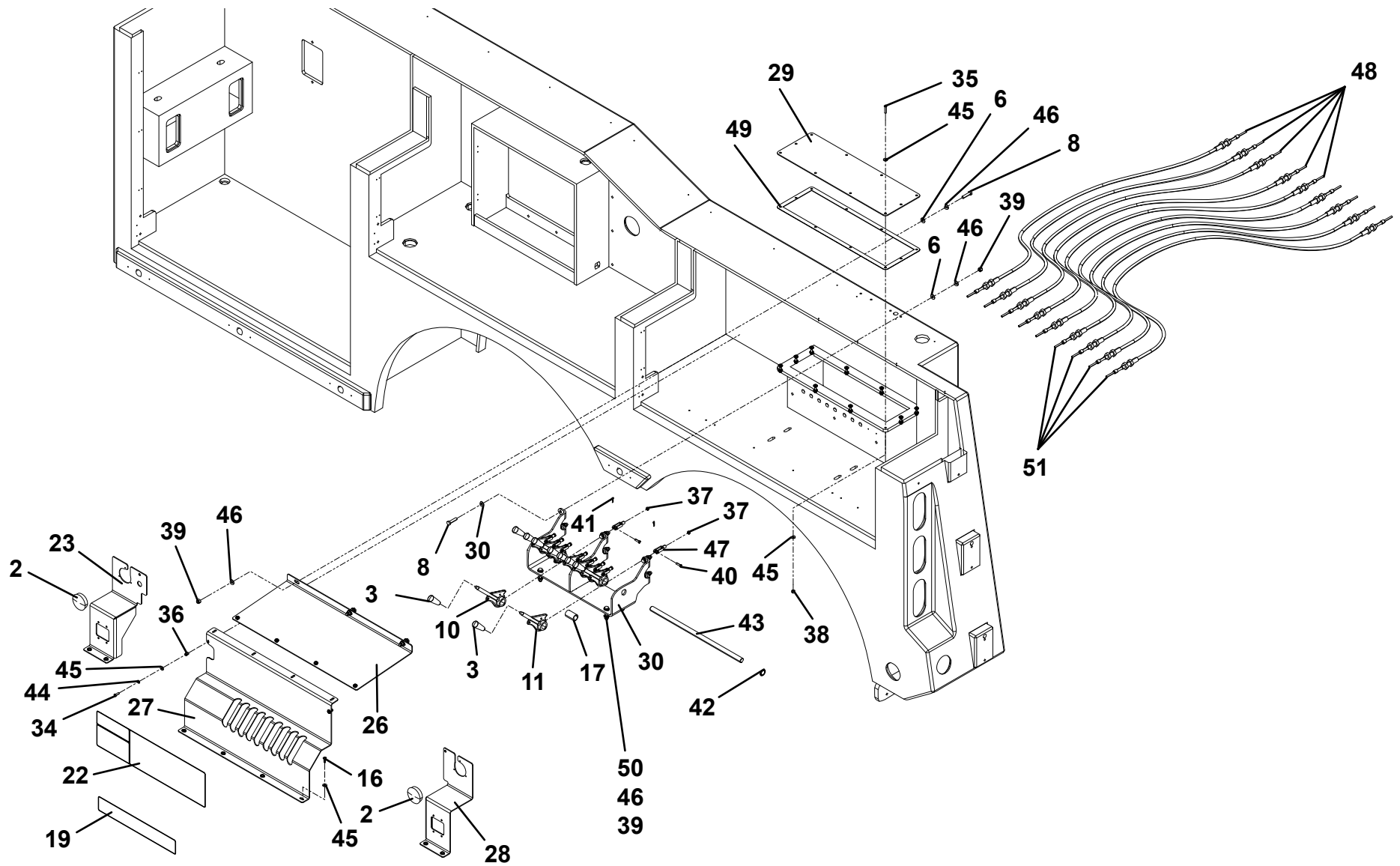


CONTROL INSTALLATION - 9 SECTION - 3 SOLENOID

ITEM	PART NO.	DESCRIPTION	QTY	ITEM	PART NO.	DESCRIPTION	QTY
1	641632	Capscrew, 0.38"-16 X 4.00"	4	40	7690141200	Pin	18
2	3520064	Plug	2	41	7691000075	Pin	18
3	1001130491	Control Knob	18	42	7754000009	Retaining Ring	2
4	1001134433	Decal	1	43	7806000008	Shaft	1
5	1001154277	Decal	1	44	7950140003	Lockwasher, 0.25" ID	22
6	1001166974	Washer, 0.38"	21	45	7950140143	Flatwasher, 0.25" ID	61
7	1001166978	Washer, 0.25"	3	46	7950160143	Flatwasher, 0.38" ID	58
8	1001168993	Capscrew, 0.38"-16 X 1.50"	18	47	7990000003	Yoke	9
9	1001169080	Capscrew, 0.38"-16 X 1.25"	3	48	1001202741	Cable Push Pull	5
10	1001184827	Handle, Long	2	49	7796000012	Seal	8.7 FT
11	1001184828	Handle, Short	7	50	1001169083	Capscrew, 0.38"-16 X 2.00"	4
12	1001189784	Panel, Controls Top RH	1	51	1001206801	Cable Push Pull	4
13	1001202508	Panel, Controls 9 Sect RH	1				
14	1001189993	Panel, Cable Bracket Cover	1				
15	1001202432	Valve Sub Assembly	1				
16	1001194676	Screw, 0.25" X 0.75"	19				
17	1001194736	Spacer	1				
18	1001202517	Decal	1				
19	1001202518	Decal	1				
20	1001196909	Decal	1				
21	1001196910	Decal	1				
22	1001196911	Decal	2				
23	1001199311	Panel, Controls Front LH	1				
24	1001199322	Panel, Controls Rear RH	1				
25	1001199324	Panel, Controls Front RH	1				
26	1001214902	Panel, Controls Top LH	1				
27	1001219743	Panel, Controls 9 Sect LH	1				
28	1001219691	Panel, Controls Rear LH	1				
29	1001219937	Plate	1				
30	1001220068	Bracket	1				
31	4309000001	Coupling	3				
32	4309000007	Coupling	6				
33	7082000005	Bearing	2				
34	7114140618	Screw, 0.25"-20 X 0.75"	22				
35	7114141018	Screw, 0.25"-20 X 1.25"	10				
36	7413000002	Nutsert, 0.25"-20	22				
37	7660140230	Nut, 0.25"-28	18				
38	7660142601	Locknut, 0.25" -20NC	10				
39	7660162601	Locknut, 0.38"-16NC	29				

CONTROL INSTALLATION - 9 SECTION - 3 SOLENOID



CONTROL INSTALLATION - 9 SECTION - 3 SOLENOID

CONTROL INSTALLATION - 9 SECTION - 3 SOLENOID

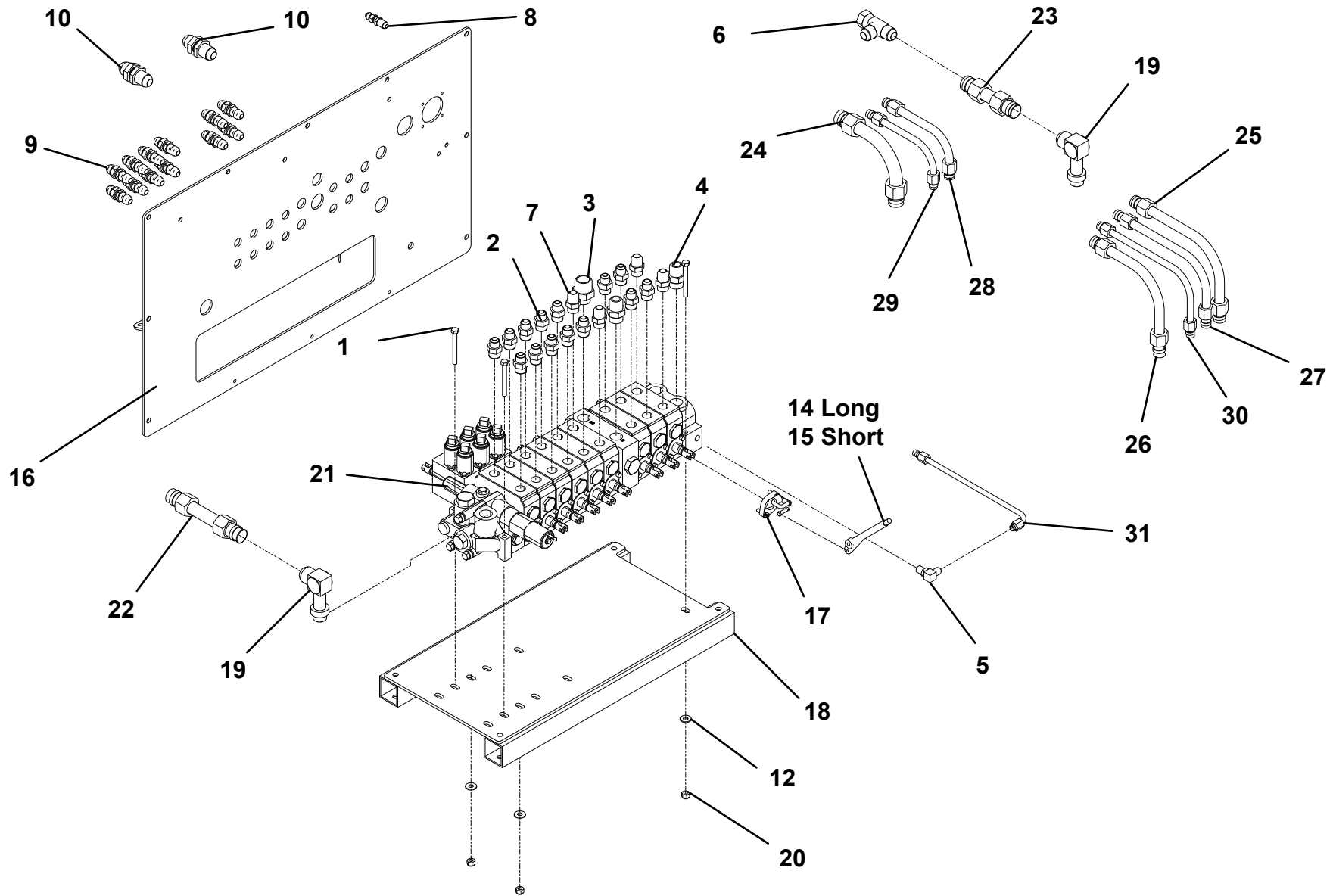
THIS PAGE INTENTIONALLY LEFT BLANK

CONTROL VALVE ASSEMBLY - 1001202432

ITEM	PART NO.	DESCRIPTION	QTY
1	0641524	Capscrew, 5/16" - 18 x 3"	3
2	2220374	Adapter	14
3	2220376	Adapter	1
4	2220451	Adapter	2
5	2220473	Adapter	1
6	2220700	Adapter	1
7	2220947	Adapter	4
8	2230024	Adapter	1
9	2230025	Adapter	14
10	2230027	Fitting	2
11	2230089	Fitting	3
12	4751500	Washer, 5/16" ID	3
13	8760037	Union	4
14	1001184772	Handle, Long	2
15	1001184773	Handle, Short	7
16	1001189989	Panel	1
17	1001194069	Linkage	9
18	3177000060	Mount	1
19	7443000211	Fitting	2
20	7660162601	Locknut, 0.38" - 16NC	3
21	7935000313	Valve, 9 Sec. 3 Sol	1
22	7912000301*	Tube Assembly	1
23	7912000302*	Tube Assembly	1
24	7912000303*	Tube Assembly	1
25	7912000304*	Tube Assembly	1
26	7912000305*	Tube Assembly	1
27	7912000306*	Tube Assembly	2
28	7912000307*	Tube Assembly	2
29	7912000308*	Tube Assembly	6
30	7912000309*	Tube Assembly	6
31	7912000310*	Tube Assembly	1

* Also Available In Tube Kit - 7577000668

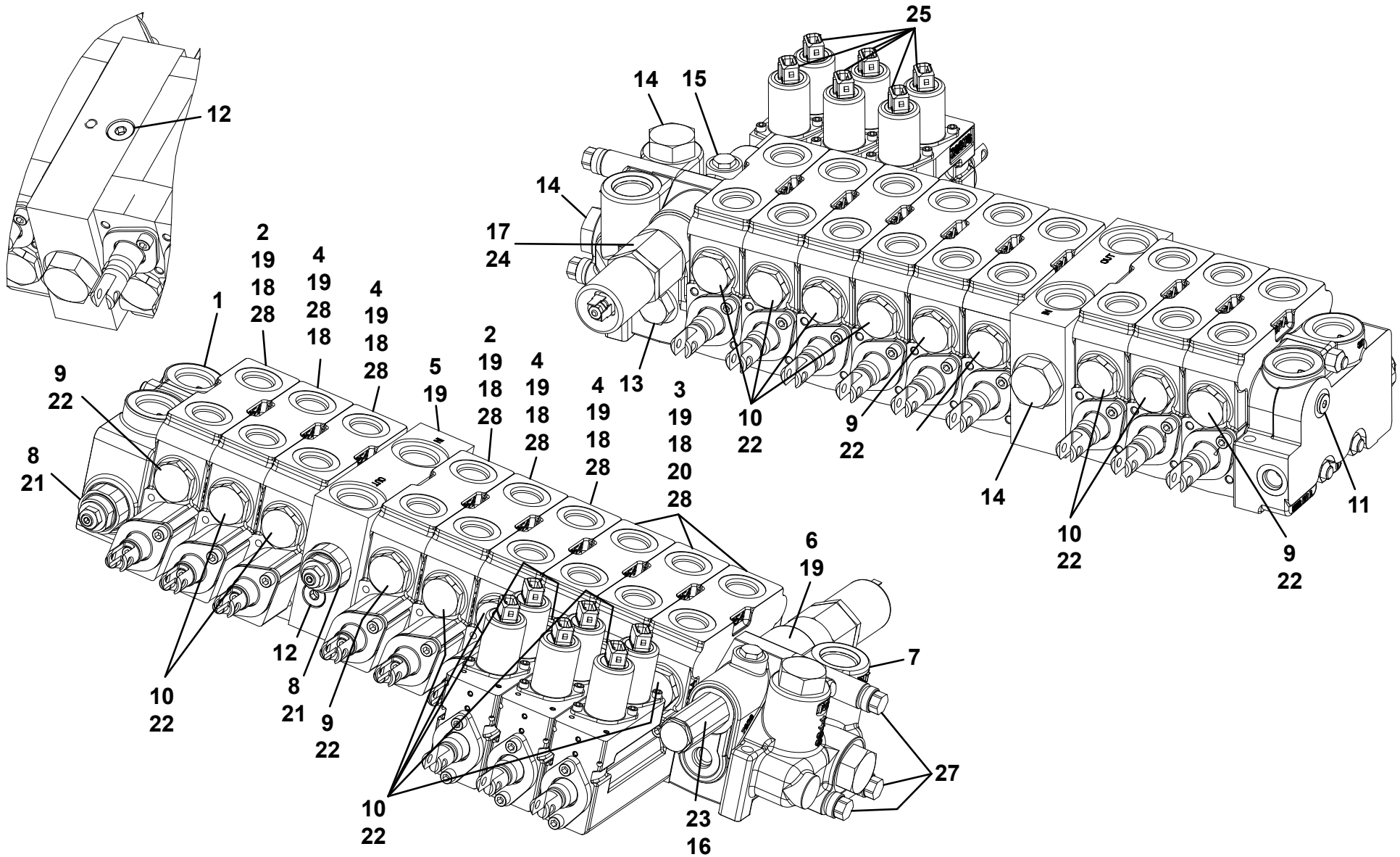
CONTROL VALVE ASSEMBLY - 1001202432



VALVE ASSEMBLY - 7935000313

ITEM	PART NO.	DESCRIPTION	QTY
1	7935000315	Inlet Cover	1
2	9935930122	Valve Section	2
3	9935930119	Valve Section	3
4	7935000320	Valve Section	4
5	7935000316	Inlet	1
6	7935000323	Utility Section	1
7	7935000317	Outlet Cover	1
8	91084009	Relief	2
9	70050243	Plug	4
10	7006847	Plug	14
11	70050245	Plug	1
12	70050246	Plug	2
13	70050247	Plug	1
14	91084017	Plug	3
15	70050249	Plug	1
16	70050241	Pressure Cartridge	1
17	70050242	Solenoid	1
18	70050250	Seal	15
19	70050251	O-Ring	44
20	70050252	O-Ring	6
21	70051081	Seal Kit	2
22	7029865	Seal Kit	18
23	70051080	Seal Kit	1
24	70050256	Seal Kit	1
25	9346930086	Solenoid	6
26	70051079	Seal	1
27	70050239	Stud Assembly	1
28	70050257	Wiper	18

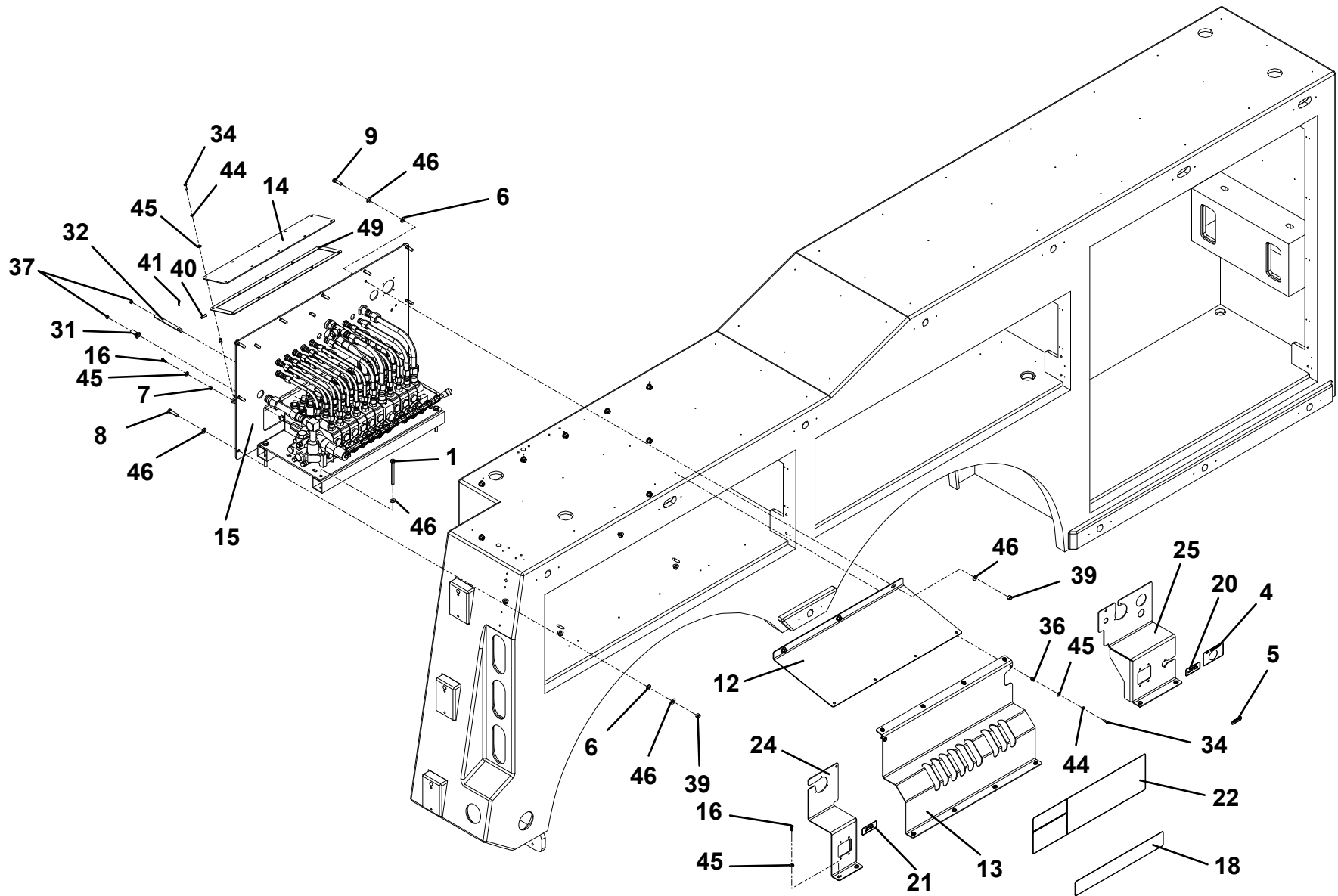
VALVE ASSEMBLY - 7935000313

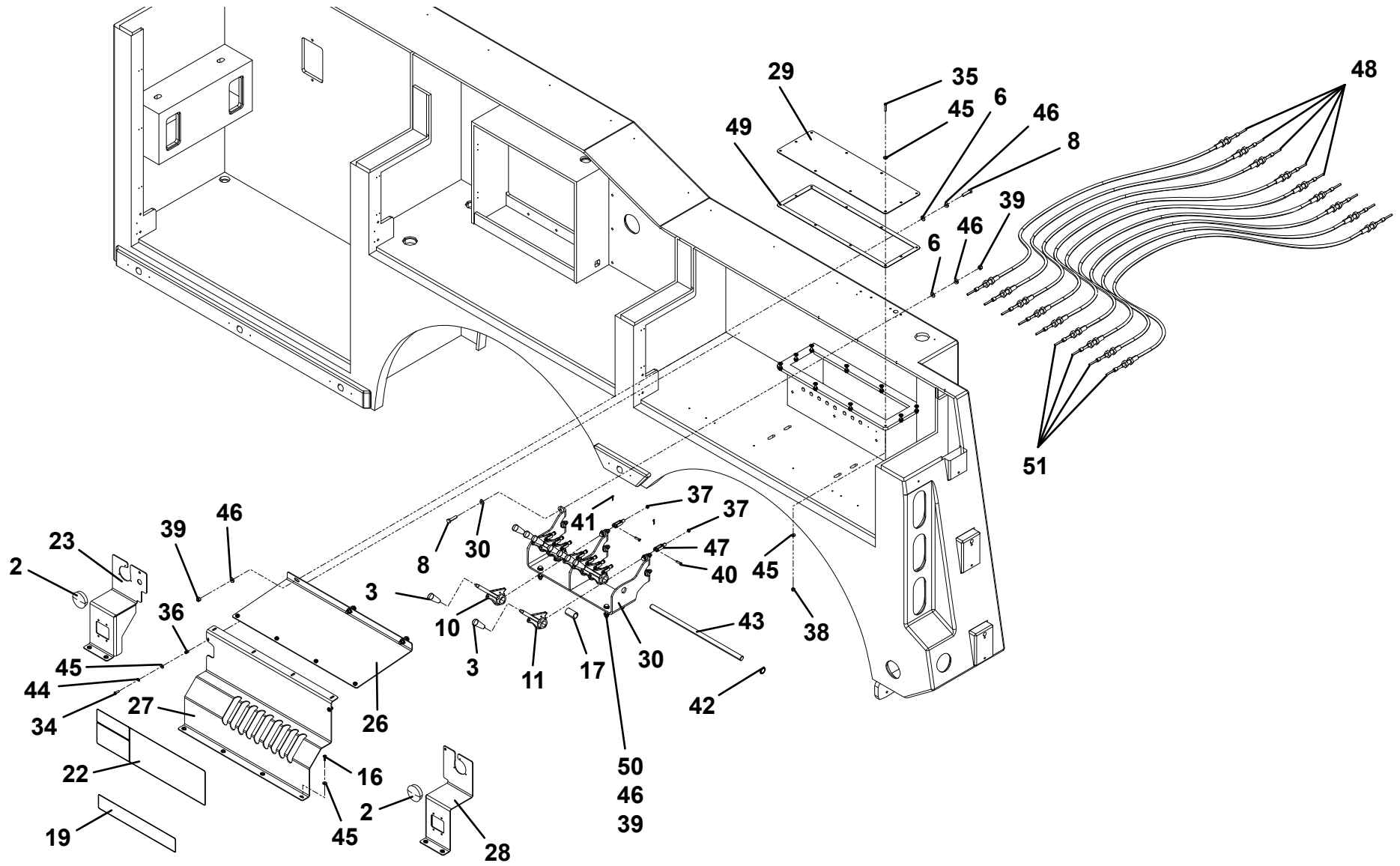


CONTROL INSTALLATION - 9 SECTION - 7 SOLENOID

ITEM	PART NO.	DESCRIPTION	QTY	ITEM	PART NO.	DESCRIPTION	QTY
1	641632	Capscrew, 0.38"-16 X 4.00"	4	40	7690141200	Pin	18
2	3520064	Plug	2	41	7691000075	Pin	18
3	1001130491	Control Knob	18	42	7754000009	Retaining Ring	2
4	1001134433	Decal	1	43	7806000008	Shaft	1
5	1001154277	Decal	1	44	7950140003	Lockwasher, 0.25" ID	22
6	1001166974	Washer, 0.38"	21	45	7950140143	Flatwasher, 0.25" ID	61
7	1001166978	Washer, 0.25"	3	46	7950160143	Flatwasher, 0.38" ID	58
8	1001168993	Capscrew, 0.38"-16 X 1.50"	18	47	7990000003	Yoke	9
9	1001169080	Capscrew, 0.38"-16 X 1.25"	3	48	1001202741	Cable Push Pull	5
10	1001184827	Handle, Long	2	49	7796000012	Seal	8.7 FT
11	1001184828	Handle, Short	7	50	1001169083	Capscrew, 0.38"-16 X 2.00"	4
12	1001189784	Panel, Controls Top RH	1	51	1001206801	Cable Push Pull	4
13	1001202508	Panel, Controls 9 Sect RH	1				
14	1001189993	Panel, Cable Bracket Cover	1				
15	1001202433	Valve Sub Assembly	1				
16	1001194676	Screw, 0.25" X 0.75"	19				
17	1001194736	Spacer	1				
18	1001202517	Decal	1				
19	1001202518	Decal	1				
20	1001196909	Decal	1				
21	1001196910	Decal	1				
22	1001196911	Decal	2				
23	1001199311	Panel, Controls Front LH	1				
24	1001199322	Panel, Controls Rear RH	1				
25	1001199324	Panel, Controls Front RH	1				
26	1001214902	Panel, Controls Top LH	1				
27	1001219743	Panel, Controls 9 Sect LH	1				
28	1001219691	Panel, Controls Rear LH	1				
29	1001219937	Plate	1				
30	1001220068	Bracket	1				
31	4309000001	Coupling	3				
32	4309000007	Coupling	6				
33	7082000005	Bearing	2				
34	7114140618	Screw, 0.25"-20 X 0.75"	22				
35	7114141018	Screw, 0.25"-20 X 1.25"	10				
36	7413000002	Nutsert, 0.25"-20	22				
37	7660140230	Nut, 0.25"-28	18				
38	7660142601	Locknut, 0.25" -20NC	10				
39	7660162601	Locknut, 0.38"-16NC	29				

CONTROL INSTALLATION - 9 SECTION - 7 SOLENOID



CONTROL INSTALLATION - 9 SECTION - 7 SOLENOID

CONTROL INSTALLATION - 9 SECTION - 7 SOLENOID

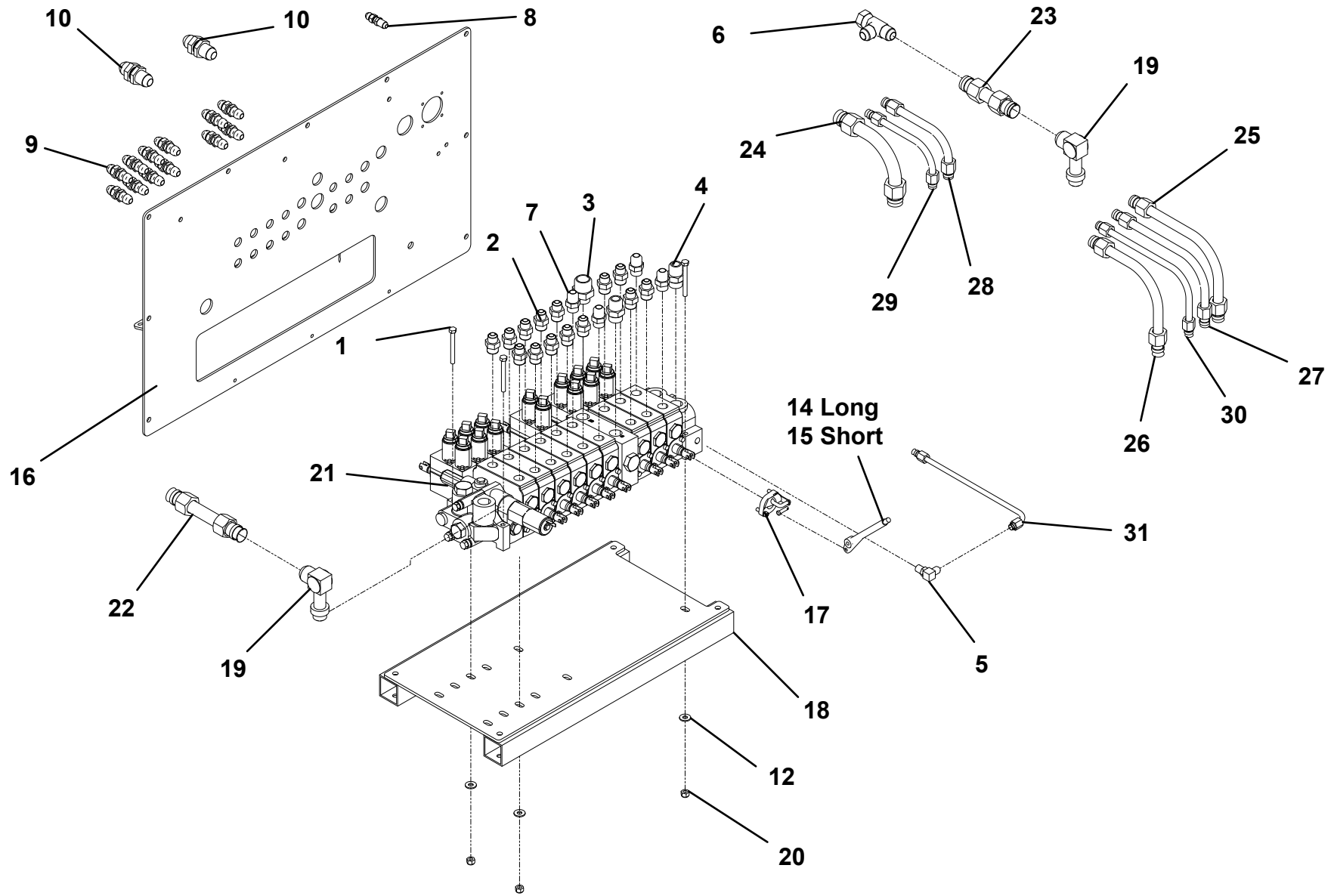
THIS PAGE INTENTIONALLY LEFT BLANK

CONTROL VALVE ASSEMBLY - 1001202433

ITEM	PART NO.	DESCRIPTION	QTY
1	0641524	Capscrew, 5/16" - 18 x 3"	3
2	2220374	Adapter	14
3	2220376	Adapter	1
4	2220451	Adapter	2
5	2220473	Adapter	1
6	2220700	Adapter	1
7	2220947	Adapter	4
8	2230024	Adapter	1
9	2230025	Adapter	14
10	2230027	Fitting	2
11	2230089	Fitting	3
12	4751500	Washer, 5/16" ID	3
13	8760037	Union	4
14	1001184772	Handle, Long	2
15	1001184773	Handle, Short	7
16	1001200355	Panel	1
17	1001194069	Linkage	9
18	3177000060	Mount	1
19	7443000211	Fitting	2
20	7660162601	Locknut, 0.38" - 16NC	3
21	1001203506	Valve, 9 Sec. 7 Sol	1
22	7912000301*	Tube Assembly	1
23	7912000302*	Tube Assembly	1
24	7912000303*	Tube Assembly	1
25	7912000304*	Tube Assembly	1
26	7912000305*	Tube Assembly	1
27	7912000306*	Tube Assembly	2
28	7912000307*	Tube Assembly	2
29	7912000308*	Tube Assembly	7
30	7912000309*	Tube Assembly	7
31	7912000310*	Tube Assembly	1

* Also Available In Tube Kit - 7577000669

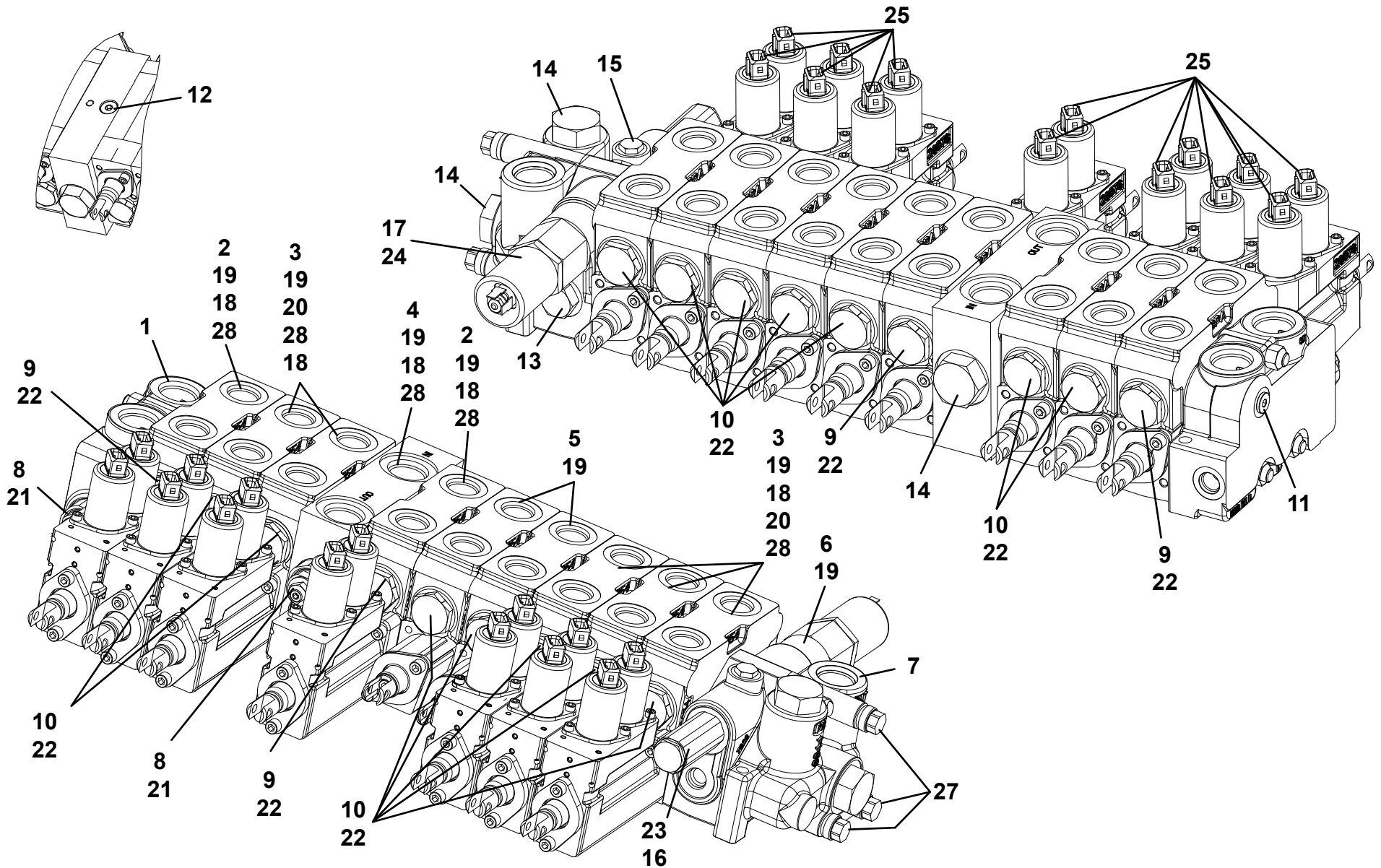
CONTROL VALVE ASSEMBLY - 1001202433



VALVE ASSEMBLY - 1001203506

ITEM	PART NO.	DESCRIPTION	QTY
1	7935000315	Inlet Cover	1
2	9935930120	Valve Section	2
3	9935930119	Valve Section	5
4	7935000316	Inlet	1
5	7935000320	Valve Section	2
6	7935000323	Utility Section	1
7	7935000317	Outlet Cover	1
8	91084009	Relief	2
9	70050243	Plug	4
10	7006847	Plug	14
11	70050245	Plug	1
12	70050246	Plug	2
13	70050247	Plug	1
14	91084017	Plug	3
15	70050249	Plug	1
16	70050241	Pressure Cartridge	1
17	70050242	Solenoid	1
18	70050250	Seal	15
19	70050251	O-Ring	44
20	70050252	O-Ring	6
21	70051081	Seal Kit	2
22	7029865	Seal Kit	18
23	70051080	Seal Kit	1
24	70050256	Seal Kit	1
25	9346930086	Solenoid	8
26	70051079	Seal	1
27	70050239	Stud Assembly	1
28	70050257	Wiper	18

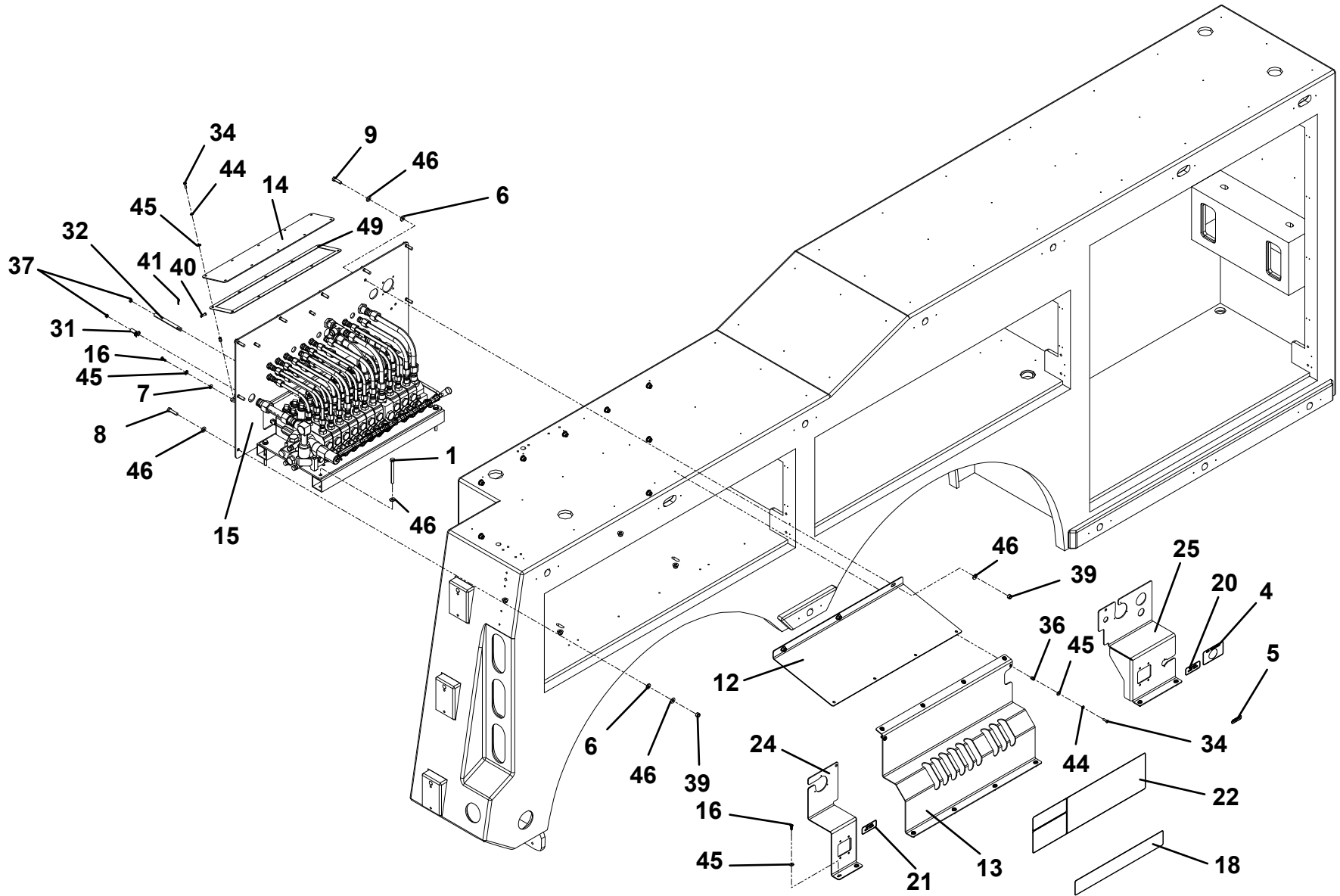
VALVE ASSEMBLY - 1001203506

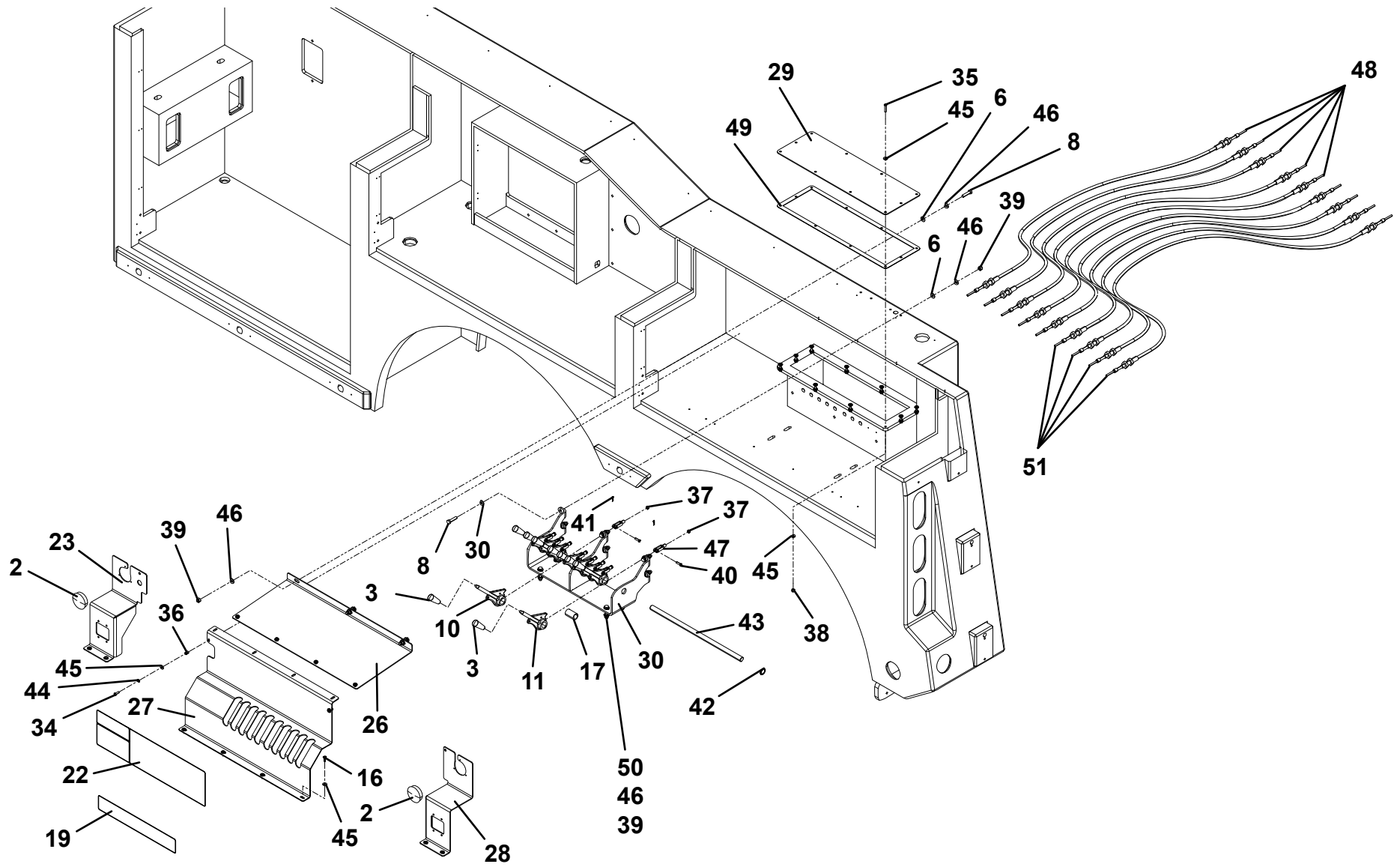


CONTROL INSTALLATION - 10 SECTION - 8 SOLENOID

ITEM	PART NO.	DESCRIPTION	QTY	ITEM	PART NO.	DESCRIPTION	QTY
1	641632	Capscrew, 0.38"-16 X 4.00"	4	40	7690141200	Pin	18
2	3520064	Plug	2	41	7691000075	Pin	18
3	1001130491	Control Knob	20	42	7754000009	Retaining Ring	2
4	1001134433	Decal	1	43	7806000008	Shaft	1
5	1001154277	Decal	1	44	7950140003	Lockwasher, 0.25" ID	22
6	1001166974	Washer, 0.38"	21	45	7950140143	Flatwasher, 0.25" ID	61
7	1001166978	Washer, 0.25"	3	46	7950160143	Flatwasher, 0.38" ID	58
8	1001168993	Capscrew, 0.38"-16 X 1.50"	18	47	7990000003	Yoke	9
9	1001169080	Capscrew, 0.38"-16 X 1.25"	3	48	1001202741	Cable Push Pull	5
10	1001184827	Handle, Long	2	49	7796000012	Seal	8.7 FT
11	1001184828	Handle, Short	7	50	1001169083	Capscrew, 0.38"-16 X 2.00"	4
12	1001189784	Panel, Controls Top RH	1	51	1001206801	Cable Push Pull	5
13	1001203229	Panel, Controls 10 Sect RH	1				
14	1001189993	Panel, Cable Bracket Cover	1				
15	1001202434	Valve Sub Assembly	1				
16	1001194676	Screw, 0.25" X 0.75"	19				
17	1001194736	Spacer	1				
18	1001202517	Decal	1				
19	1001202518	Decal	1				
20	1001196909	Decal	1				
21	1001196910	Decal	1				
22	1001196911	Decal	2				
23	1001199311	Panel, Controls Front LH	1				
24	1001199322	Panel, Controls Rear RH	1				
25	1001199324	Panel, Controls Front RH	1				
26	1001214902	Panel, Controls Top LH	1				
27	1001219744	Panel, Controls 10 Sect LH	1				
28	1001219691	Panel, Controls Rear LH	1				
29	1001219937	Plate	1				
30	1001220068	Bracket	1				
31	4309000001	Coupling	3				
32	4309000007	Coupling	6				
33	7082000005	Bearing	2				
34	7114140618	Screw, 0.25"-20 X 0.75"	22				
35	7114141018	Screw, 0.25"-20 X 1.25"	10				
36	7413000002	Nutsert, 0.25"-20	22				
37	7660140230	Nut, 0.25"-28	18				
38	7660142601	Locknut, 0.25" -20NC	10				
39	7660162601	Locknut, 0.38"-16NC	29				

CONTROL INSTALLATION - 10 SECTION - 8 SOLENOID



CONTROL INSTALLATION - 10 SECTION - 8 SOLENOID

CONTROL INSTALLATION - 10 SECTION - 8 SOLENOID

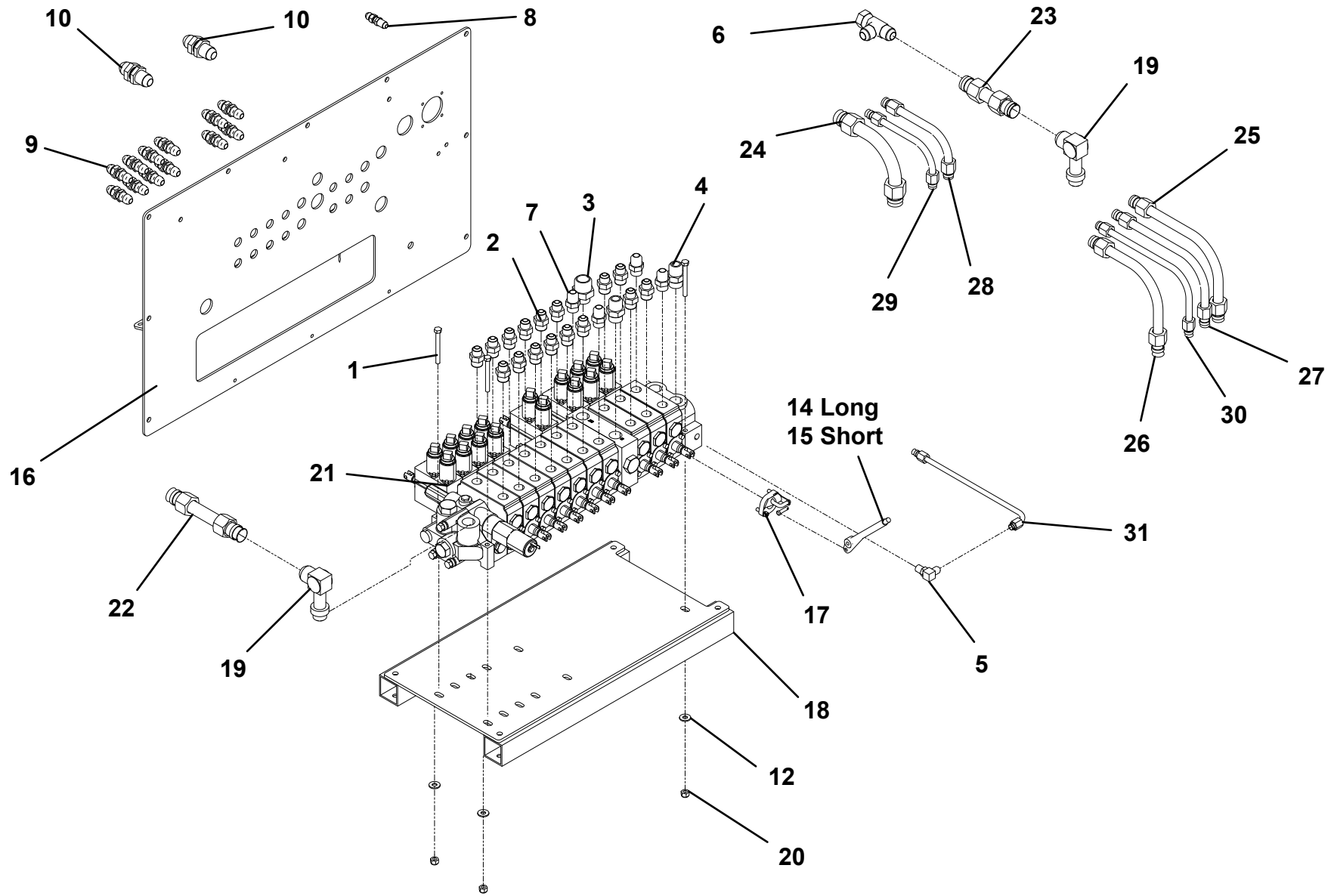
THIS PAGE INTENTIONALLY LEFT BLANK

CONTROL VALVE ASSEMBLY - 1001202434

ITEM	PART NO.	DESCRIPTION	QTY
1	0641524	Capscrew, 5/16" - 18 x 3"	3
2	2220374	Adapter	14
3	2220376	Adapter	1
4	2220451	Adapter	2
5	2220473	Adapter	1
6	2220700	Adapter	1
7	2220947	Adapter	4
8	2230024	Adapter	1
9	2230025	Adapter	14
10	2230027	Fitting	2
11	2230089	Fitting	3
12	4751500	Washer, 5/16" ID	3
13	8760037	Union	4
14	1001184772	Handle, Long	2
15	1001184773	Handle, Short	7
16	1001200355	Panel	1
17	1001194069	Linkage	9
18	3177000060	Mount	1
19	7443000211	Fitting	2
20	7660162601	Locknut, 0.38" - 16NC	3
21	1001203506	Valve, 9 Sec. 7 Sol	1
22	7912000301*	Tube Assembly	1
23	7912000302*	Tube Assembly	1
24	7912000303*	Tube Assembly	1
25	7912000304*	Tube Assembly	1
26	7912000305*	Tube Assembly	1
27	7912000306*	Tube Assembly	2
28	7912000307*	Tube Assembly	2
29	7912000308*	Tube Assembly	7
30	7912000309*	Tube Assembly	7
31	7912000310*	Tube Assembly	1

* Also Available In Tube Kit - 7577000669

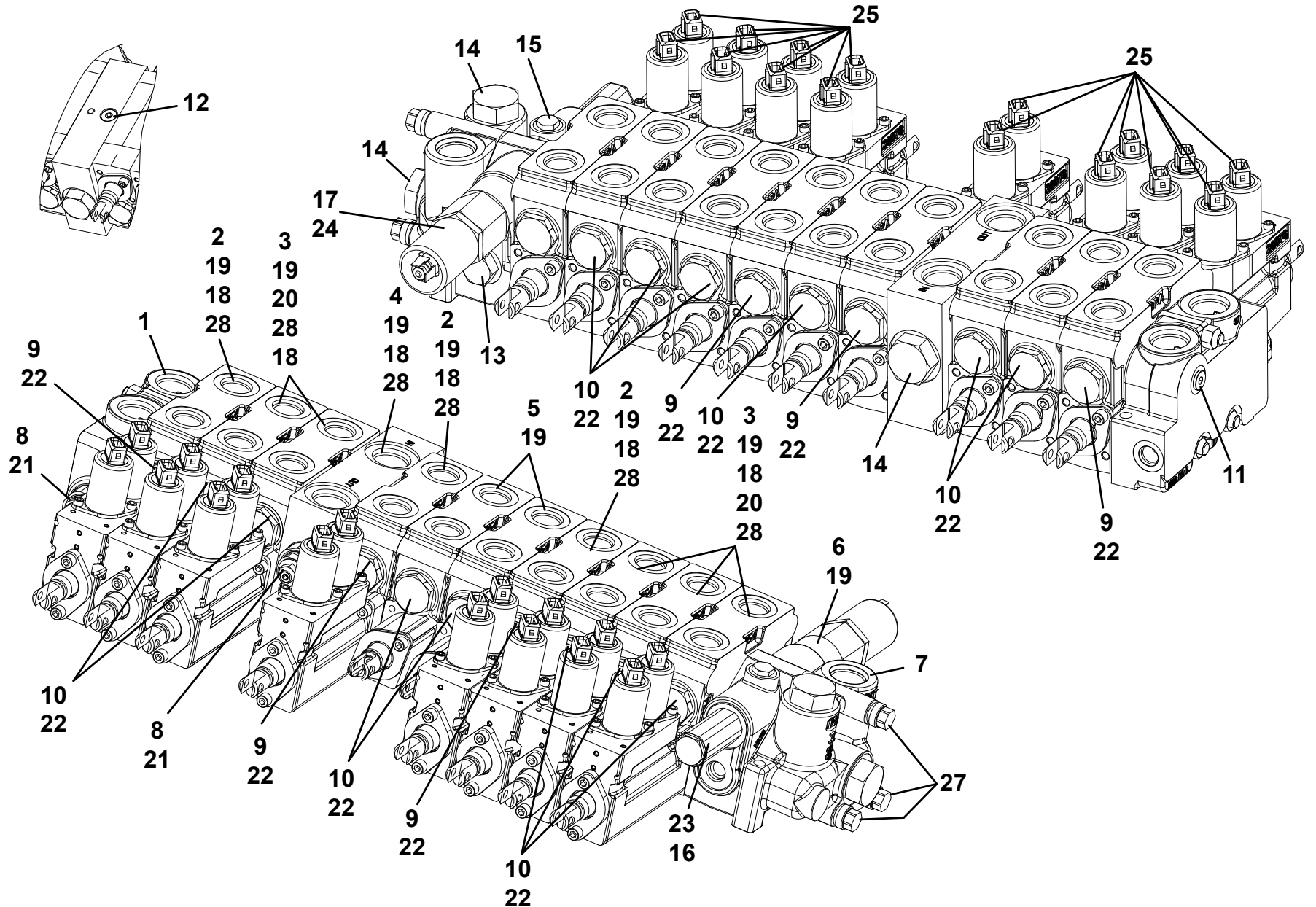
CONTROL VALVE ASSEMBLY - 1001202434



VALVE ASSEMBLY - 7935000374

ITEM	PART NO.	DESCRIPTION	QTY
1	7935000315	Inlet Cover	1
2	9935930120	Valve Section	2
3	9935930119	Valve Section	4
4	7935000316	Inlet	1
5	7935000320	Valve Section	2
6	7935000323	Utility Section	1
7	7935000317	Outlet Cover	1
8	91084009	Relief	2
9	70050243	Plug	6
10	7006847	Plug	12
11	70050245	Plug	1
12	70050246	Plug	2
13	70050247	Plug	1
14	91084017	Plug	3
15	70050249	Plug	1
16	70050241	Pressure Cartridge	1
17	70050242	Solenoid	1
18	70050250	Seal	18
19	70050251	O-Ring	40
20	70050252	O-Ring	6
21	70051081	Seal Kit	2
22	7029865	Seal Kit	20
23	70051080	Seal Kit	1
24	70050256	Seal Kit	1
25	9346930086	Solenoid	16
26	70051079	Seal	1
27	70050239	Stud Assembly	1
28	70050257	Wiper	18

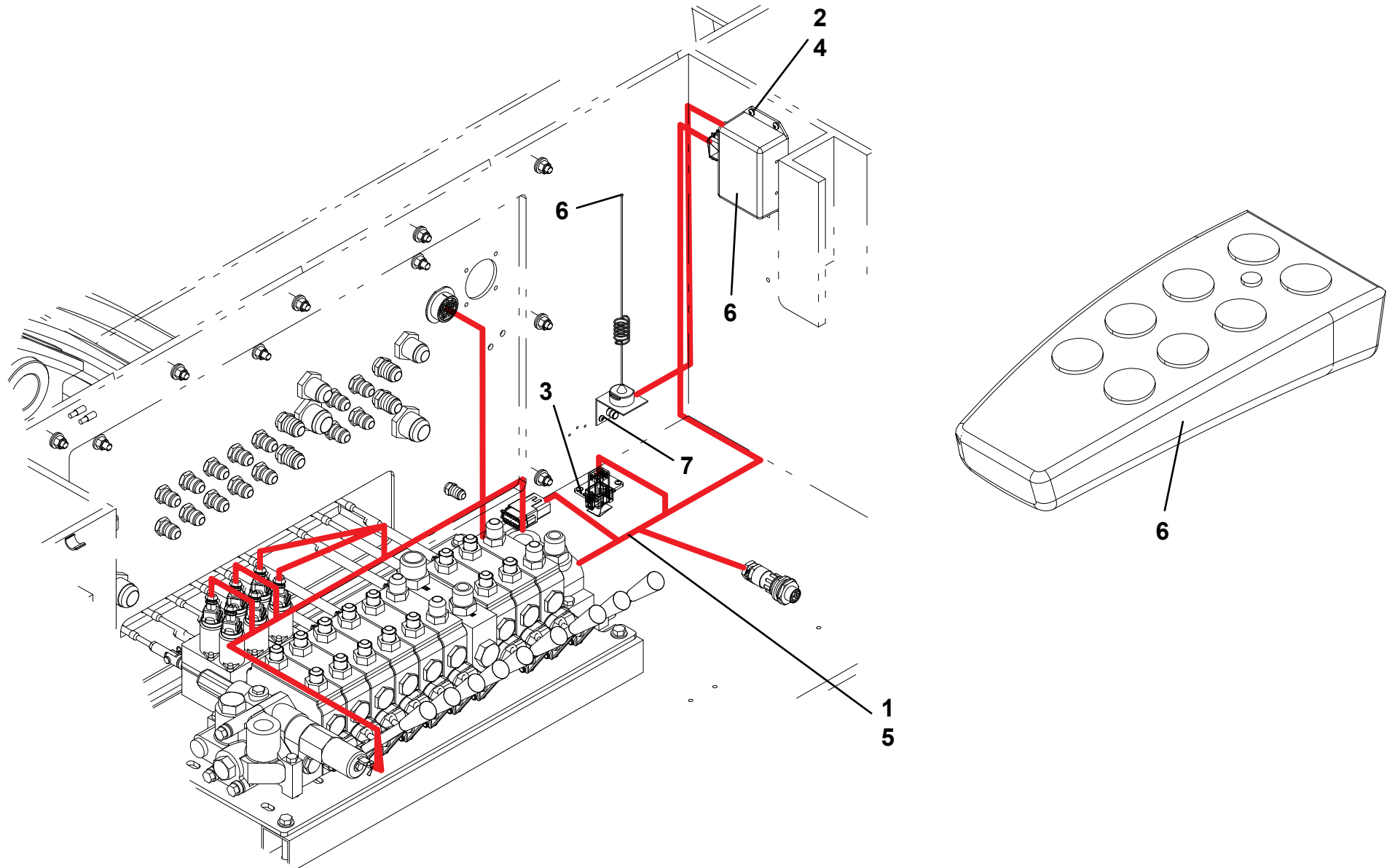
VALVE ASSEMBLY - 7935000374



WIRELESS REMOTE 6 FUNCTION - 9 SECTION

ITEM	PART NO.	DESCRIPTION	QTY
1	1001209022	Harness	1
2	1001192958	Screw, #10 x 0.50"	4
3	1001196552	Screw, #8 x 0.75"	4
4	7075000003	Battery, 9V	1
5	5526000553	Tie Strap	2
6	7295000146	Wireless Remote	1
	9295310027	Transmitter	1
	9295310029	Rubber Boot	1
	9295310030	Belt Clip	1
	9295310031	Battery Retainer	1
	9295310068	Receiver	1
	9295310069	Antenna	1
7	1001198602	Screw, #8 x 0.38"	3

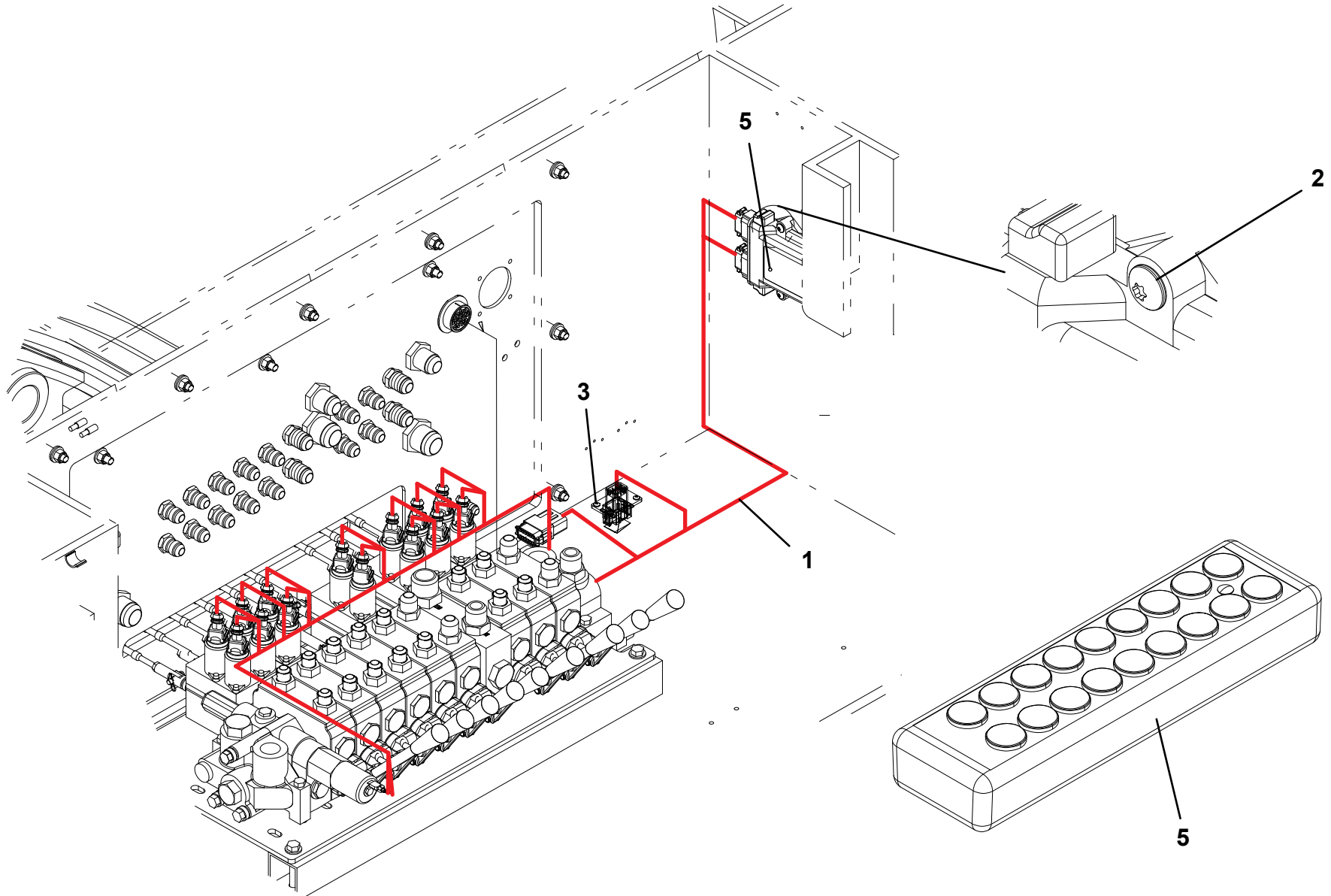
WIRELESS REMOTE 6 FUNCTION - 9 SECTION



WIRELESS REMOTE 14 FUNCTION NON-PROPORTIONAL

ITEM	PART NO.	DESCRIPTION	QTY
1	1001209020	Harness	1
2	1001195523	Screw, 0.25" x 1.00"	2
3	1001196552	Screw, #8 x 0.75"	4
4	7075000003	Battery, 9V	1
5	7295000124	Wireless Remote	1
	1001139463	Transmitter	1
	1001139464	Receiver	1

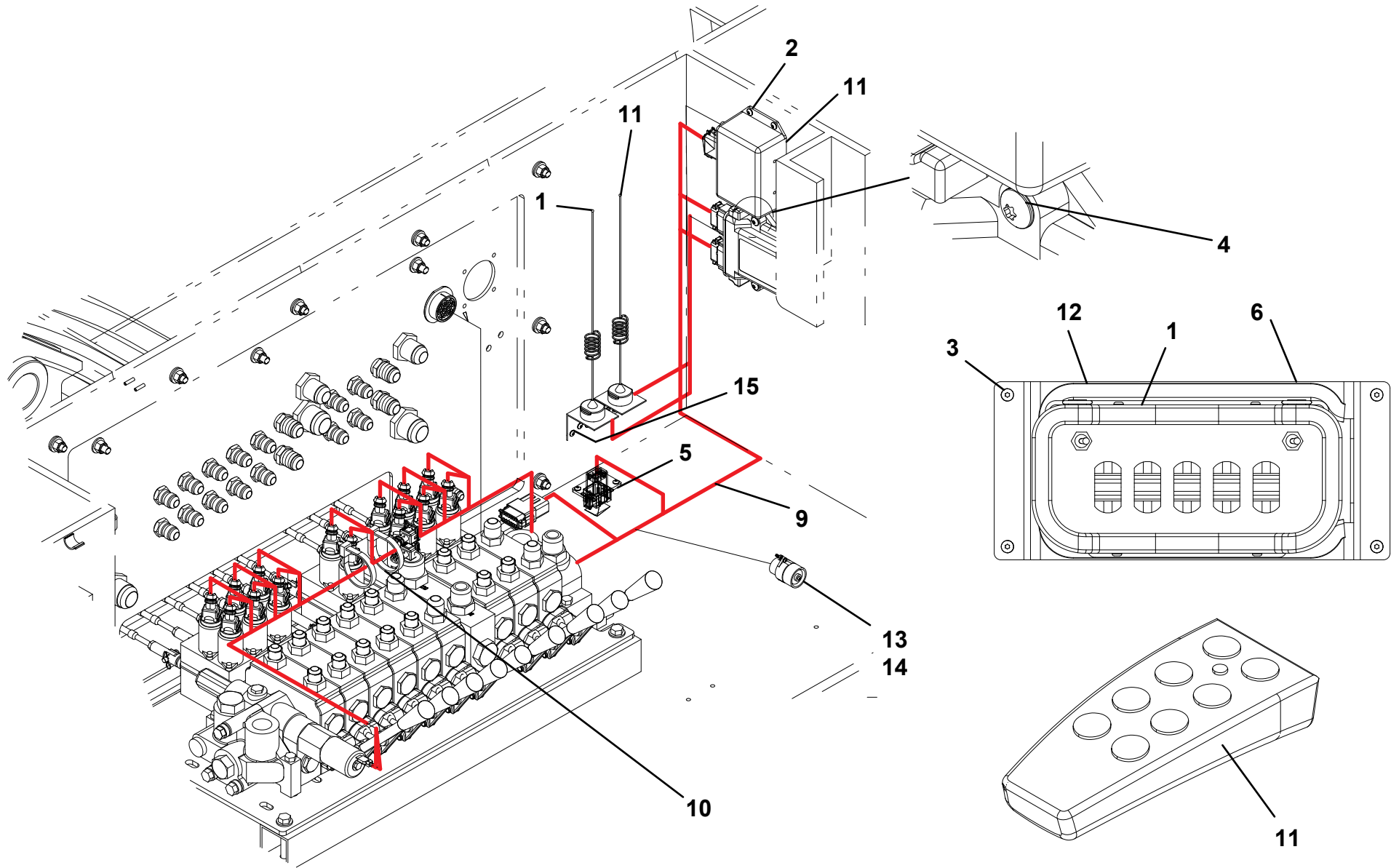
WIRELESS REMOTE 14 FUNCTION NON-PROPORTIONAL



WIRELESS REMOTE 14 FUNCTION PROPORTIONAL

ITEM	PART NO.	DESCRIPTION	QTY
1	1001145240	Control, Wireless 10 Function	1
	70050106	Receiver	1
	70050107	Transmitter	1
	9295310061	Antenna Kit	1
	9552310033	Tether - 25 ft	1
2	1001192958	Screw, #10 x 0.50"	4
3	1001194676	Screw, 0.25" x 0.75"	4
4	1001195523	Screw, 0.25" x 1.00"	2
5	1001196552	Screw, #8 x 0.75"	4
6	4178000699	Bracket	1
7	7075000003	Battery, 9V	1
8	7075000006	Battery, D 1.5V	3
9	1001209021	Harness	1
10	5526000553	Tie Straps	2
11	7295000146	Wireless Remote	1
	9295310027	Transmitter	1
	9295310029	Rubber Boot	1
	9295310030	Belt Clip	1
	9295310031	Battery Retainer	1
	9295310068	Receiver	1
	9295310069	Antenna Kit	1
12	8632000012	Trim Lock	1
13	7120000047	Screw, #4 x 0.62"	2
14	7660040000	Nut, #4	2
15	1001198602	Screw, #8 x 0.38"	6

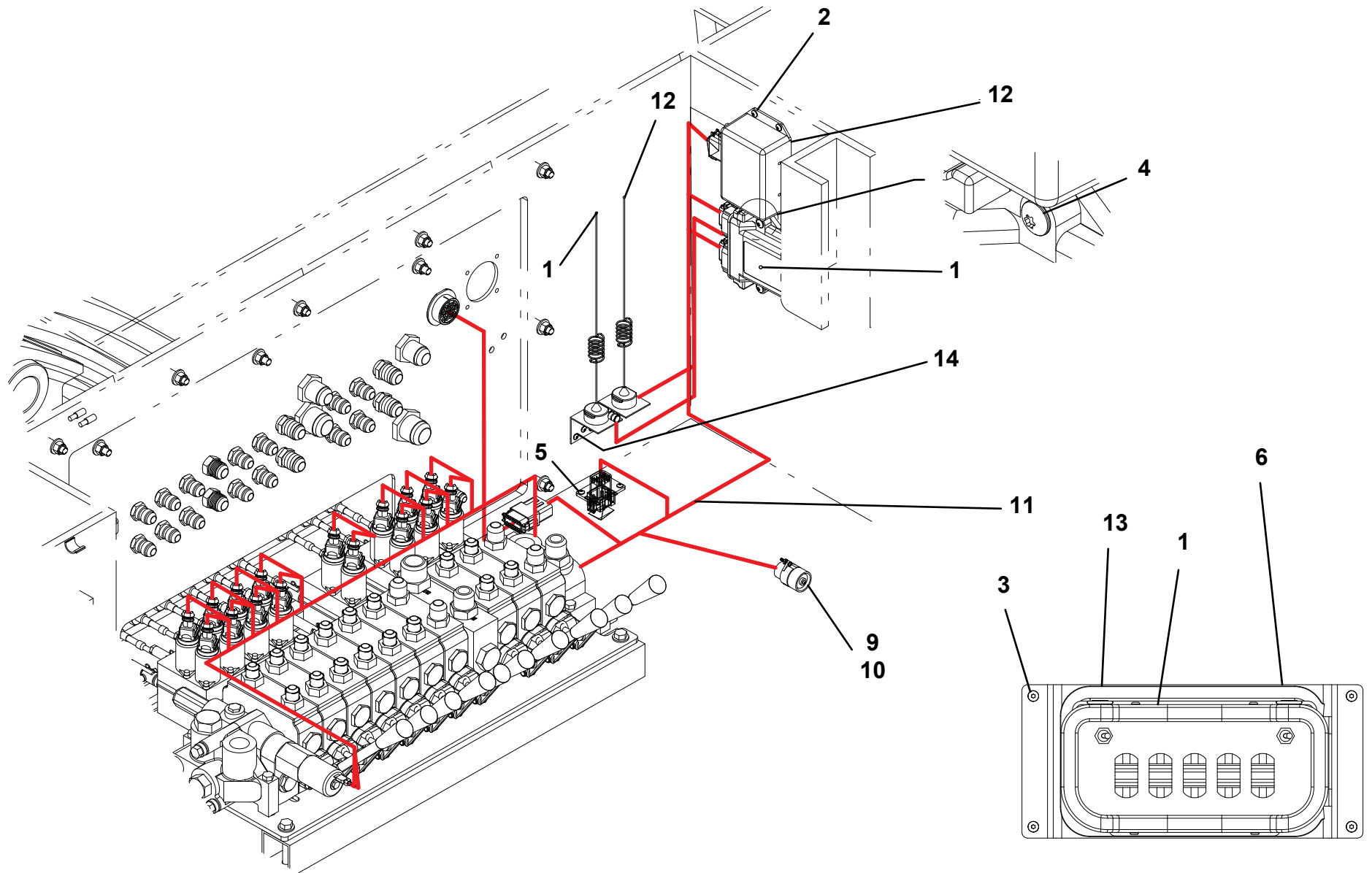
WIRELESS REMOTE 14 FUNCTION PROPORTIONAL



WIRELESS REMOTE 16 FUNCTION PROPORTIONAL

ITEM	PART NO.	DESCRIPTION	QTY
1	1001145240	Control, Wireless 10 Function	1
	70050106	Receiver	1
	70050107	Transmitter	1
	9295310061	Antenna Kit	1
	9552310033	Tether - 25 ft	1
2	1001192958	Screw, #10 x 0.50"	4
3	1001194676	Screw, 0.25" x 0.75"	4
4	1001195523	Screw, 0.25" x 1.00"	2
5	1001196552	Screw, #8 x 0.75"	4
6	4178000699	Bracket	1
7	7075000003	Battery, 9V	1
8	7075000006	Battery, D 1.5V	3
9	7120000047	Screw, #4 x 0.62"	2
10	7660040000	Nut, #4	2
11	1001209021	Harness	1
12	7295000146	Wireless Remote	1
	9295310027	Transmitter	1
	9295310029	Rubber Boot	1
	9295310030	Belt Clip	1
	9295310031	Battery Retainer	1
	9295310068	Receiver	1
	9295310069	Antenna Kit	1
13	8632000012	Trim Lock	1
14	1001198602	Screw, #8 x 0.38"	6

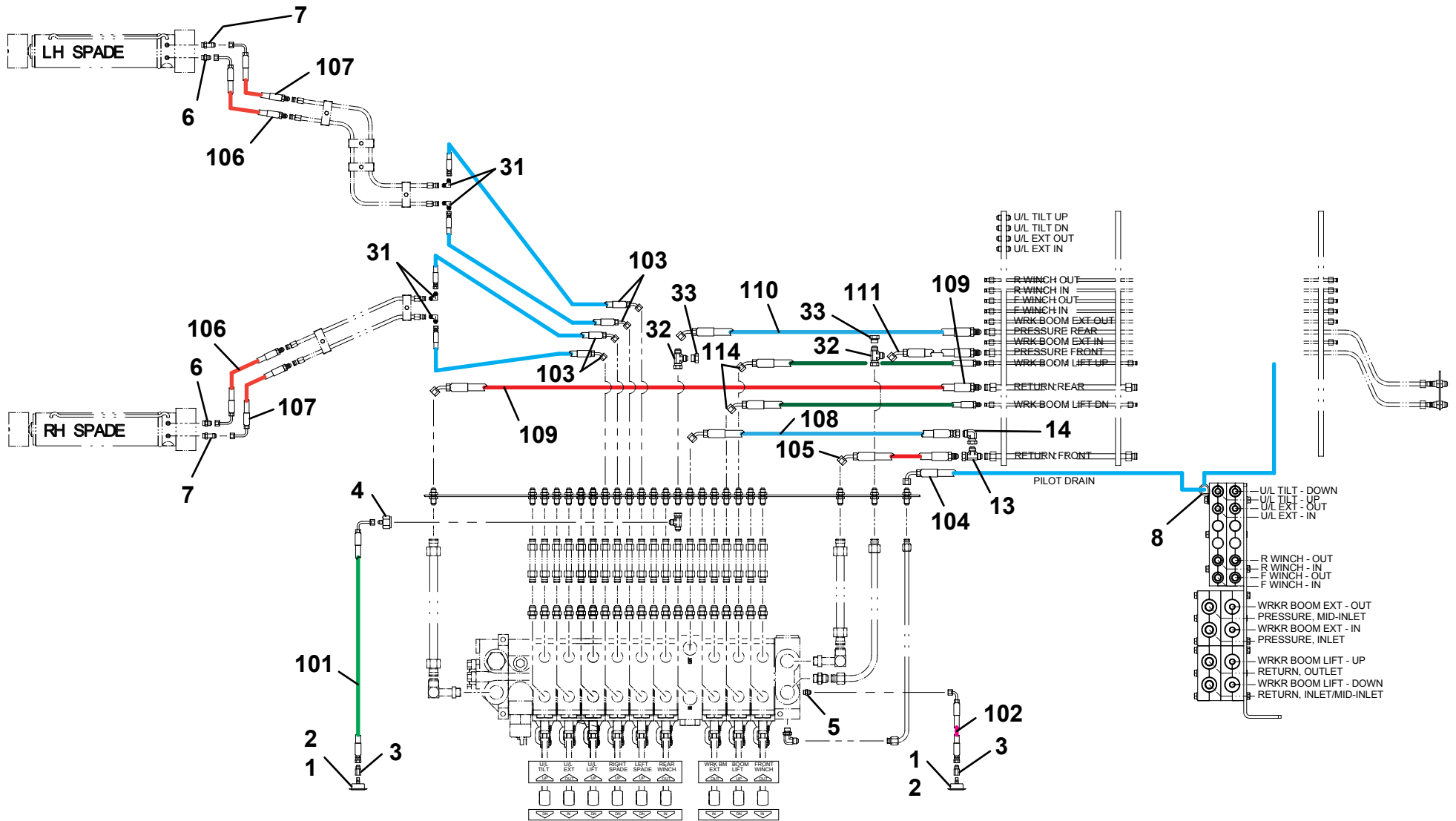
WIRELESS REMOTE 16 FUNCTION PROPORTIONAL



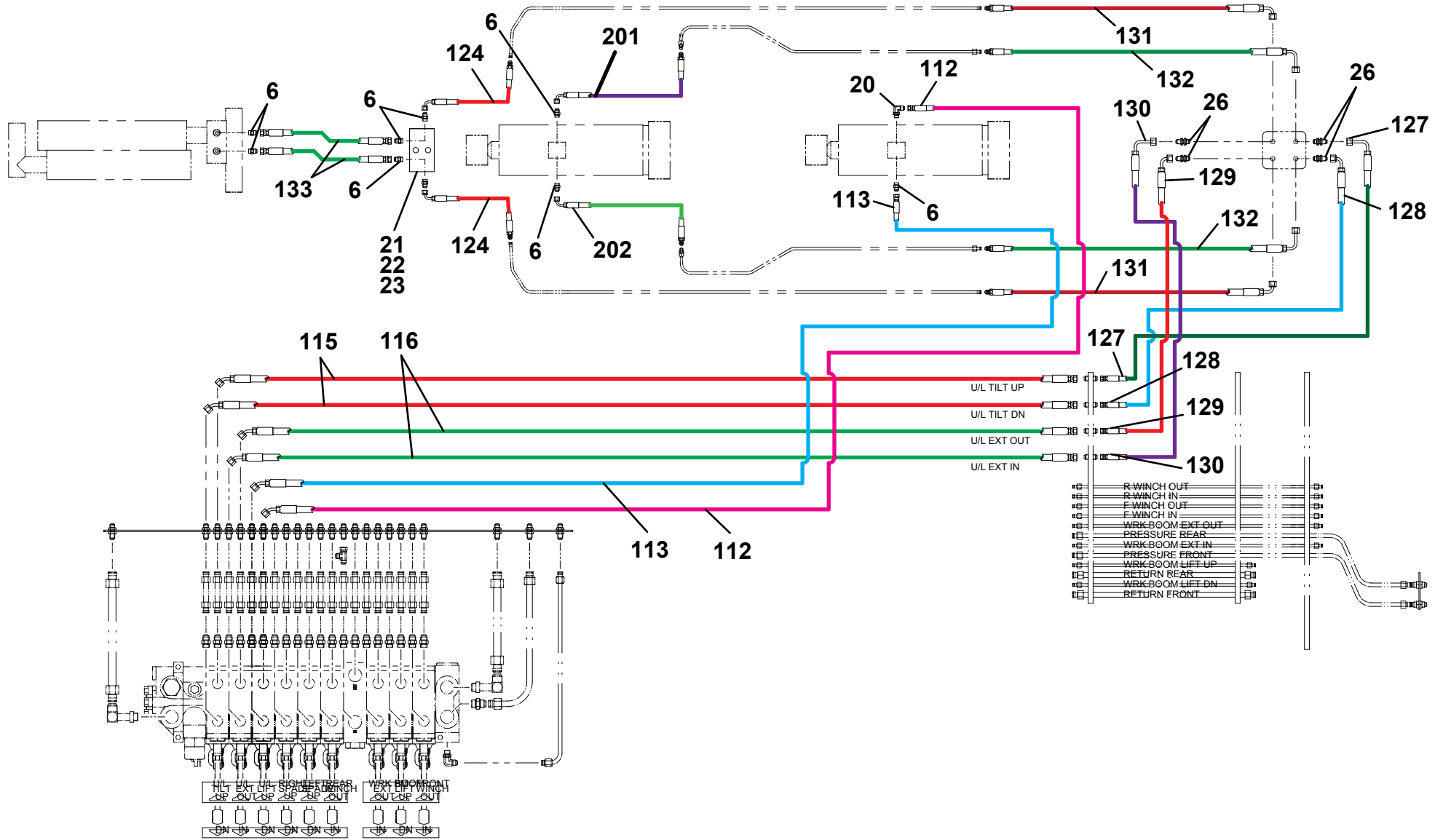
HYDRAULIC LINES AND FITTINGS - 2 PC BOOM W/O U/L WINCH

ITEM	PART NO.	DESCRIPTION	QTY	ITEM	PART NO.	DESCRIPTION	QTY
1	7470000004	Gauge	2	105	1001214087	Hose Assembly	1
2	7790060676	Screw, #6 X 0.38"	6	106	4570000163	Hose Assembly	2
3	7445040421	Fitting	2	107	4570000162	Hose Assembly	2
4	1001094694	Reducer	1	108	1001214089	Hose Assembly	1
5	2220415	Adapter	1	109	1001214090	Hose Assembly	1
6	7445060643	Adapter	8	110	1001206043	Hose Assembly	1
7	7443000109	Adapter	2	111	1001206039	Hose Assembly	1
8	7274000063	Clamp	2	112	4567182029	Hose Assembly	1
9	7445060219	Adapter	1	113	4567182024	Hose Assembly	1
10	7430000004	Filter Assembly	2	114	1001206042	Hose Assembly	2
11	7443000158	Elbow	2	115	1001214086	Hose Assembly	2
12	7470000002	Gauge	2	116	1001206052	Hose Assembly	2
13	2220642	Fitting	1	117	1001206053	Hose Assembly	2
14	2220878	Fitting	1	118	4567133032	Hose Assembly	1
15	7445161622	Fitting	2	119	4567132031	Hose Assembly	1
16	7445161620	Fitting	2	120	4567132043	Hose Assembly	4
17	7445080822	Fitting	2	121	1001206054	Hose Assembly	2
18	7445080837	Fitting	2	122	1001213133	Hose Assembly	2
19	7445080843	Fitting	4	123	4569130046	Hose Assembly	6
20	7445060645	Fitting	2	124	4569160046	Hose Assembly	4
21	4619000006	Manifold	1	125	4567150048	Hose Assembly	4
22	7115161650	Capscrew, 0.38"-16NC X 2.00"	2	126	4569130044	Hose Assembly	2
23	7950160000	Lockwasher, 0.38" ID	2	127	4570000362	Hose Assembly	2
24	7445101032	Fitting	4	128	4570000167	Hose Assembly	2
25	7445100843	Fitting	4	129	4567120017	Hose Assembly	2
26	1001206909	Hose Kit	1	130	4570000368	Hose Assembly	2
27	7445080644	Fitting	2	131	4567132048	Hose Assembly	2
28	4819000008	Sleeve	2	201	4570000360	Hose Assembly	2
29	7894000004	Tie Strap	20	201	4570000252	Hose Assembly	2
30	7950150161	Washer, 0.31" ID	8	301	4567152025	Hose Assembly	1
31	7660152601	Locknut, 0.31"-18NC	4	302	4567152024	Hose Assembly	1
32	7274000040	Clamp	8	303	4567152056	Hose Assembly	1
33	7445080830	Fitting	4	304	4567152054	Hose Assembly	1
34	2220700	Fitting	2	401	4567182029	Hose Assembly	1
35	2220518	Fitting	2	402	4567182024	Hose Assembly	1
101	4567113028	Hose Assembly	1	403	4567133032	Hose Assembly	1
102	4567112024	Hose Assembly	1	404	4567132031	Hose Assembly	1
103	1001192504	Hose Assembly	4	405	4567132043	Hose Assembly	4
104	1001206033	Hose Assembly	1				

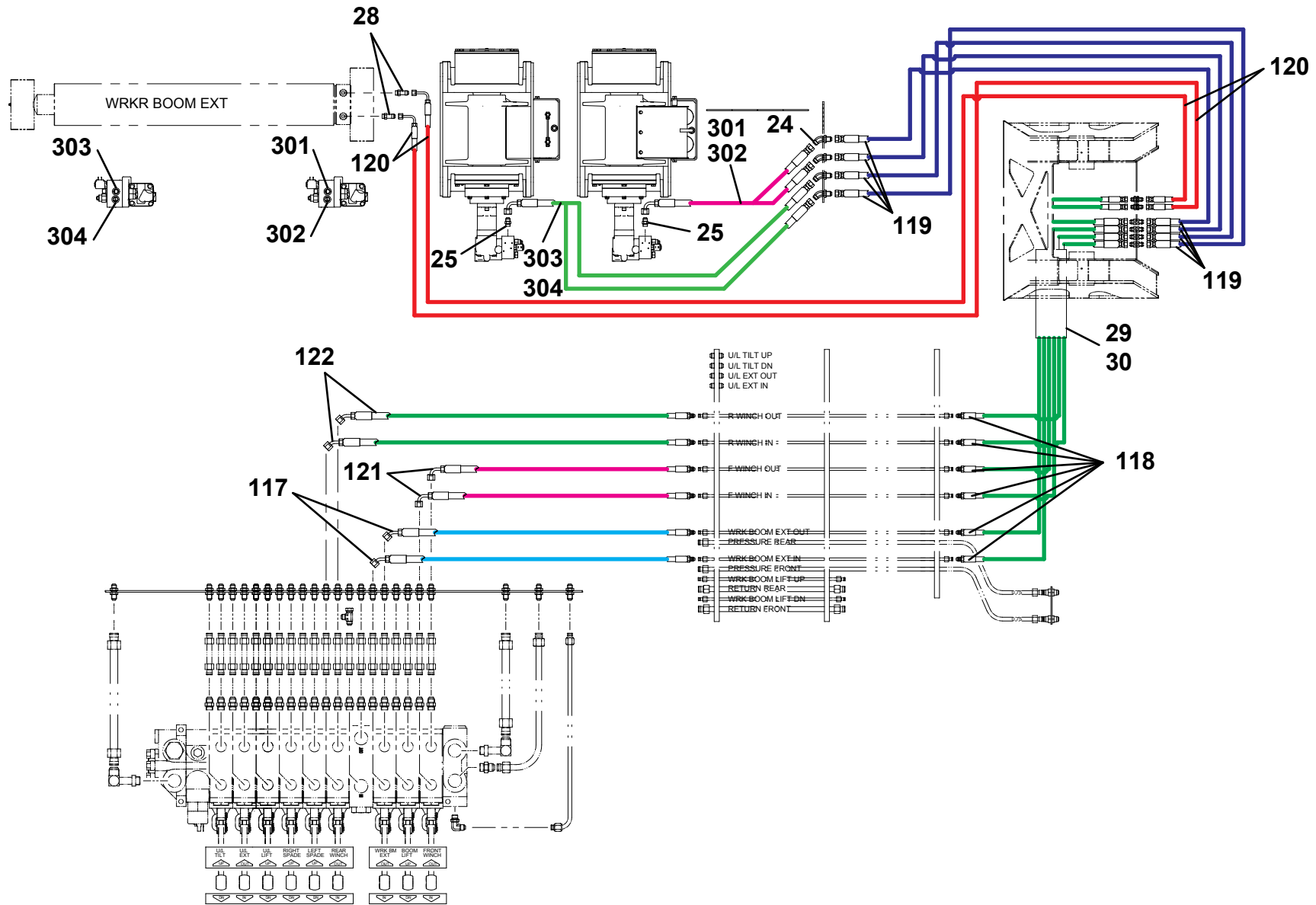
HYDRAULIC LINES AND FITTINGS - 2 PC BOOM W/O U/L WINCH



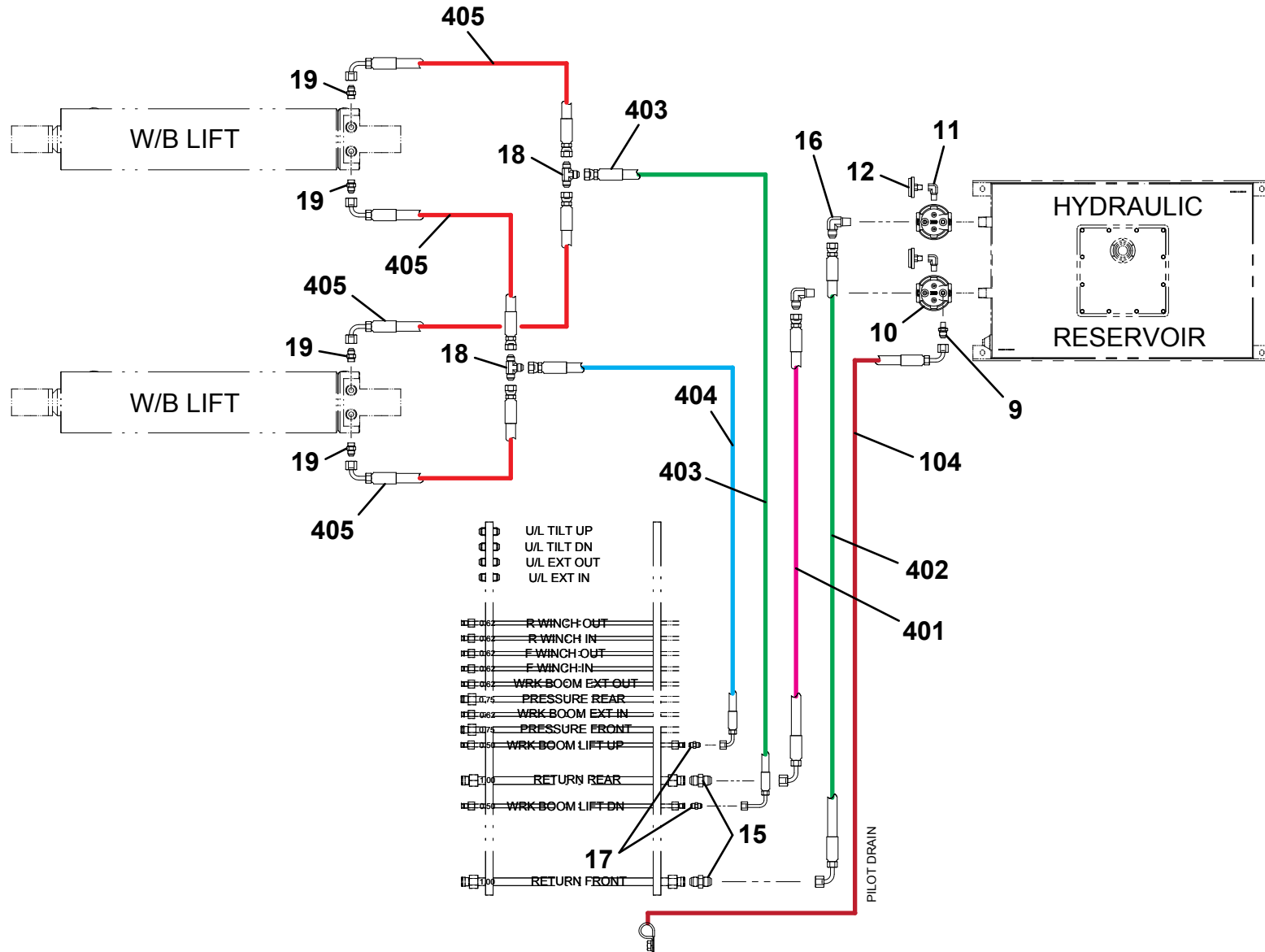
HYDRAULIC LINES AND FITTINGS - 2 PC BOOM W/O U/L WINCH



HYDRAULIC LINES AND FITTINGS - 2 PC BOOM W/O U/L WINCH



HYDRAULIC LINES AND FITTINGS - 2 PC BOOM W/O U/L WINCH



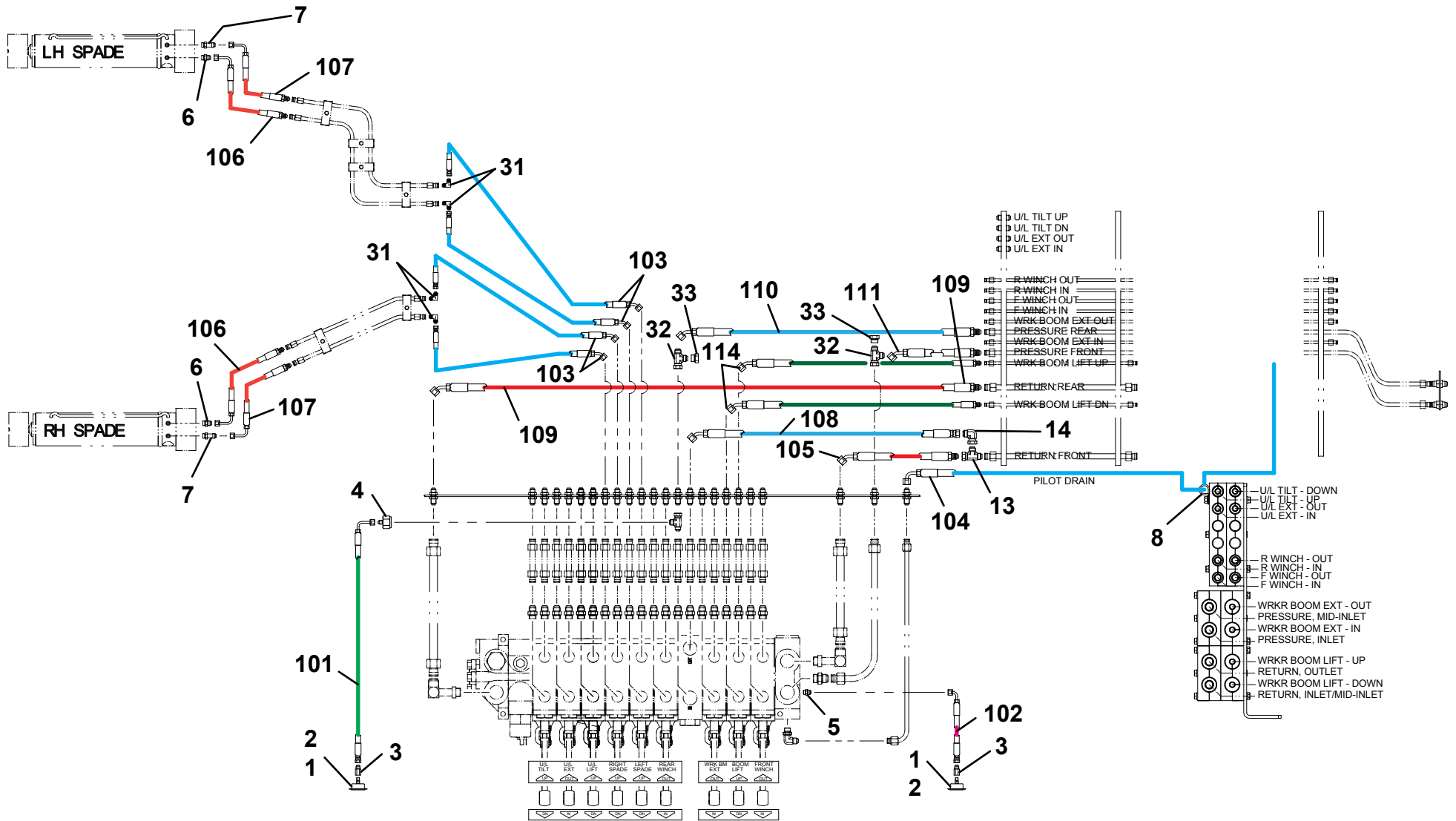
HYDRAULIC LINES AND FITTINGS - 2 PC BOOM W/O U/L WINCH

THIS PAGE INTENTIONALLY LEFT BLANK

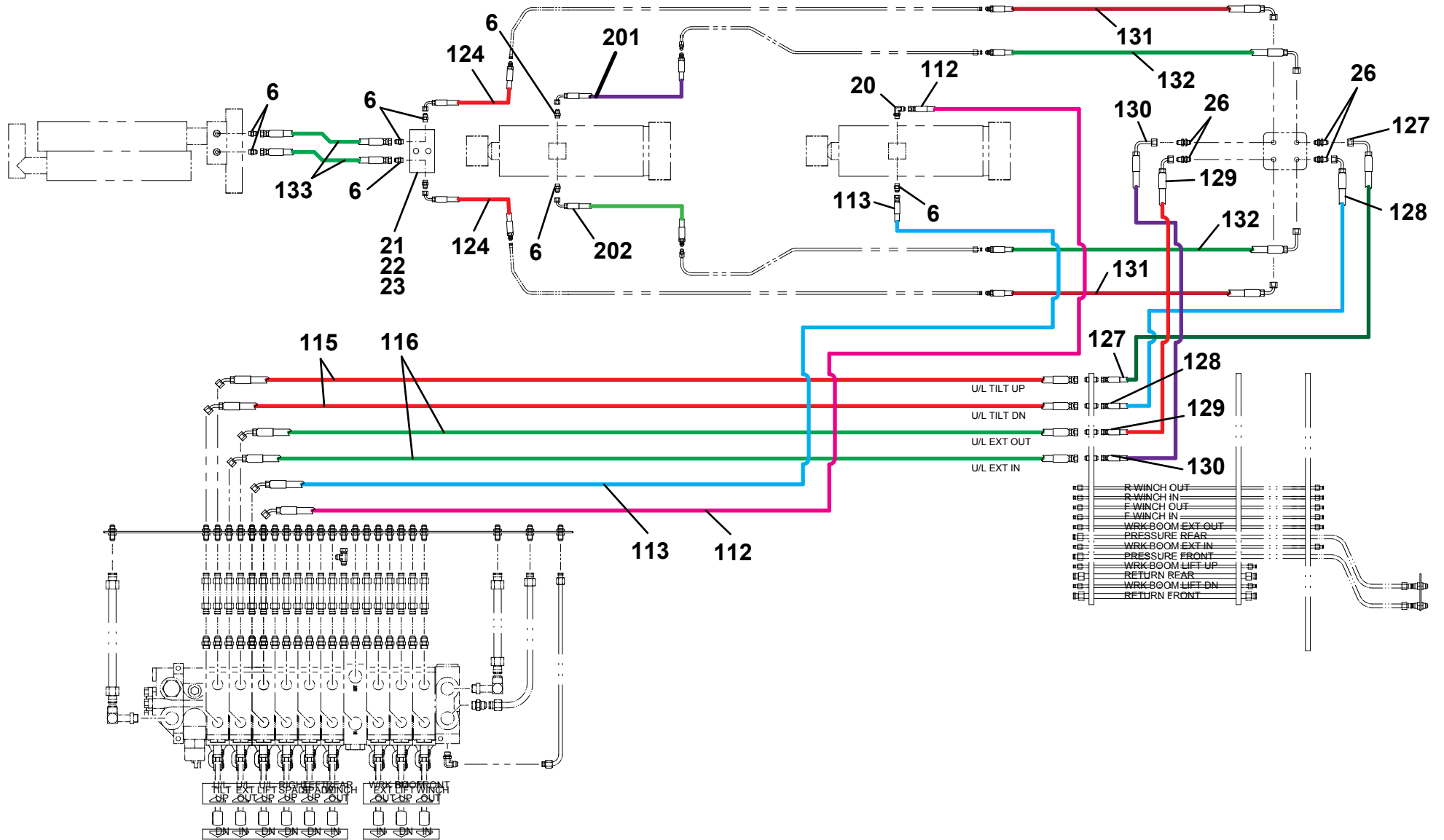
HYDRAULIC LINES AND FITTINGS - 3 PC BOOM W/O U/L WINCH

ITEM	PART NO.	DESCRIPTION	QTY	ITEM	PART NO.	DESCRIPTION	QTY
1	7470000004	Gauge	2	105	1001214087	Hose Assembly	1
2	7790060676	Screw, #6 X 0.38"	6	106	4570000163	Hose Assembly	2
3	7445040421	Fitting	2	107	4570000162	Hose Assembly	2
4	1001094694	Reducer	1	108	1001214089	Hose Assembly	1
5	2220415	Adapter	1	109	1001214090	Hose Assembly	1
6	7445060643	Adapter	8	110	1001206043	Hose Assembly	1
7	7443000109	Adapter	2	111	1001206039	Hose Assembly	1
8	7274000063	Clamp	2	112	4567182029	Hose Assembly	1
9	7445060219	Adapter	1	113	4567182024	Hose Assembly	1
10	7430000004	Filter Assembly	2	114	1001206042	Hose Assembly	2
11	7443000158	Elbow	2	115	1001214086	Hose Assembly	2
12	7470000002	Gauge	2	116	1001206052	Hose Assembly	2
13	2220642	Fitting	1	117	1001206053	Hose Assembly	2
14	2220878	Fitting	1	118	4567133032	Hose Assembly	1
15	7445161622	Fitting	2	119	4567132031	Hose Assembly	1
16	7445161620	Fitting	2	120	4567132043	Hose Assembly	4
17	7445080822	Fitting	2	121	1001206054	Hose Assembly	2
18	7445080837	Fitting	2	122	1001213133	Hose Assembly	2
19	7445080843	Fitting	4	123	4569130046	Hose Assembly	6
20	7445060645	Fitting	2	124	4569160046	Hose Assembly	4
21	4619000006	Manifold	1	125	4567150048	Hose Assembly	4
22	7115161650	Capscrew, 0.38"-16NC X 2.00"	2	126	4569130044	Hose Assembly	2
23	7950160000	Lockwasher, 0.38" ID	2	127	4570000362	Hose Assembly	2
24	7445101032	Fitting	4	128	4570000167	Hose Assembly	2
25	7445100843	Fitting	4	129	4567120017	Hose Assembly	2
26	1001206909	Hose Kit	1	130	4570000368	Hose Assembly	2
27	7445080479	Fitting	2	131	4567132048	Hose Assembly	2
28	4819000008	Sleeve	2	201	4570000360	Hose Assembly	2
29	7894000004	Tie Strap	20	201	4570000252	Hose Assembly	2
30	7950150161	Washer, 0.31" ID	8	301	4567152025	Hose Assembly	1
31	7660152601	Locknut, 0.31"-18NC	4	302	4567152024	Hose Assembly	1
32	7274000040	Clamp	8	303	4567152056	Hose Assembly	1
33	7445080830	Fitting	4	304	4567152054	Hose Assembly	1
34	2220700	Fitting	2	401	4567182029	Hose Assembly	1
35	2220518	Fitting	2	402	4567182024	Hose Assembly	1
101	4567113028	Hose Assembly	1	403	4567133032	Hose Assembly	1
102	4567112024	Hose Assembly	1	404	4567132031	Hose Assembly	1
103	1001192504	Hose Assembly	4	405	4567132043	Hose Assembly	4
104	1001206033	Hose Assembly	1				

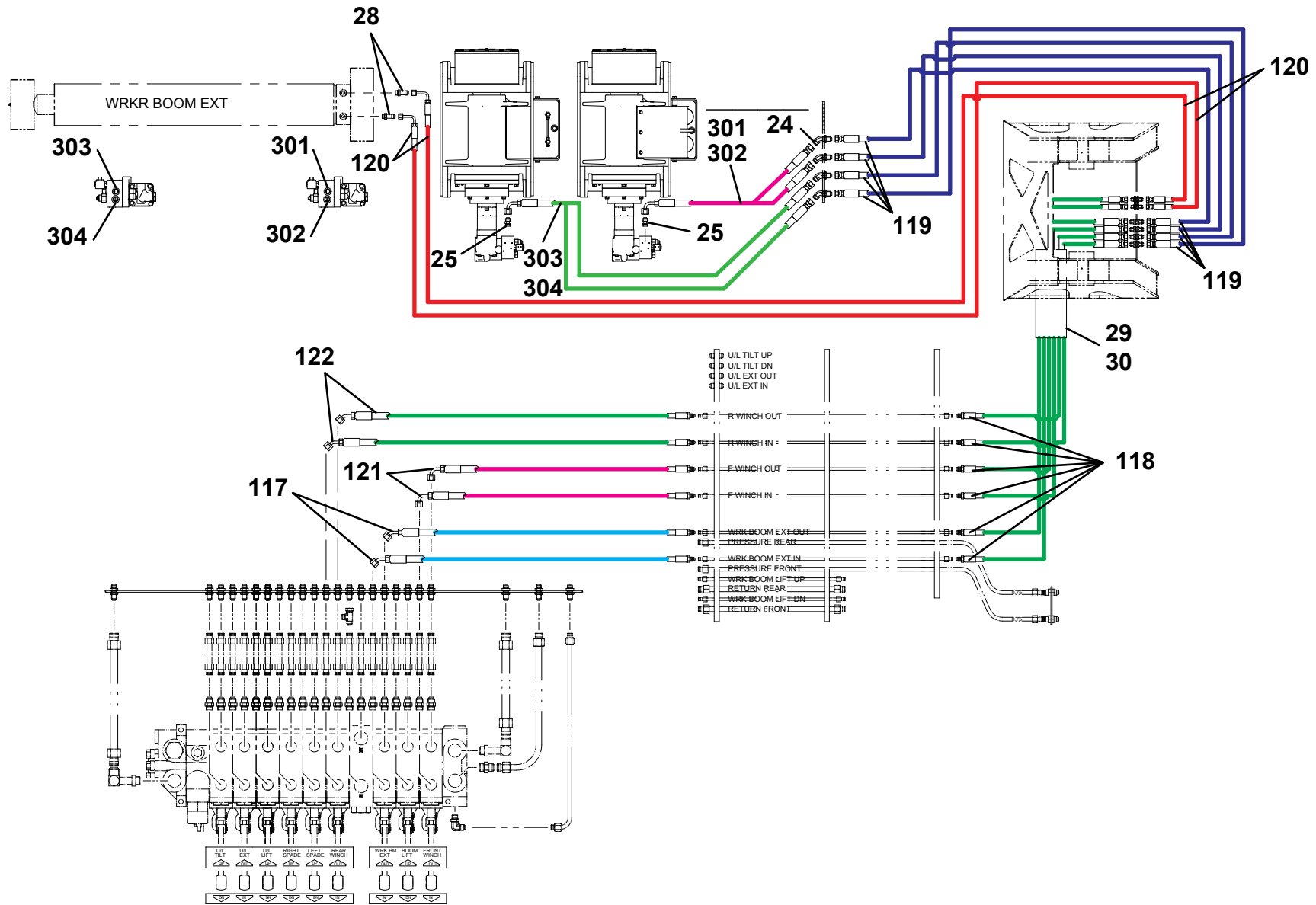
HYDRAULIC LINES AND FITTINGS - 3 PC BOOM W/O U/L WINCH



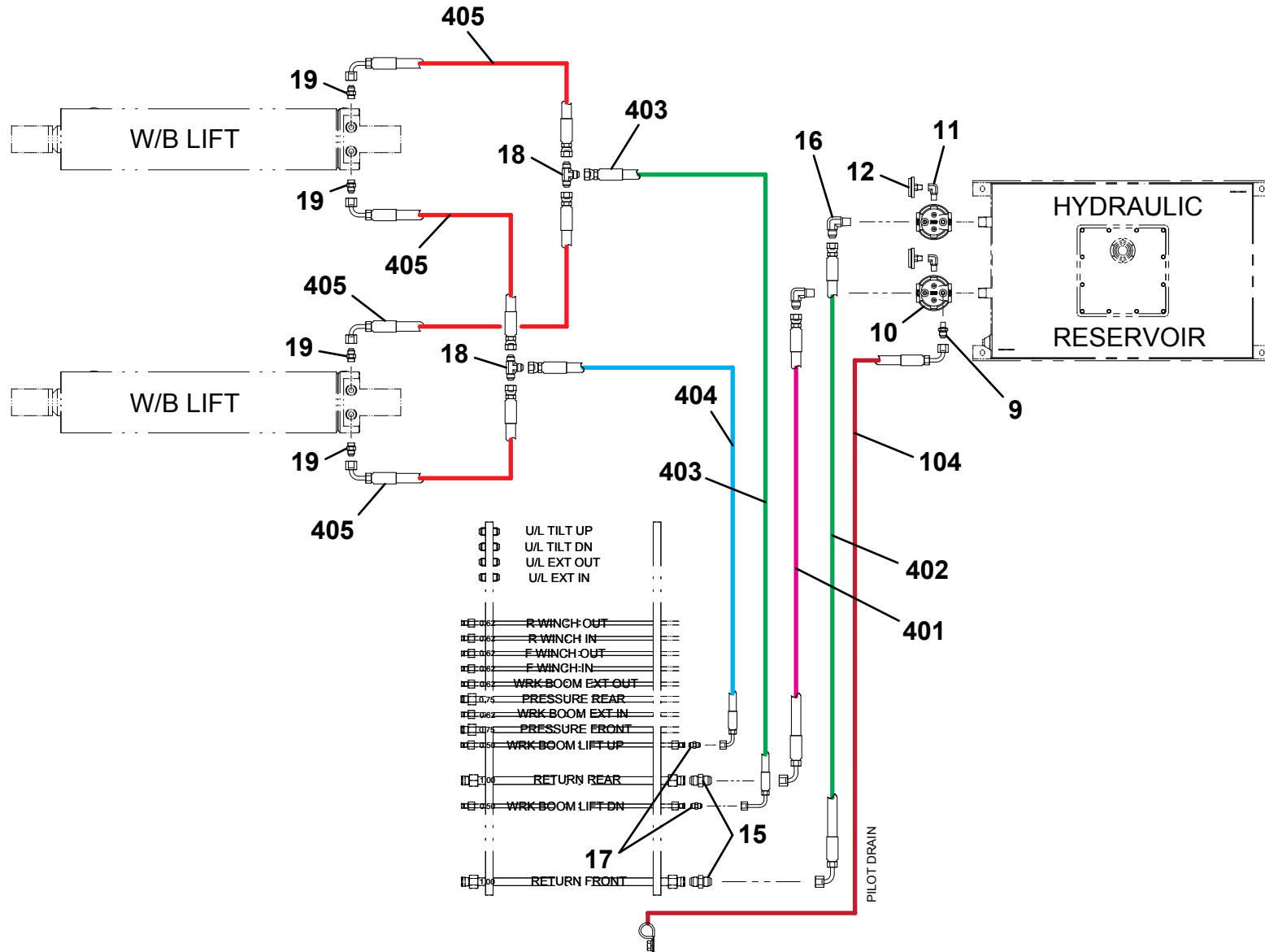
HYDRAULIC LINES AND FITTINGS - 3 PC BOOM W/O U/L WINCH



HYDRAULIC LINES AND FITTINGS - 3 PC BOOM W/O U/L WINCH



HYDRAULIC LINES AND FITTINGS - 3 PCS BOOM W/O U/L WINCH



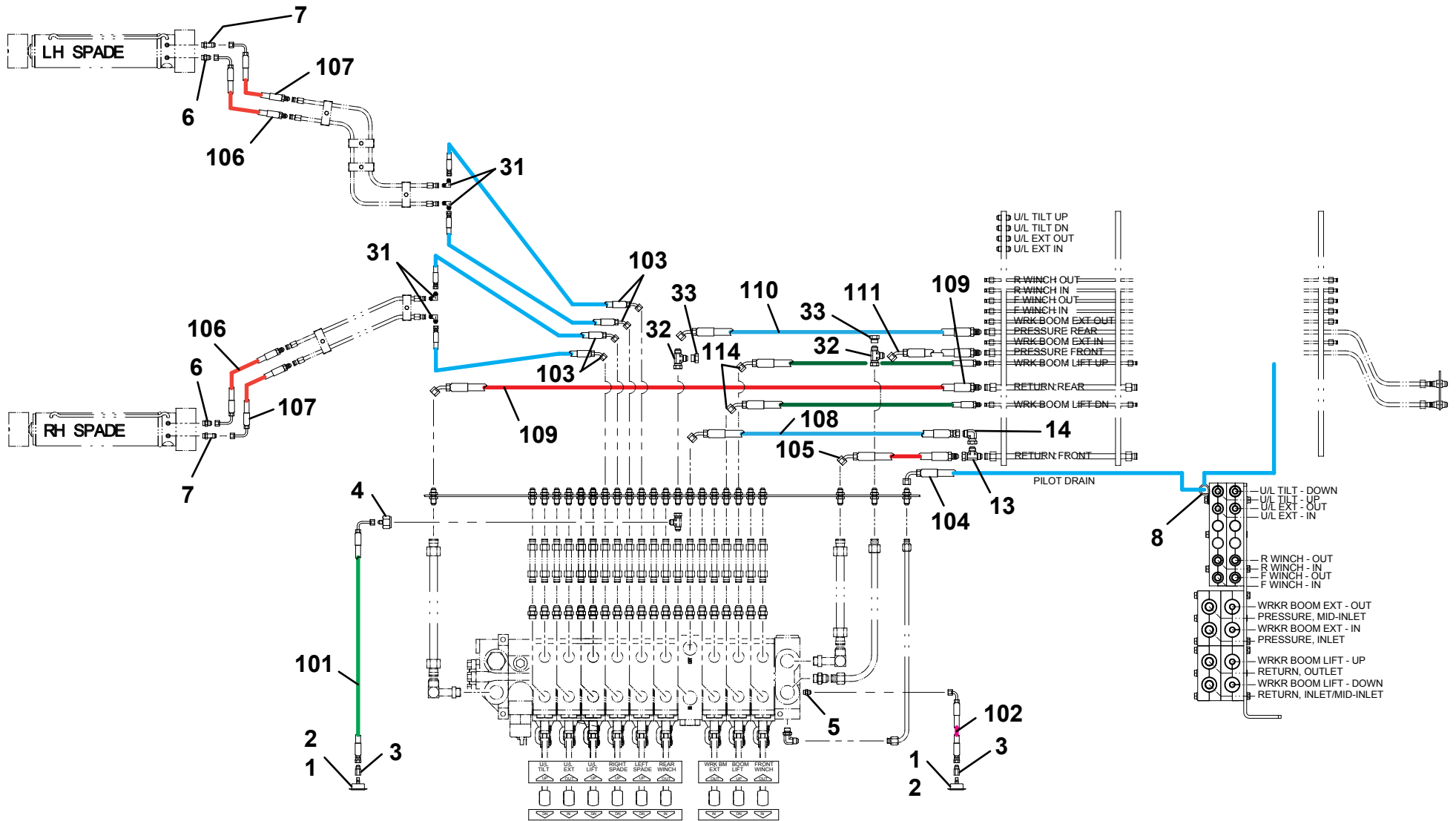
HYDRAULIC LINES AND FITTINGS - 3 PC BOOM W/O U/L WINCH

THIS PAGE INTENTIONALLY LEFT BLANK

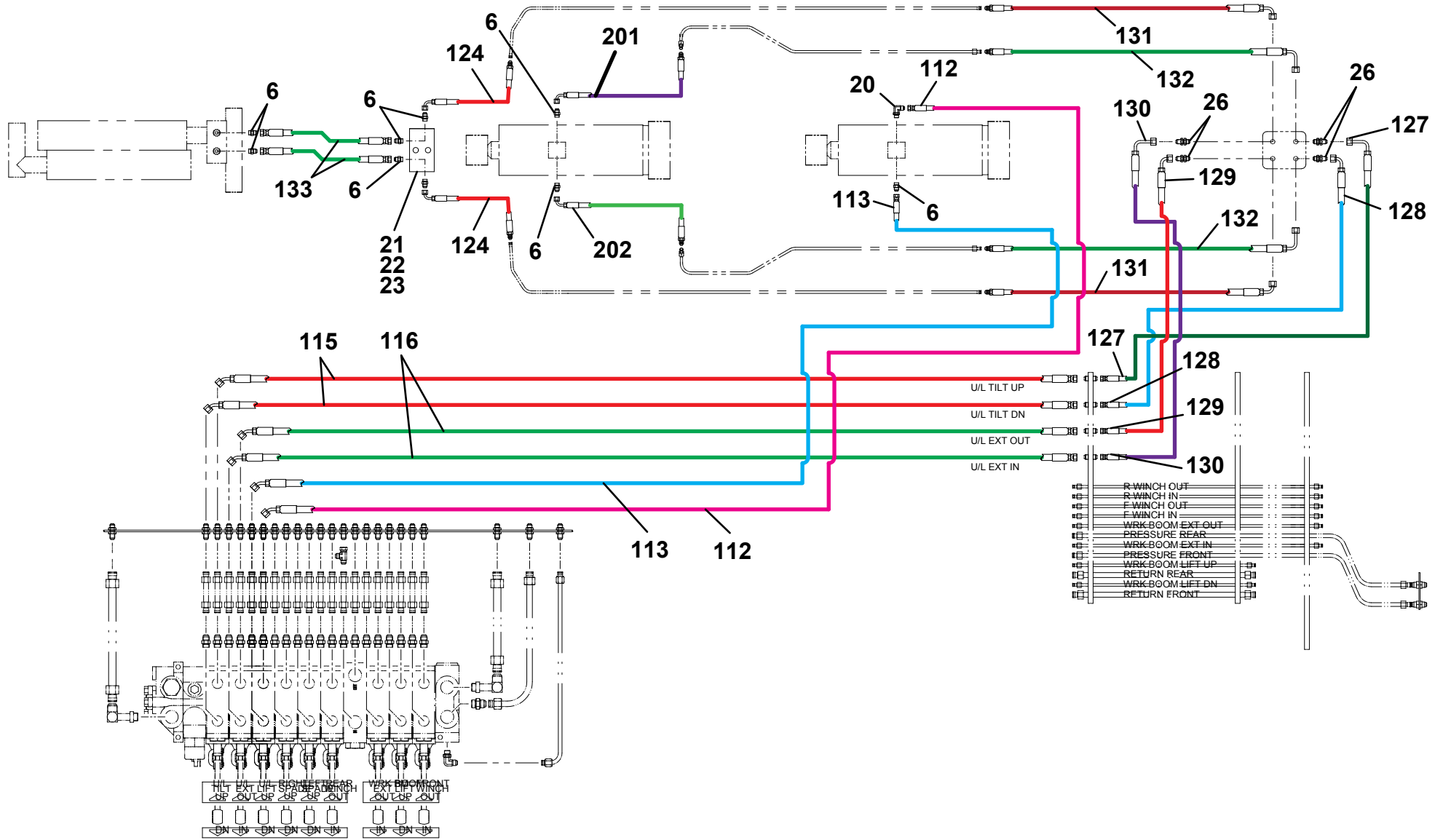
HYDRAULIC LINES AND FITTINGS - 2 PC WRECKER BOOM W/ U/L WINCH

ITEM	PART NO.	DESCRIPTION	QTY	ITEM	PART NO.	DESCRIPTION	QTY
				105	1001214087	Hose Assembly	1
1	7470000004	Gauge	2	106	4570000163	Hose Assembly	2
2	7790060676	Screw, #6 X 0.38"	6	107	4570000162	Hose Assembly	2
3	7445040421	Fitting	2	108	1001214089	Hose Assembly	1
4	1001094694	Reducer	1	109	1001214090	Hose Assembly	1
5	2220415	Adapter	1	110	1001206043	Hose Assembly	1
6	7445060643	Adapter	8	111	1001206039	Hose Assembly	1
7	7443000109	Adapter	2	112	4567182029	Hose Assembly	1
8	7274000063	Clamp	2	113	4567182024	Hose Assembly	1
9	7445060219	Adapter	1	114	1001206042	Hose Assembly	2
10	7430000004	Filter Assembly	2	115	1001214086	Hose Assembly	2
11	7443000158	Elbow	2	116	1001206052	Hose Assembly	2
12	7470000002	Gauge	2	117	1001206053	Hose Assembly	2
13	2220642	Fitting	1	118	4567133032	Hose Assembly	1
14	2220878	Fitting	1	119	4567132031	Hose Assembly	1
15	7445161622	Fitting	2	120	4567132043	Hose Assembly	4
16	7445161620	Fitting	2	121	1001206054	Hose Assembly	2
17	7445080822	Fitting	2	122	1001213133	Hose Assembly	2
18	7445080837	Fitting	2	123	4569130046	Hose Assembly	6
19	7445080843	Fitting	4	124	4569160046	Hose Assembly	4
20	7445060645	Fitting	2	125	4567150048	Hose Assembly	4
21	4619000006	Manifold	1	126	4569130044	Hose Assembly	2
22	7115161650	Capscrew, 0.38"-16NC X 2.00"	2	127	4570000362	Hose Assembly	2
23	7950160000	Lockwasher, 0.38" ID	2	128	4570000167	Hose Assembly	2
24	7445101032	Fitting	4	129	4567120017	Hose Assembly	2
25	7445100843	Fitting	4	130	4570000368	Hose Assembly	2
26	1001206909	Hose Kit	1	131	4567132048	Hose Assembly	2
27	7445080644	Fitting	2	201	4570000360	Hose Assembly	2
28	4819000008	Sleeve	2	201	4570000252	Hose Assembly	2
29	7894000004	Tie Strap	20	301	4567152025	Hose Assembly	1
30	7950150161	Washer, 0.31" ID	8	302	4567152024	Hose Assembly	1
31	7660152601	Locknut, 0.31"-18NC	4	303	4567152056	Hose Assembly	1
32	7274000040	Clamp	8	304	4567152054	Hose Assembly	1
33	7445080830	Fitting	4	401	4569180038	Hose Assembly	1
34	2220700	Fitting	2	402	4569180044	Hose Assembly	1
35	2220518	Fitting	2	403	4567133032	Hose Assembly	1
101	4567113028	Hose Assembly	1	404	4567132031	Hose Assembly	1
102	4567112024	Hose Assembly	1	405	4567132034	Hose Assembly	4
103	1001192504	Hose Assembly	4	406	1001213132	Hose Assembly	2
104	1001206033	Hose Assembly	1	407	4569163036	Hose Assembly	1
				408	4569162034	Hose Assembly	1

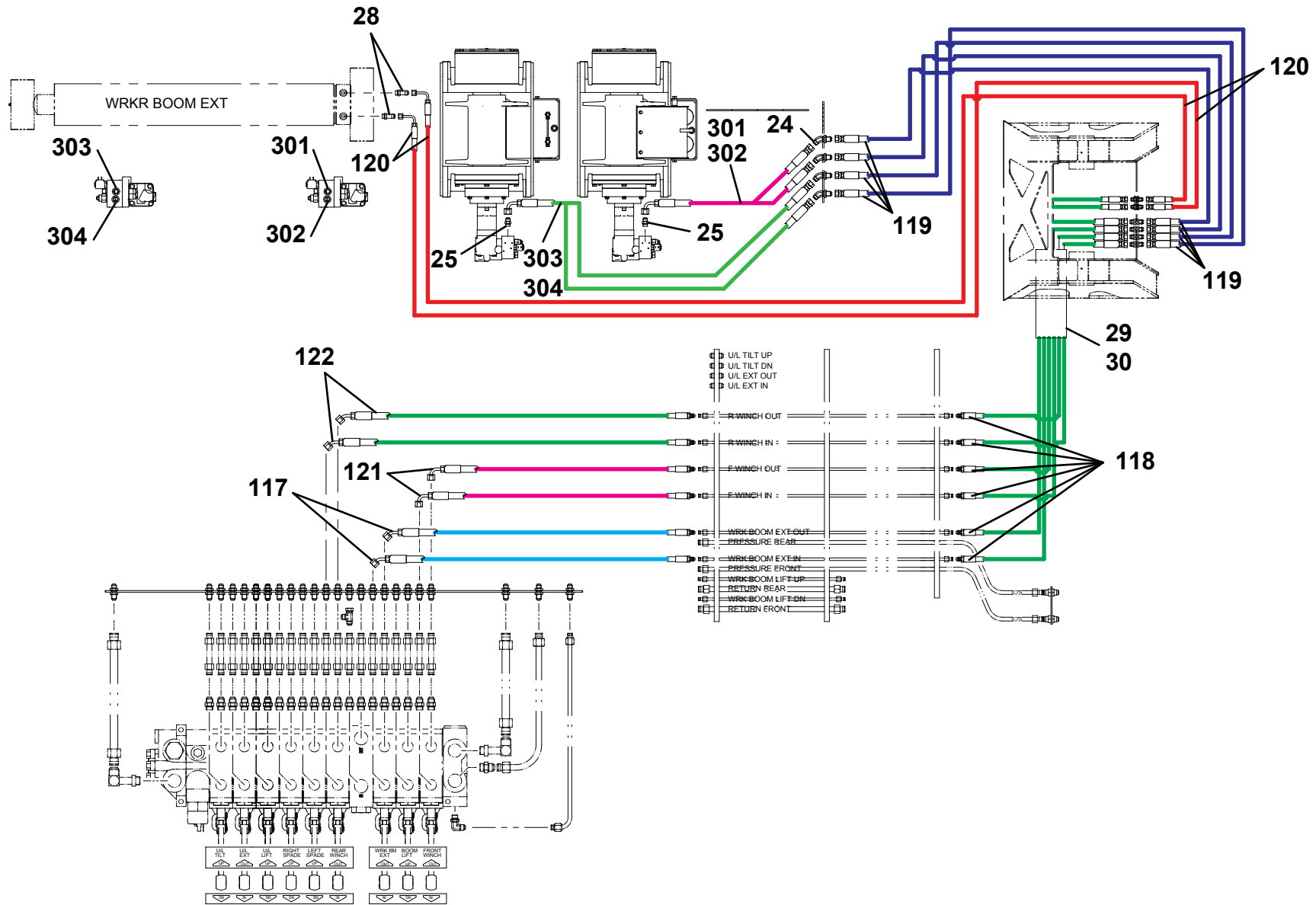
HYDRAULIC LINES AND FITTINGS - 2 PC WRECKER BOOM W/ U/L WINCH



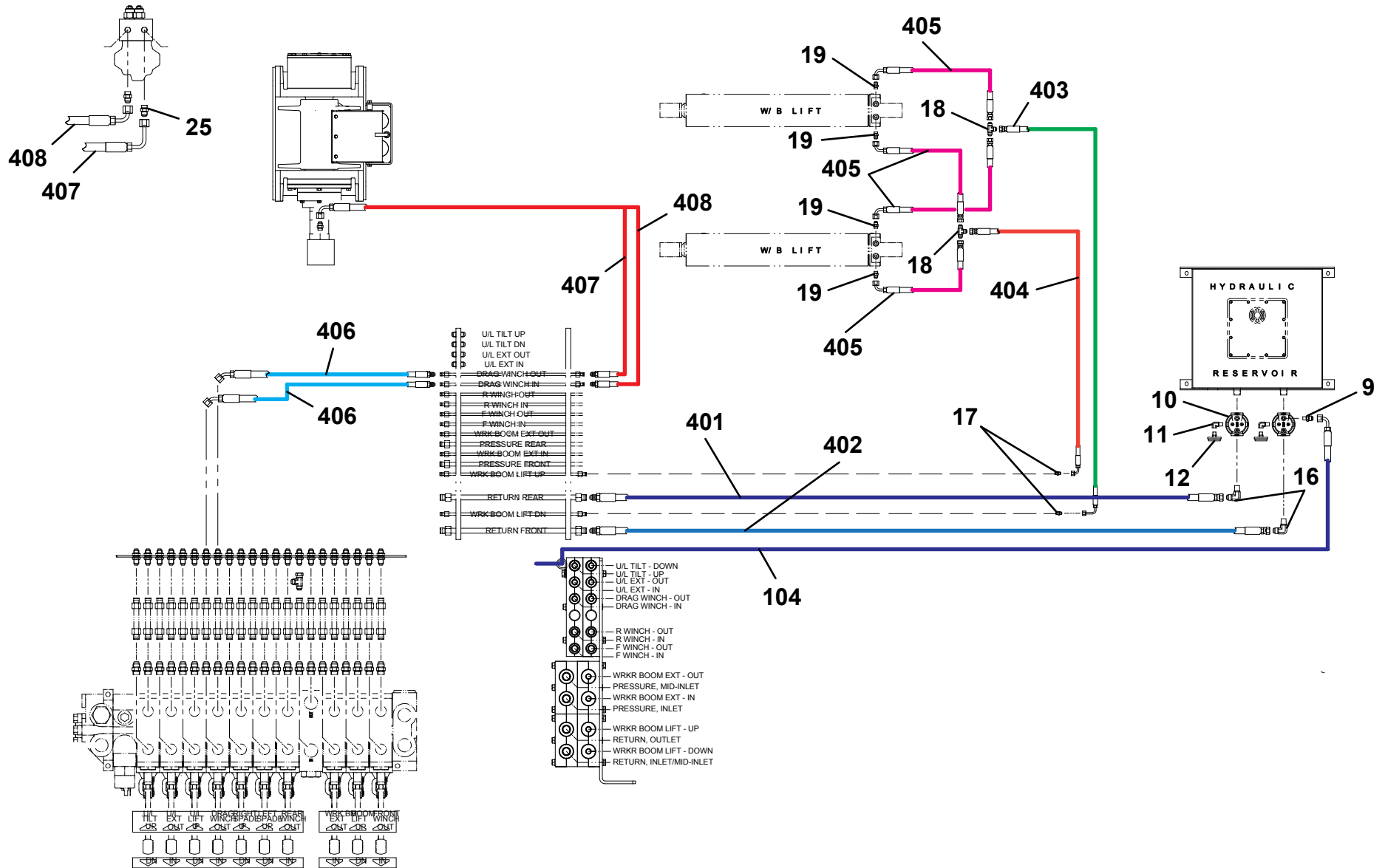
HYDRAULIC LINES AND FITTINGS - 2 PC WRECKER BOOM W/ U/L WINCH



HYDRAULIC LINES AND FITTINGS - 2 PC WRECKER BOOM W/ U/L WINCH



HYDRAULIC LINES AND FITTINGS - 2 PC WRECKER BOOM W/ U/L WINCH



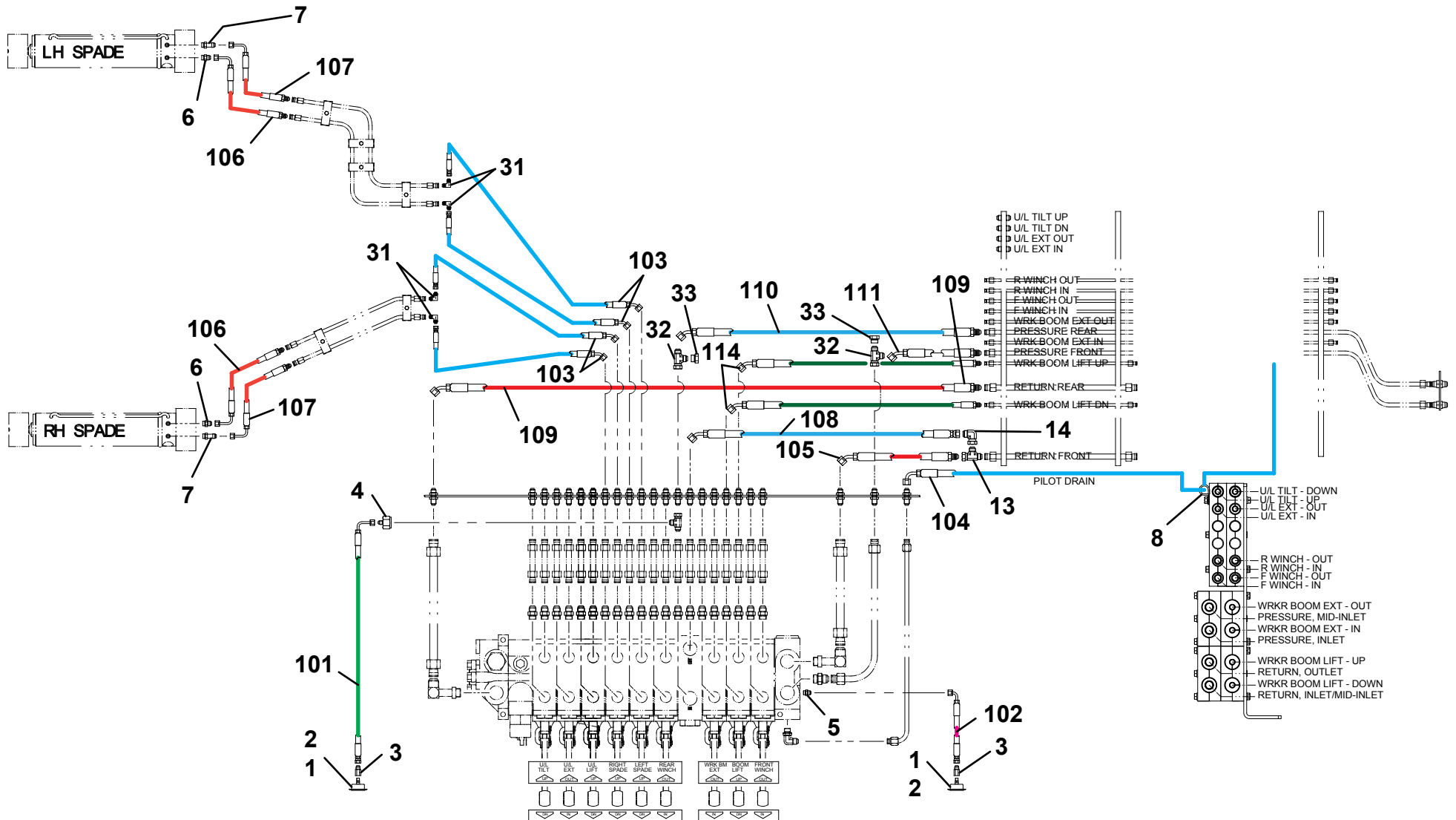
HYDRAULIC LINES AND FITTINGS - 2 PC WRECKER BOOM W/ U/L WINCH

THIS PAGE INTENTIONALLY LEFT BLANK

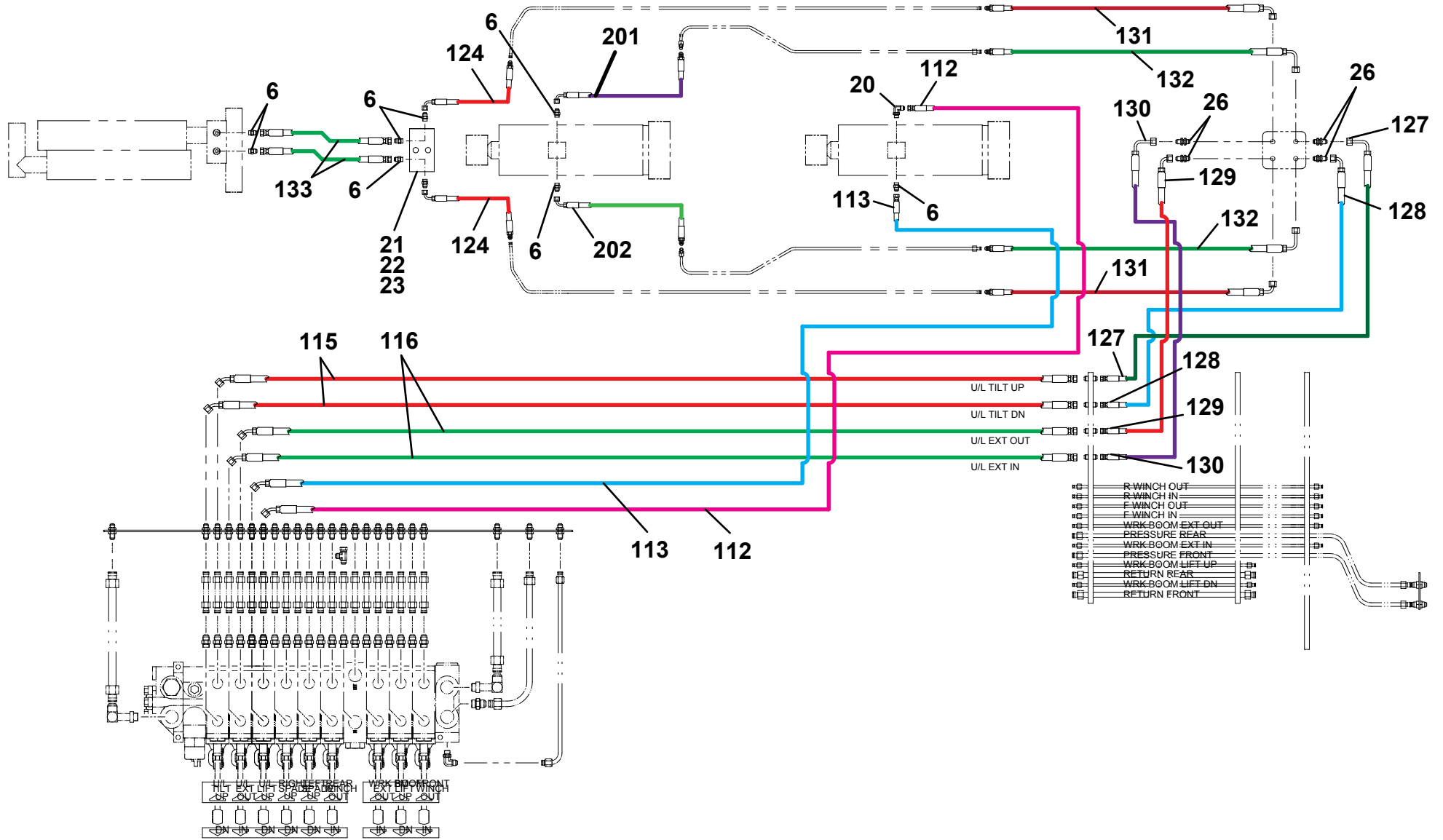
HYDRAULIC LINES AND FITTINGS - 3 PC WRECKER BOOM W/ U/L WINCH

ITEM	PART NO.	DESCRIPTION	QTY	ITEM	PART NO.	DESCRIPTION	QTY
				105	1001214087	Hose Assembly	1
				106	4570000163	Hose Assembly	2
1	7470000004	Gauge	2	107	4570000162	Hose Assembly	2
2	7790060676	Screw, #6 X 0.38"	6	108	1001214089	Hose Assembly	1
3	7445040421	Fitting	2	109	1001214090	Hose Assembly	1
4	1001094694	Reducer	1	110	1001206043	Hose Assembly	1
5	2220415	Adapter	1	111	1001206039	Hose Assembly	1
6	7445060643	Adapter	8	112	4567182029	Hose Assembly	1
7	7443000109	Adapter	2	113	4567182024	Hose Assembly	1
8	7274000063	Clamp	2	114	1001206042	Hose Assembly	2
9	7445060219	Adapter	1	115	1001214086	Hose Assembly	2
10	7430000004	Filter Assembly	2	116	1001206052	Hose Assembly	2
11	7443000158	Elbow	2	117	1001206053	Hose Assembly	2
12	7470000002	Gauge	2	118	4567133032	Hose Assembly	1
13	2220642	Fitting	1	119	4567132031	Hose Assembly	1
14	2220878	Fitting	1	120	4567132043	Hose Assembly	4
15	7445161622	Fitting	2	121	1001206054	Hose Assembly	2
16	7445161620	Fitting	2	122	1001213133	Hose Assembly	2
17	7445080822	Fitting	2	123	4569130046	Hose Assembly	6
18	7445080837	Fitting	2	124	4569160046	Hose Assembly	4
19	7445080843	Fitting	4	125	4567150048	Hose Assembly	4
20	7445060645	Fitting	2	126	4569130044	Hose Assembly	2
21	4619000006	Manifold	1	127	4570000362	Hose Assembly	2
22	7115161650	Capscrew, 0.38"-16NC X 2.00"	2	128	4570000167	Hose Assembly	2
23	7950160000	Lockwasher, 0.38" ID	2	129	4567120017	Hose Assembly	2
24	7445101032	Fitting	4	130	4570000368	Hose Assembly	2
25	7445100843	Fitting	4	131	4567132048	Hose Assembly	2
26	1001206909	Hose Kit	1	201	4570000360	Hose Assembly	2
27	7445080479	Fitting	2	201	4570000252	Hose Assembly	2
28	4819000008	Sleeve	2	301	4567152025	Hose Assembly	1
29	7894000004	Tie Strap	20	302	4567152024	Hose Assembly	1
30	7950150161	Washer, 0.31" ID	8	303	4567152056	Hose Assembly	1
31	7660152601	Locknut, 0.31"-18NC	4	304	4567152054	Hose Assembly	1
32	7274000040	Clamp	8	401	4569180038	Hose Assembly	1
33	7445080830	Fitting	4	402	4569180044	Hose Assembly	1
34	2220700	Fitting	2	403	4567133032	Hose Assembly	1
35	2220518	Fitting	2	404	4567132031	Hose Assembly	1
101	4567113028	Hose Assembly	1	405	4567132034	Hose Assembly	4
102	4567112024	Hose Assembly	1	406	1001213132	Hose Assembly	2
103	1001192504	Hose Assembly	4	407	4569163036	Hose Assembly	1
104	1001206033	Hose Assembly	1	408	4569162034	Hose Assembly	1

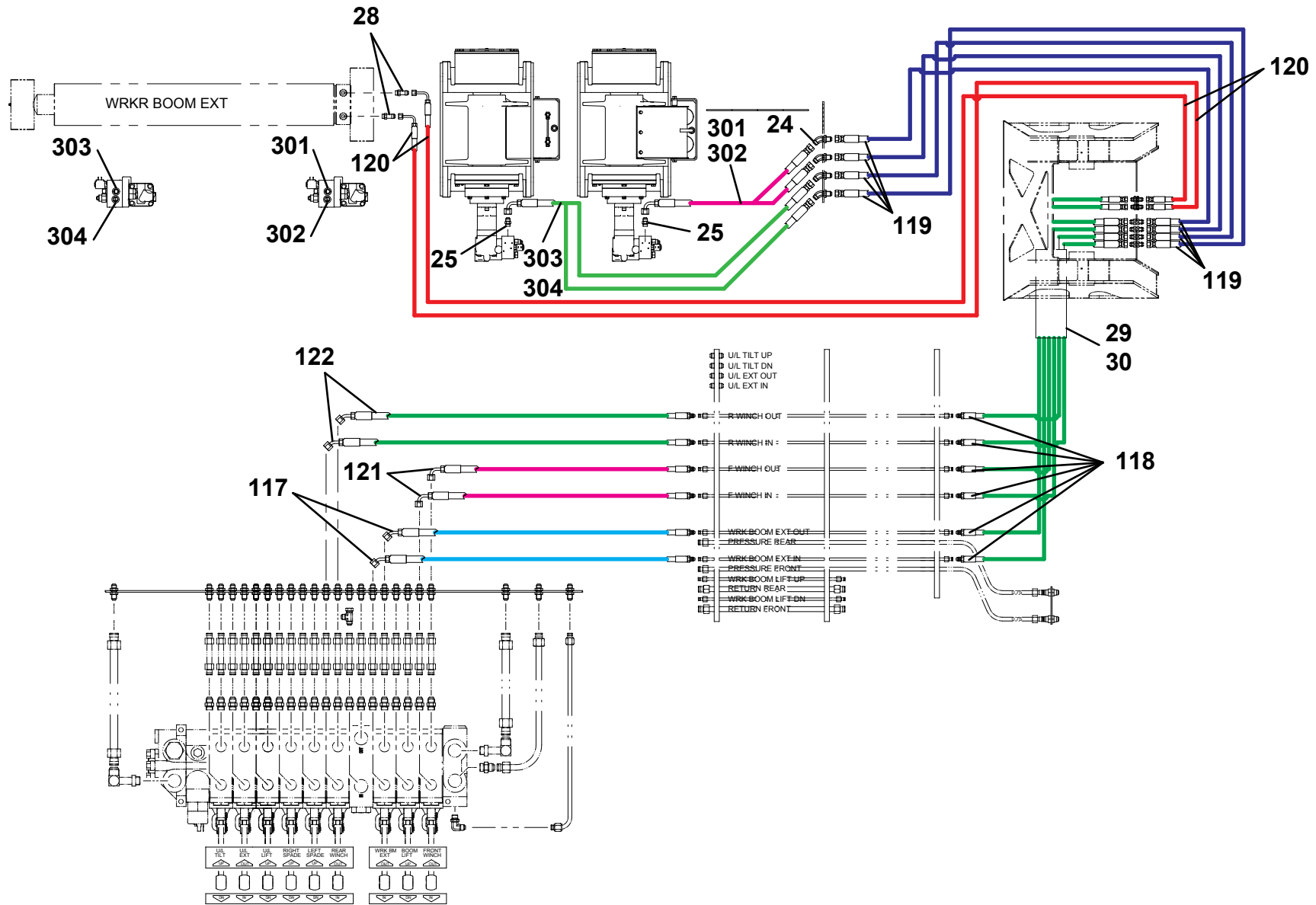
HYDRAULIC LINES AND FITTINGS - 3 PC WRECKER BOOM W/ U/L WINCH



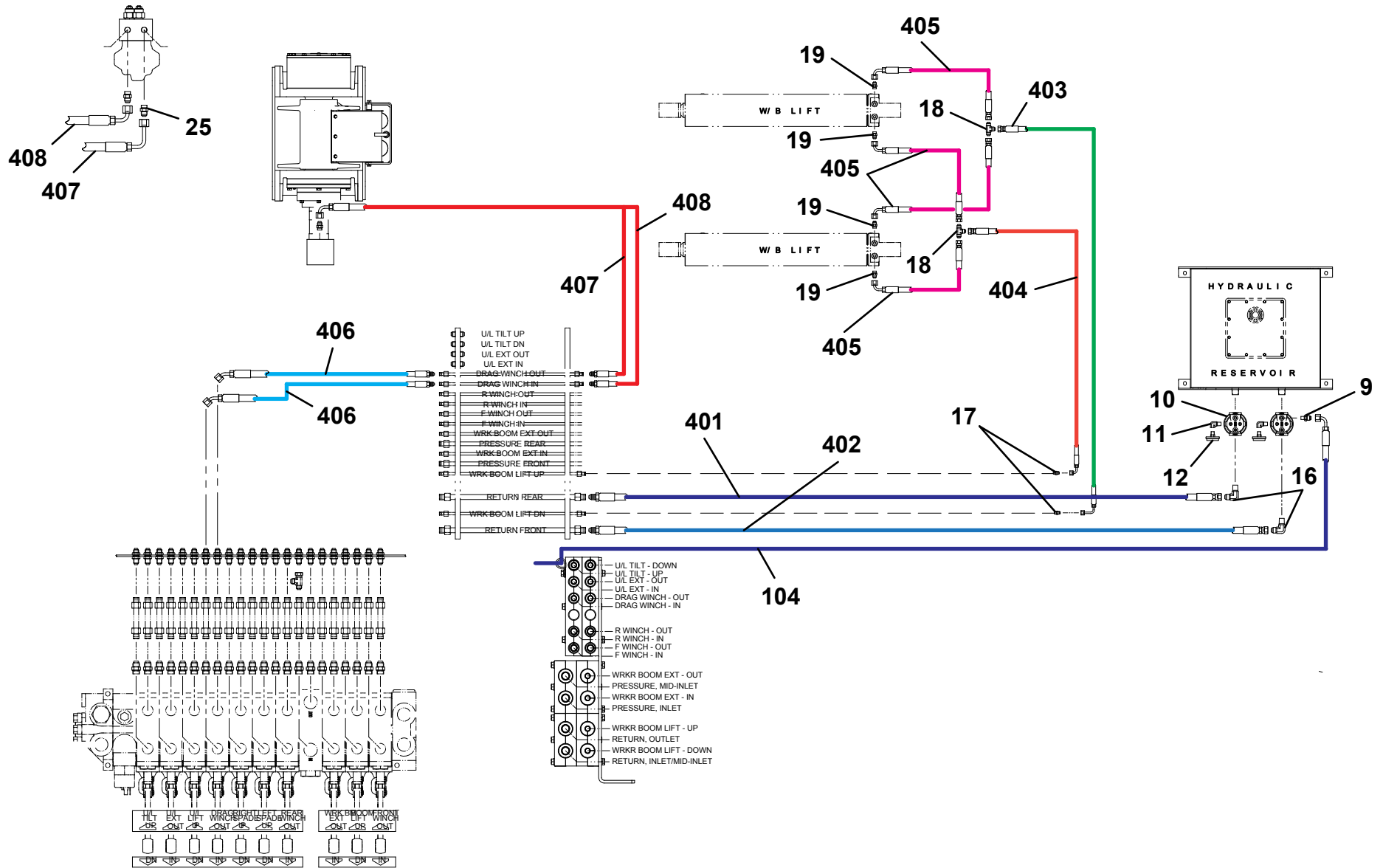
HYDRAULIC LINES AND FITTINGS - 3 PC WRECKER BOOM W/ U/L WINCH



HYDRAULIC LINES AND FITTINGS - 3 PC WRECKER BOOM W/ U/L WINCH



HYDRAULIC LINES AND FITTINGS - 3 PC WRECKER BOOM W/ U/L WINCH



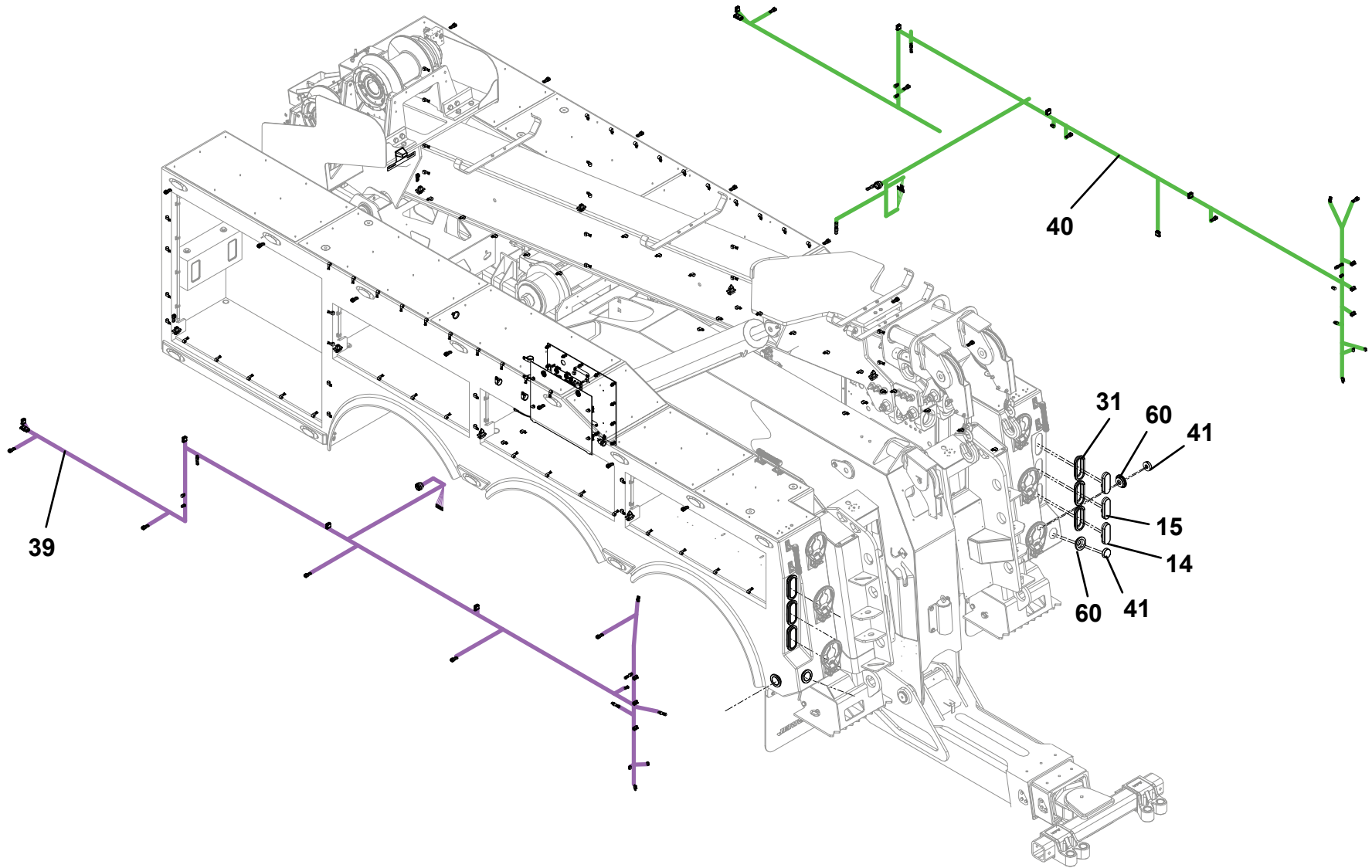
HYDRAULIC LINES AND FITTINGS - 3 PC WRECKER BOOM W/ U/L WINCH

THIS PAGE INTENTIONALLY LEFT BLANK

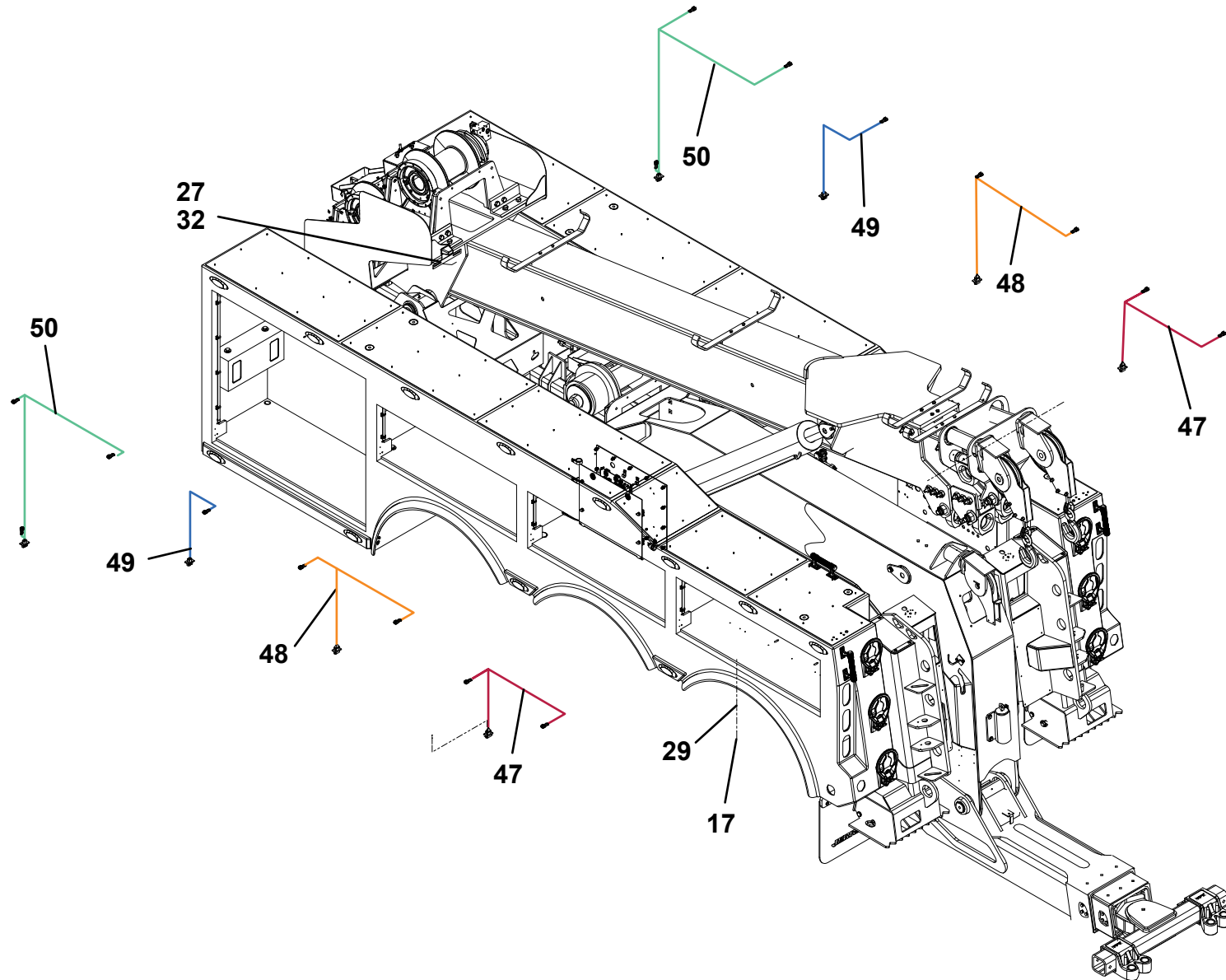
ELECTRICAL INSTALLATION - TRI-AXLE

ITEM	PART NO.	DESCRIPTION	QTY	ITEM	PART NO.	DESCRIPTION	QTY
1	0750604	Screw	8	41	7590000343	Light	4
2	3760308	Retainer	4	42	1001209031	Harness, Tow light	1
3	4460466	Terminal	1	43	1001209040	Cable	1
4	4460509	Terminal	6	44	1001209041	Cable	1
5	4740513	Washer, 0.25" ID	8	45	1001209042	Cable	1
6	1001122235	Bracket	4	46	1001209044	Cable	1
7	1001166930	Latch	4	47	1001209051	Harness	2
8	1001166974	Washer, 0.38" ID	14	48	1001207212	Harness	2
9	1001167607	Plug	2	49	1001207213	Harness	2
10	1001168320	Terminal	1	50	1001209054	Harness	2
11	1001168321	Terminal	1	51	1001209365	Seal	1
12	1001168322	Terminal	2	52	1001209366	Seal	4
13	1001168993	Capscrew, 0.38"-16NC x 1.50"	14	53	7274000042	Clamp	5
14	1001174680	Lamp, Backup	2	54	1001204788	Terminal Nut	1
15	1001174681	Lamp, Tail light	4	55	1001205043	Terminal Nut	4
16	1001191602	Panel	1	56	7114100818	Screw, #10 - 24NC x 1.00"	2
17	1001195257	Screw, 0.25" x 0.50"	85	57	1001205044	Terminal Nut	4
18	1001196552	Screw, #8 x 0.75"	32	58	1001204789	Terminal Nut	1
19	1001201384	Socket	1	60	1001220431	Grommet	4
20	1001201926	Washer, #10 ID	4				
21	1001206505	Plate	1				
22	1001207734	Screw	4				
23	1001207736	Washer, #10ID	8				
24	1001208066	Connector	1				
25	1001208303	Nut, #10-24	4				
26	7114100618	Screw, #10 - 24 x 0.75"	2				
27	7178000025	License Plate Bracket	1				
28	7274000040	Clamp	2				
29	7280000006	Clip	83				
30	5526000553	Tie Strap	30				
31	7493000026	Grommet	6				
32	7590000105	Light	1				
34	7660102601	Nut, #10-24NC	4				
35	7660162601	Locknut, 0.38" - 16NC	14				
36	7950160143	Flatwasher, 0.38" ID	28				
37	1001168328	Cable	1				
38	1001203234	Electrical Assembly	1				
39	1001209010	Harness, LH	1				
40	1001215445	Harness, RH	1				

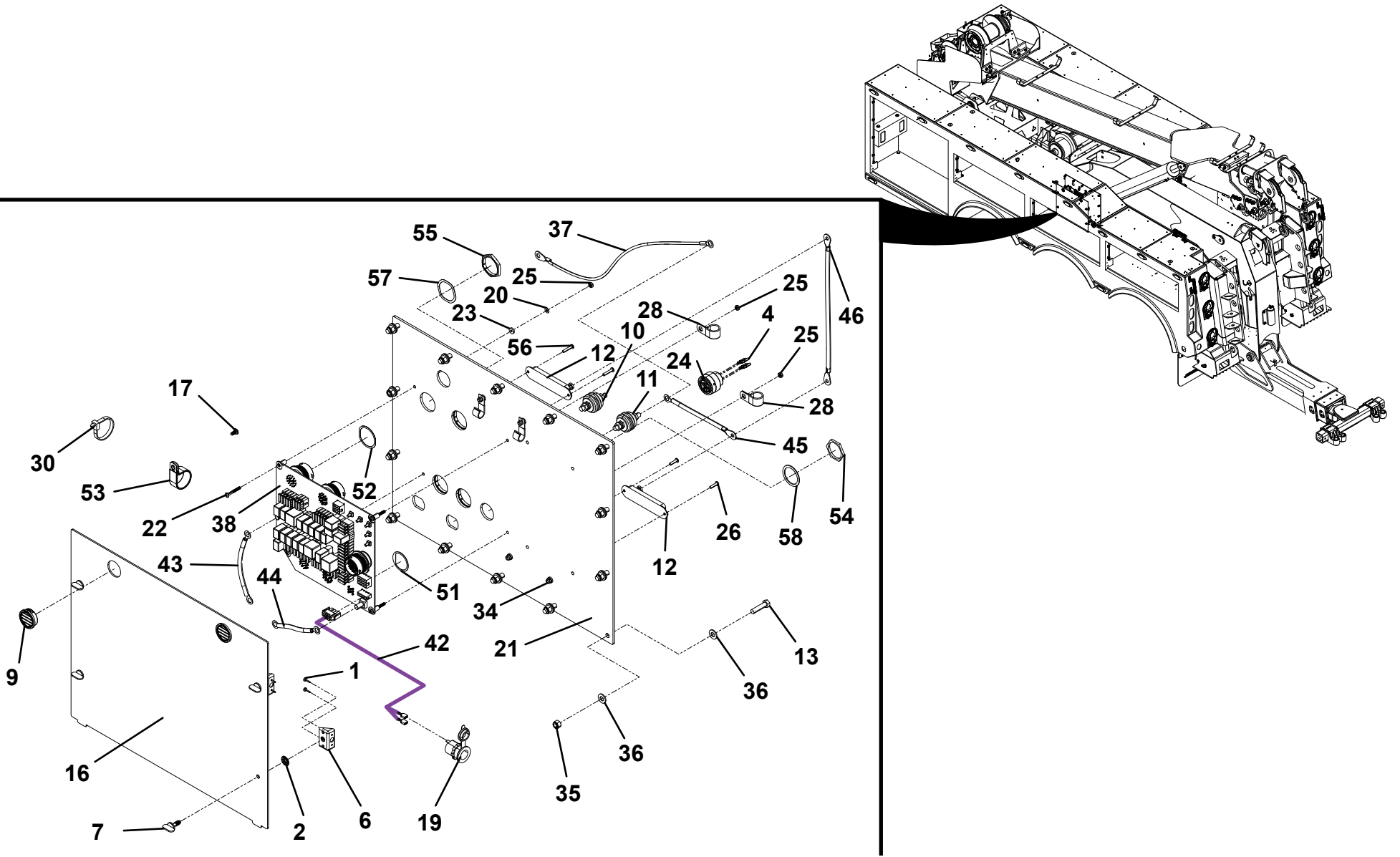
ELECTRICAL INSTALLATION - TRI-AXLE



ELECTRICAL INSTALLATION - TRI-AXLE



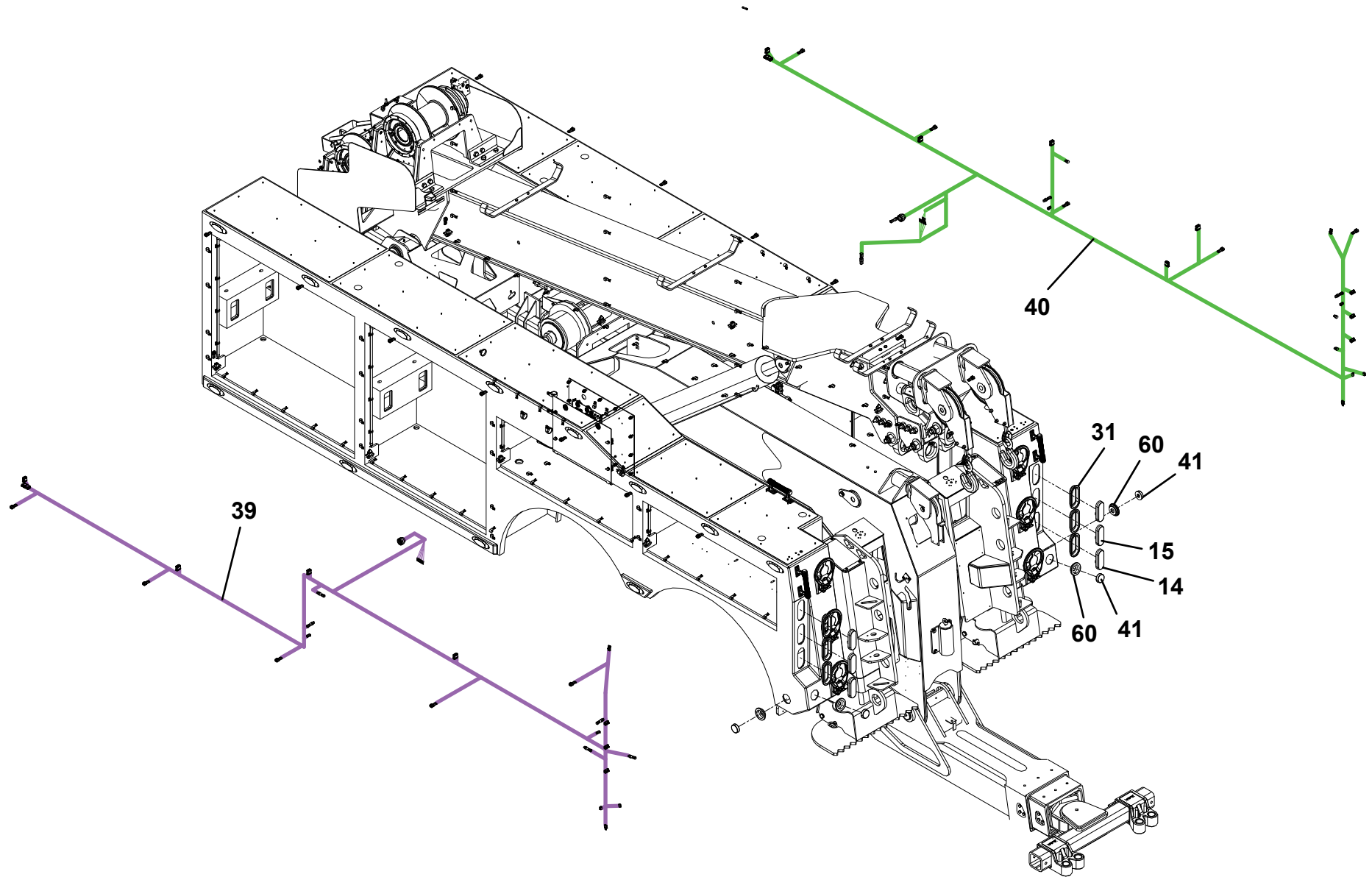
ELECTRICAL INSTALLATION - TRI-AXLE

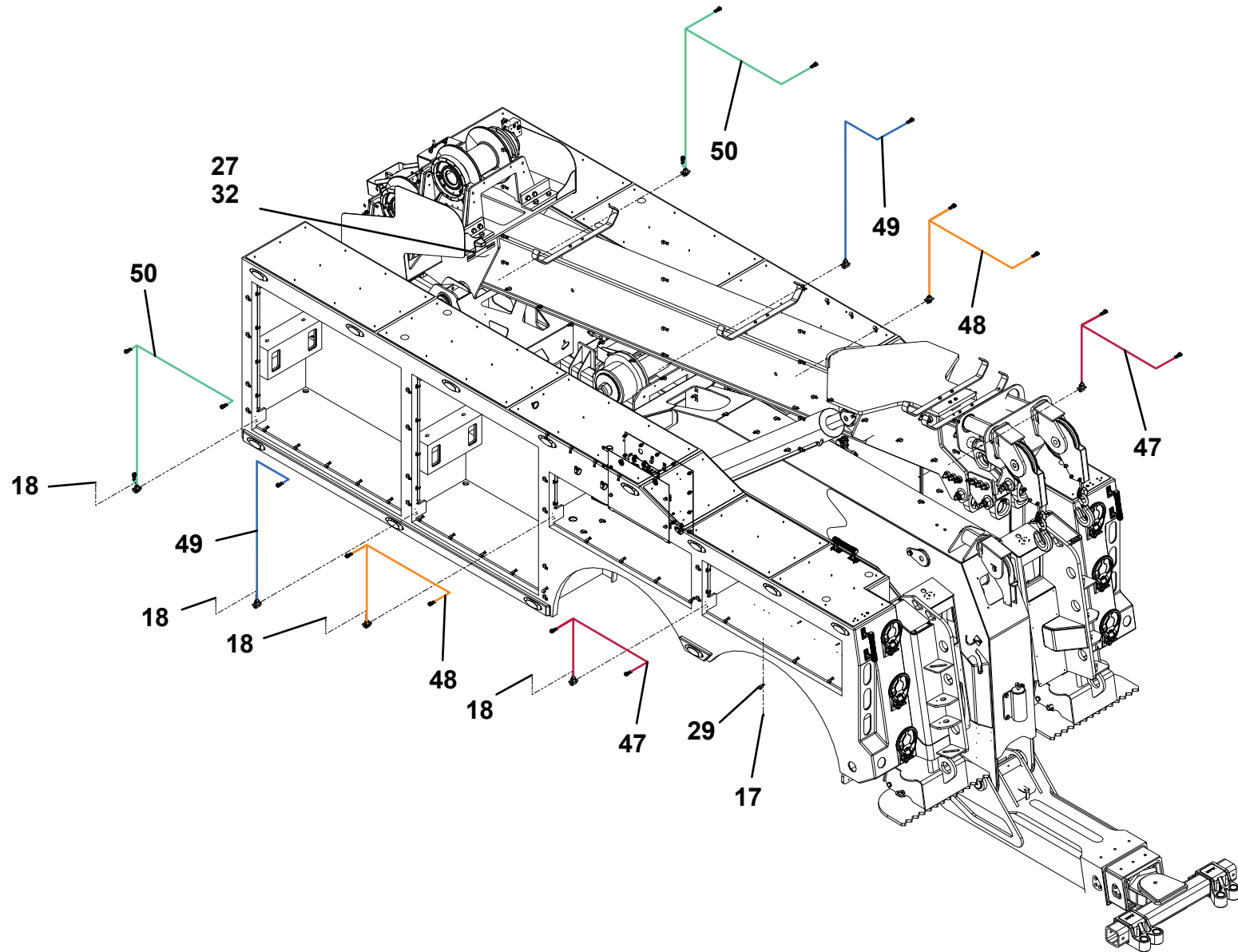


ELECTRICAL INSTALLATION - TANDEM AXLE

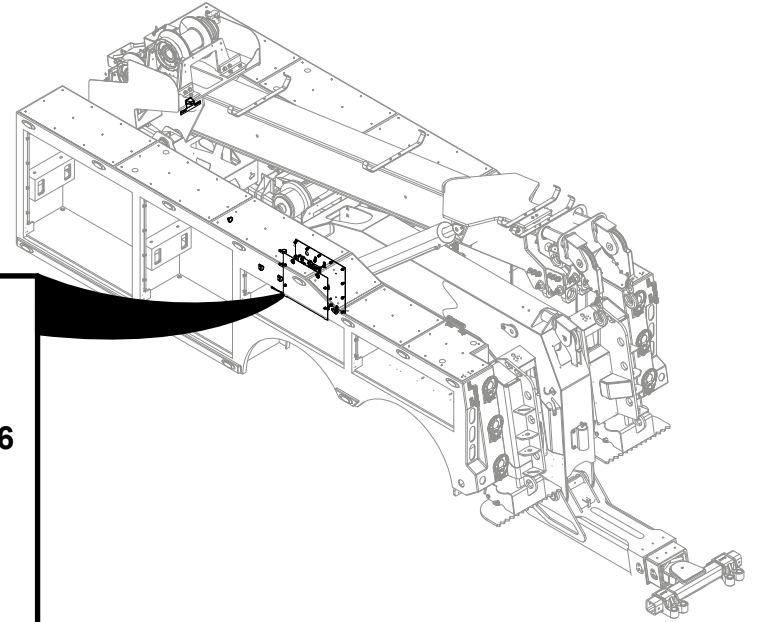
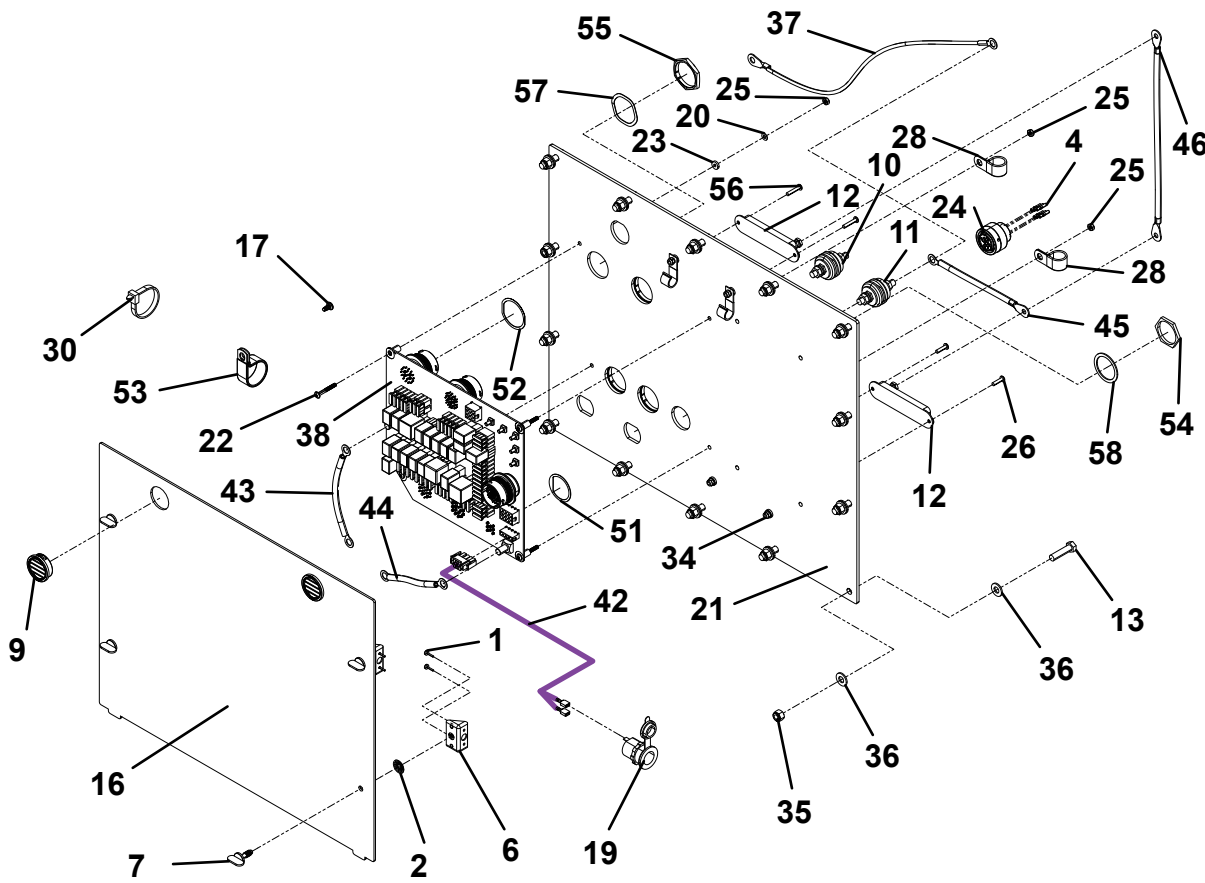
ITEM	PART NO.	DESCRIPTION	QTY	ITEM	PART NO.	DESCRIPTION	QTY
1	0750604	Screw	8	41	7590000343	Light	4
2	3760308	Retainer	4	42	1001209031	Harness, Tow light	1
3	4460466	Terminal	1	43	1001209040	Cable	1
4	4460509	Terminal	6	44	1001209041	Cable	1
5	4740513	Washer, 0.25" ID	8	45	1001209042	Cable	1
6	1001122235	Bracket	4	46	1001209044	Cable	1
7	1001166930	Latch	4	47	1001209051	Harness	2
8	1001166974	Washer, 0.38" ID	14	48	1001209052	Harness	2
9	1001167607	Plug	2	49	1001209053	Harness	2
10	1001168320	Terminal	1	50	1001209054	Harness	2
11	1001168321	Terminal	1	51	1001209365	Seal	1
12	1001168322	Terminal	2	52	1001209366	Seal	4
13	1001168993	Capscrew, 0.38"-16NC x 1.50"	14	53	7274000042	Clamp	5
14	1001174680	Lamp, Backup	2	54	1001204788	Terminal Nut	1
15	1001174681	Lamp, Tail light	4	55	1001205043	Terminal Nut	4
16	1001191602	Panel	1	56	7114100818	Screw, #10 -24NC x 1.00"	2
17	1001195257	Screw, 0.25" x 0.50"	85	57	1001205044	Terminal Washer	4
18	1001196552	Screw, #8 x 0.75"	32	58	1001204789	Terminal Washer	1
19	1001201384	Socket	1	60	1001220431	Grommet	4
20	1001201926	Washer, #10 ID	4				
21	1001206505	Plate	1				
22	1001207734	Screw	4				
23	1001207736	Washer, #10 ID	8				
24	1001208066	Connector	1				
25	1001208303	Nut, #10-24	4				
26	7114100618	Screw, #10 - 24 x 0.75"	2				
27	7178000025	License Plate Bracket	1				
28	7274000040	Clamp	2				
29	7280000006	Clip	83				
30	5526000553	Tie Strap	30				
31	7493000026	Grommet	6				
32	7590000105	Light	1				
34	7660102601	Nut, #10-24NC	4				
35	7660162601	Locknut, 0.38" - 16NC	14				
36	7950160143	Flatwasher, 0.38" ID	28				
37	1001168328	Cable	1				
38	1001203234	Electrical Assembly	1				
39	1001209000	Harness, LH	1				
40	1001215444	Harness, RH	1				

ELECTRICAL INSTALLATION - TANDEM AXLE



ELECTRICAL INSTALLATION - TANDEM AXLE

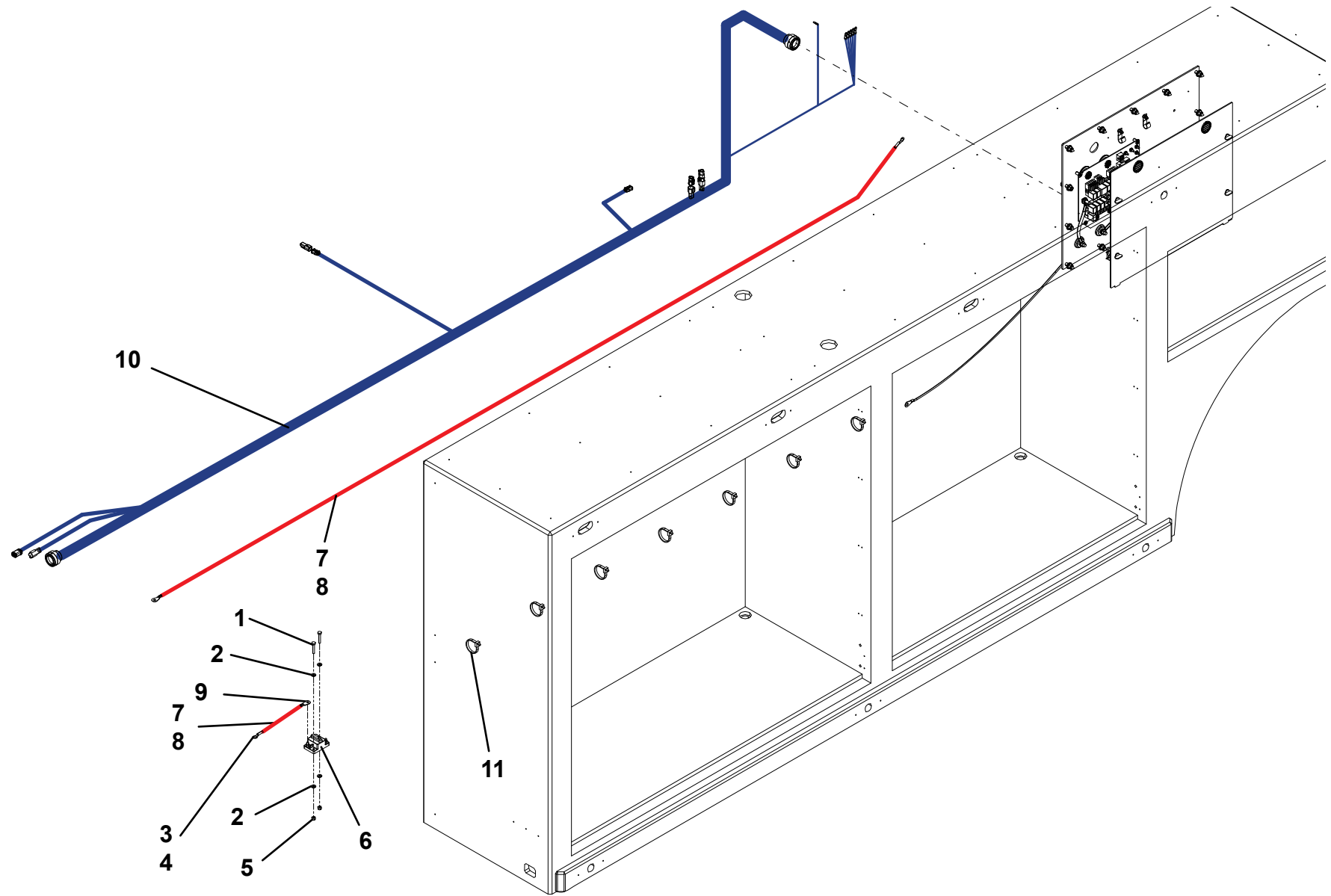
ELECTRICAL INSTALLATION - TANDEM AXLE



CENTER HARNESS INSTALLATION - 174" CT

ITEM	PART NO.	DESCRIPTION	QTY
1	0641412	Capscrew, 0.25" - 20NC x 1.50"	2
2	4711400	Washer, 0.25" ID	4
3	7345242202	Terminal	2
4	7346000045	Tubing	0.25in
5	7660142600	Locknut, 0.25" - 20NC	2
6	7870000043	Switch Breaker	1
7	7978000011	Cable	30FT
8	8597650001	Loom	30FT
9	1001125479	Terminal	2
10	1001215040	Harness	1
11	5526000553	Tie Strap	25

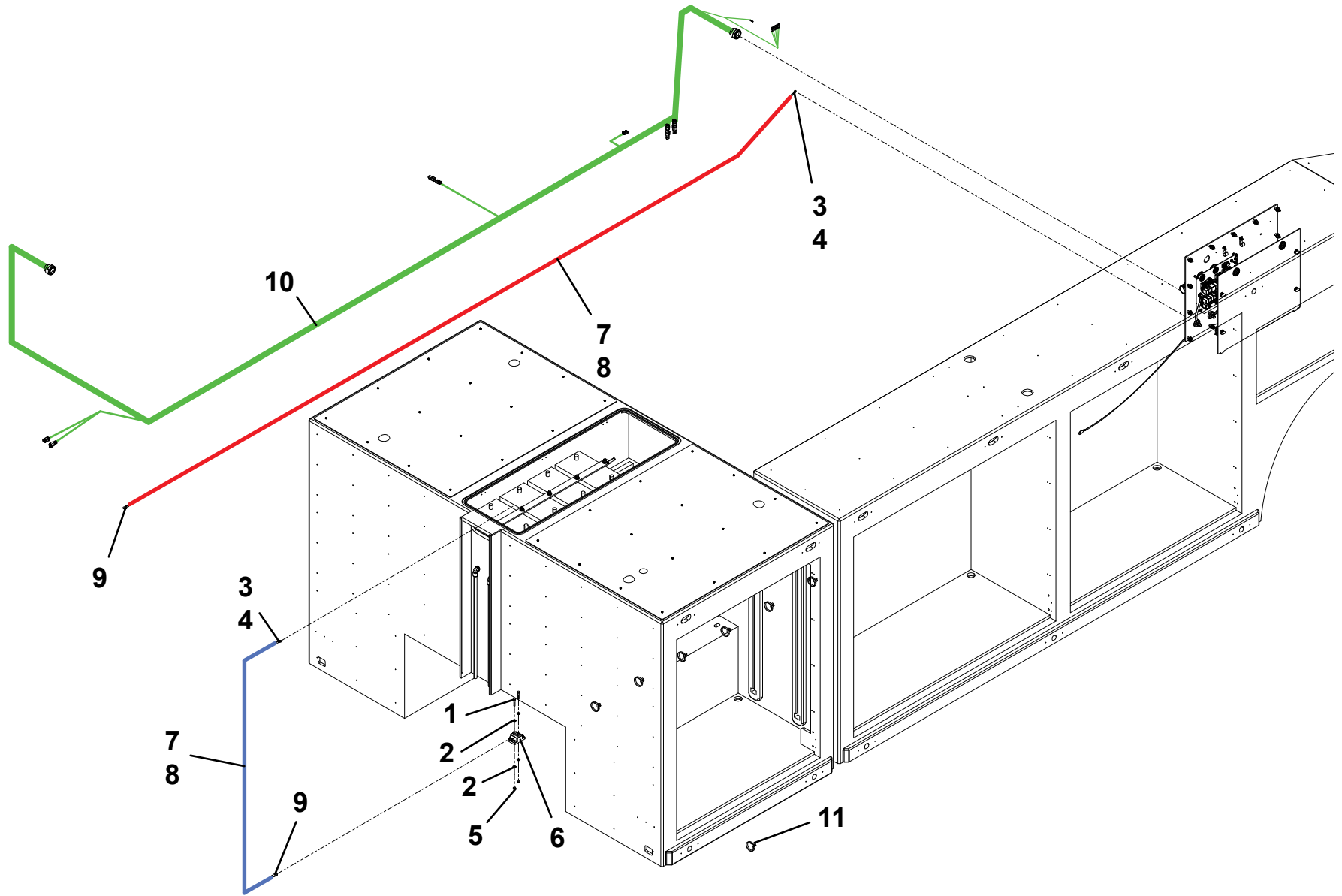
CENTER HARNESS INSTALLATION - 174" CT



CENTER HARNESS INSTALLATION - 225" CT

ITEM	PART NO.	DESCRIPTION	QTY
1	0641412	Capscrew, 0.25" - 20NC x 1.50"	2
2	4711400	Washer, 0.25" ID	4
3	7345242202	Terminal	2
4	7346000045	Tubing	0.25in
5	7660142600	Locknut, 0.25" - 20NC	2
6	7870000043	Switch Breaker	1
7	7978000011	Cable	30FT
8	8597650001	Loom	30FT
9	1001125479	Terminal	2
10	1001215041	Harness	1
11	5526000553	Tie Strap	25

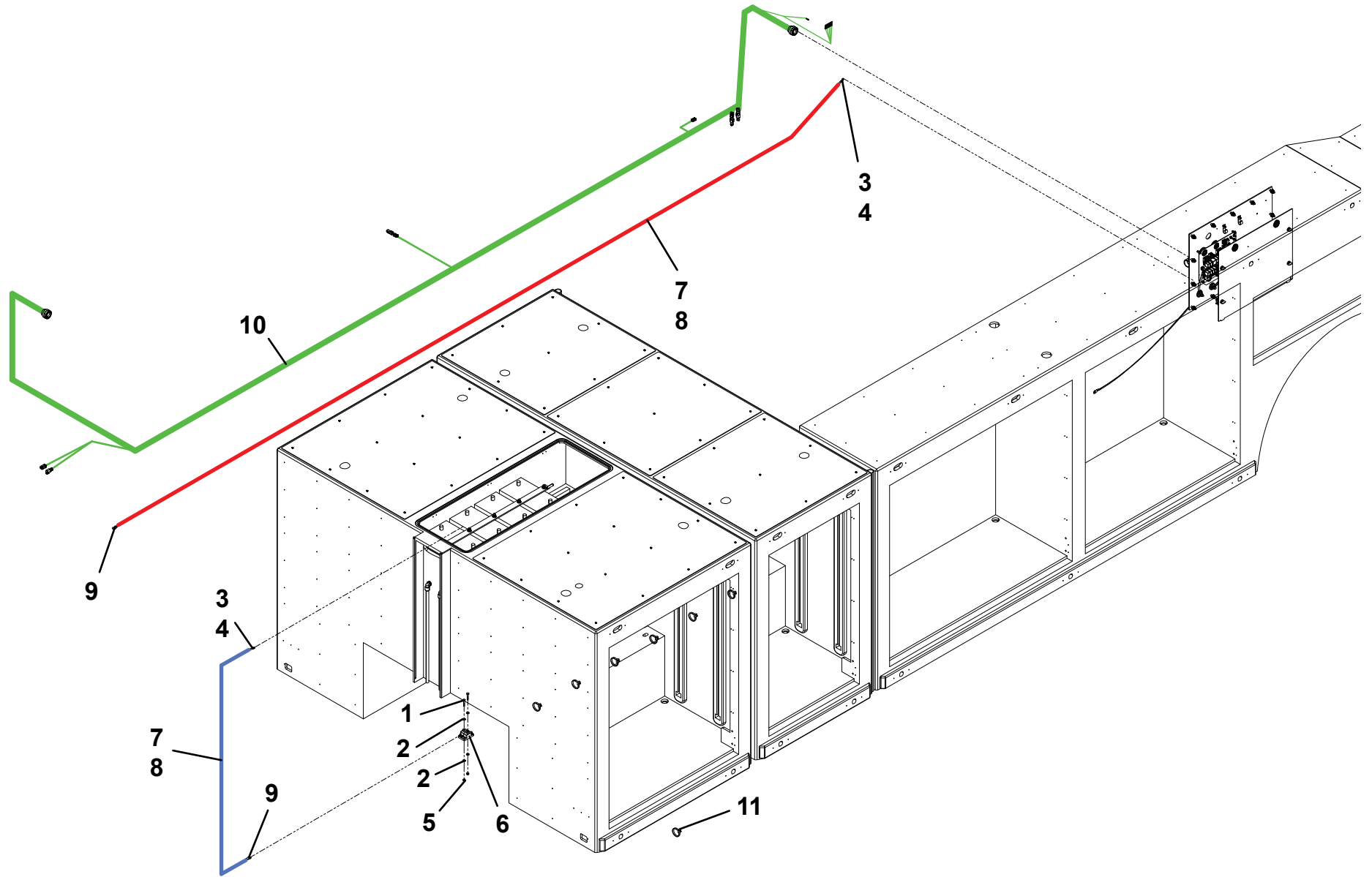
CENTER HARNESS INSTALLATION - 225" CT



CENTER HARNESS INSTALLATION - 265" CT

ITEM	PART NO.	DESCRIPTION	QTY
1	0641412	Capscrew, 0.25" - 20NC x 1.50"	2
2	4711400	Washer, 0.25" ID	4
3	7345242202	Terminal	2
4	7346000045	Tubing	0.25in
5	7660142600	Locknut, 0.25" - 20NC	2
6	7870000043	Switch Breaker	1
7	7978000011	Cable	30FT
8	8597650001	Loom	30FT
9	1001125479	Terminal	2
10	1001215048	Harness	1
11	5526000553	Tie Strap	25

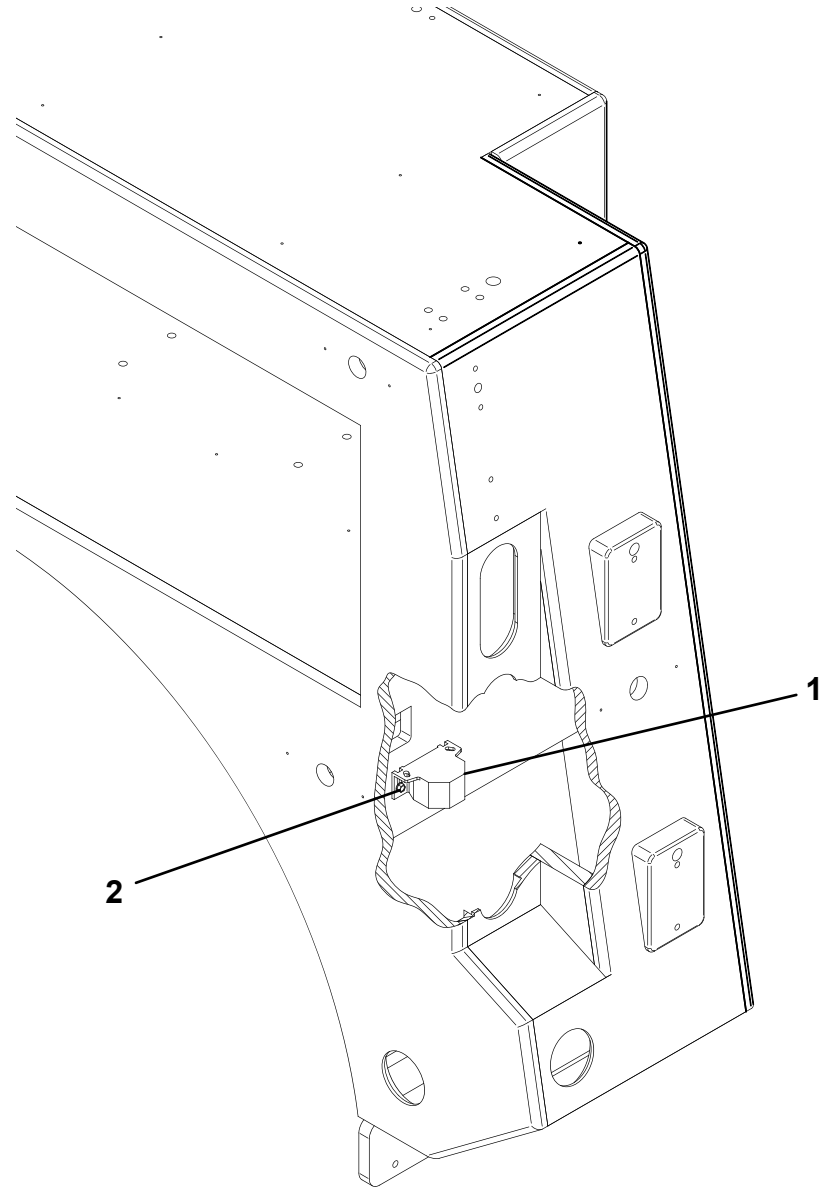
CENTER HARNESS INSTALLATION - 265" CT



BACKUP ALARM INSTALLATION

ITEM	PART NO.	DESCRIPTION	QTY
1	7011000006	Alarm, Backup	1
	1001175061	Alarm, Backup Variable	1
2	7790141251	Screw, 0.25" x 0.75"	2

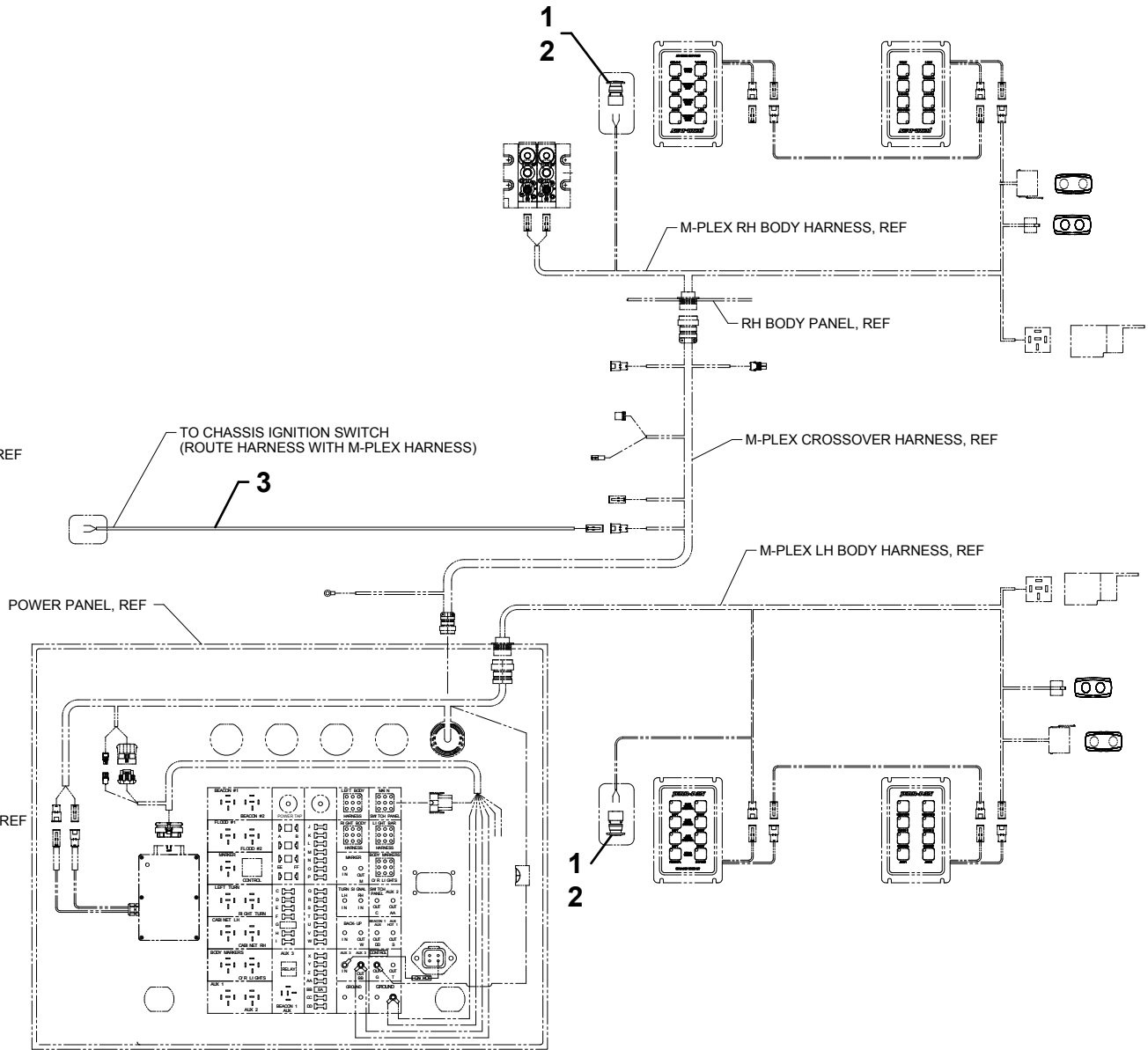
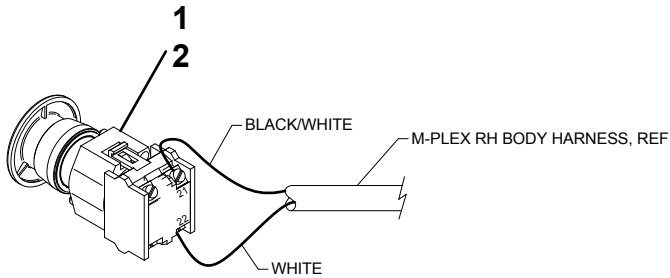
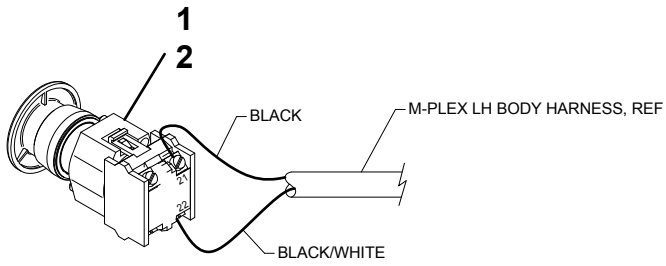
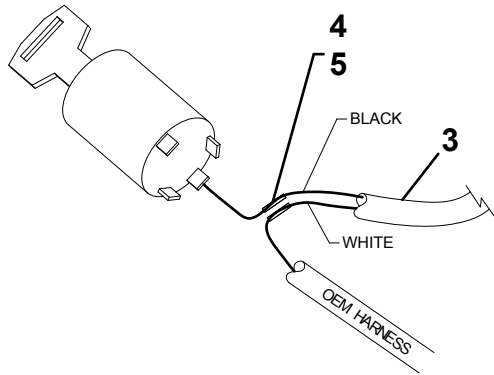
BACKUP ALARM INSTALLATION



E-STOP INSTALLATION

ITEM	PART NO.	DESCRIPTION	QTY
1	7870000128	Switch	2
2	7870000129	Switch	2
3	1001171394	Harness	1
4	7345001714	Terminal	2
5	7346000039	Tubing	1

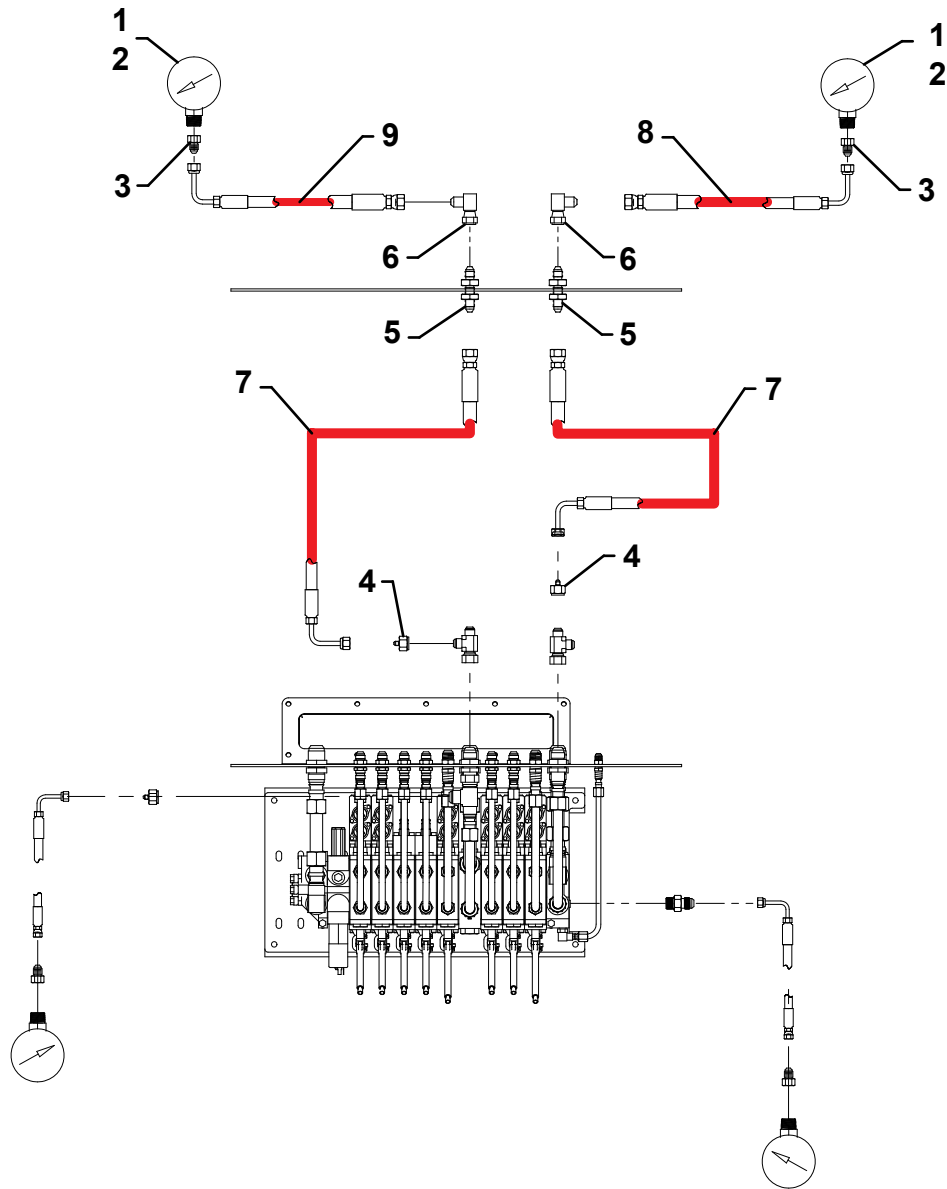
E-STOP INSTALLATION



DRIVER SIDE GAUGE INSTALLATION

ITEM	PART NO.	DESCRIPTION	QTY
1	7470000004	Gauge Mount	2
2	7790060676	Screw, #6 x 0.38"	6
3	7445040421	Fitting	2
4	1001094694	Reducer	2
5	2230021	Adapter	2
6	2220654	Adapter	2
7	1001193233	Hose Assembly	2
8	1001193241	Hose Assembly	1
9	1001193242	Hose Assembly	1

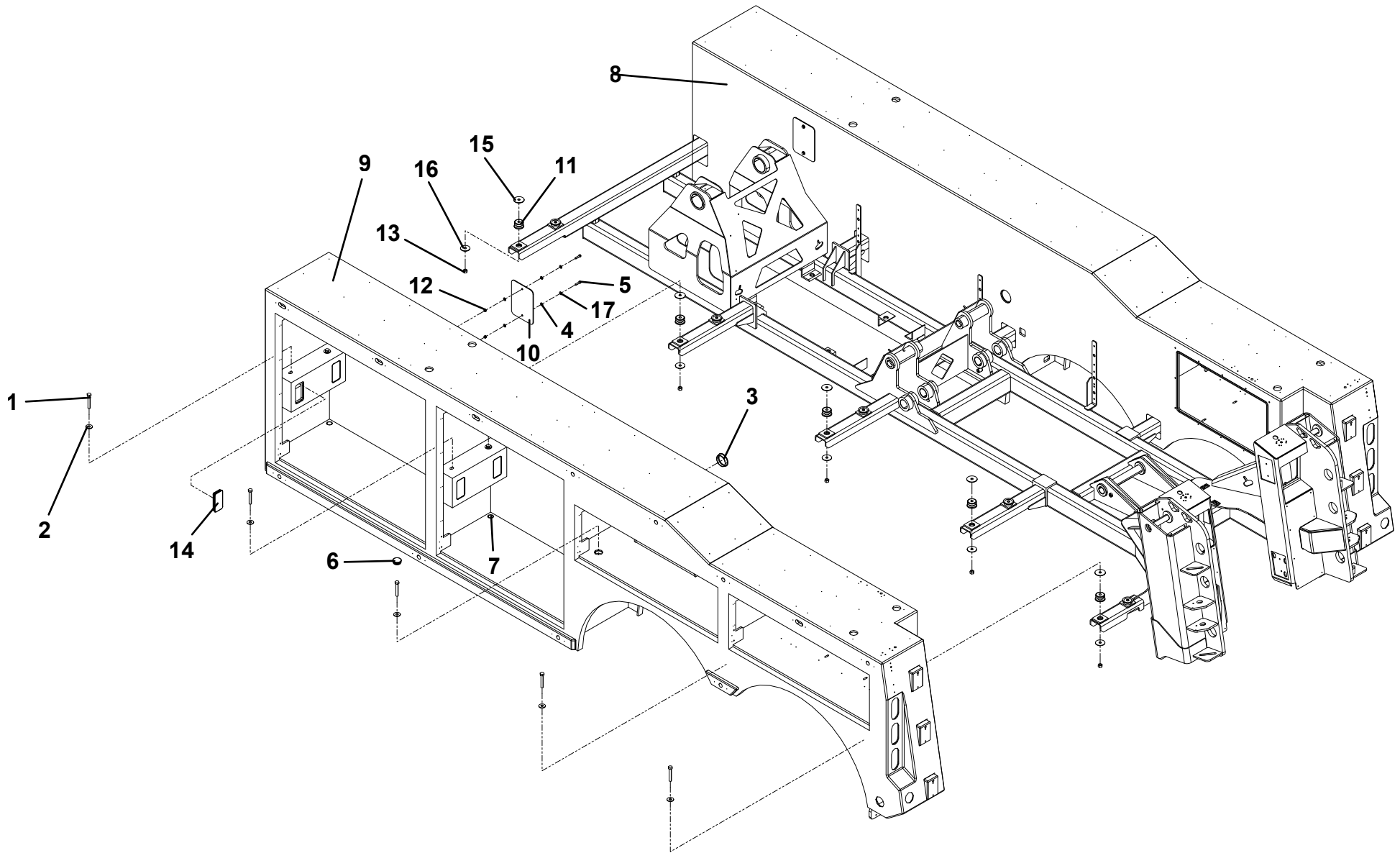
DRIVER SIDE GAUGE INSTALLATION



BODY INSTALLATION - TANDEM

ITEM	PART NO.	DESCRIPTION	QTY
1	0642032	Capscrew, 0.63" - 11NC x 4.00"	20
2	4752000	Washer, 0.63" ID	20
3	1001151789	Plug	2
4	1001166974	Washer, 0.38" ID	4
5	1001168993	Capscrew, 0.38" - 16NC x 1.50"	4
6	1001169078	Plug	6
7	1001173847	Plug	8
8	1001202051	Body, Tandem RH	1
9	1001202052	Body, Tandem LH	1
10	1001206679	Panel	2
11	7636000008	Mount	20
12	7660162601	Locknut, 0.38" - 16NC	4
13	7660200001	Nut, 0.63" - 11NC	20
14	7701000048	Plug	8
15	7949000019	Washer, Head	20
16	7949000020	Washer, Tail	20
17	7950160143	Flatwasher, 0.38" ID	8

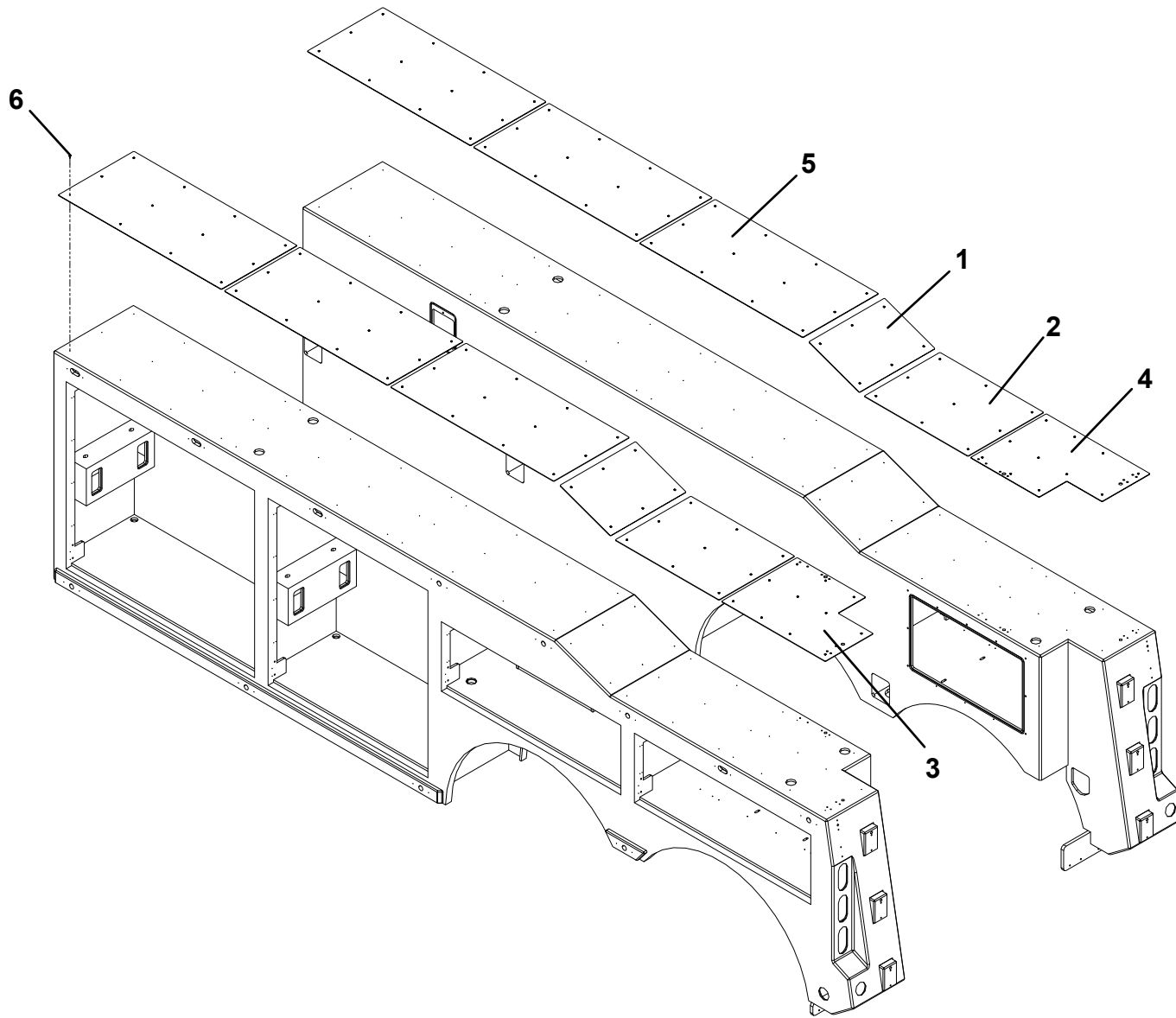
BODY INSTALLATION - TANDEM



DIAMOND PLATE INSTALLATION - TANDEM

ITEM	PART NO.	DESCRIPTION	QTY
1	1001186725	Plate	2
2	1001186727	Plate	2
3	1001186728	Plate	1
4	1001186835	Plate	1
5	1001205877	Plate	6
6	1001192958	Screw, #10 x 0.50"	124

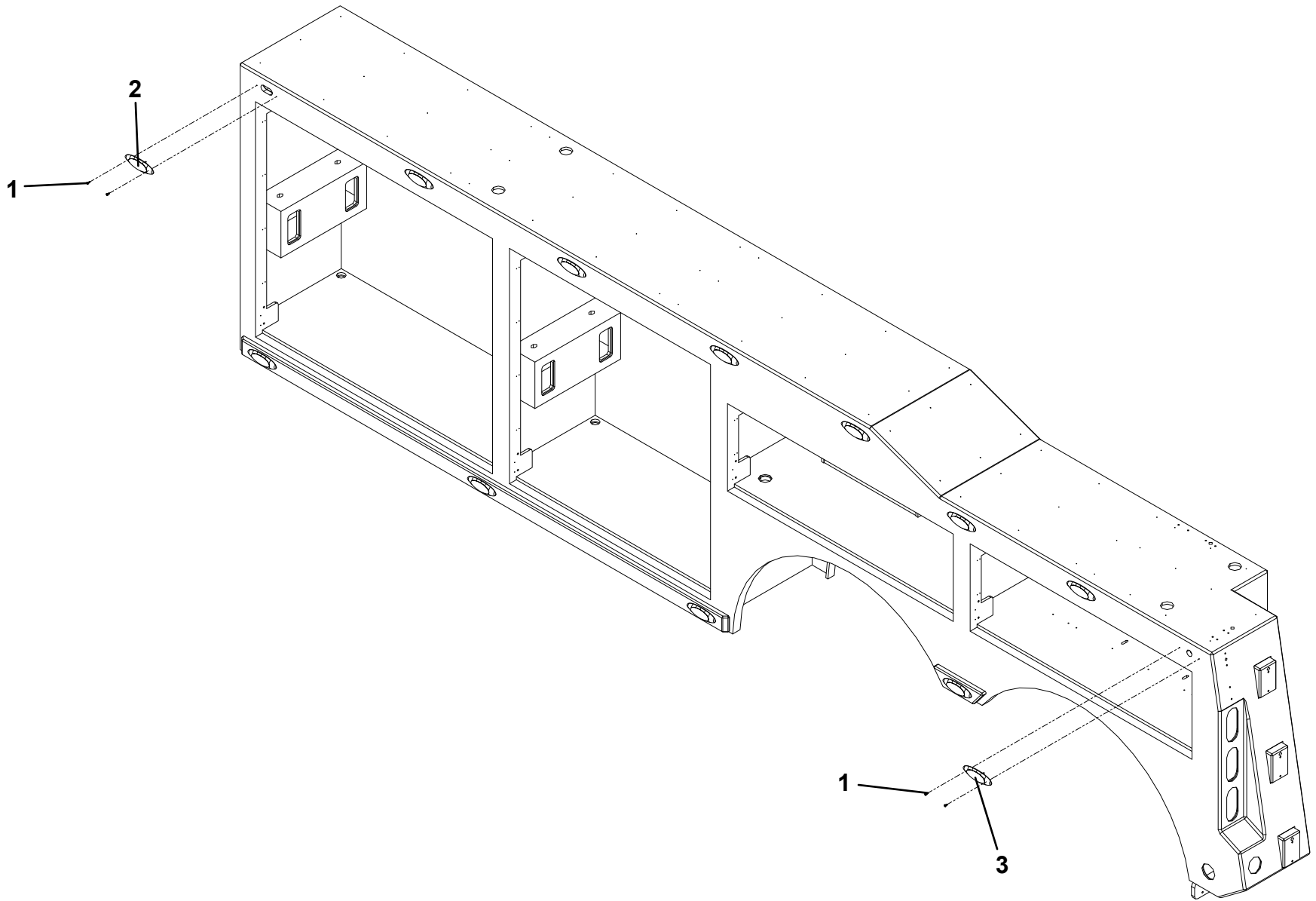
DIAMOND PLATE INSTALLATION - TANDEM



MARKER LIGHT INSTALLATION - TANDEM

ITEM	PART NO.	DESCRIPTION	QTY
1	1001192958	Screw, #10 x 0.50"	48
2	7590000262	Light, Amber	22
3	7590000282	Light, Red	2

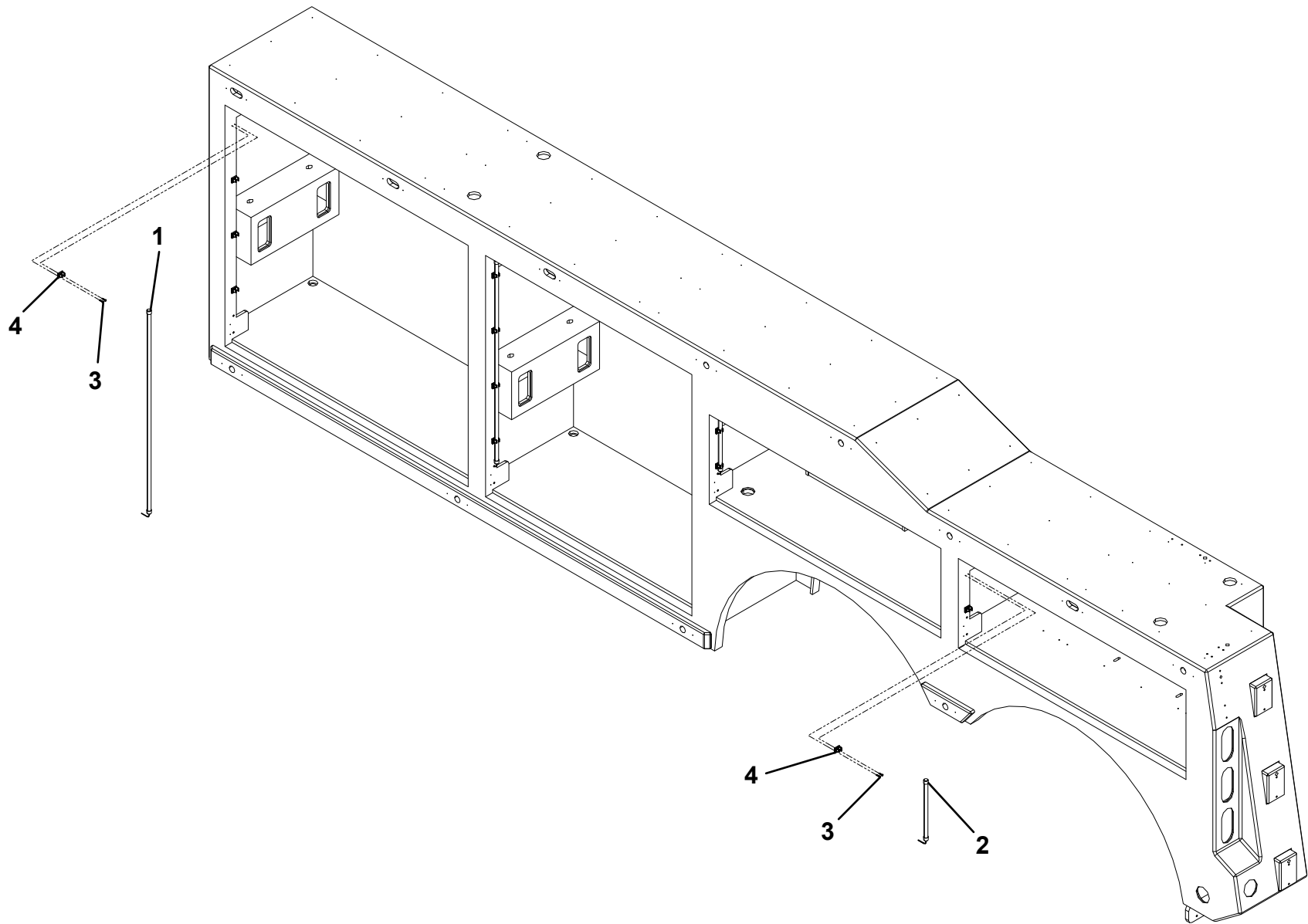
MARKER LIGHT INSTALLATION - TANDEM



COMPARTMENT LIGHT INSTALLATION - TANDEM

ITEM	PART NO.	DESCRIPTION	QTY
1	1001154527	Lamp, 40"	8
2	1001166549	Lamp, 12"	8
3	1001196552	Screw, #8 x 0.75"	96
4	1001199081	Mount	48

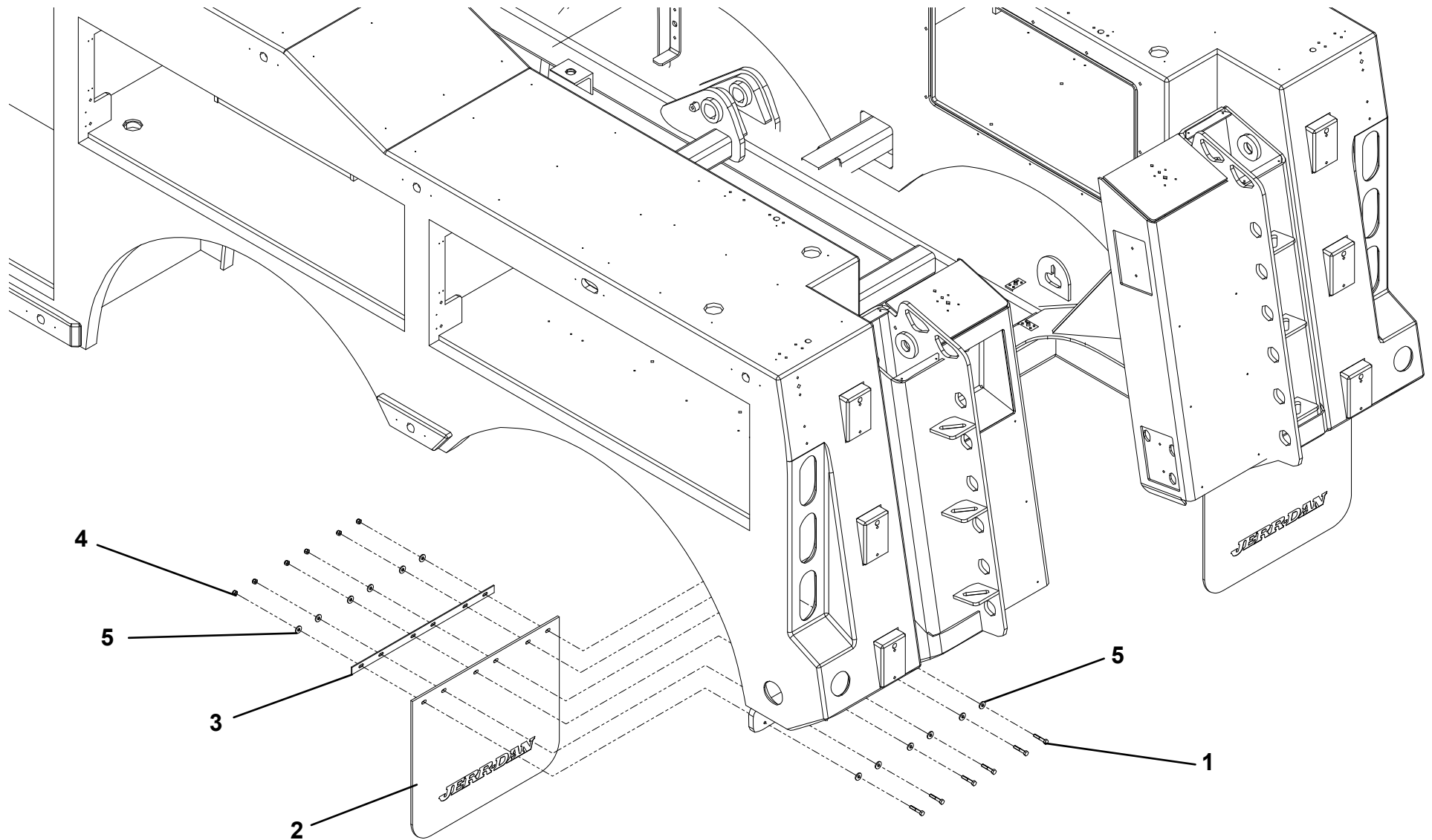
COMPARTMENT LIGHT INSTALLATION - TANDEM



MUDFLAP INSTALLATION

ITEM	PART NO.	DESCRIPTION	QTY
1	0641514	Screw, 0.31" - 18NC x 1.75"	12
2	1001174051	Mud Flap	2
3	4706001815	Plate	2
4	7660152601	Locknut, 0.31" - 18NC	12
5	7950150153	Flatwasher, 0.31"	24

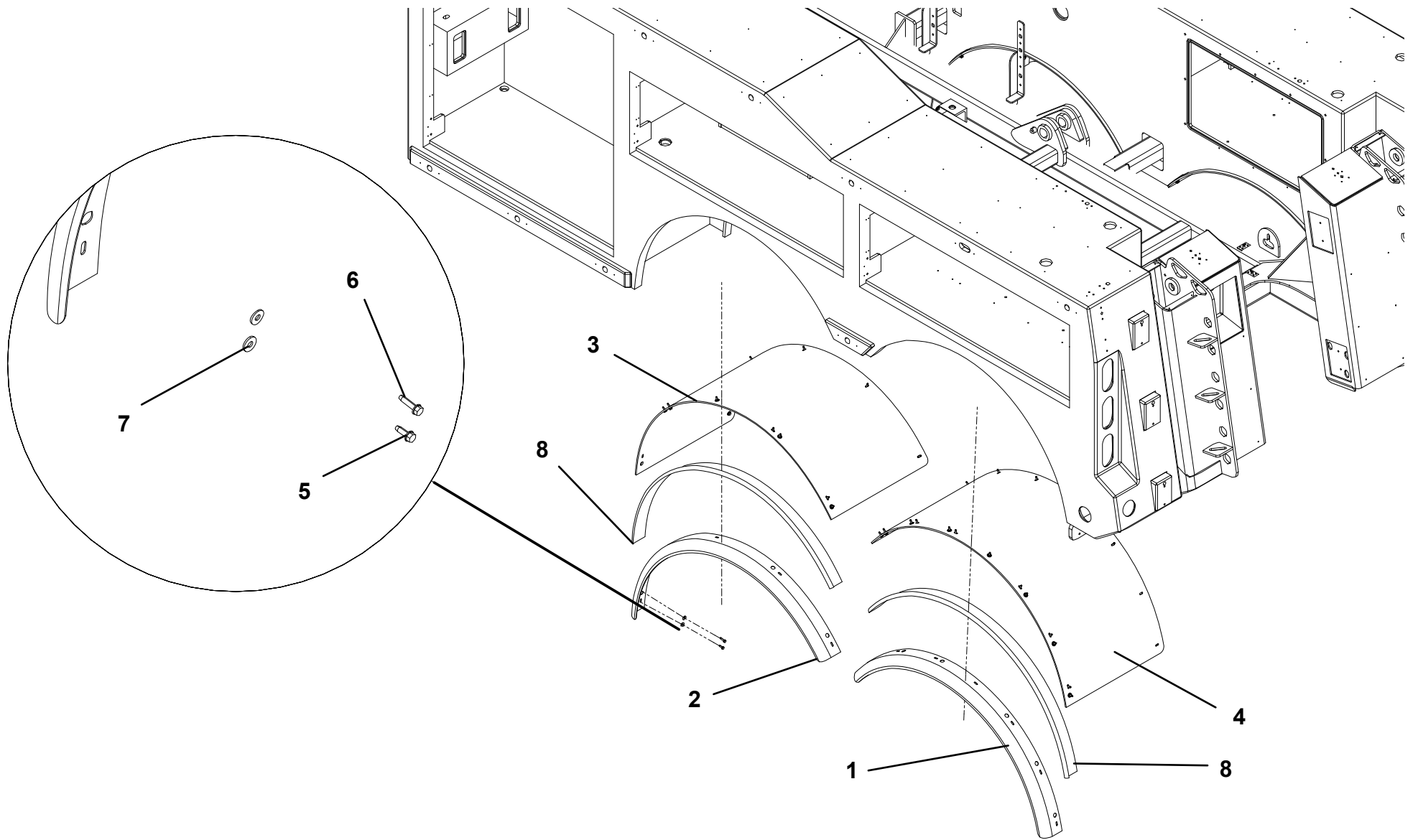
MUDFLAP INSTALLATION



FENDER INSTALLATION - TANDEM

ITEM	PART NO.	DESCRIPTION	QTY
1	1001163358	Fender, Rear	2
2	1001186584	Fender, Front	2
3	1001186606	Liner, Front	2
4	1001186608	Liner, Rear	2
5	7790141251	Screw, 0.25" x 0.75"	24
6	7790141651	Screw, 0.25" x 1.00"	42
7	7950140163	Flatwasher, 0.25" ID	66
8	1001167358	Mould	1
9	1001217088	Tape	0.25ft

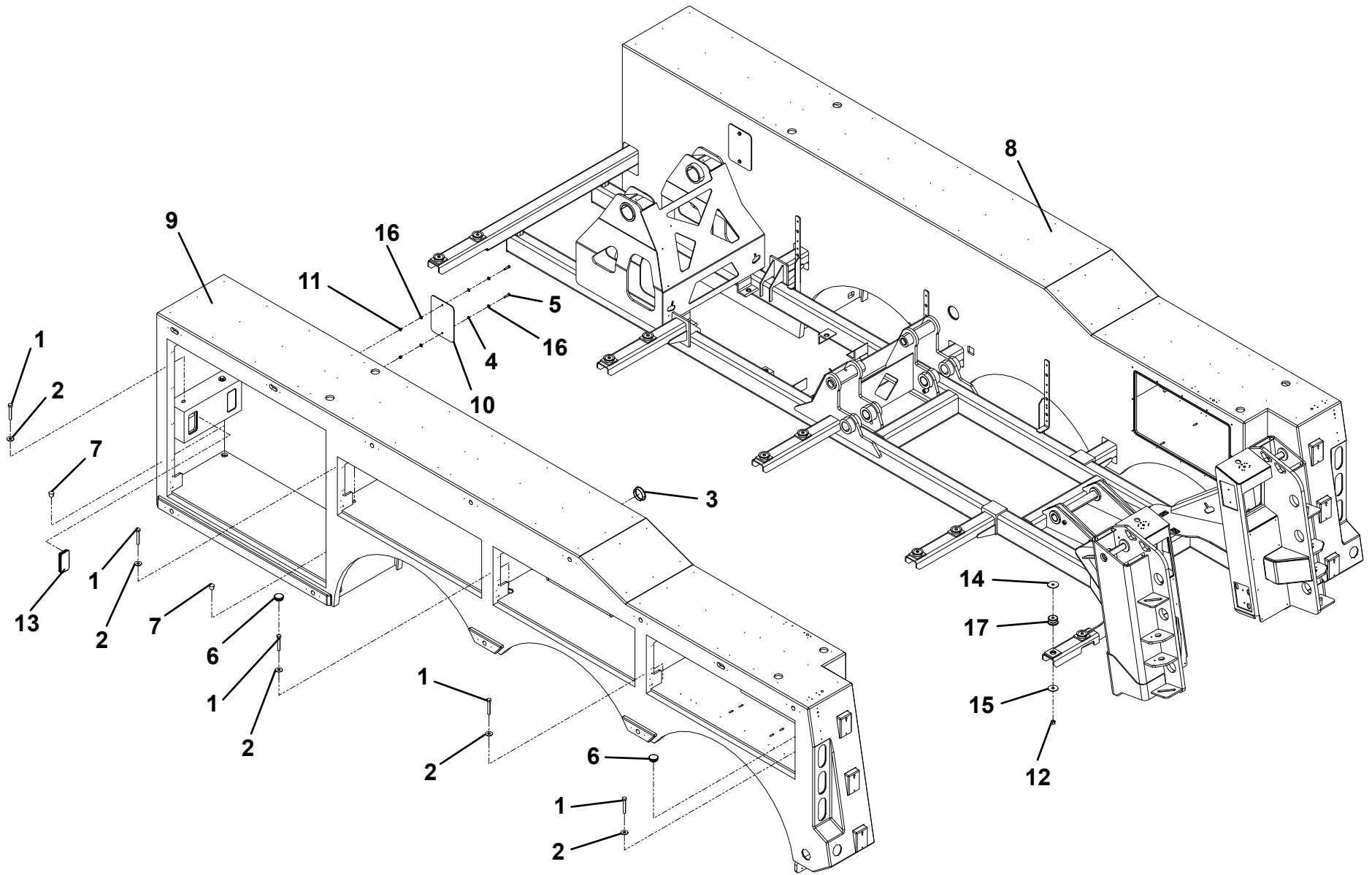
FENDER INSTALLATION - TANDEM



BODY INSTALLATION - TRI-AXLE

ITEM	PART NO.	DESCRIPTION	QTY
1	0642032	Capscrew, 0.63" - 11NC x 4.00"	20
2	4752000	Washer, 0.63" ID	20
3	1001151789	Plug	2
4	1001166974	Washer, 0.38" ID	4
5	1001168993	Capscrew, 0.38" - 16NC x 1.50"	4
6	1001169078	Plug	6
7	1001173847	Plug	8
8	1001202524	Body, Tandem RH	1
9	1001220273	Body, Tandem LH	1
10	1001206679	Panel	2
11	7660162601	Locknut, 0.38" - 16NC	4
12	7660200001	Nut, 0.63" - 11NC	20
13	7701000048	Plug	8
14	7949000019	Washer, Head	20
15	7949000020	Washer, Tail	20
16	7950160143	Flatwasher, 0.38" ID	8
17	7636000008	Mount	20

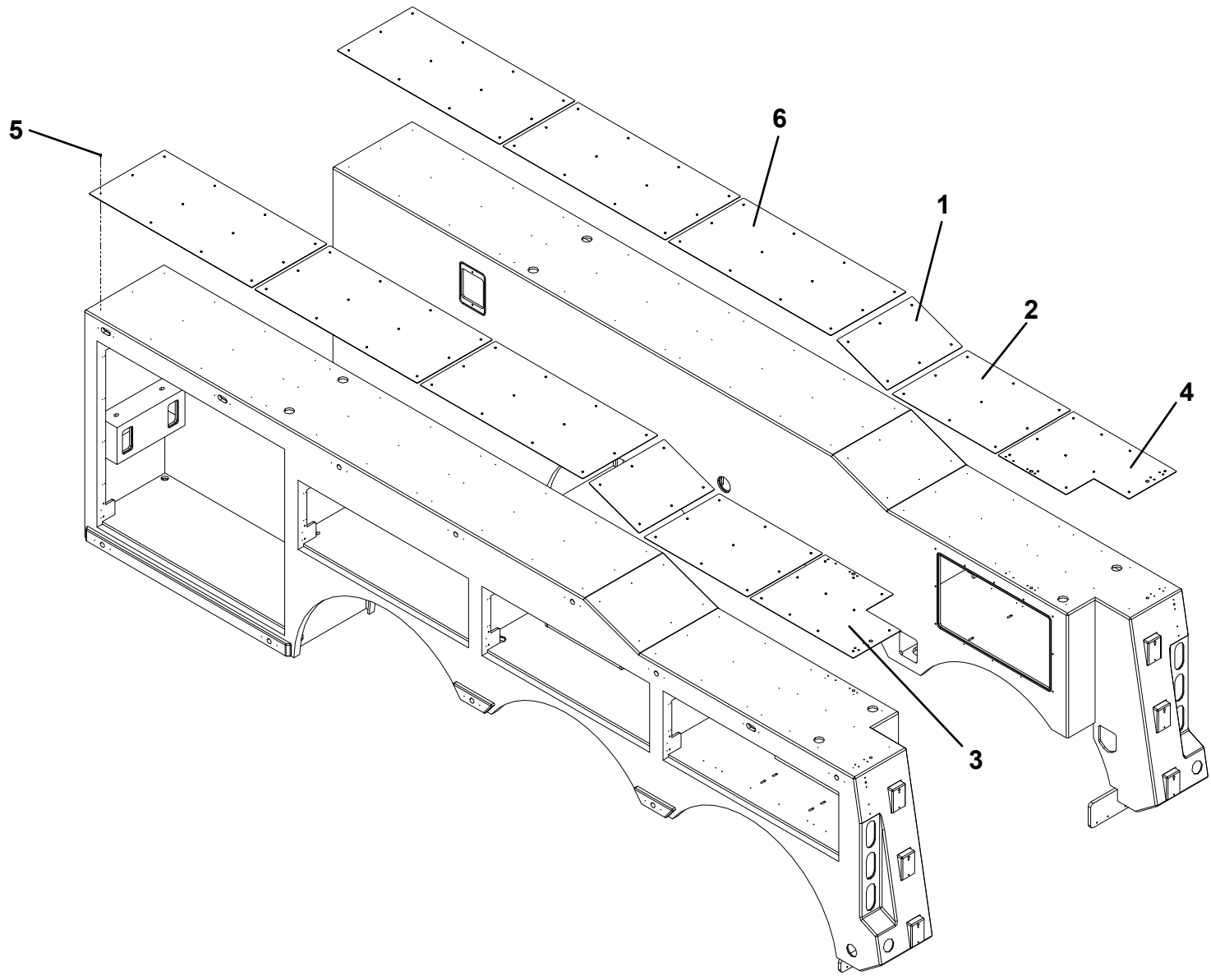
BODY INSTALLATION - TRI-AXLE



DIAMOND PLATE INSTALLATION - TRI-AXLE

ITEM	PART NO.	DESCRIPTION	QTY
1	1001186725	Plate	2
2	1001186727	Plate	2
3	1001186728	Plate	1
4	1001188635	Plate	1
6	1001192958	Screw, #10 x 0.50"	124
6	1001205877	Plate	6

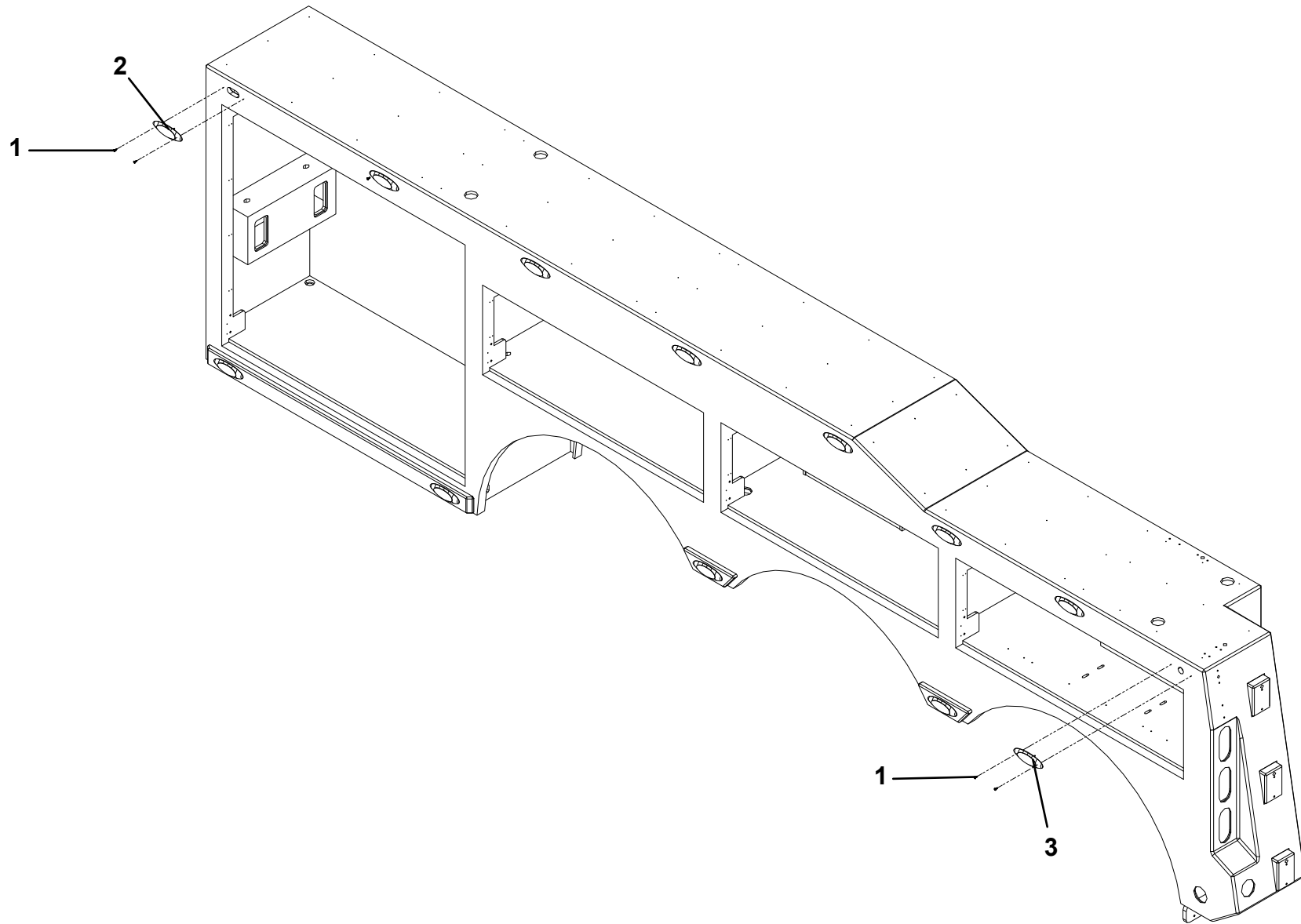
DIAMOND PLATE INSTALLATION - TRI-AXLE



MARKER LIGHT INSTALLATION - TRI-AXLE

ITEM	PART NO.	DESCRIPTION	QTY
1	1001154101	Screw, #10 x 0.38"	48
2	7590000262	Light, Amber	22
3	7590000282	Light, Red	2

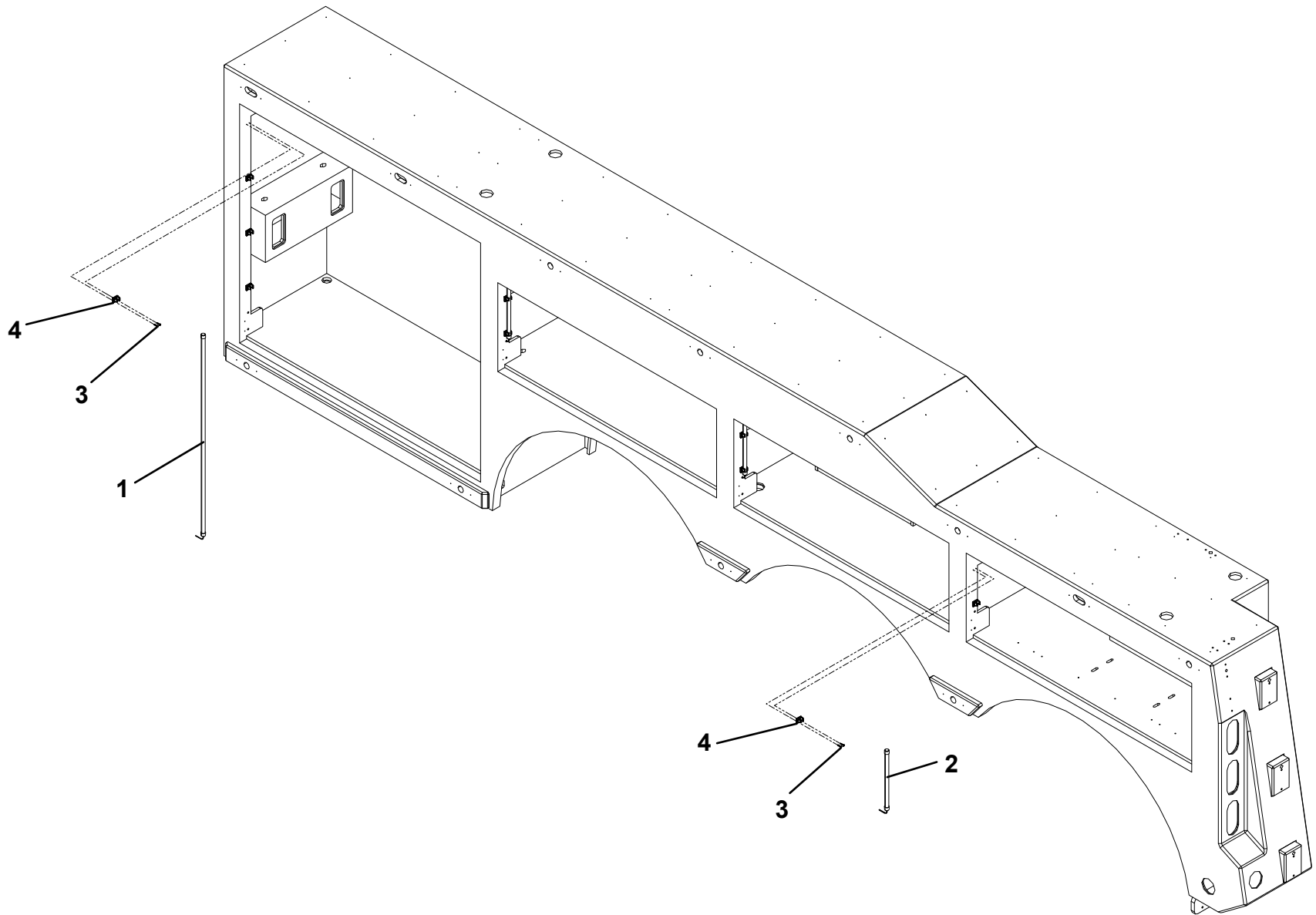
MARKER LIGHT INSTALLATION - TRI-AXLE



COMPARTMENT LIGHT INSTALLATION - TRI-AXLE

ITEM	PART NO.	DESCRIPTION	QTY
1	1001154527	Lamp, 40"	4
2	1001166549	Lamp, 12"	12
3	1001196552	Screw, #8 x 0.75"	80
4	1001199081	Mount	40

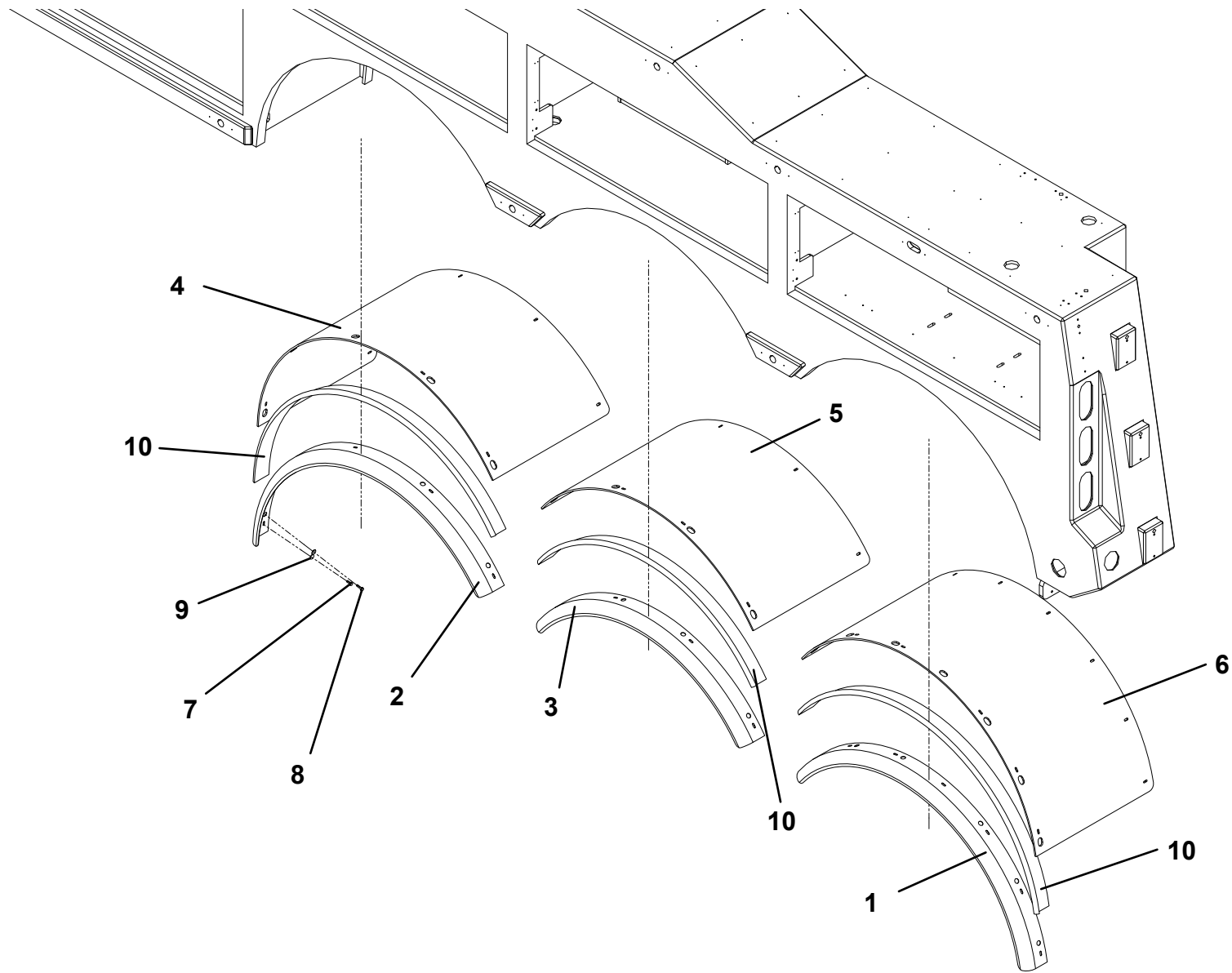
COMPARTMENT LIGHT INSTALLATION - TRI-AXLE



FENDER INSTALLATION - TRI-AXLE

ITEM	PART NO.	DESCRIPTION	QTY
1	1001163358	Fender, Rear Body	2
2	1001186584	Fender, Front	2
3	1001186585	Fender, Middle	2
4	1001186606	Fender Liner, Front	2
5	1001186607	Fender Liner, Middle	2
6	1001186608	Fender Liner, Rear	2
7	7790141251	Screw, 0.25" x 0.75"	32
8	7790141651	Screw, 0.25" x 1.00"	56
9	7950140163	Flatwasher, 0.25" ID	88
10	1001167358	Moulding	0.32FT
11	1001217088	Tape	0.32FT

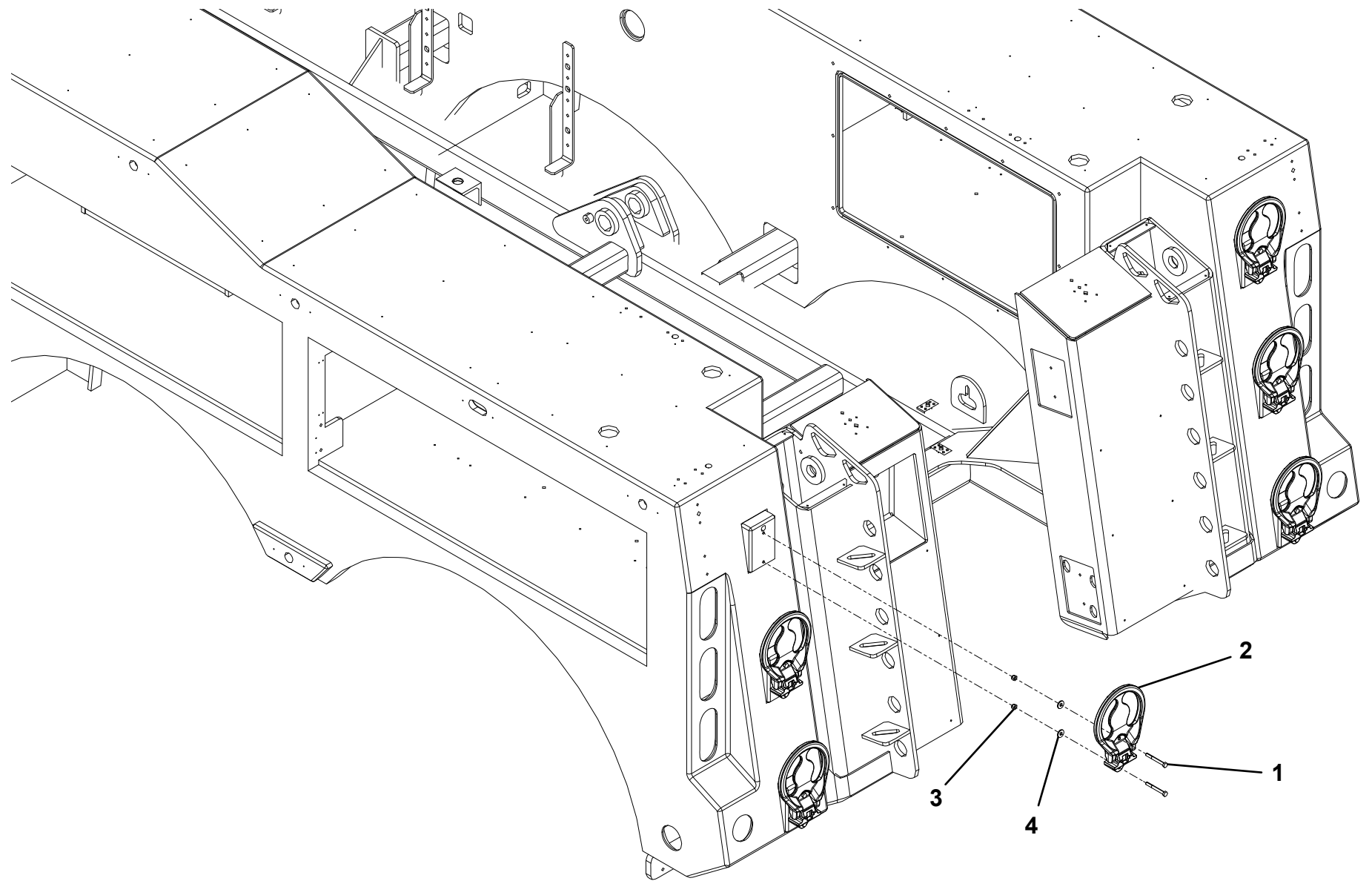
FENDER INSTALLATION - TRI-AXLE



STEP INSTALLATION

ITEM	PART NO.	DESCRIPTION	QTY
1	1001167455	Screw, 0.31" - 18NC x 2.75"	12
2	1001167456	Step	6
3	7660152601	Locknut, 0.31" - 18NC	12
4	7950150153	Flatwasher, 0.31" ID	12

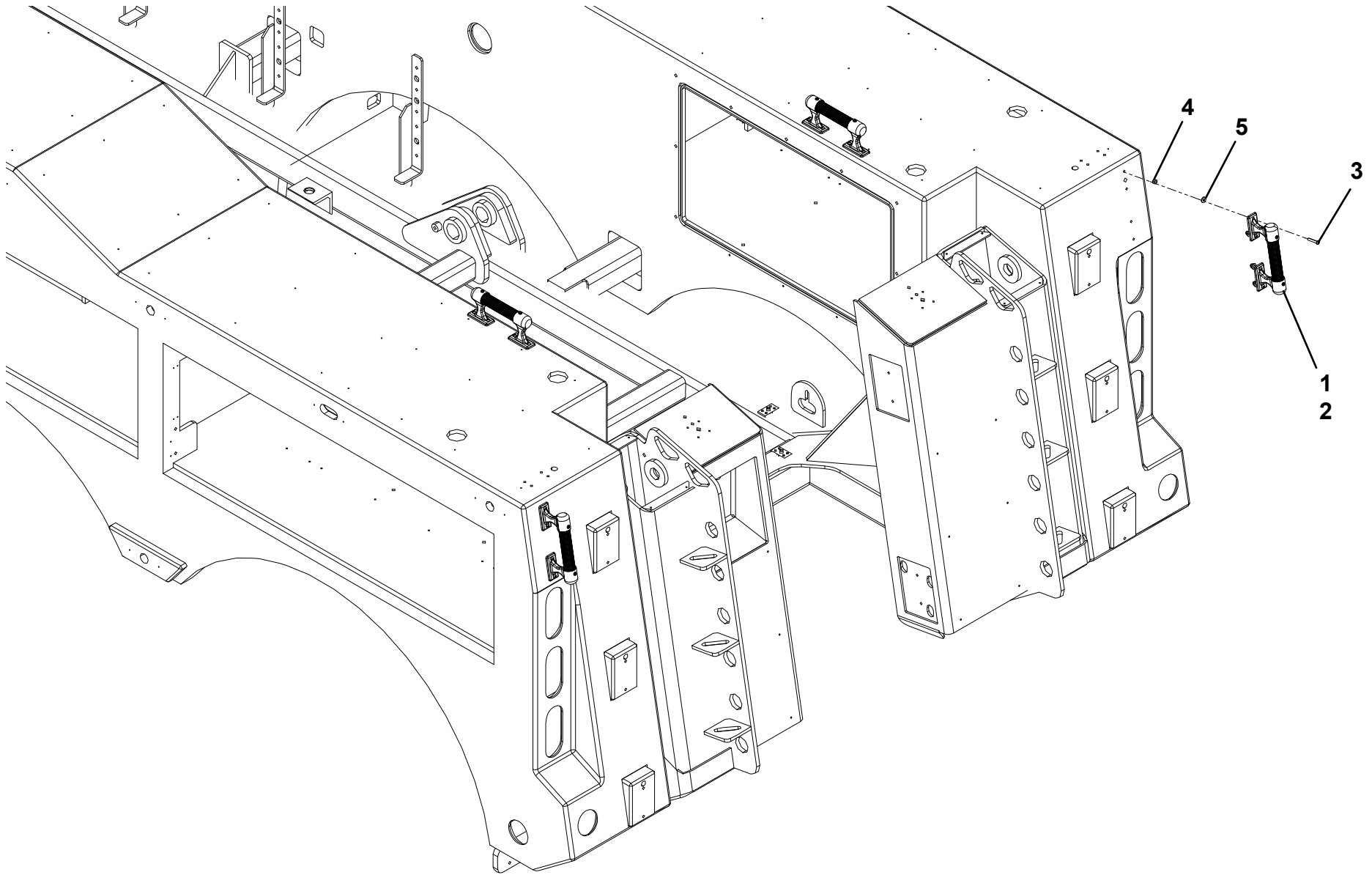
STEP INSTALLATION



GRAB HANDLE INSTALLATION

ITEM	PART NO.	DESCRIPTION	QTY
1	1001170849	Handle	4
2	1001170937	Screw	8
3	7114141218	Screw, 0.25" - 20NC x 1.50"	16
4	7660142600	Locknut, 0.25" - 20NC	16
5	7950140143	Flatwasher, 0.25" ID	16

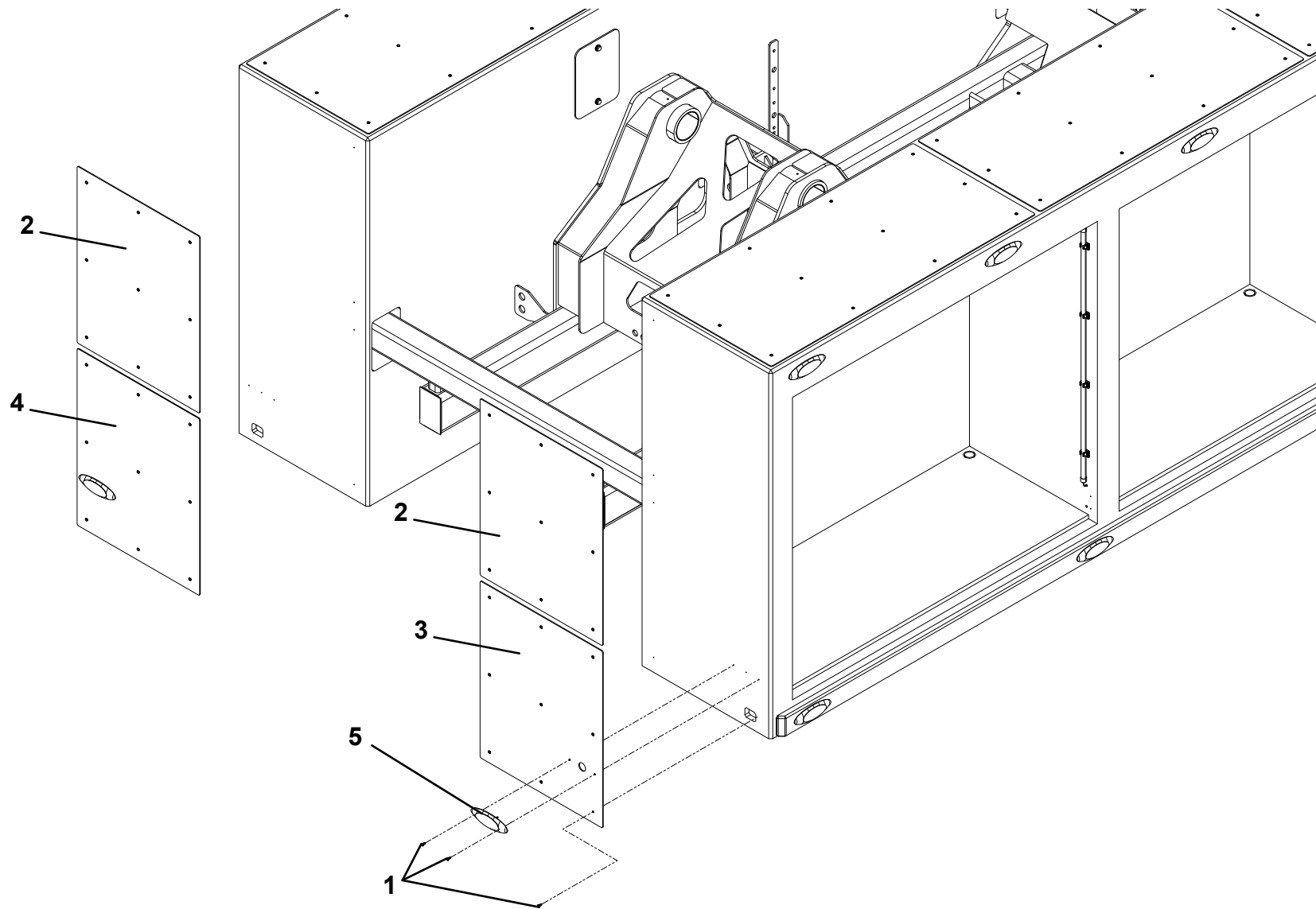
GRAB HANDLE INSTALLATION



FRONT DIAMOND PLATE INSTALLATION

ITEM	PART NO.	DESCRIPTION	QTY
1	1001192958	Screw, #10 X 0.50"	40
2	1001205915	Plate, Top	2
3	1001205916	Plate, LH	1
4	1001205917	Plate, RH	1
5	7590000262	Light, Amber	2

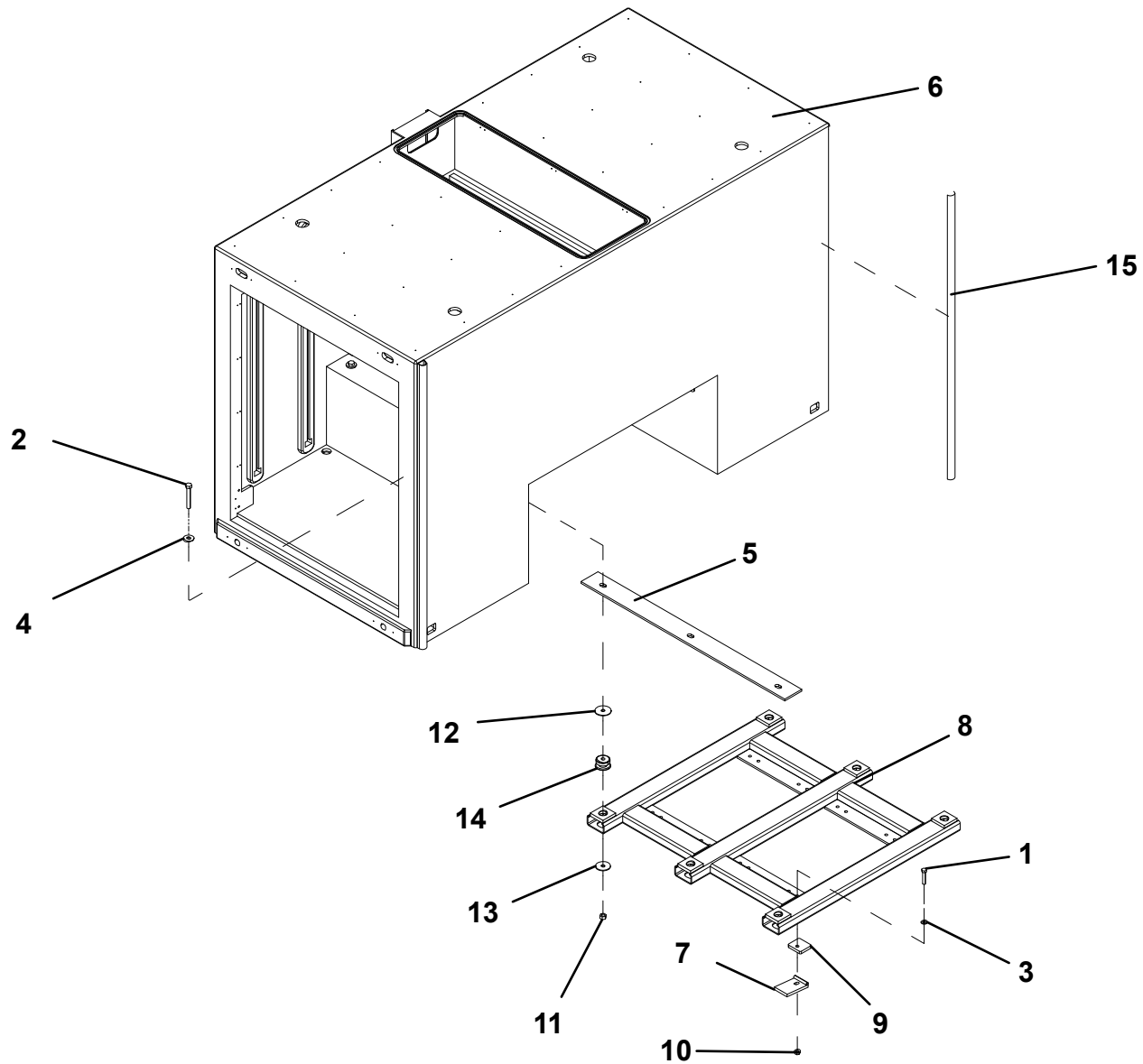
FRONT DIAMOND PLATE INSTALLATION



TOOLBOX INSTALLATION - 51" W/ BATTERIES

ITEM	PART NO.	DESCRIPTION	QTY
1	641820	Capscrew, 0.50"-13 X 2.50"	8
2	642034	Capscrew, 0.63"-11 X 4.25"	6
3	4711800	Washer, 0.50" ID	8
4	4752000	Washer, 0.63" ID	6
5	1001165692	Support Tunnel Plate	2
6	1001185657	Tunnel Tool Box W/Batteries	1
7	3274000011	Clamp Weldment	8
8	3911000068	Toolbox Mount	1
9	4705000705	Plate	8
10	7660182301	Locknut, 0.50"-13NC	8
11	7660200001	Nut, 0.63"-11NC	6
12	7949000019	Washer	6
13	7949000020	Washer	6
14	7636000008	Mount	6
15	8632000011	Seal	10FT

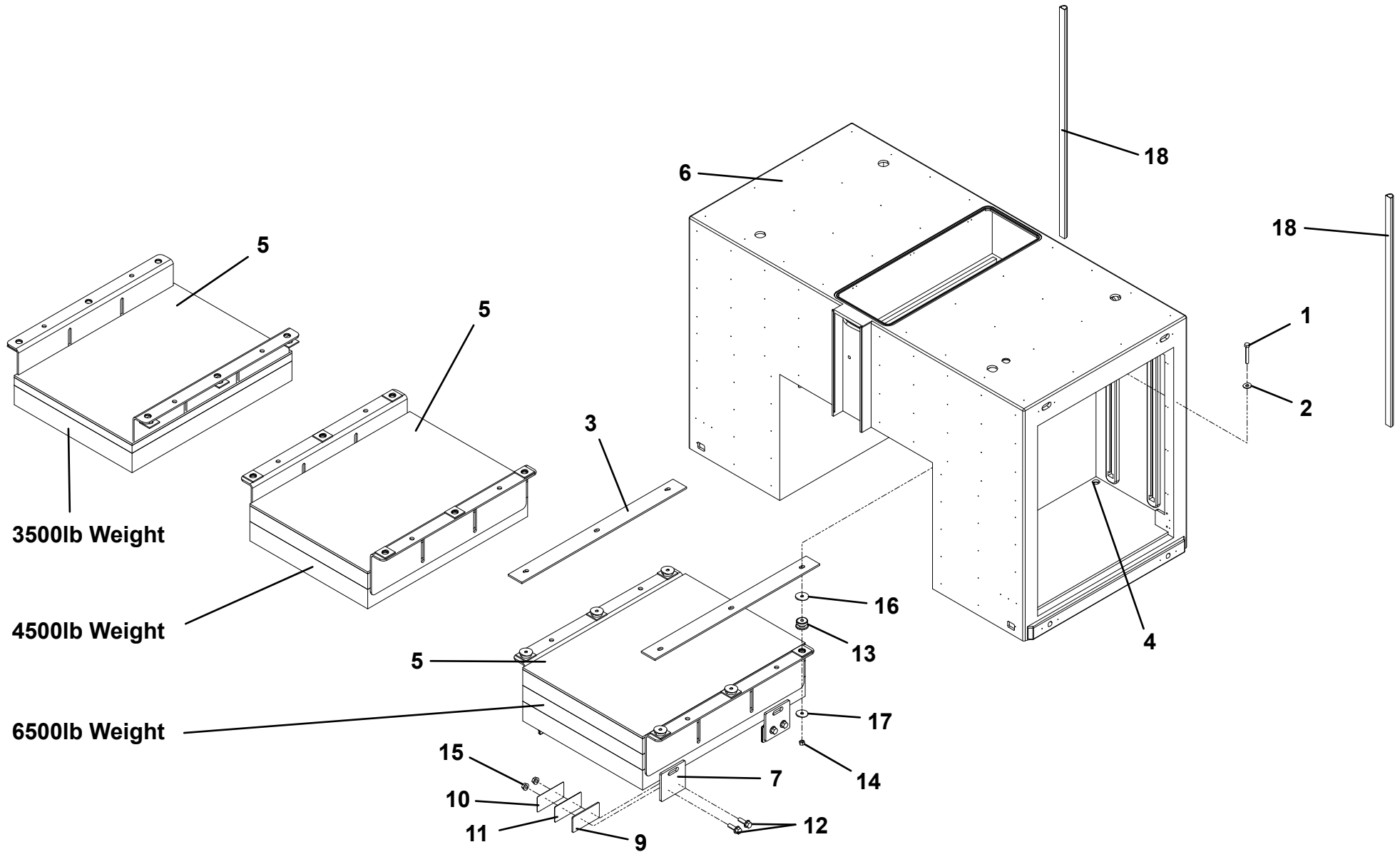
TOOLBOX INSTALLATION - 51" W/ BATTERIES



TOOLBOX INSTALLATION - 51" W/ BATTERIES AND COUNTER WEIGHT

ITEM	PART NO.	DESCRIPTION	QTY
1	642034	Screw, 0.625"-11NC x 4.25"	6
2	4752000	Washer, 0.625"	6
3	1001165692	Support	2
4	1001173847	Plug	4
5	1001219831	Weight, 6500lb	1
	1001211487	Weight, 4500lb	
	1001211486	Weight, 3500lb	
6	1001219833	Tunnel Toolbox 51"	1
7	1001219916	Plate	4
8	1001219921	Shim Kit	1
9	1001219917	Shim, 0.25"	4
10	1001219918	Shim, 11 ga	4
11	1001219919	Shim, 16 ga	4
12	7118221816	Capscrew, 0.75"-10NC X 2.25"	8
13	7636000008	Rubber Mount	6
14	7660200001	Nut, 0.63"-11NC	6
15	7660222308	Locknut, 0.75"-10NC	8
16	7949000019	Washer, Head	6
17	7949000020	Washer, Tail	6
18	8632000011	Seal	10FT

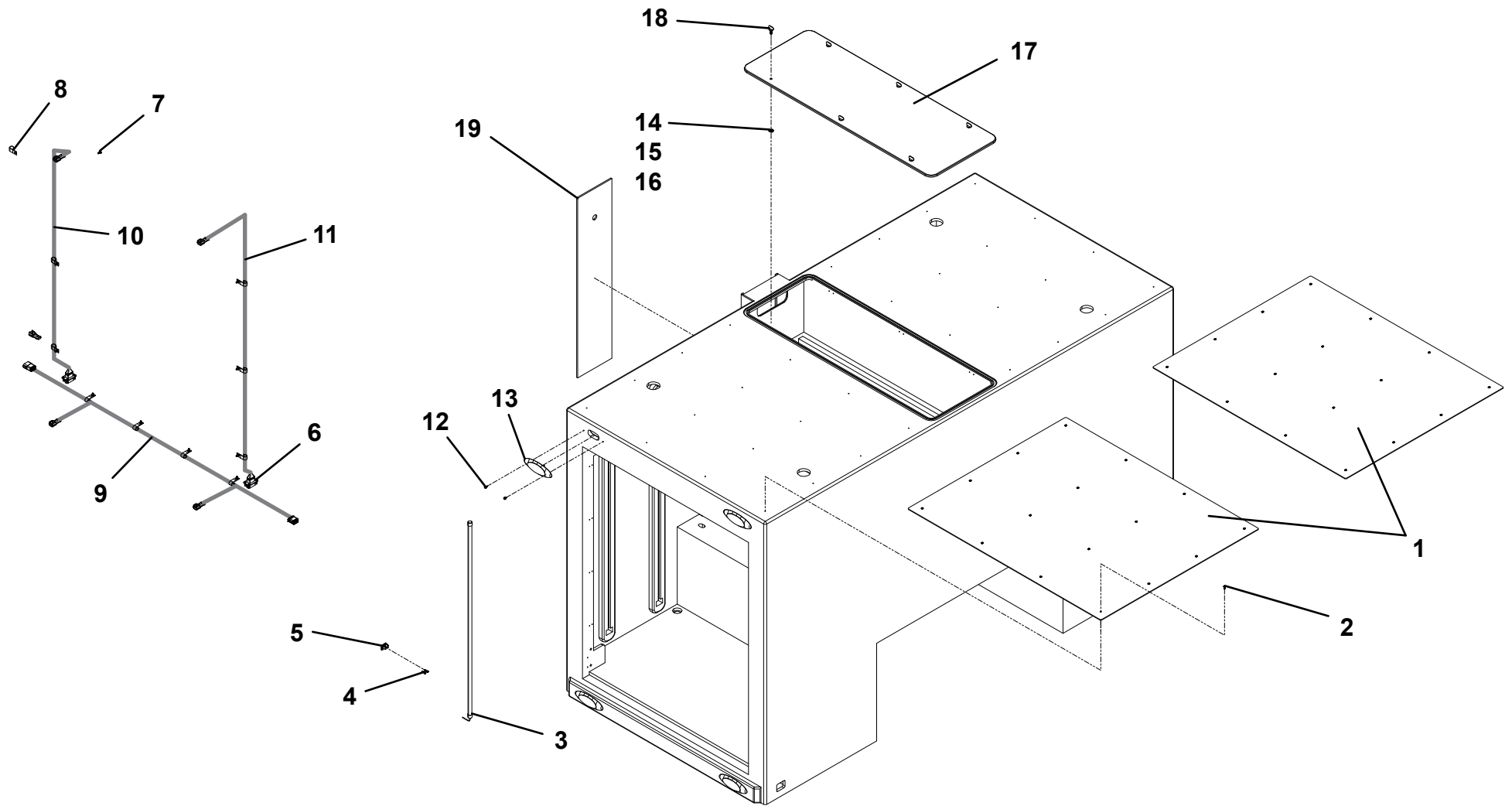
TOOLBOX INSTALLATION - 51" W/ BATTERIES AND COUNTER WEIGHT



TOOLBOX ASSEMBLY - 51" W/ BATTERIES

ITEM	PART NO.	DESCRIPTION	QTY
1	1001187000	Plate	2
2	1001192958	Screw, #10 x 0.50"	32
3	1001154527	Light	4
4	1001196552	Screw #8 x 0.75"	32
5	1001199081	Mount	16
6	1001195257	Screw 0.25" x 0.50"	20
7	1001196552	Screw, #8 x 0.75"	16
8	7280000006	Clip	20
9	1001188904	Harness	2
10	1001188920	Harness	2
11	1001188921	Harness	2
12	1001154101	Screw	16
13	7590000262	Light	8
14	750605	Screw	12
15	3760308	Retainer	6
16	1001122235	Bracket	6
17	1001166674	Cover	1
18	1001166930	Latch	6
19	1001185654	Cover	1

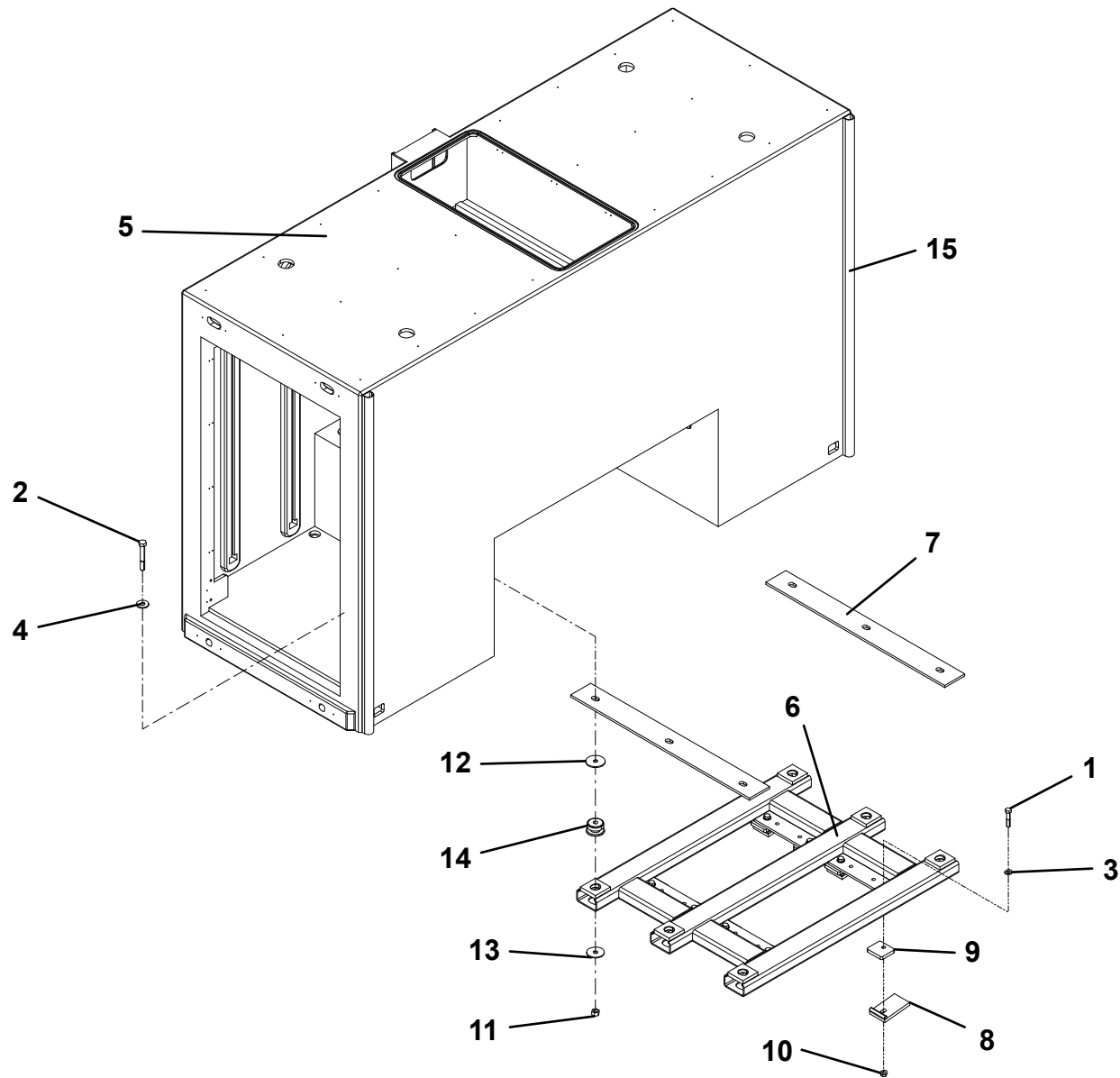
TOOLBOX ASSEMBLY - 51" W/ BATTERIES

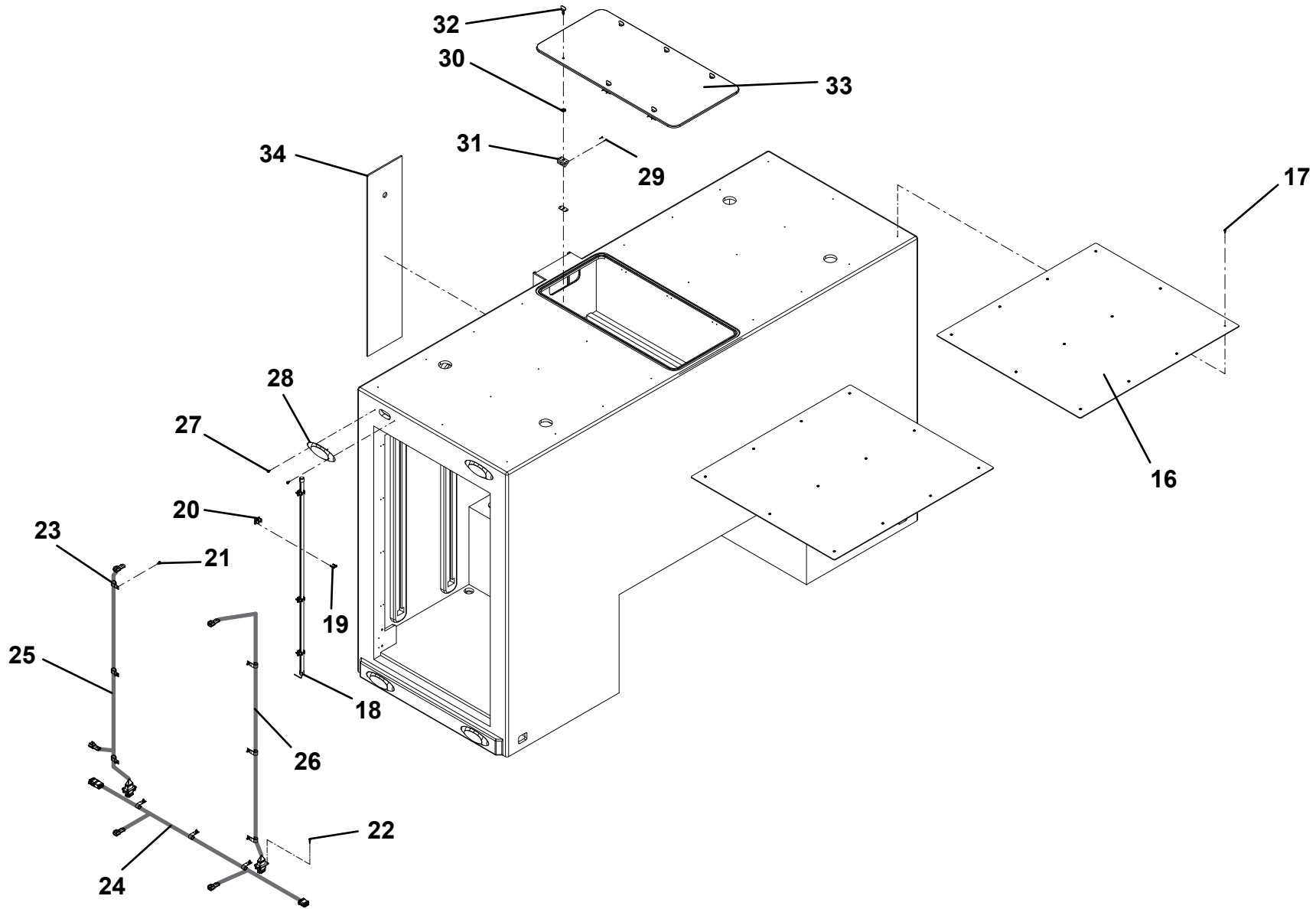


TOOLBOX INSTALLATION - 39" W/ BATTERIES

ITEM	PART NO.	DESCRIPTION	QTY
1	641820	Screw, 0.50"-13 X 2.50"	8
2	642034	Screw, 0.625"-11 X 4.25"	6
3	4711800	Washer, 0.50" ID	8
4	4752000	Washer, 0.625" ID	6
5	1001186491	Tunnel Toolbox	1
6	1001187063	Mount	1
7	1001197338	Plate	2
8	3274000011	Clamp	8
9	4705000705	Plate	8
10	7660182301	Locknut, 0.50"-13NC	8
11	7660200001	Nut, 0.63"-11NC	6
12	7949000019	Washer, Head	6
13	7949000020	Washer, Tail	6
14	7636000008	Mount	6
15	8632000011	Seal	10FT
16	1001186993	Plate	2
17	1001192958	Screw, #10 x 0.05"	24
18	1001154527	Light	4
19	1001196552	Screw, #8 x 0.75"	32
20	1001199081	Mount	16
21	1001195257	Screw, 0.25" x 0.50"	18
22	1001196552	Screw, #8 x 0.75"	16
23	7280000006	Clip	18
24	1001188919	Harness	2
25	1001188920	Harness	2
26	1001188921	Harness	2
27	1001154101	Screw	16
28	7590000262	Light	8
29	750605	Screw	12
30	3760308	Retainer	6
31	1001122235	Bracket	6
32	1001166930	Latch	6
33	1001182569	Cover	1
34	1001185654	Cover	1

TOOLBOX INSTALLATION - 39" W/ BATTERIES



TOOLBOX INSTALLATION - 39" W/ BATTERIES

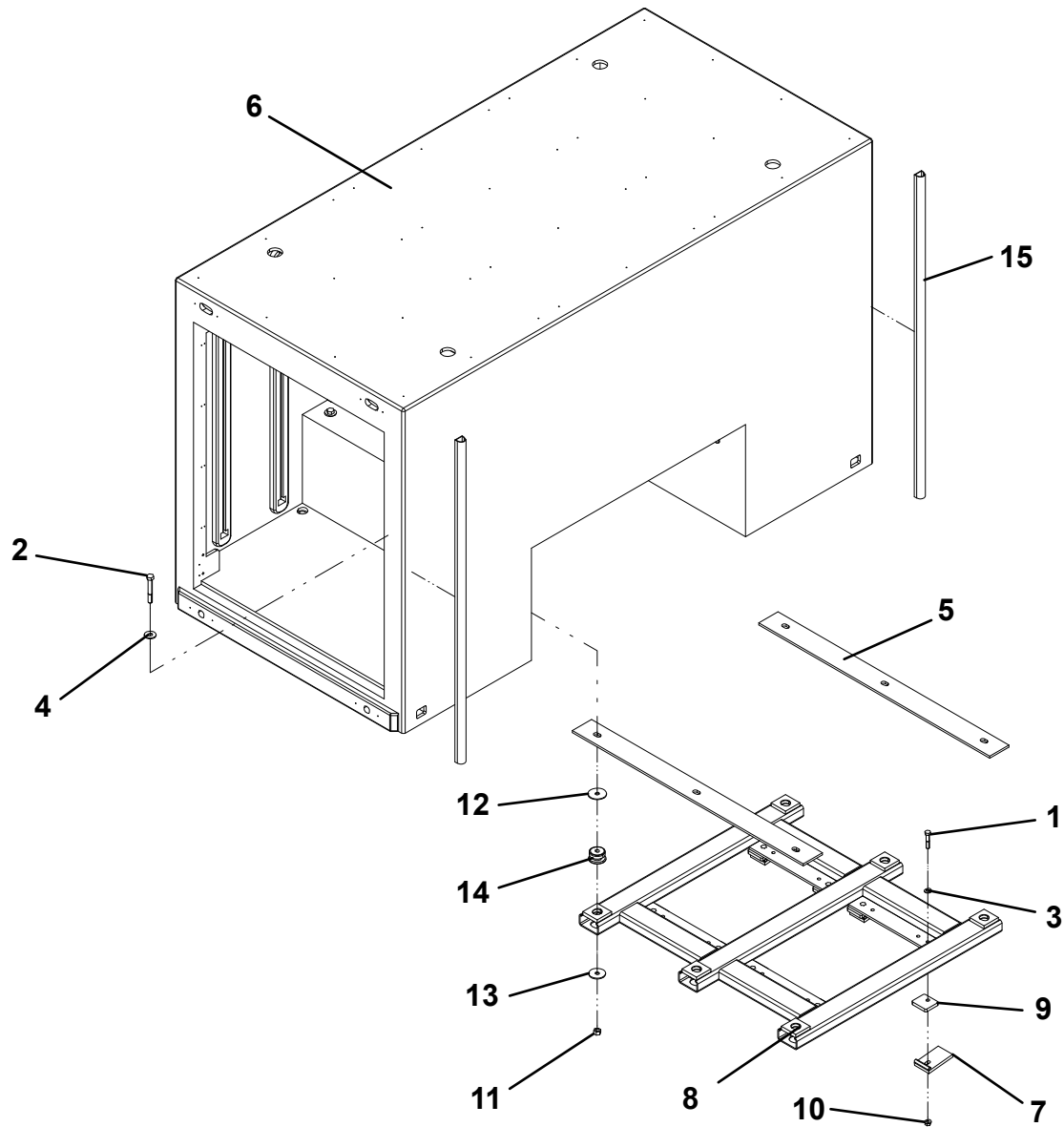
TOOLBOX INSTALLATION - 39" W/ BATTERIES

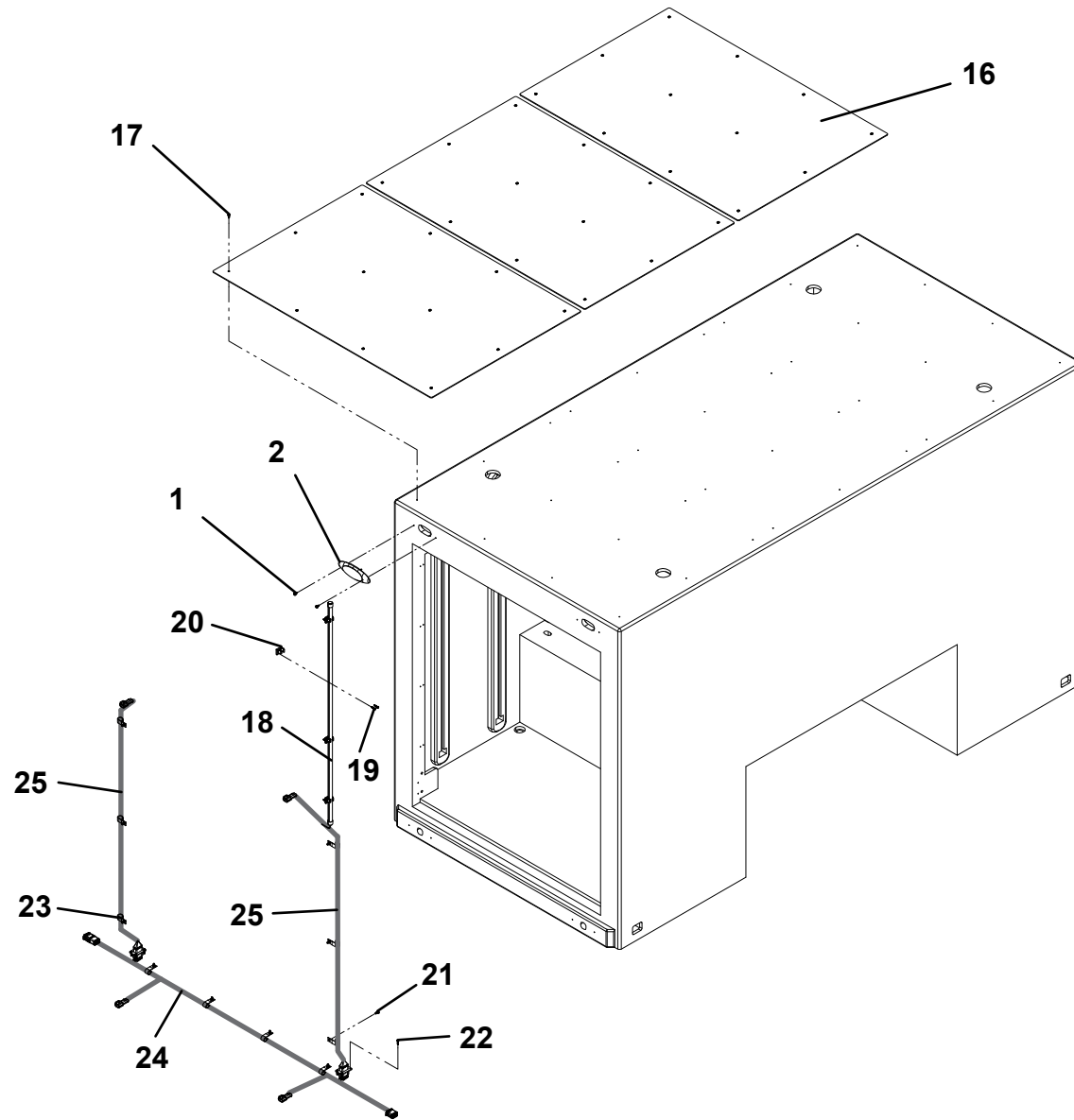
THIS PAGE INTENTIONALLY LEFT BLANK

TOOLBOX INSTALLATION - 49" W/O BATTERIES

ITEM	PART NO.	DESCRIPTION	QTY
1	641820	Screw, 0.50"-13 X 2.50"	8
2	642034	Screw, 0.625"-11 X 4.25"	6
3	4711800	Washer, 0.50" ID	8
4	4752000	Washer, 0.625" ID	6
5	1001165692	Plate	2
6	1001186416	Tunnel Toolbox 48"	1
7	3274000011	Clamp	8
8	3911000068	Mount	1
9	4705000705	Plate	8
10	7660182301	Locknut, 0.50"-13NC	8
11	7660200001	Nut, 0.63"-11NC	6
12	7949000019	Washer, Head	6
13	7949000020	Washer, Tail	6
14	7636000008	Mount	6
15	8632000011	Seal	10FT
16	1001187009	Plate	3
17	1001192958	Screw, #10 x 0.50"	36
18	1001154527	Lamp	4
19	1001196552	Screw, #8 x 0.75"	32
20	1001199081	Mount	16
21	1001195257	Screw, 0.25" x 0.50"	20
22	1001196552	Screw, #8 x 0.75"	16
23	7280000006	Clip	20
24	1001188904	Harness	2
25	1001188921	Harness	4
26	1001192958	Screw, #10 x 0.50"	16
27	7590000262	Light	8

TOOLBOX INSTALLATION - 49" W/O BATTERIES



TOOLBOX ASSEMBLY - 49" W/O BATTERIES

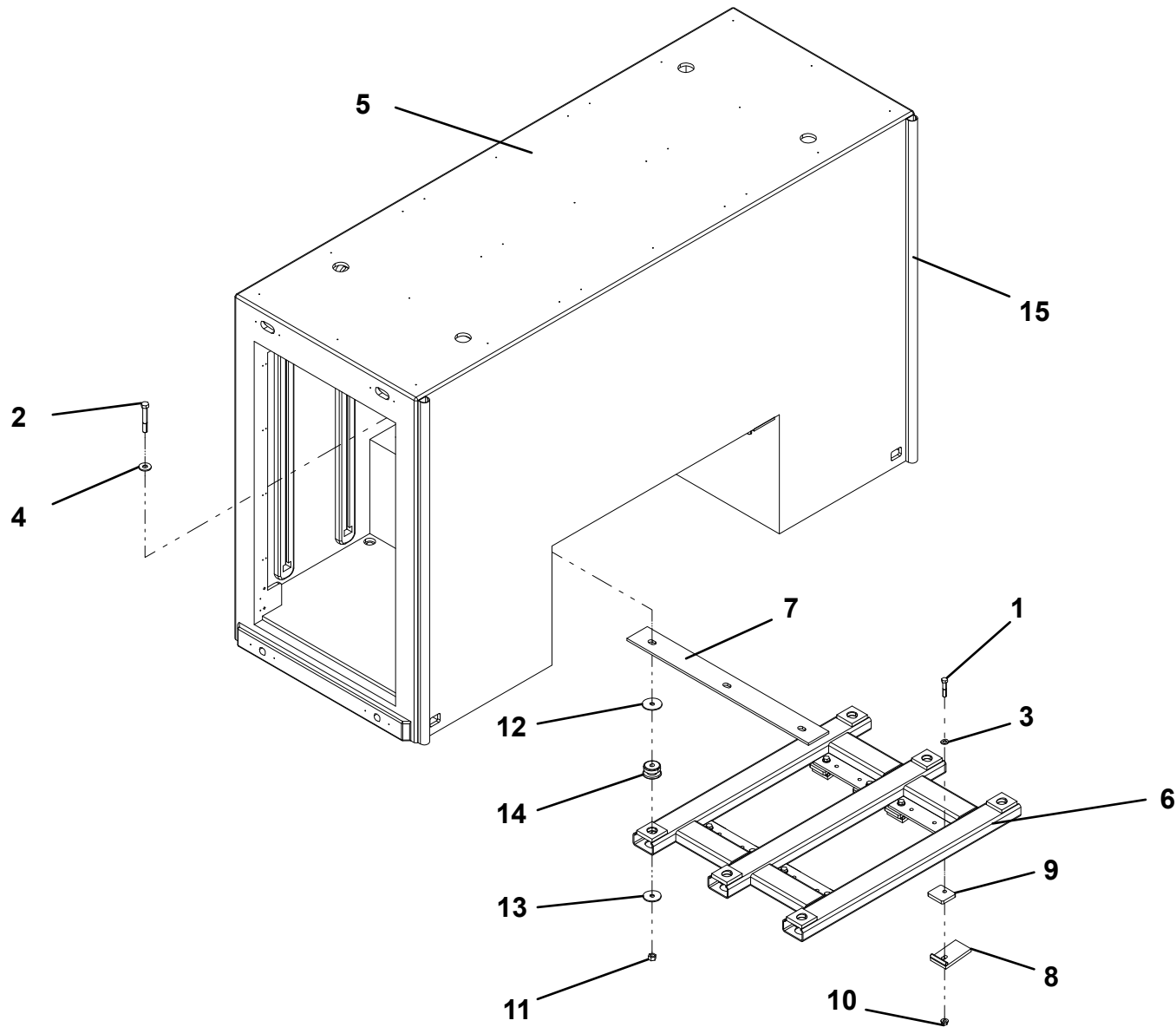
TOOLBOX ASSEMBLY - 49" W/O BATTERIES

THIS PAGE INTENTIONALLY LEFT BLANK

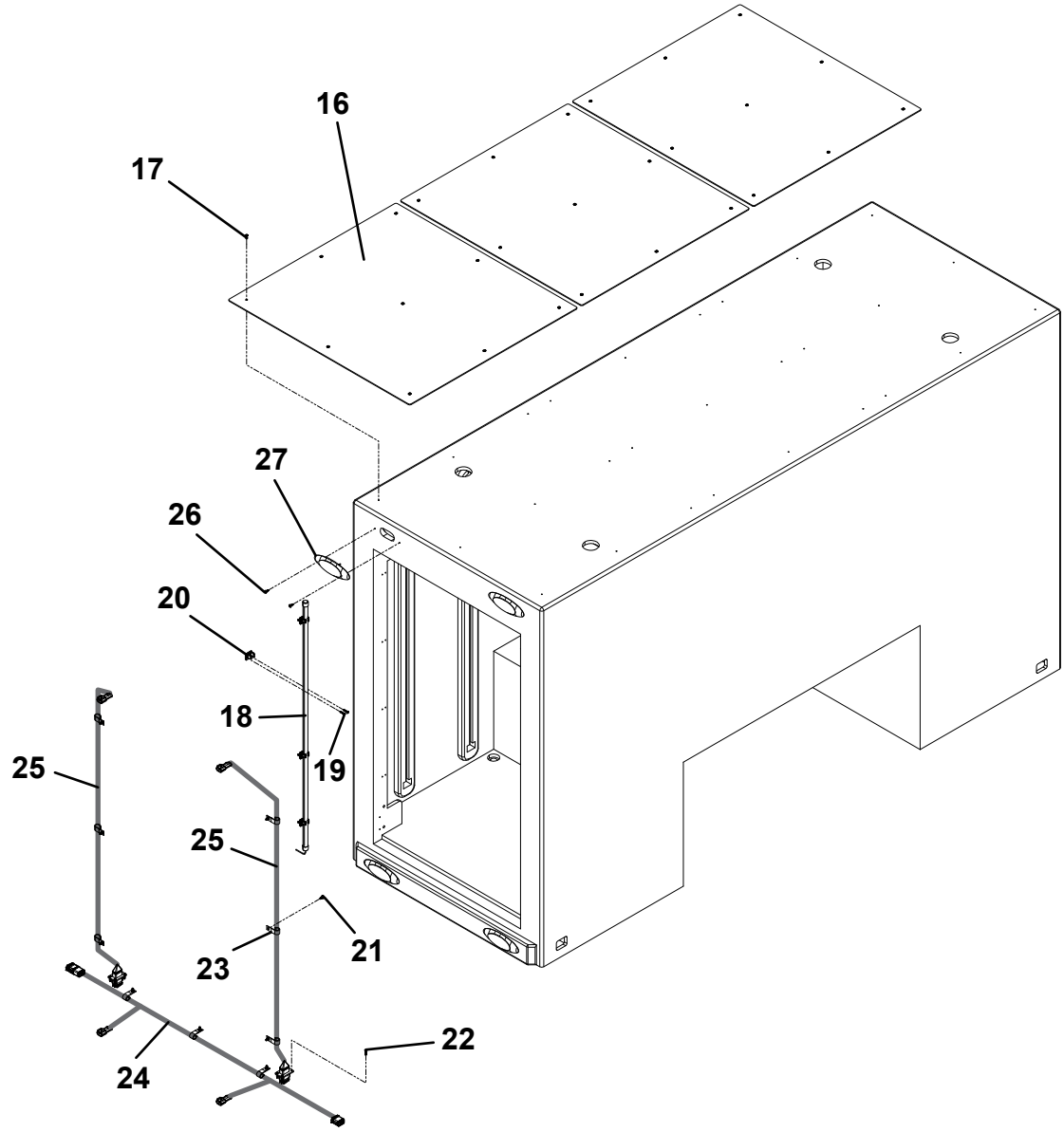
TOOLBOX INSTALLATION - 37" W/O BATTERIES

ITEM	PART NO.	DESCRIPTION	QTY
1	641820	Screw, 0.50-13 X 2.50"	8
2	642034	Screw, 0.625"-11 X 4.25	6
3	4711800	Washer, 0.50" ID	8
4	4752000	Washer, 0.625" ID	6
5	1001185600	Tunnel Toolbox	1
6	1001187063	Mount	1
7	1001197338	Plate	2
8	3274000011	Clamp	8
9	4705000705	Plate	8
10	7660182301	Locknut, 0.50"-13NC	8
11	7660200001	Nut, 0.63"-11NC	6
12	7949000019	Washer, Head	6
13	7949000020	Washer, Tail	6
14	7636000008	Mount	6
15	8632000011	Seal	10FT
16	1001186997	Plate	3
17	1001192958	Screw, #10 x 0.50"	27
18	1001154527	Lamp	4
19	1001196552	Screw, #8 x 0.75"	32
20	1001199081	Mount	16
21	1001195257	Screw, 0.25" x 0.50"	18
22	1001196552	Screw, #8 x 0.75"	16
23	7280000006	Clip	18
24	1001188919	Harness	2
25	1001188921	Harness	4
26	1001192958	Screw, #10 x 0.50"	16
27	7590000262	Light	8

TOOLBOX INSTALLATION - 37" W/O BATTERIES



TOOLBOX INSTALLATION - 37" W/O BATTERIES



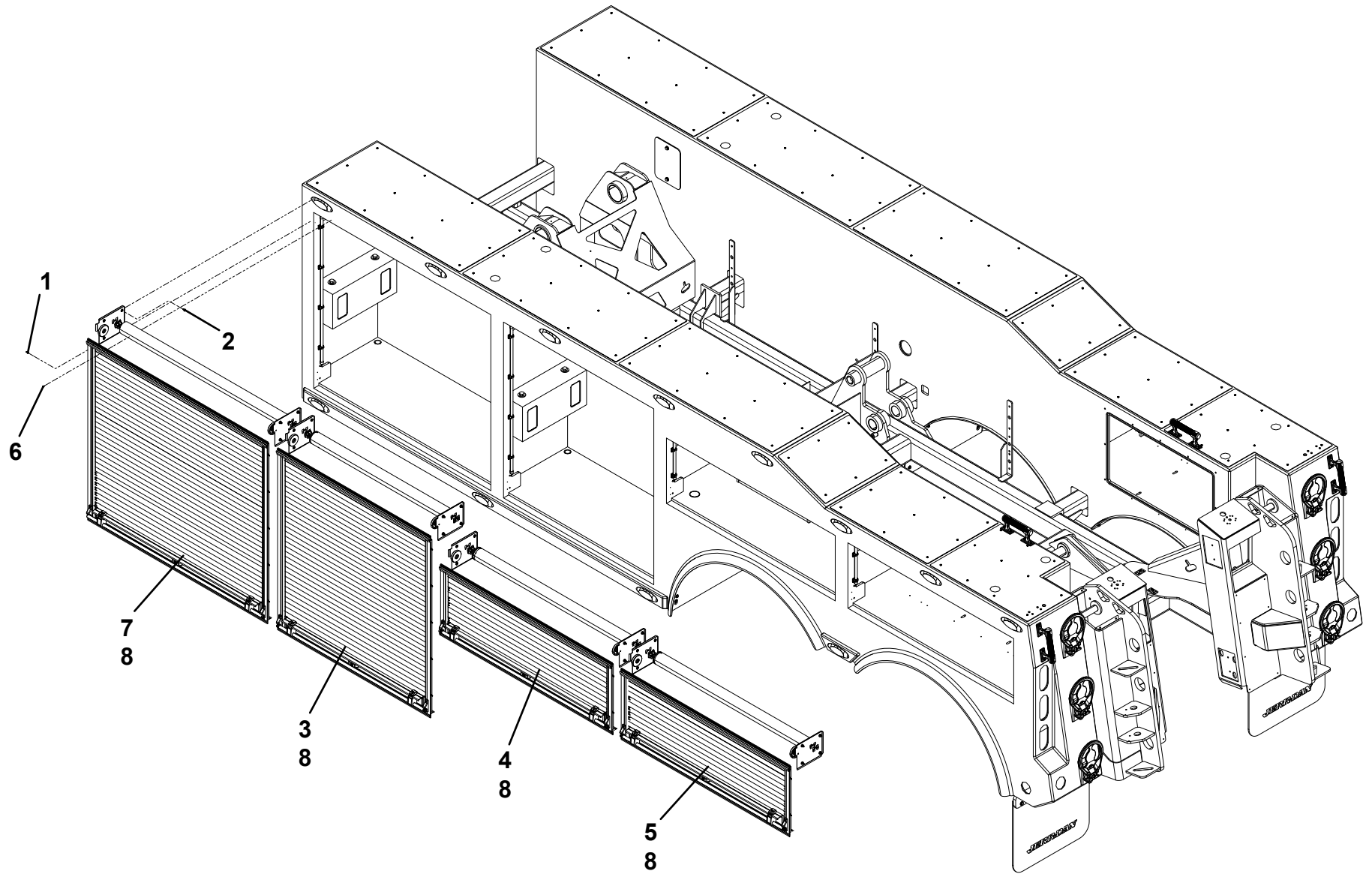
TOOLBOX INSTALLATION - 37" W/O BATTERIES

THIS PAGE INTENTIONALLY LEFT BLANK

DOOR INSTALLATION - TANDEM BODY

ITEM	PART NO.	DESCRIPTION	QTY
		Painted	
1	1001192958	Screw, #10 X 0.50"	56
2	1001195257	Screw, 0.25" X 0.50"	64
3	1001197159	Door, 48.10" X 47.50"	2
4	1001197160	Door, 17.90" X 53.30"	2
5	1001197161	Door, 17.90" X 52.40"	2
6	1001198602	Screw, #8 X 0.38"	46
7	1001205855	Door, 48.10" X 56.00"	2
8	8798820001	Sealant	A/R
		Brushed	
1	1001192958	Screw, #10 X 0.50"	56
2	1001195257	Screw, 0.25" X 0.50"	64
3	1001186988	Door, 48.10" X 47.50"	2
4	1001186989	Door, 17.90" X 53.30"	2
5	1001186990	Door, 17.90" X 52.40"	2
6	1001198602	Screw, #8 X 0.38"	46
7	1001205854	Door, 48.10" X 56.00"	2
8	8798820001	Sealant	A/R

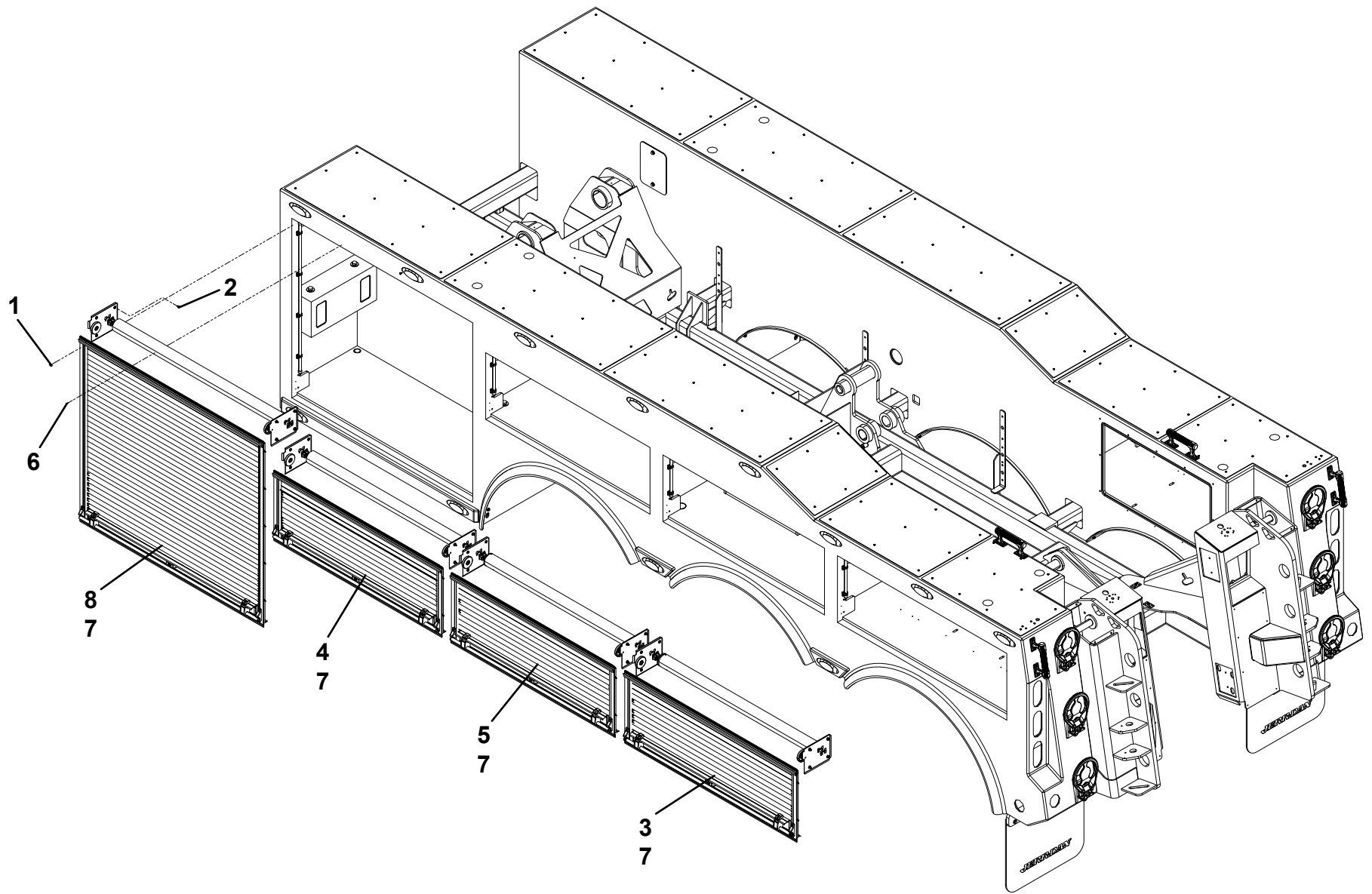
DOOR INSTALLATION - TANDEM BODY



DOOR INSTALLATION - TRI-AXLE

ITEM	PART NO.	DESCRIPTION	QTY
		Painted	
1	1001192958	Screw, #10 X 0.50"	44
2	1001195257	Screw, 0.25" X 0.50"	64
3	1001197161	Door, 17.90" X 52.40"	2
4	1001197162	Door, 17.90" X 50.80"	2
5	1001197163	Door, 17.90" X 50.00"	2
6	1001198602	Screw, #8 X 0.38"	48
7	8798820001	Sealant	A/R
8	1001205855	Door, 48.00" X 56.00"	2
		Brushed	
1	1001192958	Screw, #10 X 0.50"	44
2	1001195257	Screw, 0.25" X 0.50"	64
3	1001186990	Door, 17.90" X 52.40"	2
4	1001186991	Door, 17.90" X 50.80"	2
5	1001186992	Door, 17.90" X 50.00"	2
6	1001198602	Screw, #8 X 0.38"	48
7	8798820001	Sealant	A/R
8	1001205854	Door, 48.10" X 56.00"	2

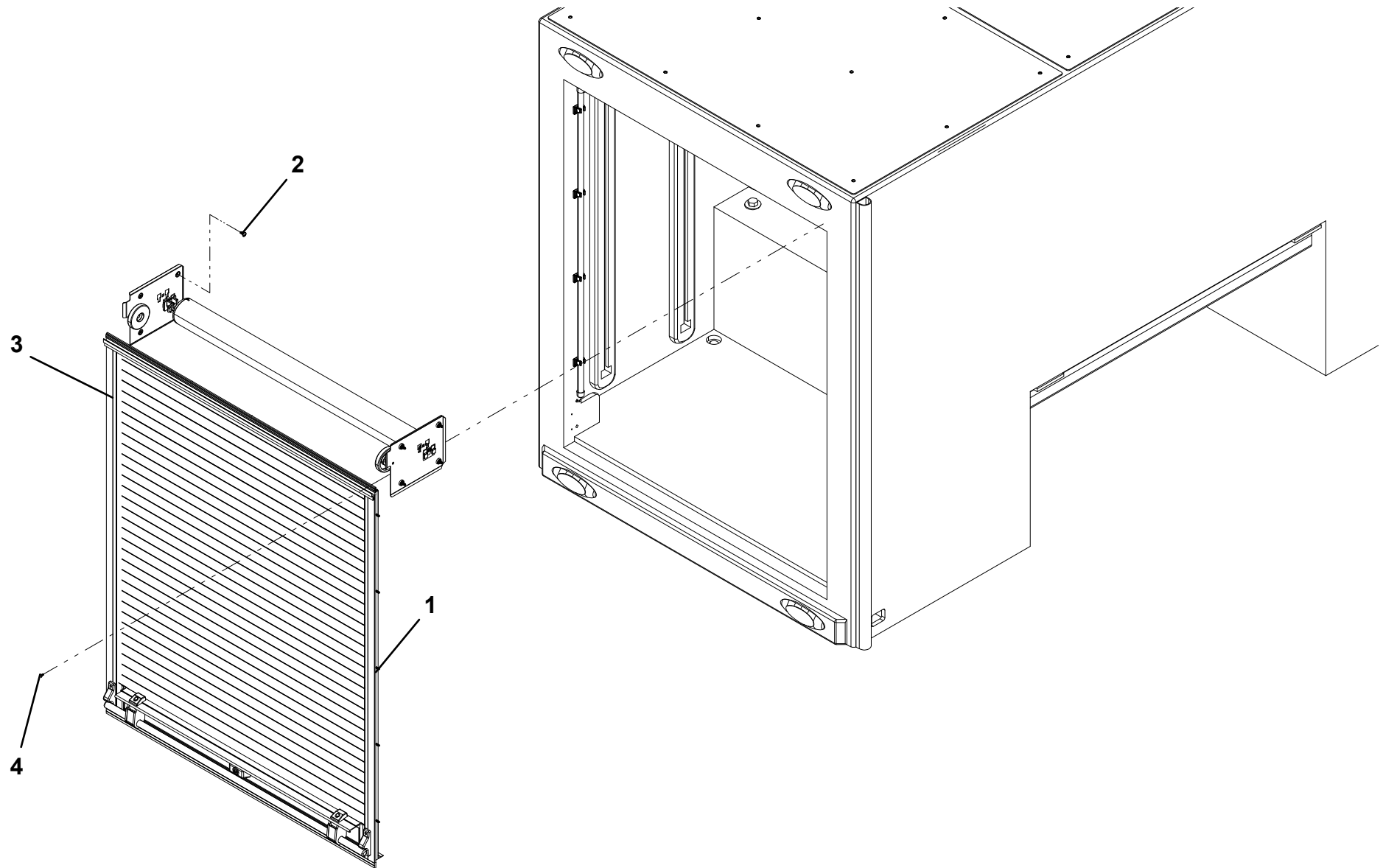
DOOR INSTALLATION - TRI-AXLE



DOOR INSTALLATION - 51" AND 49" TUNNEL TOOLBOX

ITEM	PART NO.	DESCRIPTION	QTY
		Painted	
1	1001192958	Screw, #10 X 0.50"	28
2	1001195257	Screw, 0.25" X 0.50"	16
3	1001197158	Door, 48.10" X 39.80"	2
4	1001198602	Screw, #8 X 0.38"	8
		Brushed	
1	1001192958	Screw, #10 X 0.50"	28
2	1001195257	Screw, 0.25" X 0.50"	16
3	1001186987	Door, 48.10" X 39.80"	2
4	1001198602	Screw, #8 X 0.38"	8

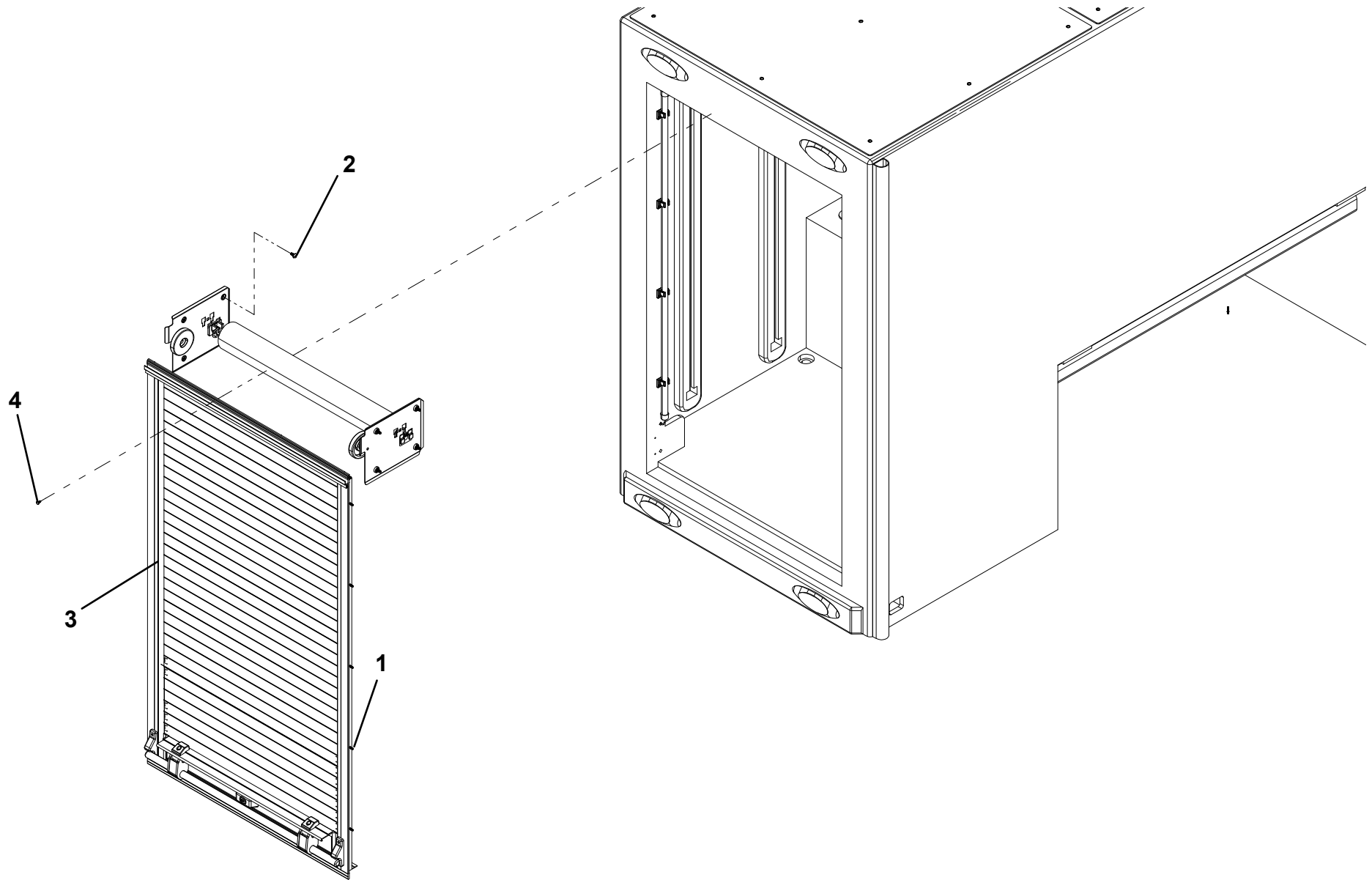
DOOR INSTALLATION - 51" AND 49 TUNNEL TOOLBOX



DOOR INSTALLATION - 39" AND 37" TUNNEL TOOLBOX

ITEM	PART NO.	DESCRIPTION	QTY
		Painted	
1	1001192958	Screw, #10 X 0.50"	28
2	1001195257	Screw, 0.25" X 0.50"	16
3	1001197181	Door, 48.10" X 27.80"	2
4	1001198602	Screw, #8 X 0.38"	8
		Brushed	
1	1001192958	Screw, #10 X 0.50"	28
2	1001195257	Screw, 0.25" X 0.50"	16
3	1001186986	Door, 48.10" X 27.80"	2
4	1001198602	Screw, #8 X 0.38"	8

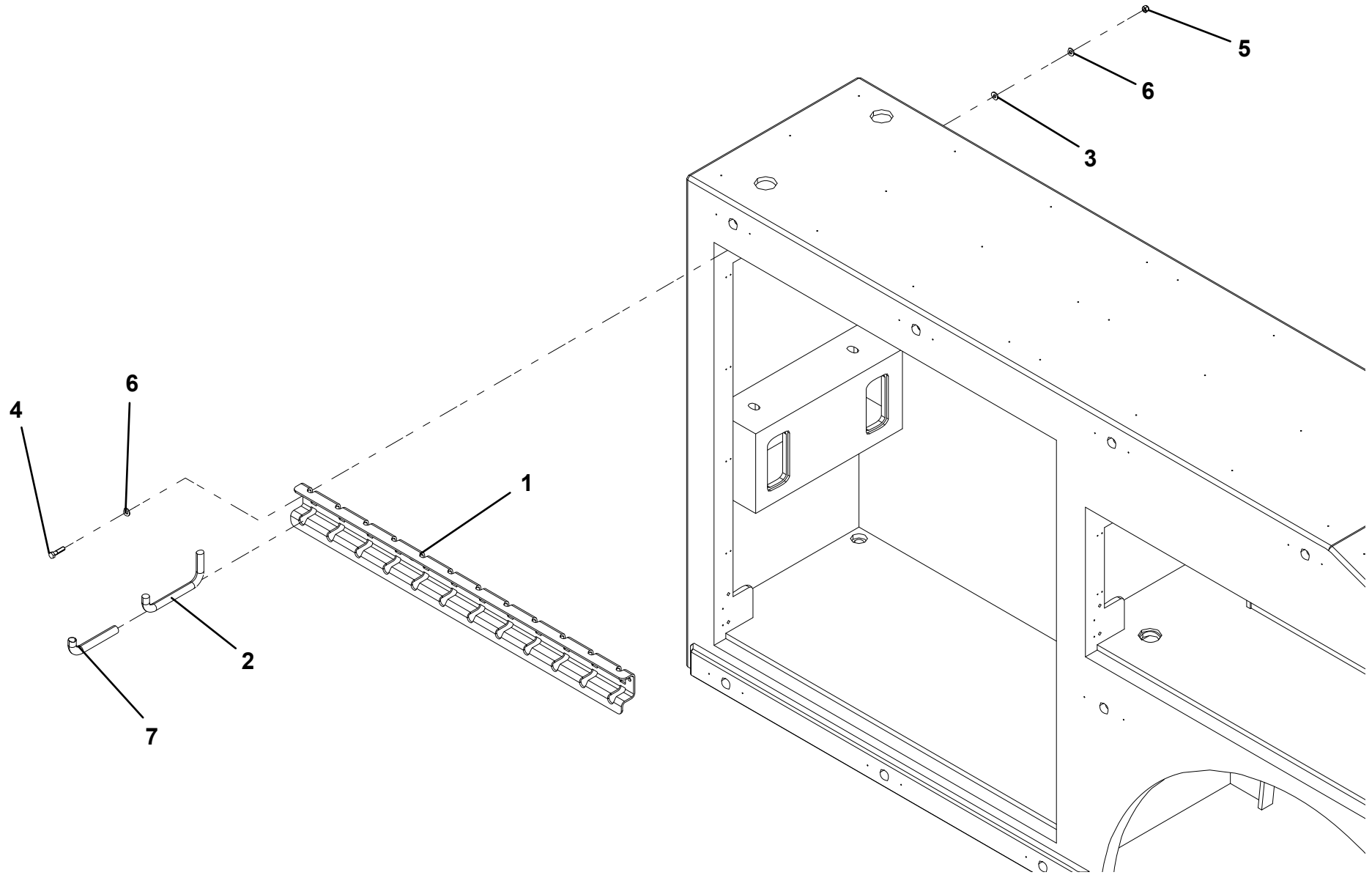
DOOR INSTALLATION - 39" AND 37" TUNNEL TOOLBOX



SHACKLE RACK INSTALLATION - TANDEM

ITEM	PART NO.	DESCRIPTION	QTY
1	1001164601	Bracket	2
2	1001164614	Shackle Hook	24
3	1001166974	Washer, 0.38" ID	10
4	1001168993	Screw, 0.38"-16 X 1.50"	10
5	7660162601	Locknut, 0.38"-16NC	10
6	7950160143	Flatwasher, 0.38" ID	20
7	7346000040	Tubing	3.7

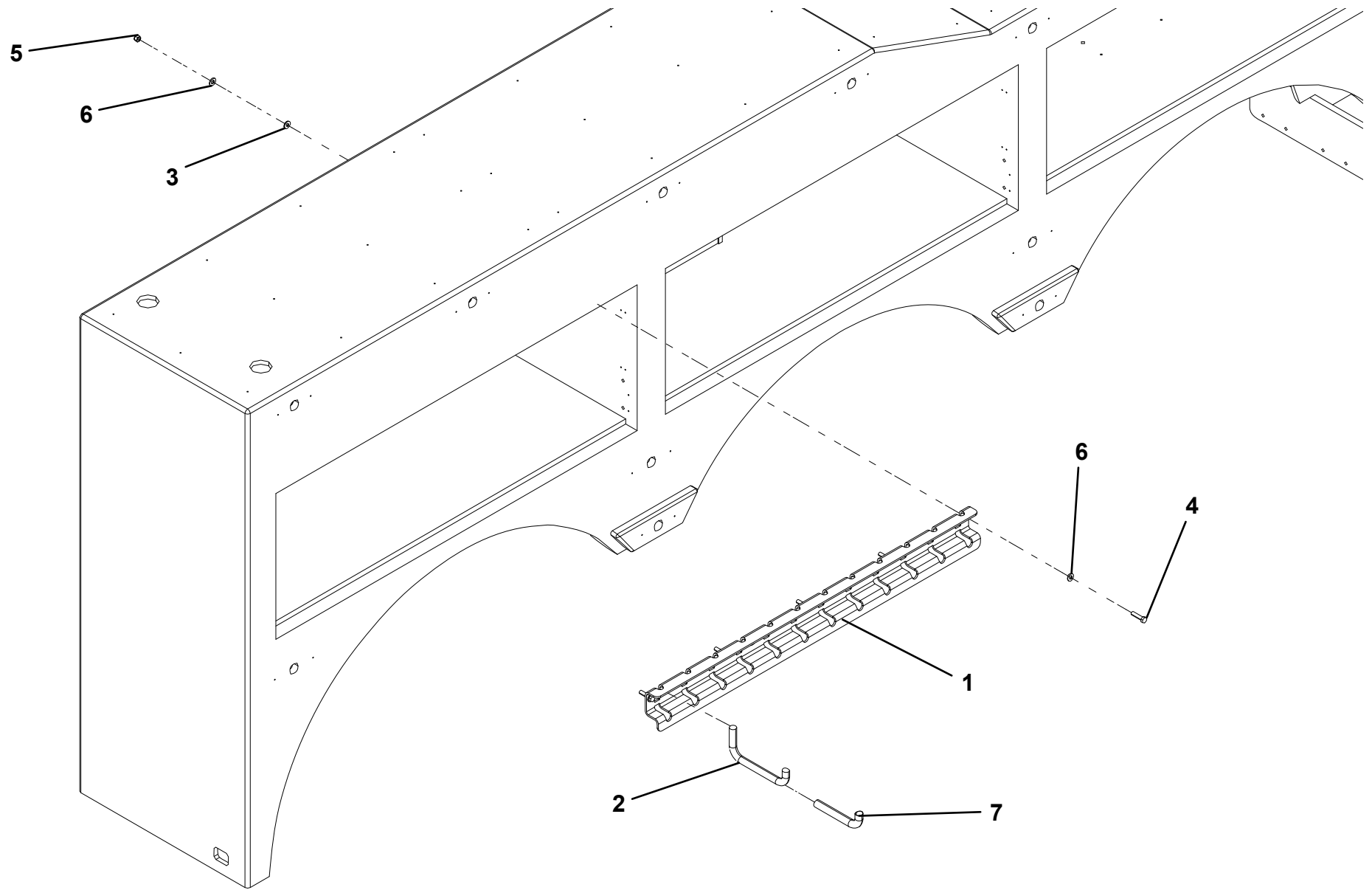
SHACKLE RACK INSTALLATION - TANDEM



SHACKLE RACK INSTALLATION - TRI-AXLE

ITEM	PART NO.	DESCRIPTION	QTY
1	1001164601	Bracket	2
2	1001164614	Shackle Hook	24
3	1001166974	Washer, 0.38" ID	10
4	1001168993	Screw, 0.38"-16 X 1.50"	10
5	7660162601	Locknut, 0.38"-16NC	10
6	7950160143	Flatwasher, 0.38" ID	20
7	7346000040	Tubing	3.7

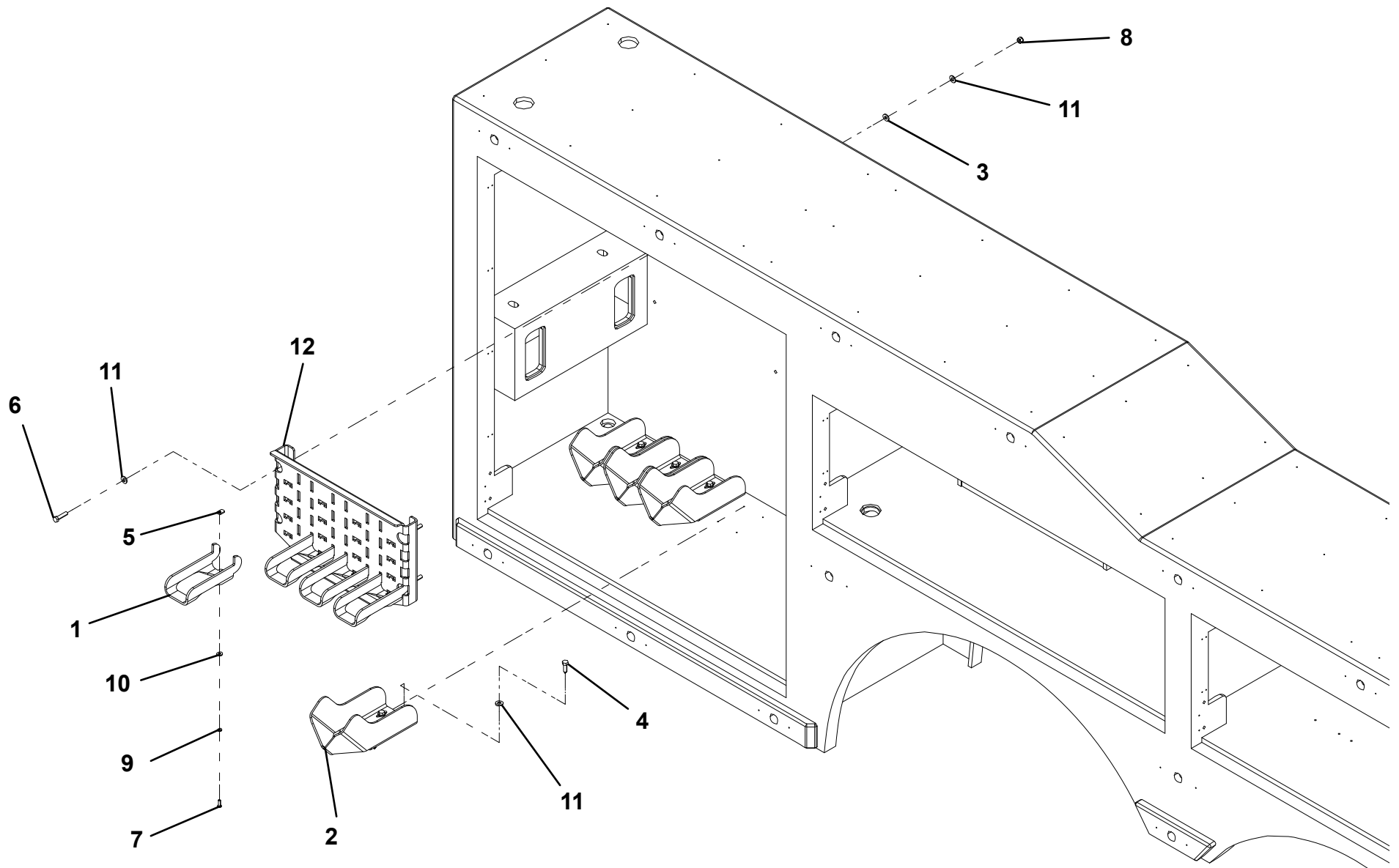
SHACKLE RACK INSTALLATION - TRI-AXLE



SNATCH BLOCK STORAGE INSTALLATION - TANDEM

ITEM	PART NO.	DESCRIPTION	QTY
1	1001164560	Bracket, Top	4
2	1001164562	Bracket, Bottom	4
3	1001166974	Washer, 0.38"	4
4	1001168545	Screw, 0.38" X 1.25"	16
5	1001168733	Nut, 0.25"-20	4
6	1001168993	Screw, 0.38"-16 X 1.50"	4
7	7114140618	Nut, 0.25"-20 X 0.75"	4
8	7660162601	Locknut, 0.38"-16NC	4
9	7950140003	Lockwasher, 0.25" ID	4
10	7950140143	Flatwasher, 0.25" ID	4
11	7950160143	Flatwasher, 0.38" ID	24
12	1001201112	Bracket	1

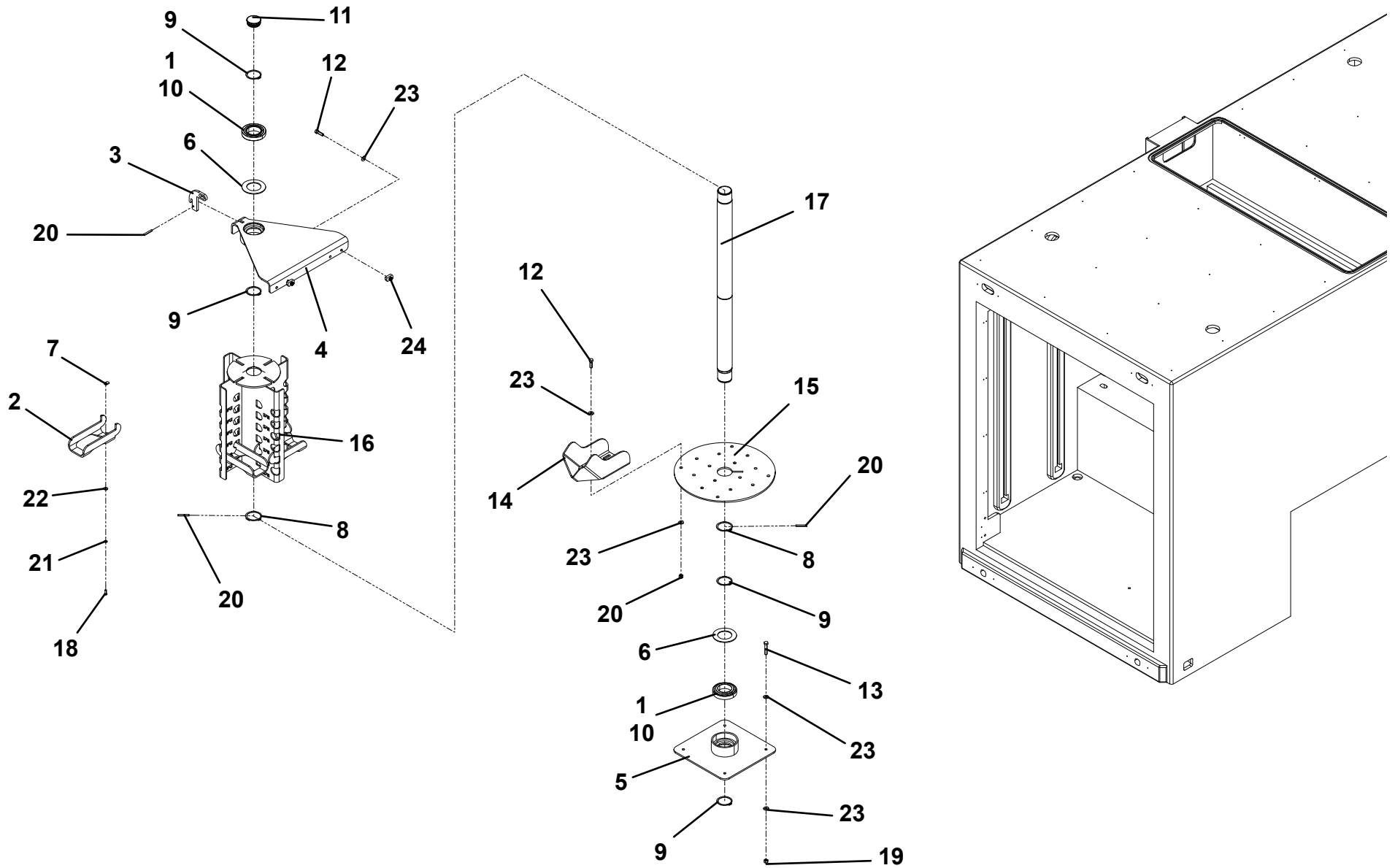
SNATCH BLOCK STORAGE INSTALLATION - TANDEM



SNATCH BLOCK STORAGE INSTALLATION - TRI-AXLE

ITEM	PART NO.	DESCRIPTION	QTY
1	3020029	Lube, Bearing Grease	A/R
2	1001164560	Bracket, Top	4
3	1001165564	Plate	1
4	1001165570	Bracket	1
5	1001165571	Bracket	1
6	1001165584	Plate	2
7	1001168733	Nut, 0.25"-20	4
8	1001169063	Retaining Ring	2
9	1001169064	Retaining Ring	4
10	1001169076	Bearing	2
11	1001169078	Plug	1
12	1001169080	Screw, 0.38"-16 X 1.25"	18
13	1001169083	Screw, 0.38"-16 X 2.00"	4
14	1001190342	Bracket	4
15	1001190359	Support	1
16	1001190361	Bracket	1
17	1001192126	Tube	1
18	7114140618	Bolt, 0.25"-20 X 0.75"	4
19	7660162601	Locknut, 0.38"-16NC	20
20	7690142845	Pin	3
21	7950140003	Lockwasher, 0.25" ID	4
22	7950140143	Flatwasher, 0.25" ID	4
23	7950160143	Flatwasher, 0.38" ID	42
24	1001166644	Nut, 0.38"-16	2

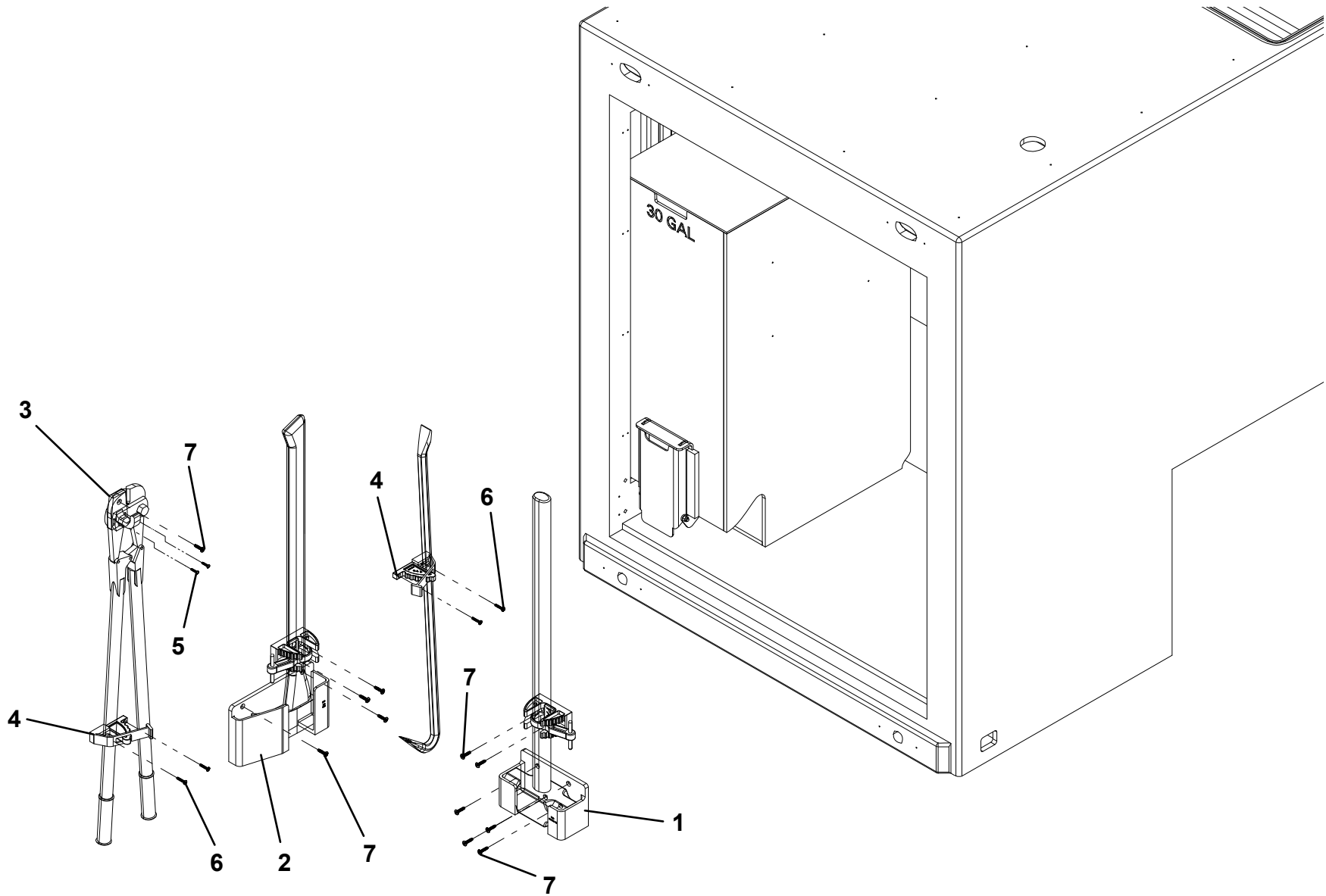
SNATCH BLOCK STORAGE INSTALLATION - TRI-AXLE



TOOL STORAGE

ITEM	PART NO.	DESCRIPTION	QTY
1	1001201215	Bracket	1
2	1001201216	Bracket	1
3	1001201217	Bracket	2
4	1001201218	Bracket	2
5	1001196552	Screw, #8 x 0.75"	4
6	1001210868	Screw, #10 x 0.75"	10
7	1001201367	Screw, 0.25" x 1.00"	6

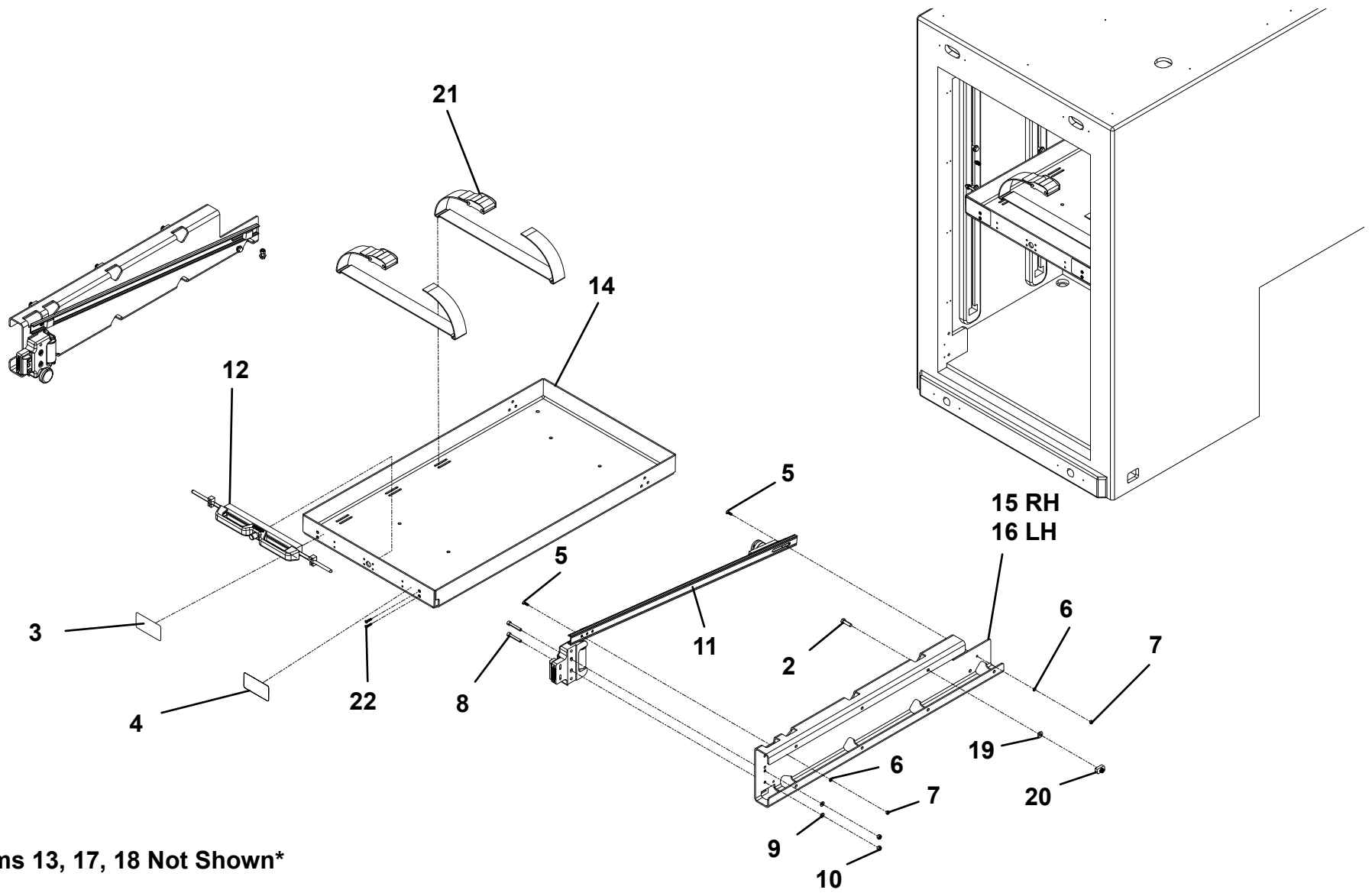
TOOL STORAGE



TILT DOWN STORAGE TRAY

ITEM	PART NO.	DESCRIPTION	QTY
1	3020029	Bearing Grease	A/R
2	1001169080	Screw, 0.38"-16 X 1.25"	12
3	1001170090	Decal	1
4	1001170091	Decal	1
5	1001170305	Bolt, #6-20	4
6	1001170307	Washer, M6 ID	4
7	1001170310	Nut, M6	4
8	1001170328	Screw, M8-50	4
9	1001170329	Washer, M8 ID	4
10	1001170330	Nut, M8	4
11	1001170331	Roller Assembly	1
12	1001170332	Latch	1
13	1001179349	Strap	2
14	1001197693	Tilt-Down Drawer	1
15	1001183735	Bracket, RH	1
16	1001183736	Bracket, LH	1
17	7114160850	Screw, 0.38"-16 X 1.00"	4
18	7660162601	Locknut, 0.38"-16NC	4
19	7950160141	Flatwasher, 0.38" ID	16
20	1001166644	Nut, 0.38"-16	12
21	1001170428	Strap	2
22	1001200997	Screw, M5X25	4

TILT DOWN STORAGE TRAY

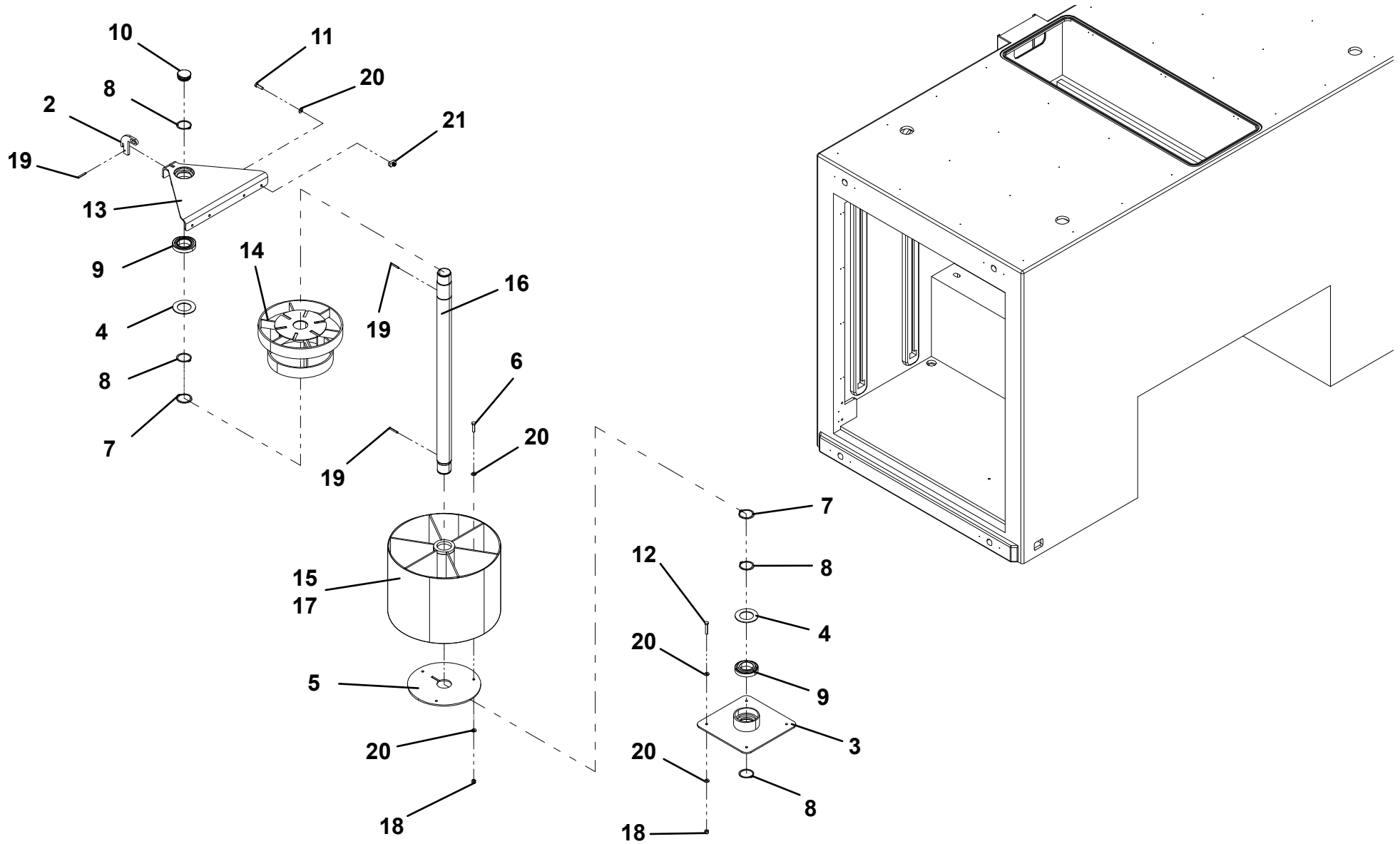


Items 13, 17, 18 Not Shown

ROTARY CHAIN RACK

ITEM	PART NO.	DESCRIPTION	QTY
1	3020029	Bearing Grease	1
2	1001165564	Plate	1
3	1001165571	Bracket	1
4	1001165584	Plate	2
5	1001165652	Support	1
6	1001168993	Screw, 0.38"-16 X 1.50"	3
7	1001169063	Retaining Ring	2
8	1001169064	Retaining Ring	4
9	1001169076	Bearing	2
10	1001169078	Plug	1
11	1001169080	Screw, 0.38"-16 X 1.25"	2
12	1001169083	Screw, 0.38"-16 X 2.00"	4
13	1001190218	Bracket	1
14	1001190223	Bracket	1
15	1001190228	Tray	1
16	1001190265	Tube	1
17	7330000535	Decal	1
18	7660162604	Locknut, 0.38"-16 NC	7
19	7690142845	Pin	3
20	7950160143	Flatwasher, 0.38" ID	16
21	1001166644	Nut, 0.38"-16	2

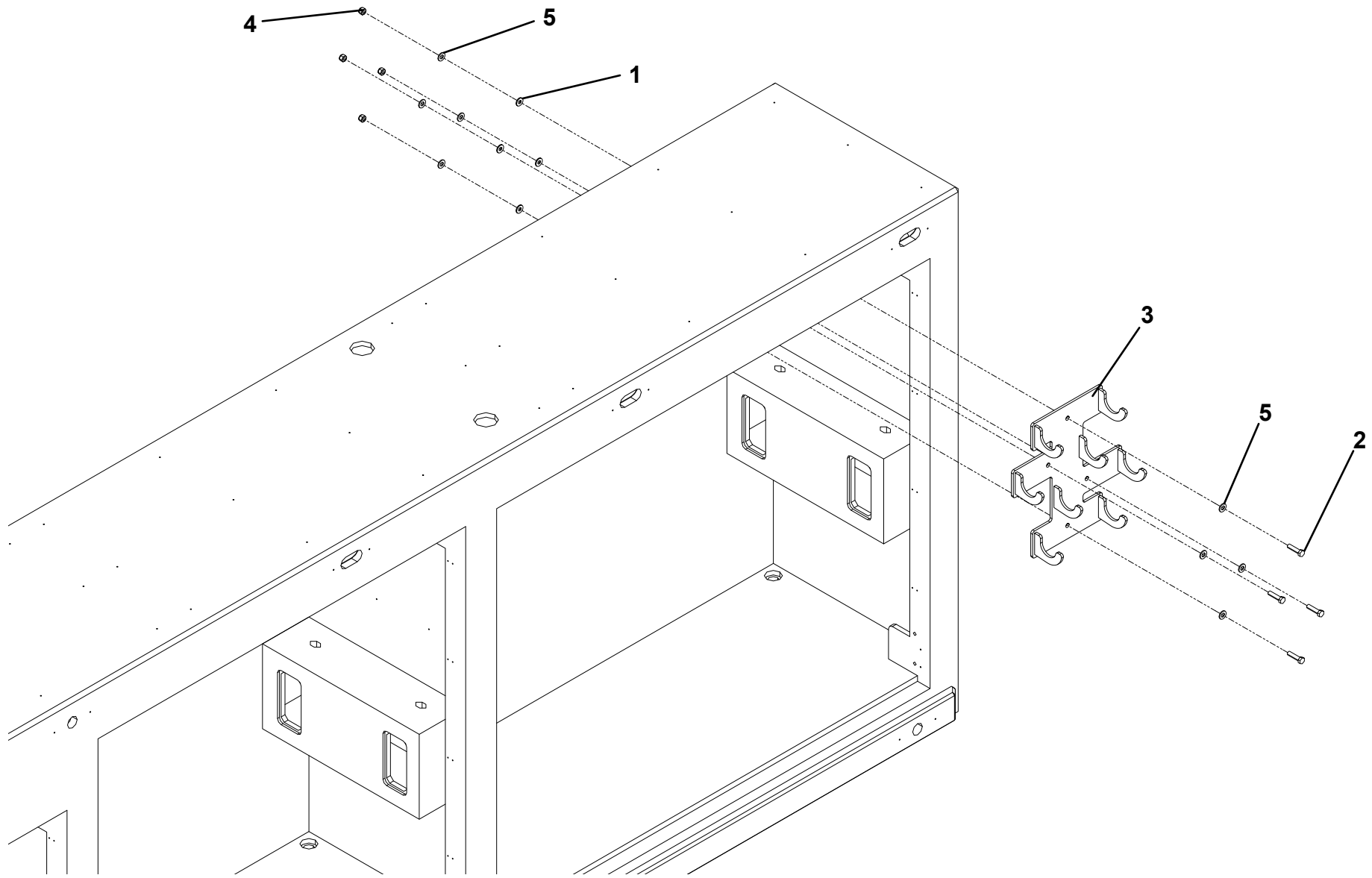
ROTARY CHAIN RACK



CHAIN BINDER INSTALLATION

ITEM	PART NO.	DESCRIPTION	QTY
1	1001166974	Washer, 0.38" ID	4
2	1001168993	Screw, 0.38"-16 x 1.50"	4
3	1001207599	Plate	1
4	7660162601	Locknut, 0.38" - 16NC	4
5	7950160143	Flatwasher, 0.38"ID	8

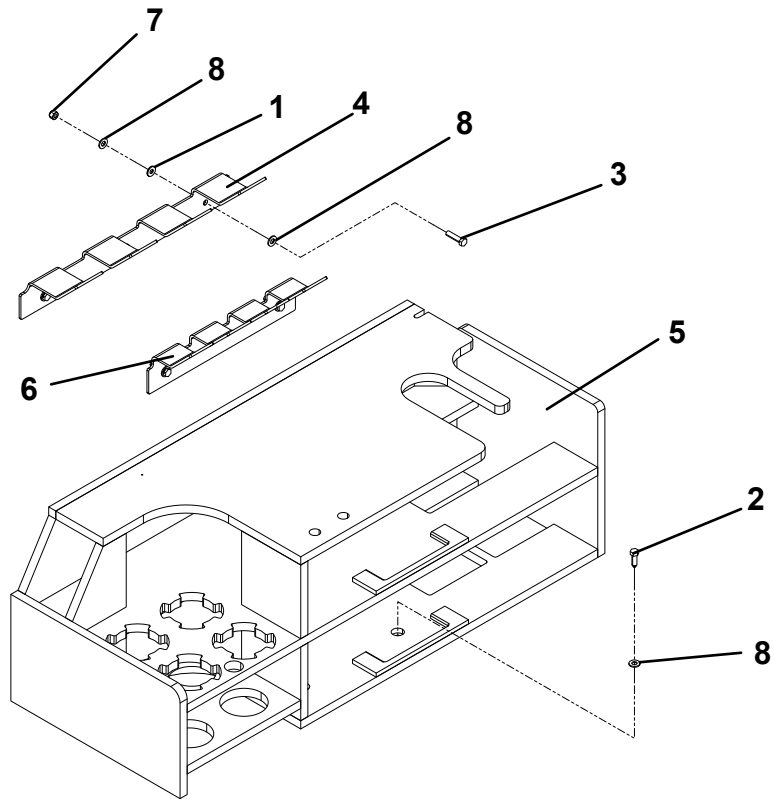
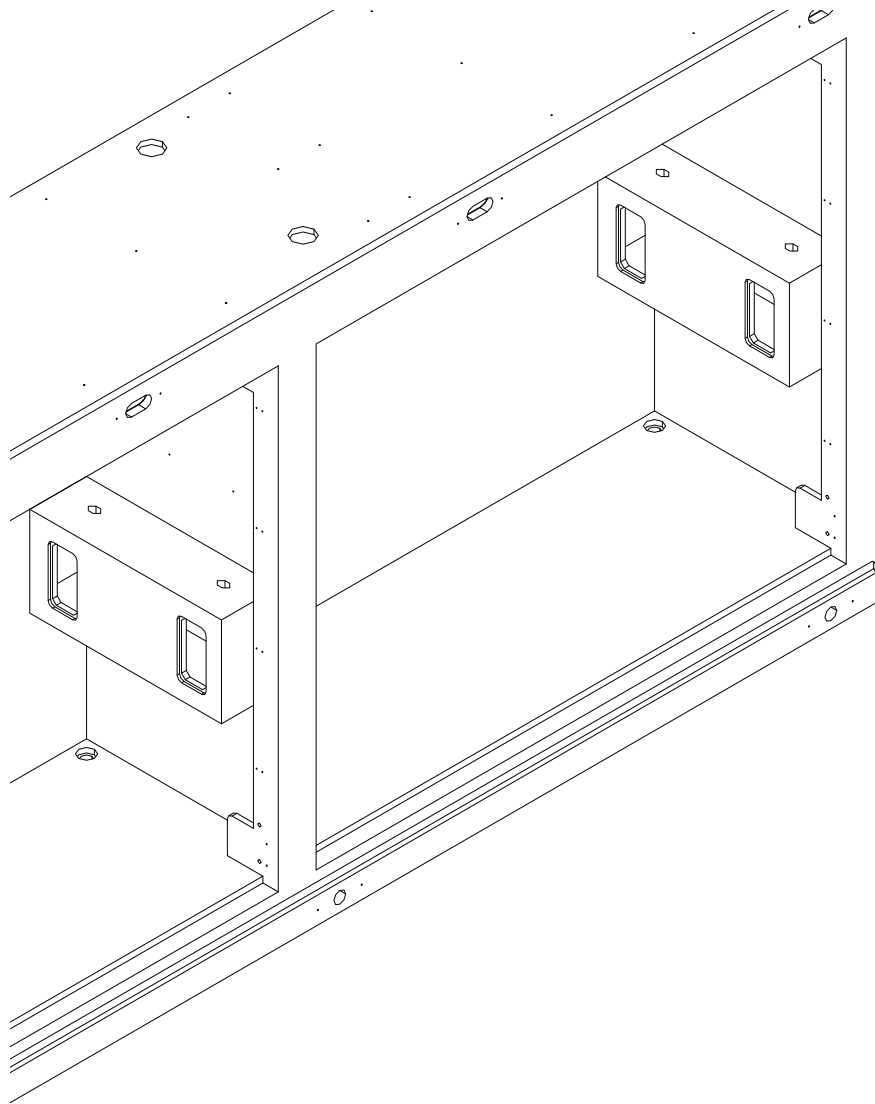
CHAIN BINDER INSTALLATION



TIRE LIFT STORAGE - TANDEM BODY

ITEM	PART NO.	DESCRIPTION	QTY
1	1001166974	Washer, 0.38" ID	5
2	1001168545	Capscrew, 0.38" - 16NC x 1.25"	4
3	1001168993	Capscrew, 0.38" - 16NC x 1.50"	5
4	1001182248	Bracket	1
5	1001190409	Bus Arm Storage	1
6	1001207624	Bracket	1
7	7660162601	Locknut, 0.38" - 16NC	5
8	7950160143	Flatwasher, 0.38" ID	14

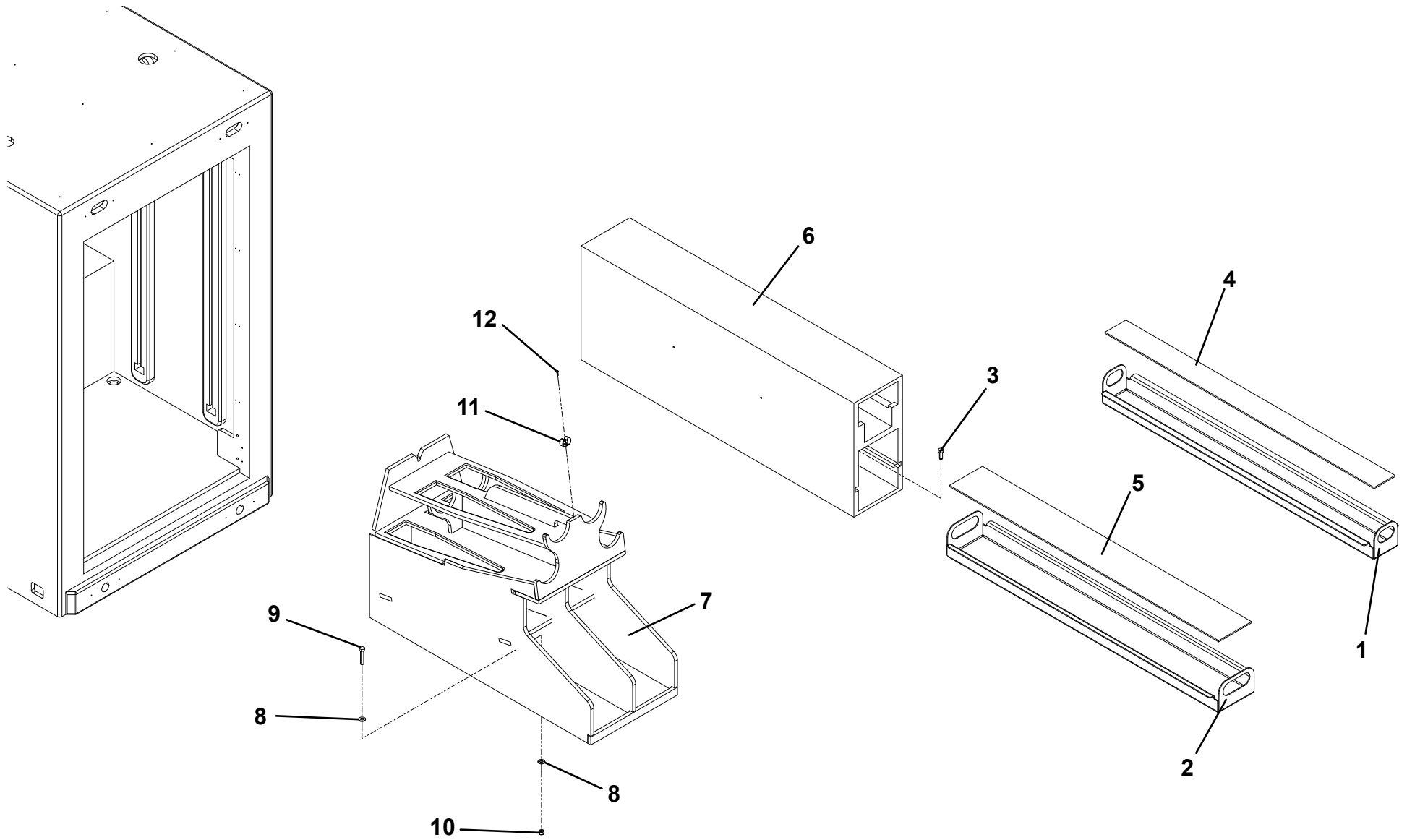
TIRE LIFT STORAGE - TANDEM BODY



TIRE LIFT STORAGE - 39" AND 37" TOOLBOX

ITEM	PART NO.	DESCRIPTION	QTY
1	1001165862	Tray, Small	1
2	1001165863	Tray, Large	1
3	1001168545	Screw, 0.38" X 1.25"	4
4	1001170968	Pad, Small	1
5	1001170970	Pad, Large	1
6	1001170971	Bracket	1
7	1001192287	Storage	1
8	7950160143	Flatwasher, 0.38" ID	8
9	7115161650	Capscrew, 0.38" - 16NC x 2.00"	4
10	7660162601	Locknut, 0.38" - 16NC	4
11	1380135	Clip	1
12	3900339	Screw, #6 - 19NC x 0.50"	1

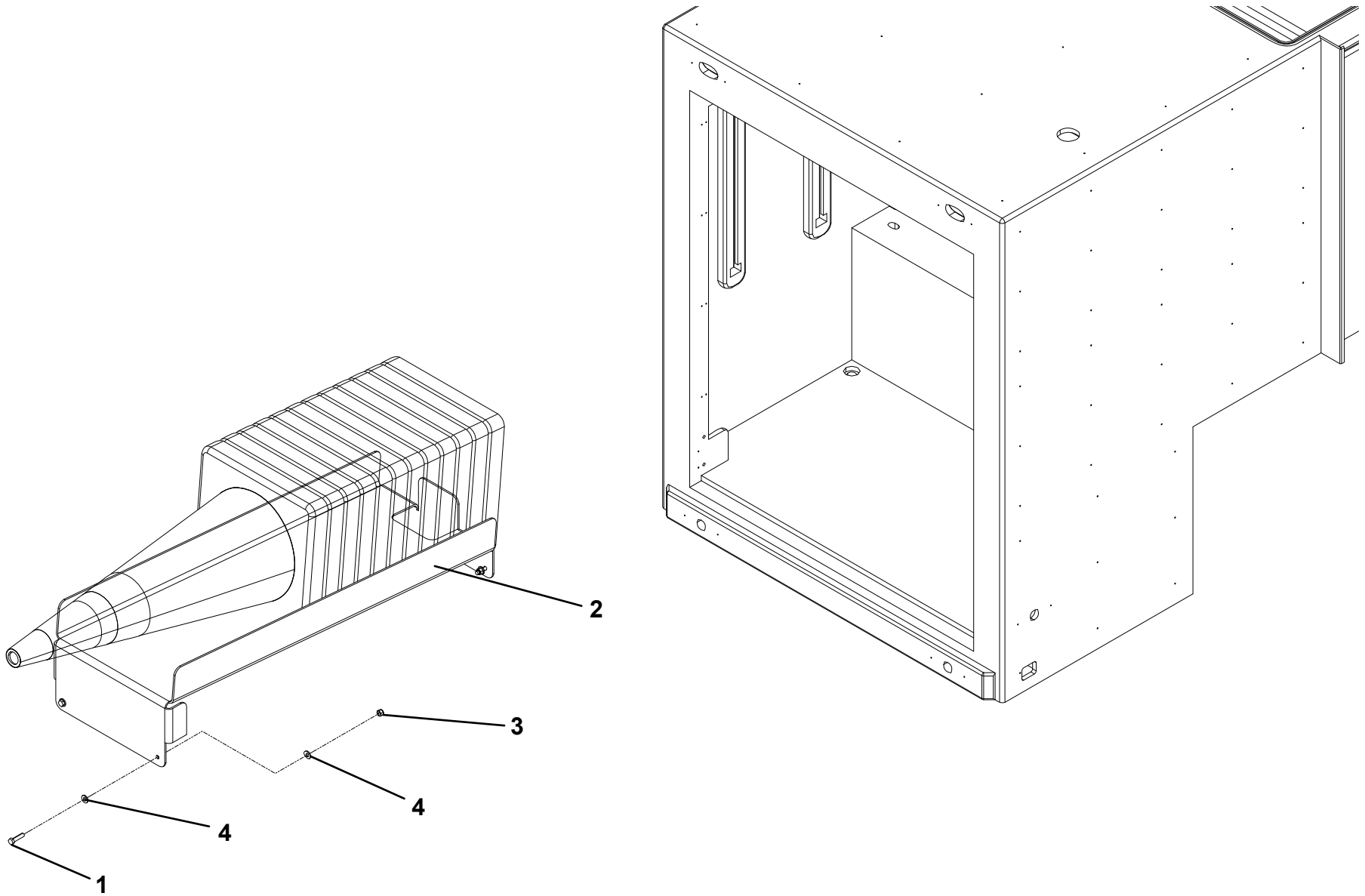
TIRE LIFT STORAGE - 39" AND 37" TOOLBOX



TRAFFIC CONE STORAGE

ITEM	PART NO.	DESCRIPTION	QTY
1	1001168993	Screw, 0.38"-16 x 1.50"	4
2	1001190551	Bracket	1
3	7660162601	Locknut, 0.25"-20	4
4	7950160143	Flatwasher, 0.38" ID	8

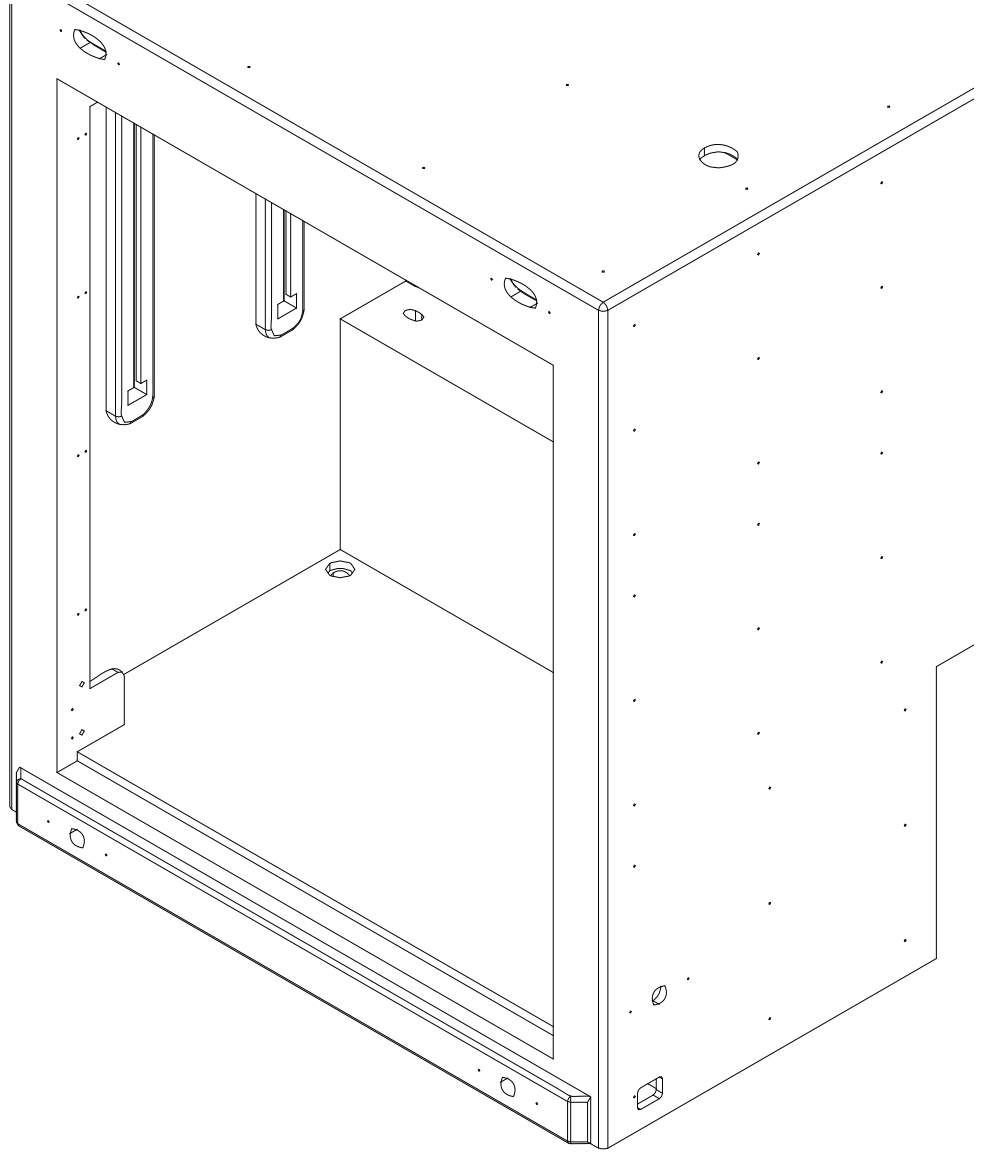
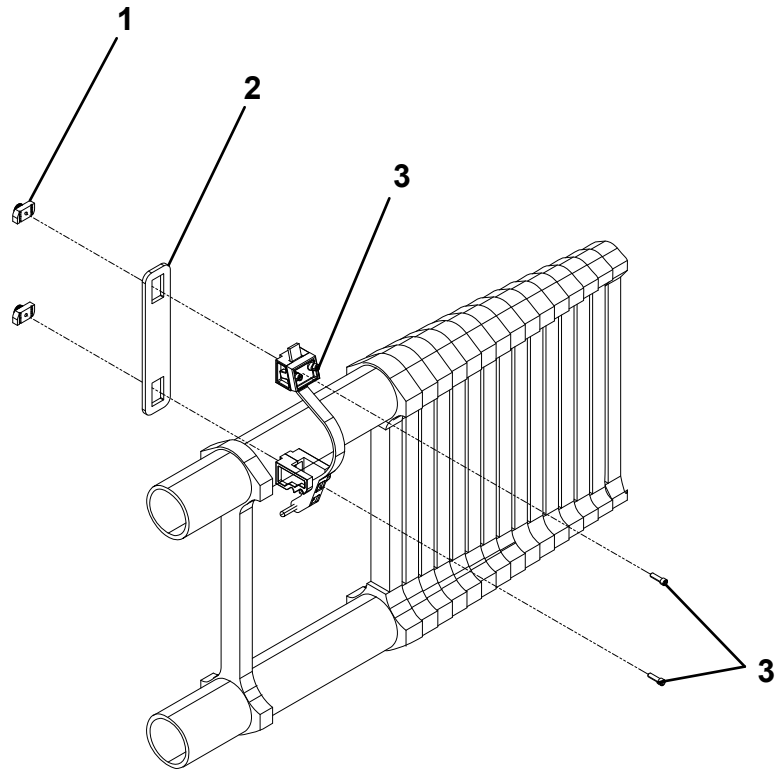
TRAFFIC CONE STORAGE



LADDER STORAGE

ITEM	PART NO.	DESCRIPTION	QTY
1	1001183037	Nut, 0.25"-20	2
2	1001201523	Plate	1
3	1001201534	Bracket	1

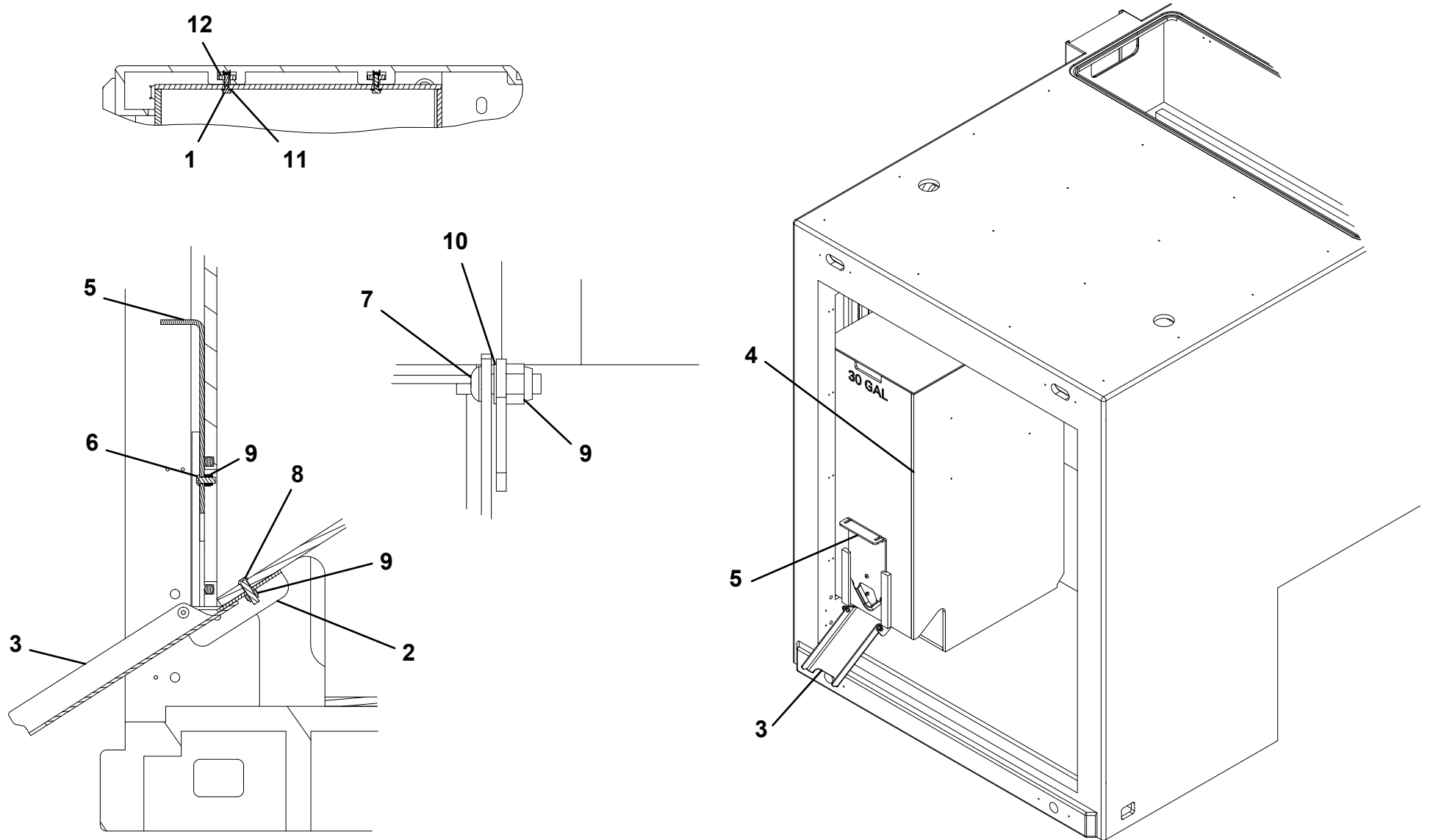
LADDER STORAGE



STAY DRY SILO INSTALLATION

ITEM	PART NO.	DESCRIPTION	QTY
1	1001169080	Screw, 0.38"-16 X 1.25"	4
2	1001190050	Bracket	1
3	1001190055	Bracket	1
4	1001190128	Container	1
5	1001190148	Cover	1
6	7114140518	Screw, 0.25"-20 X 0.625"	1
7	7114140618	Screw, 0.25"-20 X 0.75"	2
8	7114140818	Capscrew, 0.25"-20 X 1.00"	3
9	7660142600	Locknut, 0.25"-20NC	6
10	7949000056	Washer, 0.27" ID	2
11	7950160143	Flatwasher, 0.38" ID	4
12	1001166644	Nut, 0.38"-16 UNC	4

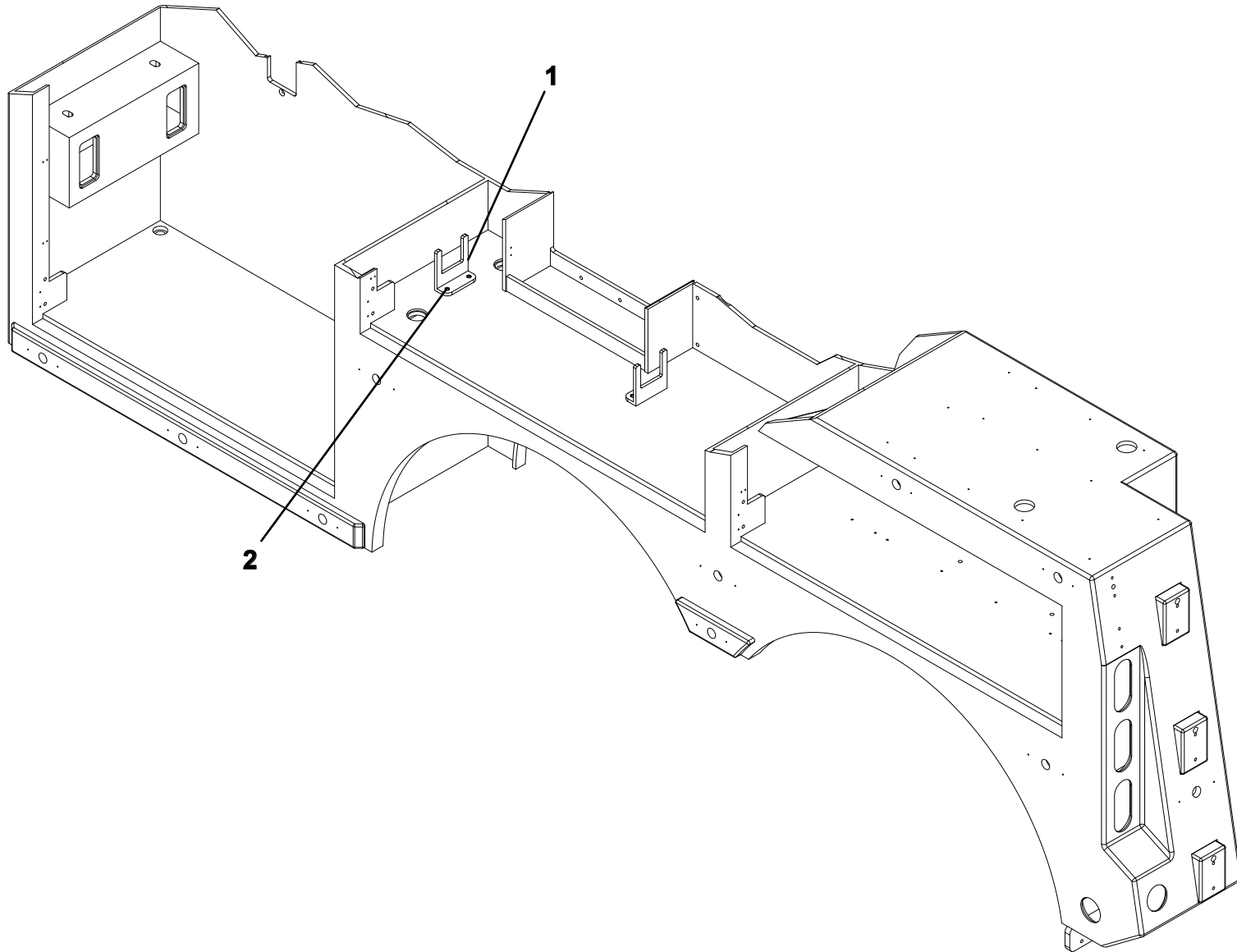
STAY DRY SILO INSTALLATION



TOW LIGHT STORAGE

ITEM	PART NO.	DESCRIPTION	QTY
1	1001170618	Bracket	2
2	1001195523	Screw, 0.25" x 1.00"	4

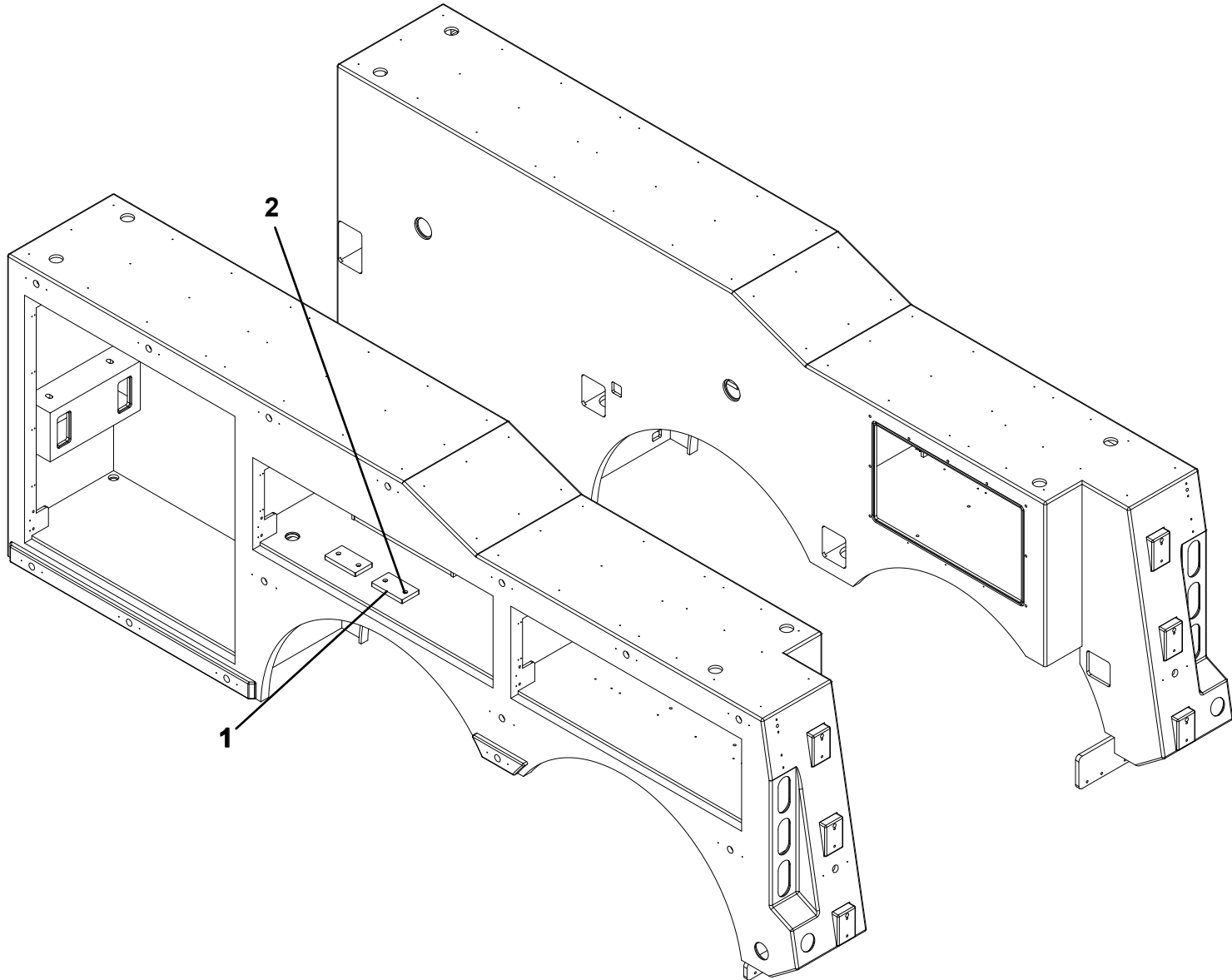
TOW LIGHT STORAGE



WHEEL CHOCK STORAGE

ITEM	PART NO.	DESCRIPTION	QTY
1	1001170707	Wheel Chock Stop	4
2	1001195523	Screw, 0.25" x 1.00"	8

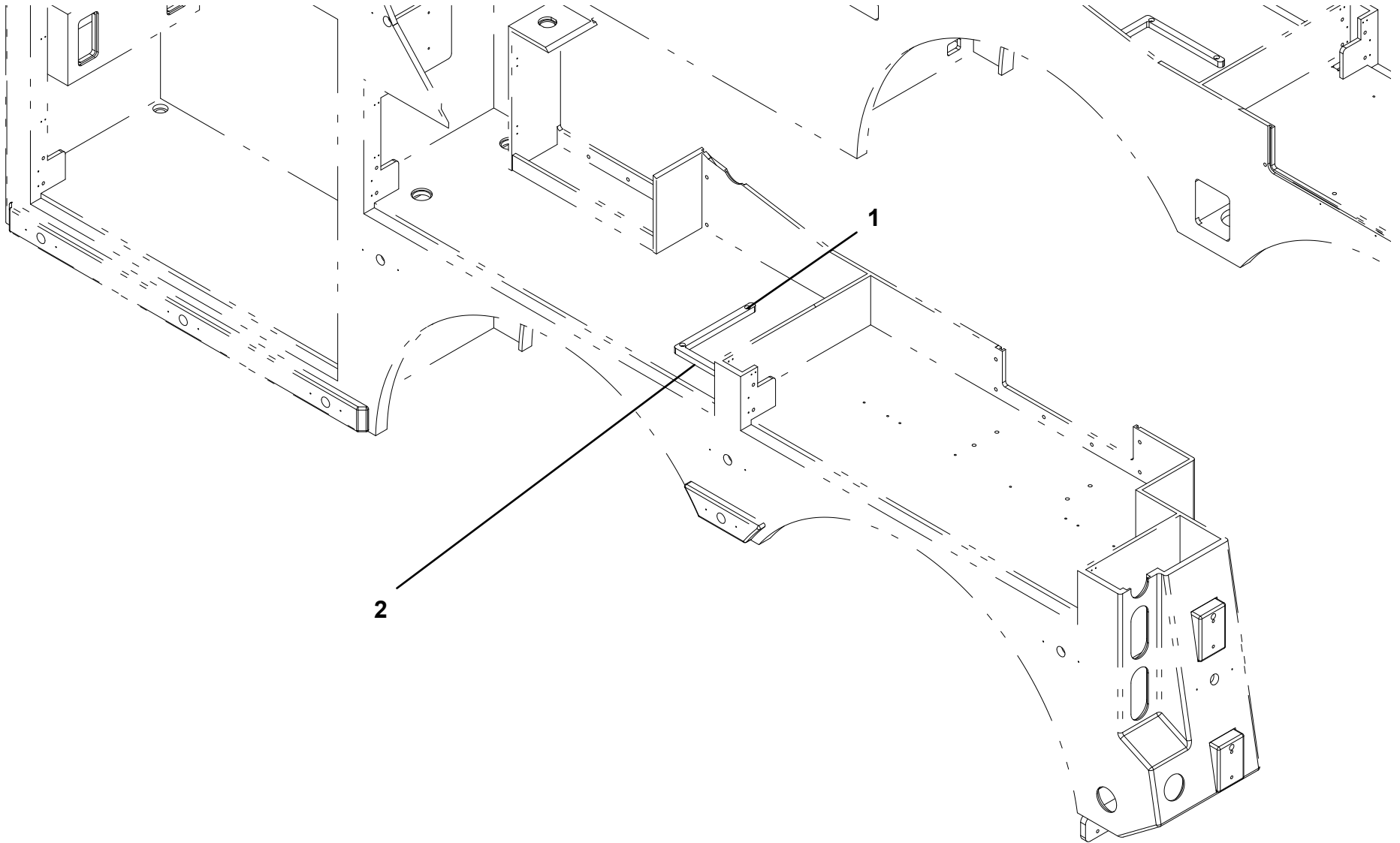
WHEEL CHOCK STORAGE



FLARE STORAGE

ITEM	PART NO.	DESCRIPTION	QTY
1	1001195523	Screw, 0.25" x 1.00"	8
2	1001201695	Bracket	2

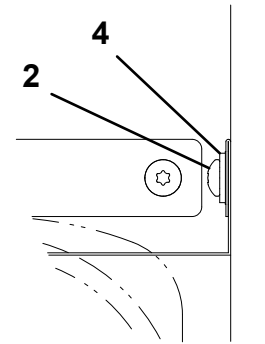
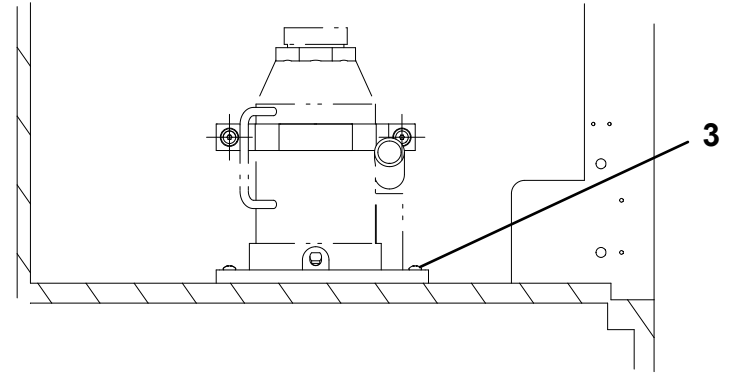
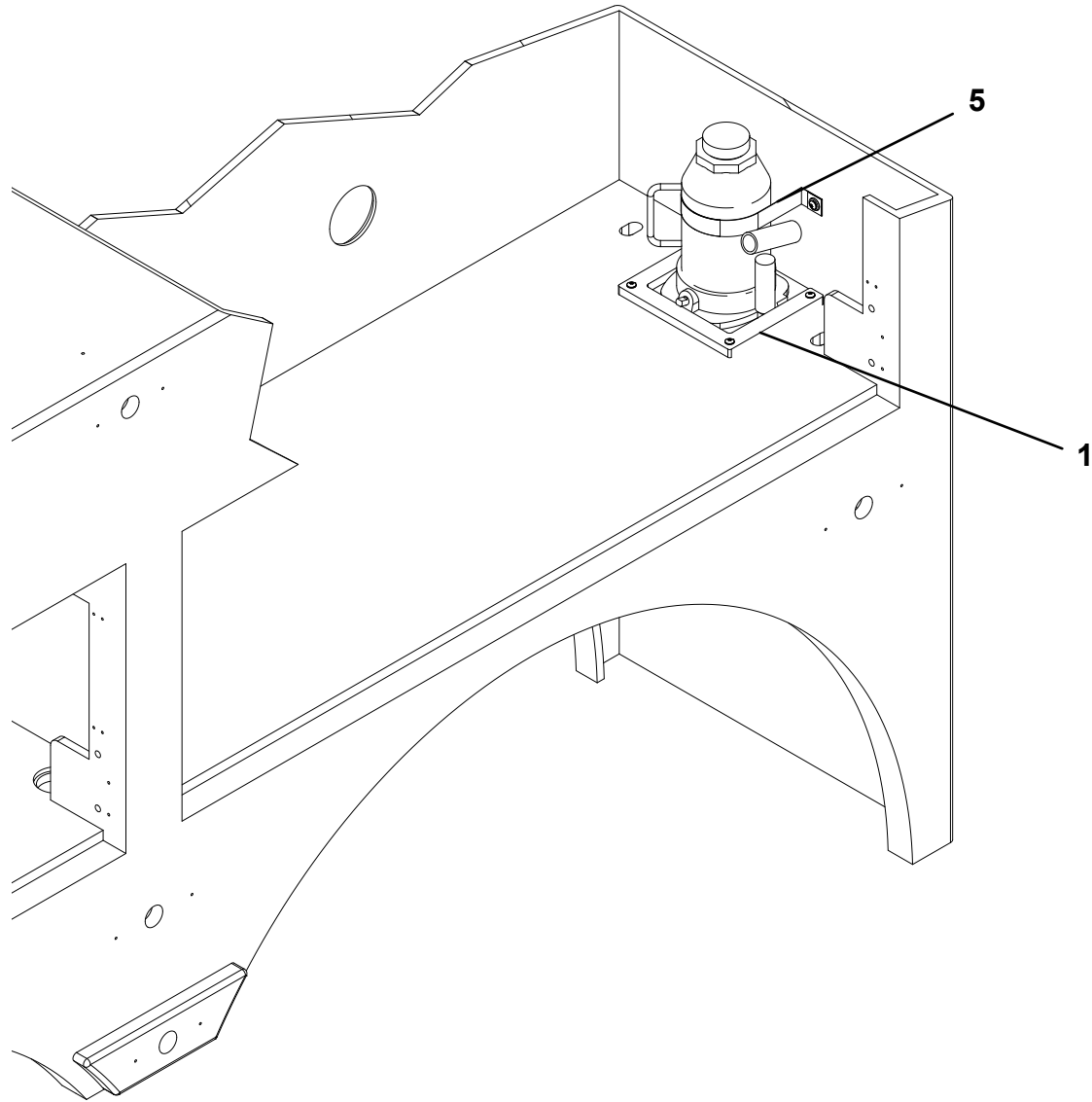
FLARE STORAGE



BOTTLE JACK STORAGE

ITEM	PART NO.	DESCRIPTION	QTY
1	1001170839	Bracket	1
2	1001195257	Screw, 0.25" x 0.50"	2
3	1001195523	Screw, 0.25" x 1.00"	4
4	7950140143	Flatwasher, 0.25" ID	2
5	1001167268	Strap	2

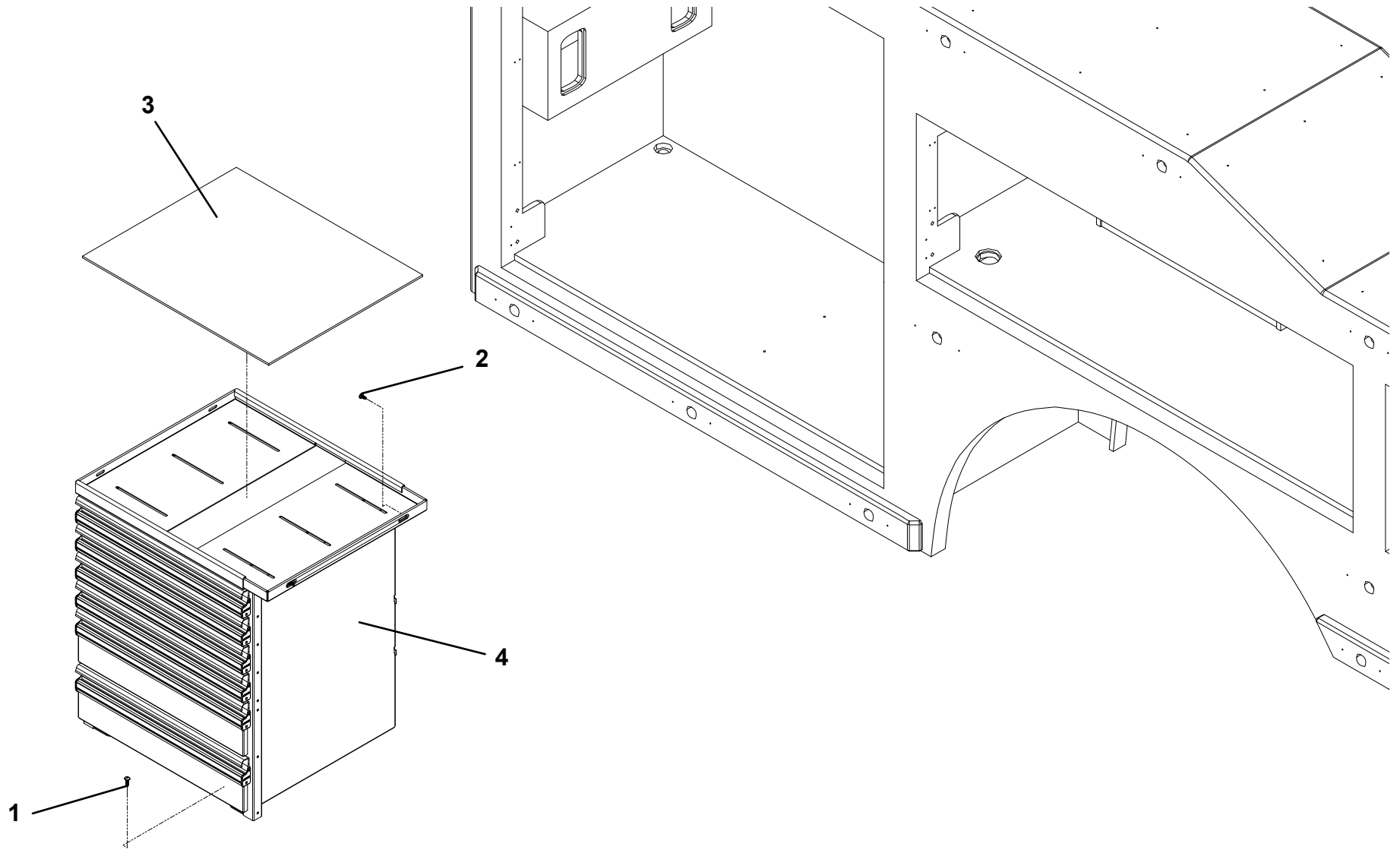
BOTTLE JACK STORAGE



TOOL DRAWER INSTALLATION - TANDEM

ITEM	PART NO.	DESCRIPTION	QTY
1	1001194676	Screw, 0.25" x 0.75"	6
2	1001195257	Screw, 0.25" x 0.50"	8
3	1001195279	Pad	1
4	1001190410	ToolBox	1

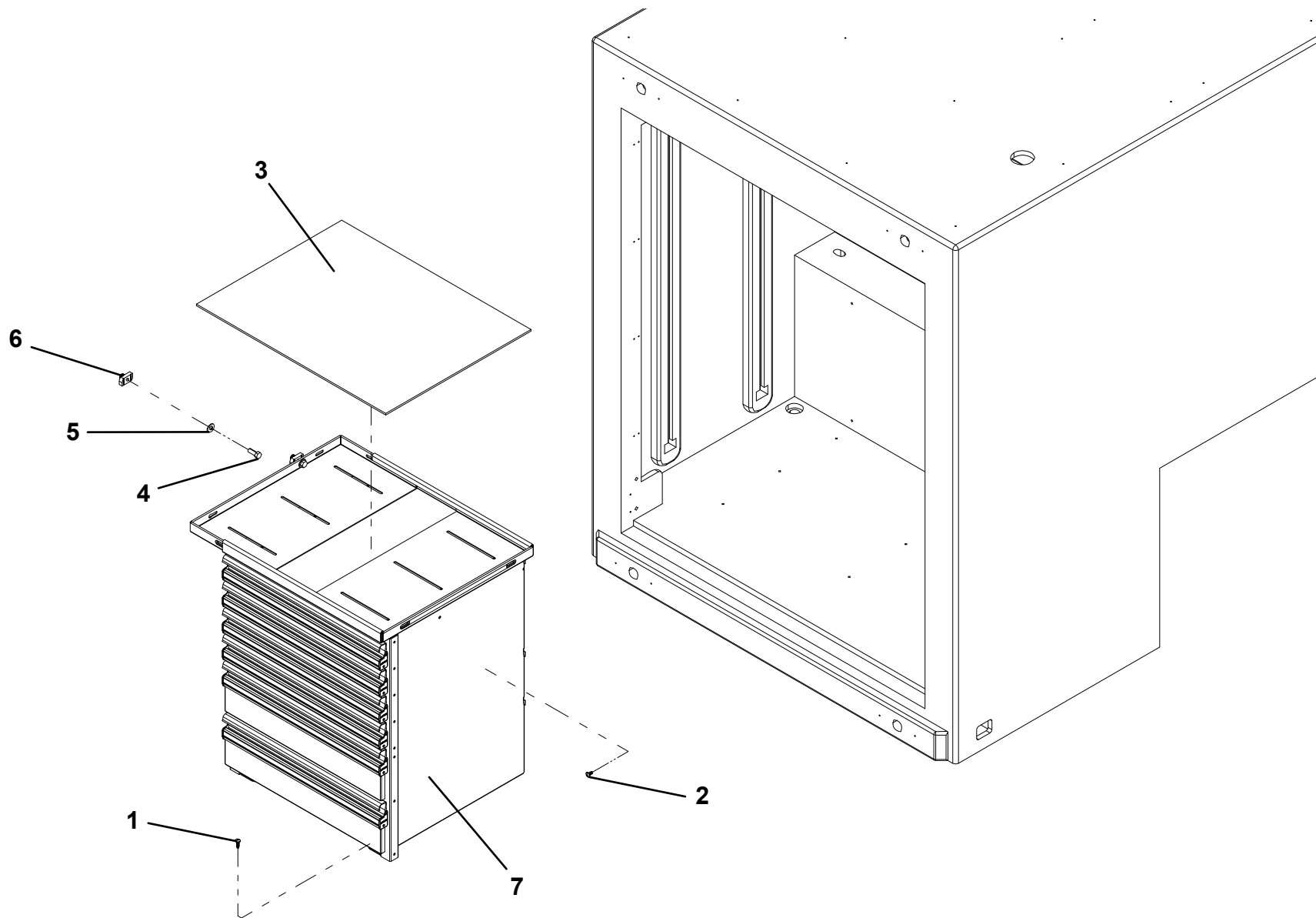
TOOL DRAWER INSTALLATION - TANDEM



TOOL DRAWER INSTALLATION - TRI-AXLE

ITEM	PART NO.	DESCRIPTION	QTY
1	1001194676	Screw, 0.25" x 0.75"	6
2	1001195257	Screw, 0.25" x 0.50"	4
3	1001195341	Pad	1
4	7114140818	Capscrew, 0.25" - 20NC x 1.00"	2
5	7950160143	Flatwasher, 0.38" ID	2
6	1001183037	Nut, 0.25" - 20NC	2
7	1001190410	ToolBox	1

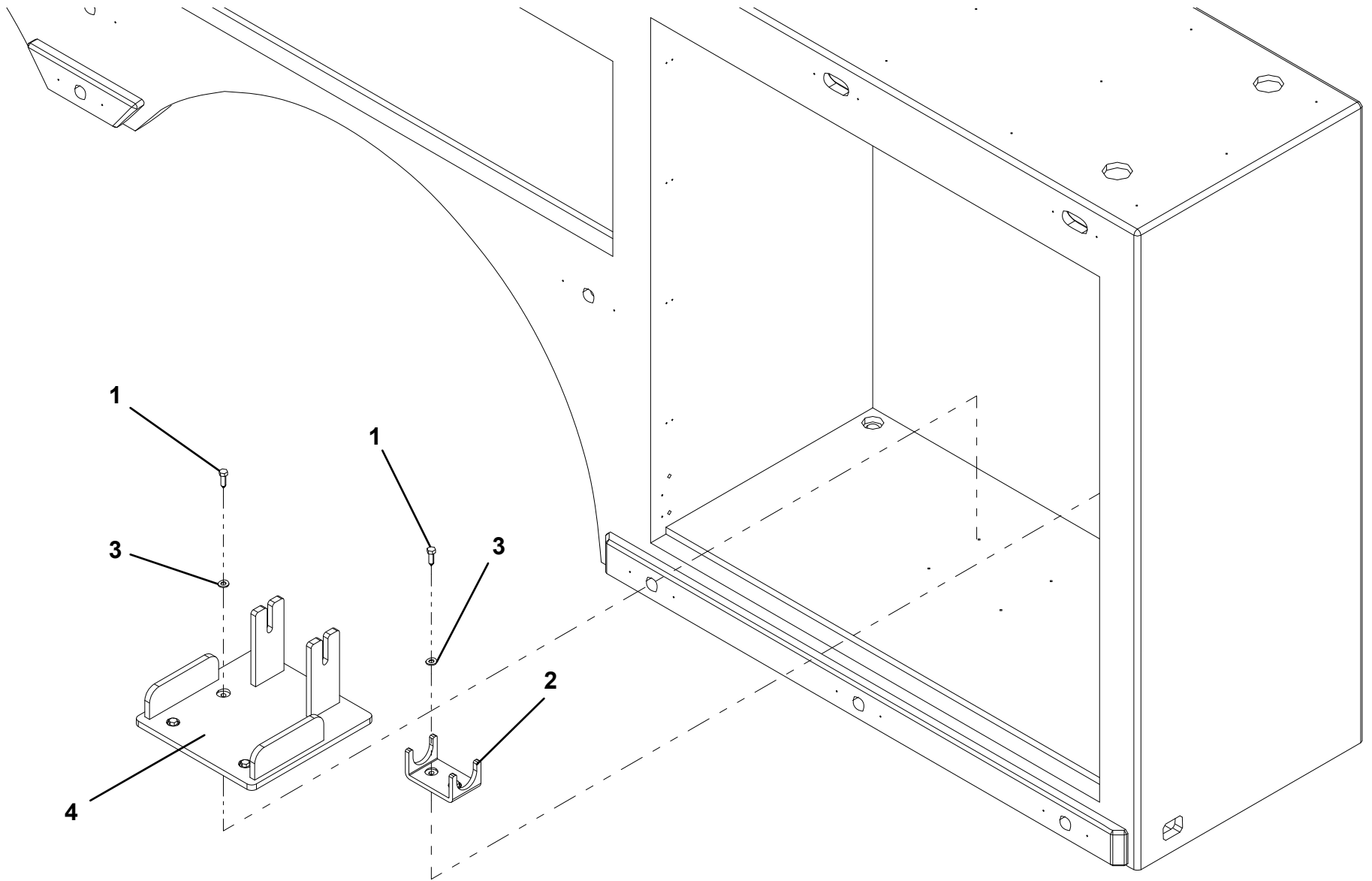
TOOL DRAWER INSTALLATION - TRI-AXLE



FIFTH WHEEL STORAGE INSTALLATION

ITEM	PART NO.	DESCRIPTION	QTY
1	1001168545	Screw, 0.38" x 1.25"	6
2	1001190568	Bracket	1
3	7950160143	Flatwasher, 0.38" ID	6
4	1001191810	Bracket	1

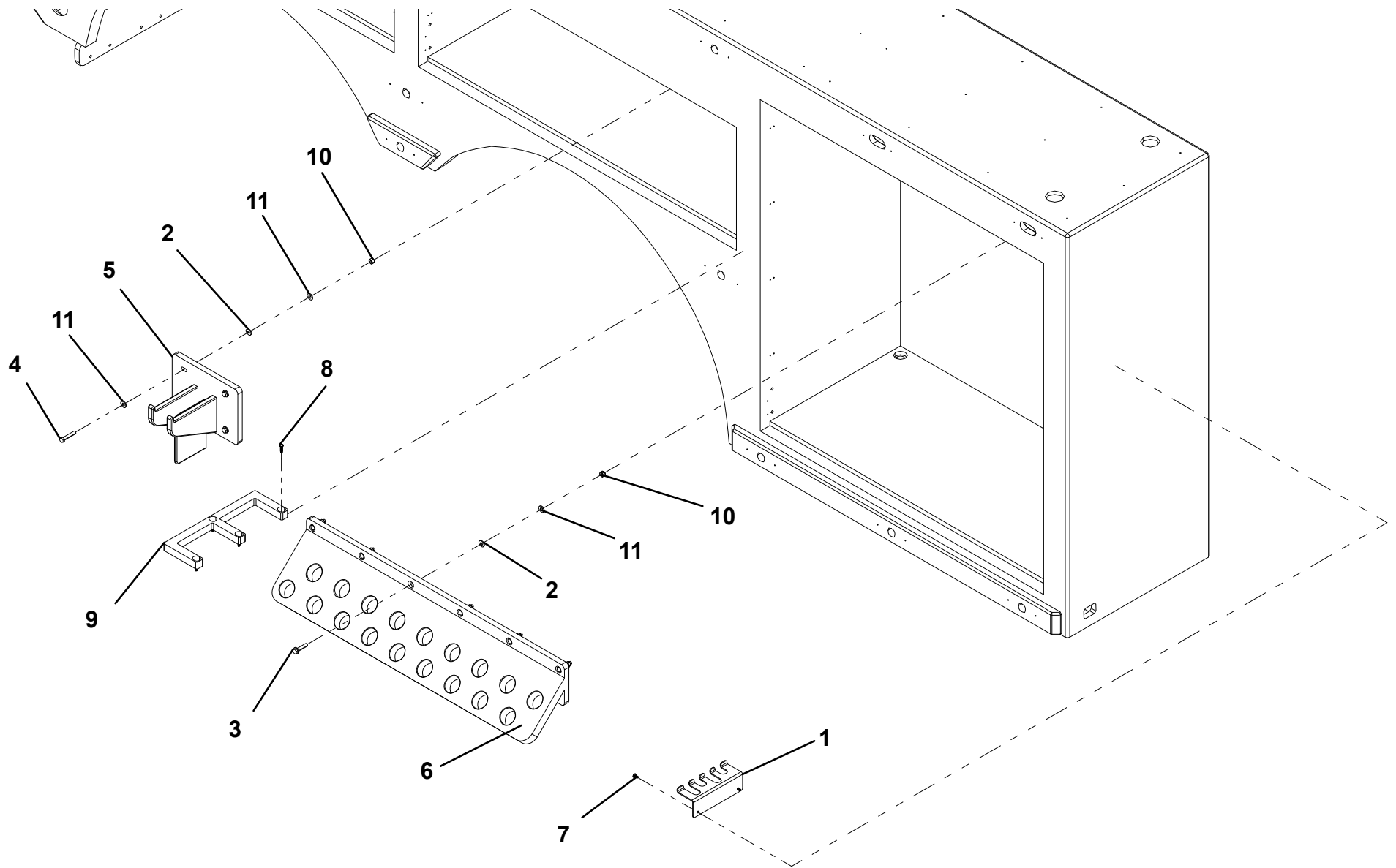
FIFTH WHEEL STORAGE INSTALLATION



FRAME FORK STORAGE INSTALLATION

ITEM	PART NO.	DESCRIPTION	QTY
1	1001160799	Bracket	1
2	1001166974	Washer, 0.38" ID Rubber	10
3	1001168544	Screw, 0.38"-16 X 1.75"	6
4	1001169083	Screw, 0.38"-16 X 2.00"	4
5	1001190926	Bracket	1
6	1001190988	Bracket	1
7	1001195257	Screw, 0.25" X 0.50"	2
8	1001195523	Screw, 0.25" X 1.00"	4
9	1001195838	Bracket	1
10	7660162601	Locknut, 0.38"-16NC	10
11	7950160143	Flatwasher, 0.38" ID	20

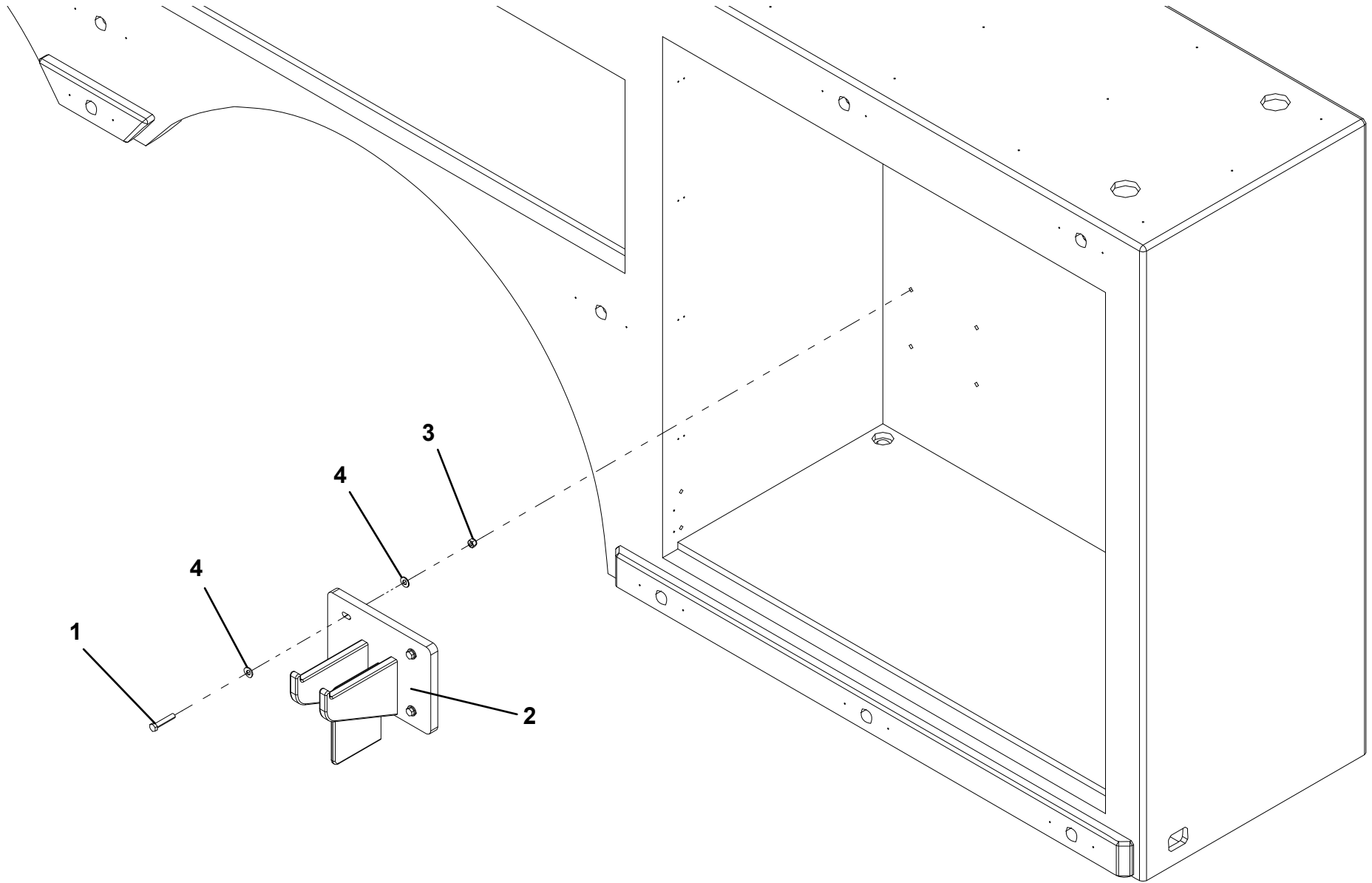
FRAME FORK STORAGE INSTALLATION



FORK RISER STORAGE INSTALLATION

ITEM	PART NO.	DESCRIPTION	QTY
1	1001169083	Screw, 0.38"-16 x 2.00"	4
2	1001190926	Bracket	1
3	7660162601	Locknut, 0.25"-20	4
4	7950160143	Flatwasher, 0.38" ID	8

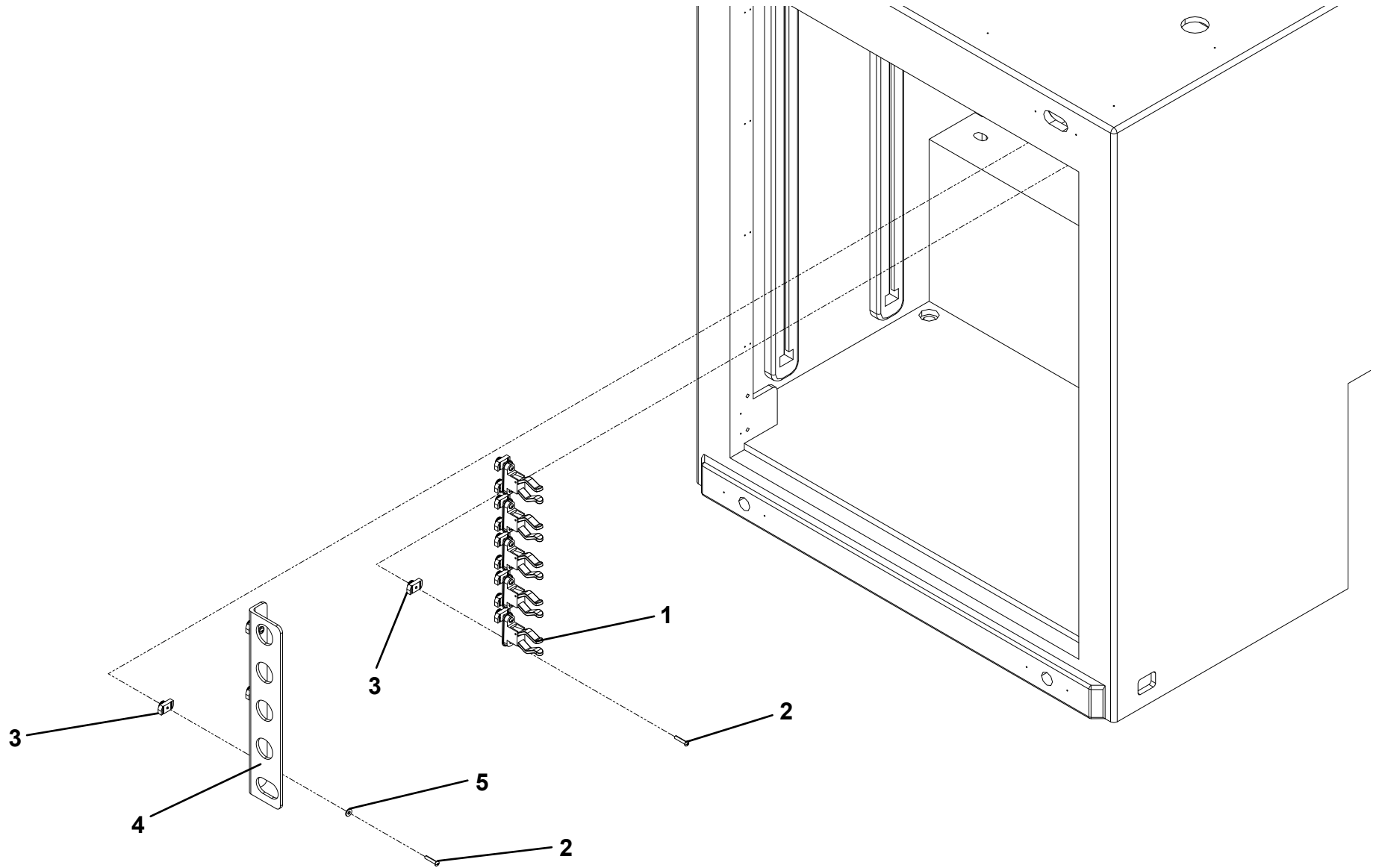
FORK RISER STORAGE INSTALLATION



GRIZZLY BAR STORAGE - TANDEM

ITEM	PART NO.	DESCRIPTION	QTY
1	1001175059	Clamp	5
2	7114141018	Screw, 0.25" - 20NC x 1.25"	13
3	1001183037	Nut, 0.25" - 20NC	13
4	1001183038	Bracket	1
5	7950140143	Flatwasher, 0.25" ID	3

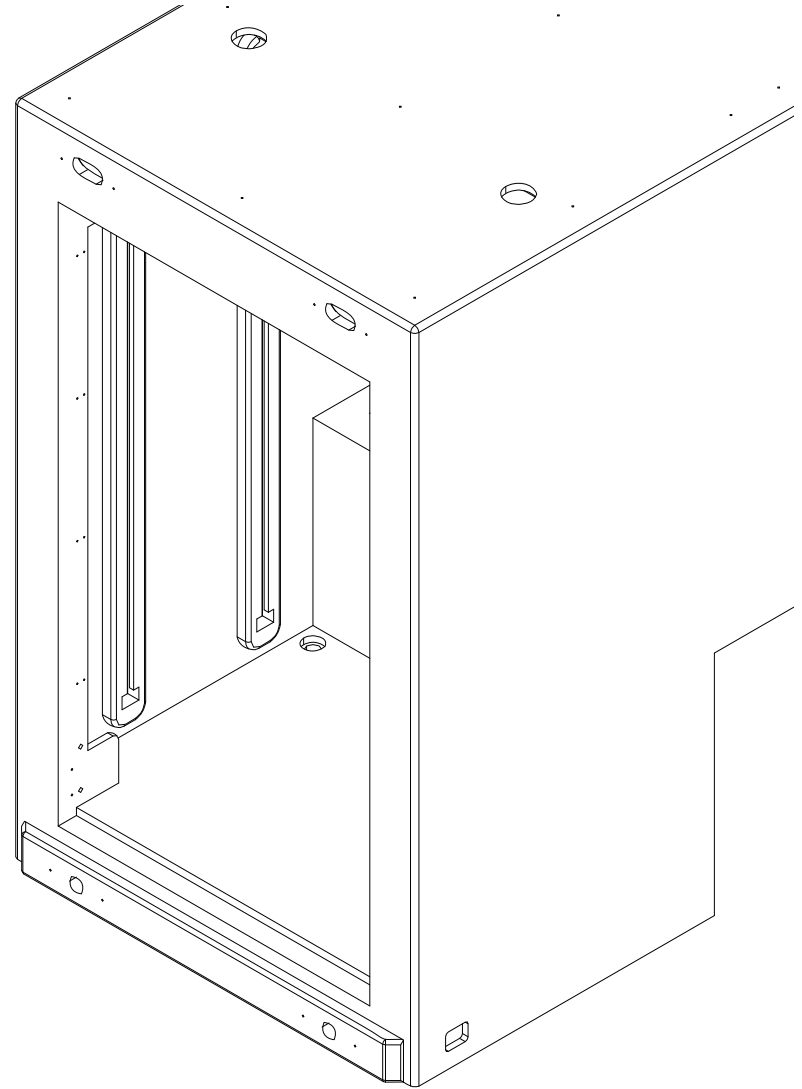
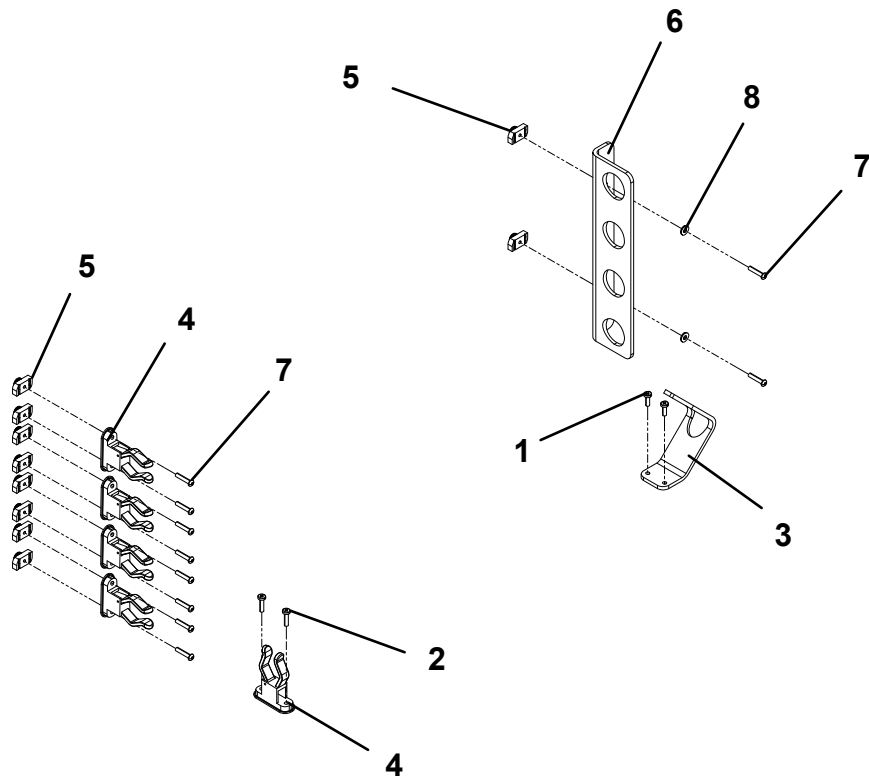
GRIZZLY BAR STORAGE - TANDEM



GRIZZLY BAR STORAGE - TRI-AXLE

ITEM	PART NO.	DESCRIPTION	QTY
1	0751406	Screw	2
2	0751408	Screw	2
3	1001174992	Bracket	1
4	1001175059	Clamp	5
5	1001183037	Spring Nut, 0.25" - 20NC	10
6	1001212194	Angle Bracket	1
7	7114141018	Screw, 0.25" - 20NC x 1.25"	10
8	7950140143	Flatwasher, 0.25" ID	2

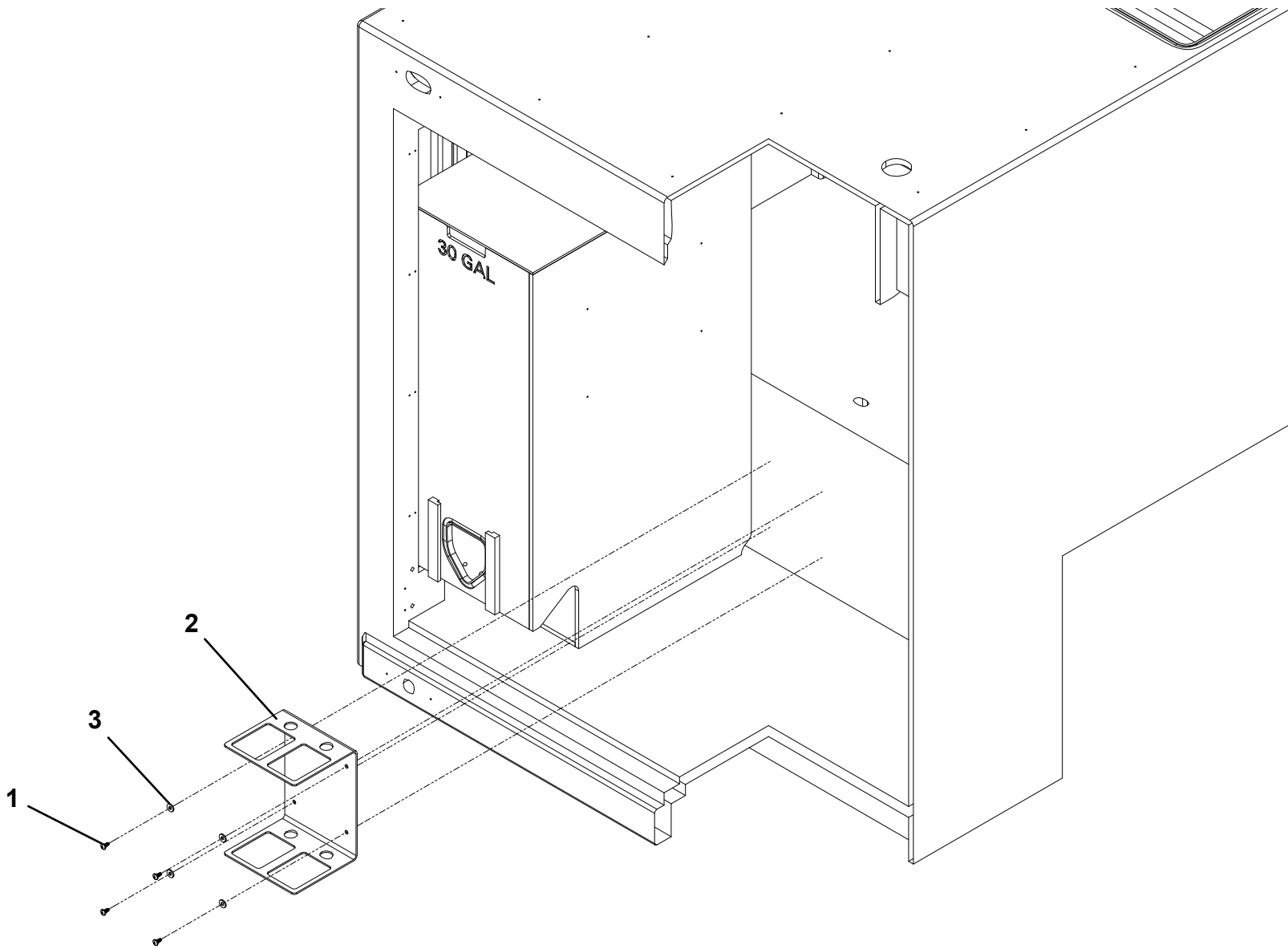
GRIZZLY BAR STORAGE - TRI-AXLE



BROOM STORAGE

ITEM	PART NO.	DESCRIPTION	QTY
1	1001195257	Screw, 0.25" x 0.50"	4
2	1001207300	Bracket	1
3	7950140143	Flatwasher, 0.25" ID	4

BROOM STORAGE

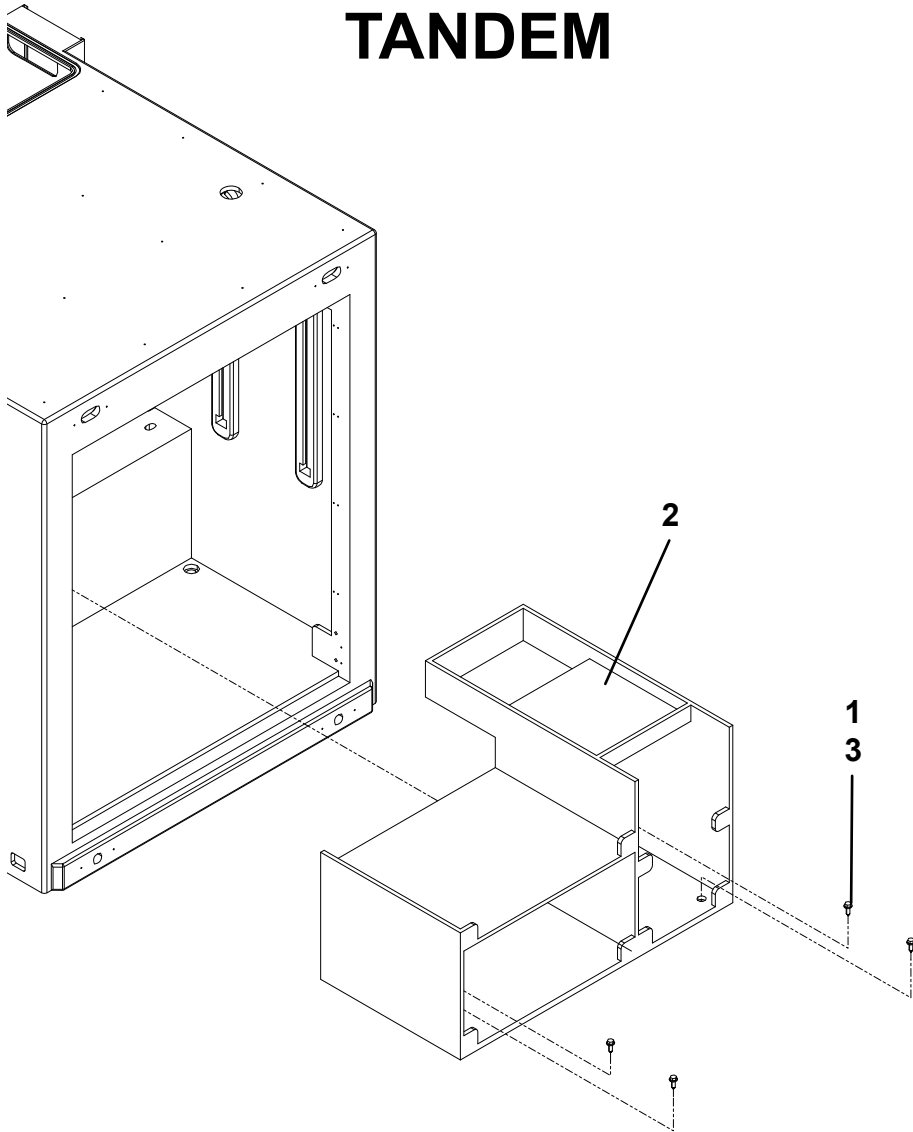


STRAP STORAGE

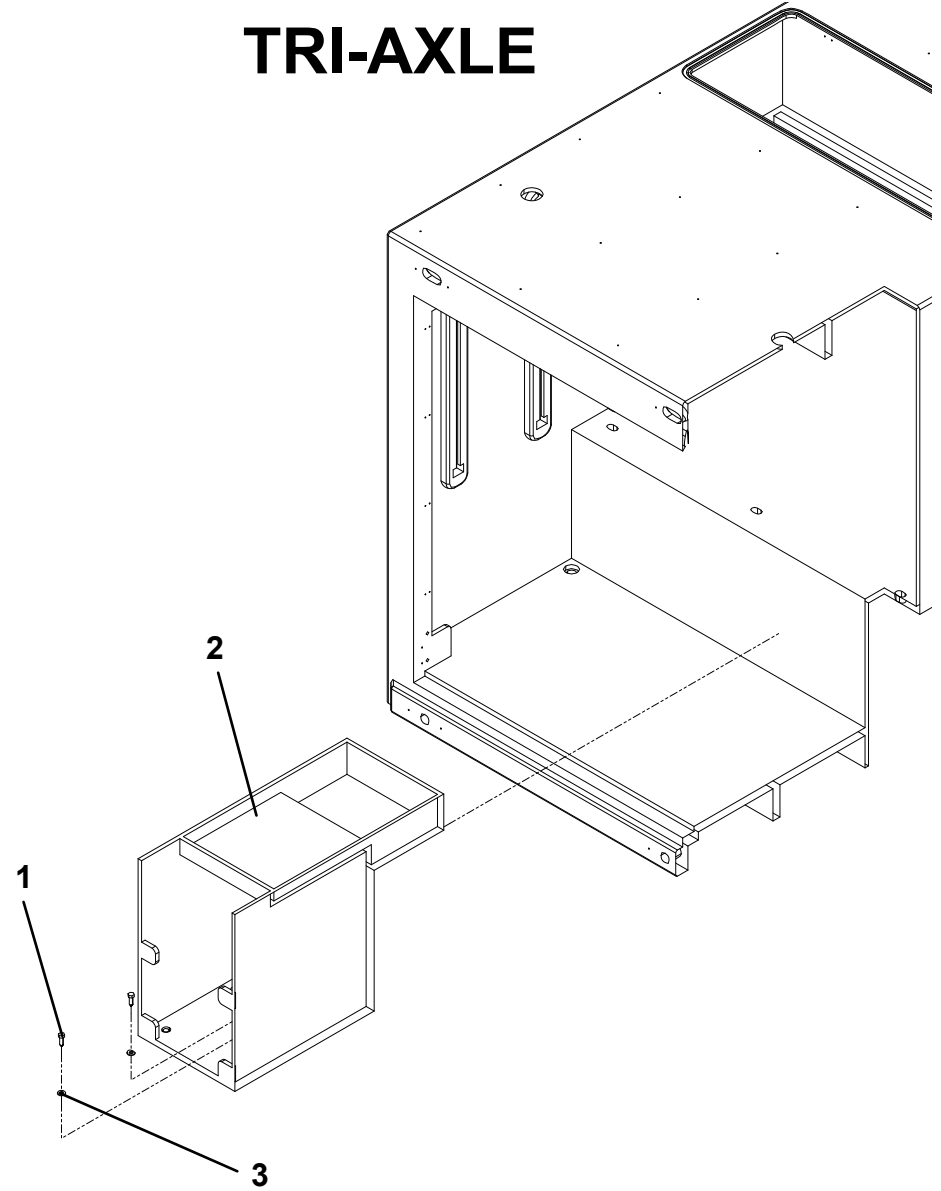
ITEM	PART NO.	DESCRIPTION	QTY
1	1001168545	Screw, 0.38" x 1.25"	4
2	1001208651	Organizer - Tandem	1
	1001208650	Organizer - Tri-Axle	1
3	7950160143	Flatwasher, 0.38" ID	4

STRAP STORAGE

TANDEM



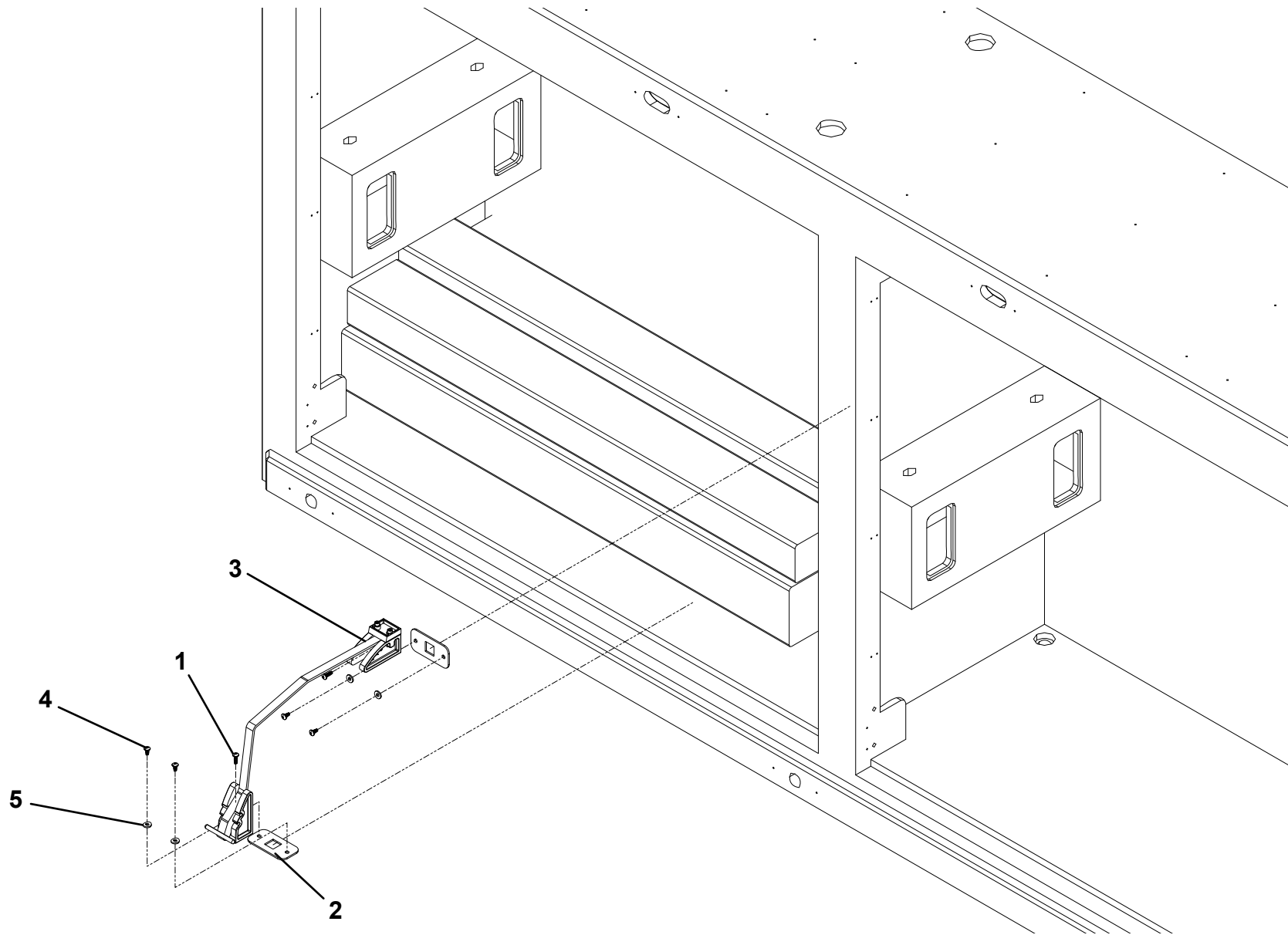
TRI-AXLE



CRIBBING STORAGE

ITEM	PART NO.	DESCRIPTION	QTY
1	1001194676	Screw, 0.25" x 0.75"	2
2	1001207509	Plate	2
3	1001207539	Adjustment Mount	1
4	1001195257	Screw, 0.25" x 0.50"	4
5	7950140143	Flatwasher, 0.25" ID	4

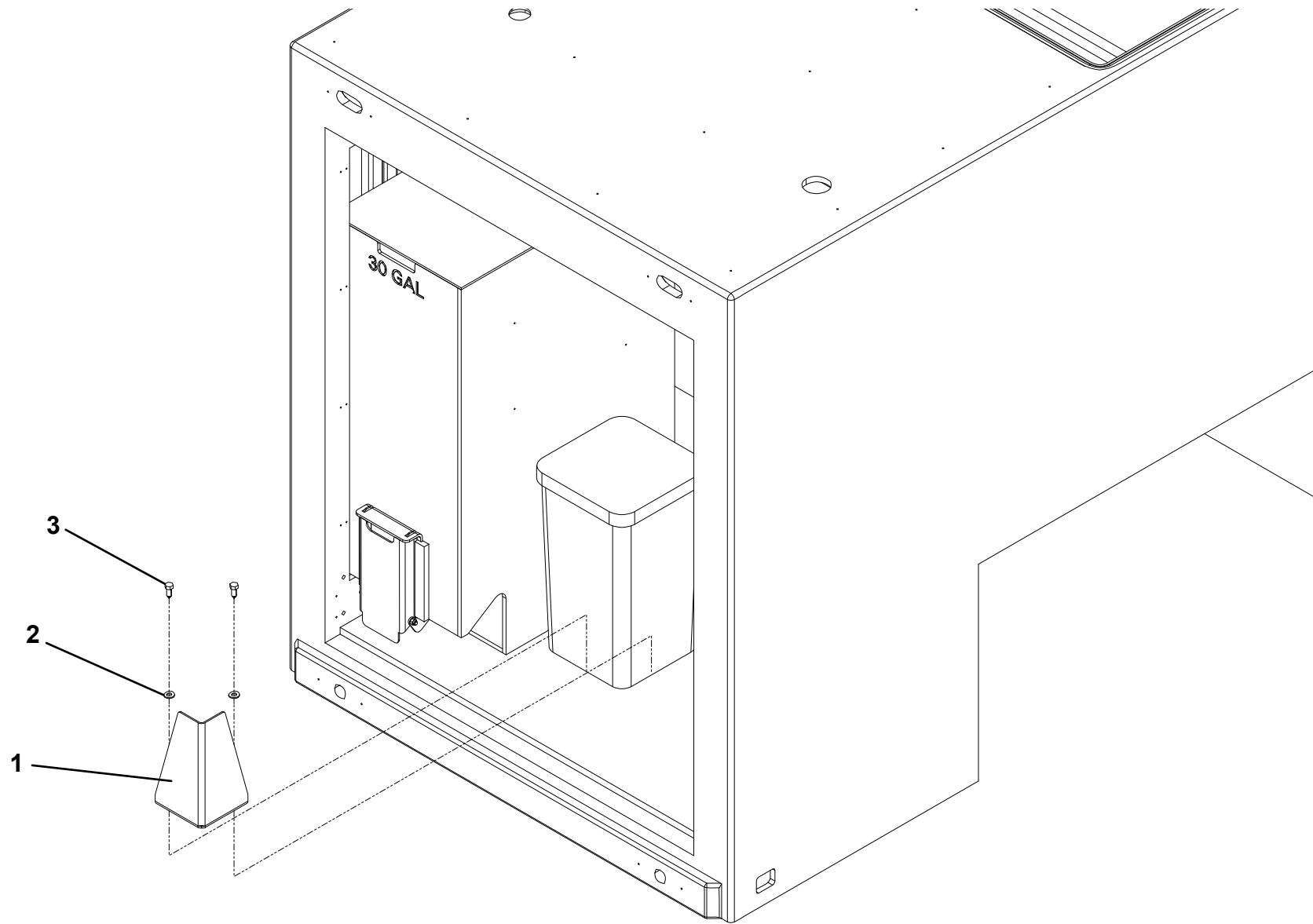
CRIBBING STORAGE



SPILL KIT

ITEM	PART NO.	DESCRIPTION	QTY
1	1001183152	Bracket	1
2	7950160143	Flatwasher, 0.38" ID	2
3	1001168428	Screw, 0.38" x 1.00"	2

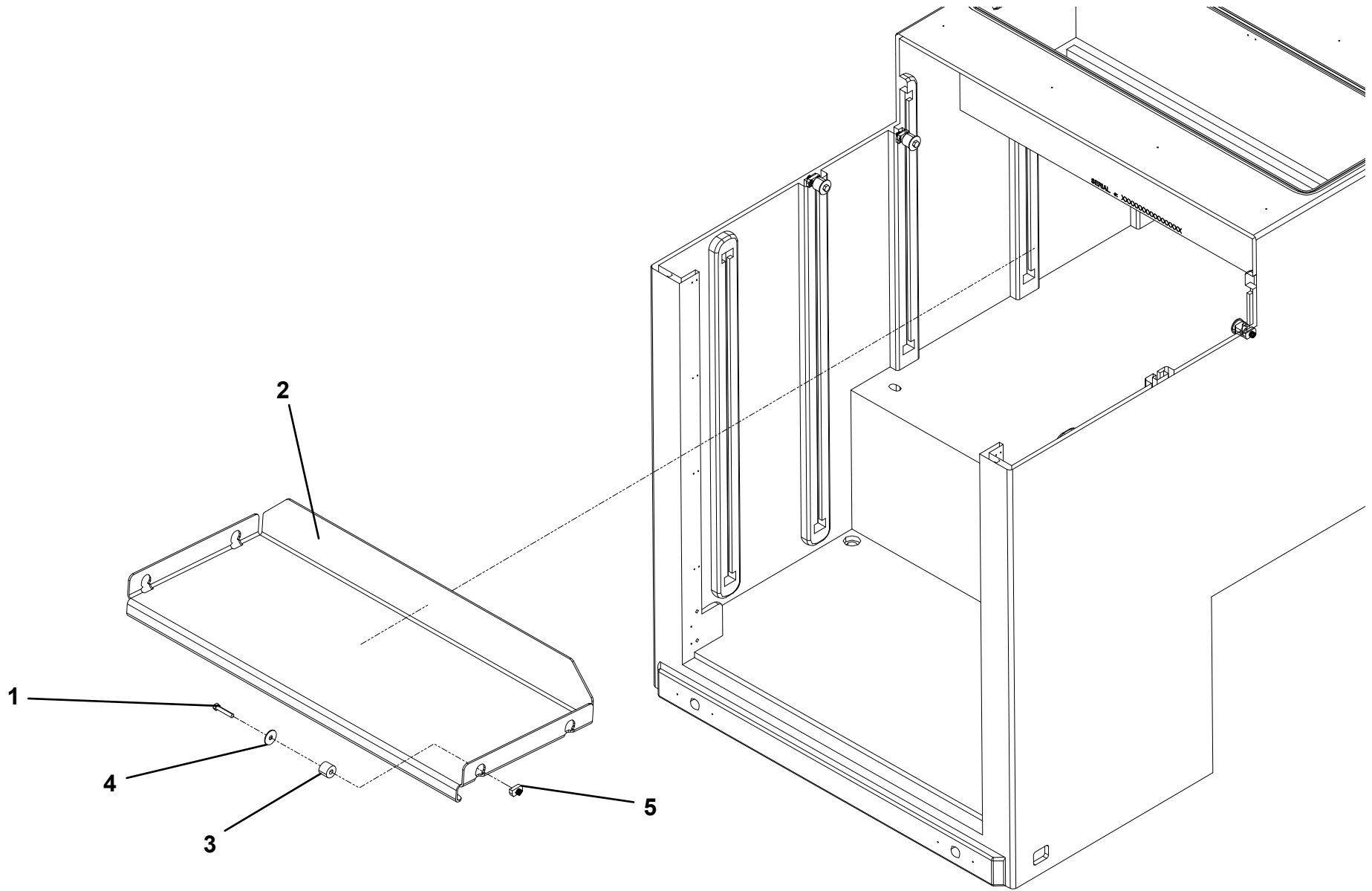
SPILL KIT



STORAGE SHELF INSTALLATION

ITEM	PART NO.	DESCRIPTION	QTY
1	1001169083	Screw, 0.38" - 16NC x 2.00"	4
2	1001214265	Shelf 48"	1
	1001214301	Shelf 36"	2
3	1001214266	Mount	4
4	1001214267	Washer, 0.38" ID	4
5	1001166644	Nut, 0.38" - 16NC	4

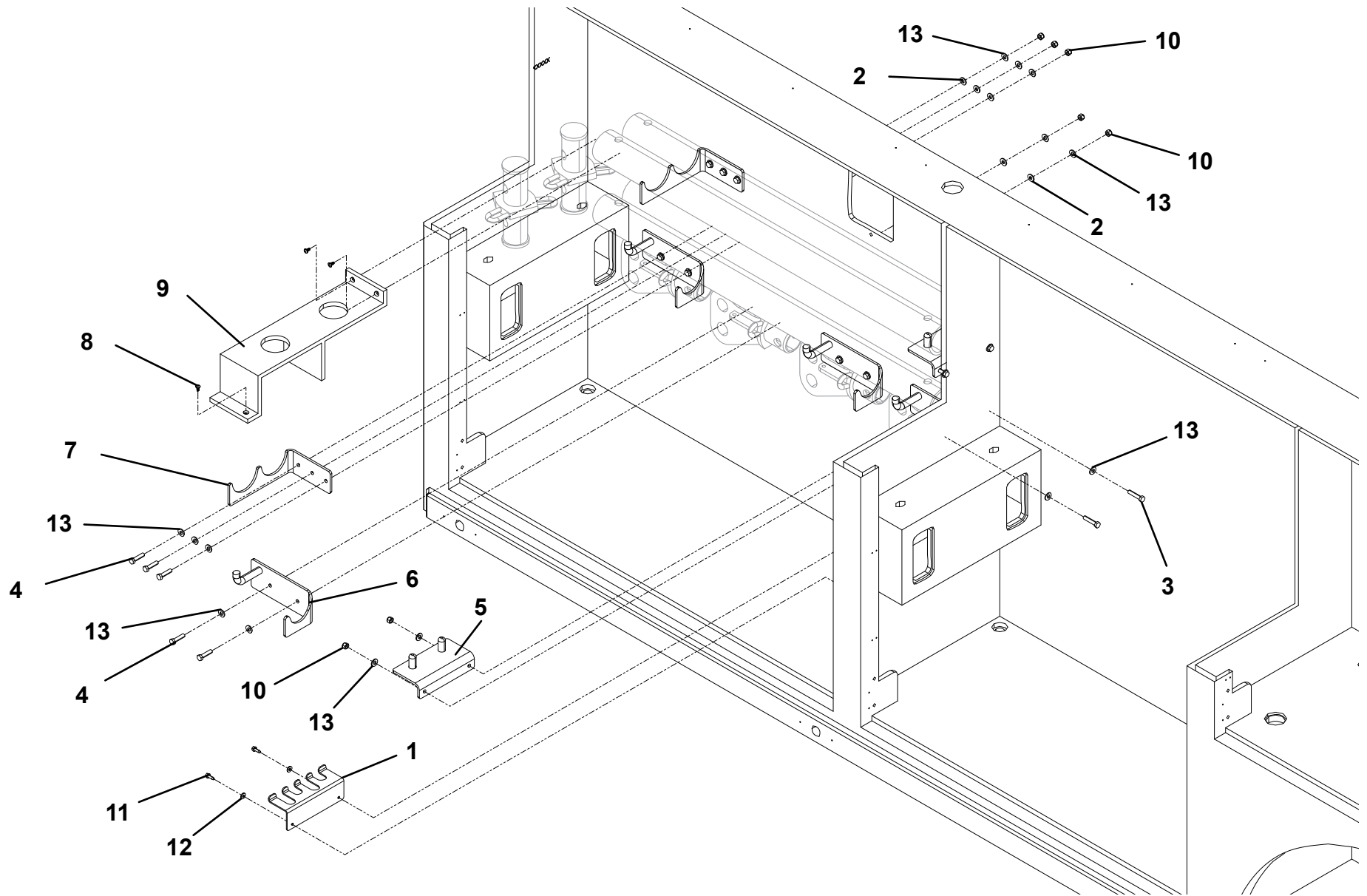
STORAGE SHELF INSTALLATION



SPREADER BAR STORAGE

ITEM	PART NO.	DESCRIPTION	QTY
Single Spreader Bar			
1	1001160799	Bracket	1
2	1001166974	Washer, 0.38" ID	7
3	1001168544	Capscrew, 0.38" - 16NC x 1.75"	2
4	1001168993	Capscrew, 0.38" - 16NC x 1.50"	7
5	1001174138	Support	1
6	1001174140	Support	2
7	1001191613	Bracket	1
8	1001195257	Screw, 0.25" x 0.50"	4
9	1001211394	Support	1
10	7660162601	Locknut, 0.38" - 16NC	9
11	7790141251	Screw, 0.25" x 0.75"	2
12	7950140143	Flatwasher, 0.25" ID	2
13	7950160143	Flatwasher, 0.38" ID	18
Double Spreader Bar			
1	1001160799	Bracket	2
2	1001166974	Washer, 0.38" ID	14
3	1001168544	Capscrew, 0.38" - 16NC x 1.75"	4
4	1001168993	Capscrew, 0.38" - 16NC x 1.50"	14
5	1001174138	Support	2
6	1001174140	Support	4
7	1001191613	Bracket	2
8	1001195257	Screw, 0.25" x 0.50"	3
9	1001211394	Support	1
10	7660162601	Locknut, 0.38" - 16NC	18
11	7790141251	Screw, 0.25" x 0.75"	4
12	7950140143	Flatwasher, 0.25" ID	4
13	7950160143	Flatwasher, 0.38" ID	36

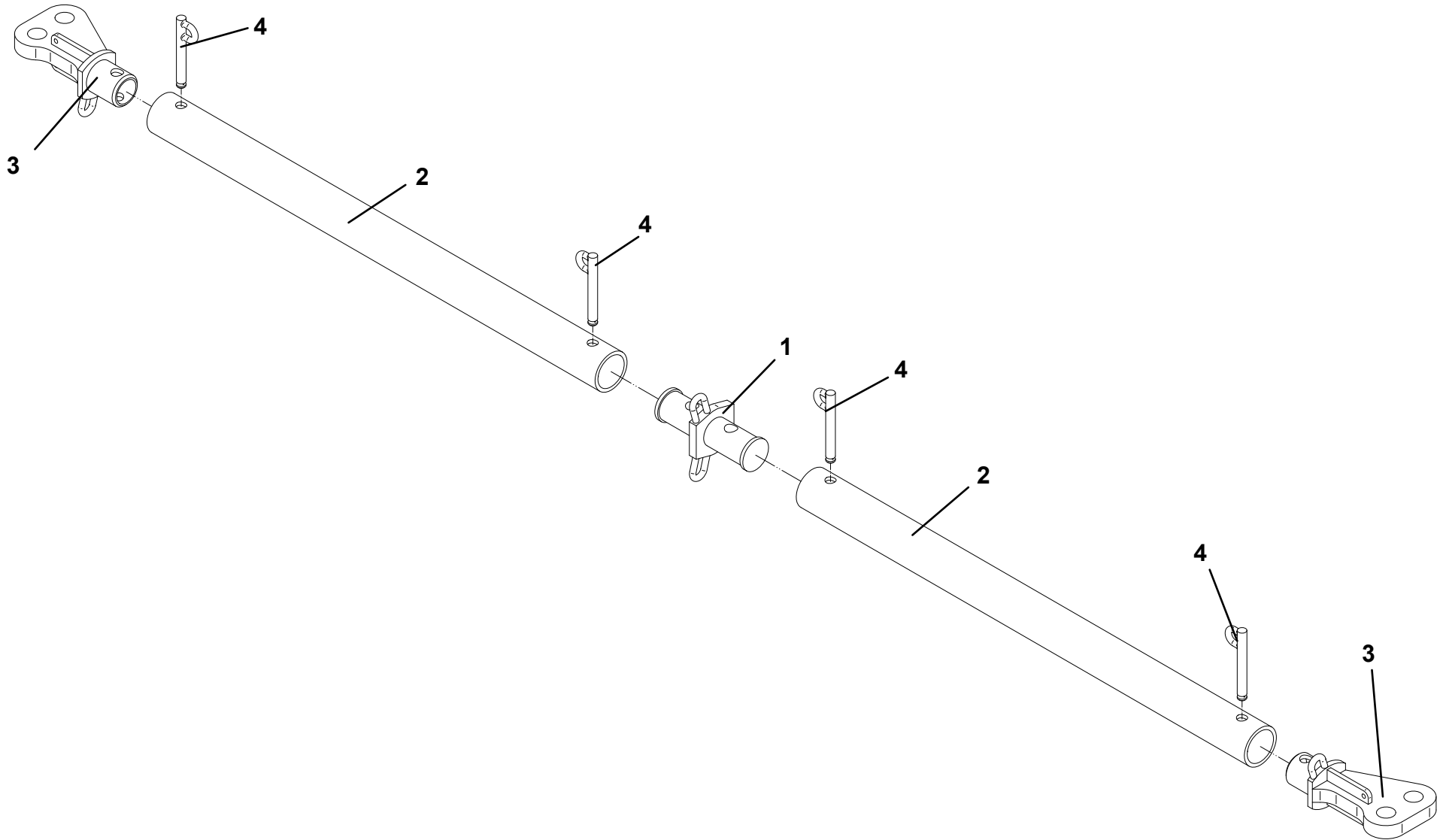
SPREADER BAR STORAGE



SPREADER BAR KIT - 1001175920

ITEM	PART NO.	DESCRIPTION	QTY
1	70050922	Center Bar	1
2	70050923	Spreader Bar Tube	2
3	70050924	Spreader Bar Ends	2
4	70050925	Pin	4

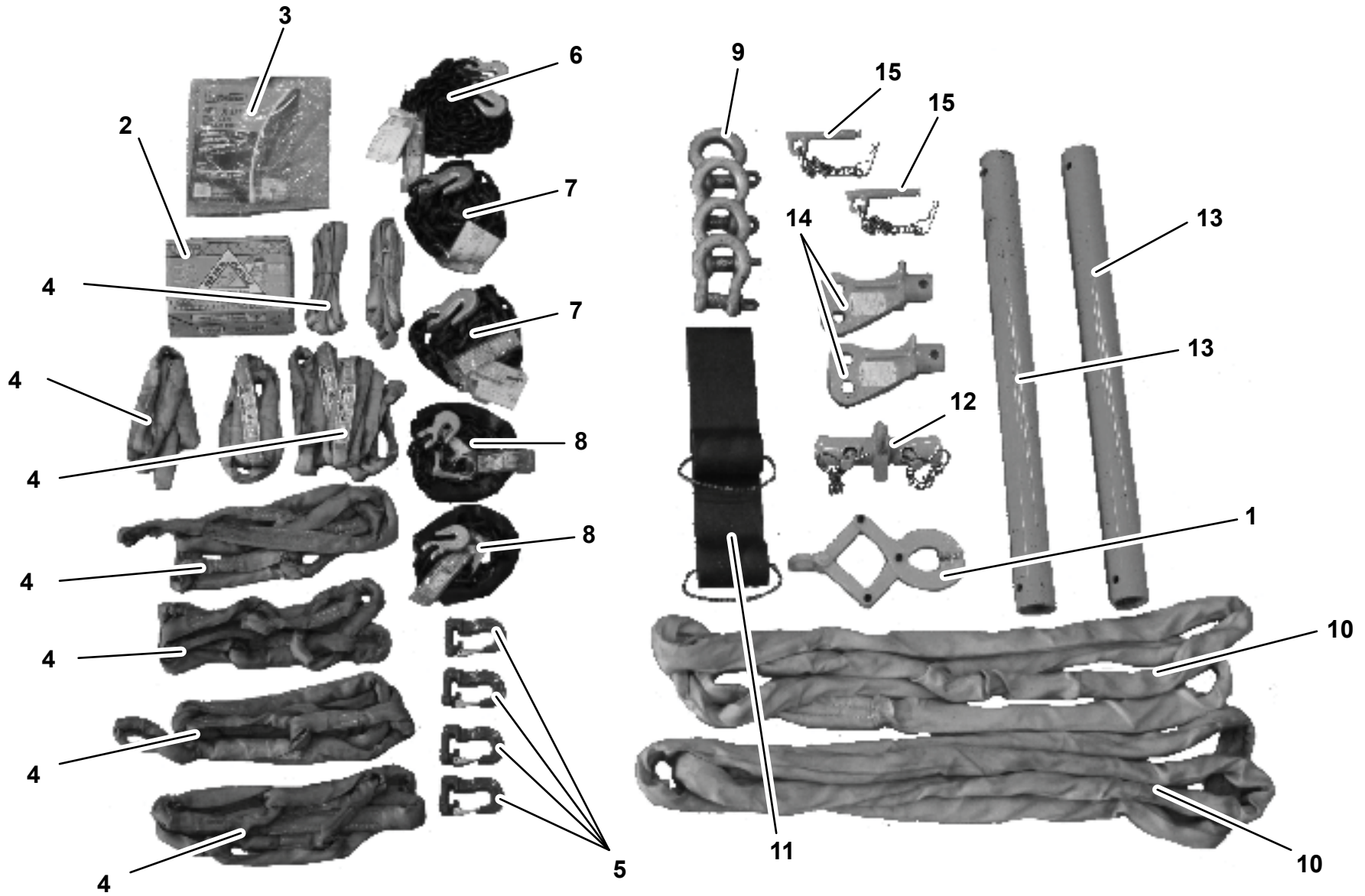
SPREADER BAR KIT - 1001175920



SPREADER BAR ACCESSORIES - 1001174493

ITEM	PART NO.	DESCRIPTION	QTY
1	70050831	Pallet Lifting Jaw	1
2	70050832	42 Gallon Demo Bag	2
3	70050833	Poly Tarp	2
4	70050834	Green Eye and Eye Round Sling, 96"	4
5	70050835	Green Round Sling Hook	4
6	70050836	Recovery Chain, 0.38" x 10' - 8,800 LB	1
7	70050837	Recovery Chain Hook One End 0.5" x 6'	2
8	70050838	Recover Chain Hook	2
9	70050839	Shackle	4
10	70050840	Blue Round Sling 10'	2
11	70050841	Skate	2
12	70050922	Center Bar	1
13	70050923	Spreader Bar Tube	2
14	70050924	Spreader Bar Ends	2
15	70050925	Pin	4

SPREADER BAR ACCESSORIES - 1001174493



RUGGED ACCESSORY PACKAGE - 1001174490

ITEM	PART NO.	DESCRIPTION	QTY
1	70050842	Snatch Block, 0.875" x 8.00"	2
2	70050843	Recovery Chain, 0.38" x 10'	1
3	70050844	Recovery Chain, 0.50" x 2'	2
4	70050845	Recovery Sling, 0.50"	2
5	70050846	Recover Chain Locking Clevis, 0.50" x 10'	4
6	70050847	Copper Ground Stake	2
7	70050848	Brass Mallet	1
8	70050849	Ground Wire	3

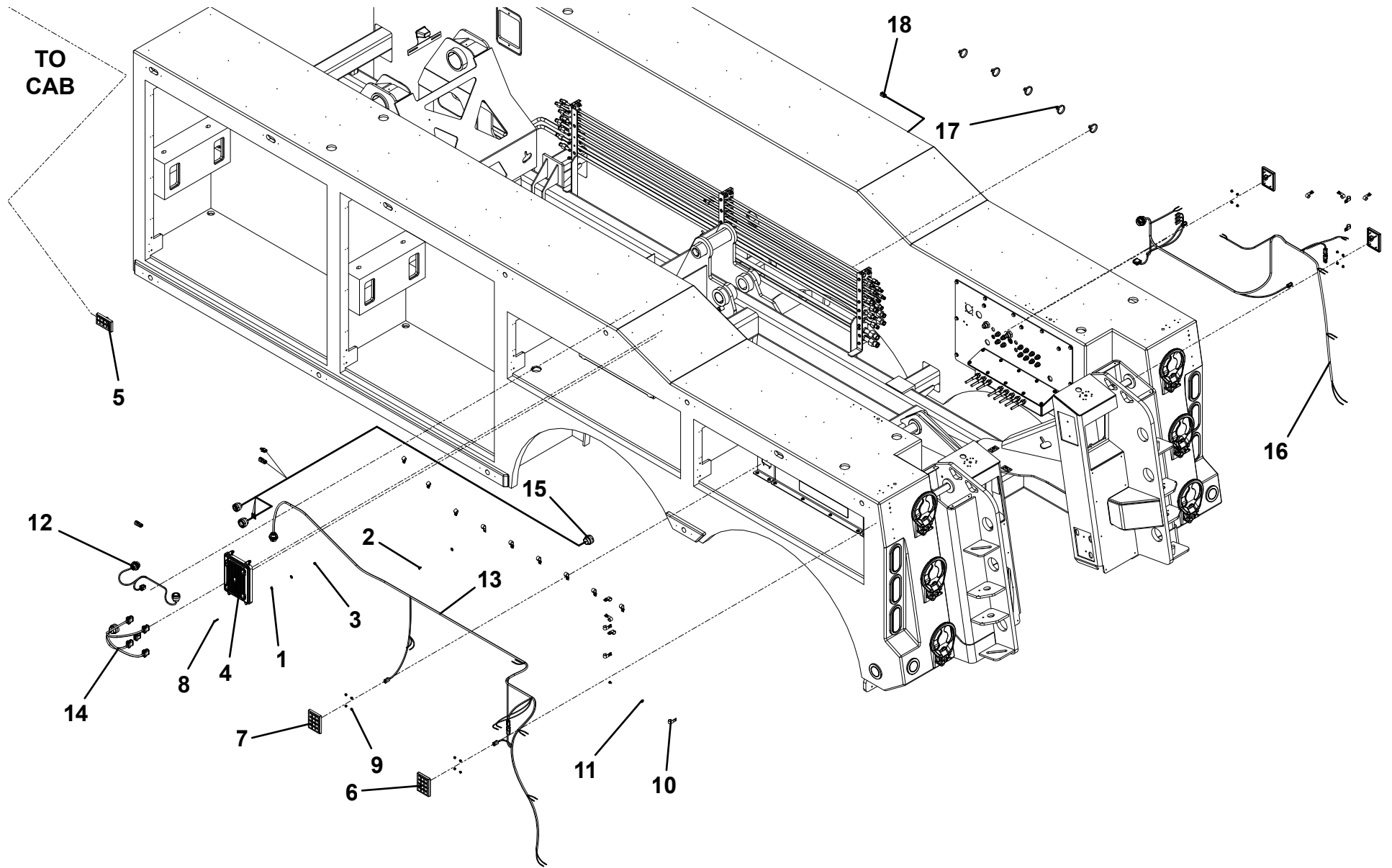
RUGGED ACCESSORY PACKAGE - 1001174490



SWITCH PANEL INSTALLATION

ITEM	PART NO.	DESCRIPTION	QTY
1	1001166978	Washer, 0.25" ID	4
2	1001195257	Screw, 0.25" x 0.50"	20
3	7660142601	Locknut, 0.25" - 20NC	4
4	1001211000	Multiplex	1
5	1001211001	Key Pad in Cab	1
6	1001211002	Key Pad in Body	2
7	1001211003	Key Pad, Winch	2
8	1001209590	Screw, 0.25" X 1.00"	4
9	1001209616	Nut,	16
10	7280000006	Clip	20
11	7950140143	Flatwasher, 0.25" ID	24
12	1001208950	Harness, Left Multiplex Jumper	1
13	1001208951	Harness, Left Multiplex Body	1
14	1001208952	Harness, Multiplex to PDP	1
15	1001215098	Harness, Multiplex Crossover	1
16	1001215100	Harness, Right Multiplex Body	1
17	5526000553	Tie Strap	25
18	1001209034	Harness, Winch	1

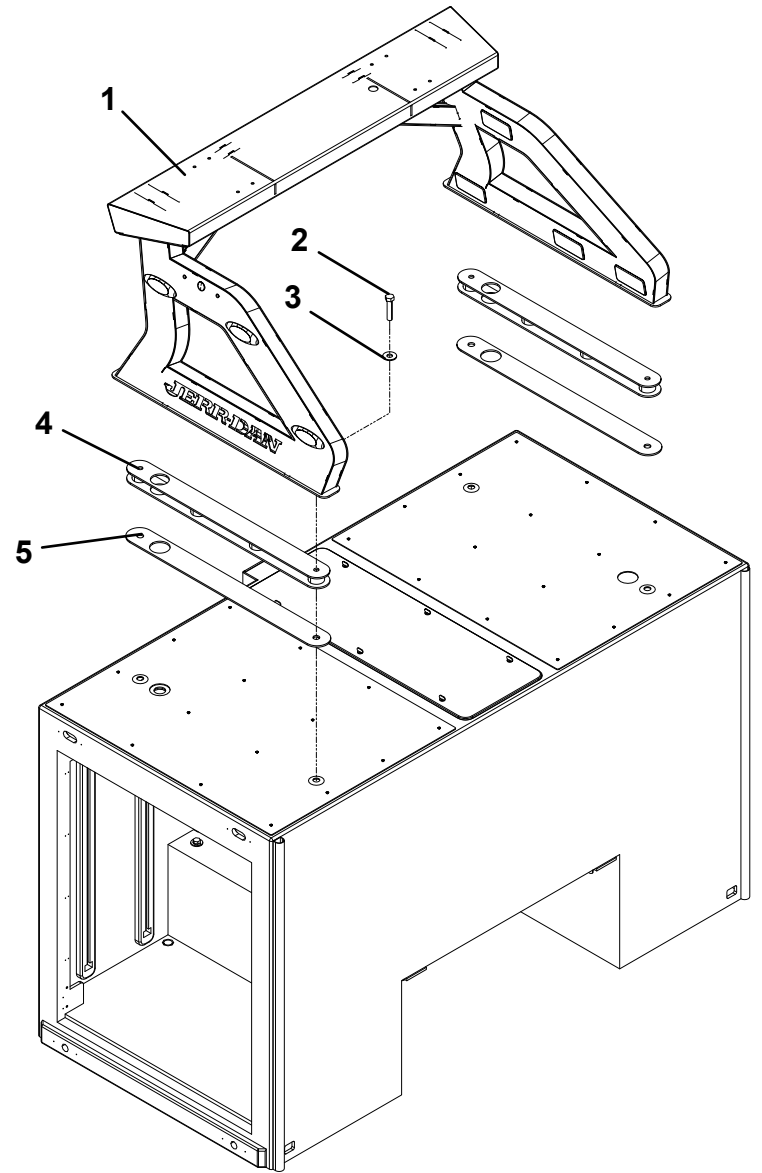
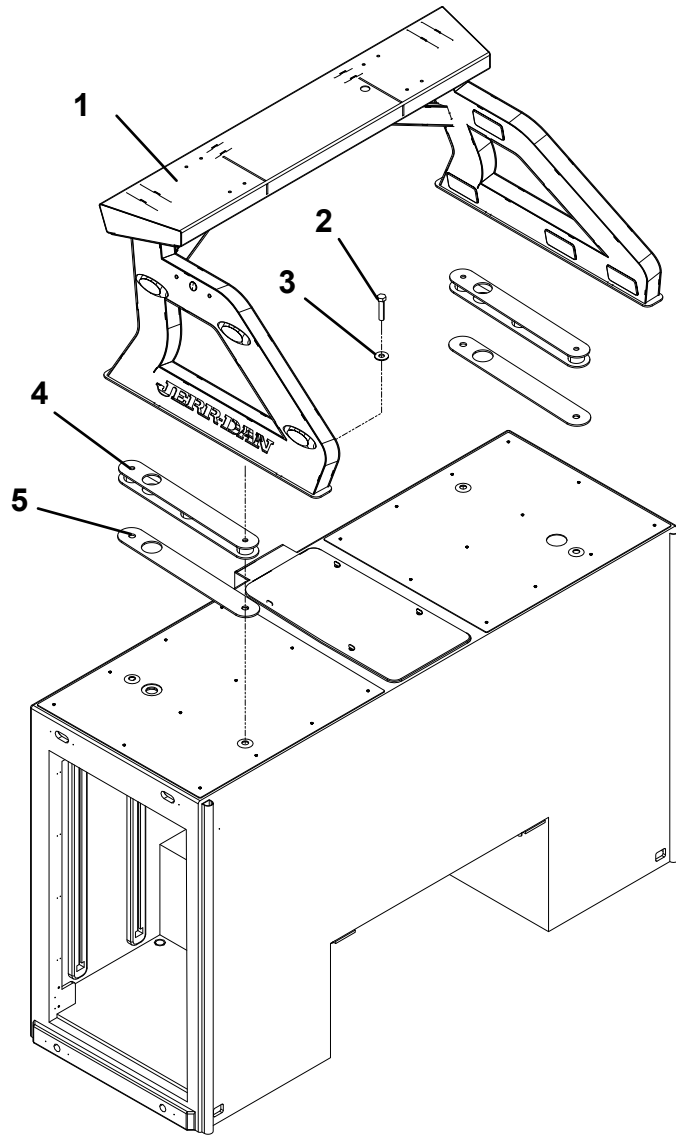
SWITCH PANEL INSTALLATION

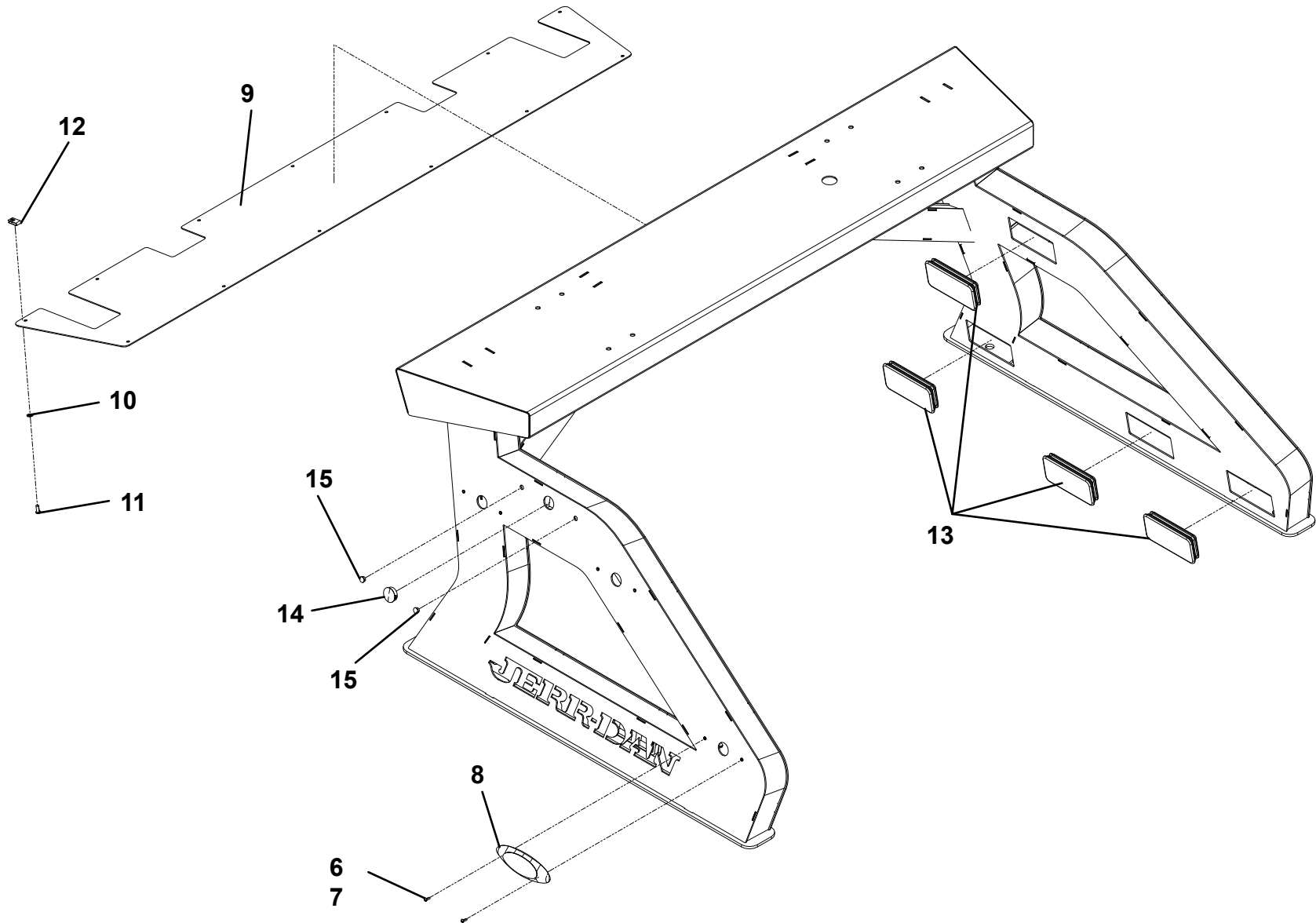


PYLON INSTALLATION

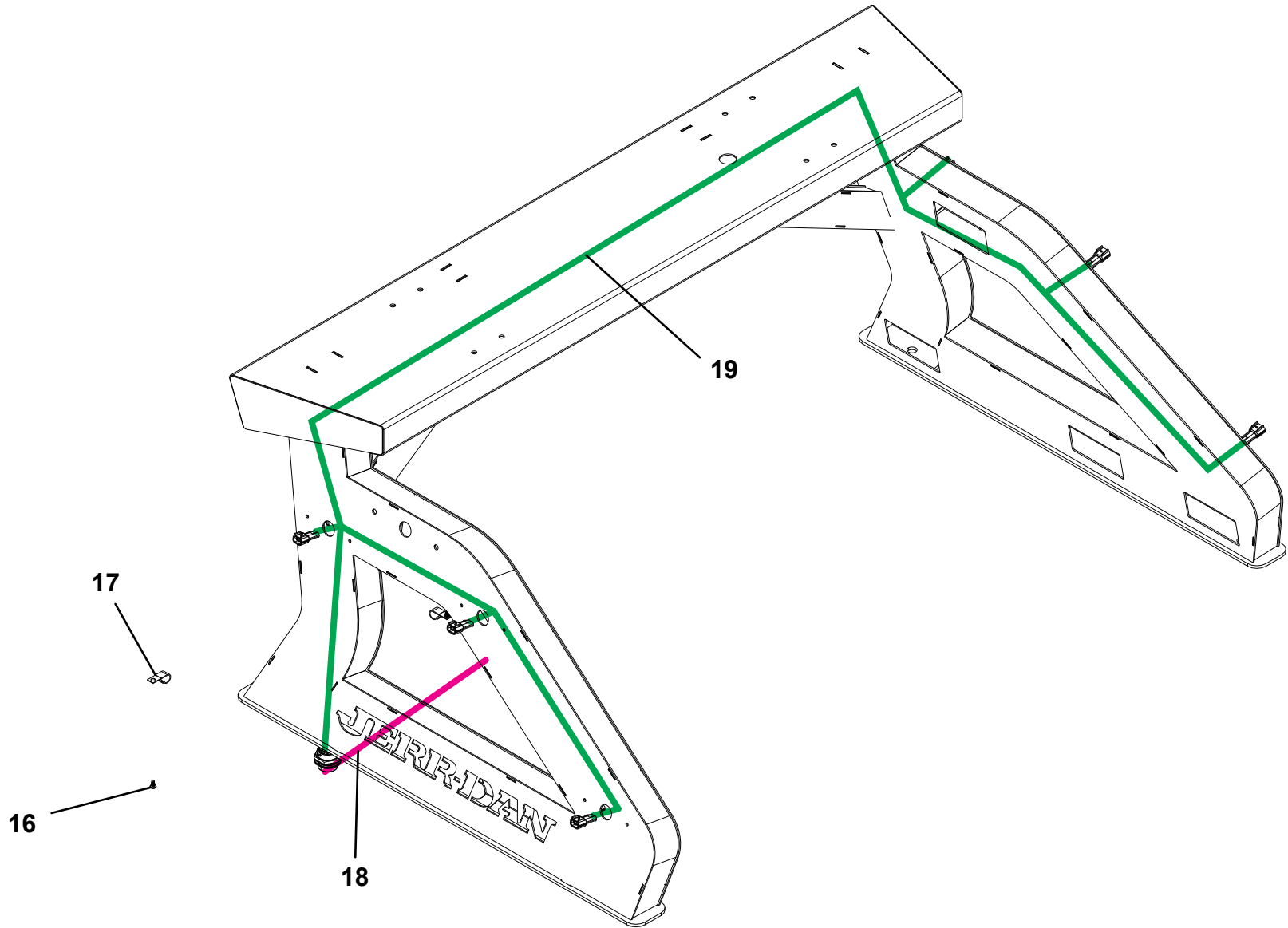
ITEM	PART NO.	DESCRIPTION	QTY
Pylon			
1	1001213102	34" Pylon	1
	1001213509	39" Pylon	1
	1001214577	57" Pylon	1
Adapter Installation			
2	0642228	Capscrew, 0.75" - 10NC x 3.50"	4
3	4752200	Washer, 0.75" ID	4
4	1001213112	Mount, 24"	2
	1001213111	Mount, 36"	2
5	1001214350	Seal, 24"	2
	1001214130	Seal, 36"	2
Light Installation			
6	1001151546	Nut, #8 - 32NC	12
7	7114080418	Screw, #8 - 32NC x 0.50"	12
8	7590000262	Light, Amber	6
Pylon Cover Installation			
9	1001213093	Plate, 34"	1
	1001213522	Plate, 39"	1
	1001214590	Plate, 57"	1
10	1001143686	Washer, 0.25" ID	12
11	7114140518	Screw, 0.25" - 20NC x 0.625"	12
12	7661000019	U-Nut, 0.25" - 20NC	12
Pylon Assembly			
13	7701000048	Plug	8
14	7701000049	Plug	2
15	7701000056	Plug	4
Harness Installation			
16	1001195257	Screw, 0.25" x 0.50"	3
17	7280000006	Clip	3
18	1001189656	Headboard Harness, 34" & 39"	1
	1001214605	Headboard Harness, 57"	1
19	1001189657	Headboard Harness, Main 34" & 39"	1
	1001215110	Headboard Harness, Main 57"	

PYLON INSTALLATION



PYLON INSTALLATION

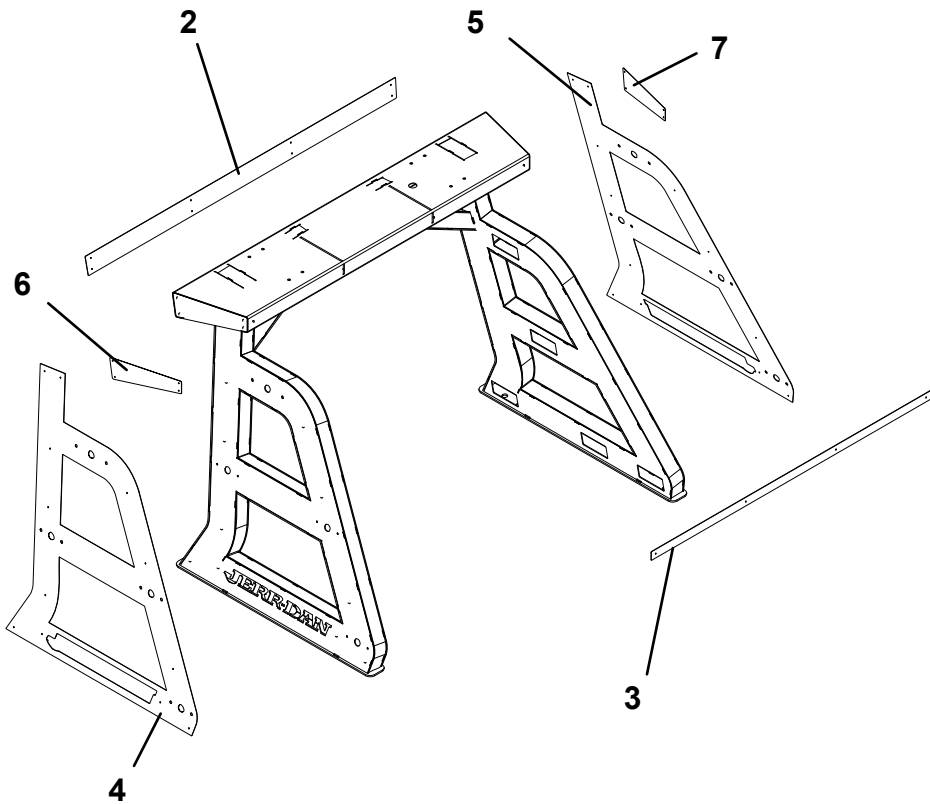
PYLON INSTALLATION



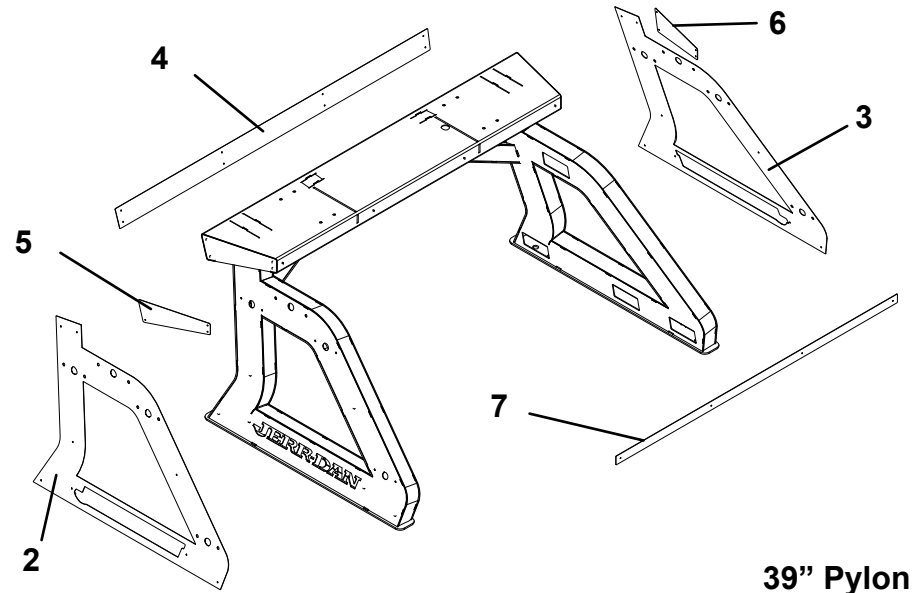
PYLON DRESS-UP KIT

ITEM	PART NO.	DESCRIPTION	QTY	ITEM	PART NO.	DESCRIPTION	QTY
34" Pylon - Brushed - 1001220184				34" Pylon - Polished - 1001220346			
1	1001156424	Pop Rivet	42	1	1001156424	Pop Rivet	42
2	1001220169	Plate, Front	1	2	1001220363	Plate, Front	1
3	1001220234	Plate, Back	1	3	1001220364	Plate, Back	1
4	1001220345	Plate, Side LH	1	4	1001220369	Plate, Side LH	1
5	1001220349	Plate, Side RH	1	5	1001220370	Plate, Side RH	1
6	1001220352	Plate, Top Side LH	1	6	1001220371	Plate, Top Side LH	1
7	1001220353	Plate, Top Side RH	1	7	1001220372	Plate, Top Side RH	1
39" Pylon - Brushed - 1001220185				39" Pylon - Polished - 1001220347			
1	1001156424	Pop Rivet	44	1	1001156424	Pop Rivet	44
2	1001220167	Plate, Side LH	1	2	1001220365	Plate, Side LH	1
3	1001220168	Plate, Side RH	1	3	1001220366	Plate, Side RH	1
4	1001220169	Plate, Front	1	4	1001220369	Plate, Front	1
5	1001220170	Plate, Top Side LH	1	5	1001220370	Plate, Top Side LH	1
6	1001220171	Plate, Top Side RH	1	6	1001220373	Plate, Top Side RH	1
7	1001220234	Plate, Back	1	7	1001220374	Plate, Back	1
57" Pylon - Brushed - 1001220186				57" Pylon - Polished - 1001220348			
1	1001156424	Pop Rivet	52	1	1001156424	Pop Rivet	52
2	1001220169	Plate, Front	1	2	1001220367	Plate, Front	1
3	1001220234	Plate, Back	1	3	1001220368	Plate, Back	1
4	1001220350	Plate, Side LH	1	4	1001220369	Plate, Side LH	1
5	1001220351	Plate, Side RH	1	5	1001220370	Plate, Side RH	1
6	1001220354	Plate, Top Side LH	1	6	1001220375	Plate, Top Side LH	1
7	1001220355	Plate, Top Side RH	1	7	1001220376	Plate, Top Side RH	1

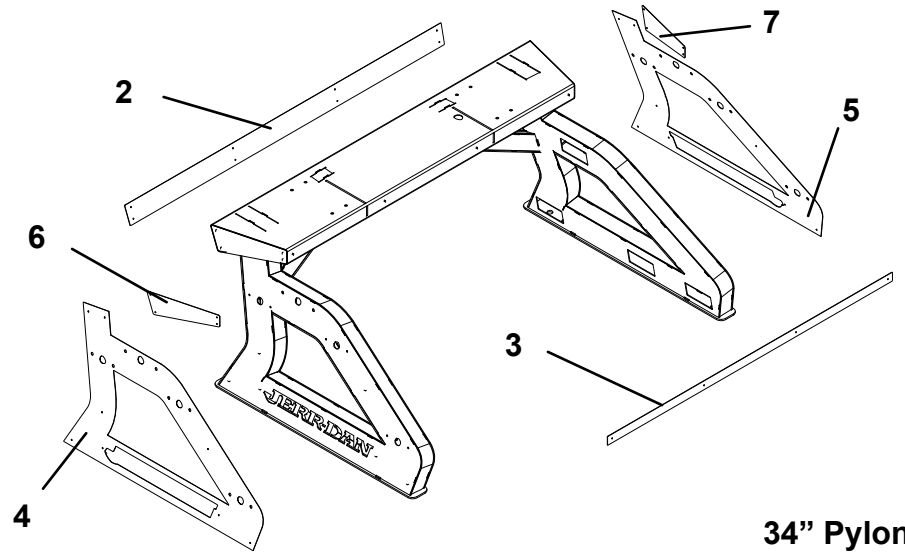
PYLON DRESS-UP KIT



57" Pylon



39" Pylon

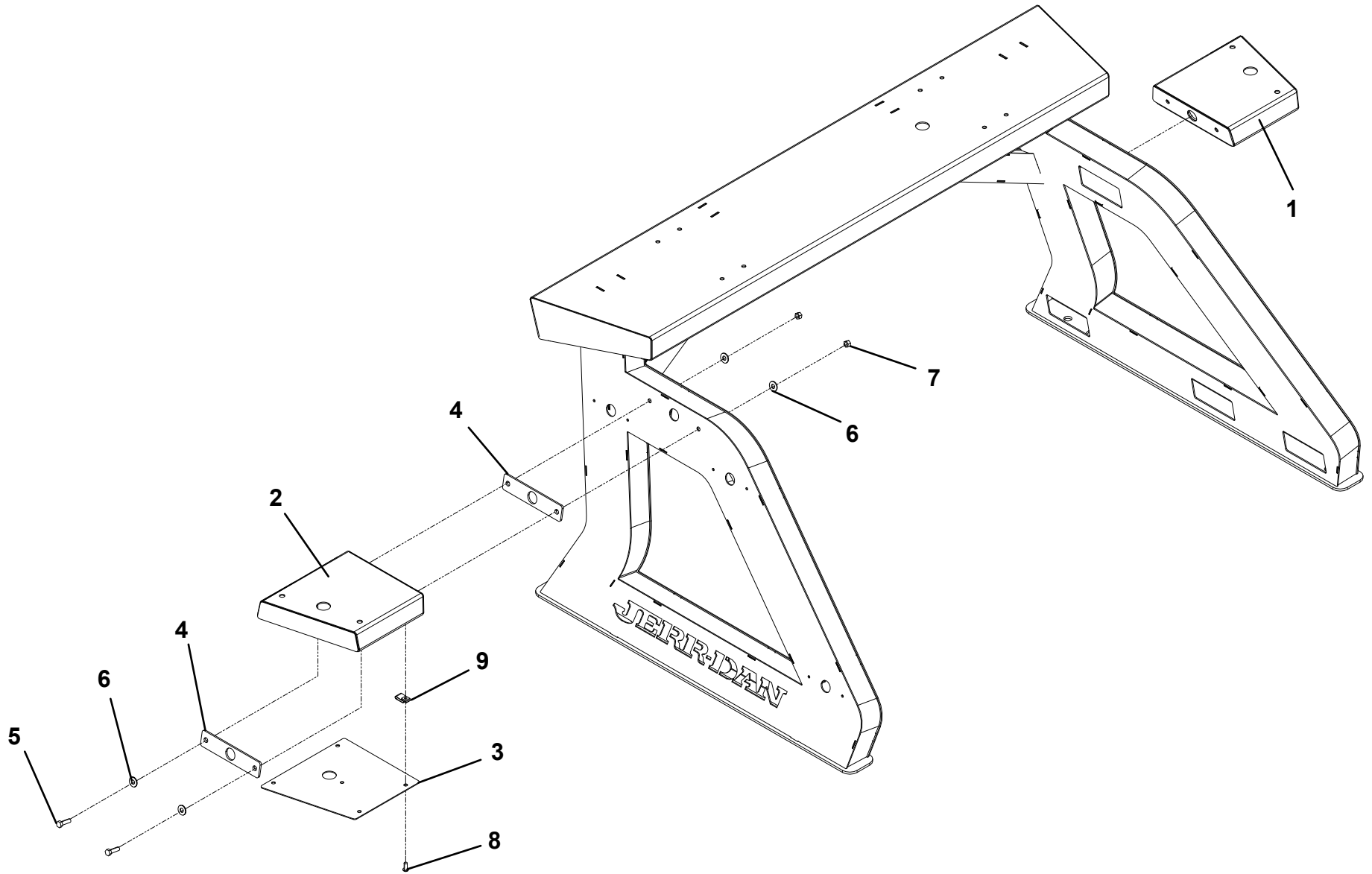


34" Pylon

WING LIGHT BRACKET INSTALLATION

ITEM	PART NO.	DESCRIPTION	QTY
1	1001213104	Mount, RH	1
2	1001213105	Mount, LH	1
3	1001213110	Plate	2
4	1001214129	Plate	4
5	0641610	Capscrew, 0.38" - 16NC x 1.25"	4
6	4751600	Washer, 0.38" ID	8
7	3271605	Nut, 0.38" - 16NC	4
8	7114150618	Screw, 0.31" - 18NC x 0.75"	8
9	7661000029	Nut, 0.31" - 18NC	8

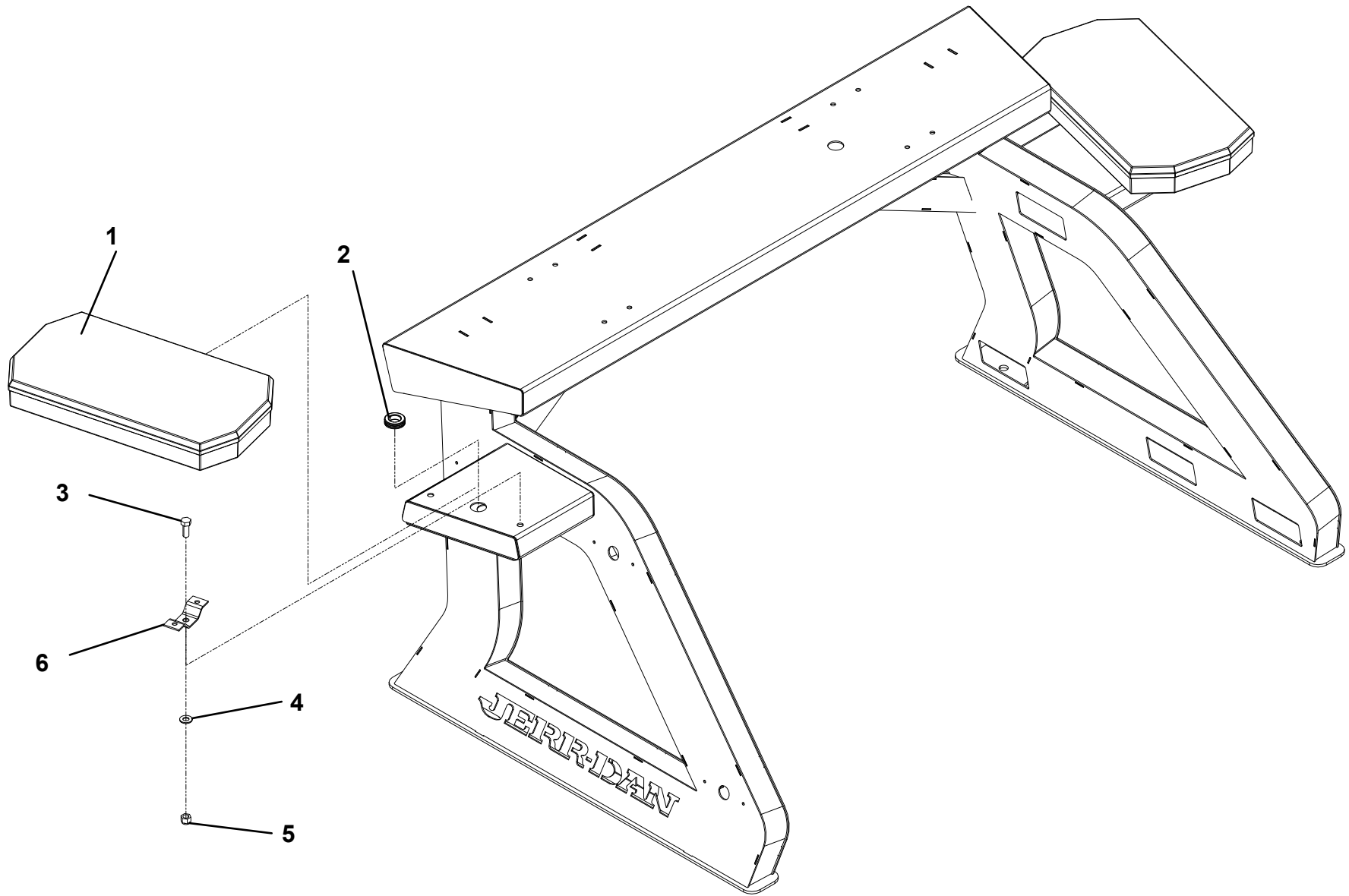
WING LIGHT BRACKET INSTALLATION



WING LIGHT INSTALLATION

ITEM	PART NO.	DESCRIPTION	QTY
1	1001133591	Light, Amber CD3	2
	1001129861	Light, Amber Whelen	2
2	7493000011	Grommet	2
3	0641810	Capscrew, 0.50" - 13NC x 1.25"	4
4	4711800	Washer, 0.50" ID	4
5	7660182601	Locknut, 0.50" - 13NC	4
6	4178000402	Bracket	4

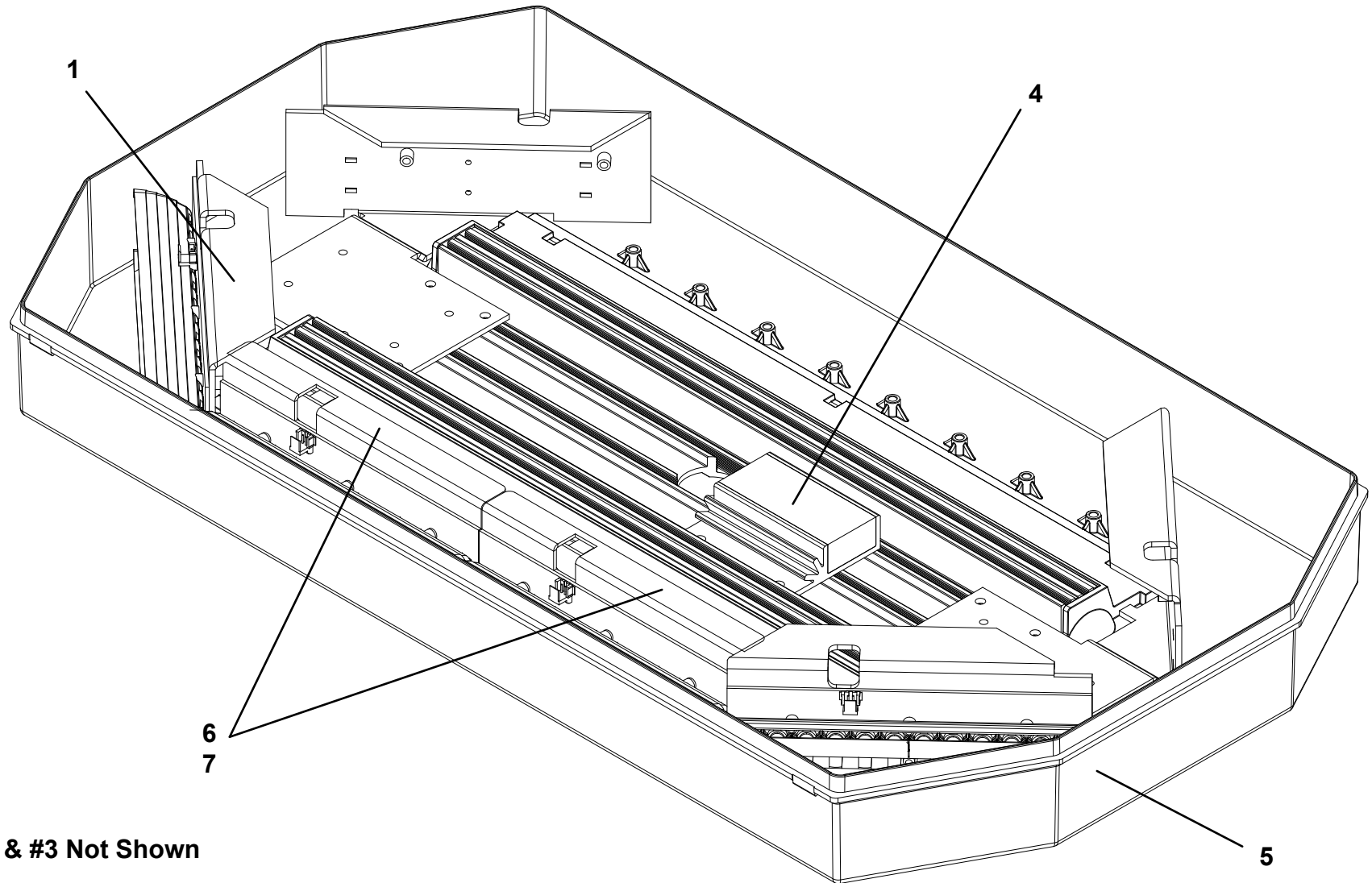
WING LIGHT INSTALLATION



22" PUBLIC SAFETY LIGHT BAR - 1001133591

ITEM	PART NO.	DESCRIPTION	QTY
1	70051014	LED Corner Module & Bracket	2
2	70051015	Lens, Clear Upper	1
3	70051016	Cable, Jerr-Dan 2 Wire	1
4	9346310098	Flasher	1
5	70051017	Lens, Clear Lower	1
6	9590310201	LED Center Module	2
7	70051018	Bracket, Mounting	1

22" PUBLIC SAFETY LIGHT BAR - 1001133591

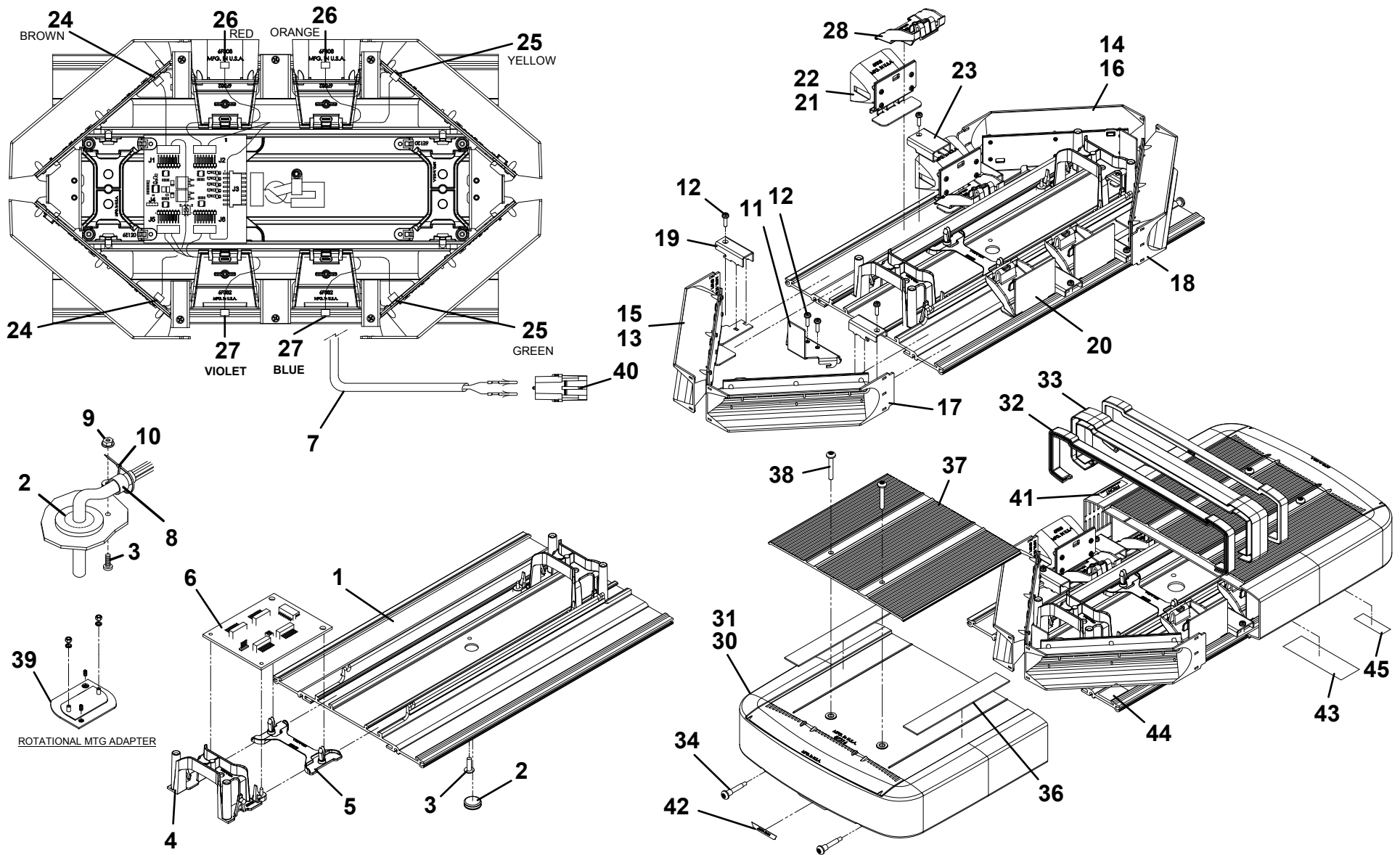


#2 & #3 Not Shown

22" WHELEN LIGHT BAR - 1001199478

ITEM	PART NO.	DESCRIPTION	QTY
1	70051019	Base	1
2	70050169	Grommet	1
3	70051020	Screw, 10-24NC X 0.88"	1
4	70051021	Bracket, Bulkhead Lens Mount	2
5	70051022	Bracket, I/O Anchor	1
6	70051023	Assembly, I/O BD Mini	1
7	70051024	Assembly, Cable	1
8	70051025	Clamp, Cable	1
9	70050174	Nut, Wiz #10-24NC	1
10	70051026	Ty Wrap, 6" Black	AR
11	70051027	Bracket, End Clamp	2
12	70051028	Screw, #6-32NC X 0.50"	10
13	70051029	Assy, Corner L-Front/R-Rear Amber	1
14	70051030	Assy, Corner L-Rear/R-Front Amber	1
15	70051031	Assy, Corner L-Front/R-Rear Blue	1
16	70051032	Assy, Corner L-Rear/R-Front Blue	1
17	70051033	Assembly, Blank Rear Drvr Corner	1
18	70051034	Assembly, Blank Rear Pass Corner	1
19	70051035	Bracket, Corner Clamp	4
20	70051036	Bracket, Half Filler	2
21	70051037	Sub Assy, Short Directional Amber	2
22	70051038	Sub Assy, Short Directional Blue	2
23	70051039	Bracket, Filler	2
24	70051040	Assembly, Harness	1
25	70051041	Assembly, Harness	1
26	70051042	Assembly, Harness	1
27	70051043	Assembly, Harness	1
28	70051044	Bracket, Snap-In	4
29	70051045	Ty Wrap, 3" Black	AR
30	70051046	Sub Assy, Cut Dome Clear	2
31	70051047	Sub Assy, Cut Dome Blue	2
32	70051048	Seal, Lens Divider	2
33	70051049	Divider, Lens	1
34	70051050	Screw, 10-24NC X 1.25"	4
36	70051051	Tape, VHB Endcap Trim Mount	4
37	70051052	Cover, Top Extruded 7.325"	2

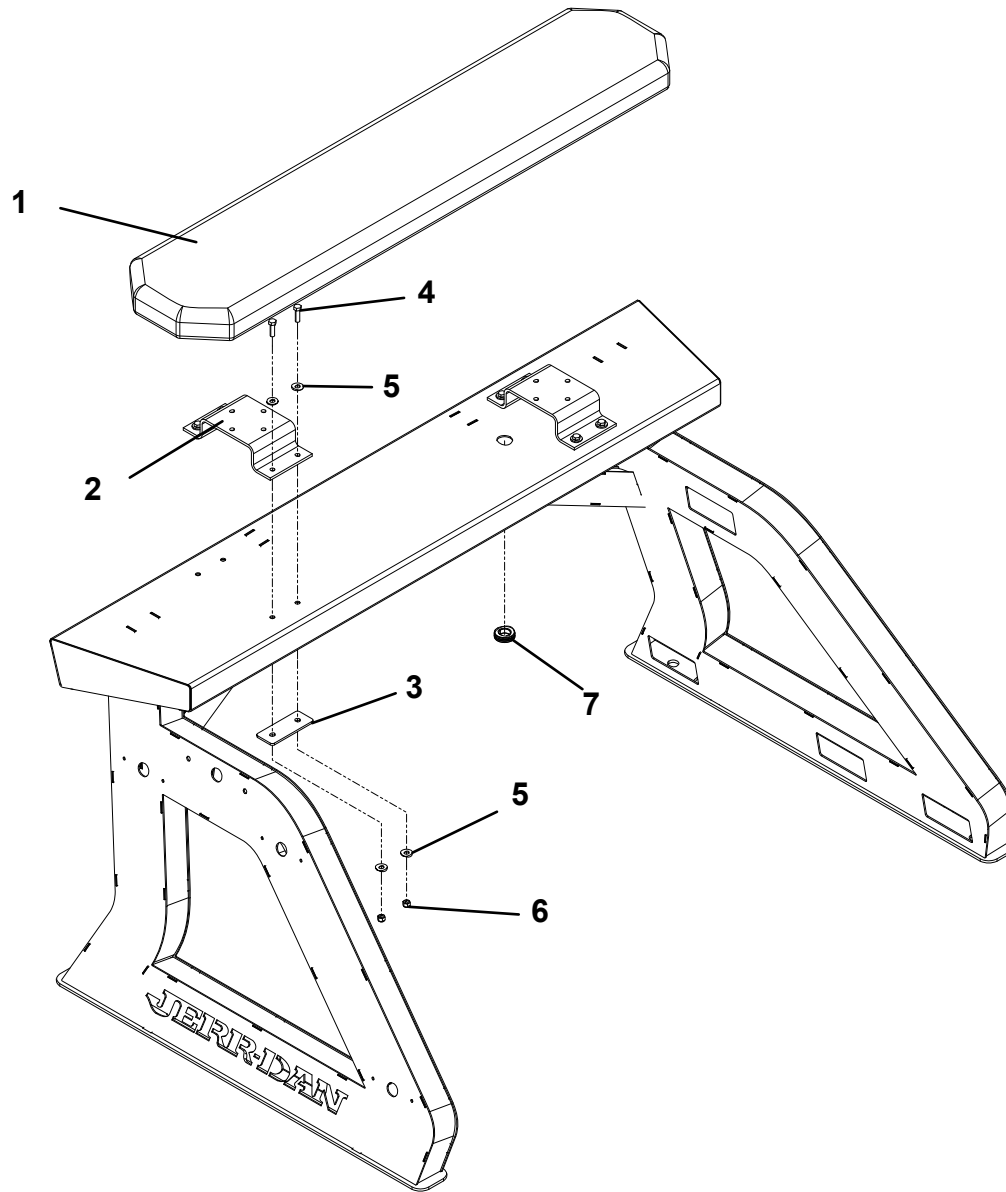
22" WHELEN LIGHT BAR - 1001199478



LIGHT BAR INSTALLATION

ITEM	PART NO.	DESCRIPTION	QTY
1	1001136990	Light Bar, 58" Amber CD3	1
	1001199475	Light Bar, 60" Whelen	1
	1001152815	Light Bar, 58" Red CD3	1
2	4178000234	Bracket	2
3	1001214128	Plate	4
4	0641610	Capscrew, 0.38" - 16NC x 1.25"	8
5	4751600	Washer, 0.38" ID	16
6	7660162601	Locknut, 0.38" - 16NC	8
7	7493000011	Grommet	1

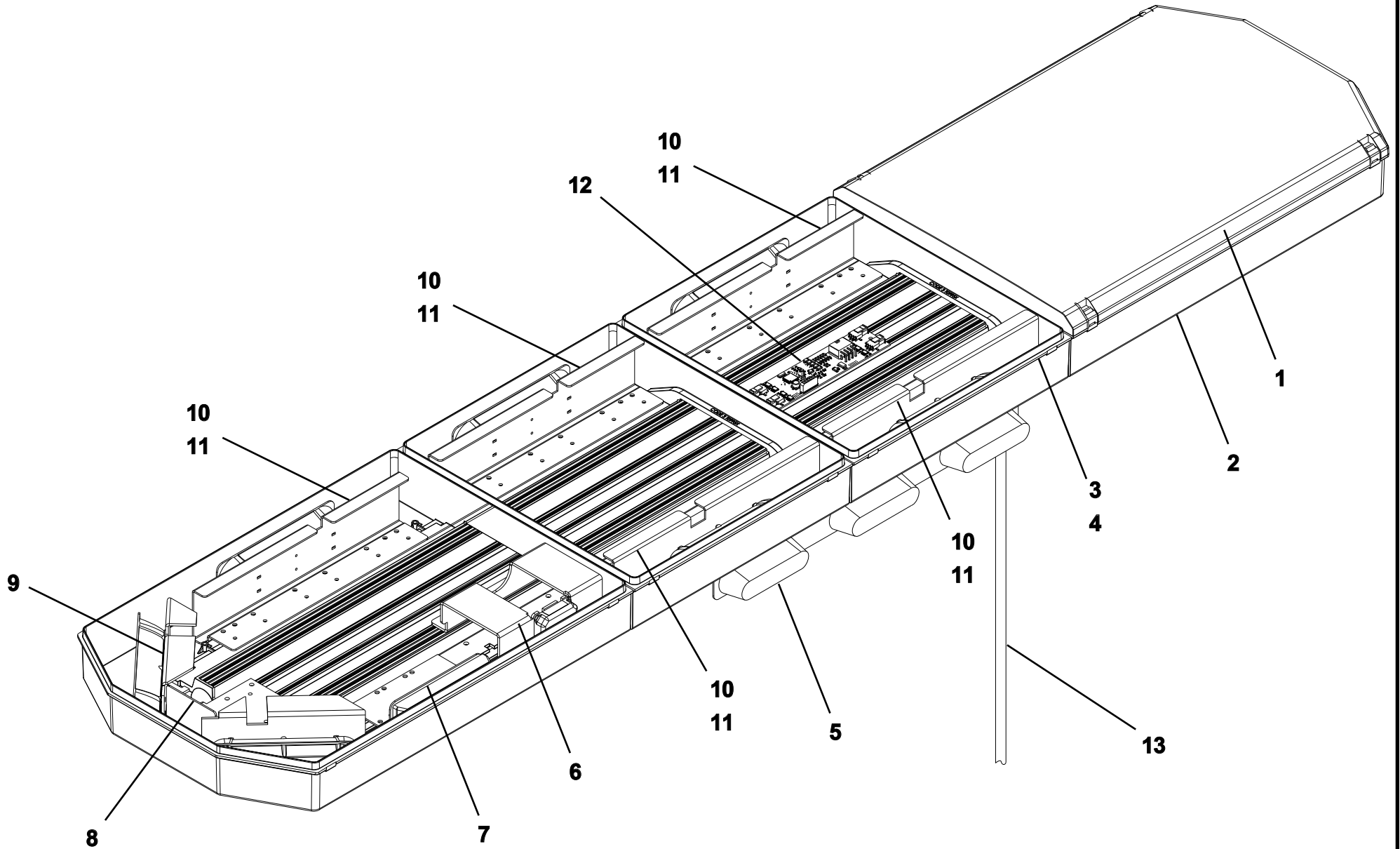
LIGHT BAR INSTALLATION



58" AMBER LIGHTBAR - CODE 3 - 1001136990

ITEM	PART NO.	DESCRIPTION	QTY
1	9590310197	Lens, Clear Upper Outboard	2
2	9590310200	Lens, Clear, Lower Outboard	2
3	9590310203	Lens, Clear Lower Center	2
4	9590310195	Lens, Clear Upper Center	2
5	1001126269	3 Light D.O.T. Strip	1
6	70050164	Worklight, LED	2
7	1001130702	Module, LED Stop/Tail/Turn	2
8	70050166	Bracket, Blank	4
9	9590310206	Module, Bracket	4
10	9590310205	Module, Led Amber	6
11	9590310202	Bracket, Mounting	6
12	70050167	Controller, General	1
13	70050165	Cable, Jerr-Dan 9 Wire	1
14	70050980	Harness, Internal Input	1
15	70050981	Harness, Internal Output	1

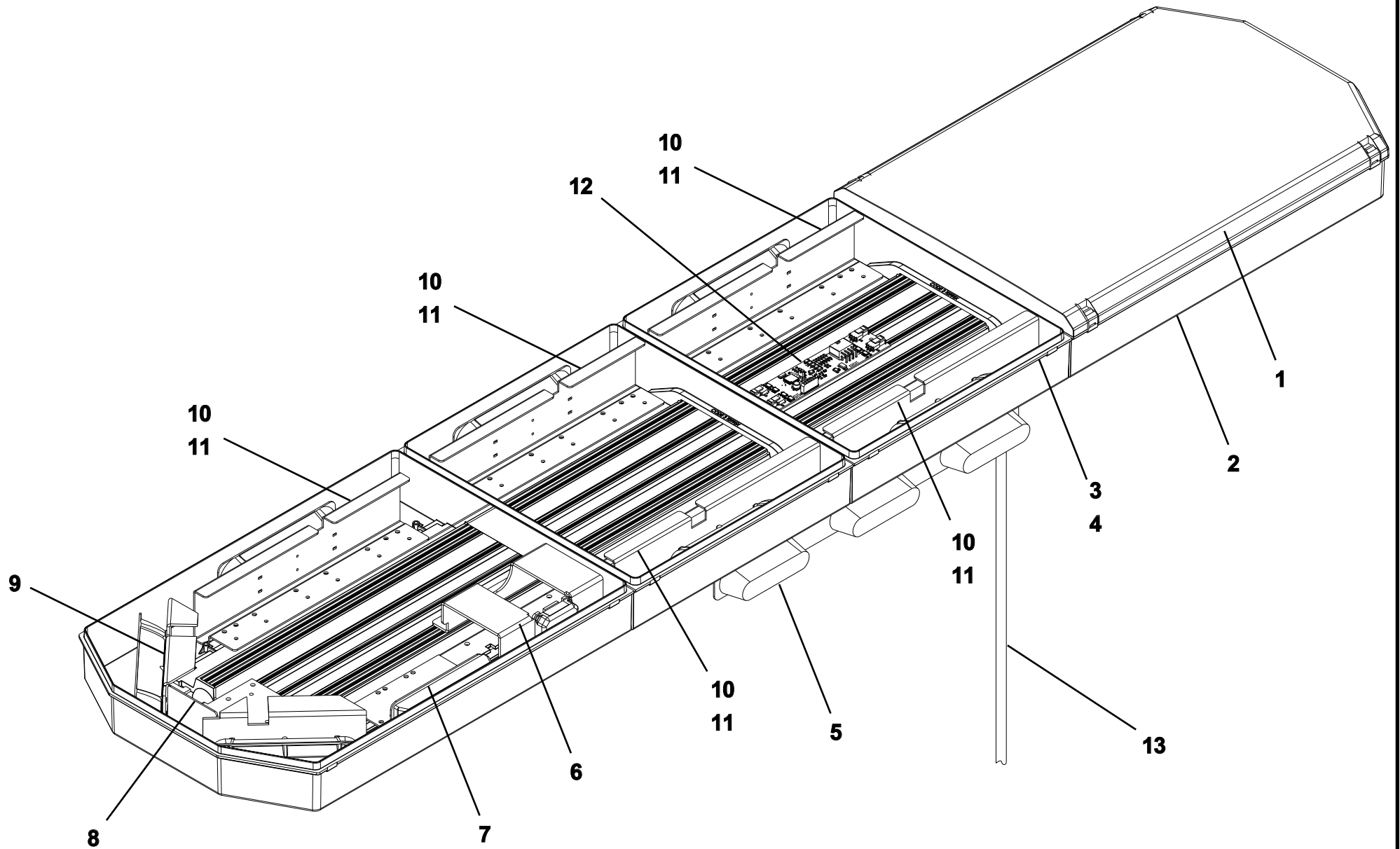
58" AMBER LIGHTBAR - CODE 3 - 1001136990



58" RED LIGHTBAR - CODE 3 - 1001152815

ITEM	PART NO.	DESCRIPTION	QTY
1	9590310197	Lens, Clear Upper Outboard	2
2	9590310200	Lens, Clear, Lower Outboard	2
3	9590310203	Lens, Clear Lower Center	2
4	9590310195	Lens, Clear Upper Center	2
5	1001126269	3 Light Strip	1
6	70050164	Worklight	2
7	1001130702	Module	2
8	70050166	Bracket	4
9	70050979	Bracket	6
10	70050722	Module	6
11	9590310202	Bracket	6
12	70050167	Controller	1
13	70050165	Cable	1
14	70050980	Harness	1
15	70050981	Harness	1

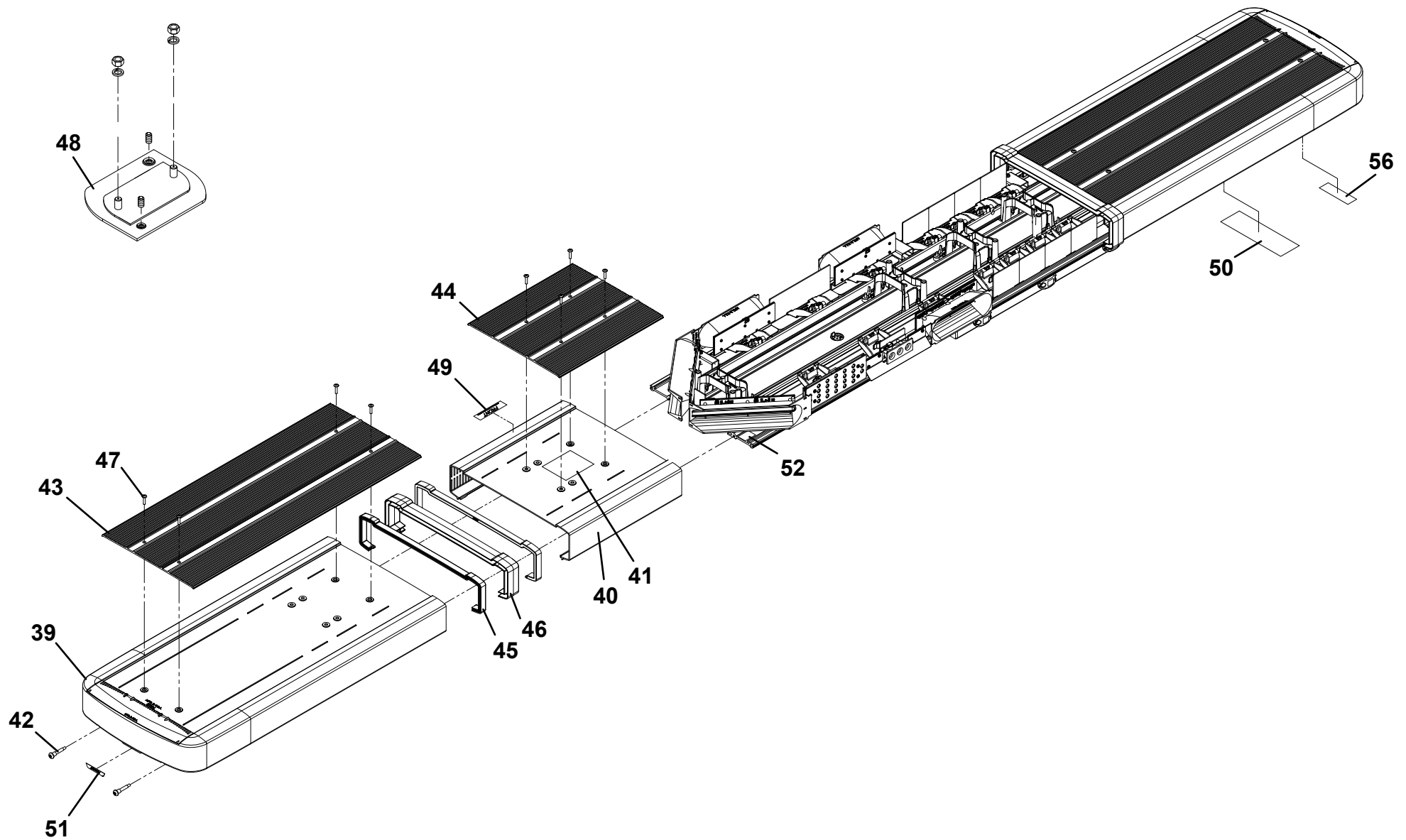
58" RED LIGHTBAR - CODE 3 - 1001152815

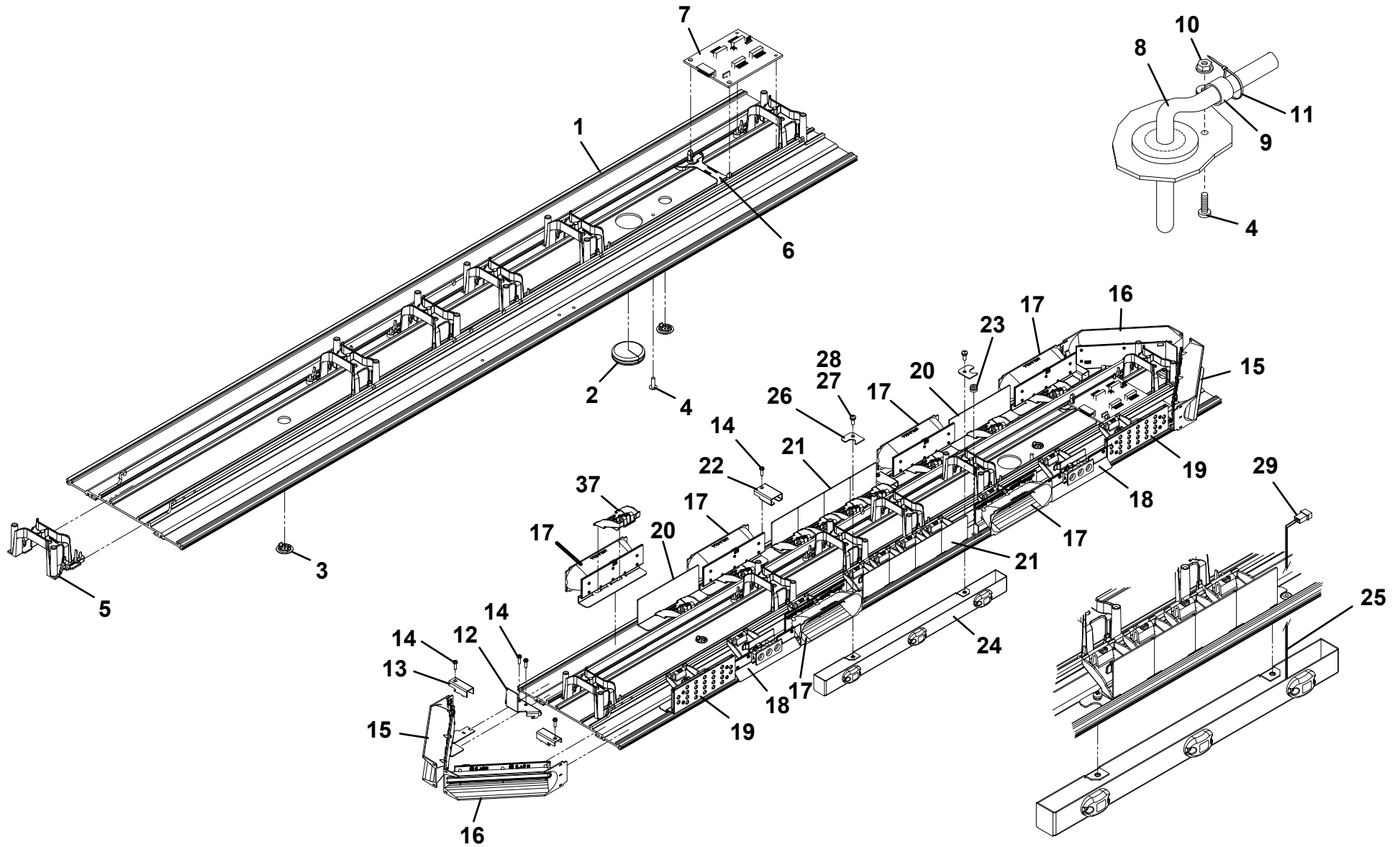


60" LIGHTBAR - WHELEN - 1001199475

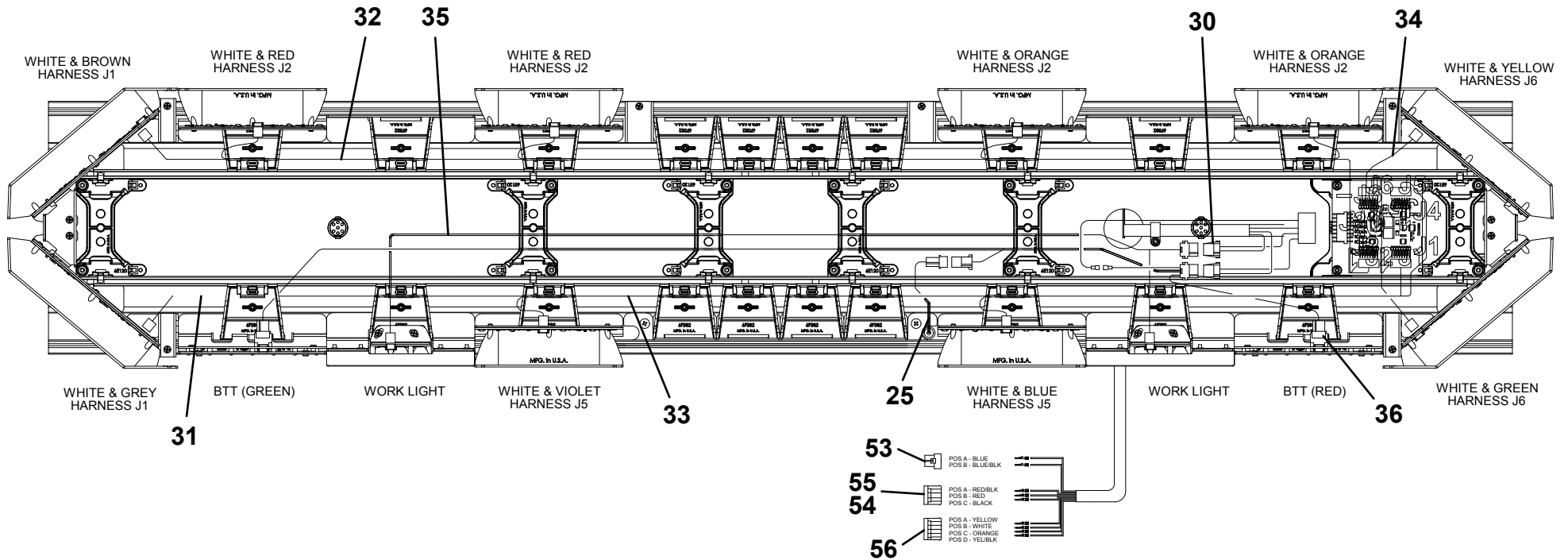
ITEM	PART NO.	DESCRIPTION	QTY	ITEM	PART NO.	DESCRIPTION	QTY
1	70051058	Base	1	40	70051077	Lens	1
2	70050169	Grommet	1	41	70051078	Label	1
3	70050170	Plug	2	42	70050203	Screw, #10-24NC X 1.25"	4
4	70051059	Screw, #10-24NC x 0.88"	1	43	70051062	Cover	2
5	70051021	Bracket	6	44	70051061	Cover	1
6	70051022	Bracket	1	45	70051048	Seal	4
7	70051023	Circuit Board	1	46	70051049	Lens	2
8	70051060	Cable	1	47	70051053	Screw, #10 X 0.88"	12
9	70050665	Clamp	1	48	70050204	Adapter	2
10	70050174	Nut, #10-24NC	1	49	70051055	Label	1
11	70051026	Tiewrap	AR	50	70050207	Label	1
12	70051027	Bracket	2	51	70051056	Label	2
13	70051035	Bracket	4	52	70051057	Label	1
14	70051028	Screw, #6-32NC X 0.50"	10	53	70050208	Housing	1
15	70051029	Lamp, Rear Amber	2	54	70050209	Connector	1
16	70051030	Lamp, Front Amber	2	55	70050210	Housing	1
17	70051063	Lamp, 6 LED	6	56	70050211	Housing	1
18	70051064	Lamp, 3 LED	2				
19	70051065	Lamp	2				
20	70051066	Bracket	2				
21	70051036	Bracket	8				
22	70051039	Bracket	2				
23	70050176	Grommet	1				
24	70051068	Lamp	1				
25	70050178	Harness	1				
26	70051069	Bracket	2				
27	70050179	Screw, #10-32NF X 0.50"	2				
28	70050180	Lockwasher, #10 ID	2				
29	70050181	Housing	1				
30	70050175	Housing	2				
31	70051070	Harness	1				
32	70051071	Harness	1				
33	70051072	Harness	1				
34	70051073	Harness	1				
35	70051074	Harness	1				
36	70051075	Harness	1				
37	70051044	Bracket	20				
38	70051045	Tiewrap	AR				
39	70051076	Lens	1				

60" LIGHTBAR - WHELEN - 1001199475



60" LIGHTBAR WHELEN - 1001199475

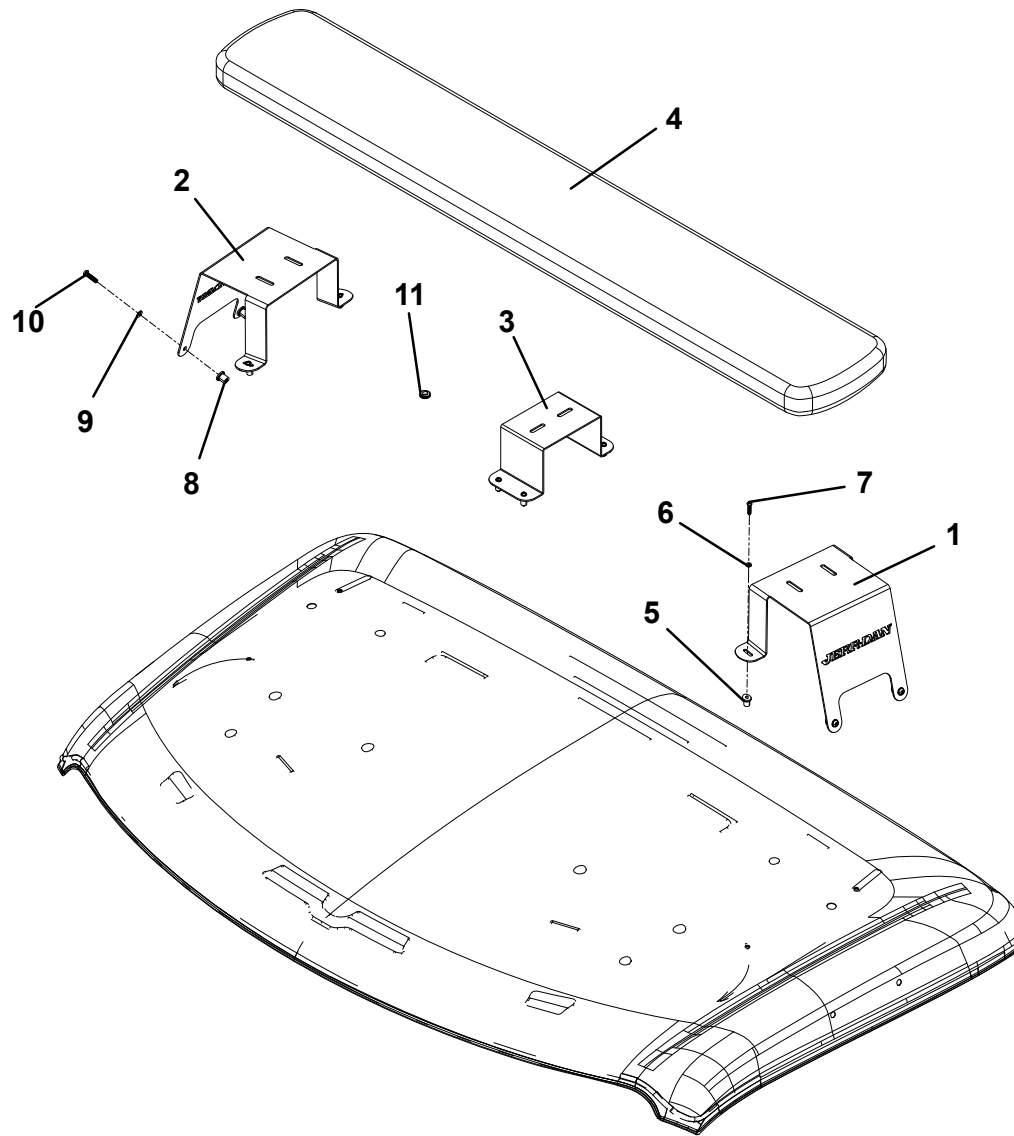
60" LIGHTBAR WHELEN - 1001199475



CAB MOUNTED LIGHT BAR

ITEM	PART NO.	DESCRIPTION	QTY
1	1001215955	Bracket, LH	1
2	1001215956	Bracket, RH	1
3	1001215957	Bracket, Center	1
4	1001199477	Whelen Lightbar	1
5	1001213131	Nut, M6	8
6	1001170307	Washer, M6 ID	8
7	1001216317	Screw, M6	8
8	1001216373	Nut, M8	4
9	1001170329	Washer, M8	4
10	1001216372	Screw, M8	4
11	1001101025	Grommet	1
12	1001216571	Harness	1
13	5526000553	Tie Strap	4

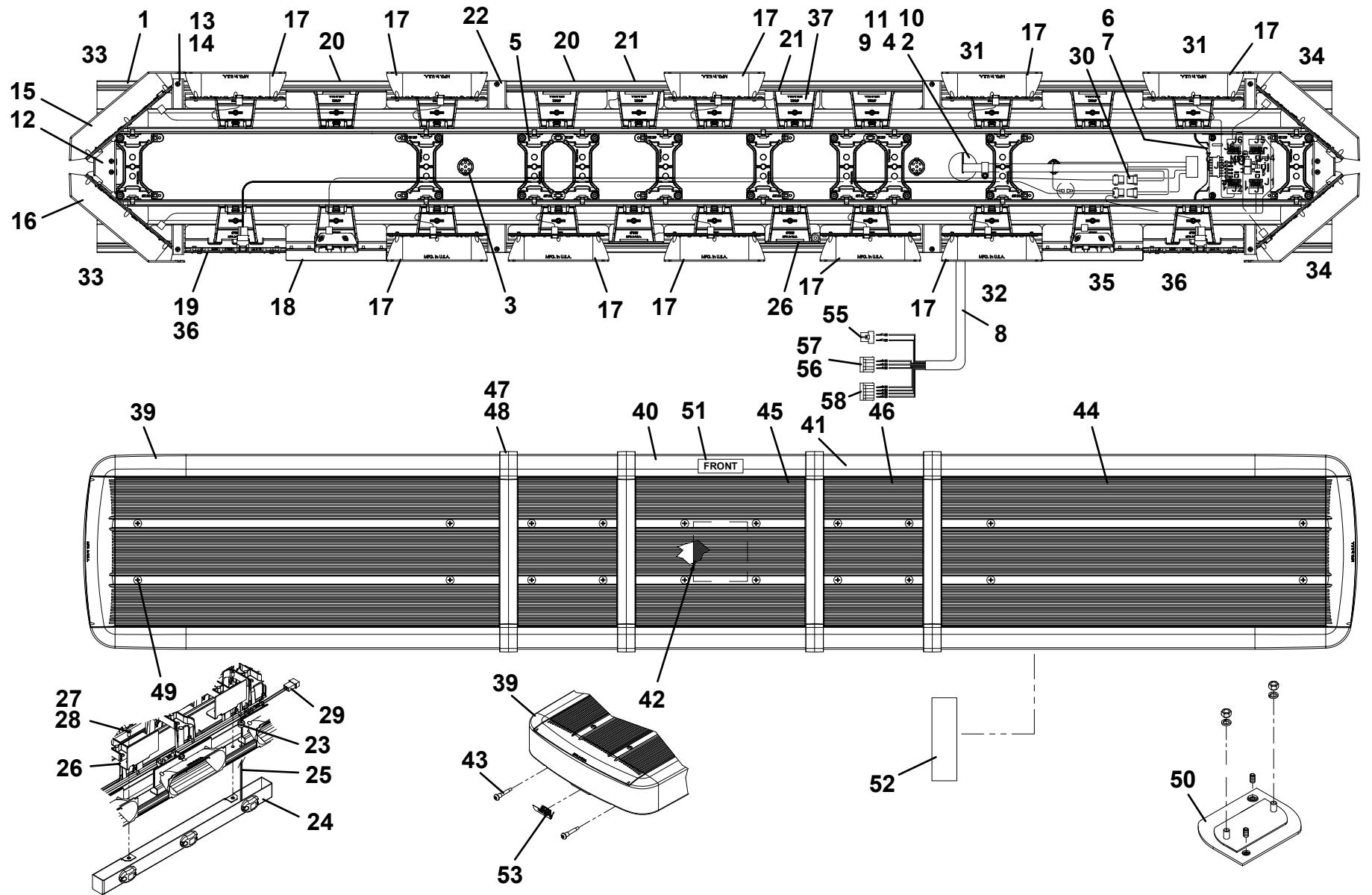
CAB MOUNTED LIGHT BAR



72" WHELEN LIGHT BAR

ITEM	PART NO.	DESCRIPTION	QTY	ITEM	PART NO.	DESCRIPTION	QTY
1	70051341	Base	1	40	70051077	Lens	1
2	70050169	Grommet	1	41	70051349	Lens	2
3	70050170	Plug	2	42	70051078	Label	1
4	70051059	Screw, #10 - 24 x 0.625"	1	43	70050203	Screw, #10-24 x 1.25"	4
5	70051021	Bracket	10	44	70051062	Cover	2
6	70051022	Bracket	1	45	70051061	Cover	1
7	70051023	Circuit Board	1	46	70051350	Cover	2
8	70051060	Cable	1	47	70051048	Seal	8
9	70050665	Cable Clamp	1	48	70051049	Divider	4
10	70050174	Nut, #10 - 24	1	49	70051053	Screw, #10 x 0.875"	20
11	70051026	Tie-Wrap	1	50	70050204	Adapter	2
12	70051027	Bracket	2	51	70051055	Decal, Front	1
13	70051035	Bracket	4	52	70050207	Decal, Serial Number	1
14	70051028	Screw, #6 - 32 x 0.50"	12	53	70051056	Decal	2
15	70051029	Corner Assembly, Front	A/R	54	70051056	Decal	1
16	70051030	Corner Assembly, Rear	A/R	55	70050208	Housing	1
17	70051063	LED Assembly, 6 light	A/R	56	70050209	Connector	1
18	70051064	LED Assembly, 3 light	2	57	70050210	Housing	1
19	70051065	Turn Signal Assembly	2	58	70050211	Housing	1
20	70051066	Bracket	4				
21	70051036	Bracket	2				
22	70051039	Bracket	4				
23	70050176	Grommet	1				
24	70051068	ICC Cluster	1				
25	70050178	Harness	1				
26	70051069	Bracket	2				
27	70050179	Screw, #10 - 32 x 0.50"	2				
28	70050180	Washer, #10 ID	2				
29	70050181	Housing	1				
30	70050175	Housing	2				
31	70051343	Harness	1				
32	70051344	Harness	1				
33	70051345	Harness	1				
34	70051346	Harness	1				
35	70051347	Harness	1				
36	70051348	Harness	1				
37	70051044	Bracket	22				
38	70051045	Tie Wrap	A/R				
39	70051076	Lens Assembly	2				

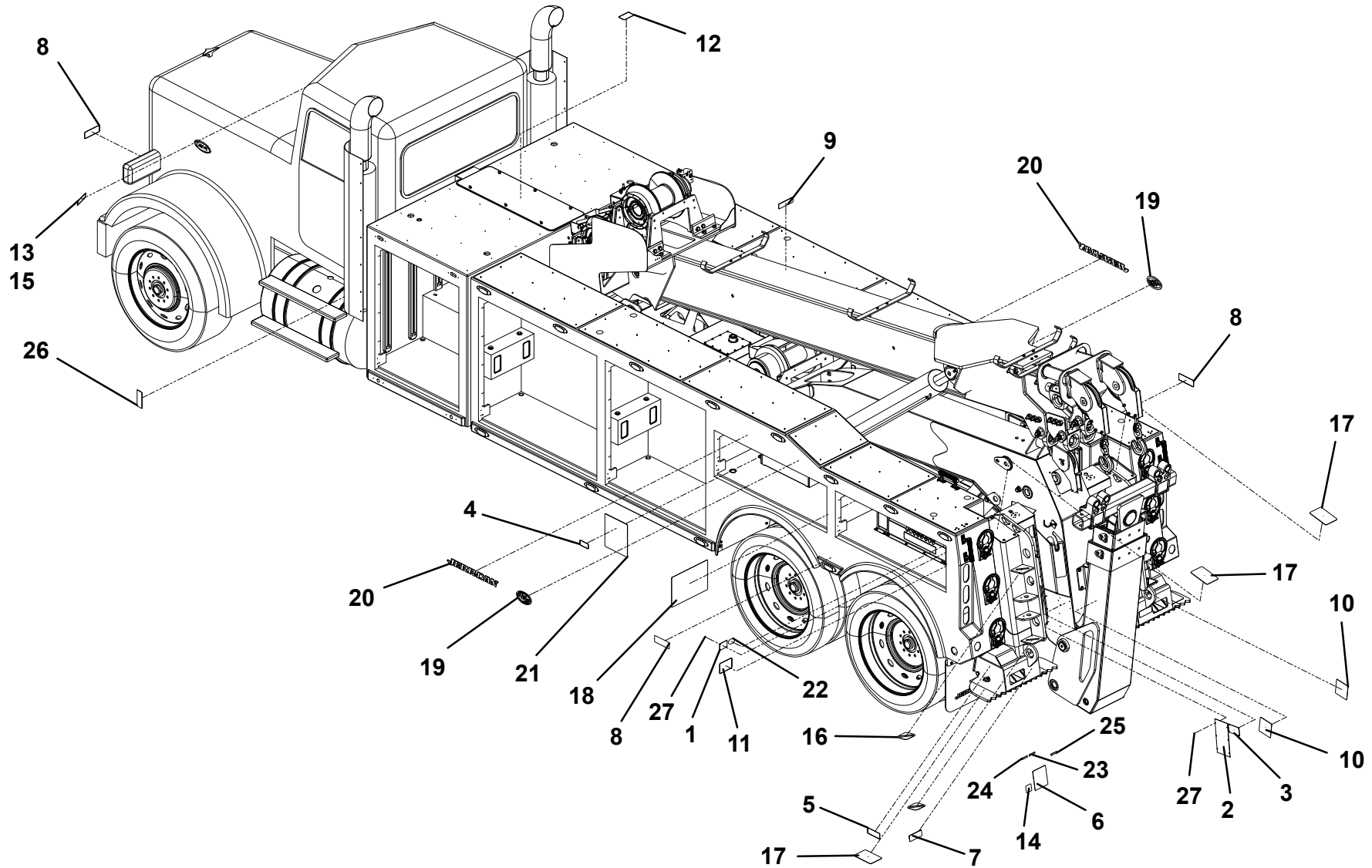
72" WHELEN LIGHT BAR



DECAL INSTALLATION

ITEM	PART NO.	DESCRIPTION	QTY
1	1001127220	Decal, Tag	1
2	1001132328	Decal, Placard	1
3	1001132346	Patent	1
4	1001136075	Decal, Hazardous Voltage	1
5	1001136080	Decal, Recover Stability	2
6	1001136091	Decal, Towed Load	2
7	1001136094	Decal, Crushing Hazard	2
8	1001136103	Decal, Electrocutation	4
9	1001136119	Decal, Hydraulic Hazard	1
10	1001137169	Decal, Pinch	2
11	1001138537	Decal, Hook	2
12	1001138612	Decal, Battery	1
13	1001141227	Decal, Backing	1
14	1001142452	Decal, No Step	2
15	1001142828	Decal, Fall Hazard	1
16	1001174339	Decal, Spade Housing Step	4
17	1001174346	Decal, Spade Step	4
18	1001205331	Decal, Lube Chart	1
19	1001206364	Decal, JFB Badge	2
20	1001206367	Decal, Jerr-Dan Name Plate	2
21	1001212286	Decal, Power Distribution	1
22	7330000143	Decal, Made in USA	1
23	7330000208	Decal, Service Air	1
24	7330000209	Decal, Supply Air	1
25	7330000210	Decal, Aux Air	1
26	7330000689	Decal, NTEA	1
27	7759000004	Pop Rivet	14

DECAL INSTALLATION



PART NUMBER INDEX

Part Number	Page	Part Number	Page	Part Number	Page	Part Number	Page
641412	188, 190, 192	3900339	272	70050170	342, 348	70050316	68, 70
0641514	208	4460466	180, 184	70050174	334, 342, 348	70050319	68, 70
0641524	128, 136, 144	4460509	180, 184	70050175	342, 348	70050320	70
0641610	328, 336	4711400	188, 190, 192	70050176	342, 348	70050322	70
641632	124, 132, 140	4711800	228, 234, 238, 242, 330	70050178	342, 348	70050325	68
641810	330	4740513	180, 184	70050179	342, 348	70050328	68
641820	228, 234, 238, 242	4751500	128, 136, 144	70050180	342, 348	70050329	68
642032	200, 212	4751600	328, 336	70050181	342, 348	70050330	68
642034	228, 230, 234, 238, 242	4752000	200, 212, 228, 230, 234, 238, 242	70050203	342, 348	70050331	68
0642228	322	4752200	322	70050204	342, 348	70050367	54, 64
750604	180, 184	7003116	36, 82, 86, 90	70050207	342, 348	70050368	54, 64, 104
750605	232, 234	7003212	24	70050208	342, 348	70050369	54, 64, 104
0751406	300	7005314	78	70050209	342, 348	70050370	54, 64, 104
0751408	300	7005322	24	70050210	342, 348	70050371	54, 64, 104
1380135	272	7005348	78, 82, 86, 90	70050211	342, 348	70050372	54, 64, 104
2220374	128, 136, 144	7005365	24, 30, 32, 36, 78, 82, 86, 90	70050215	24, 78	70050373	54
2220376	128, 136, 144	7006847	130, 138, 146	70050232	76	70050374	48, 62
2220415	156, 162, 168, 174	7019828	24	70050239	130, 138, 146	70050375	44, 66
2220451	128, 136, 144	7019829	82, 86, 90	70050241	130, 138, 146	70050376	44, 66
2220473	128, 136, 144	7023518	82, 86, 90	70050242	130, 138, 146	70050377	66
2220518	156, 162, 168, 174	7023593	30, 32	70050243	130, 138, 146	70050378	44, 66
2220642	156, 162, 168, 174	7024101	82, 86, 90	70050245	130, 138, 146	70050379	44, 66
2220654	198	7029865	130, 138, 146	70050246	130, 138, 146	70050380	46, 56
2220700	128, 136, 144, 156, 162, 168, 174	8760037	128, 136, 144	70050247	130, 138, 146	70050381	52, 58
2220878	156, 162, 168, 174	70021648	24, 36, 78, 82, 86, 90	70050249	130, 138, 146	70050382	52, 58
2220947	128, 136, 144	70021757	78	70050250	130, 138, 146	70050383	52, 58
2230021	198	70050075	90	70050251	130, 138, 146	70050384	100
2230024	128, 136, 144	70050106	152, 154	70050252	130, 138, 146	70050399	104
2230025	128, 136, 144	70050107	152, 154	70050256	130, 138, 146	70050400	104
2230027	128, 136, 144	70050147	100	70050257	130, 138, 146	70050401	104
2230089	128, 136, 144	70050164	338, 340	70050308	70	70050402	104
3020029	260, 264, 266	70050165	338, 340	70050309	70	70050468	68
3271605	328	70050166	338, 340	70050310	70	70050531	24
3520064	124, 132, 140	70050167	338, 340	70050312	68, 70	70050534	82, 86, 90
3760308	180, 184, 232, 234	70050169	334, 342, 348	70050313	68, 70	70050535	82, 86, 90
3841203	40, 92			70050314	68	70050536	82
				70050315	68	70050537	82

PART NUMBER INDEX

Part Number	Page	Part Number	Page	Part Number	Page	Part Number	Page
70050538	82	70050923	314, 316	70051044	334, 342, 348	70051197	90
70050540	82, 86, 90	70050924	314, 316	70051045	334, 342, 348	70051199	76
70050541	82, 86, 90	70050925	314, 316	70051046	334	70051300	44
70050544	78	70050977	70	70051047	334	70051303	64
70050545	78	70050979	340	70051048	334, 342, 348	70051304	64
70050548	78	70050980	338, 340	70051049	334, 342, 348	70051305	64
70050549	78	70050981	338, 340	70051050	334	70051306	64
70050550	86	70051014	332	70051051	334	70051307	64
70050551	86	70051015	332	70051052	334	70051309	64
70050552	86	70051016	332	70051053	342, 348	70051310	60
70050568	82, 90	70051017	332	70051055	342, 348	70051311	60
70050594	78	70051018	332	70051056	342, 348	70051333	32
70050595	78	70051019	334	70051057	342	70051341	348
70050665	342, 348	70051020	334	70051058	342	70051343	348
70050668	70	70051021	334, 342, 348	70051059	342, 348	70051344	348
70050669	70	70051022	334, 342, 348	70051060	342, 348	70051345	348
70050722	340	70051023	334, 342, 348	70051061	342, 348	70051346	348
70050831	316	70051024	334	70051062	342, 348	70051347	348
70050832	316	70051025	334	70051063	342, 348	70051348	348
70050833	316	70051026	334, 342, 348	70051064	342, 348	70051349	348
70050834	316	70051027	334, 342, 348	70051065	342, 348	70051350	348
70050835	316	70051028	334, 342, 348	70051066	342, 348	80004049	78
70050836	316	70051029	334, 342, 348	70051068	342, 348	80004056	86
70050837	316	70051030	334, 342, 348	70051069	342, 348	83304181	76
70050838	316	70051031	334	70051070	342	91084009	130, 138, 146
70050839	316	70051032	334	70051071	342	91084017	130, 138, 146
70050840	316	70051033	334	70051072	342	979696088	64
70050841	316	70051034	334	70051073	342	1001094694	156, 162, 168, 174, 198
70050842	318	70051035	334, 342, 348	70051074	342	1001101025	346
70050843	318	70051036	334, 342, 348	70051075	342	1001122235	180, 184, 232, 234
70050844	318	70051037	334	70051076	342, 348	1001125479	188, 190, 192
70050845	318	70051038	334	70051077	342, 348	1001126269	338, 340
70050846	318	70051039	334, 342, 348	70051078	342, 348	1001127220	350
70050847	318	70051040	334	70051079	130, 138, 146	1001129800	42
70050848	318	70051041	334	70051080	130, 138, 146	1001129861	330
70050849	318	70051042	334	70051081	130, 138, 146	1001130491	124, 132, 140
70050922	314, 316	70051043	334	70051196	90	1001130702	338, 340

PART NUMBER INDEX

Part Number	Page	Part Number	Page	Part Number	Page	Part Number	Page
1001132265	116	1001152548	8	1001168321	180, 184	1001170937	224
1001132268	114	1001152549	8	1001168322	180, 184	1001170968	272
1001132328	350	1001152815	336	1001168328	180, 184	1001170970	272
1001132346	350	1001154101	204, 216, 232, 234	1001168428	308	1001170971	272
1001133591	330	1001154277	124, 132, 140	1001168544	294, 312	1001171394	196
1001134433	124, 132, 140	1001154527	206, 218, 232, 234, 238, 242	1001168545	258, 270, 272, 292, 304	1001171933	120
1001136075	350	1001156424	326	1001168733	258, 260	1001172491	28
1001136080	350	1001159568	112	1001168993	124, 132, 140, 180, 184, 200, 212, 254, 256, 258, 266, 268, 270, 274, 312	1001173847	200, 212, 230
1001136091	350	1001160799	294, 312	1001169063	260, 266	1001174051	208
1001136094	350	1001163358	210, 220	1001169064	260, 266	1001174138	312
1001136103	350	1001164560	258, 260	1001169076	260, 266	1001174140	312
1001136119	350	1001164562	258	1001169078	200, 212, 260, 266	1001174339	350
1001136447	26	1001164601	254, 256	1001169080	124, 132, 140, 260, 264, 266, 278	1001174346	350
1001136990	336	1001164614	254, 256	1001169083	124, 132, 140, 260, 266, 294, 296, 310	1001174680	180, 184
1001137169	350	1001165564	260, 266	1001169560	40	1001174681	180, 184
1001137487	26	1001165570	260	1001169617	92	1001174992	300
1001138537	350	1001165571	260, 266	1001169893	40, 92	1001175059	298, 300
1001138612	350	1001165584	260, 266	1001170036	120	1001175061	194
1001139463	150	1001165652	266	1001170090	264	1001179349	264
1001139464	150	1001165692	228, 230, 238	1001170091	264	1001182248	270
1001141227	350	1001165862	272	1001170305	264	1001182569	234
1001142452	350	1001165863	272	1001170307	264, 346	1001183037	276, 290, 298, 300
1001142828	350	1001166549	206, 218	1001170310	264	1001183038	298
1001143297	92	1001166644	260, 264, 266, 278, 310	1001170328	264	1001183152	308
1001143686	322	1001166674	232	1001170329	264, 346	1001183735	264
1001144730	8	1001166930	180, 184, 232, 234	1001170330	264	1001183736	264
1001145056	72	1001166974	124, 132, 140, 180, 184, 200, 212, 254, 256, 258, 268, 270, 294, 312	1001170331	264	1001184765	42
1001145240	152, 154	1001166978	124, 132, 140, 320	1001170332	264	1001184772	128, 136, 144
1001151050	92	1001167268	286	1001170428	264	1001184773	128, 136, 144
1001151184	74	1001167358	210, 220	1001170618	280	1001184827	124, 132, 140
1001151185	74	1001167455	222	1001170707	282	1001184828	124, 132, 140
1001151546	322	1001167456	222	1001170839	286	1001185600	242
1001151789	200, 212	1001167607	180, 184	1001170849	224	1001185654	232, 234
1001151805	34	1001168320	180, 184			1001185657	228
1001152381	8					1001186416	238
1001152511	8					1001186491	234
1001152547	8					1001186584	210, 220

PART NUMBER INDEX

Part Number	Page	Part Number	Page	Part Number	Page	Part Number	Page
1001186585.....	220	1001190228.....	266	1001195838.....	294	1001201523.....	276
1001186606.....	210, 220	1001190265.....	266	1001196552. 148, 150, 152, 154, 180,		1001201695.....	284
1001186607.....	220	1001190342.....	260	184, 206, 218, 232, 234, 238,		1001201926.....	180, 184
1001186608.....	210, 220	1001190359.....	260	242, 262		1001202051.....	200
1001186725.....	202, 214	1001190361.....	260	1001196909.....	124, 132, 140	1001202052.....	200
1001186727.....	202, 214	1001190409.....	270	1001196910.....	124, 132, 140	1001202432.....	124, 132, 140
1001186728.....	202, 214	1001190410.....	288, 290	1001196911.....	124, 132, 140	1001202508.....	124, 132, 140
1001186835.....	202	1001190551.....	274	1001197158.....	250	1001202517.....	124, 132, 140
1001186986.....	252	1001190568.....	292	1001197159.....	246	1001202518.....	124, 132, 140
1001186987.....	250	1001190926.....	294, 296	1001197160.....	246	1001202524.....	212
1001186988.....	246	1001190988.....	294	1001197161.....	246, 248	1001202741.....	124, 132, 140
1001186989.....	246	1001191602.....	180, 184	1001197162.....	248	1001203229.....	140
1001186990.....	246, 248	1001191613.....	312	1001197163.....	248	1001203234.....	180, 184
1001186991.....	248	1001191810.....	292	1001197181.....	252	1001203506.....	136, 144
1001186992.....	248	1001192126.....	260	1001197338.....	234, 242	1001204565.....	72
1001186993.....	234	1001192287.....	272	1001197482.....	42	1001204788.....	180, 184
1001186997.....	242	1001192504.....	156, 162, 168, 174	1001197483.....	42	1001204789.....	180, 184
1001187000.....	232	1001192958.....	148, 152, 154, 202,	1001197506.....	42	1001204816.....	8
1001187009.....	238	204, 214, 226, 232, 234, 238,		1001197693.....	264	1001205043.....	180, 184
1001187063.....	234, 242	242, 246, 248, 250, 252		1001198300.....	112	1001205044.....	180, 184
1001188635.....	214	1001193233.....	198	1001198602. 148, 152, 154, 246, 248,		1001205331.....	350
1001188904.....	232, 238	1001193241.....	198	250, 252		1001205854.....	246, 248
1001188919.....	234, 242	1001193242.....	198	1001199081. 206, 218, 232, 234, 238,		1001205855.....	246, 248
1001188920.....	232, 234	1001193527.....	136, 144	242		1001205877.....	202, 214
1001188921.....	232, 234, 238, 242	1001194069.....	128, 136, 144	1001199311.....	124, 132, 140	1001205915.....	226
1001189656.....	322	1001194284.....	128	1001199322.....	124, 132, 140	1001205916.....	226
1001189657.....	322	1001194676. 124, 132, 140, 152, 154,		1001199324.....	124, 132, 140	1001205917.....	226
1001189784.....	124, 132, 140	288, 290, 306		1001199475.....	336	1001206033.....	156, 162, 168, 174
1001189989.....	128, 136, 144	1001194736.....	124, 132, 140	1001199477.....	346	1001206039.....	156, 162, 168, 174
1001189993.....	124, 132, 140	1001195257.....	180, 184, 232, 234,	1001200997.....	264	1001206042.....	156, 162, 168, 174
1001190050.....	278	238, 242, 246, 248, 250, 252,		1001201112.....	258	1001206043.....	156, 162, 168, 174
1001190055.....	278	286, 288, 290, 294, 302, 306,		1001201215.....	262	1001206052.....	156, 162, 168, 174
1001190128.....	278	312, 320, 322		1001201216.....	262	1001206053.....	156, 162, 168, 174
1001190148.....	278	1001195279.....	288	1001201217.....	262	1001206054.....	156, 162, 168, 174
1001190218.....	266	1001195341.....	290	1001201218.....	262	1001206364.....	350
1001190223.....	266	1001195523. 150, 152, 154, 280, 282,		1001201367.....	262	1001206367.....	350
		284, 286, 294		1001201384.....	180, 184	1001206505.....	180, 184

PART NUMBER INDEX

Part Number	Page	Part Number	Page	Part Number	Page	Part Number	Page
1001206679.....	200, 212	1001209051.....	180, 184	1001214265.....	310	1001220167.....	326
1001206801.....	124, 132, 140	1001209052.....	184	1001214266.....	310	1001220168.....	326
1001206909.....	156, 162, 168, 174	1001209053.....	184	1001214267.....	310	1001220169.....	326
1001207212.....	180	1001209054.....	180, 184	1001214301.....	310	1001220170.....	326
1001207213.....	180	1001209365.....	180, 184	1001214350.....	322	1001220171.....	326
1001207300.....	302	1001209366.....	180, 184	1001214577.....	322	1001220234.....	326
1001207367.....	40	1001209590.....	320	1001214590.....	322	1001220273.....	212
1001207368.....	40	1001209616.....	320	1001214605.....	322	1001220345.....	326
1001207509.....	306	1001210868.....	262	1001214902.....	124, 132, 140	1001220349.....	326
1001207539.....	306	1001211000.....	320	1001215040.....	188	1001220350.....	326
1001207599.....	268	1001211001.....	320	1001215041.....	190	1001220351.....	326
1001207624.....	270	1001211002.....	320	1001215048.....	192	1001220352.....	326
1001207734.....	180, 184	1001211003.....	320	1001215098.....	320	1001220353.....	326
1001207736.....	180, 184	1001211394.....	312	1001215100.....	320	1001220354.....	326
1001208066.....	180, 184	1001211486.....	230	1001215110.....	322	1001220355.....	326
1001208303.....	180, 184	1001211487.....	230	1001215444.....	184	1001220363.....	326
1001208610.....	72	1001212194.....	300	1001215445.....	180	1001220364.....	326
1001208650.....	304	1001212286.....	350	1001215955.....	346	1001220365.....	326
1001208651.....	304	1001213093.....	322	1001215956.....	346	1001220366.....	326
1001208950.....	320	1001213102.....	322	1001215957.....	346	1001220367.....	326
1001208951.....	320	1001213104.....	328	1001216317.....	346	1001220368.....	326
1001208952.....	320	1001213105.....	328	1001216372.....	346	1001220369.....	326
1001209000.....	184	1001213110.....	328	1001216373.....	346	1001220370.....	326
1001209010.....	180	1001213111.....	322	1001216571.....	346	1001220371.....	326
1001209014.....	92	1001213112.....	322	1001217088.....	210, 220	1001220372.....	326
1001209015.....	92	1001213131.....	346	1001218611.....	72	1001220373.....	326
1001209020.....	150	1001213132.....	168, 174	1001219691.....	124, 132, 140	1001220374.....	326
1001209021.....	152, 154	1001213133.....	156, 162, 168, 174	1001219743.....	124, 132, 140	1001220375.....	326
1001209022.....	148	1001213509.....	322	1001219831.....	230	1001220376.....	326
1001209024.....	92	1001213522.....	322	1001219833.....	230	1001220431.....	180, 184
1001209025.....	92	1001214086.....	156, 162, 168, 174	1001219916.....	230	3007000004.....	112
1001209031.....	180, 184	1001214087.....	156, 162, 168, 174	1001219917.....	230	3020000119.....	114, 116
1001209034.....	320	1001214089.....	156, 162, 168, 174	1001219918.....	230	3020000120.....	114, 116
1001209040.....	180, 184	1001214090.....	156, 162, 168, 174	1001219919.....	230	3170000123.....	80
1001209041.....	180, 184	1001214128.....	336	1001219921.....	230	3170000124.....	80
1001209042.....	180, 184	1001214129.....	328	1001219937.....	124, 132, 140	3170000125.....	80
1001209044.....	180, 184	1001214130.....	322	1001220068.....	124, 132, 140	3170000133.....	34

PART NUMBER INDEX

Part Number	Page	Part Number	Page	Part Number	Page	Part Number	Page
3170000135.....	34	3577000071.....	28	4567132031.....	156, 162, 168, 174	4679000293.....	84
3170000136.....	28	3691000126.....	22	4567132034.....	168, 174	4691000200.....	22
3170000178.....	88	3691000144.....	110	4567132043.....	156, 162, 168, 174	4691000207.....	22
3170000179.....	88	3691000148.....	28	4567132048.....	156, 162, 168, 174	4691000242.....	108
3170000220.....	88	3691000149.....	28	4567133032.....	156, 162, 168, 174	4691000274.....	114, 116
3170000379.....	88	3691000152.....	74	4567150048.....	156, 162, 168, 174	4691000280.....	34
3170000380.....	88	3691000232.....	74	4567152024.....	156, 162, 168, 174	4691000281.....	34
3170000381.....	74	3691000251.....	74	4567152025.....	156, 162, 168, 174	4691000284.....	74
3170000400.....	84	3691000267.....	22	4567152054.....	156, 162, 168, 174	4691000285.....	34
3170000401.....	84	3691000274.....	28	4567152056.....	156, 162, 168, 174	4691000290.....	74
3170000406.....	84	3706000080.....	110	4567160111.....	72	4691000291.....	74
3170000407.....	74	3706000261.....	22	4567160146.....	72	4691000292.....	80
3170000408.....	74	3750000021.....	16	4567182024.....	156, 162, 168, 174	4691000293.....	80, 84, 88
3170000409.....	74	3750000022.....	14, 18	4567182029.....	156, 162, 168, 174	4691000321.....	84, 88
3170000433.....	84	3750000056.....	20	4569130044.....	156, 162, 168, 174	4701000004.....	34
3177000060.....	128, 136, 144	3911000068.....	228, 238	4569130046.....	156, 162, 168, 174	4705000705.....	228, 234, 238, 242
3178000226.....	112	3912000033.....	116	4569160046.....	156, 162, 168, 174	4706001815.....	208
3178000240.....	110	3912000038.....	114, 116	4569162034.....	168, 174	4706002207.....	80
3178000273.....	88	3913000094.....	108	4569163036.....	168, 174	4706002208.....	80
3178000275.....	88	4017000788.....	40	4569180038.....	168, 174	4706002209.....	80
3178000499.....	110	4017000789.....	40	4569180044.....	168, 174	4706002210.....	80
3249000009.....	40	4017000792.....	40	4570000162.....	156, 162, 168, 174	4706002211.....	80
3249000012.....	92	4062000273.....	34	4570000163.....	156, 162, 168, 174	4706002235.....	16, 20
3249000035.....	40	4062000562.....	34	4570000167.....	156, 162, 168, 174	4706002276.....	34
3249000038.....	92	4062000746.....	34	4570000252.....	156, 162, 168, 174	4706002428.....	88
3263000118.....	22	4064000033.....	34	4570000360.....	156, 162, 168, 174	4706002555.....	8
3274000011.....	228, 234, 238, 242	4178000234.....	336	4570000362.....	156, 162, 168, 174	4706003708.....	80
3484000048.....	114	4178000248.....	72	4570000368.....	156, 162, 168, 174	4706003709.....	80
3484000049.....	114	4178000402.....	330	4619000006.....	156, 162, 168, 174	4706003710.....	80
3484000072.....	116	4178000699.....	152, 154	4679000127.....	74	4706003716.....	22
3484000073.....	116	4249000002.....	92	4679000139.....	34	4706003717.....	80
3507100001.....	74	4309000001.....	124, 132, 140	4679000140.....	34	4706003718.....	80
3551000036.....	112	4309000007.....	124, 132, 140	4679000146.....	80, 88	4706003844.....	72
3561000008.....	114, 116	4561000012.....	114, 116	4679000147.....	80	4706005262.....	84
3561000017.....	74	4567112024.....	156, 162, 168, 174	4679000150.....	34	4706005263.....	84
3577000018.....	108	4567113028.....	156, 162, 168, 174	4679000170.....	88	4706005281.....	84
3577000037.....	74	4567120017.....	156, 162, 168, 174	4679000277.....	84		

PART NUMBER INDEX

Part Number	Page	Part Number	Page	Part Number	Page	Part Number	Page
4706006008	10	7114141218	224	7118221816	40, 230	7320000027	28
4706006009	10	7114150618	328	7118223216	40	7320000028	34
4706006016	8	7114150850	42	7118242450	8	7320000033	76
4754000004	34	7114160850	264	7118267250	110	7320000038	88
4812000057	80	7115140650	16, 80, 84, 88	7120000036	110	7320000042	82
4819000008	156, 162, 168, 174	7115140850	72	7120000047	152, 154	7320000062	28
4831000104	40	7115141250	34	7178000025	180, 184	7320000068	84
4949000045	92	7115142050	92	7183000004	16, 20	7320000076	86, 90
4949000059	28	7115150650	12, 46, 56	7189000017	74	7320000096	74
4949000060	28	7115150850	12	7209000022	108	7320000097	74
5526000553	148, 152, 180, 184, 188, 190, 192, 320, 346	7115150864	122	7209000024	12	7320000098	78
6906960019	104	7115151050	72	7209000031	12	7330000143	350
7007000036	12	7115160623	74	7209000032	12	7330000208	350
7007000055	112	7115161450	74	7209000033	12	7330000209	350
7007000056	112	7115161650	22, 156, 162, 168, 174, 272	7209000066	12	7330000210	350
7007960040	54, 64	7115180723	34	7253000002	22, 28, 34, 40, 74, 92	7330000278	114, 116
7011000006	194	7115180850	40, 74, 92	7262000025	74	7330000446	38
7056000003	118	7115181050	72	7274000028	72	7330000447	38
7056000004	118	7115181050	72	7274000030	12	7330000448	38
7056000005	118	7115181450	28, 34	7274000040	156, 162, 168, 174, 180, 184	7330000449	38
7056000006	118	7115181650	106	7274000041	72	7330000453	38
7075000003	148, 150, 152, 154	7115181850	14, 18	7274000042	180, 184	7330000535	266
7075000006	152, 154	7115182250	54, 64	7274000049	12	7330000689	350
7082000005	124, 132, 140	7115182650	40	7274000063	156, 162, 168, 174	7345001714	196
7108180850	80, 84, 88	7115183250	74	7274000071	72	7345242202	188, 190, 192
7108181050	80	7115201250	74	7274000076	72	7346000039	196
7110201423	94	7115201850	100	7280000006	180, 184, 232, 234, 238, 242, 320, 322	7346000040	254, 256
7110201823	52, 58	7115202250	100	7295000029	42	7346000045	188, 190, 192
7114080418	322	7115220850	74	7295000124	150	7346000055	122
7114100618	180, 184	7115222450	50, 60	7295000146	148, 152, 154	7346000078	122
7114100818	42, 180, 184	7115222650	50	7312000015	120	7413000002	124, 132, 140
7114140518	22, 80, 84, 88, 278, 322	7118165250	102	7312000016	120	7430000004	156, 162, 168, 174
7114140618	34, 124, 132, 140, 258, 260, 278	7118172050	54, 64, 104	7320000006	22	7430000010	72
7114140818	34, 278, 290	7118181205	54, 64, 104	7320000024	74	7440000000	74
7114141018	124, 132, 140, 298, 300	7118181250	118	7320000026	80	7440030000	22, 28, 34, 40, 74, 80, 84, 88, 92, 108
		7118201616	92			7440030200	30, 32
		7118202016	92				

PART NUMBER INDEX

Part Number	Page	Part Number	Page	Part Number	Page	Part Number	Page
7440030400	36	7445080837	156, 162, 168, 174	7590000105	180, 184	7661000022	12
7443000109.....	156, 162, 168, 174	7445080843	156, 162, 168, 174	7590000262	204, 216, 226, 232, 234, 238, 242, 322	7661000027	12
7443000130.....	72	7445100843.....	156, 162, 168, 174	7590000282	204, 216	7661000029	328
7443000139.....	42	7445101025.....	12	7590000343	180, 184	7661000041.....	42
7443000145.....	120	7445101032.....	156, 162, 168, 174	7636000006.....	14, 18	7690141200.....	124, 132, 140
7443000146.....	120	7445121225.....	12	7636000008.....	200, 212, 228, 230, 234, 238, 242	7690142845.....	260, 266
7443000148.....	42, 120	7445121645.....	72	7650100137.....	72	7690144840	34
7443000149.....	42	7445161620.....	156, 162, 168, 174	7660040000.....	152, 154	7690153245.....	46, 56
7443000154.....	42	7445161622.....	156, 162, 168, 174	7660102601.....	42, 180, 184	7691000019.....	22
7443000156.....	42	7446502518.....	120	7660140230.....	124, 132, 140	7691000020.....	114, 116
7443000158.....	156, 162, 168, 174	7454000003.....	112	7660142600..	34, 188, 190, 192, 224, 278	7691000021.....	112
7443000173.....	42	7454000004.....	112	7660142601....	72, 124, 132, 140, 320	7691000022.....	112
7443000176.....	42	7454000005.....	112	7660152601....	42, 72, 122, 156, 162, 168, 174, 208, 222	7691000025.....	110
7443000178.....	42	7454000006.....	112	7660160001	50, 60	7691000026.....	114, 116
7443000204	106	7470000002	156, 162, 168, 174	7660162601.....	22, 124, 128, 132, 136, 140, 144, 180, 184, 200, 212, 254, 256, 258, 260, 264, 268, 270, 272, 274, 294, 296, 312, 336	7691000075.....	124, 132, 140
7443000205	106	7470000003	16, 20	7660182301.....	228, 234, 238, 242	7698250012.....	36
7443000209	12	7470000004	156, 162, 168, 174, 198	7660182601.....	14, 18, 40, 74, 330	7701000025	20
7443000211	128, 136, 144	7470000006	42	7660200001	100, 106, 200, 212, 228, 230, 234, 238, 242	7701000048	200, 212, 322
7443000244	68	7470000000	156, 162, 168, 174, 198	7660200200	106	7701000049	322
7443000254	72	7493000011.....	330, 336	7660202601	74	7701000056	322
7443000329	42	7493000026.....	180, 184	7660220001	50, 60	7706000001	68
7443000431	68	7561000020	118	7660220230	34	7706000004	70
7444030037	42	7565000014	120	7660222308	40, 230	7706000005	68
7444120014	16	7565000016	42	7660242308	8	7754000008	22
7444121050	72	7565000019	70	7661000018.....	92	7754000009.....	124, 132, 140
7444121271	72	7577000063	78	7661000019.....	84, 88, 322	7754000018	74
7444160011	16	7577000145.....	120			7754000033	22
7445040421..	156, 162, 168, 174, 198	7577000167.....	24, 36			7754000042	108
7445040445	54, 64, 104	7577000213.....	72			7754000043	80, 84, 88
7445060219.....	156, 162, 168, 174	7577000368	116			7754000049	92
7445060435	120	7577000596	12			7754000051	74
7445060643	156, 162, 168, 174	7577000637	26			7754000055	34
7445060645	156, 162, 168, 174	7577000654	12			7754000059	28, 40
7445080644	156, 162, 168, 174	7577000668	128, 136, 144			7759000004	114, 116, 350
7445080822	156, 162, 168, 174	7577250188.....	76			7759000018	10
7445080825	12	7577250190.....	30, 32			7785152420.....	72
7445080830	156, 162, 168, 174	7577250334	82, 86, 90			7786000005.....	34
		7590000049.....	70				

Part Number	Page	Part Number	Page	Part Number	Page	Part Number	Page
7790060676	156, 162, 168, 174, 198	7935000116	72	268, 270, 272, 274, 278, 290,		9154960027	56
7790141251	194, 210, 220, 312	7935000120	42	292, 294, 296, 304, 308, 312		9177960001	46, 56
7790141253	20	7935000293	138, 146	7950160151	50, 60	9177960002	54, 64
7790141651	210, 220	7935000313	128	7950160161	22	9177960003	96
7796000012	124, 132, 140	7935000315	130, 138, 146	7950170000	54, 64, 104	9177960004	104
7796000051	16, 20	7935000316	130, 138, 146	7950180000	28, 34, 44, 54, 64, 66,	9178960011	106
7806000008	124, 132, 140	7935000317	130, 138, 146	72, 84, 106, 118		9183960001	44, 54, 64, 66, 102
7809000004	40	7935000320	130, 138, 146	7950180141	14, 18, 34, 40	9209960025	96
7809000006	92	7935000323	130, 138, 146	7950180153	80, 88	9209960026	102
7870000043	188, 190, 192	7935000330	130, 136, 144	7950180161	74	9254250007	78
7870000045	68	7949000015	14, 18	7950180800	54, 64, 104	9254250008	76
7870000062	68, 70	7949000016	14, 18	7950200000	100	9254250009	30, 32
7870000128	196	7949000019	200, 212, 228, 230, 234,	7950200151	106	9280960002	52, 58, 94
7870000129	196	238, 242		7950220000	50, 60, 74	9281960004	46, 56
7894000004	42, 156, 162, 168, 174	7949000020	200, 212, 228, 230, 234,	7950220141	74	9295310027	148, 152, 154
7894000028	114, 116	238, 242		7950220151	50, 60	9295310029	148, 152, 154
7894000037	114, 116	7949000025	22	7970000168	40	9295310030	148, 152, 154
7912000068	12	7949000056	278	7970000169	40	9295310031	148, 152, 154
7912000069	12	7949000061	8	7978000011	188, 190, 192	9295310061	152, 154
7912000070	12	7950100143	42	7990000003	124, 132, 140	9295310068	148, 152, 154
7912000238	12	7950140000	16, 20, 34, 80, 84, 88	8565000026	72	9295310069	148, 152, 154
7912000245	26	7950140003	124, 132, 140, 258, 260	8597650001	188, 190, 192	9309960011	102
7912000246	26	7950140143	42, 124, 132, 140, 224,	8632000011	228, 230, 234, 238, 242	9314960022	102
7912000247	26	258, 260, 286, 298, 300, 302,		8632000012	152, 154	9330960006	96
7912000248	26	306, 312, 320		8798820001	246, 248	9346310098	332
7912000301	128, 136, 144	7950140152	72	9020960002	106	9346930086	130, 138, 146
7912000302	128, 136, 144	7950140153	22	9064960007	106	9443760018	70
7912000303	128, 136, 144	7950140163	210, 220	9073960002	50	9443960006	54, 64, 104
7912000304	128, 136, 144	7950150000	12, 46	9073960003	100	9472960029	54, 64
7912000305	128, 136, 144	7950150153	208, 222	9073960004	100	9472960030	46, 56
7912000306	128, 136, 144	7950150161	72, 122, 156, 162, 168,	9082960013	54, 64, 104	9472960032	54, 64
7912000307	128, 136, 144	174		9082960014	46, 54, 56, 64	9472960033	54, 64
7912000308	128, 136, 144	7950160000	102, 156, 162, 168, 174	9082960015	44, 66	9472960036	46, 56
7912000309	128, 136, 144	7950160141	74, 264	9082960018	96, 104	9472960052	96
7912000310	128, 136, 144	7950160143		9120960019	106	9472960053	96
7912000341	12	124, 132, 140, 180, 184, 200,		9120960020	50, 60	9472960054	102
7935000104	70	212, 254, 256, 258, 260, 266,		9120960063	106	9472960055	96

Part Number	Page
9472960056	96
9552310033	152, 154
9553250004	30, 32
9553250009	24
9553250010	36, 82, 86, 90
9571960006	54, 64, 104
9575960012	94
9577960113	60
9577960120	104
9577960139	104
9590310195	338, 340
9590310197	338, 340
9590310200	338, 340
9590310201	332
9590310202	338, 340
9590310203	338, 340
9590310205	338
9590310206	338
9661250018	30, 32
9661250019	76
9690960039	106
9691960019	106
9691960021	54, 64, 104
9698250002	30, 32
9698250005	76
9698960008	54, 64, 104
9698960009	46, 56
9698960010	46
9698960015	102
9698960016	102
9701250006	76
9701960010	54, 64
9701960011	44, 66, 102
9701960012	44, 66, 102
9701960013	54
9701960018	102
9706960023	64

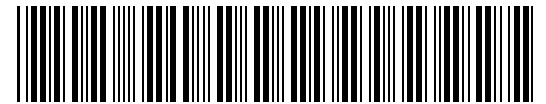
Part Number	Page
9706960025	64
9706960026	50, 60
9706960027	54, 64
9724250014	24
9754250009	24, 82, 86, 90
9754250011	78
9754250012	76
9754250014	82, 86, 90
9754250015	24
9754250017	78
9754250022	76
9754250023	76
9754250056	32
9754960026	102
9754960027	46
9754960029	46, 54, 56, 64
9754960030	44, 66
9754960046	102
9754960047	102
9759960001	50, 60
9763250009	24
9763250012	30, 32
9763250013	76
9763250019	36
9786250004	76
9786250005	30, 32, 76
9796250057	24, 82, 86, 90
9796250058	82, 86, 90
9796250059	76
9796250061	24
9796250062	78
9796250065	76
9796250066	24
9796250068	78
9796250073	24, 82, 86, 90
9796250077	76
9796250078	76

Part Number	Page
9796250080	24
9796250081	82, 86, 90
9796250083	78
9796250084	76
9796960085	44, 46, 54, 56, 64, 66
9796960087	46, 54, 56, 64
9796960088	54, 104
9796960089	94
9796960090	54, 64
9796960093	46, 56
9796960119	102
9796960120	96, 102
9796960121	96
9806960013	54, 64
9806960014	54, 64
9806960015	46, 56
9806960020	98
9806960021	96
9831960007	50, 60
9831960009	106
9831960018	94
9843960023	106
9843960024	64
9843960025	46, 56
9843960032	102
9912250004	24
9912250007	30, 32
9912250008	76
9912250014	36
9912960010	106
9935250025	82, 86, 90
9935250032	30, 32, 36, 76
9935740034	70
9935930119	130, 138, 146
9935930122	130, 138, 146
9935960026	54, 64, 104
9949960012	106

Part Number	Page
9949960013	44, 46, 56, 66
9949960027	96
9949960028	96, 102, 104
9949960050	56, 106
9970960020	94



Phone (800) 926-9666



5376000187-0