

JD50 TON INT JFB BODY HEAVY DUTY WRECKER PARTS MANUAL

JERR-DAN[®]

An Oshkosh Corporation Company

13224 Fountainhead Plaza
Hagerstown, MD 21742
Phone (717) 597-7111
www.jerr-dan.com

5-376-000185
Rev 0 - November 1, 2016



© 2016 Jerr-Dan Corporation. All Rights Reserved

This manual covers the following Jerr-Dan Models:

JD50INT - 50 Ton Integrated With JFB Body

Jerr-Dan Corporation strives to provide information that is accurate, complete and useful. Descriptions and illustrative material contained within this manual are as accurate as known at the time of publication and are subject to change, without notice, as a result of continuous product improvements. Jerr-Dan reserves the right to amend the information in this document at any time without prior notice.

Information contained in this manual reflects how this vehicle was built at the factory. Modifications or additions by the distributor or owner are not reflected in this manual.

This parts manual does not include service parts information for the commercial chassis (IHC, Ford, GM, etc.). That information is provided by the chassis manufacturer.

When ordering parts, please refer to your unit's Serial Number and Model Number. This information is be found on the aluminum tag riveted to the inside of the driver's side rear compartment of the main body.



Additional or replacement manuals can be ordered by calling Jerr-Dan Parts at 717-597-7111. Price and availability will be quoted at time of the request.

Please report comments and/or errors by contacting Jerr-Dan Corporation's Technical Publications Department by e-mail at technicalpublications@jerr-dan.com or by FAX on 717-485-7162.

Manufactured under one or more of the following patents: 5,575,606; 5,672,042; 5,697,741; 5,713,714; 5,722,810; 5,782,596; 5,839,775 and 6,315,515 B1 with other Patents Pending.

Jerr-Dan and the Jerr-Dan logo are registered trademarks and Run Hard is a service mark of Jerr-Dan Corporation, Greencastle, PA USA.

The material in this document is confidential and the property of Jerr-Dan Corporation. No part of this document may be photocopied, Reproduced or translated to another language without the express written consent of Jerr-Dan Corporation.

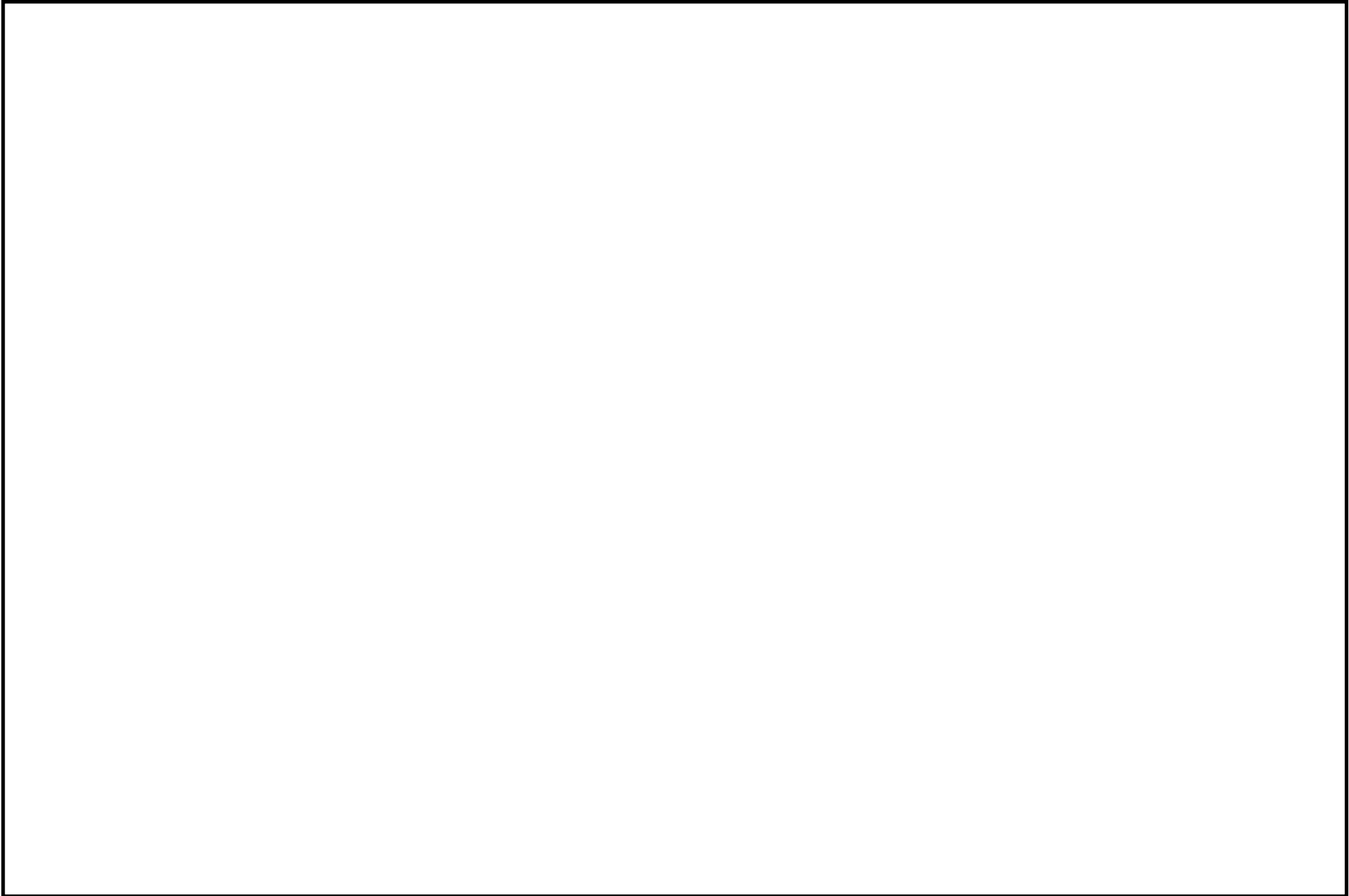


TABLE OF CONTENTS

Subframe Installation.....	8	Underlift Extension Cylinder Assembly - 7320000038.....	86
Rear Tail Plate Installation.....	10	Crosstube Installation.....	88
Subframe Hydraulic Tubing.....	12	Underlift Tools - 5th Wheel Installation.....	90
Hydraulic Tank Installation.....	14	Underlift Tools - Frame Forks.....	92
Hydraulic Tank Assembly.....	16	Underlift Tools - 14,000 Lb Tire Lift.....	94
Rear Spade Installation.....	18	Underlift Tools - 25,000 Lb Tire Lift.....	96
Spade Cylinder Assembly - 7320000006.....	20	Underlift Tools - Pintle Hook.....	98
Rear Spade Tubing.....	22	Trailer Air Installation.....	100
Boom Installation - 2 Piece Boom.....	24	Trailer Plug Installation.....	102
Boom Installation - 3 Piece Boom.....	26	Control Installation - 8 Section - 6 Solenoid.....	104
Wrecker Boom Assembly.....	28	Control Valve Assembly - 1001194284.....	108
Wrecker Boom Assembly - 3 Piece Boom.....	30	Valve Assembly - 7935000330.....	110
Wrecker Boom Cylinder - 7320000085.....	32	Control Installation - 8 Section - 3 Solenoid.....	112
Boom Tube Assembly.....	34	Control Valve Assembly - 1001193527.....	116
Winch Installation DP Planetary Winches.....	36	Valve Assembly - 7935000293.....	118
Winch Air Installation.....	38	Hydraulic Lines and Fittings - 2Pcs Boom.....	120
DP Winch 50K - 7970000168 - Gear End Cover Installation.....	40	Hydraulic Lines and Fittings - 2Pcs Boom.....	122
DP Winch 50K - 7970000168 - Gear End Installation.....	42	Hydraulic Lines and Fittings - 3Pcs Boom.....	124
DP Winch 50K - 7970000168 - Input Shaft Installation.....	44	Hydraulic Lines and Fittings - 2Pcs Boom.....	126
DP Winch 50K - 7970000168 - Base Mount Installation.....	46	Electrical Installation - Tri-Axle.....	128
DP Winch 50K - 7970000168 - Drum Installation.....	48	Electrical Installation - Tandem Axle.....	132
DP Winch 50K - 7970000168 - Motor End Installation.....	50	Center Harness Installation - 174" CT.....	136
DP Winch 50K - 7970000169 - Gear End Cover Installation.....	52	Center Harness Installation - 225" CT.....	138
DP Winch 50K - 7970000169 - Drum Installation.....	54	Center Harness Installation - 265" CT.....	140
DP Winch 50K - 7970000169 - Base Mount Installation.....	56	Backup Alarm Installation.....	142
DP Winch 50K - 7970000169 - Input Shaft Installation.....	58	E-Stop Installation.....	144
DP Winch 50K - 7970000169 - Motor End Installation.....	60	Driver Side Gauge Installation.....	146
DP Winch 50K - 7970000169 - Gear End Installation.....	62	Body Installation - Tandem.....	148
Power Take Off - CS Series.....	64	Diamond Plate Installation - Tandem.....	150
Power Take Off - SH Series.....	66	Marker Light Installation - Tandem.....	152
Hydraulic Supply Pressure Installation.....	68	Compartment Light Installation.....	154
Underlift Installation.....	70	Mudflap Installation - Tandem.....	156
Underlift Tilt Cylinder - 7320000096.....	72	Fender Installation - Tandem.....	158
Underlift Tilt Cylinder - 7320000097.....	74	Body Installation - Tri-Axle.....	160
Underlift Assembly - Standard - 530 3 Piece Underlift.....	76	Diamond Plate Installation - Tri-Axle.....	162
Underlift Extension Cylinder Assembly - 7320000026.....	78	Marker Light Installation - Tri-Axle.....	164
Underlift Assembly - Optional - 565 3 Piece Underlift.....	80	Compartment Light Installation - Tri-Axle.....	166
Underlift Extension Cylinder Assembly - 7320000068.....	82	Fender Installation - Tri-Axle.....	168
Underlift Assembly - Optional - 565 4 Piece Underlift.....	84	Step Installation.....	170

TABLE OF CONTENTS

Grab Handle Installation.....	172	Cribbing Storage.....	256
Front Diamond Plate Installation.....	174	Spill Kit.....	258
Toolbox Installation - 51" w/ Batteries.....	176	Storage Shelf Installation.....	260
Toolbox Installation - 51" w/ Batteries and Counter Weight.....	178	Spreader Bar Storage.....	262
Toolbox Assembly - 51" w/ Batteries.....	180	Spreader Bar Kit - 1001175920.....	264
Toolbox Assembly - 39" w/ Batteries.....	182	Spreader Bar accessories - 1001174493.....	266
Toolbox Installation - 49" w/o Batteries.....	186	Rugged Accessory Package - 1001174490.....	268
Toolbox Installation - 37" w/o Batteries.....	190	Switch Panel Installation.....	270
Door Installation - Tandem Body.....	194	Pylon Installation.....	272
Door Installation - Tri-Axle.....	196	Pylon Dress-Up Kit.....	276
Door Installation - 51" and 49" Tunnel Toolbox.....	198	Wing Light Bracket Installation.....	278
Door Installation - 39" and 37" Tunnel Toolbox.....	200	Wing Light Installation.....	280
Shackle Rack Installation - Tandem.....	202	22" Public Safety Light Bar - 1001133591.....	282
Shackle Rack Installation - Tri-Axle.....	204	22" Whelen Light Bar - 1001129861.....	284
Snatch Block Storage Installation - Tandem.....	206	Light Bar Installation.....	286
Snatch Block Storage Installation - Tri-Axle.....	208	58" Amber Lightbar - Code 3 - 1001136990.....	288
Tool Storage.....	210	58" Red Lightbar - Code 3 - 1001152815.....	290
Tilt Down Storage Tray.....	212	60" Lightbar - Whelen - 1001199475.....	292
Rotary Chain Rack.....	214	Cab Mounted Light Bar.....	296
Chain Binder Installation.....	216	72" Whelen Light Bar.....	298
Tire Lift Storage - Tandem Body.....	218	Part Number Index.....	302
Tire Lift Storage - 39" and 37" Toolbox.....	220		
Traffic Cone Storage.....	222		
Ladder Storage.....	224		
Stay Dry Silo Installation.....	226		
Tow Light Storage.....	228		
Wheel Chock Storage.....	230		
Flare Storage.....	232		
Bottle Jack Storage.....	234		
Tool Drawer Installation - Tandem.....	236		
72" Whelen Light Bar.....	238		
Tool Drawer Installation - Tri-Axle.....	240		
Fifth Wheel Storage Installation.....	242		
Frame Fork Storage Installation.....	244		
Fork Riser Storage Installation.....	246		
Grizzly Bar Storage - Tandem.....	248		
Grizzly Bar Storage - Tri-Axle.....	250		
Broom Storage.....	252		
Strap Storage.....	254		

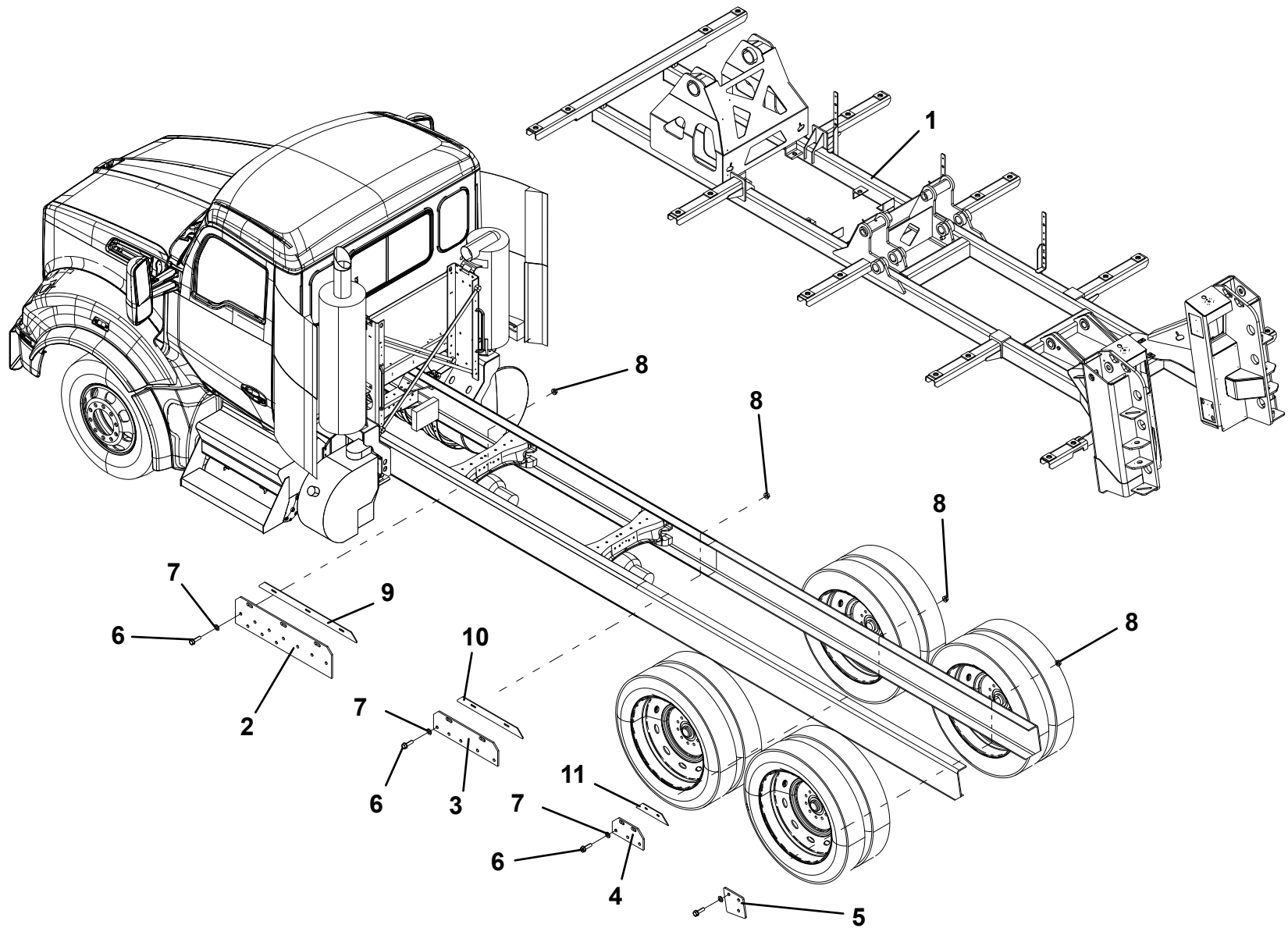
TABLE OF CONTENTS

SUBFRAME INSTALLATION

ITEM	PART NO.	DESCRIPTION	QTY
1	1001204816	Subframe	1
2	1001152381	Plate, Front	2
3	1001152511	Plate, Middle	2
4	1001144730	Plate, HDL	2
5	4706006016	Plate	2
6	7118242450	Capscrew, 0.88" - 9NC x 3.00"	42
7	7949000061	Washer, 0.88" ID	42
8	7660242308	Locknut, 0.88" - 9NC	42
9	1001152548*	Plate, Front	2
10	1001152549*	Plate, Middle	2
11	4706002555*	Plate	2

* Also Available In Shim Kit - 3577000036

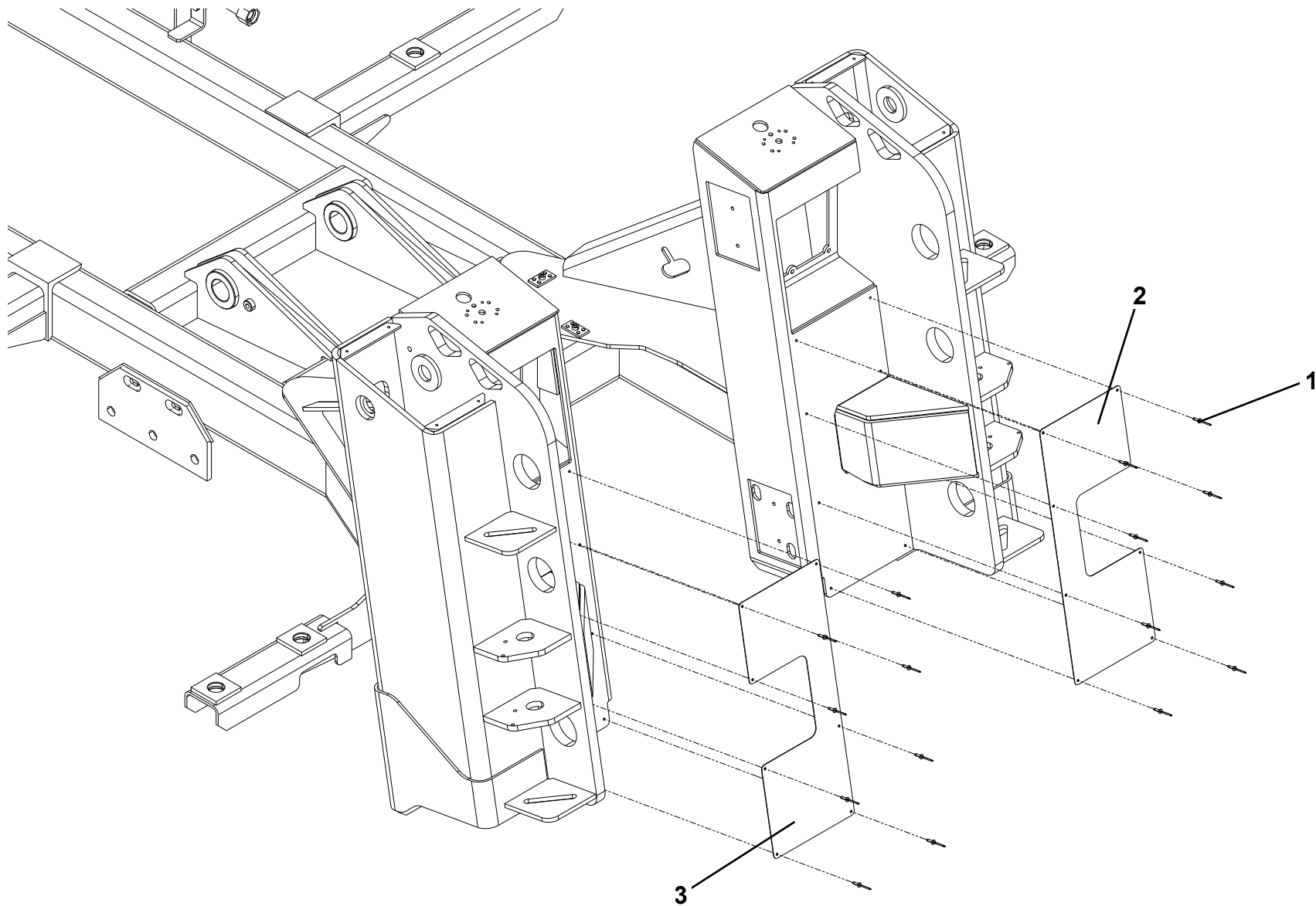
SUBFRAME INSTALLATION



REAR TAIL PLATE INSTALLATION

ITEM	PART NO.	DESCRIPTION	QTY
1	4706006008	Plate, LH	1
2	4706006009	Plate, RH	1
3	7759000018	Rivet	16

REAR TAIL PLATE INSTALLATION

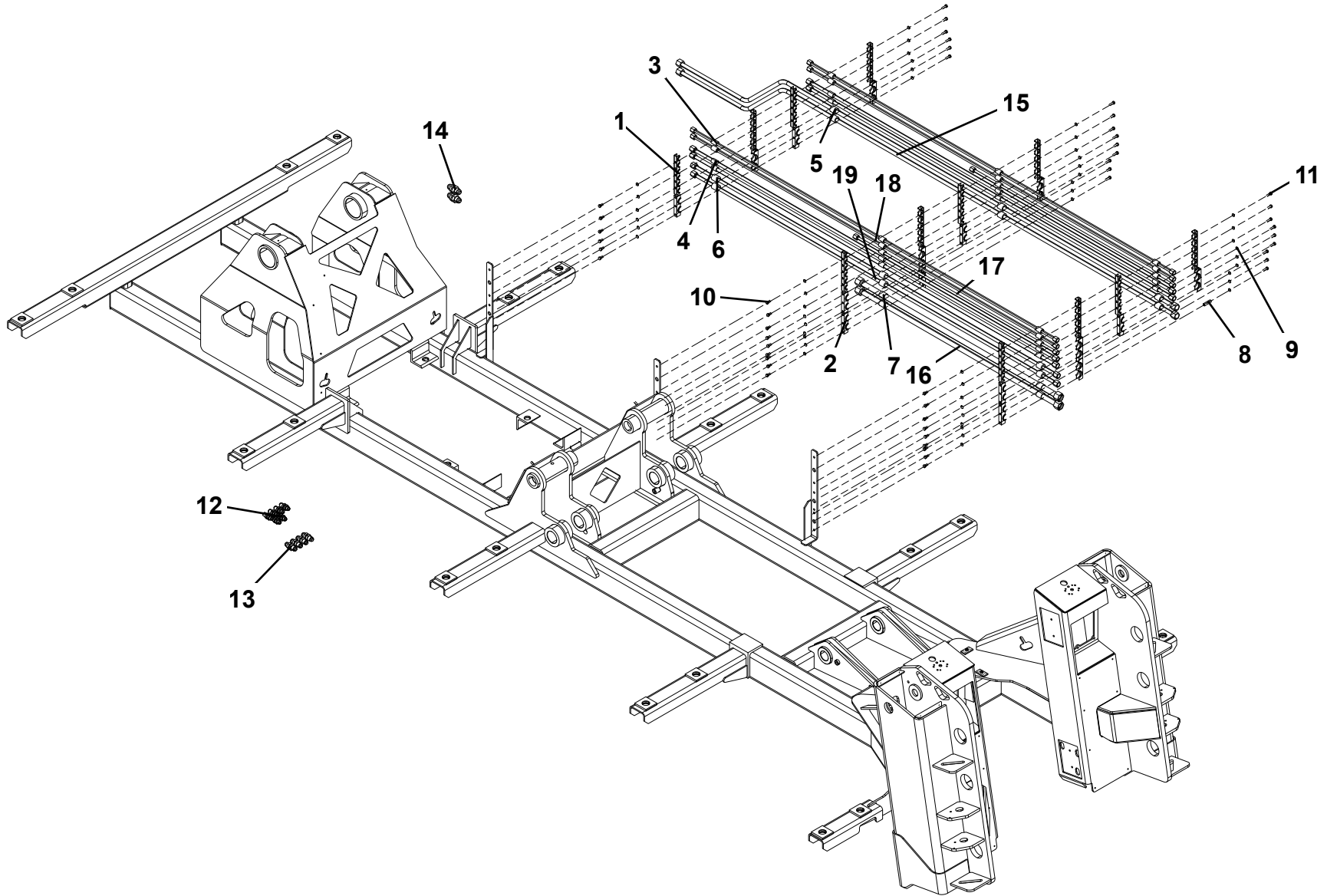


SUBFRAME HYDRAULIC TUBING

ITEM	PART NO.	DESCRIPTION	QTY
1	7274000030	Clamp	12
2	7274000049	Clamp	16
3	7209000023	Bushing	16
4	7209000024	Bushing	12
5	7209000032	Bushing	6
6	7209000066	Bushing	6
7	7209000033	Bushing	4
8	7661000027	Extension	24
9	7950150000	Washer, 0.31" ID	18
10	7115150650	Capscrew, 0.31" - 18NC x 0.75"	32
11	7115150850	Capscrew, 0.31" - 18NC x 1.00"	16
12	7445080825	Union Bulkhead	6
13	7445101025	Union Bulkhead	4
14	7445121225	Union Bulkhead	2
15	7912000068*	Tube Assembly	2
16	7912000069*	Tube Assembly	2
17	7912000070*	Tube Assembly	2
18	7912000340*	Tube Assembly	4
19	7912000341*	Tube Assembly	6

* Also Available In Tubing Kit - 7577000565

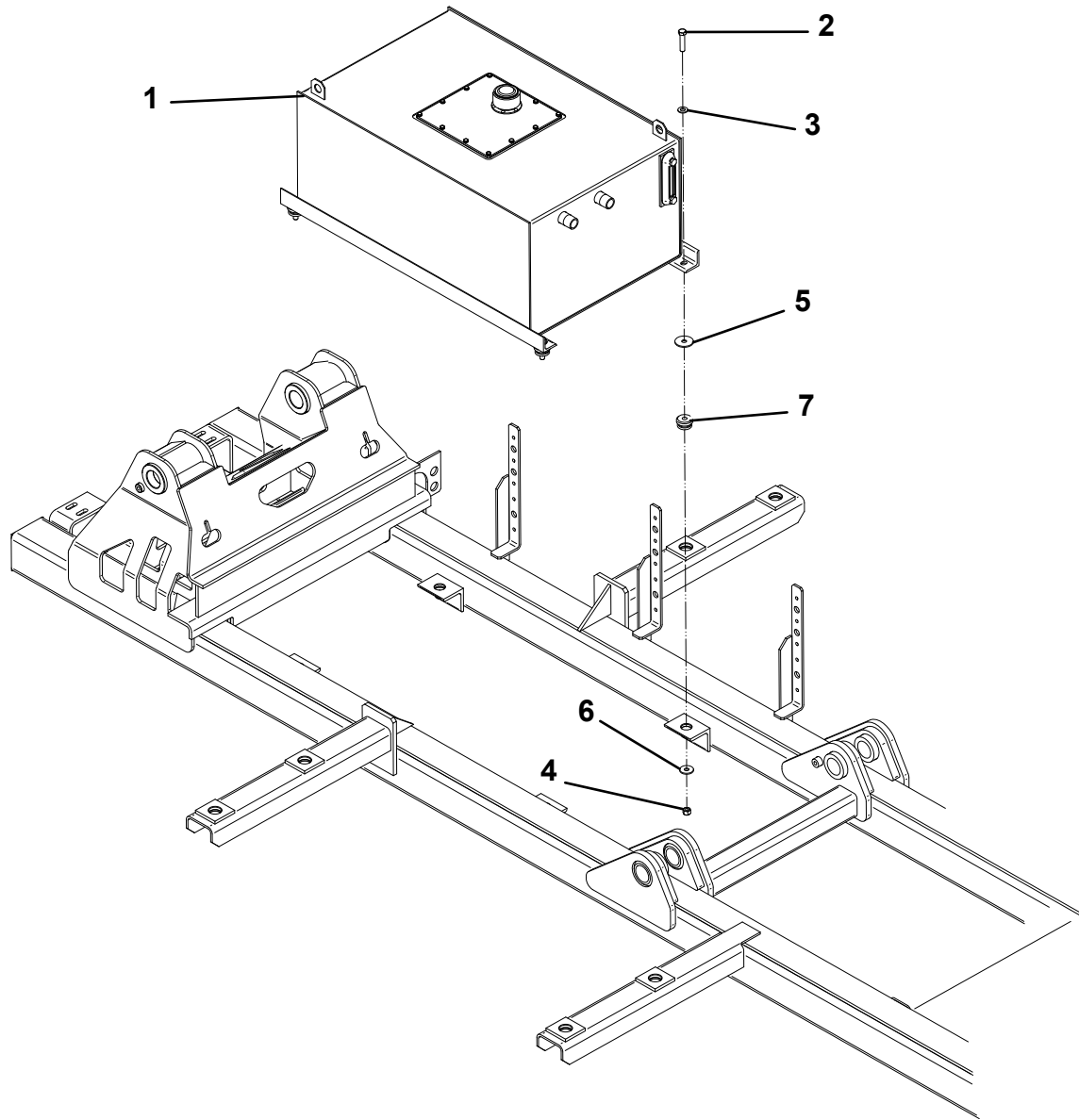
SUBFRAME HYDRAULIC TUBING



HYDRAULIC TANK INSTALLATION

ITEM	PART NO.	DESCRIPTION	QTY
1	3750000022	Hydraulic Tank Assembly	1
2	7115181850	Capscrew, 0.50" - 13NC x 2.25"	4
3	7950180141	Flatwasher, 0.50" ID	4
4	7660182601	Locknut, 0.50" - 13NC	4
5	7949000015	Washer, Head	4
6	7949000016	Washer, Tail	4
7	7636000006	Rubber Mount	4

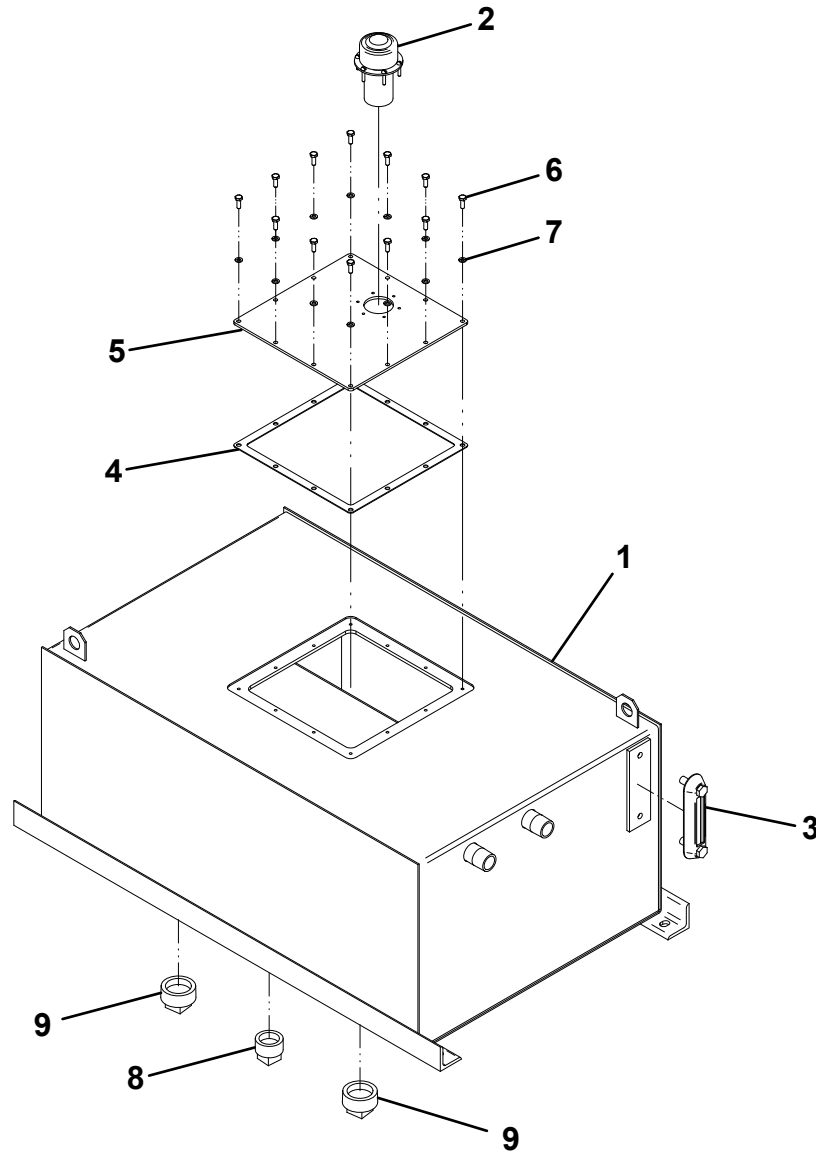
HYDRAULIC TANK INSTALLATION



HYDRAULIC TANK ASSEMBLY

ITEM	PART NO.	DESCRIPTION	QTY
1	3750000021	Hydraulic Tank	1
2	7183000004	Breather, Filler Cap	1
3	7470000003	Gauge	1
4	7796000051	Gasket, Oil Tank Cover	1
5	4706002235	Plate	1
6	7115140650	Capscrew, 0.25" - 20NC x 0.75"	12
7	7950140000	Lockwasher, 0.25" ID	12
8	7444120014	Plug	1
9	7444160011	Plug	2

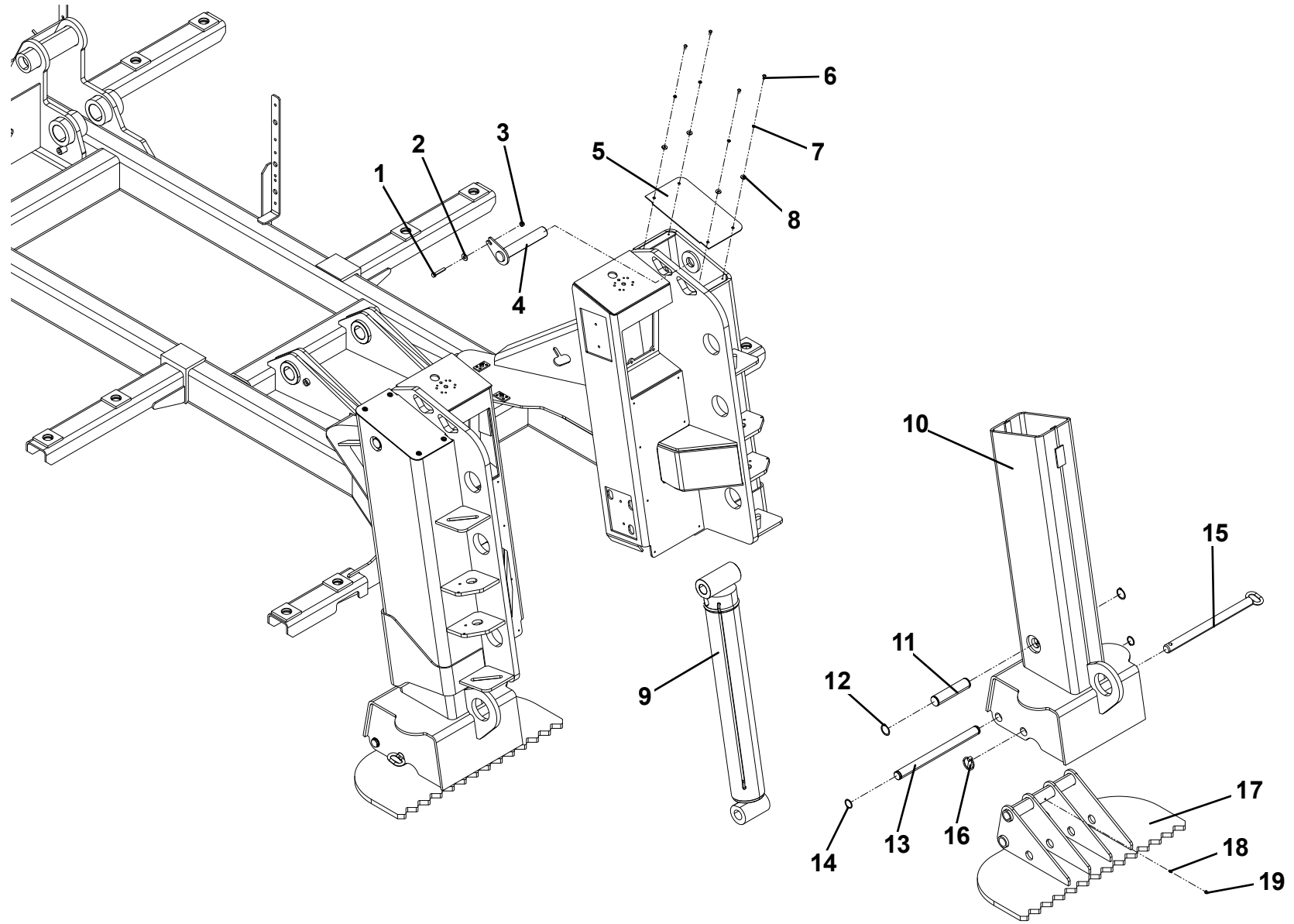
HYDRAULIC TANK ASSEMBLY



REAR SPADE INSTALLATION

ITEM	PART NO.	DESCRIPTION	QTY
1	7115161650	Bolt, 0.38"-16NC X 2.00"	2
2	7950160161	Flatwasher, 0.38"	2
3	7660162601	Locknut, 0.38"-16UNC	2
4	3691000267	Pin	2
5	4706003716	Plate	2
6	7114140518	Capscrew, 0.25"-20NC X 0.62"	8
7	7949000025	Lockwasher, 11MM x 6.4MM	8
8	7950140153	Flatwasher, 0.25" ID	8
9	7320000006	Cylinder	2
10	3263000118	Spade Weldment	2
11	4691000207	Pin	2
12	7754000033	Retaining Ring	4
13	4691000200	Pin	2
14	7754000008	Retaining Ring	4
15	3691000126	Pin	2
16	7691000019	Lynch Pin	2
17	3706000261	Plate	2
18	7440030000	Grease Fitting	4
19	7253000002	Grease Fitting Cap	4

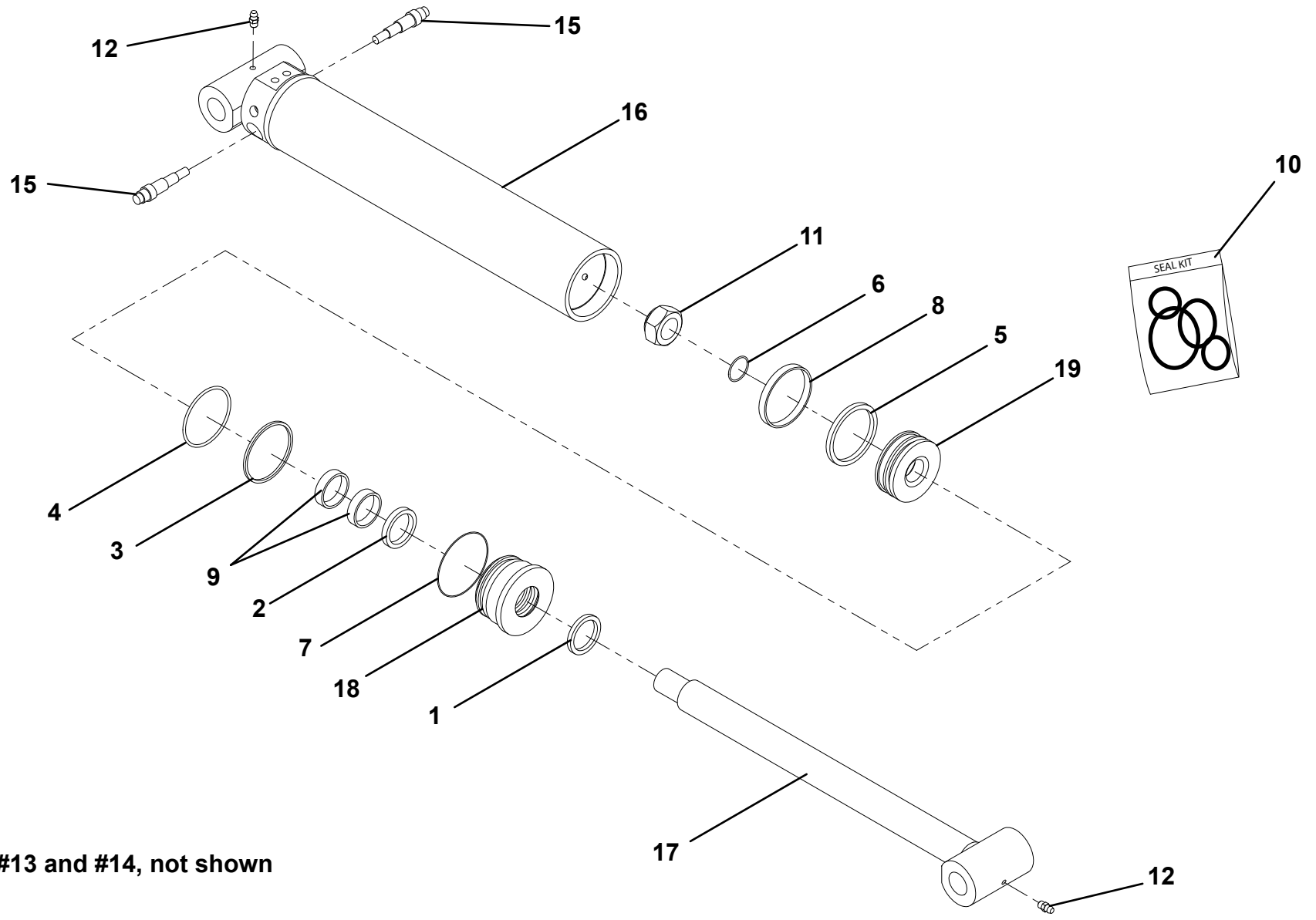
REAR SPADE INSTALLATION



SPADE CYLINDER ASSEMBLY - 7320000006

ITEM	PART NO.	DESCRIPTION	QTY
1	9796250080	Seal, Wiper	1
2	7019828	Seal	1
3	9754250009	Ring, Back-up	1
4	9796250057	Seal, "O" Ring	1
5	9796250073	Seal	1
6	9796250061	Seal, "O" Ring	1
7	9796250066	Seal, "O" Ring	1
8	9724250014	Ring, Wear	1
9	9754250015	Ring, Wear	2
10	7577000167	Kit, Seal	1
11	7003212	Locknut	1
12	7005322	Grease Fitting	2
13	7005365	Plug, Port	2
14	70021648	Plug, Port	2
15	70050215	Valve, Counterbalance	2
16	9912250004	Assembly, Tube	1
17	9763250009	Assembly, Rod	1
18	9553250009	Head	1
19	70050531	Piston	1

SPADE CYLINDER ASSEMBLY - 7320000006



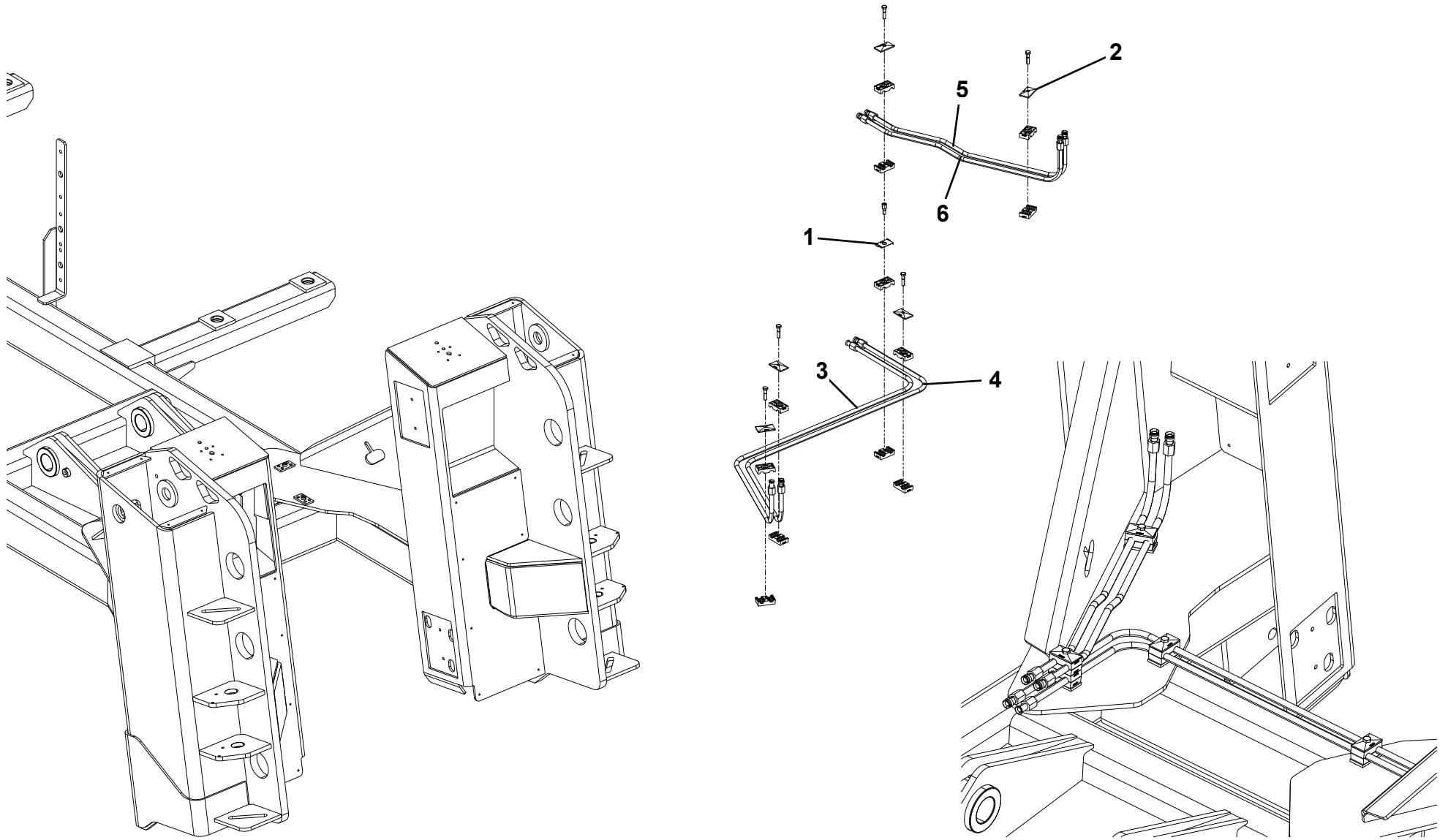
Items #13 and #14, not shown

REAR SPADE TUBING

ITEM	PART NO.	DESCRIPTION	QTY
1	1001137487	Clamp	1
2	1001136447	Clamp	5
3	7912000245*	Tube Assembly	1
4	7912000246*	Tube Assembly	1
5	7912000247*	Tube Assembly	1
6	7912000248*	Tube Assembly	1

* Also Available In Tubing Kit - 7577000637

REAR SPADE TUBING

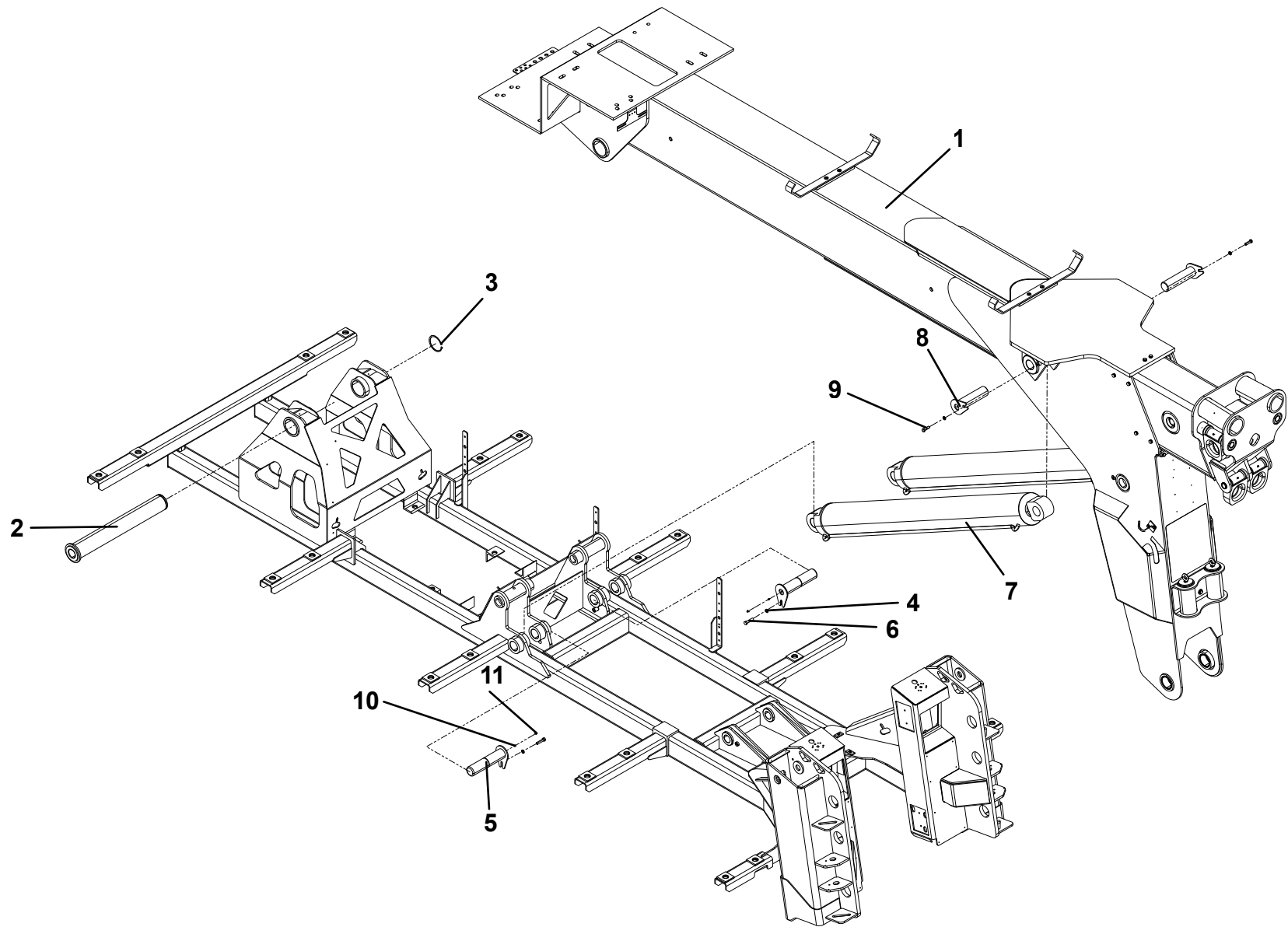


BOOM INSTALLATION - 2 PIECE BOOM

ITEM	PART NO.	DESCRIPTION	QTY
1	3170000471	Boom Assembly	1
2	3691000274	Pin	1
3	7754000059	Retaining Ring	1
4	7950180000	Lockwasher, 0.59" ID	4
5	3691000149	Pin	2
6	7115181850	Capscrew, 0.50" - 13NC x 2.25"	2
7	7320000084	Cylinder	2
8	3691000148	Pin	2
9	7115181450	Capscrew, 0.50" - 13NC x 1.75"	2
10	7440030000	Grease Fitting	5
11	7253000002	Grease Fitting Cap	5
12	4949000059*	Shim	2
13	4949000060*	Shim	2

* Also Available In Shim Kit - 3577000071

BOOM INSTALLATION - 2 PIECE BOOM

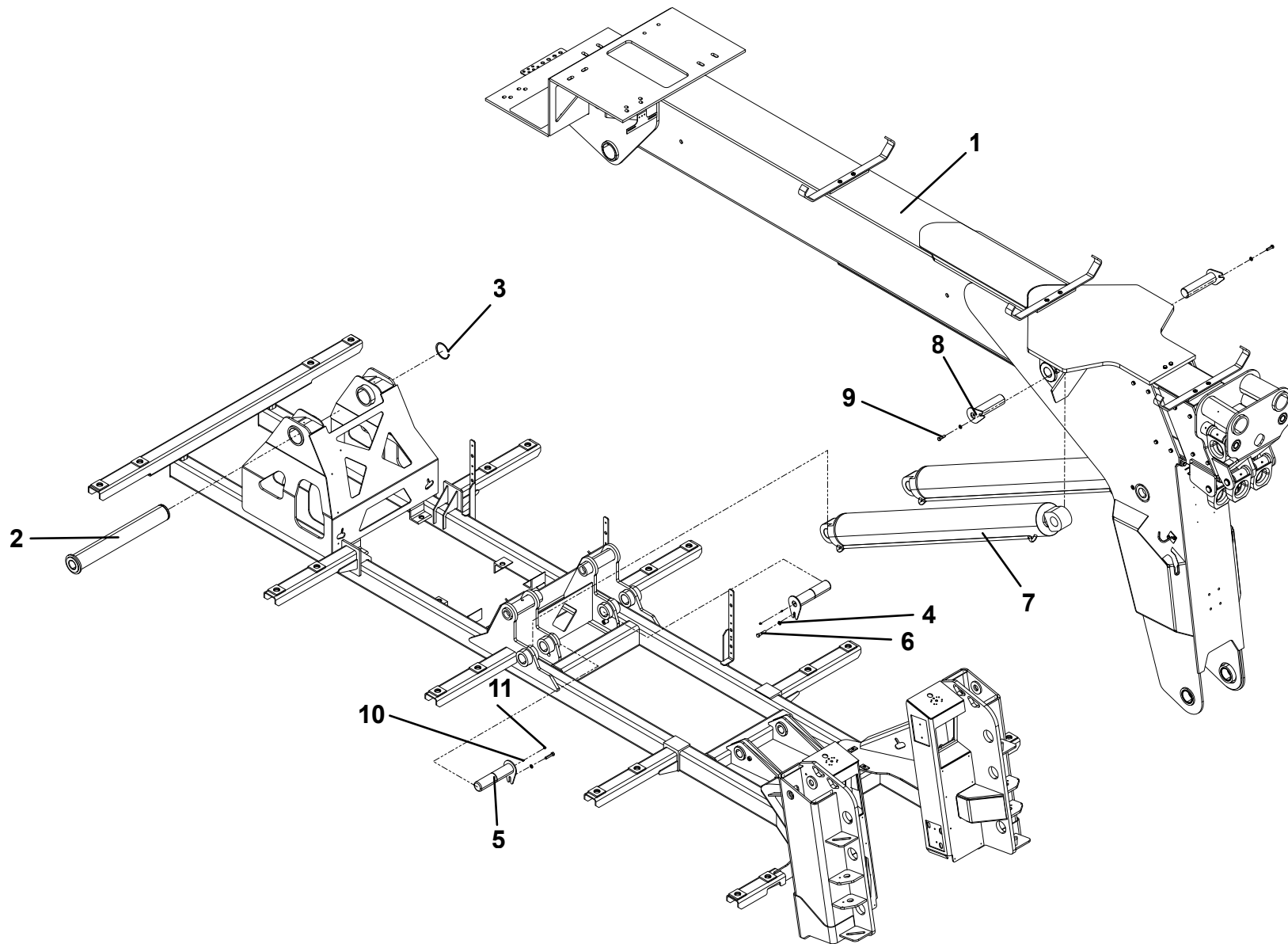


BOOM INSTALLATION - 3 PIECE BOOM

ITEM	PART NO.	DESCRIPTION	QTY
1	3170000486	Boom Assembly	1
2	3691000274	Pin	1
3	7754000059	Retaining Ring	1
4	7950180000	Lockwasher, 0.59" ID	4
5	3691000149	Pin	2
6	7115181850	Capscrew, 0.50" - 13NC x 2.25"	2
7	7320000084	Cylinder	2
8	3691000148	Pin	2
9	7115181450	Capscrew, 0.50" - 13NC x 1.75"	2
10	7440030000	Grease Fitting	5
11	7253000002	Grease Fitting Cap	5
12	4949000059*	Shim	2
13	4949000060*	Shim	2

* Also Available In Shim Kit - 3577000071

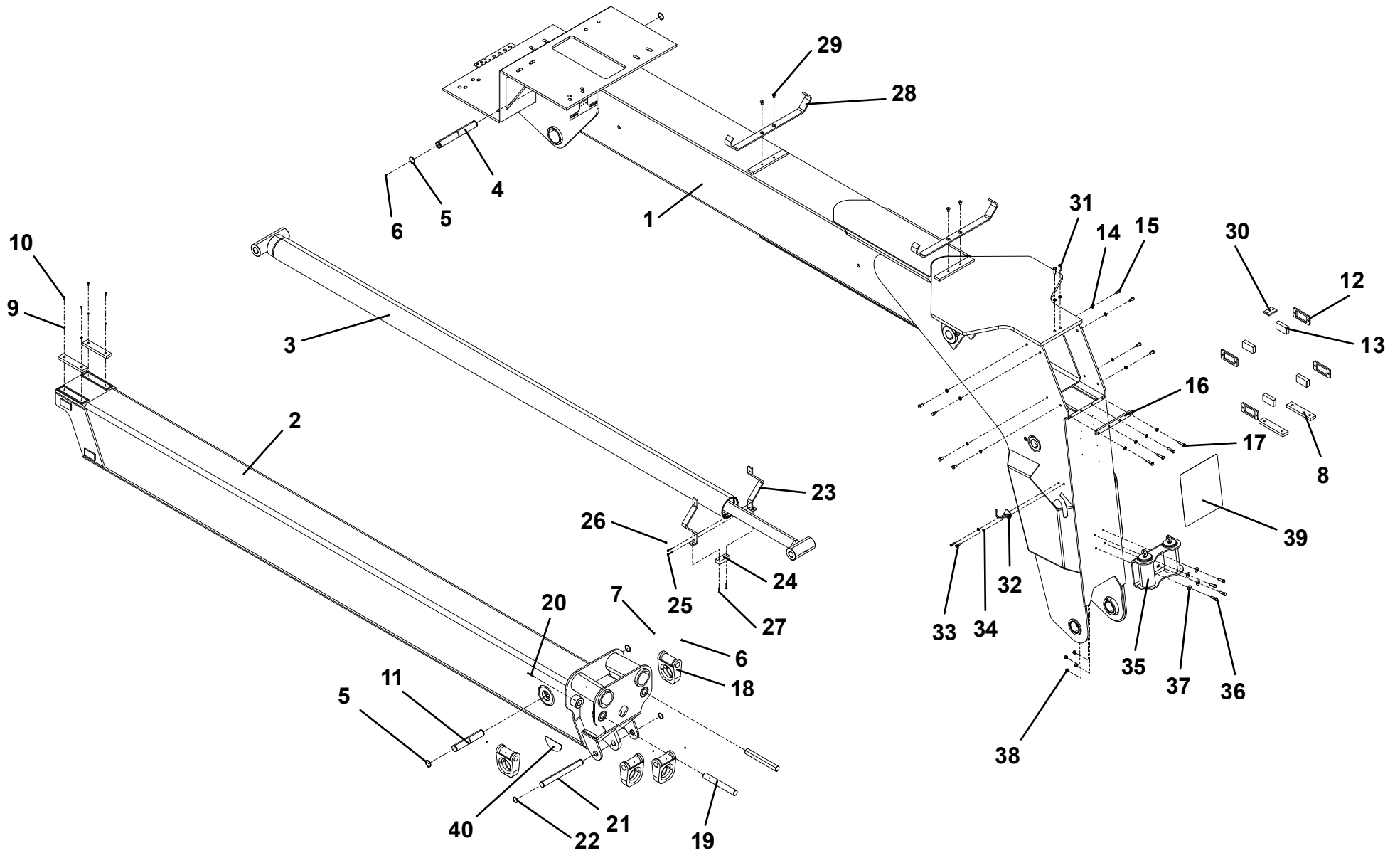
BOOM INSTALLATION - 3 PIECE BOOM



WRECKER BOOM ASSEMBLY

ITEM	PART NO.	DESCRIPTION	QTY	ITEM	PART NO.	DESCRIPTION	QTY
1	3170000494	Boom Weld Base	1	40	1001151805	Decal, D-Ring	2
2	3170000468	Boom Weld Fly	1				
3	7320000028	Cylinder	1				
4	4691000417	Pin	1				
5	7754000055	Retaining Ring	4				
6	7440030000	Grease Fitting	6				
7	7253000002	Grease Fitting Cap	6				
8	4679000140	Pad	4				
9	7950140000	Lockwasher, 0.25" ID	4				
10	7114140618	Capscrew, 0.25" - 20NC x 0.75"	4				
11	4691000280	Pin	1				
12	4178000811	Bracket	4				
13	4679000314	Pad	4				
14	7950180000	Lockwasher 0.59" ID	14				
15	7108180850	Capscrew, 0.50"-20NF X 1.00"	8				
16	4706006132	Plate	1				
17	7115181650	Capscrew, 0.50"-13NC X 2.00"	4				
18	4754000004	D-Ring	4				
19	4691000285	Pin	2				
20	7690144840	Pin	2				
21	4691000510	Pin	1				
22	7754000033	Retaining Ring	2				
23	4062000714	Bar	2				
24	4679000315	Pad	1				
25	7115141250	Capscrew, 0.25"-20NC X 1.50"	3				
26	7660142600	Locknut, 0.25"-20NC	5				
27	7114141218	Capscrew, 0.25"-20NC X 1.50"	2				
28	4062000746	Bar	2				
29	7115180723	Capscrew, 0.50"-13NC X 0.88"	4				
30	4062000715	Bar	1				
31	7115181250	Capscrew, 0.50"-13NC X 1.50"	2				
32	3561000017	Hook Weldment	2				
33	7115161050	Capscrew, 0.38"-16NC X 1.25"	4				
34	7950160141	Flatwasher, 0.38" ID	4				
35	3249000047	Cable Tieback	1				
36	7115181450	Capscrew, 0.50"-13NC X 1.75"	4				
37	7950180150	Flatwasher, 0.50" ID	4				
38	7660182601	Locknut, 0.50"-13NC	4				
39	1001151050	Decal, Knee Boom	1				

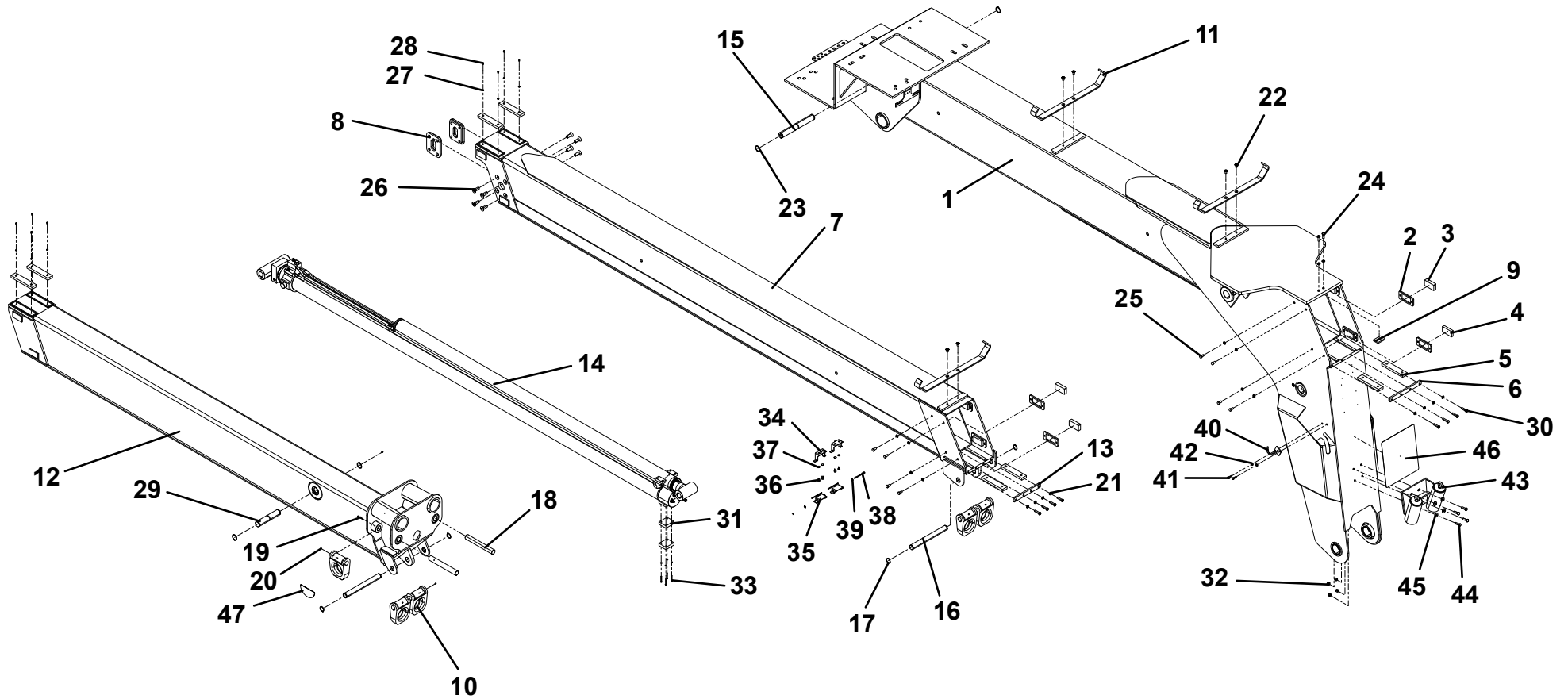
WRECKER BOOM ASSEMBLY



WRECKER BOOM ASSEMBLY - 3 PIECE BOOM

ITEM	PART NO.	DESCRIPTION	QTY	ITEM	PART NO.	DESCRIPTION	QTY
1	3170000494	Boom Weld Wrkr Base	1	40	3561000017	Hook Weldment	2
2	4178000811	Bracket	8	41	7115161050	Capscrew, 0.38"-16NC x 1.25"	4
3	4679000314	Pad	6	42	7950160141	Flatwasher, 0.38" ID	4
4	4679000313	Pad	2	43	1001145640	Bracket	1
5	4679000140	Pad	8	44	7115181450	Capscrew, 0.50"-13NC x 1.75"	4
6	4706006132	Plate	1	45	7950180150	Flatwasher, 0.50" ID	4
7	3170000484	Boom Weld Mid	1	46	1001151050	Decal	1
8	3706000241	Plate	2	47	1001151805	Decal	2
9	4062000715	Bar	1				
10	4754000004	D-Ring	6				
11	4062000746	Bar	3				
12	3170000483	Boom Weld Fly	1				
13	4706006182	Plate	1				
14	7320000085	Cylinder	1				
15	4691000417	Pin	1				
16	4691000510	Pin	2				
17	7754000033	Retaining Ring	4				
18	4691000285	Pin	2				
19	7690144840	Pin	2				
20	7440030000	Grease Fitting	8				
21	7950180000	Lockwasher, 0.59" ID	32				
22	7115180723	Capscrew, 0.50"-13 NC x 0.88"	6				
23	7754000055	Retaining Ring	4				
24	7115181250	Capscrew, 0.50"-13 NC x 1.50"	2				
25	7108180850	Capscrew, 0.50"-20 NC x 1.00"	16				
26	7120000040	Bolt, 0.75"-10 x 2.00"	8				
27	7950140000	Lockwasher, 0.25" ID	16				
28	7118140427	Capscrew, 0.25"-20 NC x 0.50"	8				
29	4691000416	Pin	1				
30	7115181650	Capscrew, 0.50"-13 NC x 2.00"	8				
31	4679000326	Pad	2				
32	7660142601	Locknut, 0.25" -20NC	6				
33	7114141618	Capscrew, 0.25"-20NC x 2.00"	4				
34	4178000857	Bracket	2				
35	4178000872	Bracket	2				
36	7115160650	Capscrew, 0.38"-16NC x 0.75"	4				
37	7950160000	Lockwasher, 0.38" ID	4				
38	7115143250	Capscrew, 0.25"-20NC x 4.00"	2				
39	7950140141	Flatwasher, 0.25" ID	4				

WRECKER BOOM ASSEMBLY - 3 PIECE BOOM

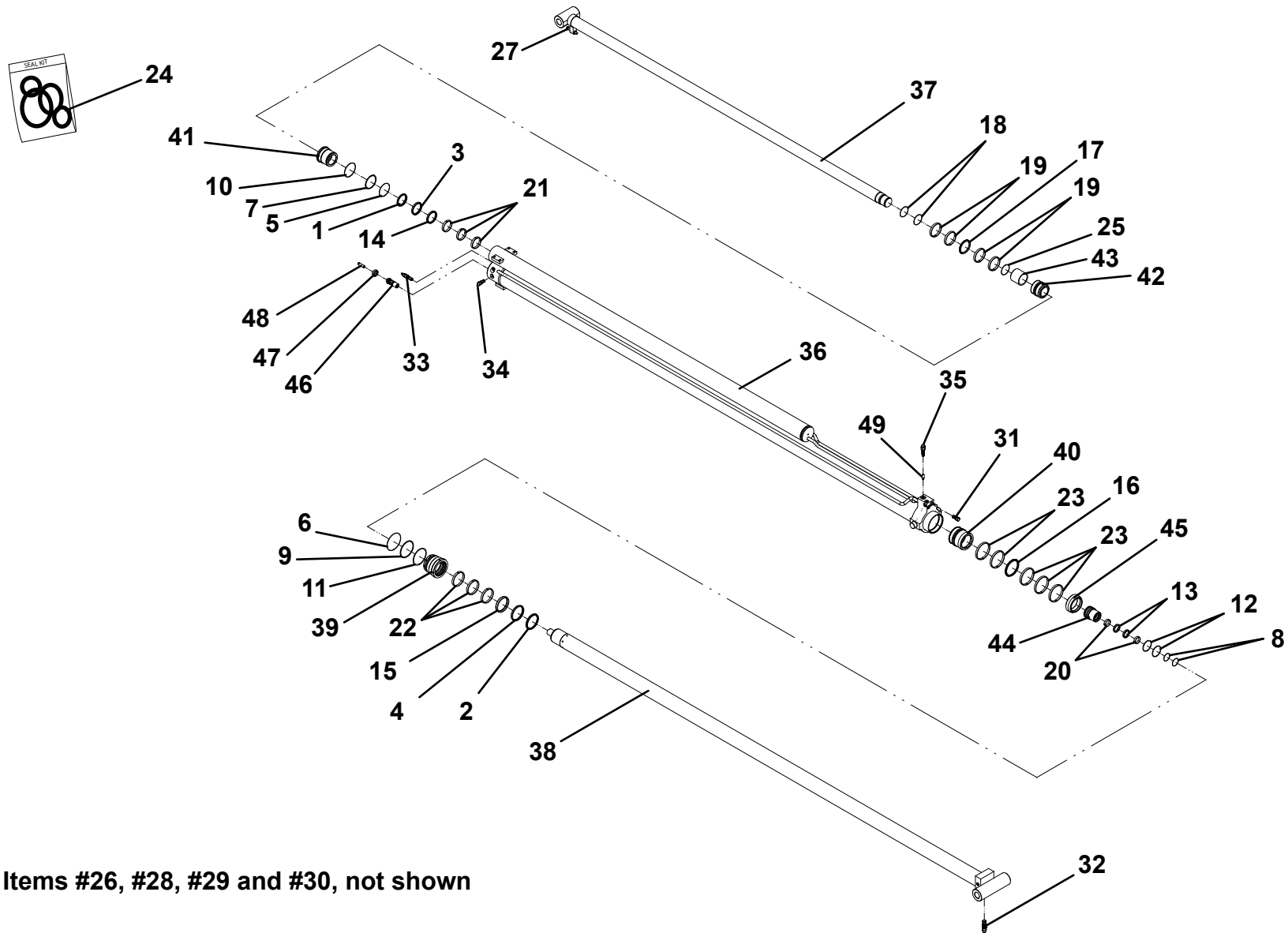


WRECKER BOOM CYLINDER - 732000085

ITEM	PART NO.	DESCRIPTION	QTY	ITEM	PART NO.	DESCRIPTION	QTY
1	83304143	Seal, Wiper	1	40	70050583	Piston	1
2	9796250084	Seal, Wiper	1	41	70050584	Head	1
3	9796250071	Seal	1	42	70050585	Piston	1
4	70050556	Seal	1	43	70050586	Spacer	1
5	70050557	Seal, "O"Ring	1	44	70050587	Adapter, RT	1
6	70050558	Seal, "O"Ring	1	45	70050588	Spacer	1
7	9754250009	Ring, Back-up	1	46	70050589	Assembly, Valve	1
8	70050559	Seal, "O"Ring	2	47	70050590	Valve Retainer	1
9	9754250054	Ring, Back-up	1	48	70050591	Assembly, Pad Plunger	1
10	9796250058	Seal, "O"Ring	1	49	70050592	Plunger	1
11	9796250149	Seal, "O"Ring	1				
12	70050560	Seal, "O"Ring	2				
13	70050561	Seal	2				
14	70050562	Seal	1				
15	70050563	Seal	1				
16	70050564	Seal	1				
17	70050565	Seal	1				
18	70050566	Seal, "O"Ring	2				
19	9754250014	Ring, Wear	4				
20	83304181	Ring, Wear	2				
21	83304140	Ring, Wear	3				
22	70050568	Ring, Wear	3				
23	9754250055	Ring, Wear	5				
24	70050569	Kit, Seal	1				
25	70050570*	Seal, "O"Ring	1				
26	70021774	Setscrew	4				
27	70050572	Locknut	2				
28	7005365	Plug, Port	2				
29	70021648	Plug, Port	4				
30	7023593	Plug, Port	5				
31	70050574	Valve, Check	1				
32	70050575	Valve, Counterbalance	1				
33	70050576	Valve, Relief	1				
34	70050577	Valve, Check	1				
35	70050578	Valve, Directional	1				
36	70050579	Assembly, Tube	1				
37	70050580	Assembly, Rod-Tube	1				
38	70050581	Assembly, Rod-Tube	1				
39	70050582	Head	1				

* Not Part of Seal Kit

WRECKER BOOM CYLINDER - 732000085



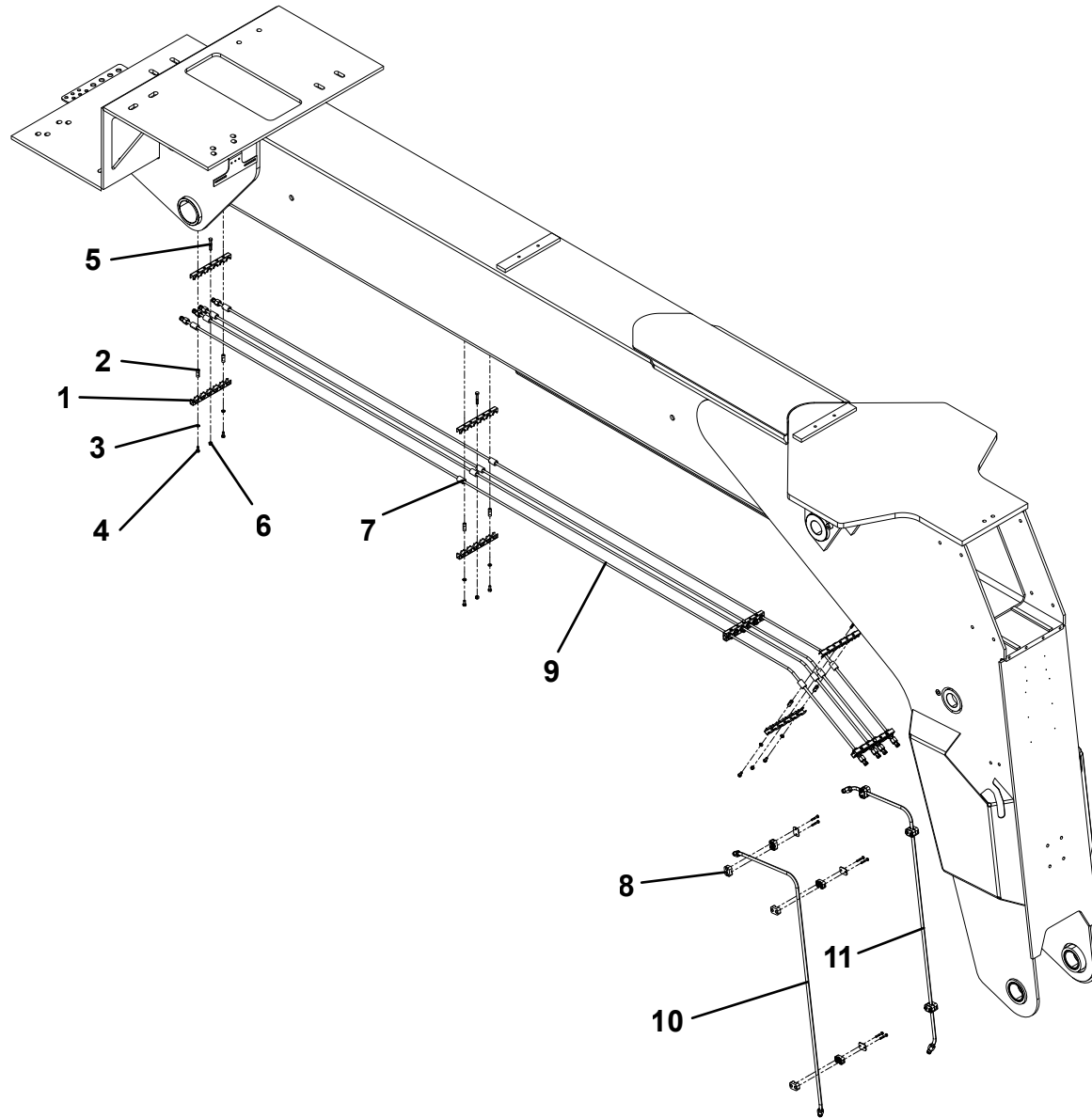
Items #26, #28, #29 and #30, not shown

BOOM TUBE ASSEMBLY

ITEM	PART NO.	DESCRIPTION	QTY
1	7274000030	Clamp	10
2	7661000022	Nut, 0.31"-18 NC	10
3	7950150000	Washer, 0.31" ID	10
4	7115150650	Capscrew, 0.31"-18 NC x 0.75"	10
5	7115151650	Capscrew, 0.31"-18 NC x 2.00"	5
6	7660152601	Locknut, 0.31"-18 NC	5
7	7209000023	Bushing	8
8	1001136559	Clamp	6
9	7912000345*	Tube Assembly	4
10	7912000344*	Tube Assembly	1
11	7912000343*	Tube Assembly	1

* Also Available In Tubing Kit - 7577000564

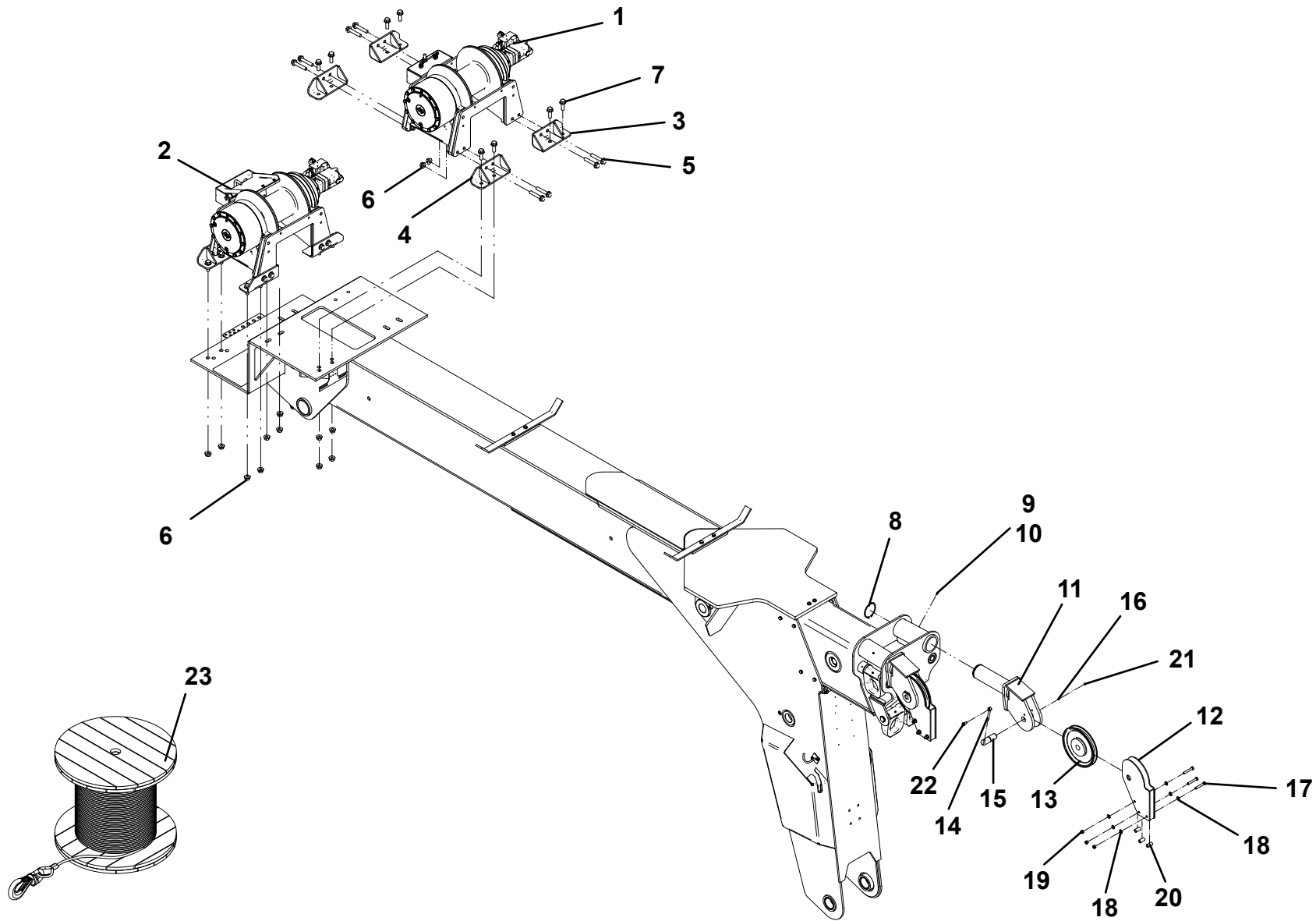
BOOM TUBE ASSEMBLY



WINCH INSTALLATION DP PLANETARY WINCHES

ITEM	PART NO.	DESCRIPTION	QTY
1	7970000168	DP50 Winch	1
2	7970000169	DP50 Winch	1
3	3178000575	Bracket RH	4
4	3178000576	Bracket LH	4
5	7118223216	Capscrew, 0.75" - 10NC x 4.00"	16
6	7660222308	Locknut, 0.75" - 10NC	32
7	7118221816	Capscrew, 0.75" - 10NC x 2.25"	16
8	7754000059	Retaining Ring	2
9	7440030000	Grease Fitting	2
10	7253000002	Grease Fitting Cap	2
11	1001169560	Sheave Weldment	2
12	3249000035	Cable Guide Weldment	2
13	7809000004	Sheave	2
14	3841203	Rod	2
15	1001169893	Pin	2
16	7440030000	Grease Fitting	2
17	7115182650	Capscrew, 0.50" - 13NC x 3.25"	6
18	7950180141	Flatwasher, 0.50" ID	12
19	7660182601	Locknut, 0.50" - 13NC	6
20	4831000104	Spacer	6
21	7253000002	Grease Fitting	2
22	7115180850	Capscrew, 0.50" - 13NC x 1.00"	2
23	1001207367	Wire Rope, 0.75" x 250'	1
	1001207368	Wire Rope, 0.75" x 250' SWVL Hook	1

WINCH INSTALLATION DP PLANETARY WINCHES

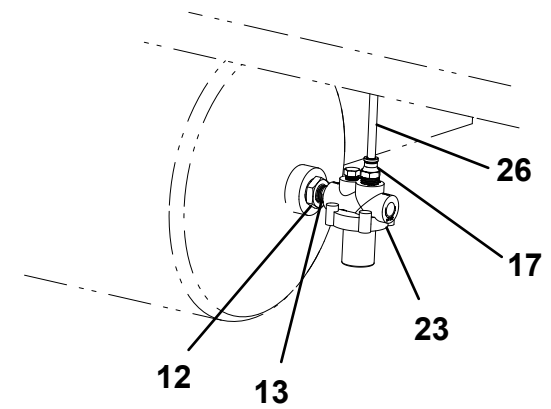
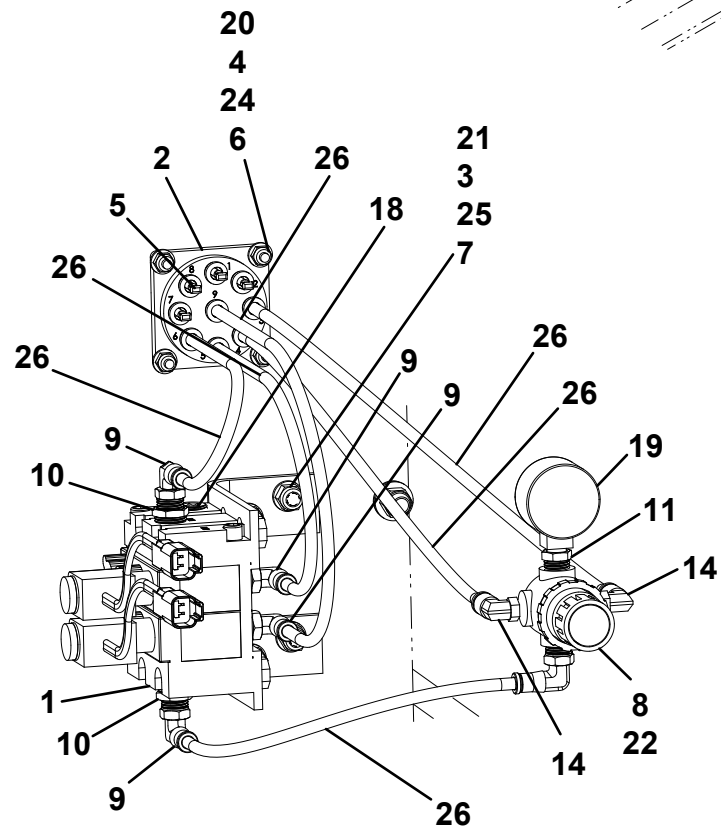
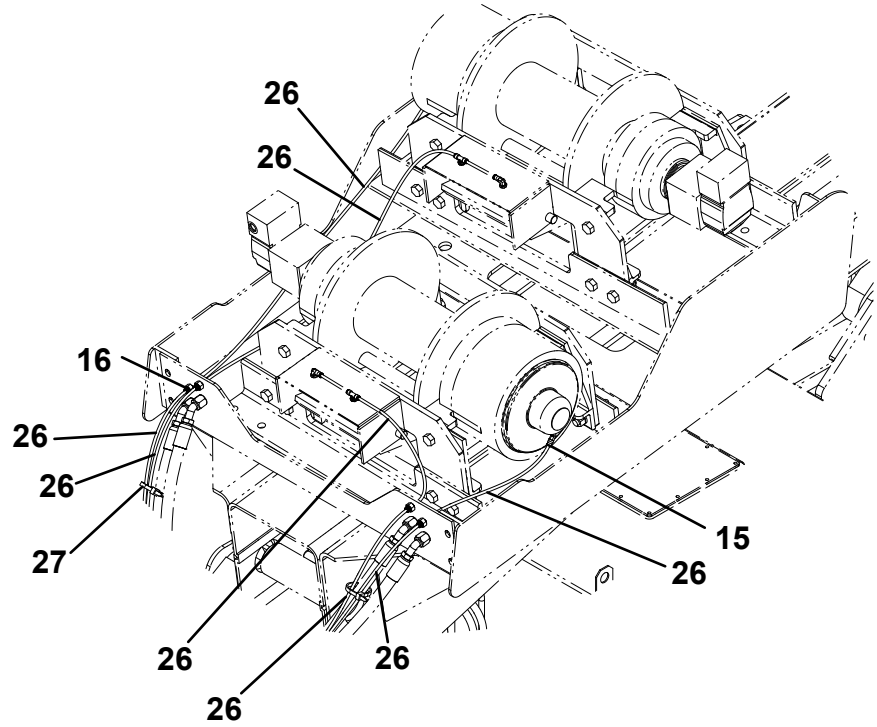
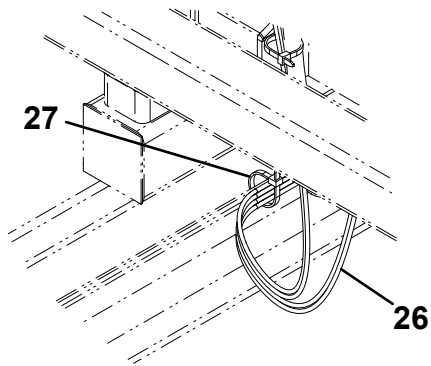


WINCH AIR INSTALLATION

ITEM	PART NO.	DESCRIPTION	QTY
1	1001129800	Valve, Air Section	1
2	1001184765	Terminal	1
3	1001197482	Washer, 0.31" ID	4
4	1001197483	Washer, #10	4
5	1001197506	Seal	4
6	7114100818	Screw, #10-24 x 1.00"	4
7	7114150850	Capscrew, 0.31"-18NC x 1.00"	4
8	7295000029	Air Regulator	1
9	7443000139	Fitting	5
10	7443000148	Bushing	2
11	7443000149	Bushing	1
12	7443000154	Bushing	1
13	7443000156	Fitting	1
14	7443000173	Fitting	2
15	7443000176	Elbow	2
16	7443000178	Union	4
17	7443000329	Fitting	1
18	7444030037	Plug	1
19	7470000006	Air Pressure Gauge	1
20	7660102601	Nut, #10-24NC	4
21	7660152601	Locknut, 0.31"-18NC	4
22	7661000041	Nut	1
23	7935000120	Valve	1
24	7950100143	Flatwasher, 0.19" ID	8
25	7950140143	Flatwasher, 0.25" ID	8
26	7565000016	Air Tubing	125FT
27	7894000004	Tie Strap	35

WINCH AIR INSTALLATION

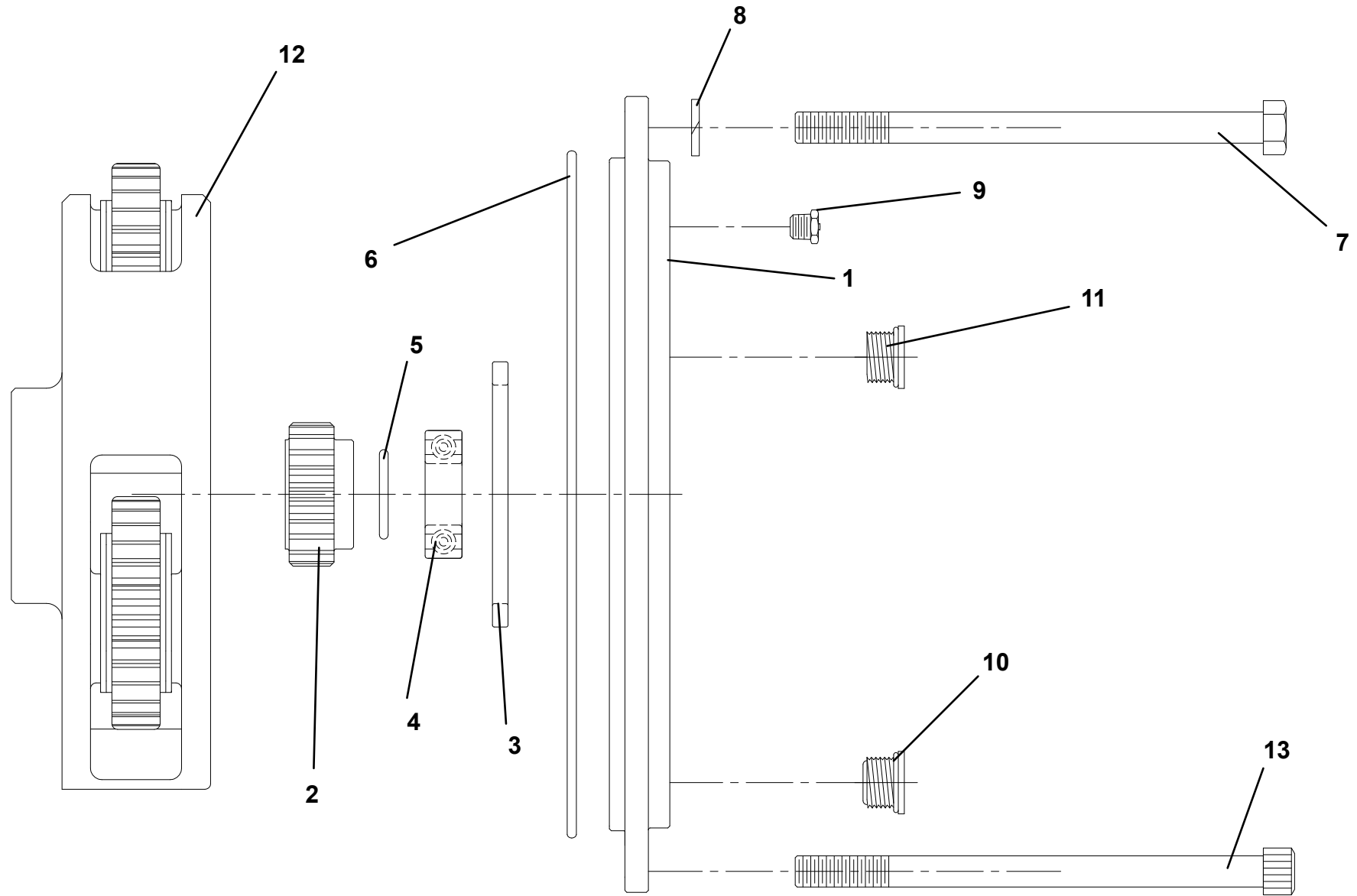
AIR BULKHEAD PORTS	
PORT 1	FRONT WINCH 2-SPD
PORT 2	DRAG WINCH TENSIONER
PORT 3	FRONT WINCH TENSIONER
PORT 4	REAR WINCH TENSIONER
PORT 5	FRONT WINCH FREESPOOL
PORT 6	SUPPLY
PORT 7	REAR WINCH 2-SPD
PORT 8	DRAG WINCH FREESPOOL
PORT 9	REAR WINCH FREESPOOL



DP WINCH 50K - 7970000168 - GEAR END COVER INSTALLATION

ITEM	PART NO.	DESCRIPTION	QTY
1	70050375	Cover, End	1
2	70050376	Gear, Sun Primary 29 Teeth	1
3	9949960013	Washer, Thrust Nylon 4.25"OD x 0.25" Thk	1
4	9082960015	Bearing, Ball	1
5	9754960030	Ring, Retainer 1.15"ID x 0.14" Round	1
6	9796960085	O-Ring 10.50"ID x 0.125" Section	1
7	70051300	Capscrew Hex 0.50"-13NC x 7.50" Grade 5	10
8	7950180000	Washer, Lock 0.50"	10
9	9183960001	Vent, Relief	1
10	9701960012	Plug, Socket Head O-Ring Boss Mag #10	1
11	9701960011	Plug, O-Ring #10 Socket Head 0.875"-14	1
12	70050378	Carrier Assembly Primary	1
13	70050379	Capscrew, Socket Head 0.50"-13NC x 7.00"	2

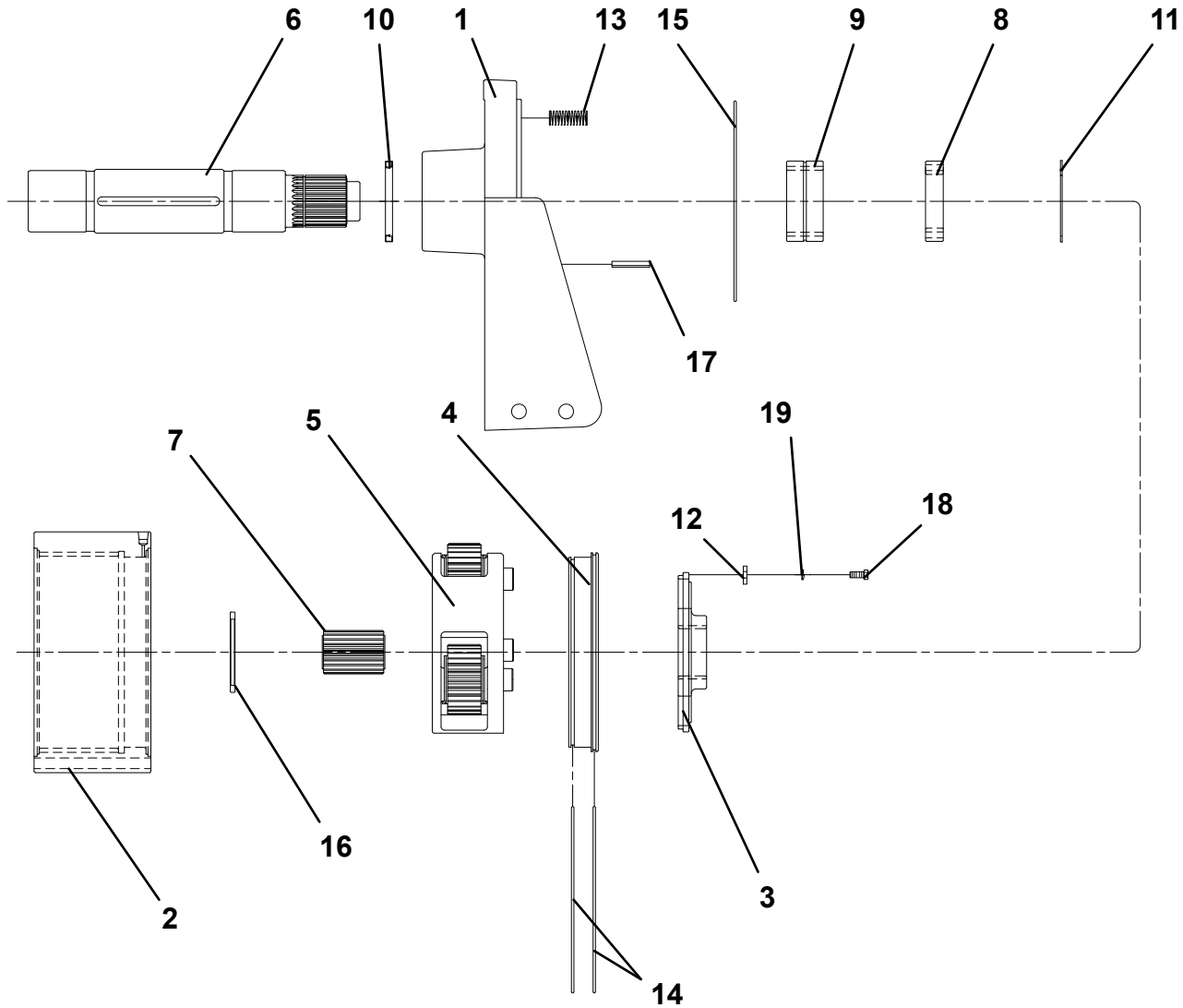
DP WINCH 50K - 7970000168 - GEAR END COVER INSTALLATION



DP WINCH 50K - 7970000168 - GEAR END INSTALLATION

ITEM	PART NO.	DESCRIPTION	QTY
1	9177960001	Support, Gear End	1
2	9472960036	Gear Ring 103 Teeth	1
3	9281960004	Clutch	1
4	9698960009	Piston	1
5	9472960030	Carrier Assembly Secondary	1
6	9806960015	Shaft, Output	1
7	70050380	Gear Sun Sec 20T/10P Mod 50	1
8	9754960027	Ring, Thrust	1
9	9082960014	Bearing, Roller	1
10	9796960087	Seal 3.25"ID x 4.00"OD x 0.468"	1
11	9754960029	Ring, Retainer 4.25" x 0.109" Thk	1
12	9698960010	Retainer, Piston	3
13	9843960025	Spring Compression 0.75"OD x 2.00"	3
14	9796960093	O-Ring 9.75"ID x 0.125" Section	2
15	9796960085	O-Ring 10.50"ID x 0.125" Section	1
16	9949960013	Washer, Thrust Nylon 4.25"OD x 0.25"	1
17	7690153245	Pin, Spiral 0.31" x 2.00"	2
18	7115150650	Capscrew, Hex Head 0.31"-18NC x 0.75"	6
19	7950150000	Washer, Lock 0.31"	6

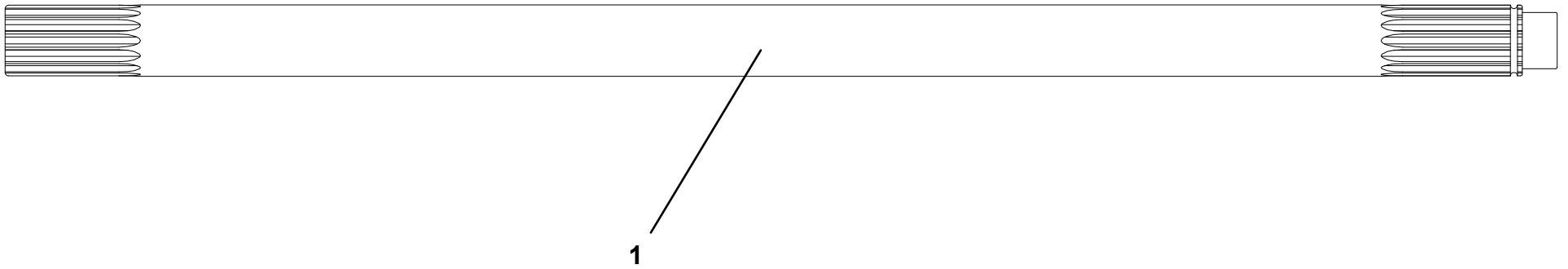
DP WINCH 50K - 7970000168 - GEAR END INSTALLATION



DP WINCH 50K - 7970000168 - INPUT SHAFT INSTALLATION

ITEM	PART NO.	DESCRIPTION	QTY
1	70050374	Input Shaft Installation	1

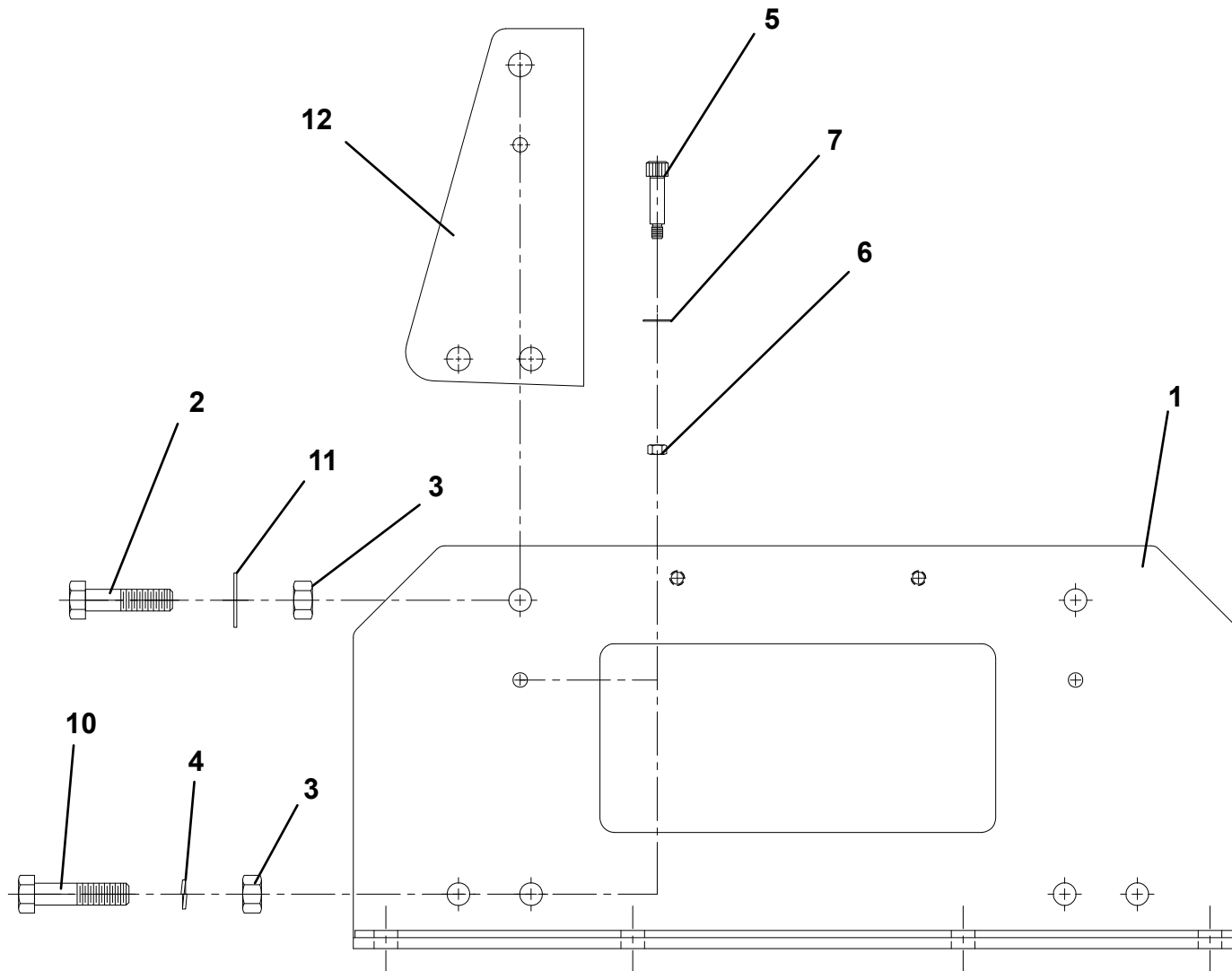
DP WINCH 50K - 7970000168 - INPUT SHAFT INSTALLATION



DP WINCH 50K - 7970000168 - BASE MOUNT INSTALLATION

ITEM	PART NO.	DESCRIPTION	QTY
1	9073960002	Base Mount	2
2	7115222450	Capscrew Hex 0.75"-10NC x 3.00" Grade 5	4
3	7660220001	Nut, Hex 0.75"-10NC	12
4	7950220000	Lock, Washer 0.75"	8
5	9120960020	Shoulder Bolt Socket Head 0.50" x 2.00"	4
6	7660160001	Nut, Hex 0.38"-16NC Grade 2	4
7	7950160151	Washer Flat 0.38"	4
8	9706960026	Plate, Information Winch	1
9	9759960001	Rivet, Type U	4
10	7115222650	Capscrew, Hex 0.75"-10NC x 3.25" Grade 5	8
11	7950220151	Washer, Flat 0.75"	4
12	9831960007	Spacer, Base Angle 1.00" Thick	4

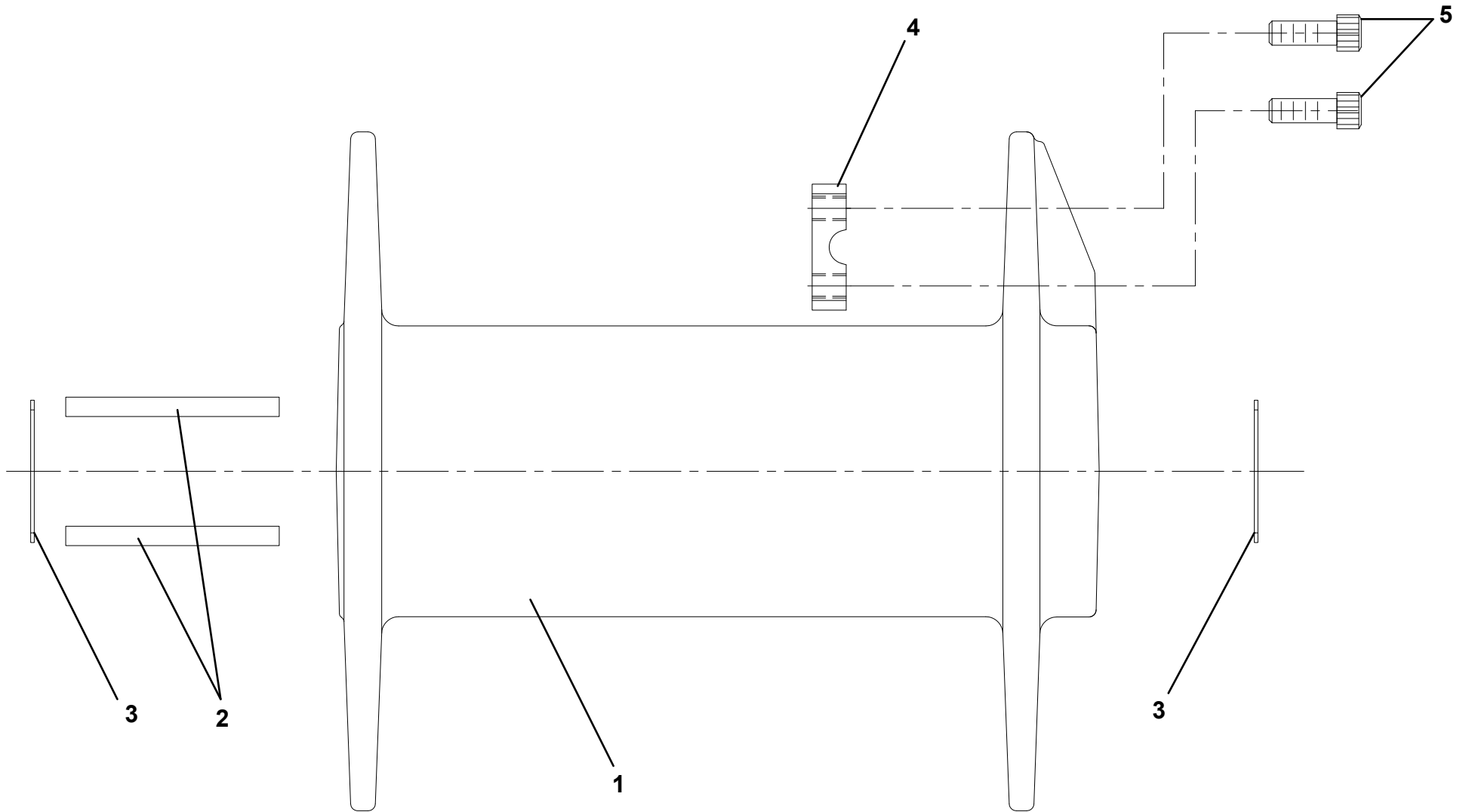
DP WINCH 50K - 7970000168 - BASE MOUNT INSTALLATION



DP WINCH 50K - 7970000168 - DRUM INSTALLATION

ITEM	PART NO.	DESCRIPTION	QTY
1	70050381	Drum, Winch	1
2	70050382	Key, Shaft Output	2
3	70050383	Ring, Retainer External 3.35"OD x 0.93"	2
4	9280960002	Clip, Cable Threaded	1
5	7110201823	Capscrew, Flat Socket 0.625"-11NC x 2.25"	2

DP WINCH 50K - 7970000168 - DRUM INSTALLATION



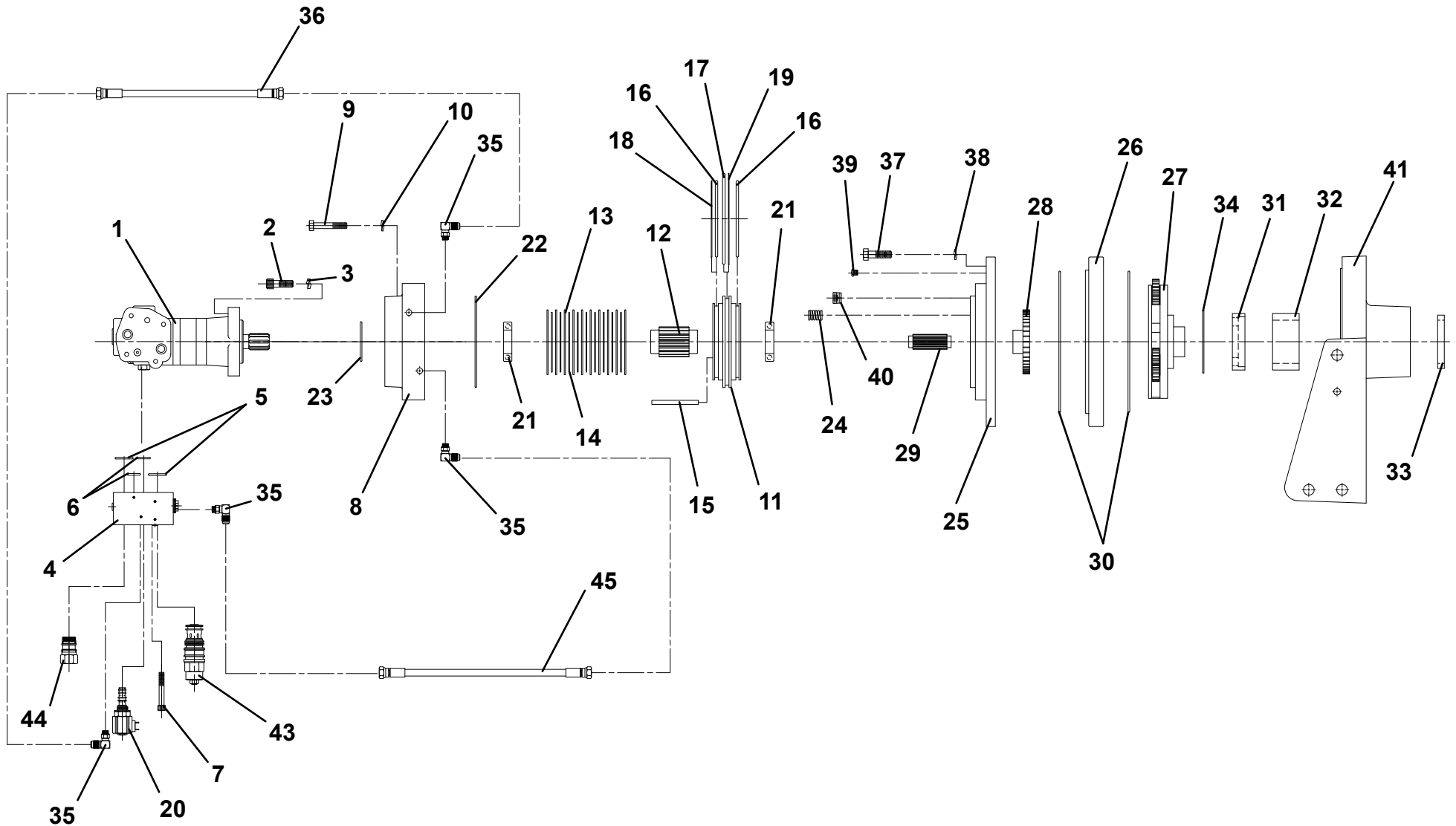
DP WINCH 50K - 7970000168 - MOTOR END INSTALLATION

ITEM	PART NO.	DESCRIPTION	QTY	ITEM	PART NO.	DESCRIPTION	QTY
1	70050367	Motor, Hydraulic	1	37	7115182250	Capscrew, Hex 0.50"-13NC x 2.75" Grade 5	4
2	7118181205	Capscrew, Socket 0.50"-13NC x 1.50"	2	38	7950180000	Washer, Lock 0.50"	4
3	7950180800	Washer, Lock 0.50" Hi Collar	2	39	9183960001	Vent, Relief	1
4	70050368	Valve, Counterbalance	1	40	9701960010	Plug, O-Ring SAE #8 Socket 0.75"-16	2
5	70050369	O-Ring, 1.125"ID x 0.125" Section	2	41	9177960002	Support, End Motor	1
6	9796960088	O-Ring, 0.812"ID x 0.0937" Section	2	42	9443960006	Adapter, Straight #4 O-Ring #4 MJIC	1
7	70050370	Capscrew, Socket 0.38"-24NF x 2.50"	4	43	9935960026	Cartridge, Counterbalance	1
8	9571960006	Housing, Brake Outer	1	44	9701960013	Plug, Assembly Valve Counterbalance	1
9	7118172050	Capscrew, Hex 0.437"-UNC x 2.50" Grade 8	6	45	70050373	Hose, 0.25"-R1 x 14.00"	
10	7950170000	Washer, Lock 0.437"	6				
11	9698960008	Piston, Brake	1				
12	9806960013	Shaft, Brake	1				
13		Plate, Disc Friction	10				
14		Plate, Drive Brake	9				
15	9691960021	Pin, Dowel 0.312" x 3.50"	2				
16		O-Ring, 5.375"ID x 0.187" Section	2				
17		O-Ring, 6.50"ID x 0.187" Section	1				
18		Ring, Backup 5.278"ID x 0.076"	1				
19		Ring, Backup 6.25"ID x 0.183	1				
20	70050371	Cartridge, Valve	1				
21	9082960013	Bearing, Ball 1.75"ID	2				
22		O-Ring, 6.75"ID x 7.00"OD x 0.125" Section	1				
23	9796960090	O-Ring, 3.00"ID x 0.125" Section	1				
24		Spring, Compression 0.75"	12				
25	7007960040	Adapter, Brake	1				
26	9472960032	Gear, Ring 92 Teeth	1				
27	9472960029	Carrier Assembly Planetary	1				
28	9472960033	Gear, Sun	1				
29	9806960014	Shaft, Extension	1				
30	9796960085	O-Ring, 10.50"ID x 0.125" Section	2				
31	9706960027	Plate, Thrust 45	1				
32	9082960014	Bearing, Roller	1				
33	9796960087	Seal, 3.25"ID x 4.00"OD x 0.468"	1				
34	9754960029	Ring, Retainer 4.25" x 0.109" Thick	1				
35	7445040445	Adapter 90 degree	3				
36	70050372	Hose, 0.25"-R1 x 16.00"	1				

** Items sold only as part of 9401 kit 9577960119

> Items sold only as part of 9406 kit only 9577960120

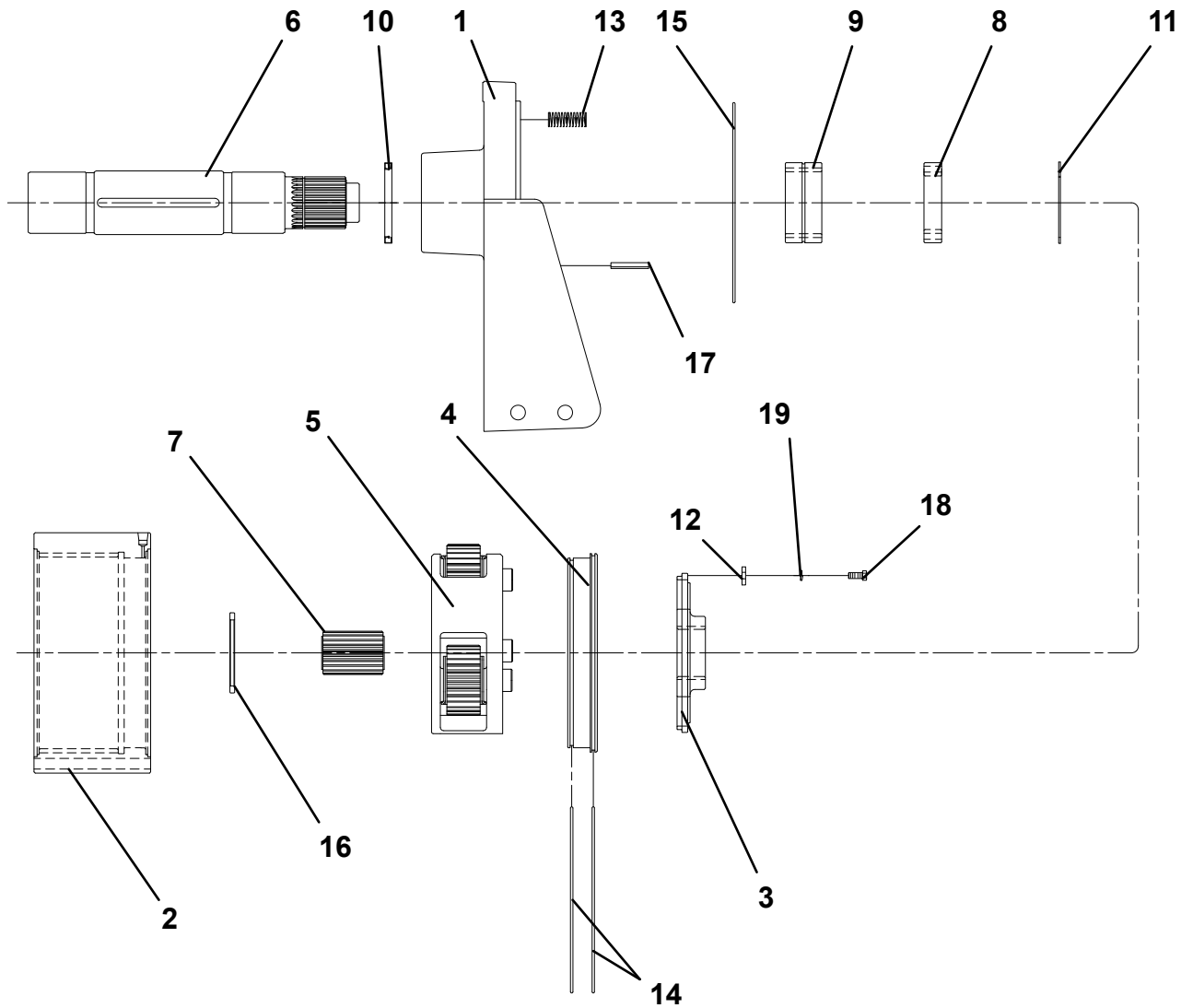
DP WINCH 50K - 7970000168 - MOTOR END INSTALLATION



DP WINCH 50K - 7970000169 - GEAR END COVER INSTALLATION

ITEM	PART NO.	DESCRIPTION	QTY
1	70050375	Cover, End	1
2	70050376	Gear, Sun Primary 29 Teeth	1
3	9949960013	Washer, Thrust Nylon 4.25"OD x 0.25" Thk	1
4	9082960015	Bearing, Ball	1
5	9754960030	Ring, Retainer 1.15"ID x 0.14" Round	1
6	9796960085	O-Ring, 10.50"ID x 0.125"	1
7	70050377	Capscrew, Hex 0.50"-13NC x 7.50" Grade 5	10
8	7950180000	Washer, Lock 0.50"	10
9	9183960001	Vent, Relief	1
10	9701960012	Plug, Socket O-Ring Boss Magnetic #10	1
11	9701960011	Plug, O-Ring Boss #10 Socket 0.875"-14	1
12	70050378	Carrier, Assembly Primary	1
13	70050379	Capscrew, Socket 0.50"-13NC x 7.00"	2

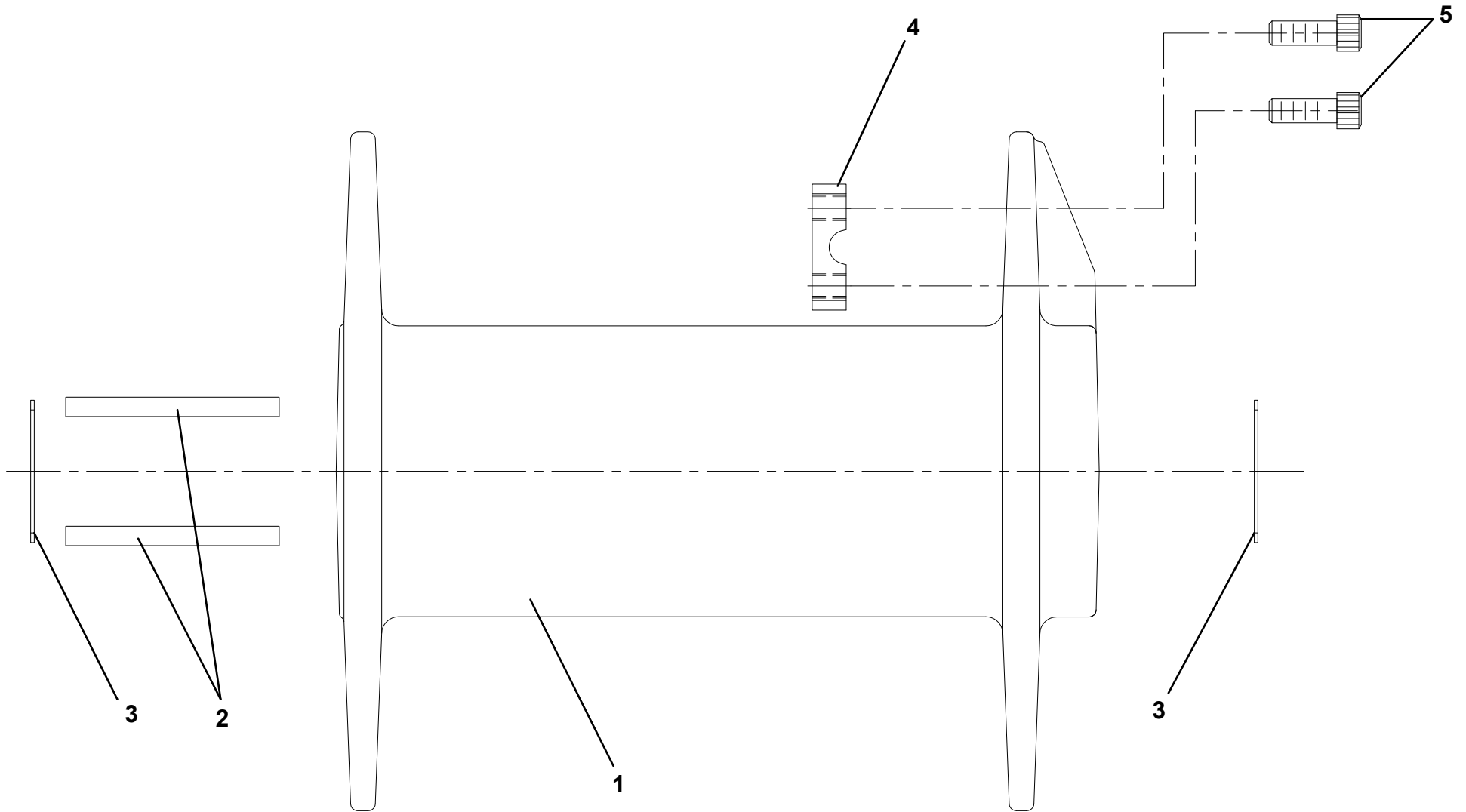
DP WINCH 50K - 7970000169 - GEAR END COVER INSTALLATION



DP WINCH 50K - 7970000169 - DRUM INSTALLATION

ITEM	PART NO.	DESCRIPTION	QTY
1	70050381	Drum, Winch	1
2	70050382	Key, Shaft Output	2
3	70050383	Ring, Retainer External 3.35"OD x 0.093"	2
4	9280960002	Clip, Cable Threaded	1
5	7110201823	Capscrew, Flat Socket 0.625"-11NC x 2.25" Grade 8	2

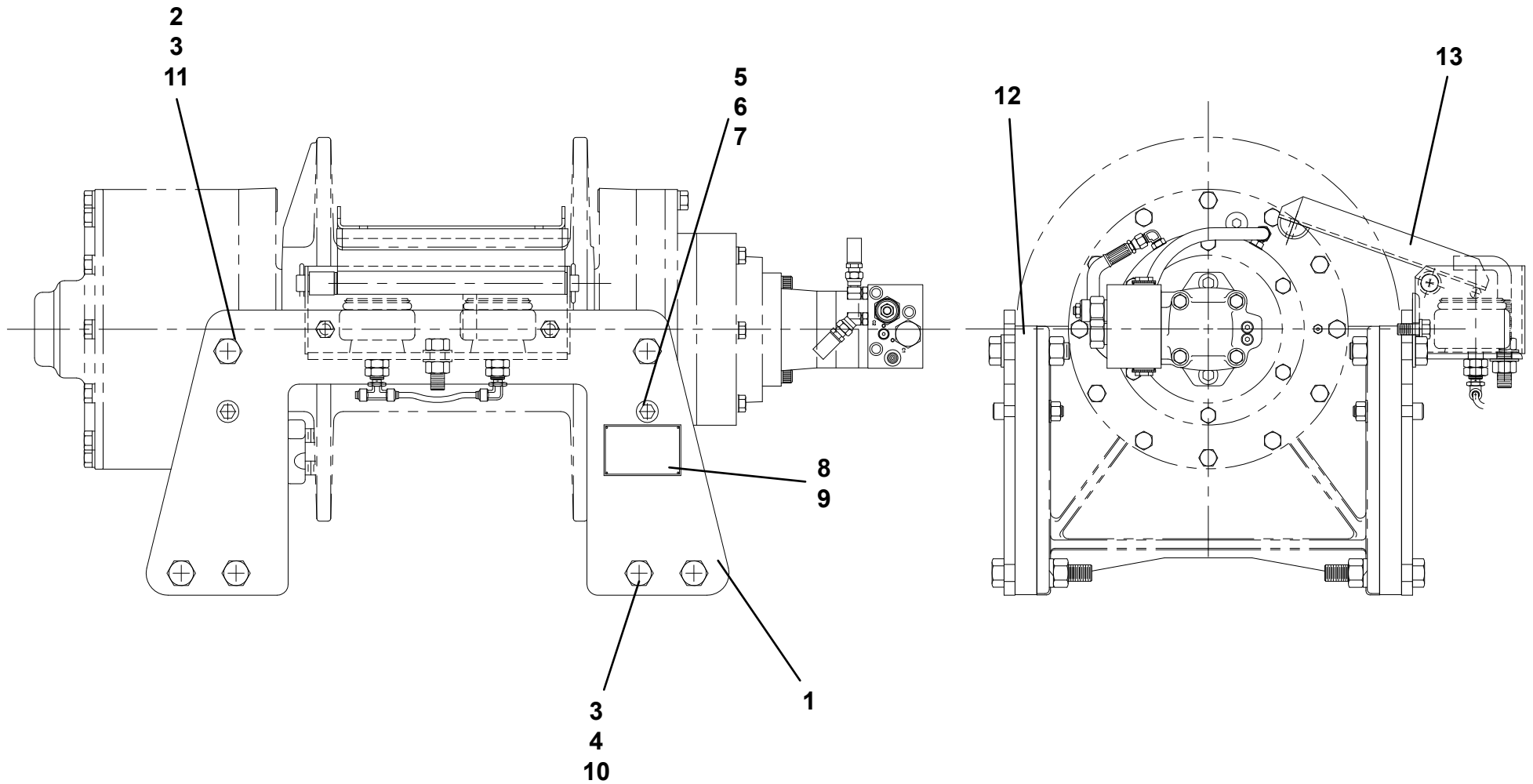
DP WINCH 50K- 7970000169 - DRUM INSTALLATION



DP WINCH 50K - 7970000169 - BASE MOUNT INSTALLATION

ITEM	PART NO.	DESCRIPTION	QTY
1	70051310	Base Mount	2
2	7115222450	Capscrew, Hex 0.75"-10NC x 3.00" Grade 5	4
3	7660220001	Nut, Hex 0.75"-10NC	12
4	7950220000	Washer, Lock 0.75"	8
5	9120960020	Shoulder Bolt Socket Head 0.50" x 2.00"	4
6	7660160001	Nut, Hex 0.375"-16NC Grade 2	4
7	7950160151	Washer, Flat 0.375"	4
8	9759960001	Rivet Drive U Type	4
9	9706960026	Plate, ID Winch	1
10	70051311	Capscrew, Hex 0.375"-10NC x 4.00"	8
11	7950220151	Washer, Flat 0.375" SAE	4
12	9831960007	Spacer, Base Angle 1.00" Thick	4
13	9577960113	Kit, Cable Hold Down	1

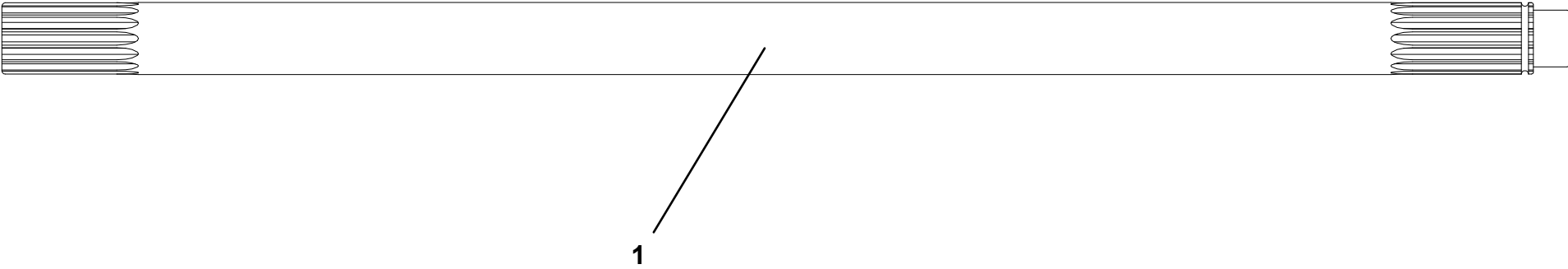
DP WINCH 50K - 7970000169 - BASE MOUNT INSTALLATION



DP WINCH 50K - 7970000169 - INPUT SHAFT INSTALLATION

ITEM	PART NO.	DESCRIPTION	QTY
1	70050374	Input Shaft	1

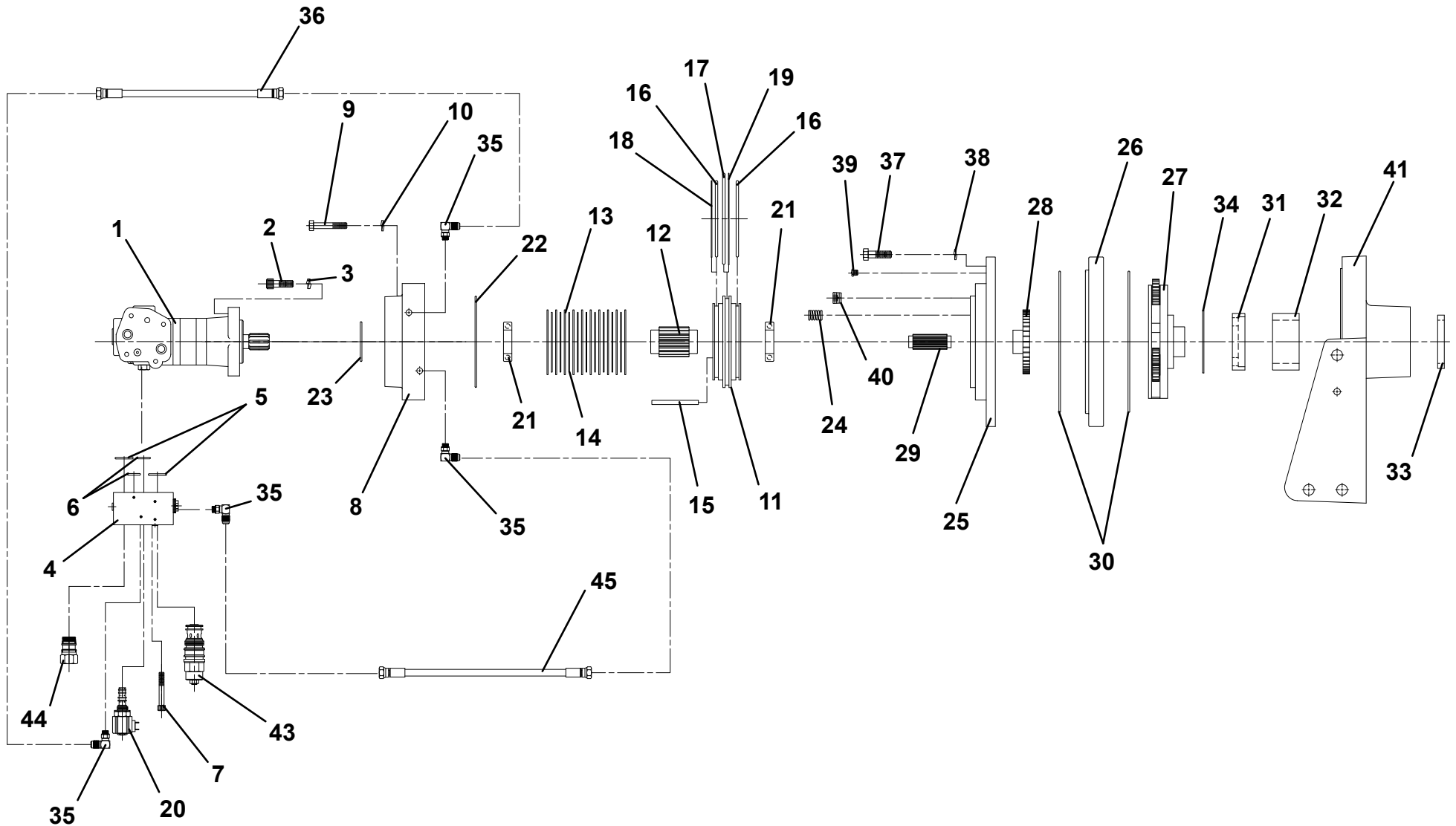
DP WINCH 50K - 7970000169 - INPUT SHAFT INSTALLATION



DP WINCH 50K - 7970000169 - MOTOR END INSTALLATION

ITEM	PART NO.	DESCRIPTION	QTY	ITEM	PART NO.	DESCRIPTION	QTY
1	70050367	Motor, Hydraulic	1	37	7115182250	Capscrew, Hex 0.50"-13NC x 2.75 Grade 5	4
2	7118181205	Capscrew, Socket 0.50"-13NC x 1.50"	2	38	7950180000	Washer, Lock 0.50"	4
3	7950180800	Washer, Lock 0.50" Hi Collar	2	39	9183960001	Vent, Relief	1
4	70050368	Valve, Counterbalance	1	40	9701960010	Plug, O-Ring Socket 0.75"-16	2
5	70050369	O-Ring, 1.125"ID x 0.125" Section	2	41	9177960002	Support, End Motor	1
6	979696088	O-Ring, 0.8125"ID x 0.0937 Section	2	42	9443960006	Adapter, Straight	1
7	70050370	Capscrew, Socket 0.375"-24NF x 2.50"	4	43	9935960026	Cartridge, Counterbalance	2
8	9571960006	Housing, Brake Outer	1	44	70051309	Hose, 0.25-R1 x 14.00"	1
9	7118172050	Capscrew, Hex 0.437"-UNC x 2.50" Grade 8	6				
10	7950170000	Washer, Lock 0.437"	6				
11	9698960008	Piston, Brake	1				
12	9806960013	Shaft, Brake	1				
13	9706960023	Plate, Disc Friction	10				
14	9706960025	Plate, Drive Brake	9				
15	9691960021	Pin, Dowel 0.312" x 3.50"	2				
16	70051303	O-Ring, 5.375"ID x 0.187" Section	2				
17	70051304	O-Ring, 6.50"ID x 0.187" Section	1				
18	70051305	Ring, Backup 5.278"ID x 0.76"	1				
19	70051306	Ring, Backup 6.25"ID x 0.183	1				
20	70050371	Cartridge	1				
21	9082960013	Bearing, Ball 1.75"ID	2				
22	70051307	O-Ring, 6.75"ID x 7.00"OD x 0.125" Section	1				
23	9796960090	O-Ring, 3.00"ID x 0.125" Section	1				
24	9843960024	Spring, Compression 0.75"	12				
25	7007960040	Adapter, Brake Support	1				
26	9472960032	Gear, Ring 92 Teeth	1				
27	9472960029	Carrier Assembly	1				
28	9472960033	Gear, Sun	1				
29	9806960014	Shaft Extension	1				
30	9796960085	O-Ring, 10.50"ID x 0.125" Section	2				
31	9706960027	Plate, Thrust	1				
32	9082960014	Bearing, Roller Torrington	1				
33	9796960087	Seal, 3.25"ID x 4.00"OD x 0.468"	1				
34	9754960029	Ring, Retainer 4.25" x 0.109" Thick	1				
35	7445040445	Adapter 90 Degree	3				
36	70050372	Hose, 0.25"-R1 x 16.00"	1				

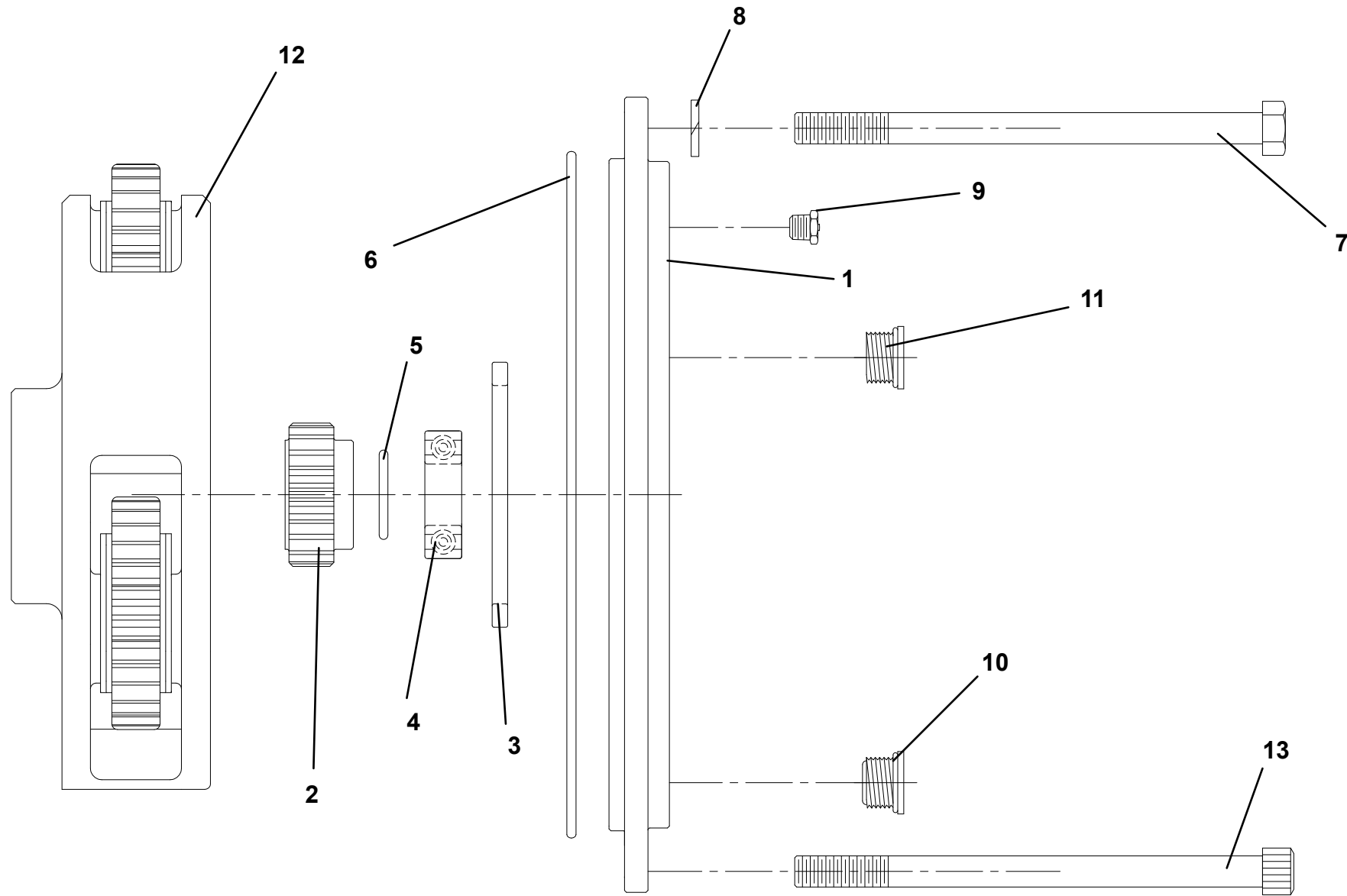
DP WINCH 50K - 7970000169 - MOTOR END INSTALLATION



DP WINCH 50K - 7970000169 - GEAR END INSTALLATION

ITEM	PART NO.	DESCRIPTION	QTY
1	9177960001	Support, Gear End	1
2	9472960036	Gear Ring 103 Teeth	1
3	9281960004	Clutch	1
4	9698960009	Piston	1
5	9472960030	Carrier Assembly Secondary	1
6	9806960015	Shaft, Output	1
7	70050380	Gear, Sun Sec 20T-/10P Mod 50	1
8	975496027	Ring, Thrust	1
9	9082960014	Bearing, Roller	1
10	9796960087	Seal, 3.25"ID x 4.00"OD x 0.468"	1
11	9754960029	Ring, Retainer 4.25" x 0.109" Thick	1
12	9698960010	Retainer, Piston	3
13	9843960025	Spring, Compression 0.75"OD x 2.00"	3
14	9796960093	O-Ring, 9.75"ID x 0.125" Section	2
15	9796960085	O-Ring, 10.50"ID x 0.125" Section	1
16	9949960013	Washer, Thrust Nylon 4.25"OD x 0.25"	1
17	7690153245	Pin, Spiral 0.312" x 2.00"	2
18	7115150650	Capscrew, Hex 0.312"-18NC x 0.75"	6
19	7950150000	Washer, Lock 0.312"	6

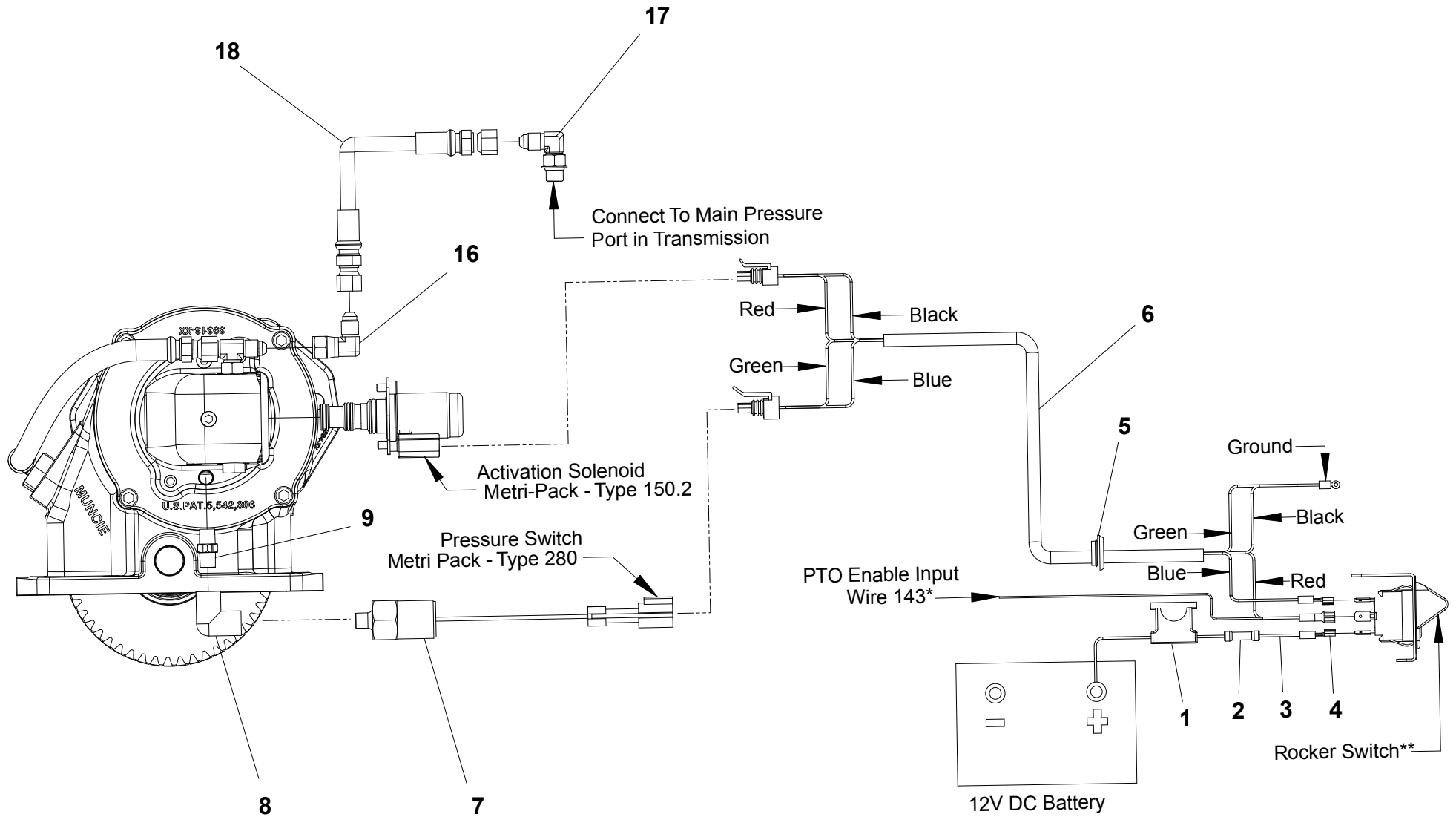
DP WINCH 50K - 7970000169 - GEAR END INSTALLATION



POWER TAKE OFF - CS SERIES

ITEM	PART NO.	DESCRIPTION	QTY
1	70050316	Fuse	1
2	70050315	Splice	1
3	70050312	Wire	6 FT
4	70050314	Connector	1
5	70050325	Grommet	1
6	70050328	Harness, Wire	1
7	7870000062	Switch, Pressure	1
8	70050329	Fitting, Elbow	1
9	70050330	Nipple	1
10	70050313	Terminal	2
11	70050331	Connector	3
12	7706000005	Bracket, Switch	1
13	7706000001	Plate	1
14	7870000045	Switch	1
15	70050319	Kit, Bolt	1
16	7443000431	Fitting (Also available in kit #70050467)	1
17	7443000244	Fitting (Also available in kit #70050467)	1
18	70050468	Hose (Also available in kit #70050467)	1

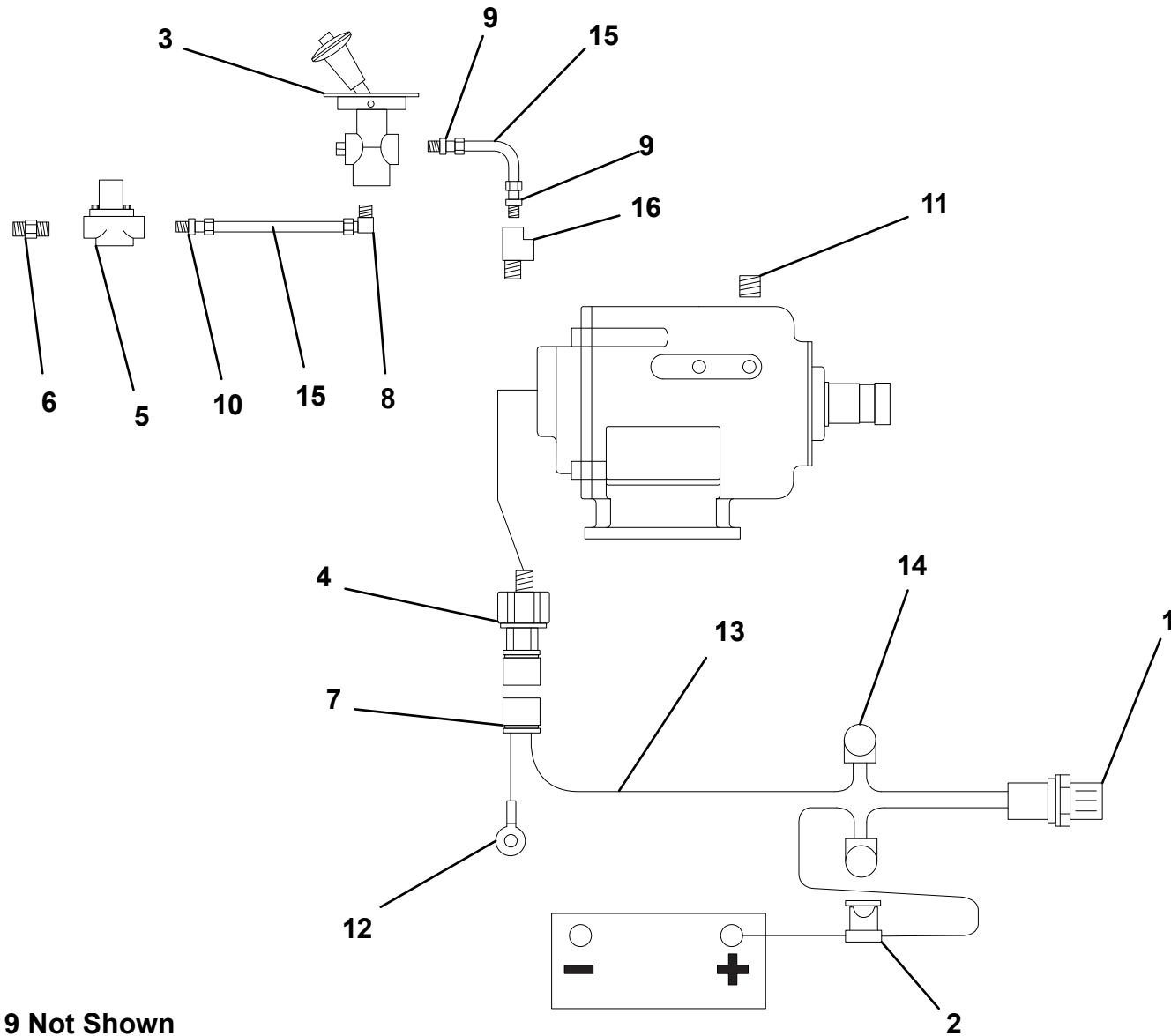
POWER TAKE OFF - CS SERIES



POWER TAKE OFF - SH SERIES

ITEM	PART NO.	DESCRIPTION	QTY
1	7590000049	Assembly. - Light 12V	1
2	70050316	Assembly, Fuse	1
3	7935000104	Valve, Air	1
4	7870000062	Switch, Pressure	1
5	9935740034	Valve, Pressure Protection	1
6	70050308	Nipple, Pipe	1
7	70050668	Wiring Pigtail	1
8	70050310	Fitting	1
9	70050320	Connector	2
10	70050309	Connector	1
11	70050669	Plug	1
12	70050313	Terminal	2
13	70050312	Wire	12 FT
14	70050977	Terminal, Closed End Crimp	3
15	7565000019	Tubing, Air	1
16	9443760018	Fitting	1
17	70050322	Bracket, Dash (Not shown on drawing)	1
18	7706000004	Plate, Face (Not shown on drawing)	1
19	70050319	Kit, Bolt (Not shown on drawing)	1

POWER TAKE OFF - SH SERIES

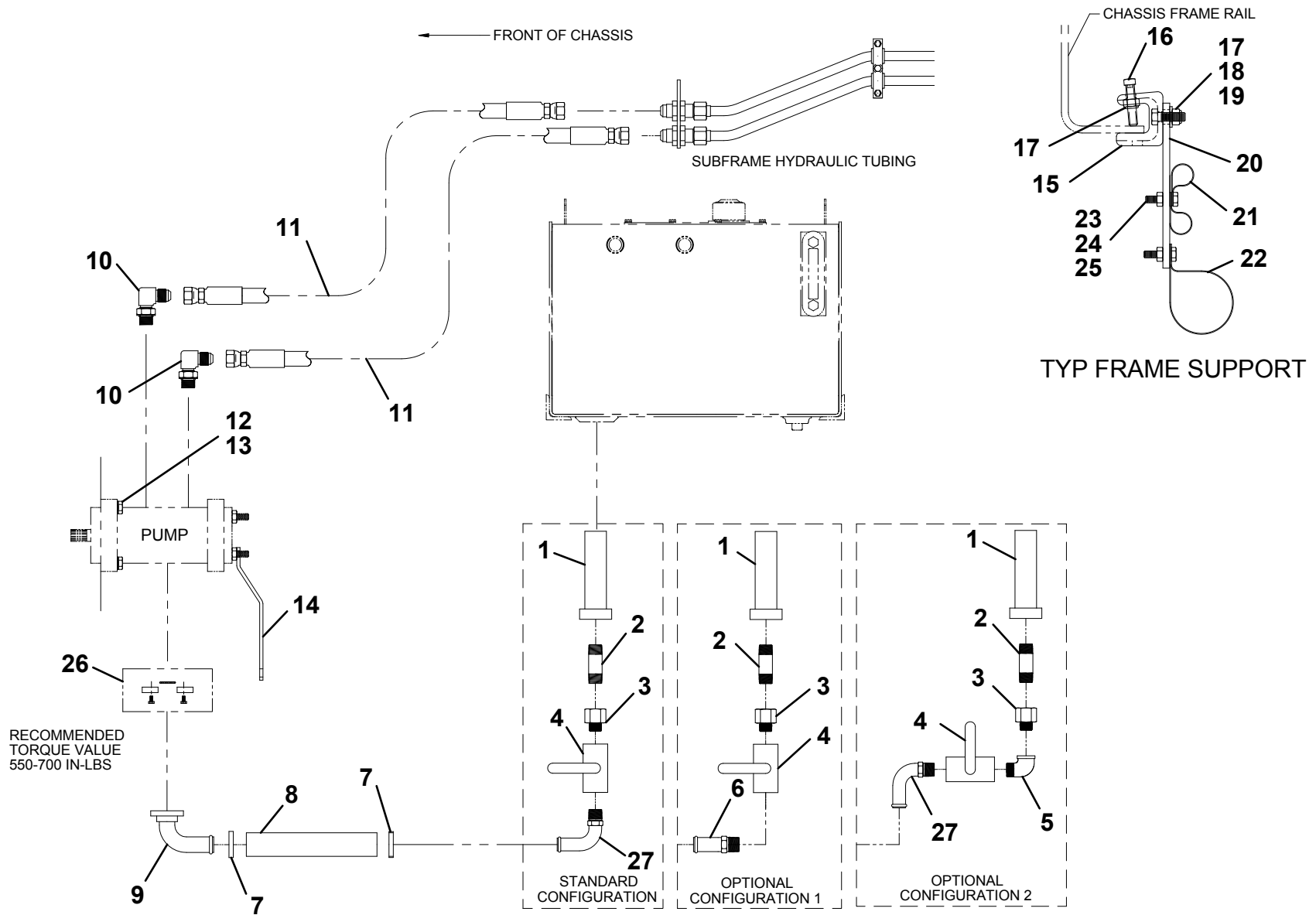


Items # 17, 18 & 19 Not Shown

HYDRAULIC SUPPLY PRESSURE INSTALLATION

ITEM	PART NO.	DESCRIPTION	QTY
1	7430000010	Filter	1
2	7650100137	Nipple	1
3	7444121050	Reducer	1
4	7935000116	Ball Valve	1
5	7444121271	Elbow	A/R
6	7443000130	Fitting	A/R
7	7274000028	Clamp	2
8	8565000026	Hose	19FT
9	1001145056	Elbow	1
10	7445121645	Elbow	2
11	4567160111	Hose - 245"-285" Wheel Base	2
	4567160146	Hose - 275"-325" Wheel Base	2
	1001208610	Hose - 326"-365" Wheel Base	2
	1001204565	Hose - 366"-405" Wheel Base	2
	1001218611	Hose - 406"-445" Wheel Base	2
12	7115181050	Capscrew, 0.50"-13NC x 1.25"	2
13	7950180000	Lockwasher, 0.59" ID	2
14	4178000248	Bracket	1
15	7274000076	Clamp	10
16	7785152420	Screw, 0.31" - 18 x 1.50"	10
17	7660152601	Locknut 0.31"-18NC	20
18	7115151050	Capscrew, 0.31"-18NC x 1.25"	10
19	7950150161	Flatwasher, 0.31" ID	10
20	4706003844	Plate	10
21	7274000041	Clamp	20
22	7274000071	Clamp	10
23	7115140850	Capscrew, 0.25"-20NC x 1.00"	20
24	7950140152	Washer, 0.25" ID	20
25	7660142601	Locknut, 0.25" -20NC	20
26	7577000213	Flange	1
27	7443000254	Fitting	1

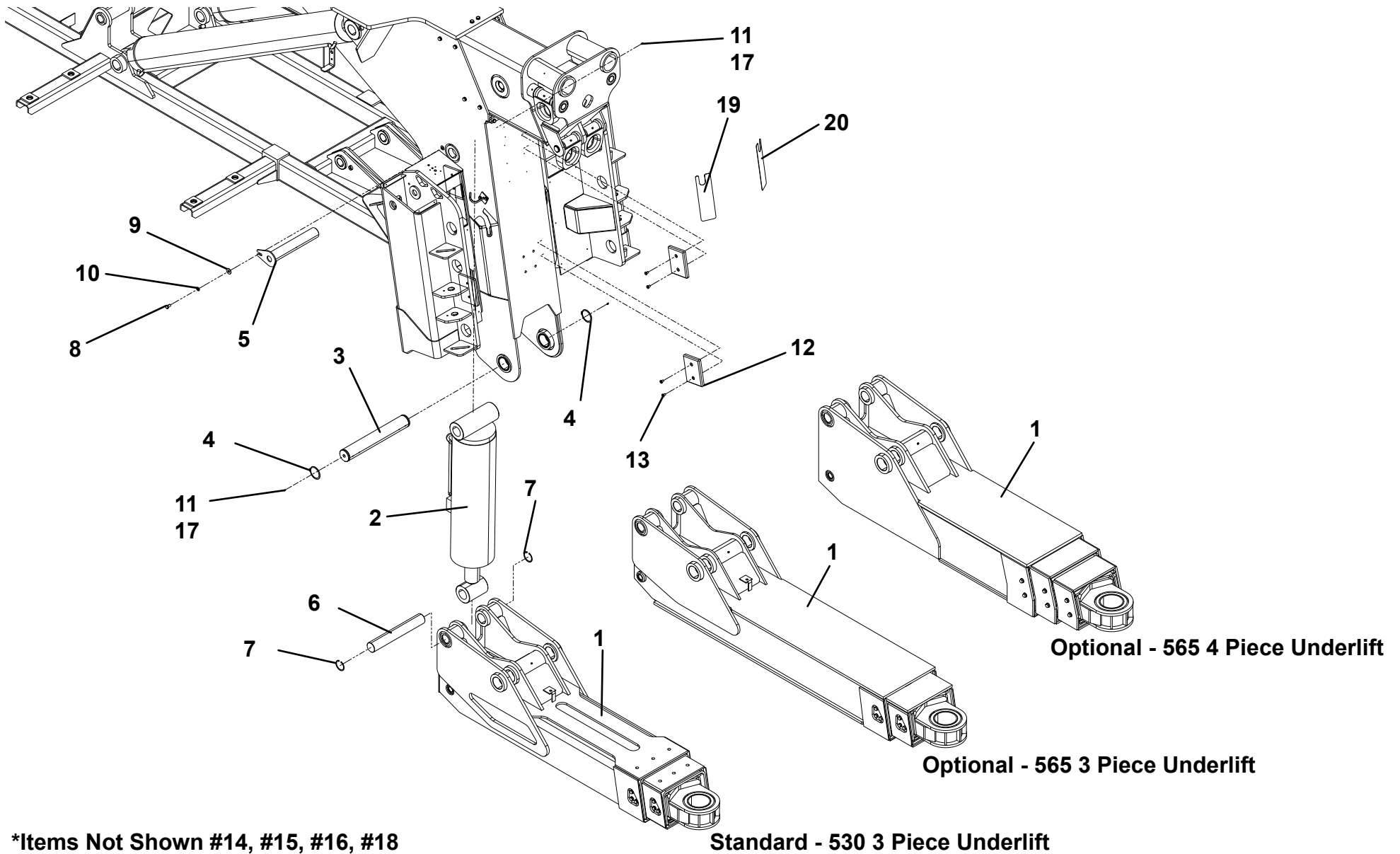
HYDRAULIC SUPPLY PRESSURE INSTALLATION



UNDERLIFT INSTALLATION

ITEM	PART NO.	DESCRIPTION	QTY
1	3507100001	Underlift - Standard - 530 3 Piece Underlift	1
	3170000407	Underlift - Optional - 565 3 Piece Underlift	1
	3170000381	Underlift - Optional - 565 4 Piece Underlift	1
2	7320000096	Cylinder - UL530	1
	7320000097	Cylinder - UL565	1
3	4691000291	Pin	1
4	7754000018	Retaining Ring	2
5	3691000154	Pin	1
6	4691000290	Pin	1
7	7754000051	Retaining Ring	2
8	7115180750	Capscrew, 0.50"-13NC x 0.88"	1
9	7950180161	Flatwasher, 0.50" ID	1
10	7950180000	Lockwasher, 0.59" ID	1
11	7440030000	Grease Fitting	3
12	4679000127	Pad	4
13	7115160623	Capscrew, 0.38"-16 x 0.70"	8
14	7262000025	Chain	2
15	7118201250	Capscrew, 0.63"-11NC x 1.50"	2
16	7660202601	Locknut, 0.63"-11NC	2
17	7253000002	Grease Cap	3
18	7330000863	Decal, Caution	2
19	1001151184	Decal, LH	1
20	1001151185	Decal, RH	1

UNDERLIFT INSTALLATION



*Items Not Shown #14, #15, #16, #18

Standard - 530 3 Piece Underlift

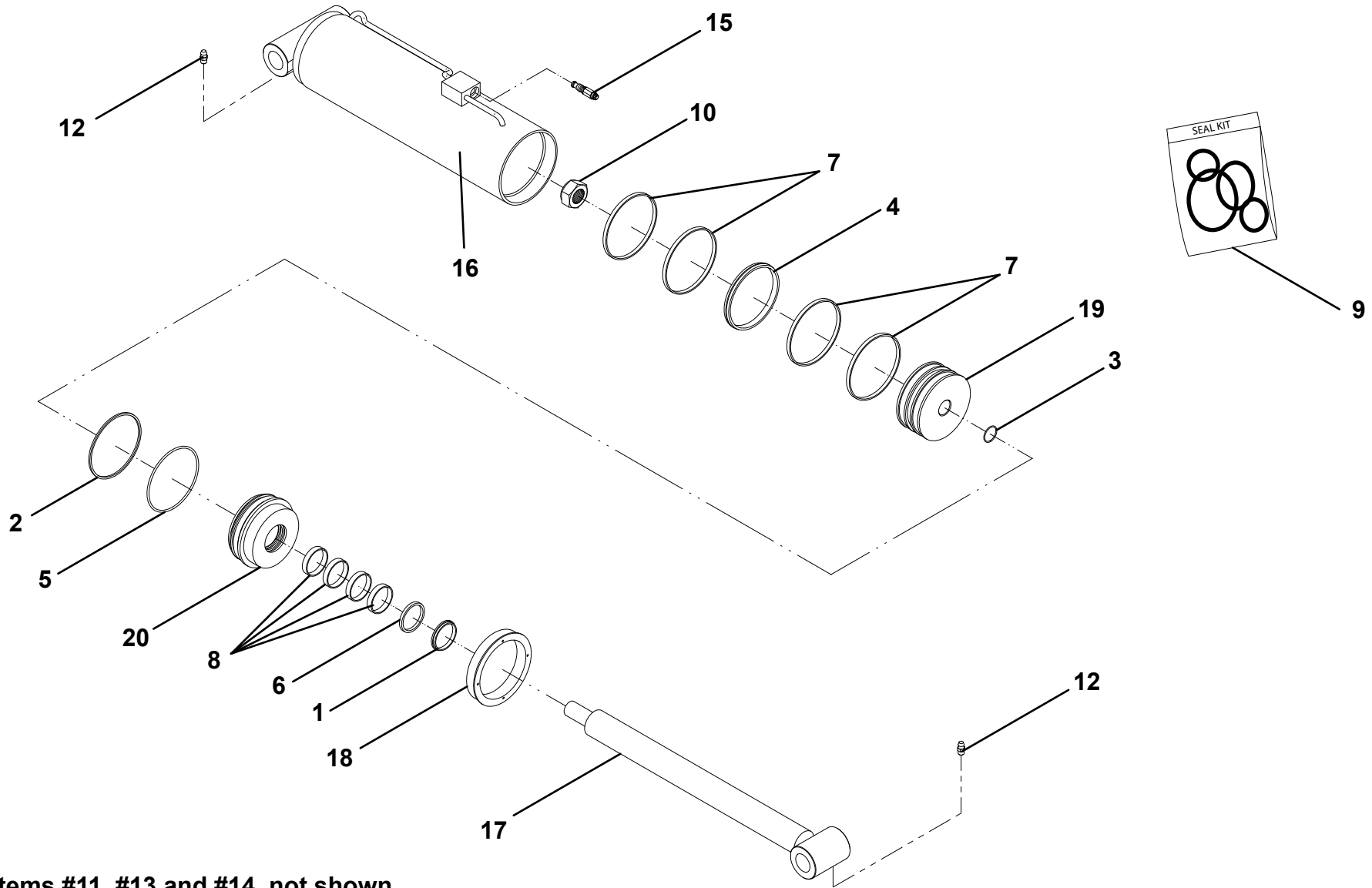
Optional - 565 4 Piece Underlift

Optional - 565 3 Piece Underlift

UNDERLIFT TILT CYLINDER - 7320000096

ITEM	PART NO.	DESCRIPTION	QTY
1	9796250083	Seal, Wiper	1
2	9754250011	Ring, Back-up	1
3	9796250062	Seal, "O" Ring	1
4	70050544	Seal	1
5	9796250068	Seal, "O" Ring	1
6	70050545	Seal	1
7	9754250017	Ring, Wear	4
8	80004049	Ring, Wear	4
9	7577000063	Kit, Seal	1
10	7005314	Locknut	1
11	70021757	Setscrew	1
12	7005348	Grease Fitting	2
13	70021648	Plug, Port	2
14	7005365	Plug, Port	1
15	70050215	Valve, Counterbalance	1
16	70050594	Assembly, Tube	1
17	70050595	Assembly, Rod	1
18	9254250007	Headcap	1
19	70050548	Piston	1
20	70050549	Head	1

UNDERLIFT TILT CYLINDER - 7320000096

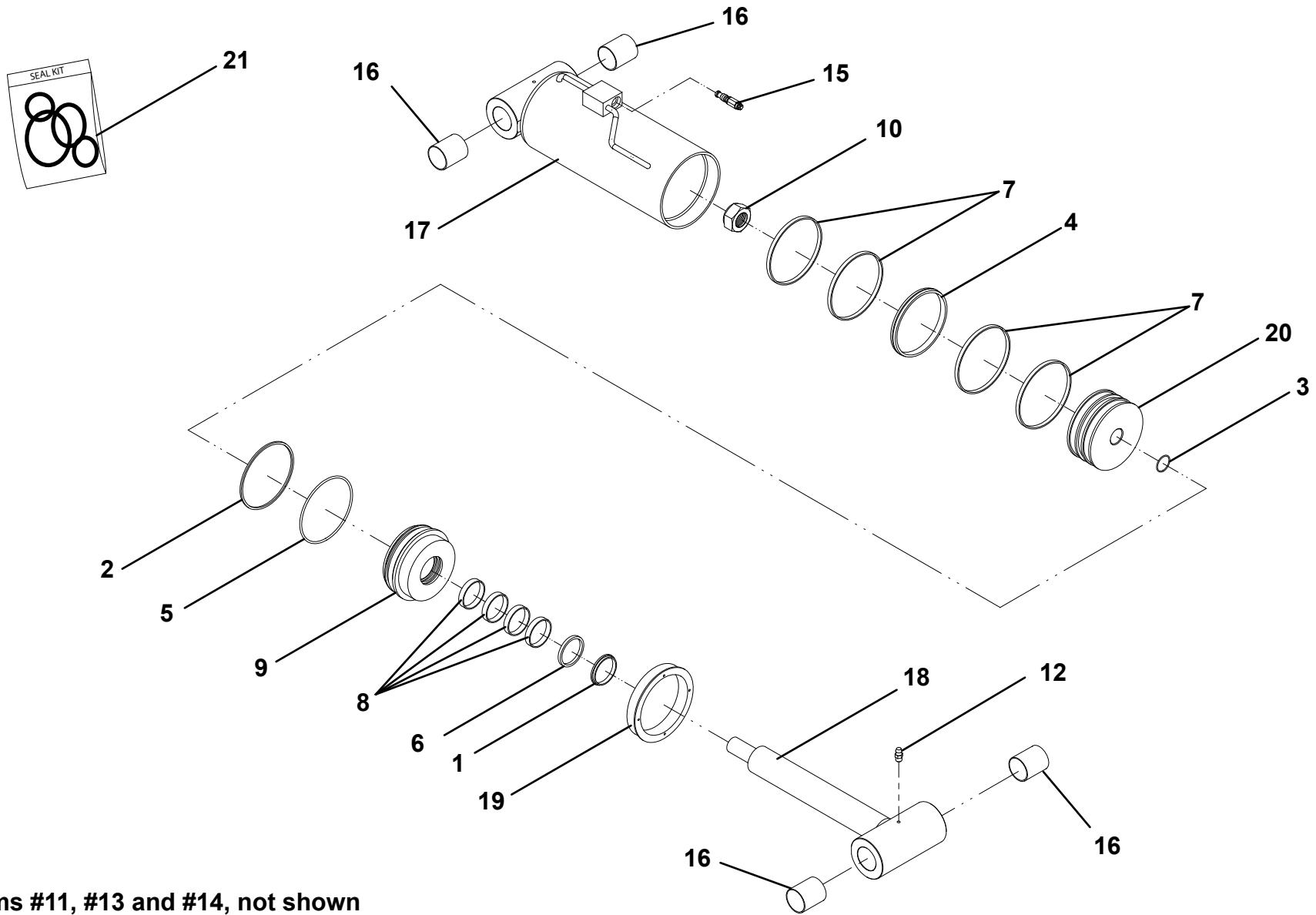


Items #11, #13 and #14, not shown

UNDERLIFT TILT CYLINDER - 7320000097

ITEM	PART NO.	DESCRIPTION	QTY
1	9796250084	Wiper	1
2	9796250059	O-Ring	1
3	9796250065	O-Ring	1
4	9796250077	Seal	1
5	9754250012	Back-Up Ring	1
6	9796250078	Seal	1
7	9754250022	Wear Ring	2
8	9754250023	Wear Ring	2
9	70051199	Piston Head	1
10	9661250019	Nut	1
11	9701250006	Nylon Plug	2
12	83304181	Grease Fitting	2
13	9786250005	Setscrew	1
14	9786250004	Setscrew	4
15	9935250032	Counterbalance	1
16	70050232	Bushing	4
17	9912250008	Tube Assembly	1
18	9763250013	Rod Assembly	1
19	9254250008	Headcap	1
20	9698250005	Piston	1
21	7577250188	Head	1
22	70021648	Port Plug	2
23	7005365	Port Plug	1

UNDERLIFT TILT CYLINDER - 7320000097

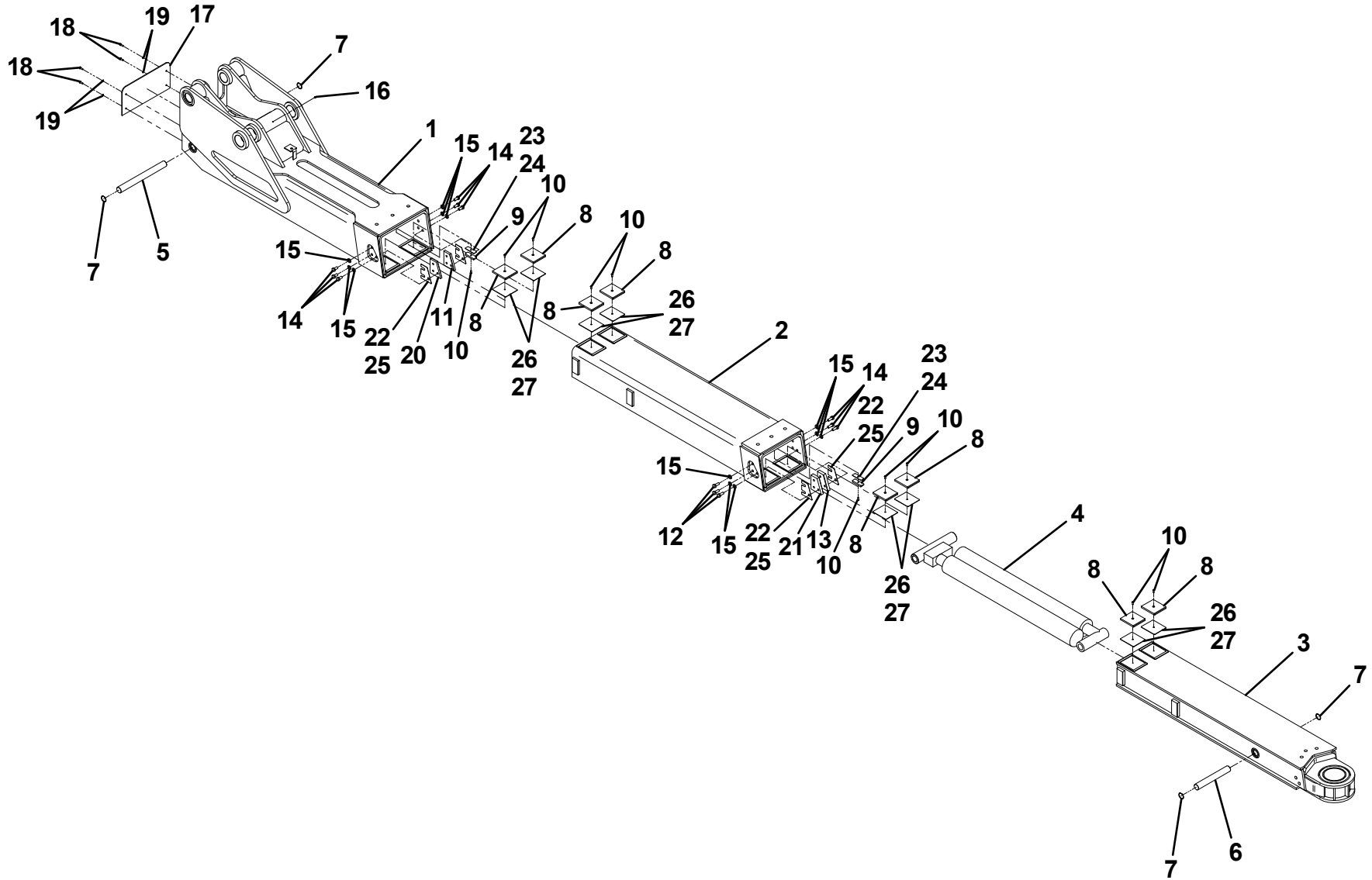


Items #11, #13 and #14, not shown

UNDERLIFT ASSEMBLY - STANDARD - 530 3 PIECE UNDERLIFT

ITEM	PART NO.	DESCRIPTION	QTY
1	3170000125	Base Section Boom Weldment	1
2	3170000124	Mid Section Boom Weldment	1
3	3170000123	Fly Section Boom Weldment	1
4	7320000026	Underlift Extension Cylinder Assembly	1
5	4691000292	Pin	1
6	4691000293	Pin	1
7	7754000043	Retaining Ring	4
8	4679000146	Pad	8
9	4679000147	Pad	2
10	7114140518	Capscrew, 0.25"-20NC x 0.63"	10
11	4706002209	Plate	1
12	7108181050	Capscrew, 0.50"-20NF x 1.25"	6
13	4706002208	Plate	1
14	7108180850	Capscrew, 0.50"-20NF x 1.00"	6
15	7950180153	Flatwasher, 0.50" ID	12
16	7440030000	Grease Fitting	1
17	4706002207	Plate	1
18	7115140650	Plate	4
19	7950140000	Lockwasher, 0.25" ID	4
20	4706002211	Plate	1
21	4706002210	Plate	1
22	4812000057	Shim, 14GA	2
23	4706003708	Plate	2
24	4706003709	Plate	2
25	4706003710	Plate	4
26	4706003717	Plate	8
27	4706003718	Plate	8

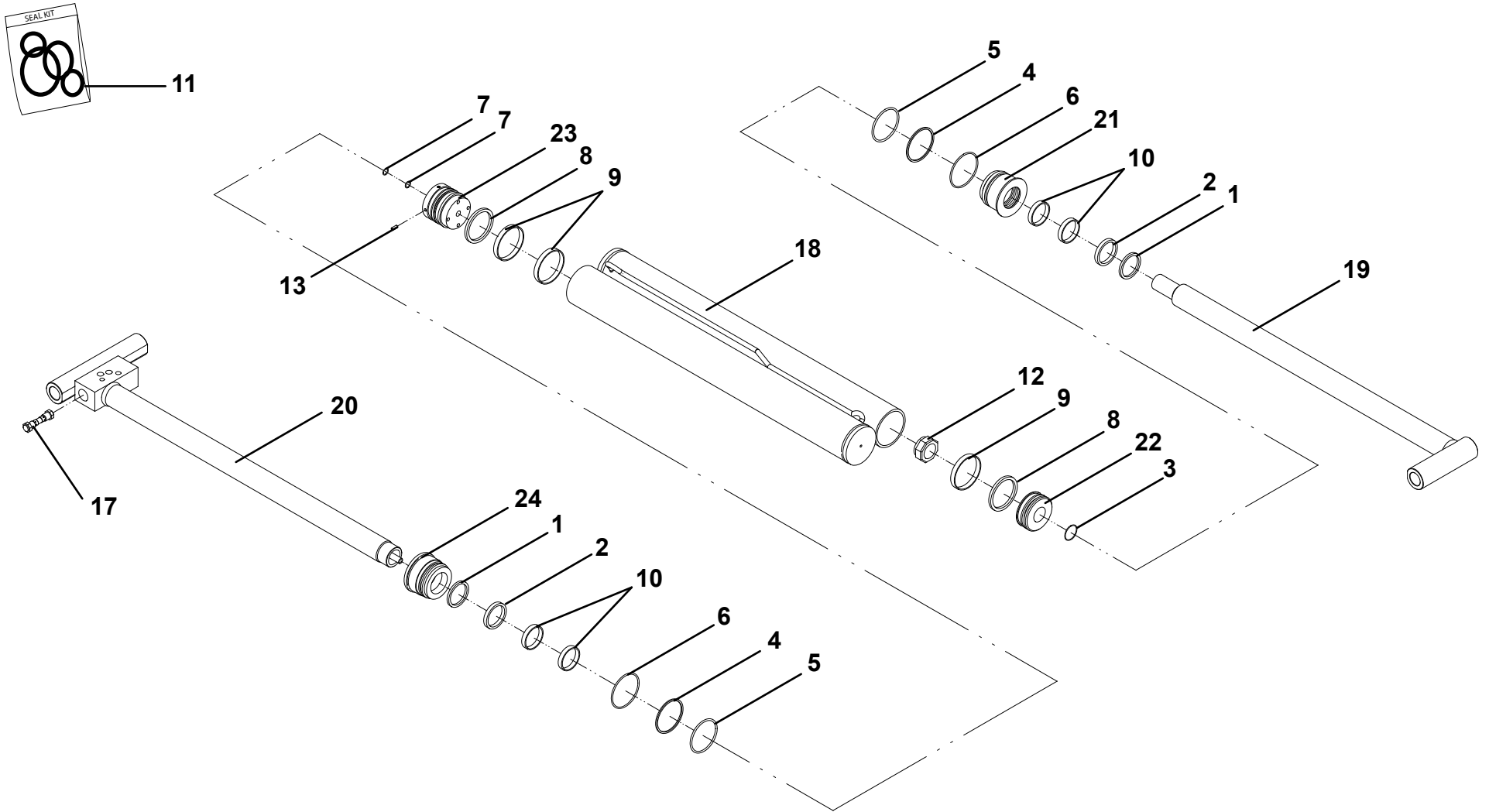
UNDERLIFT ASSEMBLY - STANDARD - 530 3 PIECE UNDERLIFT



UNDERLIFT EXTENSION CYLINDER ASSEMBLY - 732000026

ITEM	PART NO.	DESCRIPTION	QTY
1	9796250081	Seal, Wiper	2
2	7019829	Seal	2
3	7023518	Seal, "O" Ring	1
4	9754250009	Ring, Back-up	2
5	9796250057	Seal, "O" Ring	2
6	9796250058	Seal, "O" Ring	2
7	70050534	Seal, "O" Ring	2
8	9796250073	Seal	2
9	9754250014	Ring, Wear	3
10	70050568	Ring, Wear	4
11	7577250334	Kit, Seal	1
12	7003116	Locknut	1
13	70050535	Setscrew	4
14	7005348	Grease Fitting	2
15	7005365	Plug, Port	2
16	70021648	Plug, Port	2
17	9935250025	Kit, Check Cartridge	1
18	70050536	Assembly, Tube	1
19	70050537	Assembly, Rod	1
20	70050538	Assembly, Rod-Tube	1
21	9553250010	Head	1
22	7024101	Piston	1
23	70050540	Piston	1
24	70050541	Head	1

UNDERLIFT EXTENSION CYLINDER ASSEMBLY - 732000026

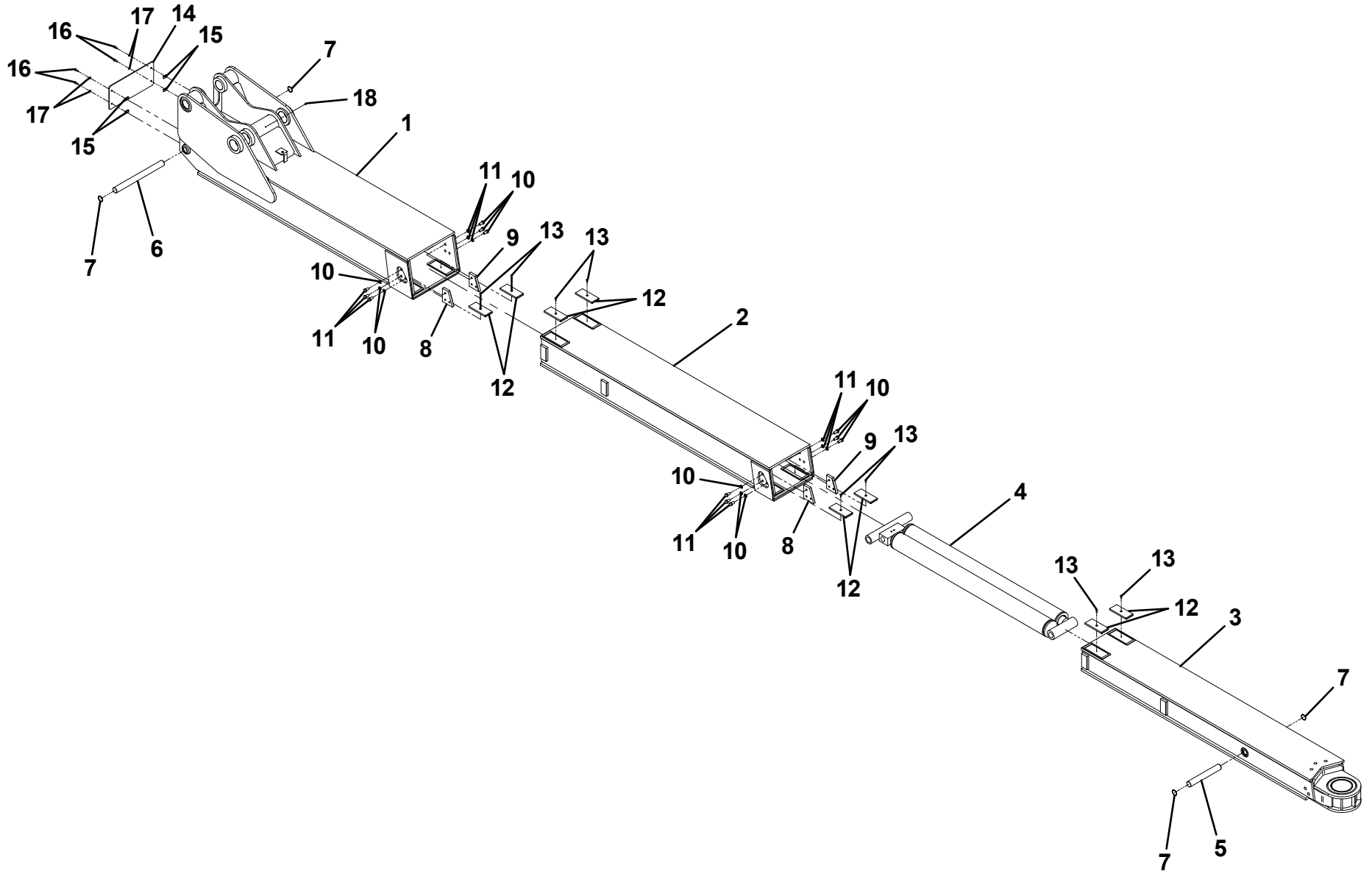


Items #14, #15 and #16, not shown

UNDERLIFT ASSEMBLY - OPTIONAL - 565 3 PIECE UNDERLIFT

ITEM	PART NO.	DESCRIPTION	QTY
1	3170000400	Base Section Boom Weldment	1
2	3170000401	Mid Section Boom Weldment	1
3	3170000406	Fly Section Boom Weldment	1
4	7320000068	Underlift Extension Cylinder Assembly	1
5	4691000293	Pin	1
6	4691000321	Pin	1
7	7754000043	Retaining Ring	4
8	4706005262	Plate	2
9	4706005263	Plate	2
10	7108180850	Capscrew, 0.50"-20NF x 1.00"	12
11	7950180000	Lockwasher, 0.50" ID	12
12	4679000277	Pad, 0.38" Thk	8
	4679000293	Pad, 0.25" Thk	
13	7114140518	Capscrew, 0.25"-20NC x 0.63"	8
14	4706005281	Plate	1
15	7661000019	U-Nut, 0.25"-20NC	4
16	7115140650	Capscrew, 0.25"-20NC x 0.75"	4
17	7950140000	Lockwasher, 0.25" ID	4
18	7440030000	Grease Fitting	1

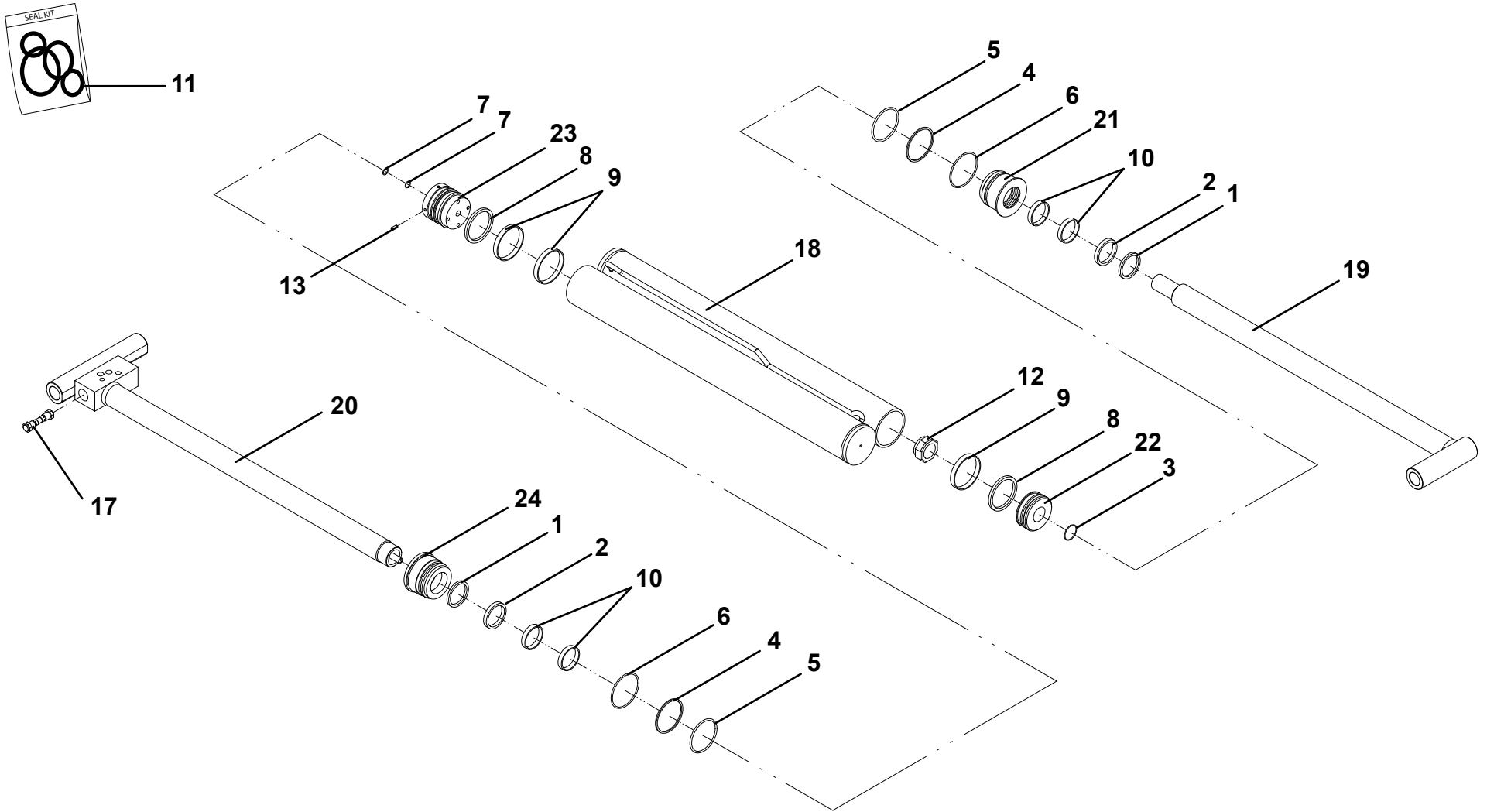
UNDERLIFT ASSEMBLY - OPTIONAL - 565 3 PIECE UNDERLIFT



UNDERLIFT EXTENSION CYLINDER ASSEMBLY - 7320000068

ITEM	PART NO.	DESCRIPTION	QTY
1	9796250081	Seal, Wiper	2
2	7019829	Seal	2
3	7023518	Seal, "O" Ring	1
4	9754250009	Ring, Back-up	2
5	9796250057	Seal, "O" Ring	2
6	9796250058	Seal, "O" Ring	2
7	70050534	Seal, "O" Ring	2
8	9796250073	Seal	2
9	9754250014	Ring, Wear	3
10	80004056	Ring, Wear	4
11	7577250334	Kit, Seal	1
12	7003116	Locknut	1
13	70050535	Setscrew	4
14	7005348	Grease Fitting	2
15	7005365	Plug, Port	2
16	70021648	Plug, Port	2
17	9935250025	Kit, Check Cartridge	1
18	70050550	Assembly, Tube	1
19	70050551	Assembly, Rod	1
20	70050552	Assembly, Rod-Tube	1
21	9553250010	Head	1
22	7024101	Piston	1
23	70050540	Piston	1
24	70050541	Head	1

UNDERLIFT EXTENSION CYLINDER ASSEMBLY - 7320000068

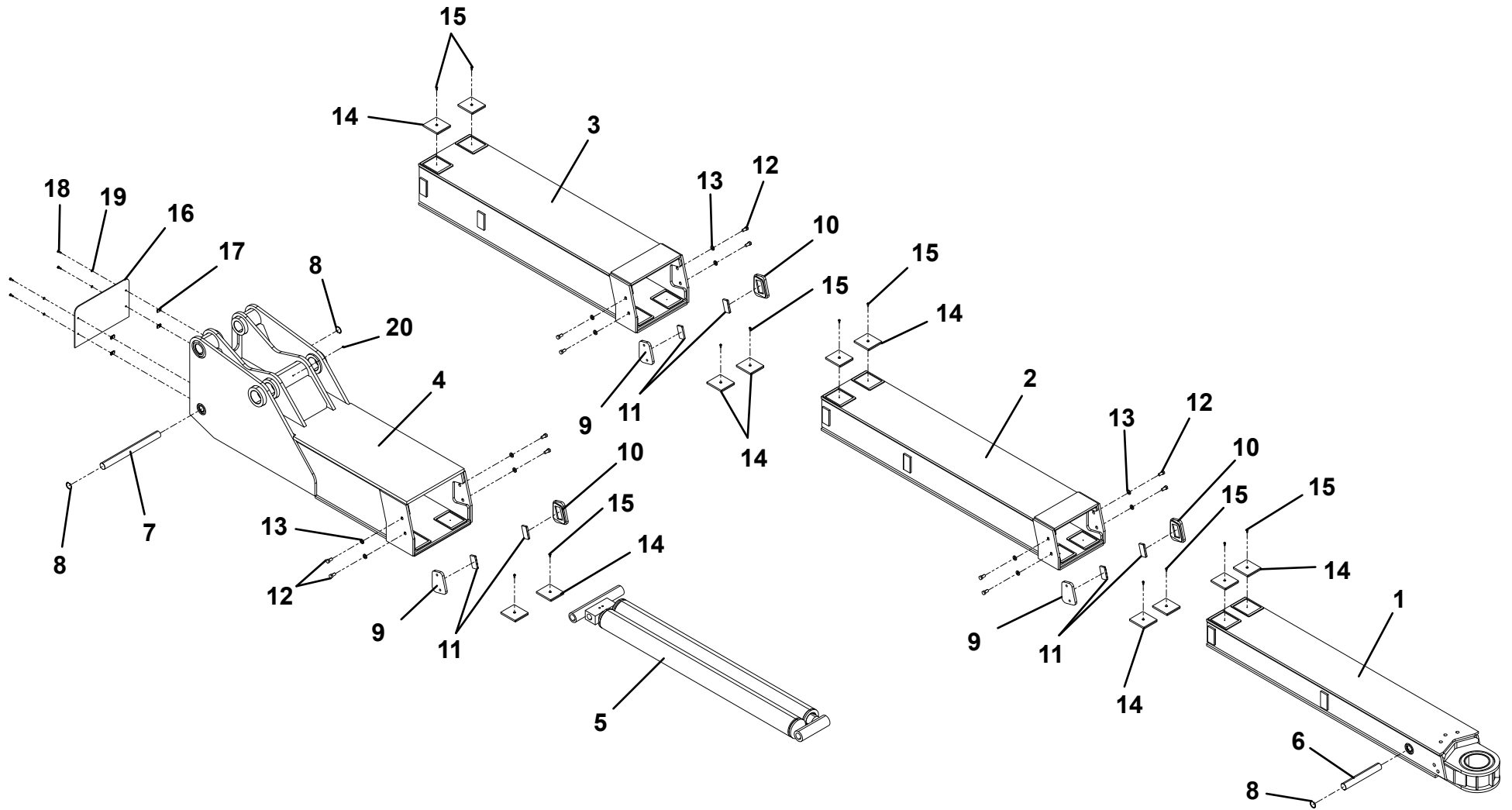


Items #14, #15 and #16, not shown

UNDERLIFT ASSEMBLY - OPTIONAL - 565 4 PIECE UNDERLIFT

ITEM	PART NO.	DESCRIPTION	QTY
1	3170000379	Boom Weldment Fly Section	1
2	3170000380	Boom Weldment 2nd Stage Section	1
3	3170000178	Boom Weldment 3rd Stage Section	1
4	3170000179	Boom Weldment Outer Section	1
5	7320000038	Cylinder	1
6	4691000293	Pin	1
7	4691000321	Pin	1
8	7754000043	Snap-Ring	4
9	3178000273	Bracket LH	3
10	3178000275	Bracket RH	3
11	4679000170	Pad	6
12	7108180850	Capscrew, 0.50"-20NF X 1.00"	12
13	7950180153	Flatwasher, 0.50" ID	12
14	4679000146	Pad	12
15	7114140518	Capscrew, 0.25"-20NC X 0.62"	12
16	4706002428	Plate	1
17	7661000019	U-Nut, 0.25"-20NC	4
18	7115140650	Capscrew, 0.25"-20NC X 0.75"	4
19	7950140000	Lockwasher, 0.25" ID	4
20	7440030000	Grease Fitting	1

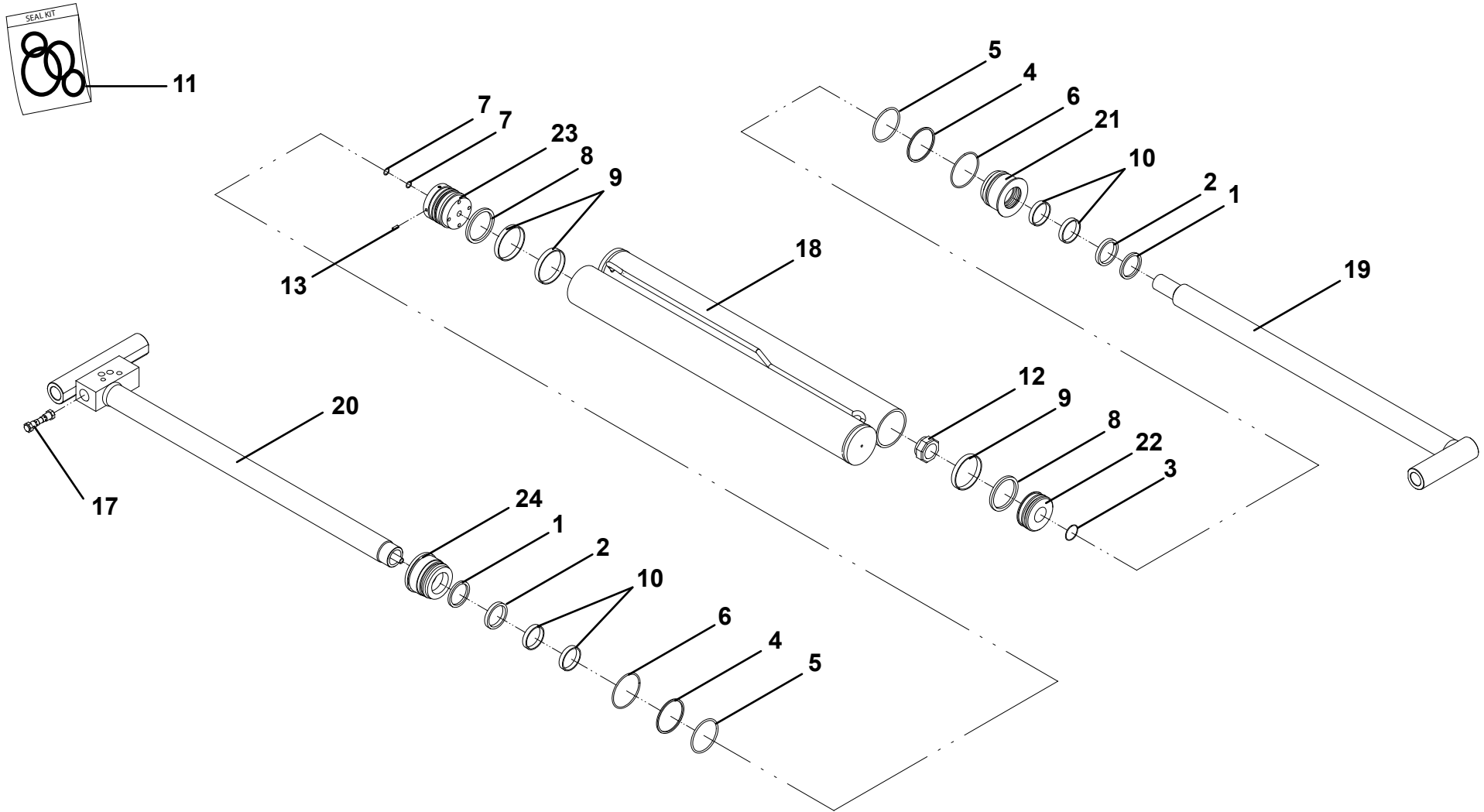
UNDERLIFT ASSEMBLY - OPTIONAL - 565 4 PIECE UNDERLIFT



UNDERLIFT EXTENSION CYLINDER ASSEMBLY - 7320000038

ITEM	PART NO.	DESCRIPTION	QTY
1	9796250081	Seal, Wiper	2
2	7019829	Seal	2
3	7023518	Seal, "O" Ring	1
4	9754250009	Ring, Back-up	2
5	9796250057	Seal, "O" Ring	2
6	9796250058	Seal, "O" Ring	2
7	70050534	Seal, "O" Ring	2
8	9796250073	Seal	2
9	9754250014	Ring, Wear	3
10	70050568	Ring, Wear	4
11	7577250334	Kit, Seal	1
12	7003116	Locknut	1
13	70050535	Setscrew	4
14	7005348	Grease Fitting	2
15	7005365	Plug, Port	2
16	70021648	Plug, Port	2
17	9935250025	Kit, Check Cartridge	1
18	70051197	Assembly, Tube	1
19	70051196	Assembly, Rod	1
20	70050075	Assembly, Rod-Tube	1
21	9553250010	Head	1
22	7024101	Piston	1
23	70050540	Piston	1
24	70050541	Head	1

UNDERLIFT EXTENSION CYLINDER ASSEMBLY - 7320000038

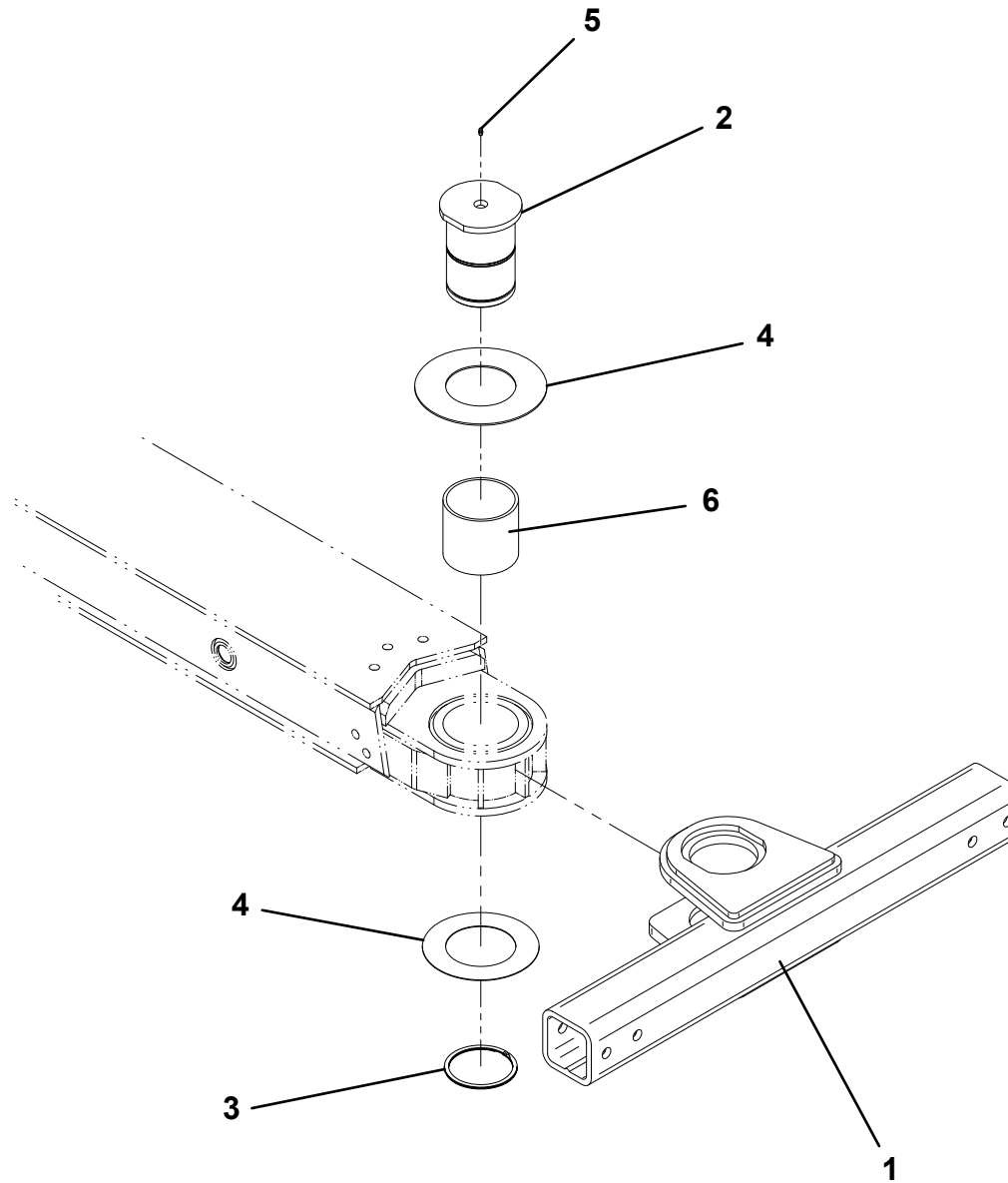


Items #14, #15 and #16, not shown

CROSSTUBE INSTALLATION

ITEM	PART NO.	DESCRIPTION	QTY
1	3913000094	Crosstube	1
2	4691000242	Pin	1
3	7754000042	Retaining Ring	1
4	3577000018	Shim	1
5	7440030000	Grease Fitting	1
6	7209000022	Bushing	1

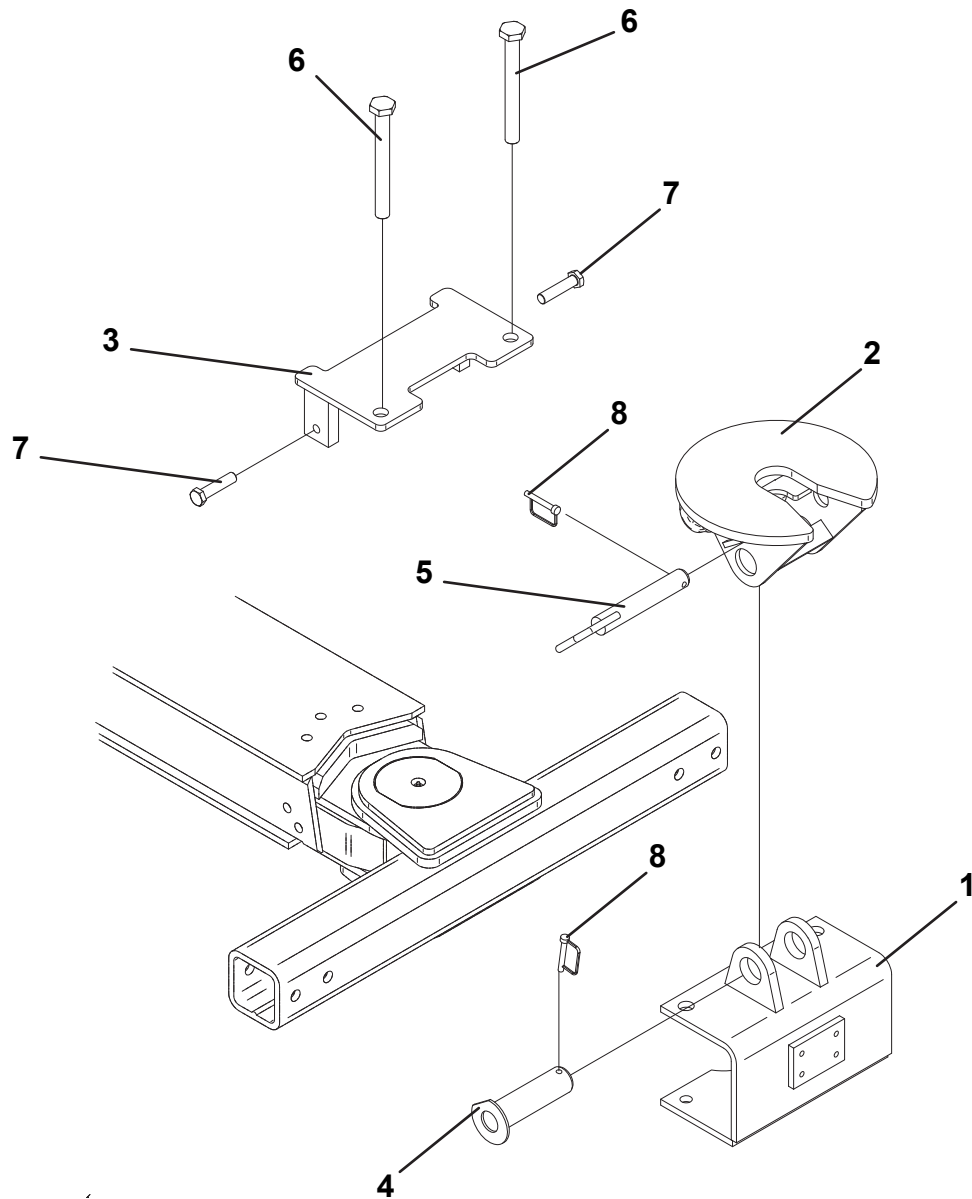
CROSTUBE INSTALLATION



UNDERLIFT TOOLS - 5TH WHEEL INSTALLATION

ITEM	PART NO.	DESCRIPTION	QTY
1	3178000240	Bracket	1
2	3178000499	Bracket	1
3	3706000080	Plate	1
4	3691000144	Pin	1
5	3691000144	Pin	1
6	7118267250	Capscrew, 1.00" - 8NC x 9.00"	2
7	7120000036	Capscrew, 0.75" - 10NC x 3.25"	2
8	7691000025	Pin	2

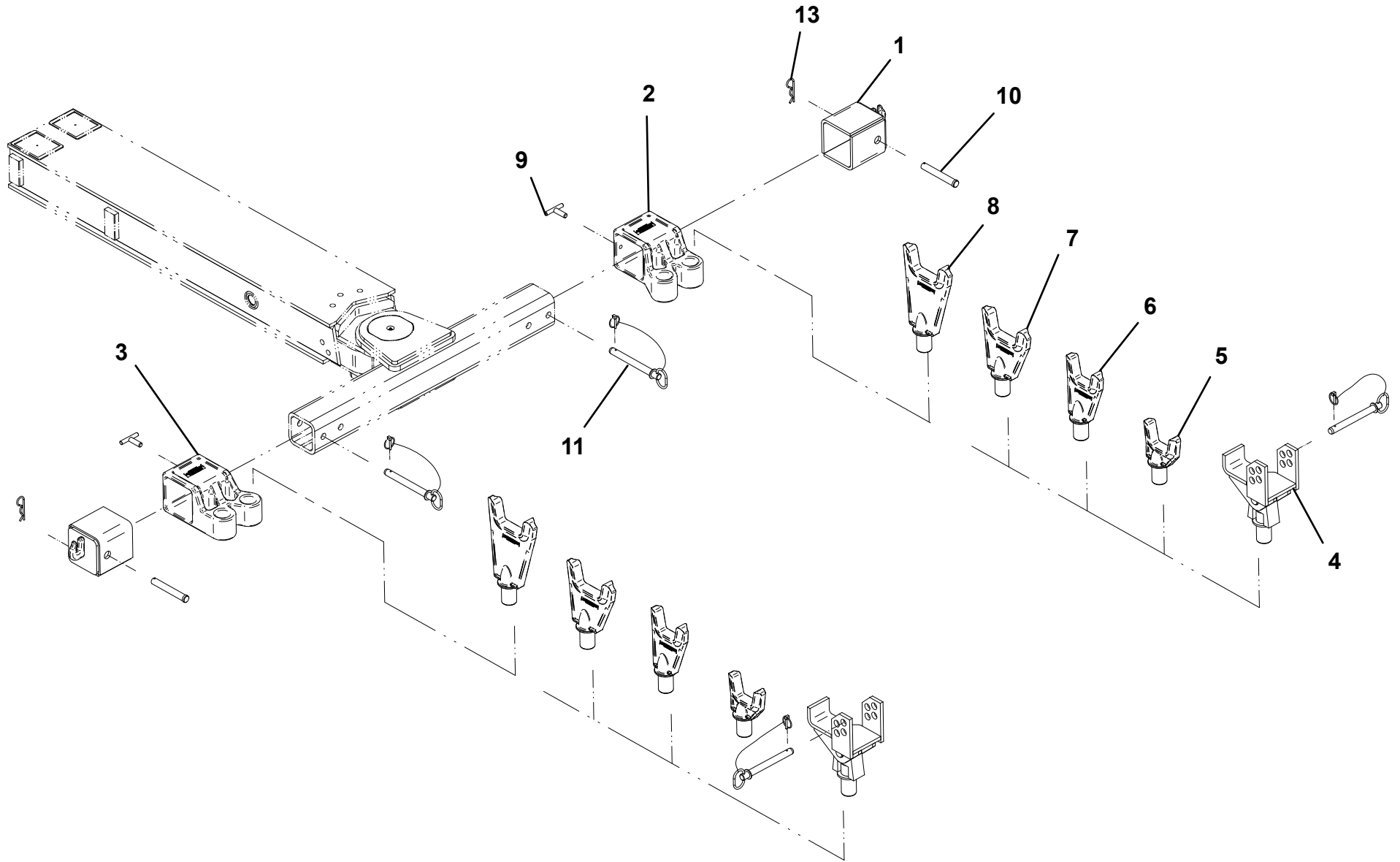
UNDERLIFT TOOLS - 5TH WHEEL INSTALLATION



UNDERLIFT TOOLS - FRAME FORKS

ITEM	PART NO.	DESCRIPTION	QTY
1	3007000004	Chain Hook Adapter	2
2	7007000056	Frame Fork Adapter, RH	1
3	7007000055	Frame Fork Adapter, LH	1
4	3178000226	Spring Lift Bracket	2
5	7454000006	Fork, 3.00" Short	2
6	7454000005	Fork, 3.00" Medium	2
7	7454000003	Fork, 4.50" Medium	2
8	7454000004	Fork, 4.50" Long	2
9	3551000036	T-Handle	2
10	7691000022	Pin	2
11	7691000021	Pin	2
12	1001159568	Strap (Not Shown)	1
13	1001198300	Pin	2

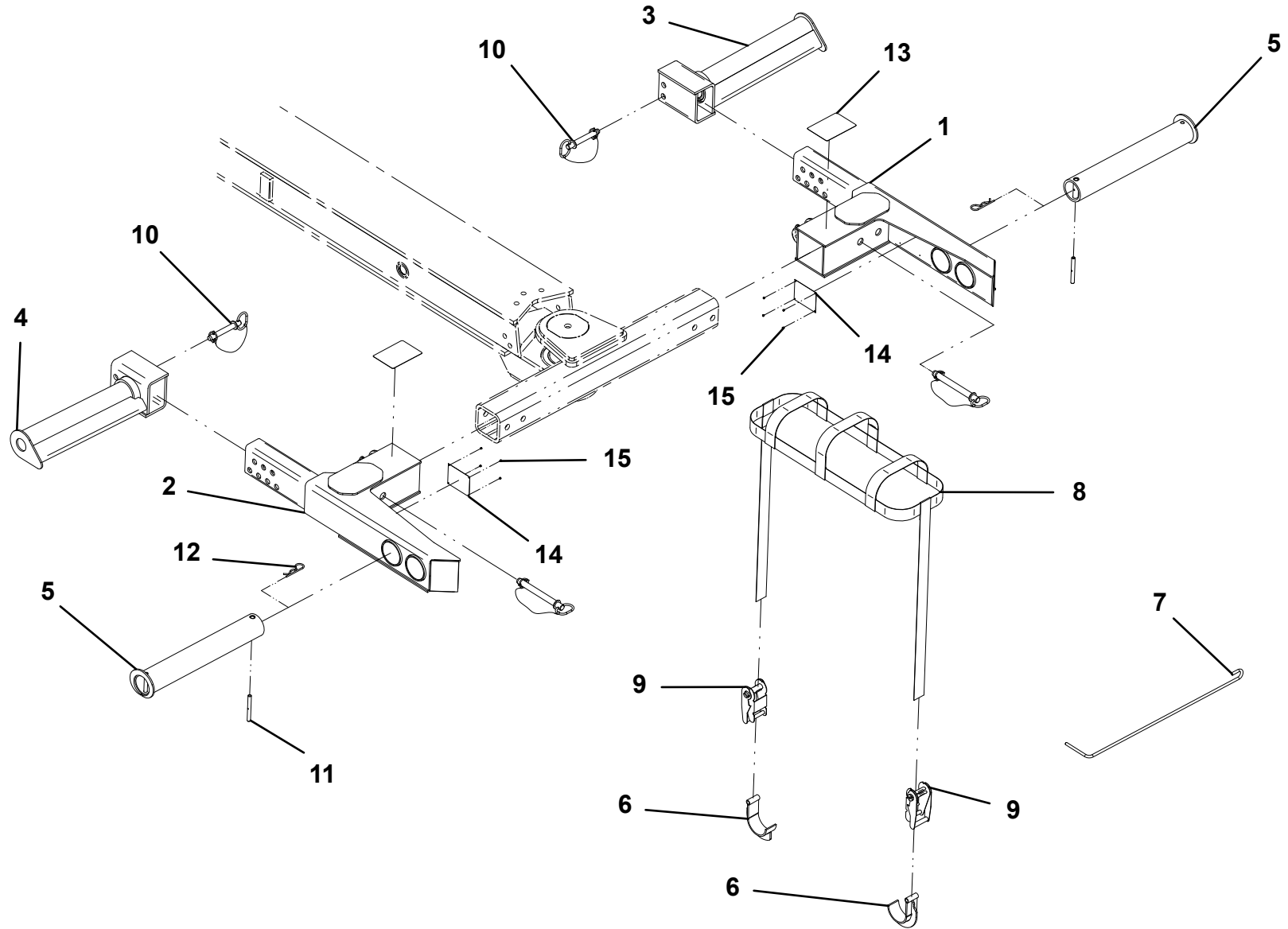
UNDERLIFT TOOLS - FRAME FORKS



UNDERLIFT TOOLS - 14,000 LB TIRE LIFT

ITEM	PART NO.	DESCRIPTION	QTY
1	3484000048	Tire Lift Grid - RH	1
2	3484000049	Tire Lift Grid - LH	1
3	3020000120	Tire Lift Arm Weldment - RH	1
4	3020000119	Tire Lift Arm Weldment - LH	1
5	3912000038	Tire Lift Tube Weldment	2
6	3561000008	Hook, 2" Wide Strap	4
7	4561000012	Pull Hook	1
8	7894000037	Strap, 2" Wide (Standard - Yellow)	2
9	7894000028	Ratchet, 2" Wide Strap	4
10	7691000026	Hitch Pin	2
11	4691000274	Pin	4
12	7691000020	Hairpin	4
13	7330000278	Decal, Caution	2
14	1001132268	Decal, Rating	2
15	7759000004	Pop Rivet	8

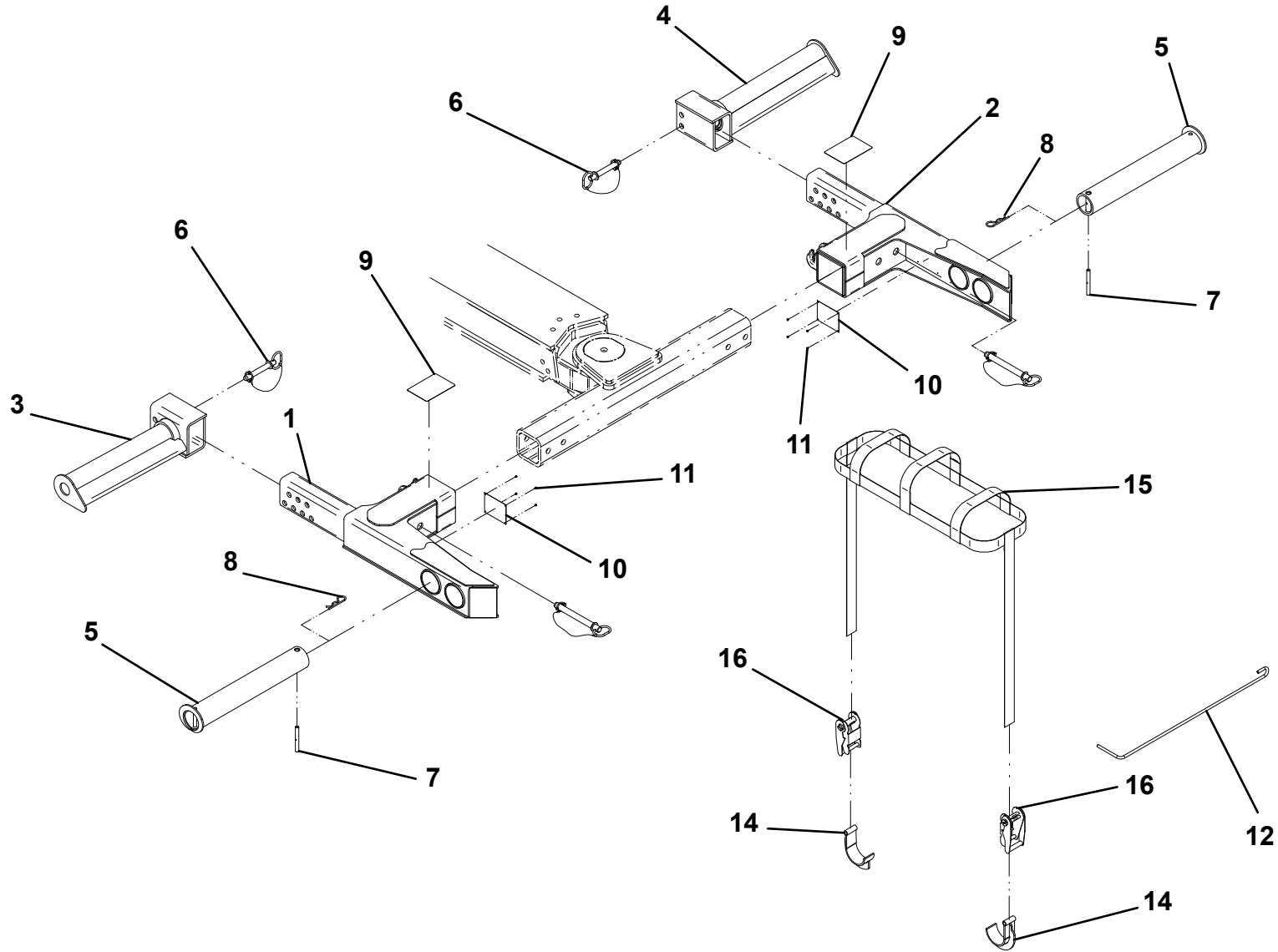
UNDERLIFT TOOLS - 14,000 LB TIRE LIFT



UNDERLIFT TOOLS - 25,000 LB TIRE LIFT

ITEM	PART NO.	DESCRIPTION	QTY
1	3484000072	Tire Lift Grid - LH	1
2	3484000073	Tire Lift Grid - RH	1
3	3020000119	Tire Lift Arm Weldment - LH	1
4	3020000120	Tire Lift Arm Weldment - RH	1
5	3912000033	Tire Lift Tube Weldment	2
6	7691000026	Hitch Pin	2
7	4691000274	Pin	4
8	7691000020	Hairpin	4
9	7330000278	Decal, Caution	2
10	1001132265	Decal, Rating	2
11	7759000004	Pop Rivet	8
12	4561000012	Pull Hook	1
13	7577000368	Strap	1
14	3912000038	Tube Weldment	2
15	3561000008	Hook	4
16	7894000037	Strap	2
17	7894000028	Ratchet Strap	4

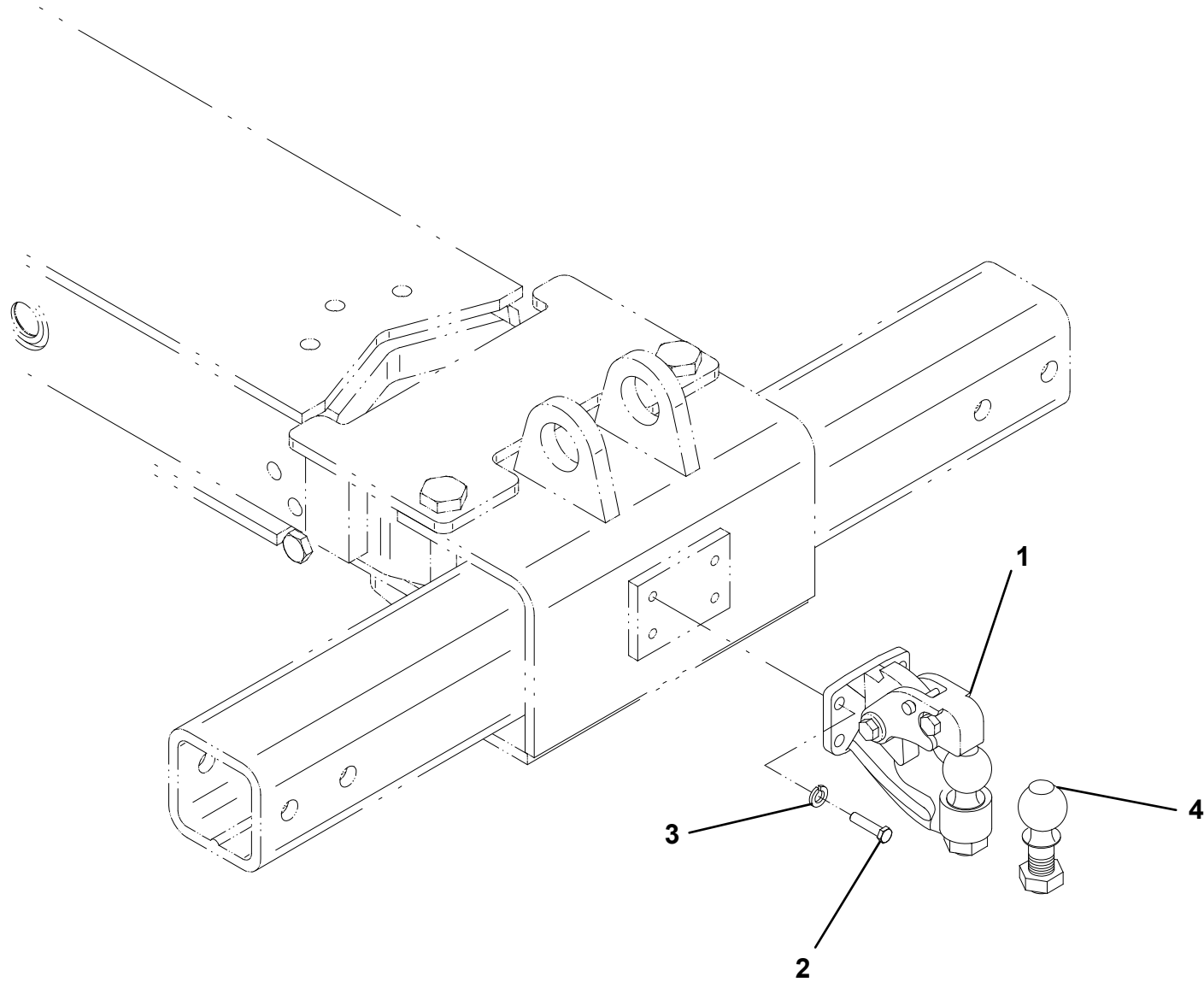
UNDERLIFT TOOLS - 25,000 LB TIRE LIFT



UNDERLIFT TOOLS - PINTLE HOOK

ITEM	PART NO.	DESCRIPTION	QTY
1	7561000020	Hitch, Pintle Hook with 2" Dia. Ball	1
2	7118181250	Capscrew, 0.50"-13NC x 1.50"	4
3	7950180000	Lockwasher, 0.50" ID	4
4	7056000003	Ball, 1.88" Dia	1
	7056000004	Ball, 2.00" Dia	
	7056000005	Ball, 2.31" Dia	
	7056000006	Ball, 50mm Dia	

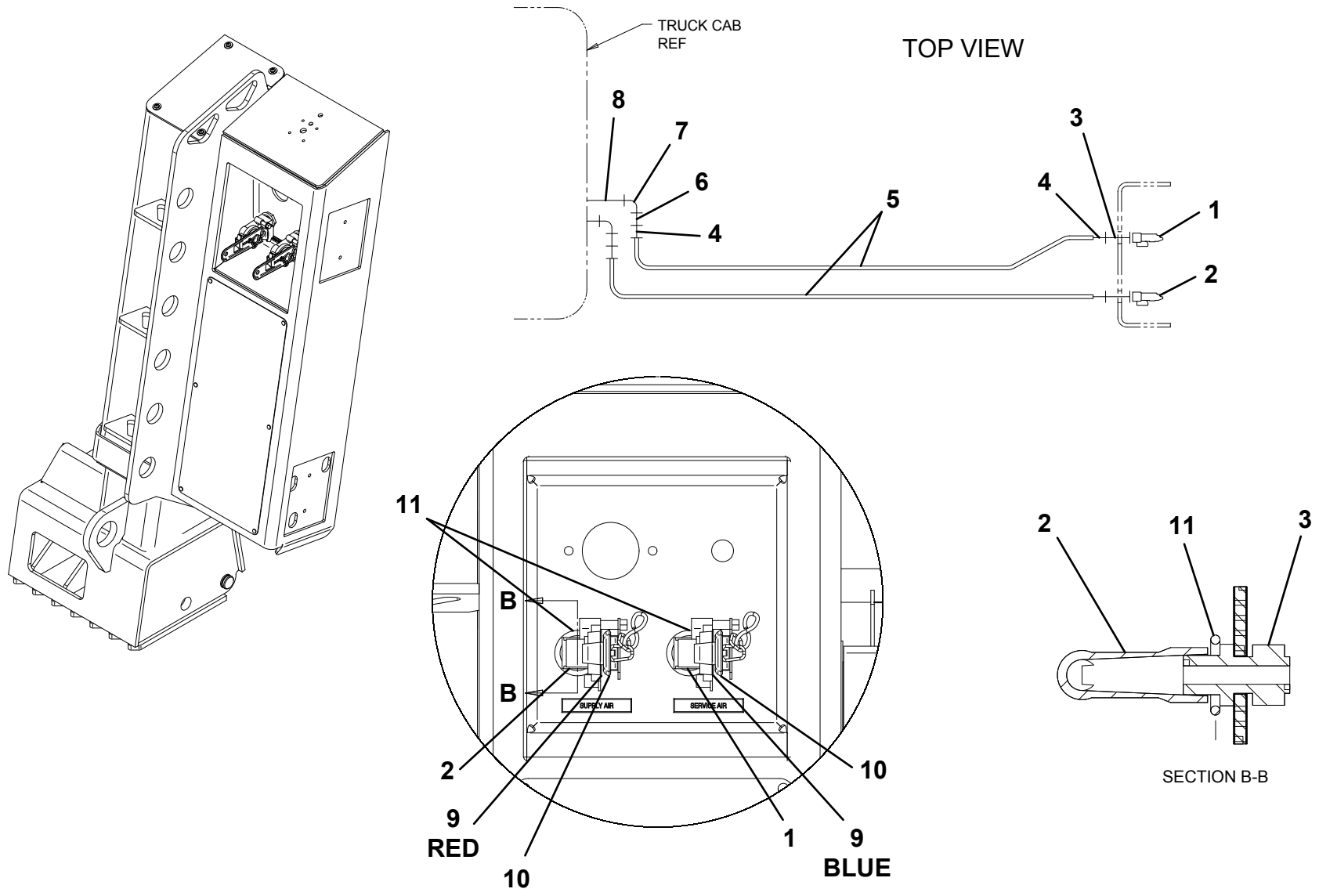
UNDERLIFT TOOLS - PINTLE HOOK



TRAILER AIR INSTALLATION

ITEM	PART NO.	DESCRIPTION	QTY
1	7312000015	Gladhand	1
2	7312000016	Gladhand	1
3	7446502518	Fitting	2
4	7445060435	Fitting	4
5	7565000014	Airline	50 FT
6	7443000148	Bushing	2
7	7443000146	Elbow	2
8	7443000145	Bushing	2
9	7577000145	Seal Kit	1
10	1001170036	Shield	2
11	1001171933	Ring	2

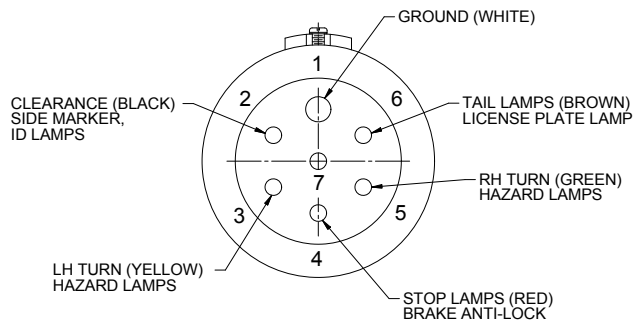
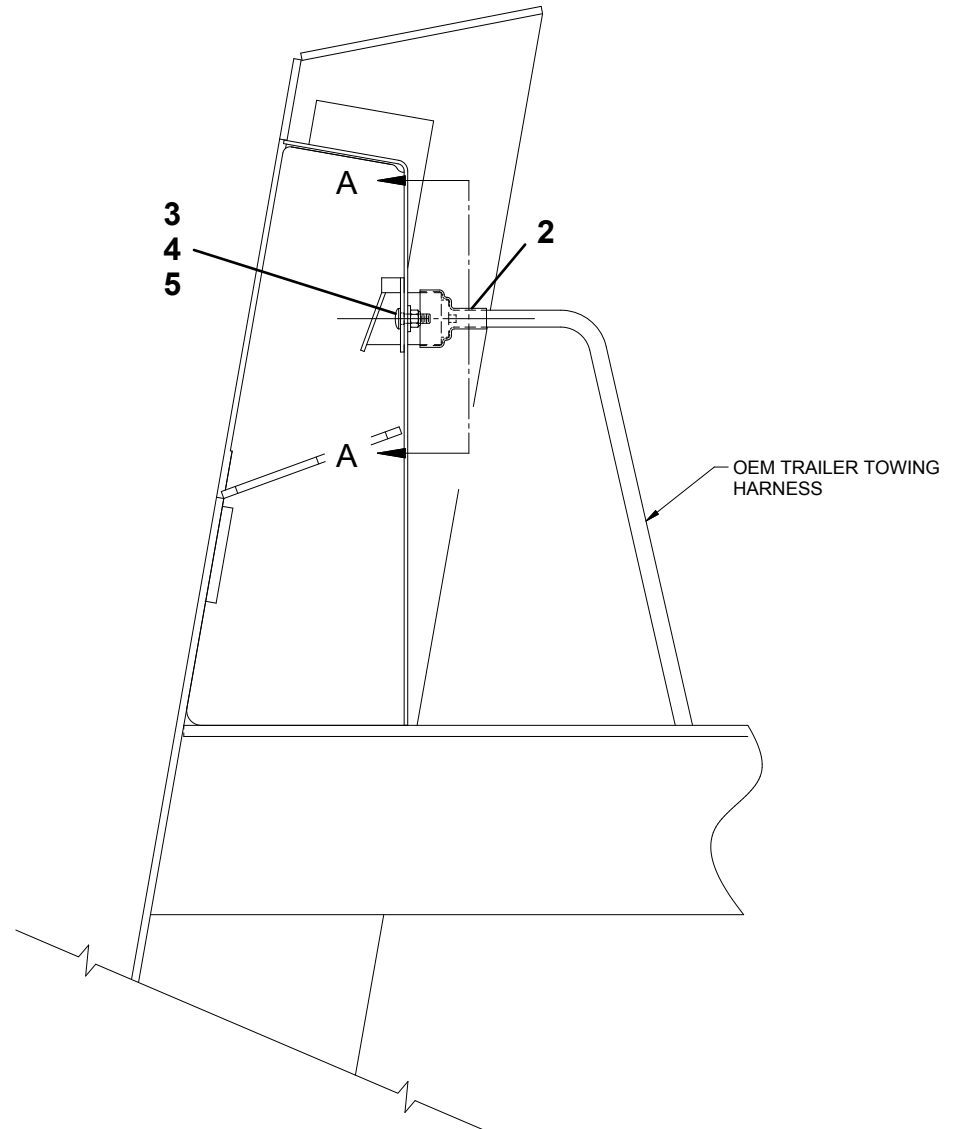
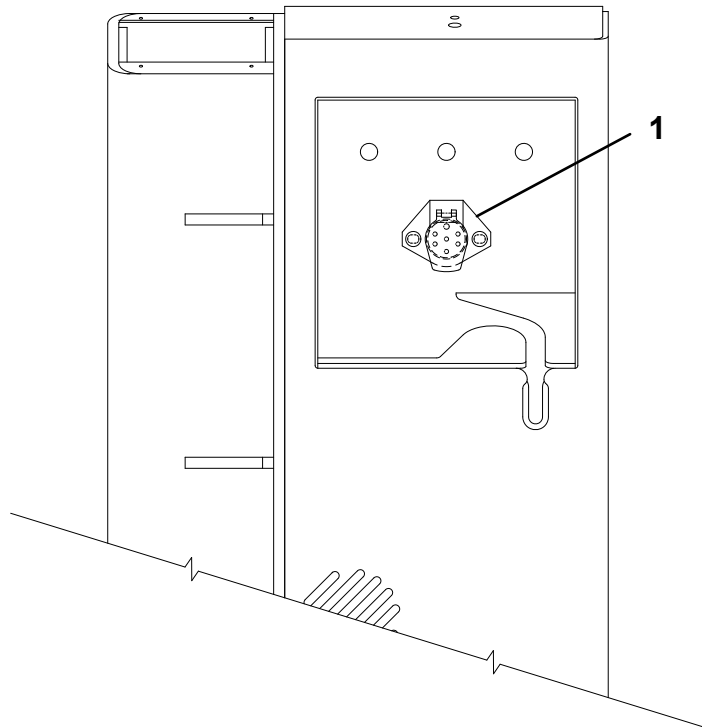
TRAILER AIR INSTALLATION



TRAILER PLUG INSTALLATION

ITEM	PART NO.	DESCRIPTION	QTY
1	7346000055	7-Way Plug	1
2	7346000078	7-Way Plug Boot	1
3	7115150864	Bolt, 0.31"-18NC x 1.00"	2
4	7950150161	Flatwasher, 0.31" ID	2
5	7660152601	Locknut, 0.31"-18NC	2

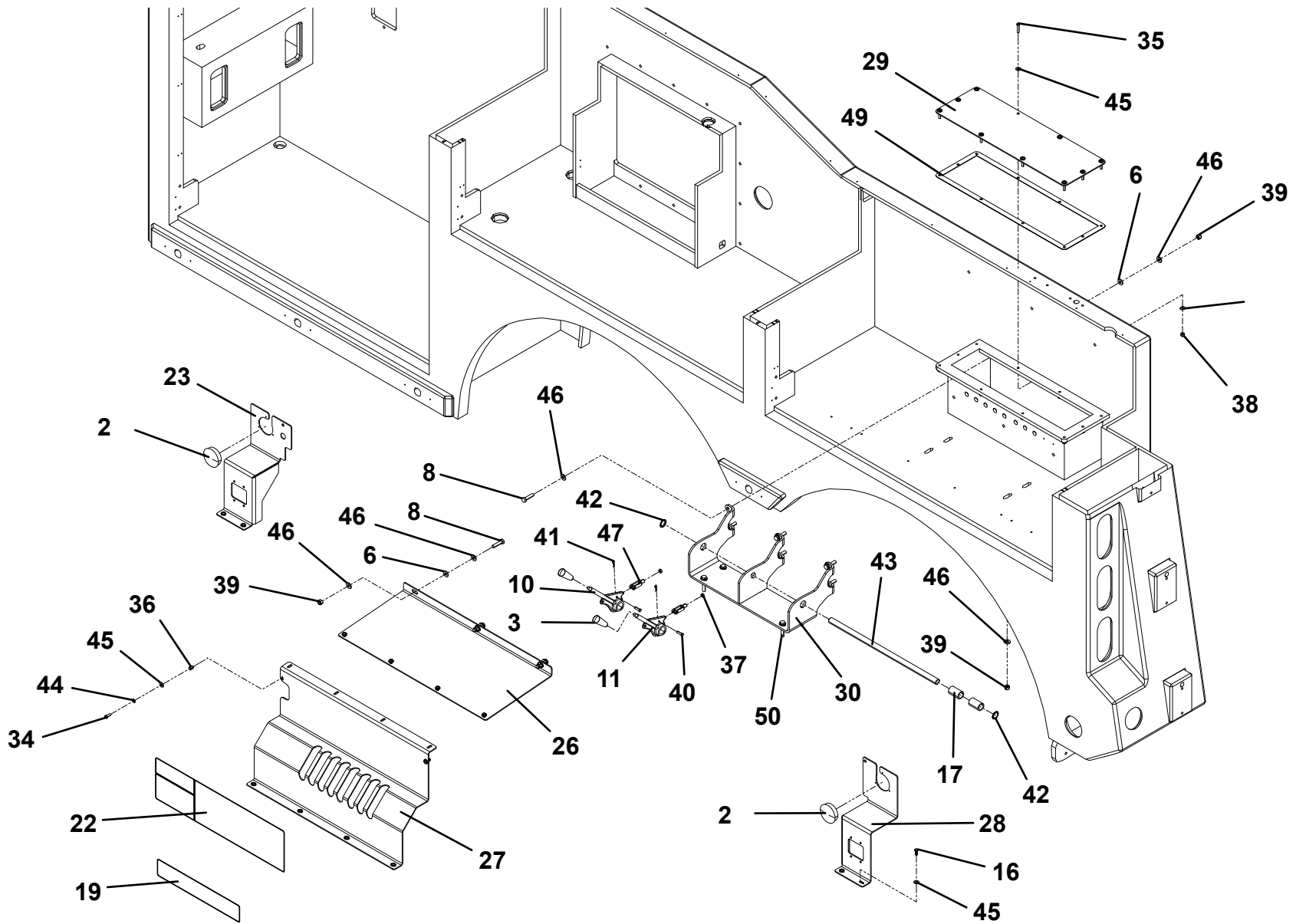
TRAILER PLUG INSTALLATION

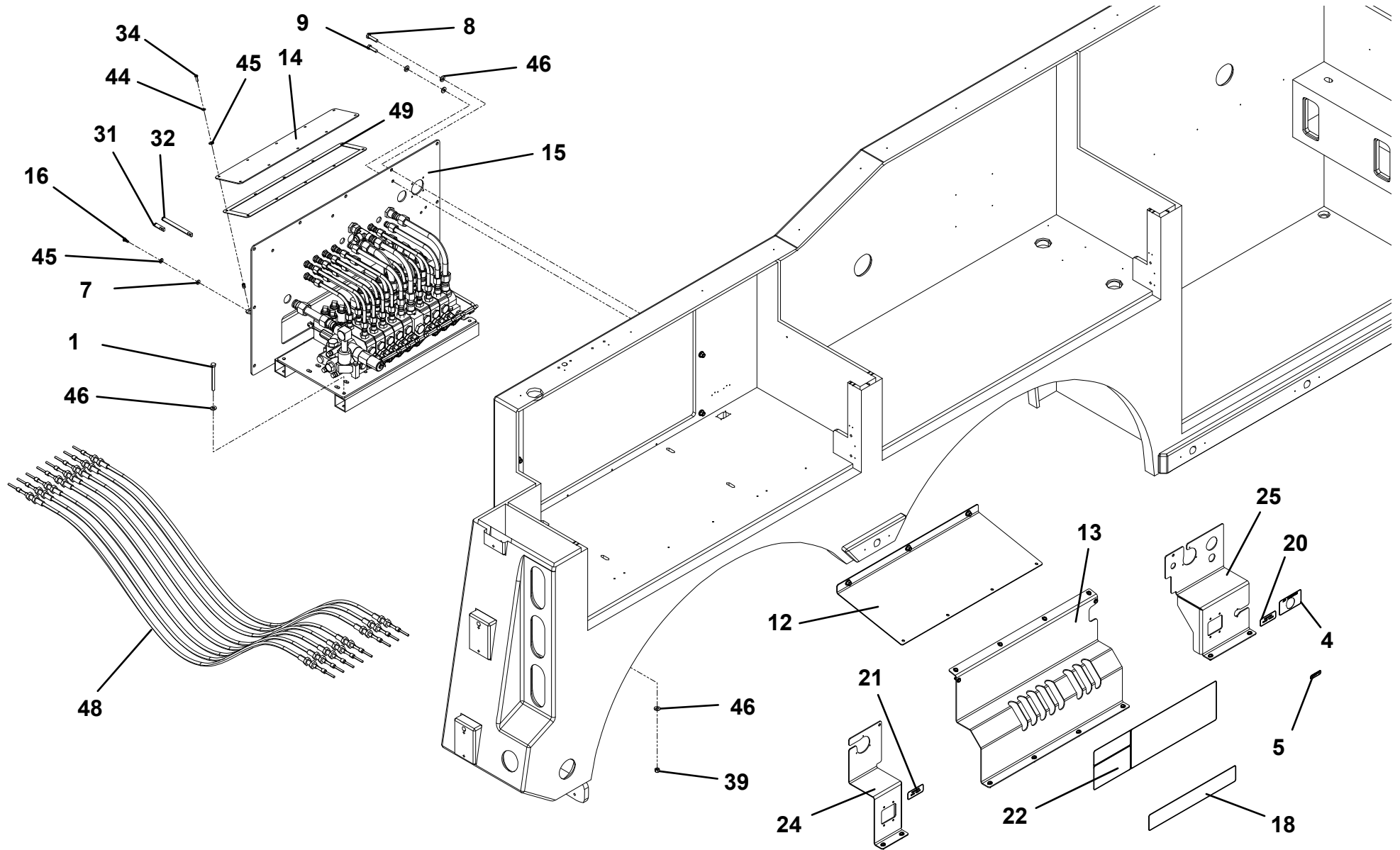


CONTROL INSTALLATION - 8 SECTION - 6 SOLENOID

ITEM	PART NO.	DESCRIPTION	QTY	ITEM	PART NO.	DESCRIPTION	QTY
1	641632	Capscrew, 0.38"-16 X 4.00"	4	40	7690141200	Pin	16
2	3520064	Plug	2	41	7691000075	Pin	16
3	1001130491	Control Knob	16	42	7754000009	Retaining Ring	2
4	1001134433	Decal	1	43	7806000008	Shaft	1
5	1001154277	Decal	1	44	7950140003	Lockwasher, 0.25" ID	22
6	1001166974	Washer, 0.38" ID	21	45	7950140143	Flatwasher, 0.25" ID	61
7	1001166978	Washer, 0.25" ID	3	46	7950160143	Flatwasher, 0.38" ID	58
8	1001168993	Capscrew, 0.38"-16 X 1.50"	18	47	7990000003	Yoke	8
9	1001169080	Capscrew, 0.38"-16 X 1.25"	3	48	7248000053	Cable Push Pull	8
10	1001184827	Handle, Long	2	49	7796000012	Seal	8.7 FT
11	1001184828	Handle, Short	6	50	1001169083	Capscrew, 0.38"-16 X 2.00"	4
12	1001189784	Panel, Controls Top RH	1				
13	1001189786	Panel, Controls 8 Sect RH	1				
14	1001189993	Panel, Cable Bracket Cover	1				
15	1001194284	Valve Sub Assembly	1				
16	1001194676	Screw, 0.25" X 0.75"	19				
17	1001194736	Spacer	2				
18	1001196907	Decal	1				
19	1001196908	Decal	1				
20	1001196909	Decal	1				
21	1001196910	Decal	1				
22	1001196911	Decal	2				
23	1001199311	Panel, Controls Front LH	1				
24	1001199322	Panel, Controls Rear RH	1				
25	1001199324	Panel, Controls Front RH	1				
26	1001214902	Panel, Controls Top LH	1				
27	1001214961	Panel, Controls 8 Sect LH	1				
28	1001219691	Panel, Controls Rear LH	1				
29	1001219937	Plate	1				
30	1001220068	Bracket	1				
31	4309000001	Coupling	6				
32	4309000007	Coupling	2				
33	7082000005	Bearing	2				
34	7114140618	Screw, 0.25"-20 X 0.75"	22				
35	7114141018	Screw, 0.25"-20NC x 1.25"	10				
36	7413000002	Nutsert, 0.25"-20	22				
37	7660140230	Nut, 0.25"-28	16				
38	7660142601	Nut, 0.25"	10				
39	7660162601	Locknut, 0.38"-16NC	29				

CONTROL INSTALLATION - 8 SECTION - 6 SOLENOID



CONTROL INSTALLATION - 8 SECTION - 6 SOLENOID

CONTROL INSTALLATION - 8 SECTION - 6 SOLENOID

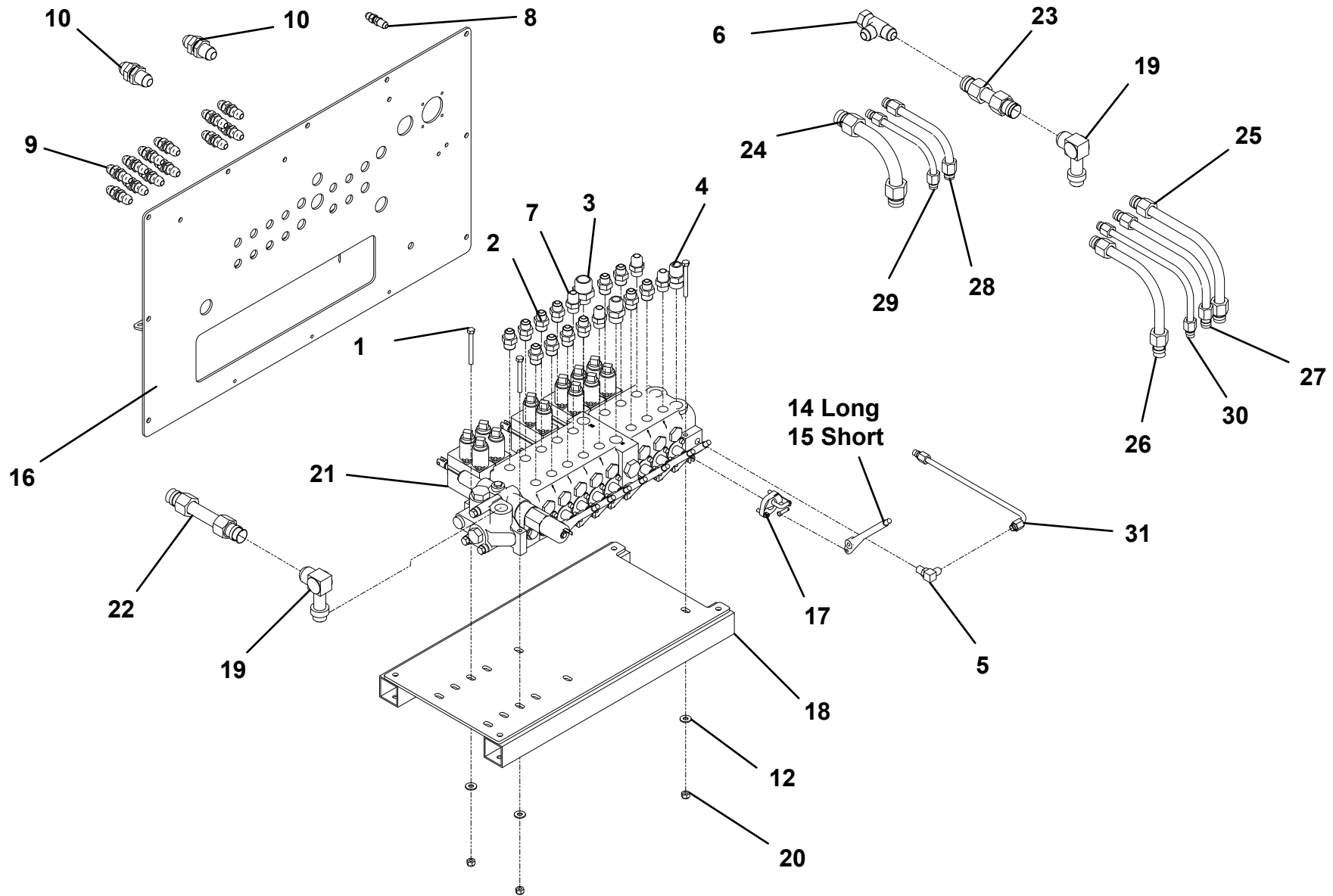
THIS PAGE INTENTIONALLY LEFT BLANK

CONTROL VALVE ASSEMBLY - 1001194284

ITEM	PART NO.	DESCRIPTION	QTY
1	0641524	Capscrew, 5/16" - 18 x 3"	3
2	2220374	Adapter	12
3	2220376	Adapter	1
4	2220451	Adapter	2
5	2220473	Adapter	1
6	2220700	Adapter	1
7	2220947	Adapter	4
8	2230024	Adapter	1
9	2230025	Adapter	12
10	2230027	Fitting	2
11	2230089	Fitting	3
12	4751500	Washer, 5/16" ID	3
13	8760037	Union	4
14	1001184772	Handle, Long	2
15	1001184773	Handle, Short	6
16	1001189989	Panel	1
17	1001194069	Linkage	8
18	3177000060	Mount	1
19	7443000211	Fitting	2
20	7660162601	Locknut, 0.38" - 16NC	3
21	7935000330	Valve, 8 Sec. 6 Sol	1
22	7912000301*	Tube Assembly	1
23	7912000302*	Tube Assembly	1
24	7912000303*	Tube Assembly	1
25	7912000304*	Tube Assembly	1
26	7912000305*	Tube Assembly	1
27	7912000306*	Tube Assembly	2
28	7912000307*	Tube Assembly	2
29	7912000308*	Tube Assembly	6
30	7912000309*	Tube Assembly	6
31	7912000310*	Tube Assembly	1

* Also Available In Tube Kit - 7577000668

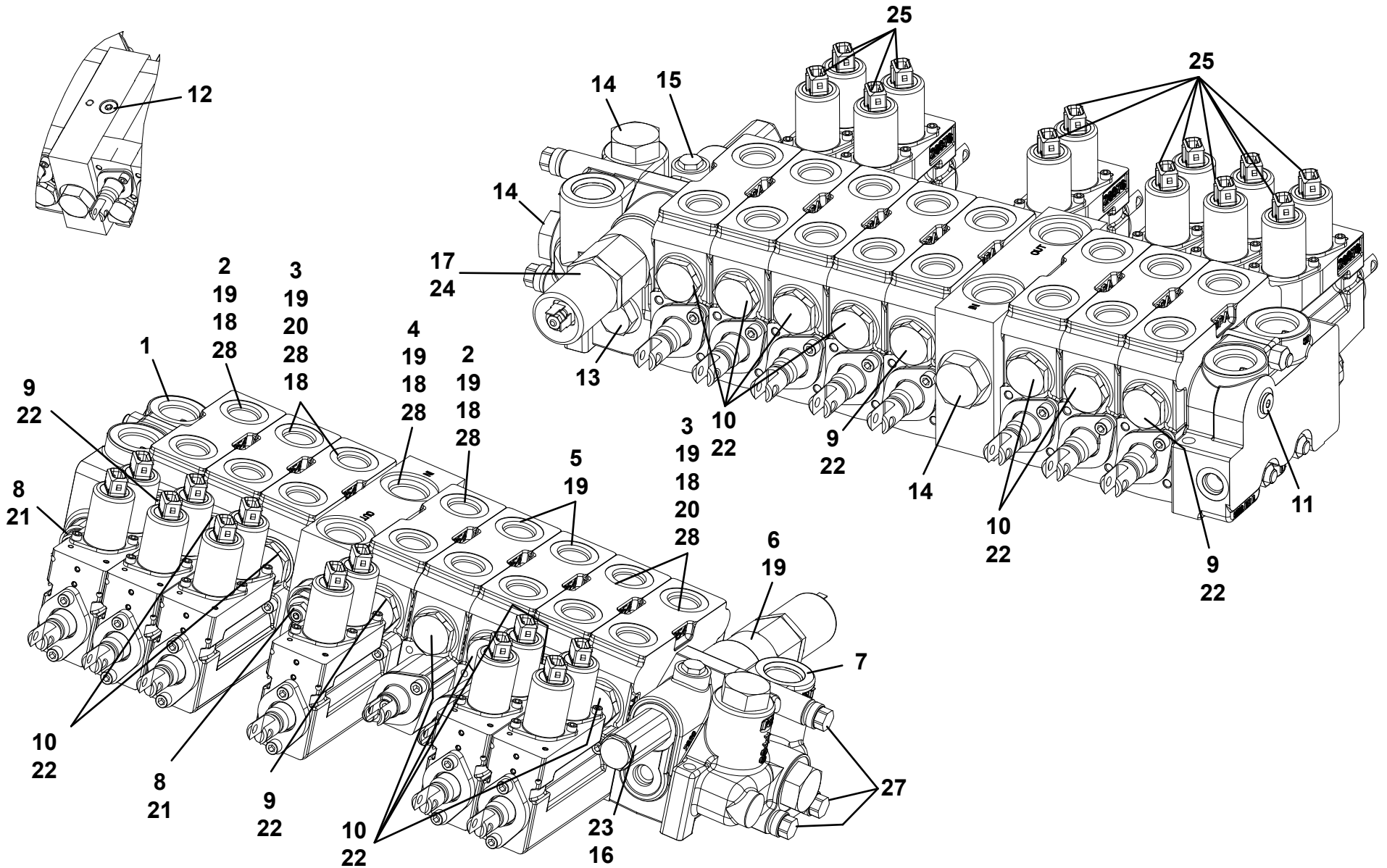
CONTROL VALVE ASSEMBLY - 1001194284



VALVE ASSEMBLY - 7935000330

ITEM	PART NO.	DESCRIPTION	QTY
1	7935000315	Inlet Cover	1
2	9935930120	Valve Section	2
3	9935930119	Valve Section	4
4	7935000316	Inlet	1
5	7935000320	Valve Section	2
6	7935000323	Utility Section	1
7	7935000317	Outlet Cover	1
8	91084009	Relief	2
9	70050243	Plug	4
10	7006847	Plug	12
11	70050245	Plug	1
12	70050246	Plug	2
13	70050247	Plug	1
14	91084017	Plug	3
15	70050249	Plug	1
16	70050241	Pressure Cartridge	1
17	70050242	Solenoid	1
18	70050250	Seal	13
19	70050251	O-Ring	40
20	70050252	O-Ring	6
21	70051081	Seal Kit	2
22	7029865	Seal Kit	16
23	70051080	Seal Kit	1
24	70050256	Seal Kit	1
25	9346930086	Solenoid	6
26	70051079	Seal	1
27	70050239	Stud Assembly	1
28	70050257	Wiper	16

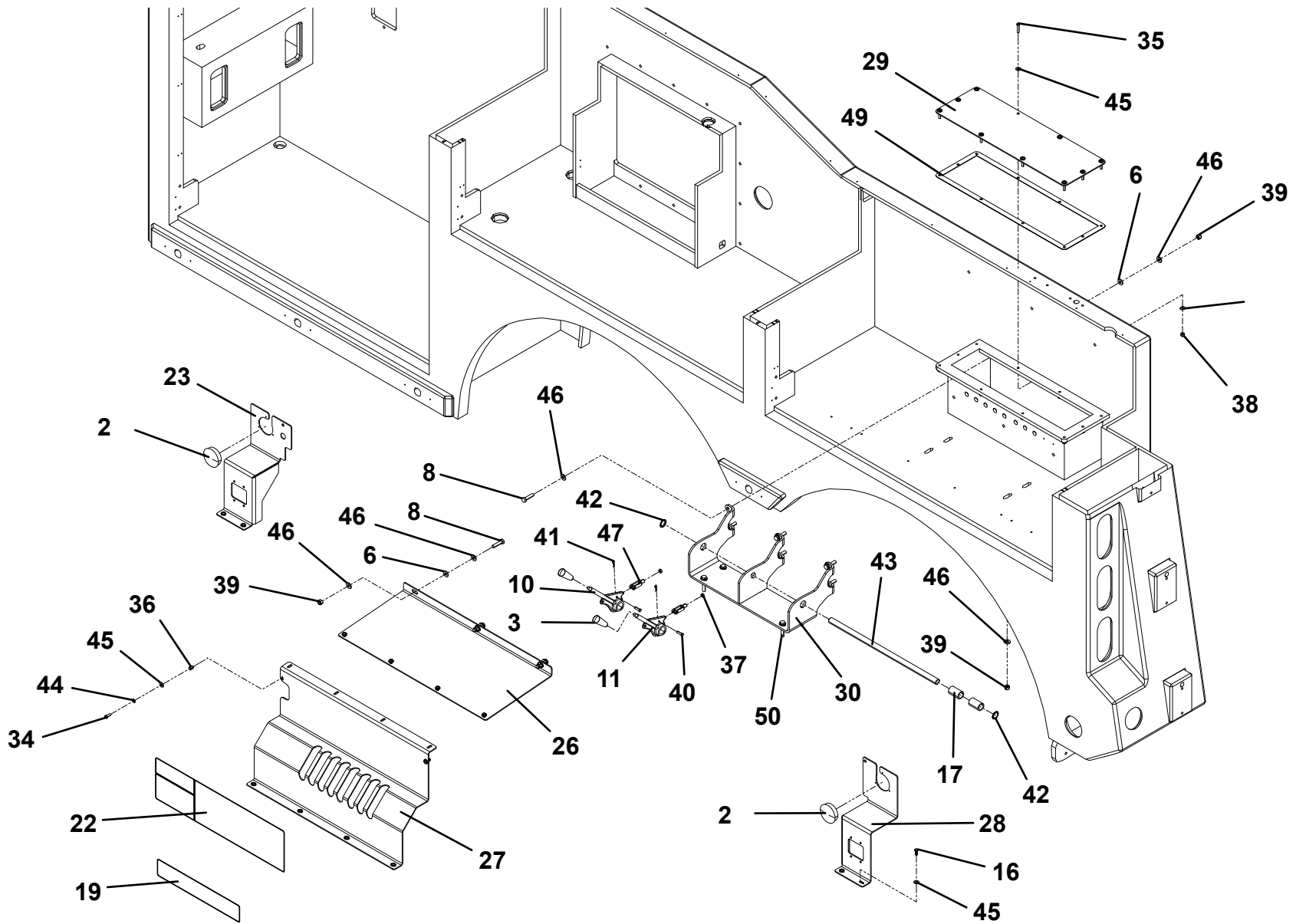
VALVE ASSEMBLY - 7935000330

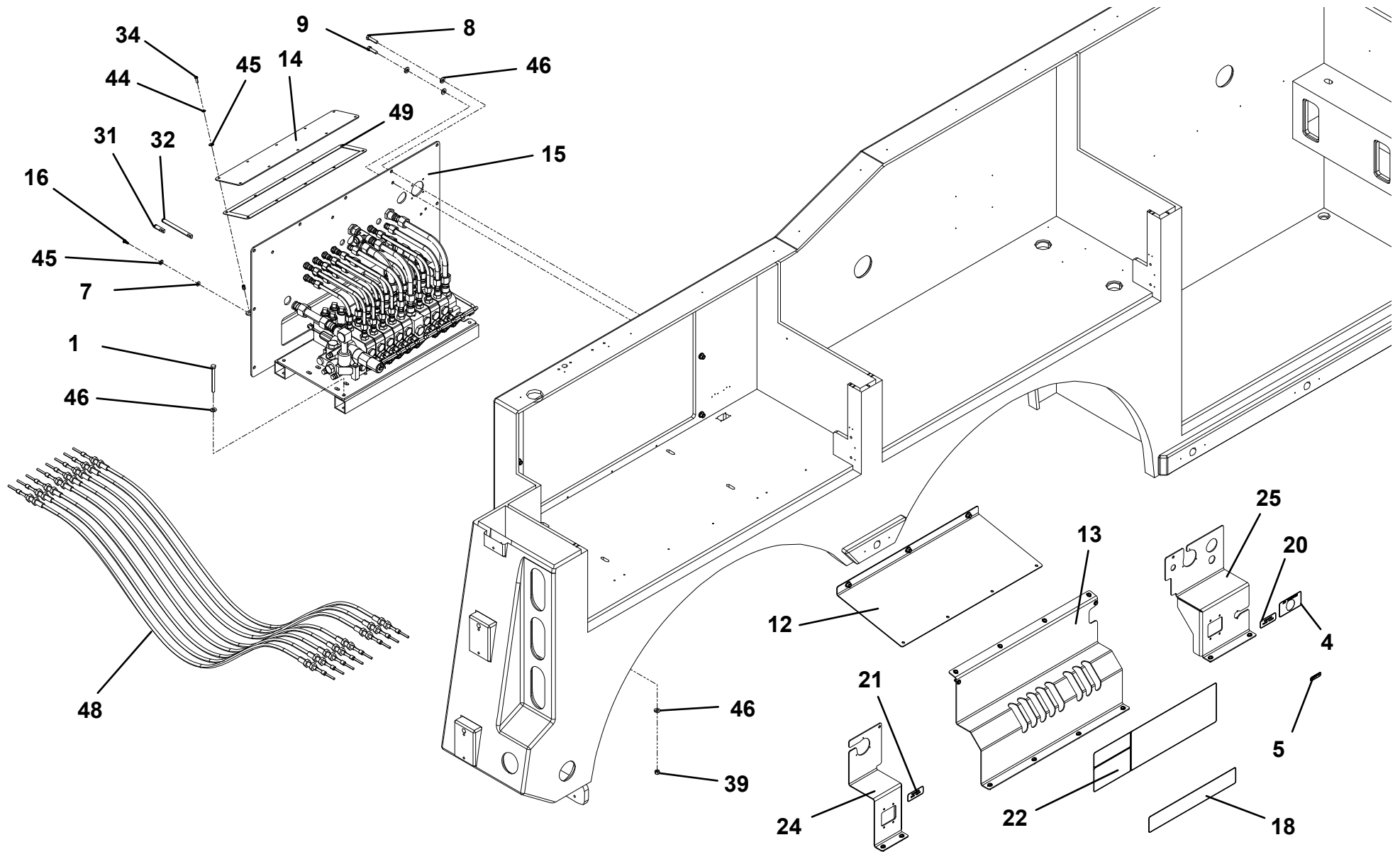


CONTROL INSTALLATION - 8 SECTION - 3 SOLENOID

ITEM	PART NO.	DESCRIPTION	QTY	ITEM	PART NO.	DESCRIPTION	QTY
1	641632	Capscrew, 0.38"-16 X 4.00"	4	40	7690141200	Pin	16
2	3520064	Plug	2	41	7691000075	Pin	16
3	1001130491	Control Knob Ball	16	42	7754000009	Retaining Ring	2
4	1001134433	Decal	1	43	7806000008	Shaft	1
5	1001154277	Decal	1	44	7950140003	Lockwasher, 0.25" ID	22
6	1001166974	Washer	21	45	7950140143	Flatwasher, 0.25" ID	61
7	1001166978	Washer	3	46	7950160143	Flatwasher, 0.38" ID	58
8	1001168993	Capscrew, 0.38"-16 X 1.50"	18	47	7990000003	Yoke	8
9	1001169080	Capscrew, 0.38"-16 X 1.25"	3	48	7248000053	Cable, Push-Pull	8
10	1001184827	Handle - Long	2	49	7796000012	Seal	8.7 FT
11	1001184828	Handle - Short	6	50	1001169083	Capscrew, 0.38"-16 X 2.00"	4
12	1001189784	Panel, Controls Top - RH	1				
13	1001189786	Panel, Controls 8 Sect - RH	1				
14	1001189993	Panel, Cover	1				
15	1001193527	Valve Sub Assembly	1				
16	1001194676	Screw, 0.25" X 0.75"	19				
17	1001194736	Tube	2				
18	1001196907	Decal	1				
19	1001196908	Decal	1				
20	1001196909	Decal	1				
21	1001196910	Decal	1				
22	1001196911	Decal	2				
23	1001199311	Panel, Controls Front - LH	1				
24	1001199322	Panel, Controls Rear - RH	1				
25	1001199324	Panel, Controls Front	1				
26	1001214902	PANEL, CONTROLS TOP LH	1				
27	1001214961	Panel, Controls 8 Sect - LH	1				
28	1001219691	Panel, Controls Rear - LH	1				
29	1001219937	Panel, Cover	1				
30	1001220068	Bracket	1				
31	4309000001	Coupling	3				
32	4309000007	Coupling	5				
33	7082000005	Bearing	2				
34	7114140618	Screw, 0.25"-20 X 0.75"	22				
35	7114141018	Screw, 0.25"-20NC x 1.25"	10				
36	7413000002	Nutsert, 0.25"-20	22				
37	7660140230	Nut, 0.25"-28	16				
38	7660142601	Locknut, 0.25" -20NC	10				
39	7660162601	Locknut, 0.38"-16NC	29				

CONTROL INSTALLATION - 8 SECTION - 3 SOLENOID



CONTROL INSTALLATION - 8 SECTION - 3 SOLENOID

CONTROL INSTALLATION - 8 SECTION - 3 SOLENOID

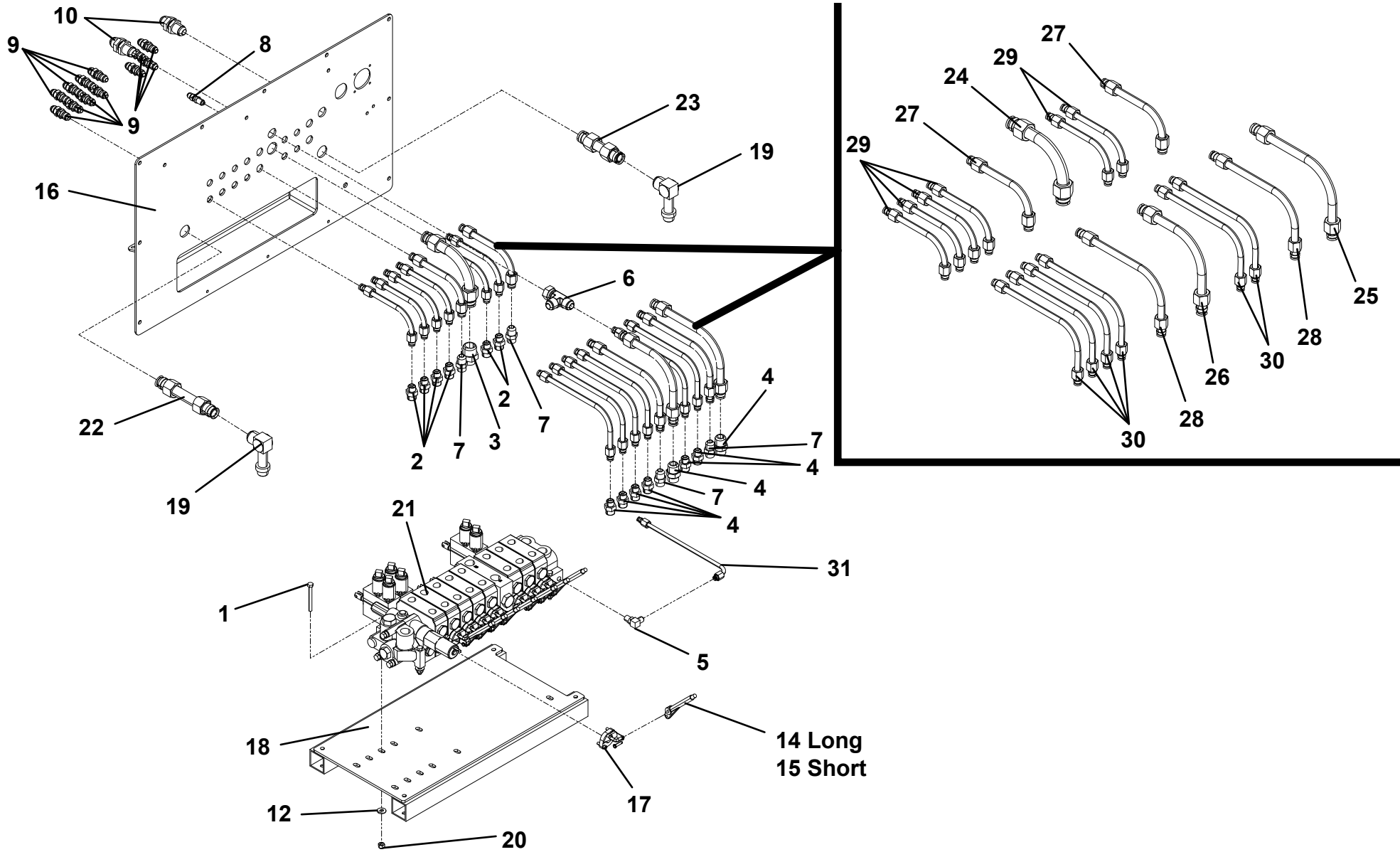
THIS PAGE INTENTIONALLY LEFT BLANK

CONTROL VALVE ASSEMBLY - 1001193527

ITEM	PART NO.	DESCRIPTION	QTY
1	0641524	Capscrew, 5/16" - 18 x 3"	3
2	2220374	Adapter	12
3	2220376	Adapter	1
4	2220451	Adapter	2
5	2220473	Adapter	1
6	2220700	Adapter	1
7	2220947	Adapter	4
8	2230024	Adapter	1
9	2230025	Adapter	12
10	2230027	Fitting	2
11	2230089	Fitting	3
12	4751500	Washer, 5/16" ID	3
13	8760037	Union	4
14	1001184772	Handle, Long	2
15	1001184773	Handle, Short	6
16	1001189989	Panel	1
17	1001194069	Linkage	8
18	3177000060	Mount	1
19	7443000211	Fitting	2
20	7660162601	Locknut, 0.38" - 16NC	3
21	7935000293	Valve, 8 Sec. 3 Sol	1
22	7912000301*	Tube Assembly	1
23	7912000302*	Tube Assembly	1
24	7912000303*	Tube Assembly	1
25	7912000304*	Tube Assembly	1
26	7912000305*	Tube Assembly	1
27	7912000306*	Tube Assembly	2
28	7912000307*	Tube Assembly	2
29	7912000308*	Tube Assembly	6
30	7912000309*	Tube Assembly	6
31	7912000310*	Tube Assembly	1

* Also Available In Tube Kit - 7577000668

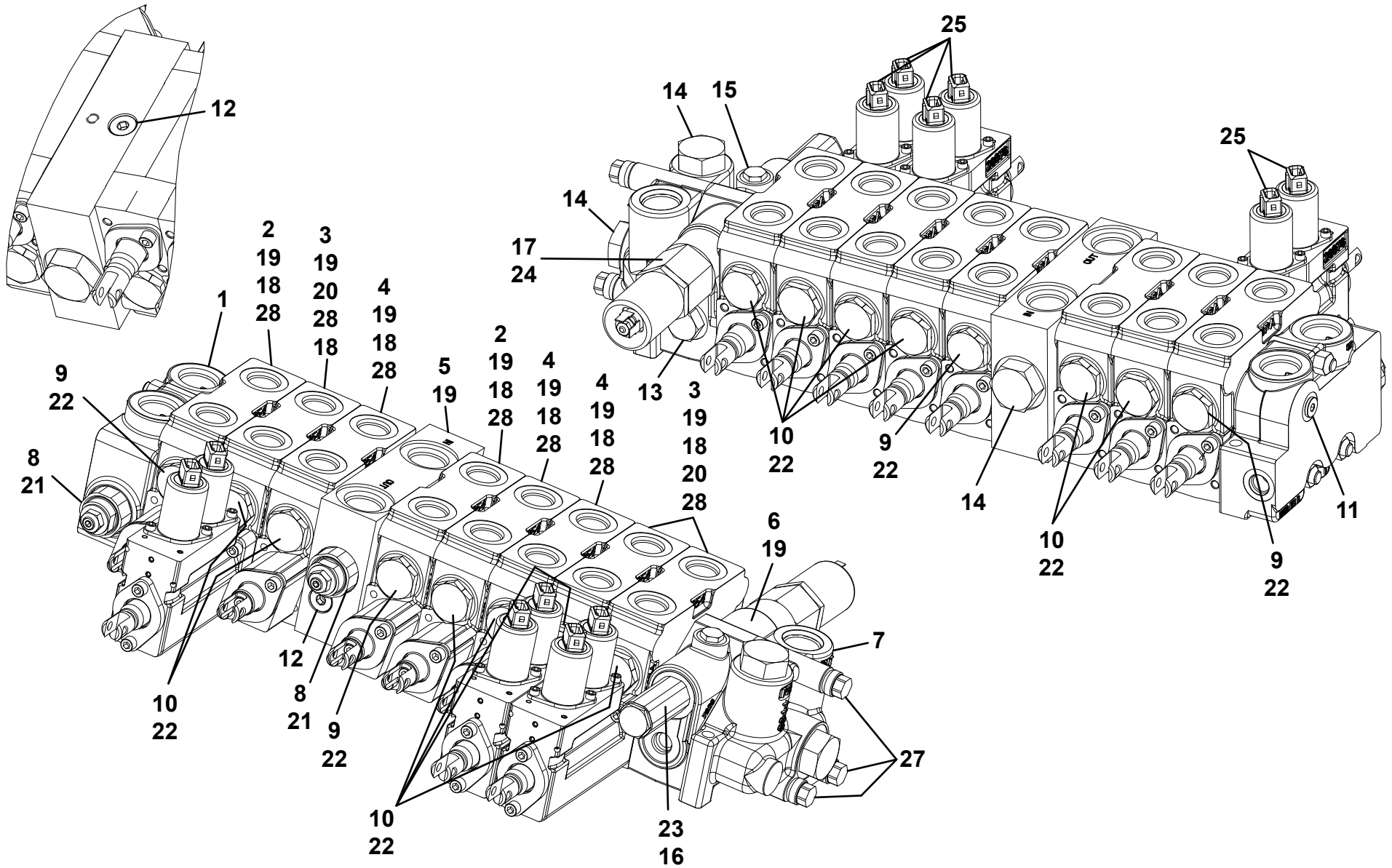
CONTROL VALVE ASSEMBLY - 1001193527



VALVE ASSEMBLY - 7935000293

ITEM	PART NO.	DESCRIPTION	QTY
1	7935000315	Inlet Cover	1
2	9935930122	Valve Section	2
3	9935930119	Valve Section	3
4	7935000320	Valve Section	3
5	7935000316	Inlet	1
6	7935000323	Utility Section	1
7	7935000317	Outlet Cover	1
8	91084009	Relief	2
9	70050243	Plug	4
10	7006847	Plug	12
11	70050245	Plug	1
12	70050246	Plug	2
13	70050247	Plug	1
14	91084017	Plug	3
15	70050249	Plug	1
16	70050241	Pressure Cartridge	1
17	70050242	Solenoid	1
18	70050250	Seal	13
19	70050251	O-Ring	40
20	70050252	O-Ring	6
21	70051081	Seal Kit	2
22	7029865	Seal Kit	16
23	70051080	Seal Kit	1
24	70050256	Seal Kit	1
25	9346930086	Solenoid	6
26	70051079	Seal	1
27	70050239	Stud Assembly	1
28	70050257	Wiper	16

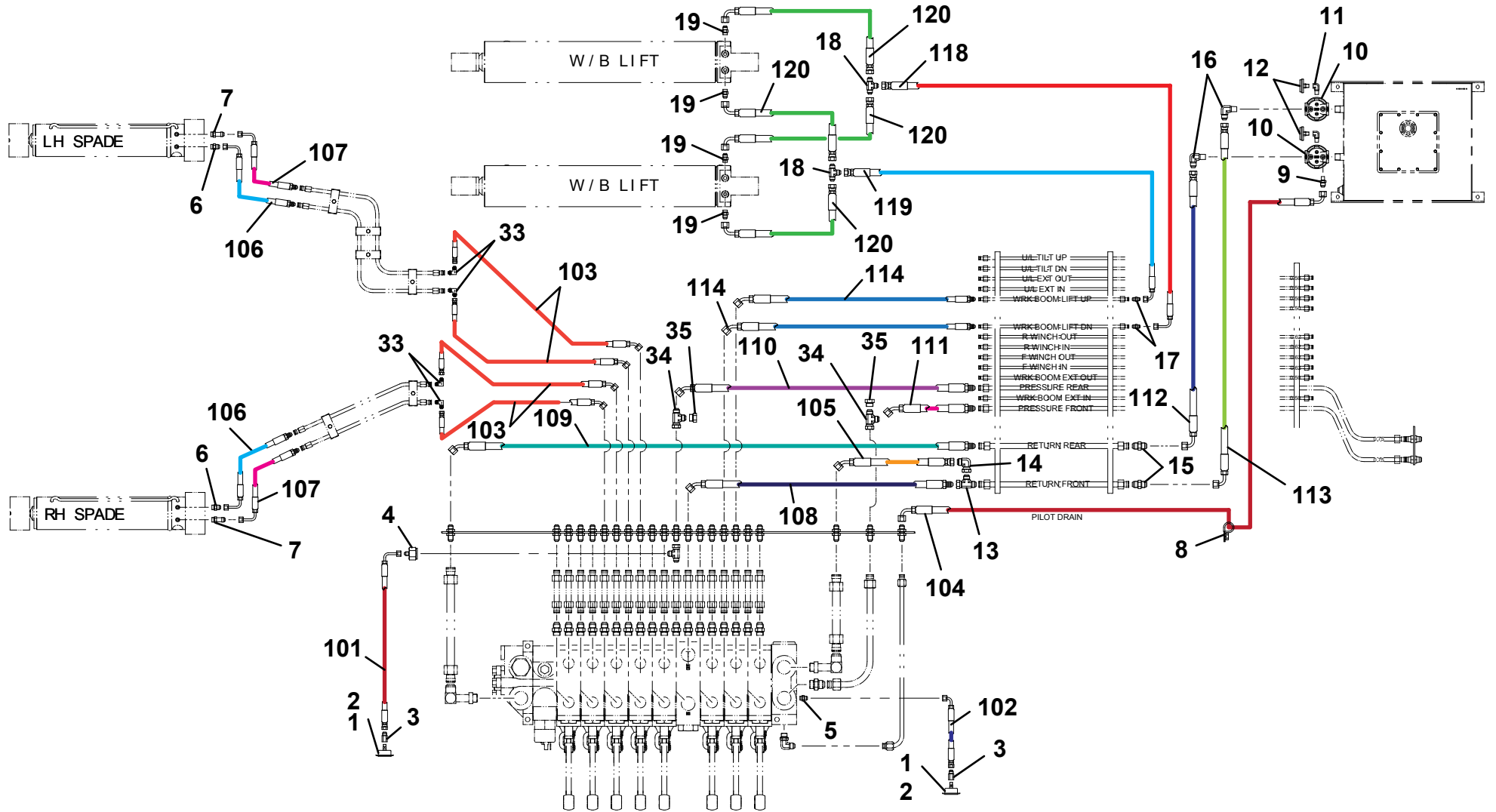
VALVE ASSEMBLY - 7935000293



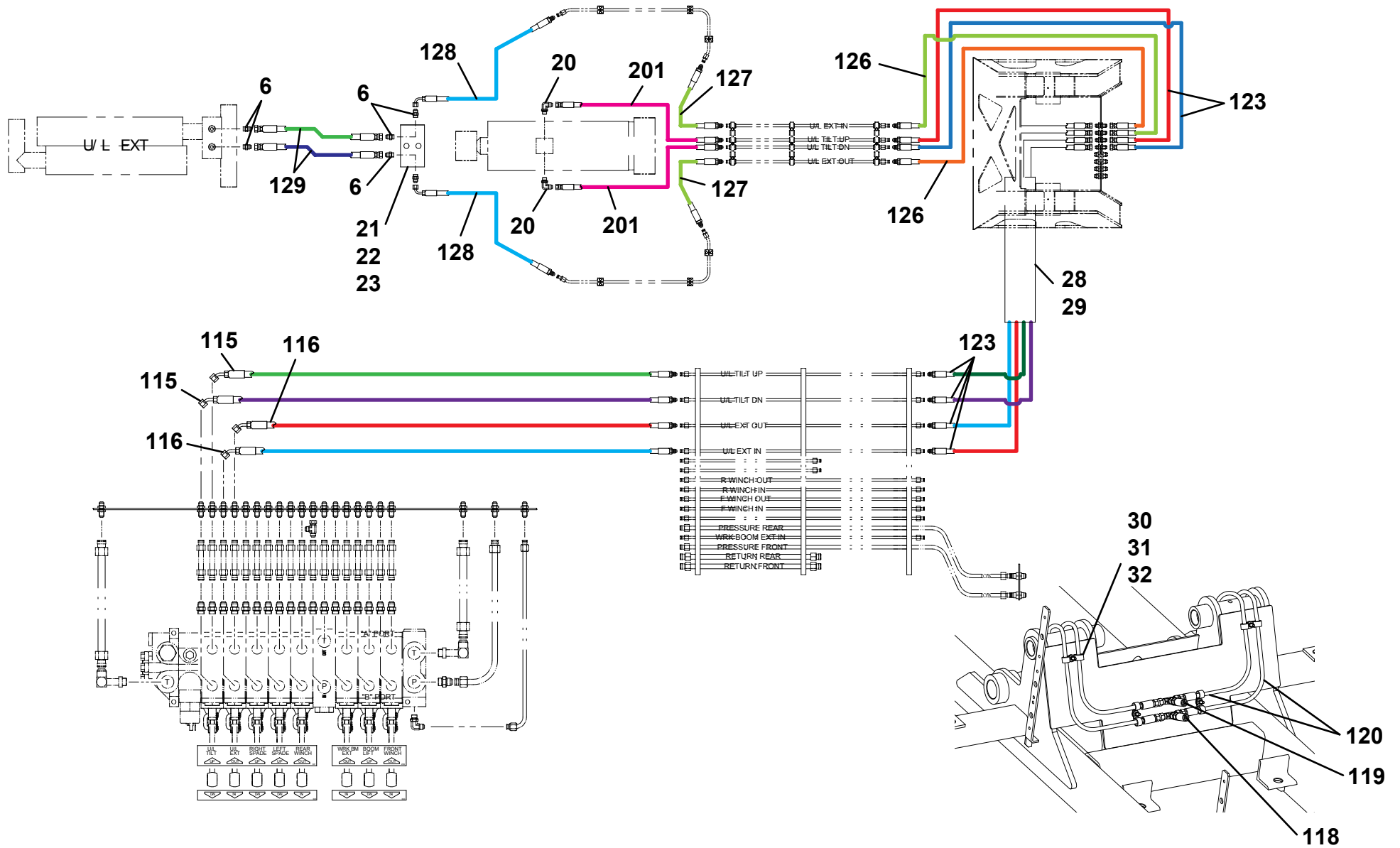
HYDRAULIC LINES AND FITTINGS - 2PCS BOOM

ITEM	PART NO.	DESCRIPTION	QTY	ITEM	PART NO.	DESCRIPTION	QTY
1	7470000004	Gauge	2	105	1001214087	Hose Assembly	1
2	7790060676	Screw, #6 X 0.38"	6	106	4570000163	Hose Assembly	2
3	7445040421	Fitting	2	107	4570000162	Hose Assembly	2
4	1001094694	Reducer	1	108	1001214089	Hose Assembly	1
5	2220415	Adapter	1	109	1001214090	Hose Assembly	1
6	7445060643	Adapter	8	110	1001206043	Hose Assembly	1
7	7443000109	Adapter	2	111	1001206039	Hose Assembly	1
8	7274000063	Clamp	2	112	4567182029	Hose Assembly	1
9	7445060219	Adapter	1	113	4567182024	Hose Assembly	1
10	7430000004	Filter Assembly	2	114	1001206042	Hose Assembly	2
11	7443000158	Elbow	2	115	1001214086	Hose Assembly	2
12	7470000002	Gauge	2	116	1001206052	Hose Assembly	2
13	2220642	Fitting	1	117	1001206053	Hose Assembly	2
14	2220878	Fitting	1	118	4567133032	Hose Assembly	1
15	7445161622	Fitting	2	119	4567132031	Hose Assembly	1
16	7445161620	Fitting	2	120	4567132043	Hose Assembly	4
17	7445080822	Fitting	2	121	1001206054	Hose Assembly	2
18	7445080837	Fitting	2	122	1001213133	Hose Assembly	2
19	7445080843	Fitting	4	123	4569130046	Hose Assembly	6
20	7445060645	Fitting	2	124	4569160046	Hose Assembly	4
21	4619000006	Manifold	1	125	4567150048	Hose Assembly	4
22	7115161650	Capscrew, 0.38"-16NC X 2.00"	2	126	4569130044	Hose Assembly	2
23	7950160000	Lockwasher, 0.38" ID	2	127	4570000362	Hose Assembly	2
24	7445101032	Fitting	4	128	4570000167	Hose Assembly	2
25	7445100843	Fitting	4	129	4567120017	Hose Assembly	2
26	1001206909	Hose Kit	1	130	4570000368	Hose Assembly	2
27	7445080644	Fitting	2	131	4567132048	Hose Assembly	2
28	4819000008	Sleeve	2	201	4570000360	Hose Assembly	2
29	7894000004	Tie Strap	20	201	4570000252	Hose Assembly	2
30	7950150161	Washer, 0.31" ID	8	301	4567152025	Hose Assembly	1
31	7660152601	Locknut, 0.31"-18NC	4	302	4567152024	Hose Assembly	1
32	7274000040	Clamp	8	303	4567152056	Hose Assembly	1
33	7445080830	Fitting	4	304	4567152054	Hose Assembly	1
34	2220700	Fitting	2				
35	2220518	Fitting	2				
101	4567113028	Hose Assembly	1				
102	4567112024	Hose Assembly	1				
103	1001192504	Hose Assembly	4				
104	1001206033	Hose Assembly	1				

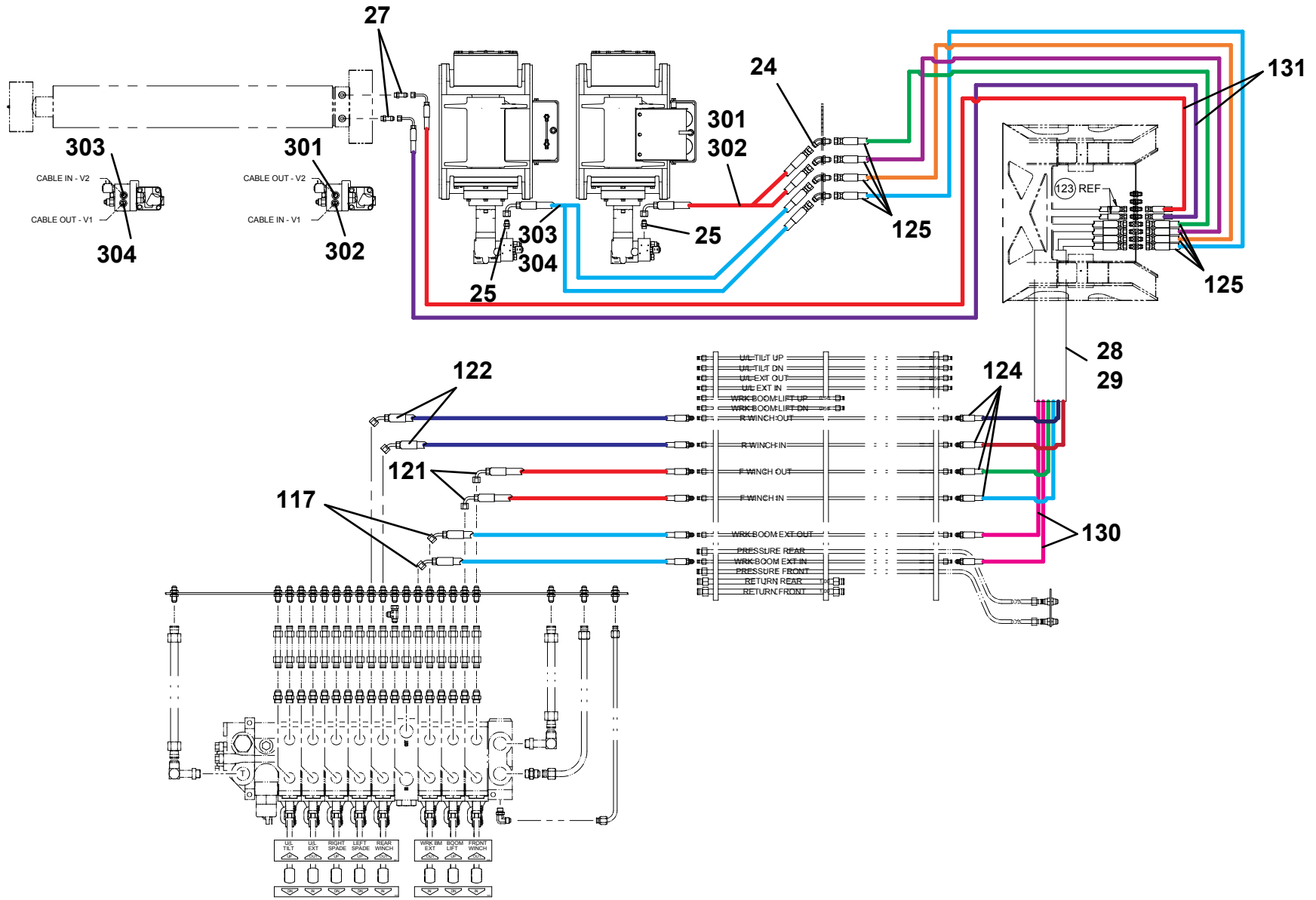
HYDRAULIC LINES AND FITTINGS - 2PCS BOOM



HYDRAULIC LINES AND FITTINGS - 2PCS BOOM



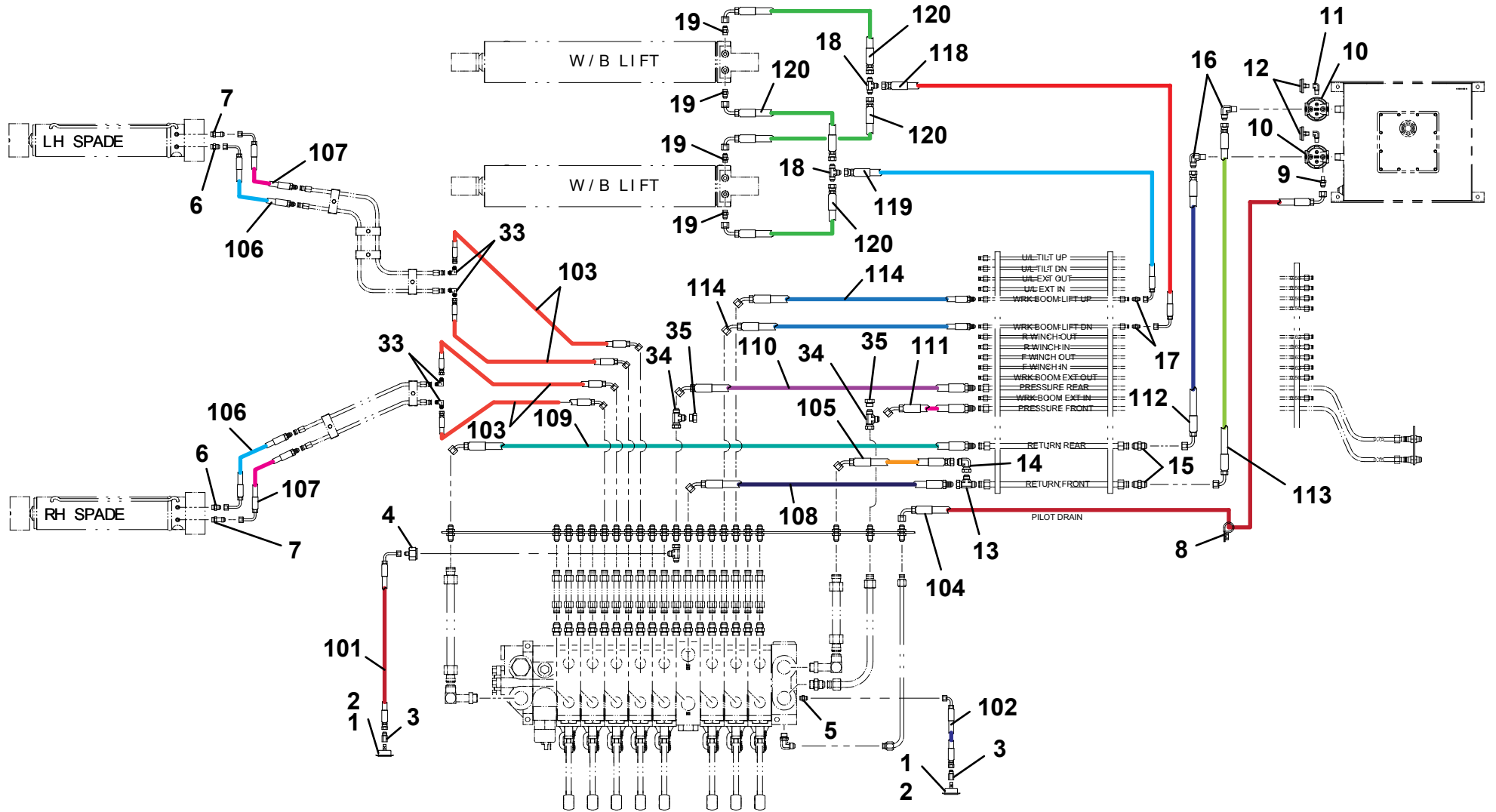
HYDRAULIC LINES AND FITTINGS - 2PCS BOOM



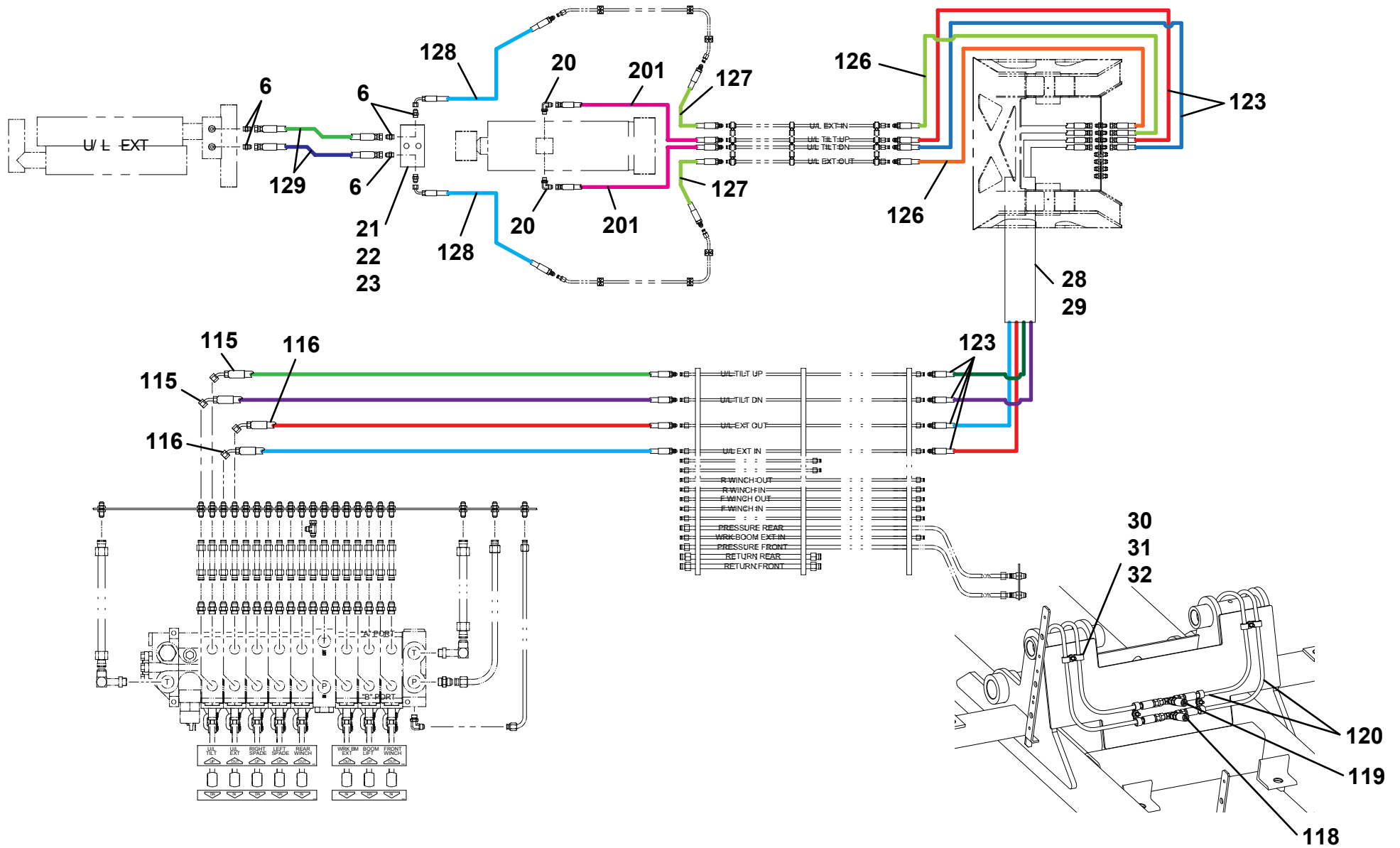
HYDRAULIC LINES AND FITTINGS - 3PCS BOOM

ITEM	PART NO.	DESCRIPTION	QTY	ITEM	PART NO.	DESCRIPTION	QTY
1	7470000004	Gauge	2	105	1001214087	Hose Assembly	1
2	7790060676	Screw, #6 X 0.38"	6	106	4570000163	Hose Assembly	2
3	7445040421	Fitting	2	107	4570000162	Hose Assembly	2
4	1001094694	Reducer	1	108	1001214089	Hose Assembly	1
5	2220415	Adapter	1	109	1001214090	Hose Assembly	1
6	7445060643	Adapter	8	110	1001206043	Hose Assembly	1
7	7443000109	Adapter	2	111	1001206039	Hose Assembly	1
8	7274000063	Clamp	2	112	4567182029	Hose Assembly	1
9	7445060219	Adapter	1	113	4567182024	Hose Assembly	1
10	7430000004	Filter Assembly	2	114	1001206042	Hose Assembly	2
11	7443000158	Elbow	2	115	1001214086	Hose Assembly	2
12	7470000002	Gauge	2	116	1001206052	Hose Assembly	2
13	2220642	Fitting	1	117	1001206053	Hose Assembly	2
14	2220878	Fitting	1	118	4567133032	Hose Assembly	1
15	7445161622	Fitting	2	119	4567132031	Hose Assembly	1
16	7445161620	Fitting	2	120	4567132043	Hose Assembly	4
17	7445080822	Fitting	2	121	1001206054	Hose Assembly	2
18	7445080837	Fitting	2	122	1001213133	Hose Assembly	2
19	7445080843	Fitting	4	123	4569130046	Hose Assembly	6
20	7445060645	Fitting	2	124	4569160046	Hose Assembly	4
21	4619000006	Manifold	1	125	4567150048	Hose Assembly	4
22	7115161650	Capscrew, 0.38"-16NC X 2.00"	2	126	4569130044	Hose Assembly	2
23	7950160000	Lockwasher, 0.38" ID	2	127	4570000362	Hose Assembly	2
24	7445101032	Fitting	4	128	4570000167	Hose Assembly	2
25	7445100843	Fitting	4	129	4567120017	Hose Assembly	2
26	1001206909	Hose Kit	1	130	4570000368	Hose Assembly	2
27	7445080644	Fitting	2	131	4567132048	Hose Assembly	2
28	4819000008	Sleeve	2	201	4570000360	Hose Assembly	2
29	7894000004	Tie Strap	20	201	4570000252	Hose Assembly	2
30	7950150161	Washer, 0.31" ID	8	301	4567152025	Hose Assembly	1
31	7660152601	Locknut, 0.31"-18NC	4	302	4567152024	Hose Assembly	1
32	7274000040	Clamp	8	303	4567152056	Hose Assembly	1
33	7445080830	Fitting	4	304	4567152054	Hose Assembly	1
34	2220700	Fitting	2				
35	2220518	Fitting	2				
101	4567113028	Hose Assembly	1				
102	4567112024	Hose Assembly	1				
103	1001192504	Hose Assembly	4				
104	1001206033	Hose Assembly	1				

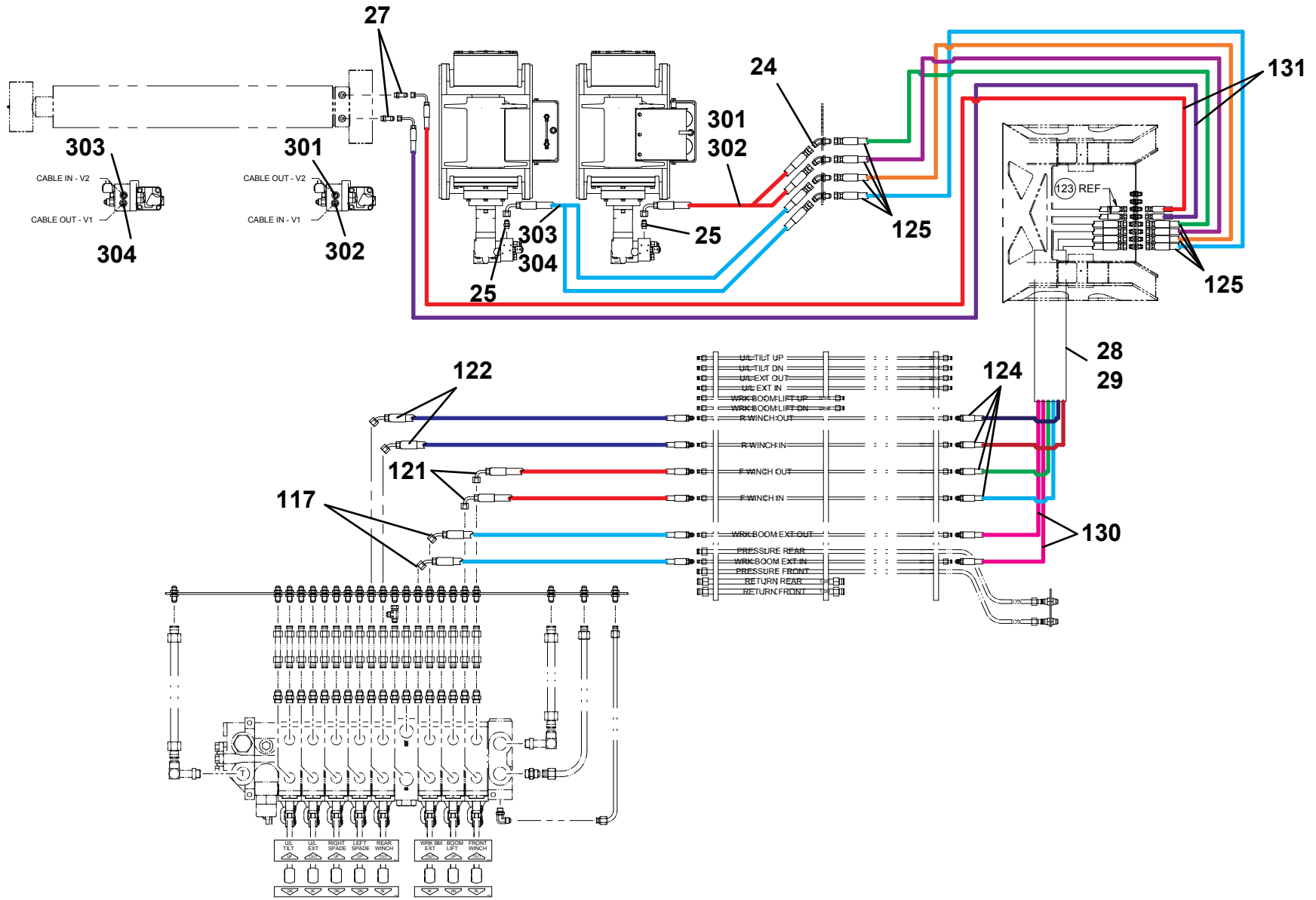
HYDRAULIC LINES AND FITTINGS - 2PCS BOOM



HYDRAULIC LINES AND FITTINGS - 2PCS BOOM



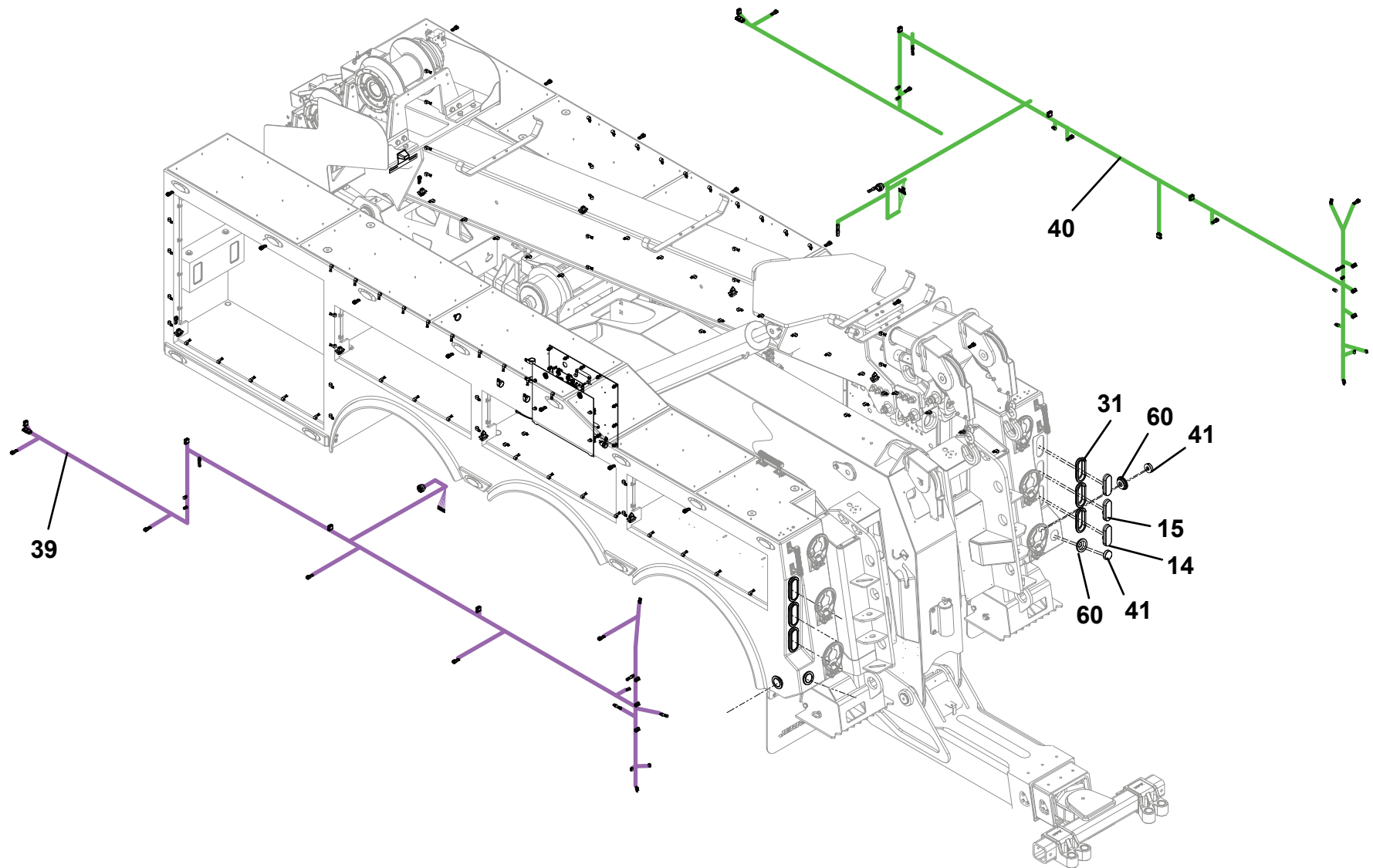
HYDRAULIC LINES AND FITTINGS - 2PCS BOOM



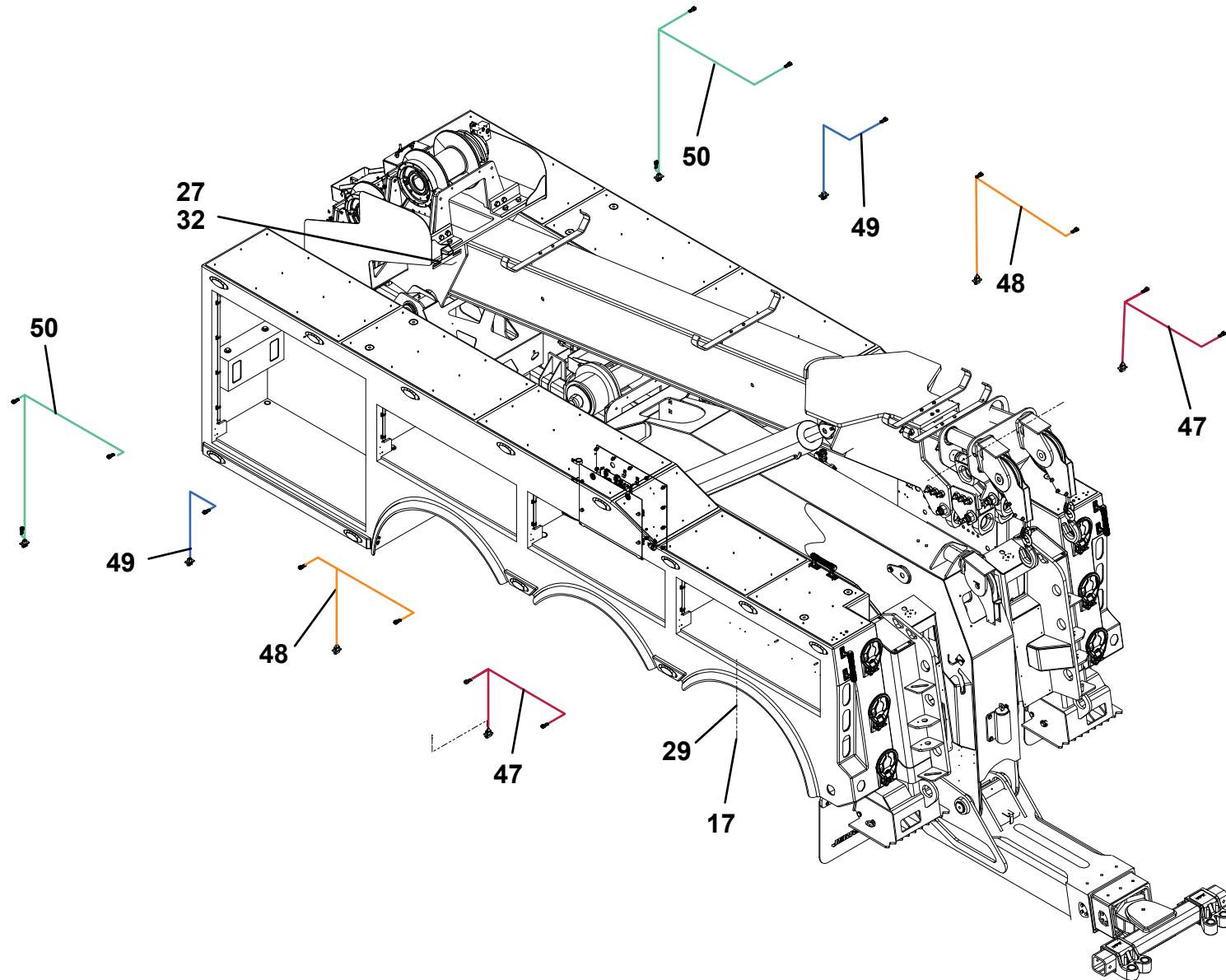
ELECTRICAL INSTALLATION - TRI-AXLE

ITEM	PART NO.	DESCRIPTION	QTY	ITEM	PART NO.	DESCRIPTION	QTY
1	0750604	Screw	8	41	7590000343	Light	4
2	3760308	Retainer	4	42	1001209031	Harness, Tow light	1
3	4460466	Terminal	1	43	1001209040	Cable	1
4	4460509	Terminal	6	44	1001209041	Cable	1
5	4740513	Washer, 0.25" ID	8	45	1001209042	Cable	1
6	1001122235	Bracket	4	46	1001209044	Cable	1
7	1001166930	Latch	4	47	1001209051	Harness	2
8	1001166974	Washer, 0.38" ID	14	48	1001207212	Harness	2
9	1001167607	Plug	2	49	1001207213	Harness	2
10	1001168320	Terminal	1	50	1001209054	Harness	2
11	1001168321	Terminal	1	51	1001209365	Seal	1
12	1001168322	Terminal	2	52	1001209366	Seal	4
13	1001168993	Capscrew, 0.38"-16NC x 1.50"	14	53	7274000042	Clamp	5
14	1001174680	Lamp, Backup	2	54	1001204788	Terminal Nut	1
15	1001174681	Lamp, Tail light	4	55	1001205043	Terminal Nut	4
16	1001191602	Panel	1	56	7114100818	Screw, #10 - 24NC x 1.00"	2
17	1001195257	Screw, 0.25" x 0.50"	85	57	1001205044	Terminal Washer	4
18	1001196552	Screw, #8 x 0.75"	32	58	1001204789	Terminal Washer	1
19	1001201384	Socket	1	60	1001220431	Grommet	4
20	1001201926	Washer, #10 ID	4				
21	1001206505	Plate	1				
22	1001207734	Screw	4				
23	1001207736	Washer, #10 ID	8				
24	1001208066	Connector	1				
25	1001208303	Nut, #10-24	4				
26	7114100618	Screw, #10 - 24 x 0.75"	2				
27	7178000025	License Plate Bracket	1				
28	7274000040	Clamp	2				
29	7280000006	Clip	83				
30	5526000553	Tie Strap	30				
31	7493000026	Grommet	6				
32	7590000105	Light	1				
34	7660102601	Nut, #10-24NC	4				
35	7660162601	Locknut, 0.38" - 16NC	14				
36	7950160143	Flatwasher, 0.38" ID	28				
37	1001168328	Cable	1				
38	1001203234	Electrical Assembly	1				
39	1001209010	Harness, LH	1				
40	1001215445	Harness, RH	1				

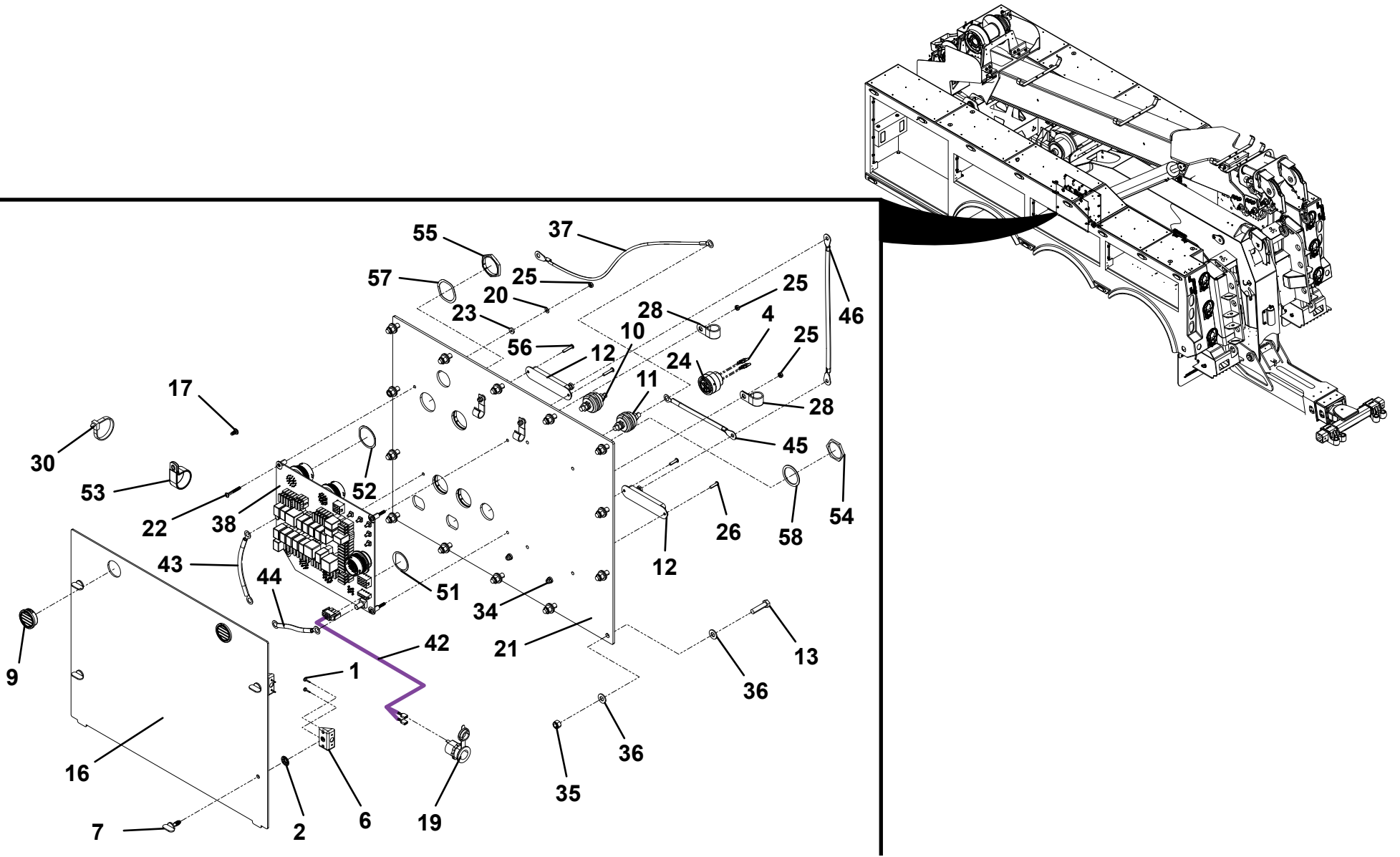
ELECTRICAL INSTALLATION - TRI-AXLE



ELECTRICAL INSTALLATION - TRI-AXLE



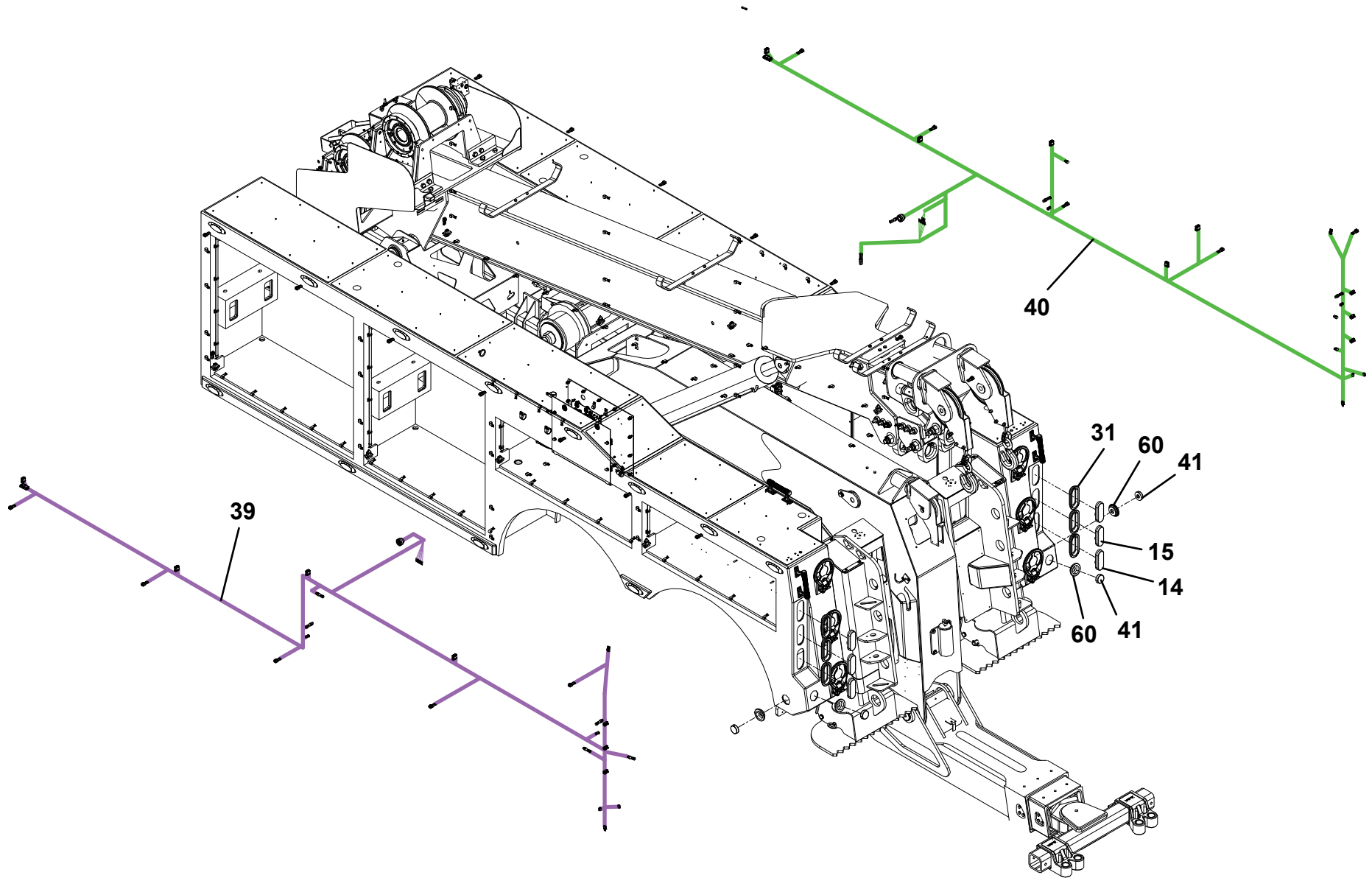
ELECTRICAL INSTALLATION - TRI-AXLE



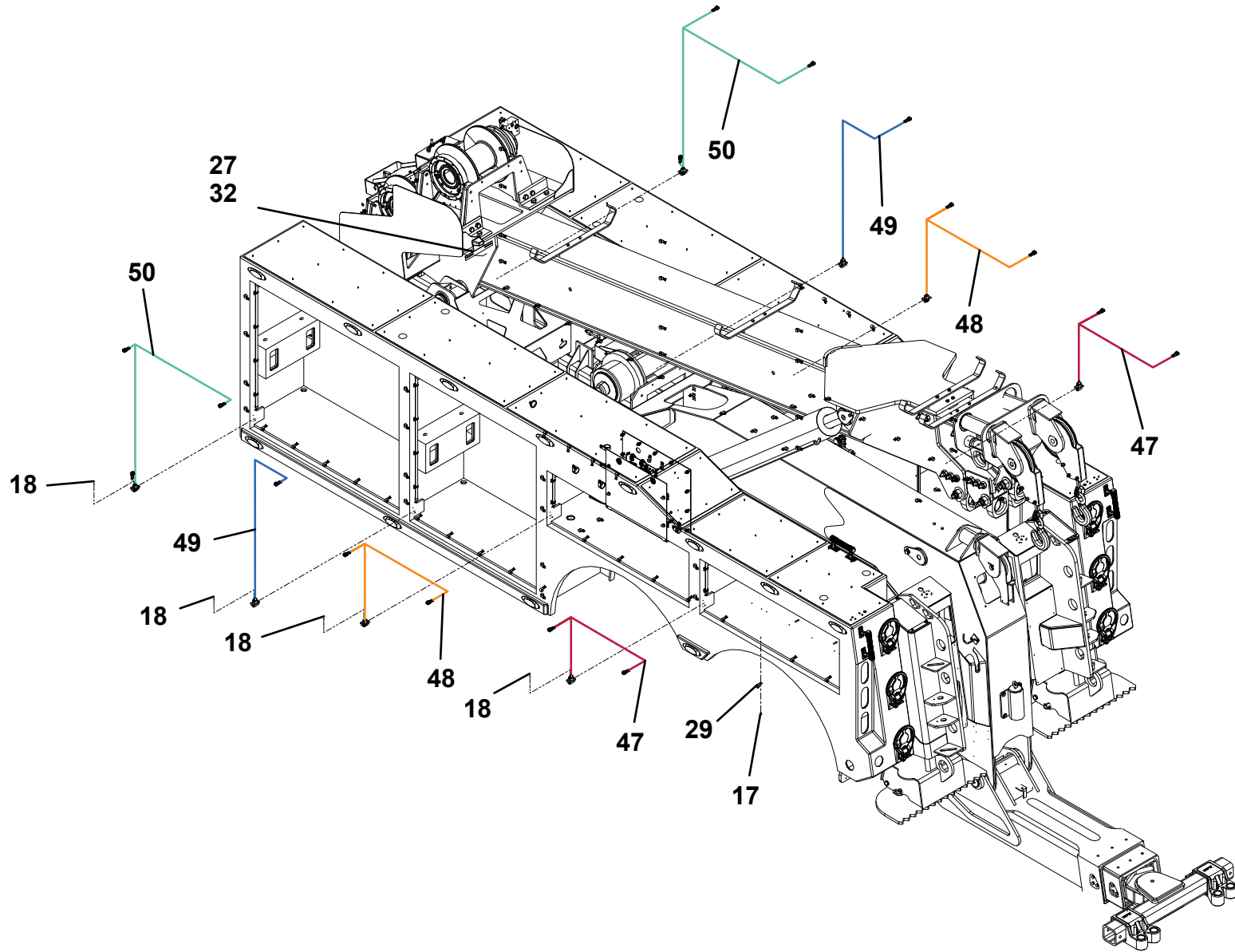
ELECTRICAL INSTALLATION - TANDEM AXLE

ITEM	PART NO.	DESCRIPTION	QTY	ITEM	PART NO.	DESCRIPTION	QTY
1	0750604	Screw	8	41	7590000343	Light	4
2	3760308	Retainer	4	42	1001209031	Harness, Tow light	1
3	4460466	Terminal	1	43	1001209040	Cable	1
4	4460509	Terminal	6	44	1001209041	Cable	1
5	4740513	Washer, 0.25" ID	8	45	1001209042	Cable	1
6	1001122235	Bracket	4	46	1001209044	Cable	1
7	1001166930	Latch	4	47	1001209051	Harness	2
8	1001166974	Washer, 0.38" ID	14	48	1001209052	Harness	2
9	1001167607	Plug	2	49	1001209053	Harness	2
10	1001168320	Terminal	1	50	1001209054	Harness	2
11	1001168321	Terminal	1	51	1001209365	Seal	1
12	1001168322	Terminal	2	52	1001209366	Seal	4
13	1001168993	Capscrew, 0.38"-16NC x 1.50"	14	53	7274000042	Clamp	5
14	1001174680	Lamp, Backup	2	54	1001204788	Terminal Nut	1
15	1001174681	Lamp, Tail light	4	55	1001205043	Terminal Nut	4
16	1001191602	Panel	1	56	7114100818	Screw, #10 -24NC x 1.00"	2
17	1001195257	Screw, 0.25" x 0.50"	85	57	1001205044	Terminal Washer	4
18	1001196552	Screw, #8 x 0.75"	32	58	1001204789	Terminal Washer	1
19	1001201384	Socket	1	60	1001220431	Grommet	4
20	1001201926	Washer, #10 ID	4				
21	1001206505	Plate	1				
22	1001207734	Screw	4				
23	1001207736	Washer, #10 ID	8				
24	1001208066	Connector	1				
25	1001208303	Nut, #10-24	4				
26	7114100618	Screw, #10 - 24 x 0.75"	2				
27	7178000025	License Plate Bracket	1				
28	7274000040	Clamp	2				
29	7280000006	Clip	83				
30	5526000553	Tie Strap	30				
31	7493000026	Grommet	6				
32	7590000105	Light	1				
34	7660102601	Nut, #10-24NC	4				
35	7660162601	Locknut, 0.38" - 16NC	14				
36	7950160143	Flatwasher, 0.38" ID	28				
37	1001168328	Cable	1				
38	1001203234	Electrical Assembly	1				
39	1001209000	Harness, LH	1				
40	1001215444	Harness, RH	1				

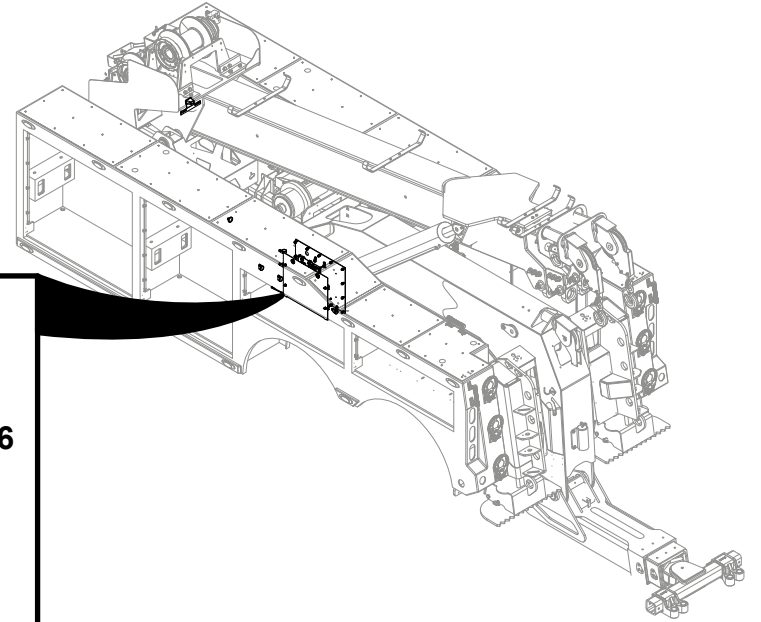
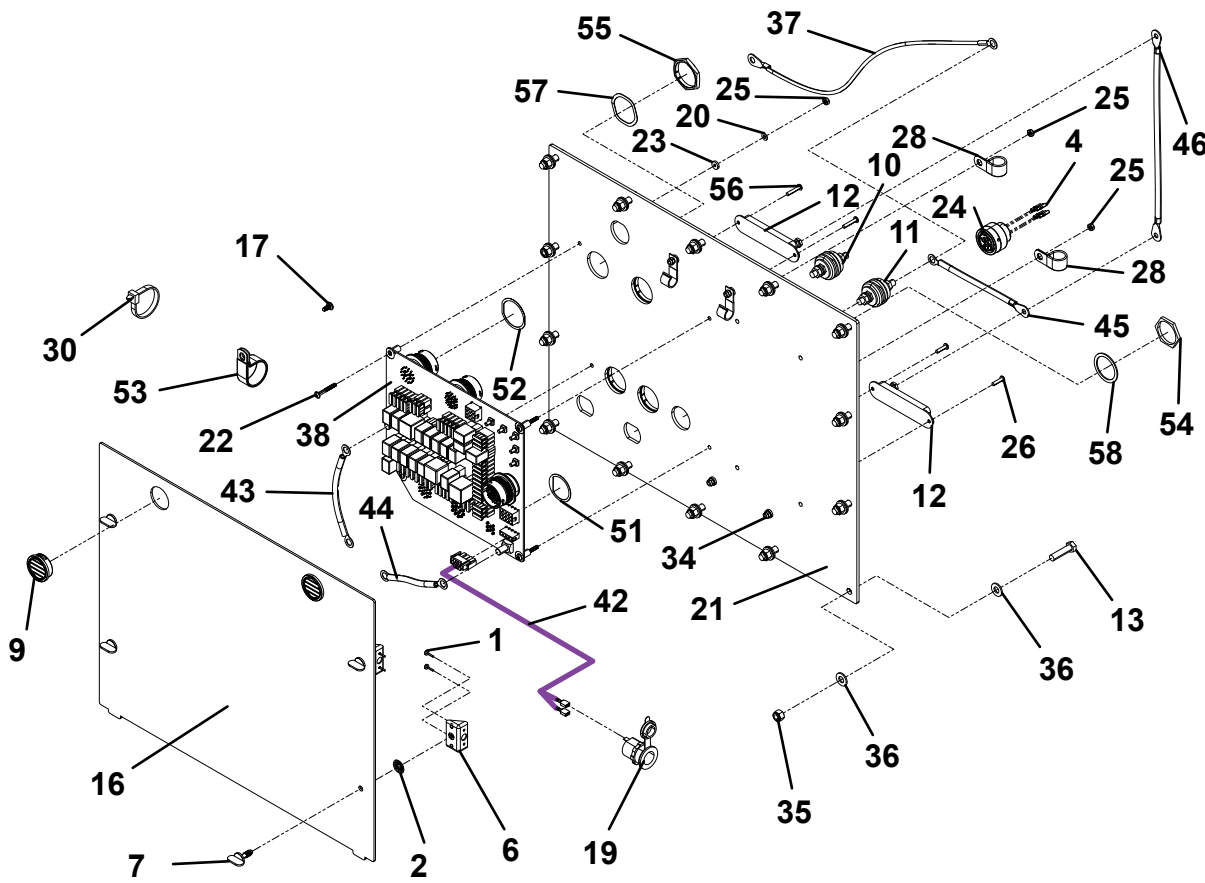
ELECTRICAL INSTALLATION - TANDEM AXLE



ELECTRICAL INSTALLATION - TANDEM AXLE



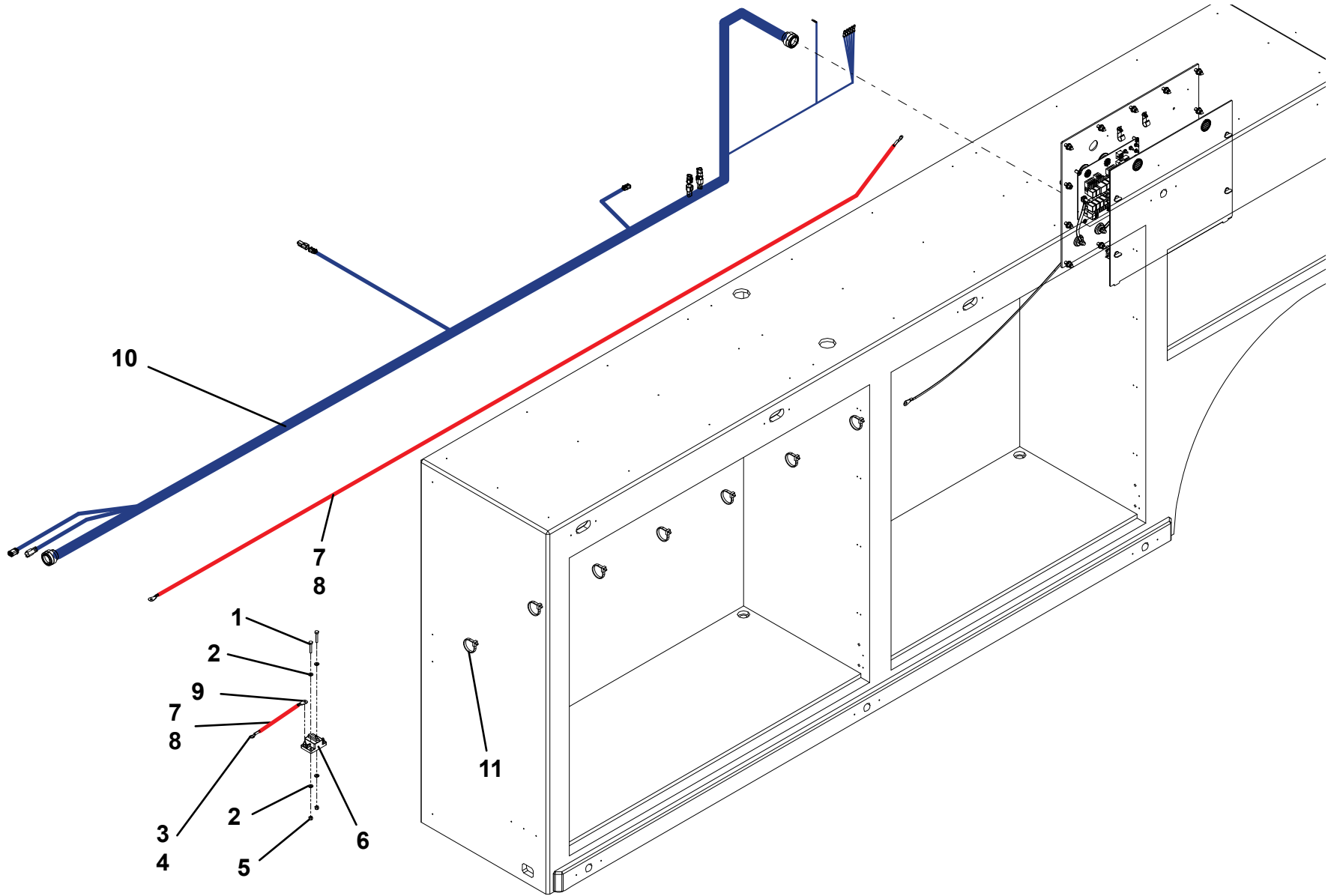
ELECTRICAL INSTALLATION - TANDEM AXLE



CENTER HARNESS INSTALLATION - 174" CT

ITEM	PART NO.	DESCRIPTION	QTY
1	0641412	Capscrew, 0.25" - 20NC x 1.50"	2
2	4711400	Washer, 0.25" ID	4
3	7345242202	Terminal	2
4	7346000045	Tubing	0.25in
5	7660142600	Locknut, 0.25" - 20NC	2
6	7870000043	Switch Breaker	1
7	7978000011	Cable	30FT
8	8597650001	Loom	30FT
9	1001125479	Terminal	2
10	1001215040	Harness	1
11	5526000553	Tie Strap	25

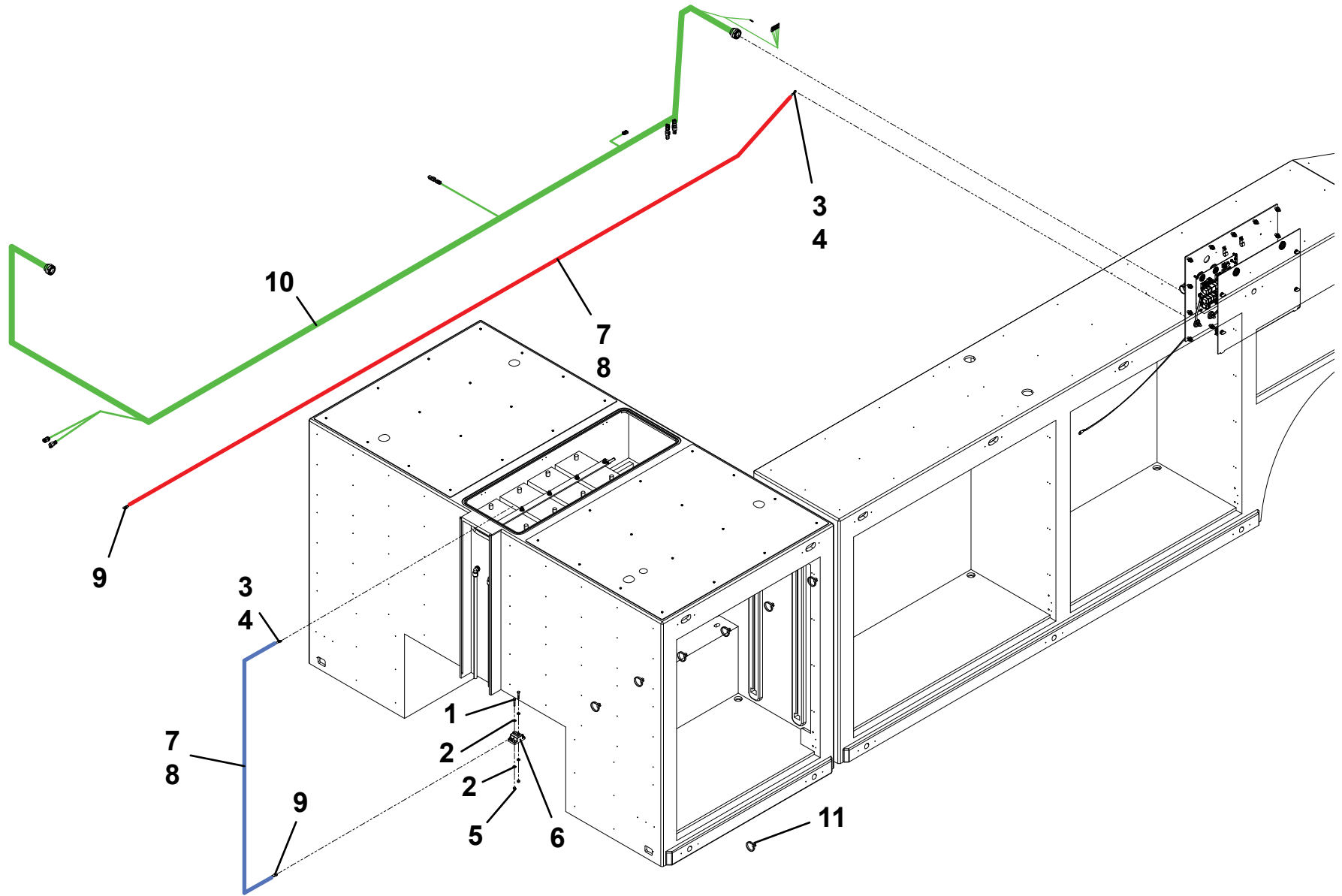
CENTER HARNESS INSTALLATION - 174" CT



CENTER HARNESS INSTALLATION - 225" CT

ITEM	PART NO.	DESCRIPTION	QTY
1	0641412	Capscrew, 0.25" - 20NC x 1.50"	2
2	4711400	Washer, 0.25" ID	4
3	7345242202	Terminal	2
4	7346000045	Tubing	0.25in
5	7660142600	Locknut, 0.25" - 20NC	2
6	7870000043	Switch Breaker	1
7	7978000011	Cable	30FT
8	8597650001	Loom	30FT
9	1001125479	Terminal	2
10	1001215041	Harness	1
11	5526000553	Tie Strap	25

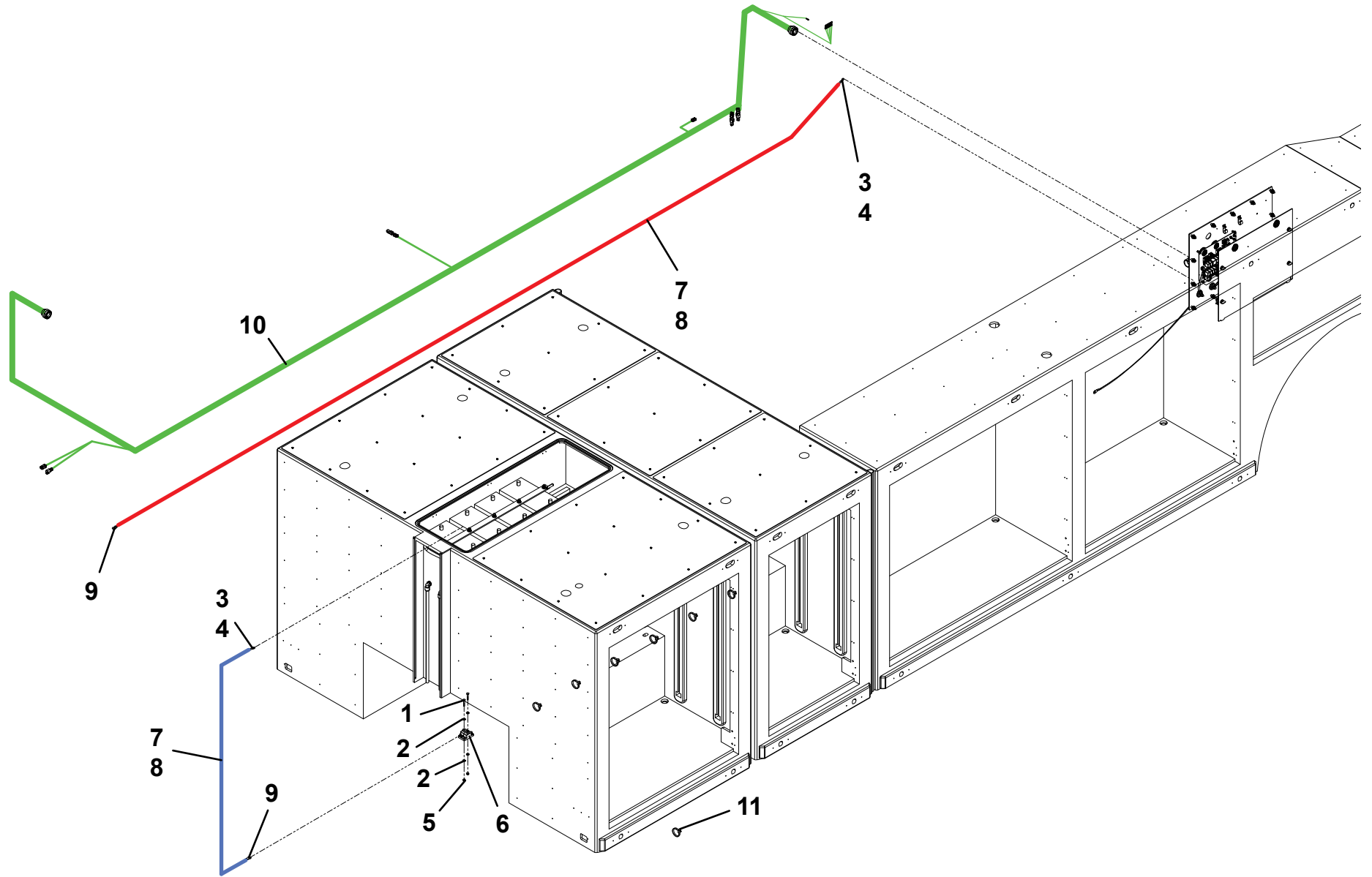
CENTER HARNESS INSTALLATION - 225" CT



CENTER HARNESS INSTALLATION - 265" CT

ITEM	PART NO.	DESCRIPTION	QTY
1	0641412	Capscrew, 0.25" - 20NC x 1.50"	2
2	4711400	Washer, 0.25" ID	4
3	7345242202	Terminal	2
4	7346000045	Tubing	0.25in
5	7660142600	Locknut, 0.25" - 20NC	2
6	7870000043	Switch Breaker	1
7	7978000011	Cable	30FT
8	8597650001	Loom	30FT
9	1001125479	Terminal	2
10	1001215048	Harness	1
11	5526000553	Tie Strap	25

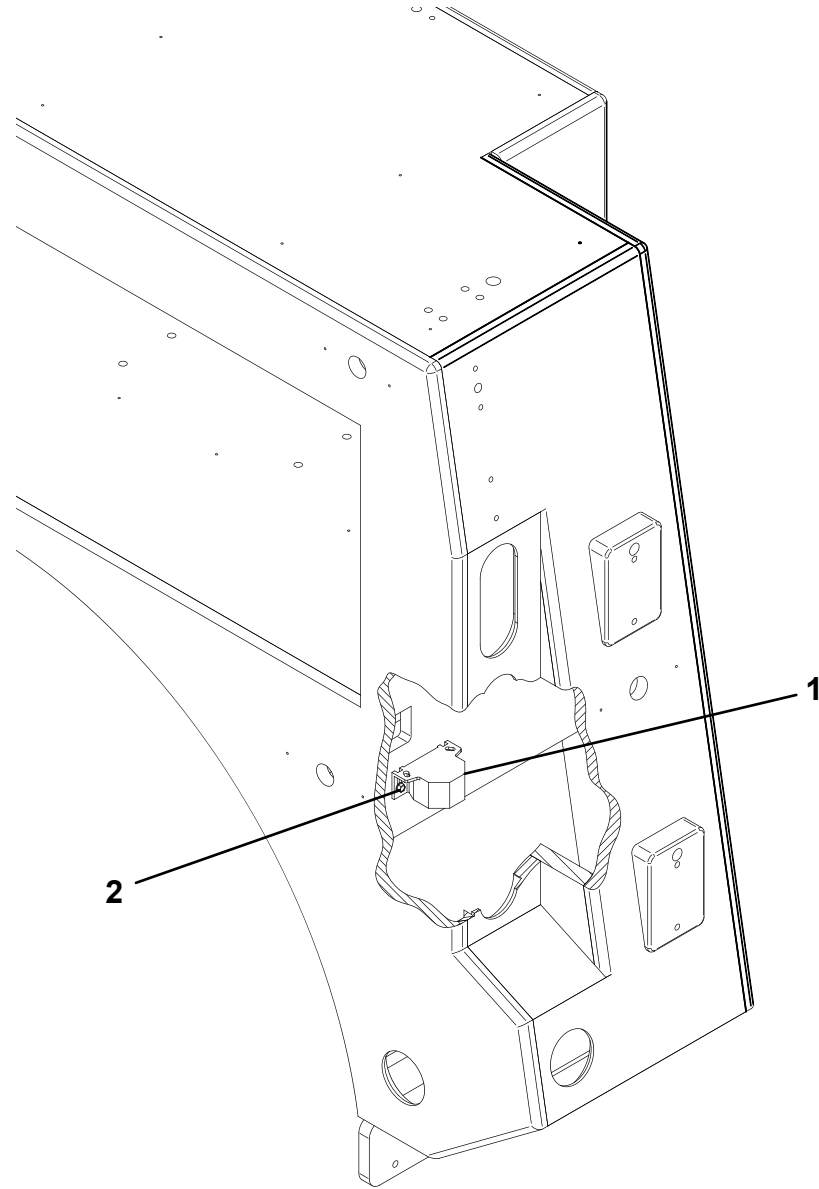
CENTER HARNESS INSTALLATION - 265" CT



BACKUP ALARM INSTALLATION

ITEM	PART NO.	DESCRIPTION	QTY
1	7011000006	Alarm, Backup	1
	1001175061	Alarm, Backup Variable	1
2	7790141251	Screw, 0.25" x 0.75"	2

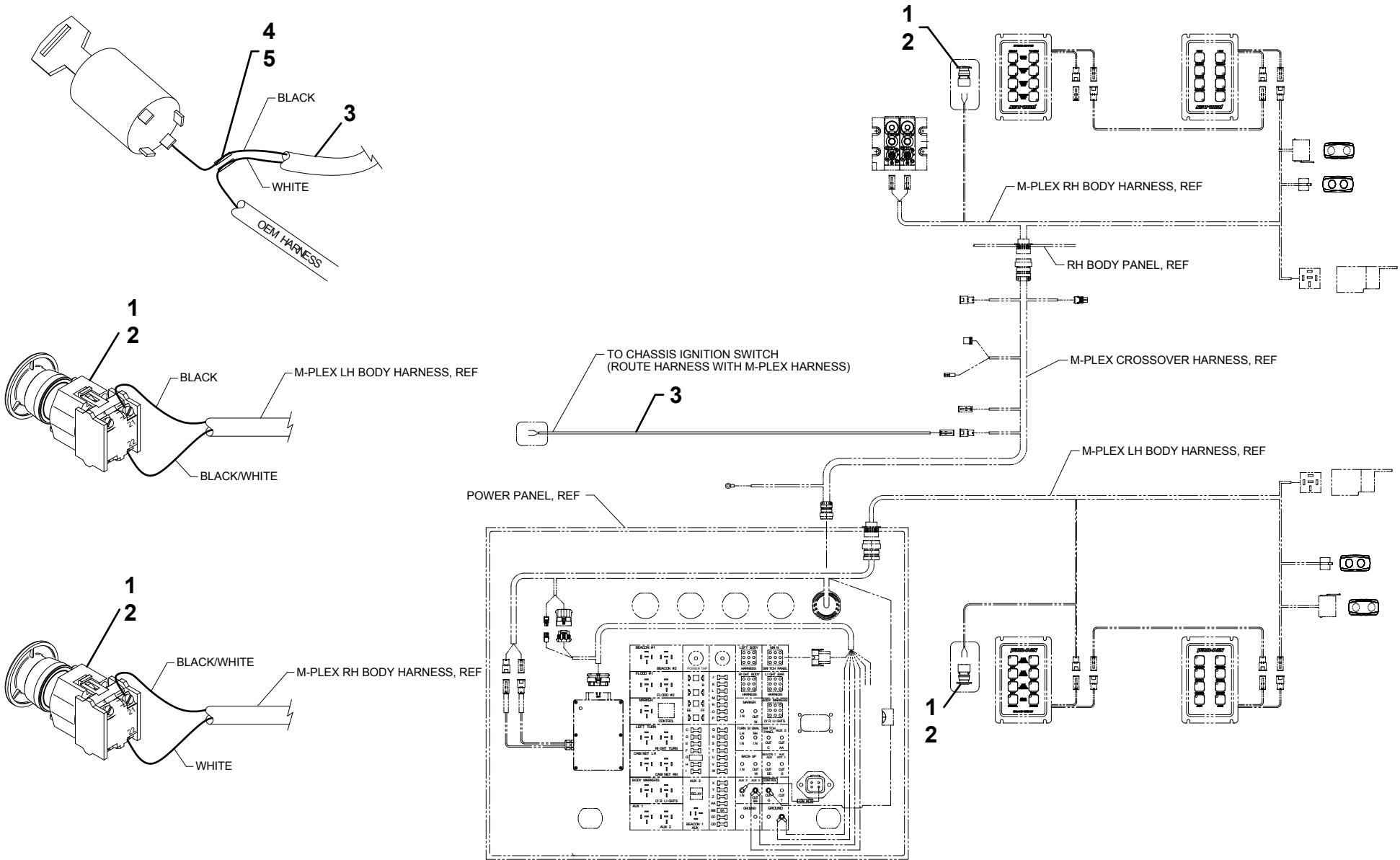
BACKUP ALARM INSTALLATION



E-STOP INSTALLATION

ITEM	PART NO.	DESCRIPTION	QTY
1	7870000128	Switch	2
2	7870000129	Switch	2
3	1001171394	Harness	1
4	7345001714	Terminal	2
5	7346000039	Tubing	1

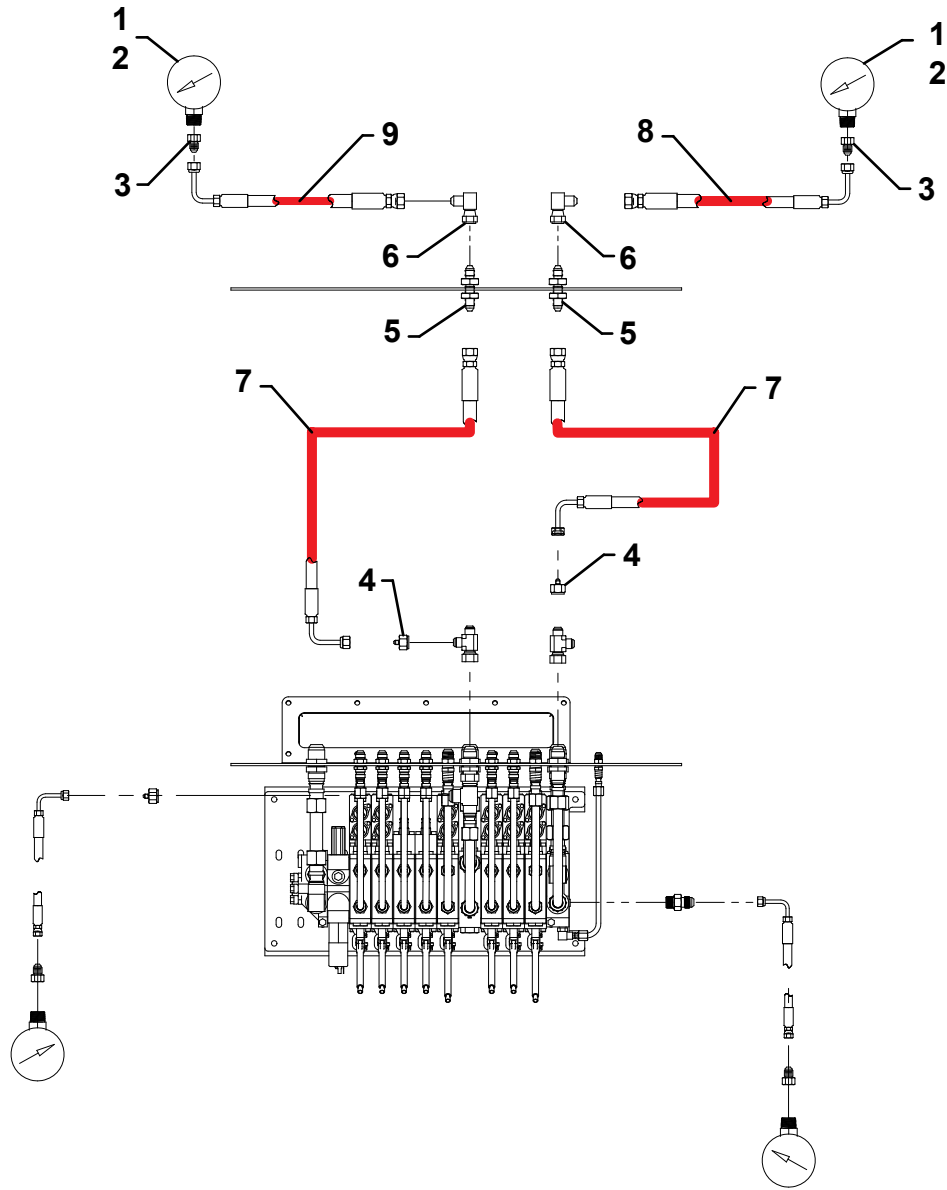
E-STOP INSTALLATION



DRIVER SIDE GAUGE INSTALLATION

ITEM	PART NO.	DESCRIPTION	QTY
1	7470000004	Gauge Mount	2
2	7790060676	Screw, #6 x 0.38"	6
3	7445040421	Fitting	2
4	1001094694	Reducer	2
5	2230021	Adapter	2
6	2220654	Adapter	2
7	1001193233	Hose Assembly	2
8	1001193241	Hose Assembly	1
9	1001193242	Hose Assembly	1

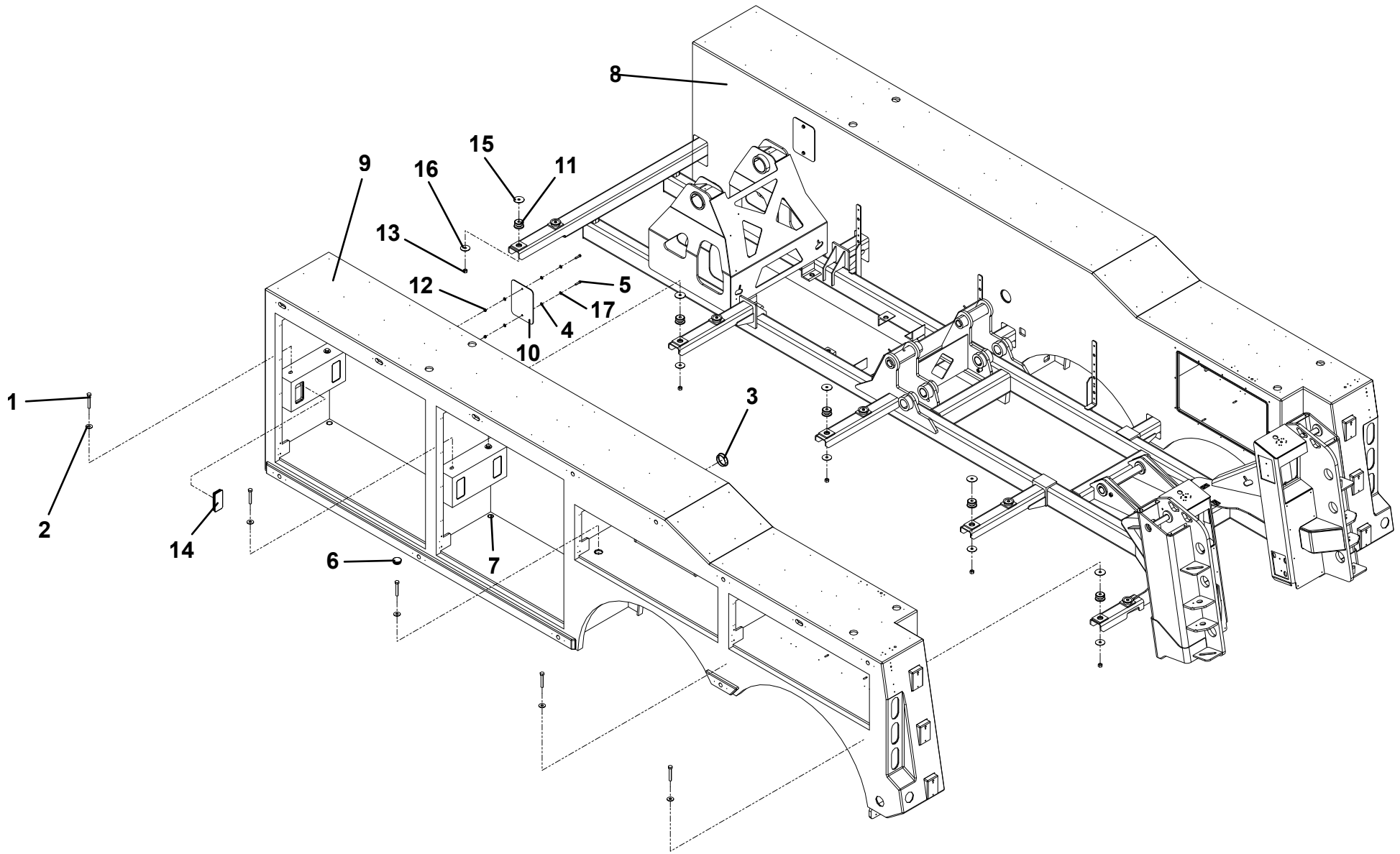
DRIVER SIDE GAUGE INSTALLATION



BODY INSTALLATION - TANDEM

ITEM	PART NO.	DESCRIPTION	QTY
1	0642032	Capscrew, 0.63" - 11NC x 4.00"	20
2	4752000	Washer, 0.63" ID	20
3	1001151789	Plug	2
4	1001166974	Washer, 0.38" ID	4
5	1001168993	Capscrew, 0.38" - 16NC x 1.50"	4
6	1001169078	Plug	6
7	1001173847	Plug	8
8	1001202051	Body, Tandem RH	1
9	1001202052	Body, Tandem LH	1
10	1001206679	Panel	2
11	7636000008	Mount	20
12	7660162601	Locknut, 0.38" - 16NC	4
13	7660200001	Nut, 0.63" - 11NC	20
14	7701000048	Plug	8
15	7949000019	Washer, Head	20
16	7949000020	Washer, Tail	20
17	7950160143	Flatwasher, 0.38" ID	8

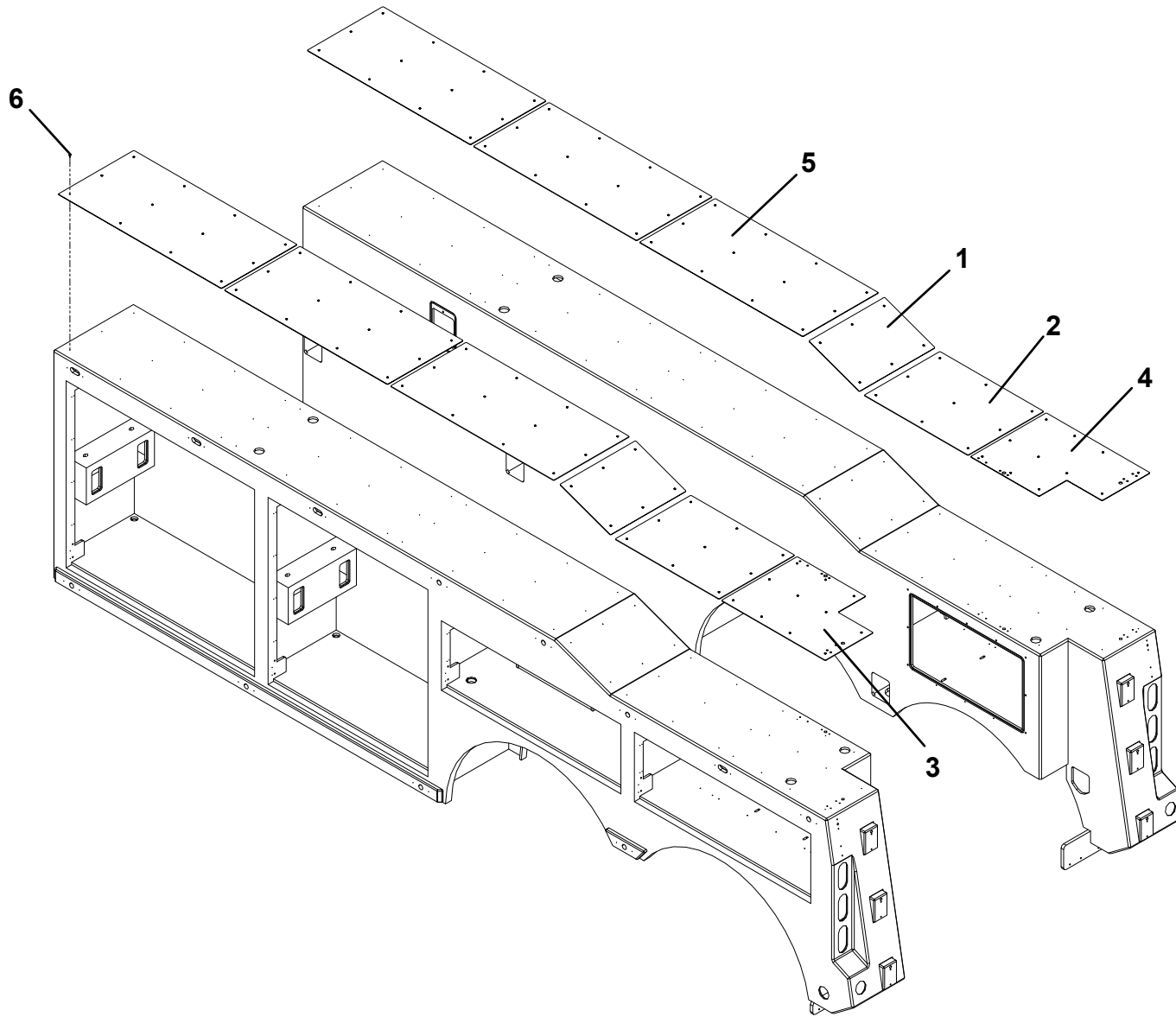
BODY INSTALLATION - TANDEM



DIAMOND PLATE INSTALLATION - TANDEM

ITEM	PART NO.	DESCRIPTION	QTY
1	1001186725	Plate	2
2	1001186726	Plate	4
3	1001186727	Plate	2
4	1001186728	Plate	1
5	1001186835	Plate	1
6	1001192958	Screw. #10 x 0.50"	124

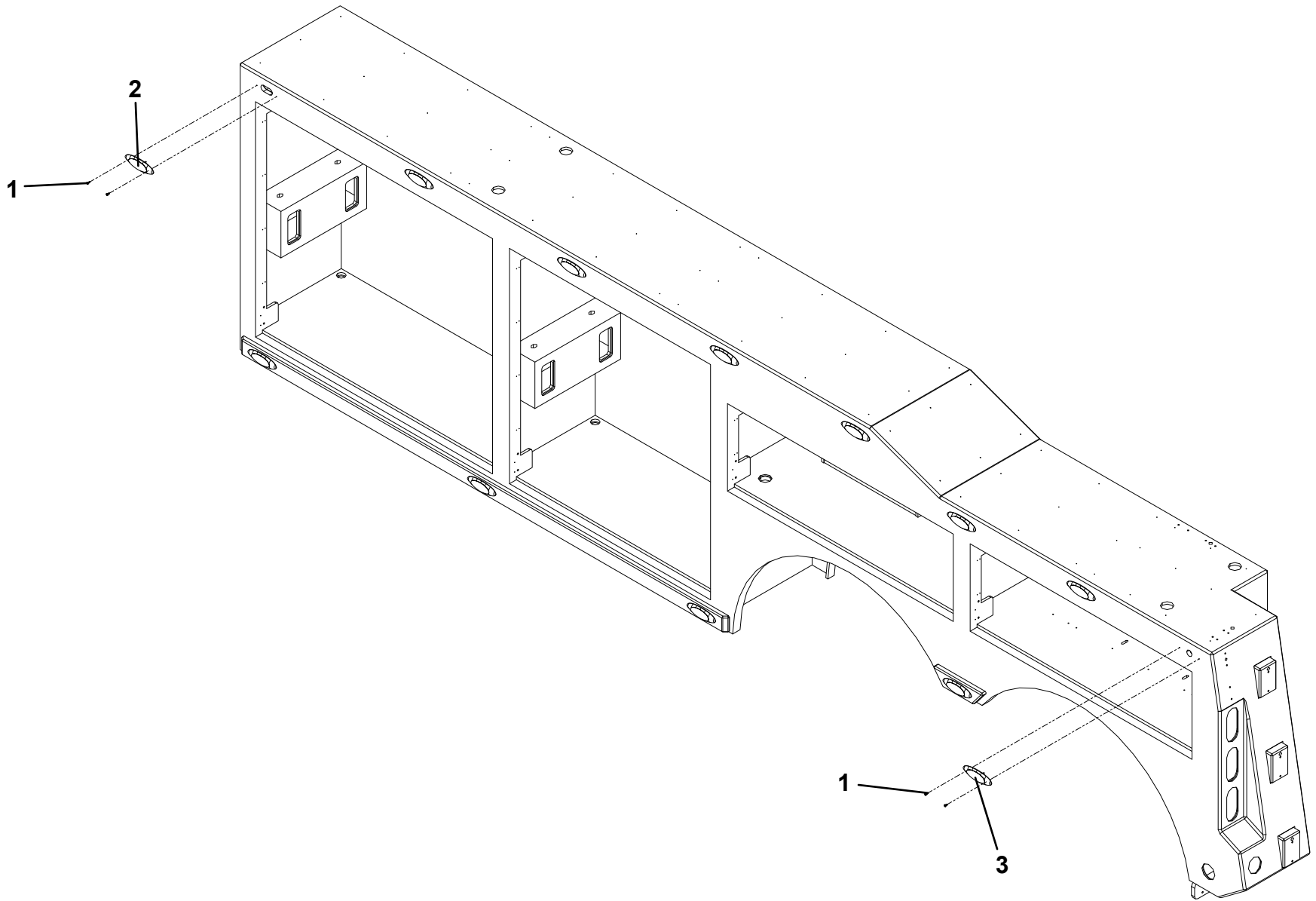
DIAMOND PLATE INSTALLATION - TANDEM



MARKER LIGHT INSTALLATION - TANDEM

ITEM	PART NO.	DESCRIPTION	QTY
1	1001192958	Screw, #10 x 0.50"	48
2	7590000262	Light, Amber	22
3	7590000282	Light, Red	2

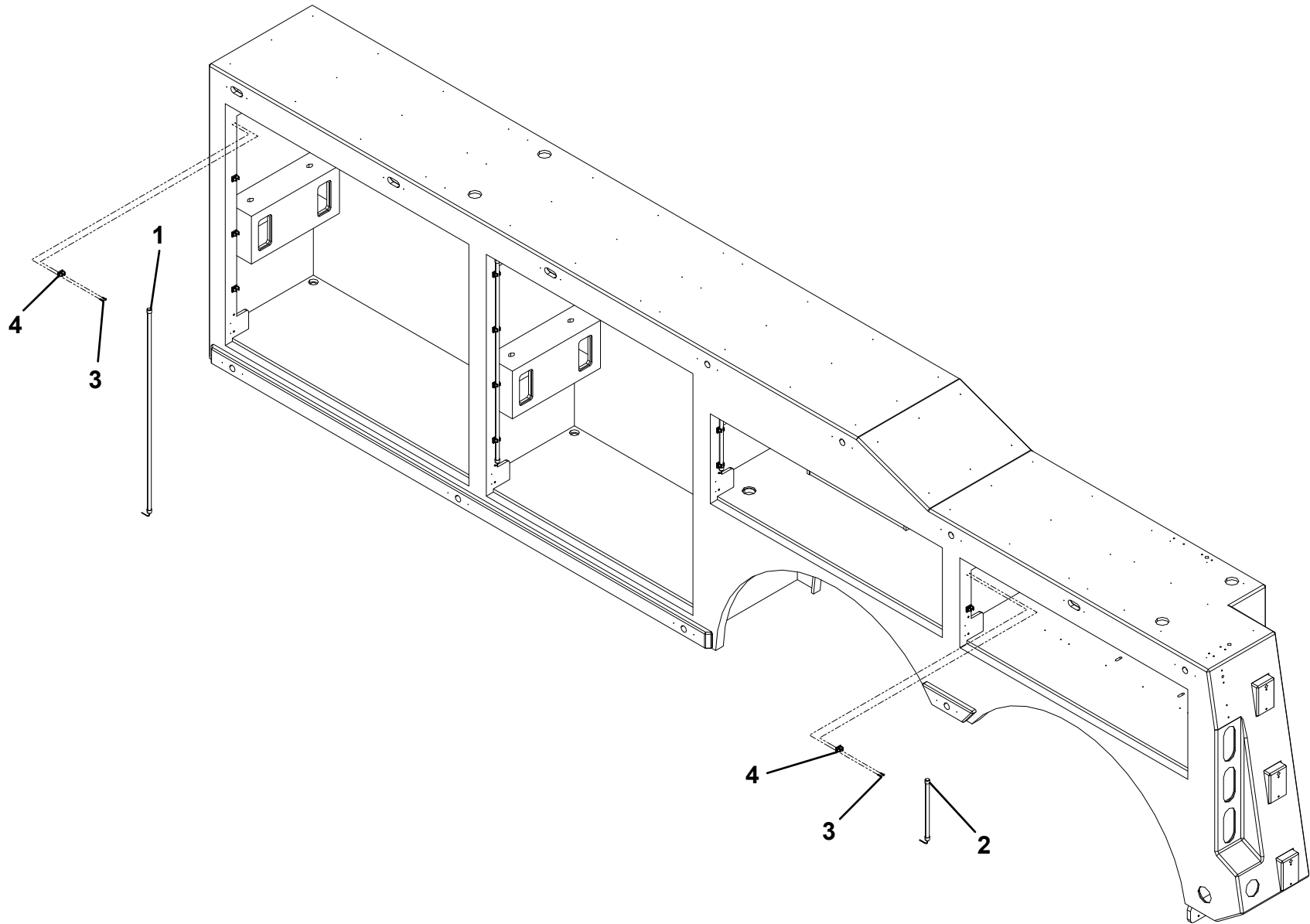
MARKER LIGHT INSTALLATION - TANDEM



COMPARTMENT LIGHT INSTALLATION

ITEM	PART NO.	DESCRIPTION	QTY
1	1001154527	Lamp, 40"	8
2	1001166549	Lamp, 12"	8
3	1001196552	Screw, #8 x 0.75"	96
4	1001199081	Mount	48

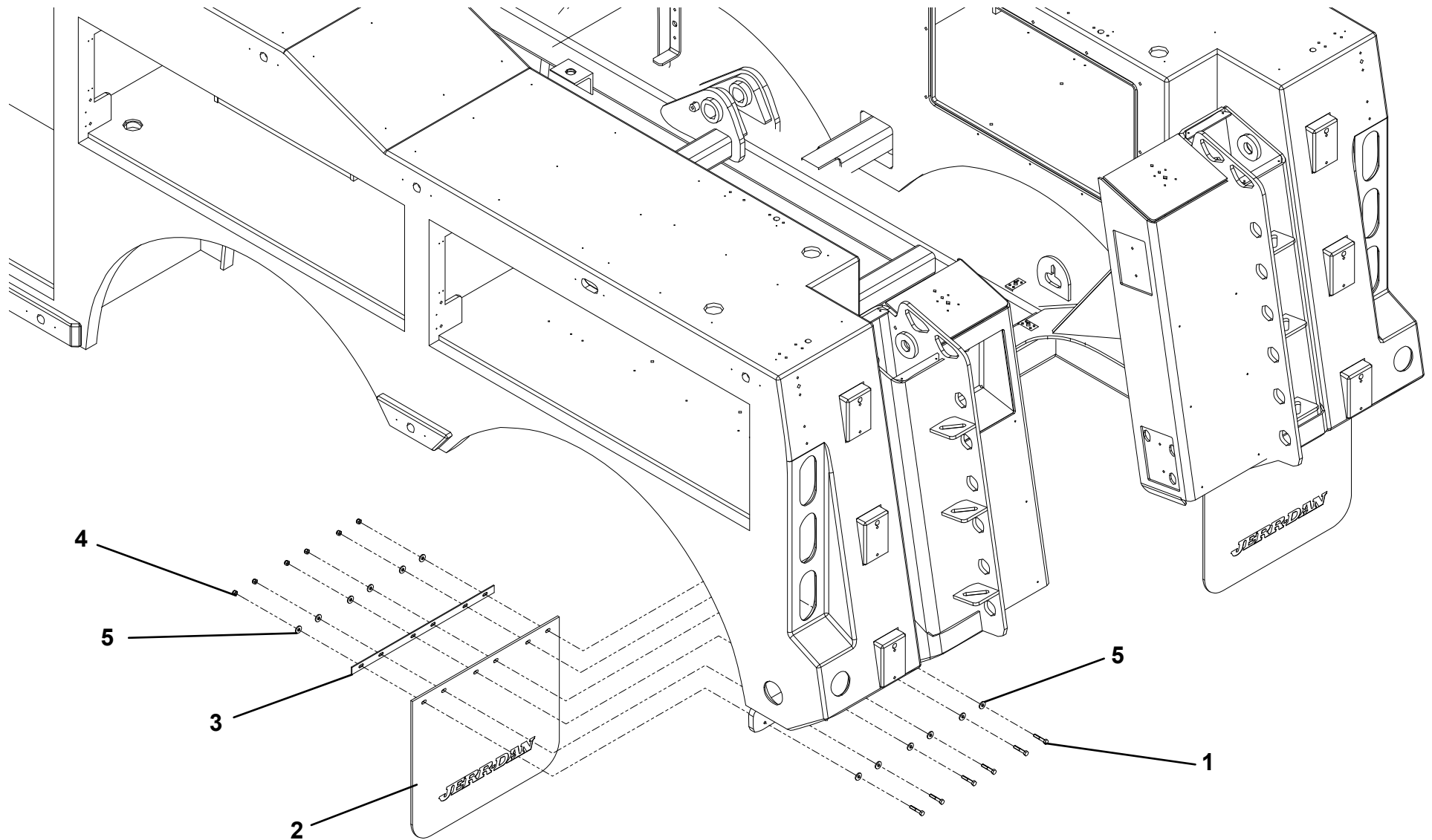
COMPARTMENT LIGHT INSTALLATION



MUDFLAP INSTALLATION - TANDEM

ITEM	PART NO.	DESCRIPTION	QTY
1	0641514	Screw, 0.31" - 18NC x 1.75"	12
2	1001174051	Mud Flap	2
3	4706001815	Plate	2
4	7660152601	Locknut, 0.31" - 18NC	12
5	7950150153	Flatwasher, 0.31"	24

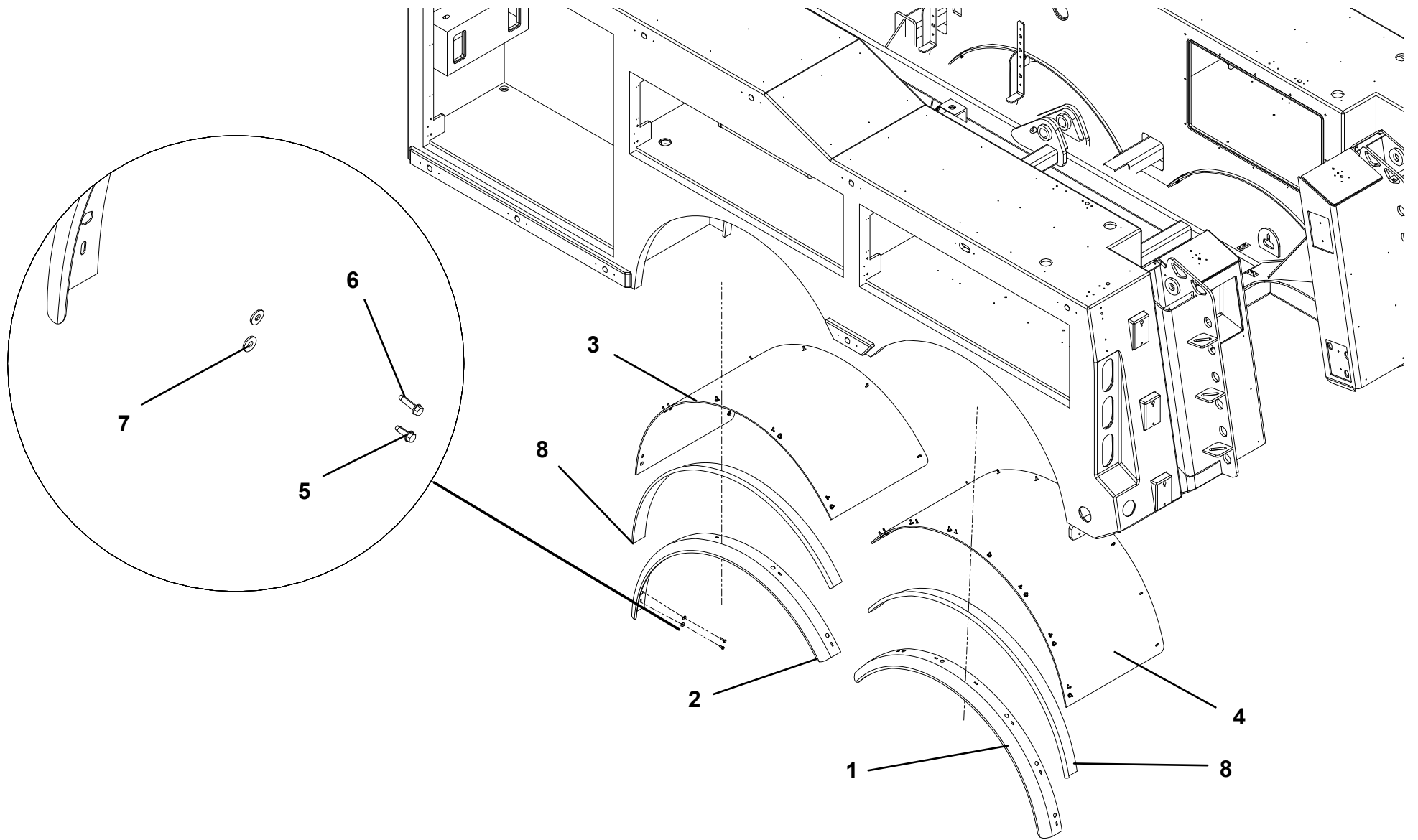
MUDFLAP INSTALLATION - TANDEM



FENDER INSTALLATION - TANDEM

ITEM	PART NO.	DESCRIPTION	QTY
1	1001163358	Fender, Rear	2
2	1001186584	Fender, Front	2
3	1001186606	Liner, Front	2
4	1001186608	Liner, Rear	2
5	7790141251	Screw, 0.25" x 0.75"	24
6	7790141651	Screw, 0.25" x 1.00"	42
7	7950140163	Flatwasher, 0.25" ID	66
8	1001167358	Mould	1

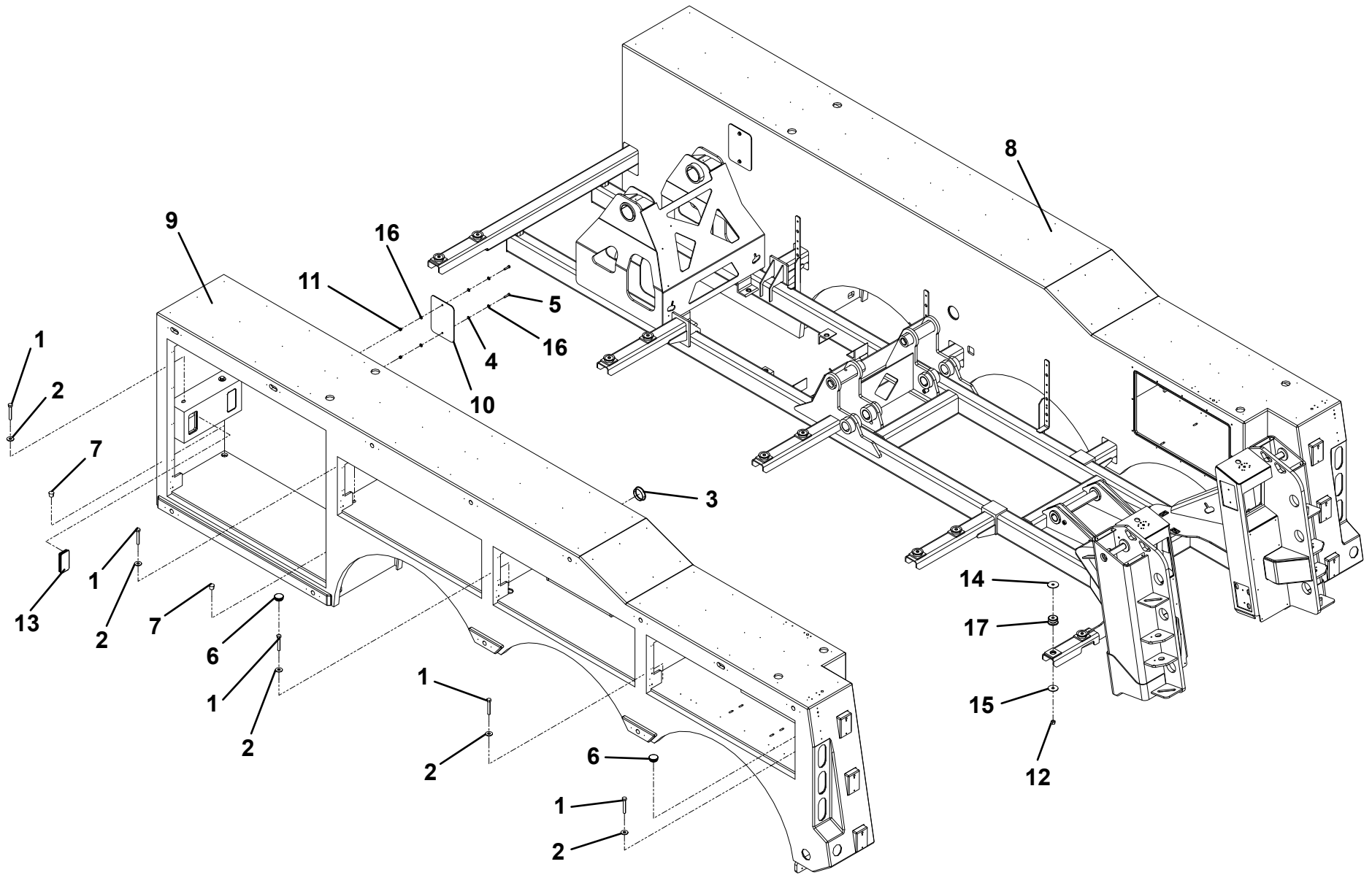
FENDER INSTALLATION - TANDEM



BODY INSTALLATION - TRI-AXLE

ITEM	PART NO.	DESCRIPTION	QTY
1	0642032	Capscrew, 0.63" - 11NC x 4.00"	20
2	4752000	Washer, 0.63" ID	20
3	1001151789	Plug	2
4	1001166974	Washer, 0.38" ID	4
5	1001168993	Capscrew, 0.38" - 16NC x 1.50"	4
6	1001169078	Plug	6
7	1001173847	Plug	8
8	1001202524	Body, Tandem RH	1
9	1001220273	Body, Tandem LH	1
10	1001206679	Panel	2
11	7660162601	Locknut, 0.38" - 16NC	4
12	7660200001	Nut, 0.63" - 11NC	20
13	7701000048	Plug	8
14	7949000019	Washer, Head	20
15	7949000020	Washer, Tail	20
16	7950160143	Flatwasher, 0.38" ID	8
17	7636000008	Mount	20

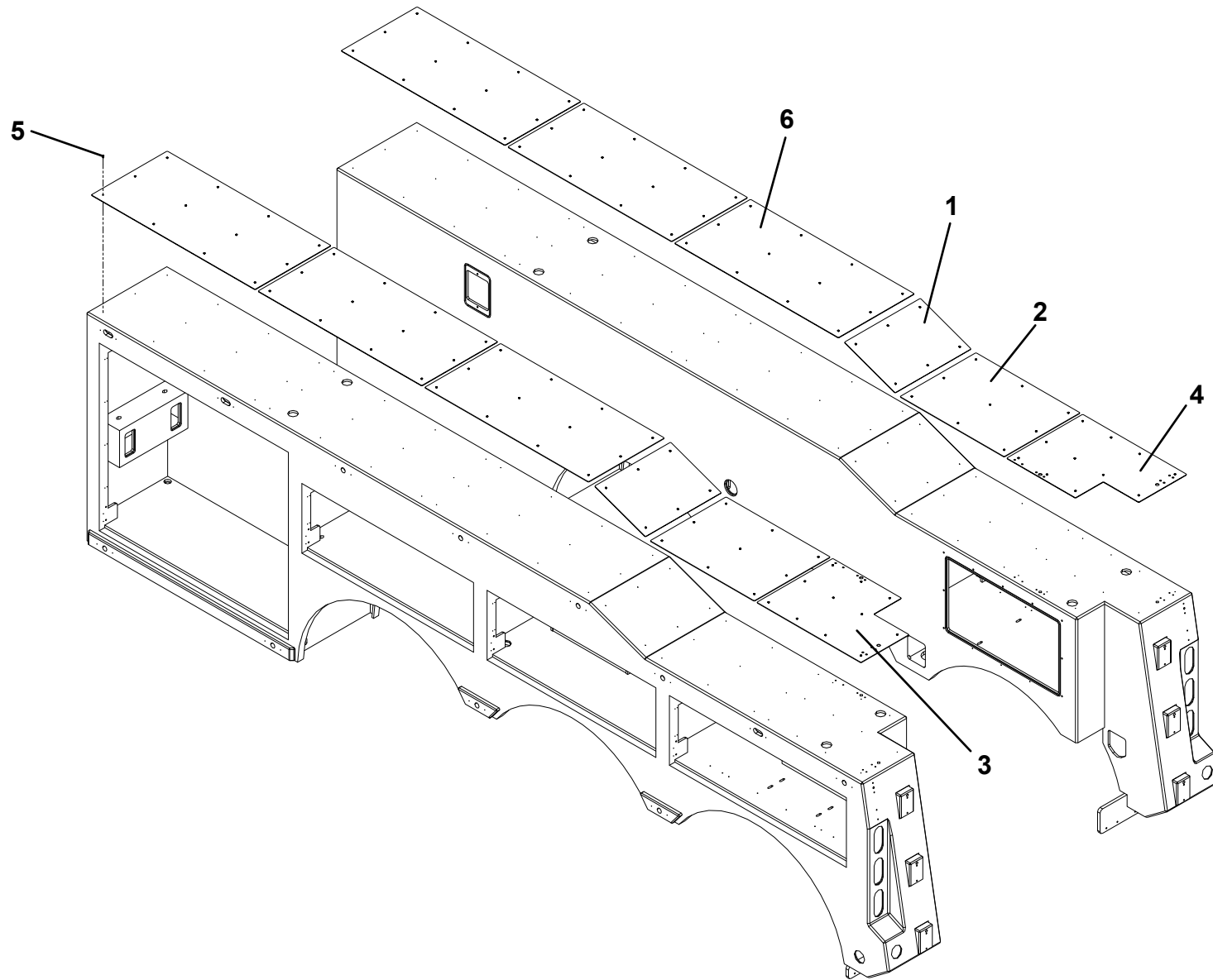
BODY INSTALLATION - TRI-AXLE



DIAMOND PLATE INSTALLATION - TRI-AXLE

ITEM	PART NO.	DESCRIPTION	QTY
1	1001186725	Plate	2
2	1001186727	Plate	2
3	1001186728	Plate	1
4	1001188635	Plate	1
5	1001192958	Screw, #10 x 0.50"	124
6	1001205877	Plate	6

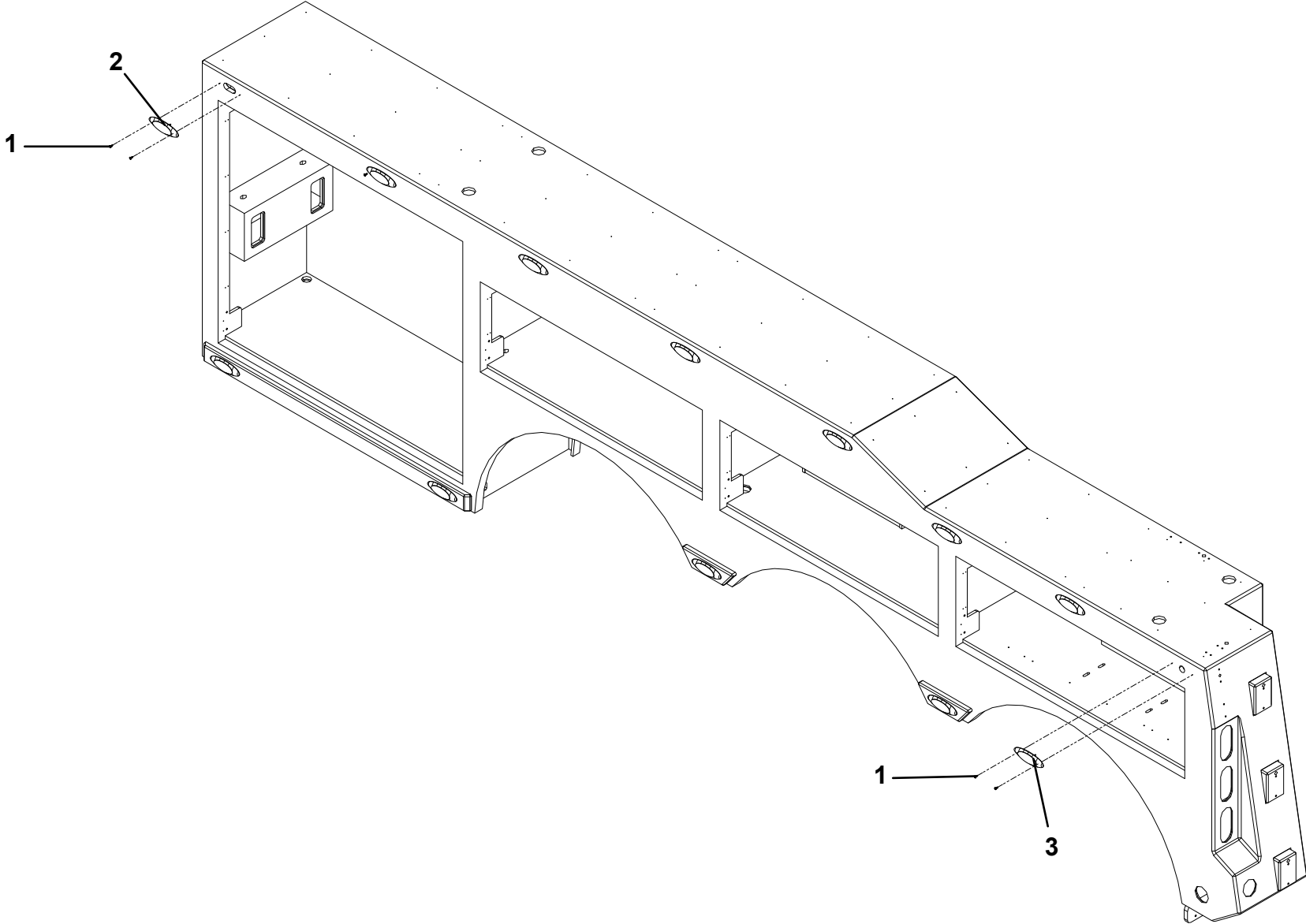
DIAMOND PLATE INSTALLATION - TRI-AXLE



MARKER LIGHT INSTALLATION - TRI-AXLE

ITEM	PART NO.	DESCRIPTION	QTY
1	1001154101	Screw, #10 x 0.38"	48
2	7590000262	Light, Amber	22
3	7590000282	Light, Red	2

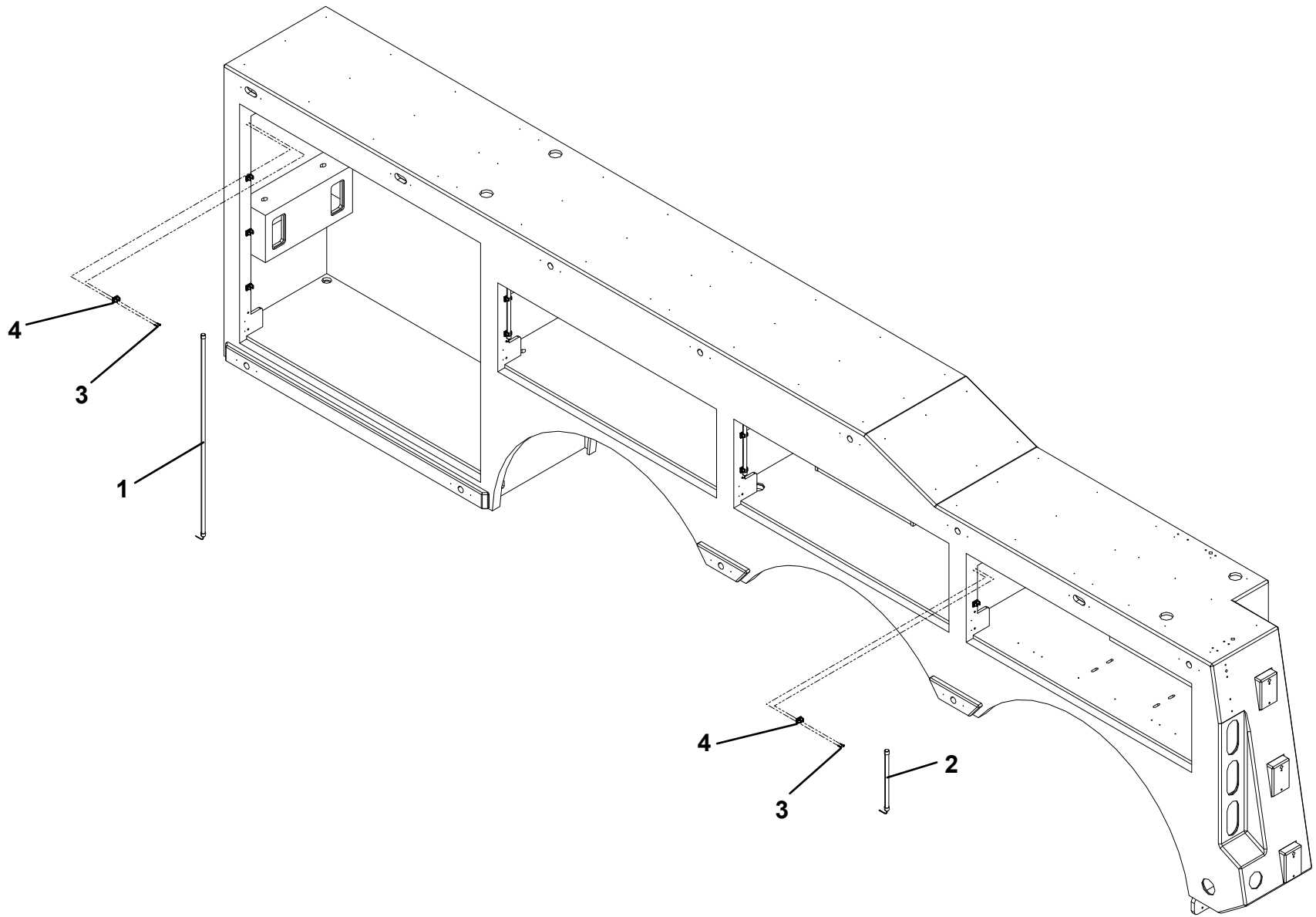
MARKER LIGHT INSTALLATION - TRI-AXLE



COMPARTMENT LIGHT INSTALLATION - TRI-AXLE

ITEM	PART NO.	DESCRIPTION	QTY
1	1001154527	Lamp, 40"	4
2	1001166549	Lamp, 12"	12
3	1001196552	Screw, #8 x 0.75"	80
4	1001199081	Mount	40

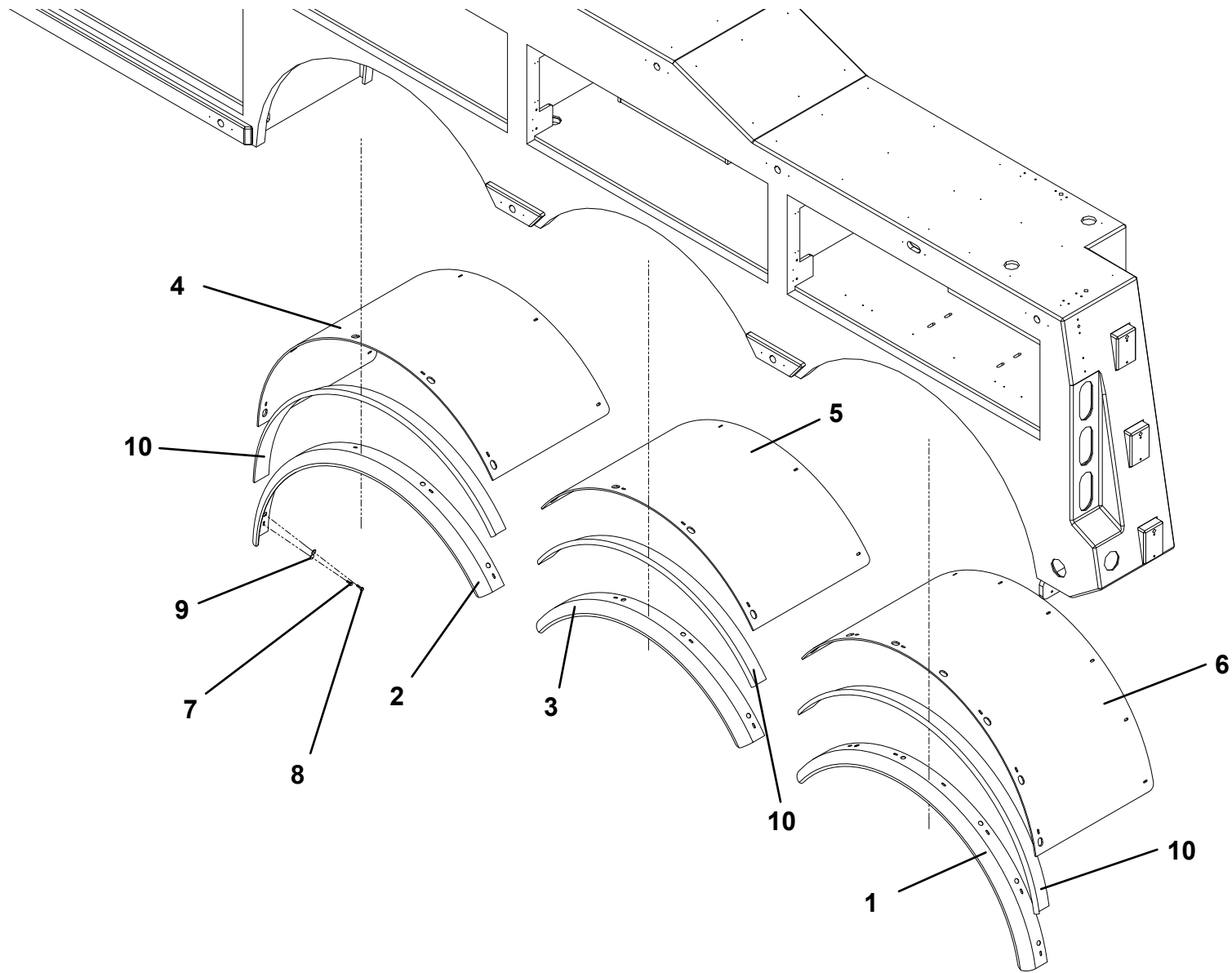
COMPARTMENT LIGHT INSTALLATION - TRI-AXLE



FENDER INSTALLATION - TRI-AXLE

ITEM	PART NO.	DESCRIPTION	QTY
1	1001163358	Fender, Rear Body	2
2	1001186584	Fender, Front	2
3	1001186585	Fender, Middle	2
4	1001186606	Fender Liner, Front	2
5	1001186607	Fender Liner, Middle	2
6	1001186608	Fender Liner, Rear	2
7	7790141251	Screw, 0.25" x 0.75"	32
8	7790141651	Screw, 0.25" x 1.00"	56
9	7950140163	Flatwasher, 0.25" ID	88
10	1001167358	Moulding	0.32FT
11	1001217088	Tape	0.32FT

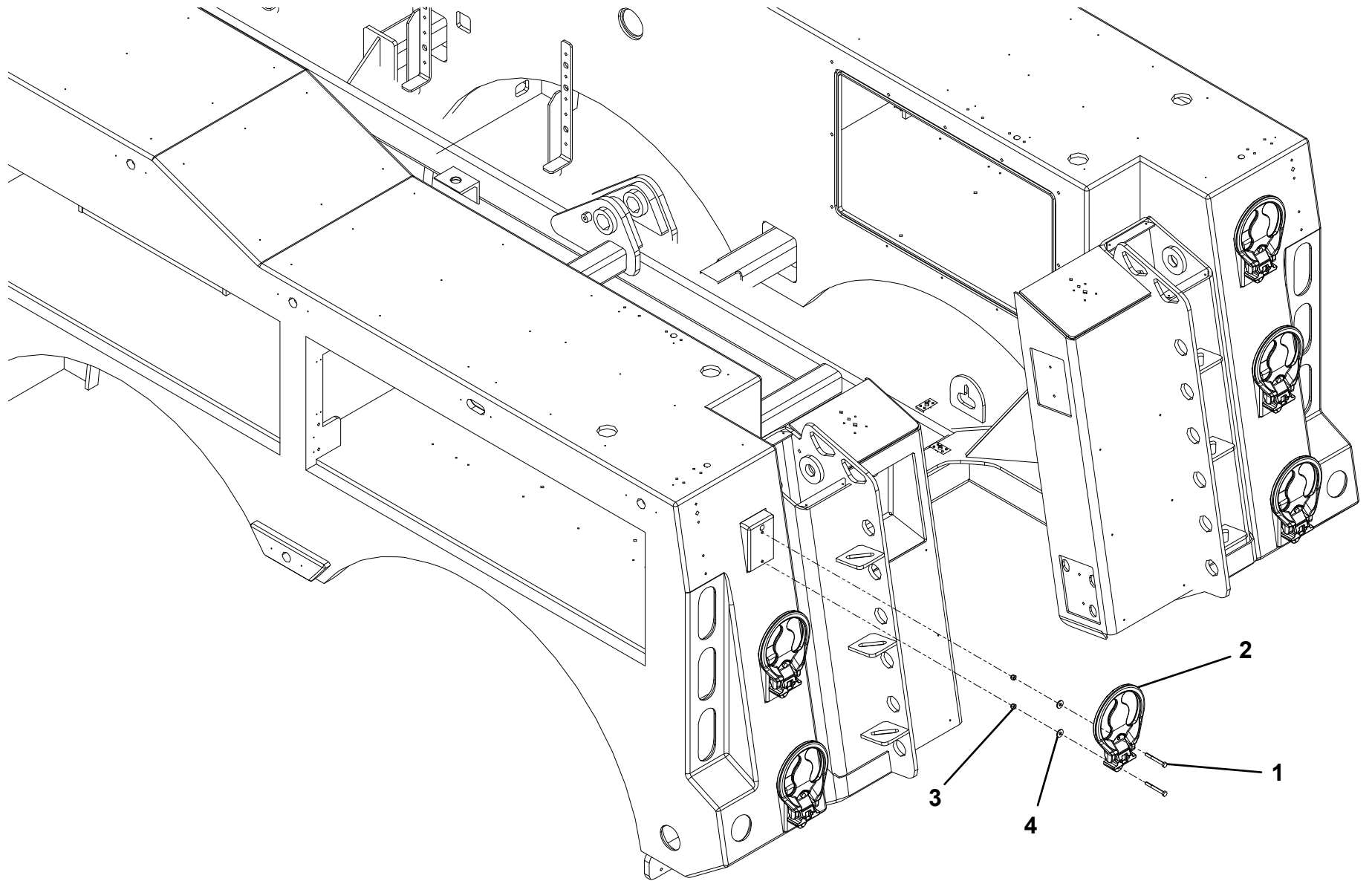
FENDER INSTALLATION - TRI-AXLE



STEP INSTALLATION

ITEM	PART NO.	DESCRIPTION	QTY
1	1001167455	Screw, 0.31" - 18NC x 2.75"	12
2	1001167456	Step	6
3	7660152601	Locknut, 0.31" - 18NC	12
4	7950150153	Flatwasher, 0.31" ID	12

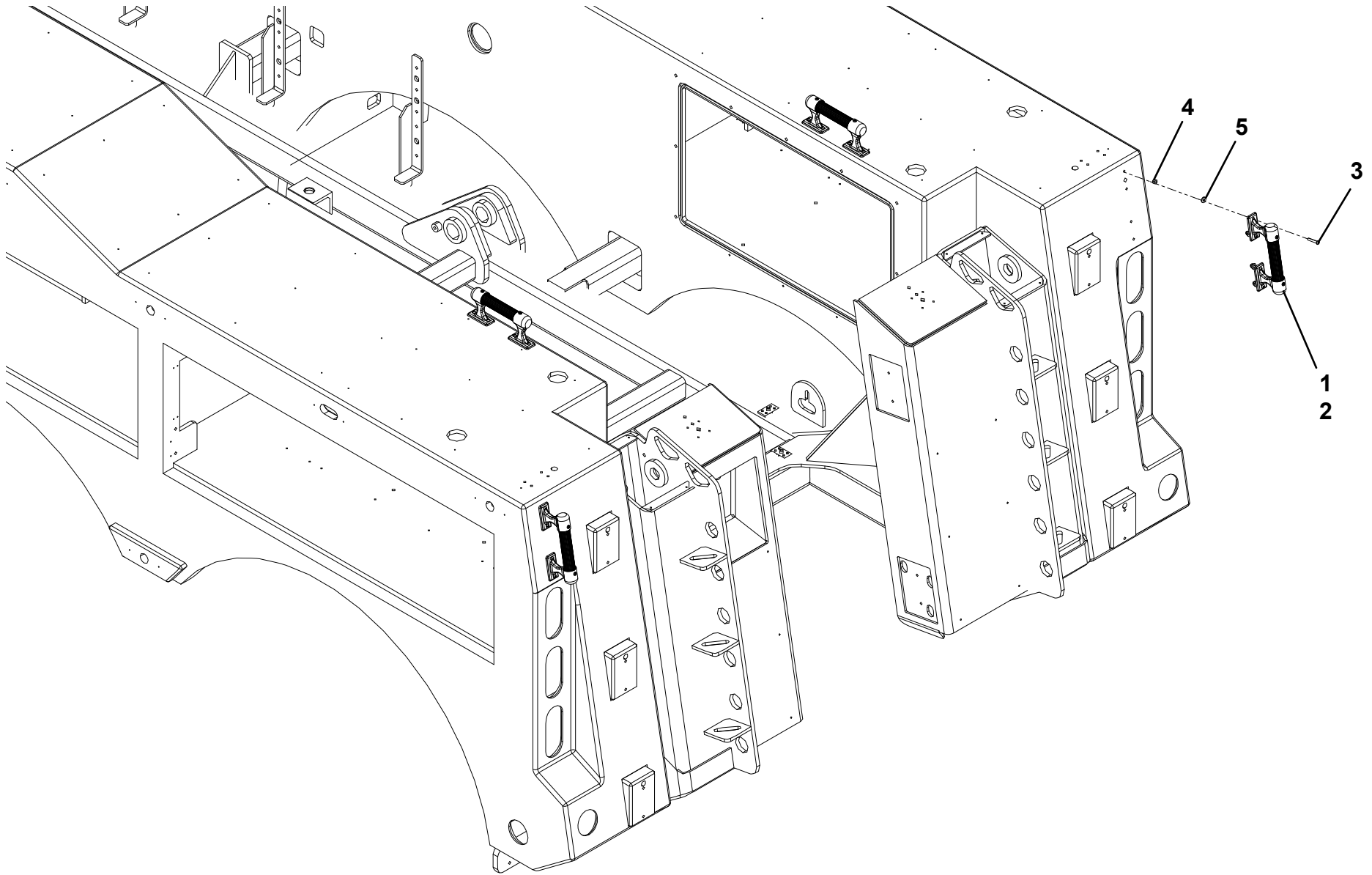
STEP INSTALLATION



GRAB HANDLE INSTALLATION

ITEM	PART NO.	DESCRIPTION	QTY
1	1001170849	Handle	4
2	1001170937	Screw	8
3	7114141218	Screw, 0.25" - 20NC x 1.50"	16
4	7660142600	Locknut, 0.25" - 20NC	16
5	7950140143	Flatwasher, 0.25" ID	16

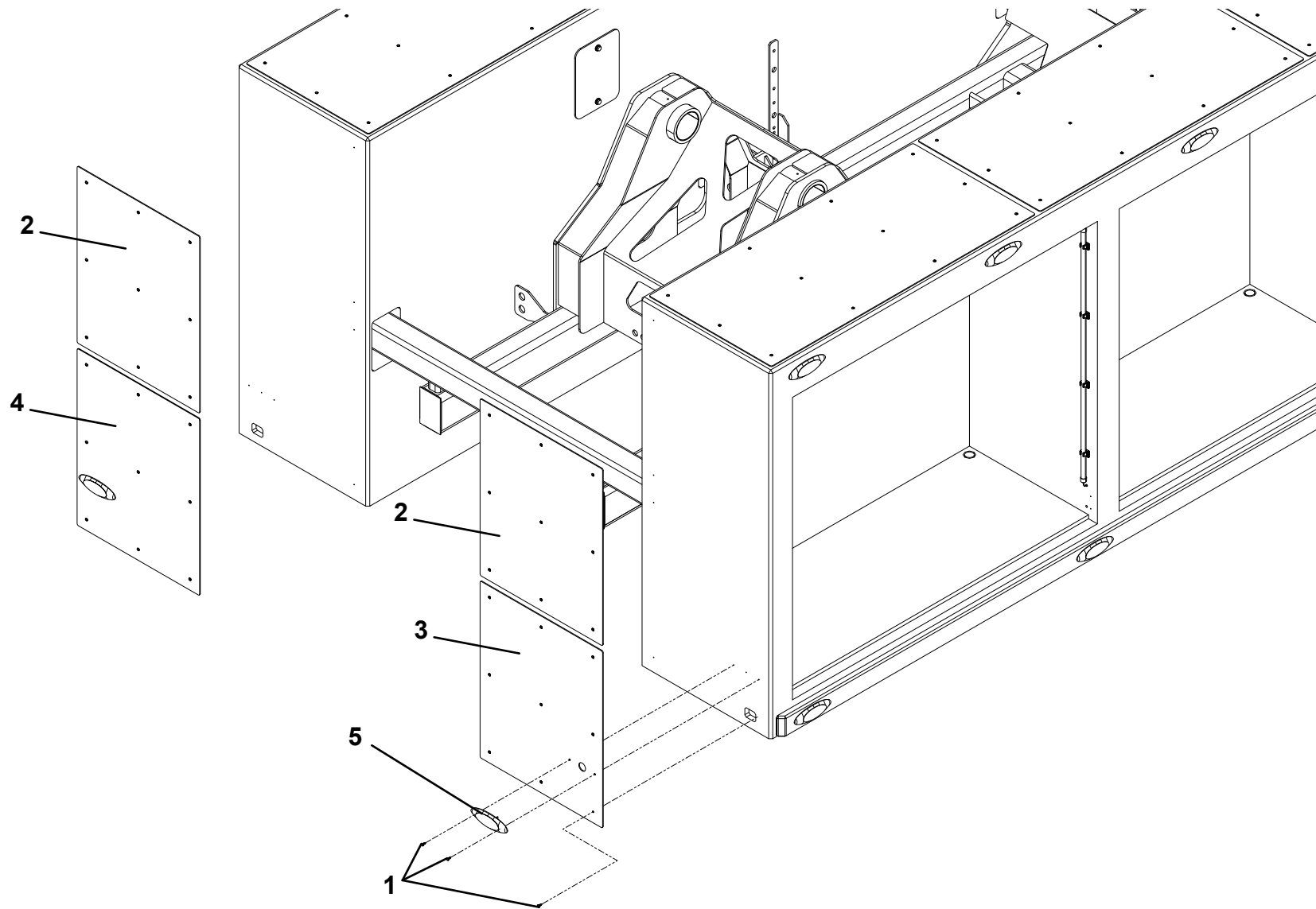
GRAB HANDLE INSTALLATION



FRONT DIAMOND PLATE INSTALLATION

ITEM	PART NO.	DESCRIPTION	QTY
1	1001192958	Screw, #10 X 0.50"	40
2	1001205915	Plate, Top	2
3	1001205916	Plate, LH	1
4	1001205917	Plate, RH	1
5	7590000262	Light, Amber	2

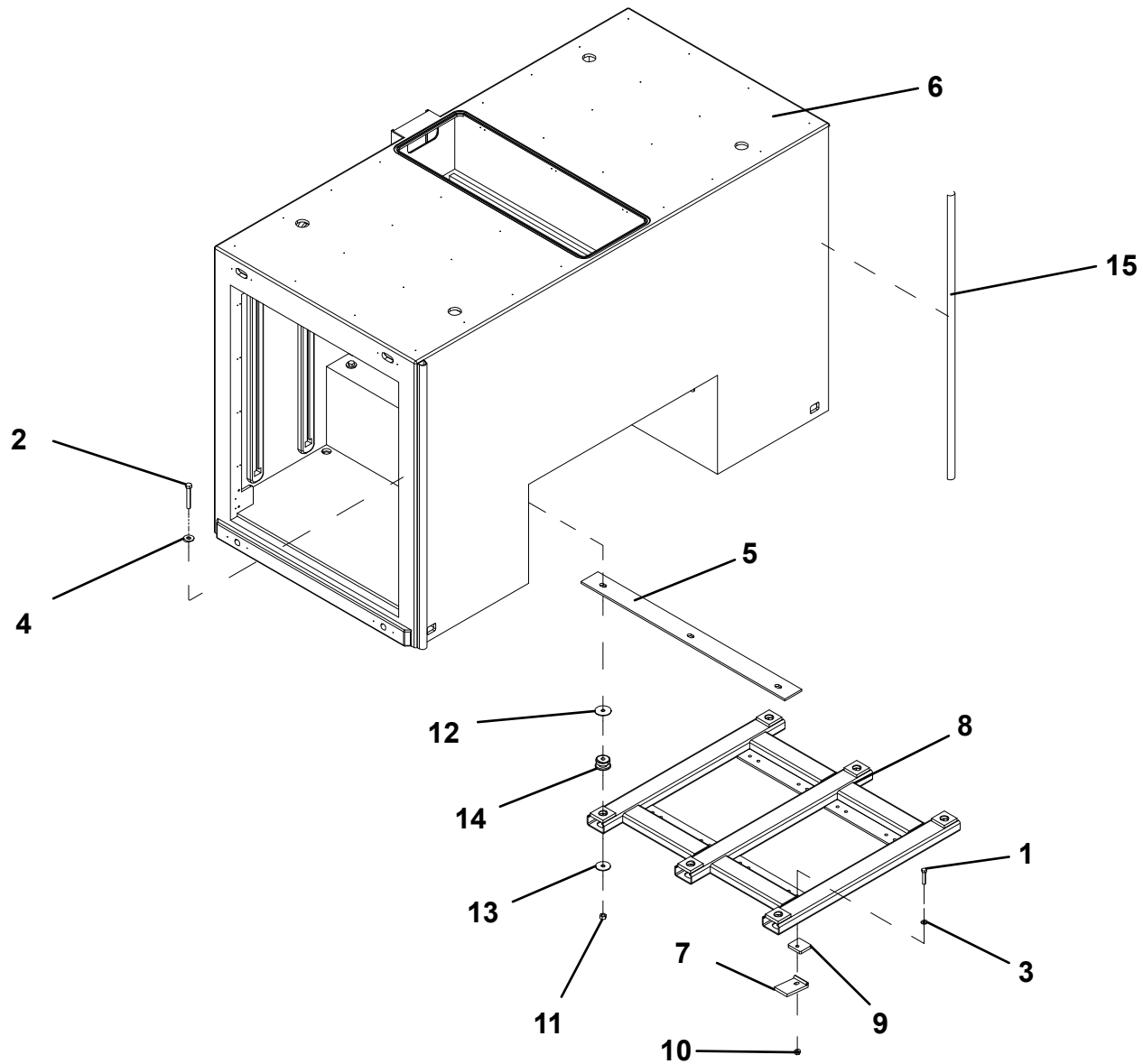
FRONT DIAMOND PLATE INSTALLATION



TOOLBOX INSTALLATION - 51" W/ BATTERIES

ITEM	PART NO.	DESCRIPTION	QTY
1	641820	Capscrew, 0.50"-13 X 2.50"	8
2	642034	Capscrew, 0.63"-11 X 4.25"	6
3	4711800	Washer, 0.50" ID	8
4	4752000	Washer, 0.63" ID	6
5	1001165692	Support Tunnel Plate	2
6	1001185657	Tunnel Tool Box W/Batteries	1
7	3274000011	Clamp Weldment	8
8	3911000068	Toolbox Mount	1
9	4705000705	Plate	8
10	7660182301	Locknut, 0.50"-13NC	8
11	7660200001	Nut, 0.63"-11NC	6
12	7949000019	Washer	6
13	7949000020	Washer	6
14	7636000008	Mount	6
15	8632000011	Seal	10FT

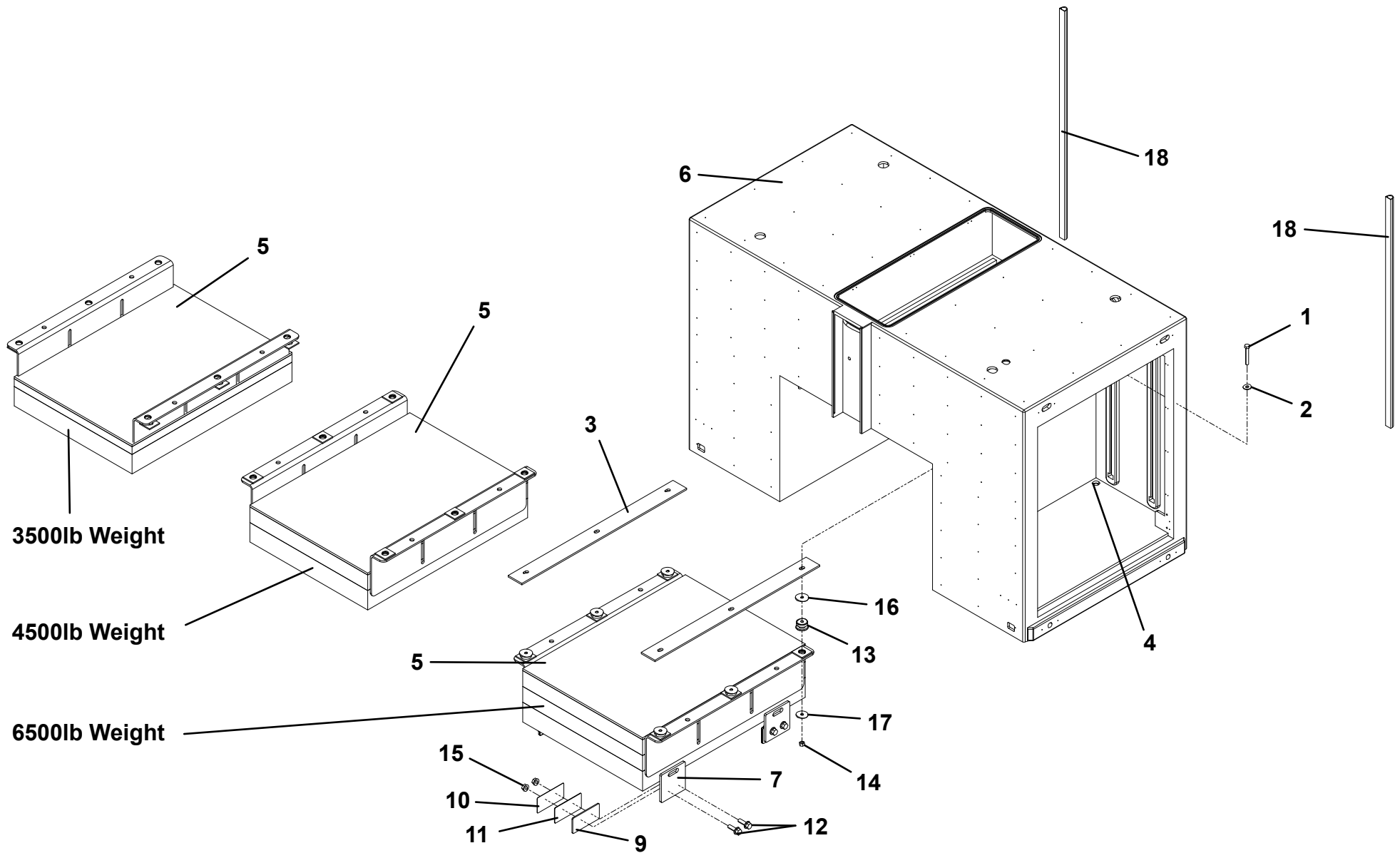
TOOLBOX INSTALLATION - 51" W/ BATTERIES



TOOLBOX INSTALLATION - 51" W/ BATTERIES AND COUNTER WEIGHT

ITEM	PART NO.	DESCRIPTION	QTY
1	642034	Screw, 0.625"-11NC x 4.25"	6
2	4752000	Washer, 0.625"	6
3	1001165692	Support	2
4	1001173847	Plug	4
5	1001219831	Weight, 6500lb	1
	1001211487	Weight, 4500lb	
	1001211486	Weight, 3500lb	
6	1001219833	Tunnel Toolbox 51"	1
7	1001219916	Plate	4
8	1001219921	Shim Kit	1
9	1001219917	Shim, 0.25"	4
10	1001219918	Shim, 11 ga	4
11	1001219919	Shim, 16 ga	4
12	7118221816	Capscrew, 0.75"-10NC X 2.25"	8
13	7636000008	Rubber Mount	6
14	7660200001	Nut, 0.63"-11NC	6
15	7660222308	Locknut, 0.75"-10NC	8
16	7949000019	Washer, Head	6
17	7949000020	Washer, Tail	6
18	8632000011	Seal	10FT

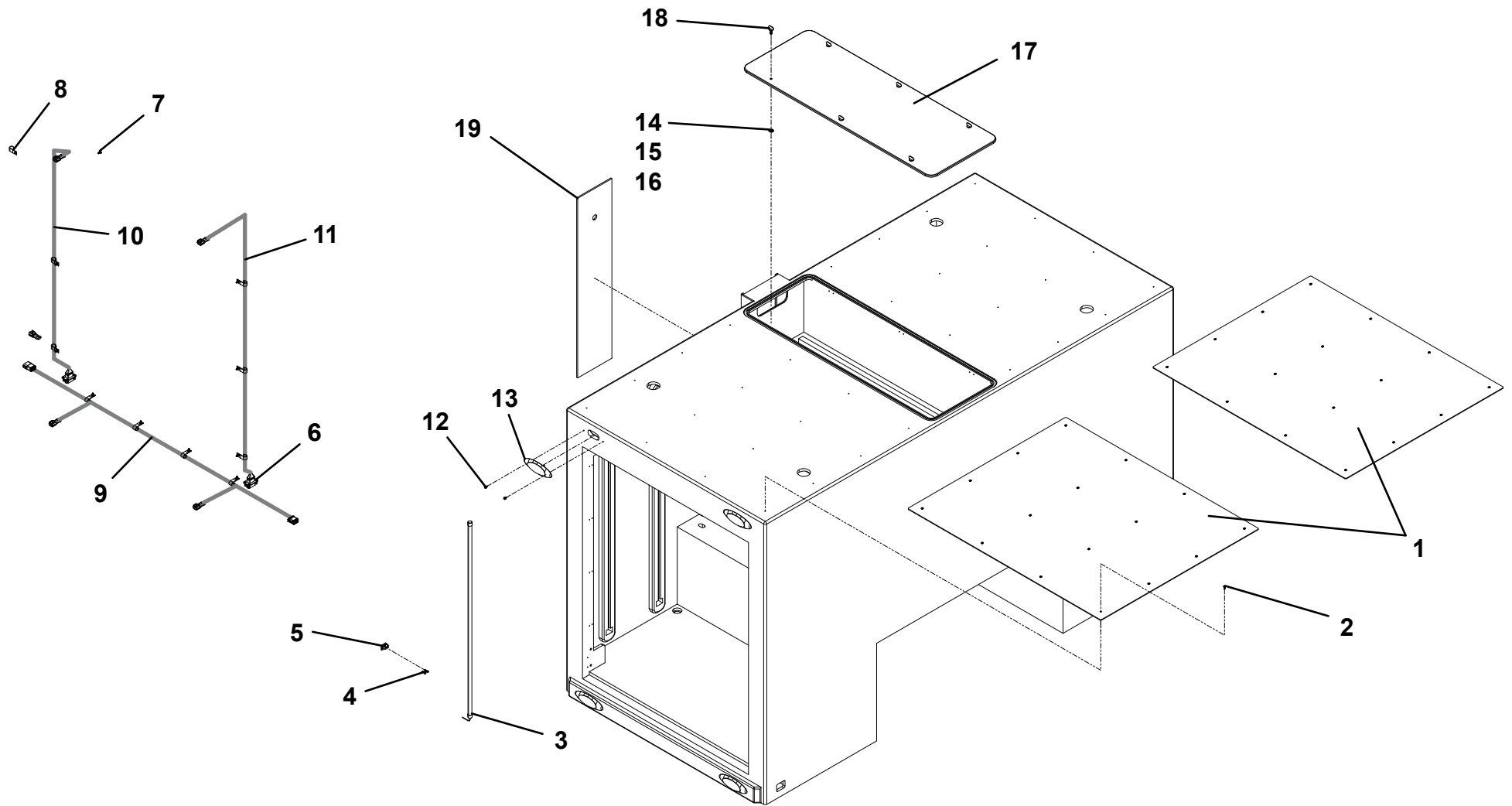
TOOLBOX INSTALLATION - 51" W/ BATTERIES AND COUNTER WEIGHT



TOOLBOX ASSEMBLY - 51" W/ BATTERIES

ITEM	PART NO.	DESCRIPTION	QTY
1	1001187000	Plate	2
2	1001192958	Screw, #10 x 0.50"	32
3	1001154527	Light	4
4	1001196552	Screw #8 x 0.75"	32
5	1001199081	Mount	16
6	1001195257	Screw 0.25" x 0.50"	20
7	1001196552	Screw, #8 x 0.75"	16
8	7280000006	Clip	20
9	1001188904	Harness	2
10	1001188920	Harness	2
11	1001188921	Harness	2
12	1001154101	Screw	16
13	7590000262	Light	8
14	750605	Screw	12
15	3760308	Retainer	6
16	1001122235	Bracket	6
17	1001166674	Cover	1
18	1001166930	Latch	6
19	1001185654	Cover	1

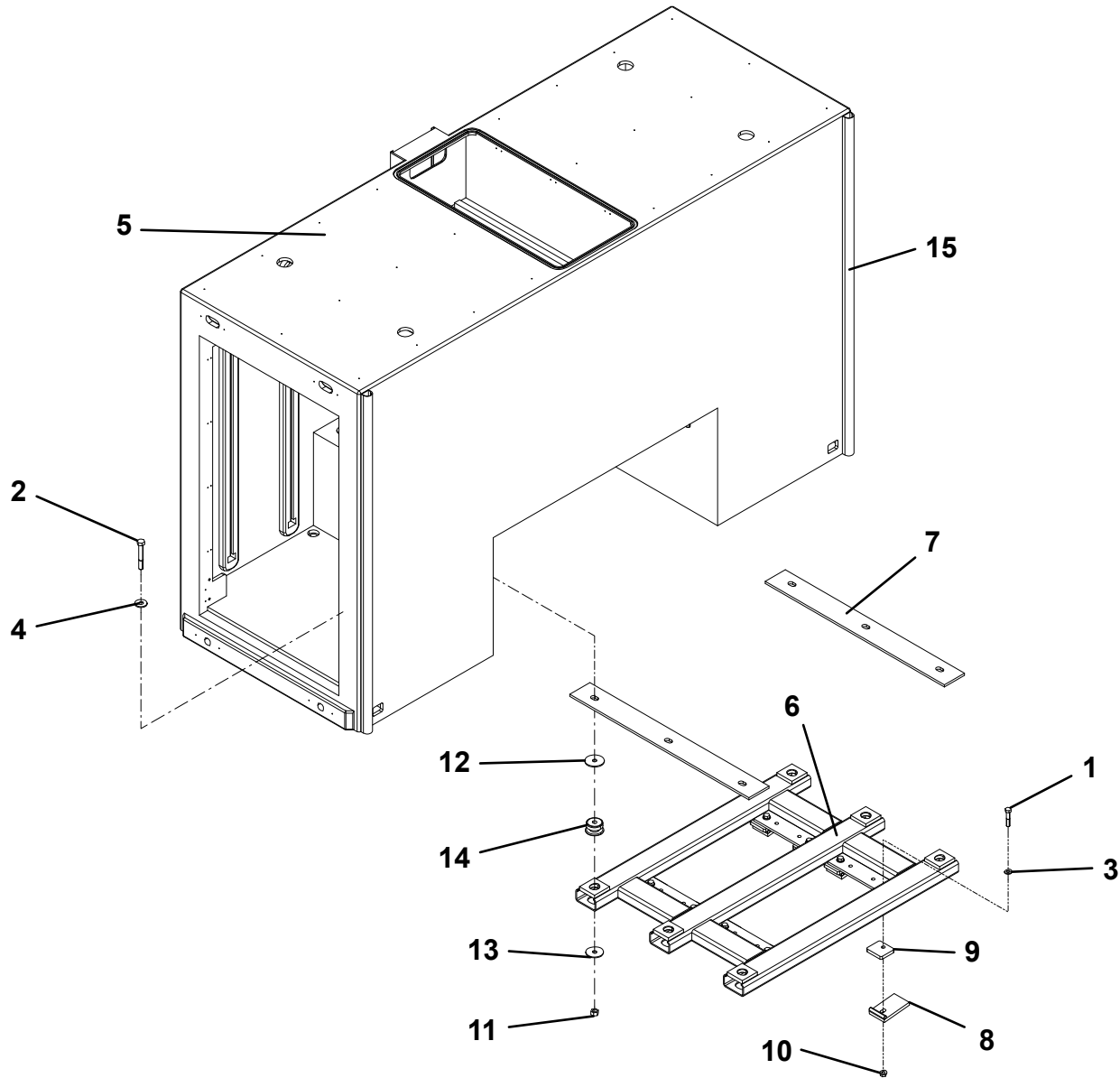
TOOLBOX ASSEMBLY - 51" W/ BATTERIES

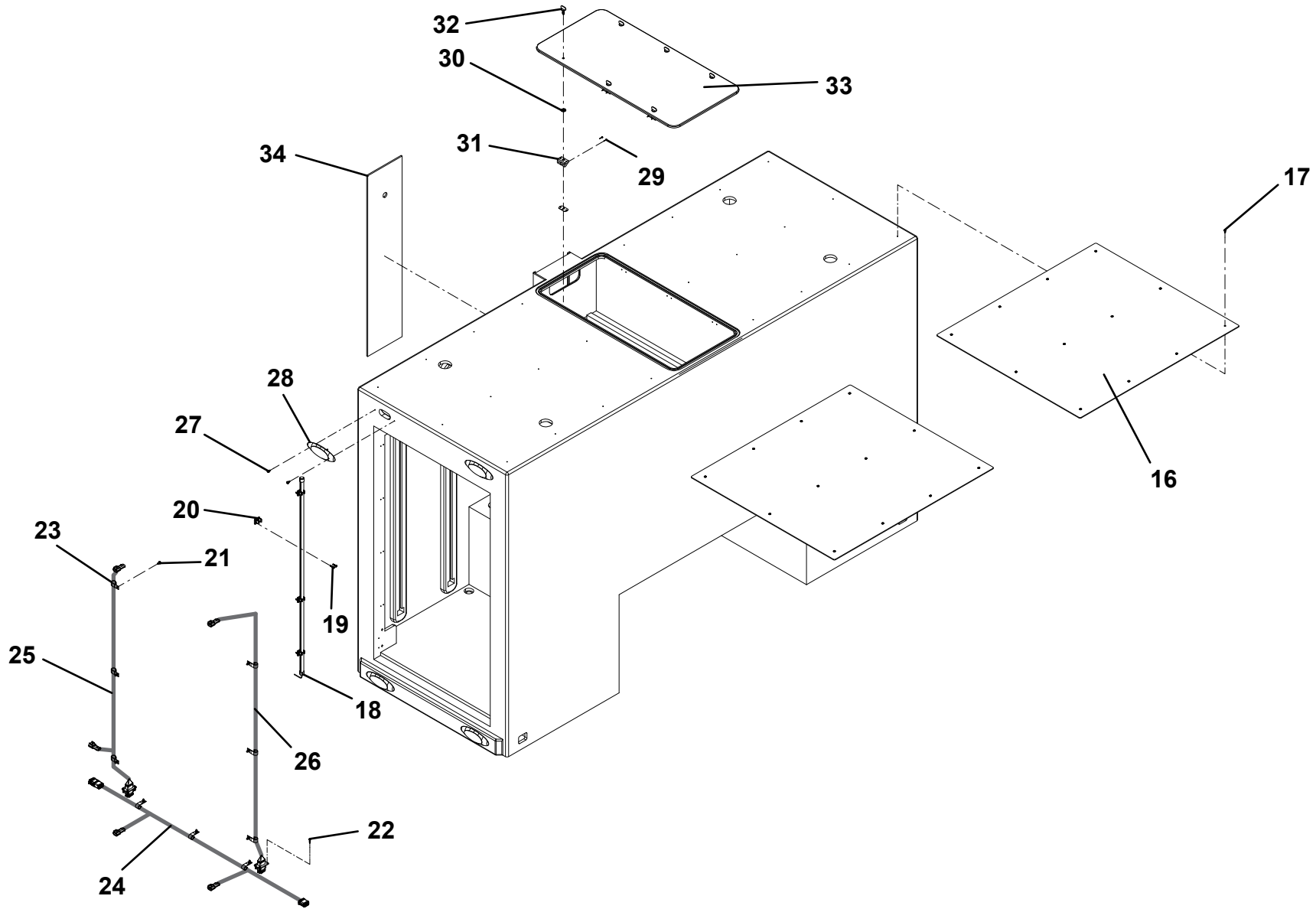


TOOLBOX ASSEMBLY - 39" W/ BATTERIES

ITEM	PART NO.	DESCRIPTION	QTY
1	641820	Screw, 0.50"-13 X 2.50"	8
2	642034	Screw, 0.625"-11 X 4.25"	6
3	4711800	Washer, 0.50" ID	8
4	4752000	Washer, 0.625" ID	6
5	1001186491	Tunnel Toolbox	1
6	1001187063	Mount	1
7	1001197338	Plate	2
8	3274000011	Clamp	8
9	4705000705	Plate	8
10	7660182301	Locknut, 0.50"-13NC	8
11	7660200001	Nut, 0.63"-11NC	6
12	7949000019	Washer, Head	6
13	7949000020	Washer, Tail	6
14	7636000008	Mount	6
15	8632000011	Seal	10FT
16	1001186993	Plate	2
17	1001192958	Screw, #10 x 0.05"	24
18	1001154527	Light	4
19	1001196552	Screw, #8 x 0.75"	32
20	1001199081	Mount	16
21	1001195257	Screw, 0.25" x 0.50"	18
22	1001196552	Screw, #8 x 0.75"	16
23	7280000006	Clip	18
24	1001188919	Harness	2
25	1001188920	Harness	2
26	1001188921	Harness	2
27	1001154101	Screw	16
28	7590000262	Light	8
29	750605	Screw	12
30	3760308	Retainer	6
31	1001122235	Bracket	6
32	1001166930	Latch	6
33	1001182569	Cover	1
34	1001185654	Cover	1

TOOLBOX ASSEMBLY - 39" W/ BATTERIES



TOOLBOX ASSEMBLY - 39" W/ BATTERIES

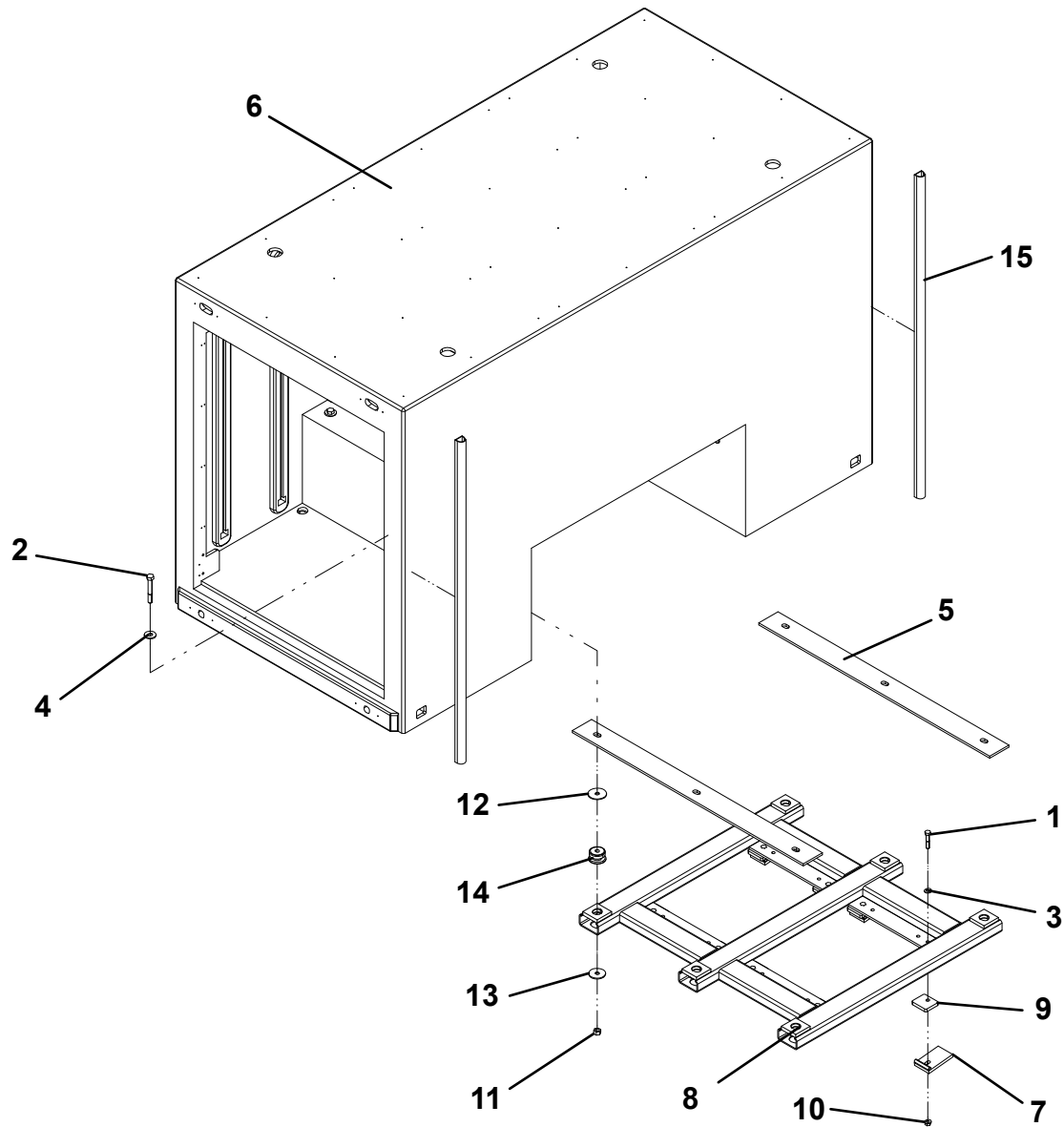
TOOLBOX ASSEMBLY - 39" W/ BATTERIES

THIS PAGE INTENTIONALLY LEFT BLANK

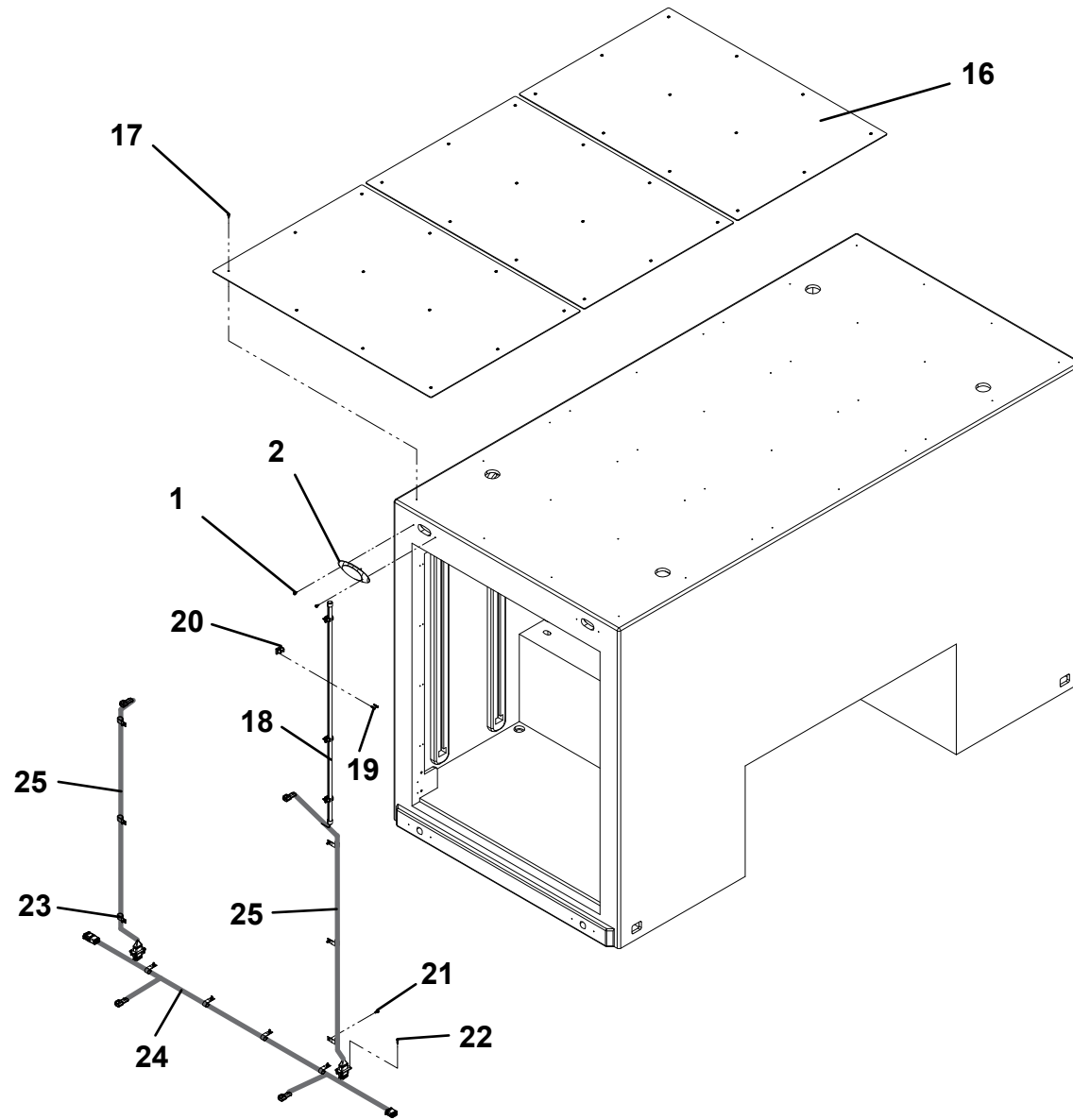
TOOLBOX INSTALLATION - 49" W/O BATTERIES

ITEM	PART NO.	DESCRIPTION	QTY
1	641820	Screw, 0.50"-13 X 2.50"	8
2	642034	Screw, 0.625"-11 X 4.25"	6
3	4711800	Washer, 0.50" ID	8
4	4752000	Washer, 0.625" ID	6
5	1001165692	Plate	2
6	1001186416	Tunnel Toolbox 48"	1
7	3274000011	Clamp	8
8	3911000068	Mount	1
9	4705000705	Plate	8
10	7660182301	Locknut, 0.50"-13NC	8
11	7660200001	Nut, 0.63"-11NC	6
12	7949000019	Washer, Head	6
13	7949000020	Washer, Tail	6
14	7636000008	Mount	6
15	8632000011	Seal	10FT
16	1001187009	Plate	3
17	1001192958	Screw, #10 x 0.50"	36
18	1001154527	Lamp	4
19	1001196552	Screw, #8 x 0.75"	32
20	1001199081	Mount	16
21	1001195257	Screw, 0.25" x 0.50"	20
22	1001196552	Screw, #8 x 0.75"	16
23	7280000006	Clip	20
24	1001188904	Harness	2
25	1001188921	Harness	4
26	1001192958	Screw, #10 x 0.50"	16
27	7590000262	Light	8

TOOLBOX INSTALLATION - 49" W/O BATTERIES



TOOLBOX INSTALLATION - 49" W/O BATTERIES



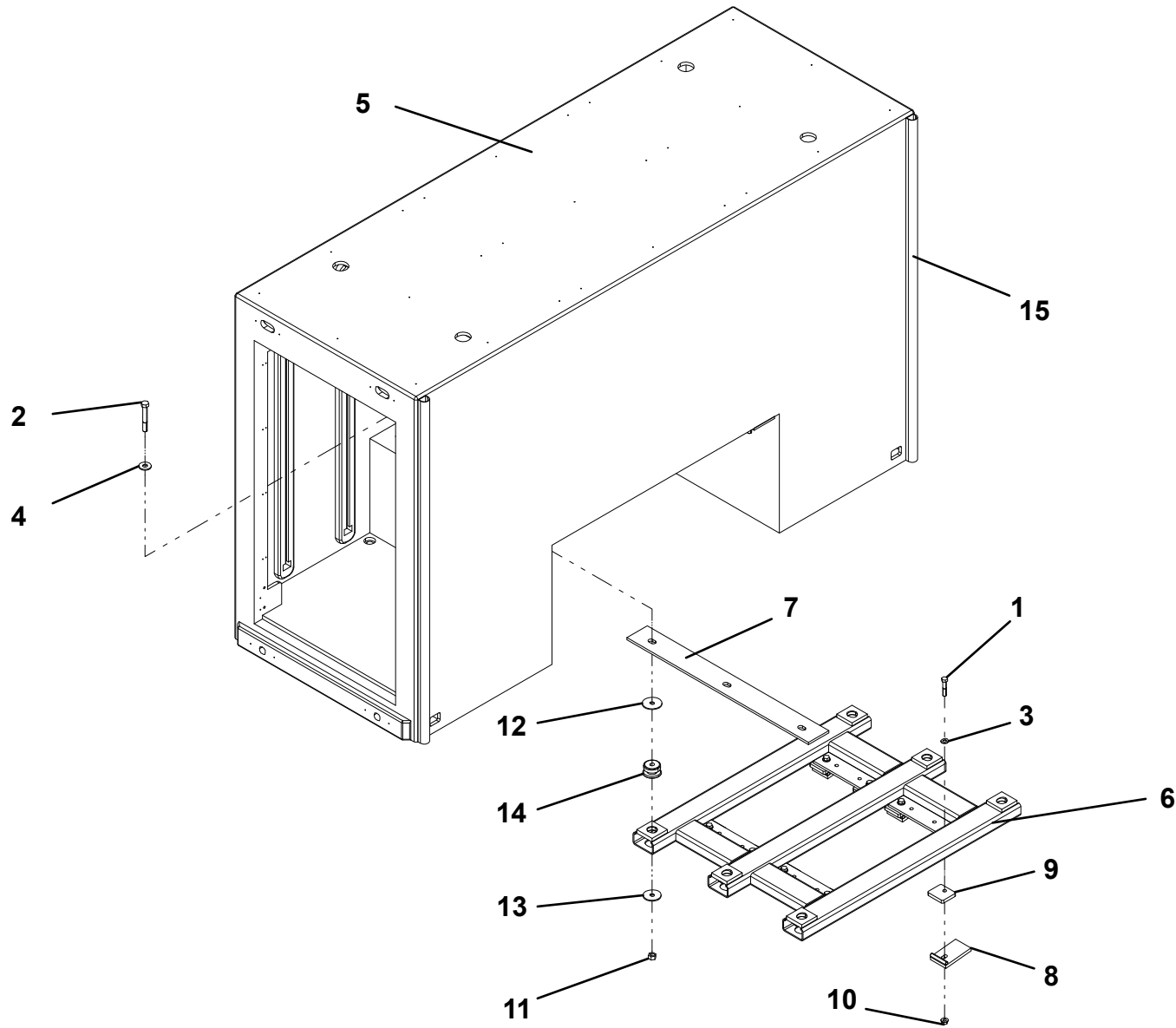
TOOLBOX INSTALLATION - 49" W/O BATTERIES

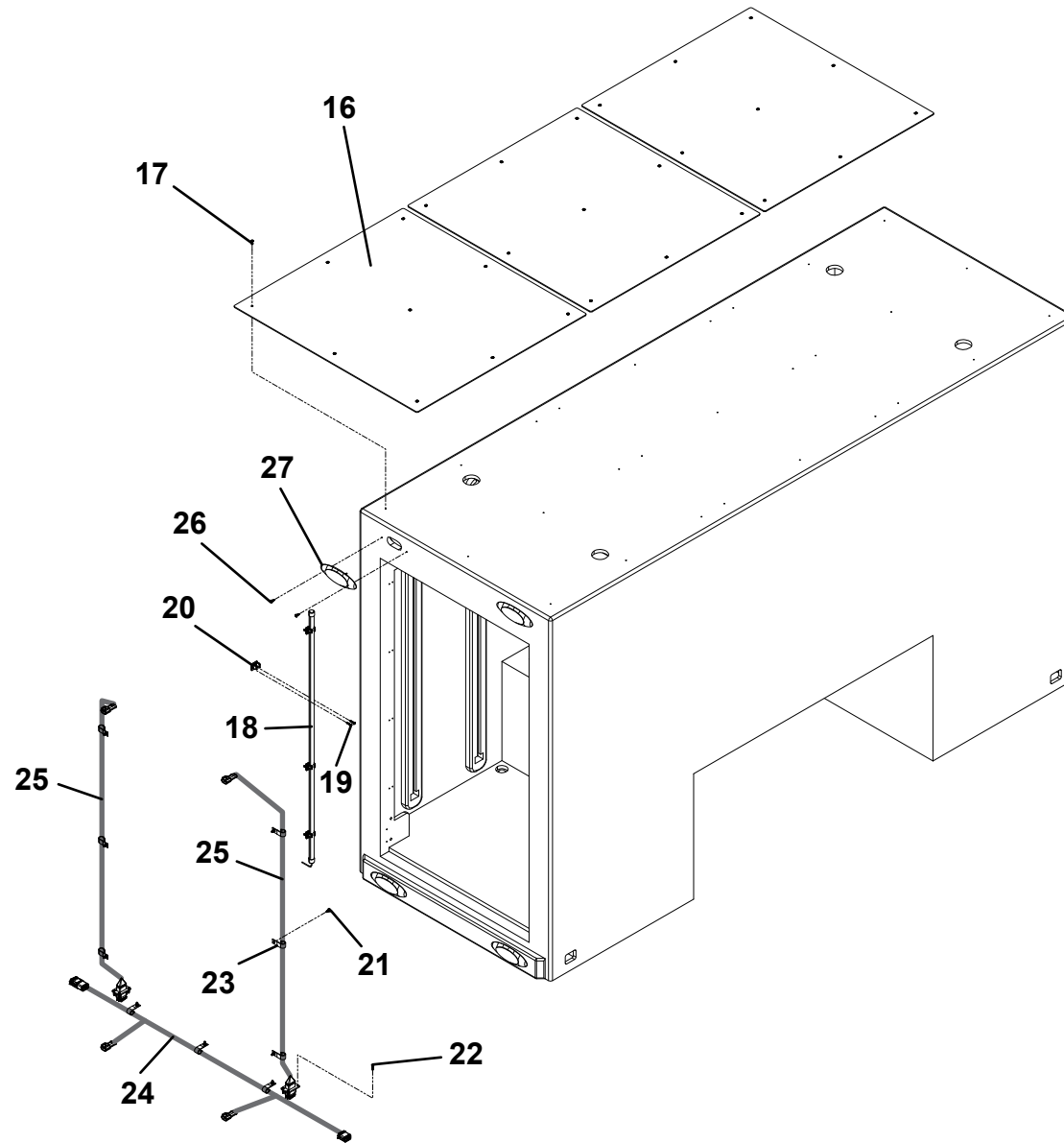
THIS PAGE INTENTIONALLY LEFT BLANK

TOOLBOX INSTALLATION - 37" W/O BATTERIES

ITEM	PART NO.	DESCRIPTION	QTY
1	641820	Screw, 0.50-13 X 2.50"	8
2	642034	Screw, 0.625"-11 X 4.25	6
3	4711800	Washer, 0.50" ID	8
4	4752000	Washer, 0.625" ID	6
5	1001185600	Tunnel Toolbox	1
6	1001187063	Mount	1
7	1001197338	Plate	2
8	3274000011	Clamp	8
9	4705000705	Plate	8
10	7660182301	Locknut, 0.50"-13NC	8
11	7660200001	Nut, 0.63"-11NC	6
12	7949000019	Washer, Head	6
13	7949000020	Washer, Tail	6
14	7636000008	Mount	6
15	8632000011	Seal	10FT
16	1001186997	Plate	3
17	1001192958	Screw, #10 x 0.50"	27
18	1001154527	Lamp	4
19	1001196552	Screw, #8 x 0.75"	32
20	1001199081	Mount	16
21	1001195257	Screw, 0.25" x 0.50"	18
22	1001196552	Screw, #8 x 0.75"	16
23	7280000006	Clip	18
24	1001188919	Harness	2
25	1001188921	Harness	4
26	1001192958	Screw, #10 x 0.50"	16
27	7590000262	Light	8

TOOLBOX INSTALLATION - 37" W/O BATTERIES



TOOLBOX INSTALLATION - 37" W/O BATTERIES

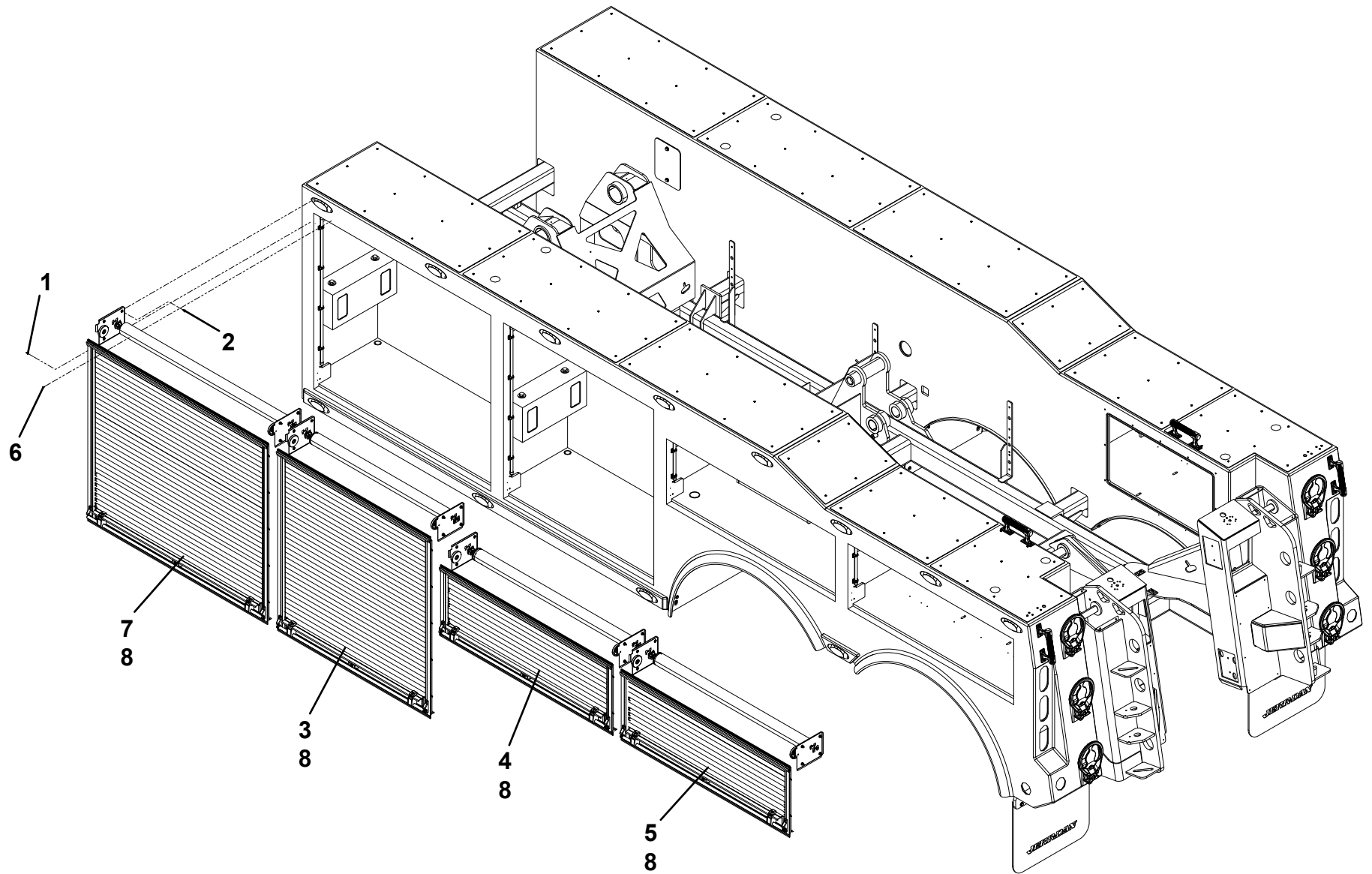
TOOLBOX INSTALLATION - 37" W/O BATTERIES

THIS PAGE INTENTIONALLY LEFT BLANK

DOOR INSTALLATION - TANDEM BODY

ITEM	PART NO.	DESCRIPTION	QTY
		Painted	
1	1001192958	Screw, #10 X 0.50"	56
2	1001195257	Screw, 0.25" X 0.50"	64
3	1001197159	Door, 48.10" X 47.50"	2
4	1001197160	Door, 17.90" X 53.30"	2
5	1001197161	Door, 17.90" X 52.40"	2
6	1001198602	Screw, #8 X 0.38"	46
7	1001205855	Door, 48.10" X 56.00"	2
8	8798820001	Sealant	A/R
		Brushed	
1	1001192958	Screw, #10 X 0.50"	56
2	1001195257	Screw, 0.25" X 0.50"	64
3	1001186988	Door, 48.10" X 47.50"	2
4	1001186989	Door, 17.90" X 53.30"	2
5	1001186990	Door, 17.90" X 52.40"	2
6	1001198602	Screw, #8 X 0.38"	46
7	1001205854	Door, 48.10" X 56.00"	2
8	8798820001	Sealant	A/R

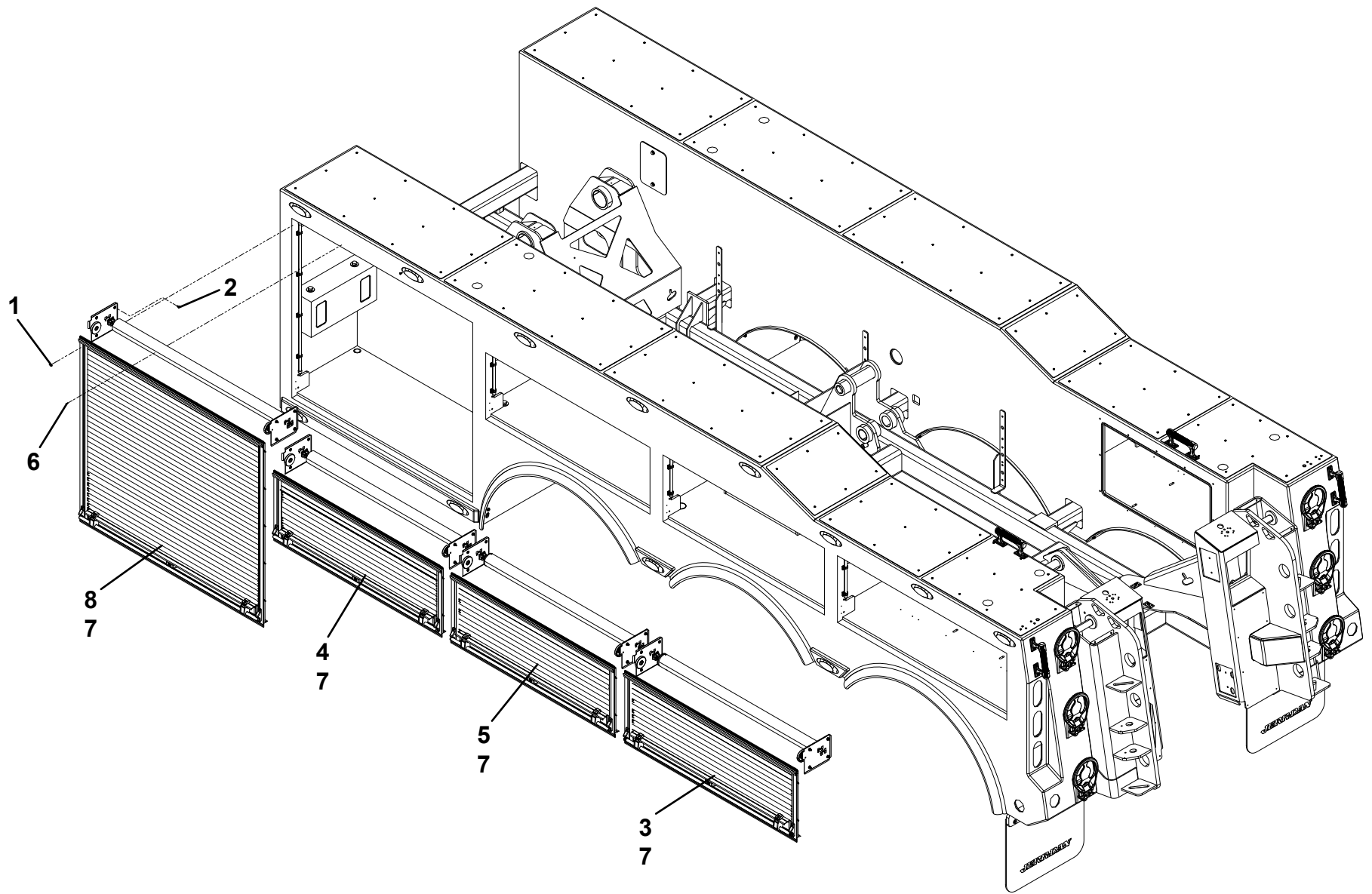
DOOR INSTALLATION - TANDEM BODY



DOOR INSTALLATION - TRI-AXLE

ITEM	PART NO.	DESCRIPTION	QTY
		Painted	
1	1001192958	Screw, #10 X 0.50"	44
2	1001195257	Screw, 0.25" X 0.50"	64
3	1001197161	Door, 17.90" X 52.40"	2
4	1001197162	Door, 17.90" X 50.80"	2
5	1001197163	Door, 17.90" X 50.00"	2
6	1001198602	Screw, #8 X 0.38"	48
7	8798820001	Sealant	A/R
8	1001205855	Door, 48.00" X 56.00"	2
		Brushed	
1	1001192958	Screw, #10 X 0.50"	44
2	1001195257	Screw, 0.25" X 0.50"	64
3	1001186990	Door, 17.90" X 52.40"	2
4	1001186991	Door, 17.90" X 50.80"	2
5	1001186992	Door, 17.90" X 50.00"	2
6	1001198602	Screw, #8 X 0.38"	48
7	8798820001	Sealant	A/R
8	1001205854	Door, 48.10" X 56.00"	2

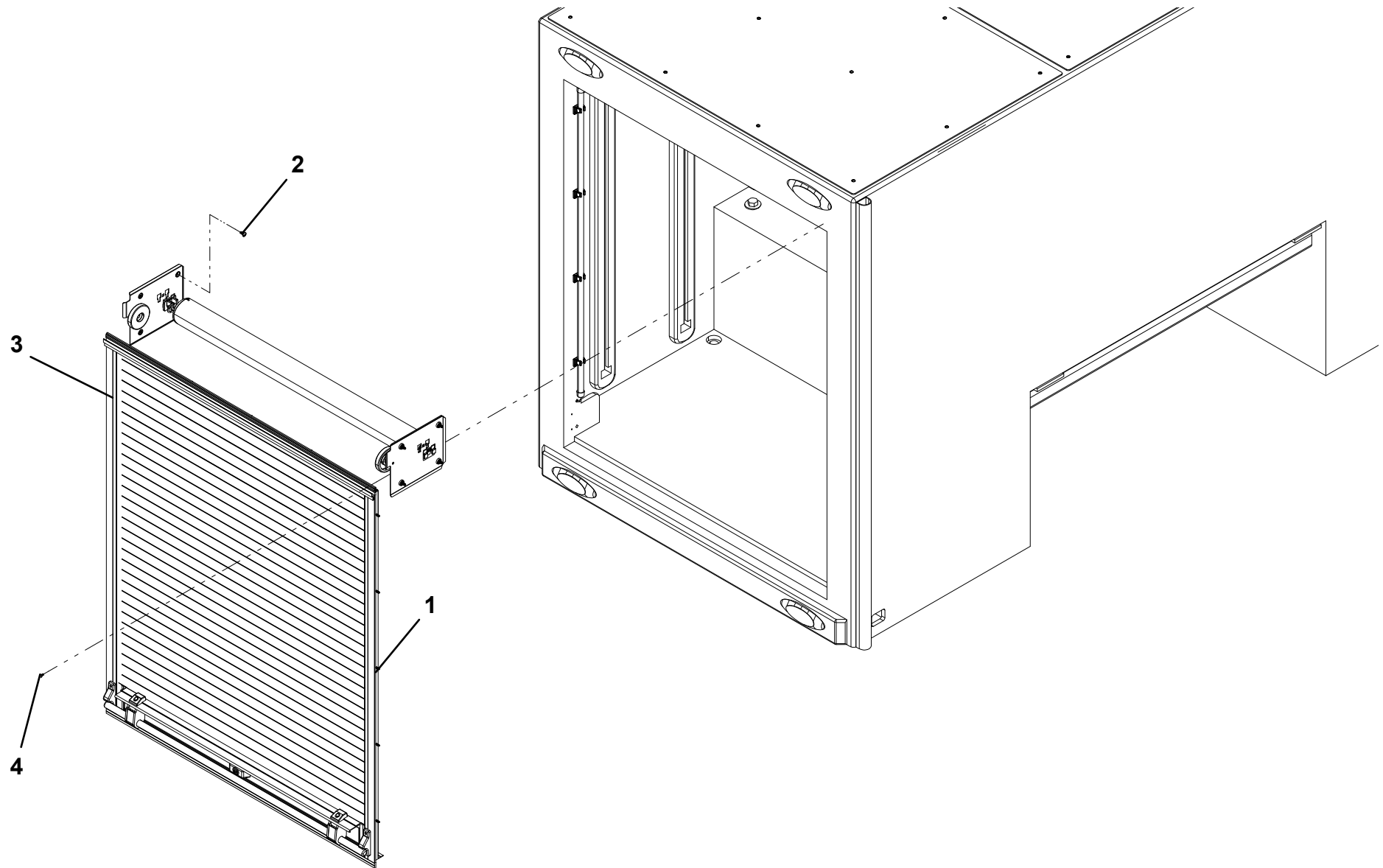
DOOR INSTALLATION - TRI-AXLE



DOOR INSTALLATION - 51" AND 49" TUNNEL TOOLBOX

ITEM	PART NO.	DESCRIPTION	QTY
		Painted	
1	1001192958	Screw, #10 X 0.50"	28
2	1001195257	Screw, 0.25" X 0.50"	16
3	1001197158	Door, 48.10" X 39.80"	2
4	1001198602	Screw, #8 X 0.38"	8
		Brushed	
1	1001192958	Screw, #10 X 0.50"	28
2	1001195257	Screw, 0.25" X 0.50"	16
3	1001186987	Door, 48.10" X 39.80"	2
4	1001198602	Screw, #8 X 0.38"	8

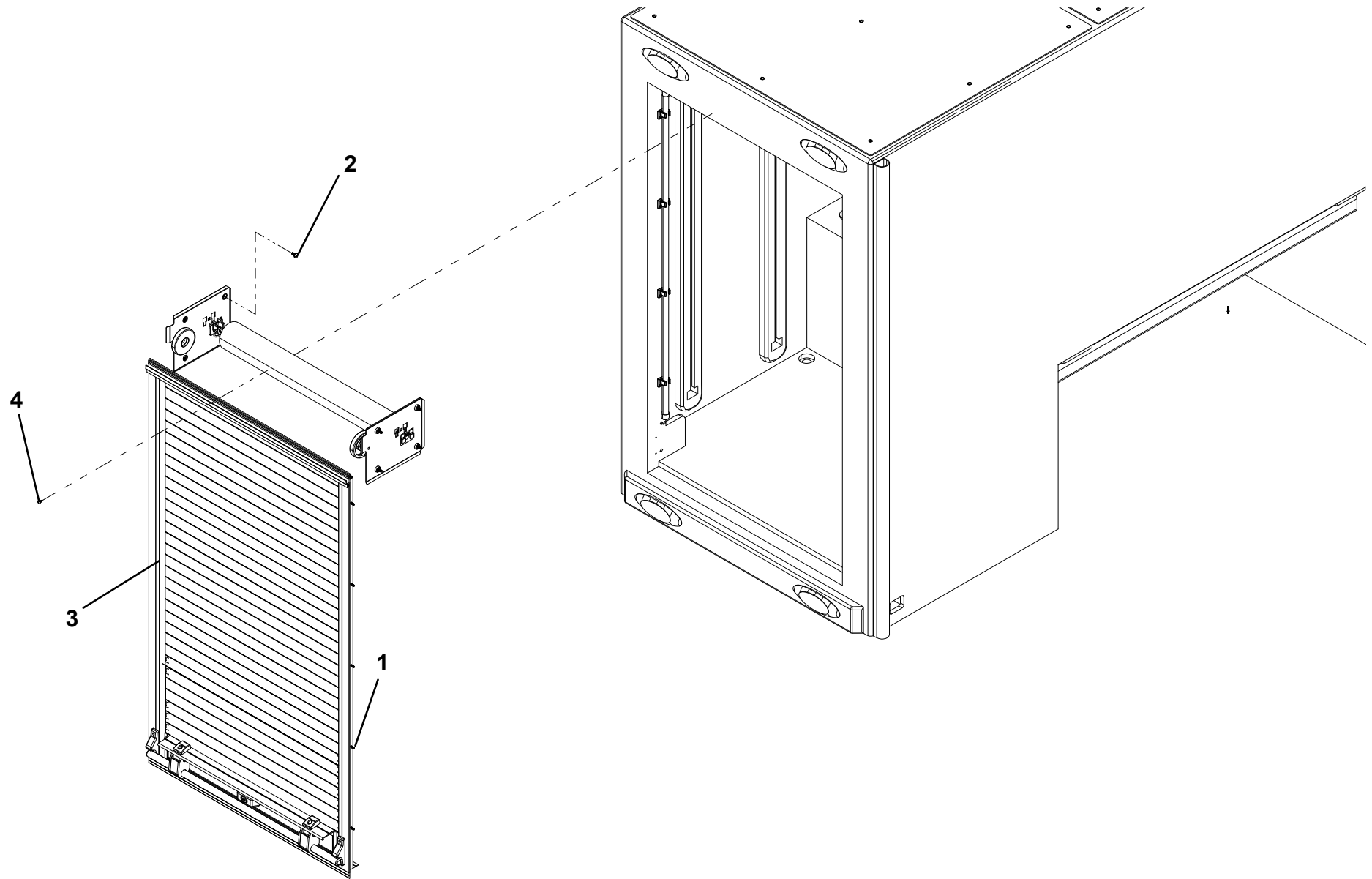
DOOR INSTALLATION - 51" AND 49 TUNNEL TOOLBOX



DOOR INSTALLATION - 39" AND 37" TUNNEL TOOLBOX

ITEM	PART NO.	DESCRIPTION	QTY
		Painted	
1	1001192958	Screw, #10 X 0.50"	28
2	1001195257	Screw, 0.25" X 0.50"	16
3	1001197181	Door, 48.10" X 27.80"	2
4	1001198602	Screw, #8 X 0.38"	8
		Brushed	
1	1001192958	Screw, #10 X 0.50"	28
2	1001195257	Screw, 0.25" X 0.50"	16
3	1001186986	Door, 48.10" X 27.80"	2
4	1001198602	Screw, #8 X 0.38"	8

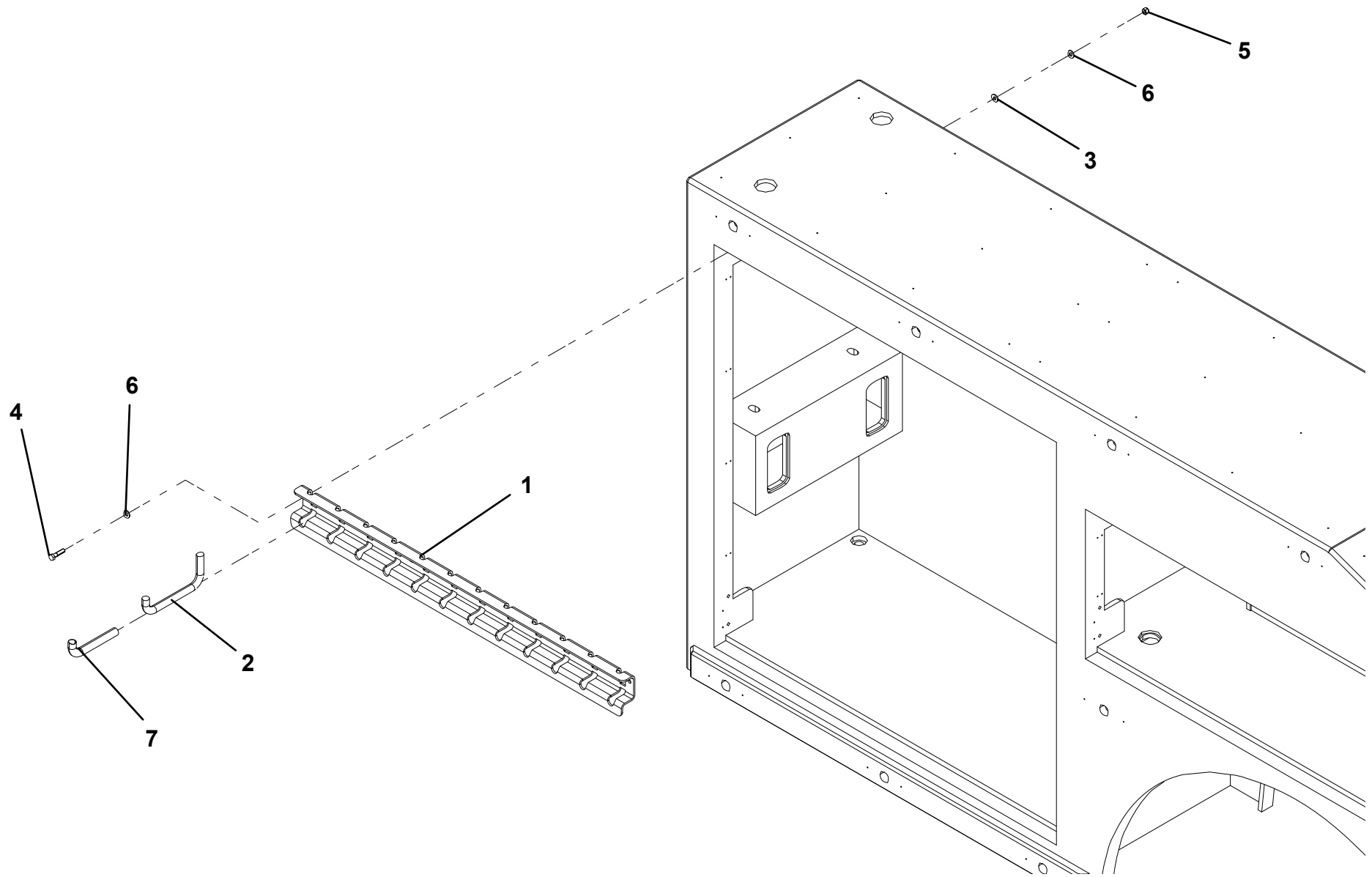
DOOR INSTALLATION - 39" AND 37" TUNNEL TOOLBOX



SHACKLE RACK INSTALLATION - TANDEM

ITEM	PART NO.	DESCRIPTION	QTY
1	1001164601	Bracket	2
2	1001164614	Shackle Hook	24
3	1001166974	Washer, 0.38" ID	10
4	1001168993	Screw, 0.38"-16 X 1.50"	10
5	7660162601	Locknut, 0.38"-16NC	10
6	7950160143	Flatwasher, 0.38" ID	20
7	7346000040	Tubing	3.7

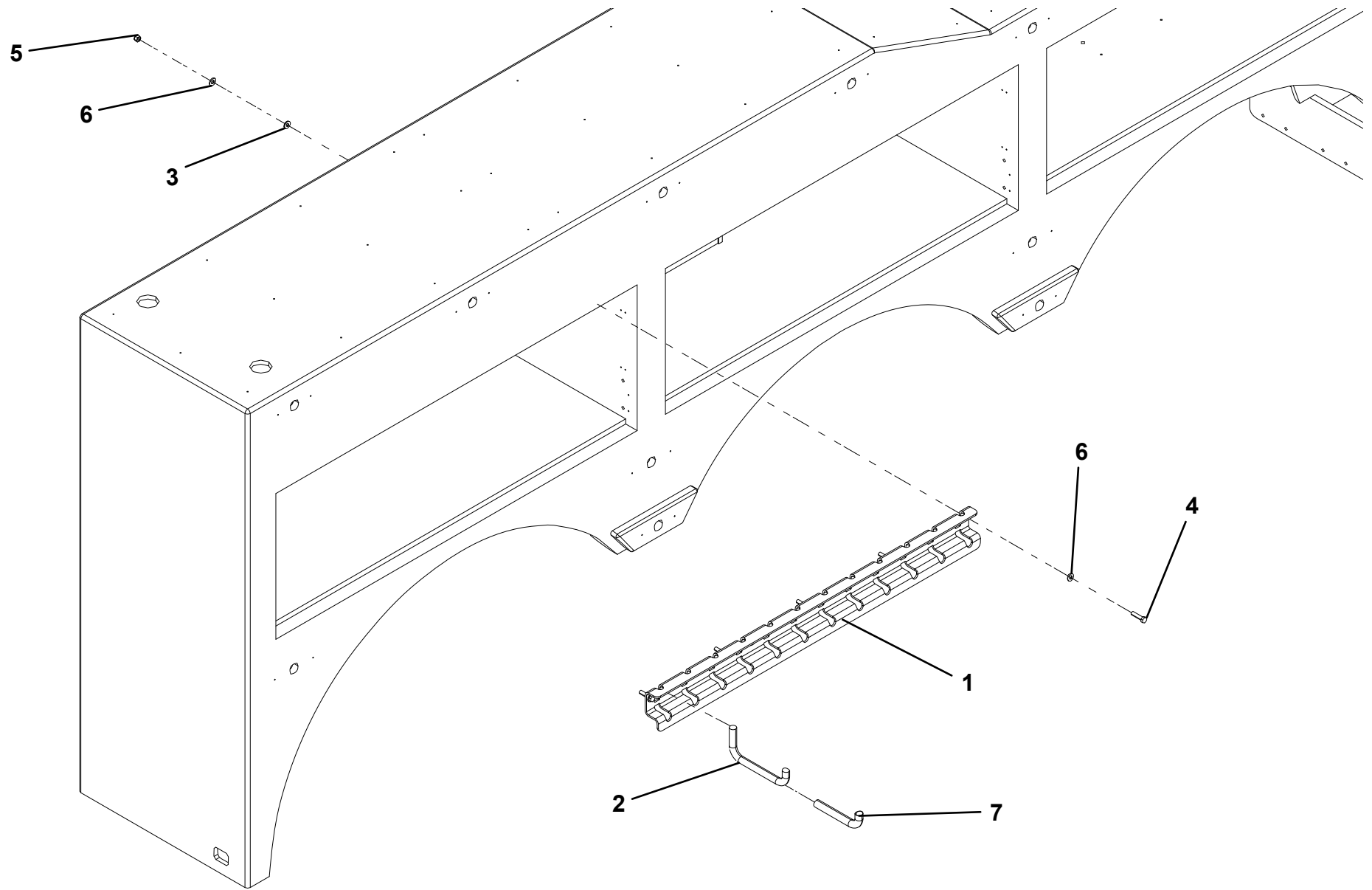
SHACKLE RACK INSTALLATION - TANDEM



SHACKLE RACK INSTALLATION - TRI-AXLE

ITEM	PART NO.	DESCRIPTION	QTY
1	1001164601	Bracket	2
2	1001164614	Shackle Hook	24
3	1001166974	Washer, 0.38" ID	10
4	1001168993	Screw, 0.38"-16 X 1.50"	10
5	7660162601	Locknut, 0.38"-16NC	10
6	7950160143	Flatwasher, 0.38" ID	20
7	7346000040	Tubing	3.7

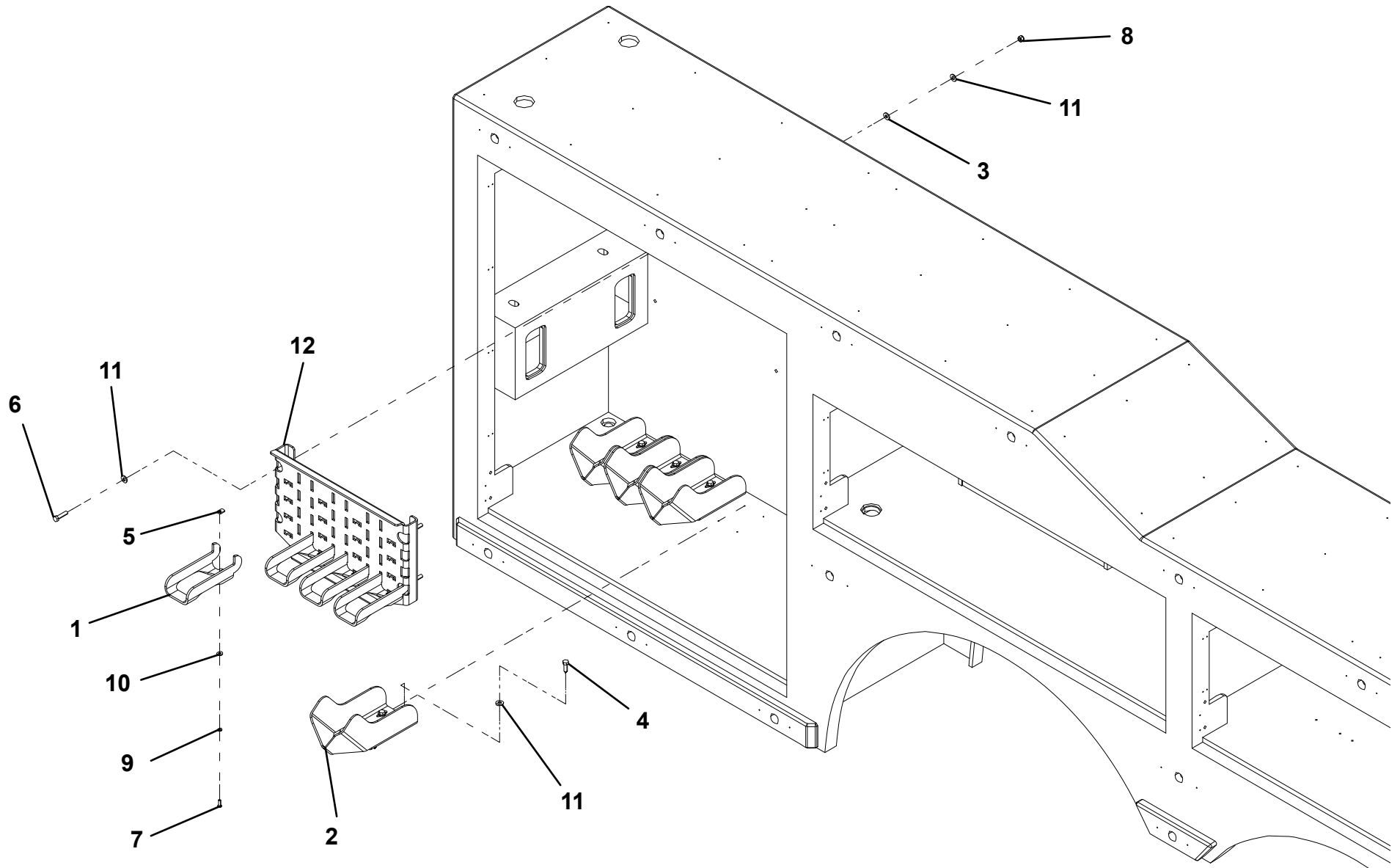
SHACKLE RACK INSTALLATION - TRI-AXLE



SNATCH BLOCK STORAGE INSTALLATION - TANDEM

ITEM	PART NO.	DESCRIPTION	QTY
1	1001164560	Bracket, Top	4
2	1001164562	Bracket, Bottom	4
3	1001166974	Washer, 0.38"	4
4	1001168545	Screw, 0.38" X 1.25"	16
5	1001168733	Nut, 0.25"-20	4
6	1001168993	Screw, 0.38"-16 X 1.50"	4
7	7114140618	Nut, 0.25"-20 X 0.75"	4
8	7660162601	Locknut, 0.38"-16NC	4
9	7950140003	Lockwasher, 0.25" ID	4
10	7950140143	Flatwasher, 0.25" ID	4
11	7950160143	Flatwasher, 0.38" ID	24
12	1001201112	Bracket	1

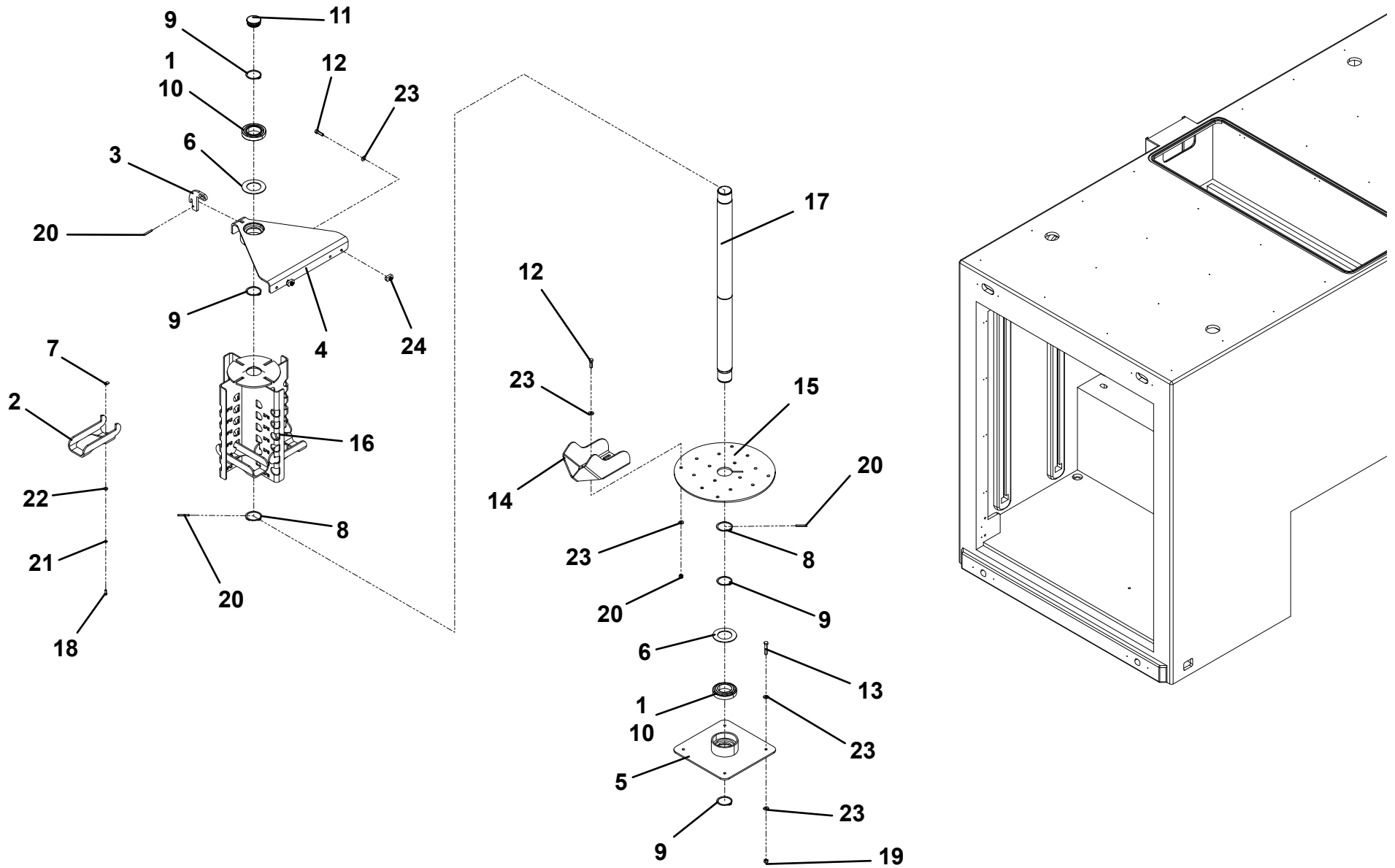
SNATCH BLOCK STORAGE INSTALLATION - TANDEM



SNATCH BLOCK STORAGE INSTALLATION - TRI-AXLE

ITEM	PART NO.	DESCRIPTION	QTY
1	3020029	Lube, Bearing Grease	A/R
2	1001164560	Bracket, Top	4
3	1001165564	Plate	1
4	1001165570	Bracket	1
5	1001165571	Bracket	1
6	1001165584	Plate	2
7	1001168733	Nut, 0.25"-20	4
8	1001169063	Retaining Ring	2
9	1001169064	Retaining Ring	4
10	1001169076	Bearing	2
11	1001169078	Plug	1
12	1001169080	Screw, 0.38"-16 X 1.25"	18
13	1001169083	Screw, 0.38"-16 X 2.00"	4
14	1001190342	Bracket	4
15	1001190359	Support	1
16	1001190361	Bracket	1
17	1001192126	Tube	1
18	7114140618	Bolt, 0.25"-20 X 0.75"	4
19	7660162601	Locknut, 0.38"-16NC	20
20	7690142845	Pin	3
21	7950140003	Lockwasher, 0.25" ID	4
22	7950140143	Flatwasher, 0.25" ID	4
23	7950160143	Flatwasher, 0.38" ID	42
24	1001166644	Nut, 0.38"-16	2

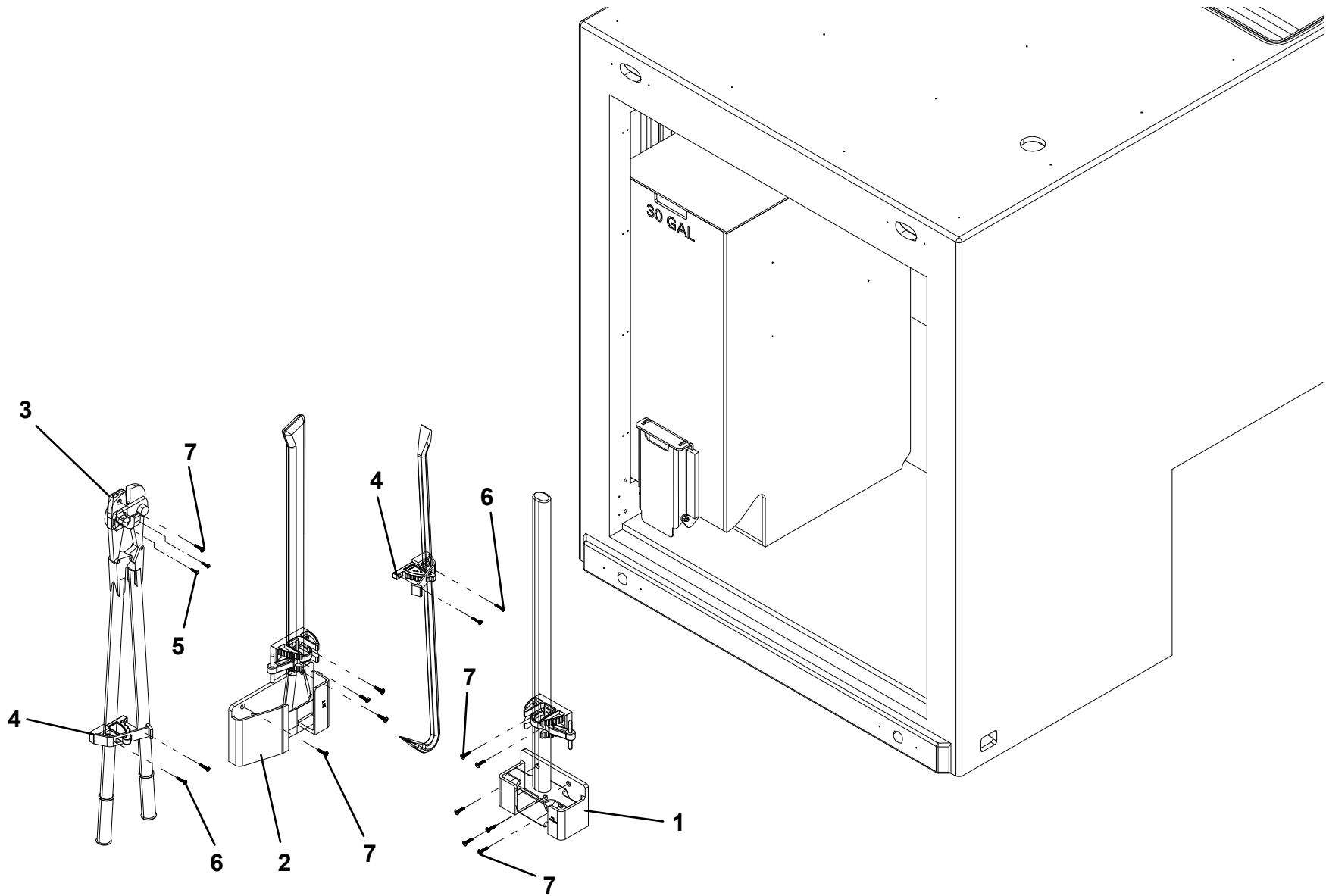
SNATCH BLOCK STORAGE INSTALLATION - TRI-AXLE



TOOL STORAGE

ITEM	PART NO.	DESCRIPTION	QTY
1	1001201215	Bracket	1
2	1001201216	Bracket	1
3	1001201217	Bracket	2
4	1001201218	Bracket	2
5	1001196552	Screw, #8 x 0.75"	4
6	1001210868	Screw, #10 x 0.75"	10
7	1001201367	Screw, 0.25" x 1.00"	6

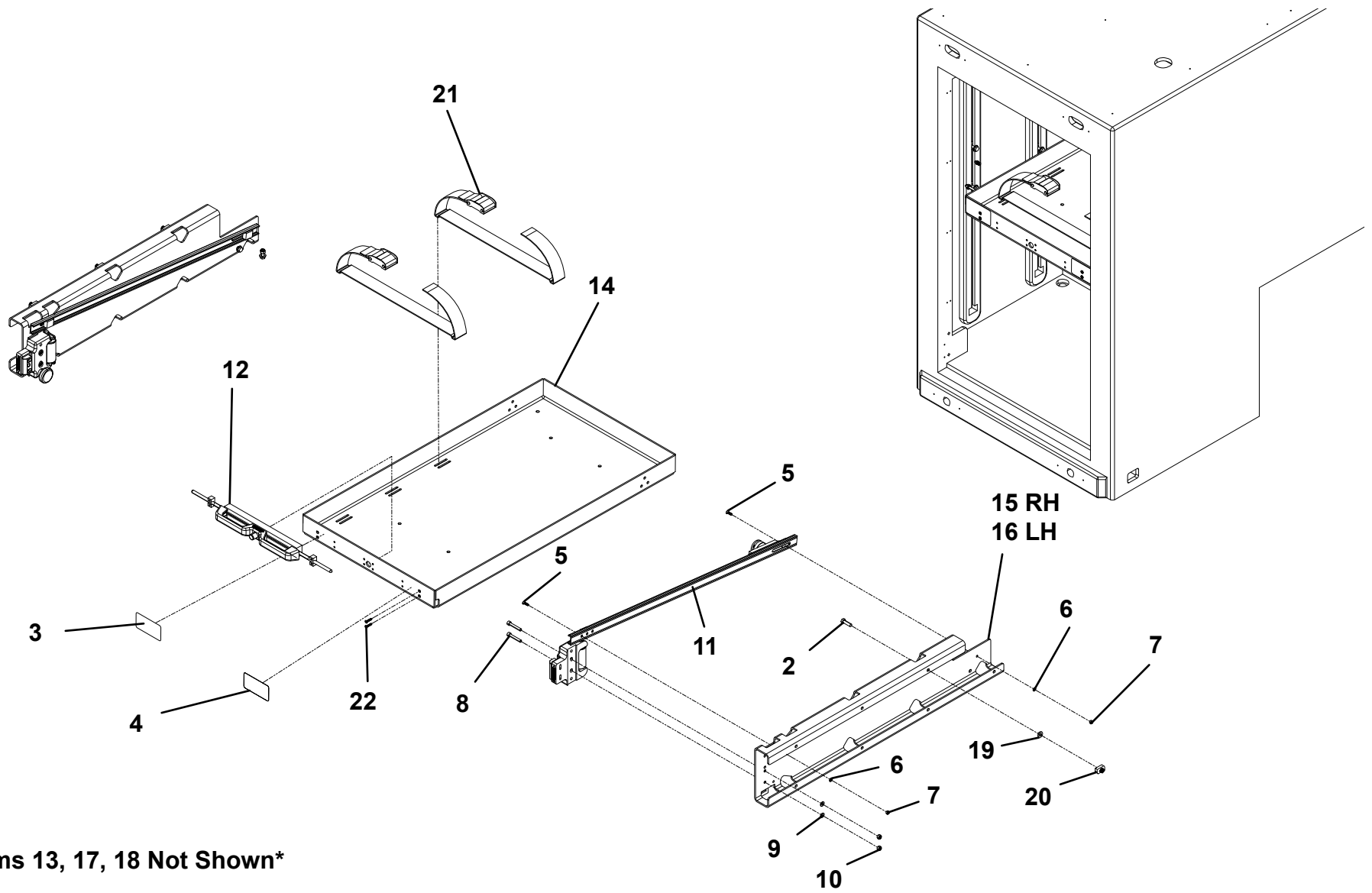
TOOL STORAGE



TILT DOWN STORAGE TRAY

ITEM	PART NO.	DESCRIPTION	QTY
1	3020029	Bearing Grease	A/R
2	1001169080	Screw, 0.38"-16 X 1.25"	12
3	1001170090	Decal	1
4	1001170091	Decal	1
5	1001170305	Bolt, #6-20	4
6	1001170307	Washer, M6 ID	4
7	1001170310	Nut, M6	4
8	1001170328	Screw, M8-50	4
9	1001170329	Washer, M8 ID	4
10	1001170330	Nut, M8	4
11	1001170331	Roller Assembly	1
12	1001170332	Latch	1
13	1001179349	Strap	2
14	1001197693	Tilt-Down Drawer	1
15	1001183735	Bracket, RH	1
16	1001183736	Bracket, LH	1
17	7114160850	Screw, 0.38"-16 X 1.00"	4
18	7660162601	Locknut, 0.38"-16NC	4
19	7950160141	Flatwasher, 0.38" ID	16
20	1001166644	Nut, 0.38"-16	12
21	1001170428	Strap	2
22	1001200997	Screw, M5X25	4

TILT DOWN STORAGE TRAY

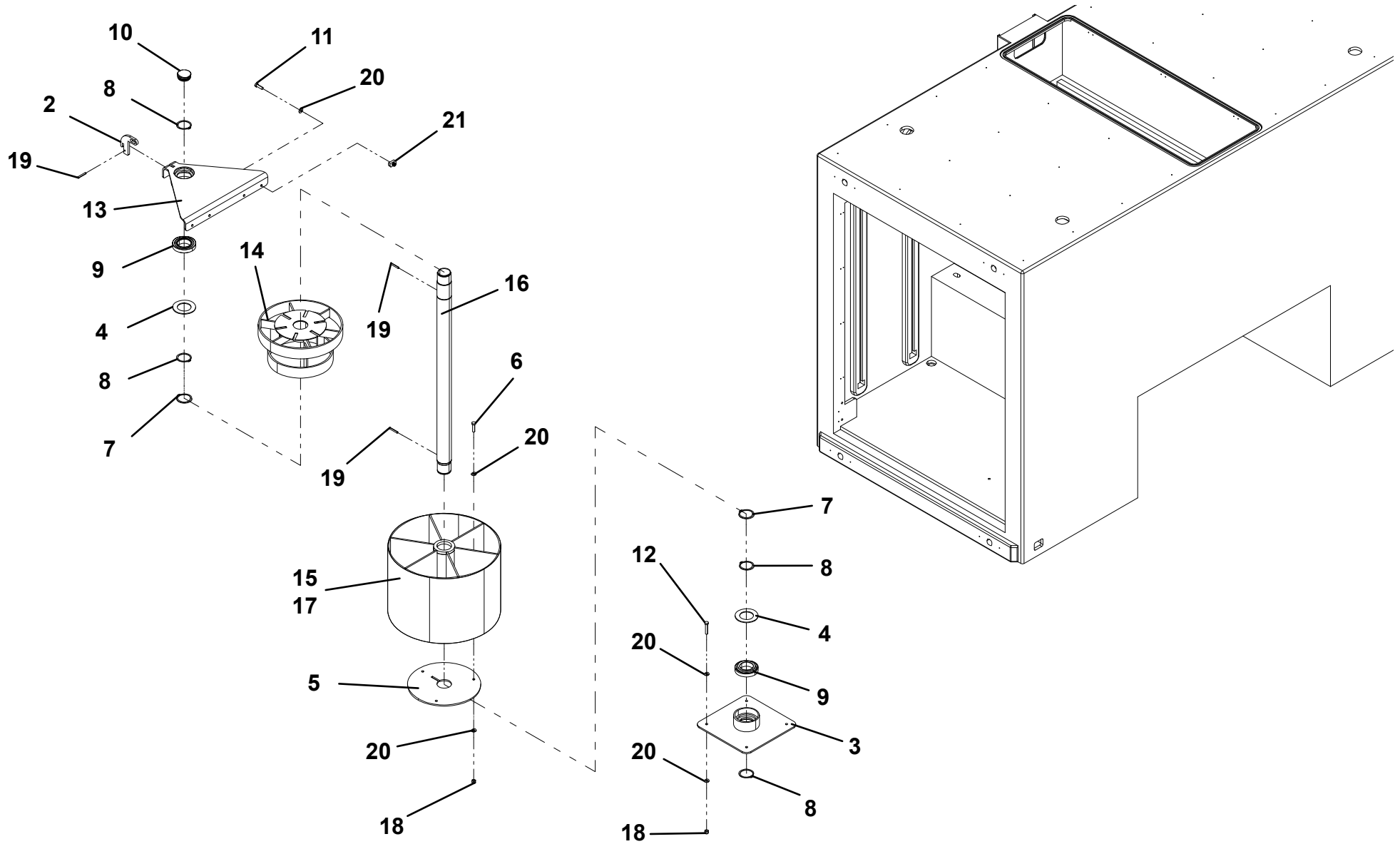


Items 13, 17, 18 Not Shown

ROTARY CHAIN RACK

ITEM	PART NO.	DESCRIPTION	QTY
1	3020029	Bearing Grease	1
2	1001165564	Plate	1
3	1001165571	Bracket	1
4	1001165584	Plate	2
5	1001165652	Support	1
6	1001168993	Screw, 0.38"-16 X 1.50"	3
7	1001169063	Retaining Ring	2
8	1001169064	Retaining Ring	4
9	1001169076	Bearing	2
10	1001169078	Plug	1
11	1001169080	Screw, 0.38"-16 X 1.25"	2
12	1001169083	Screw, 0.38"-16 X 2.00"	4
13	1001190218	Bracket	1
14	1001190223	Bracket	1
15	1001190228	Tray	1
16	1001190265	Tube	1
17	7330000535	Decal	1
18	7660162604	Locknut, 0.38"-16 NC	7
19	7690142845	Pin	3
20	7950160143	Flatwasher, 0.38" ID	16
21	1001166644	Nut, 0.38"-16	2

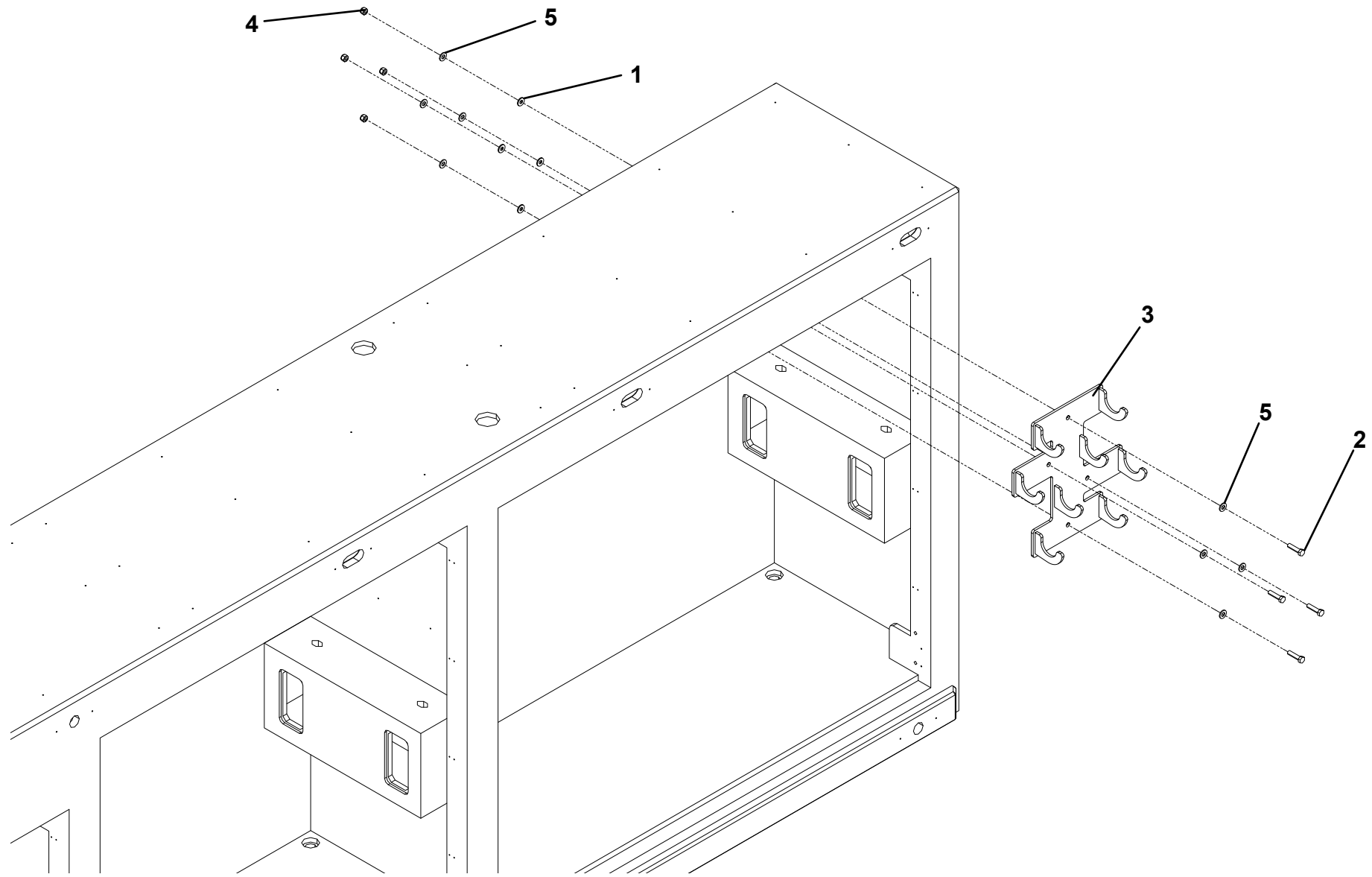
ROTARY CHAIN RACK



CHAIN BINDER INSTALLATION

ITEM	PART NO.	DESCRIPTION	QTY
1	1001166974	Washer, 0.38" ID	4
2	1001168993	Screw, 0.38"-16 x 1.50"	4
3	1001207599	Plate	1
4	7660162601	Locknut, 0.38" - 16NC	4
5	7950160143	Flatwasher, 0.38"ID	8

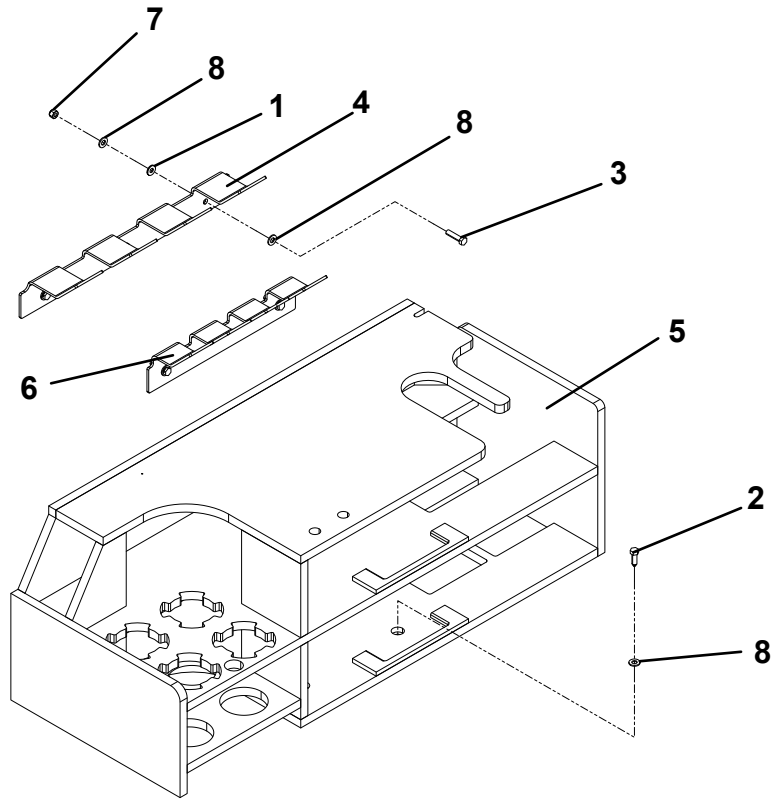
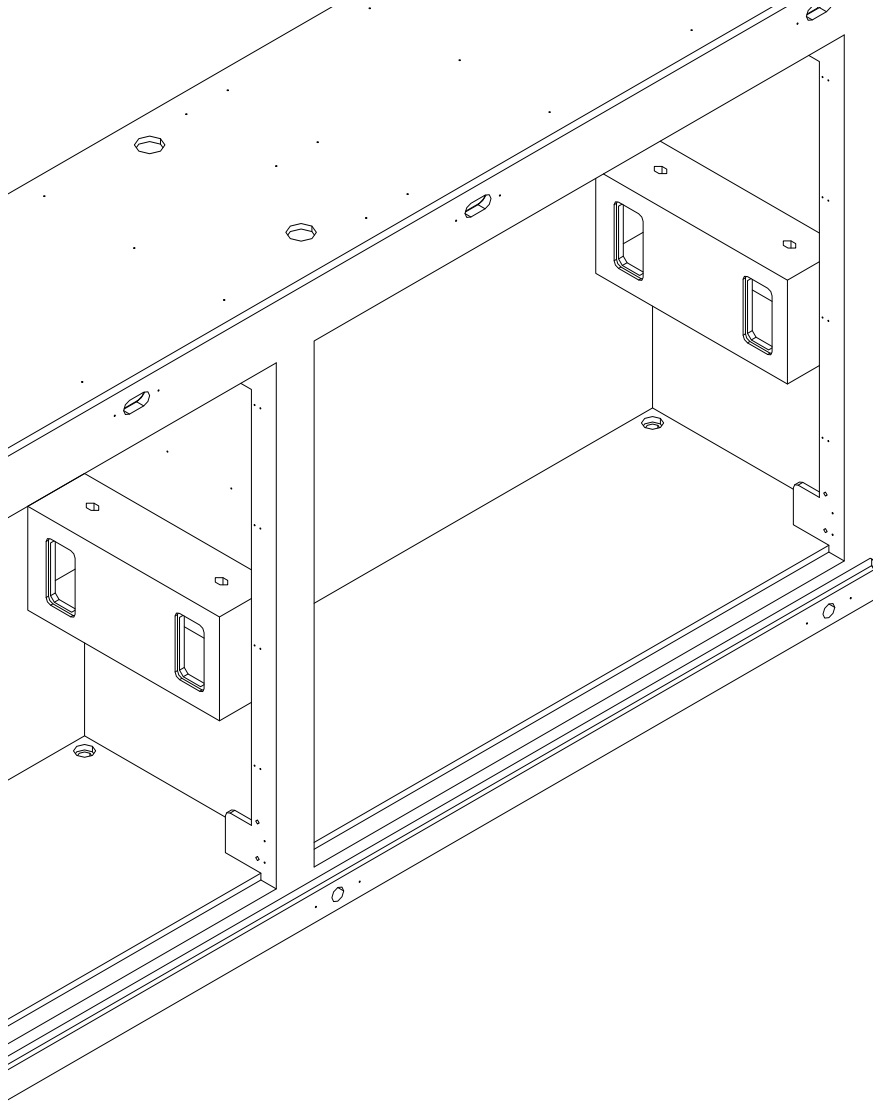
CHAIN BINDER INSTALLATION



TIRE LIFT STORAGE - TANDEM BODY

ITEM	PART NO.	DESCRIPTION	QTY
1	1001166974	Washer, 0.38" ID	5
2	1001168545	Capscrew, 0.38" - 16NC x 1.25"	4
3	1001168993	Capscrew, 0.38" - 16NC x 1.50"	5
4	1001182248	Bracket	1
5	1001190409	Bus Arm Storage	1
6	1001207624	Bracket	1
7	7660162601	Locknut, 0.38" - 16NC	5
8	7950160143	Flatwasher, 0.38" ID	14

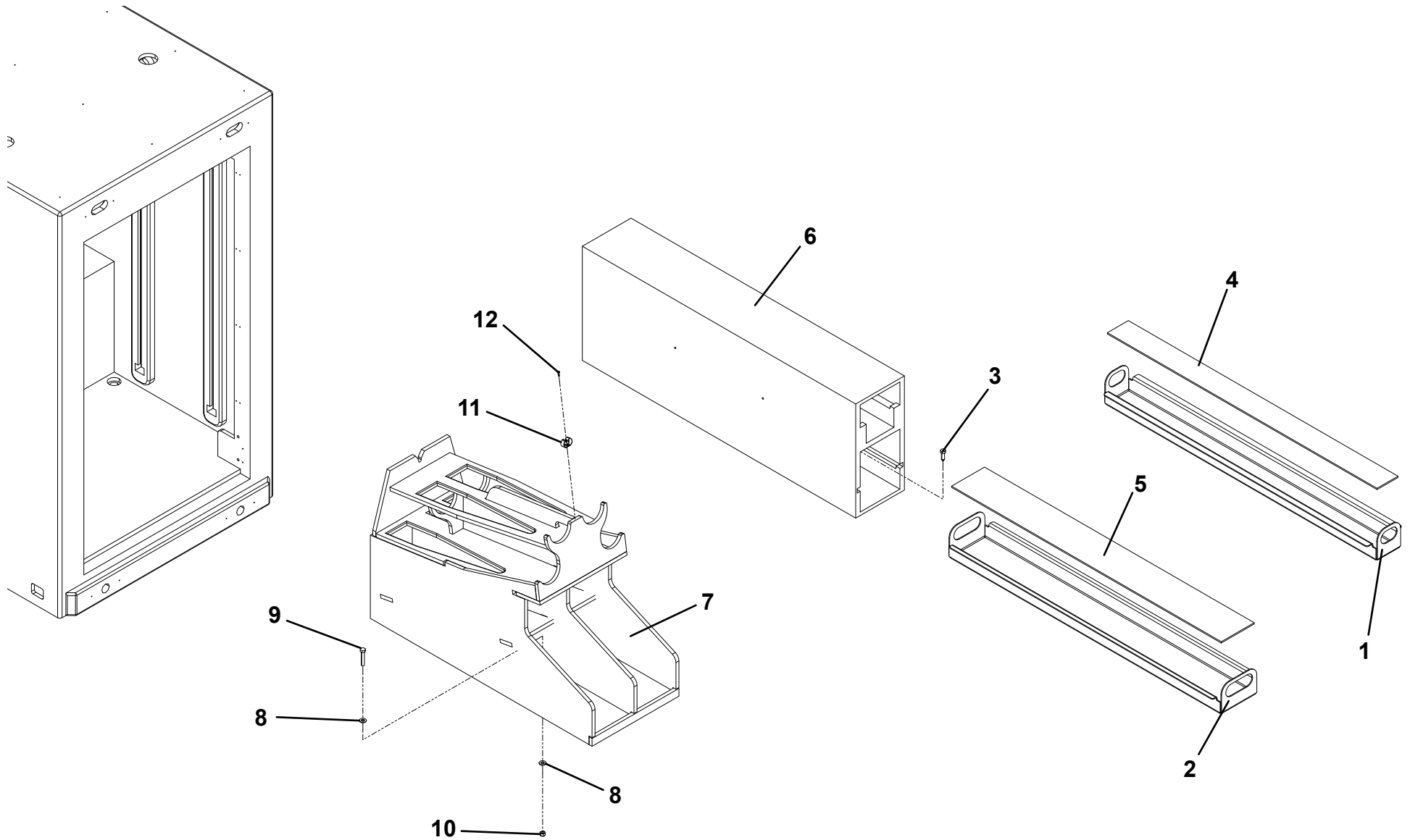
TIRE LIFT STORAGE - TANDEM BODY



TIRE LIFT STORAGE - 39" AND 37" TOOLBOX

ITEM	PART NO.	DESCRIPTION	QTY
1	1001165862	Tray, Small	1
2	1001165863	Tray, Large	1
3	1001168545	Screw, 0.38" X 1.25"	4
4	1001170968	Pad, Small	1
5	1001170970	Pad, Large	1
6	1001170971	Bracket	1
7	1001192287	Storage	1
8	7950160143	Flatwasher, 0.38" ID	8
9	7115161650	Capscrew, 0.38" - 16NC x 2.00"	4
10	7660162601	Locknut, 0.38" - 16NC	4
11	1380135	Clip	1
12	3900339	Screw, #6 - 19NC x 0.50"	1

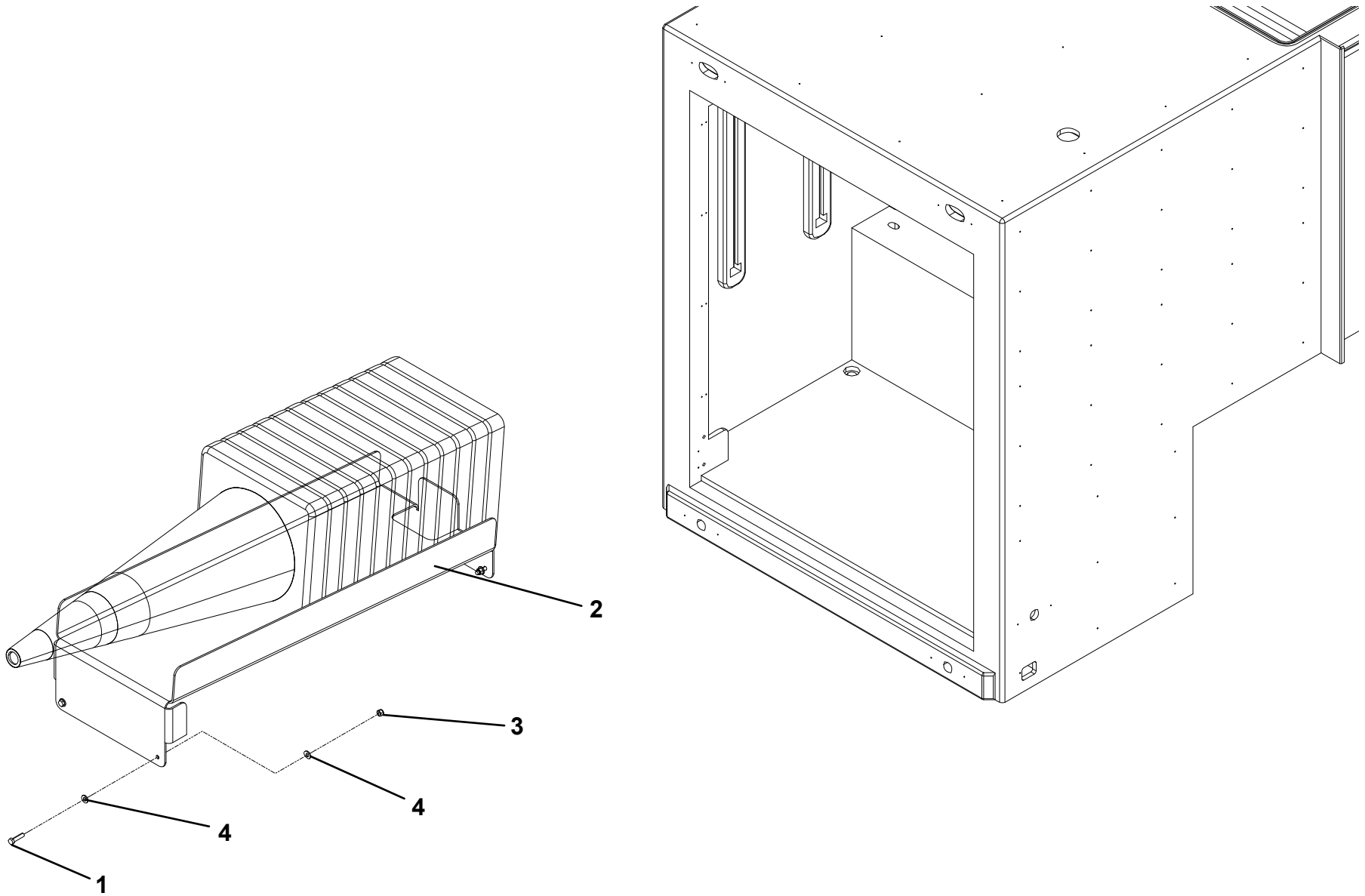
TIRE LIFT STORAGE - 39" AND 37" TOOLBOX



TRAFFIC CONE STORAGE

ITEM	PART NO.	DESCRIPTION	QTY
1	1001168993	Screw, 0.38"-16 x 1.50"	4
2	1001190551	Bracket	1
3	7660162601	Locknut, 0.25"-20	4
4	7950160143	Flatwasher, 0.38" ID	8

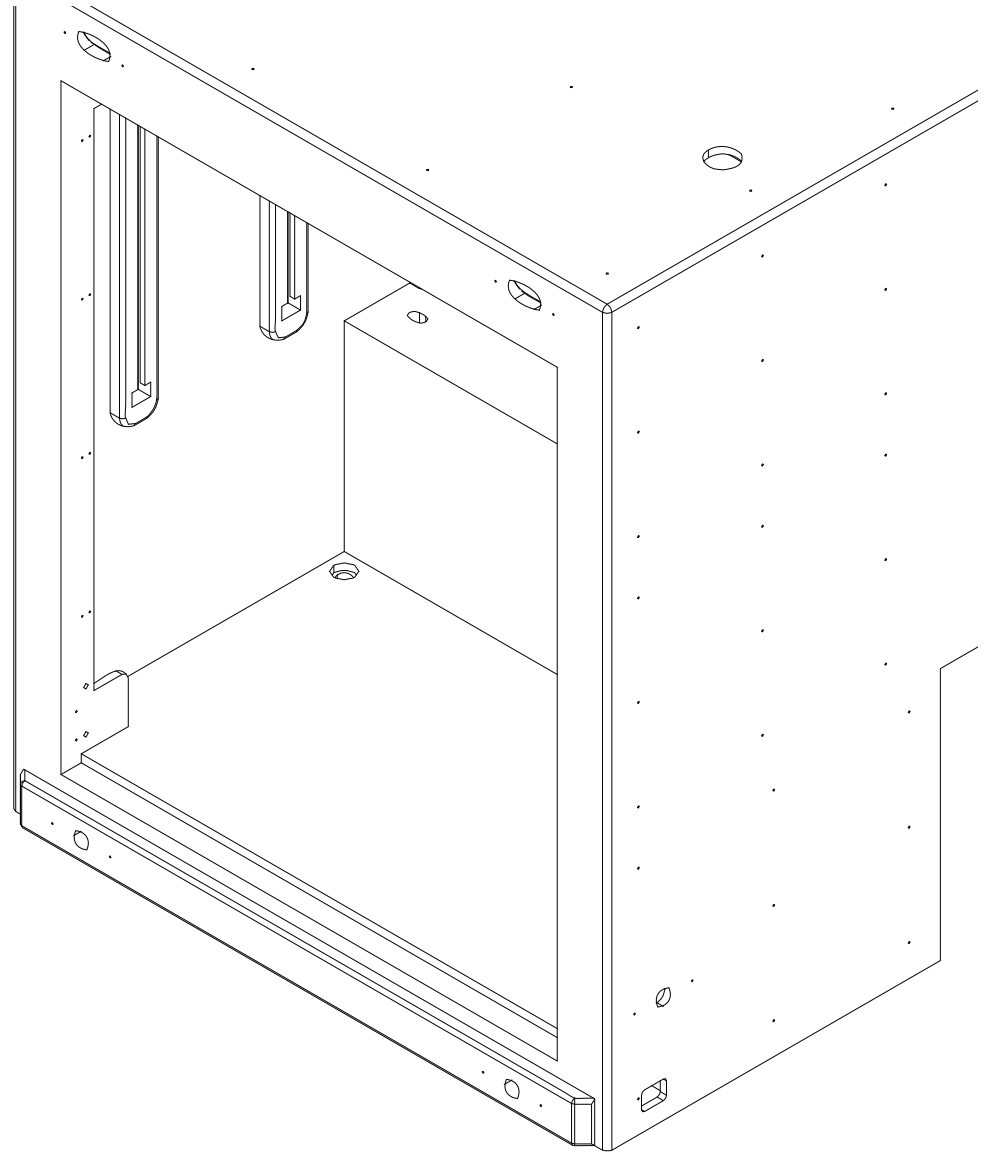
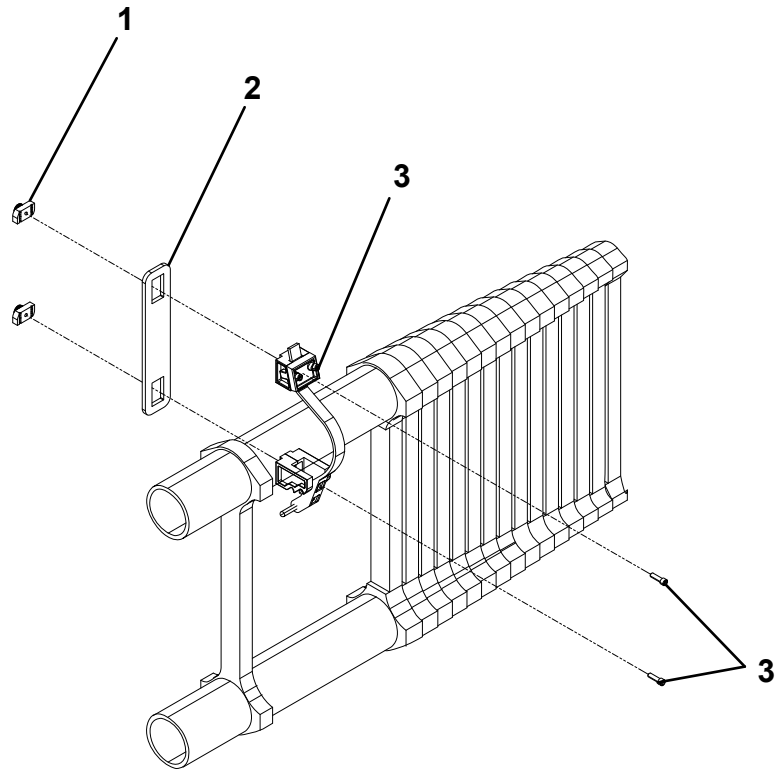
TRAFFIC CONE STORAGE



LADDER STORAGE

ITEM	PART NO.	DESCRIPTION	QTY
1	1001183037	Nut, 0.25"-20	2
2	1001201523	Plate	1
3	1001201534	Bracket	1

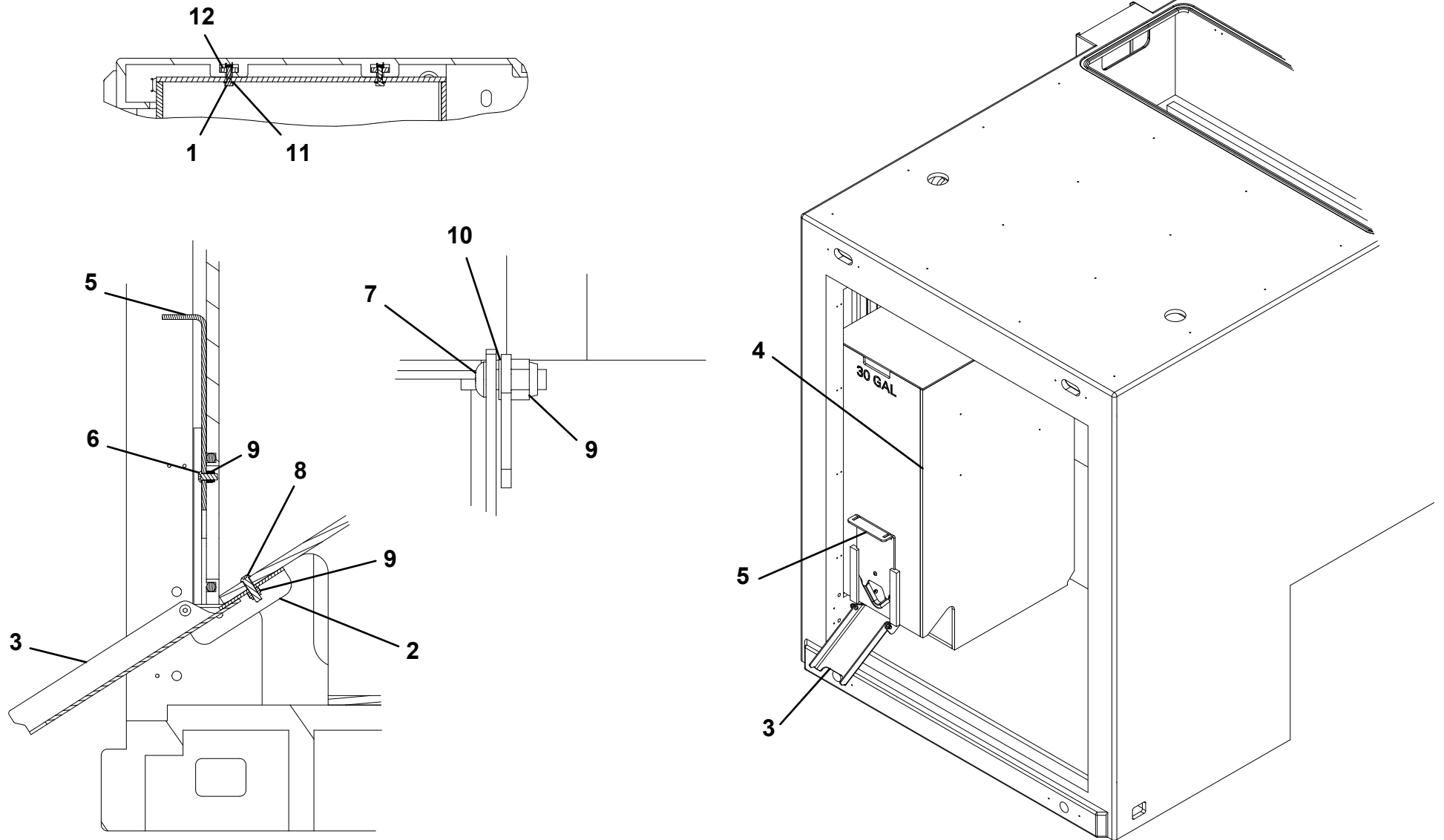
LADDER STORAGE



STAY DRY SILO INSTALLATION

ITEM	PART NO.	DESCRIPTION	QTY
1	1001169080	Screw, 0.38"-16 X 1.25"	4
2	1001190050	Bracket	1
3	1001190055	Bracket	1
4	1001190128	Container	1
5	1001190148	Cover	1
6	7114140518	Screw, 0.25"-20 X 0.625"	1
7	7114140618	Screw, 0.25"-20 X 0.75"	2
8	7114140818	Capscrew, 0.25"-20 X 1.00"	3
9	7660142600	Locknut, 0.25"-20NC	6
10	7949000056	Washer, 0.27" ID	2
11	7950160143	Flatwasher, 0.38" ID	4
12	1001166644	Nut, 0.38"-16 UNC	4

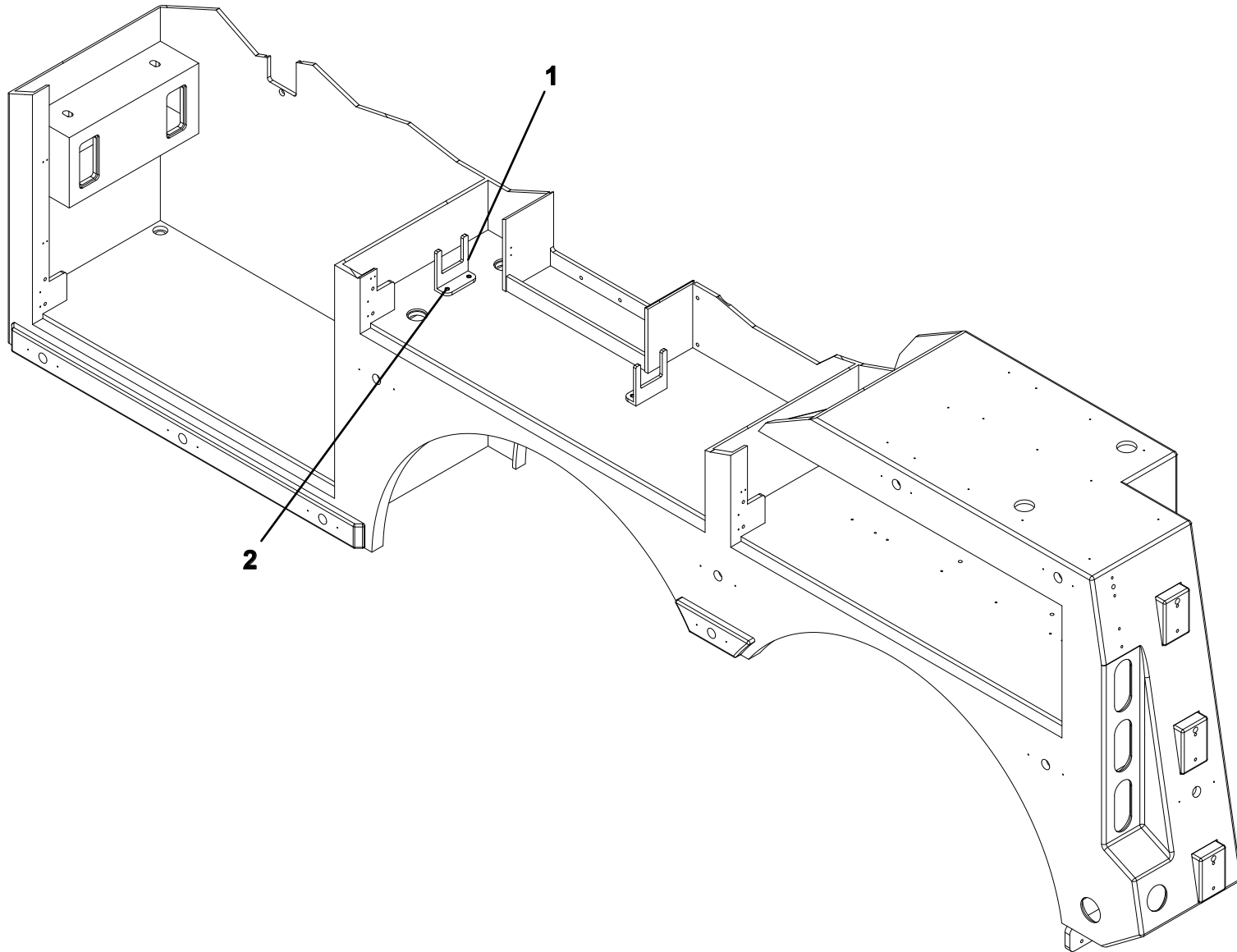
STAY DRY SILO INSTALLATION



TOW LIGHT STORAGE

ITEM	PART NO.	DESCRIPTION	QTY
1	1001170618	Bracket	2
2	1001195523	Screw, 0.25" x 1.00"	4

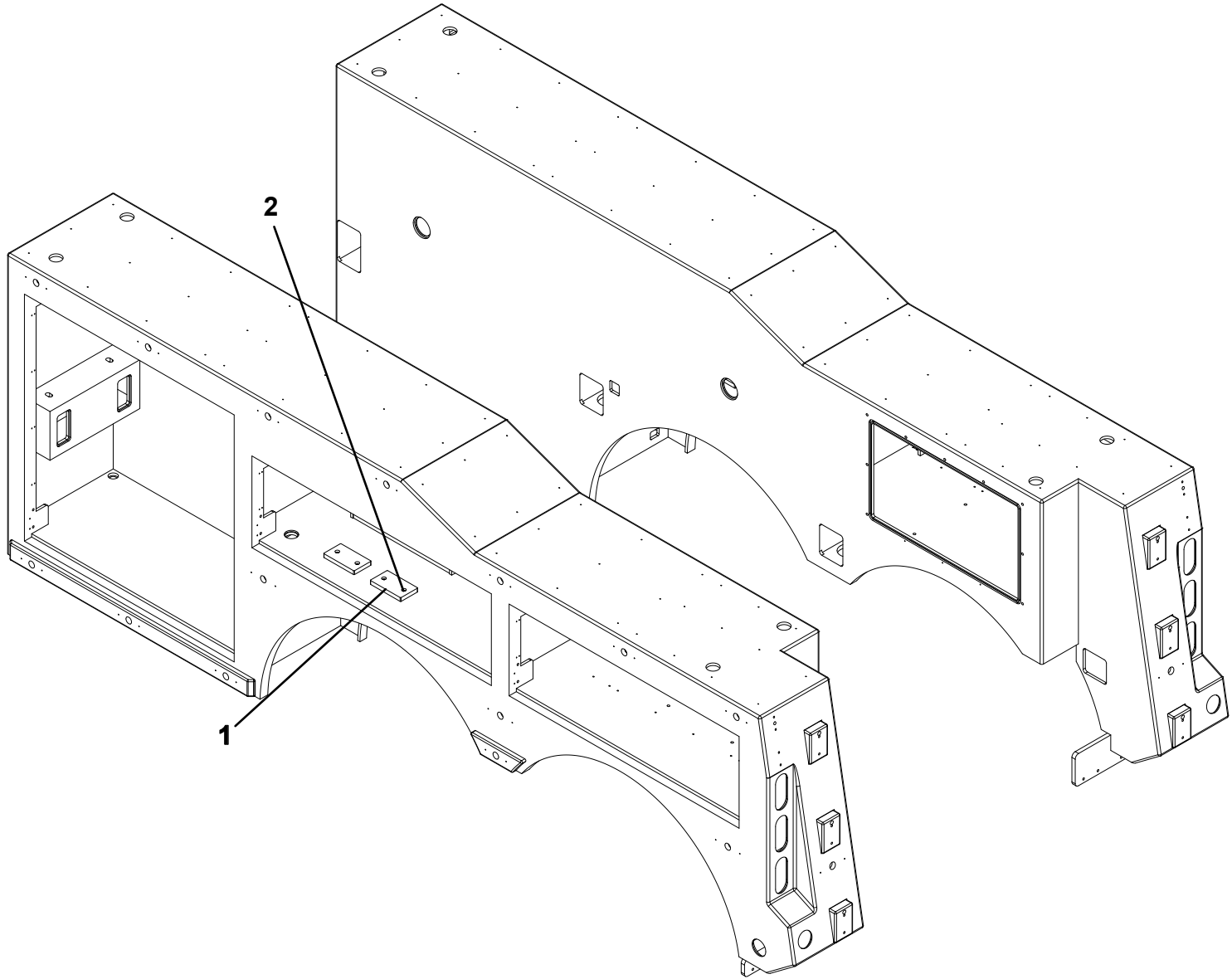
TOW LIGHT STORAGE



WHEEL CHOCK STORAGE

ITEM	PART NO.	DESCRIPTION	QTY
1	1001170707	Wheel Chock Stop	4
2	1001195523	Screw, 0.25" x 1.00"	8

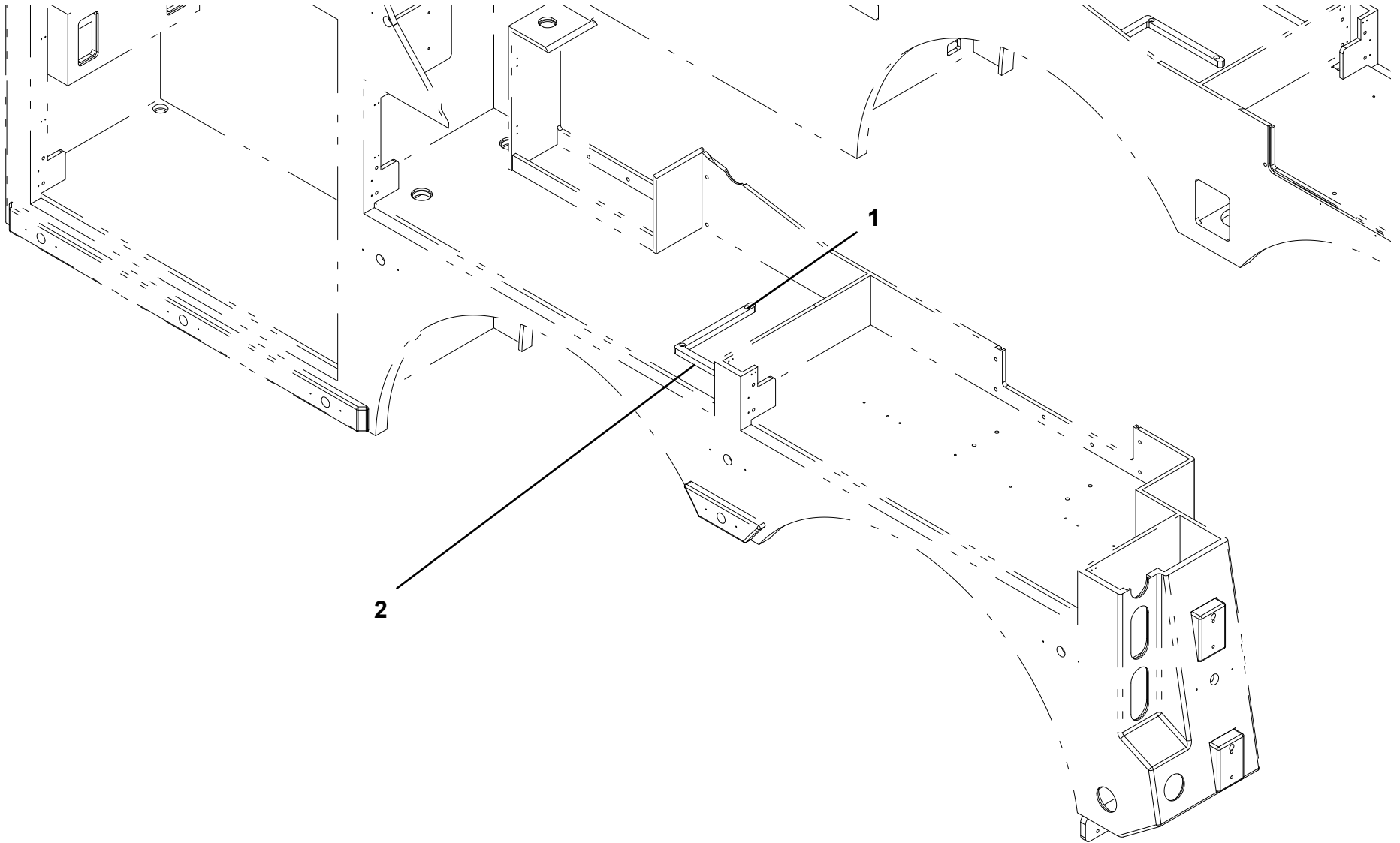
WHEEL CHOCK STORAGE



FLARE STORAGE

ITEM	PART NO.	DESCRIPTION	QTY
1	1001195523	Screw, 0.25" x 1.00"	8
2	1001201695	Bracket	2

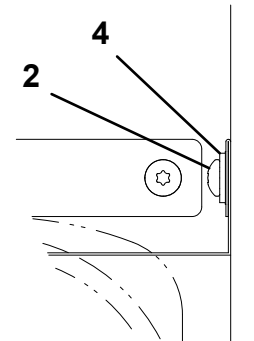
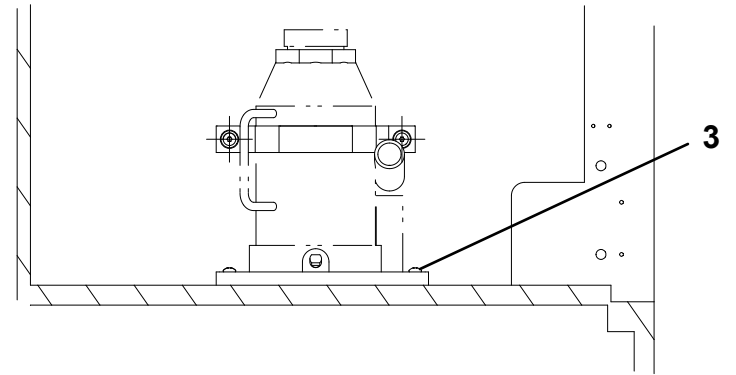
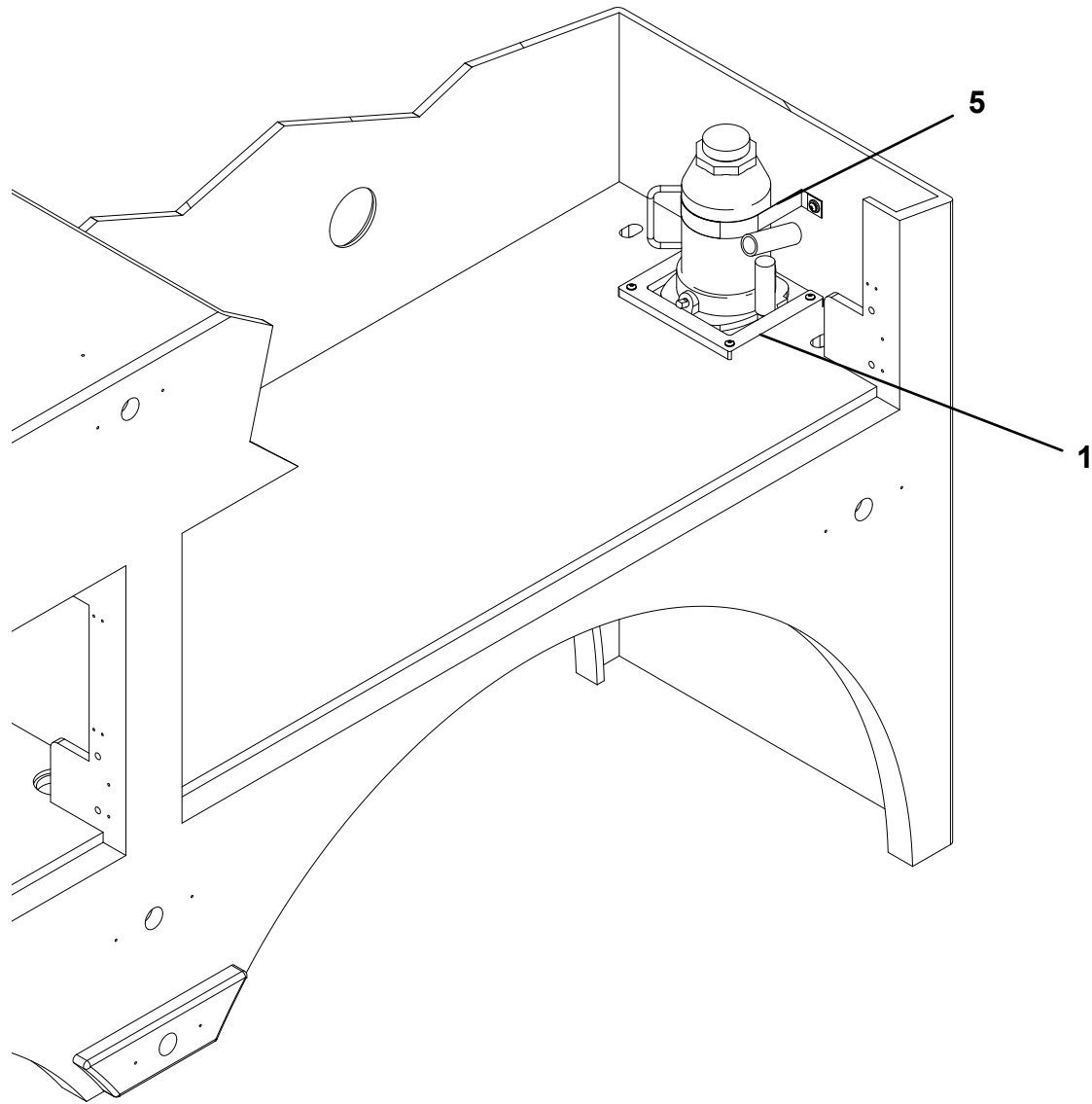
FLARE STORAGE



BOTTLE JACK STORAGE

ITEM	PART NO.	DESCRIPTION	QTY
1	1001170839	Bracket	1
2	1001195257	Screw, 0.25" x 0.50"	2
3	1001195523	Screw, 0.25" x 1.00"	4
4	7950140143	Flatwasher, 0.25" ID	2
5	1001167268	Strap	2

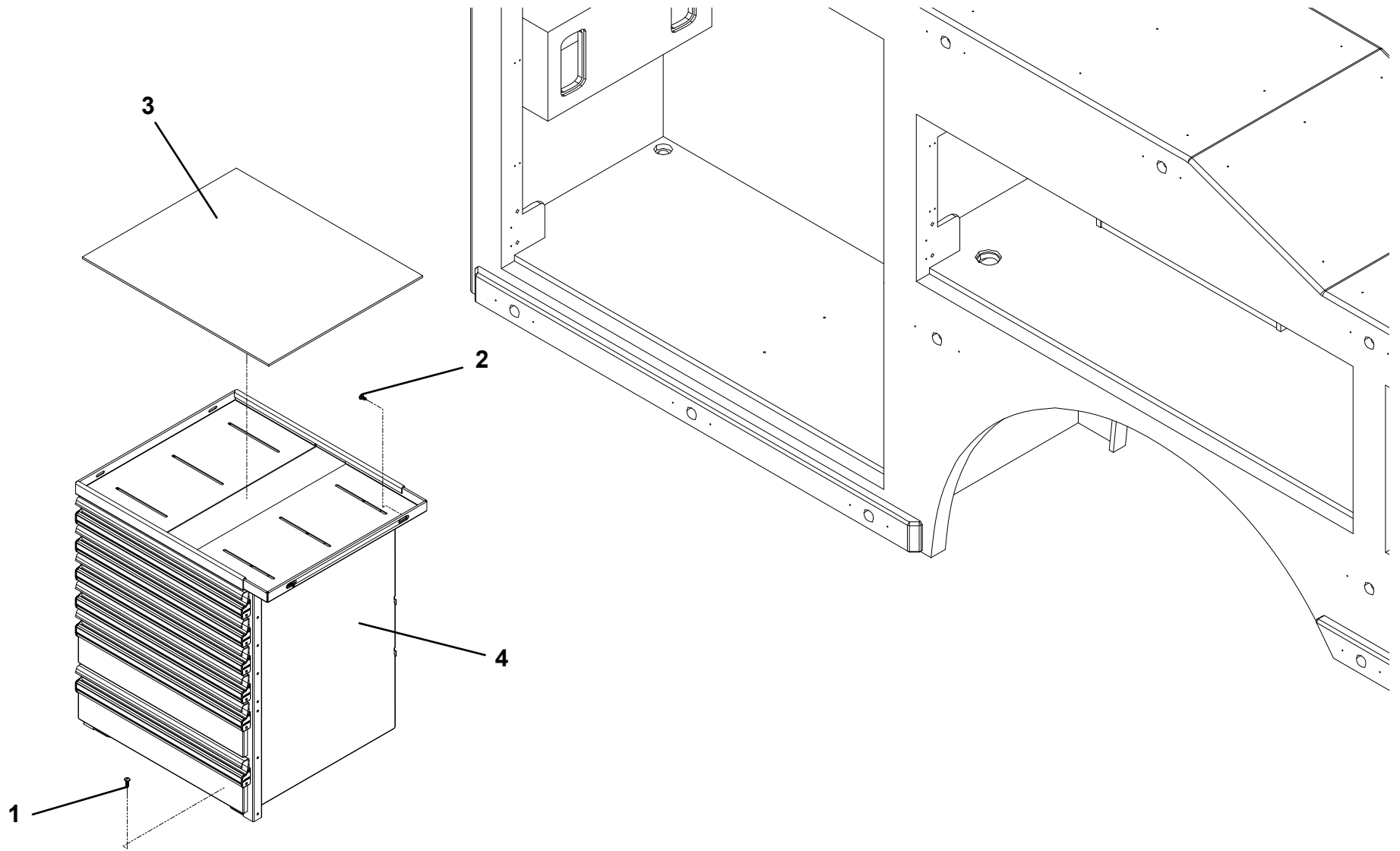
BOTTLE JACK STORAGE



TOOL DRAWER INSTALLATION - TANDEM

ITEM	PART NO.	DESCRIPTION	QTY
1	1001194676	Screw, 0.25" x 0.75"	6
2	1001195257	Screw, 0.25" x 0.50"	8
3	1001195279	Pad	1
4	1001190410	ToolBox	1

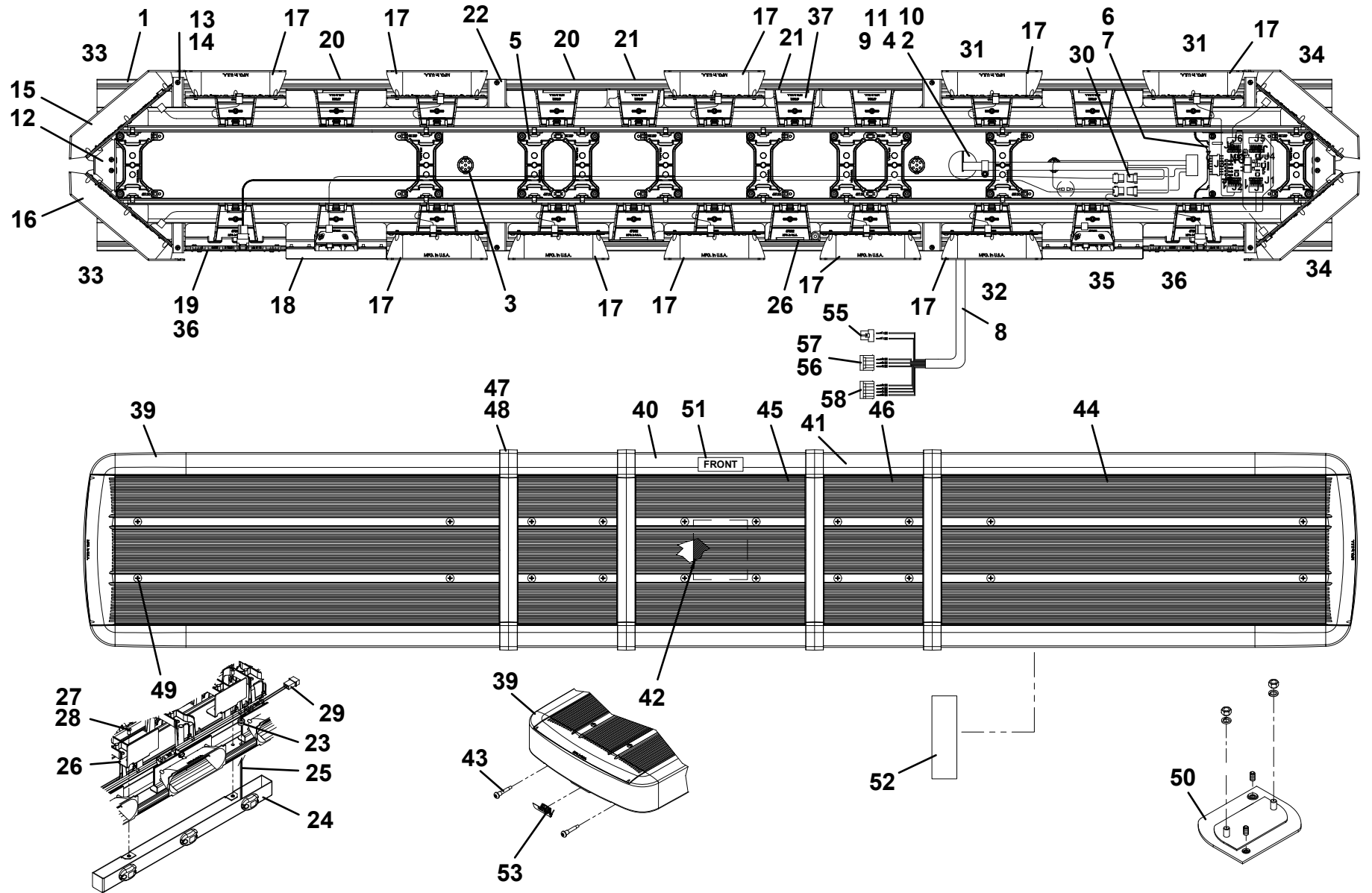
TOOL DRAWER INSTALLATION - TANDEM



72" WHELEN LIGHT BAR

ITEM	PART NO.	DESCRIPTION	QTY	ITEM	PART NO.	DESCRIPTION	QTY
1	70051341	Base	1	40	70051077	Lens	1
2	70050169	Grommet	1	41	70051349	Lens	2
3	70050170	Plug	2	42	70051078	Label	1
4	70051059	Screw, #10 - 24 x 0.625"	1	43	70050203	Screw, #10-24 x 1.25"	4
5	70051021	Bracket	10	44	70051062	Cover	2
6	70051022	Bracket	1	45	70051061	Cover	1
7	70051023	Circuit Board	1	46	70051350	Cover	2
8	70051060	Cable	1	47	70051048	Seal	8
9	70050665	Cable Clamp	1	48	70051049	Divider	4
10	70050174	Nut, #10 - 24	1	49	70051053	Screw, #10 x 0.875"	20
11	70051026	Tie-Wrap	1	50	70050204	Adapter	2
12	70051027	Bracket	2	51	70051055	Decal, Front	1
13	70051035	Bracket	4	52	70050207	Decal, Serial Number	1
14	70051028	Screw, #6 - 32 x 0.50"	12	53	70051056	Decal	2
15	70051029	Corner Assembly, Front	A/R	54	70051056	Decal	1
16	70051030	Corner Assembly, Rear	A/R	55	70050208	Housing	1
17	70051063	LED Assembly, 6 light	A/R	56	70050209	Connector	1
18	70051064	LED Assembly, 3 light	2	57	70050210	Housing	1
19	70051065	Turn Signal Assembly	2	58	70050211	Housing	1
20	70051066	Bracket	4				
21	70051036	Bracket	2				
22	70051039	Bracket	4				
23	70050176	Grommet	1				
24	70051068	ICC Cluster	1				
25	70050178	Harness	1				
26	70051069	Bracket	2				
27	70050179	Screw, #10 - 32 x 0.50"	2				
28	70050180	Washer, #10 ID	2				
29	70050181	Housing	1				
30	70050175	Housing	2				
31	70051343	Harness	1				
32	70051344	Harness	1				
33	70051345	Harness	1				
34	70051346	Harness	1				
35	70051347	Harness	1				
36	70051348	Harness	1				
37	70051044	Bracket	22				
38	70051045	Tie Wrap	A/R				
39	70051076	Lens Assembly	2				

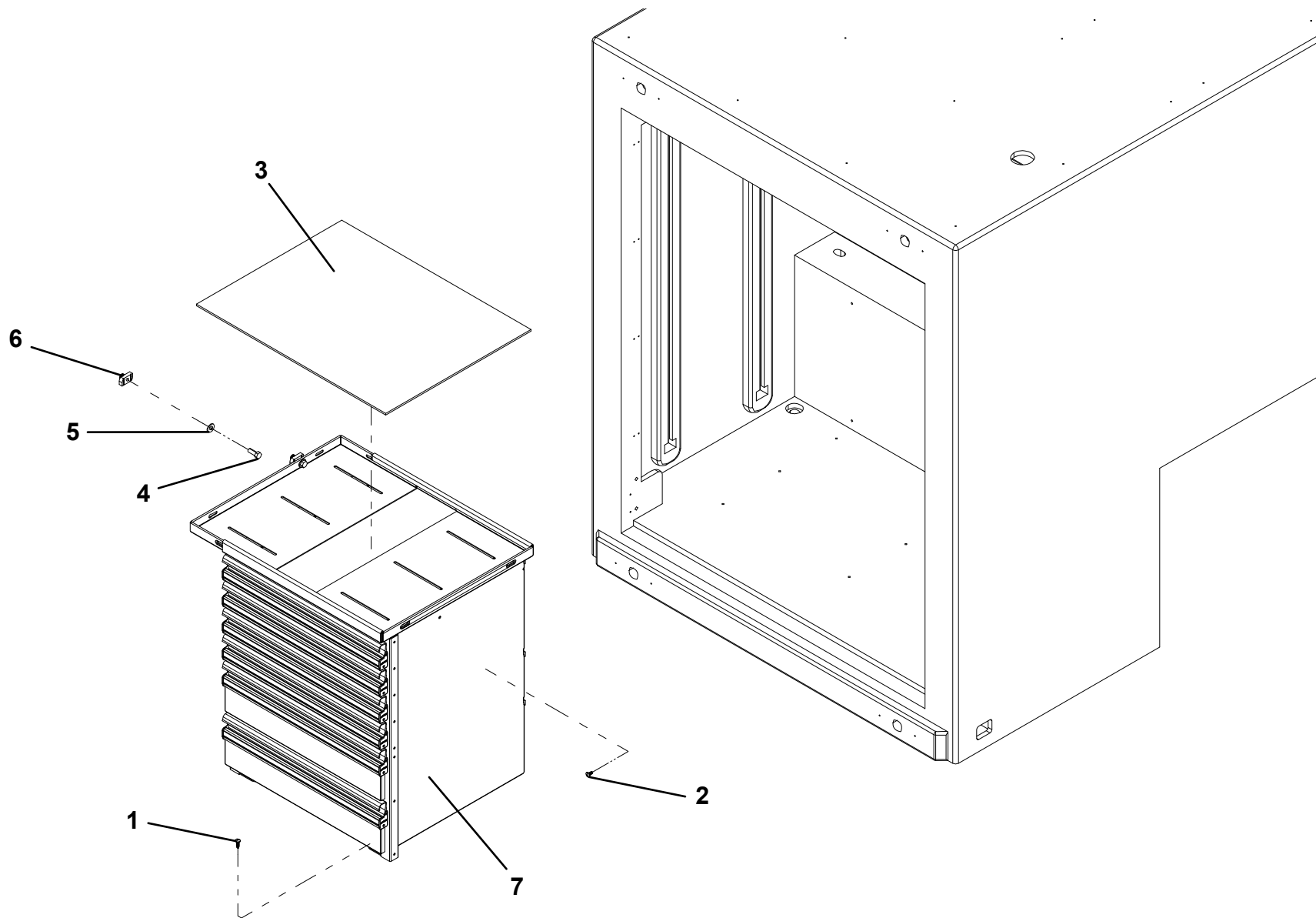
72" WHELEN LIGHT BAR



TOOL DRAWER INSTALLATION - TRI-AXLE

ITEM	PART NO.	DESCRIPTION	QTY
1	1001194676	Screw, 0.25" x 0.75"	6
2	1001195257	Screw, 0.25" x 0.50"	4
3	1001195341	Pad	1
4	7114140818	Capscrew, 0.25" - 20NC x 1.00"	2
5	7950160143	Flatwasher, 0.38" ID	2
6	1001183037	Nut, 0.25" - 20NC	2
7	1001190410	ToolBox	1

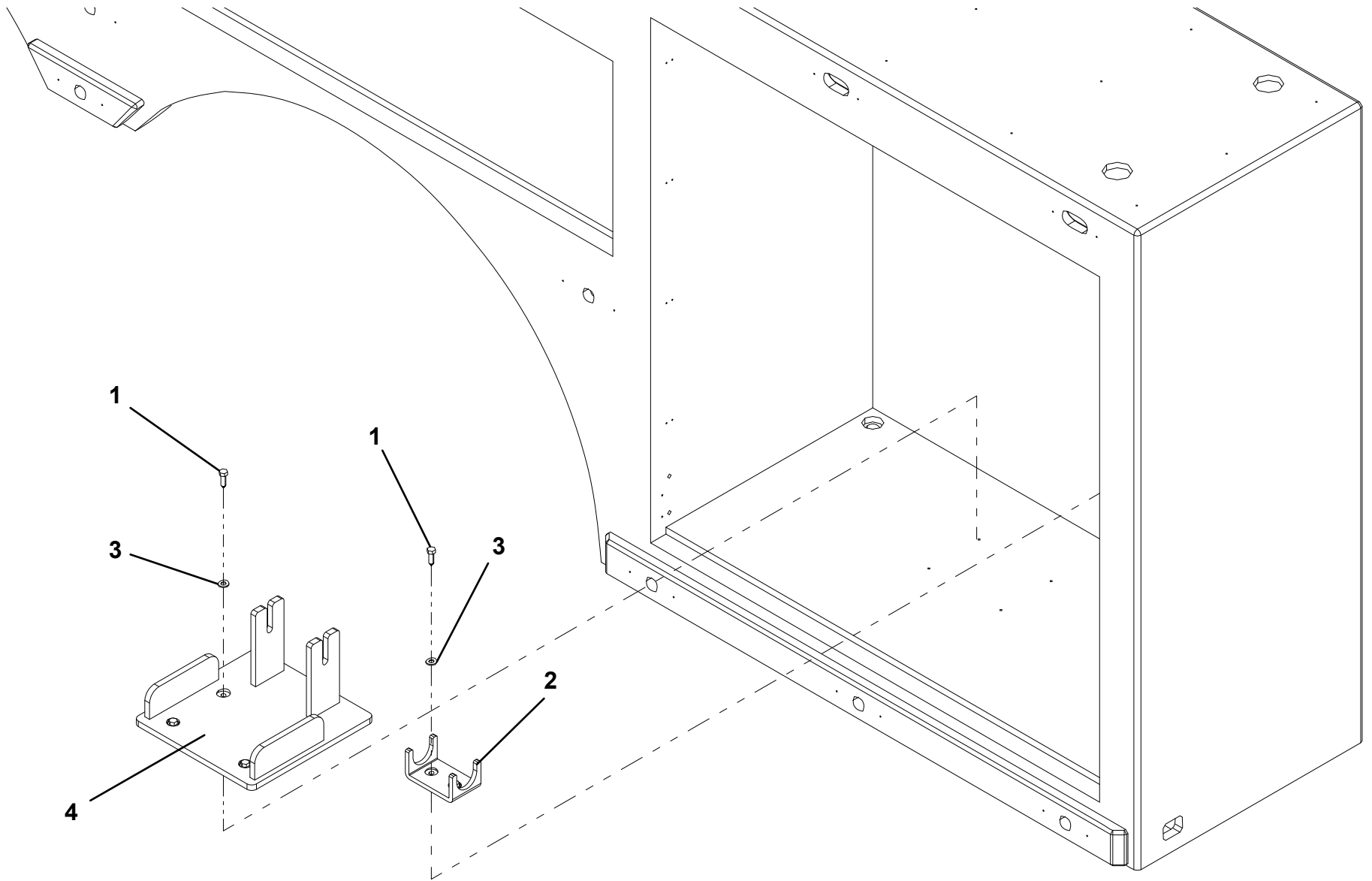
TOOL DRAWER INSTALLATION - TRI-AXLE



FIFTH WHEEL STORAGE INSTALLATION

ITEM	PART NO.	DESCRIPTION	QTY
1	1001168545	Screw, 0.38" x 1.25"	6
2	1001190568	Bracket	1
3	7950160143	Flatwasher, 0.38" ID	6
4	1001191810	Bracket	1

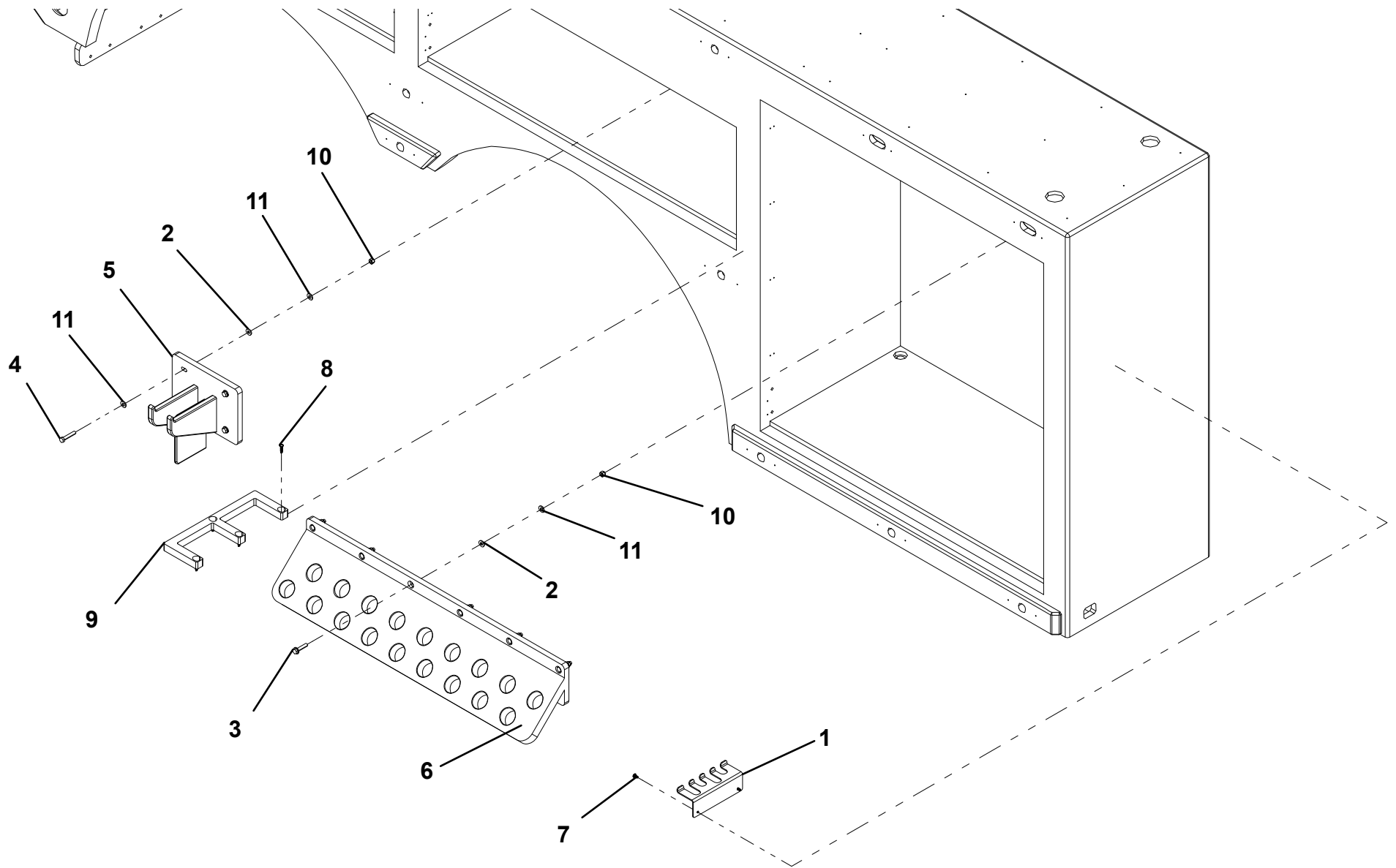
FIFTH WHEEL STORAGE INSTALLATION



FRAME FORK STORAGE INSTALLATION

ITEM	PART NO.	DESCRIPTION	QTY
1	1001160799	Bracket	1
2	1001166974	Washer, 0.38" ID Rubber	10
3	1001168544	Screw, 0.38"-16 X 1.75"	6
4	1001169083	Screw, 0.38"-16 X 2.00"	4
5	1001190926	Bracket	1
6	1001190988	Bracket	1
7	1001195257	Screw, 0.25" X 0.50"	2
8	1001195523	Screw, 0.25" X 1.00"	4
9	1001195838	Bracket	1
10	7660162601	Locknut, 0.38"-16NC	10
11	7950160143	Flatwasher, 0.38" ID	20

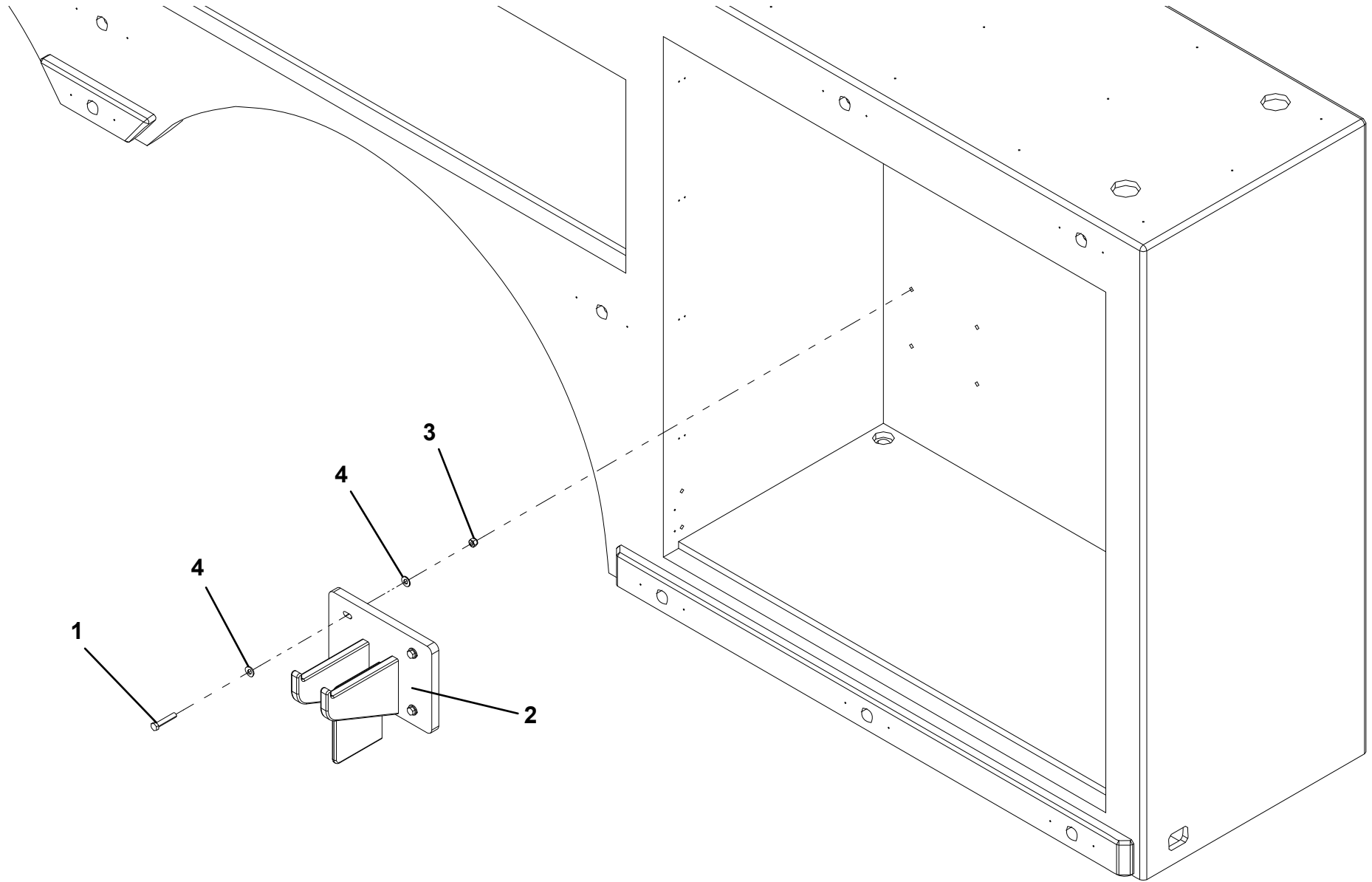
FRAME FORK STORAGE INSTALLATION



FORK RISER STORAGE INSTALLATION

ITEM	PART NO.	DESCRIPTION	QTY
1	1001169083	Screw, 0.38"-16 x 2.00"	4
2	1001190926	Bracket	1
3	7660162601	Locknut, 0.25"-20	4
4	7950160143	Flatwasher, 0.38" ID	8

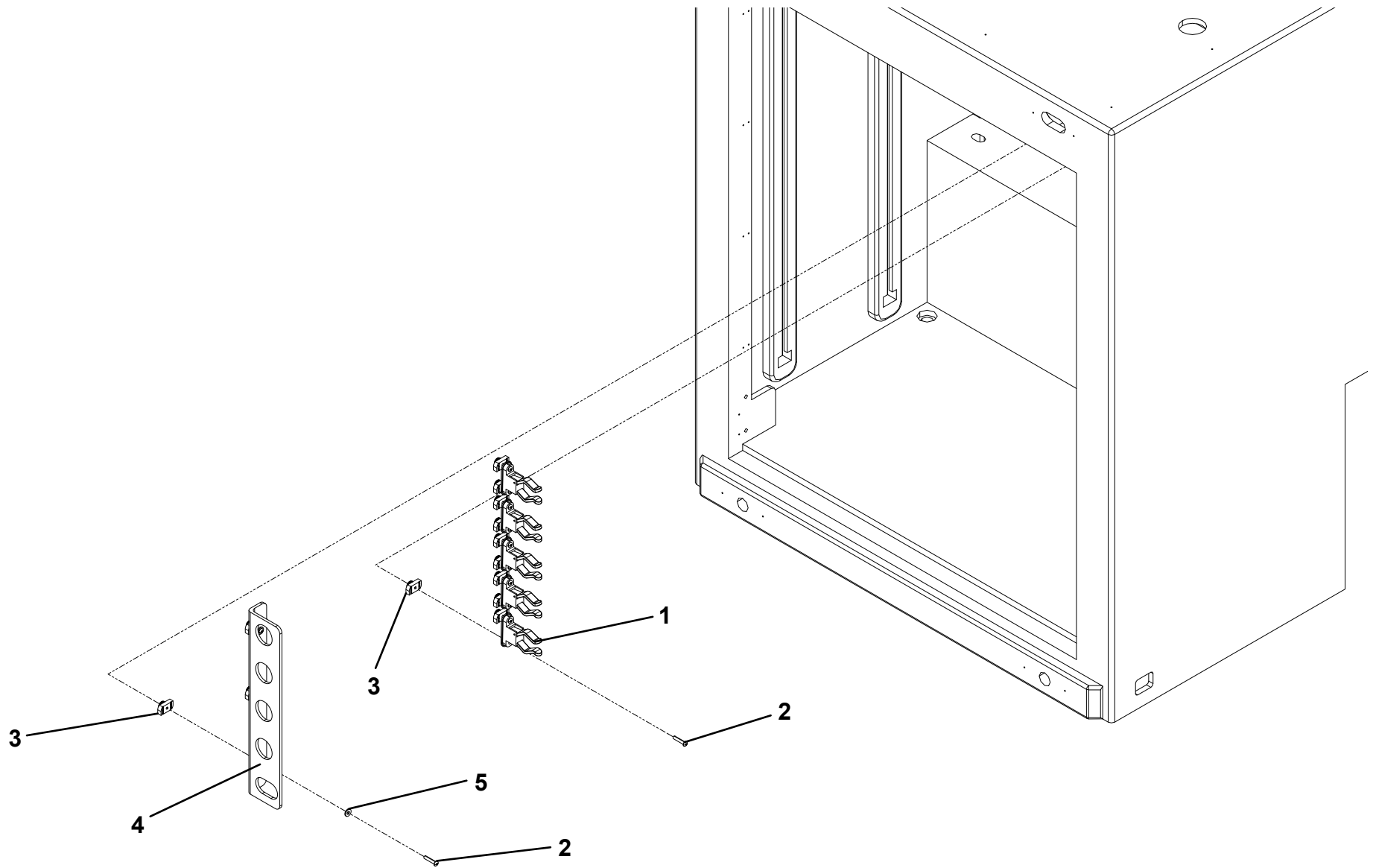
FORK RISER STORAGE INSTALLATION



GRIZZLY BAR STORAGE - TANDEM

ITEM	PART NO.	DESCRIPTION	QTY
1	1001175059	Clamp	5
2	7114141018	Screw, 0.25" - 20NC x 1.25"	13
3	1001183037	Nut, 0.25" - 20NC	13
4	1001183038	Bracket	1
5	7950140143	Flatwasher, 0.25" ID	3

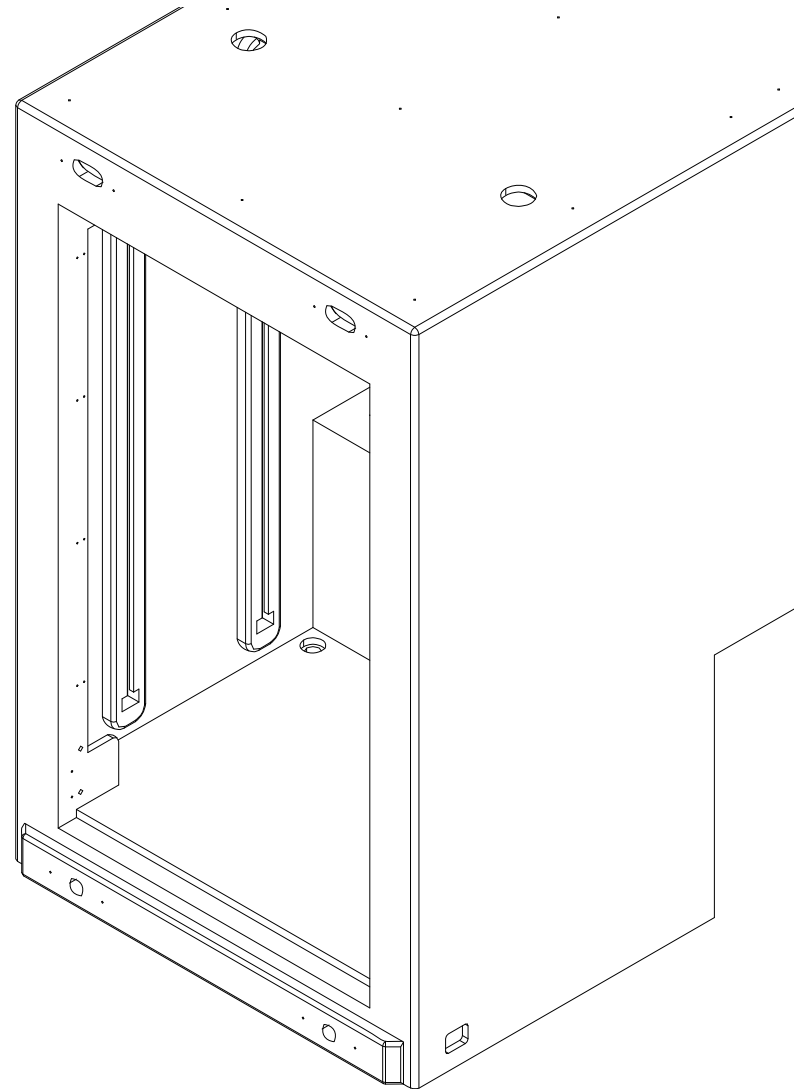
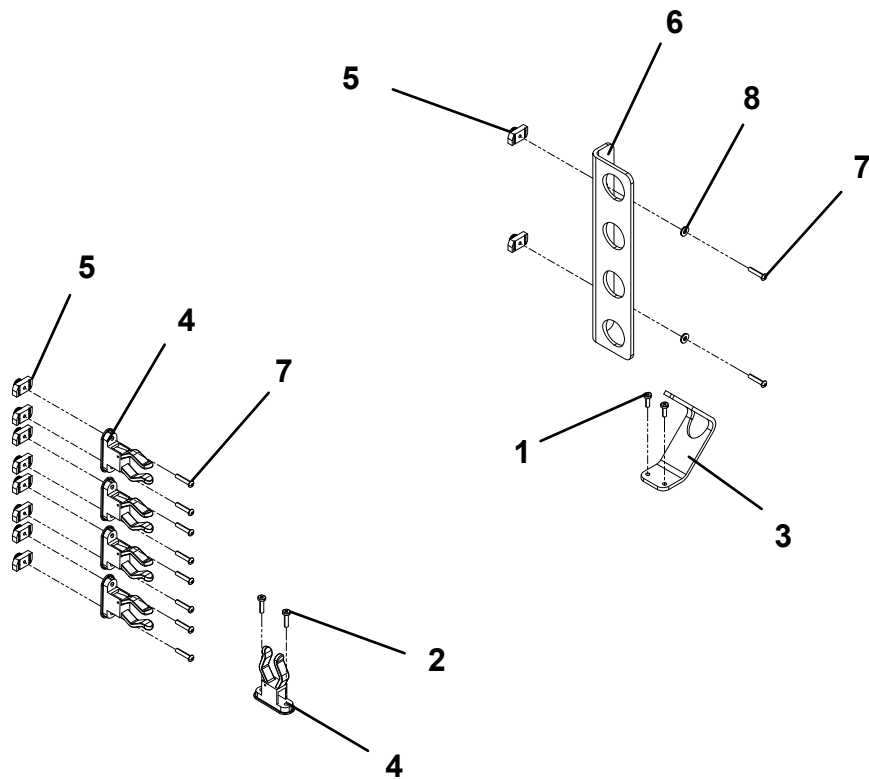
GRIZZLY BAR STORAGE - TANDEM



GRIZZLY BAR STORAGE - TRI-AXLE

ITEM	PART NO.	DESCRIPTION	QTY
1	0751406	Screw	2
2	0751408	Screw	2
3	1001174992	Bracket	1
4	1001175059	Clamp	5
5	1001183037	Spring Nut, 0.25" - 20NC	10
6	1001212194	Angle Bracket	1
7	7114141018	Screw, 0.25" - 20NC x 1.25"	10
8	7950140143	Flatwasher, 0.25" ID	2

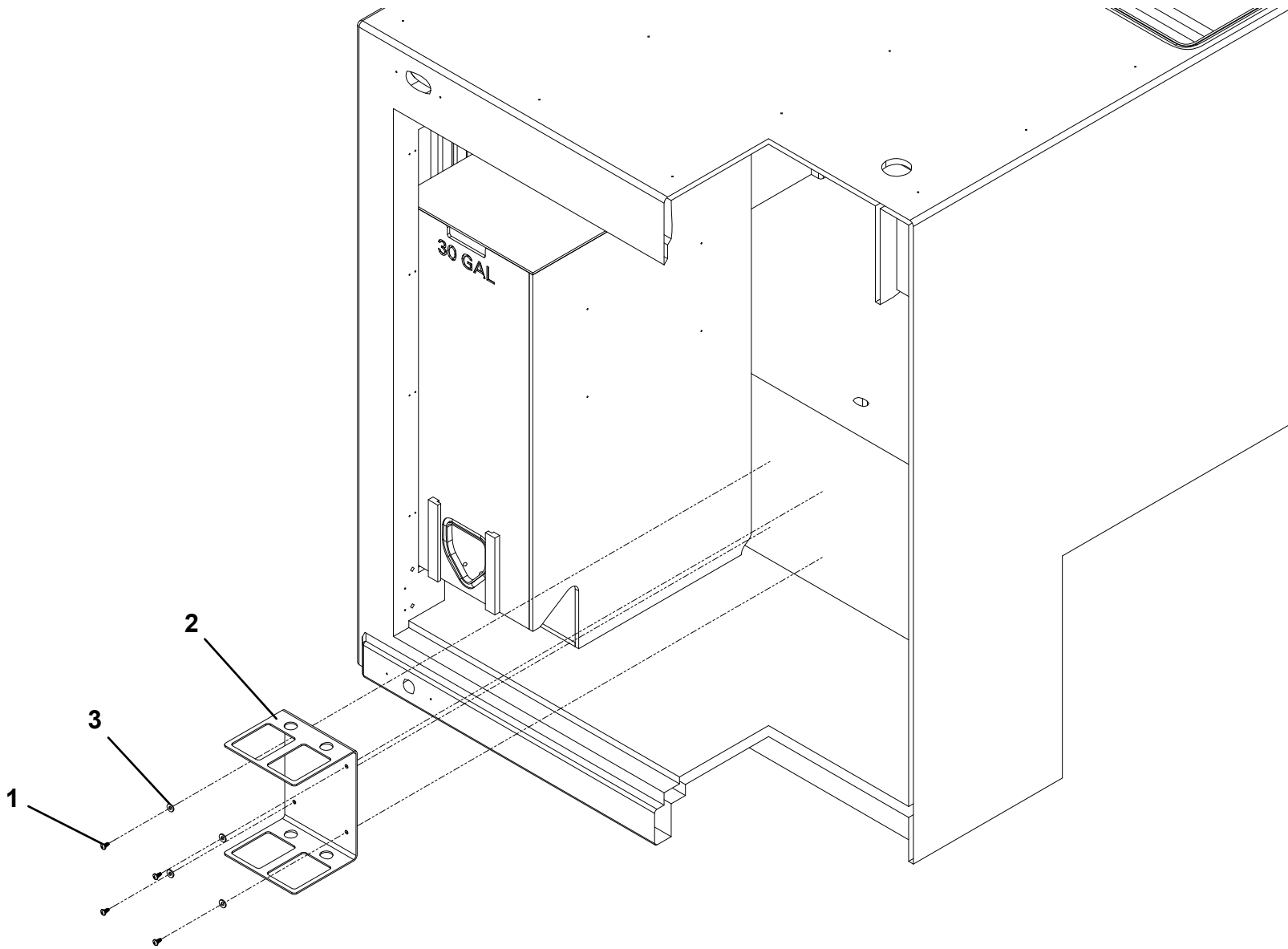
GRIZZLY BAR STORAGE - TRI-AXLE



BROOM STORAGE

ITEM	PART NO.	DESCRIPTION	QTY
1	1001195257	Screw, 0.25" x 0.50"	4
2	1001207300	Bracket	1
3	7950140143	Flatwasher, 0.25" ID	4

BROOM STORAGE

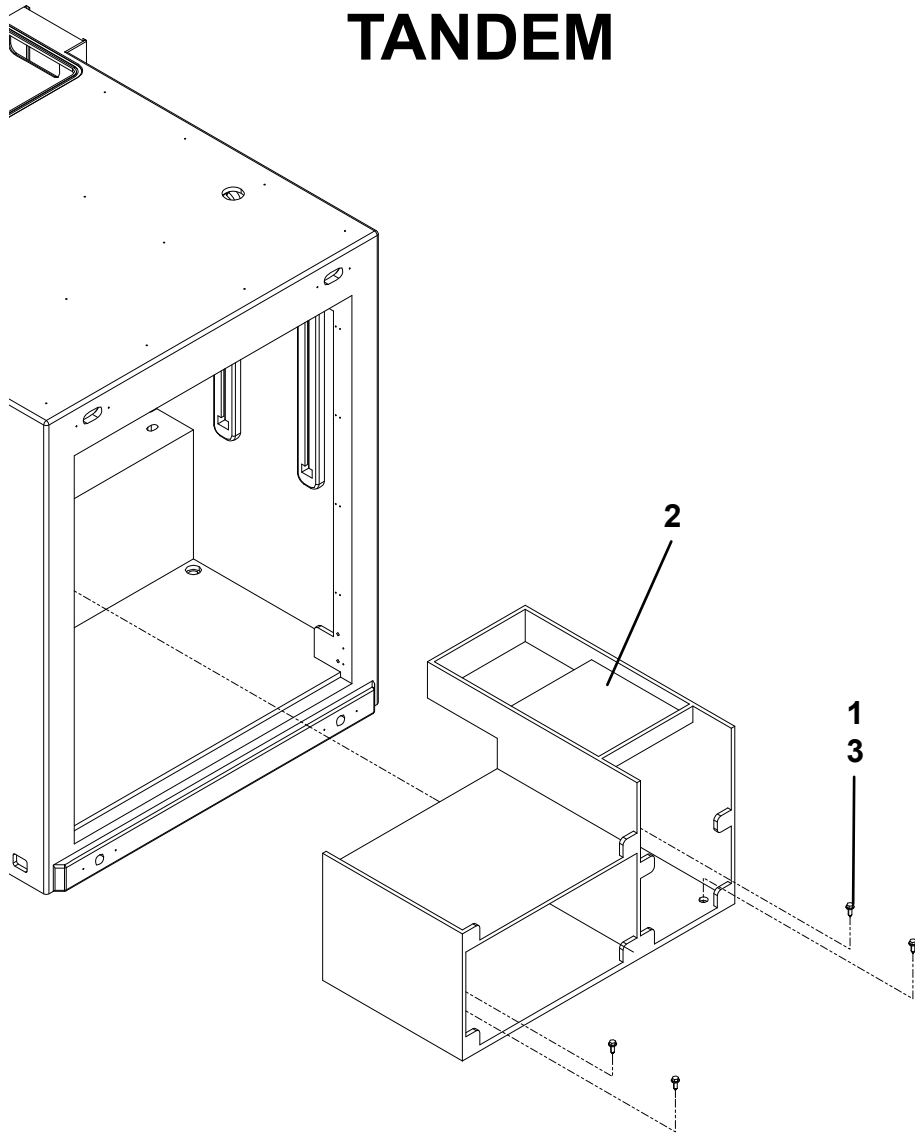


STRAP STORAGE

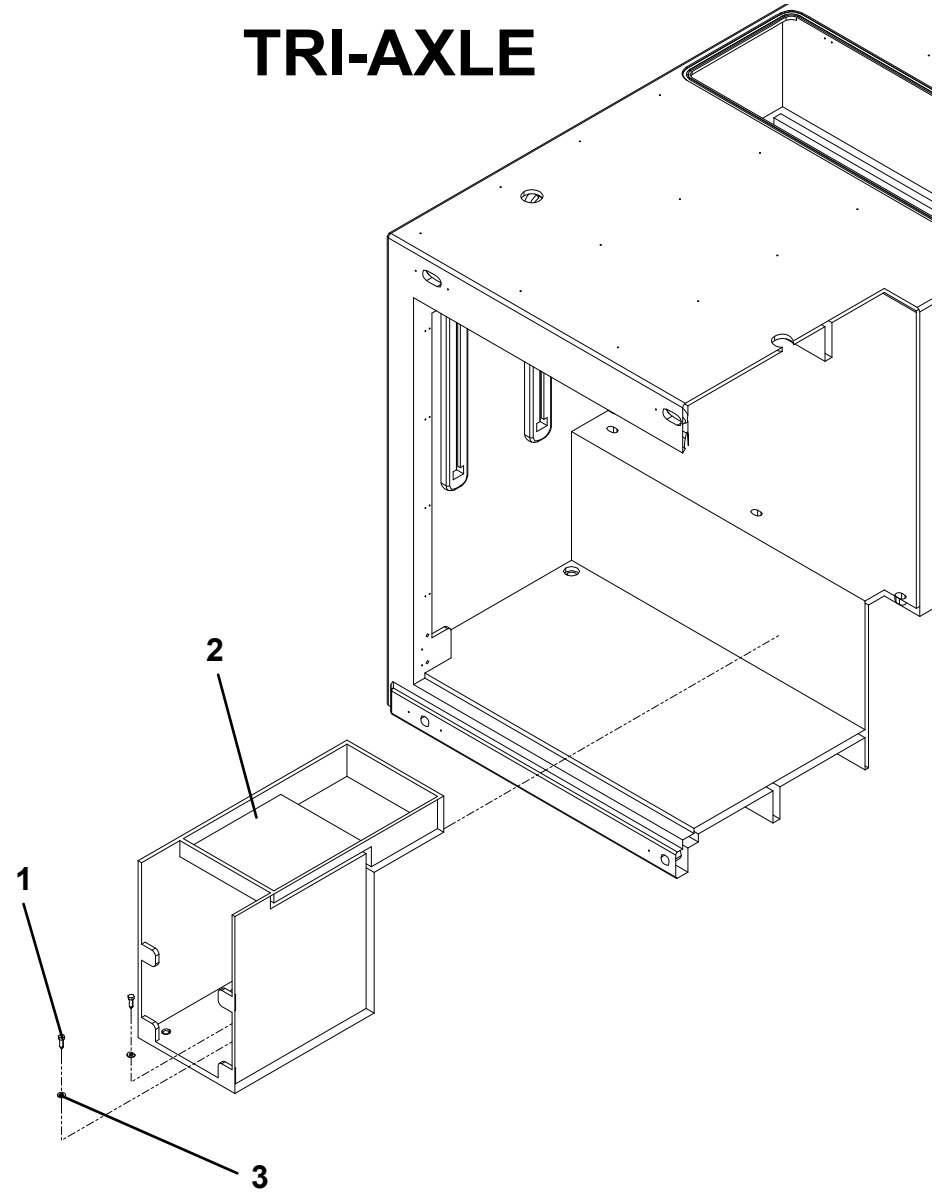
ITEM	PART NO.	DESCRIPTION	QTY
1	1001168545	Screw, 0.38" x 1.25"	4
2	1001208651	Organizer - Tandem	1
	1001208650	Organizer - Tri-Axle	1
3	7950160143	Flatwasher, 0.38" ID	4

STRAP STORAGE

TANDEM



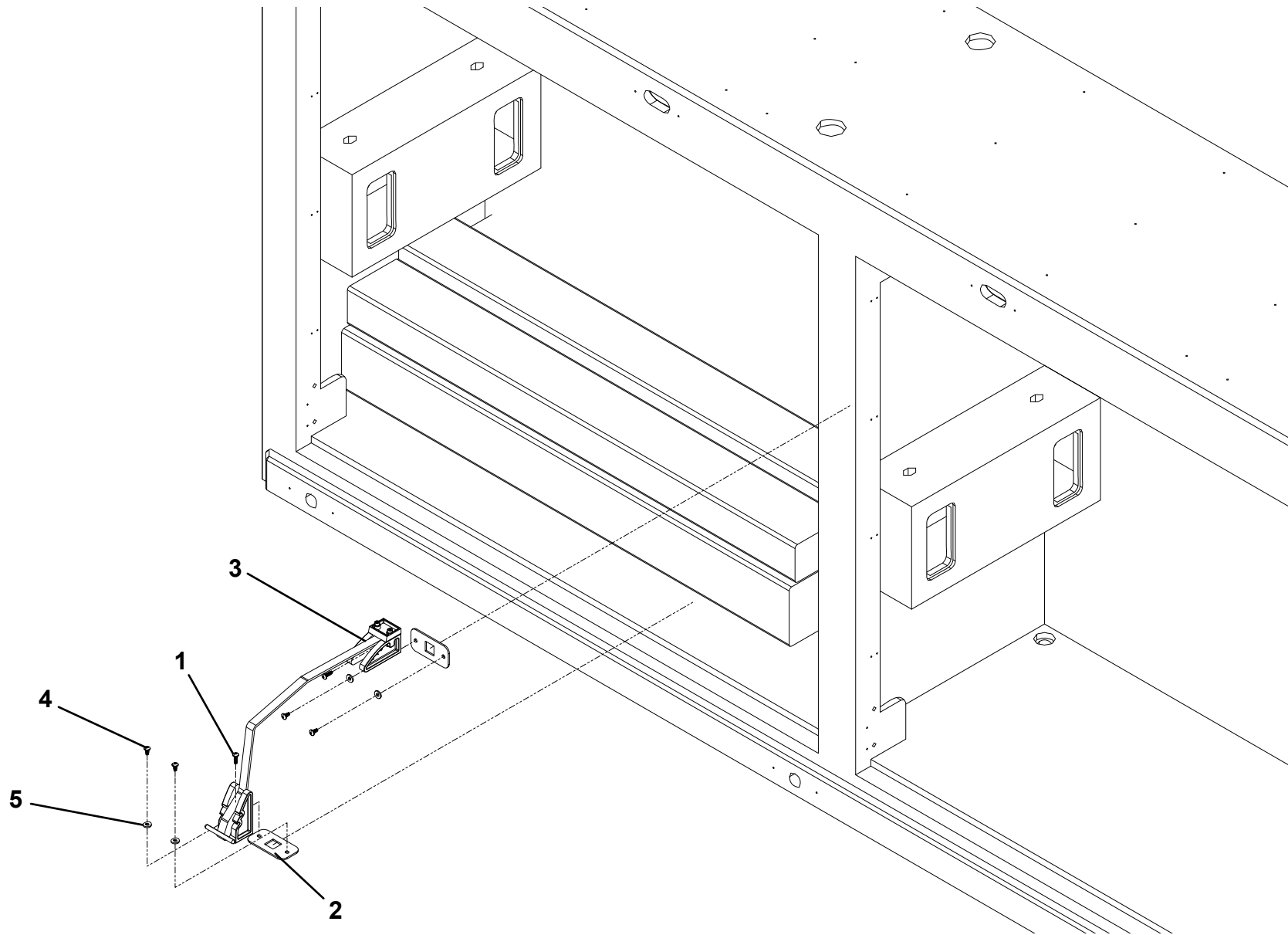
TRI-AXLE



CRIBBING STORAGE

ITEM	PART NO.	DESCRIPTION	QTY
1	1001194676	Screw, 0.25" x 0.75"	2
2	1001207509	Plate	2
3	1001207539	Adjustment Mount	1
4	1001195257	Screw, 0.25" x 0.50"	4
5	7950140143	Flatwasher, 0.25" ID	4

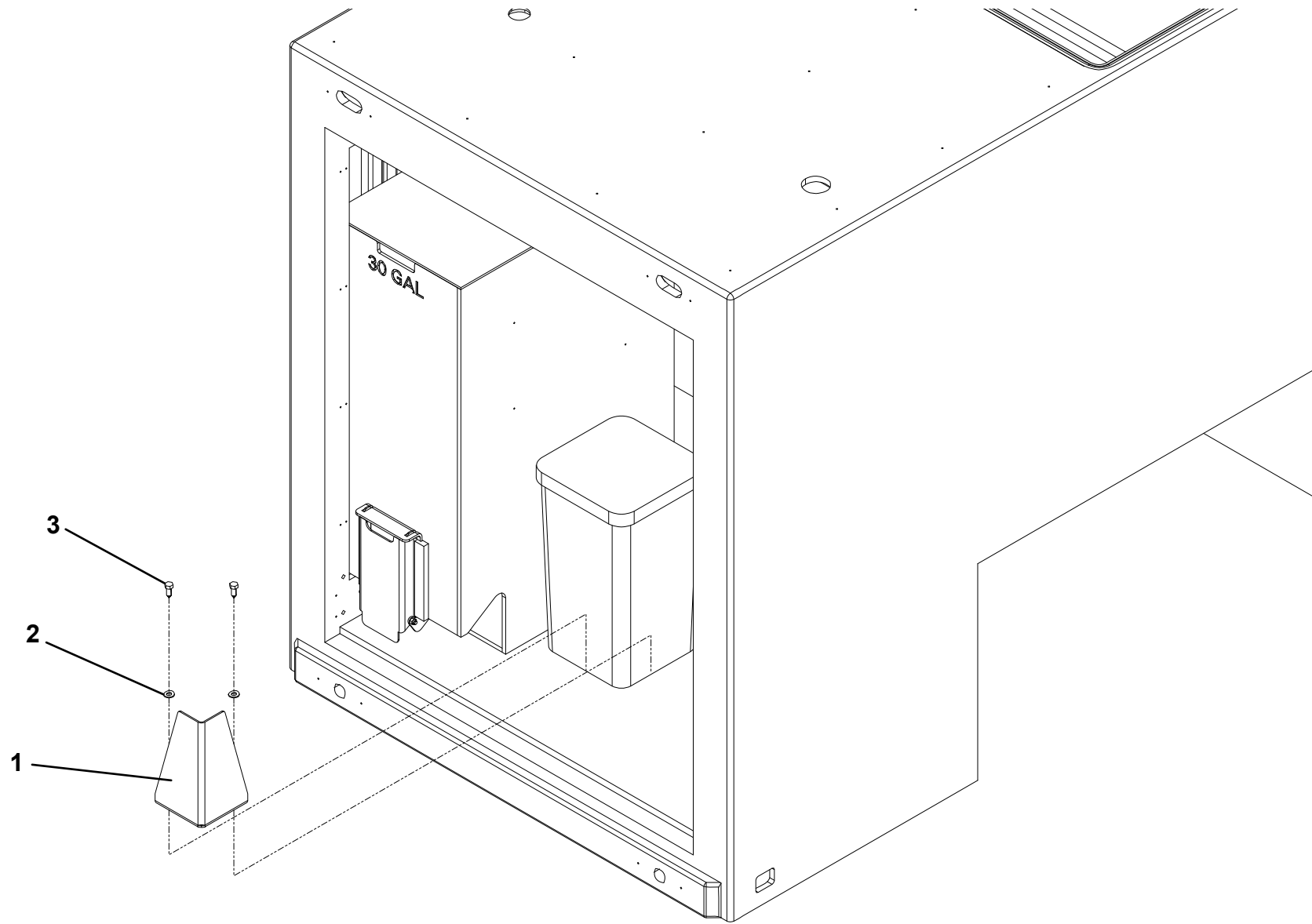
CRIBBING STORAGE



SPILL KIT

ITEM	PART NO.	DESCRIPTION	QTY
1	1001183152	Bracket	1
2	7950160143	Flatwasher, 0.38" ID	2
3	1001168428	Screw, 0.38" x 1.00"	2

SPILL KIT



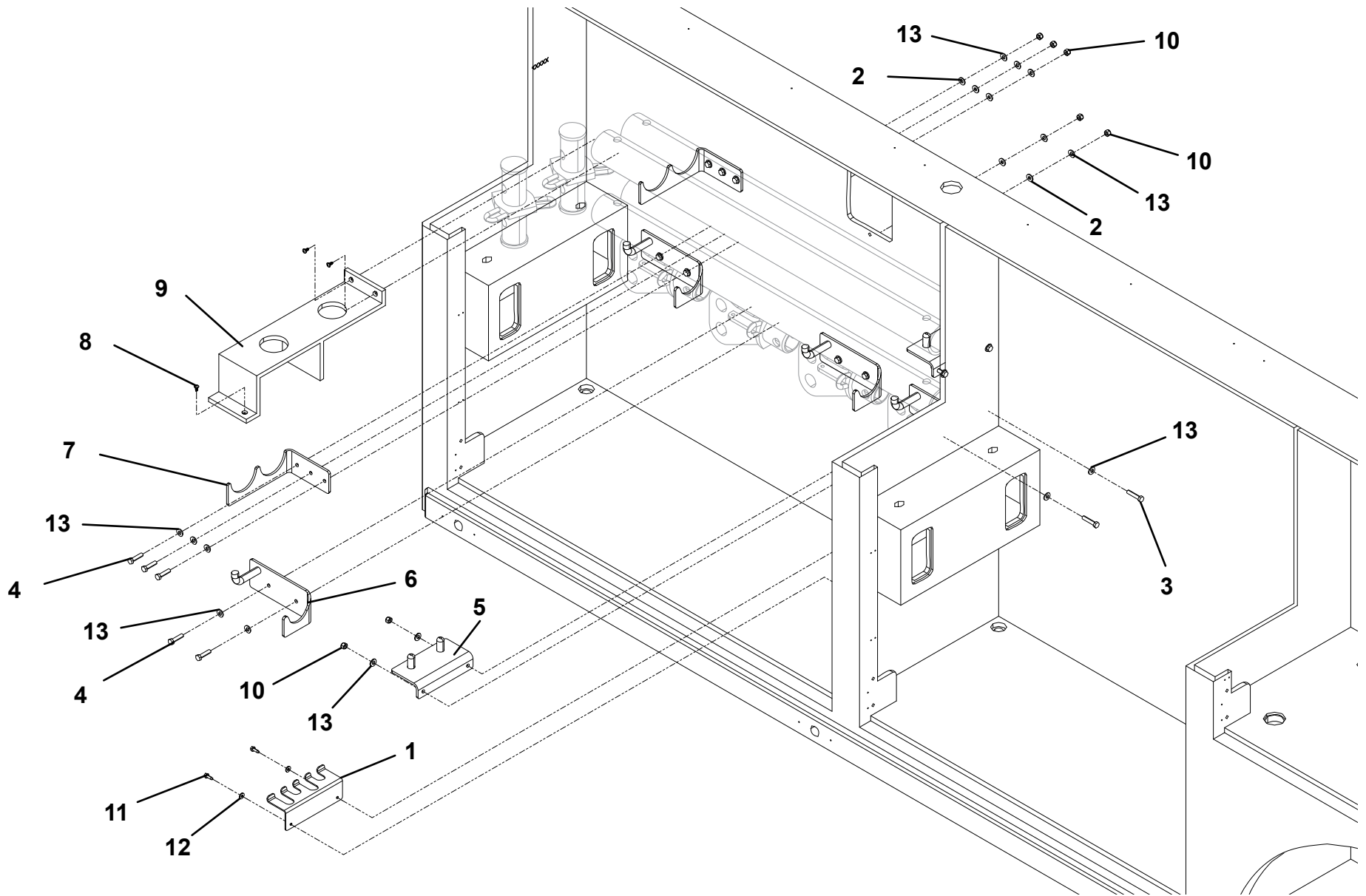
STORAGE SHELF INSTALLATION

ITEM	PART NO.	DESCRIPTION	QTY
1	1001169083	Screw, 0.38" - 16NC x 2.00"	4
2	1001214265	Shelf 48"	1
	1001214301	Shelf 36"	2
3	1001214266	Mount	4
4	1001214267	Washer, 0.38" ID	4
5	1001166644	Nut, 0.38" - 16NC	4

SPREADER BAR STORAGE

ITEM	PART NO.	DESCRIPTION	QTY
Single Spreader Bar			
1	1001160799	Bracket	1
2	1001166974	Washer, 0.38" ID	7
3	1001168544	Capscrew, 0.38" - 16NC x 1.75"	2
4	1001168993	Capscrew, 0.38" - 16NC x 1.50"	7
5	1001174138	Support	1
6	1001174140	Support	2
7	1001191613	Bracket	1
8	1001195257	Screw, 0.25" x 0.50"	4
9	1001211394	Support	1
10	7660162601	Locknut, 0.38" - 16NC	9
11	7790141251	Screw, 0.25" x 0.75"	2
12	7950140143	Flatwasher, 0.25" ID	2
13	7950160143	Flatwasher, 0.38" ID	18
Double Spreader Bar			
1	1001160799	Bracket	2
2	1001166974	Washer, 0.38" ID	14
3	1001168544	Capscrew, 0.38" - 16NC x 1.75"	4
4	1001168993	Capscrew, 0.38" - 16NC x 1.50"	14
5	1001174138	Support	2
6	1001174140	Support	4
7	1001191613	Bracket	2
8	1001195257	Screw, 0.25" x 0.50"	3
9	1001211394	Support	1
10	7660162601	Locknut, 0.38" - 16NC	18
11	7790141251	Screw, 0.25" x 0.75"	4
12	7950140143	Flatwasher, 0.25" ID	4
13	7950160143	Flatwasher, 0.38" ID	36

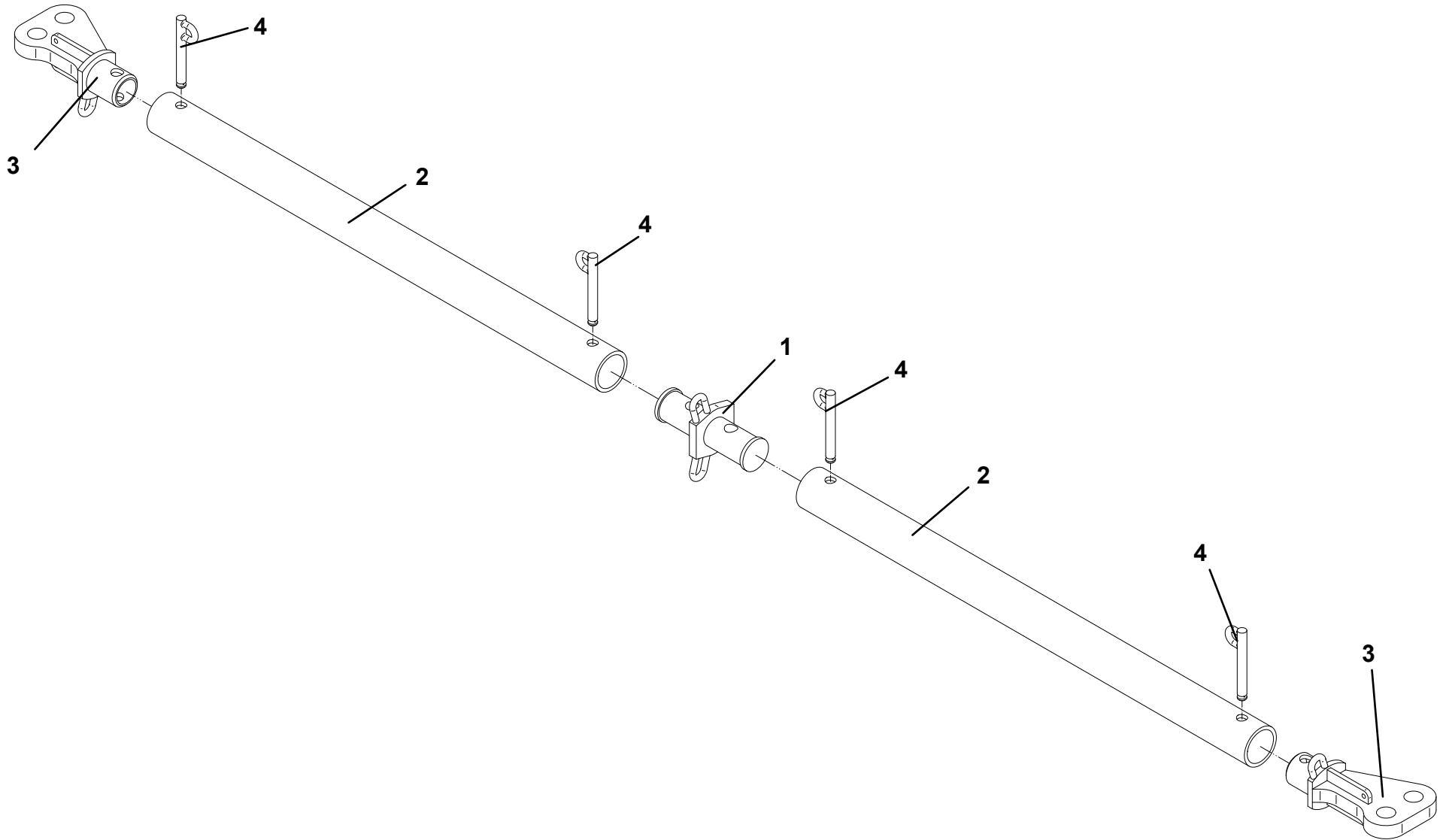
SPREADER BAR STORAGE



SPREADER BAR KIT - 1001175920

ITEM	PART NO.	DESCRIPTION	QTY
1	70050922	Center Bar	1
2	70050923	Spreader Bar Tube	2
3	70050924	Spreader Bar Ends	2
4	70050925	Pin	4

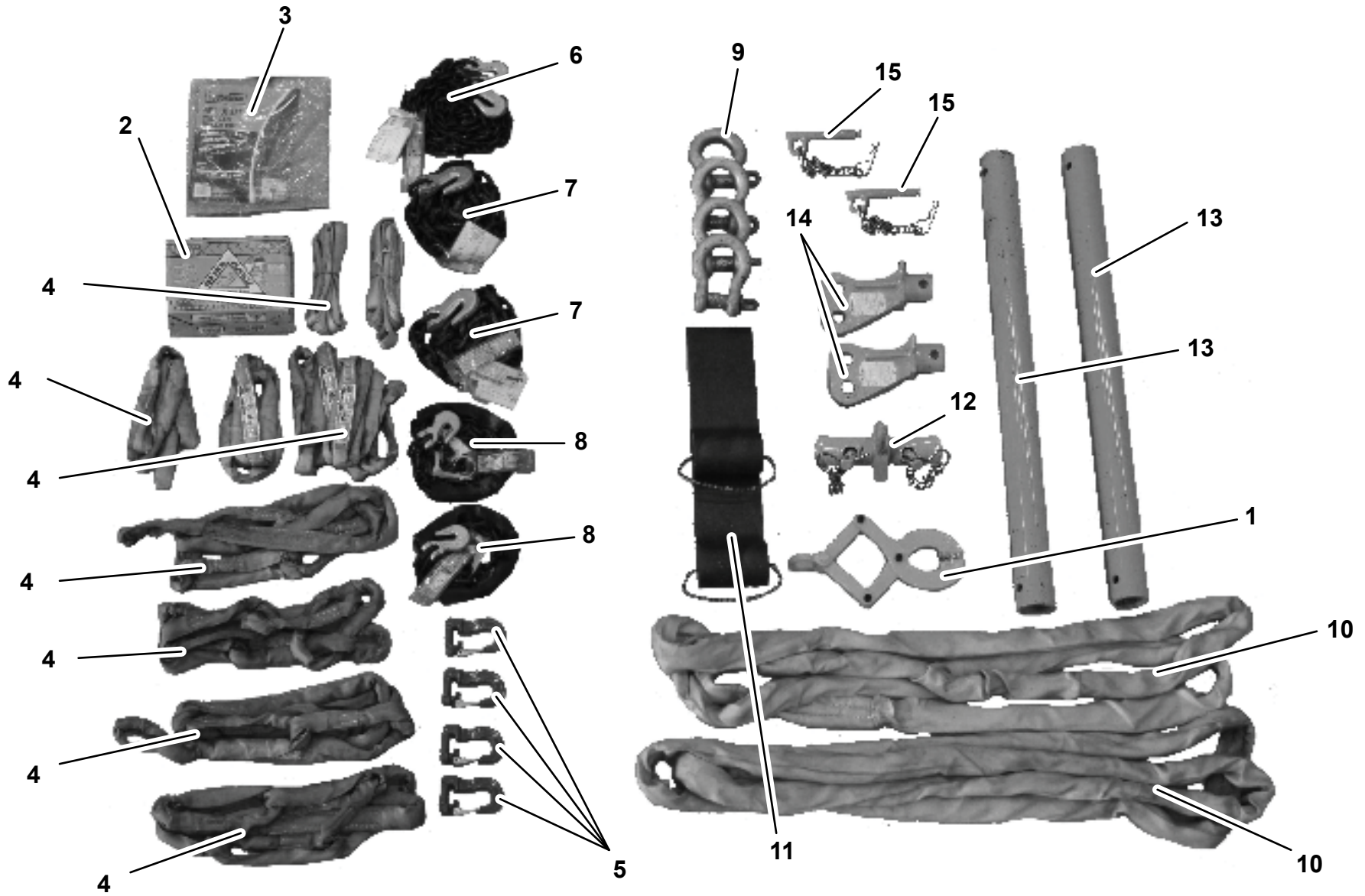
SPREADER BAR KIT - 1001175920



SPREADER BAR ACCESSORIES - 1001174493

ITEM	PART NO.	DESCRIPTION	QTY
1	70050831	Pallet Lifting Jaw	1
2	70050832	42 Gallon Demo Bag	2
3	70050833	Poly Tarp	2
4	70050834	Green Eye and Eye Round Sling, 96"	4
5	70050835	Green Round Sling Hook	4
6	70050836	Recovery Chain, 0.38" x 10' - 8,800 LB	1
7	70050837	Recovery Chain Hook One End 0.5" x 6'	2
8	70050838	Recover Chain Hook	2
9	70050839	Shackle	4
10	70050840	Blue Round Sling 10'	2
11	70050841	Skate	2
12	70050922	Center Bar	1
13	70050923	Spreader Bar Tube	2
14	70050924	Spreader Bar Ends	2
15	70050925	Pin	4

SPREADER BAR ACCESSORIES - 1001174493



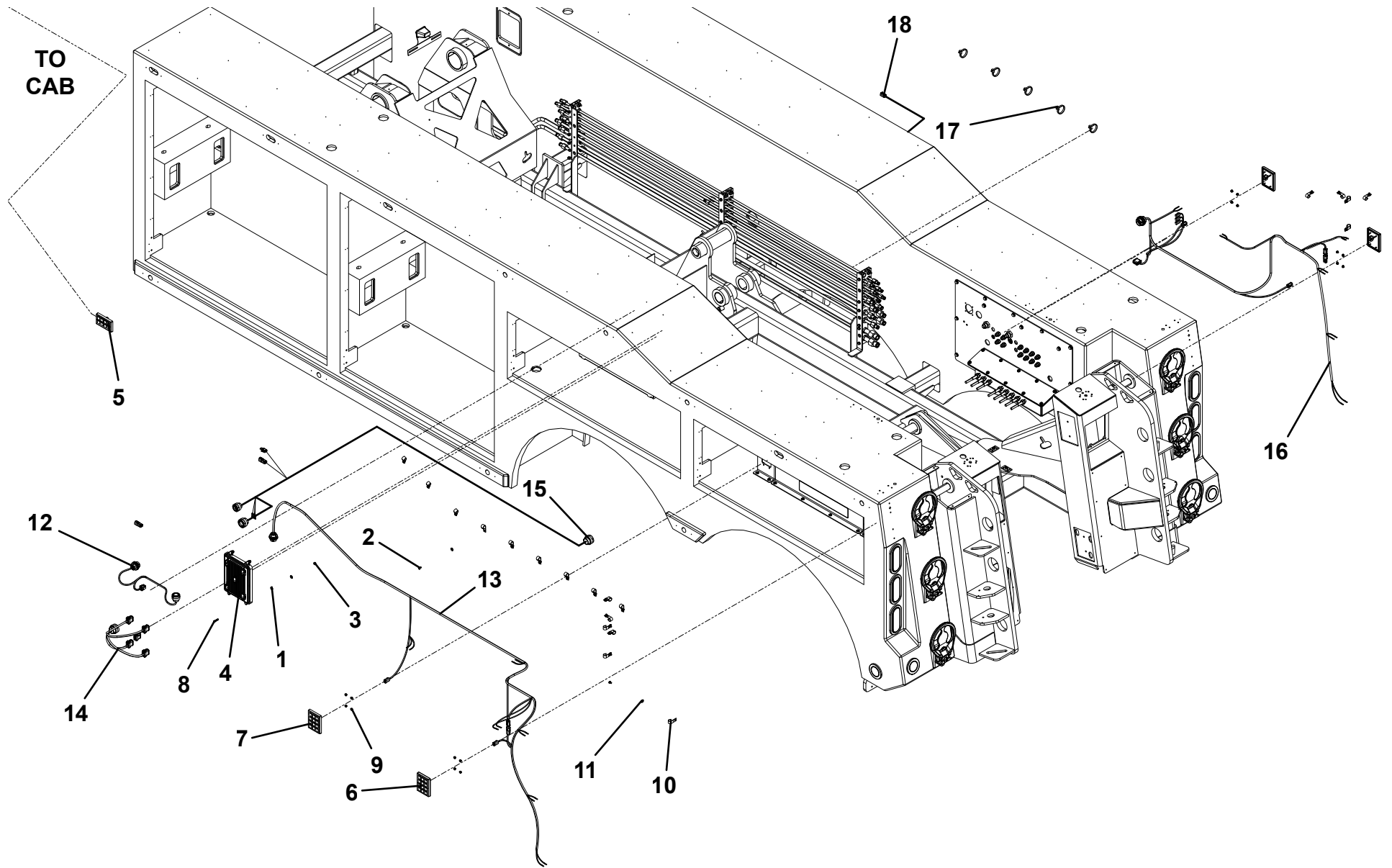
RUGGED ACCESSORY PACKAGE - 1001174490

ITEM	PART NO.	DESCRIPTION	QTY
1	70050842	Snatch Block, 0.875" x 8.00"	2
2	70050843	Recovery Chain, 0.38" x 10'	1
3	70050844	Recovery Chain, 0.50" x 2'	2
4	70050845	Recovery Sling, 0.50"	2
5	70050846	Recover Chain Locking Clevis, 0.50" x 10'	4
6	70050847	Copper Ground Stake	2
7	70050848	Brass Mallet	1
8	70050849	Ground Wire	3

SWITCH PANEL INSTALLATION

ITEM	PART NO.	DESCRIPTION	QTY
1	1001166978	Washer, 0.25" ID	4
2	1001195257	Screw, 0.25" x 0.50"	20
3	7660142601	Locknut, 0.25" - 20NC	4
4	1001211000	Multiplex	1
5	1001211001	Key Pad in Cab	1
6	1001211002	Key Pad in Body	2
7	1001211003	Key Pad, Winch	2
8	1001209590	Screw, 0.25" X 1.00"	4
9	1001209616	Nut,	16
10	7280000006	Clip	20
11	7950140143	Flatwasher, 0.25" ID	24
12	1001208950	Harness, Left Multiplex Jumper	1
13	1001208951	Harness, Left Multiplex Body	1
14	1001208952	Harness, Multiplex to PDP	1
15	1001215098	Harness, Multiplex Crossover	1
16	1001215100	Harness, Right Multiplex Body	1
17	5526000553	Tie Strap	25
18	1001209034	Harness, Winch	1

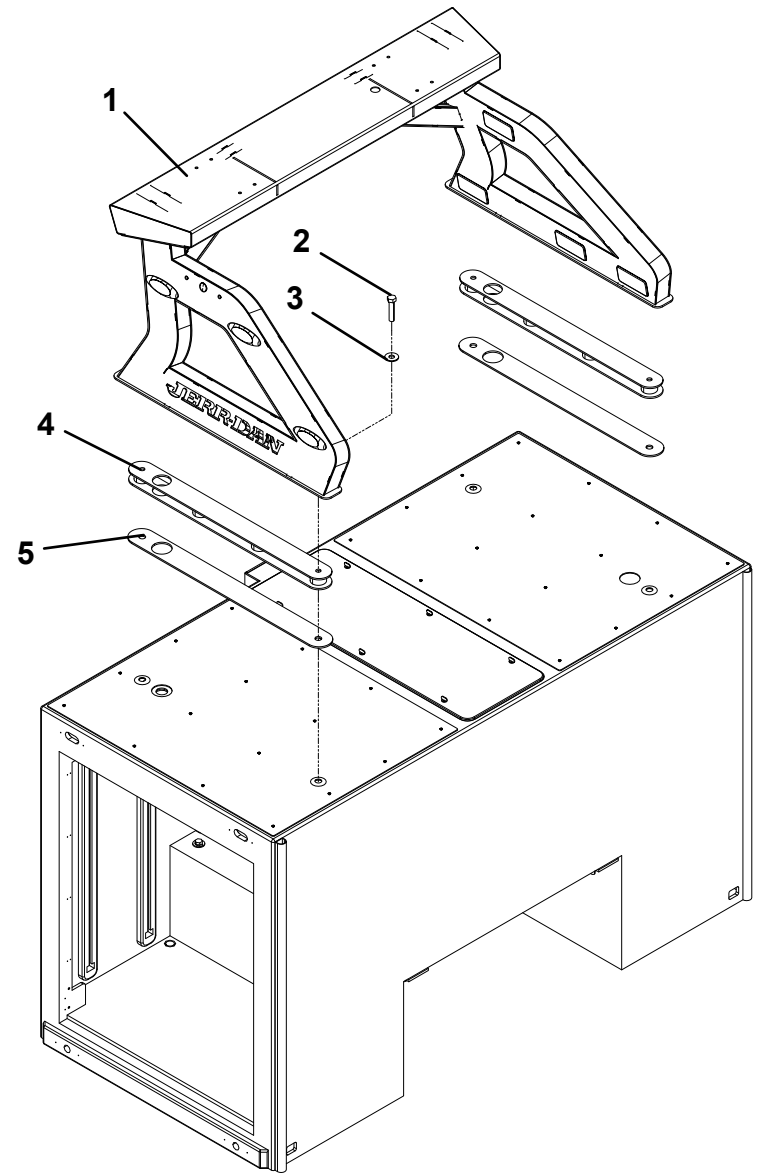
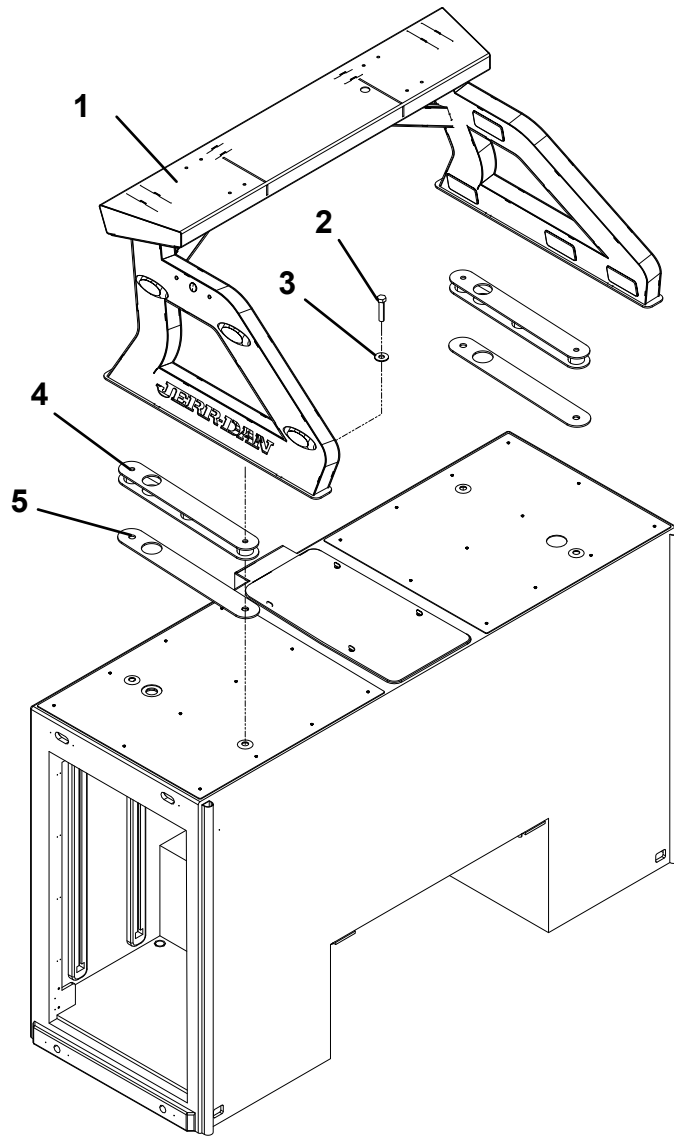
SWITCH PANEL INSTALLATION

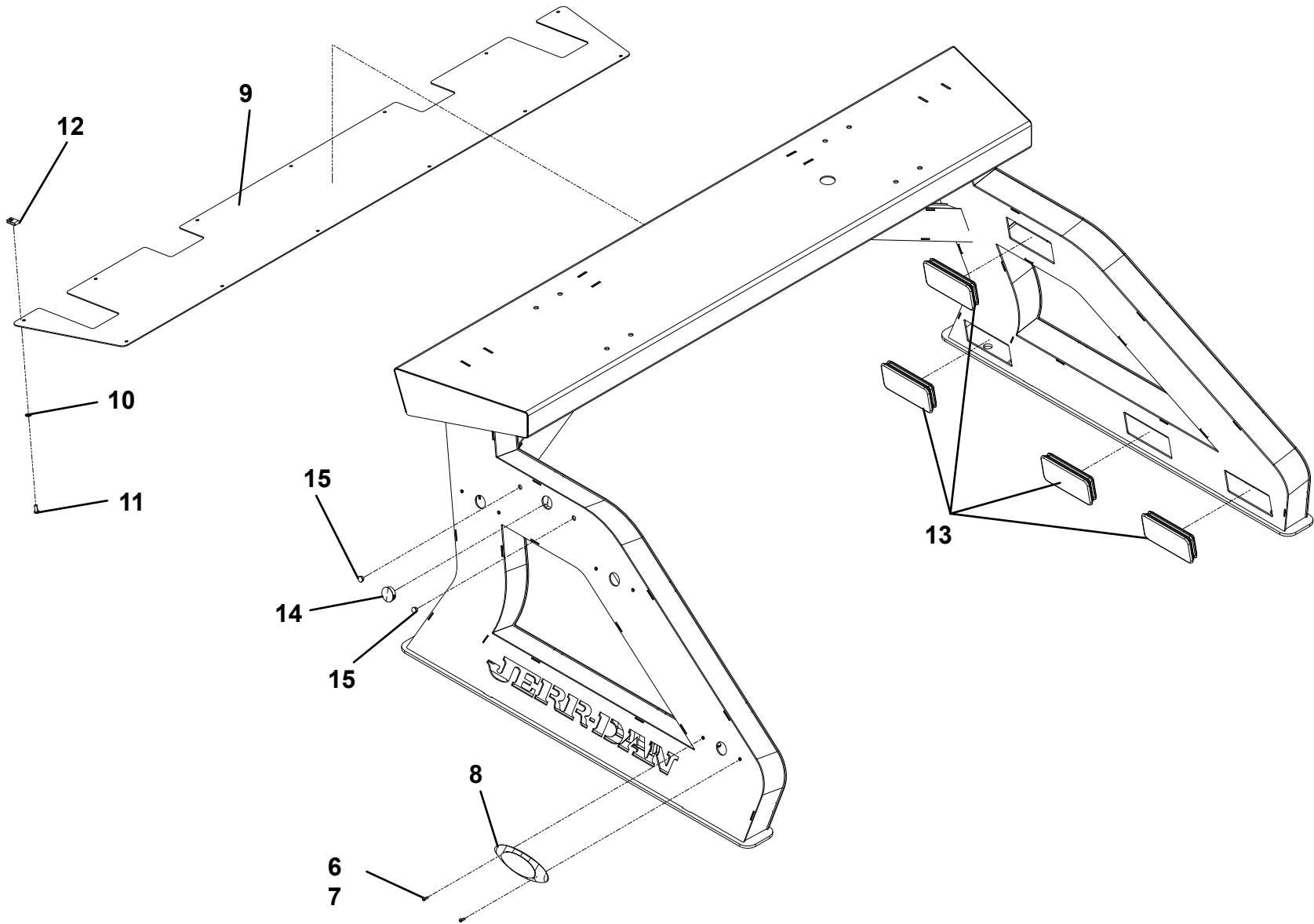


PYLON INSTALLATION

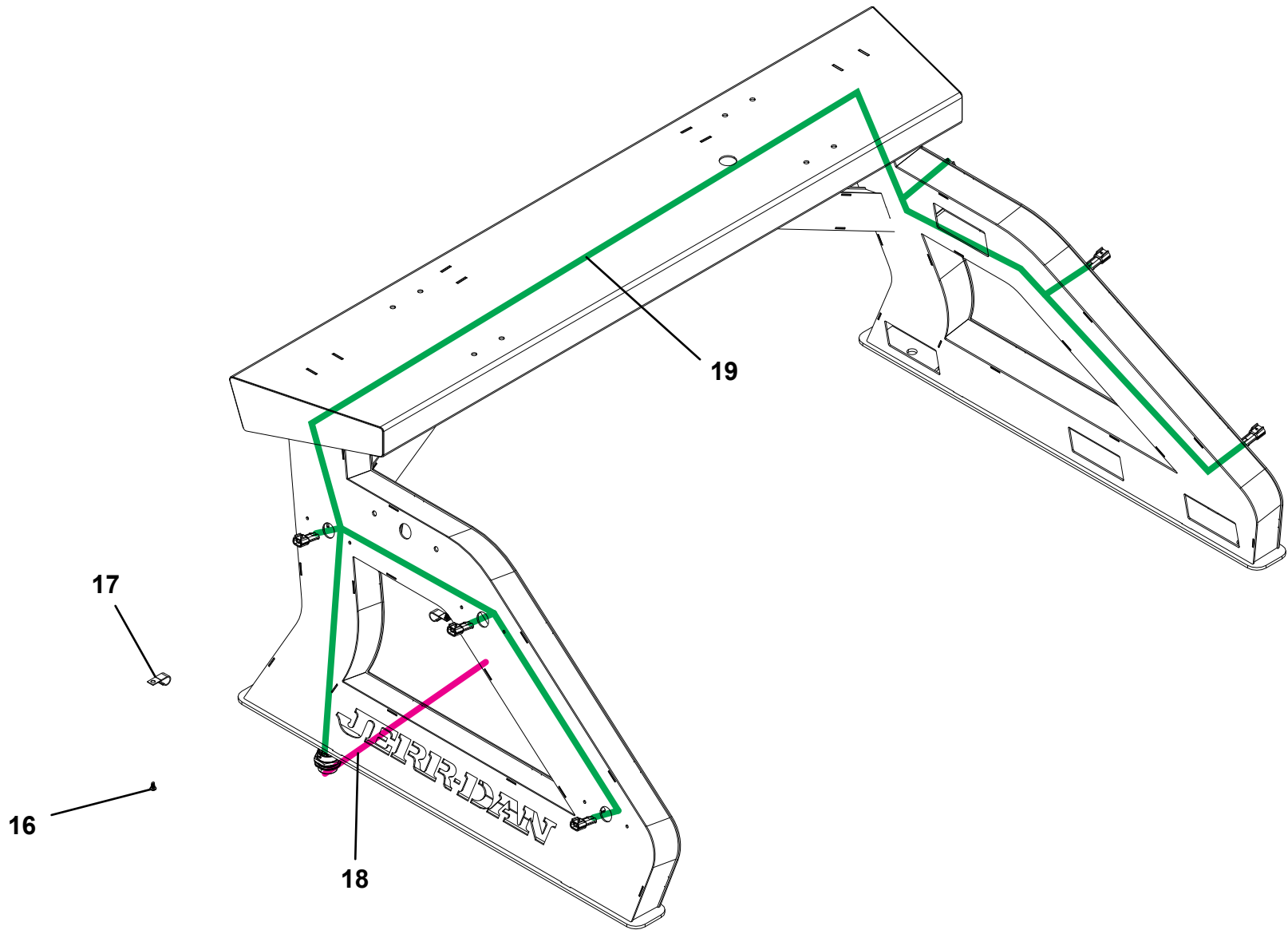
ITEM	PART NO.	DESCRIPTION	QTY
Pylon			
1	1001213102	34" Pylon	1
	1001213509	39" Pylon	1
	1001214577	57" Pylon	1
Adapter Installation			
2	0642228	Capscrew, 0.75" - 10NC x 3.50"	4
3	4752200	Washer, 0.75" ID	4
4	1001213112	Mount, 24"	2
	1001213111	Mount, 36"	2
5	1001214350	Seal, 24"	2
	1001214130	Seal, 36"	2
Light Installation			
6	1001151546	Nut, #8 - 32NC	12
7	7114080418	Screw, #8 - 32NC x 0.50"	12
8	7590000262	Light, Amber	6
Pylon Cover Installation			
9	1001213093	Plate, 34"	1
	1001213522	Plate, 39"	1
	1001214590	Plate, 57"	1
10	1001143686	Washer, 0.25" ID	12
11	7114140518	Screw, 0.25" - 20NC x 0.625"	12
12	7661000019	U-Nut, 0.25" - 20NC	12
Pylon Assembly			
13	7701000048	Plug	8
14	7701000049	Plug	2
15	7701000056	Plug	4
Harness Installation			
16	1001195257	Screw, 0.25" x 0.50"	3
17	7280000006	Clip	3
18	1001189656	Headboard Harness, 34" & 39"	1
	1001214605	Headboard Harness, 57"	1
19	1001189657	Headboard Harness, Main 34" & 39"	1
	1001215110	Headboard Harness, Main 57"	

PYLON INSTALLATION



PYLON INSTALLATION

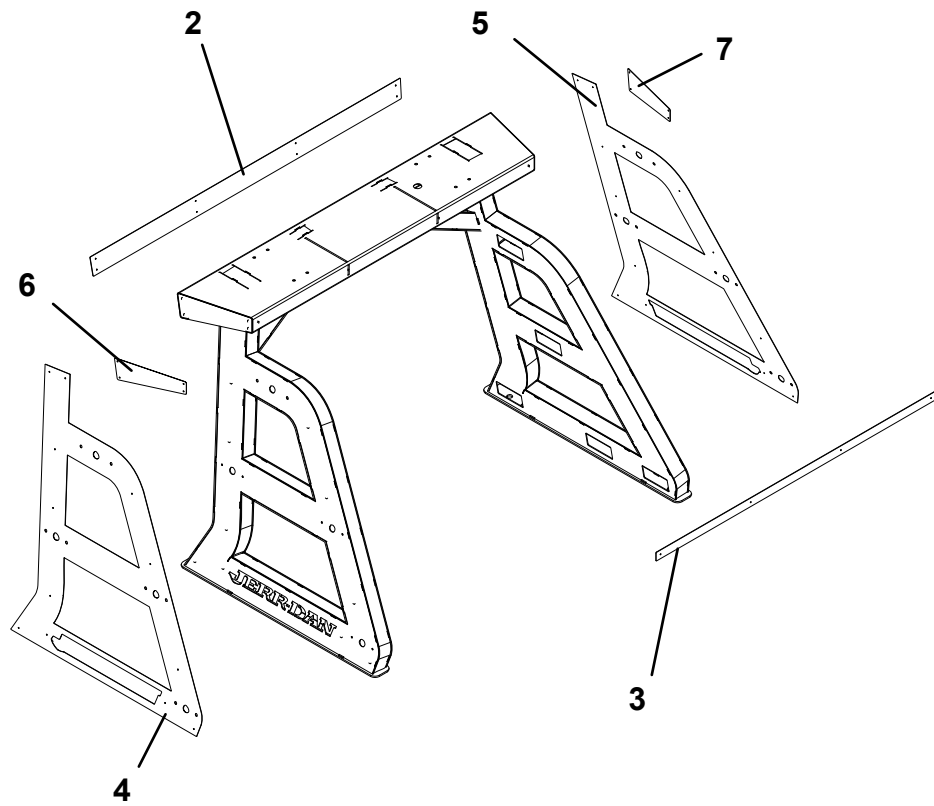
PYLON INSTALLATION



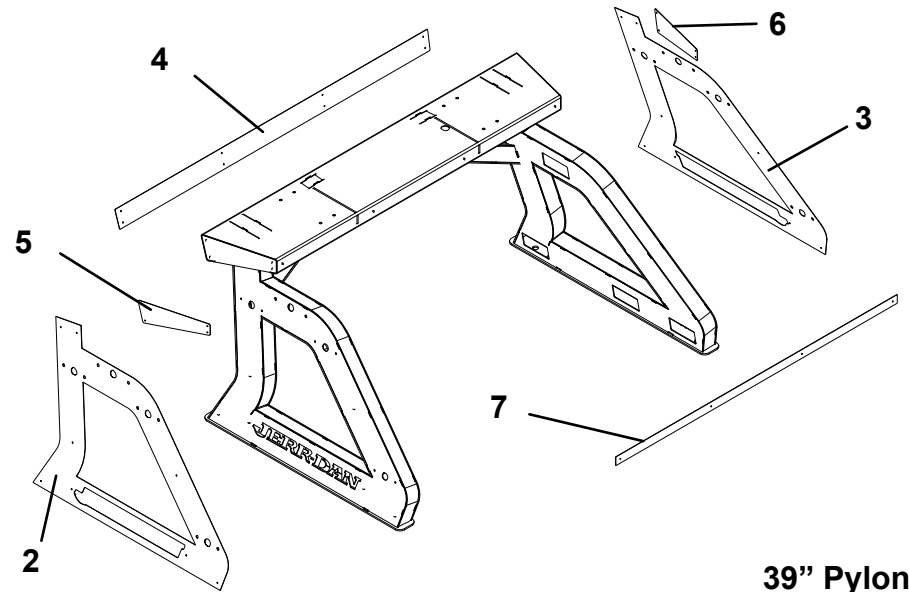
PYLON DRESS-UP KIT

ITEM	PART NO.	DESCRIPTION	QTY	ITEM	PART NO.	DESCRIPTION	QTY
34" Pylon				34" Pylon - Polished			
1	1001156424	Pop Rivet	42	1	1001156424	Pop Rivet	42
2	1001220169	Plate, Front	1	2	1001220363	Plate, Front	1
3	1001220234	Plate, Back	1	3	1001220364	Plate, Back	1
4	1001220345	Plate, Side LH	1	4	1001220369	Plate, Side LH	1
5	1001220349	Plate, Side RH	1	5	1001220370	Plate, Side RH	1
6	1001220352	Plate, Top Side LH	1	6	1001220371	Plate, Top Side LH	1
7	1001220353	Plate, Top Side RH	1	7	1001220372	Plate, Top Side RH	1
39" Pylon				39" Pylon - Polished			
1	1001156424	Pop Rivet	44	1	1001156424	Pop Rivet	44
2	1001220167	Plate, Side LH	1	2	1001220365	Plate, Side LH	1
3	1001220168	Plate, Side RH	1	3	1001220366	Plate, Side RH	1
4	1001220169	Plate, Front	1	4	1001220369	Plate, Front	1
5	1001220170	Plate, Top Side LH	1	5	1001220370	Plate, Top Side LH	1
6	1001220171	Plate, Top Side RH	1	6	1001220373	Plate, Top Side RH	1
7	1001220234	Plate, Back	1	7	1001220374	Plate, Back	1
57" Pylon				57" Pylon - Polished			
1	1001156424	Pop Rivet	52	1	1001156424	Pop Rivet	52
2	1001220169	Plate, Front	1	2	1001220367	Plate, Front	1
3	1001220234	Plate, Back	1	3	1001220368	Plate, Back	1
4	1001220350	Plate, Side LH	1	4	1001220369	Plate, Side LH	1
5	1001220351	Plate, Side RH	1	5	1001220370	Plate, Side RH	1
6	1001220354	Plate, Top Side LH	1	6	1001220375	Plate, Top Side LH	1
7	1001220355	Plate, Top Side RH	1	7	1001220376	Plate, Top Side RH	1

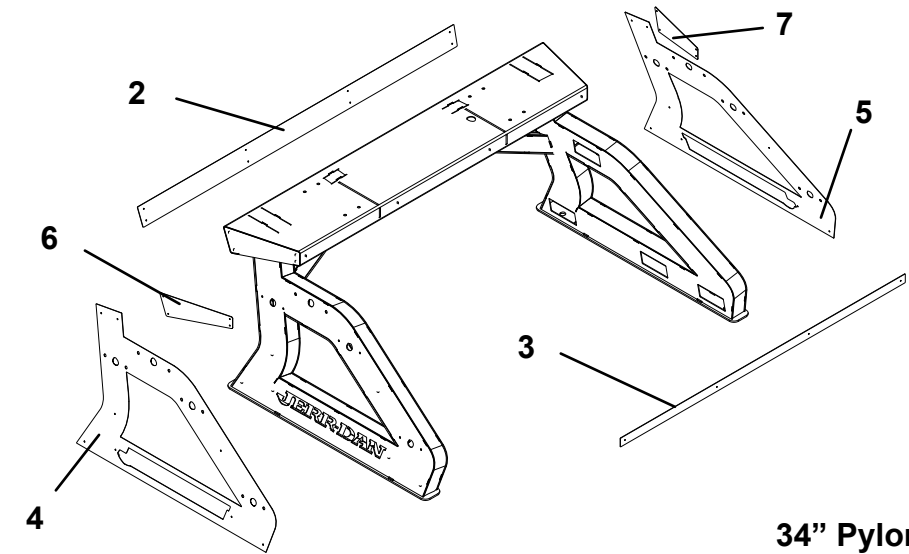
PYLON DRESS-UP KIT



57" Pylon



39" Pylon

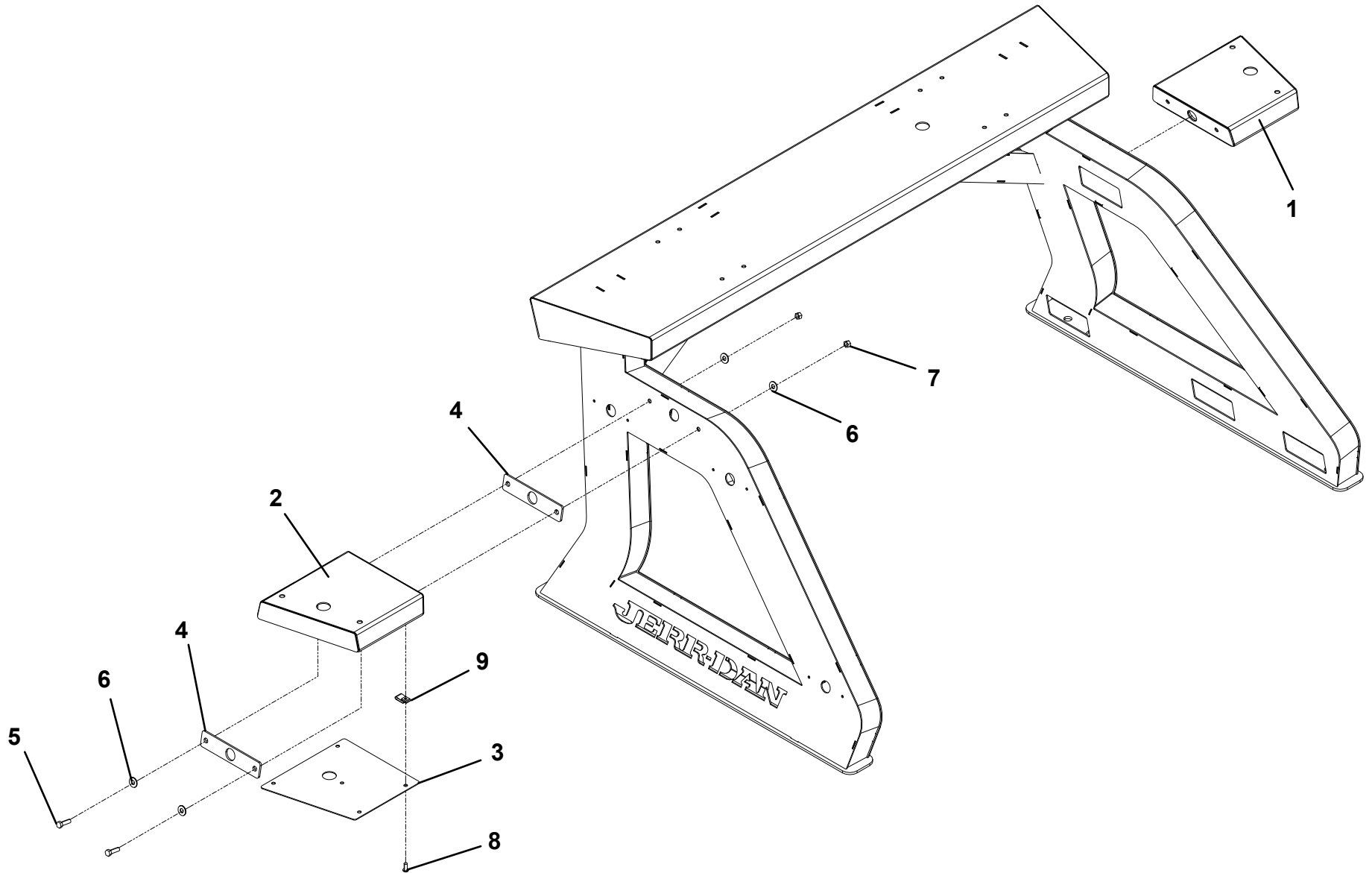


34" Pylon

WING LIGHT BRACKET INSTALLATION

ITEM	PART NO.	DESCRIPTION	QTY
1	1001213104	Mount, RH	1
2	1001213105	Mount, LH	1
3	1001213110	Plate	2
4	1001214129	Plate	4
5	0641610	Capscrew, 0.38" - 16NC x 1.25"	4
6	4751600	Washer, 0.38" ID	8
7	3271605	Nut, 0.38" - 16NC	4
8	7114150618	Screw, 0.31" - 18NC x 0.75"	8
9	7661000029	Nut, 0.31" - 18NC	8

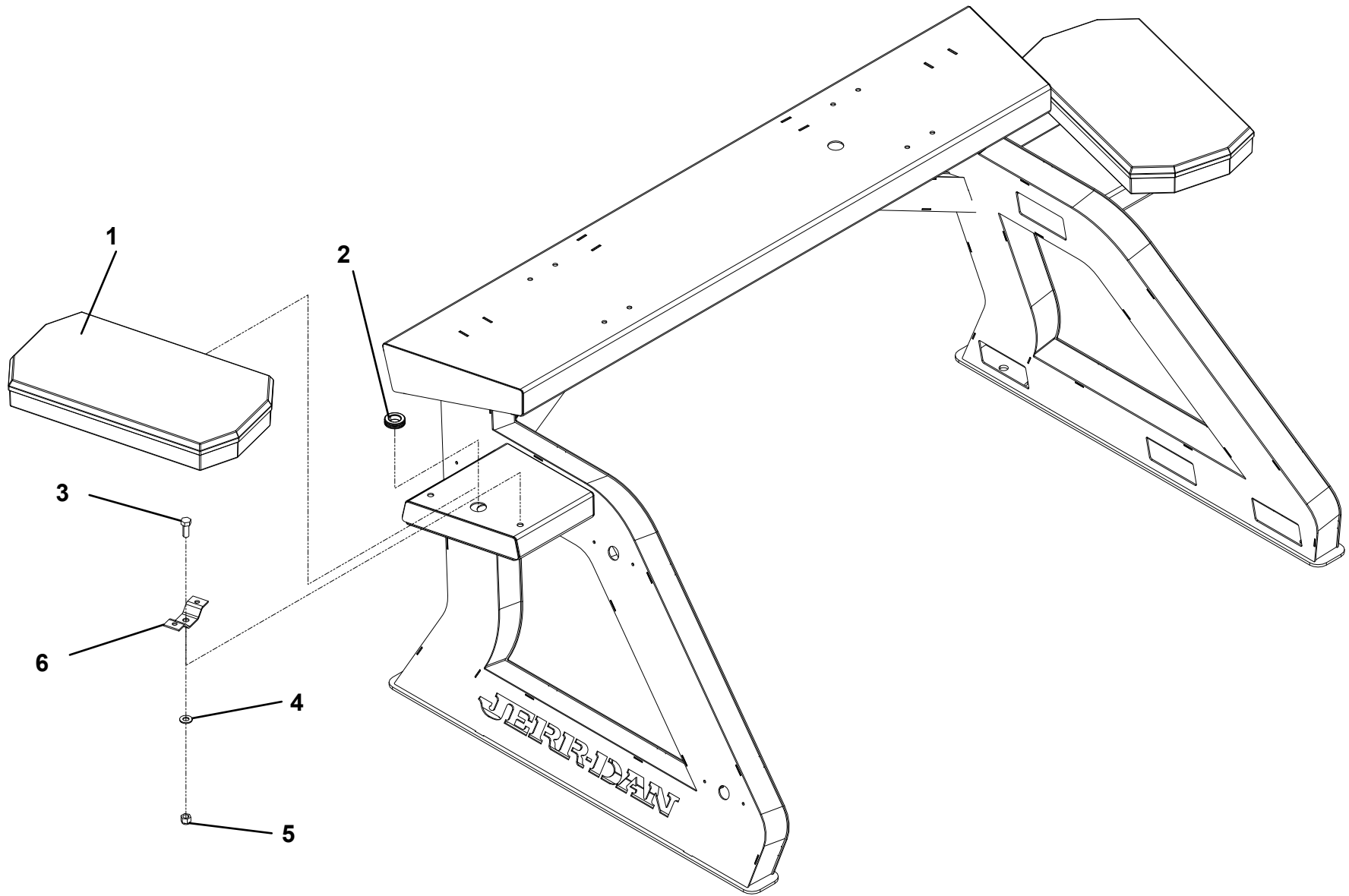
WING LIGHT BRACKET INSTALLATION



WING LIGHT INSTALLATION

ITEM	PART NO.	DESCRIPTION	QTY
1	1001133591	Light, Amber CD3	2
	1001129861	Light, Amber Whelen	2
2	7493000011	Grommet	2
3	0641810	Capscrew, 0.50" - 13NC x 1.25"	4
4	4711800	Washer, 0.50" ID	4
5	7660182601	Locknut, 0.50" - 13NC	4
6	4178000402	Bracket	4

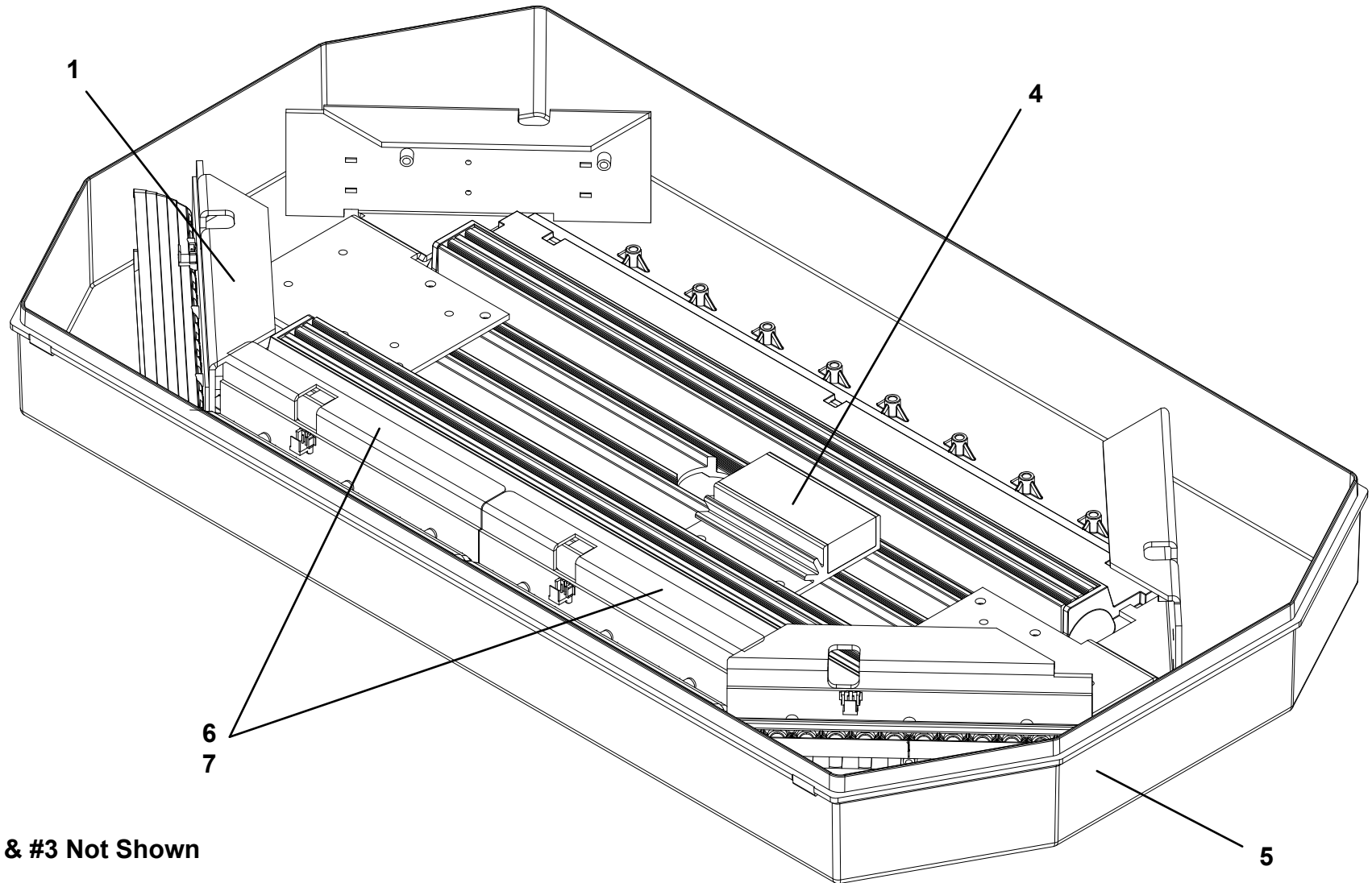
WING LIGHT INSTALLATION



22" PUBLIC SAFETY LIGHT BAR - 1001133591

ITEM	PART NO.	DESCRIPTION	QTY
1	70051014	LED Corner Module & Bracket	2
2	70051015	Lens, Clear Upper	1
3	70051016	Cable, Jerr-Dan 2 Wire	1
4	9346310098	Flasher	1
5	70051017	Lens, Clear Lower	1
6	9590310201	LED Center Module	2
7	70051018	Bracket, Mounting	1

22" PUBLIC SAFETY LIGHT BAR - 1001133591

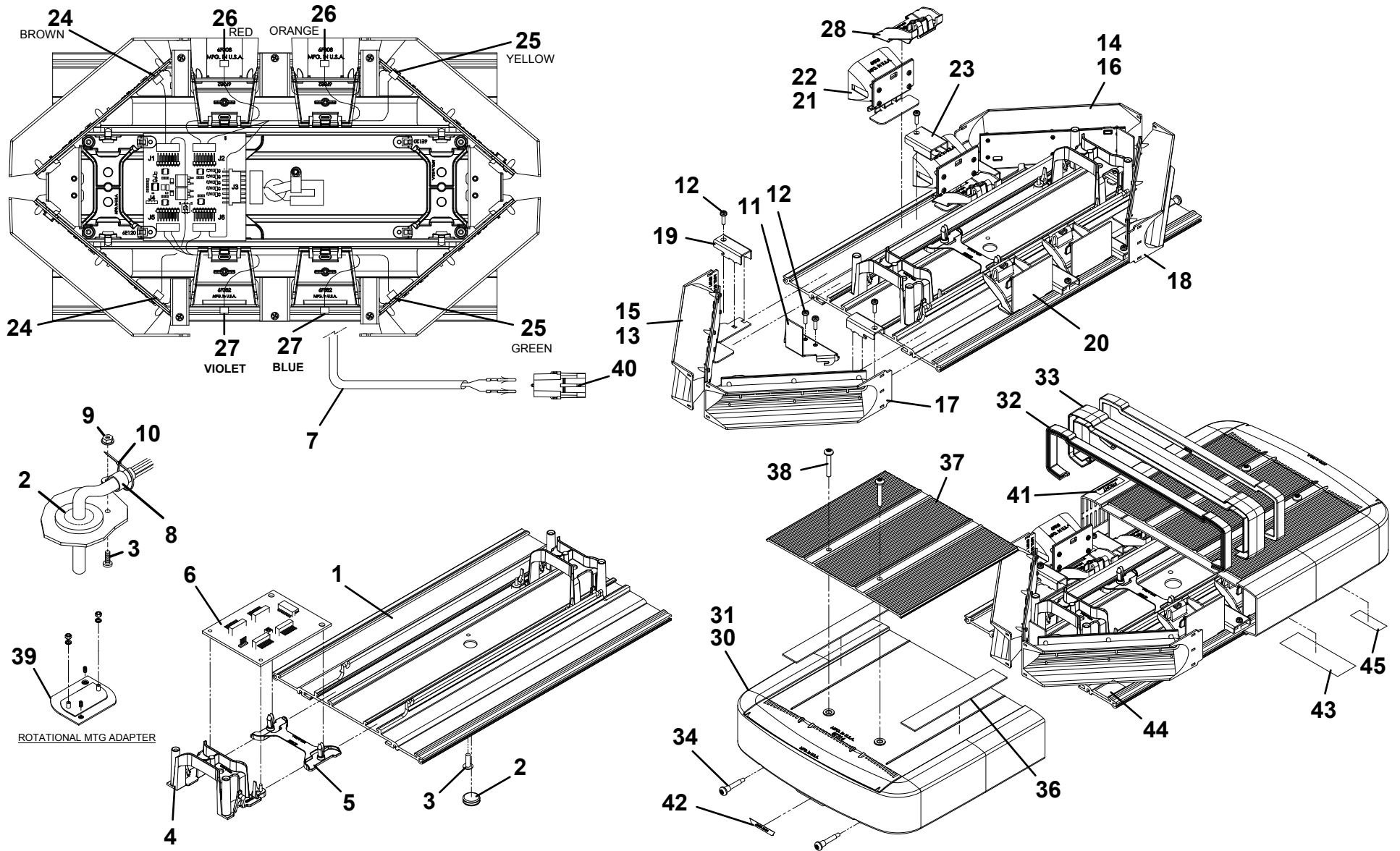


#2 & #3 Not Shown

22" WHELEN LIGHT BAR - 1001129861

ITEM	PART NO.	DESCRIPTION	QTY
1	70051019	Base	1
2	70050169	Grommet	1
3	70051020	Screw, #10-24NC X 0.88"	1
4	70051021	Bracket, Bulkhead Lens Mount	2
5	70051022	Bracket, I/O Anchor	1
6	70051023	Assembly, I/O BD Mini	1
7	70051024	Assembly, Cable	1
8	70051025	Clamp, Cable	1
9	70050174	Nut, Wiz #10-24NC	1
10	70051026	Ty Wrap, 6" Black	AR
11	70051027	Bracket, End Clamp	2
12	70051028	Screw, #6-32NC X 0.50"	10
13	70051029	Assy, Corner L-Front/R-Rear Amber	1
14	70051030	Assy, Corner L-Rear/R-Front Amber	1
15	70051031	Assy, Corner L-Front/R-Rear Blue	1
16	70051032	Assy, Corner L-Rear/R-Front Blue	1
17	70051033	Assembly, Blank Rear Drvr Corner	1
18	70051034	Assembly, Blank Rear Pass Corner	1
19	70051035	Bracket, Corner Clamp	4
20	70051036	Bracket, Half Filler	2
21	70051037	Sub Assy, Short Directional Amber	2
22	70051038	Sub Assy, Short Directional Blue	2
23	70051039	Bracket, Filler	2
24	70051040	Assembly, Harness	1
25	70051041	Assembly, Harness	1
26	70051042	Assembly, Harness	1
27	70051043	Assembly, Harness	1
28	70051044	Bracket, Snap-In	4
29	70051045	Ty Wrap, 3" Black	AR
30	70051046	Sub Assy, Cut Dome Clear	2
31	70051047	Sub Assy, Cut Dome Blue	2
32	70051048	Seal, Lens Divider	2
33	70051049	Divider, Lens	1
34	70051050	Screw, 10-24NC X 1.25"	4
36	70051051	Tape, VHB Endcap Trim Mount	4
37	70051052	Cover, Top Extruded 7.325"	2

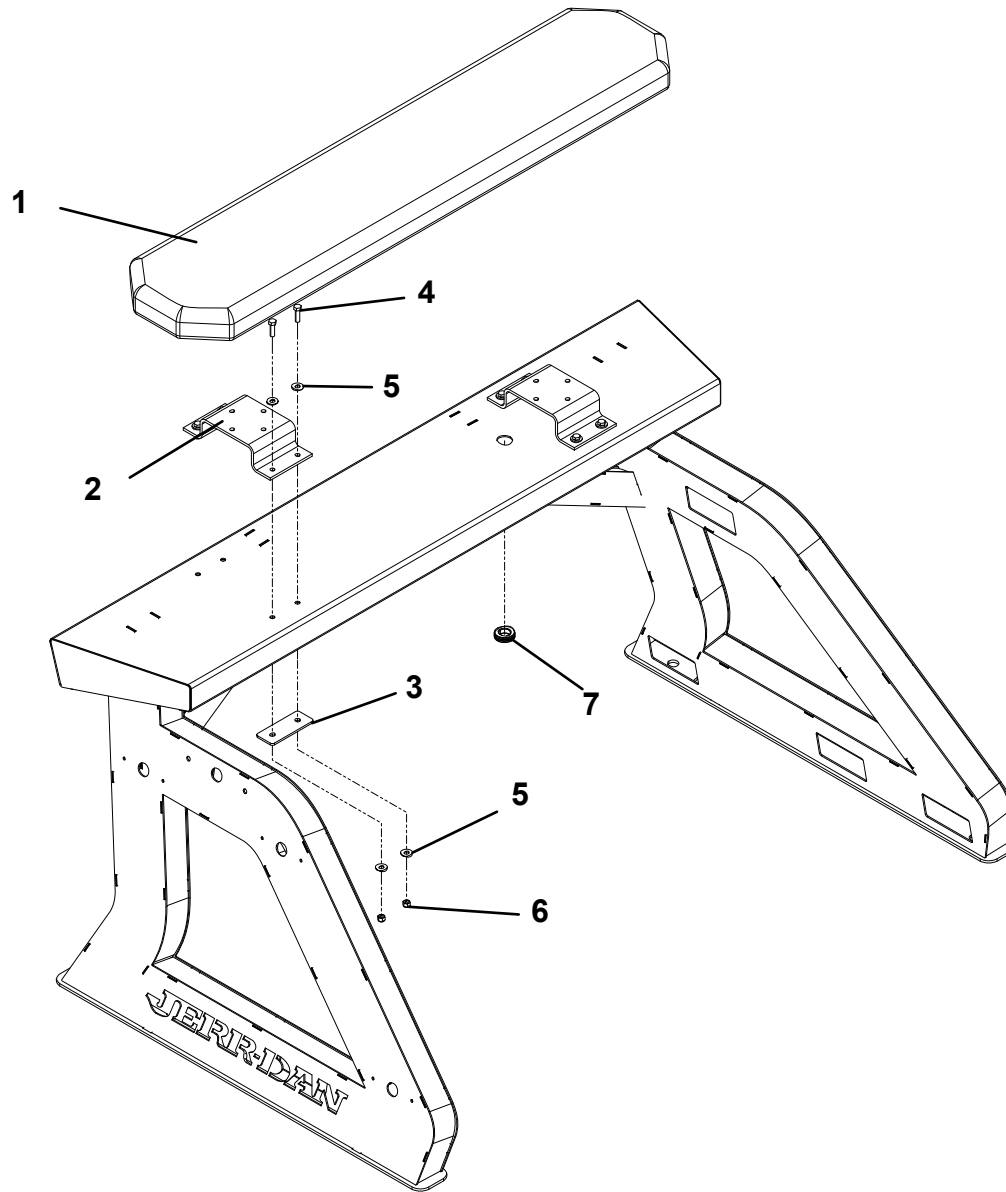
22" WHELEN LIGHT BAR - 1001129861



LIGHT BAR INSTALLATION

ITEM	PART NO.	DESCRIPTION	QTY
1	1001136990	Light Bar, 58" Amber CD3	1
	1001199475	Light Bar, 60" Whelen	1
	1001152815	Light Bar, 58" Red CD3	1
2	4178000234	Bracket	2
3	1001214128	Plate	4
4	0641610	Capscrew, 0.38" - 16NC x 1.25"	8
5	4751600	Washer, 0.38" ID	16
6	7660162601	Locknut, 0.38" - 16NC	8
7	7493000011	Grommet	1

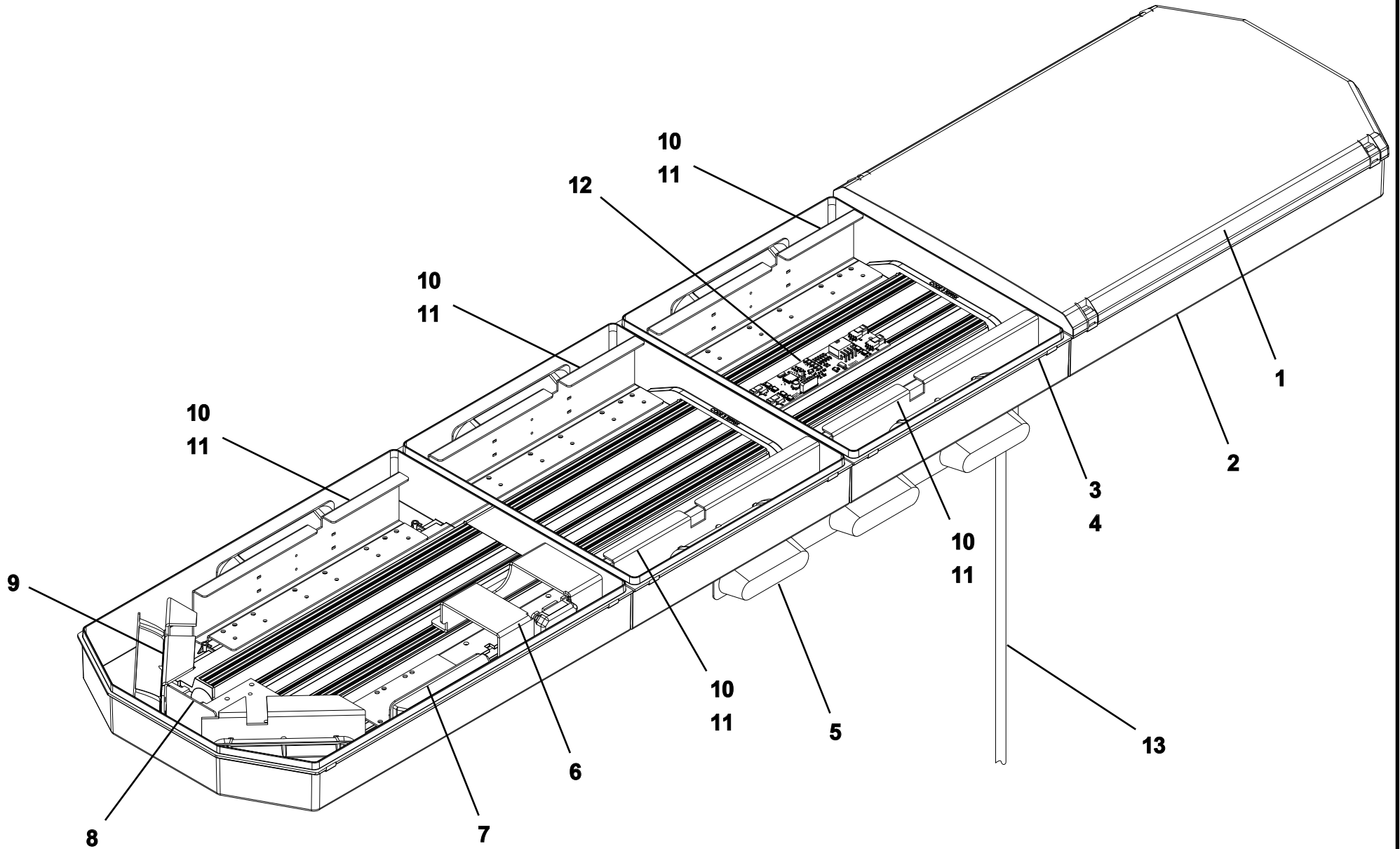
LIGHT BAR INSTALLATION



58" AMBER LIGHTBAR - CODE 3 - 1001136990

ITEM	PART NO.	DESCRIPTION	QTY
1	9590310197	Lens, Clear Upper Outboard	2
2	9590310200	Lens, Clear, Lower Outboard	2
3	9590310203	Lens, Clear Lower Center	2
4	9590310195	Lens, Clear Upper Center	2
5	1001126269	3 Light D.O.T. Strip	1
6	70050164	Worklight, LED	2
7	1001130702	Module, LED Stop/Tail/Turn	2
8	70050166	Bracket, Blank	4
9	9590310206	Module, Bracket	4
10	9590310205	Module, Led Amber	6
11	9590310202	Bracket, Mounting	6
12	70050167	Controller, General	1
13	70050165	Cable, Jerr-Dan 9 Wire	1
14	70050980	Harness, Internal Input	1
15	70050981	Harness, Internal Output	1

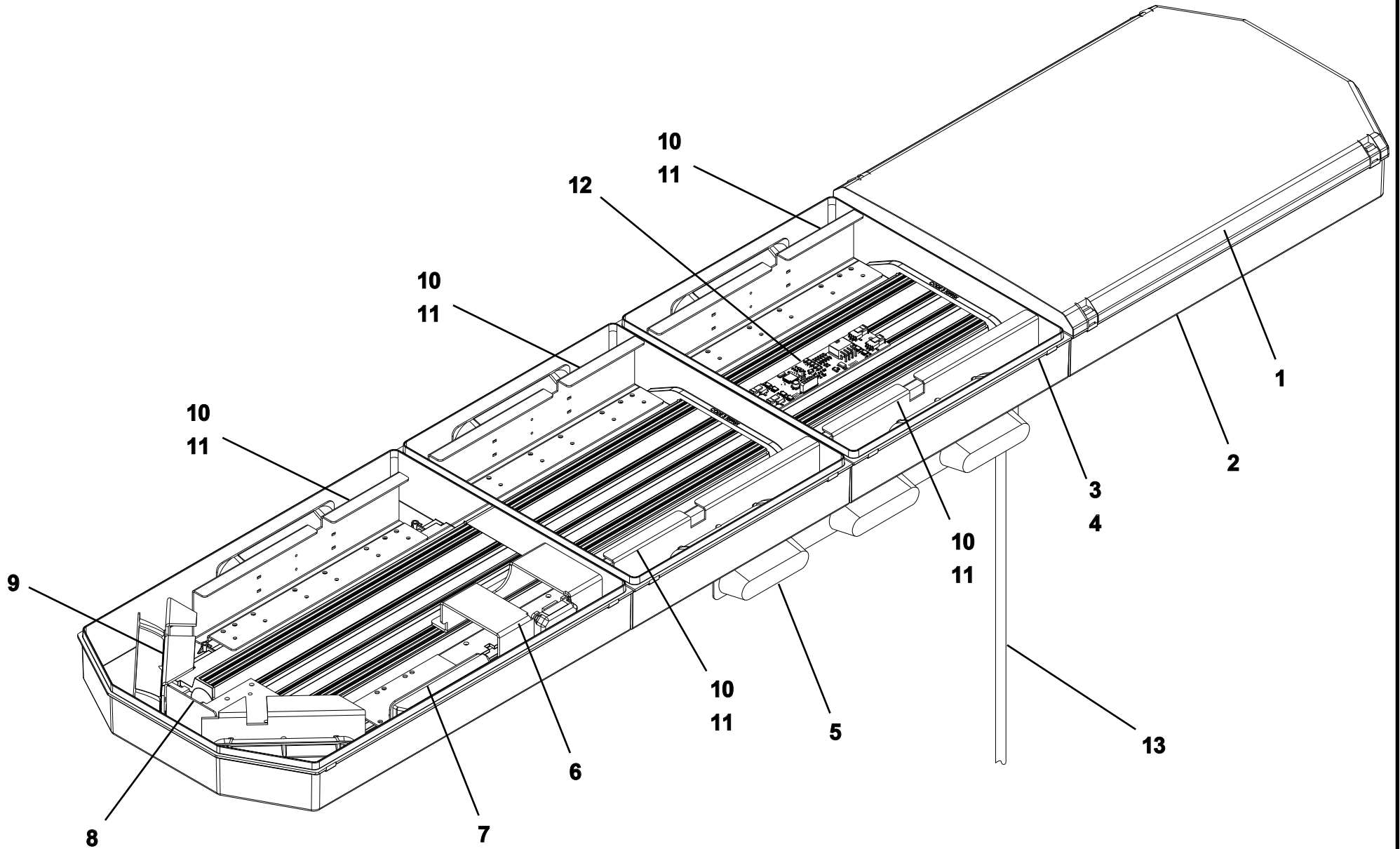
58" AMBER LIGHTBAR - CODE 3 - 1001136990



58" RED LIGHTBAR - CODE 3 - 1001152815

ITEM	PART NO.	DESCRIPTION	QTY
1	9590310197	Lens, Clear Upper Outboard	2
2	9590310200	Lens, Clear, Lower Outboard	2
3	9590310203	Lens, Clear Lower Center	2
4	9590310195	Lens, Clear Upper Center	2
5	1001126269	3 Light Strip	1
6	70050164	Worklight	2
7	1001130702	Module	2
8	70050166	Bracket	4
9	70050979	Bracket	6
10	70050722	Module	6
11	9590310202	Bracket	6
12	70050167	Controller	1
13	70050165	Cable	1
14	70050980	Harness	1
15	70050981	Harness	1

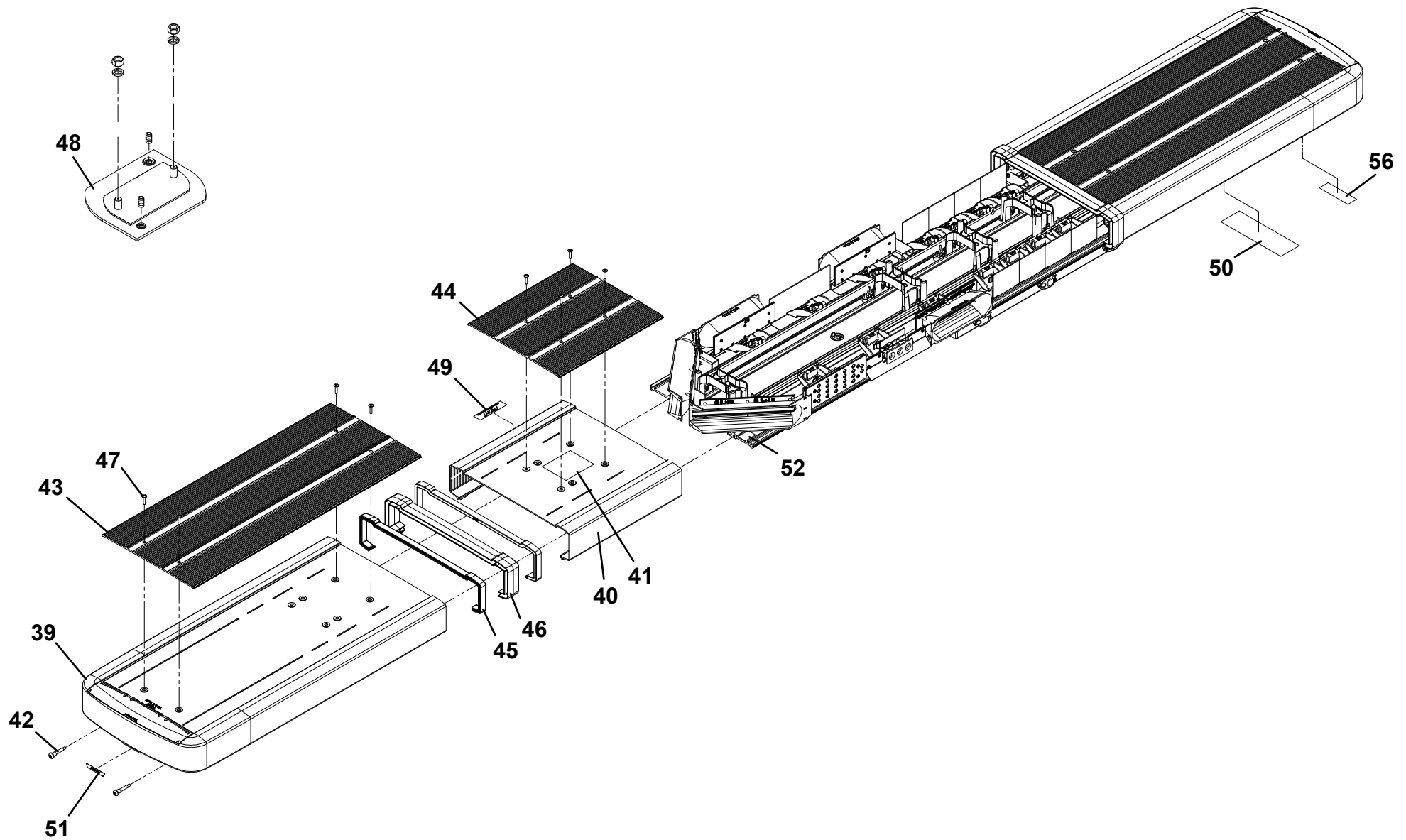
58" RED LIGHTBAR - CODE 3 - 1001152815



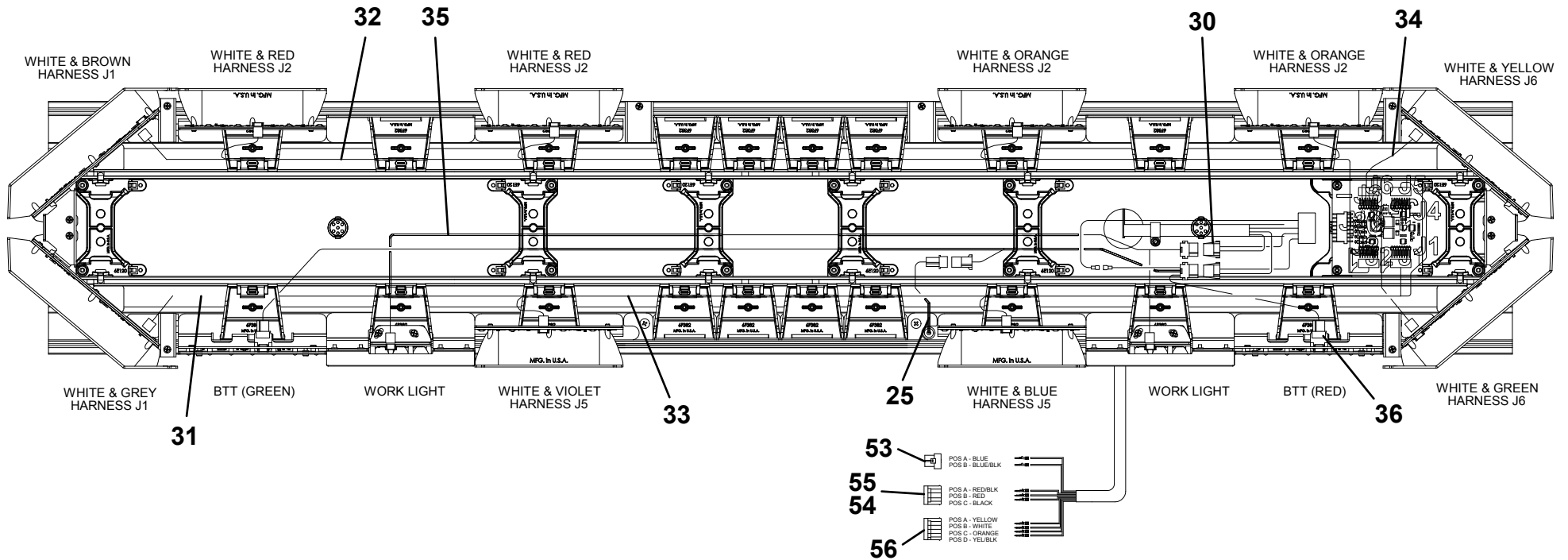
60" LIGHTBAR - WHELEN - 1001199475

ITEM	PART NO.	DESCRIPTION	QTY	ITEM	PART NO.	DESCRIPTION	QTY
1	70051058	Base	1	40	70051077	Lens	1
2	70050169	Grommet	1	41	70051078	Label	1
3	70050170	Plug	2	42	70050203	Screw, #10-24NC X 1.25"	4
4	70051059	Screw, #10-24NC x 0.88"	1	43	70051062	Cover	2
5	70051021	Bracket	6	44	70051061	Cover	1
6	70051022	Bracket	1	45	70051048	Seal	4
7	70051023	Circuit Board	1	46	70051049	Lens	2
8	70051060	Cable	1	47	70051053	Screw, #10 X 0.88"	12
9	70050665	Clamp	1	48	70050204	Adapter	2
10	70050174	Nut, #10-24NC	1	49	70051055	Label	1
11	70051026	Tiewrap	AR	50	70050207	Label	1
12	70051027	Bracket	2	51	70051056	Label	2
13	70051035	Bracket	4	52	70051057	Label	1
14	70051028	Screw, #6-32NC X 0.50"	10	53	70050208	Housing	1
15	70051029	Lamp, Rear Amber	2	54	70050209	Connector	1
16	70051030	Lamp, Front Amber	2	55	70050210	Housing	1
17	70051063	Lamp, 6 LED	6	56	70050211	Housing	1
18	70051064	Lamp, 3 LED	2				
19	70051065	Lamp	2				
20	70051066	Bracket	2				
21	70051036	Bracket	8				
22	70051039	Bracket	2				
23	70050176	Grommet	1				
24	70051068	Lamp	1				
25	70050178	Harness	1				
26	70051069	Bracket	2				
27	70050179	Screw, #10-32NF X 0.50"	2				
28	70050180	Lockwasher, #10 ID	2				
29	70050181	Housing	1				
30	70050175	Housing	2				
31	70051070	Harness	1				
32	70051071	Harness	1				
33	70051072	Harness	1				
34	70051073	Harness	1				
35	70051074	Harness	1				
36	70051075	Harness	1				
37	70051044	Bracket	20				
38	70051045	Tiewrap	AR				
39	70051076	Lens	1				

60" LIGHTBAR - WHELEN - 1001199475



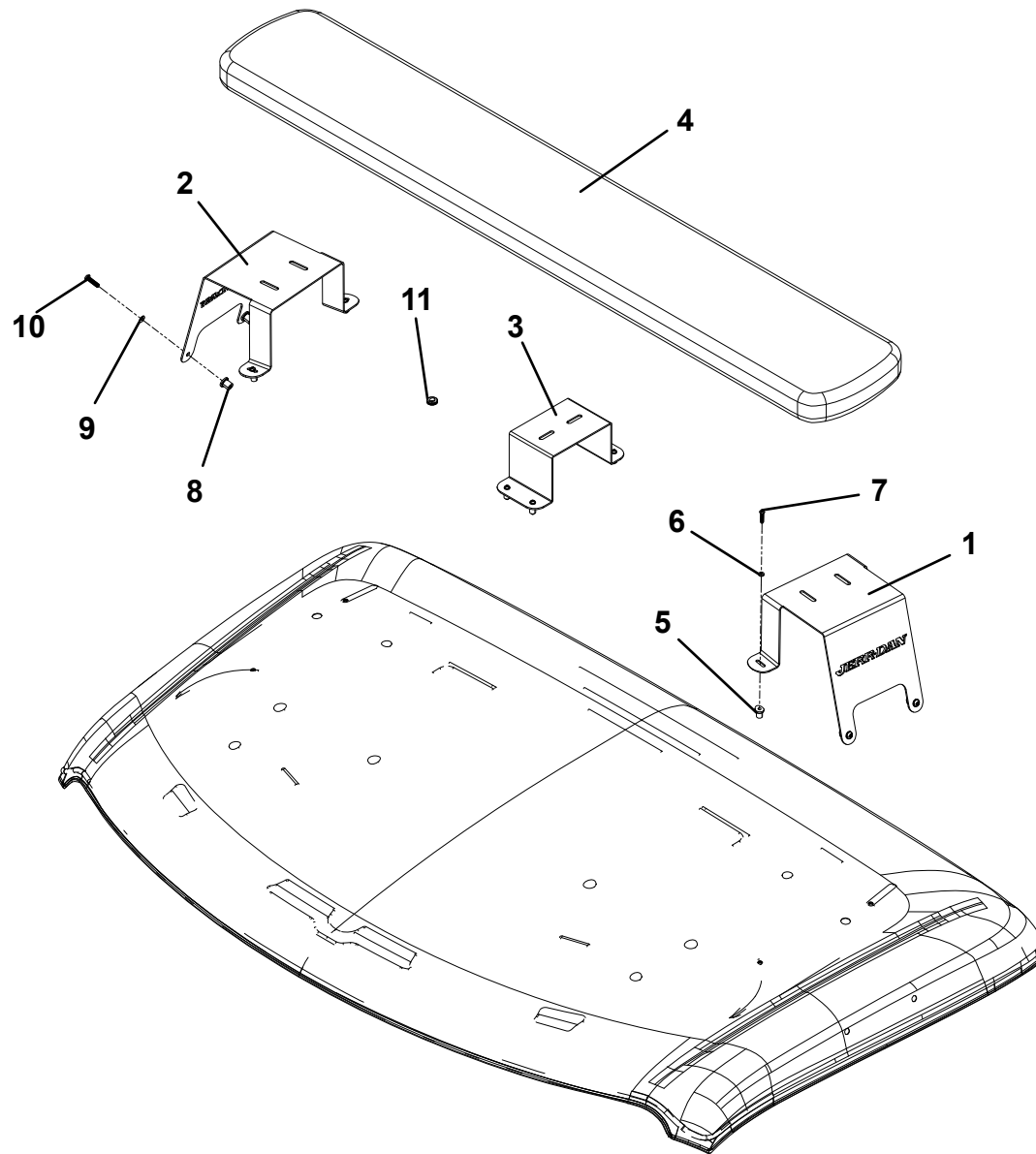
60" LIGHTBAR WHELEN - 1001199475



CAB MOUNTED LIGHT BAR

ITEM	PART NO.	DESCRIPTION	QTY
1	1001215955	Bracket, LH	1
2	1001215956	Bracket, RH	1
3	1001215957	Bracket, Center	1
4	1001199477	Wheel Lightbar	1
5	1001213131	Nut, M6	8
6	1001170307	Washer, M6 ID	8
7	1001216317	Screw, M6	8
8	1001216373	Nut, M8	4
9	1001170329	Washer, M8	4
10	1001216372	Screw, M8	4
11	1001101025	Grommet	1
12	1001216571	Harness	1
13	5526000553	Tie Strap	4

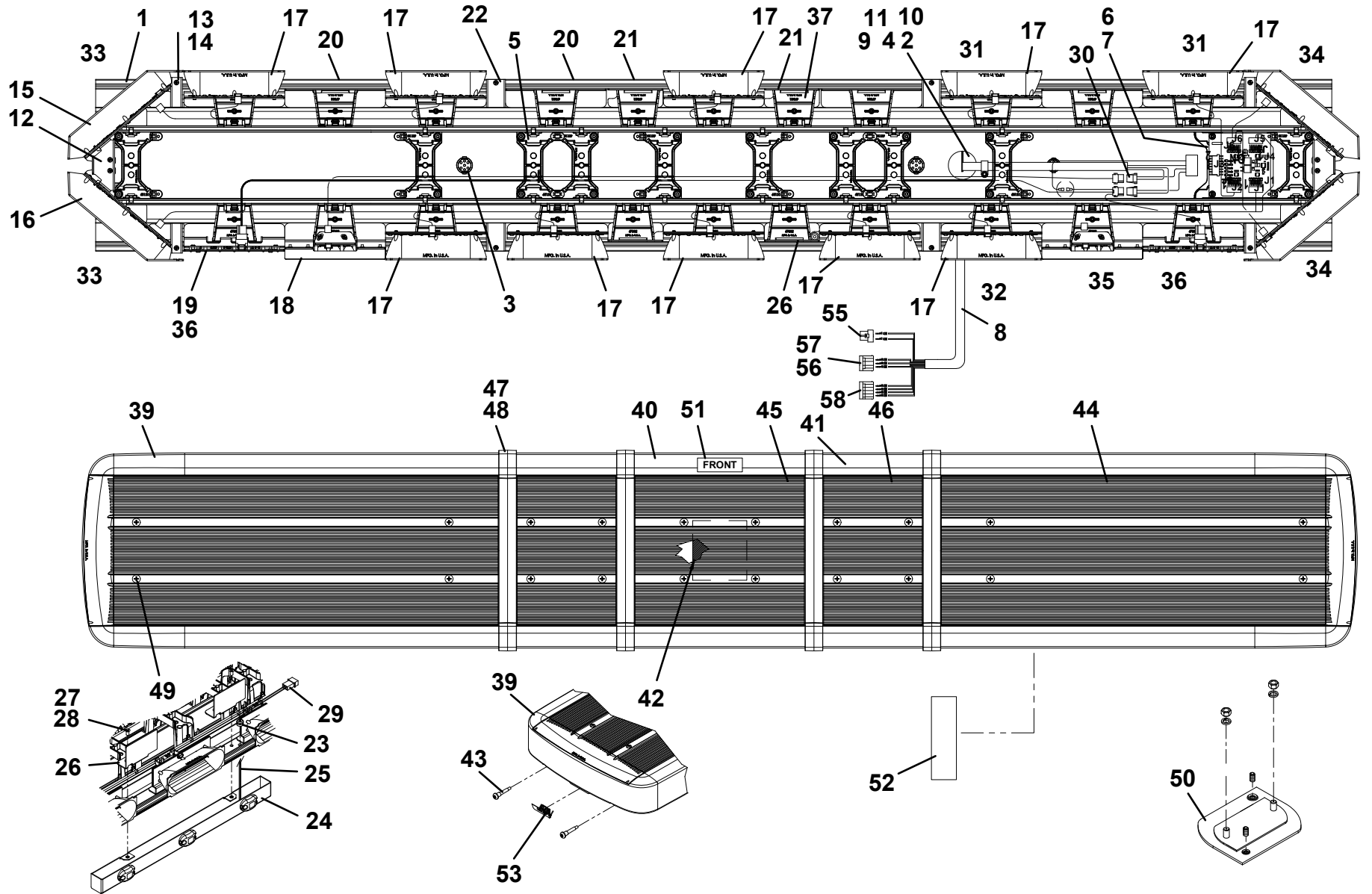
CAB MOUNTED LIGHT BAR



72" WHELEN LIGHT BAR

ITEM	PART NO.	DESCRIPTION	QTY	ITEM	PART NO.	DESCRIPTION	QTY
1	70051341	Base	1	40	70051077	Lens	1
2	70050169	Grommet	1	41	70051349	Lens	2
3	70050170	Plug	2	42	70051078	Label	1
4	70051059	Screw, #10 - 24 x 0.625"	1	43	70050203	Screw, #10-24 x 1.25"	4
5	70051021	Bracket	10	44	70051062	Cover	2
6	70051022	Bracket	1	45	70051061	Cover	1
7	70051023	Circuit Board	1	46	70051350	Cover	2
8	70051060	Cable	1	47	70051048	Seal	8
9	70050665	Cable Clamp	1	48	70051049	Divider	4
10	70050174	Nut, #10 - 24	1	49	70051053	Screw, #10 x 0.875"	20
11	70051026	Tie-Wrap	1	50	70050204	Adapter	2
12	70051027	Bracket	2	51	70051055	Decal, Front	1
13	70051035	Bracket	4	52	70050207	Decal, Serial Number	1
14	70051028	Screw, #6 - 32 x 0.50"	12	53	70051056	Decal	2
15	70051029	Corner Assembly, Front	A/R	54	70051056	Decal	1
16	70051030	Corner Assembly, Rear	A/R	55	70050208	Housing	1
17	70051063	LED Assembly, 6 light	A/R	56	70050209	Connector	1
18	70051064	LED Assembly, 3 light	2	57	70050210	Housing	1
19	70051065	Turn Signal Assembly	2	58	70050211	Housing	1
20	70051066	Bracket	4				
21	70051036	Bracket	2				
22	70051039	Bracket	4				
23	70050176	Grommet	1				
24	70051068	ICC Cluster	1				
25	70050178	Harness	1				
26	70051069	Bracket	2				
27	70050179	Screw, #10 - 32 x 0.50"	2				
28	70050180	Washer, #10 ID	2				
29	70050181	Housing	1				
30	70050175	Housing	2				
31	70051343	Harness	1				
32	70051344	Harness	1				
33	70051345	Harness	1				
34	70051346	Harness	1				
35	70051347	Harness	1				
36	70051348	Harness	1				
37	70051044	Bracket	22				
38	70051045	Tie Wrap	A/R				
39	70051076	Lens Assembly	2				

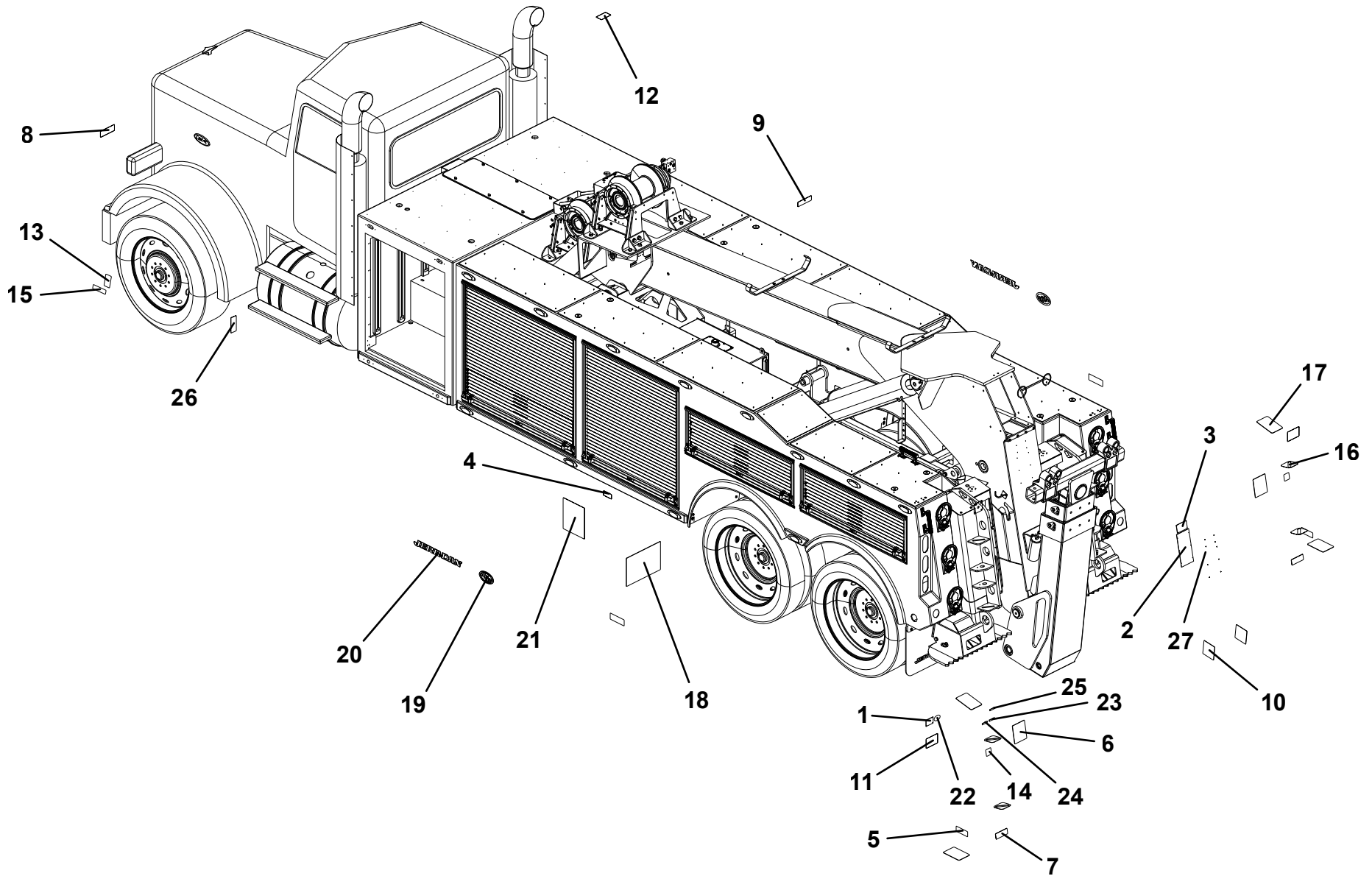
72" WHELEN LIGHT BAR



DECAL INSTALLATION

ITEM	PART NO.	DESCRIPTION	QTY
1	1001127220	Decal, Tag	1
2	1001132328	Decal, Placard	1
3	1001132346	Patent	1
4	1001136075	Decal, Hazardous Voltage	1
5	1001136080	Decal, Recover Stability	2
6	1001136091	Decal, Towed Load	2
7	1001136094	Decal, Crushing Hazard	2
8	1001136103	Decal, Electrocutation	4
9	1001136119	Decal, Hydraulic Hazard	1
10	1001137169	Decal, Pinch	2
11	1001138537	Decal, Hook	2
12	1001138612	Decal, Battery	1
13	1001141227	Decal, Backing	1
14	1001142452	Decal, No Step	2
15	1001142828	Decal, Fall Hazard	1
16	1001174339	Decal, Spade Housing Step	4
17	1001174346	Decal, Spade Step	4
18	1001205331	Decal, Lube Chart	1
19	1001206364	Decal, JFB Badge	2
20	1001206367	Decal, Jerr-Dan Name Plate	2
21	1001212286	Decal, Power Distribution	1
22	7330000143	Decal, Made in USA	1
23	7330000208	Decal, Service Air	1
24	7330000209	Decal, Supply Air	1
25	7330000210	Decal, Aux Air	1
26	7330000689	Decal, NTEA	1
27	7759000004	Pop Rivet	14

DECAL INSTALLATION



PART NUMBER INDEX

Part Number	Page	Part Number	Page	Part Number	Page	Part Number	Page
641412	136, 138, 140	4460466	128, 132	70050178	238, 292, 298	70050325	64
0641514	156	4460509	128, 132	70050179	238, 292, 298	70050328	64
0641524	108, 116	4711400	136, 138, 140	70050180	238, 292, 298	70050329	64
0641610	278, 286	4711800	176, 182, 186, 190, 280	70050181	238, 292, 298	70050330	64
641632	104, 112	4740513	128, 132	70050203	238, 292, 298	70050331	64
641810	280	4751500	108, 116	70050204	238, 292, 298	70050367	50, 60
641820	176, 182, 186, 190	4751600	278, 286	70050207	238, 292, 298	70050368	50, 60
642032	148, 160	4752000	148, 160, 176, 178, 182, 186, 190	70050208	238, 292, 298	70050369	50, 60
642034	176, 178, 182, 186, 190	4752200	272	70050209	238, 292, 298	70050370	50, 60
0642228	272	7003116	78, 82, 86	70050210	238, 292, 298	70050371	50, 60
750604	128, 132	7003212	20	70050211	238, 292, 298	70050372	50, 60
750605	180, 182	7005314	72	70050215	20, 72	70050373	50
0751406	250	7005322	20	70050232	74	70050374	44, 58
0751408	250	7005348	72, 78, 82, 86	70050239	110, 118	70050375	40, 52
1380135	220	7005365	20, 32, 72, 74, 78, 82, 86	70050241	110, 118	70050376	40, 52
2220374	108, 116	7006847	110, 118	70050242	110, 118	70050377	52
2220376	108, 116	7019828	20	70050243	110, 118	70050378	40, 52
2220415	120, 124	7019829	78, 82, 86	70050245	110, 118	70050379	40, 52
2220451	108, 116	7023518	78, 82, 86	70050246	110, 118	70050380	42, 62
2220473	108, 116	7023593	32	70050247	110, 118	70050381	48, 54
2220518	120, 124	7024101	78, 82, 86	70050249	110, 118	70050382	48, 54
2220642	120, 124	7029865	110, 118	70050250	110, 118	70050383	48, 54
2220654	146	8760037	108, 116	70050251	110, 118	70050468	64
2220700	108, 116, 120, 124	70021648	20, 32, 72, 74, 78, 82, 86	70050252	110, 118	70050531	20
2220878	120, 124	70021757	72	70050256	110, 118	70050534	78, 82, 86
2220947	108, 116	70021774	32	70050257	110, 118	70050535	78, 82, 86
2230021	146	70050075	86	70050308	66	70050536	78
2230024	108, 116	70050164	288, 290	70050309	66	70050537	78
2230025	108, 116	70050165	288, 290	70050310	66	70050538	78
2230027	108, 116	70050166	288, 290	70050312	64, 66	70050540	78, 82, 86
2230089	108, 116	70050167	288, 290	70050313	64, 66	70050541	78, 82, 86
3020029	208, 212, 214	70050169	238, 284, 292, 298	70050314	64	70050544	72
3271605	278	70050170	238, 292, 298	70050315	64	70050545	72
3520064	104, 112	70050174	238, 284, 292, 298	70050316	64, 66	70050548	72
3760308	128, 132, 180, 182	70050175	238, 292, 298	70050319	64, 66	70050549	72
3841203	36	70050176	238, 292, 298	70050320	66	70050550	82
3900339	220			70050322	66	70050551	82

PART NUMBER INDEX

Part Number	Page	Part Number	Page	Part Number	Page	Part Number	Page
70050552	82	70050665	238, 292, 298	70051020	284	70051058	292
70050556	32	70050668	66	70051021	238, 284, 292, 298	70051059	238, 292, 298
70050557	32	70050669	66	70051022	238, 284, 292, 298	70051060	238, 292, 298
70050558	32	70050722	290	70051023	238, 284, 292, 298	70051061	238, 292, 298
70050559	32	70050831	266	70051024	284	70051062	238, 292, 298
70050560	32	70050832	266	70051025	284	70051063	238, 292, 298
70050561	32	70050833	266	70051026	238, 284, 292, 298	70051064	238, 292, 298
70050562	32	70050834	266	70051027	238, 284, 292, 298	70051065	238, 292, 298
70050563	32	70050835	266	70051028	238, 284, 292, 298	70051066	238, 292, 298
70050564	32	70050836	266	70051029	238, 284, 292, 298	70051068	238, 292, 298
70050565	32	70050837	266	70051030	238, 284, 292, 298	70051069	238, 292, 298
70050566	32	70050838	266	70051031	284	70051070	292
70050568	32, 78, 86	70050839	266	70051032	284	70051071	292
70050569	32	70050840	266	70051033	284	70051072	292
70050570	32	70050841	266	70051034	284	70051073	292
70050572	32	70050842	268	70051035	238, 284, 292, 298	70051074	292
70050574	32	70050843	268	70051036	238, 284, 292, 298	70051075	292
70050575	32	70050844	268	70051037	284	70051076	238, 292, 298
70050576	32	70050845	268	70051038	284	70051077	238, 292, 298
70050577	32	70050846	268	70051039	238, 284, 292, 298	70051078	238, 292, 298
70050578	32	70050847	268	70051040	284	70051079	110, 118
70050579	32	70050848	268	70051041	284	70051080	110, 118
70050580	32	70050849	268	70051042	284	70051081	110, 118
70050581	32	70050922	264, 266	70051043	284	70051196	86
70050582	32	70050923	264, 266	70051044	238, 284, 292, 298	70051197	86
70050583	32	70050924	264, 266	70051045	238, 284, 292, 298	70051199	74
70050584	32	70050925	264, 266	70051046	284	70051300	40
70050585	32	70050977	66	70051047	284	70051303	60
70050586	32	70050979	290	70051048	238, 284, 292, 298	70051304	60
70050587	32	70050980	288, 290	70051049	238, 284, 292, 298	70051305	60
70050588	32	70050981	288, 290	70051050	284	70051306	60
70050589	32	70051014	282	70051051	284	70051307	60
70050590	32	70051015	282	70051052	284	70051309	60
70050591	32	70051016	282	70051053	238, 292, 298	70051310	56
70050592	32	70051017	282	70051055	238, 292, 298	70051311	56
70050594	72	70051018	282	70051056	238, 292, 298	70051341	238, 298
70050595	72	70051019	284	70051057	292	70051343	238, 298

PART NUMBER INDEX

Part Number	Page	Part Number	Page	Part Number	Page	Part Number	Page
70051344.....	238, 298	1001136119.....	300	1001164614.....	202, 204	1001169080.....	104, 112, 208, 212, 214, 226
70051345.....	238, 298	1001136447.....	22	1001165564.....	208, 214	1001169083.....	104, 112, 208, 214, 244, 246, 260
70051346.....	238, 298	1001136559.....	34	1001165570.....	208	1001169560.....	36
70051347.....	238, 298	1001136990.....	286	1001165571.....	208, 214	1001169893.....	36
70051348.....	238, 298	1001137169.....	300	1001165584.....	208, 214	1001170036.....	100
70051349.....	238, 298	1001137487.....	22	1001165652.....	214	1001170090.....	212
70051350.....	238, 298	1001138537.....	300	1001165692.....	176, 178, 186	1001170091.....	212
80004049.....	72	1001138612.....	300	1001165862.....	220	1001170305.....	212
80004056.....	82	1001141227.....	300	1001165863.....	220	1001170307.....	212, 296
83304140.....	32	1001142452.....	300	1001166549.....	154, 166	1001170310.....	212
83304143.....	32	1001142828.....	300	1001166644.....	208, 212, 214, 226, 260	1001170328.....	212
83304181.....	32, 74	1001143686.....	272	1001166674.....	180	1001170329.....	212, 296
91084009.....	110, 118	1001144730.....	8	1001166930.....	128, 132, 180, 182	1001170330.....	212
91084017.....	110, 118	1001145056.....	68	1001166974.....	104, 112, 128, 132, 148, 160, 202, 204, 206, 216, 218, 244, 262	1001170331.....	212
975496027.....	62	1001145640.....	30	1001166978.....	104, 112, 270	1001170332.....	212
979696088.....	60	1001151050.....	28, 30	1001167268.....	234	1001170428.....	212
1001094694.....	120, 124, 146	1001151184.....	70	1001167358.....	158, 168	1001170618.....	228
1001101025.....	296	1001151185.....	70	1001167455.....	170	1001170707.....	230
1001122235.....	128, 132, 180, 182	1001151546.....	272	1001167456.....	170	1001170839.....	234
1001125479.....	136, 138, 140	1001151789.....	148, 160	1001167607.....	128, 132	1001170849.....	172
1001126269.....	288, 290	1001151805.....	28, 30	1001168320.....	128, 132	1001170937.....	172
1001127220.....	300	1001152381.....	8	1001168321.....	128, 132	1001170968.....	220
1001129800.....	38	1001152511.....	8	1001168322.....	128, 132	1001170970.....	220
1001129861.....	280	1001152548.....	8	1001168328.....	128, 132	1001170971.....	220
1001130491.....	104, 112	1001152549.....	8	1001168428.....	258	1001171394.....	144
1001130702.....	288, 290	1001152815.....	286	1001168544.....	244, 262	1001171933.....	100
1001132265.....	96	1001154101.....	152, 164, 180, 182	1001168545.....	206, 218, 220, 242, 254	1001173847.....	148, 160, 178
1001132268.....	94	1001154277.....	104, 112	1001168733.....	206, 208	1001174051.....	156
1001132328.....	300	1001154527.....	154, 166, 180, 182, 186, 190	1001168993.....	104, 112, 128, 132, 148, 160, 202, 204, 206, 214, 216, 218, 222, 262	1001174138.....	262
1001132346.....	300	1001156424.....	276	1001169063.....	208, 214	1001174140.....	262
1001133591.....	280	1001159568.....	92	1001169064.....	208, 214	1001174339.....	300
1001134433.....	104, 112	1001160799.....	244, 262	1001169076.....	208, 214	1001174346.....	300
1001136075.....	300	1001163358.....	158, 168	1001169078.....	148, 160, 208, 214	1001174680.....	128, 132
1001136080.....	300	1001164560.....	206, 208			1001174681.....	128, 132
1001136091.....	300	1001164562.....	206			1001174992.....	250
1001136094.....	300	1001164601.....	202, 204				
1001136103.....	300						

PART NUMBER INDEX

Part Number	Page	Part Number	Page	Part Number	Page	Part Number	Page
1001175059	248, 250	1001186992	196	1001192126	208	1001197482	38
1001175061	142	1001186993	182	1001192287	220	1001197483	38
1001179349	212	1001186997	190	1001192504	120, 124	1001197506	38
1001182248	218	1001187000	180	1001192958		1001197693	212
1001182569	182	1001187009	186		150, 152, 162, 174, 180, 182, 186, 190, 194, 196, 198, 200	1001198300	92
1001183037	224, 240, 248, 250	1001187063	182, 190	1001193233	146	1001198602	194, 196, 198, 200
1001183038	248	1001188635	162	1001193241	146	1001199081	154, 166, 180, 182, 186, 190
1001183152	258	1001188904	180, 186	1001193242	146	1001199311	104, 112
1001183735	212	1001188919	182, 190	1001193527	112, 116	1001199322	104, 112
1001183736	212	1001188920	180, 182	1001194069	108, 116	1001199324	104, 112
1001184765	38	1001188921	180, 182, 186, 190	1001194284	104, 108	1001199475	286
1001184772	108, 116	1001189656	272	1001194676	104, 112, 236, 240, 256	1001199477	296
1001184773	108, 116	1001189657	272	1001194736	104, 112	1001200997	212
1001184827	104, 112	1001189784	104, 112	1001195257	128, 132, 180, 182, 186, 190, 194, 196, 198, 200, 234, 236, 240, 244, 252, 256, 262, 270, 272	1001201112	206
1001184828	104, 112	1001189786	104, 112			1001201215	210
1001185600	190	1001189989	108, 116	1001195279	236	1001201216	210
1001185654	180, 182	1001189993	104, 112	1001195341	240	1001201217	210
1001185657	176	1001190050	226	1001195523	228, 230, 232, 234, 244	1001201218	210
1001186416	186	1001190055	226	1001195838	244	1001201367	210
1001186491	182	1001190128	226	1001196552	128, 132, 154, 166, 180, 182, 186, 190, 210	1001201384	128, 132
1001186584	158, 168	1001190148	226			1001201523	224
1001186585	168	1001190218	214	1001196907	104, 112	1001201695	232
1001186606	158, 168	1001190218	214	1001196908	104, 112	1001201926	128, 132
1001186606	158, 168	1001190223	214	1001196909	104, 112	1001202051	148
1001186607	168	1001190228	214	1001196910	104, 112	1001202052	148
1001186608	158, 168	1001190265	214	1001196911	104, 112	1001202524	160
1001186725	150, 162	1001190342	208	1001197158	198	1001203234	128, 132
1001186726	150	1001190359	208	1001197159	194	1001204565	68
1001186727	150, 162	1001190361	208	1001197160	194	1001204788	128, 132
1001186728	150, 162	1001190409	218	1001197161	194, 196	1001204789	128, 132
1001186835	150	1001190410	236, 240	1001197162	196	1001204816	8
1001186986	200	1001190551	222	1001197163	196	1001205043	128, 132
1001186987	198	1001190568	242	1001197181	200	1001205044	128, 132
1001186988	194	1001190926	244, 246	1001197338	182, 190	1001205331	300
1001186989	194	1001190988	244			1001205854	194, 196
1001186990	194, 196	1001191602	128, 132			1001205855	194, 196
1001186991	196	1001191613	262				
		1001191810	242				

PART NUMBER INDEX

Part Number	Page	Part Number	Page	Part Number	Page	Part Number	Page
1001205877	162	1001209031	128, 132	1001214089	120, 124	1001219918	178
1001205915	174	1001209034	270	1001214090	120, 124	1001219919	178
1001205916	174	1001209040	128, 132	1001214128	286	1001219921	178
1001205917	174	1001209041	128, 132	1001214129	278	1001219937	104, 112
1001206033	120, 124	1001209042	128, 132	1001214130	272	1001220068	104, 112
1001206039	120, 124	1001209044	128, 132	1001214265	260	1001220167	276
1001206042	120, 124	1001209051	128, 132	1001214266	260	1001220168	276
1001206043	120, 124	1001209052	132	1001214267	260	1001220169	276
1001206052	120, 124	1001209053	132	1001214301	260	1001220170	276
1001206053	120, 124	1001209054	128, 132	1001214350	272	1001220171	276
1001206054	120, 124	1001209365	128, 132	1001214577	272	1001220234	276
1001206364	300	1001209366	128, 132	1001214590	272	1001220273	160
1001206367	300	1001209590	270	1001214605	272	1001220345	276
1001206505	128, 132	1001209616	270	1001214902	104, 112	1001220349	276
1001206679	148, 160	1001210868	210	1001214961	104, 112	1001220350	276
1001206909	120, 124	1001211000	270	1001215040	136	1001220351	276
1001207212	128	1001211001	270	1001215041	138	1001220352	276
1001207213	128	1001211002	270	1001215048	140	1001220353	276
1001207300	252	1001211003	270	1001215098	270	1001220354	276
1001207367	36	1001211394	262	1001215100	270	1001220355	276
1001207368	36	1001211486	178	1001215110	272	1001220363	276
1001207509	256	1001211487	178	1001215444	132	1001220364	276
1001207539	256	1001212194	250	1001215445	128	1001220365	276
1001207599	216	1001212286	300	1001215955	296	1001220366	276
1001207624	218	1001213093	272	1001215956	296	1001220367	276
1001207734	128, 132	1001213102	272	1001215957	296	1001220368	276
1001207736	128, 132	1001213104	278	1001216317	296	1001220369	276
1001208066	128, 132	1001213105	278	1001216372	296	1001220370	276
1001208303	128, 132	1001213110	278	1001216373	296	1001220371	276
1001208610	68	1001213111	272	1001216571	296	1001220372	276
1001208650	254	1001213112	272	1001217088	168	1001220373	276
1001208651	254	1001213131	296	1001218611	68	1001220374	276
1001208950	270	1001213133	120, 124	1001219691	104, 112	1001220375	276
1001208951	270	1001213509	272	1001219831	178	1001220376	276
1001208952	270	1001213522	272	1001219833	178	1001220431	128, 132
1001209000	132	1001214086	120, 124	1001219916	178	3007000004	92
1001209010	128	1001214087	120, 124	1001219917	178	3020000119	94, 96

PART NUMBER INDEX

Part Number	Page	Part Number	Page	Part Number	Page	Part Number	Page
3020000120	94, 96	3551000036	92	4567132031	120, 124	4691000242	88
3170000123	76	3561000008	94, 96	4567132043	120, 124	4691000274	94, 96
3170000124	76	3561000017	28, 30	4567132048	120, 124	4691000280	28
3170000125	76	3577000018	88	4567133032	120, 124	4691000285	28, 30
3170000178	84	3577000036	8	4567150048	120, 124	4691000290	70
3170000179	84	3577000071	24, 26	4567152024	120, 124	4691000291	70
3170000379	84	3691000126	18	4567152025	120, 124	4691000292	76
3170000380	84	3691000144	90	4567152054	120, 124	4691000293	76, 80, 84
3170000381	70	3691000148	24, 26	4567152056	120, 124	4691000321	80, 84
3170000400	80	3691000149	24, 26	4567160111	68	4691000416	30
3170000401	80	3691000154	70	4567160146	68	4691000417	28, 30
3170000406	80	3691000267	18	4567182024	120, 124	4691000510	28, 30
3170000407	70	3691000274	24, 26	4567182029	120, 124	4705000705	176, 182, 186, 190
3170000433	80	3706000080	90	4569130044	120, 124	4706001815	156
3170000468	28	3706000241	30	4569130046	120, 124	4706002207	76
3170000471	24	3706000261	18	4569160046	120, 124	4706002208	76
3170000483	30	3750000021	16	4570000162	120, 124	4706002209	76
3170000484	30	3750000022	14	4570000163	120, 124	4706002210	76
3170000486	26	3911000068	176, 186	4570000167	120, 124	4706002211	76
3170000494	28, 30	3912000033	96	4570000252	120, 124	4706002235	16
3177000060	108, 116	3912000038	94, 96	4570000360	120, 124	4706002428	84
3178000226	92	3913000094	88	4570000362	120, 124	4706002555	8
3178000240	90	4062000714	28	4570000368	120, 124	4706003708	76
3178000273	84	4062000715	28, 30	4619000006	120, 124	4706003709	76
3178000275	84	4062000746	28, 30	4679000127	70	4706003710	76
3178000499	90	4178000234	286	4679000140	28, 30	4706003716	18
3178000575	36	4178000248	68	4679000146	76, 84	4706003717	76
3178000576	36	4178000402	280	4679000147	76	4706003718	76
3249000035	36	4178000811	28, 30	4679000170	84	4706003844	68
3249000047	28	4178000857	30	4679000277	80	4706005262	80
3263000118	18	4178000872	30	4679000293	80	4706005263	80
3274000011	176, 182, 186, 190	4309000001	104, 112	4679000313	30	4706005281	80
3484000048	94	4309000007	104, 112	4679000314	28, 30	4706006008	10
3484000049	94	4561000012	94, 96	4679000315	28	4706006009	10
3484000072	96	4567112024	120, 124	4679000326	30	4706006016	8
3484000073	96	4567113028	120, 124	4691000200	18	4706006132	28, 30
3507100001	70	4567120017	120, 124	4691000207	18		

PART NUMBER INDEX

Part Number	Page	Part Number	Page	Part Number	Page	Part Number	Page
4706006182.....	30	7115143250	30	7209000024	12	7330000210	300
4754000004	28, 30	7115150650	12, 34, 42, 62	7209000032	12	7330000278	94, 96
4812000057	76	7115150850	12	7209000033	12	7330000535	214
4819000008	120, 124	7115150864	102	7209000066	12	7330000689	300
4831000104	36	7115151050	68	7248000053	104, 112	7330000863	70
4949000059	24, 26	7115151650	34	7253000002 ...	18, 24, 26, 28, 36, 70	7345001714	144
4949000060	24, 26	7115160623	70	7262000025	70	7345242202	136, 138, 140
5526000553 128, 132, 136, 138, 140, 270, 296		7115160650	30	7274000028	68	7346000039	144
7007000055	92	7115161050	28, 30	7274000030	12, 34	7346000040	202, 204
7007000056	92	7115161650	18, 120, 124, 220	7274000040	120, 124, 128, 132	7346000045	136, 138, 140
7007960040	50, 60	7115180723	28, 30	7274000041	68	7346000055	102
7011000006	142	7115180750	70	7274000042	128, 132	7346000078	102
7056000003	98	7115180850	36	7274000049	12	7413000002	104, 112
7056000004	98	7115181050	68	7274000063	120, 124	7430000004	120, 124
7056000005	98	7115181250	28, 30	7274000071	68	7430000010	68
7056000006	98	7115181450	24, 26, 28, 30	7274000076	68	7440030000 ...	18, 24, 26, 28, 30, 36, 70, 76, 80, 84, 88
7082000005	104, 112	7115181650	28, 30	7280000006 128, 132, 180, 182, 186, 190, 270, 272		7443000109	120, 124
7108180850	28, 30, 76, 80, 84	7115181850	14, 24, 26	7295000029	38	7443000130	68
7108181050	76	7115182250	50, 60	7312000015	100	7443000139	38
7110201823	48, 54	7115182650	36	7312000016	100	7443000145	100
7114080418	272	7115222450	46, 56	7320000006	18	7443000146	100
7114100618	128, 132	7115222650	46	7320000026	76	7443000148	38, 100
7114100818	38, 128, 132	7118140427	30	7320000028	28	7443000149	38
7114140518..	18, 76, 80, 84, 226, 272	7118172050	50, 60	7320000033	74	7443000154	38
7114140618... 28, 104, 112, 206, 208, 226		7118181205	50, 60	7320000038	84	7443000156	38
7114140818	226, 240	7118181250	98	7320000042	78	7443000158	120, 124
7114141018	104, 112, 248, 250	7118201250	70	7320000068	80	7443000173	38
7114141218	28, 172	7118221816	36, 178	7320000076	82, 86	7443000176	38
7114141618	30	7118223216	36	7320000084	24, 26	7443000178	38
7114150618	278	7118242450	8	7320000085	30	7443000211	108, 116
7114150850	38	7118267250	90	7320000096	70	7443000244	64
7114160850	212	7120000036	90	7320000097	70	7443000254	68
7115140650	16, 76, 80, 84	7120000040	30	7320000098	72	7443000329	38
7115140850	68	7178000025	128, 132	7320000099	70	7443000431	64
7115141250	28	7183000004	16	7330000143	300	7444030037	38
		7209000022	88	7330000208	300	7444120014	16
		7209000023	12, 34	7330000209	300		

PART NUMBER INDEX

Part Number	Page	Part Number	Page	Part Number	Page	Part Number	Page
7444121050	68	7577000063	72	7660220001	46, 56	7790060676	120, 124, 146
7444121271	68	7577000145	100	7660222308	36, 178	7790141251	142, 158, 168, 262
7444160011	16	7577000167	20	7660242308	8	7790141651	158, 168
7445040421	120, 124, 146	7577000213	68	7661000019	80, 84, 272	7796000012	104, 112
7445040445	50, 60	7577000368	96	7661000022	34	7796000051	16
7445060219	120, 124	7577000654	12, 22, 34	7661000027	12	7806000008	104, 112
7445060435	100	7577000668	108, 116	7661000029	278	7809000004	36
7445060643	120, 124	7577250188	74	7661000041	38	7870000043	136, 138, 140
7445060645	120, 124	7577250334	78, 82, 86	7690141200	104, 112	7870000045	64
7445080644	120, 124	7590000049	66	7690142845	208, 214	7870000062	64, 66
7445080822	120, 124	7590000105	128, 132	7690144840	28, 30	7870000128	144
7445080825	12	7590000262	152, 164, 174, 180, 182, 186, 190, 272	7690153245	42, 62	7870000129	144
7445080830	120, 124	7590000282	152, 164	7691000019	18	7894000004	38, 120, 124
7445080837	120, 124	7590000343	128, 132	7691000020	94, 96	7894000028	94, 96
7445080843	120, 124	7636000006	14	7691000021	92	7894000037	94, 96
7445100843	120, 124	7636000008	148, 160, 176, 178, 182, 186, 190	7691000022	92	7912000068	12
7445101025	12	7650100137	68	7691000025	90	7912000069	12
7445101032	120, 124	7660102601	38, 128, 132	7691000026	94, 96	7912000070	12
7445121225	12	7660140230	104, 112	7691000075	104, 112	7912000245	22
7445121645	68	7660142600	28, 136, 138, 140, 172, 226	7701000048	148, 160, 272	7912000246	22
7445161620	120, 124	7660142601	30, 68, 104, 112, 270	7701000049	272	7912000247	22
7445161622	120, 124	7660152601	34, 38, 68, 102, 120, 124, 156, 170	7701000056	272	7912000248	22
7446502518	100	7660160001	46, 56	7706000001	64	7912000301	108, 116
7454000003	92	7660162601	18, 104, 108, 112, 116, 128, 132, 148, 160, 202, 204, 206, 208, 212, 216, 218, 220, 222, 244, 246, 262, 286	7706000004	66	7912000302	108, 116
7454000004	92	7660182301	176, 182, 186, 190	7706000005	64	7912000303	108, 116
7454000005	92	7660182601	14, 28, 36, 280	7754000008	18	7912000304	108, 116
7454000006	92	7660200001	148, 160, 176, 178, 182, 186, 190	7754000009	104, 112	7912000305	108, 116
7470000002	120, 124	7660202601	70	7754000018	70	7912000306	108, 116
7470000003	16			7754000033	18, 28, 30	7912000307	108, 116
7470000004	120, 124, 146			7754000042	88	7912000308	108, 116
7470000006	38			7754000043	76, 80, 84	7912000309	108, 116
7493000011	280, 286			7754000051	70	7912000310	108, 116
7493000026	128, 132			7754000055	28, 30	7912000340	12
7561000020	98			7754000059	24, 26, 36	7912000341	12
7565000014	100			7759000004	94, 96, 300	7912000343	34
7565000016	38			7759000018	10	7912000344	34
7565000019	66			7785152420	68	7912000345	34

Part Number	Page	Part Number	Page	Part Number	Page	Part Number	Page
7935000104	66	242, 244, 246, 254, 258, 262		9472960029	50, 60	9754250015	20
7935000116	68	7950160151	46, 56	9472960030	42, 62	9754250017	72
7935000120	38	7950160161	18	9472960032	50, 60	9754250022	74
7935000293	116, 118	7950170000	50, 60	9472960033	50, 60	9754250023	74
7935000315	110, 118	7950180000	24, 26, 28, 30, 40, 50, 52, 60, 68, 70, 80, 98	9472960036	42, 62	9754250054	32
7935000316	110, 118	7950180141	14, 36	9553250009	20	9754250055	32
7935000317	110, 118	7950180150	28, 30	9553250010	78, 82, 86	9754960027	42
7935000320	110, 118	7950180153	76, 84	9571960006	50, 60	9754960029	42, 50, 60, 62
7935000323	110, 118	7950180161	70	9577960113	56	9754960030	40, 52
7935000330	108, 110	7950180800	50, 60	9590310195	288, 290	9759960001	46, 56
7949000015	14	7950220000	46, 56	9590310197	288, 290	9763250009	20
7949000016	14	7950220151	46, 56	9590310200	288, 290	9763250013	74
7949000019	148, 160, 176, 178, 182, 186, 190	7970000168	36	9590310201	282	9786250004	74
7949000020	148, 160, 176, 178, 182, 186, 190	7970000169	36	9590310202	288, 290	9786250005	74
7949000025	18	7978000011	136, 138, 140	9590310203	288, 290	9796250057	20, 78, 82, 86
7949000056	226	7990000003	104, 112	9590310205	288	9796250058	32, 78, 82, 86
7949000061	8	8565000026	68	9590310206	288	9796250059	74
7950100143	38	8597650001	136, 138, 140	9661250019	74	9796250061	20
7950140000	16, 28, 30, 76, 80, 84	8632000011	176, 178, 182, 186, 190	9691960021	50, 60	9796250062	72
7950140003	104, 112, 206, 208	8798820001	194, 196	9698250005	74	9796250065	74
7950140141	30	9073960002	46	9698960008	50, 60	9796250066	20
7950140143	38, 104, 112, 172, 206, 208, 234, 248, 250, 252, 256, 262, 270	9082960013	50, 60	9698960009	42, 62	9796250068	72
7950140152	68	9082960014	42, 50, 60, 62	9698960010	42, 62	9796250071	32
7950140153	18	9082960015	40, 52	9701250006	74	9796250073	20, 78, 82, 86
7950140163	158, 168	9120960020	46, 56	9701960010	50, 60	9796250077	74
7950150000	12, 34, 42, 62	9177960001	42, 62	9701960011	40, 52	9796250078	74
7950150153	156, 170	9177960002	50, 60	9701960012	40, 52	9796250080	20
7950150161	68, 102, 120, 124	9183960001	40, 50, 52, 60	9701960013	50	9796250081	78, 82, 86
7950160000	30, 120, 124	9254250007	72	9706960023	60	9796250083	72
7950160141	28, 30, 212	9254250008	74	9706960025	60	9796250084	32, 74
7950160143	104, 112, 128, 132, 148, 160, 202, 204, 206, 208, 214, 216, 218, 220, 222, 226, 240,	9280960002	48, 54	9706960026	46, 56	9796250149	32
		9281960004	42, 62	9706960027	50, 60	9796960085	40, 42, 50, 52, 60, 62
		9346310098	282	9724250014	20	9796960087	42, 50, 60, 62
		9346930086	110, 118	9754250009	20, 32, 78, 82, 86	9796960088	50
		9443760018	66	9754250011	72	9796960090	50, 60
		9443960006	50, 60	9754250012	74	9796960093	42, 62
				9754250014	32, 78, 82, 86	9806960013	50, 60

Part Number	Page
9806960014	50, 60
9806960015	42, 62
9831960007	46, 56
9843960024	60
9843960025	42, 62
9912250004	20
9912250008	74
9935250025	78, 82, 86
9935250032	74
9935740034	66
9935930119	110, 118
9935930122	110, 118
9935960026	50, 60
9949960013	40, 42, 52, 62

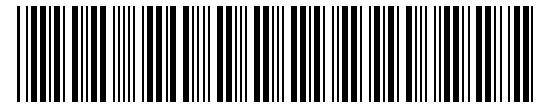
Part Number **Page**

Part Number **Page**

Part Number **Page**



Phone (800) 926-9666



5376000185-0