

JD50 TON IND JFB BODY HEAVY DUTY WRECKER PARTS MANUAL

JERR-DAN[®]

An Oshkosh Corporation Company

13224 Fountainhead Plaza
Hagerstown, MD 21742
Phone (717) 597-7111
www.jerr-dan.com



5-376-000186
Rev 0 - November 1, 2016

© 2016 Jerr-Dan Corporation. All Rights Reserved

This manual covers the following Jerr-Dan Models:

JD50IND - 50 Ton Independent With JFB Body

Jerr-Dan Corporation strives to provide information that is accurate, complete and useful. Descriptions and illustrative material contained within this manual are as accurate as known at the time of publication and are subject to change, without notice, as a result of continuous product improvements. Jerr-Dan reserves the right to amend the information in this document at any time without prior notice.

Information contained in this manual reflects how this vehicle was built at the factory. Modifications or additions by the distributor or owner are not reflected in this manual.

This parts manual does not include service parts information for the commercial chassis (IHC, Ford, GM, etc.). That information is provided by the chassis manufacturer.

When ordering parts, please refer to your unit's Serial Number and Model Number. This information is be found on the aluminum tag riveted to the inside of the driver's side rear compartment of the main body.



Additional or replacement manuals can be ordered by calling Jerr-Dan Parts at 717-597-7111. Price and availability will be quoted at time of the request.

Please report comments and/or errors by contacting Jerr-Dan Corporation's Technical Publications Department by e-mail at technicalpublications@jerr-dan.com or by FAX on 717-485-7162.

Manufactured under one or more of the following patents: 5,575,606; 5,672,042; 5,697,741; 5,713,714; 5,722,810; 5,782,596; 5,839,775 and 6,315,515 B1 with other Patents Pending.

Jerr-Dan and the Jerr-Dan logo are registered trademarks and Run Hard is a service mark of Jerr-Dan Corporation, Greencastle, PA USA.

The material in this document is confidential and the property of Jerr-Dan Corporation. No part of this document may be photocopied, Reproduced or translated to another language without the express written consent of Jerr-Dan Corporation.

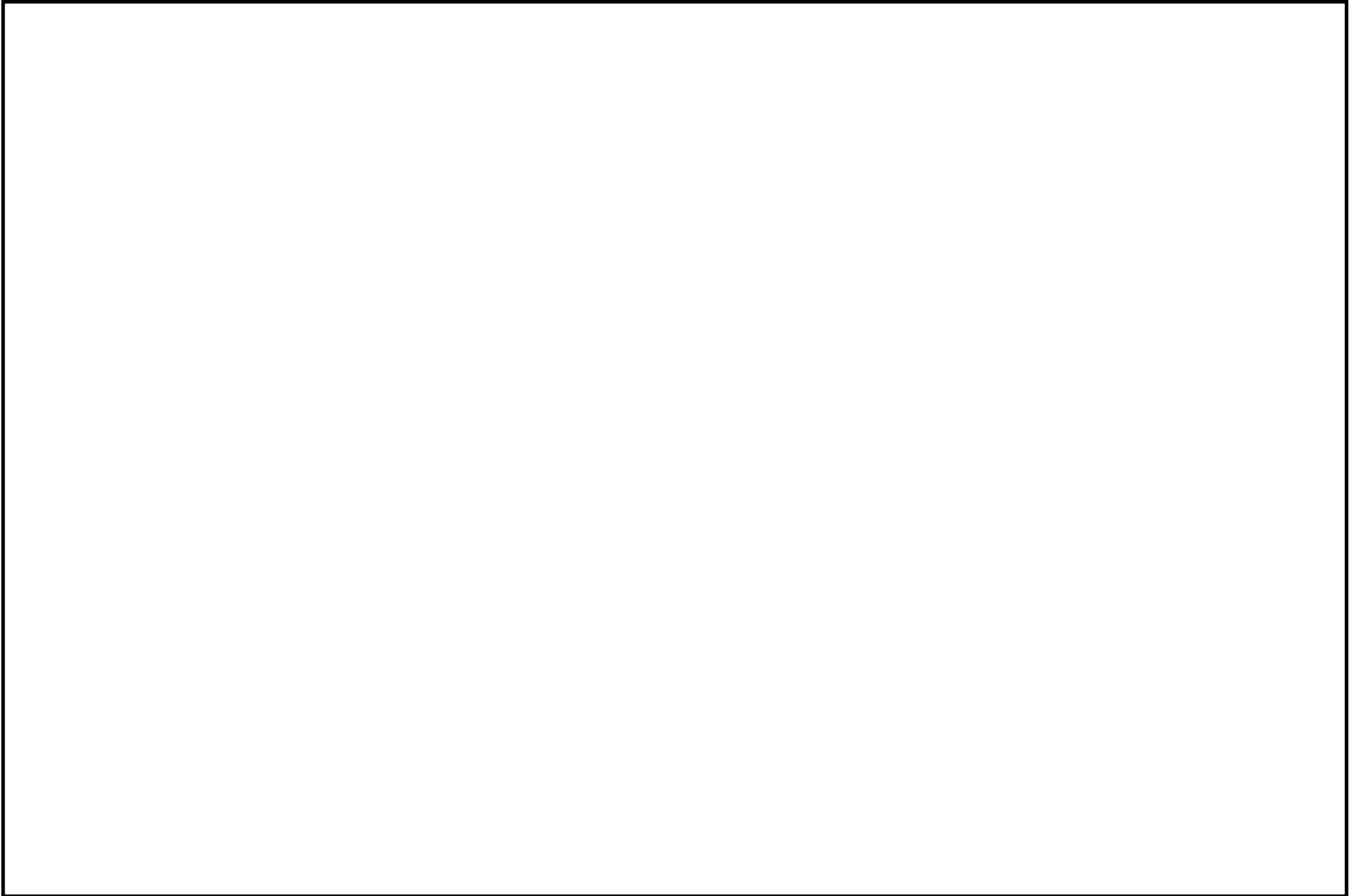


TABLE OF CONTENTS

Subframe Installation.....	8	Underlift Assembly - 3507100001.....	86
Rear Tail Plate Installation.....	10	Underlift Extension Cylinder Assembly - 7320000026.....	88
Subframe Hydraulic Tubing.....	12	Underlift Assembly - 3170000407 - Optional - 565 3 Piece U/L.....	90
Hydraulic Tank Installation - W/O UL Winch.....	14	Underlift Extension Cylinder Assembly - 7320000068.....	92
Hydraulic Tank Assembly - W/O UL Winch.....	16	Underlift Assembly - 3170000381 - Optional - 565 4 Piece u/L.....	94
Hydraulic Tank Installation w/ UL Winch - 3750000055.....	18	Underlift Extension Cylinder Assembly - 7320000038.....	96
Hydraulic Tank Assembly w/ UL Winch.....	20	Underlift Winch Installation.....	98
Rear Spade Installation.....	22	DP Winch 35K - 1001143297 - Cable Winch Drum Installation.....	100
Spade Cylinder Assembly - 7320000006.....	24	DP Winch 35K - 1001143297 - Gear End Installation.....	102
Rear Spade Tubing.....	26	DP Winch 35K - 1001143297 - Input Shaft Installation.....	104
Boom Installation - 2 Piece Boom.....	28	DP Winch 35K - 1001143297 - Base Mount Installation.....	106
Boom Lift Cylinder - 7320000027.....	30	DP Winch 35K - 1001143297 - Gear End Cover Installation.....	108
Boom Lift Cylinder - 7320000062.....	32	DP Winch 35K - 1001143297 - Motor End Installation.....	110
Wrecker Boom Assembly - 2 Piece.....	34	DP Winch 35K - 1001143297 - Cable Hold Down Kit.....	112
Wrecker Boom Cylinder - 7320000028.....	36	Crosstube Installation.....	114
Boom Installation - 3 Piece Boom.....	38	Underlift Tools - 5th Wheel Installation.....	116
Wrecker Boom Assembly - 3 Piece Boom.....	40	Underlift Tools - Frame Forks.....	118
Wrecker Boom Decal Installation.....	42	Underlift Tools - 14,000 Lb Tire Lift.....	120
Wrecker Boom Cylinder - 7320000050.....	44	Underlift Tools - 25,000 Lb Tire Lift.....	122
Winch Installation.....	46	Underlift Tools - Pintle Hook.....	124
Winch Air Installation.....	48	Trailer Air Installation.....	126
DP Winch 50K - 7970000168 - Gear End Cover installation.....	50	Trailer Plug Installation.....	128
DP Winch 50K - 7970000168 - Gear End Installation.....	52	Control Installation - 9 Section - 3 Solenoid.....	130
DP Winch 50K - 7970000168 - Input Shaft Installation.....	54	Control Valve Assembly - 1001202432.....	134
DP Winch 50K - 7970000168 - Base Mount Installation.....	56	Valve Assembly - 7935000313.....	136
DP Winch 50K - 7970000168 - Drum Installation.....	58	Control Installation - 9 Section - 7 Solenoid.....	138
DP Winch 50K - 7970000168 - Motor End Installation.....	60	Control Valve Assembly - 1001202433.....	142
DP Winch 50K - 7970000169 - Gear End Cover installation.....	62	Valve Assembly - 1001203506.....	144
DP Winch 50K - 7970000169 - Drum Installation.....	64	Control Installation - 10 Section - 8 Solenoid.....	146
DP Winch 50K - 7970000169 - Base Mount Installation.....	66	Control Valve Assembly - 1001202434.....	150
DP Winch 50K - 7970000169 - Input Shaft Installation.....	68	Valve Assembly - 7935000374.....	152
DP Winch 50K - 7970000169 - Motor End Installation.....	70	Wireless Remote 6 Function - 9 Section.....	154
DP Winch 50K - 7970000169 - Gear End Installation.....	72	Wireless Remote 14 Function Non-Proportional.....	156
Power Take Off - CS Series.....	74	Wireless Remote 14 Function Proportional.....	158
Power Take Off - SH Series.....	76	Wireless Remote 16 Function Proportional.....	160
Hydraulic Supply Pressure Installation.....	78	Hydraulic Lines and Fittings - 2 Pc Boom W/O U/L Winch.....	162
Knee Boom Installation.....	80	Hydraulic Lines and Fittings - 3 Pc Boom W/O U/L Winch.....	168
Underlift Tilt Cylinder - 7320000097.....	82	Hydraulic Lines and Fittings - 2 Pc Wrecker Boom W/ U/L Winch.....	174
Underlift Tilt Cylinder - 7320000096.....	84	Hydraulic Lines and Fittings - 3 Pc Wrecker Boom W/ U/L Winch.....	180

TABLE OF CONTENTS

Electrical Installation - Tri-Axle.....	186	Chain Binder Installation.....	274
Electrical Installation - Tandem Axle.....	190	Tire Lift Storage - Tandem Body.....	276
Center Harness Installation - 174" CT.....	194	Tire Lift Storage - 39" and 37" Toolbox.....	278
Center Harness Installation - 225" CT.....	196	Traffic Cone Storage.....	280
Center Harness Installation - 265" CT.....	198	Ladder Storage.....	282
Backup Alarm Installation.....	200	Stay Dry Silo Installation.....	284
E-Stop Installation.....	202	Tow Light Storage.....	286
Driver Side Gauge Installation.....	204	Wheel Chock Storage.....	288
Body Installation - Tandem.....	206	Flare Storage.....	290
Diamond Plate Installation - Tandem.....	208	Bottle Jack Storage.....	292
Marker Light Installation - Tandem.....	210	Tool Drawer Installation - Tandem.....	294
Compartment Light Installation - Tandem.....	212	Tool Drawer Installation - Tri-Axle.....	296
Mudflap Installation.....	214	Fifth Wheel Storage Installation.....	298
Fender Installation - Tandem.....	216	Frame Fork Storage Installation.....	300
Body Installation - Tri-Axle.....	218	Fork Riser Storage Installation.....	302
Diamond Plate Installation - Tri-Axle.....	220	Grizzly Bar Storage - Tandem.....	304
Marker Light Installation - Tri-Axle.....	222	Grizzly Bar Storage - Tri-Axle.....	306
Compartment Light Installation - Tri-Axle.....	224	Broom Storage.....	308
Fender Installation - Tri-Axle.....	226	Strap Storage.....	310
Step Installation.....	228	Cribbing Storage.....	312
Grab Handle Installation.....	230	Spill Kit.....	314
Front Diamond Plate Installation.....	232	Storage Shelf Installation.....	316
Toolbox Installation - 51" w/ Batteries.....	234	Spreader Bar Storage.....	318
Toolbox Installation - 51" w/ Batteries and Counter Weight.....	236	Spreader Bar Kit - 1001175920.....	320
Toolbox Assembly - 51" w/ Batteries.....	238	Spreader Bar accessories - 1001174493.....	322
Toolbox Installation - 39" w/ Batteries.....	240	Rugged Accessory Package - 1001174490.....	324
Toolbox Installation - 49" w/o Batteries.....	244	Switch Panel Installation.....	326
Toolbox Installation - 37" w/o Batteries.....	248	Pylon Installation.....	328
Door Installation - Tandem Body.....	252	Pylon Dress-Up Kit.....	332
Door Installation - Tri-Axle.....	254	Wing Light Bracket Installation.....	334
Door Installation - 51" and 49" Tunnel Toolbox.....	256	Wing Light Installation.....	336
Door Installation - 39" and 37" Tunnel Toolbox.....	258	22" Public Safety Light Bar - 1001133591.....	338
Shackle Rack Installation - Tandem.....	260	22" Whelen Light Bar - 1001199478.....	340
Shackle Rack Installation - Tri-Axle.....	262	Light Bar Installation.....	342
Snatch Block Storage Installation - Tandem.....	264	58" Amber Lightbar - Code 3 - 1001136990.....	344
Snatch Block Storage Installation - Tri-Axle.....	266	58" Red Lightbar - Code 3 - 1001152815.....	346
Tool Storage.....	268	60" Lightbar - Whelen - 1001199475.....	348
Tilt Down Storage Tray.....	270	Cab Mounted Light Bar.....	352
Rotary Chain Rack.....	272	72" Whelen Light Bar.....	354

TABLE OF CONTENTS

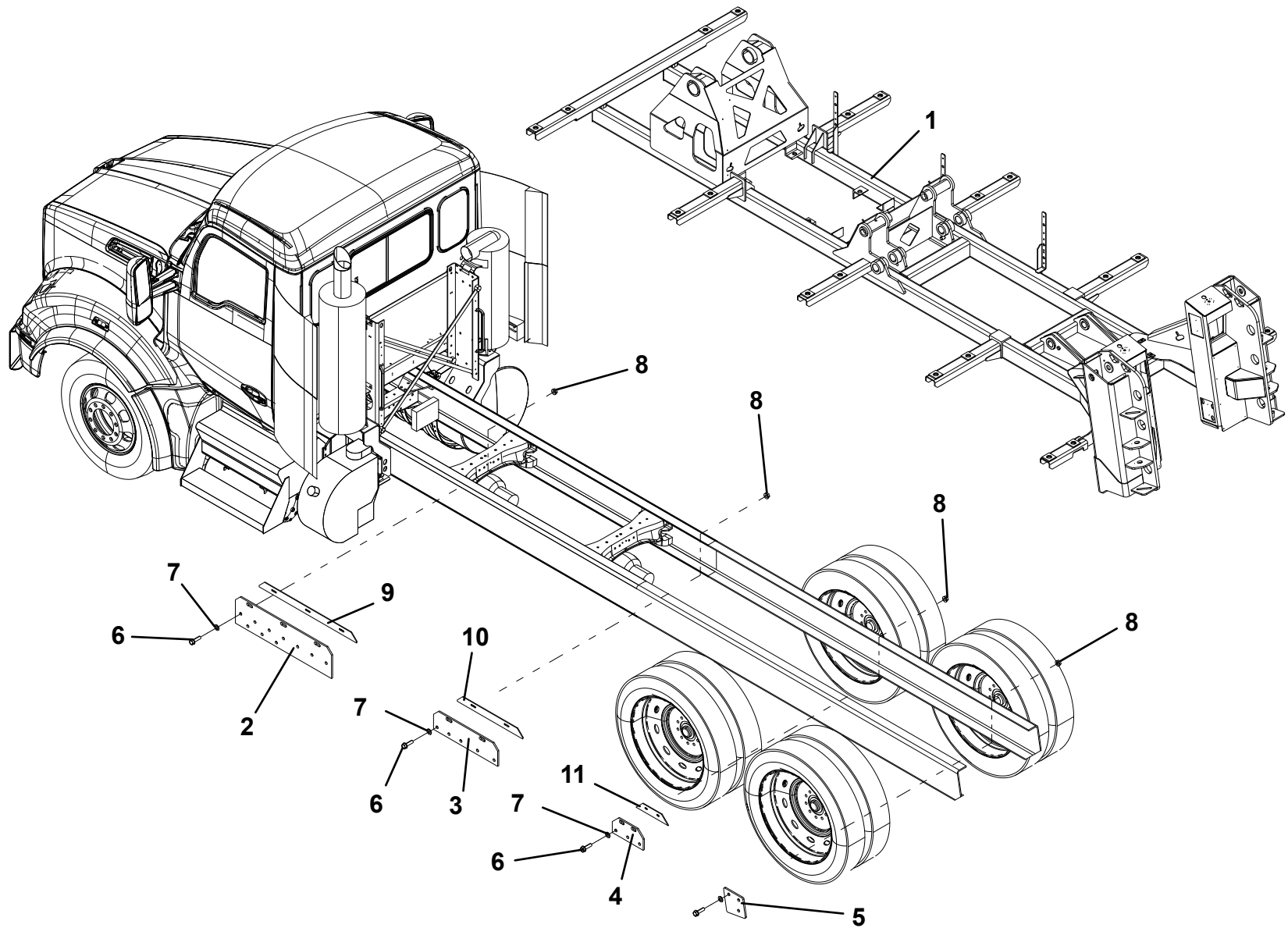
Decal Installation.....	356
Part Number Index.....	358

SUBFRAME INSTALLATION

ITEM	PART NO.	DESCRIPTION	QTY
1	1001204816	Subframe	1
2	1001152381	Plate, Front	2
3	1001152511	Plate, Middle	2
4	1001144730	Plate, HDL	2
5	4706006016	Plate	2
6	7118242450	Capscrew, 0.88" - 9NC x 3.00"	42
7	7949000061	Washer, 0.88" ID	42
8	7660242308	Locknut, 0.88" - 9NC	42
9	1001152548*	Plate, Front	2
10	1001152549*	Plate, Middle	2
11	4706002555*	Plate	2

* Also Available In Shim Kit - 1001152547

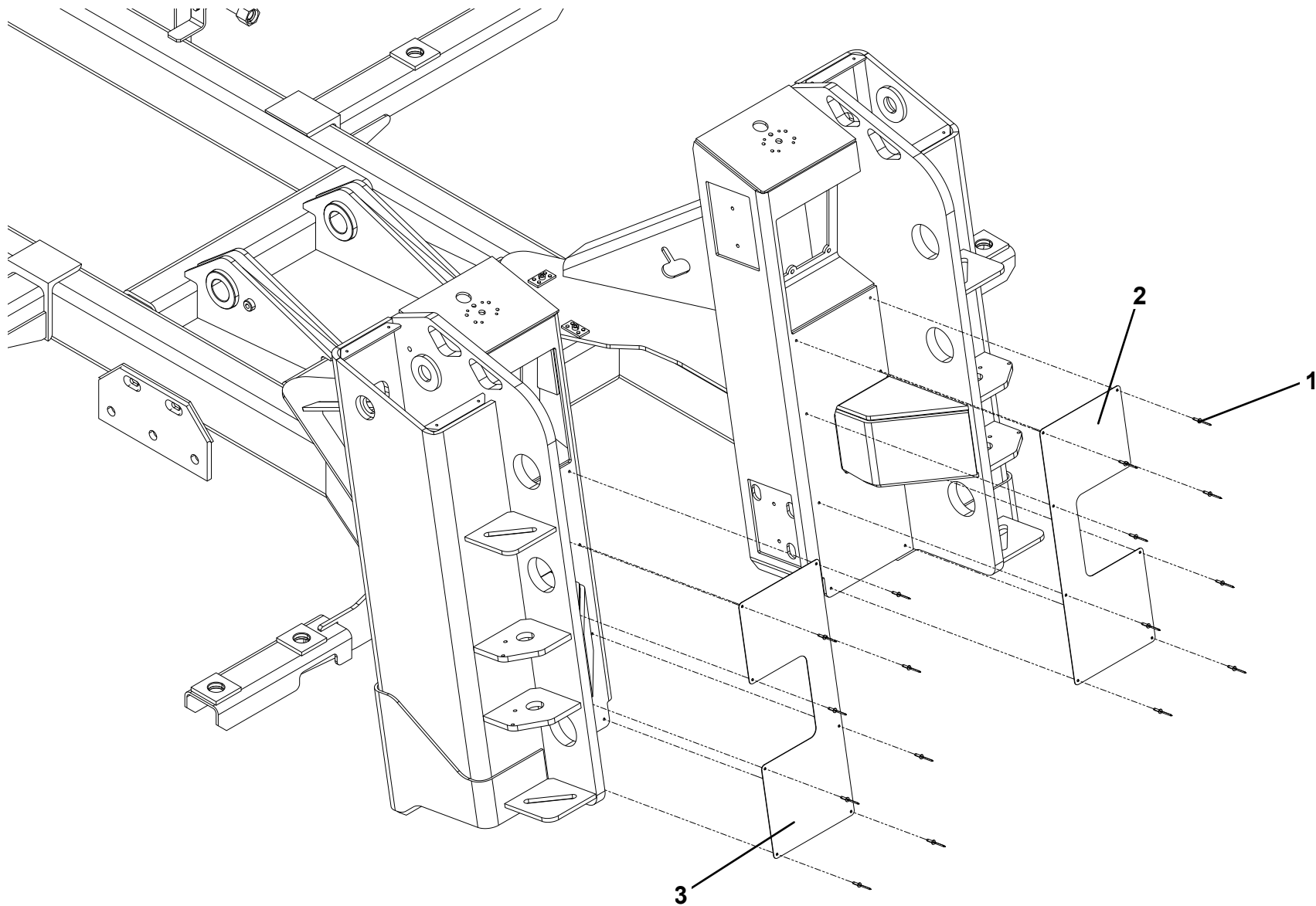
SUBFRAME INSTALLATION



REAR TAIL PLATE INSTALLATION

ITEM	PART NO.	DESCRIPTION	QTY
1	4706006008	Plate, LH	1
2	4706006009	Plate, RH	1
3	7759000018	Rivet	16

REAR TAIL PLATE INSTALLATION



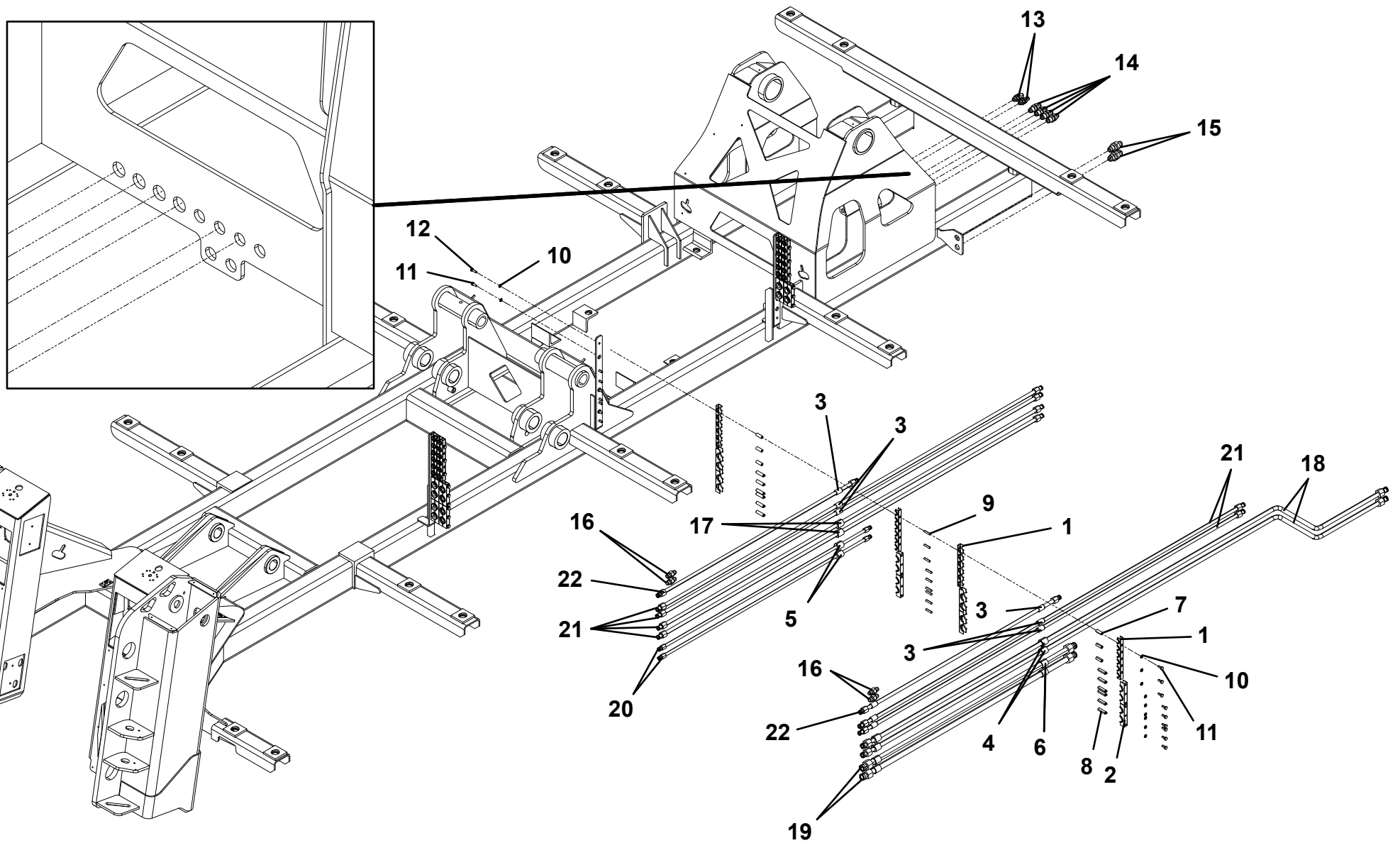
SUBFRAME HYDRAULIC TUBING

ITEM	PART NO.	DESCRIPTION	QTY	ITEM	PART NO.	DESCRIPTION	QTY
W/O WINCH				WITH WINCH			
1	7274000030	Clamp	12	1	7274000030	Clamp	12
2	7274000049	Clamp	20	2	7274000049	Clamp	20
3	7209000024	Bushing	12	3	7209000024	Bushing	12
4	7209000032	Bushing	6	4	7209000032	Bushing	6
5	7209000031	Bushing	4	5	7209000031	Bushing	4
6	7209000033	Bushing	4	6	7209000033	Bushing	4
7	7661000022	Nut, 0.31" - 18NC	18	7	7661000022	Nut, 0.31" - 18NC	18
8	7661000027	Stacking Nut	30	8	7661000027	Stacking Nut	30
9	7007000036	Adapter	24	9	7007000036	Adapter	24
10	7950150000	Washer, 0.31" ID	48	10	7950150000	Washer, 0.31" ID	48
11	7115150650	Capscrew, 0.31" - 18NC x 0.75"	32	11	7115150650	Capscrew, 0.31" - 18NC x 0.75"	32
12	7115150850	Capscrew, 0.31" - 18NC x 1.00"	16	12	7115150850	Capscrew, 0.31" - 18NC x 1.00"	16
13	7445080825	Fitting	2	13	7445080825	Fitting	2
14	7445101025	Fitting	4	14	7445101025	Fitting	4
15	7445121225	Fitting	2	15	7445121225	Fitting	2
16	7443000209	Fitting	4	16	7443000209	Fitting	4
17	7209000066	Bushing	6	17	7209000066	Bushing	6
18	7912000068*	Tube	2	18	7912000068*	Tube	2
19	7912000069*	Tube	2	19	7912000069*	Tube	2
20	7912000070*	Tube	2	20	7912000070*	Tube	2
21	7912000341*	Tube	6	21	7912000341*	Tube	6
				22	7912000238*	Tube	2

* Also Available In Tubing Kit - 7577000597

* Also Available In Tubing Kit - 7577000596

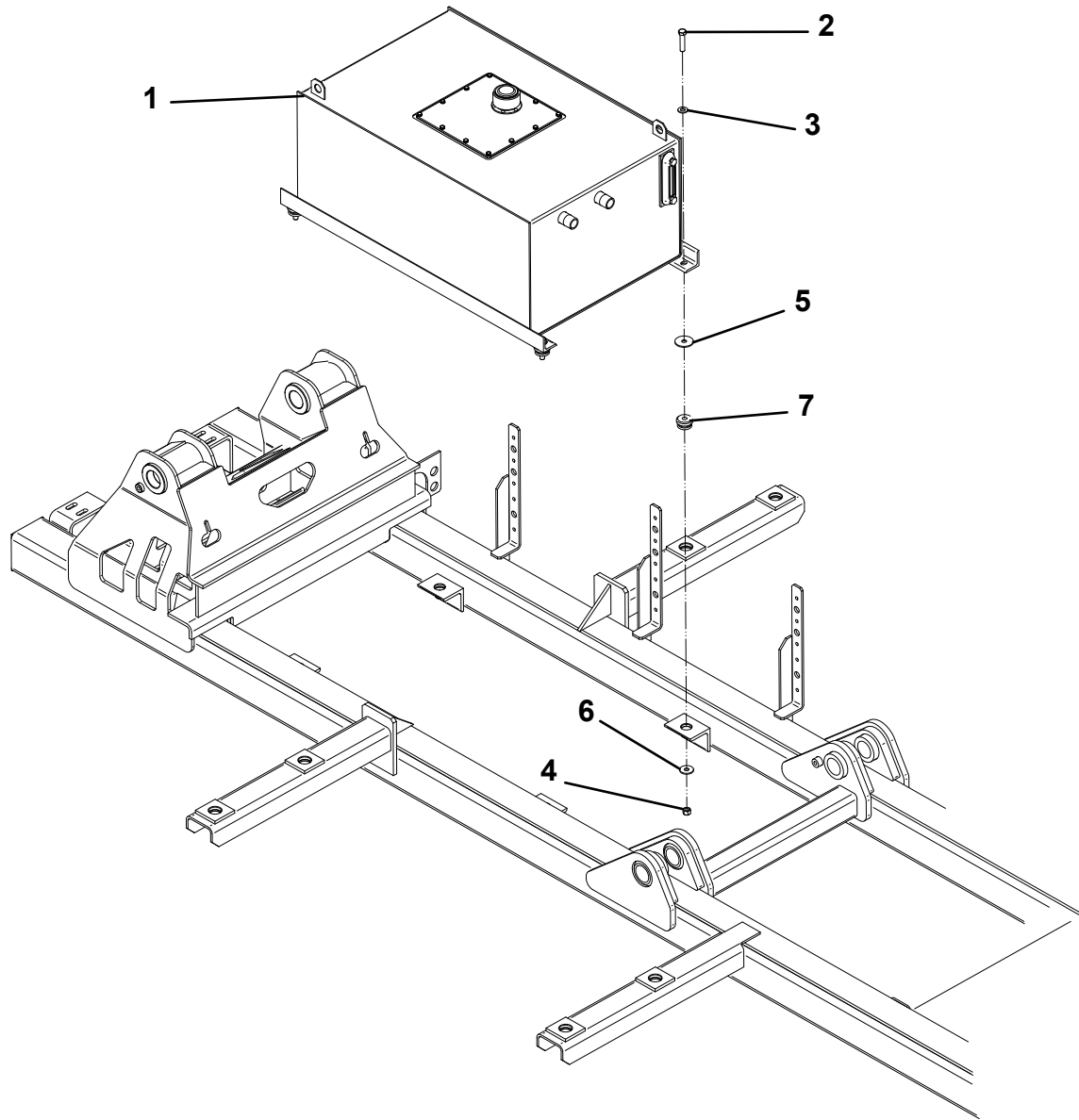
SUBFRAME HYDRAULIC TUBING



HYDRAULIC TANK INSTALLATION - W/O UL WINCH

ITEM	PART NO.	DESCRIPTION	QTY
1	3750000022	Hydraulic Tank Assembly	1
2	7115181850	Capscrew, 0.50" - 13NC x 2.25"	4
3	7950180141	Flatwasher, 0.50" ID	4
4	7660182601	Locknut, 0.50" - 13NC	4
5	7949000015	Washer, Head	4
6	7949000016	Washer, Tail	4
7	7636000006	Rubber Mount	4

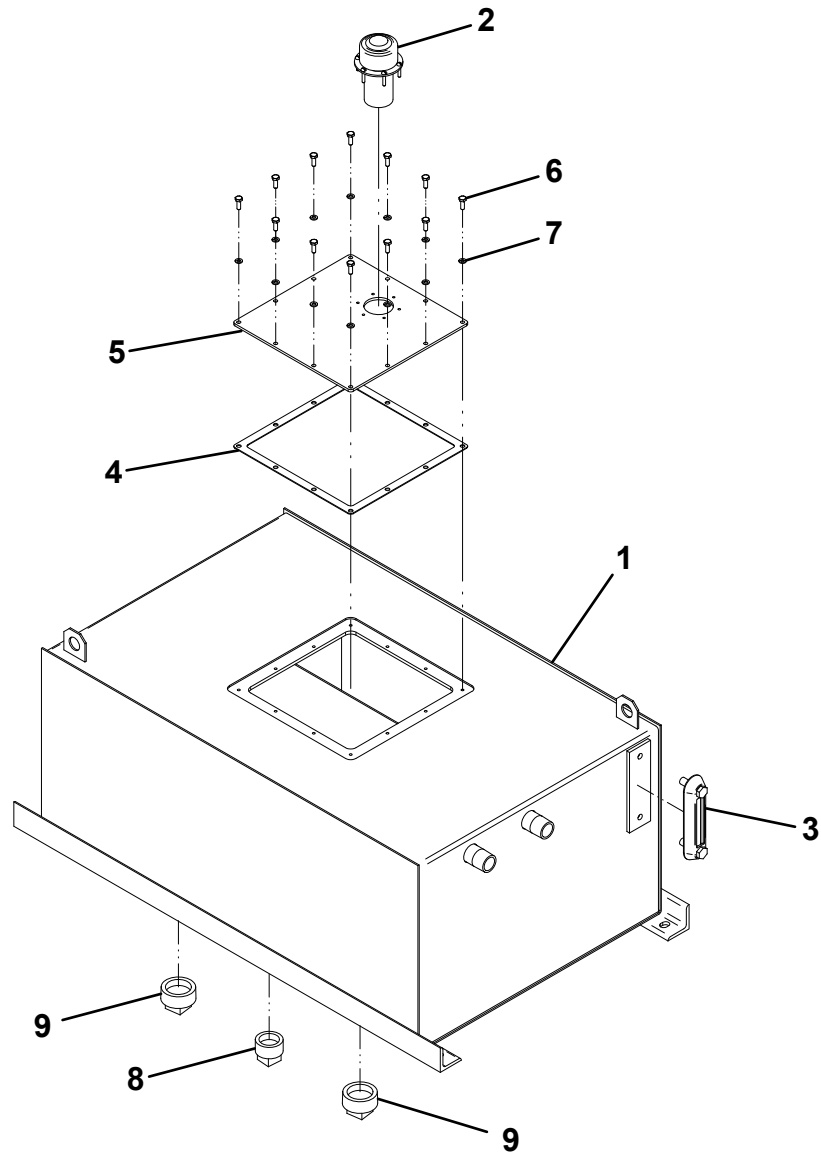
HYDRAULIC TANK INSTALLATION - W/O UL WINCH



HYDRAULIC TANK ASSEMBLY - W/O UL WINCH

ITEM	PART NO.	DESCRIPTION	QTY
1	3750000021	Hydraulic Tank	1
2	7183000004	Breather, Filler Cap	1
3	7470000003	Gauge	1
4	7796000051	Gasket, Oil Tank Cover	1
5	4706002235	Plate	1
6	7115140650	Capscrew, 0.25" - 20NC x 0.75"	12
7	7950140000	Lockwasher, 0.25" ID	12
8	7444120014	Plug	1
9	7444160011	Plug	2

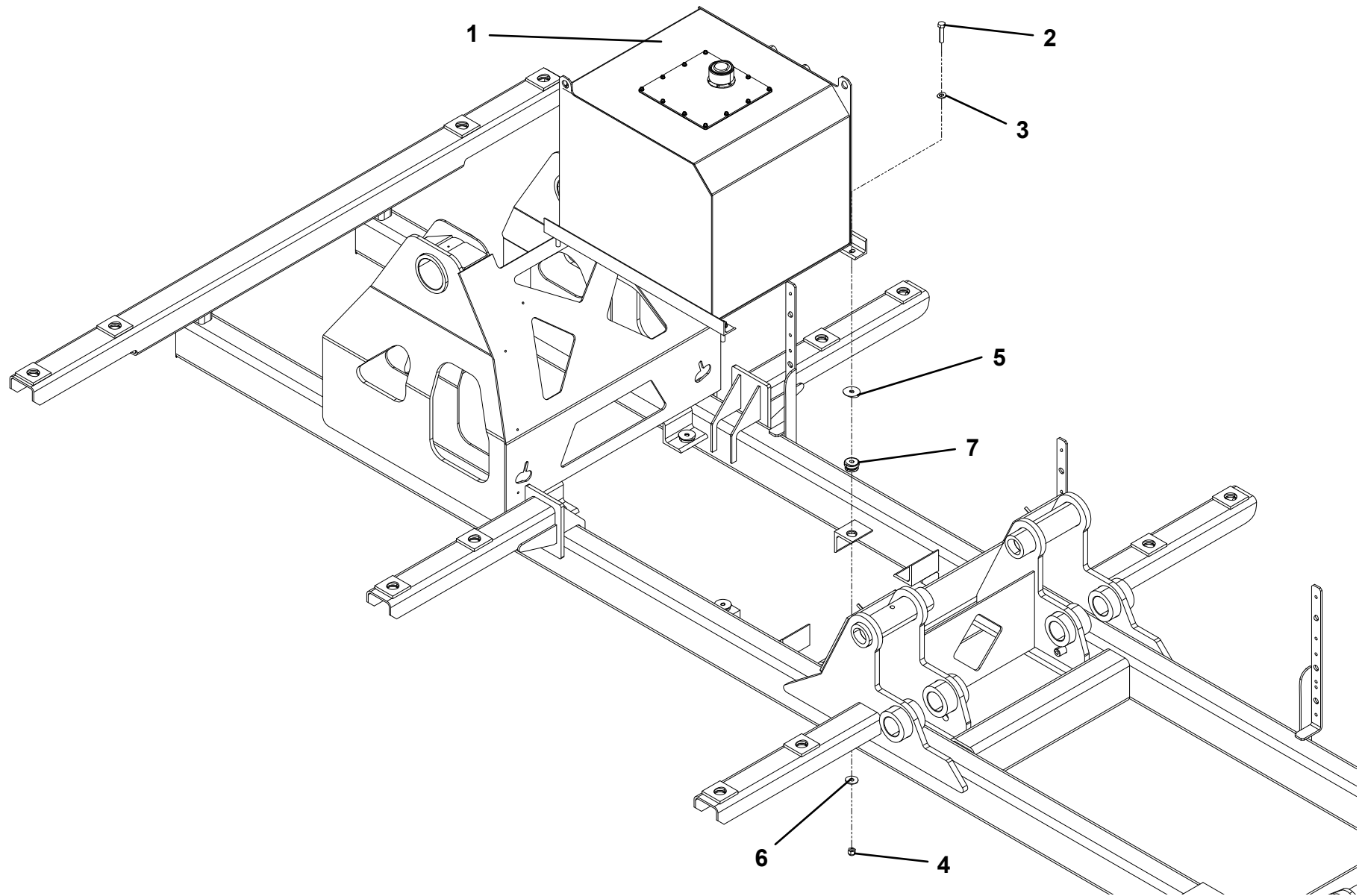
HYDRAULIC TANK ASSEMBLY - W/O UL WINCH



HYDRAULIC TANK INSTALLATION W/ UL WINCH - 3750000055

ITEM	PART NO.	DESCRIPTION	QTY
1	3750000055	Hydraulic Tank Assembly	1
2	7115181850	Capscrew, 0.50" - 13NC x 2.25"	4
3	7950180141	Flatwasher, 0.50" ID	4
4	7660182601	Locknut, 0.50" - 13NC	4
5	7949000015	Washer, Head	4
6	7949000016	Washer, Tail	4
7	7636000006	Rubber Mount	4

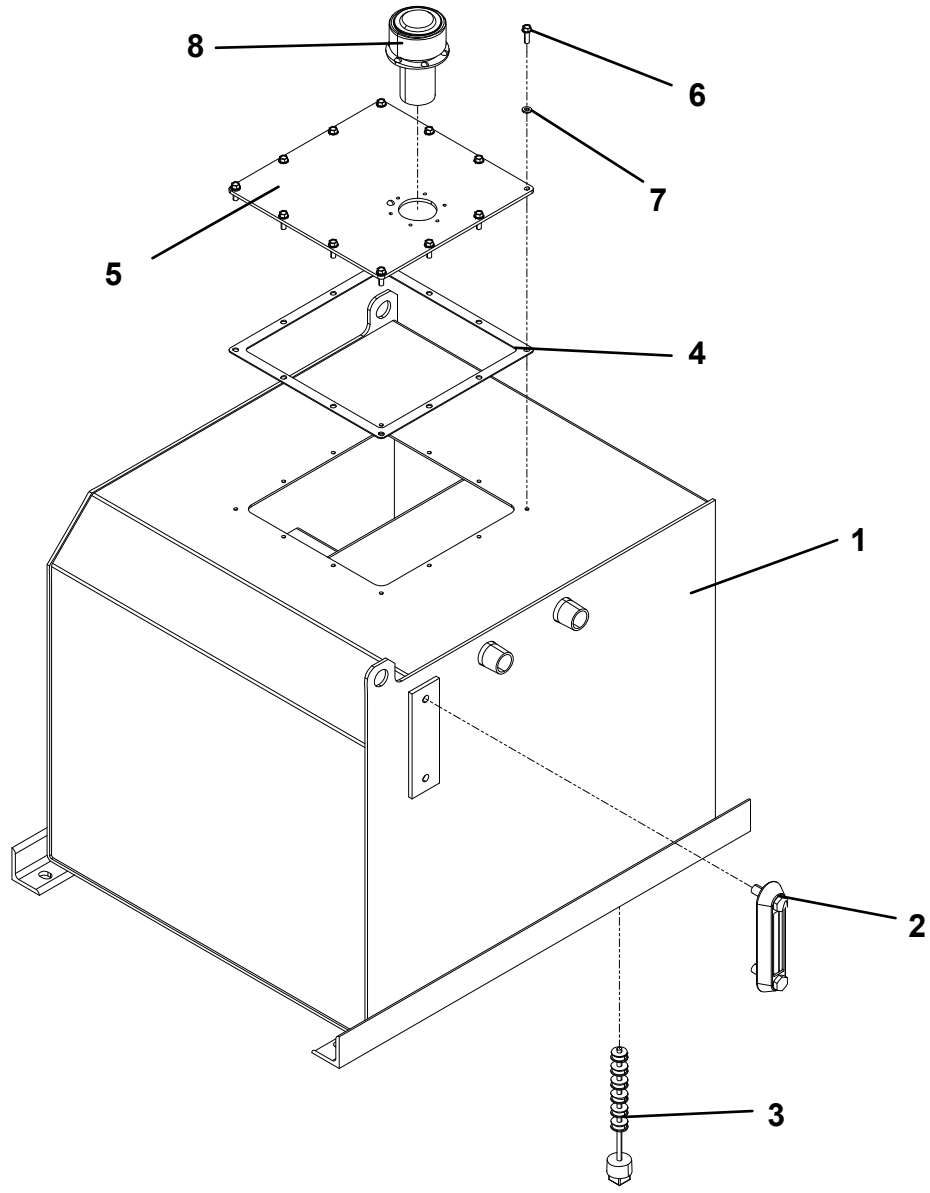
HYDRAULIC TANK INSTALLATION W/ UL WINCH - 3750000055



HYDRAULIC TANK ASSEMBLY W/ UL WINCH

ITEM	PART NO.	DESCRIPTION	QTY
1	3750000056	Tank	1
2	7470000003	Gauge	1
3	7701000025	Plug	1
4	7796000051	Gasket	1
5	4706002235	Plate	1
6	7790141253	Screw, 0.25" - 20NC x 0.75"	12
7	7950140000	Lockwasher, 0.25" ID	12
8	7183000004	Breather Cap	1

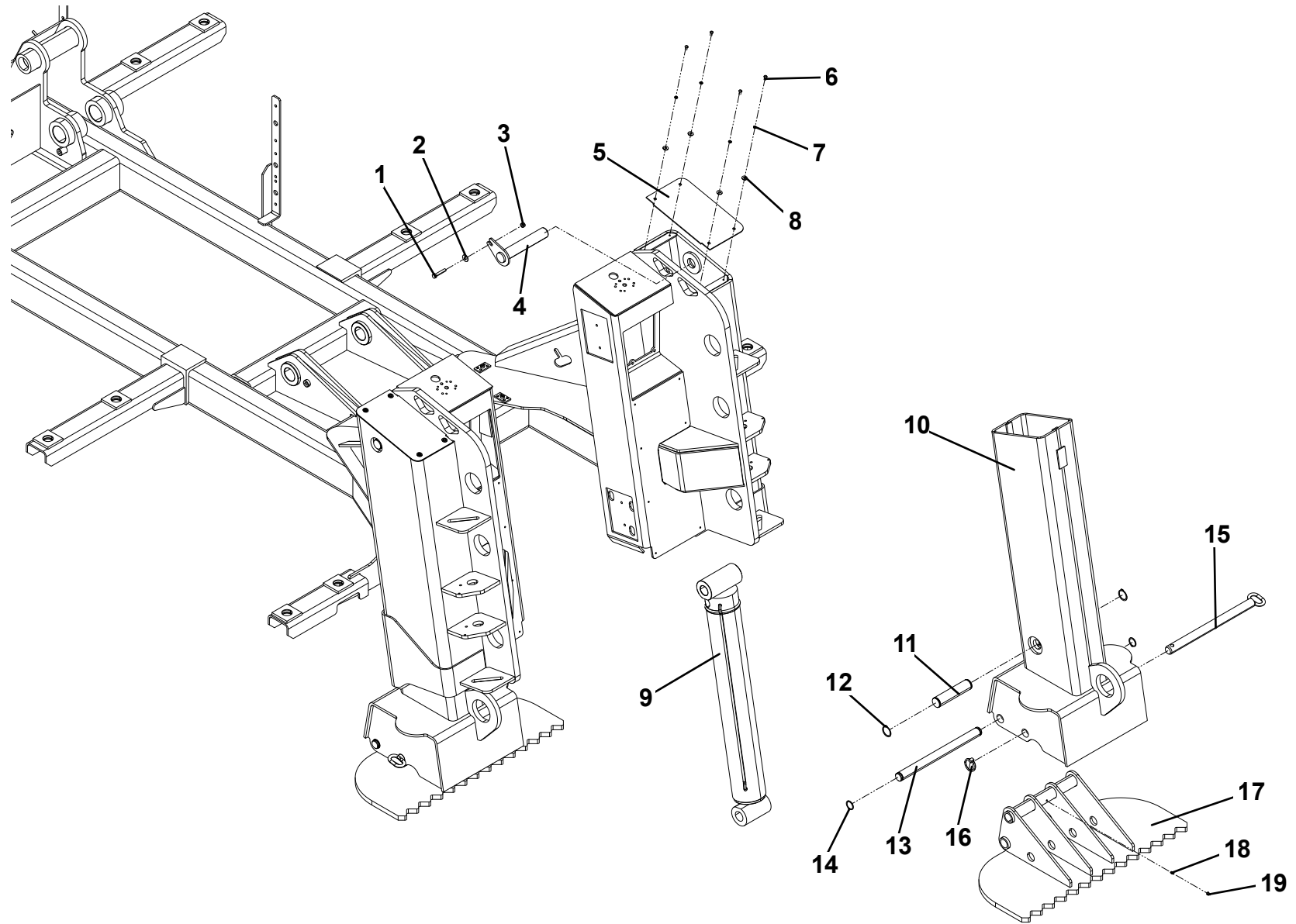
HYDRAULIC TANK ASSEMBLY W/ UL WINCH



REAR SPADE INSTALLATION

ITEM	PART NO.	DESCRIPTION	QTY
1	7115161650	Bolt, 0.38"-16NC X 2.00"	2
2	7950160161	Flatwasher, 0.38"	2
3	7660162601	Locknut, 0.38"-16UNC	2
4	3691000267	Pin	2
5	4706003716	Plate	2
6	7114140518	Capscrew, 0.25"-20NC X 0.62"	8
7	7949000025	Lockwasher, 11MM x 6.4MM	8
8	7950140153	Flatwasher, 0.25" ID	8
9	7320000006	Cylinder	2
10	3263000118	Spade Weldment	2
11	4691000207	Pin	2
12	7754000033	Retaining Ring	4
13	4691000200	Pin	2
14	7754000008	Retaining Ring	4
15	3691000126	Pin	2
16	7691000019	Lynch Pin	2
17	3706000261	Plate	2
18	7440030000	Grease Fitting	4
19	7253000002	Grease Fitting Cap	4

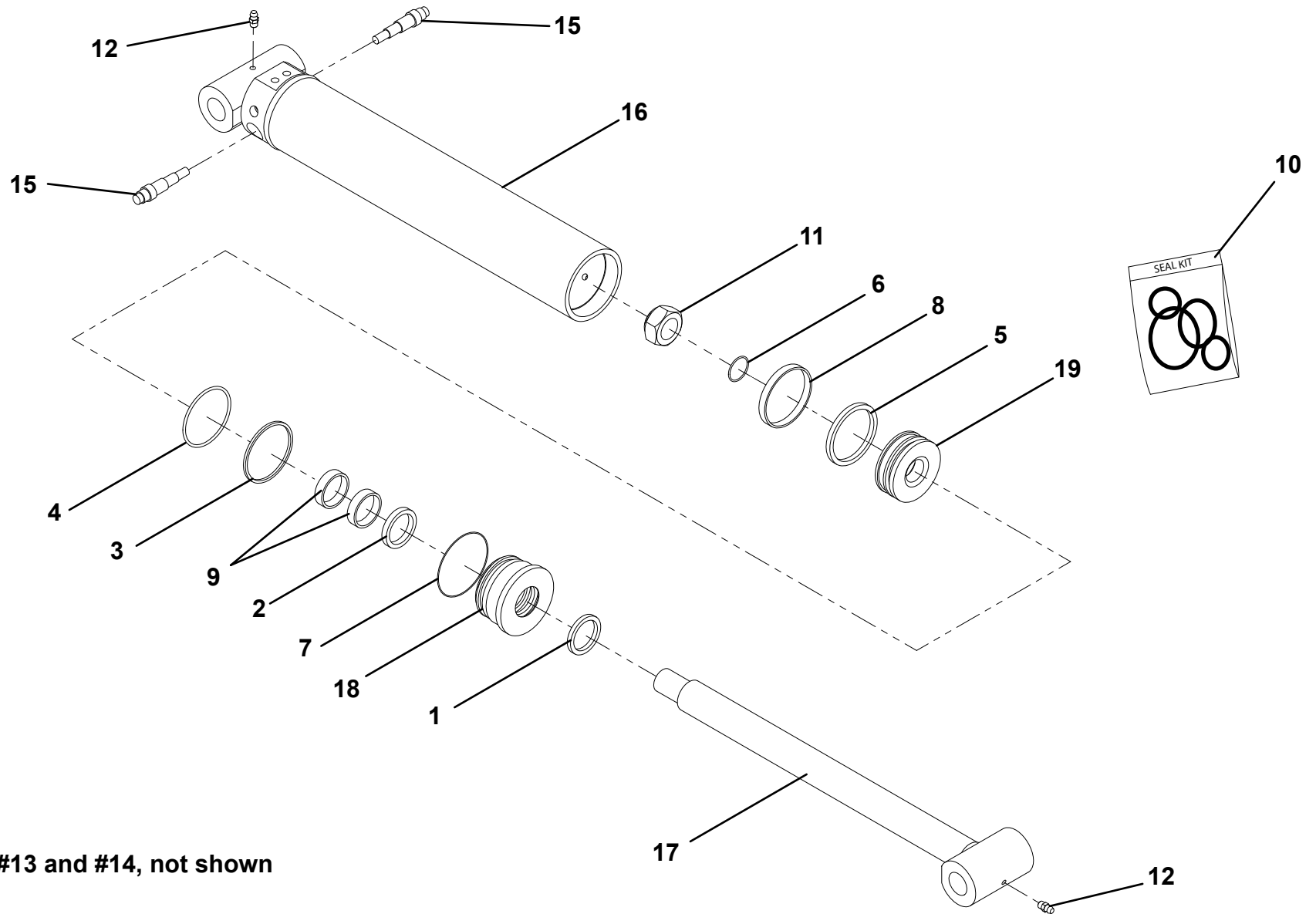
REAR SPADE INSTALLATION



SPADE CYLINDER ASSEMBLY - 7320000006

ITEM	PART NO.	DESCRIPTION	QTY
1	9796250080	Seal, Wiper	1
2	7019828	Seal	1
3	9754250009	Ring, Back-up	1
4	9796250057	Seal, "O" Ring	1
5	9796250073	Seal	1
6	9796250061	Seal, "O" Ring	1
7	9796250066	Seal, "O" Ring	1
8	9724250014	Ring, Wear	1
9	9754250015	Ring, Wear	2
10	7577000167	Kit, Seal	1
11	7003212	Locknut	1
12	7005322	Grease Fitting	2
13	7005365	Plug, Port	2
14	70021648	Plug, Port	2
15	70050215	Valve, Counterbalance	2
16	9912250004	Assembly, Tube	1
17	9763250009	Assembly, Rod	1
18	9553250009	Head	1
19	70050531	Piston	1

SPADE CYLINDER ASSEMBLY - 7320000006



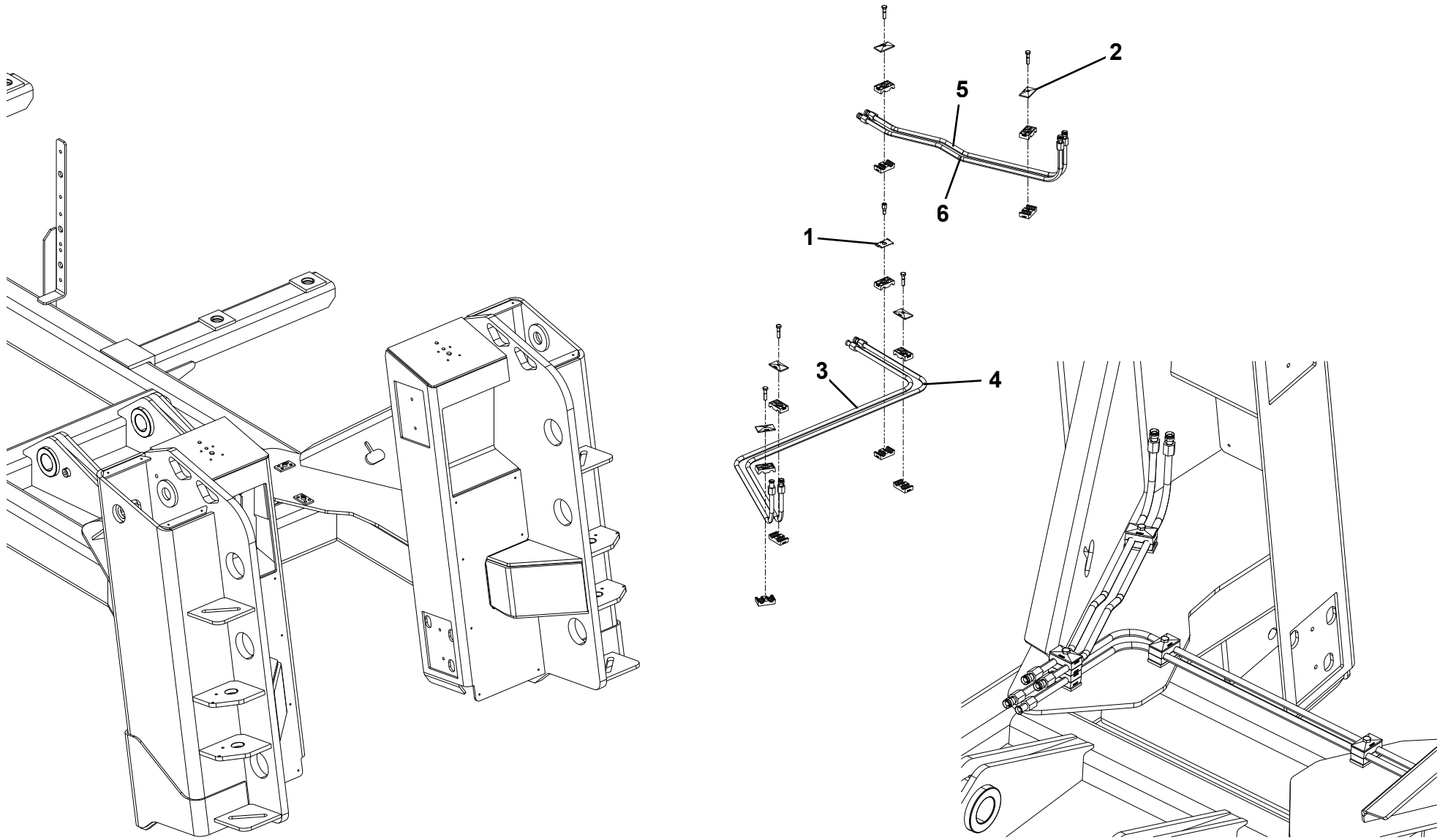
Items #13 and #14, not shown

REAR SPADE TUBING

ITEM	PART NO.	DESCRIPTION	QTY
1	1001137487	Clamp	1
2	1001136447	Clamp	5
3	7912000245*	Tube Assembly	1
4	7912000246*	Tube Assembly	1
5	7912000247*	Tube Assembly	1
6	7912000248*	Tube Assembly	1

* Also Available In Tubing Kit - 7577000637

REAR SPADE TUBING



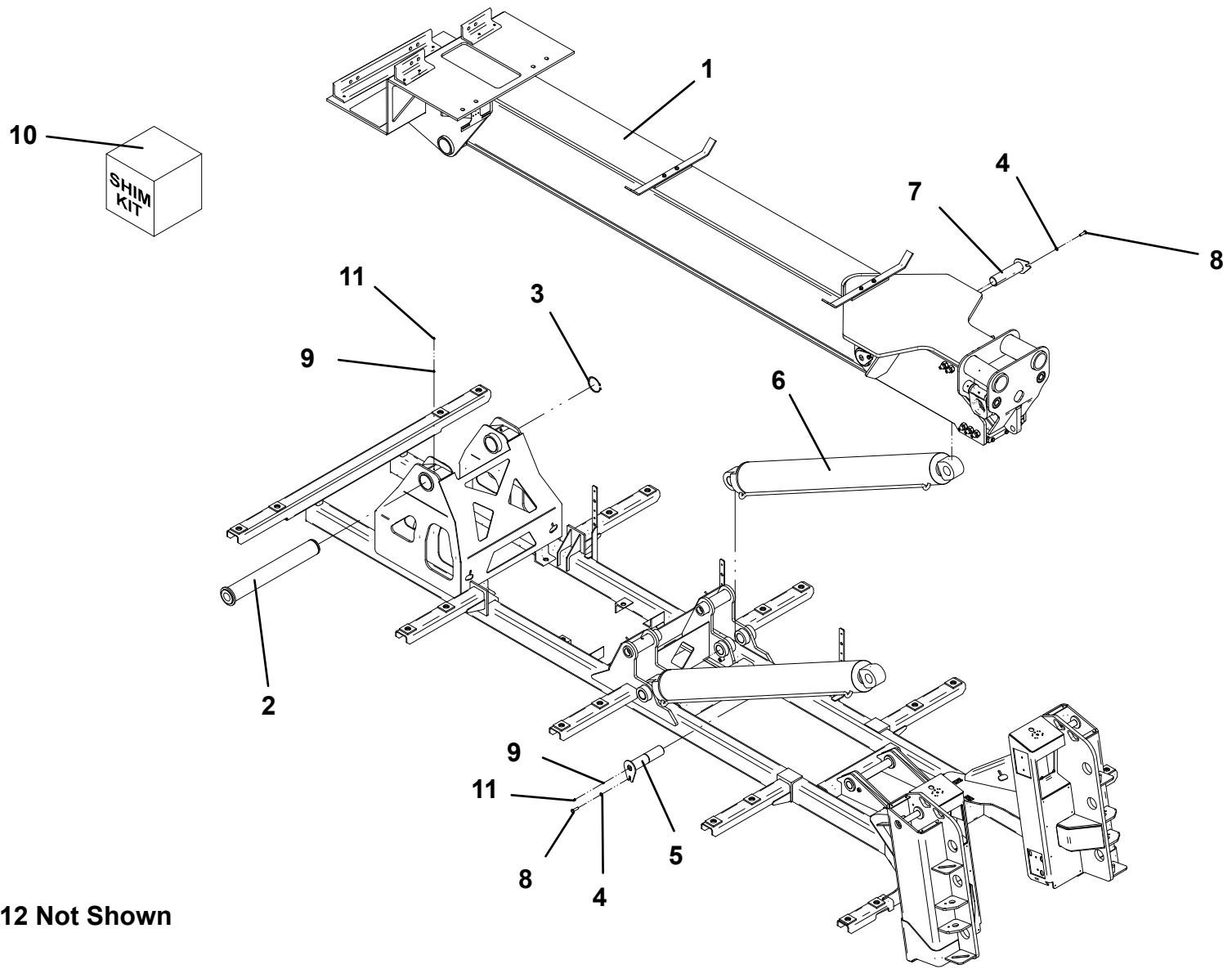
BOOM INSTALLATION - 2 PIECE BOOM

ITEM	PART NO.	DESCRIPTION	QTY	ITEM	PART NO.	DESCRIPTION	QTY
		W/O Winch				W/ Winch	
1	3170000136	Wrecker Boom Assembly	1	1	3170000136	Wrecker Boom Assembly	1
2	3691000274	Pin	1	2	3691000274	Pin	1
3	7754000059	Retaining Ring	1	3	7754000059	Retaining Ring	1
4	7950180000	Lockwasher, 0.59" ID	4	4	7950180000	Lockwasher, 0.59" ID	4
5	3691000149	Pin	2	5	3691000149	Pin	2
6	7320000027	Cylinder	2	6	7320000062	Cylinder	2
7	3691000148	Pin	2	7	3691000148	Pin	2
8	7115181450	Capscrew, 0.50" - 13NC x 1.75"	4	8	7115181450	Capscrew, 0.50" - 13NC x 1.75"	4
9	7440030000	Grease Fitting	5	9	7440030000	Grease Fitting	5
10	4949000059*	Shim, 0.062"	2	10	4949000059*	Shim, 0.062"	2
	4949000060*	Shim, 0.125"	2		4949000059*	Shim, 0.125"	2
11	7253000002	Grease Fitting Cap	7	11	7253000002	Grease Fitting Cap	7
12	1001172491	Strap	1	12	1001172491	Strap	1

* Also Available In Shim Kit - 3577000071

* Also Available In Shim Kit - 3577000071

BOOM INSTALLATION - 2 PIECE BOOM

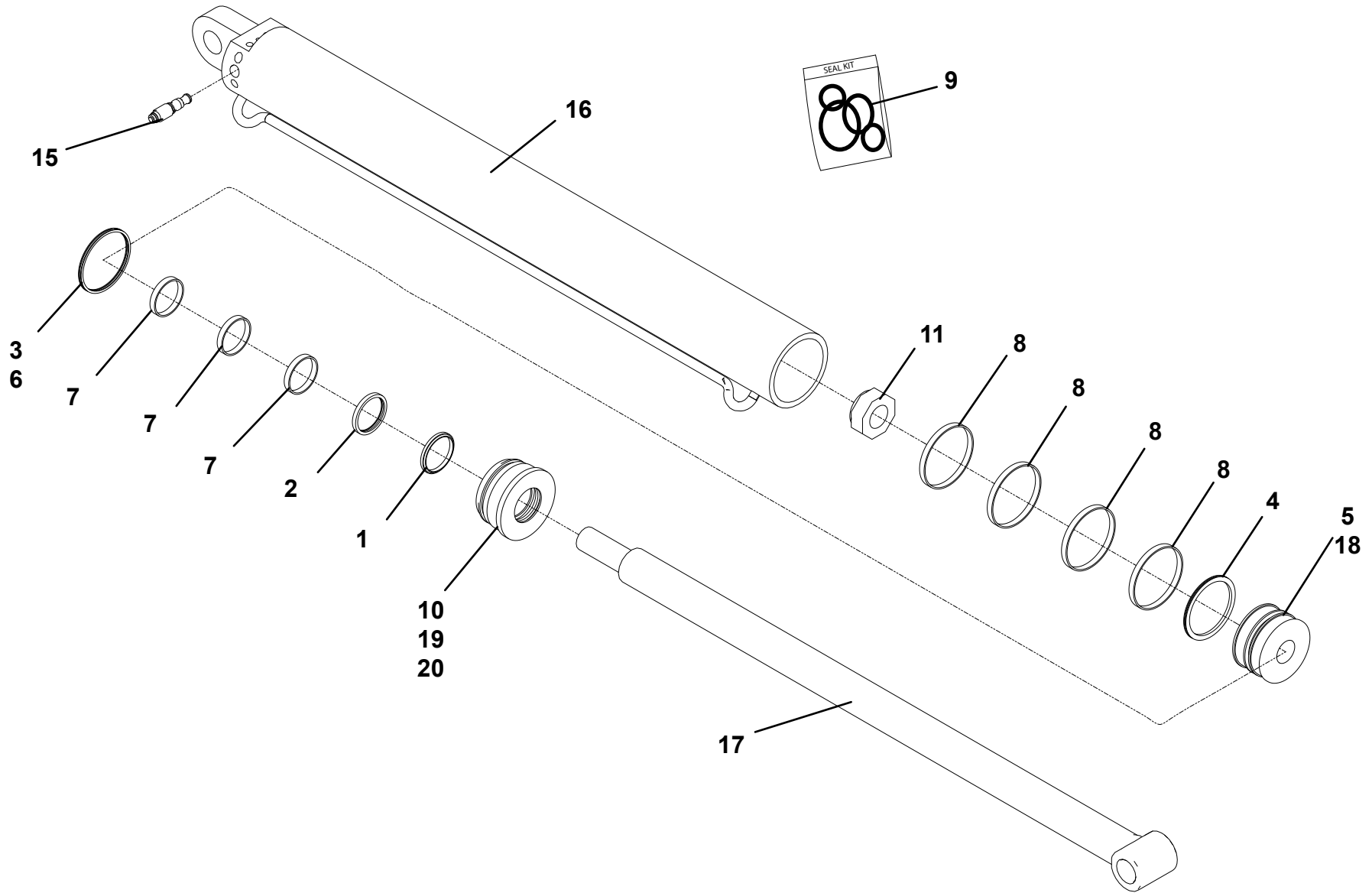


Item #12 Not Shown

BOOM LIFT CYLINDER - 732000027

ITEM	PART NO.	DESCRIPTION	QTY
1	NSS	Wiper	1
2	NSS	Seal	1
3	NSS	Back-Up	1
4	NSS	Seal	1
5	NSS	O-Ring	1
6	NSS	O-Ring	1
7	NSS	Wear Ring	4
8	NSS	Wear Ring	2
9	7577250190	Seal Kit	1
10	9786250005	SetScrew	1
11	9661250018	Locknut	1
12	7005365	Port Plug	4
13	7023593	Port Plug	2
14	7440030200	Lube Fitting	1
15	9935250032	Counterbalance Valve	2
16	9912250007	Tube Assembly	1
17	9763250012	Rod Assembly	1
18	9698250002	Piston	1
19	9254250009	Headcap	1
20	9553250004	Head	1

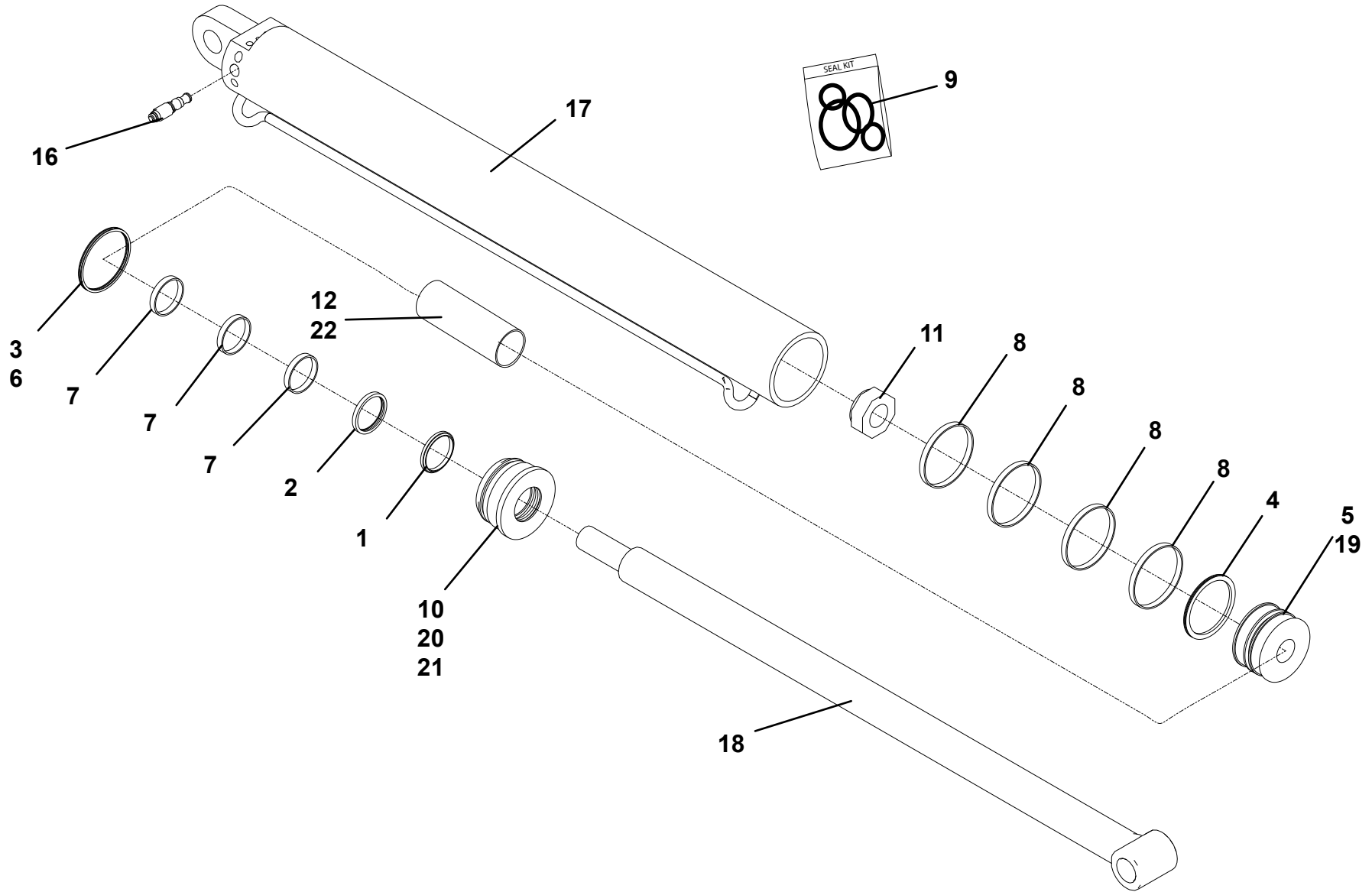
BOOM LIFT CYLINDER - 732000027



BOOM LIFT CYLINDER - 7320000062

ITEM	PART NO.	DESCRIPTION	QTY
1	NSS	Wiper	1
2	NSS	Seal	1
3	NSS	Back-Up	1
4	NSS	Seal	1
5	NSS	O-Ring	1
6	NSS	O-Ring	1
7	NSS	Wear Ring	4
8	NSS	Wear Ring	2
9	7577250190	Seal Kit	1
10	9786250005	Set Screw	1
11	9661250018	Locknut	1
12	9754250056	Wear Ring	2
13	7005365	Port Plug	4
14	7023593	Port Plug	2
15	7440030200	Lube Fitting	1
16	9935250032	Counterbalance	2
17	9912250007	Tube Assembly	1
18	9763250012	Rod Assembly	1
19	9698250002	Piston	1
20	9254250009	Headcap	1
21	9553250004	Head	1
22	70051333	Spacer	1

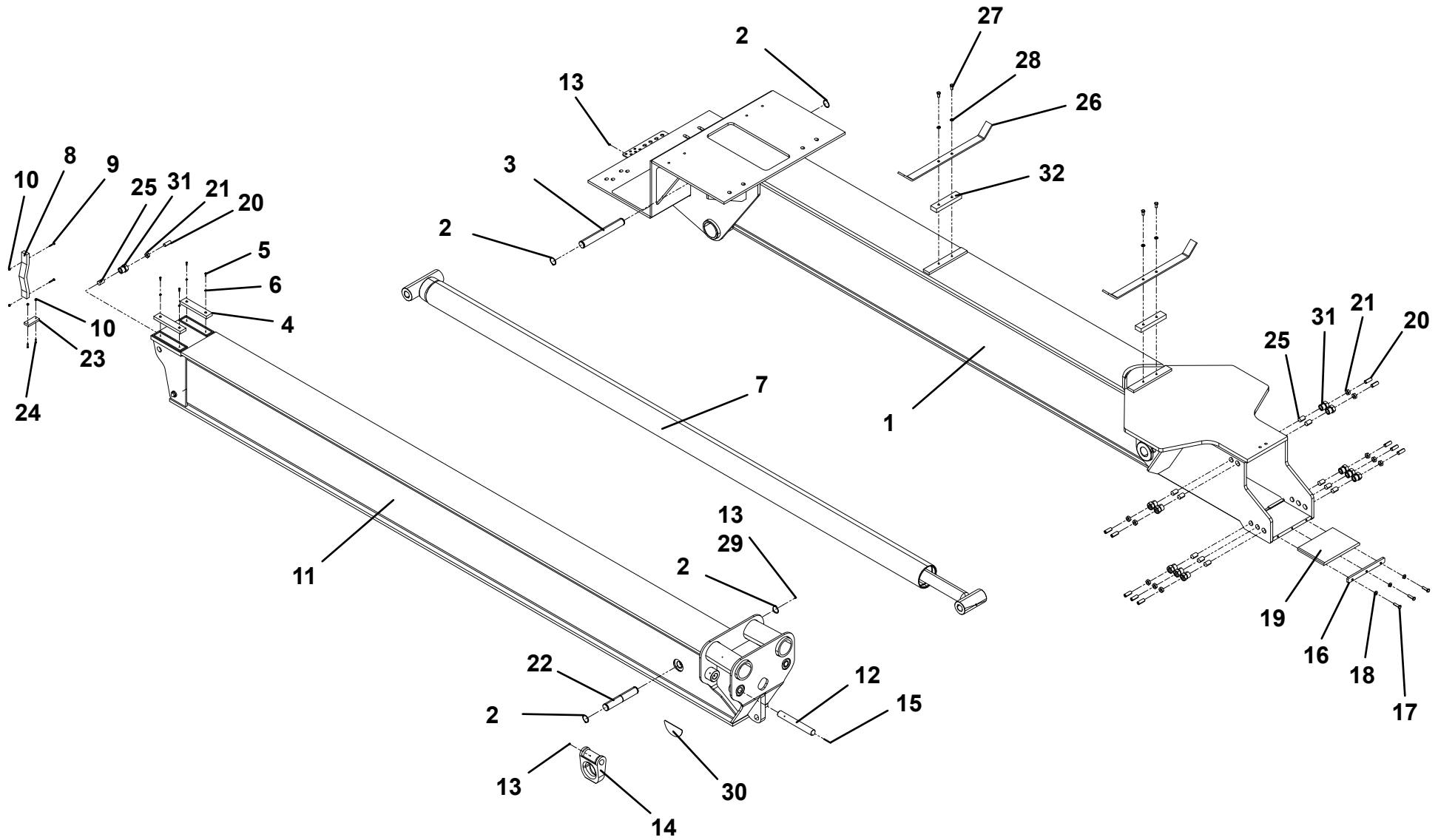
BOOM LIFT CYLINDER - 7320000062



WRECKER BOOM ASSEMBLY - 2 PIECE

ITEM	PART NO.	DESCRIPTION	QTY
1	3170000133	Outer Boom Weld	1
2	7754000055	Retaining Ring	4
3	4691000281	Pin	1
4	4679000140	Pad	2
5	7114140618	Capscrew, 0.25" - 20NC X 0.75"	4
6	7950140000	Lockwasher, 0.25" ID	4
7	7320000028	Cylinder	1
8	4062000273	Bar	2
9	7115141250	Capscrew, 0.25"-20NC X 1.50"	2
10	7660142600	Locknut, 0.25"-20NC	4
11	3170000135	Fly Boom Weld	1
12	4691000285	Pin	2
13	7440030000	Grease Fitting	3
14	4754000004	D-Ring	2
15	7690144840	Pin	2
16	4706002276	Plate	1
17	7115181450	Capscrew, 0.50"-13NC X 1.75"	5
18	7950180141	Flatwasher, 0.50" ID	3
19	4679000139	Pad	1
20	7786000005	Setscrew, 0.75"-16NF x 2.00"	14
21	7660220230	Nut, 0.75"-16NF	14
22	4691000280	Pin	1
23	4679000150	Pad	1
24	7114140818	Capscrew, 0.25"-20 X 1.00"	2
25	4064000033	Bar	14
26	4062000746	Bar	2
27	7115180723	Capscrew, 0.50"-13NC x 0.88"	4
28	7950180000	Lockwasher, 0.59" ID	2
29	7253000002	Grease Cap	6
30	1001151805	Decal	2
31	4701000004	Keeper	14
32	4062000562	Bar	1

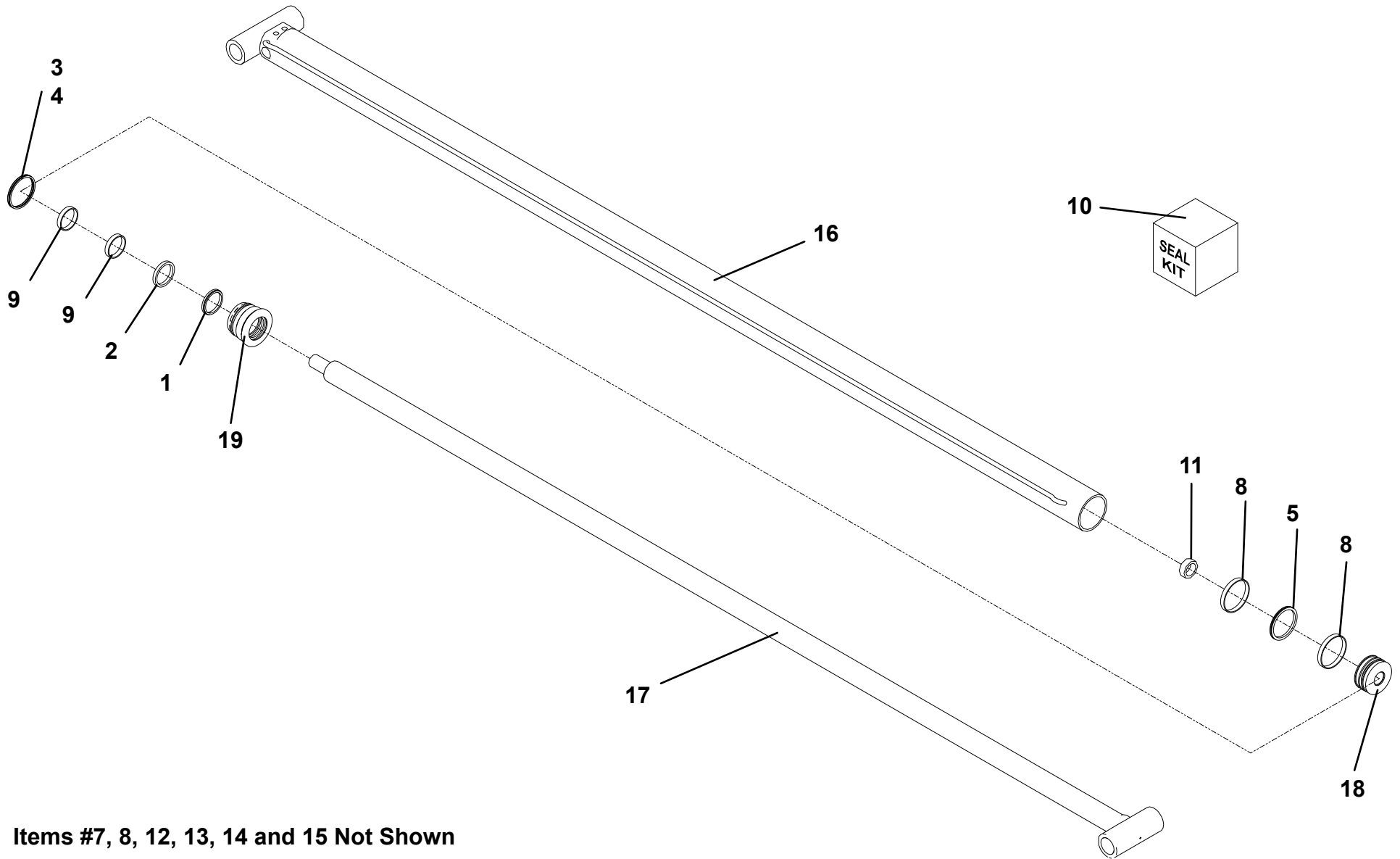
WRECKER BOOM ASSEMBLY - 2 PIECE



WRECKER BOOM CYLINDER - 732000028

ITEM	PART NO.	DESCRIPTION	QTY
1	NSS	Wiper	1
2	NSS	Seal	1
3	NSS	Back-Up	1
4	NSS	O-Ring	1
5	NSS	Seal	1
6	NSS	O-Ring	1
7	NSS	O-Ring	1
8	NSS	Wear Ring	2
9	NSS	Wear Ring	2
10	7577000167	Seal Kit	1
11	7003116	Locknut	1
12	7005365	Port Plug	1
13	70021648	Port Plug	2
14	7440030400	Grease Fitting	2
15	9935250032	Counterbalance Valve	1
16	9912250014	Tube	1
17	9763250019	Rod	1
18	9553250010	Head	1
19	7698250012	Piston	1

WRECKER BOOM CYLINDER - 7320000028



Items #7, 8, 12, 13, 14 and 15 Not Shown

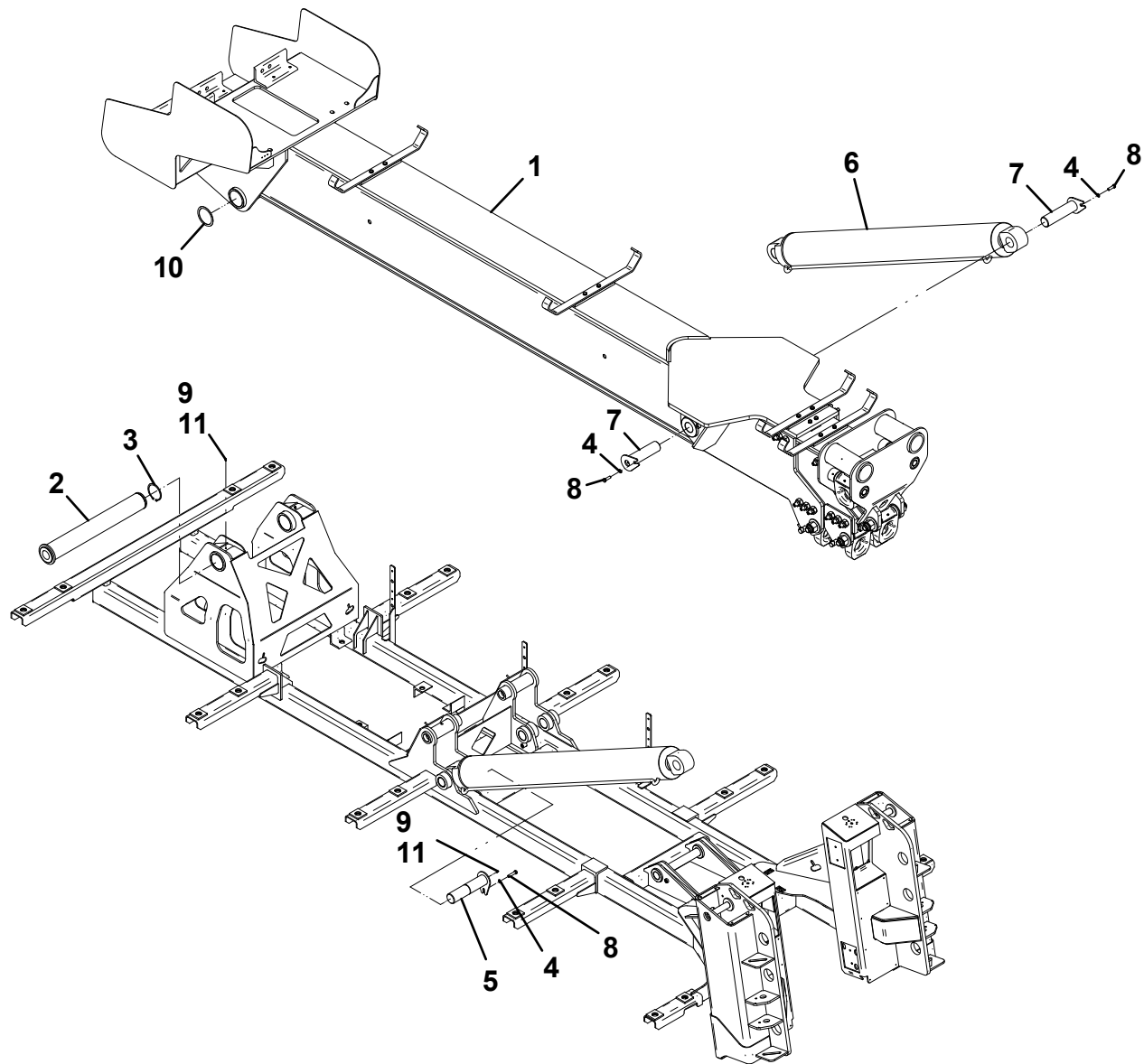
BOOM INSTALLATION - 3 PIECE BOOM

ITEM	PART NO.	DESCRIPTION	QTY	ITEM	PART NO.	DESCRIPTION	QTY
		W/O Winch				W/O Winch	
1	3170000384	Boom Assembly - 3 Piece	1	1	3170000384	Boom Assembly - 3 Piece	1
2	3691000274	Pin	1	2	3691000274	Pin	1
3	7754000059	Retaining Ring	1	3	7754000059	Retaining Ring	1
4	7950180000	Lockwasher, 0.59" ID	4	4	7950180000	Lockwasher, 0.59" ID	4
5	3691000149	Pin	2	5	3691000149	Pin	2
6	7320000027	Cylinder	2	6	7320000062	Cylinder	2
7	3691000148	Pin	2	7	3691000148	Pin	2
8	7115181450	Capscrew, 0.50" - 13NC x 1.75"	4	8	7115181450	Capscrew, 0.50" - 13NC x 1.75"	4
9	7440030000	Grease Fitting	5	9	7440030000	Grease Fitting	5
10	4949000059*	Shim, 0.062"	1	10	4949000059*	Shim, 0.062"	1
	4949000060*	Shim, 0.125"			4949000060*	Shim, 0.125"	
11	7253000002	Grease Fitting Cap	7	11	7253000002	Grease Fitting Cap	7
12	1001172491	Strap	1	12	1001172491	Strap	1

* Also Available In Shim Kit - 3577000071

* Also Available In Shim Kit - 3577000071

BOOM INSTALLATION - 3 PIECE BOOM

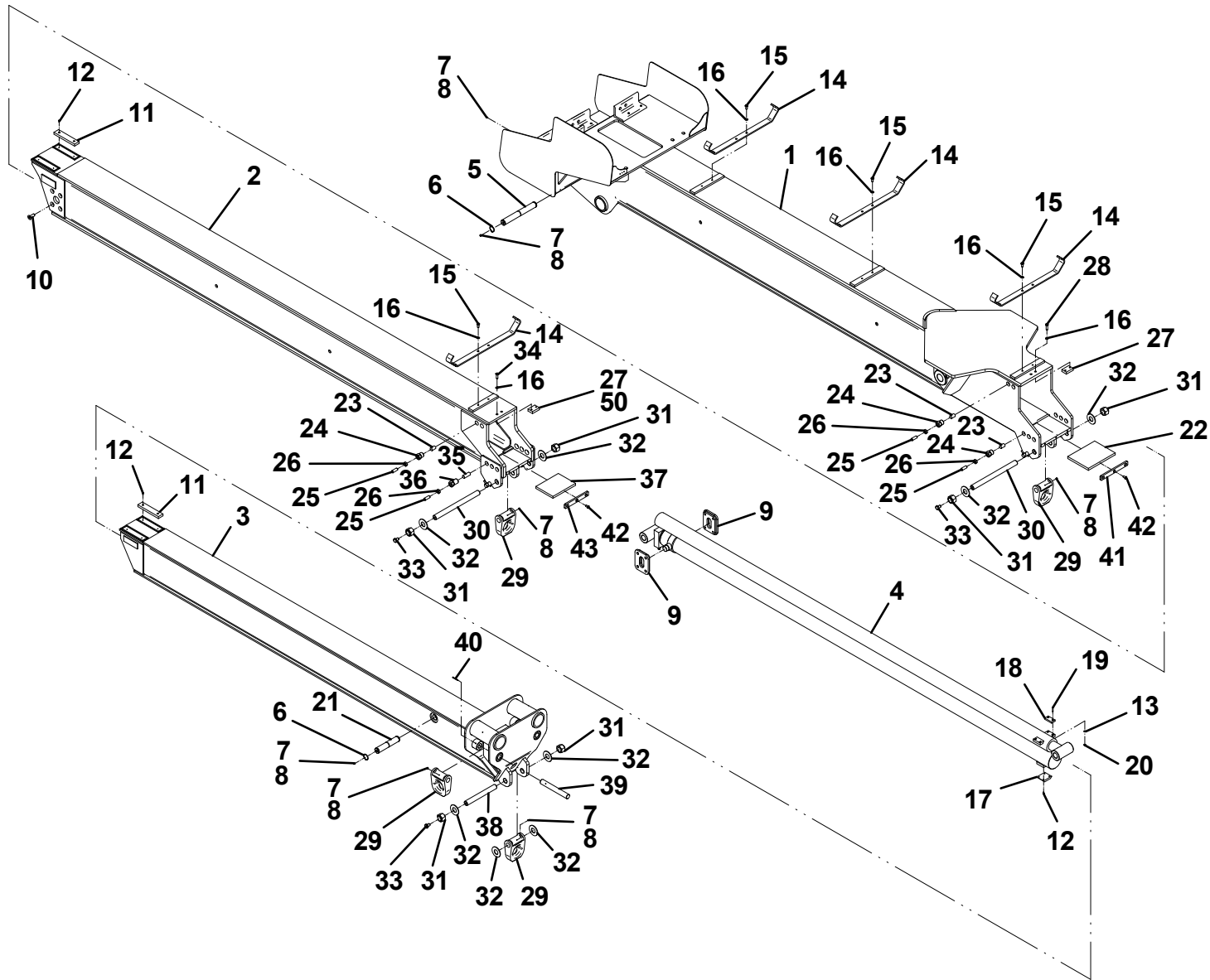


Item #12 Not Shown

WRECKER BOOM ASSEMBLY - 3 PIECE BOOM

ITEM	PART NO.	DESCRIPTION	QTY	ITEM	PART NO.	DESCRIPTION	QTY
1	3170000374	Boom Weld Base	1	40	7690144840	Pin	2
2	3170000266	Boom Weld Mid	1	41	4706005215	Plate	1
3	3170000383	Boom Weld Fly	1	42	7118180820	Capscrew, 0.50"-13NC X 1.00"	6
4	7320000050	Cylinder	1	43	4706005216	Plate	1
5	4691000417	Pin	1	44	4062000613	Bar	1
6	7754000055	Retaining Ring	4	45	1001151805	Decal	2
7	7440030000	Grease Fitting	9	46	1001095650	Adhesive	A/R
8	7253000002	Grease Fitting Cap	9				
9	3706000241	Plate	2				
10	7120000040	Bolt, 0.75"-10 X 2.00"	8				
11	4679000140	Pad	4				
12	7118140427	Capscrew, 0.25"-20NC X 0.50"	12				
13	7950140141	Flatwasher, 0.25"	4				
14	4062000484	Bar	4				
15	7115180850	Capscrew, 0.50"-13NC X 1.00"	8				
16	7950180000	Lockwasher, 0.59" ID	12				
17	4679000216	Pad	1				
18	4679000220	Pad	2				
19	7114141218	Capscrew, 0.25"-20NC X 1.50"	4				
20	7660142604	Locknut, 0.25"-20NC	4				
21	4691000416	Pin	1				
22	4679000215	Pad	1				
23	4064000033	Bar	14				
24	4701000004	Keeper	14				
25	7786000005	Setscrew, 0.75"-16NF X 2.00"	20				
26	7660220230	Nut, 0.75"-16NF	20				
27	4062000562	Bar	2				
28	7115181450	Capscrew, 0.50"-13NC X 1.75"	2				
29	4754000004	D-Ring	7				
30	4691000544	Pin	2				
31	7661000052	Nut, 1.50"-12NF	6				
32	7950340161	Flatwasher, 1.50" ID	8				
33	7115220850	Capscrew, 0.75"-10NC X 1.00"	3				
34	7115181250	Capscrew, 0.50"-13NC X 1.50"	2				
35	4064000076	Bar	6				
36	4701000005	Keeper	6				
37	4679000217	Pad	1				
38	4691000545	Pin	1				
39	4691000285	Pin	2				

WRECKER BOOM ASSEMBLY - 3 PIECE BOOM

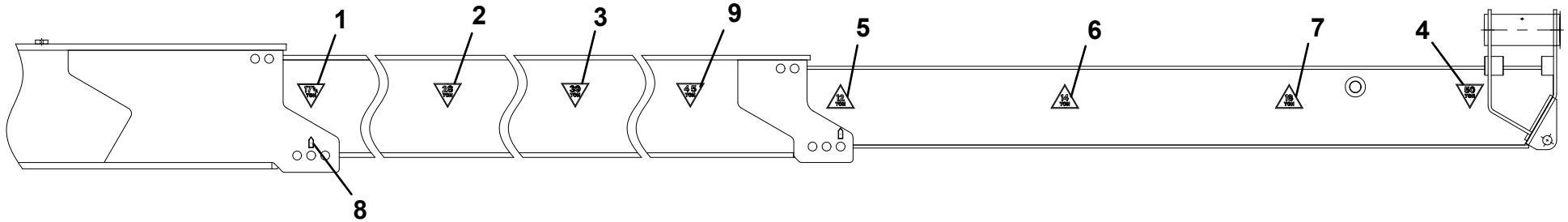


WRECKER BOOM DECAL INSTALLATION

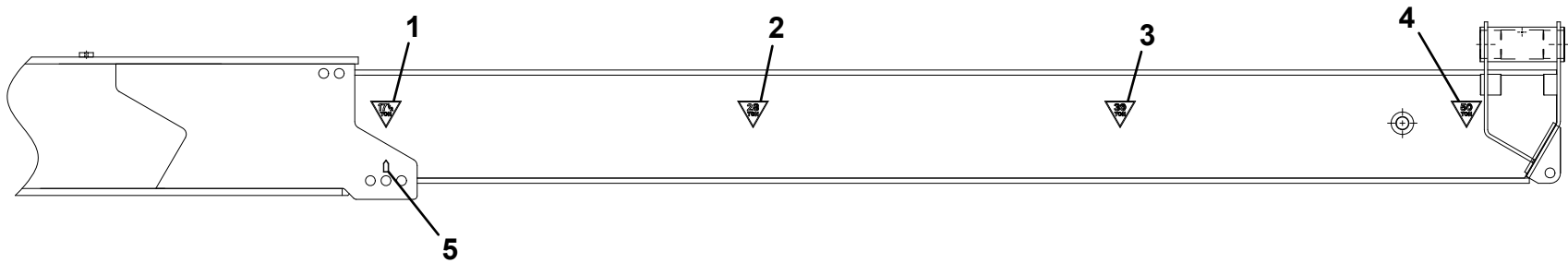
ITEM	PART NO.	DESCRIPTION	QTY
3 Piece Boom			
1	7330000446	Decal, Boom Rating 17.5 Ton	2
2	7330000447	Decal, Boom Rating 28 Ton	2
3	7330000448	Decal, Boom Rating 39 Ton	2
4	7330000449	Decal, Boom Rating 50 Ton	2
5	7330000450	Decal, Boom Rating 12 Ton	2
6	7330000451	Decal, Boom Rating 14 Ton	2
7	7330000452	Decal, Boom Rating 16 Ton	2
8	7330000453	Decal, Arrow	4
9	7330000466	Decal, Boom Rating 45 Ton	2
2 Piece Boom			
1	7330000446	Decal, Boom Rating 17.5 Ton	2
2	7330000447	Decal, Boom Rating 28 Ton	2
3	7330000448	Decal, Boom Rating 39 Ton	2
4	7330000449	Decal, Boom Rating 50 Ton	2
5	7330000453	Decal, Arrow	2

WRECKER BOOM DECAL INSTALLATION

3 PIECE BOOM



2 PIECE BOOM

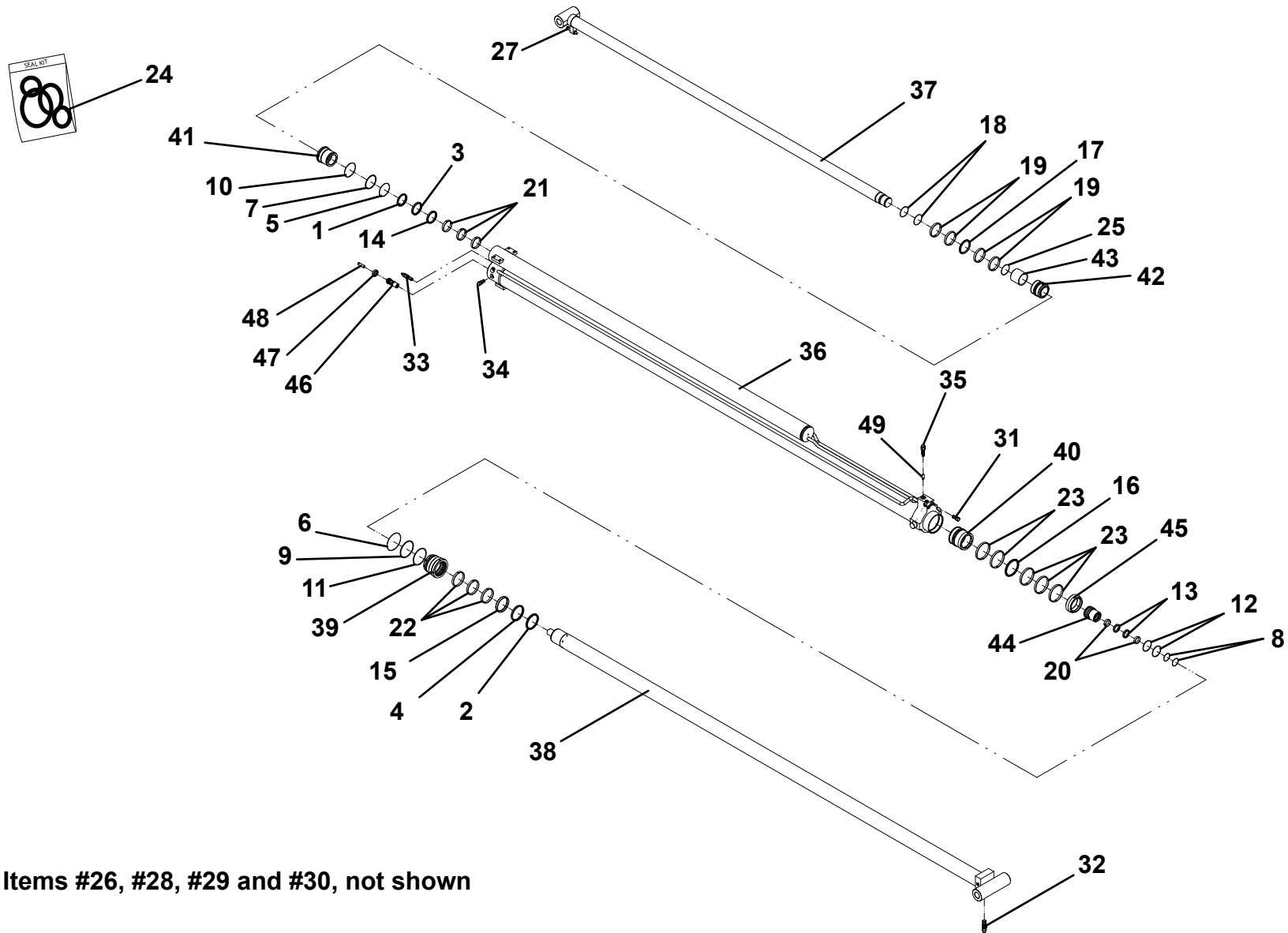


WRECKER BOOM CYLINDER - 7320000050

ITEM	PART NO.	DESCRIPTION	QTY	ITEM	PART NO.	DESCRIPTION	QTY
1	83304143	Seal, Wiper	1	40	70050583	Piston	1
2	9796250084	Seal, Wiper	1	41	70050584	Head	1
3	9796250071	Seal	1	42	70050585	Piston	1
4	70050556	Seal	1	43	70050586	Spacer	1
5	70050557	Seal, "O"Ring	1	44	70050587	Adapter, RT	1
6	70050558	Seal, "O"Ring	1	45	70050588	Spacer	1
7	9754250009	Ring, Back-up	1	46	70050589	Assembly, Valve	1
8	70050559	Seal, "O"Ring	2	47	70050590	Valve Retainer	1
9	9754250054	Ring, Back-up	1	48	70050591	Assembly, Pad Plunger	1
10	9796250058	Seal, "O"Ring	1	49	70050592	Plunger	1
11	9796250149	Seal, "O"Ring	1				
12	70050560	Seal, "O"Ring	2				
13	70050561	Seal	2				
14	70050562	Seal	1				
15	70050563	Seal	1				
16	70050564	Seal	1				
17	70050565	Seal	1				
18	70050566	Seal, "O"Ring	2				
19	9754250014	Ring, Wear	4				
20	83304181	Ring, Wear	2				
21	83304140	Ring, Wear	3				
22	70050568	Ring, Wear	3				
23	9754250055	Ring, Wear	5				
24	70050569	Kit, Seal	1				
25	70050570*	Seal, "O"Ring	1				
26	70021774	Setscrew	4				
27	70050572	Locknut	2				
28	7005365	Plug, Port	2				
29	70021648	Plug, Port	4				
30	7023593	Plug, Port	5				
31	70050574	Valve, Check	1				
32	70050575	Valve, Counterbalance	1				
33	70050576	Valve, Relief	1				
34	70050577	Valve, Check	1				
35	70050578	Valve, Directional	1				
36	70050579	Assembly, Tube	1				
37	70050580	Assembly, Rod-Tube	1				
38	70050581	Assembly, Rod-Tube	1				
39	70050582	Head	1				

* Not Part of Seal Kit

WRECKER BOOM CYLINDER - 7320000050

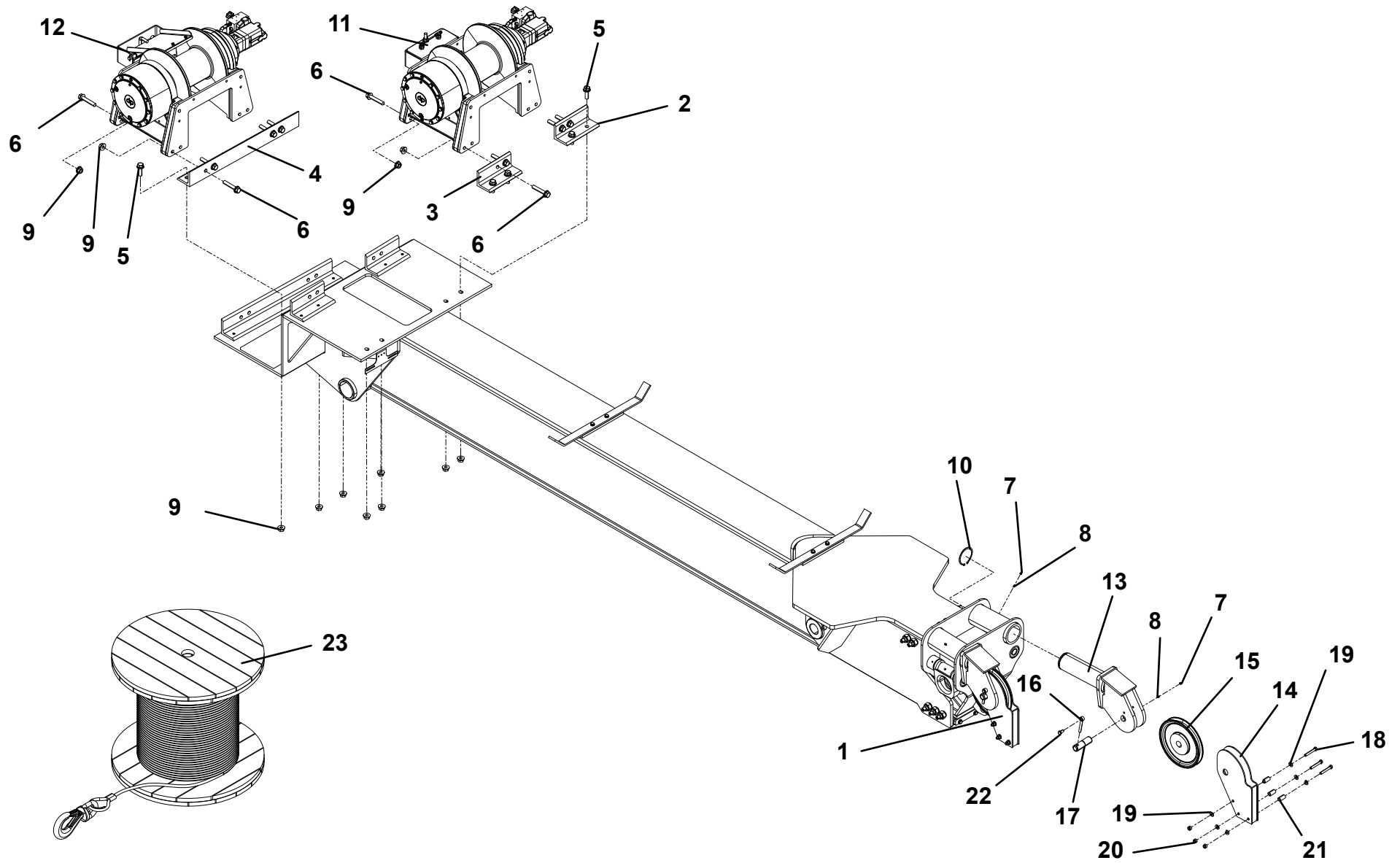


Items #26, #28, #29 and #30, not shown

WINCH INSTALLATION

ITEM	PART NO.	DESCRIPTION	QTY
1	3249000009	Sheave Head Assembly	2
2	4017000788	Angle Bracket	1
3	4017000789	Angle Bracket	1
4	4017000792	Angle Bracket	1
5	7118221816	Capscrew, 0.75"-10NC x 2.25"	8
6	7118223216	Capscrew, 0.75"-10NC x 4.00"	16
7	7253000002	Grease Fitting Cap	2
8	7440030000	Grease Fitting	2
9	7660222308	Locknut, 0.75"-10NC	24
10	7754000059	Snap Ring	2
11	7970000168	DP50 Winch, LH	1
12	7970000169	DP50 Winch, RH	1
13	1001169560	Sheave Support	1
14	3249000035	Cable Guide	1
15	7809000004	Sheave	1
16	3841203	Rod, Keeper	1
17	1001169893	Pin	1
18	7115182650	Capscrew, 0.50"-13NC x 3.25"	3
19	7950180141	Flatwasher, 0.50" ID	6
20	7660182601	Locknut, 0.50"-13UNC	3
21	4831000104	Spacer	3
22	7115180850	Capscrew, 0.50"-13NC x 1.00"	1
23	1001207367	Wire Rope 0.75" Dia x 250'	2
	1001207368	Wire Rope, 0.75" Dia x 250', SWVL Hook	2

WINCH INSTALLATION

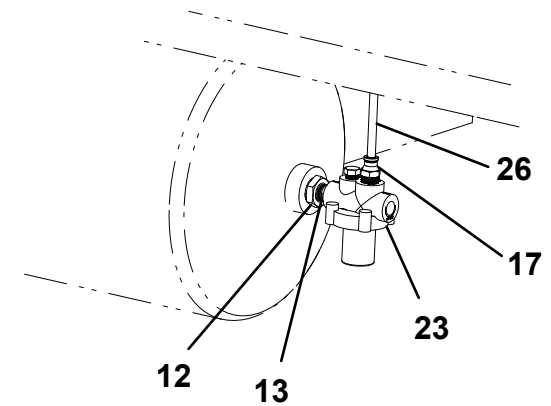
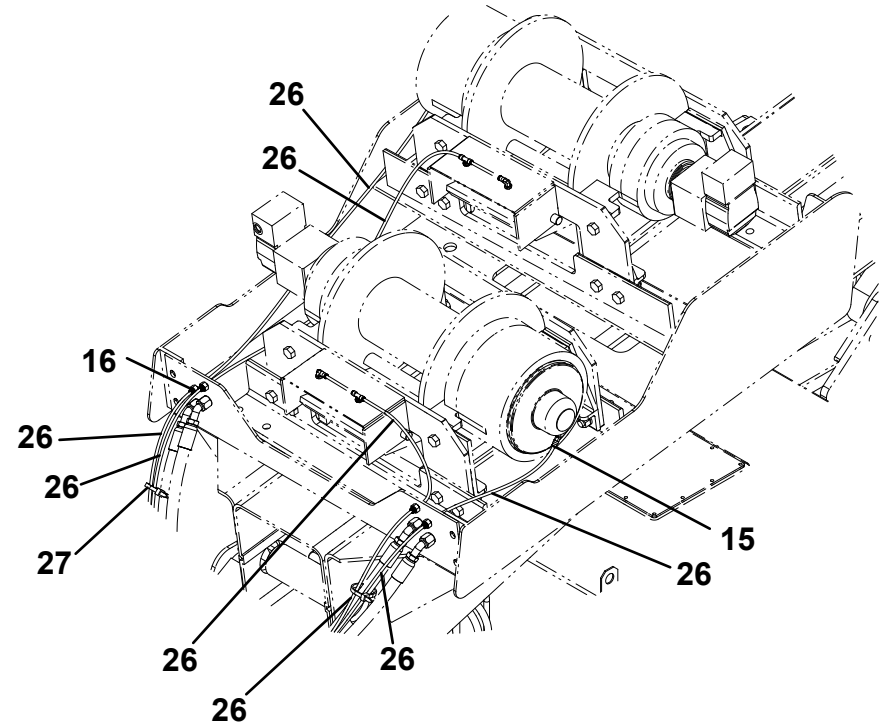
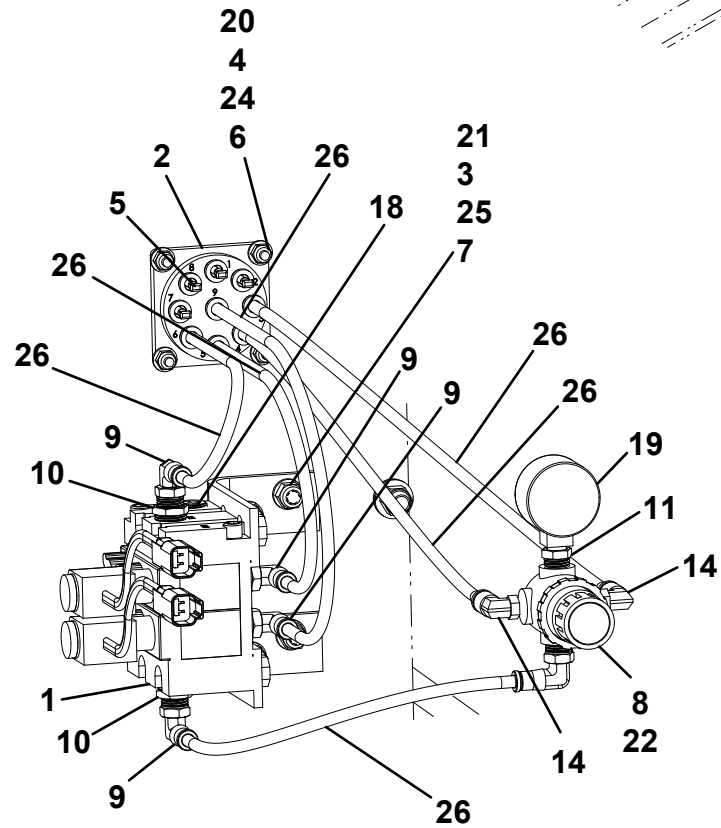
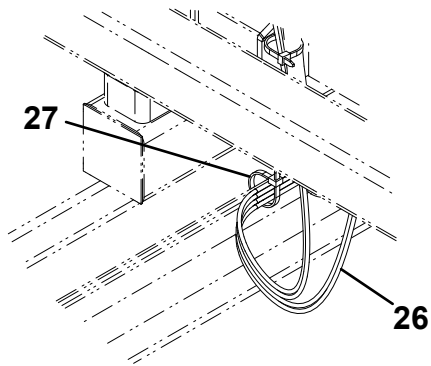


WINCH AIR INSTALLATION

ITEM	PART NO.	DESCRIPTION	QTY
1	1001129800	Valve, Air Section	1
2	1001184765	Terminal	1
3	1001197482	Washer, 0.31" ID	4
4	1001197483	Washer, #10	4
5	1001197506	Seal	4
6	7114100818	Screw, #10-24 x 1.00"	4
7	7114150850	Capscrew, 0.31"-18NC x 1.00"	4
8	7295000029	Air Regulator	1
9	7443000139	Fitting	5
10	7443000148	Bushing	2
11	7443000149	Bushing	1
12	7443000154	Bushing	1
13	7443000156	Fitting	1
14	7443000173	Fitting	2
15	7443000176	Elbow	2
16	7443000178	Union	4
17	7443000329	Fitting	1
18	7444030037	Plug	1
19	7470000006	Air Pressure Gauge	1
20	7660102601	Nut, #10-24NC	4
21	7660152601	Locknut, 0.31"-18NC	4
22	7661000041	Nut	1
23	7935000120	Valve	1
24	7950100143	Flatwasher, 0.19" ID	8
25	7950140143	Flatwasher, 0.25" ID	8
26	7565000016	Air Tubing	125FT
27	7894000004	Tie Strap	35

WINCH AIR INSTALLATION

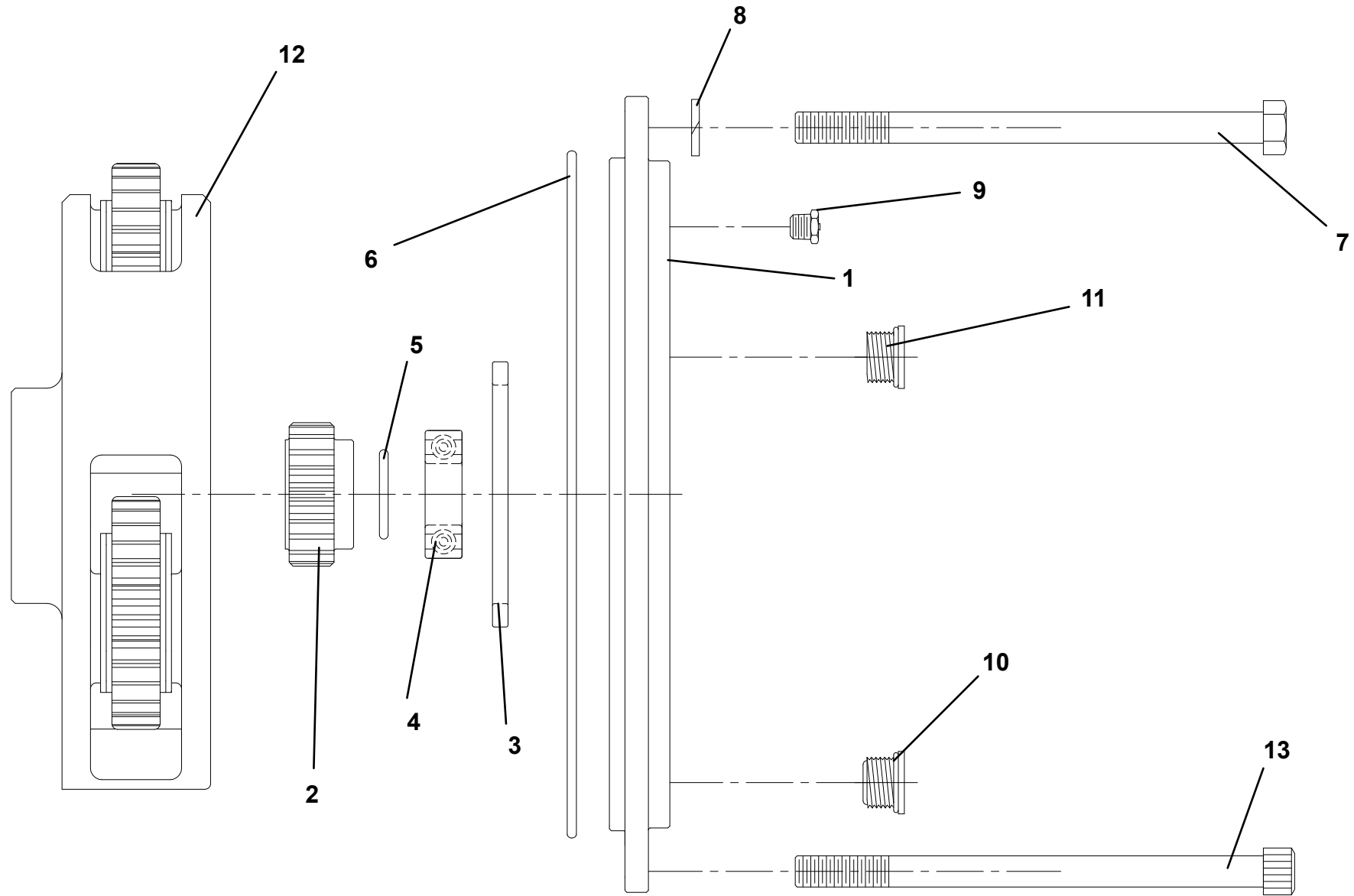
AIR BULKHEAD PORTS	
PORT 1	FRONT WINCH 2-SPD
PORT 2	DRAG WINCH TENSIONER
PORT 3	FRONT WINCH TENSIONER
PORT 4	REAR WINCH TENSIONER
PORT 5	FRONT WINCH FREESPOOL
PORT 6	SUPPLY
PORT 7	REAR WINCH 2-SPD
PORT 8	DRAG WINCH FREESPOOL
PORT 9	REAR WINCH FREESPOOL



DP WINCH 50K - 7970000168 - GEAR END COVER INSTALLATION

ITEM	PART NO.	DESCRIPTION	QTY
1	70050375	Cover, End	1
2	70050376	Gear, Sun Primary 29 Teeth	1
3	9949960013	Washer, Thrust Nylon 4.25"OD x 0.25" Thk	1
4	9082960015	Bearing, Ball	1
5	9754960030	Ring, Retainer 1.15"ID x 0.14" Round	1
6	9796960085	O-Ring 10.50"ID x 0.125" Section	1
7	70051300	Capscrew Hex 0.50"-13NC x 7.50" Grade 5	10
8	7950180000	Washer, Lock 0.50"	10
9	9183960001	Vent, Relief	1
10	9701960012	Plug, Socket Head O-Ring Boss Mag #10	1
11	9701960011	Plug, O-Ring #10 Socket Head 0.875"-14	1
12	70050378	Carrier Assembly Primary	1
13	70050379	Capscrew, Socket Head 0.50"-13NC x 7.00"	2

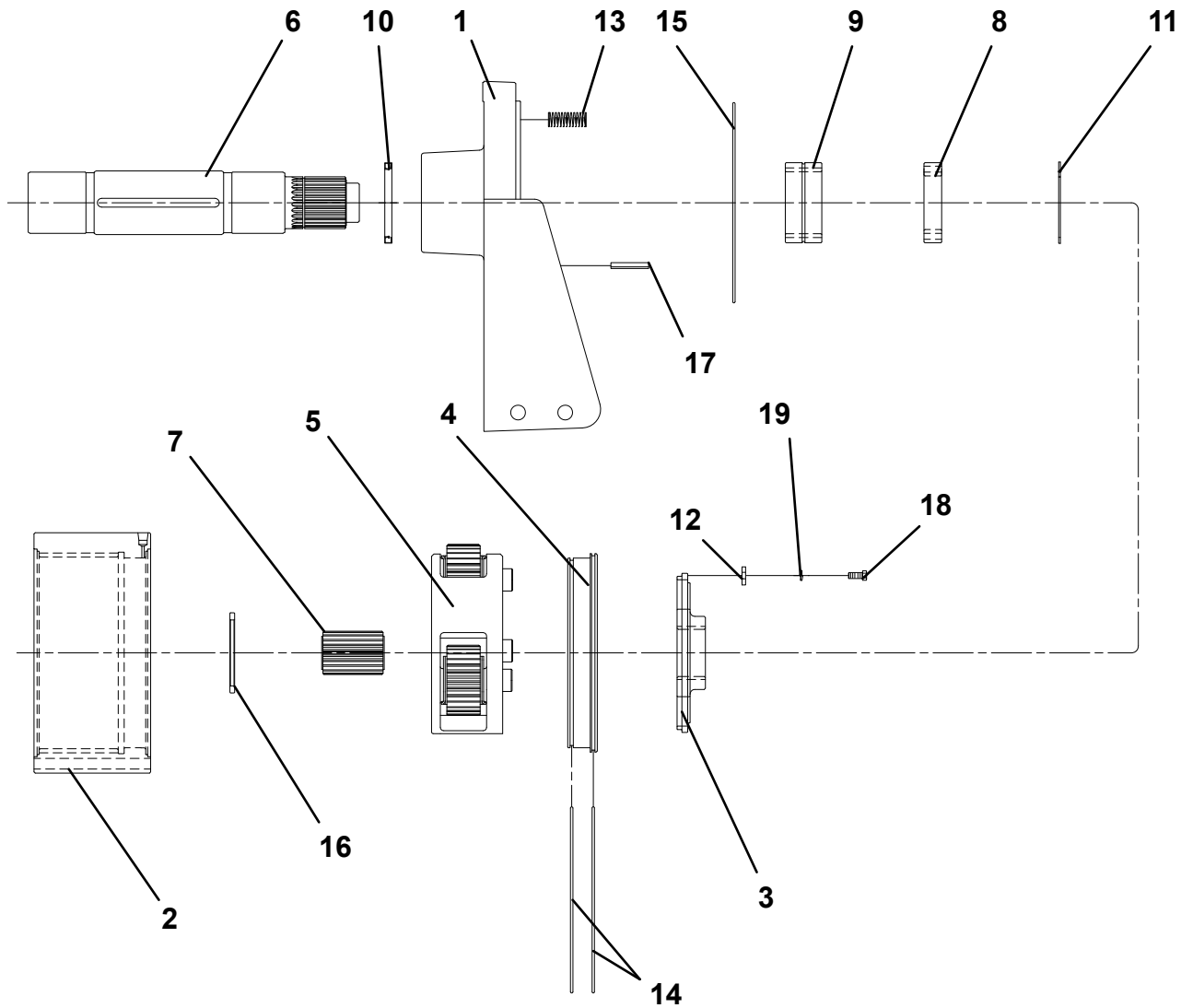
DP WINCH 50K - 7970000168 - GEAR END COVER INSTALLATION



DP WINCH 50K - 7970000168 - GEAR END INSTALLATION

ITEM	PART NO.	DESCRIPTION	QTY
1	9177960001	Support, Gear End	1
2	9472960036	Gear Ring 103 Teeth	1
3	9281960004	Clutch	1
4	9698960009	Piston	1
5	9472960030	Carrier Assembly Secondary	1
6	9806960015	Shaft, Output	1
7	70050380	Gear Sun Sec 20T/10P Mod 50	1
8	9754960027	Ring, Thrust	1
9	9082960014	Bearing, Roller	1
10	9796960087	Seal 3.25"ID x 4.00"OD x 0.468"	1
11	9754960029	Ring, Retainer 4.25" x 0.109" Thk	1
12	9698960010	Retainer, Piston	3
13	9843960025	Spring Compression 0.75"OD x 2.00"	3
14	9796960093	O-Ring 9.75"ID x 0.125" Section	2
15	9796960085	O-Ring 10.50"ID x 0.125" Section	1
16	9949960013	Washer, Thrust Nylon 4.25"OD x 0.25"	1
17	7690153245	Pin, Spiral 0.31" x 2.00"	2
18	7115150650	Capscrew, Hex Head 0.31"-18NC x 0.75"	6
19	7950150000	Washer, Lock 0.31"	6

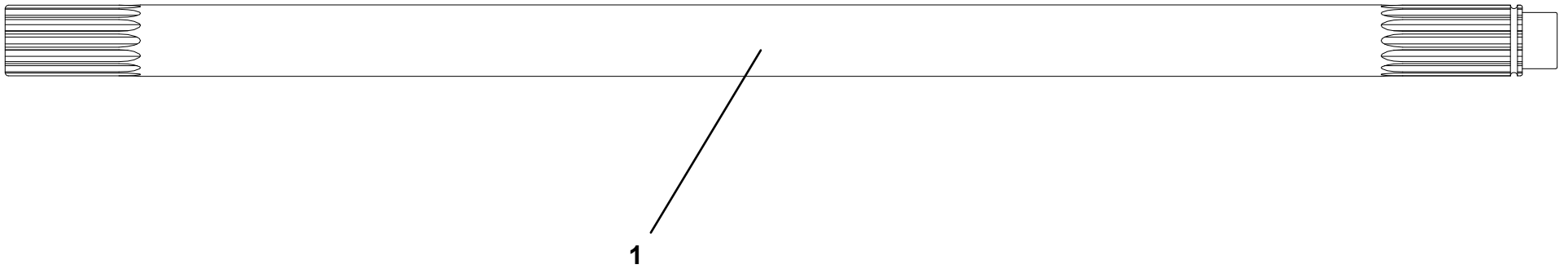
DP WINCH 50K - 7970000168 - GEAR END INSTALLATION



DP WINCH 50K - 7970000168 - INPUT SHAFT INSTALLATION

ITEM	PART NO.	DESCRIPTION	QTY
1	70050374	Input Shaft Installation	1

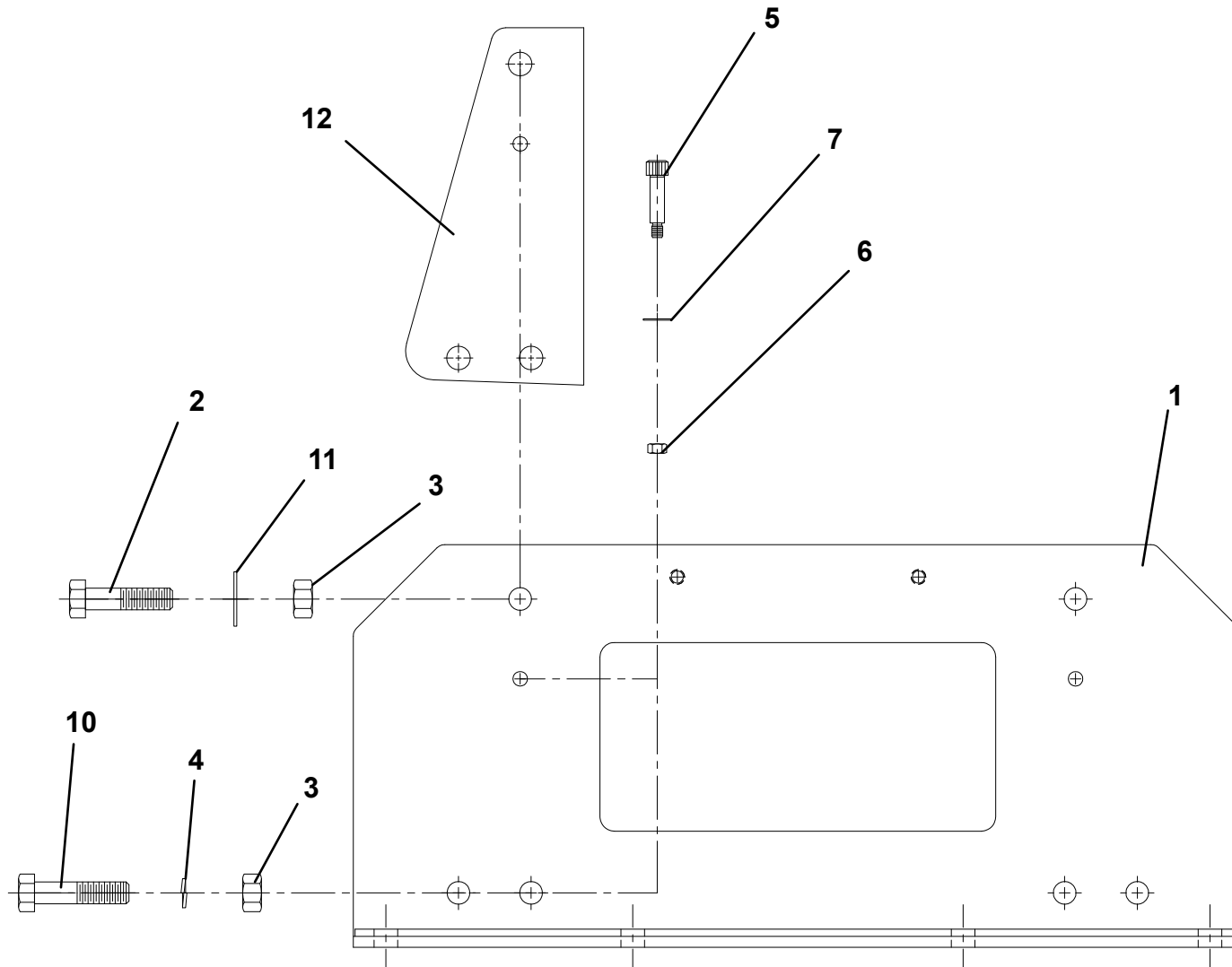
DP WINCH 50K - 7970000168 - INPUT SHAFT INSTALLATION



DP WINCH 50K - 7970000168 - BASE MOUNT INSTALLATION

ITEM	PART NO.	DESCRIPTION	QTY
1	9073960002	Base Mount	2
2	7115222450	Capscrew Hex 0.75"-10NC x 3.00" Grade 5	4
3	7660220001	Nut, Hex 0.75"-10NC	12
4	7950220000	Lock, Washer 0.75"	8
5	9120960020	Shoulder Bolt Socket Head 0.50" x 2.00"	4
6	7660160001	Nut, Hex 0.38"-16NC Grade 2	4
7	7950160151	Washer Flat 0.38"	4
8	9706960026	Plate, Information Winch	1
9	9759960001	Rivet, Type U	4
10	7115222650	Capscrew, Hex 0.75"-10NC x 3.25" Grade 5	8
11	7950220151	Washer, Flat 0.75"	4
12	9831960007	Spacer, Base Angle 1.00" Thick	4

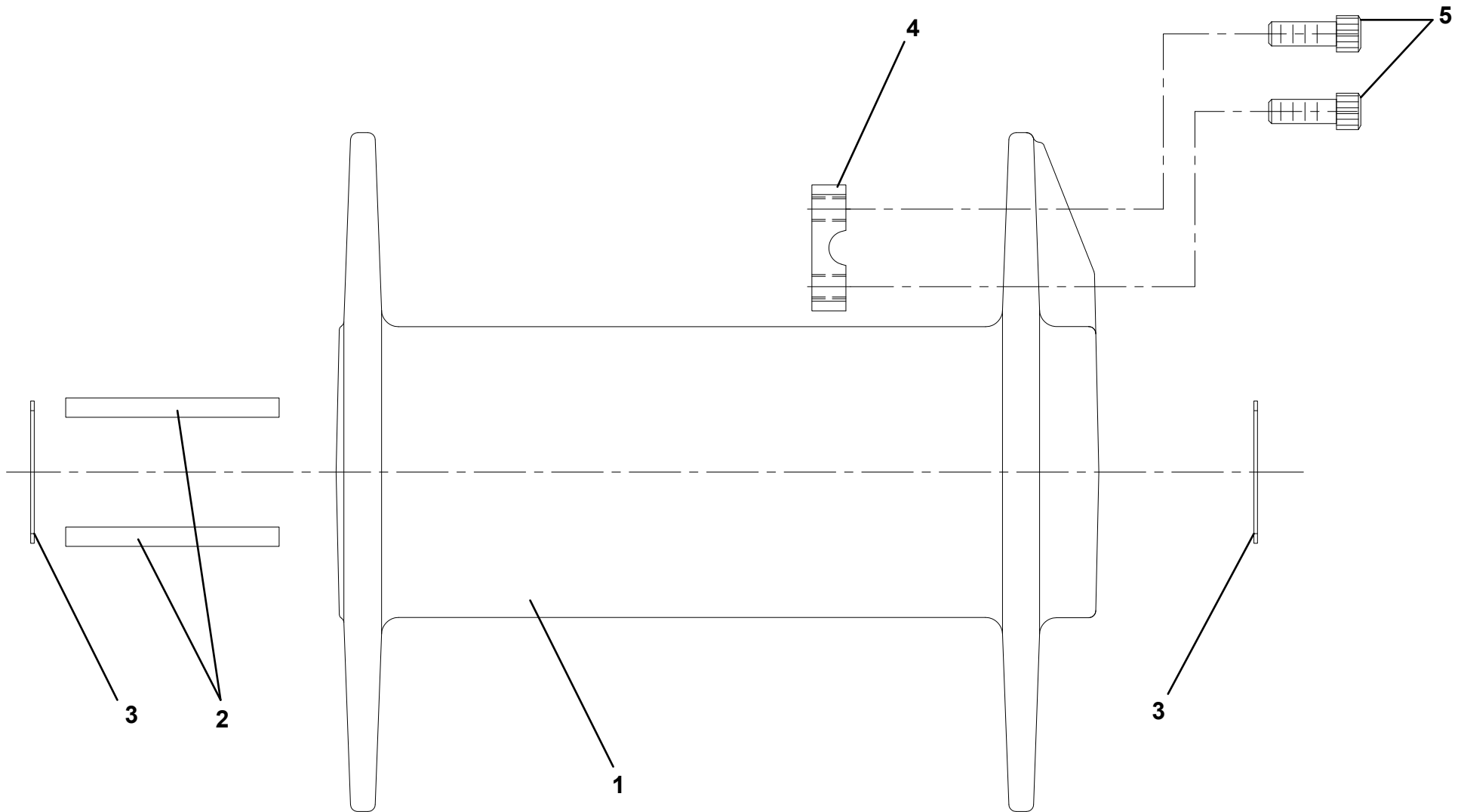
DP WINCH 50K - 7970000168 - BASE MOUNT INSTALLATION



DP WINCH 50K - 7970000168 - DRUM INSTALLATION

ITEM	PART NO.	DESCRIPTION	QTY
1	70050381	Drum, Winch	1
2	70050382	Key, Shaft Output	2
3	70050383	Ring, Retainer External 3.35"OD x 0.93"	2
4	9280960002	Clip, Cable Threaded	1
5	7110201823	Capscrew, Flat Socket 0.625"-11NC x 2.25"	2

DP WINCH 50K - 7970000168 - DRUM INSTALLATION



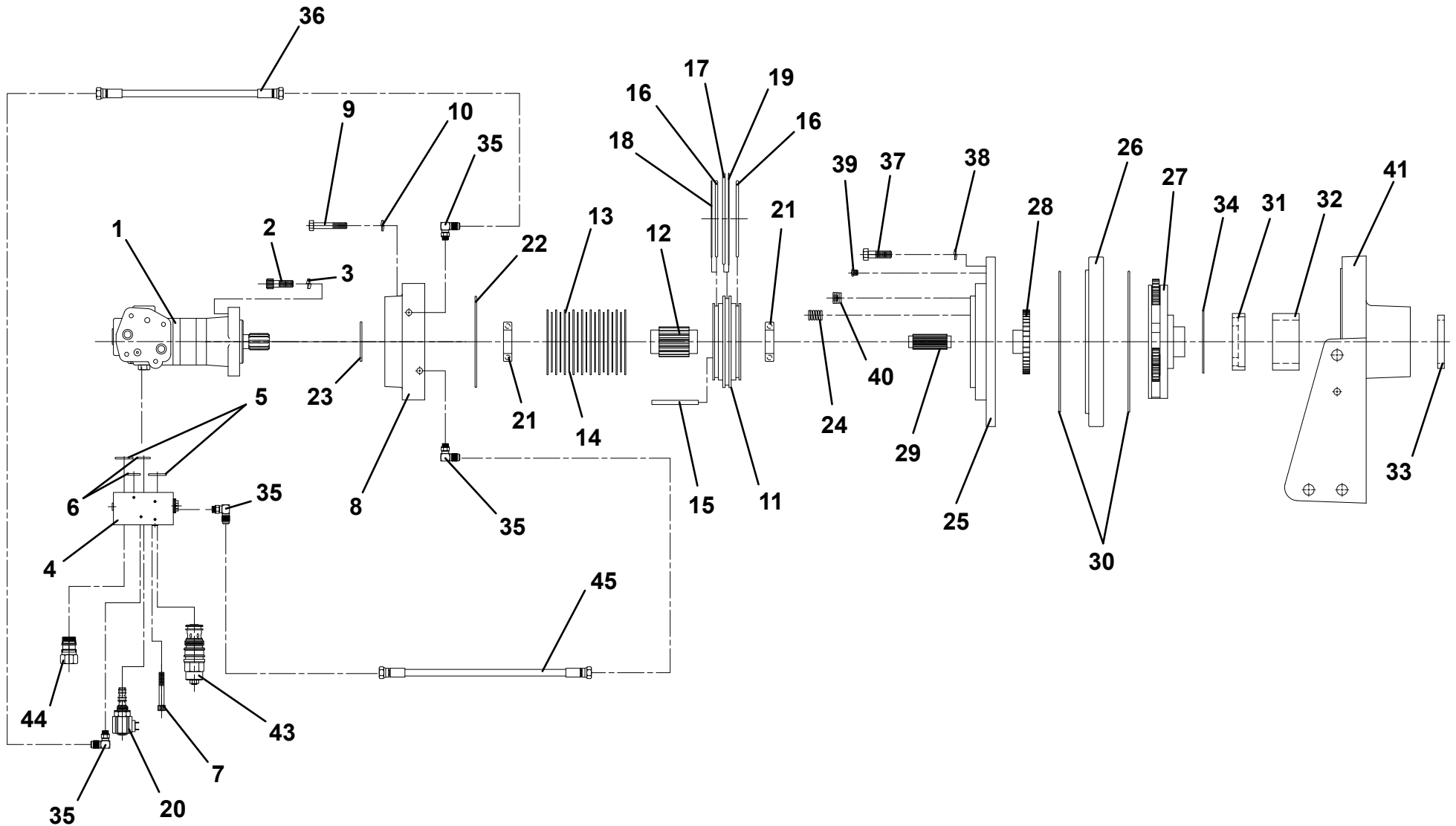
DP WINCH 50K - 7970000168 - MOTOR END INSTALLATION

ITEM	PART NO.	DESCRIPTION	QTY	ITEM	PART NO.	DESCRIPTION	QTY
1	70050367	Motor, Hydraulic	1	37	7115182250	Capscrew, Hex 0.50"-13NC x 2.75" Grade 5	4
2	7118181205	Capscrew, Socket 0.50"-13NC x 1.50"	2	38	7950180000	Washer, Lock 0.50"	4
3	7950180800	Washer, Lock 0.50" Hi Collar	2	39	9183960001	Vent, Relief	1
4	70050368	Valve, Counterbalance	1	40	9701960010	Plug, O-Ring SAE #8 Socket 0.75"-16	2
5	70050369	O-Ring, 1.125"ID x 0.125" Section	2	41	9177960002	Support, End Motor	1
6	9796960088	O-Ring, 0.812"ID x 0.0937" Section	2	42	9443960006	Adapter, Straight #4 O-Ring #4 MJIC	1
7	70050370	Capscrew, Socket 0.38"-24NF x 2.50"	4	43	9935960026	Cartridge, Counterbalance	1
8	9571960006	Housing, Brake Outer	1	44	9701960013	Plug, Assembly Valve Counterbalance	1
9	7118172050	Capscrew, Hex 0.437"-UNC x 2.50" Grade 8	6	45	70050373	Hose, 0.25"-R1 x 14.00"	
10	7950170000	Washer, Lock 0.437"	6				
11	9698960008	Piston, Brake	1				
12	9806960013	Shaft, Brake	1				
13		Plate, Disc Friction	10				
14		Plate, Drive Brake	9				
15	9691960021	Pin, Dowel 0.312" x 3.50"	2				
16		O-Ring, 5.375"ID x 0.187" Section	2				
17		O-Ring, 6.50"ID x 0.187" Section	1				
18		Ring, Backup 5.278"ID x 0.076"	1				
19		Ring, Backup 6.25"ID x 0.183	1				
20	70050371	Cartridge, Valve	1				
21	9082960013	Bearing, Ball 1.75"ID	2				
22		O-Ring, 6.75"ID x 7.00"OD x 0.125" Section	1				
23	9796960090	O-Ring, 3.00"ID x 0.125" Section	1				
24		Spring, Compression 0.75"	12				
25	7007960040	Adapter, Brake	1				
26	9472960032	Gear, Ring 92 Teeth	1				
27	9472960029	Carrier Assembly Planetary	1				
28	9472960033	Gear, Sun	1				
29	9806960014	Shaft, Extension	1				
30	9796960085	O-Ring, 10.50"ID x 0.125" Section	2				
31	9706960027	Plate, Thrust 45	1				
32	9082960014	Bearing, Roller	1				
33	9796960087	Seal, 3.25"ID x 4.00"OD x 0.468"	1				
34	9754960029	Ring, Retainer 4.25" x 0.109" Thick	1				
35	7445040445	Adapter 90 degree	3				
36	70050372	Hose, 0.25"-R1 x 16.00"	1				

** Items sold only as part of 9401 kit 9577960119

> Items sold only as part of 9406 kit only 9577960120

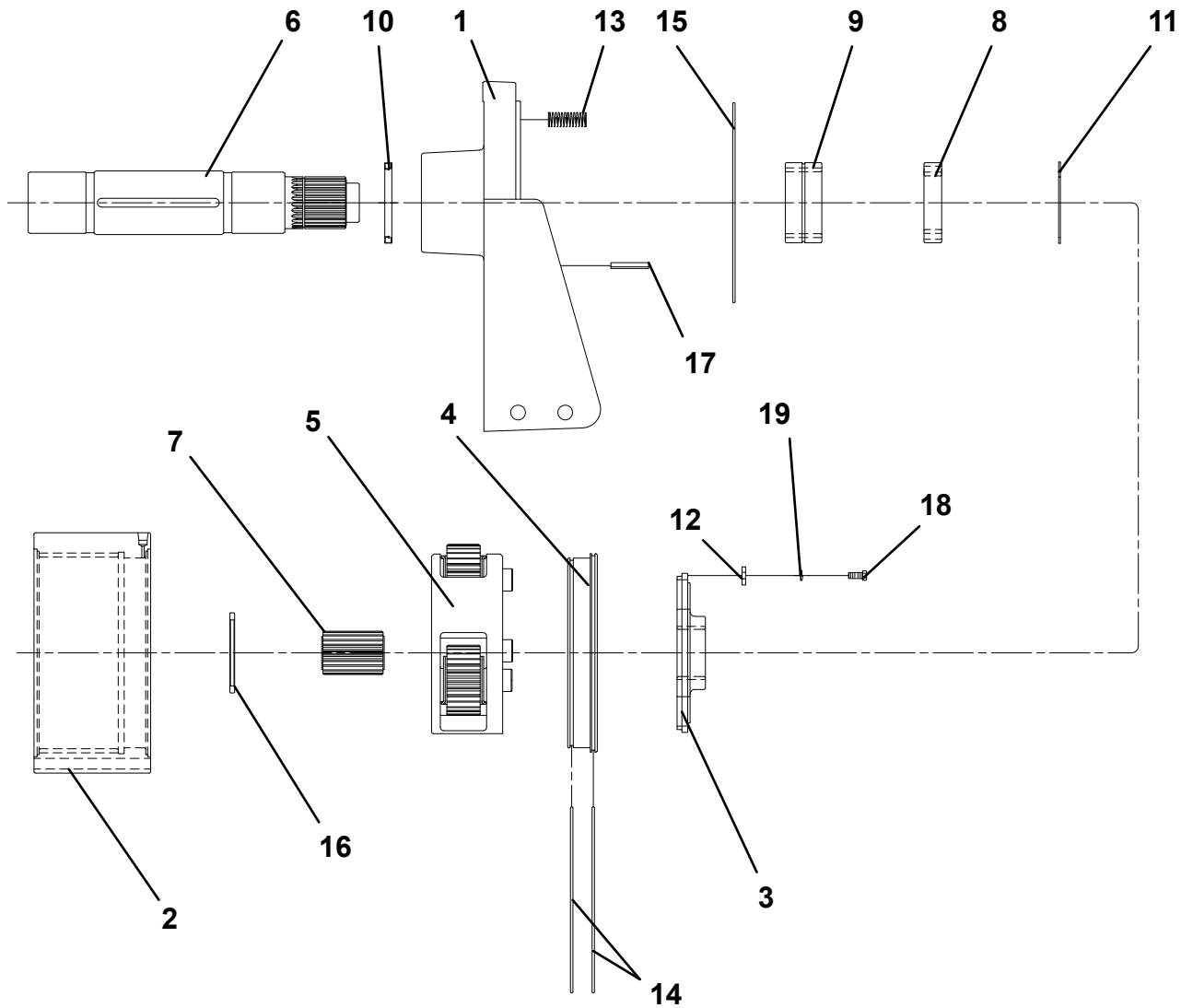
DP WINCH 50K - 7970000168 - MOTOR END INSTALLATION



DP WINCH 50K - 7970000169 - GEAR END COVER INSTALLATION

ITEM	PART NO.	DESCRIPTION	QTY
1	9177960001	Support, Gear End	1
2	9472960036	Gear, Ring - 103 Teeth	1
3	9281960004	Clutch	1
4	9698960009	Piston	1
5	9472960030	Carrier Assembly	1
6	9806960015	Shaft, Output	1
7	70050380	Gear, Sun	1
8	9154960027	Ring, Thrust	1
9	9082960014	Bearing, Roller	1
10	9796960087	Seal	1
11	9754960029	Retaining Ring	1
12	9698960010	Piston Retainer	3
13	9843960025	Spring	3
14	9796960093	O-Ring, 9.75" ID	2
15	9796960085	O-Ring, 10.50" ID	1
16	9949960013	Washer, Nylon 4.25" OD	1
17	7690153245	Pin	2
18	7115150650	Capscrew, 0.32"-18NC x 0.75"	6
19	9949960050	Lockwasher, 0.32" ID	6

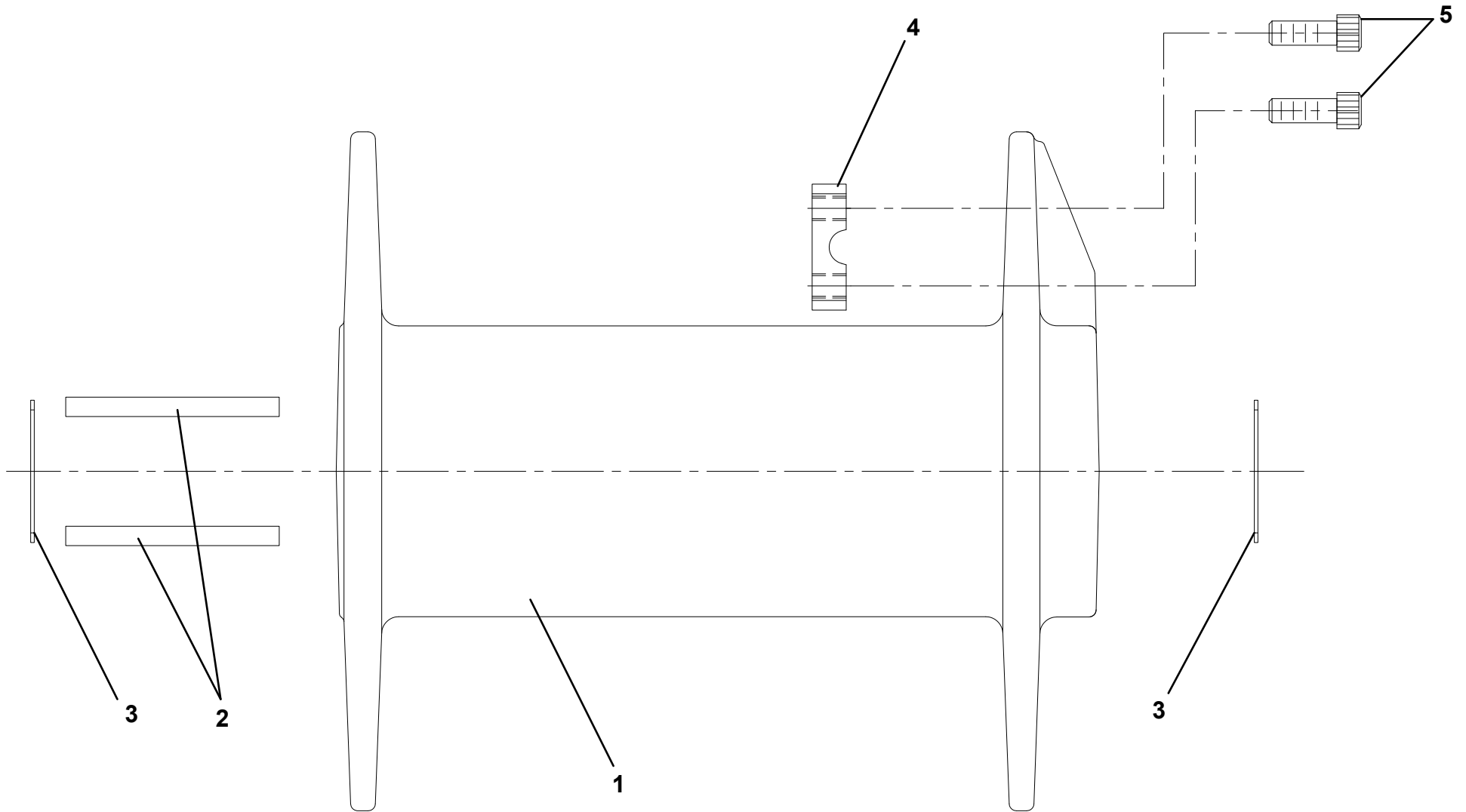
DP WINCH 50K - 7970000169 - GEAR END COVER INSTALLATION



DP WINCH 50K - 7970000169 - DRUM INSTALLATION

ITEM	PART NO.	DESCRIPTION	QTY
1	70050381	Drum, Winch	1
2	70050382	Key, Shaft Output	2
3	70050383	Ring, Retainer External 3.35"OD x 0.093"	2
4	9280960002	Clip, Cable Threaded	1
5	7110201823	Capscrew, Flat Socket 0.625"-11NC x 2.25" Grade 8	2

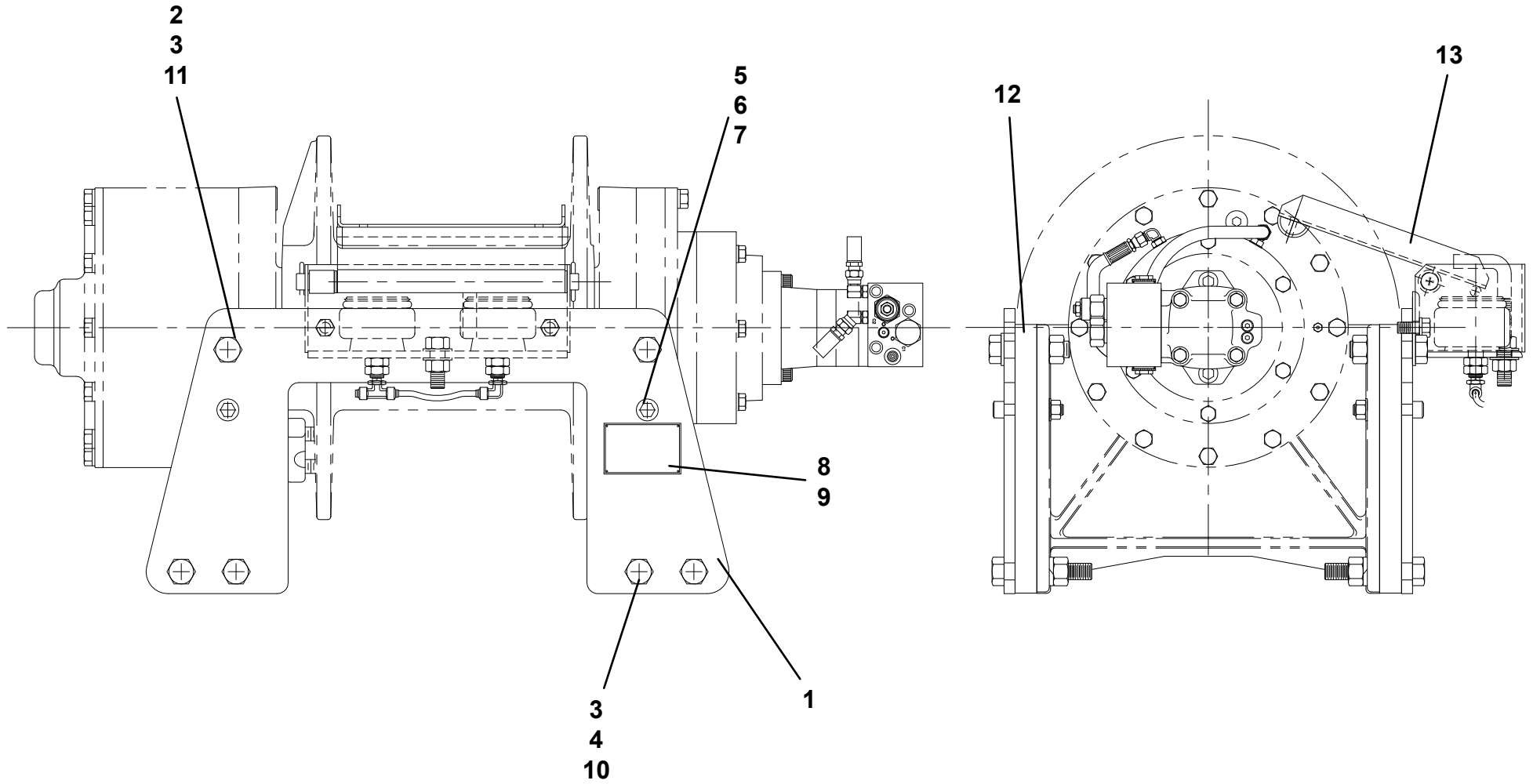
DP WINCH 50K - 7970000169 - DRUM INSTALLATION



DP WINCH 50K - 7970000169 - BASE MOUNT INSTALLATION

ITEM	PART NO.	DESCRIPTION	QTY
1	70051310	Base Mount	2
2	7115222450	Capscrew, Hex 0.75"-10NC x 3.00" Grade 5	4
3	7660220001	Nut, Hex 0.75"-10NC	12
4	7950220000	Washer, Lock 0.75"	8
5	9120960020	Shoulder Bolt Socket Head 0.50" x 2.00"	4
6	7660160001	Nut, Hex 0.375"-16NC Grade 2	4
7	7950160151	Washer, Flat 0.375"	4
8	9759960001	Rivet Drive U Type	4
9	9706960026	Plate, ID Winch	1
10	70051311	Capscrew, Hex 0.375"-10NC x 4.00"	8
11	7950220151	Washer, Flat 0.375" SAE	4
12	9831960007	Spacer, Base Angle 1.00" Thick	4
13	9577960113	Kit, Cable Hold Down	1

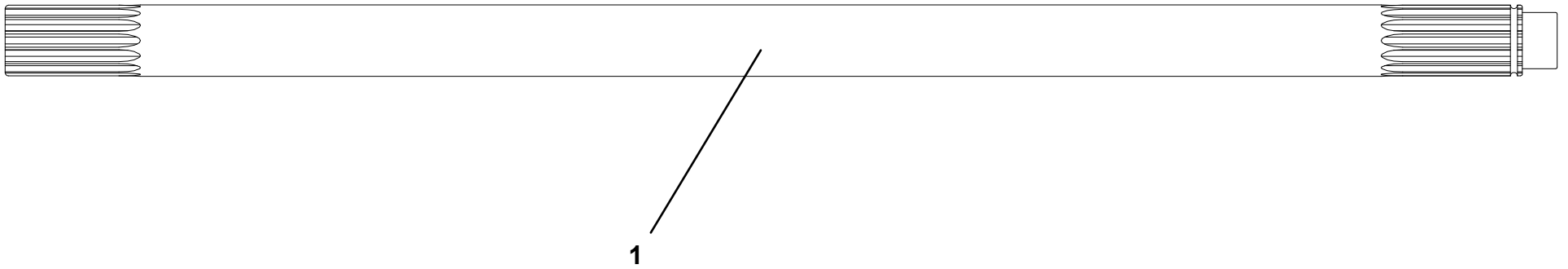
DP WINCH 50K - 7970000169 - BASE MOUNT INSTALLATION



DP WINCH 50K - 7970000169 - INPUT SHAFT INSTALLATION

ITEM	PART NO.	DESCRIPTION	QTY
1	70050374	Input Shaft	1

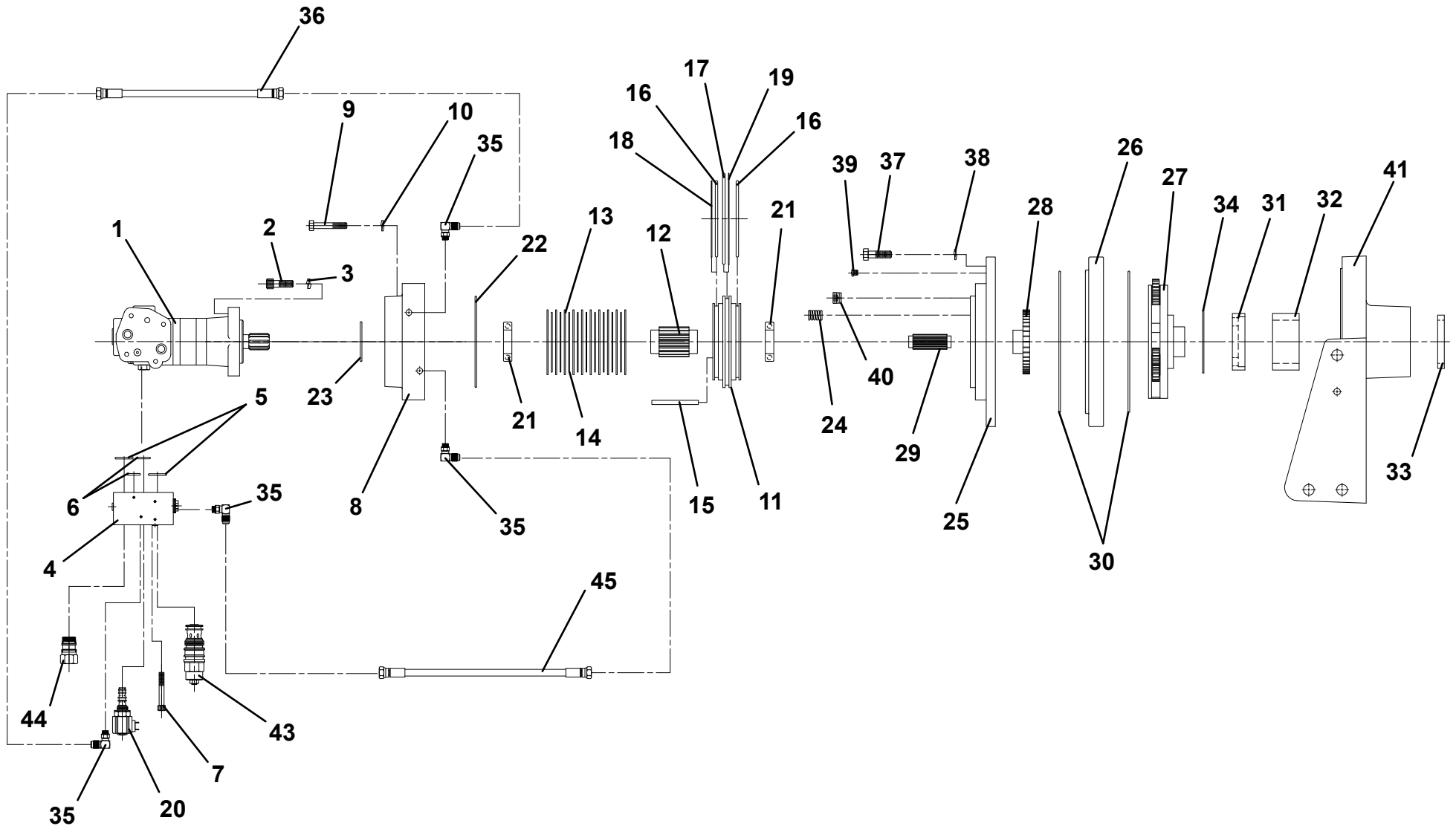
DP WINCH 50K - 7970000169 - INPUT SHAFT INSTALLATION



DP WINCH 50K - 7970000169 - MOTOR END INSTALLATION

ITEM	PART NO.	DESCRIPTION	QTY	ITEM	PART NO.	DESCRIPTION	QTY
1	70050367	Motor, Hydraulic	1	37	7115182250	Capscrew, Hex 0.50"-13NC x 2.75 Grade 5	4
2	7118181205	Capscrew, Socket 0.50"-13NC x 1.50"	2	38	7950180000	Washer, Lock 0.50"	4
3	7950180800	Washer, Lock 0.50" Hi Collar	2	39	9183960001	Vent, Relief	1
4	70050368	Valve, Counterbalance	1	40	9701960010	Plug, O-Ring Socket 0.75"-16	2
5	70050369	O-Ring, 1.125"ID x 0.125" Section	2	41	9177960002	Support, End Motor	1
6	979696088	O-Ring, 0.8125"ID x 0.0937 Section	2	42	9443960006	Adapter, Straight	1
7	70050370	Capscrew, Socket 0.375"-24NF x 2.50"	4	43	9935960026	Cartridge, Counterbalance	2
8	9571960006	Housing, Brake Outer	1	44	70051309	Hose, 0.25-R1 x 14.00"	1
9	7118172050	Capscrew, Hex 0.437"-UNC x 2.50" Grade 8	6				
10	7950170000	Washer, Lock 0.437"	6				
11	9698960008	Piston, Brake	1				
12	9806960013	Shaft, Brake	1				
13	9706960023	Plate, Disc Friction	10				
14	9706960025	Plate, Drive Brake	9				
15	9691960021	Pin, Dowel 0.312" x 3.50"	2				
16	70051303	O-Ring, 5.375"ID x 0.187" Section	2				
17	70051304	O-Ring, 6.50"ID x 0.187" Section	1				
18	70051305	Ring, Backup 5.278"ID x 0.76"	1				
19	70051306	Ring, Backup 6.25"ID x 0.183	1				
20	70050371	Cartridge	1				
21	9082960013	Bearing, Ball 1.75"ID	2				
22	70051307	O-Ring, 6.75"ID x 7.00"OD x 0.125" Section	1				
23	9796960090	O-Ring, 3.00"ID x 0.125" Section	1				
24	9843960024	Spring, Compression 0.75"	12				
25	7007960040	Adapter, Brake Support	1				
26	9472960032	Gear, Ring 92 Teeth	1				
27	9472960029	Carrier Assembly	1				
28	9472960033	Gear, Sun	1				
29	9806960014	Shaft Extension	1				
30	9796960085	O-Ring, 10.50"ID x 0.125" Section	2				
31	9706960027	Plate, Thrust	1				
32	9082960014	Bearing, Roller Torrington	1				
33	9796960087	Seal, 3.25"ID x 4.00"OD x 0.468"	1				
34	9754960029	Ring, Retainer 4.25" x 0.109" Thick	1				
35	7445040445	Adapter 90 Degree	3				
36	70050372	Hose, 0.25"-R1 x 16.00"	1				

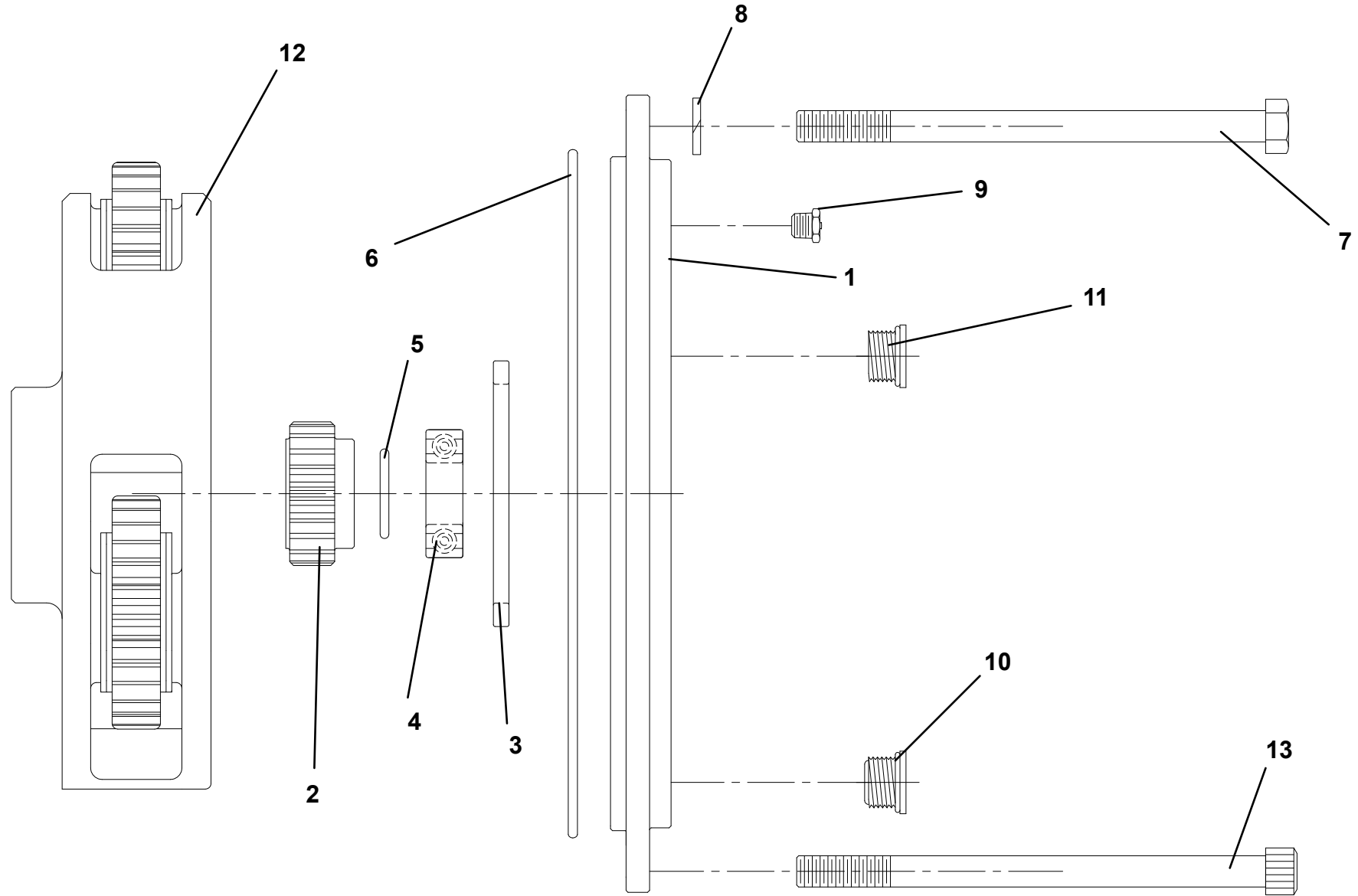
DP WINCH 50K - 7970000169 - MOTOR END INSTALLATION



DP WINCH 50K - 7970000169 - GEAR END INSTALLATION

ITEM	PART NO.	DESCRIPTION	QTY
1	70050375	Cover	1
2	70050376	Gear, Sun Primary 29 Teeth	1
3	9949960013	Washer, Thrust - Nylon 4.25" OD x .25"	1
4	9082960015	Bearing	1
5	9754960030	Retaining Ring	1
6	9796960085	O-Ring, 10.50" ID	1
7	70050377	Capscrew, 0.50"-13NC x 7.50"	10
8	7950180000	Lockwasher, 0.50" ID	10
9	9183960001	Vent	1
10	9701960012	Plug	1
11	9701960011	Plug	1
12	70050378	Carrier Assembly	1
13	70050379	Capscrew, 0.50"-13NC x 7.00"	2

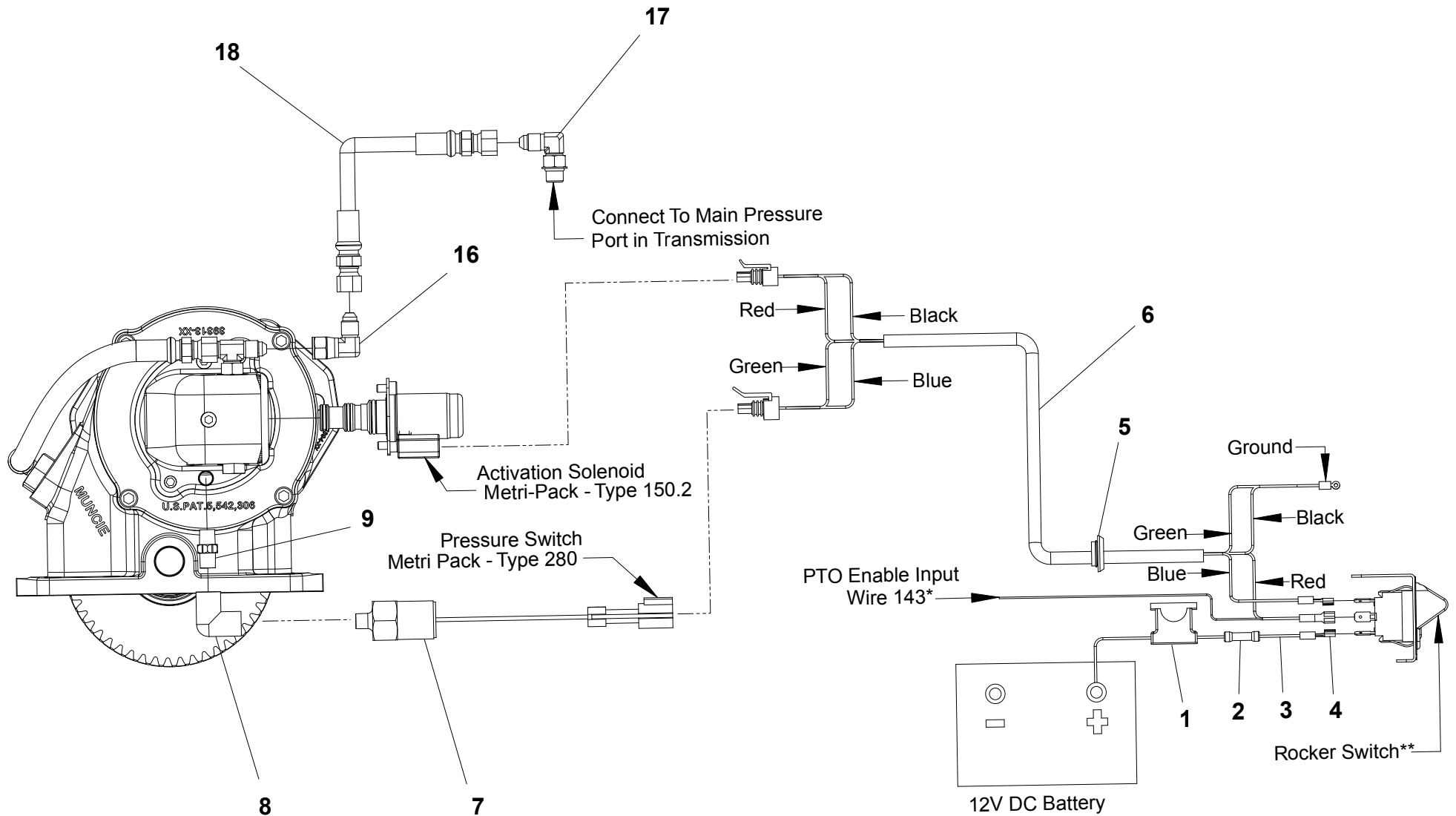
DP WINCH 50K - 7970000169 - GEAR END INSTALLATION



POWER TAKE OFF - CS SERIES

ITEM	PART NO.	DESCRIPTION	QTY
1	70050316	Fuse	1
2	70050315	Splice	1
3	70050312	Wire	6 FT
4	70050314	Connector	1
5	70050325	Grommet	1
6	70050328	Harness, Wire	1
7	7870000062	Switch, Pressure	1
8	70050329	Fitting, Elbow	1
9	70050330	Nipple	1
10	70050313	Terminal	2
11	70050331	Connector	3
12	7706000005	Bracket, Switch	1
13	7706000001	Plate	1
14	7870000045	Switch	1
15	70050319	Kit, Bolt	1
16	7443000431	Fitting (Also available in kit #70050467)	1
17	7443000244	Fitting (Also available in kit #70050467)	1
18	70050468	Hose (Also available in kit #70050467)	1

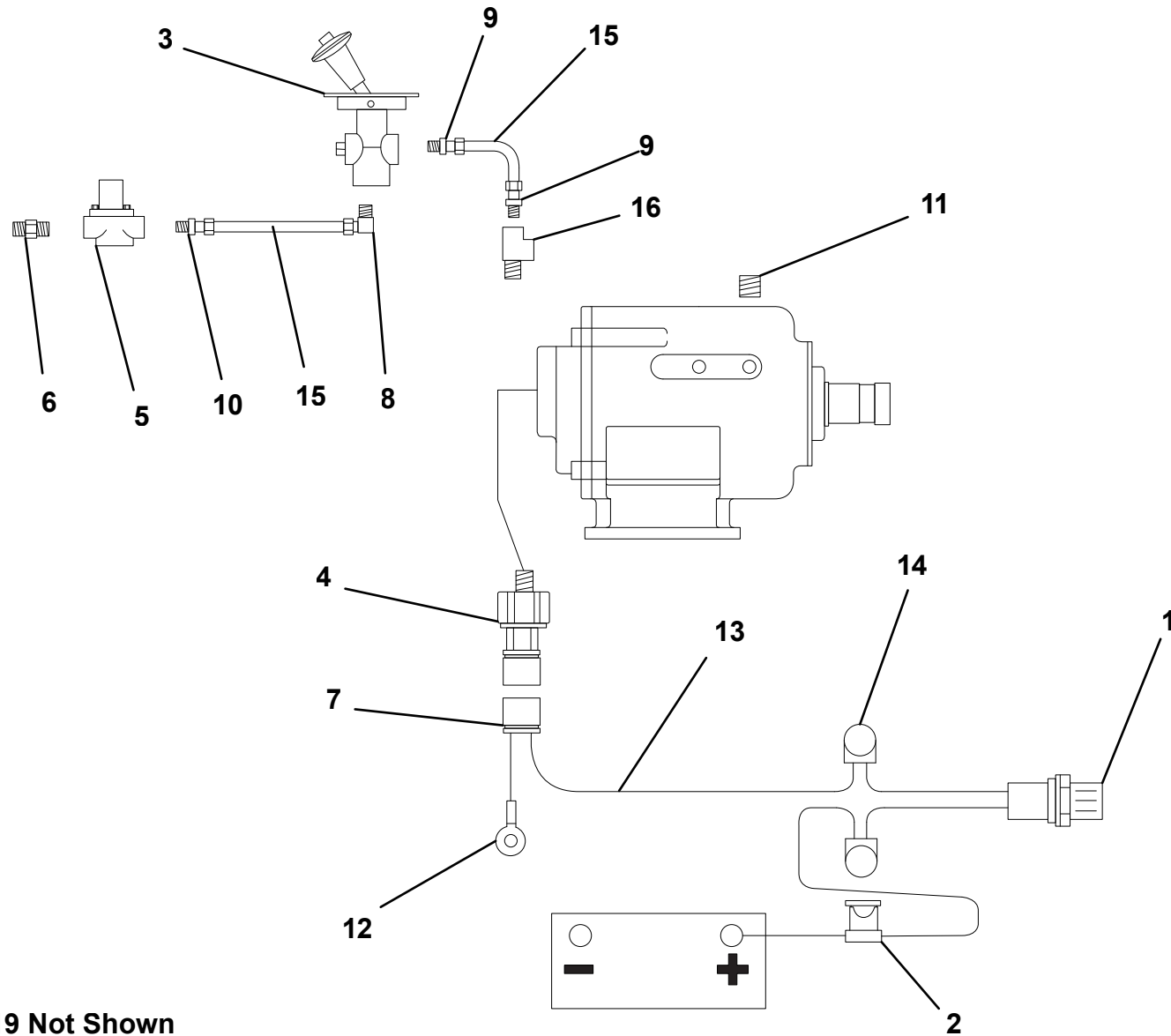
POWER TAKE OFF - CS SERIES



POWER TAKE OFF - SH SERIES

ITEM	PART NO.	DESCRIPTION	QTY
1	7590000049	Assembly. - Light 12V	1
2	70050316	Assembly, Fuse	1
3	7935000104	Valve, Air	1
4	7870000062	Switch, Pressure	1
5	9935740034	Valve, Pressure Protection	1
6	70050308	Nipple, Pipe	1
7	70050668	Wiring Pigtail	1
8	70050310	Fitting	1
9	70050320	Connector	2
10	70050309	Connector	1
11	70050669	Plug	1
12	70050313	Terminal	2
13	70050312	Wire	12 FT
14	70050977	Terminal, Closed End Crimp	3
15	7565000019	Tubing, Air	1
16	9443760018	Fitting	1
17	70050322	Bracket, Dash (Not shown on drawing)	1
18	7706000004	Plate, Face (Not shown on drawing)	1
19	70050319	Kit, Bolt (Not shown on drawing)	1

POWER TAKE OFF - SH SERIES

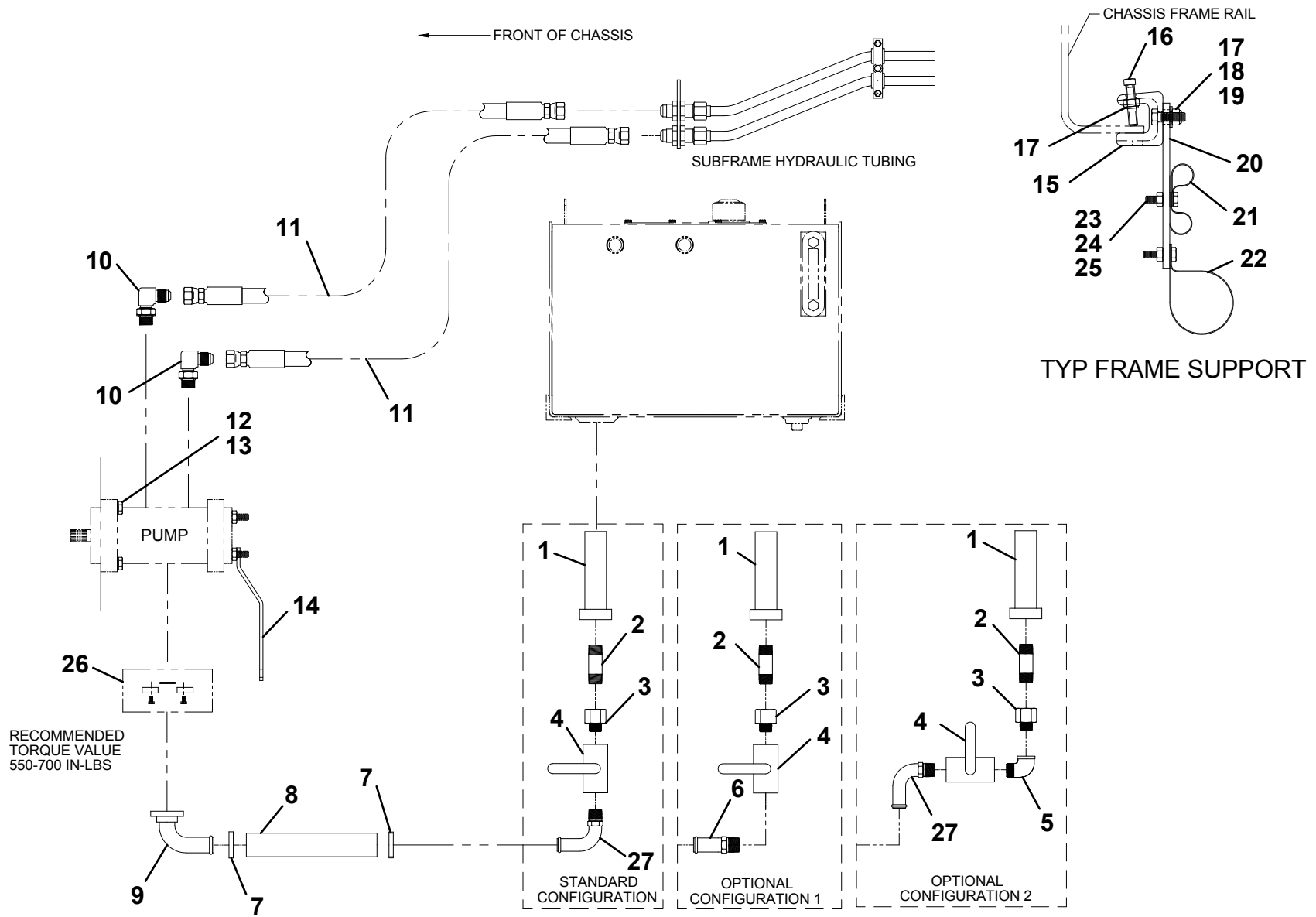


Items # 17, 18 & 19 Not Shown

HYDRAULIC SUPPLY PRESSURE INSTALLATION

ITEM	PART NO.	DESCRIPTION	QTY
1	7430000010	Filter	1
2	7650100137	Nipple	1
3	7444121050	Reducer	1
4	7935000116	Ball Valve	1
5	7444121271	Elbow	A/R
6	7443000130	Fitting	A/R
7	7274000028	Clamp	2
8	8565000026	Hose	19FT
9	1001145056	Elbow	1
10	7445121645	Elbow	2
11	4567160111	Hose - 245-285 Wheel Base	2
	4567160146	Hose - 275-325 Wheel Base	2
	1001208610	Hose - 326-365 Wheel Base	2
	1001204565	Hose - 366-405 Wheel Base	2
	1001218611	Hose - 406-445 Wheel Base	2
12	7115181050	Capscrew, 0.50"-13NC x 1.25"	2
13	7950180000	Lockwasher, 0.59" ID	2
14	4178000248	Bracket	1
15	7274000076	Clamp	10
16	7785152420	Screw, 0.31" - 18 x 1.50"	10
17	7660152601	Locknut 0.31"-18NC	20
18	7115151050	Capscrew, 0.31"-18NC x 1.25"	10
19	7950150161	Flatwasher, 0.31" ID	10
20	4706003844	Plate	10
21	7274000041	Clamp	20
22	7274000071	Clamp	10
23	7115140850	Capscrew, 0.25"-20NC x 1.00"	20
24	7950140152	Washer, 0.25" ID	20
25	7660142601	Locknut, 0.25" -20NC	20
26	7577000213	Flange	1
27	7443000254	Fitting	1

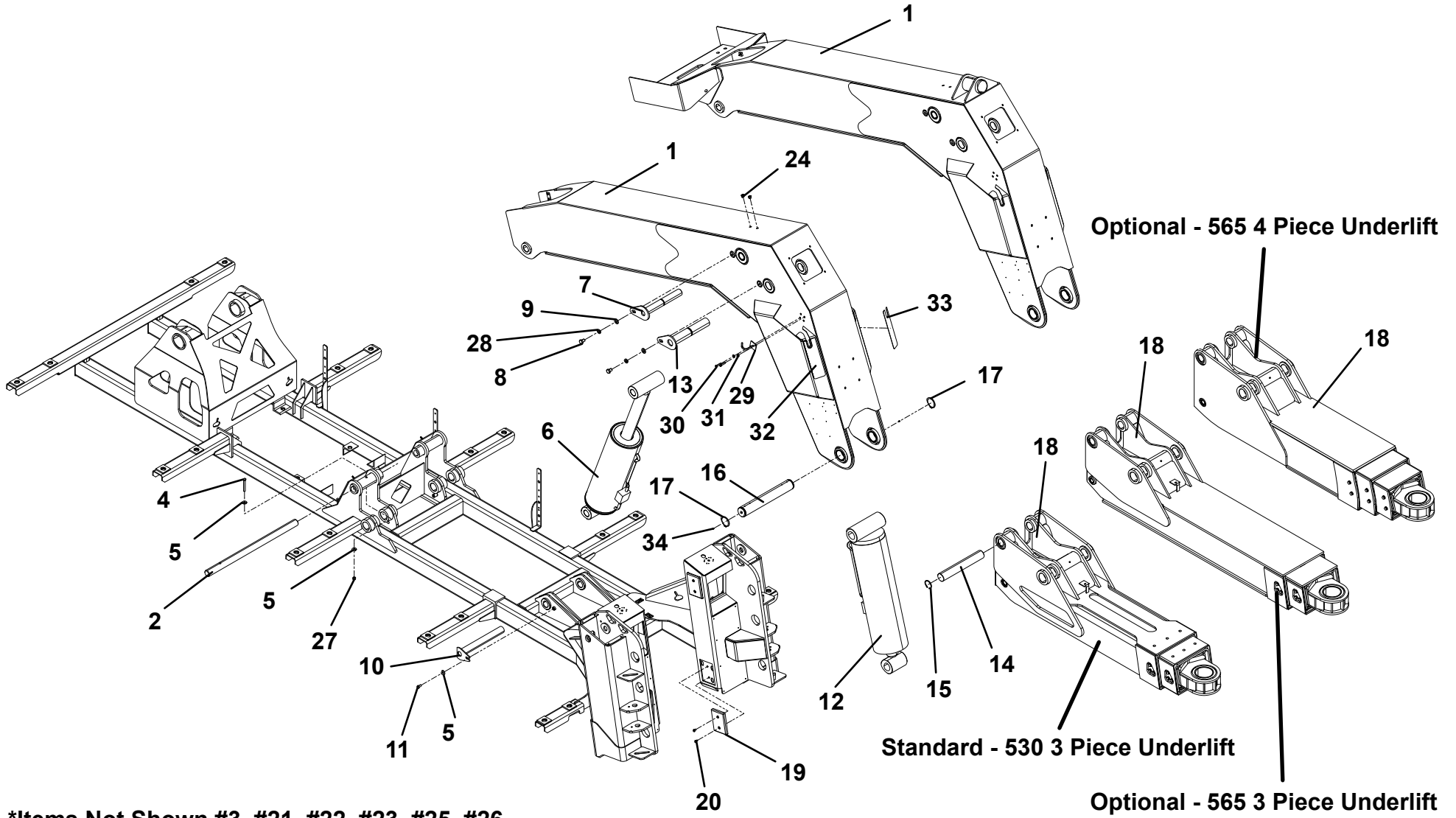
HYDRAULIC SUPPLY PRESSURE INSTALLATION



KNEE BOOM INSTALLATION

ITEM	PART NO.	DESCRIPTION	QTY	ITEM	PART NO.	DESCRIPTION	QTY
		W/ Drag				W/O Drag	
1	3170000409	Knee Boom w Drag Winch	1	1	3170000408	Knee Boom w/o Drag Winch	1
2	4691000284	Pin	1	2	4691000284	Pin	1
3	3577000037	Shim Kit	1	3	3577000037	Shim Kit	1
4	7115183250	Capscrew, 0.50"-13NC X 4.00"	1	4	7115183250	Capscrew, 0.50"-13NC X 4.00"	1
5	7950180161	Flatwasher, 0.50" ID	3	5	7950180161	Flatwasher, 0.50" ID	3
6	7320000024	Cylinder	1	6	7320000024	Cylinder	1
7	3691000251	Pin	1	7	3691000251	Pin	1
8	7115220850	Capscrew, 0.75"-10NC X 1.00"	2	8	7115220850	Capscrew, 0.75"-10NC X 1.00"	2
9	7950220141	Flatwasher, 0.75" ID	2	9	7950220141	Flatwasher, 0.75" ID	2
10	3691000152	Pin	1	10	3691000152	Pin	1
11	7115180850	Capscrew, 0.50"-13NC X 1.00"	1	11	7115180850	Capscrew, 0.50"-13NC X 1.00"	1
12	7320000096	Cylinder U/L Tilt UL530	1	12	7320000096	Cylinder U/L Tilt UL530	1
	7320000097	Cylinder U/L Tilt UL565	1		7320000097	Cylinder U/L Tilt UL565	1
13	3691000232	Pin	1	13	3691000232	Pin	1
14	4691000290	Pin	1	14	4691000290	Pin	1
15	7754000051	Retaining Ring	2	15	7754000051	Retaining Ring	2
16	4691000291	Pin	1	16	4691000291	Pin	1
17	7754000018	Retaining Ring	2	17	7754000018	Retaining Ring	2
18	3507100001	Underlift - Standard - 530 3 Piece	1	18	3507100001	Underlift - Standard - 530 3 Piece	1
	3170000407	Underlift - Optional - 565 3 Piece	1		3170000407	Underlift - Optional - 565 3 Piece	1
	3170000381	Underlift - Optional - 565 4 Piece	1		3170000381	Underlift - Optional - 565 4 Piece	1
19	4679000127	Pad	4	19	4679000127	Pad	4
20	7115160623	Capscrew, 0.38"-16 x 0.70"	8	20	7115160623	Capscrew, 0.38"-16 x 0.70"	8
21	7262000025	Chain	2	21	7262000025	Chain	2
22	7115201250	Capscrew, 0.63"-11NC X 1.50"	2	22	7115201250	Capscrew, 0.63"-11NC X 1.50"	2
23	7660202601	Locknut, 0.63"-11NC	2	23	7660202601	Locknut, 0.63"-11NC	2
24	7189000017	Rubber Bumper	2	24	7189000017	Rubber Bumper	2
25	7440030000	Grease Fitting	5	25	7440030000	Grease Fitting	5
26	7253000002	Grease Fitting Cap	5	26	7253000002	Grease Fitting Cap	5
27	7660182601	Locknut, 0.50"-13NC	1	27	7660182601	Locknut, 0.50"-13NC	1
28	7950220000	Washer, 0.75" ID	2	28	7950220000	Washer, 0.75" ID	2
29	3561000017	Hook Weldment	2	29	3561000017	Hook Weldment	2
30	7115161450	Capscrew, 0.38"-16NC X 1.75"	4	30	7115161450	Capscrew, 0.38"-16NC X 1.75"	4
31	7950160141	Flatwasher, 0.38" ID	4	31	7950160141	Flatwasher, 0.38" ID	4
32	1001151184	Decal, LH	1	32	1001151184	Decal, LH	1
33	1001151185	Decal, RH	1	33	1001151185	Decal, RH	1
34	7440000000	Grease Fitting	1	34	7440000000	Grease Fitting	1

KNEE BOOM INSTALLATION

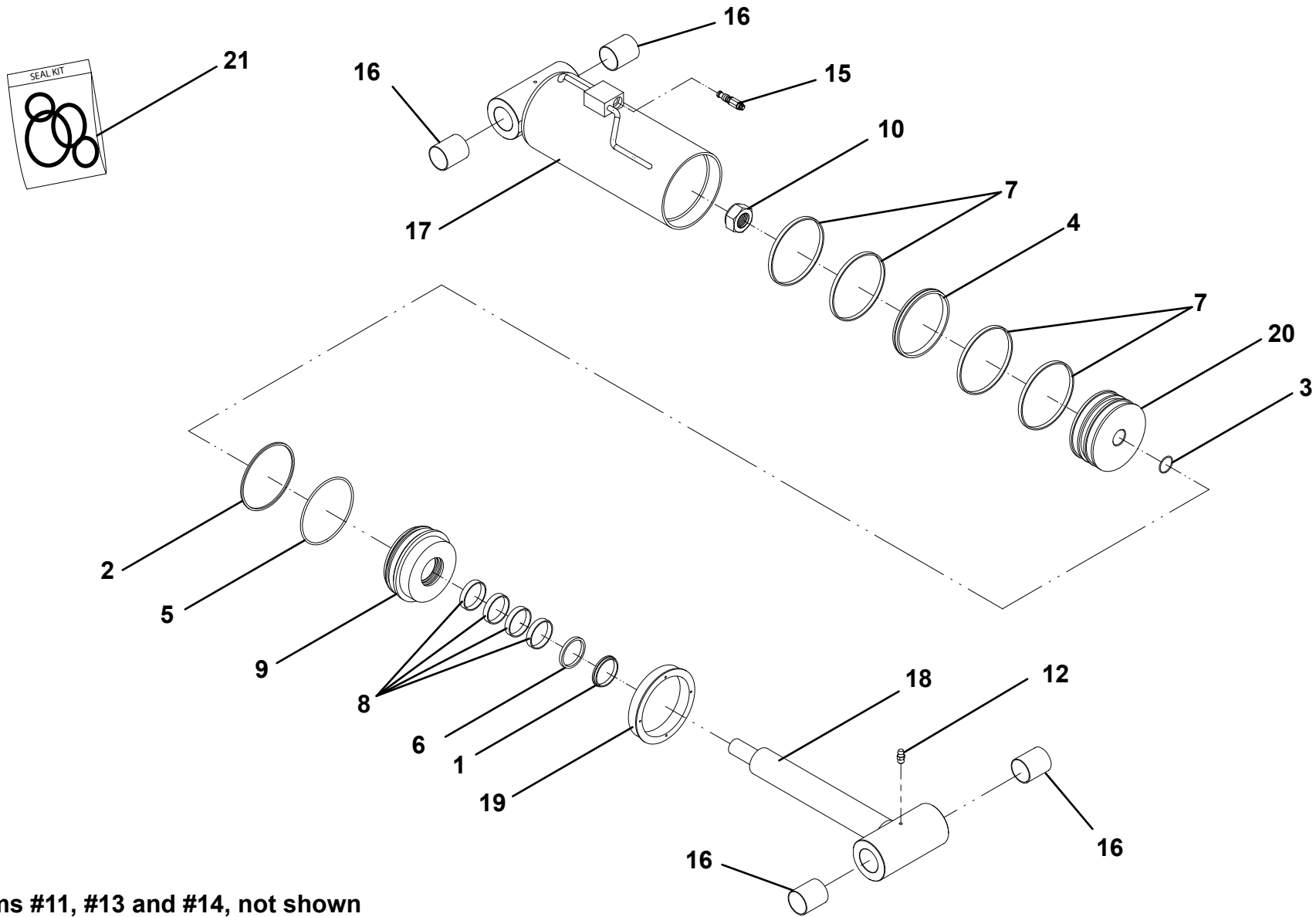


*Items Not Shown #3, #21, #22, #23, #25, #26

UNDERLIFT TILT CYLINDER - 7320000097

ITEM	PART NO.	DESCRIPTION	QTY
1	9796250084	Wiper	1
2	9796250059	O-Ring	1
3	9796250065	O-Ring	1
4	9796250077	Seal	1
5	9754250012	Back-Up Ring	1
6	9796250078	Seal	1
7	9754250022	Wear Ring	2
8	9754250023	Wear Ring	2
9	70051199	Piston Head	1
10	9661250019	Nut	1
11	9701250006	Nylon Plug	2
12	83304181	Grease Fitting	2
13	9786250005	Setscrew	1
14	9786250004	Setscrew	4
15	9935250032	Counterbalance	1
16	70050232	Bushing	4
17	9912250008	Tube Assembly	1
18	9763250013	Rod Assembly	1
19	9254250008	Headcap	1
20	9698250005	Piston	1
21	7577250188	Seal Kit	1

UNDERLIFT TILT CYLINDER - 7320000097

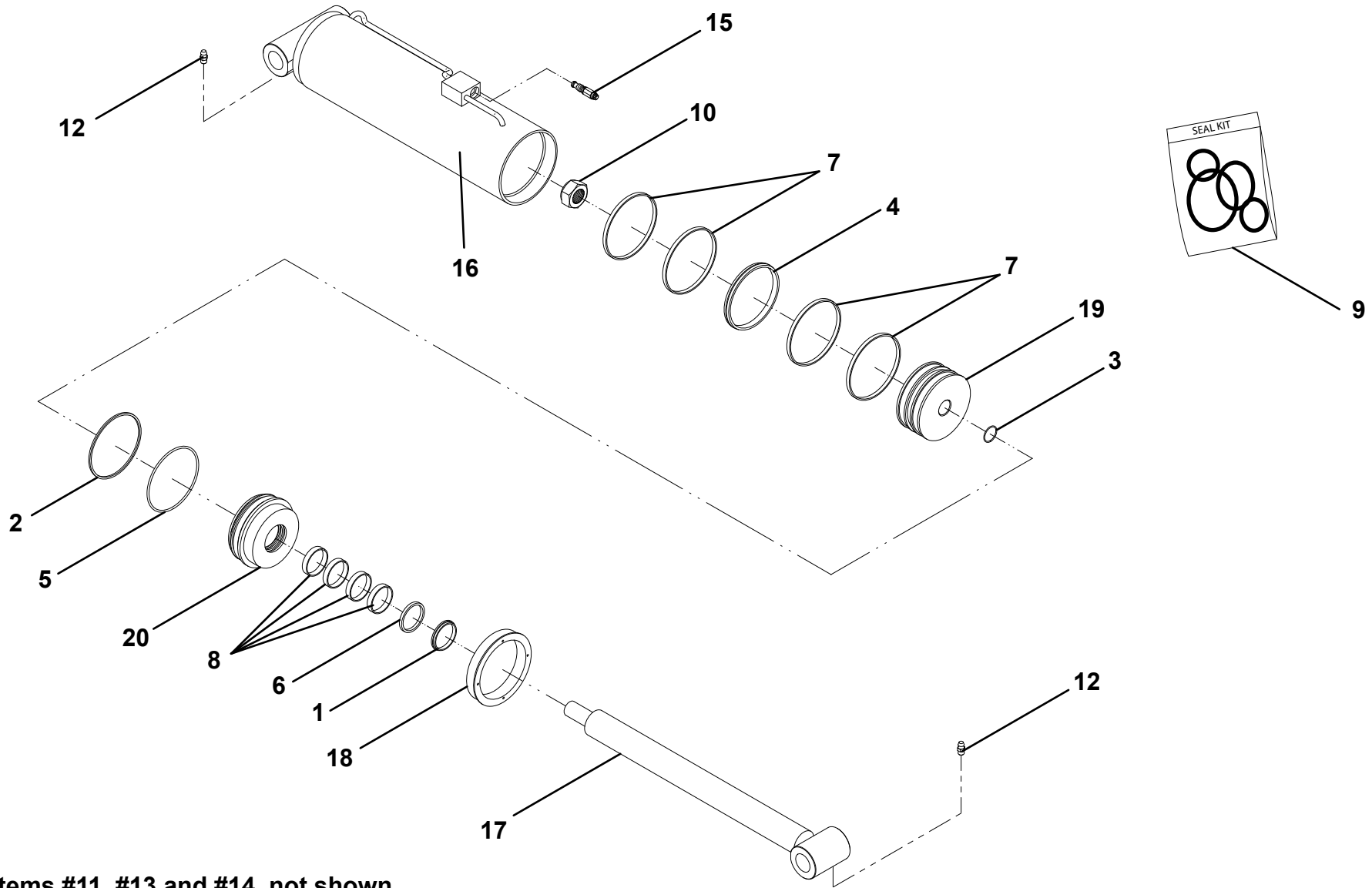


Items #11, #13 and #14, not shown

UNDERLIFT TILT CYLINDER - 7320000096

ITEM	PART NO.	DESCRIPTION	QTY
1	9796250083	Seal, Wiper	1
2	9754250011	Ring, Back-up	1
3	9796250062	Seal, "O" Ring	1
4	70050544	Seal	1
5	9796250068	Seal, "O" Ring	1
6	70050545	Seal	1
7	9754250017	Ring, Wear	4
8	80004049	Ring, Wear	4
9	7577000063	Kit, Seal	1
10	7005314	Locknut	1
11	70021757	Setscrew	1
12	7005348	Grease Fitting	2
13	70021648	Plug, Port	2
14	7005365	Plug, Port	1
15	70050215	Valve, Counterbalance	1
16	70050594	Assembly, Tube	1
17	70050595	Assembly, Rod	1
18	9254250007	Headcap	1
19	70050548	Piston	1
20	70050549	Head	1

UNDERLIFT TILT CYLINDER - 7320000096

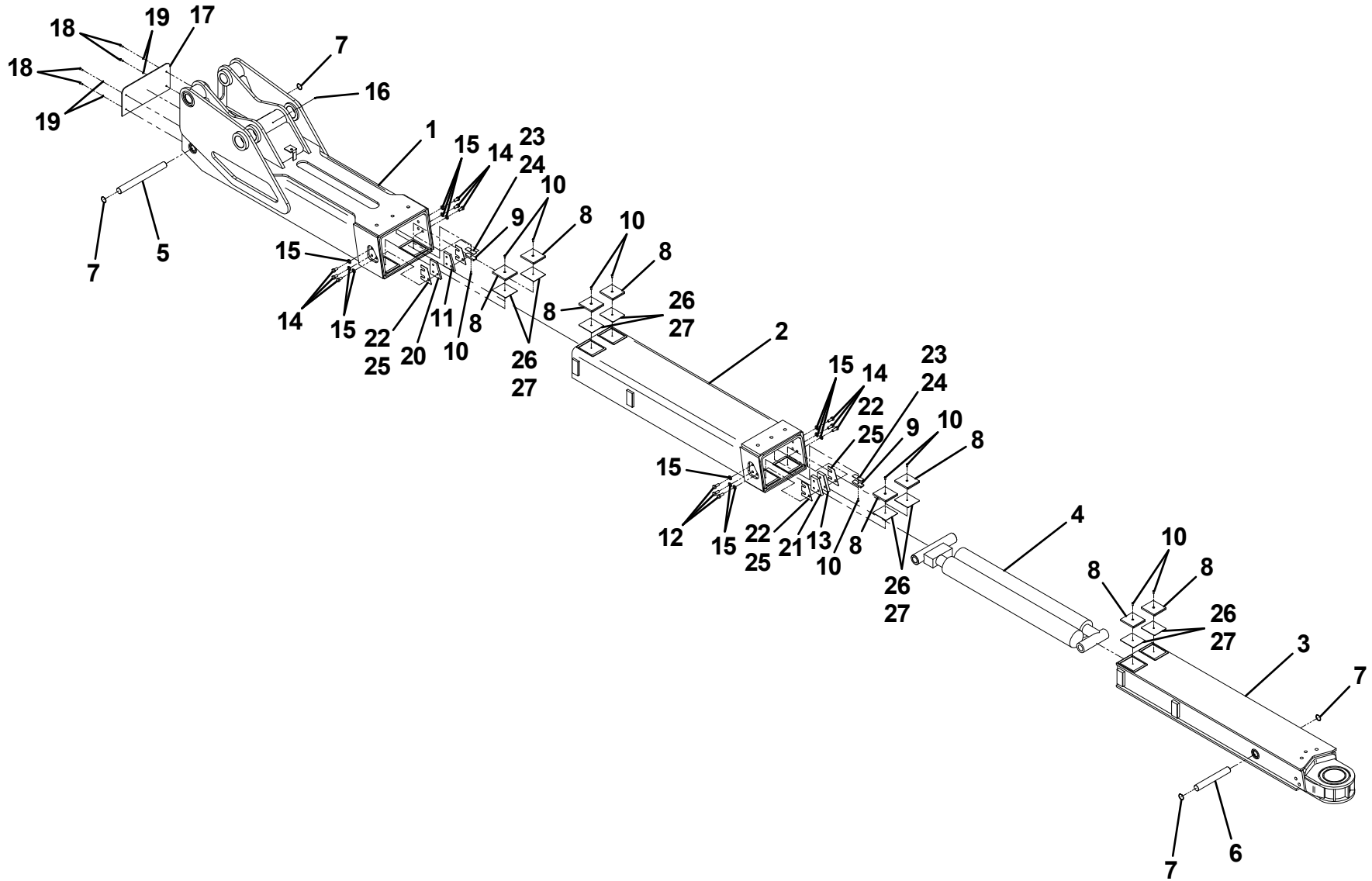


Items #11, #13 and #14, not shown

UNDERLIFT ASSEMBLY - 3507100001

ITEM	PART NO.	DESCRIPTION	QTY
1	3170000125	Base Section Boom Weldment	1
2	3170000124	Mid Section Boom Weldment	1
3	3170000123	Fly Section Boom Weldment	1
4	7320000026	Underlift Extension Cylinder Assembly	1
5	4691000292	Pin	1
6	4691000293	Pin	1
7	7754000043	Retaining Ring	4
8	4679000146	Pad	8
9	4679000147	Pad	2
10	7114140518	Capscrew, 0.25"-20NC x 0.63"	10
11	4706002209	Plate	1
12	7108181050	Capscrew, 0.50"-20NF x 1.25"	6
13	4706002208	Plate	1
14	7108180850	Capscrew, 0.50"-20NF x 1.00"	6
15	7950180153	Flatwasher, 0.50" ID	12
16	7440030000	Grease Fitting	1
17	4706002207	Plate	1
18	7115140650	Plate	4
19	7950140000	Lockwasher, 0.25" ID	4
20	4706002211	Plate	1
21	4706002210	Plate	1
22	4812000057	Shim, 14GA	2
23	4706003708	Plate	2
24	4706003709	Plate	2
25	4706003710	Plate	4
26	4706003717	Plate	8
27	4706003718	Plate	8

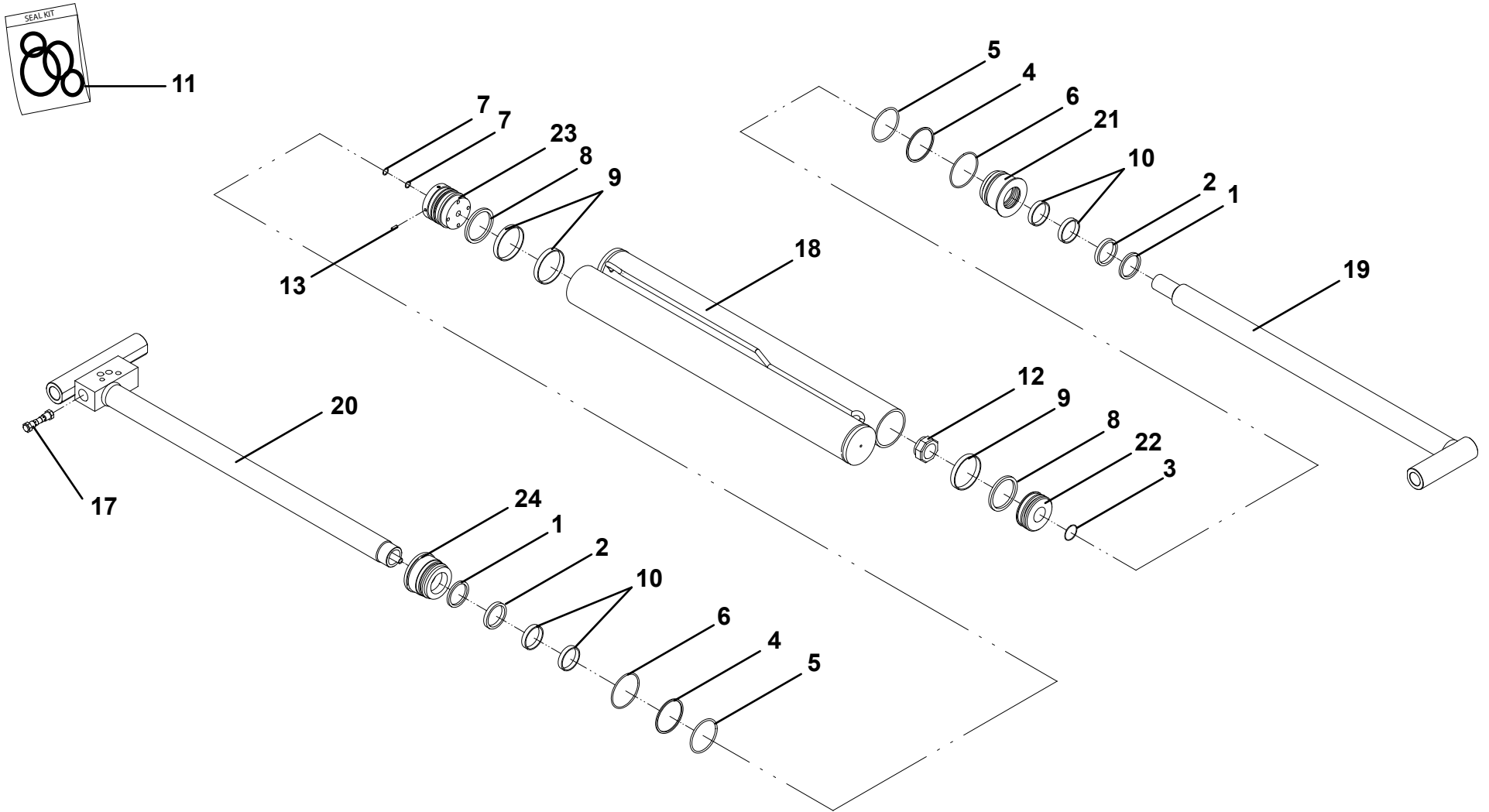
UNDERLIFT ASSEMBLY - 3507100001



UNDERLIFT EXTENSION CYLINDER ASSEMBLY - 732000026

ITEM	PART NO.	DESCRIPTION	QTY
1	9796250081	Seal, Wiper	2
2	7019829	Seal	2
3	7023518	Seal, "O" Ring	1
4	9754250009	Ring, Back-up	2
5	9796250057	Seal, "O" Ring	2
6	9796250058	Seal, "O" Ring	2
7	70050534	Seal, "O" Ring	2
8	9796250073	Seal	2
9	9754250014	Ring, Wear	3
10	70050568	Ring, Wear	4
11	7577250334	Kit, Seal	1
12	7003116	Locknut	1
13	70050535	Setscrew	4
14	7005348	Grease Fitting	2
15	7005365	Plug, Port	2
16	70021648	Plug, Port	2
17	9935250025	Kit, Check Cartridge	1
18	70050536	Assembly, Tube	1
19	70050537	Assembly, Rod	1
20	70050538	Assembly, Rod-Tube	1
21	9553250010	Head	1
22	7024101	Piston	1
23	70050540	Piston	1
24	70050541	Head	1

UNDERLIFT EXTENSION CYLINDER ASSEMBLY - 732000026

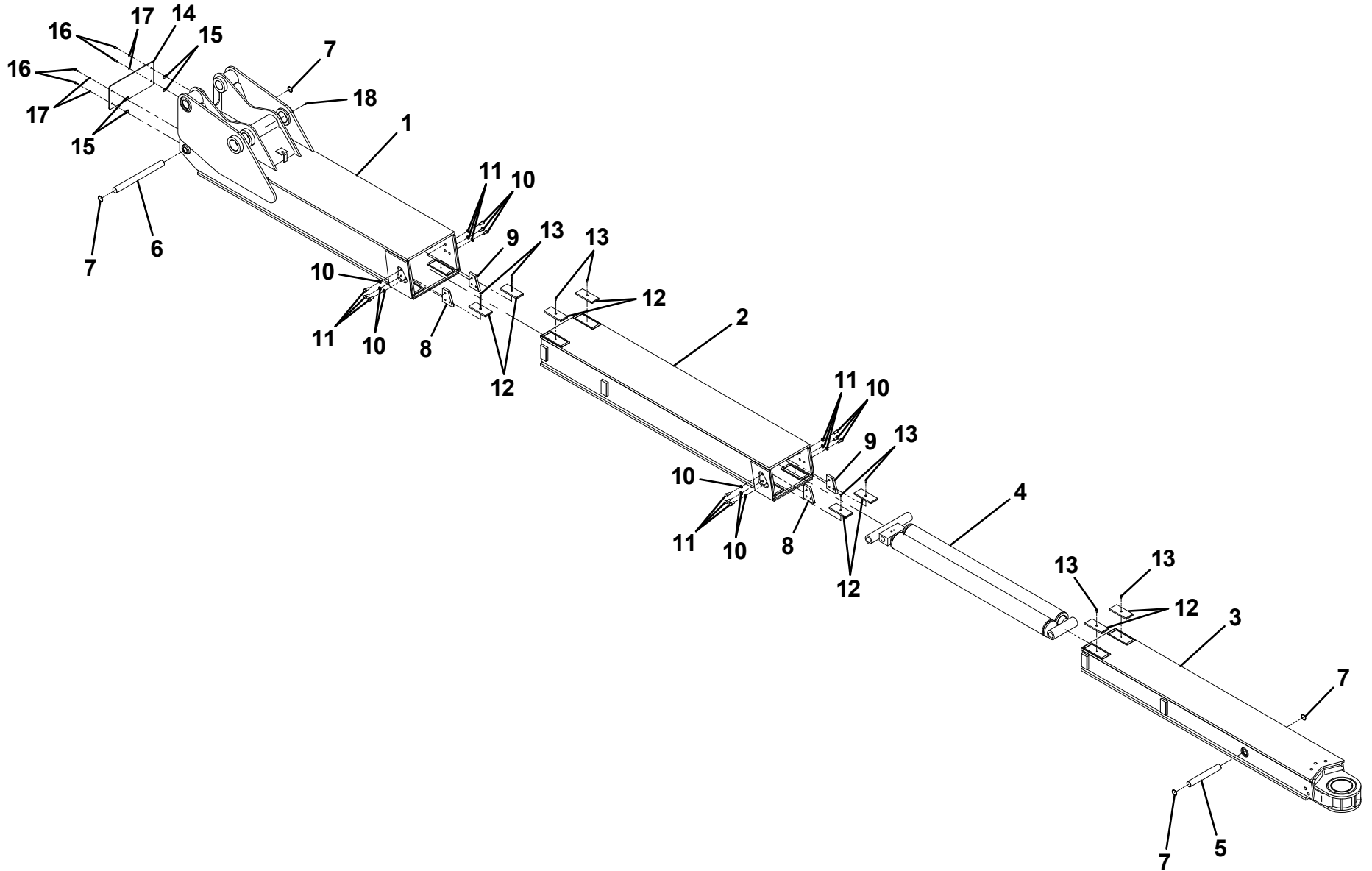


Items #14, #15 and #16, not shown

UNDERLIFT ASSEMBLY - 3170000407 - OPTIONAL - 565 3 PIECE U/L

ITEM	PART NO.	DESCRIPTION	QTY
1	3170000400	Base Section Boom Weldment	1
2	3170000401	Mid Section Boom Weldment	1
3	3170000406	Fly Section Boom Weldment	1
4	7320000068	Underlift Extension Cylinder Assembly	1
5	4691000293	Pin	1
6	4691000321	Pin	1
7	7754000043	Retaining Ring	4
8	4706005262	Plate	2
9	4706005263	Plate	2
10	7108180850	Capscrew, 0.50"-20NF x 1.00"	12
11	7950180000	Lockwasher, 0.50" ID	12
12	4679000277	Pad, 0.38" Thk	8
	4679000293	Pad, 0.25" Thk	
13	7114140518	Capscrew, 0.25"-20NC x 0.63"	8
14	4706005281	Plate	1
15	7661000019	U-Nut, 0.25"-20NC	4
16	7115140650	Capscrew, 0.25"-20NC x 0.75"	4
17	7950140000	Lockwasher, 0.25" ID	4
18	7440030000	Grease Fitting	1

UNDERLIFT ASSEMBLY - 3170000407 - OPTIONAL - 565 3 PIECE U/L



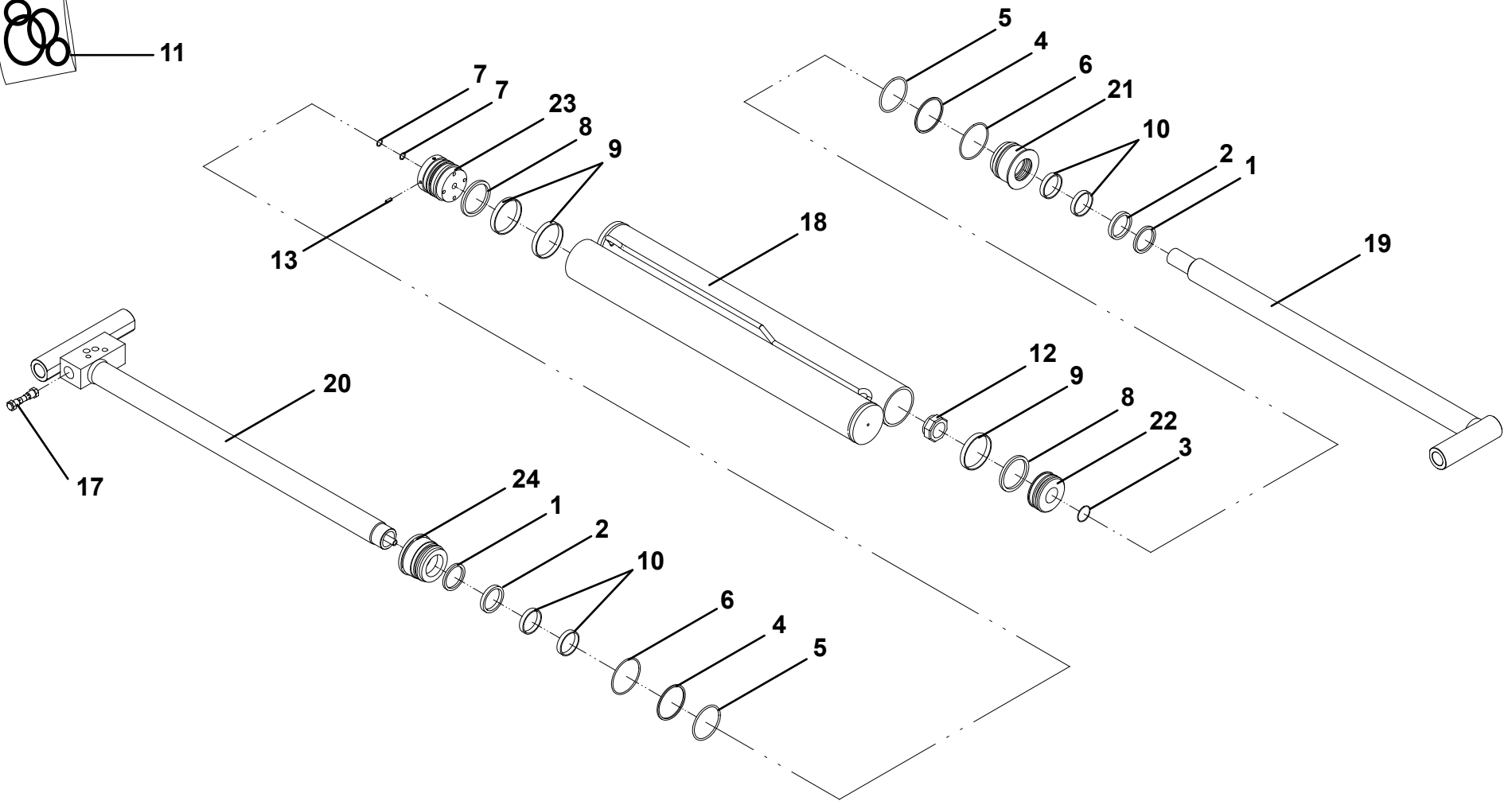
UNDERLIFT EXTENSION CYLINDER ASSEMBLY - 7320000068

ITEM	PART NO.	DESCRIPTION	QTY
1	9796250081	Seal, Wiper	2
2	7019829	Seal	2
3	7023518	Seal, "O" Ring	1
4	9754250009	Ring, Back-up	2
5	9796250057	Seal, "O" Ring	2
6	9796250058	Seal, "O" Ring	2
7	70050534	Seal, "O" Ring	2
8	9796250073	Seal	2
9	9754250014	Ring, Wear	3
10	80004056	Ring, Wear	4
11	7577250334	Kit, Seal	1
12	7003116	Locknut	1
13	70050535	Setscrew	4
14	7005348	Grease Fitting	2
15	7005365	Plug, Port	2
16	70021648	Plug, Port	2
17	9935250025	Kit, Check Cartridge	1
18	70050550	Assembly, Tube	1
19	70050551	Assembly, Rod	1
20	70050552	Assembly, Rod-Tube	1
21	9553250010	Head	1
22	7024101	Piston	1
23	70050540	Piston	1
24	70050541	Head	1

UNDERLIFT EXTENSION CYLINDER ASSEMBLY - 7320000068



11

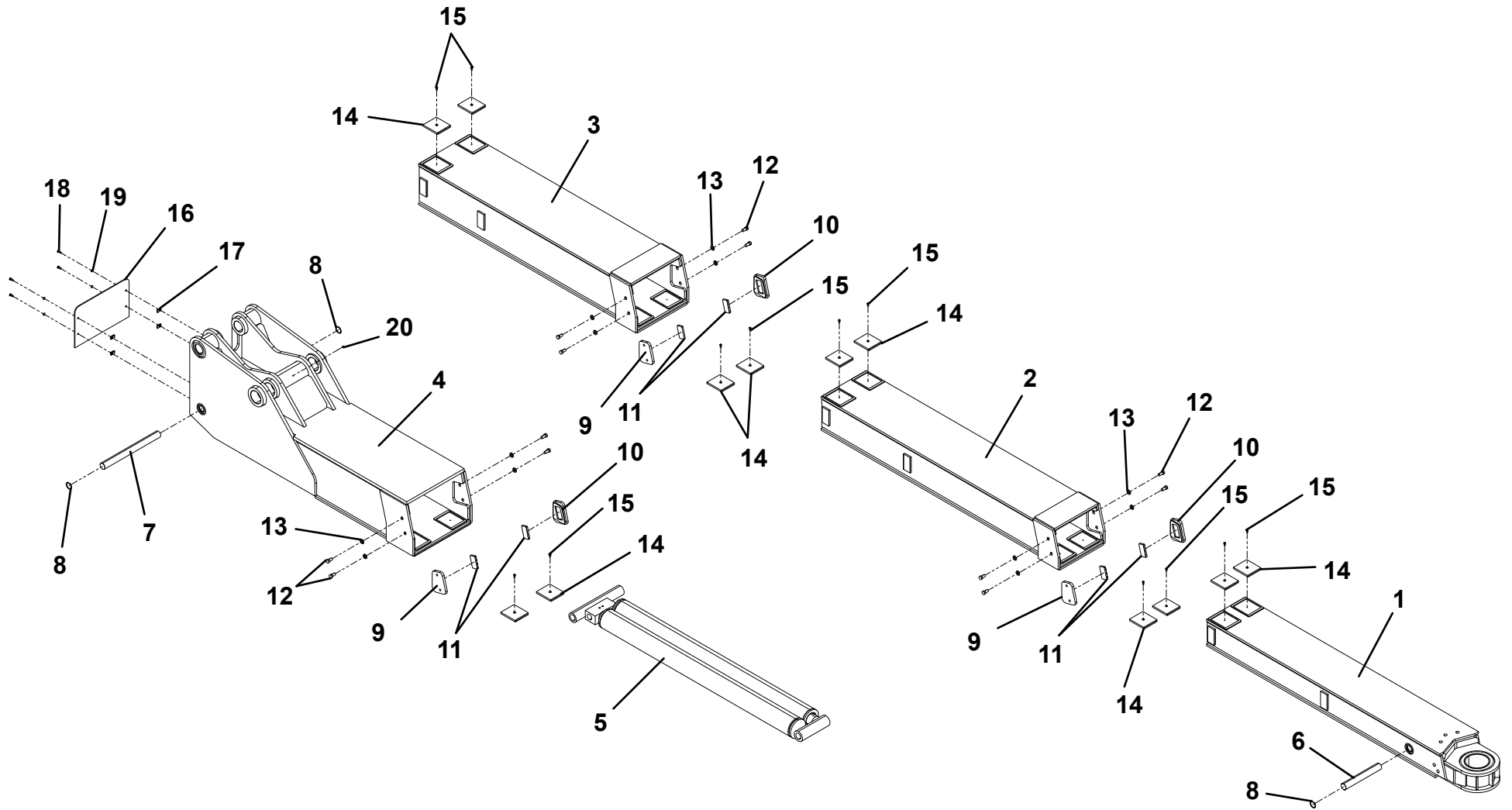


Items #14, #15 and #16, not shown

UNDERLIFT ASSEMBLY - 3170000381 - OPTIONAL - 565 4 PIECE U/L

ITEM	PART NO.	DESCRIPTION	QTY
1	3170000379	Boom Weldment Fly Section	1
2	3170000380	Boom Weldment 2nd Stage Section	1
3	3170000178	Boom Weldment 3rd Stage Section	1
4	3170000179	Boom Weldment Outer Section	1
5	7320000038	Cylinder	1
6	4691000293	Pin	1
7	4691000321	Pin	1
8	7754000043	Snap-Ring	4
9	3178000273	Bracket LH	3
10	3178000275	Bracket RH	3
11	4679000170	Pad	6
12	7108180850	Capscrew, 0.50"-20NF X 1.00"	12
13	7950180153	Flatwasher, 0.50" ID	12
14	4679000146	Pad	12
15	7114140518	Capscrew, 0.25"-20NC X 0.62"	12
16	4706002428	Plate	1
17	7661000019	U-Nut, 0.25"-20NC	4
18	7115140650	Capscrew, 0.25"-20NC X 0.75"	4
19	7950140000	Lockwasher, 0.25" ID	4
20	7440030000	Grease Fitting	1

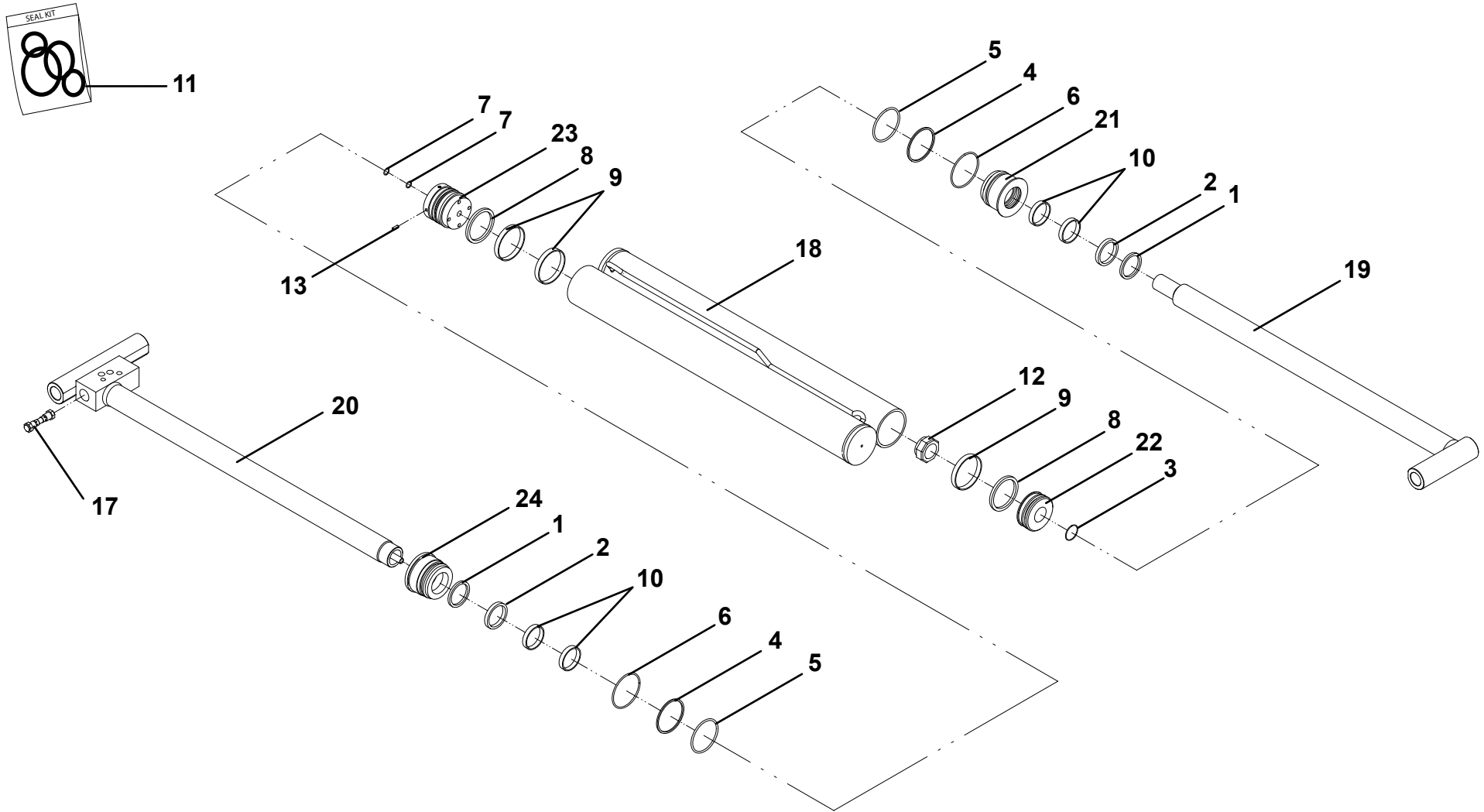
UNDERLIFT ASSEMBLY - 3170000381 - OPTIONAL - 565 4 PIECE U/L



UNDERLIFT EXTENSION CYLINDER ASSEMBLY - 7320000038

ITEM	PART NO.	DESCRIPTION	QTY
1	9796250081	Seal, Wiper	2
2	7019829	Seal	2
3	7023518	Seal, "O" Ring	1
4	9754250009	Ring, Back-up	2
5	9796250057	Seal, "O" Ring	2
6	9796250058	Seal, "O" Ring	2
7	70050534	Seal, "O" Ring	2
8	9796250073	Seal	2
9	9754250014	Ring, Wear	3
10	70050568	Ring, Wear	4
11	7577250334	Kit, Seal	1
12	7003116	Locknut	1
13	70050535	Setscrew	4
14	7005348	Grease Fitting	2
15	7005365	Plug, Port	2
16	70021648	Plug, Port	2
17	9935250025	Kit, Check Cartridge	1
18	70051197	Assembly, Tube	1
19	70051196	Assembly, Rod	1
20	70050075	Assembly, Rod-Tube	1
21	9553250010	Head	1
22	7024101	Piston	1
23	70050540	Piston	1
24	70050541	Head	1

UNDERLIFT EXTENSION CYLINDER ASSEMBLY - 7320000038

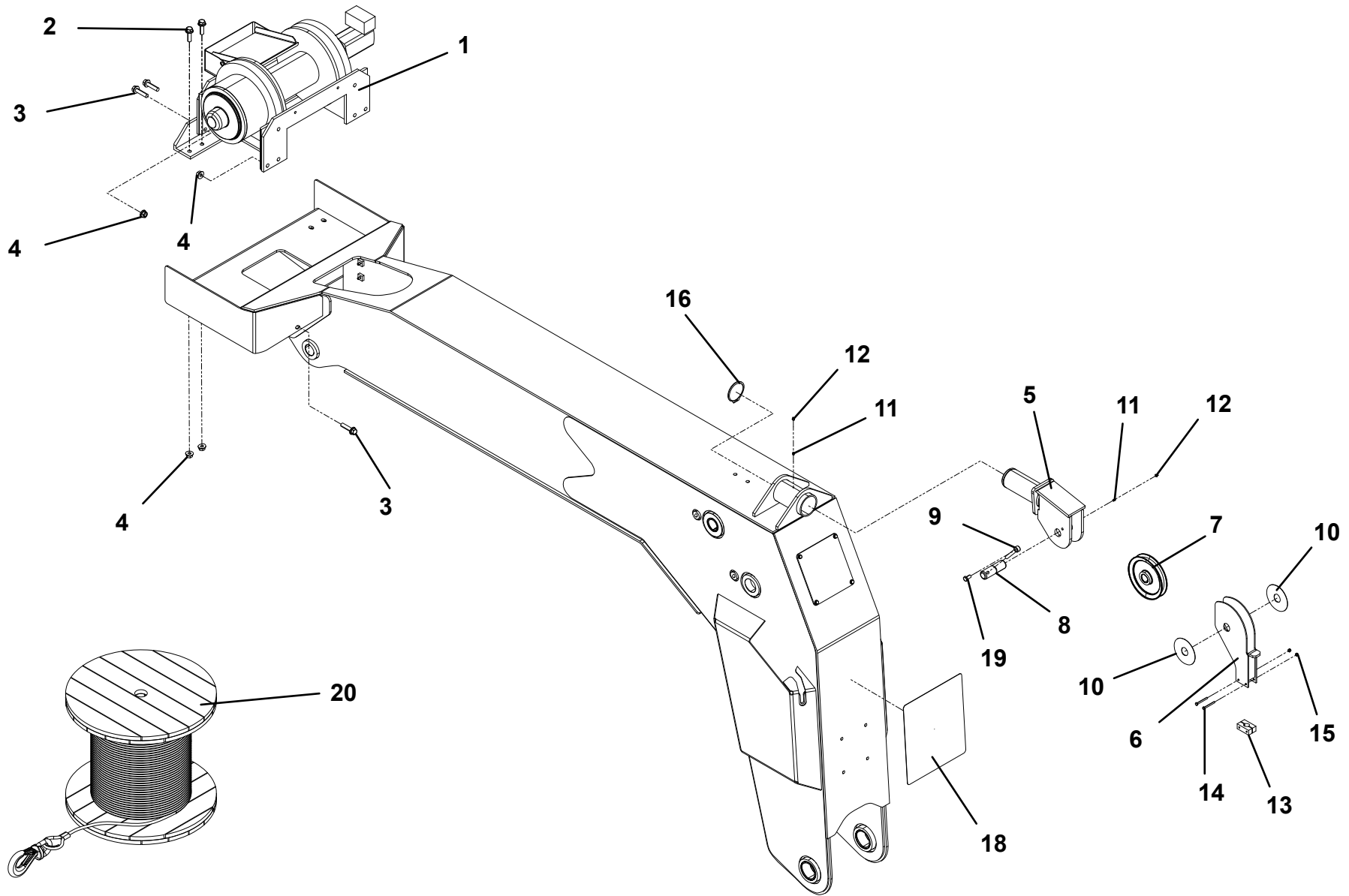


Items #14, #15 and #16, not shown

UNDERLIFT WINCH INSTALLATION

ITEM	PART NO.	DESCRIPTION	QTY
1	1001143297	Winch 35K	1
2	7118201616	Capscrew, 0.63"-11NC x 2.00"	4
3	7118202016	Bolt, 0.63"-11NC X 2.50"	4
4	7661000018	Nut, 0.63"-11NC	8
5	1001169617	Sheave Support	1
6	3249000012	Cable Guide Weldment	1
7	7809000006	Sheave	1
8	1001169893	Pin	1
9	3841203	Rod	1
10	4949000045	Washer	2
11	7440030000	Grease Fitting	2
12	7253000002	Grease Fitting Cap	2
13	4249000002	Cable Guide	2
14	7115142050	Capscrew, 0.25"-20NC x 2.50"	2
15	7660142604	Locknut, 0.25"-20NC	2
16	7754000049	Retaining Ring	1
17	3249000038	Cable Tie Back	1
18	1001151050	Decal	1
19	7115180850	Capscrew, 0.50"-13NC X 1.00"	1
20	1001209014	Wire Rope, 0.63" DIA X 250'	1
	1001209015	Wire Rope, 0.63" DIA X 250', SWVL Hook	
	1001209024	Wire Rope, 0.75" DIA X 200'	
	1001209025	Wire Rope, 0.75" DIA X 200'	

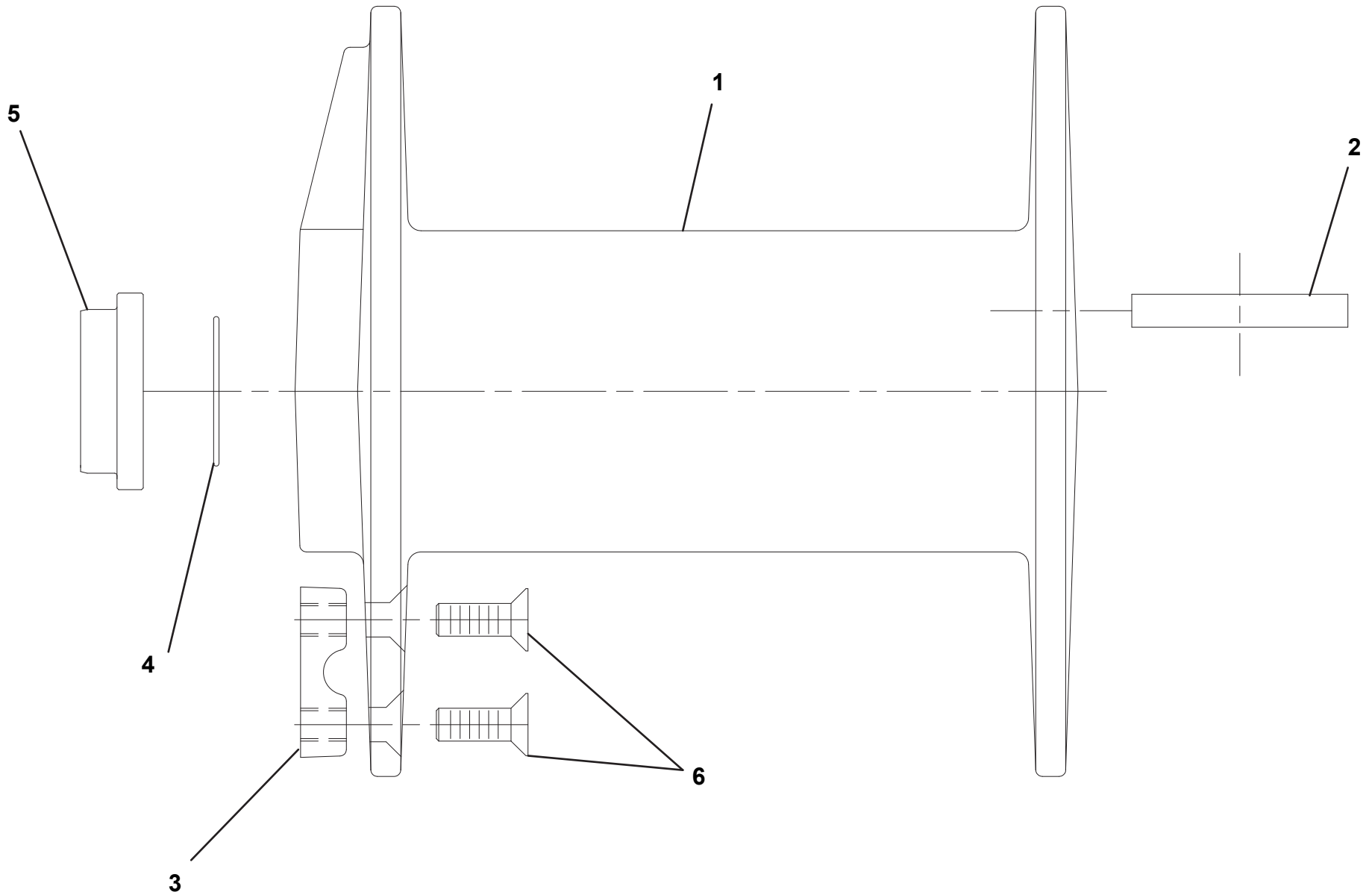
UNDERLIFT WINCH INSTALLATION



DP WINCH 35K - 1001143297 - CABLE WINCH DRUM INSTALLATION

ITEM	PART NO.	DESCRIPTION	QTY
1	9970960020	Drum	1
2	9575960012	Key, Drum	2
3	9280960002	Clip	1
4	9796960089	O-Ring, 2.50" ID	1
5	9831960018	Spacer	1
6	7110201423	Capscrew, 0.63"-11NC x 1.75"	2

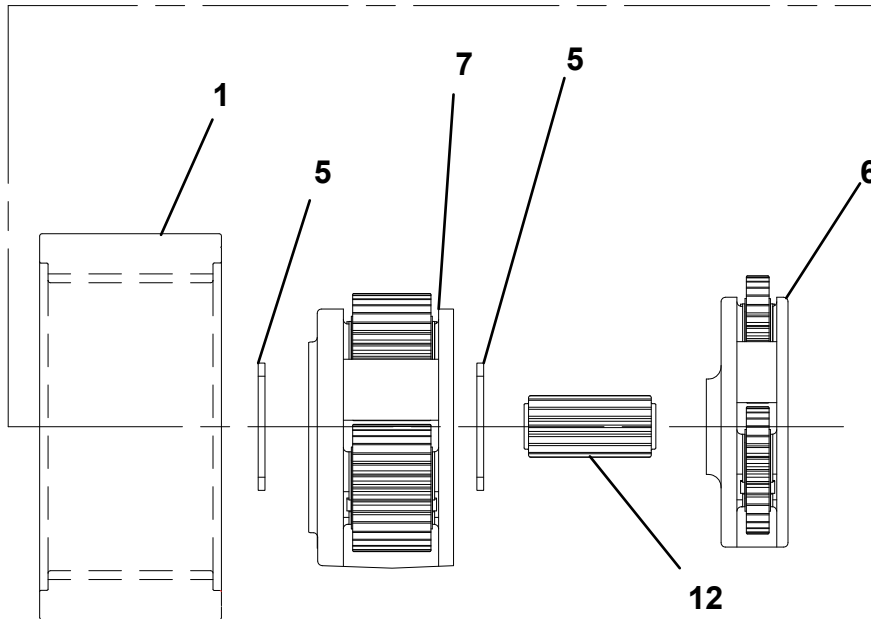
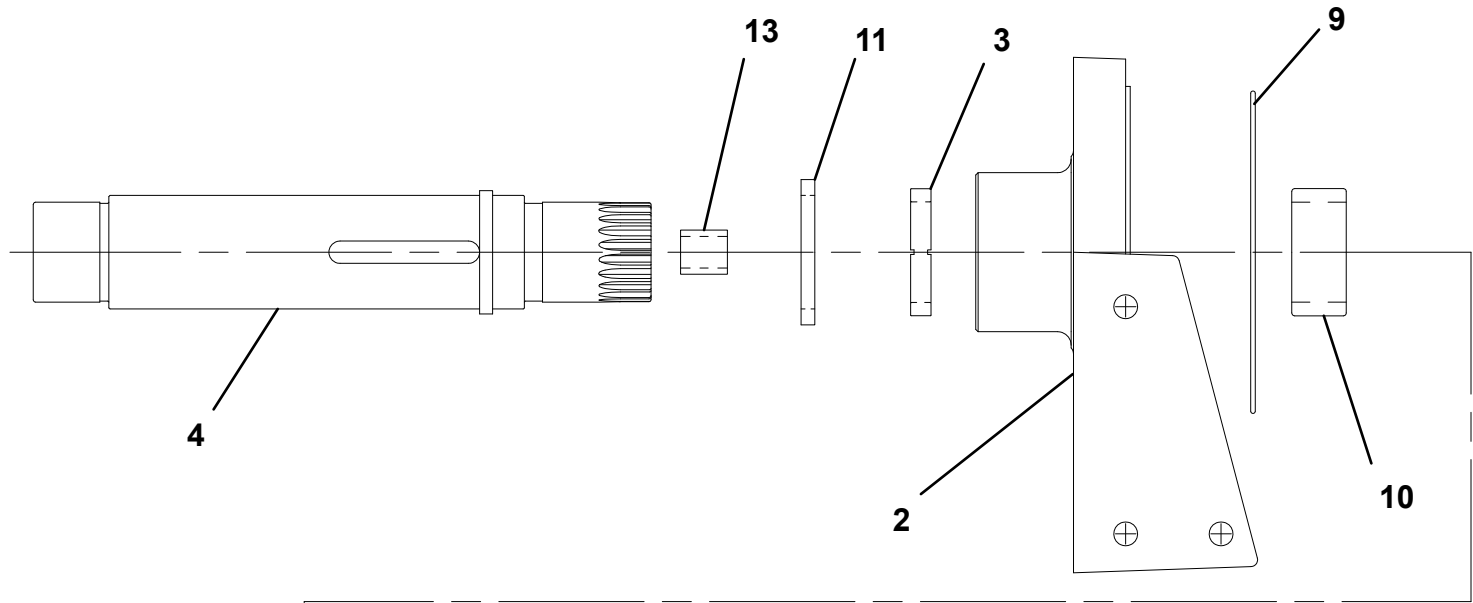
DP WINCH 35K - 1001143297 - CABLE DRUM INSTALLATION



DP WINCH 35K - 1001143297 - GEAR END INSTALLATION

ITEM	PART NO.	DESCRIPTION	QTY
1	9472960056	Gear	1
2	9177960003	Support, Gear End	1
3	9949960028	Thrust Washer, 3.82" OD x 0.046"	1
4	9806960021	Shaft, Output	1
5	9949960027	Thrust Washer, 3.50" OD x 0.19"	2
6	9472960052	Carrier Assembly, Primary	1
7	9472960053	Carrier Assembly, Secondary	1
8	9330960006	Label, Warning	1
9	9796960120	O-Ring, 8.75" ID	1
10	9082960018	Bearing	1
11	9796960121	Seal, 3.13" ID x 0.38"	1
12	9472960055	Gear, Sun Secondary	1
13	9209960025	Bushing	1

DP WINCH 35K - 1001143297 - GEAR END INSTALLATION

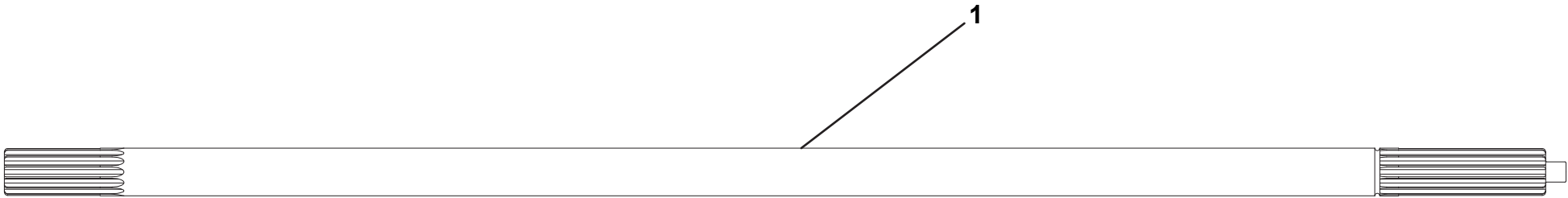


Items #8 not shown

DP WINCH 35K - 1001143297 - INPUT SHAFT INSTALLATION

ITEM	PART NO.	DESCRIPTION	QTY
1	9806960020	Input Shaft	1

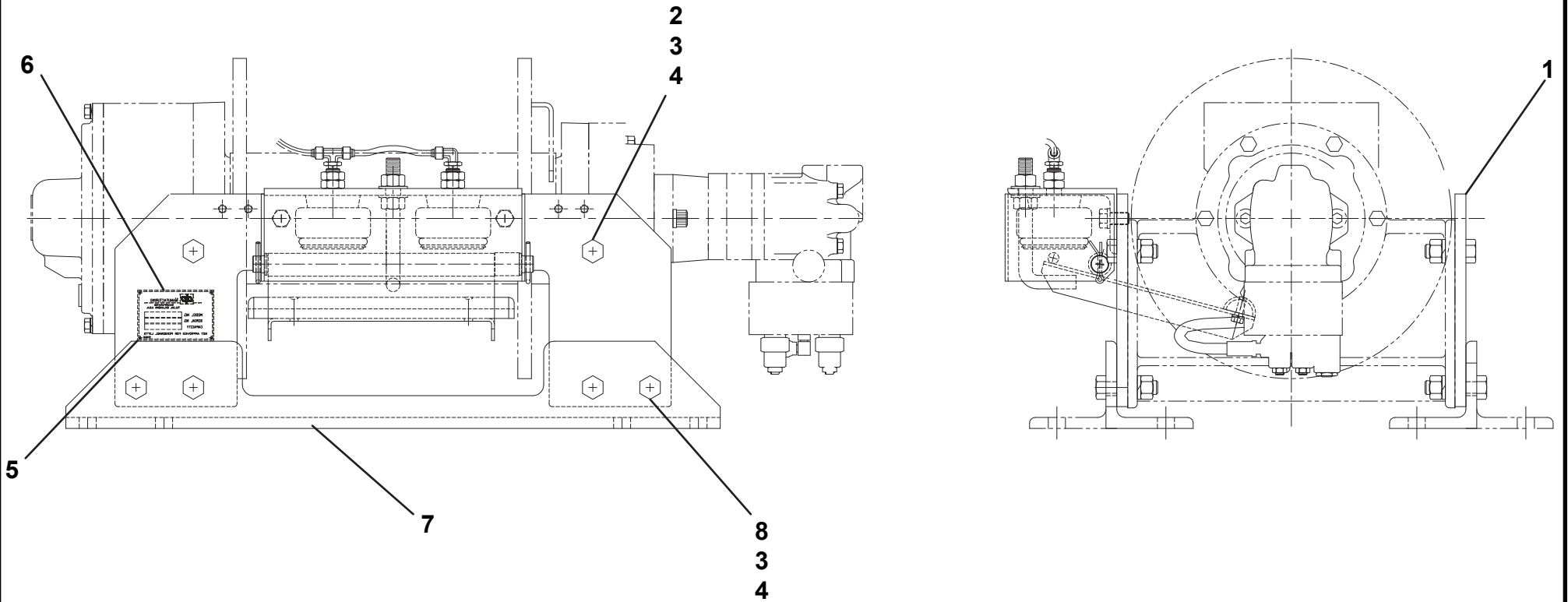
DP WINCH 35K - 1001143297 - INPUT SHAFT INSTALLATION



DP WINCH 35K - 1001143297 - BASE MOUNT INSTALLATION

ITEM	PART NO.	DESCRIPTION	QTY
1	9073960003	Base Mount	2
2	7115201850	Capscrew, 0.63"-11NC x 2.25"	4
3	7660200001	Nut, 0.63"-11NC	12
4	7950200000	Lockwasher, 0.63" ID	12
5	70050147	Rivet	4
6	70050384	Plate, Winch ID	1
7	9073960004	Base Mount	2
8	7115202250	Capscrew, 0.63"-11NC x 2.75"	8

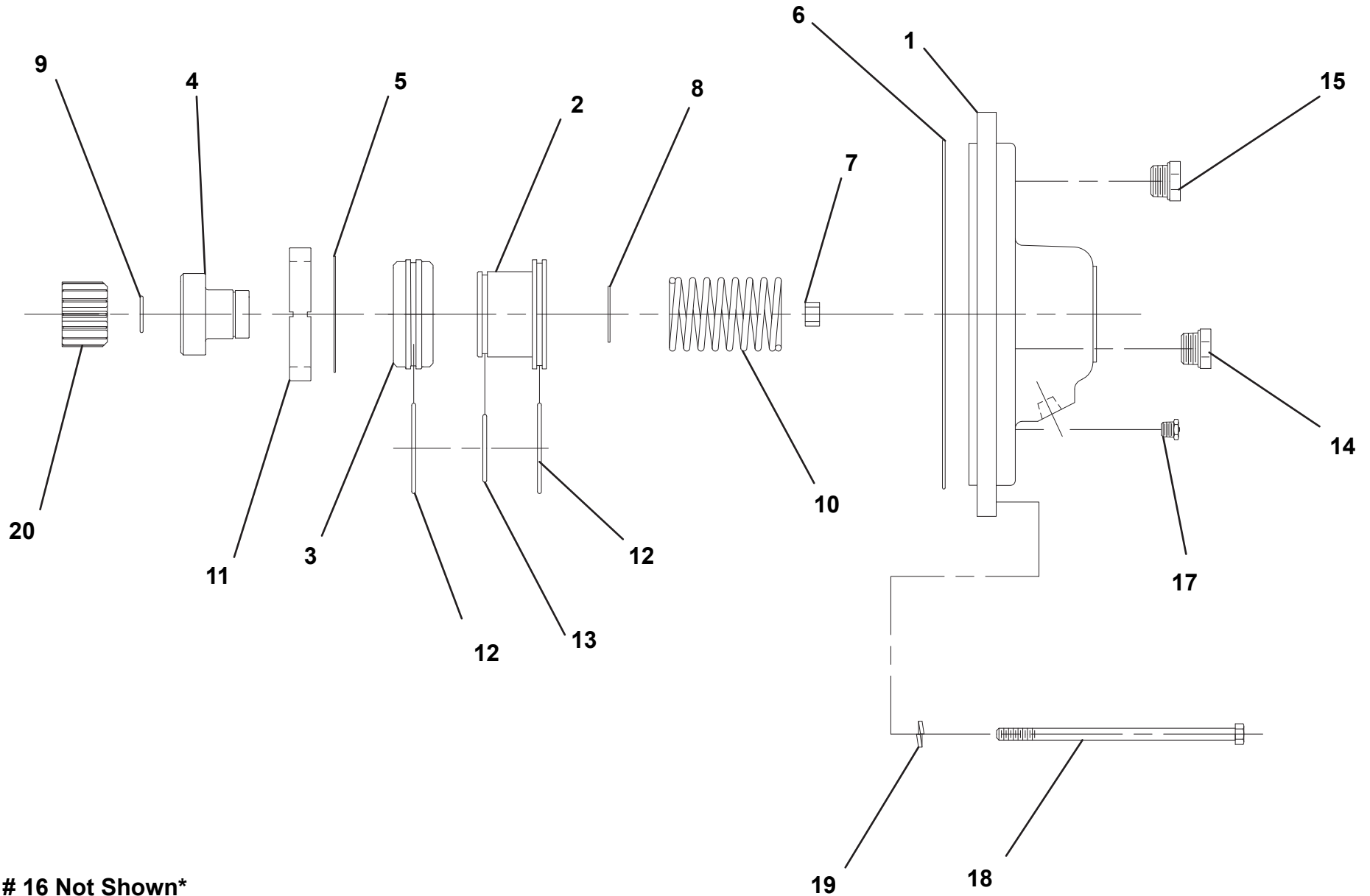
DP WINCH 35K - 1001143297 - BASE MOUNT INSTALLATION



DP WINCH 35K - 1001143297 - GEAR END COVER INSTALLATION

ITEM	PART NO.	DESCRIPTION	QTY
1	9314960022	Cover, Gear End	1
2	9698960016	Piston	1
3	9698960015	Cylinder, Piston	1
4	9309960011	Coupling	1
5	9754960026	Retainer Ring	1
6	9796960120	O-Ring, 8.75" ID	1
7	9209960026	Bushing	1
8	9754960046	Retainer Ring	1
9	9754960047	Retainer Ring	1
10	9843960032	Spring	1
11	9949960028	Thrust Washer	1
12	9796960119	O-Ring, 2.63" ID	2
13	9796960118	O-Ring, 2.13" ID	1
14	9701960011	Plug	1
15	9701960012	Plug	1
16	9701960018	Plug	1
17	9183960001	Vent	1
18	7118165250	Capscrew, 0.38"-16NC x 6.50"	12
19	7950160000	Lockwasher, 0.38" ID	12
20	9472960054	Gear, 15 Teeth	1

DP WINCH 35K - 1001143297 - GEAR END COVER INSTALLATION



Item # 16 Not Shown

DP WINCH 35K - 1001143297 - MOTOR END INSTALLATION

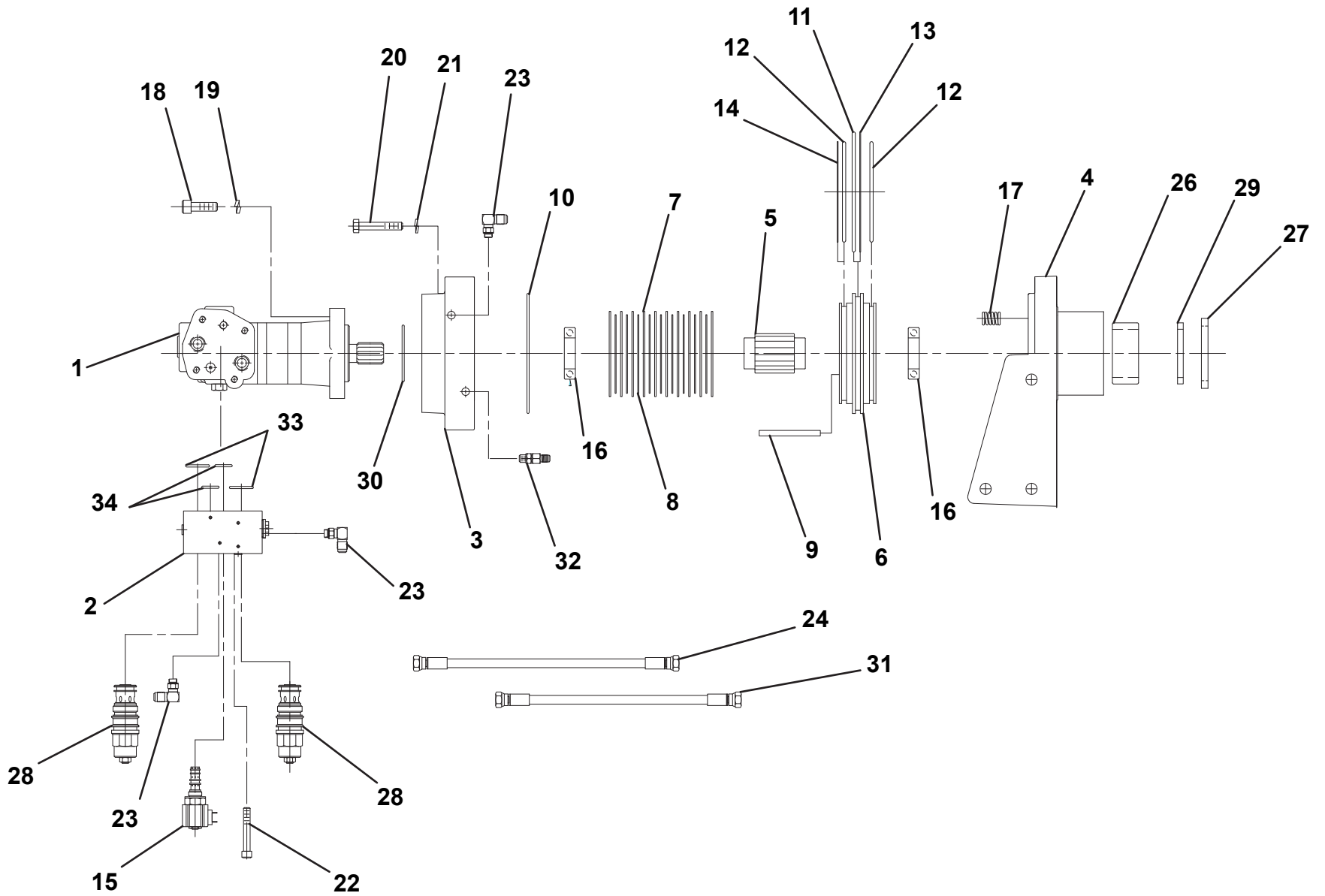
ITEM	PART NO.	DESCRIPTION	QTY
1	70050399	Motor, Hydraulic	1
2	70050368	Valve, Counterbalance	1
3	9571960006	Brake Housing	1
4	9177960004	Support, Motor End	1
5	6906960019	Shaft Brake	1
6	9698960008	Piston, Brake	1
7	#	Plate, Friction Disc	10
8	#	Plate, Drive Brake	9
9	9691960021	Pin	2
10	##	O-Ring, 6.75" ID	1
11	##	O-Ring, 6.50" ID	1
12	##	O-Ring, 5.38" ID	2
13	##	Ring, Back-Up 6.50" ID	1
14	##	Ring, Back-Up 5.278" ID	1
15	70050371	Cartridge	1
16	9082960013	Bearing, 1.75" ID	2
17	#	Compression Spring	12
18	7118181205	Capscrew, 0.50"-13NC x 1.50"	2
19	7950180800	Lockwasher, 0.50" ID	2
20	7118172050	Capscrew, 0.44"-14NC x 2.50"	6
21	7950170000	Lockwasher, 0.44" ID	6
22	70050370	Capscrew, 0.38"-24NF x 2.50"	4
23	7445040445	Adapter	3
24	70050400	Hose	1
25	70050401*	Tag, Warning	1
26	9082960018	Bearing	1
27	<	Seal, 3.13" ID	1
28	9935960026	Cartridge	2
29	9949960028	Thrust Washer	1
30	<	O-Ring, 3.00" ID	1
31	70050372	Hose	1
32	9443960006	Adapter	1
33	70050369<	O-Ring, 1.13" ID	2
34	9796960088<	O-Ring, 0.82" ID	2

< Part Sold With Winch Service Kit - 70050402

Part Sold With Disk & Spring Kit - 9577960139

Part Sold With Brake Seal Kit - 9577960120

DP WINCH 35K - 1001143297 - MOTOR END INSTALLATION

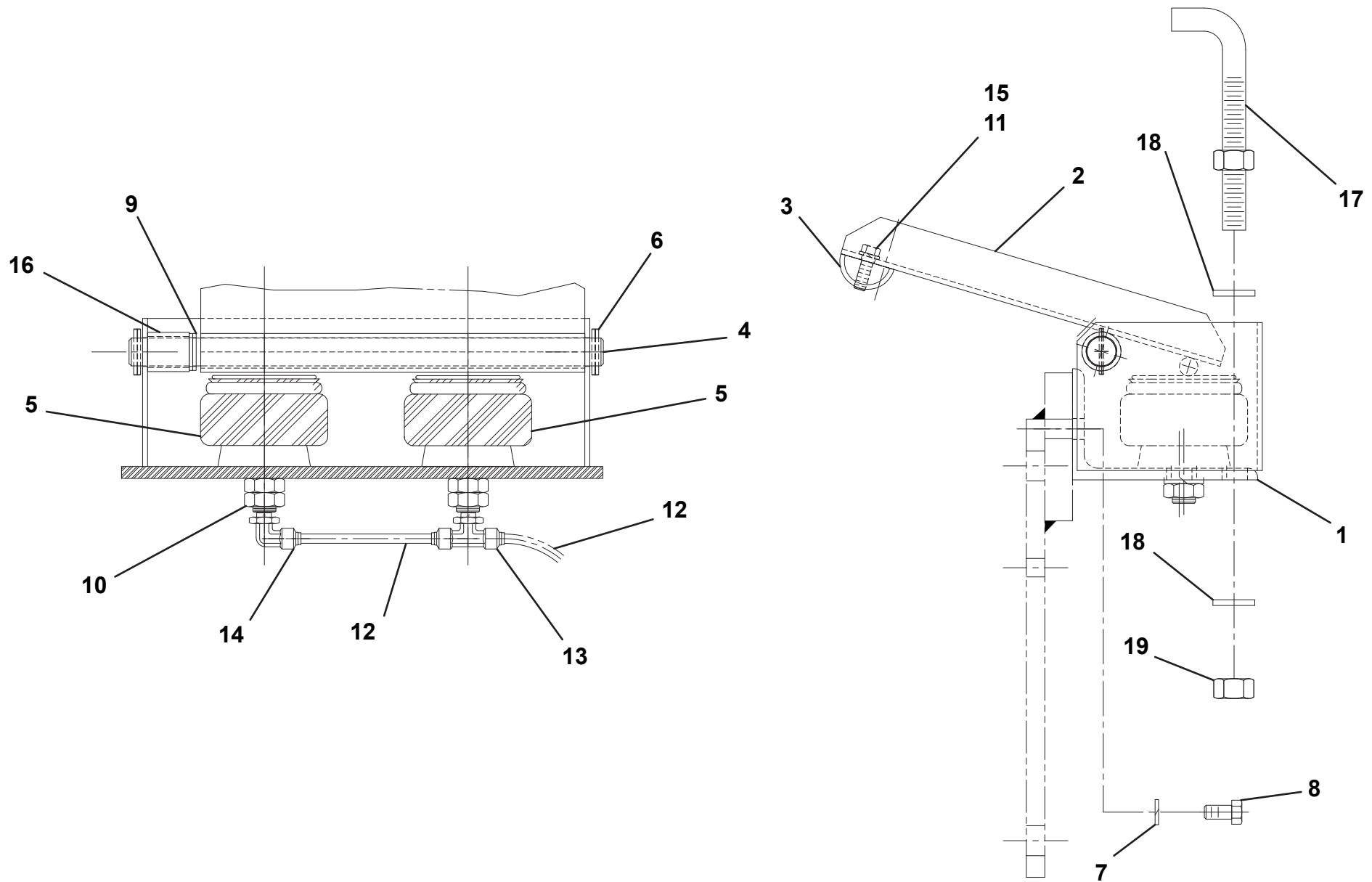


Items #25 not shown

DP WINCH 35K - 1001143297 - CABLE HOLD DOWN KIT

ITEM	PART NO.	DESCRIPTION	QTY
1	9178960011	Mounting Bracket	1
2	9020960002	Pivot Arm	1
3	9064960007	Rub Bar	1
4	9691960019	Pin	1
5	9843960023	Air Spring	2
6	9690960039	Cotter Pin	2
7	7950180000	Lockwasher, 0.50" ID	2
8	7115181650	Capscrew, 0.50"-13NC x 1.00"	2
9	9949960012	Thrust Washer	2
10	7660200200	Nut, 0.63"-11NC	4
11	9120960063	Capscrew, 0.32"-18NC x 1.00"	2
12	9912960010	Tubing	3
13	7443000205	Adapter	3
14	7443000204	Adapter	1
15	9949960050	Lockwasher, 0.32" ID	2
16	9831960009	Spacer	1
17	9120960019	Anchor Bolt	1
18	7950200151	Flatwasher, 0.63" ID	2
19	7660200001	Nut, 0.63"-11NC	1

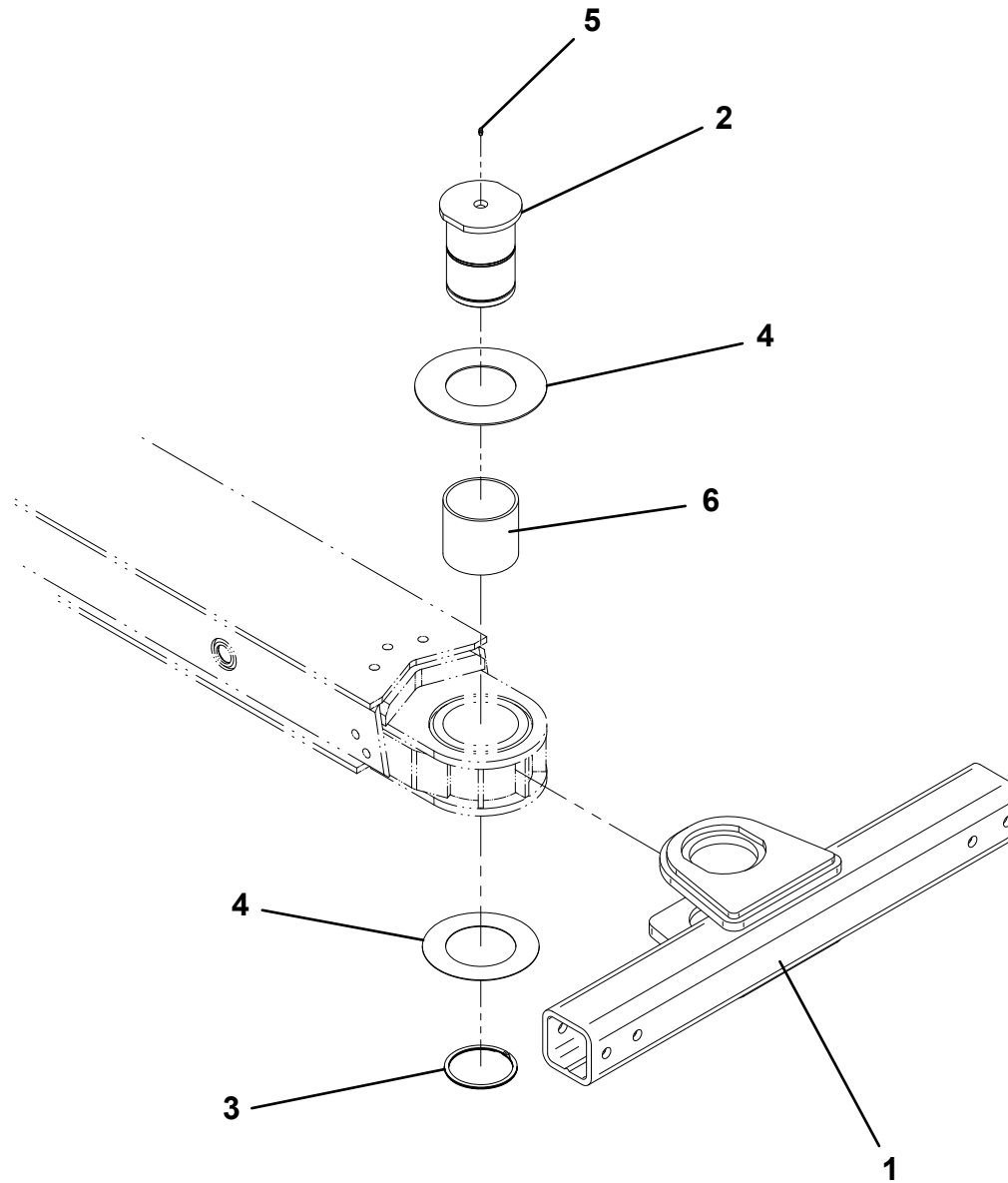
DP WINCH 35K - 1001143297 - CABLE HOLD DOWN KIT



CROSSTUBE INSTALLATION

ITEM	PART NO.	DESCRIPTION	QTY
1	3913000094	Crosstube	1
2	4691000242	Pin	1
3	7754000042	Retaining Ring	1
4	3577000018	Shim	1
5	7440030000	Grease Fitting	1
6	7209000022	Bushing	1

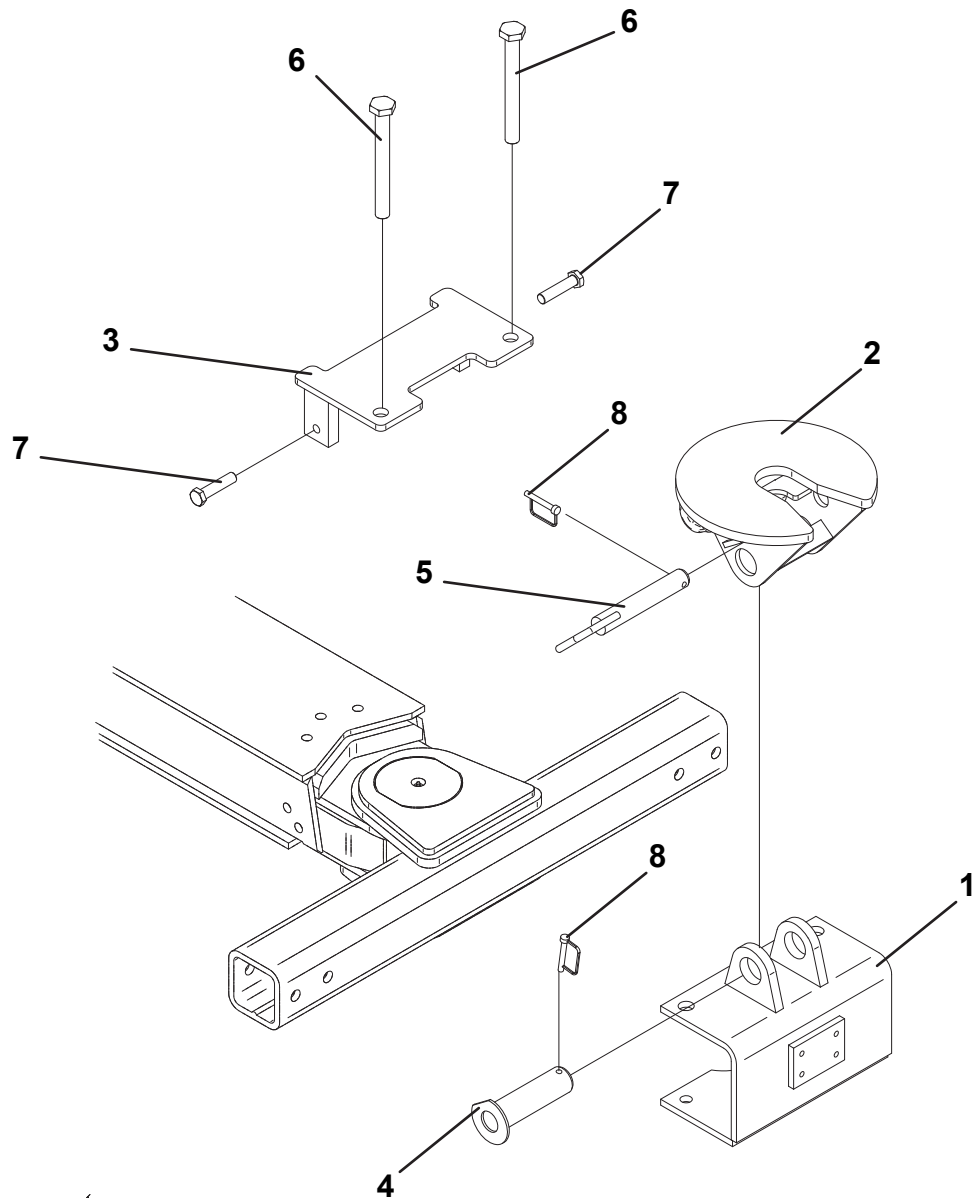
CROSTUBE INSTALLATION



UNDERLIFT TOOLS - 5TH WHEEL INSTALLATION

ITEM	PART NO.	DESCRIPTION	QTY
1	3178000240	Bracket	1
2	3178000499	Bracket	1
3	3706000080	Plate	1
4	3691000144	Pin	1
5	3691000144	Pin	1
6	7118267250	Capscrew, 1.00" - 8NC x 9.00"	2
7	7120000036	Capscrew, 0.75" - 10NC x 3.25"	2
8	7691000025	Pin	2

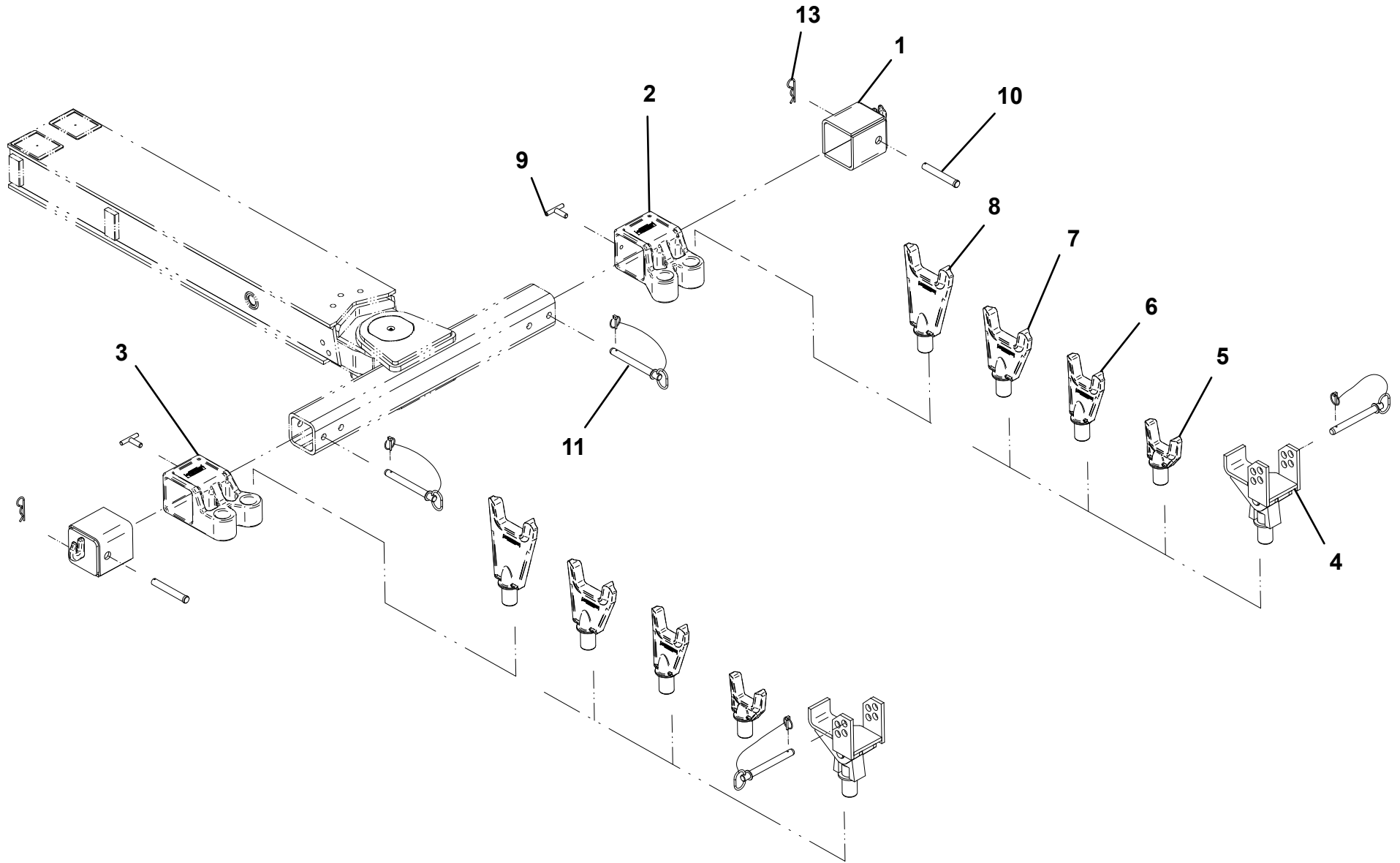
UNDERLIFT TOOLS - 5TH WHEEL INSTALLATION



UNDERLIFT TOOLS - FRAME FORKS

ITEM	PART NO.	DESCRIPTION	QTY
1	3007000004	Chain Hook Adapter	2
2	7007000056	Frame Fork Adapter, RH	1
3	7007000055	Frame Fork Adapter, LH	1
4	3178000226	Spring Lift Bracket	2
5	7454000006	Fork, 3.00" Short	2
6	7454000005	Fork, 3.00" Medium	2
7	7454000003	Fork, 4.50" Medium	2
8	7454000004	Fork, 4.50" Long	2
9	3551000036	T-Handle	2
10	7691000022	Pin	2
11	7691000021	Pin	2
12	1001159568	Strap (Not Shown)	1
13	1001198300	Pin	2

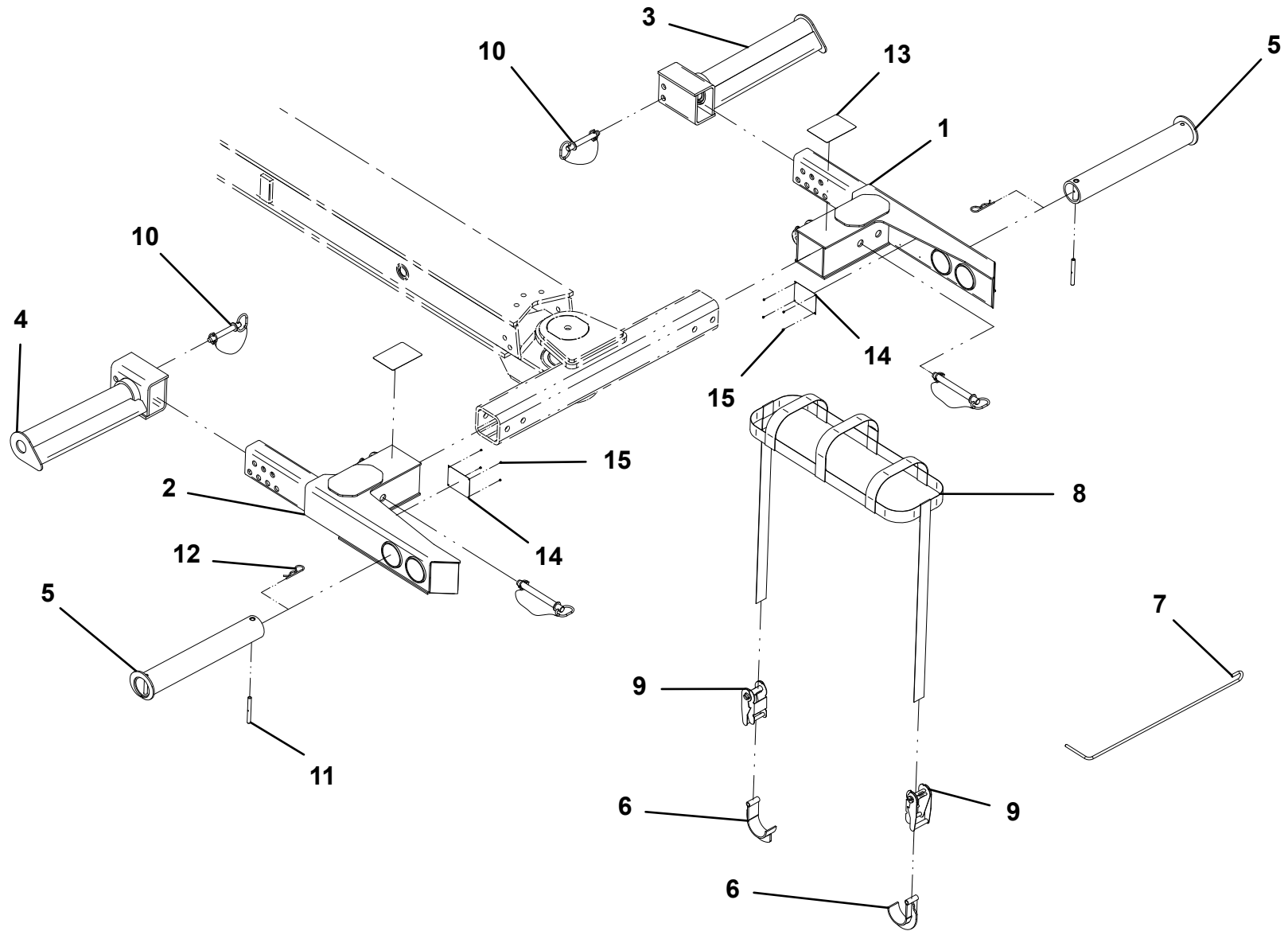
UNDERLIFT TOOLS - FRAME FORKS



UNDERLIFT TOOLS - 14,000 LB TIRE LIFT

ITEM	PART NO.	DESCRIPTION	QTY
1	3484000048	Tire Lift Grid - RH	1
2	3484000049	Tire Lift Grid - LH	1
3	3020000120	Tire Lift Arm Weldment - RH	1
4	3020000119	Tire Lift Arm Weldment - LH	1
5	3912000038	Tire Lift Tube Weldment	2
6	3561000008	Hook, 2" Wide Strap	4
7	4561000012	Pull Hook	1
8	7894000037	Strap, 2" Wide (Standard - Yellow)	2
9	7894000028	Ratchet, 2" Wide Strap	4
10	7691000026	Hitch Pin	2
11	4691000274	Pin	4
12	7691000020	Hairpin	4
13	7330000278	Decal, Caution	2
14	1001132268	Decal, Rating	2
15	7759000004	Pop Rivet	8

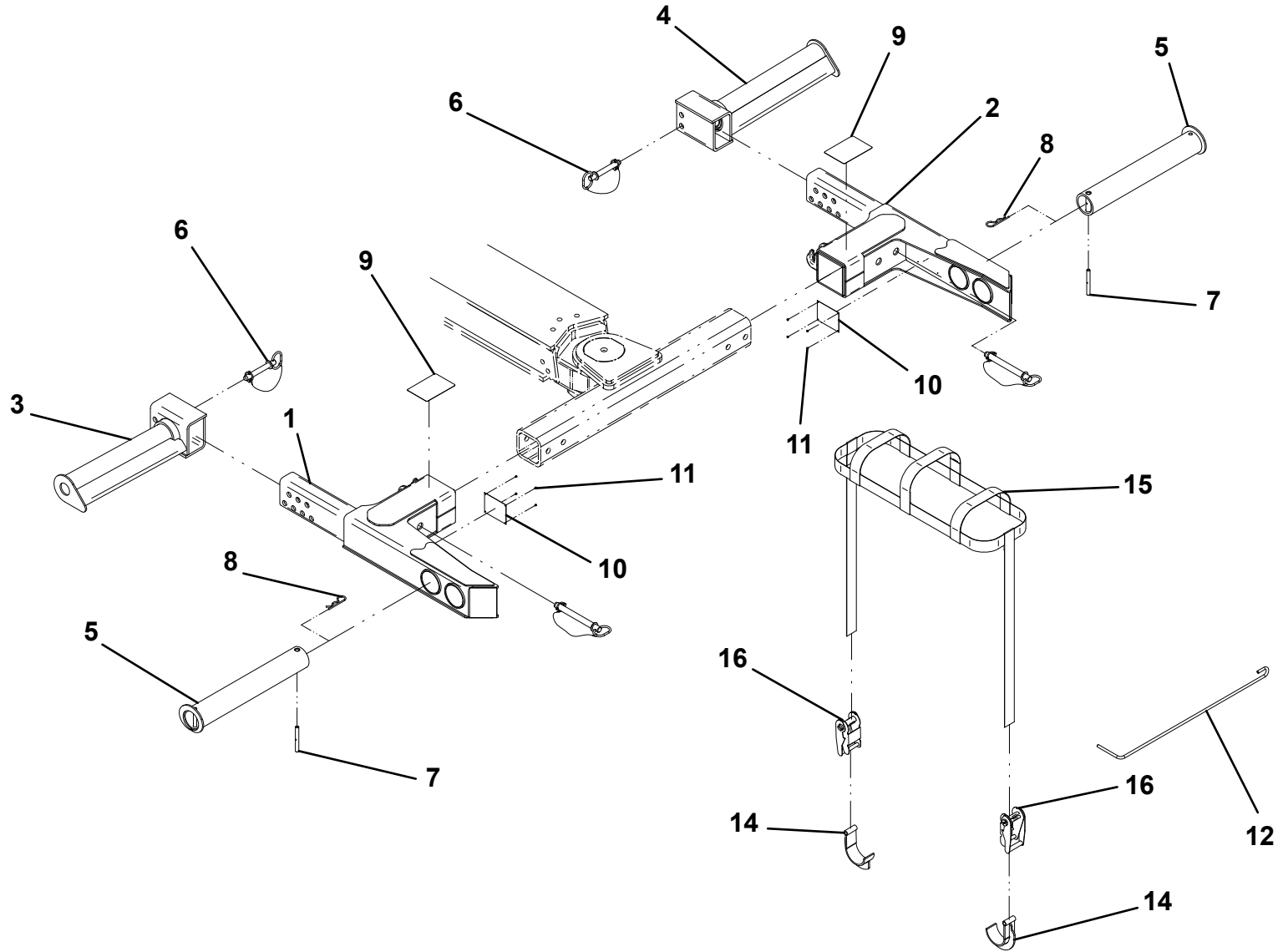
UNDERLIFT TOOLS - 14,000 LB TIRE LIFT



UNDERLIFT TOOLS - 25,000 LB TIRE LIFT

ITEM	PART NO.	DESCRIPTION	QTY
1	3484000072	Tire Lift Grid - LH	1
2	3484000073	Tire Lift Grid - RH	1
3	3020000119	Tire Lift Arm Weldment - LH	1
4	3020000120	Tire Lift Arm Weldment - RH	1
5	3912000033	Tire Lift Tube Weldment	2
6	7691000026	Hitch Pin	2
7	4691000274	Pin	4
8	7691000020	Hairpin	4
9	7330000278	Decal, Caution	2
10	1001132265	Decal, Rating	2
11	7759000004	Pop Rivet	8
12	4561000012	Pull Hook	1
13	7577000368	Strap	1
14	3912000038	Tube Weldment	2
15	3561000008	Hook	4
16	7894000037	Strap	2
17	7894000028	Ratchet Strap	4

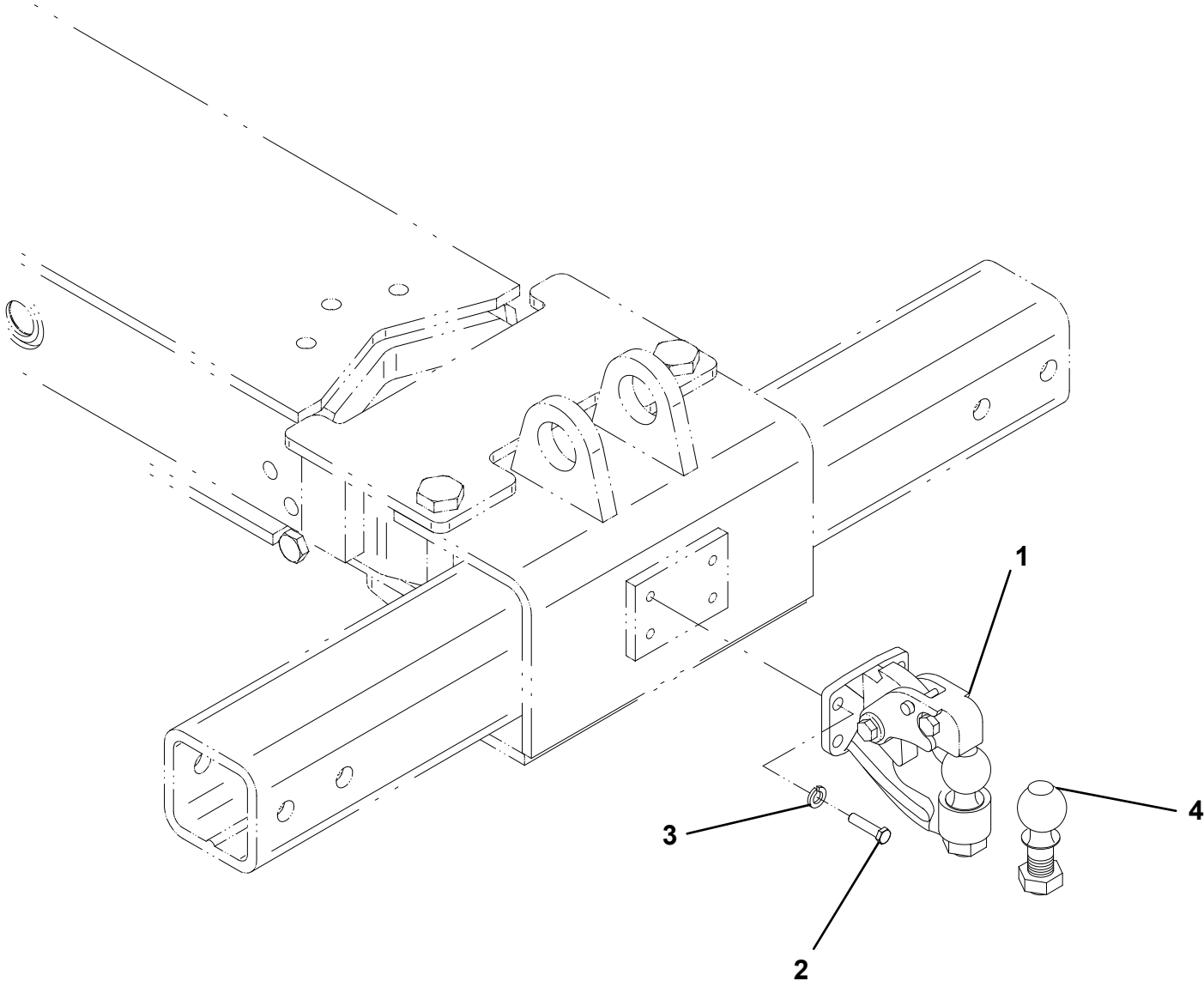
UNDERLIFT TOOLS - 25,000 LB TIRE LIFT



UNDERLIFT TOOLS - PINTLE HOOK

ITEM	PART NO.	DESCRIPTION	QTY
1	7561000020	Hitch, Pintle Hook with 2" Dia. Ball	1
2	7118181250	Capscrew, 0.50"-13NC x 1.50"	4
3	7950180000	Lockwasher, 0.50" ID	4
4	7056000003	Ball, 1.88" Dia	1
	7056000004	Ball, 2.00" Dia	
	7056000005	Ball, 2.31" Dia	
	7056000006	Ball, 50mm Dia	

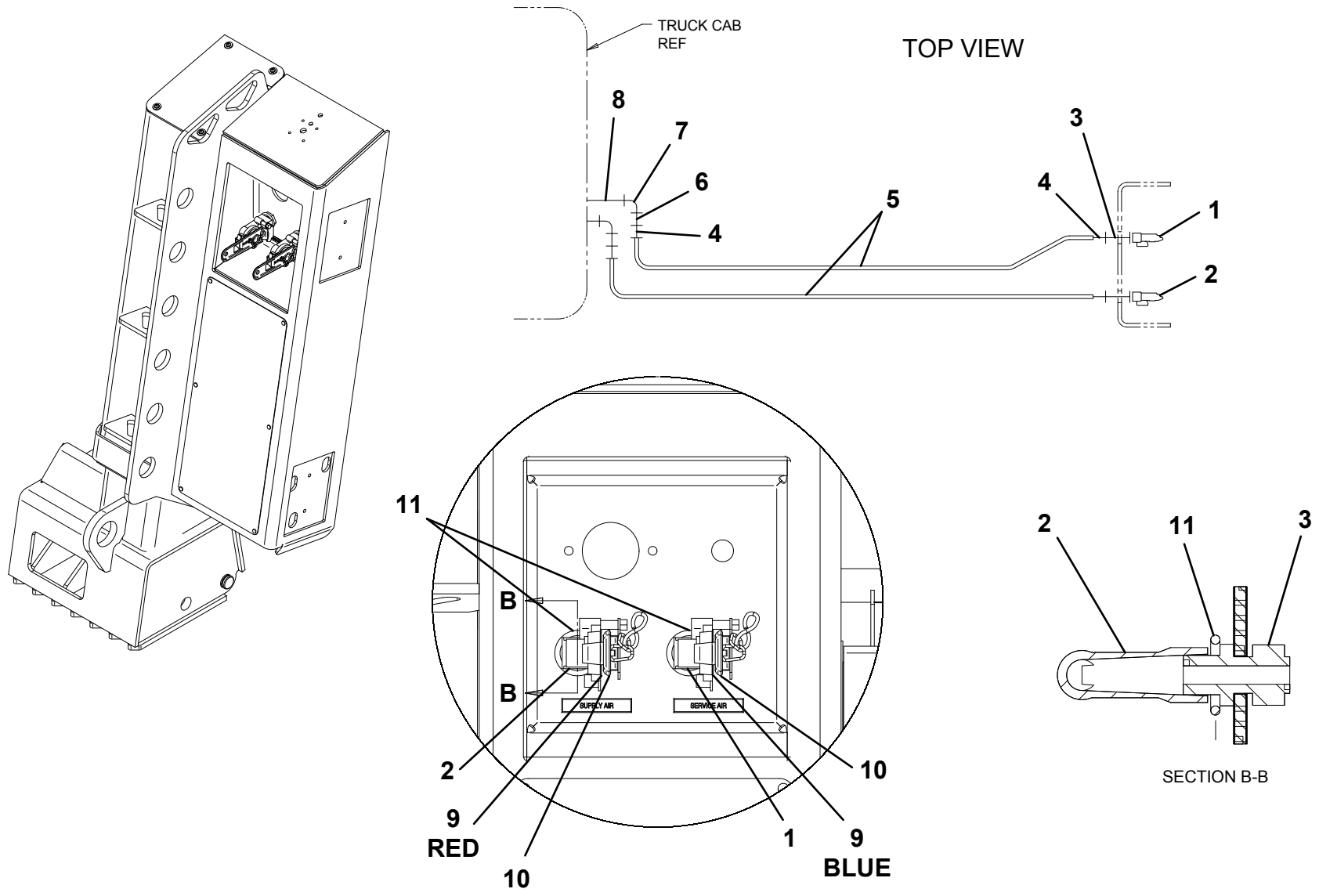
UNDERLIFT TOOLS - PINTLE HOOK



TRAILER AIR INSTALLATION

ITEM	PART NO.	DESCRIPTION	QTY
1	7312000015	Gladhand	1
2	7312000016	Gladhand	1
3	7446502518	Fitting	2
4	7445060435	Fitting	4
5	7565000014	Airline	50 FT
6	7443000148	Bushing	2
7	7443000146	Elbow	2
8	7443000145	Bushing	2
9	7577000145	Seal Kit	1
10	1001170036	Shield	2
11	1001171933	Ring	2

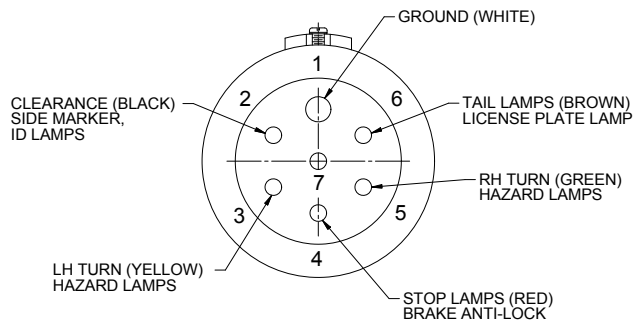
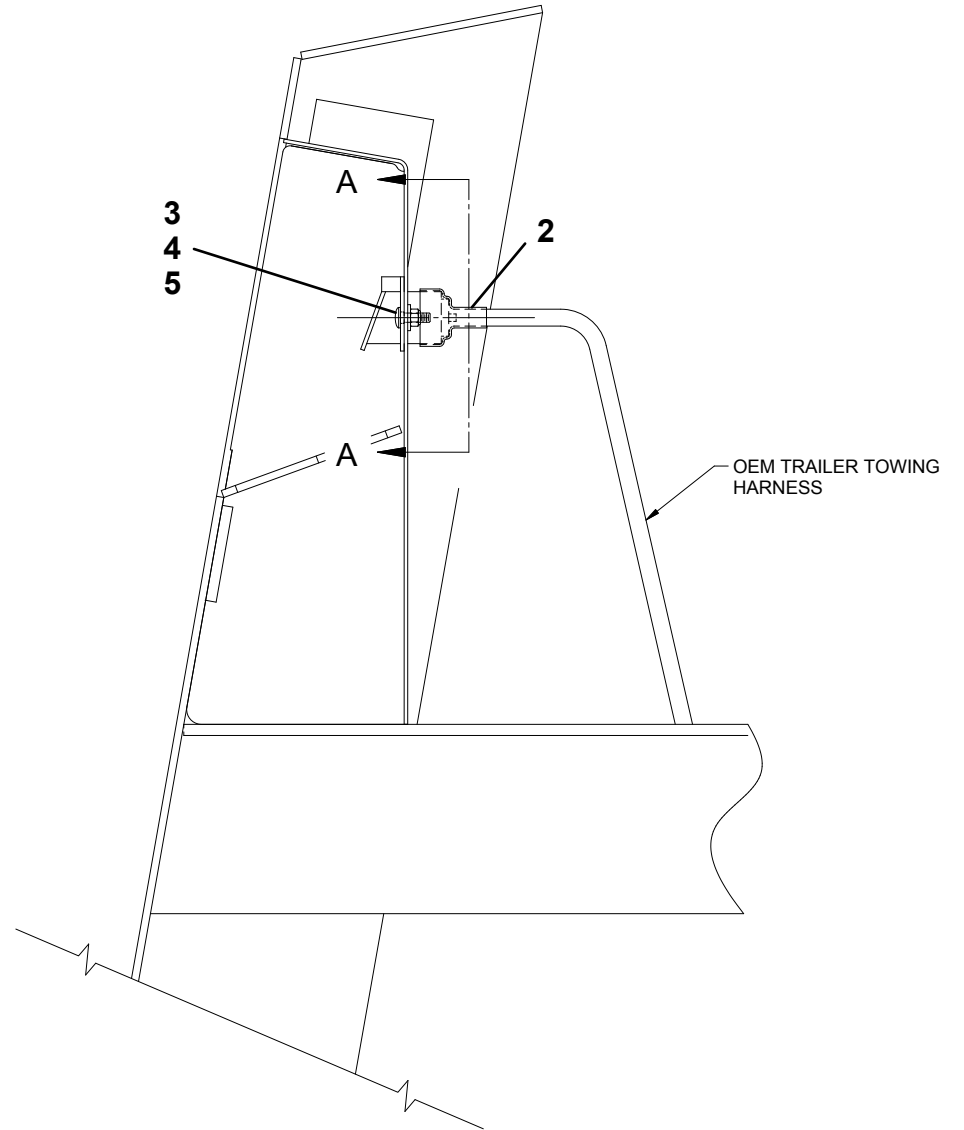
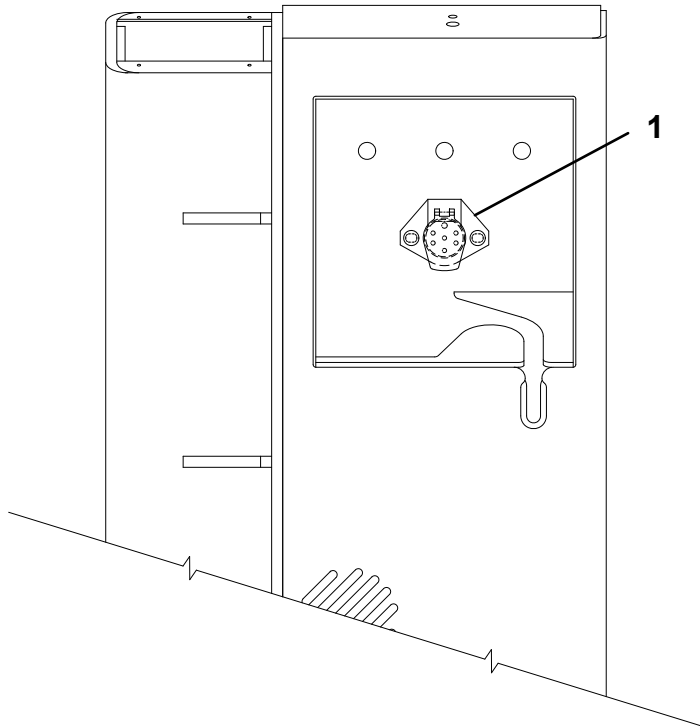
TRAILER AIR INSTALLATION



TRAILER PLUG INSTALLATION

ITEM	PART NO.	DESCRIPTION	QTY
1	7346000055	7-Way Plug	1
2	7346000078	7-Way Plug Boot	1
3	7115150864	Bolt, 0.31"-18NC x 1.00"	2
4	7950150161	Flatwasher, 0.31" ID	2
5	7660152601	Locknut, 0.31"-18NC	2

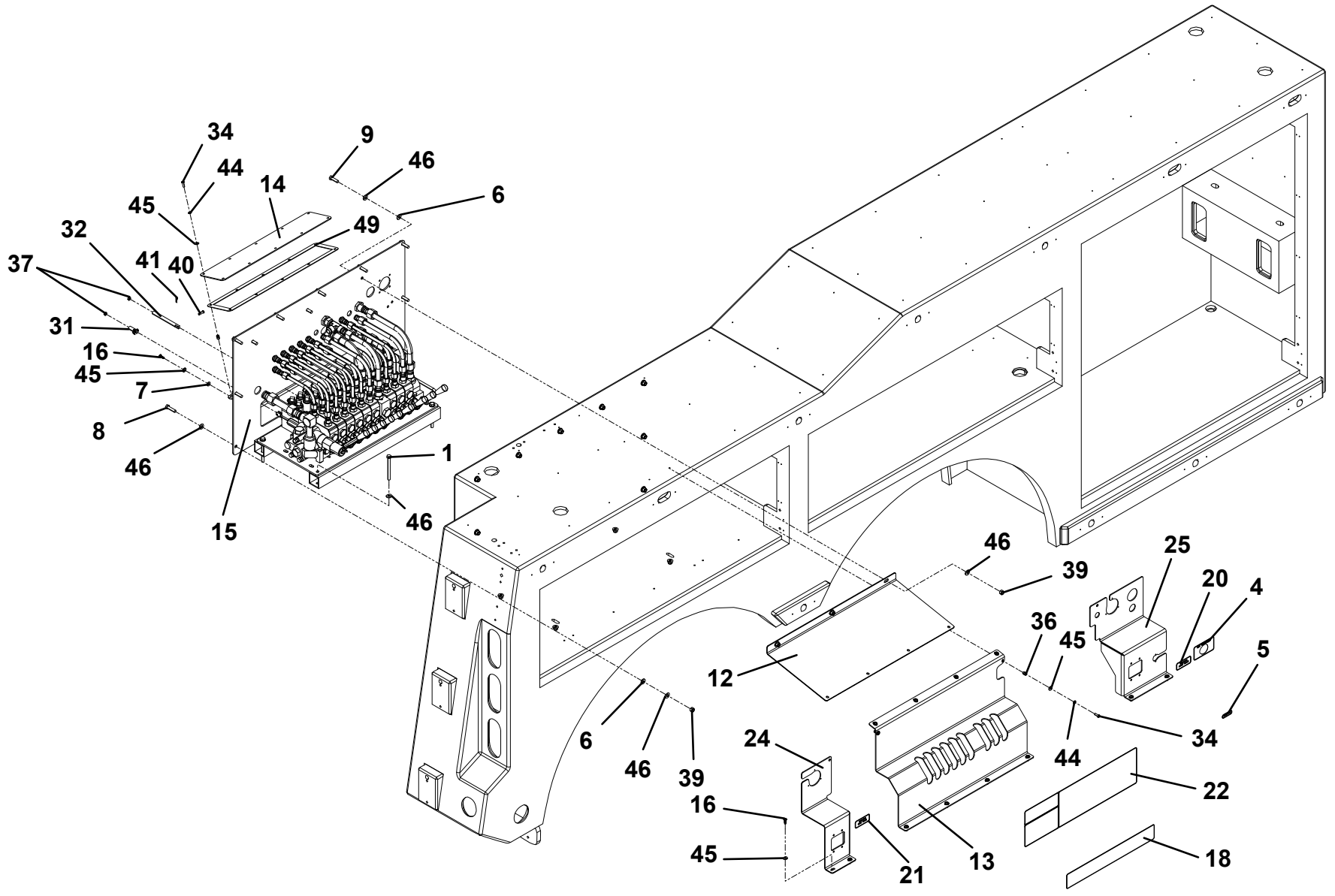
TRAILER PLUG INSTALLATION

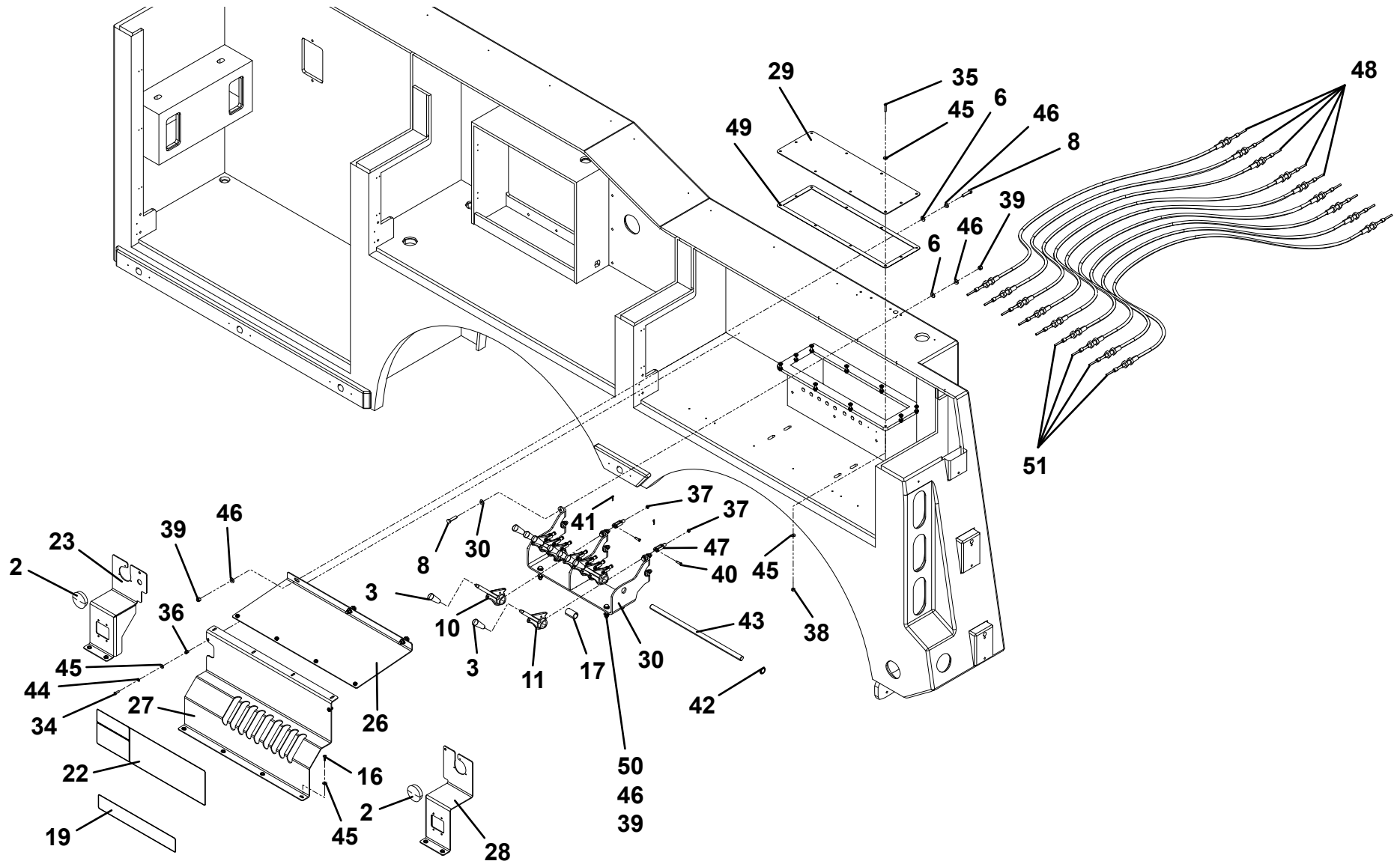


CONTROL INSTALLATION - 9 SECTION - 3 SOLENOID

ITEM	PART NO.	DESCRIPTION	QTY	ITEM	PART NO.	DESCRIPTION	QTY
1	641632	Capscrew, 0.38"-16 X 4.00"	4	40	7690141200	Pin	18
2	3520064	Plug	2	41	7691000075	Pin	18
3	1001130491	Control Knob	18	42	7754000009	Retaining Ring	2
4	1001134433	Decal	1	43	7806000008	Shaft	1
5	1001154277	Decal	1	44	7950140003	Lockwasher, 0.25" ID	22
6	1001166974	Washer, 0.38"	21	45	7950140143	Flatwasher, 0.25" ID	61
7	1001166978	Washer, 0.25"	3	46	7950160143	Flatwasher, 0.38" ID	58
8	1001168993	Capscrew, 0.38"-16 X 1.50"	18	47	7990000003	Yoke	9
9	1001169080	Capscrew, 0.38"-16 X 1.25"	3	48	1001202741	Cable Push Pull	5
10	1001184827	Handle, Long	2	49	7796000012	Seal	8.7 FT
11	1001184828	Handle, Short	7	50	1001169083	Capscrew, 0.38"-16 X 2.00"	4
12	1001189784	Panel, Controls Top RH	1	51	1001206801	Cable Push Pull	4
13	1001202508	Panel, Controls 9 Sect RH	1				
14	1001189993	Panel, Cable Bracket Cover	1				
15	1001202432	Valve Sub Assembly	1				
16	1001194676	Screw, 0.25" X 0.75"	19				
17	1001194736	Spacer	1				
18	1001202517	Decal	1				
19	1001202518	Decal	1				
20	1001196909	Decal	1				
21	1001196910	Decal	1				
22	1001196911	Decal	2				
23	1001199311	Panel, Controls Front LH	1				
24	1001199322	Panel, Controls Rear RH	1				
25	1001199324	Panel, Controls Front RH	1				
26	1001214902	Panel, Controls Top LH	1				
27	1001219743	Panel, Controls 9 Sect LH	1				
28	1001219691	Panel, Controls Rear LH	1				
29	1001219937	Plate	1				
30	1001220068	Bracket	1				
31	4309000001	Coupling	3				
32	4309000007	Coupling	6				
33	7082000005	Bearing	2				
34	7114140618	Screw, 0.25"-20 X 0.75"	22				
35	7114141018	Screw, 0.25"-20 X 1.25"	10				
36	7413000002	Nutsert, 0.25"-20	22				
37	7660140230	Nut, 0.25"-28	18				
38	7660142601	Locknut, 0.25" -20NC	10				
39	7660162601	Locknut, 0.38"-16NC	29				

CONTROL INSTALLATION - 9 SECTION - 3 SOLENOID



CONTROL INSTALLATION - 9 SECTION - 3 SOLENOID

CONTROL INSTALLATION - 9 SECTION - 3 SOLENOID

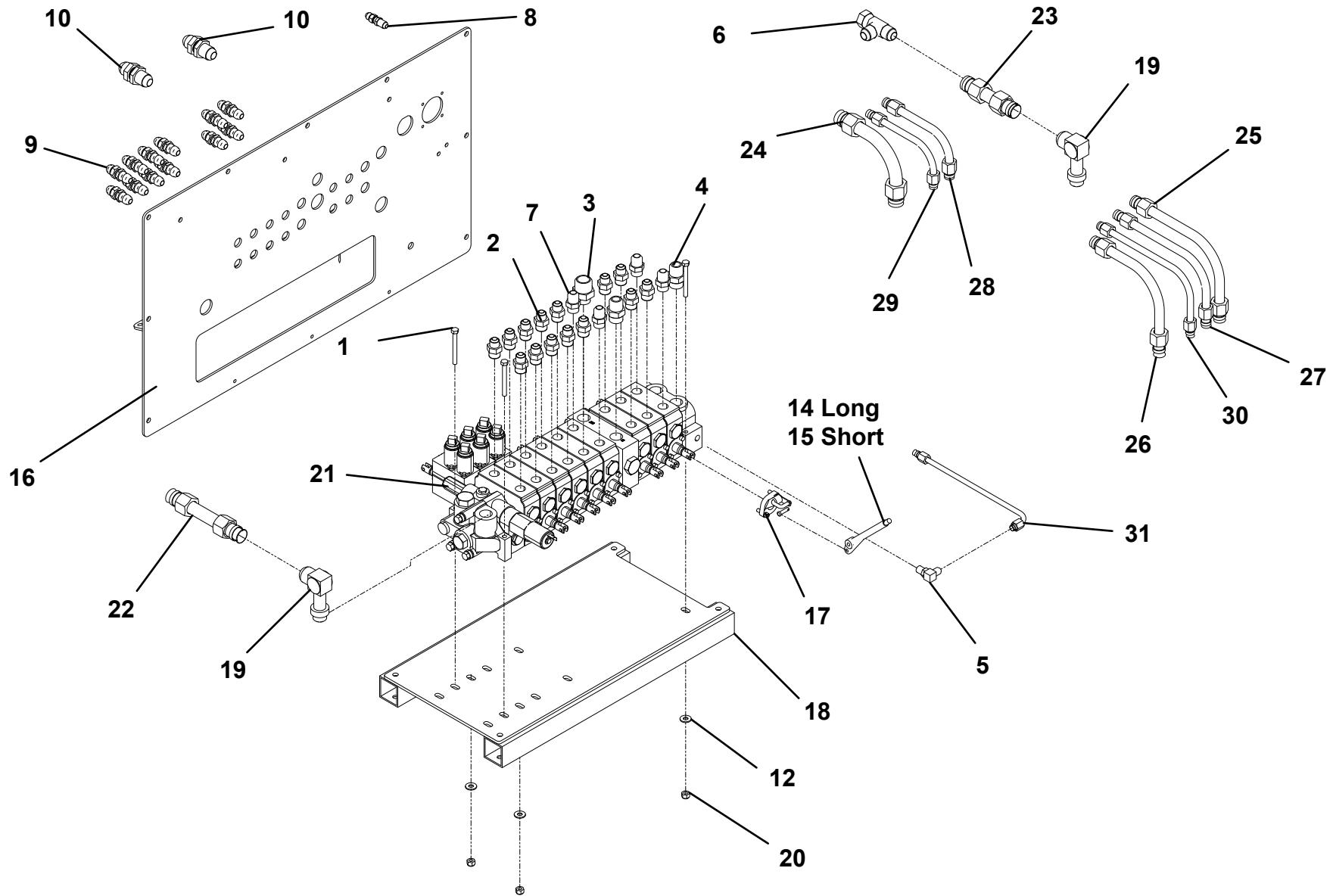
THIS PAGE INTENTIONALLY LEFT BLANK

CONTROL VALVE ASSEMBLY - 1001202432

ITEM	PART NO.	DESCRIPTION	QTY
1	0641524	Capscrew, 5/16" - 18 x 3"	3
2	2220374	Adapter	14
3	2220376	Adapter	1
4	2220451	Adapter	2
5	2220473	Adapter	1
6	2220700	Adapter	1
7	2220947	Adapter	4
8	2230024	Adapter	1
9	2230025	Adapter	14
10	2230027	Fitting	2
11	2230089	Fitting	3
12	4751500	Washer, 5/16" ID	3
13	8760037	Union	4
14	1001184772	Handle, Long	2
15	1001184773	Handle, Short	7
16	1001189989	Panel	1
17	1001194069	Linkage	9
18	3177000060	Mount	1
19	7443000211	Fitting	2
20	7660162601	Locknut, 0.38" - 16NC	3
21	7935000313	Valve, 9 Sec. 3 Sol	1
22	7912000301*	Tube Assembly	1
23	7912000302*	Tube Assembly	1
24	7912000303*	Tube Assembly	1
25	7912000304*	Tube Assembly	1
26	7912000305*	Tube Assembly	1
27	7912000306*	Tube Assembly	2
28	7912000307*	Tube Assembly	2
29	7912000308*	Tube Assembly	6
30	7912000309*	Tube Assembly	6
31	7912000310*	Tube Assembly	1

* Also Available In Tube Kit - 7577000668

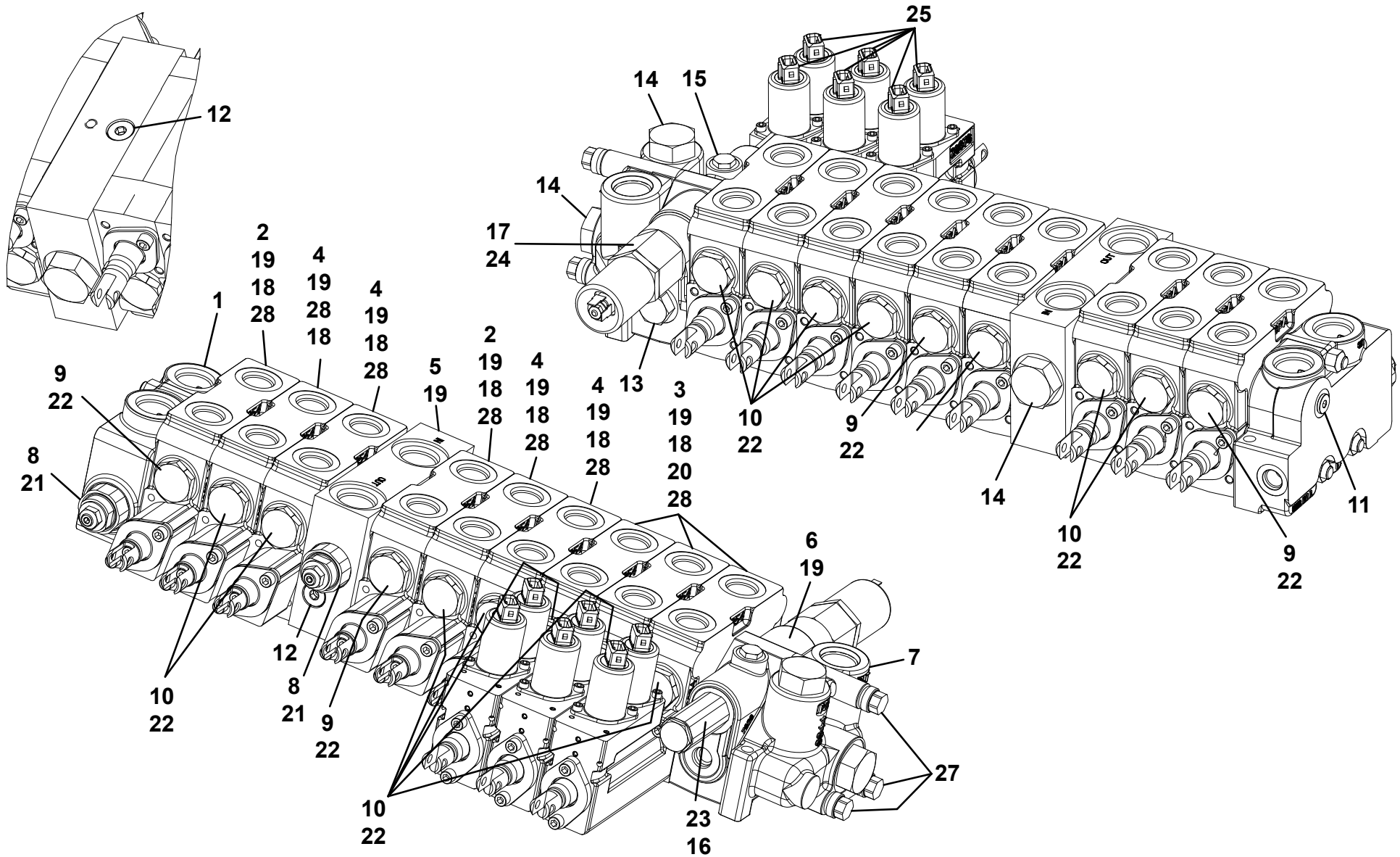
CONTROL VALVE ASSEMBLY - 1001202432



VALVE ASSEMBLY - 7935000313

ITEM	PART NO.	DESCRIPTION	QTY
1	7935000315	Inlet Cover	1
2	9935930122	Valve Section	2
3	9935930119	Valve Section	3
4	7935000320	Valve Section	4
5	7935000316	Inlet	1
6	7935000323	Utility Section	1
7	7935000317	Outlet Cover	1
8	91084009	Relief	2
9	70050243	Plug	4
10	7006847	Plug	14
11	70050245	Plug	1
12	70050246	Plug	2
13	70050247	Plug	1
14	91084017	Plug	3
15	70050249	Plug	1
16	70050241	Pressure Cartridge	1
17	70050242	Solenoid	1
18	70050250	Seal	15
19	70050251	O-Ring	44
20	70050252	O-Ring	6
21	70051081	Seal Kit	2
22	7029865	Seal Kit	18
23	70051080	Seal Kit	1
24	70050256	Seal Kit	1
25	9346930086	Solenoid	6
26	70051079	Seal	1
27	70050239	Stud Assembly	1
28	70050257	Wiper	18

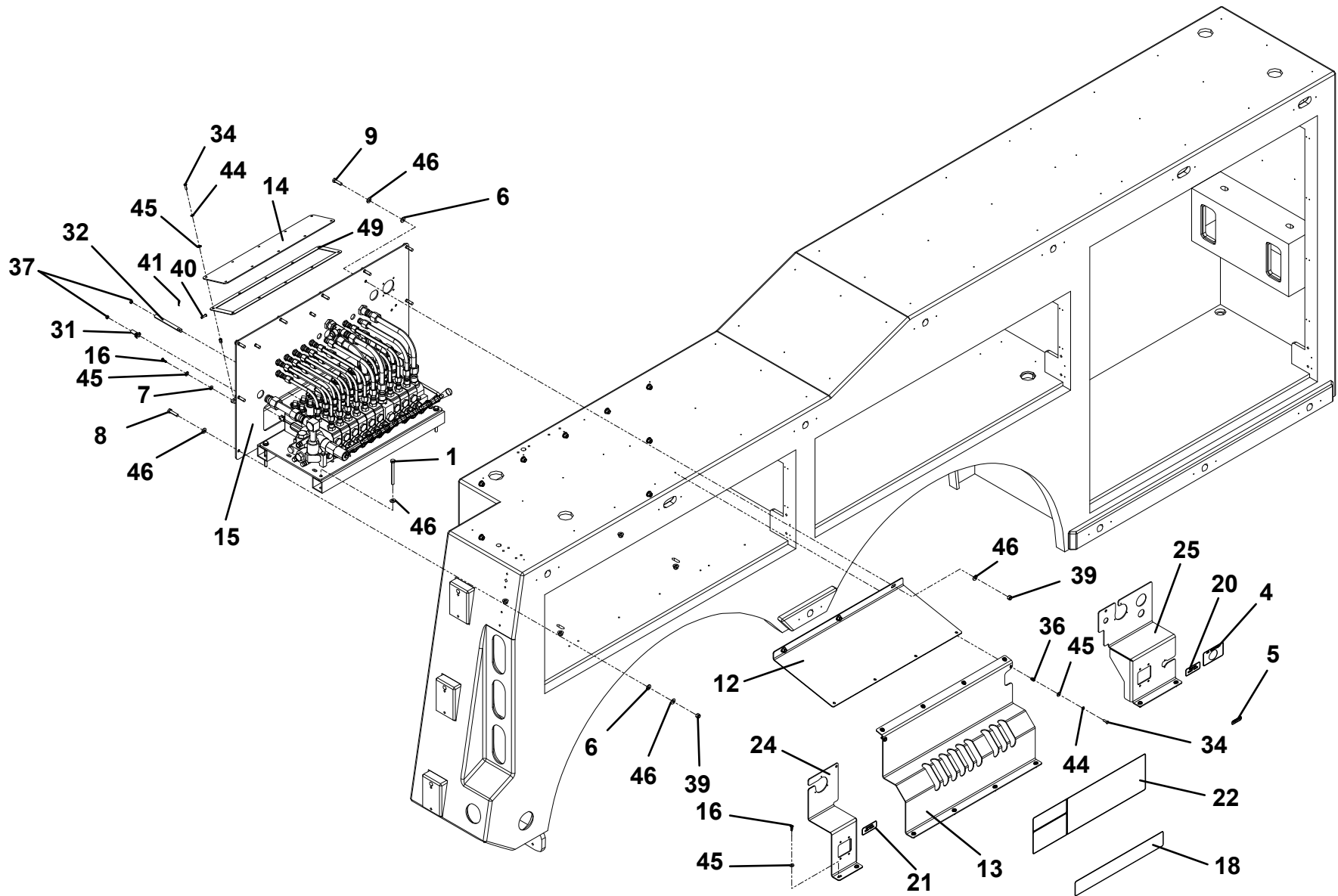
VALVE ASSEMBLY - 7935000313

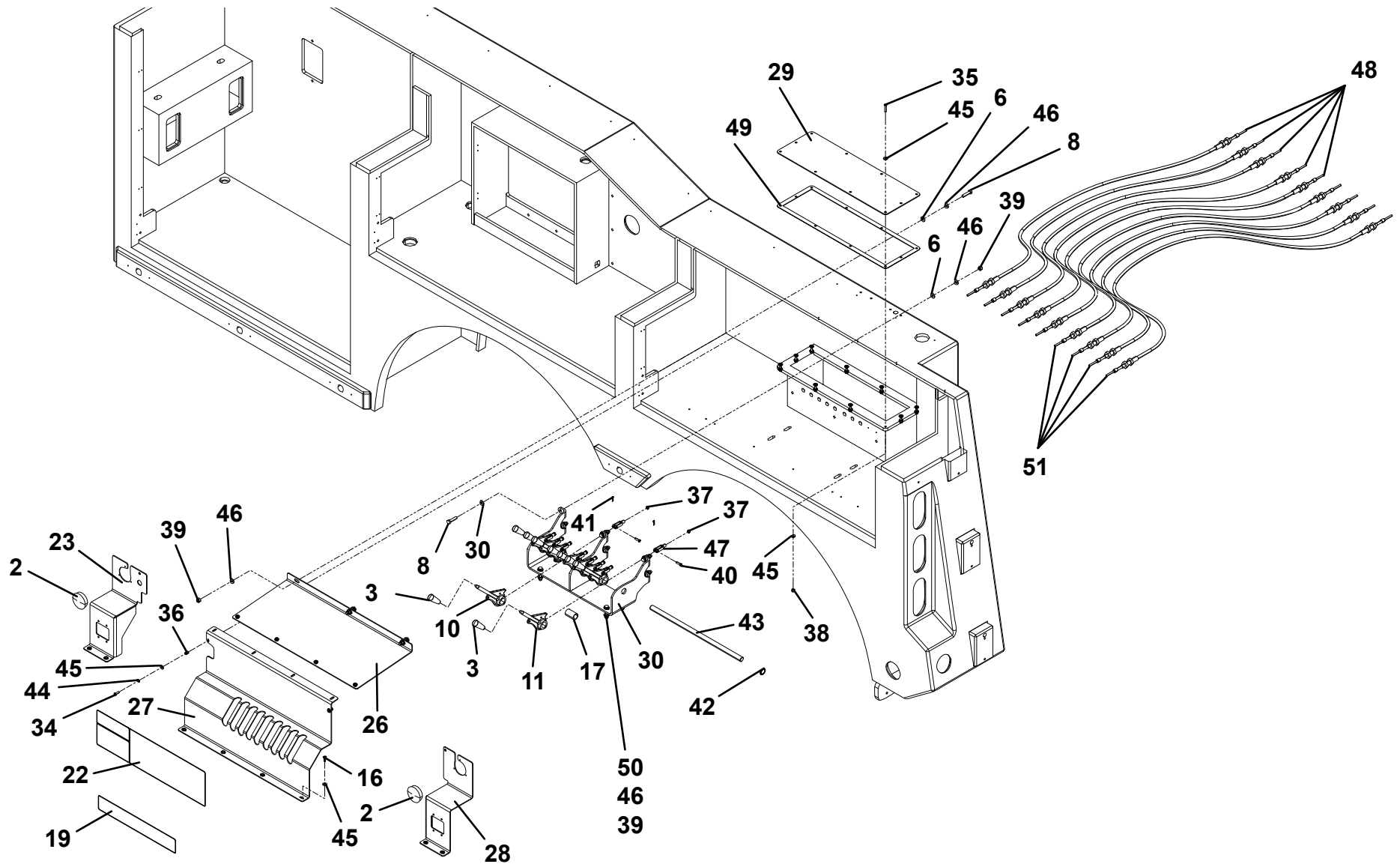


CONTROL INSTALLATION - 9 SECTION - 7 SOLENOID

ITEM	PART NO.	DESCRIPTION	QTY	ITEM	PART NO.	DESCRIPTION	QTY
1	641632	Capscrew, 0.38"-16 X 4.00"	4	40	7690141200	Pin	18
2	3520064	Plug	2	41	7691000075	Pin	18
3	1001130491	Control Knob	18	42	7754000009	Retaining Ring	2
4	1001134433	Decal	1	43	7806000008	Shaft	1
5	1001154277	Decal	1	44	7950140003	Lockwasher, 0.25" ID	22
6	1001166974	Washer, 0.38"	21	45	7950140143	Flatwasher, 0.25" ID	61
7	1001166978	Washer, 0.25"	3	46	7950160143	Flatwasher, 0.38" ID	58
8	1001168993	Capscrew, 0.38"-16 X 1.50"	18	47	7990000003	Yoke	9
9	1001169080	Capscrew, 0.38"-16 X 1.25"	3	48	1001202741	Cable Push Pull	5
10	1001184827	Handle, Long	2	49	7796000012	Seal	8.7 FT
11	1001184828	Handle, Short	7	50	1001169083	Capscrew, 0.38"-16 X 2.00"	4
12	1001189784	Panel, Controls Top RH	1	51	1001206801	Cable Push Pull	4
13	1001202508	Panel, Controls 9 Sect RH	1				
14	1001189993	Panel, Cable Bracket Cover	1				
15	1001202433	Valve Sub Assembly	1				
16	1001194676	Screw, 0.25" X 0.75"	19				
17	1001194736	Spacer	1				
18	1001202517	Decal	1				
19	1001202518	Decal	1				
20	1001196909	Decal	1				
21	1001196910	Decal	1				
22	1001196911	Decal	2				
23	1001199311	Panel, Controls Front LH	1				
24	1001199322	Panel, Controls Rear RH	1				
25	1001199324	Panel, Controls Front RH	1				
26	1001214902	Panel, Controls Top LH	1				
27	1001219743	Panel, Controls 9 Sect LH	1				
28	1001219691	Panel, Controls Rear LH	1				
29	1001219937	Plate	1				
30	1001220068	Bracket	1				
31	4309000001	Coupling	3				
32	4309000007	Coupling	6				
33	7082000005	Bearing	2				
34	7114140618	Screw, 0.25"-20 X 0.75"	22				
35	7114141018	Screw, 0.25"-20 X 1.25"	10				
36	7413000002	Nutsert, 0.25"-20	22				
37	7660140230	Nut, 0.25"-28	18				
38	7660142601	Locknut, 0.25" -20NC	10				
39	7660162601	Locknut, 0.38"-16NC	29				

CONTROL INSTALLATION - 9 SECTION - 7 SOLENOID



CONTROL INSTALLATION - 9 SECTION - 7 SOLENOID

CONTROL INSTALLATION - 9 SECTION - 7 SOLENOID

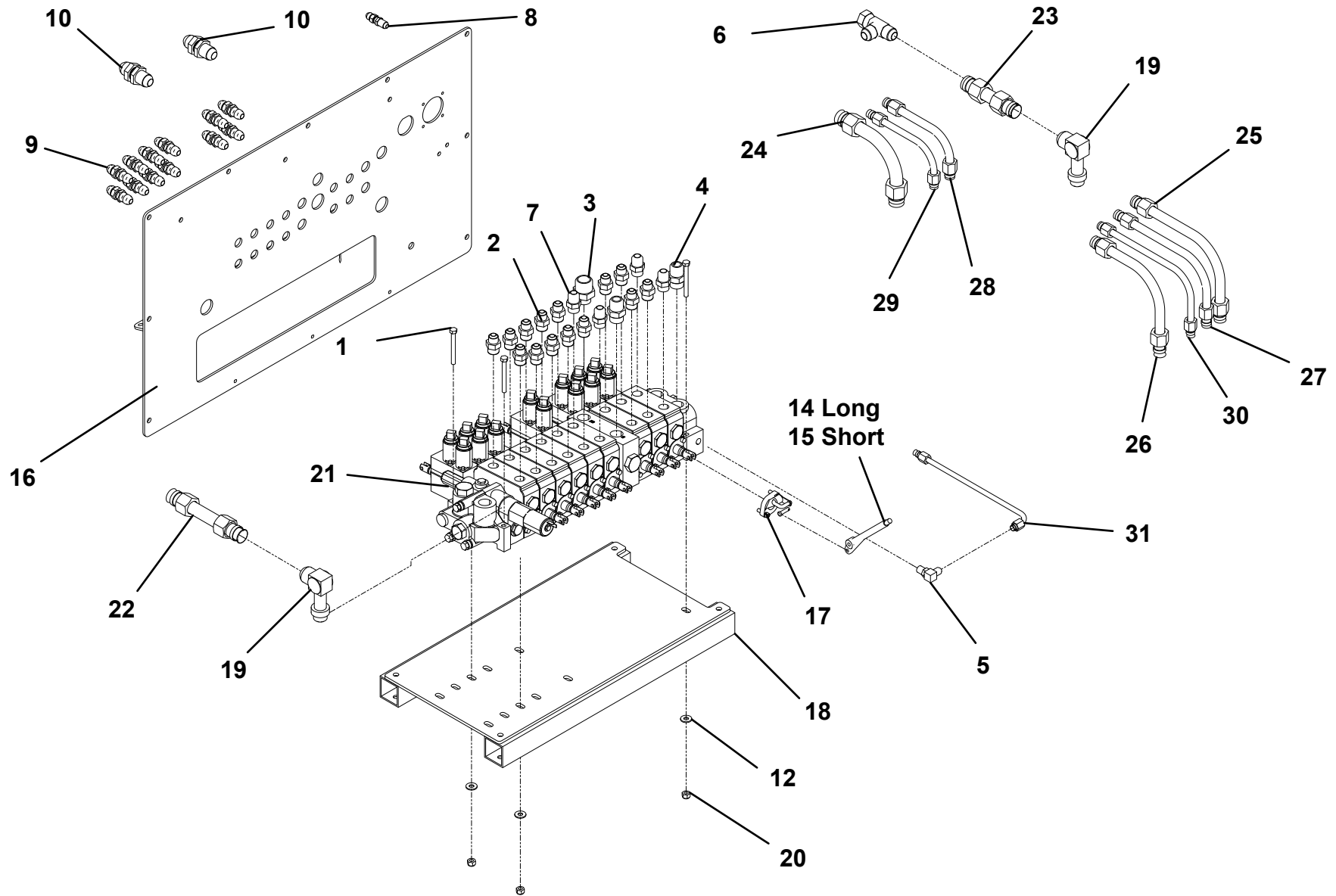
THIS PAGE INTENTIONALLY LEFT BLANK

CONTROL VALVE ASSEMBLY - 1001202433

ITEM	PART NO.	DESCRIPTION	QTY
1	0641524	Capscrew, 5/16" - 18 x 3"	3
2	2220374	Adapter	14
3	2220376	Adapter	1
4	2220451	Adapter	2
5	2220473	Adapter	1
6	2220700	Adapter	1
7	2220947	Adapter	4
8	2230024	Adapter	1
9	2230025	Adapter	14
10	2230027	Fitting	2
11	2230089	Fitting	3
12	4751500	Washer, 5/16" ID	3
13	8760037	Union	4
14	1001184772	Handle, Long	2
15	1001184773	Handle, Short	7
16	1001200355	Panel	1
17	1001194069	Linkage	9
18	3177000060	Mount	1
19	7443000211	Fitting	2
20	7660162601	Locknut, 0.38" - 16NC	3
21	1001203506	Valve, 9 Sec. 7 Sol	1
22	7912000301*	Tube Assembly	1
23	7912000302*	Tube Assembly	1
24	7912000303*	Tube Assembly	1
25	7912000304*	Tube Assembly	1
26	7912000305*	Tube Assembly	1
27	7912000306*	Tube Assembly	2
28	7912000307*	Tube Assembly	2
29	7912000308*	Tube Assembly	7
30	7912000309*	Tube Assembly	7
31	7912000310*	Tube Assembly	1

* Also Available In Tube Kit - 7577000669

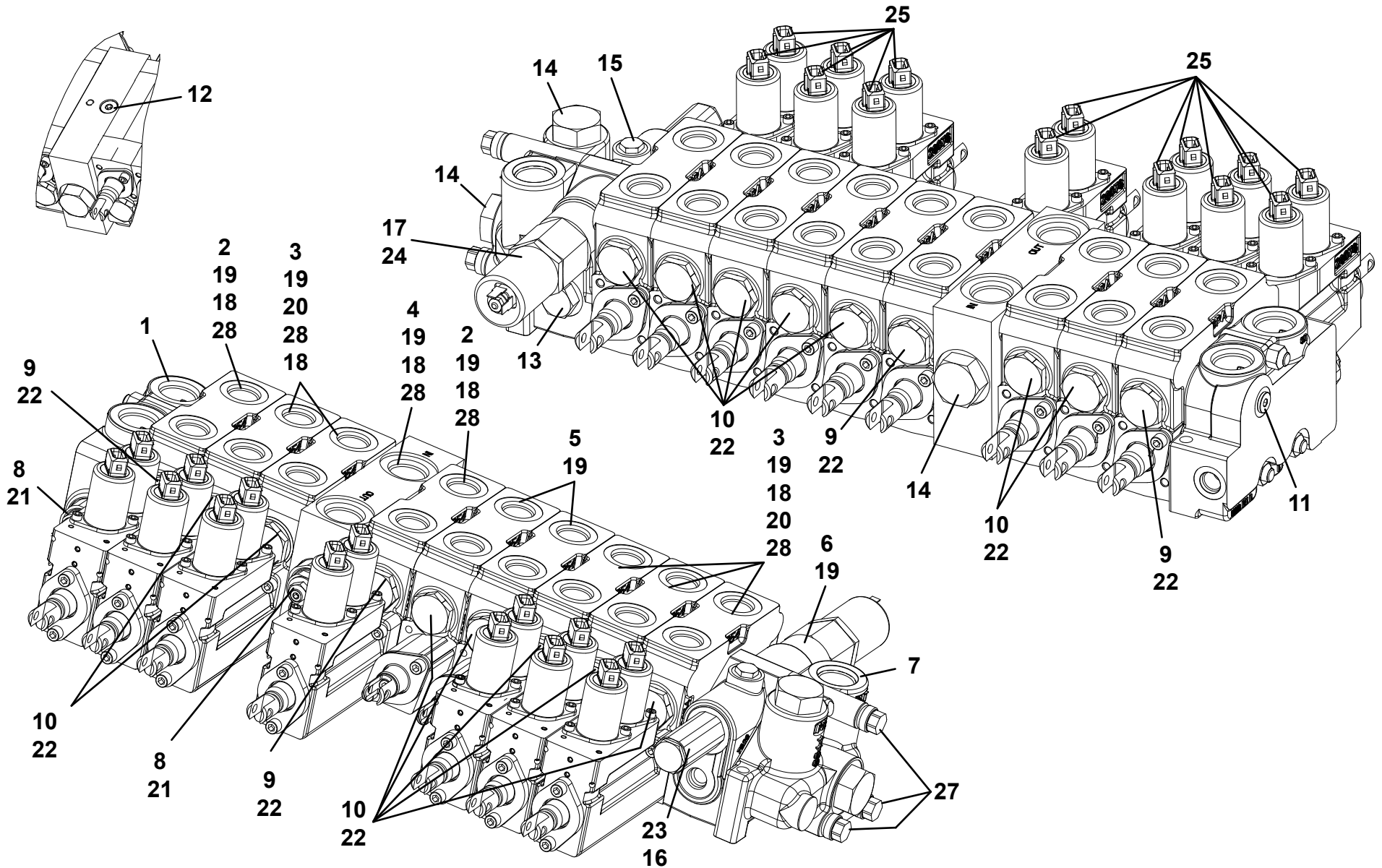
CONTROL VALVE ASSEMBLY - 1001202433



VALVE ASSEMBLY - 1001203506

ITEM	PART NO.	DESCRIPTION	QTY
1	7935000315	Inlet Cover	1
2	9935930120	Valve Section	2
3	9935930119	Valve Section	5
4	7935000316	Inlet	1
5	7935000320	Valve Section	2
6	7935000323	Utility Section	1
7	7935000317	Outlet Cover	1
8	91084009	Relief	2
9	70050243	Plug	4
10	7006847	Plug	14
11	70050245	Plug	1
12	70050246	Plug	2
13	70050247	Plug	1
14	91084017	Plug	3
15	70050249	Plug	1
16	70050241	Pressure Cartridge	1
17	70050242	Solenoid	1
18	70050250	Seal	15
19	70050251	O-Ring	44
20	70050252	O-Ring	6
21	70051081	Seal Kit	2
22	7029865	Seal Kit	18
23	70051080	Seal Kit	1
24	70050256	Seal Kit	1
25	9346930086	Solenoid	8
26	70051079	Seal	1
27	70050239	Stud Assembly	1
28	70050257	Wiper	18

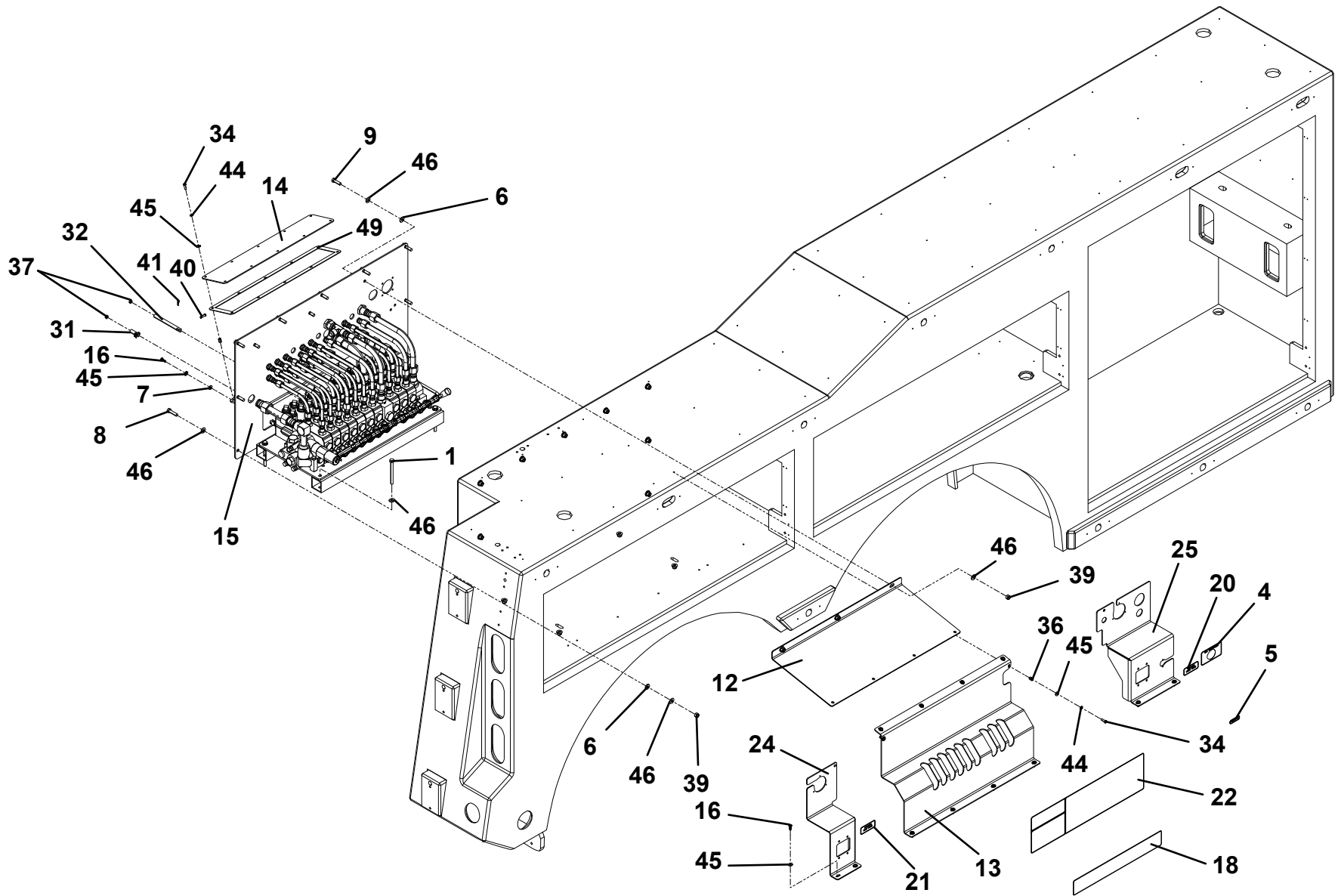
VALVE ASSEMBLY - 1001203506

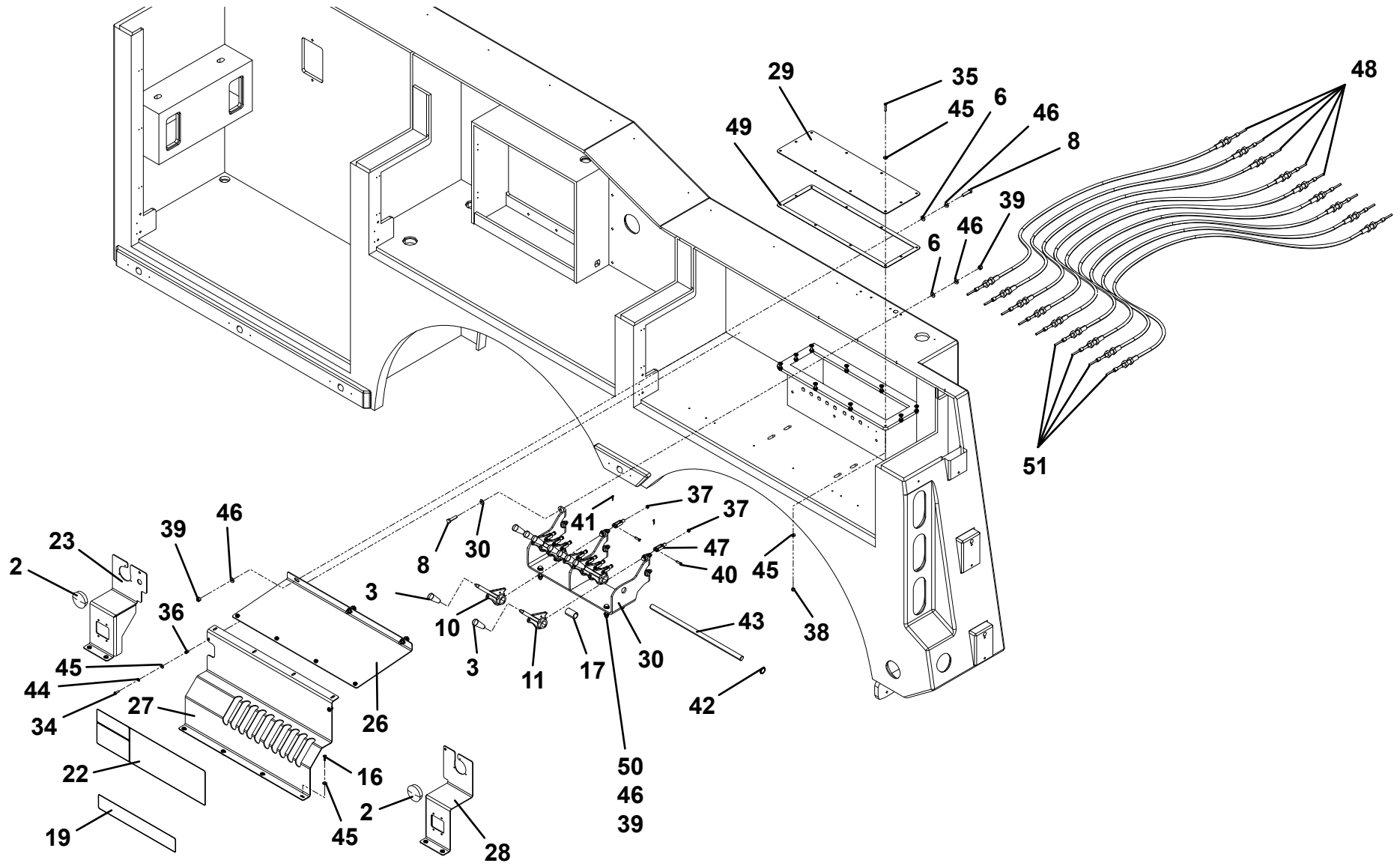


CONTROL INSTALLATION - 10 SECTION - 8 SOLENOID

ITEM	PART NO.	DESCRIPTION	QTY	ITEM	PART NO.	DESCRIPTION	QTY
1	641632	Capscrew, 0.38"-16 X 4.00"	4	40	7690141200	Pin	18
2	3520064	Plug	2	41	7691000075	Pin	18
3	1001130491	Control Knob	20	42	7754000009	Retaining Ring	2
4	1001134433	Decal	1	43	7806000008	Shaft	1
5	1001154277	Decal	1	44	7950140003	Lockwasher, 0.25" ID	22
6	1001166974	Washer, 0.38"	21	45	7950140143	Flatwasher, 0.25" ID	61
7	1001166978	Washer, 0.25"	3	46	7950160143	Flatwasher, 0.38" ID	58
8	1001168993	Capscrew, 0.38"-16 X 1.50"	18	47	7990000003	Yoke	9
9	1001169080	Capscrew, 0.38"-16 X 1.25"	3	48	1001202741	Cable Push Pull	5
10	1001184827	Handle, Long	2	49	7796000012	Seal	8.7 FT
11	1001184828	Handle, Short	7	50	1001169083	Capscrew, 0.38"-16 X 2.00"	4
12	1001189784	Panel, Controls Top RH	1	51	1001206801	Cable Push Pull	5
13	1001203229	Panel, Controls 10 Sect RH	1				
14	1001189993	Panel, Cable Bracket Cover	1				
15	1001202434	Valve Sub Assembly	1				
16	1001194676	Screw, 0.25" X 0.75"	19				
17	1001194736	Spacer	1				
18	1001202517	Decal	1				
19	1001202518	Decal	1				
20	1001196909	Decal	1				
21	1001196910	Decal	1				
22	1001196911	Decal	2				
23	1001199311	Panel, Controls Front LH	1				
24	1001199322	Panel, Controls Rear RH	1				
25	1001199324	Panel, Controls Front RH	1				
26	1001214902	Panel, Controls Top LH	1				
27	1001219744	Panel, Controls 10 Sect LH	1				
28	1001219691	Panel, Controls Rear LH	1				
29	1001219937	Plate	1				
30	1001220068	Bracket	1				
31	4309000001	Coupling	3				
32	4309000007	Coupling	6				
33	7082000005	Bearing	2				
34	7114140618	Screw, 0.25"-20 X 0.75"	22				
35	7114141018	Screw, 0.25"-20 X 1.25"	10				
36	7413000002	Nutsert, 0.25"-20	22				
37	7660140230	Nut, 0.25"-28	18				
38	7660142601	Locknut, 0.25" -20NC	10				
39	7660162601	Locknut, 0.38"-16NC	29				

CONTROL INSTALLATION - 10 SECTION - 8 SOLENOID



CONTROL INSTALLATION - 10 SECTION - 8 SOLENOID

CONTROL INSTALLATION - 10 SECTION - 8 SOLENOID

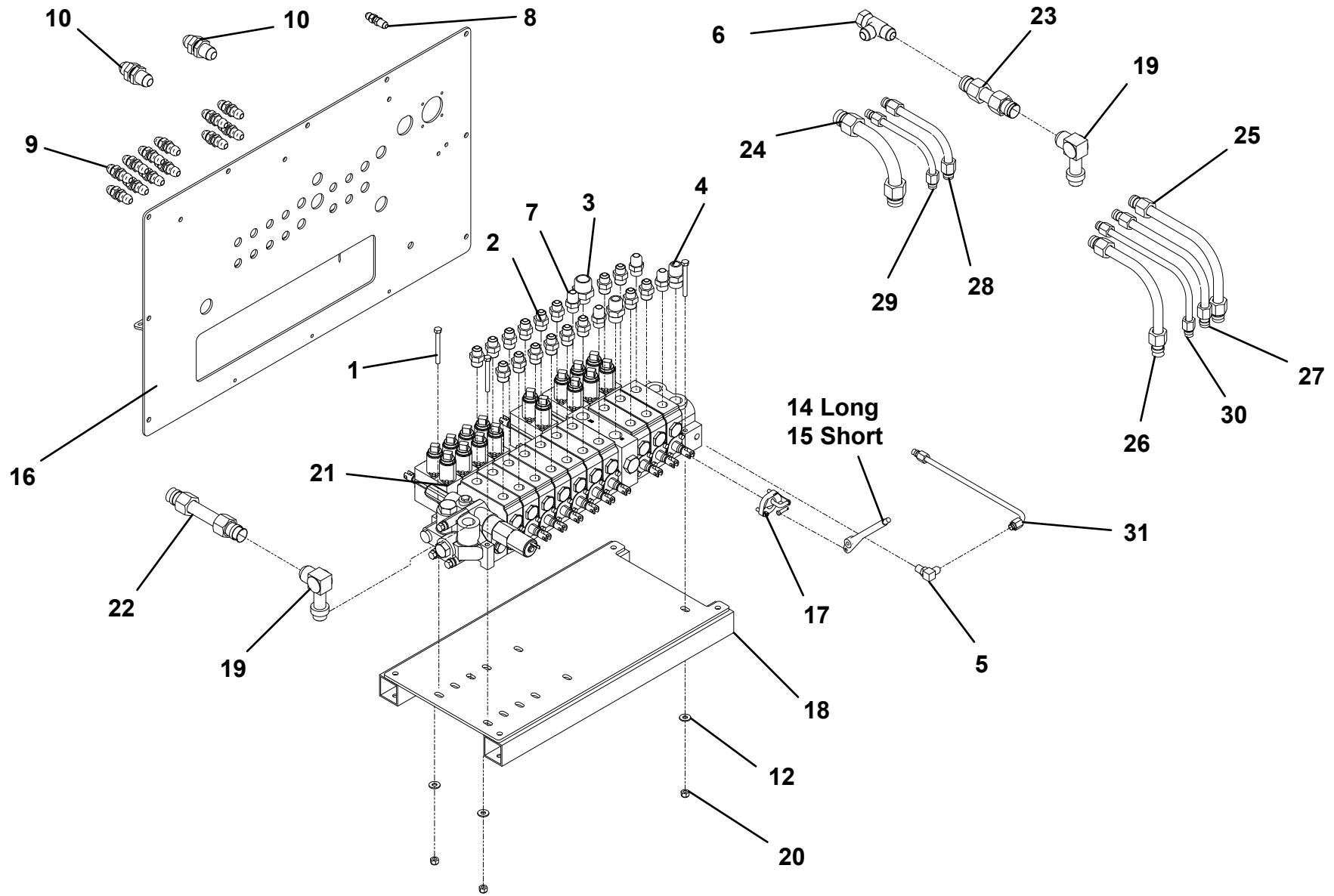
THIS PAGE INTENTIONALLY LEFT BLANK

CONTROL VALVE ASSEMBLY - 1001202434

ITEM	PART NO.	DESCRIPTION	QTY
1	0641524	Capscrew, 5/16" - 18 x 3"	3
2	2220374	Adapter	14
3	2220376	Adapter	1
4	2220451	Adapter	2
5	2220473	Adapter	1
6	2220700	Adapter	1
7	2220947	Adapter	4
8	2230024	Adapter	1
9	2230025	Adapter	14
10	2230027	Fitting	2
11	2230089	Fitting	3
12	4751500	Washer, 5/16" ID	3
13	8760037	Union	4
14	1001184772	Handle, Long	2
15	1001184773	Handle, Short	7
16	1001200355	Panel	1
17	1001194069	Linkage	9
18	3177000060	Mount	1
19	7443000211	Fitting	2
20	7660162601	Locknut, 0.38" - 16NC	3
21	1001203506	Valve, 9 Sec. 7 Sol	1
22	7912000301*	Tube Assembly	1
23	7912000302*	Tube Assembly	1
24	7912000303*	Tube Assembly	1
25	7912000304*	Tube Assembly	1
26	7912000305*	Tube Assembly	1
27	7912000306*	Tube Assembly	2
28	7912000307*	Tube Assembly	2
29	7912000308*	Tube Assembly	7
30	7912000309*	Tube Assembly	7
31	7912000310*	Tube Assembly	1

* Also Available In Tube Kit - 7577000669

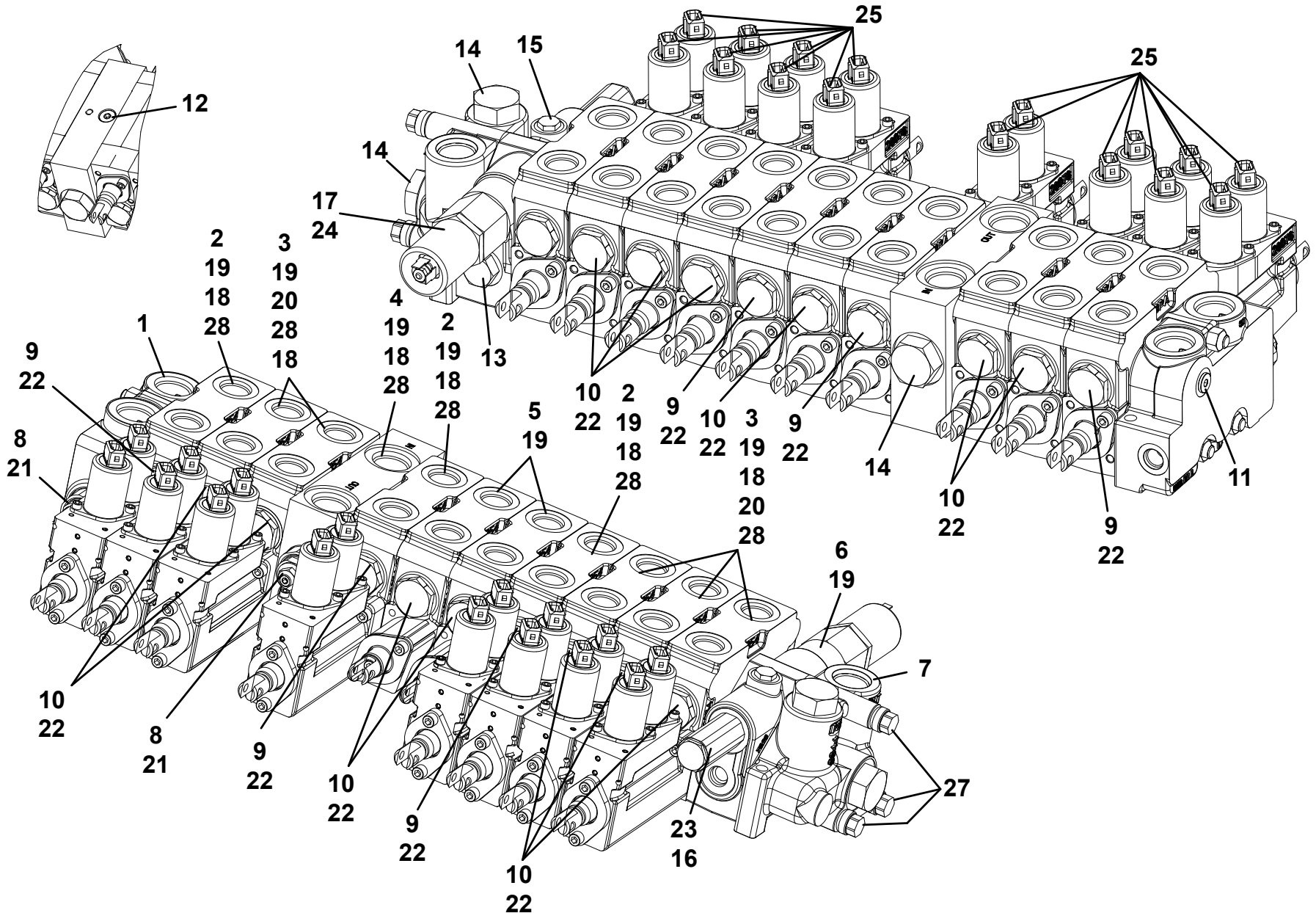
CONTROL VALVE ASSEMBLY - 1001202434



VALVE ASSEMBLY - 7935000374

ITEM	PART NO.	DESCRIPTION	QTY
1	7935000315	Inlet Cover	1
2	9935930120	Valve Section	2
3	9935930119	Valve Section	4
4	7935000316	Inlet	1
5	7935000320	Valve Section	2
6	7935000323	Utility Section	1
7	7935000317	Outlet Cover	1
8	91084009	Relief	2
9	70050243	Plug	6
10	7006847	Plug	12
11	70050245	Plug	1
12	70050246	Plug	2
13	70050247	Plug	1
14	91084017	Plug	3
15	70050249	Plug	1
16	70050241	Pressure Cartridge	1
17	70050242	Solenoid	1
18	70050250	Seal	18
19	70050251	O-Ring	40
20	70050252	O-Ring	6
21	70051081	Seal Kit	2
22	7029865	Seal Kit	20
23	70051080	Seal Kit	1
24	70050256	Seal Kit	1
25	9346930086	Solenoid	16
26	70051079	Seal	1
27	70050239	Stud Assembly	1
28	70050257	Wiper	18

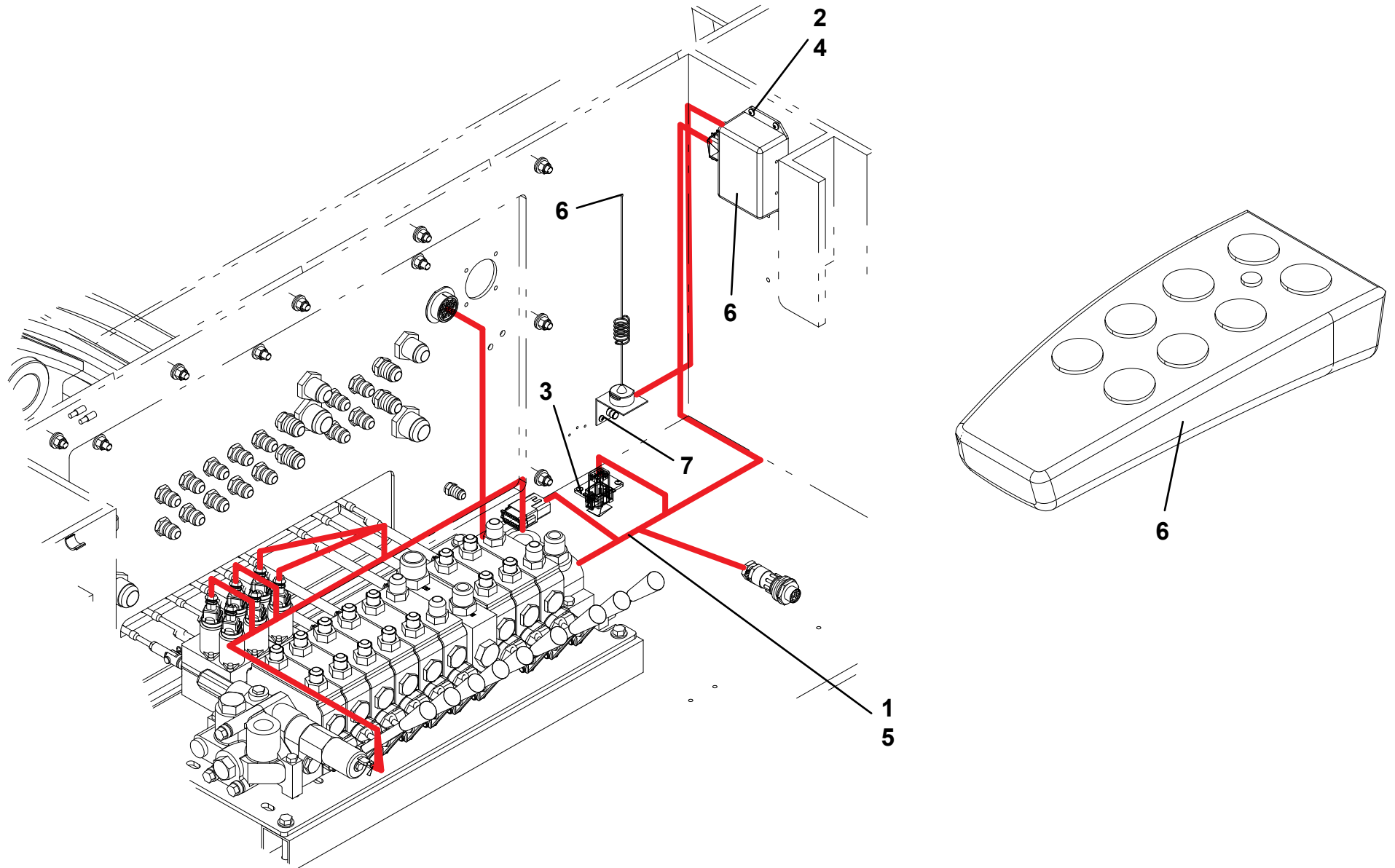
VALVE ASSEMBLY - 7935000374



WIRELESS REMOTE 6 FUNCTION - 9 SECTION

ITEM	PART NO.	DESCRIPTION	QTY
1	1001209022	Harness	1
2	1001192958	Screw, #10 x 0.50"	4
3	1001196552	Screw, #8 x 0.75"	4
4	7075000003	Battery, 9V	1
5	5526000553	Tie Strap	2
6	7295000146	Wireless Remote	1
	9295310027	Transmitter	1
	9295310029	Rubber Boot	1
	9295310030	Belt Clip	1
	9295310031	Battery Retainer	1
	9295310068	Receiver	1
	9295310069	Antenna	1
7	1001198602	Screw, #8 x 0.38"	3

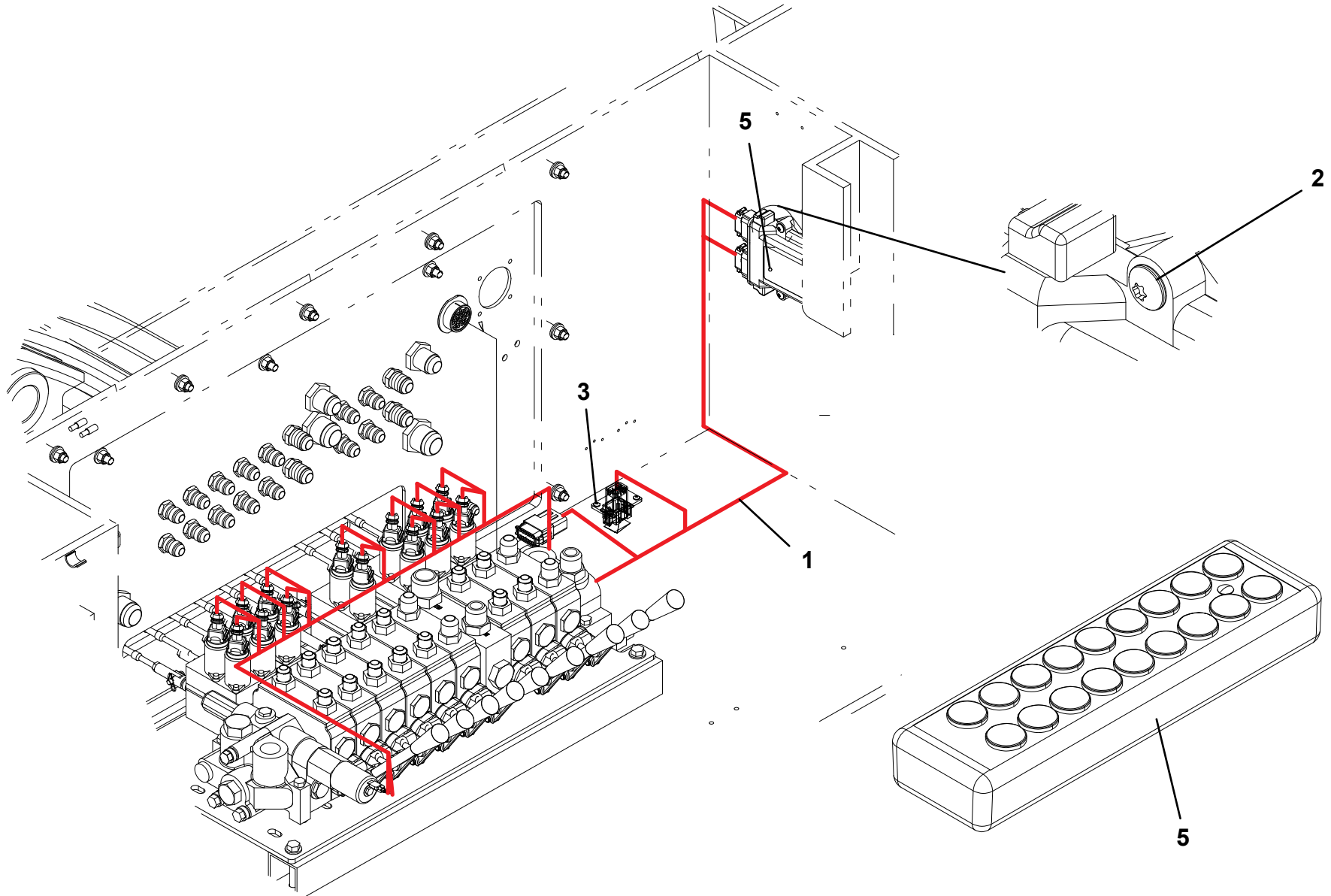
WIRELESS REMOTE 6 FUNCTION - 9 SECTION



WIRELESS REMOTE 14 FUNCTION NON-PROPORTIONAL

ITEM	PART NO.	DESCRIPTION	QTY
1	1001209020	Harness	1
2	1001195523	Screw, 0.25" x 1.00"	2
3	1001196552	Screw, #8 x 0.75"	4
4	7075000003	Battery, 9V	1
5	7295000124	Wireless Remote	1
	1001139463	Transmitter	1
	1001139464	Receiver	1

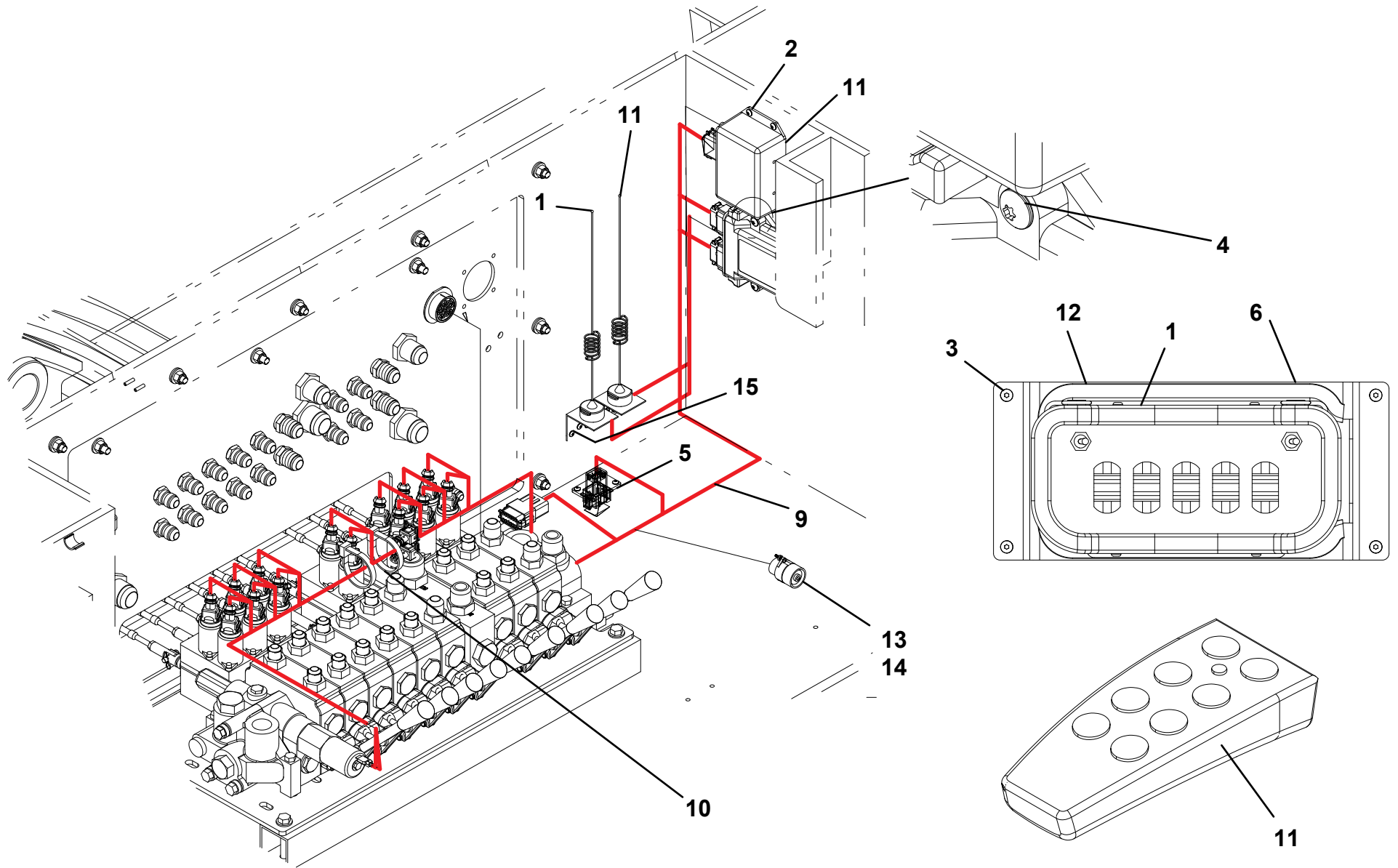
WIRELESS REMOTE 14 FUNCTION NON-PROPORTIONAL



WIRELESS REMOTE 14 FUNCTION PROPORTIONAL

ITEM	PART NO.	DESCRIPTION	QTY
1	1001145240	Control, Wireless 10 Function	1
	70050106	Receiver	1
	70050107	Transmitter	1
	9295310061	Antenna Kit	1
	9552310033	Tether - 25 ft	1
2	1001192958	Screw, #10 x 0.50"	4
3	1001194676	Screw, 0.25" x 0.75"	4
4	1001195523	Screw, 0.25" x 1.00"	2
5	1001196552	Screw, #8 x 0.75"	4
6	4178000699	Bracket	1
7	7075000003	Battery, 9V	1
8	7075000006	Battery, D 1.5V	3
9	1001209021	Harness	1
10	5526000553	Tie Straps	2
11	7295000146	Wireless Remote	1
	9295310027	Transmitter	1
	9295310029	Rubber Boot	1
	9295310030	Belt Clip	1
	9295310031	Battery Retainer	1
	9295310068	Receiver	1
	9295310069	Antenna Kit	1
12	8632000012	Trim Lock	1
13	7120000047	Screw, #4 x 0.62"	2
14	7660040000	Nut, #4	2
15	1001198602	Screw, #8 x 0.38"	6

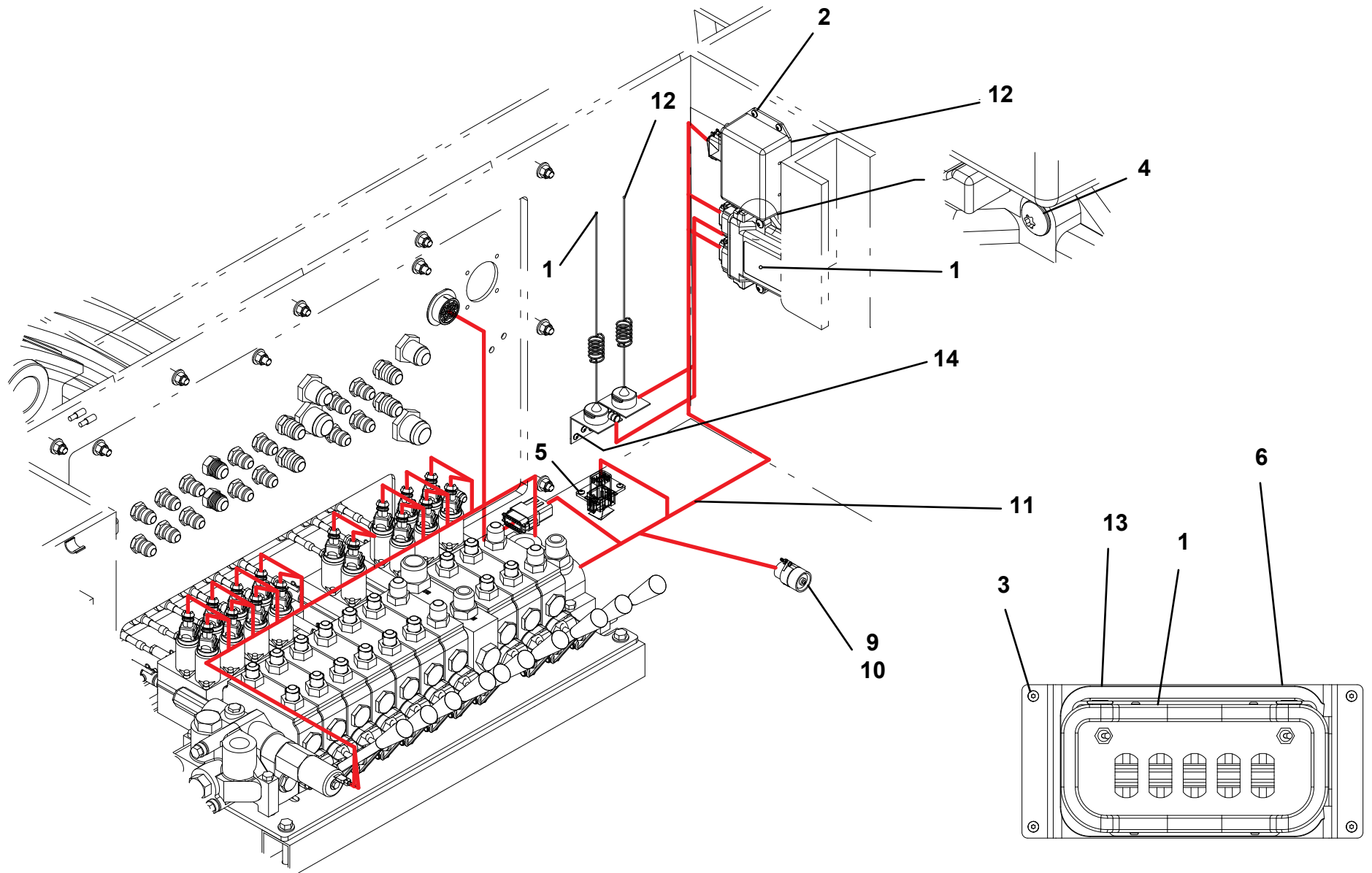
WIRELESS REMOTE 14 FUNCTION PROPORTIONAL



WIRELESS REMOTE 16 FUNCTION PROPORTIONAL

ITEM	PART NO.	DESCRIPTION	QTY
1	1001145240	Control, Wireless 10 Function	1
	70050106	Receiver	1
	70050107	Transmitter	1
	9295310061	Antenna Kit	1
	9552310033	Tether - 25 ft	1
2	1001192958	Screw, #10 x 0.50"	4
3	1001194676	Screw, 0.25" x 0.75"	4
4	1001195523	Screw, 0.25" x 1.00"	2
5	1001196552	Screw, #8 x 0.75"	4
6	4178000699	Bracket	1
7	7075000003	Battery, 9V	1
8	7075000006	Battery, D 1.5V	3
9	7120000047	Screw, #4 x 0.62"	2
10	7660040000	Nut, #4	2
11	1001209021	Harness	1
12	7295000146	Wireless Remote	1
	9295310027	Transmitter	1
	9295310029	Rubber Boot	1
	9295310030	Belt Clip	1
	9295310031	Battery Retainer	1
	9295310068	Receiver	1
	9295310069	Antenna Kit	1
13	8632000012	Trim Lock	1
14	1001198602	Screw, #8 x 0.38"	6

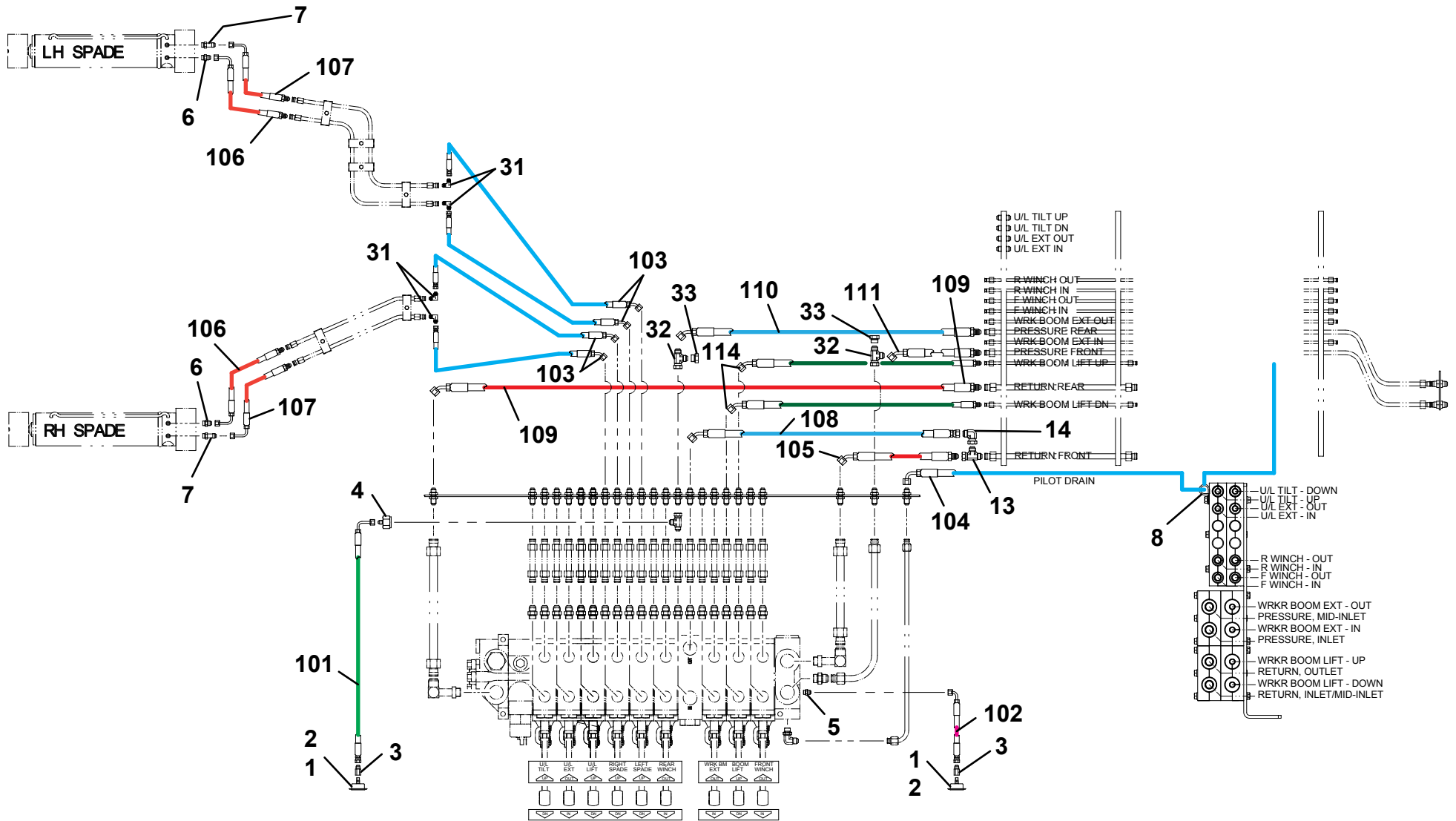
WIRELESS REMOTE 16 FUNCTION PROPORTIONAL



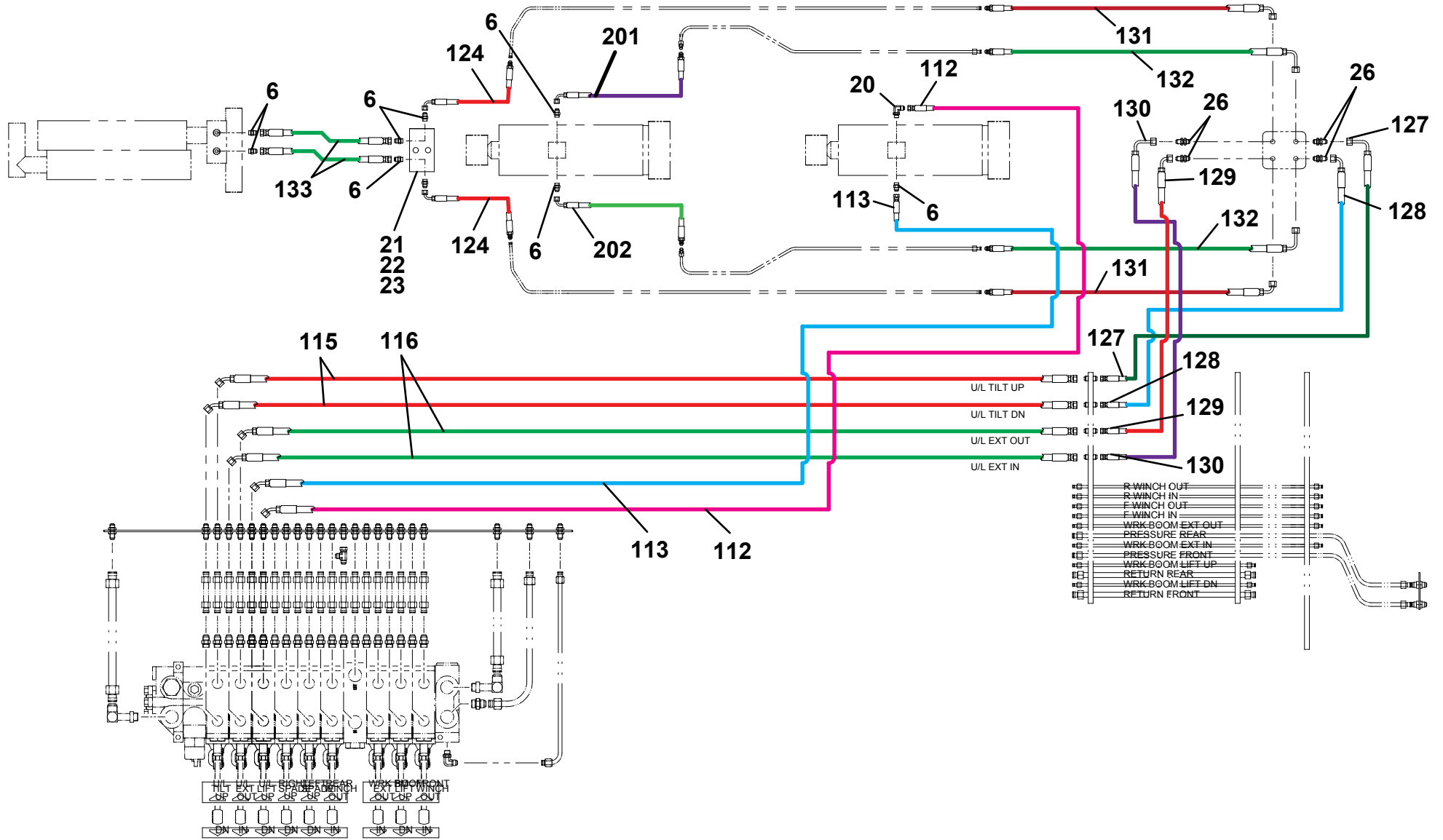
HYDRAULIC LINES AND FITTINGS - 2 PC BOOM W/O U/L WINCH

ITEM	PART NO.	DESCRIPTION	QTY	ITEM	PART NO.	DESCRIPTION	QTY
1	7470000004	Gauge	2	105	1001214087	Hose Assembly	1
2	7790060676	Screw, #6 X 0.38"	6	106	4570000163	Hose Assembly	2
3	7445040421	Fitting	2	107	4570000162	Hose Assembly	2
4	1001094694	Reducer	1	108	1001214089	Hose Assembly	1
5	2220415	Adapter	1	109	1001214090	Hose Assembly	1
6	7445060643	Adapter	8	110	1001206043	Hose Assembly	1
7	7443000109	Adapter	2	111	1001206039	Hose Assembly	1
8	7274000063	Clamp	2	112	4567182029	Hose Assembly	1
9	7445060219	Adapter	1	113	4567182024	Hose Assembly	1
10	7430000004	Filter Assembly	2	114	1001206042	Hose Assembly	2
11	7443000158	Elbow	2	115	1001214086	Hose Assembly	2
12	7470000002	Gauge	2	116	1001206052	Hose Assembly	2
13	2220642	Fitting	1	117	1001206053	Hose Assembly	2
14	2220878	Fitting	1	118	4567133032	Hose Assembly	1
15	7445161622	Fitting	2	119	4567132031	Hose Assembly	1
16	7445161620	Fitting	2	120	4567132043	Hose Assembly	4
17	7445080822	Fitting	2	121	1001206054	Hose Assembly	2
18	7445080837	Fitting	2	122	1001213133	Hose Assembly	2
19	7445080843	Fitting	4	123	4569130046	Hose Assembly	6
20	7445060645	Fitting	2	124	4569160046	Hose Assembly	4
21	4619000006	Manifold	1	125	4567150048	Hose Assembly	4
22	7115161650	Capscrew, 0.38"-16NC X 2.00"	2	126	4569130044	Hose Assembly	2
23	7950160000	Lockwasher, 0.38" ID	2	127	4570000362	Hose Assembly	2
24	7445101032	Fitting	4	128	4570000167	Hose Assembly	2
25	7445100843	Fitting	4	129	4567120017	Hose Assembly	2
26	1001206909	Hose Kit	1	130	4570000368	Hose Assembly	2
27	7445080644	Fitting	2	131	4567132048	Hose Assembly	2
28	4819000008	Sleeve	2	201	4570000360	Hose Assembly	2
29	7894000004	Tie Strap	20	201	4570000252	Hose Assembly	2
30	7950150161	Washer, 0.31" ID	8	301	4567152025	Hose Assembly	1
31	7660152601	Locknut, 0.31"-18NC	4	302	4567152024	Hose Assembly	1
32	7274000040	Clamp	8	303	4567152056	Hose Assembly	1
33	7445080830	Fitting	4	304	4567152054	Hose Assembly	1
34	2220700	Fitting	2	401	4567182029	Hose Assembly	1
35	2220518	Fitting	2	402	4567182024	Hose Assembly	1
101	4567113028	Hose Assembly	1	403	4567133032	Hose Assembly	1
102	4567112024	Hose Assembly	1	404	4567132031	Hose Assembly	1
103	1001192504	Hose Assembly	4	405	4567132043	Hose Assembly	4
104	1001206033	Hose Assembly	1				

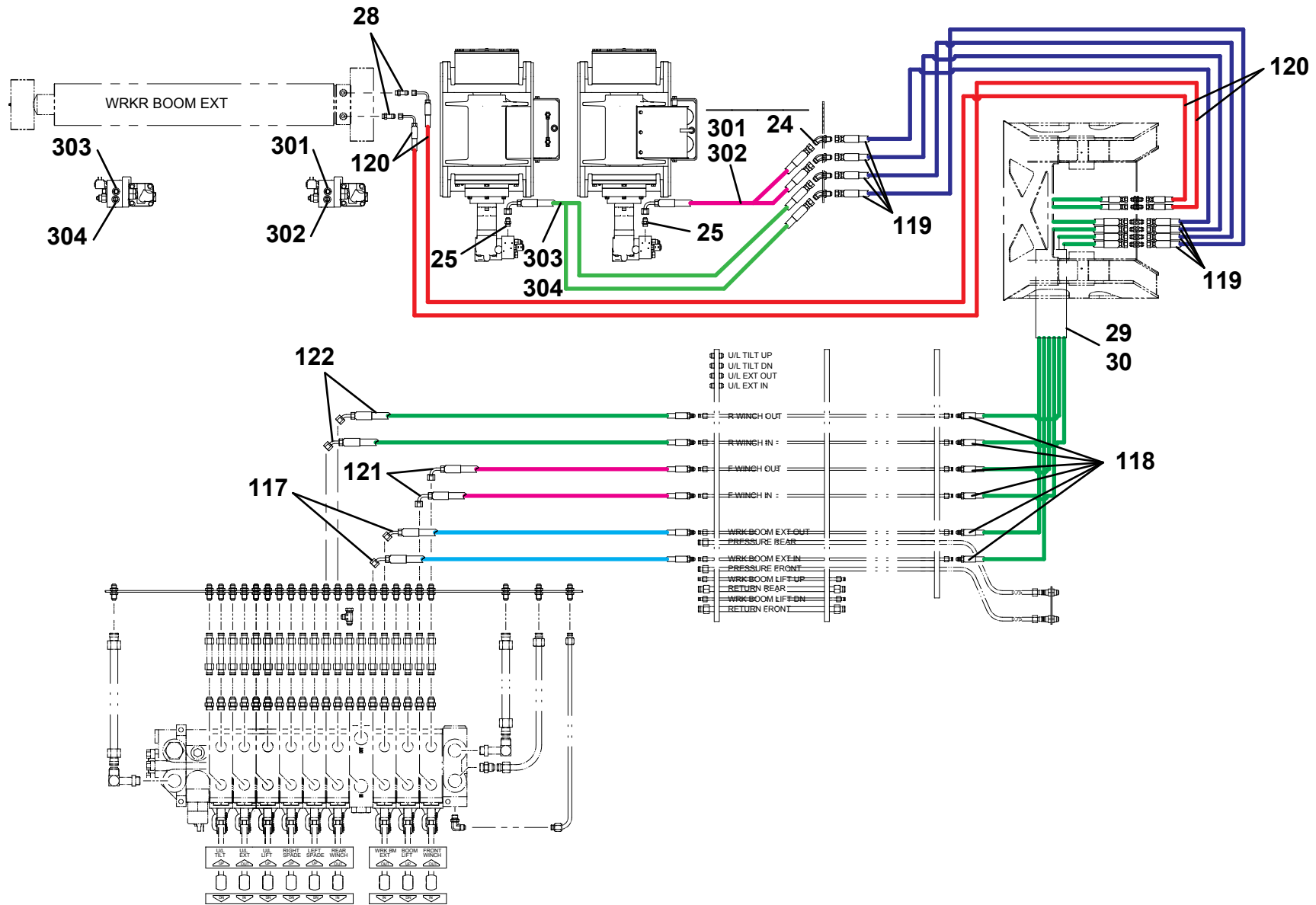
HYDRAULIC LINES AND FITTINGS - 2 PC BOOM W/O U/L WINCH



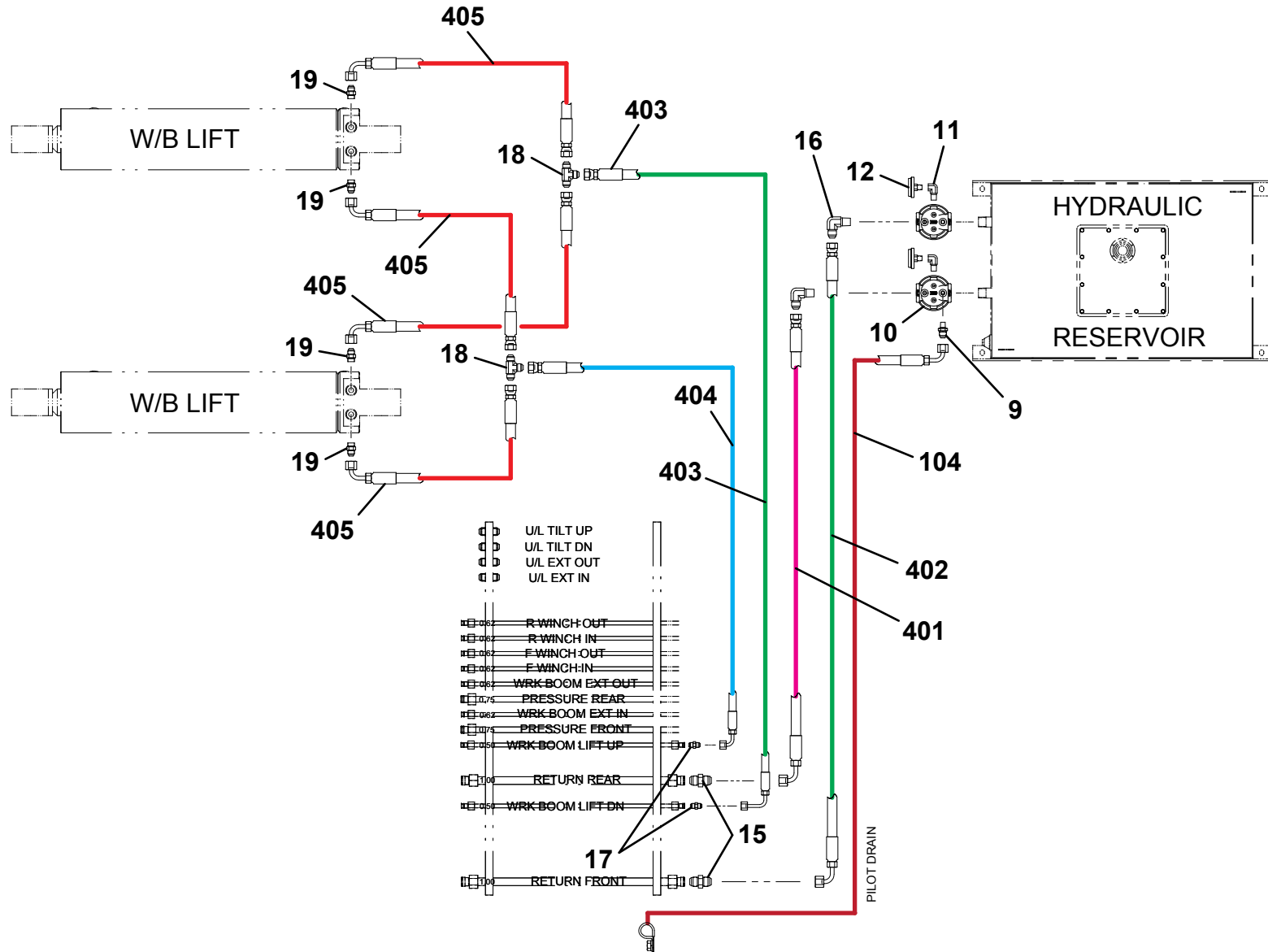
HYDRAULIC LINES AND FITTINGS - 2 PC BOOM W/O U/L WINCH



HYDRAULIC LINES AND FITTINGS - 2 PC BOOM W/O U/L WINCH



HYDRAULIC LINES AND FITTINGS - 2 PC BOOM W/O U/L WINCH



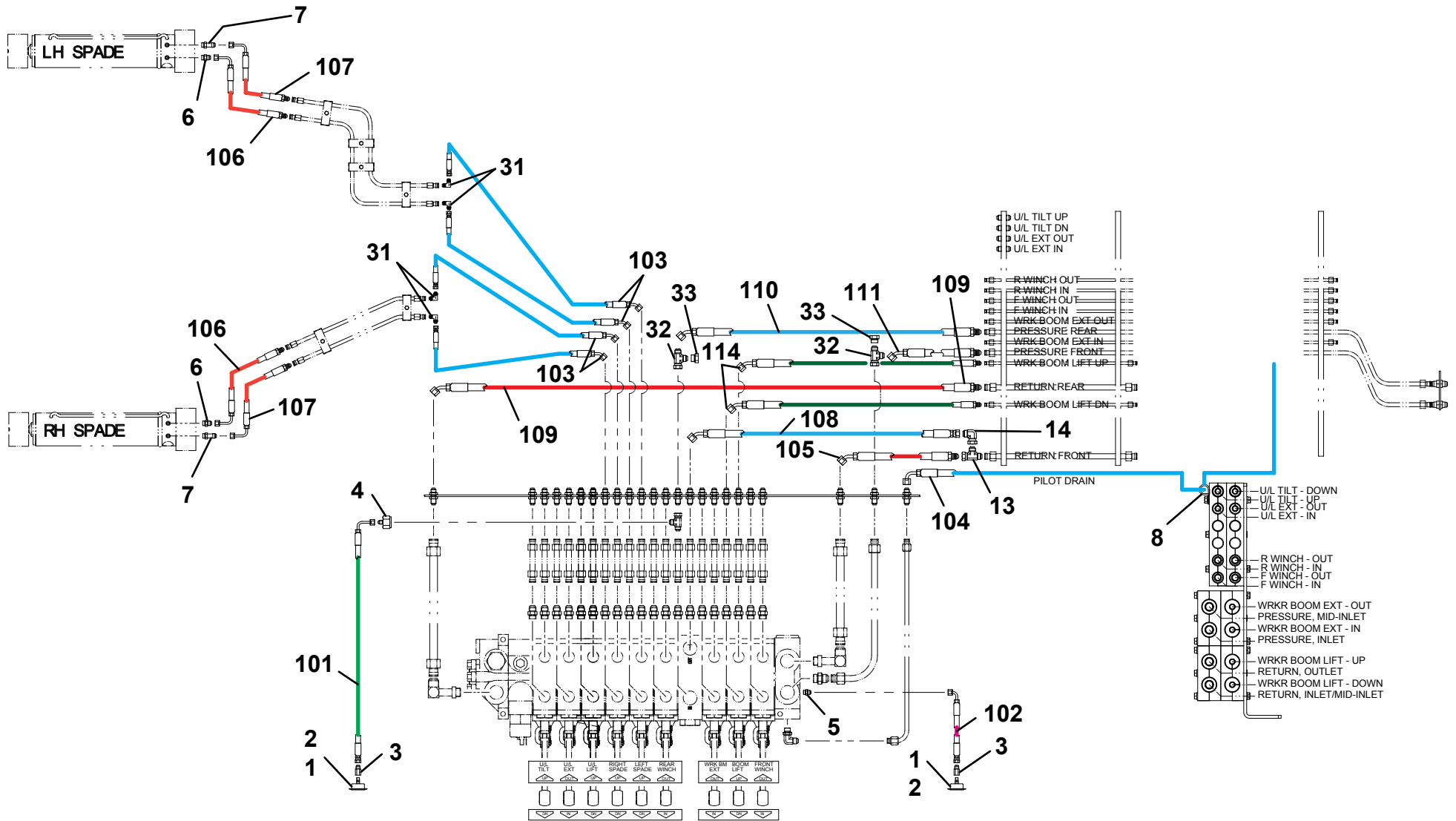
HYDRAULIC LINES AND FITTINGS - 2 PC BOOM W/O U/L WINCH

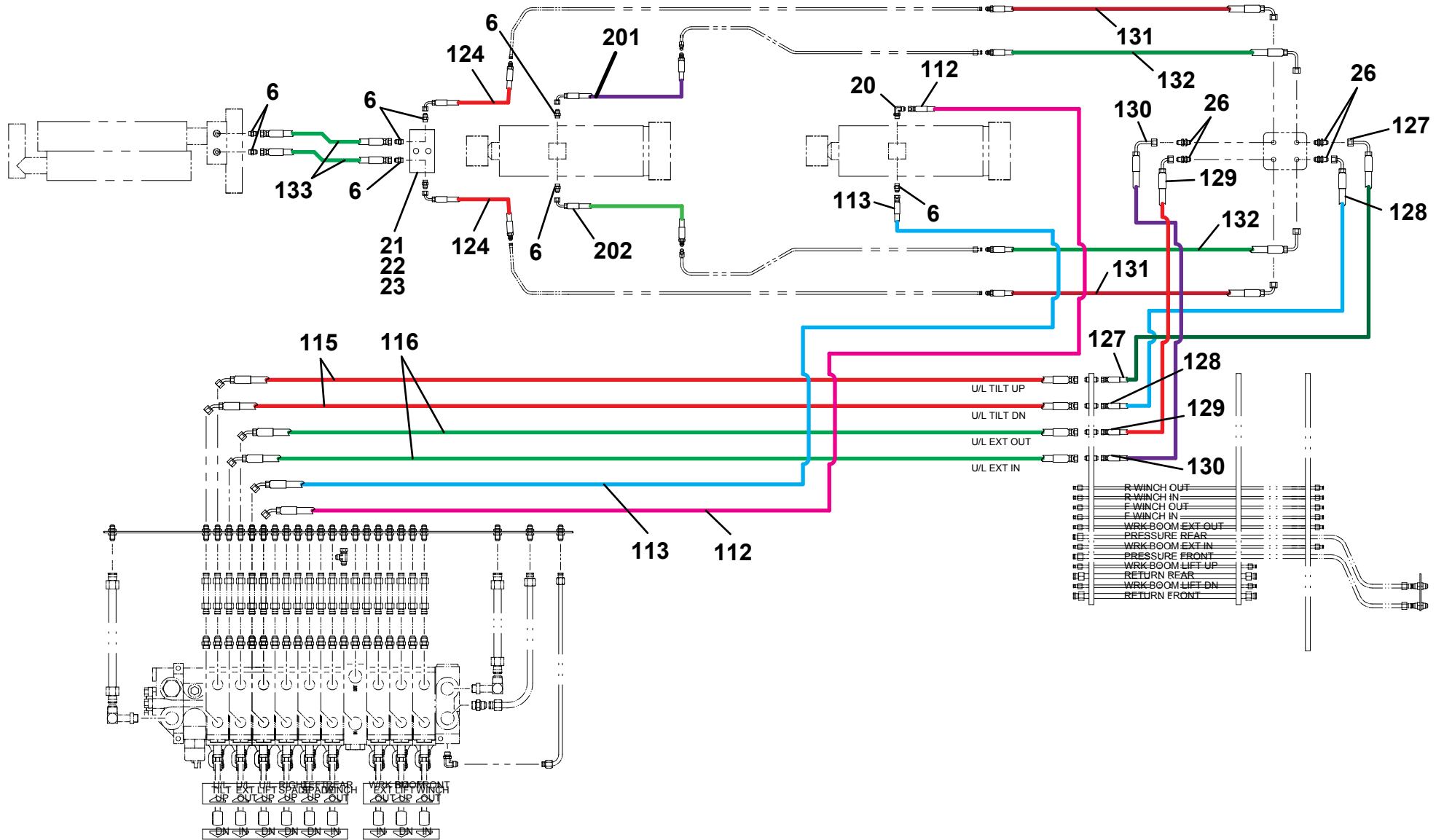
THIS PAGE INTENTIONALLY LEFT BLANK

HYDRAULIC LINES AND FITTINGS - 3 PC BOOM W/O U/L WINCH

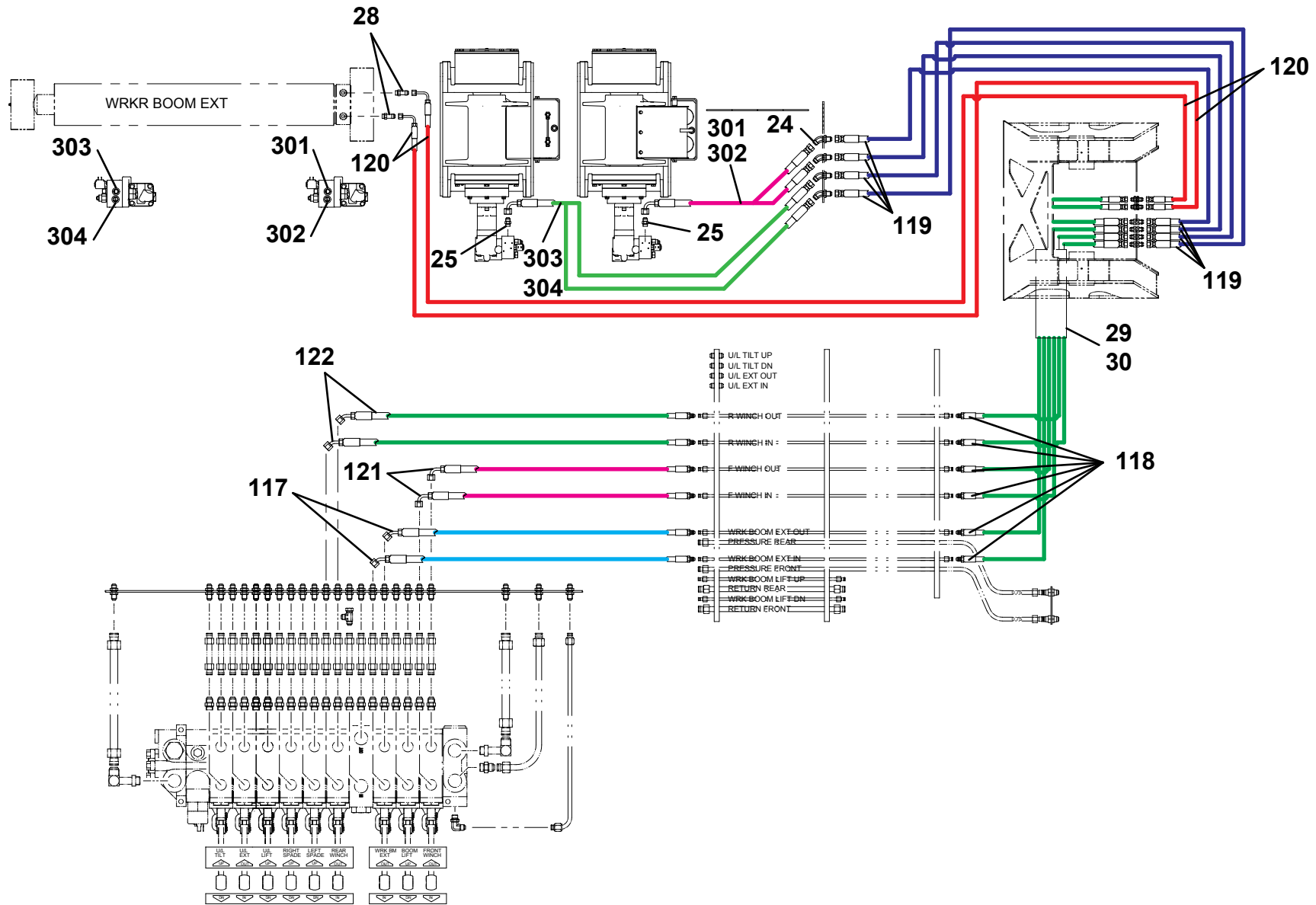
ITEM	PART NO.	DESCRIPTION	QTY	ITEM	PART NO.	DESCRIPTION	QTY
1	7470000004	Gauge	2	105	1001214087	Hose Assembly	1
2	7790060676	Screw, #6 X 0.38"	6	106	4570000163	Hose Assembly	2
3	7445040421	Fitting	2	107	4570000162	Hose Assembly	2
4	1001094694	Reducer	1	108	1001214089	Hose Assembly	1
5	2220415	Adapter	1	109	1001214090	Hose Assembly	1
6	7445060643	Adapter	8	110	1001206043	Hose Assembly	1
7	7443000109	Adapter	2	111	1001206039	Hose Assembly	1
8	7274000063	Clamp	2	112	4567182029	Hose Assembly	1
9	7445060219	Adapter	1	113	4567182024	Hose Assembly	1
10	7430000004	Filter Assembly	2	114	1001206042	Hose Assembly	2
11	7443000158	Elbow	2	115	1001214086	Hose Assembly	2
12	7470000002	Gauge	2	116	1001206052	Hose Assembly	2
13	2220642	Fitting	1	117	1001206053	Hose Assembly	2
14	2220878	Fitting	1	118	4567133032	Hose Assembly	1
15	7445161622	Fitting	2	119	4567132031	Hose Assembly	1
16	7445161620	Fitting	2	120	4567132043	Hose Assembly	4
17	7445080822	Fitting	2	121	1001206054	Hose Assembly	2
18	7445080837	Fitting	2	122	1001213133	Hose Assembly	2
19	7445080843	Fitting	4	123	4569130046	Hose Assembly	6
20	7445060645	Fitting	2	124	4569160046	Hose Assembly	4
21	4619000006	Manifold	1	125	4567150048	Hose Assembly	4
22	7115161650	Capscrew, 0.38"-16NC X 2.00"	2	126	4569130044	Hose Assembly	2
23	7950160000	Lockwasher, 0.38" ID	2	127	4570000362	Hose Assembly	2
24	7445101032	Fitting	4	128	4570000167	Hose Assembly	2
25	7445100843	Fitting	4	129	4567120017	Hose Assembly	2
26	1001206909	Hose Kit	1	130	4570000368	Hose Assembly	2
27	7445080479	Fitting	2	131	4567132048	Hose Assembly	2
28	4819000008	Sleeve	2	201	4570000360	Hose Assembly	2
29	7894000004	Tie Strap	20	201	4570000252	Hose Assembly	2
30	7950150161	Washer, 0.31" ID	8	301	4567152025	Hose Assembly	1
31	7660152601	Locknut, 0.31"-18NC	4	302	4567152024	Hose Assembly	1
32	7274000040	Clamp	8	303	4567152056	Hose Assembly	1
33	7445080830	Fitting	4	304	4567152054	Hose Assembly	1
34	2220700	Fitting	2	401	4567182029	Hose Assembly	1
35	2220518	Fitting	2	402	4567182024	Hose Assembly	1
101	4567113028	Hose Assembly	1	403	4567133032	Hose Assembly	1
102	4567112024	Hose Assembly	1	404	4567132031	Hose Assembly	1
103	1001192504	Hose Assembly	4	405	4567132043	Hose Assembly	4
104	1001206033	Hose Assembly	1				

HYDRAULIC LINES AND FITTINGS - 3 PC BOOM W/O U/L WINCH

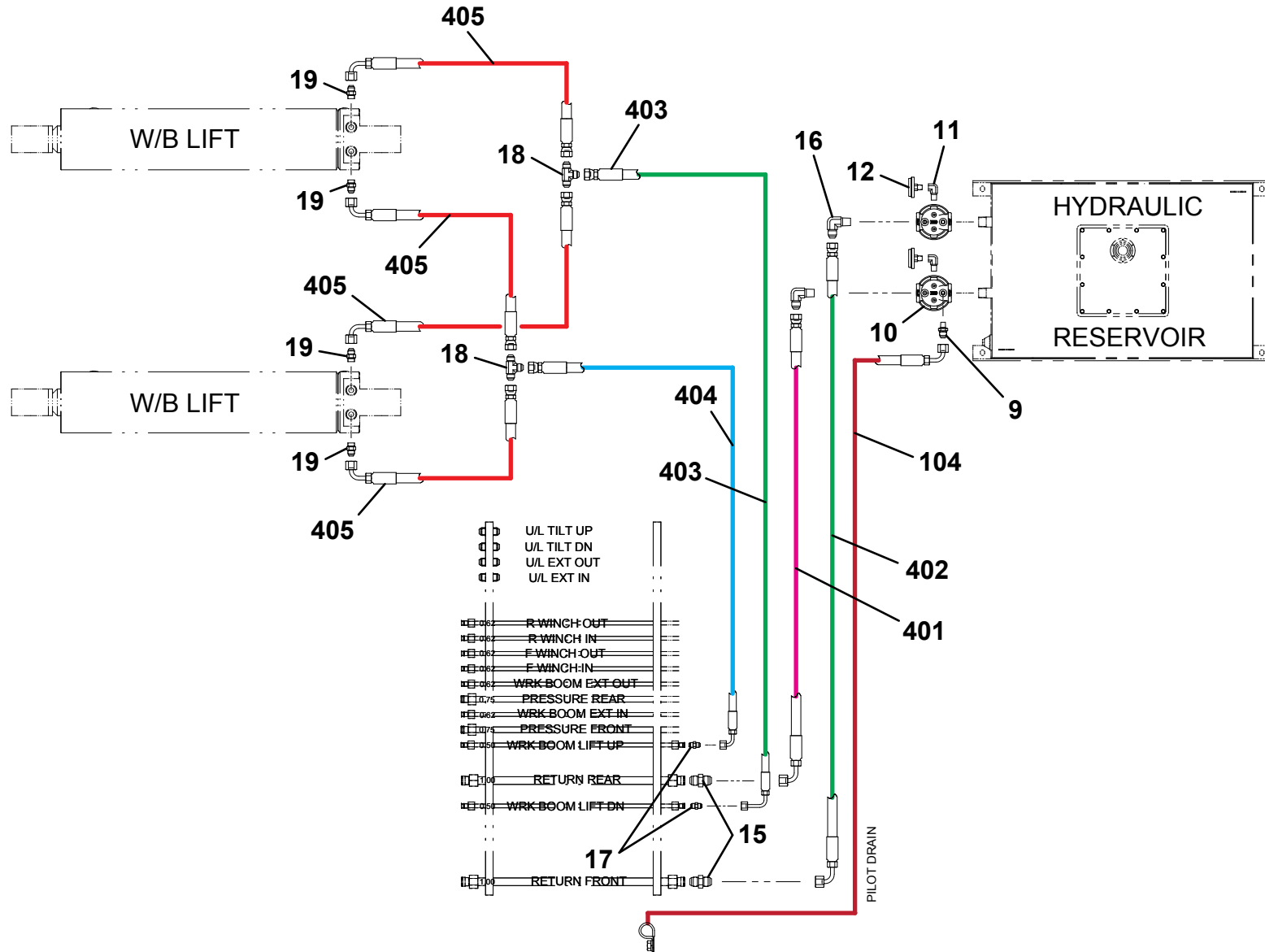


HYDRAULIC LINES AND FITTINGS - 3 PC BOOM W/O U/L WINCH

HYDRAULIC LINES AND FITTINGS - 3 PC BOOM W/O U/L WINCH



HYDRAULIC LINES AND FITTINGS - 3 PCS BOOM W/O U/L WINCH



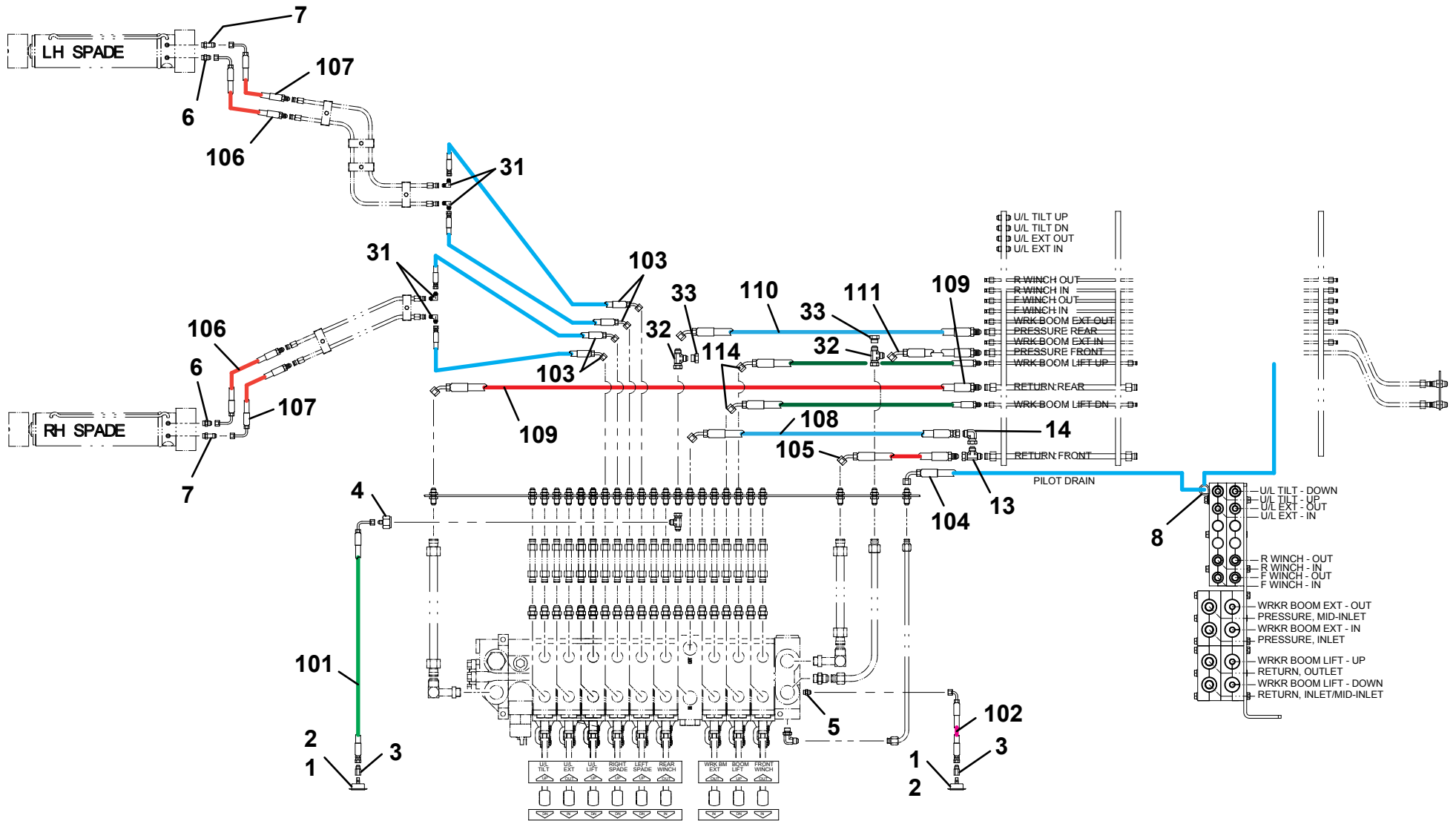
HYDRAULIC LINES AND FITTINGS - 3 PC BOOM W/O U/L WINCH

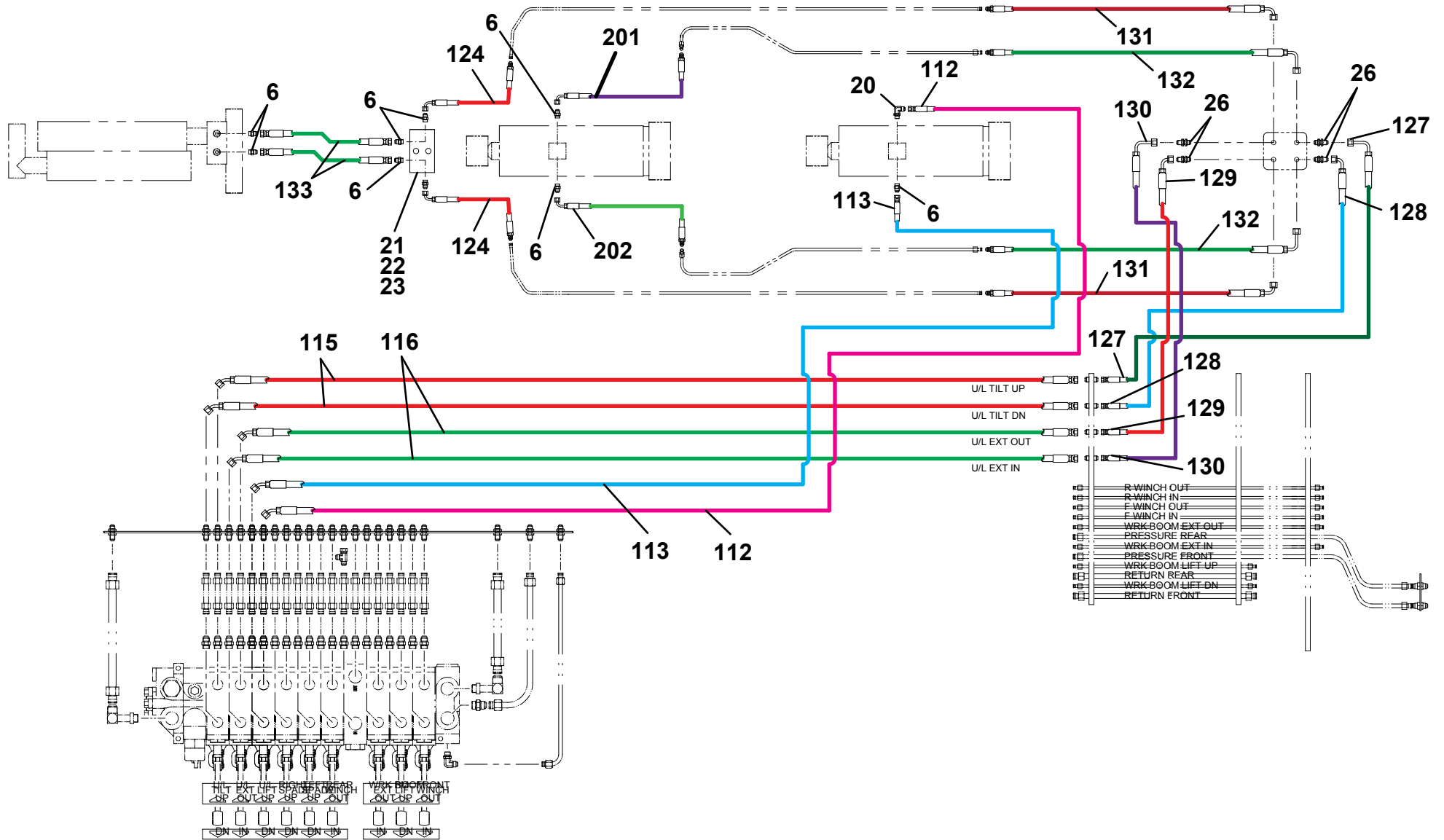
THIS PAGE INTENTIONALLY LEFT BLANK

HYDRAULIC LINES AND FITTINGS - 2 PC WRECKER BOOM W/ U/L WINCH

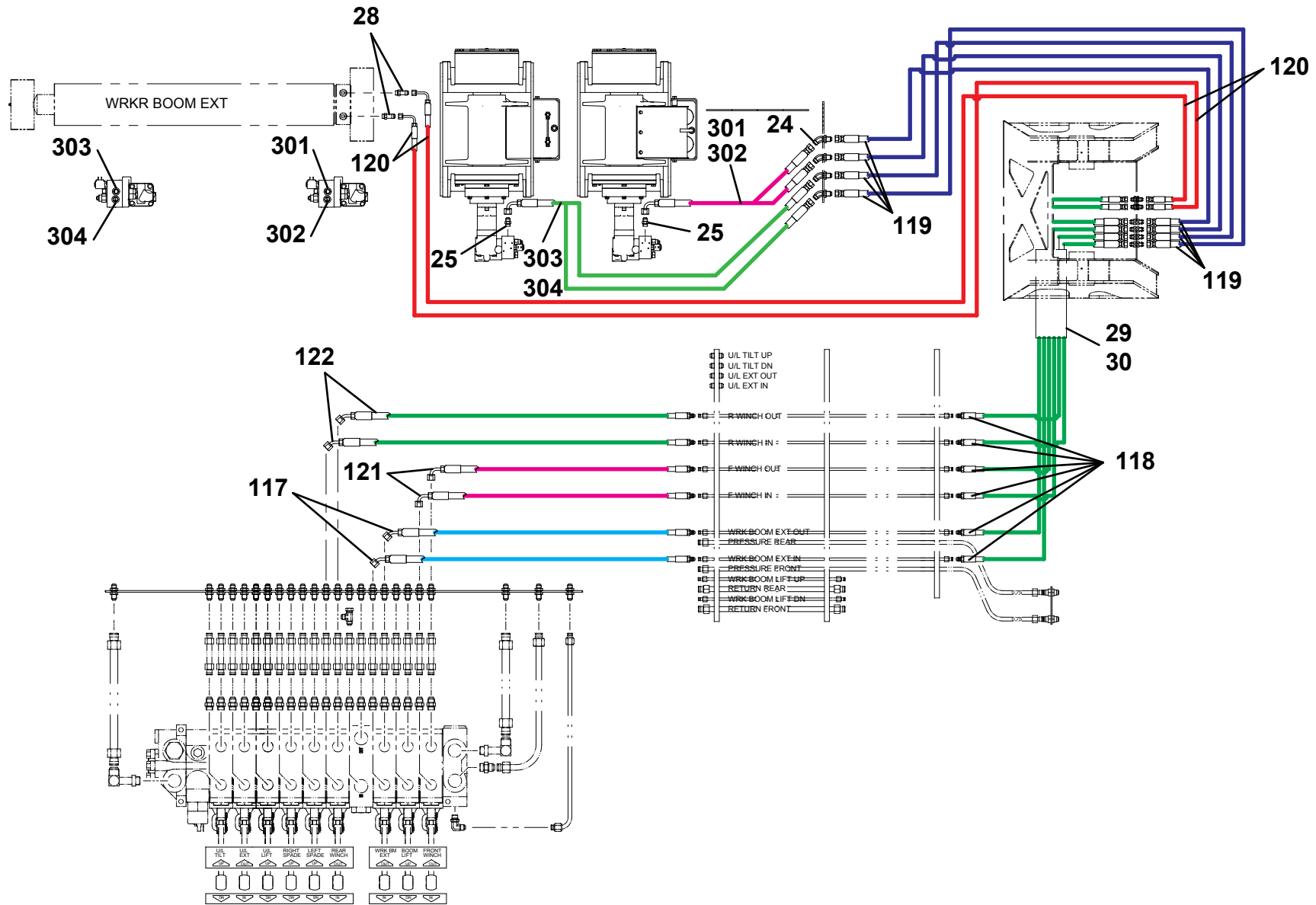
ITEM	PART NO.	DESCRIPTION	QTY	ITEM	PART NO.	DESCRIPTION	QTY
				105	1001214087	Hose Assembly	1
				106	4570000163	Hose Assembly	2
1	7470000004	Gauge	2	107	4570000162	Hose Assembly	2
2	7790060676	Screw, #6 X 0.38"	6	108	1001214089	Hose Assembly	1
3	7445040421	Fitting	2	109	1001214090	Hose Assembly	1
4	1001094694	Reducer	1	110	1001206043	Hose Assembly	1
5	2220415	Adapter	1	111	1001206039	Hose Assembly	1
6	7445060643	Adapter	8	112	4567182029	Hose Assembly	1
7	7443000109	Adapter	2	113	4567182024	Hose Assembly	1
8	7274000063	Clamp	2	114	1001206042	Hose Assembly	2
9	7445060219	Adapter	1	115	1001214086	Hose Assembly	2
10	7430000004	Filter Assembly	2	116	1001206052	Hose Assembly	2
11	7443000158	Elbow	2	117	1001206053	Hose Assembly	2
12	7470000002	Gauge	2	118	4567133032	Hose Assembly	1
13	2220642	Fitting	1	119	4567132031	Hose Assembly	1
14	2220878	Fitting	1	120	4567132043	Hose Assembly	4
15	7445161622	Fitting	2	121	1001206054	Hose Assembly	2
16	7445161620	Fitting	2	122	1001213133	Hose Assembly	2
17	7445080822	Fitting	2	123	4569130046	Hose Assembly	6
18	7445080837	Fitting	2	124	4569160046	Hose Assembly	4
19	7445080843	Fitting	4	125	4567150048	Hose Assembly	4
20	7445060645	Fitting	2	126	4569130044	Hose Assembly	2
21	4619000006	Manifold	1	127	4570000362	Hose Assembly	2
22	7115161650	Capscrew, 0.38"-16NC X 2.00"	2	128	4570000167	Hose Assembly	2
23	7950160000	Lockwasher, 0.38" ID	2	129	4567120017	Hose Assembly	2
24	7445101032	Fitting	4	130	4570000368	Hose Assembly	2
25	7445100843	Fitting	4	131	4567132048	Hose Assembly	2
26	1001206909	Hose Kit	1	201	4570000360	Hose Assembly	2
27	7445080644	Fitting	2	201	4570000252	Hose Assembly	2
28	4819000008	Sleeve	2	301	4567152025	Hose Assembly	1
29	7894000004	Tie Strap	20	302	4567152024	Hose Assembly	1
30	7950150161	Washer, 0.31" ID	8	303	4567152056	Hose Assembly	1
31	7660152601	Locknut, 0.31"-18NC	4	304	4567152054	Hose Assembly	1
32	7274000040	Clamp	8	401	4569180038	Hose Assembly	1
33	7445080830	Fitting	4	402	4569180044	Hose Assembly	1
34	2220700	Fitting	2	403	4567133032	Hose Assembly	1
35	2220518	Fitting	2	404	4567132031	Hose Assembly	1
101	4567113028	Hose Assembly	1	405	4567132034	Hose Assembly	4
102	4567112024	Hose Assembly	1	406	1001213132	Hose Assembly	2
103	1001192504	Hose Assembly	4	407	4569163036	Hose Assembly	1
104	1001206033	Hose Assembly	1	408	4569162034	Hose Assembly	1

HYDRAULIC LINES AND FITTINGS - 2 PC WRECKER BOOM W/ U/L WINCH

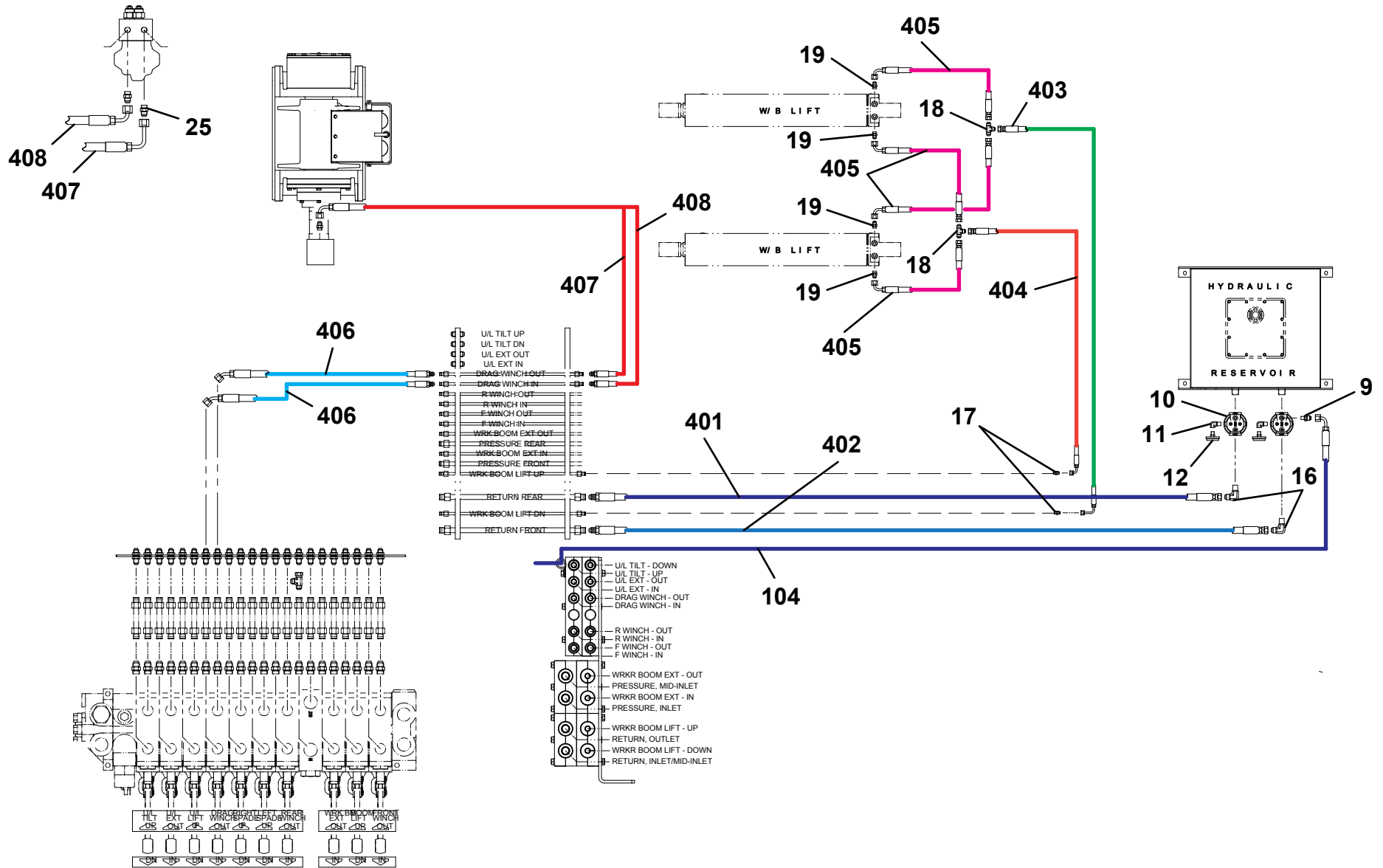


HYDRAULIC LINES AND FITTINGS - 2 PC WRECKER BOOM W/ U/L WINCH

HYDRAULIC LINES AND FITTINGS - 2 PC WRECKER BOOM W/ U/L WINCH



HYDRAULIC LINES AND FITTINGS - 2 PC WRECKER BOOM W/ U/L WINCH



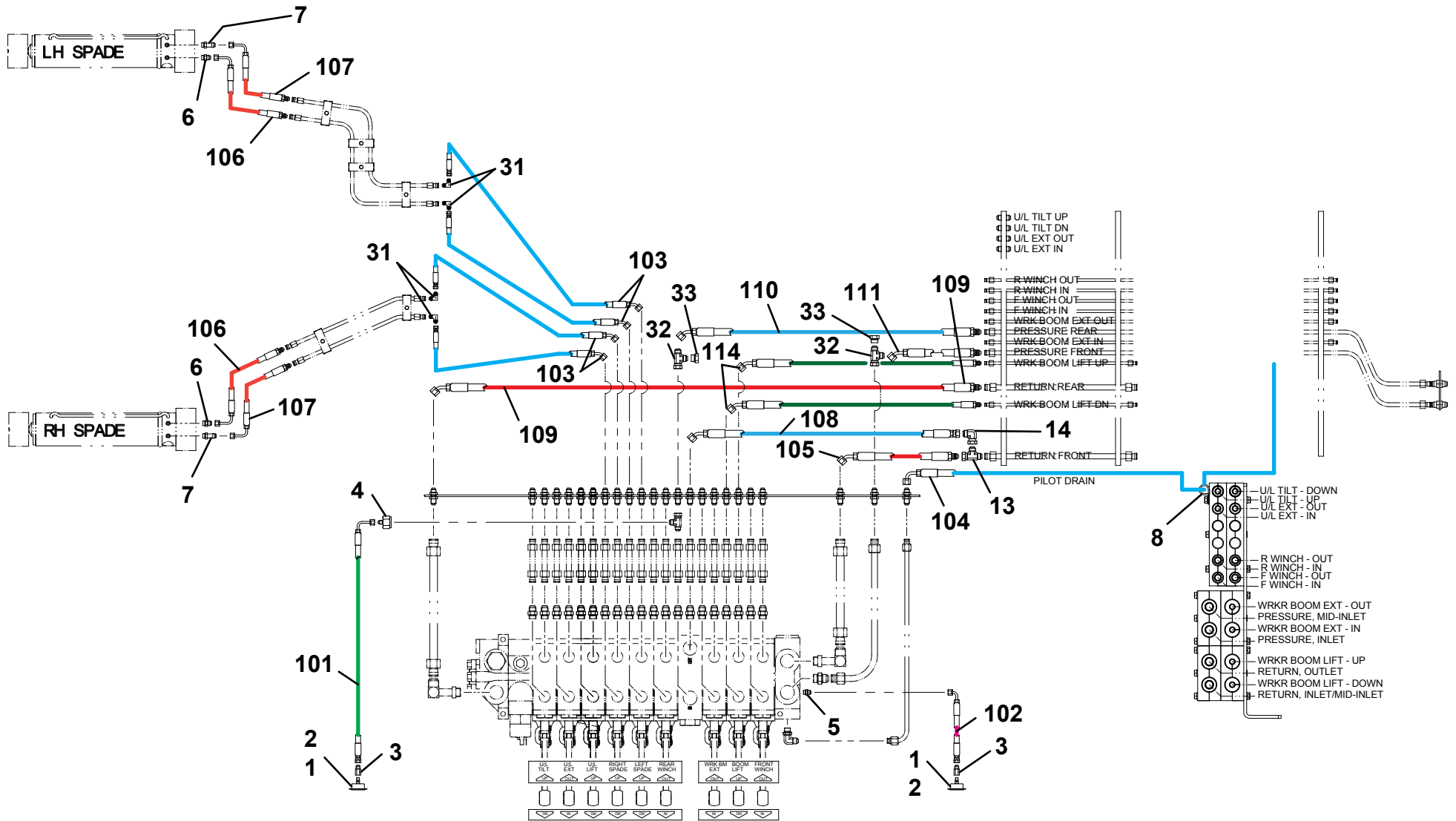
HYDRAULIC LINES AND FITTINGS - 2 PC WRECKER BOOM W/ U/L WINCH

THIS PAGE INTENTIONALLY LEFT BLANK

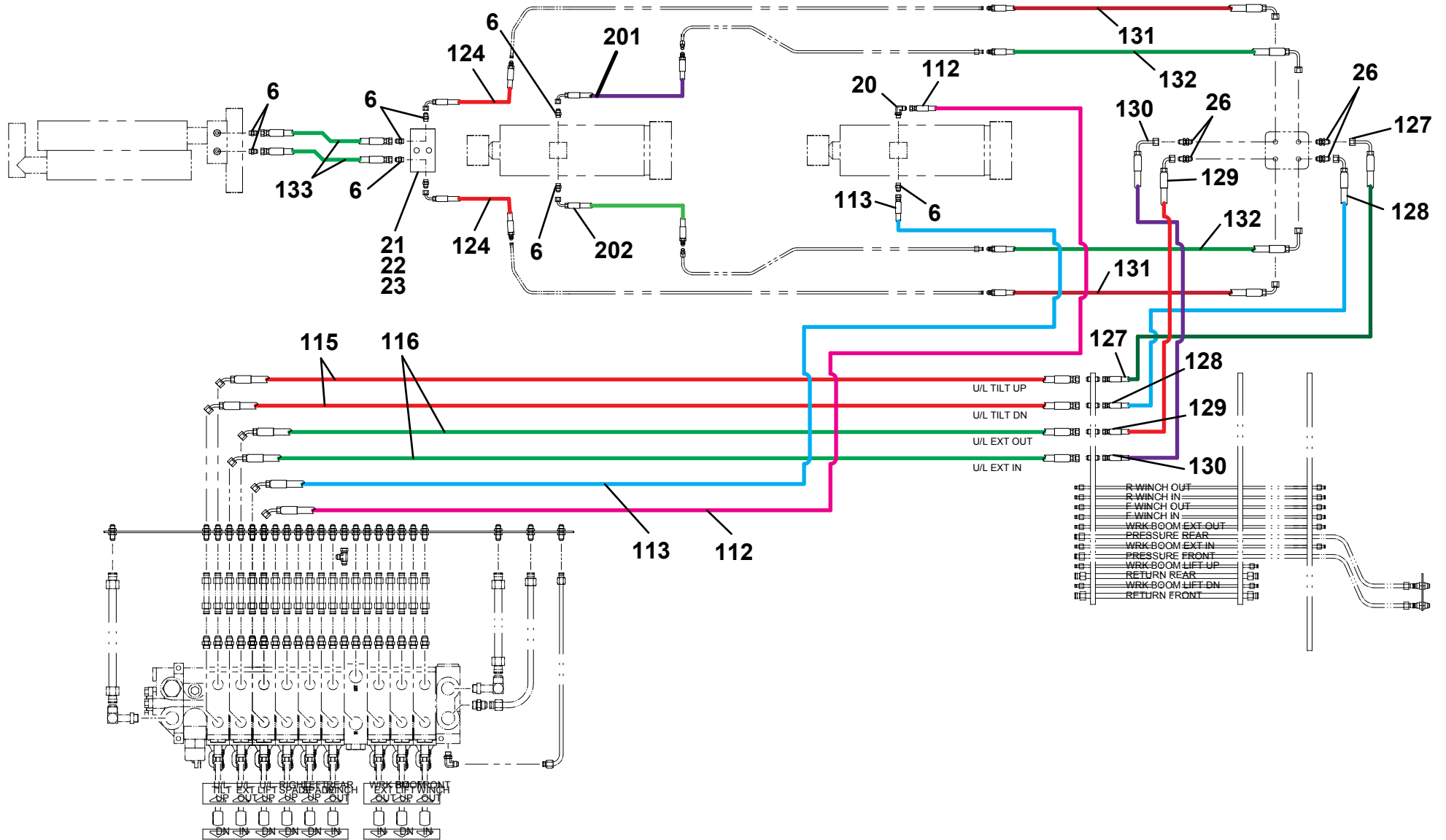
HYDRAULIC LINES AND FITTINGS - 3 PC WRECKER BOOM W/ U/L WINCH

ITEM	PART NO.	DESCRIPTION	QTY	ITEM	PART NO.	DESCRIPTION	QTY
				105	1001214087	Hose Assembly	1
				106	4570000163	Hose Assembly	2
1	7470000004	Gauge	2	107	4570000162	Hose Assembly	2
2	7790060676	Screw, #6 X 0.38"	6	108	1001214089	Hose Assembly	1
3	7445040421	Fitting	2	109	1001214090	Hose Assembly	1
4	1001094694	Reducer	1	110	1001206043	Hose Assembly	1
5	2220415	Adapter	1	111	1001206039	Hose Assembly	1
6	7445060643	Adapter	8	112	4567182029	Hose Assembly	1
7	7443000109	Adapter	2	113	4567182024	Hose Assembly	1
8	7274000063	Clamp	2	114	1001206042	Hose Assembly	2
9	7445060219	Adapter	1	115	1001214086	Hose Assembly	2
10	7430000004	Filter Assembly	2	116	1001206052	Hose Assembly	2
11	7443000158	Elbow	2	117	1001206053	Hose Assembly	2
12	7470000002	Gauge	2	118	4567133032	Hose Assembly	1
13	2220642	Fitting	1	119	4567132031	Hose Assembly	1
14	2220878	Fitting	1	120	4567132043	Hose Assembly	4
15	7445161622	Fitting	2	121	1001206054	Hose Assembly	2
16	7445161620	Fitting	2	122	1001213133	Hose Assembly	2
17	7445080822	Fitting	2	123	4569130046	Hose Assembly	6
18	7445080837	Fitting	2	124	4569160046	Hose Assembly	4
19	7445080843	Fitting	4	125	4567150048	Hose Assembly	4
20	7445060645	Fitting	2	126	4569130044	Hose Assembly	2
21	4619000006	Manifold	1	127	4570000362	Hose Assembly	2
22	7115161650	Capscrew, 0.38"-16NC X 2.00"	2	128	4570000167	Hose Assembly	2
23	7950160000	Lockwasher, 0.38" ID	2	129	4567120017	Hose Assembly	2
24	7445101032	Fitting	4	130	4570000368	Hose Assembly	2
25	7445100843	Fitting	4	131	4567132048	Hose Assembly	2
26	1001206909	Hose Kit	1	201	4570000360	Hose Assembly	2
27	7445080479	Fitting	2	201	4570000252	Hose Assembly	2
28	4819000008	Sleeve	2	301	4567152025	Hose Assembly	1
29	7894000004	Tie Strap	20	302	4567152024	Hose Assembly	1
30	7950150161	Washer, 0.31" ID	8	303	4567152056	Hose Assembly	1
31	7660152601	Locknut, 0.31"-18NC	4	304	4567152054	Hose Assembly	1
32	7274000040	Clamp	8	401	4569180038	Hose Assembly	1
33	7445080830	Fitting	4	402	4569180044	Hose Assembly	1
34	2220700	Fitting	2	403	4567133032	Hose Assembly	1
35	2220518	Fitting	2	404	4567132031	Hose Assembly	1
101	4567113028	Hose Assembly	1	405	4567132034	Hose Assembly	4
102	4567112024	Hose Assembly	1	406	1001213132	Hose Assembly	2
103	1001192504	Hose Assembly	4	407	4569163036	Hose Assembly	1
104	1001206033	Hose Assembly	1	408	4569162034	Hose Assembly	1

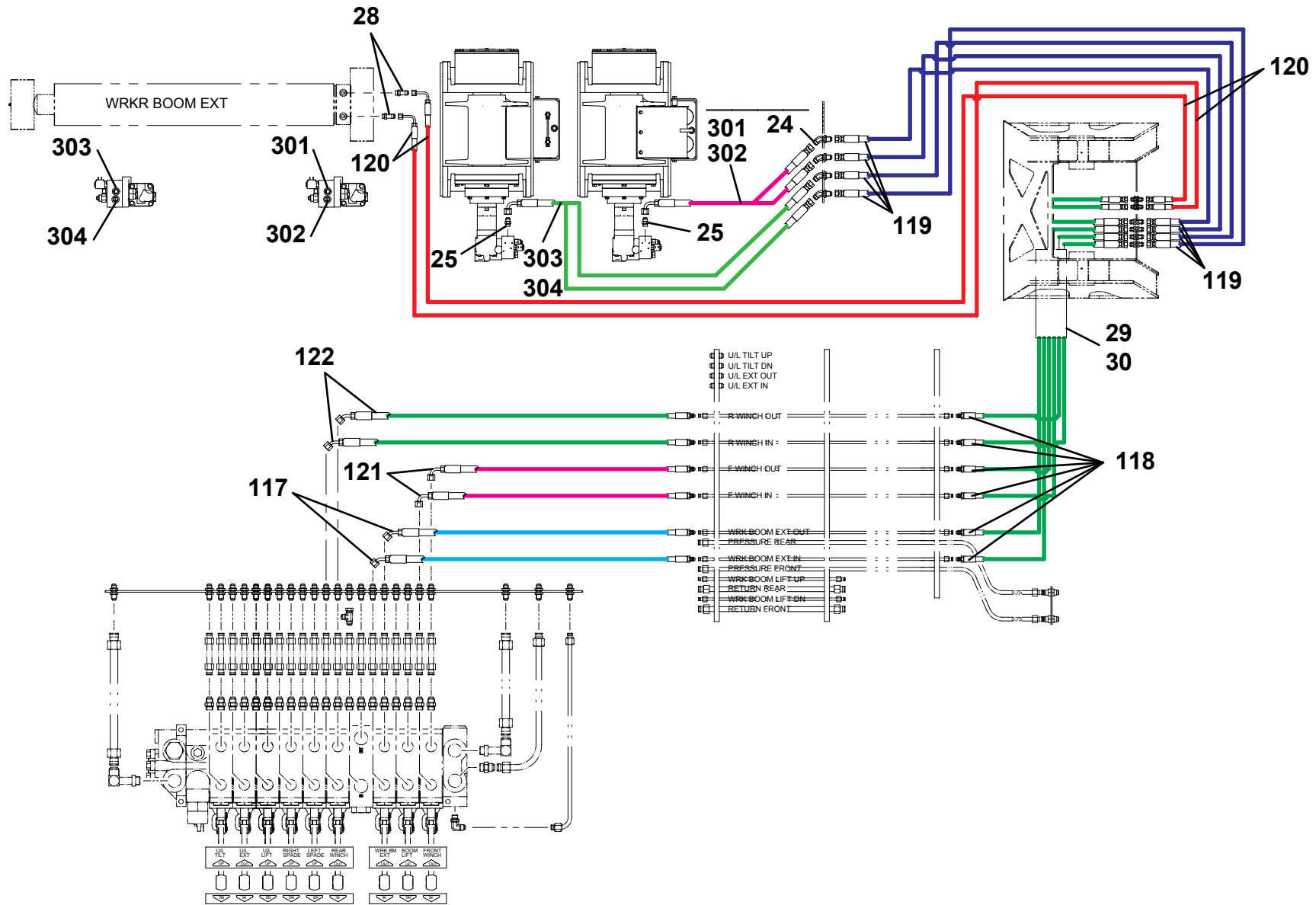
HYDRAULIC LINES AND FITTINGS - 3 PC WRECKER BOOM W/ U/L WINCH



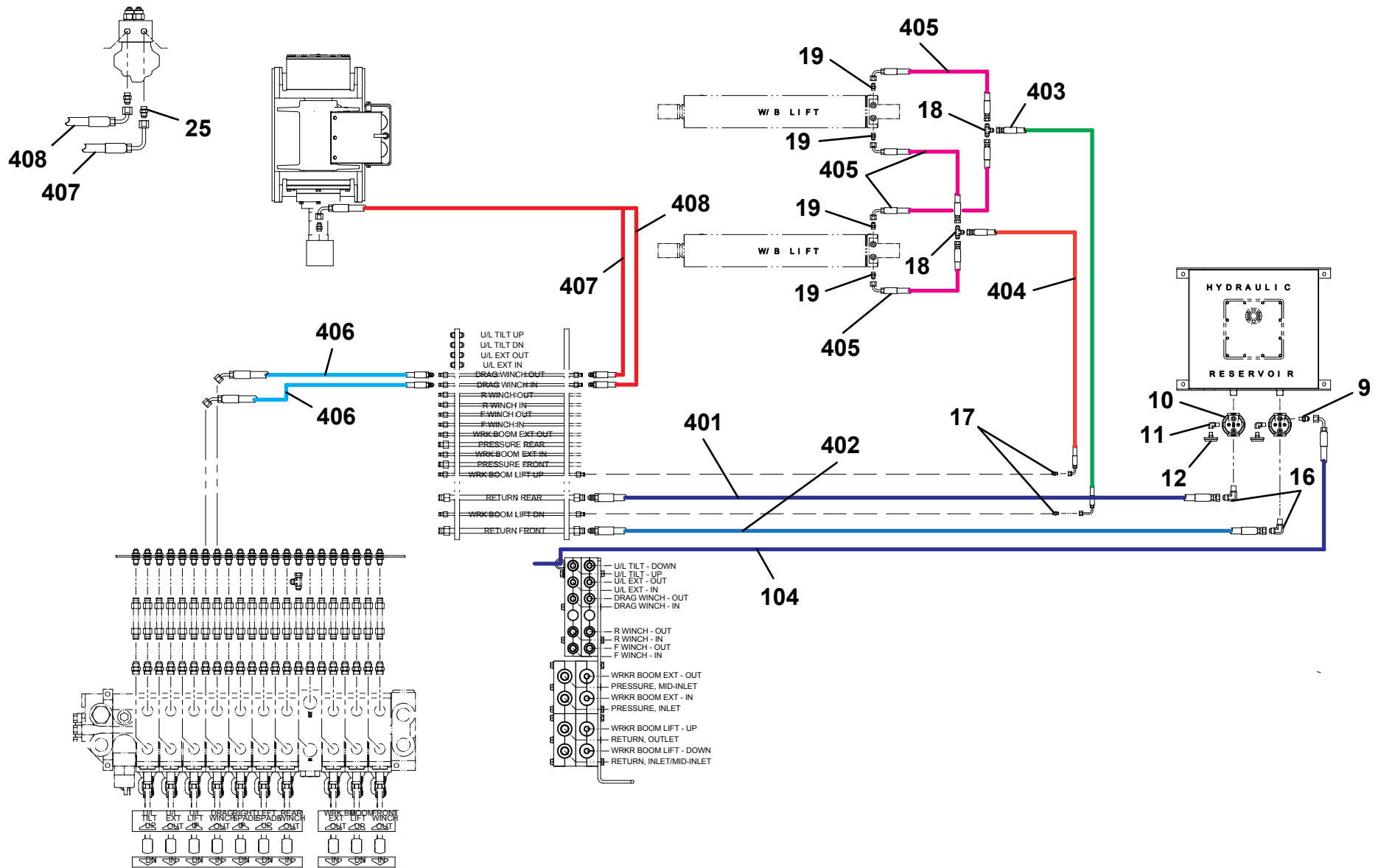
HYDRAULIC LINES AND FITTINGS - 3 PC WRECKER BOOM W/ U/L WINCH



HYDRAULIC LINES AND FITTINGS - 3 PC WRECKER BOOM W/ U/L WINCH



HYDRAULIC LINES AND FITTINGS - 3 PC WRECKER BOOM W/ U/L WINCH



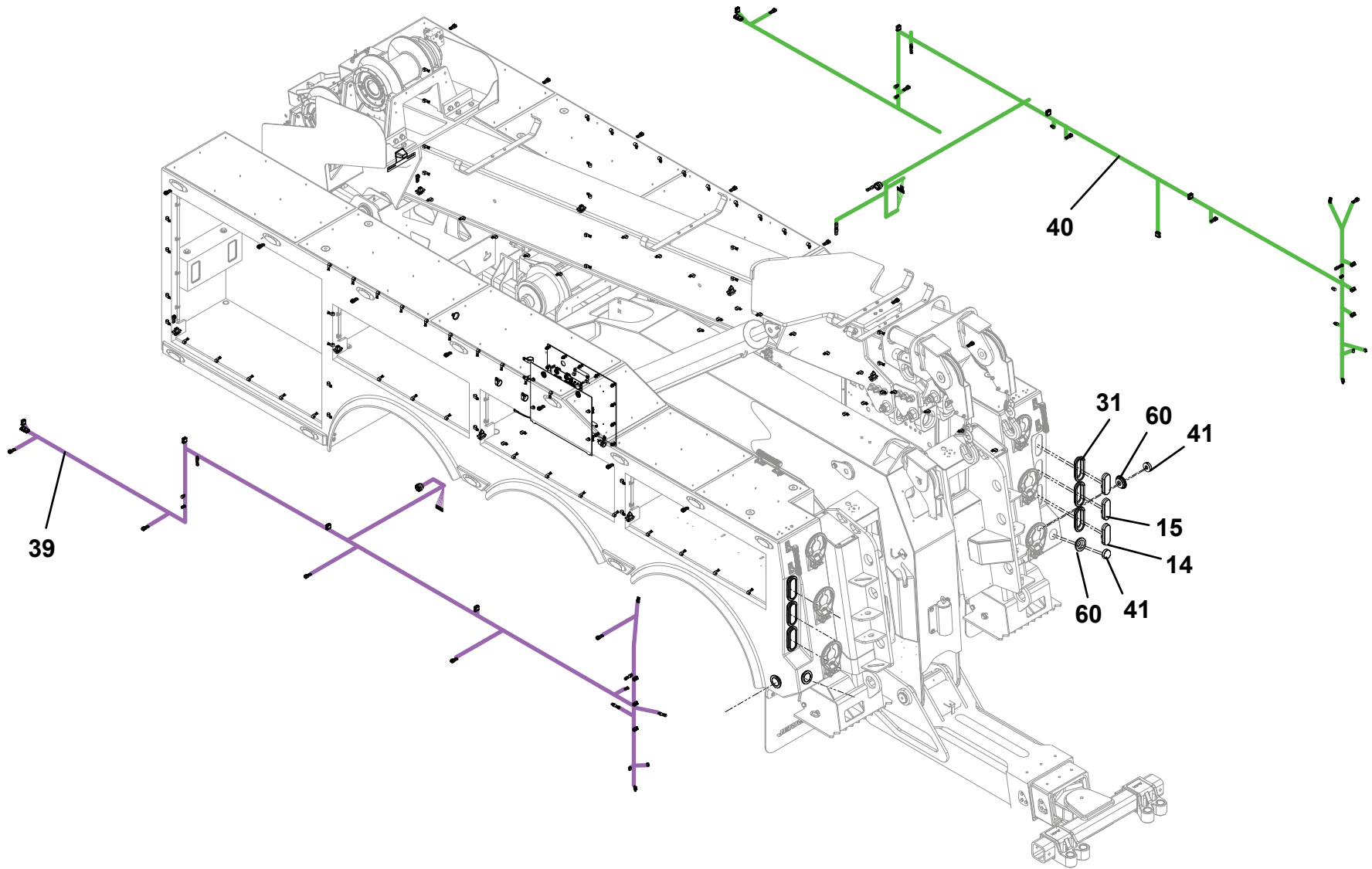
HYDRAULIC LINES AND FITTINGS - 3 PC WRECKER BOOM W/ U/L WINCH

THIS PAGE INTENTIONALLY LEFT BLANK

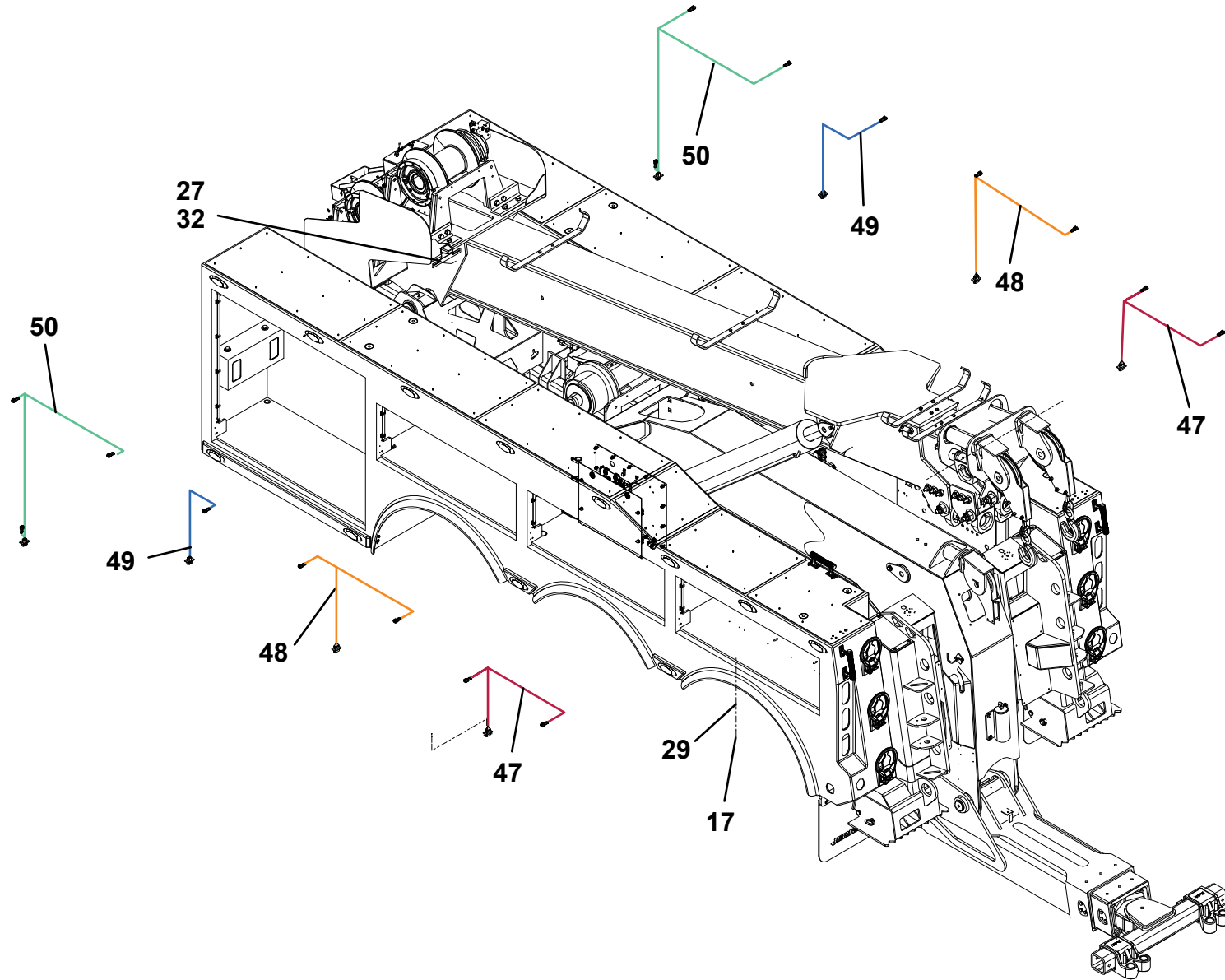
ELECTRICAL INSTALLATION - TRI-AXLE

ITEM	PART NO.	DESCRIPTION	QTY	ITEM	PART NO.	DESCRIPTION	QTY
1	0750604	Screw	8	41	7590000343	Light	4
2	3760308	Retainer	4	42	1001209031	Harness, Tow light	1
3	4460466	Terminal	1	43	1001209040	Cable	1
4	4460509	Terminal	6	44	1001209041	Cable	1
5	4740513	Washer, 0.25" ID	8	45	1001209042	Cable	1
6	1001122235	Bracket	4	46	1001209044	Cable	1
7	1001166930	Latch	4	47	1001209051	Harness	2
8	1001166974	Washer, 0.38" ID	14	48	1001207212	Harness	2
9	1001167607	Plug	2	49	1001207213	Harness	2
10	1001168320	Terminal	1	50	1001209054	Harness	2
11	1001168321	Terminal	1	51	1001209365	Seal	1
12	1001168322	Terminal	2	52	1001209366	Seal	4
13	1001168993	Capscrew, 0.38"-16NC x 1.50"	14	53	7274000042	Clamp	5
14	1001174680	Lamp, Backup	2	54	1001204788	Terminal Nut	1
15	1001174681	Lamp, Tail light	4	55	1001205043	Terminal Nut	4
16	1001191602	Panel	1	56	7114100818	Screw, #10 - 24NC x 1.00"	2
17	1001195257	Screw, 0.25" x 0.50"	85	57	1001205044	Terminal Nut	4
18	1001196552	Screw, #8 x 0.75"	32	58	1001204789	Terminal Nut	1
19	1001201384	Socket	1	60	1001220431	Grommet	4
20	1001201926	Washer, #10 ID	4				
21	1001206505	Plate	1				
22	1001207734	Screw	4				
23	1001207736	Washer, #10ID	8				
24	1001208066	Connector	1				
25	1001208303	Nut, #10-24	4				
26	7114100618	Screw, #10 - 24 x 0.75"	2				
27	7178000025	License Plate Bracket	1				
28	7274000040	Clamp	2				
29	7280000006	Clip	83				
30	5526000553	Tie Strap	30				
31	7493000026	Grommet	6				
32	7590000105	Light	1				
34	7660102601	Nut, #10-24NC	4				
35	7660162601	Locknut, 0.38" - 16NC	14				
36	7950160143	Flatwasher, 0.38" ID	28				
37	1001168328	Cable	1				
38	1001203234	Electrical Assembly	1				
39	1001209010	Harness, LH	1				
40	1001215445	Harness, RH	1				

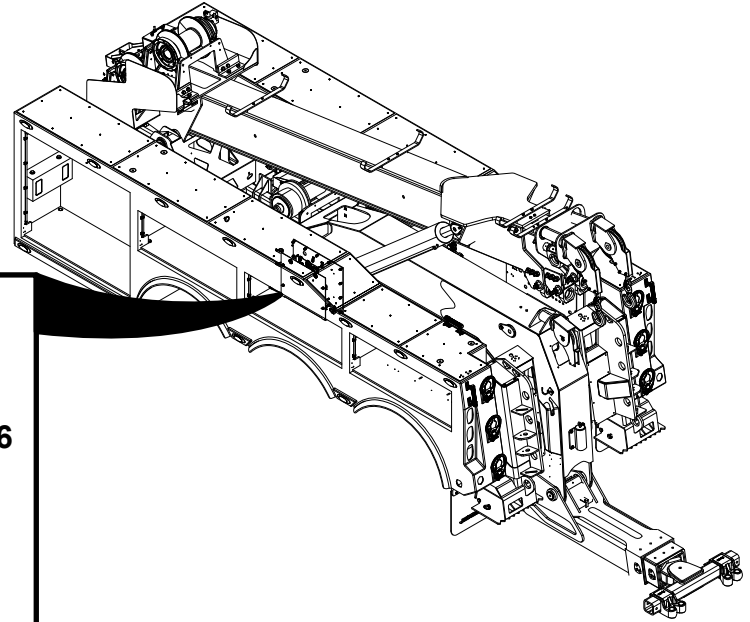
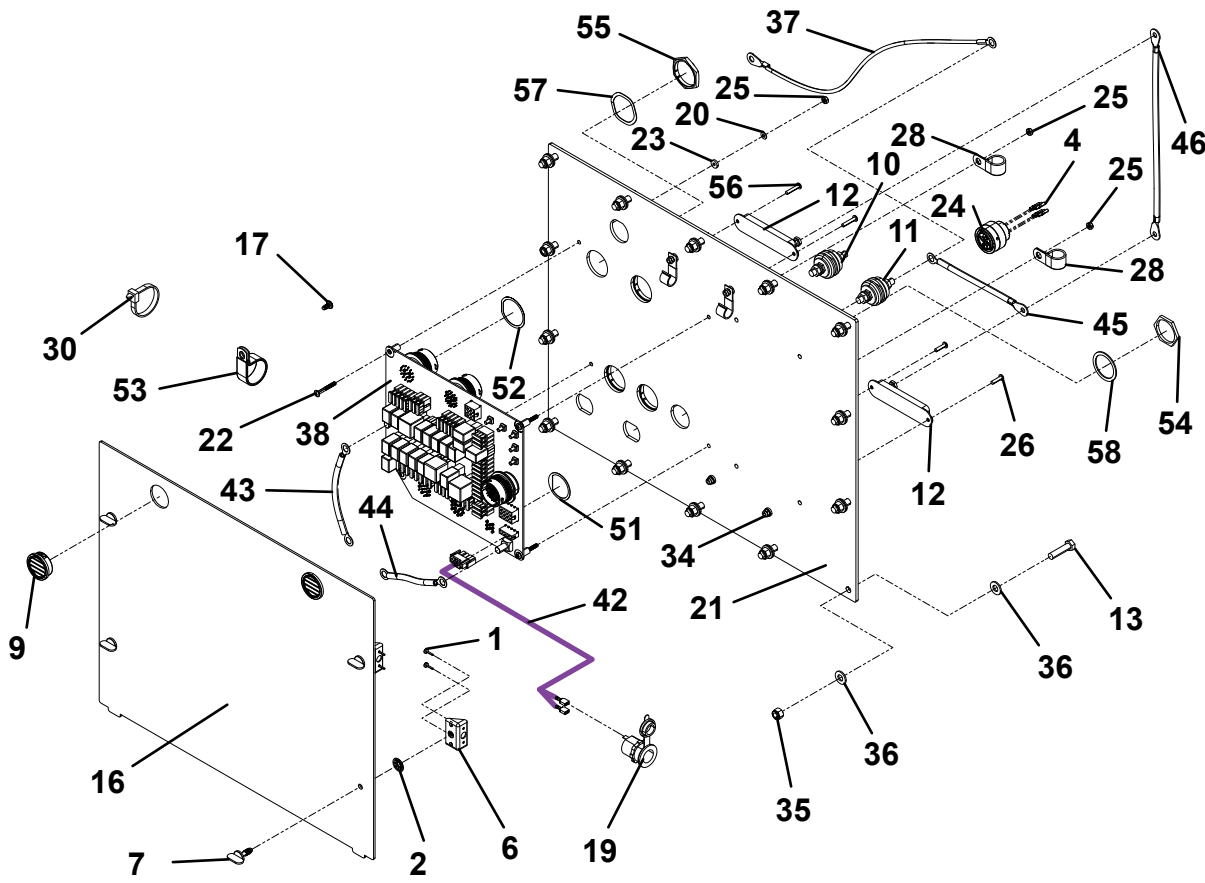
ELECTRICAL INSTALLATION - TRI-AXLE



ELECTRICAL INSTALLATION - TRI-AXLE



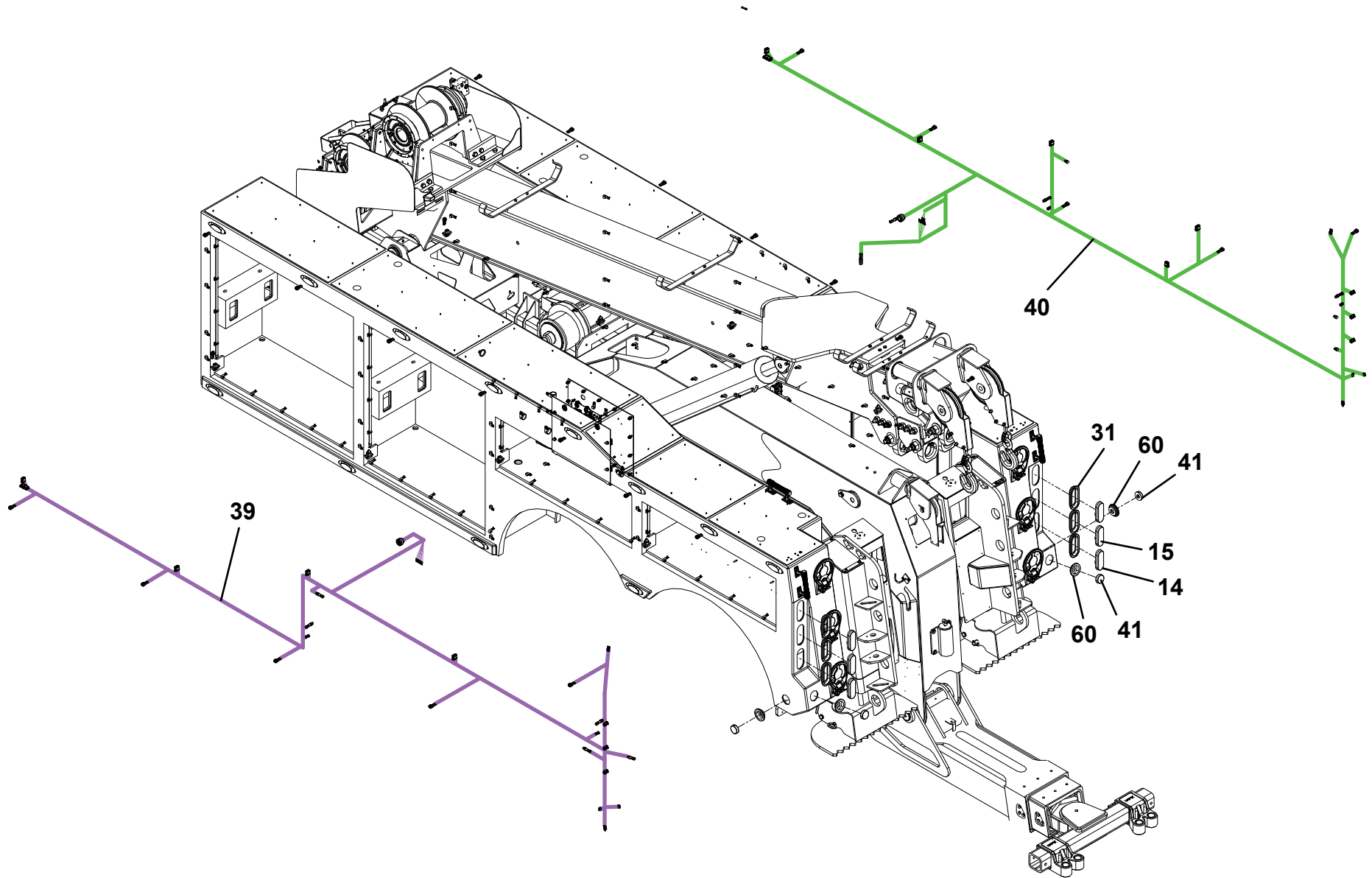
ELECTRICAL INSTALLATION - TRI-AXLE

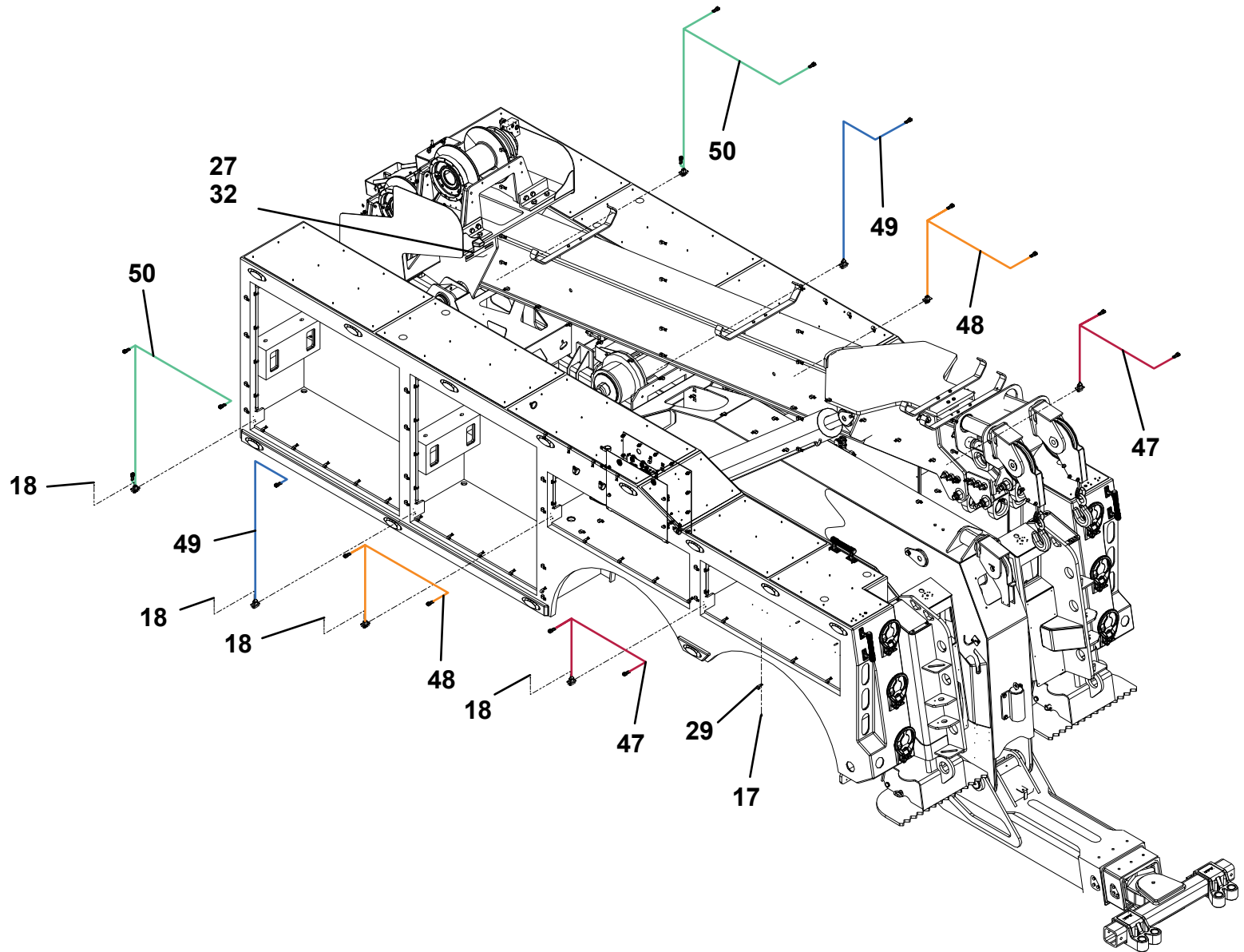


ELECTRICAL INSTALLATION - TANDEM AXLE

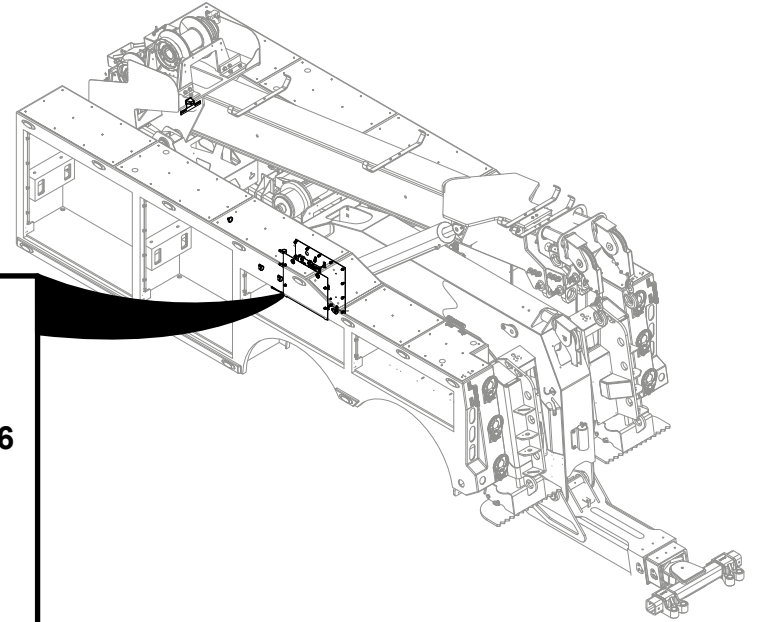
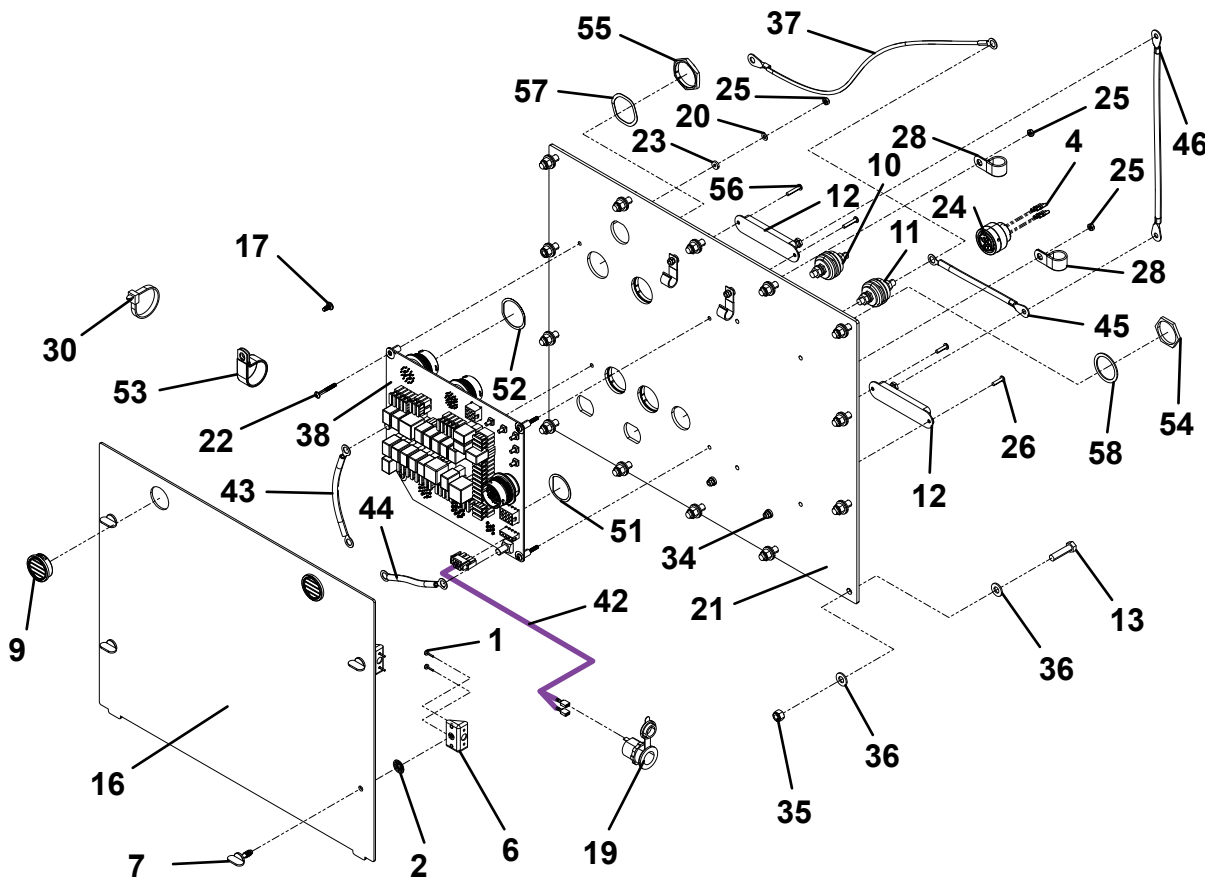
ITEM	PART NO.	DESCRIPTION	QTY	ITEM	PART NO.	DESCRIPTION	QTY
1	0750604	Screw	8	41	7590000343	Light	4
2	3760308	Retainer	4	42	1001209031	Harness, Tow light	1
3	4460466	Terminal	1	43	1001209040	Cable	1
4	4460509	Terminal	6	44	1001209041	Cable	1
5	4740513	Washer, 0.25" ID	8	45	1001209042	Cable	1
6	1001122235	Bracket	4	46	1001209044	Cable	1
7	1001166930	Latch	4	47	1001209051	Harness	2
8	1001166974	Washer, 0.38" ID	14	48	1001209052	Harness	2
9	1001167607	Plug	2	49	1001209053	Harness	2
10	1001168320	Terminal	1	50	1001209054	Harness	2
11	1001168321	Terminal	1	51	1001209365	Seal	1
12	1001168322	Terminal	2	52	1001209366	Seal	4
13	1001168993	Capscrew, 0.38"-16NC x 1.50"	14	53	7274000042	Clamp	5
14	1001174680	Lamp, Backup	2	54	1001204788	Terminal Nut	1
15	1001174681	Lamp, Tail light	4	55	1001205043	Terminal Nut	4
16	1001191602	Panel	1	56	7114100818	Screw, #10 -24NC x 1.00"	2
17	1001195257	Screw, 0.25" x 0.50"	85	57	1001205044	Terminal Washer	4
18	1001196552	Screw, #8 x 0.75"	32	58	1001204789	Terminal Washer	1
19	1001201384	Socket	1	60	1001220431	Grommet	4
20	1001201926	Washer, #10 ID	4				
21	1001206505	Plate	1				
22	1001207734	Screw	4				
23	1001207736	Washer, #10 ID	8				
24	1001208066	Connector	1				
25	1001208303	Nut, #10-24	4				
26	7114100618	Screw, #10 - 24 x 0.75"	2				
27	7178000025	License Plate Bracket	1				
28	7274000040	Clamp	2				
29	7280000006	Clip	83				
30	5526000553	Tie Strap	30				
31	7493000026	Grommet	6				
32	7590000105	Light	1				
34	7660102601	Nut, #10-24NC	4				
35	7660162601	Locknut, 0.38" - 16NC	14				
36	7950160143	Flatwasher, 0.38" ID	28				
37	1001168328	Cable	1				
38	1001203234	Electrical Assembly	1				
39	1001209000	Harness, LH	1				
40	1001215444	Harness, RH	1				

ELECTRICAL INSTALLATION - TANDEM AXLE



ELECTRICAL INSTALLATION - TANDEM AXLE

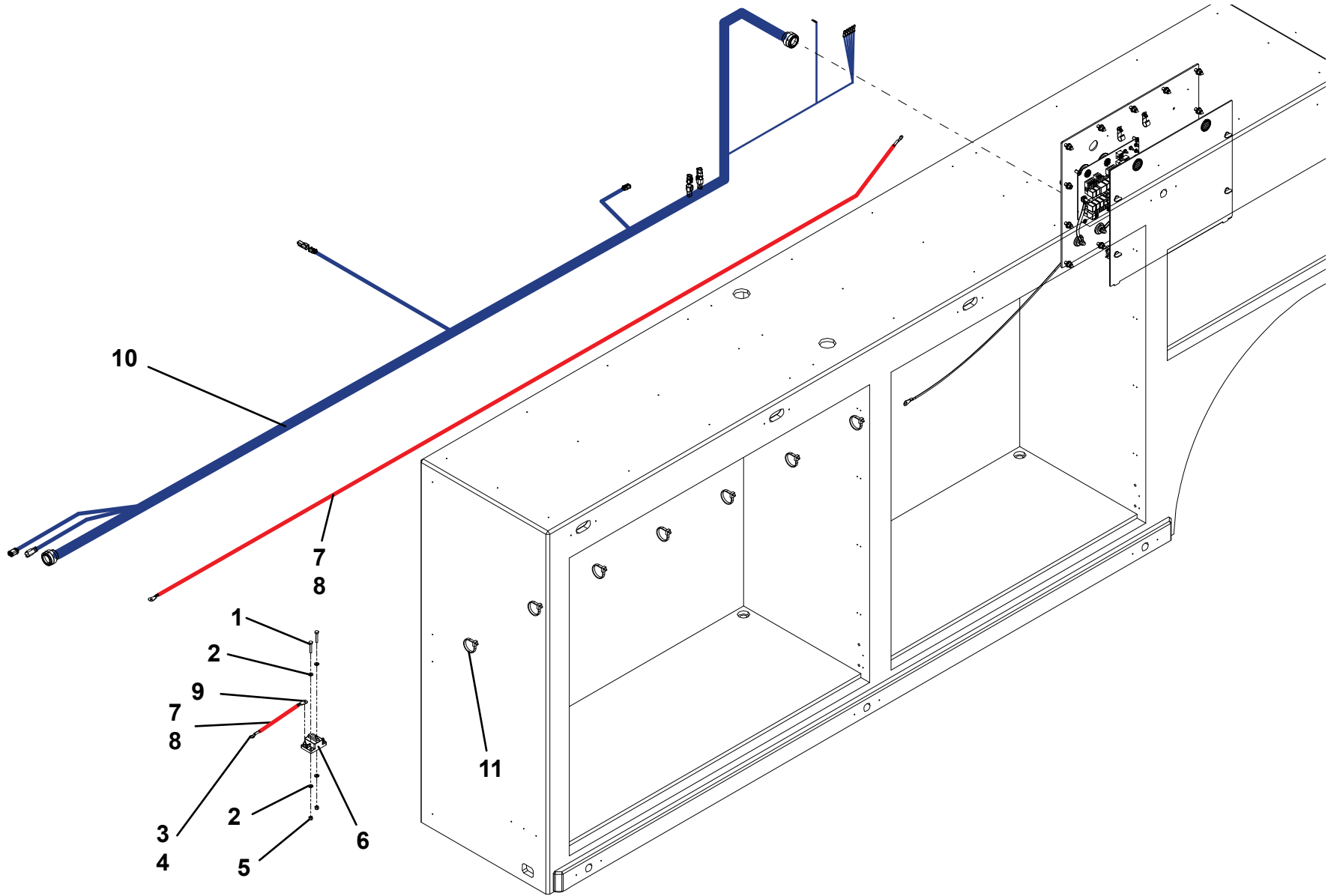
ELECTRICAL INSTALLATION - TANDEM AXLE



CENTER HARNESS INSTALLATION - 174" CT

ITEM	PART NO.	DESCRIPTION	QTY
1	0641412	Capscrew, 0.25" - 20NC x 1.50"	2
2	4711400	Washer, 0.25" ID	4
3	7345242202	Terminal	2
4	7346000045	Tubing	0.25in
5	7660142600	Locknut, 0.25" - 20NC	2
6	7870000043	Switch Breaker	1
7	7978000011	Cable	30FT
8	8597650001	Loom	30FT
9	1001125479	Terminal	2
10	1001215040	Harness	1
11	5526000553	Tie Strap	25

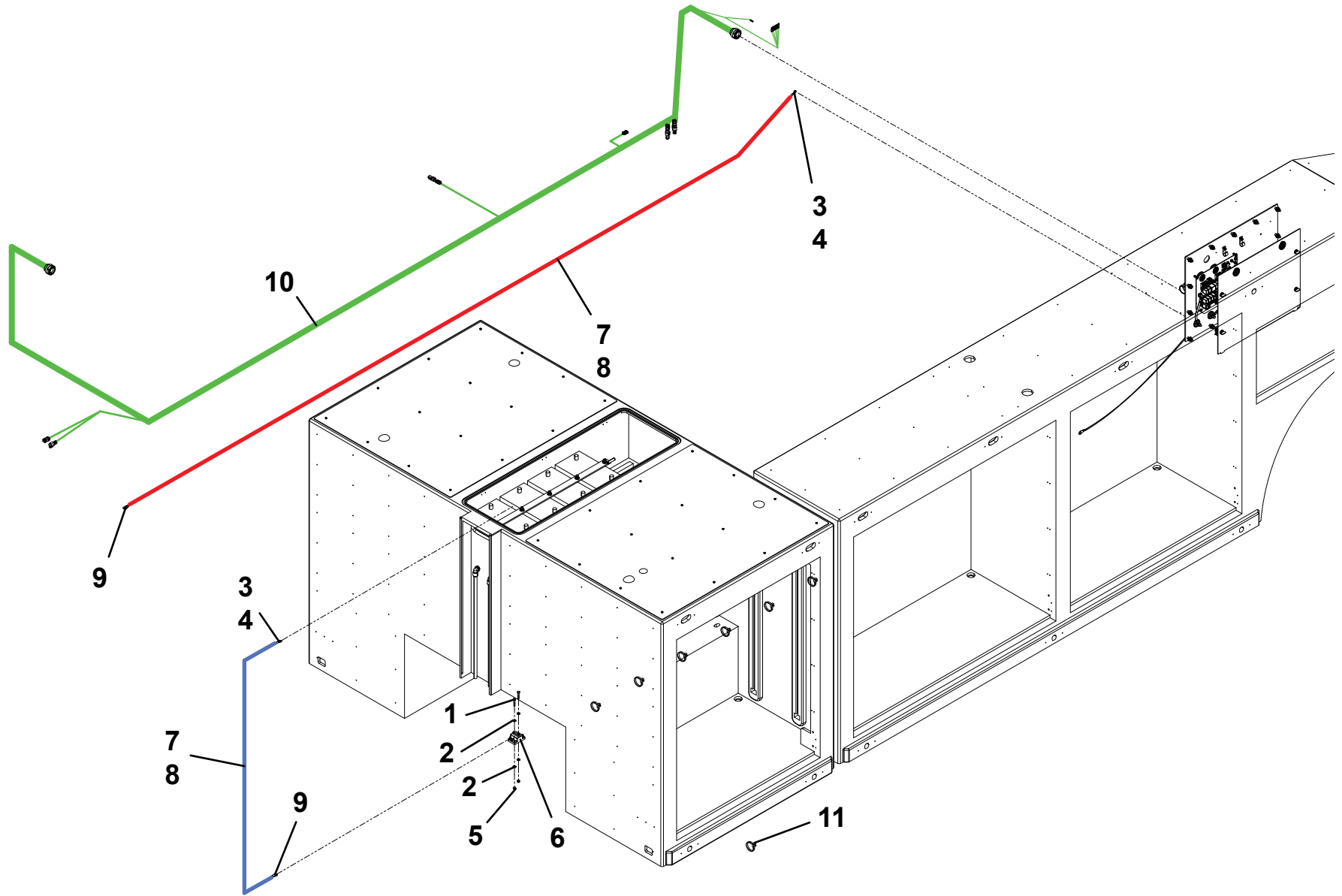
CENTER HARNESS INSTALLATION - 174" CT



CENTER HARNESS INSTALLATION - 225" CT

ITEM	PART NO.	DESCRIPTION	QTY
1	0641412	Capscrew, 0.25" - 20NC x 1.50"	2
2	4711400	Washer, 0.25" ID	4
3	7345242202	Terminal	2
4	7346000045	Tubing	0.25in
5	7660142600	Locknut, 0.25" - 20NC	2
6	7870000043	Switch Breaker	1
7	7978000011	Cable	30FT
8	8597650001	Loom	30FT
9	1001125479	Terminal	2
10	1001215041	Harness	1
11	5526000553	Tie Strap	25

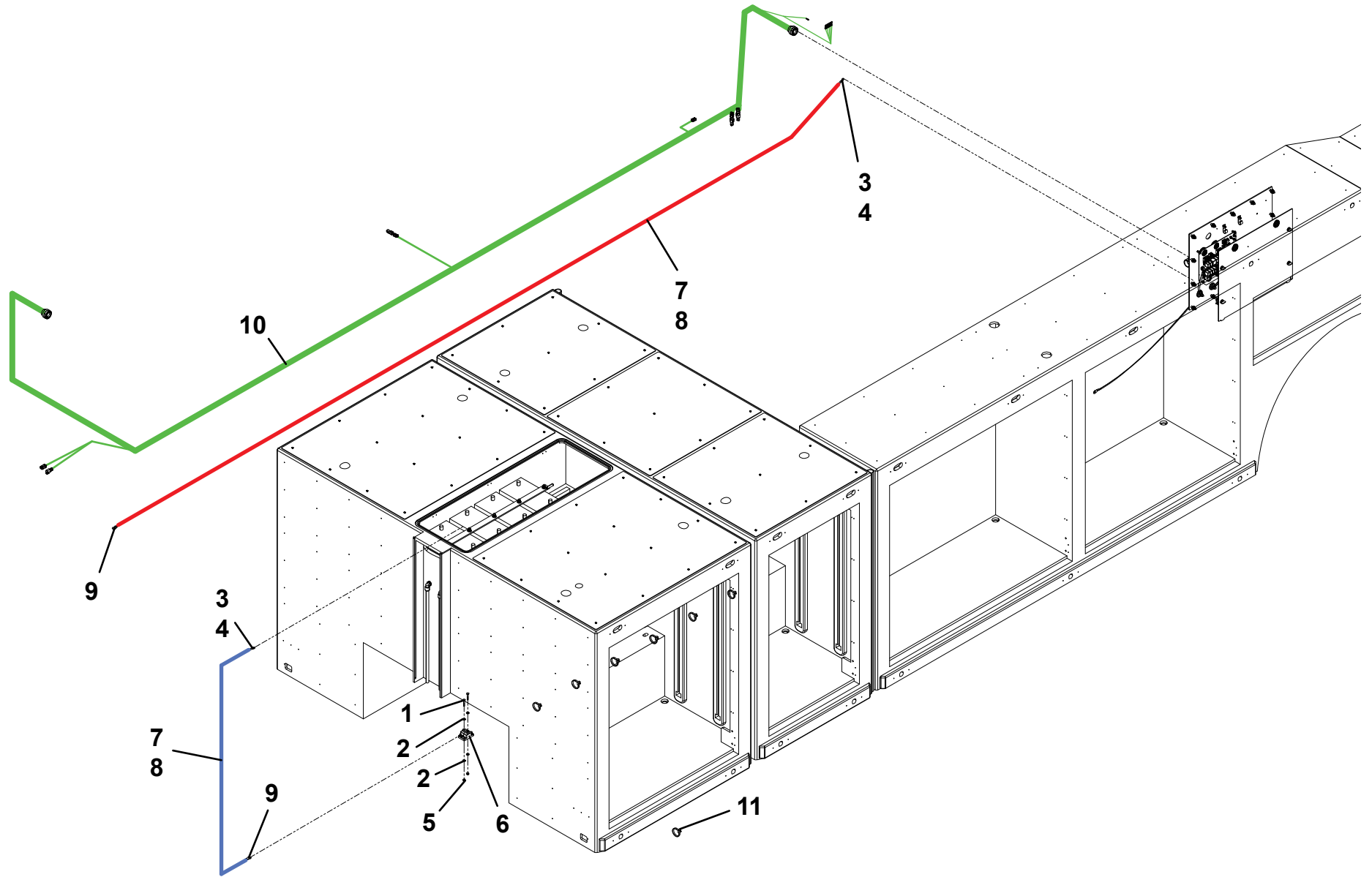
CENTER HARNESS INSTALLATION - 225" CT



CENTER HARNESS INSTALLATION - 265" CT

ITEM	PART NO.	DESCRIPTION	QTY
1	0641412	Capscrew, 0.25" - 20NC x 1.50"	2
2	4711400	Washer, 0.25" ID	4
3	7345242202	Terminal	2
4	7346000045	Tubing	0.25in
5	7660142600	Locknut, 0.25" - 20NC	2
6	7870000043	Switch Breaker	1
7	7978000011	Cable	30FT
8	8597650001	Loom	30FT
9	1001125479	Terminal	2
10	1001215048	Harness	1
11	5526000553	Tie Strap	25

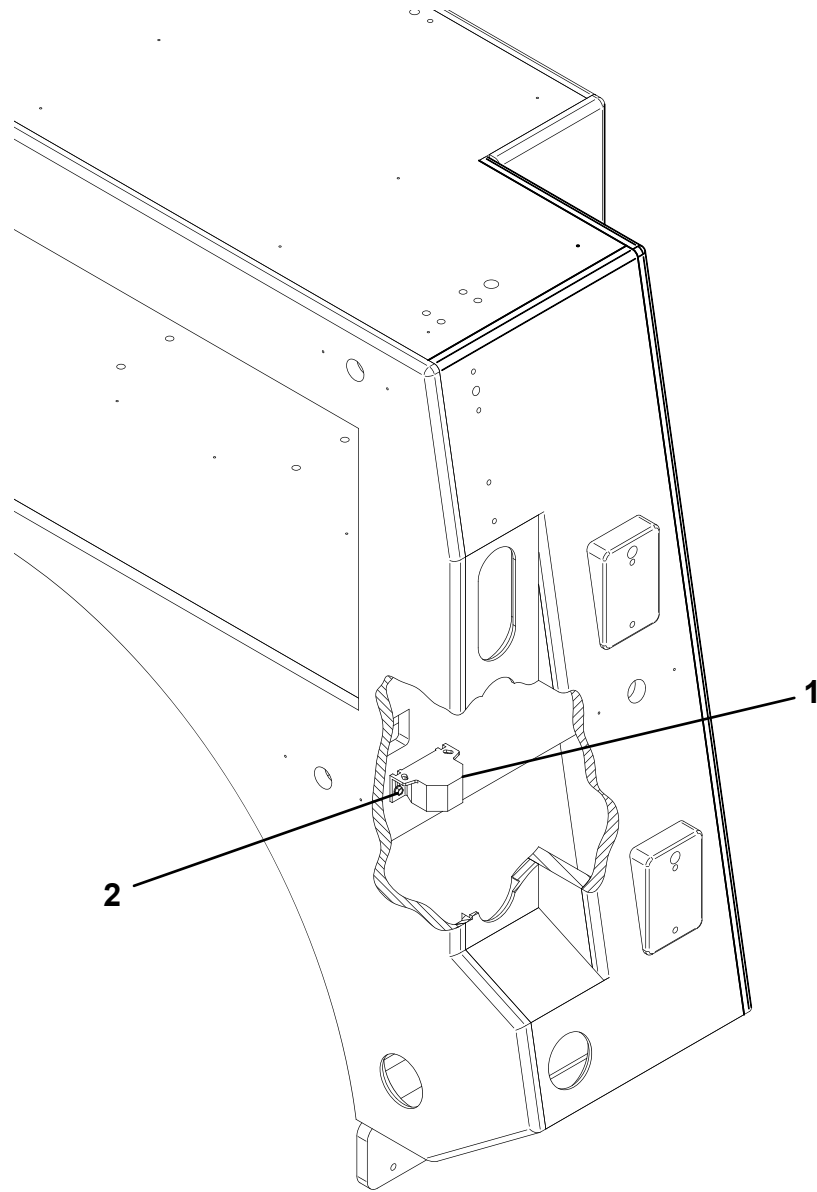
CENTER HARNESS INSTALLATION - 265" CT



BACKUP ALARM INSTALLATION

ITEM	PART NO.	DESCRIPTION	QTY
1	7011000006	Alarm, Backup	1
	1001175061	Alarm, Backup Variable	1
2	7790141251	Screw, 0.25" x 0.75"	2

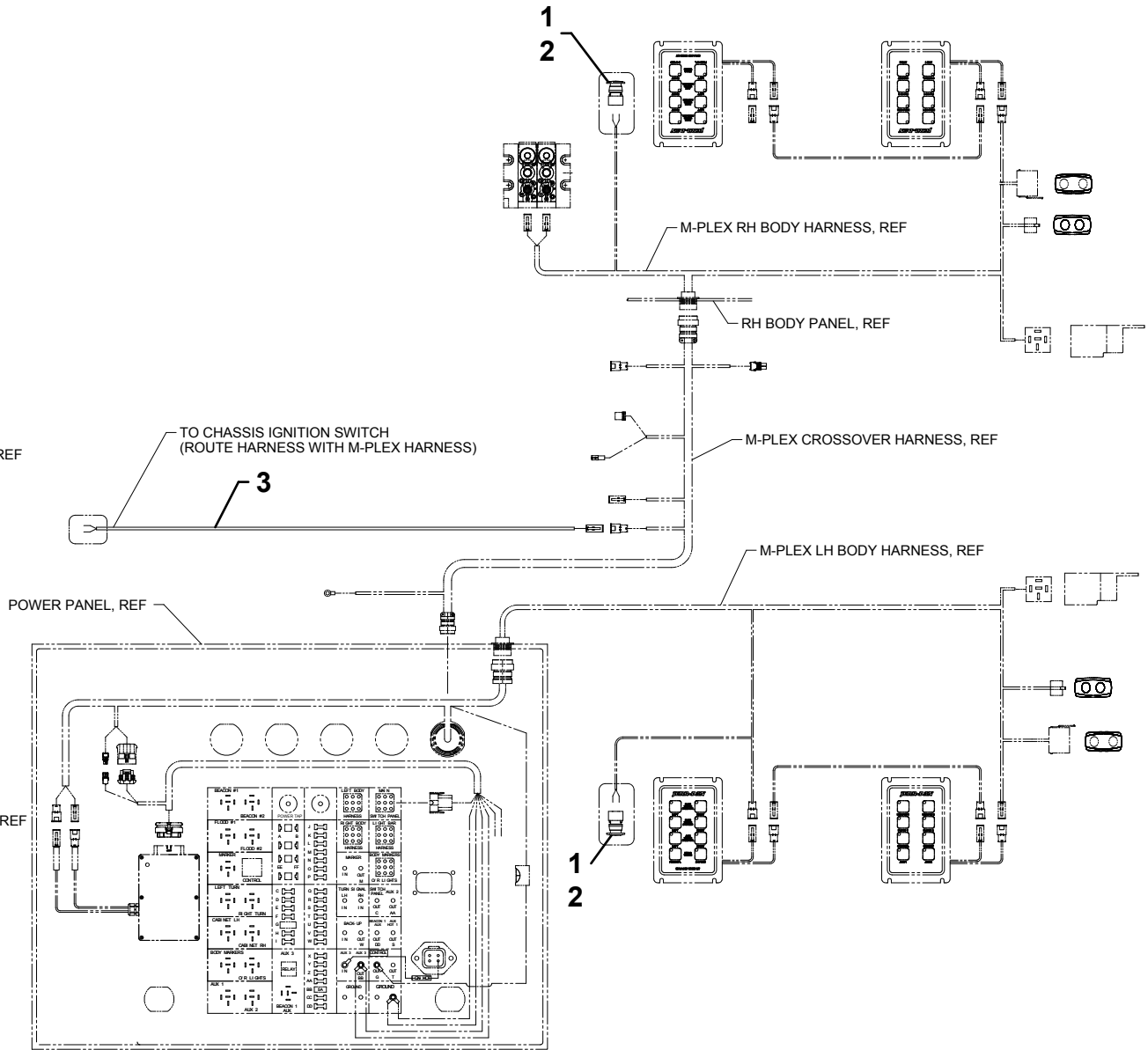
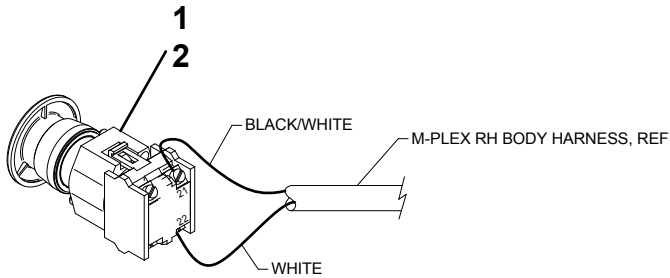
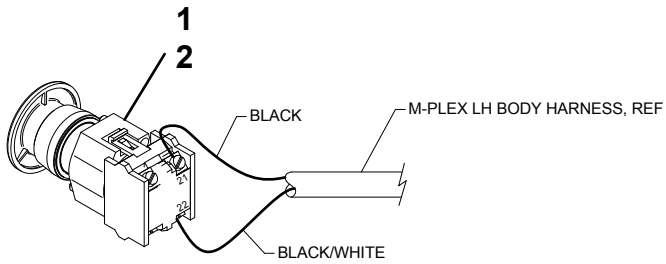
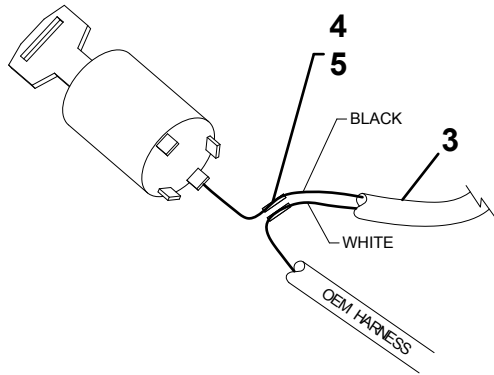
BACKUP ALARM INSTALLATION



E-STOP INSTALLATION

ITEM	PART NO.	DESCRIPTION	QTY
1	7870000128	Switch	2
2	7870000129	Switch	2
3	1001171394	Harness	1
4	7345001714	Terminal	2
5	7346000039	Tubing	1

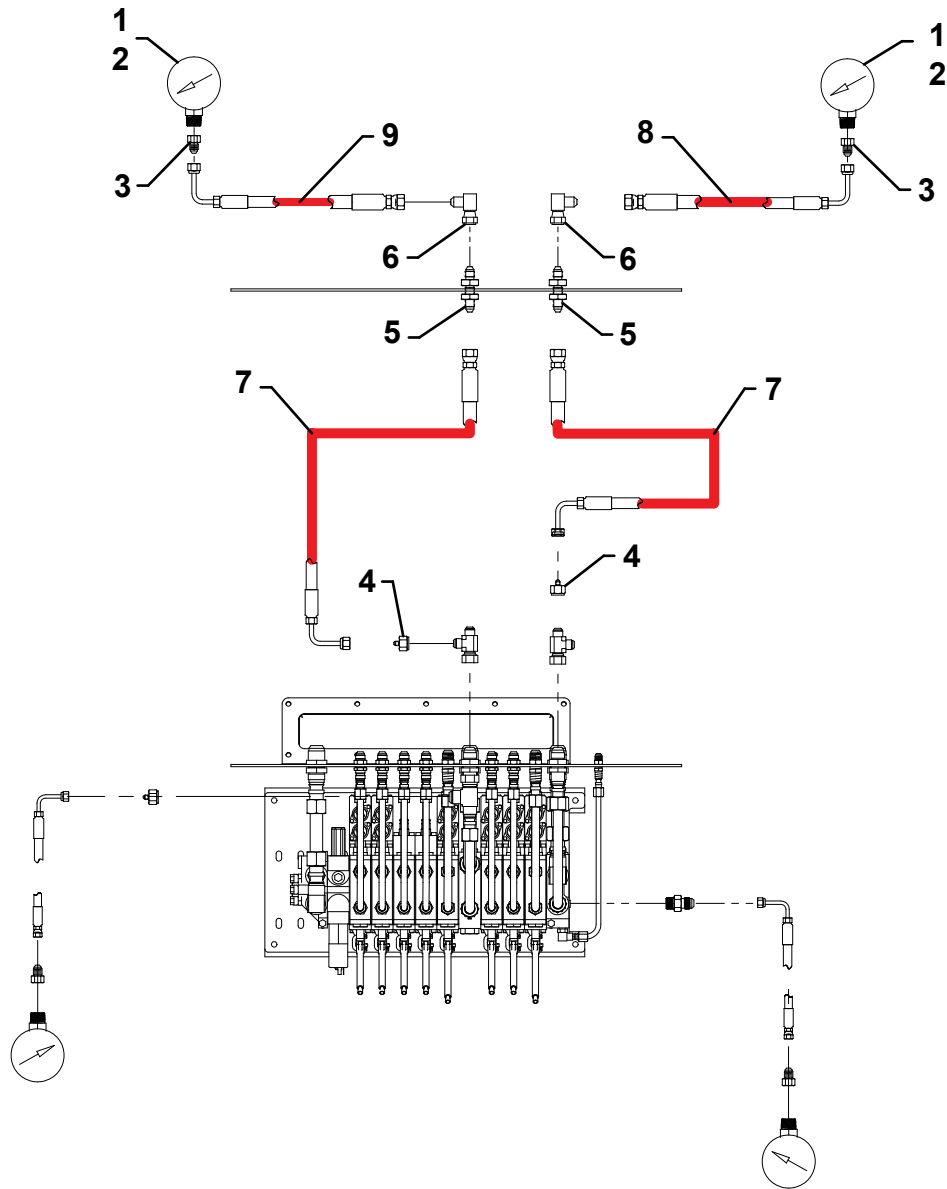
E-STOP INSTALLATION



DRIVER SIDE GAUGE INSTALLATION

ITEM	PART NO.	DESCRIPTION	QTY
1	7470000004	Gauge Mount	2
2	7790060676	Screw, #6 x 0.38"	6
3	7445040421	Fitting	2
4	1001094694	Reducer	2
5	2230021	Adapter	2
6	2220654	Adapter	2
7	1001193233	Hose Assembly	2
8	1001193241	Hose Assembly	1
9	1001193242	Hose Assembly	1

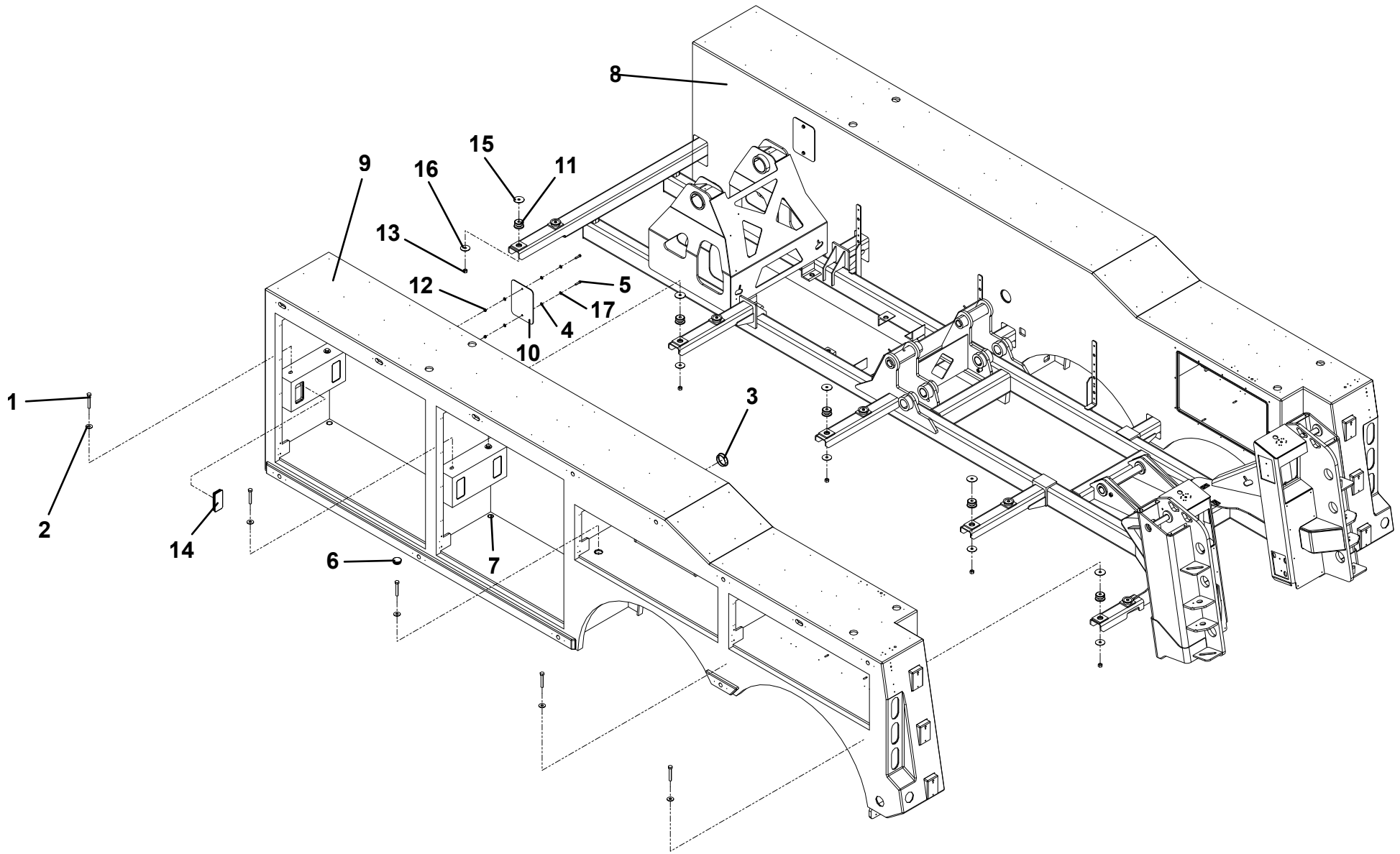
DRIVER SIDE GAUGE INSTALLATION



BODY INSTALLATION - TANDEM

ITEM	PART NO.	DESCRIPTION	QTY
1	0642032	Capscrew, 0.63" - 11NC x 4.00"	20
2	4752000	Washer, 0.63" ID	20
3	1001151789	Plug	2
4	1001166974	Washer, 0.38" ID	4
5	1001168993	Capscrew, 0.38" - 16NC x 1.50"	4
6	1001169078	Plug	6
7	1001173847	Plug	8
8	1001202051	Body, Tandem RH	1
9	1001202052	Body, Tandem LH	1
10	1001206679	Panel	2
11	7636000008	Mount	20
12	7660162601	Locknut, 0.38" - 16NC	4
13	7660200001	Nut, 0.63" - 11NC	20
14	7701000048	Plug	8
15	7949000019	Washer, Head	20
16	7949000020	Washer, Tail	20
17	7950160143	Flatwasher, 0.38" ID	8

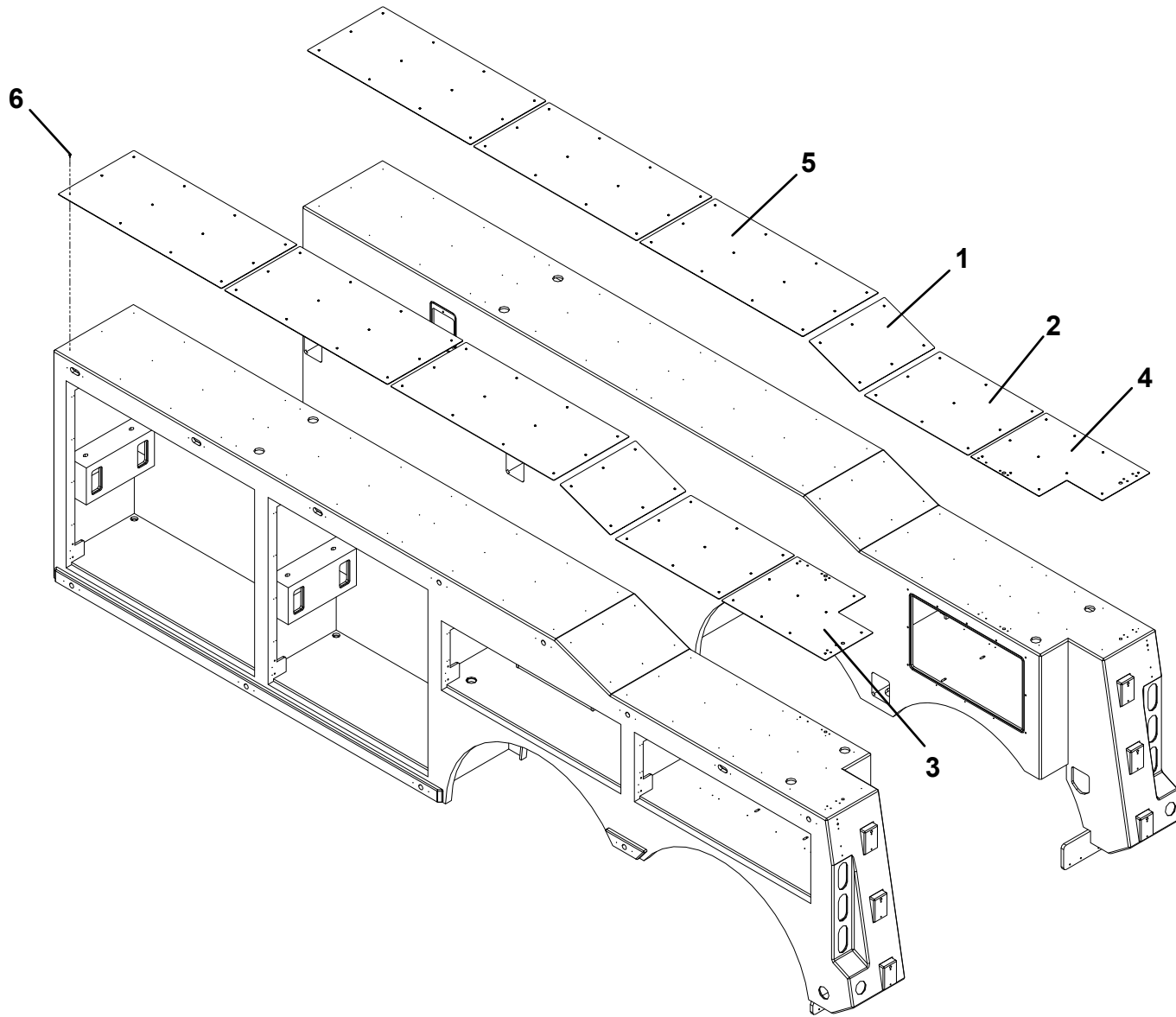
BODY INSTALLATION - TANDEM



DIAMOND PLATE INSTALLATION - TANDEM

ITEM	PART NO.	DESCRIPTION	QTY
1	1001186725	Plate	2
2	1001186727	Plate	2
3	1001186728	Plate	1
4	1001186835	Plate	1
5	1001205877	Plate	6
6	1001192958	Screw, #10 x 0.50"	124

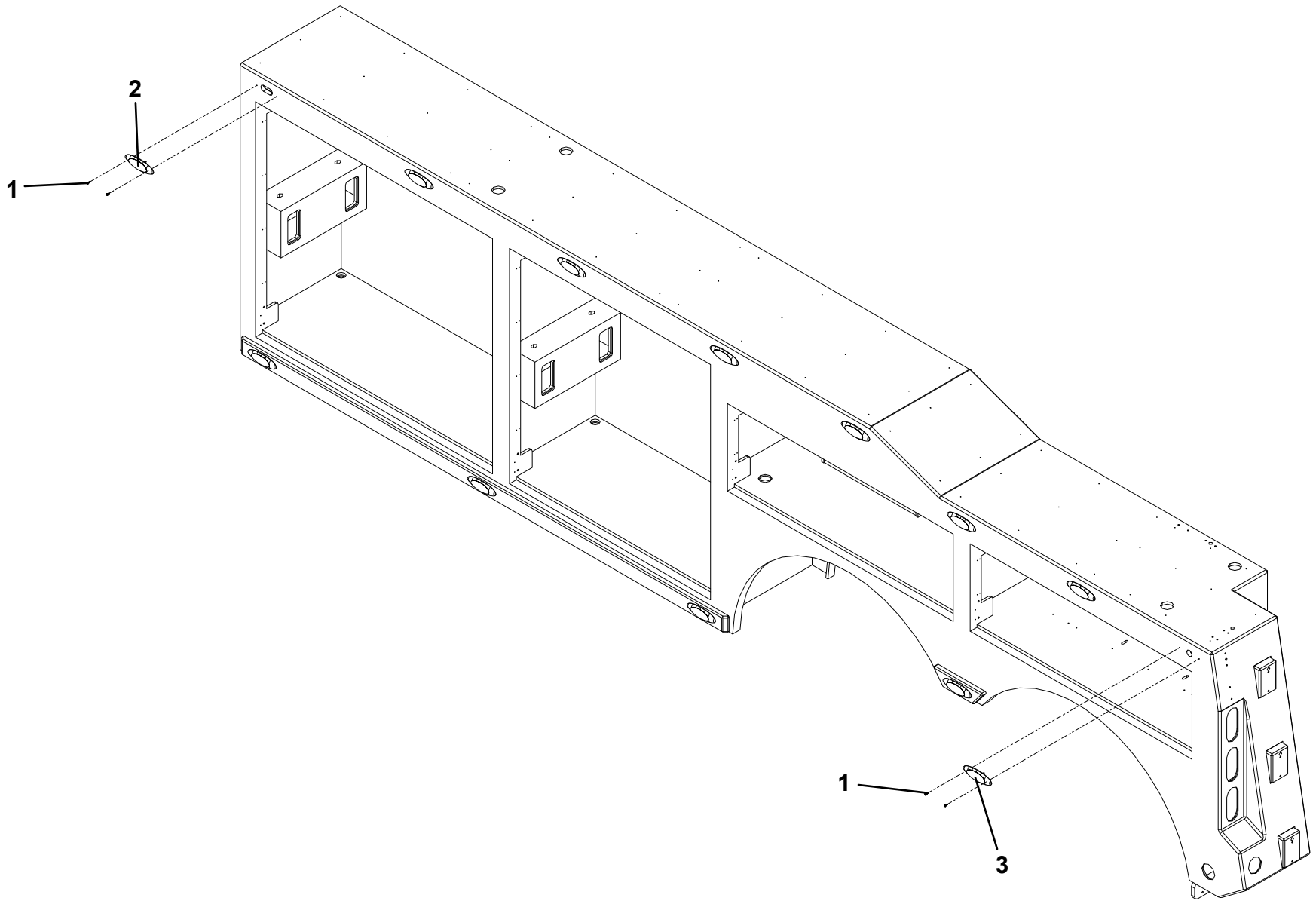
DIAMOND PLATE INSTALLATION - TANDEM



MARKER LIGHT INSTALLATION - TANDEM

ITEM	PART NO.	DESCRIPTION	QTY
1	1001192958	Screw, #10 x 0.50"	48
2	7590000262	Light, Amber	22
3	7590000282	Light, Red	2

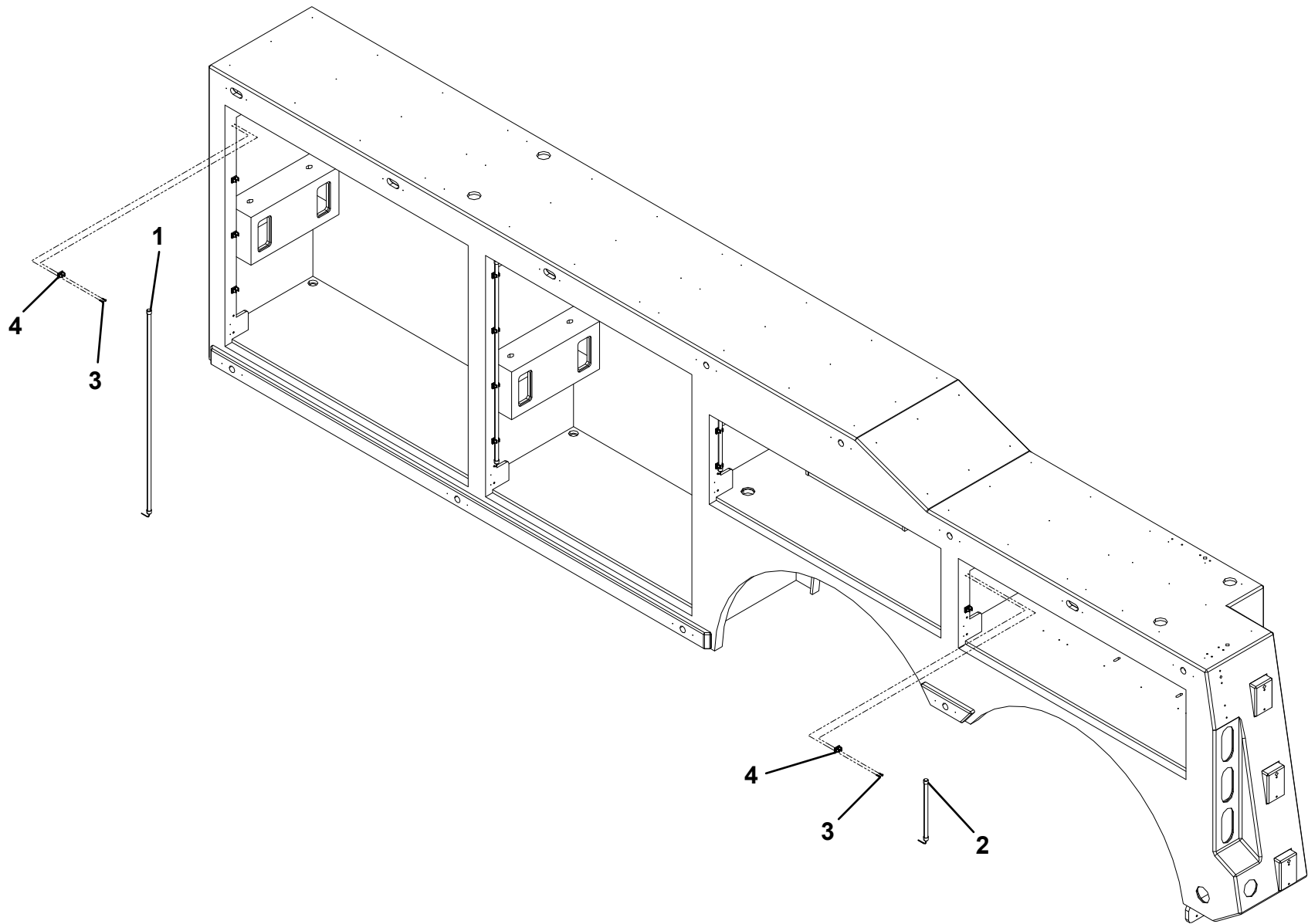
MARKER LIGHT INSTALLATION - TANDEM



COMPARTMENT LIGHT INSTALLATION - TANDEM

ITEM	PART NO.	DESCRIPTION	QTY
1	1001154527	Lamp, 40"	8
2	1001166549	Lamp, 12"	8
3	1001196552	Screw, #8 x 0.75"	96
4	1001199081	Mount	48

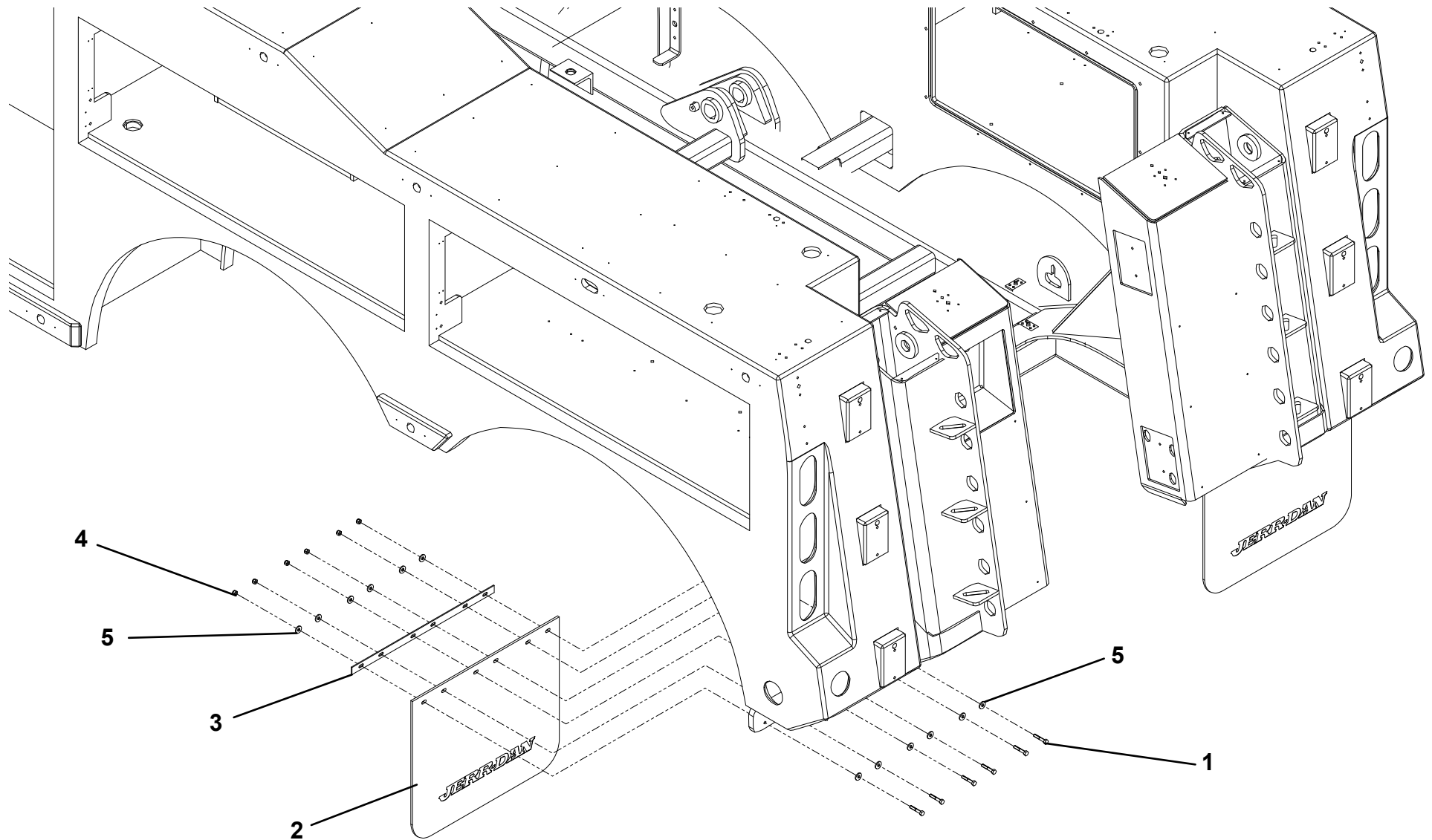
COMPARTMENT LIGHT INSTALLATION - TANDEM



MUDFLAP INSTALLATION

ITEM	PART NO.	DESCRIPTION	QTY
1	0641514	Screw, 0.31" - 18NC x 1.75"	12
2	1001174051	Mud Flap	2
3	4706001815	Plate	2
4	7660152601	Locknut, 0.31" - 18NC	12
5	7950150153	Flatwasher, 0.31"	24

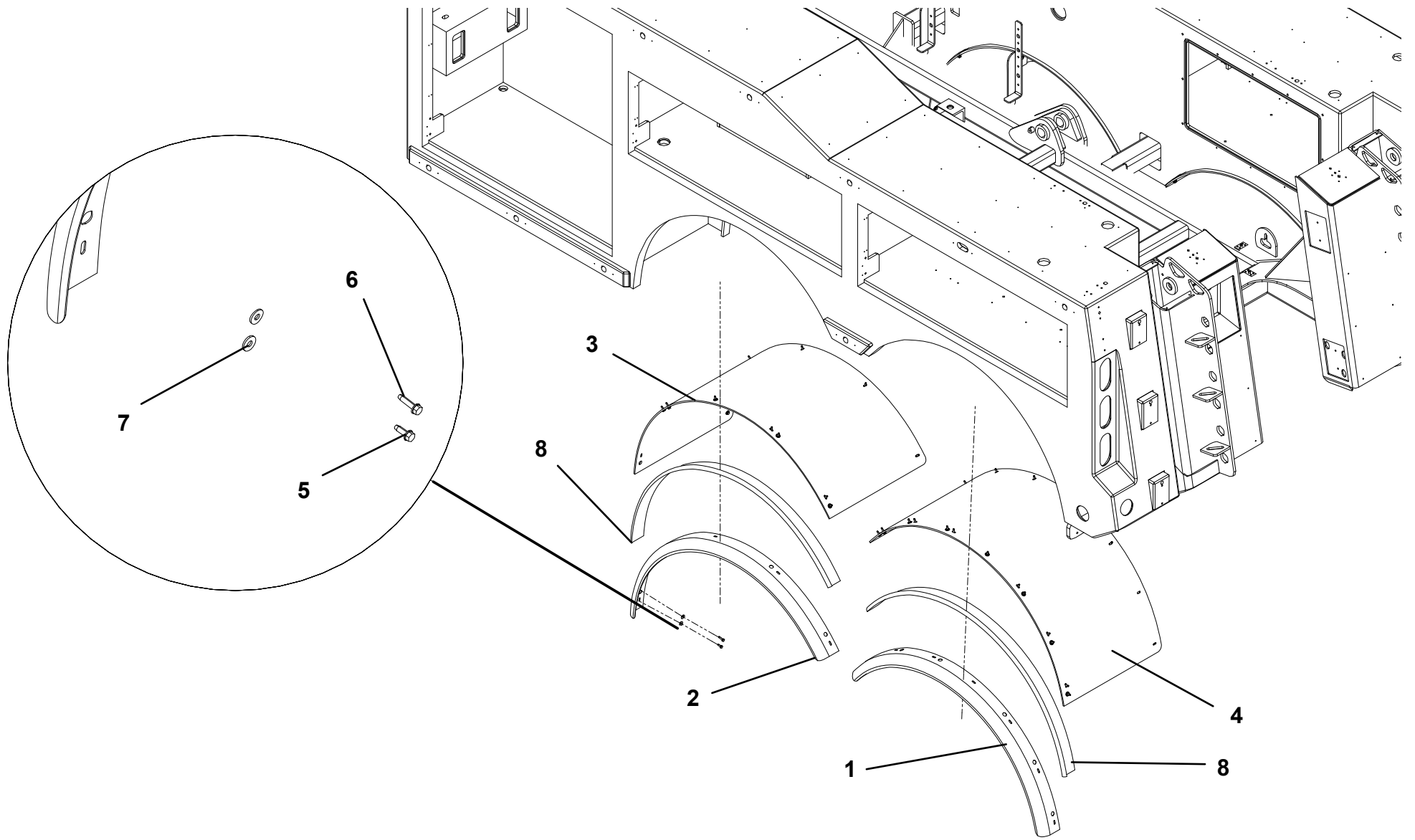
MUDFLAP INSTALLATION



FENDER INSTALLATION - TANDEM

ITEM	PART NO.	DESCRIPTION	QTY
1	1001163358	Fender, Rear	2
2	1001186584	Fender, Front	2
3	1001186606	Liner, Front	2
4	1001186608	Liner, Rear	2
5	7790141251	Screw, 0.25" x 0.75"	24
6	7790141651	Screw, 0.25" x 1.00"	42
7	7950140163	Flatwasher, 0.25" ID	66
8	1001167358	Mould	1
9	1001217088	Tape	0.25ft

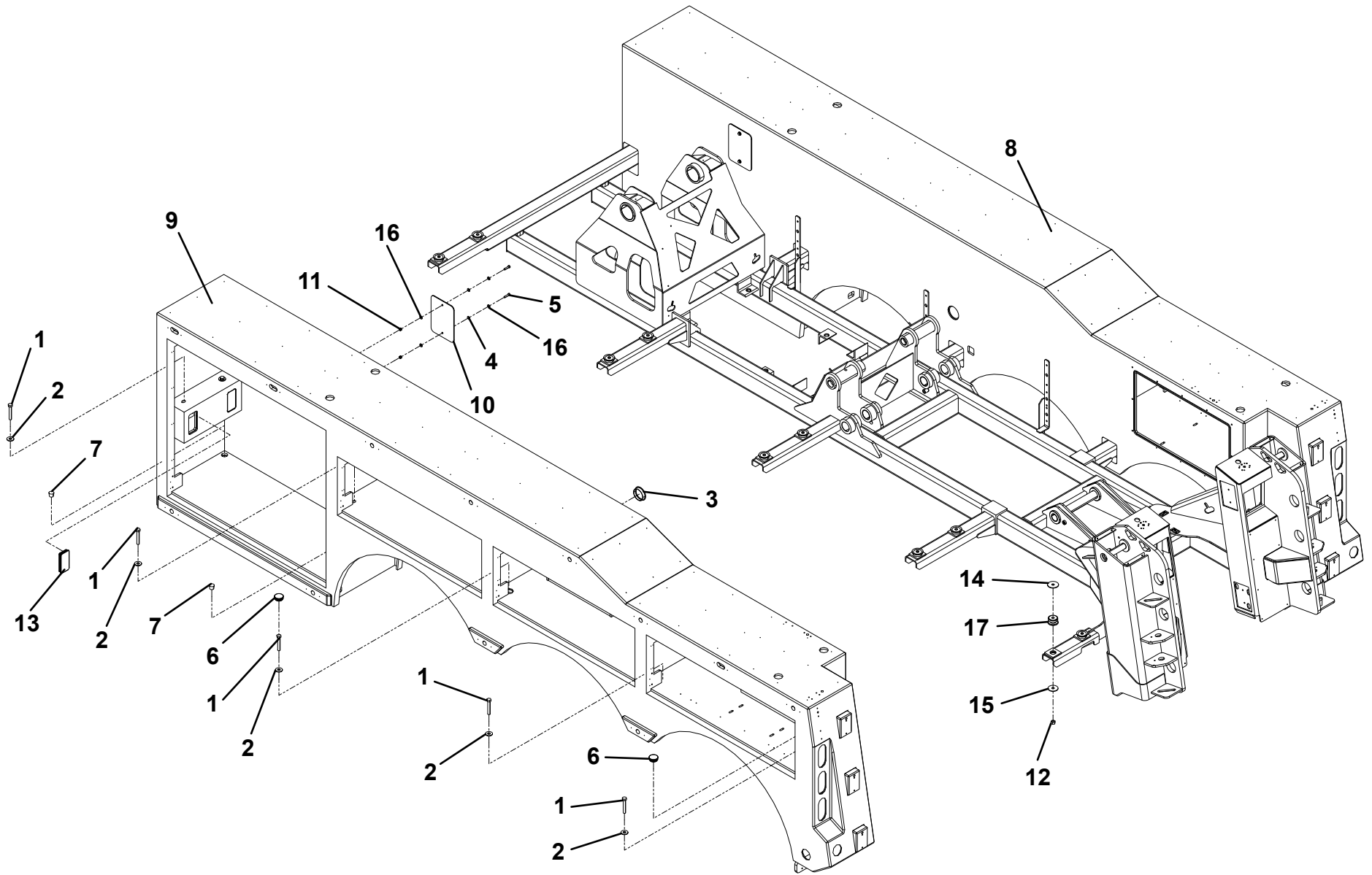
FENDER INSTALLATION - TANDEM



BODY INSTALLATION - TRI-AXLE

ITEM	PART NO.	DESCRIPTION	QTY
1	0642032	Capscrew, 0.63" - 11NC x 4.00"	20
2	4752000	Washer, 0.63" ID	20
3	1001151789	Plug	2
4	1001166974	Washer, 0.38" ID	4
5	1001168993	Capscrew, 0.38" - 16NC x 1.50"	4
6	1001169078	Plug	6
7	1001173847	Plug	8
8	1001202524	Body, Tandem RH	1
9	1001220273	Body, Tandem LH	1
10	1001206679	Panel	2
11	7660162601	Locknut, 0.38" - 16NC	4
12	7660200001	Nut, 0.63" - 11NC	20
13	7701000048	Plug	8
14	7949000019	Washer, Head	20
15	7949000020	Washer, Tail	20
16	7950160143	Flatwasher, 0.38" ID	8
17	7636000008	Mount	20

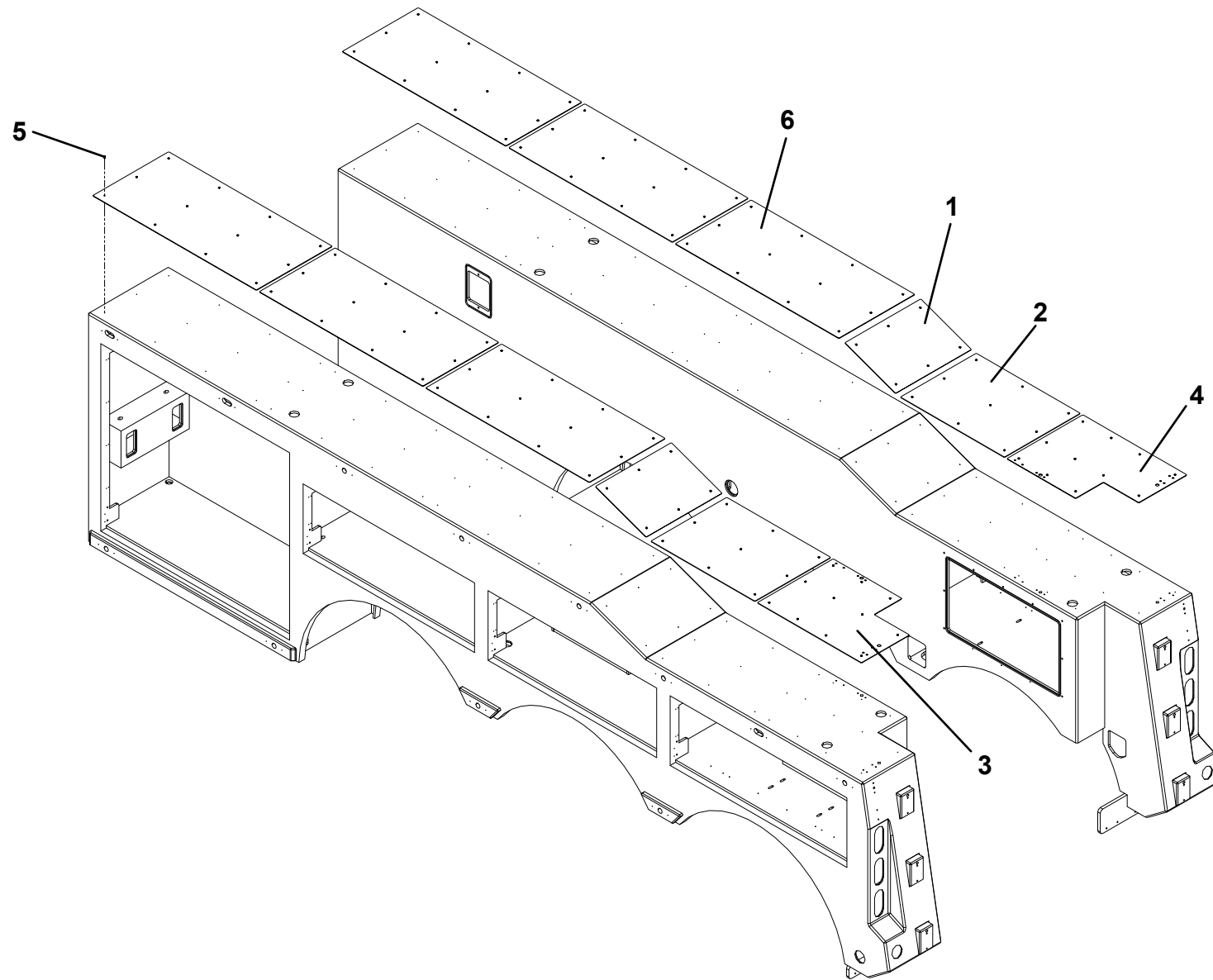
BODY INSTALLATION - TRI-AXLE



DIAMOND PLATE INSTALLATION - TRI-AXLE

ITEM	PART NO.	DESCRIPTION	QTY
1	1001186725	Plate	2
2	1001186727	Plate	2
3	1001186728	Plate	1
4	1001188635	Plate	1
6	1001192958	Screw, #10 x 0.50"	124
6	1001205877	Plate	6

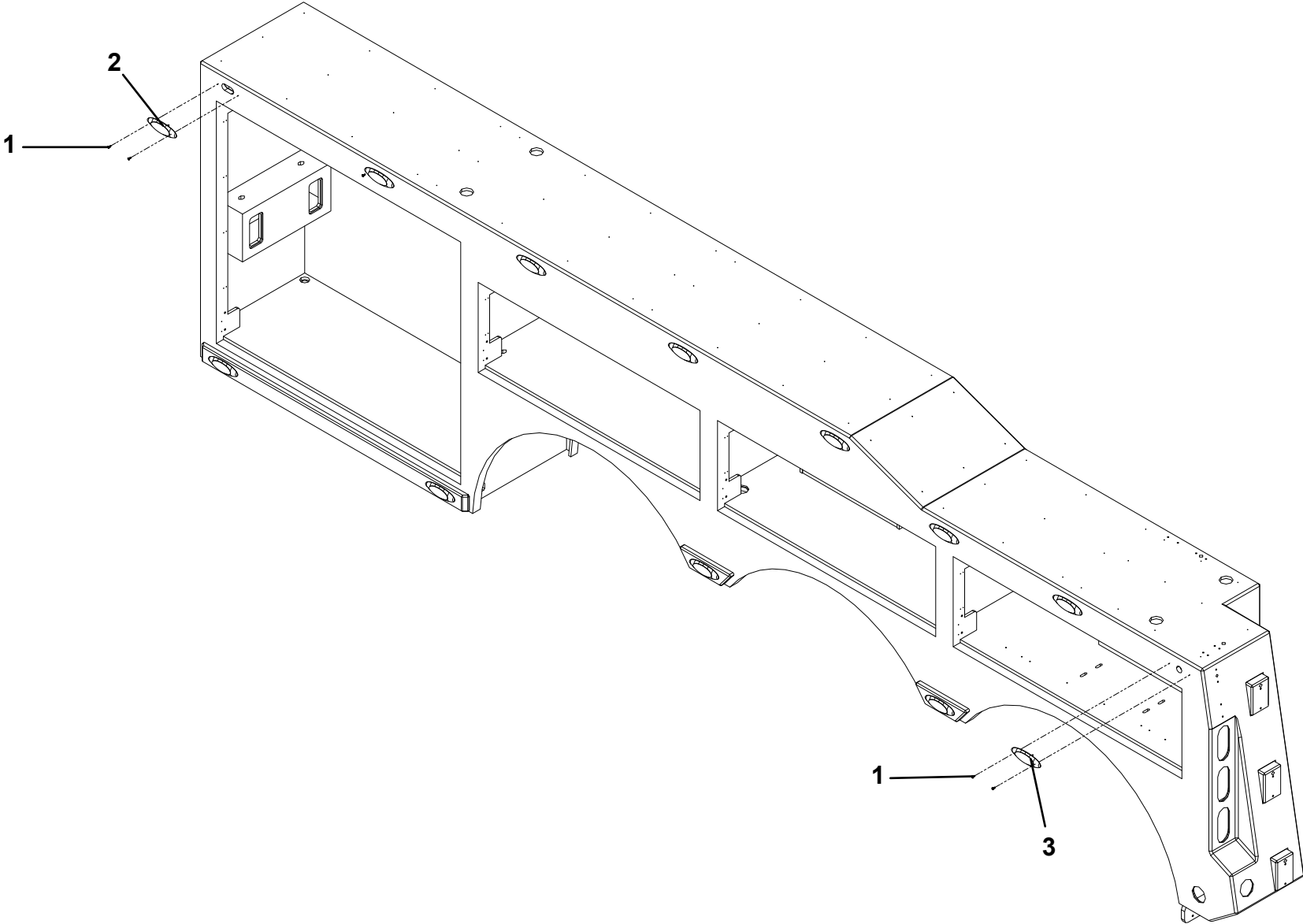
DIAMOND PLATE INSTALLATION - TRI-AXLE



MARKER LIGHT INSTALLATION - TRI-AXLE

ITEM	PART NO.	DESCRIPTION	QTY
1	1001154101	Screw, #10 x 0.38"	48
2	7590000262	Light, Amber	22
3	7590000282	Light, Red	2

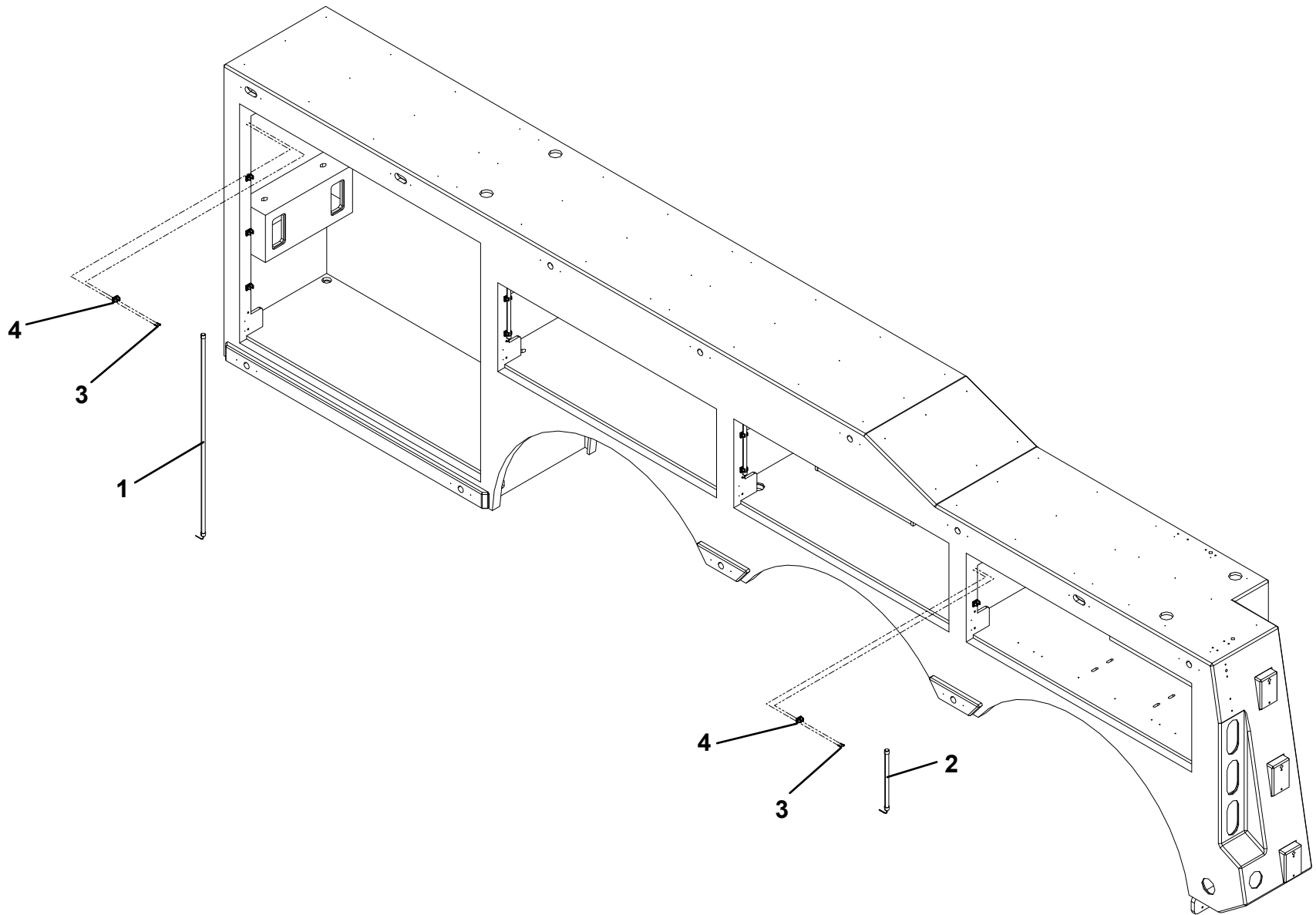
MARKER LIGHT INSTALLATION - TRI-AXLE



COMPARTMENT LIGHT INSTALLATION - TRI-AXLE

ITEM	PART NO.	DESCRIPTION	QTY
1	1001154527	Lamp, 40"	4
2	1001166549	Lamp, 12"	12
3	1001196552	Screw, #8 x 0.75"	80
4	1001199081	Mount	40

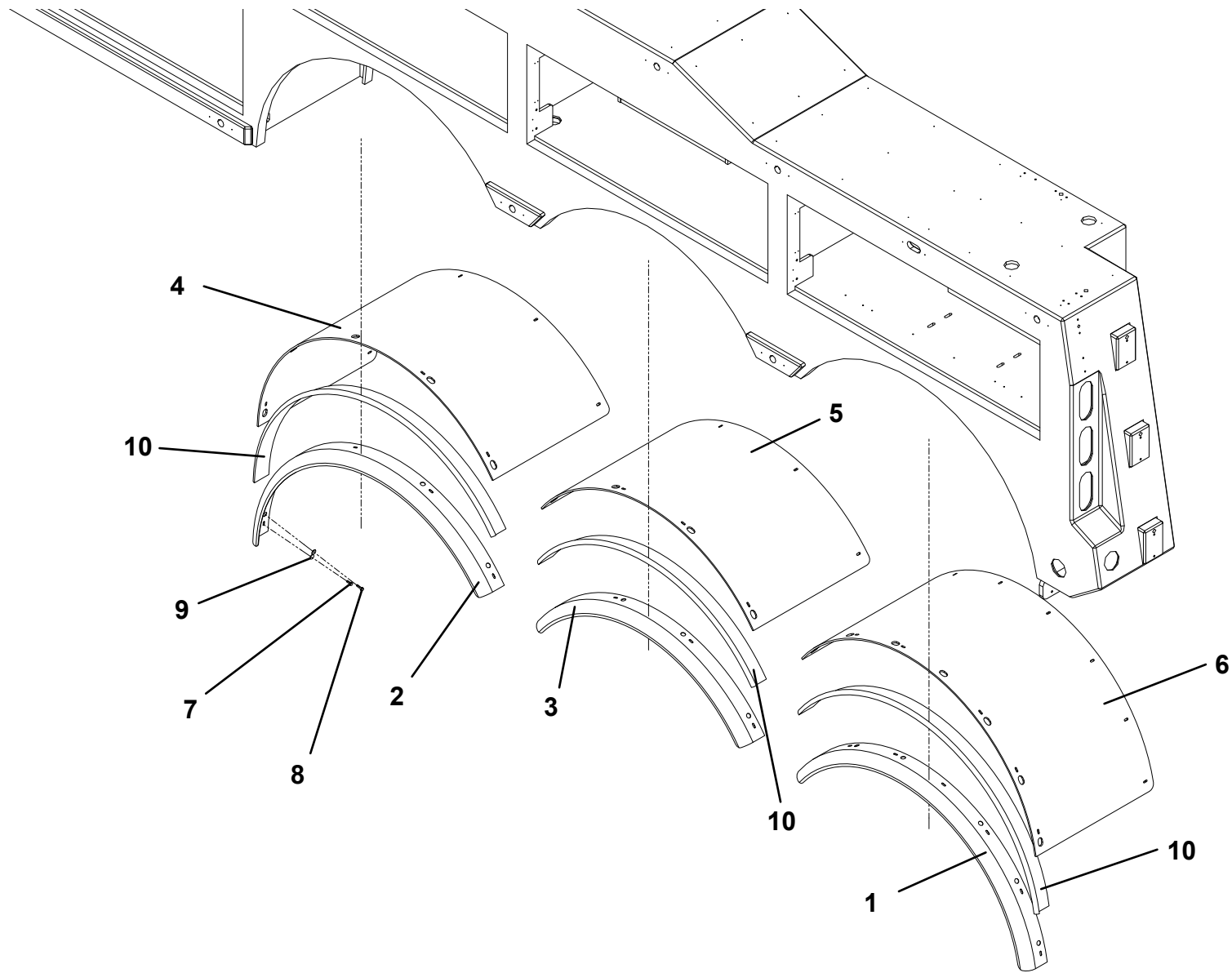
COMPARTMENT LIGHT INSTALLATION - TRI-AXLE



FENDER INSTALLATION - TRI-AXLE

ITEM	PART NO.	DESCRIPTION	QTY
1	1001163358	Fender, Rear Body	2
2	1001186584	Fender, Front	2
3	1001186585	Fender, Middle	2
4	1001186606	Fender Liner, Front	2
5	1001186607	Fender Liner, Middle	2
6	1001186608	Fender Liner, Rear	2
7	7790141251	Screw, 0.25" x 0.75"	32
8	7790141651	Screw, 0.25" x 1.00"	56
9	7950140163	Flatwasher, 0.25" ID	88
10	1001167358	Moulding	0.32FT
11	1001217088	Tape	0.32FT

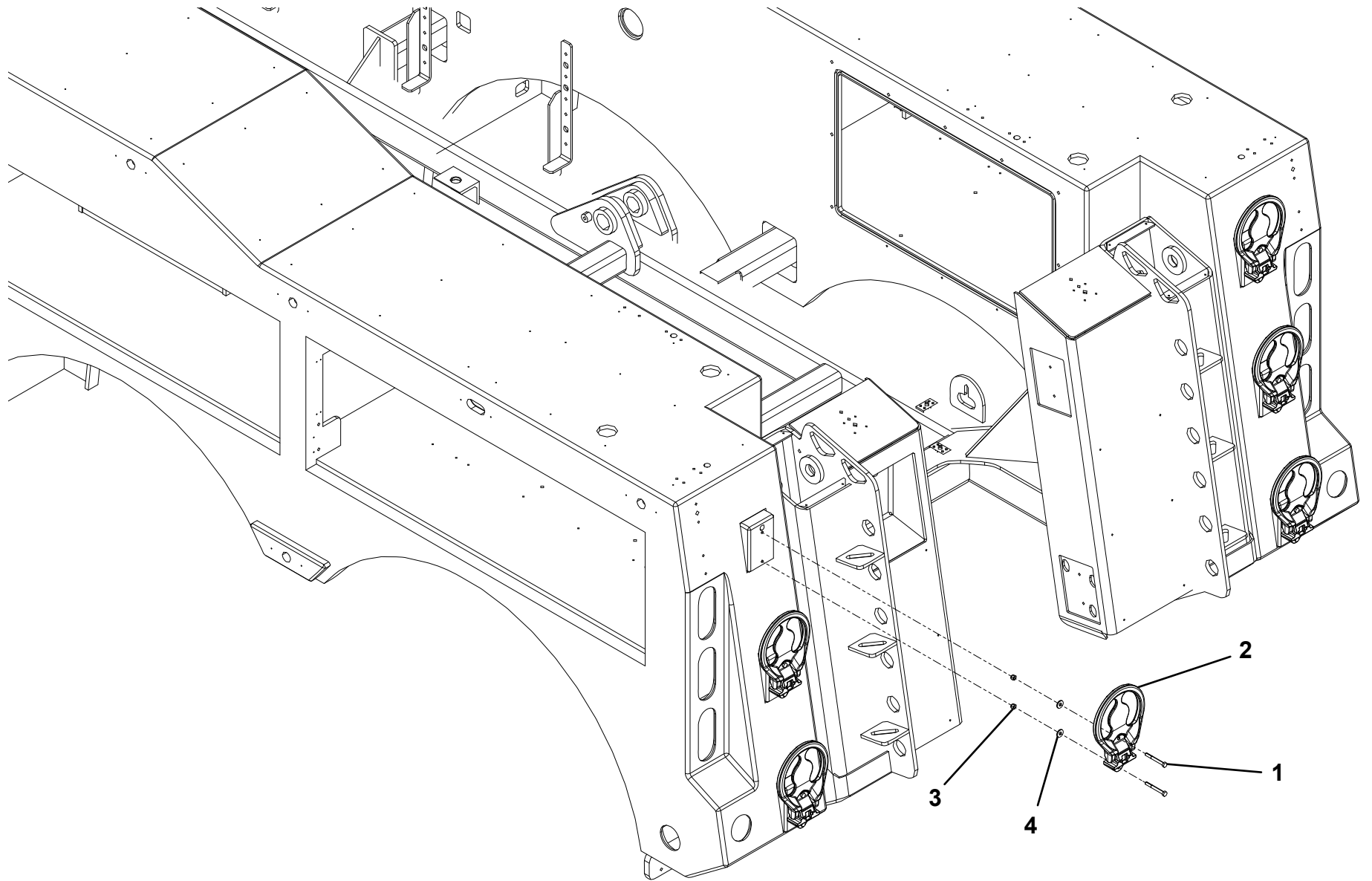
FENDER INSTALLATION - TRI-AXLE



STEP INSTALLATION

ITEM	PART NO.	DESCRIPTION	QTY
1	1001167455	Screw, 0.31" - 18NC x 2.75"	12
2	1001167456	Step	6
3	7660152601	Locknut, 0.31" - 18NC	12
4	7950150153	Flatwasher, 0.31" ID	12

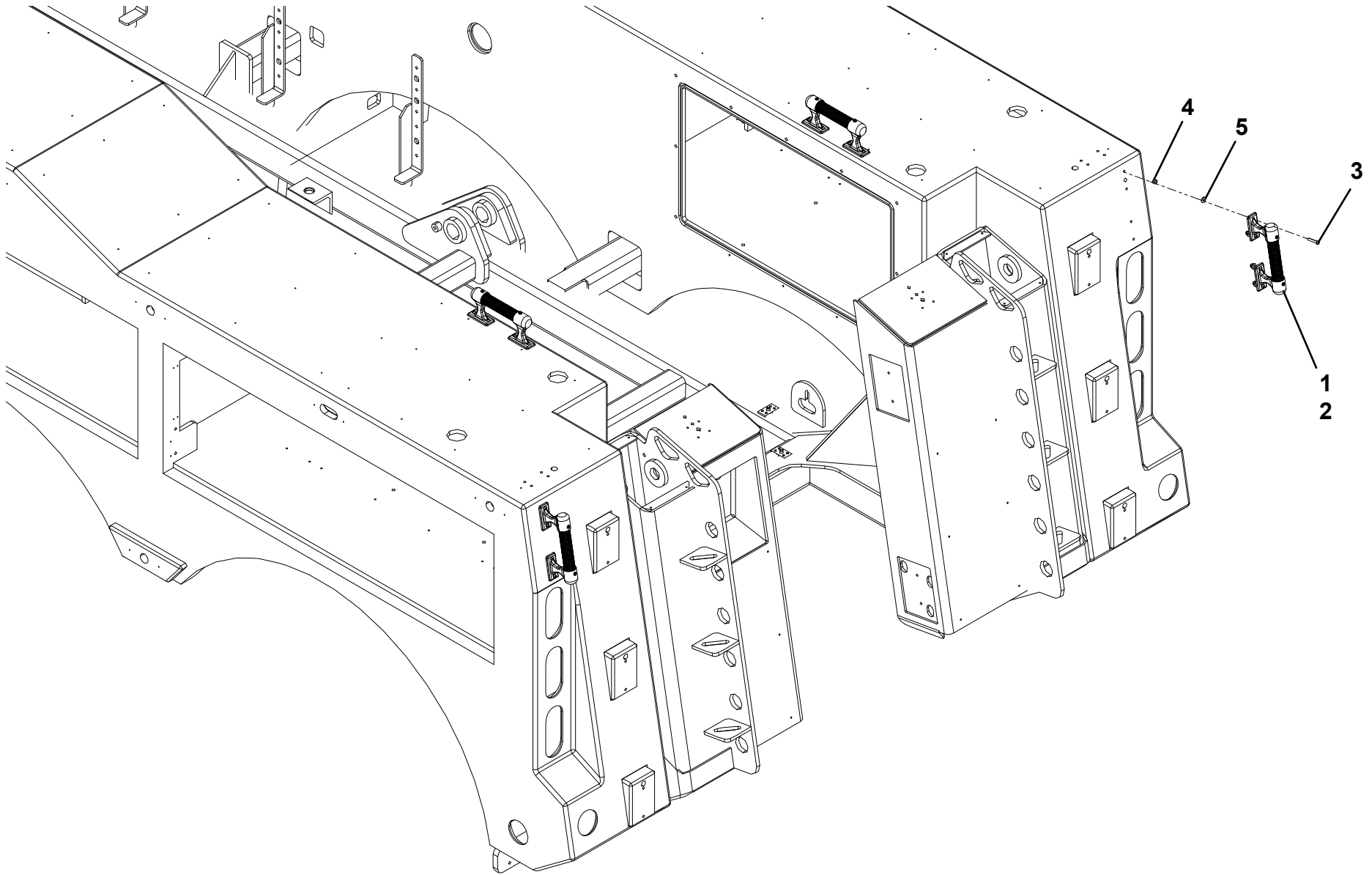
STEP INSTALLATION



GRAB HANDLE INSTALLATION

ITEM	PART NO.	DESCRIPTION	QTY
1	1001170849	Handle	4
2	1001170937	Screw	8
3	7114141218	Screw, 0.25" - 20NC x 1.50"	16
4	7660142600	Locknut, 0.25" - 20NC	16
5	7950140143	Flatwasher, 0.25" ID	16

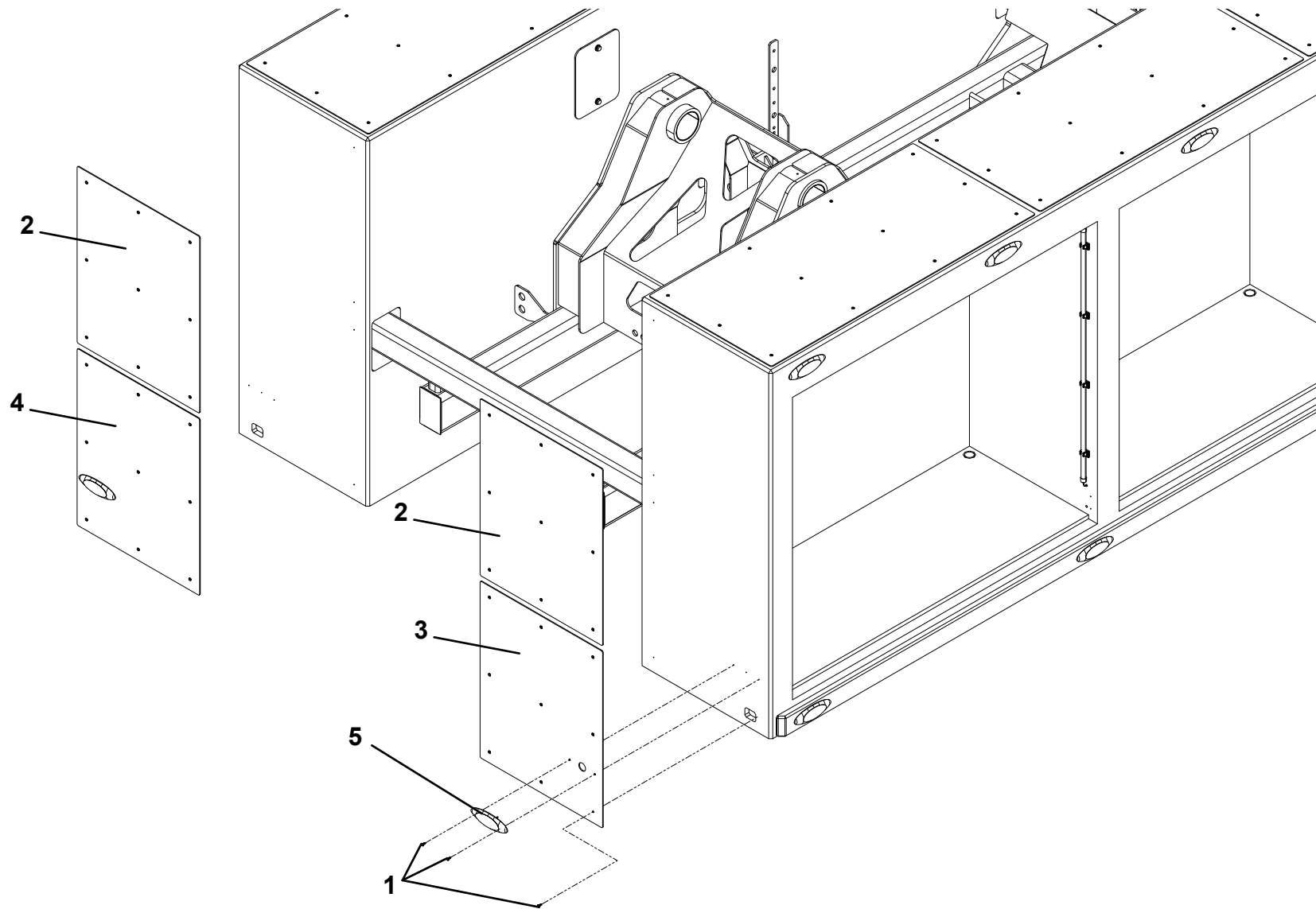
GRAB HANDLE INSTALLATION



FRONT DIAMOND PLATE INSTALLATION

ITEM	PART NO.	DESCRIPTION	QTY
1	1001192958	Screw, #10 X 0.50"	40
2	1001205915	Plate, Top	2
3	1001205916	Plate, LH	1
4	1001205917	Plate, RH	1
5	7590000262	Light, Amber	2

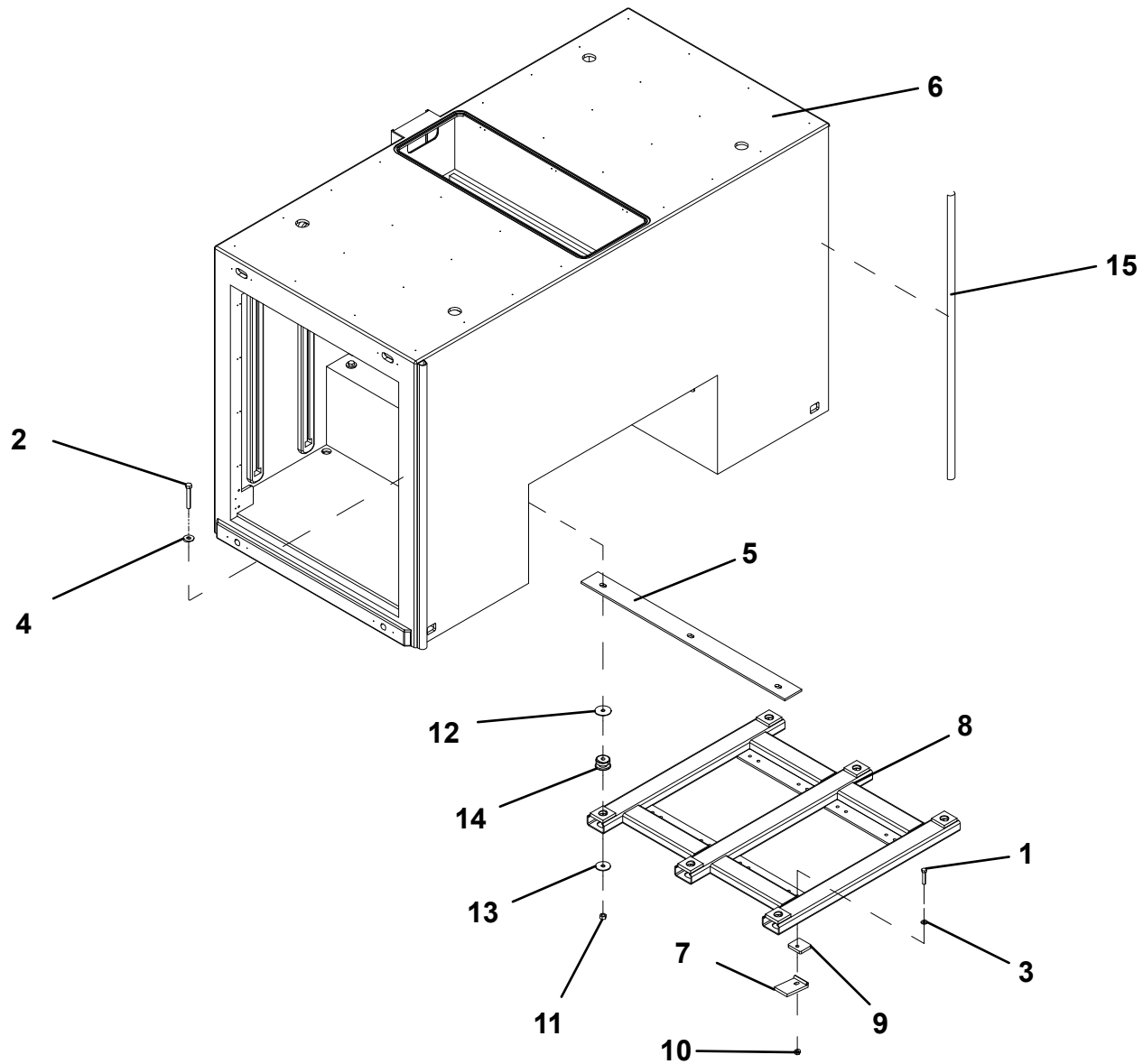
FRONT DIAMOND PLATE INSTALLATION



TOOLBOX INSTALLATION - 51" W/ BATTERIES

ITEM	PART NO.	DESCRIPTION	QTY
1	641820	Capscrew, 0.50"-13 X 2.50"	8
2	642034	Capscrew, 0.63"-11 X 4.25"	6
3	4711800	Washer, 0.50" ID	8
4	4752000	Washer, 0.63" ID	6
5	1001165692	Support Tunnel Plate	2
6	1001185657	Tunnel Tool Box W/Batteries	1
7	3274000011	Clamp Weldment	8
8	3911000068	Toolbox Mount	1
9	4705000705	Plate	8
10	7660182301	Locknut, 0.50"-13NC	8
11	7660200001	Nut, 0.63"-11NC	6
12	7949000019	Washer	6
13	7949000020	Washer	6
14	7636000008	Mount	6
15	8632000011	Seal	10FT

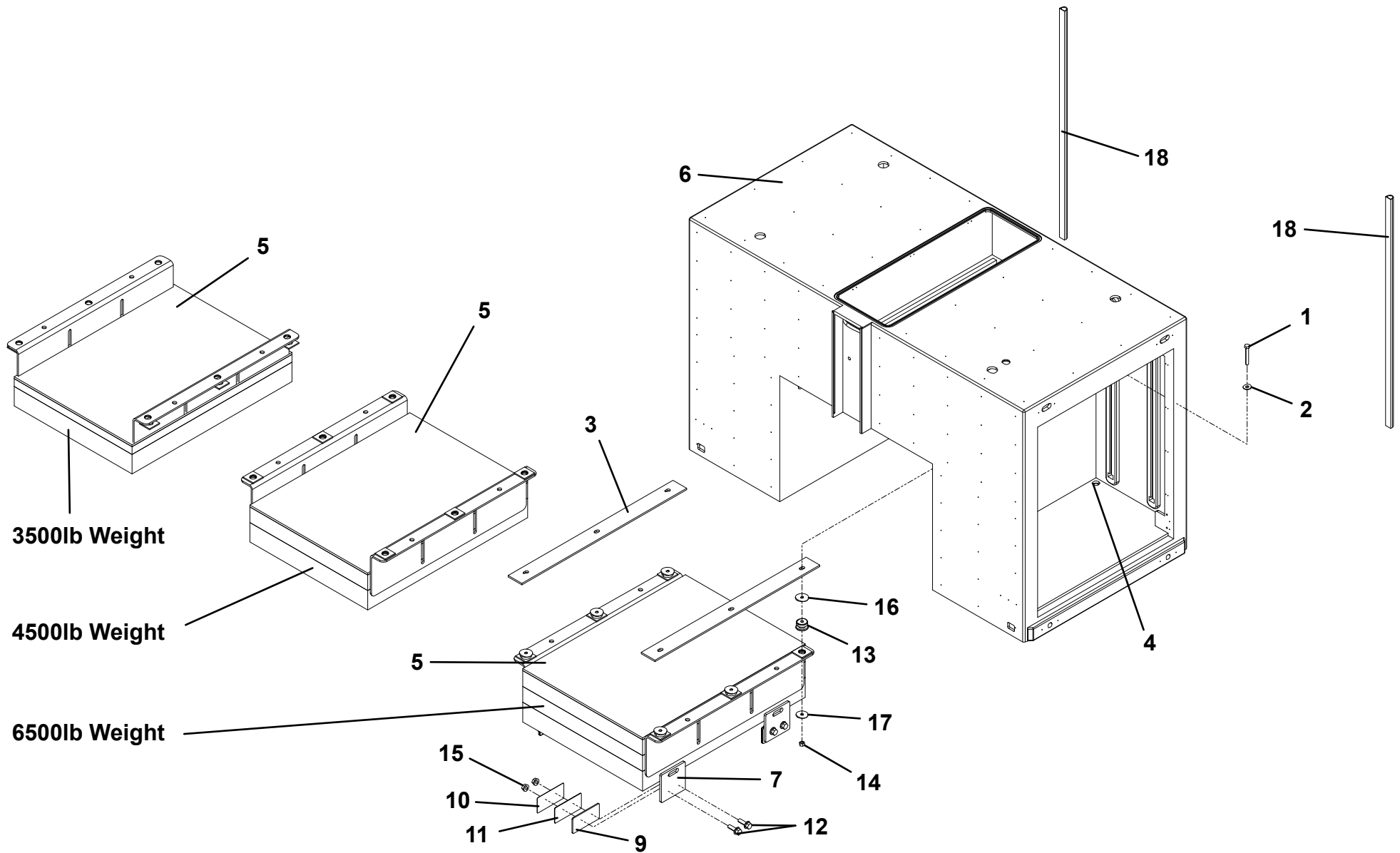
TOOLBOX INSTALLATION - 51" W/ BATTERIES



TOOLBOX INSTALLATION - 51" W/ BATTERIES AND COUNTER WEIGHT

ITEM	PART NO.	DESCRIPTION	QTY
1	642034	Screw, 0.625"-11NC x 4.25"	6
2	4752000	Washer, 0.625"	6
3	1001165692	Support	2
4	1001173847	Plug	4
5	1001219831	Weight, 6500lb	1
	1001211487	Weight, 4500lb	
	1001211486	Weight, 3500lb	
6	1001219833	Tunnel Toolbox 51"	1
7	1001219916	Plate	4
8	1001219921	Shim Kit	1
9	1001219917	Shim, 0.25"	4
10	1001219918	Shim, 11 ga	4
11	1001219919	Shim, 16 ga	4
12	7118221816	Capscrew, 0.75"-10NC X 2.25"	8
13	7636000008	Rubber Mount	6
14	7660200001	Nut, 0.63"-11NC	6
15	7660222308	Locknut, 0.75"-10NC	8
16	7949000019	Washer, Head	6
17	7949000020	Washer, Tail	6
18	8632000011	Seal	10FT

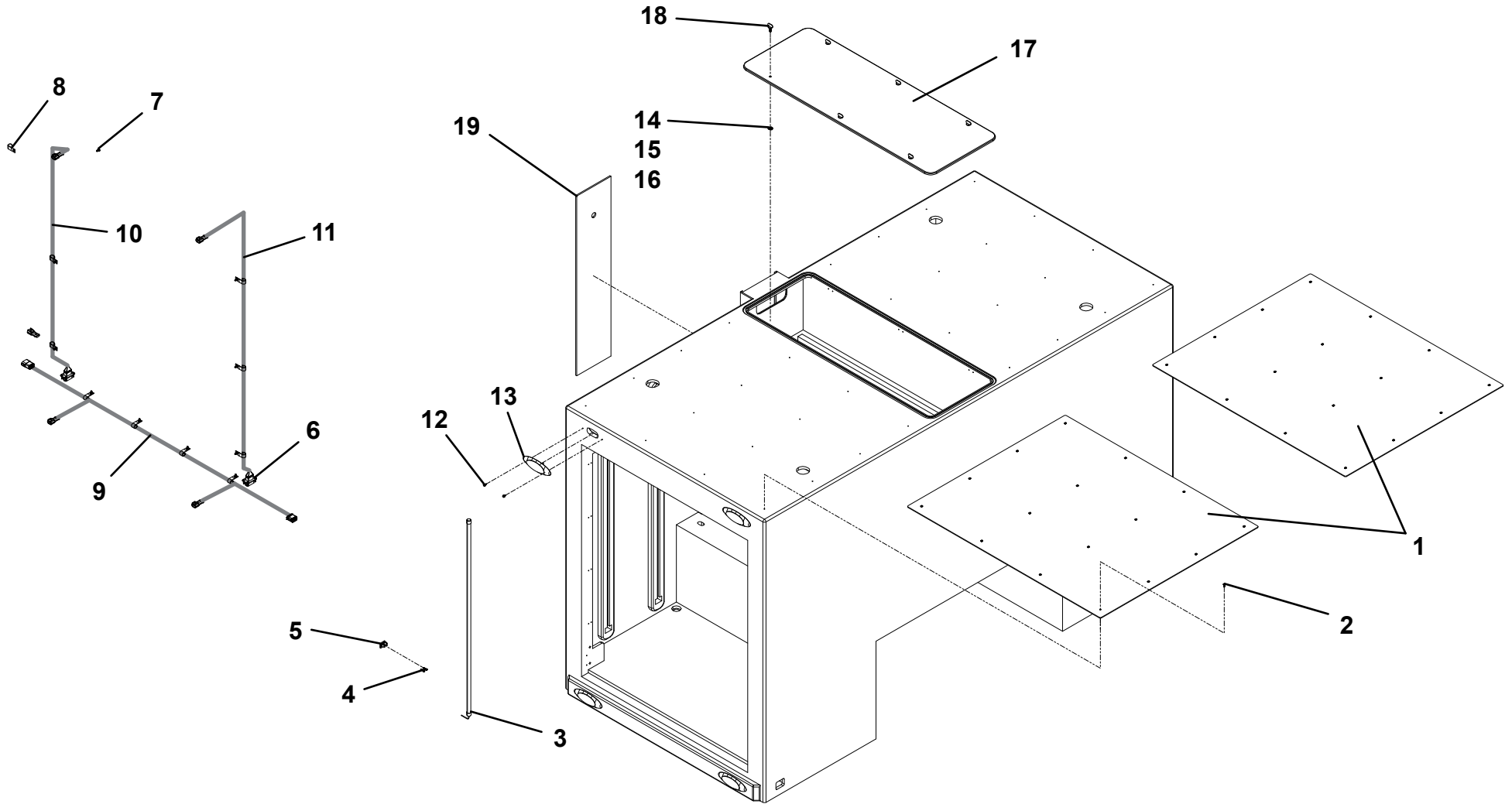
TOOLBOX INSTALLATION - 51" W/ BATTERIES AND COUNTER WEIGHT



TOOLBOX ASSEMBLY - 51" W/ BATTERIES

ITEM	PART NO.	DESCRIPTION	QTY
1	1001187000	Plate	2
2	1001192958	Screw, #10 x 0.50"	32
3	1001154527	Light	4
4	1001196552	Screw #8 x 0.75"	32
5	1001199081	Mount	16
6	1001195257	Screw 0.25" x 0.50"	20
7	1001196552	Screw, #8 x 0.75"	16
8	7280000006	Clip	20
9	1001188904	Harness	2
10	1001188920	Harness	2
11	1001188921	Harness	2
12	1001154101	Screw	16
13	7590000262	Light	8
14	750605	Screw	12
15	3760308	Retainer	6
16	1001122235	Bracket	6
17	1001166674	Cover	1
18	1001166930	Latch	6
19	1001185654	Cover	1

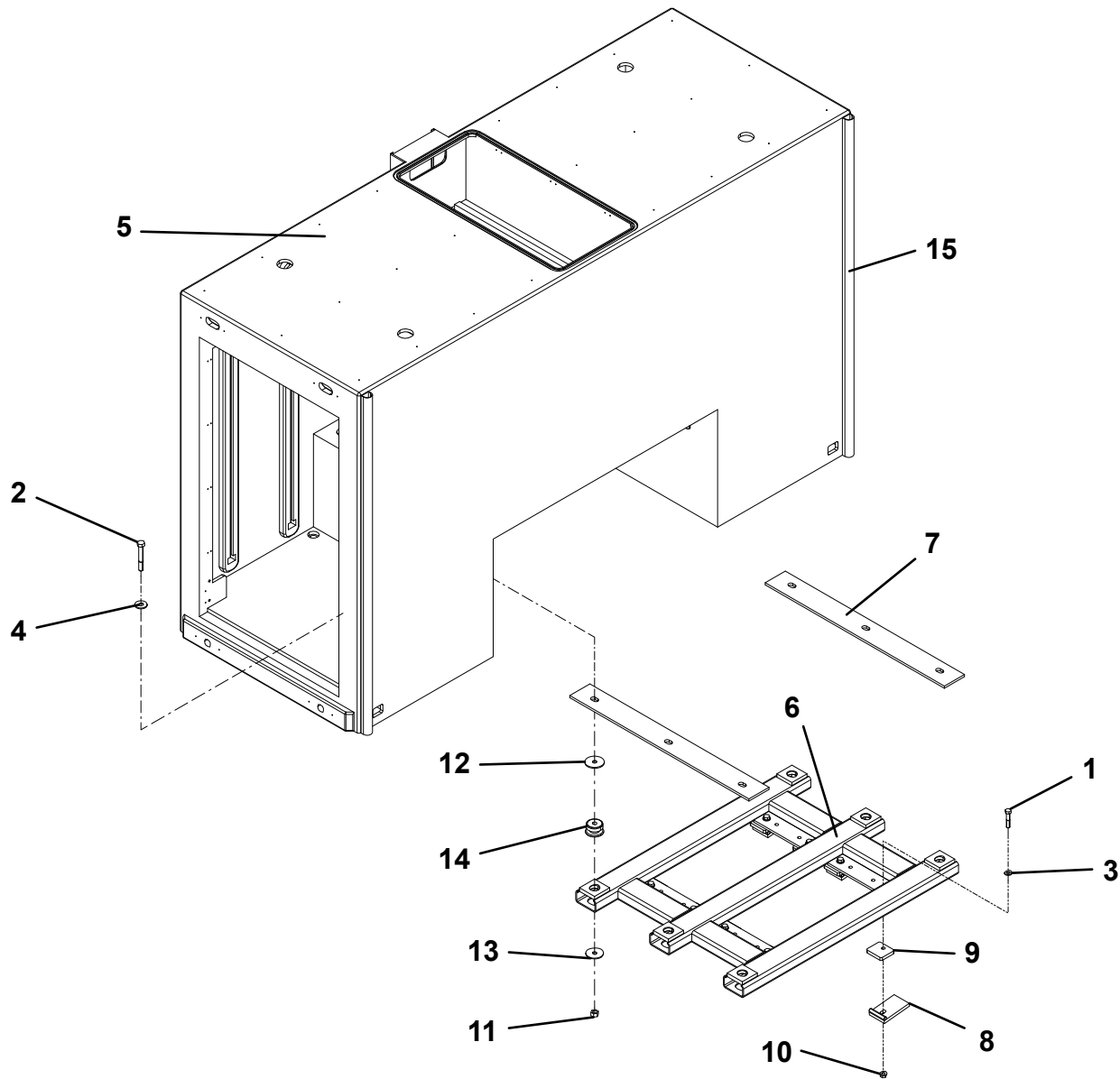
TOOLBOX ASSEMBLY - 51" W/ BATTERIES

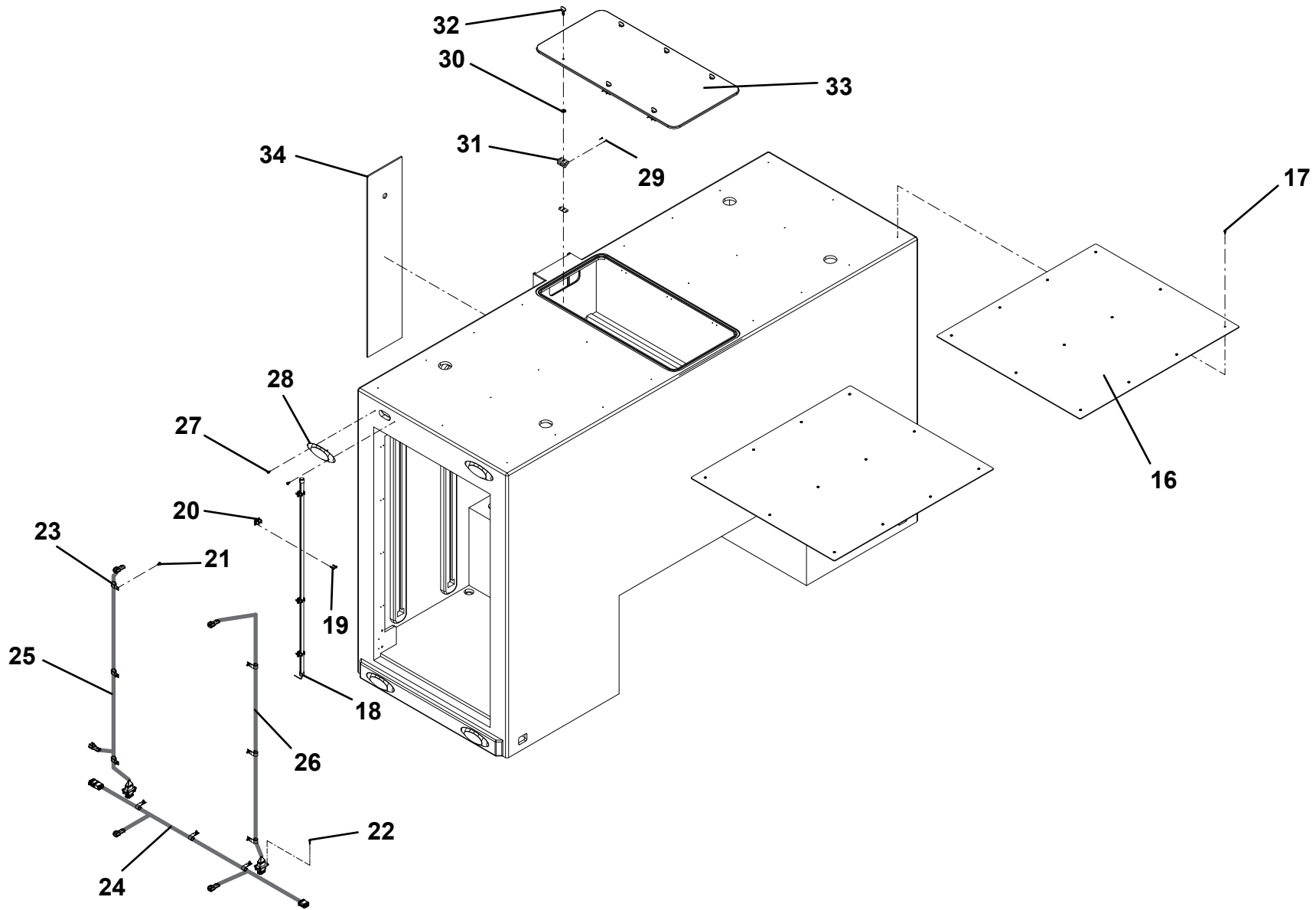


TOOLBOX INSTALLATION - 39" W/ BATTERIES

ITEM	PART NO.	DESCRIPTION	QTY
1	641820	Screw, 0.50"-13 X 2.50"	8
2	642034	Screw, 0.625"-11 X 4.25"	6
3	4711800	Washer, 0.50" ID	8
4	4752000	Washer, 0.625" ID	6
5	1001186491	Tunnel Toolbox	1
6	1001187063	Mount	1
7	1001197338	Plate	2
8	3274000011	Clamp	8
9	4705000705	Plate	8
10	7660182301	Locknut, 0.50"-13NC	8
11	7660200001	Nut, 0.63"-11NC	6
12	7949000019	Washer, Head	6
13	7949000020	Washer, Tail	6
14	7636000008	Mount	6
15	8632000011	Seal	10FT
16	1001186993	Plate	2
17	1001192958	Screw, #10 x 0.05"	24
18	1001154527	Light	4
19	1001196552	Screw, #8 x 0.75"	32
20	1001199081	Mount	16
21	1001195257	Screw, 0.25" x 0.50"	18
22	1001196552	Screw, #8 x 0.75"	16
23	7280000006	Clip	18
24	1001188919	Harness	2
25	1001188920	Harness	2
26	1001188921	Harness	2
27	1001154101	Screw	16
28	7590000262	Light	8
29	750605	Screw	12
30	3760308	Retainer	6
31	1001122235	Bracket	6
32	1001166930	Latch	6
33	1001182569	Cover	1
34	1001185654	Cover	1

TOOLBOX INSTALLATION - 39" W/ BATTERIES



TOOLBOX INSTALLATION - 39" W/ BATTERIES

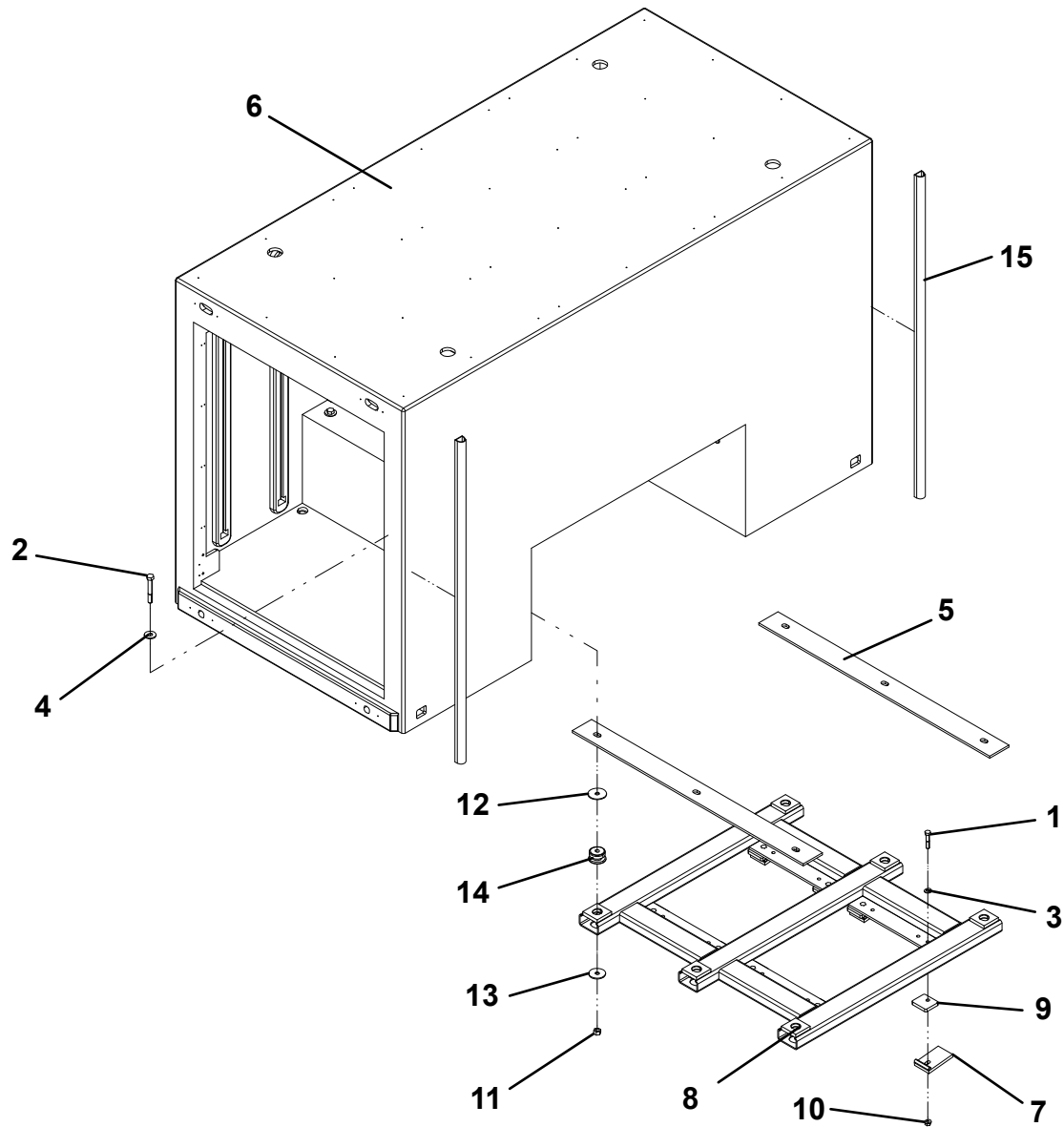
TOOLBOX INSTALLATION - 39" W/ BATTERIES

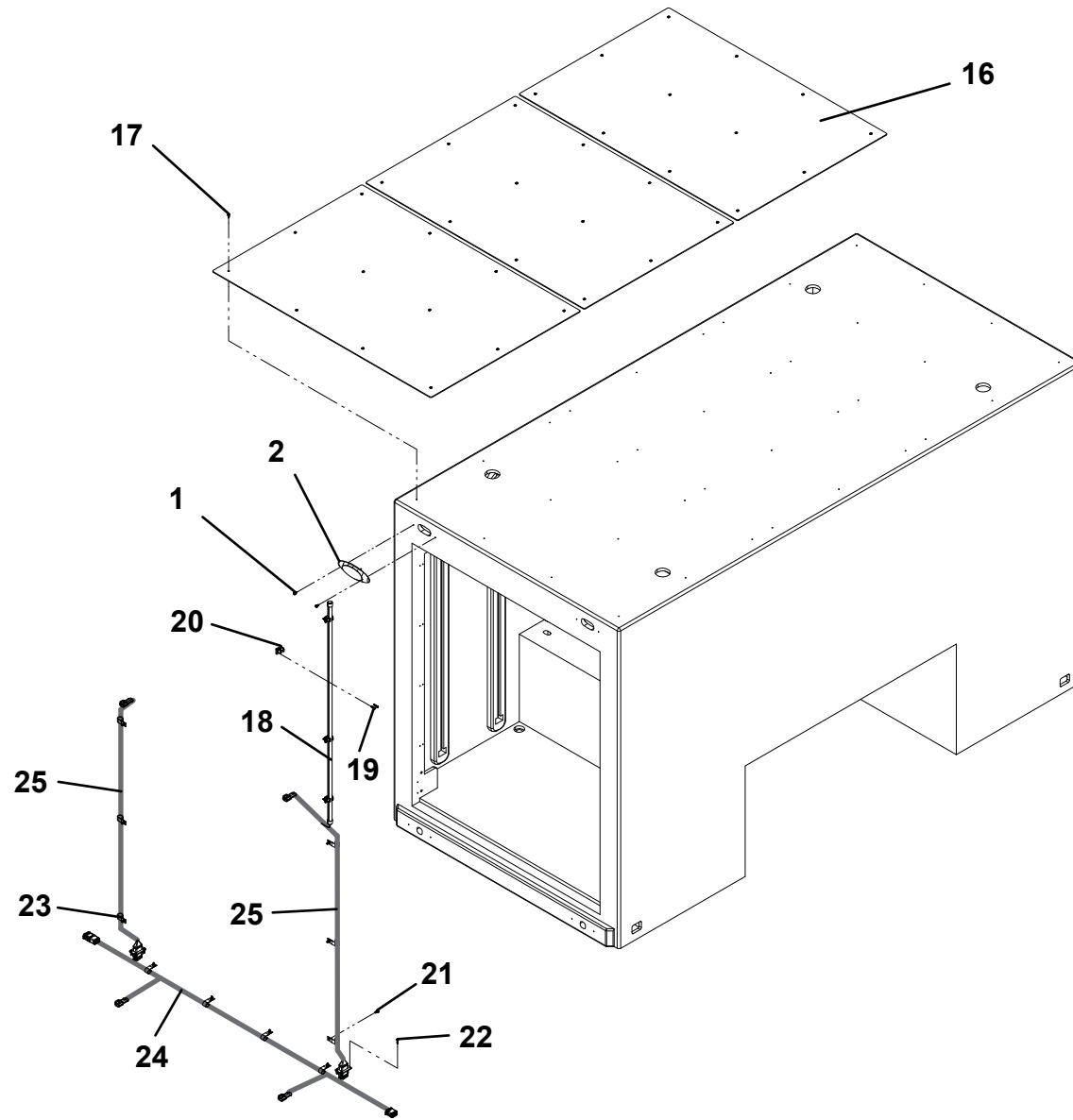
THIS PAGE INTENTIONALLY LEFT BLANK

TOOLBOX INSTALLATION - 49" W/O BATTERIES

ITEM	PART NO.	DESCRIPTION	QTY
1	641820	Screw, 0.50"-13 X 2.50"	8
2	642034	Screw, 0.625"-11 X 4.25"	6
3	4711800	Washer, 0.50" ID	8
4	4752000	Washer, 0.625" ID	6
5	1001165692	Plate	2
6	1001186416	Tunnel Toolbox 48"	1
7	3274000011	Clamp	8
8	3911000068	Mount	1
9	4705000705	Plate	8
10	7660182301	Locknut, 0.50"-13NC	8
11	7660200001	Nut, 0.63"-11NC	6
12	7949000019	Washer, Head	6
13	7949000020	Washer, Tail	6
14	7636000008	Mount	6
15	8632000011	Seal	10FT
16	1001187009	Plate	3
17	1001192958	Screw, #10 x 0.50"	36
18	1001154527	Lamp	4
19	1001196552	Screw, #8 x 0.75"	32
20	1001199081	Mount	16
21	1001195257	Screw, 0.25" x 0.50"	20
22	1001196552	Screw, #8 x 0.75"	16
23	7280000006	Clip	20
24	1001188904	Harness	2
25	1001188921	Harness	4
26	1001192958	Screw, #10 x 0.50"	16
27	7590000262	Light	8

TOOLBOX INSTALLATION - 49" W/O BATTERIES



TOOLBOX ASSEMBLY - 49" W/O BATTERIES

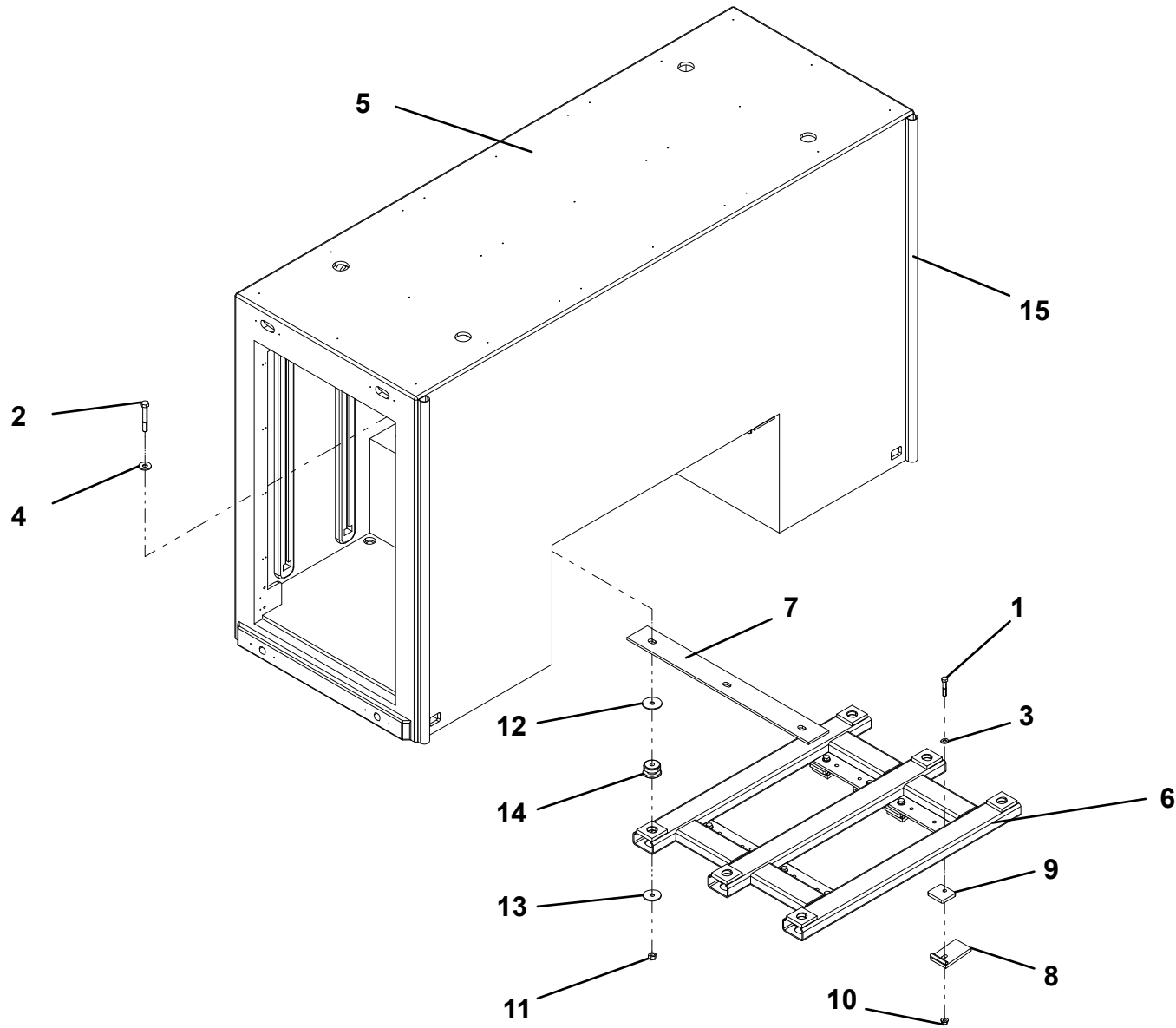
TOOLBOX ASSEMBLY - 49" W/O BATTERIES

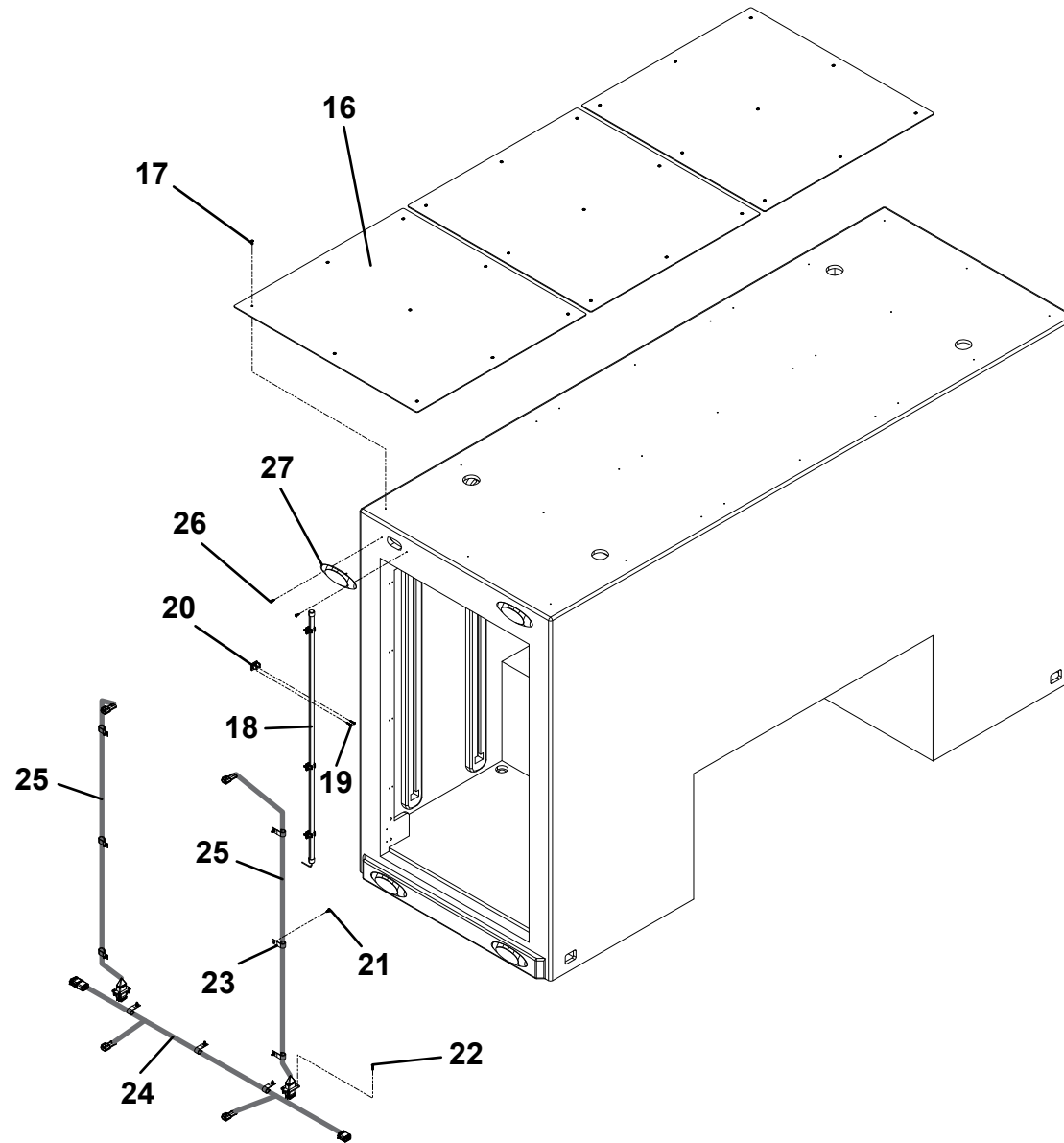
THIS PAGE INTENTIONALLY LEFT BLANK

TOOLBOX INSTALLATION - 37" W/O BATTERIES

ITEM	PART NO.	DESCRIPTION	QTY
1	641820	Screw, 0.50-13 X 2.50"	8
2	642034	Screw, 0.625"-11 X 4.25	6
3	4711800	Washer, 0.50" ID	8
4	4752000	Washer, 0.625" ID	6
5	1001185600	Tunnel Toolbox	1
6	1001187063	Mount	1
7	1001197338	Plate	2
8	3274000011	Clamp	8
9	4705000705	Plate	8
10	7660182301	Locknut, 0.50"-13NC	8
11	7660200001	Nut, 0.63"-11NC	6
12	7949000019	Washer, Head	6
13	7949000020	Washer, Tail	6
14	7636000008	Mount	6
15	8632000011	Seal	10FT
16	1001186997	Plate	3
17	1001192958	Screw, #10 x 0.50"	27
18	1001154527	Lamp	4
19	1001196552	Screw, #8 x 0.75"	32
20	1001199081	Mount	16
21	1001195257	Screw, 0.25" x 0.50"	18
22	1001196552	Screw, #8 x 0.75"	16
23	7280000006	Clip	18
24	1001188919	Harness	2
25	1001188921	Harness	4
26	1001192958	Screw, #10 x 0.50"	16
27	7590000262	Light	8

TOOLBOX INSTALLATION - 37" W/O BATTERIES



TOOLBOX INSTALLATION - 37" W/O BATTERIES

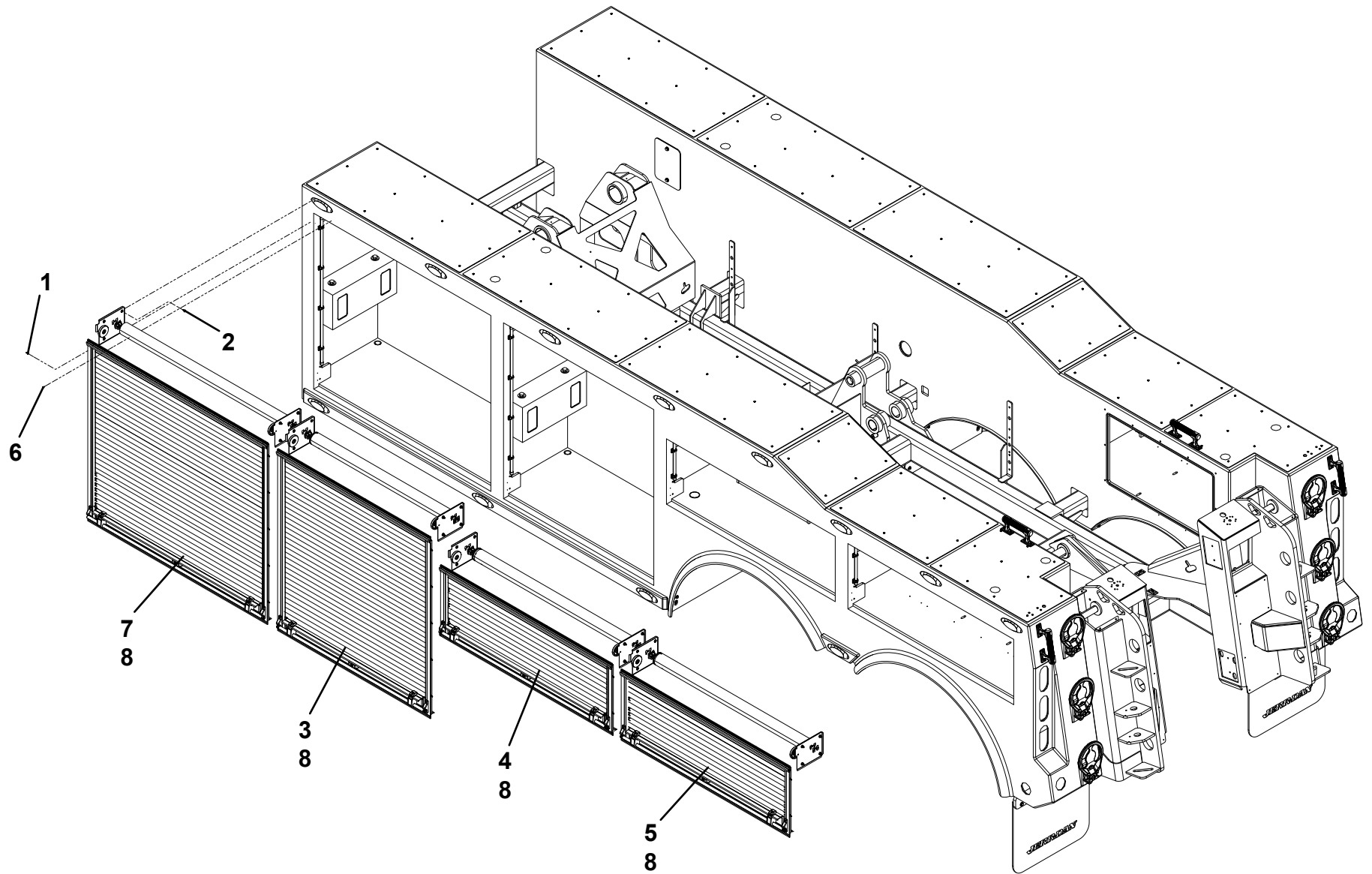
TOOLBOX INSTALLATION - 37" W/O BATTERIES

THIS PAGE INTENTIONALLY LEFT BLANK

DOOR INSTALLATION - TANDEM BODY

ITEM	PART NO.	DESCRIPTION	QTY
		Painted	
1	1001192958	Screw, #10 X 0.50"	56
2	1001195257	Screw, 0.25" X 0.50"	64
3	1001197159	Door, 48.10" X 47.50"	2
4	1001197160	Door, 17.90" X 53.30"	2
5	1001197161	Door, 17.90" X 52.40"	2
6	1001198602	Screw, #8 X 0.38"	46
7	1001205855	Door, 48.10" X 56.00"	2
8	8798820001	Sealant	A/R
		Brushed	
1	1001192958	Screw, #10 X 0.50"	56
2	1001195257	Screw, 0.25" X 0.50"	64
3	1001186988	Door, 48.10" X 47.50"	2
4	1001186989	Door, 17.90" X 53.30"	2
5	1001186990	Door, 17.90" X 52.40"	2
6	1001198602	Screw, #8 X 0.38"	46
7	1001205854	Door, 48.10" X 56.00"	2
8	8798820001	Sealant	A/R

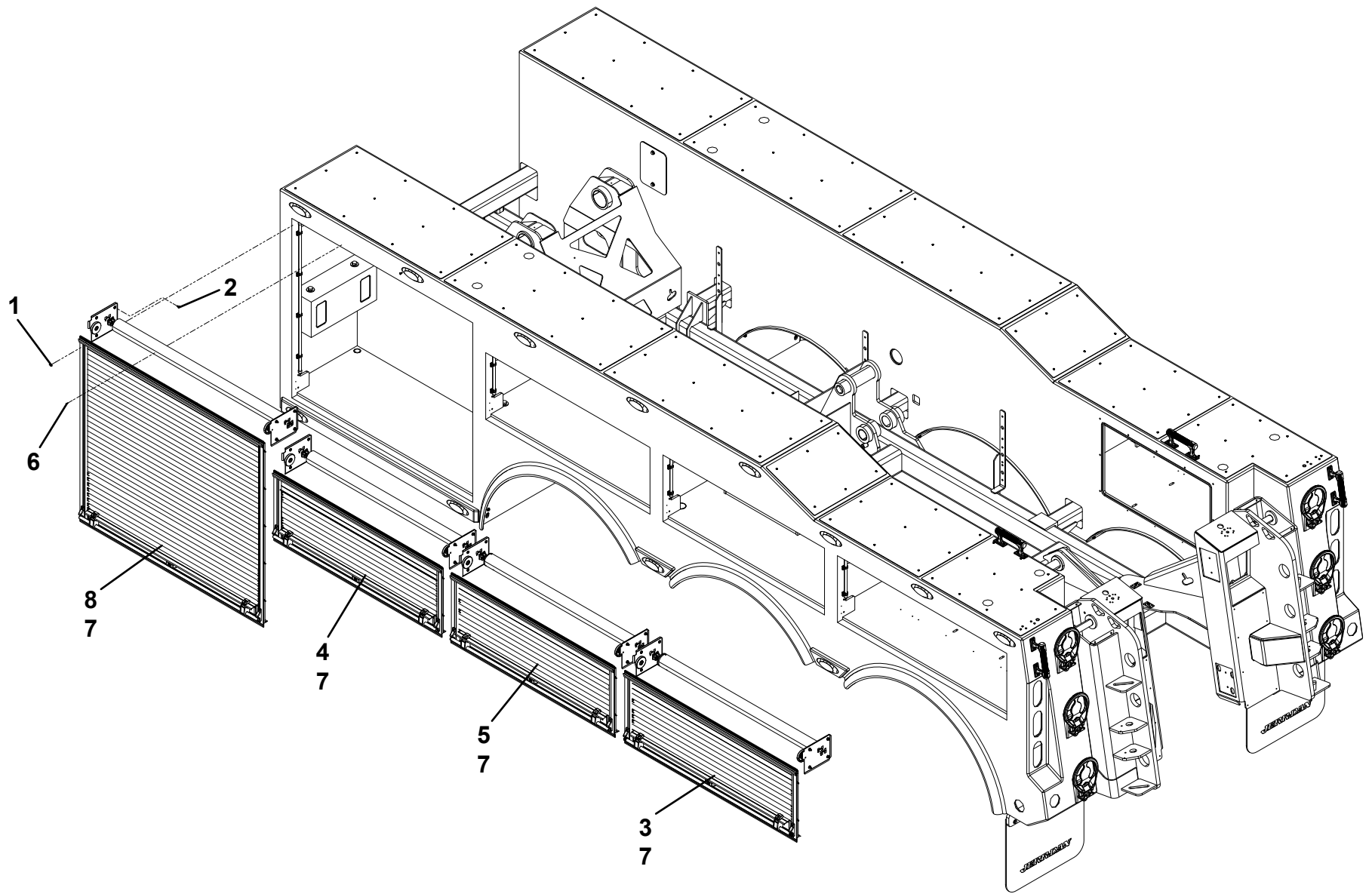
DOOR INSTALLATION - TANDEM BODY



DOOR INSTALLATION - TRI-AXLE

ITEM	PART NO.	DESCRIPTION	QTY
		Painted	
1	1001192958	Screw, #10 X 0.50"	44
2	1001195257	Screw, 0.25" X 0.50"	64
3	1001197161	Door, 17.90" X 52.40"	2
4	1001197162	Door, 17.90" X 50.80"	2
5	1001197163	Door, 17.90" X 50.00"	2
6	1001198602	Screw, #8 X 0.38"	48
7	8798820001	Sealant	A/R
8	1001205855	Door, 48.00" X 56.00"	2
		Brushed	
1	1001192958	Screw, #10 X 0.50"	44
2	1001195257	Screw, 0.25" X 0.50"	64
3	1001186990	Door, 17.90" X 52.40"	2
4	1001186991	Door, 17.90" X 50.80"	2
5	1001186992	Door, 17.90" X 50.00"	2
6	1001198602	Screw, #8 X 0.38"	48
7	8798820001	Sealant	A/R
8	1001205854	Door, 48.10" X 56.00"	2

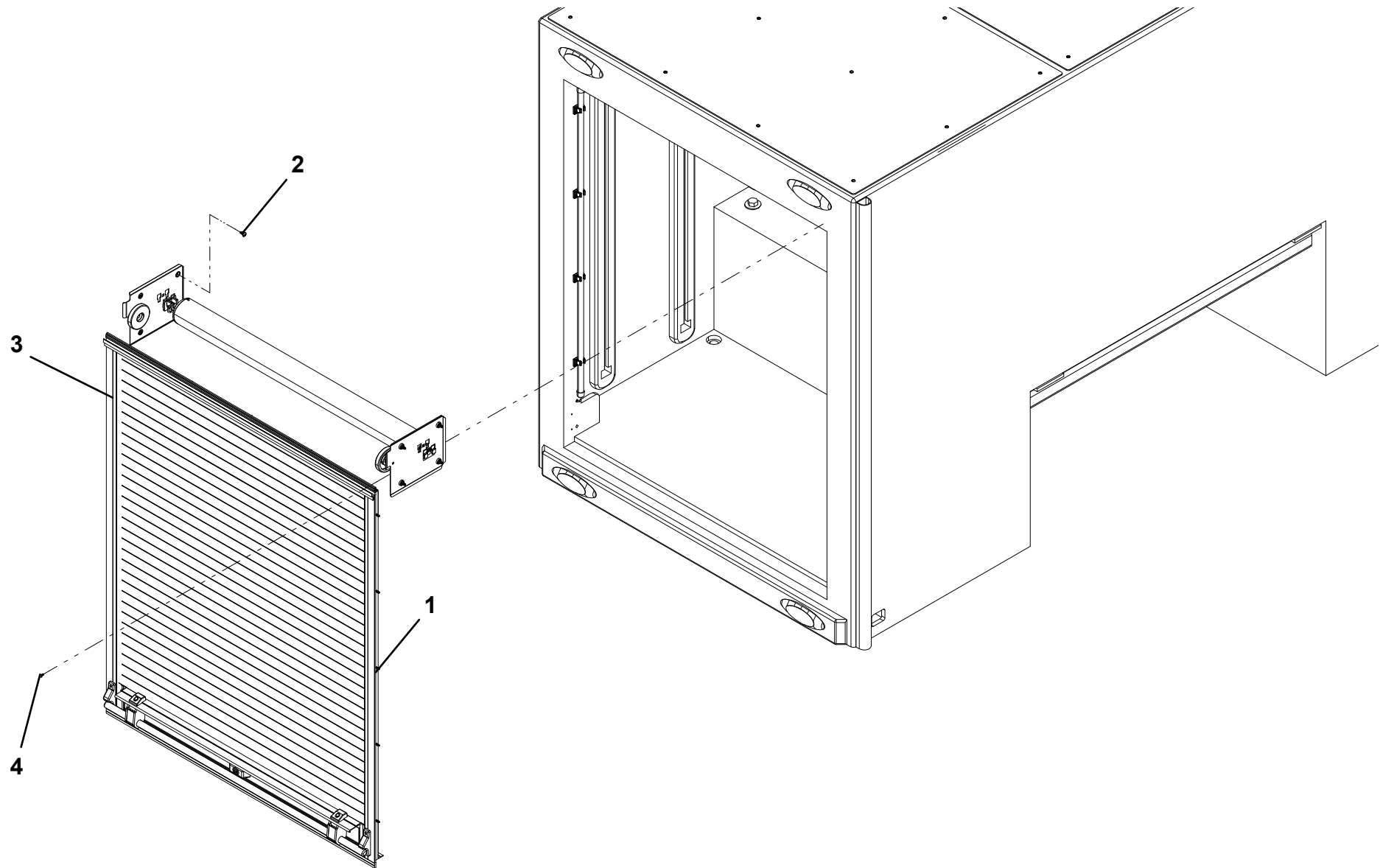
DOOR INSTALLATION - TRI-AXLE



DOOR INSTALLATION - 51" AND 49" TUNNEL TOOLBOX

ITEM	PART NO.	DESCRIPTION	QTY
		Painted	
1	1001192958	Screw, #10 X 0.50"	28
2	1001195257	Screw, 0.25" X 0.50"	16
3	1001197158	Door, 48.10" X 39.80"	2
4	1001198602	Screw, #8 X 0.38"	8
		Brushed	
1	1001192958	Screw, #10 X 0.50"	28
2	1001195257	Screw, 0.25" X 0.50"	16
3	1001186987	Door, 48.10" X 39.80"	2
4	1001198602	Screw, #8 X 0.38"	8

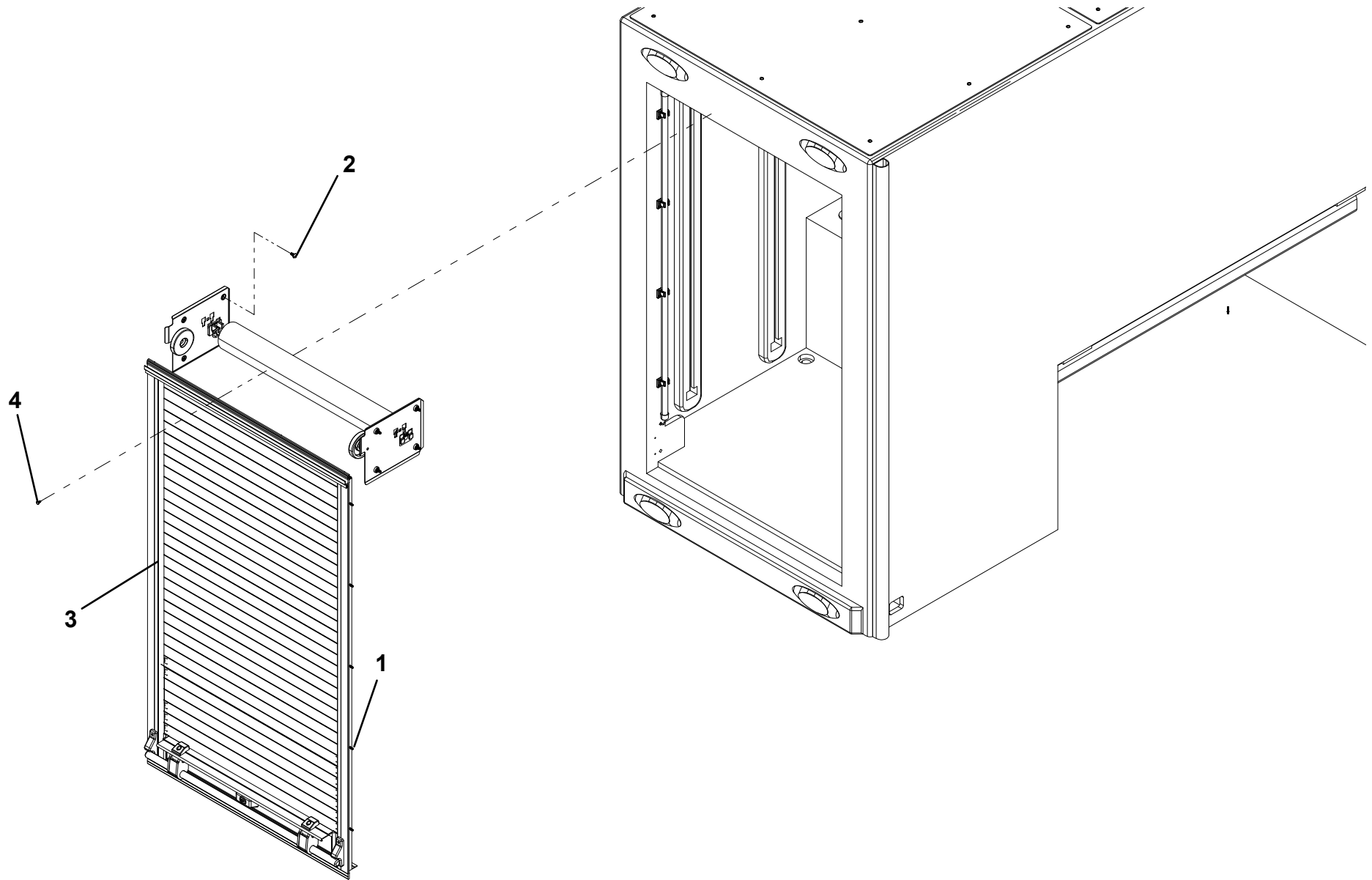
DOOR INSTALLATION - 51" AND 49 TUNNEL TOOLBOX



DOOR INSTALLATION - 39" AND 37" TUNNEL TOOLBOX

ITEM	PART NO.	DESCRIPTION	QTY
		Painted	
1	1001192958	Screw, #10 X 0.50"	28
2	1001195257	Screw, 0.25" X 0.50"	16
3	1001197181	Door, 48.10" X 27.80"	2
4	1001198602	Screw, #8 X 0.38"	8
		Brushed	
1	1001192958	Screw, #10 X 0.50"	28
2	1001195257	Screw, 0.25" X 0.50"	16
3	1001186986	Door, 48.10" X 27.80"	2
4	1001198602	Screw, #8 X 0.38"	8

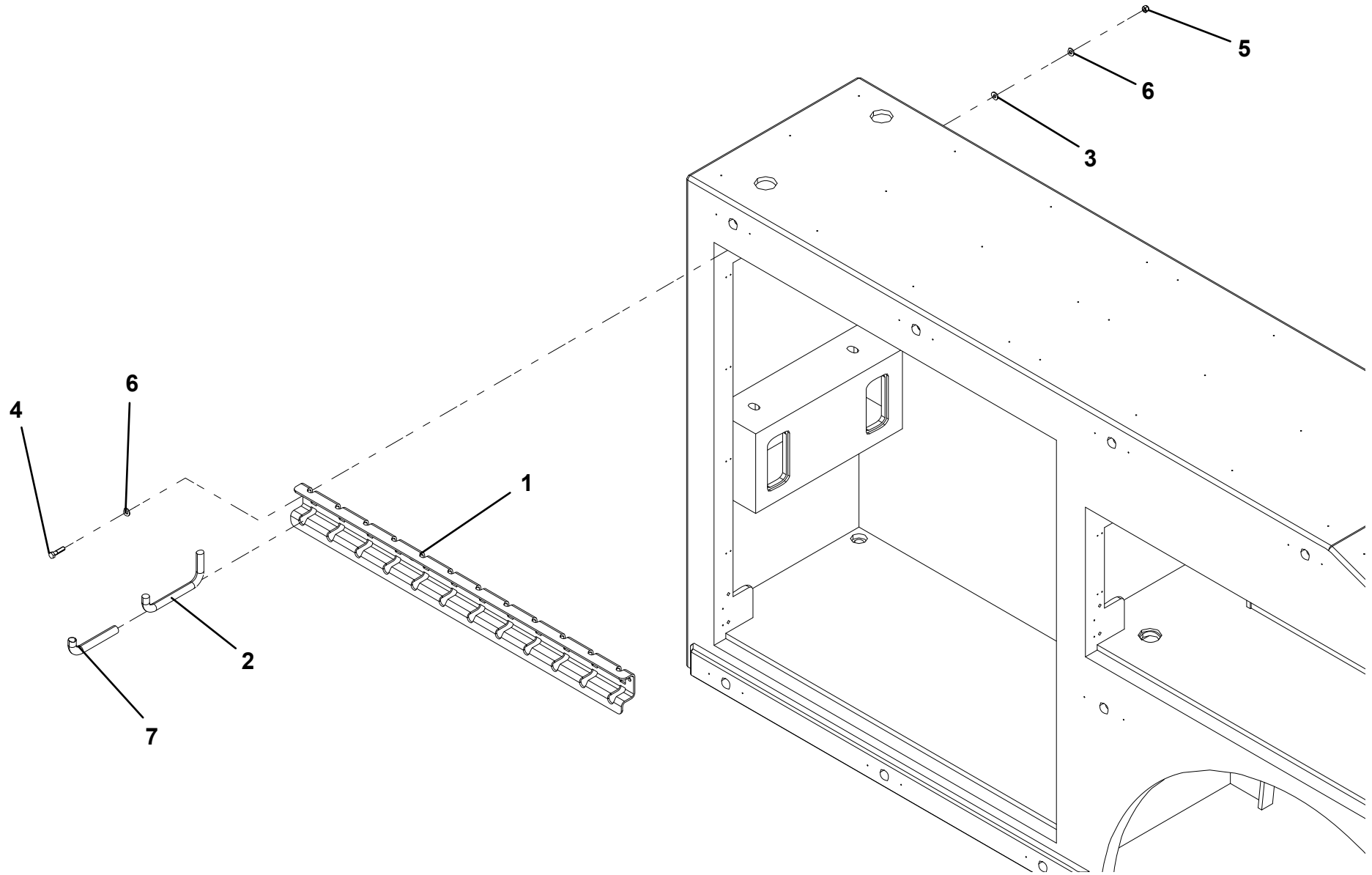
DOOR INSTALLATION - 39" AND 37" TUNNEL TOOLBOX



SHACKLE RACK INSTALLATION - TANDEM

ITEM	PART NO.	DESCRIPTION	QTY
1	1001164601	Bracket	2
2	1001164614	Shackle Hook	24
3	1001166974	Washer, 0.38" ID	10
4	1001168993	Screw, 0.38"-16 X 1.50"	10
5	7660162601	Locknut, 0.38"-16NC	10
6	7950160143	Flatwasher, 0.38" ID	20
7	7346000040	Tubing	3.7

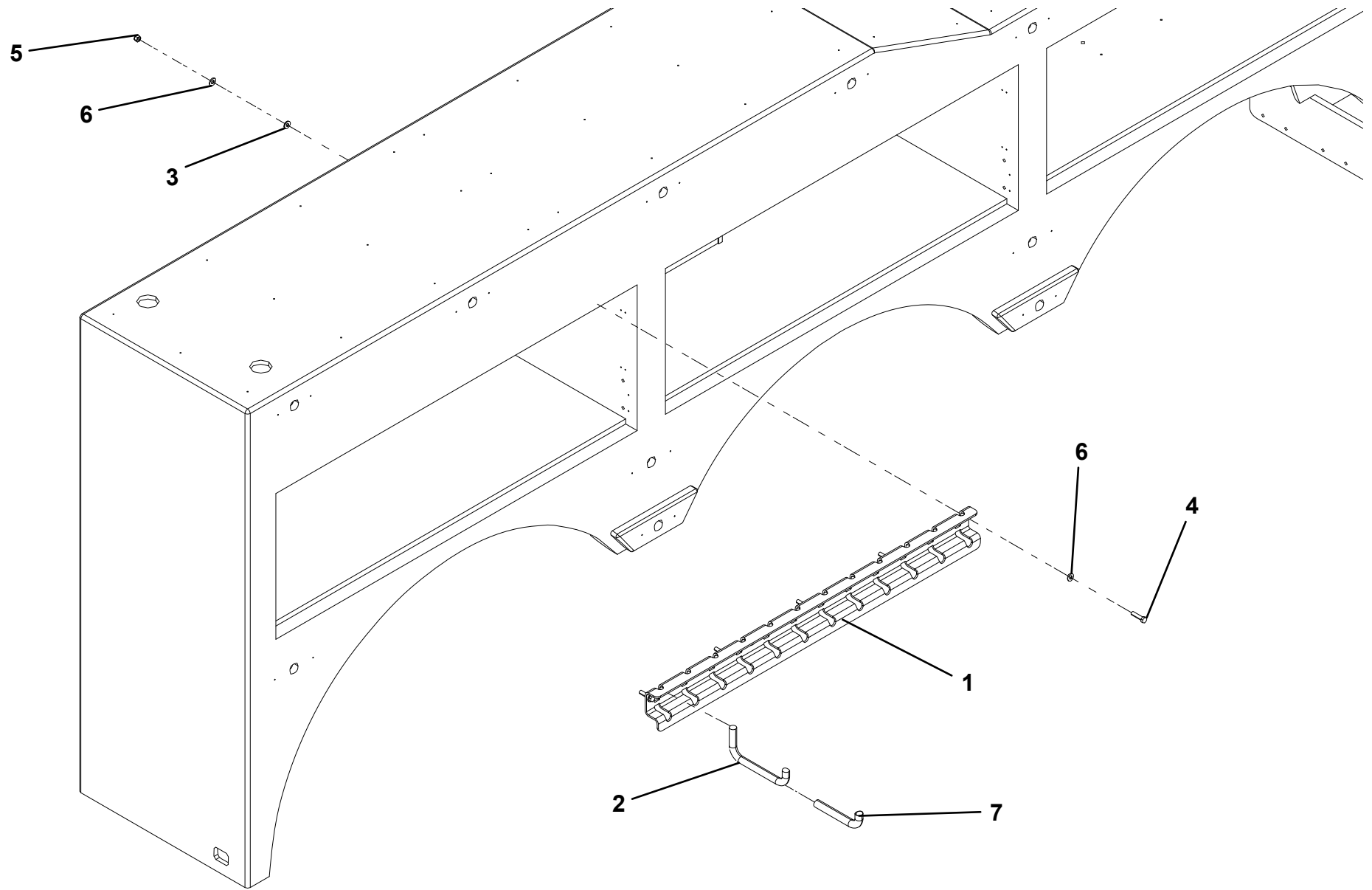
SHACKLE RACK INSTALLATION - TANDEM



SHACKLE RACK INSTALLATION - TRI-AXLE

ITEM	PART NO.	DESCRIPTION	QTY
1	1001164601	Bracket	2
2	1001164614	Shackle Hook	24
3	1001166974	Washer, 0.38" ID	10
4	1001168993	Screw, 0.38"-16 X 1.50"	10
5	7660162601	Locknut, 0.38"-16NC	10
6	7950160143	Flatwasher, 0.38" ID	20
7	7346000040	Tubing	3.7

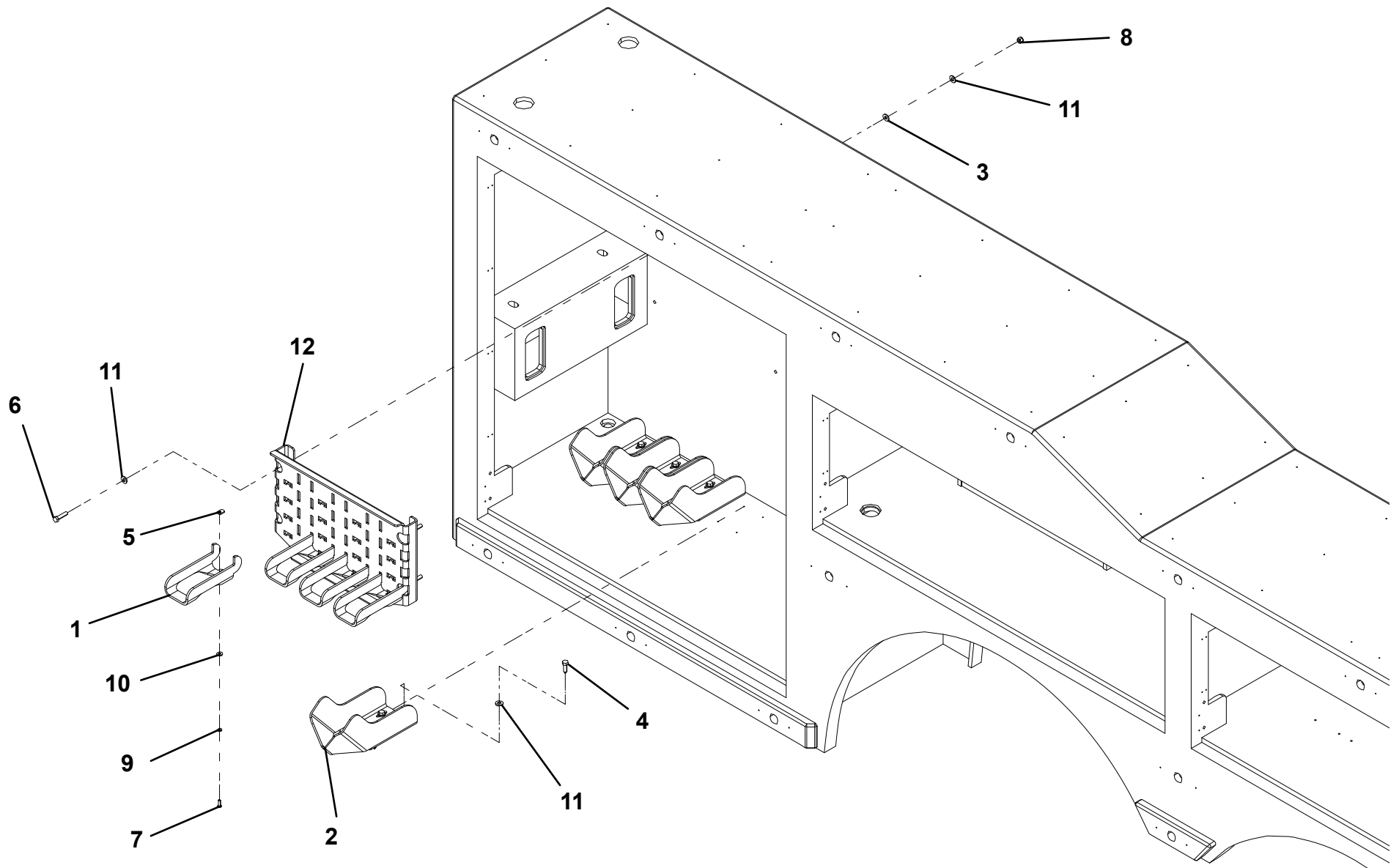
SHACKLE RACK INSTALLATION - TRI-AXLE



SNATCH BLOCK STORAGE INSTALLATION - TANDEM

ITEM	PART NO.	DESCRIPTION	QTY
1	1001164560	Bracket, Top	4
2	1001164562	Bracket, Bottom	4
3	1001166974	Washer, 0.38"	4
4	1001168545	Screw, 0.38" X 1.25"	16
5	1001168733	Nut, 0.25"-20	4
6	1001168993	Screw, 0.38"-16 X 1.50"	4
7	7114140618	Nut, 0.25"-20 X 0.75"	4
8	7660162601	Locknut, 0.38"-16NC	4
9	7950140003	Lockwasher, 0.25" ID	4
10	7950140143	Flatwasher, 0.25" ID	4
11	7950160143	Flatwasher, 0.38" ID	24
12	1001201112	Bracket	1

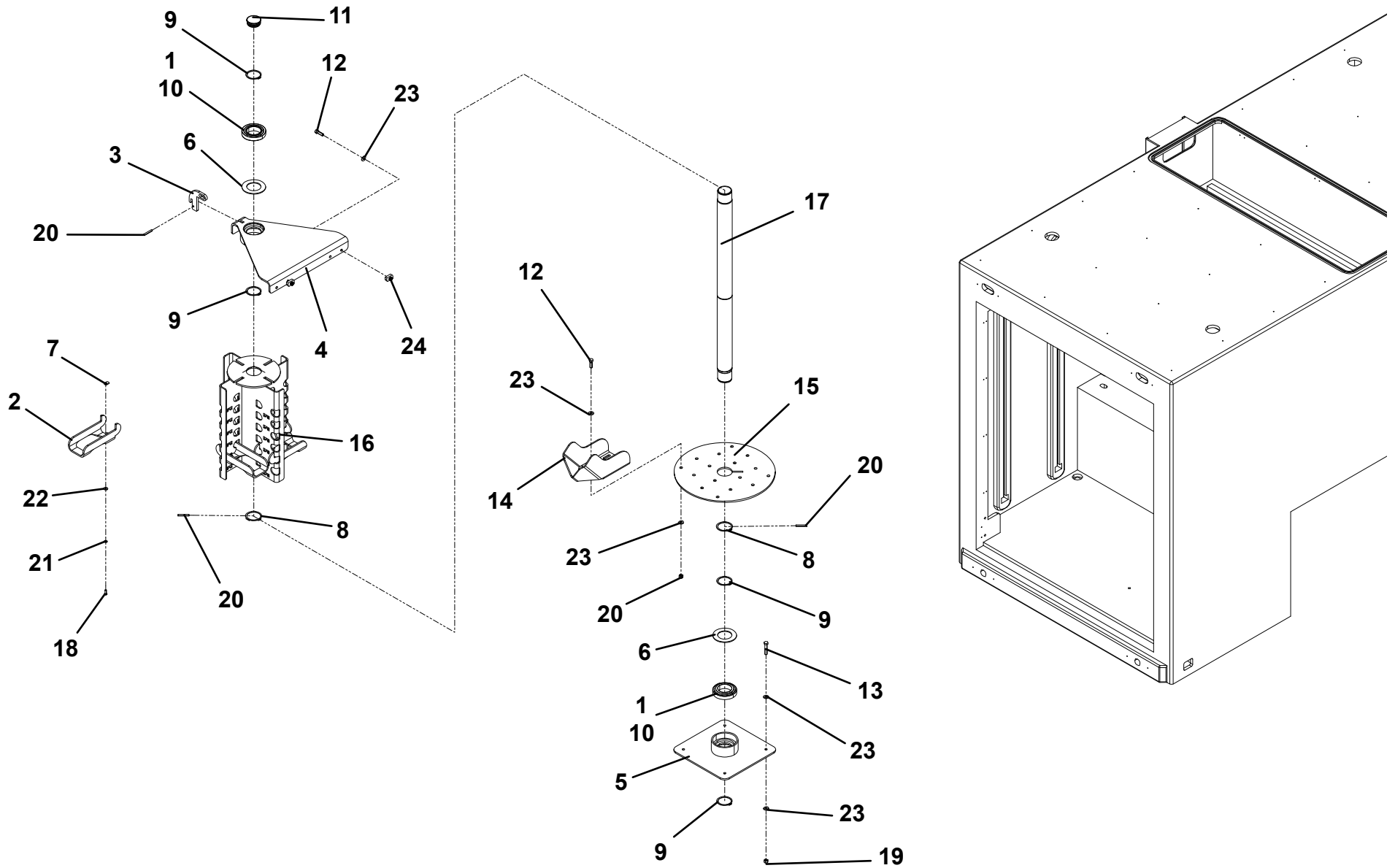
SNATCH BLOCK STORAGE INSTALLATION - TANDEM



SNATCH BLOCK STORAGE INSTALLATION - TRI-AXLE

ITEM	PART NO.	DESCRIPTION	QTY
1	3020029	Lube, Bearing Grease	A/R
2	1001164560	Bracket, Top	4
3	1001165564	Plate	1
4	1001165570	Bracket	1
5	1001165571	Bracket	1
6	1001165584	Plate	2
7	1001168733	Nut, 0.25"-20	4
8	1001169063	Retaining Ring	2
9	1001169064	Retaining Ring	4
10	1001169076	Bearing	2
11	1001169078	Plug	1
12	1001169080	Screw, 0.38"-16 X 1.25"	18
13	1001169083	Screw, 0.38"-16 X 2.00"	4
14	1001190342	Bracket	4
15	1001190359	Support	1
16	1001190361	Bracket	1
17	1001192126	Tube	1
18	7114140618	Bolt, 0.25"-20 X 0.75"	4
19	7660162601	Locknut, 0.38"-16NC	20
20	7690142845	Pin	3
21	7950140003	Lockwasher, 0.25" ID	4
22	7950140143	Flatwasher, 0.25" ID	4
23	7950160143	Flatwasher, 0.38" ID	42
24	1001166644	Nut, 0.38"-16	2

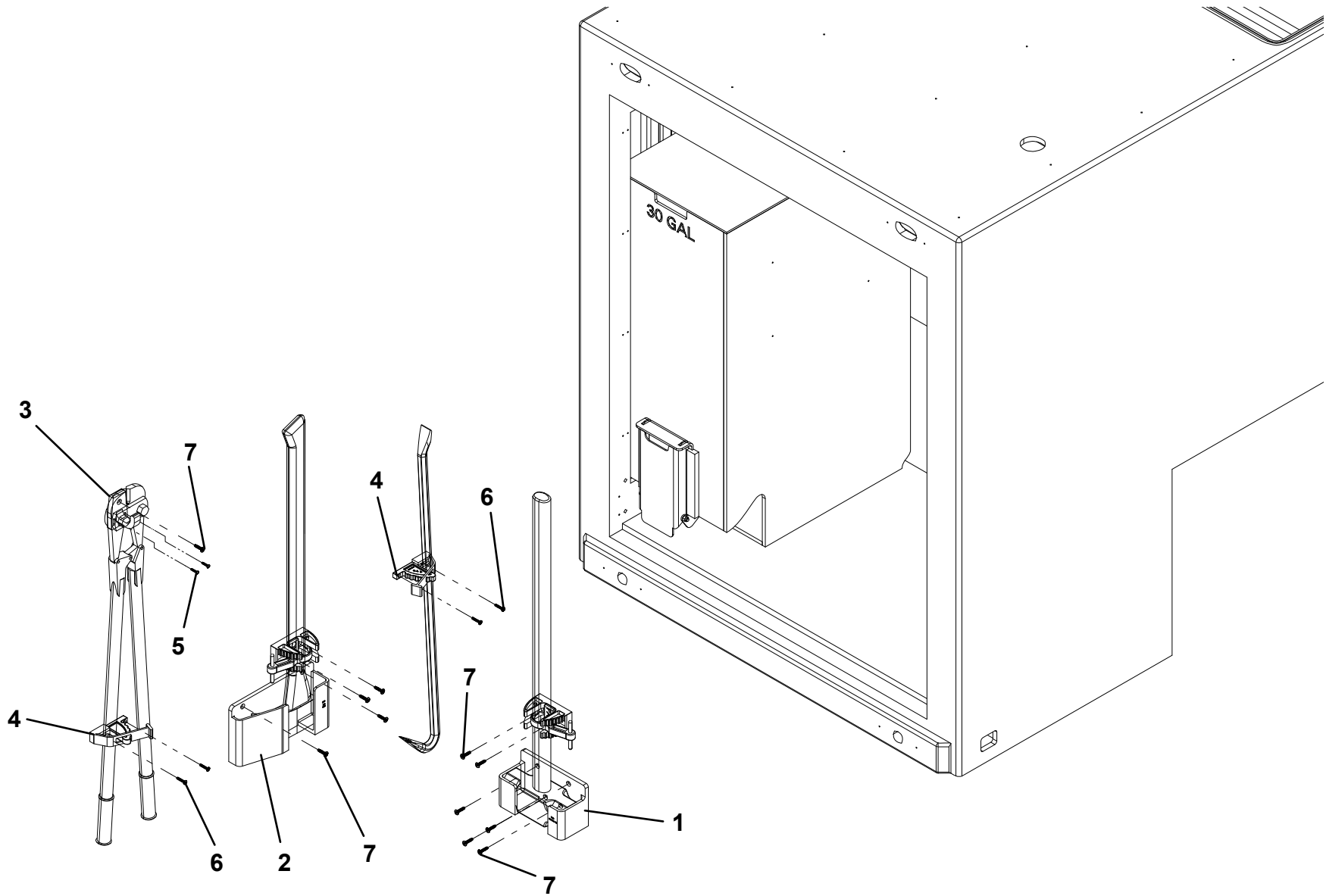
SNATCH BLOCK STORAGE INSTALLATION - TRI-AXLE



TOOL STORAGE

ITEM	PART NO.	DESCRIPTION	QTY
1	1001201215	Bracket	1
2	1001201216	Bracket	1
3	1001201217	Bracket	2
4	1001201218	Bracket	2
5	1001196552	Screw, #8 x 0.75"	4
6	1001210868	Screw, #10 x 0.75"	10
7	1001201367	Screw, 0.25" x 1.00"	6

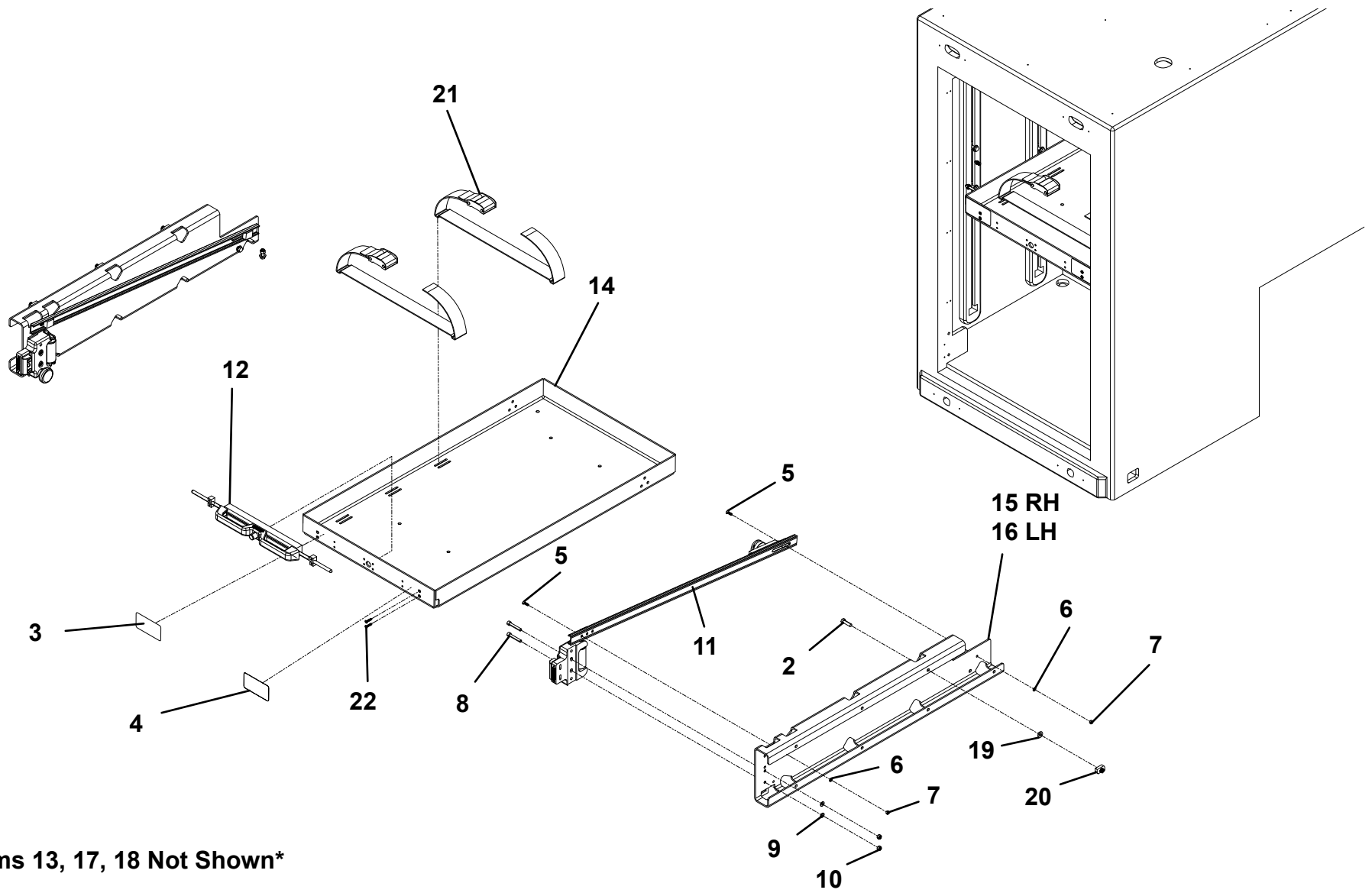
TOOL STORAGE



TILT DOWN STORAGE TRAY

ITEM	PART NO.	DESCRIPTION	QTY
1	3020029	Bearing Grease	A/R
2	1001169080	Screw, 0.38"-16 X 1.25"	12
3	1001170090	Decal	1
4	1001170091	Decal	1
5	1001170305	Bolt, #6-20	4
6	1001170307	Washer, M6 ID	4
7	1001170310	Nut, M6	4
8	1001170328	Screw, M8-50	4
9	1001170329	Washer, M8 ID	4
10	1001170330	Nut, M8	4
11	1001170331	Roller Assembly	1
12	1001170332	Latch	1
13	1001179349	Strap	2
14	1001197693	Tilt-Down Drawer	1
15	1001183735	Bracket, RH	1
16	1001183736	Bracket, LH	1
17	7114160850	Screw, 0.38"-16 X 1.00"	4
18	7660162601	Locknut, 0.38"-16NC	4
19	7950160141	Flatwasher, 0.38" ID	16
20	1001166644	Nut, 0.38"-16	12
21	1001170428	Strap	2
22	1001200997	Screw, M5X25	4

TILT DOWN STORAGE TRAY

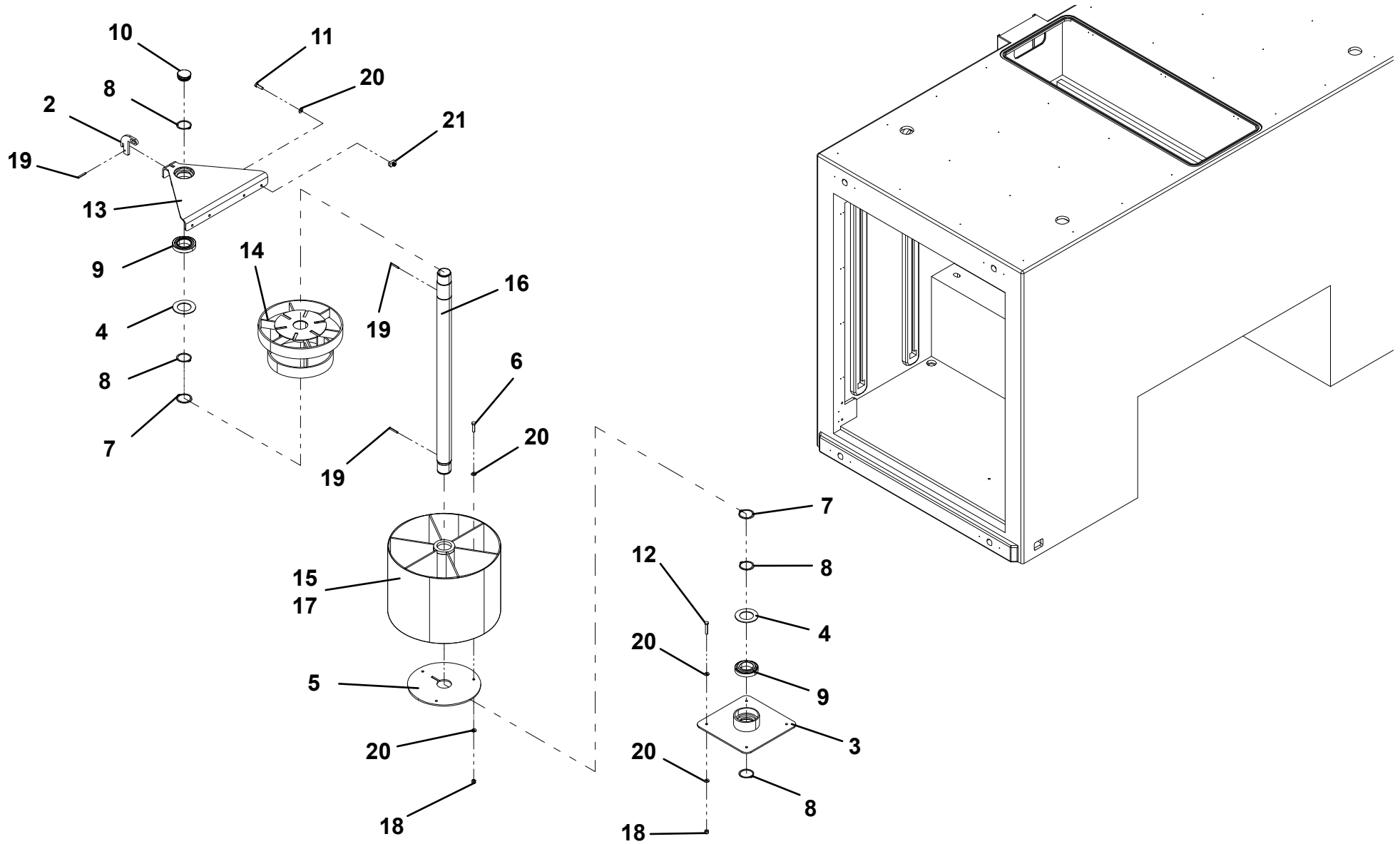


Items 13, 17, 18 Not Shown

ROTARY CHAIN RACK

ITEM	PART NO.	DESCRIPTION	QTY
1	3020029	Bearing Grease	1
2	1001165564	Plate	1
3	1001165571	Bracket	1
4	1001165584	Plate	2
5	1001165652	Support	1
6	1001168993	Screw, 0.38"-16 X 1.50"	3
7	1001169063	Retaining Ring	2
8	1001169064	Retaining Ring	4
9	1001169076	Bearing	2
10	1001169078	Plug	1
11	1001169080	Screw, 0.38"-16 X 1.25"	2
12	1001169083	Screw, 0.38"-16 X 2.00"	4
13	1001190218	Bracket	1
14	1001190223	Bracket	1
15	1001190228	Tray	1
16	1001190265	Tube	1
17	7330000535	Decal	1
18	7660162604	Locknut, 0.38"-16 NC	7
19	7690142845	Pin	3
20	7950160143	Flatwasher, 0.38" ID	16
21	1001166644	Nut, 0.38"-16	2

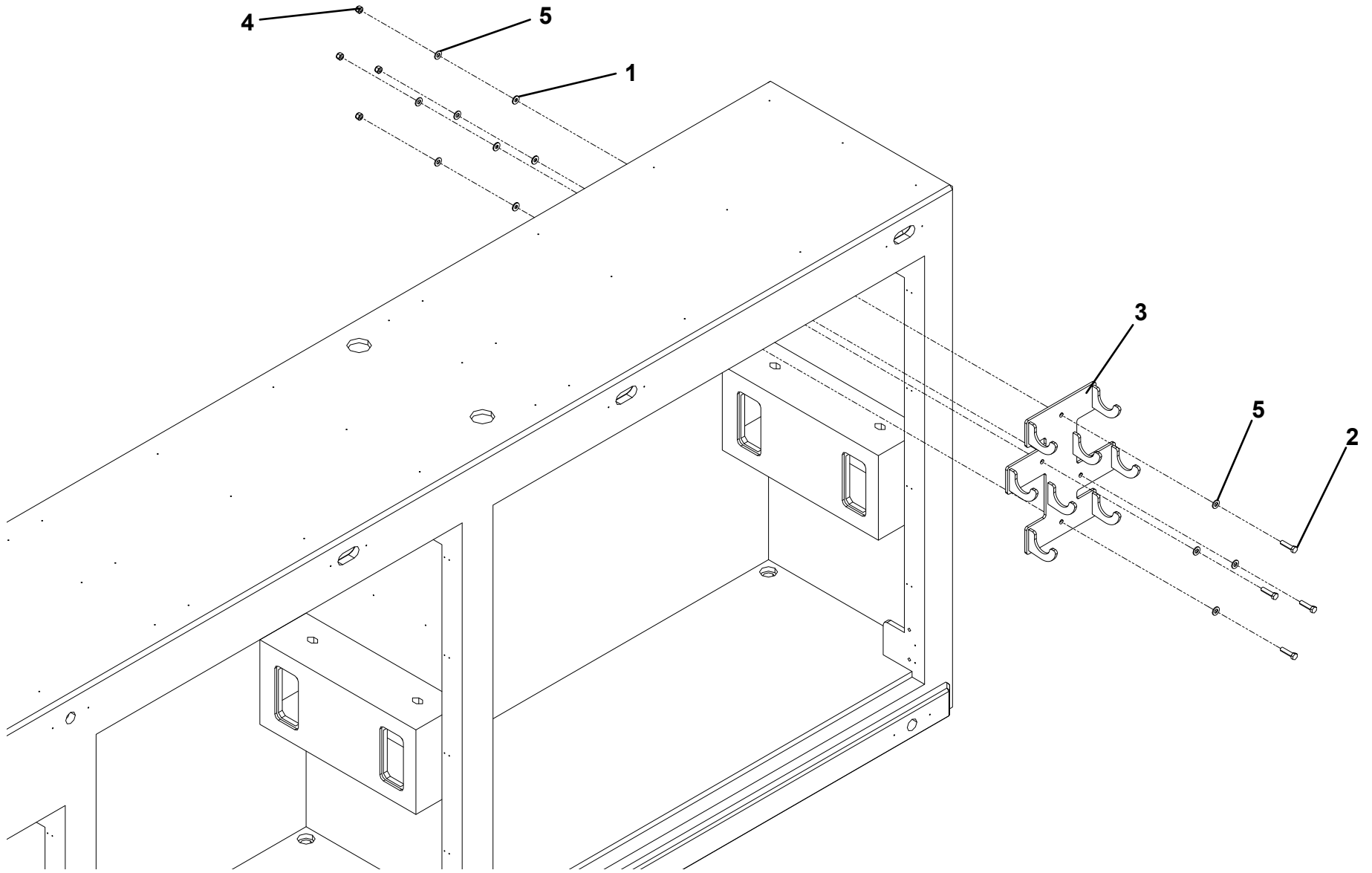
ROTARY CHAIN RACK



CHAIN BINDER INSTALLATION

ITEM	PART NO.	DESCRIPTION	QTY
1	1001166974	Washer, 0.38" ID	4
2	1001168993	Screw, 0.38"-16 x 1.50"	4
3	1001207599	Plate	1
4	7660162601	Locknut, 0.38" - 16NC	4
5	7950160143	Flatwasher, 0.38"ID	8

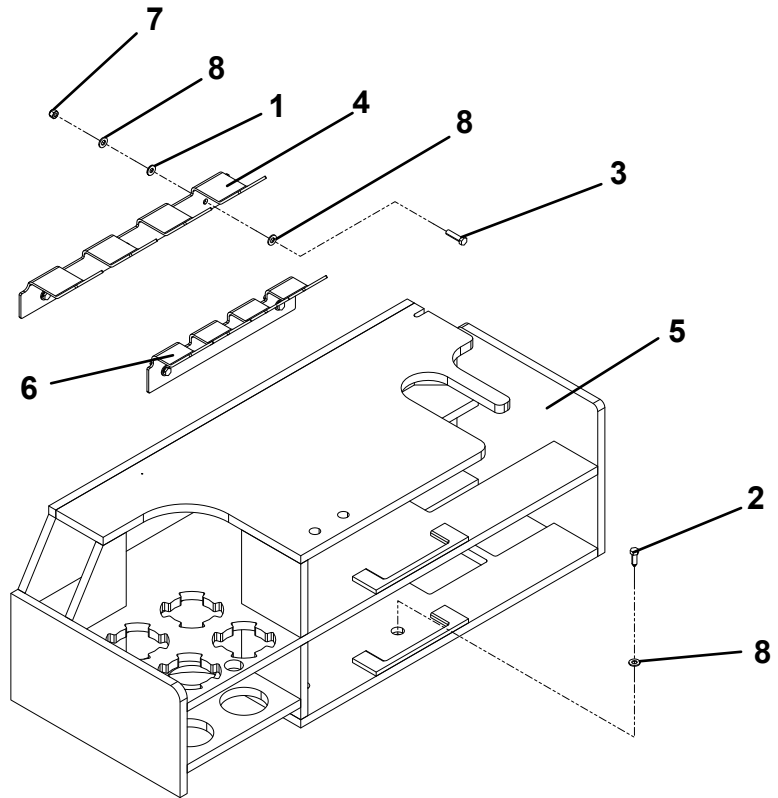
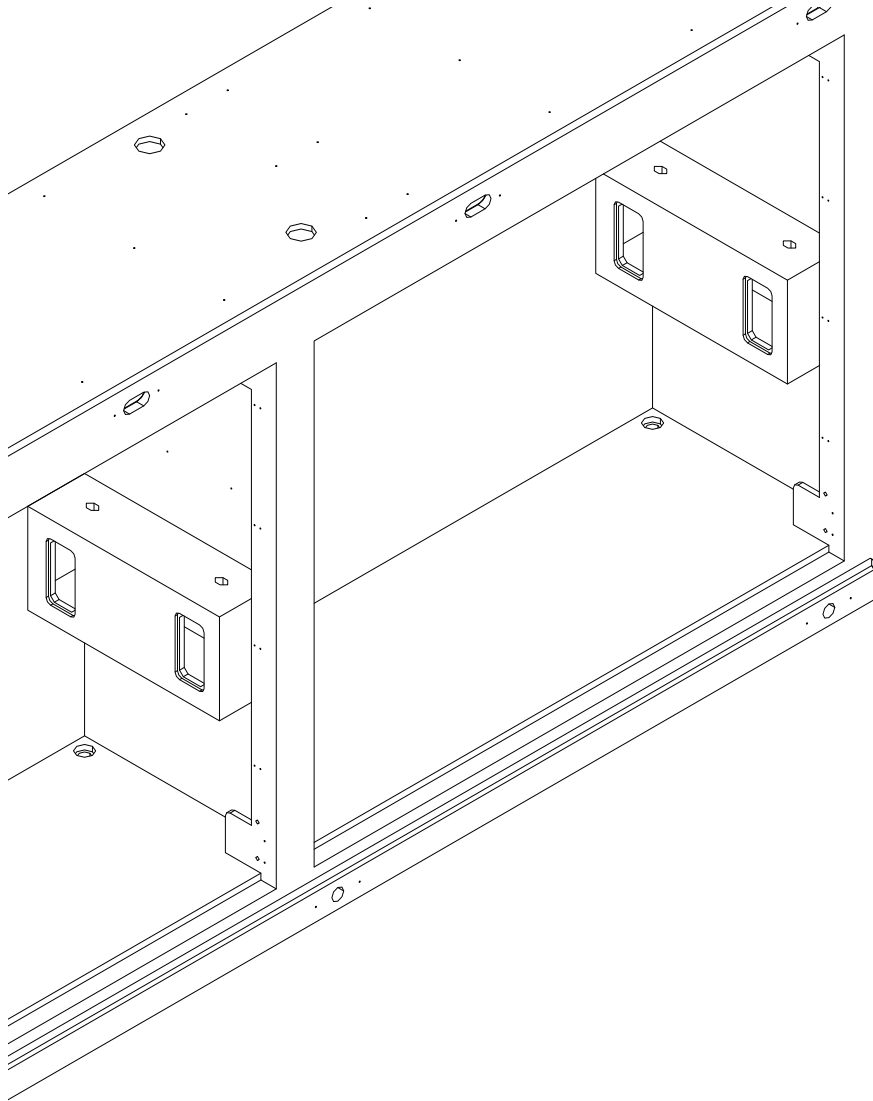
CHAIN BINDER INSTALLATION



TIRE LIFT STORAGE - TANDEM BODY

ITEM	PART NO.	DESCRIPTION	QTY
1	1001166974	Washer, 0.38" ID	5
2	1001168545	Capscrew, 0.38" - 16NC x 1.25"	4
3	1001168993	Capscrew, 0.38" - 16NC x 1.50"	5
4	1001182248	Bracket	1
5	1001190409	Bus Arm Storage	1
6	1001207624	Bracket	1
7	7660162601	Locknut, 0.38" - 16NC	5
8	7950160143	Flatwasher, 0.38" ID	14

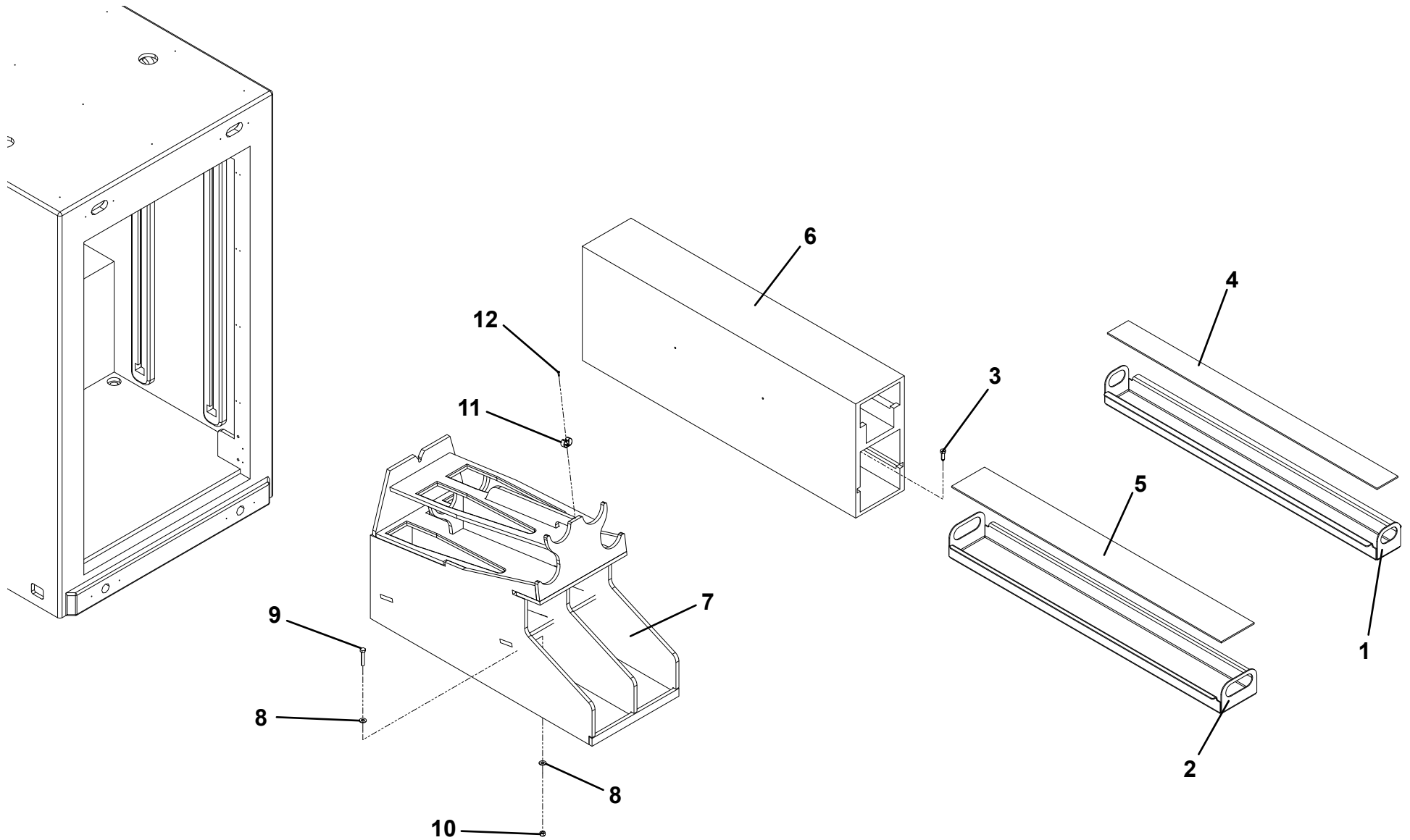
TIRE LIFT STORAGE - TANDEM BODY



TIRE LIFT STORAGE - 39" AND 37" TOOLBOX

ITEM	PART NO.	DESCRIPTION	QTY
1	1001165862	Tray, Small	1
2	1001165863	Tray, Large	1
3	1001168545	Screw, 0.38" X 1.25"	4
4	1001170968	Pad, Small	1
5	1001170970	Pad, Large	1
6	1001170971	Bracket	1
7	1001192287	Storage	1
8	7950160143	Flatwasher, 0.38" ID	8
9	7115161650	Capscrew, 0.38" - 16NC x 2.00"	4
10	7660162601	Locknut, 0.38" - 16NC	4
11	1380135	Clip	1
12	3900339	Screw, #6 - 19NC x 0.50"	1

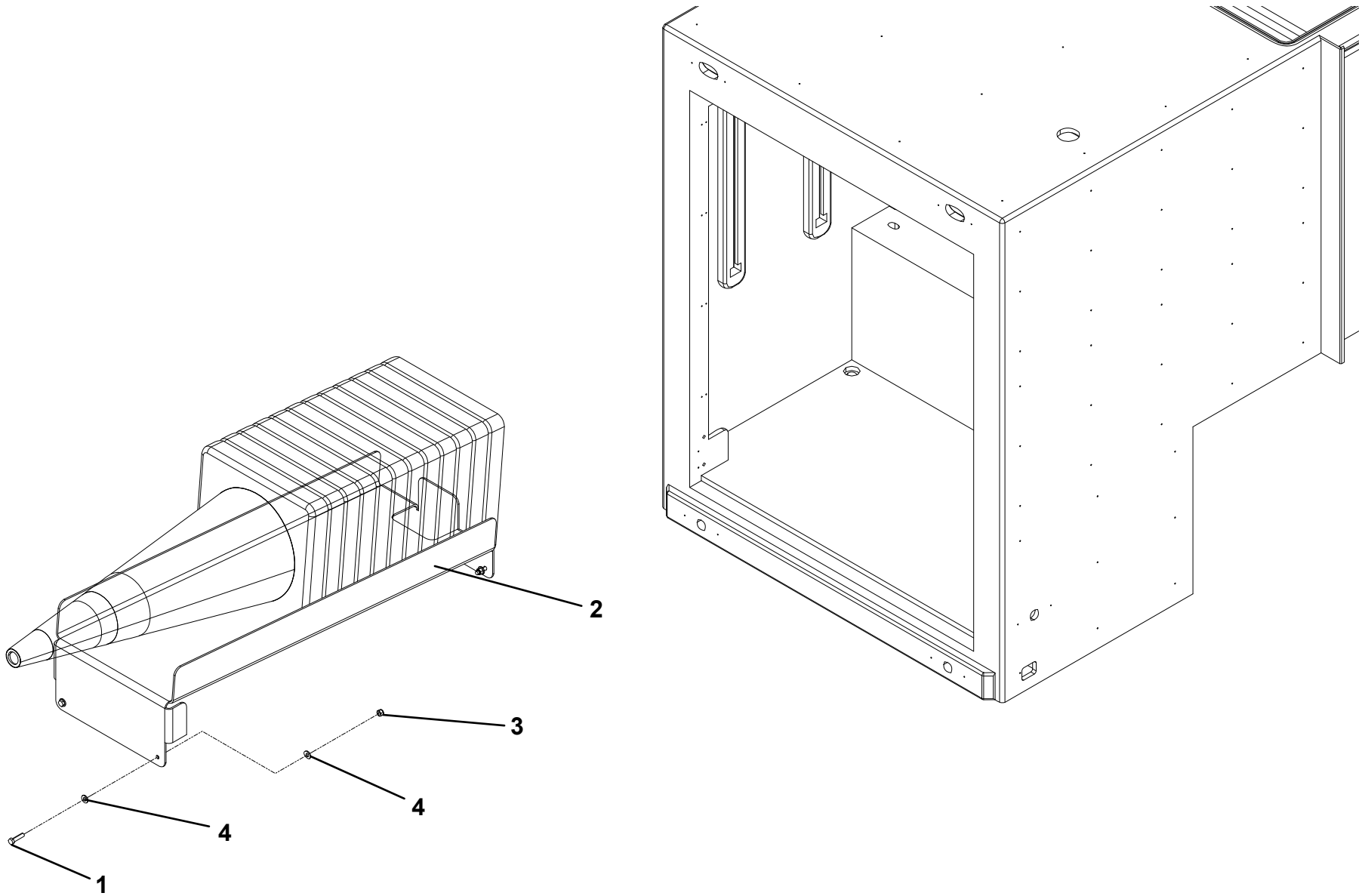
TIRE LIFT STORAGE - 39" AND 37" TOOLBOX



TRAFFIC CONE STORAGE

ITEM	PART NO.	DESCRIPTION	QTY
1	1001168993	Screw, 0.38"-16 x 1.50"	4
2	1001190551	Bracket	1
3	7660162601	Locknut, 0.25"-20	4
4	7950160143	Flatwasher, 0.38" ID	8

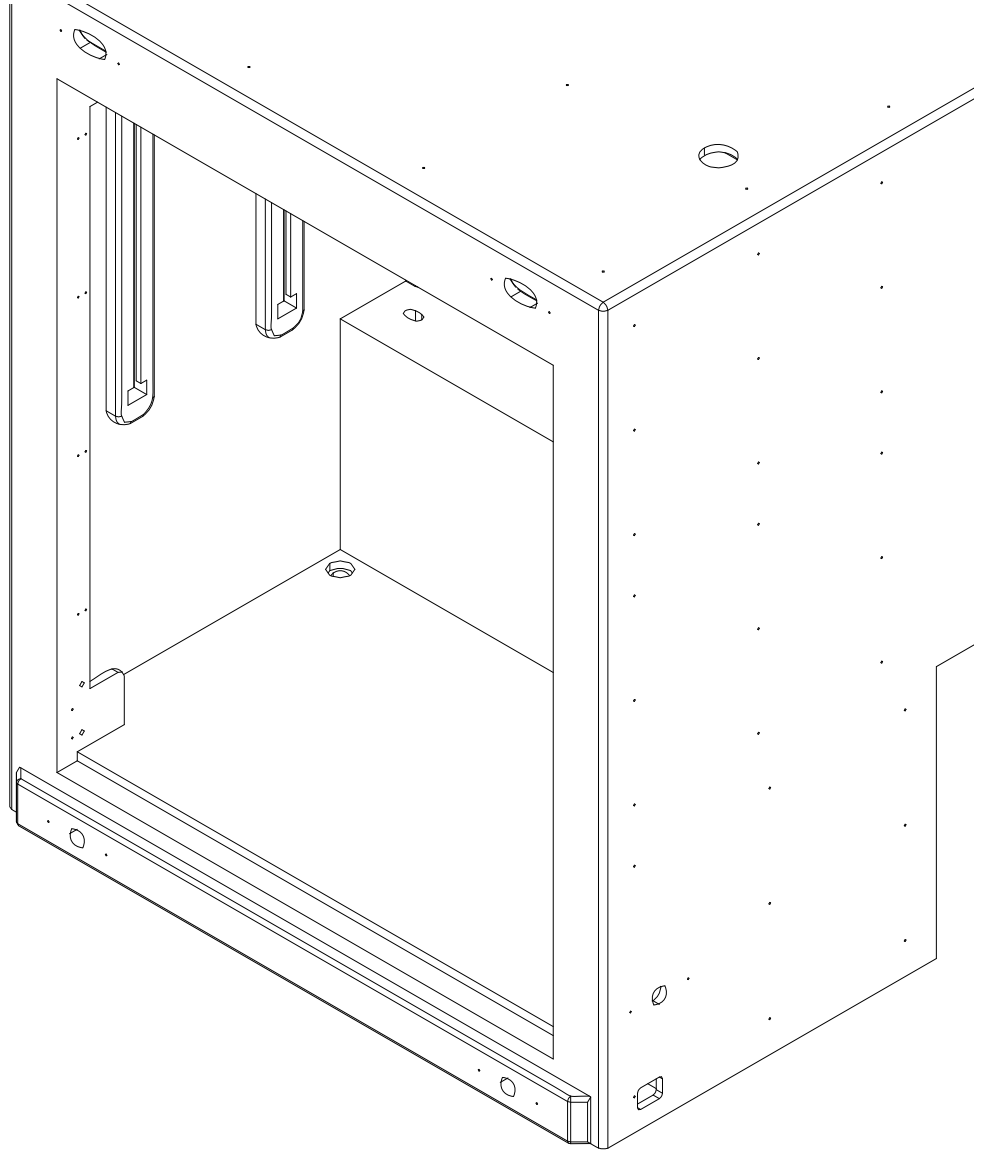
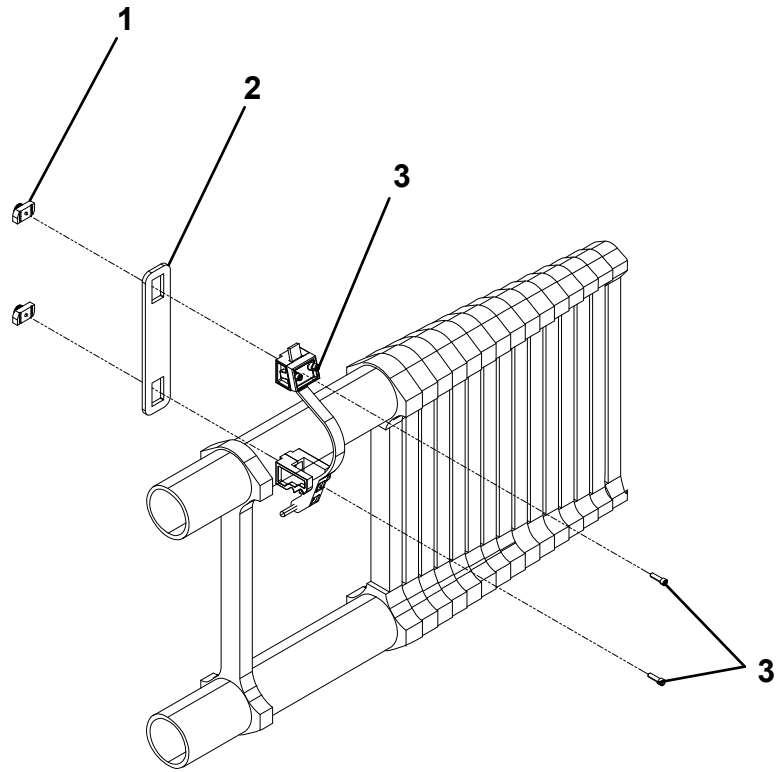
TRAFFIC CONE STORAGE



LADDER STORAGE

ITEM	PART NO.	DESCRIPTION	QTY
1	1001183037	Nut, 0.25"-20	2
2	1001201523	Plate	1
3	1001201534	Bracket	1

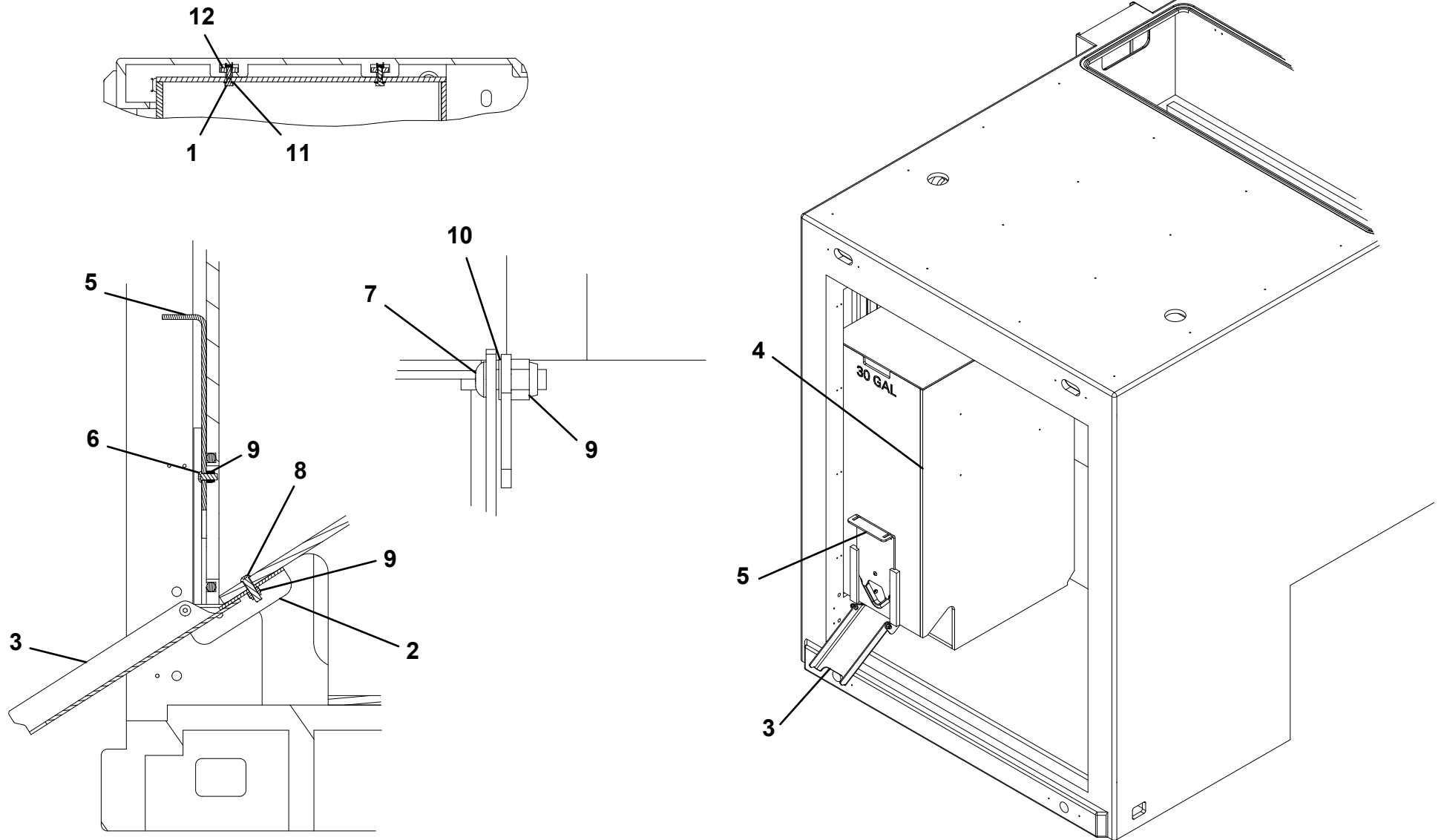
LADDER STORAGE



STAY DRY SILO INSTALLATION

ITEM	PART NO.	DESCRIPTION	QTY
1	1001169080	Screw, 0.38"-16 X 1.25"	4
2	1001190050	Bracket	1
3	1001190055	Bracket	1
4	1001190128	Container	1
5	1001190148	Cover	1
6	7114140518	Screw, 0.25"-20 X 0.625"	1
7	7114140618	Screw, 0.25"-20 X 0.75"	2
8	7114140818	Capscrew, 0.25"-20 X 1.00"	3
9	7660142600	Locknut, 0.25"-20NC	6
10	7949000056	Washer, 0.27" ID	2
11	7950160143	Flatwasher, 0.38" ID	4
12	1001166644	Nut, 0.38"-16 UNC	4

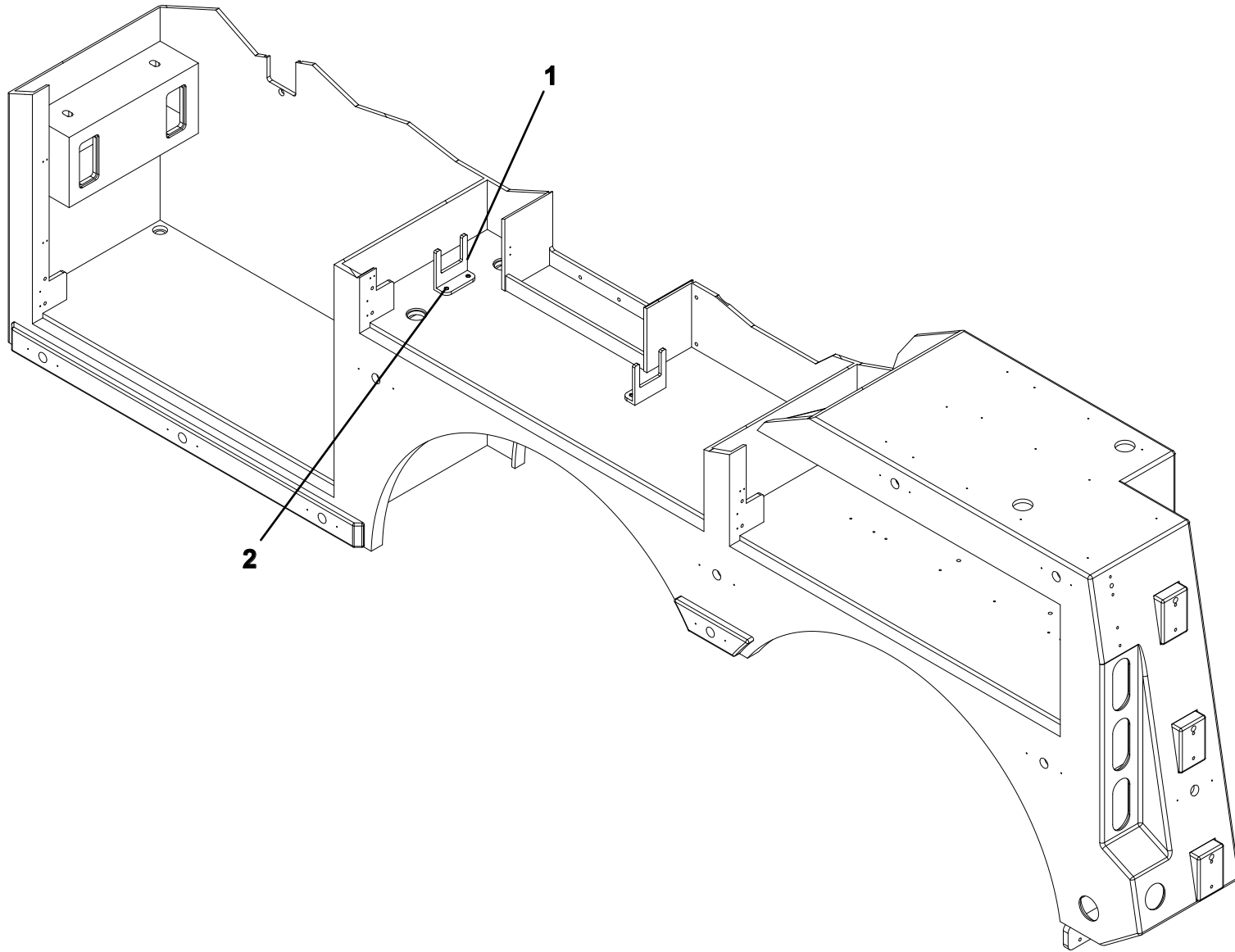
STAY DRY SILO INSTALLATION



TOW LIGHT STORAGE

ITEM	PART NO.	DESCRIPTION	QTY
1	1001170618	Bracket	2
2	1001195523	Screw, 0.25" x 1.00"	4

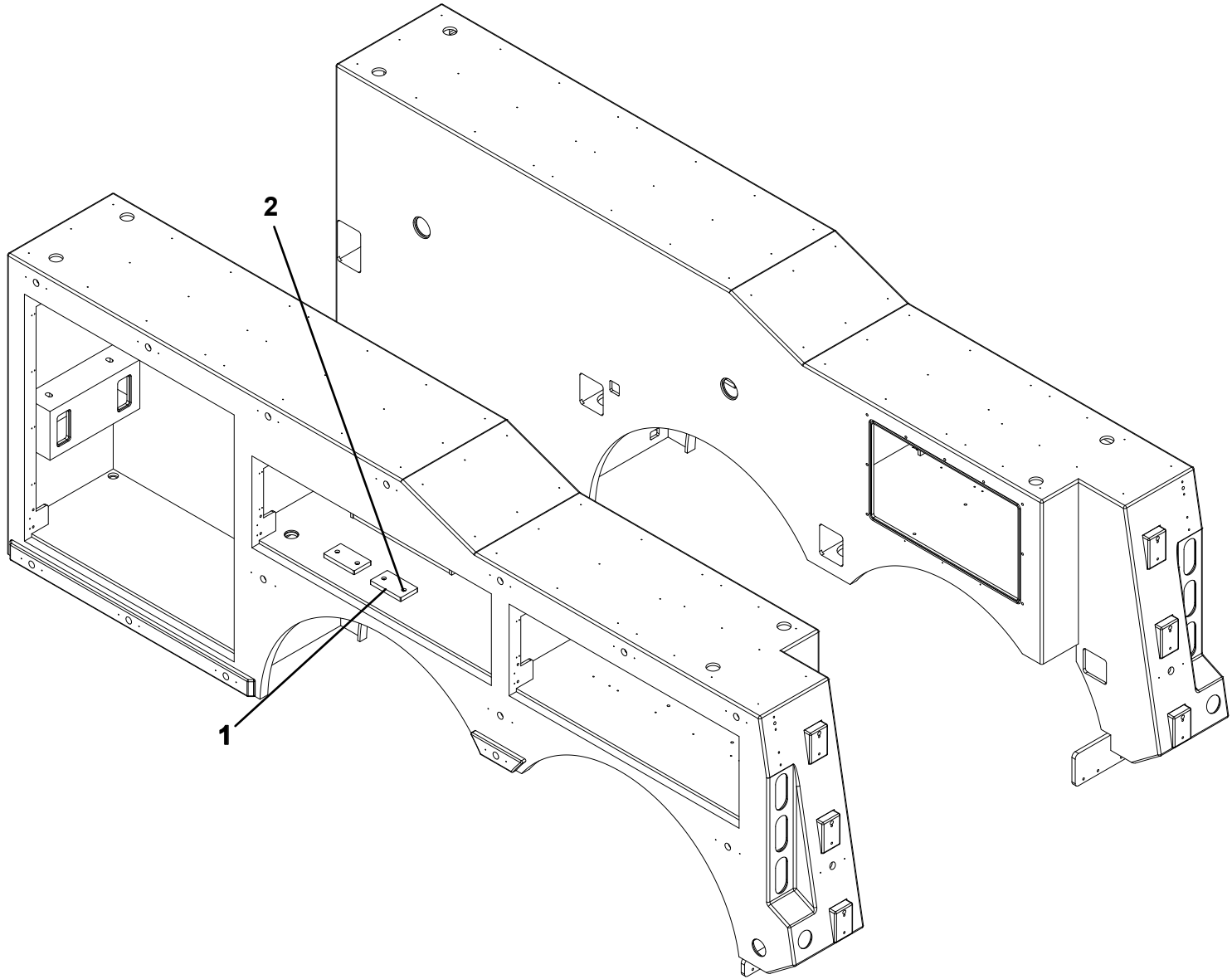
TOW LIGHT STORAGE



WHEEL CHOCK STORAGE

ITEM	PART NO.	DESCRIPTION	QTY
1	1001170707	Wheel Chock Stop	4
2	1001195523	Screw, 0.25" x 1.00"	8

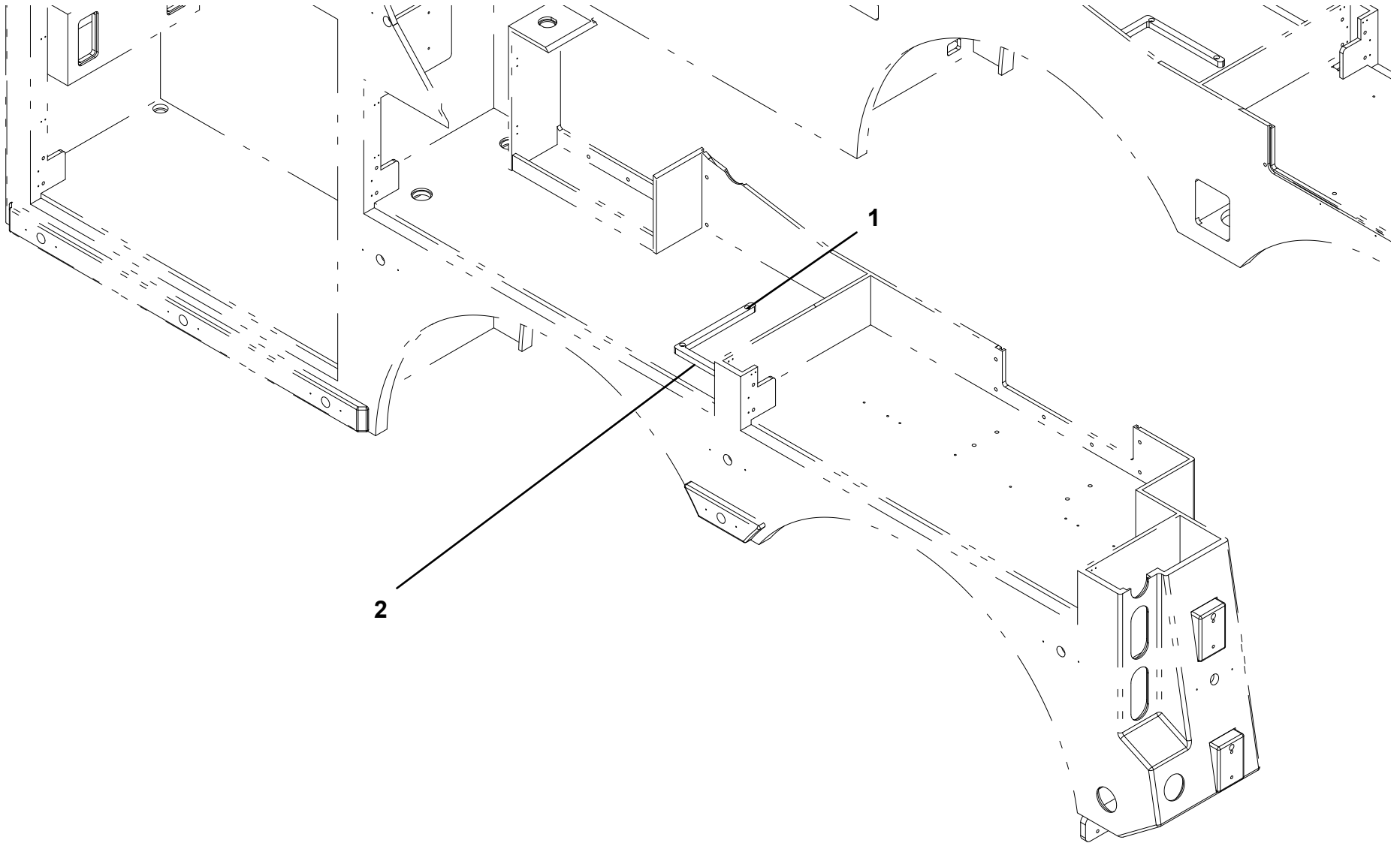
WHEEL CHOCK STORAGE



FLARE STORAGE

ITEM	PART NO.	DESCRIPTION	QTY
1	1001195523	Screw, 0.25" x 1.00"	8
2	1001201695	Bracket	2

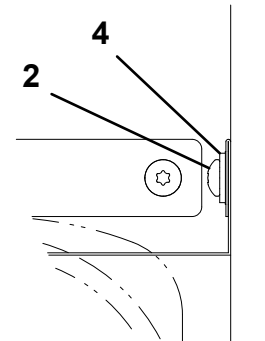
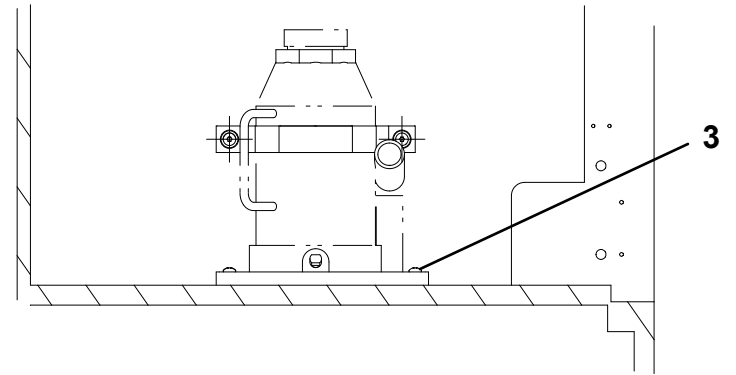
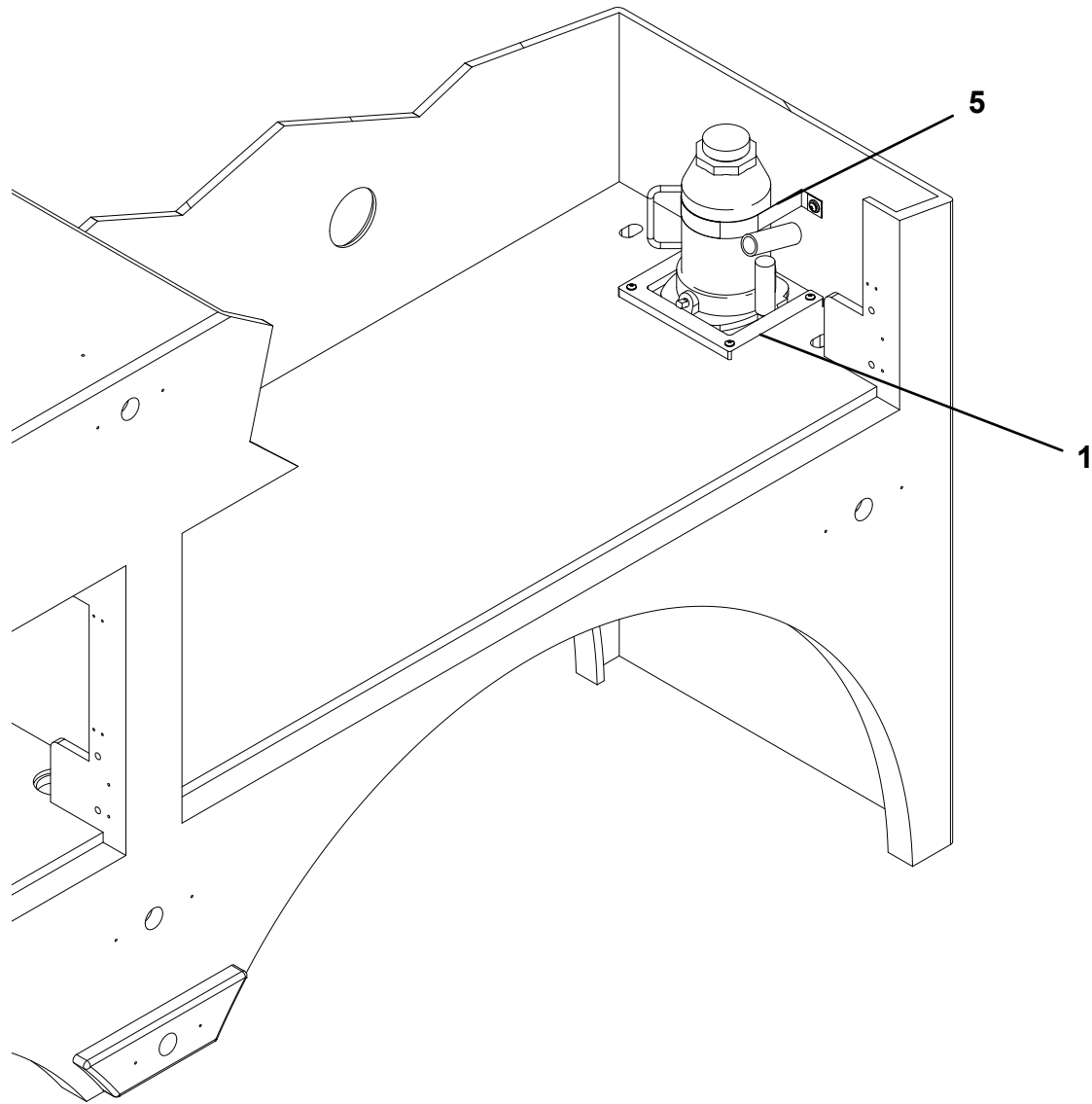
FLARE STORAGE



BOTTLE JACK STORAGE

ITEM	PART NO.	DESCRIPTION	QTY
1	1001170839	Bracket	1
2	1001195257	Screw, 0.25" x 0.50"	2
3	1001195523	Screw, 0.25" x 1.00"	4
4	7950140143	Flatwasher, 0.25" ID	2
5	1001167268	Strap	2

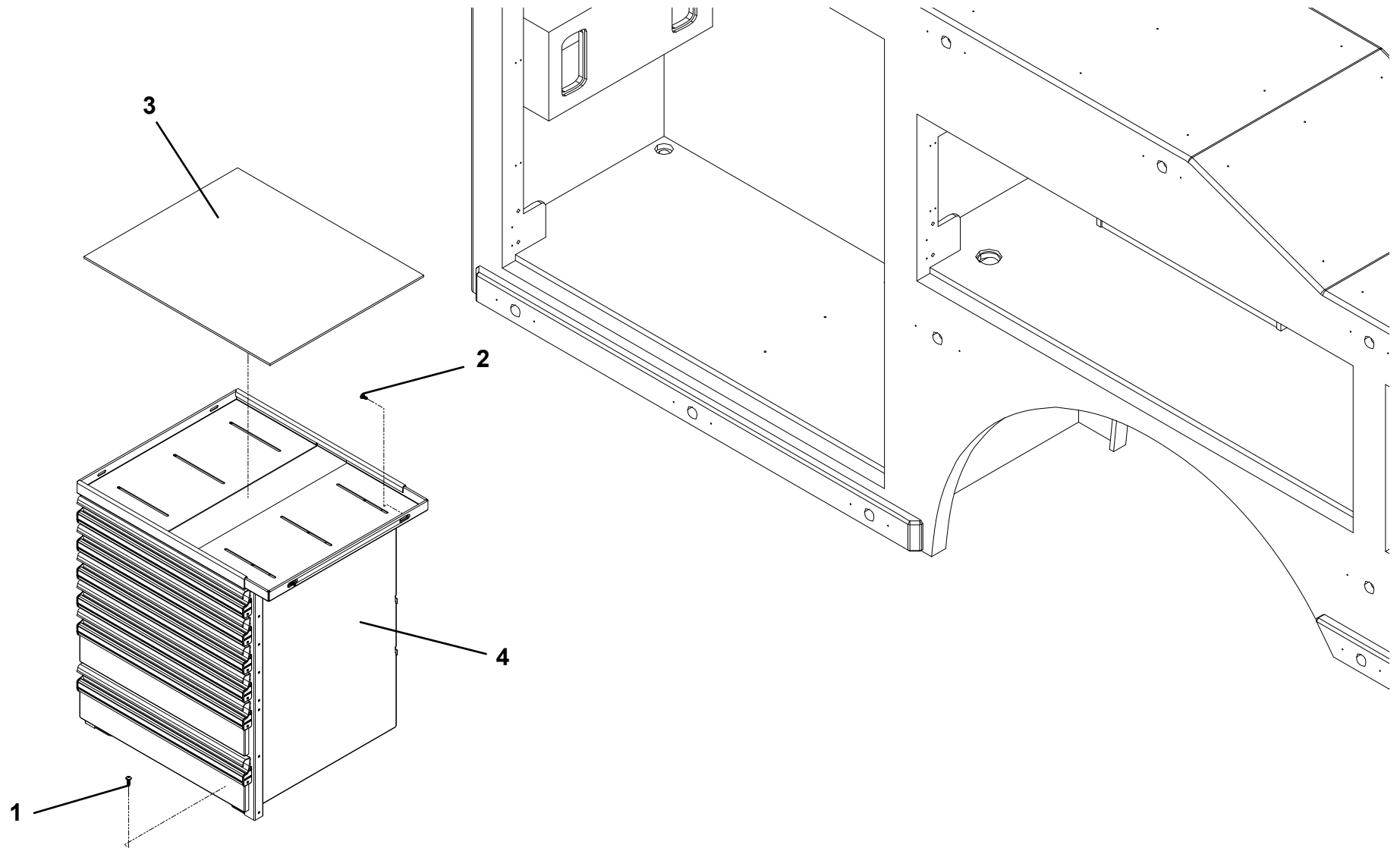
BOTTLE JACK STORAGE



TOOL DRAWER INSTALLATION - TANDEM

ITEM	PART NO.	DESCRIPTION	QTY
1	1001194676	Screw, 0.25" x 0.75"	6
2	1001195257	Screw, 0.25" x 0.50"	8
3	1001195279	Pad	1
4	1001190410	ToolBox	1

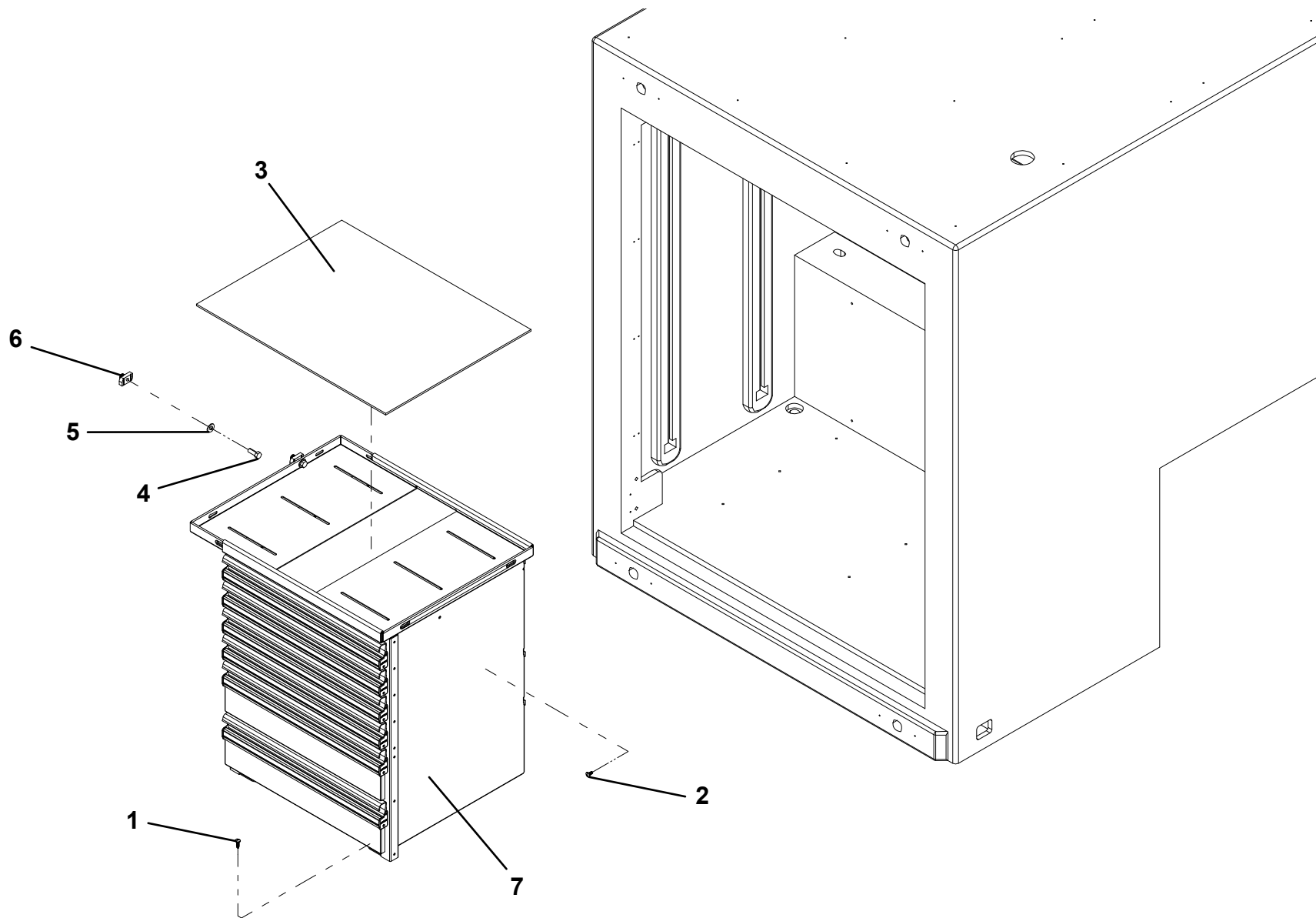
TOOL DRAWER INSTALLATION - TANDEM



TOOL DRAWER INSTALLATION - TRI-AXLE

ITEM	PART NO.	DESCRIPTION	QTY
1	1001194676	Screw, 0.25" x 0.75"	6
2	1001195257	Screw, 0.25" x 0.50"	4
3	1001195341	Pad	1
4	7114140818	Capscrew, 0.25" - 20NC x 1.00"	2
5	7950160143	Flatwasher, 0.38" ID	2
6	1001183037	Nut, 0.25" - 20NC	2
7	1001190410	ToolBox	1

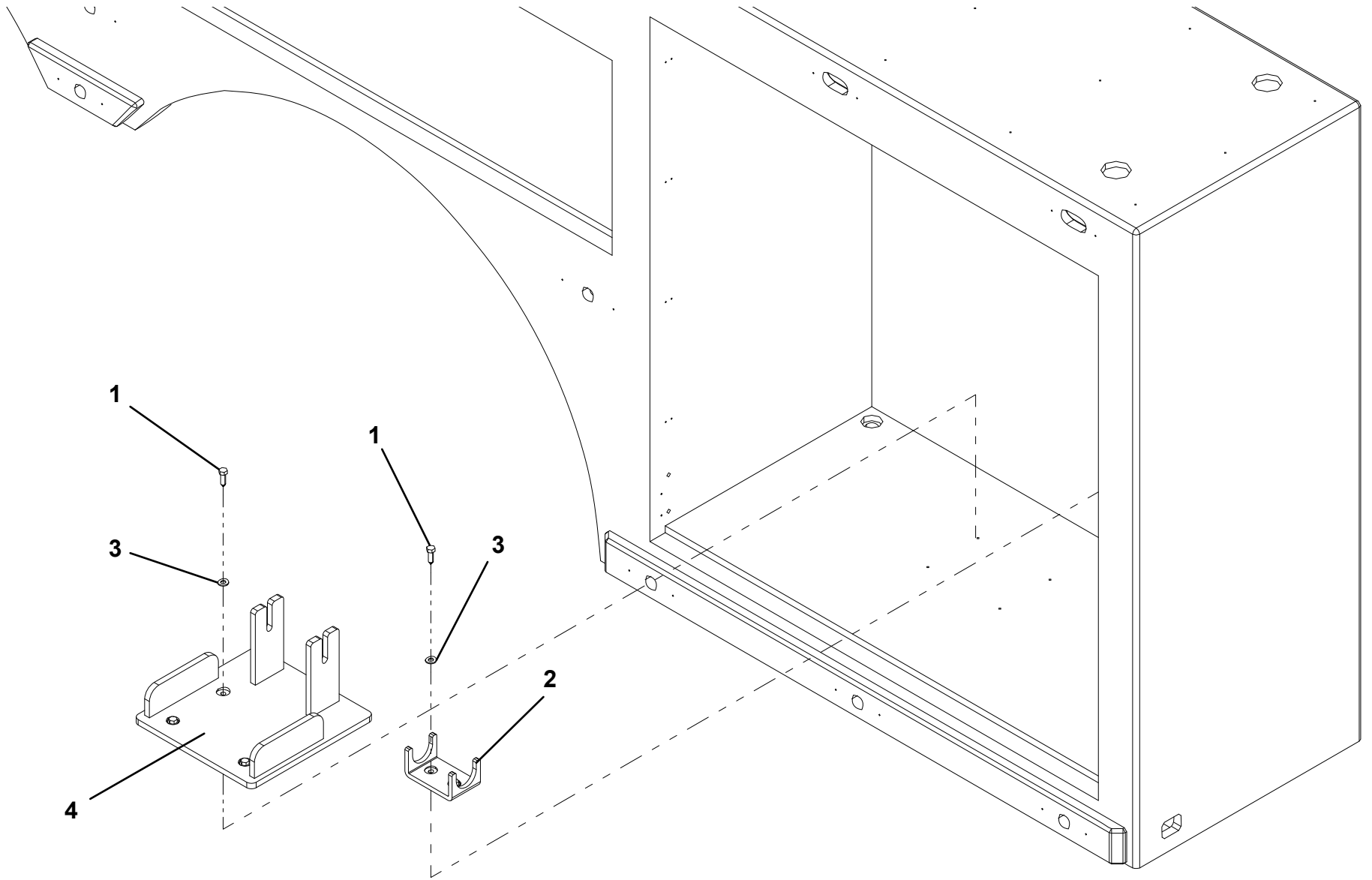
TOOL DRAWER INSTALLATION - TRI-AXLE



FIFTH WHEEL STORAGE INSTALLATION

ITEM	PART NO.	DESCRIPTION	QTY
1	1001168545	Screw, 0.38" x 1.25"	6
2	1001190568	Bracket	1
3	7950160143	Flatwasher, 0.38" ID	6
4	1001191810	Bracket	1

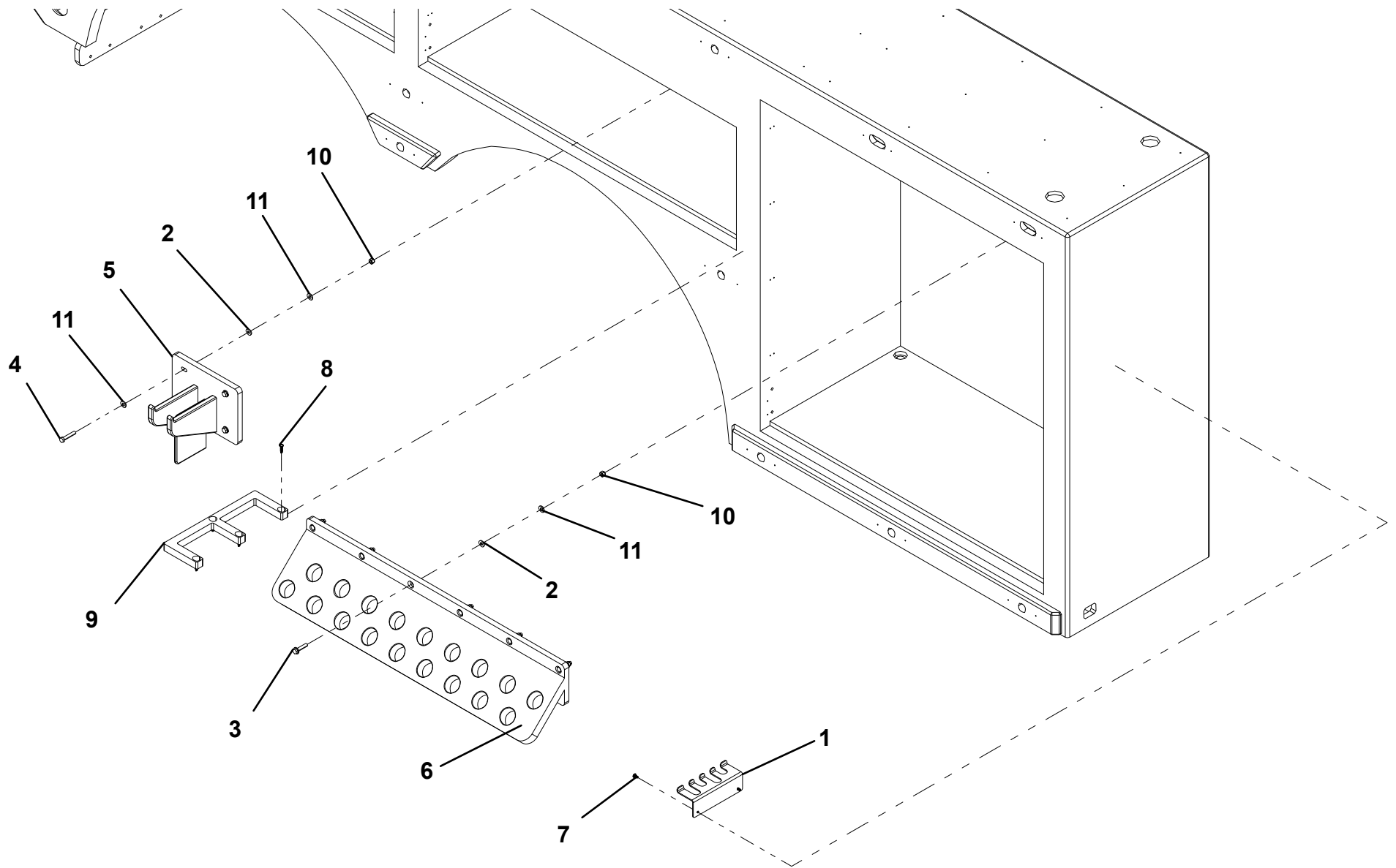
FIFTH WHEEL STORAGE INSTALLATION



FRAME FORK STORAGE INSTALLATION

ITEM	PART NO.	DESCRIPTION	QTY
1	1001160799	Bracket	1
2	1001166974	Washer, 0.38" ID Rubber	10
3	1001168544	Screw, 0.38"-16 X 1.75"	6
4	1001169083	Screw, 0.38"-16 X 2.00"	4
5	1001190926	Bracket	1
6	1001190988	Bracket	1
7	1001195257	Screw, 0.25" X 0.50"	2
8	1001195523	Screw, 0.25" X 1.00"	4
9	1001195838	Bracket	1
10	7660162601	Locknut, 0.38"-16NC	10
11	7950160143	Flatwasher, 0.38" ID	20

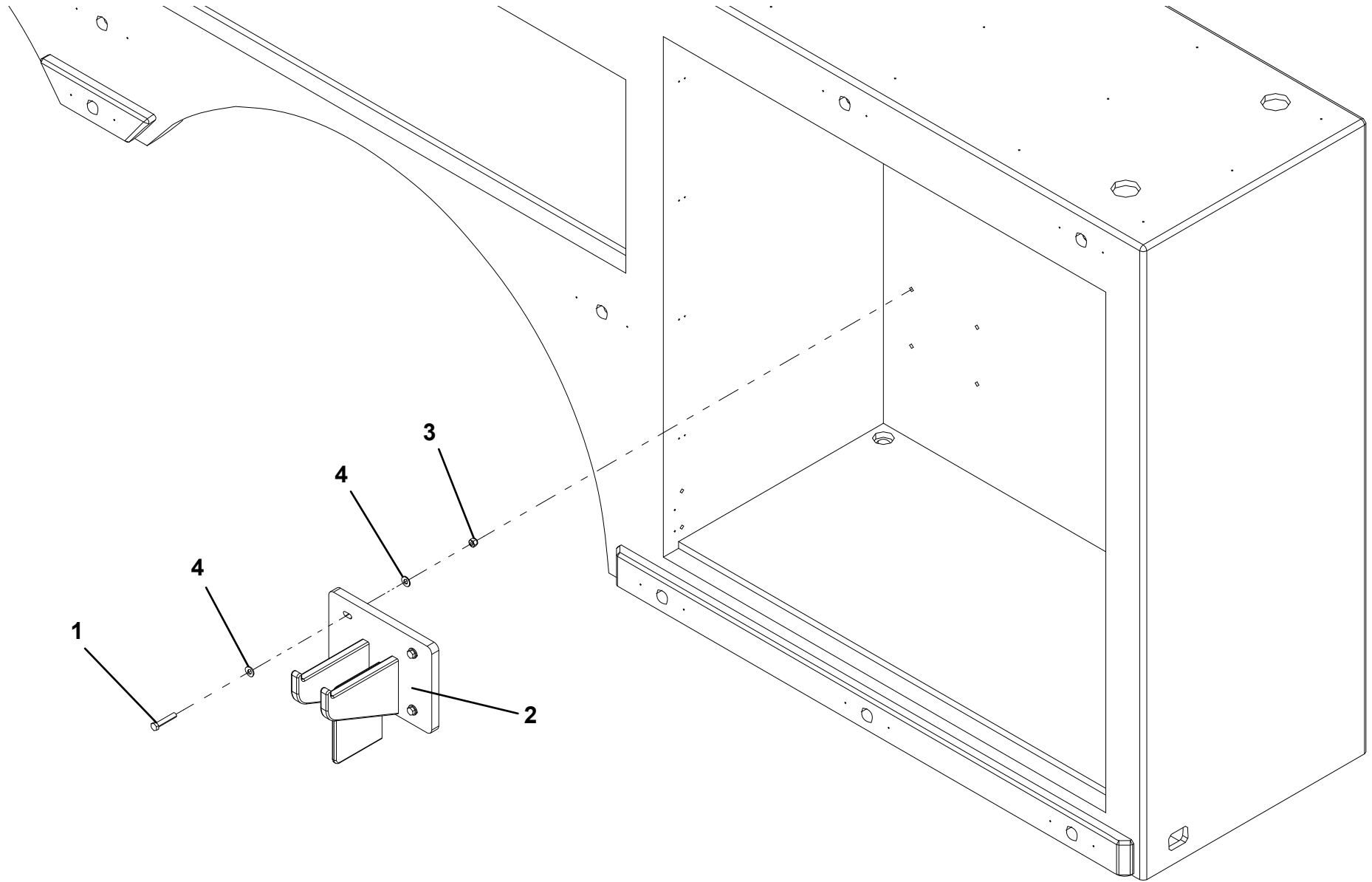
FRAME FORK STORAGE INSTALLATION



FORK RISER STORAGE INSTALLATION

ITEM	PART NO.	DESCRIPTION	QTY
1	1001169083	Screw, 0.38"-16 x 2.00"	4
2	1001190926	Bracket	1
3	7660162601	Locknut, 0.25"-20	4
4	7950160143	Flatwasher, 0.38" ID	8

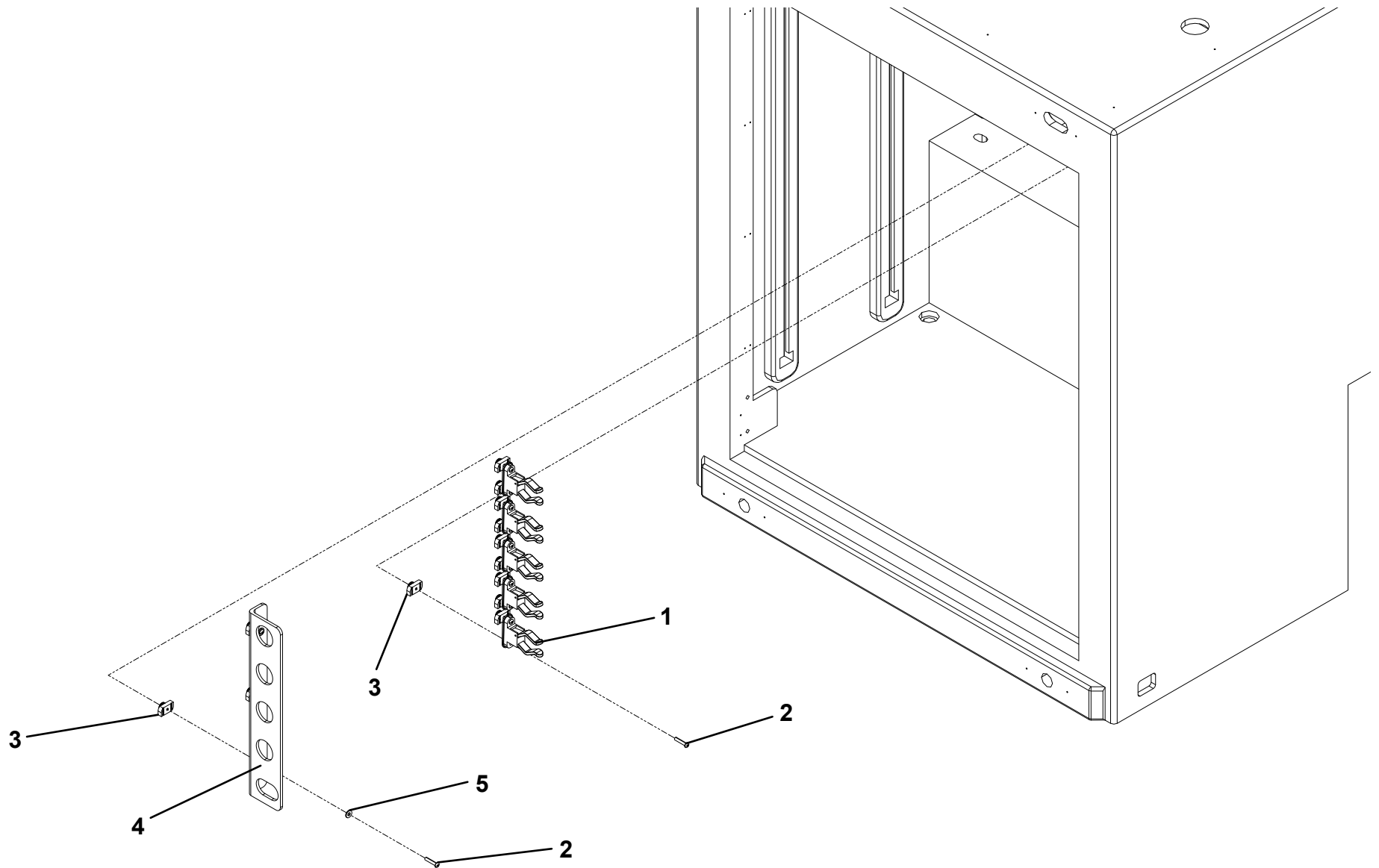
FORK RISER STORAGE INSTALLATION



GRIZZLY BAR STORAGE - TANDEM

ITEM	PART NO.	DESCRIPTION	QTY
1	1001175059	Clamp	5
2	7114141018	Screw, 0.25" - 20NC x 1.25"	13
3	1001183037	Nut, 0.25" - 20NC	13
4	1001183038	Bracket	1
5	7950140143	Flatwasher, 0.25" ID	3

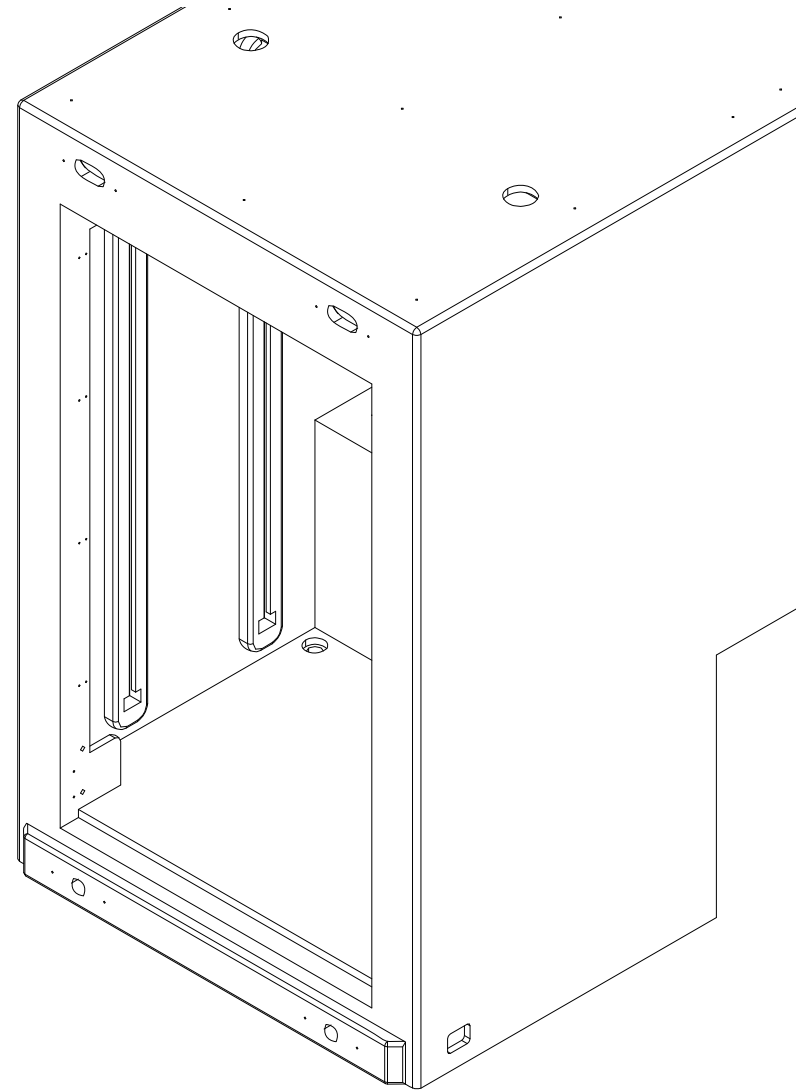
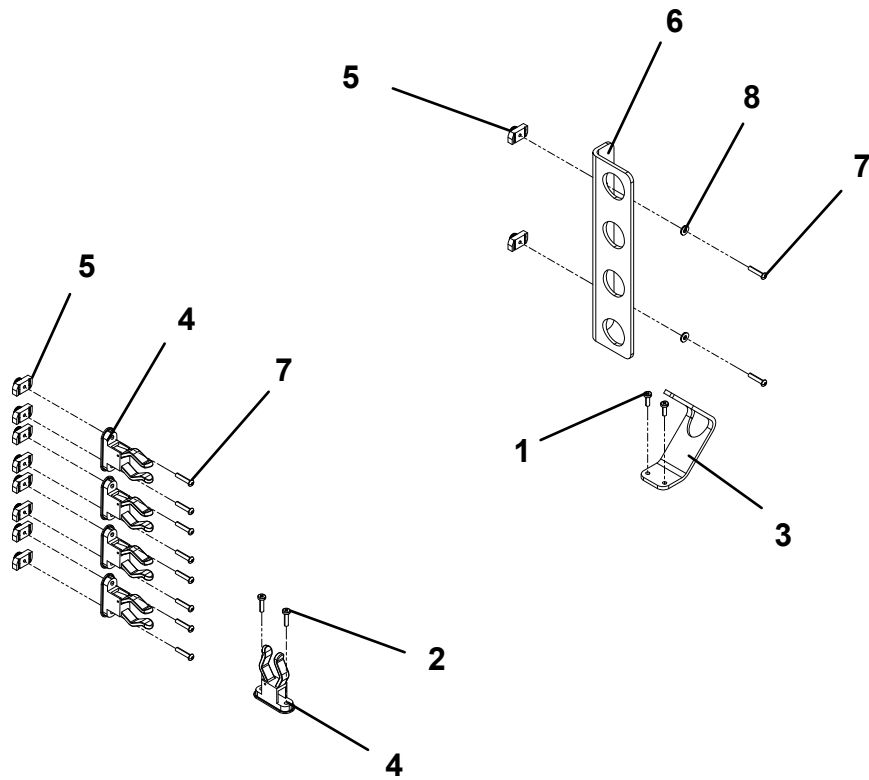
GRIZZLY BAR STORAGE - TANDEM



GRIZZLY BAR STORAGE - TRI-AXLE

ITEM	PART NO.	DESCRIPTION	QTY
1	0751406	Screw	2
2	0751408	Screw	2
3	1001174992	Bracket	1
4	1001175059	Clamp	5
5	1001183037	Spring Nut, 0.25" - 20NC	10
6	1001212194	Angle Bracket	1
7	7114141018	Screw, 0.25" - 20NC x 1.25"	10
8	7950140143	Flatwasher, 0.25" ID	2

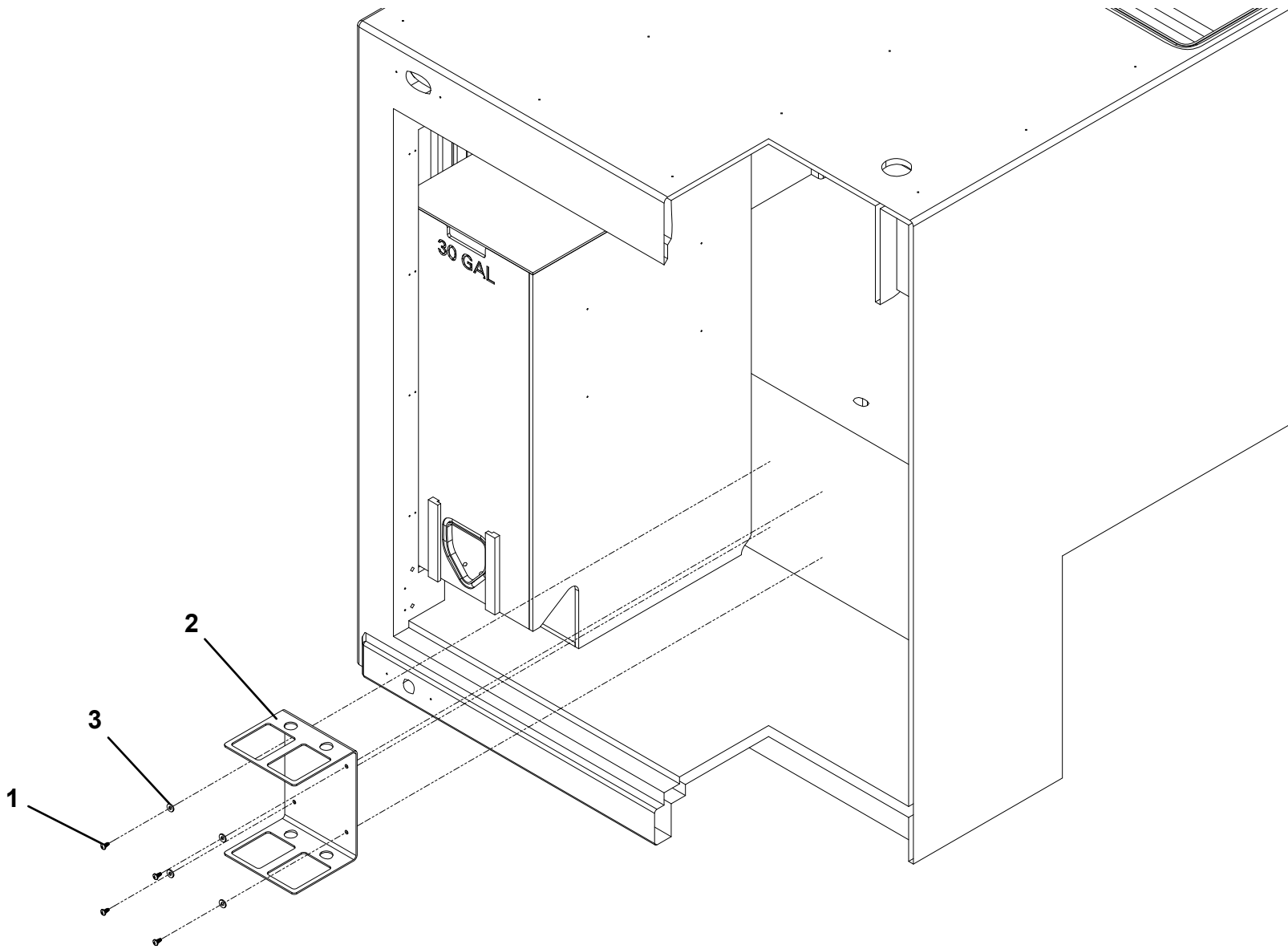
GRIZZLY BAR STORAGE - TRI-AXLE



BROOM STORAGE

ITEM	PART NO.	DESCRIPTION	QTY
1	1001195257	Screw, 0.25" x 0.50"	4
2	1001207300	Bracket	1
3	7950140143	Flatwasher, 0.25" ID	4

BROOM STORAGE

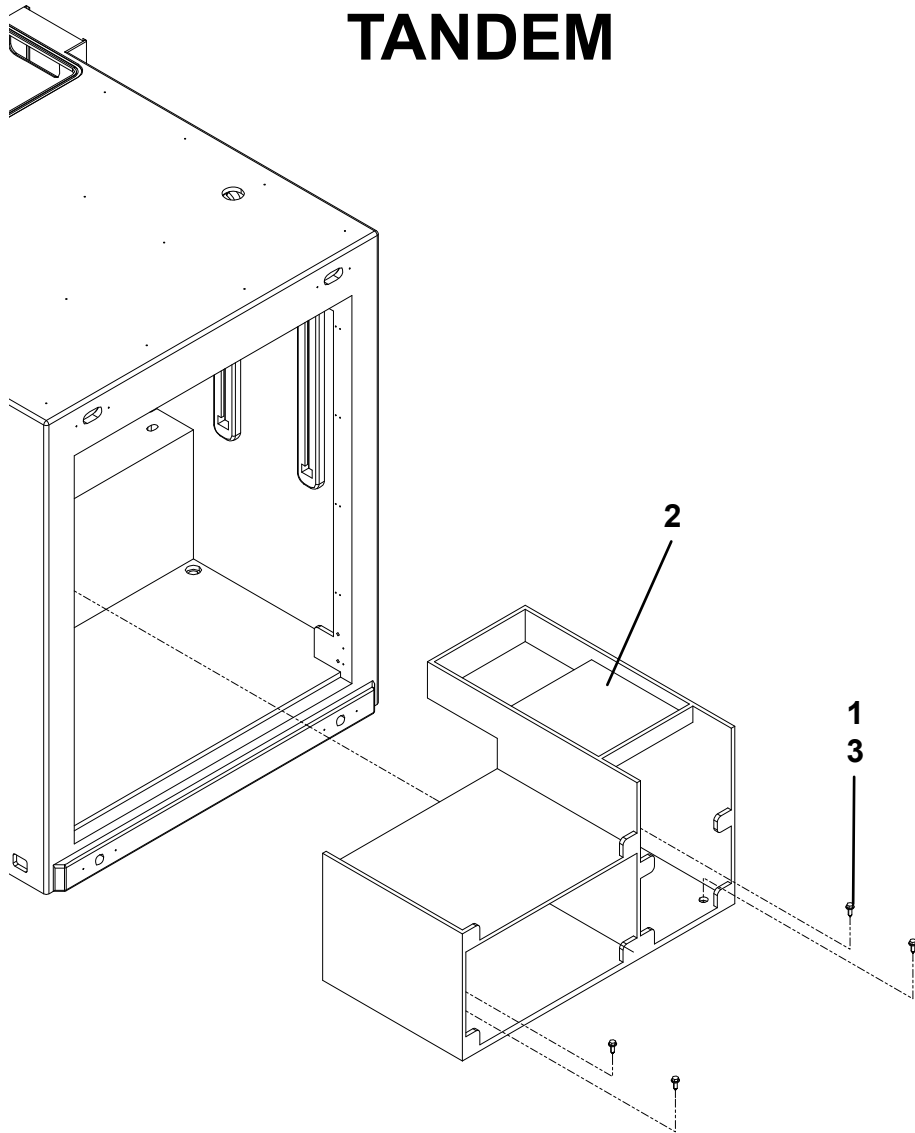


STRAP STORAGE

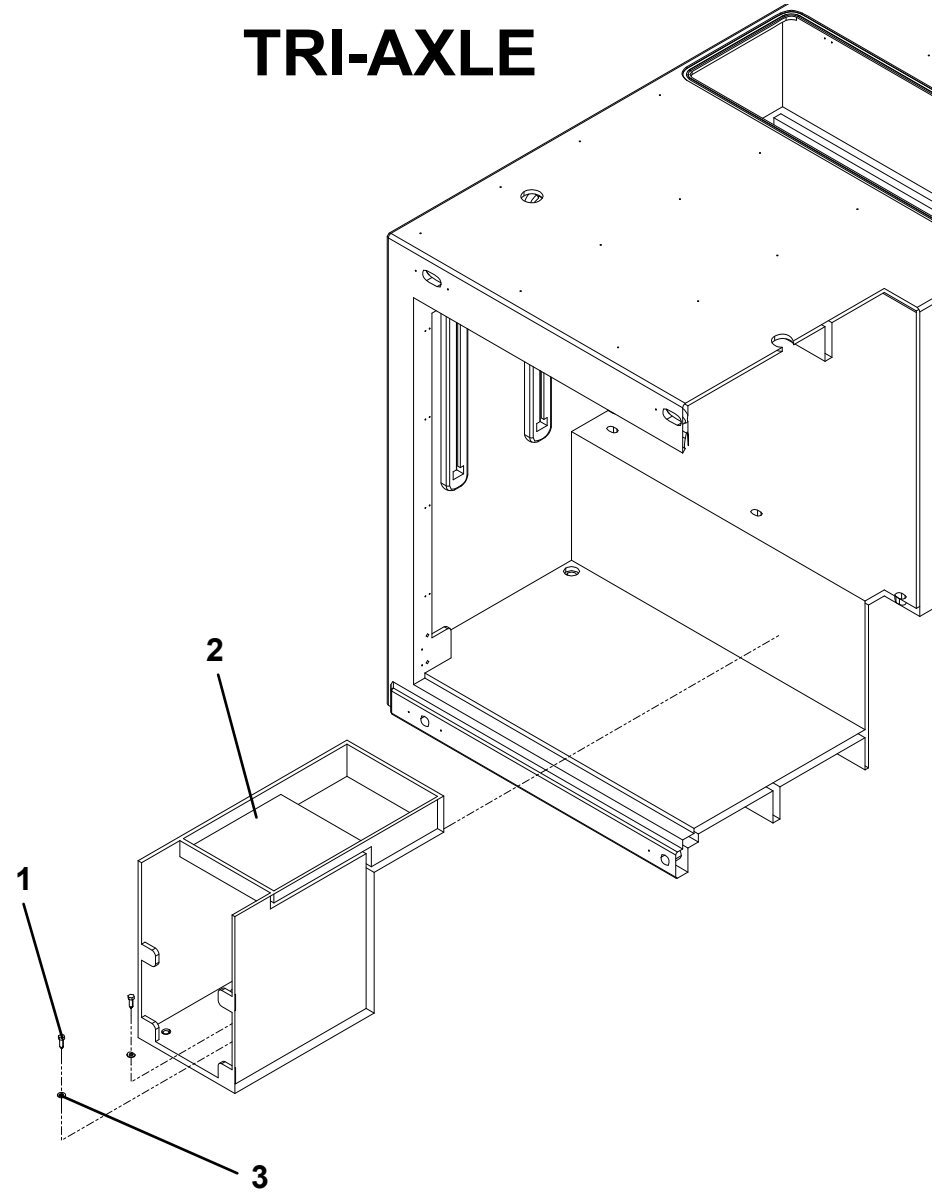
ITEM	PART NO.	DESCRIPTION	QTY
1	1001168545	Screw, 0.38" x 1.25"	4
2	1001208651	Organizer - Tandem	1
	1001208650	Organizer - Tri-Axle	1
3	7950160143	Flatwasher, 0.38" ID	4

STRAP STORAGE

TANDEM



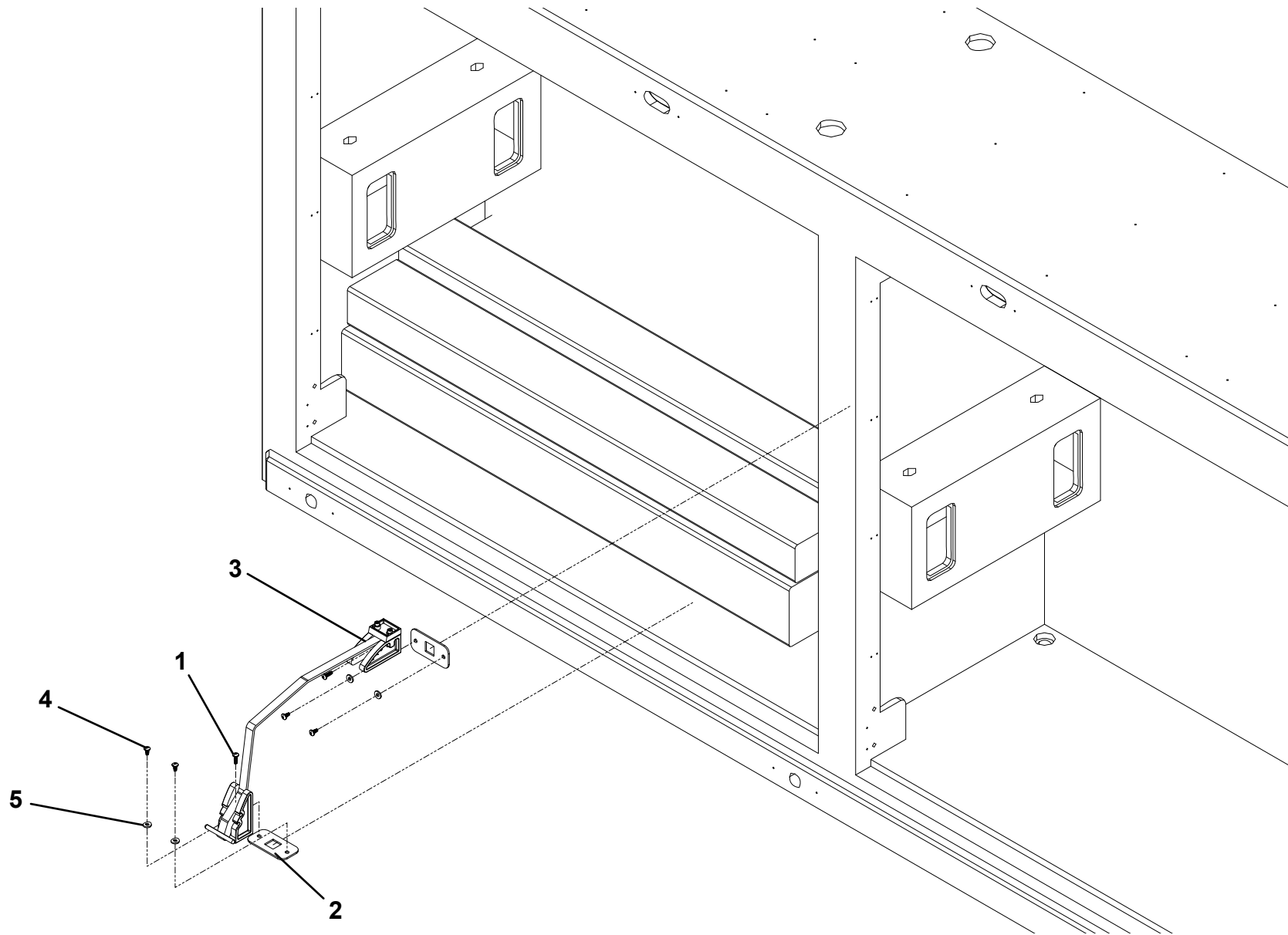
TRI-AXLE



CRIBBING STORAGE

ITEM	PART NO.	DESCRIPTION	QTY
1	1001194676	Screw, 0.25" x 0.75"	2
2	1001207509	Plate	2
3	1001207539	Adjustment Mount	1
4	1001195257	Screw, 0.25" x 0.50"	4
5	7950140143	Flatwasher, 0.25" ID	4

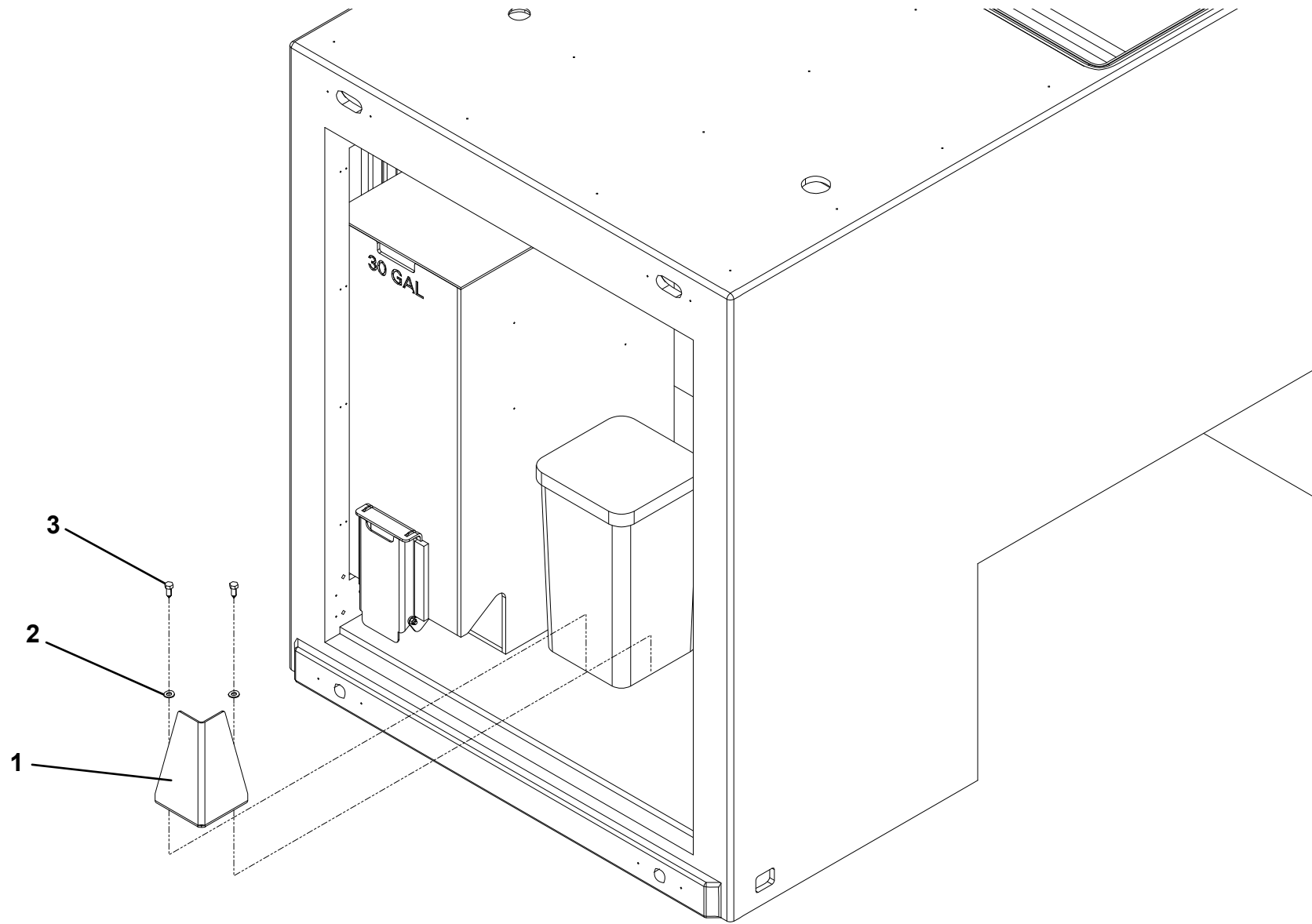
CRIBBING STORAGE



SPILL KIT

ITEM	PART NO.	DESCRIPTION	QTY
1	1001183152	Bracket	1
2	7950160143	Flatwasher, 0.38" ID	2
3	1001168428	Screw, 0.38" x 1.00"	2

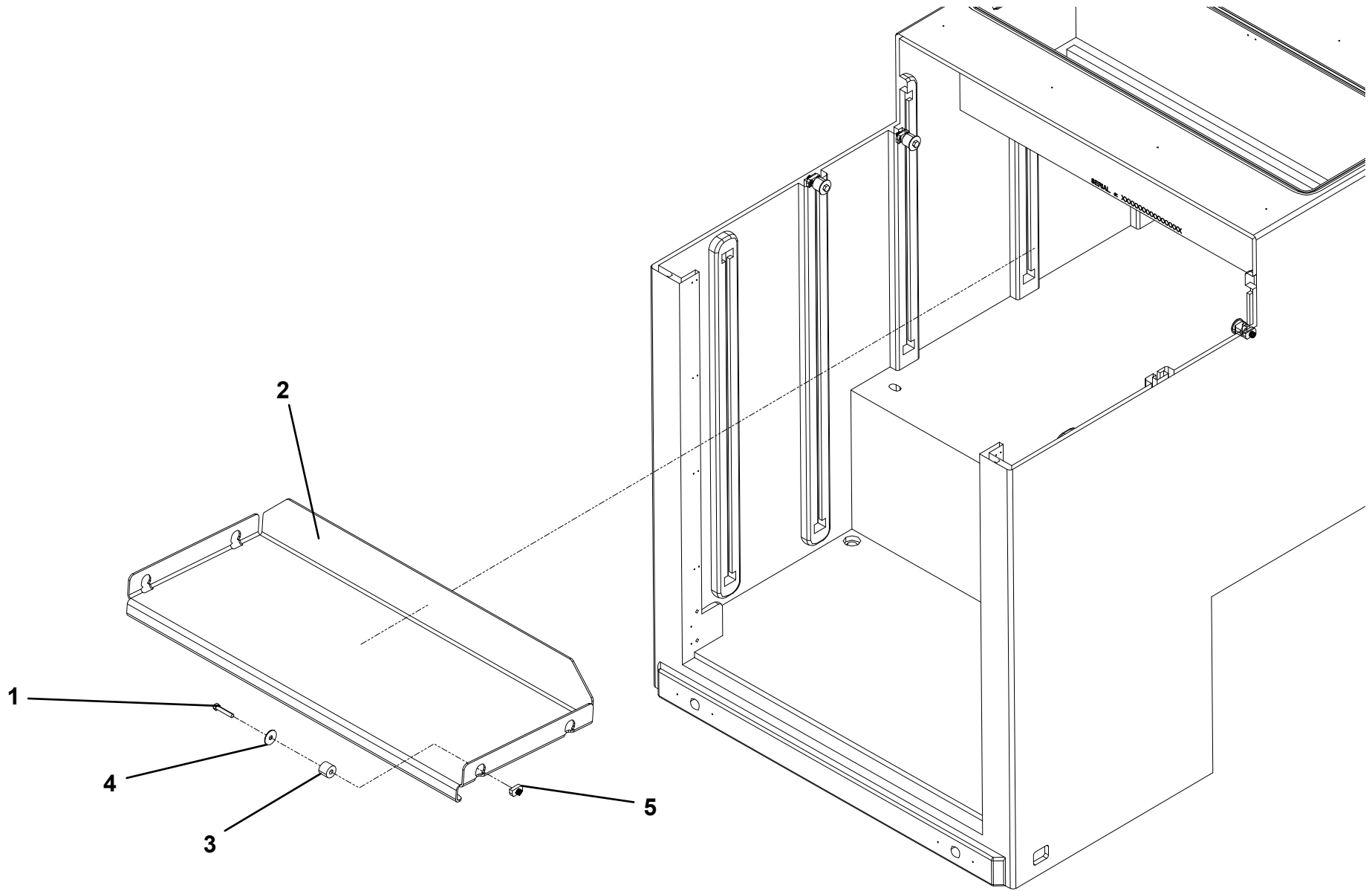
SPILL KIT



STORAGE SHELF INSTALLATION

ITEM	PART NO.	DESCRIPTION	QTY
1	1001169083	Screw, 0.38" - 16NC x 2.00"	4
2	1001214265	Shelf 48"	1
	1001214301	Shelf 36"	2
3	1001214266	Mount	4
4	1001214267	Washer, 0.38" ID	4
5	1001166644	Nut, 0.38" - 16NC	4

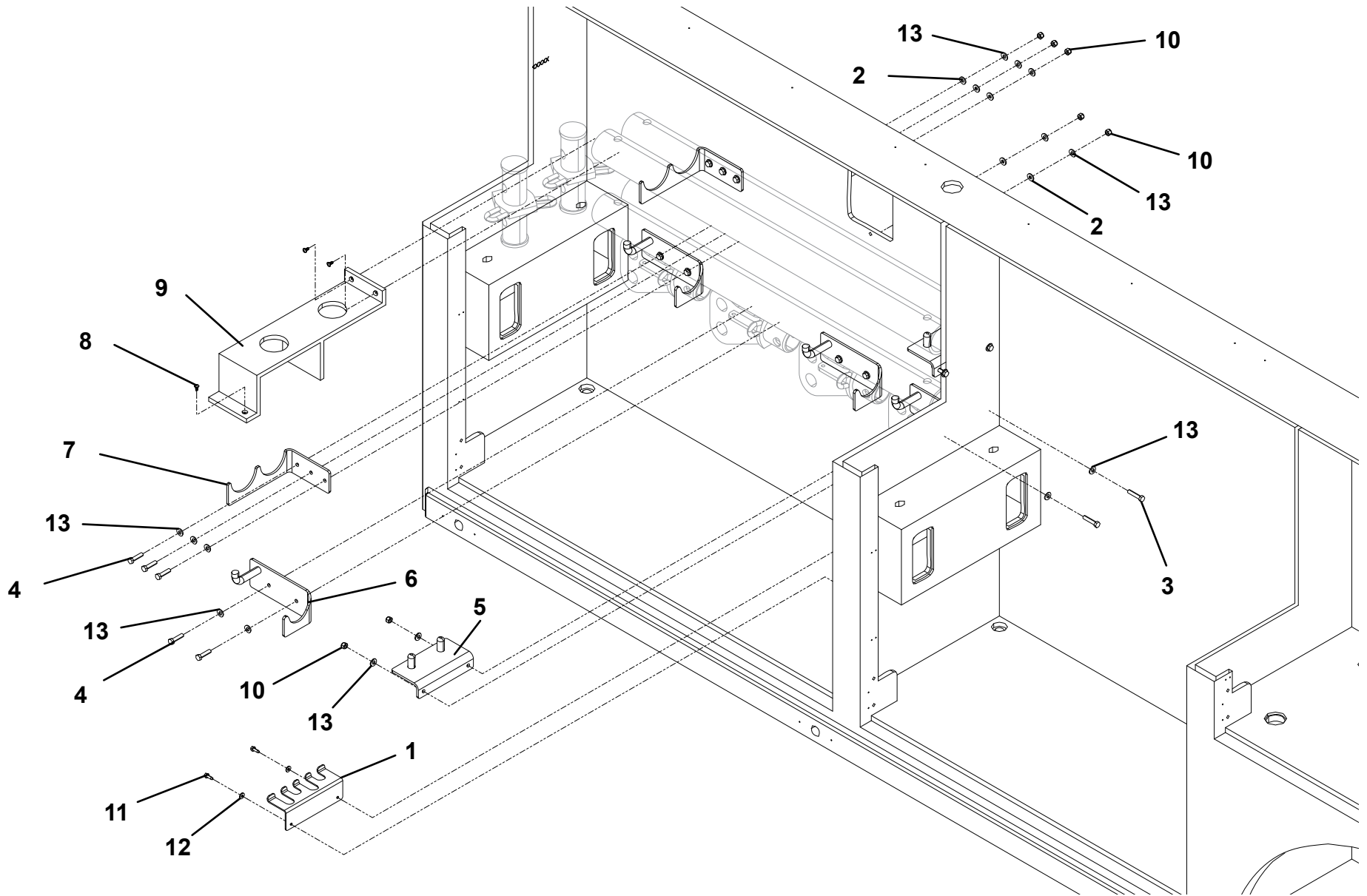
STORAGE SHELF INSTALLATION



SPREADER BAR STORAGE

ITEM	PART NO.	DESCRIPTION	QTY
Single Spreader Bar			
1	1001160799	Bracket	1
2	1001166974	Washer, 0.38" ID	7
3	1001168544	Capscrew, 0.38" - 16NC x 1.75"	2
4	1001168993	Capscrew, 0.38" - 16NC x 1.50"	7
5	1001174138	Support	1
6	1001174140	Support	2
7	1001191613	Bracket	1
8	1001195257	Screw, 0.25" x 0.50"	4
9	1001211394	Support	1
10	7660162601	Locknut, 0.38" - 16NC	9
11	7790141251	Screw, 0.25" x 0.75"	2
12	7950140143	Flatwasher, 0.25" ID	2
13	7950160143	Flatwasher, 0.38" ID	18
Double Spreader Bar			
1	1001160799	Bracket	2
2	1001166974	Washer, 0.38" ID	14
3	1001168544	Capscrew, 0.38" - 16NC x 1.75"	4
4	1001168993	Capscrew, 0.38" - 16NC x 1.50"	14
5	1001174138	Support	2
6	1001174140	Support	4
7	1001191613	Bracket	2
8	1001195257	Screw, 0.25" x 0.50"	3
9	1001211394	Support	1
10	7660162601	Locknut, 0.38" - 16NC	18
11	7790141251	Screw, 0.25" x 0.75"	4
12	7950140143	Flatwasher, 0.25" ID	4
13	7950160143	Flatwasher, 0.38" ID	36

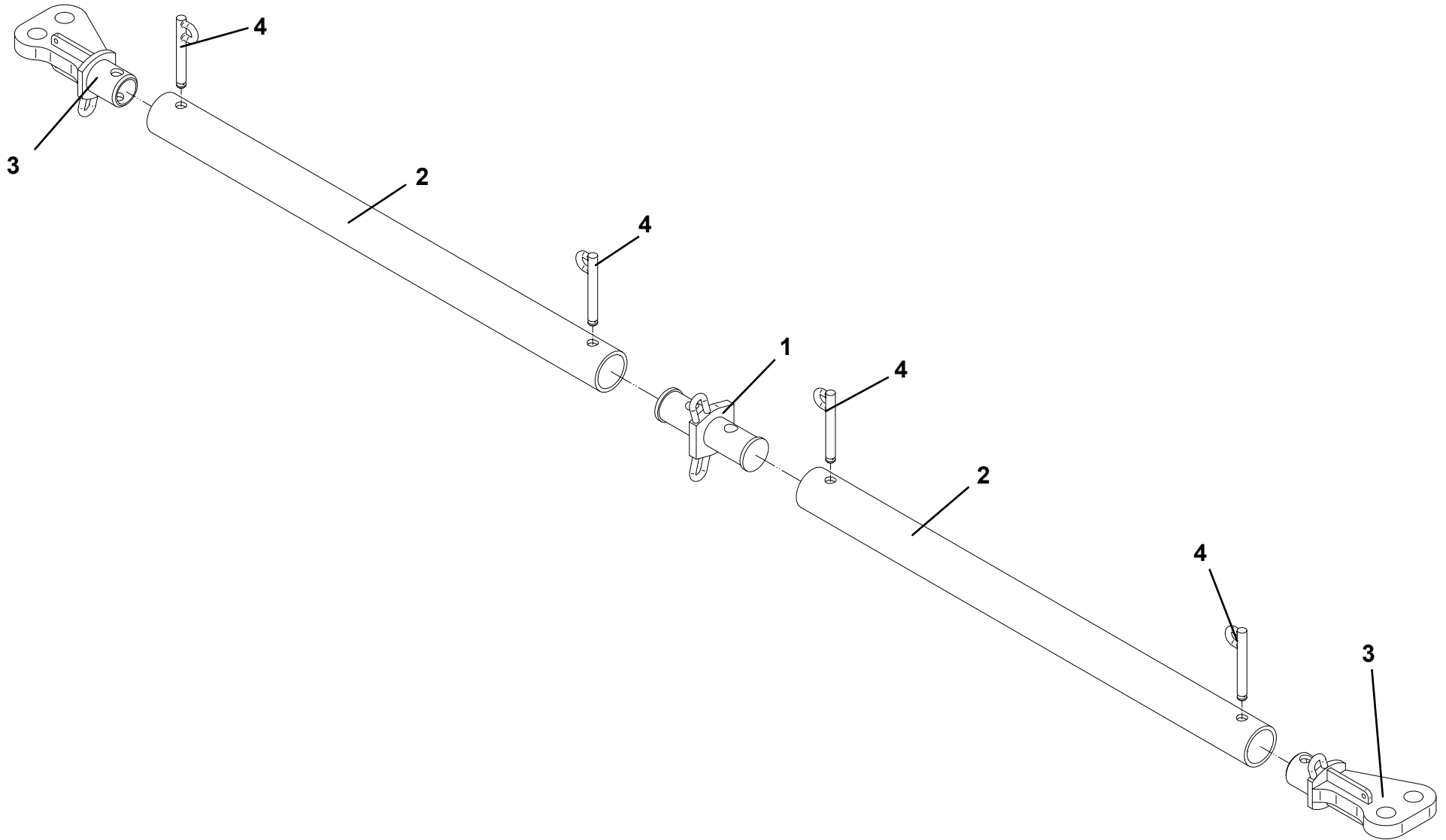
SPREADER BAR STORAGE



SPREADER BAR KIT - 1001175920

ITEM	PART NO.	DESCRIPTION	QTY
1	70050922	Center Bar	1
2	70050923	Spreader Bar Tube	2
3	70050924	Spreader Bar Ends	2
4	70050925	Pin	4

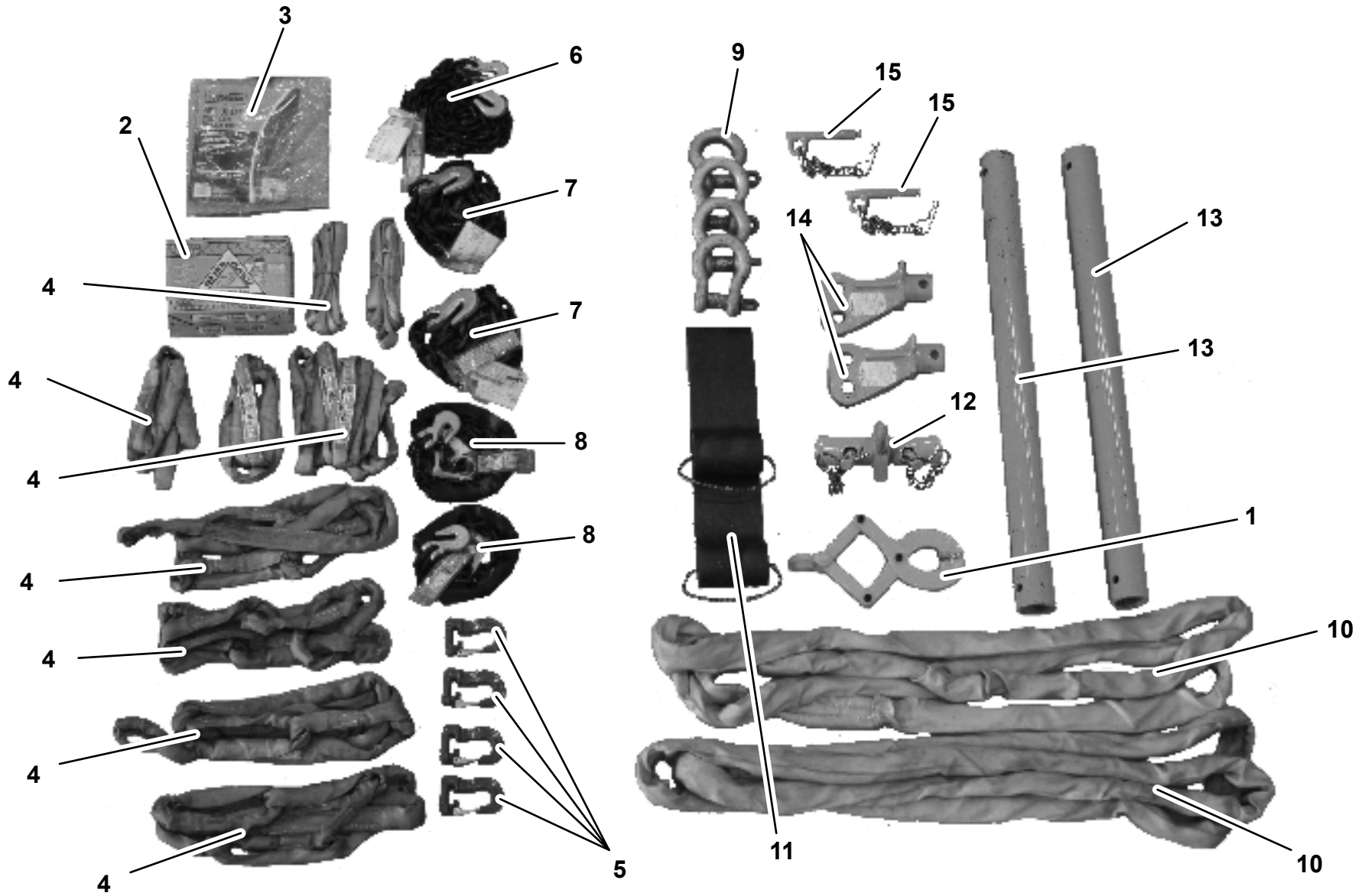
SPREADER BAR KIT - 1001175920



SPREADER BAR ACCESSORIES - 1001174493

ITEM	PART NO.	DESCRIPTION	QTY
1	70050831	Pallet Lifting Jaw	1
2	70050832	42 Gallon Demo Bag	2
3	70050833	Poly Tarp	2
4	70050834	Green Eye and Eye Round Sling, 96"	4
5	70050835	Green Round Sling Hook	4
6	70050836	Recovery Chain, 0.38" x 10' - 8,800 LB	1
7	70050837	Recovery Chain Hook One End 0.5" x 6'	2
8	70050838	Recover Chain Hook	2
9	70050839	Shackle	4
10	70050840	Blue Round Sling 10'	2
11	70050841	Skate	2
12	70050922	Center Bar	1
13	70050923	Spreader Bar Tube	2
14	70050924	Spreader Bar Ends	2
15	70050925	Pin	4

SPREADER BAR ACCESSORIES - 1001174493



RUGGED ACCESSORY PACKAGE - 1001174490

ITEM	PART NO.	DESCRIPTION	QTY
1	70050842	Snatch Block, 0.875" x 8.00"	2
2	70050843	Recovery Chain, 0.38" x 10'	1
3	70050844	Recovery Chain, 0.50" x 2'	2
4	70050845	Recovery Sling, 0.50"	2
5	70050846	Recover Chain Locking Clevis, 0.50" x 10'	4
6	70050847	Copper Ground Stake	2
7	70050848	Brass Mallet	1
8	70050849	Ground Wire	3

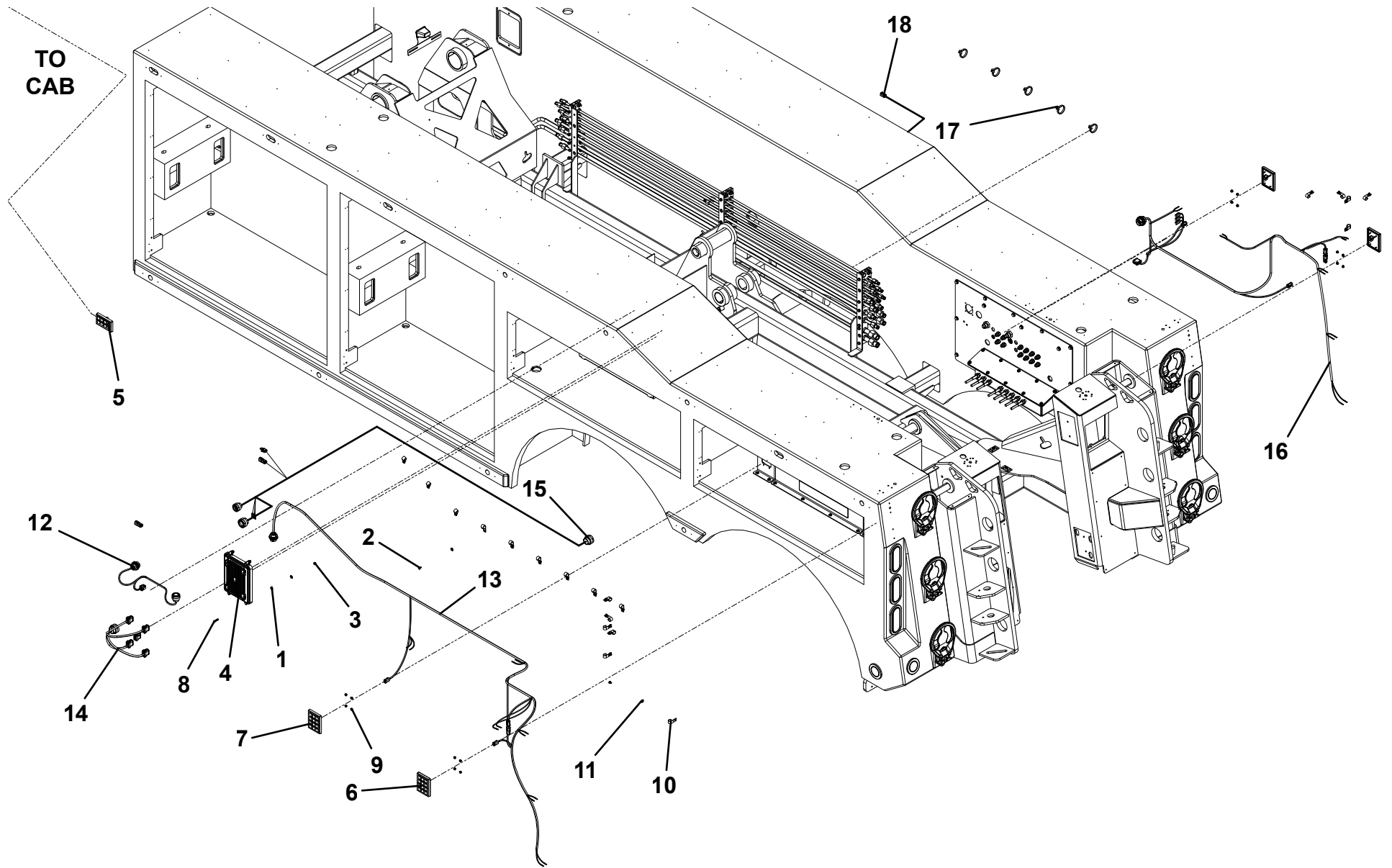
RUGGED ACCESSORY PACKAGE - 1001174490



SWITCH PANEL INSTALLATION

ITEM	PART NO.	DESCRIPTION	QTY
1	1001166978	Washer, 0.25" ID	4
2	1001195257	Screw, 0.25" x 0.50"	20
3	7660142601	Locknut, 0.25" - 20NC	4
4	1001211000	Multiplex	1
5	1001211001	Key Pad in Cab	1
6	1001211002	Key Pad in Body	2
7	1001211003	Key Pad, Winch	2
8	1001209590	Screw, 0.25" X 1.00"	4
9	1001209616	Nut,	16
10	7280000006	Clip	20
11	7950140143	Flatwasher, 0.25" ID	24
12	1001208950	Harness, Left Multiplex Jumper	1
13	1001208951	Harness, Left Multiplex Body	1
14	1001208952	Harness, Multiplex to PDP	1
15	1001215098	Harness, Multiplex Crossover	1
16	1001215100	Harness, Right Multiplex Body	1
17	5526000553	Tie Strap	25
18	1001209034	Harness, Winch	1

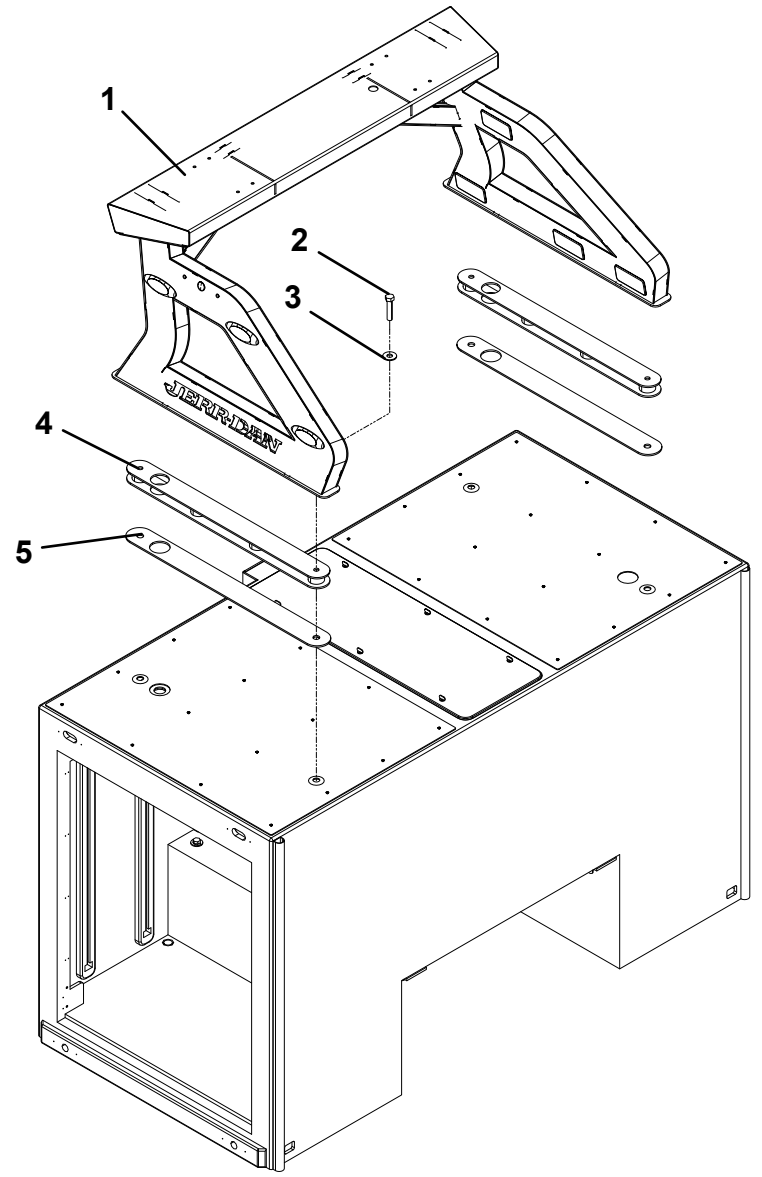
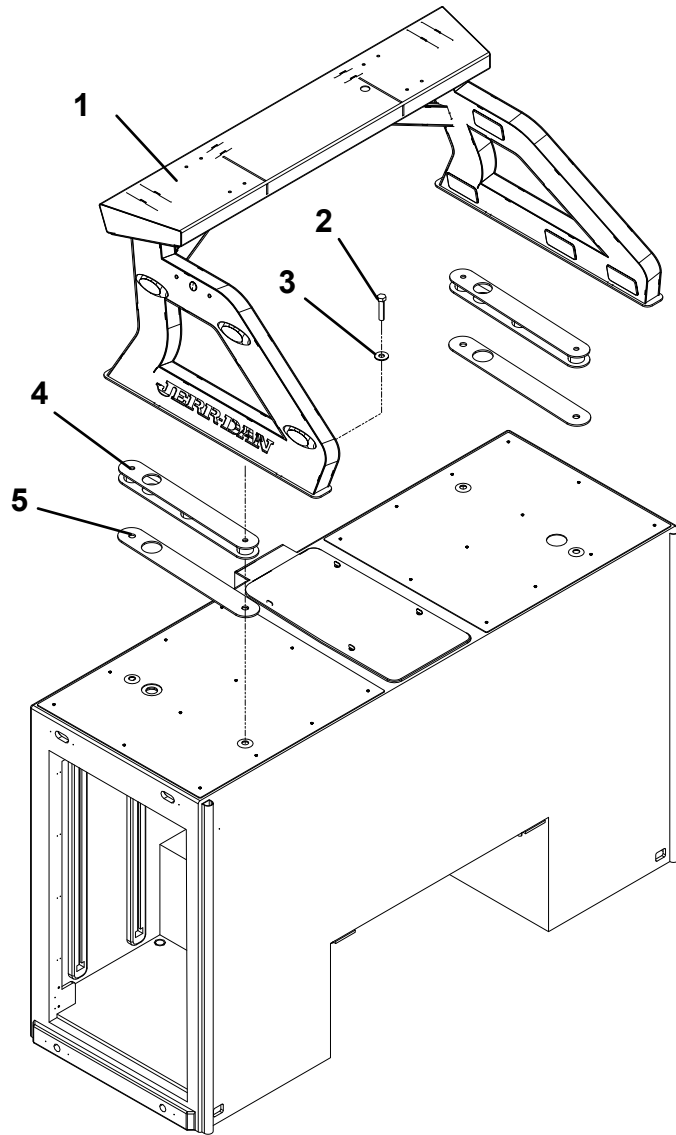
SWITCH PANEL INSTALLATION

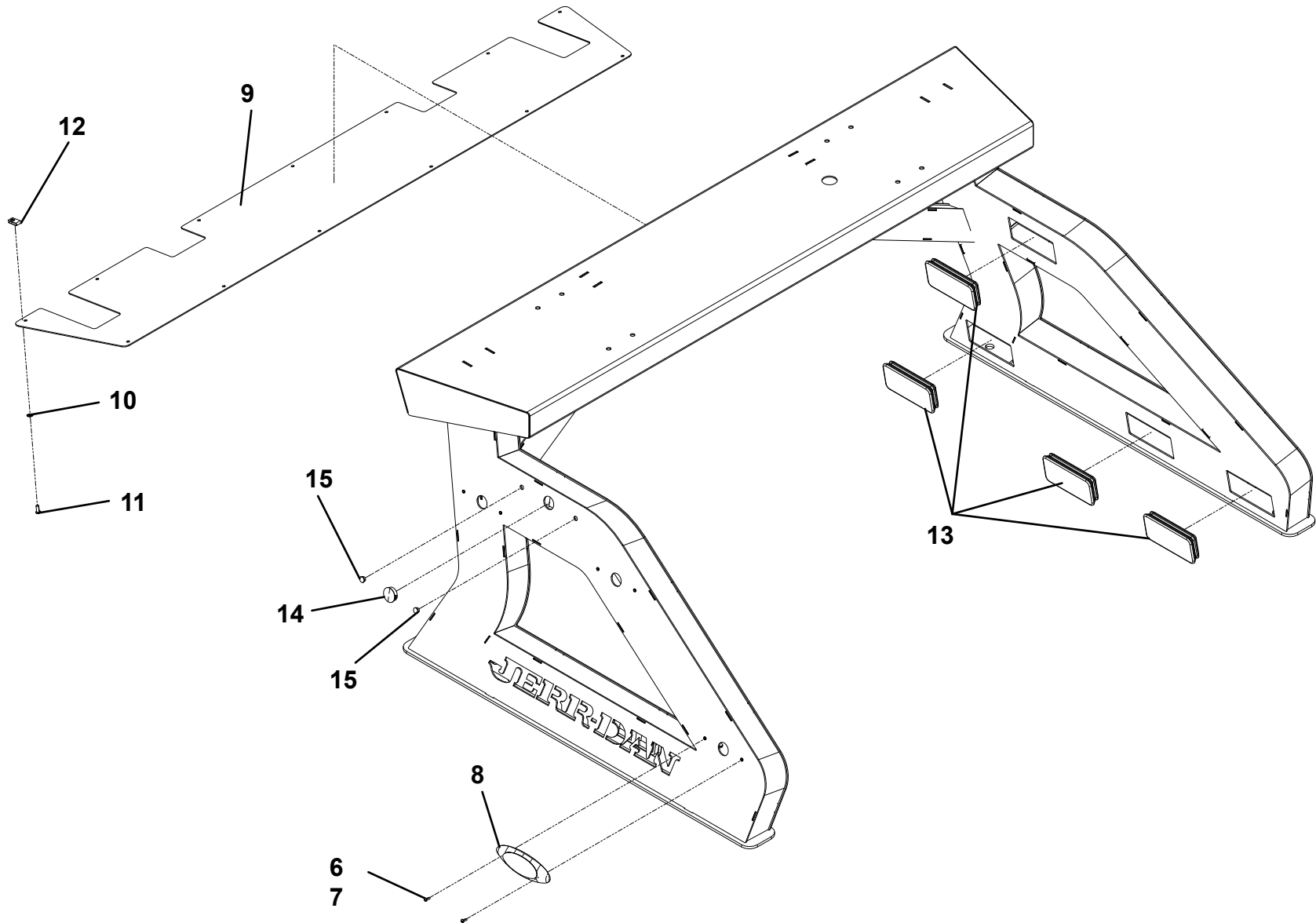


PYLON INSTALLATION

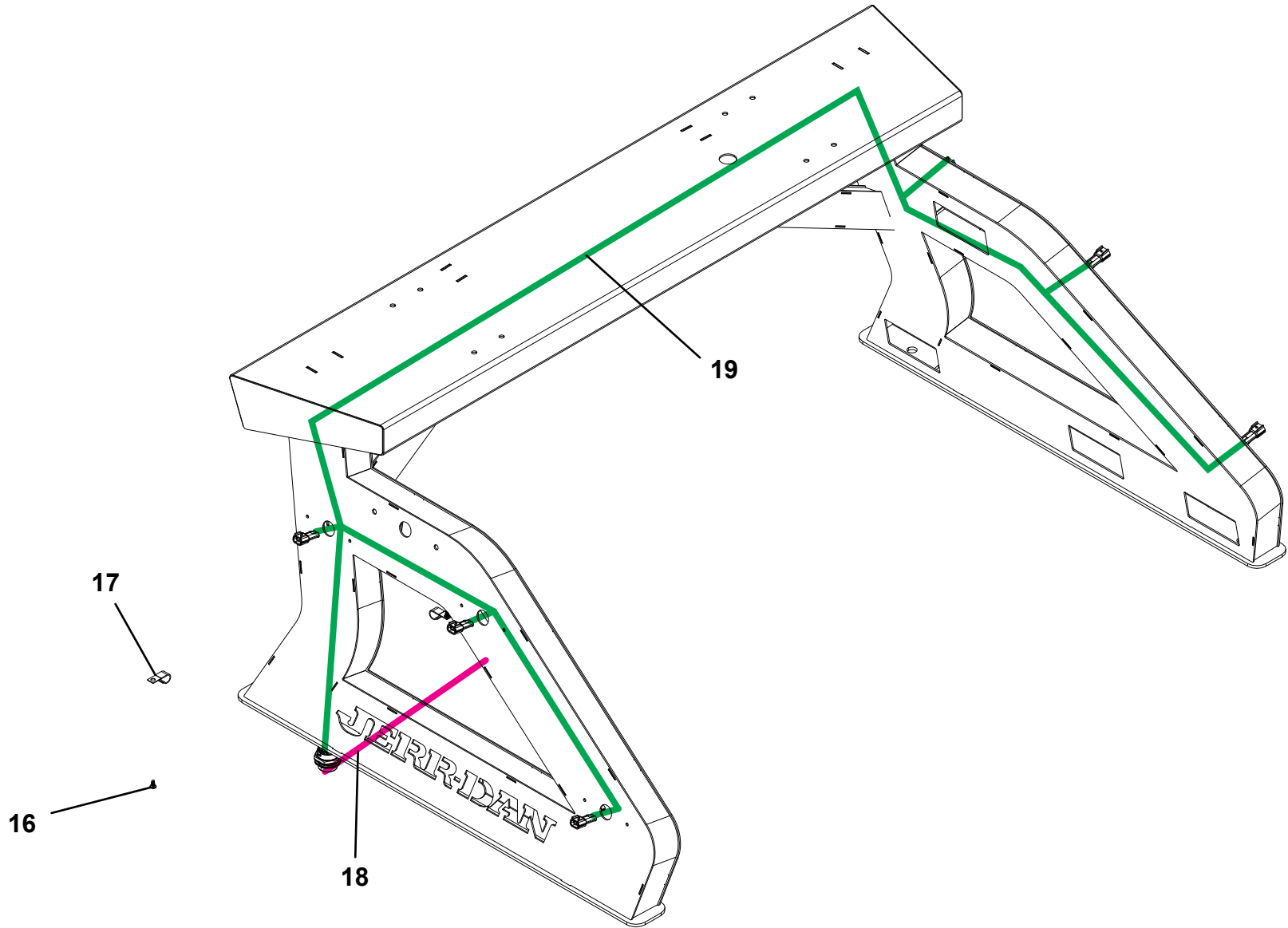
ITEM	PART NO.	DESCRIPTION	QTY
Pylon			
1	1001213102	34" Pylon	1
	1001213509	39" Pylon	1
	1001214577	57" Pylon	1
Adapter Installation			
2	0642228	Capscrew, 0.75" - 10NC x 3.50"	4
3	4752200	Washer, 0.75" ID	4
4	1001213112	Mount, 24"	2
	1001213111	Mount, 36"	2
5	1001214350	Seal, 24"	2
	1001214130	Seal, 36"	2
Light Installation			
6	1001151546	Nut, #8 - 32NC	12
7	7114080418	Screw, #8 - 32NC x 0.50"	12
8	7590000262	Light, Amber	6
Pylon Cover Installation			
9	1001213093	Plate, 34"	1
	1001213522	Plate, 39"	1
	1001214590	Plate, 57"	1
10	1001143686	Washer, 0.25" ID	12
11	7114140518	Screw, 0.25" - 20NC x 0.625"	12
12	7661000019	U-Nut, 0.25" - 20NC	12
Pylon Assembly			
13	7701000048	Plug	8
14	7701000049	Plug	2
15	7701000056	Plug	4
Harness Installation			
16	1001195257	Screw, 0.25" x 0.50"	3
17	7280000006	Clip	3
18	1001189656	Headboard Harness, 34" & 39"	1
	1001214605	Headboard Harness, 57"	1
19	1001189657	Headboard Harness, Main 34" & 39"	1
	1001215110	Headboard Harness, Main 57"	

PYLON INSTALLATION



PYLON INSTALLATION

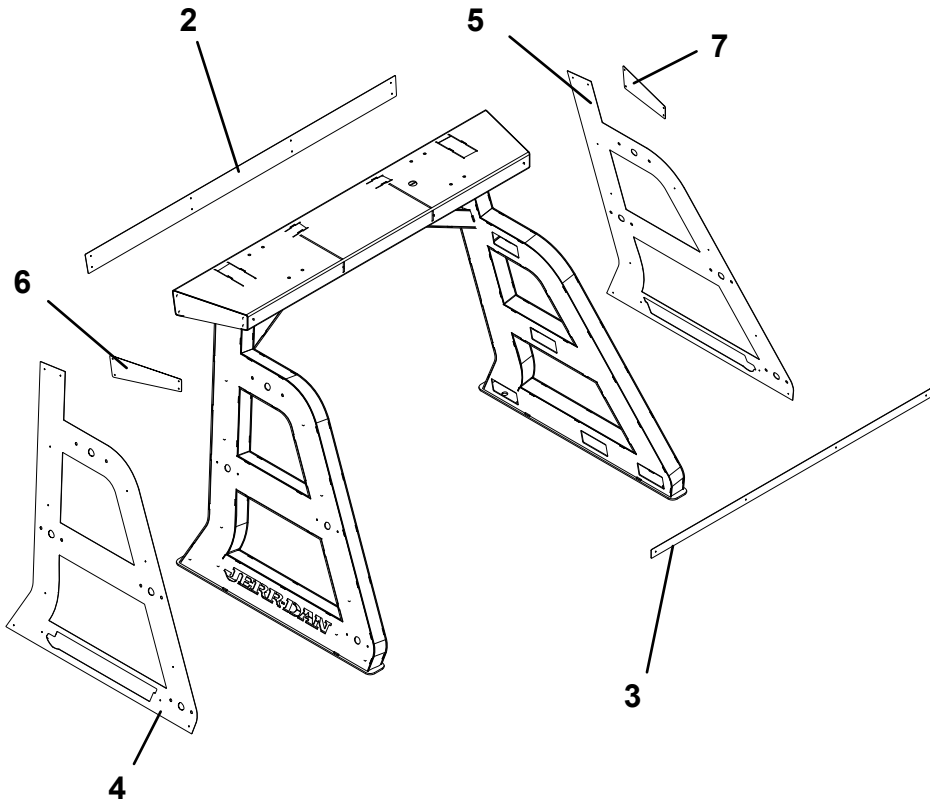
PYLON INSTALLATION



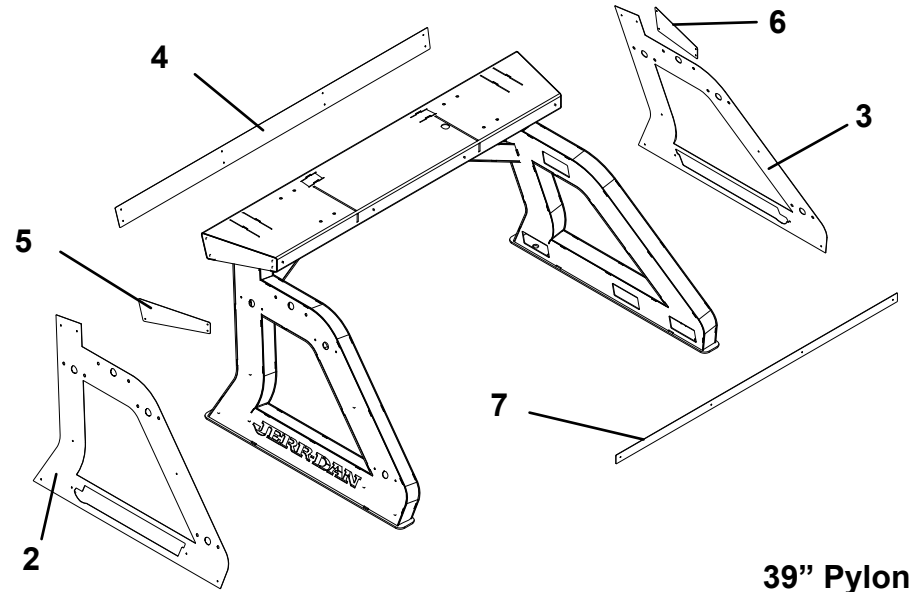
PYLON DRESS-UP KIT

ITEM	PART NO.	DESCRIPTION	QTY	ITEM	PART NO.	DESCRIPTION	QTY
34" Pylon - Brushed - 1001220184				34" Pylon - Polished - 1001220346			
1	1001156424	Pop Rivet	42	1	1001156424	Pop Rivet	42
2	1001220169	Plate, Front	1	2	1001220363	Plate, Front	1
3	1001220234	Plate, Back	1	3	1001220364	Plate, Back	1
4	1001220345	Plate, Side LH	1	4	1001220369	Plate, Side LH	1
5	1001220349	Plate, Side RH	1	5	1001220370	Plate, Side RH	1
6	1001220352	Plate, Top Side LH	1	6	1001220371	Plate, Top Side LH	1
7	1001220353	Plate, Top Side RH	1	7	1001220372	Plate, Top Side RH	1
39" Pylon - Brushed - 1001220185				39" Pylon - Polished - 1001220347			
1	1001156424	Pop Rivet	44	1	1001156424	Pop Rivet	44
2	1001220167	Plate, Side LH	1	2	1001220365	Plate, Side LH	1
3	1001220168	Plate, Side RH	1	3	1001220366	Plate, Side RH	1
4	1001220169	Plate, Front	1	4	1001220369	Plate, Front	1
5	1001220170	Plate, Top Side LH	1	5	1001220370	Plate, Top Side LH	1
6	1001220171	Plate, Top Side RH	1	6	1001220373	Plate, Top Side RH	1
7	1001220234	Plate, Back	1	7	1001220374	Plate, Back	1
57" Pylon - Brushed - 1001220186				57" Pylon - Polished - 1001220348			
1	1001156424	Pop Rivet	52	1	1001156424	Pop Rivet	52
2	1001220169	Plate, Front	1	2	1001220367	Plate, Front	1
3	1001220234	Plate, Back	1	3	1001220368	Plate, Back	1
4	1001220350	Plate, Side LH	1	4	1001220369	Plate, Side LH	1
5	1001220351	Plate, Side RH	1	5	1001220370	Plate, Side RH	1
6	1001220354	Plate, Top Side LH	1	6	1001220375	Plate, Top Side LH	1
7	1001220355	Plate, Top Side RH	1	7	1001220376	Plate, Top Side RH	1

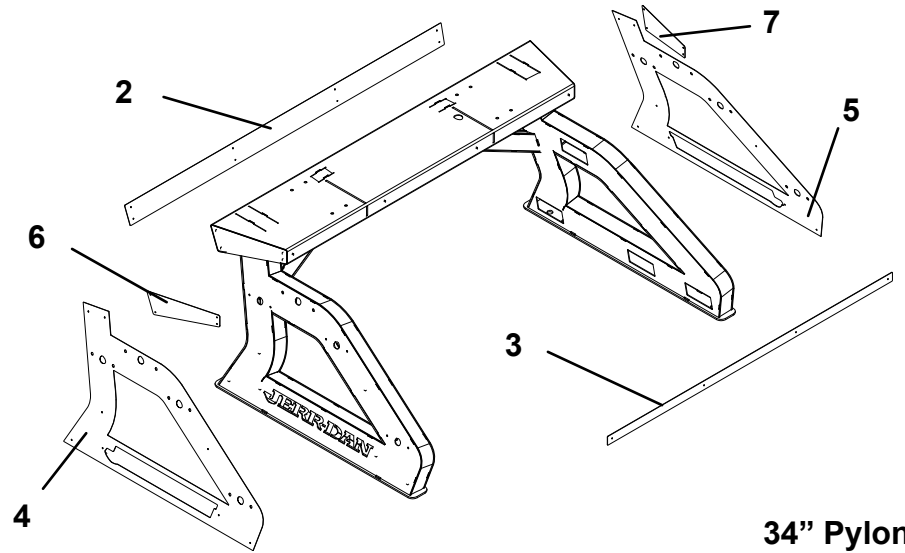
PYLON DRESS-UP KIT



57" Pylon



39" Pylon

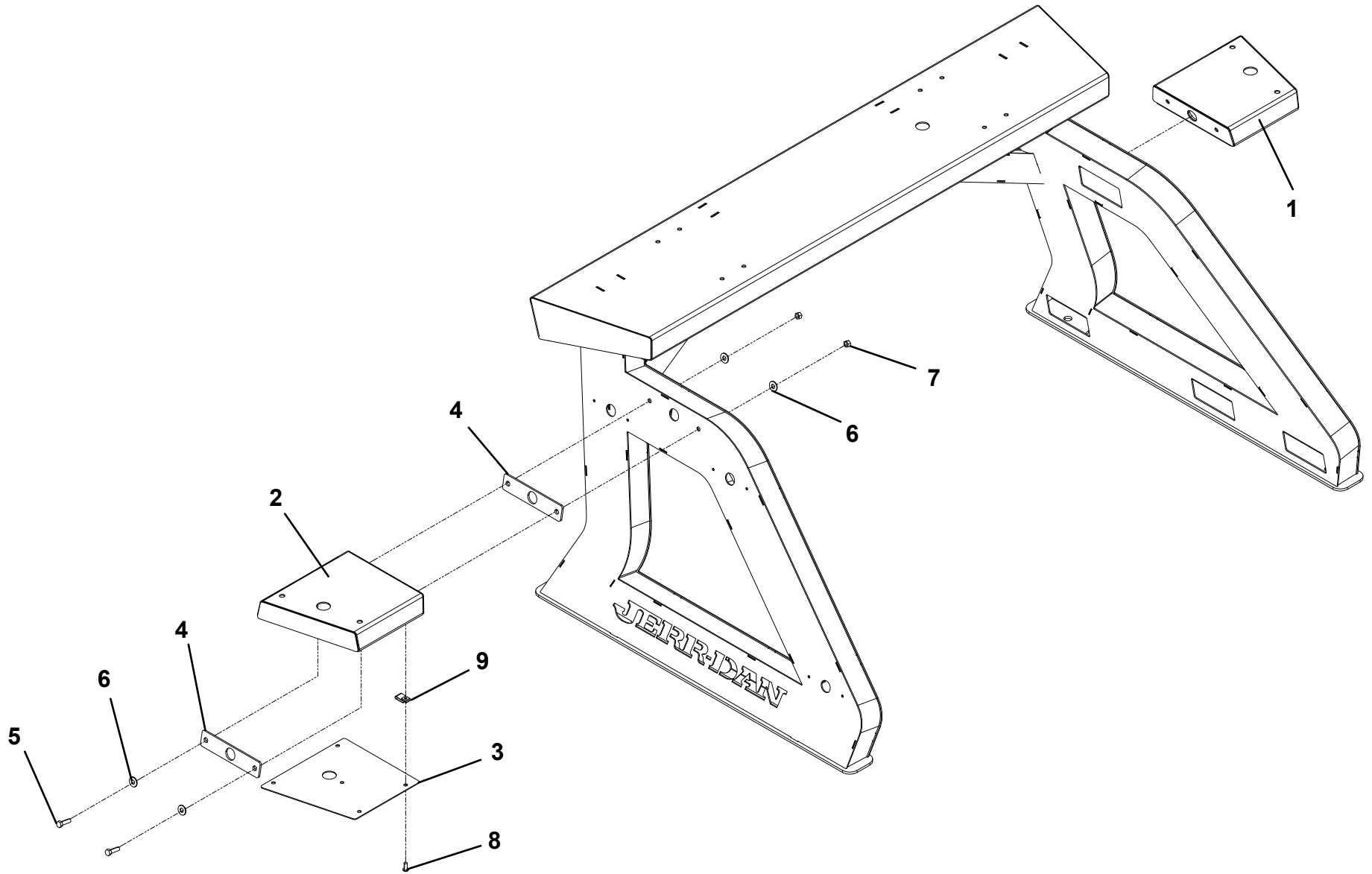


34" Pylon

WING LIGHT BRACKET INSTALLATION

ITEM	PART NO.	DESCRIPTION	QTY
1	1001213104	Mount, RH	1
2	1001213105	Mount, LH	1
3	1001213110	Plate	2
4	1001214129	Plate	4
5	0641610	Capscrew, 0.38" - 16NC x 1.25"	4
6	4751600	Washer, 0.38" ID	8
7	3271605	Nut, 0.38" - 16NC	4
8	7114150618	Screw, 0.31" - 18NC x 0.75"	8
9	7661000029	Nut, 0.31" - 18NC	8

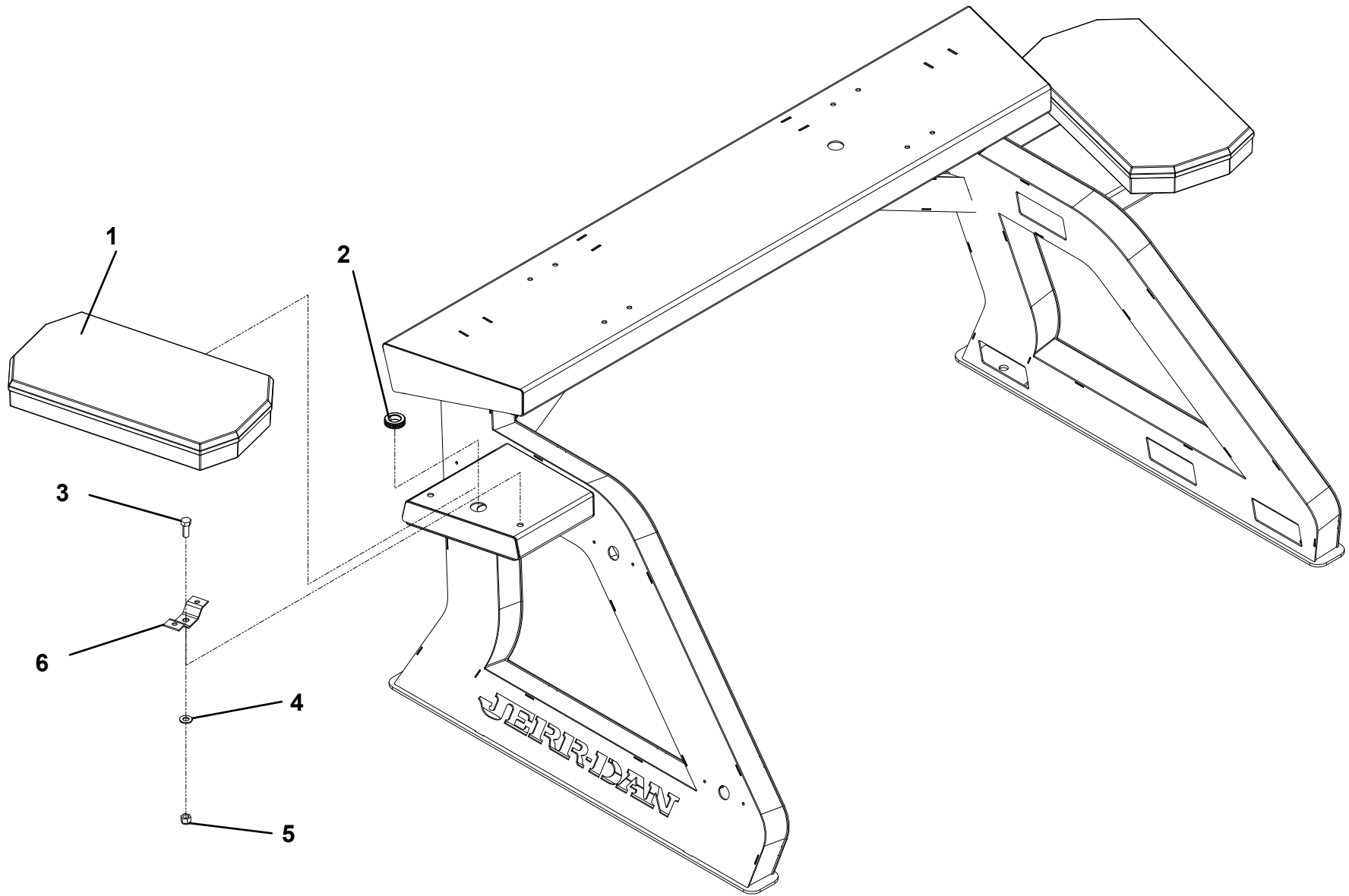
WING LIGHT BRACKET INSTALLATION



WING LIGHT INSTALLATION

ITEM	PART NO.	DESCRIPTION	QTY
1	1001133591	Light, Amber CD3	2
	1001129861	Light, Amber Whelen	2
2	7493000011	Grommet	2
3	0641810	Capscrew, 0.50" - 13NC x 1.25"	4
4	4711800	Washer, 0.50" ID	4
5	7660182601	Locknut, 0.50" - 13NC	4
6	4178000402	Bracket	4

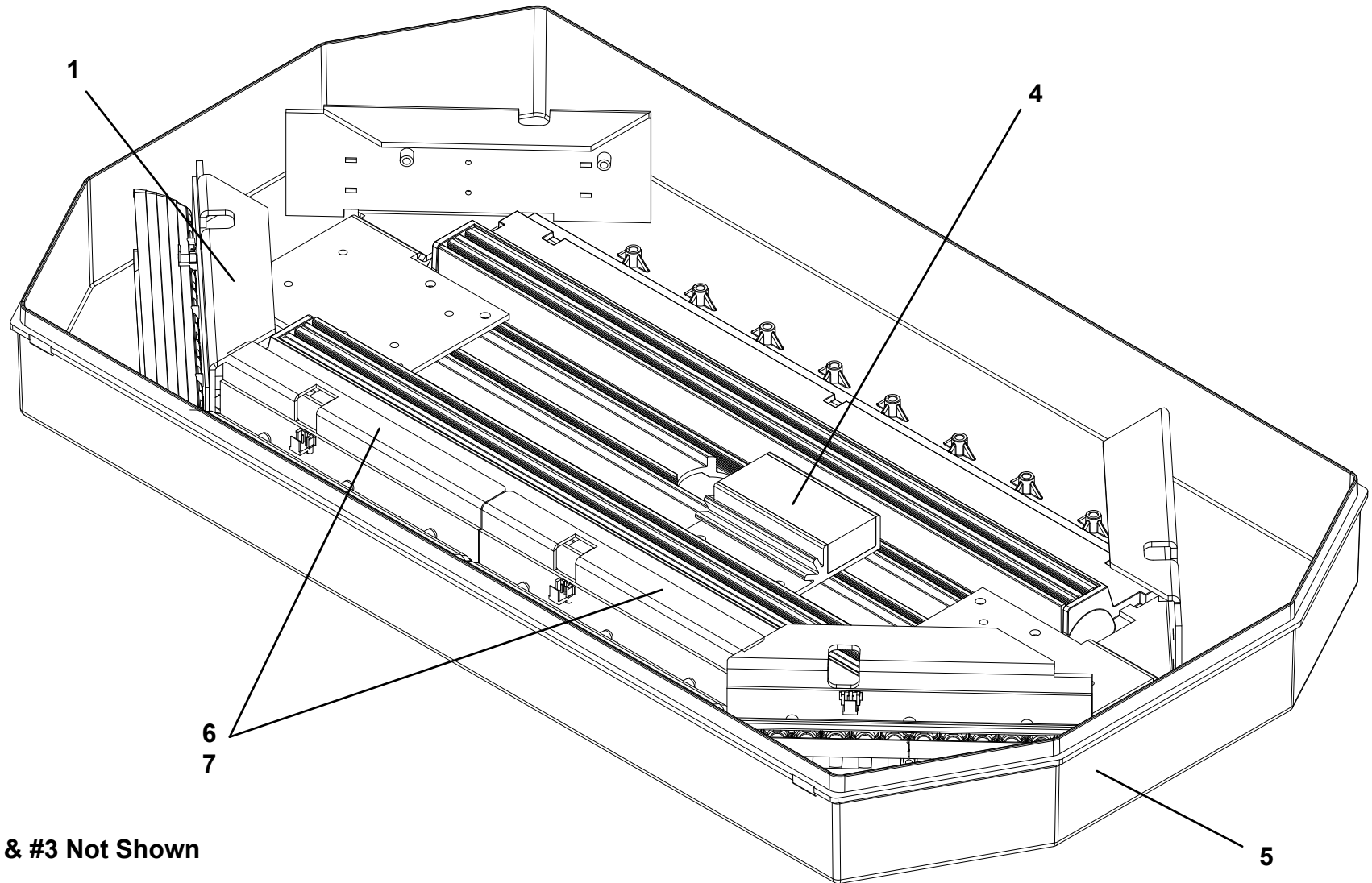
WING LIGHT INSTALLATION



22" PUBLIC SAFETY LIGHT BAR - 1001133591

ITEM	PART NO.	DESCRIPTION	QTY
1	70051014	LED Corner Module & Bracket	2
2	70051015	Lens, Clear Upper	1
3	70051016	Cable, Jerr-Dan 2 Wire	1
4	9346310098	Flasher	1
5	70051017	Lens, Clear Lower	1
6	9590310201	LED Center Module	2
7	70051018	Bracket, Mounting	1

22" PUBLIC SAFETY LIGHT BAR - 1001133591

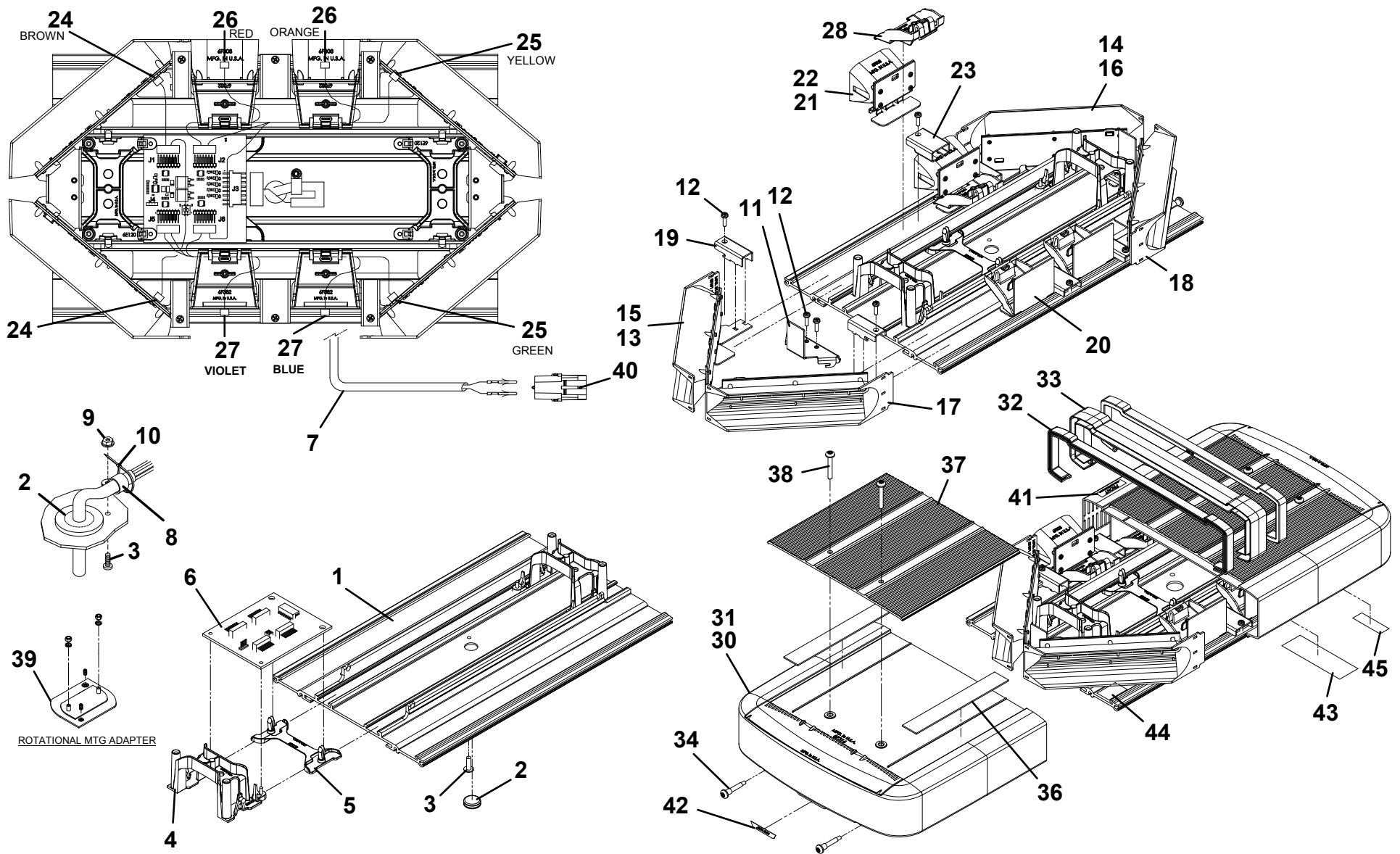


#2 & #3 Not Shown

22" WHELEN LIGHT BAR - 1001199478

ITEM	PART NO.	DESCRIPTION	QTY
1	70051019	Base	1
2	70050169	Grommet	1
3	70051020	Screw, 10-24NC X 0.88"	1
4	70051021	Bracket, Bulkhead Lens Mount	2
5	70051022	Bracket, I/O Anchor	1
6	70051023	Assembly, I/O BD Mini	1
7	70051024	Assembly, Cable	1
8	70051025	Clamp, Cable	1
9	70050174	Nut, Wiz #10-24NC	1
10	70051026	Ty Wrap, 6" Black	AR
11	70051027	Bracket, End Clamp	2
12	70051028	Screw, #6-32NC X 0.50"	10
13	70051029	Assy, Corner L-Front/R-Rear Amber	1
14	70051030	Assy, Corner L-Rear/R-Front Amber	1
15	70051031	Assy, Corner L-Front/R-Rear Blue	1
16	70051032	Assy, Corner L-Rear/R-Front Blue	1
17	70051033	Assembly, Blank Rear Drvr Corner	1
18	70051034	Assembly, Blank Rear Pass Corner	1
19	70051035	Bracket, Corner Clamp	4
20	70051036	Bracket, Half Filler	2
21	70051037	Sub Assy, Short Directional Amber	2
22	70051038	Sub Assy, Short Directional Blue	2
23	70051039	Bracket, Filler	2
24	70051040	Assembly, Harness	1
25	70051041	Assembly, Harness	1
26	70051042	Assembly, Harness	1
27	70051043	Assembly, Harness	1
28	70051044	Bracket, Snap-In	4
29	70051045	Ty Wrap, 3" Black	AR
30	70051046	Sub Assy, Cut Dome Clear	2
31	70051047	Sub Assy, Cut Dome Blue	2
32	70051048	Seal, Lens Divider	2
33	70051049	Divider, Lens	1
34	70051050	Screw, 10-24NC X 1.25"	4
36	70051051	Tape, VHB Endcap Trim Mount	4
37	70051052	Cover, Top Extruded 7.325"	2

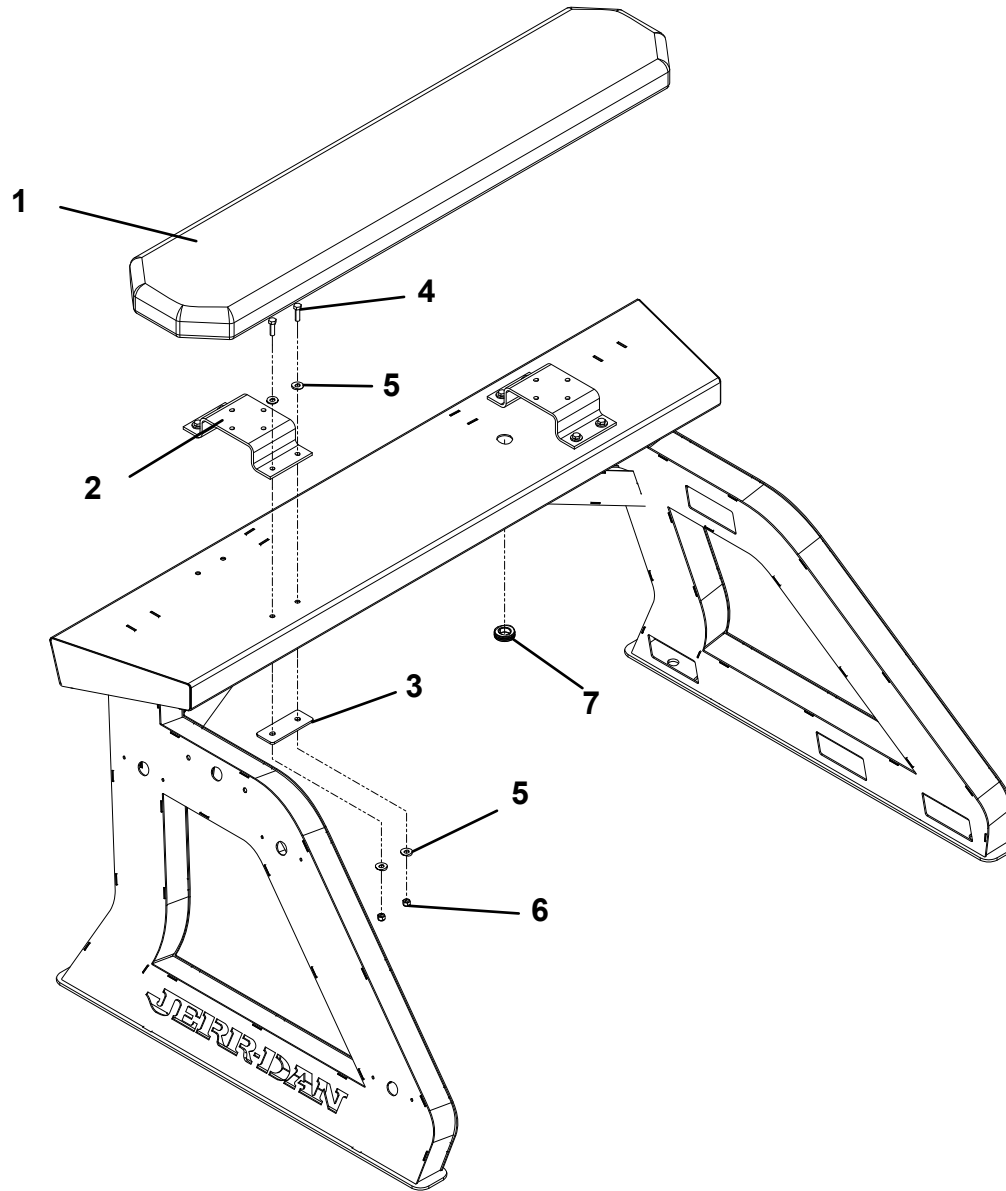
22" WHELEN LIGHT BAR - 1001199478



LIGHT BAR INSTALLATION

ITEM	PART NO.	DESCRIPTION	QTY
1	1001136990	Light Bar, 58" Amber CD3	1
	1001199475	Light Bar, 60" Whelen	1
	1001152815	Light Bar, 58" Red CD3	1
2	4178000234	Bracket	2
3	1001214128	Plate	4
4	0641610	Capscrew, 0.38" - 16NC x 1.25"	8
5	4751600	Washer, 0.38" ID	16
6	7660162601	Locknut, 0.38" - 16NC	8
7	7493000011	Grommet	1

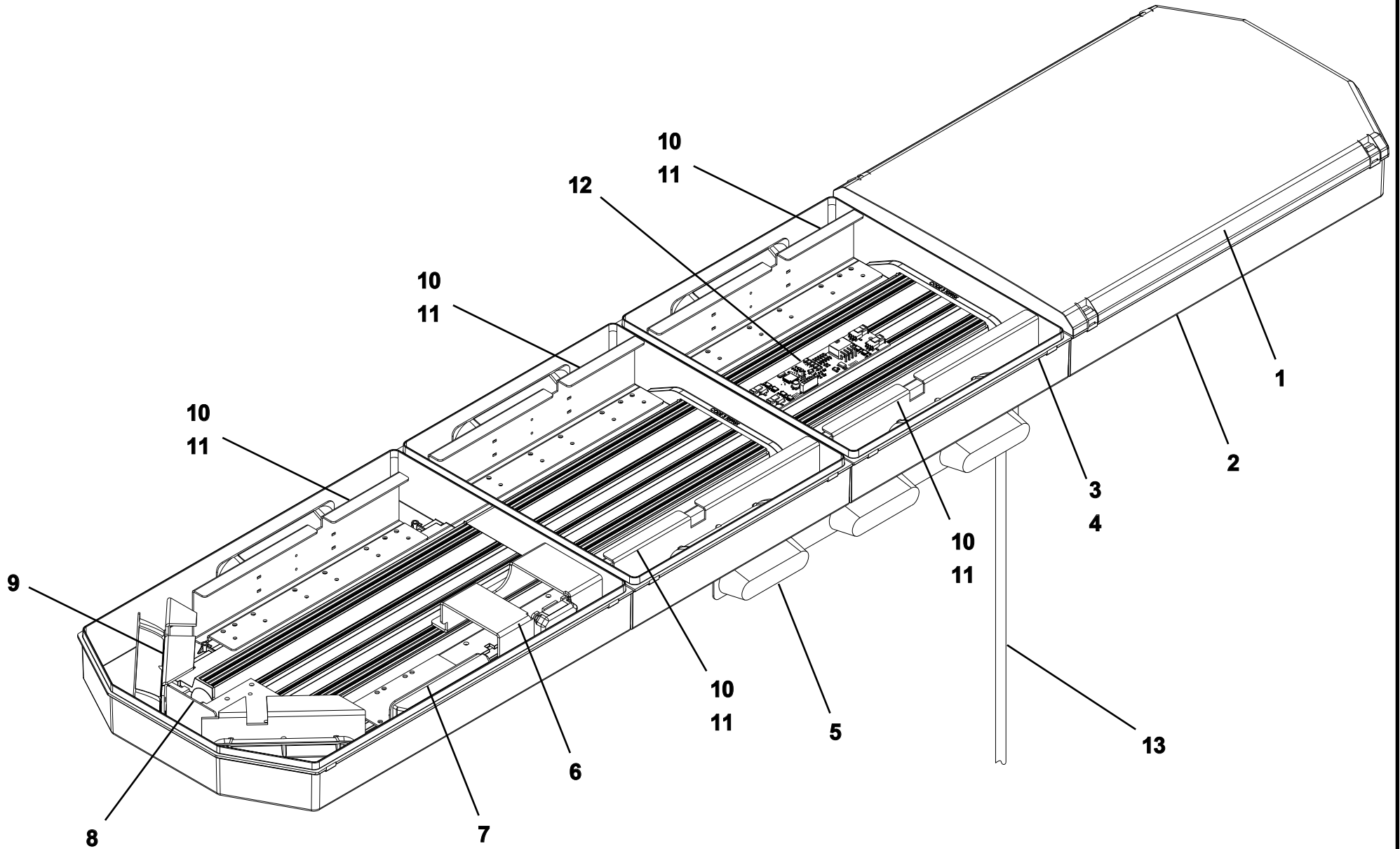
LIGHT BAR INSTALLATION



58" AMBER LIGHTBAR - CODE 3 - 1001136990

ITEM	PART NO.	DESCRIPTION	QTY
1	9590310197	Lens, Clear Upper Outboard	2
2	9590310200	Lens, Clear, Lower Outboard	2
3	9590310203	Lens, Clear Lower Center	2
4	9590310195	Lens, Clear Upper Center	2
5	1001126269	3 Light D.O.T. Strip	1
6	70050164	Worklight, LED	2
7	1001130702	Module, LED Stop/Tail/Turn	2
8	70050166	Bracket, Blank	4
9	9590310206	Module, Bracket	4
10	9590310205	Module, Led Amber	6
11	9590310202	Bracket, Mounting	6
12	70050167	Controller, General	1
13	70050165	Cable, Jerr-Dan 9 Wire	1
14	70050980	Harness, Internal Input	1
15	70050981	Harness, Internal Output	1

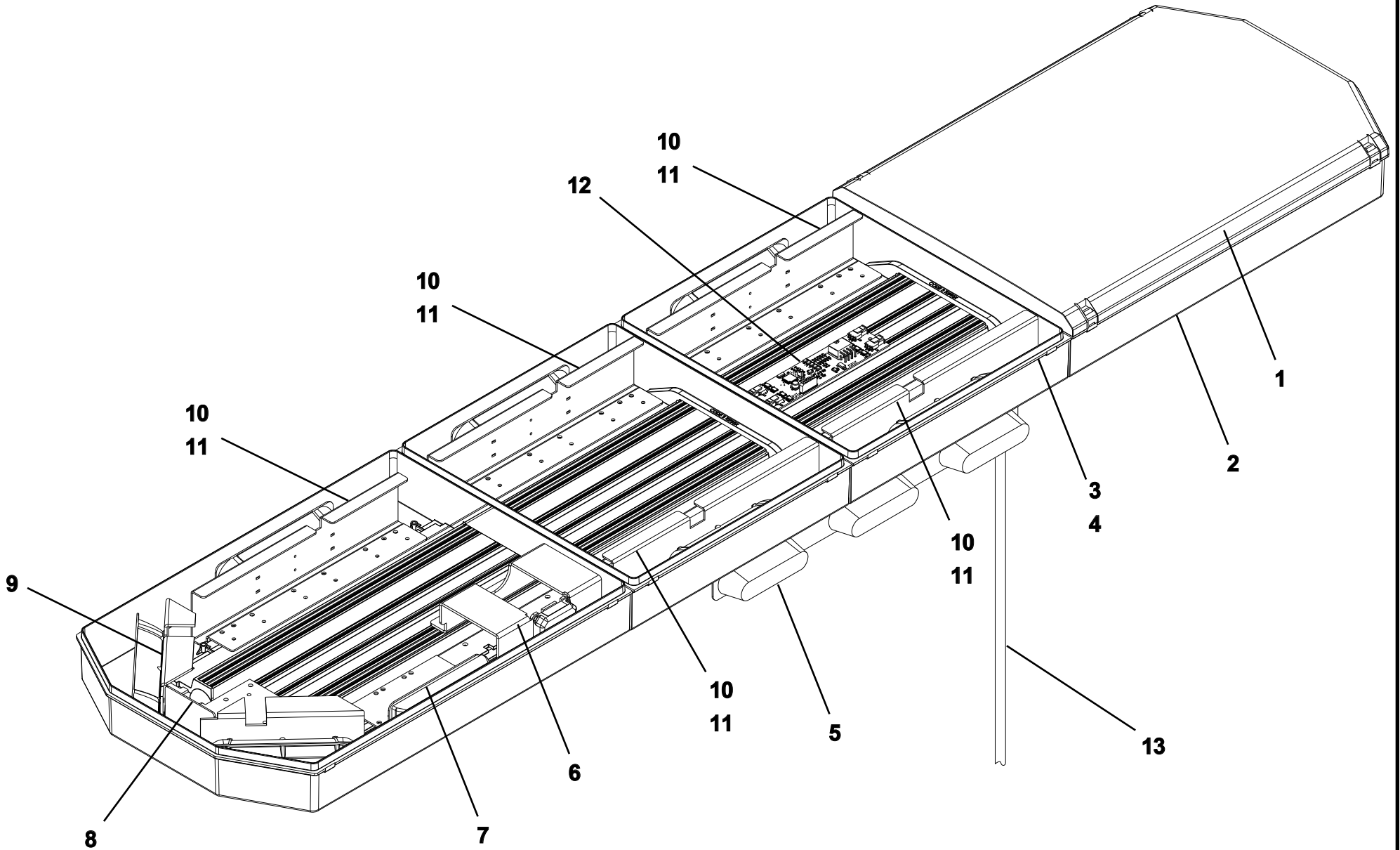
58" AMBER LIGHTBAR - CODE 3 - 1001136990



58" RED LIGHTBAR - CODE 3 - 1001152815

ITEM	PART NO.	DESCRIPTION	QTY
1	9590310197	Lens, Clear Upper Outboard	2
2	9590310200	Lens, Clear, Lower Outboard	2
3	9590310203	Lens, Clear Lower Center	2
4	9590310195	Lens, Clear Upper Center	2
5	1001126269	3 Light Strip	1
6	70050164	Worklight	2
7	1001130702	Module	2
8	70050166	Bracket	4
9	70050979	Bracket	6
10	70050722	Module	6
11	9590310202	Bracket	6
12	70050167	Controller	1
13	70050165	Cable	1
14	70050980	Harness	1
15	70050981	Harness	1

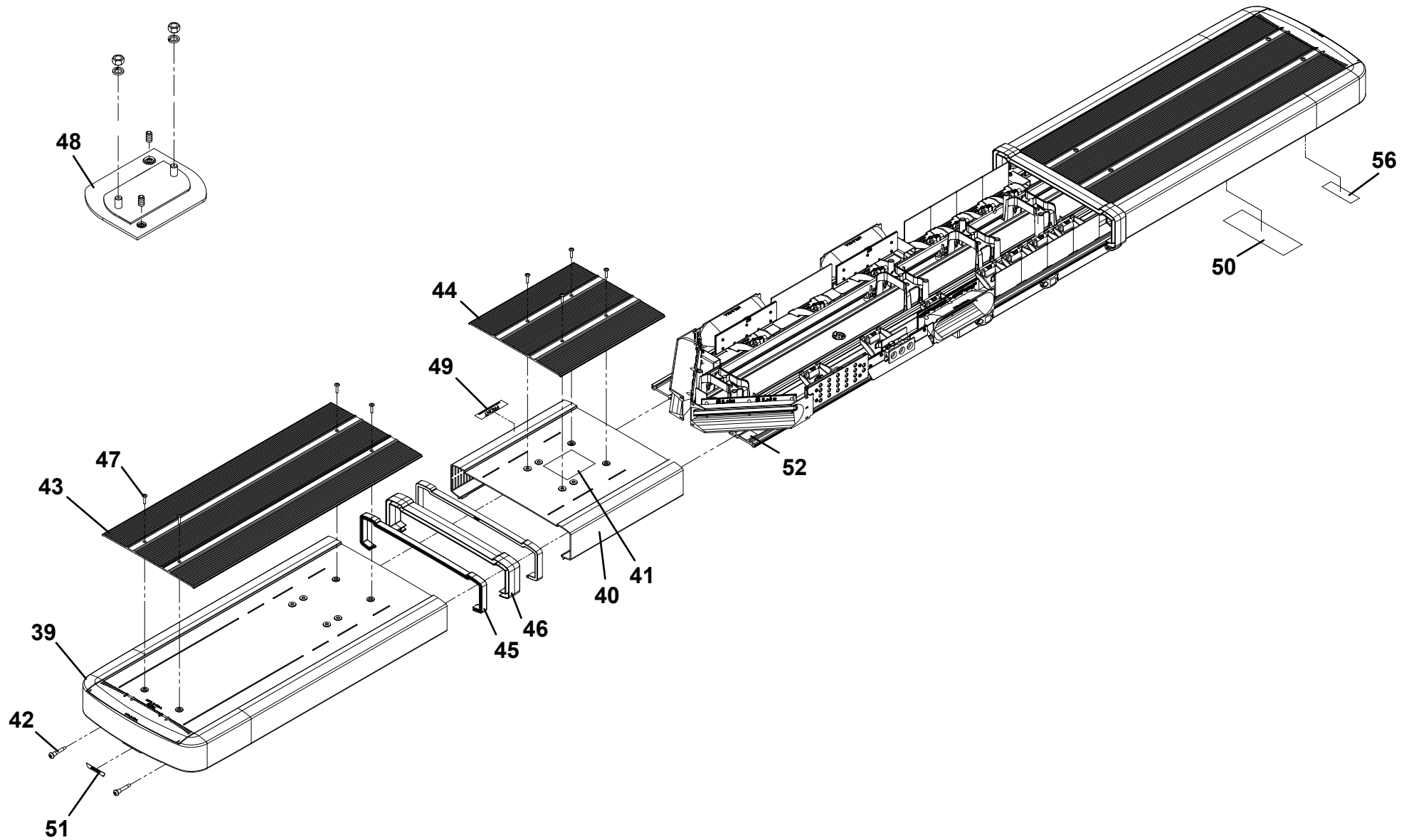
58" RED LIGHTBAR - CODE 3 - 1001152815

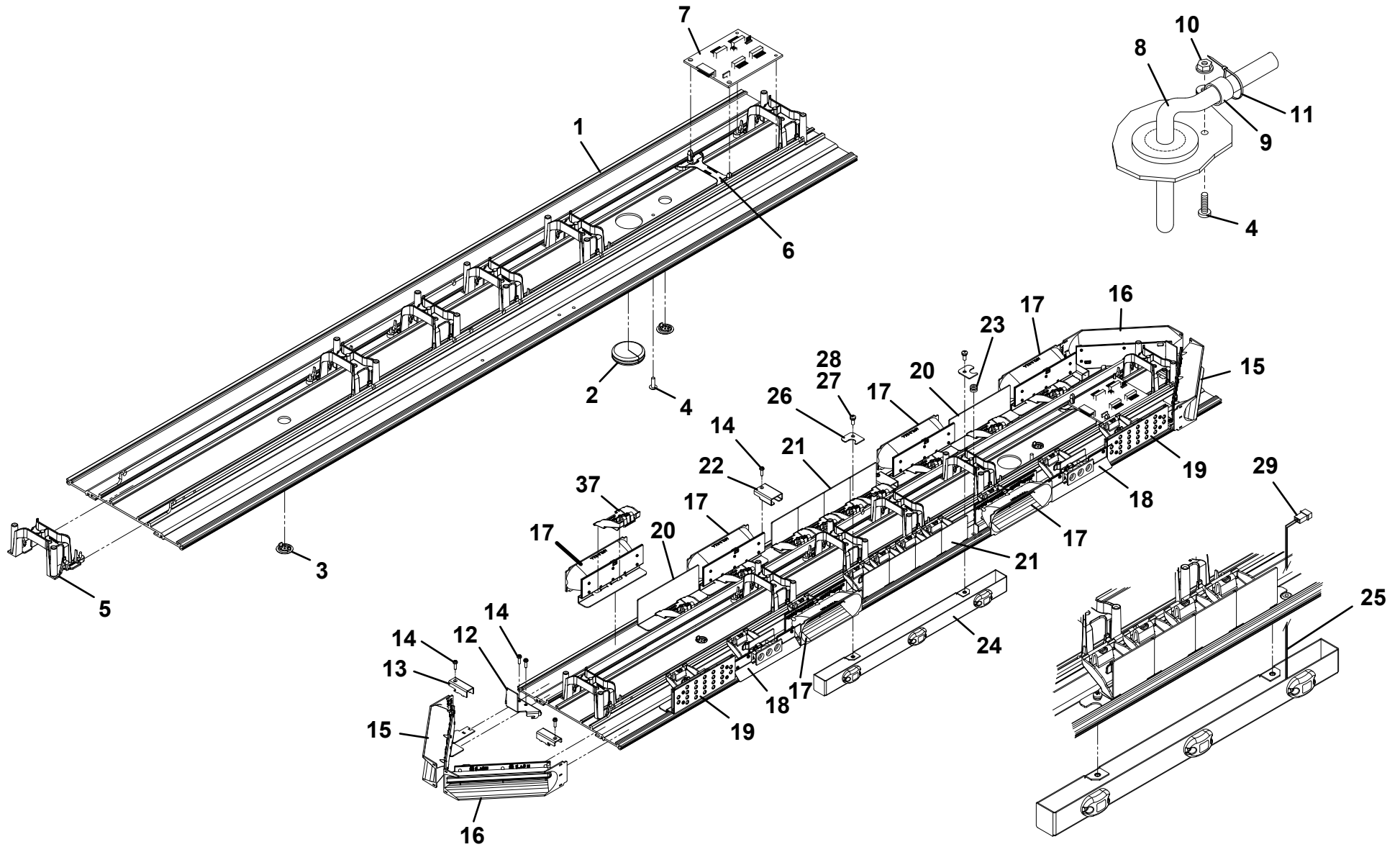


60" LIGHTBAR - WHELEN - 1001199475

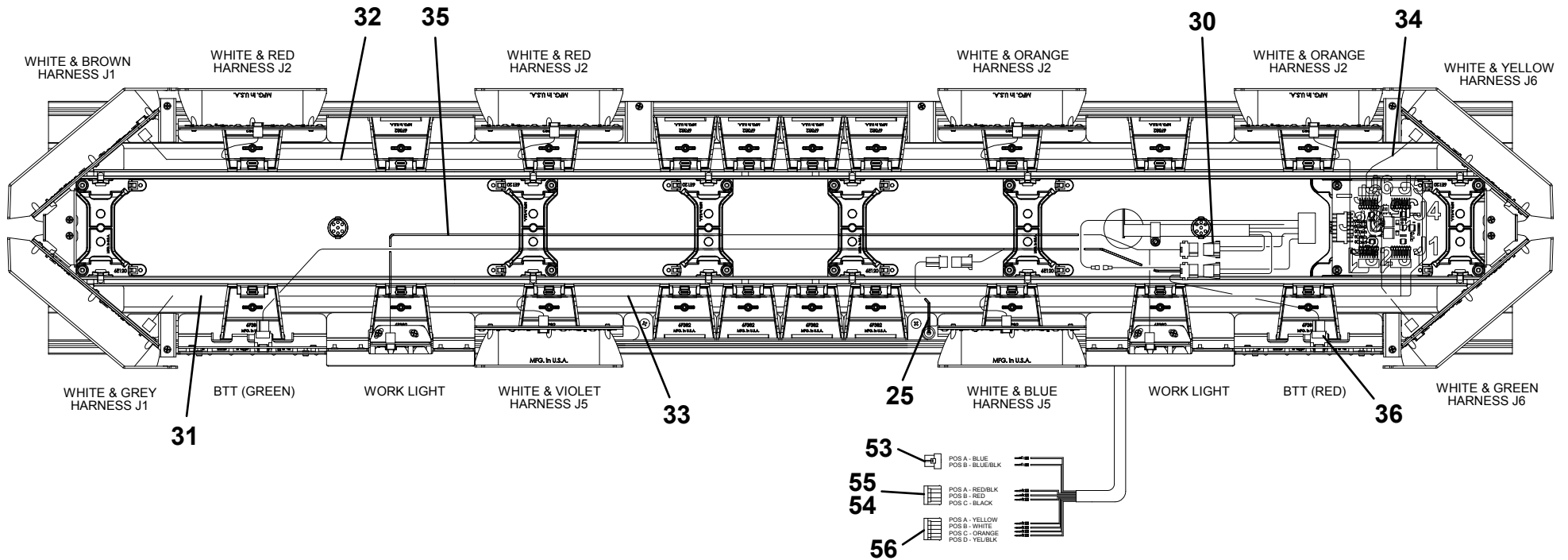
ITEM	PART NO.	DESCRIPTION	QTY	ITEM	PART NO.	DESCRIPTION	QTY
1	70051058	Base	1	40	70051077	Lens	1
2	70050169	Grommet	1	41	70051078	Label	1
3	70050170	Plug	2	42	70050203	Screw, #10-24NC X 1.25"	4
4	70051059	Screw, #10-24NC x 0.88"	1	43	70051062	Cover	2
5	70051021	Bracket	6	44	70051061	Cover	1
6	70051022	Bracket	1	45	70051048	Seal	4
7	70051023	Circuit Board	1	46	70051049	Lens	2
8	70051060	Cable	1	47	70051053	Screw, #10 X 0.88"	12
9	70050665	Clamp	1	48	70050204	Adapter	2
10	70050174	Nut, #10-24NC	1	49	70051055	Label	1
11	70051026	Tiewrap	AR	50	70050207	Label	1
12	70051027	Bracket	2	51	70051056	Label	2
13	70051035	Bracket	4	52	70051057	Label	1
14	70051028	Screw, #6-32NC X 0.50"	10	53	70050208	Housing	1
15	70051029	Lamp, Rear Amber	2	54	70050209	Connector	1
16	70051030	Lamp, Front Amber	2	55	70050210	Housing	1
17	70051063	Lamp, 6 LED	6	56	70050211	Housing	1
18	70051064	Lamp, 3 LED	2				
19	70051065	Lamp	2				
20	70051066	Bracket	2				
21	70051036	Bracket	8				
22	70051039	Bracket	2				
23	70050176	Grommet	1				
24	70051068	Lamp	1				
25	70050178	Harness	1				
26	70051069	Bracket	2				
27	70050179	Screw, #10-32NF X 0.50"	2				
28	70050180	Lockwasher, #10 ID	2				
29	70050181	Housing	1				
30	70050175	Housing	2				
31	70051070	Harness	1				
32	70051071	Harness	1				
33	70051072	Harness	1				
34	70051073	Harness	1				
35	70051074	Harness	1				
36	70051075	Harness	1				
37	70051044	Bracket	20				
38	70051045	Tiewrap	AR				
39	70051076	Lens	1				

60" LIGHTBAR - WHELEN - 1001199475



60" LIGHTBAR WHELEN - 1001199475

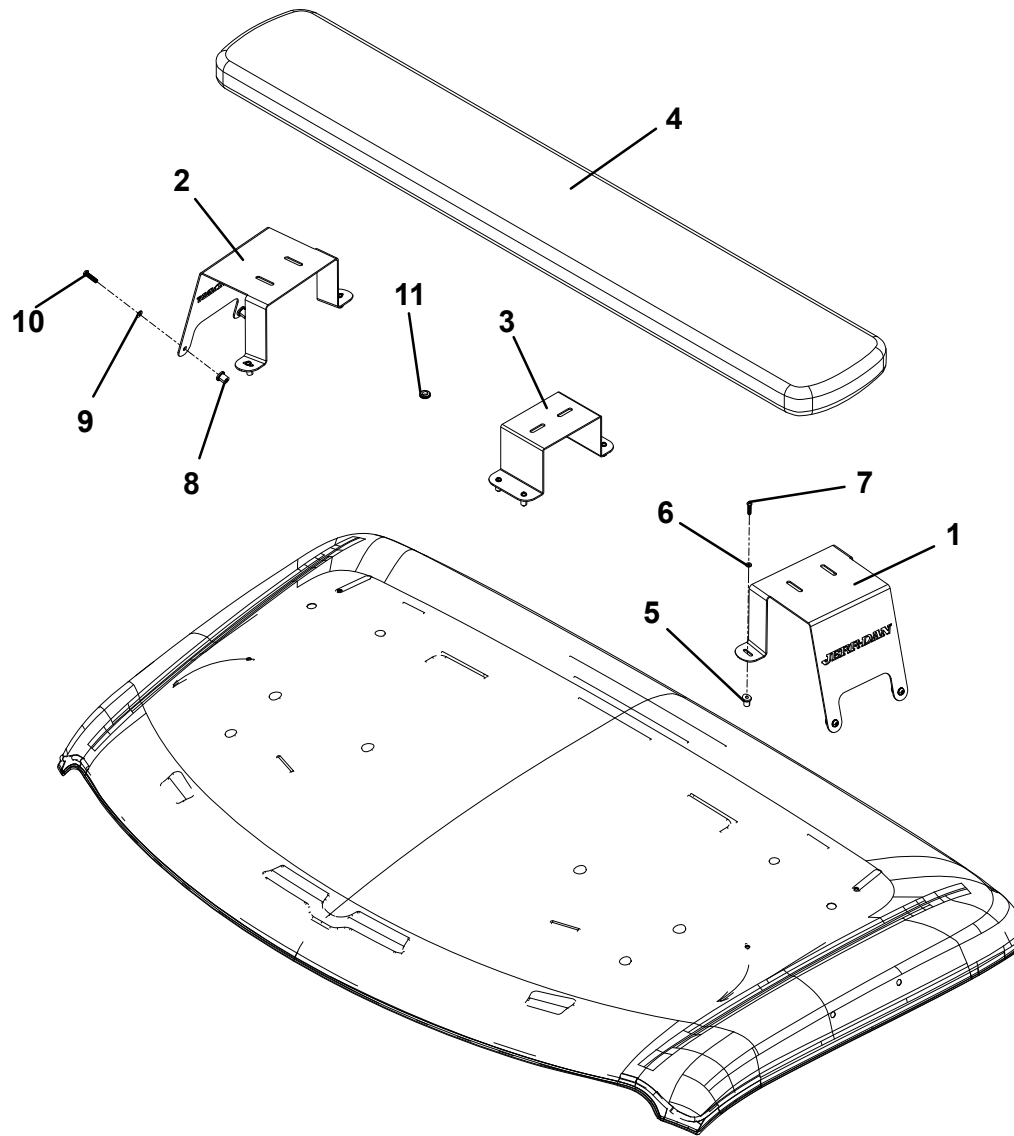
60" LIGHTBAR WHELEN - 1001199475



CAB MOUNTED LIGHT BAR

ITEM	PART NO.	DESCRIPTION	QTY
1	1001215955	Bracket, LH	1
2	1001215956	Bracket, RH	1
3	1001215957	Bracket, Center	1
4	1001199477	Whelen Lightbar	1
5	1001213131	Nut, M6	8
6	1001170307	Washer, M6 ID	8
7	1001216317	Screw, M6	8
8	1001216373	Nut, M8	4
9	1001170329	Washer, M8	4
10	1001216372	Screw, M8	4
11	1001101025	Grommet	1
12	1001216571	Harness	1
13	5526000553	Tie Strap	4

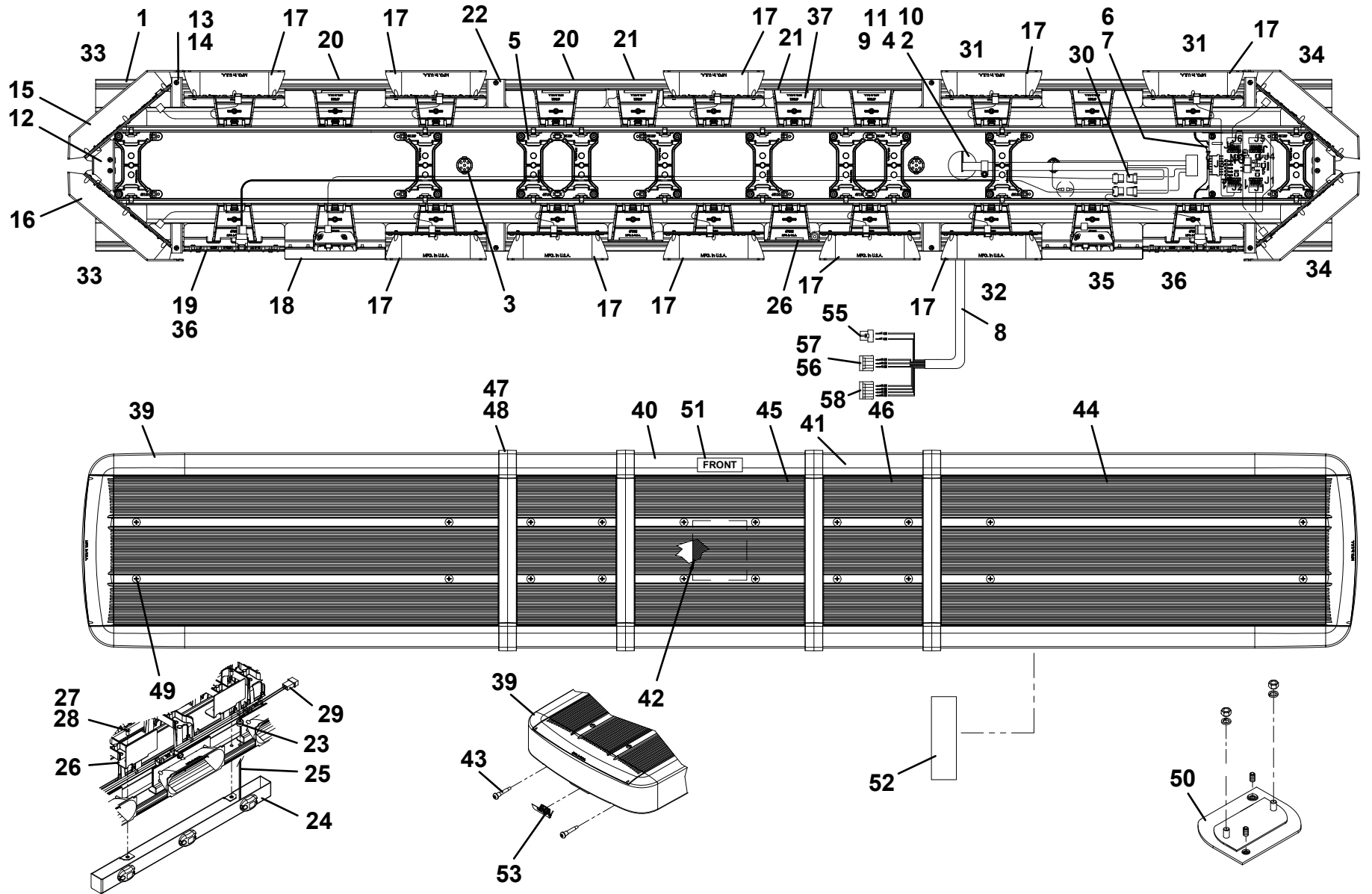
CAB MOUNTED LIGHT BAR



72" WHELEN LIGHT BAR

ITEM	PART NO.	DESCRIPTION	QTY	ITEM	PART NO.	DESCRIPTION	QTY
1	70051341	Base	1	40	70051077	Lens	1
2	70050169	Grommet	1	41	70051349	Lens	2
3	70050170	Plug	2	42	70051078	Label	1
4	70051059	Screw, #10 - 24 x 0.625"	1	43	70050203	Screw, #10-24 x 1.25"	4
5	70051021	Bracket	10	44	70051062	Cover	2
6	70051022	Bracket	1	45	70051061	Cover	1
7	70051023	Circuit Board	1	46	70051350	Cover	2
8	70051060	Cable	1	47	70051048	Seal	8
9	70050665	Cable Clamp	1	48	70051049	Divider	4
10	70050174	Nut, #10 - 24	1	49	70051053	Screw, #10 x 0.875"	20
11	70051026	Tie-Wrap	1	50	70050204	Adapter	2
12	70051027	Bracket	2	51	70051055	Decal, Front	1
13	70051035	Bracket	4	52	70050207	Decal, Serial Number	1
14	70051028	Screw, #6 - 32 x 0.50"	12	53	70051056	Decal	2
15	70051029	Corner Assembly, Front	A/R	54	70051056	Decal	1
16	70051030	Corner Assembly, Rear	A/R	55	70050208	Housing	1
17	70051063	LED Assembly, 6 light	A/R	56	70050209	Connector	1
18	70051064	LED Assembly, 3 light	2	57	70050210	Housing	1
19	70051065	Turn Signal Assembly	2	58	70050211	Housing	1
20	70051066	Bracket	4				
21	70051036	Bracket	2				
22	70051039	Bracket	4				
23	70050176	Grommet	1				
24	70051068	ICC Cluster	1				
25	70050178	Harness	1				
26	70051069	Bracket	2				
27	70050179	Screw, #10 - 32 x 0.50"	2				
28	70050180	Washer, #10 ID	2				
29	70050181	Housing	1				
30	70050175	Housing	2				
31	70051343	Harness	1				
32	70051344	Harness	1				
33	70051345	Harness	1				
34	70051346	Harness	1				
35	70051347	Harness	1				
36	70051348	Harness	1				
37	70051044	Bracket	22				
38	70051045	Tie Wrap	A/R				
39	70051076	Lens Assembly	2				

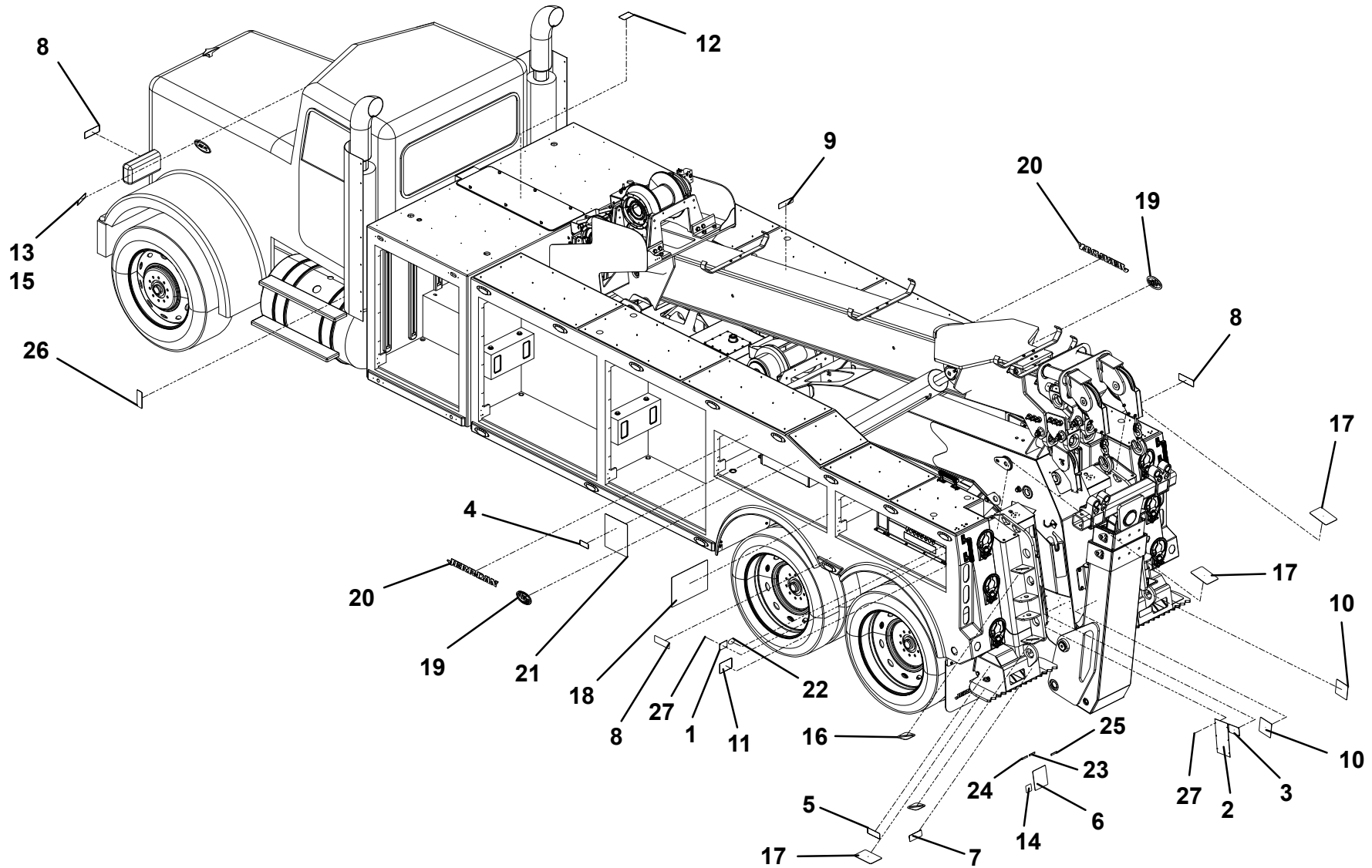
72" WHELEN LIGHT BAR



DECAL INSTALLATION

ITEM	PART NO.	DESCRIPTION	QTY
1	1001127220	Decal, Tag	1
2	1001132328	Decal, Placard	1
3	1001132346	Patent	1
4	1001136075	Decal, Hazardous Voltage	1
5	1001136080	Decal, Recover Stability	2
6	1001136091	Decal, Towed Load	2
7	1001136094	Decal, Crushing Hazard	2
8	1001136103	Decal, Electrocutation	4
9	1001136119	Decal, Hydraulic Hazard	1
10	1001137169	Decal, Pinch	2
11	1001138537	Decal, Hook	2
12	1001138612	Decal, Battery	1
13	1001141227	Decal, Backing	1
14	1001142452	Decal, No Step	2
15	1001142828	Decal, Fall Hazard	1
16	1001174339	Decal, Spade Housing Step	4
17	1001174346	Decal, Spade Step	4
18	1001205331	Decal, Lube Chart	1
19	1001206364	Decal, JFB Badge	2
20	1001206367	Decal, Jerr-Dan Name Plate	2
21	1001212286	Decal, Power Distribution	1
22	7330000143	Decal, Made in USA	1
23	7330000208	Decal, Service Air	1
24	7330000209	Decal, Supply Air	1
25	7330000210	Decal, Aux Air	1
26	7330000689	Decal, NTEA	1
27	7759000004	Pop Rivet	14

DECAL INSTALLATION



PART NUMBER INDEX

Part Number	Page	Part Number	Page	Part Number	Page	Part Number	Page
641412	194, 196, 198	3900339	278	70050169	340, 348, 354	70050315	74
0641514	214	4460466	186, 190	70050170	348, 354	70050316	74, 76
0641524	134, 142, 150	4460509	186, 190	70050174	340, 348, 354	70050319	74, 76
0641610	334, 342	4711400	194, 196, 198	70050175	348, 354	70050320	76
641632	130, 138, 146	4711800	234, 240, 244, 248, 336	70050176	348, 354	70050322	76
641810	336	4740513	186, 190	70050178	348, 354	70050325	74
641820	234, 240, 244, 248	4751500	134, 142, 150	70050179	348, 354	70050328	74
642032	206, 218	4751600	334, 342	70050180	348, 354	70050329	74
642034	234, 236, 240, 244, 248	4752000	206, 218, 234, 236, 240, 244, 248	70050181	348, 354	70050330	74
0642228	328			70050203	348, 354	70050331	74
750604	186, 190	4752200	328	70050204	348, 354	70050367	60, 70
750605	238, 240	7003116	36, 88, 92, 96	70050207	348, 354	70050368	60, 70, 110
0751406	306	7003212	24	70050208	348, 354	70050369	60, 70, 110
0751408	306	7005314	84	70050209	348, 354	70050370	60, 70, 110
1380135	278	7005322	24	70050210	348, 354	70050371	60, 70, 110
2220374	134, 142, 150	7005348	84, 88, 92, 96	70050211	348, 354	70050372	60, 70, 110
2220376	134, 142, 150	7005365	24, 30, 32, 36, 44, 84, 88, 92, 96	70050215	24, 84	70050373	60
2220415	162, 168, 174, 180	7006847	136, 144, 152	70050232	82	70050374	54, 68
2220451	134, 142, 150	7019828	24	70050239	136, 144, 152	70050375	50, 72
2220473	134, 142, 150	7019829	88, 92, 96	70050241	136, 144, 152	70050376	50, 72
2220518	162, 168, 174, 180	7023518	88, 92, 96	70050242	136, 144, 152	70050377	72
2220642	162, 168, 174, 180	7023593	30, 32, 44	70050243	136, 144, 152	70050378	50, 72
2220654	204	7024101	88, 92, 96	70050245	136, 144, 152	70050379	50, 72
2220700	134, 142, 150, 162, 168, 174, 180	7029865	136, 144, 152	70050246	136, 144, 152	70050380	52, 62
2220878	162, 168, 174, 180	8760037	134, 142, 150	70050247	136, 144, 152	70050381	58, 64
2220947	134, 142, 150	70021648	24, 36, 44, 84, 88, 92, 96	70050249	136, 144, 152	70050382	58, 64
2230021	204	70021757	84	70050250	136, 144, 152	70050383	58, 64
2230024	134, 142, 150	70021774	44	70050251	136, 144, 152	70050384	106
2230025	134, 142, 150	70050075	96	70050252	136, 144, 152	70050399	110
2230027	134, 142, 150	70050106	158, 160	70050256	136, 144, 152	70050400	110
2230089	134, 142, 150	70050107	158, 160	70050257	136, 144, 152	70050401	110
3020029	266, 270, 272	70050147	106	70050308	76	70050402	110
3271605	334	70050164	344, 346	70050309	76	70050468	74
3520064	130, 138, 146	70050165	344, 346	70050310	76	70050531	24
3760308	186, 190, 238, 240	70050166	344, 346	70050312	74, 76	70050534	88, 92, 96
3841203	46, 98	70050167	344, 346	70050313	74, 76	70050535	88, 92, 96
				70050314	74	70050536	88

PART NUMBER INDEX

Part Number	Page	Part Number	Page	Part Number	Page	Part Number	Page
70050537	88	70050585	44	70050977	76	70051047	340
70050538	88	70050586	44	70050979	346	70051048	340, 348, 354
70050540	88, 92, 96	70050587	44	70050980	344, 346	70051049	340, 348, 354
70050541	88, 92, 96	70050588	44	70050981	344, 346	70051050	340
70050544	84	70050589	44	70051014	338	70051051	340
70050545	84	70050590	44	70051015	338	70051052	340
70050548	84	70050591	44	70051016	338	70051053	348, 354
70050549	84	70050592	44	70051017	338	70051055	348, 354
70050550	92	70050594	84	70051018	338	70051056	348, 354
70050551	92	70050595	84	70051019	340	70051057	348
70050552	92	70050665	348, 354	70051020	340	70051058	348
70050556	44	70050668	76	70051021	340, 348, 354	70051059	348, 354
70050557	44	70050669	76	70051022	340, 348, 354	70051060	348, 354
70050558	44	70050722	346	70051023	340, 348, 354	70051061	348, 354
70050559	44	70050831	322	70051024	340	70051062	348, 354
70050560	44	70050832	322	70051025	340	70051063	348, 354
70050561	44	70050833	322	70051026	340, 348, 354	70051064	348, 354
70050562	44	70050834	322	70051027	340, 348, 354	70051065	348, 354
70050563	44	70050835	322	70051028	340, 348, 354	70051066	348, 354
70050564	44	70050836	322	70051029	340, 348, 354	70051068	348, 354
70050565	44	70050837	322	70051030	340, 348, 354	70051069	348, 354
70050566	44	70050838	322	70051031	340	70051070	348
70050568	44, 88, 96	70050839	322	70051032	340	70051071	348
70050569	44	70050840	322	70051033	340	70051072	348
70050570	44	70050841	322	70051034	340	70051073	348
70050572	44	70050842	324	70051035	340, 348, 354	70051074	348
70050574	44	70050843	324	70051036	340, 348, 354	70051075	348
70050575	44	70050844	324	70051037	340	70051076	348, 354
70050576	44	70050845	324	70051038	340	70051077	348, 354
70050577	44	70050846	324	70051039	340, 348, 354	70051078	348, 354
70050578	44	70050847	324	70051040	340	70051079	136, 144, 152
70050579	44	70050848	324	70051041	340	70051080	136, 144, 152
70050580	44	70050849	324	70051042	340	70051081	136, 144, 152
70050581	44	70050922	320, 322	70051043	340	70051196	96
70050582	44	70050923	320, 322	70051044	340, 348, 354	70051197	96
70050583	44	70050924	320, 322	70051045	340, 348, 354	70051199	82
70050584	44	70050925	320, 322	70051046	340	70051300	50

PART NUMBER INDEX

Part Number	Page	Part Number	Page	Part Number	Page	Part Number	Page
70051303.....	70	1001132265.....	122	1001152548.....	8	1001168321.....	186, 190
70051304.....	70	1001132268.....	120	1001152549.....	8	1001168322.....	186, 190
70051305.....	70	1001132328.....	356	1001152815.....	342	1001168328.....	186, 190
70051306.....	70	1001132346.....	356	1001154101.....	210, 222, 238, 240	1001168428.....	314
70051307.....	70	1001133591.....	336	1001154277.....	130, 138, 146	1001168544.....	300, 318
70051309.....	70	1001134433.....	130, 138, 146	1001154527.....	212, 224, 238, 240, 244, 248	1001168545.....	264, 276, 278, 298, 310
70051310.....	66	1001136075.....	356	1001156424.....	332	1001168733.....	264, 266
70051311.....	66	1001136080.....	356	1001159568.....	118	1001168993.....	130, 138, 146, 186, 190, 206, 218, 260, 262, 264, 272, 274, 276, 280, 318
70051333.....	32	1001136091.....	356	1001160799.....	300, 318	1001169063.....	266, 272
70051341.....	354	1001136094.....	356	1001163358.....	216, 226	1001169064.....	266, 272
70051343.....	354	1001136103.....	356	1001164560.....	264, 266	1001169076.....	266, 272
70051344.....	354	1001136119.....	356	1001164562.....	264	1001169078.....	206, 218, 266, 272
70051345.....	354	1001136447.....	26	1001164601.....	260, 262	1001169080.....	130, 138, 146, 266, 270, 272, 284
70051346.....	354	1001136990.....	342	1001164614.....	260, 262	1001169083.....	130, 138, 146, 266, 272, 300, 302, 316
70051347.....	354	1001137169.....	356	1001165564.....	266, 272	1001169560.....	46
70051348.....	354	1001137487.....	26	1001165570.....	266	1001169617.....	98
70051349.....	354	1001138537.....	356	1001165571.....	266, 272	1001169893.....	46, 98
70051350.....	354	1001138612.....	356	1001165574.....	266, 272	1001170036.....	126
80004049.....	84	1001139463.....	156	1001165584.....	266, 272	1001170090.....	270
80004056.....	92	1001139464.....	156	1001165652.....	272	1001170091.....	270
83304140.....	44	1001141227.....	356	1001165692.....	234, 236, 244	1001170305.....	270
83304143.....	44	1001142452.....	356	1001165862.....	278	1001170307.....	270, 352
83304181.....	44, 82	1001142828.....	356	1001165863.....	278	1001170310.....	270
91084009.....	136, 144, 152	1001143297.....	98	1001166549.....	212, 224	1001170328.....	270
91084017.....	136, 144, 152	1001143686.....	328	1001166644.....	266, 270, 272, 284, 316	1001170329.....	270, 352
979696088.....	70	1001144730.....	8	1001166674.....	238	1001170330.....	270
1001094694.....	162, 168, 174, 180, 204	1001145056.....	78	1001166930.....	186, 190, 238, 240	1001170331.....	270
1001095650.....	40	1001145240.....	158, 160	1001166974.....	130, 138, 146, 186, 190, 206, 218, 260, 262, 264, 274, 276, 300, 318	1001170332.....	270
1001101025.....	352	1001151050.....	98	1001166978.....	130, 138, 146, 326	1001170428.....	270
1001122235.....	186, 190, 238, 240	1001151184.....	80	1001167268.....	292	1001170618.....	286
1001125479.....	194, 196, 198	1001151185.....	80	1001167358.....	216, 226	1001170707.....	288
1001126269.....	344, 346	1001151546.....	328	1001167455.....	228	1001170839.....	292
1001127220.....	356	1001151789.....	206, 218	1001167456.....	228	1001170849.....	230
1001129800.....	48	1001151805.....	34, 40	1001167607.....	186, 190		
1001129861.....	336	1001152381.....	8	1001168320.....	186, 190		
1001130491.....	130, 138, 146	1001152511.....	8				
1001130702.....	344, 346	1001152547.....	8				

PART NUMBER INDEX

Part Number	Page	Part Number	Page	Part Number	Page	Part Number	Page
1001170937	230	1001186584	216, 226	1001190228	272	1001195838	300
1001170968	278	1001186585	226	1001190265	272	1001196552	154, 156, 158, 160, 186, 190, 212, 224, 238, 240, 244, 248, 268
1001170970	278	1001186606	216, 226	1001190342	266	1001196909	130, 138, 146
1001170971	278	1001186607	226	1001190359	266	1001196910	130, 138, 146
1001171394	202	1001186608	216, 226	1001190361	266	1001196911	130, 138, 146
1001171933	126	1001186725	208, 220	1001190409	276	1001197158	256
1001172491	28, 38	1001186727	208, 220	1001190410	294, 296	1001197159	252
1001173847	206, 218, 236	1001186728	208, 220	1001190551	280	1001197160	252
1001174051	214	1001186835	208	1001190568	298	1001197161	252, 254
1001174138	318	1001186986	258	1001190926	300, 302	1001197162	254
1001174140	318	1001186987	256	1001190988	300	1001197163	254
1001174339	356	1001186988	252	1001191602	186, 190	1001197162	254
1001174346	356	1001186989	252	1001191613	318	1001197163	254
1001174680	186, 190	1001186990	252, 254	1001191810	298	1001197181	258
1001174681	186, 190	1001186991	254	1001192126	266	1001197338	240, 248
1001174992	306	1001186992	254	1001192287	278	1001197482	48
1001175059	304, 306	1001186993	240	1001192504	162, 168, 174, 180	1001197483	48
1001175061	200	1001186997	248	1001192958	154, 158, 160, 208, 210, 220, 232, 238, 240, 244, 248, 252, 254, 256, 258	1001197506	48
1001179349	270	1001187000	238	1001193233	204	1001197693	270
1001182248	276	1001187009	244	1001193241	204	1001198300	118
1001182569	240	1001187063	240, 248	1001193242	204	1001198602	154, 158, 160, 252, 254, 256, 258
1001183037	282, 296, 304, 306	1001188635	220	1001193527	142, 150	1001199081	212, 224, 238, 240, 244, 248
1001183038	304	1001188904	238, 244	1001194069	134, 142, 150	1001199311	130, 138, 146
1001183152	314	1001188919	240, 248	1001194284	134	1001199322	130, 138, 146
1001183735	270	1001188920	238, 240	1001194676	130, 138, 146, 158, 160, 294, 296, 312	1001199324	130, 138, 146
1001183736	270	1001188921	238, 240, 244, 248	1001194736	130, 138, 146	1001199475	342
1001184765	48	1001189656	328	1001195257	186, 190, 238, 240, 244, 248, 252, 254, 256, 258, 292, 294, 296, 300, 308, 312, 318, 326, 328	1001199477	352
1001184772	134, 142, 150	1001189657	328	1001195279	294	1001200997	270
1001184773	134, 142, 150	1001189784	130, 138, 146	1001195341	296	1001201112	264
1001184827	130, 138, 146	1001189989	134, 142, 150	1001195523	156, 158, 160, 286, 288, 290, 292, 300	1001201215	268
1001184828	130, 138, 146	1001189993	130, 138, 146			1001201216	268
1001185600	248	1001190050	284			1001201217	268
1001185654	238, 240	1001190055	284			1001201218	268
1001185657	234	1001190128	284			1001201367	268
1001186416	244	1001190148	284			1001201384	186, 190
1001186491	240	1001190218	272				
		1001190223	272				

PART NUMBER INDEX

Part Number	Page	Part Number	Page	Part Number	Page	Part Number	Page
1001201523	282	1001206679	206, 218	1001209051	186, 190	1001214265	316
1001201695	290	1001206801	130, 138, 146	1001209052	190	1001214266	316
1001201926	186, 190	1001206909	162, 168, 174, 180	1001209053	190	1001214267	316
1001202051	206	1001207212	186	1001209054	186, 190	1001214301	316
1001202052	206	1001207213	186	1001209365	186, 190	1001214350	328
1001202432	130, 138, 146	1001207300	308	1001209366	186, 190	1001214577	328
1001202508	130, 138, 146	1001207367	46	1001209590	326	1001214590	328
1001202517	130, 138, 146	1001207368	46	1001209616	326	1001214605	328
1001202518	130, 138, 146	1001207509	312	1001210868	268	1001214902	130, 138, 146
1001202524	218	1001207539	312	1001211000	326	1001215040	194
1001202741	130, 138, 146	1001207599	274	1001211001	326	1001215041	196
1001203229	146	1001207624	276	1001211002	326	1001215048	198
1001203234	186, 190	1001207734	186, 190	1001211003	326	1001215098	326
1001203506	142, 150	1001207736	186, 190	1001211394	318	1001215100	326
1001204565	78	1001208066	186, 190	1001211486	236	1001215110	328
1001204788	186, 190	1001208303	186, 190	1001211487	236	1001215444	190
1001204789	186, 190	1001208610	78	1001212194	306	1001215445	186
1001204816	8	1001208650	310	1001212286	356	1001215955	352
1001205043	186, 190	1001208651	310	1001213093	328	1001215956	352
1001205044	186, 190	1001208950	326	1001213102	328	1001215957	352
1001205331	356	1001208951	326	1001213104	334	1001216317	352
1001205854	252, 254	1001208952	326	1001213105	334	1001216372	352
1001205855	252, 254	1001209000	190	1001213110	334	1001216373	352
1001205877	208, 220	1001209010	186	1001213111	328	1001216571	352
1001205915	232	1001209014	98	1001213112	328	1001217088	216, 226
1001205916	232	1001209015	98	1001213131	352	1001218611	78
1001205917	232	1001209020	156	1001213132	174, 180	1001219691	130, 138, 146
1001206033	162, 168, 174, 180	1001209021	158, 160	1001213133	162, 168, 174, 180	1001219743	130, 138, 146
1001206039	162, 168, 174, 180	1001209022	154	1001213509	328	1001219831	236
1001206042	162, 168, 174, 180	1001209024	98	1001213522	328	1001219833	236
1001206043	162, 168, 174, 180	1001209025	98	1001214086	162, 168, 174, 180	1001219916	236
1001206052	162, 168, 174, 180	1001209031	186, 190	1001214087	162, 168, 174, 180	1001219917	236
1001206053	162, 168, 174, 180	1001209034	326	1001214089	162, 168, 174, 180	1001219918	236
1001206054	162, 168, 174, 180	1001209040	186, 190	1001214090	162, 168, 174, 180	1001219919	236
1001206364	356	1001209041	186, 190	1001214128	342	1001219921	236
1001206367	356	1001209042	186, 190	1001214129	334	1001219937	130, 138, 146
1001206505	186, 190	1001209044	186, 190	1001214130	328	1001220068	130, 138, 146

PART NUMBER INDEX

Part Number	Page	Part Number	Page	Part Number	Page	Part Number	Page
1001220167	332	3170000135	34	3561000008	120, 122	4178000699	158, 160
1001220168	332	3170000136	28	3561000017	80	4249000002	98
1001220169	332	3170000178	94	3577000018	114	4309000001	130, 138, 146
1001220170	332	3170000179	94	3577000037	80	4309000007	130, 138, 146
1001220171	332	3170000220	94	3577000071	28, 38	4561000012	120, 122
1001220234	332	3170000266	40	3691000126	22	4567112024	162, 168, 174, 180
1001220273	218	3170000374	40	3691000144	116	4567113028	162, 168, 174, 180
1001220345	332	3170000379	94	3691000148	28, 38	4567120017	162, 168, 174, 180
1001220349	332	3170000380	94	3691000149	28, 38	4567132031	162, 168, 174, 180
1001220350	332	3170000381	80	3691000152	80	4567132034	174, 180
1001220351	332	3170000383	40	3691000232	80	4567132043	162, 168, 174, 180
1001220352	332	3170000384	38	3691000251	80	4567132048	162, 168, 174, 180
1001220353	332	3170000400	90	3691000267	22	4567133032	162, 168, 174, 180
1001220354	332	3170000401	90	3691000274	28, 38	4567150048	162, 168, 174, 180
1001220355	332	3170000406	90	3706000080	116	4567152024	162, 168, 174, 180
1001220363	332	3170000407	80	3706000241	40	4567152025	162, 168, 174, 180
1001220364	332	3170000408	80	3706000261	22	4567152054	162, 168, 174, 180
1001220365	332	3170000409	80	3750000021	16	4567152056	162, 168, 174, 180
1001220366	332	3170000433	90	3750000022	14, 18	4567160111	78
1001220367	332	3177000060	134, 142, 150	3750000056	20	4567160146	78
1001220368	332	3178000226	118	3911000068	234, 244	4567182024	162, 168, 174, 180
1001220369	332	3178000240	116	3912000033	122	4567182029	162, 168, 174, 180
1001220370	332	3178000273	94	3912000038	120, 122	4569130044	162, 168, 174, 180
1001220371	332	3178000275	94	3913000094	114	4569130046	162, 168, 174, 180
1001220372	332	3178000499	116	4017000788	46	4569160046	162, 168, 174, 180
1001220373	332	3249000009	46	4017000789	46	4569162034	174, 180
1001220374	332	3249000012	98	4017000792	46	4569163036	174, 180
1001220375	332	3249000035	46	4062000273	34	4569180038	174, 180
1001220376	332	3249000038	98	4062000484	40	4569180044	174, 180
1001220431	186, 190	3263000118	22	4062000562	34, 40	4570000162	162, 168, 174, 180
3007000004	118	3274000011	234, 240, 244, 248	4062000613	40	4570000163	162, 168, 174, 180
3020000119	120, 122	3484000048	120	4062000746	34	4570000167	162, 168, 174, 180
3020000120	120, 122	3484000049	120	4064000033	34, 40	4570000252	162, 168, 174, 180
3170000123	86	3484000072	122	4064000076	40	4570000360	162, 168, 174, 180
3170000124	86	3484000073	122	4178000234	342	4570000362	162, 168, 174, 180
3170000125	86	3507100001	80	4178000248	78	4570000368	162, 168, 174, 180
3170000133	34	3551000036	118	4178000402	336		

PART NUMBER INDEX

Part Number	Page	Part Number	Page	Part Number	Page	Part Number	Page
4619000006	162, 168, 174, 180	4706002209	86	7056000003	124	7115181050	78
4679000127	80	4706002210	86	7056000004	124	7115181250	40
4679000139	34	4706002211	86	7056000005	124	7115181450	28, 34, 38, 40
4679000140	34, 40	4706002235	16, 20	7056000006	124	7115181650	112
4679000146	86, 94	4706002276	34	7075000003	154, 156, 158, 160	7115181850	14, 18
4679000147	86	4706002428	94	7075000006	158, 160	7115182250	60, 70
4679000150	34	4706002555	8	7082000005	130, 138, 146	7115182650	46
4679000170	94	4706003708	86	7108180850	86, 90, 94	7115183250	80
4679000215	40	4706003709	86	7108181050	86	7115201250	80
4679000216	40	4706003710	86	7110201423	100	7115201850	106
4679000217	40	4706003716	22	7110201823	58, 64	7115202250	106
4679000220	40	4706003717	86	7114080418	328	7115220850	40, 80
4679000277	90	4706003718	86	7114100618	186, 190	7115222450	56, 66
4679000293	90	4706003844	78	7114100818	48, 186, 190	7115222650	56
4691000200	22	4706005215	40	7114140518	22, 86, 90, 94, 284, 328	7118140427	40
4691000207	22	4706005216	40	7114140618	34, 130, 138, 146, 264, 266, 284	7118165250	108
4691000242	114	4706005262	90	7114140818	34, 284, 296	7118172050	60, 70, 110
4691000274	120, 122	4706005263	90	7114141018	130, 138, 146, 304, 306	7118180820	40
4691000280	34	4706005281	90	7114141218	40, 230	7118181205	60, 70, 110
4691000281	34	4706006008	10	7114150618	334	7118181250	124
4691000284	80	4706006009	10	7114150850	48	7118201616	98
4691000285	34, 40	4706006016	8	7114160850	270	7118202016	98
4691000290	80	4754000004	34, 40	7115140650	16, 86, 90, 94	7118221816	46, 236
4691000291	80	4812000057	86	7115140850	78	7118223216	46
4691000292	86	4819000008	162, 168, 174, 180	7115141250	34	7118242450	8
4691000293	86, 90, 94	4831000104	46	7115142050	98	7118267250	116
4691000321	90, 94	4949000045	98	7115150650	12, 52, 62	7120000036	116
4691000416	40	4949000059	28, 38	7115150850	12	7120000040	40
4691000417	40	4949000060	28, 38	7115150864	128	7120000047	158, 160
4691000544	40	5526000553	154, 158, 186, 190, 194, 196, 198, 326, 352	7115151050	78	7178000025	186, 190
4691000545	40	6906960019	110	7115160623	80	7183000004	16, 20
4701000004	34, 40	7007000036	12	7115161450	80	7189000017	80
4701000005	40	7007000055	118	7115161650	22, 162, 168, 174, 180, 278	7209000022	114
4705000705	234, 240, 244, 248	7007000056	118	7115180723	34	7209000024	12
4706001815	214	7007960040	60, 70	7115180850	40, 46, 80, 98	7209000031	12
4706002207	86	7011000006	200			7209000032	12
4706002208	86					7209000033	12

PART NUMBER INDEX

Part Number	Page	Part Number	Page	Part Number	Page	Part Number	Page
7209000066	12	7330000208	356	7443000154	48	7445161622	162, 168, 174, 180
7253000002	22, 28, 34, 38, 40, 46, 80, 98	7330000209	356	7443000156	48	7446502518	126
7262000025	80	7330000210	356	7443000158	162, 168, 174, 180	7454000003	118
7274000028	78	7330000278	120, 122	7443000173	48	7454000004	118
7274000030	12	7330000446	42	7443000176	48	7454000005	118
7274000040	162, 168, 174, 180, 186, 190	7330000447	42	7443000178	48	7454000006	118
7274000041	78	7330000448	42	7443000204	112	7470000002	162, 168, 174, 180
7274000042	186, 190	7330000449	42	7443000205	112	7470000003	16, 20
7274000049	12	7330000450	42	7443000209	12	7470000004	162, 168, 174, 180, 204
7274000063	162, 168, 174, 180	7330000451	42	7443000211	134, 142, 150	7470000006	48
7274000071	78	7330000452	42	7443000244	74	7493000011	336, 342
7274000076	78	7330000453	42	7443000254	78	7493000026	186, 190
7280000006	186, 190, 238, 240, 244, 248, 326, 328	7330000466	42	7443000329	48	7561000020	124
7295000029	48	7330000535	272	7443000431	74	7565000014	126
7295000124	156	7330000689	356	7444030037	48	7565000016	48
7295000146	154, 158, 160	7345001714	202	7444120014	16	7565000019	76
7312000015	126	7345242202	194, 196, 198	7444121050	78	7577000063	84
7312000016	126	7346000039	202	7444121271	78	7577000145	126
7320000006	22	7346000040	260, 262	7444160011	16	7577000167	24, 36
7320000024	80	7346000045	194, 196, 198	7445040421	162, 168, 174, 180, 204	7577000213	78
7320000026	86	7346000055	128	7445040445	60, 70, 110	7577000368	122
7320000027	28, 38	7346000078	128	7445060219	162, 168, 174, 180	7577000596	12
7320000028	34	7413000002	130, 138, 146	7445060435	126	7577000637	26
7320000033	82	7430000004	162, 168, 174, 180	7445060643	162, 168, 174, 180	7577000654	12
7320000038	94	7430000010	78	7445060645	162, 168, 174, 180	7577000668	134, 142, 150
7320000042	88	7440000000	80	7445080644	162, 168, 174, 180	7577250188	82
7320000050	40	7440030000	22, 28, 34, 38, 40, 46, 80, 86, 90, 94, 98, 114	7445080822	162, 168, 174, 180	7577250190	30, 32
7320000062	28, 38	7440030200	30, 32	7445080825	12	7577250334	88, 92, 96
7320000068	90	7440030400	36	7445080830	162, 168, 174, 180	7590000049	76
7320000076	92, 96	7443000109	162, 168, 174, 180	7445080837	162, 168, 174, 180	7590000105	186, 190
7320000096	80	7443000130	78	7445080843	162, 168, 174, 180	7590000262	210, 222, 232, 238, 240, 244, 248, 328
7320000097	80	7443000139	48	7445100843	162, 168, 174, 180	7590000282	210, 222
7320000098	84	7443000145	126	7445101025	12	7590000343	186, 190
7330000143	356	7443000146	126	7445101032	162, 168, 174, 180	7636000006	14, 18
		7443000148	48, 126	7445121225	12	7636000008	206, 218, 234, 236, 240, 244, 248
		7443000149	48	7445121645	78		
				7445161620	162, 168, 174, 180		

Part Number	Page	Part Number	Page	Part Number	Page	Part Number	Page
7650100137	78	7690153245	52, 62	7809000004	46	7935000320	136, 144, 152
7660040000	158, 160	7691000019	22	7809000006	98	7935000323	136, 144, 152
7660102601	48, 186, 190	7691000020	120, 122	7870000043	194, 196, 198	7935000330	136, 142, 150
7660140230	130, 138, 146	7691000021	118	7870000045	74	7949000015	14, 18
7660142600	34, 194, 196, 198, 230, 284	7691000022	118	7870000062	74, 76	7949000016	14, 18
7660142601	78, 130, 138, 146, 326	7691000025	116	7870000128	202	7949000019	206, 218, 234, 236, 240, 244, 248
7660142604	40, 98	7691000026	120, 122	7870000129	202	7949000020	206, 218, 234, 236, 240, 244, 248
7660152601	48, 78, 128, 162, 168, 174, 180, 214, 228	7691000075	130, 138, 146	7894000004	48, 162, 168, 174, 180	7949000025	22
7660160001	56, 66	7698250012	36	7894000028	120, 122	7949000056	284
7660162601	22, 130, 134, 138, 142, 146, 150, 186, 190, 206, 218, 260, 262, 264, 266, 270, 274, 276, 278, 280, 300, 302, 318, 342	7701000025	20	7894000037	120, 122	7949000061	8
7660162604	272	7701000048	206, 218, 328	7912000068	12	7950100143	48
7660182301	234, 240, 244, 248	7701000049	328	7912000069	12	7950140000	16, 20, 34, 86, 90, 94
7660182601	14, 18, 46, 80, 336	7701000056	328	7912000070	12	7950140003	130, 138, 146, 264, 266
7660200001	106, 112, 206, 218, 234, 236, 240, 244, 248	7706000001	74	7912000238	12	7950140141	40
7660200200	112	7706000004	76	7912000245	26	7950140143	48, 130, 138, 146, 230, 264, 266, 292, 304, 306, 308, 312, 318, 326
7660202601	80	7706000005	74	7912000246	26	7950140152	78
7660220001	56, 66	7754000008	22	7912000247	26	7950140153	22
7660220230	34, 40	7754000009	130, 138, 146	7912000248	26	7950140163	216, 226
7660222308	46, 236	7754000018	80	7912000301	134, 142, 150	7950150000	12, 52
7660242308	8	7754000033	22	7912000302	134, 142, 150	7950150153	214, 228
7661000018	98	7754000042	114	7912000303	134, 142, 150	7950150161	78, 128, 162, 168, 174, 180
7661000019	90, 94, 328	7754000043	86, 90, 94	7912000304	134, 142, 150	7950160000	108, 162, 168, 174, 180
7661000022	12	7754000049	98	7912000305	134, 142, 150	7950160141	80, 270
7661000027	12	7754000051	80	7912000306	134, 142, 150	7950160143	130, 138, 146, 186, 190, 206, 218, 260, 262, 264, 266, 272, 274, 276, 278, 280, 284, 296, 298, 300, 302, 310, 314, 318
7661000029	334	7754000055	34, 40	7912000307	134, 142, 150	7950160151	56, 66
7661000041	48	7754000059	28, 38, 46	7912000308	134, 142, 150	7950160161	22
7661000052	40	7759000004	120, 122, 356	7912000309	134, 142, 150	7950170000	60, 70, 110
7690141200	130, 138, 146	7759000018	10	7912000310	134, 142, 150	7950180000	28, 34, 38, 40, 50, 60,
7690142845	266, 272	7785152420	78	7912000341	12		
7690144840	34, 40	7786000005	34, 40	7935000104	76		
		7790060676	162, 168, 174, 180, 204	7935000116	78		
		7790141251	200, 216, 226, 318	7935000120	48		
		7790141253	20	7935000293	144, 152		
		7790141651	216, 226	7935000313	134		
		7796000012	130, 138, 146	7935000315	136, 144, 152		
		7796000051	16, 20	7935000316	136, 144, 152		
		7806000008	130, 138, 146	7935000317	136, 144, 152		

Part Number	Page
70, 72, 78, 90, 112, 124	
7950180141	14, 18, 34, 46
7950180153	86, 94
7950180161	80
7950180800	60, 70, 110
7950200000	106
7950200151	112
7950220000	56, 66, 80
7950220141	80
7950220151	56, 66
7950340161	40
7970000168	46
7970000169	46
7978000011	194, 196, 198
7990000003	130, 138, 146
8565000026	78
8597650001	194, 196, 198
8632000011	234, 236, 240, 244, 248
8632000012	158, 160
8798820001	252, 254
9020960002	112
9064960007	112
9073960002	56
9073960003	106
9073960004	106
9082960013	60, 70, 110
9082960014	52, 60, 62, 70
9082960015	50, 72
9082960018	102, 110
9120960019	112
9120960020	56, 66
9120960063	112
9154960027	62
9177960001	52, 62
9177960002	60, 70
9177960003	102
9177960004	110

Part Number	Page
9178960011	112
9183960001	50, 60, 70, 72, 108
9209960025	102
9209960026	108
9254250007	84
9254250008	82
9254250009	30, 32
9280960002	58, 64, 100
9281960004	52, 62
9295310027	154, 158, 160
9295310029	154, 158, 160
9295310030	154, 158, 160
9295310031	154, 158, 160
9295310061	158, 160
9295310068	154, 158, 160
9295310069	154, 158, 160
9309960011	108
9314960022	108
9330960006	102
9346310098	338
9346930086	136, 144, 152
9443760018	76
9443960006	60, 70, 110
9472960029	60, 70
9472960030	52, 62
9472960032	60, 70
9472960033	60, 70
9472960036	52, 62
9472960052	102
9472960053	102
9472960054	108
9472960055	102
9472960056	102
9552310033	158, 160
9553250004	30, 32
9553250009	24
9553250010	36, 88, 92, 96

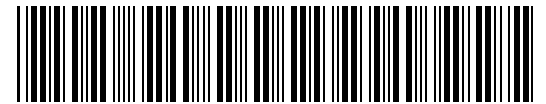
Part Number	Page
9571960006	60, 70, 110
9575960012	100
9577960113	66
9577960120	110
9577960139	110
9590310195	344, 346
9590310197	344, 346
9590310200	344, 346
9590310201	338
9590310202	344, 346
9590310203	344, 346
9590310205	344
9590310206	344
9661250018	30, 32
9661250019	82
9690960039	112
9691960019	112
9691960021	60, 70, 110
9698250002	30, 32
9698250005	82
9698960008	60, 70, 110
9698960009	52, 62
9698960010	52
9698960015	108
9698960016	108
9701250006	82
9701960010	60, 70
9701960011	50, 72, 108
9701960012	50, 72, 108
9701960013	60
9701960018	108
9706960023	70
9706960025	70
9706960026	56, 66
9706960027	60, 70
9724250014	24
9754250009	24, 44, 88, 92, 96

Part Number	Page
9754250011	84
9754250012	82
9754250014	44, 88, 92, 96
9754250015	24
9754250017	84
9754250022	82
9754250023	82
9754250054	44
9754250055	44
9754250056	32
9754960026	108
9754960027	52
9754960029	52, 60, 62, 70
9754960030	50, 72
9754960046	108
9754960047	108
9759960001	56, 66
9763250009	24
9763250012	30, 32
9763250013	82
9763250019	36
9786250004	82
9786250005	30, 32, 82
9796250057	24, 88, 92, 96
9796250058	44, 88, 92, 96
9796250059	82
9796250061	24
9796250062	84
9796250065	82
9796250066	24
9796250068	84
9796250071	44
9796250073	24, 88, 92, 96
9796250077	82
9796250078	82
9796250080	24
9796250081	88, 92, 96

Part Number	Page	Part Number	Page	Part Number	Page	Part Number	Page
9796250083	84	9949960027	102				
9796250084	44, 82	9949960028	102, 108, 110				
9796250149	44	9949960050	62, 112				
9796960085	50, 52, 60, 62, 70, 72	9970960020	100				
9796960087	52, 60, 62, 70						
9796960088	60, 110						
9796960089	100						
9796960090	60, 70						
9796960093	52, 62						
9796960119	108						
9796960120	102, 108						
9796960121	102						
9806960013	60, 70						
9806960014	60, 70						
9806960015	52, 62						
9806960020	104						
9806960021	102						
9831960007	56, 66						
9831960009	112						
9831960018	100						
9843960023	112						
9843960024	70						
9843960025	52, 62						
9843960032	108						
9912250004	24						
9912250007	30, 32						
9912250008	82						
9912250014	36						
9912960010	112						
9935250025	88, 92, 96						
9935250032	30, 32, 36, 82						
9935740034	76						
9935930119	136, 144, 152						
9935930122	136, 144, 152						
9935960026	60, 70, 110						
9949960012	112						
9949960013	50, 52, 62, 72						



Phone (800) 926-9666



5376000186-0