

# JD50IND HEAVY DUTY WRECKER PARTS MANUAL

# ***JERR-DAN***<sup>®</sup>

An Oshkosh Corporation Company

13224 Fountainhead Plaza  
Hagerstown, MD 21742  
Phone (717) 597-7111  
[www.jerr-dan.com](http://www.jerr-dan.com)

5-376-000145  
Rev 0 - April 01, 2012

© 2012 Jerr-Dan Corporation. All Rights Reserved.



This manual covers the following Jerr-Dan Models:

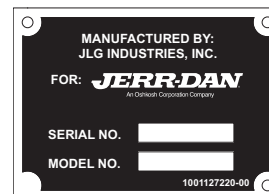
JD50IND - 50 Ton Independent

Jerr-Dan Corporation strives to provide information that is accurate, complete and useful. Descriptions and illustrative material contained within this manual are as accurate as known at the time of publication and are subject to change, without notice, as a result of continuous product improvements. Jerr-Dan reserves the right to amend the information in this document at any time without prior notice.

Information contained in this manual reflects how this vehicle was built at the factory. Modifications or additions by the distributor or owner are not reflected in this manual.

This parts manual does not include service parts information for the commercial chassis (IHC, Ford, GM, etc.). That information is provided by the chassis manufacturer.

When ordering parts, please refer to your unit's Serial Number and Model Number. This information is be found on the aluminum tag riveted to the inside of the driver's side rear compartment of the main body.



Additional or replacement manuals can be ordered by calling Jerr-Dan Parts at 717-597-7111. Price and availability will be quoted at time of the request.

Please report comments and/or errors by contacting Jerr-Dan Corporation's Technical Publications Department by e-mail at [technicalpublications@jerr-dan.com](mailto:technicalpublications@jerr-dan.com) or by FAX on 717-485-7162.

Manufactured under one or more of the following patents: 5,575,606; 5,672,042; 5,697,741; 5,713,714; 5,722,810; 5,782,596; 5,839,775 and 6,315,515 B1 with other Patents Pending.

Jerr-Dan and the Jerr-Dan logo are registered trademarks and Run Hard is a service mark of Jerr-Dan Corporation, Greencastle, PA USA.

The material in this document is confidential and the property of Jerr-Dan Corporation. No part of this document may be photocopied, reproduced or translated to another language without the express written consent of Jerr-Dan Corporation.

**THIS PAGE INTENTIONALLY LEFT BLANK**



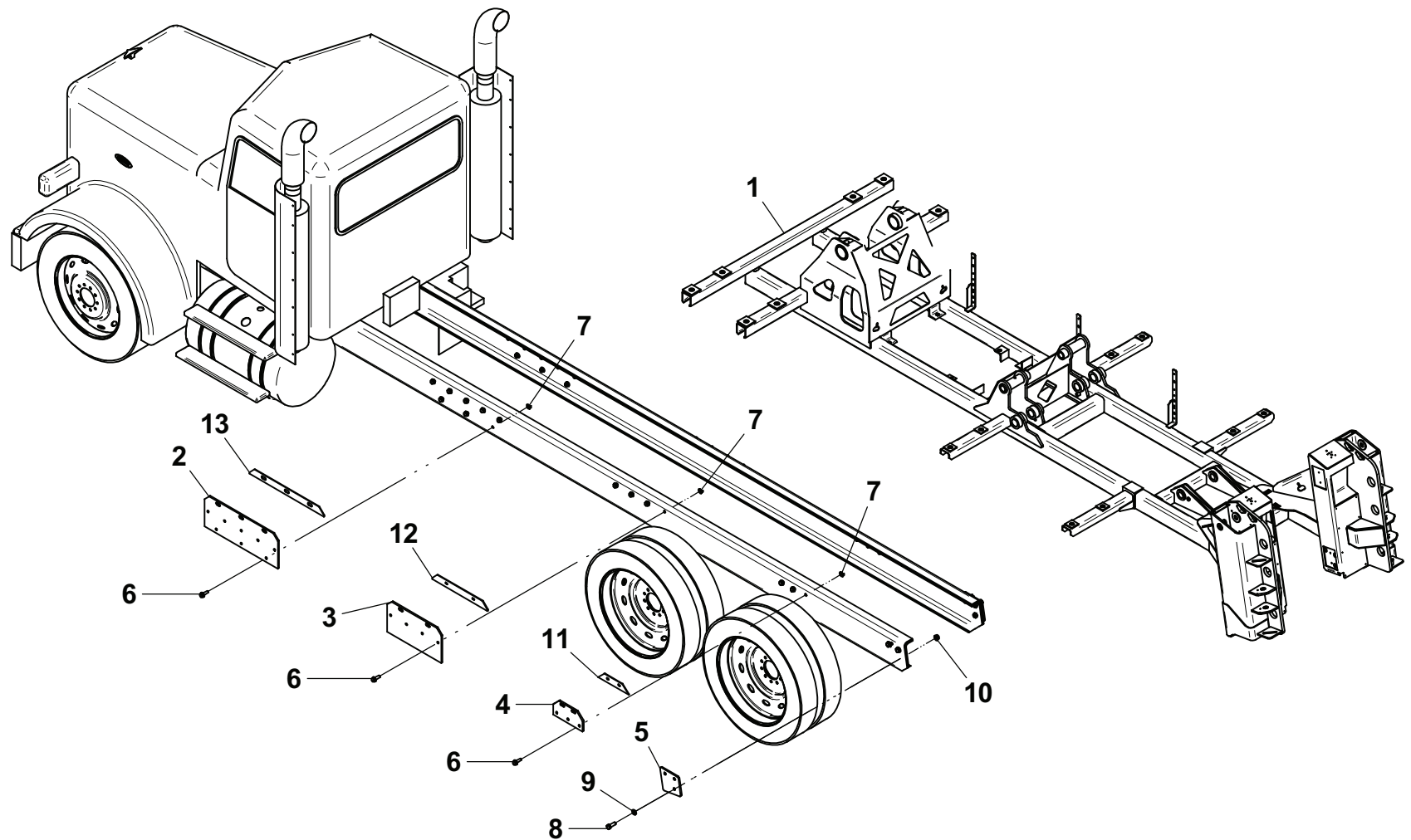
# INDEX

| DESCRIPTION   | PAGE      |
|---|-----------|
| Subframe Installation .....   | 6 - 7     |
| Subframe Hydraulic Tubing .....   | 8 - 9     |
| Hydraulic Tank Installation (Units Without Underlift Winch Option) .....                | 10 - 11   |
| Hydraulic Tank Assembly (Units Without Underlift Winch Option) .....                    | 12 - 13   |
| Hydraulic Tank Installation (Units With Underlift Winch Option) .....                   | 14 - 15   |
| Hydraulic Tank Assembly (Units With Underlift Winch Option) .....                       | 16 - 17   |
| Rear Spade Installation .....   | 18 - 19   |
| Rear Spade Tubing .....   | 20 - 21   |
| Boom Installation - 2 Piece Boom .....  | 22 - 23   |
| Wrecker Boom Assembly - 2 Piece Boom .....  | 24 - 25   |
| Boom Installation - 3 Piece Boom .....  | 26 - 27   |
| Wrecker Boom Assembly - 3 Piece Boom .....  | 28 - 29   |
| Winch Installation - 50K DP Planetary 2 Speed Gear Shift .....                          | 30 - 31   |
| Underlift Installation - Without Winch Option (Standard) .....                          | 32 - 33   |
| Underlift Installation - With Winch Option (Optional) .....                             | 34 - 35   |
| Underlift Assembly - 53,000 LB - 3 Piece Boom (Standard) .....                          | 36 - 37   |
| Underlift Assembly - 56,500 LB - 3 Piece Boom (Optional) .....                          | 38 - 39   |
| Underlift Assembly - 56,500 LB - 4 Piece Boom (Optional) .....                          | 40 - 41   |
| Underlift Winch Installation (Optional) .....   | 42 - 43   |
| Crosstube Installation .....  | 44 - 45   |
| Underlift Tools - Frame Forks .....   | 46 - 47   |
| Underlift Tools - 14,000 LB Tire Lift .....   | 48 - 49   |
| Underlift Tools - 25,000 LB Tire Lift .....   | 50 - 51   |
| Underlift Tools - Fifth Wheel Attachment .....  | 52 - 53   |
| Underlift Tools - Pintle Hook .....   | 54 - 55   |
| Rear Tail Plate Installation .....  | 56 - 57   |
| Tailboard D-Ring Installation .....   | 58 - 59   |
| Controls - Control Valve Installation - 6 Function & 14 Function .....                  | 60 - 61   |
| Controls - Control Valve Installation - 16 Function .....                               | 62 - 63   |
| Controls - Push-Pull Cables Installation - 6 Function & 14 Function .....               | 64 - 65   |
| Controls - Push-Pull Cables Installation - 16 Function .....                            | 66 - 67   |
| Controls - Control Valve Assembly - 6 Function & 14 Function .....                      | 68 - 69   |
| Controls - Control Valve Assembly - 16 Function .....                                   | 70 - 71   |
| Controls - 6 Function Non-Proportional Miratron .....                                   | 72 - 73   |
| Controls - 14 Function Non-Proportional Miratron .....                                  | 74 - 75   |
| Controls - 14 & 16 Function Proportional Miratron .....                                 | 76 - 77   |
| Controls - Electrical Emergency Stop .....  | 78 - 79   |
| Hydraulics - Supply-Pressure-Return .....   | 80 - 81   |
| Hydraulics - Lines and Fittings .....   | 82 - 89   |
| Driver Side Hydraulic Pressure Gauges - Without Underlift Winch Option (Standard) ..... | 90 - 91   |
| Driver Side Hydraulic Pressure Gauges - With Underlift Winch Option (Optional) .....    | 92 - 93   |
| Passenger Side Winch Air Controls - 2 Spd Gear Shift .....                              | 94 - 95   |
| Driver & Passenger Side Winch Air Controls - DP 50K, 2 Spd Gear Shift .....             | 96 - 99   |
| Winch Electric Speed/Free Spool Controls - DP 50K, 2 Spd .....                          | 100 - 103 |
| Decals .....  | 104 - 106 |

**SUBFRAME INSTALLATION**

| ITEM | PART NO.   | DESCRIPTION                  | QTY |
|------|------------|------------------------------|-----|
| 1    | 3868000305 | Subframe                     | 1   |
| 2    | 4706002262 | Plate                        | 2   |
| 3    | 4706002261 | Plate                        | 2   |
| 4    | 4706002490 | Plate                        | 2   |
| 5    | 4706006016 | Plate                        | 2   |
| 6    | 7118221816 | Capscrew, 0.75"-10NC x 2.25" | 36  |
| 7    | 7660222308 | Locknut, 0.75"-10NC          | 36  |
| 8    | 7118242050 | Capscrew .88 -9NC x 2.50"    | 6   |
| 9    | 7949000061 | Washer, 0.88" ID             | 6   |
| 10   | 7660242308 | Locknut, 0.88"-9NC           | 6   |
| 11   | 4706002555 | Plate                        | 2   |
| 12   | 4062000268 | Bar                          | 2   |
| 13   | 4062000269 | Bar                          | 2   |

# SUBFRAME INSTALLATION

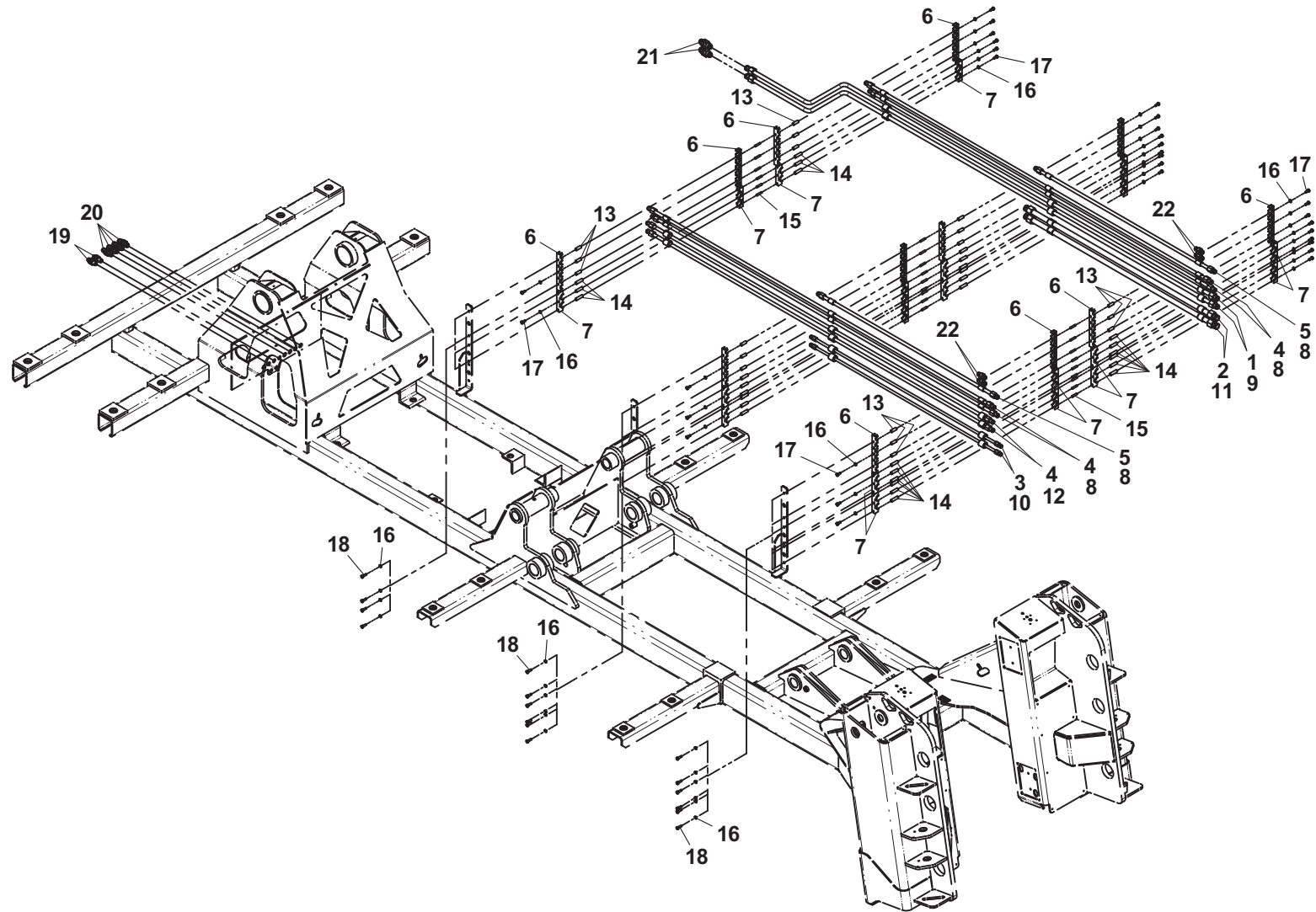


**SUBFRAME HYDRAULIC TUBING**

| ITEM | PART NO.    | DESCRIPTION                   | QTY |
|------|-------------|-------------------------------|-----|
| 1    | 7912000068  | Tube Assembly                 | 2   |
| 2    | 7912000069  | Tube Assembly                 | 2   |
| 3    | 7912000070  | Tube Assembly                 | 2   |
| 4    | 7912000041  | Tube Assembly                 | 6   |
| 5    | 7912000238* | Tube Assembly                 | 2   |
| 6    | 7274000030  | Clamp                         | 6   |
| 7    | 7274000049  | Clamp                         | 20  |
| 8    | 7209000024* | Bushing, 0.62" ID             | 16  |
|      | 7209000024  | Bushing, 0.62" ID             | 12  |
| 9    | 7209000032  | Bushing, #12 Tube             | 6   |
| 10   | 7209000031  | Bushing, #8 Tube              | 4   |
| 11   | 7209000033  | Bushing, #16 Tube             | 4   |
| 12   | 7209000066  | Bushing, #10 Tube             | 6   |
| 13   | 7661000022  | Nut, 0.31"-18NC Stacking Head | 18  |
| 14   | 7661000027  | Nut, Stacking                 | 30  |
| 15   | 7007000036  | Adapter, 0.31"-18NC x 1.38"   | 24  |
| 16   | 7950150000  | Lockwasher, 0.31" ID          | 48  |
| 17   | 7115150650  | Capscrew, 0.31"-18NC x 0.75"  | 32  |
| 18   | 7115150850  | Capscrew, 0.31"-18NC x 1.00"  | 16  |
| 19   | 7445080825  | Fitting, Union Bulkhead       | 2   |
| 20   | 7445101025  | Fitting, Union Bulkhead       | 4   |
| 21   | 7445121225  | Fitting, Union Bulkhead       | 2   |
| 22   | 7443000209  | Fitting                       | 4   |

\* Used With Drag Winch Option Only

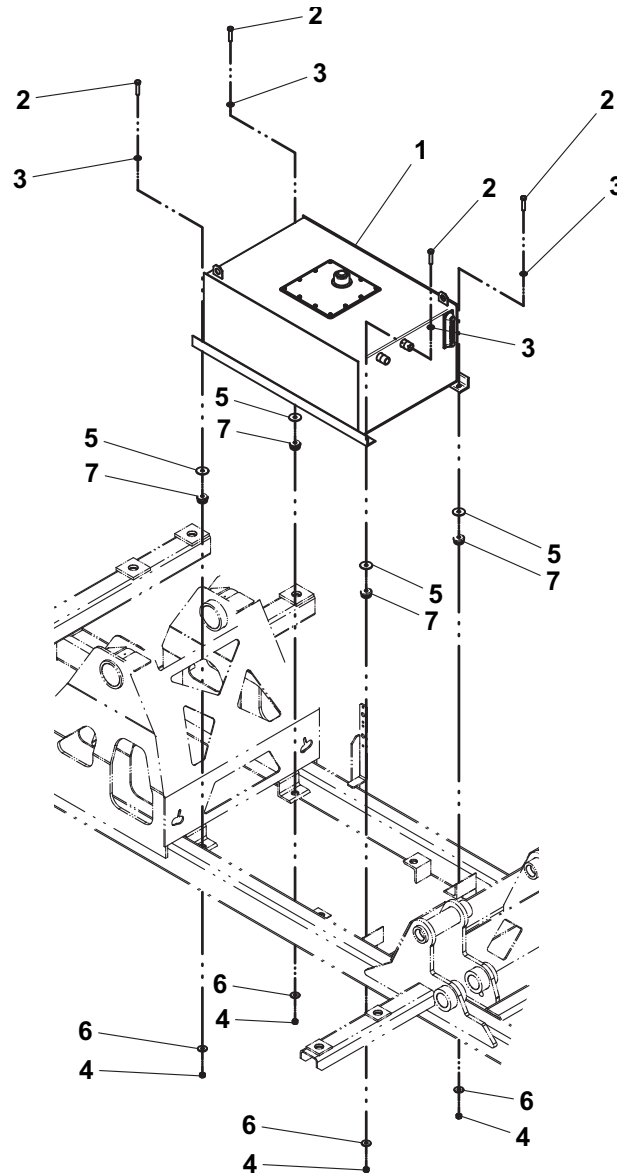
# SUBFRAME HYDRAULIC TUBING



**HYDRAULIC TANK INSTALLATION - UNITS WITHOUT UNDERLIFT DRAG WINCH**

| ITEM | PART NO.   | DESCRIPTION                  | QTY |
|------|------------|------------------------------|-----|
| 1    | 3750000022 | Hydraulic Tank Assembly      | 1   |
| 2    | 7115181850 | Capscrew, 0.50"-13NC x 2.25" | 4   |
| 3    | 7950180141 | Flatwasher, 0.50" ID         | 4   |
| 4    | 7660182601 | Locknut, 0.50"-13NC          | 4   |
| 5    | 7949000015 | Washer, Head                 | 4   |
| 6    | 7949000016 | Washer, Tail                 | 4   |
| 7    | 7636000006 | Rubber Mount                 | 4   |

# HYDRAULIC TANK INSTALLATION - UNITS WITHOUT UNDERLIFT DRAG WINCH

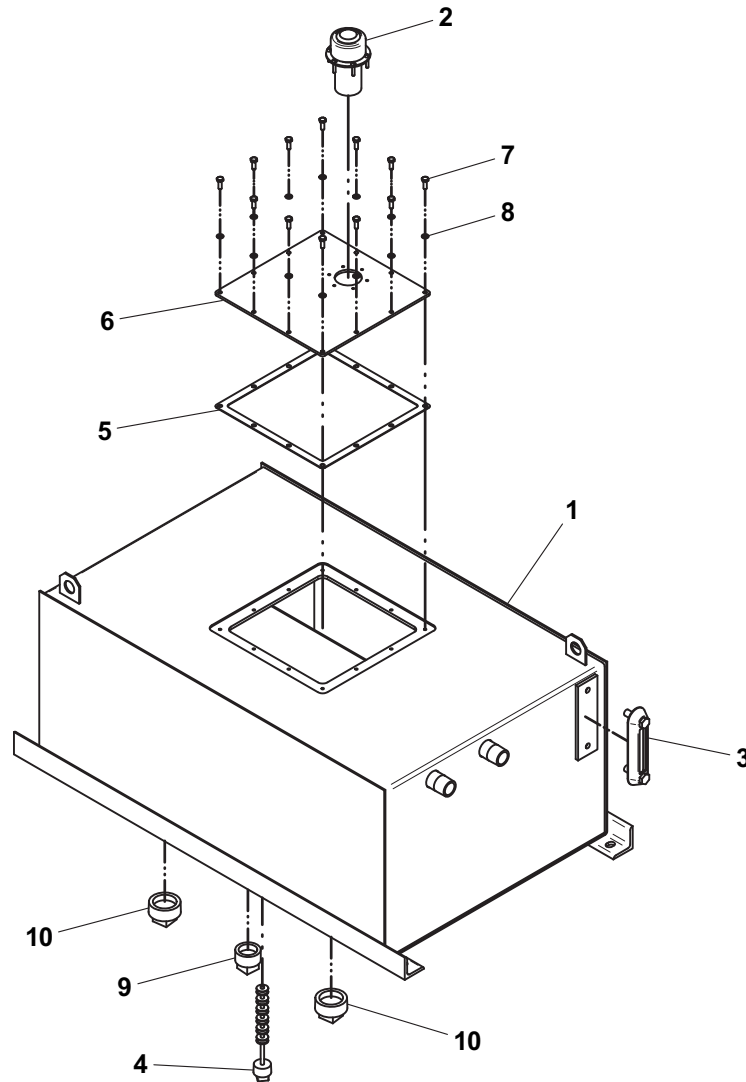


**HYDRAULIC TANK ASSEMBLY - 3750000022 - UNITS WITHOUT UNDERLIFT DRAG WINCH**

| ITEM | PART NO.   | DESCRIPTION                  | QTY |
|------|------------|------------------------------|-----|
| 1    | 3750000021 | Hydraulic Tank               | 1   |
| 2    | 7183000002 | Breather, Filler Cap         | 1   |
| 3    | 7470000003 | Gauge, Sight                 | 1   |
| 4    | 7701000025 | Plug, Magnetic               | 1   |
| 5    | 7796000051 | Gasket                       | 1   |
| 6    | 4706002235 | Plate                        | 1   |
| 7    | 7115140650 | Capscrew, 0.25"-25NC x 0.75" | 12  |
| 8    | 7950140000 | Lockwasher, 0.25" ID         | 12  |
| 9    | 7444120014 | Plug                         | 1   |
| 10   | 7444160011 | Plug                         | 2   |



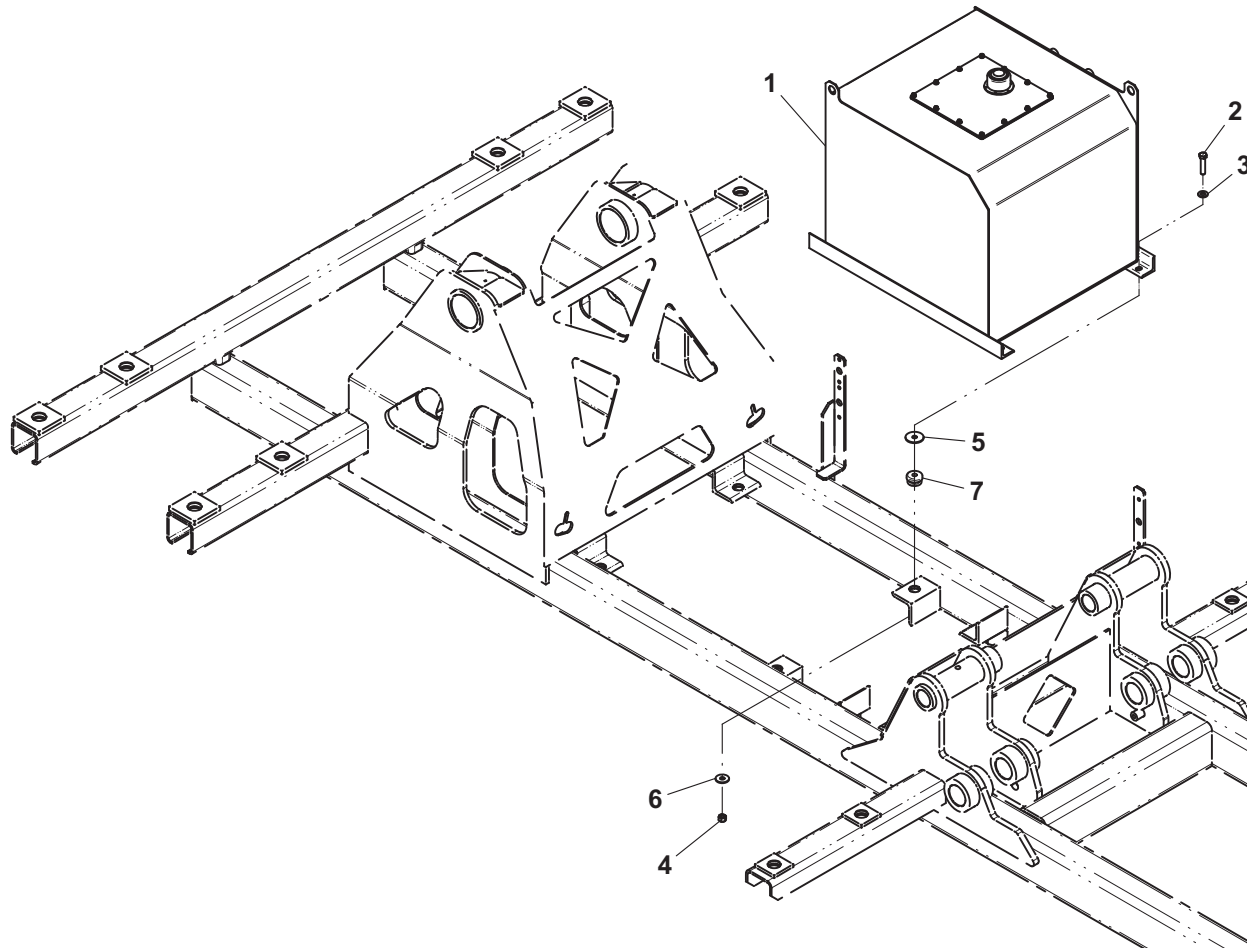
# HYDRAULIC TANK ASSEMBLY - 375000022 - UNITS WITHOUT UNDERLIFT DRAG WINCH



**HYDRAULIC TANK INSTALLATION - UNITS WITH UNDERLIFT DRAG WINCH**

| ITEM | PART NO.   | DESCRIPTION                  | QTY |
|------|------------|------------------------------|-----|
| 1    | 3750000055 | Hydraulic Tank Assembly      | 1   |
| 2    | 7115181850 | Capscrew, 0.50"-13NC x 2.25" | 4   |
| 3    | 7950180141 | Flatwasher, 0.50" ID         | 4   |
| 4    | 7660182601 | Locknut, 0.50"-13NC          | 4   |
| 5    | 7949000015 | Washer, Head                 | 4   |
| 6    | 7949000016 | Washer, Tail                 | 4   |
| 7    | 7636000006 | Rubber Mount                 | 4   |

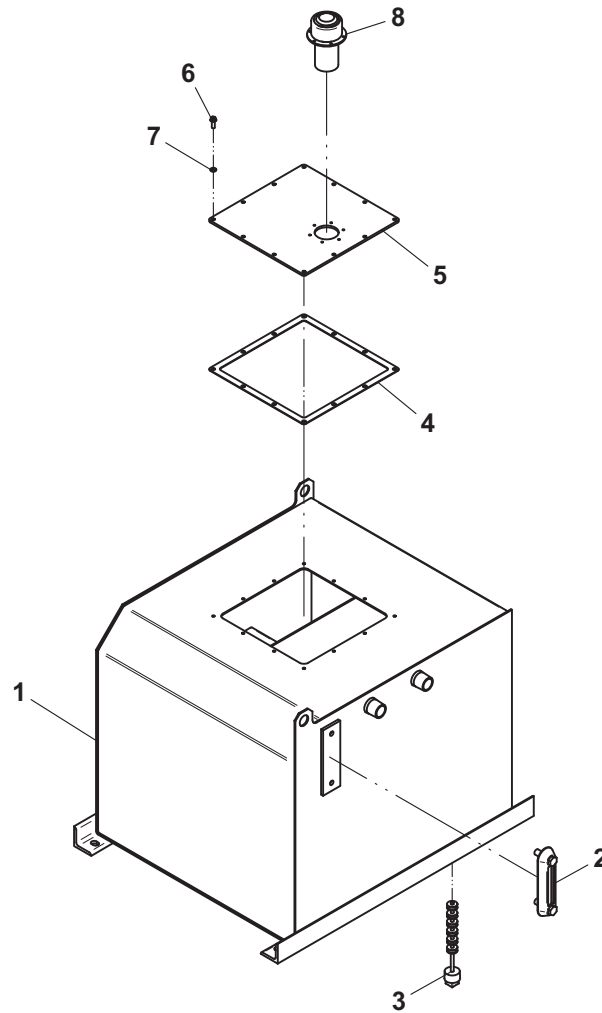
## HYDRAULIC TANK INSTALLATION - UNITS WITH UNDERLIFT DRAG WINCH



**HYDRAULIC TANK ASSEMBLY - 3750000055**

| ITEM | PART NO.   | DESCRIPTION               | QTY |
|------|------------|---------------------------|-----|
| 1    | 3750000056 | Hydraulic Tank            | 1   |
| 2    | 7470000003 | Gauge, Sight              | 1   |
| 3    | 7701000025 | Plug, Magnetic            | 1   |
| 4    | 7796000051 | Gasket                    | 1   |
| 5    | 4706002235 | Plate                     | 1   |
| 6    | 7790141253 | Screw, 0.25"-20NC x 0.75" | 12  |
| 7    | 7950140000 | Lockwasher, 0.25" ID      | 12  |
| 8    | 7183000002 | Breather, Filler Cap      | 1   |

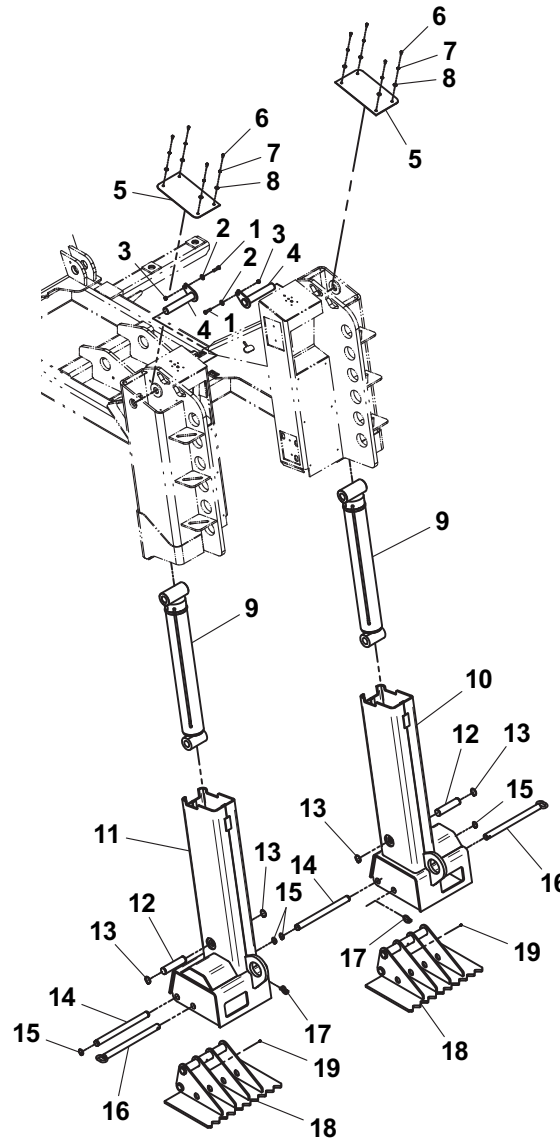
# HYDRAULIC TANK ASSEMBLY - 3750000055



**REAR SPADE INSTALLATION**

| ITEM | PART NO.   | DESCRIPTION                  | QTY |
|------|------------|------------------------------|-----|
| 1    | 7115161250 | Capscrew, 0.38"-16NC x 1.50" | 2   |
| 2    | 7950160161 | Flatwasher, 0.38" ID         | 2   |
| 3    | 7660162601 | Locknut, 0.38"-16NC          | 2   |
| 4    | 3691000267 | Pin                          | 2   |
| 5    | 4706003716 | Plate                        | 2   |
| 6    | 7114140518 | Capscrew, 0.25"-20NC x 0.63" | 8   |
| 7    | 7949000025 | Lockwasher, 11MM ID          | 8   |
| 8    | 7950140153 | Flatwasher, 0.25" ID         | 8   |
| 9    | 7320000006 | Spade Cylinder Assembly      | 2   |
| 10   | 3263000061 | Channel, Spade - RH          | 1   |
| 11   | 3263000062 | Channel, Spade - LH          | 1   |
| 12   | 4691000207 | Pin                          | 2   |
| 13   | 7754000033 | Retaining Ring               | 4   |
| 14   | 4691000200 | Pin                          | 2   |
| 15   | 7754000008 | Retaining Ring               | 4   |
| 16   | 3691000126 | Pin                          | 2   |
| 17   | 7691000019 | Lynch Pin                    | 2   |
| 18   | 3706000335 | Spade Claw Plate             | 2   |
| 19   | 7440030000 | Grease Fitting               | 2   |

# REAR SPADE INSTALLATION

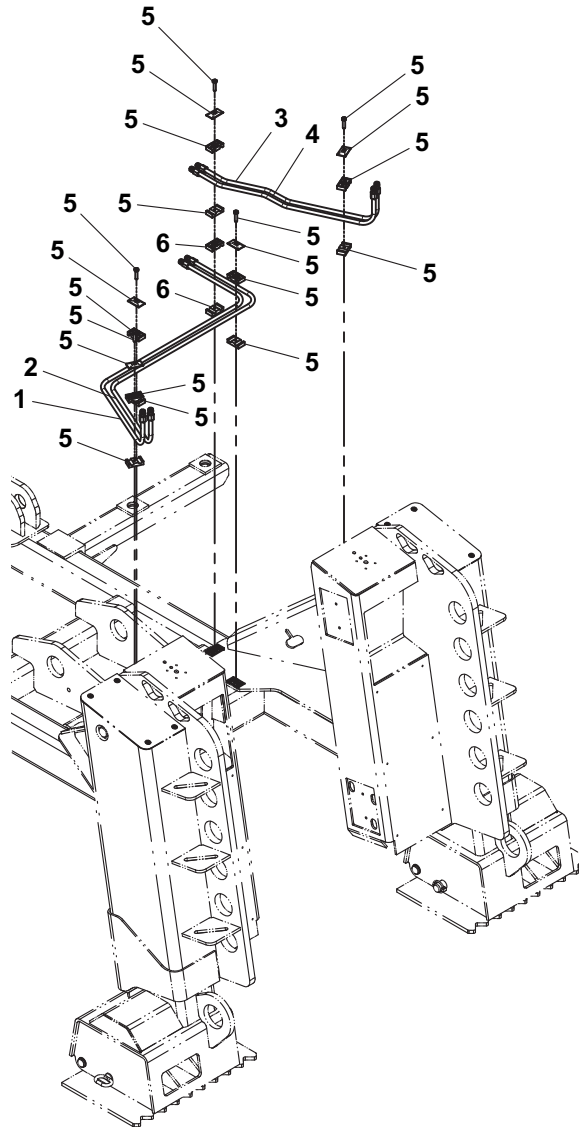


**REAR SPADE TUBING**

| ITEM | PART NO.   | DESCRIPTION   | QTY |
|------|------------|---------------|-----|
| 1    | 7912000245 | Tube Assembly | 1   |
| 2    | 7912000246 | Tube Assembly | 1   |
| 3    | 7912000247 | Tube Assembly | 1   |
| 4    | 7912000248 | Tube Assembly | 1   |
| 5    | 7274000050 | Clamp         | 5   |
| 6    | 7274000064 | Clamp         | 1   |



# REAR SPADE TUBING

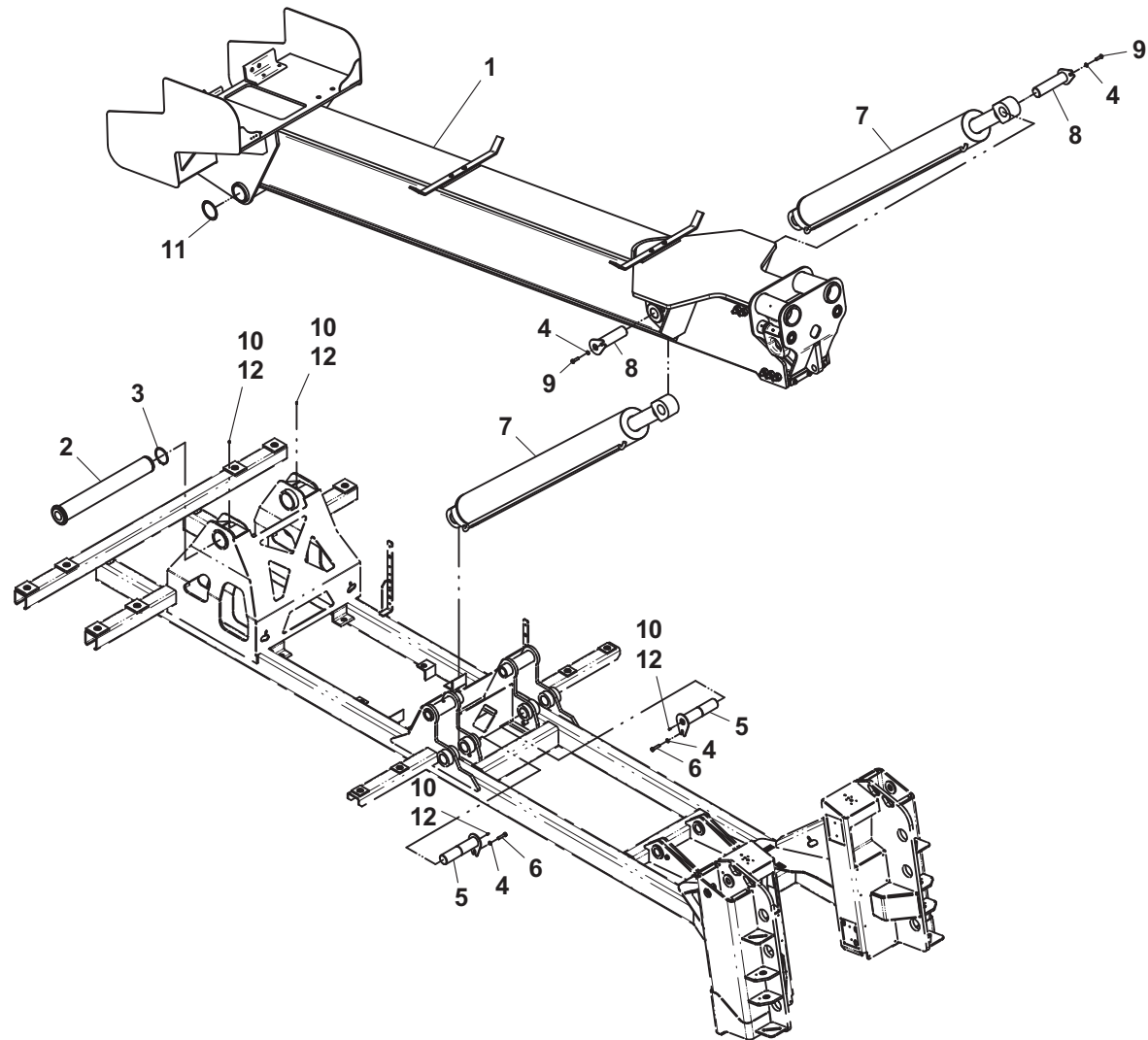


**BOOM INSTALLATION - 2 PIECE BOOM**

| ITEM | PART NO.    | DESCRIPTION                             | QTY |
|------|-------------|---|-----|
| 1    | 3170000136  | Boom Assembly                           | 1   |
| 2    | 3691000274  | Pin                                     | 1   |
| 3    | 7754000059  | Retaining Ring                          | 1   |
| 4    | 7950180000  | Lockwasher, 0.59" ID                    | 4   |
| 5    | 3691000149  | Pin                                     | 2   |
| 6    | 7115181850  | Capscrew, 0.50"-13NC x 2.25"            | 2   |
| 7    | 7320000027  | Lift Cylinder Assy w/o U/L Winch Option | 2   |
|      | 7320000062  | Lift Cylinder Assy w/ U/L Winch Option  |     |
| 8    | 3691000148  | Pin                                     | 2   |
| 9    | 7115181450  | Capscrew, 0.50"-13NC x 1.75"            | 2   |
| 10   | 7440030000  | Grease Fitting                          | 4   |
| 11   | 4949000059* | Shim, 0.062" Thick                      | 2   |
|      | 4949000060* | Shim, 0.125" Thick                      |     |
| 12   | 7253000002  | Cap, Grease Fitting                     | 4   |
| 13   | 4679000127  | Pad                                     | 4   |
| 14   | 7115160623  | Capscrew, 0.38"-16NC x 0.75"            | 8   |

\* Available in Shim Kit - 3577000071

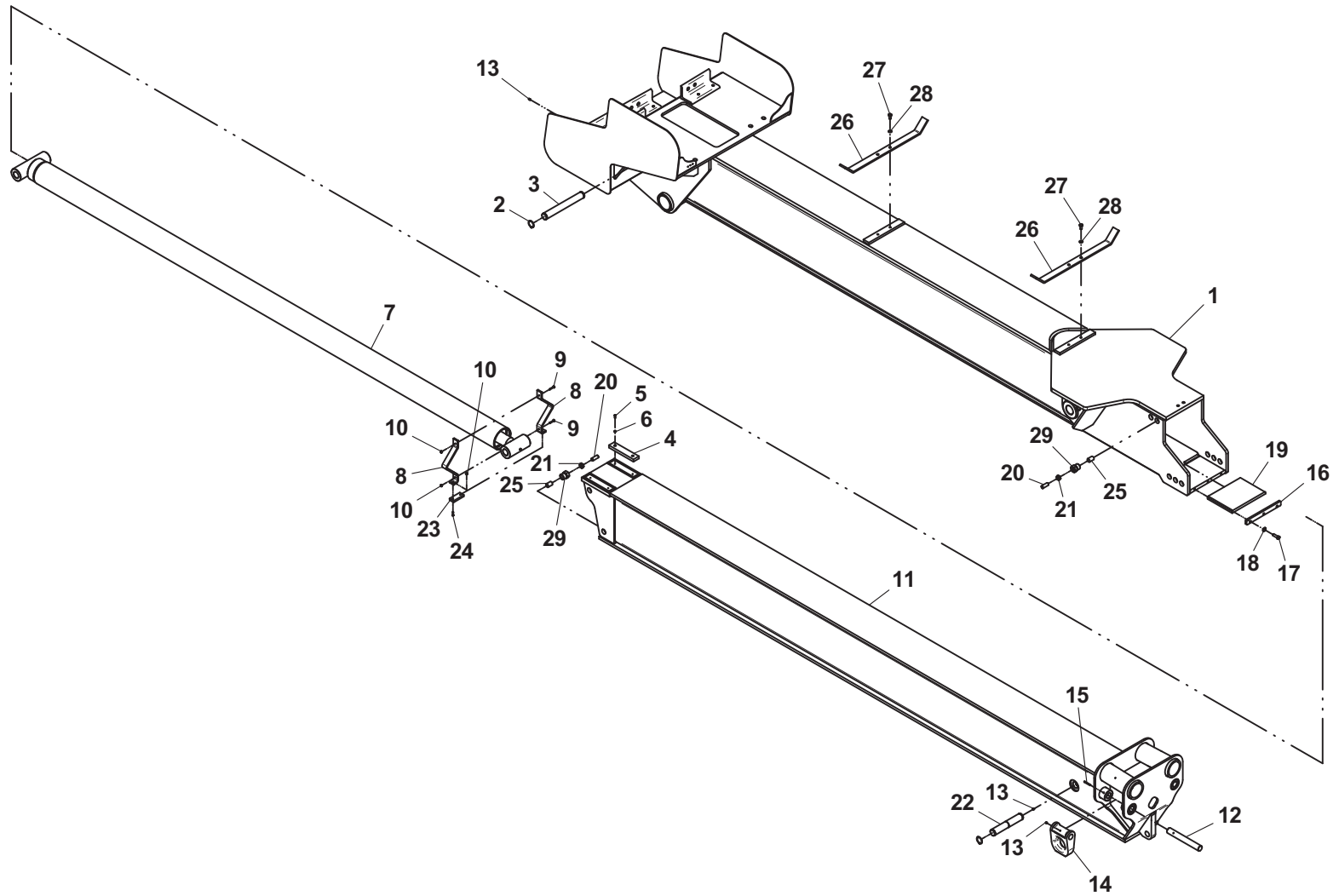
## BOOM INSTALLATION - 2 PIECE BOOM



**WRECKER BOOM ASSEMBLY - 2 PIECE BOOM**

| ITEM | PART NO.   | DESCRIPTION                  | QTY |
|------|------------|------------------------------|-----|
| 1    | 3170000133 | Outer Boom Weldment          | 1   |
| 2    | 7754000055 | Retaining Ring               | 4   |
| 3    | 4691000281 | Pin                          | 1   |
| 4    | 4679000140 | Pin                          | 2   |
| 5    | 7114140618 | Capscrew, 0.25"-20NC x 0.75" | 4   |
| 6    | 7950140000 | Lockwasher, 0.25" ID         | 4   |
| 7    | 7320000028 | Extension Cylinder Assembly  | 1   |
| 8    | 4062000273 | Bar                          | 2   |
| 9    | 7115141250 | Capscrew, 0.25"-20NC x 1.50" | 2   |
| 10   | 7660142600 | Locknut, 0.25"-20NC          | 4   |
| 11   | 3170000135 | Fly Boom Weld                | 1   |
| 12   | 4691000285 | Pin                          | 2   |
| 13   | 7440030000 | Grease Fitting               | 4   |
| 14   | 4754000004 | D-Ring                       | 2   |
| 15   | 7690144840 | Pin, Spring                  | 2   |
| 16   | 4706002276 | Plate                        | 1   |
| 17   | 7115181450 | Capscrew, 0.50"-13NC x 1.75" | 3   |
| 18   | 7950180141 | Flatwasher                   | 3   |
| 19   | 4679000139 | Pad                          | 1   |
| 20   | 7786000005 | Setscrew, 0.75"-16NF x 2.0"  | 14  |
| 21   | 7660220230 | Nut, 0.75"-16NF Hex Jam      | 14  |
| 22   | 4691000280 | Pin                          | 1   |
| 23   | 4679000150 | Pad                          | 1   |
| 24   | 7114140818 | Capscrew 0.25"-20 x 1.00"    | 2   |
| 25   | 4064000033 | Bar                          | 14  |
| 26   | 4062000158 | Bar                          | 2   |
| 27   | 7115180850 | Capscrew, 0.50"-13NC x 1.00" | 4   |
| 28   | 7950180000 | Lockwasher, 0.59" ID         | 4   |
| 29   | 4701000004 | Keeper                       | 14  |

# WRECKER BOOM ASSEMBLY - 2 PIECE BOOM

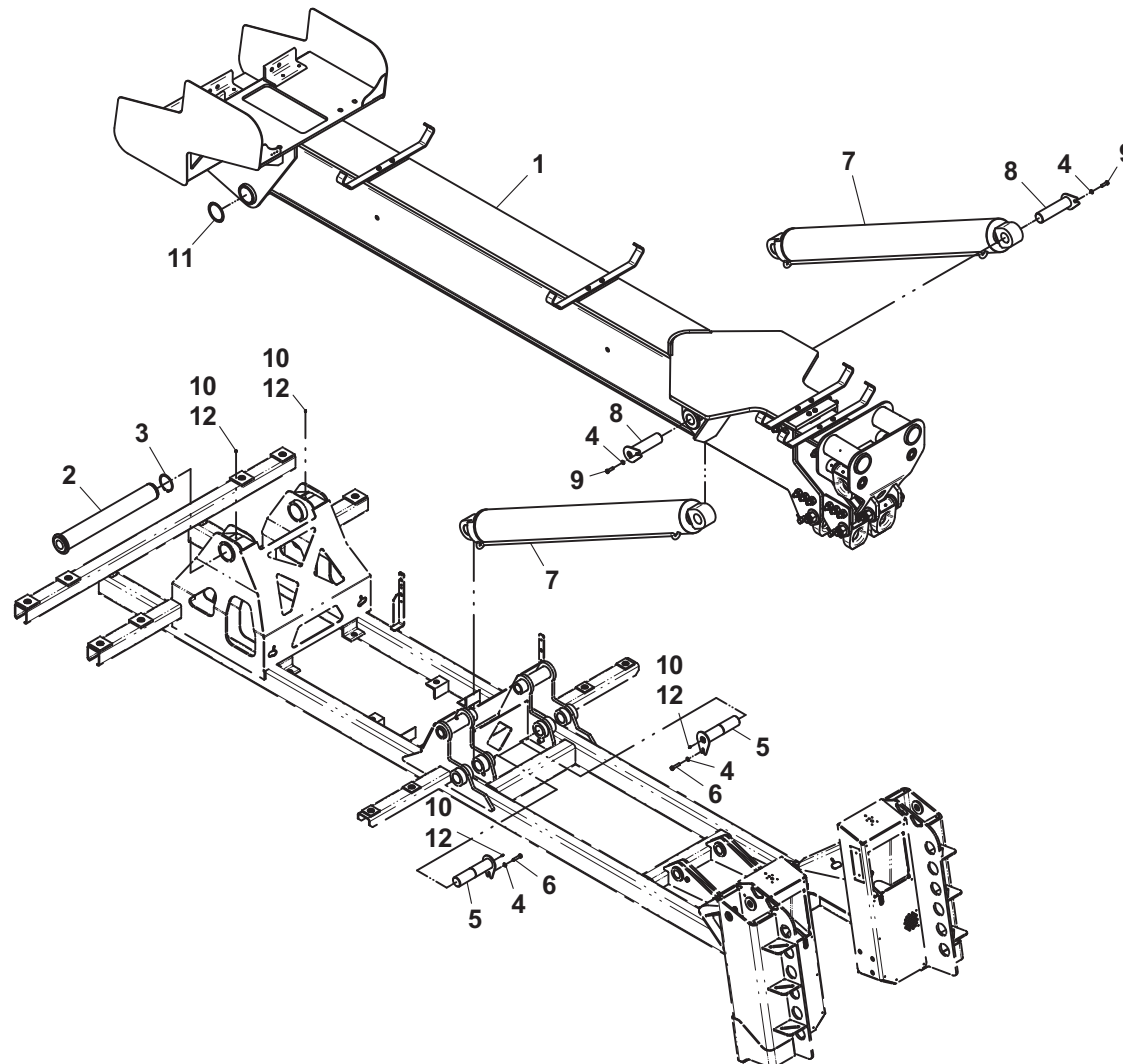


**BOOM INSTALLATION - 3 PIECE BOOM**

| ITEM | PART NO.    | DESCRIPTION                             | QTY |
|------|-------------|---|-----|
| 1    | 3170000384  | Boom Assembly                           | 1   |
| 2    | 3691000274  | Pin                                     | 1   |
| 3    | 7754000059  | Retaining Ring                          | 1   |
| 4    | 7950170000  | Lockwasher, 0.43" ID                    | 4   |
| 5    | 3691000149  | Pin                                     | 2   |
| 6    | 7115181850  | Capscrew 0.50"-13NC x 2.25              | 2   |
| 7    | 7320000027  | Lift Cylinder Assy w/o U/L Winch Option | 2   |
|      | 7320000062  | Lift Cylinder Assy w/ U/L Winch Option  |     |
| 8    | 3691000148  | Pin                                     | 2   |
| 9    | 7115181450  | Capscrew, 0.50"-13NC x 1.75"            | 2   |
| 10   | 7440030000  | Grease Fitting                          | 4   |
| 11   | 4949000059* | Shim, 0.062" Thick                      | 2   |
|      | 4949000060* | Shim, 0.125" Thick                      |     |
| 12   | 7253000002  | Cap, Grease Fitting                     | 4   |

\* Available in Shim Kit - 3577000071

## BOOM INSTALLATION - 3 PIECE BOOM

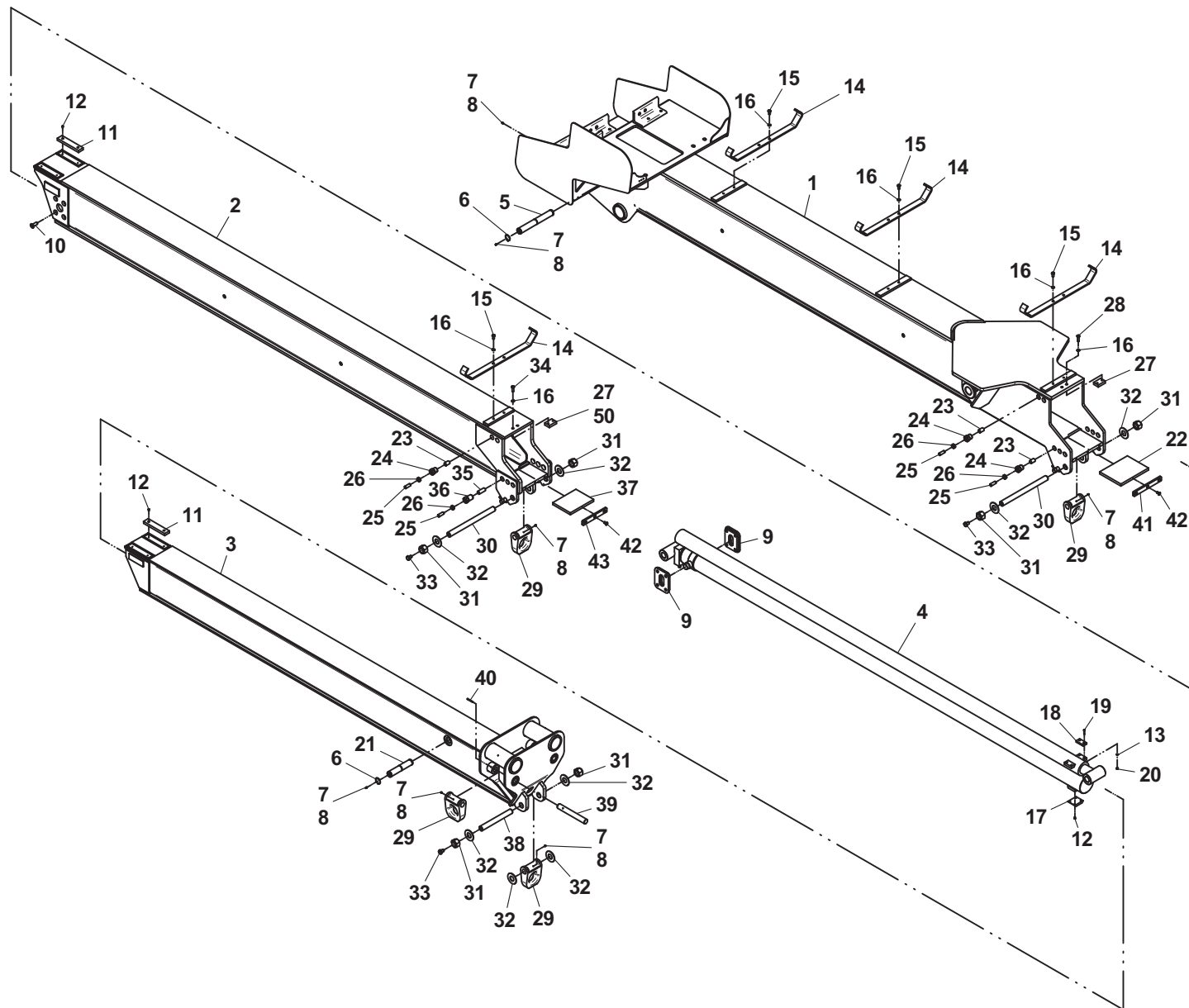


**WRECKER BOOM ASSEMBLY - 3 PIECE BOOM**

| ITEM | PART NO.   | DESCRIPTION                  | QTY | ITEM | PART NO.   | DESCRIPTION                  | QTY |
|------|------------|------------------------------|-----|------|------------|------------------------------|-----|
| 1    | 317000374  | Base Section Boom Weldment   | 1   | 36   | 4701000005 | Keeper                       | 6   |
| 2    | 317000266  | Mid Section Boom Weldment    | 1   | 37   | 4679000217 | Pad                          | 1   |
| 3    | 317000383  | Fly Section Boom Weldment    | 1   | 38   | 4691000545 | Pin                          | 1   |
| 4    | 7320000050 | Extension Cylinder Weldment  | 1   | 39   | 4691000285 | Pin                          | 2   |
| 5    | 4691000417 | Pin                          | 1   | 40   | 7690144840 | Pin                          | 2   |
| 6    | 7754000055 | Retaining Ring               | 4   | 41   | 4706005215 | Plate                        | 1   |
| 7    | 7440030000 | Grease Fitting               | 7   | 42   | 7118180820 | Capscrew, 0.50"-13NC x 1.00" | 6   |
| 8    | 7253000002 | Grease Fitting               | 7   | 43   | 4706005216 | Plate                        | 1   |
| 9    | 3706000241 | Plate Weldment               | 2   | 44   | 4062000613 | Bar                          | 1   |
| 10   | 7120000040 | Bolt, 0.75"-10NC x 2.00"     | 8   |      |            |                              |     |
| 11   | 4679000140 | Pad                          | 4   |      |            |                              |     |
| 12   | 7118140427 | Capscrew, 0.25"-20NC x 0.50" | 12  |      |            |                              |     |
| 13   | 7950140141 | Flatwasher, 0.25" ID         | 4   |      |            |                              |     |
| 14   | 4062000484 | Bar                          | 4   |      |            |                              |     |
| 15   | 7115180850 | Capscrew, 0.50"-13NC x 1.00" | 8   |      |            |                              |     |
| 16   | 7950180000 | Lockwasher, 0.59" ID         | 12  |      |            |                              |     |
| 17   | 4679000216 | Pad                          | 1   |      |            |                              |     |
| 18   | 4679000220 | Pad                          | 2   |      |            |                              |     |
| 19   | 7114141218 | Capscrew, 0.25"-20NC x 1.50" | 4   |      |            |                              |     |
| 20   | 7660142604 | Locknut, 0.25"-20NC          | 4   |      |            |                              |     |
| 21   | 4691000416 | Pin                          | 1   |      |            |                              |     |
| 22   | 4679000215 | Pad                          | 1   |      |            |                              |     |
| 23   | 4064000033 | Bar                          | 14  |      |            |                              |     |
| 24   | 4701000004 | Keeper                       | 14  |      |            |                              |     |
| 25   | 7786000005 | Setscrew, 0.75"-16NF x 2.00" | 20  |      |            |                              |     |
| 26   | 7660220230 | Nut, 0.75"-16NF Hex Jam      | 20  |      |            |                              |     |
| 27   | 4062000562 | Bar                          | 2   |      |            |                              |     |
| 28   | 7115181450 | Capscrew, 0.50"-13NC x 1.75" | 2   |      |            |                              |     |
| 29   | 4754000004 | D-Ring                       | 7   |      |            |                              |     |
| 30   | 4691000544 | Pin                          | 2   |      |            |                              |     |
| 31   | 7661000052 | Locknut, 1.50"-12NF          | 6   |      |            |                              |     |
| 32   | 7950340161 | Flatwasher, 1.50" ID         | 8   |      |            |                              |     |
| 33   | 7115220850 | Capscrew, 0.75"-10NC x 1.00" | 3   |      |            |                              |     |
| 34   | 7115181250 | Capscrew, 0.50"-13NC x 1.50" | 2   |      |            |                              |     |
| 35   | 4064000076 | Bar                          | 6   |      |            |                              |     |



# WRECKER BOOM ASSEMBLY - 3 PIECE BOOM

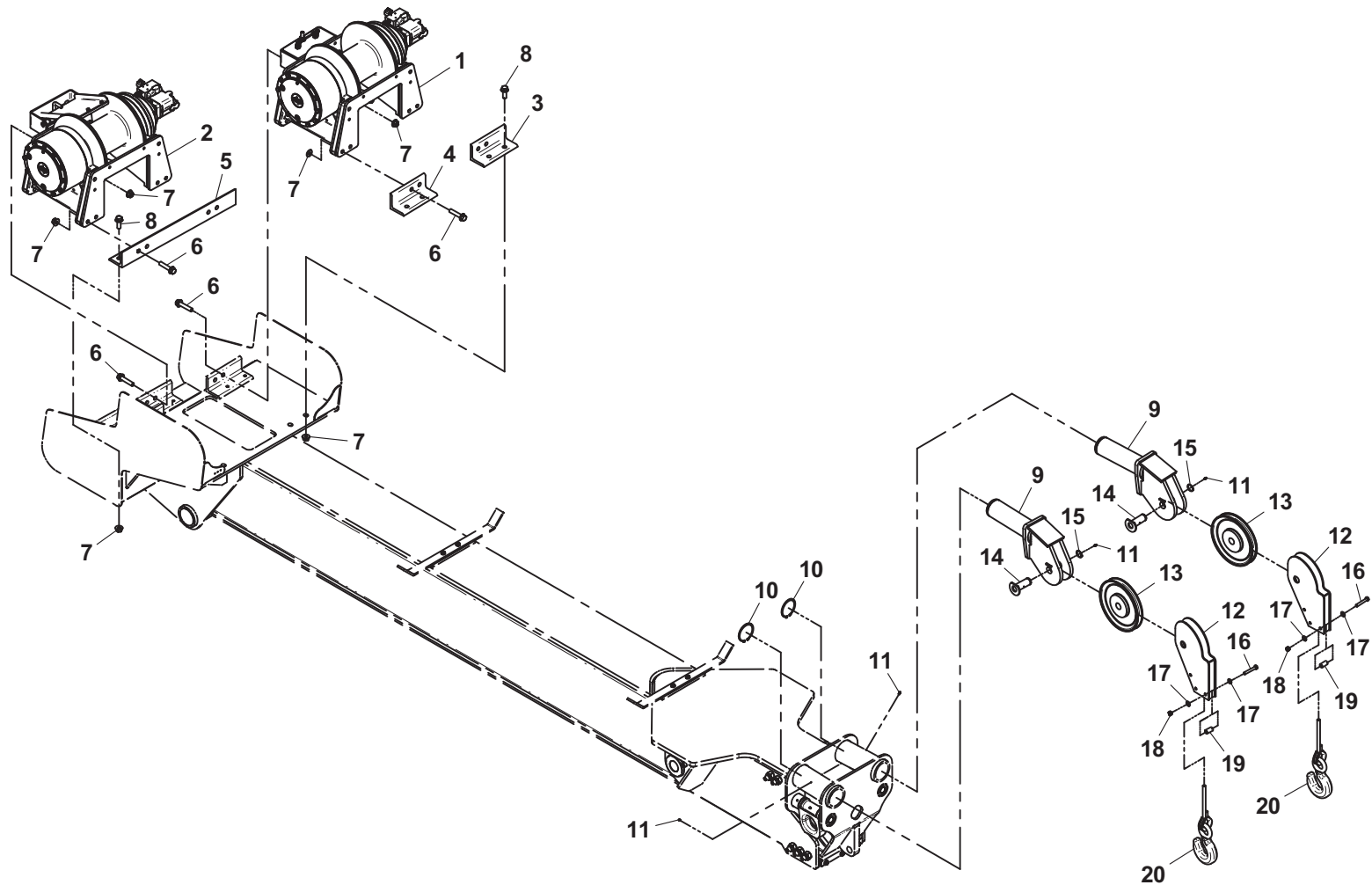


**WINCH INSTALLATION - 50K DP PLANETARY 2 SPEED GEAR SHIFT**

| ITEM | PART NO.    | DESCRIPTION                           | QTY |
|------|-------------|---------------------------------------|-----|
| 1    | 7970000059  | Winch                                 | 1   |
| 2    | 7970000060  | Winch                                 | 1   |
| 3    | 4017000788  | Angle - RH                            | 1   |
| 4    | 4017000789  | Angle - LH                            | 1   |
| 5    | 4017000792  | Angle                                 | 1   |
| 6    | 7118222816  | Capscrew, 0.75"-10NC x 3.50"          | 16  |
| 7    | 7660222308  | Locknut, 0.75"-10NC                   | 24  |
| 8    | 7118221616  | Capscrew, 0.75"-10NC x 2.00"          | 8   |
| 9    | 3249000008* | Sheave Support Weldment               | 2   |
| 10   | 7754000059  | Retaining Ring                        | 2   |
| 11   | 7440030000  | Grease Fitting                        | 4   |
| 12   | 3249000035* | Cable Guide Weldment                  | 2   |
| 13   | 7809000004* | Sheave                                | 2   |
| 14   | 3691000151* | Pin                                   | 2   |
| 15   | 7754000033* | Retaining Ring                        | 2   |
| 16   | 7115182650* | Capscrew, 0.50"-13NC x 3.25"          | 6   |
| 17   | 7950180141* | Flatwasher, 0.50" ID                  | 12  |
| 18   | 7660182601* | Locknut, 0.50"-13NC                   | 6   |
| 19   | 4831000104* | Spacer                                | 6   |
| 20   | 7248000135  | Cable, 0.75" Dia x 250'               | 2   |
|      | 7248000085  | Cable, 0.75" Dia x 250' w/Swivel Hook |     |

\* Available in Sheave Head Assembly - 3249000009

# WINCH INSTALLATION - 50K DP PLANETARY 2 SPEED GEAR SHIFT



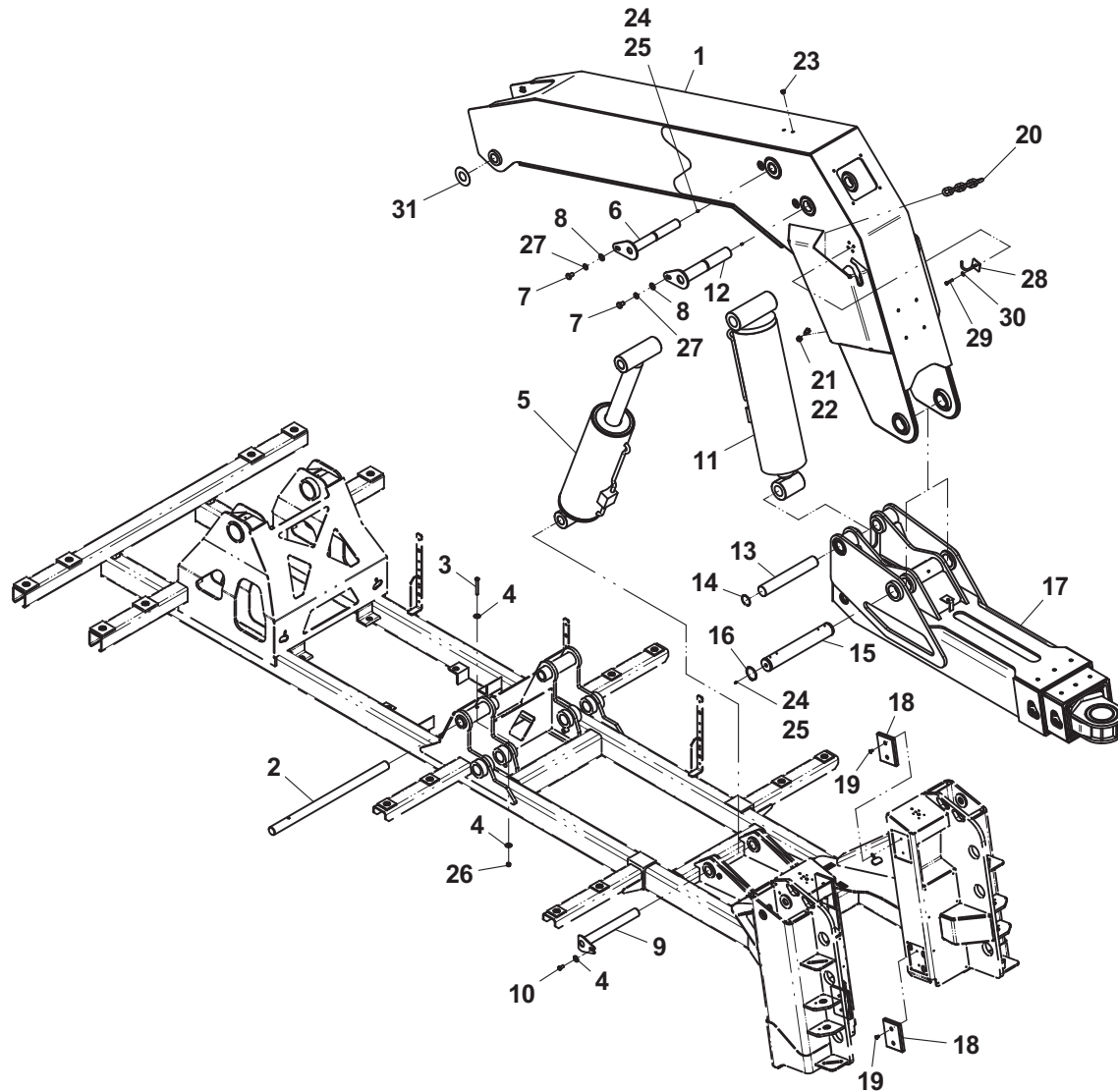
Item #28, not shown

**UNDERLIFT INSTALLATION - WITHOUT WINCH OPTION (STANDARD)**

| ITEM | PART NO.   | DESCRIPTION                         | QTY | ITEM | PART NO.    | DESCRIPTION                          | QTY |
|------|------------|-------------------------------------|-----|------|-------------|--------------------------------------|-----|
| 1    | 3170000408 | Knee Boom Weldment                  | 1   | 31   | 4949000031* | Washer, 4.50" OD x 2.12" ID x 0.063" | 2   |
| 2    | 4691000284 | Pin                                 | 1   |      | 4949000032* | Washer, 4.50" OD x 2.12" ID x 0.093" | 2   |
| 3    | 7115183250 | Capscrew, 0.50"-13NC x 4.00"        | 1   |      |             |                                      |     |
| 4    | 7950180161 | Flatwasher, 0.50" ID                | 3   |      |             |                                      |     |
| 5    | 7320000024 | Underlift Lift Cylinder Assembly    | 1   |      |             |                                      |     |
| 6    | 3691000251 | Pin                                 | 1   |      |             |                                      |     |
| 7    | 7115220850 | Capscrew, 0.75"-10NC x 1.00"        | 2   |      |             |                                      |     |
| 8    | 7950220141 | Flatwasher, 0.75" ID                | 2   |      |             |                                      |     |
| 9    | 3691000152 | Pin                                 | 1   |      |             |                                      |     |
| 10   | 7115180850 | Capscrew, 0.50"-13NC x 1.00"        | 1   |      |             |                                      |     |
| 11   | 7320000096 | U/L Tilt Cylinder Assembly UL530    | 1   |      |             |                                      |     |
|      | 7320000097 | U/L Tilt Cylinder Assembly UL565    | 1   |      |             |                                      |     |
| 12   | 3691000232 | Pin                                 | 1   |      |             |                                      |     |
| 13   | 4691000290 | Pin                                 | 1   |      |             |                                      |     |
| 14   | 7754000051 | Retaining Ring                      | 2   |      |             |                                      |     |
| 15   | 4691000291 | Pin                                 | 1   |      |             |                                      |     |
| 16   | 7754000018 | Retaining Ring                      | 2   |      |             |                                      |     |
| 17   | 3507100001 | Underlift Assembly, UL530 - 3 Piece | 1   |      |             |                                      |     |
|      | 3170000407 | Underlift Assembly, UL565 - 3 Piece | 1   |      |             |                                      |     |
|      | 3170000381 | Underlift Assembly, UL565 - 4 Piece | 1   |      |             |                                      |     |
| 18   | 4679000127 | Pad                                 | 4   |      |             |                                      |     |
| 19   | 7115160623 | Capscrew, 0.38"-16NC x 0.75"        | 8   |      |             |                                      |     |
| 20   | 7262000025 | Chain                               | 2   |      |             |                                      |     |
| 21   | 7115201250 | Capscrew, 0.63-11NC x 1.50"         | 2   |      |             |                                      |     |
| 22   | 7660202601 | Locknut, 0.63"-11NC                 | 2   |      |             |                                      |     |
| 23   | 7189000017 | Bumper                              | 2   |      |             |                                      |     |
| 24   | 7440030000 | Grease Fitting                      | 5   |      |             |                                      |     |
| 25   | 7253000002 | Grease Fitting                      | 5   |      |             |                                      |     |
| 26   | 7660182601 | Locknut, 0.50"-13NC                 | 1   |      |             |                                      |     |
| 27   | 7950220000 | Washer, 0.75" ID                    | 2   |      |             |                                      |     |
| 28   | 3561000017 | Hook Weldment Chain Guide           | 2   |      |             |                                      |     |
| 29   | 7115161450 | Capscrew, 0.38"-16NC x 1.75"        | 4   |      |             |                                      |     |
| 30   | 7950160141 | Flatwasher, 0.38" ID                | 4   |      |             |                                      |     |

\* Available in Shim Kit - 3577000037

# UNDERLIFT INSTALLATION - WITHOUT WINCH OPTION (STANDARD)

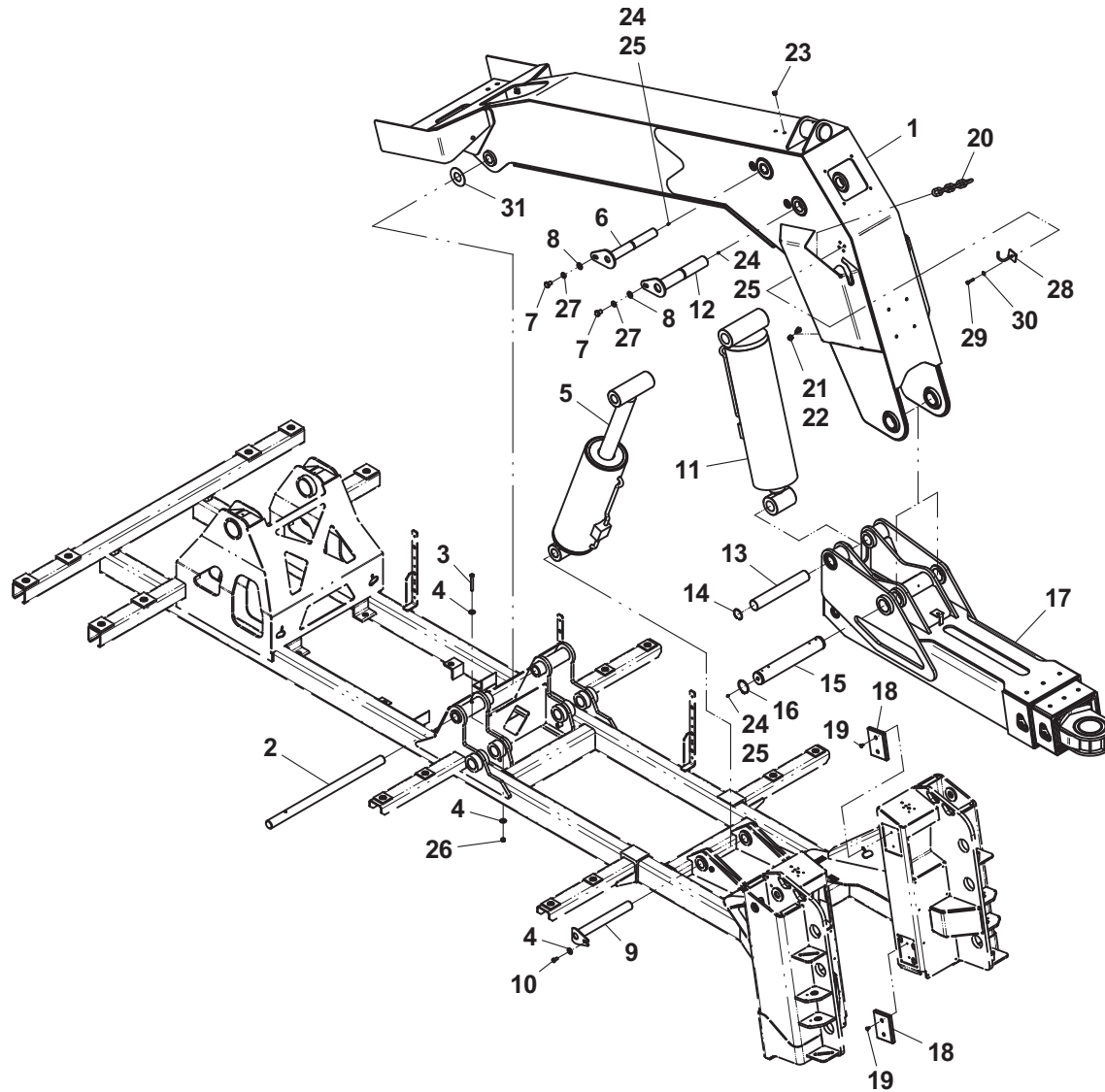


**UNDERLIFT INSTALLATION - WITH WINCH OPTION (OPTIONAL)**

| ITEM | PART NO.   | DESCRIPTION                         | QTY | ITEM | PART NO.    | DESCRIPTION                          | QTY |
|------|------------|-------------------------------------|-----|------|-------------|--------------------------------------|-----|
| 1    | 3170000409 | Knee Boom Weldment                  | 1   | 31   | 4949000031* | Washer, 4.50" OD x 2.12" ID x 0.063" | 2   |
| 2    | 4691000284 | Pin                                 | 1   |      | 4949000032* | Washer, 4.50" OD x 2.12" ID x 0.093" | 2   |
| 3    | 7115183250 | Capscrew, 0.50"-13NC x 4.00"        | 1   |      |             |                                      |     |
| 4    | 7950180161 | Flatwasher, 0.50" ID                | 3   |      |             |                                      |     |
| 5    | 7320000024 | Underlift Lift Cylinder Assembly    | 1   |      |             |                                      |     |
| 6    | 3691000251 | Pin                                 | 1   |      |             |                                      |     |
| 7    | 7115220850 | Capscrew, 0.75"-10NC x 1.00"        | 2   |      |             |                                      |     |
| 8    | 7950220141 | Flatwasher, 0.75" ID                | 2   |      |             |                                      |     |
| 9    | 3691000152 | Pin                                 | 1   |      |             |                                      |     |
| 10   | 7115180850 | Capscrew, 0.50"-13NC x 1.00"        | 1   |      |             |                                      |     |
| 11   | 7320000096 | U/L Tilt Cylinder Assembly UL530    | 1   |      |             |                                      |     |
|      | 7320000097 | U/L Tilt Cylinder Assembly UL565    | 1   |      |             |                                      |     |
| 12   | 3691000232 | Pin                                 | 1   |      |             |                                      |     |
| 13   | 4691000290 | Pin                                 | 1   |      |             |                                      |     |
| 14   | 7754000051 | Retaining Ring                      | 2   |      |             |                                      |     |
| 15   | 4691000291 | Pin                                 | 1   |      |             |                                      |     |
| 16   | 7754000018 | Retaining Ring                      | 2   |      |             |                                      |     |
| 17   | 3507100001 | Underlift Assembly, UL530 - 3 Piece | 1   |      |             |                                      |     |
|      | 3170000407 | Underlift Assembly, UL565 - 3 Piece | 1   |      |             |                                      |     |
|      | 3170000381 | Underlift Assembly, UL656 - 4 Piece | 1   |      |             |                                      |     |
| 18   | 4679000127 | Pad                                 | 4   |      |             |                                      |     |
| 19   | 7115160623 | Capscrew, 0.38"-16NC x 0.75"        | 8   |      |             |                                      |     |
| 20   | 7262000025 | Chain                               | 2   |      |             |                                      |     |
| 21   | 7115201250 | Capscrew, 0.63-11NC x 1.50"         | 2   |      |             |                                      |     |
| 22   | 7660202601 | Locknut, 0.63"-11NC                 | 2   |      |             |                                      |     |
| 23   | 7189000017 | Bumper                              | 2   |      |             |                                      |     |
| 24   | 7440030000 | Grease Fitting                      | 5   |      |             |                                      |     |
| 25   | 7253000002 | Grease Fitting                      | 5   |      |             |                                      |     |
| 26   | 7660182601 | Locknut, 0.50"-13NC                 | 1   |      |             |                                      |     |
| 27   | 7950220000 | Washer, 0.75" ID                    | 2   |      |             |                                      |     |
| 28   | 3561000017 | Hook Weldment Chain Guide           | 2   |      |             |                                      |     |
| 29   | 7115161450 | Capscrew, 0.38"-16NC x 1.75"        | 4   |      |             |                                      |     |
| 30   | 7950160141 | Flatwasher, 0.38" ID                | 4   |      |             |                                      |     |

\* Available in Shim Kit - 3577000037

# UNDERLIFT INSTALLATION - WITH WINCH OPTION (OPTIONAL)

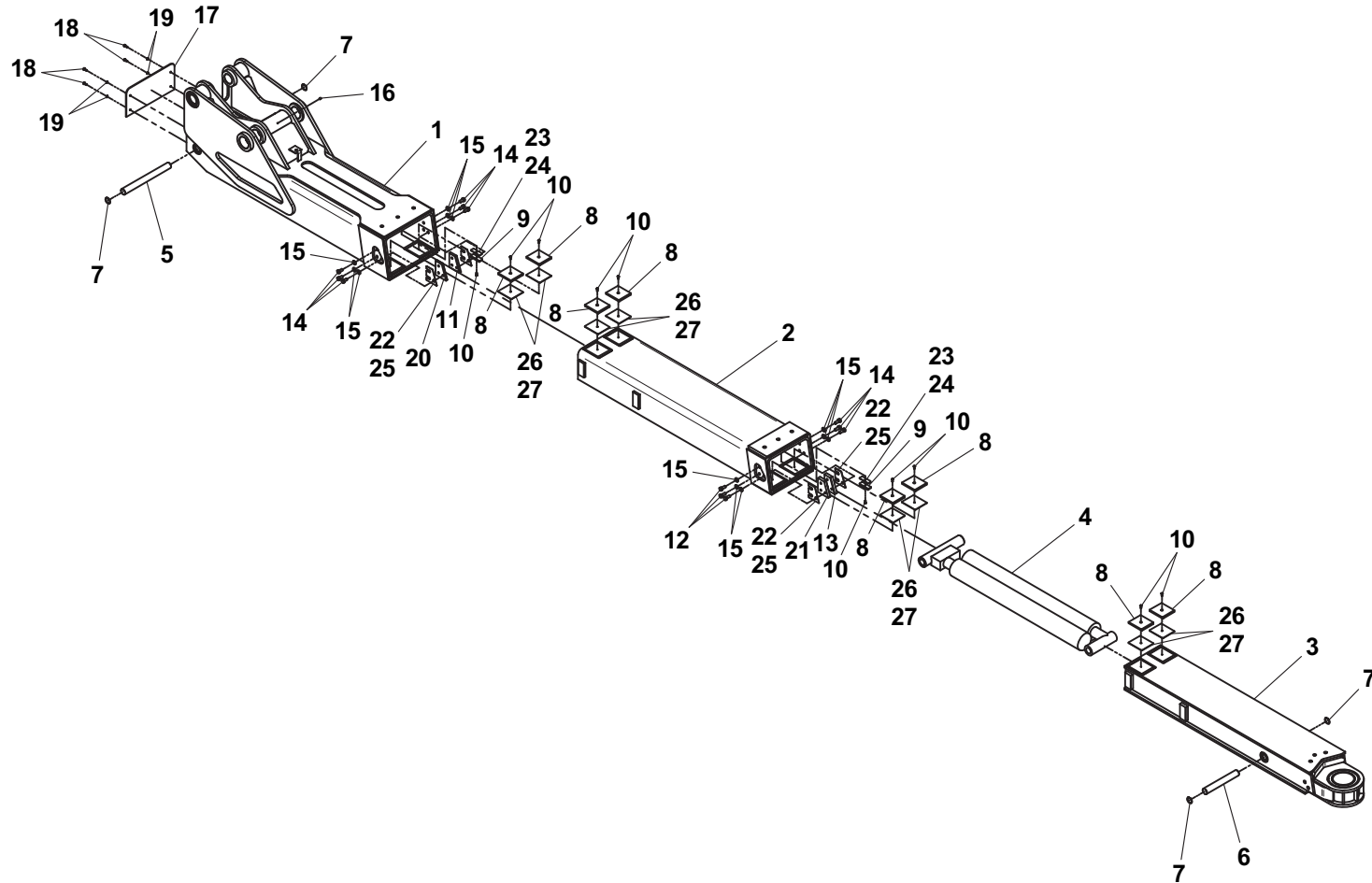


**UNDERLIFT ASSEMBLY - 3507100001 - 53,000 LB - 3 PIECE BOOM (STANDARD)**

| ITEM | PART NO.   | DESCRIPTION                           | QTY |
|------|------------|---------------------------------------|-----|
| 1    | 3170000125 | Base Section Boom Weldment            | 1   |
| 2    | 3170000124 | Mid Section Boom Weldment             | 1   |
| 3    | 3170000123 | Fly Section Boom Weldment             | 1   |
| 4    | 7320000026 | Underlift Extension Cylinder Assembly | 1   |
| 5    | 4691000292 | Pin                                   | 1   |
| 6    | 4691000293 | Pin                                   | 1   |
| 7    | 7754000043 | Retaining Ring                        | 4   |
| 8    | 4679000146 | Pad                                   | 8   |
| 9    | 4679000147 | Pad                                   | 2   |
| 10   | 7114140518 | Capscrew, 0.25"-20NC x 0.63"          | 10  |
| 11   | 4706002209 | Plate                                 | 1   |
| 12   | 7108181050 | Capscrew, 0.50"-20NF x 1.25"          | 6   |
| 13   | 4706002208 | Plate                                 | 1   |
| 14   | 7108180850 | Capscrew, 0.50"-20NF x 1.00"          | 6   |
| 15   | 7950180153 | Flatwasher, 0.50" ID                  | 12  |
| 16   | 7440030000 | Grease Fitting                        | 1   |
| 17   | 4706002207 | Plate                                 | 1   |
| 18   | 7115140650 | Capscrew, 0.25"-20NC x 0.75"          | 4   |
| 19   | 7950140000 | Lockwasher, 0.25" ID                  | 4   |
| 20   | 4706002211 | Plate                                 | 1   |
| 21   | 4706002210 | Plate                                 | 1   |
| 22   | 4812000057 | Shim, 14GA                            | 2   |
| 23   | 4706003708 | Plate                                 | 2   |
| 24   | 4706003709 | Plate                                 | 2   |
| 25   | 4706003710 | Plate                                 | 4   |
| 26   | 4706003717 | Plate                                 | 8   |
| 27   | 4706003718 | Plate                                 | 8   |



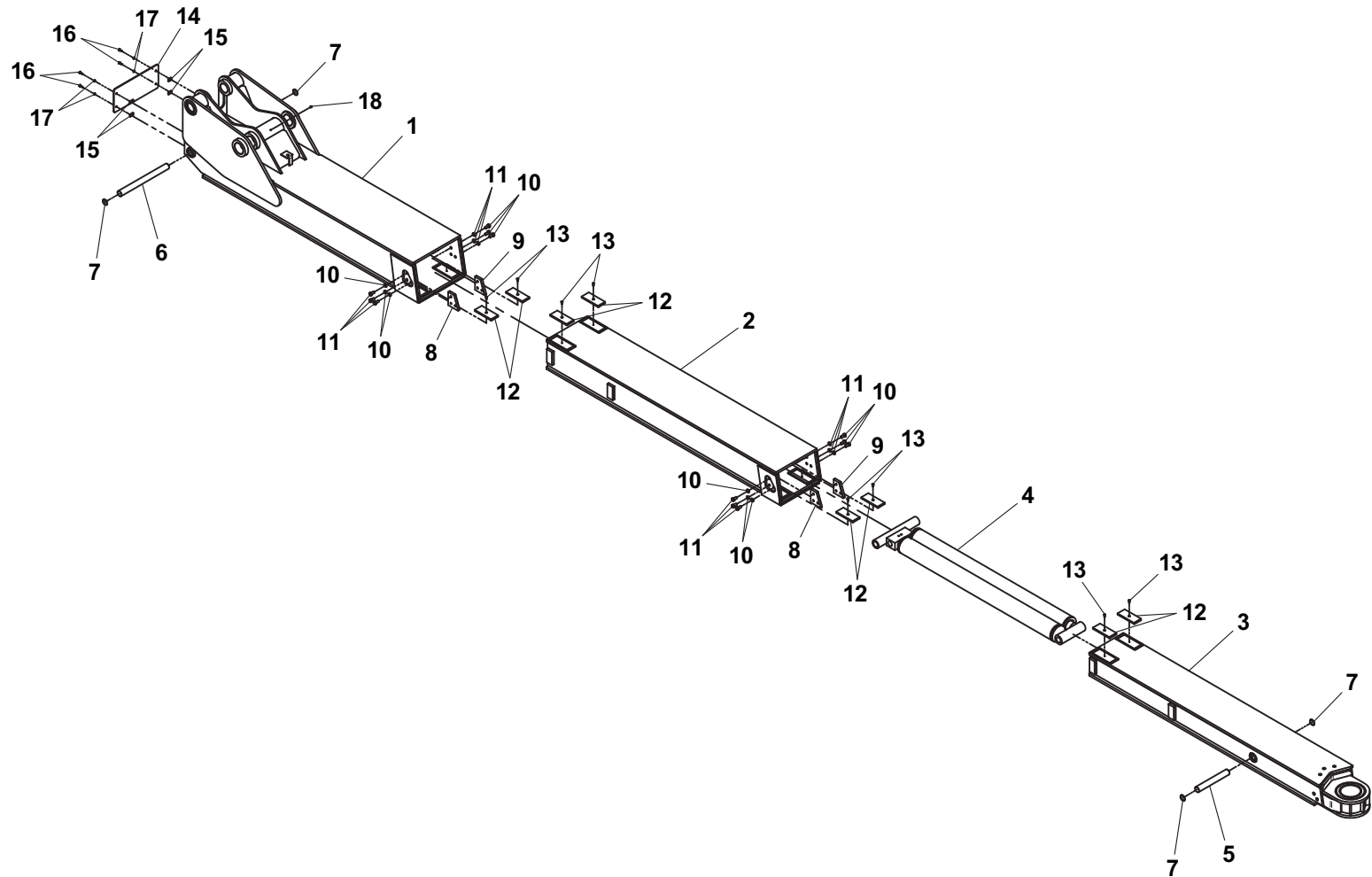
# UNDERLIFT ASSEMBLY - 3507100001 - 53,000 LB - 3 PIECE BOOM (STANDARD)



**UNDERLIFT ASSEMBLY - 3170000407 - 56,500 LB - 3 PIECE BOOM (OPTIONAL)**

| ITEM | PART NO.   | DESCRIPTION                           | QTY |
|------|------------|---------------------------------------|-----|
| 1    | 3170000400 | Base Section Boom Weldment            | 1   |
| 2    | 3170000401 | Mid Section Boom Weldment             | 1   |
| 3    | 3170000406 | Fly Section Boom Weldment             | 1   |
| 4    | 7320000068 | Underlift Extension Cylinder Assembly | 1   |
| 5    | 4691000293 | Pin                                   | 1   |
| 6    | 4691000321 | Pin                                   | 1   |
| 7    | 7754000043 | Retaining Ring                        | 4   |
| 8    | 4706005262 | Plate                                 | 2   |
| 9    | 4706005263 | Plate                                 | 2   |
| 10   | 7108180850 | Capscrew, 0.50"-20NF x 1.00"          | 12  |
| 11   | 7950180000 | Lockwasher, 0.50" ID                  | 12  |
| 12   | 4679000277 | Pad, 0.38 Thk                         | 8   |
|      | 4679000293 | Pad, 0.25 Thk                         |     |
| 13   | 7114140518 | Capscrew, 0.25"-20NC x 0.63"          | 8   |
| 14   | 4706005281 | Plate                                 | 1   |
| 15   | 7661000019 | U-Nut, 0.25"-20NC                     | 4   |
| 16   | 7115140650 | Capscrew, 0.25"-20NC x 0.75"          | 4   |
| 17   | 7950140000 | Lockwasher, 0.25" ID                  | 4   |
| 18   | 7440030000 | Grease Fitting                        | 1   |

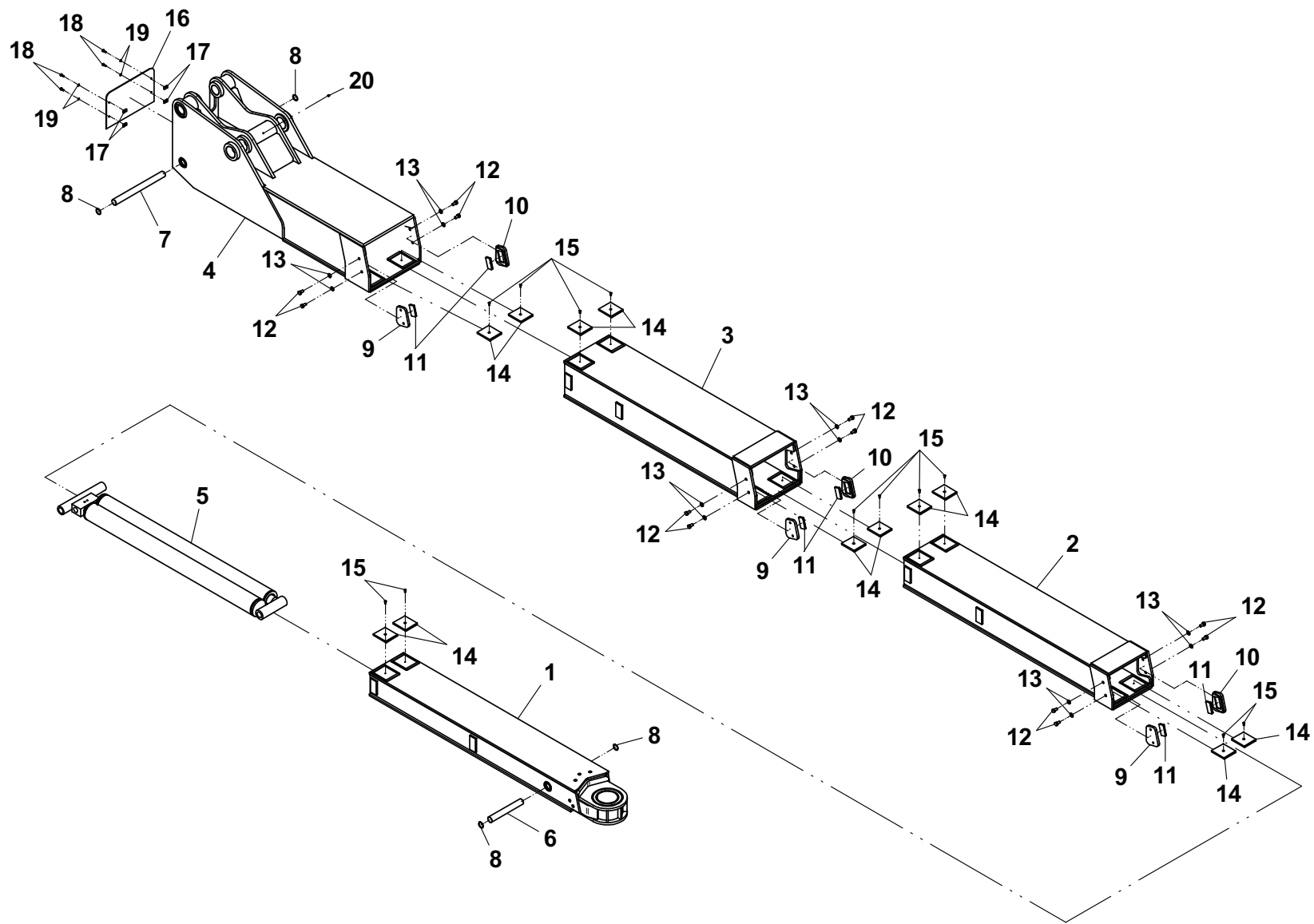
# UNDERLIFT ASSEMBLY - 3170000407 - 56,500 LB - 3 PIECE BOOM (OPTIONAL)



**UNDERLIFT ASSEMBLY - 3170000381 - 56,500 LB - 4 PIECE BOOM (OPTIONAL)**

| ITEM | PART NO.   | DESCRIPTION                           | QTY |
|------|------------|---------------------------------------|-----|
| 1    | 3170000379 | Fly Section Boom Weld                 | 1   |
| 2    | 3170000380 | 2nd Stage Boom Weld                   | 1   |
| 3    | 3170000178 | 3rd Stage Boom Weld                   | 1   |
| 4    | 3710000179 | Base Section Boom Weld                | 1   |
| 5    | 7320000038 | Underlift Extension Cylinder Assembly | 1   |
| 6    | 4691000293 | Pin                                   | 1   |
| 7    | 4691000321 | Pin                                   | 1   |
| 8    | 7754000043 | Retaining Ring                        | 4   |
| 9    | 3178000273 | Bracket LH                            | 3   |
| 10   | 3178000275 | Bracket RH                            | 3   |
| 11   | 4679000170 | Pad                                   | 6   |
| 12   | 7108180850 | Capscrew, 0.50" - 20NF x 1.00"        | 12  |
| 13   | 7950180153 | Flatwasher, 0.50" ID                  | 12  |
| 14   | 4679000146 | Pad                                   | 12  |
|      | 4679000254 | Pad                                   | 12  |
| 15   | 7114140518 | Capscrew, 0.25" - 20NC x 0.62"        | 12  |
| 16   | 4706002428 | Plate                                 | 1   |
| 17   | 7661000019 | U-Nut 0.25"                           | 4   |
| 18   | 7115140650 | Capscrew, 0.25" - 20NC x 0.75"        | 4   |
| 19   | 7950140000 | Lockwasher, 0.25" ID                  | 4   |
| 20   | 7440030000 | Fitting 0.25" - 28NF                  | 1   |

# UNDERLIFT ASSEMBLY - 3170000381 - 56,500 LB - 4 PIECE BOOM (OPTIONAL)

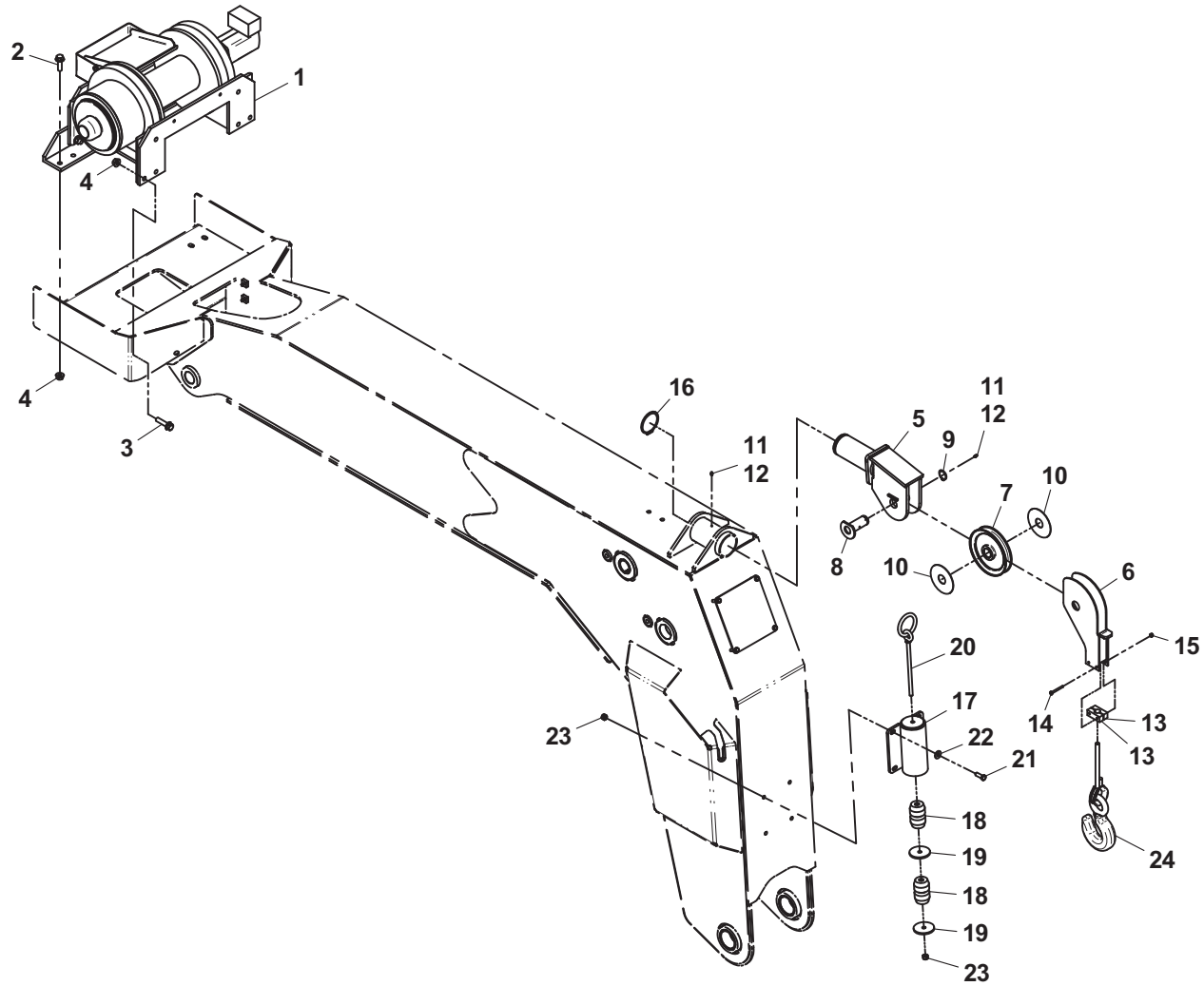


**UNDERLIFT WINCH INSTALLATION (OPTIONAL)**

| ITEM | PART NO.    | DESCRIPTION                       | QTY |
|------|-------------|-----------------------------------|-----|
| 1    | 797000079   | Winch                             | 1   |
| 2    | 7118201616  | Capscrew, 0.63"-11NC x 2.00"      | 4   |
| 3    | 7118202016  | Bolt, 0.63" x 2.50"               | 4   |
| 4    | 7661000018  | Nut, 0.63"-11NC                   | 8   |
| 5    | 3249000015  | Sheave Support Weldment           | 1   |
| 6    | 3249000012  | Cable Guide Weldment              | 1   |
| 7    | 7809000006  | Sheave                            | 1   |
| 8    | 3691000169  | Pin Weldment                      | 1   |
| 9    | 7754000058  | Retaining Ring                    | 1   |
| 10   | 4949000045  | Washer                            | 2   |
| 11   | 7440030000  | Fitting, 0.25"-28NF               | 2   |
| 12   | 7253000002  | Grease Fitting                    | 2   |
| 13   | 4949000002  | Cable Guide                       | 2   |
| 14   | 7115142050  | Capscrew, 0.25"-20NC x 2.50"      | 2   |
| 15   | 7660142604  | Locknut, 0.25"-20NC               | 2   |
| 16   | 7754000049  | Retaining Ring                    | 1   |
| 17   | 3912000034* | Tube Weldment                     | 1   |
| 18   | 7189000014* | Spring                            | 2   |
| 19   | 4831000115* | Spacer                            | 2   |
| 20   | 7120000053* | Bolt, 0.50"-132UNC x 10.00"       | 1   |
| 21   | 7115181250* | Capscrew, 0.50"-13NC x 1.50"      | 4   |
| 22   | 7950180150* | Flatwasher, 0.50" ID              | 4   |
| 23   | 7660182601* | Locknut, 0.50"-13NC               | 5   |
| 24   | 7248000037  | Cable, 0.63" x 250'               | 1   |
|      | 7248000079  | Cable, 0.63" x 250' w/Swivel Hook |     |
|      | 7248000055  | Cable, 0.75" x 200'               |     |
|      | 7248000080  | Cable, 0.75" x 200' w/Swivel Hook |     |

\* Available in Cable Tie Back Assembly - 3249000038

# UNDERLIFT WINCH INSTALLATION (OPTIONAL)



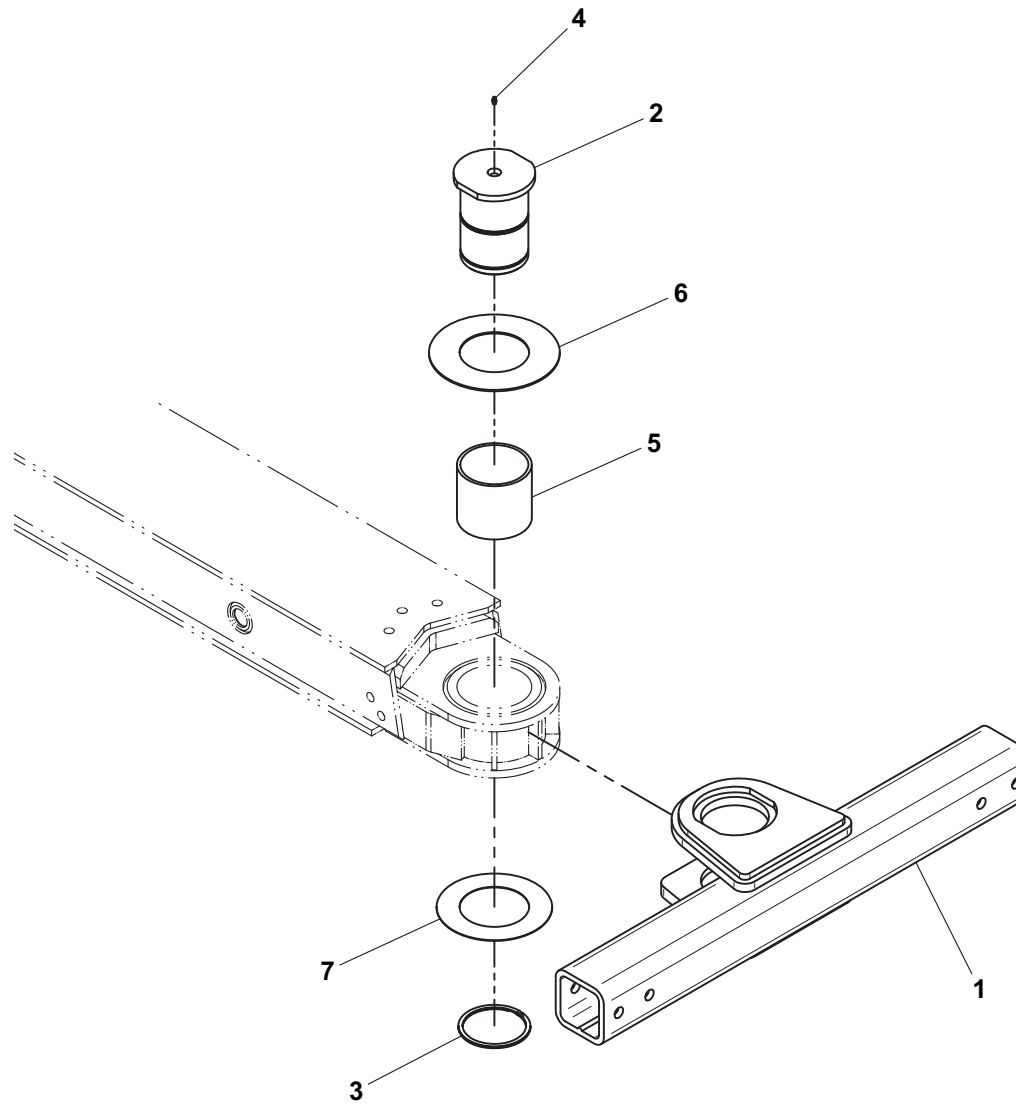
**CROSSTUBE INSTALLATION**

| ITEM | PART NO.    | DESCRIPTION        | QTY |
|------|-------------|--------------------|-----|
| 1    | 3913000094  | Crosstube Weldment | 1   |
| 2    | 4691000242  | Pin                | 1   |
| 3    | 7754000042  | Retaining Ring     | 1   |
| 4    | 7440300000  | Grease Fitting     | 1   |
| 5    | 7209000022  | Bushing            | 1   |
| 6    | 4949000041* | Washer, 0.125" Thk | 1   |
| 7    | 4949000042* | Washer, 0.63" Thk  | 2   |

\* Available in Shim Kit - 3577000018



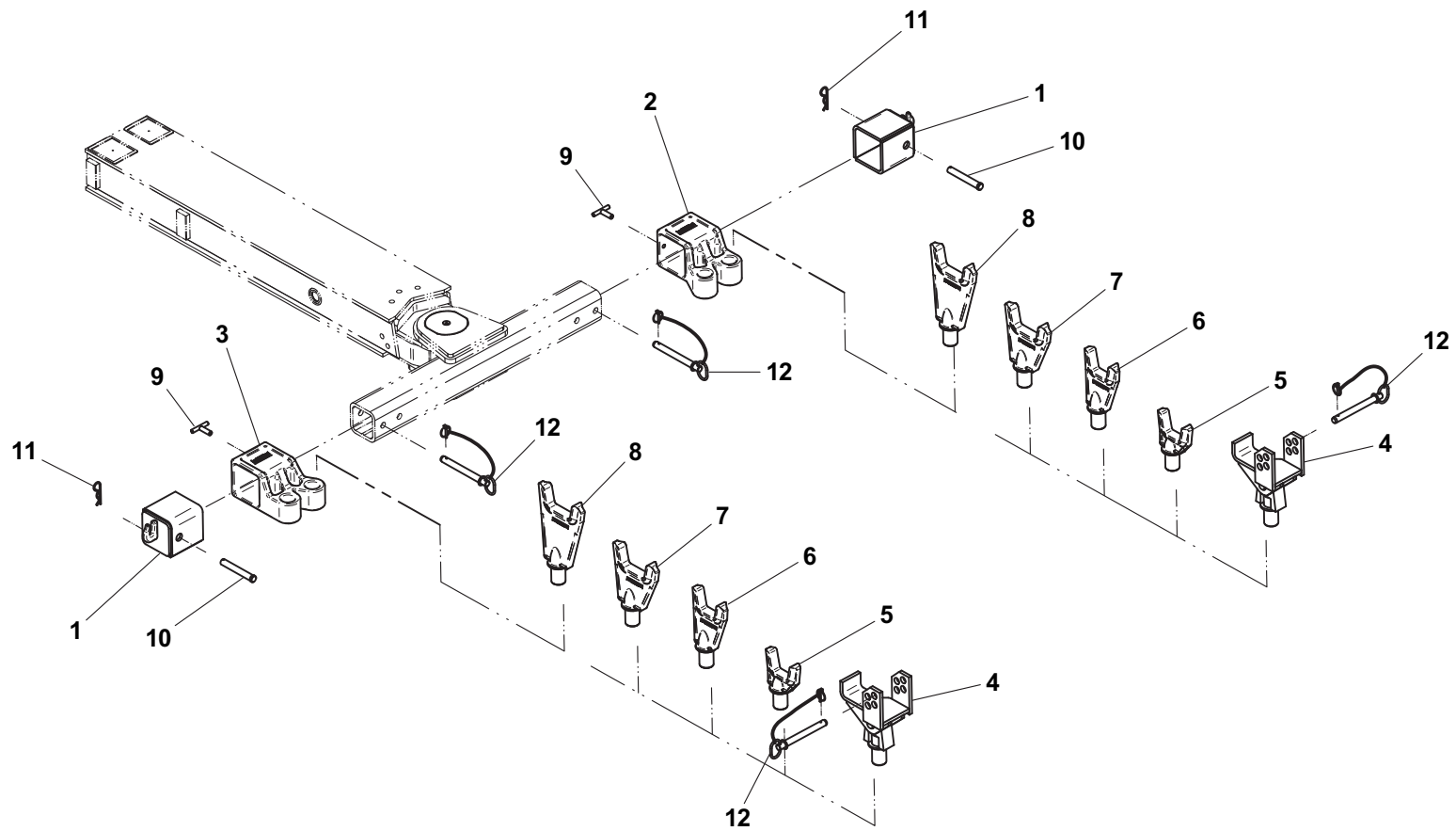
# CROSTUBE INSTALLATION



**UNDERLIFT TOOLS - FRAME FORKS**

| ITEM | PART NO.   | DESCRIPTION              | QTY |
|------|------------|--------------------------|-----|
| 1    | 3007000004 | Adapter, Chain Hook      | 2   |
| 2    | 7007000056 | Adapter, Frame Fork - RH | 1   |
| 3    | 7007000055 | Adapter, Frame Fork - LH | 1   |
| 4    | 3178000226 | Spring Lift Bracket      | 2   |
| 5    | 7454000006 | Fork, 3.00" Short        | 2   |
| 6    | 7454000005 | Fork, 3.00" Medium       | 2   |
| 7    | 7454000003 | Fork, 4.50" Medium       | 2   |
| 8    | 7454000004 | Fork, 4.50" Long         | 2   |
| 9    | 3551000036 | T-Handle                 | 2   |
| 10   | 7691000022 | Pin                      | 2   |
| 11   | 7691000020 | Hairpin                  | 2   |
| 12   | 7691000021 | Hitch Pin                | 2   |
| 13   | 7262000026 | Chain, Tie-Down          | 2   |

# UNDERLIFT TOOLS - FRAME FORKS



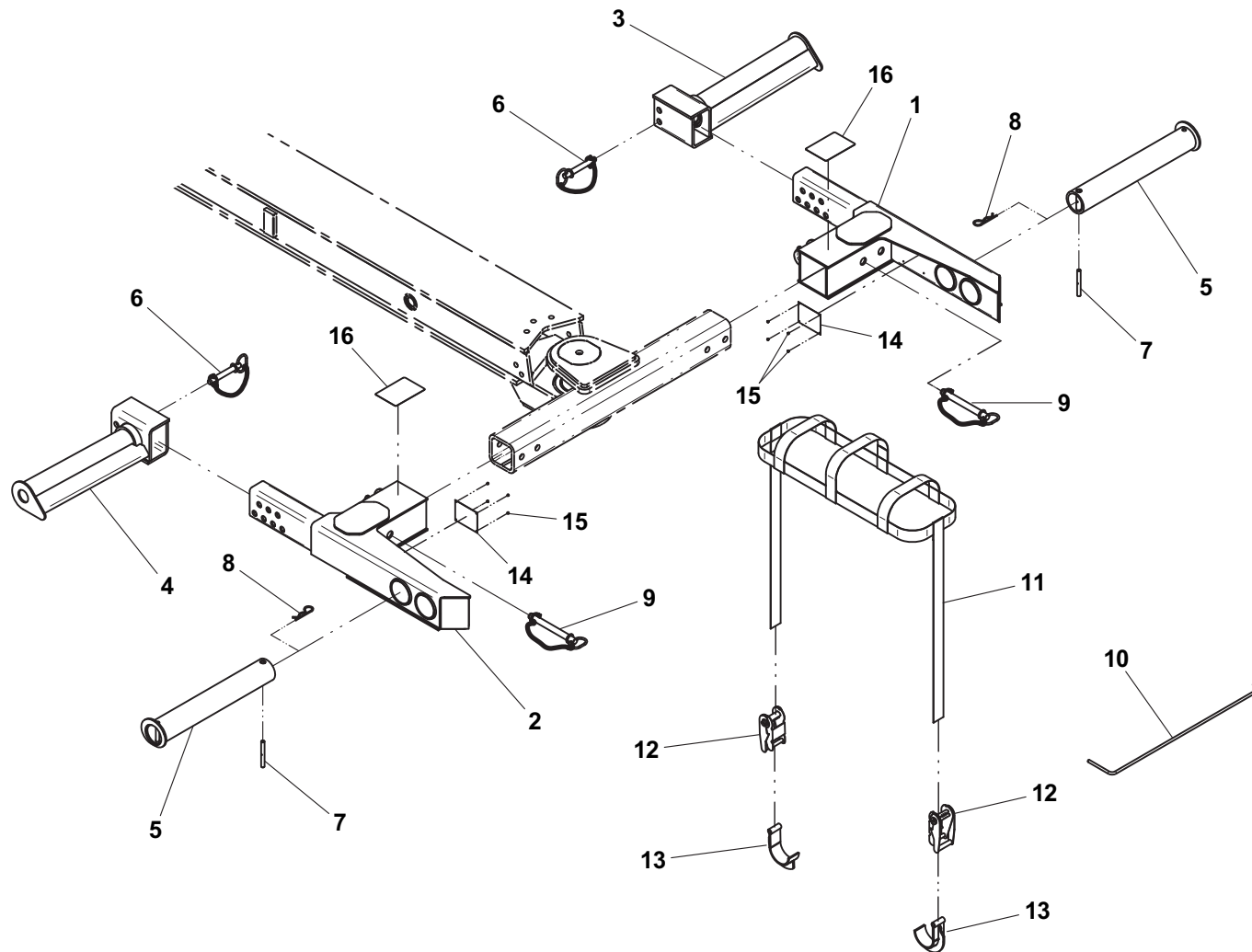
Item #13, not shown

**UNDERLIFT TOOLS - 14,000 LB TIRE LIFT**

| ITEM | PART NO.    | DESCRIPTION                        | QTY |
|------|-------------|------------------------------------|-----|
| 1    | 3484000048* | Tire Lift Grid - RH                | 1   |
| 2    | 3484000049* | Tire Lift Grid - LH                | 1   |
| 3    | 3020000120* | Tire Lift Arm Weldment - RH        | 1   |
| 4    | 3020000119* | Tire Lift Arm Weldment - LH        | 1   |
| 5    | 3912000038* | Tire Lift Tube Weldment            | 2   |
| 6    | 7691000026* | Hitch Pin                          | 2   |
| 7    | 4691000274* | Pin                                | 2   |
| 8    | 7691000020* | Hairpin                            | 2   |
| 9    | 7691000021  | Hitch Pin                          | 2   |
| 10   | 4561000012* | Hook, Pull                         | 1   |
| 11   | 7894000037* | Strap, 2" Wide (Standard - Yellow) | 2   |
|      | 7894000041* | Strap, 2" Wide (Optional - Orange) |     |
| 12   | 7894000028* | Ratchet, 2" Wide Strap             | 4   |
| 13   | 3561000008* | Hook, 2" Wide Strap                | 4   |
| 14   | 7330000550* | Decal                              | 2   |
| 15   | 7759000004* | Rivet                              | 8   |
| 16   | 7330000278* | Decal                              | 2   |

\* Also available as - 2503550088

# UNDERLIFT TOOLS - 14,000 LB TIRE LIFT



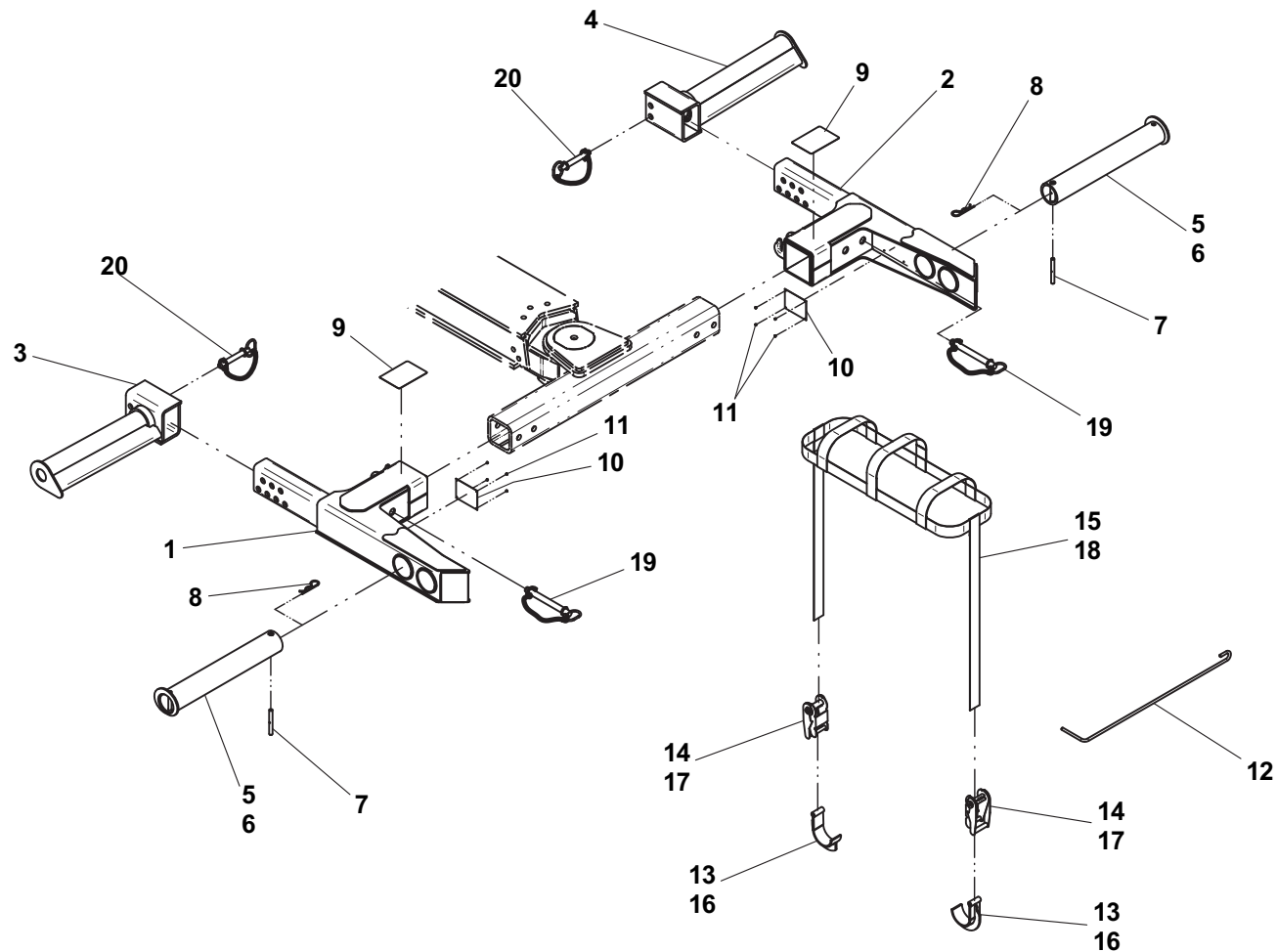
**UNDERLIFT TOOLS - 25,000 LB TIRE LIFT**

| ITEM | PART NO.    | DESCRIPTION                          | QTY |
|------|-------------|--------------------------------------|-----|
| 1    | 3484000072^ | Tire Lift Grid - LH                  | 1   |
| 2    | 3484000073^ | Tire Lift Grid - RH                  | 1   |
| 3    | 3020000119^ | Tire Lift Arm Weldment - LH          | 1   |
| 4    | 3020000120^ | Tire Lift Arm Weldment - RH          | 1   |
| 5    | 3912000038^ | Tire Lift Tube Weldment - 23" Long   | 2   |
| 6    | 3912000033^ | Tire Lift Tube Weldment - 27.5" Long | 2   |
| 7    | 4691000274^ | Pin                                  | 2   |
| 8    | 7691000020^ | Hairpin                              | 2   |
| 9    | 7330000278^ | Decal                                | 2   |
| 10   | 7330000550^ | Decal                                | 2   |
| 11   | 7759000004^ | Rivet                                | 8   |
| 12   | 4561000012^ | Hook, Pull                           | 1   |
| 13   | 3561000015* | Hook, 3" Wide Strap                  | 4   |
| 14   | 7894000060* | Ratchet, 3" Wide Strap               | 4   |
| 15   | 7894000057* | Strap, 3" Wide                       | 2   |
| 16   | 3561000008^ | Hook, 2" Wide Strap                  | 4   |
| 17   | 7894000028^ | Ratchet, 2" Wide Strap               | 4   |
| 18   | 7894000037^ | Strap, 2" Wide                       | 2   |
| 19   | 7691000021  | Hitch Pin                            | 2   |
| 20   | 7691000026^ | Hitch Pin                            | 2   |

^ Also available as - 2502880300

\* Available in Strap Kit - 7577000368

# UNDERLIFT TOOLS - 25,000 LB TIRE LIFT



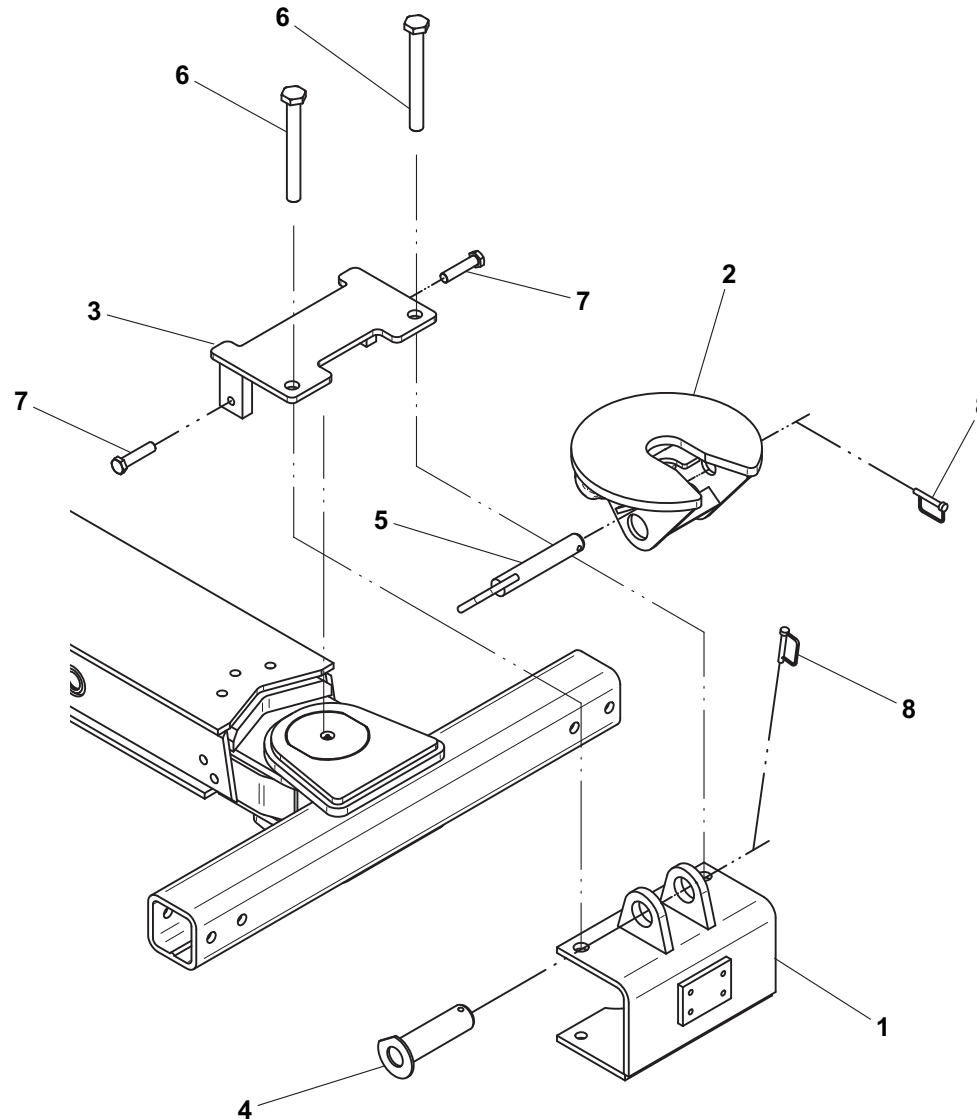
**UNDERLIFT TOOLS - FIFTH WHEEL ATTACHMENT**

| ITEM | PART NO.    | DESCRIPTION                   | QTY |
|------|-------------|-------------------------------|-----|
| 1    | 3178000240* | Bracket Weldment              | 1   |
| 2    | 3178000499* | Bracket, Fifth Wheel Weldment | 1   |
| 3    | 3706000080* | Plate Weldment                | 1   |
| 4    | 3691000144* | Pin                           | 1   |
| 5    | 3691000145* | Pin                           | 1   |
| 6    | 7118267250* | Capscrew, 1.00"-8NC x 9.00"   | 2   |
| 7    | 7120000036* | Capscrew, 0.75"-10NC x 3.25"  | 2   |
| 8    | 7691000025* | Pin                           | 2   |

\* Also available as - 2503880033



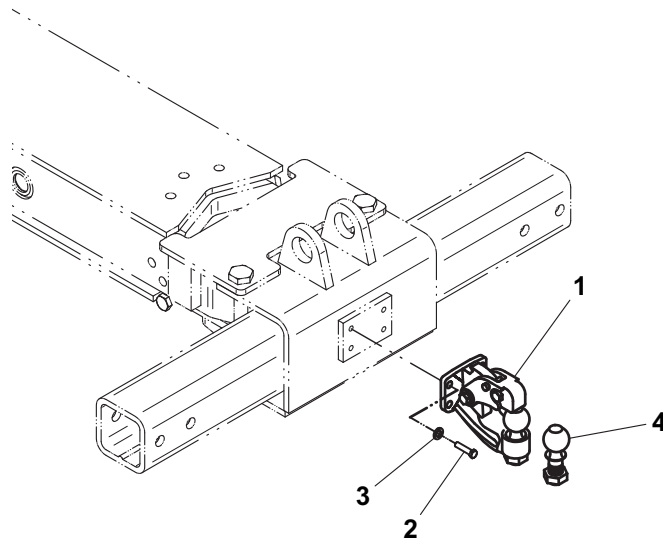
## UNDERLIFT TOOLS - FIFTH WHEEL ATTACHMENT



**UNDERLIFT TOOLS - PINTLE HOOK**

| ITEM | PART NO.   | DESCRIPTION                          | QTY |
|------|------------|--------------------------------------|-----|
| 1    | 7561000020 | Hitch, Pintle Hook with 2" Dia. Ball | 1   |
| 2    | 7118181250 | Capscrew, 0.50"-13NC x 1.50"         | 4   |
| 3    | 7950180000 | Lockwasher, 0.50" ID                 | 4   |
| 4    | 7056000003 | Ball, 1.88" Dia                      | 1   |
|      | 7056000004 | Ball, 2.00" Dia                      |     |
|      | 7056000005 | Ball, 2.31" Dia                      |     |
|      | 7056000006 | Ball, 50mm Dia                       |     |

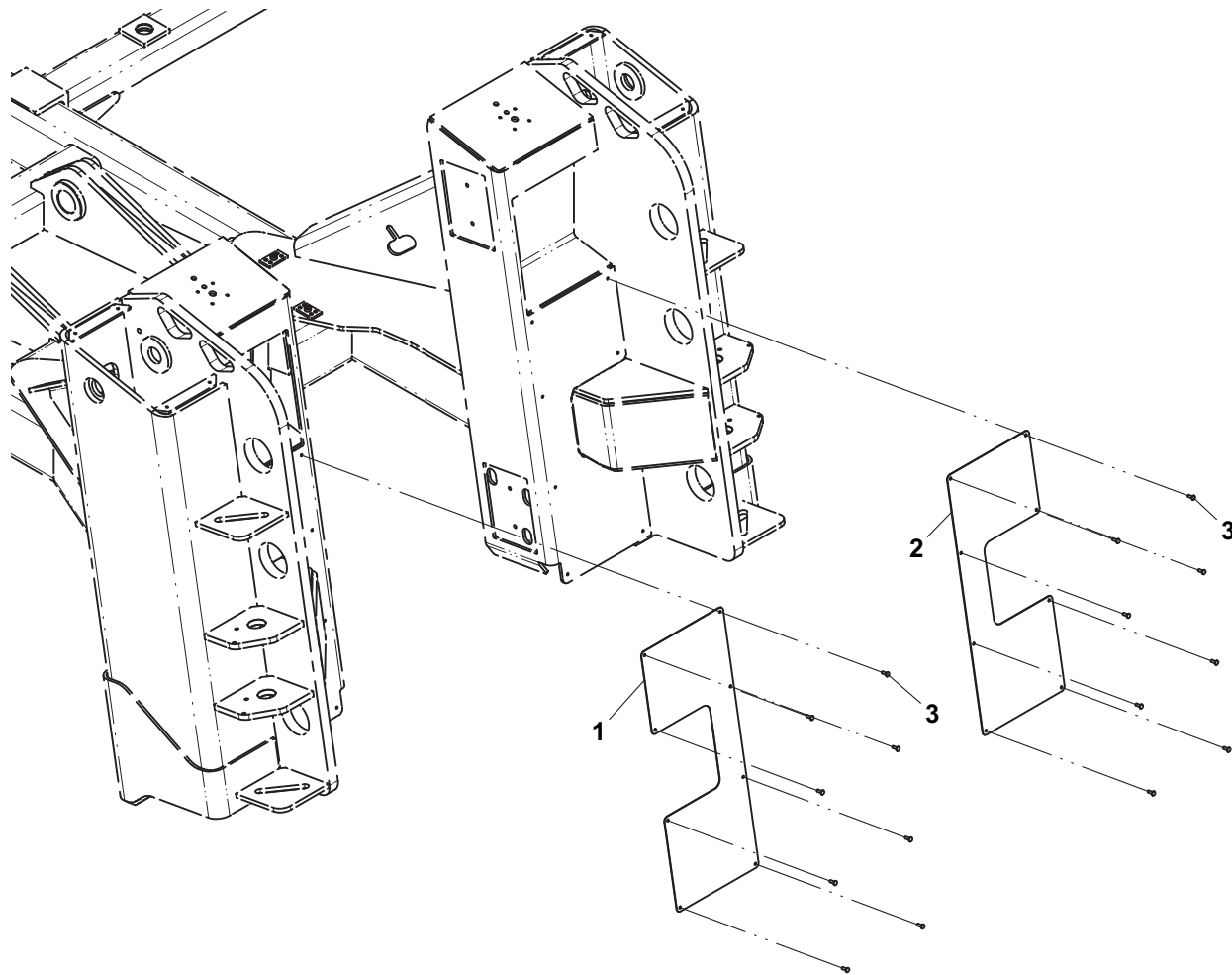
## UNDERLIFT TOOLS - PINTLE HOOK



**REAR TAIL PLATE INSTALLATION**

| ITEM | PART NO.   | DESCRIPTION | QTY |
|------|------------|-------------|-----|
| 1    | 4706006008 | Plate - LH  | 1   |
| 2    | 4706006009 | Plate - RH  | 1   |
| 3    | 7759000018 | Rivet       | 8   |

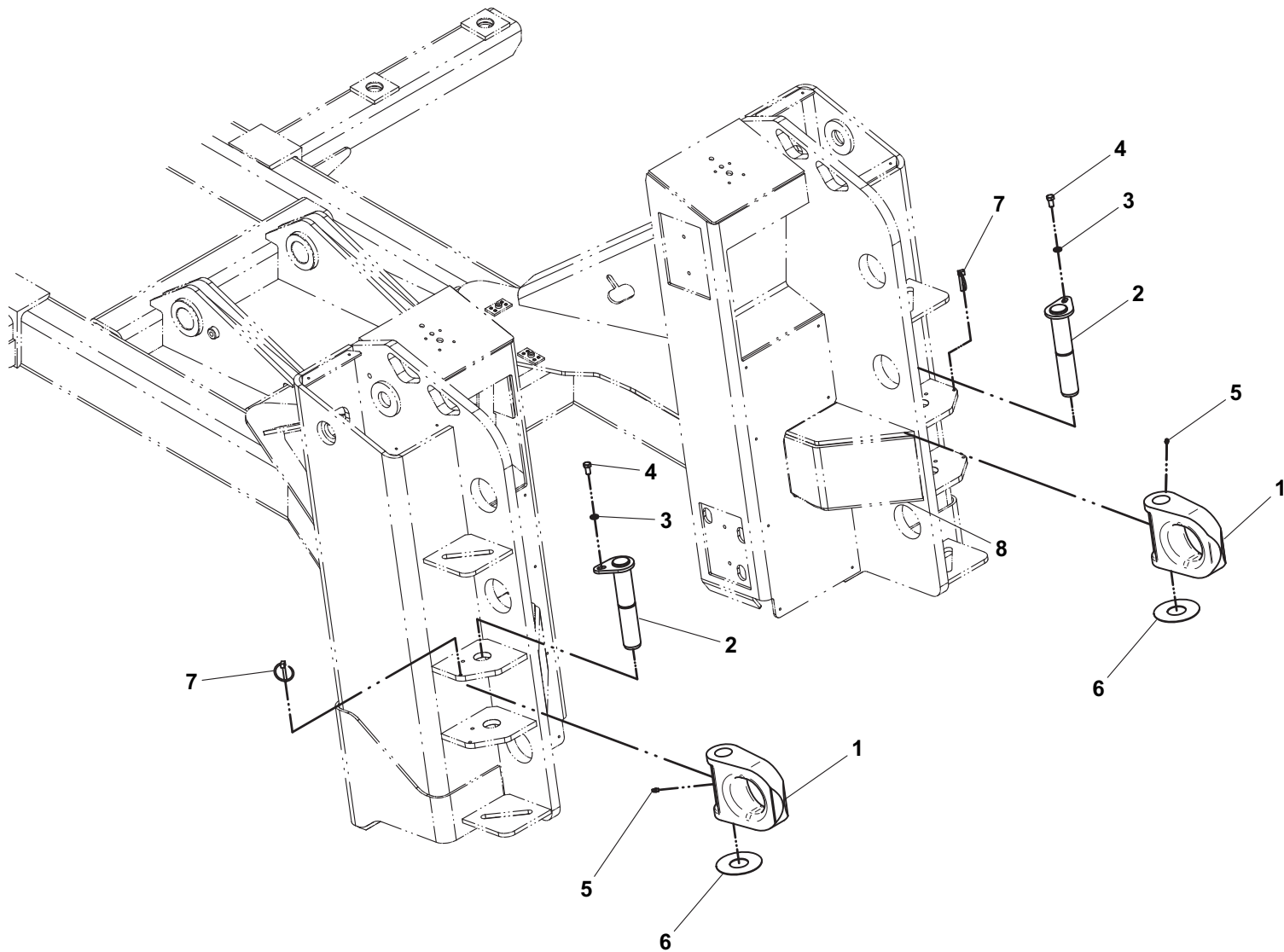
## REAR TAIL PLATE INSTALLATION



**TAILBOARD D-RING INSTALLATION**

| ITEM | PART NO.   | DESCRIPTION                  | QTY |
|------|------------|------------------------------|-----|
| 1    | 4754000004 | D-Ring                       | 2   |
| 2    | 3691000176 | Pin                          | 2   |
| 3    | 7950160000 | Lockwasher, 0.38" ID         | 2   |
| 4    | 7115160650 | Capscrew, 0.38"-16NC x 0.75" | 2   |
| 5    | 7440030000 | Grease Fitting               | 2   |
| 6    | 4949000055 | Washer                       | 2   |
| 7    | 7691000047 | Lynch Pin                    | 2   |

# TAILBOARD D-RING INSTALLATION

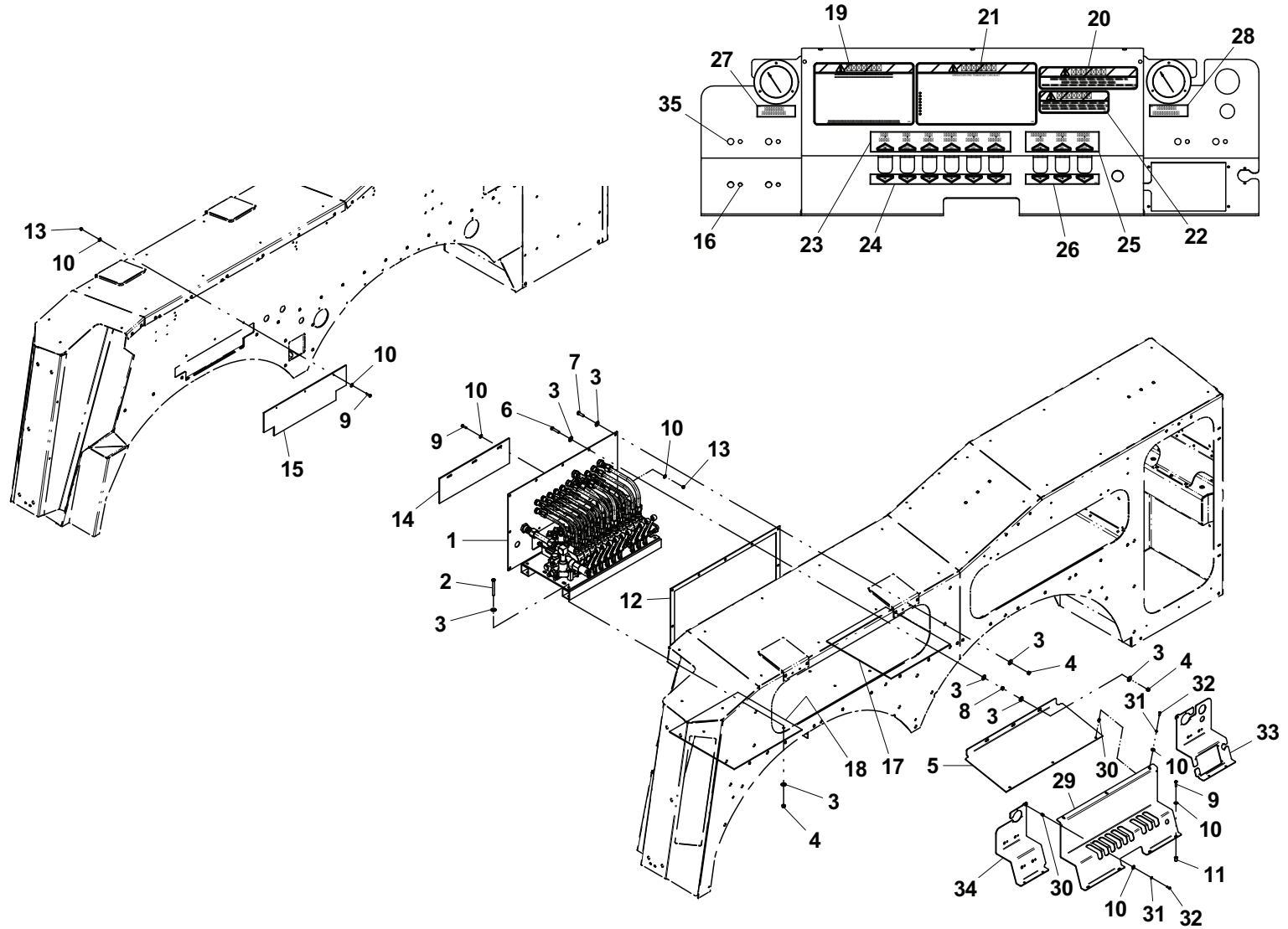


**CONTROLS - CONTROL VALVE INSTALLATION - 6 FUNCTION & 14 FUNCTION**

| ITEM | PART NO.   | DESCRIPTION                             | QTY | ITEM | PART NO.   | DESCRIPTION | QTY |
|------|------------|---|-----|------|------------|-------------|-----|
| 1    | 3935000180 | Control Valve Assy - 6 Function Remote  | 1   | 34   | 4314000209 | Coverplate  | 1   |
|      | 3935000178 | Control Valve Assy - 14 Function Remote |     | 35   | 7701000067 | Plug        | 4   |
| 2    | 7115162850 | Capscrew, 0.38"-16NC x 3.50"            | 4   |      |            |             |     |
| 3    | 7950160161 | Flatwasher, 0.38" ID                    | 32  |      |            |             |     |
| 4    | 7660162601 | Locknut, 0.38"-16NC                     | 13  |      |            |             |     |
| 5    | 4706005589 | Plate                                   | 1   |      |            |             |     |
| 6    | 7115161450 | Capscrew, 0.38"-16NC x 1.75"            | 3   |      |            |             |     |
| 7    | 7115161050 | Capscrew, 0.38"-16NC x 1.25"            | 6   |      |            |             |     |
| 8    | 7660160000 | Nut, 0.38"-16NC                         | 3   |      |            |             |     |
| 9    | 7115140850 | Capscrew, 0.25"-20NC x 1.00"            | 14  |      |            |             |     |
| 10   | 7590140161 | Flatwasher, 0.25" ID                    | 25  |      |            |             |     |
| 11   | 7661000006 | Well Nut, 0.25"-20 NC                   | 8   |      |            |             |     |
| 12   | 7796000012 | Seal                                    | 8ft |      |            |             |     |
| 13   | 7660142601 | Locknut, 0.25"-20NC                     | 6   |      |            |             |     |
| 14   | 4706005591 | Plate                                   | 1   |      |            |             |     |
| 15   | 4706002643 | Plate                                   | 1   |      |            |             |     |
| 16   | 7701000058 | Plug                                    | 4   |      |            |             |     |
| 17   | 4679000143 | Pad, Rubber                             | 1   |      |            |             |     |
| 18   | 4679000144 | Pad, Rubber                             | 1   |      |            |             |     |
| 19   | 7330000199 | Decal                                   | 1   |      |            |             |     |
| 20   | 7330000262 | Decal                                   | 1   |      |            |             |     |
| 21   | 7330000200 | Decal                                   | 1   |      |            |             |     |
| 22   | 7330000253 | Decal                                   | 1   |      |            |             |     |
| 23   | 7330000302 | Decal                                   | 1   |      |            |             |     |
| 24   | 7330000304 | Decal                                   | 1   |      |            |             |     |
| 25   | 7330000299 | Decal                                   | 1   |      |            |             |     |
| 26   | 7330000300 | Decal                                   | 1   |      |            |             |     |
| 27   | 7330000256 | Decal                                   | 1   |      |            |             |     |
| 28   | 7330000257 | Decal                                   | 1   |      |            |             |     |
| 29   | 4706005656 | Panel                                   | 1   |      |            |             |     |
| 30   | 7413000002 | Nutsert, 0.25"-20NC                     | 5   |      |            |             |     |
| 31   | 7950140000 | Lockwasher, 0.25" ID                    | 5   |      |            |             |     |
| 32   | 7114140618 | Capscrew, 0.25"-20NC x 0.75"            | 5   |      |            |             |     |
| 33   | 4314000208 | Coverplate                              | 1   |      |            |             |     |



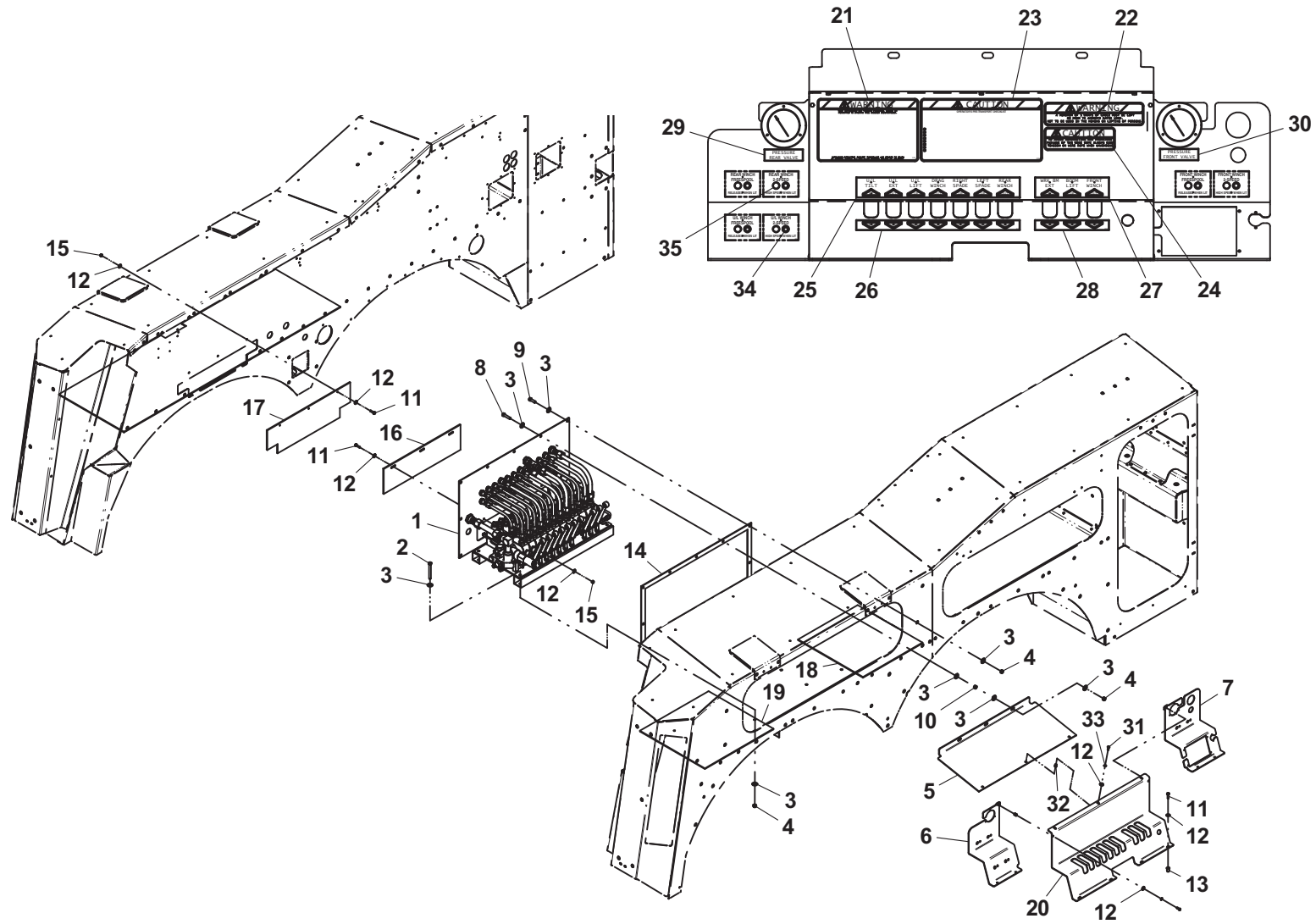
# CONTROLS - CONTROL VALVE INSTALLATION - 6 FUNCTION & 14 FUNCTION



**CONTROLS - CONTROL VALVE INSTALLATION - 16 FUNCTION**

| ITEM | PART NO.   | DESCRIPTION                  | QTY | ITEM | PART NO.   | DESCRIPTION | QTY |
|------|------------|------------------------------|-----|------|------------|-------------|-----|
| 1    | 3935000218 | Control Valve Assy           | 1   | 35   | 7701000067 | Plug        | 3   |
| 2    | 7115162850 | Capscrew, 0.38"-16NC x 3.50" | 4   |      |            |             |     |
| 3    | 7950160161 | Flatwasher, 0.38" ID         | 32  |      |            |             |     |
| 4    | 7660162601 | Locknut, 0.38"-16NC          | 13  |      |            |             |     |
| 5    | 4706005589 | Plate                        | 1   |      |            |             |     |
| 6    | 4314000209 | Coverplate                   | 1   |      |            |             |     |
| 7    | 4314000208 | Coverplate                   | 1   |      |            |             |     |
| 8    | 7115161450 | Capscrew, 0.38"-16NC x 1.75" | 3   |      |            |             |     |
| 9    | 7115161050 | Capscrew, 0.38"-16NC x 1.25" | 6   |      |            |             |     |
| 10   | 7660160000 | Nut, 0.38"-16NC              | 3   |      |            |             |     |
| 11   | 7115140850 | Capscrew, 0.25"-20NC x 1.00" | 14  |      |            |             |     |
| 12   | 7950140161 | Flatwasher, 0.25" ID         | 25  |      |            |             |     |
| 13   | 7661000006 | Well Nut, 0.25"-20NC         | 8   |      |            |             |     |
| 14   | 7796000012 | Seal                         | 8ft |      |            |             |     |
| 15   | 7660142601 | Locknut, 0.25"-20NC          | 6   |      |            |             |     |
| 16   | 4706005627 | Plate                        | 1   |      |            |             |     |
| 17   | 4706002643 | Plate                        | 1   |      |            |             |     |
| 18   | 4679000143 | Pad, Rubber                  | 1   |      |            |             |     |
| 19   | 4679000144 | Pad, Rubber                  | 1   |      |            |             |     |
| 20   | 4706005629 | Plate                        | 1   |      |            |             |     |
| 21   | 7330000199 | Decal                        | 1   |      |            |             |     |
| 22   | 7330000262 | Decal                        | 1   |      |            |             |     |
| 23   | 7330000200 | Decal                        | 1   |      |            |             |     |
| 24   | 7330000253 | Decal                        | 1   |      |            |             |     |
| 25   | 7330000434 | Decal                        | 1   |      |            |             |     |
| 26   | 7330000435 | Decal                        | 1   |      |            |             |     |
| 27   | 7330000299 | Decal                        | 1   |      |            |             |     |
| 28   | 7330000300 | Decal                        | 1   |      |            |             |     |
| 29   | 7330000256 | Decal                        | 1   |      |            |             |     |
| 30   | 7330000257 | Decal                        | 1   |      |            |             |     |
| 31   | 7114140618 | Capscrew, 0.25"-20NC x 0.75" | 5   |      |            |             |     |
| 32   | 7413000002 | Nutsert, 0.25"-20NC          | 5   |      |            |             |     |
| 33   | 7950140000 | Lockwasher, 0.25" ID         | 5   |      |            |             |     |
| 34   | 7701000058 | Plug                         | 3   |      |            |             |     |

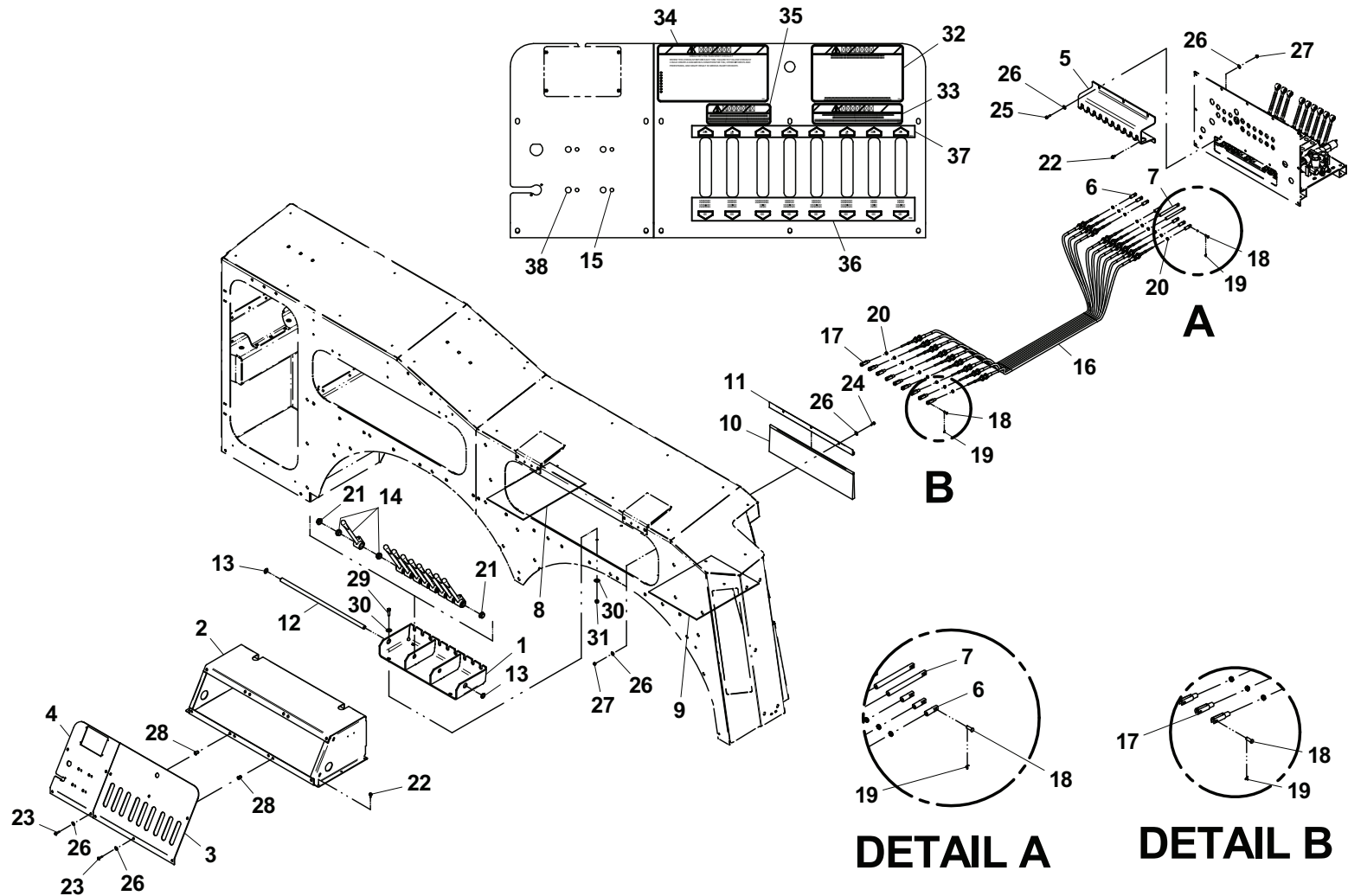
# CONTROLS - CONTROL VALVE INSTALLATION - 16 FUNCTION



**CONTROLS - PUSH-PULL CABLES INSTALLATION - 6 FUNCTION & 14 FUNCTION**

| ITEM | PART NO.    | DESCRIPTION                          | QTY | ITEM | PART NO.   | DESCRIPTION | QTY |
|------|-------------|--------------------------------------|-----|------|------------|-------------|-----|
| 1    | 3178000260  | Bracket Weldment                     | 1   | 33   | 7330000262 | Decal       | 1   |
| 2    | 3686000016  | Panel Weldment                       | 1   | 34   | 7330000200 | Decal       | 1   |
| 3    | 4706002746  | Plate                                | 1   | 35   | 7330000253 | Decal       | 1   |
| 4    | 4314000210  | Coverplate                           | 1   | 36   | 7330000703 | Decal       | 1   |
| 5    | 4706005594  | Plate                                | 1   | 37   | 7330000702 | Decal       | 1   |
| 6    | 4309000001  | Coupling - 6 Function Remote         | 3   | 38   | 7701000067 | Plug        | 4   |
|      | 4309000001  | Coupling - 14 Function Remote        | 7   |      |            |             |     |
| 7    | 4309000007  | Coupling - 6 Function Remote         | 6   |      |            |             |     |
|      | 4309000007  | Coupling - 14 Function Remote        | 2   |      |            |             |     |
| 8    | 4679000119  | Pad                                  | 1   |      |            |             |     |
| 9    | 4679000131  | Pad                                  | 1   |      |            |             |     |
| 10   | 4638000003  | Brush                                | 1   |      |            |             |     |
| 11   | 4411000113  | Extrusion, Brush Holder              | 1   |      |            |             |     |
| 12   | 7806000005  | Shaft                                | 1   |      |            |             |     |
| 13   | 7754000009  | Retaining Ring                       | 2   |      |            |             |     |
| 14   | 7551000034  | Handle                               | 9   |      |            |             |     |
| 15   | 7701000058  | Plug                                 | 4   |      |            |             |     |
| 16   | 7248000068  | Push-Pull Cable - 14 Function Remote | 9   |      |            |             |     |
| 17   | 7990000003  | Yoke                                 | 9   |      |            |             |     |
| 18   | 7690141200  | Clevis Pin                           | 18  |      |            |             |     |
| 19   | 7690000810  | Cotter Pin                           | 18  |      |            |             |     |
| 20   | 7660140230  | Nut, 0.25"-28NF                      | 18  |      |            |             |     |
| 21   | 7082000005  | Bearing                              | 2   |      |            |             |     |
| 22   | 7790141056  | Screw, 0.25"-20NC x 0.63"            | 13  |      |            |             |     |
| 23   | 71111140813 | Screw, 0.25"-20NC x 1.00"            | 10  |      |            |             |     |
| 24   | 7115140650  | Capscrew, 0.25"-20NC x 0.75"         | 3   |      |            |             |     |
| 25   | 7115140850  | Capscrew, 0.25"-20NC x 1.00"         | 3   |      |            |             |     |
| 26   | 7950140161  | Flatwasher, 0.25" ID                 | 22  |      |            |             |     |
| 27   | 7660142601  | Locknut, 0.25"-20NC                  | 6   |      |            |             |     |
| 28   | 7661000006  | Well Nut, 0.25"-20NC                 | 10  |      |            |             |     |
| 29   | 7115161050  | Capscrew, 0.38"-16NC x 1.25"         | 4   |      |            |             |     |
| 30   | 7950160161  | Flatwasher, 0.38" ID                 | 8   |      |            |             |     |
| 31   | 7660162601  | Locknut, 0.38"-16NC                  | 4   |      |            |             |     |
| 32   | 7330000199  | Decal                                | 1   |      |            |             |     |

# CONTROLS - PUSH-PULL CABLES INSTALLATION - 6 FUNCTION & 14 FUNCTION

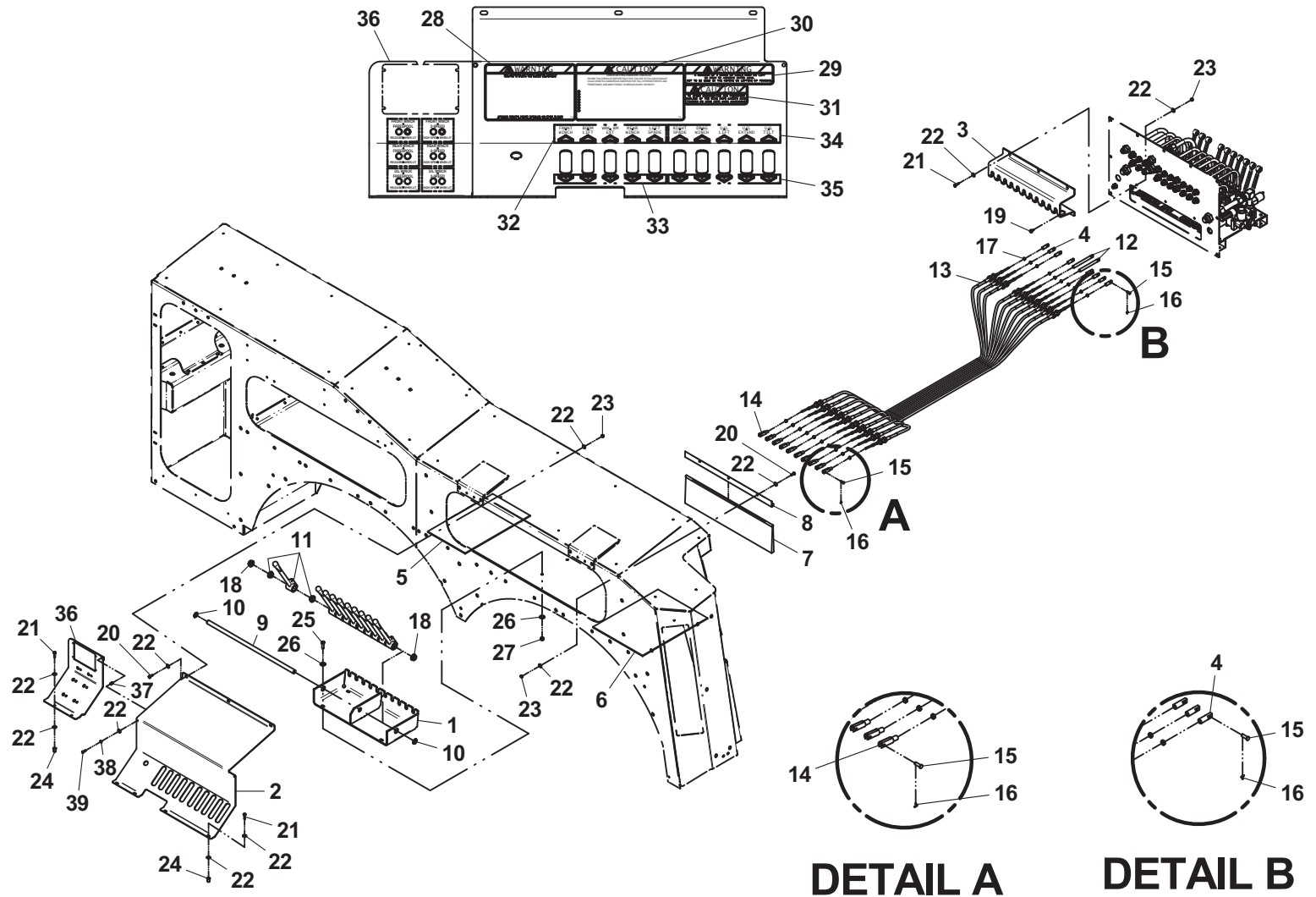


Push-Pull Cable Installation for 12 Function Remote Controller shown

**CONTROLS - PUSH-PULL CABLES INSTALLATION - 16 FUNCTION**

| ITEM | PART NO.   | DESCRIPTION                              | QTY | ITEM | PART NO.   | DESCRIPTION          | QTY |
|------|------------|--|-----|------|------------|----------------------|-----|
| 1    | 3178000343 | Plate, RH Cable Bracket                  | 1   | 35   | 7330000444 | Decal                | 1   |
| 2    | 4706003848 | Plate                                    | 1   | 36   | 4314000211 | Plate                | 1   |
| 3    | 4706005628 | Plate                                    | 1   | 37   | 7413000002 | Nutsert, 0.25"-20NC  | 1   |
| 4    | 4309000001 | Coupling                                 | 8   | 38   | 7950140000 | Lockwasher, 0.25" ID | 1   |
| 5    | 4679000119 | Pad                                      | 1   | 39   | 7114140618 | Capscrew, 0.25"-20NC | 1   |
| 6    | 4679000131 | Pad                                      | 1   |      |            |                      |     |
| 7    | 4638000003 | Brush                                    | 1   |      |            |                      |     |
| 8    | 4411000113 | Extrusion, Brush Holder                  | 1   |      |            |                      |     |
| 9    | 7806000005 | Shaft                                    | 1   |      |            |                      |     |
| 10   | 7754000009 | Retaining Ring                           | 2   |      |            |                      |     |
| 11   | 7551000033 | Handle                                   | 10  |      |            |                      |     |
| 12   | 4309000007 | Coupling                                 | 2   |      |            |                      |     |
| 13   | 7248000068 | Push-Pull Cable                          | 10  |      |            |                      |     |
| 14   | 7990000003 | Yoke                                     | 10  |      |            |                      |     |
| 15   | 7690141200 | Clevis Pin                               | 20  |      |            |                      |     |
| 16   | 7690000810 | Cotter Pin                               | 20  |      |            |                      |     |
| 17   | 7660140230 | Nut, 0.25"-28NF                          | 20  |      |            |                      |     |
| 18   | 7082000005 | Bearing                                  | 2   |      |            |                      |     |
| 19   | 7790141056 | Screw, Self Tapping - 0.25"-20NC x 0.63" | 3   |      |            |                      |     |
| 20   | 7115140650 | Capscrew, 0.25"-20NC x 0.75"             | 6   |      |            |                      |     |
| 21   | 7115140850 | Capscrew, 0.25"-20NC x 1.00"             | 9   |      |            |                      |     |
| 22   | 7950140161 | Flatwasher, 0.25" ID                     | 31  |      |            |                      |     |
| 23   | 7660142601 | Locknut, 0.25"-20NC                      | 9   |      |            |                      |     |
| 24   | 7661000006 | Well Nut, 0.25"-20NC                     | 6   |      |            |                      |     |
| 25   | 7115161050 | Capscrew, 0.38"-16NC x 1.25"             | 4   |      |            |                      |     |
| 26   | 7950160161 | Flatwasher, 0.38" ID                     | 8   |      |            |                      |     |
| 27   | 7660162601 | Locknut, 0.38"-16NC                      | 4   |      |            |                      |     |
| 28   | 7330000199 | Decal                                    | 1   |      |            |                      |     |
| 29   | 7330000262 | Decal                                    | 1   |      |            |                      |     |
| 30   | 7330000200 | Decal                                    | 1   |      |            |                      |     |
| 31   | 7330000253 | Decal                                    | 1   |      |            |                      |     |
| 32   | 7330000441 | Decal                                    | 1   |      |            |                      |     |
| 33   | 7330000442 | Decal                                    | 1   |      |            |                      |     |
| 34   | 7330000443 | Decal                                    | 1   |      |            |                      |     |

# CONTROLS - PUSH-PULL CABLES INSTALLATION - 16 FUNCTION



Push-Pull Cable Installation for 12 Function Remote Controller shown

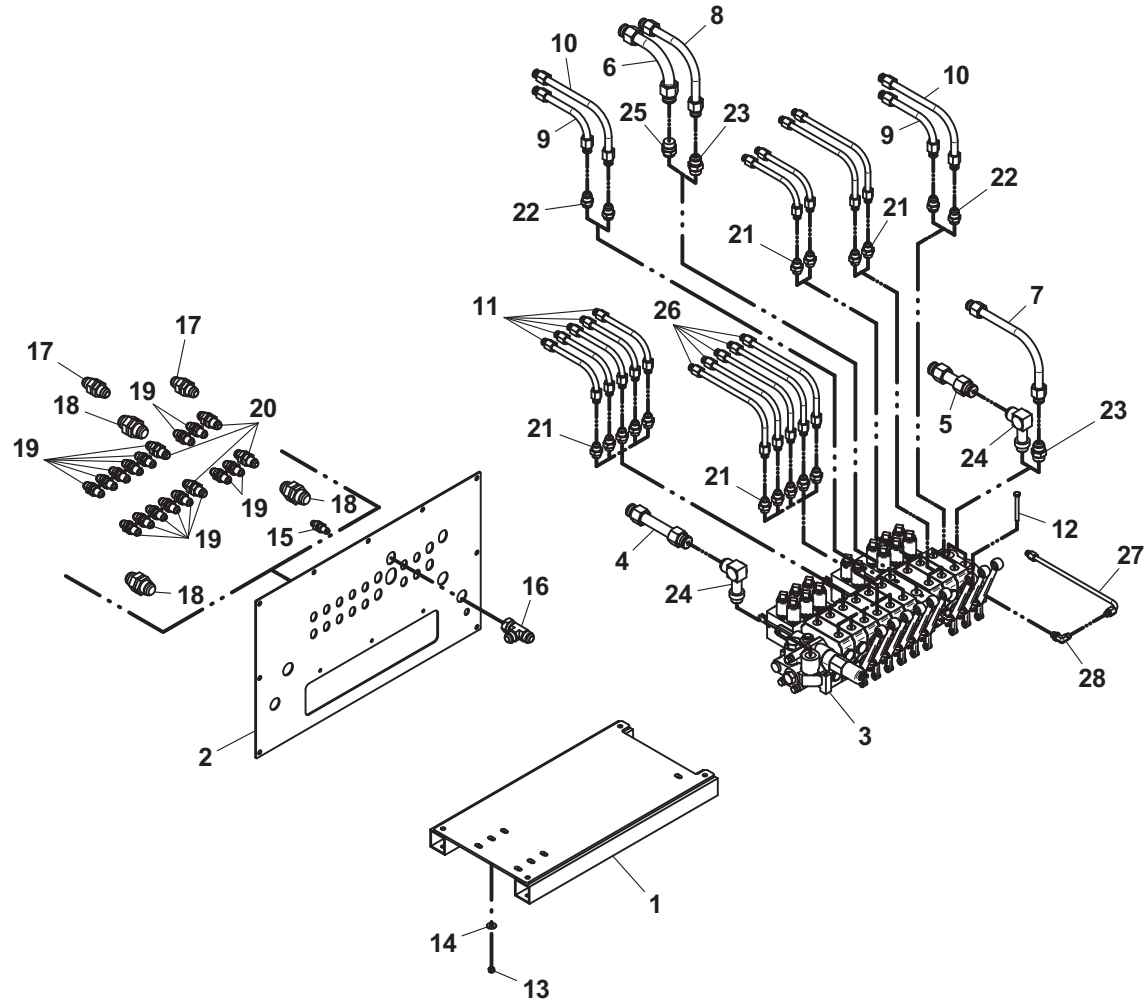
**CONTROLS - CONTROL VALVE ASSEMBLY - 3935000178 & 3935000180**

| ITEM | PART NO.    | DESCRIPTION                         | QTY |
|------|-------------|-------------------------------------|-----|
| 1    | 3177000060  | Valve Mount Weldment                | 1   |
| 2    | 4706005592  | Plate                               | 1   |
| 3    | 3935000185  | Valve Assembly - 6 Function Remote  | 1   |
|      | 7935000304  | Valve Assembly - 14 Function Remote |     |
| 4    | 7912000301* | Tube Assembly                       | 1   |
| 5    | 7912000302* | Tube Assembly                       | 1   |
| 6    | 7912000303* | Tube Assembly                       | 1   |
| 7    | 7912000304* | Tube Assembly                       | 1   |
| 8    | 7912000305* | Tube Assembly                       | 1   |
| 9    | 7912000306* | Tube Assembly                       | 2   |
| 10   | 7912000307* | Tube Assembly                       | 2   |
| 11   | 7912000308* | Tube Assembly                       | 6   |
| 12   | 7115152450  | Capscrew, 0.31"-18NC x 3.00"        | 3   |
| 13   | 7660152601  | Locknut, 0.31"-18NC                 | 3   |
| 14   | 7950140161  | Flatwasher, 0.31" ID                | 3   |
| 15   | 7445060625  | Fitting, Union Bulkhead             | 1   |
| 16   | 7443000012  | Tee                                 | 1   |
| 17   | 7445121225  | Fitting, Union Bulkhead             | 2   |
| 18   | 7445161625  | Fitting, Union Bulkhead             | 3   |
| 19   | 7445080825  | Fitting, Union Bulkhead             | 14  |
| 20   | 7445101025  | Fitting, Union Bulkhead             | 4   |
| 21   | 7445081043  | Adapter                             | 14  |
| 22   | 7445101043  | Adapter                             | 4   |
| 23   | 7445121243  | Adapter                             | 2   |
| 24   | 7443000211  | Elbow                               | 2   |
| 25   | 7445151243  | Adapter                             | 1   |
| 26   | 7912000309* | Tube Assembly                       | 7   |
| 27   | 7912000310* | Tube Assembly                       | 1   |
| 28   | 7445060645  | Elbow                               | 1   |

\* Available in Hydraulic Tubing Kit - 7577000668



# CONTROLS - CONTROL VALVE ASSEMBLY - 3935000178 & 3935000180

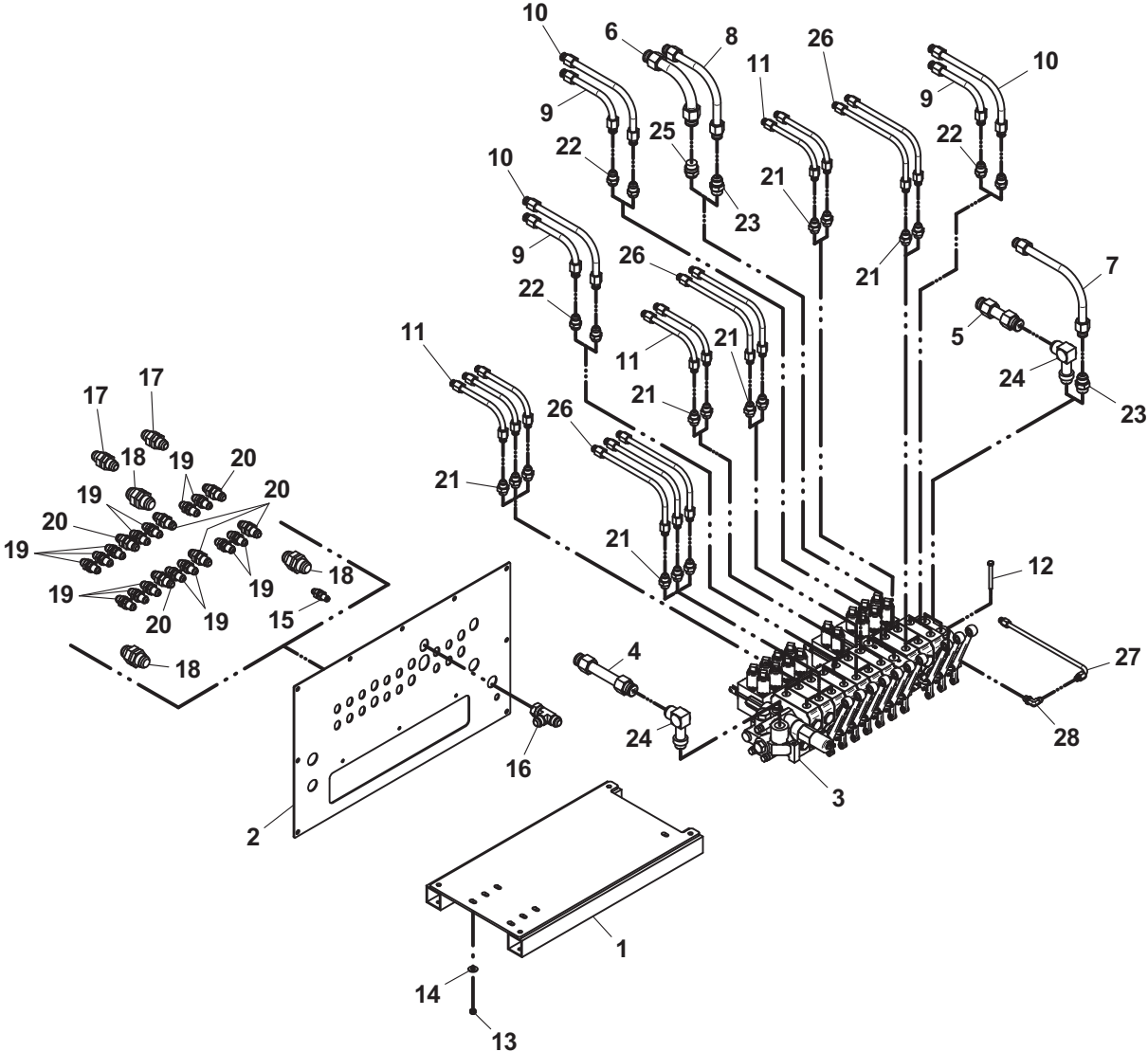


**CONTROLS - CONTROL VALVE ASSEMBLY - 3935000218**

| ITEM | PART NO.    | DESCRIPTION                  | QTY |
|------|-------------|------------------------------|-----|
| 1    | 3177000060  | Valve Mount Weldment         | 1   |
| 2    | 4706005626  | Control Closure              | 1   |
| 3    | 7935000374  | Valve Assembly               | 1   |
| 4    | 7912000301* | Tube Assembly                | 1   |
| 5    | 7912000302* | Tube Assembly                | 1   |
| 6    | 7912000303* | Tube Assembly                | 1   |
| 7    | 7912000304* | Tube Assembly                | 1   |
| 8    | 7912000305* | Tube Assembly                | 1   |
| 9    | 7912000306* | Tube Assembly                | 3   |
| 10   | 7912000307* | Tube Assembly                | 3   |
| 11   | 7912000308* | Tube Assembly                | 7   |
| 12   | 7115152450  | Capscrew, 0.31"-18NC x 3.00" | 3   |
| 13   | 7660152601  | Locknut, 0.31"-18NC          | 3   |
| 14   | 7950140161  | Flatwasher, 0.31" ID         | 3   |
| 15   | 7445060625  | Fitting, Union Bulkhead      | 1   |
| 16   | 7443000012  | Tee                          | 1   |
| 17   | 7445121225  | Fitting, Union Bulkhead      | 2   |
| 18   | 7445161625  | Fitting, Union Bulkhead      | 3   |
| 19   | 7445080825  | Fitting, Union Bulkhead      | 14  |
| 20   | 7445101025  | Fitting, Union Bulkhead      | 6   |
| 21   | 7445081043  | Adapter                      | 14  |
| 22   | 7445101043  | Adapter                      | 6   |
| 23   | 7445121243  | Adapter                      | 2   |
| 24   | 7443000211  | Elbow                        | 2   |
| 25   | 7445151243  | Adapter                      | 1   |
| 26   | 7912000309* | Tube Assembly                | 7   |
| 27   | 7912000310* | Tube Assembly                | 1   |
| 28   | 7445060645  | Elbow                        | 1   |

\* Available in Hydraulic Tubing Kit - 7577000670

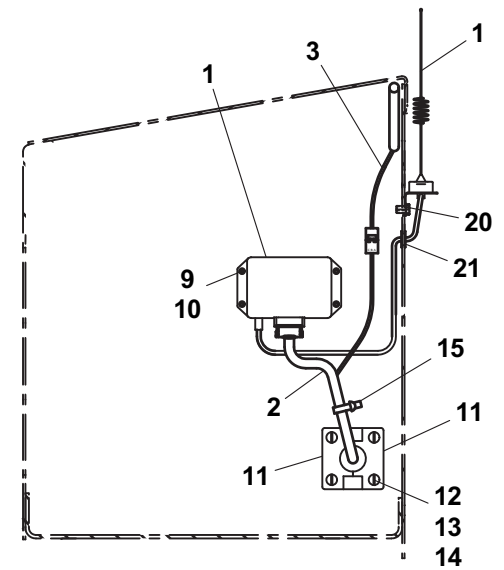
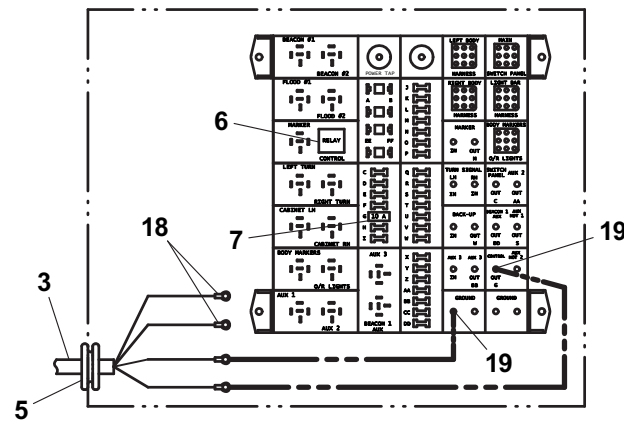
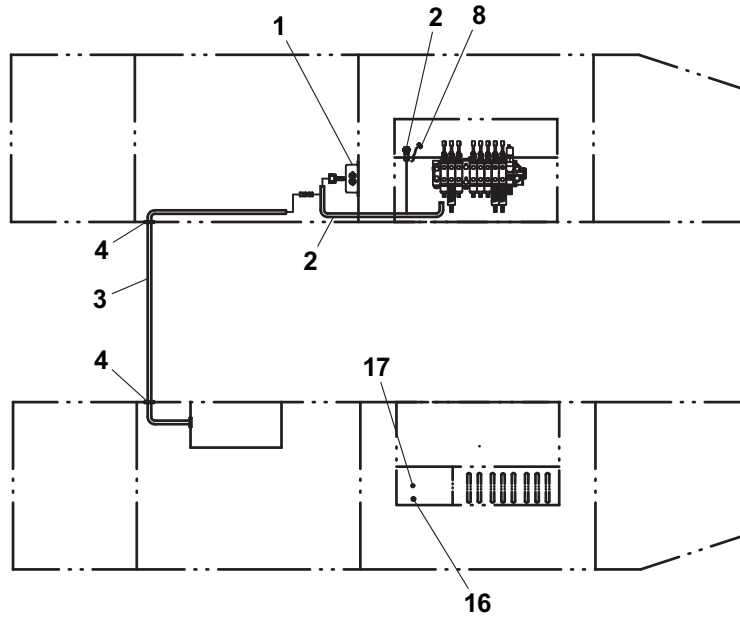
**CONTROLS - CONTROL VALVE ASSEMBLY - 3935000218**



**CONTROLS - 6 FUNCTION NON-PROPORTIONAL MIRATRON**

| ITEM | PART NO.   | DESCRIPTION                           | QTY  |
|------|------------|---------------------------------------|------|
| 1    | 7295000146 | Antenna                               | 1    |
| 2    | 7552000383 | Harness                               | 1    |
| 3    | 7552000148 | Harness                               | 1    |
| 4    | 7493000014 | Grommet                               | 2    |
| 5    | 7493000011 | Grommet                               | 1    |
| 6    | 7740000001 | Relay, 40 Amp                         | 1    |
| 7    | 7457000011 | Relay, 40 Amp                         | 1    |
| 8    | 7346000068 | Dust Cap                              | 1    |
| 9    | 7114100518 | Capscrew, #10-24NC x 0.63"            | 4    |
| 10   | 7660102604 | Locknut, #10-24NC                     | 4    |
| 11   | 3314000010 | Coverplate                            | 2    |
| 12   | 7950140161 | Flatwasher, 0.25" ID                  | 8    |
| 13   | 7660142601 | Locknut, 0.25"-20NC                   | 4    |
| 14   | 7111140613 | Screw, 0.25"-20NC x 0.75"             | 4    |
| 15   | 5526000553 | Tie Strap                             | 5    |
| 16   | 7701000007 | Plug                                  | 1    |
| 17   | 7701000032 | Plug                                  | 1    |
| 18   | 7346000039 | Tubing, Heat Shrink                   | 12in |
| 19   | 7661000023 | Locknut, #10-32NF                     | 2    |
| 20   | 7790100856 | Screw, Self Tapping - #10 Dia x 0.50" | 3    |
| 21   | 7493000020 | Grommet                               | 1    |

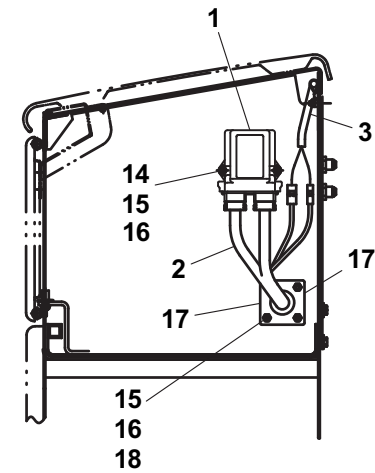
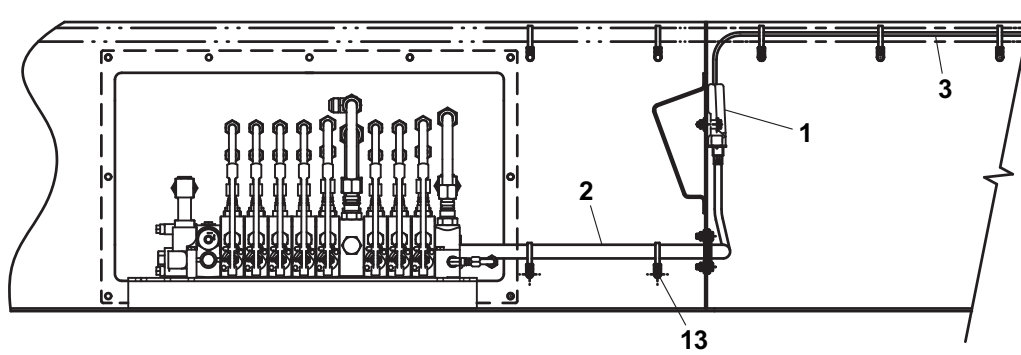
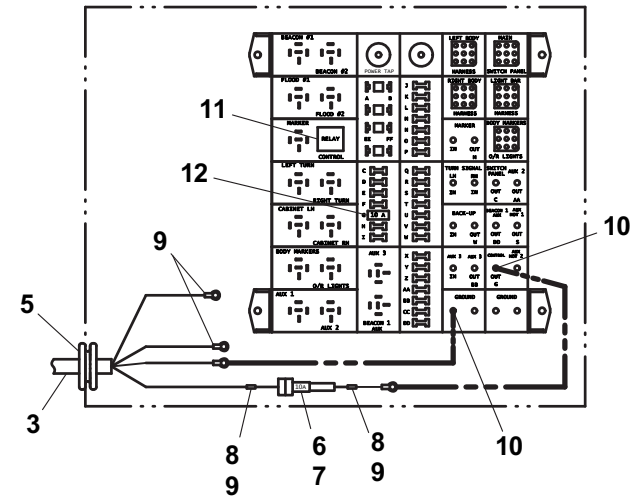
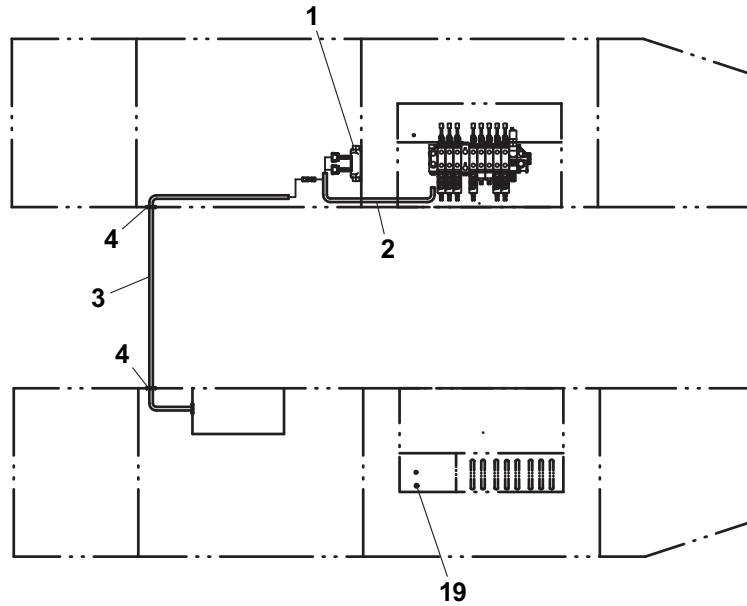
# CONTROLS - 6 FUNCTION NON-PROPORTIONAL MIRATRON



**CONTROLS - 14 FUNCTION NON-PROPORTIONAL MIRATRON**

| ITEM | PART NO.   | DESCRIPTION                  | QTY  |
|------|------------|------------------------------|------|
| 1    | 7295000124 | Remote Controller            | 1    |
| 2    | 7552000364 | Harness                      | 1    |
| 3    | 7552000148 | Harness                      | 1    |
| 4    | 7493000014 | Grommet                      | 2    |
| 5    | 7493000011 | Grommet                      | 1    |
| 6    | 7346000029 | In-Line Fuse Holder          | 1    |
| 7    | 7457000008 | Fuse - 10 Amp                | 1    |
| 8    | 7345001714 | Electrical Terminal          | 2    |
| 9    | 7346000039 | Tubing, Heat Shrink          | 12in |
| 10   | 7661000023 | Locknut, #10-32NF            | 2    |
| 11   | 7740000001 | Relay, 40 Amp                | 1    |
| 12   | 7457000006 | Fuse - 15 Amp                | 1    |
| 13   | 7894000042 | Tie Strap                    | 2    |
| 14   | 7115141250 | Capscrew, 0.25"-20NC x 1.50" | 2    |
| 15   | 7950140161 | Flatwasher, 0.25" ID         | 12   |
| 16   | 7660142600 | Locknut, 0.25"-20NC          | 6    |
| 17   | 3314000010 | Coverplate                   | 2    |
| 18   | 7115140650 | Capscrew, 0.25"-20NC x 0.75" | 4    |
| 19   | 7701000007 | Plug                         | 1    |
| 20   | 5526000553 | Tie Strap                    | 5    |

# CONTROLS - 14 FUNCTION NON-PROPORTIONAL MIRATRON



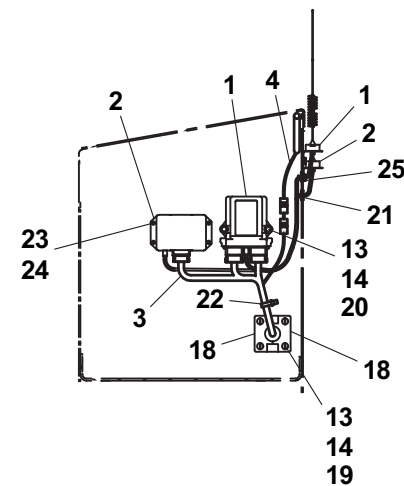
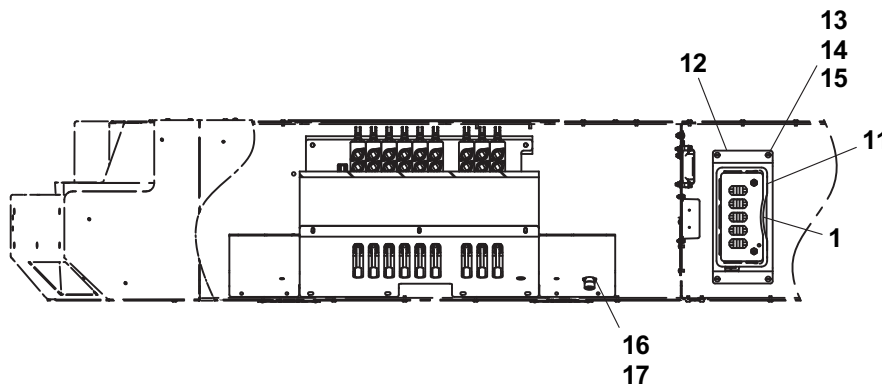
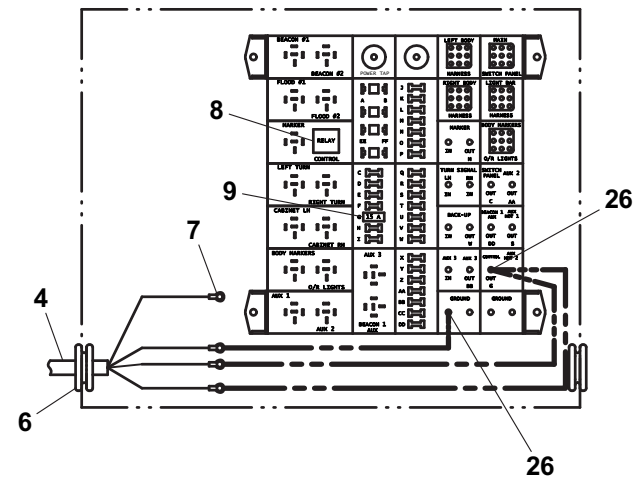
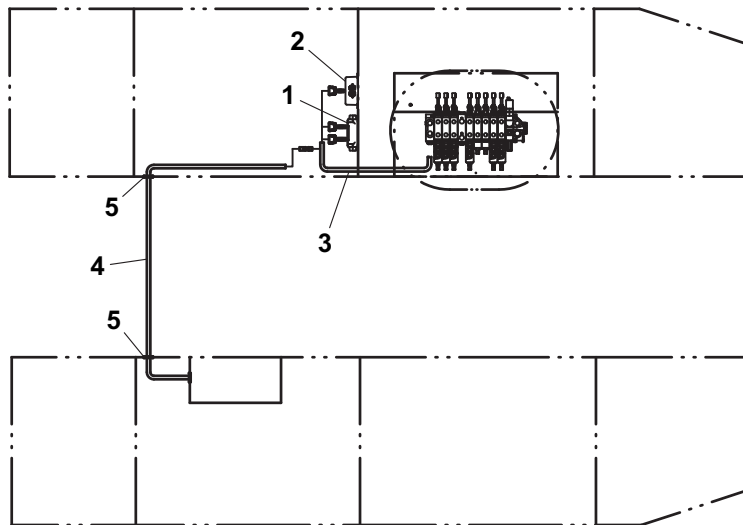
Item #20, not shown

**CONTROLS - 14 & 16 FUNCTION PROPORTIONAL MIRATRON**

| ITEM | PART NO.   | DESCRIPTION                  | QTY  |
|------|------------|------------------------------|------|
| 1    | 7295000148 | Remote Controller            | 1    |
| 2    | 7295000146 | Antenna                      | 1    |
| 3    | 7552000441 | Harness                      | 1    |
| 4    | 7552000148 | Harness                      | 1    |
| 5    | 7493000014 | Grommet                      | 2    |
| 6    | 7493000011 | Grommet                      | 1    |
| 7    | 7346000039 | Tubing, Heat Shrink          | 12in |
| 8    | 7740000001 | Relay, 40 Amp                | 1    |
| 9    | 7457000006 | Fuse - 15 Amp                | 1    |
| 10   | 7894000004 | Tie Strap                    | 1    |
| 11   | 8632000012 | Trim                         | 30in |
| 12   | 4178000699 | Bracket                      | 1    |
| 13   | 7950140161 | Flatwasher, 0.25" ID         | 12   |
| 14   | 7660142601 | Locknut, 0.25"-20NC          | 10   |
| 15   | 7111140813 | Screw, 0.25-20N x 1.00"      | 4    |
| 16   | 7120000047 | Screw, #4-40NC x 0.63"       | 2    |
| 17   | 7660040000 | Nut, #4-40NC                 | 2    |
| 18   | 3314000010 | Coverplate                   | 2    |
| 19   | 7111140613 | Screw, 0.25"-20NC x 0.75"    | 4    |
| 20   | 7115141250 | Capscrew, 0.25"-20NC x 1.50" | 2    |
| 21   | 7493000020 | Grommet                      | 2    |
| 22   | 5526000553 | Tie Strap                    | 5    |
| 23   | 7114100518 | Capscrew, #10-24NC x 0.63"   | 4    |
| 24   | 7660102604 | Locknut, #10-24NC            | 4    |
| 25   | 7790100856 | Screw, 0.25"-20NC x 0.75"    | 6    |
| 26   | 7661000023 | Locknut, #10-32NF            | 2    |
| 27   | 7075000006 | Battery                      | 3    |
| 28   | 7075000003 | Battery                      | 1    |



# CONTROLS - 14 & 16 FUNCTION PROPORTIONAL MIRATRON

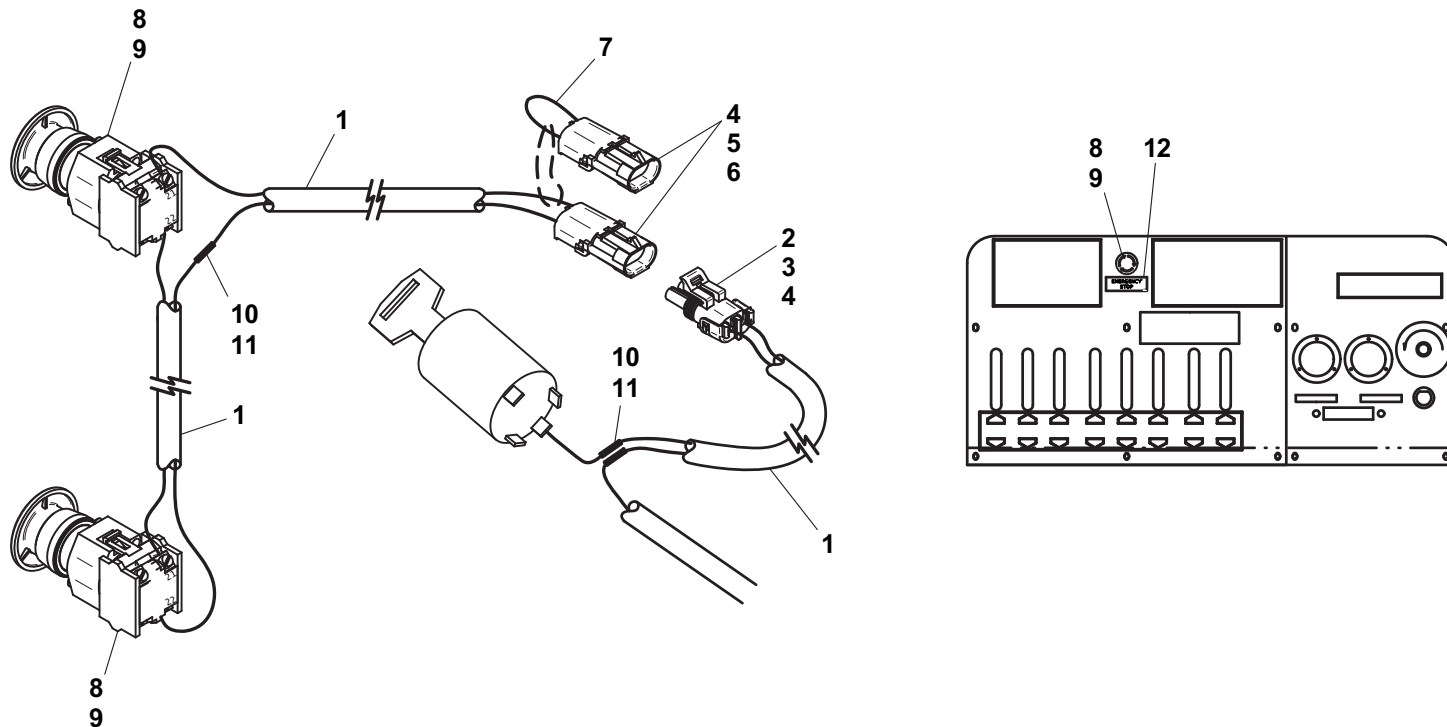


Items #20, #27 and #28, not shown

**CONTROLS - ELECTRICAL EMERGENCY STOP**

| ITEM | PART NO.   | DESCRIPTION                     | QTY  |
|------|------------|---------------------------------|------|
| 1    | 8977010103 | Wire, 16GA. - 2 Conductor       | 40ft |
| 2    | 7346000094 | Electrical Connector            | 1    |
| 3    | 7346000035 | Electrical Terminal             | 2    |
| 4    | 7346000037 | Seal, Cable                     | 6    |
| 5    | 7346000087 | Electrical Connector            | 2    |
| 6    | 7346000099 | Electrical Terminal             | 4    |
| 7    | 8977500100 | Wire, 16GA. Black               | 3in  |
| 8    | 7870000128 | Switch, Emergency Pushbutton    | 2    |
| 9    | 7870000128 | Switch, Emergency Contact Block | 2    |
| 10   | 7345001704 | Electrical Terminal             | 3    |
| 11   | 7346000039 | Tubing, Heat Shrink             | 6in  |
| 12   | 7330000755 | Decal                           | 2    |
| 13   | 5526000553 | Tie Strap                       | 1    |

# CONTROLS - ELECTRICAL EMERGENCY STOP



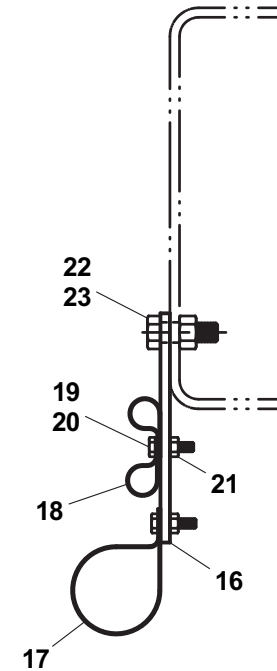
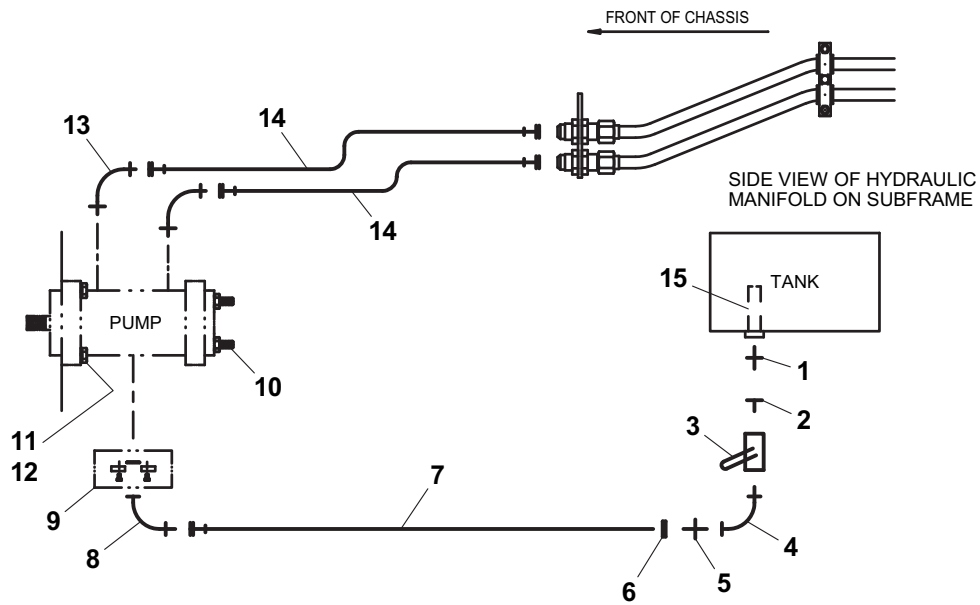
Item #13, not shown

**HYDRAULICS - SUPPLY-PRESSURE-RETURN**

| ITEM | PART NO.   | DESCRIPTION                  | QTY |
|------|------------|------------------------------|-----|
| 1    | 7650100137 | Pipe Nipple                  | 1   |
| 2    | 7444121050 | Reducer                      | 1   |
| 3    | 7635000116 | Valve, Ball                  | 1   |
| 4    | 7444121271 | Elbow                        | 1   |
| 5    | 7443000130 | Fitting                      | 1   |
| 6    | 7274000028 | Clamp                        | 1   |
| 7    | See Note 1 | Hose - Supply                | 1   |
| 8    | 7443000222 | Fitting                      | 1   |
| 9    | 7577000213 | Split Flange                 | 1   |
| 10   | 7724000044 | Pump                         | 1   |
| 11   | 7115181050 | Capscrew, 0.50"-13NC x 1.25" | 2   |
| 12   | 7950180000 | Lockwasher, 0.50" ID         | 2   |
| 13   | 7445121645 | Elbow                        | 2   |
| 14   | See Note 1 | Hose - Pressure              | 2   |
| 15   | 7430000010 | Filter, Tank                 | 1   |
| 16   | 4706003844 | Plate                        | 5   |
| 17   | 7274000071 | Clamp                        | 5   |
| 18   | 7274000040 | Clamp                        | 10  |
| 19   | 7115140850 | Capscrew, 0.25"-20NC x 1.00" | 10  |
| 20   | 7950140152 | Flatwasher, 0.25" ID         | 10  |
| 21   | 7660142601 | Locknut, 0.25"-20NC          | 10  |
| 22   | 7115181250 | Capscrew, 0.50"-13NC x 1.50" | 5   |
| 23   | 7660000011 | Locknut, 0.50"-13NC          | 5   |
| 24   | 4178000248 | Bracket                      | 1   |

Note 1: Varies depending on chassis, transmission and PTO type.  
Consult factory for part numbers.

# HYDRAULICS - SUPPLY-PRESSURE-RETURN



Item #24, not shown

**HYDRAULICS - LINES AND FITTINGS**

| ITEM | PART NO.    | DESCRIPTION                    | QTY | ITEM | PART NO.    | DESCRIPTION   | QTY |
|------|-------------|--------------------------------|-----|------|-------------|---------------|-----|
| 1    | 7470000004  | Gauge, Pressure                | 2   | 35   | 4570000138* | Hose Assembly | 2   |
| 2    | 7790060676  | Screw, #6 x 0.38"              | 6   | 36   | 4570000301* | Hose Assembly | 2   |
| 3    | 7445040421  | Fitting                        | 2   | 37   | 4570000313* | Hose Assembly | 1   |
| 4    | 7443000207  | Reducer                        | 1   | 38   | 4569182025* | Hose Assembly | 1   |
| 5    | 7445040443  | Adapter                        | 1   | 39   | 4567183040* | Hose Assembly | 1   |
| 6    | 7445060643  | Adapter                        | 11  | 40   | 4569183054* | Hose Assembly | 1   |
| 7    | 7443000109  | Adapter - 2 Piece Wrecker Boom | 4   | 41   | 4567182029* | Hose Assembly | 1   |
|      | 7443000109  | Adapter - 3 Piece Wrecker Boom | 2   | 42   | 4567182024* | Hose Assembly | 1   |
| 8    | 7274000063  | Clamp                          | 2   | 43   | 4569173038* | Hose Assembly | 1   |
| 9    | 7445060219  | Adapter                        | 1   | 44   | 4569173026* | Hose Assembly | 1   |
| 10   | 7430000004  | Filter Assembly                | 2   | 45   | 4569143028* | Hose Assembly | 1   |
| 11   | 7443000150  | Adapter                        | 2   | 46   | 4569142025* | Hose Assembly | 1   |
| 12   | 7470000002  | Gauge, Filter                  | 2   | 47   | 4567133032* | Hose Assembly | 1   |
| 13   | 7443000213  | Tee                            | 1   | 48   | 4567132031* | Hose Assembly | 1   |
| 14   | 7445161672  | Elbow                          | 1   | 49   | 4567132043* | Hose Assembly | 4   |
| 15   | 7445161622  | Union - 3 Piece Wrecker Boom   | 2   | 50   | 4570000244* | Hose Assembly | 1   |
| 16   | 7445161620  | Elbow                          | 2   | 51   | 4570000245* | Hose Assembly | 1   |
| 17   | 7445080822  | Union                          | 2   | 52   | 4570000246* | Hose Assembly | 1   |
| 18   | 7445080837  | Union                          | 2   | 53   | 4570000247* | Hose Assembly | 1   |
| 19   | 7445080843  | Adapter                        | 4   | 54   | 4570000166* | Hose Assembly | 1   |
| 20   | 7445060645  | Elbow                          | 1   | 55   | 4570000192* | Hose Assembly | 1   |
| 21   | 4619000006  | Manifold                       | 1   | 56   | 4570000174* | Hose Assembly | 1   |
| 22   | 7115161650  | Capscrew, 0.38"-16NC x 2.00"   | 2   | 57   | 4570000173* | Hose Assembly | 1   |
| 23   | 7950160000  | Lockwasher, 0.38" ID           | 2   | 58   | 4570000248* | Hose Assembly | 1   |
| 24   | 7445101032  | Fitting                        | 4   | 59   | 4570000180* | Hose Assembly | 1   |
| 25   | 7445100843  | Adapter                        | 4   | 60   | 4569132034* | Hose Assembly | 2   |
| 26   | 7445080825  | Union                          | 4   | 61   | 4569133035* | Hose Assembly | 2   |
| 27   | 7443000479  | Adapter - 3 Piece Wrecker Boom | 2   | 62   | 4570000177* | Hose Assembly | 1   |
| 28   | 4819000008  | Sleeve                         | 2   | 63   | 4570000176* | Hose Assembly | 1   |
| 29   | 7894000004  | Tie Strap                      | 6   | 64   | 4570000167* | Hose Assembly | 2   |
| 30   | 4567113028* | Hose Assembly                  | 1   | 65   | 4567120017* | Hose Assembly | 2   |
| 31   | 4567112024* | Hose Assembly                  | 1   | 66   | 4569133029* | Hose Assembly | 1   |
| 32   | 4569133027* | Hose Assembly                  | 1   | 67   | 4569132028* | Hose Assembly | 1   |
| 33   | 4569132030* | Hose Assembly                  | 2   | 68   | 4569163024* | Hose Assembly | 1   |
| 34   | 4569133032* | Hose Assembly                  | 1   | 69   | 4569162024* | Hose Assembly | 1   |

## HYDRAULICS - LINES AND FITTINGS

| ITEM | PART NO.    | DESCRIPTION                       | QTY | ITEM | PART NO.    | DESCRIPTION                        | QTY |
|------|-------------|-----------------------------------|-----|------|-------------|------------------------------------|-----|
| 70   | 4569163034* | Hose Assembly                     | 1   | 86   | 4567182029# | Hose Assembly - w/o Drag Winch     | 1   |
| 71   | 4569162034* | Hose Assembly                     | 1   |      | 4569180038= | Hose Assembly - w/1 Spd Drag Winch | 1   |
| 72   | 4569130046* | Hose Assembly                     | 2   |      | 4569180038~ | Hose Assembly - w/2 Spd Drag Winch | 1   |
| 73   | 4569160046* | Hose Assembly                     | 4   | 87   | 4567182024# | Hose Assembly - w/o Drag Winch     | 1   |
| 74   | 4567160048* | Hose Assembly                     | 4   |      | 4569180044= | Hose Assembly - w/1 Spd Drag Winch | 1   |
| 75   | 4570000165* | Hose Assembly                     | 2   |      | 4569180044~ | Hose Assembly - w/2 Spd Drag Winch | 1   |
| 76   | 4567152033* | Hose Assembly                     | 1   | 88   | 4567133032# | Hose Assembly - w/o Drag Winch     | 1   |
| 77   | 4567152032* | Hose Assembly                     | 1   |      | 4567133032= | Hose Assembly - w/1 Spd Drag Winch | 1   |
| 78   | 4567152066* | Hose Assembly                     | 1   |      | 4567133032~ | Hose Assembly - w/2 Spd Drag Winch | 1   |
| 79   | 4567152060* | Hose Assembly                     | 1   | 89   | 4567132031# | Hose Assembly - w/o Drag Winch     | 1   |
| 80   | 4570000177+ | Hose Assembly - UL530 Underlift   | 1   |      | 4567132031= | Hose Assembly - w/1 Spd Drag Winch | 1   |
|      | 4570000336^ | Hose Assembly - UL565 Underlift   | 1   |      | 4567132031~ | Hose Assembly - w/2 Spd Drag Winch | 1   |
| 81   | 4570000176+ | Hose Assembly - UL530 Underlift   | 1   | 90   | 4567132043# | Hose Assembly - w/o Drag Winch     | 4   |
|      | 4570000335^ | Hose Assembly - UL565 Underlift   | 1   |      | 4567132034= | Hose Assembly - w/1 Spd Drag Winch | 4   |
| 82   | 4567152033< | Hose Assembly - Gear Shift Winch  | 1   |      | 4567132034~ | Hose Assembly - w/2 Spd Drag Winch | 4   |
|      | 4567152025> | Hose Assembly - Motor Shift Winch | 1   | 91   | 4569162044= | Hose Assembly - w/1 Spd Drag Winch | 1   |
| 83   | 4567152032< | Hose Assembly - Gear Shift Winch  | 1   |      | 4569162044~ | Hose Assembly - w/2 Spd Drag Winch | 1   |
|      | 4567152024> | Hose Assembly - Motor Shift Winch | 1   | 92   | 4569163044= | Hose Assembly - w/1 Spd Drag Winch | 1   |
| 84   | 4567152066< | Hose Assembly - Gear Shift Winch  | 1   |      | 4569163044~ | Hose Assembly - w/2 Spd Drag Winch | 1   |
|      | 4567152056> | Hose Assembly - Motor Shift Winch | 1   | 93   | 4569162017= | Hose Assembly - w/1 Spd Drag Winch | 1   |
| 85   | 4567152060< | Hose Assembly - Gear Shift Winch  | 1   |      | 4569162034~ | Hose Assembly - w/2 Spd Drag Winch | 1   |
|      | 4567152054> | Hose Assembly - Motor Shift Winch | 1   | 94   | 4569162022= | Hose Assembly - w/1 Spd Drag Winch | 1   |
|      |             |                                   |     |      | 4569163036~ | Hose Assembly - w/2 Spd Drag Winch | 1   |

\* Available in Hydraulic Hose Kit - 7577000599

+Available in Hydraulic Hose Kit - 7577000640

^ Available in Hydraulic Hose Kit - 7577000641

<Available in Hydraulic Hose Kit - 7577000574

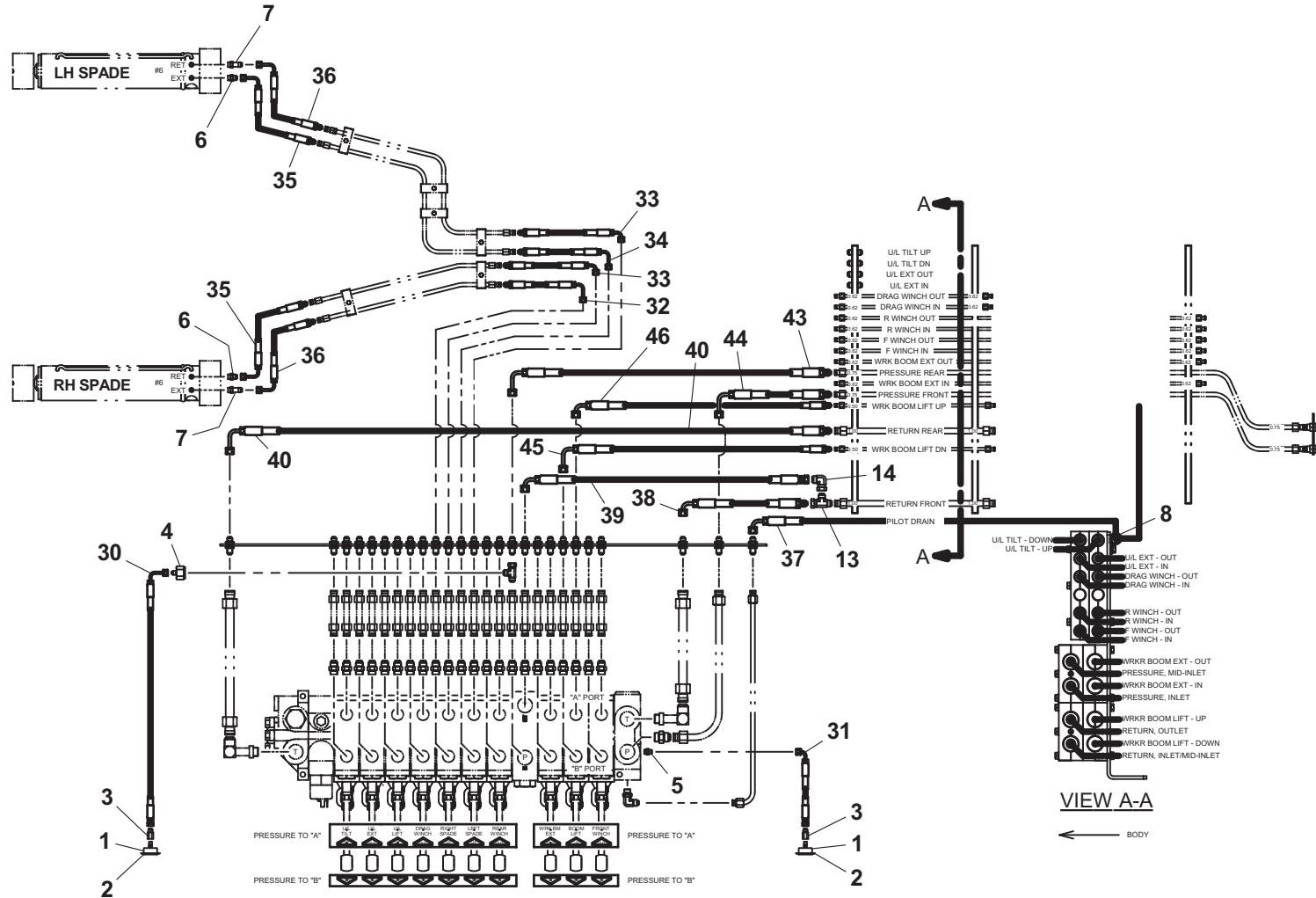
>Available in Hydraulic Hose Kit - 7577000573

#Available in Hydraulic Hose Kit - 7577000639

=Available in Hydraulic Hose Kit - 7577000600

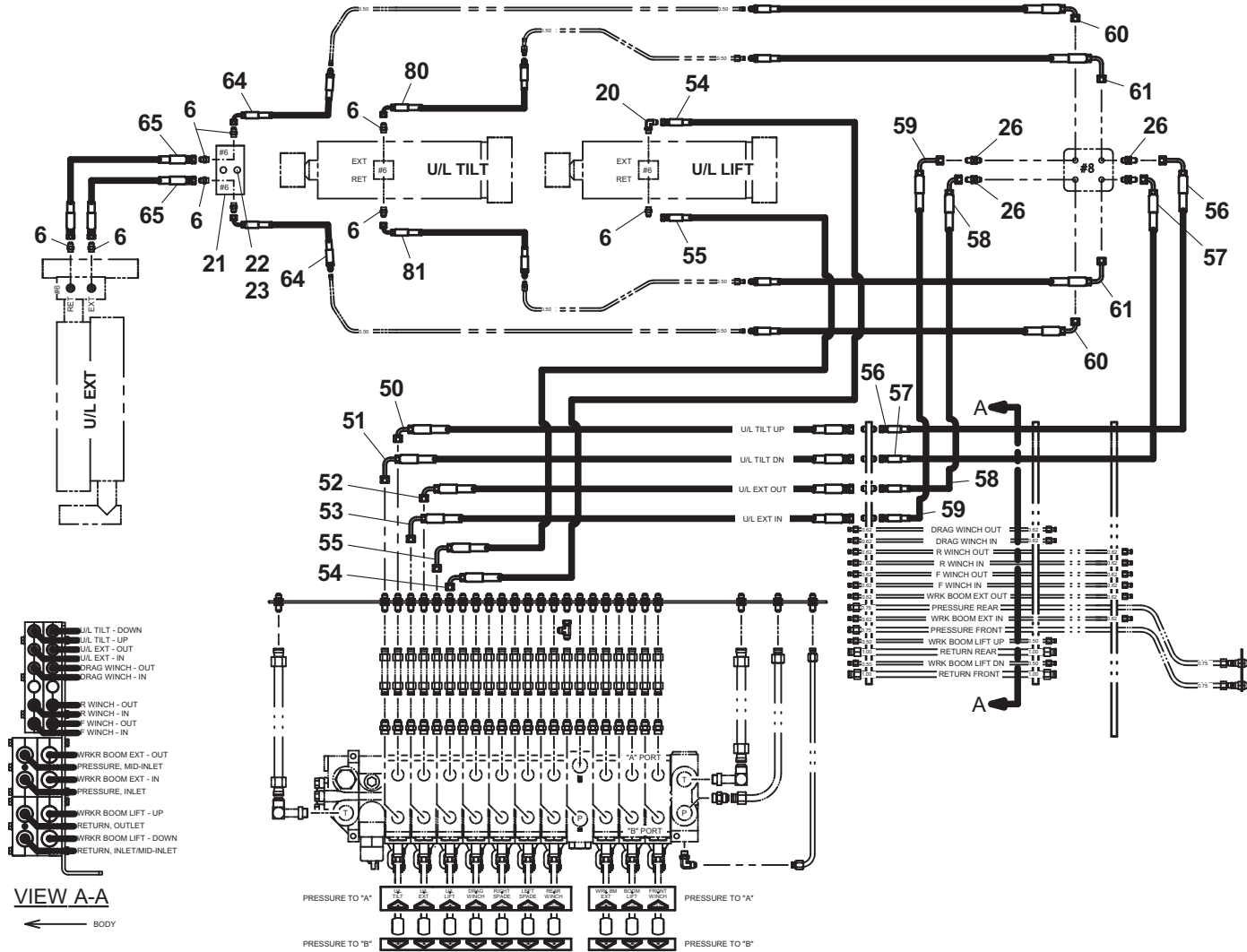
~Available in Hydraulic Hose Kit - 7577000601

# HYDRAULICS - LINES AND FITTINGS



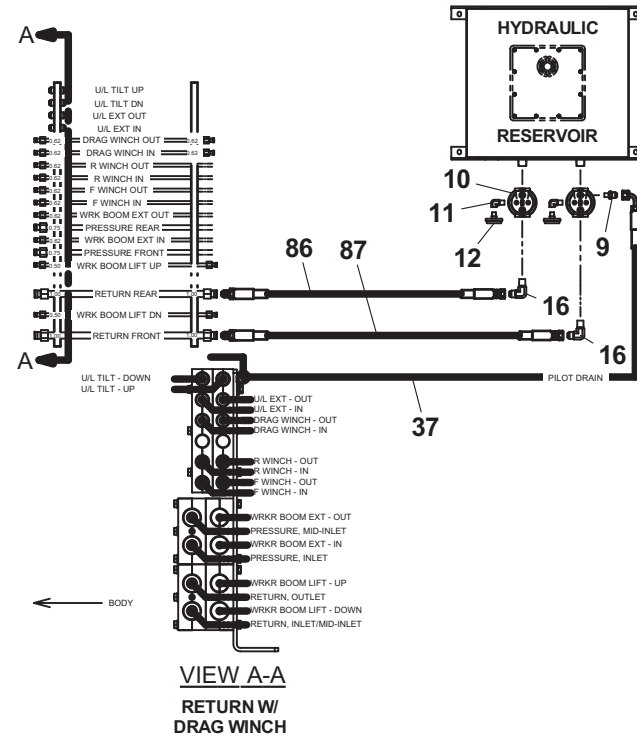
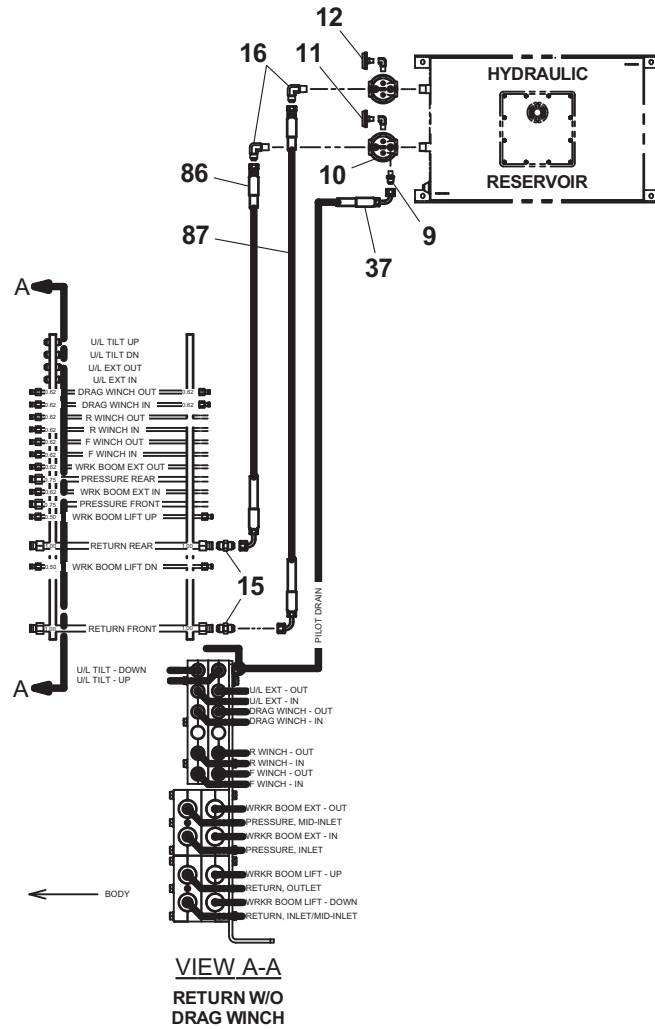


# HYDRAULICS - LINES AND FITTINGS

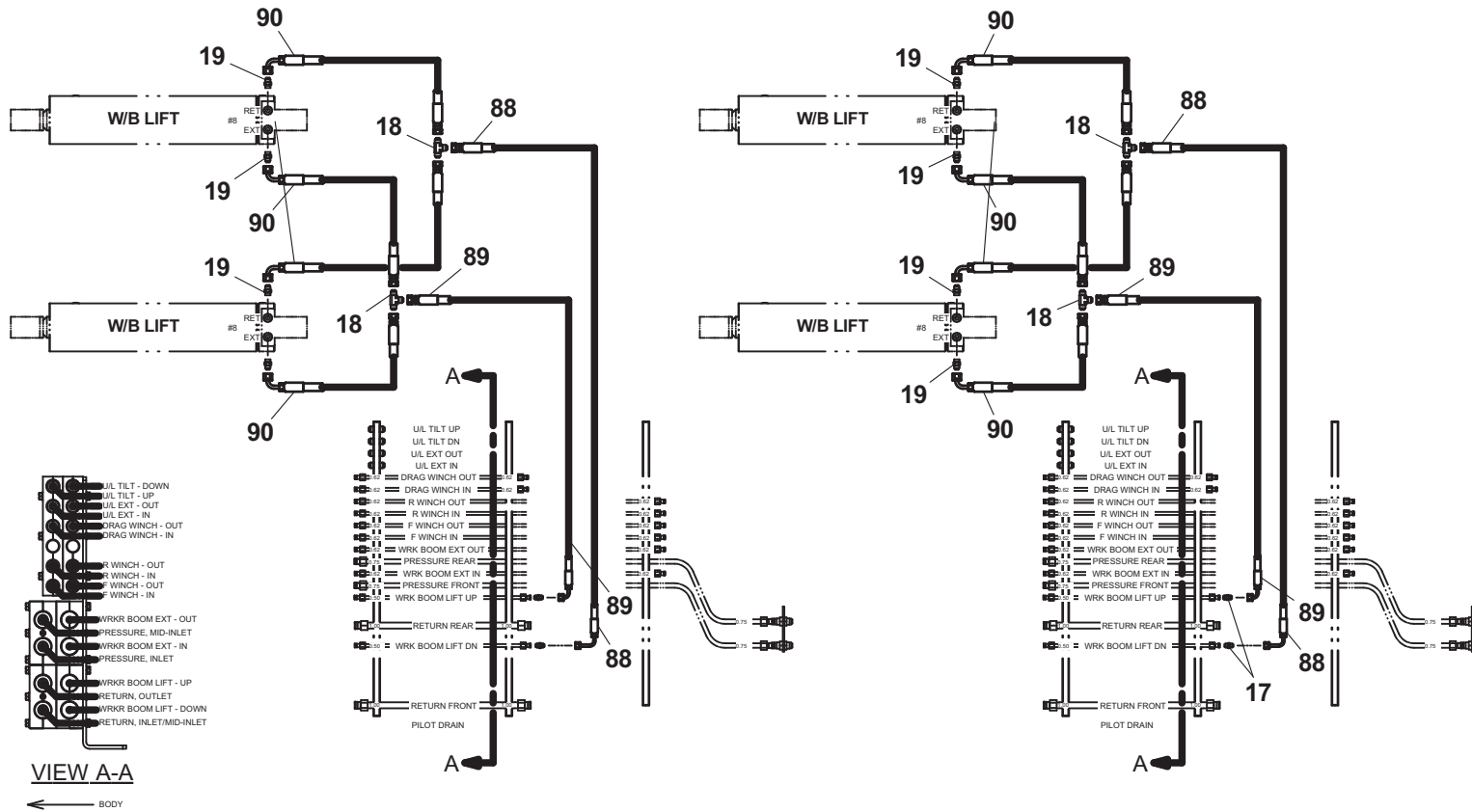


**HYDRAULICS - LINES AND FITTINGS**

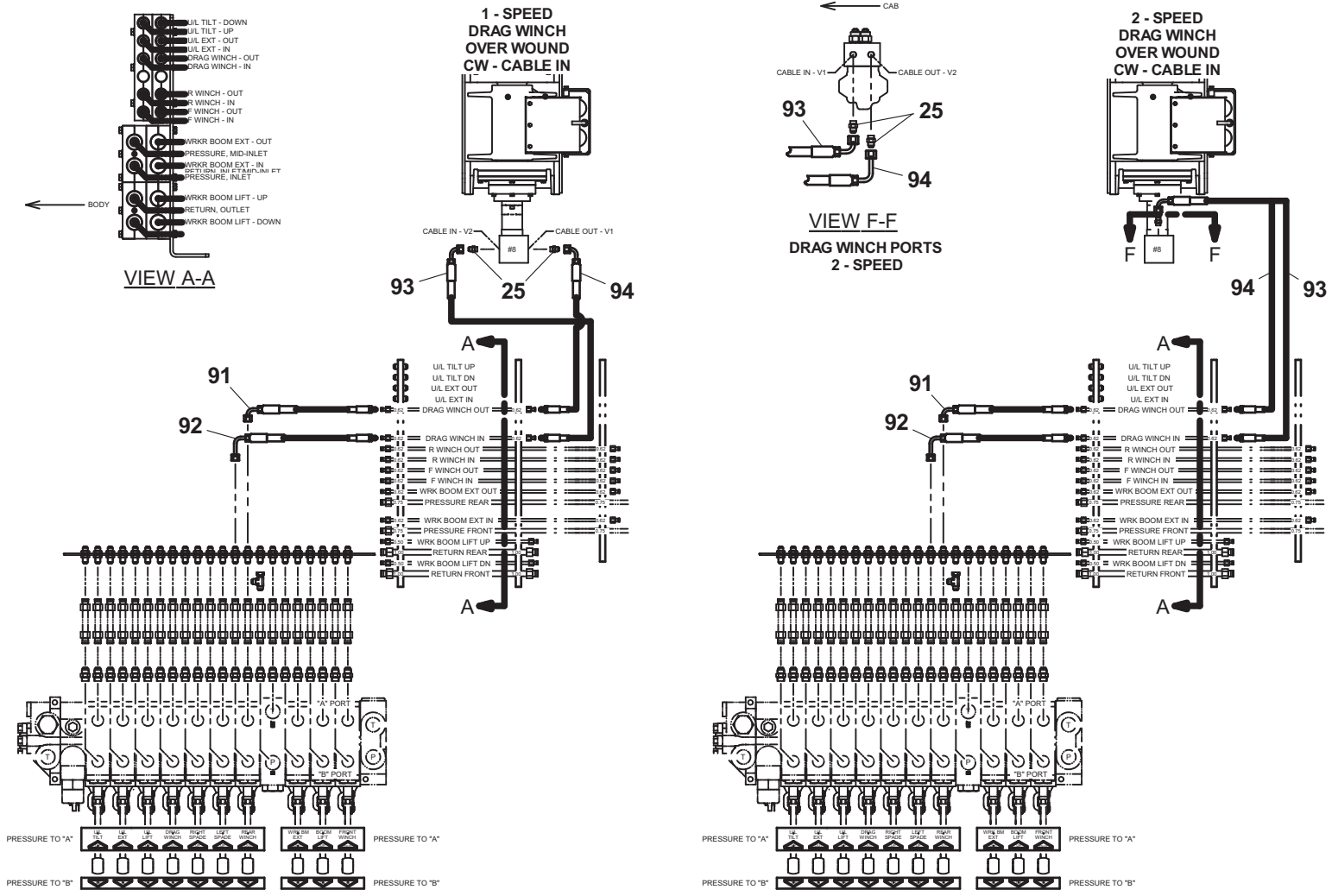
# HYDRAULICS - LINES AND FITTINGS



**HYDRAULICS - LINES AND FITTINGS**



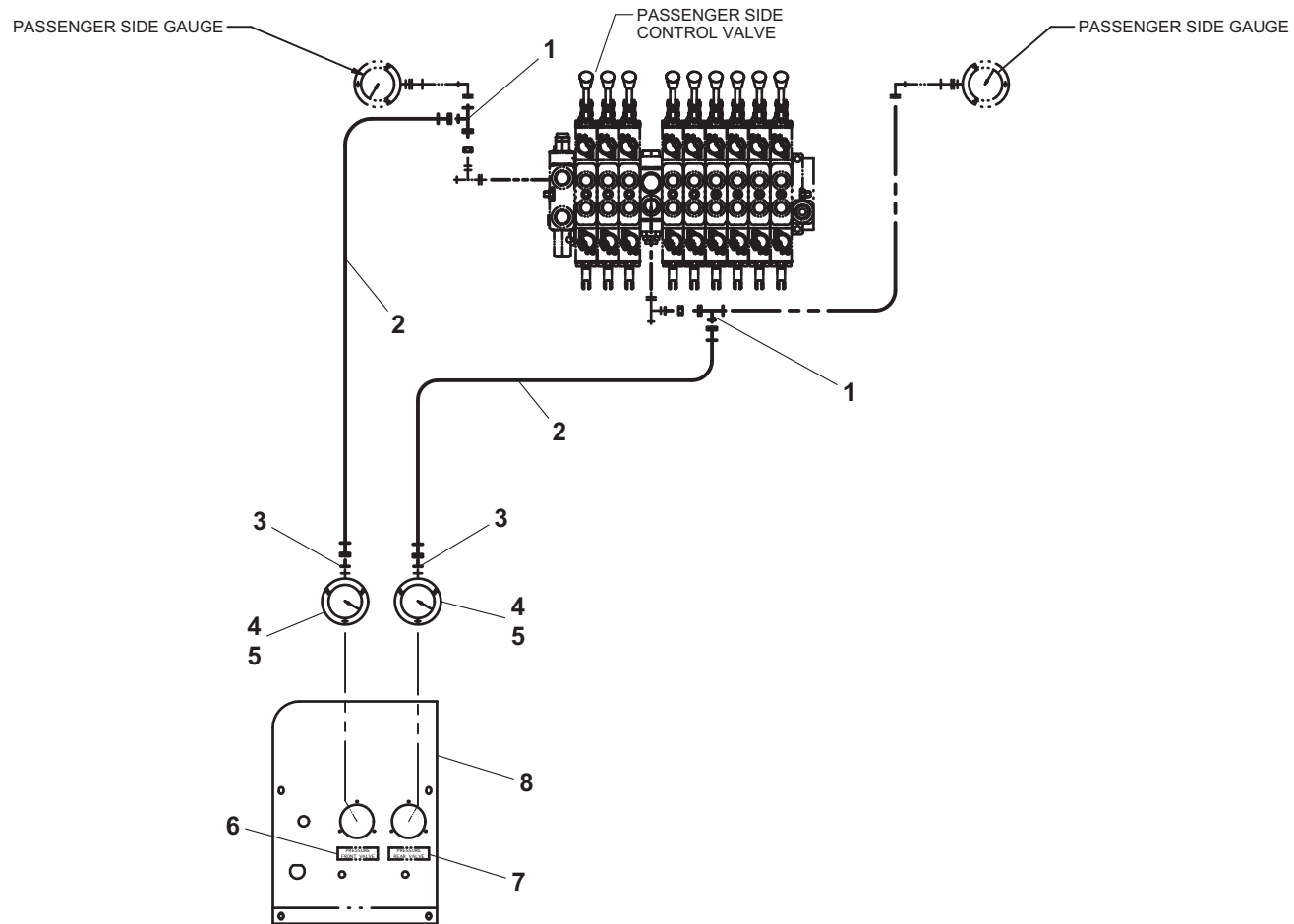
# HYDRAULICS - LINES AND FITTINGS



**DRIVER SIDE HYDRAULIC PRESSURE GAUGES - WITHOUT UNDERLIFT WINCH (STANDARD)**

| ITEM | PART NO.   | DESCRIPTION                  | QTY |
|------|------------|------------------------------|-----|
| 1    | 7443000026 | Tee                          | 2   |
| 2    | 4567110141 | Hose Assembly                | 2   |
| 3    | 7445040421 | Fitting                      | 2   |
| 4    | 7470000004 | Gauge, Pressure              | 2   |
| 5    | 7790060676 | Screw, #6 x 0.38"            | 6   |
| 6    | 7330000257 | Decal - Pressure Front Valve | 1   |
| 7    | 7330000256 | Decal - Pressure Rear Valve  | 1   |
| 8    | 4706005127 | Plate                        | 1   |

# DDRIVER SIDE HYDRAULIC PRESSURE GAUGES - WITHOUT UNDERLIFT WINCH (STANDARD)

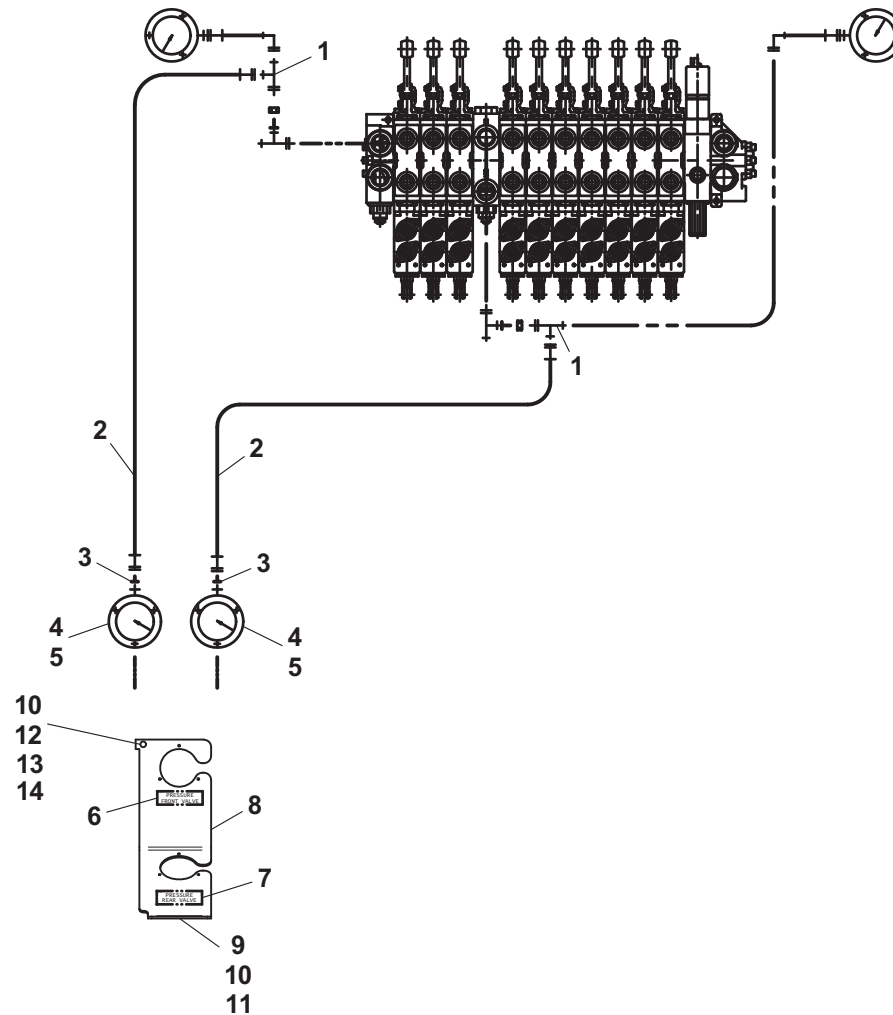


**DRIVER SIDE HYDRAULIC PRESSURE GAUGES - WITH UNDERLIFT WINCH (OPTIONAL)**

| ITEM | PART NO.   | DESCRIPTION                  | QTY |
|------|------------|------------------------------|-----|
| 1    | 7443000026 | Tee                          | 2   |
| 2    | 4567110141 | Hose Assembly                | 2   |
| 3    | 7445040421 | Fitting                      | 2   |
| 4    | 7470000004 | Gauge, Pressure              | 2   |
| 5    | 7790060676 | Screw, #6 x 0.38"            | 6   |
| 6    | 7330000257 | Decal - Pressure Front Valve | 1   |
| 7    | 7330000256 | Decal - Pressure Rear Valve  | 1   |
| 8    | 4314000215 | Coverplate                   | 1   |
| 9    | 7115140850 | Capscrew, 0.25"-20NC x 1.00" | 1   |
| 10   | 7950140161 | Flatwasher, 0.25" ID         | 2   |
| 11   | 7661000006 | Nut, Well                    | 2   |
| 12   | 7114140618 | Capscrew, 0.25"-20NC x 0.75" | 1   |
| 13   | 7413000002 | Nutsert, 0.25"-20NC          | 1   |
| 14   | 7950140000 | Lockwasher, 0.25" ID         | 1   |



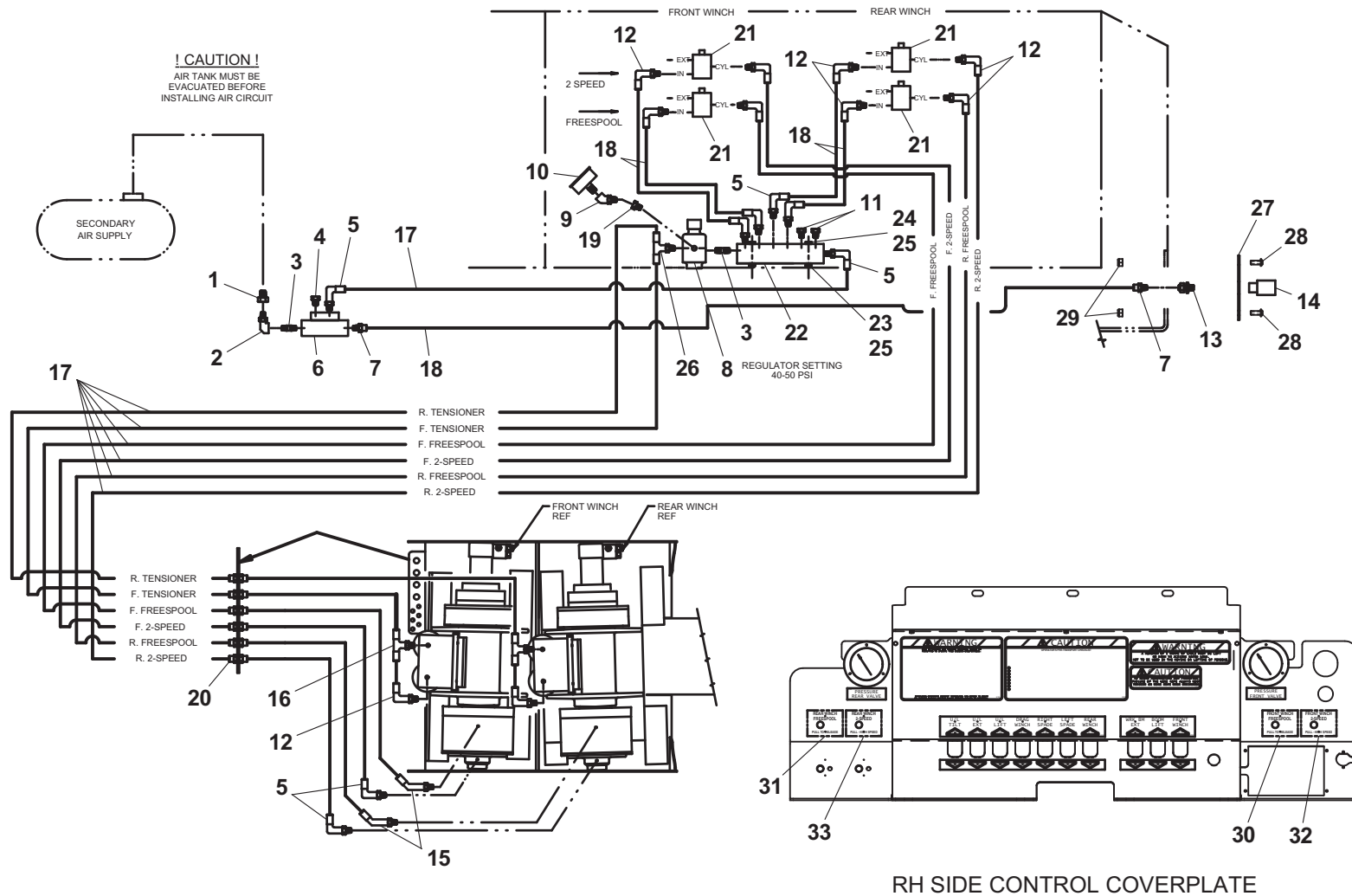
# DRIVER SIDE HYDRAULIC PRESSURE GAUGES - WITH UNDERLIFT WINCH (OPTIONAL)



**PASSENGER SIDE WINCH AIR CONTROLS - 2 SPD GEAR SHIFT**

| ITEM | PART NO.   | DESCRIPTION                   | QTY   |
|------|------------|-------------------------------|-------|
| 1    | 7443000154 | Bushing                       | 1     |
| 2    | 7443000155 | Elbow                         | 1     |
| 3    | 7443000156 | Nipple                        | 2     |
| 4    | 7443000152 | Plug                          | 1     |
| 5    | 7443000139 | Elbow                         | 8     |
| 6    | 7935000120 | Valve, Pressure Protection    | 1     |
| 7    | 7443000175 | Fitting                       | 2     |
| 8    | 7295000029 | Air Regulator                 | 1     |
| 9    | 7443000066 | Fitting                       | 1     |
| 10   | 7470000006 | Gauge, Air Pressure           | 1     |
| 11   | 7444020013 | Plug                          | 2     |
| 12   | 7443000173 | Elbow                         | 10    |
| 13   | 7446502518 | Fitting, Bulkhead             | 1     |
| 14   | 7312000017 | Coupling                      | 1     |
| 15   | 7443000176 | Fitting                       | 2     |
| 16   | 7443000174 | Tee                           | 2     |
| 17   | 7565000016 | Airline, Tubing 0.25 OD       | 150ft |
| 18   | 7565000014 | Airline, Tubing 0.38 OD       | 25ft  |
| 19   | 7443000149 | Bushing                       | 1     |
| 20   | 7443000178 | Union                         | 6     |
| 21   | 7935000136 | Valve, Air                    | 4     |
| 22   | 4619000005 | Manifold                      | 1     |
| 23   | 7660142601 | Locknut, 0.25"-20NC           | 2     |
| 24   | 7115142450 | Capscrew, 0.25"-20NC x 3.00"  | 2     |
| 25   | 7950140161 | Flatwasher, 0.25" ID          | 4     |
| 26   | 7443000270 | Tee                           | 1     |
| 27   | 4811001135 | Sheet                         | 1     |
| 28   | 7114140518 | Capscrew, 0.25"-20NC x 0.62"  | 4     |
| 29   | 7660142604 | Locknut, 0.25"-20NC           | 4     |
| 30   | 7330000840 | Decal - Front Winch Freespool | 1     |
| 31   | 7330000841 | Decal - Rear Winch Freespool  | 1     |
| 32   | 7330000842 | Decal - Front Winch 2 Speed   | 1     |
| 33   | 7330000843 | Decal - Rear Winch 2 Speed    | 1     |

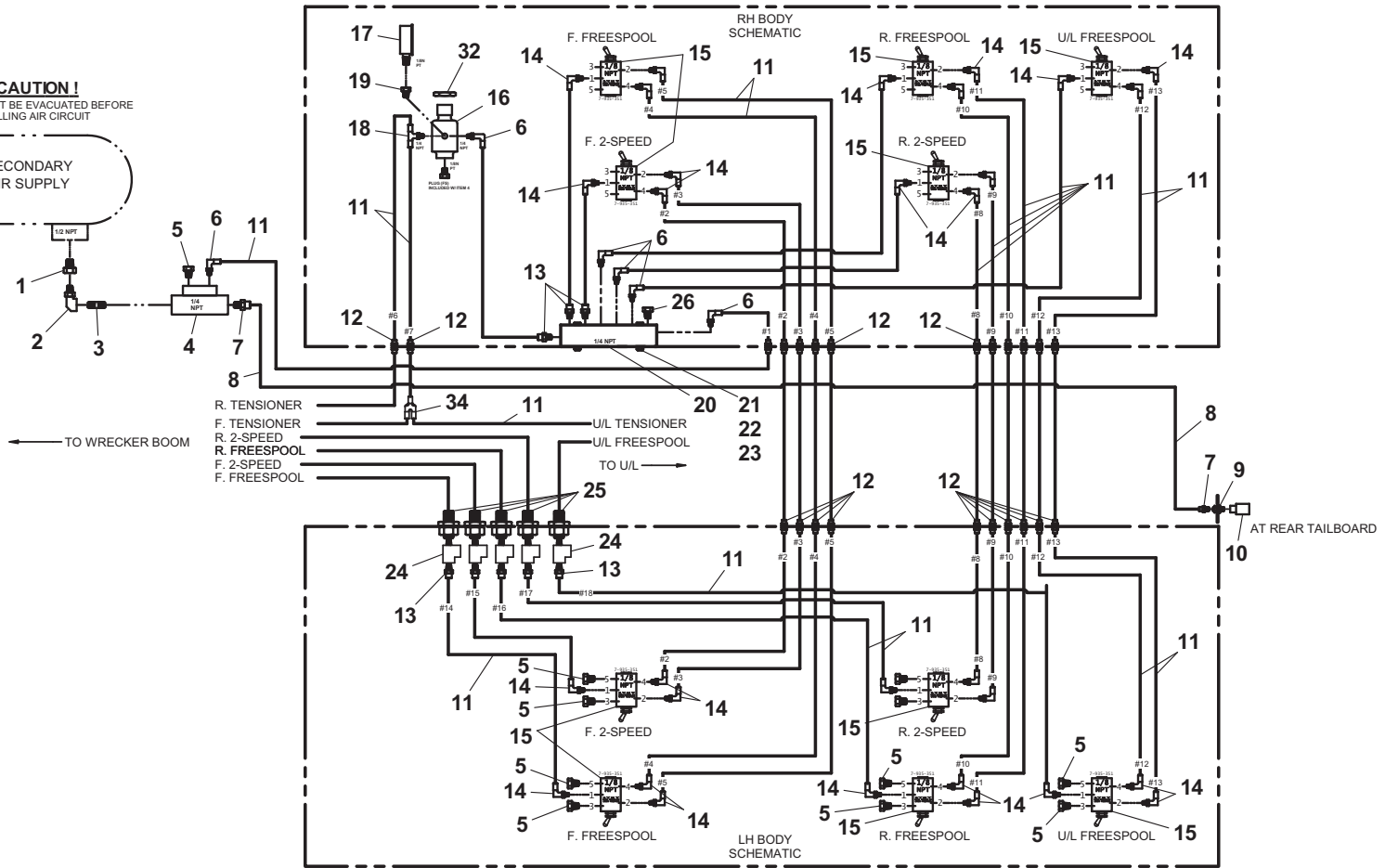
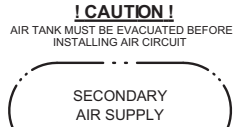
# PASSENGER SIDE WINCH AIR CONTROLS - 2 SPD GEAR SHIFT



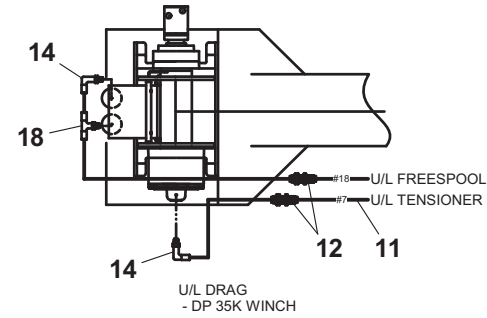
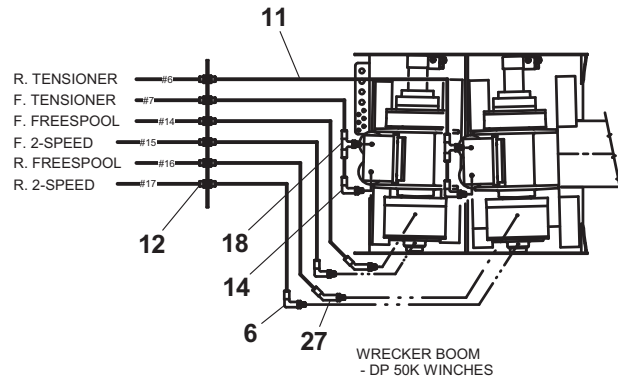
**DRIVER & PASSENGER SIDE WINCH AIR CONTROLS - DP 50K, 2 SPD GEAR SHIFT**

| ITEM | PART NO.   | DESCRIPTION                   | QTY   |
|------|------------|-------------------------------|-------|
| 1    | 7443000154 | Bushing                       | 1     |
| 2    | 7443000155 | Elbow                         | 1     |
| 3    | 7443000156 | Nipple                        | 1     |
| 4    | 7935000120 | Valve, Pressure Protection    | 1     |
| 5    | 7443000152 | Plug                          | 11    |
| 6    | 7443000139 | Elbow                         | 8     |
| 7    | 7443000175 | Fitting                       | 2     |
| 8    | 7565000014 | Airline, Tubing 0.38 OD       | 25ft  |
| 9    | 7446502518 | Fitting, Bulkhead             | 1     |
| 10   | 7312000017 | Coupling                      | 1     |
| 11   | 7565000016 | Airline, Tubing 0.25 OD       | 300ft |
| 12   | 7443000178 | Union                         | 31    |
| 13   | 7443000329 | Fitting                       | 8     |
| 14   | 7443000173 | Elbow                         | 34    |
| 15   | 7935000351 | Valve, Air                    | 10    |
| 16   | 7295000029 | Air Regulator                 | 1     |
| 17   | 7470000006 | Gauge, Air Pressure           | 1     |
| 18   | 7443000174 | Tee                           | 4     |
| 19   | 7443000146 | Elbow                         | 1     |
| 20   | 4619000005 | Manifold                      | 1     |
| 21   | 7115142450 | Capscrew, 0.25"-20NC x 3.00"  | 2     |
| 22   | 7660142601 | Locknut, 0.25"-20NC           | 2     |
| 23   | 7950140161 | Flatwasher, 0.25" ID          | 4     |
| 24   | 7443000287 | Tee                           | 5     |
| 25   | 7443000243 | Fitting, Bulkhead             | 5     |
| 26   | 7444020014 | Plug                          | 2     |
| 27   | 7443000176 | Fitting                       | 2     |
| 28   | 7330000737 | Decal - Front Winch Freespool | 2     |
| 29   | 7330000738 | Decal - Rear Winch Freespool  | 2     |
| 30   | 7330000739 | Decal - Front Winch 2 Speed   | 2     |
| 31   | 7330000740 | Decal - Rear Winch 2 Speed    | 2     |
| 32   | 7661000041 | Nut, Panel                    | 1     |
| 33   | 7330000741 | Decal - U/L Winch Freespool   | 2     |
| 34   | 7443000448 | Fitting                       | 1     |

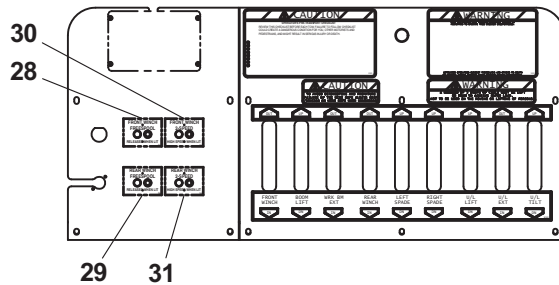
# DRIVER & PASSENGER SIDE WINCH AIR CONTROLS - DP 50K, 2 SPD GEAR SHIFT



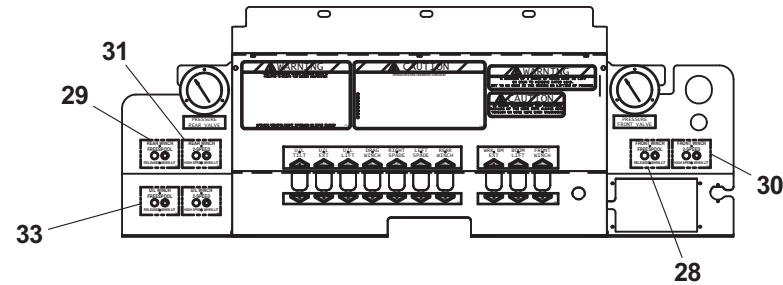
# DRIVER & PASSENGER SIDE WINCH AIR CONTROLS - DP 50K, 2 SPD GEAR SHIFT



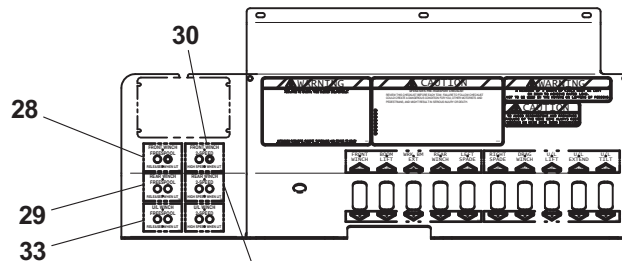
# DRIVER & PASSENGER SIDE WINCH AIR CONTROLS - DP 50K, 2 SPD GEAR SHIFT



**LH CONTROL STATION**  
DECAL INSTALLATION  
UNITS WITHOUT U/L DRAG WINCH



**RH CONTROL STATION**  
DECAL INSTALLATION  
UNITS WITH AND WITHOUT U/L DRAG WINCH



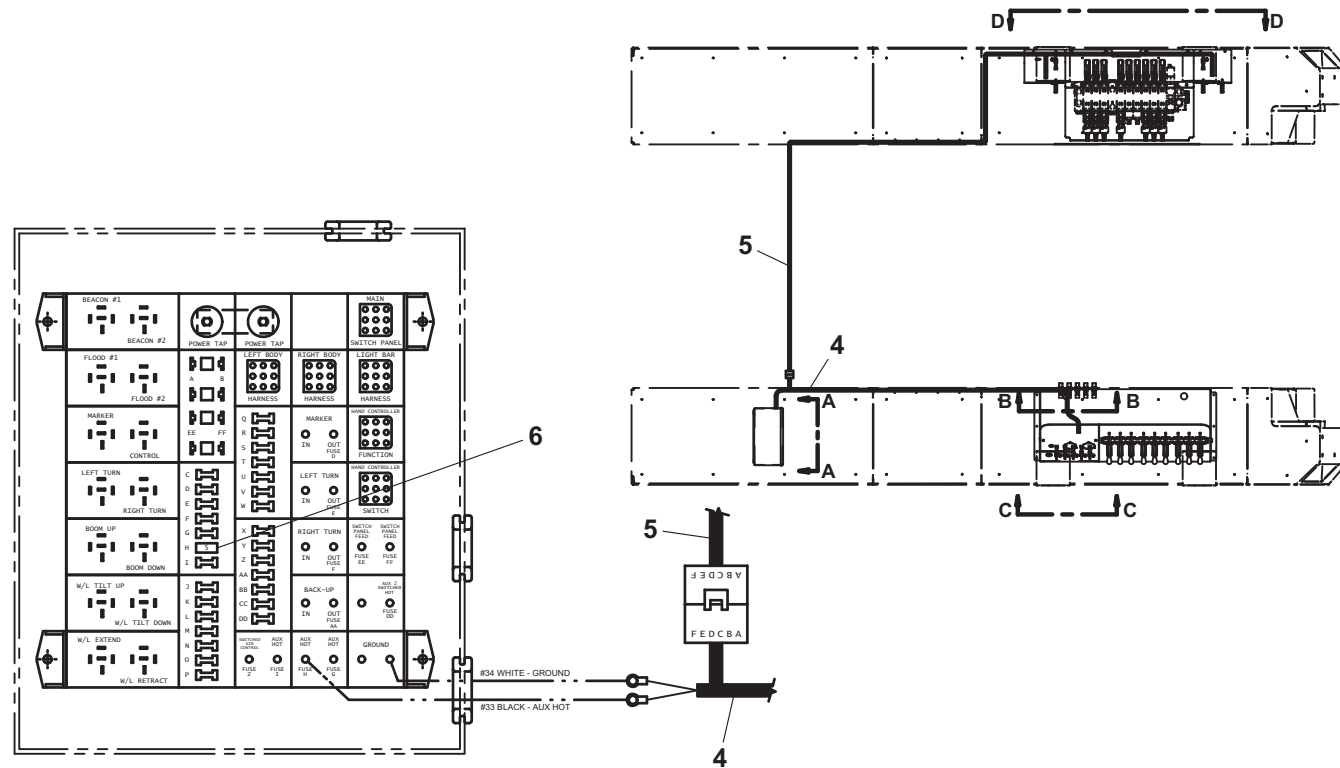
**LH CONTROL STATION**  
DECAL INSTALLATION  
UNITS WITH U/L DRAG WINCH

**WINCH ELECTRIC SPEED/FREE SPOOL CONTROLS - DP 50K, 2 SPD**

| ITEM | PART NO.   | DESCRIPTION         | QTY  |
|------|------------|---------------------|------|
| 1    | 7870000136 | Pressure Switch     | 5    |
| 2    | 7590000364 | Light               | 10   |
| 3    | 7346000039 | Tubing, Heat Shrink | 15in |
| 4    | 7552000414 | Harness             | 1    |
| 5    | 7552000415 | Harness             | 1    |
| 6    | 7457000019 | Fuse, 5 Amp         | 1    |

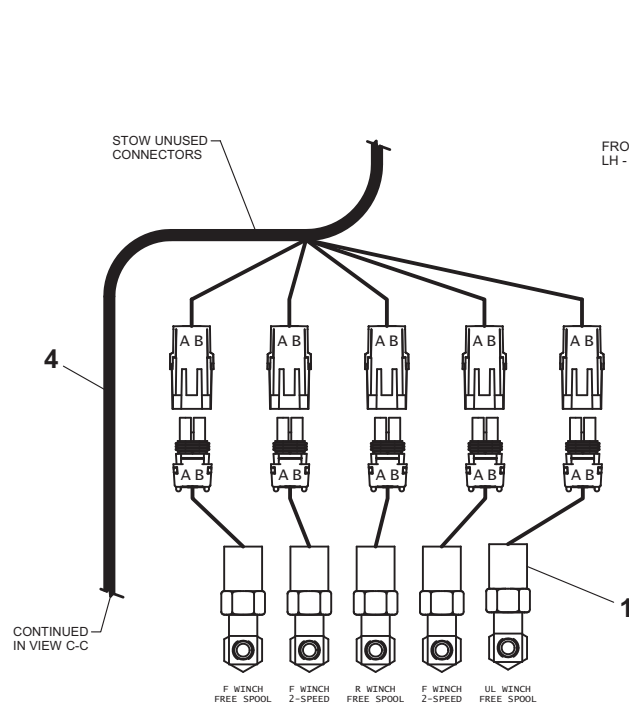


# WINCH ELECTRIC SPEED/FREE SPOOL CONTROLS - DP 50K, 2 SPD

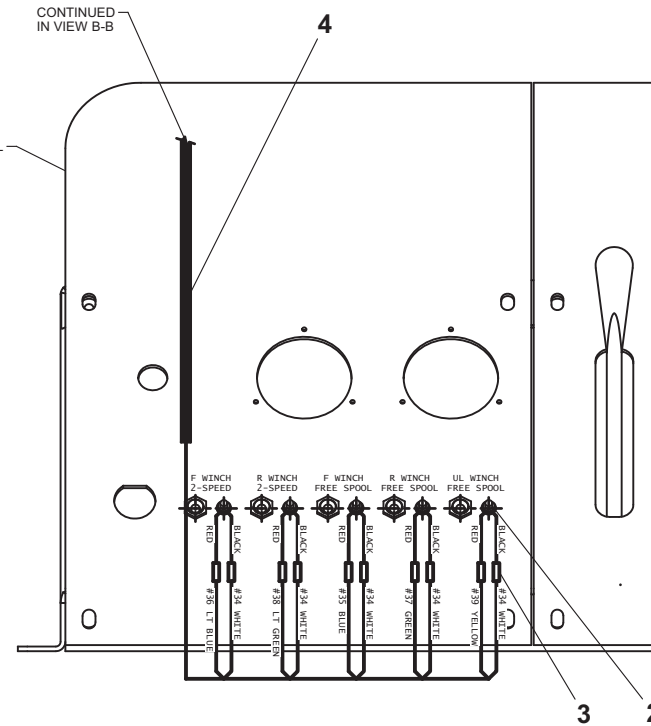


**VIEW A-A**  
DIST PANEL

# WINCH ELECTRIC SPEED/FREE SPOOL CONTROLS - DP 50K, 2 SPD

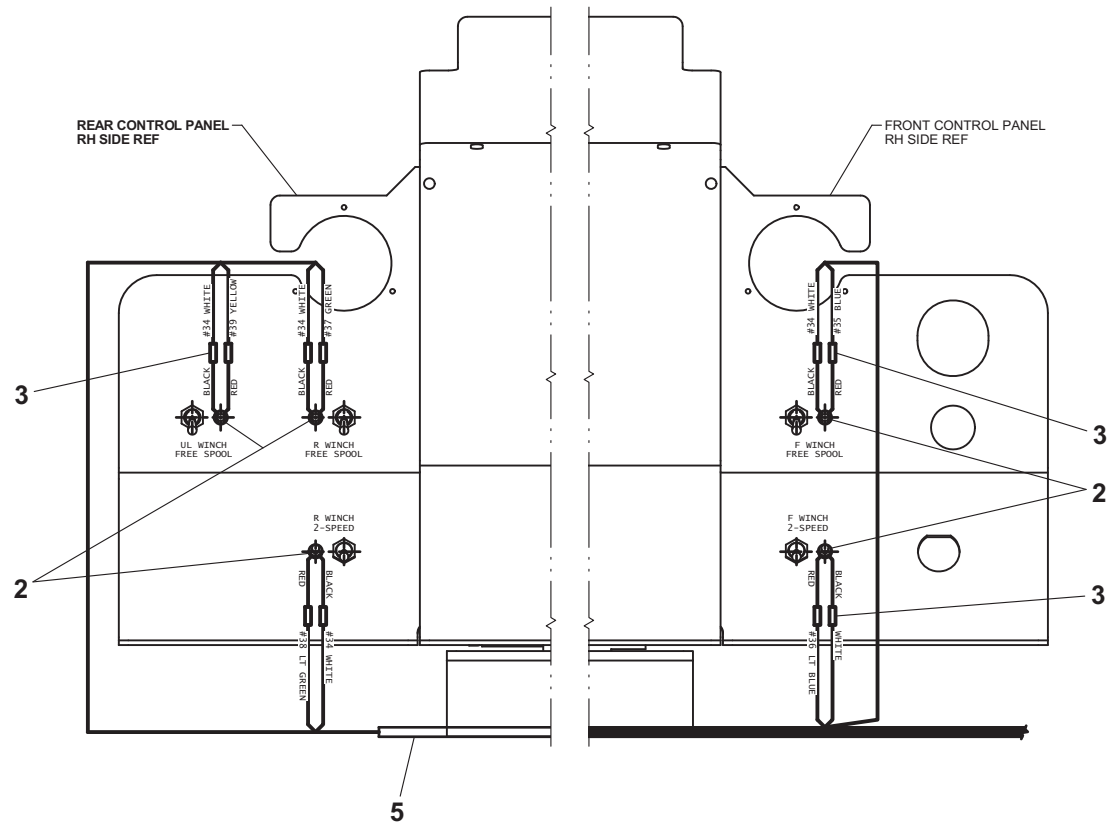


**VIEW B-B**  
PRESSURE SWITCH CONNECTIONS



**VIEW C-C**  
LH CONTROL STATION

# WINCH ELECTRIC SPEED/FREE SPOOL CONTROLS - DP 50K, 2 SPD

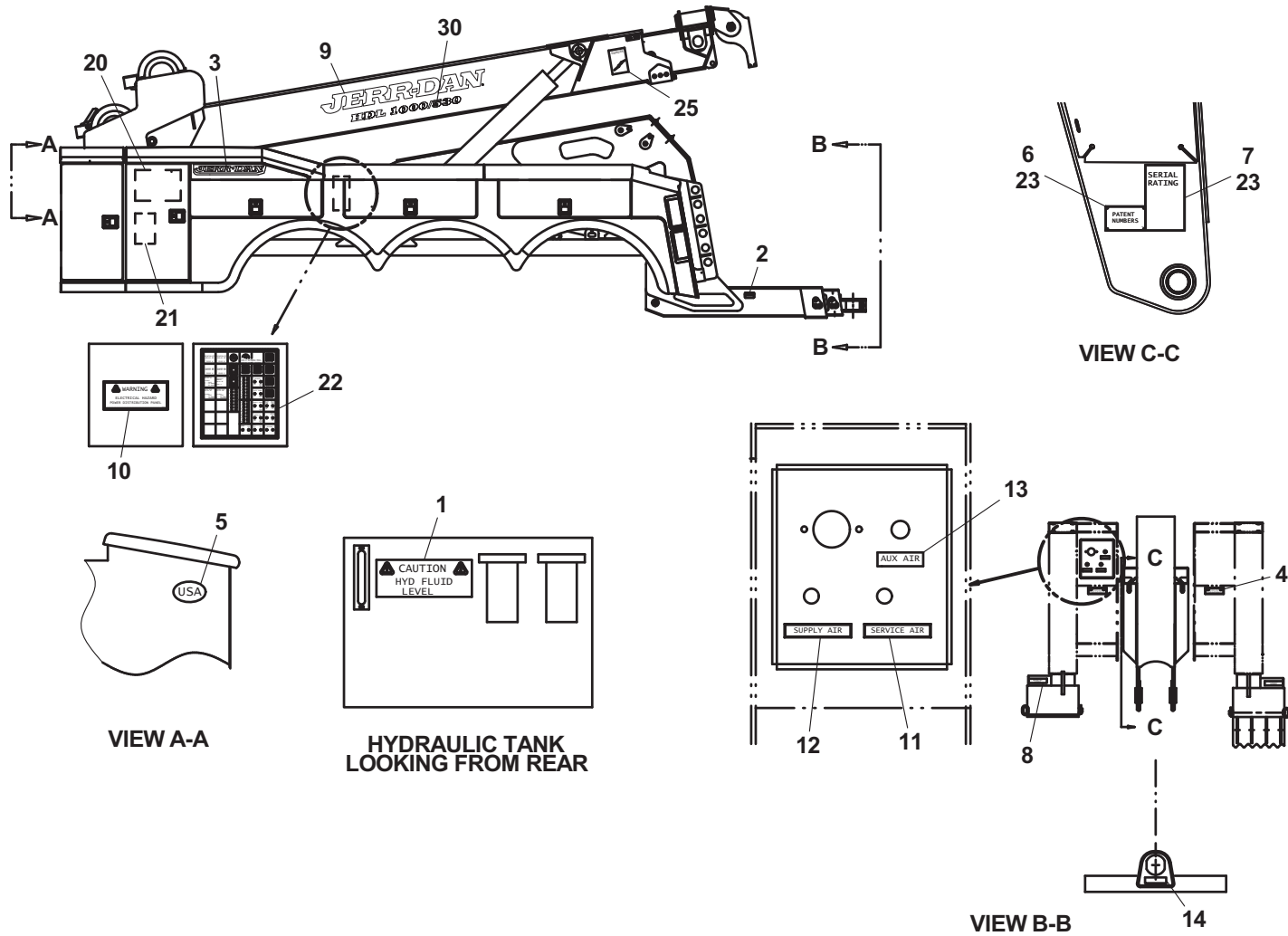


**VIEW D-D**  
RH CONTROL STATION

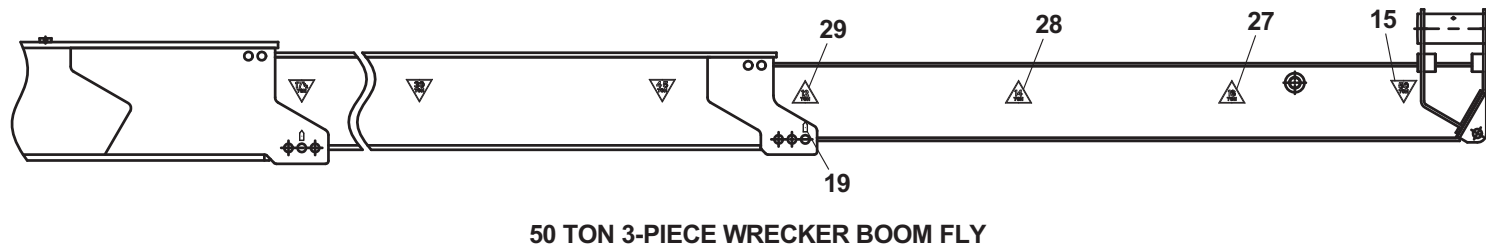
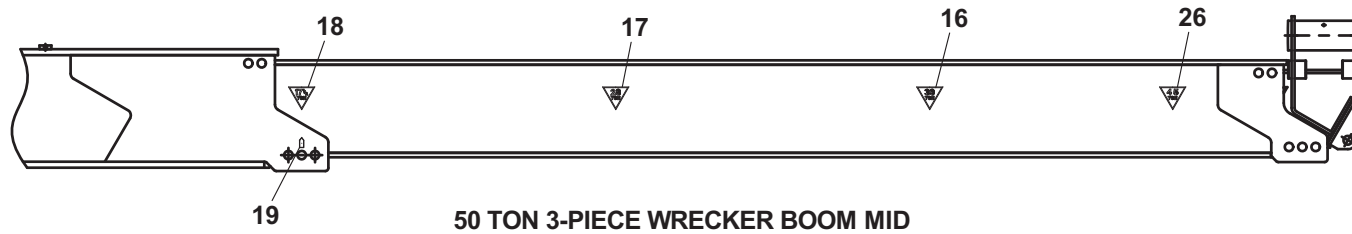
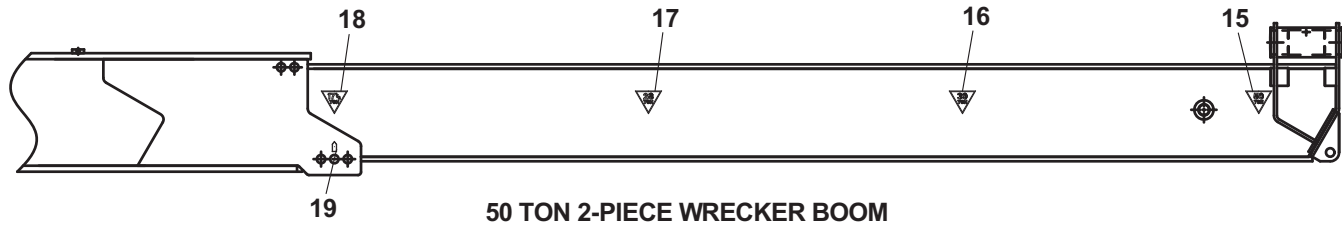
**DECALS**

| ITEM | PART NO.   | DESCRIPTION                          | QTY |
|------|------------|--------------------------------------|-----|
| 1    | 7330000034 | Decal - Wheel Lift                   | 1   |
| 2    | 7330000599 | Decal - Moving Parts                 | 2   |
| 3    | 7330000108 | Decal - Jerr-Dan Nameplate           | 2   |
| 4    | 7330000122 | Decal - Wheel Lift                   | 2   |
| 5    | 7330000143 | Decal - Made in the USA              | 1   |
| 6    | 7330000717 | Decal - Patent                       | 1   |
| 7    | 7330000189 | Decal - Serial Number/Rating Placard | 1   |
| 8    | 7330000193 | Decal - Wheel Lift                   | 2   |
| 9    | 7330000197 | Decal - Jerr-Dan (Red)               | 2   |
|      | 7330000533 | Decal - Jerr-Dan (White)             |     |
| 10   | 7330000202 | Decal - Shock Warning                | 1   |
| 11   | 7330000208 | Decal - Service Air                  | 1   |
| 12   | 7330000209 | Decal - Supply Air                   | 1   |
| 13   | 7330000210 | Decal - Auxiliary Air                | 1   |
| 14   | 7330000211 | Decal - Safety Chains                | 1   |
| 15   | 7330000449 | Decal - 50 Ton                       | 2   |
| 16   | 7330000448 | Decal - 39 Ton                       | 2   |
| 17   | 7330000447 | Decal - 28 Ton                       | 2   |
| 18   | 7330000446 | Decal - 17.5 Ton                     | 2   |
| 19   | 7330000453 | Decal - Rating Arrow                 | 2   |
| 20   | 7330000269 | Decal - Lubrication                  | 1   |
| 21   | 7330000270 | Decal - Lubrication Chart            | 1   |
| 22   | 7330000426 | Decal - Fuse Panel                   | 1   |
| 23   | 7330000004 | Pop Rivet                            | 10  |
| 24   | 7330000139 | Decal - Checklist Reminder           | 1   |
| 25   | 7330000203 | Decal - Shock Warning                | 2   |
| 26   | 7330000466 | Decal - 45 Ton (3 Piece Boom only)   | 2   |
| 27   | 7330000452 | Decal - 16 Ton (3 Piece Boom only)   | 2   |
| 28   | 7330000451 | Decal - 14 Ton (3 Piece Boom only)   | 2   |
| 29   | 7330000450 | Decal - 12 Ton (3 Piece Boom only)   | 2   |
| 30   | 7330000590 | Decal - HDL1000/530, Red             | 2   |
|      | 7330000591 | Decal - HDL1000/530, White           |     |
|      | 7330000592 | Decal - HDL1000/565, Red             |     |
|      | 7330000593 | Decal - HDL1000/565, White           |     |

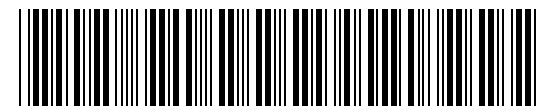
# DECALS



Item #24, not shown

**DECALS**





5376000145-0