

JD35 TON INT JFB BODY HEAVY DUTY WRECKER PARTS MANUAL

S/N 0230004251 TO PRESENT

JERR-DAN[®]

An Oshkosh Corporation Company

13224 Fountainhead Plaza
Hagerstown, MD 21742
Phone (717) 597-7111
www.jerr-dan.com

5-376-000171
Rev 1 - May 1, 2017



© 2017 Jerr-Dan Corporation. All Rights Reserved

This manual covers the following Jerr-Dan Models:

JD35INT - 35 Ton Integrated With JFB Body

Jerr-Dan Corporation strives to provide information that is accurate, complete and useful. Descriptions and illustrative material contained within this manual are as accurate as known at the time of publication and are subject to change, without notice, as a result of continuous product improvements. Jerr-Dan reserves the right to amend the information in this document at any time without prior notice.

Information contained in this manual reflects how this vehicle was built at the factory. Modifications or additions by the distributor or owner are not reflected in this manual.

This parts manual does not include service parts information for the commercial chassis (IHC, Ford, GM, etc.). That information is provided by the chassis manufacturer.

When ordering parts, please refer to your unit's Serial Number and Model Number. This information is be found on the aluminum tag riveted to the inside of the driver's side rear compartment of the main body.



Additional or replacement manuals can be ordered by calling Jerr-Dan Parts at 717-597-7111. Price and availability will be quoted at time of the request.

Please report comments and/or errors by contacting Jerr-Dan Corporation's Technical Publications Department by e-mail at technicalpublications@jerr-dan.com or by FAX on 717-485-7162.

Manufactured under one or more of the following patents: 5,575,606; 5,672,042; 5,697,741; 5,713,714; 5,722,810; 5,782,596; 5,839,775 and 6,315,515 B1 with other Patents Pending.

Jerr-Dan and the Jerr-Dan logo are registered trademarks and Run Hard is a service mark of Jerr-Dan Corporation, Greencastle, PA USA.

The material in this document is confidential and the property of Jerr-Dan Corporation. No part of this document may be photocopied, Reproduced or translated to another language without the express written consent of Jerr-Dan Corporation.

EFFECTIVITY PAGE

January 1, 2016 - Original Issue of Manual - Rev. 0

May 1, 2017 - Rev. 1 - Manual Update

TABLE OF CONTENTS

Subframe Installation.....	8	Trailer Plug Installation.....	158
Rear Tail Plate Installation.....	10	Control Installation - 8 Section - 6 Solenoid (Prior to S/N 0230004251).....	160
Subframe Hydraulic Tubing.....	12	Control Installation - 8 Section - 6 Solenoid (S/N 0230004251 to Present).....	164
Hydraulic Tank Installation.....	14	Control Valve Assembly - 1001194284.....	168
Hydraulic Tank Assembly.....	16	Valve Assembly - 7935000330.....	170
Rear Spade Installation.....	18	Control Installation - 8 Section - 3 Solenoid (Prior to S/N 0230004251).....	172
Spade Cylinder Assembly - 7320000006.....	20	Control Installation - 8 Section - 3 Solenoid (S/N 0230004251 to Present).....	176
Rear Spade Tubing.....	22	Control Valve Assembly - 1001193527.....	180
Boom Installation.....	24	Valve Assembly - 7935000293.....	182
Boom Lift Cylinder - 7320000032.....	26	Hydraulic Lines and Fittings.....	184
Wrecker Boom Assembly.....	28	Hydraulic Lines and Fittings.....	186
Wrecker Boom Cylinder - 7320000031.....	30	Electrical Installation - Tri-Axle.....	188
Boom Tube Assembly.....	32	Electrical Installation - Tandem Axle.....	194
Winch Installation - 25K & 35K DP Winches (Prior to S/N 0230004251).....	34	Backup Alarm Installation.....	200
Winch Installation - 35K DP Winches (S/N 0230004251 To Present).....	36	E-Stop Installation.....	202
Winch Air Installation.....	38	Driver Side Gauge Installation.....	204
DP Winch 25K - 7970000049 (Prior to S/N 0230004251).....	40	Body Installation - Tandem.....	206
DP Winch 25K - 7970000050 (Prior to S/N 0230004251).....	54	Diamond Plate Installation - Tandem.....	208
DP Winch 35K - 7970000066 (Prior to S/N 0230004251).....	68	Marker Light Installation - Tandem.....	210
DP Winch 35K - 7970000067 (Prior to S/N 0230004251).....	82	Compartment Light Installation - Tandem.....	212
DP Winch 35K - 1001210256 (S/N 0230004251 to Present).....	96	Mudflap Installation - Tandem.....	214
DP Winch 35K - 1001210257 (S/N 0230004251 to Present).....	110	Fender Installation - Tandem.....	216
Power Take Off - CS Series.....	124	Body Installation - Tri-Axle.....	218
Power Take Off - SH Series.....	126	Diamond Plate Installation - Tri-Axle.....	220
Hydraulic Supply Pressure Installation.....	128	Marker Light Installation - Tri-Axle.....	222
Underlift Installation.....	130	Compartment Light Installation - Tri-Axle.....	224
Underlift Tilt Cylinder - 7320000098.....	132	Mudflap Installation - Tri-Axle.....	226
Underlift Tilt Cylinder - 7320000033.....	134	Fender Installation - Tri-Axle.....	228
Underlift Assembly - 3170000220 - 35,000 LB (Standard).....	136	Step Installation.....	230
Underlift Extension Cylinder Assembly - 7320000042.....	138	Grab Handle Installation.....	232
Underlift Assembly - 3170000433 - 30,000 LB (Optional).....	140	Toolbox Installation - 51" w/ Batteries.....	234
Underlift Extension Cylinder Assembly - 7320000076.....	142	Toolbox Installation - 51" w/ Batteries and Counter Weight.....	236
Crosstube Installation.....	144	Toolbox Assembly - 51" w/ Batteries.....	238
Underlift Tools - 5th Wheel Installation.....	146	Toolbox Installation - 39" w/ Batteries.....	240
Underlift Tools - Frame Forks.....	148	Toolbox Installation - 49" w/o Batteries.....	244
Underlift Tools - 14,000 Lb Tire Lift.....	150	Toolbox Installation - 37" w/o Batteries.....	248
Underlift Tools - 25,000 Lb Tire Lift.....	152	Door Installation - Tandem Body.....	252
Underlift Tools - Pintle Hook.....	154	Door Installation - Tri-Axle.....	254
Trailer Air Installation.....	156	Door Installation - 51" and 49" Tunnel Toolbox.....	256

TABLE OF CONTENTS

Door Installation - 39" and 37" Tunnel Toolbox.....	258
Shackle Rack Installation - Tandem.....	260
Shackle Rack Installation - Tri-Axle.....	262
Snatch Block Storage Installation - Tandem.....	264
Snatch Block Storage Installation - Tri-Axle.....	266
Tool Storage.....	268
Tilt Down Storage Tray.....	270
Rotary Chain Rack.....	272
Chain Binder Installation.....	274
Tire Lift Storage - 51" and 49" Toolbox.....	276
Tire Lift Storage - 39" and 37" Toolbox.....	278
Traffic Cone Storage.....	280
Ladder Storage.....	282
Stay Dry Silo Installation.....	284
Shelving Installation.....	286
Tow Light Storage.....	288
Wheel Chock Storage.....	290
Flare Storage.....	292
Bottle Jack Storage.....	294
Tool Drawer Installation - Tandem.....	296
Tool Drawer Installation - Tri-Axle.....	298
Fifth Wheel Storage Installation.....	300
Frame Fork Storage Installation.....	302
Fork Riser Storage Installation.....	304
Grizzly Bar Storage.....	306
Air Bag Storage Shelf.....	308
Switch Panel Installation (Prior to S/N 0230004251).....	310
Switch Panel Installation (S/N 0230004251 to Present).....	312
Pylon Installation.....	314
Wing Light Bracket Installation.....	318
Wing Light Installation.....	320
Pylon Dress-Up Kit.....	322
Public Safety Light Bar - 1001133591.....	324
22" Whelen Light Bar - 1001199478.....	326
Lightbar - Code 3 - 1001136990.....	328
Lightbar - Code 3 - 1001152815.....	330
Lightbar - Whelen - 1001199475.....	332
Decal Installation.....	338
Part Number Index.....	340

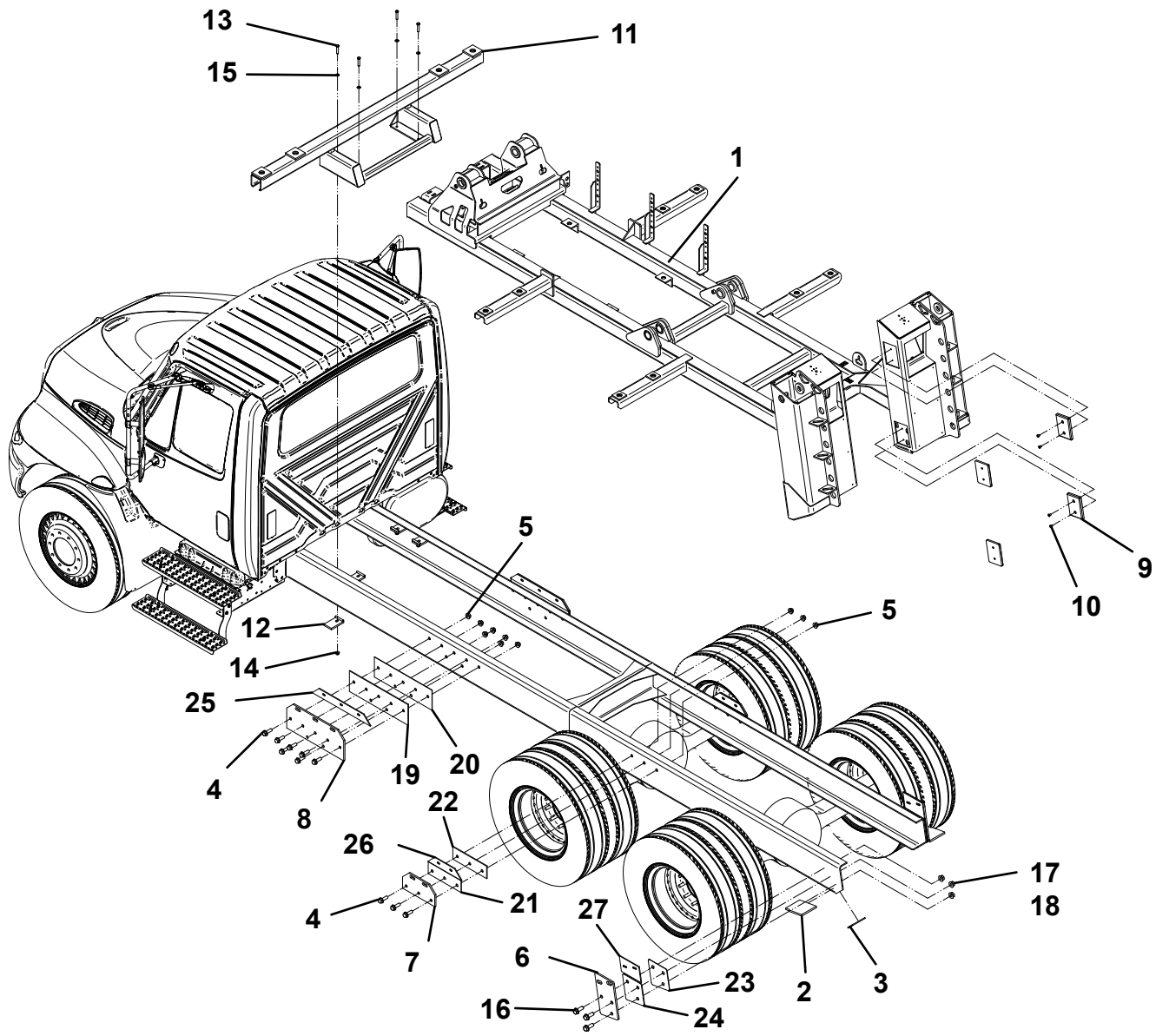
TABLE OF CONTENTS

SUBFRAME INSTALLATION

ITEM	PART NO.	DESCRIPTION	QTY
1	1001202798	Subframe	1
2	4706002557	Plate	2
3	4062000324	Bar	2
4	7118221816	Capscrew, 0.75" - 10NC x 2.25"	20
5	7660222308	Locknut, 0.75" - 10NC	20
6	4706002554	Plate	2
7	1001144730	Plate	2
8	1001144657	Plate	2
9	4679000127	Pad	4
10	7115160623	Capscrew, 0.38" - 16NC x 0.70"	8
11	3868000157	Subframe weldment	1
12	3274000011	Clamp	4
13	7115182050	Capscrew, 0.50" - 13NC x 2.50"	4
14	7660182301	Locknut, 0.50" - 13NC	4
15	7950180252	Flatwasher, 0.50" ID	4
16	7118242050	Capscrew, 0.88" - 9NC x 2.50"	6
17	7949000061	Washer, 0.88" ID	6
18	7660242308	Locknut, 0.88" - 9NC	6
19	1001144957	Shim	2
20	1001144959	Shim	2
21	1001144984	Shim	2
22	1001144985	Shim	2
23	4706002141	Plate	2
24	4706002142	Plate	2
25	4706002163	Plate	2
26	4706002555	Plate	2
27	4706002556	Plate	2

* Also Available In Shim Kit - 3577000036

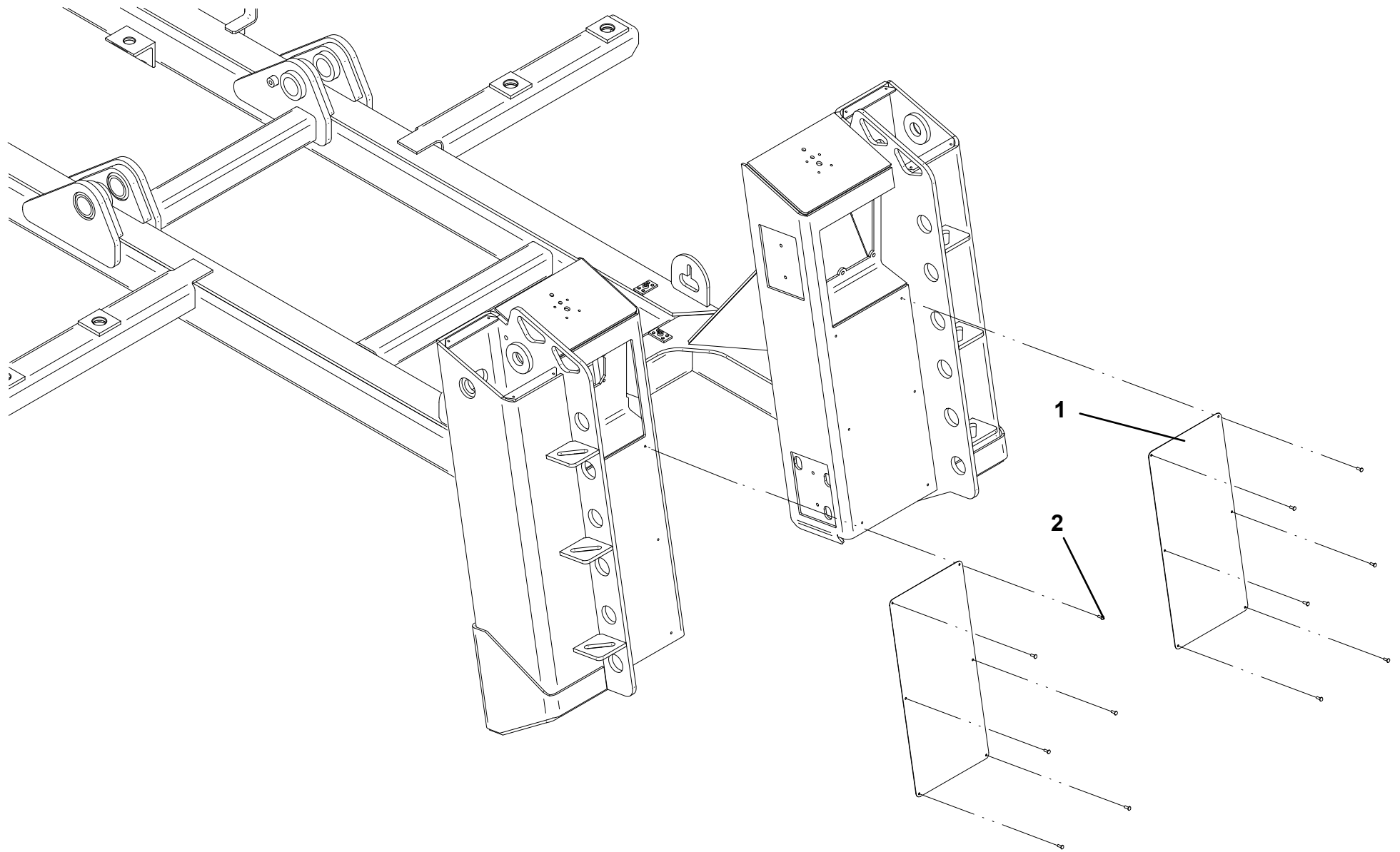
SUBFRAME INSTALLATION



REAR TAIL PLATE INSTALLATION

ITEM	PART NO.	DESCRIPTION	QTY
1	4706002491	Plate	2
2	7759000018	Rivet	12

REAR TAIL PLATE INSTALLATION

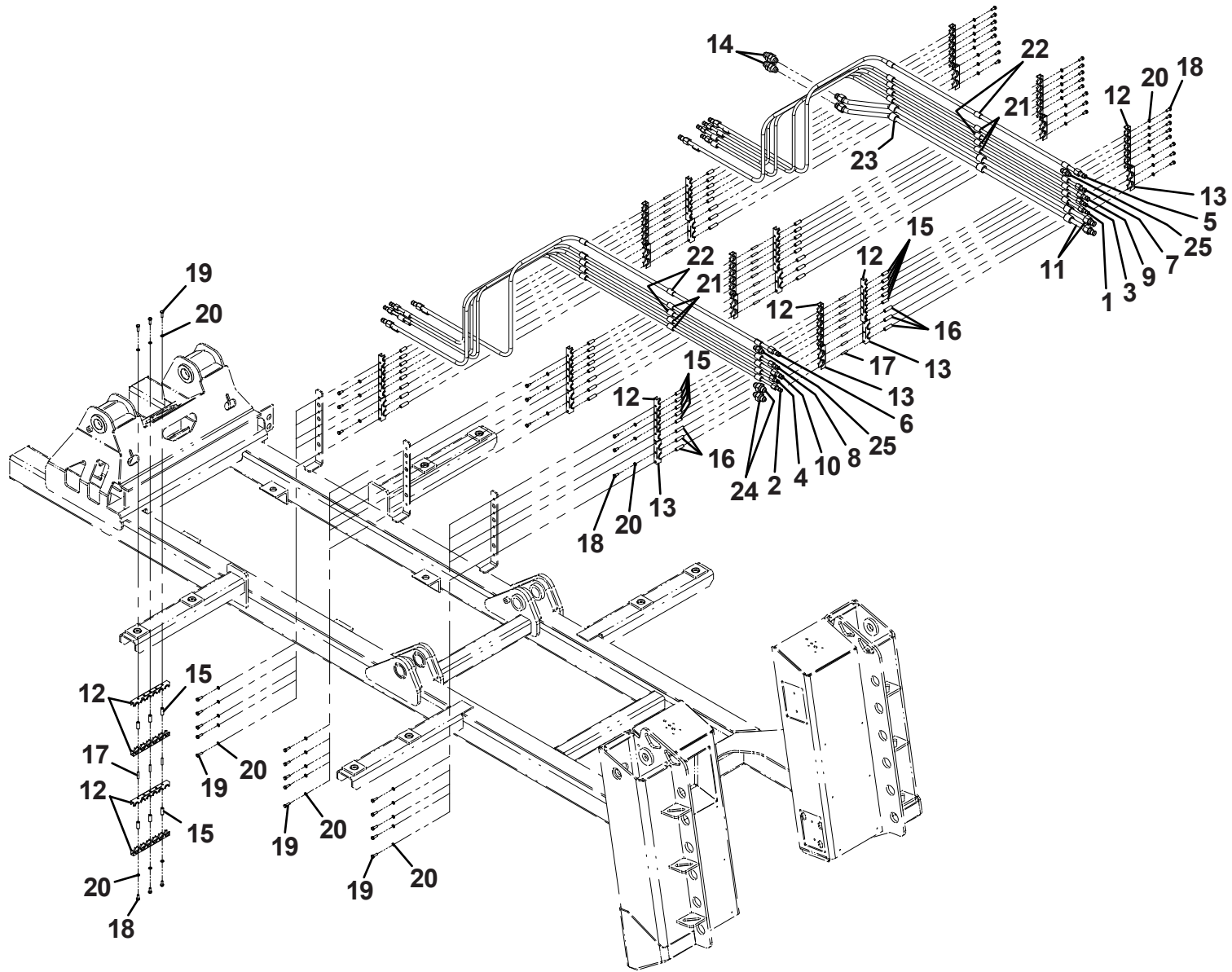


SUBFRAME HYDRAULIC TUBING

ITEM	PART NO.	DESCRIPTION	QTY
1	7912000099*	Tube Assembly	1
2	7912000098*	Tube Assembly	1
3	7912000097*	Tube Assembly	1
4	7912000096*	Tube Assembly	1
5	7912000101*	Tube Assembly	1
6	7912000100*	Tube Assembly	1
7	7912000095*	Tube Assembly	1
8	7912000094*	Tube Assembly	1
9	7912000103*	Tube Assembly	1
10	7912000102*	Tube Assembly	1
11	7912000104*	Tube Assembly	2
12	7274000030	Clamp	8
13	7274000049	Clamp	6
14	7445121225	Fitting, Bulkhead	2
15	7661000022	Nut, 0.31" - 18NC	36
16	7661000027	Nut, Stacking	18
17	7007000036	Adapter, 0.31" - 18NC	19
18	7115150650	Capscrew, 0.31" - 18NC x 0.75"	36
19	7115150850	Capscrew, 0.31" - 18NC x 1.00"	18
20	7950150000	Washer, 0.31" ID	54
21	7209000023	Bushing, 0.50" ID	24
22	7209000024	Bushing, 0.62 ID	16
23	7209000032	Bushing, #12 Tube	6
24	7443000210	Fitting	2
25	7443000209	Fitting	2

* Also Available In Shim Kit - 7577000654

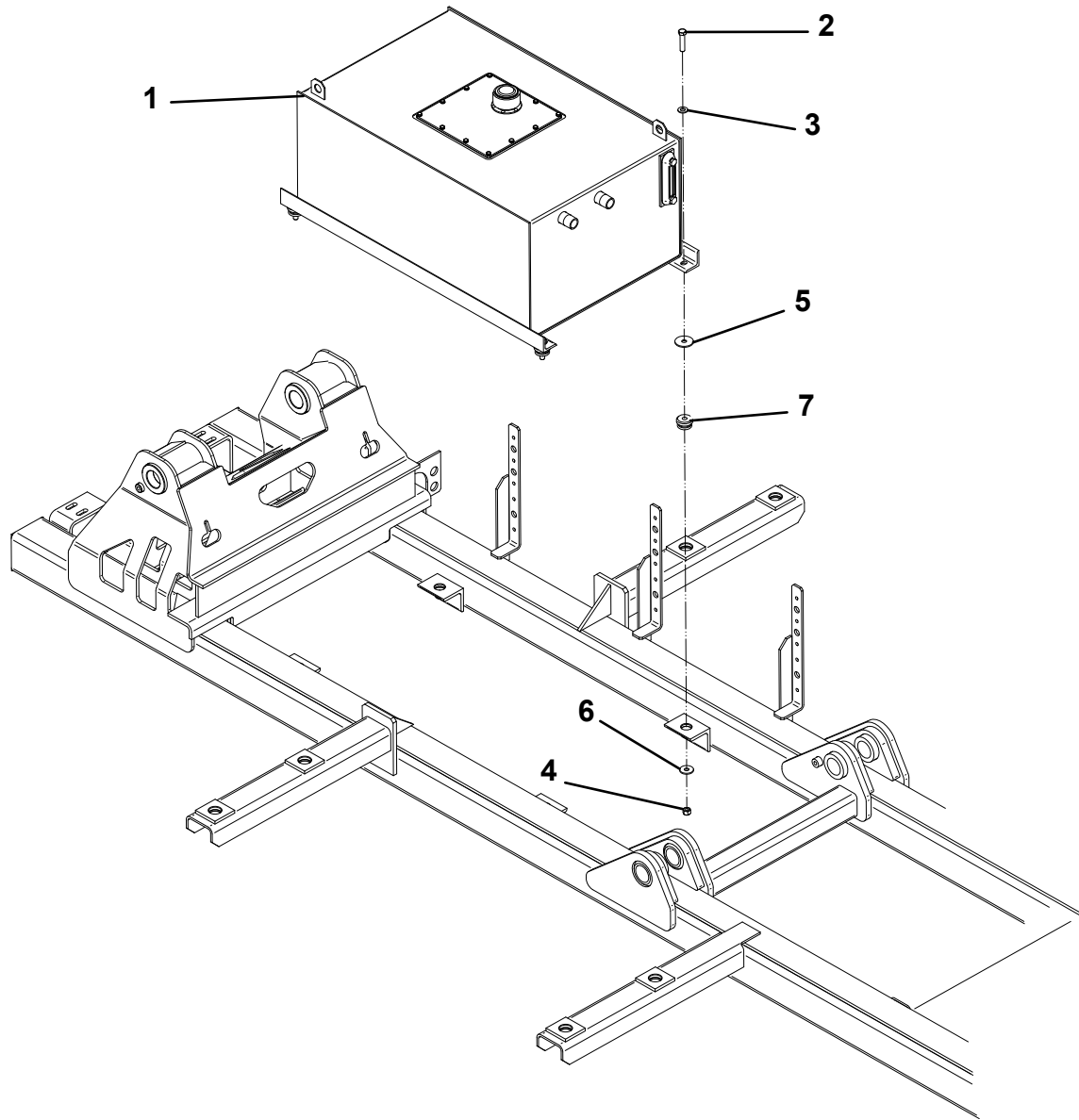
SUBFRAME HYDRAULIC TUBING



HYDRAULIC TANK INSTALLATION

ITEM	PART NO.	DESCRIPTION	QTY
1	3750000022	Hydraulic Tank Assembly	1
2	7115181850	Capscrew, 0.50" - 13NC x 2.25"	4
3	7950180141	Flatwasher, 0.50" ID	4
4	7660182601	Locknut, 0.50" - 13NC	4
5	7949000015	Washer, Head	4
6	7949000016	Washer, Tail	4
7	7636000006	Rubber Mount	4

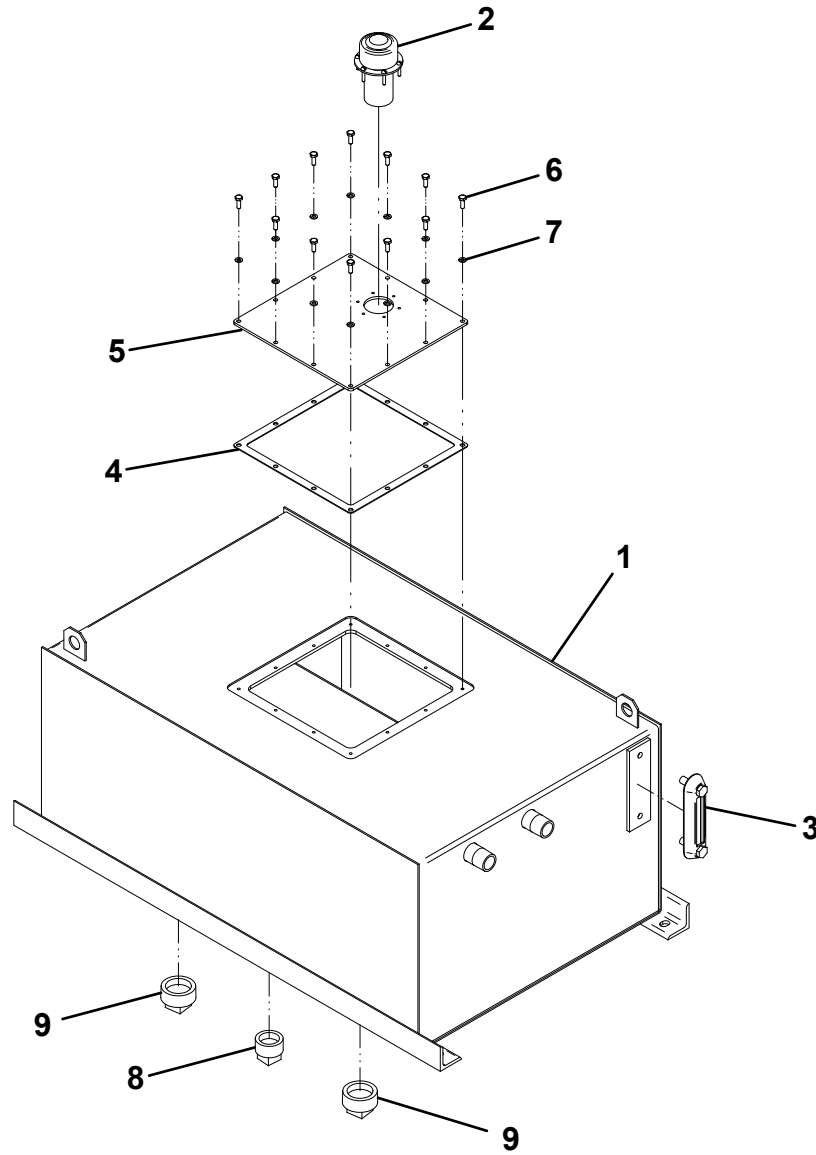
HYDRAULIC TANK INSTALLATION



HYDRAULIC TANK ASSEMBLY

ITEM	PART NO.	DESCRIPTION	QTY
1	3750000021	Hydraulic Tank	1
2	7183000004	Breather, Filler Cap	1
3	7470000003	Gauge	1
4	7796000051	Gasket, Oil Tank Cover	1
5	4706002235	Plate	1
6	7115140650	Capscrew, 0.25" - 20NC x 0.75"	12
7	7950140000	Lockwasher, 0.25" ID	12
8	7444120014	Plug	1
9	7444160011	Plug	2

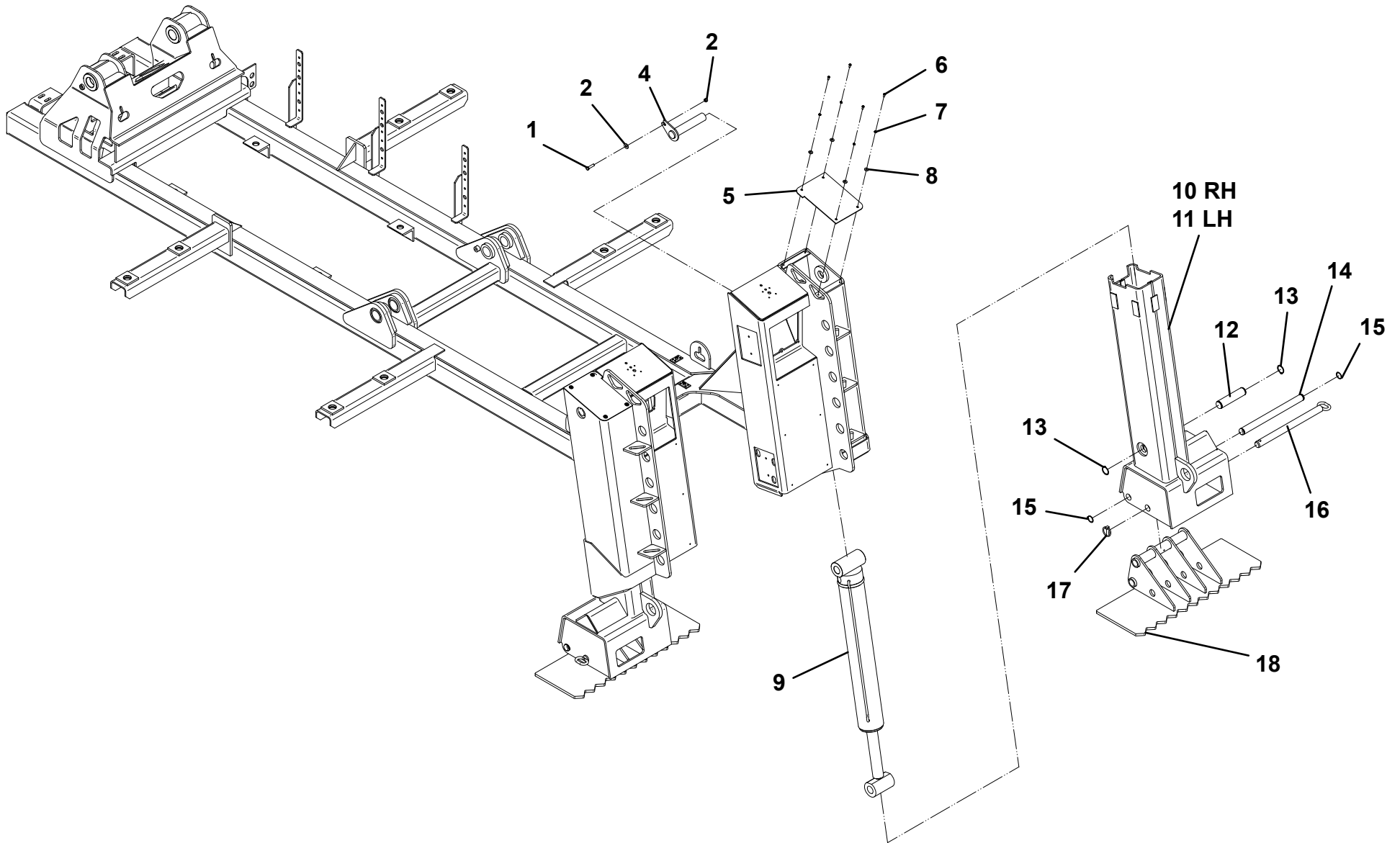
HYDRAULIC TANK ASSEMBLY



REAR SPADE INSTALLATION

ITEM	PART NO.	DESCRIPTION	QTY
1	7115161250	Capscrew, 0.38"-16NC x 1.50"	2
2	7950160161	Flatwasher, 0.38" ID	2
3	7660162601	Locknut, 0.38"-16NC	2
4	3691000139	Pin	2
5	4706003714	Plate	2
6	7114140518	Capscrew, 0.25"-20NC x 0.62"	8
7	7949000025	Lockwasher, 11mm x 6.4mm	8
8	7950140153	Flatwasher, 0.25" ID	8
9	7320000006	Spade Cylinder	2
10	3263000068	Spade , RH	1
11	3263000067	Spade, LH	1
12	4691000207	Pin	2
13	7754000033	Retaining Ring	4
14	4691000200	Pin	2
15	7754000008	Retaining Ring	4
16	3691000126	Pin	2
17	7691000019	Lynch Pin	2
18	1001190040	Spade Foot	2

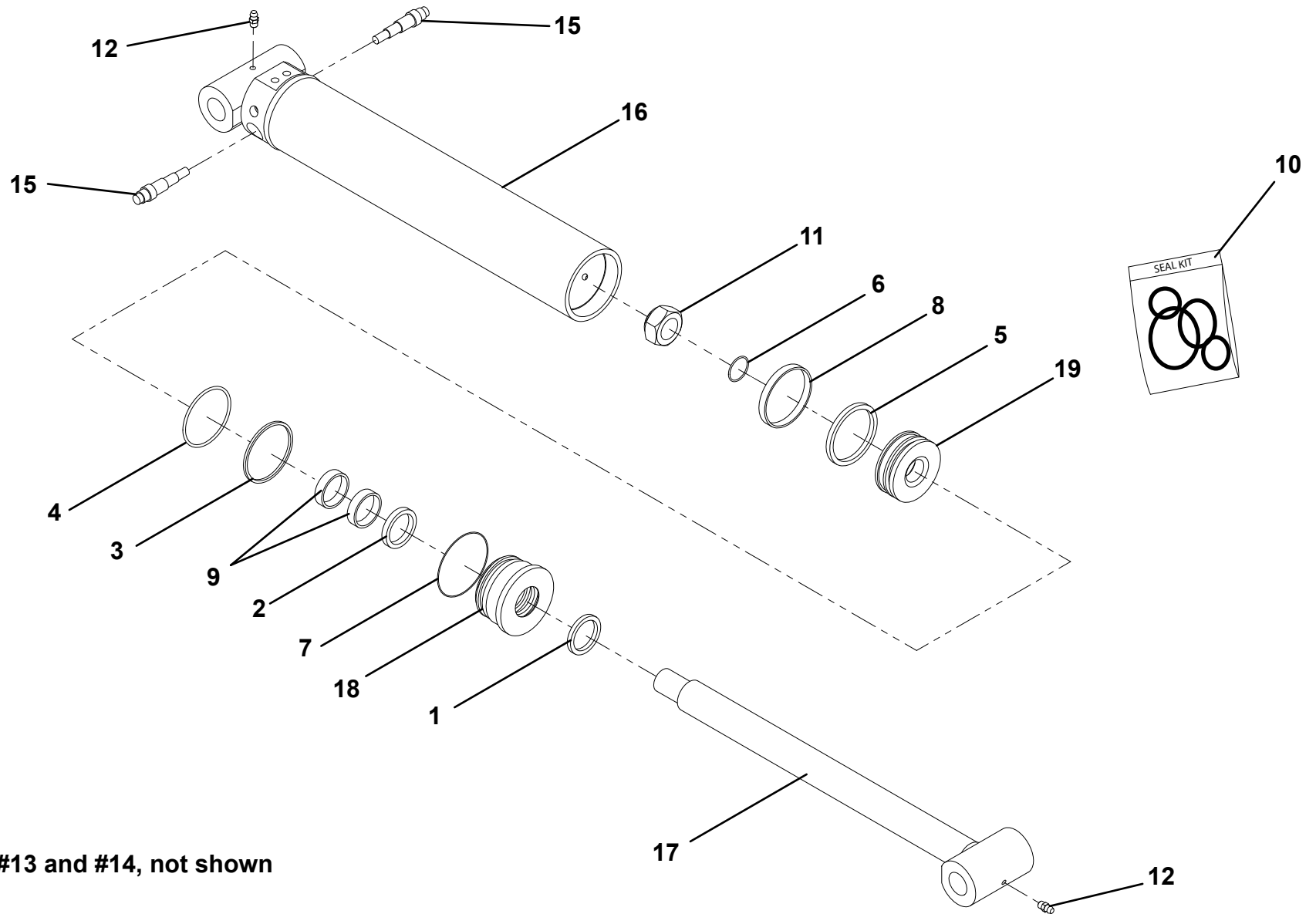
REAR SPADE INSTALLATION



SPADE CYLINDER ASSEMBLY - 7320000006

ITEM	PART NO.	DESCRIPTION	QTY
1	9796250080	Seal, Wiper	1
2	7019828	Seal	1
3	9754250009	Ring, Back-up	1
4	9796250057	Seal, "O" Ring	1
5	9796250073	Seal	1
6	9796250061	Seal, "O" Ring	1
7	9796250066	Seal, "O" Ring	1
8	9724250014	Ring, Wear	1
9	9754250015	Ring, Wear	2
10	7577000167	Kit, Seal	1
11	7003212	Locknut	1
12	7005322	Grease Fitting	2
13	7005365	Plug, Port	2
14	70021648	Plug, Port	2
15	70050215	Valve, Counterbalance	2
16	9912250004	Assembly, Tube	1
17	9763250009	Assembly, Rod	1
18	9553250009	Head	1
19	70050531	Piston	1

SPADE CYLINDER ASSEMBLY - 7320000006

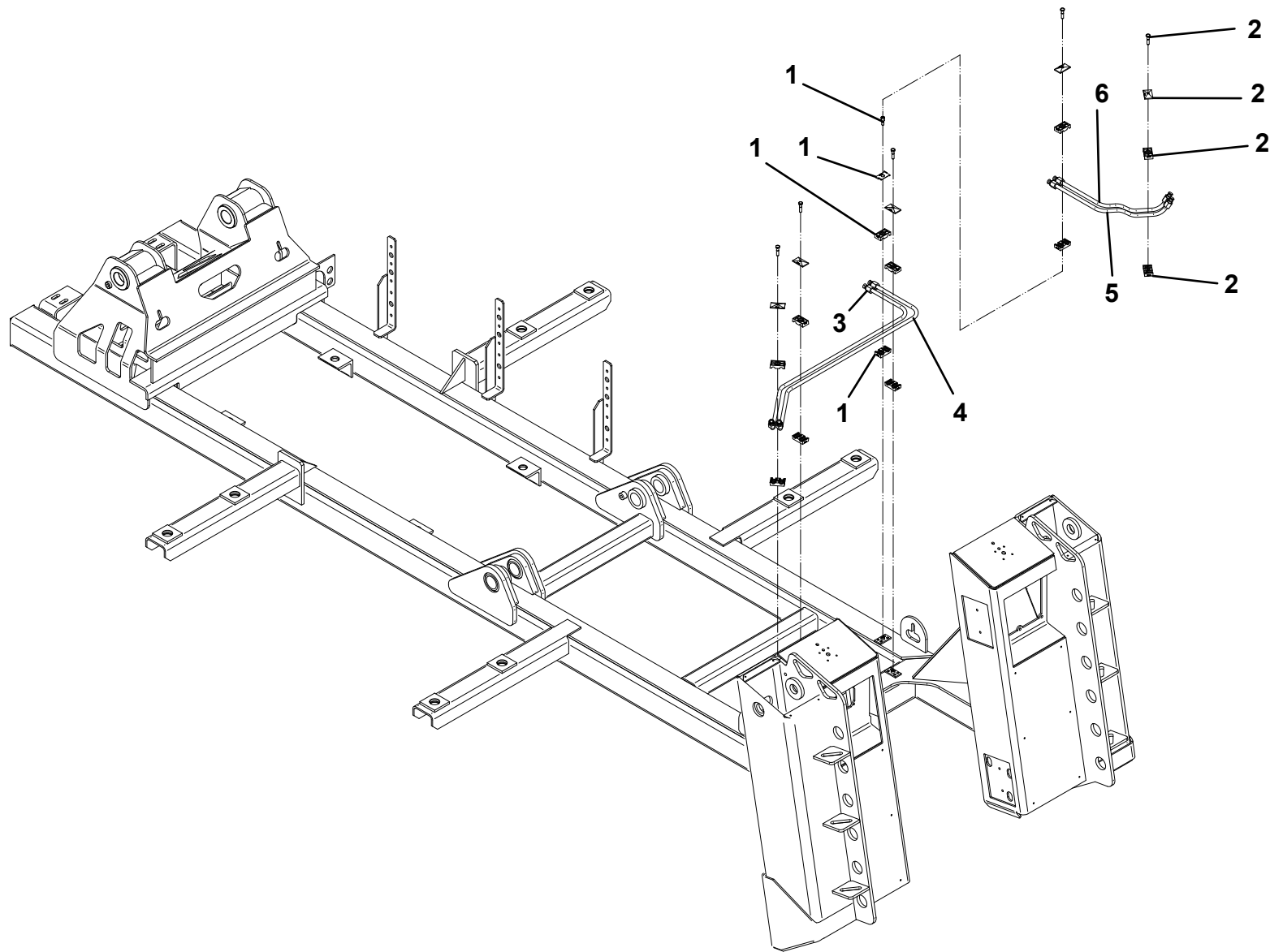


Items #13 and #14, not shown

REAR SPADE TUBING

ITEM	PART NO.	DESCRIPTION	QTY
1	1001137487	Clamp	1
2	1001136447	Clamp	5
3	7912000119	Tube Assembly	1
4	7912000120	Tube Assembly	1
5	7912000121	Tube Assembly	1
6	7912000122	Tube Assembly	1

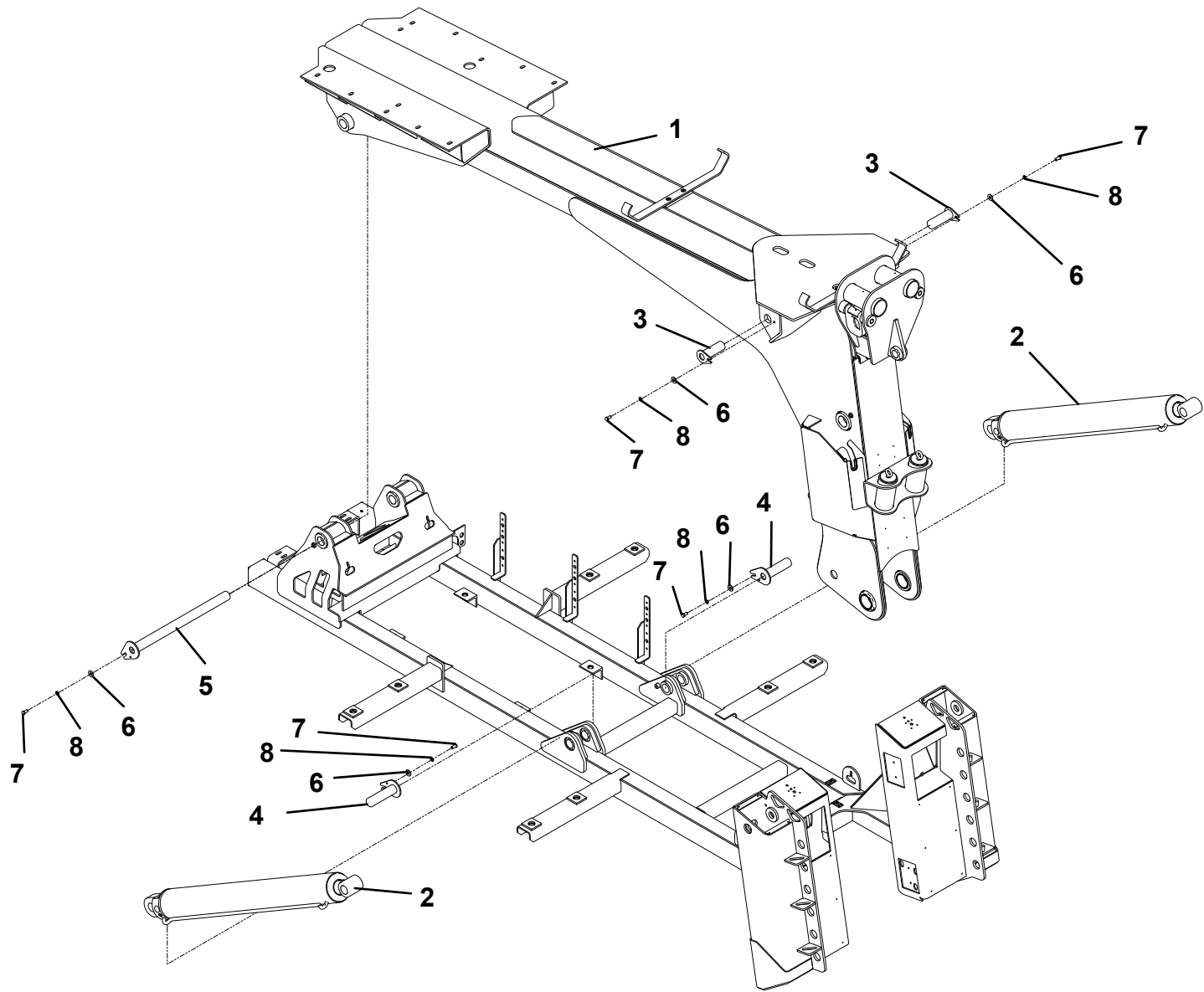
REAR SPADE TUBING



BOOM INSTALLATION

ITEM	PART NO.	DESCRIPTION	QTY
1	3170000500	Boom Assembly	1
2	7320000032	Lift Cylinder Assembly	2
3	3691000161	Pin	2
4	3691000162	Pin	2
5	3691000163	Pin	1
6	7950180161	Flatwasher, 0.50" ID	5
7	7115180850	Capscrew, 0.50"-13NC x 1.00"	5
8	7950180000	Lockwasher, 0.59" ID	5

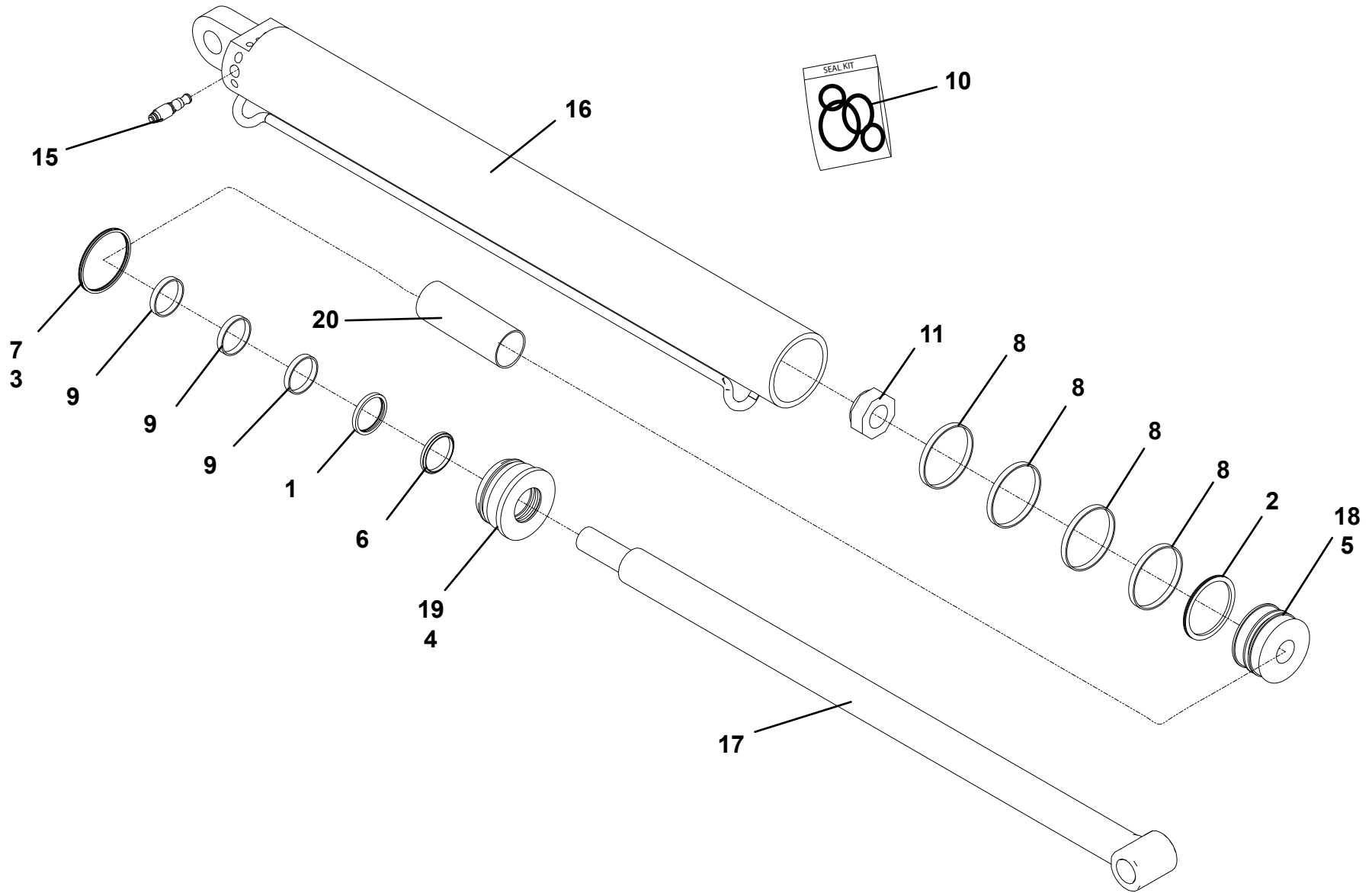
BOOM INSTALLATION



BOOM LIFT CYLINDER - 7320000032

ITEM	PART NO.	DESCRIPTION	QTY
1	NSS	Seal	1
2	NSS	Seal	1
3	NSS	Back-up Ring	1
4	NSS	O-Ring	1
5	NSS	O-Ring	1
6	NSS	Wiper	1
7	NSS	O-Ring	1
8	NSS	Wear Ring	4
9	NSS	Wear Ring	3
10	7577250191	Seal Kit	1
11	7005314	Locknut	1
12	7005365	Plug	4
13	70021648	Plug	2
14	7440030400	Grease Fitting	2
15	9935250032	Counter Balance Valve	2
16	9912250013	Tube Assembly	1
17	9763250015	Rod Assembly	1
18	9698250003	Piston	1
19	9553250006	Head	1
20	9831250017	Spacer	1

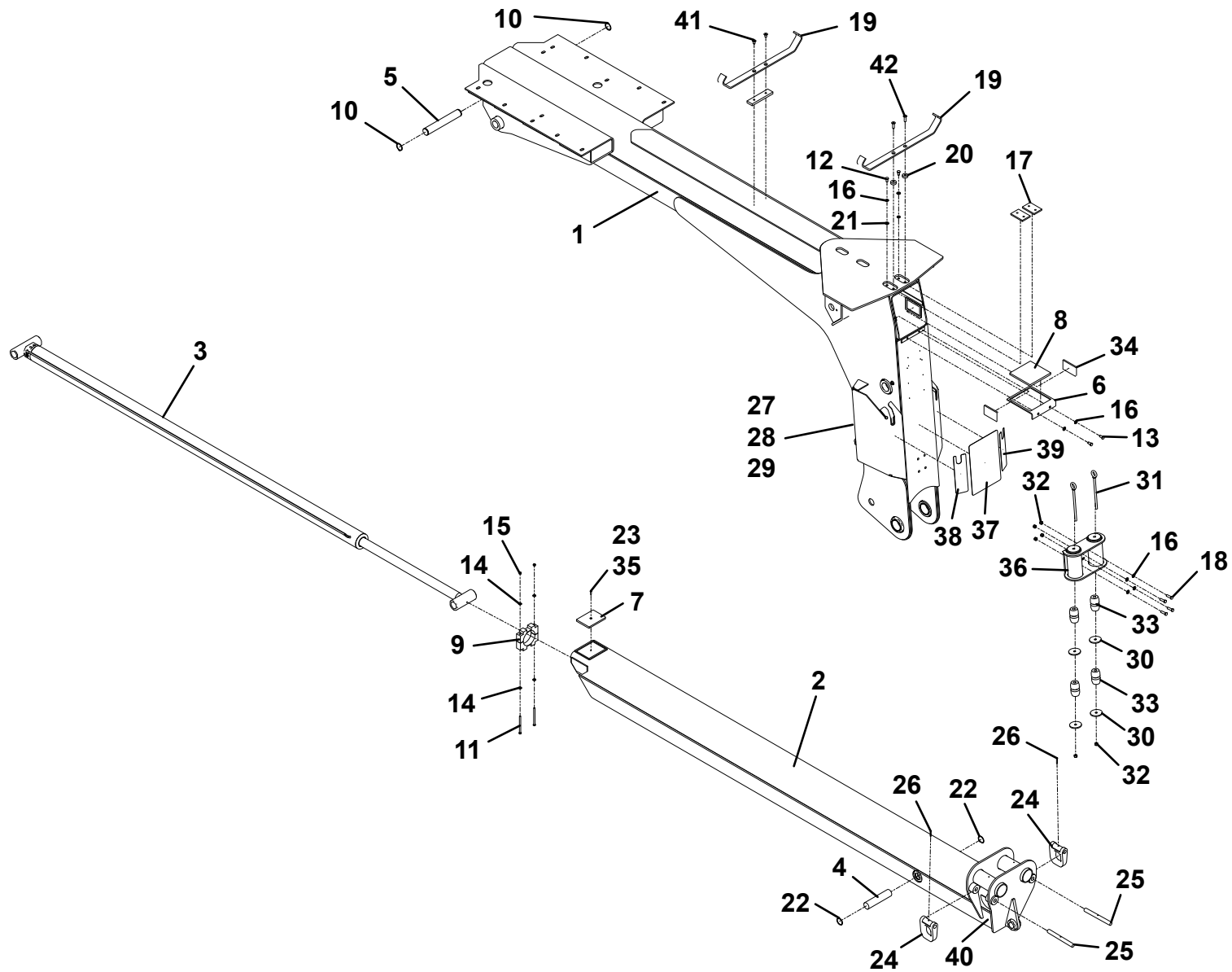
BOOM LIFT CYLINDER - 7320000032



WRECKER BOOM ASSEMBLY

ITEM	PART NO.	DESCRIPTION	QTY	ITEM	PART NO.	DESCRIPTION	QTY
1	3170000498	Base Section Boom Weldment	1	40	1001151805	Decal	2
2	3170000148	Fly Section Boom Weldment	1	41	7115180723	Capscrew, 0.50"-13NC x 0.88"	2
3	7320000031	Cylinder	1	42	7115181423	Capscrew, 0.50"-13NC x 1.75"	2
4	4691000323	Pin	1				
5	4691000208	Pin	1				
6	4706002435	Plate	1				
7	4679000163	Pad	1				
8	4679000162	Pad	1				
9	4177000033	Brace	2				
10	7754000048	Retaining Ring	2				
11	7115164450	Capscrew, 0.38"-16NC x 5.50"	2				
12	7115180750	Capscrew, 0.50"-13NC x 0.88"	2				
13	7115180850	Capscrew, 0.50"-13NC x 1.00"	2				
14	7950160251	Flatwasher, 0.38" ID	4				
15	7660161600	Locknut, 0.38"-16NC	2				
16	7950180153	Flatwasher, 0.50" ID	8				
17	4831000061	Spacer	2				
18	7115181450	Capscrew, 0.50"-13NC x 1.75"	4				
19	4062000746	Bar	2				
20	4831000064	Spacer	2				
21	7950180000	Lockwasher 0.59" ID	2				
22	7754000061	Snap Ring	2				
23	7114140818	Capscrew, 0.25"-20 x 1.00"	1				
24	4754000003	D-Ring	2				
25	4691000243	Pin	2				
26	7690142845	Pin	2				
27	7262000025	Chain	2				
28	7115201250	Capscrew, 0.63"-11NC x 1.50"	2				
29	7660202601	Locknut, 0.63"-11NC	2				
30	4831000115	Spacer	4				
31	7120000053	RingBolt 0.50"-13NC x 10.00"	2				
32	7660182601	Locknut, 0.50"-13NC	6				
33	7189000014	Spring	4				
34	4679000168	Pad	2				
35	7660142604	Locknut, 0.25"-20NC	1				
36	3178000581	Bracket	1				
37	1001151049	Decal	1				
38	1001151184	Decal	1				
39	1001151185	Decal	1				

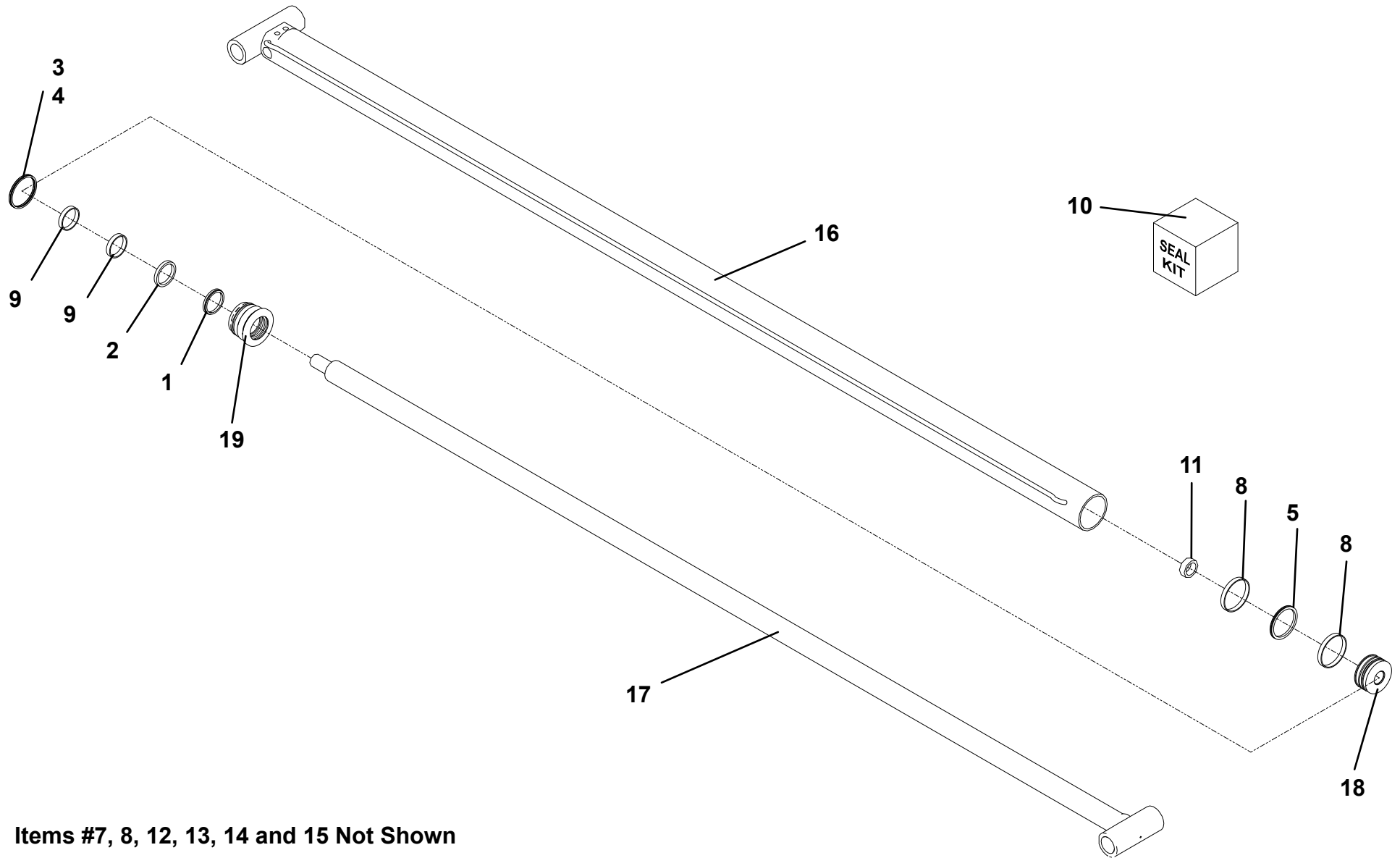
WRECKER BOOM ASSEMBLY



WRECKER BOOM CYLINDER - 7320000031

ITEM	PART NO.	DESCRIPTION	QTY
1	NSS	Wiper	1
2	NSS	Seal	1
3	NSS	Back-Up	1
4	NSS	O-Ring	1
5	NSS	Seal	1
6	NSS	O-Ring	1
7	NSS	O-Ring	1
8	NSS	Wear Ring	2
9	NSS	Wear Ring	2
10	7577000167	Seal Kit	1
11	7003116	Locknut	1
12	7005365	Port Plug	1
13	70021648	Port Plug	2
14	7440030400	Grease Fitting	2
15	9935250032	Counterbalance Valve	1
16	9912250014	Tube	1
17	9763250019	Rod	1
18	9553250010	Head	1
19	7698250012	Piston	1

WRECKER BOOM CYLINDER - 732000031

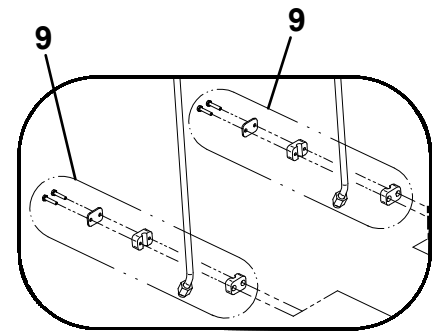
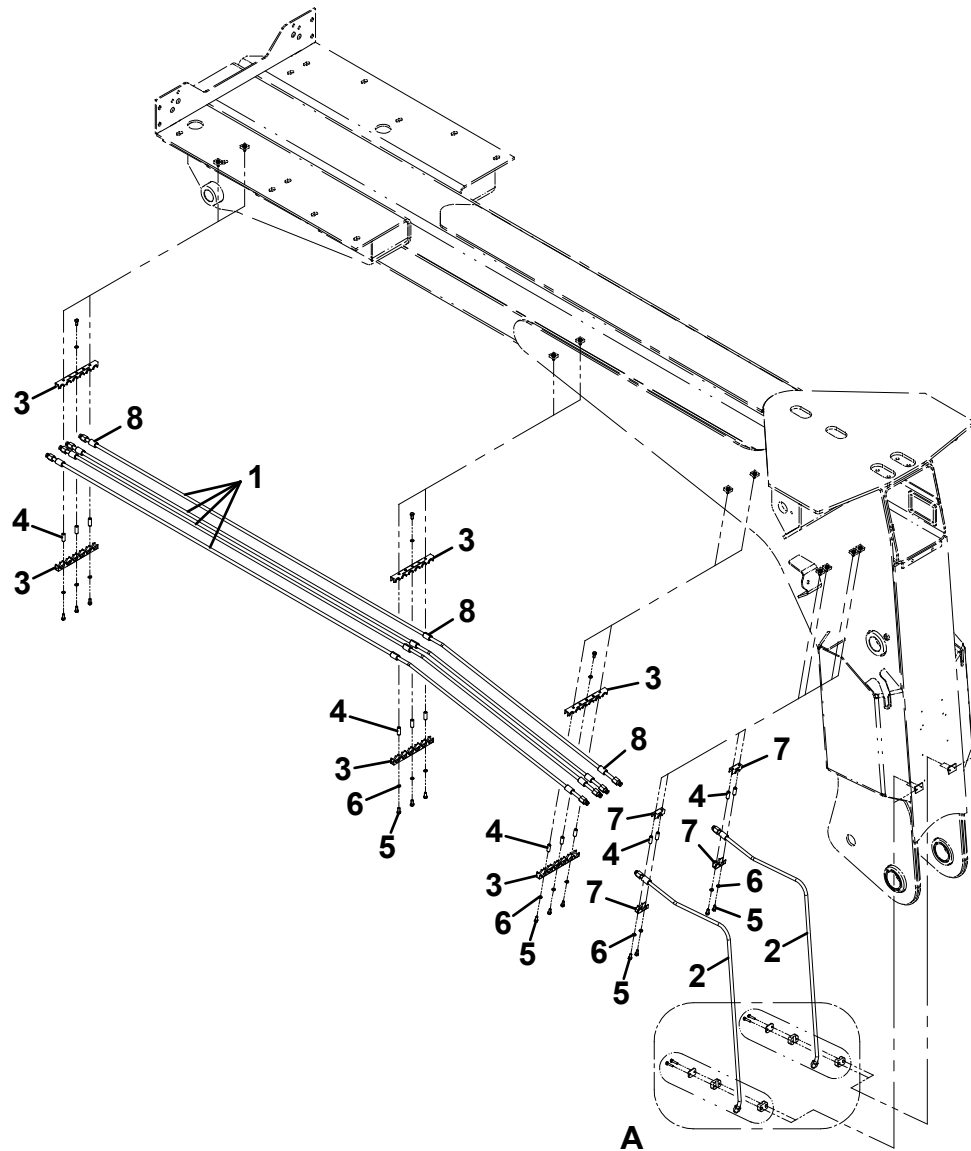


Items #7, 8, 12, 13, 14 and 15 Not Shown

BOOM TUBE ASSEMBLY

ITEM	PART NO.	DESCRIPTION	QTY
1	7912000107	Tube Assembly	4
2	7912000313	Tube Assembly	2
3	7274000030	Clamp	3
4	7661000022	Nut, 0.31"-18NC	9
5	7115150650	Capscrew, 0.31"-18NC x 0.75"	9
6	7950150000	Washer, 0.31" ID	9
7	1001136559	Clamp	4
8	7209000023	Bushing, 0.50" ID	12

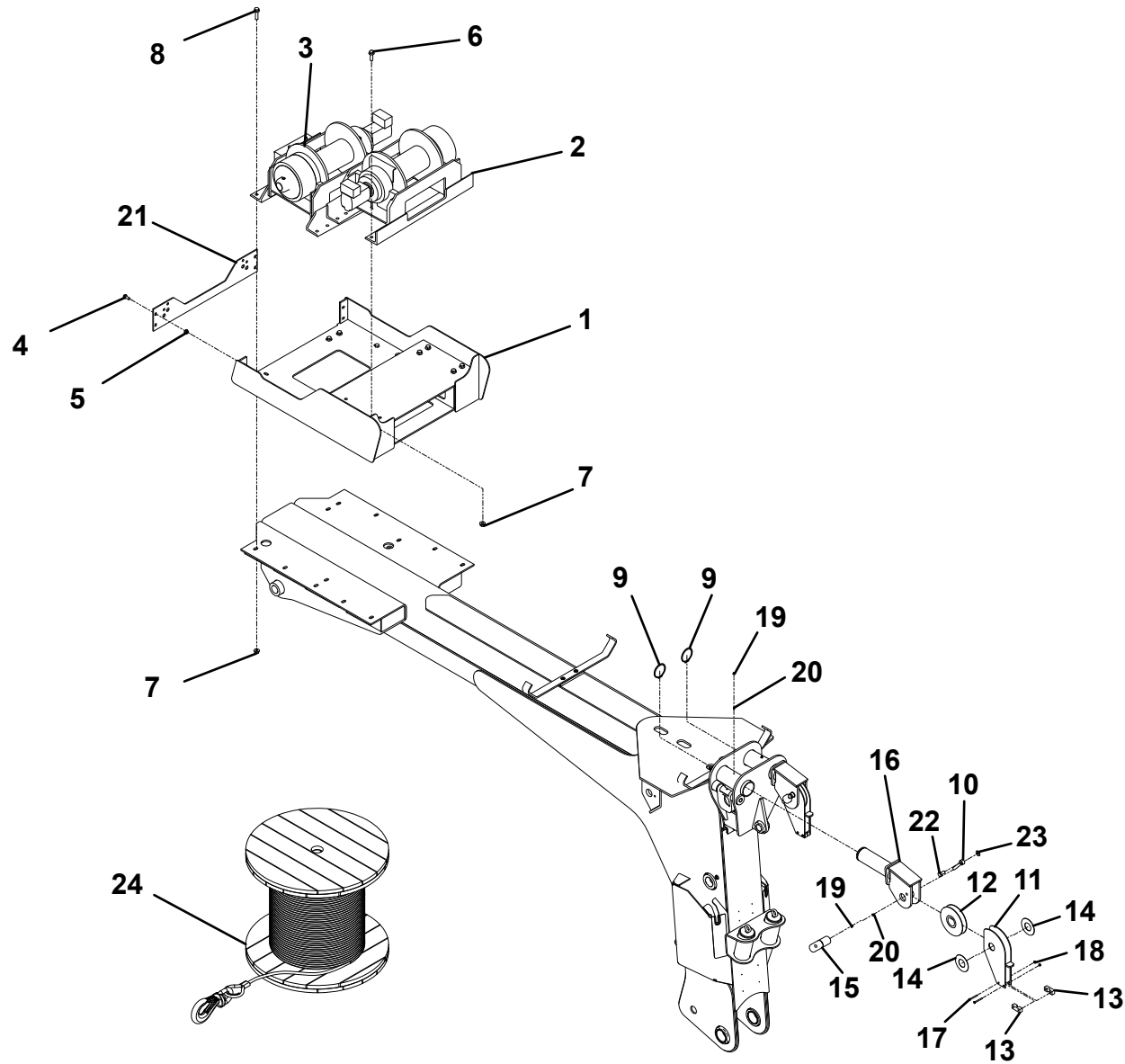
BOOM TUBE ASSEMBLY



WINCH INSTALLATION - 25K & 35K DP WINCHES (PRIOR TO S/N 0230004251)

ITEM	PART NO.	DESCRIPTION	QTY	ITEM	PART NO.	DESCRIPTION	QTY
		Winch Install 35K DP				Winch Install 25K DP	
1	3636000068	Bracket, Winch Mount	1	1	3636000068	Bracket, Winch Mount	1
2	7970000067	Winch, DP 35K - RH	1	2	7970000050	Winch, DP 25K - RH	1
3	7970000066	Winch, DP 35K - LH	1	3	7970000049	Winch, DP 25K - LH	1
4	7118181016	Capscrew, 0.50" - 13NC x 1.25"	4	4	7118181016	Capscrew, 0.50" - 13NC x 1.25"	4
5	7660182301	Locknut, 0.50" - 13NC	4	5	7660182301	Locknut, 0.50" - 13NC	4
6	7118201616	Capscrew, 0.63" - 11NC x 2.00"	16	6	7118201616	Capscrew, 0.63" - 11NC x 2.00"	16
7	7661000018	Nut, 0.63" - 11NC	22	7	7661000018	Nut, 0.63" - 11NC	22
8	7118202016	Bolt, 0.63" - 11NC x 2.50"	6	8	7118202016	Bolt, 0.63" - 11NC x 2.50"	6
9	7754000049	Retaining Ring	2	9	7754000049	Retaining Ring	2
10	3841258	Rod	2	10	3841258	Rod	2
11	3249000001	Cable Guide Weldment	2	11	3249000001	Cable Guide Weldment	2
12	7809000019	Sheave	2	12	7809000019	Sheave	2
13	4249000001	Cable Guide	4	13	4249000001	Cable Guide	4
14	4949000031	Washer, 2.12" ID	4	14	4949000031	Washer, 2.12" ID	4
15	1001170037	Pin	2	15	1001170037	Pin	2
16	1001169609	Sheave Support Weldment	2	16	1001169609	Sheave Support Weldment	2
17	7115142050	Capscrew, 0.25" - 20NC x 2.50"	4	17	7115142050	Capscrew, 0.25" - 20NC x 2.50"	4
18	7660142601	Locknut, 0.25" - 20NC	4	18	7660142601	Locknut, 0.25" - 20NC	4
19	7440030000	Grease Fitting	4	19	7440030000	Grease Fitting	4
20	7253000002	Grease Fitting Cap	4	20	7253000002	Grease Fitting Cap	4
21	4706002417	Plate	1	21	4706002417	Plate	1
22	7115201050	Bolt, 0.63" - 11NC x 1.25"	2	22	7115201050	Bolt, 0.63" - 11NC x 1.25"	2
23	7950200141	Flatwasher, 0.63" ID	2	23	7950200141	Flatwasher, 0.63" ID	2
24	7248000040	Cable, 0.63" x 200'	1	24	7248000040	Cable, 0.63" x 200'	1
	7248000078	Cable, 0.63" x 200', Swivel Hook			7248000078	Cable, 0.63" x 200', Swivel Hook	
	7248000037	Cable, 0.63" x 250'			7248000037	Cable, 0.63" x 250'	
	7248000079	Cable, 0.63" x 250', Swivel Hook			7248000079	Cable, 0.63" x 250', Swivel Hook	
	7248000055	Cable, 0.75" x 200'			7248000055	Cable, 0.75" x 200'	
	7248000080	Cable, 0.75" x 200', Swivel Hook			7248000080	Cable, 0.75" x 200', Swivel Hook	

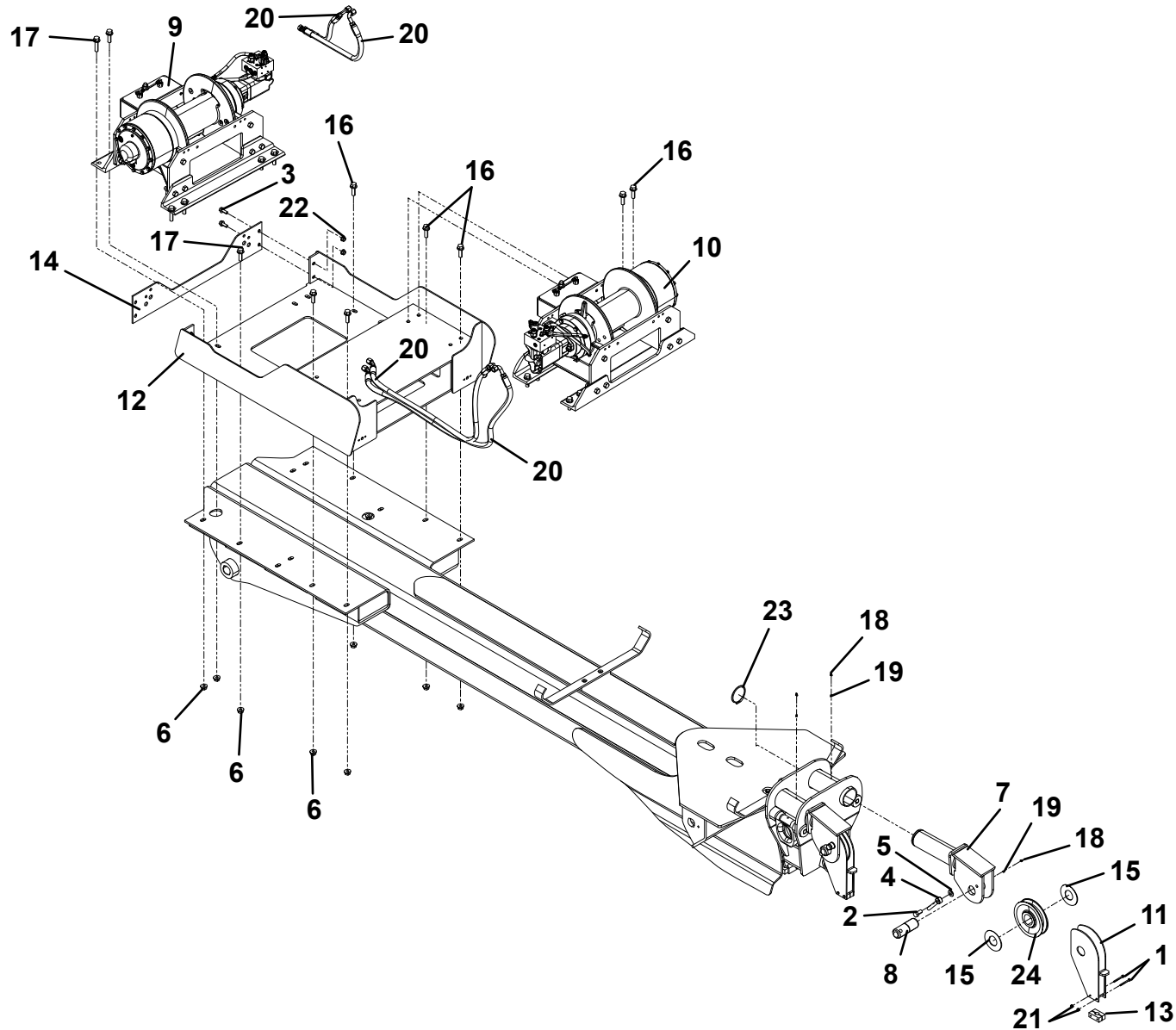
WINCH INSTALLATION - 25K & 35K DP WINCHES (PRIOR TO S/N 0230004251)



WINCH INSTALLATION - 35K DP WINCHES (S/N 0230004251 TO PRESENT)

ITEM	PART NO.	DESCRIPTION	QTY	ITEM	PART NO.	DESCRIPTION	QTY
0.63" Wire Rope Installation				0.75" Wire Rope Installation			
1	0641420	Capscrew, 0.25"-20 X 2.50"	4	1	0641420	Capscrew, 0.25"-20 X 2.50"	4
2	0642010	Capscrew, 0.63"-11 X 1.25"	2	2	0641808	Capscrew, 0.50"-13 X 1.00"	2
3	811810	Screw, 0.50"-13 X 1.25"	4	3	811810	Screw, 0.50"-13 X 1.25"	4
4	3841258	Keeper	2	4	3841258	Keeper	2
5	4712000	WASHER, 0.63" ID	2	5	3841203	WASHER, 0.63" ID	2
6	7661000018	Nut, 0.63"-11NC	22	6	7661000018	Nut, 0.63"-11NC	22
7	1001169609	Sheave Support	2	7	1001169616	Sheave Support	2
8	1001170037	Pin	2	8	1001169893	Pin	2
9	1001210256	Winch, 35K Planetary LH Front	1	9	1001210256	Winch, 35K Planetary LH Front	1
10	1001210257	Winch, 35K Planetary RH Rear	1	10	1001210257	Winch, 35K Planetary RH Rear	1
11	3249000001	Cable Guide	2	11	3249000012	Cable Guide	2
12	3636000068	Winch Mount	1	12	3636000068	Winch Mount	1
13	4249000001	Cable Guide	4	13	4249000002	Cable Guide	4
14	4706002417	Plate	1	14	4706002417	Plate	1
15	4949000031	Washer, 2.12" ID	4	15	4949000045	Washer, 1.53" ID	4
16	7118201616	Capscrew, 0.63"-11NC X 2.00"	16	16	7118201616	Capscrew, 0.63"-11NC X 2.00"	16
17	7118202016	Bolt, 0.63"-11NC X 2.50"	6	17	7118202016	Bolt, 0.63"-11NC X 2.50"	6
18	7253000002	Grease Fitting Cap	4	18	7253000002	Grease Fitting Cap	4
19	7440030000	Grease Fitting	4	19	7440030000	Grease Fitting	4
20	1001219190	Hose Kit	1	20	1001219190	Hose Kit	1
21	7660142601	Locknut, 0.25" -20NC	4	21	7660142601	Locknut, 0.25" -20NC	4
22	7660182301	Locknut, 0.50"-13NC	4	22	7660182301	Locknut, 0.50"-13NC	4
23	7754000049	Retaining Ring	2	23	7754000049	Retaining Ring	2
24	7809000019	Sheave, for 0.63" Wire rope	2	24	7809000006	Sheave, for 0.75" Wire rope	2

WINCH INSTALLATION - 35K DP WINCHES (S/N 0230004251 TO PRESENT)

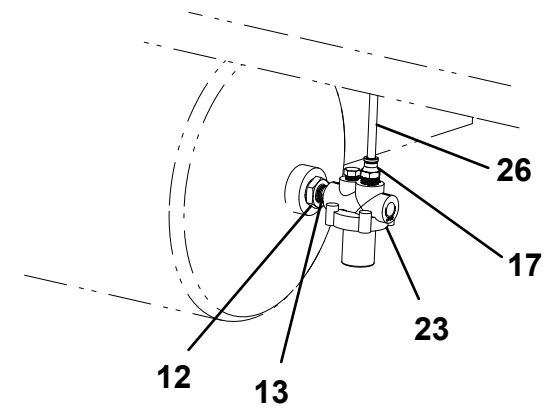
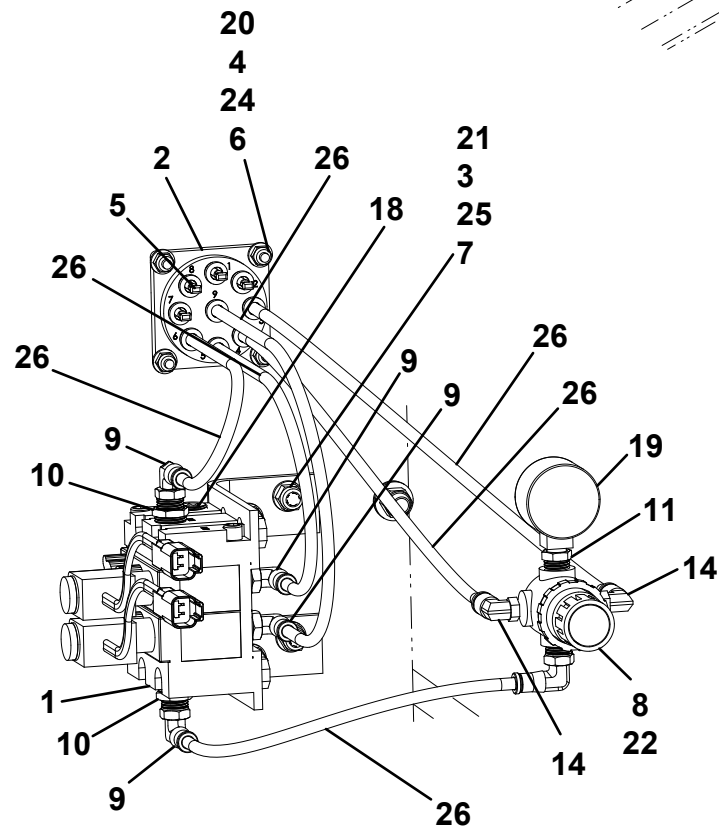
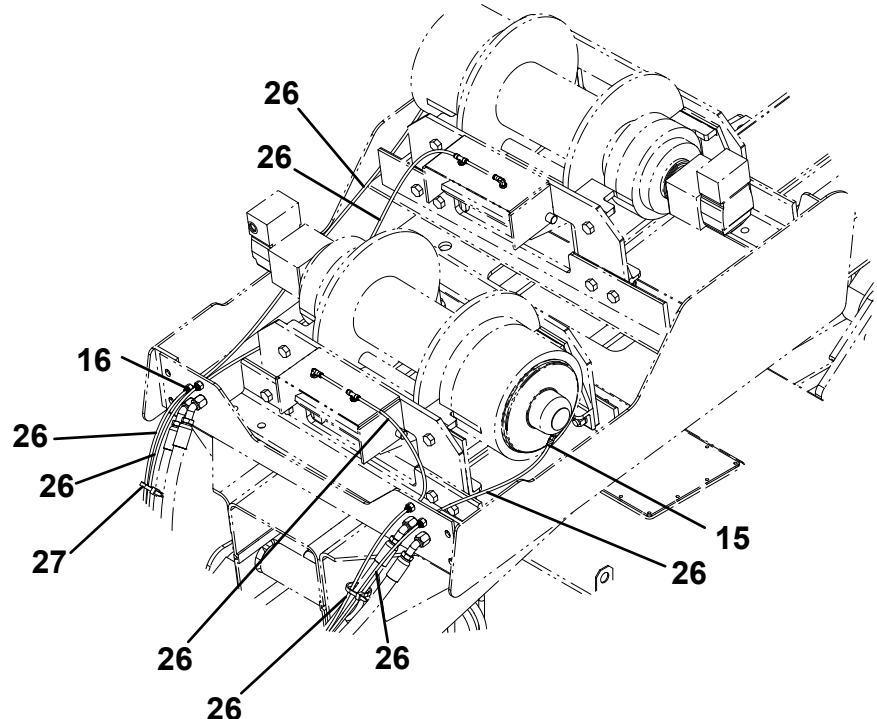
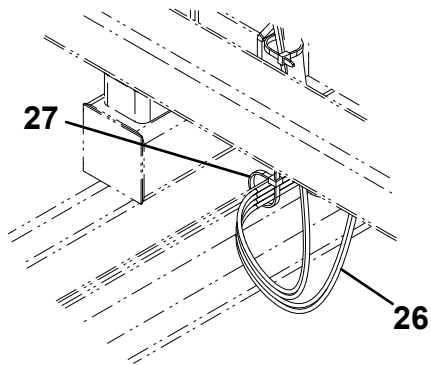


WINCH AIR INSTALLATION

ITEM	PART NO.	DESCRIPTION	QTY
1	1001129800	Valve, Air Section	1
2	1001184765	Terminal	1
3	1001197482	Washer, 0.31" ID	4
4	1001197483	Washer, #10	4
5	1001197506	Seal	4
6	7114100818	Screw, #10-24 x 1.00"	4
7	7114150850	Capscrew, 0.31"-18NC x 1.00"	4
8	7295000029	Air Regulator	1
9	7443000139	Fitting	5
10	7443000148	Bushing	2
11	7443000149	Bushing	1
12	7443000154	Bushing	1
13	7443000156	Fitting	1
14	7443000173	Fitting	2
15	7443000176	Elbow	2
16	7443000178	Union	4
17	7443000329	Fitting	1
18	7444030037	Plug	1
19	7470000006	Air Pressure Gauge	1
20	7660102601	Nut, #10-24NC	4
21	7660152601	Locknut, 0.31"-18NC	4
22	7661000041	Nut	1
23	7935000120	Valve	1
24	7950100143	Flatwasher, 0.19" ID	8
25	7950140143	Flatwasher, 0.25" ID	8
26	7565000016	Air Tubing	125FT
27	7894000004	Tie Strap	35

WINCH AIR INSTALLATION

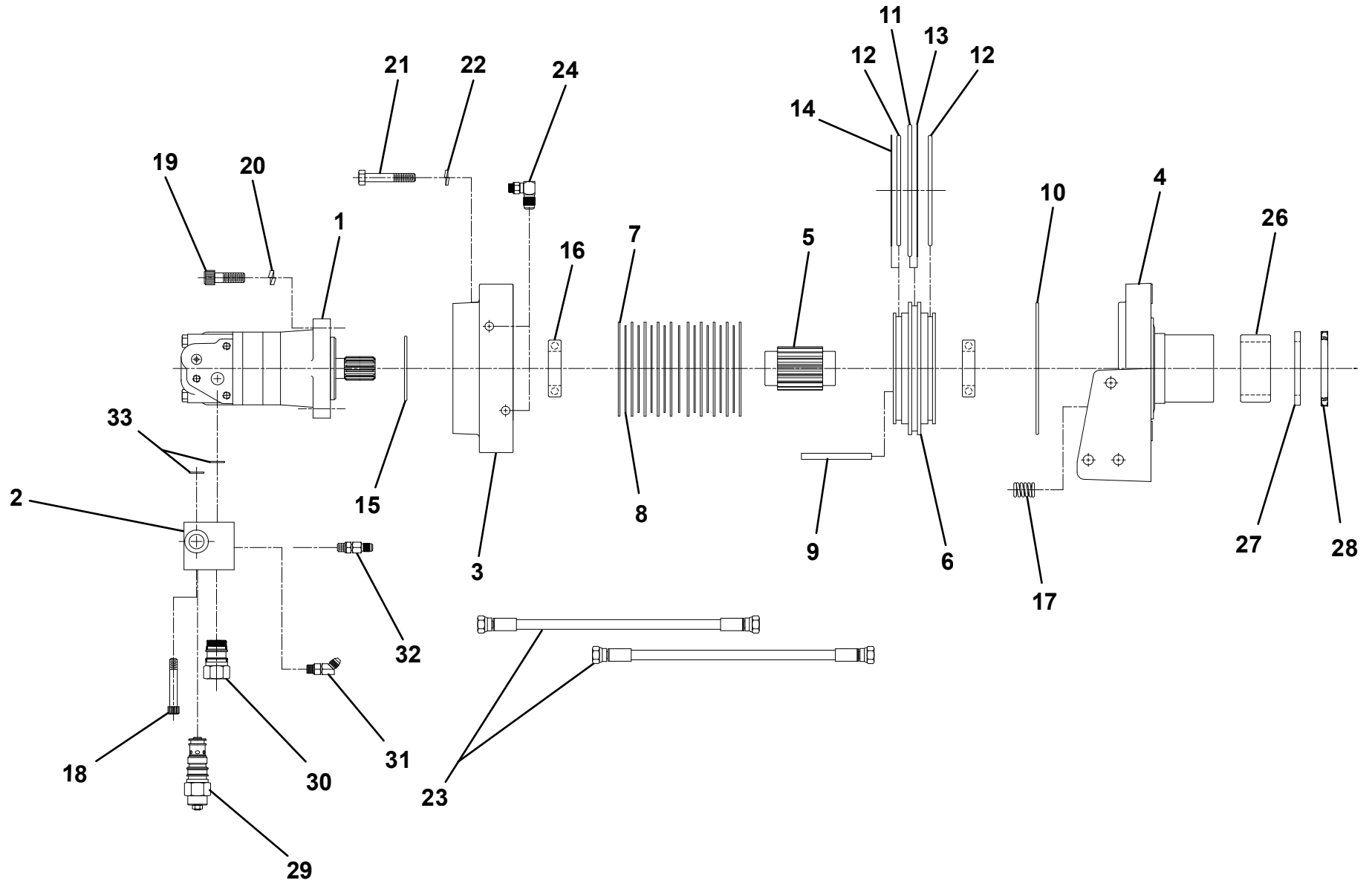
AIR BULKHEAD PORTS	
PORT 1	FRONT WINCH 2-SPD
PORT 2	DRAG WINCH TENSIONER
PORT 3	FRONT WINCH TENSIONER
PORT 4	REAR WINCH TENSIONER
PORT 5	FRONT WINCH FREESPOOL
PORT 6	SUPPLY
PORT 7	REAR WINCH 2-SPD
PORT 8	DRAG WINCH FREESPOOL
PORT 9	REAR WINCH FREESPOOL



DP WINCH 25K - 797000049 (PRIOR TO S/N 0230004251) MOTOR END INSTALLATION

ITEM	PART NO.	DESCRIPTION	QTY	ITEM	PART NO.	DESCRIPTION	QTY
1	9626960013	Motor - Hydraulic	1	31	7445040446	Fitting, Swivel Adapter 45 Degree	1
2	9935960027	Valve - Counterbalance	1	32	9443960006	Fitting, Straight Adapter	1
3	9571960006	Brake - Housing	1	33	9796960088	O-Ring - 0.81" I. x 0.09" Section	2
4	9177960004	Support - Motor End	1				
5	9806960019	Shaft - Brake	1				
6	9698960008	Piston - Brake	1				
7	NSS	Plate - Disc - Friction (Sold Only in Kit #9577960139)	10				
8	NSS	Plate - Drive - Brake (Sold Only in Kit #9577960139)	9				
9	9691960021	Pin - Dowel - 0.31" Dia. x 3.50"	2				
10	NSS	O-Ring - 7.00" OD x 6.75" ID (Sold Only in Kit #9577960120)	1				
11	NSS	O-Ring - 6.84" OD x 6.50" ID (Sold Only in Kit #9577960120)	1				
12	NSS	O-Ring - 5.38" OD x 5.00" ID (Sold Only in Kit #9577960120)	2				
13	NSS	Ring - Back-Up - 6.25" ID (Sold Only in Kit #9577960120)	1				
14	NSS	Ring - Back-Up - 5.278" ID (Sold Only in Kit #9577960120)	1				
15	9796960090	O-Ring - 3.00" OD x 2.75" ID	1				
16	9082960013	Ball - Bearing - 1.75" ID	2				
17	NSS	Spring - Compression 0.75" (Sold Only in Kit (577960139)	12				
18	7118162005	Capscrew, 0.38"-16NC x 2.50"	3				
19	7118181205	Capscrew, 0.50"-13NC x 1.50" Socket Head GR 8	2				
20	7950180800	Lockwasher, 0.50" ID	2				
21	7118172050	Capscrew, 0.44"-14NC x 2.50" GR 8	6				
22	7950170000	Lockwasher, 0.44" ID	6				
23	9570960001	Hose, 0.25 DIA	2				
24	7445040445	Fitting, Swivel Adapter 90 Degree	2				
25	70050401	Tag - Warning (Not Shown on Drawing)	1				
26	9082960018	Bearing - Roller - Torrington	1				
27	9949960028	Washer - Thrust - Nylon - 3.81 x .406	1				
28	9796960121	Seal - Shaft - 3.12" ID x 4" OD x 0.38 Thick	1				
29	9935960026	Cartridge - Counterbalance	1				
30	9701960013	Plug - Assembly - Valve - Counterbalance	1				

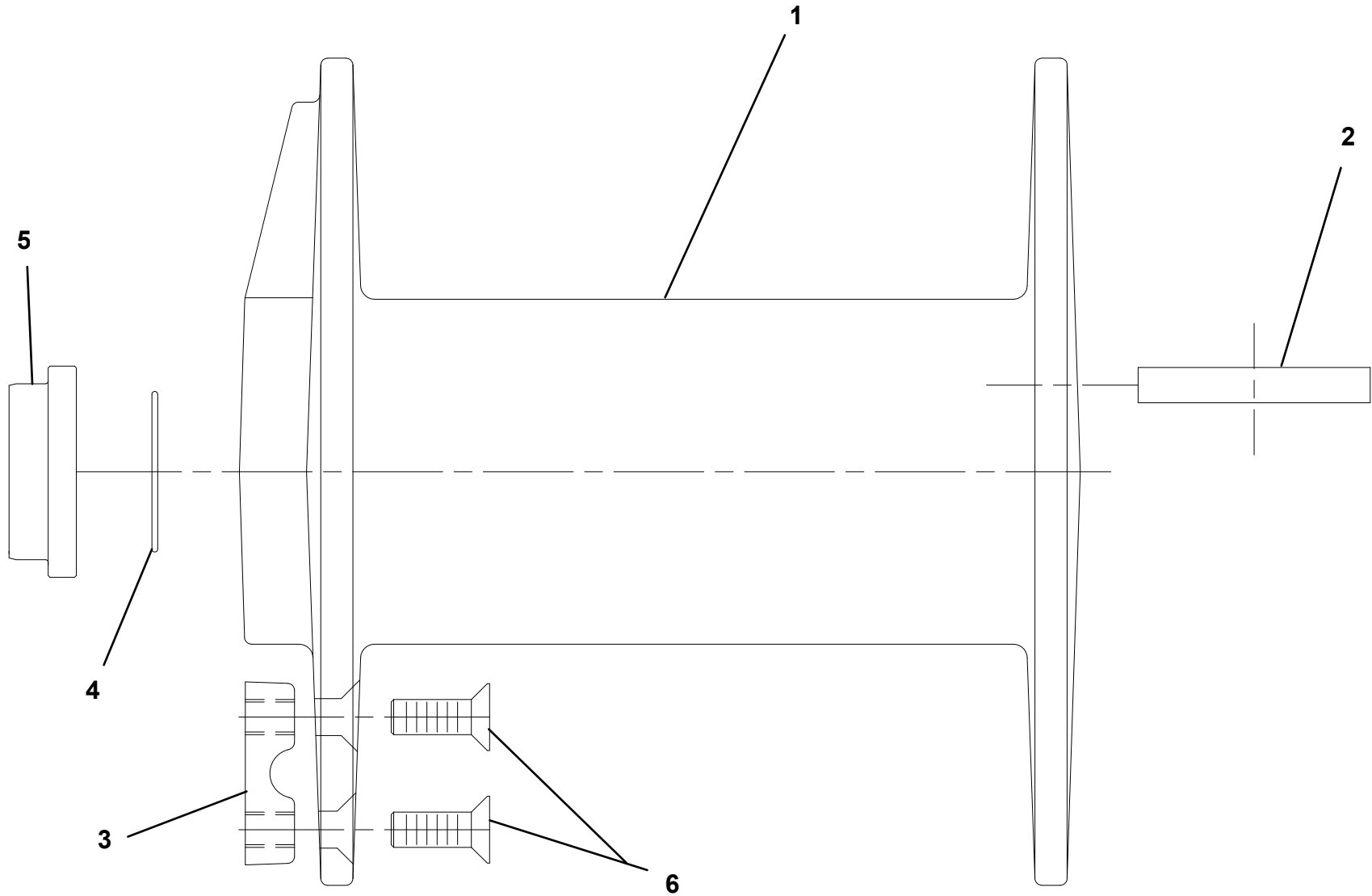
DP WINCH 25K - 797000049 - MOTOR END INSTALLATION (PRIOR TO S/N 0230004251)



DP WINCH 25K - 7970000049 - DRUM INSTALLATION (PRIOR TO S/N 0230004251)

ITEM	PART NO.	DESCRIPTION	QTY
1	9970960020	Drum	1
2	9575960012	Key - Drum	2
3	9280960002	Clip - Cable	1
4	9796960089	O-Ring	1
5	9831960018	Spacer	1
6	7110201423	Capscrew, 0.63"-11NC X 1.75"	2

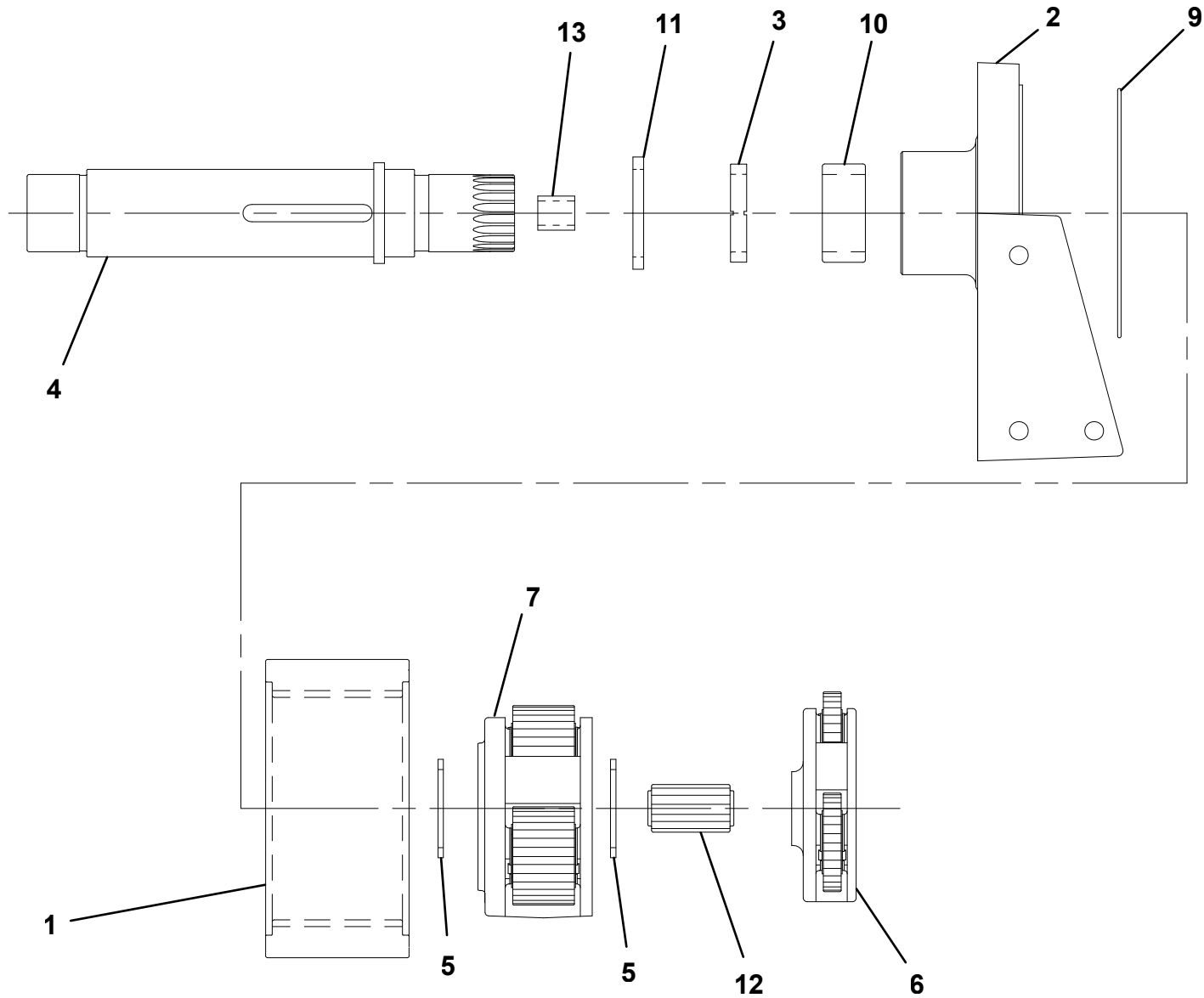
DP WINCH 25K - 797000049 - DRUM INSTALLATION (PRIOR TO S/N 0230004251)



DP WINCH 25K - 7970000049 - GEAR END INSTALLATION (PRIOR TO S/N 0230004251)

ITEM	PART NO.	DESCRIPTION	QTY
1	70050991	Gear - Ring	1
2	9177960003	Support - Gear End	1
3	9949960028	Washer - Thrust - Nylon - 3.81 x .406	1
4	9806960021	Shaft - Output	1
5	9949960027	Washer - Thrust- Nylon - 3.50" OD x 0.18"	2
6	9472960052	Assembly - Carrier - Planetary - Primary	1
7	70050992	Carrier - Assembly - Secondary	1
8	9330960006	Label - Warning (Not Shown on Drawing)	1
9	9796960120	O-Ring - 8.75" ID x .012" Section	1
10	9082960018	Bearing - Roller - Torrington	1
11	9796960121	Seal - Shaft - 3.12" ID x 4" OD x 0.38 Thick	1
12	70050993	Gear - Sun - 15 Teeth	1
13	9209960025	Bushing - 1.00" ID x 1.25" OD x 1.00" LG	1

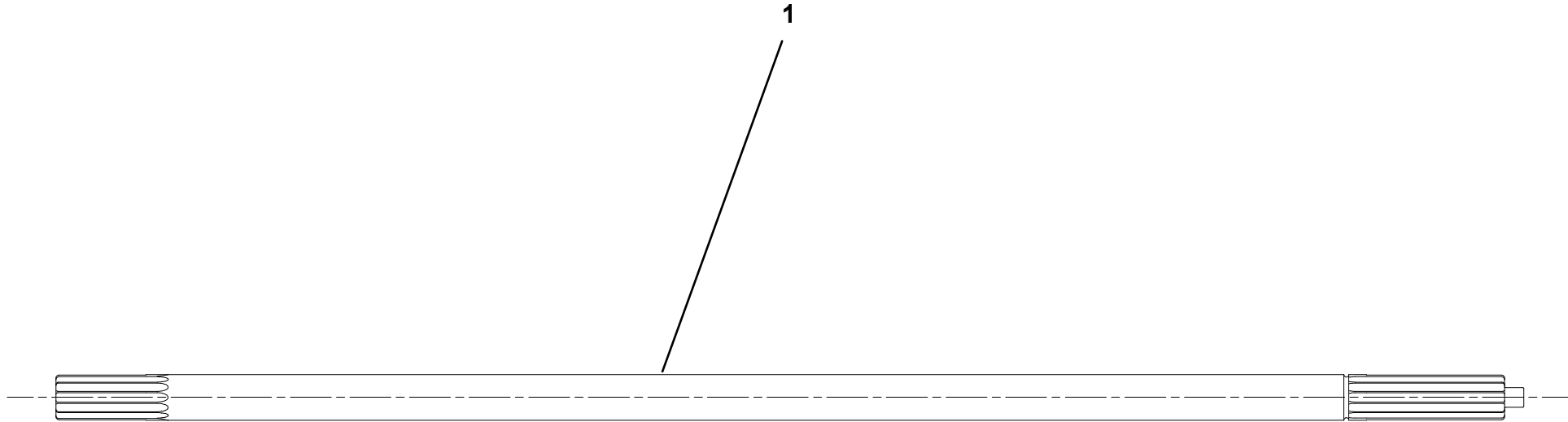
DP WINCH 25K - 7970000049 - GEAR END INSTALLATION (PRIOR TO S/N 0230004251)



DP WINCH 25K - 7970000049 - INPUT SHAFT (PRIOR TO S/N 0230004251)

ITEM	PART NO.	DESCRIPTION	QTY
1	70050994	Input - Shaft	1

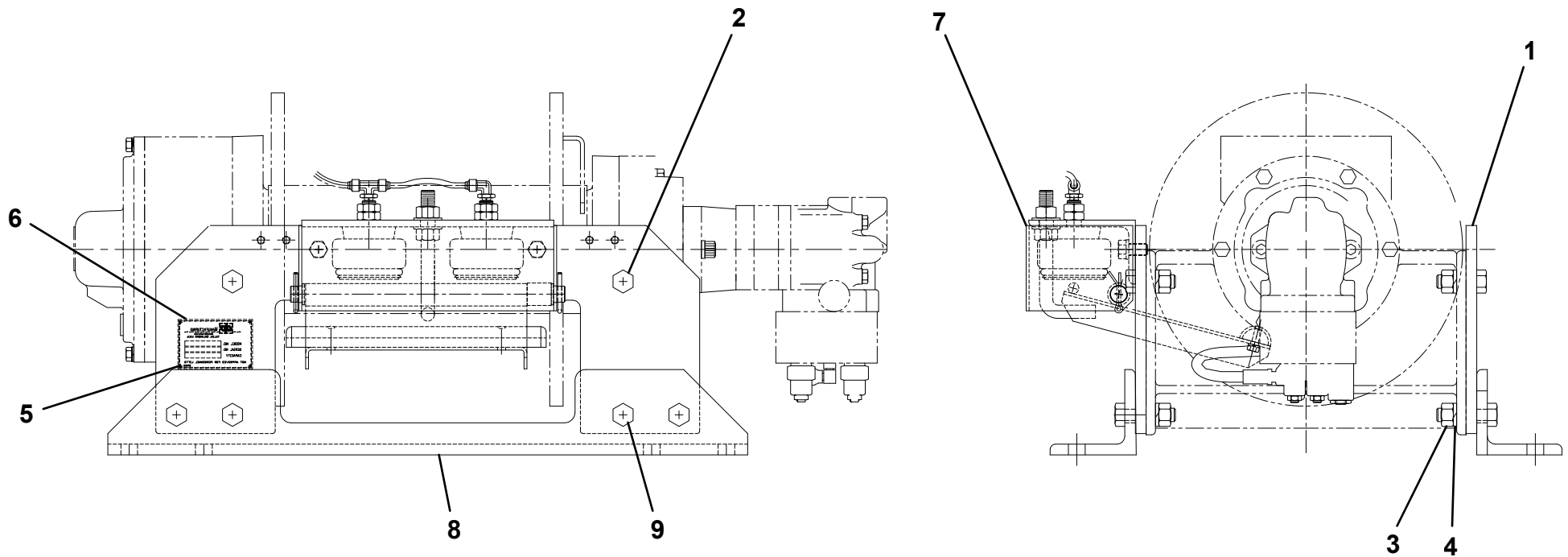
DP WINCH 25K - 7970000049 - INPUT SHAFT (PRIOR TO S/N 0230004251)



DP WINCH 25K - 7970000049 - BASE MOUNT INSTALLATION (PRIOR TO S/N 0230004251)

ITEM	PART NO.	DESCRIPTION	QTY
1	9073960003	Base Mount	2
2	7115201850	Capscrew 0.63"-11NC x 2.25"	4
3	7660200001	Nut .63"-11NC	12
4	7950200000	Lockwasher .63"	12
5	70050147	Rivet	4
6	70050384	Plate	1
7	70050398	Kit - Cable Hold Down	1
8	9073960004	Base Mount	2
9	7115202250	Capscrew, 0.63"-11NC x 2.75"	8

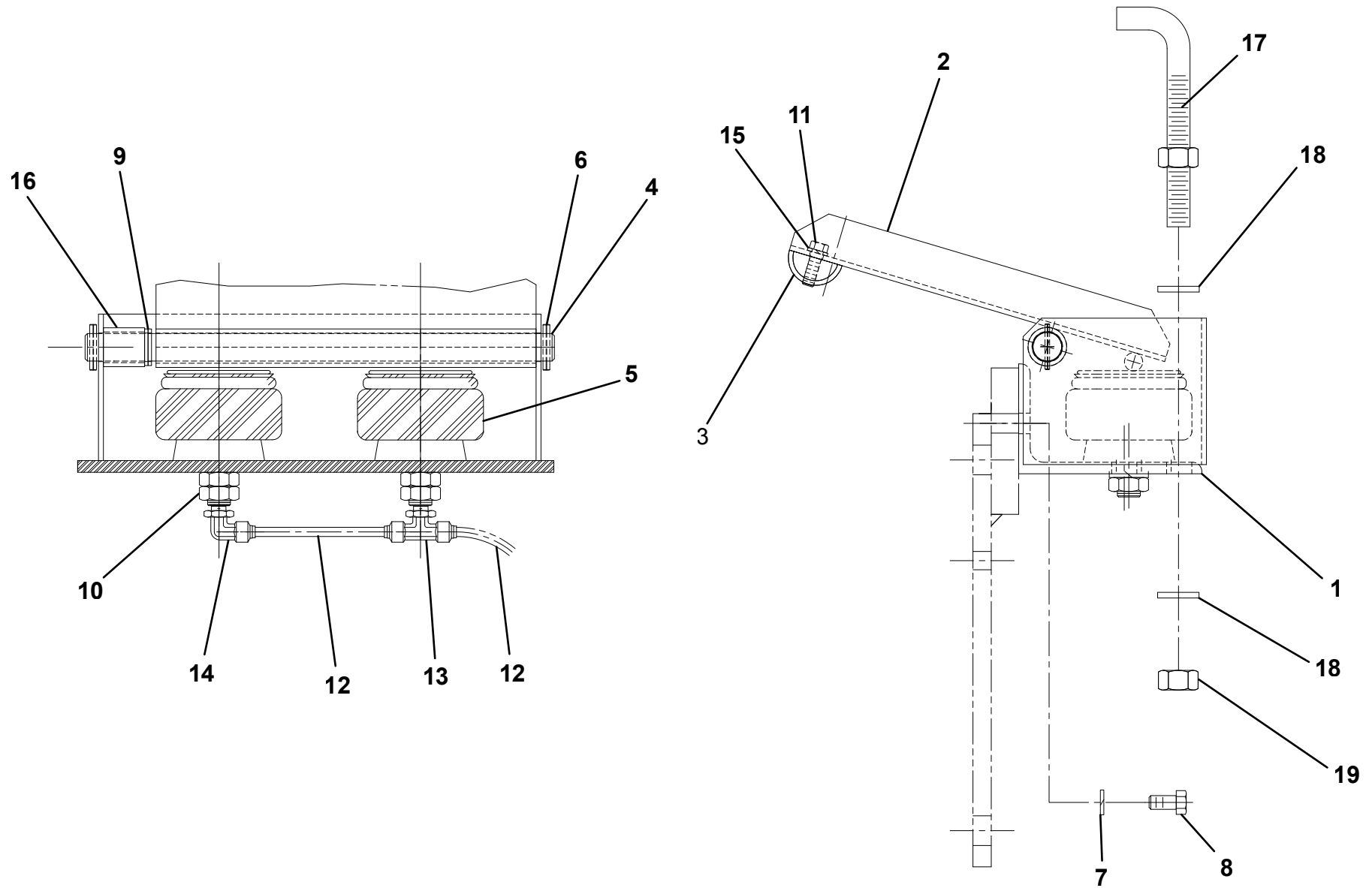
DP WINCH 25K - 7970000049 - BASE MOUNT INSTALLATION (PRIOR TO S/N 0230004251)



DP WINCH 25K - 7970000049 - CABLE HOLD DOWN KIT (PRIOR TO S/N 0230004251)

ITEM	PART NO.	DESCRIPTION	QTY
1	9178960011	Bracket - Mounting	1
2	9020960002	Arm - Pivot	1
3	9064960007	Bar - Rub - 1.50" - Half Round	1
4	9691960019	Pin, Pivot	1
5	9843960023	Spring - Cushion - Air - Goodyear	2
6	9690960039	Pin, Cotter 0.19" x 1.50"	2
7	7950180000	Lockwasher, 0.59" ID Nom Reg	2
8	7115181650	Capscrew, 0.50"-13NC x 2.00"	2
9	9949960012	Washer - Thrust	2
10	7660200200	Nut, 0.63"-11NC Hex Jam	4
11	9120960063	Capscrew, 0.31"-18NC x 1.00"	2
12	9912960010	Tubing - Nylon - 0.25" OD	3
13	7443000205	Adapter - Tee - Branch	3
14	7443000204	Adapter - 90 Degree	1
15	9949960050	Lockwasher, 0.31" ID	2
16	9831960009	Spacer - Pin - 1.12"	1
17	9120960019	Bolt - Anchor	1
18	7950200151	Flatwasher, 0.63" ID	2
19	7660200001	Nut .63"-11NC GR5 Hex - Plated	1

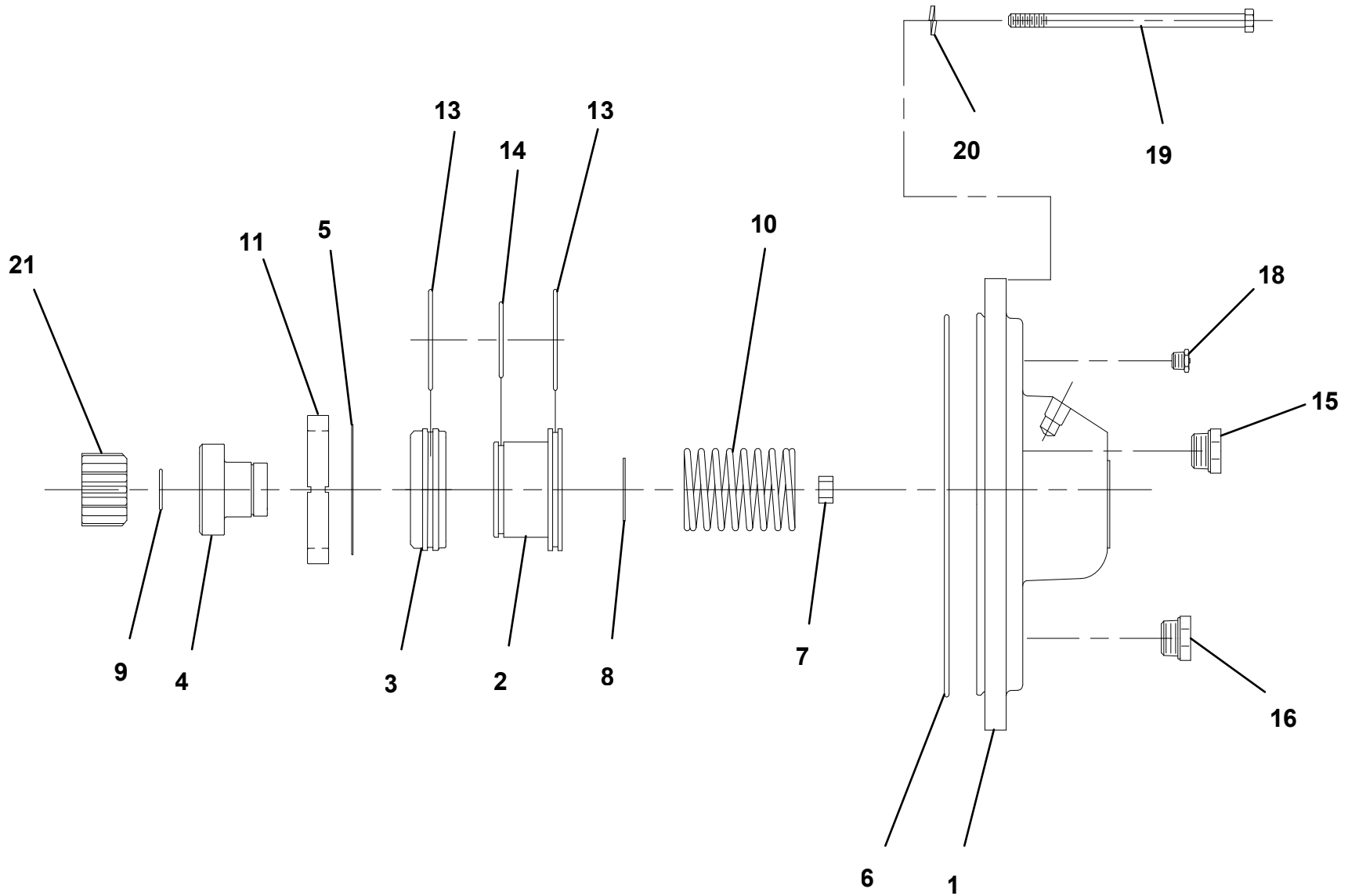
DP WINCH 25K - 7970000049 - CABLE HOLD DOWN KIT (PRIOR TO S/N 0230004251)



DP WINCH 25K - 7970000049 - GEAR END COVER INSTALLATION (PRIOR TO S/N 0230004251)

ITEM	PART NO.	DESCRIPTION	QTY
1	9314960022	Cover	1
2	9698960016	Piston	1
3	9698960015	Piston	1
4	9309960011	Coupling	1
5	9754960026	Retaining Ring	1
6	9796960120	O-Ring	1
7	9209960026	Bushing	1
8	9754960046	Retaining Ring	1
9	9754960047	Retaining Ring	1
10	9843960032	Spring	1
11	9949960028	Washer	1
13	9796960119	O-Ring	2
14	9796960118	O-Ring	1
15	9701960011	Plug	1
15	70050998	O-Ring	1
16	9701960012	Plug	1
16	70050998	O-Ring	1
17	9701960018	Plug	1
18	9183960001	Vent	1
19	70050995	Capscrew, 0.38"-16NC x 5.50"	12
20	7950160000	Lockwasher 0.38" ID	12
21	9472960054	Gear	1

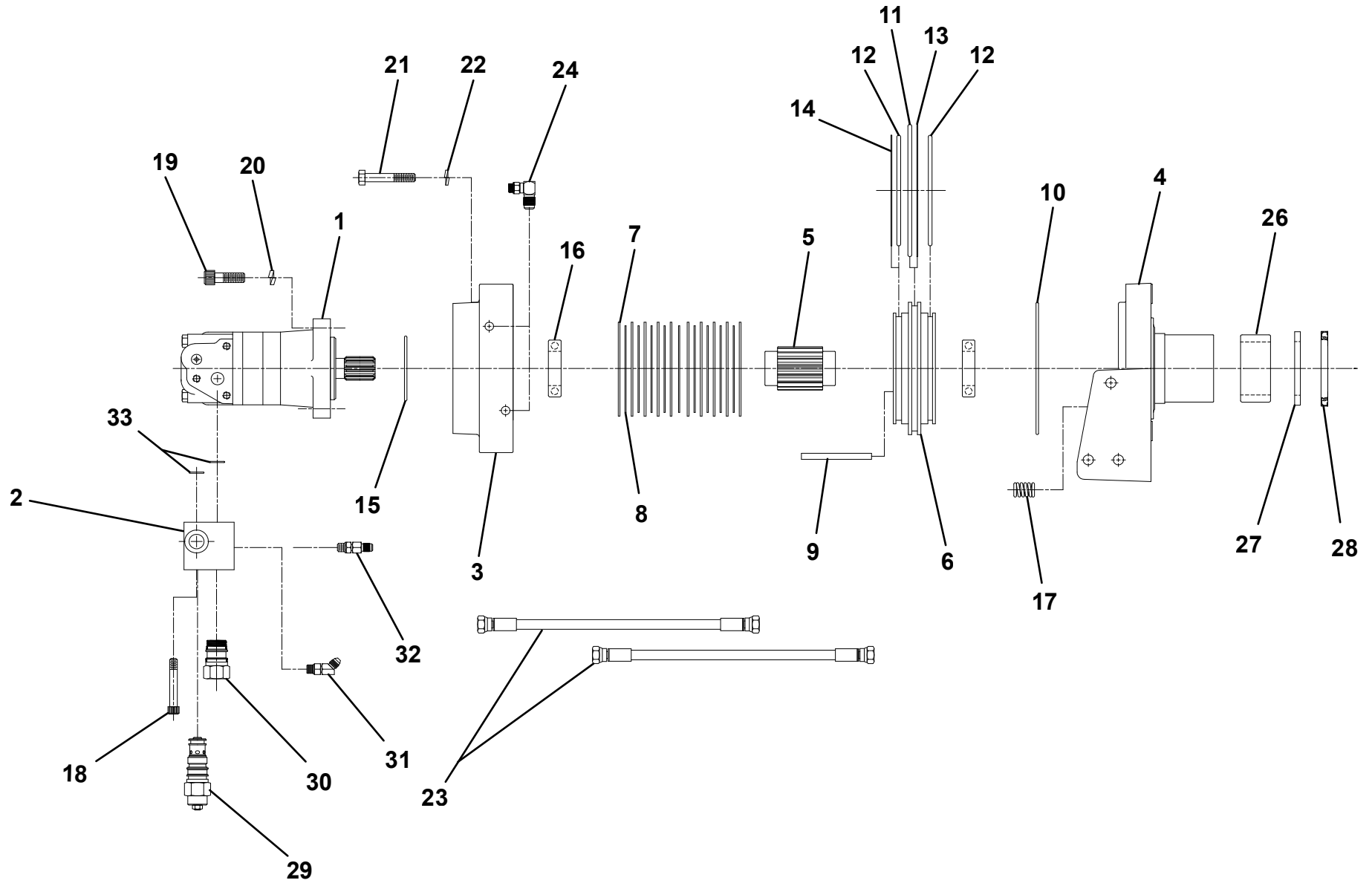
DP WINCH 25K - 797000049 - GEAR END COVER INSTALLATION (PRIOR TO S/N 0230004251)



DP WINCH 25K - 7970000050 (PRIOR TO S/N 0230004251) MOTOR END INSTALLATION

ITEM	PART NO.	DESCRIPTION	QTY	ITEM	PART NO.	DESCRIPTION	QTY
1	9626960013	Motor - Hydraulic	1	31	7445040446	Fitting, Swivel Adapter 45 Degree	1
2	9935960027	Valve - Counterbalance	1	32	9443960006	Fitting, Straight Adapter	1
3	9571960006	Brake - Housing	1	33	9796960088	O-Ring - 0.81" I. x 0.09" Section	2
4	9177960004	Support - Motor End	1				
5	9806960019	Shaft - Brake	1				
6	9698960008	Piston - Brake	1				
7	NSS	Plate - Disc - Friction (Sold Only in Kit #9577960139)	10				
8	NSS	Plate - Drive - Brake (Sold Only in Kit #9577960139)	9				
9	9691960021	Pin - Dowel - 0.31" Dia. x 3.50"	2				
10	NSS	O-Ring - 7.00" OD x 6.75" ID (Sold Only in Kit #9577960120)	1				
11	NSS	O-Ring - 6.84" OD x 6.50" ID (Sold Only in Kit #9577960120)	1				
12	NSS	O-Ring - 5.38" OD x 5.00" ID (Sold Only in Kit #9577960120)	2				
13	NSS	Ring - Back-Up - 6.25" ID (Sold Only in Kit #9577960120)	1				
14	NSS	Ring - Back-Up - 5.278" ID (Sold Only in Kit #9577960120)	1				
15	9796960090	O-Ring - 3.00" OD x 2.75" ID	1				
16	9082960013	Ball - Bearing - 1.75" ID	2				
17	NSS	Spring - Compression 0.75" (Sold Only in Kit (577960139)	12				
18	7118162005	Capscrew, 0.38"-16NC x 2.50"	3				
19	7118181205	Capscrew, 0.50"-13NC x 1.50" Socket Head GR 8	2				
20	7950180800	Lockwasher, 0.50" ID	2				
21	7118172050	Capscrew, 0.44"-14NC x 2.50" GR 8	6				
22	7950170000	Lockwasher, 0.44" ID	6				
23	9570960001	Hose, 0.25 DIA	2				
24	7445040445	Fitting, Swivel Adapter 90 Degree	2				
25	70050401	Tag - Warning (Not Shown on Drawing)	1				
26	9082960018	Bearing - Roller - Torrington	1				
27	9949960028	Washer - Thrust - Nylon - 3.81 x .406	1				
28	9796960121	Seal - Shaft - 3.12" ID x 4" OD x 0.38 Thick	1				
29	9935960026	Cartridge - Counterbalance	1				
30	9701960013	Plug - Assembly - Valve - Counterbalance	1				

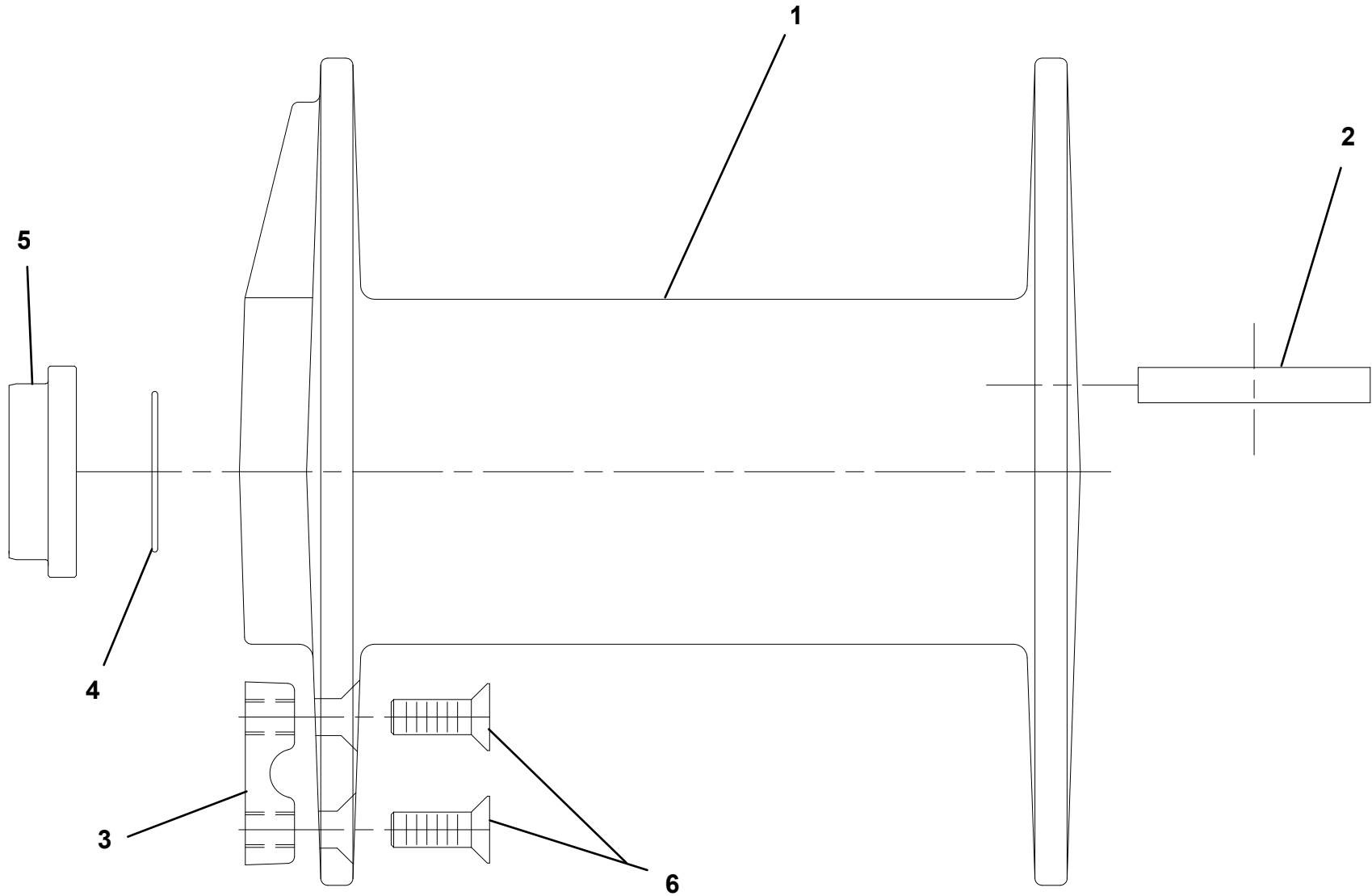
DP WINCH 25K - 7970000050 - MOTOR END INSTALLATION (PRIOR TO S/N 0230004251)



DP WINCH 25K - 7970000050 - DRUM INSTALLATION (PRIOR TO S/N 0230004251)

ITEM	PART NO.	DESCRIPTION	QTY
1	9970960020	Drum	1
2	9575960012	Key - Drum	2
3	9280960002	Clip - Cable	1
4	9796960089	O-Ring	1
5	9831960018	Spacer	1
6	7110201423	Capscrew, 0.63"-11NC X 1.75"	2

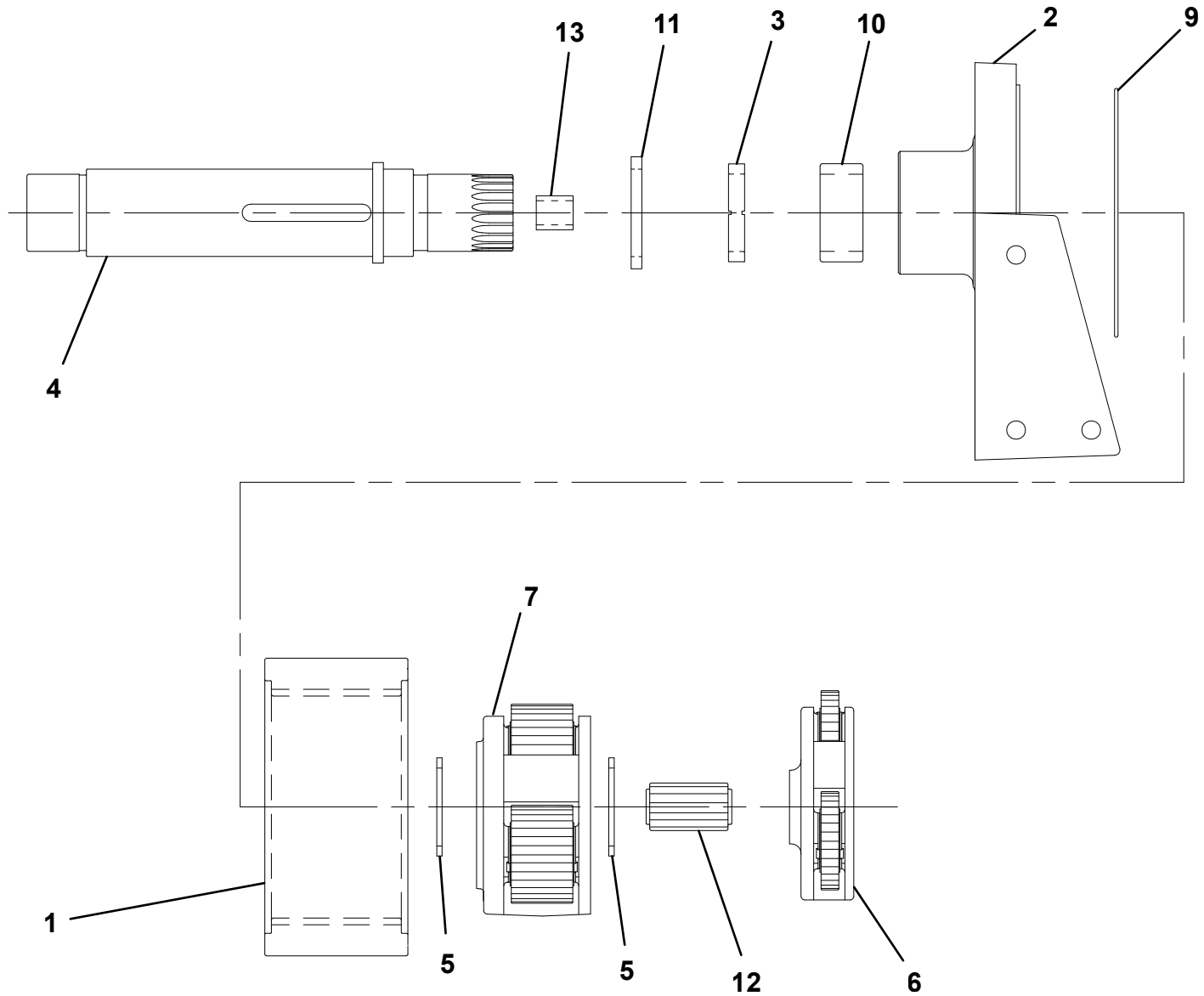
DP WINCH 25K - 7970000050 - DRUM INSTALLATION (PRIOR TO S/N 0230004251)



DP WINCH 25K - 7970000050 - GEAR END INSTALLATION (PRIOR TO S/N 0230004251)

ITEM	PART NO.	DESCRIPTION	QTY
1	70050991	Gear - Ring	1
2	9177960003	Support - Gear End	1
3	9949960028	Washer - Thrust - Nylon - 3.81 x .406	1
4	9806960021	Shaft - Output	1
5	9949960027	Washer - Thrust- Nylon - 3.50" OD x 0.18"	2
6	9472960052	Assembly - Carrier - Planetary - Primary	1
7	70050992	Carrier - Assembly - Secondary	1
8	9330960006	Label - Warning (Not Shown on Drawing)	1
9	9796960120	O-Ring - 8.75" ID x .012" Section	1
10	9082960018	Bearing - Roller - Torrington	1
11	9796960121	Seal - Shaft - 3.12" ID x 4" OD x 0.38 Thick	1
12	70050993	Gear - Sun - 15 Teeth	1
13	9209960025	Bushing - 1.00" ID x 1.25" OD x 1.00" LG	1

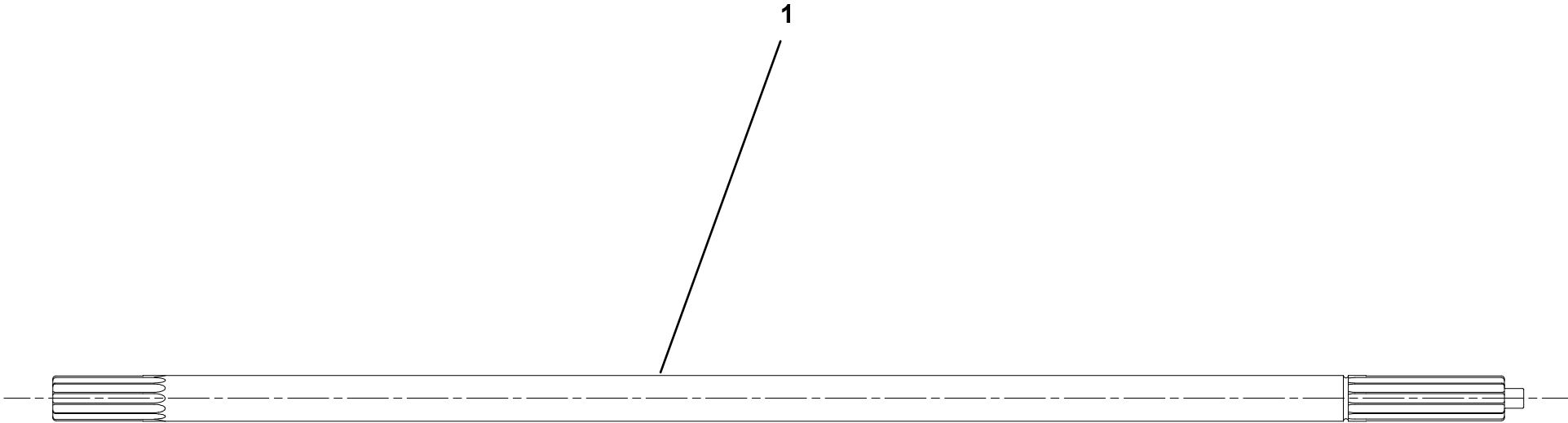
DP WINCH 25K - 7970000050 - GEAR END INSTALLATION (PRIOR TO S/N 0230004251)



DP WINCH 25K - 7970000050 - INPUT SHAFT (PRIOR TO S/N 0230004251)

ITEM	PART NO.	DESCRIPTION	QTY
1	70050994	Input - Shaft	1

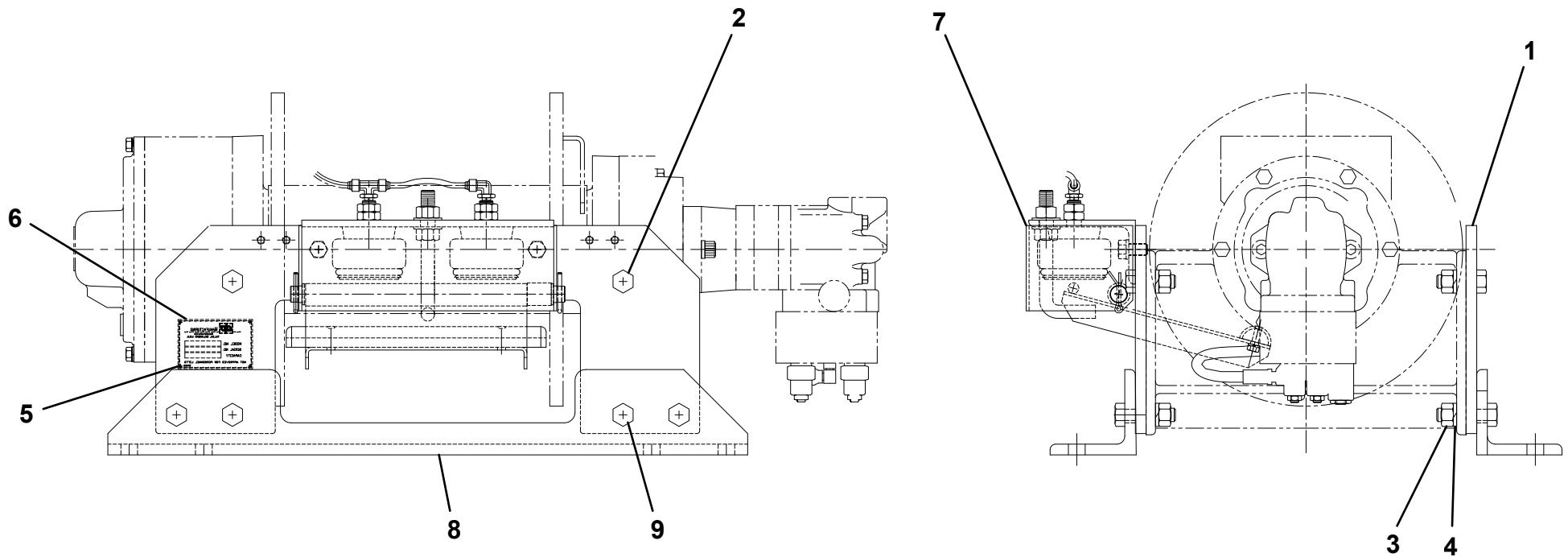
DP WINCH 25K - 7970000050 - INPUT SHAFT (PRIOR TO S/N 0230004251)



DP WINCH 25K - 7970000050 - BASE MOUNT INSTALLATION (PRIOR TO S/N 0230004251)

ITEM	PART NO.	DESCRIPTION	QTY
1	9073960003	Base Mount	2
2	7115201850	Capscrew, 0.63"-11NC x 2.25"	4
3	7660200001	Nut, 0.63"-11NC	12
4	7950200000	Lockwasher, 0.63" ID	12
5	70050147	Rivet	4
6	70050384	Plate	1
7	70050398	Kit - Cable Hold Down	1
8	9073960004	Base Mount	2
9	7115202250	Capscrew, 0.63"-11NC x 2.75"	8

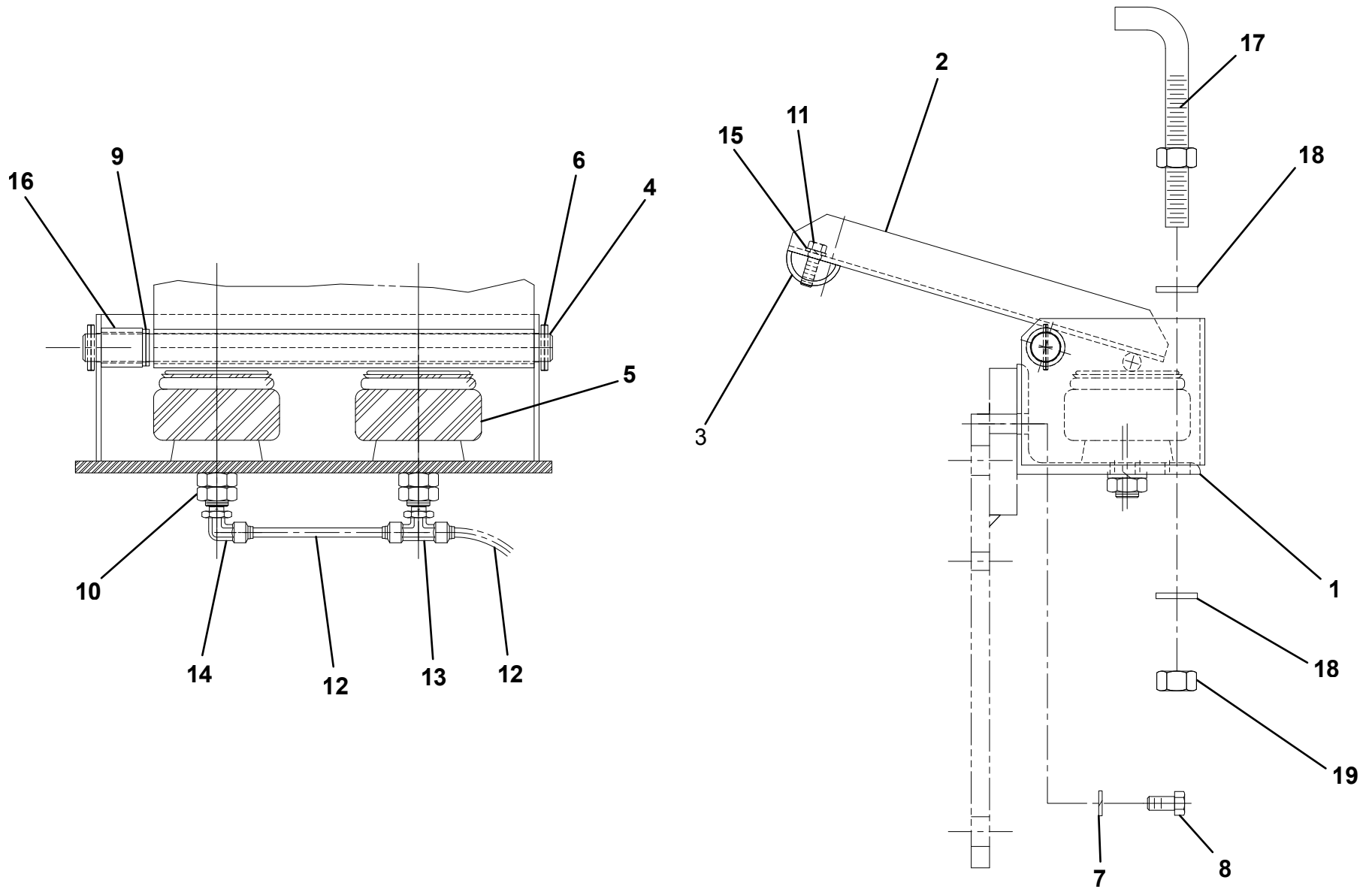
DP WINCH 25K - 7970000050 - BASE MOUNT INSTALLATION (PRIOR TO S/N 0230004251)



DP WINCH 25K - 7970000050 - CABLE HOLD DOWN KIT (PRIOR TO S/N 0230004251)

ITEM	PART NO.	DESCRIPTION	QTY
1	9178960011	Bracket - Mounting	1
2	9020960002	Arm - Pivot	1
3	9064960007	Bar - Rub - 1.50" - Half Round	1
4	9691960019	Pin, Pivot	1
5	9843960023	Spring - Cushion - Air - Goodyear	2
6	9690960039	Pin, Cotter 0.19" x 1.50"	2
7	7950180000	Lockwasher, 0.59" ID Nom Reg	2
8	7115181650	Capscrew, 0.50"-13NC x 2.00"	2
9	9949960012	Washer - Thrust	2
10	7660200200	Nut, 0.63"-11NC Hex Jam	4
11	9120960063	Capscrew, 0.31"-18NC x 1.00"	2
12	9912960010	Tubing - Nylon - 0.25" OD	3
13	7443000205	Adapter - Tee - Branch	3
14	7443000204	Adapter - 90 Degree	1
15	9949960050	Lockwasher, 0.31" ID	2
16	9831960009	Spacer - Pin - 1.12"	1
17	9120960019	Bolt - Anchor	1
18	7950200151	Flatwasher, 0.63" ID	2
19	7660200001	Nut .63"-11NC GR5 Hex - Plated	1

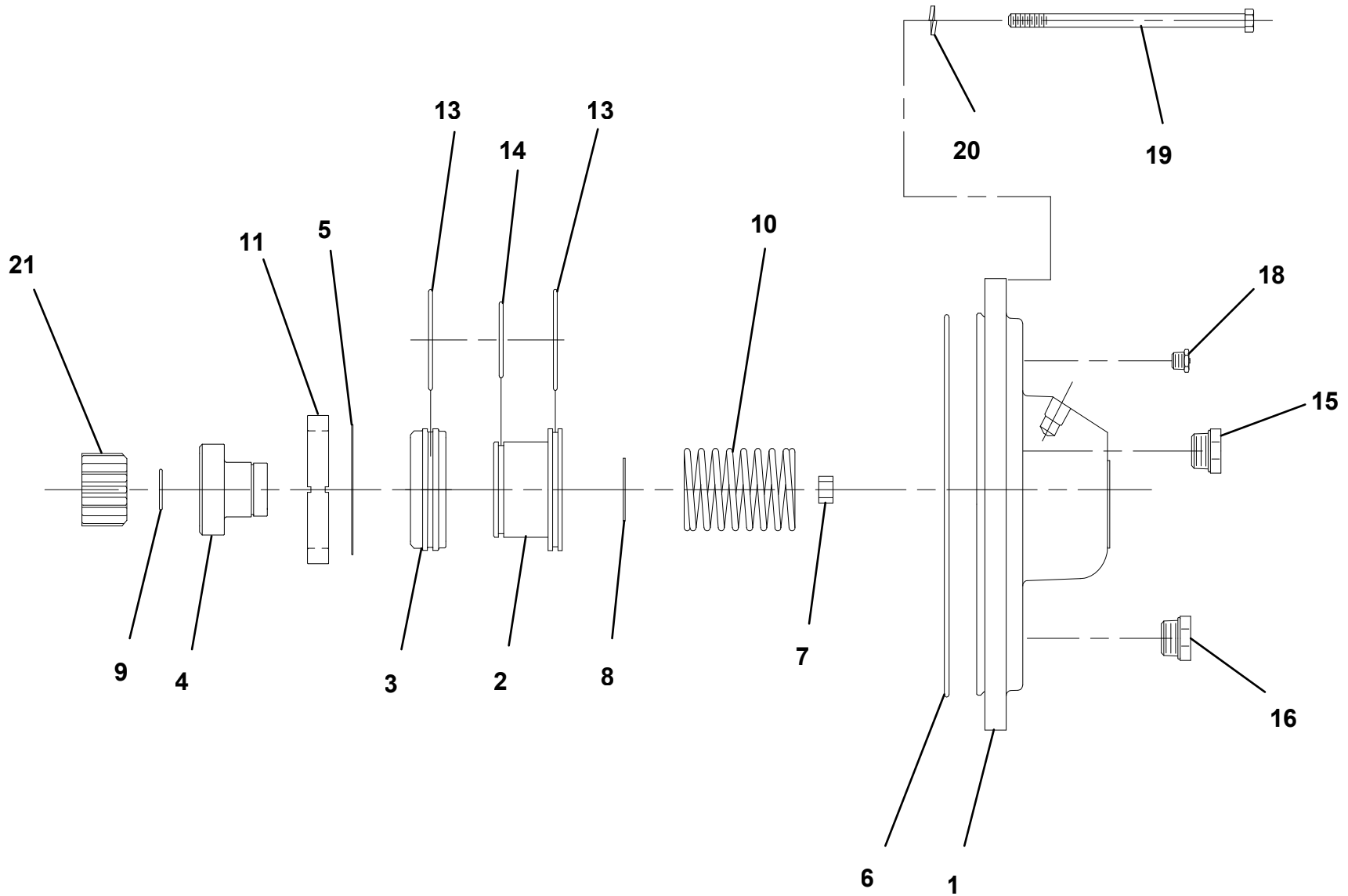
DP WINCH 25K - 7970000050 - CABLE HOLD DOWN KIT (PRIOR TO S/N 0230004251)



DP WINCH 25K - 7970000050 - GEAR END COVER INSTALLATION (PRIOR TO S/N 0230004251)

ITEM	PART NO.	DESCRIPTION	QTY
1	9314960022	Cover - Gear End	1
2	9698960016	Piston	1
3	9698960015	Piston	1
4	9309960011	Coupling - Drive	1
5	9754960026	Retaining Ring	1
6	9796960120	O-Ring	1
7	9209960026	Bushing	1
8	9754960046	Retaining Ring	1
9	9754960047	Retaining Ring	1
10	9843960032	Spring - Compression	1
11	9949960028	Washer	1
13	9796960119	O-Ring	2
14	9796960118	O-Ring	1
15	9701960011	Plug	1
15	70050998	O-Ring	1
16	9701960012	Plug	1
16	70050998	O-Ring	1
17	9701960018	Plug	1
18	9183960001	Vent - Relief	1
19	70050995	Capscrew, 0.38"-16NC x 5.50"	12
20	7950160000	Lockwasher 0.38" ID	12
21	9472960054	Gear	1

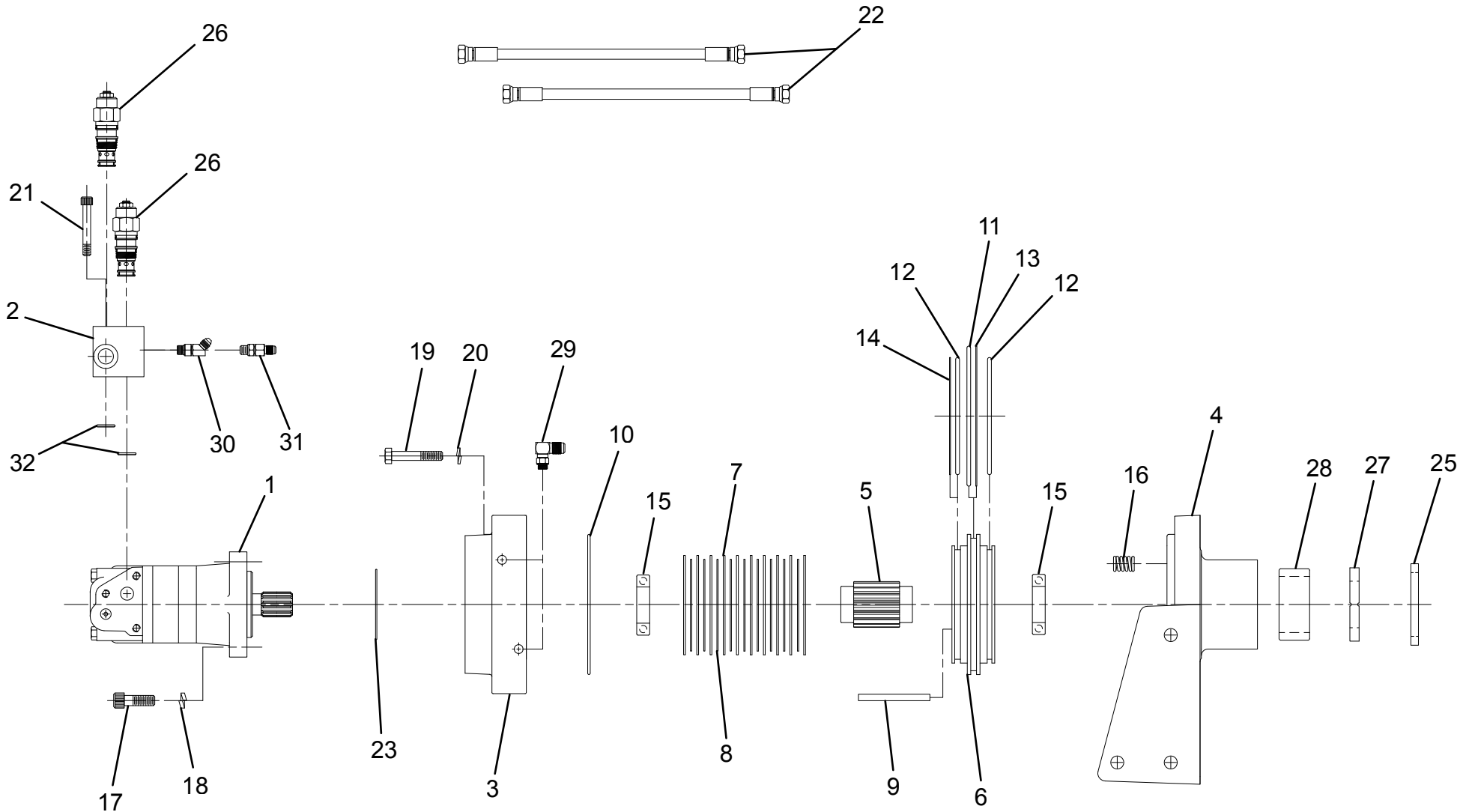
DP WINCH 25K - 7970000050 - GEAR END COVER INSTALLATION (PRIOR TO S/N 0230004251)



DP WINCH 35K - 7970000066 (PRIOR TO S/N 0230004251) MOTOR END INSTALLATION

ITEM	PART NO.	DESCRIPTION	QTY	ITEM	PART NO.	DESCRIPTION	QTY
1	9626960018	Motor- Hydraulic	1	31	9443960006	Fitting, Straight Adapter	1
2	9935960027	Valve - Counterbalance	1	32	9796960088	O-Ring - 0.81" I. x 0.09" Section	2
3	9571960006	Brake - Housing	1				
4	9177960004	Support - Motor End	1				
5	9806960019	Shaft - Brake	1				
6	9698960008	Piston - Brake	1				
7	NSS	Plate - Disc - Friction (Sold Only in Kit #9577960139)	10				
8	NSS	Plate - Drive - Brake (Sold Only in Kit #9577960139)	9				
9	9691960021	Pin - Dowel - 0.31" Dia. x 3.50"	2				
10	NSS	O-Ring - 7.00" OD x 6.75" ID (Sold Only in Kit #9577960120)	1				
11	NSS	O-Ring - 6.84" OD x 6.50" ID (Sold Only in Kit #9577960120)	1				
12	NSS	O-Ring - 5.38" OD x 5.00 ID (Sold Only in Kit #9577960120)	2				
13	NSS	Ring - Back-Up - 6.25" ID (Sold Only in Kit #9577960120)	1				
14	NSS	Ring - Back-Up - 5.278" ID (Sold Only in Kit #9577960120)	1				
15	9082960013	Ball - Bearing - 1.75" ID	2				
16	NSS	Spring - Compression - 0.75" (Sold Only in Kit # 9577960139)	12				
17	7118181205	Capscrew, 0.50"-13NC x 1.50" Socket Head GR 8	2				
18	7950180800	Lockwasher, 0.50" ID	2				
19	7118172050	Capscrew, 0.44"-14NC x 2.50" GR 8	6				
20	7950170000	Lockwasher, 0.44" ID	6				
21	7118162005	Capscrew, 0.38"-16NC x 2.50"	3				
22	9570960001	Hose, 0.25 DIA	2				
23	9796960090	O-Ring - 3.00" OD x 2.75" ID	1				
24	70050401	Tag - Warning (Not Shown On Drawing)	1				
25	9796960121	Seal - Shaft - 3.12" ID x 4" OD x 0.38 Thick	1				
26	9935960026	Cartridge - Counterbalance	2				
27	9949960028	Washer - Thrust - Nylon - 3.81 x .406	1				
28	9082960018	Bearing - Roller - Torrington	1				
29	9445040445	Fitting, Swivel Adapter 90 Degree	2				
30	7445040446	Fitting, Swivel Adapter 45 Degree	1				

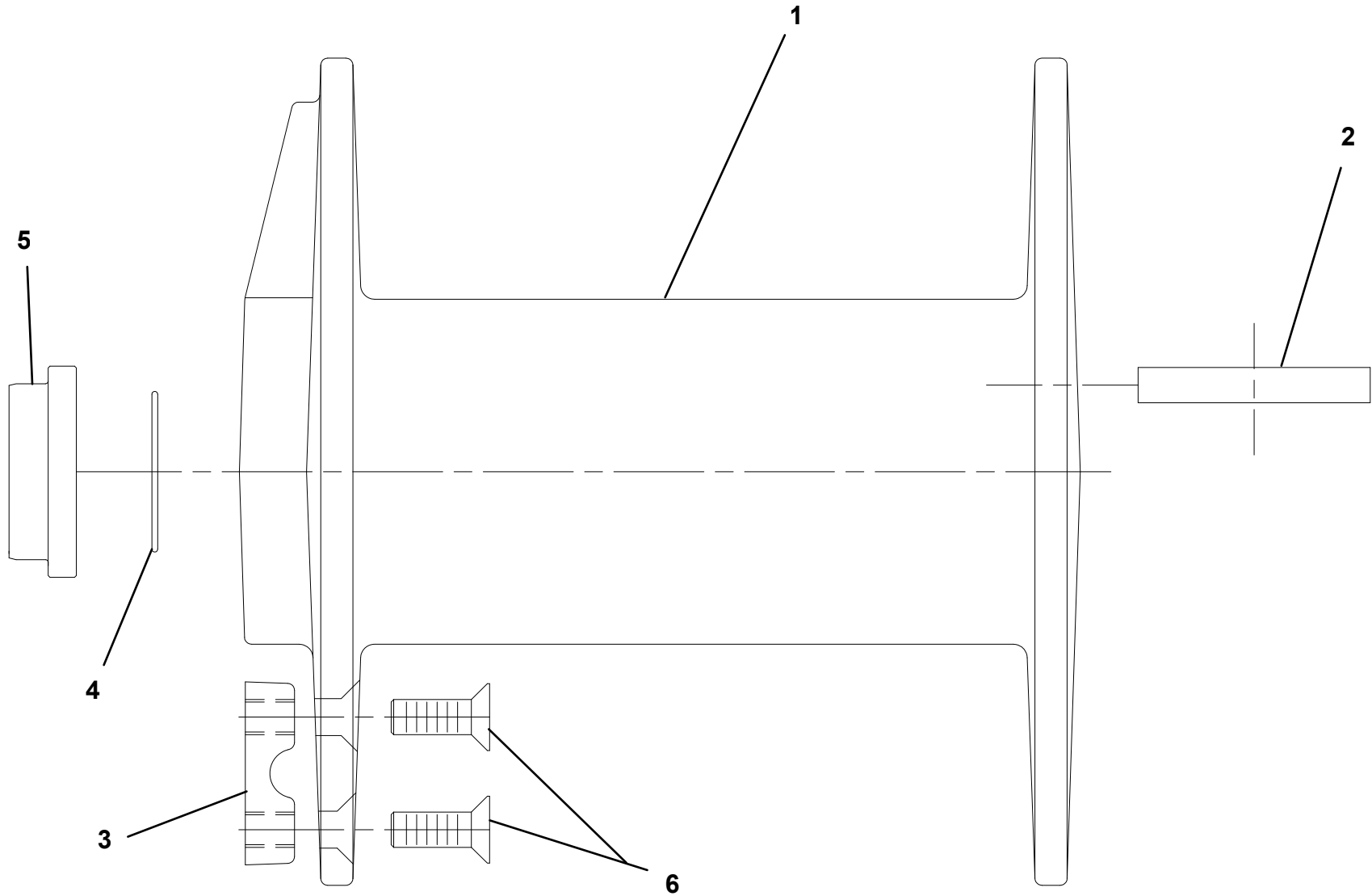
DP WINCH 35K - 7970000066 - MOTOR END INSTALLATION (PRIOR TO S/N 0230004251)



DP WINCH 35K - 7970000066 - DRUM INSTALLATION (PRIOR TO S/N 0230004251)

ITEM	PART NO.	DESCRIPTION	QTY
1	9970960020	Drum	1
2	9575960012	Key - Drum	2
3	9280960002	Clip - Cable	1
4	9796960089	O-Ring	1
5	9831960018	Spacer	1
6	7110201423	Capscrew, 0.63"-11NC X 1.75"	2

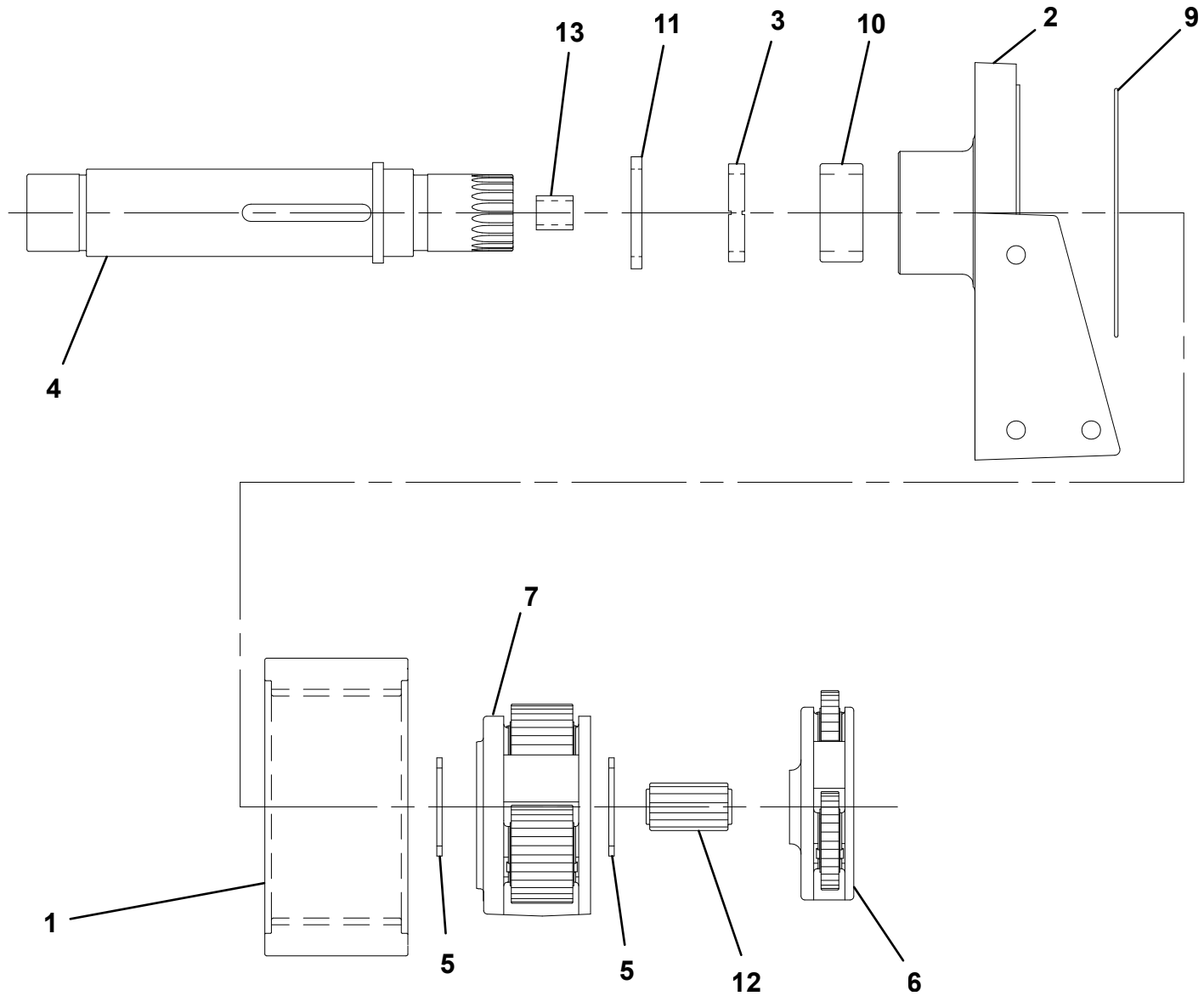
DP WINCH 35K - 7970000066 - DRUM INSTALLATION (PRIOR TO S/N 0230004251)



DP WINCH 35K - 7970000066 - GEAR END INSTALLATION (PRIOR TO S/N 0230004251)

ITEM	PART NO.	DESCRIPTION	QTY
1	9472960056	Gear - Ring	1
2	9177960003	Support - Gear End	1
3	9949960028	Washer - Thrust - Nylon - 3.81 x .406	1
4	9806960021	Shaft - Output	1
5	9949960027	Washer - Thrust- Nylon - 3.50" OD x 0.18"	2
6	9472960052	Assembly - Carrier - Planetary - Primary	1
7	9472960053	Carrier - Assembly - Secondary	1
8	9330960006	Label - Warning (Not Shown on Drawing)	1
9	9796960120	O-Ring - 8.75" ID x .012" Section	1
10	9082960018	Bearing - Roller - Torrington	1
11	9796960121	Seal - Shaft - 3.12" ID x 4" OD x 0.38 Thick	1
12	9472960055	Gear - Sun - 15 Teeth	1
13	9209960025	Bushing - 1.00" ID x 1.25" OD x 1.00" LG	1

DP WINCH 35K - 7970000066 - GEAR END INSTALLATION (PRIOR TO S/N 0230004251)

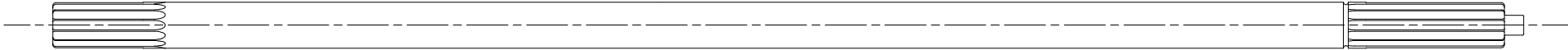


DP WINCH 35K - 7970000066 - INPUT SHAFT (PRIOR TO S/N 0230004251)

ITEM	PART NO.	DESCRIPTION	QTY
1	9806960020	Input - Shaft	1

DP WINCH 35K - 7970000066 - INPUT SHAFT (PRIOR TO S/N 0230004251)

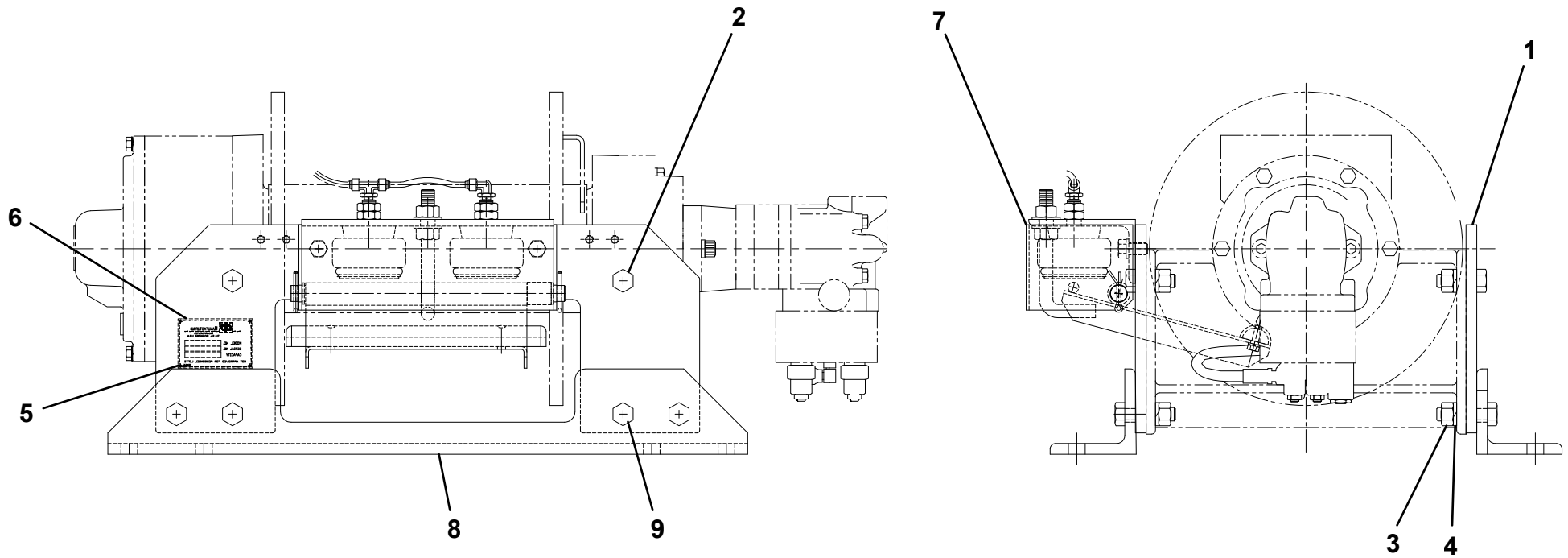
1



DP WINCH 35K - 7970000066 - BASE MOUNT INSTALLATION

ITEM	PART NO.	DESCRIPTION	QTY
1	9073960003	Base Mount	2
2	7115201850	Capscrew, 0.63"-11NC x 2.25"	4
3	7660200001	Nut .63"-11NC	12
4	7950200000	Lockwasher, 0.63"	12
5	70050147	Rivet	4
6	70050384	Plate	1
7	70050398	Kit - Cable Hold Down	1
8	9073960004	Base Mount	2
9	7115202250	Capscrew, 0.63"-11NC x 2.75"	8

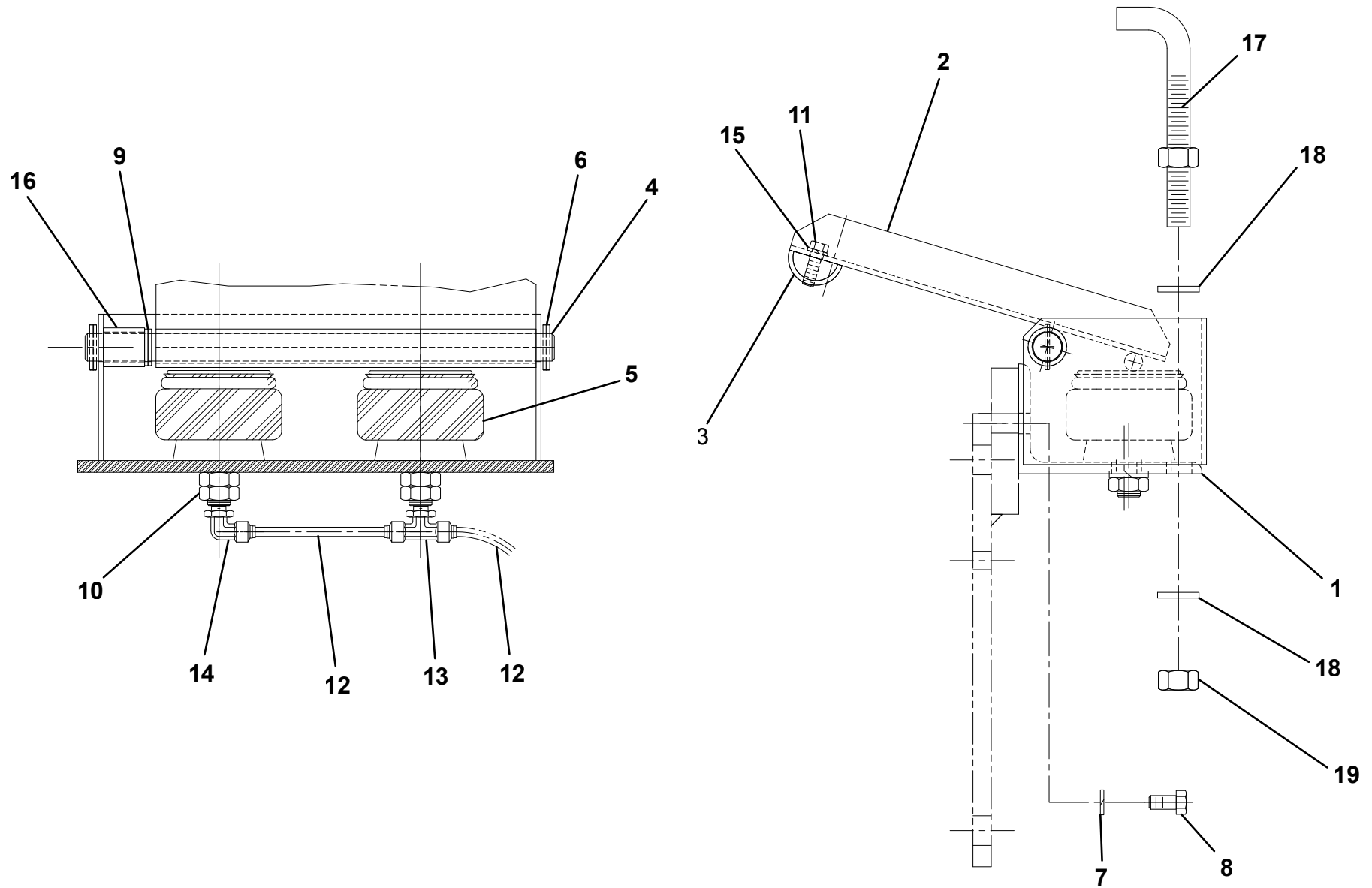
DP WINCH 35K - 7970000066 - BASE MOUNT INSTALLATION



DP WINCH 35K - 7970000066 - CABLE HOLD DOWN KIT (PRIOR TO S/N 0230004251)

ITEM	PART NO.	DESCRIPTION	QTY
1	9178960011	Bracket - Mounting	1
2	9020960002	Arm - Pivot	1
3	9064960007	Bar - Rub - 1.50" - Half Round	1
4	9691960019	Pin, Pivot	1
5	9843960023	Spring - Cushion - Air - Goodyear	2
6	9690960039	Pin, Cotter 0.19" x 1.50"	2
7	7950180000	Lockwasher, 0.59" ID Nom Reg	2
8	7115181650	Capscrew, 0.50"-13NC x 2.00"	2
9	9949960012	Washer - Thrust	2
10	7660200200	Nut, 0.63"-11NC Hex Jam	4
11	9120960063	Capscrew, 0.31"-18NC x 1.00"	2
12	9912960010	Tubing - Nylon - 0.25" OD	3
13	7443000205	Adapter - Tee - Branch	3
14	7443000204	Adapter - 90 Degree	1
15	9949960050	Lockwasher, 0.31" ID	2
16	9831960009	Spacer - Pin - 1.12"	1
17	9120960019	Bolt - Anchor	1
18	7950200151	Flatwasher, 0.63" ID	2
19	7660200001	Nut .63"-11NC GR5 Hex - Plated	1

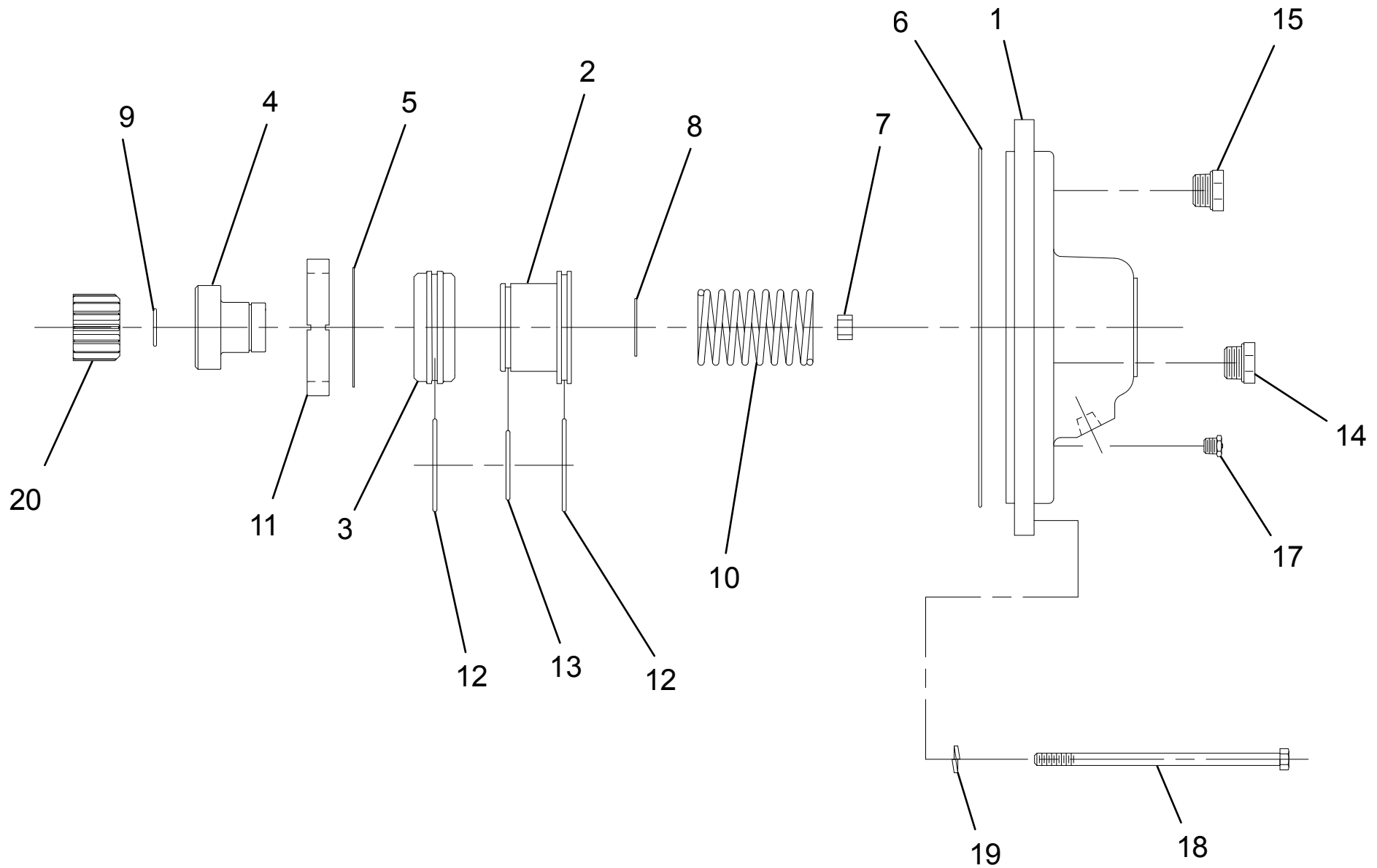
DP WINCH 35K - 7970000066 - CABLE HOLD DOWN KIT (PRIOR TO S/N 0230004251)



DP WINCH 35K - 7970000066 - GEAR END COVER INSTALLATION (PRIOR TO S/N 0230004251)

ITEM	PART NO.	DESCRIPTION	QTY
1	9314960022	Cover - Gear End	1
2	9698960016	Piston	1
3	9698960015	Piston	1
4	9309960011	Coupling - Drive	1
5	9754960026	Retaining Ring	1
6	9796960120	O-Ring	1
7	9209960026	Bushing	1
8	9754960046	Retaining Ring	1
9	9754960047	Retaining Ring	1
10	9843960032	Spring - Compression	1
11	9949960028	Washer	1
12	9796960119	O-Ring	2
13	9796960118	O-Ring	1
14	9701960011	Plug	1
15	9701960012	Plug	1
16	9701960018	Plug	1
17	9183960001	Vent - Relief	1
18	7118165250	Capscrew, 0.38"-16NC x 6.50"	12
19	7950160000	Lockwasher 0.38" ID	12
20	9472960054	Gear	1

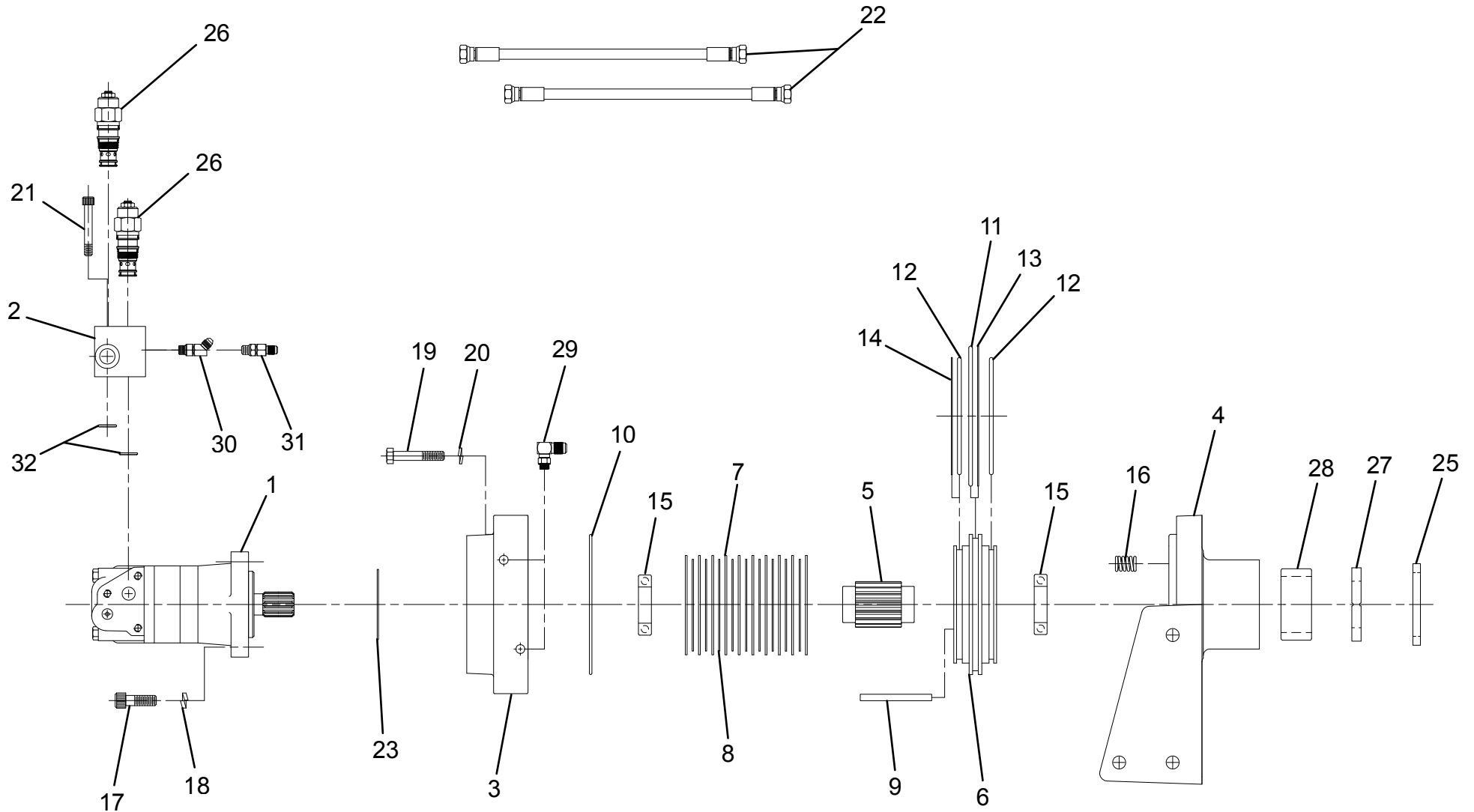
DP WINCH 35K - 7970000066 - GEAR END COVER INSTALLATION (PRIOR TO S/N 0230004251)



DP WINCH 35K - 7970000067 (PRIOR TO S/N 0230004251) MOTOR END INSTALLATION

ITEM	PART NO.	DESCRIPTION	QTY	ITEM	PART NO.	DESCRIPTION	QTY
1	9626960018	Motor- Hydraulic	1	31	9443960006	Fitting, Straight Adapter	1
2	9935960027	Valve - Counterbalance	1	32	9796960088	O-Ring - 0.81" I. x 0.09" Section	2
3	9571960006	Brake - Housing	1				
4	9177960004	Support - Motor End	1				
5	9806960019	Shaft - Brake	1				
6	9698960008	Piston - Brake	1				
7	NSS	Plate - Disc - Friction (Sold Only in Kit #9577960139)	10				
8	NSS	Plate - Drive - Brake (Sold Only in Kit #9577960139)	9				
9	9691960021	Pin - Dowel - 0.31" Dia. x 3.50"	2				
10	NSS	O-Ring - 7.00" OD x 6.75" ID (Sold Only in Kit #9577960120)	1				
11	NSS	O-Ring - 6.84" OD x 6.50" ID (Sold Only in Kit #9577960120)	1				
12	NSS	O-Ring - 5.38" OD x 5.00 ID (Sold Only in Kit #9577960120)	2				
13	NSS	Ring - Back-Up - 6.25" ID (Sold Only in Kit #9577960120)	1				
14	NSS	Ring - Back-Up - 5.278" ID (Sold Only in Kit #9577960120)	1				
15	9082960013	Ball - Bearing - 1.75" ID	2				
16	NSS	Spring - Compression - 0.75" (Sold Only in Kit # 9577960139)	12				
17	7118181205	Capscrew, 0.50"-13NC x 1.50" Socket Head GR 8	2				
18	7950180800	Lockwasher, 0.50" ID	2				
19	7118172050	Capscrew, 0.44"-14NC x 2.50" GR 8	6				
20	7950170000	Lockwasher, 0.44" ID	6				
21	7118162005	Capscrew, 0.38"-16NC x 2.50"	3				
22	9570960001	Hose, 0.25 DIA	2				
23	9796960090	O-Ring - 3.00" OD x 2.75" ID	1				
24	70050401	Tag - Warning (Not Shown On Drawing)	1				
25	9796960121	Seal - Shaft - 3.12" ID x 4" OD x 0.38 Thick	1				
26	9935960026	Cartridge - Counterbalance	2				
27	9949960028	Washer - Thrust - Nylon - 3.81 x .406	1				
28	9082960018	Bearing - Roller - Torrington	1				
29	9445040445	Fitting, Swivel Adapter 90 Degree	2				
30	7445040446	Fitting, Swivel Adapter 45 Degree	1				

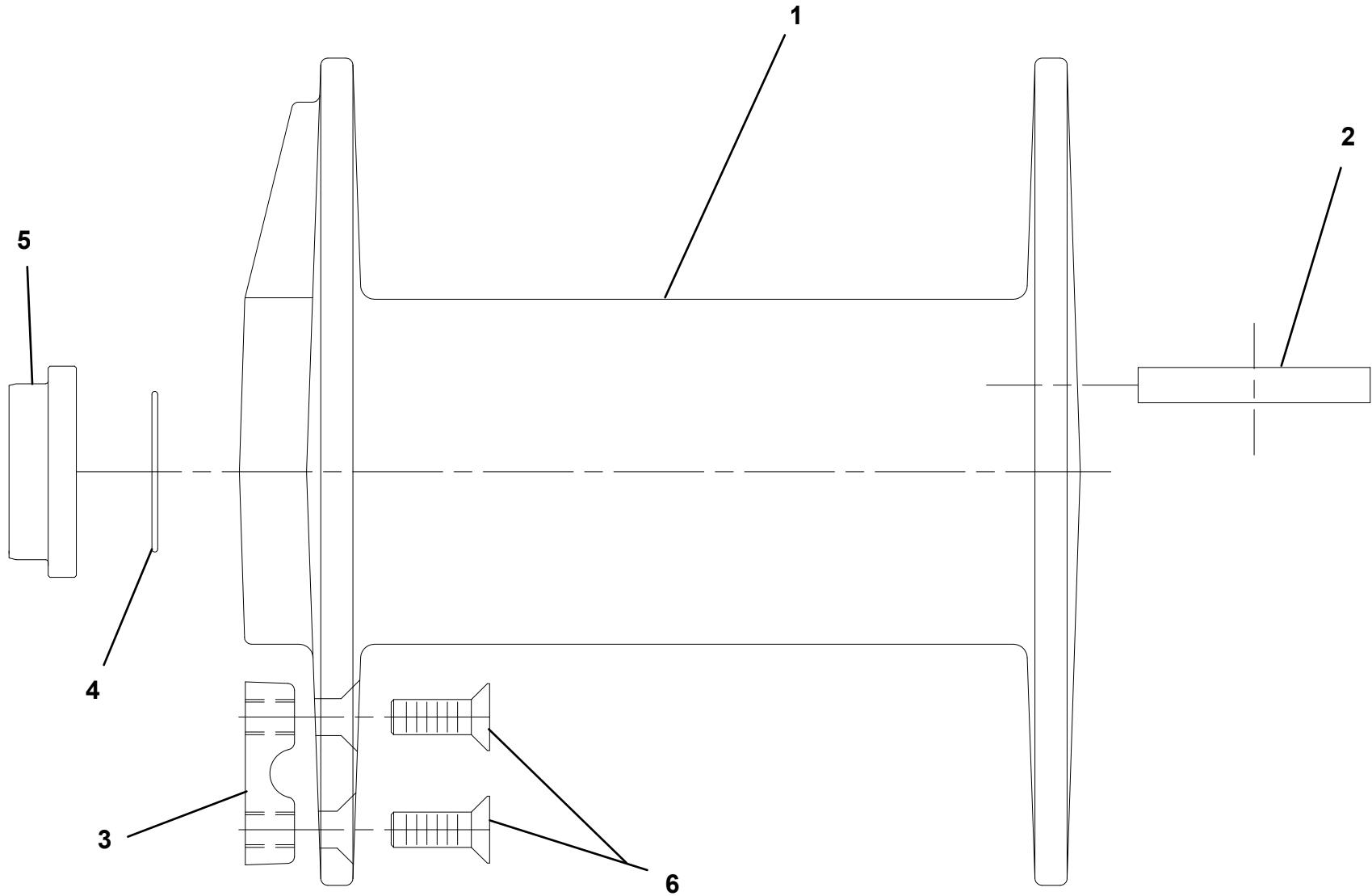
DP WINCH 35K - 7970000067 - MOTOR END INSTALLATION (PRIOR TO S/N 0230004251)



DP WINCH 35K - 7970000067 - DRUM INSTALLATION (PRIOR TO S/N 0230004251)

ITEM	PART NO.	DESCRIPTION	QTY
1	9970960020	Drum	1
2	9575960012	Key - Drum	2
3	9280960002	Clip - Cable	1
4	9796960089	O-Ring	1
5	9831960018	Spacer	1
6	7110201423	Capscrew, 0.63"-11NC X 1.75"	2

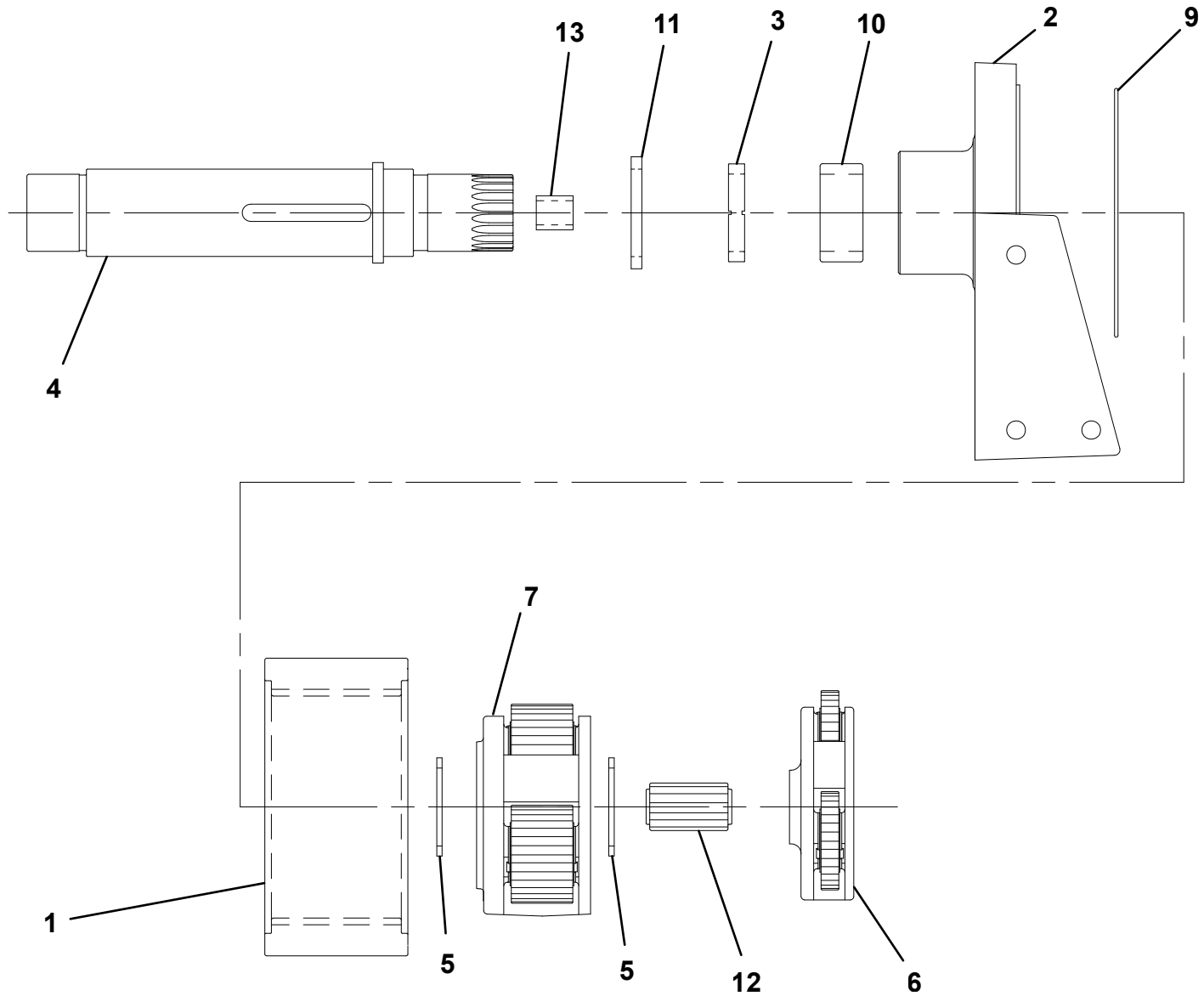
DP WINCH 35K - 7970000067 - DRUM INSTALLATION (PRIOR TO S/N 0230004251)



DP WINCH 35K - 7970000067 - GEAR END INSTALLATION (PRIOR TO S/N 0230004251)

ITEM	PART NO.	DESCRIPTION	QTY
1	9472960056	Gear - Ring	1
2	9177960003	Support - Gear End	1
3	9949960028	Washer - Thrust - Nylon - 3.81 x .406	1
4	9806960021	Shaft - Output	1
5	9949960027	Washer - Thrust- Nylon - 3.50" OD x 0.18"	2
6	9472960052	Assembly - Carrier - Planetary - Primary	1
7	9472960053	Carrier - Assembly - Secondary	1
8	9330960006	Label - Warning (Not Shown on Drawing)	1
9	9796960120	O-Ring - 8.75" ID x .012" Section	1
10	9082960018	Bearing - Roller - Torrington	1
11	9796960121	Seal - Shaft - 3.12" ID x 4" OD x 0.38 Thick	1
12	9472960055	Gear - Sun - 15 Teeth	1
13	9209960025	Bushing - 1.00" ID x 1.25" OD x 1.00" LG	1

DP WINCH 35K - 7970000067 - GEAR END INSTALLATION (PRIOR TO S/N 0230004251)

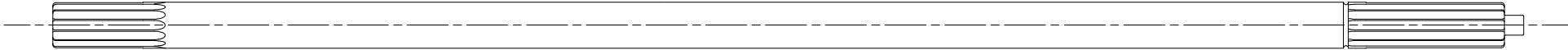


DP WINCH 35K - 7970000067 - INPUT SHAFT (PRIOR TO S/N 0230004251)

ITEM	PART NO.	DESCRIPTION	QTY
1	9806960020	Input - Shaft	1

DP WINCH 35K - 7970000067 - INPUT SHAFT (PRIOR TO S/N 0230004251)

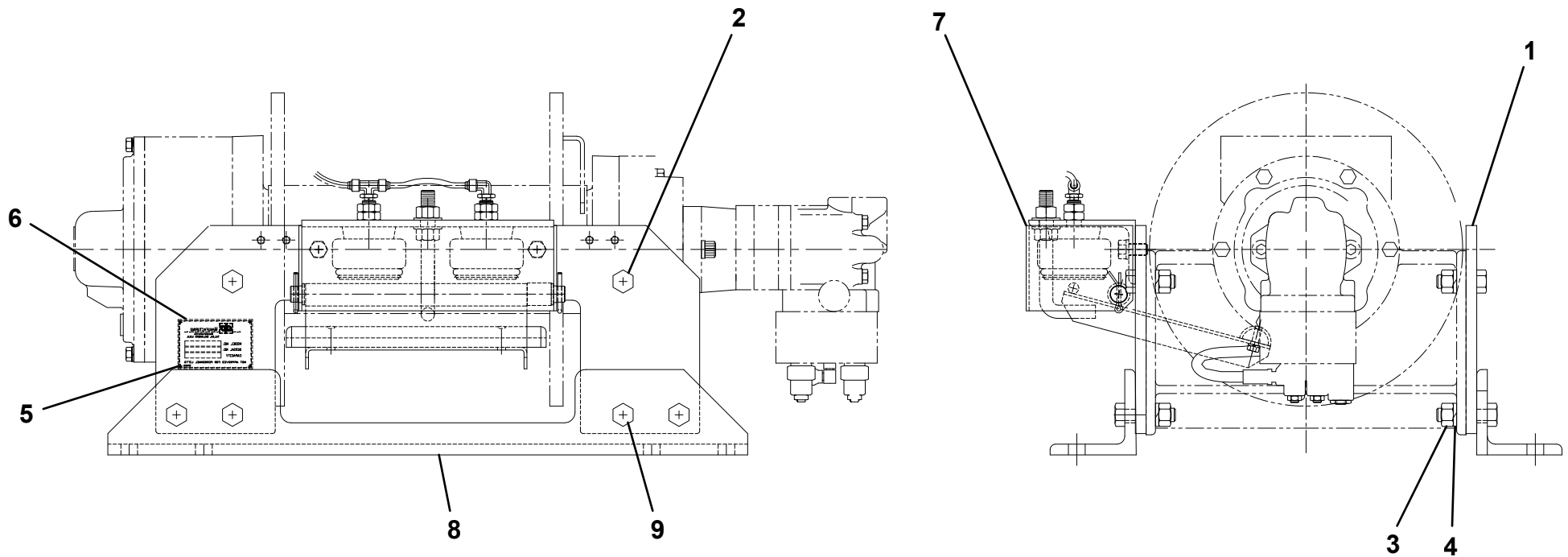
1



DP WINCH 35K - 7970000067 - BASE MOUNT INSTALLATION (PRIOR TO S/N 0230004251)

ITEM	PART NO.	DESCRIPTION	QTY
1	9073960003	Base Mount	2
2	7115201850	Capscrew 0.63"-11NC x 2.25"	4
3	7660200001	Nut .63"-11NC	12
4	7950200000	Lockwasher, 0.63" ID	12
5	70050147	Rivet	4
6	70050384	Plate	1
7	70050398	Kit - Cable Hold Down	1
8	9073960004	Base Mount	2
9	7115202250	Capscrew, 0.63"-11NC x 2.75"	8

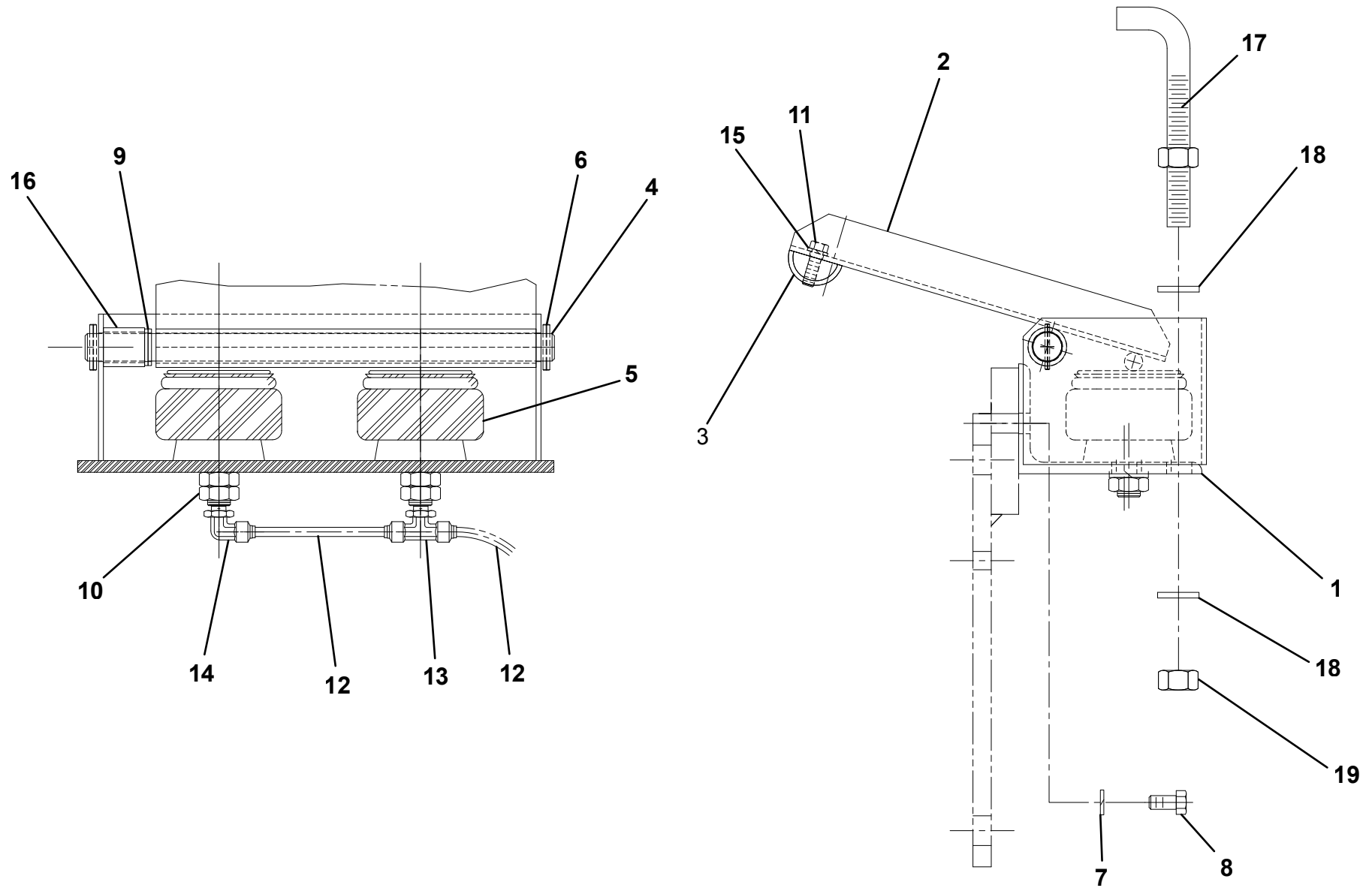
DP WINCH 35K - 7970000067 - BASE MOUNT INSTALLATION (PRIOR TO S/N 0230004251)



DP WINCH 35K - 7970000067 - CABLE HOLD DOWN KIT (PRIOR TO S/N 0230004251)

ITEM	PART NO.	DESCRIPTION	QTY
1	9178960011	Bracket - Mounting	1
2	9020960002	Arm - Pivot	1
3	9064960007	Bar - Rub - 1.50" - Half Round	1
4	9691960019	Pin, Pivot	1
5	9843960023	Spring - Cushion - Air - Goodyear	2
6	9690960039	Pin, Cotter 0.19" x 1.50"	2
7	7950180000	Lockwasher, 0.59" ID Nom Reg	2
8	7115181650	Capscrew, 0.50"-13NC x 2.00"	2
9	9949960012	Washer - Thrust	2
10	7660200200	Nut, 0.63"-11NC Hex Jam	4
11	9120960063	Capscrew, 0.31"-18NC x 1.00"	2
12	9912960010	Tubing - Nylon - 0.25" OD	3
13	7443000205	Adapter - Tee - Branch	3
14	7443000204	Adapter - 90 Degree	1
15	9949960050	Lockwasher, 0.31" ID	2
16	9831960009	Spacer - Pin - 1.12"	1
17	9120960019	Bolt - Anchor	1
18	7950200151	Flatwasher, 0.63" ID	2
19	7660200001	Nut .63"-11NC GR5 Hex - Plated	1

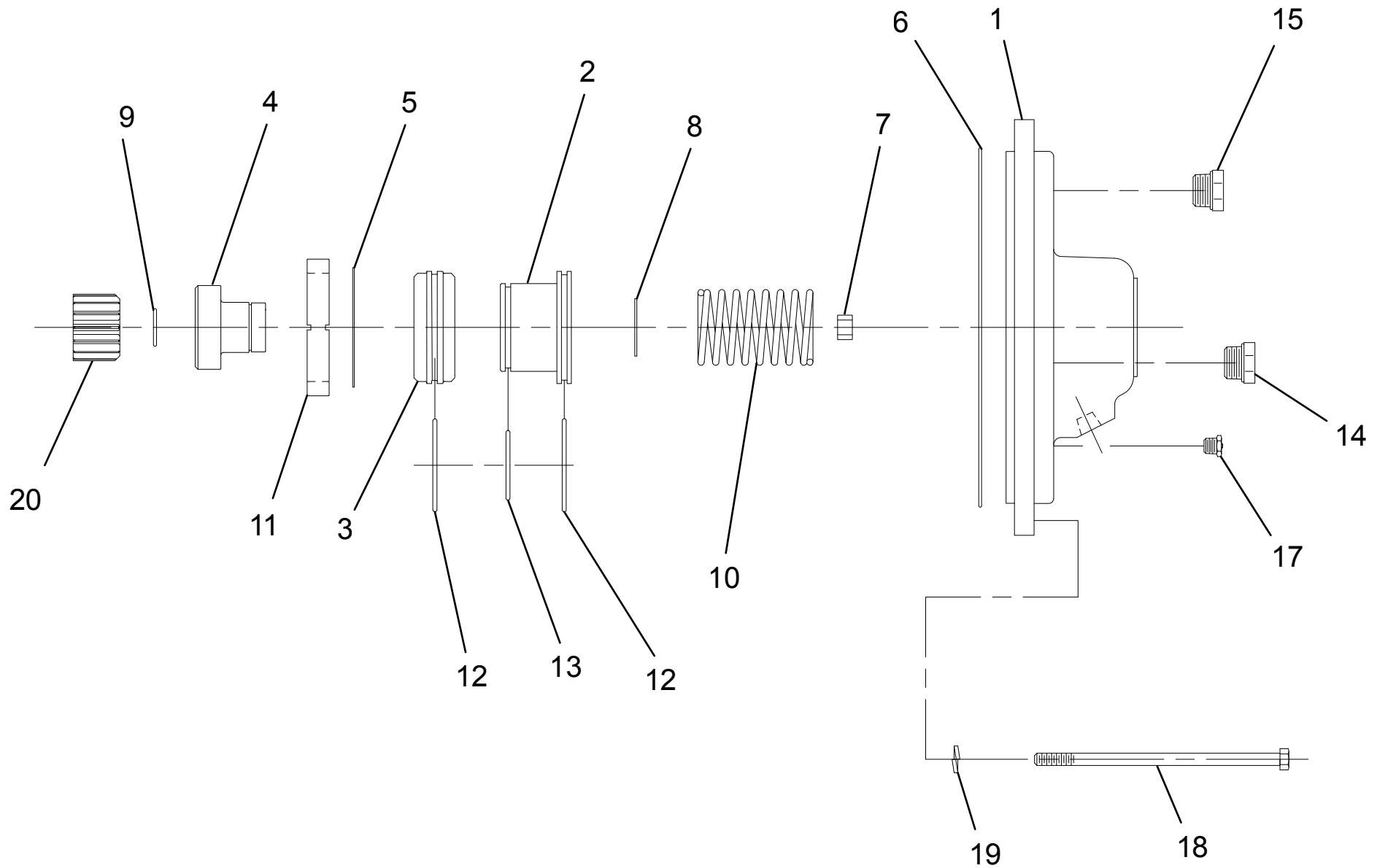
DP WINCH 35K - 7970000067 - CABLE HOLD DOWN KIT (PRIOR TO S/N 0230004251)



DP WINCH 35K - 7970000067 - GEAR END COVER INSTALLATION (PRIOR TO S/N 0230004251)

ITEM	PART NO.	DESCRIPTION	QTY
1	9314960022	Cover - Gear End	1
2	9698960016	Piston - AKO B/C/D	1
3	9698960015	Cylinder - Piston	1
4	9309960011	Coupling - Drive	1
5	9754960026	Ring - Retainer - Round Section - 3.00" OD x 3.40	1
6	9796960120	O-Ring - 8.75" ID x .012" Section	1
7	9209960026	Bushing - Bronze - 0.63" ID x 0.38" OD x 0.38"	1
8	9754960046	Ring - Retainer - 1.25" x 0.05 Thick	1
9	9754960047	Ring - Retainer - 0.88" x 0.08" - Round Section	1
10	9843960032	Spring - Compression	1
11	9949960028	Washer - Thrust - Nylon - 3.81 x .406	1
12	9796960119	O-Ring - 2.63" ID x 0.13" Section	2
13	9796960118	O-Ring - 2.13" ID x 2.38" OD Section	1
14	9701960011	Plug - O-Ring Boss - #10 Socket Head - 0.88" - 14	1
15	9701960012	Plug - Socket Head - Boss - O-Ring #10	1
16	9701960018	Caplug - #4 Red - 0.25" NPT (Not Shown on Drawing)	1
17	9183960001	Vent - Relief	1
18	7118165250	Capscrew, 0.38"-16NC x 6.50" GR 8	12
19	7950160000	Lockwasher 0.38" ID - Plated	12
20	9472960054	Gear - Sun - 15 Teeth	1

DP WINCH 35K - 7970000067 - GEAR END COVER INSTALLATION (PRIOR TO S/N 0230004251)



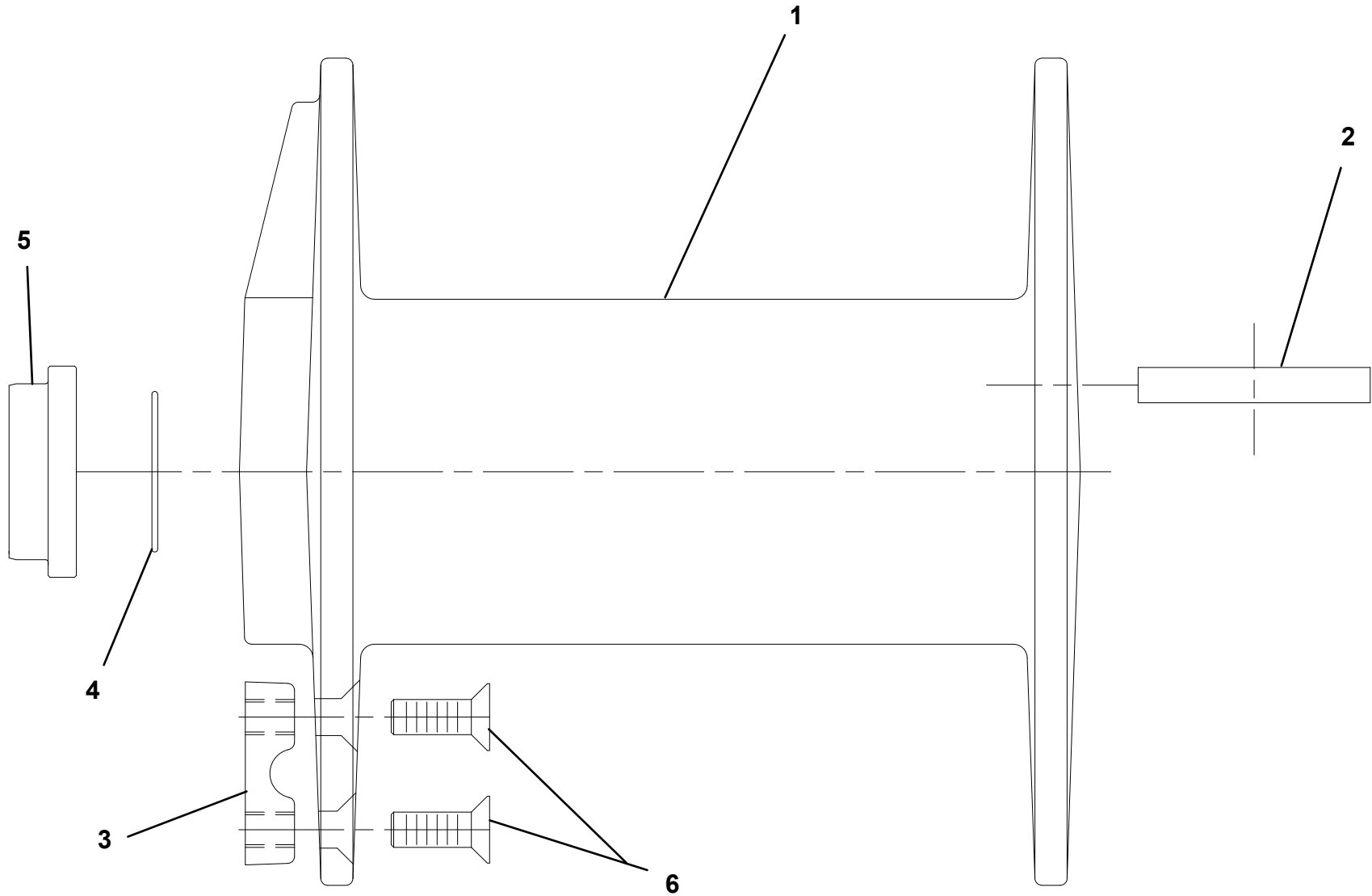
DP WINCH 35K - 1001210256 (S/N 0230004251 TO PRESENT) MOTOR END INSTALLATION

ITEM	PART NO.	DESCRIPTION	QTY
1	70050399	Motor, Hydraulic	1
2	70050368	Valve, Counterbalance	1
3	9571960006	Housing, Brake	1
4	9177960004	Support, Motorend	1
5	9806960019	Shaft	1
6	9698960008	Piston	1
7	9706960023	Plate	10
8	70051302	Plate	9
9	9691960021	Pin	2
10	70051307	O-Ring	1
11	70051305	Ring	1
12	70051303	O-Ring	2
13	70051306	Ring	1
14	70051304	O-Ring	1
15	70050371	Valve, Cartridge	1
16	9082960013	Bearing	2
17	9843960024	Spring	12
18	7118181205	Capscrew, 0.50" - 13NC x 1.50"	2
19	7950180800	Washer, 0.50" ID	2
20	7118172050	Capscrew, 0.43" - 14NC x 2.50"	6
21	7950170000	Washer, 0.43" ID	6
22	70050370	Capscrew, 0.38" - 24NC X 2.50"	4
23	7445040445	Fitting	3
24	70050372	Hose	1
25	70050401	Tag	1
26	9082960018	Bearing	1
28	9796960121	Seal	1
29	9935960026	Cartridge	2
30	9949960028	Washer	1
34	9796960090	O-Ring	1
35	70051309	O-Ring	1
36	9443960006	Fitting	1

DP WINCH 35K - 1001210256 - DRUM INSTALLATION (PRIOR TO S/N 0230004251)

ITEM	PART NO.	DESCRIPTION	QTY
1	9970960020	Drum	1
2	9575960012	Key - Drum	2
3	9280960002	Clip - Cable	1
4	9796960089	O-Ring	1
5	9831960018	Spacer	1
6	7110201423	Capscrew, 0.63"-11NC X 1.75"	2

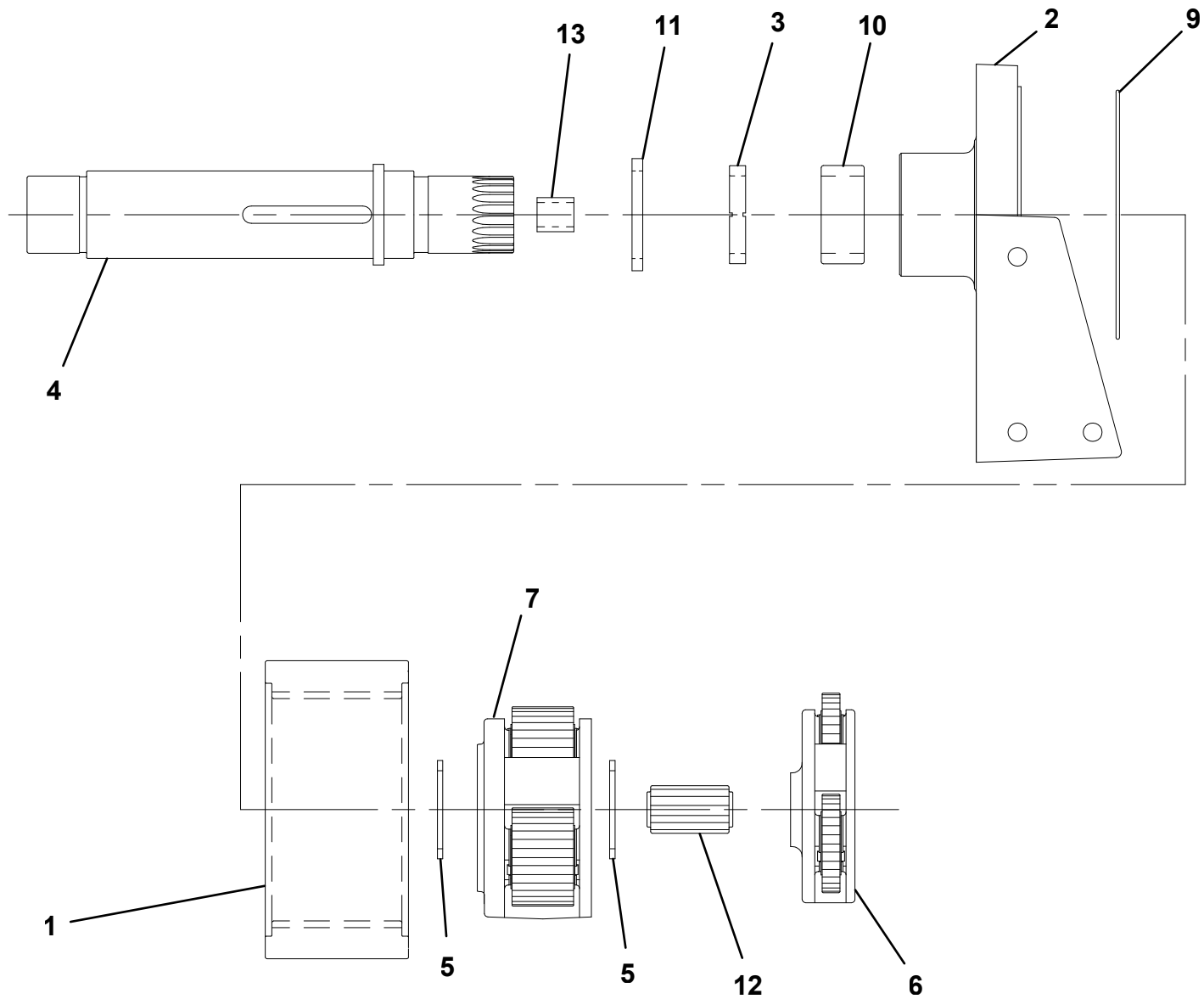
DP WINCH 35K - 1001210256 - DRUM INSTALLATION (PRIOR TO S/N 0230004251)



DP WINCH 35K - 1001210256 - GEAR END INSTALLATION (PRIOR TO S/N 0230004251)

ITEM	PART NO.	DESCRIPTION	QTY
1	70050991	Gear - Ring	1
2	9177960003	Support - Gear End	1
3	9949960028	Washer - Thrust - Nylon - 3.81 x .406	1
4	9806960021	Shaft - Output	1
5	9949960027	Washer - Thrust- Nylon - 3.50" O.D. x 0.18"	2
6	9472960052	Assembly - Carrier - Planetary - Primary	1
7	70050992	Carrier - Assembly - Secondary	1
8	9330960006	Label - Warning (Not Shown on Drawing)	1
9	9796960120	O-Ring - 8.75" I.D. x .012" Section	1
10	9082960018	Bearing - Roller - Torrington	1
11	9796960121	Seal - Shaft - 3.12" ID x 4" OD x 0.38 Thick	1
12	70050993	Gear - Sun - 15 Teeth	1
13	9209960025	Bushing - 1.00" I.D. x 1.25" OD x 1.00" LG	1

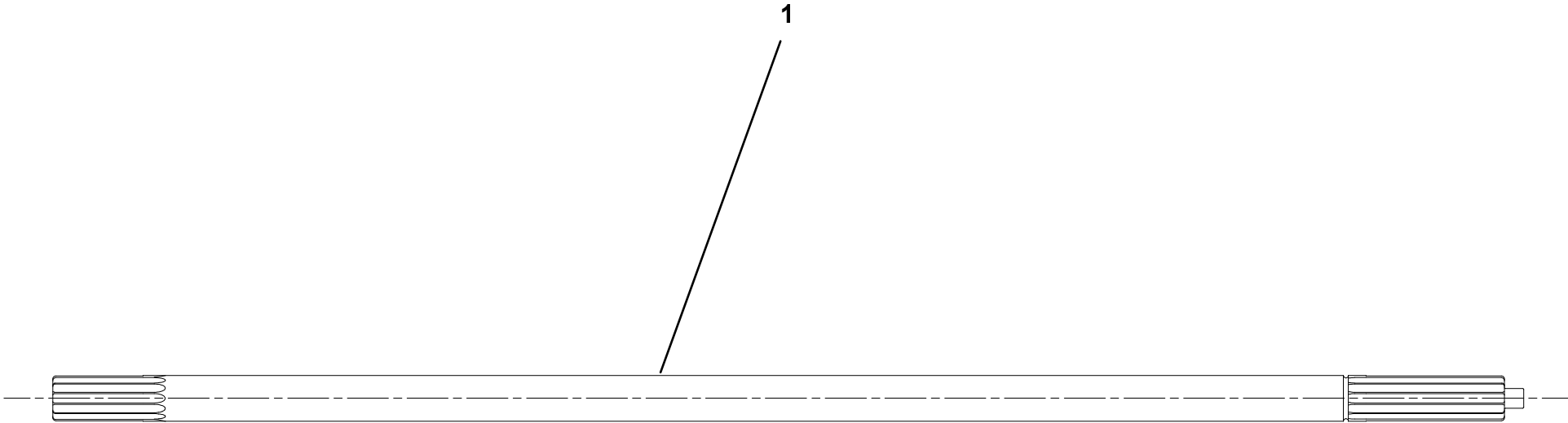
DP WINCH 35K - 1001210256 - GEAR END INSTALLATION (PRIOR TO S/N 0230004251)



DP WINCH 35K - 1001210256 - INPUT SHAFT (PRIOR TO S/N 0230004251)

ITEM	PART NO.	DESCRIPTION	QTY
1	70050994	Input - Shaft	1

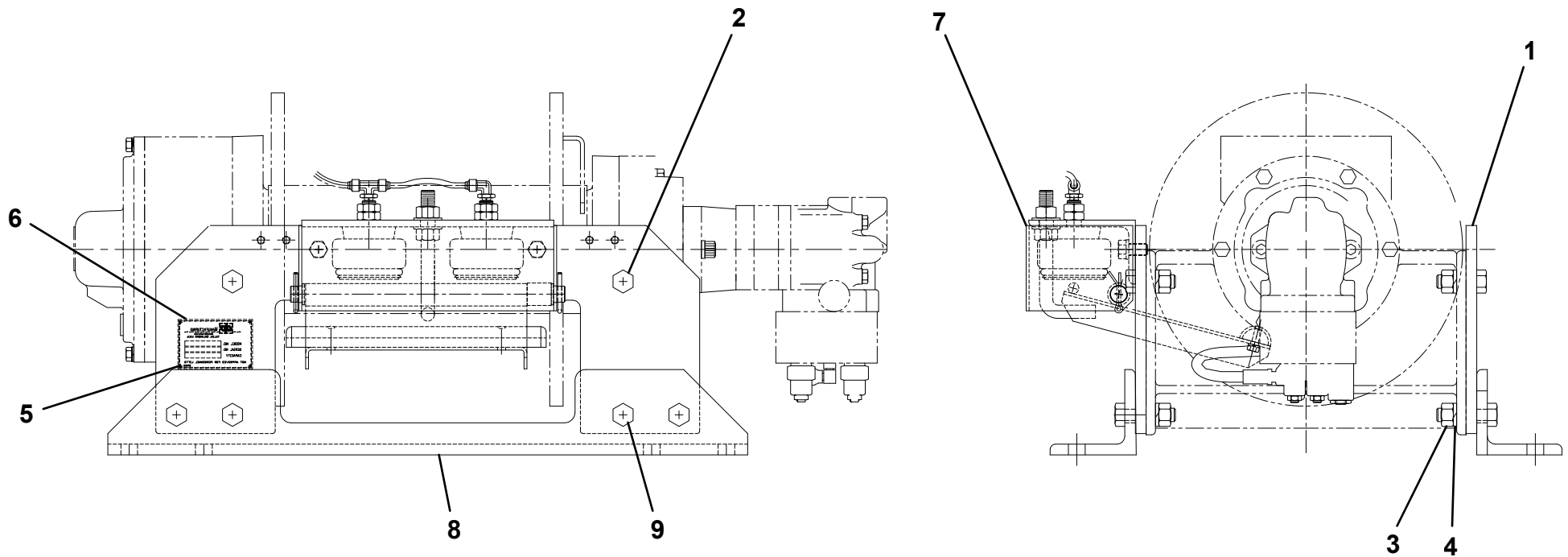
DP WINCH 35K - 1001210256 - INPUT SHAFT (PRIOR TO S/N 0230004251)



DP WINCH 35K - 1001210256 - BASE MOUNT INSTALLATION (PRIOR TO S/N 0230004251)

ITEM	PART NO.	DESCRIPTION	QTY
1	9073960003	Base Mount	2
2	7115201850	Capscrew 0.63"-11NC x 2.25"	4
3	7660200001	Nut .63"-11NC	12
4	7950200000	Lockwasher .63"	12
5	70050147	Rivet	4
6	70050384	Plate	1
7	70050398	Kit - Cable Hold Down	1
8	9073960004	Base Mount	2
9	7115202250	Capscrew, 0.63"-11NC x 2.75"	8

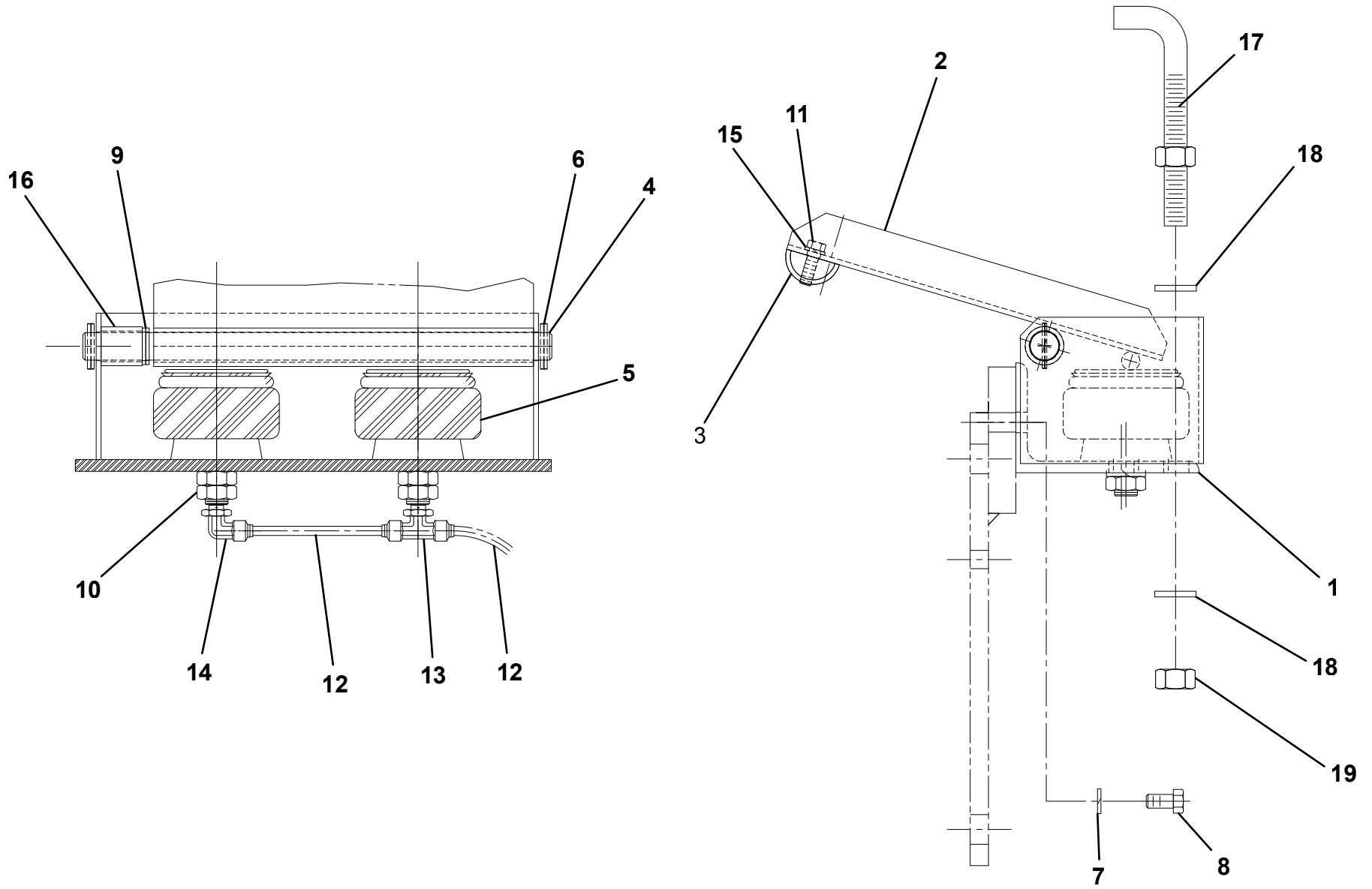
DP WINCH 35K - 1001210256 - BASE MOUNT INSTALLATION (PRIOR TO S/N 0230004251)



DP WINCH 35K - 1001210256 - CABLE HOLD DOWN KIT (PRIOR TO S/N 0230004251)

ITEM	PART NO.	DESCRIPTION	QTY
1	9178960011	Bracket - Mounting	1
2	9020960002	Arm - Pivot	1
3	9064960007	Bar - Rub - 1.50" - Half Round	1
4	9691960019	Pin, Pivot	1
5	9843960023	Spring - Cushion - Air - Goodyear	2
6	9690960039	Pin, Cotter 0.19" x 1.50"	2
7	7950180000	Lockwasher, 0.59" ID Nom Reg	2
8	7115181650	Capscrew, 0.50"-13NC x 2.00"	2
9	9949960012	Washer - Thrust	2
10	7660200200	Nut, 0.63"-11NC Hex Jam	4
11	9120960063	Capscrew, 0.31"-18NC x 1.00"	2
12	9912960010	Tubing - Nylon - 0.25" OD	3
13	7443000205	Adapter - Tee - Branch	3
14	7443000204	Adapter - 90 Degree	1
15	9949960050	Lockwasher, 0.31" ID	2
16	9831960009	Spacer - Pin - 1.12"	1
17	9120960019	Bolt - Anchor	1
18	7950200151	Flatwasher, 0.63" ID	2
19	7660200001	Nut .63"-11NC GR5 Hex - Plated	1

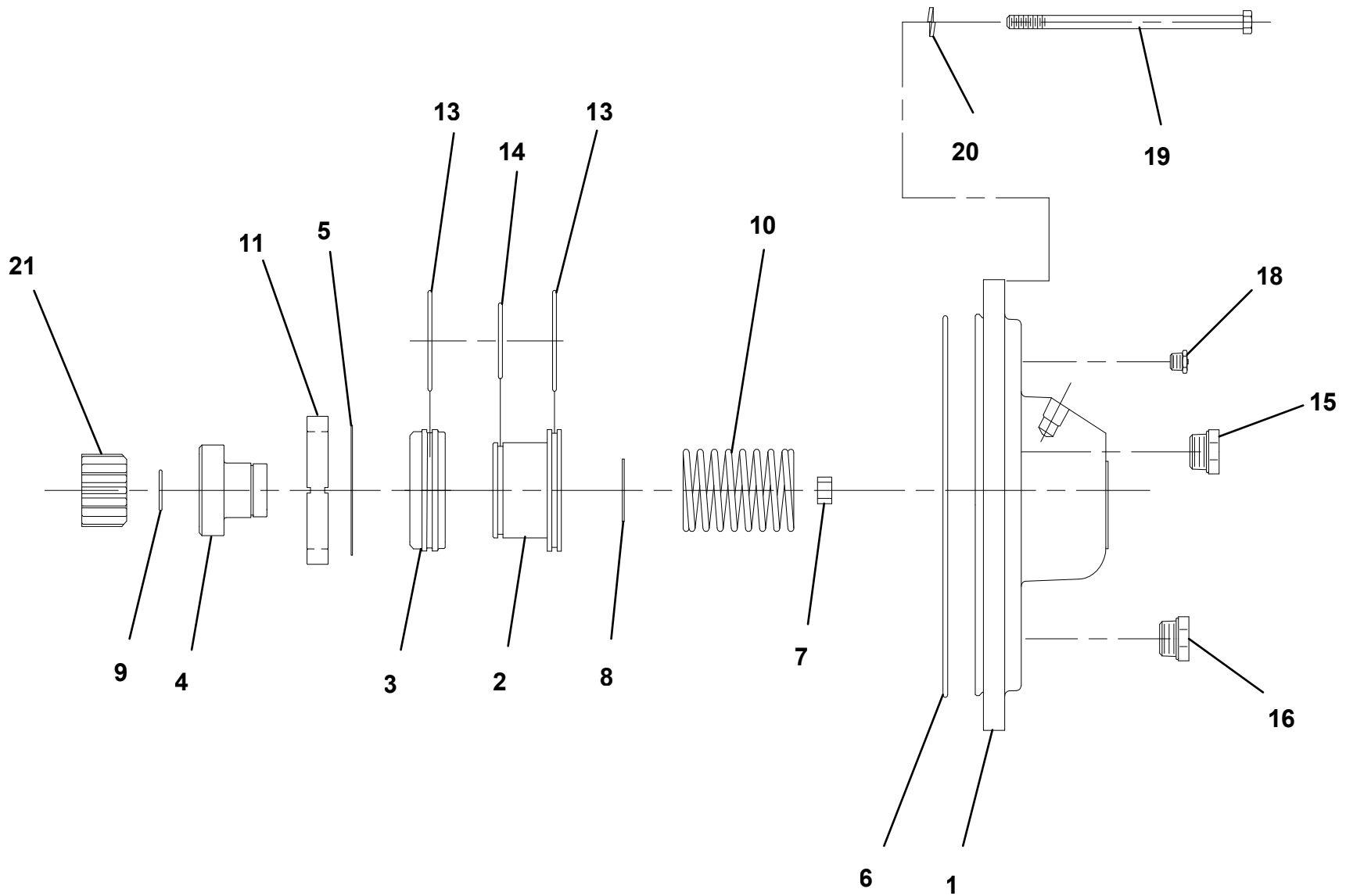
DP WINCH 35K - 1001210256 - CABLE HOLD DOWN KIT (PRIOR TO S/N 0230004251)



DP WINCH 35K - 1001210256 - GEAR END COVER INSTALLATION (PRIOR TO S/N 0230004251)

ITEM	PART NO.	DESCRIPTION	QTY
1	9314960022	Cover	1
2	9698960016	Piston	1
3	9698960015	Piston	1
4	9309960011	Coupling	1
5	9754960026	Retaining Ring	1
6	9796960120	O-Ring	1
7	9209960026	Bushing	1
8	9754960046	Retaining Ring	1
9	9754960047	Retaining Ring	1
10	9843960032	Spring	1
11	9949960028	Washer	1
13	9796960119	O-Ring	2
14	9796960118	O-Ring	1
15	9701960011	Plug	1
15	70050998	O-Ring	1
16	9701960012	Plug	1
16	70050998	O-Ring	1
17	9701960018	Plug	1
18	9183960001	Vent	1
19	70050995	Capscrew, 0.38"-16NC x 5.50"	12
20	7950160000	Lockwasher 0.38" ID	12
21	9472960054	Gear	1

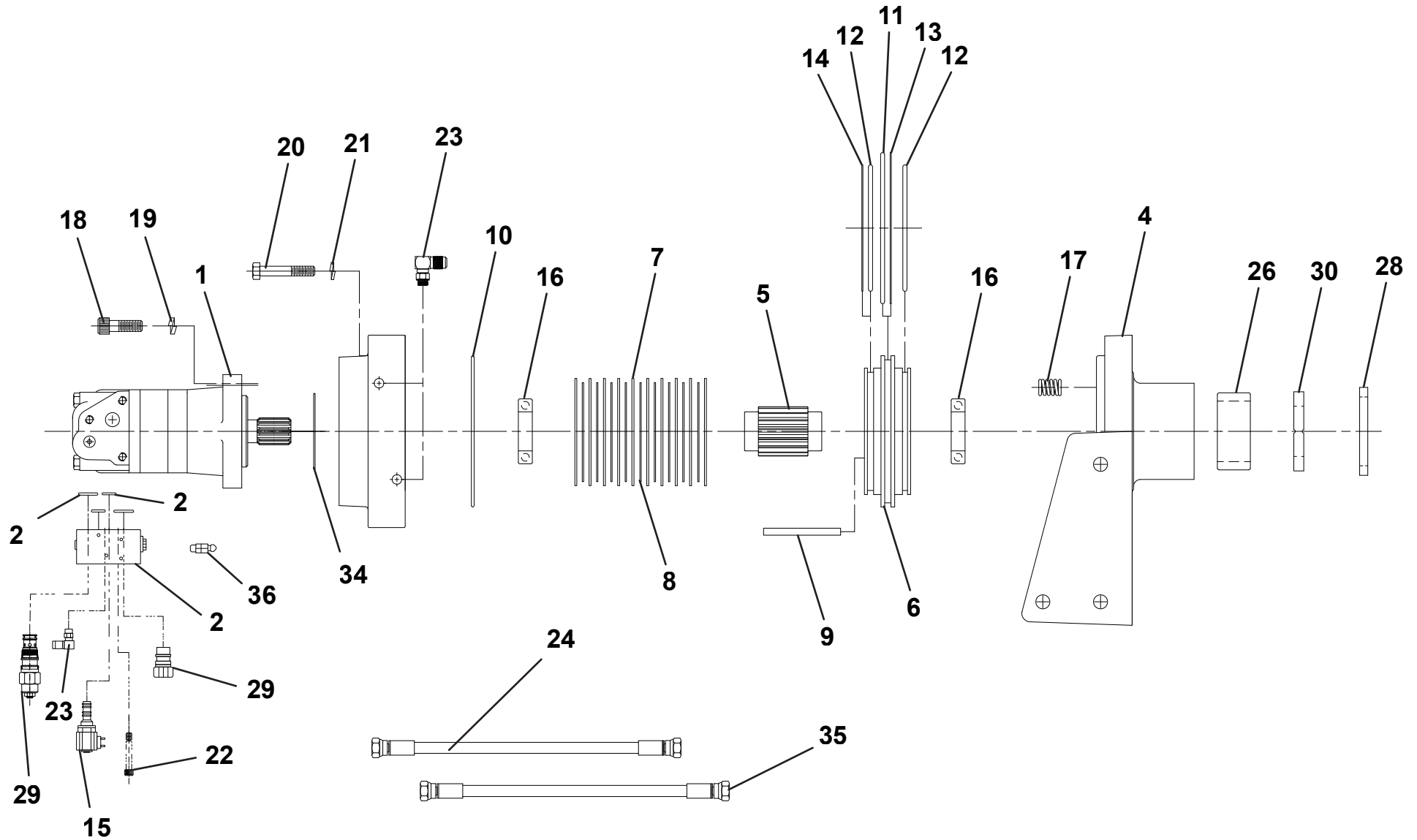
DP WINCH 35K - 1001210256 - GEAR END COVER INSTALLATION (PRIOR TO S/N 0230004251)



DP WINCH 35K - 1001210257 (S/N 0230004251 TO PRESENT) MOTOR END INSTALLATION

ITEM	PART NO.	DESCRIPTION	QTY
1	70050399	Motor, Hydraulic	1
2	70050368	Valve, Counterbalance	1
3	9571960006	Housing, Brake	1
4	9177960004	Support, Motorend	1
5	9806960019	Shaft	1
6	9698960008	Piston	1
7	9706960023	Plate	10
8	70051302	Plate	9
9	9691960021	Pin	2
10	70051307	O-Ring	1
11	70051305	Ring	1
12	70051303	O-Ring	2
13	70051306	Ring	1
14	70051304	O-Ring	1
15	70050371	Valve, Cartridge	1
16	9082960013	Bearing	2
17	9843960024	Spring	12
18	7118181205	Capscrew, 0.50" - 13NC x 1.50"	2
19	7950180800	Washer, 0.50" ID	2
20	7118172050	Capscrew, 0.43" - 14NC x 2.50"	6
21	7950170000	Washer, 0.43" ID	6
22	70050370	Capscrew, 0.38" - 24NC X 2.50"	4
23	7445040445	Fitting	3
24	70050372	Hose	1
25	70050401	Tag	1
26	9082960018	Bearing	1
28	9796960121	Seal	1
29	9935960026	Cartridge	2
30	9949960028	Washer	1
34	9796960090	O-Ring	1
35	70051309	O-Ring	1
36	9443960006	Fitting	1

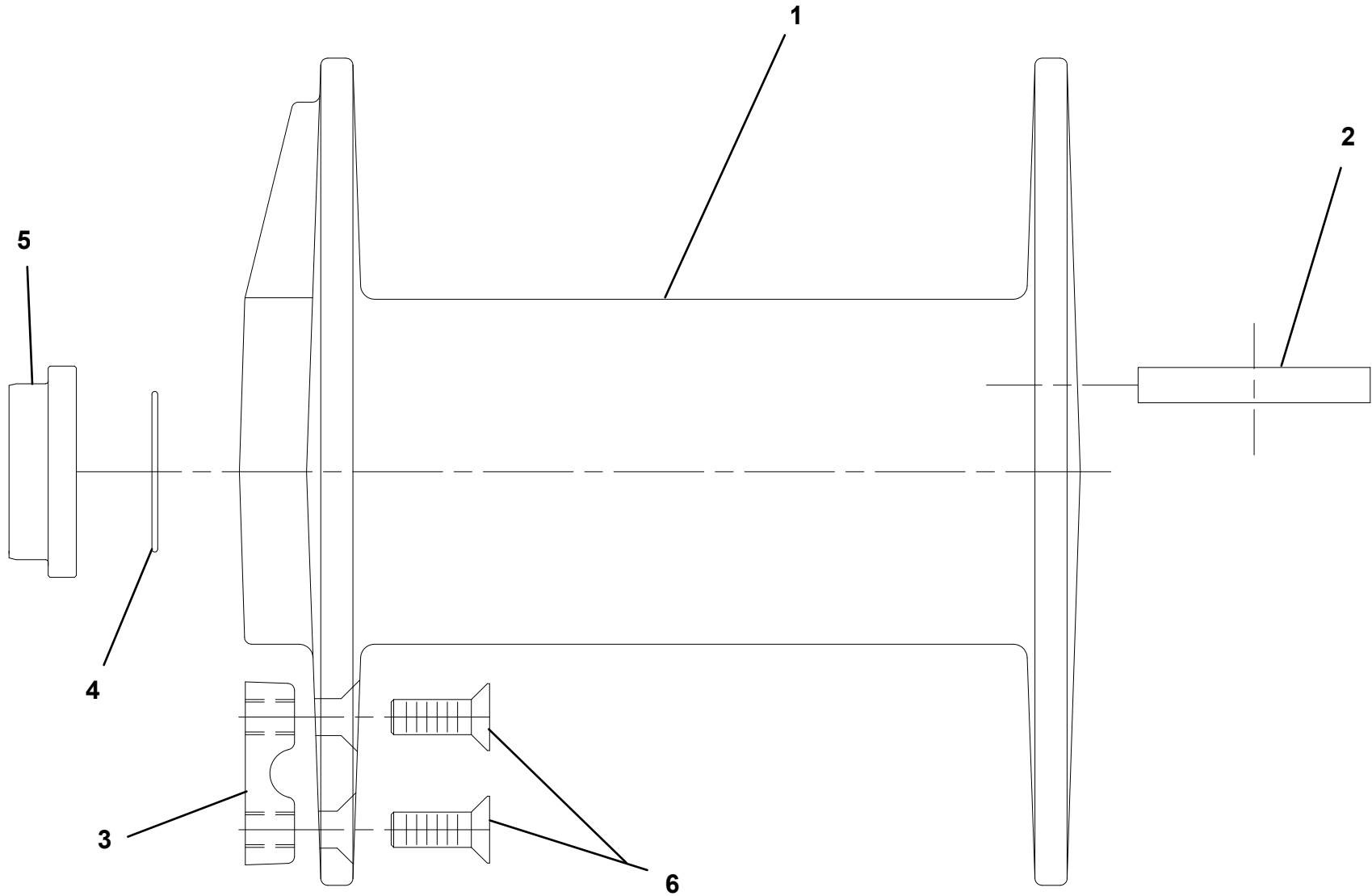
DP WINCH 35K - 1001210257 - MOTOR END INSTALLATION (S/N 0230004251 TO PRESENT)



DP WINCH 35K - 1001210257 - DRUM INSTALLATION (PRIOR TO S/N 0230004251)

ITEM	PART NO.	DESCRIPTION	QTY
1	9970960020	Drum	1
2	9575960012	Key - Drum	2
3	9280960002	Clip - Cable	1
4	9796960089	O-Ring	1
5	9831960018	Spacer	1
6	7110201423	Capscrew, 0.63"-11NC X 1.75"	2

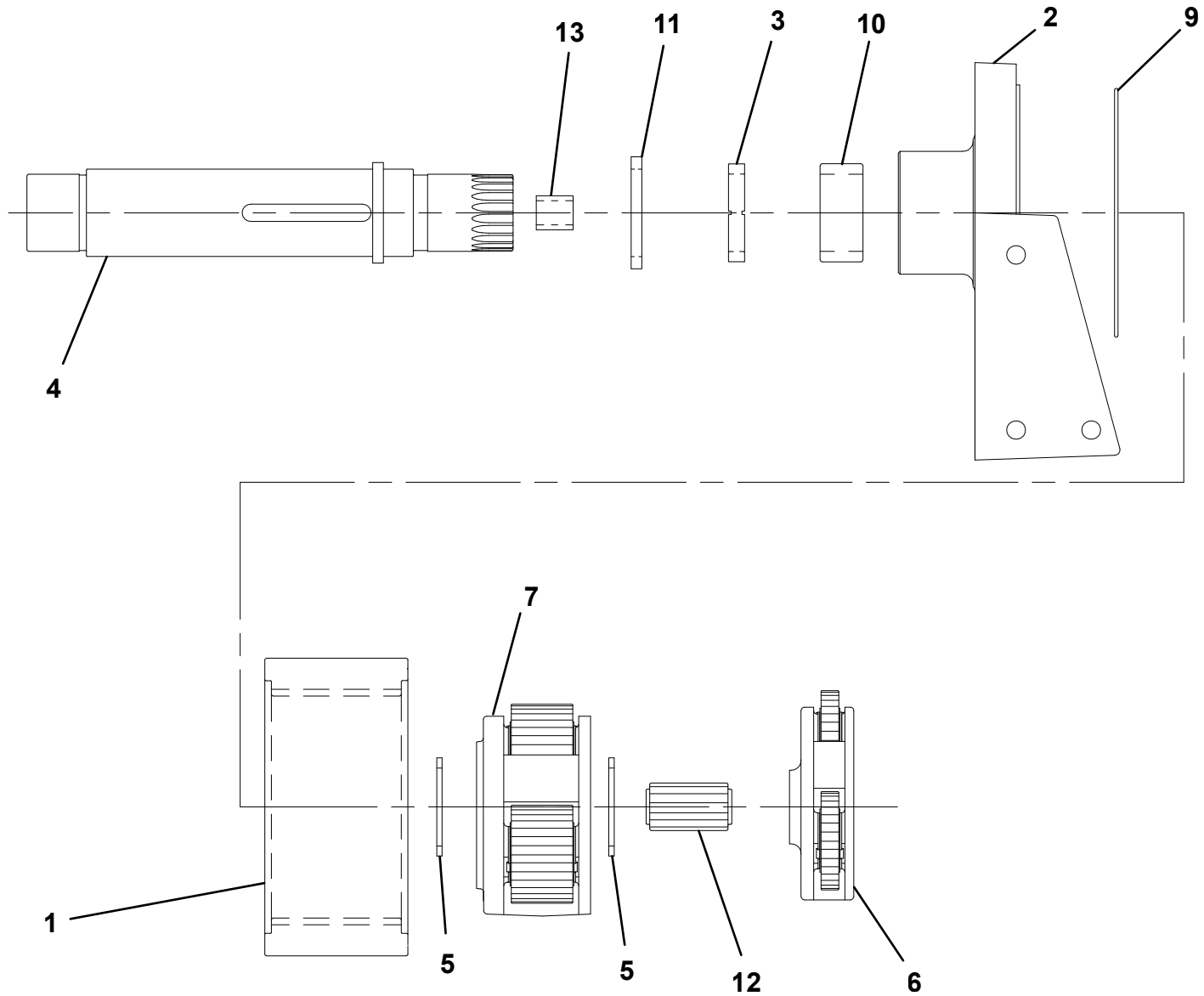
DP WINCH 35K - 1001210257 - DRUM INSTALLATION (PRIOR TO S/N 0230004251)



DP WINCH 35K - 1001210257 - GEAR END INSTALLATION (PRIOR TO S/N 0230004251)

ITEM	PART NO.	DESCRIPTION	QTY
1	70050991	Gear - Ring	1
2	9177960003	Support - Gear End	1
3	9949960028	Washer - Thrust - Nylon - 3.81 x .406	1
4	9806960021	Shaft - Output	1
5	9949960027	Washer - Thrust- Nylon - 3.50" O.D. x 0.18"	2
6	9472960052	Assembly - Carrier - Planetary - Primary	1
7	70050992	Carrier - Assembly - Secondary	1
8	9330960006	Label - Warning (Not Shown on Drawing)	1
9	9796960120	O-Ring - 8.75" I.D. x .012" Section	1
10	9082960018	Bearing - Roller - Torrington	1
11	9796960121	Seal - Shaft - 3.12" ID x 4" OD x 0.38 Thick	1
12	70050993	Gear - Sun - 15 Teeth	1
13	9209960025	Bushing - 1.00" I.D. x 1.25" OD x 1.00" LG	1

DP WINCH 35K - 1001210257 - GEAR END INSTALLATION (PRIOR TO S/N 0230004251)

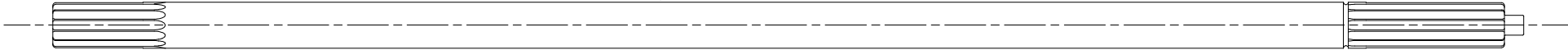


DP WINCH 35K - 1001210257 - INPUT SHAFT (PRIOR TO S/N 0230004251)

ITEM	PART NO.	DESCRIPTION	QTY
1	70050994	Input - Shaft	1

DP WINCH 35K - 1001210257 - INPUT SHAFT (PRIOR TO S/N 0230004251)

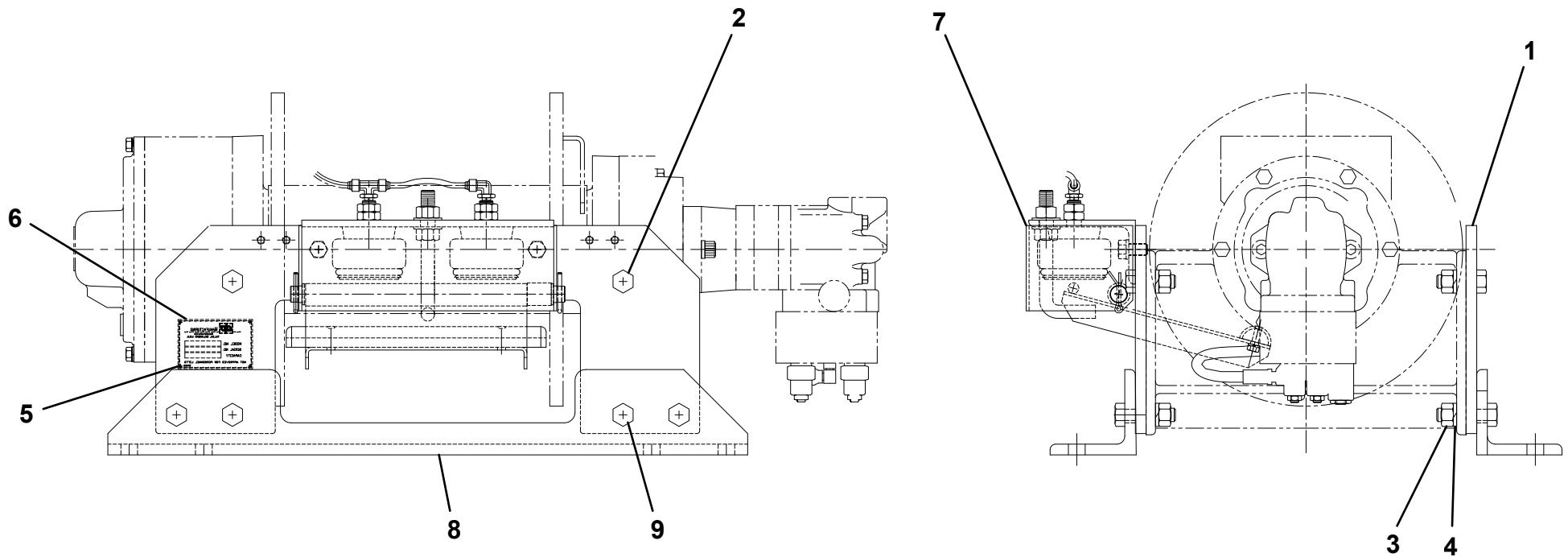
1



DP WINCH 35K - 1001210257 - BASE MOUNT INSTALLATION (PRIOR TO S/N 0230004251)

ITEM	PART NO.	DESCRIPTION	QTY
1	9073960003	Base Mount	2
2	7115201850	Capscrew, 0.63"-11NC x 2.25"	4
3	7660200001	Nut, 0.63"-11NC	12
4	7950200000	Lockwasher, 0.63" ID	12
5	70050147	Rivet	4
6	70050384	Plate	1
7	70050398	Kit - Cable Hold Down	1
8	9073960004	Base Mount	2
9	7115202250	Capscrew, 0.63"-11NC x 2.75"	8

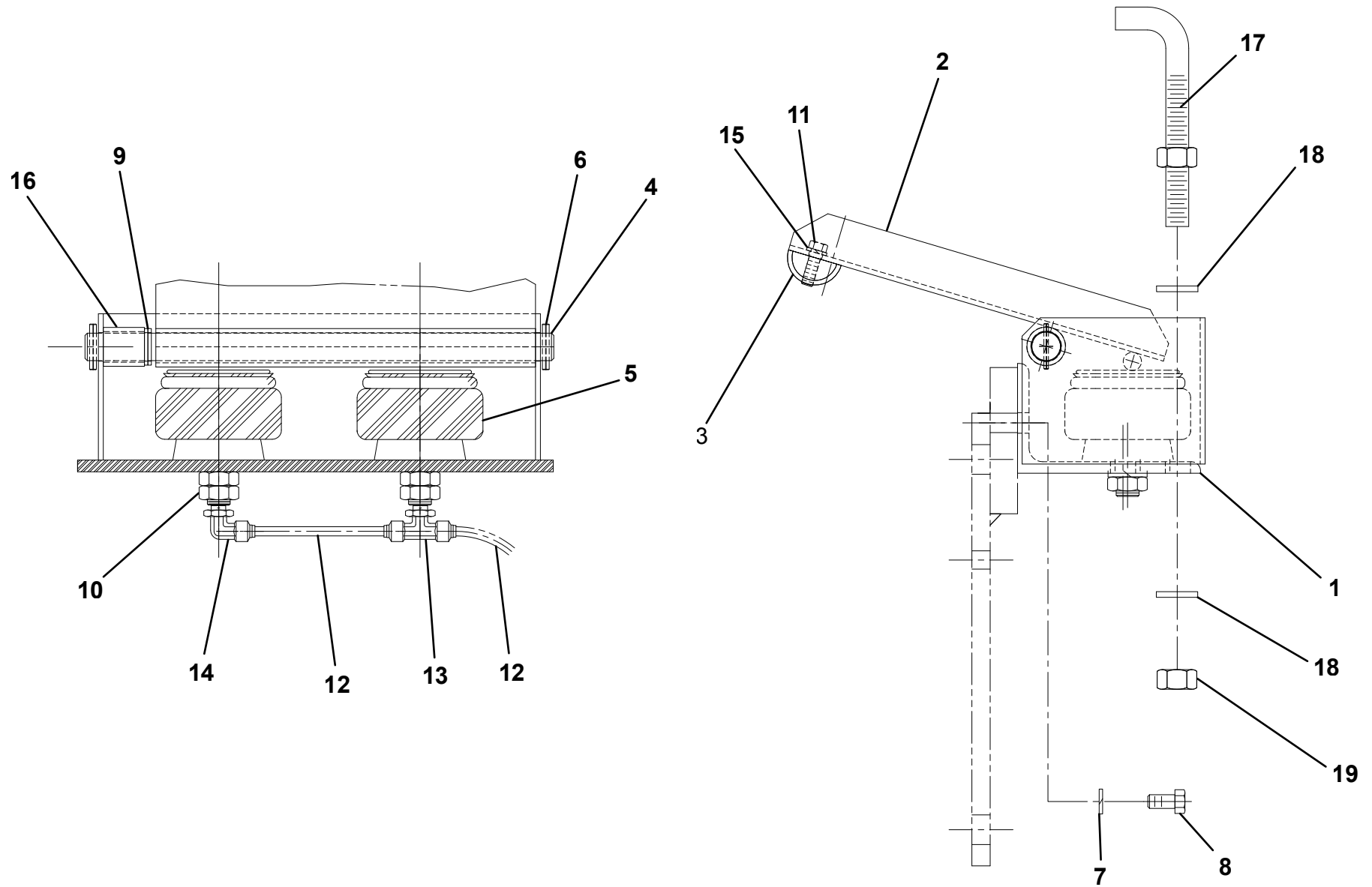
DP WINCH 35K - 1001210257 - BASE MOUNT INSTALLATION (PRIOR TO S/N 0230004251)



DP WINCH 35K - 1001210257 - CABLE HOLD DOWN KIT (PRIOR TO S/N 0230004251)

ITEM	PART NO.	DESCRIPTION	QTY
1	9178960011	Bracket - Mounting	1
2	9020960002	Arm - Pivot	1
3	9064960007	Bar - Rub - 1.50" - Half Round	1
4	9691960019	Pin, Pivot	1
5	9843960023	Spring - Cushion - Air - Goodyear	2
6	9690960039	Pin, Cotter 0.19" x 1.50"	2
7	7950180000	Lockwasher, 0.59" ID Nom Reg	2
8	7115181650	Capscrew, 0.50"-13NC x 2.00"	2
9	9949960012	Washer - Thrust	2
10	7660200200	Nut, 0.63"-11NC Hex Jam	4
11	9120960063	Capscrew, 0.31"-18NC x 1.00"	2
12	9912960010	Tubing - Nylon - 0.25" OD	3
13	7443000205	Adapter - Tee - Branch	3
14	7443000204	Adapter - 90 Degree	1
15	9949960050	Lockwasher, 0.31" ID	2
16	9831960009	Spacer - Pin - 1.12"	1
17	9120960019	Bolt - Anchor	1
18	7950200151	Flatwasher, 0.63" ID	2
19	7660200001	Nut .63"-11NC GR5 Hex - Plated	1

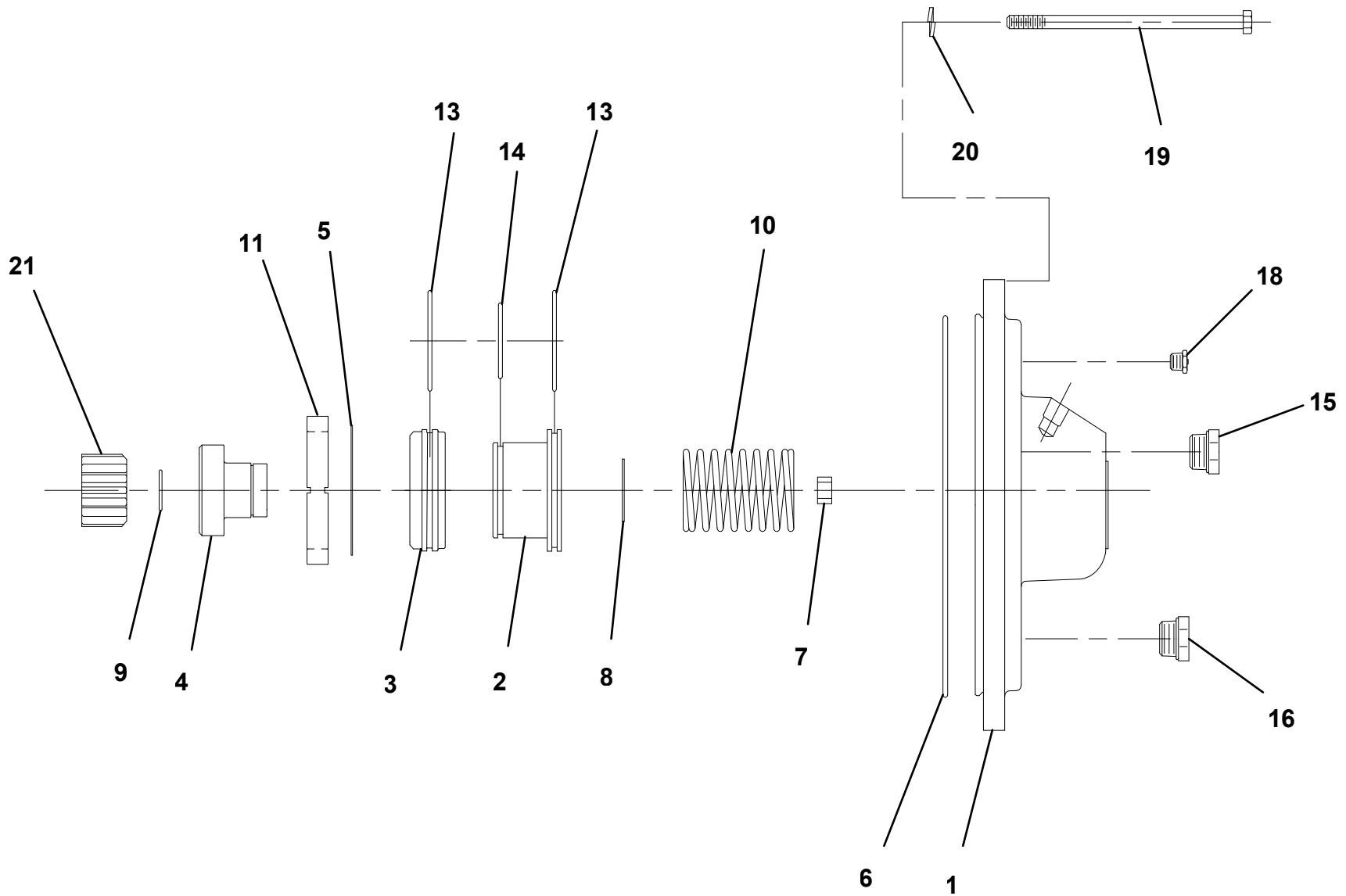
DP WINCH 35K - 1001210257 - CABLE HOLD DOWN KIT (PRIOR TO S/N 0230004251)



DP WINCH 35K - 1001210257 - GEAR END COVER INSTALLATION (PRIOR TO S/N 0230004251)

ITEM	PART NO.	DESCRIPTION	QTY
1	9314960022	Cover - Gear End	1
2	9698960016	Piston	1
3	9698960015	Piston	1
4	9309960011	Coupling - Drive	1
5	9754960026	Retaining Ring	1
6	9796960120	O-Ring	1
7	9209960026	Bushing	1
8	9754960046	Retaining Ring	1
9	9754960047	Retaining Ring	1
10	9843960032	Spring - Compression	1
11	9949960028	Washer	1
13	9796960119	O-Ring	2
14	9796960118	O-Ring	1
15	9701960011	Plug	1
15	70050998	O-Ring	1
16	9701960012	Plug	1
16	70050998	O-Ring	1
17	9701960018	Plug	1
18	9183960001	Vent - Relief	1
19	70050995	Capscrew, 0.38"-16NC x 5.50"	12
20	7950160000	Lockwasher 0.38" ID	12
21	9472960054	Gear	1

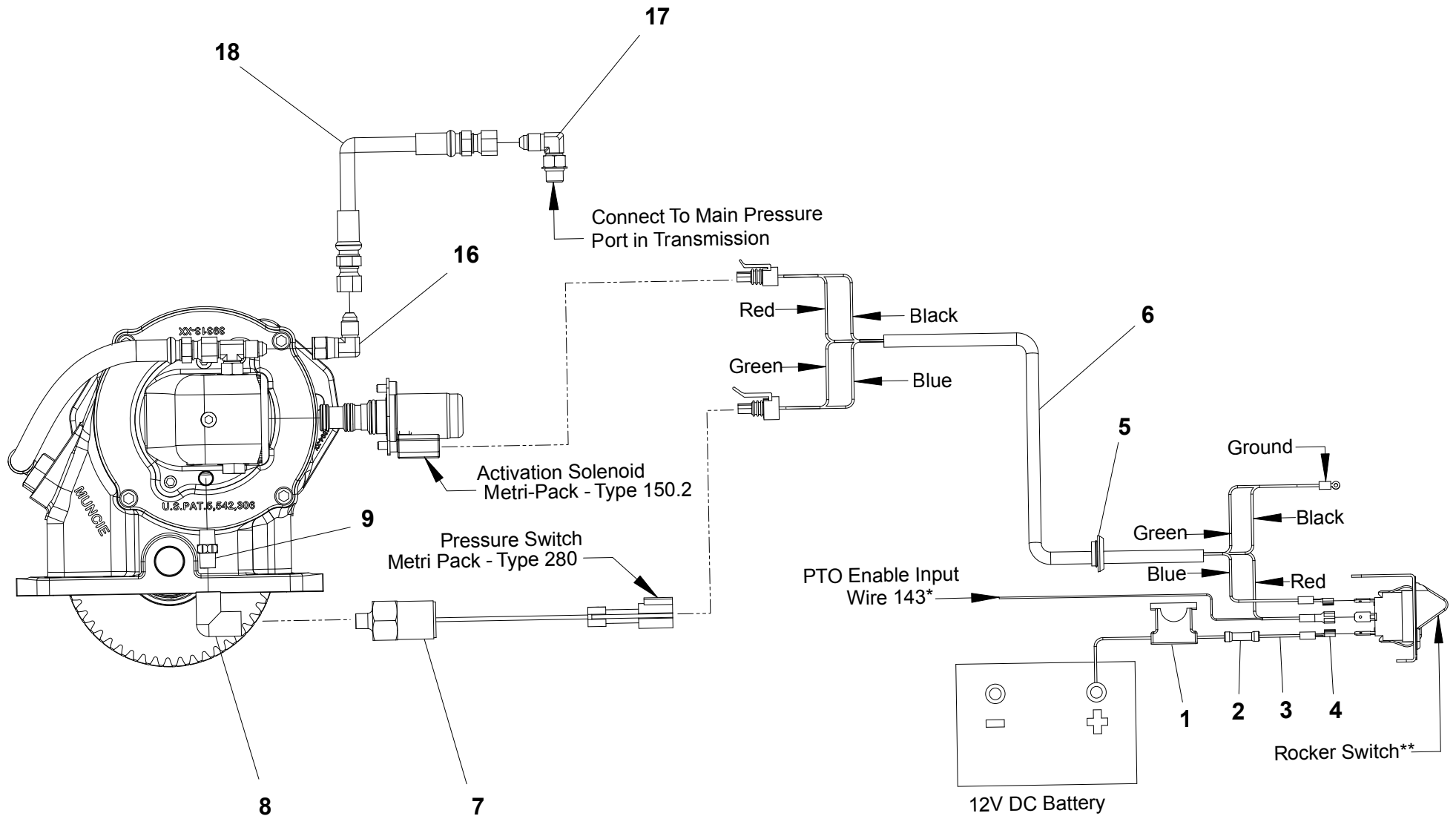
DP WINCH 35K - 1001210257 - GEAR END COVER INSTALLATION (PRIOR TO S/N 0230004251)



POWER TAKE OFF - CS SERIES

ITEM	PART NO.	DESCRIPTION	QTY
1	70050316	Fuse	1
2	70050315	Splice	1
3	70050312	Wire	6 ft
4	70050314	Connector	1
5	70050325	Grommet	1
6	70050328	Harness, Wire	1
7	7870000062	Switch, Pressure	1
8	70050329	Fitting, Elbow	1
9	70050330	Nipple	1
10	70050313	Terminal	2
11	70050331	Connector	3
12	7706000005	Bracket, Switch	1
13	7706000001	Plate	1
14	7870000045	Switch	1
15	70050319	Kit, Bolt	1
16	7443000431	Fitting (Also available in kit #70050467)	1
17	7443000244	Fitting (Also available in kit #70050467)	1
18	70050468	Hose (Also available in kit #70050467)	1

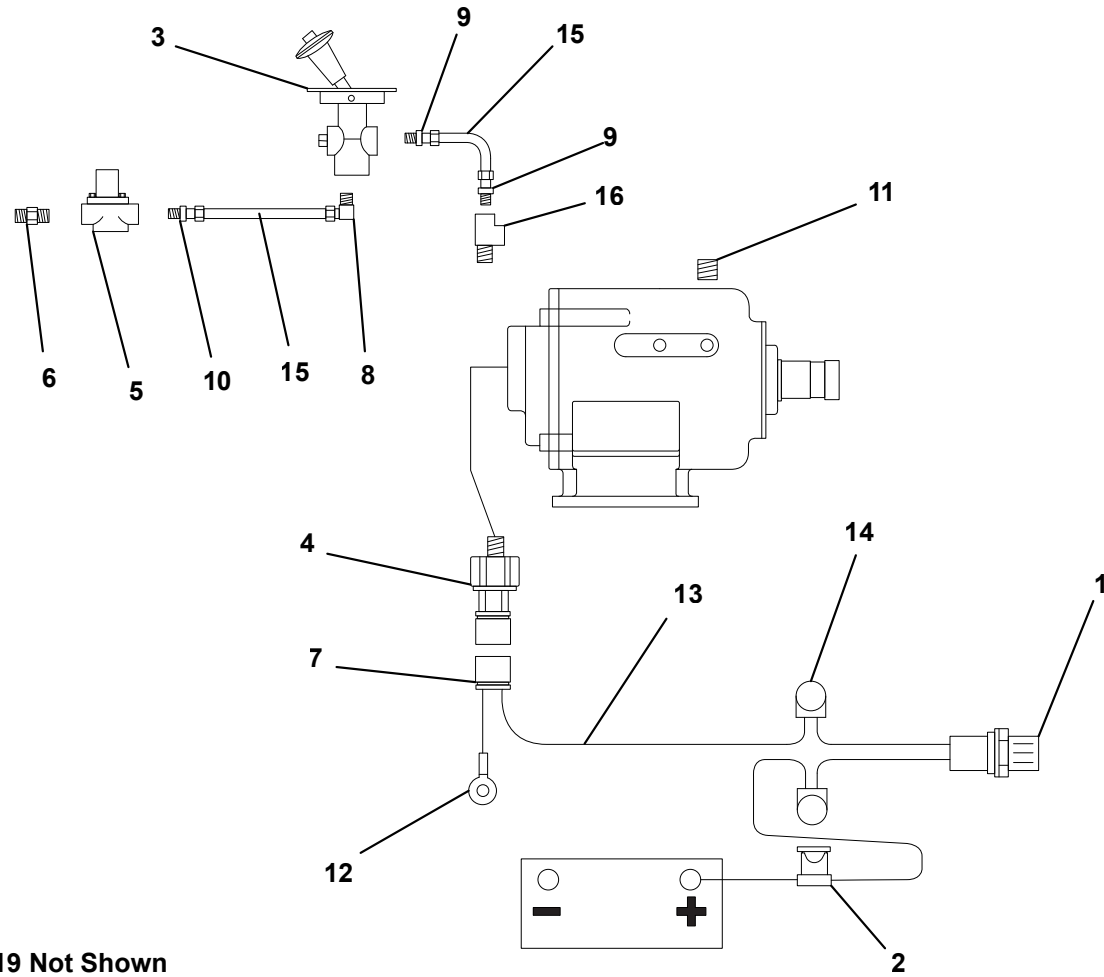
POWER TAKE OFF - CS SERIES



POWER TAKE OFF - SH SERIES

ITEM	PART NO.	DESCRIPTION	QTY
1	7590000049	Assembly. - Light 12V	1
2	70050316	Assembly, Fuse	1
3	7935000104	Valve, Air	1
4	7870000062	Switch, Pressure	1
5	9935740034	Valve, Pressure Protection	1
6	70050308	Nipple, Pipe	1
7	70050668	Wiring Pigtail	1
8	70050310	Fitting	1
9	70050320	Connector	2
10	70050309	Connector	1
11	70050669	Plug	1
12	70050313	Terminal	2
13	70050312	Wire	12 ft
14	70050977	Terminal, Closed End Crimp	3
15	7565000019	Tubing, Air	1
16	9443760018	Fitting	1
17	70050322	Bracket, Dash (Not shown on drawing)	1
18	7706000004	Plate, Face (Not shown on drawing)	1
19	70050319	Kit, Bolt (Not shown on drawing)	1

POWER TAKE OFF - SH SERIES

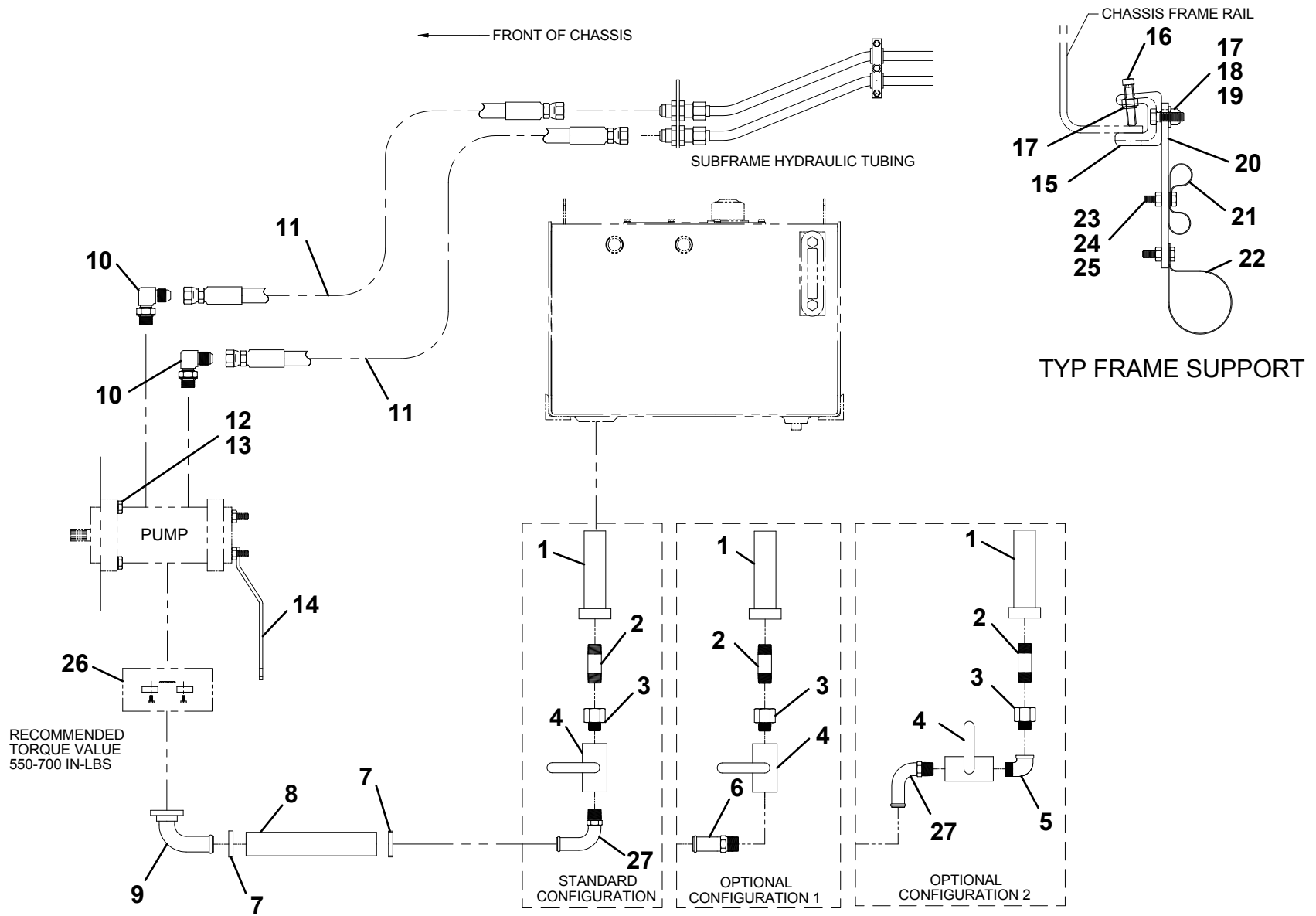


Items # 17, 18 & 19 Not Shown

HYDRAULIC SUPPLY PRESSURE INSTALLATION

ITEM	PART NO.	DESCRIPTION	QTY
1	7430000010	Filter	1
2	7650100137	Nipple	1
3	7444121050	Reducer	1
4	7935000116	Ball Valve	1
5	7444121271	Elbow	A/R
6	7443000130	Fitting	A/R
7	7274000028	Clamp	2
8	8565000026	Hose	19FT
9	1001145056	Elbow	1
10	7445121645	Elbow	2
11	1001204565	Hose	2
12	7115181050	Capscrew, 0.50"-13NC x 1.25"	2
13	7950180000	Lockwasher, 0.59" ID	2
14	4178000248	Bracket	1
15	7274000076	Clamp	10
16	7785152420	Screw, 0.31" - 18 x 1.50"	10
17	7660152601	Locknut 0.31"-18NC	20
18	7115151050	Capscrew, 0.31"-18NC x 1.25"	10
19	7950150161	Flatwasher, 0.31" ID	10
20	4706003844	Plate	10
21	7274000041	Clamp	20
22	7274000071	Clamp	10
23	7115140850	Capscrew, 0.25"-20NC x 1.00"	20
24	7950140152	Washer, 0.25" ID	20
25	7660142601	Locknut, 0.25" -20NC	20
26	7577000213	Flange	1
27	7443000254	Fitting	1

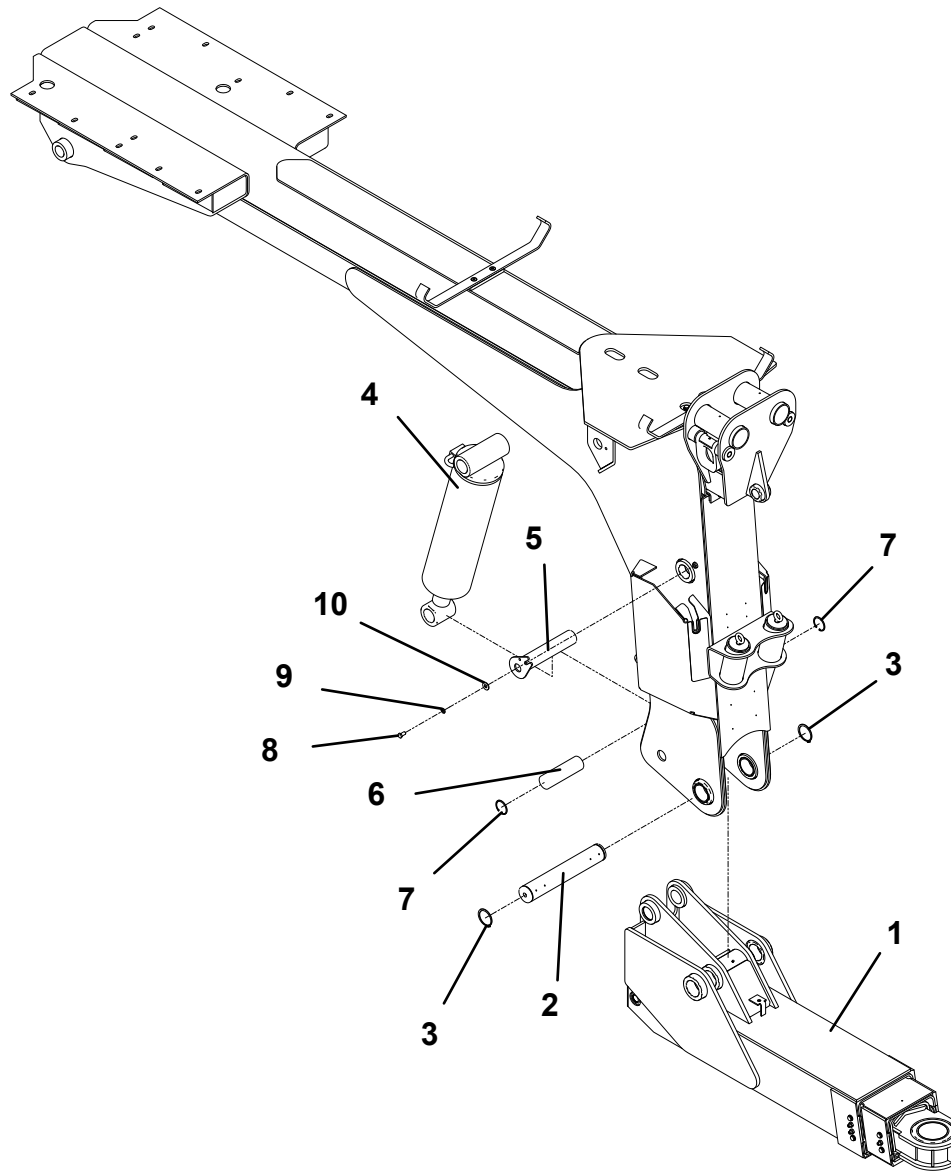
HYDRAULIC SUPPLY PRESSURE INSTALLATION



UNDERLIFT INSTALLATION

ITEM	PART NO.	DESCRIPTION	QTY
1	3170000433	Underlift Assembly - 35,000 LB	1
	3170000220	Underlift Assembly - 30,000 LB	1
2	4691000311	Pin	1
3	7754000018	Retaining Ring	2
4	7320000098	Tilt Cylinder	1
	7320000033	Tilt Cylinder	1
5	3691000160	Pin	1
6	4691000317	Pin	1
7	7754000051	Retaining Ring	2
8	7115180850	Capscrew, 0.50"-13NC x 1.00"	1
9	7950180000	Lockwasher, 0.59" ID	1
10	7950180161	Flatwasher, 0.50" ID	1
11	7440030000	Grease Fitting	3
12	7253000002	Grease Cap	5

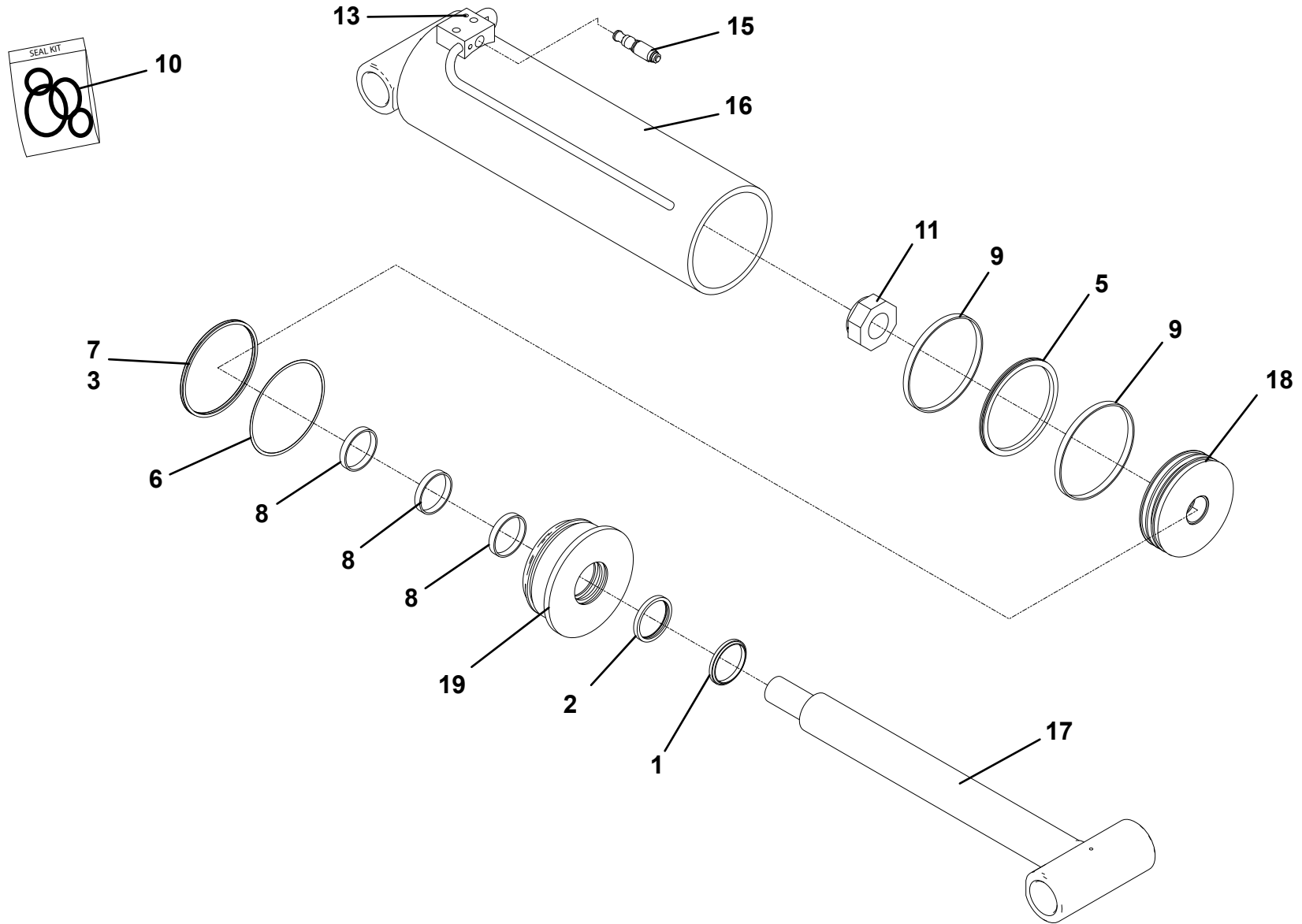
UNDERLIFT INSTALLATION



UNDERLIFT TILT CYLINDER - 7320000098

ITEM	PART NO.	DESCRIPTION	QTY
1	NSS	Seal, Wiper (Sold Only In Kit #7577250204)	1
2	NSS	Seal (Sold Only In Kit #7577250204)	1
3	NSS	Ring, Backup (Sold Only In Kit #7577250204)	1
4	NSS	Seal, "O" Ring (Sold Only In Kit #7577250204)	1
5	NSS	Seal, (Sold Only In Kit #7577250204)	1
6	NSS	Seal, "O" Ring (Sold Only In Kit #7577250204)	1
7	NSS	Seal, "O" Ring (Sold Only In Kit #7577250204)	1
8	NSS	Ring, Wear (Sold Only In Kit #7577250204)	3
9	NSS	Ring, Wear (Sold Only In Kit #7577250204)	3
10	7577250204	Kit, Seal	1
11	7005314	Locknut, (torque to 1600-2000 lb-ft)	1
12	7005348	Lube Fitting	2
13	7005365	Port Plug	3
14	70021648	Port Plug	2
15	70050231	Valve, Counter Balance	1
16	70051012	Assy, Tube (4W420)	1
17	70051013	Rod Assy (5R161)	1
18	9698250014	Piston	1
19	7019892	Head	1

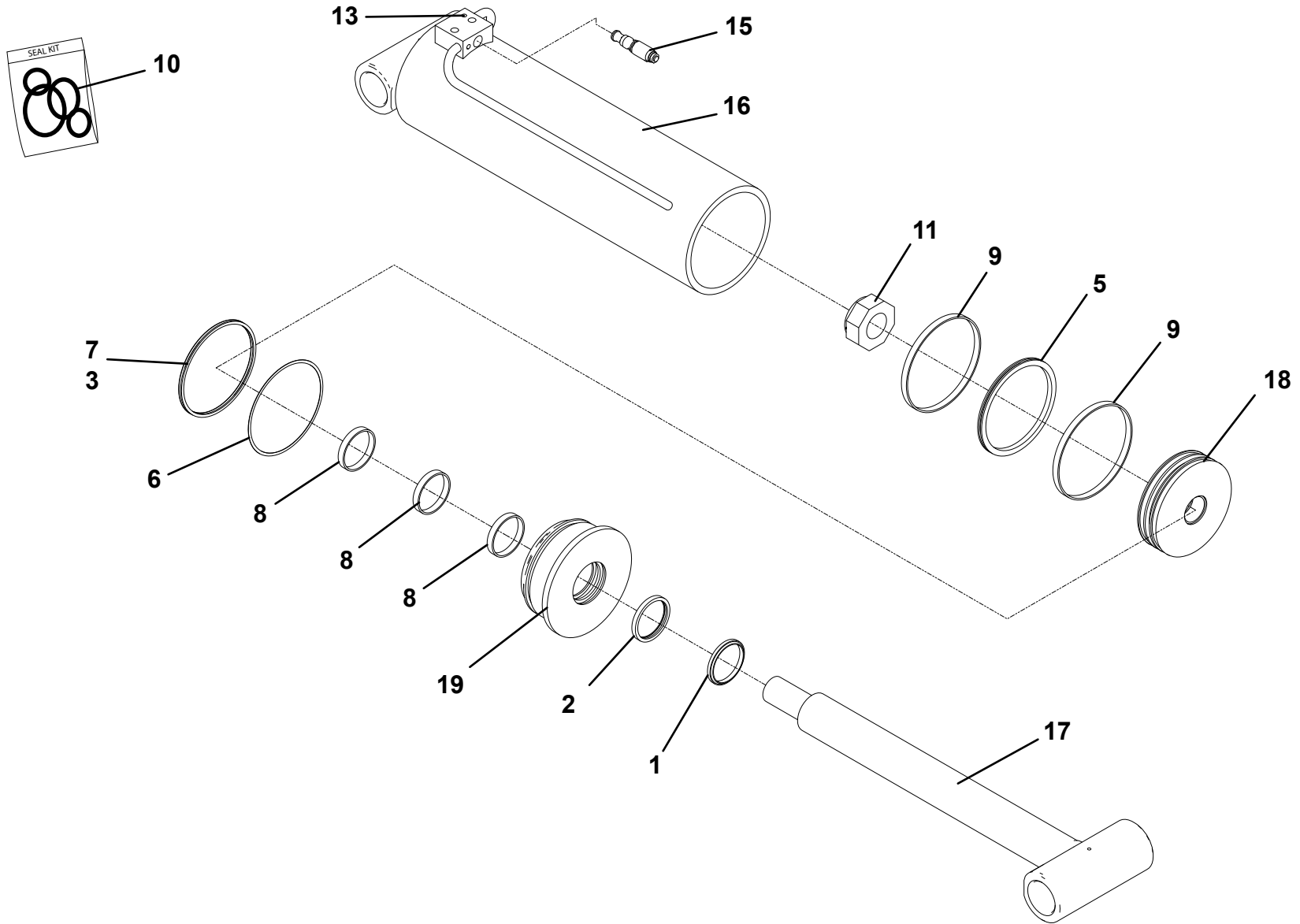
UNDERLIFT TILT CYLINDER - 7320000098



UNDERLIFT TILT CYLINDER - 7320000033

ITEM	PART NO.	DESCRIPTION	QTY
1	NSS	Seal, Wiper (Sold Only In Kit #7577250204)	1
2	NSS	Seal (Sold Only In Kit #7577250204)	1
3	NSS	Ring, Backup (Sold Only In Kit #7577250204)	1
4	NSS	Seal, "O" Ring (Sold Only In Kit #7577250204)	1
5	NSS	Seal, (Sold Only In Kit #7577250204)	1
6	NSS	Seal, "O" Ring (Sold Only In Kit #7577250204)	1
7	NSS	Seal, "O" Ring (Sold Only In Kit #7577250204)	1
8	NSS	Ring, Wear (Sold Only In Kit #7577250204)	3
9	NSS	Ring, Wear (Sold Only In Kit #7577250204)	3
10	7577250204	Kit, Seal	1
11	7005314	Locknut, (torque to 1600-2000 lb-ft)	1
12	7005348	Lube Fitting	2
13	7005365	Port Plug	3
14	70021648	Port Plug	2
15	70050231	Valve, Counter Balance	1
16	70051012	Assy, Tube (4W420)	1
17	70051013	Rod Assy (5R161)	1
18	9698250014	Piston	1
19	7019892	Head	1

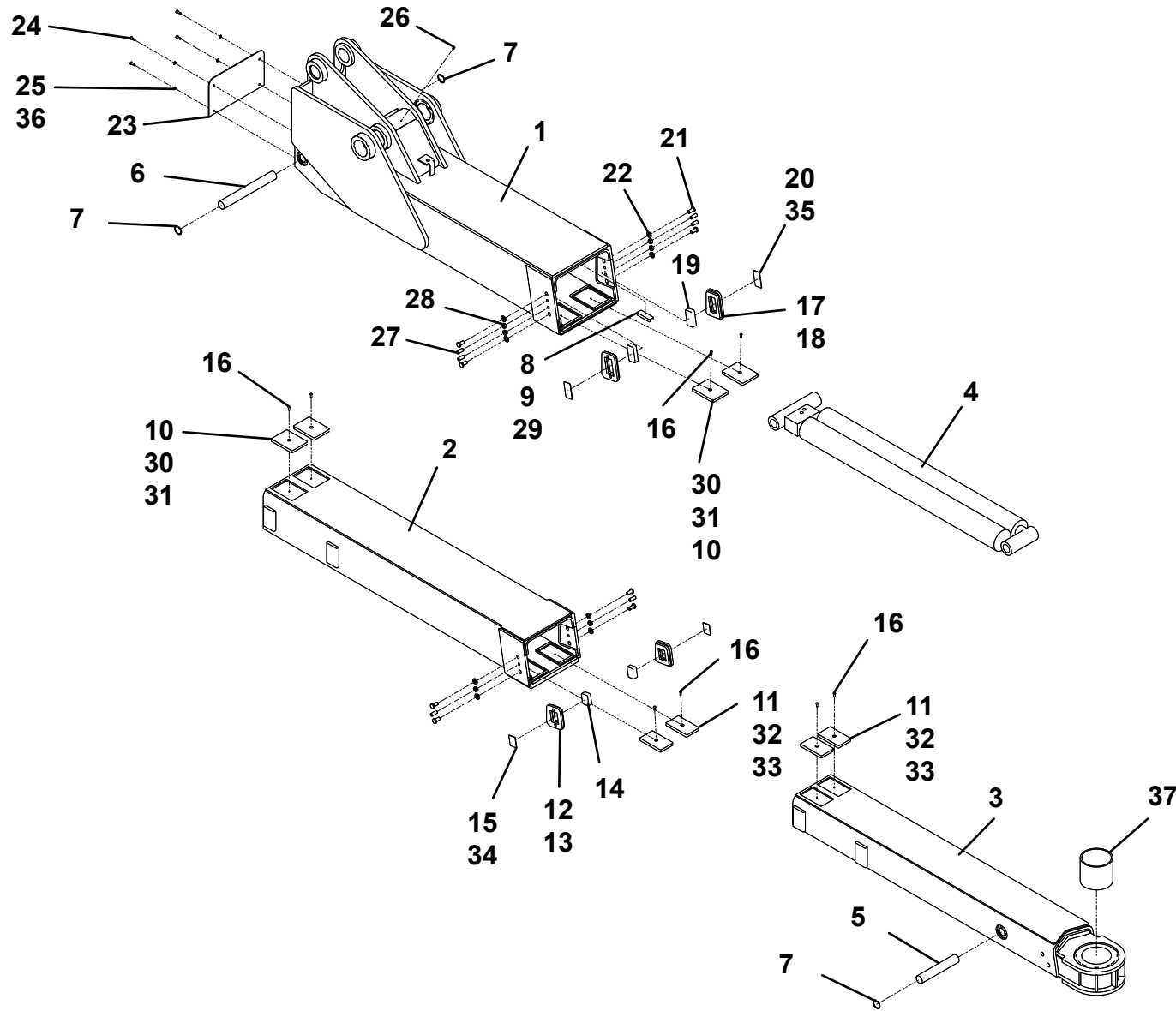
UNDERLIFT TILT CYLINDER - 7320000033



UNDERLIFT ASSEMBLY - 3170000220 - 35,000 LB (STANDARD)

ITEM	PART NO.	DESCRIPTION	QTY
1	3170000224	Base Section Boom Weldment	1
2	3170000223	Mid Section Boom Weldment	1
3	3170000221	Fly Section Boom Weldment	1
4	7320000042	Underlift Extension Cylinder	1
5	4691000318	Pin	1
6	4691000316	Pin	1
7	7754000043	Snap Ring	4
8	4679000159	Pad	2
9	4706003708	Plate	2
10	4679000161	Pad	4
11	4679000158	Pad	4
12	3706000177	Plate	1
13	3706000178	Plate	1
14	4679000206	Pad	2
15	4706003144	Plate	2
16	7114140418	Capscrew 0.25" - 20NC x 0.50"	8
17	3706000179	Plate - LH	1
18	3706000180	Plate - RH	1
19	4679000205	Pad	2
20	4706003719	Plate	2
21	7105180850	Capscrew, 0.50"-20NF x 1.00"	8
22	7950180153	Flatwasher, 0.50"	8
23	4706002467	Plate	1
24	7115140650	Capscrew, 0.25"-20NC x 0.75"	4
25	7950140000	Lockwasher, 0.25" ID	4
26	7440030000	Grease Fitting	1
27	7786000008	Screw, 0.50"-20NF x 1.25"	6
28	7660180230	Jamnut	6
29	4706003709	Plate	4
30	4706003721	Plate	4
31	4706003722	Plate	4
32	4706003723	Plate	4
33	4706003724	Plate	4
34	4706003725	Plate	2
35	4706003720	Plate	2
36	7661000019	U-Nut, 0.25" - 20NC	4
37	7209000022	Bushing	1

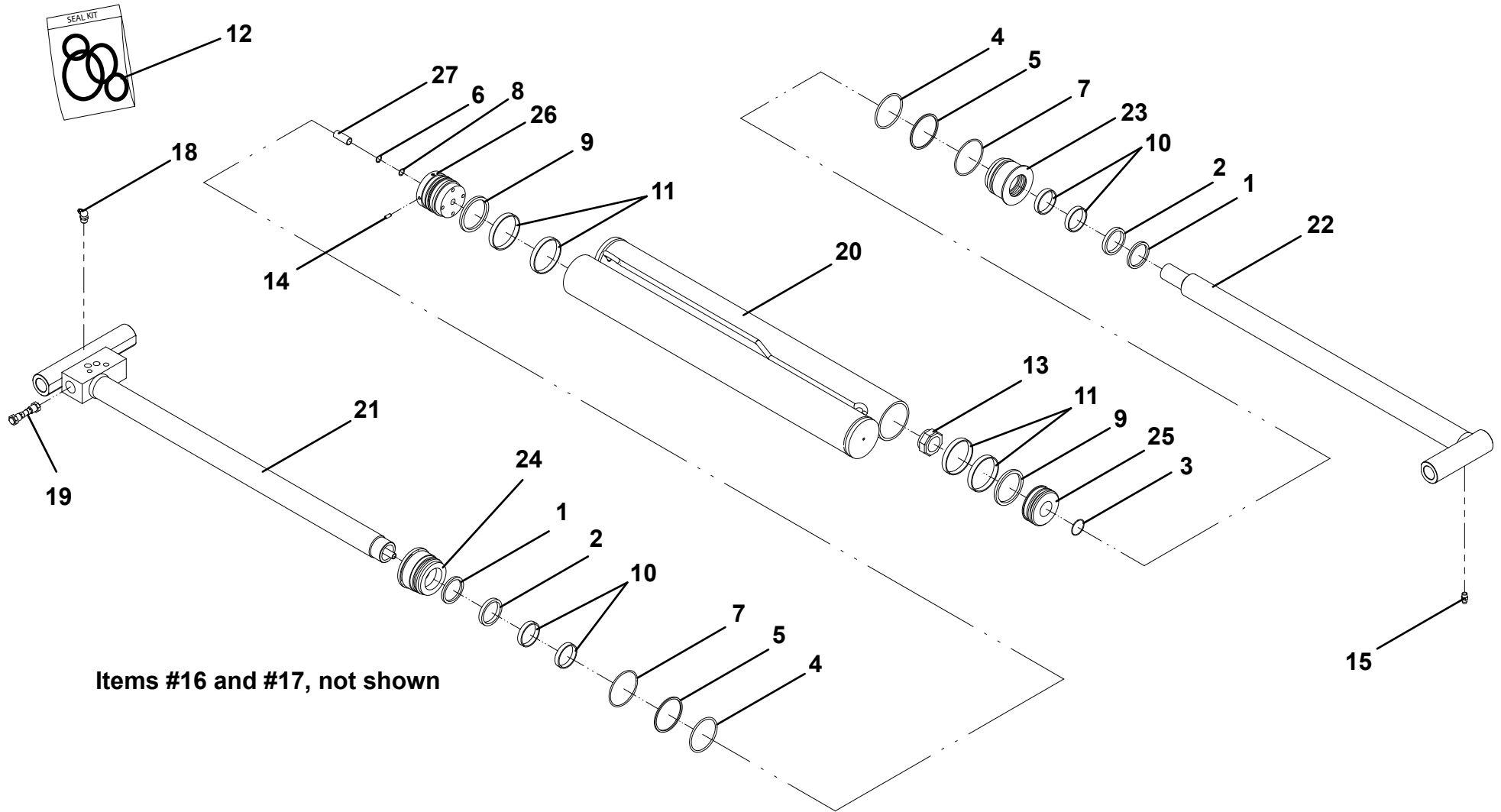
UNDERLIFT ASSEMBLY - 3170000220 - 35,000 LB (STANDARD)



UNDERLIFT EXTENSION CYLINDER ASSEMBLY - 7320000042

ITEM	PART NO.	DESCRIPTION	QTY
1	9796250080	Seal, Wiper	2
2	7019828	Seal	2
3	9796250133	Seal, "O" Ring	1
4	7019846	Seal, "O" Ring	2
5	7019845	Ring, Back-up	2
6	9796250135	Seal, "O" Ring	2
7	7019844	Seal, "O" Ring	2
8	9796250137	Seal, "O" Ring	2
9	9796250138	Seal	2
10	9754250015	Ring, Wear	4
11	9754250049	Ring, Wear	4
12	7577250271	Kit, Seal	1
13	7003212	Locknut	1
14	7003281	Setscrew	4
15	7005348	Grease Fitting	1
16	70050365	Plug, Port	2
17	70021648	Plug, Port	2
18	7440030400	Grease Fitting	1
19	9935250025	Kit, Check Cartridge	1
20	9912250021	Assembly, Tube	1
21	9763250025	Assembly, Rod	1
22	9763250026	Assembly, Rod-Tube	1
23	9553250015	Head	1
24	9553250016	Head	1
25	9698250018	Piston	1
26	9698250019	Piston	1
27	9007250005	Adapter, RT Tube	1

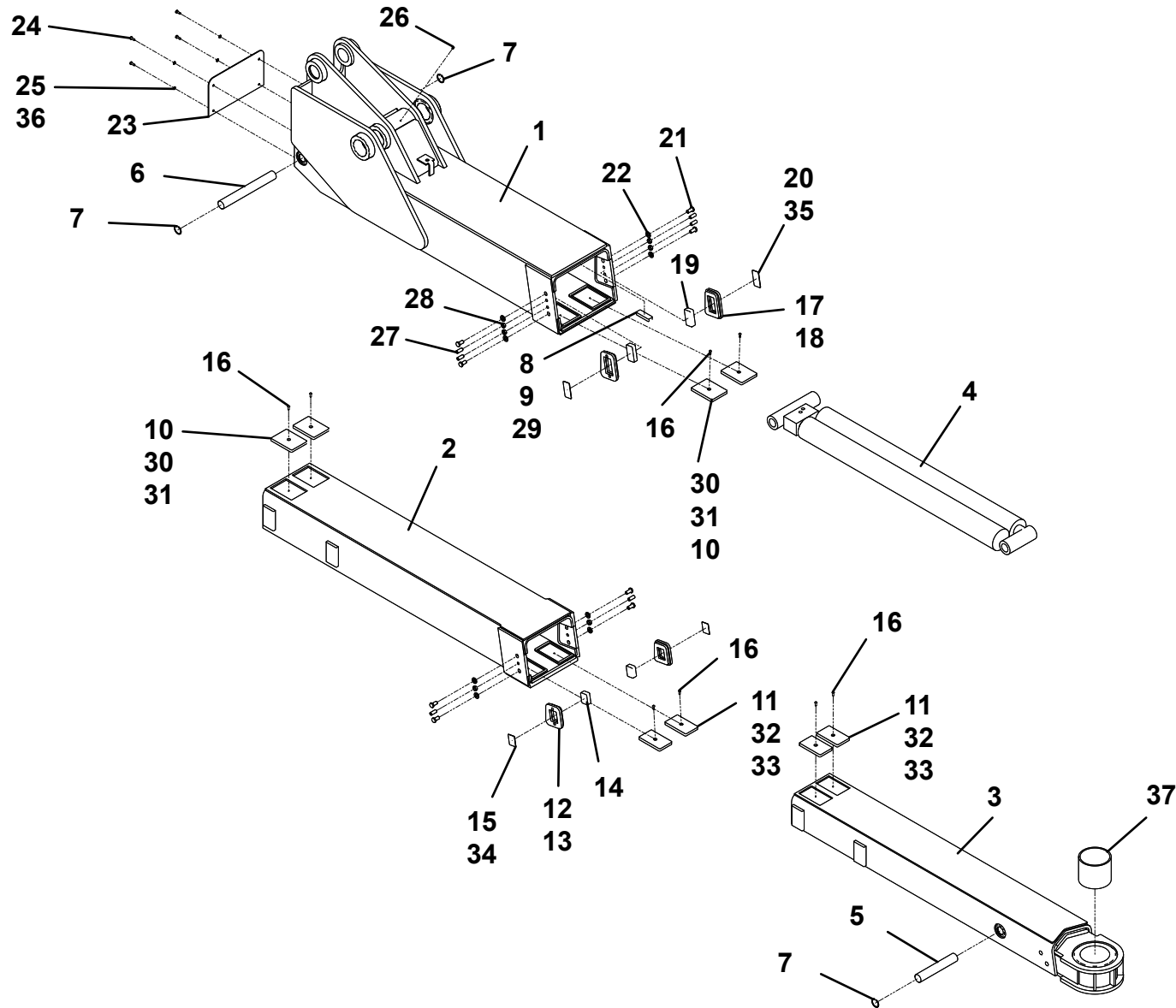
UNDERLIFT EXTENSION CYLINDER ASSEMBLY - 732000042



UNDERLIFT ASSEMBLY - 3170000433 - 30,000 LB (OPTIONAL)

ITEM	PART NO.	DESCRIPTION	QTY
1	3170000432	Base Section Boom Weldment	1
2	3170000431	Mid Section Boom Weldment	1
3	3170000430	Fly Section Boom Weldment	1
4	7320000076	Underlift Extension Cylinder	1
5	4691000318	Pin	1
6	4691000316	Pin	1
7	7754000043	Snap Ring	4
8	4679000159	Pad	2
9	4706003708	Plate	2
10	4679000161	Pad	4
11	4679000158	Pad	4
12	3706000177	Plate	1
13	3706000178	Plate	1
14	4679000206	Pad	2
15	4706003144	Plate	2
16	7114140418	Capscrew 0.25" - 20NC x 0.50"	8
17	3706000179	Plate - LH	1
18	3706000180	Plate - RH	1
19	4679000205	Pad	2
20	4706003719	Plate	2
21	7105180850	Capscrew, 0.50"-20NF x 1.00"	8
22	7950180153	Flatwasher, 0.50"	8
23	4706002467	Plate	1
24	7115140650	Capscrew, 0.25"-20NC x 0.75"	4
25	7950140000	Lockwasher, 0.25" ID	4
26	7440030000	Grease Fitting	1
27	7786000008	Screw, 0.50"-20NF x 1.25"	6
28	7660180230	Jamnut	6
29	4706003709	Plate	4
30	4706003721	Plate	4
31	4706003722	Plate	4
32	4706003723	Plate	4
33	4706003724	Plate	4
34	4706003725	Plate	2
35	4706003720	Plate	2
36	7661000019	U-Nut, 0.25" - 20NC	4
37	7209000022	Bushing	1

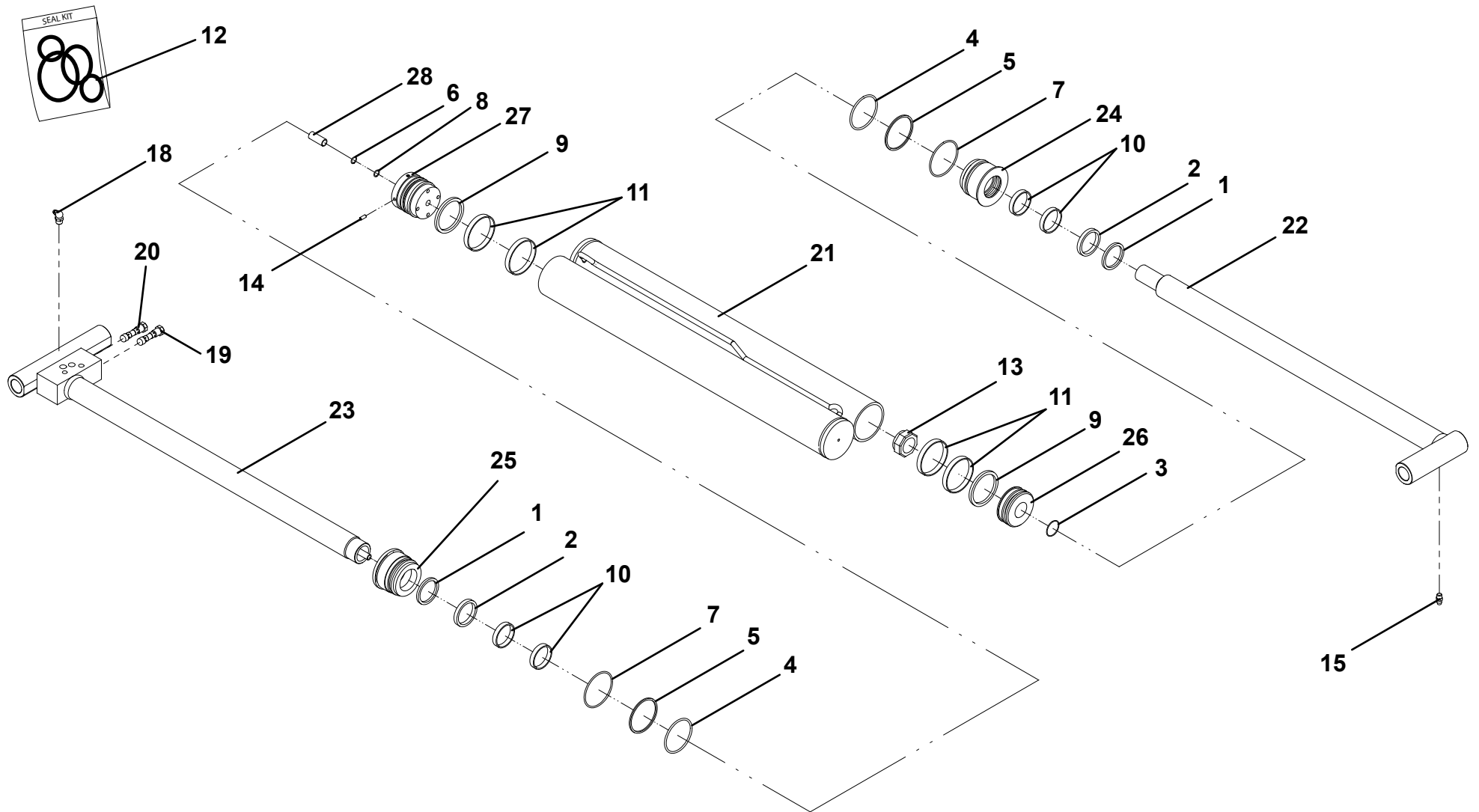
UNDERLIFT ASSEMBLY - 3170000433 - 30,000 LB (OPTIONAL)



UNDERLIFT EXTENSION CYLINDER ASSEMBLY - 7320000076

ITEM	PART NO.	DESCRIPTION	QTY
1	9796250080	Seal, Wiper	2
2	7019828	Seal	2
3	9796250133	Seal, "O" Ring	1
4	7019846	Seal, "O" Ring	2
5	7019845	Ring, Back-up	2
6	9796250135	Seal, "O" Ring	1
7	7019844	Seal, "O" Ring	2
8	9796250137	Seal, "O" Ring	2
9	9796250138	Seal	2
10	9754250015	Ring, Wear	4
11	9754250049	Ring, Wear	4
12	7577250271	Kit, Seal	1
13	7003212	Locknut	1
14	7003281	Setscrew	4
15	7005348	Grease Fitting	1
16	7005365	Plug, Port	5
17	70021648	Plug, Port	2
18	7440030400	Grease Fitting	1
19	70050218	Valve, Cartridge	1
20	70050217	Valve, Counterbalance	1
21	70050553	Assembly, Tube	1
22	70050554	Assembly, Rod	1
23	70050555	Assembly, Rod-Tube	1
24	9553250015	Head	1
25	9254250009	Head	1
26	9698250018	Piston	1
27	9698250019	Piston	1
28	9007250005	Adapter, RT Tube	1

UNDERLIFT EXTENSION CYLINDER ASSEMBLY - 7320000076

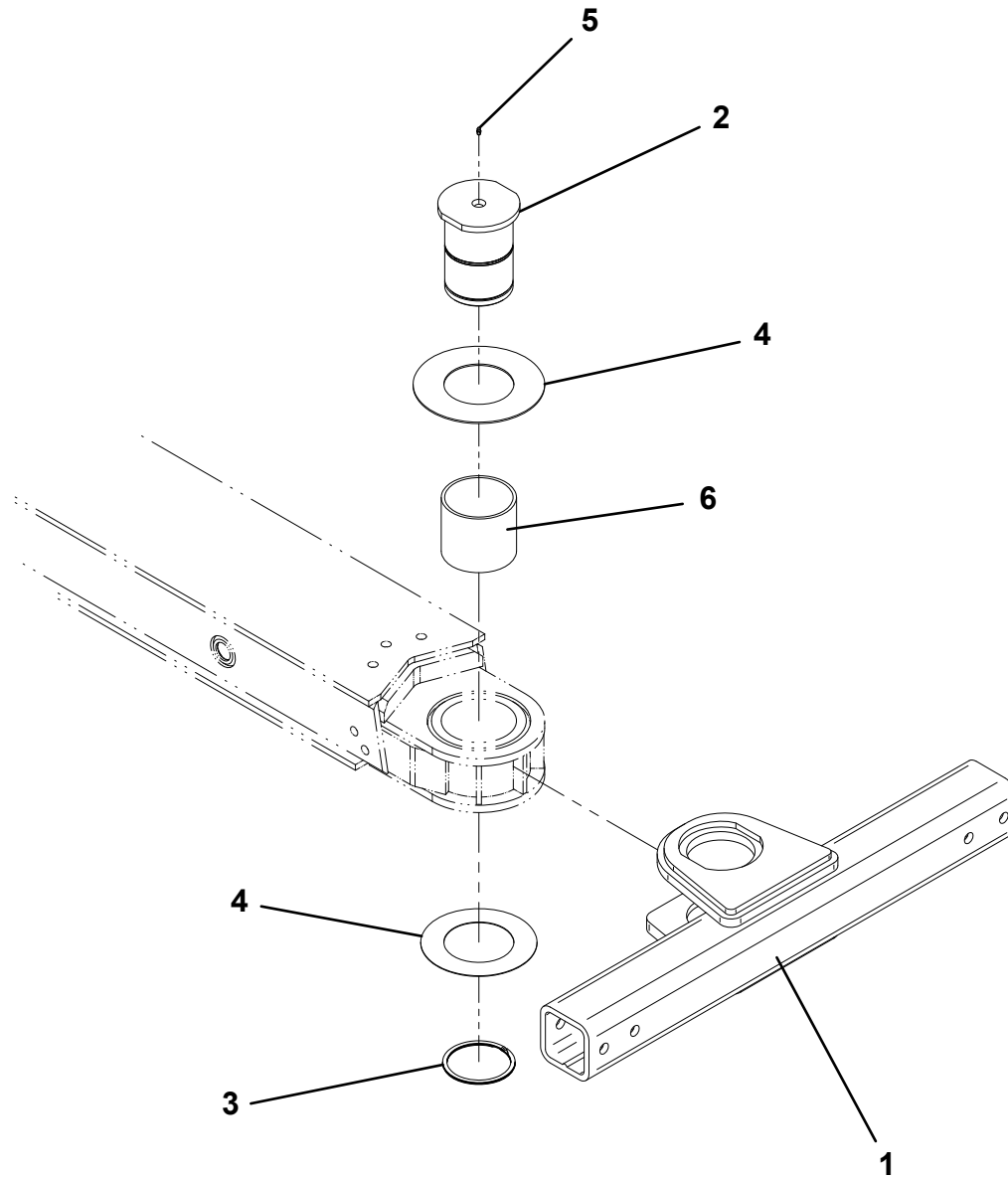


Items #16 and #17, not shown

CROSSTUBE INSTALLATION

ITEM	PART NO.	DESCRIPTION	QTY
1	3913000094	Crosstube	1
2	4691000242	Pin	1
3	7754000042	Retaining Ring	1
4	3577000018	Shim	1
5	7440030000	Grease Fitting	1
6	7209000022	Bushing	1

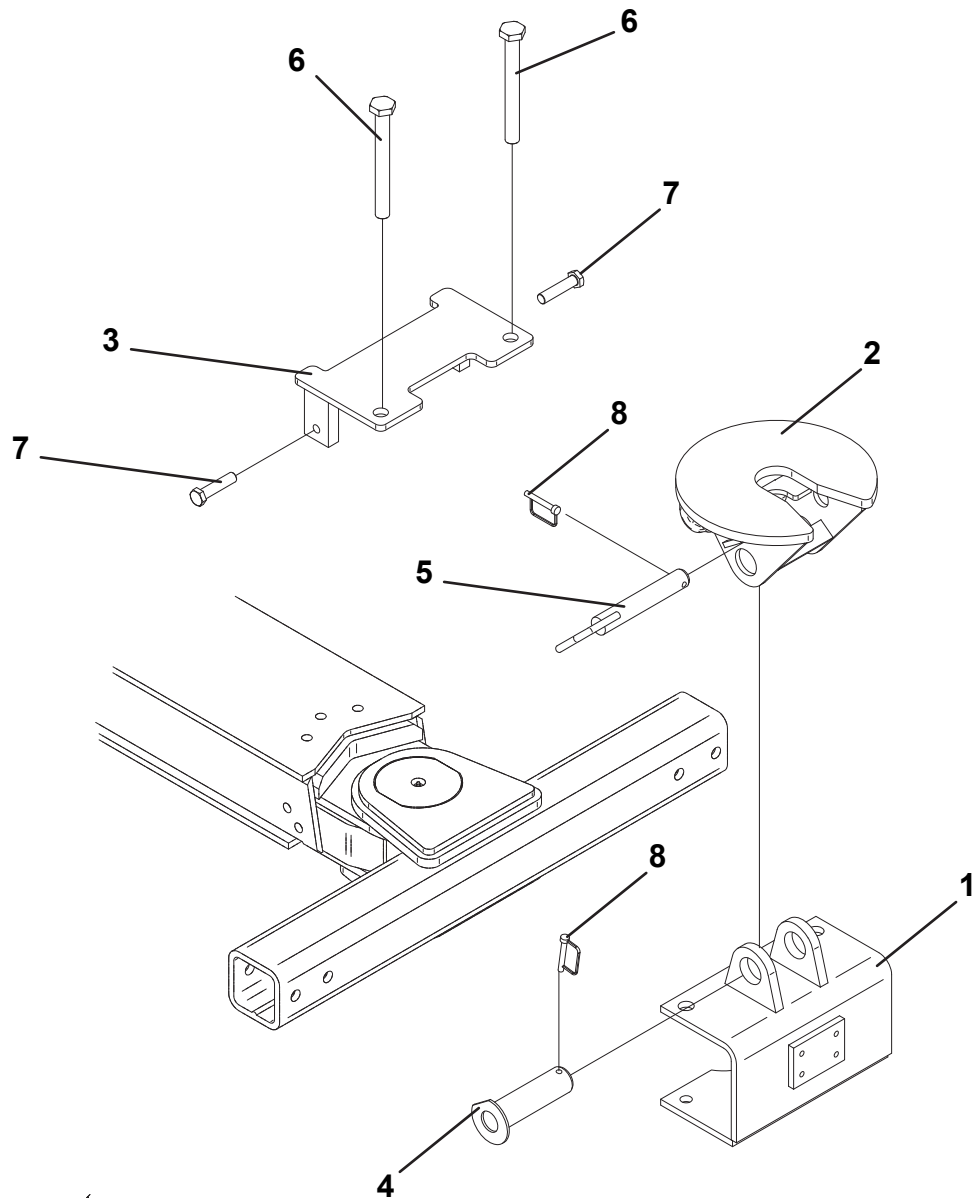
CROSTUBE INSTALLATION



UNDERLIFT TOOLS - 5TH WHEEL INSTALLATION

ITEM	PART NO.	DESCRIPTION	QTY
1	3178000240	Bracket	1
2	3178000499	Bracket	1
3	3706000080	Plate	1
4	3691000144	Pin	1
5	3691000144	Pin	1
6	7118267250	Capscrew, 1.00" - 8NC x 9.00"	2
7	7120000036	Capscrew, 0.75" - 10NC x 3.25"	2
8	7691000025	Pin	2

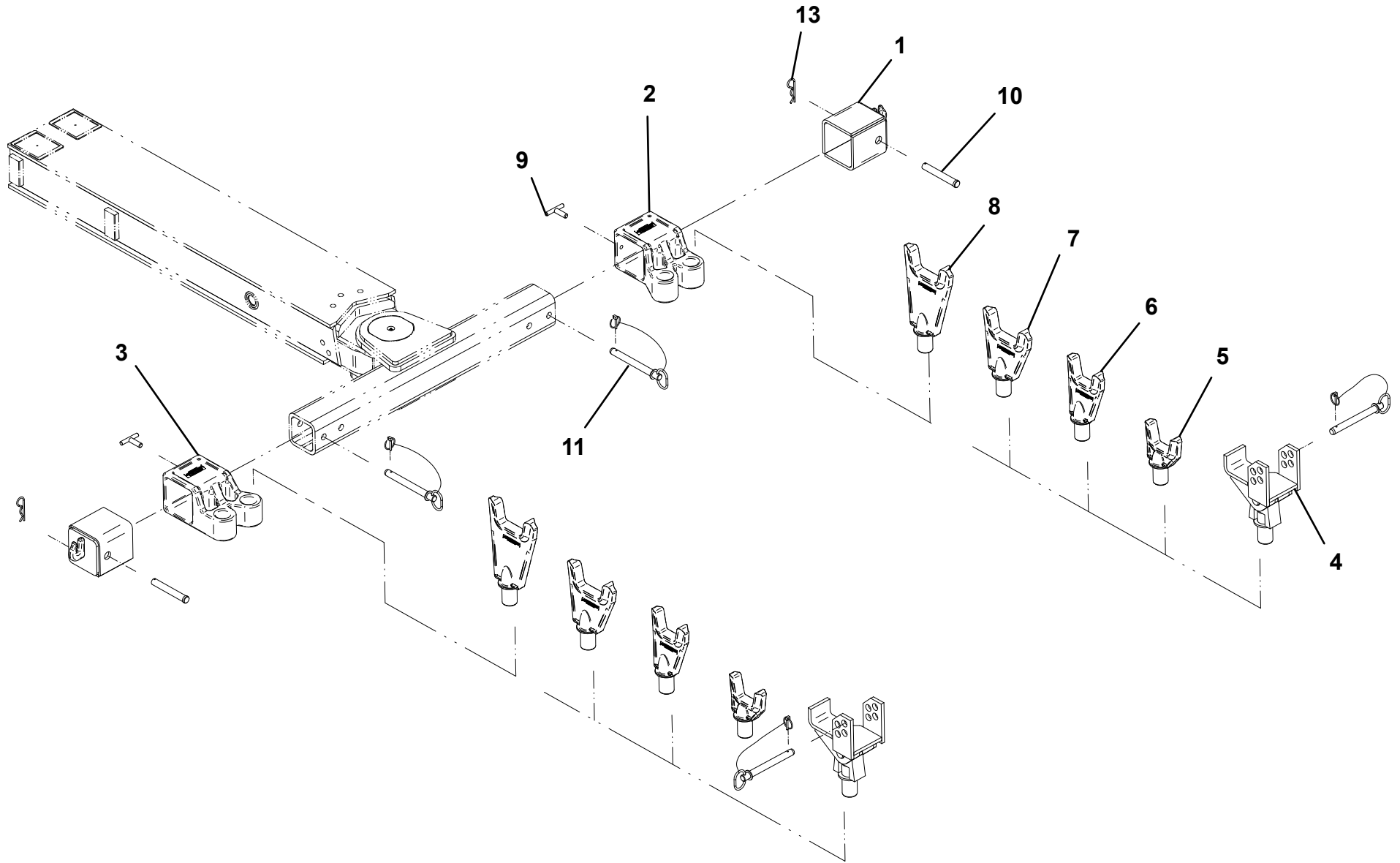
UNDERLIFT TOOLS - 5TH WHEEL INSTALLATION



UNDERLIFT TOOLS - FRAME FORKS

ITEM	PART NO.	DESCRIPTION	QTY
1	3007000004	Chain Hook Adapter	2
2	7007000056	Frame Fork Adapter, RH	1
3	7007000055	Frame Fork Adapter, LH	1
4	3178000226	Spring Lift Bracket	2
5	7454000006	Fork, 3.00" Short	2
6	7454000005	Fork, 3.00" Medium	2
7	7454000003	Fork, 4.50" Medium	2
8	7454000004	Fork, 4.50" Long	2
9	3551000036	T-Handle	2
10	7691000022	Pin	2
11	7691000021	Pin	2
12	1001159568	Strap (Not Shown)	1
13	1001198300	Pin	2

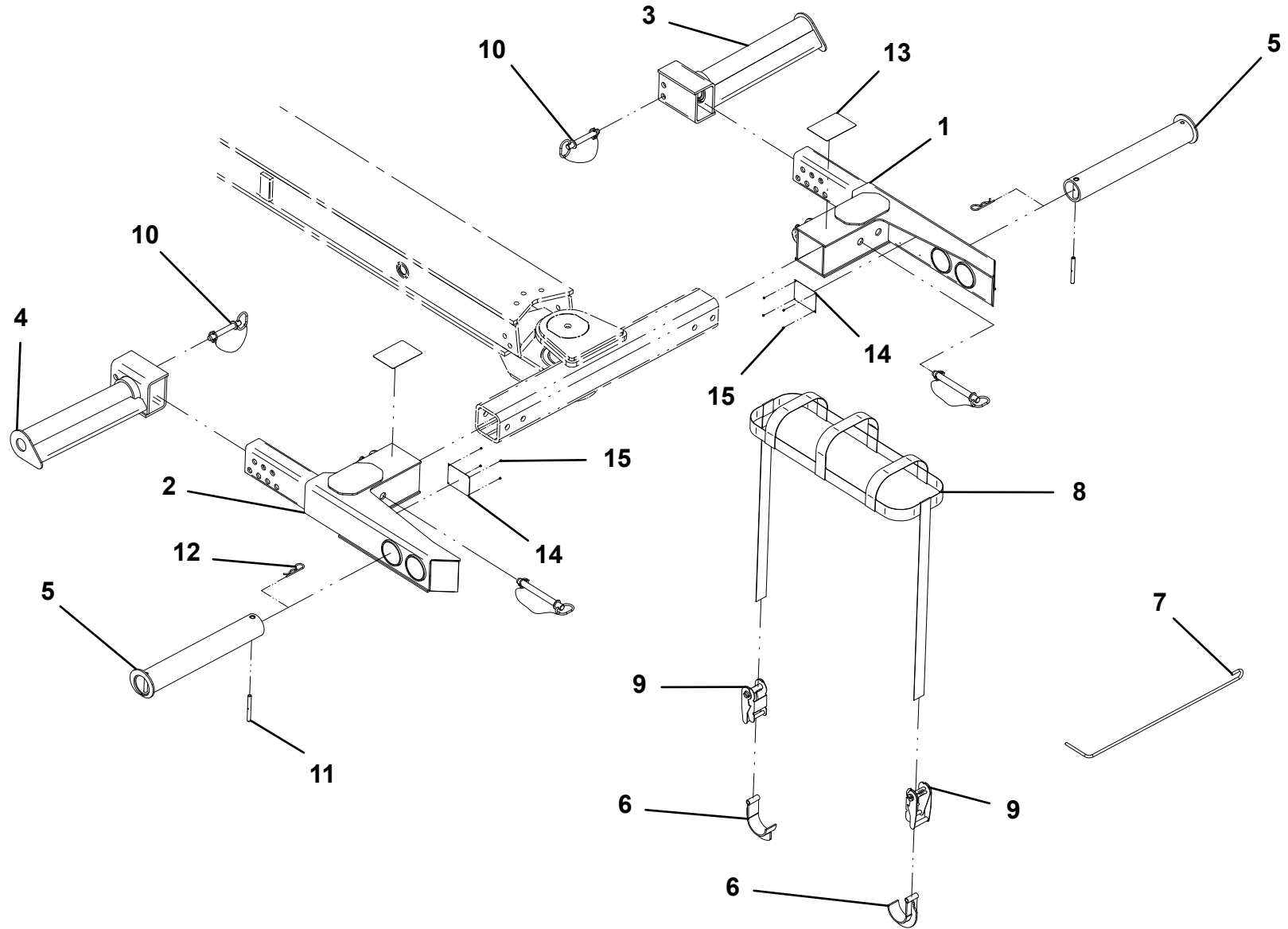
UNDERLIFT TOOLS - FRAME FORKS



UNDERLIFT TOOLS - 14,000 LB TIRE LIFT

ITEM	PART NO.	DESCRIPTION	QTY
1	3484000048	Tire Lift Grid - RH	1
2	3484000049	Tire Lift Grid - LH	1
3	3020000120	Tire Lift Arm Weldment - RH	1
4	3020000119	Tire Lift Arm Weldment - LH	1
5	3912000038	Tire Lift Tube Weldment	2
6	3561000008	Hook	4
7	4561000012	Pull Hook	1
8	7894000037	Strap	2
9	7894000028	Ratchet Strap	4
10	7691000026	Hitch Pin	2
11	4691000274	Pin	4
12	7691000020	Hairpin	4
13	7330000278	Decal, Caution	2
14	1001132268	Decal, Rating	2
15	7759000004	Pop Rivet	8

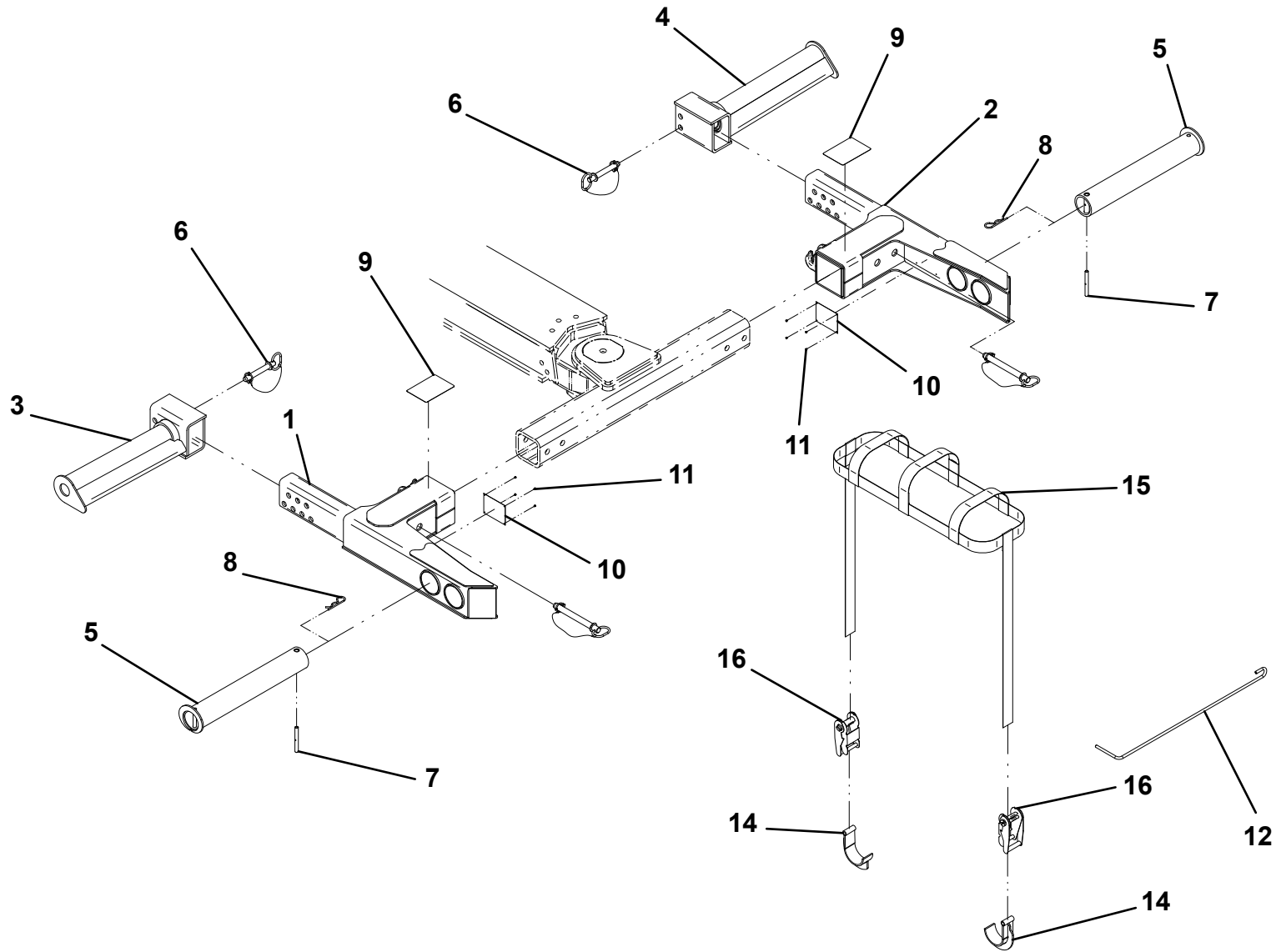
UNDERLIFT TOOLS - 14,000 LB TIRE LIFT



UNDERLIFT TOOLS - 25,000 LB TIRE LIFT

ITEM	PART NO.	DESCRIPTION	QTY
1	3484000072	Tire Lift Grid - LH	1
2	3484000073	Tire Lift Grid - RH	1
3	3020000119	Tire Lift Arm Weldment - LH	1
4	3020000120	Tire Lift Arm Weldment - RH	1
5	3912000033	Tire Lift Tube Weldment	2
6	7691000026	Hitch Pin	2
7	4691000274	Pin	4
8	7691000020	Hairpin	4
9	7330000278	Decal, Caution	2
10	1001132265	Decal, Rating	2
11	7759000004	Pop Rivet	8
12	4561000012	Pull Hook	1
13	7577000368	Strap	1
14	3912000038	Tube Weldment	2
15	3561000008	Hook	4
16	7894000037	Strap	2
17	7894000028	Ratchet Strap	4

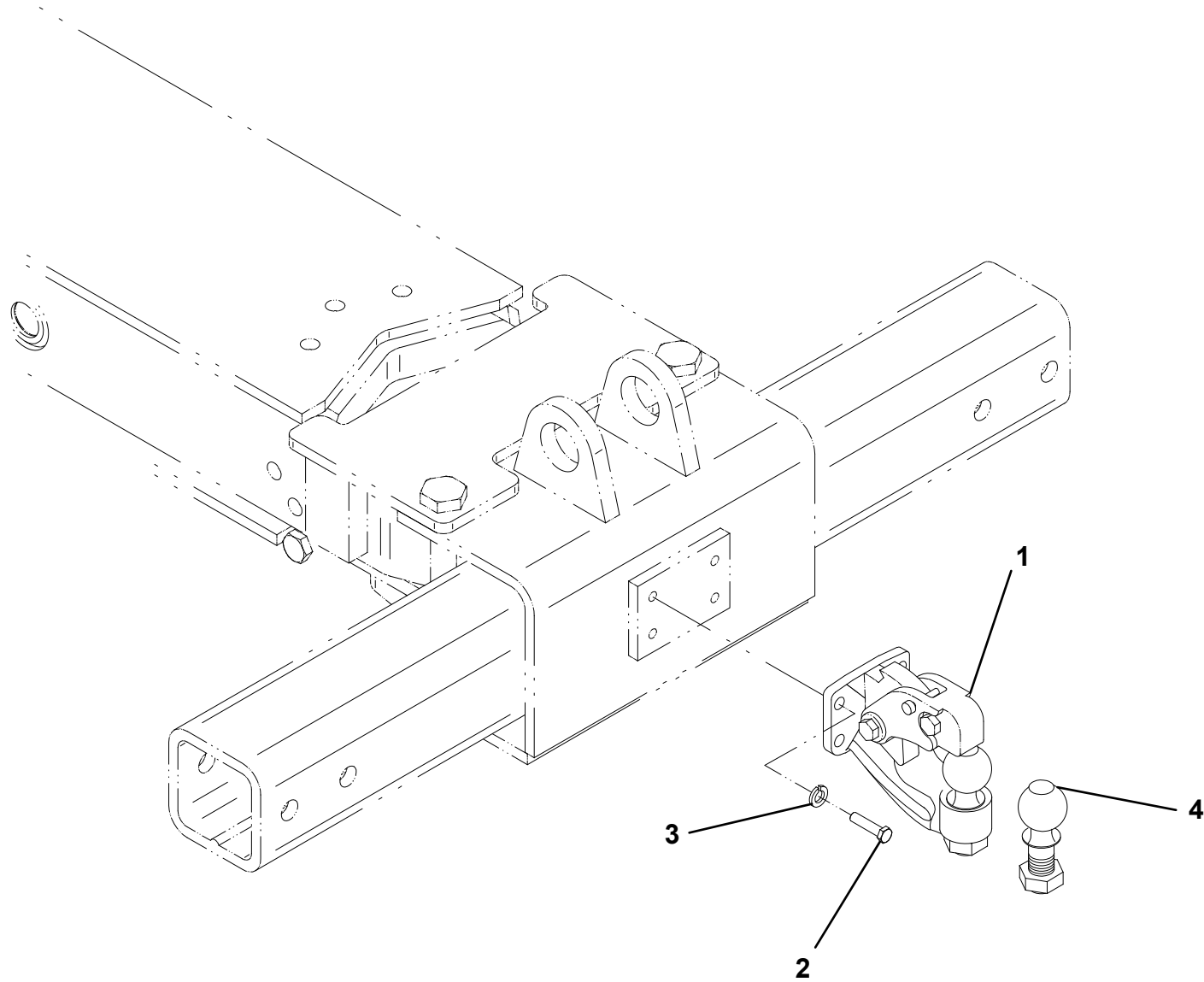
UNDERLIFT TOOLS - 25,000 LB TIRE LIFT



UNDERLIFT TOOLS - PINTLE HOOK

ITEM	PART NO.	DESCRIPTION	QTY
1	7561000020	Hitch, Pintle Hook with 2" Dia. Ball	1
2	7118181250	Capscrew, 0.50"-13NC x 1.50"	4
3	7950180000	Lockwasher, 0.50" ID	4
4	7056000003	Ball, 1.88" Dia	1
	7056000004	Ball, 2.00" Dia	
	7056000005	Ball, 2.31" Dia	
	7056000006	Ball, 50mm Dia	

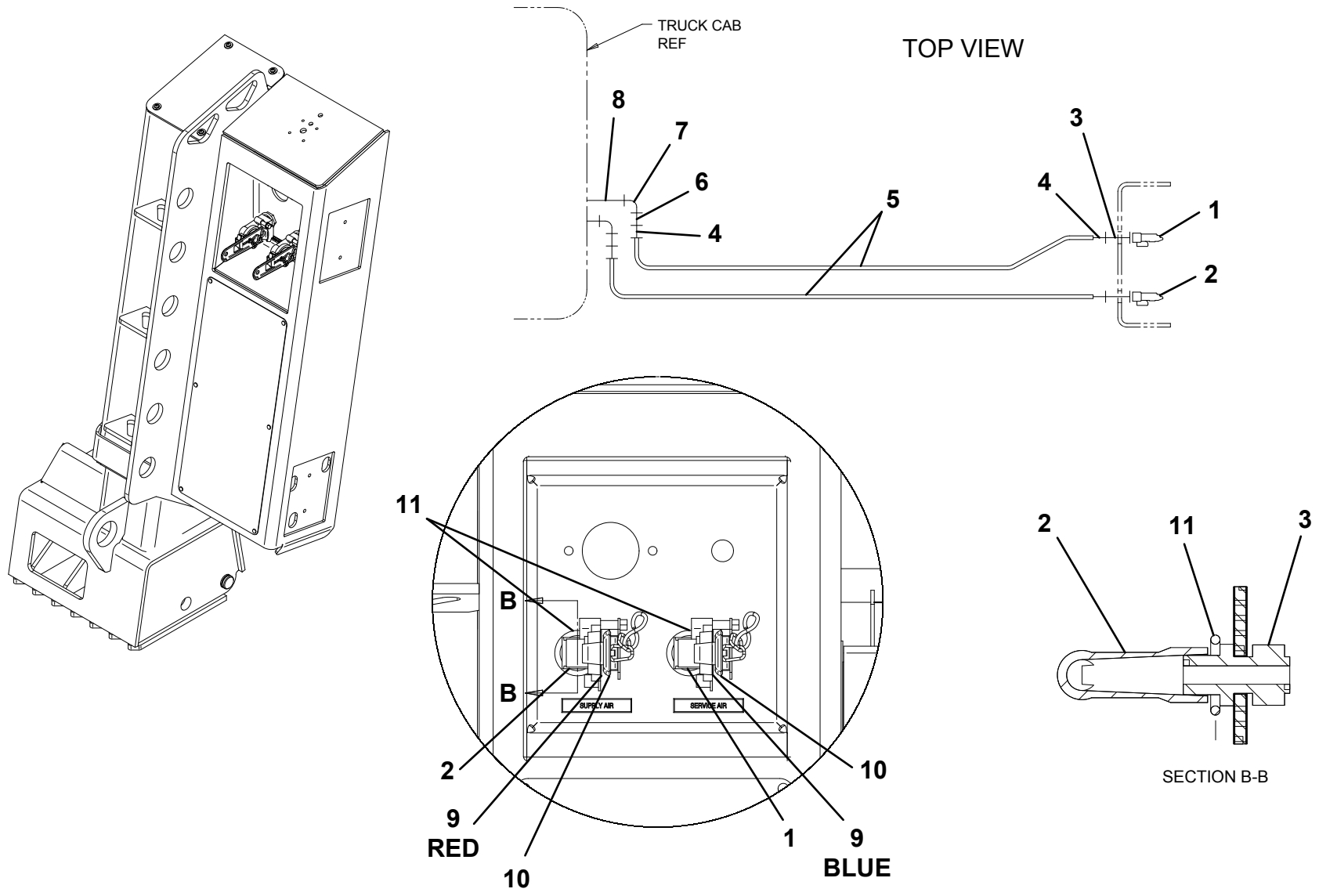
UNDERLIFT TOOLS - PINTLE HOOK



TRAILER AIR INSTALLATION

ITEM	PART NO.	DESCRIPTION	QTY
1	7312000015	Gladhand	1
2	7312000016	Gladhand	1
3	7446502518	Fitting	2
4	7445060435	Fitting	4
5	7565000014	Airline	50 FT
6	7443000148	Bushing	2
7	7443000146	Elbow	2
8	7443000145	Bushing	2
9	7577000145	Seal Kit	1
10	1001170036	Shield	2
11	1001171933	Ring	2

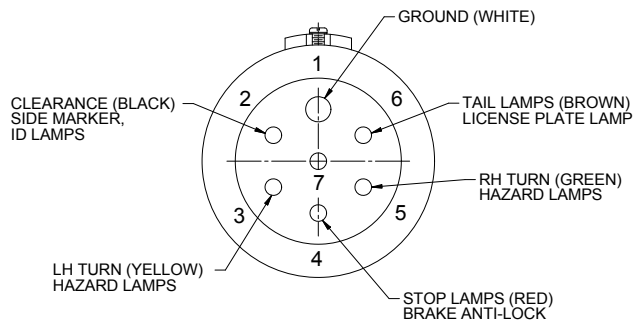
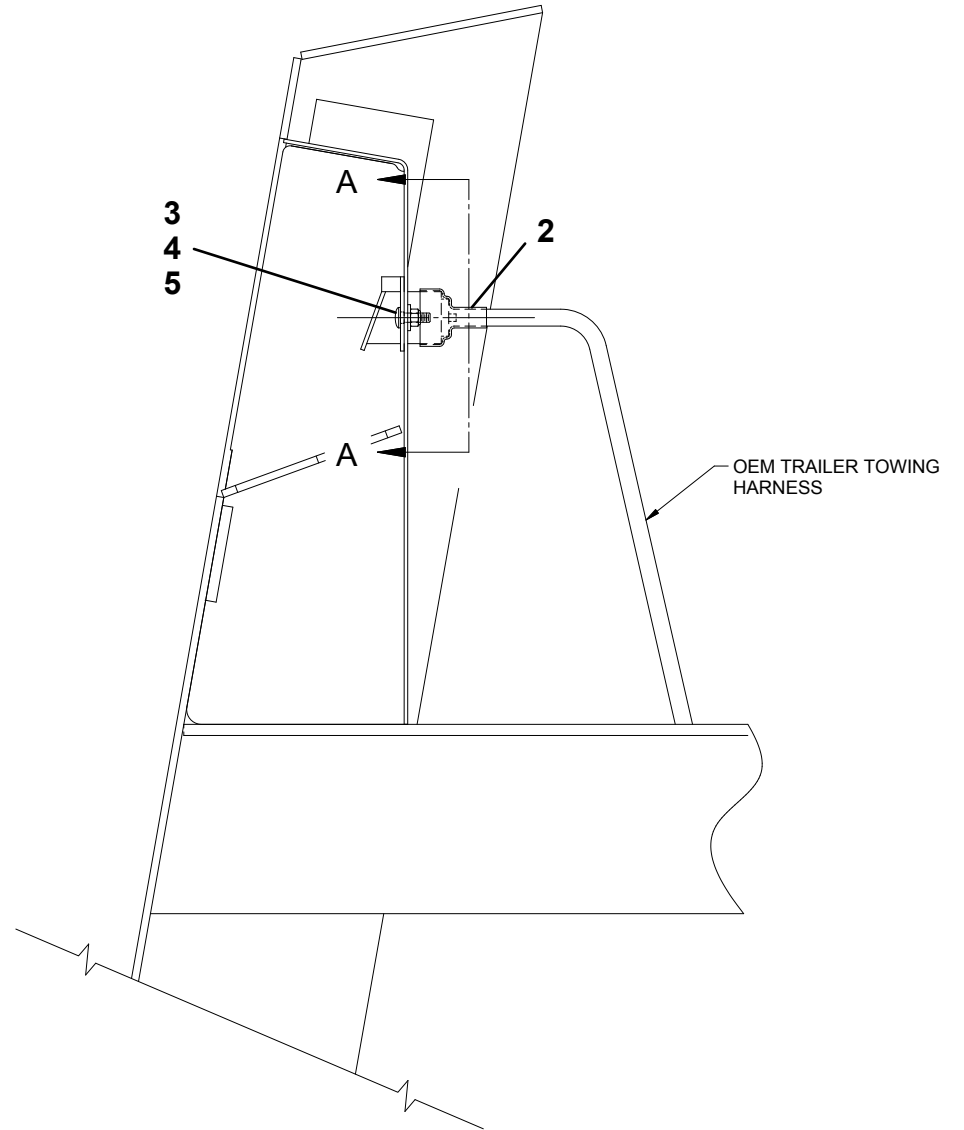
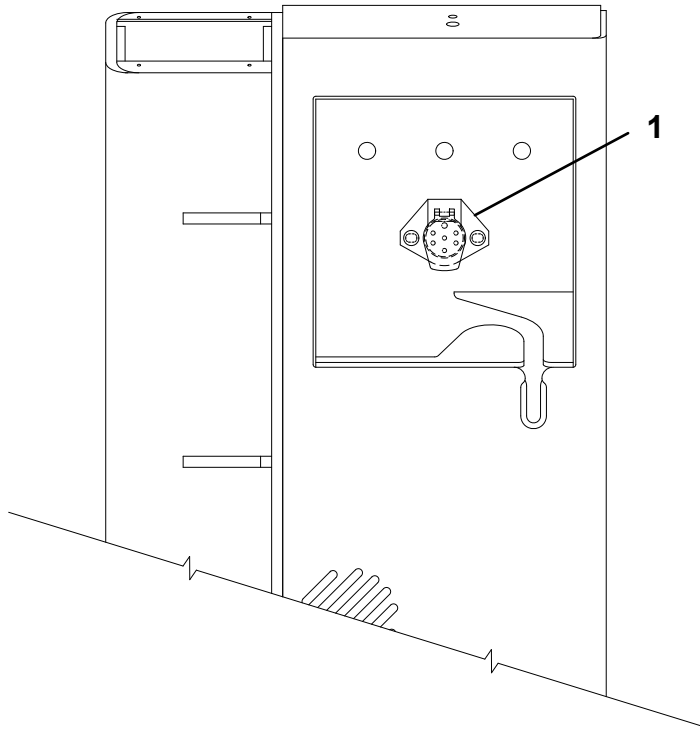
TRAILER AIR INSTALLATION



TRAILER PLUG INSTALLATION

ITEM	PART NO.	DESCRIPTION	QTY
1	7346000055	7-Way Plug	1
2	7346000078	7-Way Plug Boot	1
3	7115150864	Bolt, 0.31"-18NC x 1.00"	2
4	7950150161	Flatwasher, 0.31" ID	2
5	7660152601	Locknut, 0.31"-18NC	2

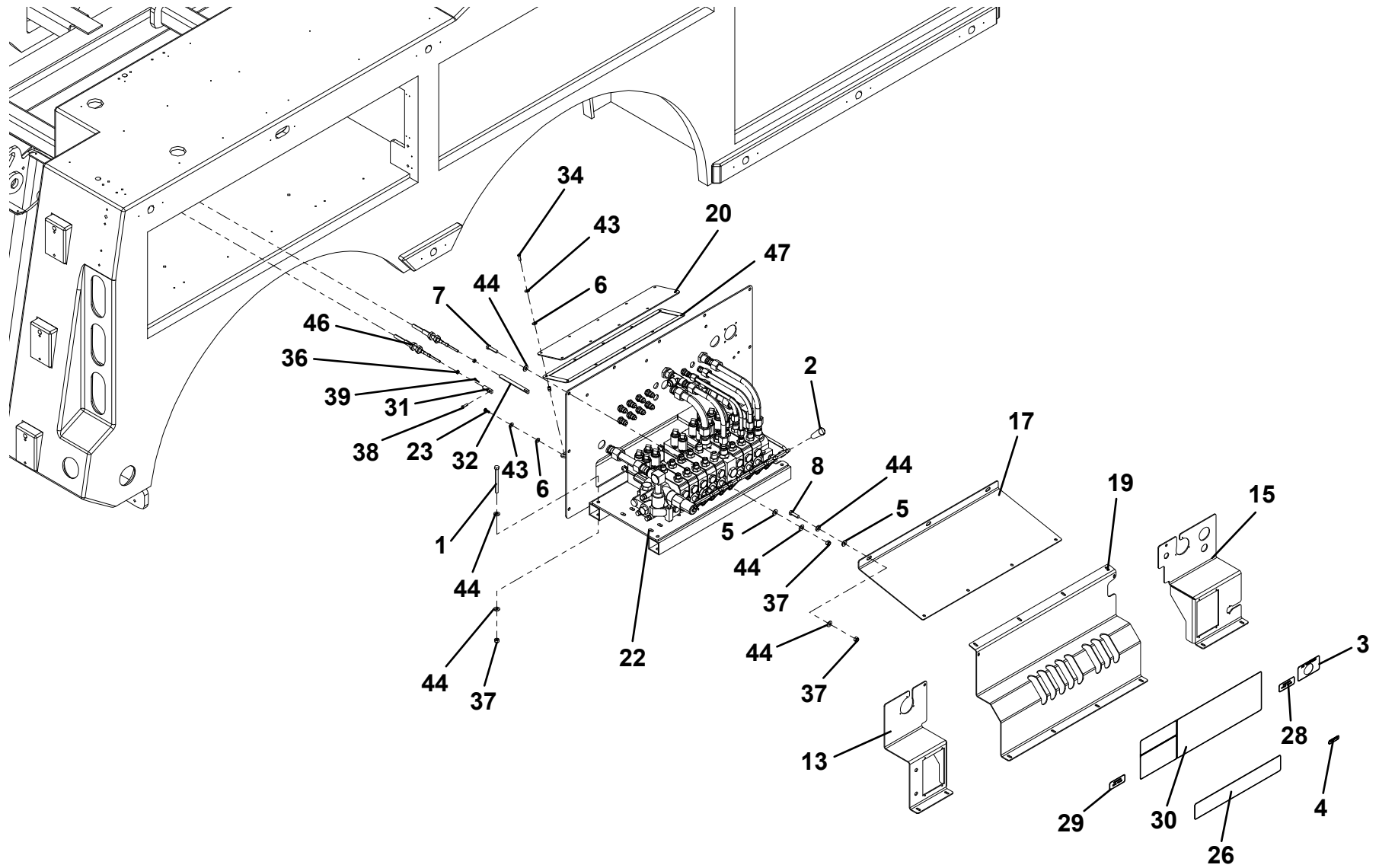
TRAILER PLUG INSTALLATION

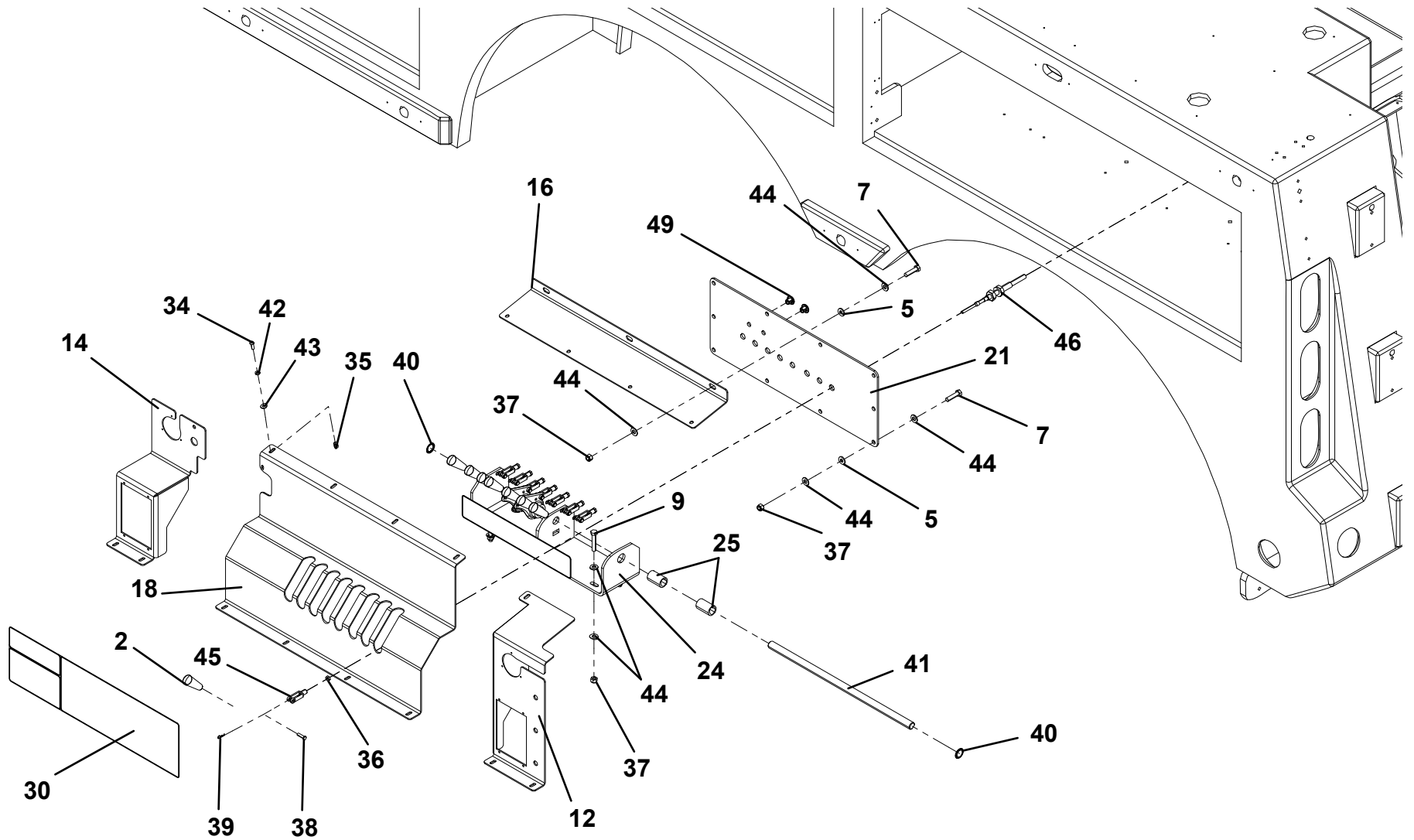


CONTROL INSTALLATION - 8 SECTION - 6 SOLENOID (PRIOR TO S/N 0230004251)

ITEM	PART NO.	DESCRIPTION	QTY	ITEM	PART NO.	DESCRIPTION	QTY
1	641632	Capscrew, 0.38"-16 X 4.00"	4	40	7754000009	Retaining Ring	2
2	1001130491	Control Knob	16	41	7806000008	Shaft	1
3	1001134433	Decal	1	42	7950140003	Lockwasher, 0.25" ID	11
4	1001154277	Decal	1	43	7950140143	Flatwasher, 0.25" ID	40
5	1001166974	Washer, 0.38"	25	44	7950160143	Flatwasher, 0.38" ID	66
6	1001166978	Washer, 0.25"	13	45	7990000003	Yoke	8
7	1001168993	Capscrew, 0.38"-16 X 1.50"	22	46	7248000053	Cable Push Pull	8
8	1001169080	Capscrew, 0.38"-16 X 1.25"	3	47	7796000012	Seal	3.5FT
9	1001169083	Capscrew, 0.38"-16 X 2.00"	4	48	3520064	Plug	2
10	1001184827	Handle, Long	2	49	1001201079	Plug	2
11	1001184828	Handle, Short	6				
12	1001189779	Panel, Controls Rear LH	1				
13	1001189780	Panel, Controls Rear RH	1				
14	1001189781	Panel, Controls Front LH	1				
15	1001189782	Panel, Controls Front RH	1				
16	1001189783	Panel, Controls Top LH	1				
17	1001189784	Panel, Controls Top RH	1				
18	1001189785	Panel, Controls 8 Sect LH	1				
19	1001189786	Panel, Controls 8 Sect RH	1				
20	1001189993	Panel, Cable Bracket Cover	1				
21	1001189994	Plate	1				
22	1001194284	Valve Sub Assembly	1				
23	1001194676	Screw, 0.25" X 0.75"	19				
24	1001194682	Bracket	1				
25	1001194736	Spacer	2				
26	1001196907	Decal	1				
27	1001196908	Decal	1				
28	1001196909	Decal	1				
29	1001196910	Decal	1				
30	1001196911	Decal	2				
31	4309000001	Coupling	6				
32	4309000007	Coupling	2				
33	7082000005	Bearing	2				
34	7114140618	Screw, 0.25"-20 X 0.75"	21				
35	7413000002	Nutsert, 0.25"-20	21				
36	7660140230	Nut, 0.25"-28	16				
37	7660162601	Locknut, 0.38"-16NC	33				
38	7690141200	Pin	16				
39	7691000075	Pin	16				

CONTROL INSTALLATION - 8 SECTION - 6 SOLENOID (PRIOR TO S/N 0230004251)



CONTROL INSTALLATION - 8 SECTION - 6 SOLENOID (PRIOR TO S/N 0230004251)

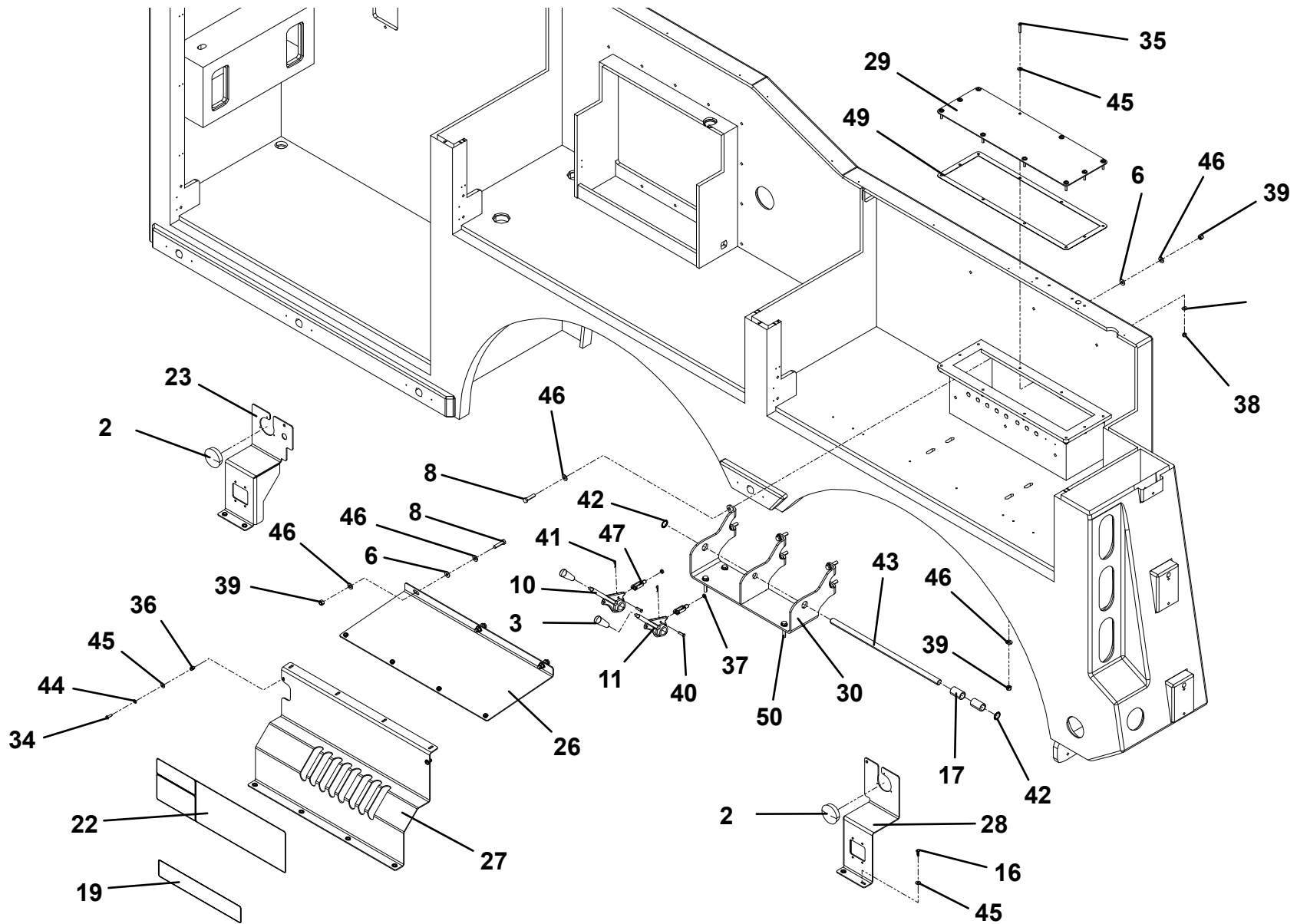
CONTROL INSTALLATION - 8 SECTION - 6 SOLENOID (PRIOR TO S/N 0230004251)

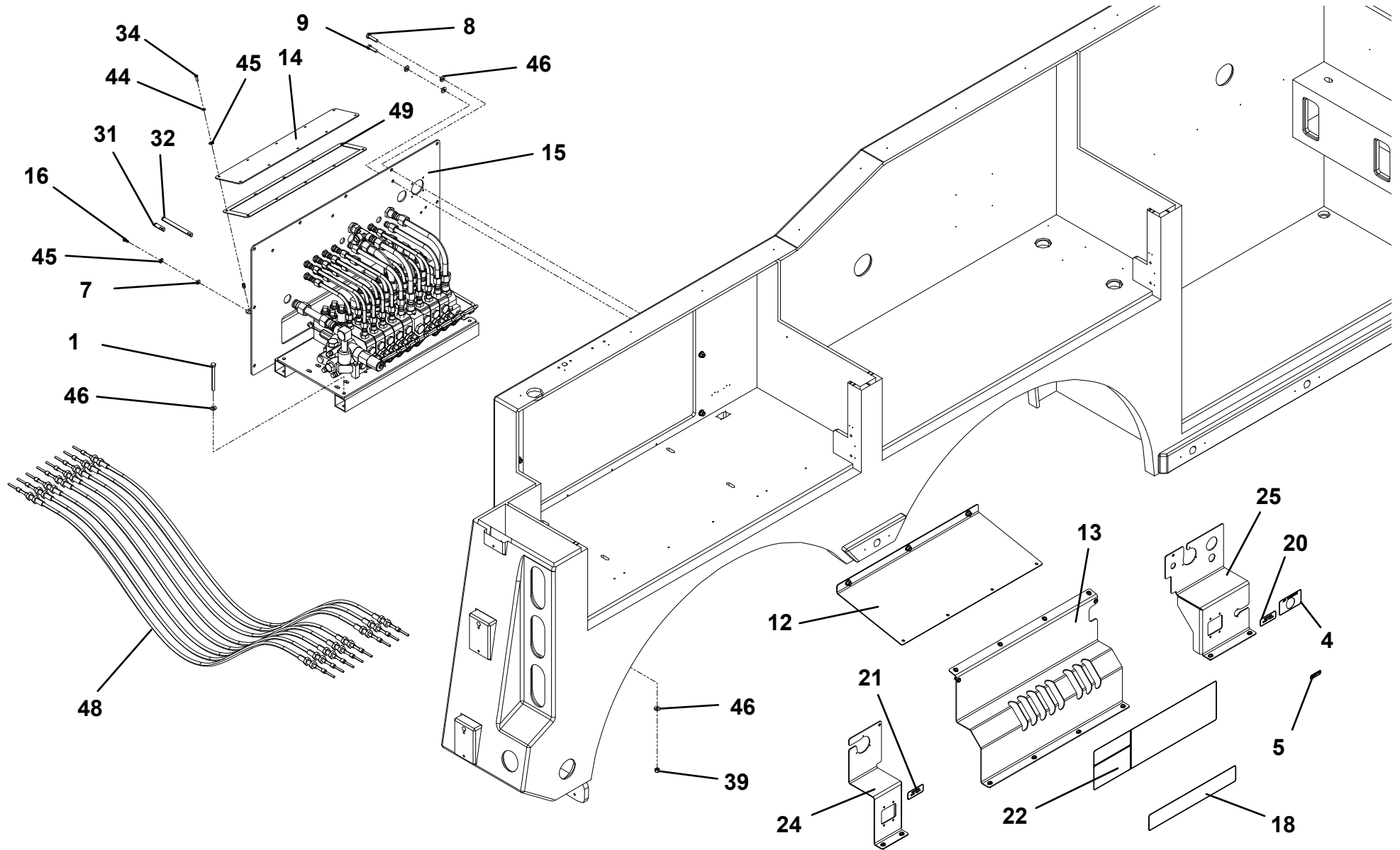
THIS PAGE INTENTIONALLY LEFT BLANK

CONTROL INSTALLATION - 8 SECTION - 6 SOLENOID (S/N 0230004251 TO PRESENT)

ITEM	PART NO.	DESCRIPTION	QTY	ITEM	PART NO.	DESCRIPTION	QTY
1	641632	Capscrew, 0.38"-16 X 4.00"	4	40	7690141200	Pin	16
2	3520064	Plug	2	41	7691000075	Pin	16
3	1001130491	Control Knob	16	42	7754000009	Retaining Ring	2
4	1001134433	Decal	1	43	7806000008	Shaft	1
5	1001154277	Decal	1	44	7950140003	Lockwasher, 0.25" ID	22
6	1001166974	Washer, 0.38" ID	21	45	7950140143	Flatwasher, 0.25" ID	61
7	1001166978	Washer, 0.25" ID	3	46	7950160143	Flatwasher, 0.38" ID	58
8	1001168993	Capscrew, 0.38"-16 X 1.50"	18	47	7990000003	Yoke	8
9	1001169080	Capscrew, 0.38"-16 X 1.25"	3	48	7248000053	Cable Push Pull	8
10	1001184827	Handle, Long	2	49	7796000012	Seal	8.7 FT
11	1001184828	Handle, Short	6	50	1001169083	Capscrew, 0.38"-16 X 2.00"	4
12	1001189784	Panel, Controls Top RH	1				
13	1001189786	Panel, Controls 8 Sect RH	1				
14	1001189993	Panel, Cable Bracket Cover	1				
15	1001194284	Valve Sub Assembly	1				
16	1001194676	Screw, 0.25" X 0.75"	19				
17	1001194736	Spacer	2				
18	1001196907	Decal	1				
19	1001196908	Decal	1				
20	1001196909	Decal	1				
21	1001196910	Decal	1				
22	1001196911	Decal	2				
23	1001199311	Panel, Controls Front LH	1				
24	1001199322	Panel, Controls Rear RH	1				
25	1001199324	Panel, Controls Front RH	1				
26	1001214902	Panel, Controls Top LH	1				
27	1001214961	Panel, Controls 8 Sect LH	1				
28	1001219691	Panel, Controls Rear LH	1				
29	1001219937	Plate	1				
30	1001220068	Bracket	1				
31	4309000001	Coupling	6				
32	4309000007	Coupling	2				
33	7082000005	Bearing	2				
34	7114140618	Screw, 0.25"-20 X 0.75"	22				
35	7114141018	Screw, 0.25"-20NC x 1.25"	10				
36	7413000002	Nutsert, 0.25"-20	22				
37	7660140230	Nut, 0.25"-28	16				
38	7660142601	Nut, 0.25"	10				
39	7660162601	Locknut, 0.38"-16NC	29				

CONTROL INSTALLATION - 8 SECTION - 6 SOLENOID (S/N 0230004251 TO PRESENT)



CONTROL INSTALLATION - 8 SECTION - 6 SOLENOID (S/N 0230004251 TO PRESENT)

CONTROL INSTALLATION - 8 SECTION - 6 SOLENOID (S/N 0230004251 TO PRESENT)

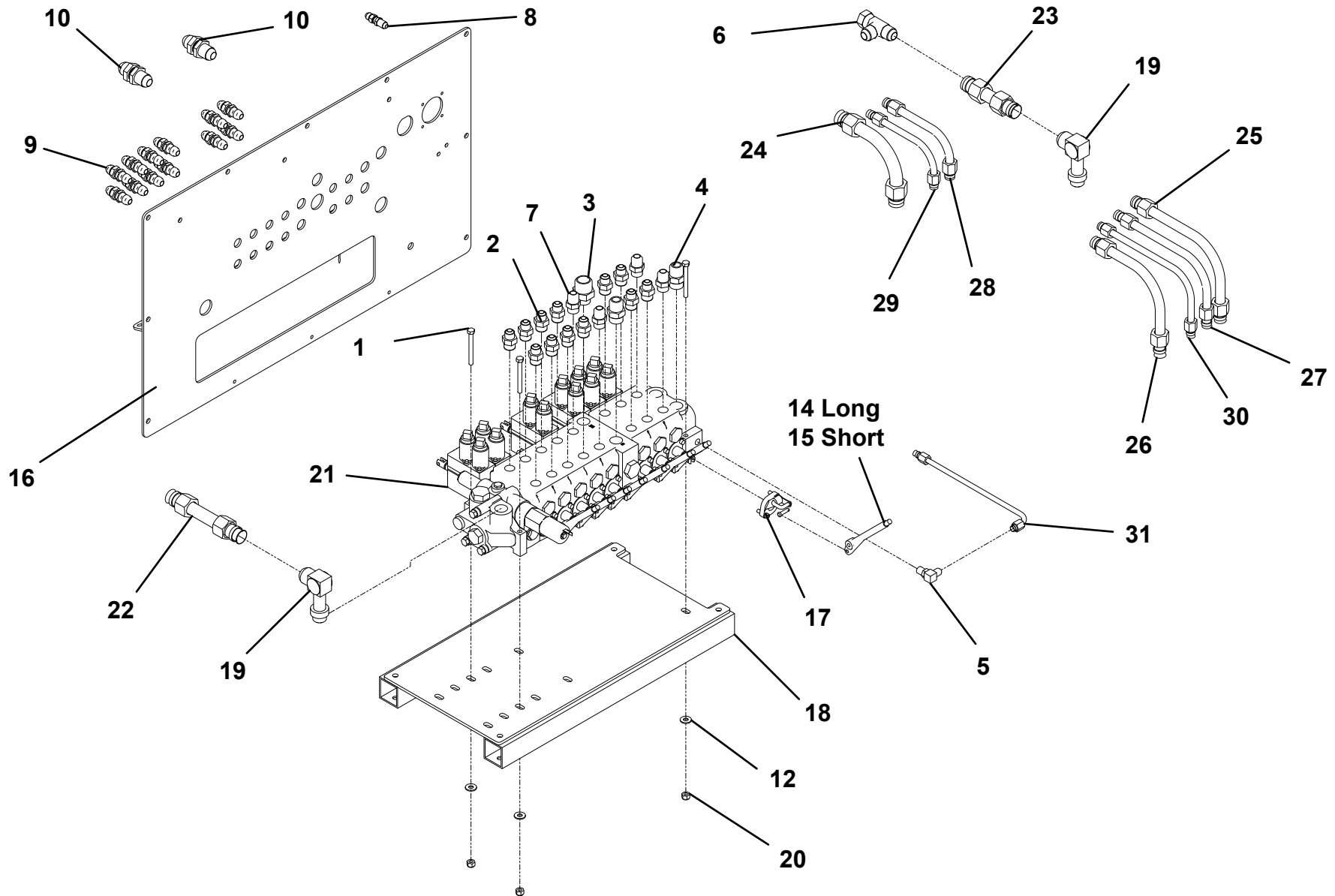
THIS PAGE INTENTIONALLY LEFT BLANK

CONTROL VALVE ASSEMBLY - 1001194284

ITEM	PART NO.	DESCRIPTION	QTY
1	0641524	Capscrew, 5/16" - 18 x 3"	3
2	2220374	Adapter	12
3	2220376	Adapter	1
4	2220451	Adapter	2
5	2220473	Adapter	1
6	2220700	Adapter	1
7	2220947	Adapter	4
8	2230024	Adapter	1
9	2230025	Adapter	12
10	2230027	Fitting	2
11	2230089	Fitting	3
12	4751500	Washer, 5/16" ID	3
13	8760037	Union	4
14	1001184772	Handle, Long	2
15	1001184773	Handle, Short	6
16	1001189989	Panel	1
17	1001194069	Linkage	8
18	3177000060	Mount	1
19	7443000211	Fitting	2
20	7660162601	Locknut, 0.38" - 16NC	3
21	7935000330	Valve, 8 Sec. 6 Sol	1
22	7912000301*	Tube Assembly	1
23	7912000302*	Tube Assembly	1
24	7912000303*	Tube Assembly	1
25	7912000304*	Tube Assembly	1
26	7912000305*	Tube Assembly	1
27	7912000306*	Tube Assembly	2
28	7912000307*	Tube Assembly	2
29	7912000308*	Tube Assembly	6
30	7912000309*	Tube Assembly	6
31	7912000310*	Tube Assembly	1

* Also Available In Tube Kit - 7577000668

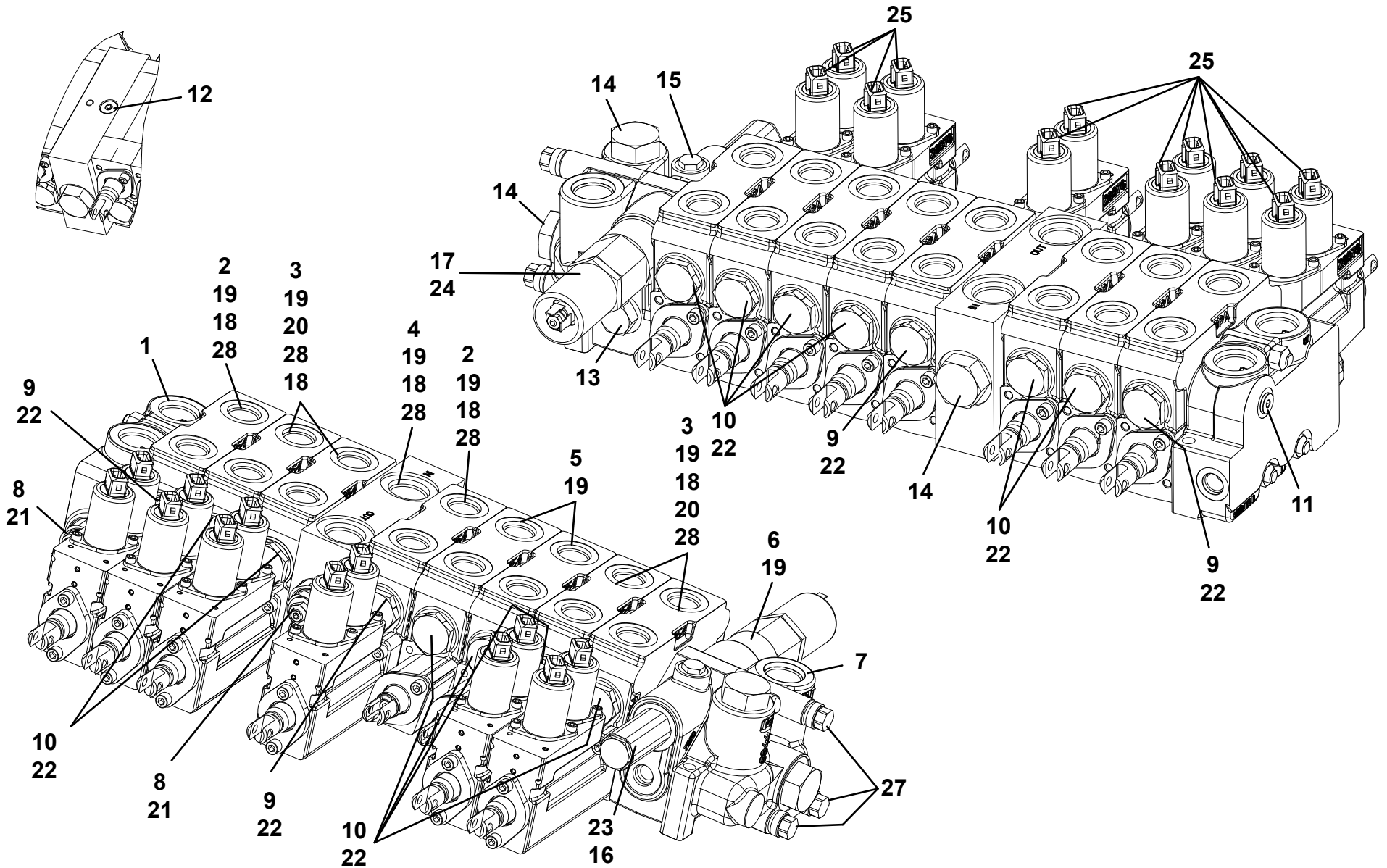
CONTROL VALVE ASSEMBLY - 1001194284



VALVE ASSEMBLY - 7935000330

ITEM	PART NO.	DESCRIPTION	QTY
1	7935000315	Inlet Cover	1
2	9935930120	Valve Section	2
3	9935930119	Valve Section	4
4	7935000316	Inlet	1
5	7935000320	Valve Section	2
6	7935000323	Utility Section	1
7	7935000317	Outlet Cover	1
8	91084009	Relief	2
9	70050243	Plug	4
10	7006847	Plug	12
11	70050245	Plug	1
12	70050246	Plug	2
13	70050247	Plug	1
14	91084017	Plug	3
15	70050249	Plug	1
16	70050241	Pressure Cartridge	1
17	70050242	Solenoid	1
18	70050250	Seal	13
19	70050251	O-Ring	40
20	70050252	O-Ring	6
21	70051081	Seal Kit	2
22	7029865	Seal Kit	16
23	70051080	Seal Kit	1
24	70050256	Seal Kit	1
25	9346930086	Solenoid	6
26	70051079	Seal	1
27	70050239	Stud Assembly	1
28	70050257	Wiper	16

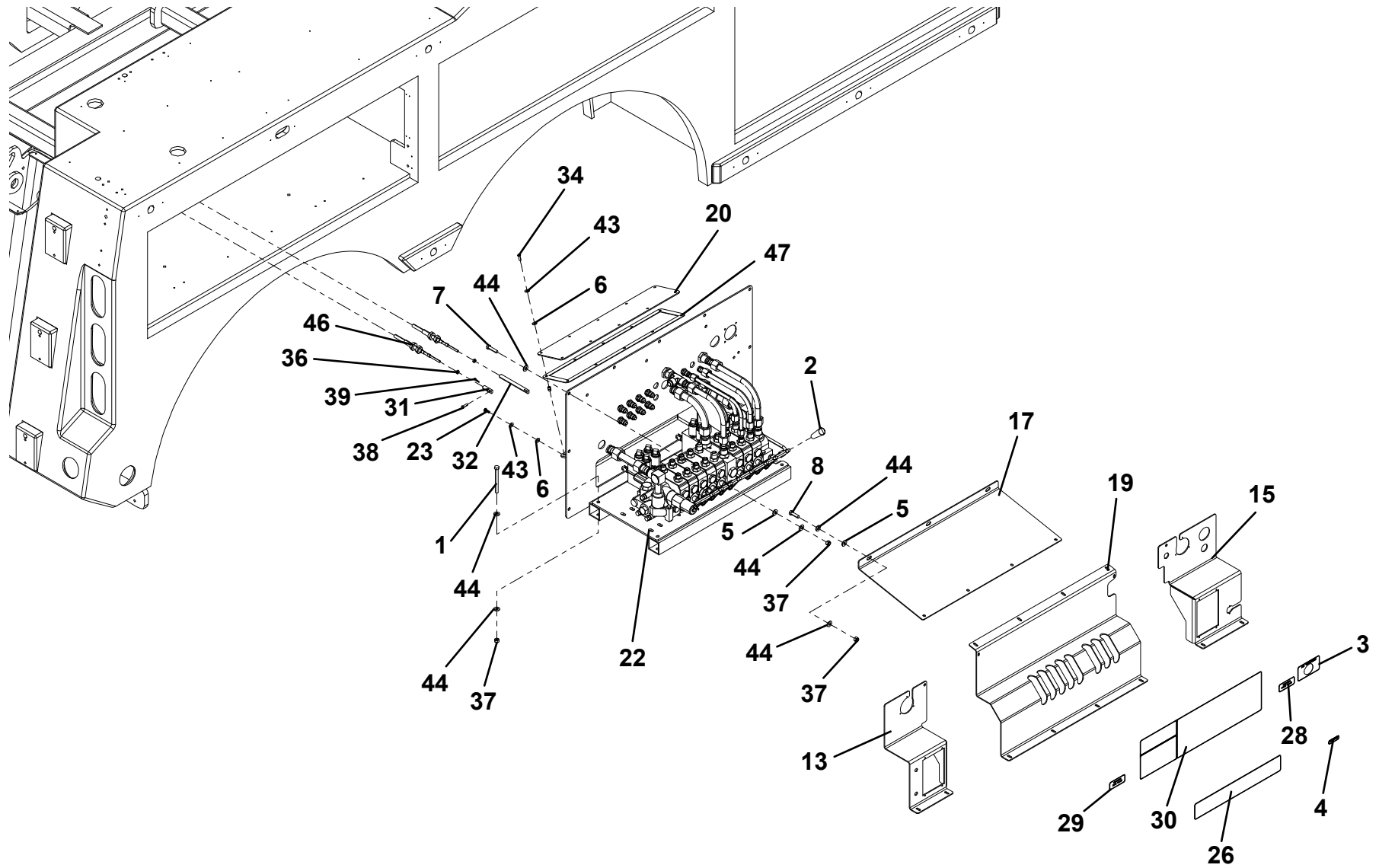
VALVE ASSEMBLY - 7935000330

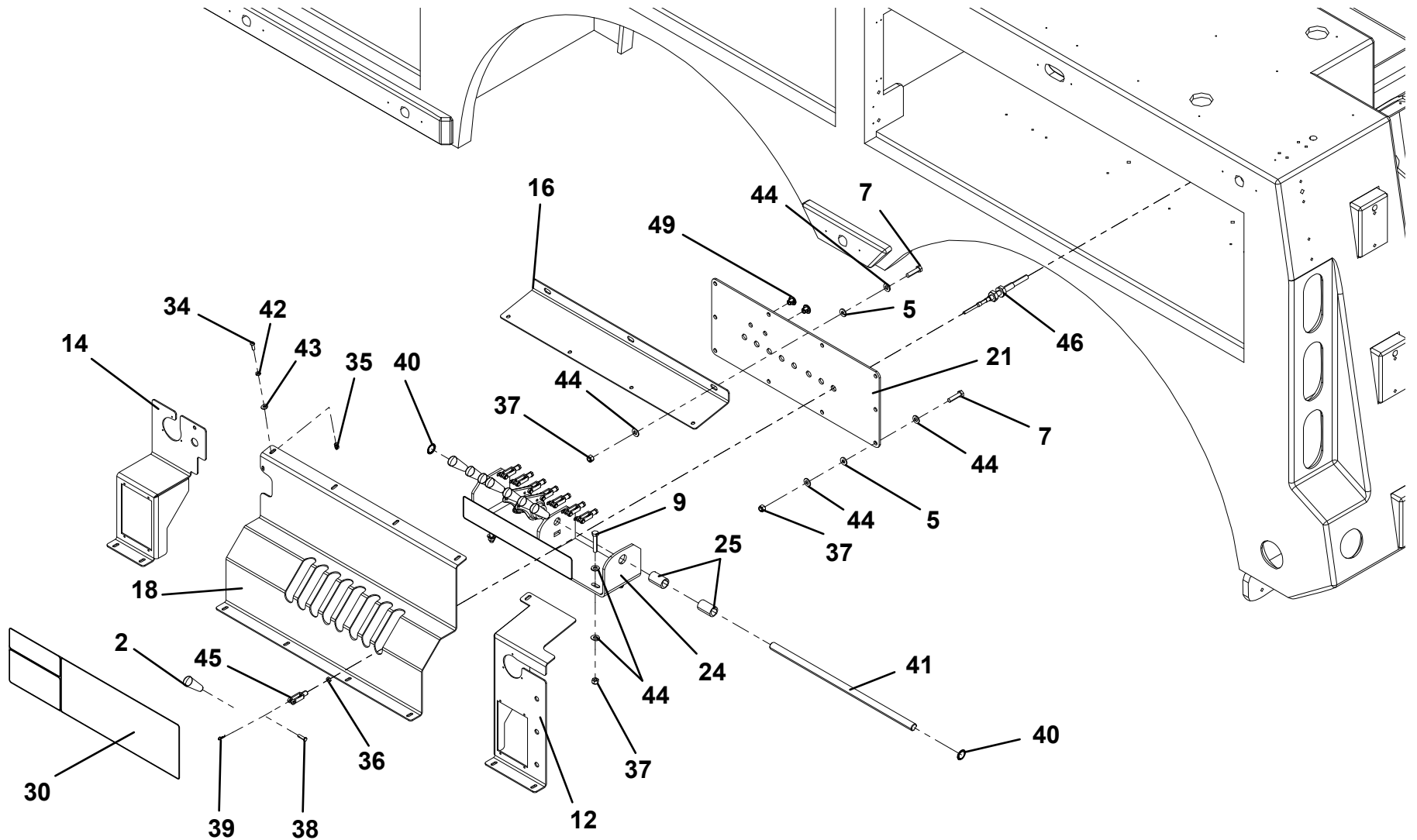


CONTROL INSTALLATION - 8 SECTION - 3 SOLENOID (PRIOR TO S/N 0230004251)

ITEM	PART NO.	DESCRIPTION	QTY	ITEM	PART NO.	DESCRIPTION	QTY
1	641632	Capscrew, 0.38"-16 X 4.00"	4	40	7754000009	Retaining Ring	2
2	1001130491	Control Knob Ball	16	41	7806000008	Shaft	1
3	1001134433	Decal	1	42	7950140003	Lockwasher, 0.25" ID	11
4	1001154277	Decal	1	43	7950140143	Flatwasher, 0.25" ID	40
5	1001166974	Washer	25	44	7950160143	Flatwasher, 0.38" ID	66
6	1001166978	Washer	13	45	7990000003	Yoke	8
7	1001168993	Capscrew, 0.38"-16 X 1.50"	22	46	7248000053	Cable, Push-Pull	8
8	1001169080	Capscrew, 0.38"-16 X 1.25"	3	47	7796000012	Seal	3.5FT
9	1001169083	Capscrew, 0.38"-16 X 2.00"	4	48	3520064	Plug	2
10	1001184827	Handle - Long	2	49	1001201079	Plug	2
11	1001184828	Handle - Short	6				
12	1001189779	Panel, Controls Rear - LH	1				
13	1001189780	Panel, Controls Rear - RH	1				
14	1001189781	Panel, Controls Front - LH	1				
15	1001189782	Panel, Controls Rear - RH	1				
16	1001189783	Panel, Controls Top - LH	1				
17	1001189784	Panel, Controls Top - RH	1				
18	1001189785	Panel, Controls 8 Sect - LH	1				
19	1001189786	Panel, Controls 8 Sect - RH	1				
20	1001189993	Panel	1				
21	1001189994	Bulkhead	1				
22	1001193527	Valve Sub Assembly	1				
23	1001194676	Screw, 0.25" X 0.75"	19				
24	1001194682	Bracket	1				
25	1001194736	Tube	2				
26	1001196907	Decal	1				
27	1001196908	Decal	1				
28	1001196909	Decal	1				
29	1001196910	Decal	1				
30	1001196911	Decal	2				
31	4309000001	Coupling	6				
32	4309000007	Coupling	2				
33	7082000005	Bearing	2				
34	7114140618	Screw, 0.25"-20 X 0.75"	21				
35	7413000002	Nutsert, 0.25"-20	21				
36	7660140230	Nut, 0.25"-28	16				
37	7660162601	Locknut, 0.38"-16NC	33				
38	7690141200	Pin	16				
39	7691000075	Pin	16				

CONTROL INSTALLATION - 8 SECTION - 3 SOLENOID (PRIOR TO S/N 0230004251)



CONTROL INSTALLATION - 8 SECTION - 3 SOLENOID (PRIOR TO S/N 0230004251)

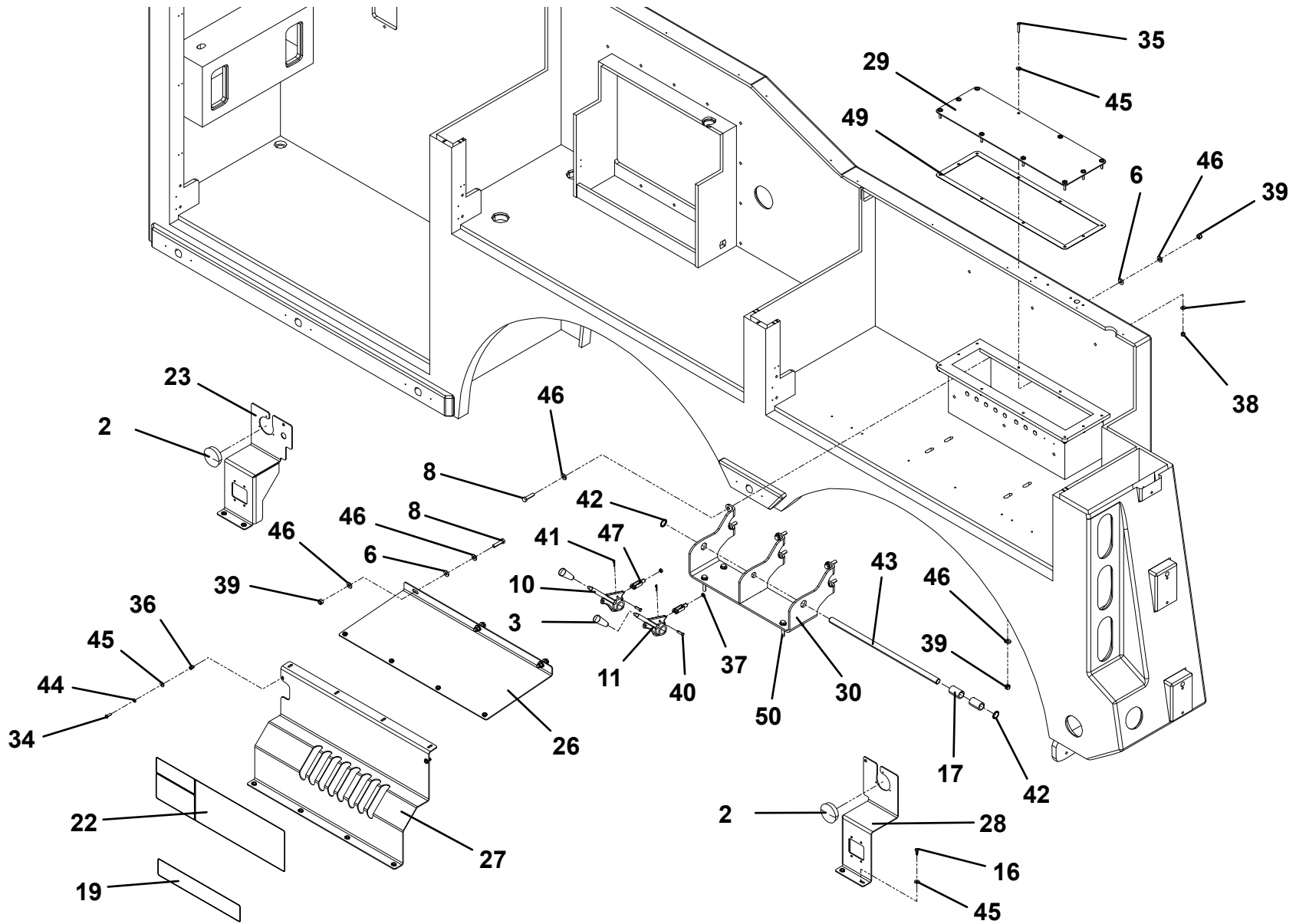
CONTROL INSTALLATION - 8 SECTION - 3 SOLENOID (PRIOR TO S/N 0230004251)

THIS PAGE INTENTIONALLY LEFT BLANK

CONTROL INSTALLATION - 8 SECTION - 3 SOLENOID (S/N 0230004251 TO PRESENT)

ITEM	PART NO.	DESCRIPTION	QTY	ITEM	PART NO.	DESCRIPTION	QTY
1	641632	Capscrew, 0.38"-16 X 4.00"	4	40	7690141200	Pin	16
2	3520064	Plug	2	41	7691000075	Pin	16
3	1001130491	Control Knob Ball	16	42	7754000009	Retaining Ring	2
4	1001134433	Decal	1	43	7806000008	Shaft	1
5	1001154277	Decal	1	44	7950140003	Lockwasher, 0.25" ID	22
6	1001166974	Washer	21	45	7950140143	Flatwasher, 0.25" ID	61
7	1001166978	Washer	3	46	7950160143	Flatwasher, 0.38" ID	58
8	1001168993	Capscrew, 0.38"-16 X 1.50"	18	47	7990000003	Yoke	8
9	1001169080	Capscrew, 0.38"-16 X 1.25"	3	48	7248000053	Cable, Push-Pull	8
10	1001184827	Handle - Long	2	49	7796000012	Seal	8.7 FT
11	1001184828	Handle - Short	6	50	1001169083	Capscrew, 0.38"-16 X 2.00"	4
12	1001189784	Panel, Controls Top - RH	1				
13	1001189786	Panel, Controls 8 Sect - RH	1				
14	1001189993	Panel, Cover	1				
15	1001193527	Valve Sub Assembly	1				
16	1001194676	Screw, 0.25" X 0.75"	19				
17	1001194736	Tube	2				
18	1001196907	Decal	1				
19	1001196908	Decal	1				
20	1001196909	Decal	1				
21	1001196910	Decal	1				
22	1001196911	Decal	2				
23	1001199311	Panel, Controls Front - LH	1				
24	1001199322	Panel, Controls Rear - RH	1				
25	1001199324	Panel, Controls Front	1				
26	1001214902	PANEL, CONTROLS TOP LH	1				
27	1001214961	Panel, Controls 8 Sect - LH	1				
28	1001219691	Panel, Controls Rear - LH	1				
29	1001219937	Panel, Cover	1				
30	1001220068	Bracket	1				
31	4309000001	Coupling	3				
32	4309000007	Coupling	5				
33	7082000005	Bearing	2				
34	7114140618	Screw, 0.25"-20 X 0.75"	22				
35	7114141018	Screw, 0.25"-20NC x 1.25"	10				
36	7413000002	Nutsert, 0.25"-20	22				
37	7660140230	Nut, 0.25"-28	16				
38	7660142601	Locknut, 0.25" -20NC	10				
39	7660162601	Locknut, 0.38"-16NC	29				

CONTROL INSTALLATION - 8 SECTION - 3 SOLENOID (S/N 0230004251 TO PRESENT)



CONTROL INSTALLATION - 8 SECTION - 3 SOLENOID (S/N 0230004251 TO PRESENT)

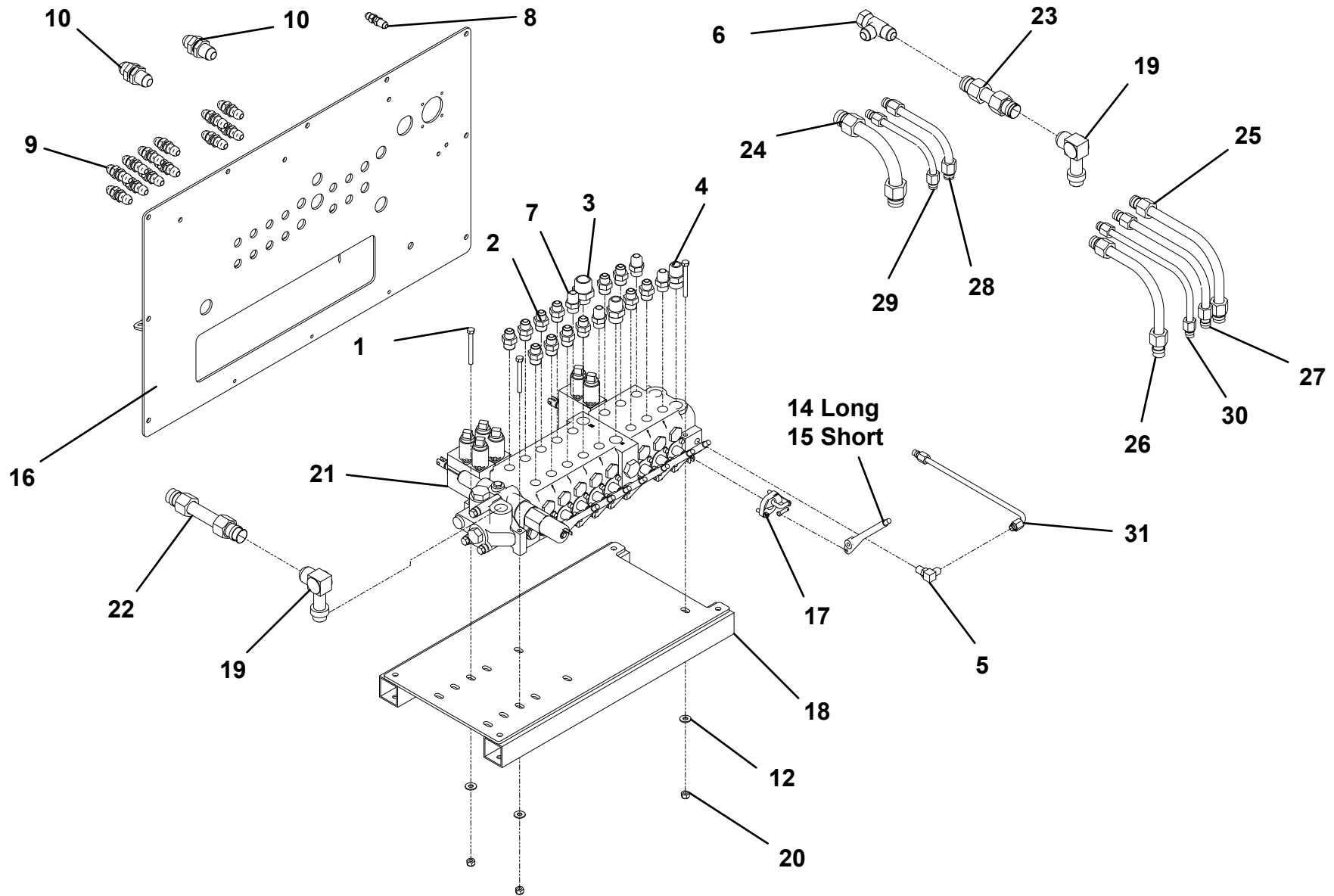
THIS PAGE INTENTIONALLY LEFT BLANK

CONTROL VALVE ASSEMBLY - 1001193527

ITEM	PART NO.	DESCRIPTION	QTY
1	0641524	Capscrew, 5/16" - 18 x 3"	3
2	2220374	Adapter	12
3	2220376	Adapter	1
4	2220451	Adapter	2
5	2220473	Adapter	1
6	2220700	Adapter	1
7	2220947	Adapter	4
8	2230024	Adapter	1
9	2230025	Adapter	12
10	2230027	Fitting	2
11	2230089	Fitting	3
12	4751500	Washer, 5/16" ID	3
13	8760037	Union	4
14	1001184772	Handle, Long	2
15	1001184773	Handle, Short	6
16	1001189989	Panel	1
17	1001194069	Linkage	8
18	3177000060	Mount	1
19	7443000211	Fitting	2
20	7660162601	Locknut, 0.38" - 16NC	3
21	7935000293	Valve, 8 Sec. 3 Sol	1
22	7912000301*	Tube Assembly	1
23	7912000302*	Tube Assembly	1
24	7912000303*	Tube Assembly	1
25	7912000304*	Tube Assembly	1
26	7912000305*	Tube Assembly	1
27	7912000306*	Tube Assembly	2
28	7912000307*	Tube Assembly	2
29	7912000308*	Tube Assembly	6
30	7912000309*	Tube Assembly	6
31	7912000310*	Tube Assembly	1

* Also Available In Tube Kit - 7577000668

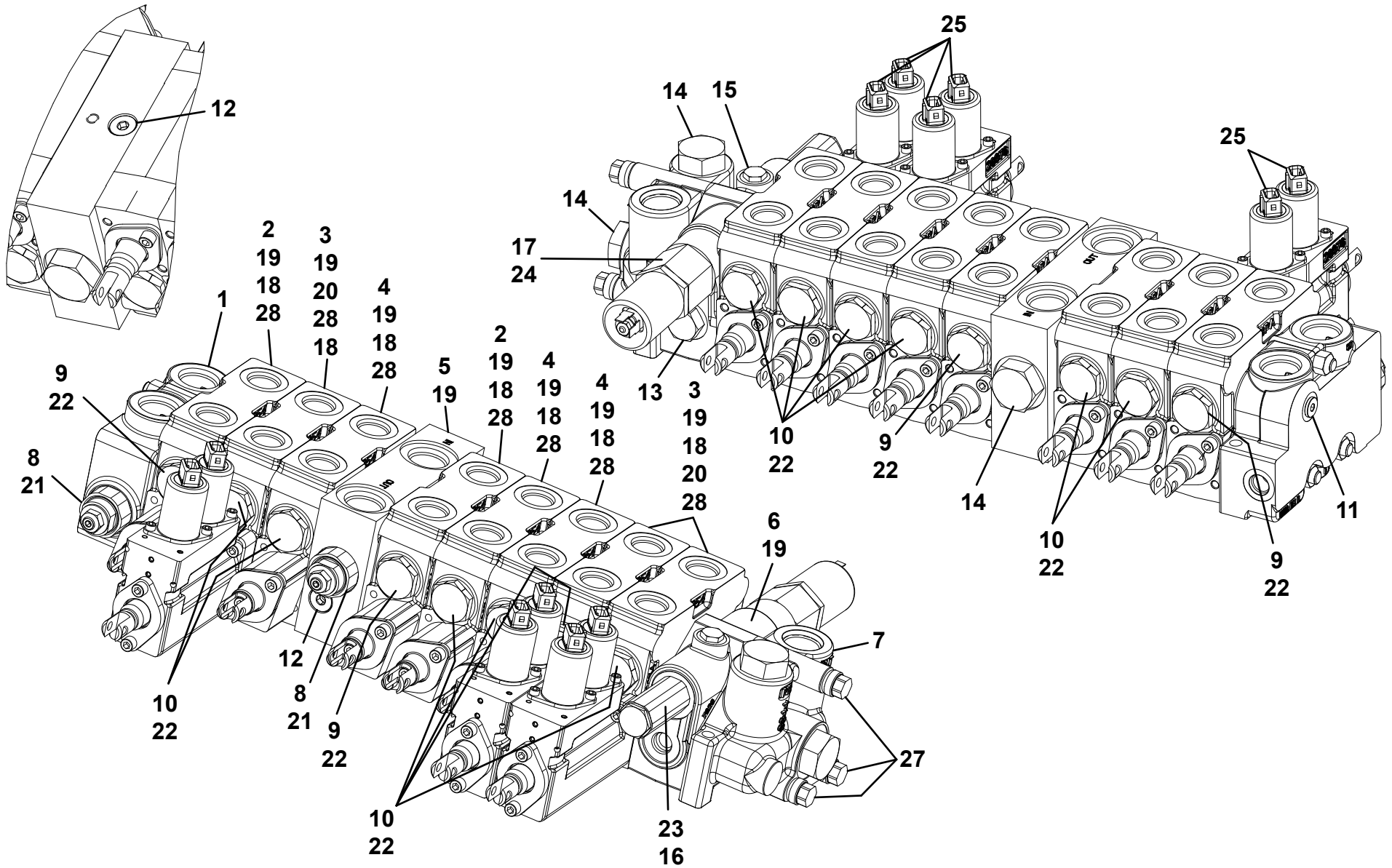
CONTROL VALVE ASSEMBLY - 1001193527



VALVE ASSEMBLY - 7935000293

ITEM	PART NO.	DESCRIPTION	QTY
1	7935000315	Inlet Cover	1
2	9935930122	Valve Section	2
3	9935930119	Valve Section	3
4	7935000320	Valve Section	3
5	7935000316	Inlet	1
6	7935000323	Utility Section	1
7	7935000317	Outlet Cover	1
8	91084009	Relief	2
9	70050243	Plug	4
10	7006847	Plug	12
11	70050245	Plug	1
12	70050246	Plug	2
13	70050247	Plug	1
14	91084017	Plug	3
15	70050249	Plug	1
16	70050241	Pressure Cartridge	1
17	70050242	Solenoid	1
18	70050250	Seal	13
19	70050251	O-Ring	40
20	70050252	O-Ring	6
21	70051081	Seal Kit	2
22	7029865	Seal Kit	16
23	70051080	Seal Kit	1
24	70050256	Seal Kit	1
25	9346930086	Solenoid	6
26	70051079	Seal	1
27	70050239	Stud Assembly	1
28	70050257	Wiper	16

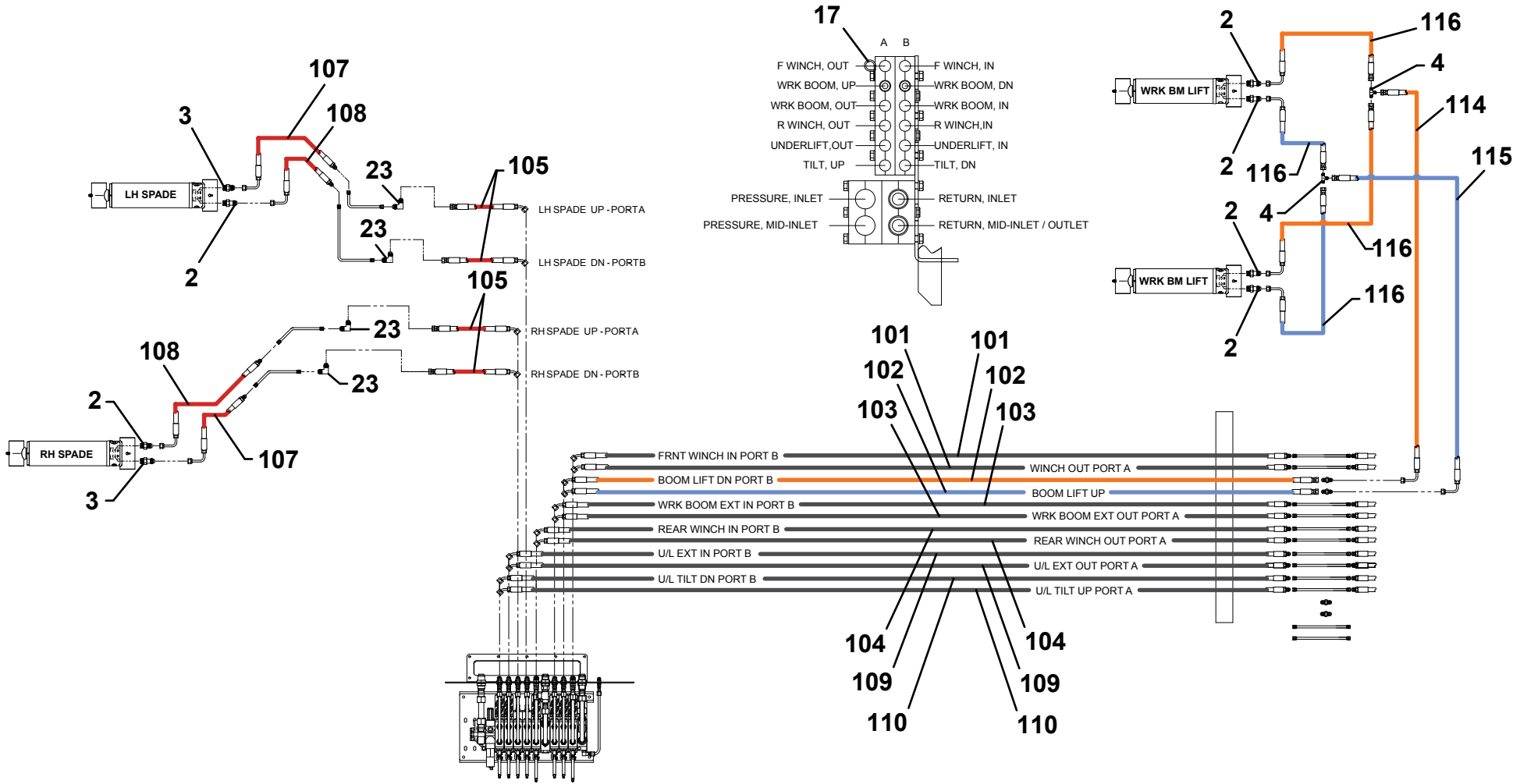
VALVE ASSEMBLY - 7935000293



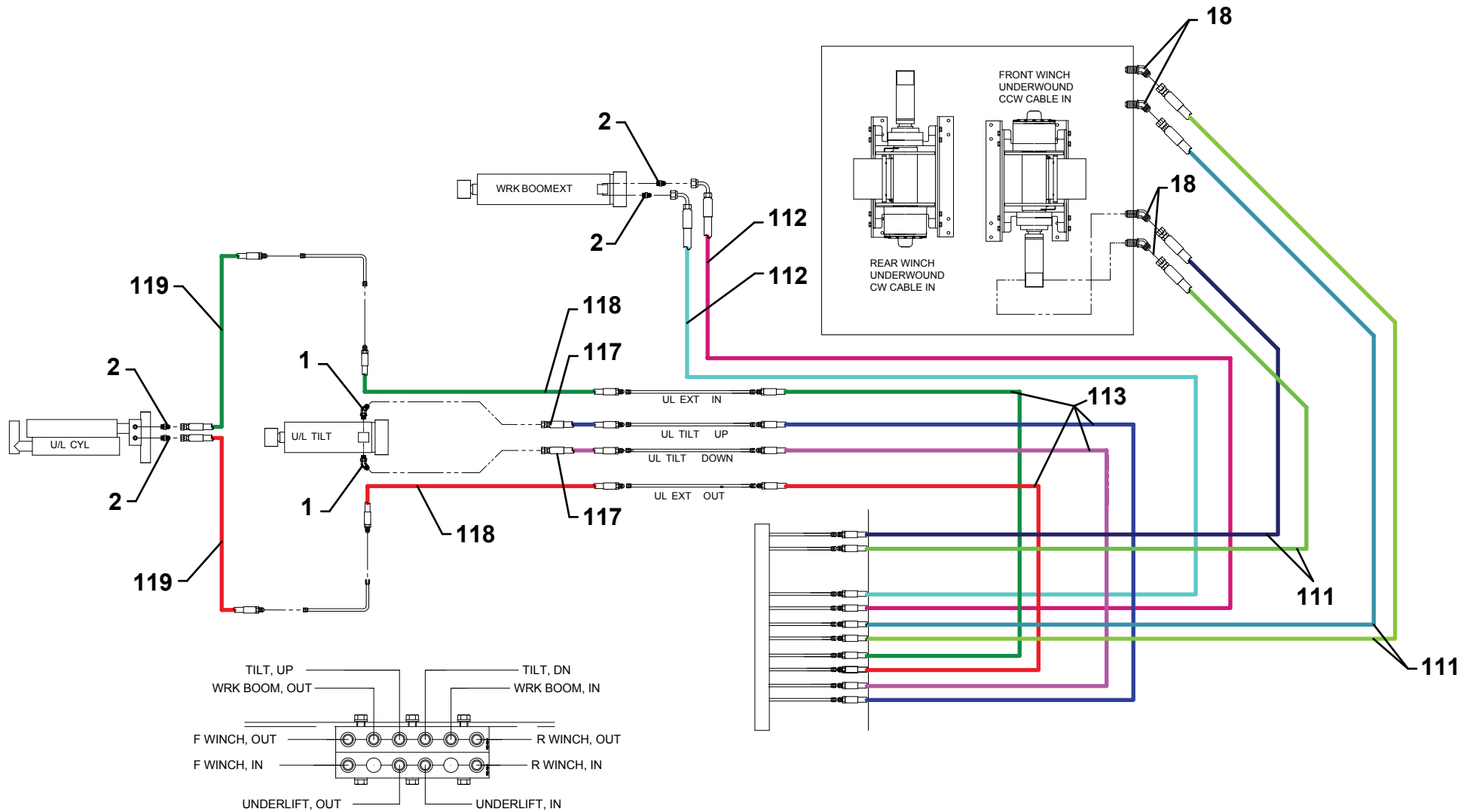
HYDRAULIC LINES AND FITTINGS

ITEM	PART NO.	DESCRIPTION	QTY	ITEM	PART NO.	DESCRIPTION	QTY
1	2220501	Adapter	2	116	4567122023	Hose Assembly	4
2	2220371	Adapter	10	117	4570000311	Hose Assembly	2
3	2220998	Fitting	2	118	4570000312	Hose Assembly	2
4	2220490	Adapter	2	119	4570000254	Hose Assembly	2
5	7445161620	Elbow	2	120	4567113028	Hose Assembly	1
6	7470000004	Pressure Gauge	2	121	4567122023	Hose Assembly	1
7	7790060676	Screw, #6 x 0.38"	6	122	1001192397	Hose Assembly	1
8	7445040421	Fitting	2	123	1001192395	Hose Assembly	1
9	1001094694	Reducer	1	124	1001192423	Hose Assembly	1
10	7430000004	Filter	2	125	1001192428	Hose Assembly	1
11	7443000158	Elbow	2	126	4657182029	Hose Assembly	1
12	7470000002	Gauge	2	127	4567182024	Hose Assembly	1
13	2220642	Adapter	1	128	1001192422	Hose Assembly	1
14	2220878	Adapter	1	129	4570000310	Hose Assembly	1
15	2220415	Adapter	1				
16	7445060219	Adapter	1	201	4567152018	Hose Assembly	1
17	1320224	Clamp	1	202	1001166532	Hose Assembly	1
18	2230035	Adapter	4	203	1001166533	Hose Assembly	1
19	7445100843	Adapter	2				
20	1001200235	Hose Kit	1				
21	2221042	Elbow	2				
22	2220700	Adapter	2				
23	7445080830	Adapter	4				
24	2220518	Adapter	2				
101	1001192447	Hose Assembly	2				
102	1001192437	Hose Assembly	2				
103	1001192459	Hose Assembly	2				
104	1001192462	Hose Assembly	2				
105	1001192504	Hose Assembly	4				
107	4570000268	Hose Assembly	2				
108	4570000269	Hose Assembly	2				
109	1001192490	Hose Assembly	2				
110	1001192492	Hose Assembly	2				
111	4569160048	Hose Assembly	4				
112	4570000255	Hose Assembly	2				
113	4570000069	Hose Assembly	4				
114	4570000263	Hose Assembly	1				
115	5470000264	Hose Assembly	1				

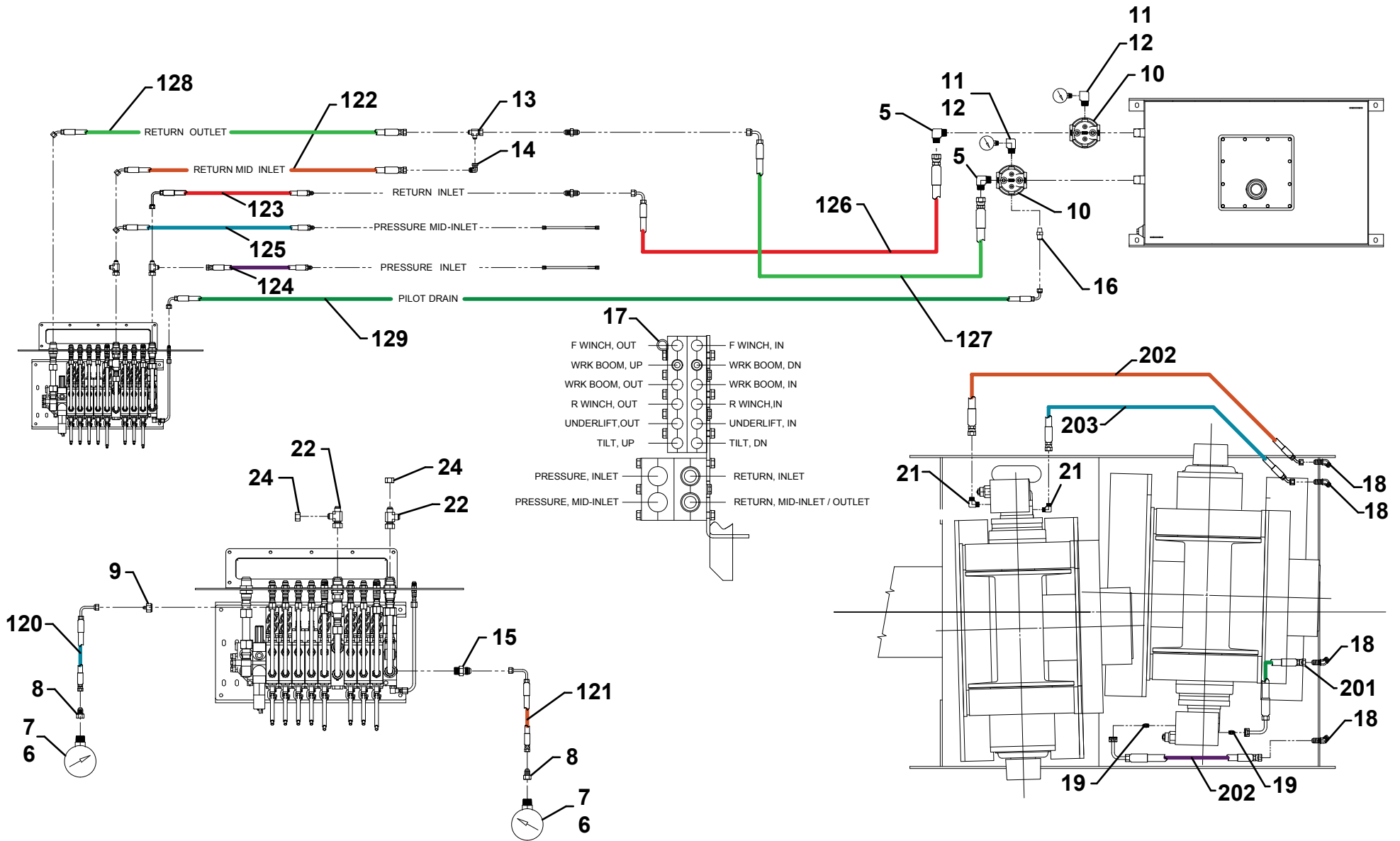
HYDRAULIC LINES AND FITTINGS



HYDRAULIC LINES AND FITTINGS



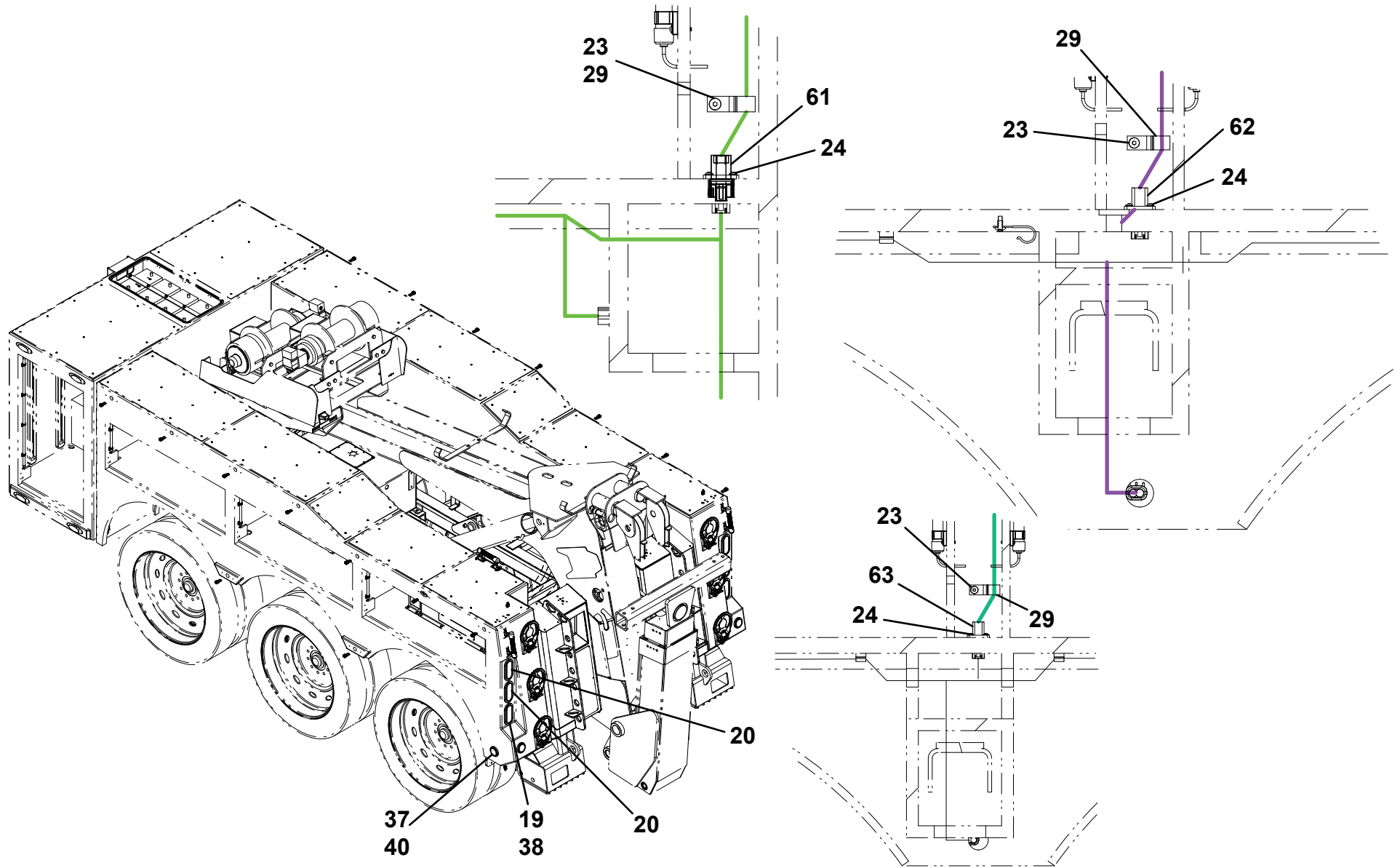
HYDRAULIC LINES AND FITTINGS

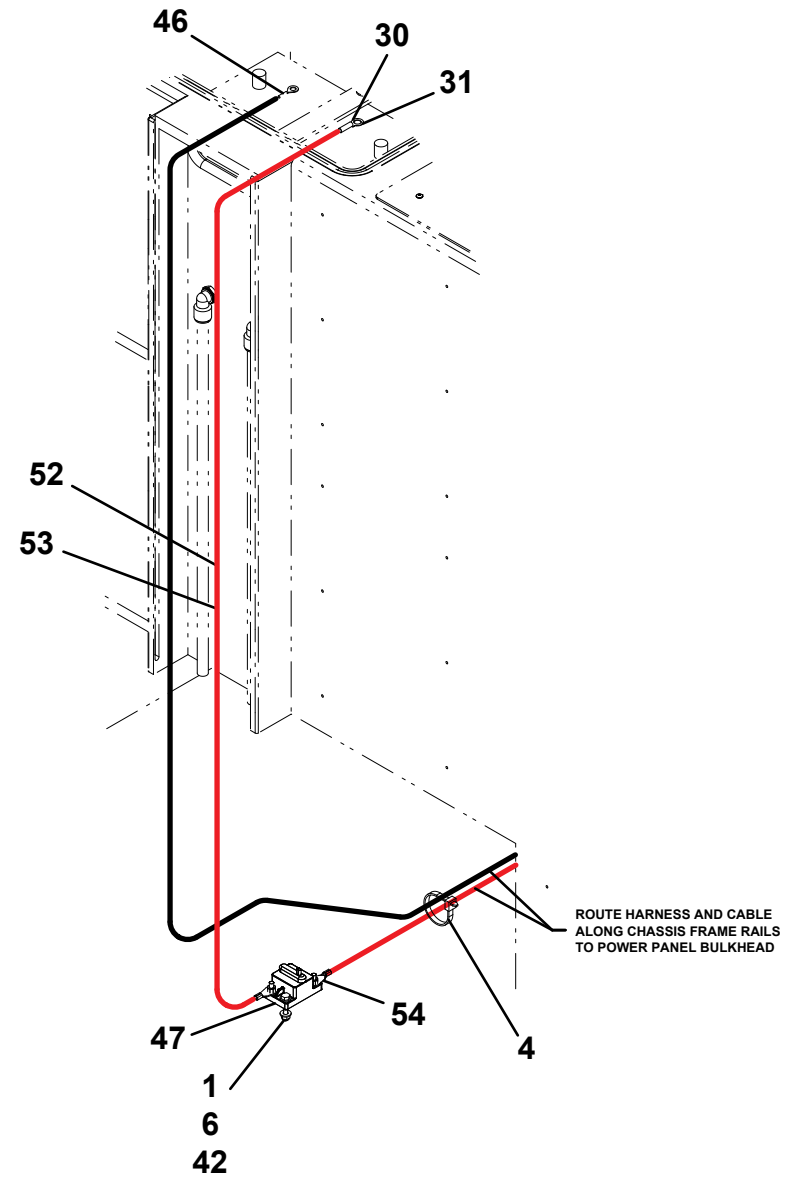
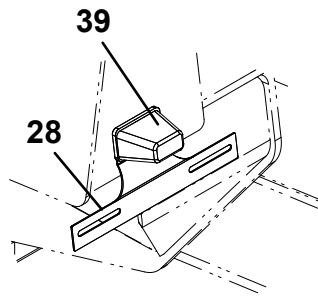
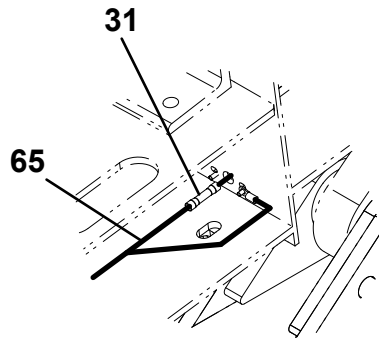
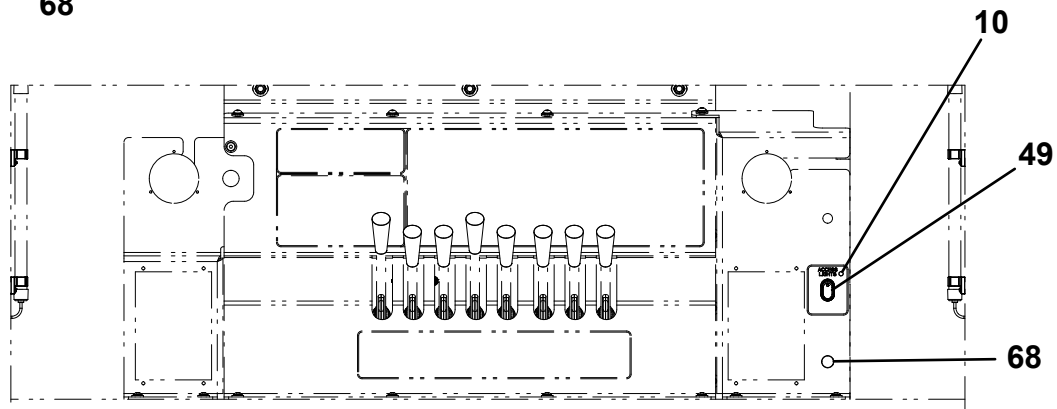
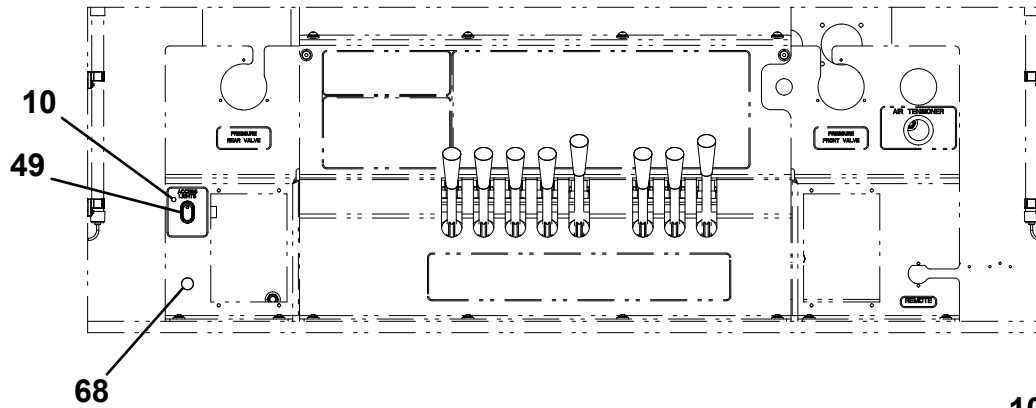


ELECTRICAL INSTALLATION - TRI-AXLE

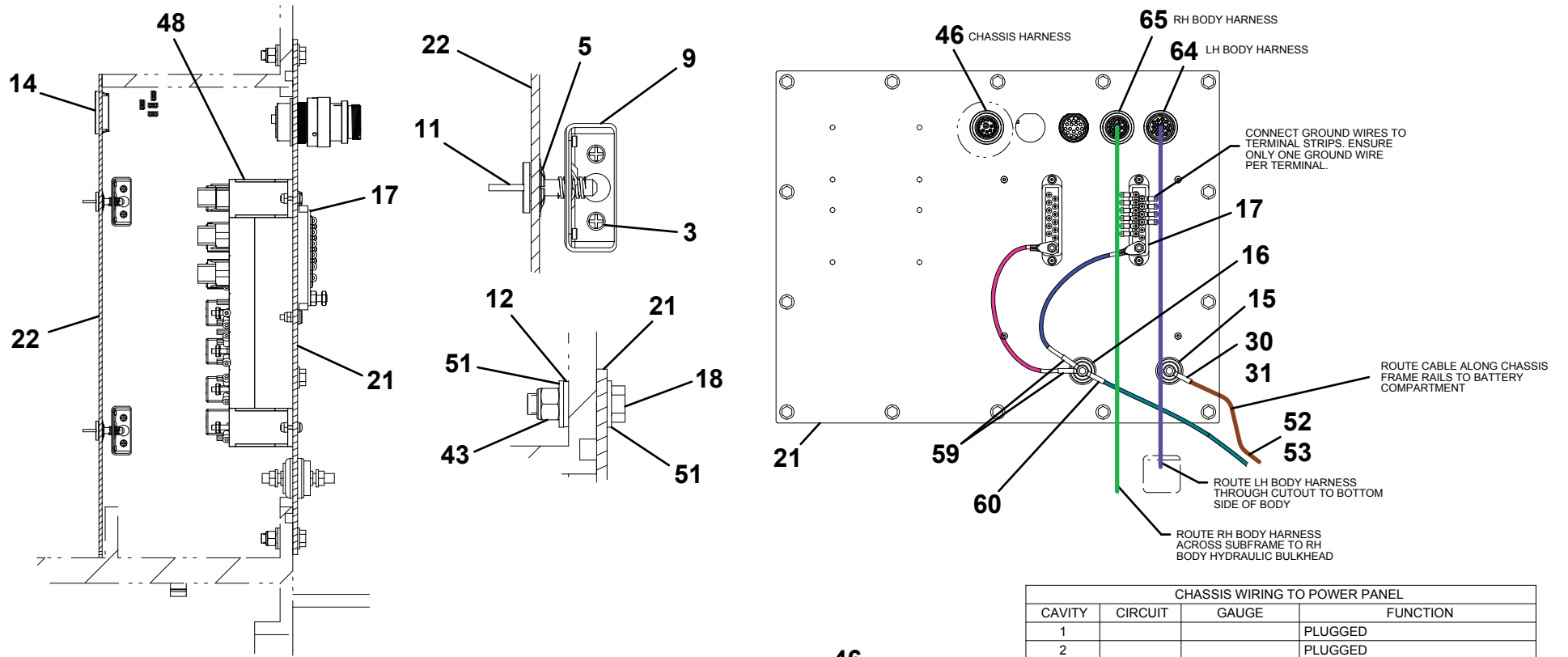
ITEM	PART NO.	DESCRIPTION	QTY	ITEM	PART NO.	DESCRIPTION	QTY
1	641412	Capscrew, 0.25"-20 X 1.50"	2	40	7590000343	Light, 2.50" Dia	4
2	641506	Capscrew, 0.31"-18 X 0.75"	1	41	7660102601	Nut, #10-24NC	8
3	750604	Screw	8	42	7660142600	Locknut, 0.25"-20NC	2
4	5526000553	Tie Strap	25	43	7660162601	Locknut, 0.38"-16NC	14
5	3760308	Retainer	4	44	7661000023	Locknut, #10-32NF	18
6	4711400	Washer, 0.25" ID	4	45	7740000001	Relay	12
7	4751500	Washer, 0.31" ID	1	46	1001189287	Harness	1
8	4761500	Washer, 0.31" ID	1	47	7870000043	Breaker Switch	1
9	1001122235	Bracket	4	48	7870000123	Power Distribution Panel	1
10	1001167452	Decal	2	49	7870000143	Switch	2
11	1001166930	Latch	4	50	7949000053	Washer	1
12	1001166974	Washer, 0.38" ID	14	51	7950160143	Flatwasher, 0.38" ID	28
13	1001189295	Harness	1	52	7978000011	Cable Jacket	25FT
14	1001167607	Plug	2	53	8597650001	Loom	25FT
15	1001168320	Terminal	1	54	1001125479	Terminal	2
16	1001168321	Terminal	1	55	1001189284	Harness	1
17	1001168322	Terminal	2	56	1001162928	Harness	1
18	1001168993	Capscrew, 0.38"-16 X 1.50"	14	57	1001168323	Cable	1
19	1001174680	Lamp	2	58	1001168325	Cable	1
20	1001174681	Lamp	4	59	1001168326	Cable	2
21	1001191552	Panel	1	60	1001168328	Cable	1
22	1001191602	Panel	1	61	1001189043	Harness	2
23	1001195257	Screw, 0.25" X 0.50"	73	62	1001189044	Harness	2
24	1001196552	Screw, #8 X 0.75"	24	63	1001188949	Harness	2
25	1001197483	Washer	8	64	1001189041	Harness	1
26	7114100618	Screw, #10-24 X 0.75"	8	65	1001189042	Harness	1
27	7120000035	Capscrew, 0.31"-18NC X 0.50"	1	66	1001201384	Socket	1
28	7178000025	License Plate Bracket	1	67	1001144012	Harness	2
29	7280000006	Clip	73	68	7701000067	Plug	2
30	7345242202	Terminal	2				
31	7346000045	Tubing	0.25				
32	7457000006	Fuse	2				
33	7457000011	Fuse	3				
34	7457000012	Fuse	2				
35	7457000019	Fuse	10				
36	7457000023	Fuse	3				
37	1001220431	Grommet	4				
38	7493000026	Grommet	6				
39	7590000105	Light, License Plate	1				

ELECTRICAL INSTALLATION - TRI-AXLE



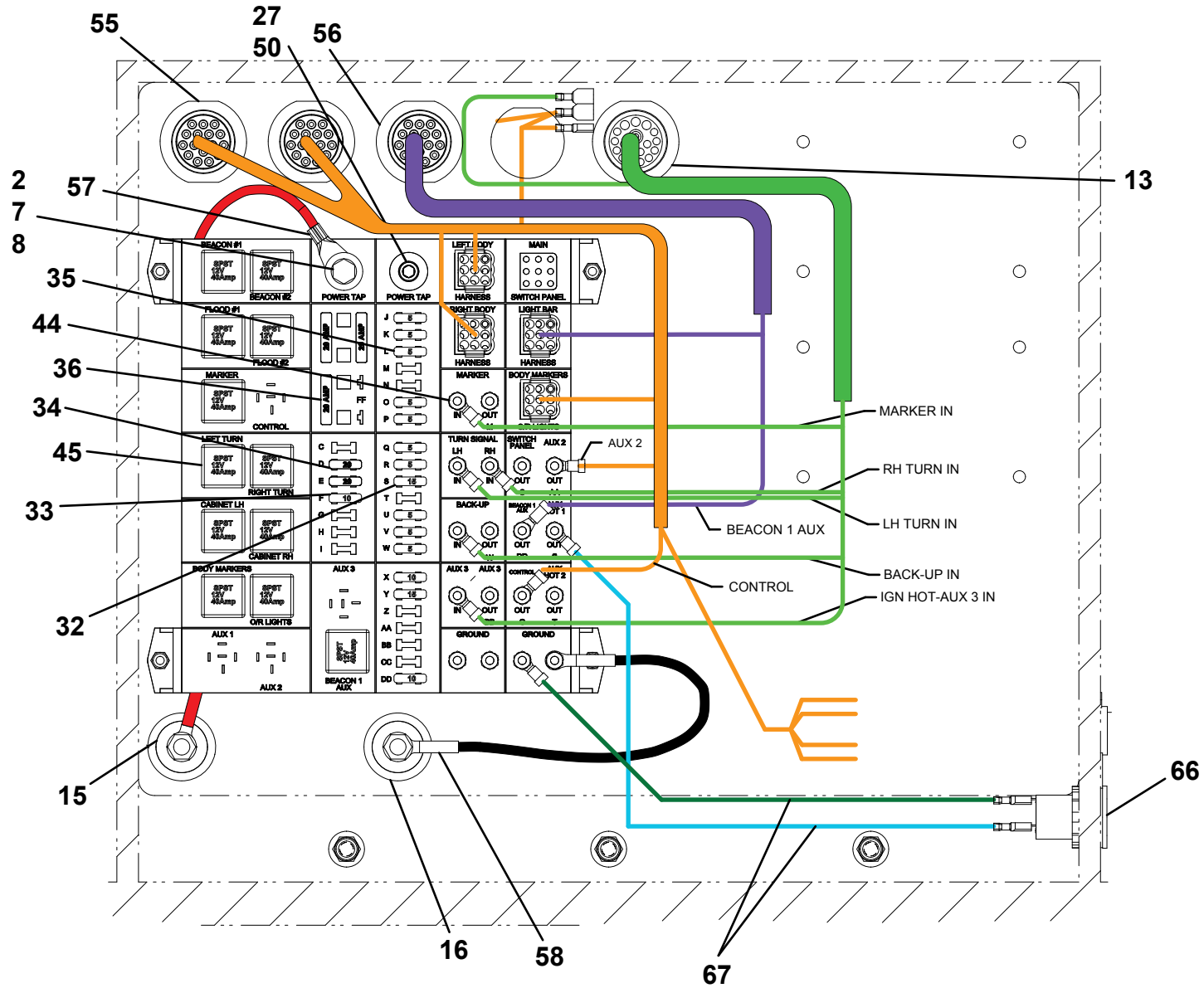
ELECTRICAL INSTALLATION - TRI-AXLE

ELECTRICAL INSTALLATION - TRI-AXLE



CHASSIS WIRING TO POWER PANEL			
CAVITY	CIRCUIT	GAUGE	FUNCTION
1			PLUGGED
2			PLUGGED
3			PLUGGED
4			PLUGGED
5			PLUGGED
6	22A	10	FLASHER POWER FROM BATT
7			PLUGGED
8			PLUGGED
9	11	FROM CHASSIS	IGN HOT
10	12	FROM CHASSIS	RH S/T
11	13	FROM CHASSIS	LH S/T
12	14	FROM CHASSIS	MARKER
13	15	FROM CHASSIS	BACK-UP
14			PLUGGED
15			PLUGGED
16			PLUGGED
17			PLUGGED
18			PLUGGED

ELECTRICAL INSTALLATION - TRI-AXLE

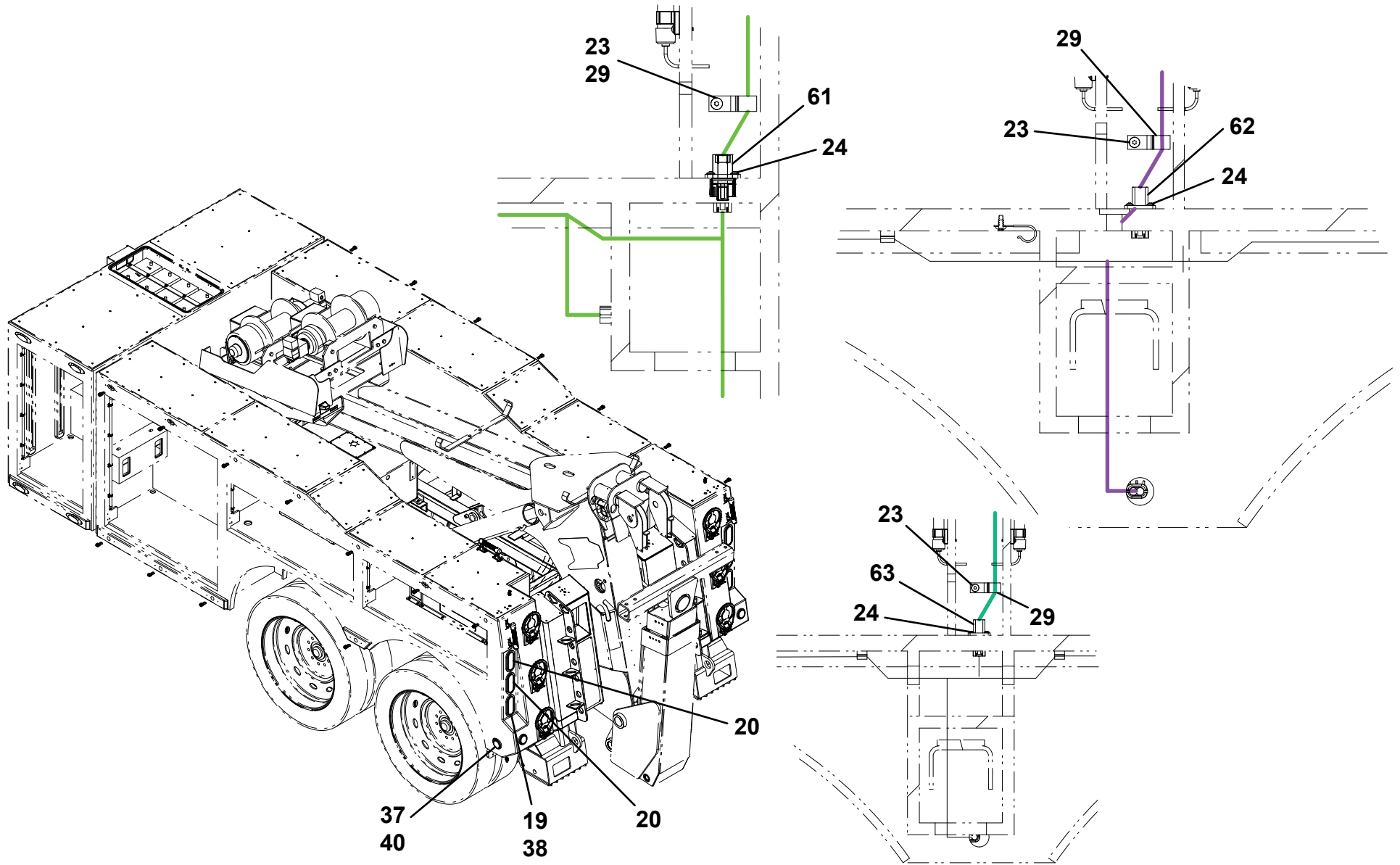


THIS PAGE INTENTIONALLY LEFT BLANK

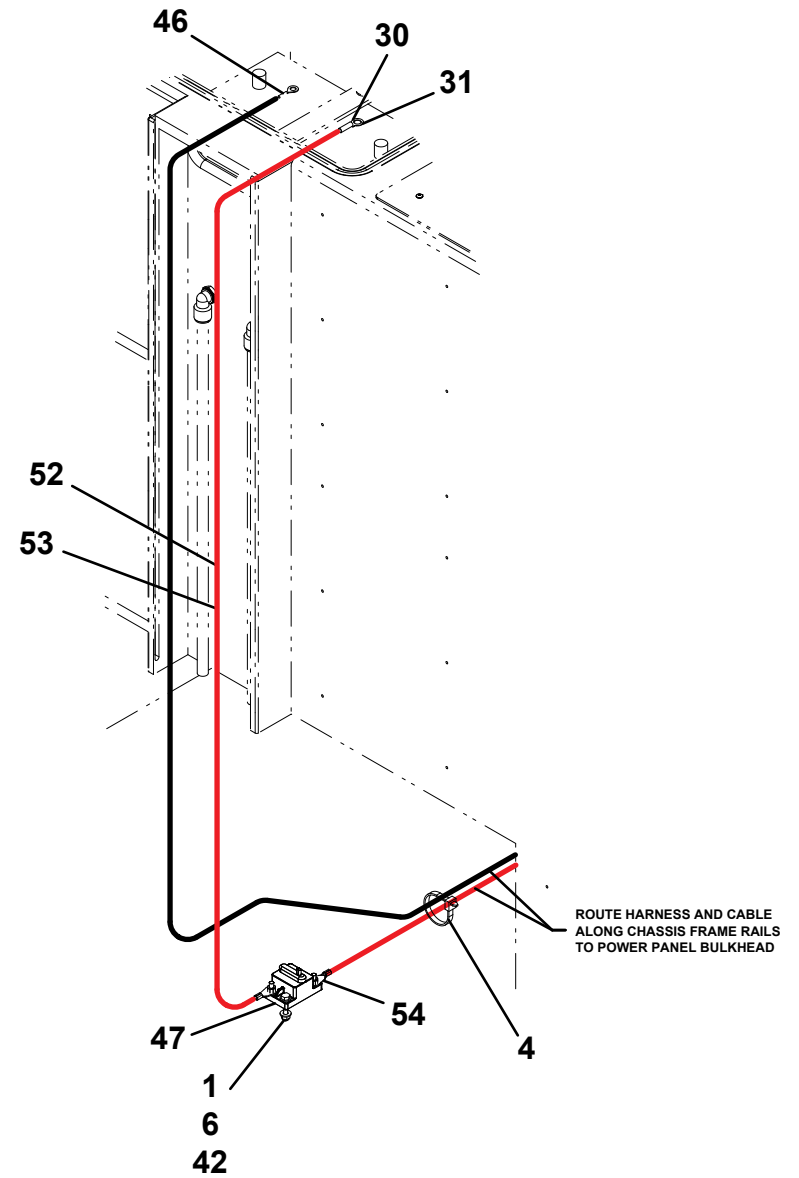
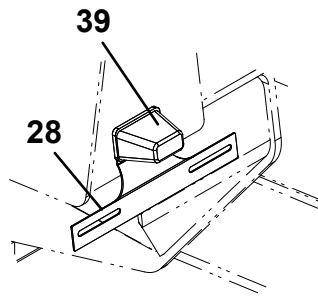
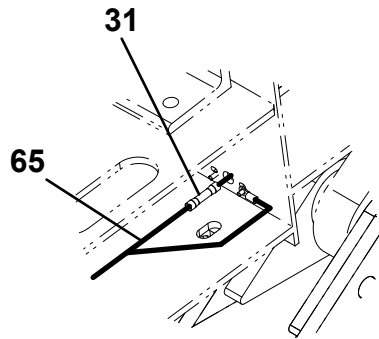
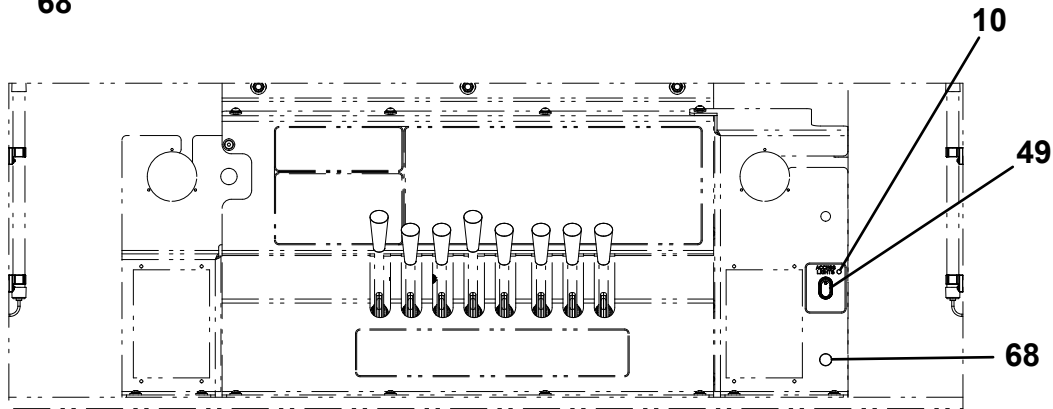
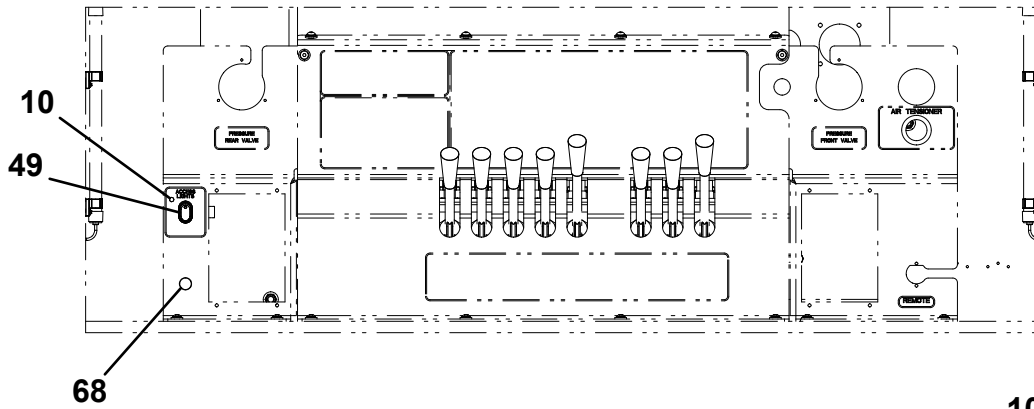
ELECTRICAL INSTALLATION - TANDEM AXLE

ITEM	PART NO.	DESCRIPTION	QTY	ITEM	PART NO.	DESCRIPTION	QTY
1	641412	Capscrew, 0.25"-20 X 1.50"	2	40	7590000343	Light, 2.50" Dia	4
2	641506	Capscrew, 0.31"-18 X 0.75"	1	41	7660102601	Nut, #10-24NC	8
3	750604	Screw	8	42	7660142600	Locknut, 0.25"-20NC	2
4	5526000553	Tie Strap	25	43	7660162601	Locknut, 0.38"-16NC	14
5	3760308	Retaining Ring	4	44	7661000023	Locknut, #10-32NF	18
6	4711400	Washer, 0.25" ID	4	45	7740000001	Relay	12
7	4751500	Washer, 0.31" ID	1	46	1001189287	Harness	1
8	4761500	Washer, 0.31" ID	1	47	7870000043	Breaker	1
9	1001122235	Bracket	4	48	7870000123	Power Distribution Panel	1
10	1001167452	Decal	2	49	7870000143	Switch	2
11	1001166930	Latch	4	50	7949000053	Washer	1
12	1001166974	Washer, 0.38" ID	14	51	7950160143	Flatwasher, 0.38" ID	28
13	1001189295	Harness	1	52	7978000011	Cable	25FT
14	1001167607	Grommet	2	53	8597650001	Loom	25FT
15	1001168320	Terminal	1	54	1001125479	Terminal	2
16	1001168321	Terminal	1	55	1001189284	Harness	1
17	1001168322	Terminal	2	56	1001162928	Harness	1
18	1001168993	Capscrew, 0.38"-16 X 1.50"	14	57	1001168323	Cable	1
19	1001174680	Lamp	2	58	1001168325	Cable	1
20	1001174681	Lamp	4	59	1001168326	Cable	2
21	1001191552	Panel	1	60	1001168328	Cable	1
22	1001191602	Panel	1	61	1001188923	Harness	2
23	1001195257	Screw, 0.25" X 0.50"	73	62	1001188924	Harness	2
24	1001196552	Screw, #8 X 0.75"	24	63	1001188949	Harness	2
25	1001197483	Washer	8	64	1001188961	Harness	1
26	7114100618	Screw, #10-24 X 0.75"	8	65	1001188962	Harness	1
27	7120000035	Capscrew, 0.31"-18NC X 0.50"	1	66	1001201384	Socket	1
28	7178000025	License Plate Bracket	1	67	1001144012	Harness	2
29	7280000006	Clip	73	68	7701000067	Plug	2
30	7345242202	Terminal	2				
31	7346000045	Tubing	0.25				
32	7457000006	Fuse	2				
33	7457000011	Fuse	3				
34	7457000012	Fuse	2				
35	7457000019	Fuse	10				
36	7457000023	Fuse	3				
37	7493000009	Grommet	4				
38	7493000026	Grommet	6				
39	7590000105	Light, License Plate	1				

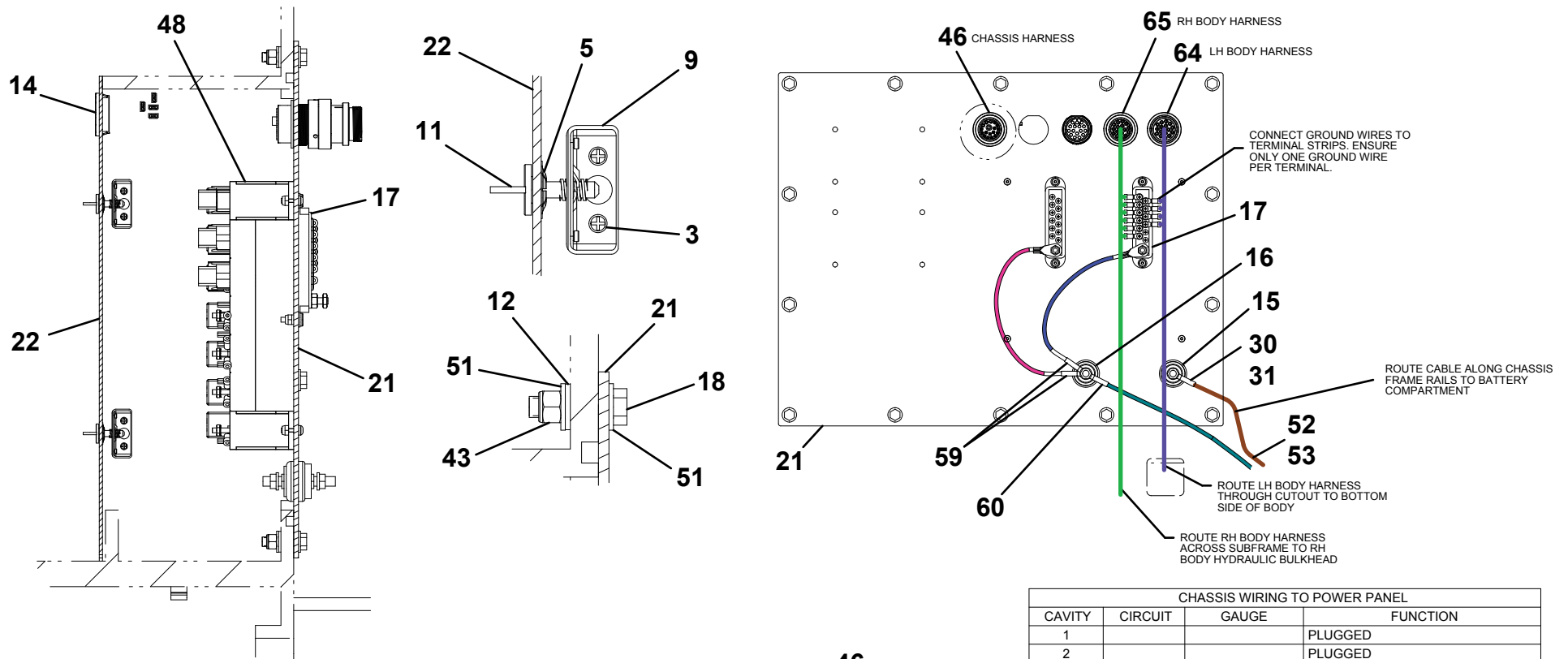
ELECTRICAL INSTALLATION - TANDEM AXLE



ELECTRICAL INSTALLATION - TANDEM AXLE

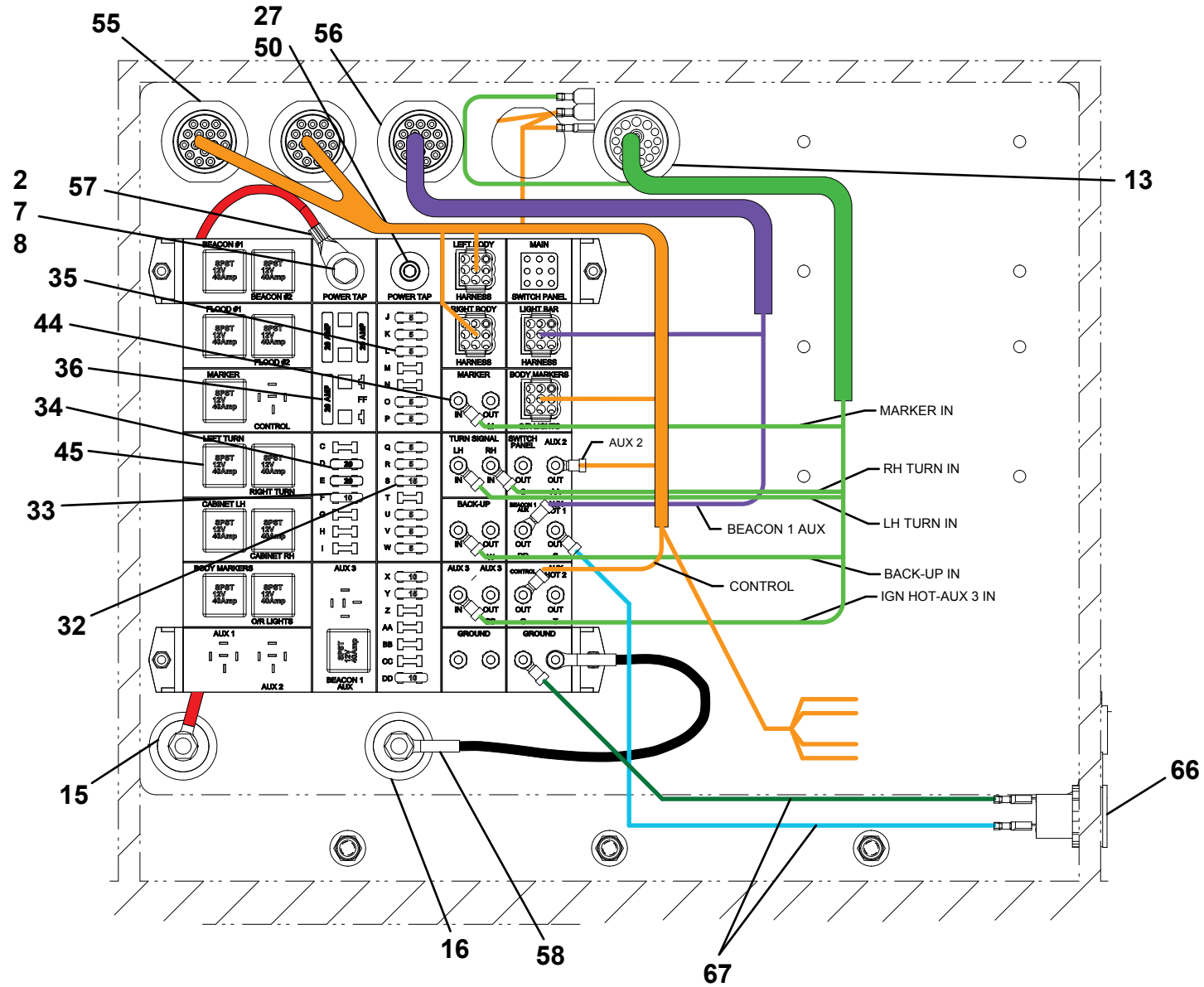


ELECTRICAL INSTALLATION - TANDEM AXLE



CHASSIS WIRING TO POWER PANEL			
CAVITY	CIRCUIT	GAUGE	FUNCTION
1			PLUGGED
2			PLUGGED
3			PLUGGED
4			PLUGGED
5			PLUGGED
6	22A	10	FLASHER POWER FROM BATT
7			PLUGGED
8			PLUGGED
9	11	FROM CHASSIS	IGN HOT
10	12	FROM CHASSIS	RH S/T
11	13	FROM CHASSIS	LH S/T
12	14	FROM CHASSIS	MARKER
13	15	FROM CHASSIS	BACK-UP
14			PLUGGED
15			PLUGGED
16			PLUGGED
17			PLUGGED
18			PLUGGED

ELECTRICAL INSTALLATION - TANDEM AXLE

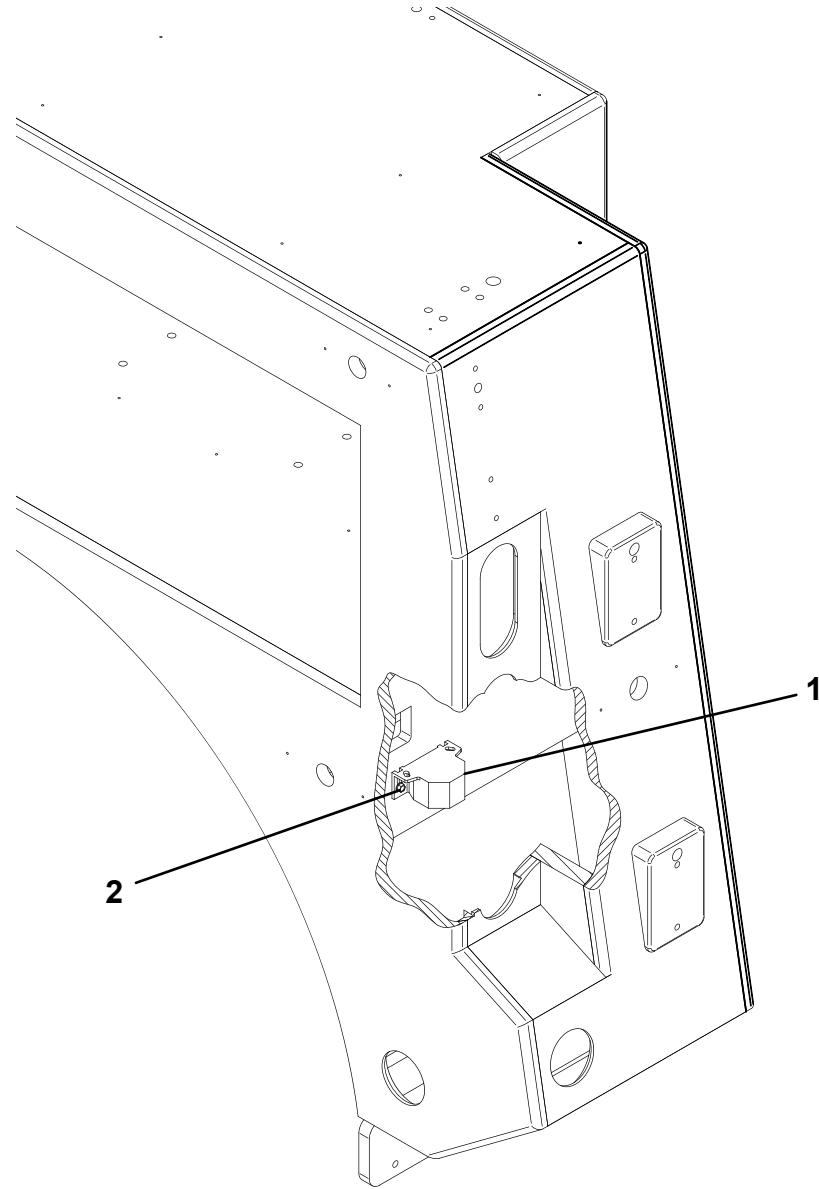


THIS PAGE INTENTIONALLY LEFT BLANK

BACKUP ALARM INSTALLATION

ITEM	PART NO.	DESCRIPTION	QTY
1	7011000006	Alarm, Backup	1
	1001175061	Alarm, Backup Variable	1
2	7790141251	Screw, 0.25" x 0.75"	2

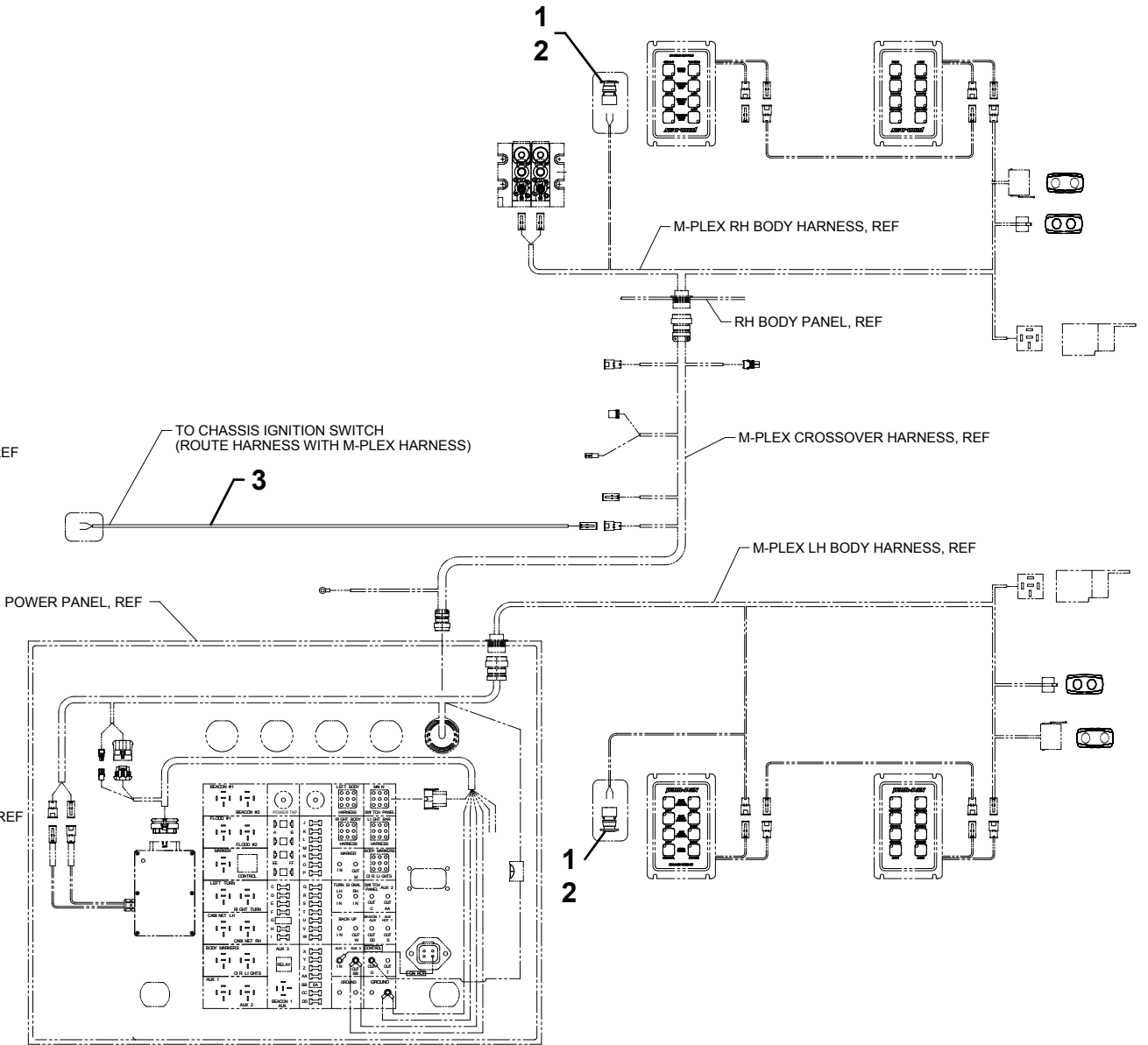
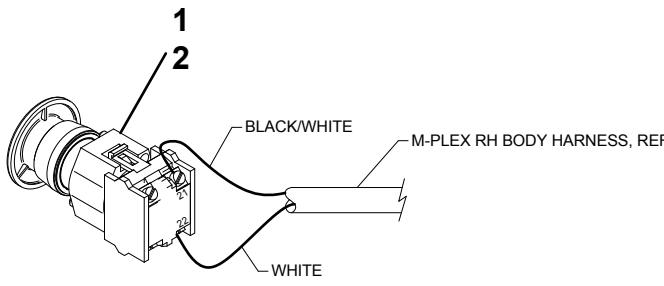
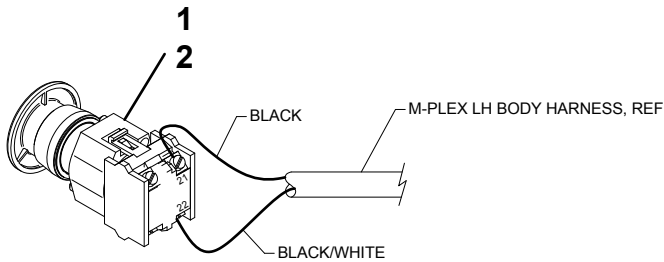
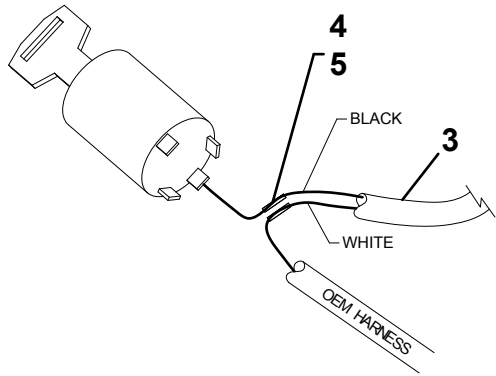
BACKUP ALARM INSTALLATION



E-STOP INSTALLATION

ITEM	PART NO.	DESCRIPTION	QTY
1	7870000128	Switch	2
2	7870000129	Switch	2
3	1001171394	Harness	1
4	7345001714	Terminal	2
5	7346000039	Tubing	1

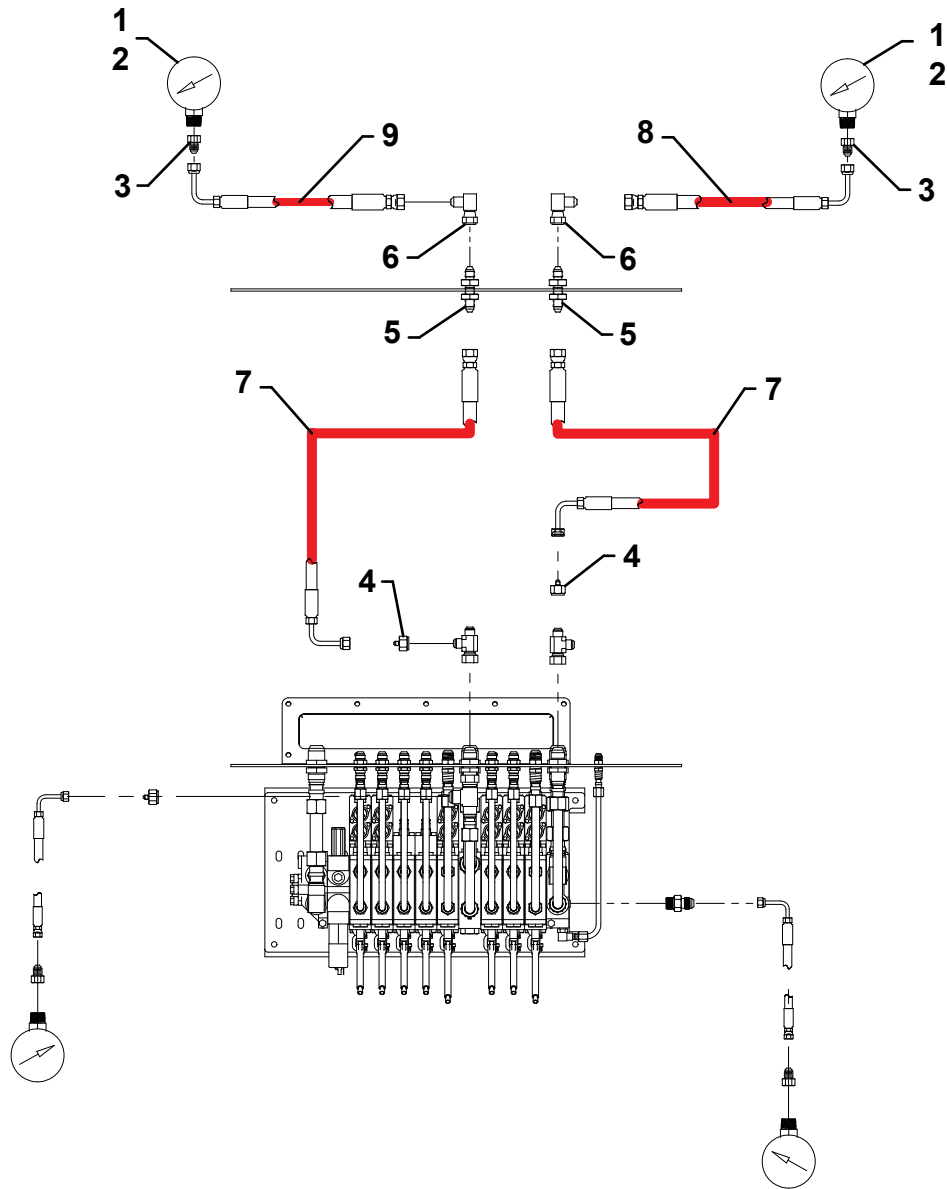
E-STOP INSTALLATION



DRIVER SIDE GAUGE INSTALLATION

ITEM	PART NO.	DESCRIPTION	QTY
1	7470000004	Gauge Mount	2
2	7790060676	Screw, #6 x 0.38"	6
3	7445040421	Fitting	2
4	1001094694	Reducer	2
5	2230021	Adapter	2
6	2220654	Adapter	2
7	1001193233	Hose Assembly	2
8	1001193241	Hose Assembly	1
9	1001193242	Hose Assembly	1

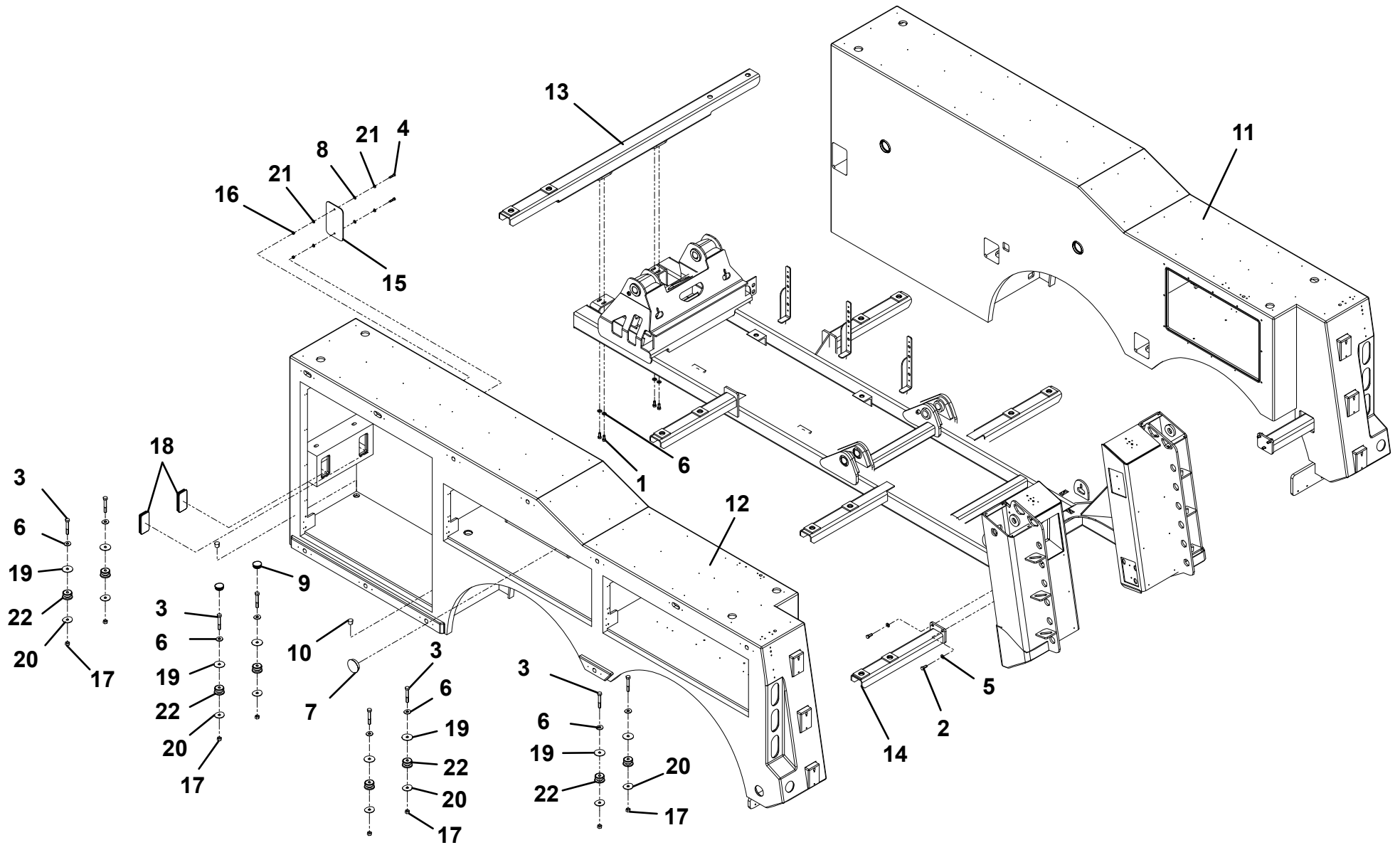
DRIVER SIDE GAUGE INSTALLATION



BODY INSTALLATION - TANDEM

ITEM	PART NO.	DESCRIPTION	QTY
1	641809	Capscrew, 0.50"-13 X 1.13"	4
2	641810	Capscrew, 0.50"-13 X 1.25"	6
3	642032	Capscrew, 0.31"-11 X 4.00"	16
4	1001168993	Capscrew, 0.38"-16 X 1.50"	2
5	4711800	Washer, 0.50" ID	10
6	4752000	Washer, 0.63" ID	16
7	1001151789	Plug	3
8	1001166974	Washer, 0.38" ID	2
9	1001169078	Plug	4
10	1001173847	Plug	4
11	1001200919	Body, Tandem RH	1
12	1001200920	Body, Tandem LH	1
13	1001186935	Mount	1
14	1001186968	Mount	2
15	1001190557	Panel	1
16	7660162601	Locknut, 0.38"-16NC	2
17	7660200001	Nut, 0.63"-11NC	16
18	7701000048	Plug	4
19	7949000019	Washer	16
20	7949000020	Washer	16
21	7950160143	Flatwasher, 0.38" ID	4
22	7636000008	Mount	16

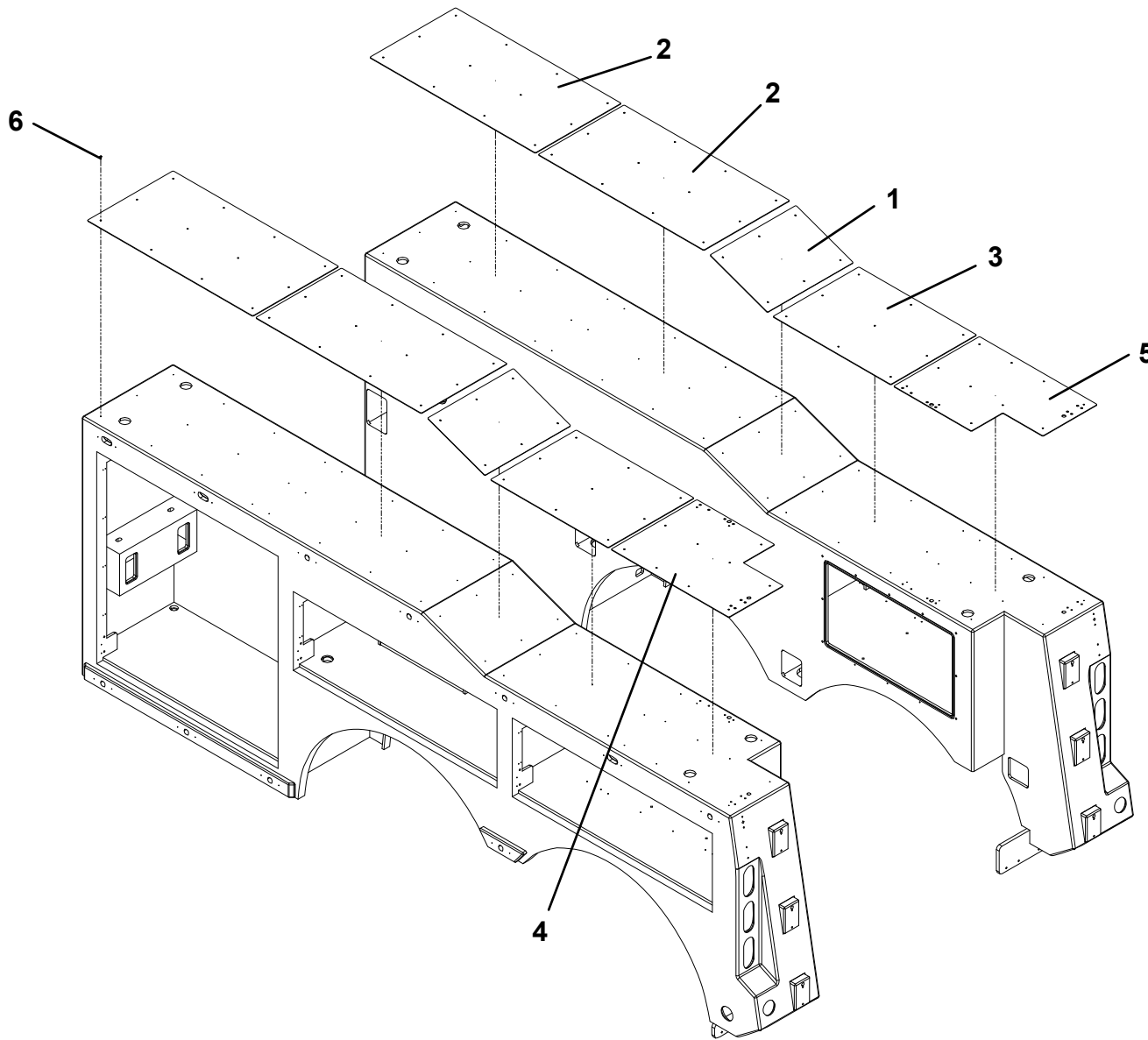
BODY INSTALLATION - TANDEM



DIAMOND PLATE INSTALLATION - TANDEM

ITEM	PART NO.	DESCRIPTION	QTY
1	1001186725	Plate	2
2	1001186726	Plate	4
3	1001186727	Plate	2
4	1001186728	Plate	1
5	1001186835	Plate	1
6	1001192958	Screw. #10 x 0.50"	100

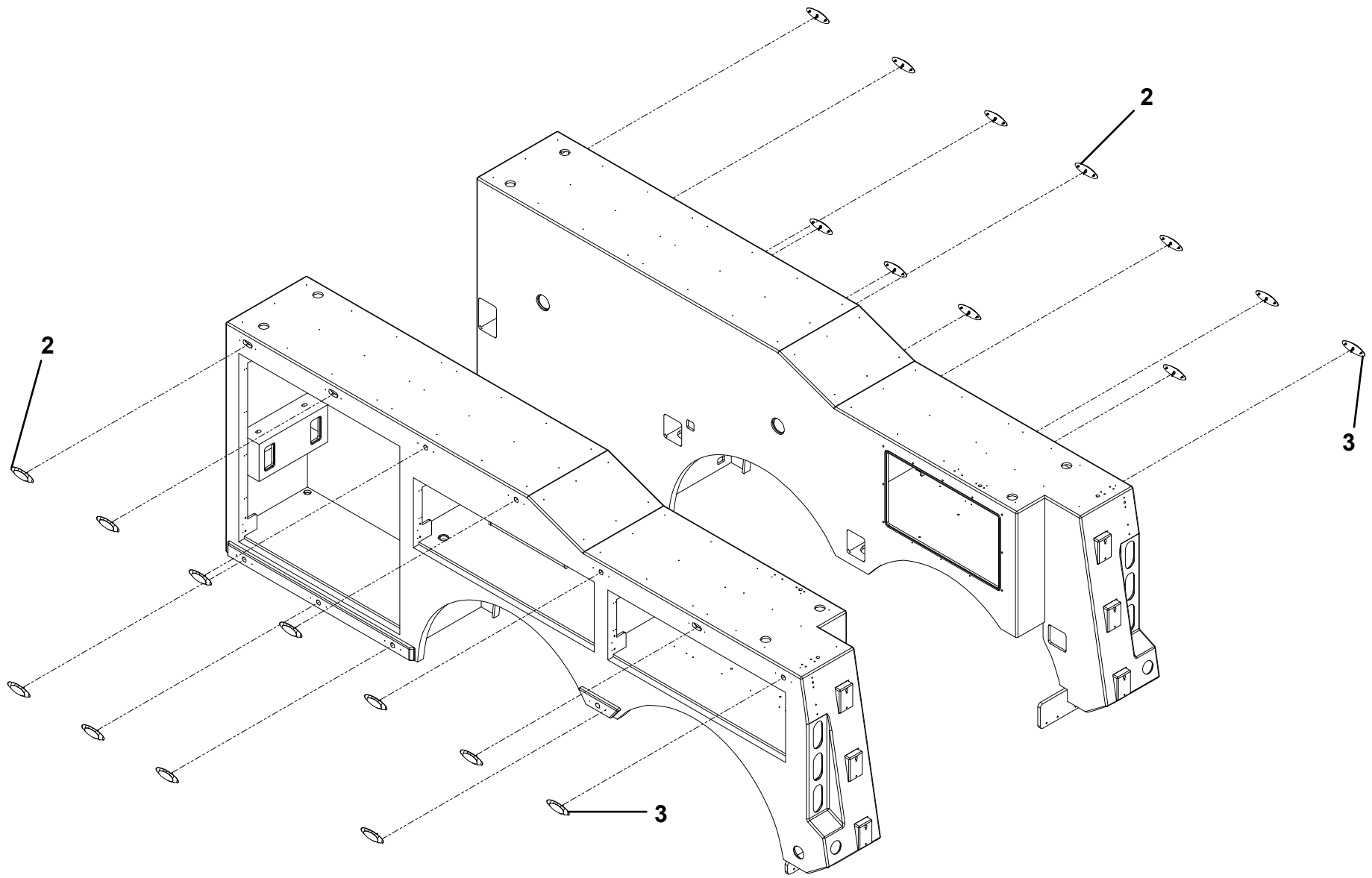
DIAMOND PLATE INSTALLATION - TANDEM



MARKER LIGHT INSTALLATION - TANDEM

ITEM	PART NO.	DESCRIPTION	QTY
1	1001154101	Screw, #10 x 0.38"	44
2	7590000262	Light, Amber	20
3	7590000282	Light, Red	2

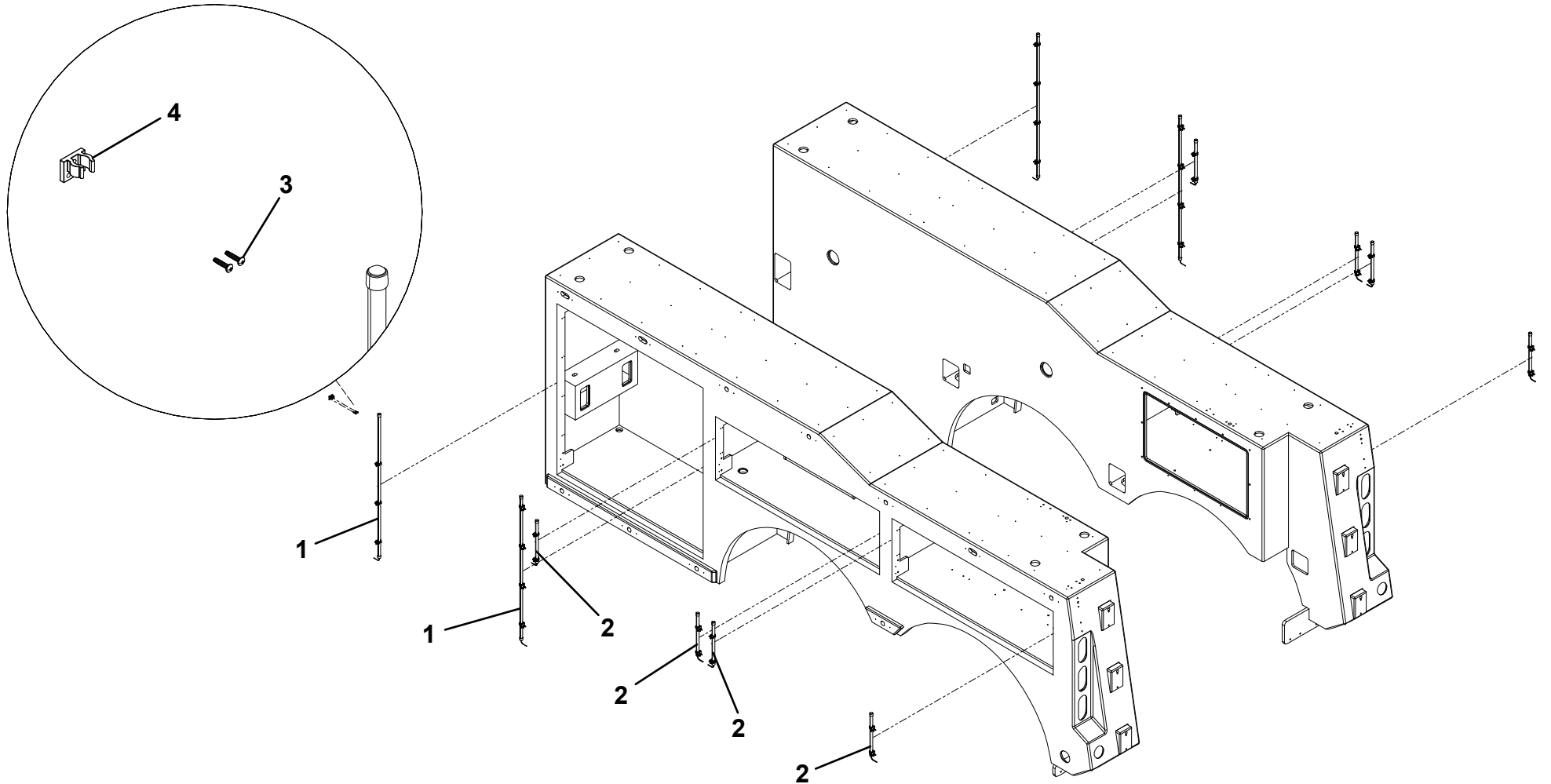
MARKER LIGHT INSTALLATION - TANDEM



COMPARTMENT LIGHT INSTALLATION - TANDEM

ITEM	PART NO.	DESCRIPTION	QTY
1	1001154527	Lamp, 40"	4
2	1001166549	Lamp, 12"	8
3	1001196552	Screw, #8 x 0.75"	64
4	1001199081	Mount	32

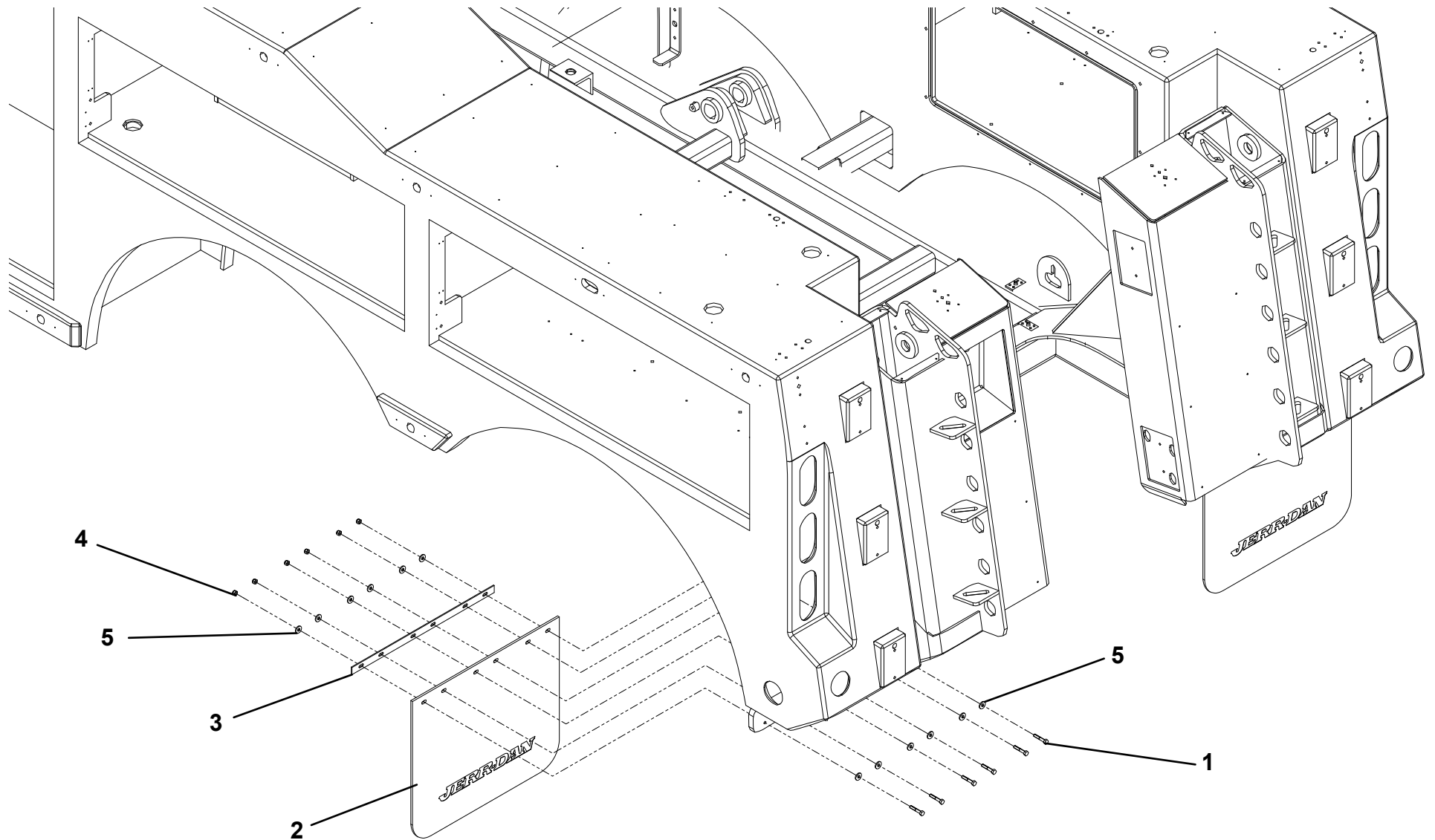
COMPARTMENT LIGHT INSTALLATION - TANDEM



MUDFLAP INSTALLATION - TANDEM

ITEM	PART NO.	DESCRIPTION	QTY
1	0641514	Screw, 0.31" - 18NC x 1.75"	12
2	1001174051	Mud Flap	2
3	4706001815	Plate	2
4	7660152601	Locknut, 0.31" - 18NC	12
5	7950150153	Flatwasher, 0.31"	24

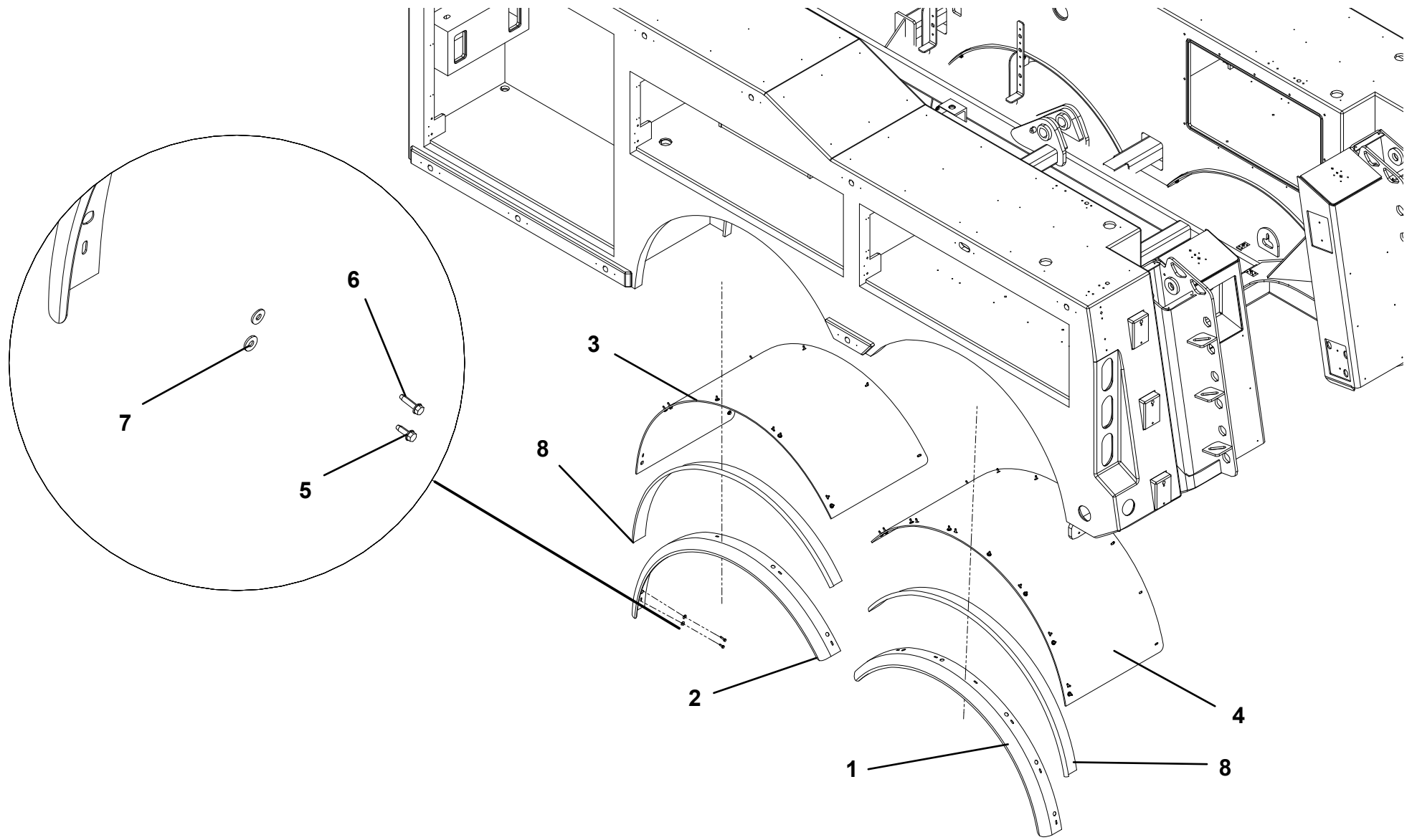
MUDFLAP INSTALLATION - TANDEM



FENDER INSTALLATION - TANDEM

ITEM	PART NO.	DESCRIPTION	QTY
1	1001163358	Fender, Rear	2
2	1001186584	Fender, Front	2
3	1001186606	Liner, Front	2
4	1001186608	Liner, Rear	2
5	7790141251	Screw, 0.25" x 0.75"	24
6	7790141651	Screw, 0.25" x 1.00"	42
7	7950140163	Flatwasher, 0.25" ID	66
8	1001167358	Mould	1

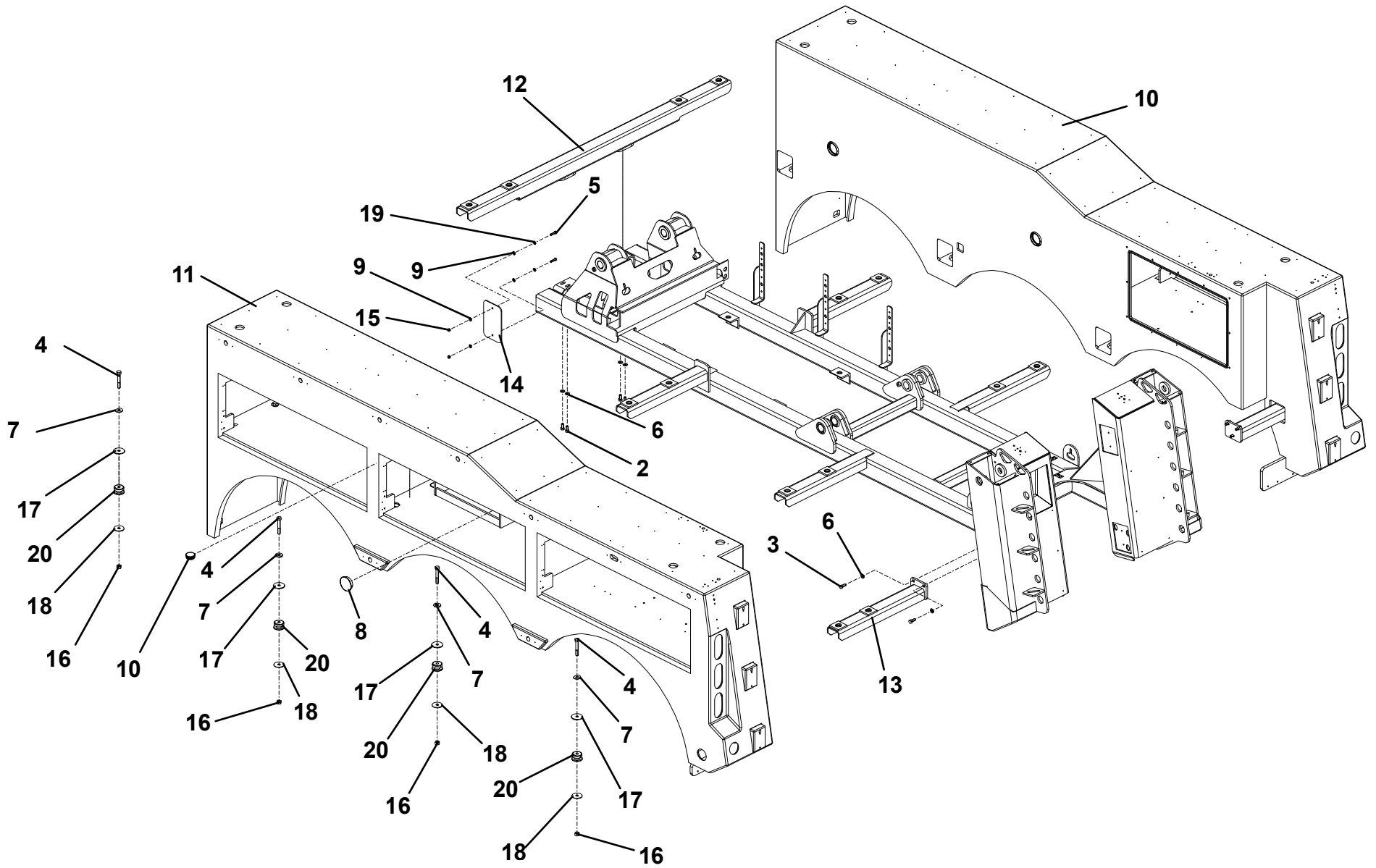
FENDER INSTALLATION - TANDEM



BODY INSTALLATION - TRI-AXLE

ITEM	PART NO.	DESCRIPTION	QTY
1	641809	Capscrew, 0.50"-13 X 1.13"	4
2	641810	Capscrew, 0.50"-13 X 1.25"	6
3	642032	Capscrew, 0.63"-11 X 4.00"	16
4	1001168993	Capscrew, 0.38"-16 X 1.50"	2
5	4711800	Washer, 0.50" ID	10
6	4752000	Washer, 0.63" ID	16
7	1001151789	Plug	3
8	1001166974	Washer, 0.38" ID	2
9	1001169078	Plug	4
10	1001200921	Body, Tri-Axle RH	1
11	1001200922	Body, Tri-Axle LH	1
12	1001186935	Mount	1
13	1001186968	Mount	2
14	1001190557	Panel	1
15	7660162601	Locknut, 0.38"-16NC	2
16	7660200001	Nut, 0.63"-11NC	16
17	7949000019	Washer	16
18	7949000020	Washer	16
19	7950160143	Flatwasher, 0.38" ID	4
20	7636000008	Mount	16

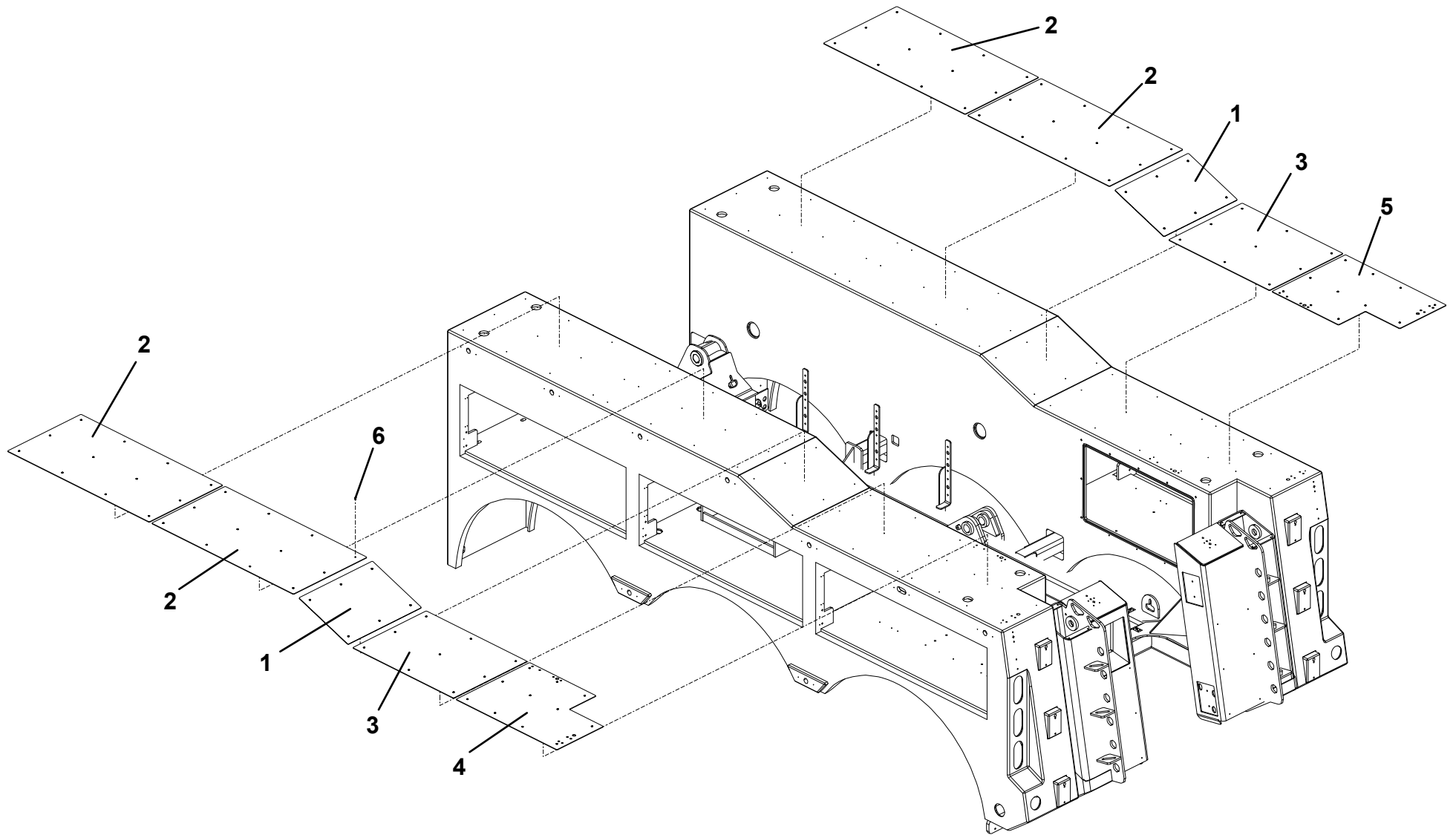
BODY INSTALLATION - TRI-AXLE



DIAMOND PLATE INSTALLATION - TRI-AXLE

ITEM	PART NO.	DESCRIPTION	QTY
1	1001186725	Plate	2
2	1001186726	Plate	4
3	1001186727	Plate	2
4	1001186728	Plate	1
5	1001186835	Plate	1
6	1001192958	Screw, #10 x 0.50"	100

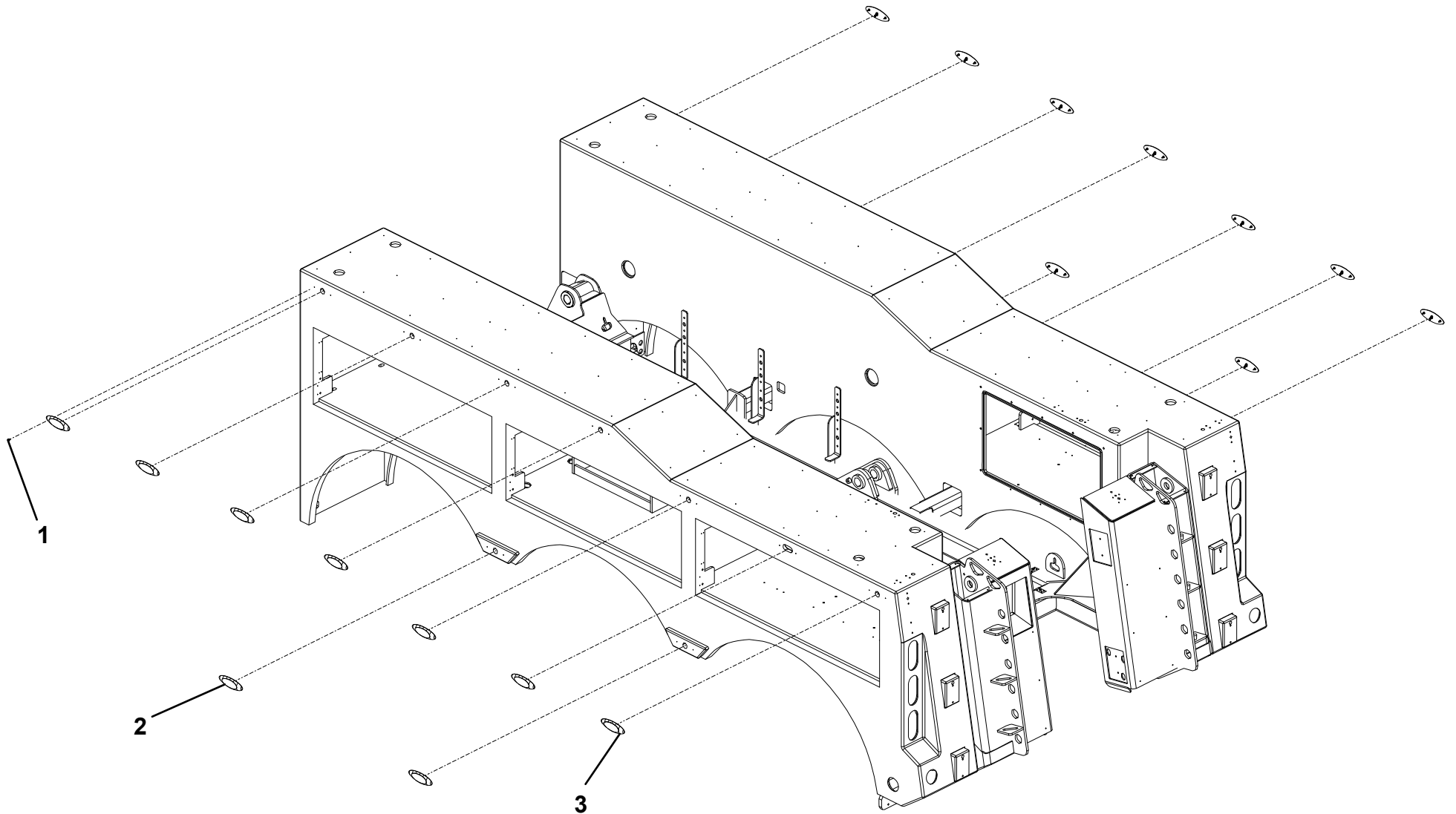
DIAMOND PLATE INSTALLATION - TRI-AXLE



MARKER LIGHT INSTALLATION - TRI-AXLE

ITEM	PART NO.	DESCRIPTION	QTY
1	1001154101	Screw, #10 x 0.38"	36
2	7590000262	Light, Amber	16
3	7590000282	Light, Red	2

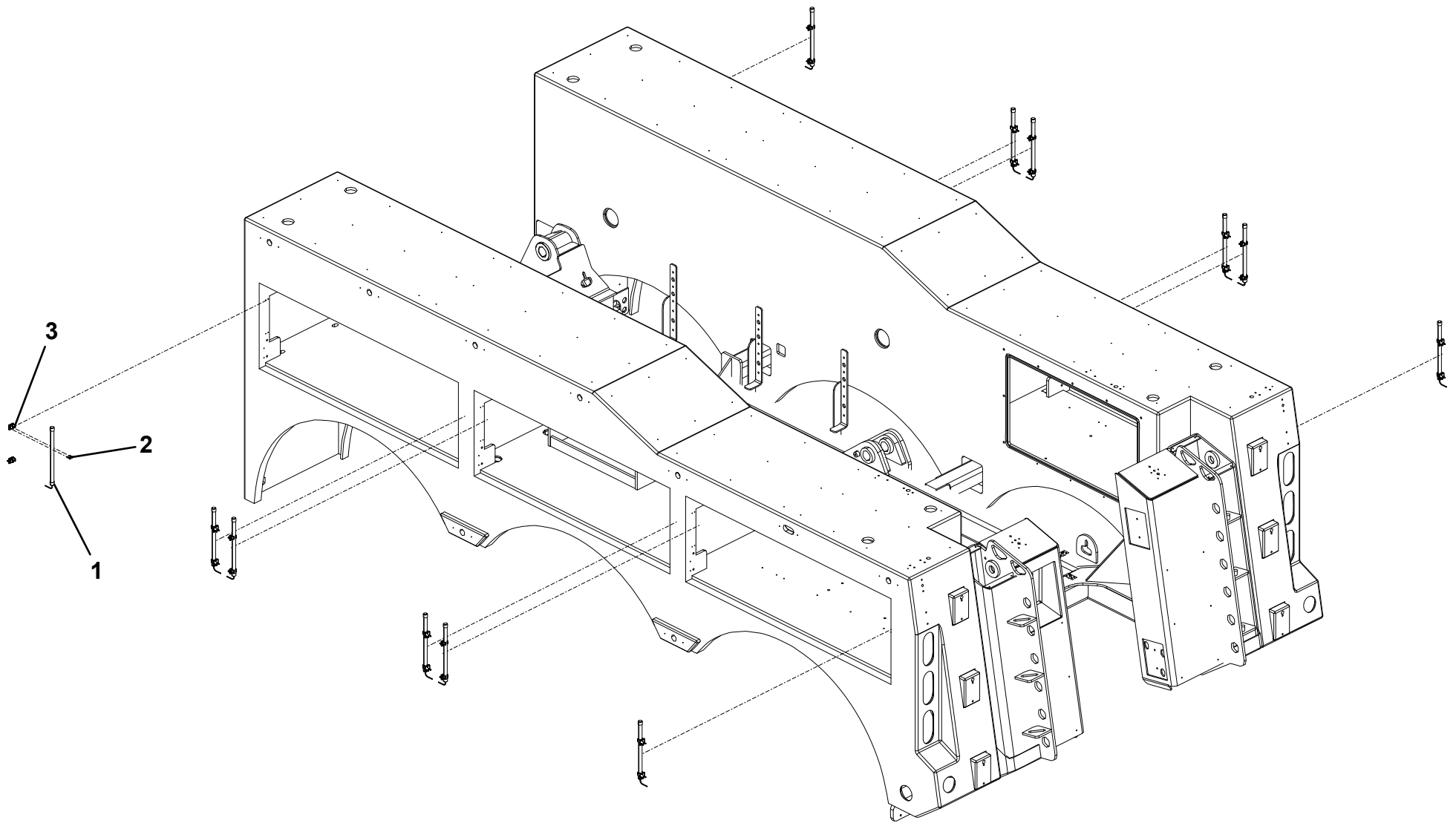
MARKER LIGHT INSTALLATION - TRI-AXLE



COMPARTMENT LIGHT INSTALLATION - TRI-AXLE

ITEM	PART NO.	DESCRIPTION	QTY
1	1001166549	Lamp, 12"	12
2	1001196552	Screw, #8 x 0.75"	48
3	1001199081	Mount	24

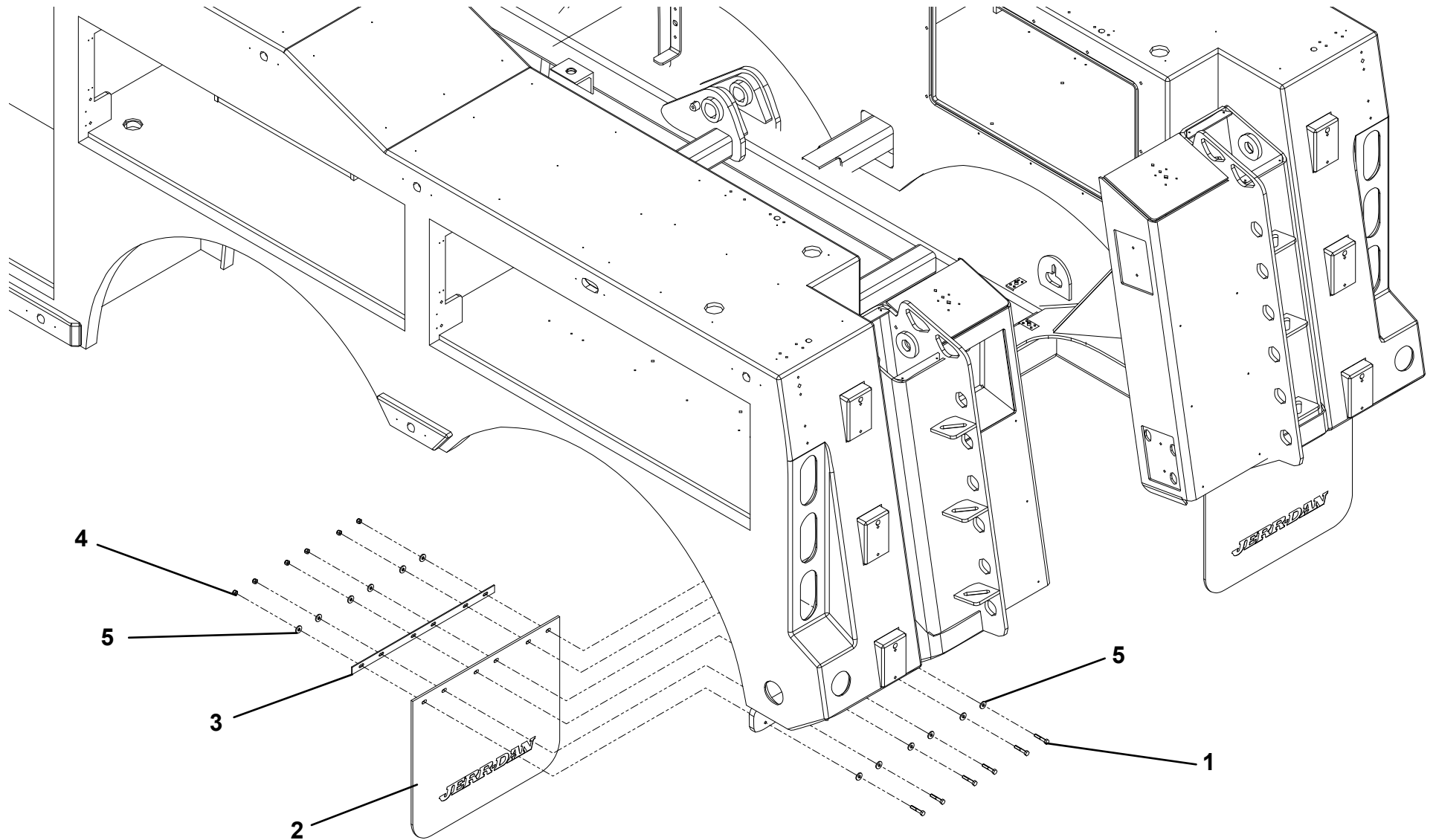
COMPARTMENT LIGHT INSTALLATION - TRI-AXLE



MUDFLAP INSTALLATION - TRI-AXLE

ITEM	PART NO.	DESCRIPTION	QTY
1	0641514	Screw, 0.31" - 18NC x 1.75"	12
2	1001174051	Mud Flap	2
3	4706001815	Plate	2
4	7660152601	Locknut, 0.31" - 18NC	12
5	7950150153	Flatwasher, 0.31"	24

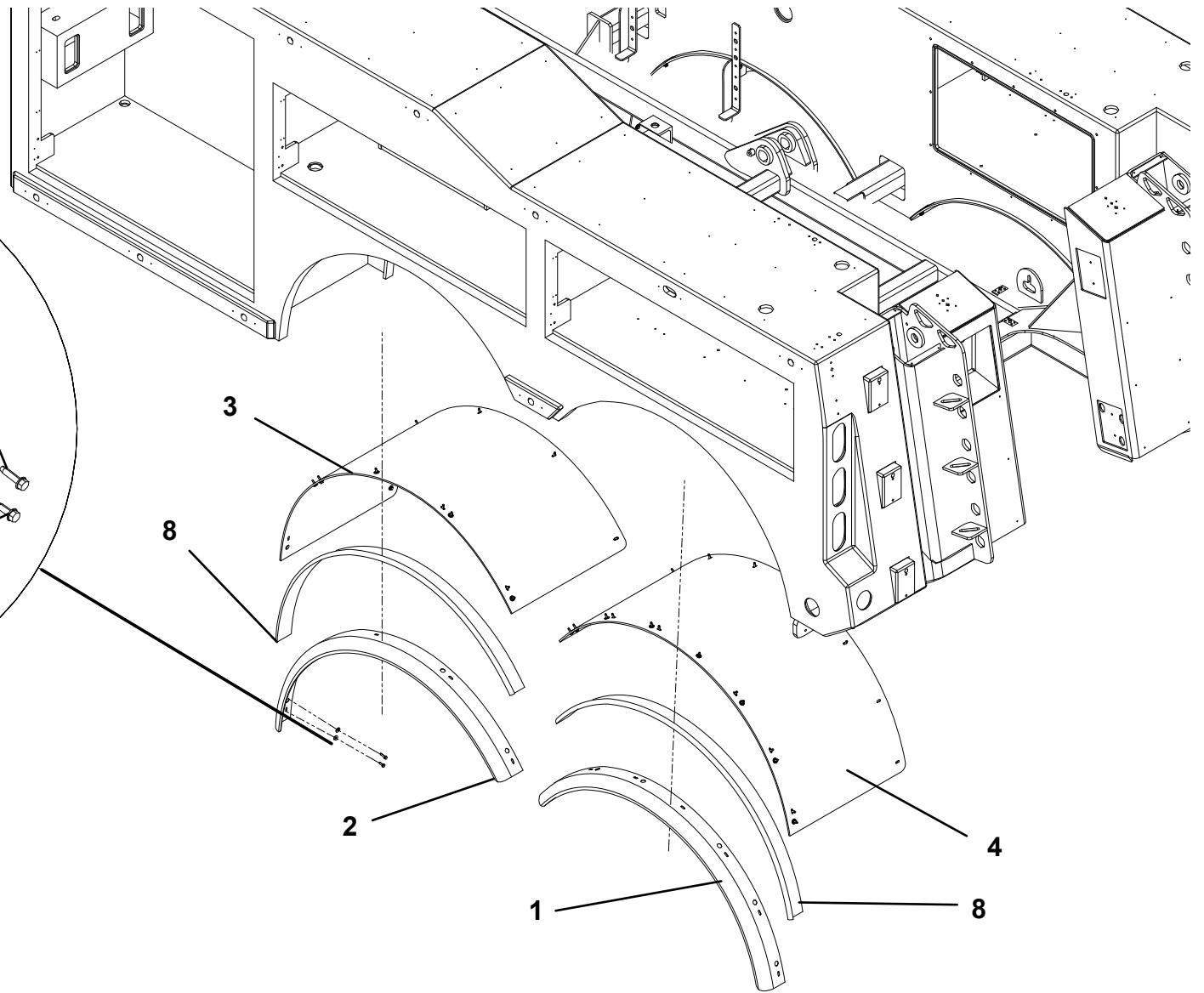
MUDFLAP INSTALLATION - TRI-AXLE



FENDER INSTALLATION - TRI-AXLE

ITEM	PART NO.	DESCRIPTION	QTY
1	1001163358	Fender, Rear	2
2	1001186584	Fender, Front	2
3	1001186606	Liner, Front	2
4	1001186608	Liner, Rear	2
5	7790141251	Screw, 0.25" x 0.75"	24
6	7790141651	Screw, 0.25" x 1.00"	42
7	7950140163	Flatwasher, 0.25" ID	66
8	1001167358	Mould	1

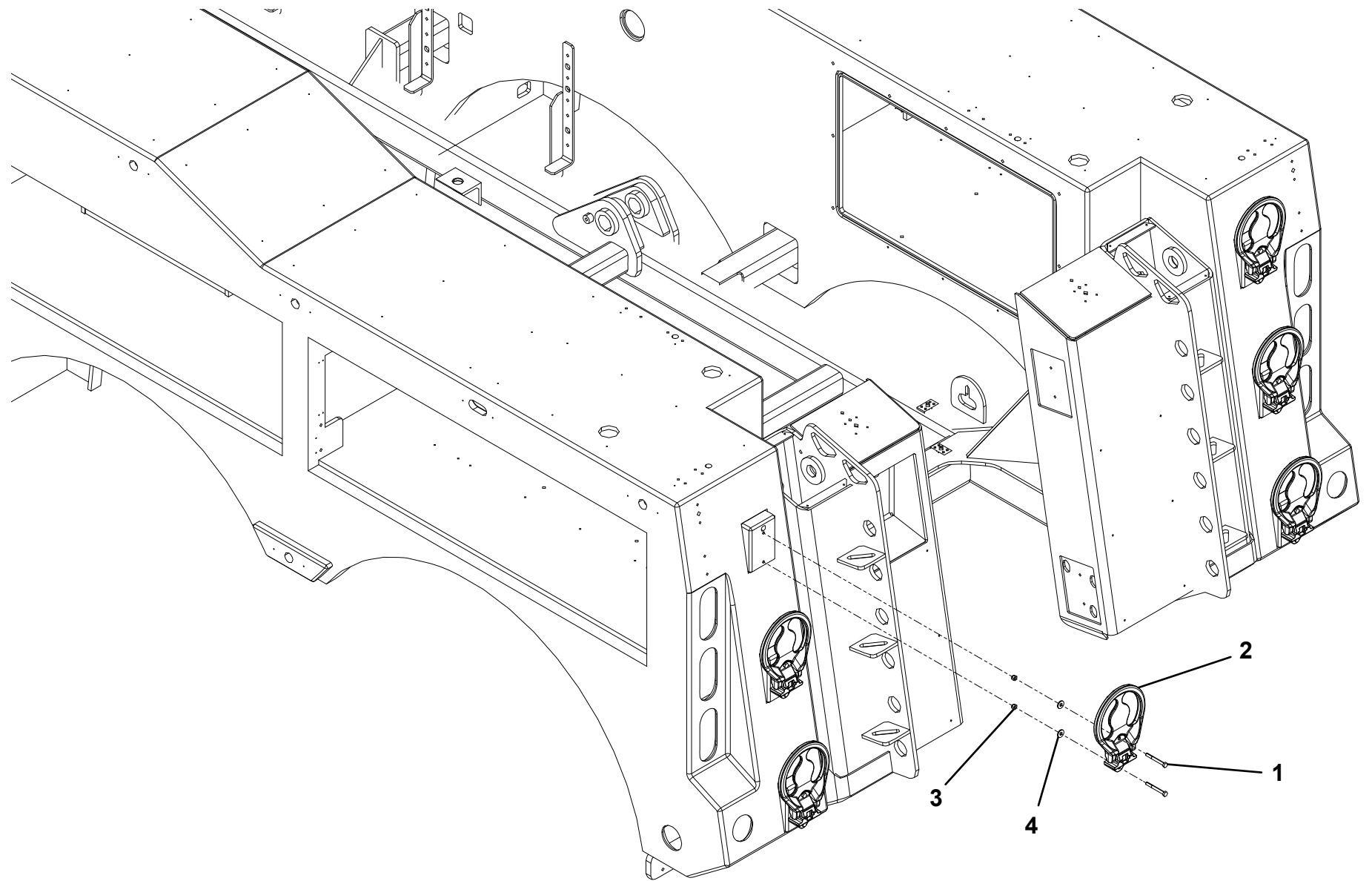
FENDER INSTALLATION - TRI-AXLE



STEP INSTALLATION

ITEM	PART NO.	DESCRIPTION	QTY
1	1001167455	Screw, 0.31" - 18NC x 2.75"	12
2	1001167456	Step	6
3	7660152601	Locknut, 0.31" - 18NC	12
4	7950150153	Flatwasher, 0.31" ID	12

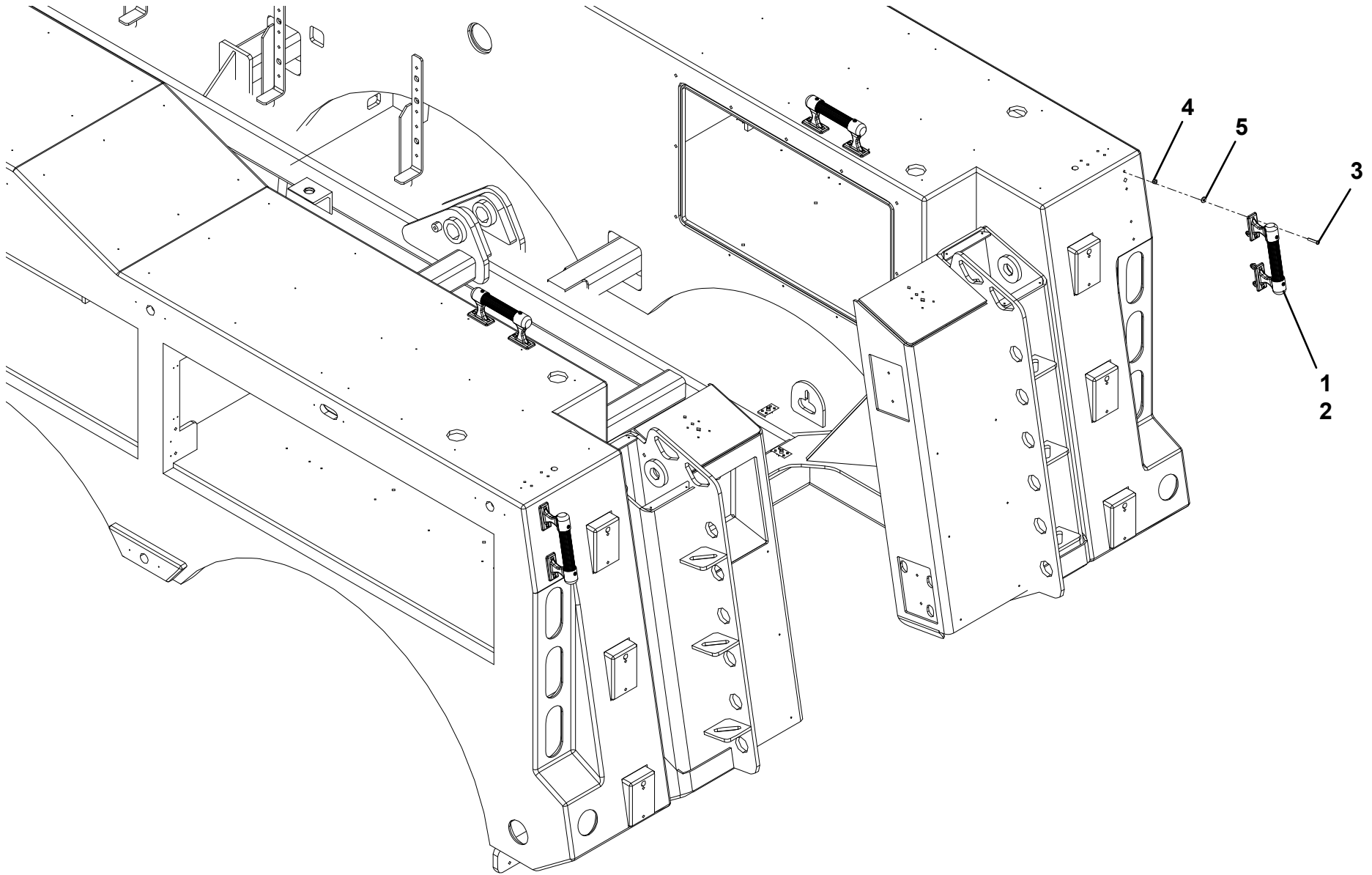
STEP INSTALLATION



GRAB HANDLE INSTALLATION

ITEM	PART NO.	DESCRIPTION	QTY
1	1001170849	Handle	4
2	1001170937	Screw	8
3	7114141218	Screw, 0.25" - 20NC x 1.50"	16
4	7660142600	Locknut, 0.25" - 20NC	16
5	7950140143	Flatwasher, 0.25" ID	16

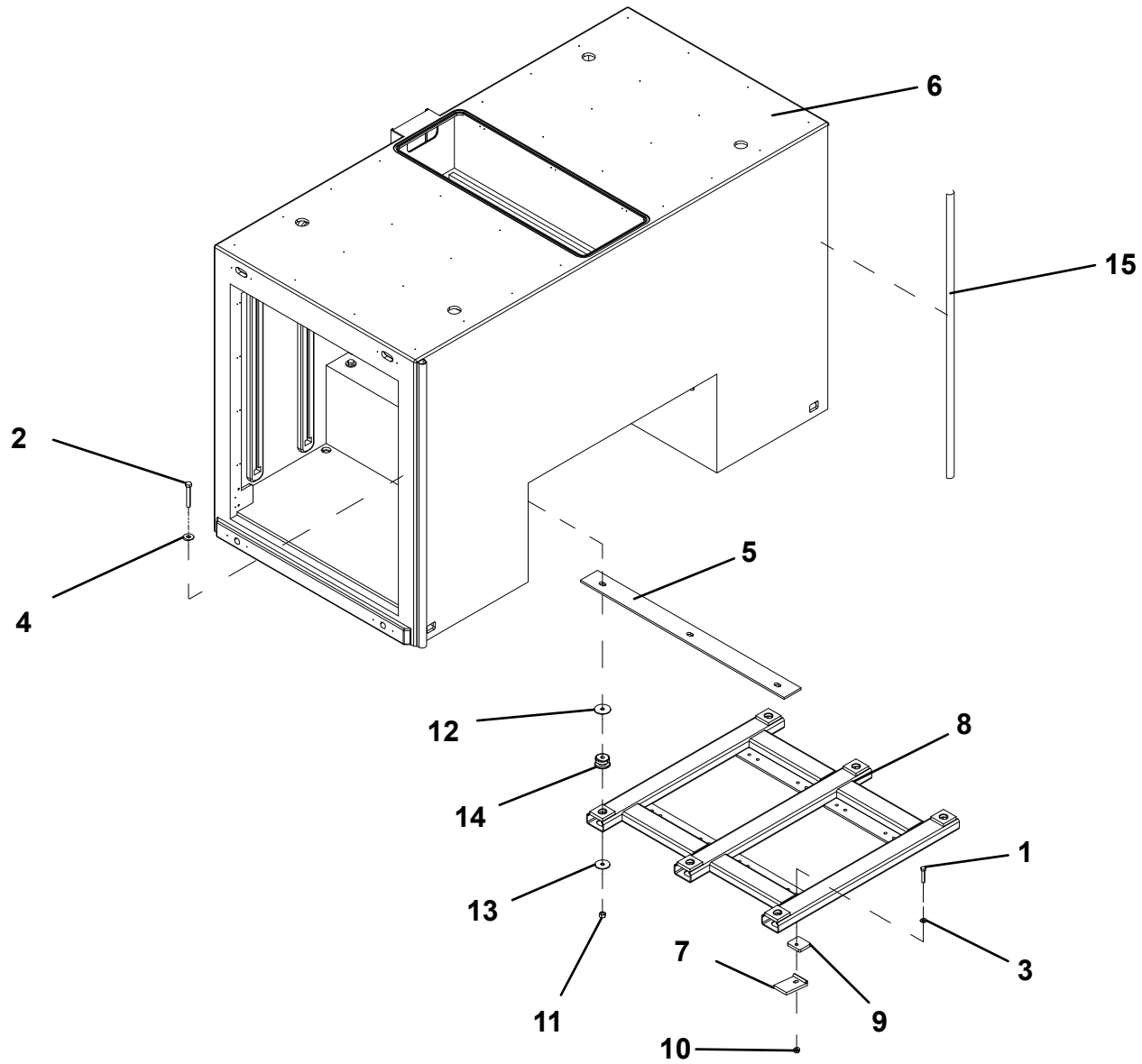
GRAB HANDLE INSTALLATION



TOOLBOX INSTALLATION - 51" W/ BATTERIES

ITEM	PART NO.	DESCRIPTION	QTY
1	641820	Capscrew, 0.50"-13 X 2.50"	8
2	642034	Capscrew, 0.63"-11 X 4.25"	6
3	4711800	Washer, 0.50" ID	8
4	4752000	Washer, 0.63" ID	6
5	1001165692	Support Tunnel Plate	2
6	1001185657	Tunnel Tool Box W/Batteries	1
7	3274000011	Clamp Weldment	8
8	3911000068	Toolbox Mount	1
9	4705000705	Plate	8
10	7660182301	Locknut, 0.50"-13NC	8
11	7660200001	Nut, 0.63"-11NC	6
12	7949000019	Washer	6
13	7949000020	Washer	6
14	7636000008	Mount	6
15	8632000011	Seal	10FT

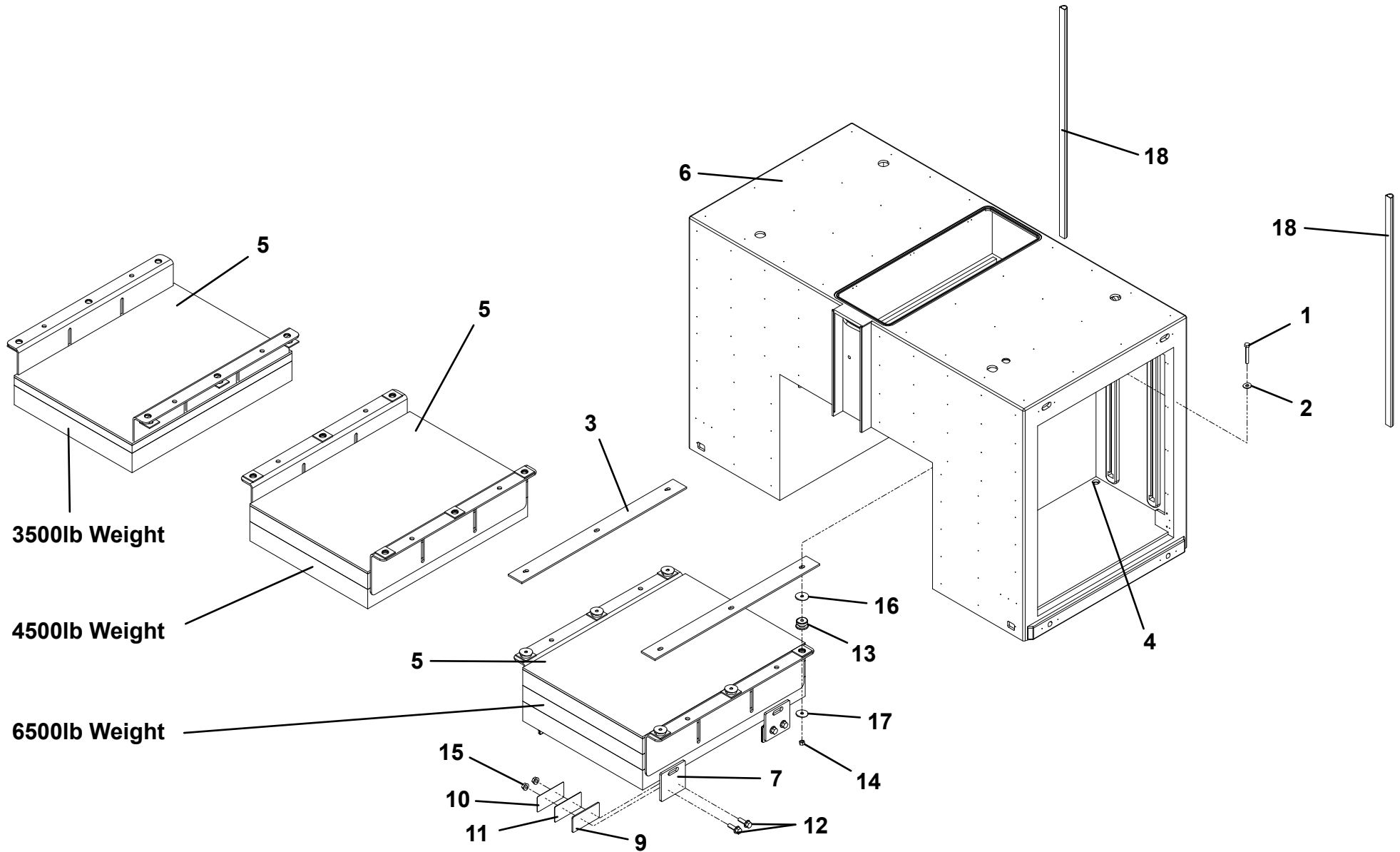
TOOLBOX INSTALLATION - 51" W/ BATTERIES



TOOLBOX INSTALLATION - 51" W/ BATTERIES AND COUNTER WEIGHT

ITEM	PART NO.	DESCRIPTION	QTY
1	642034	Screw, 0.625"-11NC x 4.25"	6
2	4752000	Washer, 0.625"	6
3	1001165692	Support	2
4	1001173847	Plug	4
5	1001219831	Weight, 6500lb	1
	1001211487	Weight, 4500lb	
	1001211486	Weight, 3500lb	
6	1001219833	Tunnel Toolbox 51"	1
7	1001219916	Plate	4
8	1001219921	Shim Kit	1
9	1001219917	Shim, 0.25"	4
10	1001219918	Shim, 11 ga	4
11	1001219919	Shim, 16 ga	4
12	7118221816	Capscrew, 0.75"-10NC X 2.25"	8
13	7636000008	Rubber Mount	6
14	7660200001	Nut, 0.63"-11NC	6
15	7660222308	Locknut, 0.75"-10NC	8
16	7949000019	Washer, Head	6
17	7949000020	Washer, Tail	6
18	8632000011	Seal	10FT

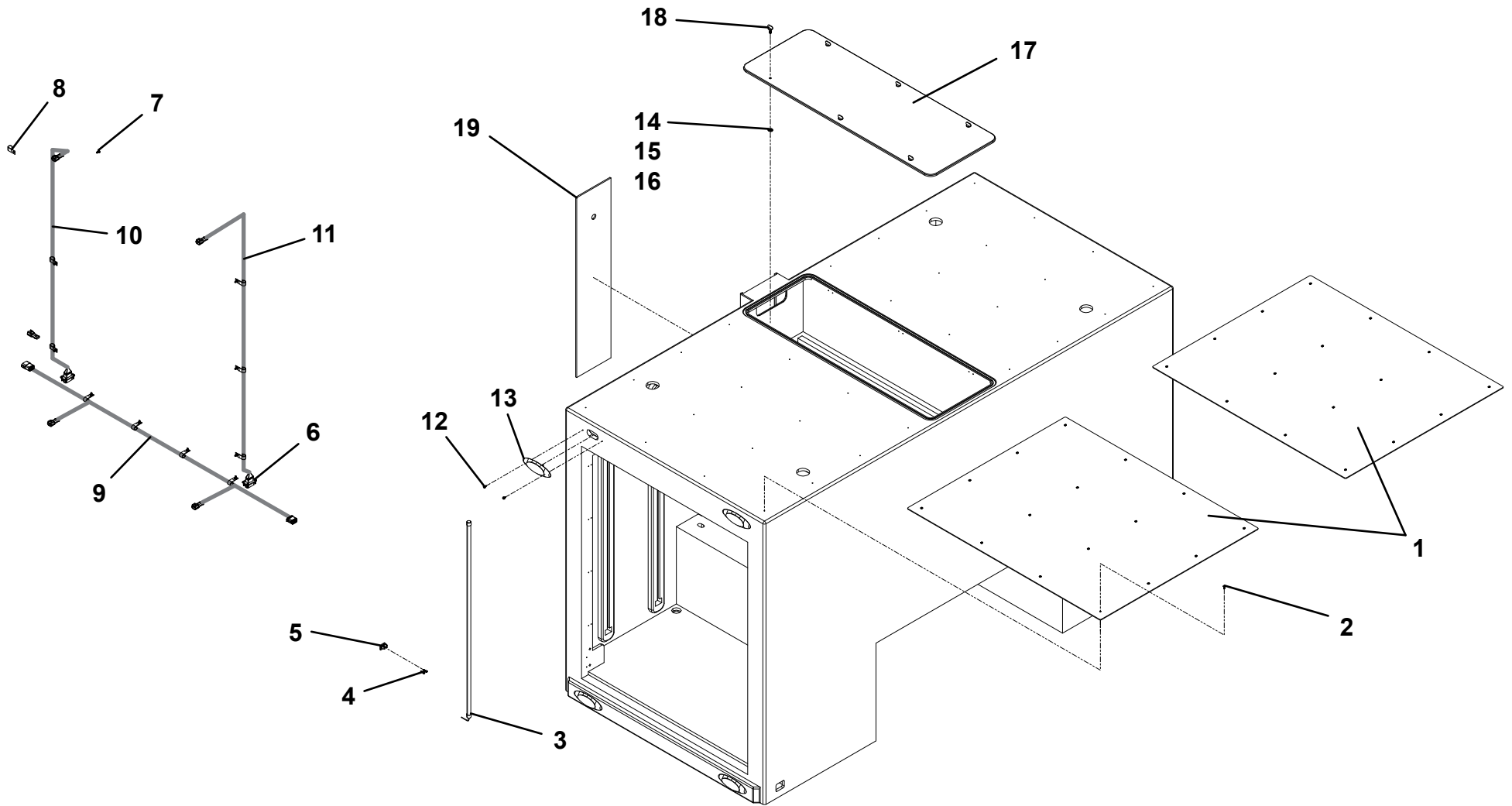
TOOLBOX INSTALLATION - 51" W/ BATTERIES AND COUNTER WEIGHT



TOOLBOX ASSEMBLY - 51" W/ BATTERIES

ITEM	PART NO.	DESCRIPTION	QTY
1	1001187000	Plate	2
2	1001192958	Screw, #10 x 0.50"	32
3	1001154527	Light	4
4	1001196552	Screw #8 x 0.75"	32
5	1001199081	Mount	16
6	1001195257	Screw 0.25" x 0.50"	20
7	1001196552	Screw, #8 x 0.75"	16
8	7280000006	Clip	20
9	1001188904	Harness	2
10	1001188920	Harness	2
11	1001188921	Harness	2
12	1001154101	Screw	16
13	7590000262	Light	8
14	750605	Screw	12
15	3760308	Retainer	6
16	1001122235	Bracket	6
17	1001166674	Cover	1
18	1001166930	Latch	6
19	1001185654	Cover	1

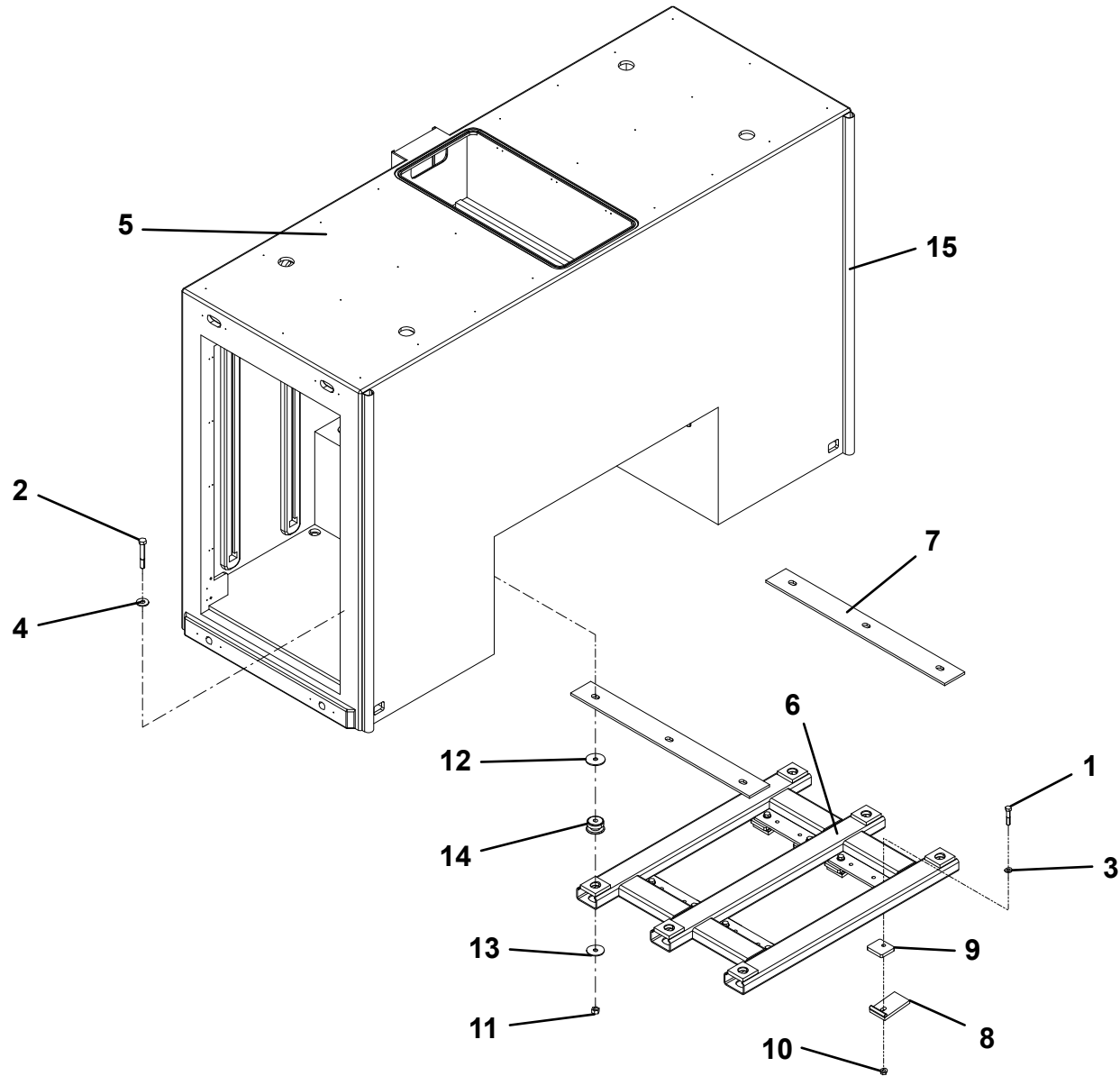
TOOLBOX ASSEMBLY - 51" W/ BATTERIES

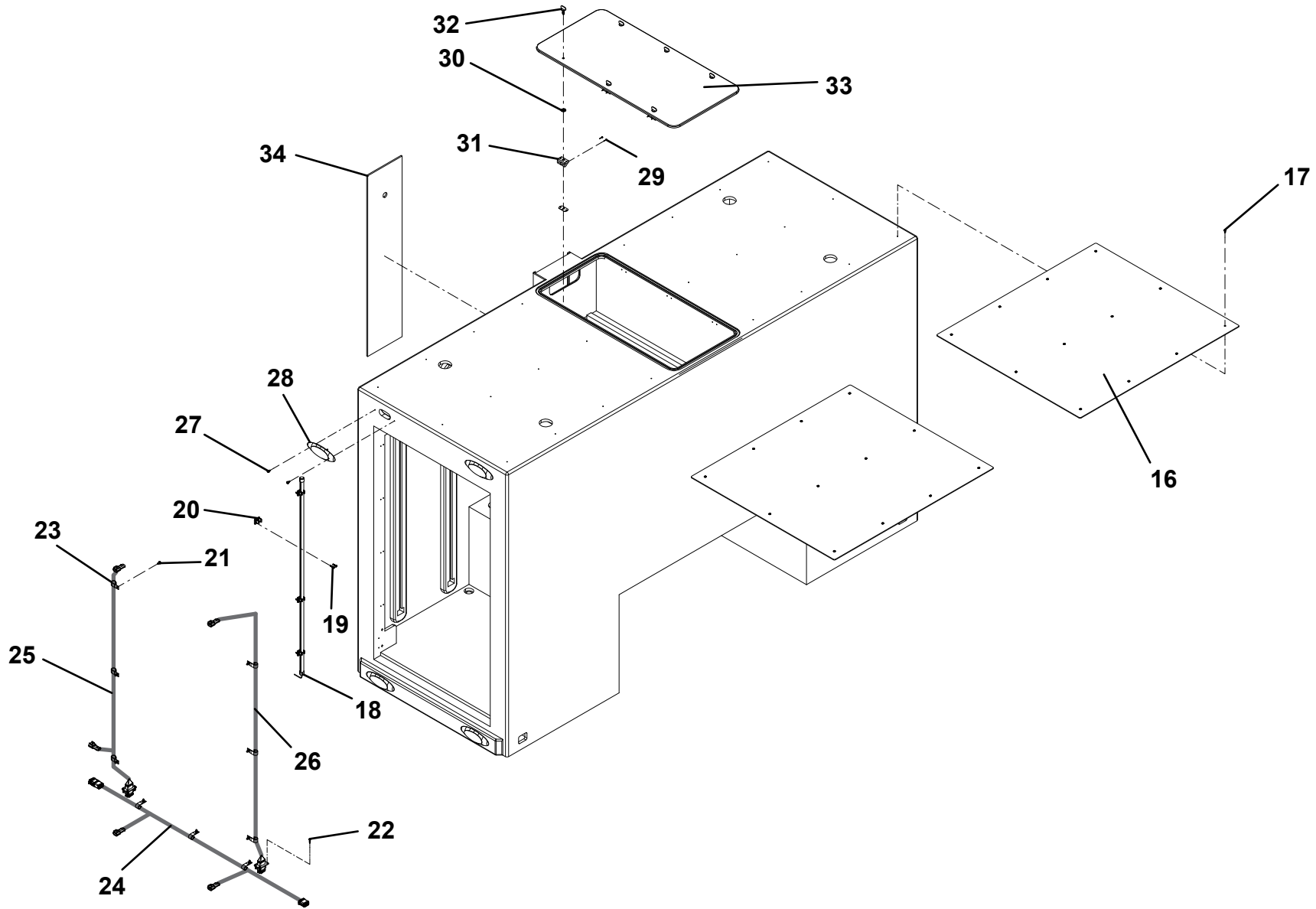


TOOLBOX INSTALLATION - 39" W/ BATTERIES

ITEM	PART NO.	DESCRIPTION	QTY
1	641820	Screw, 0.50"-13 X 2.50"	8
2	642034	Screw, 0.625"-11 X 4.25"	6
3	4711800	Washer, 0.50" ID	8
4	4752000	Washer, 0.625" ID	6
5	1001186491	Tunnel Toolbox	1
6	1001187063	Mount	1
7	1001197338	Plate	2
8	3274000011	Clamp	8
9	4705000705	Plate	8
10	7660182301	Locknut, 0.50"-13NC	8
11	7660200001	Nut, 0.63"-11NC	6
12	7949000019	Washer, Head	6
13	7949000020	Washer, Tail	6
14	7636000008	Mount	6
15	8632000011	Seal	10FT
16	1001186993	Plate	2
17	1001192958	Screw, #10 x 0.05"	24
18	1001154527	Lamp	4
19	1001196552	Screw, #8 x 0.75"	32
20	1001199081	Mount	16
21	1001195257	Screw, 0.25" x 0.50"	18
22	1001196552	Screw, #8 x 0.75"	16
23	7280000006	Clip	18
24	1001188919	Harness	2
25	1001188920	Harness	2
26	1001188921	Harness	2
27	1001154101	Screw	16
28	7590000262	Light	8
29	750605	Screw	12
30	3760308	Retainer	6
31	1001122235	Bracket	6
32	1001166930	Latch	6
33	1001182569	Cover	1
34	1001185654	Cover	1

TOOLBOX INSTALLATION - 39" W/ BATTERIES



TOOLBOX INSTALLATION - 39" W/ BATTERIES

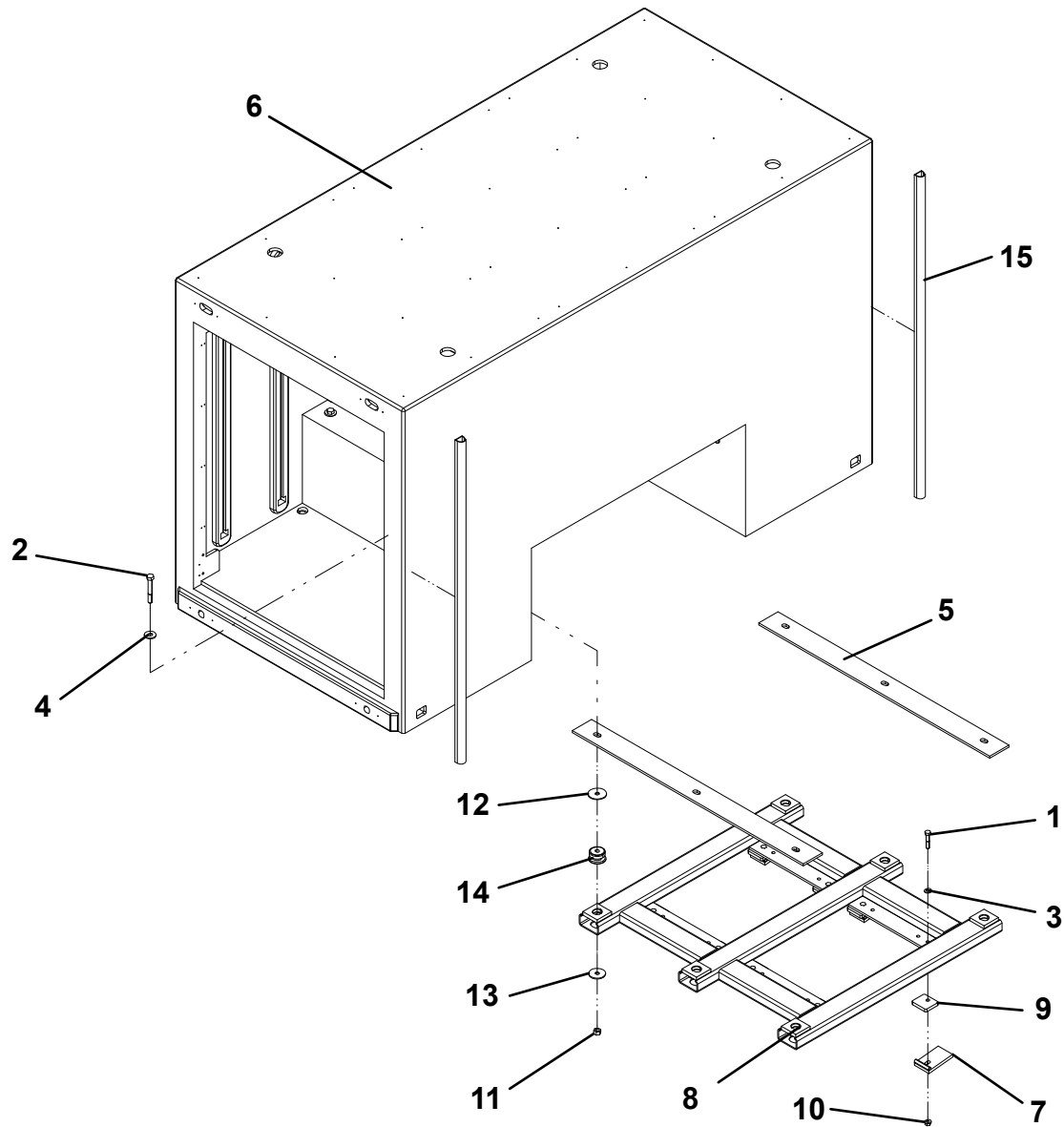
TOOLBOX INSTALLATION - 39" W/ BATTERIES

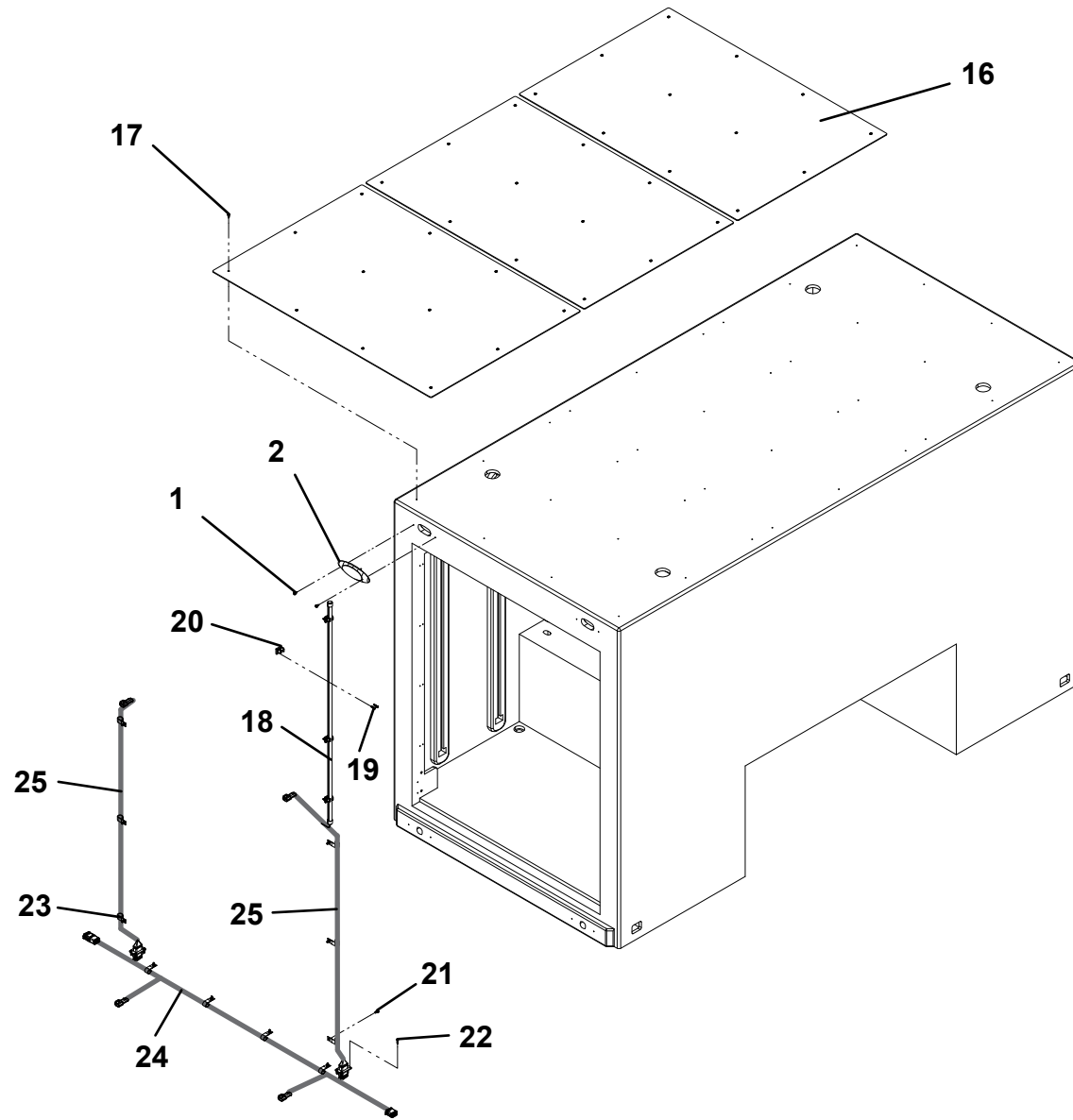
THIS PAGE INTENTIONALLY LEFT BLANK

TOOLBOX INSTALLATION - 49" W/O BATTERIES

ITEM	PART NO.	DESCRIPTION	QTY
1	641820	Screw, 0.50"-13 X 2.50"	8
2	642034	Screw, 0.625"-11 X 4.25"	6
3	4711800	Washer, 0.50" ID	8
4	4752000	Washer, 0.625" ID	6
5	1001165692	Plate	2
6	1001186416	Tunnel Toolbox 48"	1
7	3274000011	Clamp	8
8	3911000068	Mount	1
9	4705000705	Plate	8
10	7660182301	Locknut, 0.50"-13NC	8
11	7660200001	Nut, 0.63"-11NC	6
12	7949000019	Washer, Head	6
13	7949000020	Washer, Tail	6
14	7636000008	Mount	6
15	8632000011	Seal	10FT
16	1001187009	Plate	3
17	1001192958	Screw, #10 x 0.50"	36
18	1001154527	Lamp	4
19	1001196552	Screw, #8 x 0.75"	32
20	1001199081	Mount	16
21	1001195257	Screw, 0.25" x 0.50"	20
22	1001196552	Screw, #8 x 0.75"	16
23	7280000006	Clip	20
24	1001188904	Harness	2
25	1001188921	Harness	4
26	1001192958	Screw, #10 x 0.50"	16
27	7590000262	Light	8

TOOLBOX INSTALLATION - 49" W/O BATTERIES



TOOLBOX INSTALLATION - 49" W/O BATTERIES

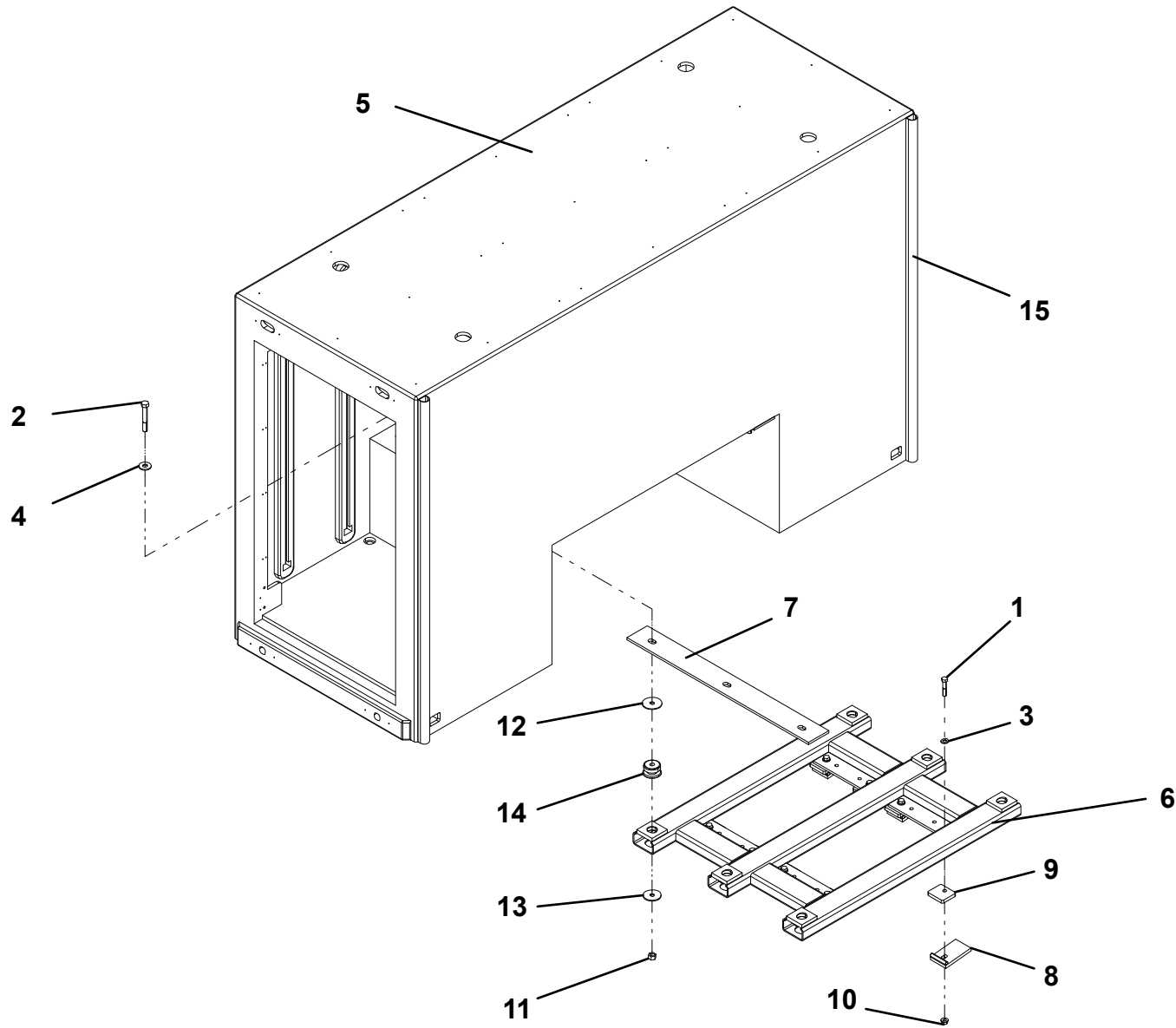
TOOLBOX INSTALLATION - 49" W/O BATTERIES

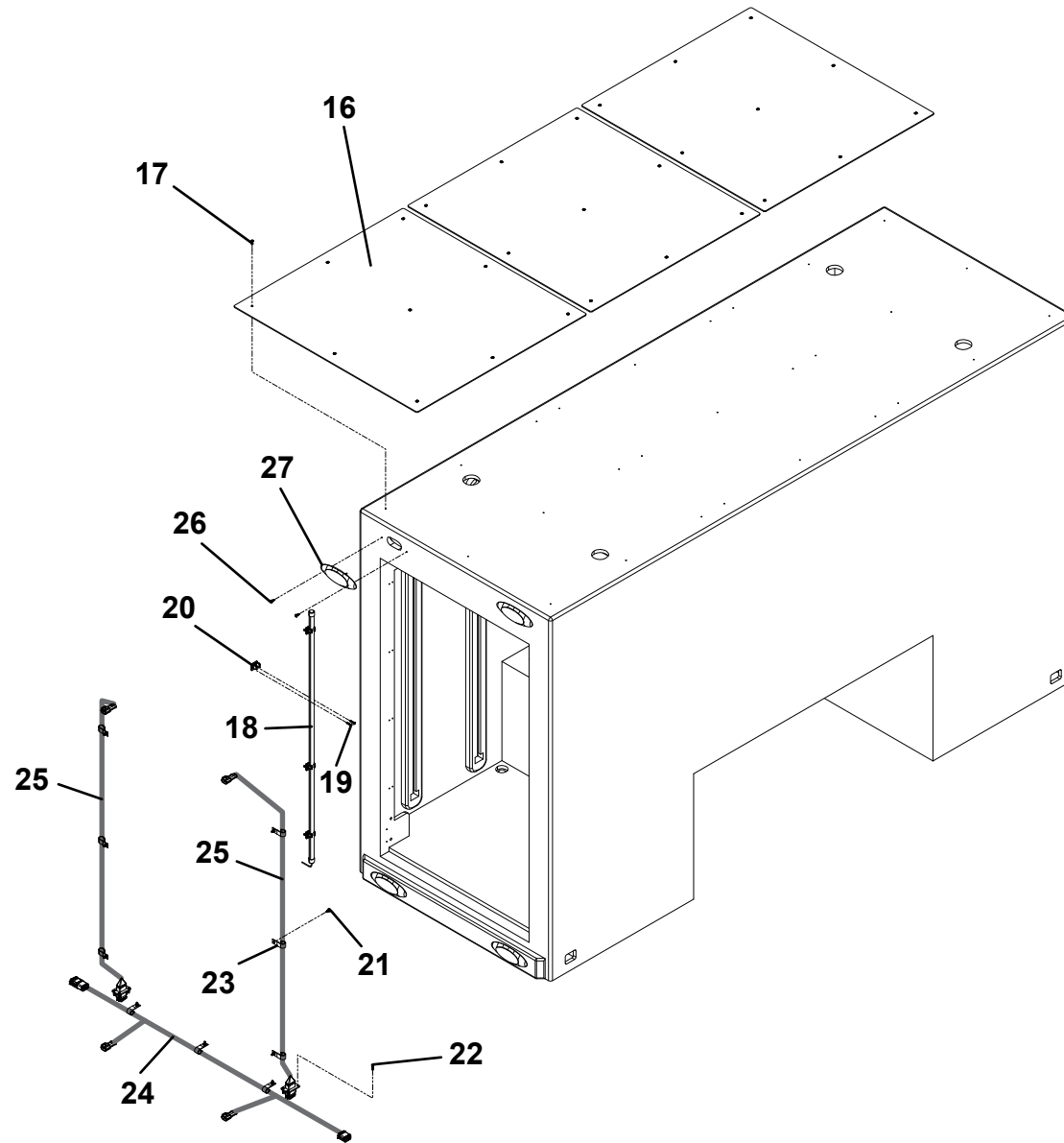
THIS PAGE INTENTIONALLY LEFT BLANK

TOOLBOX INSTALLATION - 37" W/O BATTERIES

ITEM	PART NO.	DESCRIPTION	QTY
1	641820	Screw, 0.50-13 X 2.50"	8
2	642034	Screw, 0.625"-11 X 4.25	6
3	4711800	Washer, 0.50" ID	8
4	4752000	Washer, 0.625" ID	6
5	1001185600	Tunnel Toolbox	1
6	1001187063	Mount	1
7	1001197338	Plate	2
8	3274000011	Clamp	8
9	4705000705	Plate	8
10	7660182301	Locknut, 0.50"-13NC	8
11	7660200001	Nut, 0.63"-11NC	6
12	7949000019	Washer, Head	6
13	7949000020	Washer, Tail	6
14	7636000008	Mount	6
15	8632000011	Seal	10FT
16	1001186997	Plate	3
17	1001192958	Screw, #10 x 0.50"	27
18	1001154527	Lamp	4
19	1001196552	Screw, #8 x 0.75"	32
20	1001199081	Mount	16
21	1001195257	Screw, 0.25" x 0.50"	18
22	1001196552	Screw, #8 x 0.75"	16
23	7280000006	Clip	18
24	1001188919	Harness	2
25	1001188921	Harness	4
26	1001192958	Screw, #10 x 0.50"	16
27	7590000262	Light	8

TOOLBOX INSTALLATION - 37" W/O BATTERIES



TOOLBOX INSTALLATION - 37" W/O BATTERIES

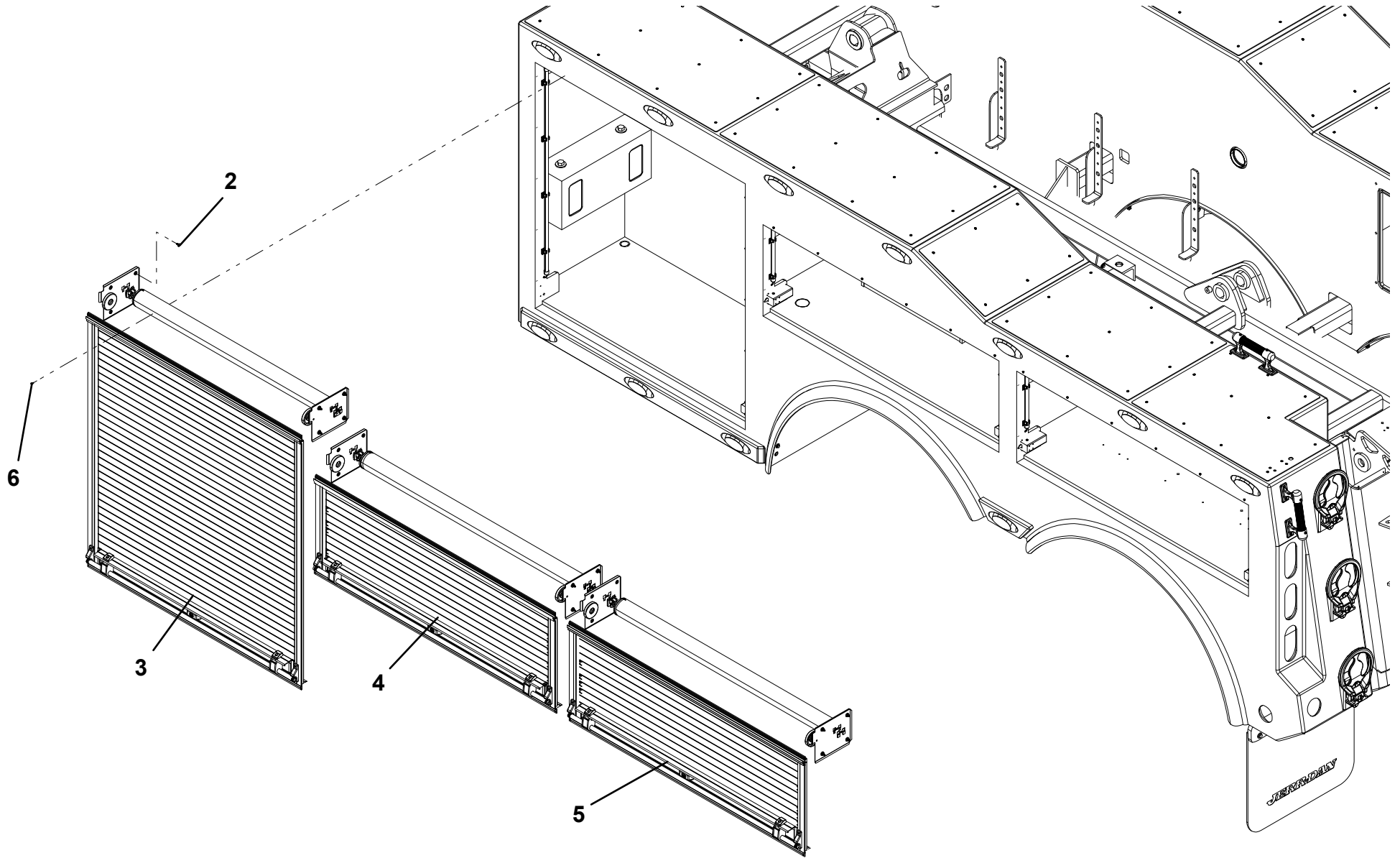
TOOLBOX INSTALLATION - 37" W/O BATTERIES

THIS PAGE INTENTIONALLY LEFT BLANK

DOOR INSTALLATION - TANDEM BODY

ITEM	PART NO.	DESCRIPTION	QTY
Painted			
1	1001192958	Screw, #10 X 0.50"	60
2	1001195257	Screw, 0.25" X 0.50"	48
3	1001197159	Door, 48.10" X 47.50"	2
4	1001197160	Door, 17.90" X 53.30"	2
5	1001197161	Door, 17.90" X 52.40"	2
6	1001198602	Screw, #8 X 0.38"	34
Brushed			
1	1001192958	Screw, #10 X 0.50"	60
2	1001195257	Screw, 0.25" X 0.50"	48
3	1001186988	Door, 48.10" X 47.50"	2
4	1001186989	Door, 17.90" X 53.30"	2
5	1001186990	Door, 17.90" X 52.40"	2
6	1001198602	Screw, #8 X 0.38"	34

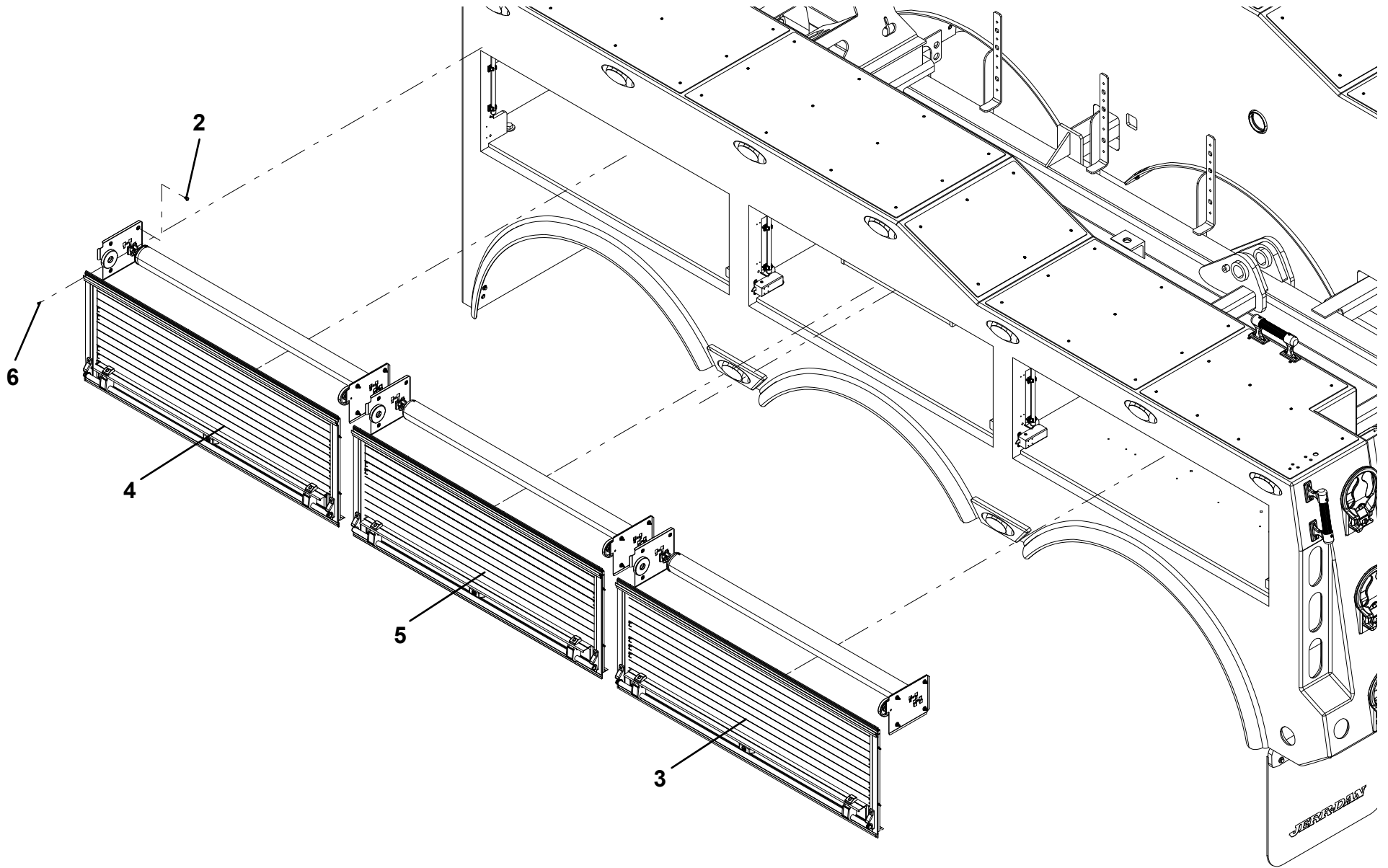
DOOR INSTALLATION - TANDEM BODY



DOOR INSTALLATION - TRI-AXLE

ITEM	PART NO.	DESCRIPTION	QTY
Painted			
1	1001192958	Screw, #10 X 0.50"	48
2	1001195257	Screw, 0.25" X 0.50"	48
3	1001197161	Door, 17.90" X 52.40"	2
4	1001197162	Door, 17.90" X 50.80"	2
5	1001197163	Door, 17.90" X 50.00"	2
6	1001198602	Screw, #8 X 0.38"	36
Brushed			
1	1001192958	Screw, #10 X 0.50"	48
2	1001195257	Screw, 0.25" X 0.50"	48
3	1001186990	Door, 17.90" X 52.40"	2
4	1001186991	Door, 17.90" X 50.80"	2
5	1001186992	Door, 17.90" X 50.00"	2
6	1001198602	Screw, #8 X 0.38"	36

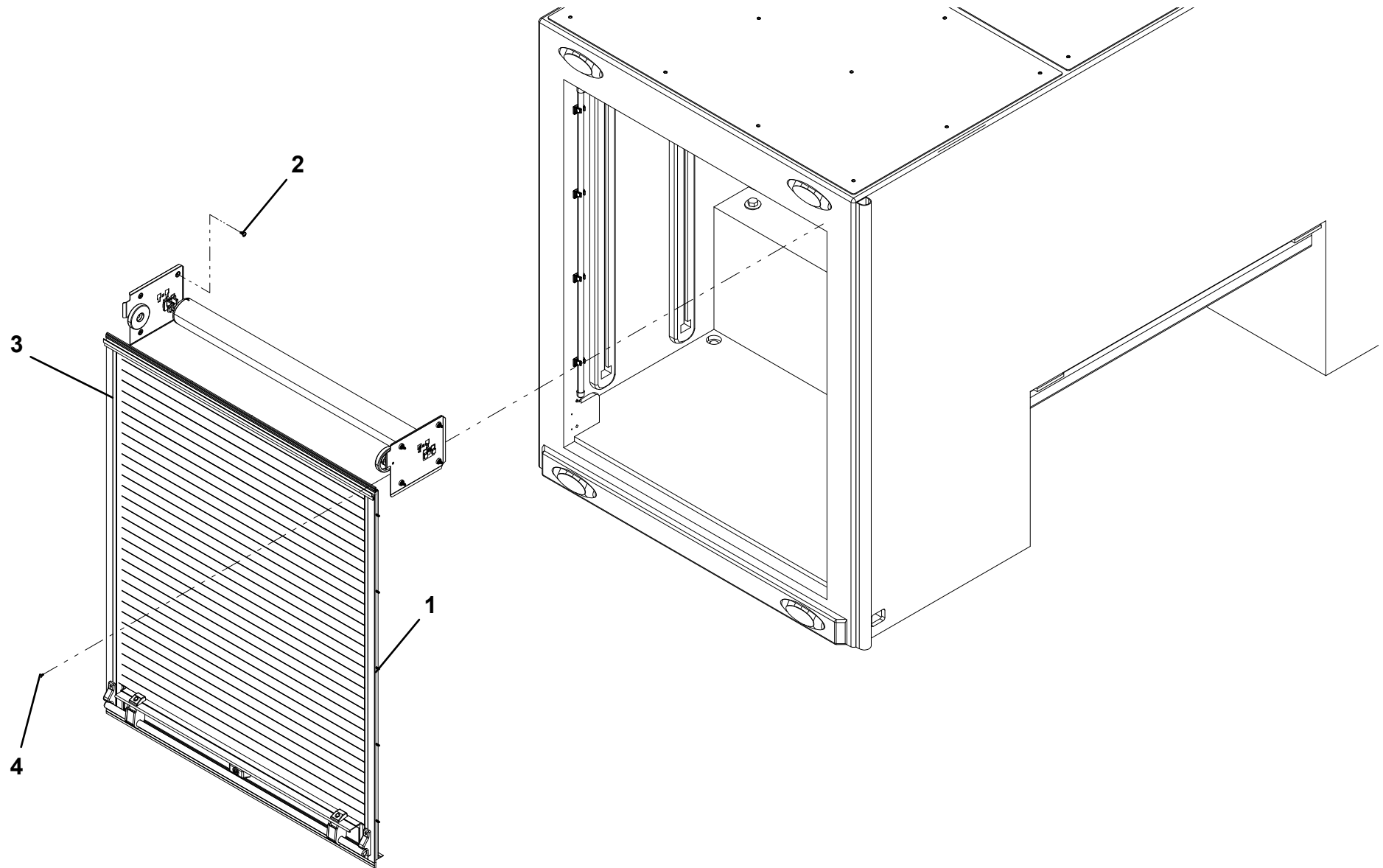
DOOR INSTALLATION - TRI-AXLE



DOOR INSTALLATION - 51" AND 49" TUNNEL TOOLBOX

ITEM	PART NO.	DESCRIPTION	QTY
		Painted	
1	1001192958	Screw, #10 X 0.50"	28
2	1001195257	Screw, 0.25" X 0.50"	16
3	1001197158	Door, 48.10" X 39.80"	2
4	1001198602	Screw, #8 X 0.38"	8
		Brushed	
1	1001192958	Screw, #10 X 0.50"	28
2	1001195257	Screw, 0.25" X 0.50"	16
3	1001186987	Door, 48.10" X 39.80"	2
4	1001198602	Screw, #8 X 0.38"	8

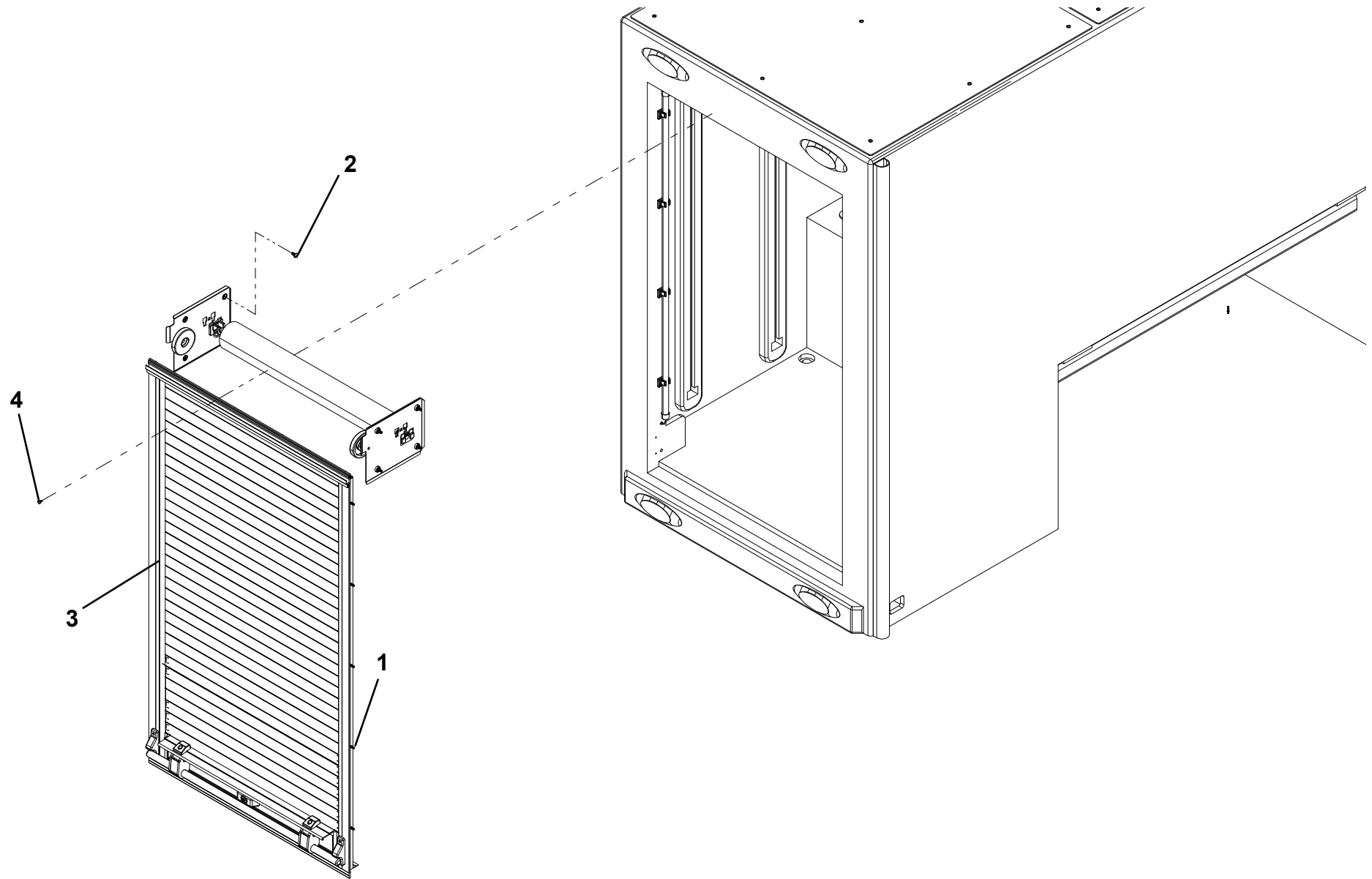
DOOR INSTALLATION - 51" AND 49 TUNNEL TOOLBOX



DOOR INSTALLATION - 39" AND 37" TUNNEL TOOLBOX

ITEM	PART NO.	DESCRIPTION	QTY
		Painted	
1	1001192958	Screw, #10 X 0.50"	28
2	1001195257	Screw, 0.25" X 0.50"	16
3	1001197181	Door, 48.10" X 27.80"	2
4	1001198602	Screw, #8 X 0.38"	8
		Brushed	
1	1001192958	Screw, #10 X 0.50"	28
2	1001195257	Screw, 0.25" X 0.50"	16
3	1001186986	Door, 48.10" X 27.80"	2
4	1001198602	Screw, #8 X 0.38"	8

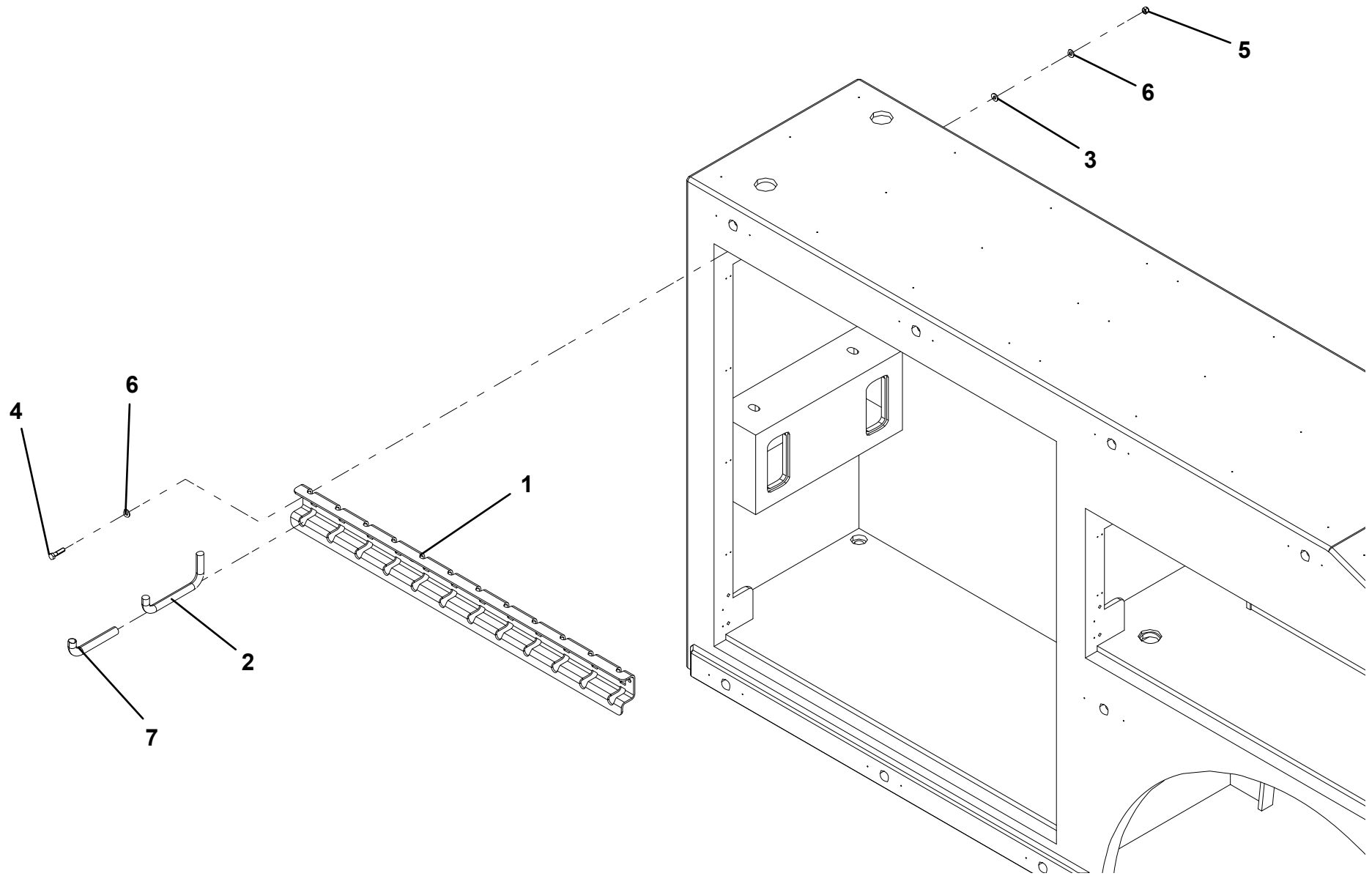
DOOR INSTALLATION - 39" AND 37" TUNNEL TOOLBOX



SHACKLE RACK INSTALLATION - TANDEM

ITEM	PART NO.	DESCRIPTION	QTY
1	1001164601	Bracket	2
2	1001164614	Shackle Hook	24
3	1001166974	Washer, 0.38" ID	10
4	1001168993	Screw, 0.38"-16 X 1.50"	10
5	7660162601	Locknut, 0.38"-16NC	10
6	7950160143	Flatwasher, 0.38" ID	20
7	7346000040	Tubing	3.7

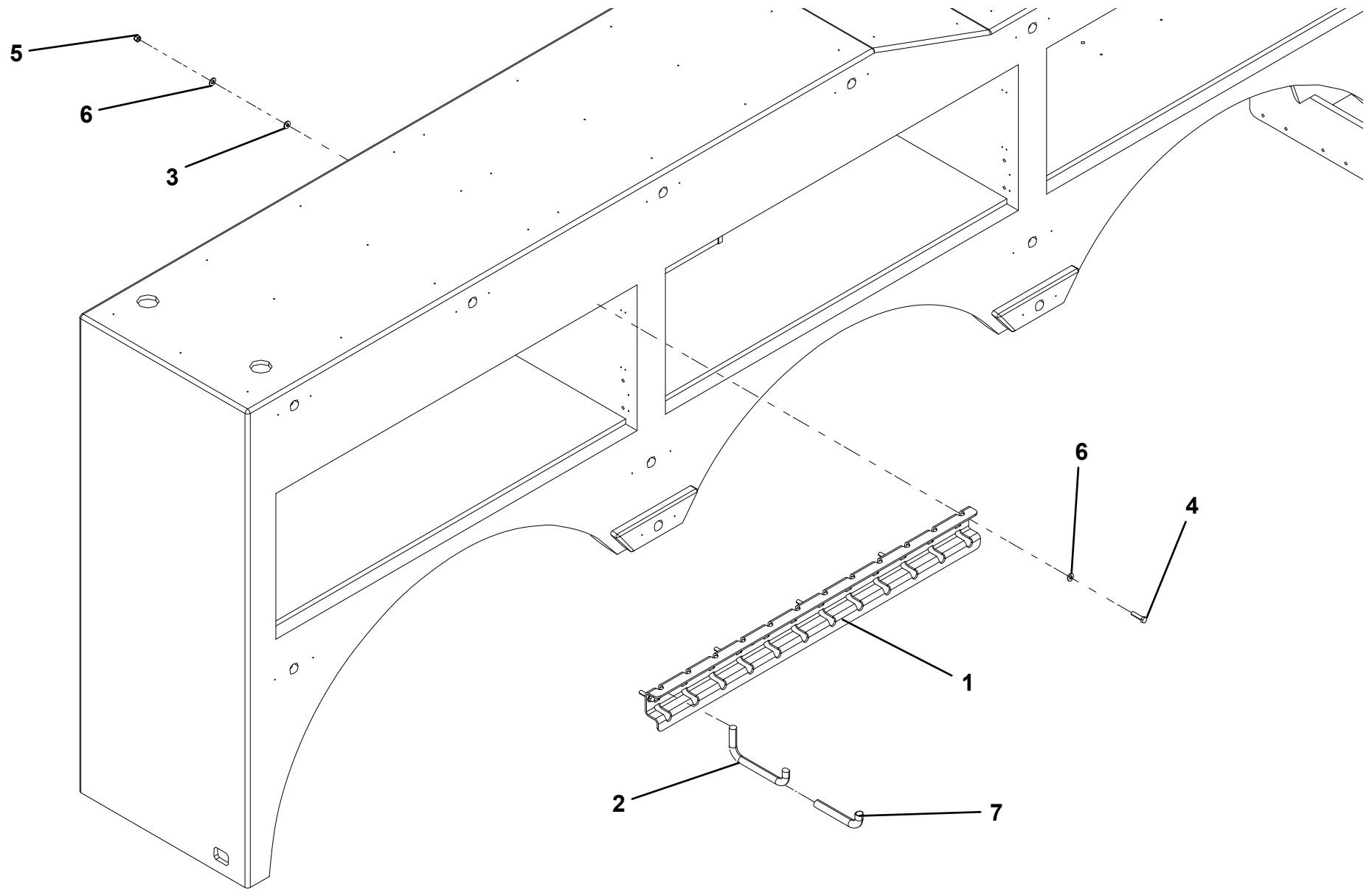
SHACKLE RACK INSTALLATION - TANDEM



SHACKLE RACK INSTALLATION - TRI-AXLE

ITEM	PART NO.	DESCRIPTION	QTY
1	1001164601	Bracket	2
2	1001164614	Shackle Hook	24
3	1001166974	Washer, 0.38" ID	10
4	1001168993	Screw, 0.38"-16 X 1.50"	10
5	7660162601	Locknut, 0.38"-16NC	10
6	7950160143	Flatwasher, 0.38" ID	20
7	7346000040	Tubing	3.7

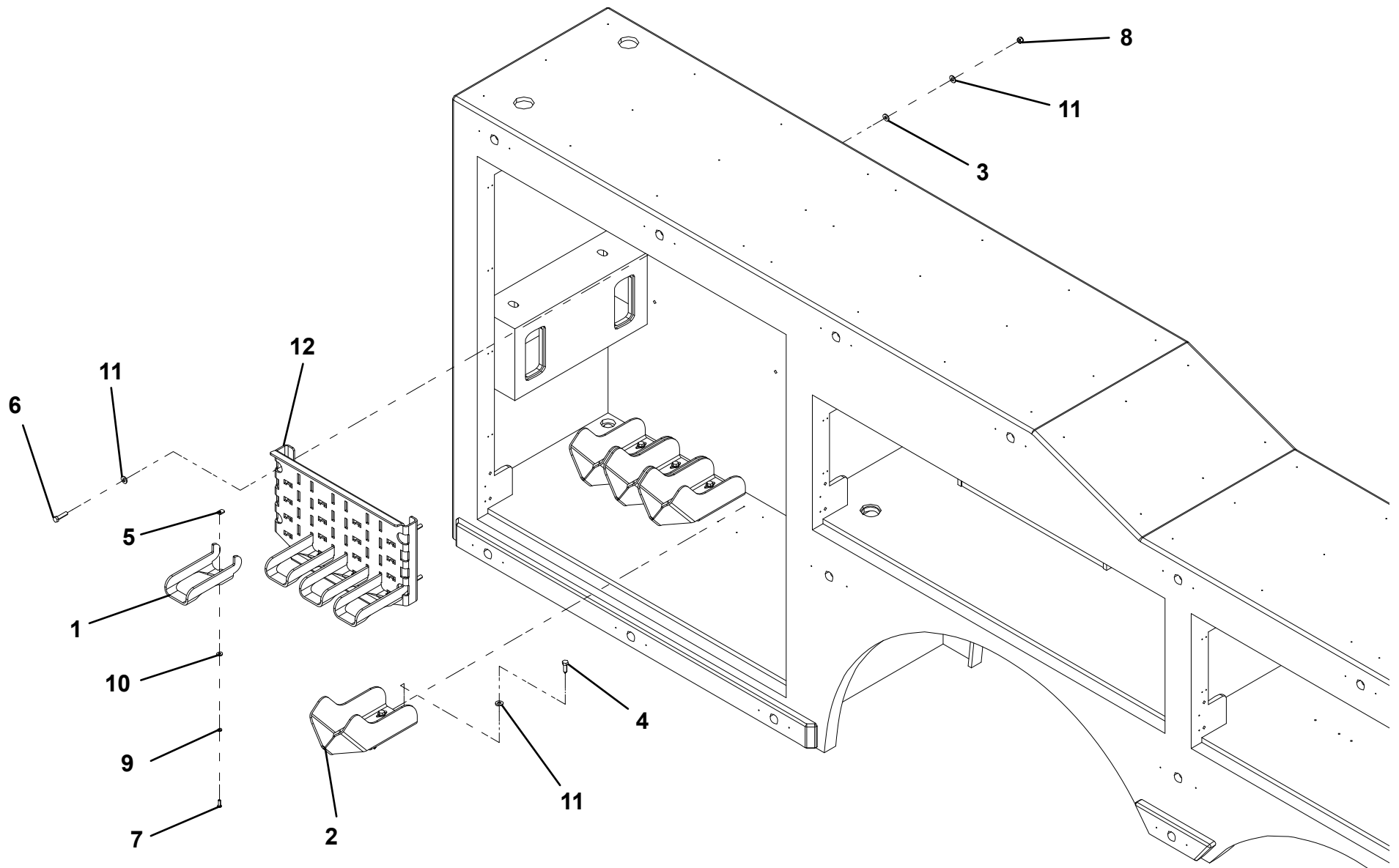
SHACKLE RACK INSTALLATION - TRI-AXLE



SNATCH BLOCK STORAGE INSTALLATION - TANDEM

ITEM	PART NO.	DESCRIPTION	QTY
1	1001164560	Bracket, Top	4
2	1001164562	Bracket, Bottom	4
3	1001166974	Washer, 0.38"	4
4	1001168545	Screw, 0.38" X 1.25"	16
5	1001168733	Nut, 0.25"-20	4
6	1001168993	Screw, 0.38"-16 X 1.50"	4
7	7114140618	Nut, 0.25"-20 X 0.75"	4
8	7660162601	Locknut, 0.38"-16NC	4
9	7950140003	Lockwasher, 0.25" ID	4
10	7950140143	Flatwasher, 0.25" ID	4
11	7950160143	Flatwasher, 0.38" ID	24
12	1001201112	Bracket	1

SNATCH BLOCK STORAGE INSTALLATION - TANDEM



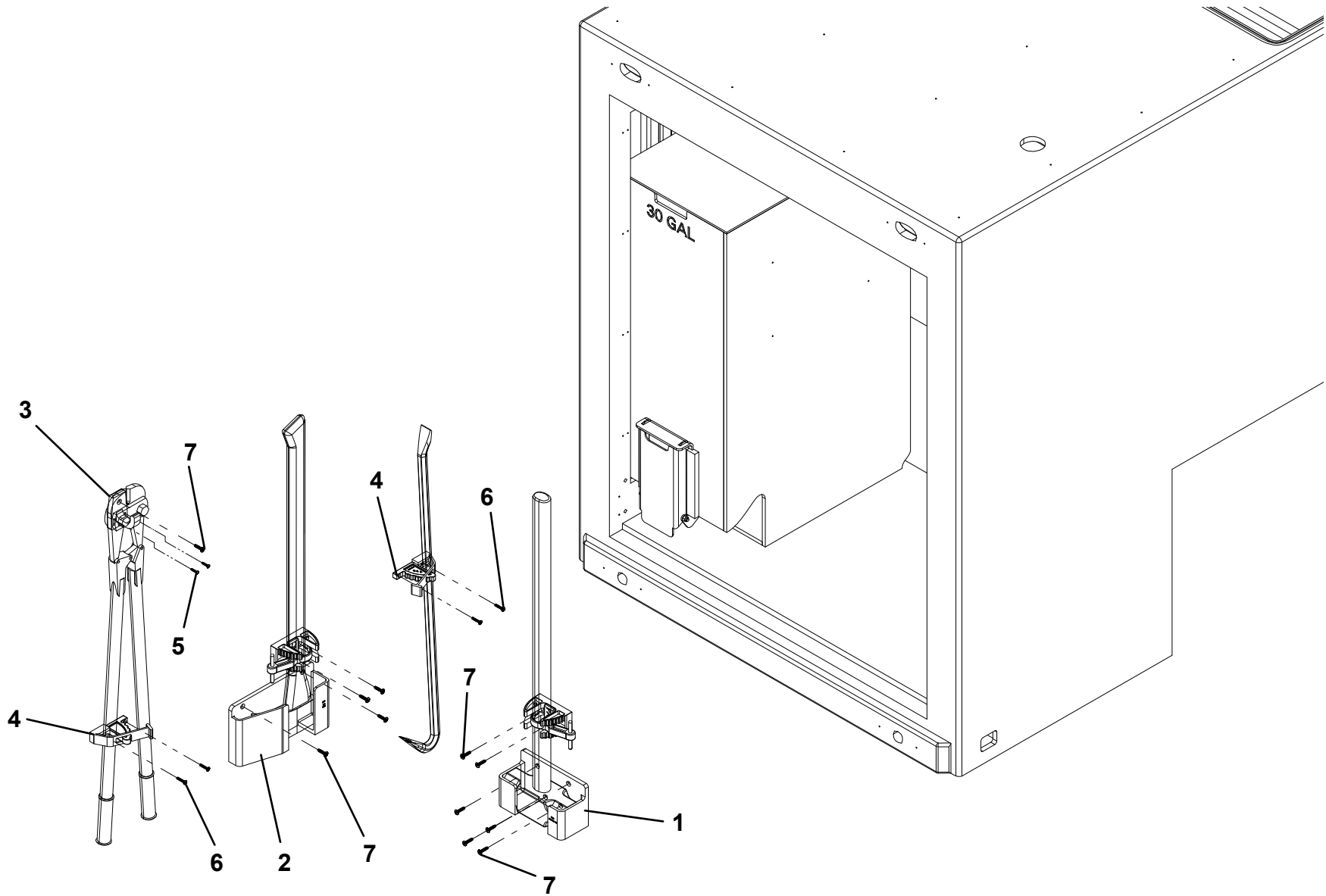
SNATCH BLOCK STORAGE INSTALLATION - TRI-AXLE

ITEM	PART NO.	DESCRIPTION	QTY
1	3020029	Lube, Bearing Grease	A/R
2	1001164560	Bracket, Top	4
3	1001165564	Plate	1
4	1001165570	Bracket	1
5	1001165571	Bracket	1
6	1001165584	Plate	2
7	1001168733	Nut, 0.25"-20	4
8	1001169063	Retaining Ring	2
9	1001169064	Retaining Ring	4
10	1001169076	Bearing	2
11	1001169078	Plug	1
12	1001169080	Screw, 0.38"-16 X 1.25"	18
13	1001169083	Screw, 0.38"-16 X 2.00"	4
14	1001190342	Bracket	4
15	1001190359	Support	1
16	1001190361	Bracket	1
17	1001192126	Tube	1
18	7114140618	Bolt, 0.25"-20 X 0.75"	4
19	7660162601	Locknut, 0.38"-16NC	20
20	7690142845	Pin	3
21	7950140003	Lockwasher, 0.25" ID	4
22	7950140143	Flatwasher, 0.25" ID	4
23	7950160143	Flatwasher, 0.38" ID	42
24	1001166644	Nut, 0.38"-16	2

TOOL STORAGE

ITEM	PART NO.	DESCRIPTION	QTY
1	1001201215	Bracket	1
2	1001201216	Bracket	1
3	1001201217	Bracket	1
4	1001201218	Bracket	2
5	1001196552	Screw, #8 x 0.75"	2
6	1001201366	Screw, #10 x 1.00"	4
7	1001201367	Screw, 0.25" x 1.00"	11

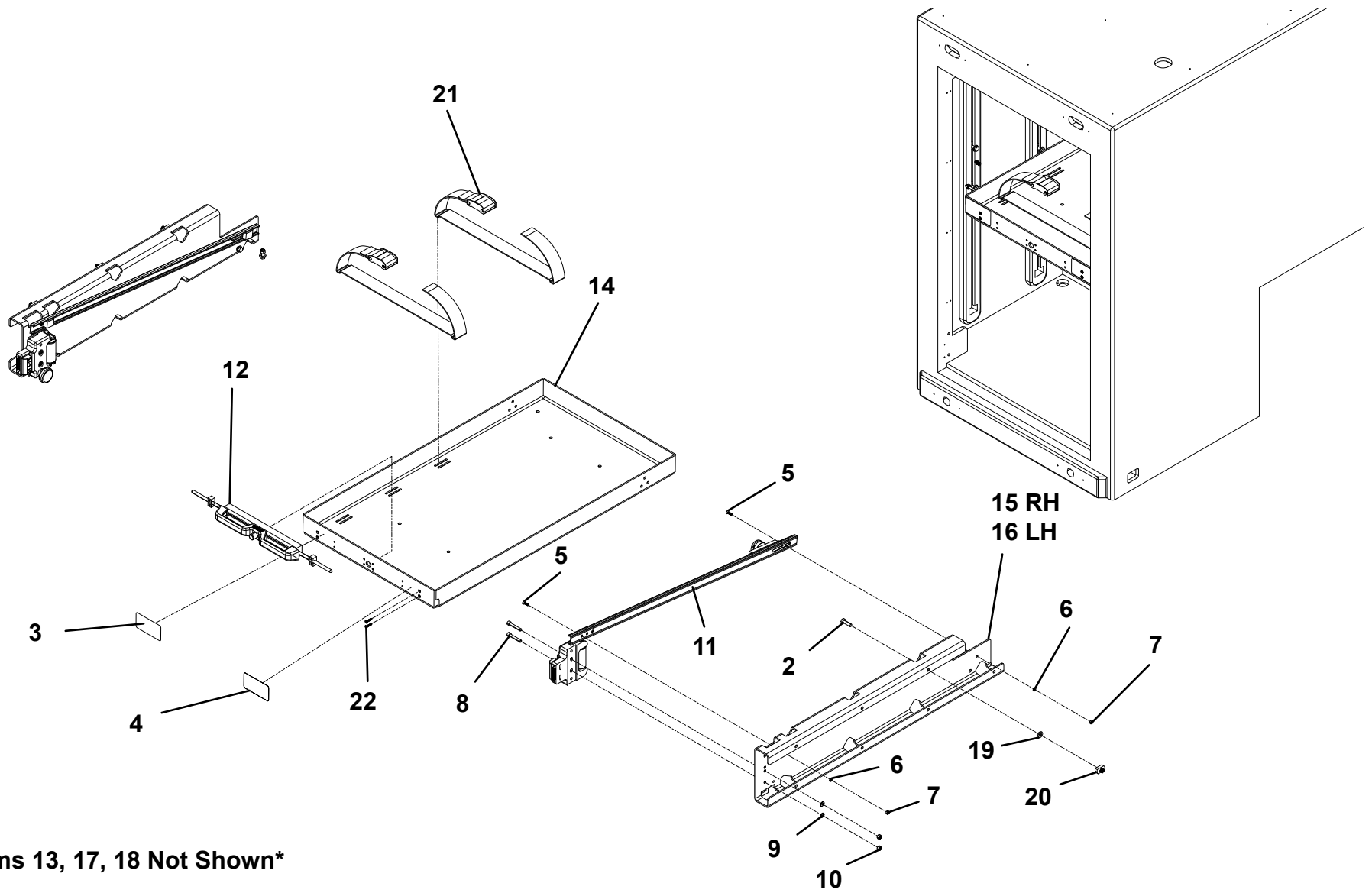
TOOL STORAGE



TILT DOWN STORAGE TRAY

ITEM	PART NO.	DESCRIPTION	QTY	ITEM	PART NO.	DESCRIPTION	QTY
		TANDEM				TRI-AXLE	
1	3020029	Bearing Grease	A/R	1	3020029	Bearing Grease	A/R
2	1001169080	Screw, 0.38"-16 X 1.25"	36	2	1001169080	Screw, 0.38"-16 X 1.25"	36
3	1001170090	Decal	3	3	1001170090	Decal	3
4	1001170091	Decal	3	4	1001170091	Decal	3
5	1001170305	Bolt, #6-20	12	5	1001170305	Bolt, #6-20	12
6	1001170307	Washer, M6 ID	12	6	1001170307	Washer, M6 ID	12
7	1001170310	Nut, M6	12	7	1001170310	Nut, M6	12
8	1001170328	Screw, M8-50	12	8	1001170328	Screw, M8-50	12
9	1001170329	Washer, M8 ID	12	9	1001170329	Washer, M8 ID	12
10	1001170330	Nut, M8	12	10	1001170330	Nut, M8	12
11	1001170331	Roller Assembly	3	11	1001170331	Roller Assembly	3
12	1001170332	Latch	3	12	1001170332	Latch	3
13	1001179349	Strap	6	13	1001179349	Strap	6
14	1001182841	Tilt-Down Drawer	3	14	1001197693	Tilt-Down Drawer	3
15	1001183735	Bracket, RH	3	15	1001183735	Bracket, RH	3
16	1001183736	Bracket, LH	3	16	1001183736	Bracket, LH	3
17	7114160850	Screw, 0.38"-16 X 1.00"	12	17	7114160850	Screw, 0.38"-16 X 1.00"	12
18	7660162601	Locknut, 0.38"-16NC	12	18	7660162601	Locknut, 0.38"-16NC	12
19	7950160141	Flatwasher, 0.38" ID	48	19	7950160141	Flatwasher, 0.38" ID	48
20	1001166644	Nut, 0.38"-16	36	20	1001166644	Nut, 0.38"-16	36
21	1001170428	Strap	6	21	1001170428	Strap	6
22	1001200997	Screw, M5X25	12	22	1001200997	Screw, M5X25	12

TILT DOWN STORAGE TRAY

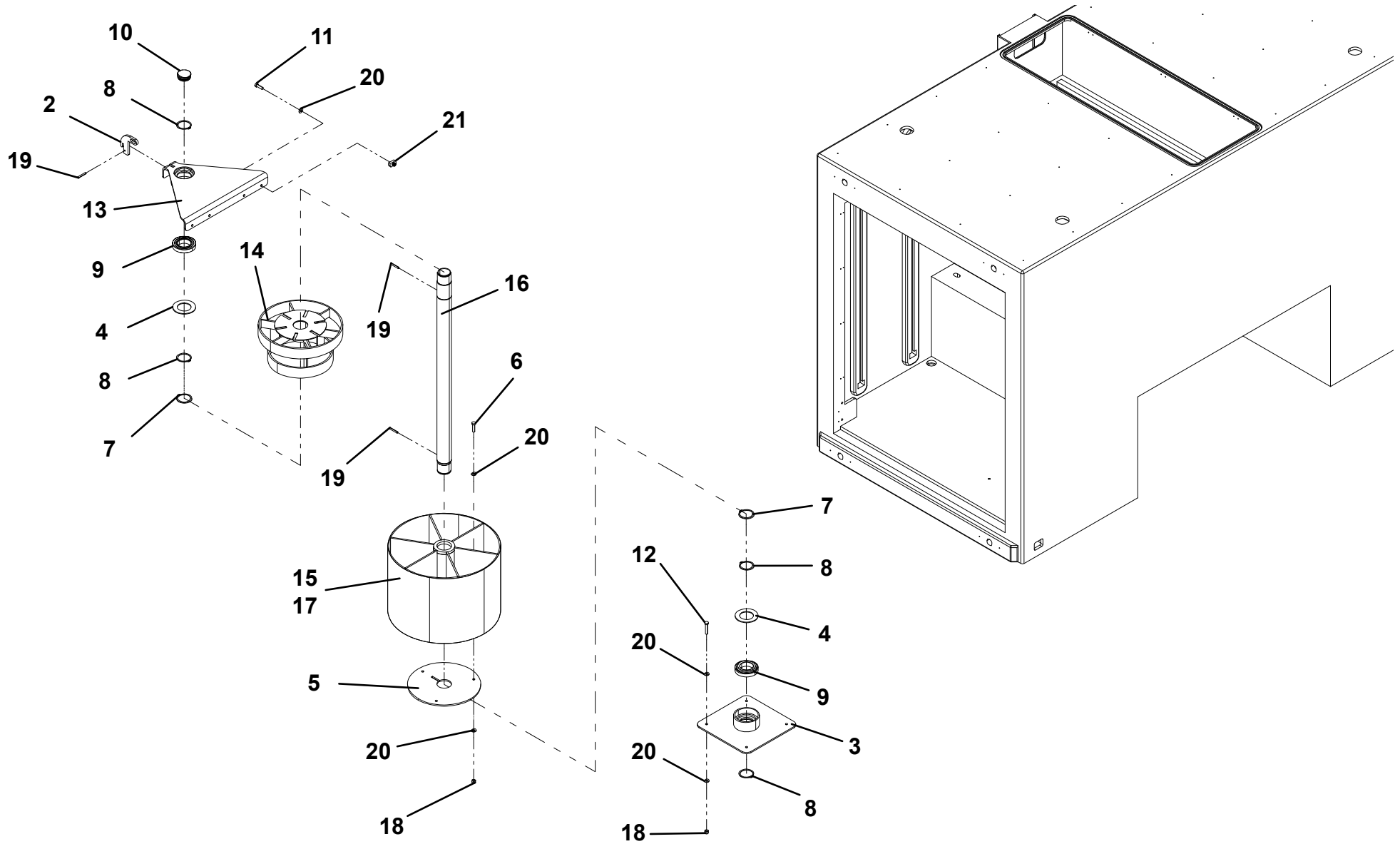


Items 13, 17, 18 Not Shown

ROTARY CHAIN RACK

ITEM	PART NO.	DESCRIPTION	QTY
1	3020029	Bearing Grease	1
2	1001165564	Plate	1
3	1001165571	Bracket	1
4	1001165584	Plate	2
5	1001165652	Support	1
6	1001168993	Screw, 0.38"-16 X 1.50"	3
7	1001169063	Retaining Ring	2
8	1001169064	Retaining Ring	4
9	1001169076	Bearing	2
10	1001169078	Plug	1
11	1001169080	Screw, 0.38"-16 X 1.25"	2
12	1001169083	Screw, 0.38"-16 X 2.00"	4
13	1001190218	Bracket	1
14	1001190223	Bracket	1
15	1001190228	Tray	1
16	1001190265	Tube	1
17	7330000535	Decal	1
18	7660162604	Locknut, 0.38"-16 NC	7
19	7690142845	Pin	3
20	7950160143	Flatwasher, 0.38" ID	16
21	1001166644	Nut, 0.38"-16	2

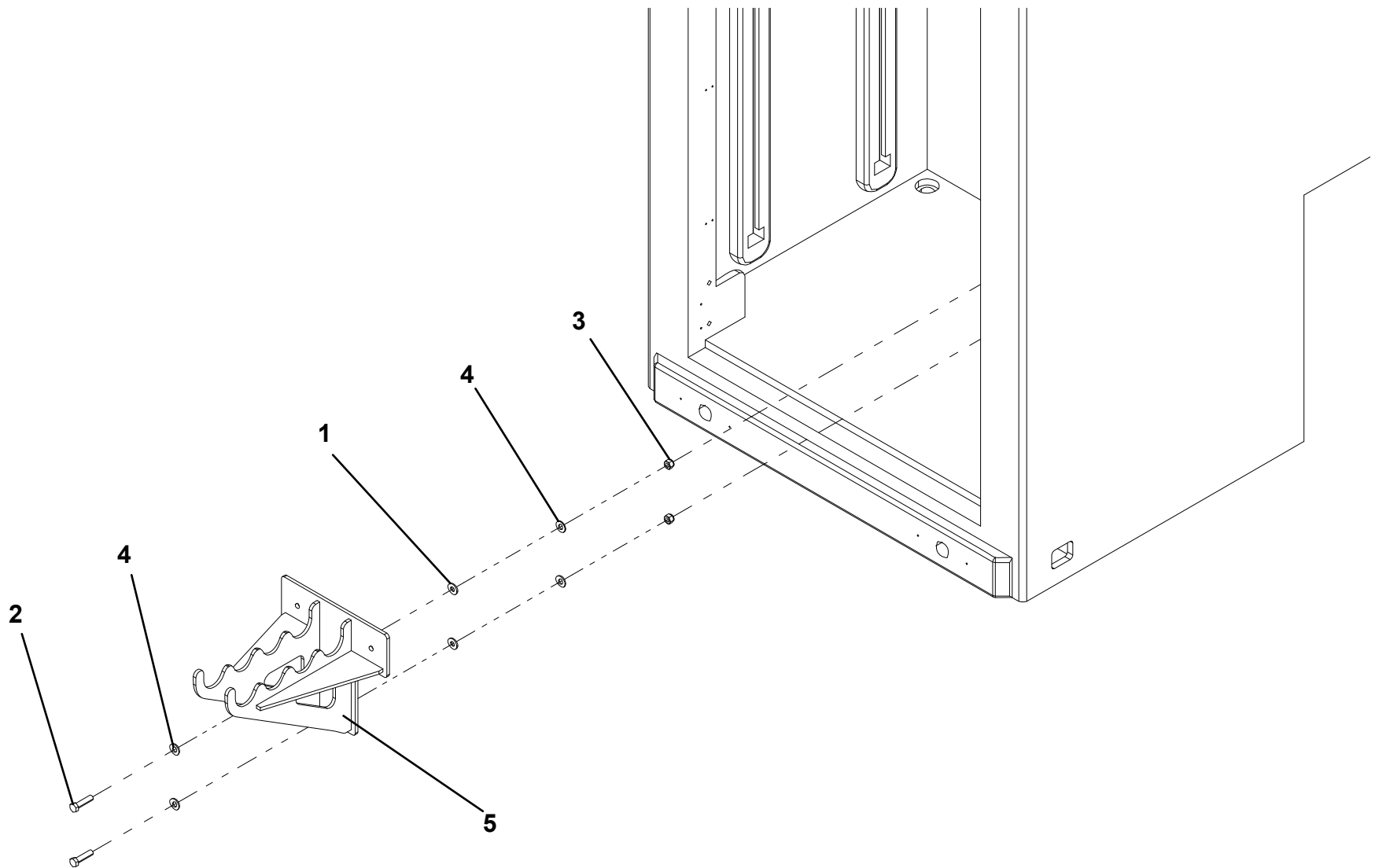
ROTARY CHAIN RACK



CHAIN BINDER INSTALLATION

ITEM	PART NO.	DESCRIPTION	QTY
Tandem			
1	1001166974	Washer, 0.38" ID	2
2	1001168993	Screw, 0.38"-16 x 1.50"	2
3	7660162601	Locknut, 0.38"-16	2
4	7950160143	Flatwasher, 0.38" ID	4
5	1001182853	Support	1
Tri-Axle			
1	1001169080	Screw, 0.38"-16 x 1.25"	2
2	7950160143	Flatwasher, 0.38" ID	2
3	1001166644	Nut, 0.38"-16	2
4	1001182853	Support	4

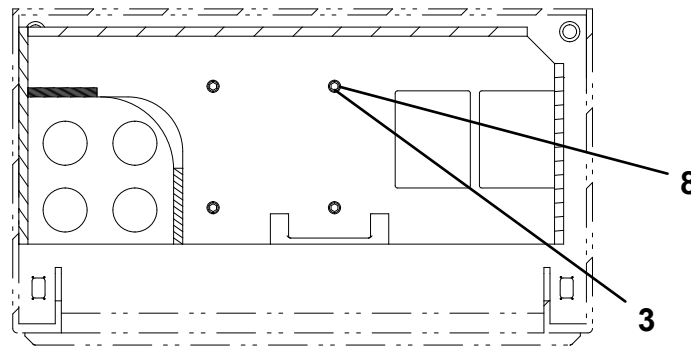
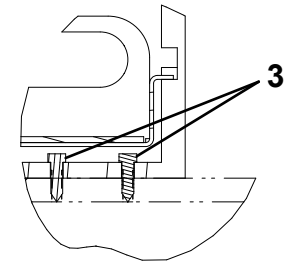
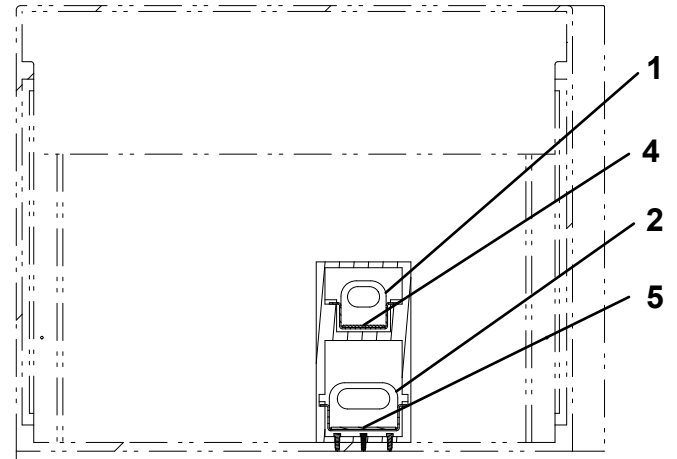
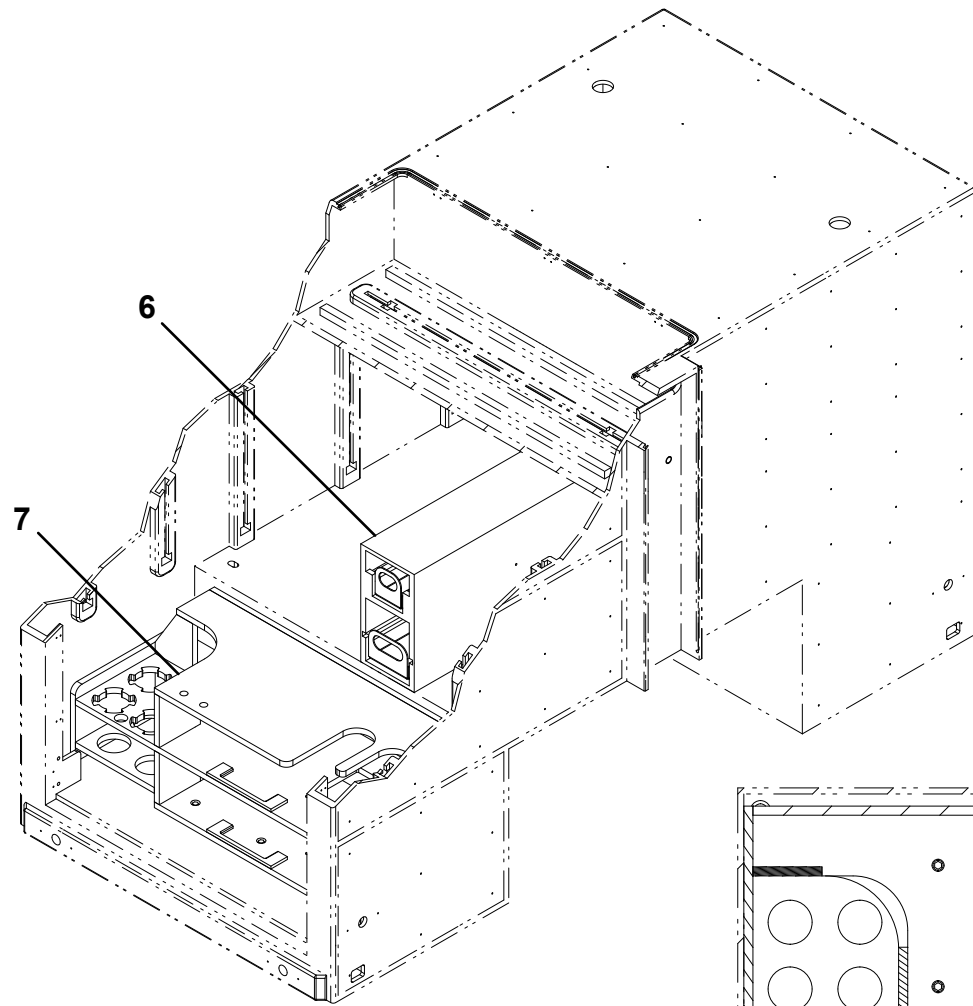
CHAIN BINDER INSTALLATION



TIRE LIFT STORAGE - 51" AND 49" TOOLBOX

ITEM	PART NO.	DESCRIPTION	QTY
1	1001165862	Channel, Large	1
2	1001165863	Channel, Small	1
3	1001168545	Screw, 0.38" X 1.25"	10
4	1001170968	Pad, Small	1
5	1001170970	Pad, Large	1
6	1001170971	Bracket	1
7	1001190409	Bus Arm Storage	1
8	7950160143	Flatwasher, 0.38" ID	4

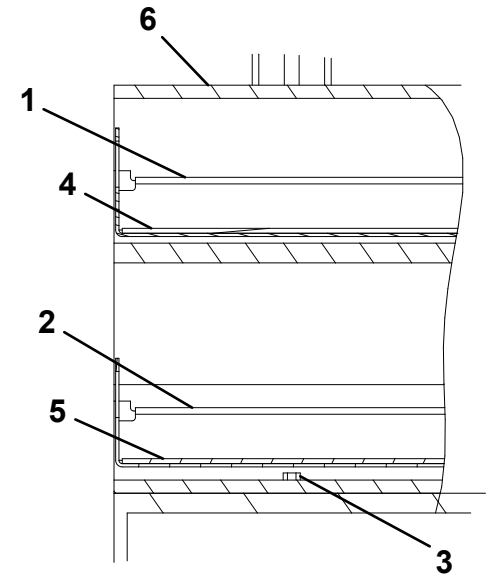
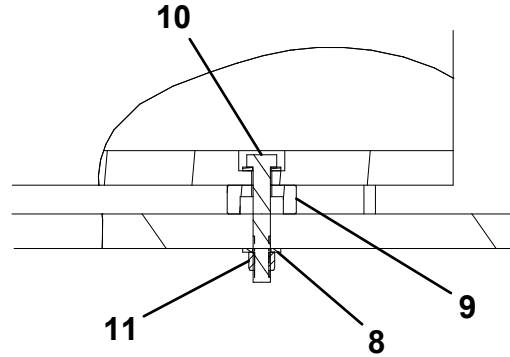
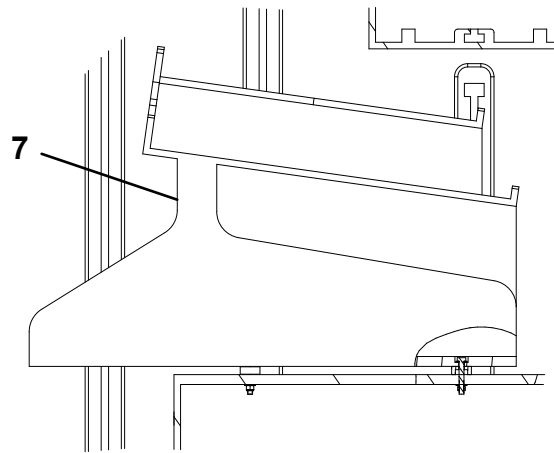
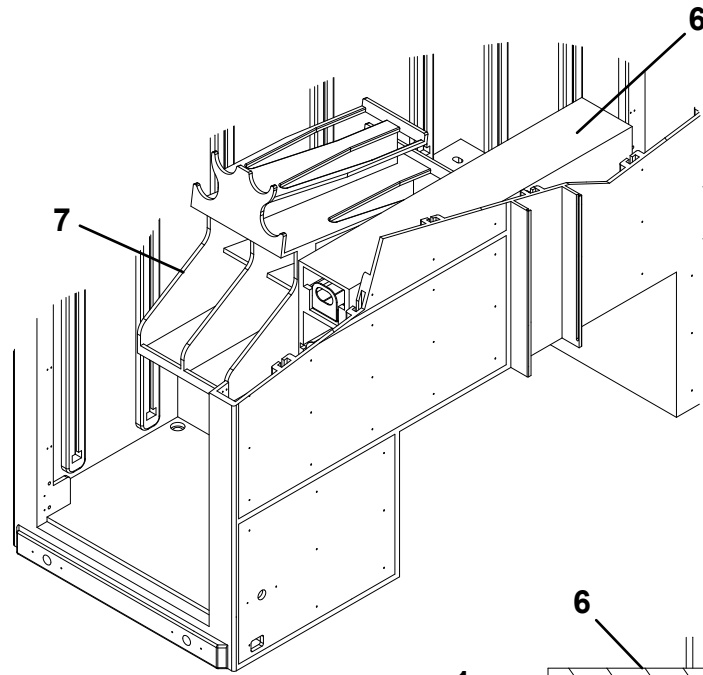
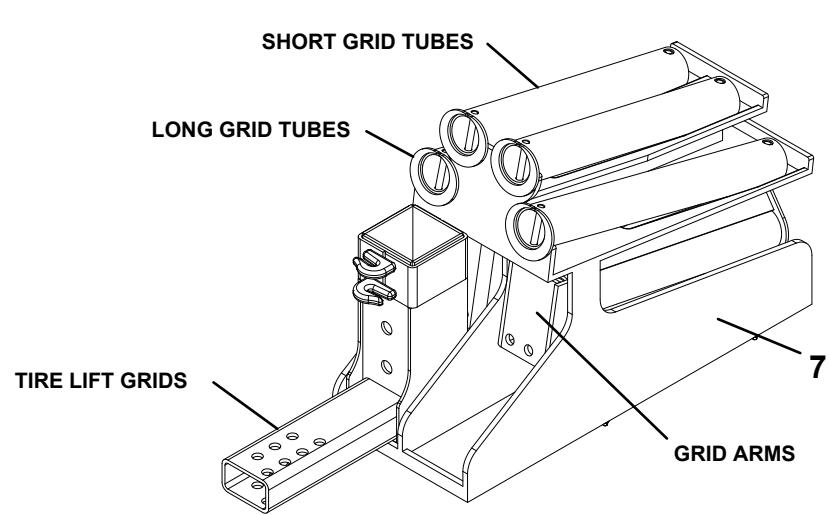
TIRE LIFT STORAGE - 51" AND 49" TOOLBOX



TIRE LIFT STORAGE - 39" AND 37" TOOLBOX

ITEM	PART NO.	DESCRIPTION	QTY
1	1001165862	Tray, Small	1
2	1001165863	Tray, Large	1
3	1001168545	Screw, 0.38" X 1.25"	4
4	1001170968	Pad, Small	1
5	1001170970	Pad, Large	1
6	1001170971	Bracket	1
7	1001192287	Storage	1
8	7950160143	Flatwasher, 0.38" ID	8
9	1001190579	Mount	4
10	7115162050	Screw, 0.38"-16NC X 2.50"	4
11	7660162601	Locknut, 0.38"-16NC	4

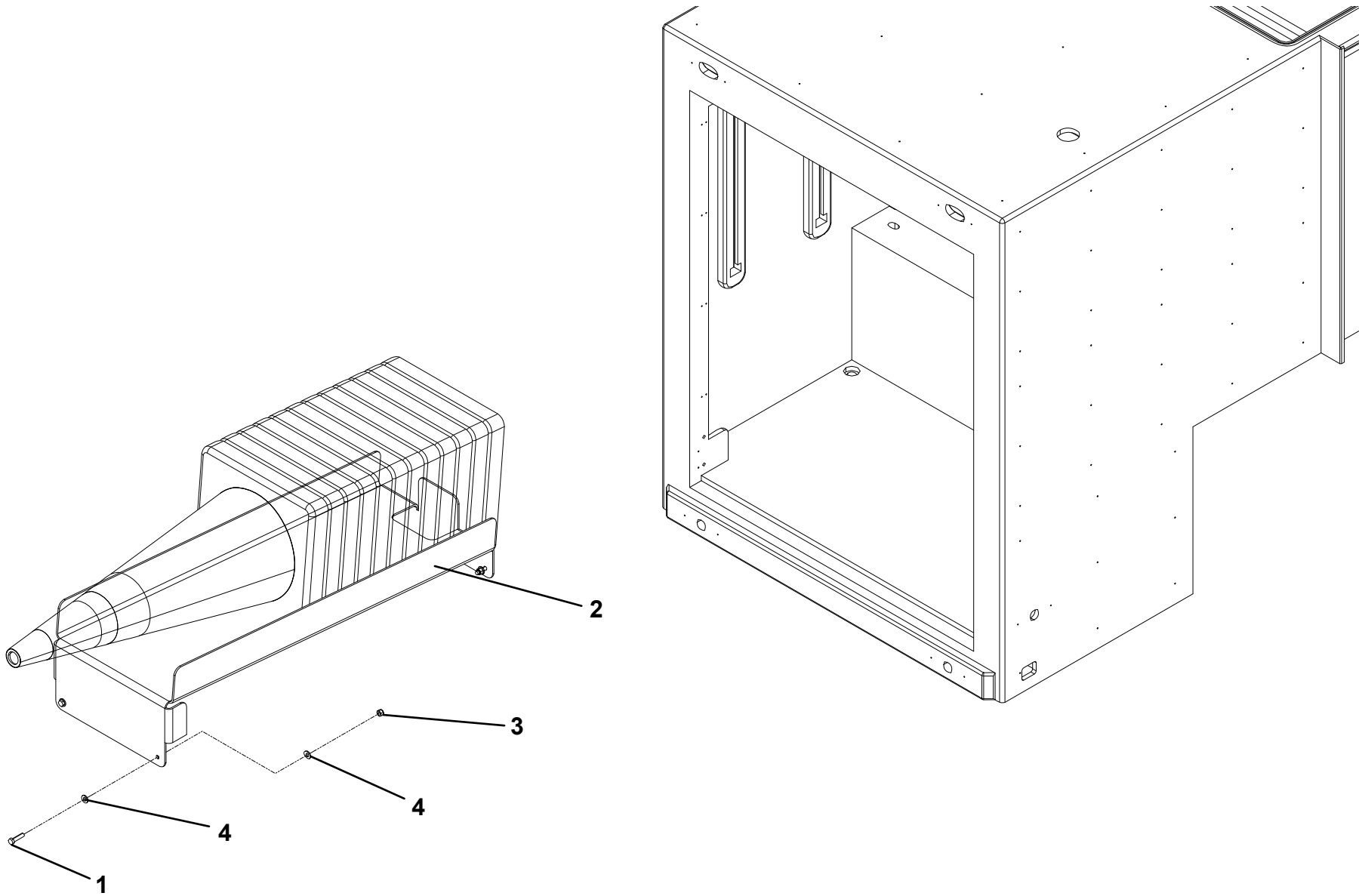
TIRE LIFT STORAGE - 39" AND 37" TOOLBOX



TRAFFIC CONE STORAGE

ITEM	PART NO.	DESCRIPTION	QTY
1	1001168993	Screw, 0.38"-16 x 1.50"	4
2	1001190551	Bracket	1
3	7660162601	Locknut, 0.25"-20	4
4	7950160143	Flatwasher, 0.38" ID	8

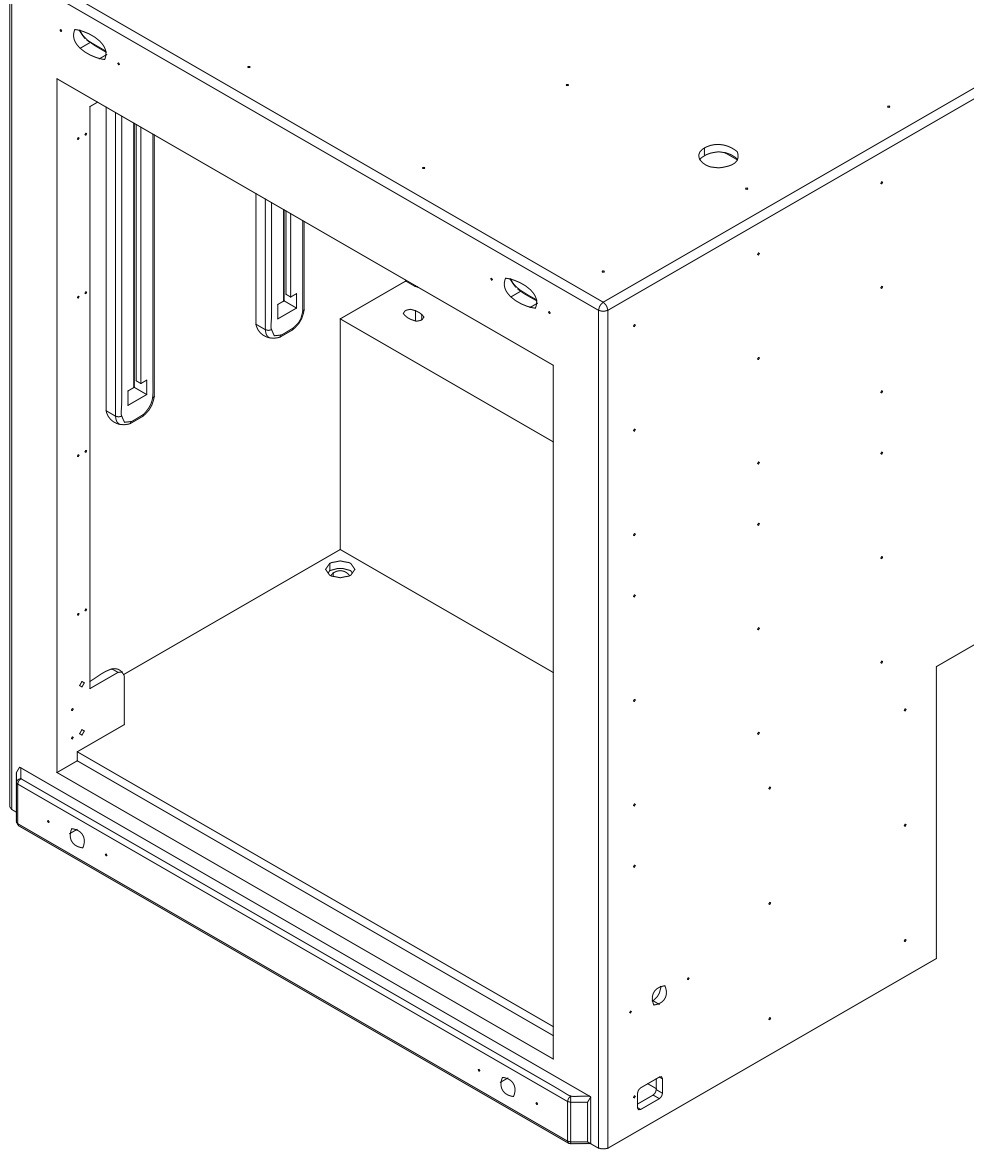
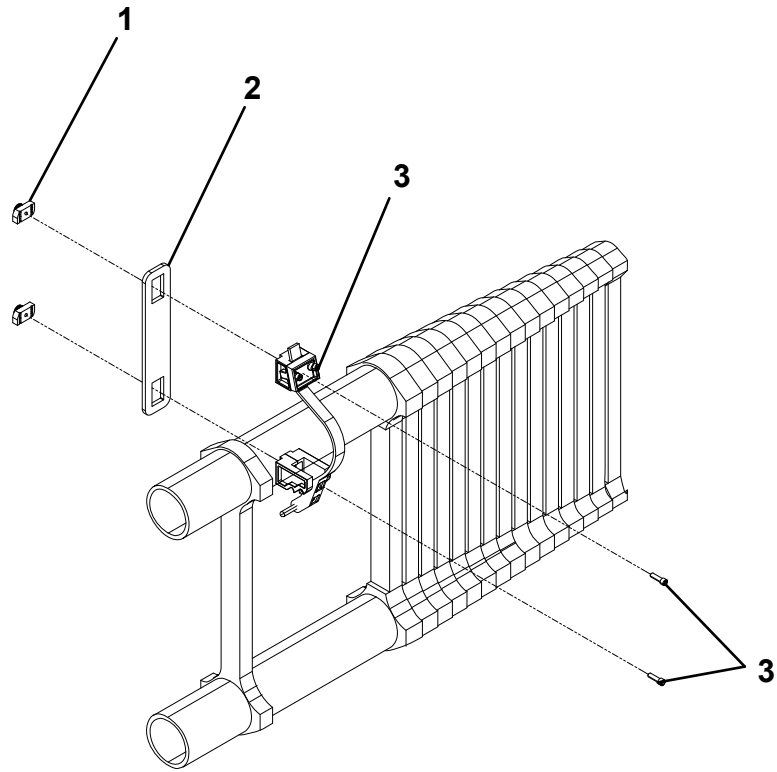
TRAFFIC CONE STORAGE



LADDER STORAGE

ITEM	PART NO.	DESCRIPTION	QTY
1	1001183037	Nut, 0.25"-20	2
2	1001201523	Plate	1
3	1001201534	Bracket	1

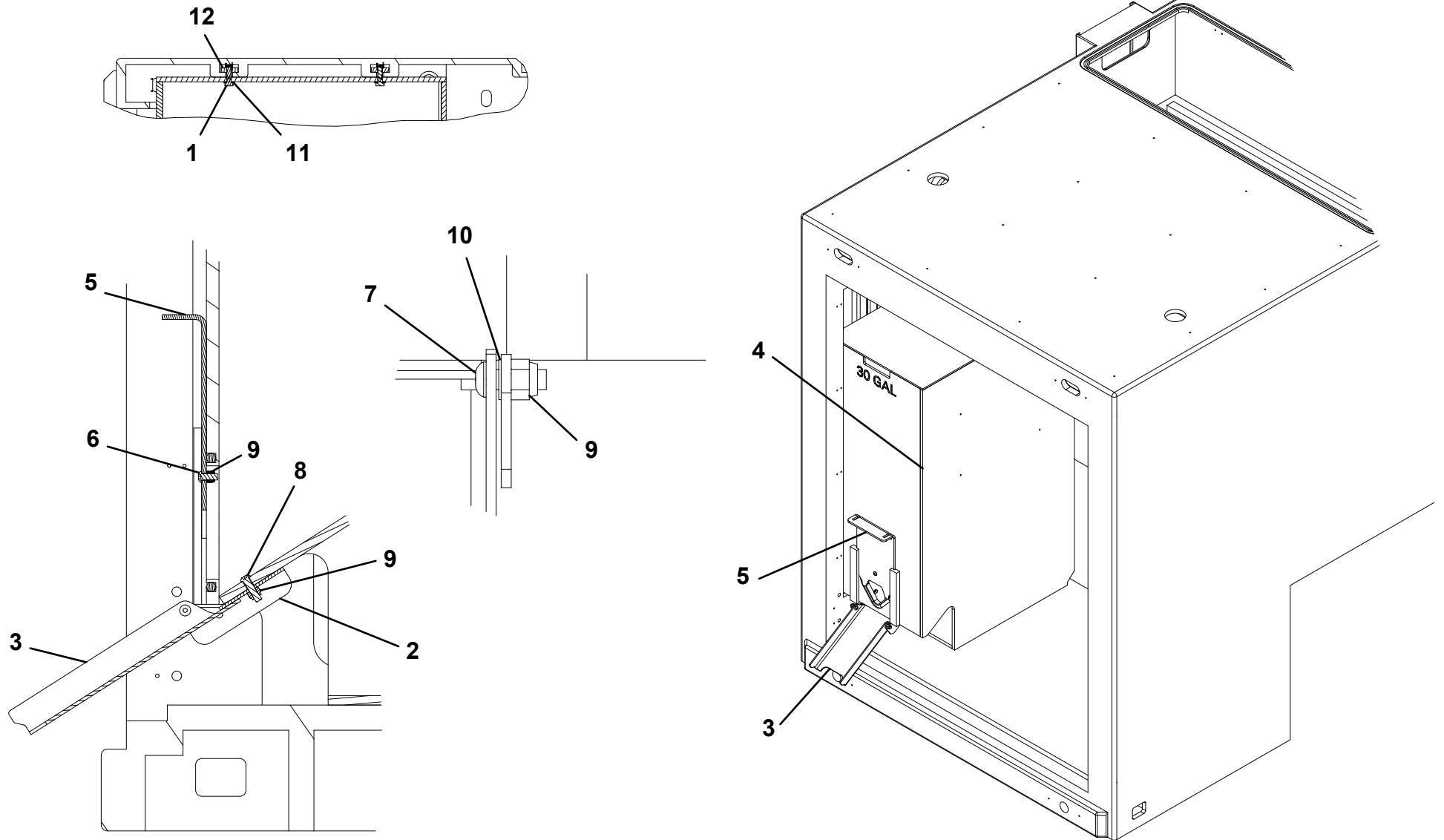
LADDER STORAGE



STAY DRY SILO INSTALLATION

ITEM	PART NO.	DESCRIPTION	QTY
1	1001169080	Screw, 0.38"-16 X 1.25"	4
2	1001190050	Bracket	1
3	1001190055	Bracket	1
4	1001190128	Container	1
5	1001190148	Cover	1
6	7114140518	Screw, 0.25"-20 X 0.625"	1
7	7114140618	Screw, 0.25"-20 X 0.75"	2
8	7114140818	Capscrew, 0.25"-20 X 1.00"	3
9	7660142600	Locknut, 0.25"-20NC	6
10	7949000056	Washer, 0.27" ID	2
11	7950160143	Flatwasher, 0.38" ID	4
12	1001166644	Nut, 0.38"-16 UNC	4

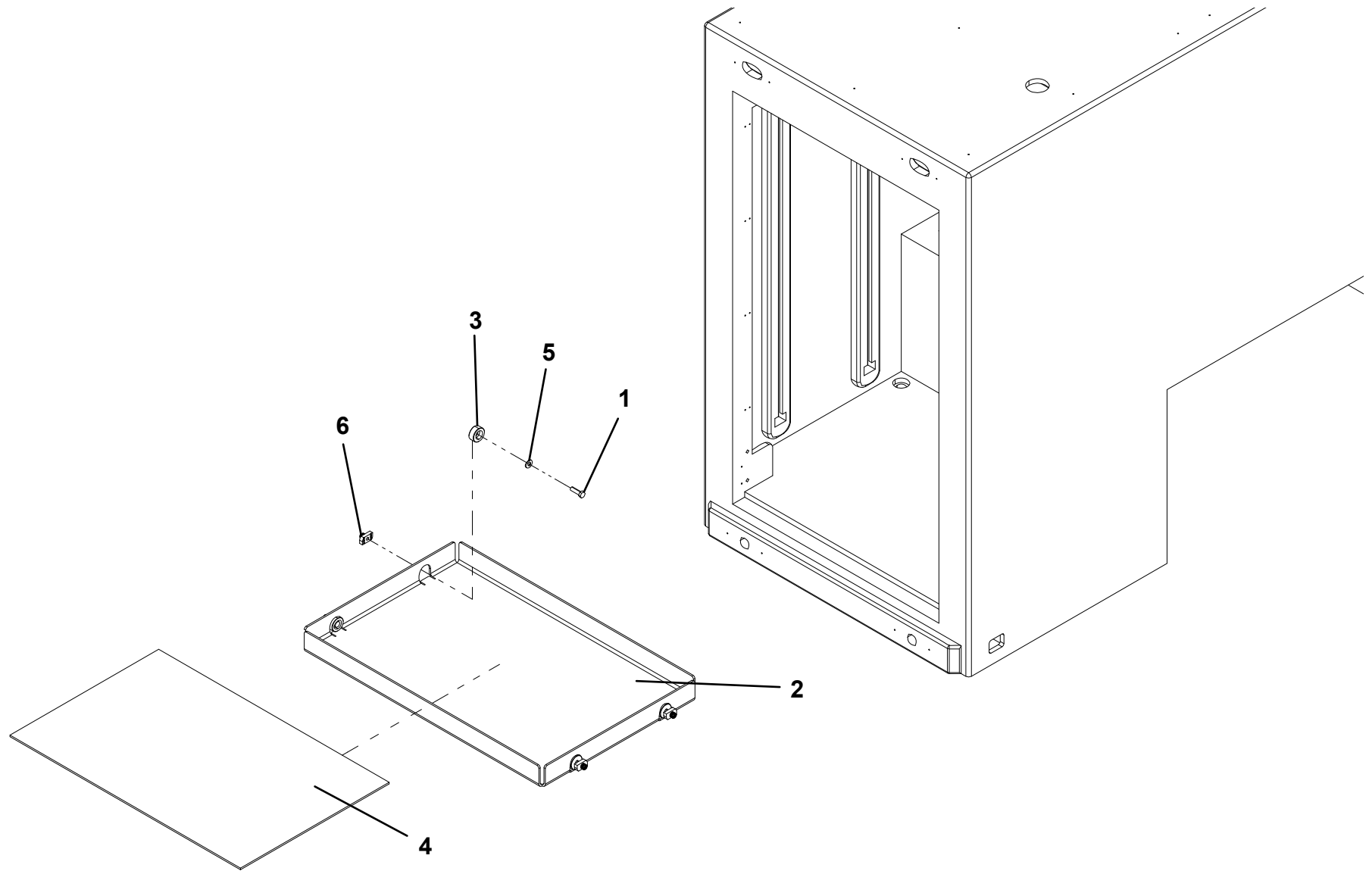
STAY DRY SILO INSTALLATION



SHELVING INSTALLATION

ITEM	PART NO.	DESCRIPTION	QTY
36" Toolbox Shelving			
1	1001169080	Screw, 0.38"-16 x 1.25"	4
2	1001190360	Shelf, 36"	1
3	1001190579	Mount	4
4	1001196386	Pad, 36"	1
5	7950160143	Flatwasher, 0.38" ID	4
6	1001166644	Nut, 0.38"-16	4
48" Toolbox Shelving			
1	1001169080	Screw, 0.38"-16 x 1.25"	4
2	1001190532	Shelf, 48"	1
3	1001190579	Mount	4
4	1001196387	Pad, 48"	1
5	7950160143	Flatwasher, 0.38" ID	4
6	1001166644	Nut, 0.38"-16	4

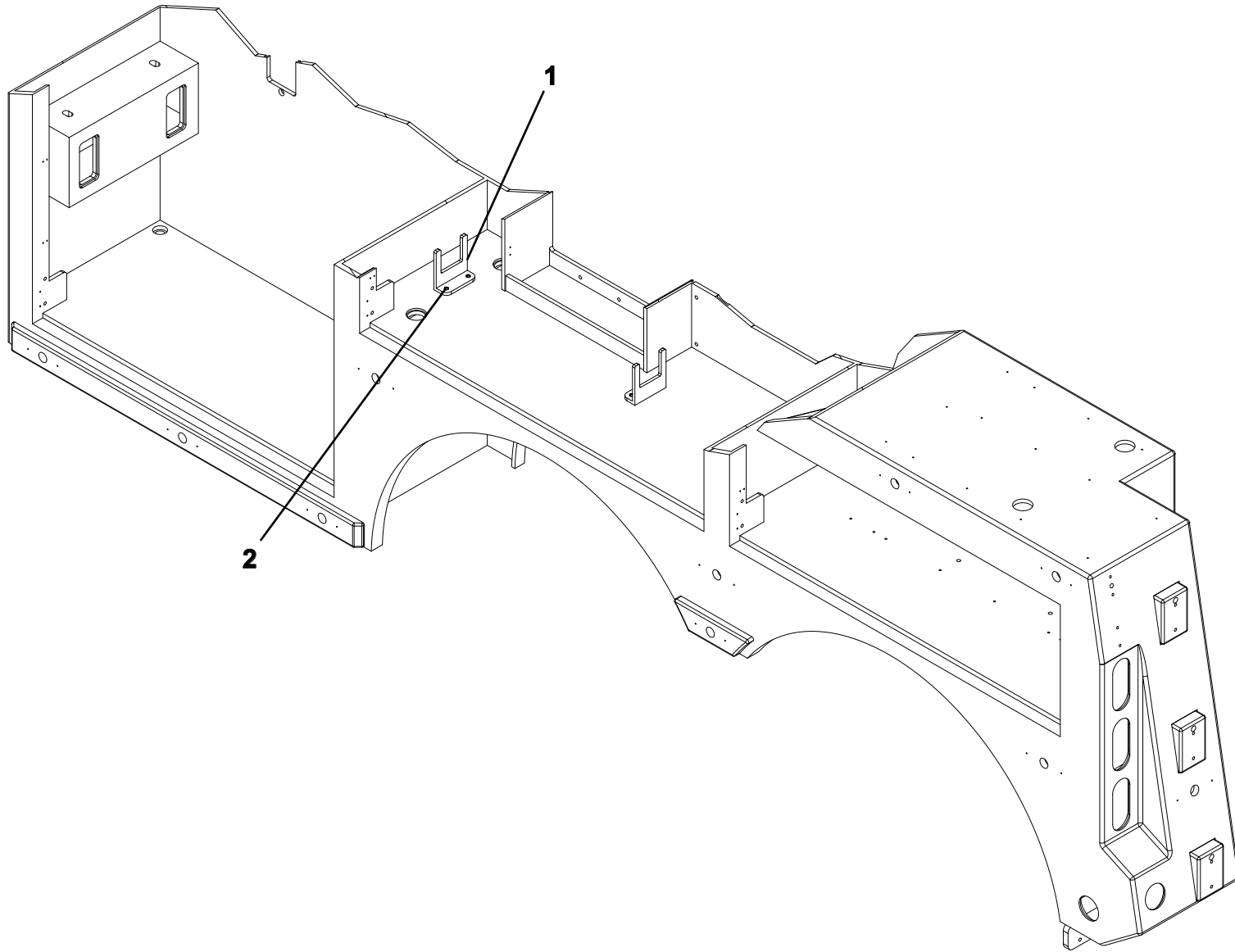
SHELVING INSTALLATION



TOW LIGHT STORAGE

ITEM	PART NO.	DESCRIPTION	QTY
1	1001170618	Bracket	2
2	1001195523	Screw, 0.25" x 1.00"	4

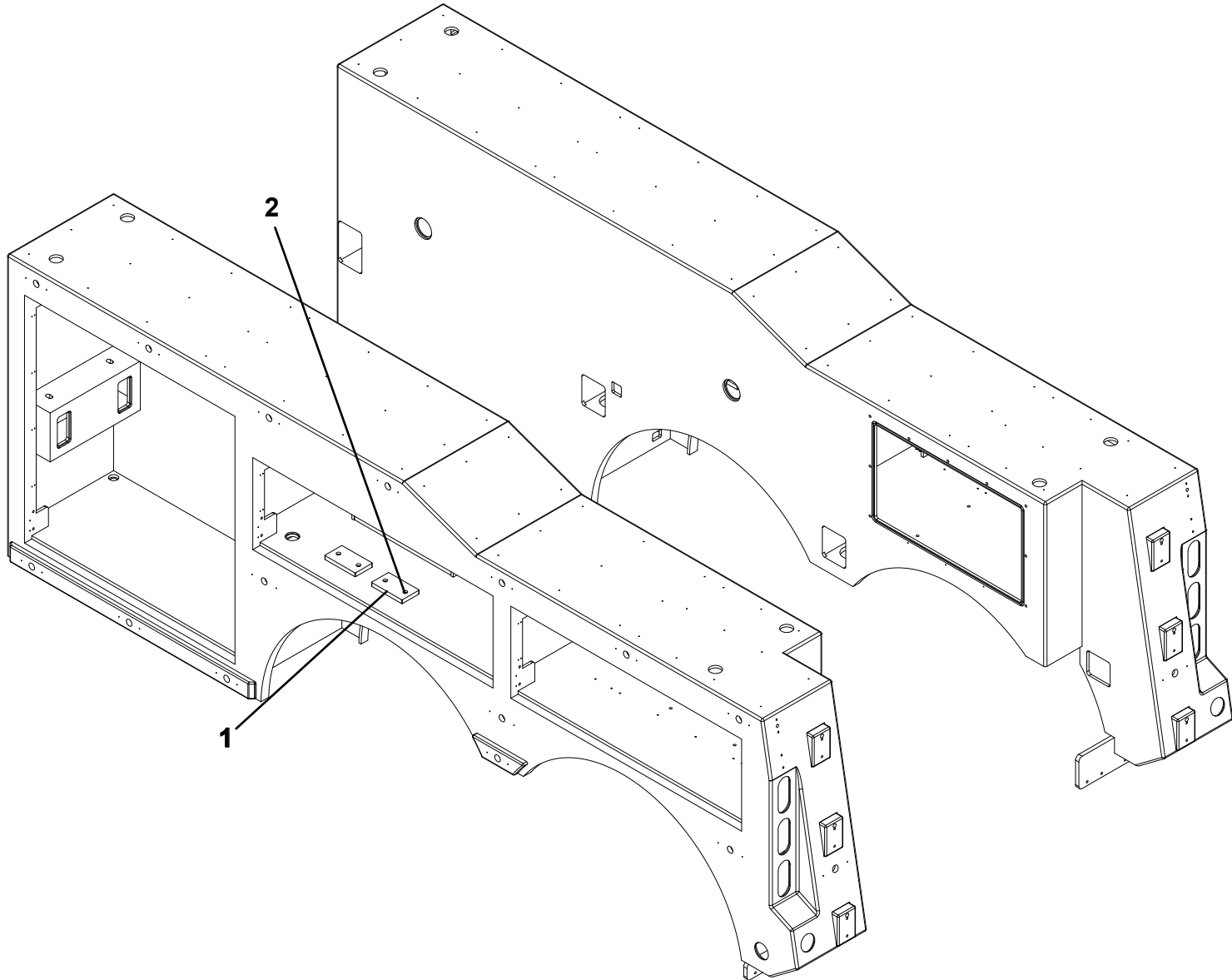
TOW LIGHT STORAGE



WHEEL CHOCK STORAGE

ITEM	PART NO.	DESCRIPTION	QTY
1	1001170707	Wheel Chock Stop	4
2	1001195523	Screw, 0.25" x 1.00"	8

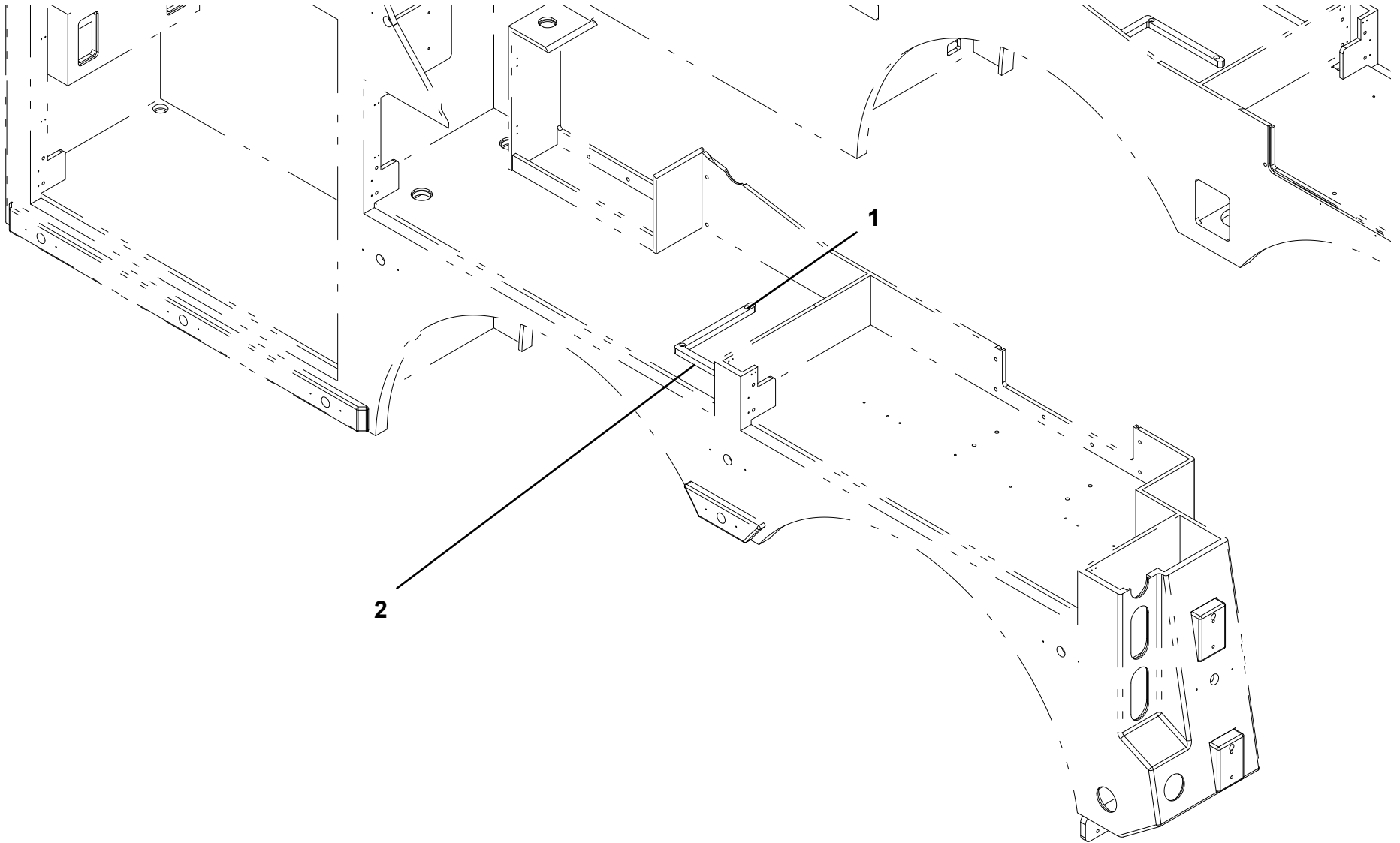
WHEEL CHOCK STORAGE



FLARE STORAGE

ITEM	PART NO.	DESCRIPTION	QTY
1	1001195523	Screw, 0.25" x 1.00"	8
2	1001201695	Bracket	2

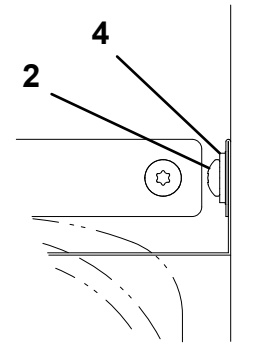
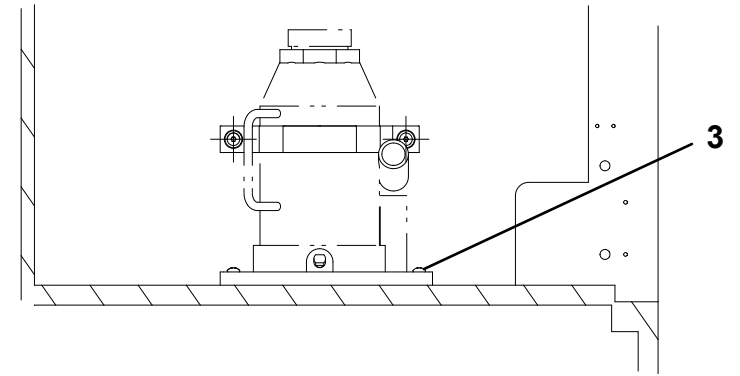
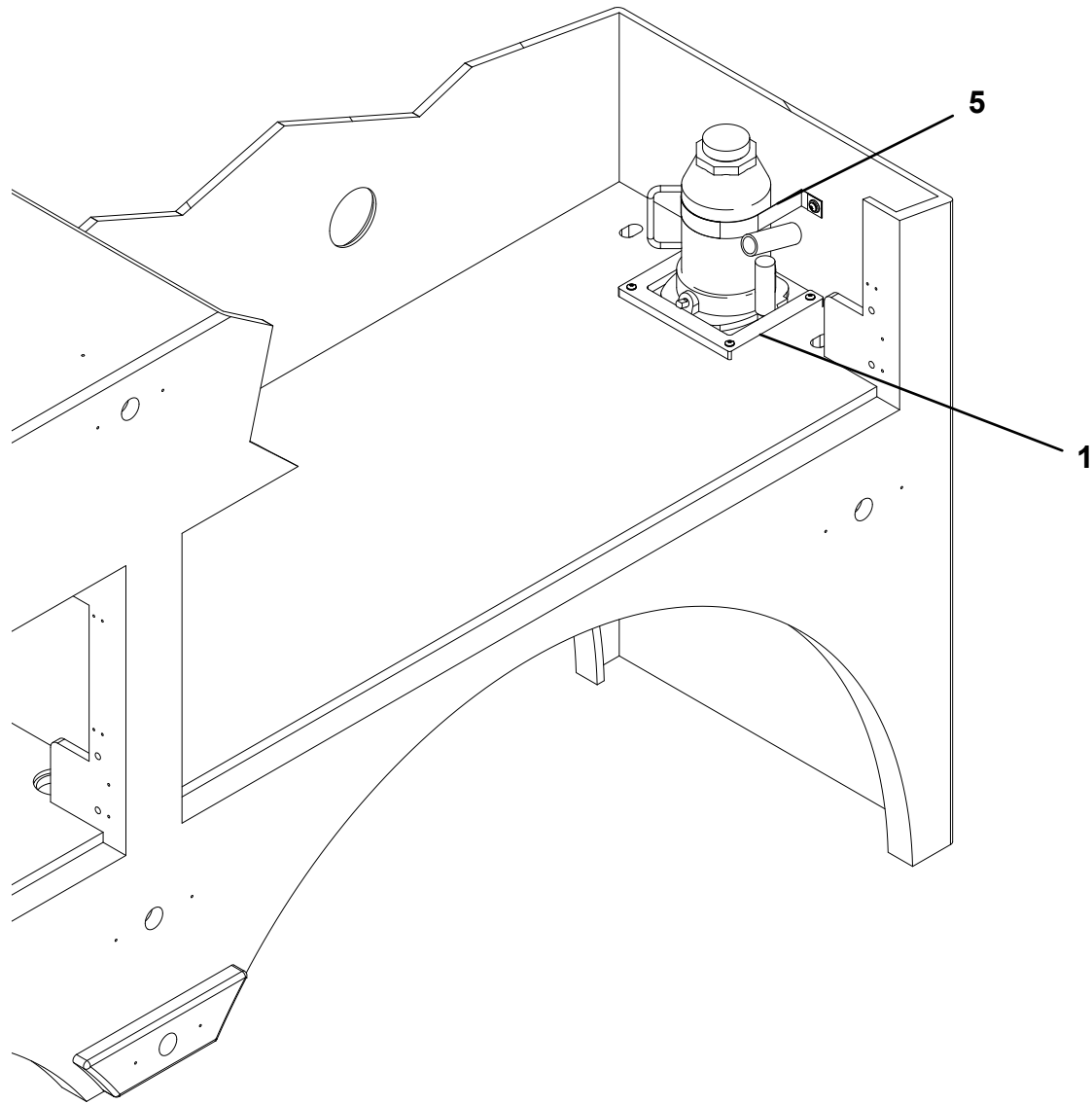
FLARE STORAGE



BOTTLE JACK STORAGE

ITEM	PART NO.	DESCRIPTION	QTY
1	1001170839	Bracket	1
2	1001195257	Screw, 0.25" x 0.50"	2
3	1001195523	Screw, 0.25" x 1.00"	4
4	7950140143	Flatwasher, 0.25" ID	2
5	1001167268	Strap	2

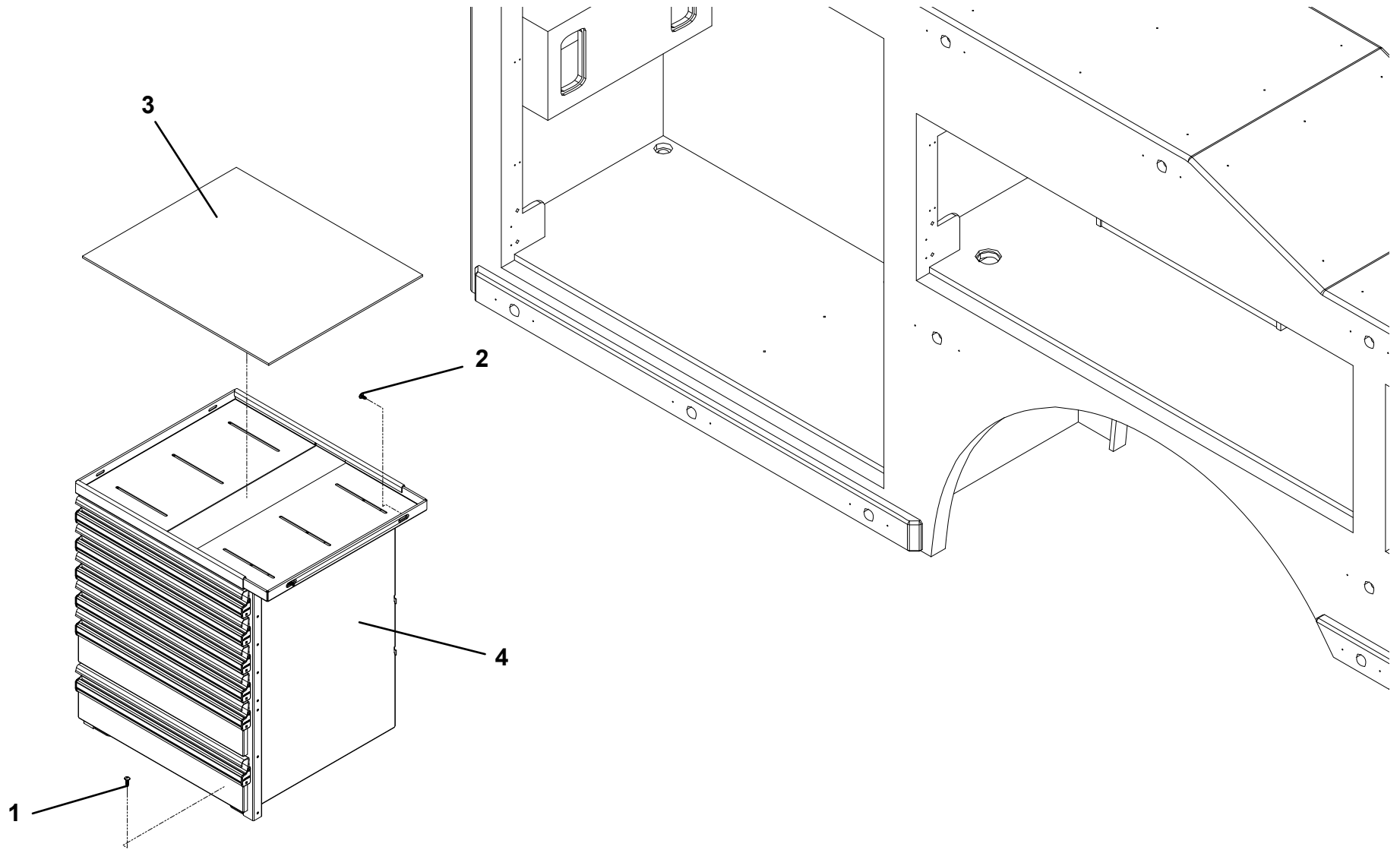
BOTTLE JACK STORAGE



TOOL DRAWER INSTALLATION - TANDEM

ITEM	PART NO.	DESCRIPTION	QTY
1	1001194676	Screw, 0.25" x 0.75"	6
2	1001195257	Screw, 0.25" x 0.50"	8
3	1001195279	Pad	1
4	1001190410	ToolBox	1

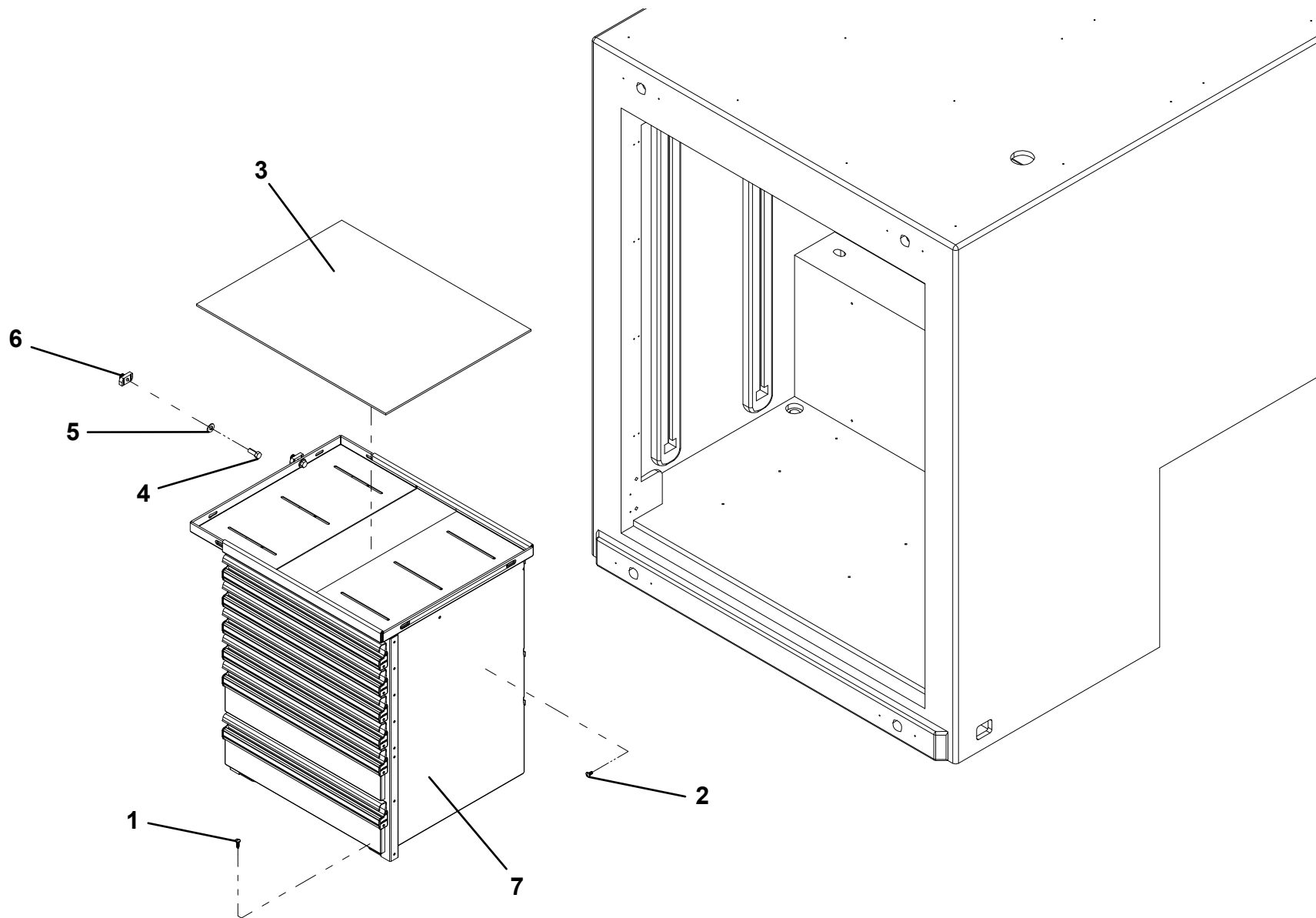
TOOL DRAWER INSTALLATION - TANDEM



TOOL DRAWER INSTALLATION - TRI-AXLE

ITEM	PART NO.	DESCRIPTION	QTY
1	1001194676	Screw, 0.25" x 0.75"	6
2	1001195257	Screw, 0.25" x 0.50"	4
3	1001195341	Pad	1
4	7114160850	Bolt, 0.38"-16 x 1.00"	2
5	7950160143	Flatwasher, 0.38" ID	2
6	1001166644	Nut, 0.38"-16	2
7	1001190410	ToolBox	1

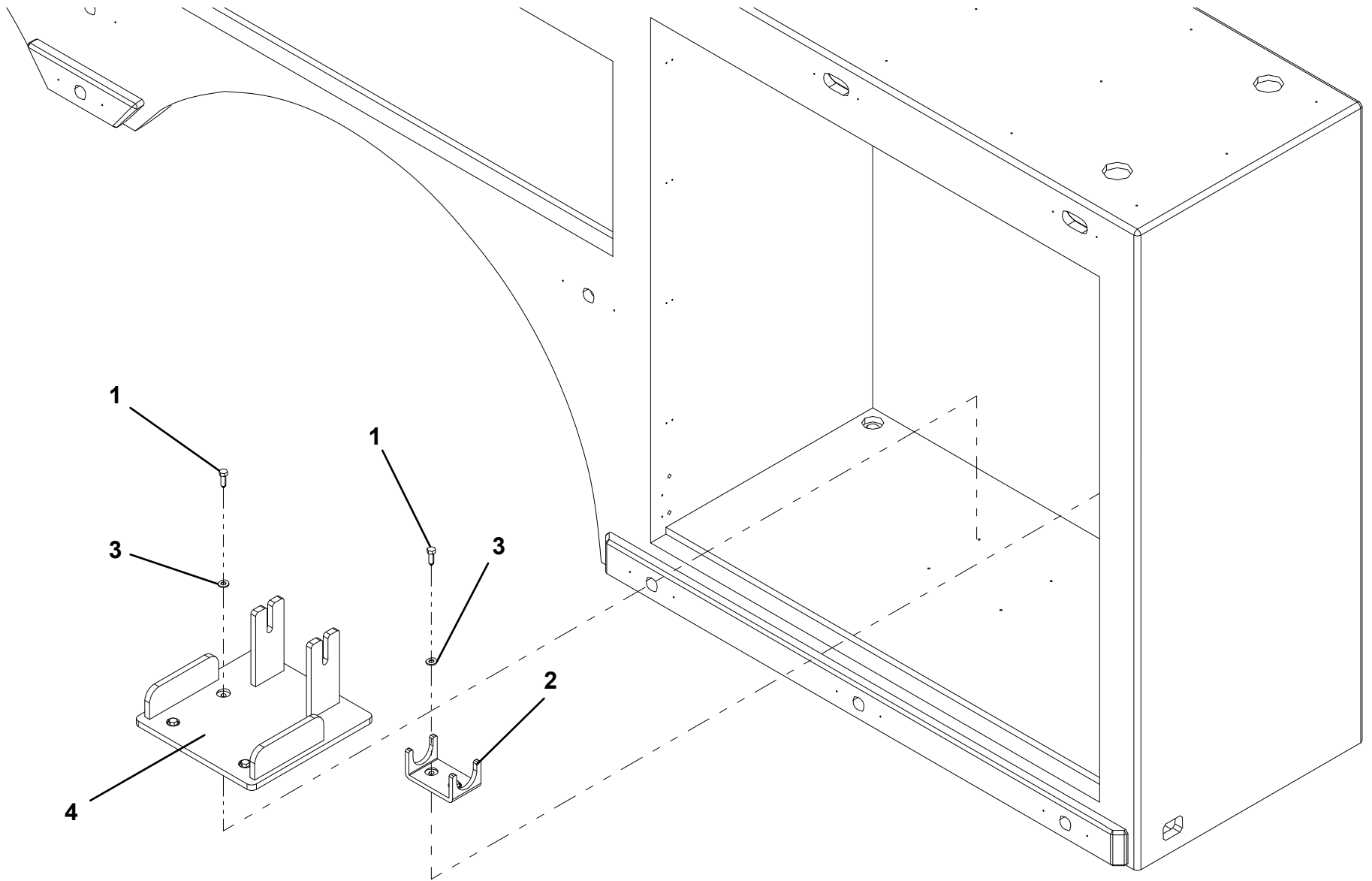
TOOL DRAWER INSTALLATION - TRI-AXLE



FIFTH WHEEL STORAGE INSTALLATION

ITEM	PART NO.	DESCRIPTION	QTY
1	1001168545	Screw, 0.38" x 1.25"	6
2	1001190568	Bracket	1
3	7950160143	Flatwasher, 0.38" ID	6
4	1001191810	Bracket	1

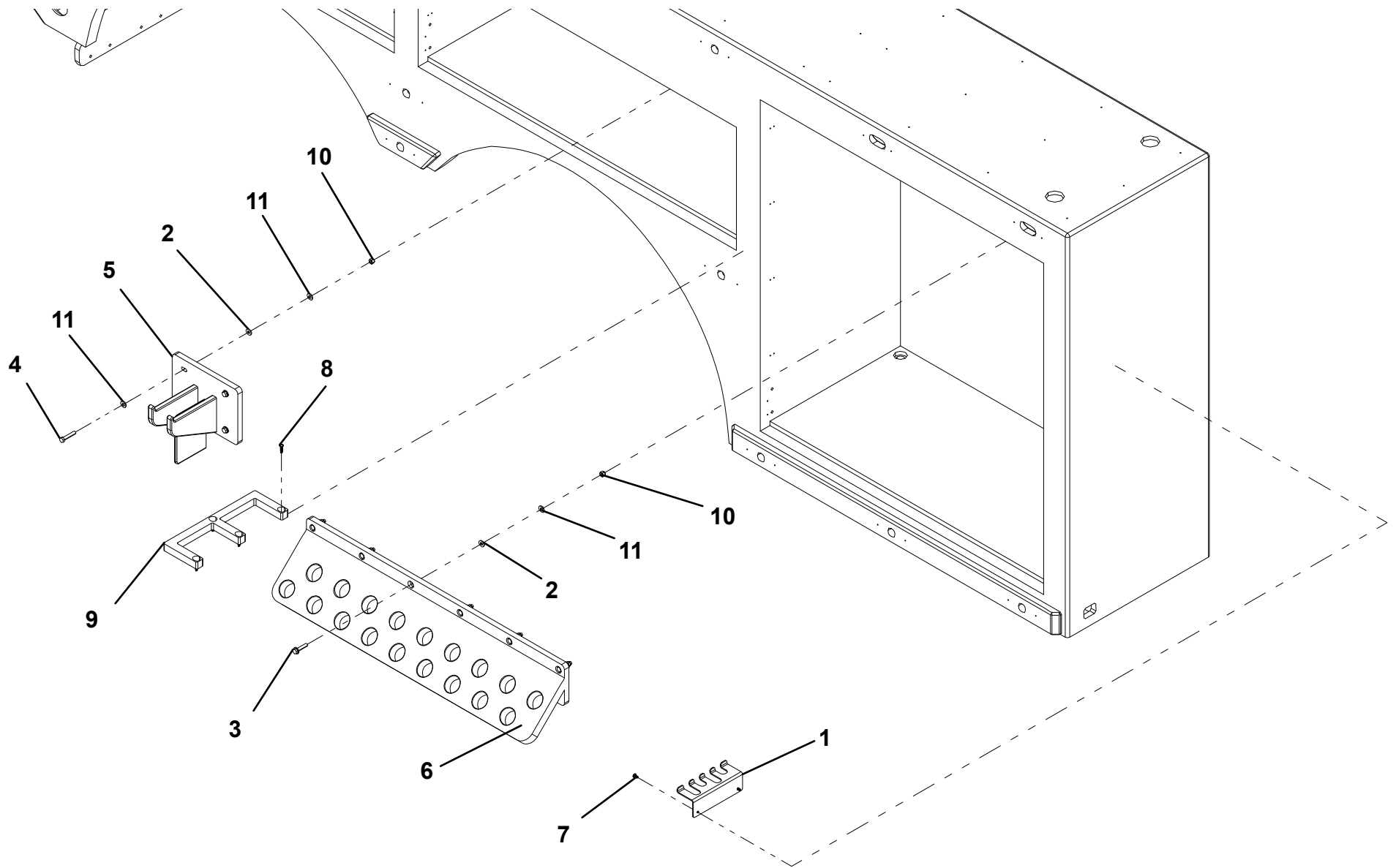
FIFTH WHEEL STORAGE INSTALLATION



FRAME FORK STORAGE INSTALLATION

ITEM	PART NO.	DESCRIPTION	QTY
1	1001160799	Bracket	1
2	1001166974	Washer, 0.38" ID Rubber	10
3	1001168544	Screw, 0.38"-16 X 1.75"	6
4	1001169083	Screw, 0.38"-16 X 2.00"	4
5	1001190926	Bracket	1
6	1001190988	Bracket	1
7	1001195257	Screw, 0.25" X 0.50"	2
8	1001195523	Screw, 0.25" X 1.00"	4
9	1001195838	Bracket	1
10	7660162601	Locknut, 0.38"-16NC	10
11	7950160143	Flatwasher, 0.38" ID	20

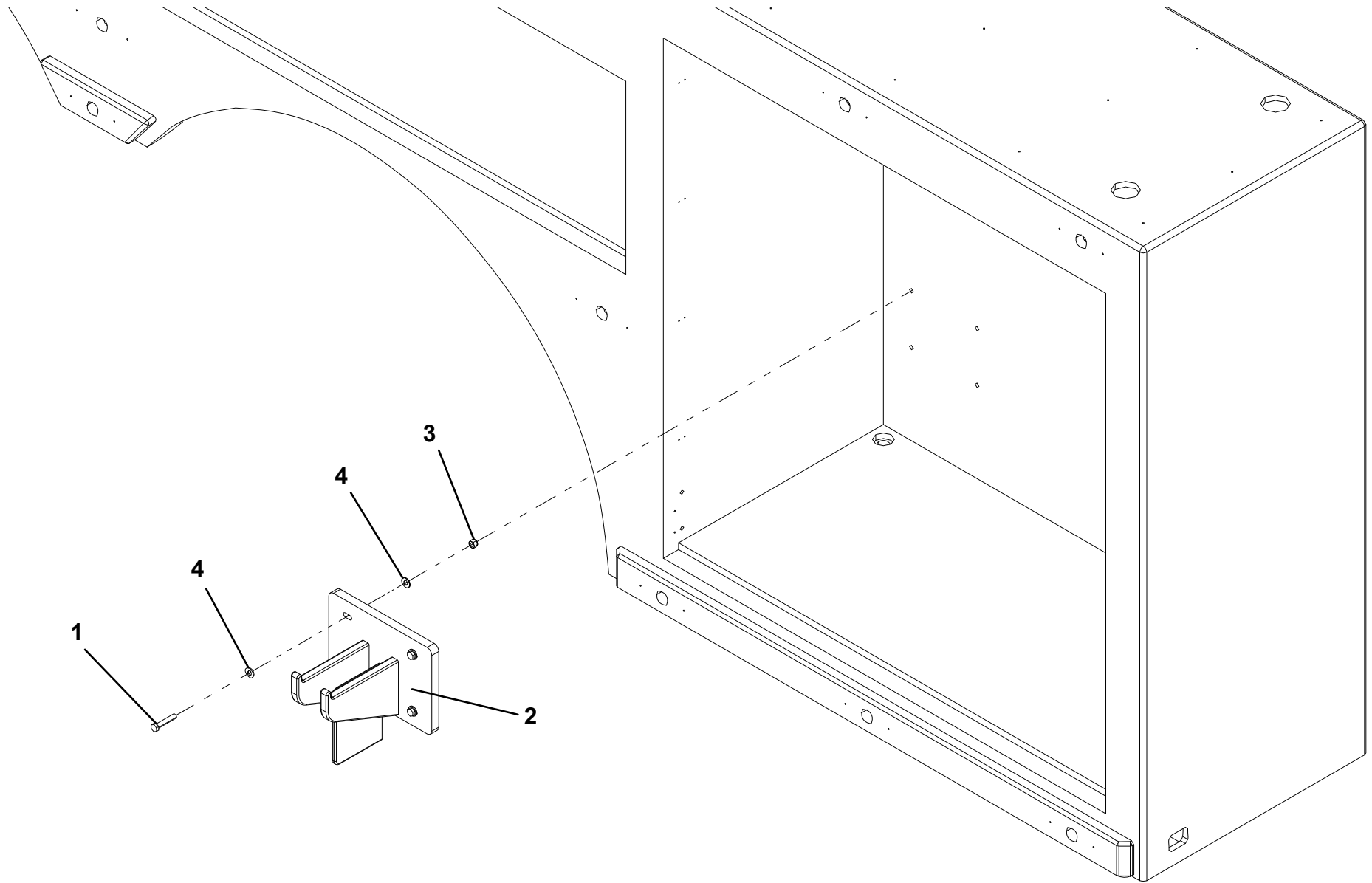
FRAME FORK STORAGE INSTALLATION



FORK RISER STORAGE INSTALLATION

ITEM	PART NO.	DESCRIPTION	QTY
1	1001169083	Screw, 0.38"-16 x 2.00"	4
2	1001190926	Bracket	1
3	7660162601	Locknut, 0.25"-20	4
4	7950160143	Flatwasher, 0.38" ID	8

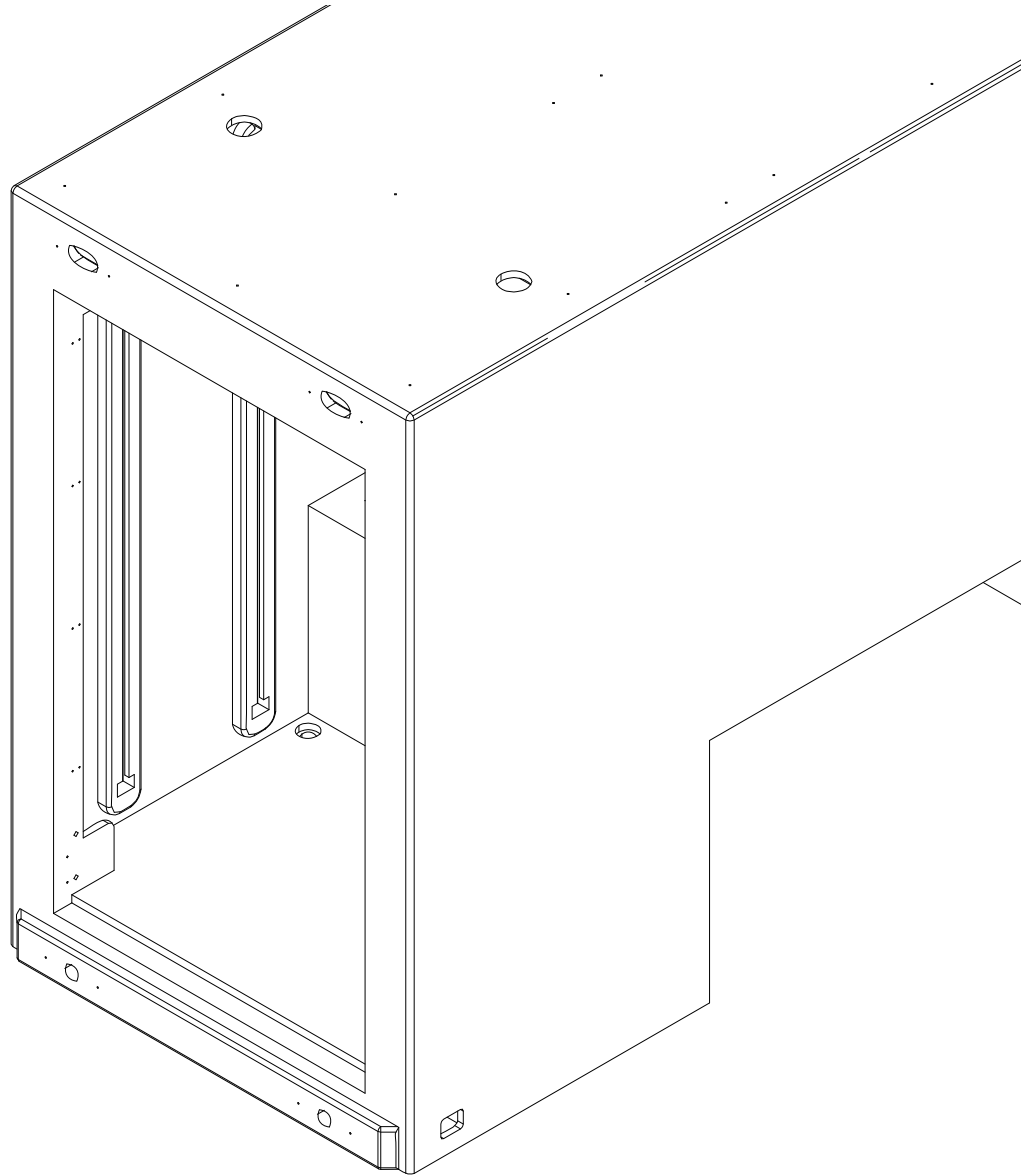
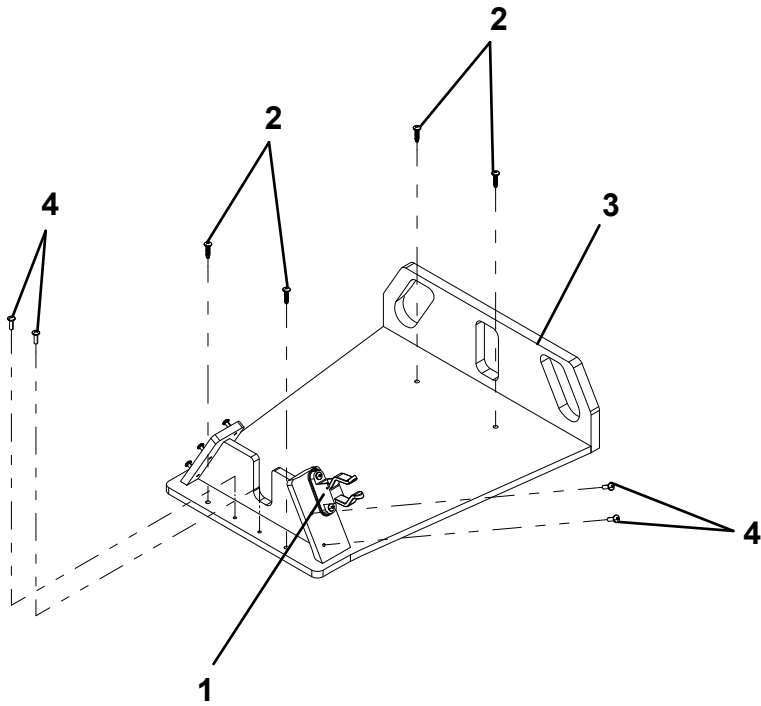
FORK RISER STORAGE INSTALLATION



GRIZZLY BAR STORAGE

ITEM	PART NO.	DESCRIPTION	QTY
1	1001175059	Clamp	5
2	1001195523	Screw, 0.25" x 1.00"	4
3	1001201916	Bracket	1
4	1001209657	Screw, #12 x 0.75"	10

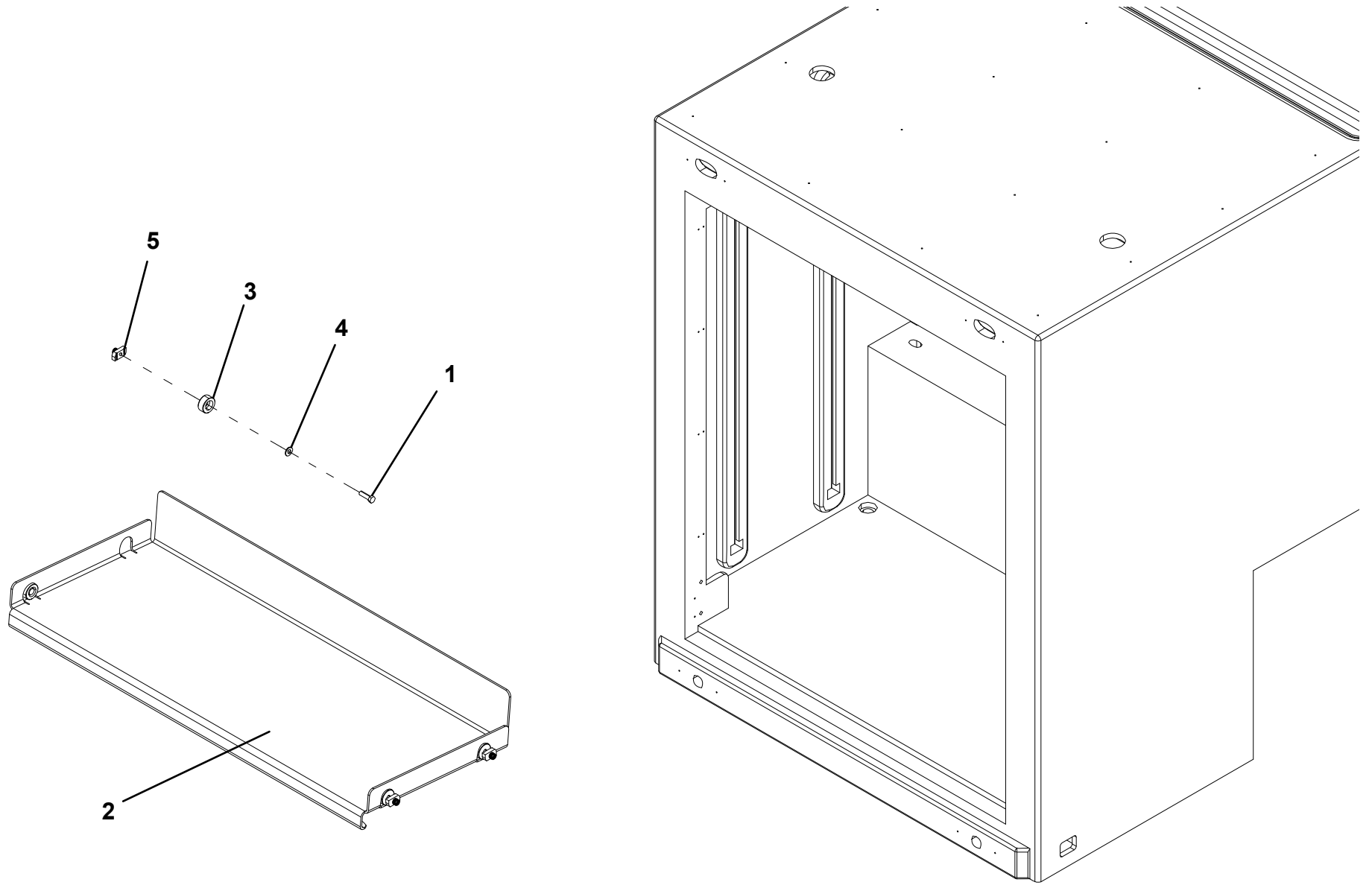
GRIZZLY BAR STORAGE



AIR BAG STORAGE SHELF

ITEM	PART NO.	DESCRIPTION	QTY
48" Tunnel Toolbox			
1	1001169080	Screw, 0.38"-16 x 1.25"	8
2	1001190364	Panel	2
3	1001190579	Mount	8
4	7950160143	Flatwasher, 0.38" ID	8
5	1001166644	Nut, 0.38"-16	8
36" Tunnel Toolbox			
1	1001169080	Screw, 0.38"-16 x 1.25"	8
2	1001190579	Panel	8
3	1001190954	Mount	2
4	7950160143	Flatwasher, 0.38" ID	8
5	1001166644	Nut, 0.38"-16	8

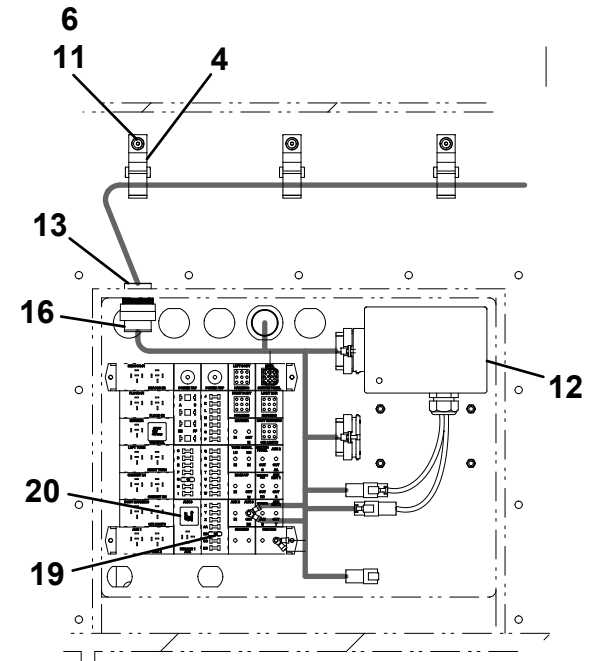
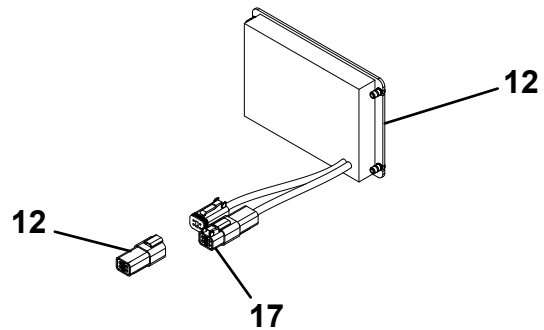
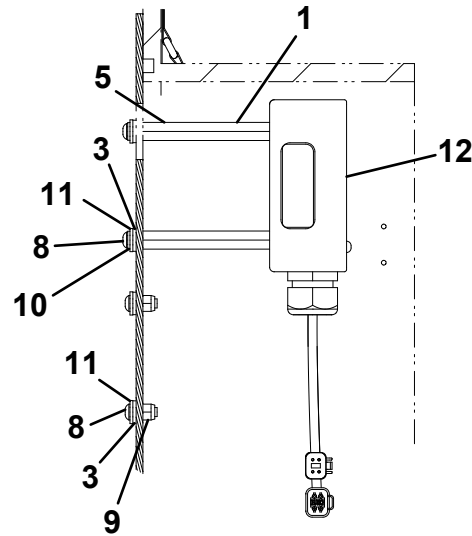
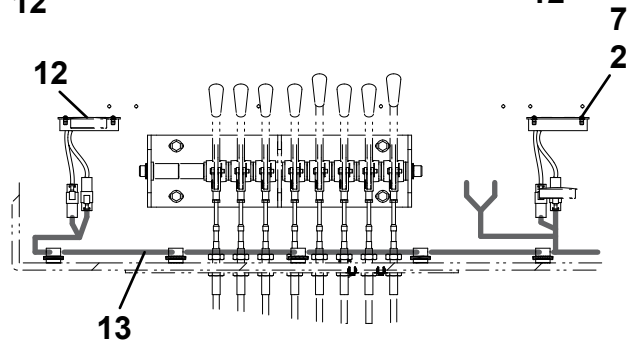
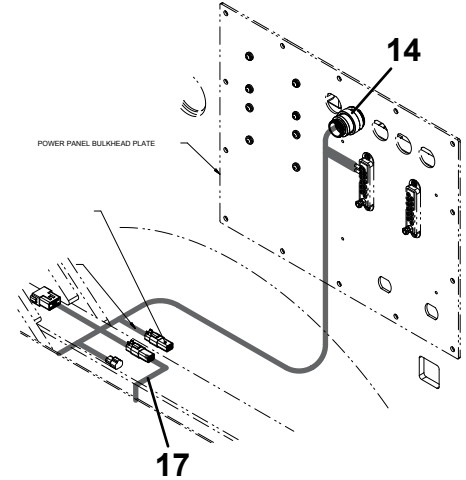
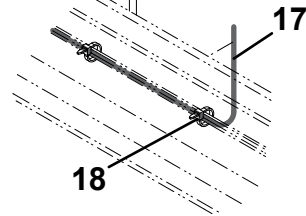
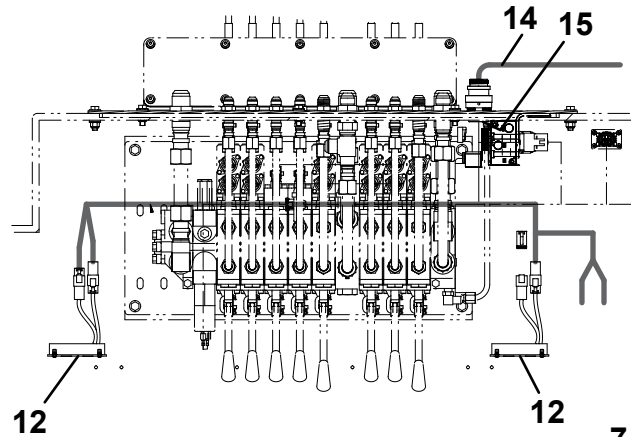
AIR BAG STORAGE SHELF



SWITCH PANEL INSTALLATION (PRIOR TO S/N 0230004251)

ITEM	PART NO.	DESCRIPTION	QTY
1	100011	Loctite	A/R
2	1001151546	Nutsert, #8-32 UNC	20
3	1001166978	Washer, 0.25" ID	8
4	1001167310	Cable Strap	12
5	1001191612	Nut, 0.25"-20	4
6	1001195257	Screw, 0.25" X 0.50"	12
7	7114080418	Bolt, #8-32 X 0.50"	20
8	7114140618	Bolt, 0.25"-20 X 0.75"	8
9	7660142600	Locknut, 0.25"-20NC	4
10	7950140003	Lockwasher, 0.25" ID	4
11	7950140143	Flatwasher, 0.25" ID	20
12	1001135132	Electrical M Plex	1
13	1001189197	Harness	1
14	1001189207	Harness	1
15	1001189219	Harness	1
16	1001189296	Harness	1
17	7552000455	Harness	1
18	7894000004	Tie Strap	15
19	7457000006	Fuse	1
20	7740000001	Relay	1
21	7701000067	Plug	1

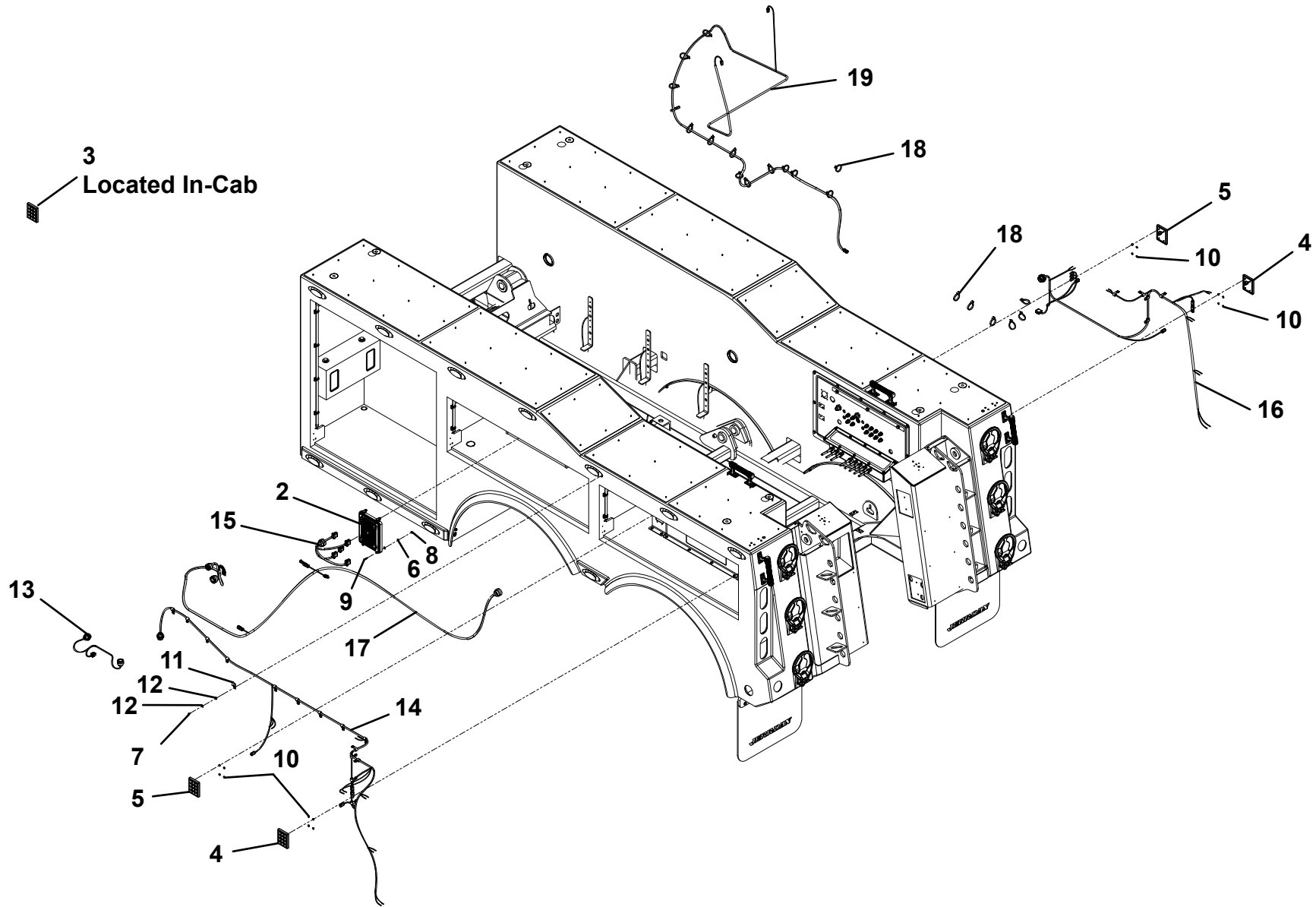
SWITCH PANEL INSTALLATION (PRIOR TO S/N 0230004251)



SWITCH PANEL INSTALLATION (S/N 0230004251 TO PRESENT)

ITEM	PART NO.	DESCRIPTION	QTY
1	1001205244	Multiplex Kit	1
2	1001211000*	Multiplex Module	1
3	1001211001*	Keypad, In Cab	1
4	1001211002*	Keypad, In Body	2
5	1001211003*	Keypad, Winch	2
6	1001166978	Washer, 0.25" ID	4
7	1001195257	Screw, 0.25" x 0.50"	20
8	7660142601	Locknut, 0.25" - 20NC	4
9	1001209590	Screw, 0.25" x 1.00"	4
10	1001209616	Nut, #10 - 32NC	16
11	7280000006	Clip	20
12	7950140143	Flatwasher, 0.25" ID	44
13	1001208950	Harness, Left Jumper	1
14	1001208951	Harness, Left Body	1
15	1001208952	Harness, Multiplex to PDP	1
16	1001215100	Harness, Right Body	1
17	1001216916	Harness, Crossover	1
18	5526000553	Tie Strap	35
19	1001217309	Harness, Winch	1
20	7346000039	Tubing	0.5ft

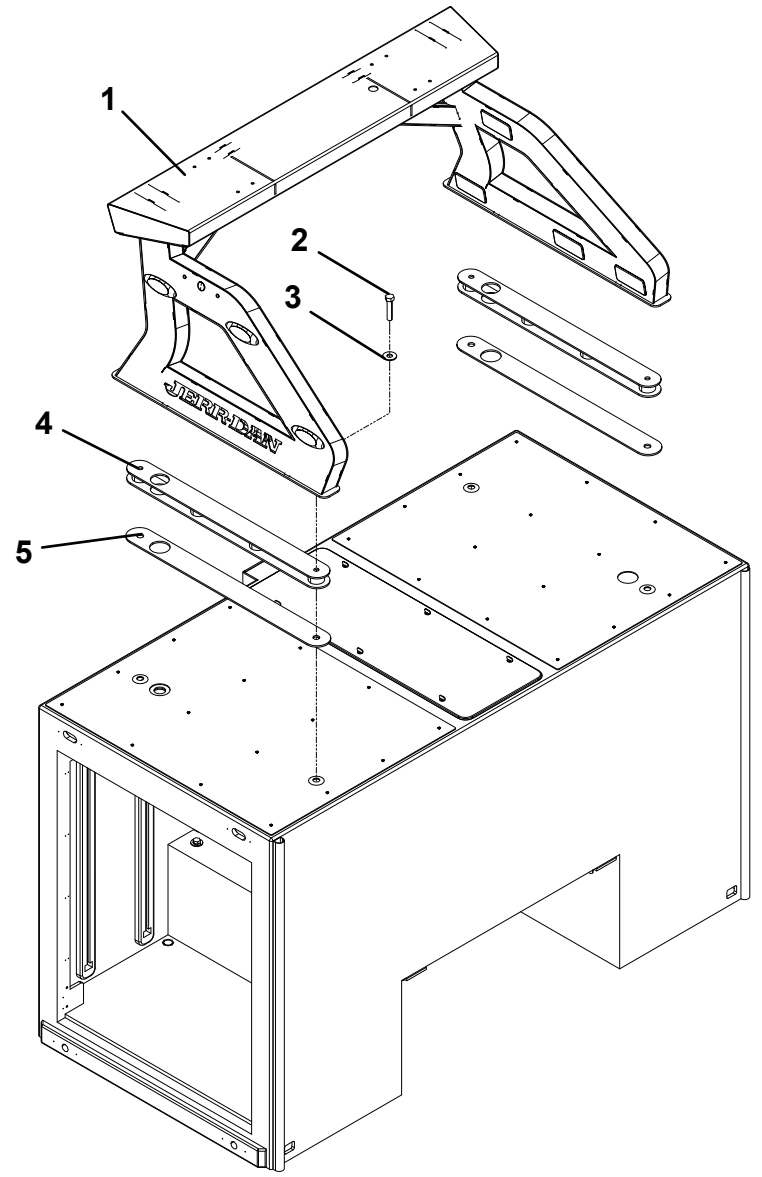
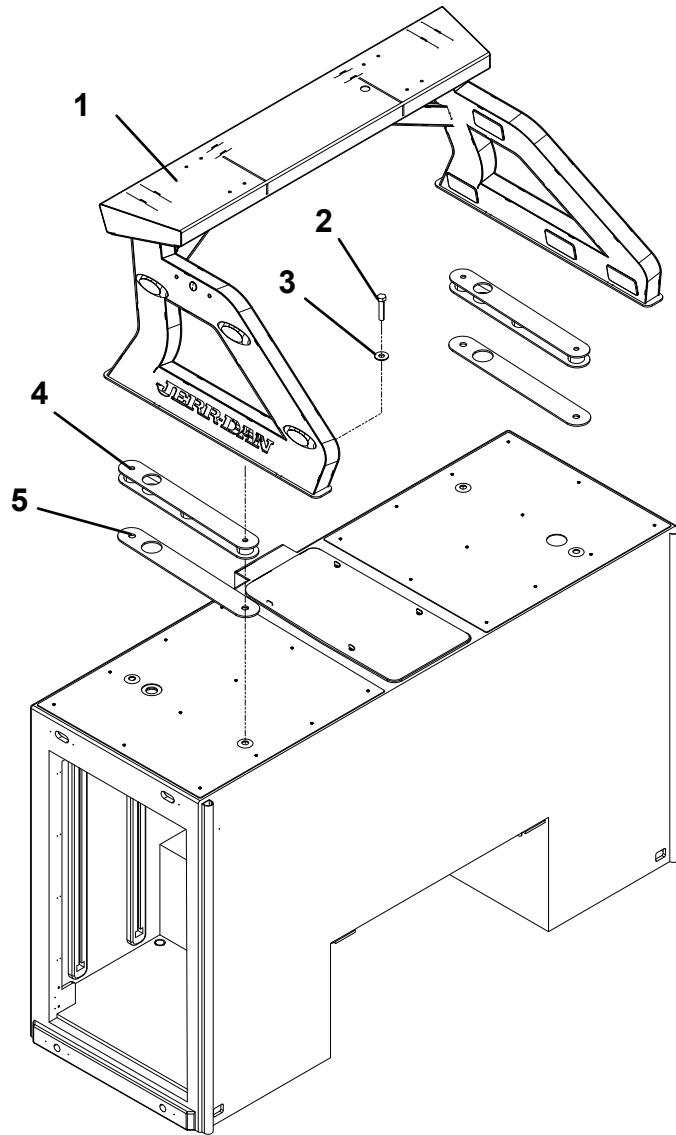
SWITCH PANEL INSTALLATION (S/N 0230004251 TO PRESENT)

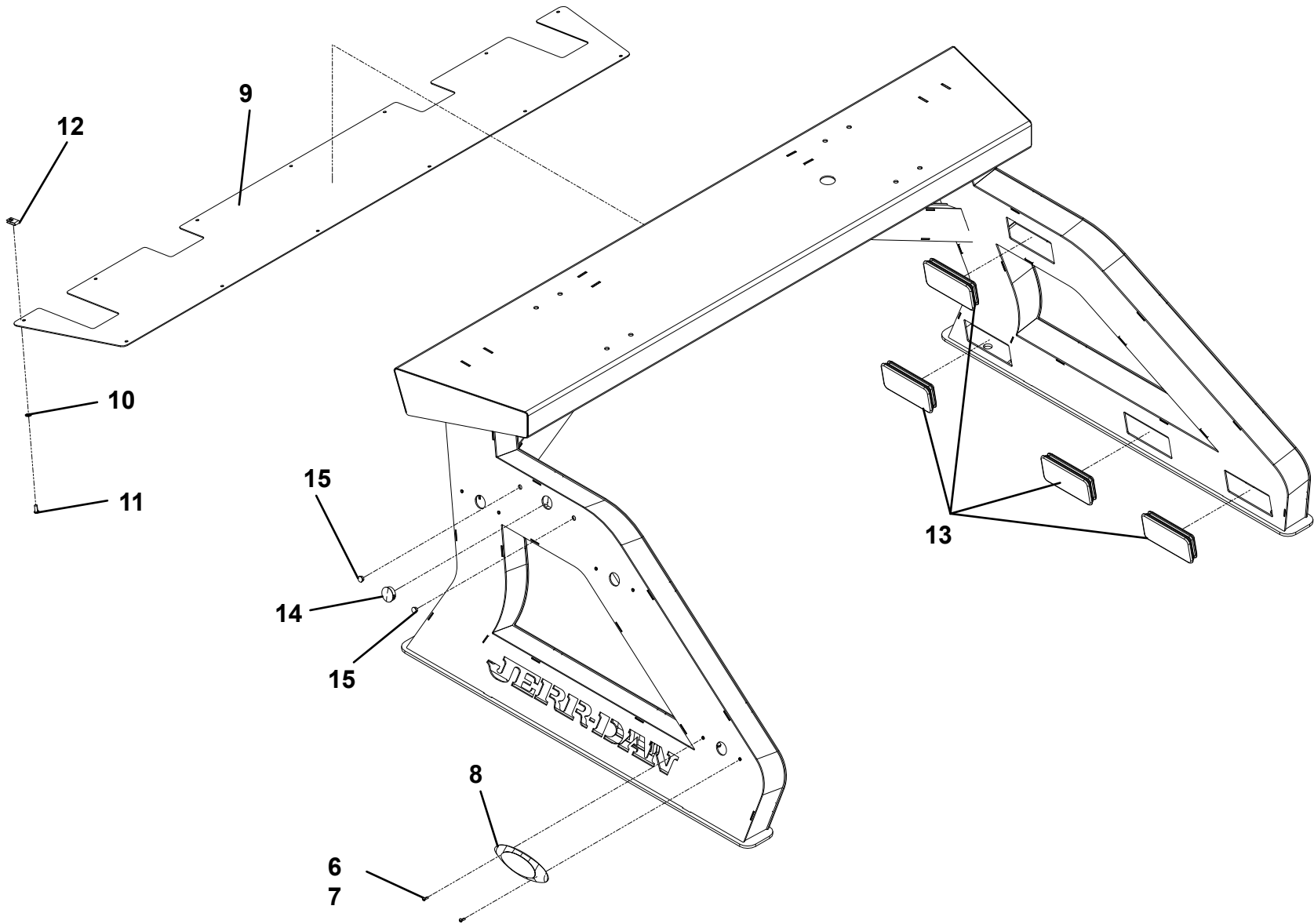


PYLON INSTALLATION

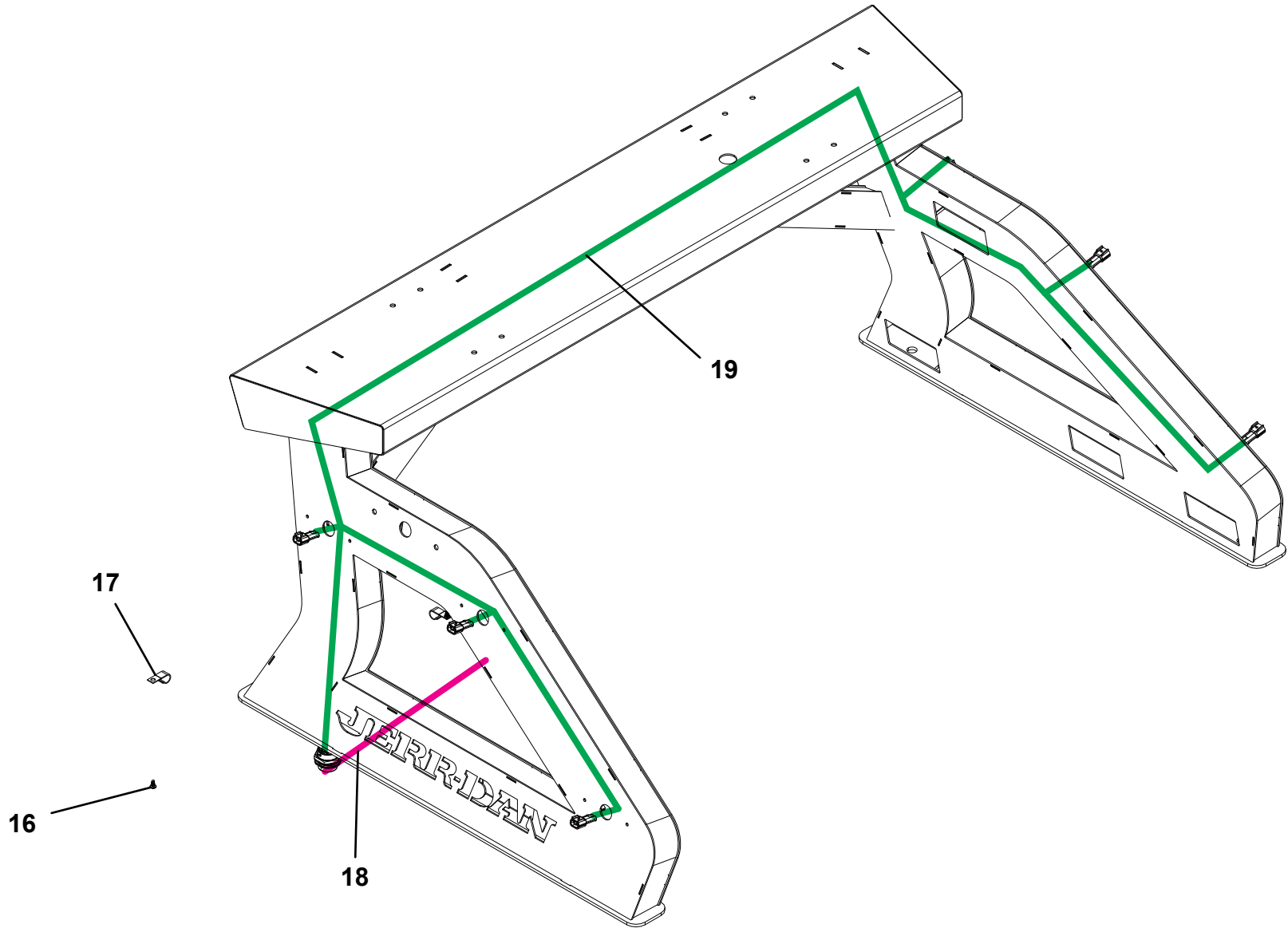
ITEM	PART NO.	DESCRIPTION	QTY
Pylon			
1	1001213102	34" Pylon	1
	1001213509	39" Pylon	1
	1001214577	57" Pylon	1
Adapter Installation			
2	0642228	Capscrew, 0.75" - 10NC x 3.50"	4
3	4752200	Washer, 0.75" ID	4
4	1001213112	Mount, 24"	2
	1001213111	Mount, 36"	2
5	1001214350	Seal, 24"	2
	1001214130	Seal, 36"	2
Light Installation			
6	1001151546	Nut, #8 - 32NC	12
7	7114080418	Screw, #8 - 32NC x 0.50"	12
8	7590000262	Light, Amber	6
Pylon Cover Installation			
9	1001213093	Plate, 34"	1
	1001213522	Plate, 39"	1
	1001214590	Plate, 57"	1
10	1001143686	Washer, 0.25" ID	12
11	7114140518	Screw, 0.25" - 20NC x 0.625"	12
12	7661000019	U-Nut, 0.25" - 20NC	12
Pylon Assembly			
13	7701000048	Plug	8
14	7701000049	Plug	2
15	7701000056	Plug	4
Harness Installation			
16	1001195257	Screw, 0.25" x 0.50"	3
17	7280000006	Clip	3
18	1001189656	Headboard Harness, 34" & 39"	1
	1001214605	Headboard Harness, 57"	1
19	1001189657	Headboard Harness, Main 34" & 39"	1
	1001215110	Headboard Harness, Main 57"	

PYLON INSTALLATION



PYLON INSTALLATION

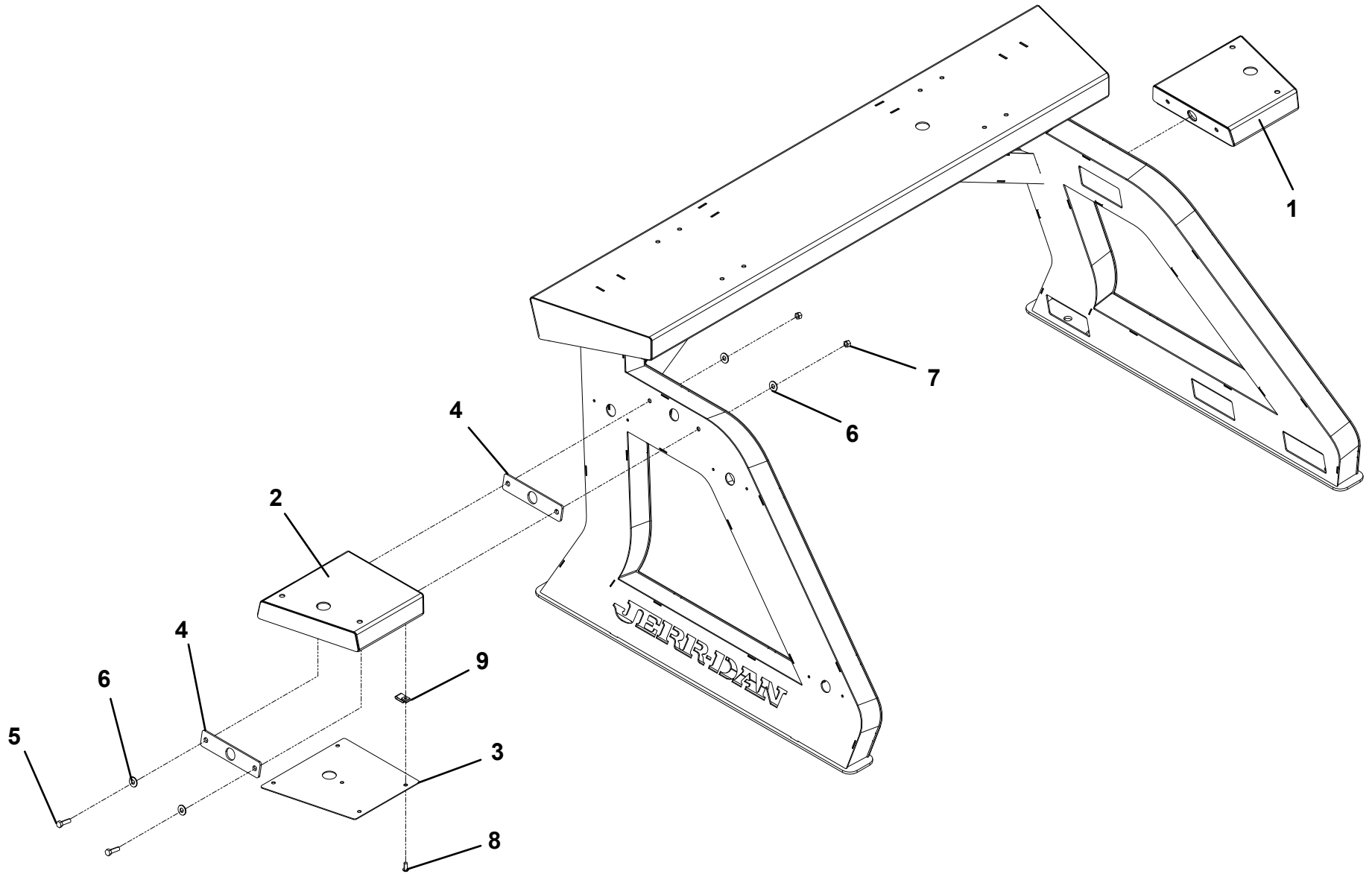
PYLON INSTALLATION



WING LIGHT BRACKET INSTALLATION

ITEM	PART NO.	DESCRIPTION	QTY
1	1001213104	Mount, RH	1
2	1001213105	Mount, LH	1
3	1001213110	Plate	2
4	1001214129	Plate	4
5	0641610	Capscrew, 0.38" - 16NC x 1.25"	4
6	4751600	Washer, 0.38" ID	8
7	3271605	Nut, 0.38" - 16NC	4
8	7114150618	Screw, 0.31" - 18NC x 0.75"	8
9	7661000029	Nut, 0.31" - 18NC	8

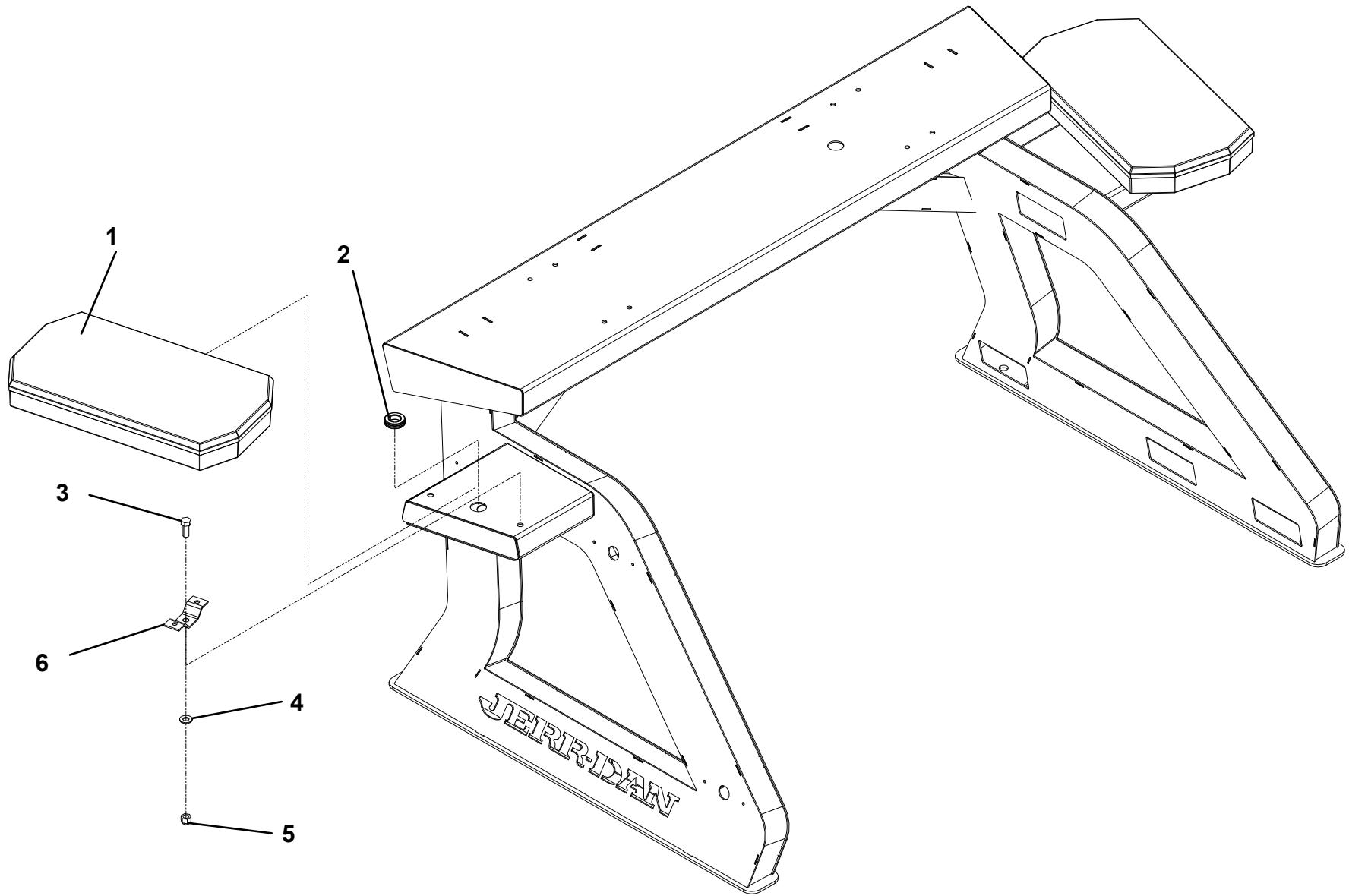
WING LIGHT BRACKET INSTALLATION



WING LIGHT INSTALLATION

ITEM	PART NO.	DESCRIPTION	QTY
1	1001133591	Light, Amber CD3	2
	1001129861	Light, Amber Whelen	2
2	7493000011	Grommet	2
3	0641810	Capscrew, 0.50" - 13NC x 1.25"	4
4	4711800	Washer, 0.50" ID	4
5	7660182601	Locknut, 0.50" - 13NC	4
6	4178000402	Bracket	4

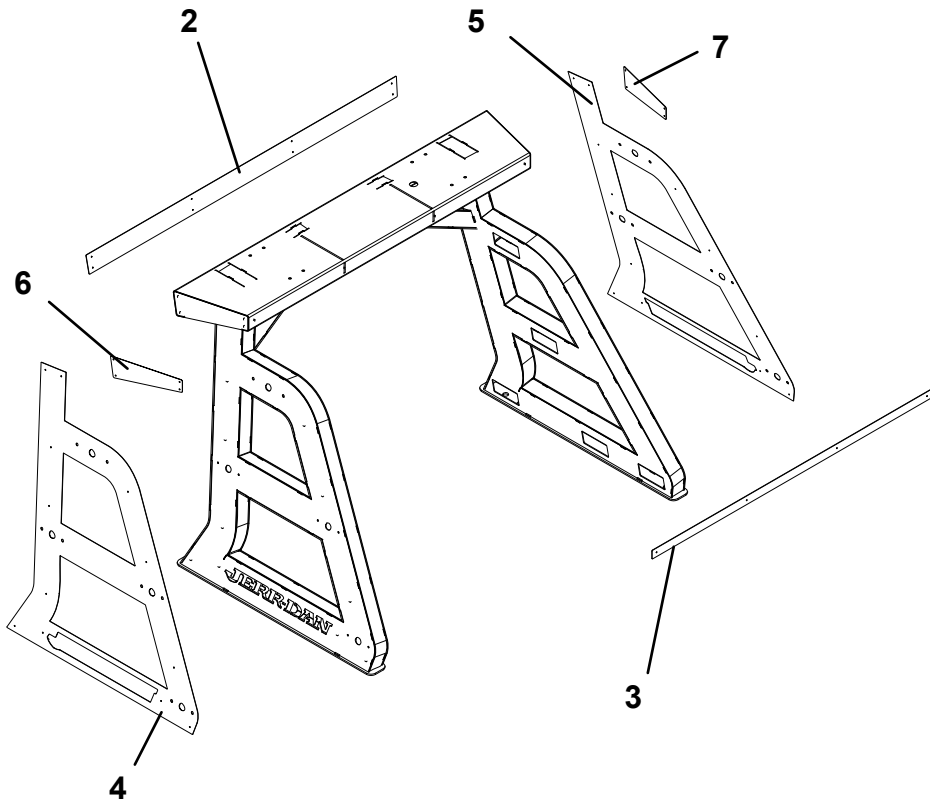
WING LIGHT INSTALLATION



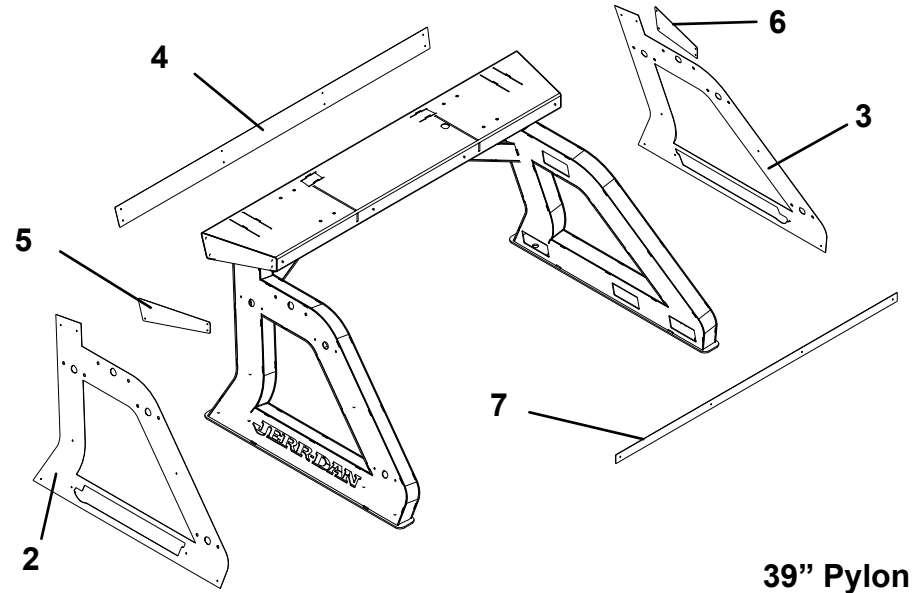
PYLON DRESS-UP KIT

ITEM	PART NO.	DESCRIPTION	QTY	ITEM	PART NO.	DESCRIPTION	QTY
34" Pylon				34" Pylon - Polished			
1	1001156424	Pop Rivet	42	1	1001156424	Pop Rivet	42
2	1001220169	Plate, Front	1	2	1001220363	Plate, Front	1
3	1001220234	Plate, Back	1	3	1001220364	Plate, Back	1
4	1001220345	Plate, Side LH	1	4	1001220369	Plate, Side LH	1
5	1001220349	Plate, Side RH	1	5	1001220370	Plate, Side RH	1
6	1001220352	Plate, Top Side LH	1	6	1001220371	Plate, Top Side LH	1
7	1001220353	Plate, Top Side RH	1	7	1001220372	Plate, Top Side RH	1
39" Pylon				39" Pylon - Polished			
1	1001156424	Pop Rivet	44	1	1001156424	Pop Rivet	44
2	1001220167	Plate, Side LH	1	2	1001220365	Plate, Side LH	1
3	1001220168	Plate, Side RH	1	3	1001220366	Plate, Side RH	1
4	1001220169	Plate, Front	1	4	1001220369	Plate, Front	1
5	1001220170	Plate, Top Side LH	1	5	1001220370	Plate, Top Side LH	1
6	1001220171	Plate, Top Side RH	1	6	1001220373	Plate, Top Side RH	1
7	1001220234	Plate, Back	1	7	1001220374	Plate, Back	1
57" Pylon				57" Pylon - Polished			
1	1001156424	Pop Rivet	52	1	1001156424	Pop Rivet	52
2	1001220169	Plate, Front	1	2	1001220367	Plate, Front	1
3	1001220234	Plate, Back	1	3	1001220368	Plate, Back	1
4	1001220350	Plate, Side LH	1	4	1001220369	Plate, Side LH	1
5	1001220351	Plate, Side RH	1	5	1001220370	Plate, Side RH	1
6	1001220354	Plate, Top Side LH	1	6	1001220375	Plate, Top Side LH	1
7	1001220355	Plate, Top Side RH	1	7	1001220376	Plate, Top Side RH	1

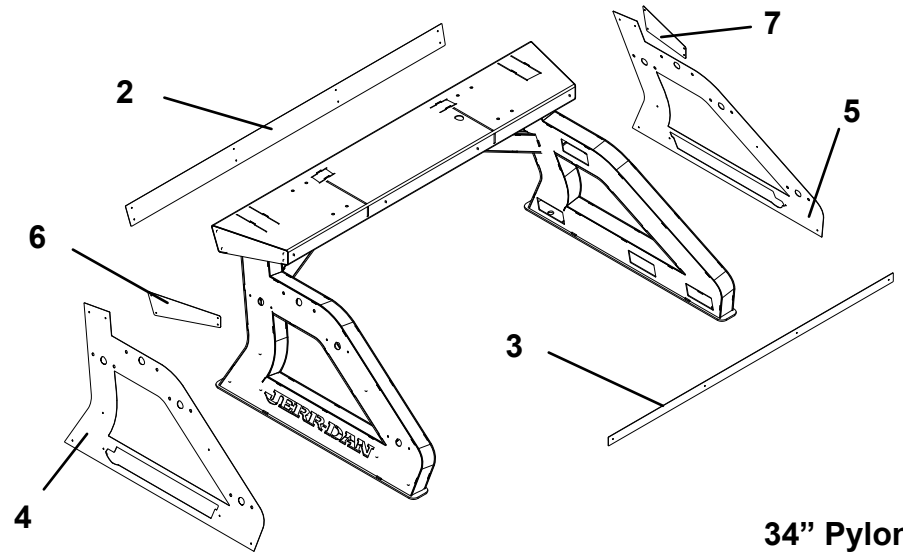
PYLON DRESS-UP KIT



57" Pylon



39" Pylon

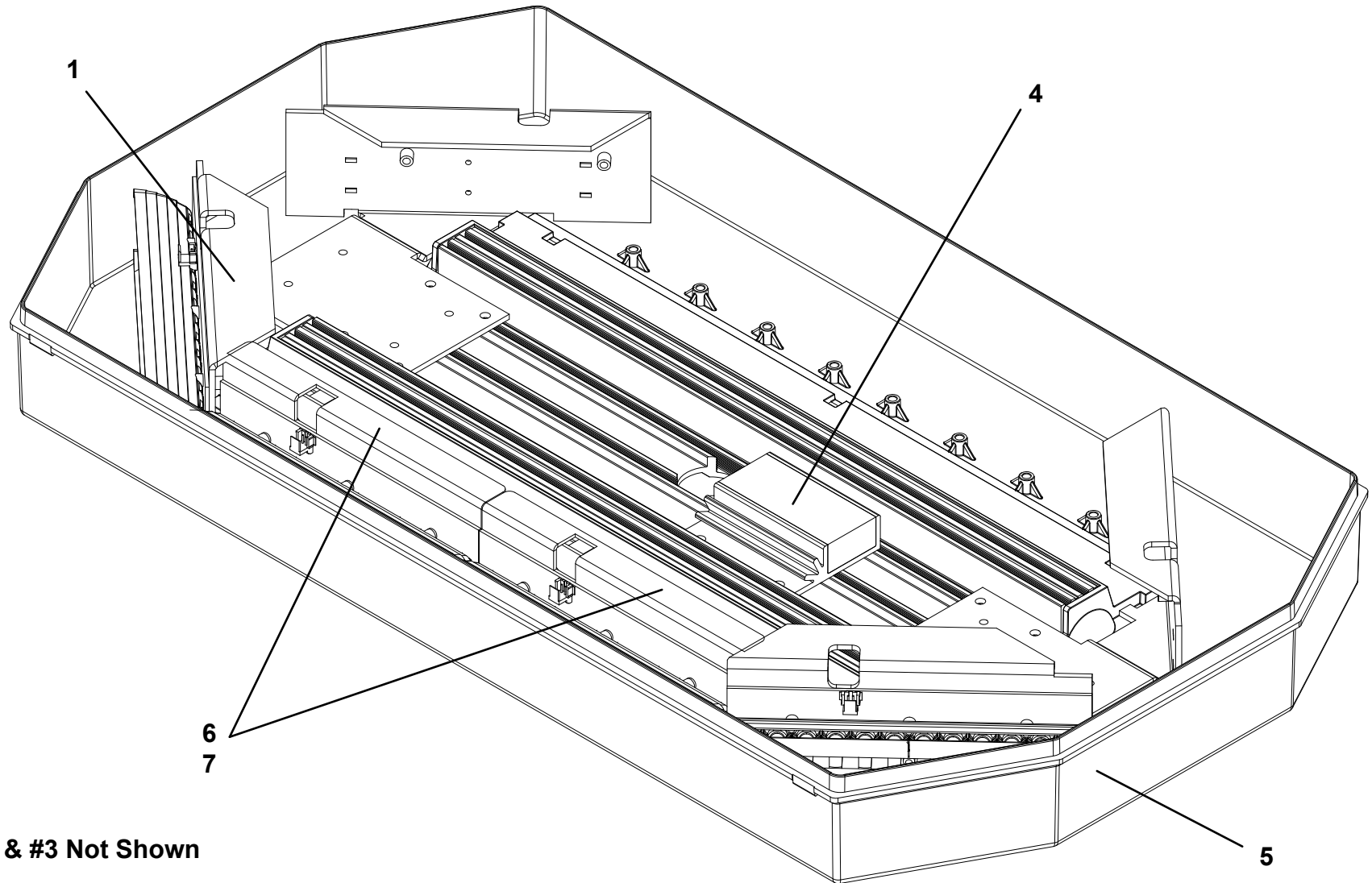


34" Pylon

PUBLIC SAFETY LIGHT BAR - 1001133591

ITEM	PART NO.	DESCRIPTION	QTY
1	70051014	LED Corner Module & Bracket	2
2	70051015	Lens, Clear Upper	1
3	70051016	Cable, Jerr-Dan 2 Wire	1
4	9346310098	Flasher	1
5	70051017	Lens, Clear Lower	1
6	9590310201	LED Center Module	2
7	70051018	Bracket, Mounting	1

PUBLIC SAFETY LIGHT BAR - 1001133591

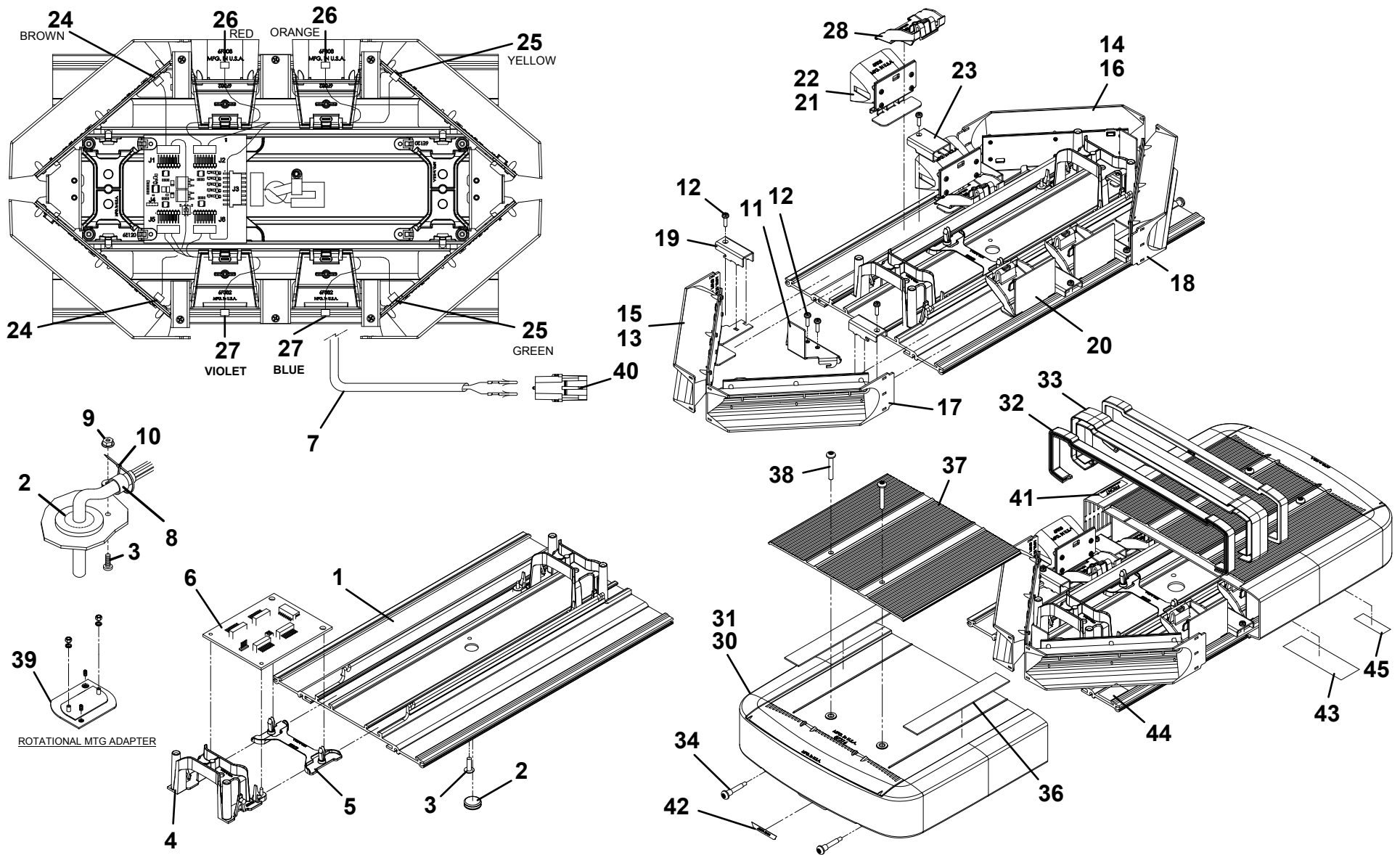


#2 & #3 Not Shown

22" WHELEN LIGHT BAR - 1001199478

ITEM	PART NO.	DESCRIPTION	QTY
1	70051019	Base	1
2	70050169	Grommet	1
3	70051020	Screw, 10-24NC X 0.88"	1
4	70051021	Bracket, Bulkhead Lens Mount	2
5	70051022	Bracket, I/O Anchor	1
6	70051023	Assembly, I/O BD Mini	1
7	70051024	Assembly, Cable	1
8	70051025	Clamp, Cable	1
9	70050174	Nut, Wiz #10-24NC	1
10	70051026	Ty Wrap, 6" Black	AR
11	70051027	Bracket, End Clamp	2
12	70051028	Screw, #6-32NC X 0.50"	10
13	70051029	Assy, Corner L-Front/R-Rear Amber	1
14	70051030	Assy, Corner L-Rear/R-Front Amber	1
15	70051031	Assy, Corner L-Front/R-Rear Blue	1
16	70051032	Assy, Corner L-Rear/R-Front Blue	1
17	70051033	Assembly, Blank Rear Drvr Corner	1
18	70051034	Assembly, Blank Rear Pass Corner	1
19	70051035	Bracket, Corner Clamp	4
20	70051036	Bracket, Half Filler	2
21	70051037	Sub Assy, Short Directional Amber	2
22	70051038	Sub Assy, Short Directional Blue	2
23	70051039	Bracket, Filler	2
24	70051040	Assembly, Harness	1
25	70051041	Assembly, Harness	1
26	70051042	Assembly, Harness	1
27	70051043	Assembly, Harness	1
28	70051044	Bracket, Snap-In	4
29	70051045	Ty Wrap, 3" Black	AR
30	70051046	Sub Assy, Cut Dome Clear	2
31	70051047	Sub Assy, Cut Dome Blue	2
32	70051048	Seal, Lens Divider	2
33	70051049	Divider, Lens	1
34	70051050	Screw, 10-24NC X 1.25"	4
36	70051051	Tape, VHB Endcap Trim Mount	4
37	70051052	Cover, Top Extruded 7.325"	2

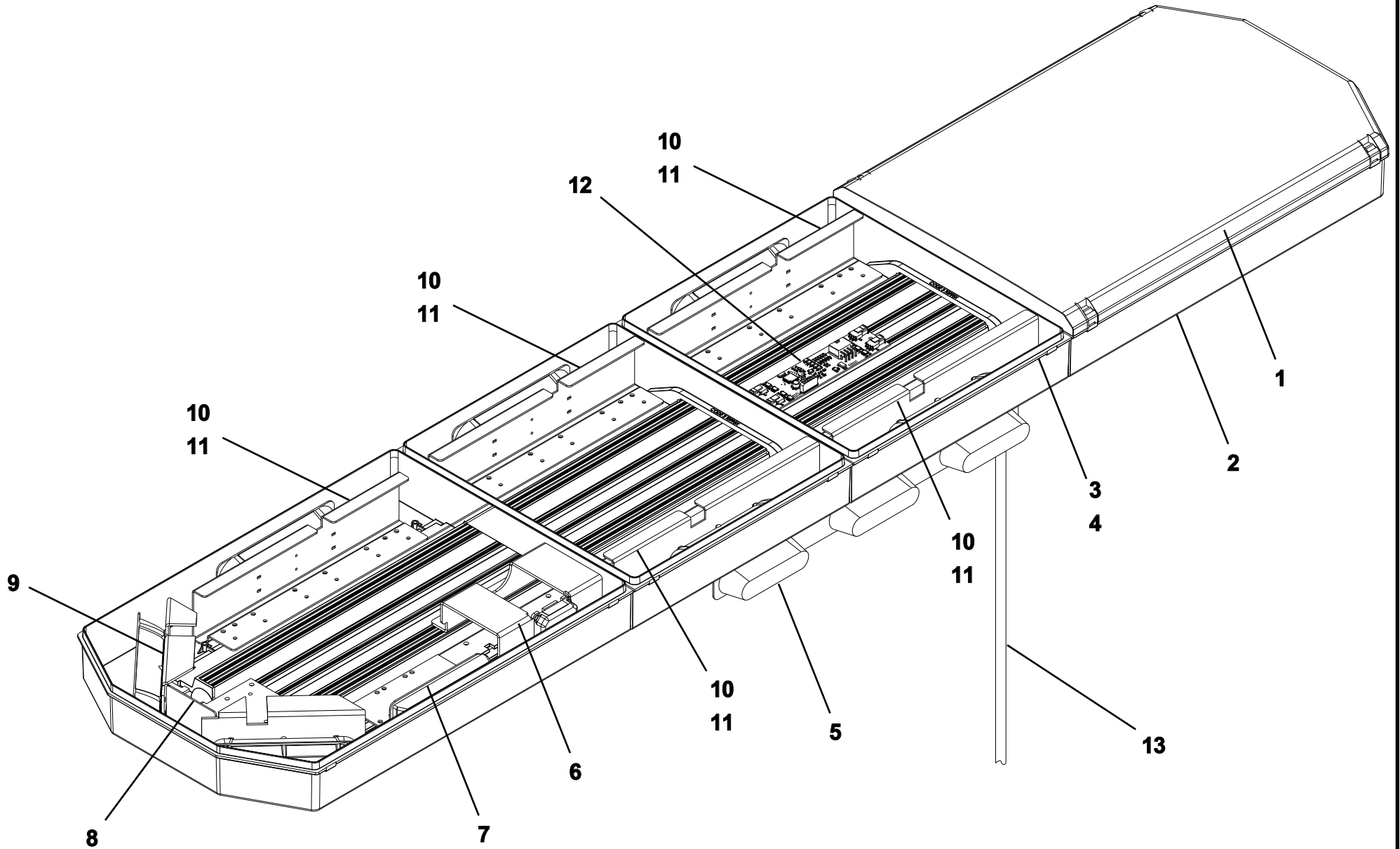
22" WHELEN LIGHT BAR - 1001199478



LIGHTBAR - CODE 3 - 1001136990

ITEM	PART NO.	DESCRIPTION	QTY
1	9590310197	Lens, Clear Upper Outboard	2
2	9590310200	Lens, Clear, Lower Outboard	2
3	9590310203	Lens, Clear Lower Center	2
4	9590310195	Lens, Clear Upper Center	2
5	1001126269	3 Light D.O.T. Strip	1
6	70050164	Worklight, LED	2
7	1001130702	Module, LED Stop/Tail/Turn	2
8	70050166	Bracket, Blank	4
9	9590310206	Module, Bracket	4
10	9590310205	Module, Led Amber	6
11	9590310202	Bracket, Mounting	6
12	70050167	Controller, General	1
13	70050165	Cable, Jerr-Dan 9 Wire	1
14	70050980	Harness, Internal Input	1
15	70050981	Harness, Internal Output	1

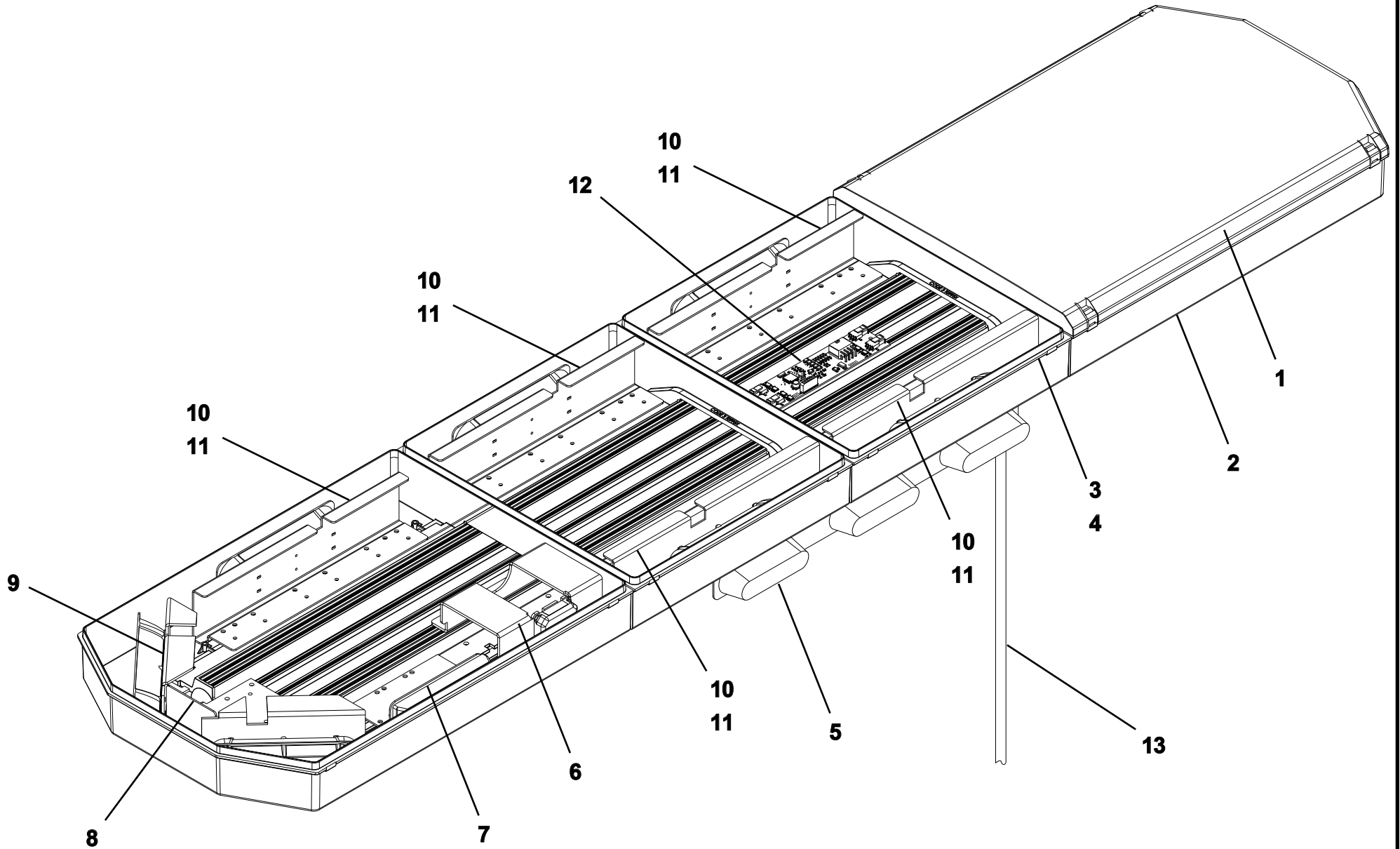
LIGHTBAR - CODE 3 - 1001136990



LIGHTBAR - CODE 3 - 1001152815

ITEM	PART NO.	DESCRIPTION	QTY
1	9590310197	Lens, Clear Upper Outboard	2
2	9590310200	Lens, Clear, Lower Outboard	2
3	9590310203	Lens, Clear Lower Center	2
4	9590310195	Lens, Clear Upper Center	2
5	1001126269	3 Light Strip	1
6	70050164	Worklight	2
7	1001130702	Module	2
8	70050166	Bracket	4
9	70050979	Bracket	6
10	70050722	Module	6
11	9590310202	Bracket	6
12	70050167	Controller	1
13	70050165	Cable	1
14	70050980	Harness	1
15	70050981	Harness	1

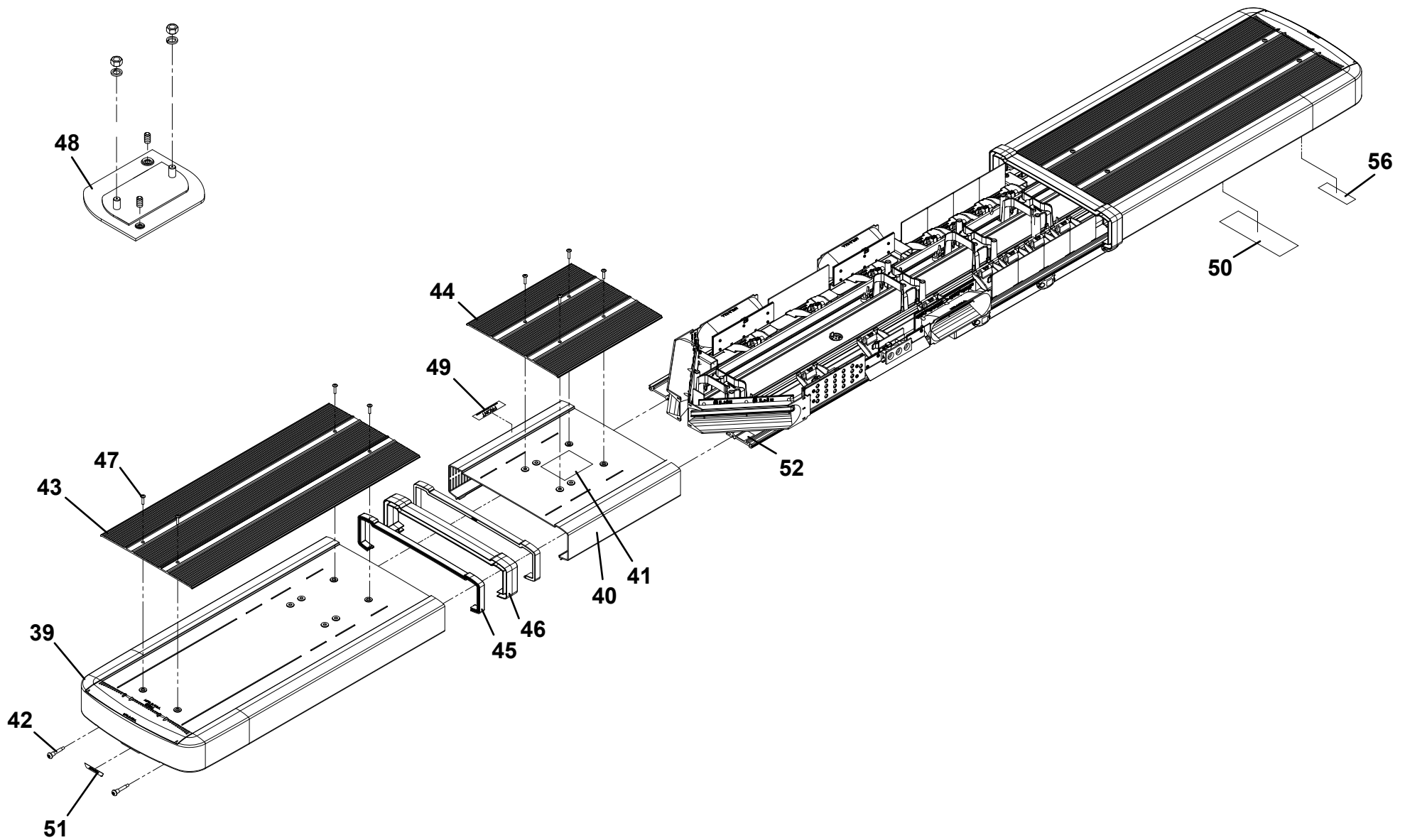
LIGHTBAR - CODE 3 - 1001152815

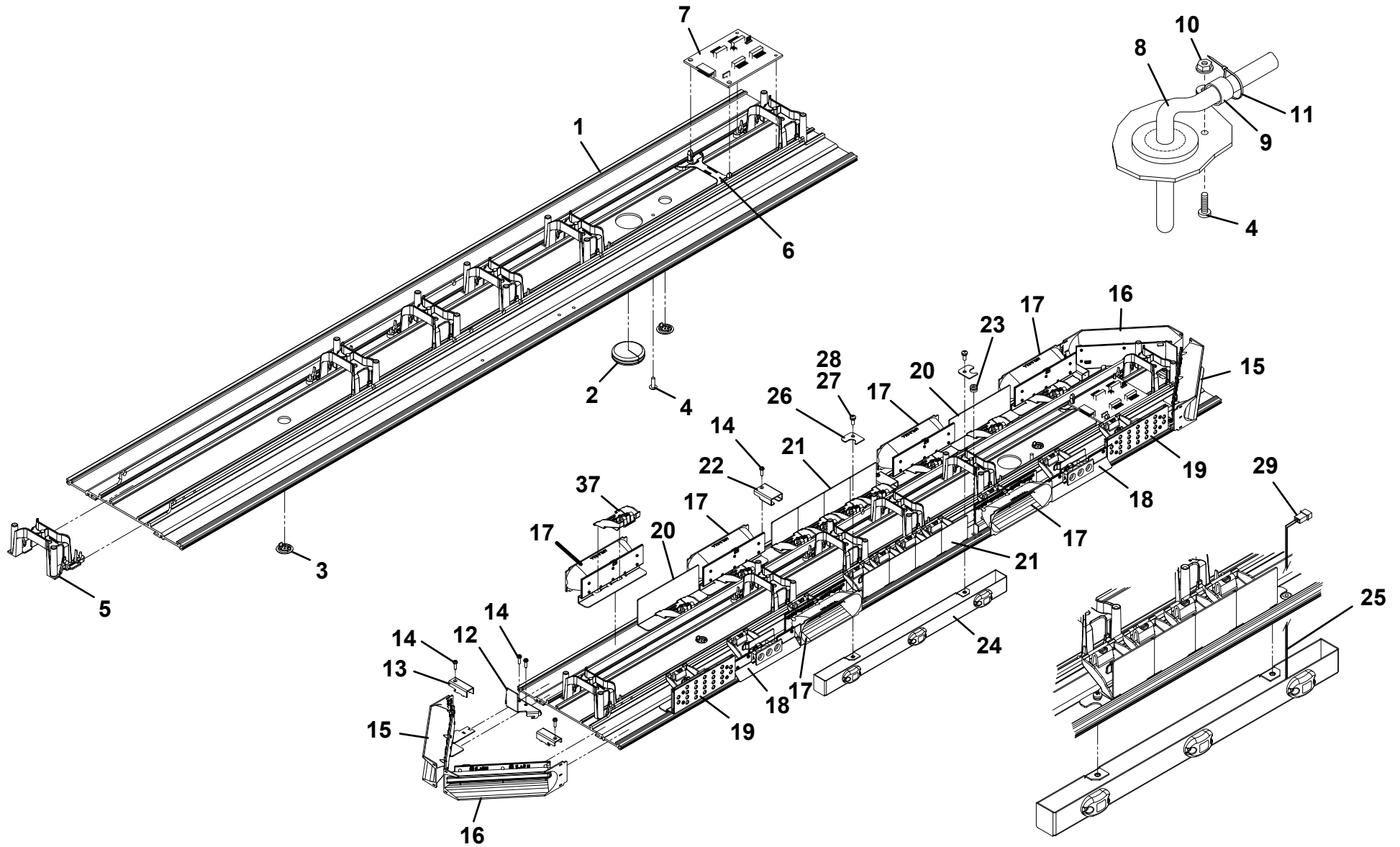


LIGHTBAR - WHELEN - 1001199475

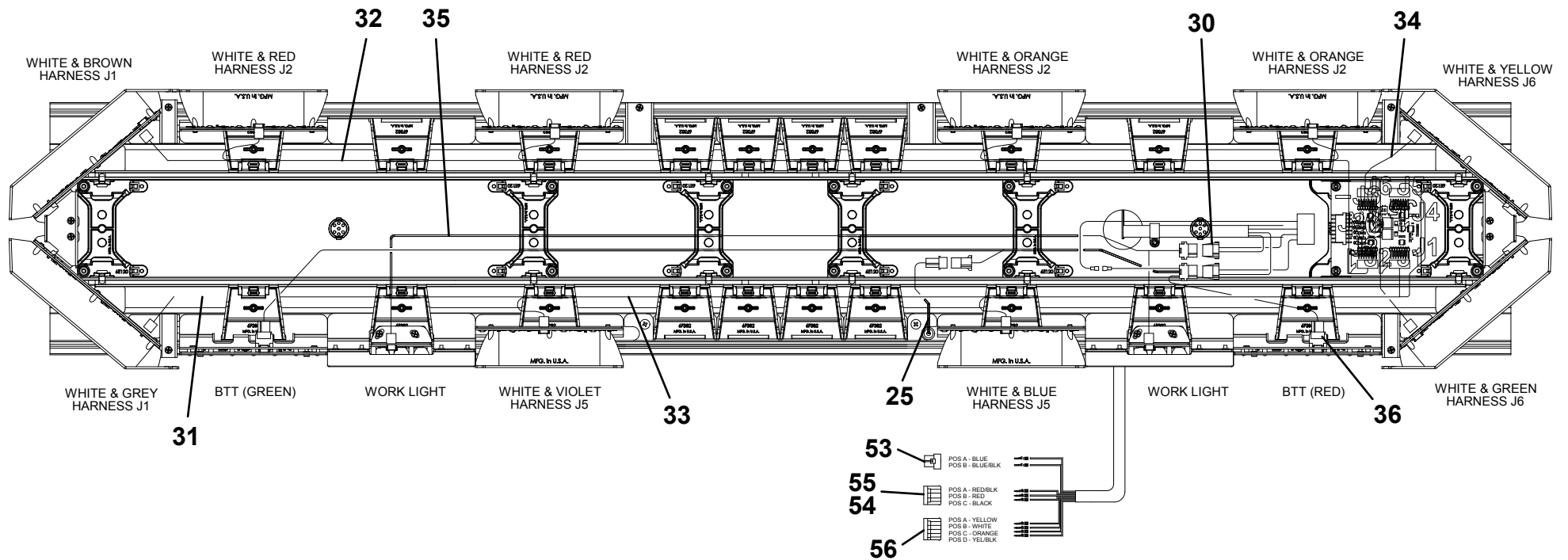
ITEM	PART NO.	DESCRIPTION	QTY	ITEM	PART NO.	DESCRIPTION	QTY
1	70051058	Base	1	40	70051077	Lens	1
2	70050169	Grommet	1	41	70051078	Label	1
3	70050170	Plug	2	42	70050203	Screw, #10-24NC X 1.25"	4
4	70051059	Screw, #10-24NC x 0.88"	1	43	70051062	Cover	2
5	70051021	Bracket	6	44	70051061	Cover	1
6	70051022	Bracket	1	45	70051048	Seal	4
7	70051023	Circuit Board	1	46	70051049	Lens	2
8	70051060	Cable	1	47	70051053	Screw, #10 X 0.88"	12
9	70050665	Clamp	1	48	70050204	Adapter	2
10	70050174	Nut, #10-24NC	1	49	70051055	Label	1
11	70051026	Tiewrap	AR	50	70050207	Label	1
12	70051027	Bracket	2	51	70051056	Label	2
13	70051035	Bracket	4	52	70051057	Label	1
14	70051028	Screw, #6-32NC X 0.50"	10	53	70050208	Housing	1
15	70051029	Lamp, Rear Amber	2	54	70050209	Connector	1
16	70051030	Lamp, Front Amber	2	55	70050210	Housing	1
17	70051063	Lamp, 6 LED	6	56	70050211	Housing	1
18	70051064	Lamp, 3 LED	2				
19	70051065	Lamp	2				
20	70051066	Bracket	2				
21	70051036	Bracket	8				
22	70051039	Bracket	2				
23	70050176	Grommet	1				
24	70051068	Lamp	1				
25	70050178	Harness	1				
26	70051069	Bracket	2				
27	70050179	Screw, #10-32NF X 0.50"	2				
28	70050180	Lockwasher, #10 ID	2				
29	70050181	Housing	1				
30	70050175	Housing	2				
31	70051070	Harness	1				
32	70051071	Harness	1				
33	70051072	Harness	1				
34	70051073	Harness	1				
35	70051074	Harness	1				
36	70051075	Harness	1				
37	70051044	Bracket	20				
38	70051045	Tiewrap	AR				
39	70051076	Lens	1				

LIGHTBAR - WHELEN - 1001199475



LIGHTBAR WHELEN - 1001199475

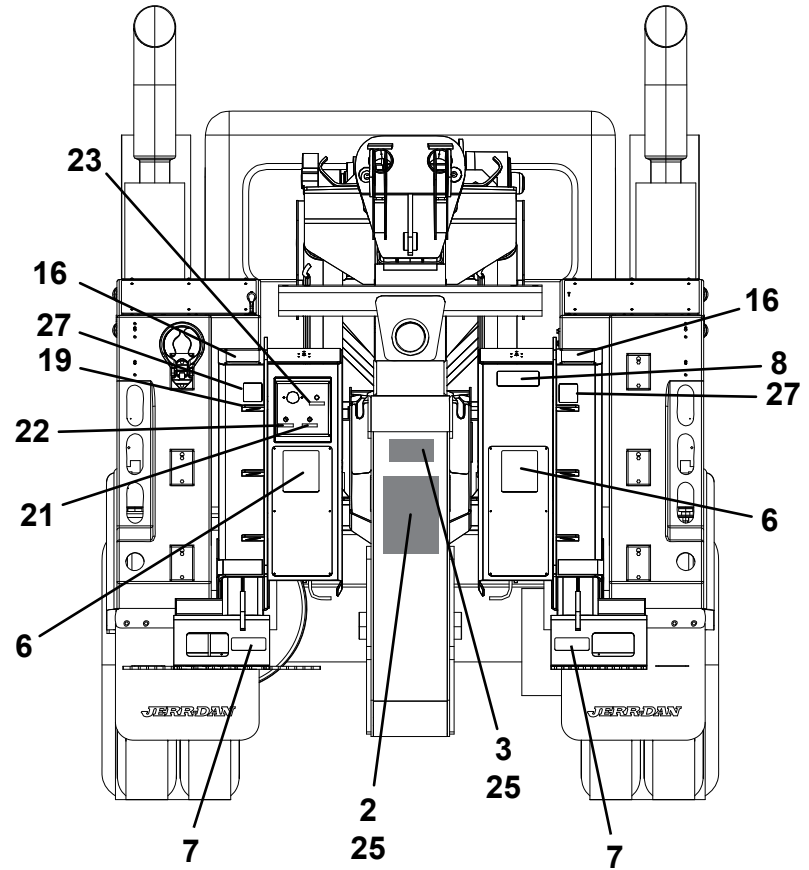
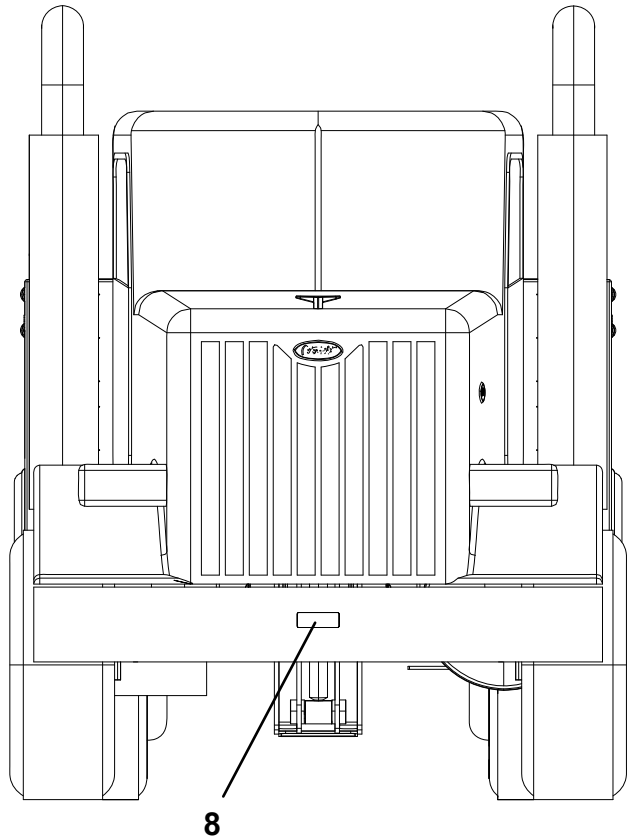
LIGHTBAR WHELEN - 1001199475

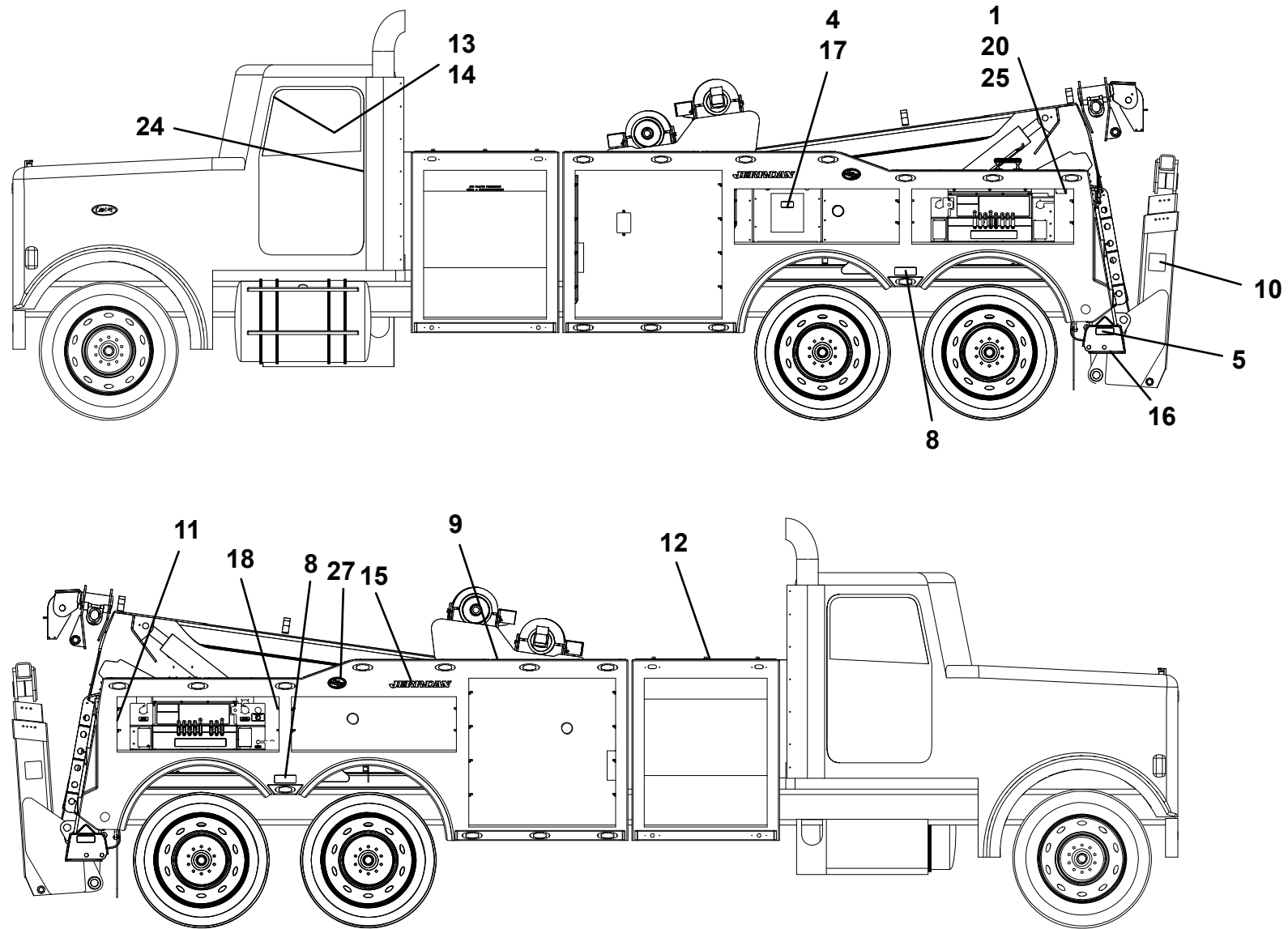


DECAL INSTALLATION

ITEM	PART NO.	DESCRIPTION	QTY
1	1001127220	Decal, Tag	1
2	1001132328	Decal, Placard	1
3	1001132346	Patent	1
4	1001136075	Decal, Hazardous Voltage	1
5	1001136080	Decal, Recover Stability	2
6	1001136091	Decal, Towed Load	2
7	1001136094	Decal, Crushing Hazard	2
8	1001136103	Decal, Electrocutation	4
9	1001136119	Decal, Hydraulic Hazard	1
10	1001137169	Decal, Pinch	2
11	1001138537	Decal, Hook	2
12	1001138612	Decal, Battery	1
13	1001141227	Decal, Backing	1
14	1001142828	Decal, Fall	1
15	1001206367	Decal, Jerr-Dan	2
16	1001174346	Decal, Spade Step	4
17	1001198881	Decal, Fuse Panel	1
18	1001198937	Decal, Lube Chart	1
19	1001199065	Decal, Step	6
20	7330000143	Decal, Made in the USA	1
21	7330000208	Decal, Service Air	1
22	7330000209	Decal, Supply Air	1
23	7330000210	Decal, Aux. Air	1
24	7330000689	Cert. Decal	1
25	7759000004	Pop Rivet	14
26	1001206364	Decal, JFB Badge	2
27	1001142452	Decal, No Step	2

DECAL INSTALLATION



DECAL INSTALLATION

DECAL INSTALLATION

THIS PAGE INTENTIONALLY LEFT BLANK

PART NUMBER INDEX

Part Number	Page	Part Number	Page	Part Number	Page	Part Number	Page
100011.....	310	2230024.....	168, 180	142		70050256.....	170, 182
641412.....	188, 194	2230025.....	168, 180	70050147.....	48, 62, 76, 90, 104, 118	70050257.....	170, 182
0641420.....	36	2230027.....	168, 180	70050164.....	328, 330	70050308.....	126
641506.....	188, 194	2230035.....	184	70050165.....	328, 330	70050309.....	126
0641514.....	214, 226	2230089.....	168, 180	70050166.....	328, 330	70050310.....	126
0641524.....	168, 180	3020029.....	266, 270, 272	70050167.....	328, 330	70050312.....	124, 126
0641610.....	318	3271605.....	318	70050169.....	326, 332	70050313.....	124, 126
641632.....	160, 164, 172, 176	3520064.....	160, 164, 172, 176	70050170.....	332	70050314.....	124
0641808.....	36	3760308.....	188, 194, 238, 240	70050174.....	326, 332	70050315.....	124
641809.....	206, 218	3841203.....	36	70050175.....	332	70050316.....	124, 126
641810.....	206, 218, 320	3841258.....	34, 36	70050176.....	332	70050319.....	124, 126
641820.....	234, 240, 244, 248	4711400.....	188, 194	70050178.....	332	70050320.....	126
0642010.....	36	4711800.....	206, 218, 234, 240, 244, 248, 320	70050179.....	332	70050322.....	126
642032.....	206, 218	4712000.....	36	70050180.....	332	70050325.....	124
642034.....	234, 236, 240, 244, 248	4751500.....	168, 180, 188, 194	70050181.....	332	70050328.....	124
0642228.....	314	4751600.....	318	70050203.....	332	70050329.....	124
750604.....	188, 194	4752000.....	206, 218, 234, 236, 240, 244, 248	70050204.....	332	70050330.....	124
750605.....	238, 240	4752200.....	314	70050207.....	332	70050331.....	124
811810.....	36	4761500.....	188, 194	70050208.....	332	70050365.....	138
1320224.....	184	7003116.....	30	70050209.....	332	70050384.....	48, 62, 76, 90, 104, 118
2220371.....	184	7003212.....	20, 138, 142	70050210.....	332	70050398.....	48, 62, 76, 90, 104, 118
2220374.....	168, 180	7003281.....	138, 142	70050211.....	332	70050401.....	40, 54, 68, 82
2220376.....	168, 180	7005314.....	26, 132, 134	70050215.....	20	70050468.....	124
2220415.....	184	7005322.....	20	70050217.....	142	70050531.....	20
2220451.....	168, 180	7005348.....	132, 134, 138, 142	70050218.....	142	70050553.....	142
2220473.....	168, 180	7005365.....	20, 26, 30, 132, 134, 142	70050231.....	132, 134	70050554.....	142
2220490.....	184	7006847.....	170, 182	70050239.....	170, 182	70050555.....	142
2220501.....	184	7019828.....	20, 138, 142	70050241.....	170, 182	70050665.....	332
2220518.....	184	7019844.....	138, 142	70050242.....	170, 182	70050668.....	126
2220642.....	184	7019845.....	138, 142	70050243.....	170, 182	70050669.....	126
2220654.....	204	7019846.....	138, 142	70050245.....	170, 182	70050722.....	330
2220700.....	168, 180, 184	7019892.....	132, 134	70050246.....	170, 182	70050977.....	126
2220878.....	184	7029865.....	170, 182	70050247.....	170, 182	70050979.....	330
2220947.....	168, 180	8760037.....	168, 180	70050249.....	170, 182	70050980.....	328, 330
2220998.....	184	70021648..	20, 26, 30, 132, 134, 138,	70050250.....	170, 182	70050981.....	328, 330
2221042.....	184			70050251.....	170, 182	70050991.....	44, 58, 100, 114
2230021.....	204			70050252.....	170, 182	70050992.....	44, 58, 100, 114

PART NUMBER INDEX

Part Number	Page	Part Number	Page	Part Number	Page	Part Number	Page
70050993	44, 58, 100, 114	70051045	326, 332	1001094694	184, 204	1001144984	8
70050994	46, 60, 102, 116	70051046	326	1001122235	188, 194, 238, 240	1001144985	8
70050995	52, 66, 108, 122	70051047	326	1001125479	188, 194	1001145056	128
70050998	52, 66, 108, 122	70051048	326, 332	1001126269	328, 330	1001151049	28
70051012	132, 134	70051049	326, 332	1001127220	336	1001151184	28
70051013	132, 134	70051050	326	1001129800	38	1001151185	28
70051014	324	70051051	326	1001129861	320	1001151546	310, 314
70051015	324	70051052	326	1001130491	160, 164, 172, 176	1001151789	206, 218
70051016	324	70051053	332	1001130702	328, 330	1001151805	28
70051017	324	70051055	332	1001132265	152	1001154101	210, 222, 238, 240
70051018	324	70051056	332	1001132268	150	1001154277	160, 164, 172, 176
70051019	326	70051057	332	1001132328	336	1001154527	212, 238, 240, 244, 248
70051020	326	70051058	332	1001132346	336	1001156424	322
70051021	326, 332	70051059	332	1001133591	320	1001159568	148
70051022	326, 332	70051060	332	1001134433	160, 164, 172, 176	1001160799	302
70051023	326, 332	70051061	332	1001135132	310	1001162928	188, 194
70051024	326	70051062	332	1001136075	336	1001163358	216, 228
70051025	326	70051063	332	1001136080	336	1001164560	264, 266
70051026	326, 332	70051064	332	1001136091	336	1001164562	264
70051027	326, 332	70051065	332	1001136094	336	1001164601	260, 262
70051028	326, 332	70051066	332	1001136103	336	1001164614	260, 262
70051029	326, 332	70051068	332	1001136119	336	1001165564	266, 272
70051030	326, 332	70051069	332	1001136447	22	1001165570	266
70051031	326	70051070	332	1001136559	32	1001165571	266, 272
70051032	326	70051071	332	1001137169	336	1001165584	266, 272
70051033	326	70051072	332	1001137487	22	1001165652	272
70051034	326	70051073	332	1001138537	336	1001165692	234, 236, 244
70051035	326, 332	70051074	332	1001138612	336	1001165862	276, 278
70051036	326, 332	70051075	332	1001141227	336	1001165863	276, 278
70051037	326	70051076	332	1001142452	336	1001166532	184
70051038	326	70051077	332	1001142828	336	1001166533	184
70051039	326, 332	70051078	332	1001143686	314	1001166549	212, 224
70051040	326	70051079	170, 182	1001144012	188, 194	1001166644	266, 270, 272, 274, 284, 286, 298, 308
70051041	326	70051080	170, 182	1001144657	8	1001166674	238
70051042	326	70051081	170, 182	1001144730	8	1001166930	188, 194, 238, 240
70051043	326	91084009	170, 182	1001144957	8	1001166974	160, 164, 172, 176, 188,
70051044	326, 332	91084017	170, 182	1001144959	8		

PART NUMBER INDEX

Part Number	Page	Part Number	Page	Part Number	Page	Part Number	Page
194, 206, 218, 260, 262, 264, 274, 302		1001170305	270	1001184828	160, 164, 172, 176	1001189041	188
1001166978. 160, 164, 172, 176, 310, 312		1001170307	270	1001185600	248	1001189042	188
1001167268	294	1001170310	270	1001185654	238, 240	1001189043	188
1001167310	310	1001170328	270	1001185657	234	1001189044	188
1001167358	216, 228	1001170329	270	1001186416	244	1001189197	310
1001167452	188, 194	1001170330	270	1001186491	240	1001189207	310
1001167455	230	1001170331	270	1001186584	216, 228	1001189219	310
1001167456	230	1001170332	270	1001186606	216, 228	1001189284	188, 194
1001167607	188, 194	1001170428	270	1001186608	216, 228	1001189287	188, 194
1001168320	188, 194	1001170618	288	1001186725	208, 220	1001189295	188, 194
1001168321	188, 194	1001170707	290	1001186726	208, 220	1001189296	310
1001168322	188, 194	1001170839	294	1001186727	208, 220	1001189656	314
1001168323	188, 194	1001170849	232	1001186728	208, 220	1001189657	314
1001168325	188, 194	1001170937	232	1001186835	208, 220	1001189779	160, 172
1001168326	188, 194	1001170968	276, 278	1001186935	206, 218	1001189780	160, 172
1001168328	188, 194	1001170970	276, 278	1001186968	206, 218	1001189781	160, 172
1001168544	302	1001170971	276, 278	1001186986	258	1001189782	160, 172
1001168545	264, 276, 278, 300	1001171394	202	1001186987	256	1001189783	160, 172
1001168733	264, 266	1001171933	156	1001186988	252	1001189784	160, 164, 172, 176
1001168993. 160, 164, 172, 176, 188, 194, 206, 218, 260, 262, 264, 272, 274, 280		1001173847	206, 236	1001186989	252	1001189785	160, 172
1001169063	266, 272	1001174051	214, 226	1001186990	252, 254	1001189786	160, 164, 172, 176
1001169064	266, 272	1001174346	336	1001186991	254	1001189989	168, 180
1001169076	266, 272	1001174680	188, 194	1001186992	254	1001189993	160, 164, 172, 176
1001169078	206, 218, 266, 272	1001174681	188, 194	1001186993	240	1001189994	160, 172
1001169080. 160, 164, 172, 176, 266, 270, 272, 274, 284, 286, 308		1001175059	306	1001186997	248	1001190040	18
1001169083. 160, 164, 172, 176, 266, 272, 302, 304		1001175061	200	1001187000	238	1001190050	284
1001169609	34, 36	1001179349	270	1001187009	244	1001190055	284
1001170036	156	1001182569	240	1001187063	240, 248	1001190128	284
1001170037	34, 36	1001182841	270	1001188904	238, 244	1001190148	284
1001170090	270	1001182853	274	1001188919	240, 248	1001190218	272
1001170091	270	1001183037	282	1001188920	238, 240	1001190223	272
		1001183735	270	1001188921	238, 240, 244, 248	1001190228	272
		1001183736	270	1001188923	194	1001190265	272
		1001184765	38	1001188924	194	1001190342	266
		1001184772	168, 180	1001188949	188, 194	1001190359	266
		1001184773	168, 180	1001188961	194	1001190360	286
		1001184827	160, 164, 172, 176	1001188962	194	1001190361	266

PART NUMBER INDEX

Part Number	Page	Part Number	Page	Part Number	Page	Part Number	Page
1001190364.....	308	1001194284.....	160, 164, 168	1001198937.....	336	1001210257.....	36
1001190409.....	276	1001194676.....	160, 164, 172, 176, 296, 298	1001199065.....	336	1001211000.....	312
1001190410.....	296, 298	1001194682.....	160, 172	1001199081.....	212, 224, 238, 240, 244, 248	1001211001.....	312
1001190532.....	286	1001194736.....	160, 164, 172, 176	1001199311.....	164, 176	1001211002.....	312
1001190551.....	280	1001195257.....	188, 194, 238, 240, 244, 248, 252, 254, 256, 258, 294, 296, 298, 302, 310, 312, 314	1001199322.....	164, 176	1001211003.....	312
1001190557.....	206, 218	1001195279.....	296	1001199324.....	164, 176	1001211486.....	236
1001190568.....	300	1001195341.....	298	1001200235.....	184	1001211487.....	236
1001190579.....	278, 286, 308	1001195523.....	288, 290, 292, 294, 302, 306	1001200919.....	206	1001213093.....	314
1001190926.....	302, 304	1001195838.....	302	1001200920.....	206	1001213102.....	314
1001190954.....	308	1001196386.....	286	1001200921.....	218	1001213104.....	318
1001190988.....	302	1001196387.....	286	1001200922.....	218	1001213105.....	318
1001191552.....	188, 194	1001196552.....	188, 194, 212, 224, 238, 240, 244, 248, 268	1001200997.....	270	1001213110.....	318
1001191602.....	188, 194	1001196907.....	160, 164, 172, 176	1001201079.....	160, 172	1001213111.....	314
1001191612.....	310	1001196908.....	160, 164, 172, 176	1001201112.....	264	1001213112.....	314
1001191810.....	300	1001196909.....	160, 164, 172, 176	1001201215.....	268	1001213509.....	314
1001192126.....	266	1001196910.....	160, 164, 172, 176	1001201216.....	268	1001213522.....	314
1001192287.....	278	1001196911.....	160, 164, 172, 176	1001201217.....	268	1001214129.....	318
1001192395.....	184	1001197158.....	256	1001201218.....	268	1001214130.....	314
1001192397.....	184	1001197159.....	252	1001201366.....	268	1001214350.....	314
1001192422.....	184	1001197160.....	252	1001201367.....	268	1001214577.....	314
1001192423.....	184	1001197161.....	252, 254	1001201384.....	188, 194	1001214590.....	314
1001192428.....	184	1001197162.....	254	1001201523.....	282	1001214605.....	314
1001192437.....	184	1001197163.....	254	1001201695.....	292	1001214902.....	164, 176
1001192447.....	184	1001197181.....	258	1001201916.....	306	1001214961.....	164, 176
1001192459.....	184	1001197338.....	240, 248	1001202798.....	8	1001215100.....	312
1001192462.....	184	1001197482.....	38	1001204565.....	128	1001215110.....	314
1001192490.....	184	1001197483.....	38, 188, 194	1001205244.....	312	1001216916.....	312
1001192492.....	184	1001197506.....	38	1001206364.....	336	1001217309.....	312
1001192504.....	184	1001197693.....	270	1001206367.....	336	1001219190.....	36
1001192958.....	208, 220, 238, 240, 244, 248, 252, 254, 256, 258	1001198300.....	148	1001208950.....	312	1001219691.....	164, 176
1001193233.....	204	1001198602.....	252, 254, 256, 258	1001208951.....	312	1001219831.....	236
1001193241.....	204	1001198881.....	336	1001208952.....	312	1001219833.....	236
1001193242.....	204			1001209590.....	312	1001219916.....	236
1001193527.....	172, 176, 180			1001209616.....	312	1001219917.....	236
1001194069.....	168, 180			1001209657.....	306	1001219918.....	236
				1001210256.....	36	1001219919.....	236
						1001219921.....	236

PART NUMBER INDEX

Part Number	Page	Part Number	Page	Part Number	Page	Part Number	Page
1001219937	164, 176	3170000223	136	3706000180	136, 140	4679000163	28
1001220068	164, 176	3170000224	136	3750000021	16	4679000168	28
1001220167	322	3170000430	140	3750000022	14	4679000205	136, 140
1001220168	322	3170000431	140	3868000157	8	4679000206	136, 140
1001220169	322	3170000432	140	3911000068	234, 244	4691000200	18
1001220170	322	3170000433	130, 140	3912000033	152	4691000207	18
1001220171	322	3170000498	28	3912000038	150, 152	4691000208	28
1001220234	322	3170000500	24	3913000094	144	4691000242	144
1001220345	322	3177000060	168, 180	4062000324	8	4691000243	28
1001220349	322	3178000226	148	4062000746	28	4691000274	150, 152
1001220350	322	3178000240	146	4177000033	28	4691000311	130
1001220351	322	3178000499	146	4178000248	128	4691000316	136, 140
1001220352	322	3178000581	28	4178000402	320	4691000317	130
1001220353	322	3249000001	34, 36	4249000001	34, 36	4691000318	136, 140
1001220354	322	3263000067	18	4309000001	160, 164, 172, 176	4691000323	28
1001220355	322	3263000068	18	4309000007	160, 164, 172, 176	4705000705	234, 240, 244, 248
1001220363	322	3274000011	8, 234, 240, 244, 248	4561000012	150, 152	4706001815	214, 226
1001220364	322	3484000048	150	4567113028	184	4706002141	8
1001220365	322	3484000049	150	4567122023	184	4706002142	8
1001220366	322	3484000072	152	4567152018	184	4706002163	8
1001220367	322	3484000073	152	4567182024	184	4706002235	16
1001220368	322	3551000036	148	4569160048	184	4706002417	34, 36
1001220369	322	3561000008	150, 152	4570000069	184	4706002435	28
1001220370	322	3577000018	144	4570000254	184	4706002467	136, 140
1001220371	322	3577000036	8	4570000255	184	4706002491	10
1001220372	322	3636000068	34, 36	4570000263	184	4706002554	8
1001220373	322	3691000126	18	4570000268	184	4706002555	8
1001220374	322	3691000139	18	4570000269	184	4706002556	8
1001220375	322	3691000144	146	4570000310	184	4706002557	8
1001220376	322	3691000160	130	4570000311	184	4706003144	136, 140
1001220431	188	3691000161	24	4570000312	184	4706003708	136, 140
3007000004	148	3691000162	24	4657182029	184	4706003709	136, 140
3020000119	150, 152	3691000163	24	4679000127	8	4706003714	18
3020000120	150, 152	3706000080	146	4679000158	136, 140	4706003719	136, 140
3170000148	28	3706000177	136, 140	4679000159	136, 140	4706003720	136, 140
3170000220	130, 136	3706000178	136, 140	4679000161	136, 140	4706003721	136, 140
3170000221	136	3706000179	136, 140	4679000162	28	4706003722	136, 140

PART NUMBER INDEX

Part Number	Page	Part Number	Page	Part Number	Page	Part Number	Page
4706003723	136, 140	7115142050	34	7183000004	16	7330000278	150, 152
4706003724	136, 140	7115150650	12, 32	7189000014	28	7330000535	272
4706003725	136, 140	7115150850	12	7209000022	136, 140, 144	7330000689	336
4706003844	128	7115150864	158	7209000023	12, 32	7345001714	202
4754000003	28	7115151050	128	7209000024	12	7345242202	188, 194
4831000061	28	7115160623	8	7209000032	12	7346000039	202, 312
4831000064	28	7115161250	18	7248000037	34	7346000040	260, 262
4831000115	28	7115162050	278	7248000040	34	7346000045	188, 194
4949000031	34, 36	7115164450	28	7248000053	160, 164, 172, 176	7346000055	158
5470000264	184	7115180723	28	7248000055	34	7346000078	158
5526000553	188, 194, 312	7115180750	28	7248000078	34	7413000002	160, 164, 172, 176
7007000036	12	7115180850	24, 28, 130	7248000079	34	7430000004	184
7007000055	148	7115181050	128	7248000080	34	7430000010	128
7007000056	148	7115181423	28	7253000002	34, 36, 130	7440030000	34, 36, 130, 136, 140, 144
7011000006	200	7115181450	28	7262000025	28	7440030400	26, 30, 138, 142
7056000003	154	7115181650	50, 64, 78, 92, 106, 120	7274000028	128	7443000130	128
7056000004	154	7115181850	14	7274000030	12, 32	7443000139	38
7056000005	154	7115182050	8	7274000041	128	7443000145	156
7056000006	154	7115201050	34	7274000049	12	7443000146	156
7082000005	160, 164, 172, 176	7115201250	28	7274000071	128	7443000148	38, 156
7105180850	136, 140	7115201850	48, 62, 76, 90, 104, 118	7274000076	128	7443000149	38
7110201423	42, 56, 70, 84, 98, 112	7115202250	48, 62, 76, 90, 104, 118	7280000006	188, 194, 238, 240, 244, 248, 312, 314	7443000154	38
7114080418	310, 314	7118162005	40, 54, 68, 82	7295000029	38	7443000156	38
7114100618	188, 194	7118165250	80, 94	7312000015	156	7443000158	184
7114100818	38	7118172050	40, 54, 68, 82	7312000016	156	7443000173	38
7114140418	136, 140	7118181016	34	7320000006	18	7443000176	38
7114140518	18, 284, 314	7118181205	40, 54, 68, 82	7320000031	28	7443000178	38
7114140618	160, 164, 172, 176, 264, 266, 284, 310	7118181250	154	7320000032	24	7443000204	50, 64, 78, 92, 106, 120
7114140818	28, 284	7118201616	34, 36	7320000033	130, 134	7443000205	50, 64, 78, 92, 106, 120
7114141018	164, 176	7118202016	34, 36	7320000042	136, 138	7443000209	12
7114141218	232	7118221816	8, 236	7320000076	140, 142	7443000210	12
7114150618	318	7118242050	8	7320000098	130, 132	7443000211	168, 180
7114150850	38	7118267250	146	7330000143	336	7443000244	124
7114160850	270, 298	7120000035	188, 194	7330000207	336	7443000254	128
7115140650	16, 136, 140	7120000036	146	7330000209	336	7443000329	38
7115140850	128	7120000053	28	7330000210	336		
		7178000025	188, 194				

PART NUMBER INDEX

Part Number	Page	Part Number	Page	Part Number	Page	Part Number	Page
7443000431	124	7565000019	126	7660182601.....	14, 28, 320	7754000042	144
7444030037	38	7577000145.....	156	7660200001 ...	48, 50, 62, 64, 76, 78,	7754000043	136, 140
7444120014	16	7577000167.....	20, 30	90, 92, 104, 106, 118, 120, 206,		7754000048	28
7444121050	128	7577000213.....	128	218, 234, 236, 240, 244, 248		7754000049	34, 36
7444121271	128	7577000368	152	7660200200	50, 64, 78, 92, 106, 120	7754000051	130
7444160011	16	7577000654	12	7660202601	28	7754000061	28
7445040421.....	184, 204	7577000668	168, 180	7660222308	8, 236	7759000004	150, 152, 336
7445040445	40, 54	7577250191.....	26	7660242308	8	7759000018	10
7445040446	40, 54, 68, 82	7577250204	132, 134	7661000018.....	34, 36	7785152420.....	128
7445060219.....	184	7577250271.....	138, 142	7661000019.....	136, 140, 314	7786000008.....	136, 140
7445060435	156	7590000049.....	126	7661000022	12, 32	7790060676	184, 204
7445080830	184	7590000105	188, 194	7661000023	188, 194	7790141251	200, 216, 228
7445100843.....	184	7590000262 210, 222, 238, 240, 244,		7661000027	12	7790141651	216, 228
7445121225	12	248, 314		7661000029	318	7796000012	160, 164, 172, 176
7445121645	128	7590000282	210, 222	7661000041.....	38	7796000051	16
7445161620	184	7590000343	188, 194	7690141200	160, 164, 172, 176	7806000008.....	160, 164, 172, 176
7446502518.....	156	7636000006	14	7690142845.....	28, 266, 272	7809000019	34, 36
7454000003	148	7636000008.....	206, 218, 234, 236,	7691000019.....	18	7870000043	188, 194
7454000004	148	240, 244, 248		7691000020	150, 152	7870000045	124
7454000005	148	7650100137.....	128	7691000021.....	148	7870000062	124, 126
7454000006	148	7660102601.....	38, 188, 194	7691000022	148	7870000123.....	188, 194
7457000006	188, 194, 310	7660140230.....	160, 164, 172, 176	7691000025	146	7870000128.....	202
7457000011	188, 194	7660142600. 188, 194, 232, 284, 310		7691000026	150, 152	7870000129.....	202
7457000012.....	188, 194	7660142601....	34, 36, 128, 164, 176,	7691000026	150, 152	7870000143.....	188, 194
7457000019.....	188, 194	312		7691000075.....	160, 164, 172, 176	7894000004	38, 310
7457000023.....	188, 194	7660142604.....	28	7698250012.....	30	7894000028	150, 152
7470000002	184	7660152601..	38, 128, 158, 214, 226,	7701000048	206, 314	7894000037	150, 152
7470000003	16	230		7701000049	314	7912000094	12
7470000004	184, 204	7660161600.....	28	7701000056	314	7912000095	12
7470000006	38	7660162601.....	18, 160, 164,	7701000067	188, 194, 310	7912000096	12
7493000009	188, 194	168, 172, 176, 180, 188, 194,		7706000001.....	124	7912000097	12
7493000011.....	320	206, 218, 260, 262, 264, 266,		7706000004.....	126	7912000098	12
7493000026	188, 194	270, 274, 278, 280, 302, 304		7706000005.....	124	7912000099	12
7552000455	310	7660162604	272	7740000001	188, 194, 310	7912000100.....	12
7561000020	154	7660180230	136, 140	7754000008.....	18	7912000101.....	12
7565000014	156	7660182301	8, 34, 36, 234, 240, 244,	7754000009.....	160, 164, 172, 176	7912000102.....	12
7565000016	38	248		7754000018	130	7912000103.....	12
				7754000033.....	18		

PART NUMBER INDEX

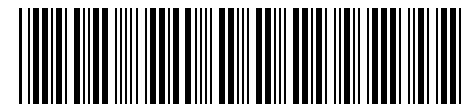
Part Number	Page	Part Number	Page	Part Number	Page	Part Number	Page
7912000104.....	12	7950100143.....	38	7970000066 ...	34, 68, 70, 72, 74, 76,	9472960054	52, 66, 80, 94, 108, 122
7912000107.....	32	7950140000.....	16, 136, 140	78, 80		9472960055.....	72, 86
7912000119.....	22	7950140003	160, 164, 172, 176, 264,	7970000067 ...	34, 82, 84, 86, 88, 90,	9472960056.....	72, 86
7912000120.....	22	266, 310		92, 94		9553250006.....	26
7912000121.....	22	7950140143... 38, 160, 164, 172, 176,		7978000011.....	188, 194	9553250009.....	20
7912000122.....	22	232, 264, 266, 294, 310, 312		7990000003.....	160, 164, 172, 176	9553250010.....	30
7912000301.....	168, 180	7950140152.....	128	8565000026.....	128	9553250015.....	138, 142
7912000302.....	168, 180	7950140153.....	18	8597650001.....	188, 194	9553250016.....	138
7912000303.....	168, 180	7950140163.....	216, 228	8632000011	234, 236, 240, 244, 248	9570960001.....	40, 54, 68, 82
7912000304.....	168, 180	7950150000.....	12, 32	9007250005.....	138, 142	9571960006.....	40, 54, 68, 82
7912000305.....	168, 180	7950150153.....	214, 226, 230	9020960002	50, 64, 78, 92, 106, 120	9575960012... 42, 56, 70, 84, 98, 112	
7912000306.....	168, 180	7950150161.....	128, 158	9064960007	50, 64, 78, 92, 106, 120	9590310195.....	328, 330
7912000307.....	168, 180	7950160000	52, 66, 80, 94, 108, 122	9073960003	48, 62, 76, 90, 104, 118	9590310197.....	328, 330
7912000308.....	168, 180	7950160141.....	270	9073960004	48, 62, 76, 90, 104, 118	9590310200.....	328, 330
7912000309.....	168, 180	7950160143.....		9082960013.....	40, 54, 68, 82	9590310201.....	324
7912000310.....	168, 180	160, 164, 172, 176, 188, 194,		9082960018 ...	40, 44, 54, 58, 68, 72,	9590310202.....	328, 330
7912000313.....	32	206, 218, 260, 262, 264, 266,		82, 86, 100, 114		9590310203.....	328, 330
7935000104.....	126	272, 274, 276, 278, 280, 284,		9120960019.	50, 64, 78, 92, 106, 120	9590310205.....	328
7935000116.....	128	286, 298, 300, 302, 304, 308		9120960063	50, 64, 78, 92, 106, 120	9590310206.....	328
7935000120.....	38	7950160161.....	18	9177960003	44, 58, 72, 86, 100, 114	9626960013.....	40, 54
7935000293.....	180, 182	7950160251.....	28	9177960004.....	40, 54, 68, 82	9626960018.....	68, 82
7935000315.....	170, 182	7950170000.....	40, 54, 68, 82	9178960011.	50, 64, 78, 92, 106, 120	9690960039	50, 64, 78, 92, 106, 120
7935000316.....	170, 182	7950180000 ...	24, 28, 50, 64, 78, 92,	9183960001	52, 66, 80, 94, 108, 122	9691960019	50, 64, 78, 92, 106, 120
7935000317.....	170, 182	106, 120, 128, 130, 154		9209960025	44, 58, 72, 86, 100, 114	9691960021.....	40, 54, 68, 82
7935000320.....	170, 182	7950180141.....	14	9209960026	52, 66, 80, 94, 108, 122	9698250003.....	26
7935000323.....	170, 182	7950180153.....	28, 136, 140	9254250009.....	142	9698250014.....	132, 134
7935000330.....	168, 170	7950180161.....	24, 130	9280960002..	42, 56, 70, 84, 98, 112	9698250018.....	138, 142
7949000015.....	14	7950180252.....	8	9309960011	52, 66, 80, 94, 108, 122	9698250019.....	138, 142
7949000016.....	14	7950180800.....	40, 54, 68, 82	9314960022	52, 66, 80, 94, 108, 122	9698960008.....	40, 54, 68, 82
7949000019	206, 218, 234, 236, 240,	7950200000	48, 62, 76, 90, 104, 118	9330960006	44, 58, 72, 86, 100, 114	9698960015	52, 66, 80, 94, 108, 122
244, 248		7950200141.....	34	9346310098.....	324	9698960016	52, 66, 80, 94, 108, 122
7949000020.....	206, 218, 234, 236,	7950200151.	50, 64, 78, 92, 106, 120	9346930086.....	170, 182	9701960011.	52, 66, 80, 94, 108, 122
240, 244, 248		7970000049.....	34, 40, 42,	9443760018.....	126	9701960012.	52, 66, 80, 94, 108, 122
7949000025.....	18	44, 46, 48, 50, 52, 98, 100, 102,		9443960006.....	40, 54, 68, 82	9701960013.....	40, 54
7949000053.....	188, 194	104, 106, 108		9445040445.....	68, 82	9701960018.	52, 66, 80, 94, 108, 122
7949000056.....	284	7970000050 ...	34, 54, 56, 58, 60, 62,	9472960052	44, 58, 72, 86, 100, 114	9724250014.....	20
7949000061.....	8	64, 66, 112, 114, 116, 118, 122		9472960053.....	72, 86	9754250009.....	20

Part Number	Page	Part Number	Page	Part Number	Page	Part Number	Page
9754250015.....	20, 138, 142	9912250013.....	26				
9754250049.....	138, 142	9912250014.....	30				
9754960026 52, 66, 80, 94, 108, 122		9912250021.....	138				
9754960046 52, 66, 80, 94, 108, 122		9912960010. 50, 64, 78, 92, 106, 120					
9754960047 52, 66, 80, 94, 108, 122		9935250025.....	138				
9763250009.....	20	9935250032.....	26, 30				
9763250015.....	26	9935740034.....	126				
9763250019.....	30	9935930119.....	170, 182				
9763250025.....	138	9935930122.....	170, 182				
9763250026.....	138	9935960026.....	40, 54, 68, 82				
9796250057.....	20	9935960027.....	40, 54, 68, 82				
9796250061.....	20	9949960012 50, 64, 78, 92, 106, 120					
9796250066.....	20	9949960027 44, 58, 72, 86, 100, 114					
9796250073.....	20	9949960028... 40, 44, 52, 54, 58, 66,					
9796250080.....	20, 138, 142	68, 72, 80, 82, 86, 94, 100, 108,					
9796250133.....	138, 142	114, 122					
9796250135.....	138, 142	9949960050 50, 64, 78, 92, 106, 120					
9796250137.....	138, 142	9970960020.. 42, 56, 70, 84, 98, 112					
9796250138.....	138, 142						
9796960088.....	40, 54, 68, 82						
9796960089.. 42, 56, 70, 84, 98, 112							
9796960090.....	40, 54, 68, 82						
9796960118. 52, 66, 80, 94, 108, 122							
9796960119. 52, 66, 80, 94, 108, 122							
9796960120 ... 44, 52, 58, 66, 72, 80,							
86, 94, 100, 108, 114, 122							
9796960121.... 40, 44, 54, 58, 68, 72,							
82, 86, 100, 114							
9806960019.....	40, 54, 68, 82						
9806960020.....	74, 88						
9806960021 44, 58, 72, 86, 100, 114							
9831250017.....	26						
9831960009 50, 64, 78, 92, 106, 120							
9831960018... 42, 56, 70, 84, 98, 112							
9843960023 50, 64, 78, 92, 106, 120							
9843960032 52, 66, 80, 94, 108, 122							
9912250004.....	20						

Part Number	Page	Part Number	Page	Part Number	Page	Part Number	Page



Phone (800) 926-9666



5376000171