

JD35 TON IND HDUL JFB BODY HEAVY DUTY WRECKER PARTS MANUAL

S/N 0230004251 TO PRESENT

JERR-DAN[®]

An Oshkosh Corporation Company

13224 Fountainhead Plaza
Hagerstown, MD 21742
Phone (717) 597-7111
www.jerr-dan.com

5-376-000181
Rev 1 - May 1, 2017



© 2017 Jerr-Dan Corporation. All Rights Reserved

This manual covers the following Jerr-Dan Models:

JD35INDHDUL - 35 Ton Independent With JFB Body

Jerr-Dan Corporation strives to provide information that is accurate, complete and useful. Descriptions and illustrative material contained within this manual are as accurate as known at the time of publication and are subject to change, without notice, as a result of continuous product improvements. Jerr-Dan reserves the right to amend the information in this document at any time without prior notice.

Information contained in this manual reflects how this vehicle was built at the factory. Modifications or additions by the distributor or owner are not reflected in this manual.

This parts manual does not include service parts information for the commercial chassis (IHC, Ford, GM, etc.). That information is provided by the chassis manufacturer.

When ordering parts, please refer to your unit's Serial Number and Model Number. This information is be found on the aluminum tag riveted to the inside of the driver's side rear compartment of the main body.



Additional or replacement manuals can be ordered by calling Jerr-Dan Parts at 717-597-7111. Price and availability will be quoted at time of the request.

Please report comments and/or errors by contacting Jerr-Dan Corporation's Technical Publications Department by e-mail at technicalpublications@jerr-dan.com or by FAX on 717-485-7162.

Manufactured under one or more of the following patents: 5,575,606; 5,672,042; 5,697,741; 5,713,714; 5,722,810; 5,782,596; 5,839,775 and 6,315,515 B1 with other Patents Pending.

Jerr-Dan and the Jerr-Dan logo are registered trademarks and Run Hard is a service mark of Jerr-Dan Corporation, Greencastle, PA USA.

The material in this document is confidential and the property of Jerr-Dan Corporation. No part of this document may be photocopied, Reproduced or translated to another language without the express written consent of Jerr-Dan Corporation.

EFFECTIVITY PAGE

January 1, 2016 - Original Issue of Manual - Rev. 0

May 1, 2017 - Rev. 1 - Manual Update

TABLE OF CONTENTS

Subframe Installation.....	8	DP Winch 35K - 7970000079 - Input Shaft.....	158
Rear Tail Plate Installation.....	10	DP Winch 35K - 7970000079 - Base Mount Installation.....	160
Subframe Hydraulic Tubing.....	12	DP Winch 35K - 7970000079 - Cable Hold Down Kit.....	162
Hydraulic Tank Installation.....	14	DP Winch 35K - 7970000079 - Gear End Cover Installation.....	164
Hydraulic Tank Assembly.....	16	Crosstube Installation.....	166
Rear Spade Installation.....	18	Underlift Tools - 5th Wheel Installation.....	168
Spade Cylinder Assembly - 7320000006.....	20	Underlift Tools - Frame Forks.....	170
Rear Spade Tubing.....	22	Underlift Tools - 14,000 Lb Tire Lift.....	172
Boom Installation.....	24	Underlift Tools - 25,000 Lb Tire Lift.....	174
Boom Lift Cylinder - 7320000070.....	26	Underlift Tools - Pintle Hook.....	176
Wrecker Boom Assembly.....	28	Trailer Air Installation.....	178
Wrecker Boom Cylinder - 7320000031.....	30	Trailer Plug Installation.....	180
Winch Installation - 25K & 35K DP Winches (Prior to S/N 0230004251).....	32	Control Installation - 9 Section - 3 Solenoid (Prior to S/N 0230004251).....	182
Winch Installation - 35K DP Winches (S/N 0230004251 To Present).....	34	Control Installation - 9 Section - 3 Solenoid (S/N 0230004251 to Present).....	186
Winch Air Installation.....	36	Control Valve Assembly - 1001202432.....	190
DP Winch 25K - 7970000049 (Prior to S/N 0230004251).....	38	Valve Assembly - 7935000313.....	192
DP Winch 25K - 7970000050 (Prior to S/N 0230004251).....	52	Control Installation - 9 Section - 7 Solenoid (Prior to S/N 0230004251).....	194
DP Winch 35K - 7970000066 (Prior to S/N 0230004251).....	66	Control Installation - 9 Section - 7 Solenoid (S/N 0230004251 to Present).....	198
DP Winch 35K - 7970000067 (Prior to S/N 0230004251).....	80	Control Valve Assembly - 1001202433.....	202
DP Winch 35K - 1001210256 (S/N 0230004251 to Present).....	94	Valve Assembly - 1001203506.....	204
DP Winch 35K - 1001210257 (S/N 0230004251 to Present).....	108	Control Installation - 10 Section - 8 Solenoid (Prior to S/N 0230004251).....	206
Power Take Off - CS Series.....	122	Control Installation - 10 Section - 8 Solenoid (S/N 0230004251 to Present).....	210
Power Take Off - SH Series.....	124	Control Valve Assembly - 1001202434.....	214
Hydraulic Supply Pressure Installation.....	126	Valve Assembly - 7935000374.....	216
Underlift Installation.....	128	Hydraulic Lines and Fittings - 1001204563.....	218
Boom Tube Assembly.....	130	Hydraulic Lines and Fittings - 1001205738.....	222
Underlift Tilt Cylinder - 7320000096.....	132	Electrical Installation - Tri-Axle.....	226
Underlift Tilt Cylinder - 7320000097.....	134	Electrical Installation - Tandem Axle.....	232
Underlift Lift Cylinder - 7320000063.....	136	Backup Alarm Installation.....	238
Underlift Assembly - 3170000381 - 48,000 Lb (4 Section).....	138	E-Stop Installation.....	240
Underlift Extension Cylinder Assembly - 7320000038.....	140	Driver Side Gauge Installation.....	242
Underlift Assembly - 3170000407 - 48,000 Lb (3 Section).....	142	Body Installation - Tandem.....	244
Underlift Extension Cylinder Assembly - 7320000068.....	144	Diamond Plate Installation - Tandem.....	246
Underlift Assembly - 3507100001 - 53,000 Lb.....	146	Marker Light Installation - Tandem.....	248
Underlift Extension Cylinder Assembly - 7320000026.....	148	Compartment Light Installation - Tandem.....	250
Underlift Winch Installation.....	150	Mudflap Installation - Tandem.....	252
DP Winch 35K - 7970000079 - Motor End Installation.....	152	Fender Installation - Tandem.....	254
DP Winch 35K - 7970000079 - Drum Installation.....	154	Body Installation - Tri-Axle.....	256
DP Winch 35K - 7970000079 - Gear End Installation.....	156	Diamond Plate Installation - Tri-Axle.....	258

TABLE OF CONTENTS

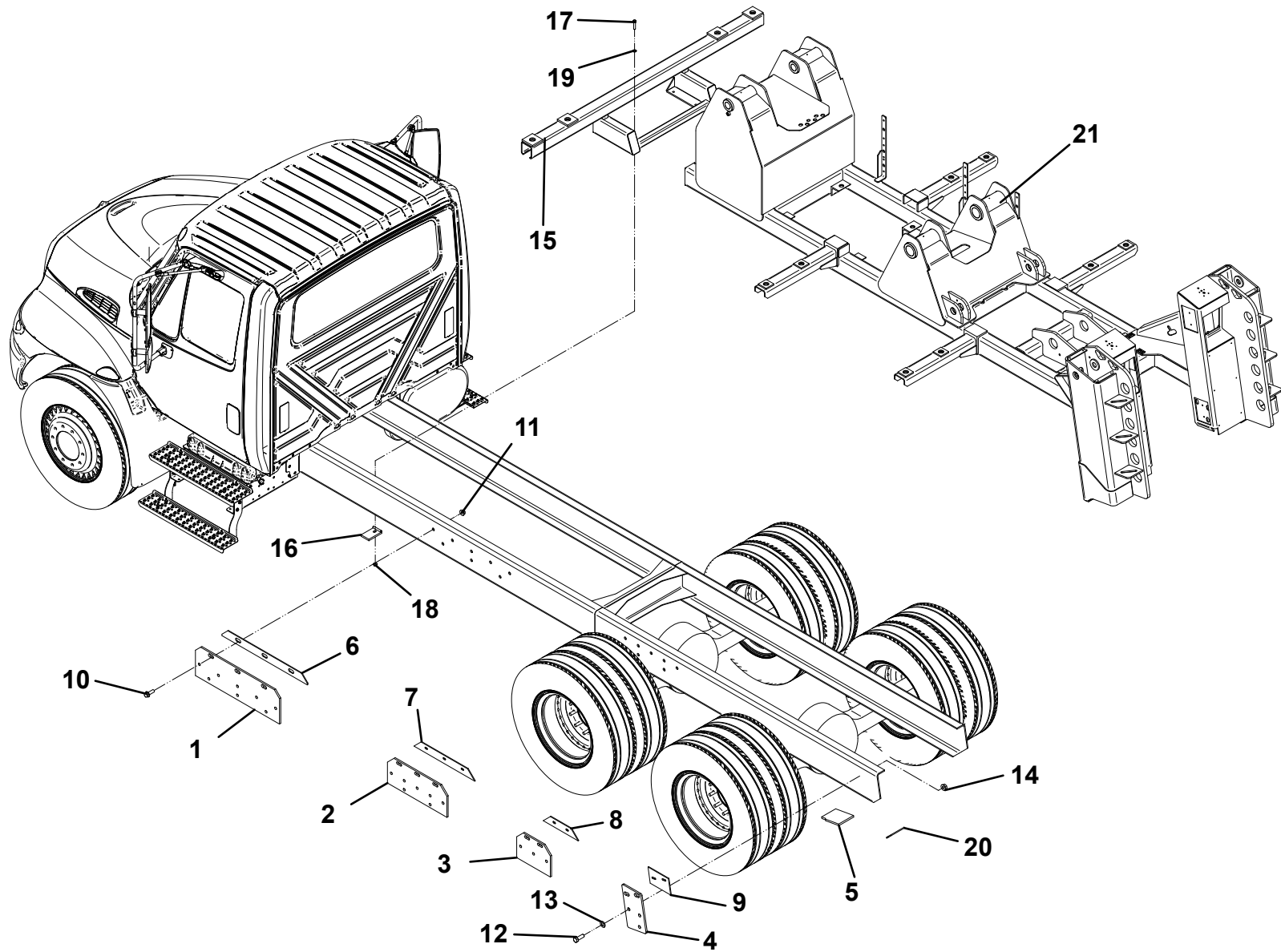
Marker Light Installation - Tri-Axle.....	260	Grizzly Bar Storage.....	344
Compartment Light Installation - Tri-Axle.....	262	Air Bag Storage Shelf.....	346
Mudflap Installation - Tri-Axle.....	264	Switch Panel Installation (Prior to S/N 0230004251).....	348
Fender Installation - Tri-Axle.....	266	Switch Panel Installation (S/N 0230004251 to Present).....	350
Step Installation.....	268	Pylon Installation.....	352
Grab Handle Installation.....	270	Pylon Dress-Up Kit.....	356
Toolbox Installation - 51" w/ Batteries.....	272	Wing Light Bracket Installation.....	358
Toolbox Installation - 51" w/ Batteries and Counter Weight.....	274	Wing Light Installation.....	360
Toolbox Assembly - 51" w/ Batteries.....	276	Public Safety Light Bar - 1001133591.....	362
Toolbox Installation - 39" w/ Batteries.....	278	22" Whelen Light Bar - 1001199478.....	364
Toolbox Installation - 49" w/o Batteries.....	282	Lightbar - Code 3 - 1001136990.....	366
Toolbox Installation - 37" w/o Batteries.....	286	Lightbar - Code 3 - 1001152815.....	368
Door Installation - Tandem Body.....	290	Lightbar - Whelen - 1001199475.....	370
Door Installation - Tri-Axle.....	292	Decal Installation.....	376
Door Installation - 51" and 49" Tunnel Toolbox.....	294	Part Number Index.....	378
Door Installation - 39" and 37" Tunnel Toolbox.....	296		
Shackle Rack Installation - Tandem.....	298		
Shackle Rack Installation - Tri-Axle.....	300		
Snatch Block Storage Installation - Tandem.....	302		
Snatch Block Storage Installation - Tri-Axle.....	304		
Tool Storage.....	306		
Tilt Down Storage Tray.....	308		
Rotary Chain Rack.....	310		
Chain Binder Installation.....	312		
Tire Lift Storage 51" and 49" Toolbox.....	314		
Tire Lift Storage - 39" and 37" Toolbox.....	316		
Traffic Cone Storage.....	318		
Ladder Storage.....	320		
Stay Dry Silo Installation.....	322		
Shelving Installation.....	324		
Tow Light Storage.....	326		
Wheel Chock Storage.....	328		
Flare Storage.....	330		
Bottle Jack Storage.....	332		
Tool Drawer Installation - Tandem.....	334		
Tool Drawer Installation - Tri-Axle.....	336		
Fifth Wheel Storage Installation.....	338		
Frame Fork Storage Installation.....	340		
Fork Riser Storage Installation.....	342		

TABLE OF CONTENTS

SUBFRAME INSTALLATION

ITEM	PART NO.	DESCRIPTION	QTY
1	1001144626	Plate	2
2	1001144924	Plate	2
3	1001144659	Plate	2
4	4706002554	Plate	2
5	4062000688	Plate	2
6	4062000269	Plate	2
7	4706002163	Plate	2
8	4706002555	Plate	2
9	4706002556	Plate	2
10	7118221816	Capscrew, 0.75"-10NC X 2.25"	36
11	7660222308	Locknut, 0.75"-10NC	36
12	7118242050	Capscrew, 0.88"-9NC X 2.50"	6
13	7949000061	Washer, 0.88" ID	6
14	7660242308	Locknut, 0.88"-9UNC	6
15	3868000157	SubFrame Weldment	1
16	3274000011	Clamp	4
17	7115182050	Capscrew, 0.50"-13NC X 2.50"	4
18	7660182301	Locknut, 0.50"-13NC	4
19	7950180252	Flatwasher. 0.50" ID	4
20	4062000324	Bar	2
21	1001202800	SubFrame Weldment	1

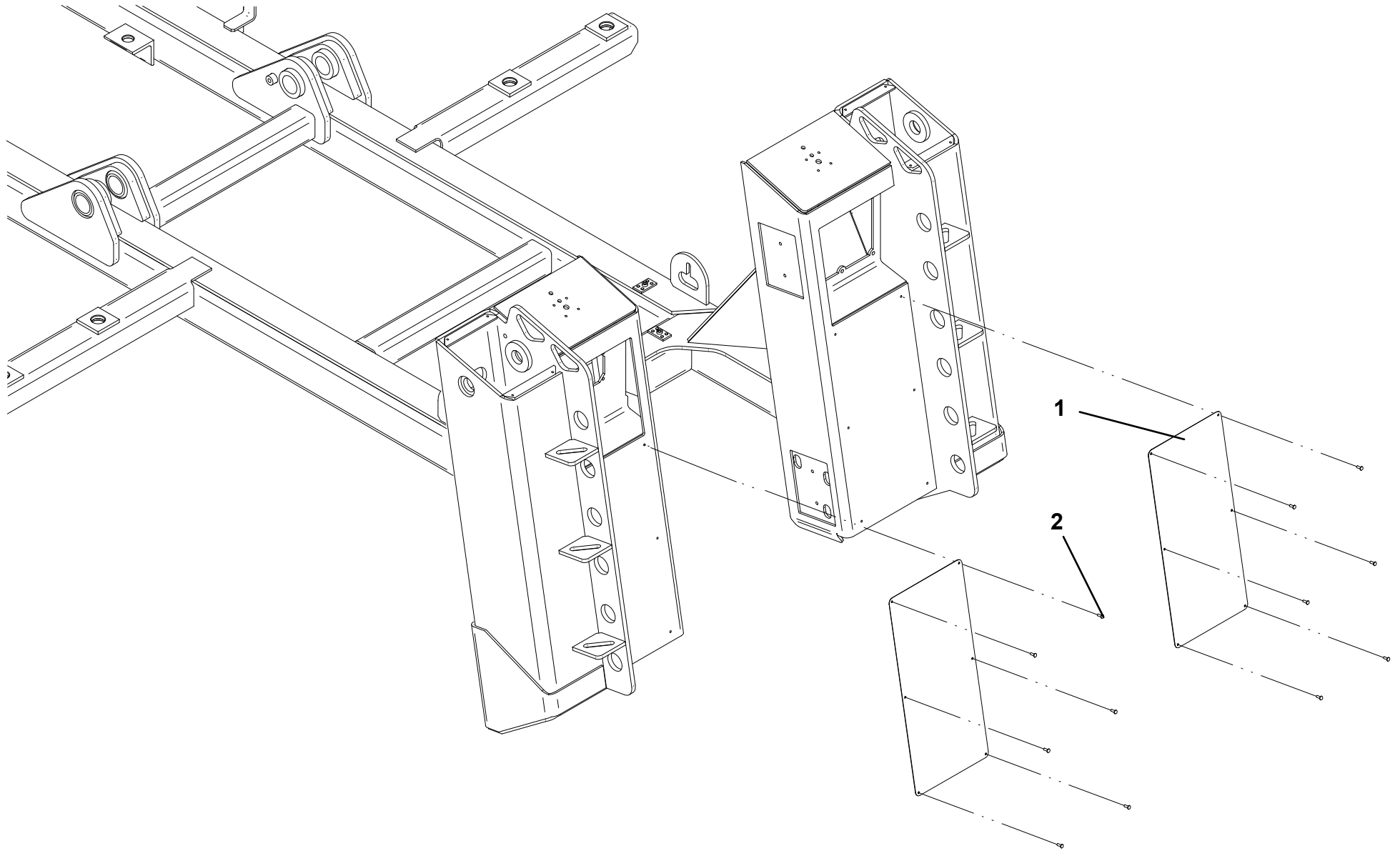
SUBFRAME INSTALLATION



REAR TAIL PLATE INSTALLATION

ITEM	PART NO.	DESCRIPTION	QTY
1	4706002491	Plate	2
2	7759000018	Rivet	12

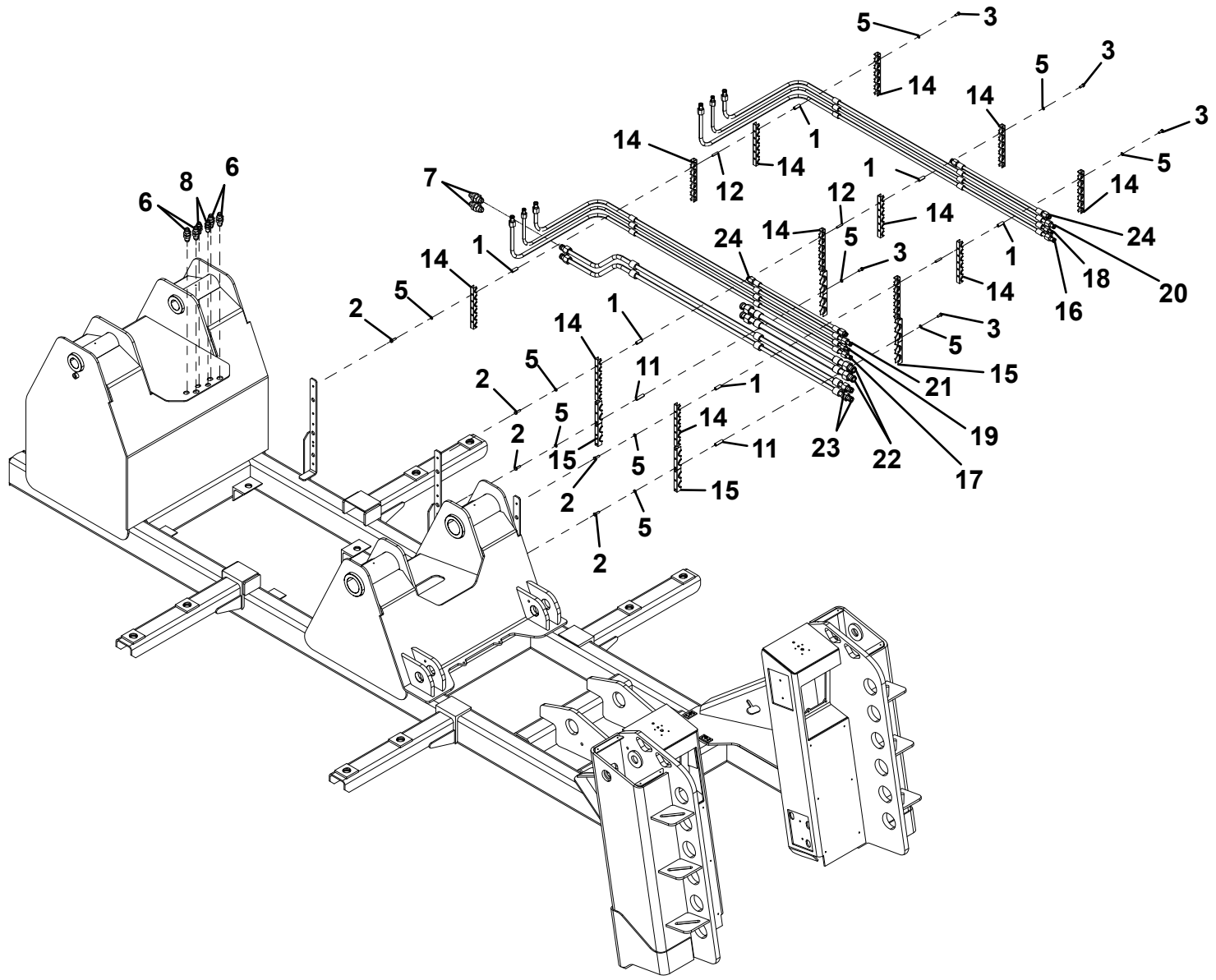
REAR TAIL PLATE INSTALLATION



SUBFRAME HYDRAULIC TUBING

ITEM	PART NO.	DESCRIPTION	QTY
1	7661000022	Nut, 0.31"-18NC	30
2	7115150850	Capscrew, 0.31"-18 NC x 1.00"	16
3	7115150650	Capscrew, 0.31"-18 NC x 0.75"	38
4	7209000024	Bushing	14
5	7950150000	Washer, 0.31" ID	54
6	7445101025	Union	4
7	7445121225	Union	2
8	7445080825	Union	2
9	7209000023	Bushing	6
10	7209000033	Bushing	4
11	7661000027	Stacking Nut	15
12	7007000036	Adapter	15
13	7209000032	Bushing	6
14	7274000030	Clamp	6
15	7274000049	Clamp	5
16	7912000280	Tube Assembly	1
17	7912000281	Tube Assembly	1
18	7912000282	Tube Assembly	1
19	7912000283	Tube Assembly	1
20	7912000284	Tube Assembly	1
21	7912000285	Tube Assembly	1
22	7912000287	Tube Assembly	2
23	7912000288	Tube Assembly	2
24	7912000289	Tube Assembly	2

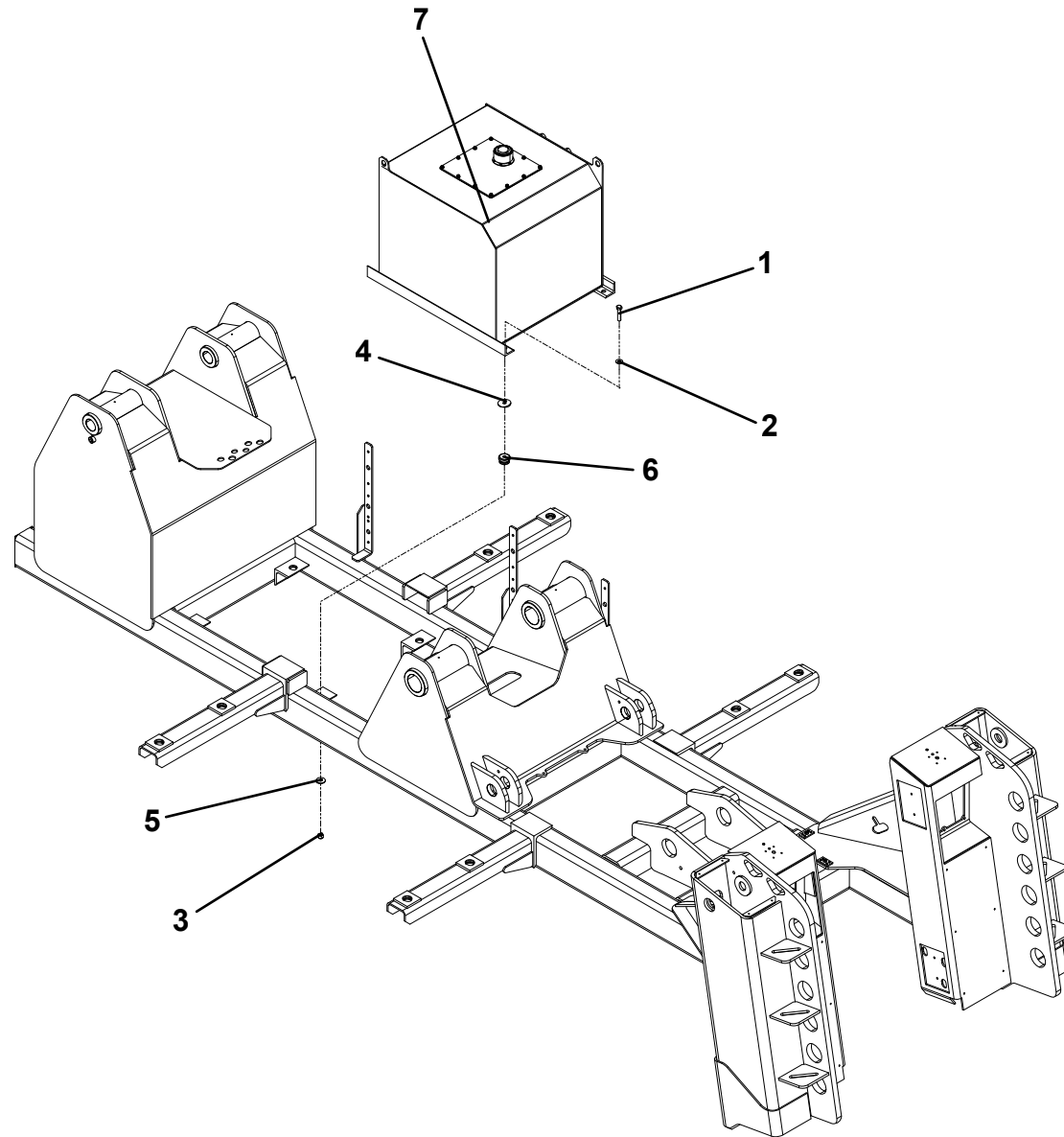
SUBFRAME HYDRAULIC TUBING



HYDRAULIC TANK INSTALLATION

ITEM	PART NO.	DESCRIPTION	QTY
1	7115181850	Capscrew, 0.50"-13NC x 2.25"	4
2	7950180141	Flatwasher, 0.50" ID	4
3	7660182601	Locknut, 0.50"-13NC	4
4	7949000015	Washer	4
5	7949000016	Washer	4
6	7636000006	Mount	4
7	3750000055	Hydraulic Tank	1

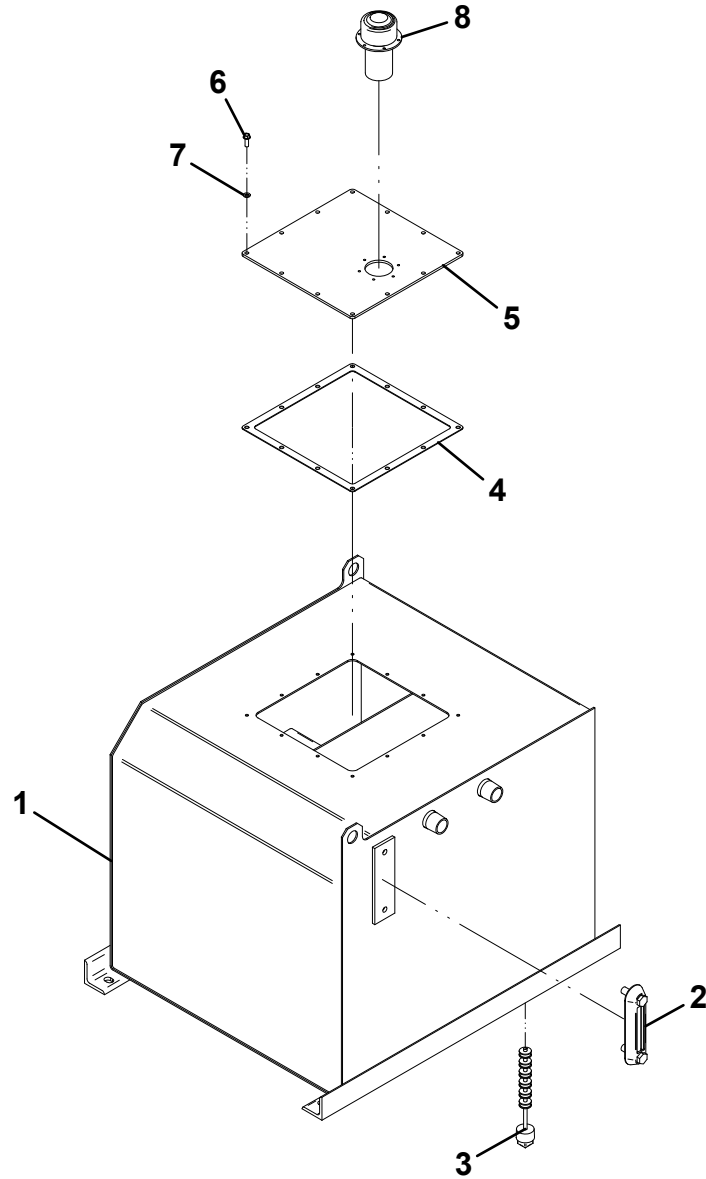
HYDRAULIC TANK INSTALLATION



HYDRAULIC TANK ASSEMBLY

ITEM	PART NO.	DESCRIPTION	QTY
1	3750000056	Hydraulic Tank	1
2	7470000003	Gauge	1
3	7701000025	Plug	1
4	7796000051	Gasket	1
5	4706002235	Plate	1
6	7790141253	Screw, 0.25"-20NC x 0.75"	12
7	7950140000	Lockwasher, 0.25" ID	12
8	7183000004	Breather Cap	1

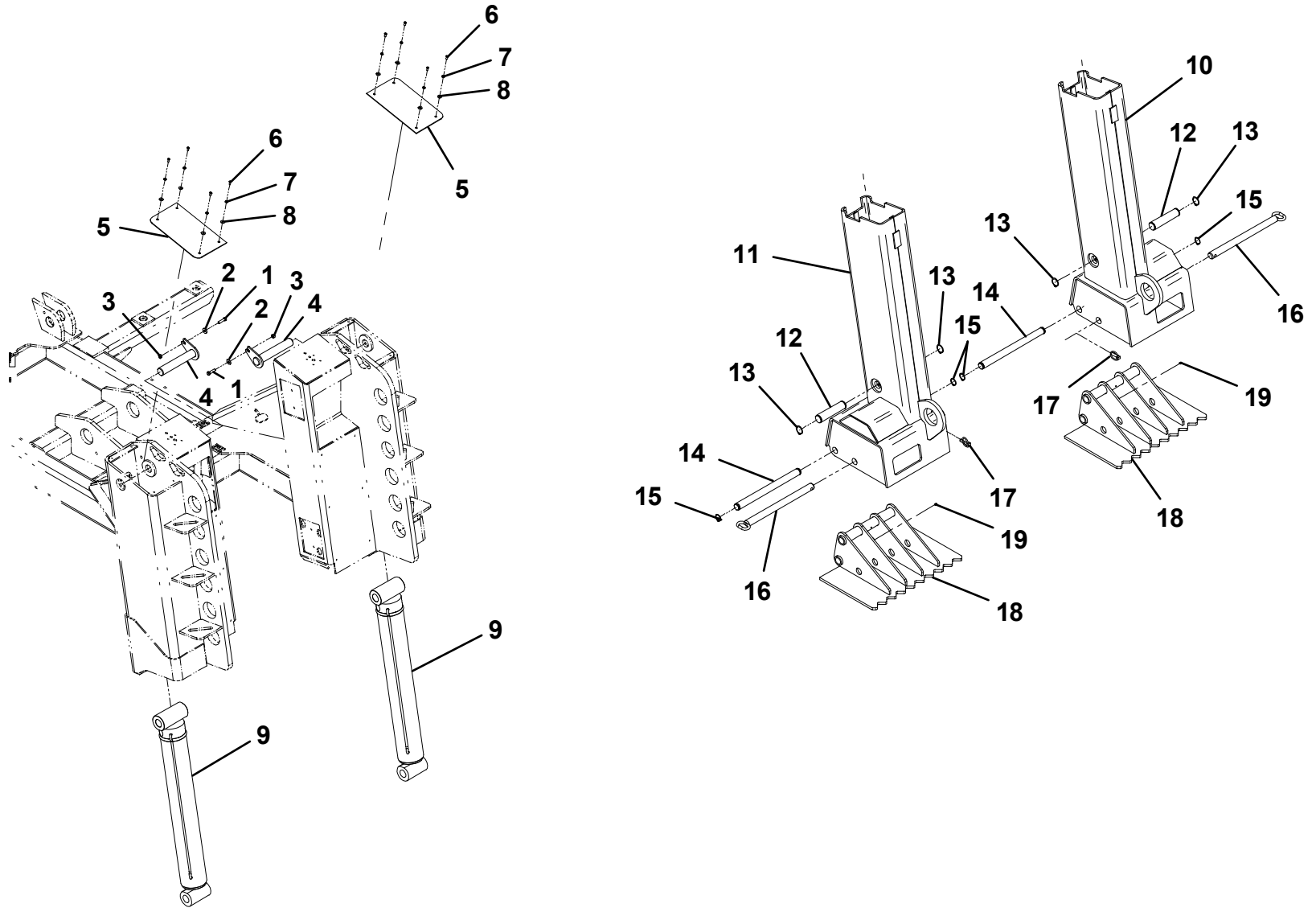
HYDRAULIC TANK ASSEMBLY



REAR SPADE INSTALLATION

ITEM	PART NO.	DESCRIPTION	QTY
1	7115161650	Bolt, 0.38"-16NC X 2.00"	2
2	7950160161	Flatwasher, 0.38" ID	2
3	7660162601	Locknut, 0.38"-16UNC	2
4	3691000267	Pin	2
5	4706003716	Plate	2
6	7114140518	Capscrew, 0.25"-20NC X 0.62"	8
7	7949000025	Lockwasher, 11mm ID	8
8	7950140153	Flatwasher, 0.25" ID	8
9	7320000006	Cylinder	2
10	3263000118	Spade Weldment	2
12	4691000207	Pin	2
13	7754000033	Retaining Ring	4
14	4691000200	Pin	2
15	7754000008	Retaining Ring	4
16	3691000126	Pin	2
17	7691000019	Pin	2
18	3706000261	Plate	2
19	3912000036	Tube Spade Assembly	1
20	7440030000	Fitting	4
21	7253000002	Fitting	4

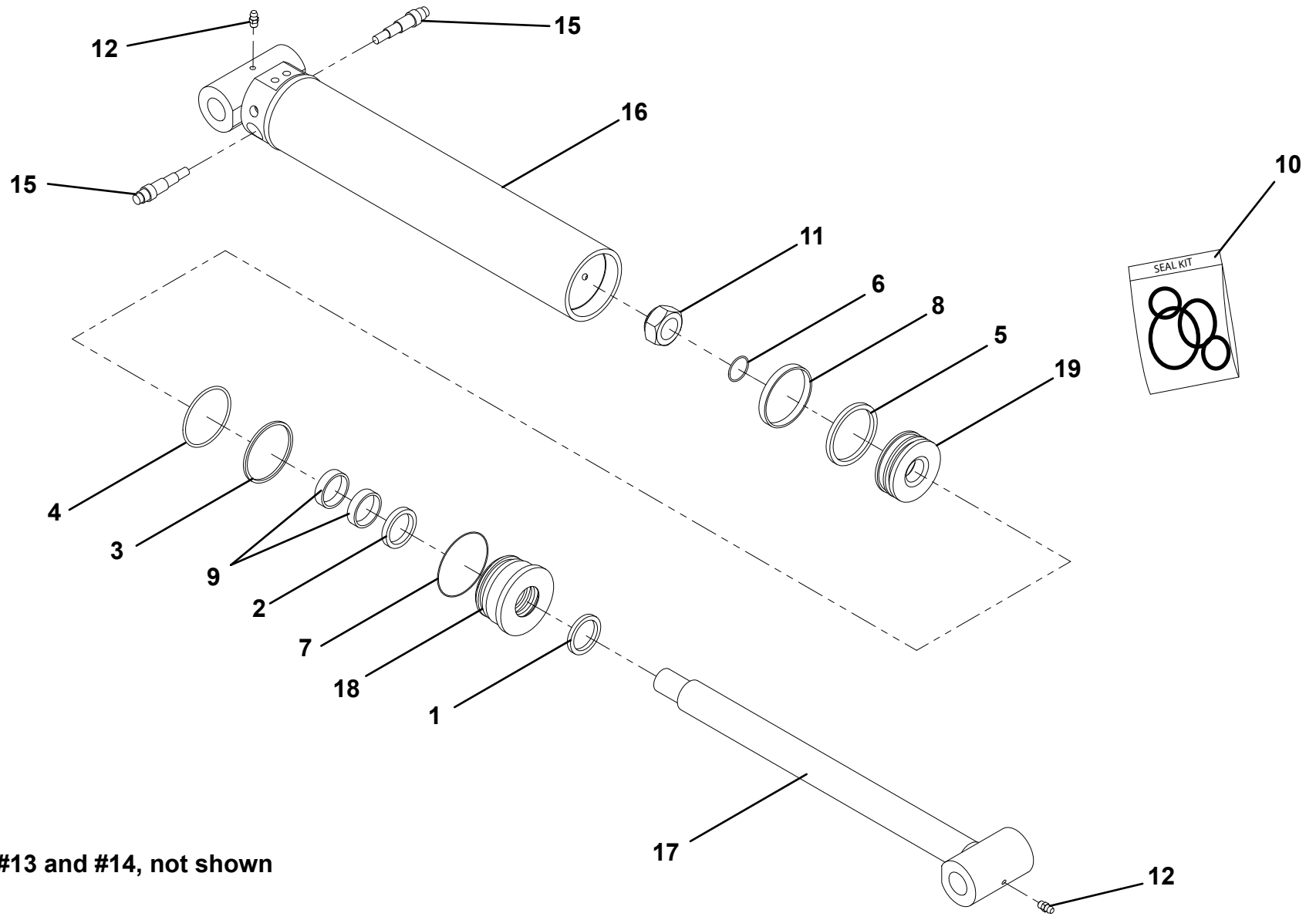
REAR SPADE INSTALLATION



SPADE CYLINDER ASSEMBLY - 7320000006

ITEM	PART NO.	DESCRIPTION	QTY
1	9796250080	Seal, Wiper	1
2	7019828	Seal	1
3	9754250009	Ring, Back-up	1
4	9796250057	Seal, "O" Ring	1
5	9796250073	Seal	1
6	9796250061	Seal, "O" Ring	1
7	9796250066	Seal, "O" Ring	1
8	9724250014	Ring, Wear	1
9	9754250015	Ring, Wear	2
10	7577000167	Kit, Seal	1
11	7003212	Locknut	1
12	7005322	Grease Fitting	2
13	7005365	Plug, Port	2
14	70021648	Plug, Port	2
15	70050215	Valve, Counterbalance	2
16	9912250004	Assembly, Tube	1
17	9763250009	Assembly, Rod	1
18	9553250009	Head	1
19	70050531	Piston	1

SPADE CYLINDER ASSEMBLY - 7320000006

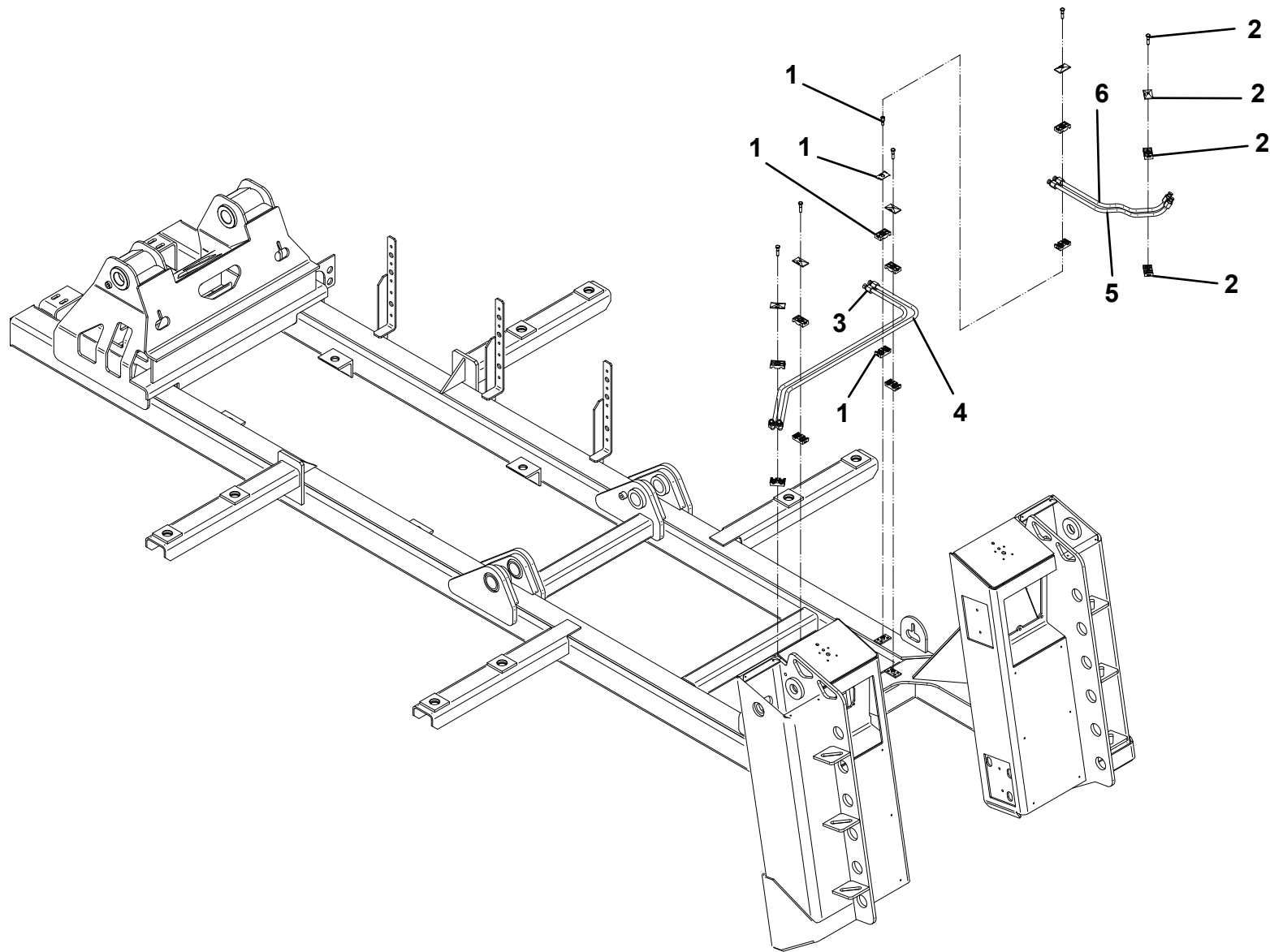


Items #13 and #14, not shown

REAR SPADE TUBING

ITEM	PART NO.	DESCRIPTION	QTY
1	1001137487	Clamp	1
2	1001136447	Clamp	5
3	7912000119	Tube Assembly	1
4	7912000120	Tube Assembly	1
5	7912000121	Tube Assembly	1
6	7912000122	Tube Assembly	1

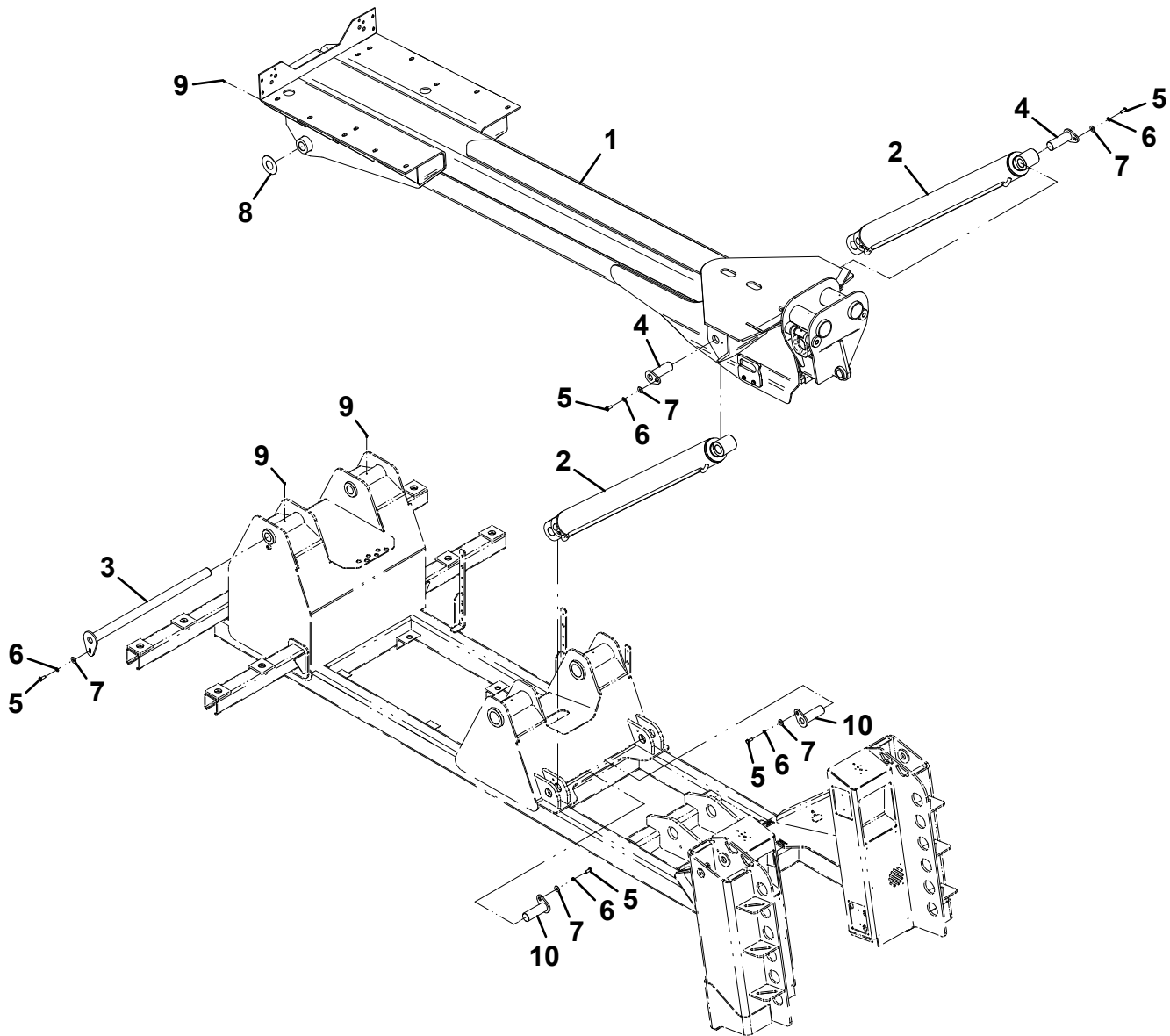
REAR SPADE TUBING



BOOM INSTALLATION

ITEM	PART NO.	DESCRIPTION	QTY
1	3170000183	Wrecker Boom	1
2	7320000070	Cylinder	2
3	3691000256	Pin	1
4	3691000255	Pin	2
5	7115181050	Capscrew, 0.50"-13NC x 1.25"	5
6	7950180000	Lockwasher, 0.59" ID	5
7	7950180161	Flatwasher, 0.50" ID	5
8	3577000037	Shim Kit	1
9	7440030000	Grease Fitting	3
10	1001171950	Pin	2
11	1001172491	Tie-Down	1
12	7253000002	Grease Fitting Cap	7

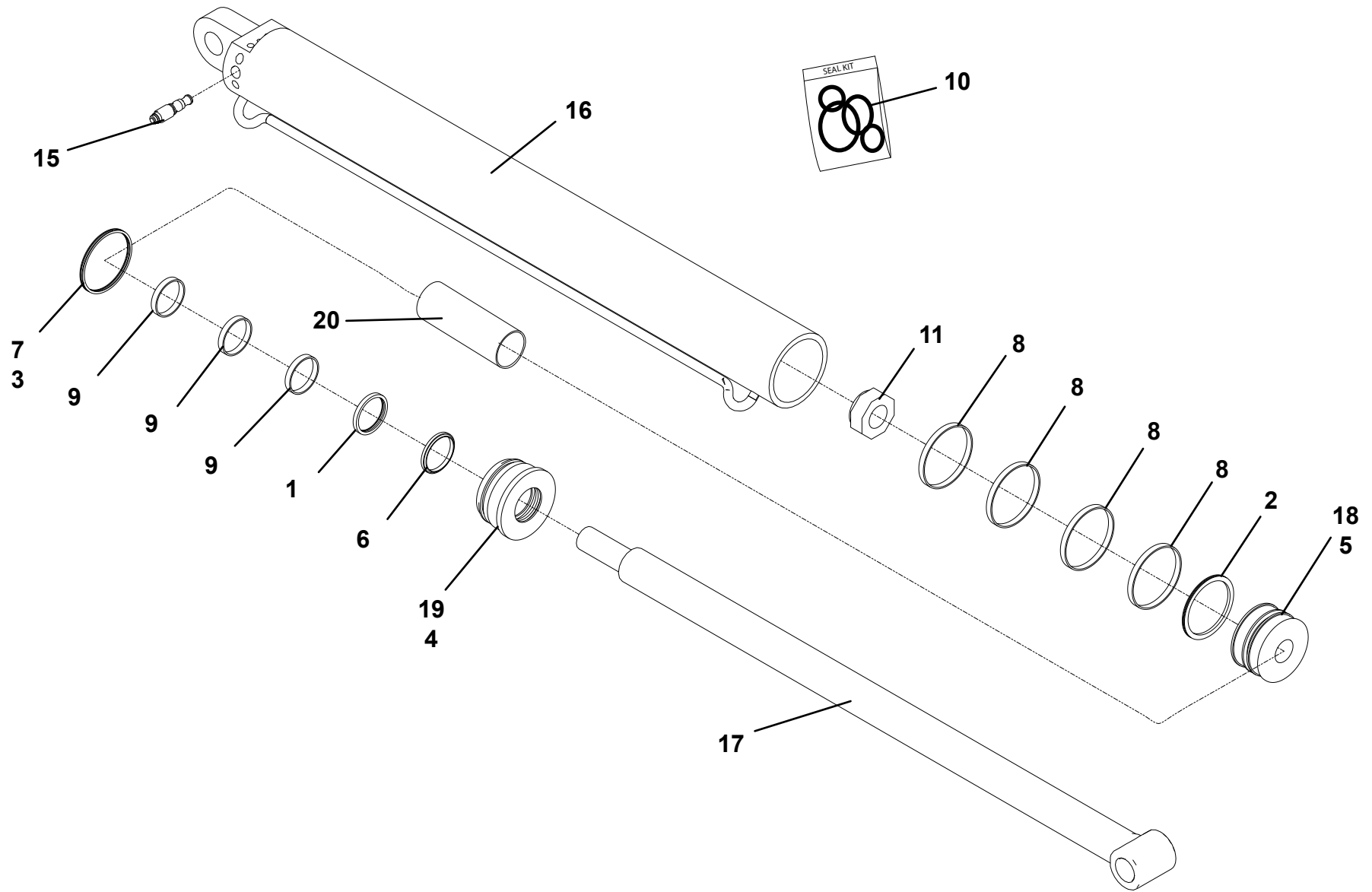
BOOM INSTALLATION



BOOM LIFT CYLINDER - 732000070

ITEM	PART NO.	DESCRIPTION	QTY
1	9796250071	Seal	1
2	9754250054	Seal	1
3	9796250149	Back-up Ring	1
4	9796250152	O-Ring	1
5	9796250150	O-Ring	1
6	9796250114	Wiper	1
7	9796250151	O-Ring	1
8	83304140	Wear Ring	4
9	9754250055	Wear Ring	3
10	7577250296	Seal Kit	1
11	9661250027	Locknut	1
12	7005365	Plug	4
13	70021648	Plug	2
14	7440030400	Grease Fitting	2
15	9935250032	Counter Balance Valve	2
16	70051189	Tube Assembly	1
17	70051188	Rod Assembly	1
18	9553250018	Piston	1
19	9698250020	Head	1
20	70051187	Spacer	1

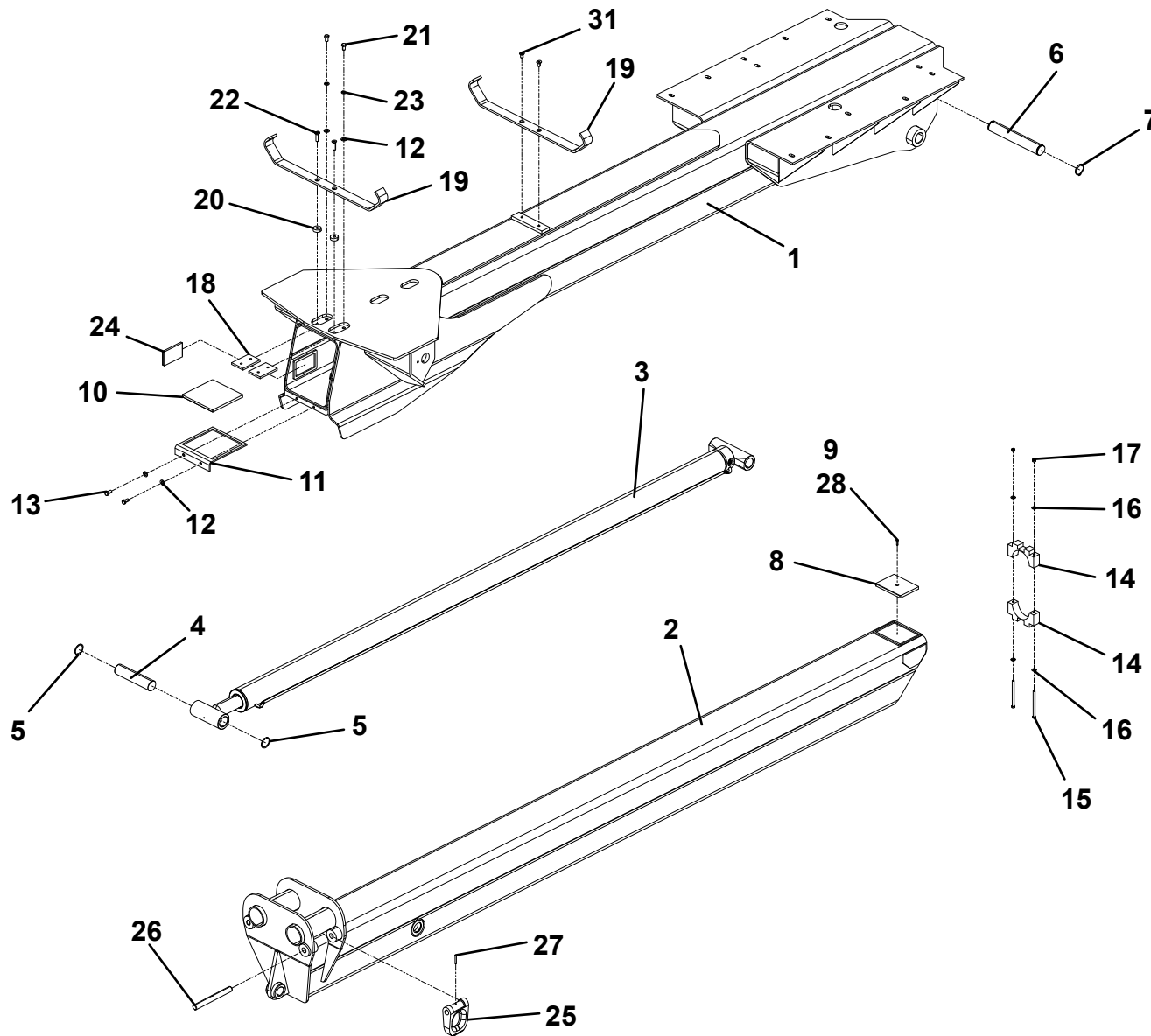
BOOM LIFT CYLINDER - 7320000070



WRECKER BOOM ASSEMBLY

ITEM	PART NO.	DESCRIPTION	QTY
1	3170000182	Boom Weldment, Outer	1
2	3170000148	Boom Weldment, Inner	1
3	7320000031	Cylinder	1
4	4691000323	Pin	1
5	7754000061	Snap Ring	2
6	4691000208	Pin	1
7	7754000048	Retaining Ring	2
8	4679000163	Pad	1
9	7114140818	Capscrew, 0.25"-20NC X 1.00"	1
10	4679000162	Pad	1
11	4706002435	Plate	1
12	7950180153	Flatwasher, 0.50" ID	4
13	7115180850	Capscrew, 0.50"-13NC X 1.00"	2
14	4177000033	Bracket	2
15	7115164450	Bolt, 0.38"-16UNC X 5.50"	2
16	7950160141	Flatwasher, 0.38"	4
17	7660162601	Locknut, 0.38"-16UNC	2
18	4831000061	Spacer	2
19	4062000746	Bar	2
20	4831000064	Spacer	2
21	7115180750	Capscrew, 0.50"-13NC x 0.88"	2
22	7115181423	Capscrew, 0.50"-13NC X 1.75"	2
23	7950180000	Lockwasher, 0.59" ID	2
24	4679000168	Pad	2
25	4754000003	D-Ring	2
26	4691000243	Pin	2
27	7690142845	Pin	2
28	7660142604	Locknut, 0.25"-20NC	1
29	7253000002	Grease Fitting	2
30	1001151805	Decal	2
31	7115180723	Screw, 0.50"-13NC X 0.88"	2

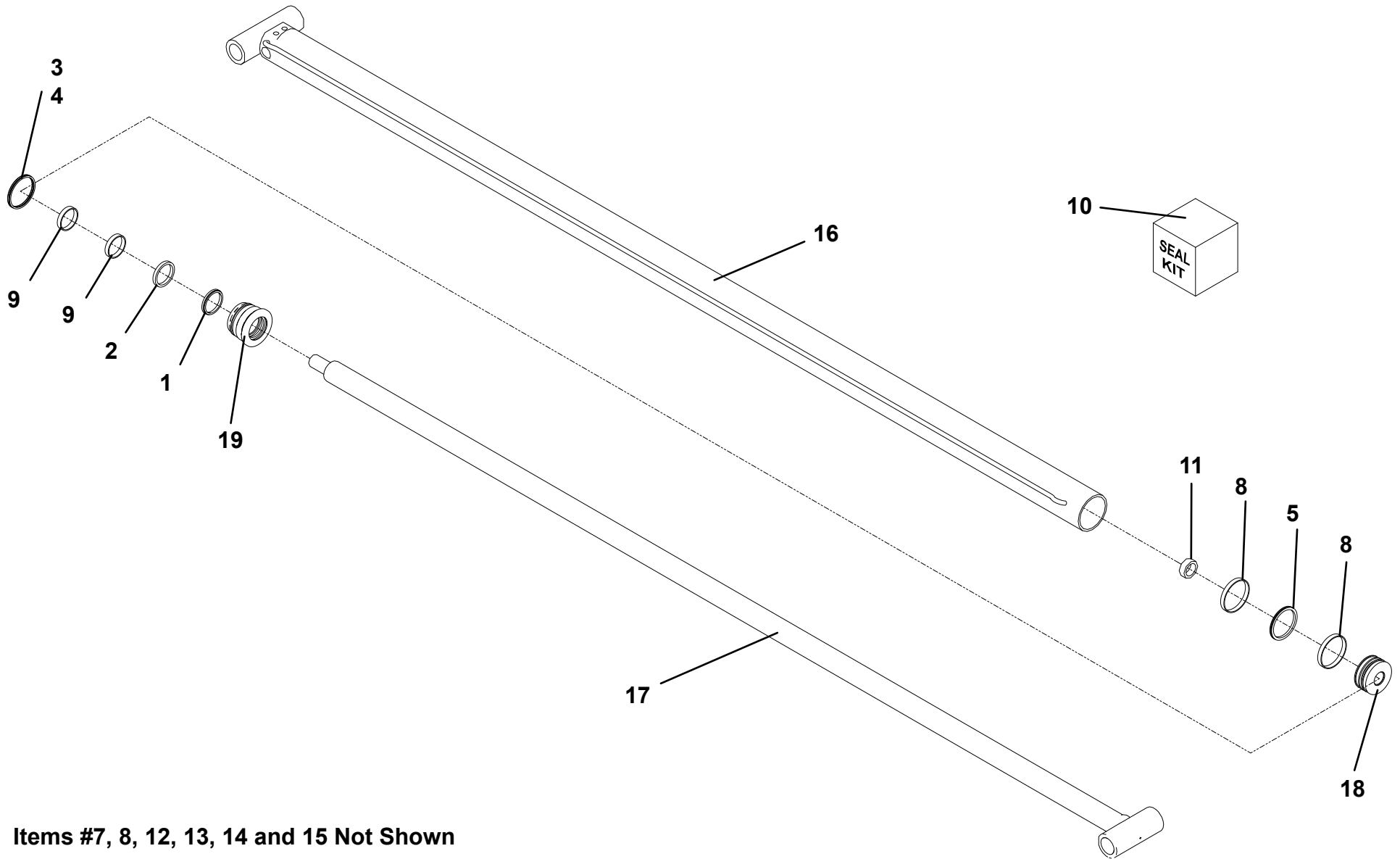
WRECKER BOOM ASSEMBLY



WRECKER BOOM CYLINDER - 7320000031

ITEM	PART NO.	DESCRIPTION	QTY
1	NSS	Wiper	1
2	NSS	Seal	1
3	NSS	Back-Up	1
4	NSS	O-Ring	1
5	NSS	Seal	1
6	NSS	O-Ring	1
7	NSS	O-Ring	1
8	NSS	Wear Ring	2
9	NSS	Wear Ring	2
10	7577000167	Seal Kit	1
11	7003116	Locknut	1
12	7005365	Port Plug	1
13	70021648	Port Plug	2
14	7440030400	Grease Fitting	2
15	9935250032	Counterbalance Valve	1
16	9912250014	Tube	1
17	9763250019	Rod	1
18	9553250010	Head	1
19	7698250012	Piston	1

WRECKER BOOM CYLINDER - 732000031

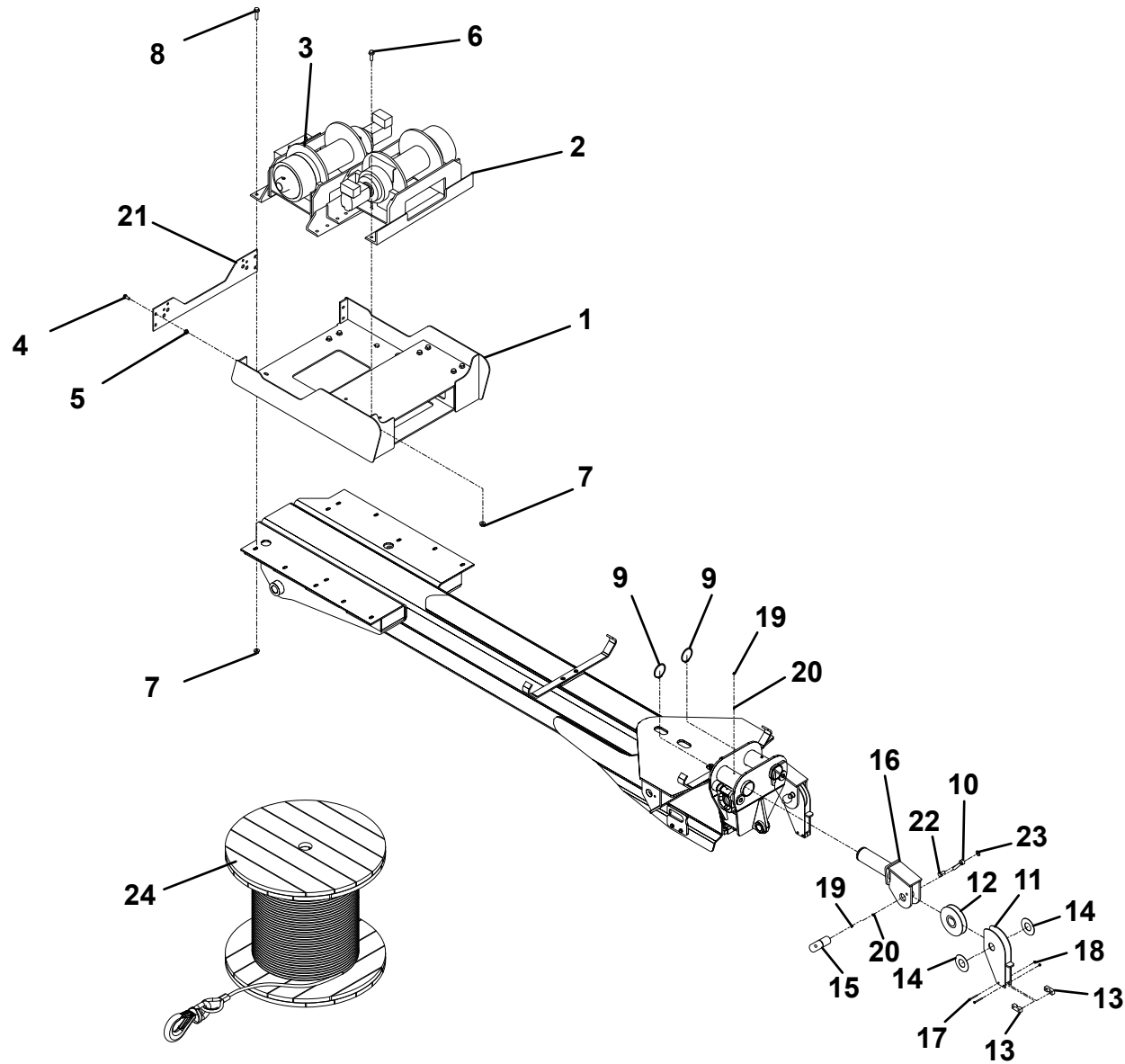


Items #7, 8, 12, 13, 14 and 15 Not Shown

WINCH INSTALLATION - 25K & 35K DP WINCHES (PRIOR TO S/N 0230004251)

ITEM	PART NO.	DESCRIPTION	QTY	ITEM	PART NO.	DESCRIPTION	QTY
		Winch Install 35K DP				Winch Install 25K DP	
1	3636000068	Bracket, Winch Mount	1	1	3636000068	Bracket, Winch Mount	1
2	7970000067	Winch, DP 35K - RH	1	2	7970000050	Winch, DP 25K - RH	1
3	7970000066	Winch, DP 35K - LH	1	3	7970000049	Winch, DP 25K - LH	1
4	7118181016	Capscrew, 0.50" - 13NC x 1.25"	4	4	7118181016	Capscrew, 0.50" - 13NC x 1.25"	4
5	7660182301	Locknut, 0.50" - 13NC	4	5	7660182301	Locknut, 0.50" - 13NC	4
6	7118201616	Capscrew, 0.63" - 11NC x 2.00"	16	6	7118201616	Capscrew, 0.63" - 11NC x 2.00"	16
7	7661000018	Nut, 0.63" - 11NC	22	7	7661000018	Nut, 0.63" - 11NC	22
8	7118202016	Bolt, 0.63" - 11NC x 2.50"	6	8	7118202016	Bolt, 0.63" - 11NC x 2.50"	6
9	7754000049	Retaining Ring	2	9	7754000049	Retaining Ring	2
10	3841258	Rod	2	10	3841258	Rod	2
11	3249000001	Cable Guide Weldment	2	11	3249000001	Cable Guide Weldment	2
12	7809000019	Sheave	2	12	7809000019	Sheave	2
13	4249000001	Cable Guide	4	13	4249000001	Cable Guide	4
14	4949000031	Washer, 2.12" ID	4	14	4949000031	Washer, 2.12" ID	4
15	1001170037	Pin	2	15	1001170037	Pin	2
16	1001169609	Sheave Support Weldment	2	16	1001169609	Sheave Support Weldment	2
17	7115142050	Capscrew, 0.25" - 20NC x 2.50"	4	17	7115142050	Capscrew, 0.25" - 20NC x 2.50"	4
18	7660142601	Locknut, 0.25" - 20UNC	4	18	7660142601	Locknut, 0.25" - 20UNC	4
19	7440030000	Grease Fitting	4	19	7440030000	Grease Fitting	4
20	7253000002	Grease Fitting Cap	4	20	7253000002	Grease Fitting Cap	4
21	4706002417	Plate	1	21	4706002417	Plate	1
22	7115201050	Bolt, 0.63" - 11NC x 1.25"	2	22	7115201050	Bolt, 0.63" - 11NC x 1.25"	2
23	7950200141	Flatwasher, 0.63" ID	2	23	7950200141	Flatwasher, 0.63" ID	2
24	7248000040	Cable, 0.63" x 200'	1	24	7248000040	Cable, 0.63" x 200'	1
	7248000078	Cable, 0.63" x 200', Swivel Hook			7248000078	Cable, 0.63" x 200', Swivel Hook	
	7248000037	Cable, 0.63" x 250'			7248000037	Cable, 0.63" x 250'	
	7248000079	Cable, 0.63" x 250', Swivel Hook			7248000079	Cable, 0.63" x 250', Swivel Hook	
	7248000055	Cable, 0.75" x 200'			7248000055	Cable, 0.75" x 200'	
	7248000080	Cable, 0.75" x 200', Swivel Hook			7248000080	Cable, 0.75" x 200', Swivel Hook	

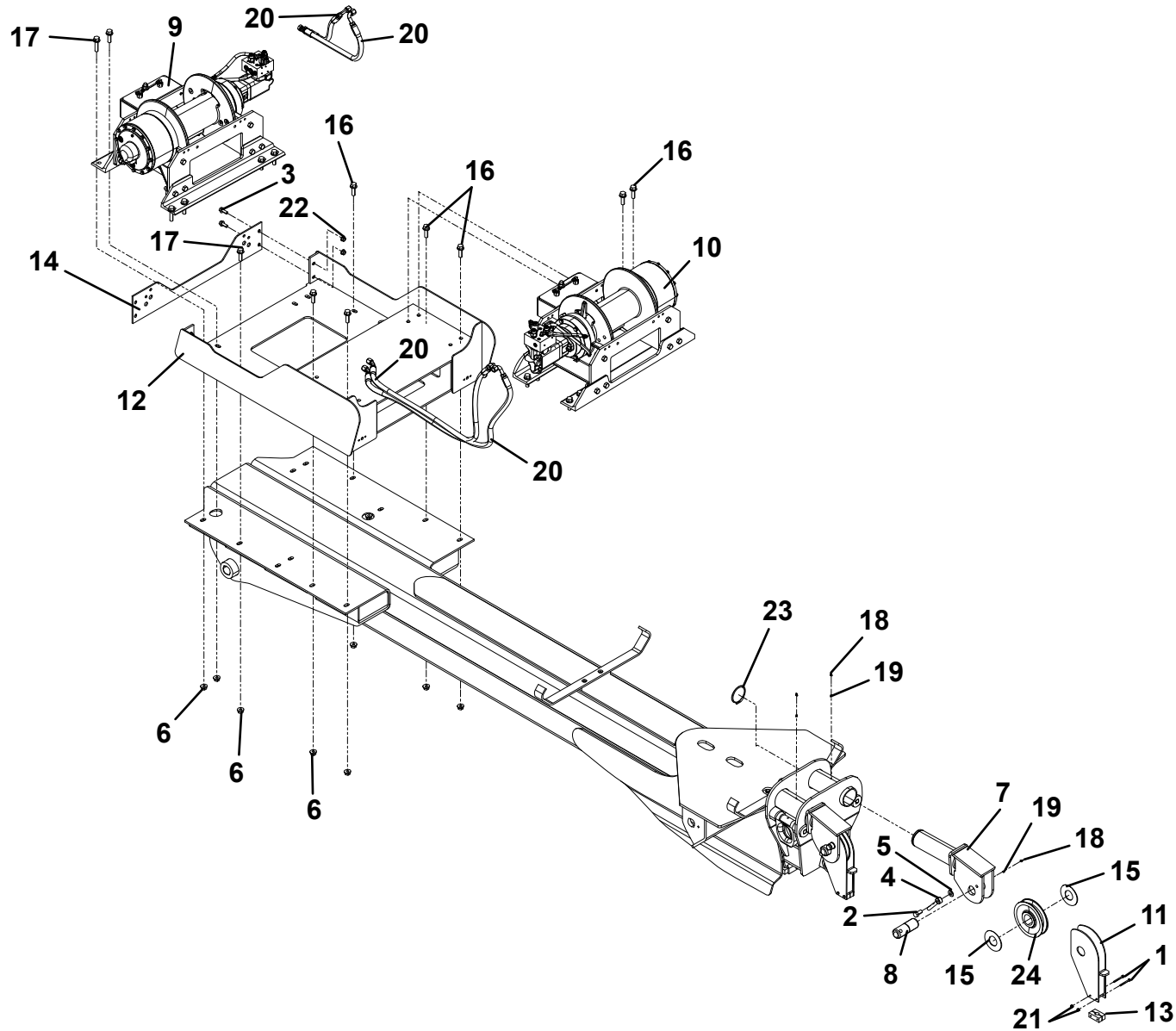
WINCH INSTALLATION - 25K & 35K DP WINCHES (PRIOR TO S/N 0230004251)



WINCH INSTALLATION - 35K DP WINCHES (S/N 0230004251 TO PRESENT)

ITEM	PART NO.	DESCRIPTION	QTY	ITEM	PART NO.	DESCRIPTION	QTY
0.63" Wire Rope Installation				0.75" Wire Rope Installation			
1	0641420	Capscrew, 0.25"-20 X 2.50"	4	1	0641420	Capscrew, 0.25"-20 X 2.50"	4
2	0642010	Capscrew, 0.63"-11 X 1.25"	2	2	0641808	Capscrew, 0.50"-13 X 1.00"	2
3	811810	Screw, 0.50"-13 X 1.25"	4	3	811810	Screw, 0.50"-13 X 1.25"	4
4	3841258	Keeper	2	4	3841258	Keeper	2
5	4712000	WASHER, 0.63" ID	2	5	3841203	WASHER, 0.63" ID	2
6	7661000018	Nut, 0.63"-11NC	22	6	7661000018	Nut, 0.63"-11NC	22
7	1001169609	Sheave Support	2	7	1001169616	Sheave Support	2
8	1001170037	Pin	2	8	1001169893	Pin	2
9	1001210256	Winch, 35K Planetary LH Front	1	9	1001210256	Winch, 35K Planetary LH Front	1
10	1001210257	Winch, 35K Planetary RH Rear	1	10	1001210257	Winch, 35K Planetary RH Rear	1
11	3249000001	Cable Guide	2	11	3249000012	Cable Guide	2
12	3636000068	Winch Mount	1	12	3636000068	Winch Mount	1
13	4249000001	Cable Guide	4	13	4249000002	Cable Guide	4
14	4706002417	Plate	1	14	4706002417	Plate	1
15	4949000031	Washer, 2.12" ID	4	15	4949000045	Washer, 1.53" ID	4
16	7118201616	Capscrew, 0.63"-11NC X 2.00"	16	16	7118201616	Capscrew, 0.63"-11NC X 2.00"	16
17	7118202016	Bolt, 0.63"-11NC X 2.50"	6	17	7118202016	Bolt, 0.63"-11NC X 2.50"	6
18	7253000002	Grease Fitting Cap	4	18	7253000002	Grease Fitting Cap	4
19	7440030000	Grease Fitting	4	19	7440030000	Grease Fitting	4
20	1001219190	Hose Kit	1	20	1001219190	Hose Kit	1
21	7660142601	Locknut, 0.25" -20NC	4	21	7660142601	Locknut, 0.25" -20NC	4
22	7660182301	Locknut, 0.50"-13NC	4	22	7660182301	Locknut, 0.50"-13NC	4
23	7754000049	Retaining Ring	2	23	7754000049	Retaining Ring	2
24	7809000019	Sheave, for 0.63" Wire rope	2	24	7809000006	Sheave, for 0.75" Wire rope	2

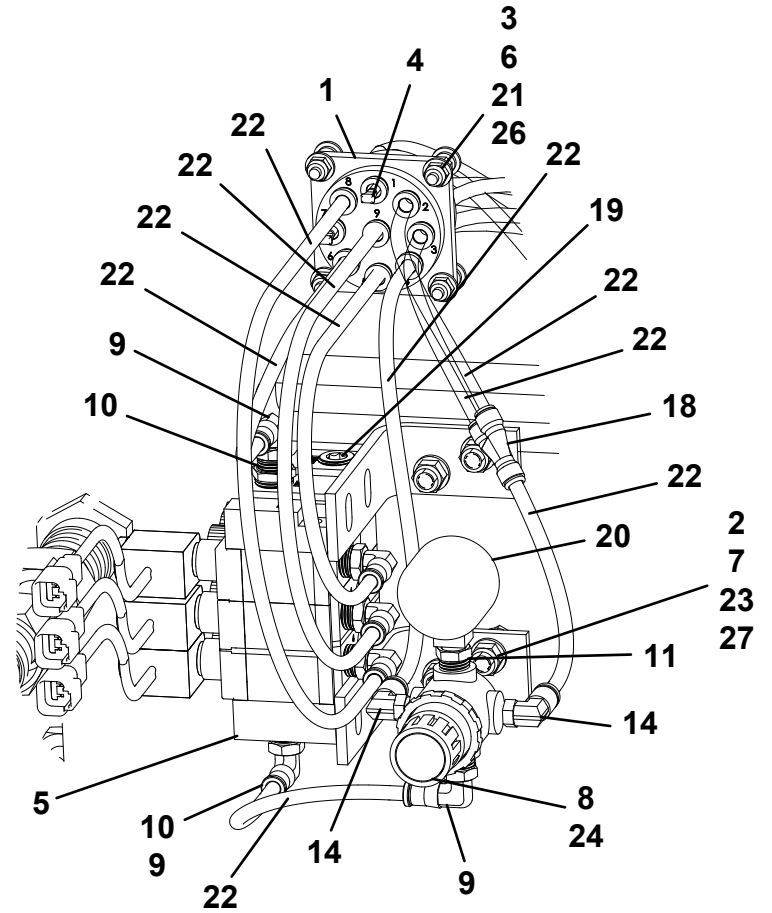
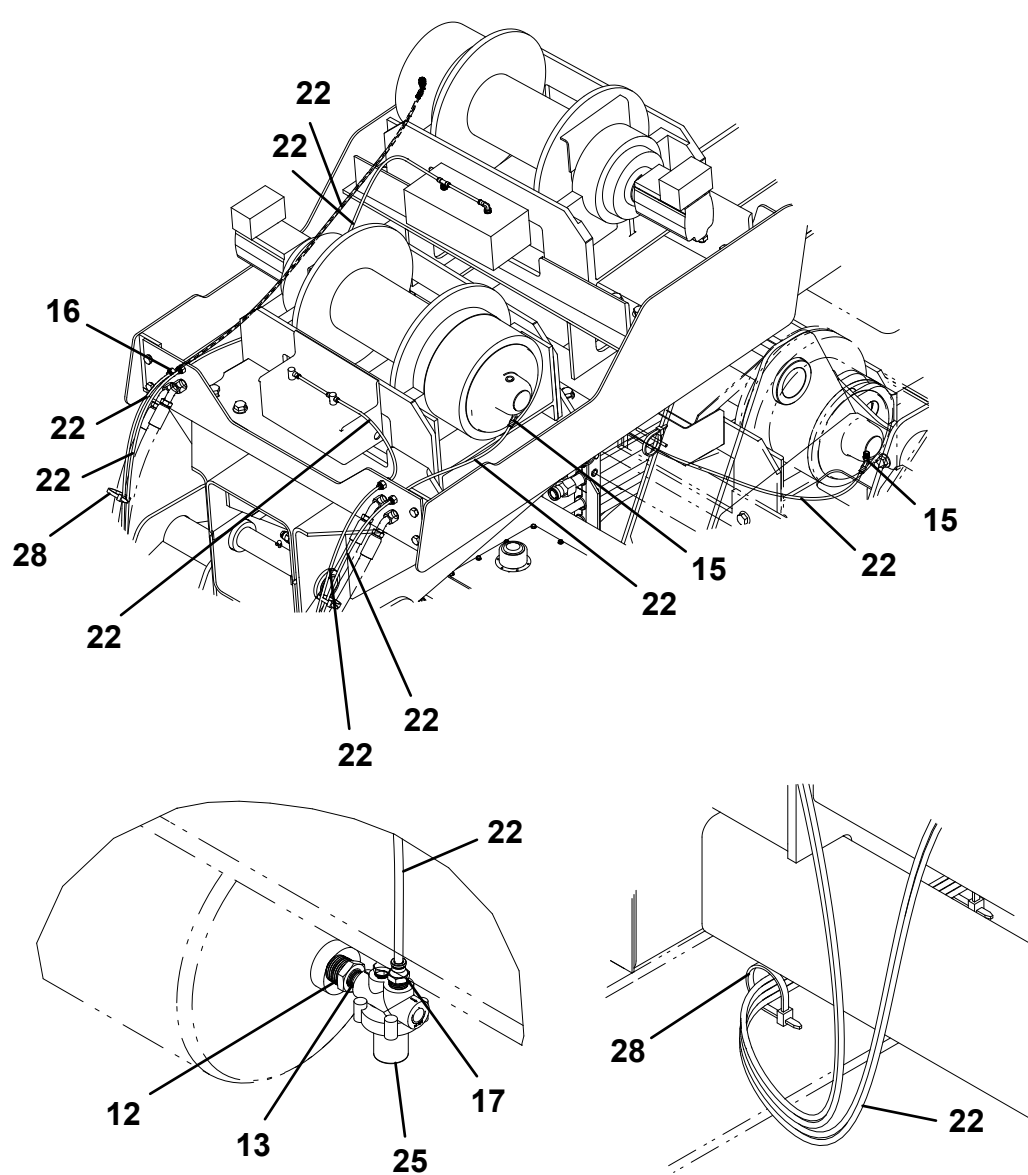
WINCH INSTALLATION - 35K DP WINCHES (S/N 0230004251 TO PRESENT)



WINCH AIR INSTALLATION

ITEM	PART NO.	DESCRIPTION	QTY
1	1001184765	Bulkhead	1
2	1001197482	Washer, 0.31" ID	4
3	1001197483	Washer, #10 ID	4
4	1001197506	Seal	2
5	1001202056	Valve	1
6	7114100818	Screw, #10-24 X 1.00"	4
7	7114150850	Capscrew, 0.31"-18NC X 1.00"	4
8	7295000029	Air Regulator	1
9	7443000139	FITTING, TUBE .25 x .25 NPT SW	6
10	7443000148	Fitting	2
11	7443000149	Bushing	1
12	7443000154	Fitting	1
13	7443000156	Fitting	1
14	7443000173	Fitting	2
15	7443000176	Elbow	3
16	7443000178	Union	4
17	7443000329	Fitting	1
18	7443000448	Fitting	1
19	7444030037	Plug	1
20	7470000006	Guage	1
21	7660102601	Nut, #10-24NC	4
22	7565000016	Airline Tubing	105FT
23	7660152601	Locknut, 0.31"-18NC ID	4
24	7661000041	Mount	1
25	7935000120	Valve	1
26	7950100143	Flatwasher, 0.19" ID	8
27	7950140143	Flatwasher, 0.25" ID	8
28	7894000004	Tie-Strap	37

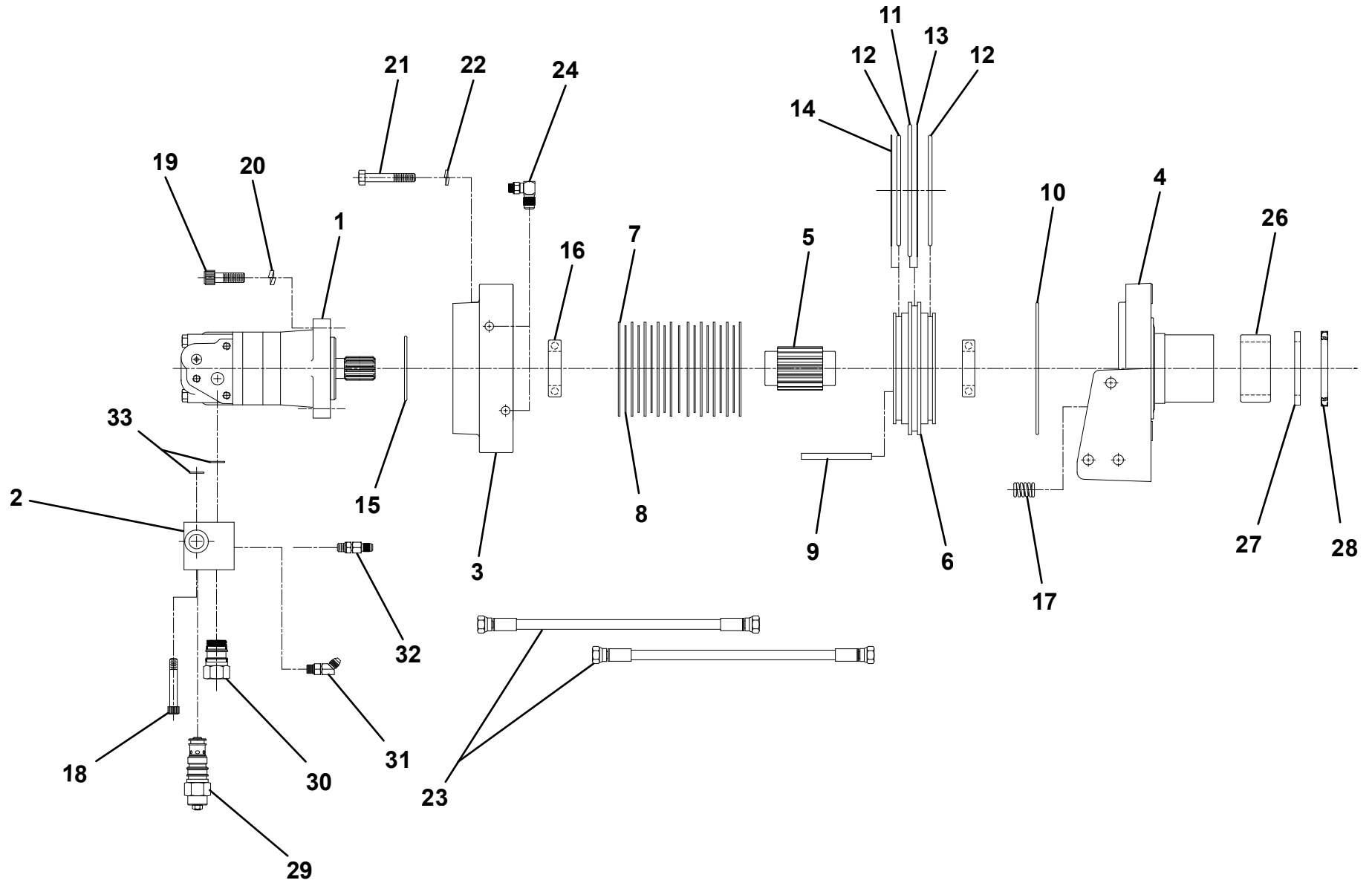
WINCH AIR INSTALLATION



DP WINCH 25K - 7970000049 (PRIOR TO S/N 0230004251) MOTOR END INSTALLATION

ITEM	PART NO.	DESCRIPTION	QTY	ITEM	PART NO.	DESCRIPTION	QTY
1	9626960013	Motor - Hydraulic	1	31	7445040446	Fitting, Swivel Adapter 45 Degree	1
2	9935960027	Valve - Counterbalance	1	32	9443960006	Fitting, Straight Adapter	1
3	9571960006	Brake - Housing	1	33	9796960088	O-Ring - 0.81" I. x 0.09" Section	2
4	9177960004	Support - Motor End	1				
5	9806960019	Shaft - Brake	1				
6	9698960008	Piston - Brake	1				
7	NSS	Plate - Disc - Friction (Sold Only in Kit #9577960139)	10				
8	NSS	Plate - Drive - Brake (Sold Only in Kit #9577960139)	9				
9	9691960021	Pin - Dowel - 0.31" Dia. x 3.50"	2				
10	NSS	O-Ring - 7.00" OD x 6.75" ID (Sold Only in Kit #9577960120)	1				
11	NSS	O-Ring - 6.84" OD x 6.50" ID (Sold Only in Kit #9577960120)	1				
12	NSS	O-Ring - 5.38" OD x 5.00" ID (Sold Only in Kit #9577960120)	2				
13	NSS	Ring - Back-Up - 6.25" ID (Sold Only in Kit #9577960120)	1				
14	NSS	Ring - Back-Up - 5.278" ID (Sold Only in Kit #9577960120)	1				
15	9796960090	O-Ring - 3.00" OD x 2.75" ID	1				
16	9082960013	Ball - Bearing - 1.75" I.D.	2				
17	NSS	Spring - Compression 0.75" (Sold Only in Kit (577960139)	12				
18	7118162005	Capscrew, 0.38"-16NC x 2.50"	3				
19	7118181205	Capscrew, 0.50"-13NC x 1.50" Socket Head GR 8	2				
20	7950180800	Lockwasher, 0.50" ID	2				
21	7118172050	Capscrew, 0.44"-14NC x 2.50" GR 8	6				
22	7950170000	Lockwasher, 0.44" ID	6				
23	9570960001	Hose, 0.25 DIA	2				
24	7445040445	Fitting, Swivel Adapter 90 Degree	2				
25	70050401	Tag - Warning (Not Shown on Drawing)	1				
26	9082960018	Bearing - Roller - Torrington	1				
27	9949960028	Washer - Thrust - Nylon - 3.81 x .406	1				
28	9796960121	Seal - Shaft - 3.12" ID x 4" OD x 0.38 Thick	1				
29	9935960026	Cartridge - Counterbalance	1				
30	9701960013	Plug - Assembly - Valve - Counterbalance	1				

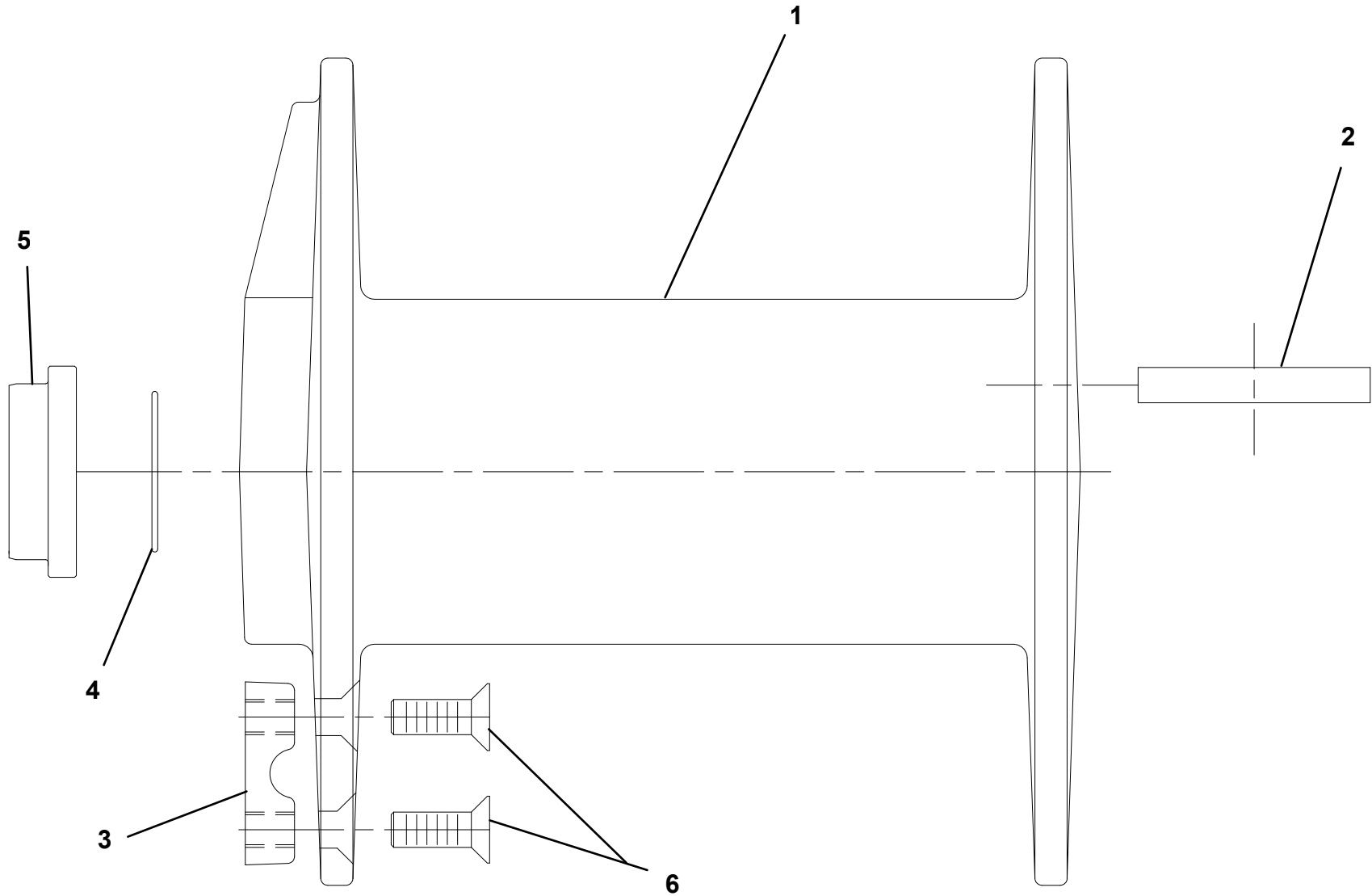
DP WINCH 25K - 797000049 - MOTOR END INSTALLATION (PRIOR TO S/N 0230004251)



DP WINCH 25K - 7970000049 - DRUM INSTALLATION

ITEM	PART NO.	DESCRIPTION	QTY
1	9970960020	Drum	1
2	9575960012	Key - Drum	2
3	9280960002	Clip - Cable	1
4	9796960089	O-Ring	1
5	9831960018	Spacer	1
6	7110201423	Capscrew, 0.63"-11NC X 1.75"	2

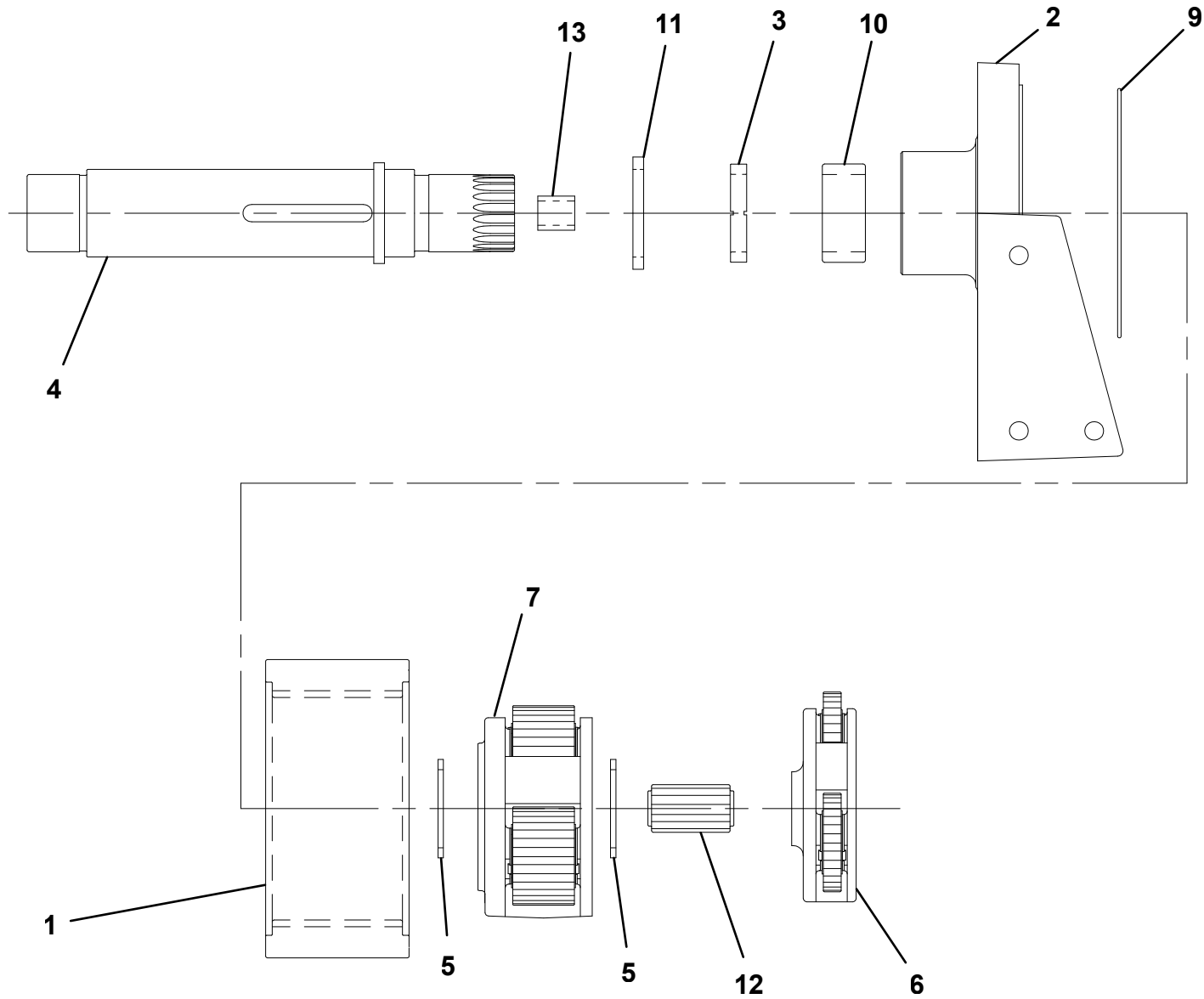
DP WINCH 25K - 7970000049 - DRUM INSTALLATION



DP WINCH 25K - 7970000049 - GEAR END INSTALLATION

ITEM	PART NO.	DESCRIPTION	QTY
1	70050991	Gear - Ring	1
2	9177960003	Support - Gear End	1
3	9949960028	Washer - Thrust - Nylon - 3.81 x .406	1
4	9806960021	Shaft - Output	1
5	9949960027	Washer - Thrust- Nylon - 3.50" O.D. x 0.18"	2
6	9472960052	Assembly - Carrier - Planetary - Primary	1
7	70050992	Carrier - Assembly - Secondary	1
8	9330960006	Label - Warning (Not Shown on Drawing)	1
9	9796960120	O-Ring - 8.75" I.D. x .012" Section	1
10	9082960018	Bearing - Roller - Torrington	1
11	9796960121	Seal - Shaft - 3.12" ID x 4" OD x 0.38 Thick	1
12	70050993	Gear - Sun - 15 Teeth	1
13	9209960025	Bushing - 1.00" I.D. x 1.25" OD x 1.00" LG	1

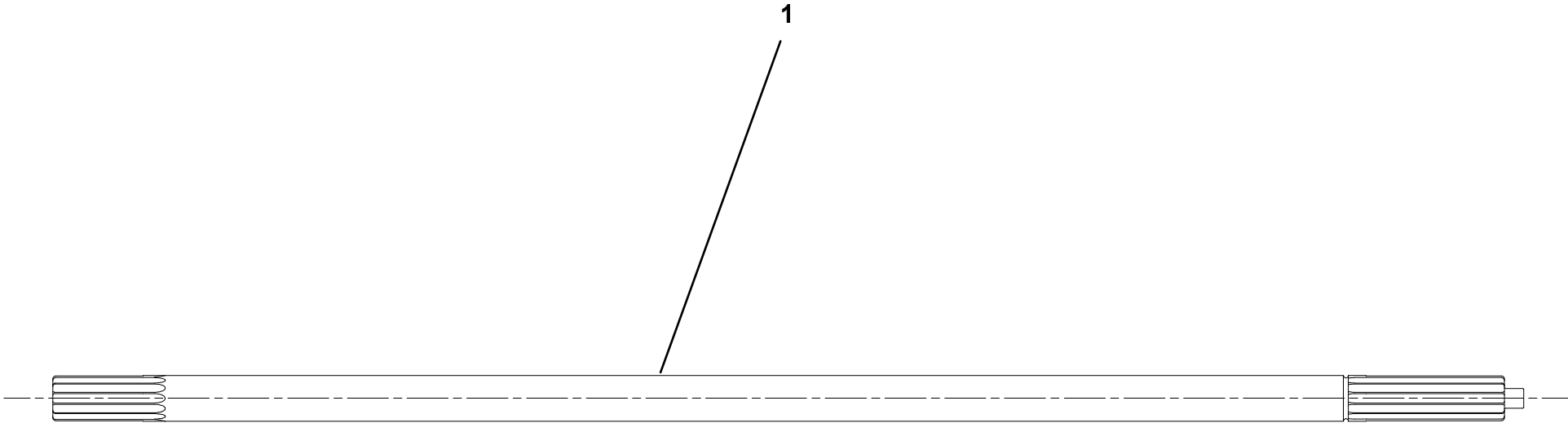
DP WINCH 25K - 7970000049 - GEAR END INSTALLATION



DP WINCH 25K - 7970000049 - INPUT SHAFT

ITEM	PART NO.	DESCRIPTION	QTY
1	70050994	Input - Shaft	1

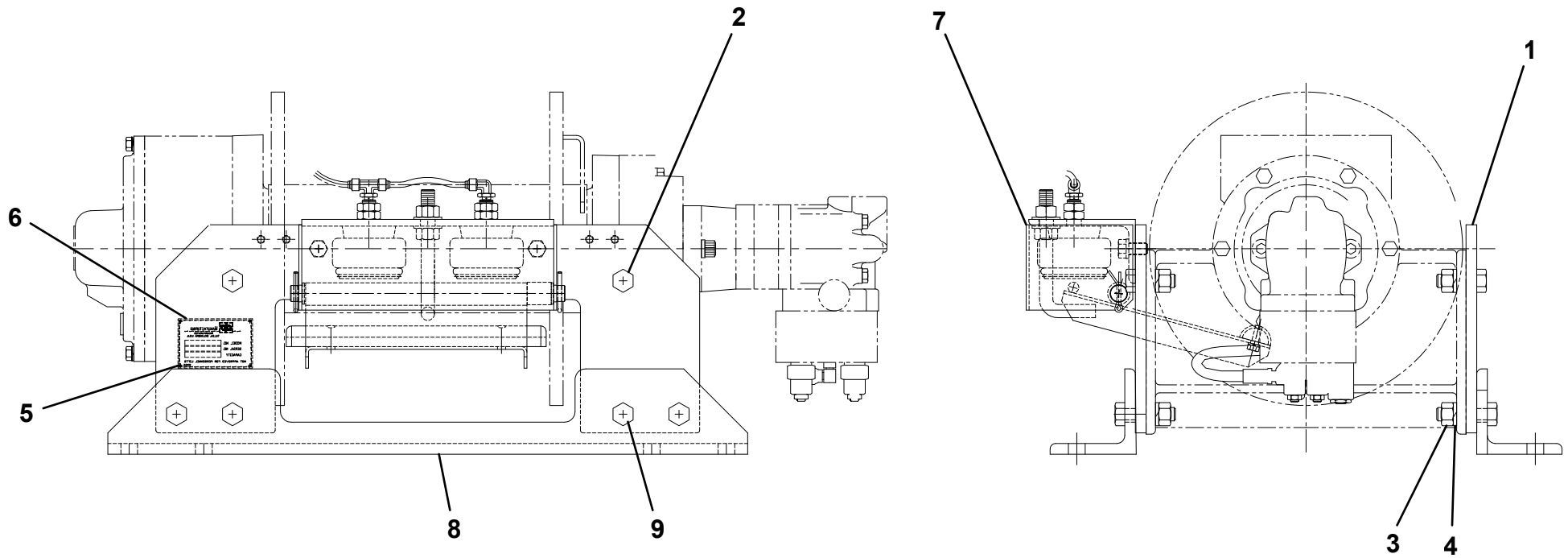
DP WINCH 25K - 7970000049 - INPUT SHAFT



DP WINCH 25K - 7970000049 - BASE MOUNT INSTALLATION

ITEM	PART NO.	DESCRIPTION	QTY
1	9073960003	Base Mount	2
2	7115201850	Capscrew 0.63"-11NC x 2.25"	4
3	7660200001	Nut .63"-11NC	12
4	7950200000	Lockwasher .63"	12
5	70050147	Rivet	4
6	70050384	Plate	1
7	70050398	Kit - Cable Hold Down	1
8	9073960004	Base Mount	2
9	7115202250	Capscrew, 0.63"-11NC x 2.75"	8

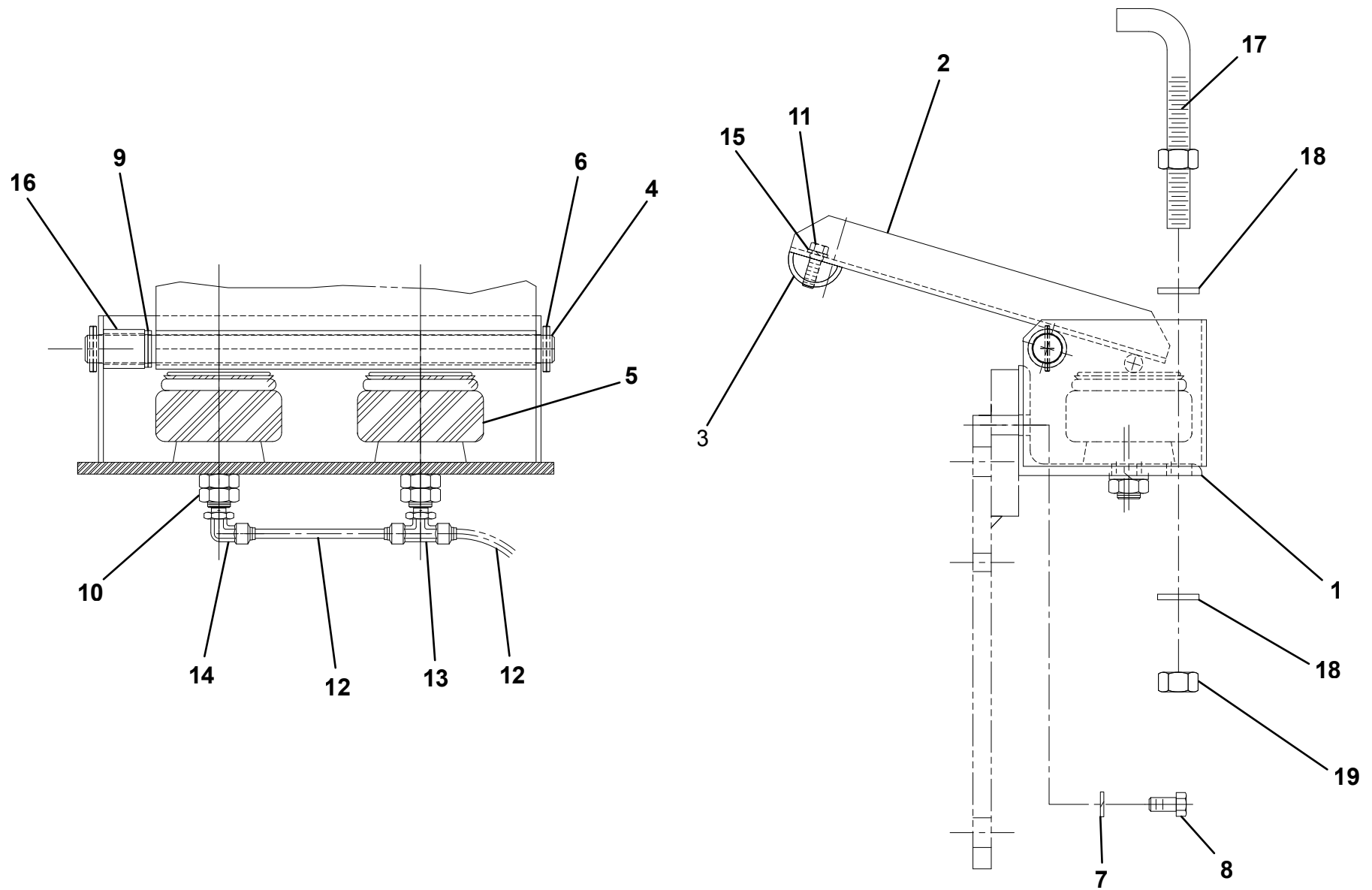
DP WINCH 25K - 7970000049 - BASE MOUNT INSTALLATION



DP WINCH 25K - 7970000049 - CABLE HOLD DOWN KIT

ITEM	PART NO.	DESCRIPTION	QTY
1	9178960011	Bracket - Mounting	1
2	9020960002	Arm - Pivot	1
3	9064960007	Bar - Rub - 1.50" - Half Round	1
4	9691960019	Pin, Pivot	1
5	9843960023	Spring - Cushion - Air - Goodyear	2
6	9690960039	Pin, Cotter 0.19" x 1.50"	2
7	7950180000	Lockwasher, 0.59" ID Nom Reg	2
8	7115181650	Capscrew, 0.50"-13NC x 2.00"	2
9	9949960012	Washer - Thrust	2
10	7660200200	Nut, 0.63"-11NC Hex Jam	4
11	9120960063	Capscrew, 0.31"-18NC x 1.00"	2
12	9912960010	Tubing - Nylon - 0.25" OD	3
13	7443000205	Adapter - Tee - Branch	3
14	7443000204	Adapter - 90 Degree	1
15	9949960050	Lockwasher, 0.31" ID	2
16	9831960009	Spacer - Pin - 1.12"	1
17	9120960019	Bolt - Anchor	1
18	7950200151	Flatwasher, 0.63" ID	2
19	7660200001	Nut .63"-11NC GR5 Hex - Plated	1

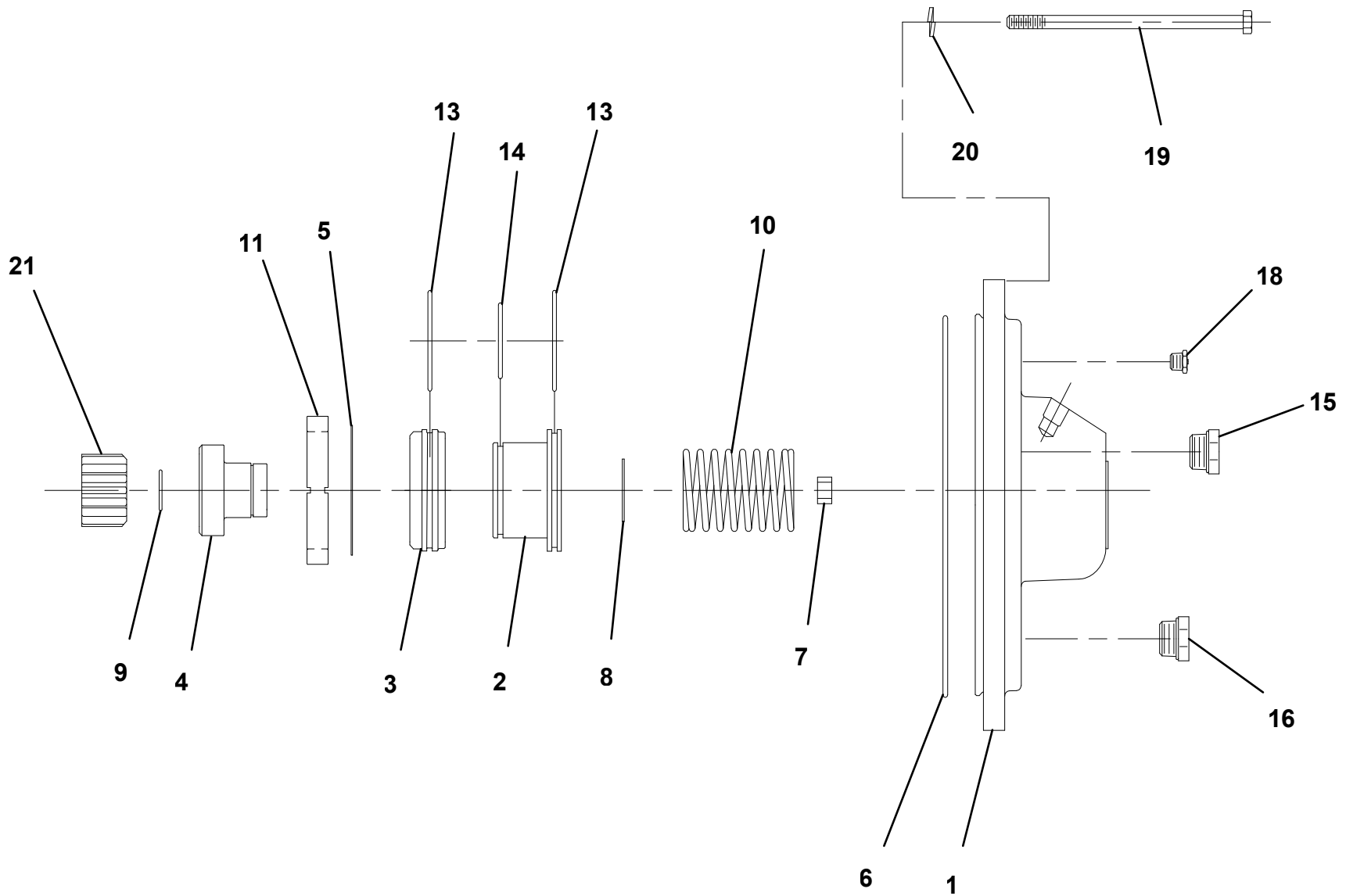
DP WINCH 25K - 7970000049 - CABLE HOLD DOWN KIT



DP WINCH 25K - 7970000049 - GEAR END COVER INSTALLATION

ITEM	PART NO.	DESCRIPTION	QTY
1	9314960022	Cover	1
2	9698960016	Piston	1
3	9698960015	Piston	1
4	9309960011	Coupling	1
5	9754960026	Retaining Ring	1
6	9796960120	O-Ring	1
7	9209960026	Bushing	1
8	9754960046	Retaining Ring	1
9	9754960047	Retaining Ring	1
10	9843960032	Spring	1
11	9949960028	Washer	1
13	9796960119	O-Ring	2
14	9796960118	O-Ring	1
15	9701960011	Plug	1
15	70050998	O-Ring	1
16	9701960012	Plug	1
16	70050998	O-Ring	1
17	9701960018	Plug	1
18	9183960001	Vent	1
19	70050995	Capscrew, 0.38"-16NC x 5.50"	12
20	7950160000	Lockwasher 0.38" ID	12
21	9472960054	Gear	1

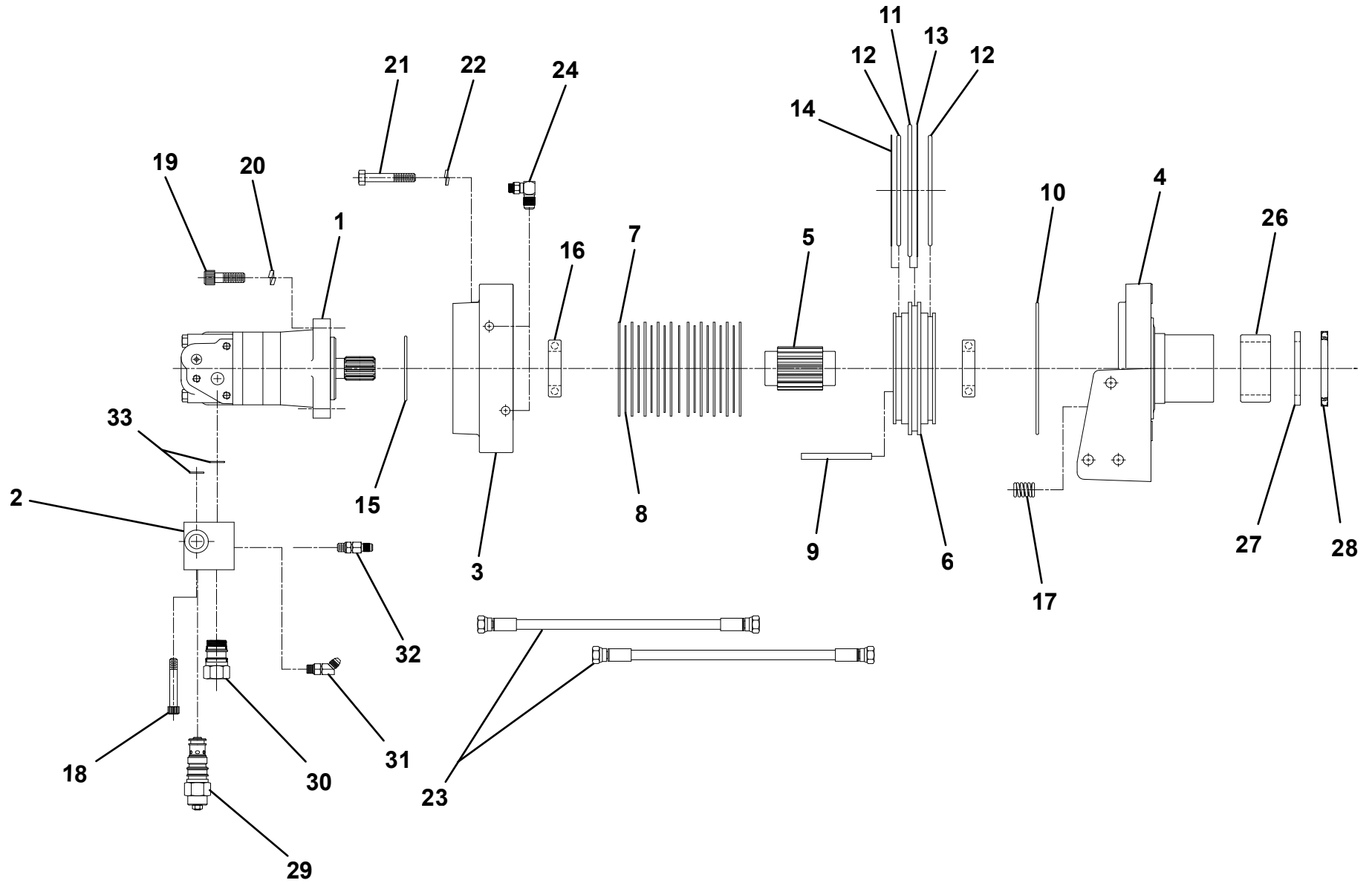
DP WINCH 25K - 797000049 - GEAR END COVER INSTALLATION



DP WINCH 25K - 7970000050 (PRIOR TO S/N 0230004251) MOTOR END INSTALLATION

ITEM	PART NO.	DESCRIPTION	QTY	ITEM	PART NO.	DESCRIPTION	QTY
1	9626960013	Motor - Hydraulic	1	31	7445040446	Fitting, Swivel Adapter 45 Degree	1
2	9935960027	Valve - Counterbalance	1	32	9443960006	Fitting, Straight Adapter	1
3	9571960006	Brake - Housing	1	33	9796960088	O-Ring - 0.81" I. x 0.09" Section	2
4	9177960004	Support - Motor End	1				
5	9806960019	Shaft - Brake	1				
6	9698960008	Piston - Brake	1				
7	NSS	Plate - Disc - Friction (Sold Only in Kit #9577960139)	10				
8	NSS	Plate - Drive - Brake (Sold Only in Kit #9577960139)	9				
9	9691960021	Pin - Dowel - 0.31" Dia. x 3.50"	2				
10	NSS	O-Ring - 7.00" OD x 6.75" ID (Sold Only in Kit #9577960120)	1				
11	NSS	O-Ring - 6.84" OD x 6.50" ID (Sold Only in Kit #9577960120)	1				
12	NSS	O-Ring - 5.38" OD x 5.00" ID (Sold Only in Kit #9577960120)	2				
13	NSS	Ring - Back-Up - 6.25" ID (Sold Only in Kit #9577960120)	1				
14	NSS	Ring - Back-Up - 5.278" ID (Sold Only in Kit #9577960120)	1				
15	9796960090	O-Ring - 3.00" OD x 2.75" ID	1				
16	9082960013	Ball - Bearing - 1.75" I.D.	2				
17	NSS	Spring - Compression 0.75" (Sold Only in Kit (577960139)	12				
18	7118162005	Capscrew, 0.38"-16NC x 2.50"	3				
19	7118181205	Capscrew, 0.50"-13NC x 1.50" Socket Head GR 8	2				
20	7950180800	Lockwasher, 0.50" ID	2				
21	7118172050	Capscrew, 0.44"-14NC x 2.50" GR 8	6				
22	7950170000	Lockwasher, 0.44" ID	6				
23	9570960001	Hose, 0.25 DIA	2				
24	7445040445	Fitting, Swivel Adapter 90 Degree	2				
25	70050401	Tag - Warning (Not Shown on Drawing)	1				
26	9082960018	Bearing - Roller - Torrington	1				
27	9949960028	Washer - Thrust - Nylon - 3.81 x .406	1				
28	9796960121	Seal - Shaft - 3.12" ID x 4" OD x 0.38 Thick	1				
29	9935960026	Cartridge - Counterbalance	1				
30	9701960013	Plug - Assembly - Valve - Counterbalance	1				

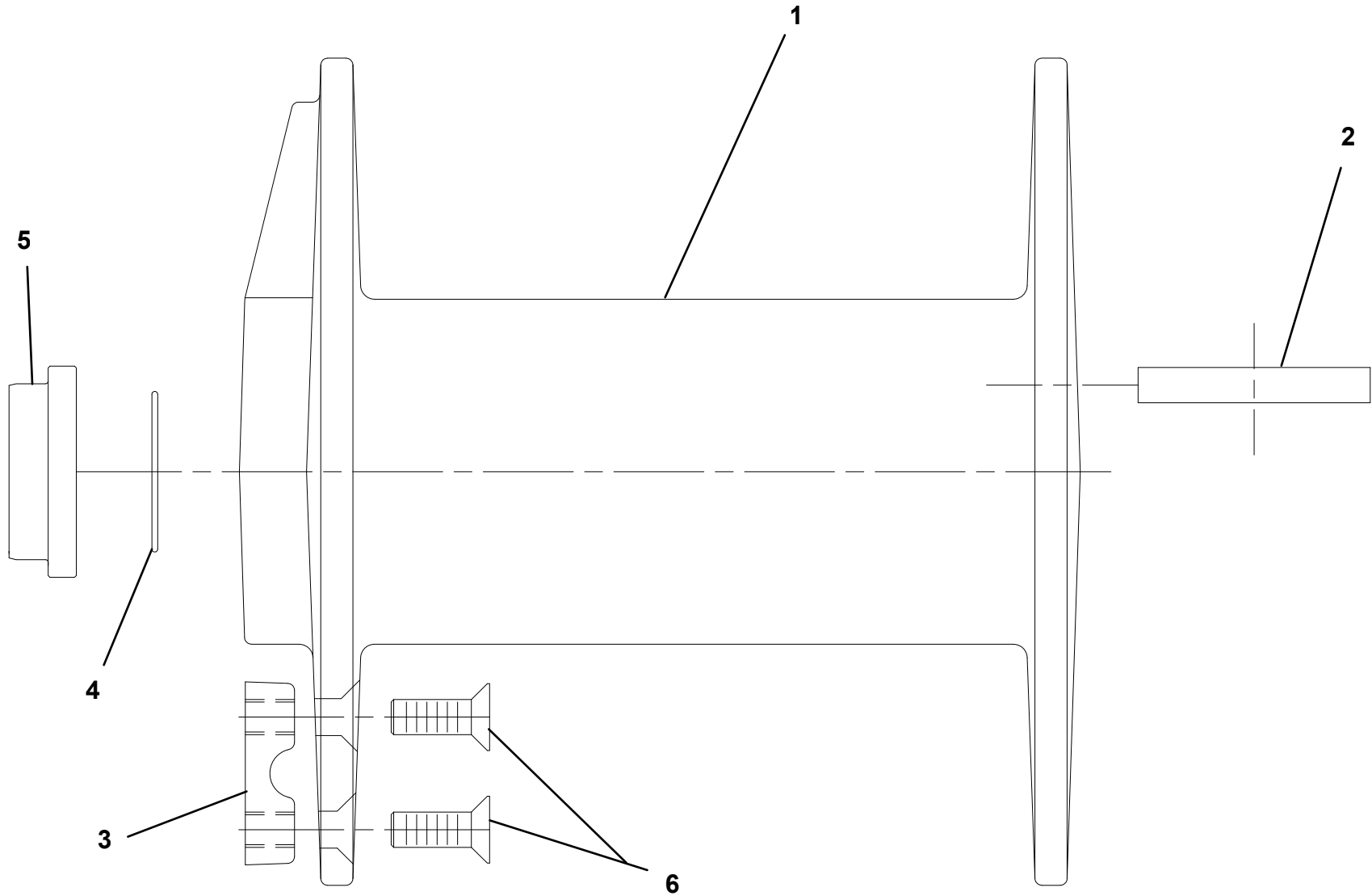
DP WINCH 25K - 7970000050 - MOTOR END INSTALLATION (PRIOR TO S/N 0230004251)



DP WINCH 25K - 7970000050 - DRUM INSTALLATION

ITEM	PART NO.	DESCRIPTION	QTY
1	9970960020	Drum	1
2	9575960012	Key - Drum	2
3	9280960002	Clip - Cable	1
4	9796960089	O-Ring	1
5	9831960018	Spacer	1
6	7110201423	Capscrew, 0.63"-11NC X 1.75"	2

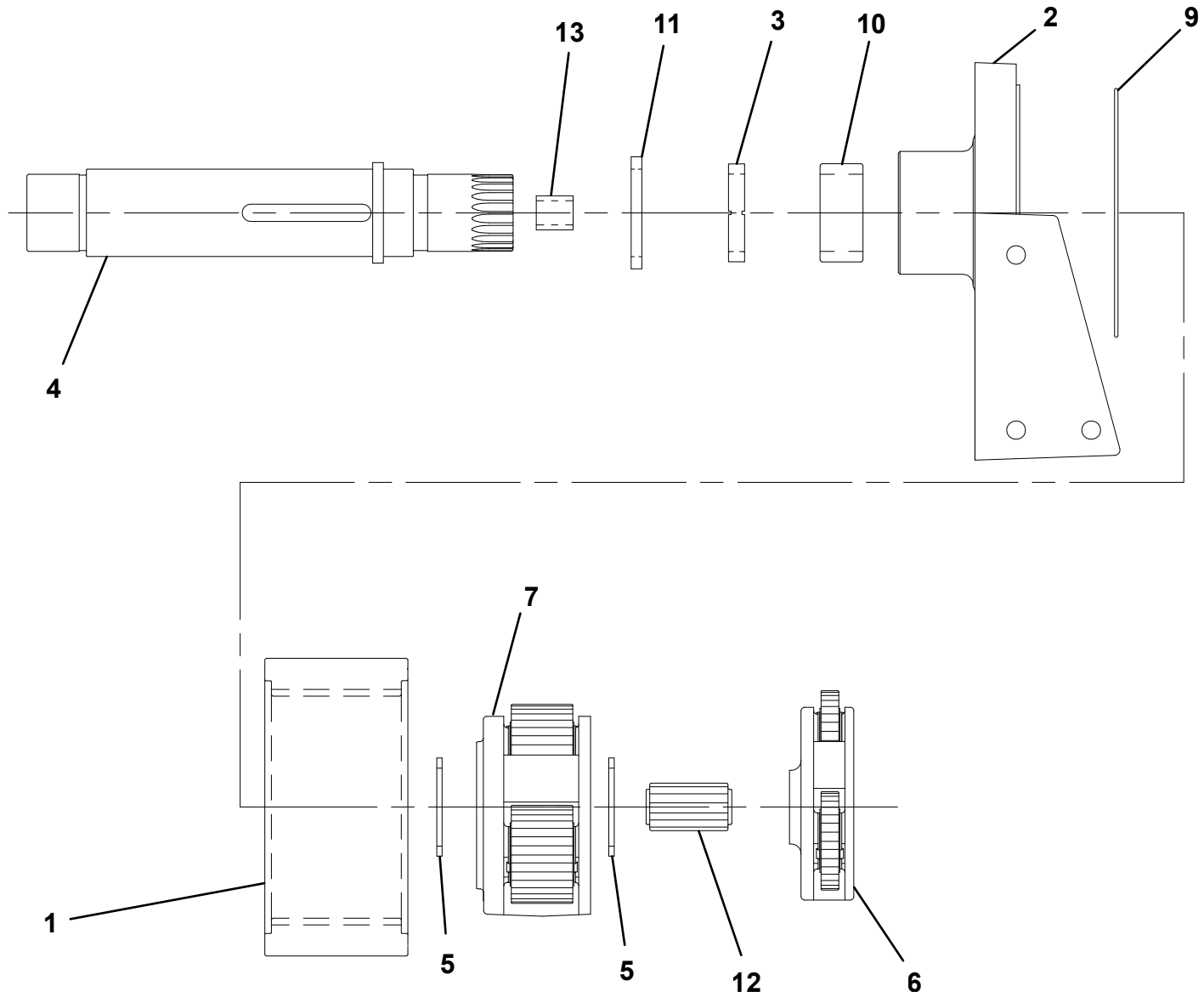
DP WINCH 25K - 7970000050 - DRUM INSTALLATION



DP WINCH 25K - 7970000050 - GEAR END INSTALLATION

ITEM	PART NO.	DESCRIPTION	QTY
1	70050991	Gear - Ring	1
2	9177960003	Support - Gear End	1
3	9949960028	Washer - Thrust - Nylon - 3.81 x .406	1
4	9806960021	Shaft - Output	1
5	9949960027	Washer - Thrust- Nylon - 3.50" O.D. x 0.18"	2
6	9472960052	Assembly - Carrier - Planetary - Primary	1
7	70050992	Carrier - Assembly - Secondary	1
8	9330960006	Label - Warning (Not Shown on Drawing)	1
9	9796960120	O-Ring - 8.75" I.D. x .012" Section	1
10	9082960018	Bearing - Roller - Torrington	1
11	9796960121	Seal - Shaft - 3.12" ID x 4" OD x 0.38 Thick	1
12	70050993	Gear - Sun - 15 Teeth	1
13	9209960025	Bushing - 1.00" I.D. x 1.25" OD x 1.00" LG	1

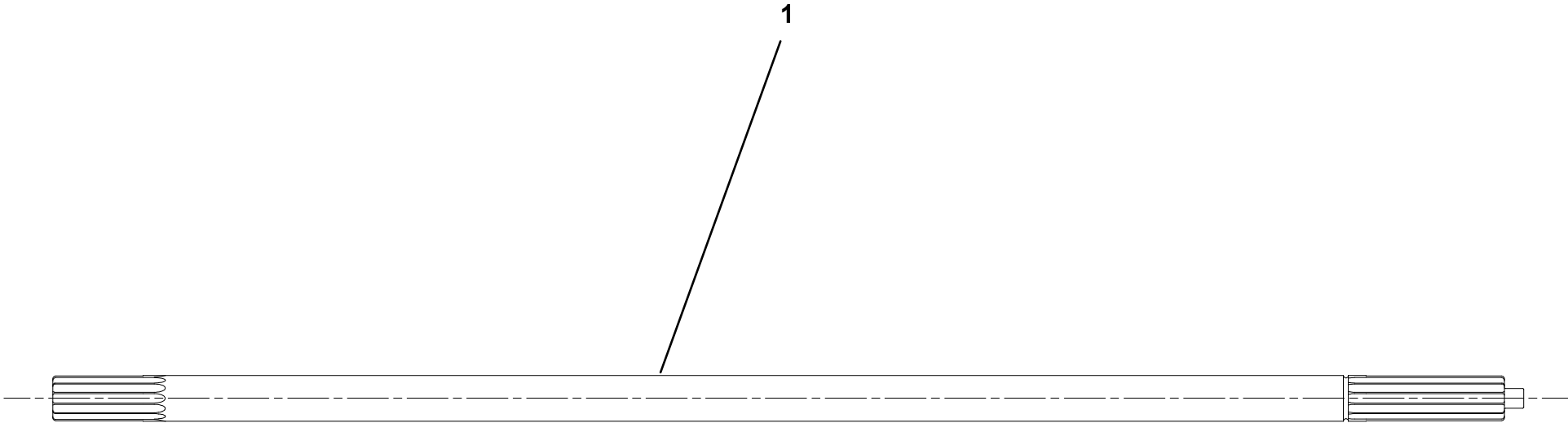
DP WINCH 25K - 7970000050 - GEAR END INSTALLATION



DP WINCH 25K - 7970000050 - INPUT SHAFT

ITEM	PART NO.	DESCRIPTION	QTY
1	70050994	Input - Shaft	1

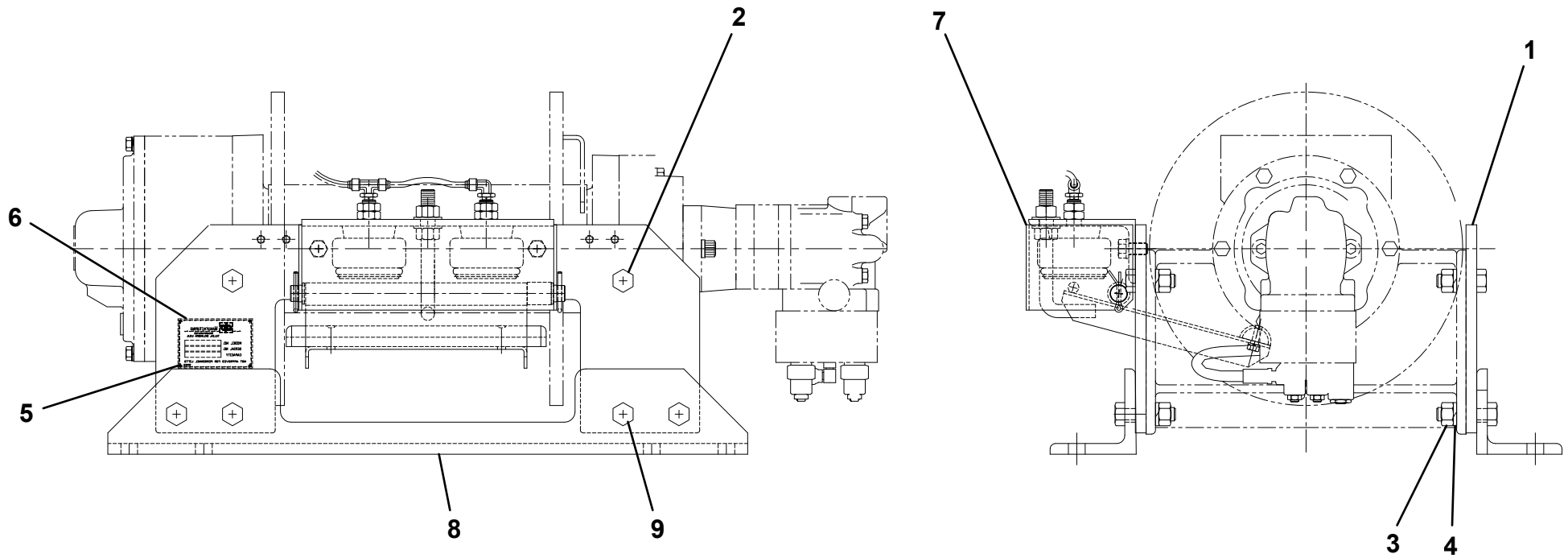
DP WINCH 25K - 7970000050 - INPUT SHAFT



DP WINCH 25K - 7970000050 - BASE MOUNT INSTALLATION

ITEM	PART NO.	DESCRIPTION	QTY
1	9073960003	Base Mount	2
2	7115201850	Capscrew, 0.63"-11NC x 2.25"	4
3	7660200001	Nut, 0.63"-11NC	12
4	7950200000	Lockwasher, 0.63" ID	12
5	70050147	Rivet	4
6	70050384	Plate	1
7	70050398	Kit - Cable Hold Down	1
8	9073960004	Base Mount	2
9	7115202250	Capscrew, 0.63"-11NC x 2.75"	8

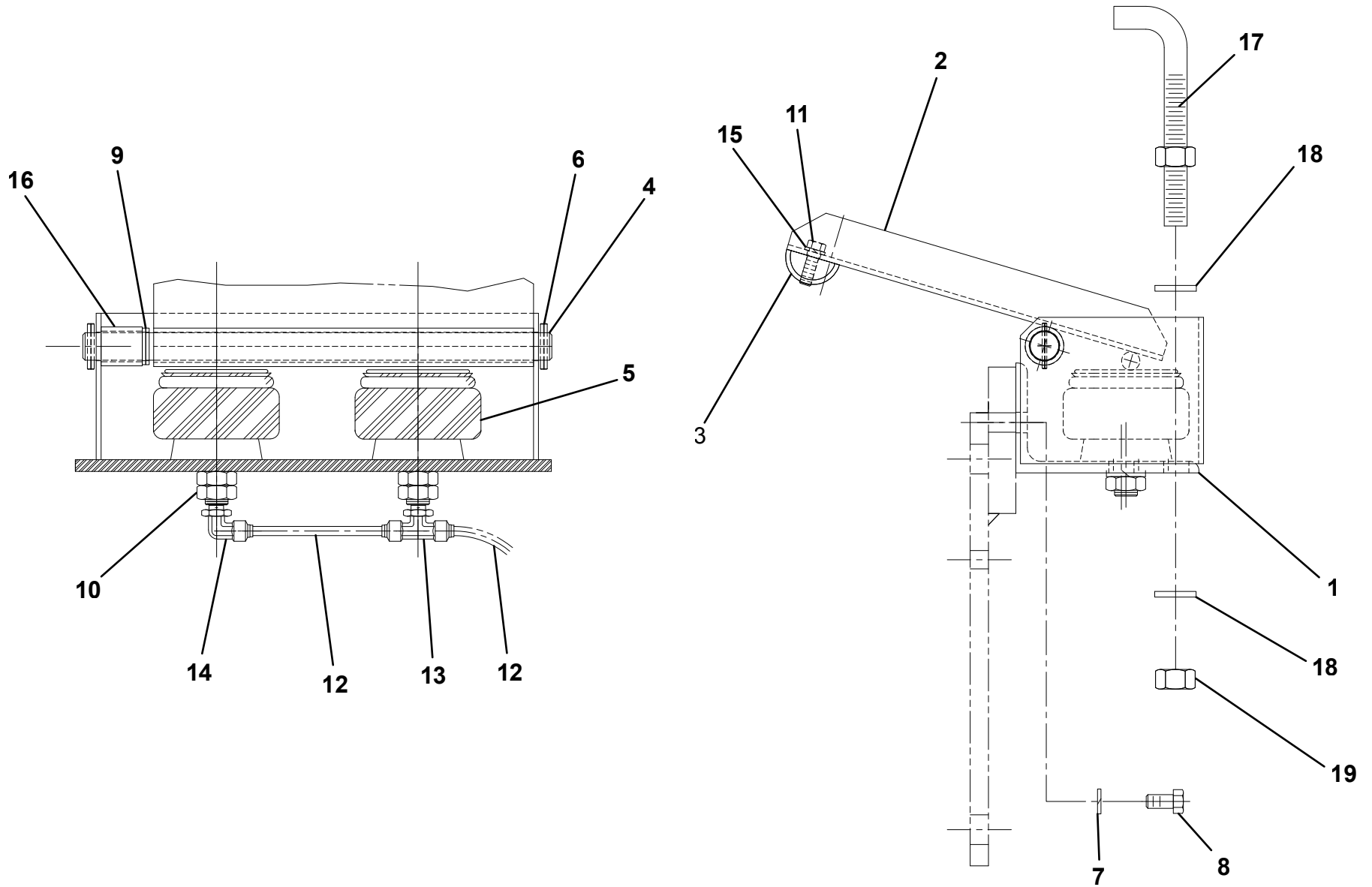
DP WINCH 25K - 7970000050 - BASE MOUNT INSTALLATION



DP WINCH 25K - 7970000050 - CABLE HOLD DOWN KIT

ITEM	PART NO.	DESCRIPTION	QTY
1	9178960011	Bracket - Mounting	1
2	9020960002	Arm - Pivot	1
3	9064960007	Bar - Rub - 1.50" - Half Round	1
4	9691960019	Pin, Pivot	1
5	9843960023	Spring - Cushion - Air - Goodyear	2
6	9690960039	Pin, Cotter 0.19" x 1.50"	2
7	7950180000	Lockwasher, 0.59" ID Nom Reg	2
8	7115181650	Capscrew, 0.50"-13NC x 2.00"	2
9	9949960012	Washer - Thrust	2
10	7660200200	Nut, 0.63"-11NC Hex Jam	4
11	9120960063	Capscrew, 0.31"-18NC x 1.00"	2
12	9912960010	Tubing - Nylon - 0.25" OD	3
13	7443000205	Adapter - Tee - Branch	3
14	7443000204	Adapter - 90 Degree	1
15	9949960050	Lockwasher, 0.31" ID	2
16	9831960009	Spacer - Pin - 1.12"	1
17	9120960019	Bolt - Anchor	1
18	7950200151	Flatwasher, 0.63" ID	2
19	7660200001	Nut .63"-11NC GR5 Hex - Plated	1

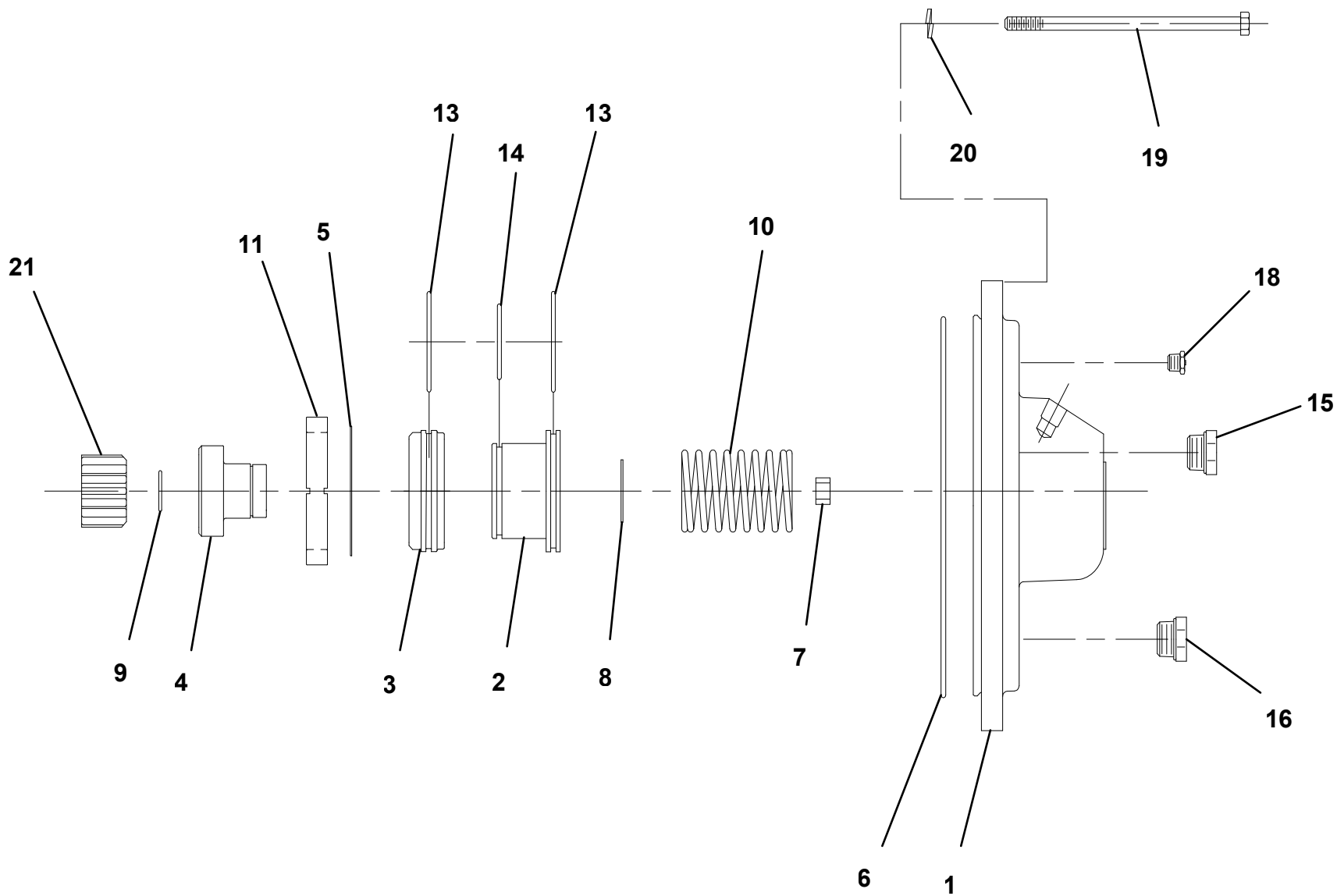
DP WINCH 25K - 7970000050 - CABLE HOLD DOWN KIT



DP WINCH 25K - 7970000050 - GEAR END COVER INSTALLATION

ITEM	PART NO.	DESCRIPTION	QTY
1	9314960022	Cover - Gear End	1
2	9698960016	Piston	1
3	9698960015	Piston	1
4	9309960011	Coupling - Drive	1
5	9754960026	Retaining Ring	1
6	9796960120	O-Ring	1
7	9209960026	Bushing	1
8	9754960046	Retaining Ring	1
9	9754960047	Retaining Ring	1
10	9843960032	Spring - Compression	1
11	9949960028	Washer	1
13	9796960119	O-Ring	2
14	9796960118	O-Ring	1
15	9701960011	Plug	1
15	70050998	O-Ring	1
16	9701960012	Plug	1
16	70050998	O-Ring	1
17	9701960018	Plug	1
18	9183960001	Vent - Relief	1
19	70050995	Capscrew, 0.38"-16NC x 5.50"	12
20	7950160000	Lockwasher 0.38" ID	12
21	9472960054	Gear	1

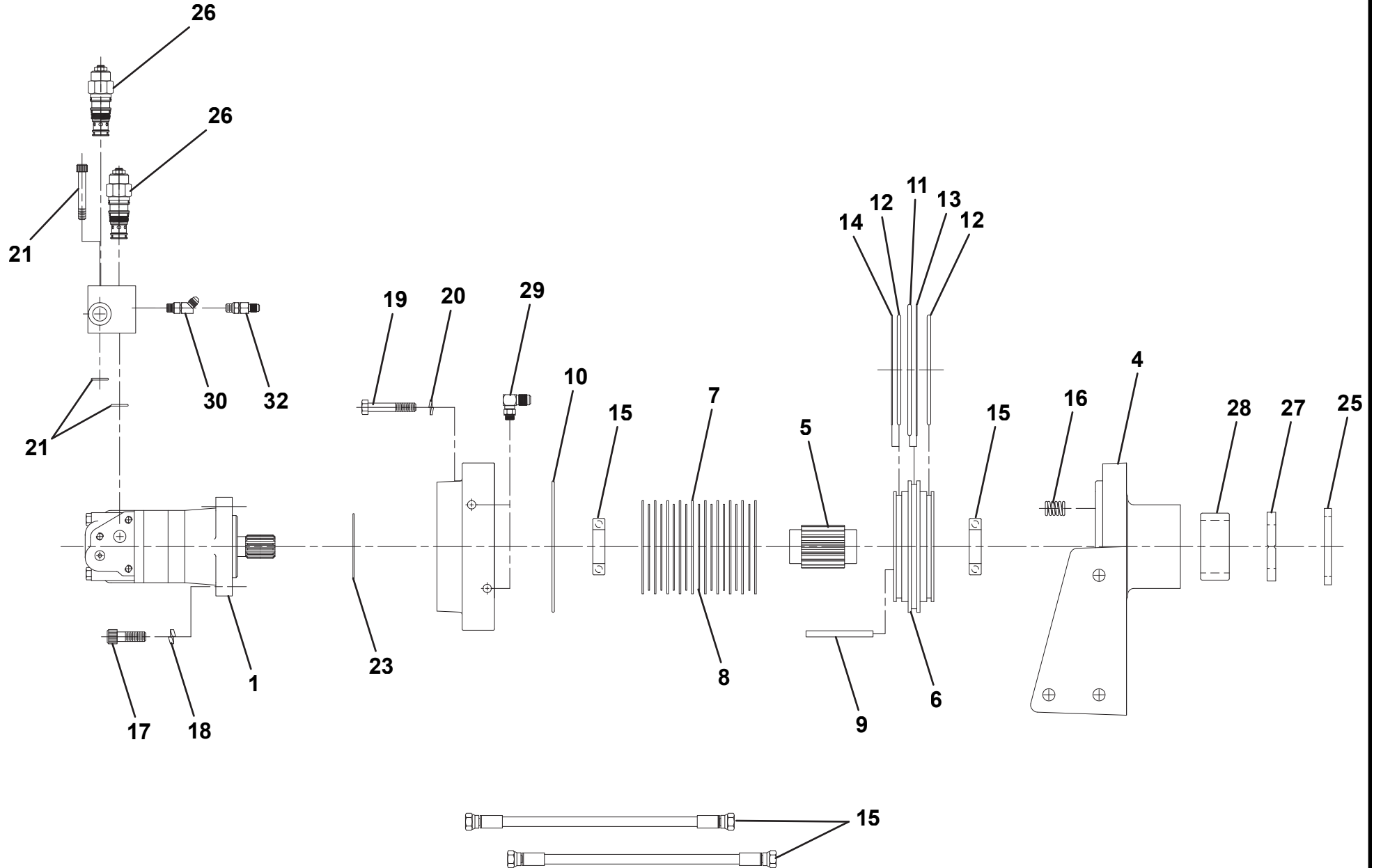
DP WINCH 25K - 7970000050 - GEAR END COVER INSTALLATION



DP WINCH 35K - 7970000066 (PRIOR TO S/N 0230004251) MOTOR END INSTALLATION

ITEM	PART NO.	DESCRIPTION	QTY	ITEM	PART NO.	DESCRIPTION	QTY
1	9626960018	Motor - Hydraulic	1	31	9443960006	Fitting, Straight Adapter	1
2	9935960027	Valve - Counterbalance	1	32	9796960088	O-Ring - 0.81" I. x 0.09" Section	2
3	9571960006	Brake - Housing	1				
4	9177960004	Support - Motor End	1				
5	9806960019	Shaft - Brake	1				
6	9698960008	Piston - Brake	1				
7	NSS	Plate - Disc - Friction (Sold Only in Kit #9577960139)	10				
8	NSS	Plate - Drive - Brake (Sold Only in Kit #9577960139)	9				
9	9691960021	Pin - Dowel - 0.31" Dia. x 3.50"	2				
10	NSS	O-Ring - 7.00" OD x 6.75" ID (Sold Only in Kit #9577960120)	1				
11	NSS	O-Ring - 6.50" OD x 6.12" ID (Sold Only in Kit #9577960120)	1				
12	NSS	O-Ring - 5.38" OD x 5.00" ID (Sold Only in Kit #9577960120)	2				
13	NSS	Ring - Back-Up - 6.25" ID (Sold Only in Kit #9577960120)	1				
14	NSS	Ring - Back-Up - 5.278" ID (Sold Only in Kit #9577960120)	1				
15	9082960013	Ball - Bearing - 1.75" ID	2				
16	NSS	Spring - Compression 0.75" (Sold Only in Kit (577960139)	12				
17	7118181205	Capscrew, 0.50"-13NC x 1.50" Socket Head GR 8	2				
18	7950180800	Lockwasher, 0.50" ID	2				
19	7118172050	Capscrew, 0.44"-14NC x 2.50" GR 8	6				
20	7950170000	Lockwasher, 0.44" ID	6				
21	7118162005	Capscrew, 0.38"-16NC x 2.50"	3				
22	9570960001	Hose, 0.25 Dia	2				
23	9796960090	O-Ring - 3.00" OD x 2.75" ID	1				
24	70050401	Tag - Warning (Not Shown on Drawing)	1				
25	9796960121	Seal - Shaft - 3.12" ID x 4" OD x 0.38 Thick	1				
26	9935960026	Cartridge - Counterbalance	2				
27	9949960028	Washer - Thrust - Nylon - 3.81 x .406	1				
28	9082960018	Bearing - Roller - Torrington	1				
29	7445040445	Fitting, Swivel Adapter 90 Degree	2				
30	7445040446	Fitting, Swivel Adapter 45 Degree	1				

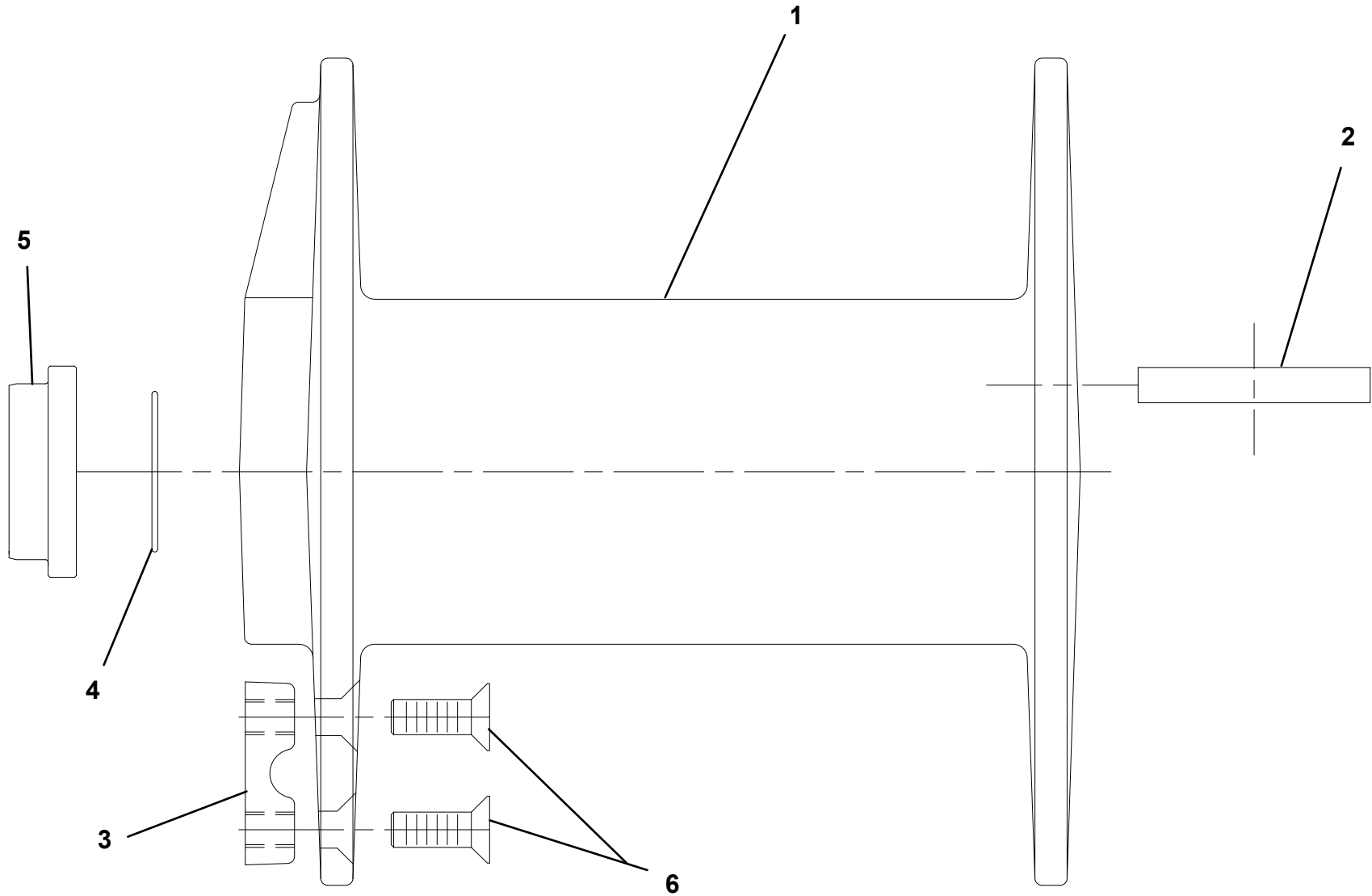
DP WINCH 35K - 7970000066 - MOTOR END INSTALLATION (PRIOR TO S/N 0230004251)



DP WINCH 35K - 7970000066 - DRUM INSTALLATION

ITEM	PART NO.	DESCRIPTION	QTY
1	9970960020	Drum	1
2	9575960012	Key - Drum	2
3	9280960002	Clip - Cable	1
4	9796960089	O-Ring	1
5	9831960018	Spacer	1
6	7110201423	Capscrew, 0.63"-11NC X 1.75"	2

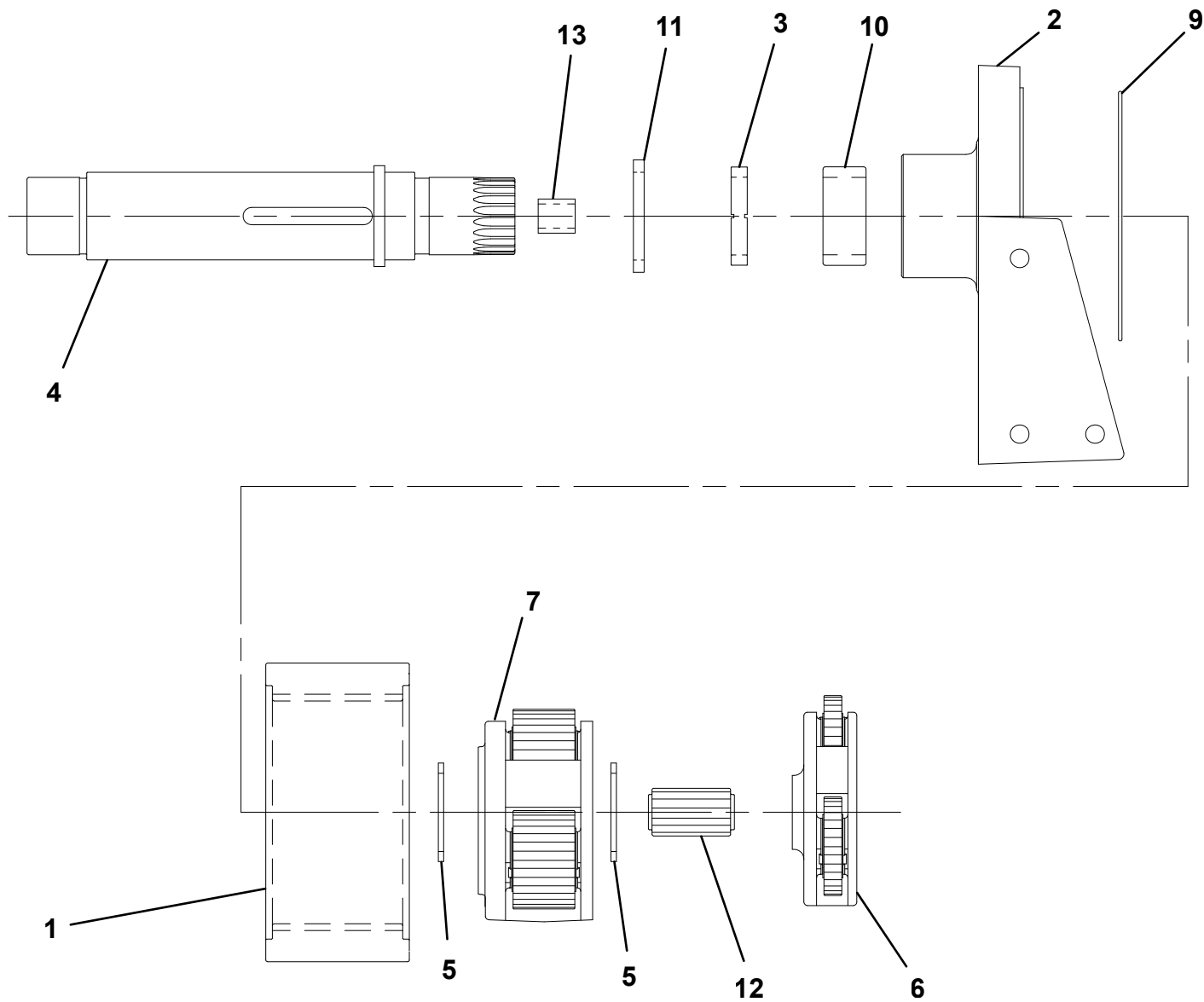
DP WINCH 35K - 7970000066 - DRUM INSTALLATION



DP WINCH 35K - 7970000066 - GEAR END INSTALLATION

ITEM	PART NO.	DESCRIPTION	QTY
1	9472960056	Gear - Ring	1
2	9177960003	Support - Gear End	1
3	9949960028	Washer - Thrust - Nylon - 3.81 x .406	1
4	9806960021	Shaft - Output	1
5	9949960027	Washer - Thrust- Nylon - 3.50" O.D. x 0.18"	2
6	9472960052	Assembly - Carrier - Planetary - Primary	1
7	9472960053	Carrier - Assembly - Secondary	1
8	9330960006	Label - Warning (Not Shown on Drawing)	1
9	9796960120	O-Ring - 8.75" I.D. x .012" Section	1
10	9082960018	Bearing - Roller - Torrington	1
11	9796960121	Seal - Shaft - 3.12" ID x 4" OD x 0.38 Thick	1
12	9472960055	Gear - Sun - 15 Teeth	1
13	9209960025	Bushing - 1.00" I.D. x 1.25" OD x 1.00" LG	1

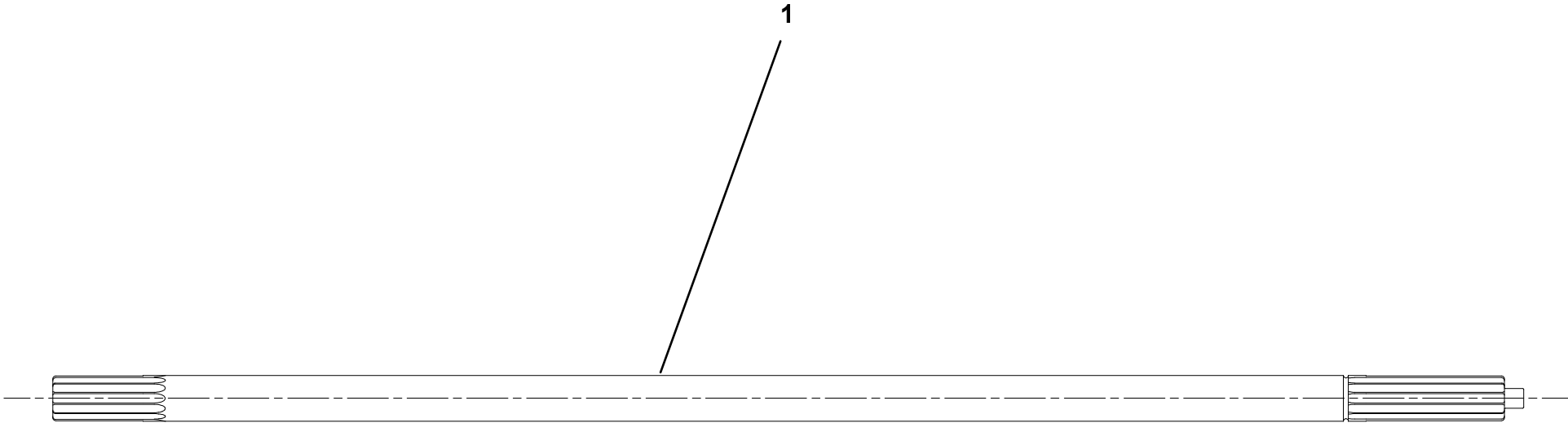
DP WINCH 35K - 7970000066 - GEAR END INSTALLATION



DP WINCH 35K - 7970000066 - INPUT SHAFT

ITEM	PART NO.	DESCRIPTION	QTY
1	9806960020	Input - Shaft	1

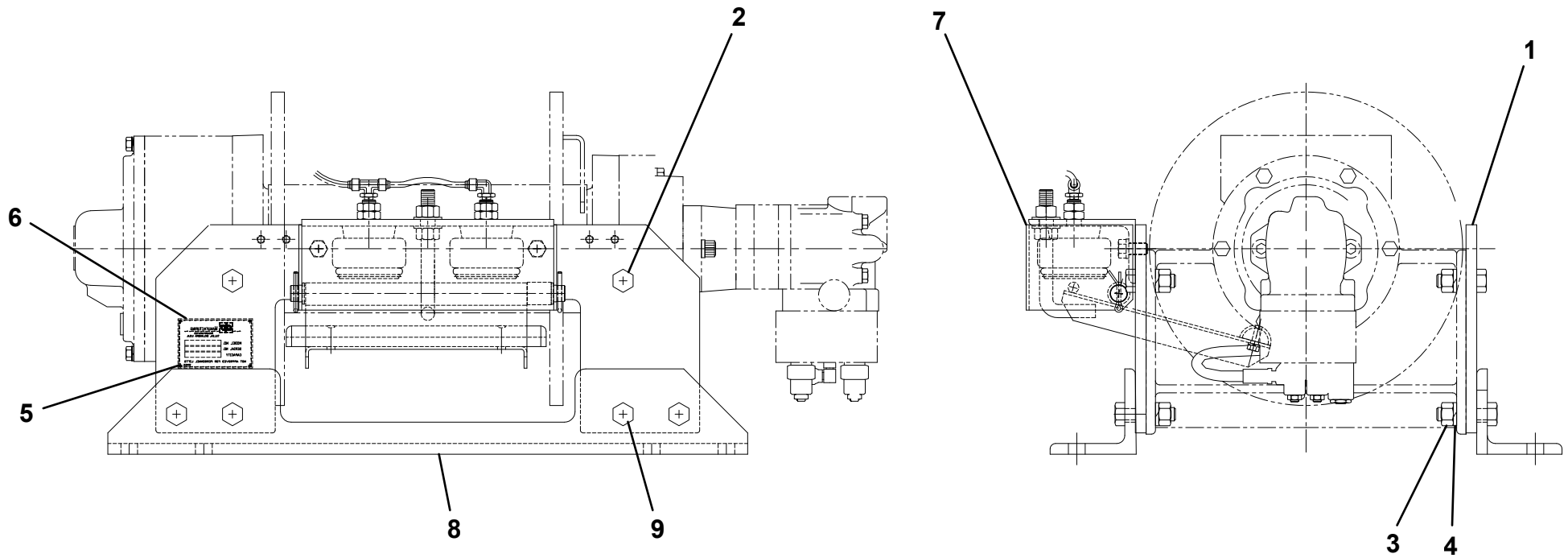
DP WINCH 35K - 7970000066 - INPUT SHAFT



DP WINCH 35K - 7970000066 - BASE MOUNT INSTALLATION

ITEM	PART NO.	DESCRIPTION	QTY
1	9073960003	Base Mount	2
2	7115201850	Capscrew, 0.63"-11NC x 2.25"	4
3	7660200001	Nut .63"-11NC	12
4	7950200000	Lockwasher, 0.63"	12
5	70050147	Rivet	4
6	70050384	Plate	1
7	70050398	Kit - Cable Hold Down	1
8	9073960004	Base Mount	2
9	7115202250	Capscrew, 0.63"-11NC x 2.75"	8

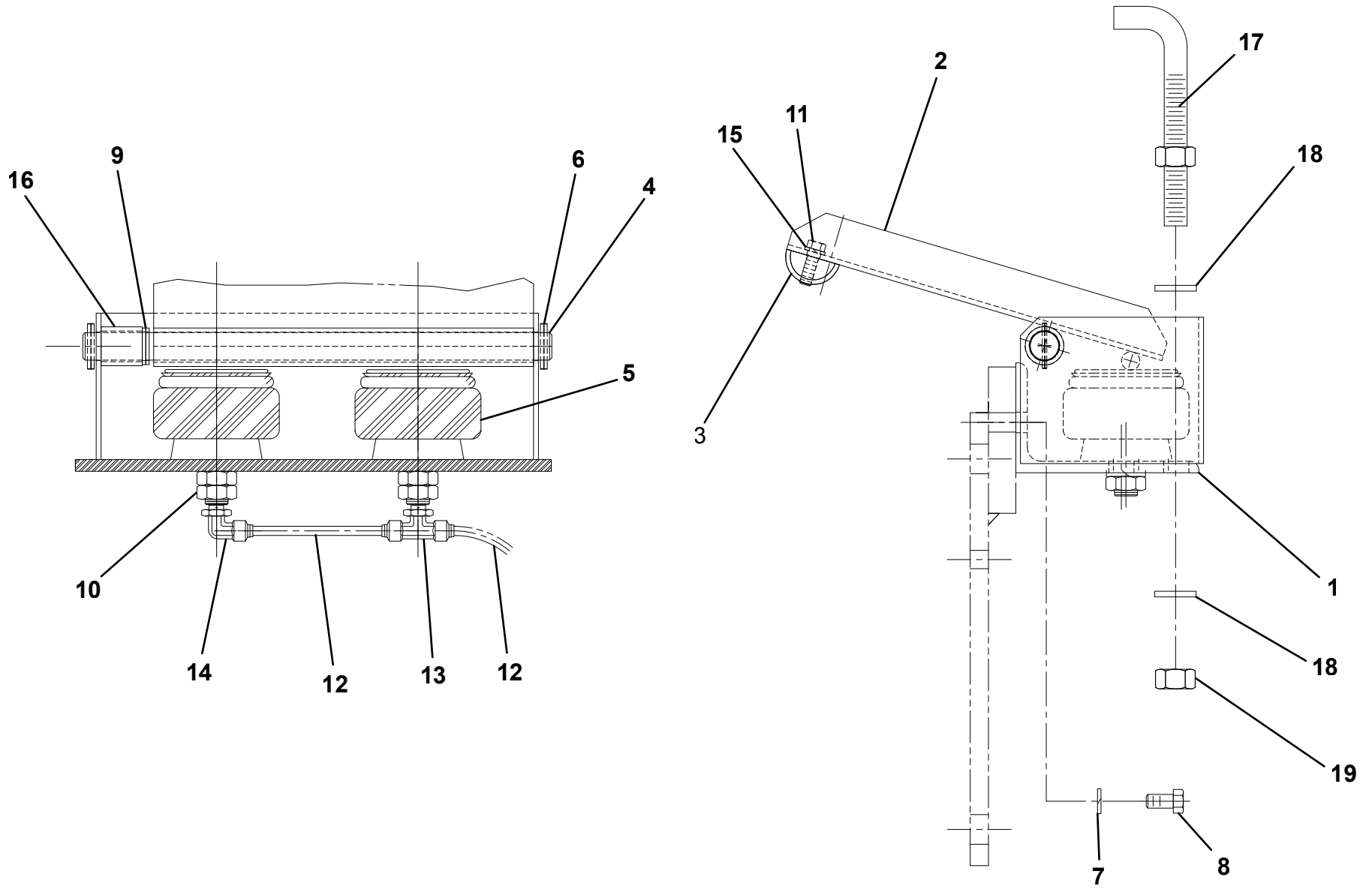
DP WINCH 35K - 7970000066 - BASE MOUNT INSTALLATION



DP WINCH 35K - 7970000066 - CABLE HOLD DOWN KIT

ITEM	PART NO.	DESCRIPTION	QTY
1	9178960011	Bracket - Mounting	1
2	9020960002	Arm - Pivot	1
3	9064960007	Bar - Rub - 1.50" - Half Round	1
4	9691960019	Pin, Pivot	1
5	9843960023	Spring - Cushion - Air - Goodyear	2
6	9690960039	Pin, Cotter 0.19" x 1.50"	2
7	7950180000	Lockwasher, 0.59" ID Nom Reg	2
8	7115181650	Capscrew, 0.50"-13NC x 2.00"	2
9	9949960012	Washer - Thrust	2
10	7660200200	Nut, 0.63"-11NC Hex Jam	4
11	9120960063	Capscrew, 0.31"-18NC x 1.00"	2
12	9912960010	Tubing - Nylon - 0.25" OD	3
13	7443000205	Adapter - Tee - Branch	3
14	7443000204	Adapter - 90 Degree	1
15	9949960050	Lockwasher, 0.31" ID	2
16	9831960009	Spacer - Pin - 1.12"	1
17	9120960019	Bolt - Anchor	1
18	7950200151	Flatwasher, 0.63" ID	2
19	7660200001	Nut .63"-11NC GR5 Hex - Plated	1

DP WINCH 35K - 7970000066 - CABLE HOLD DOWN KIT



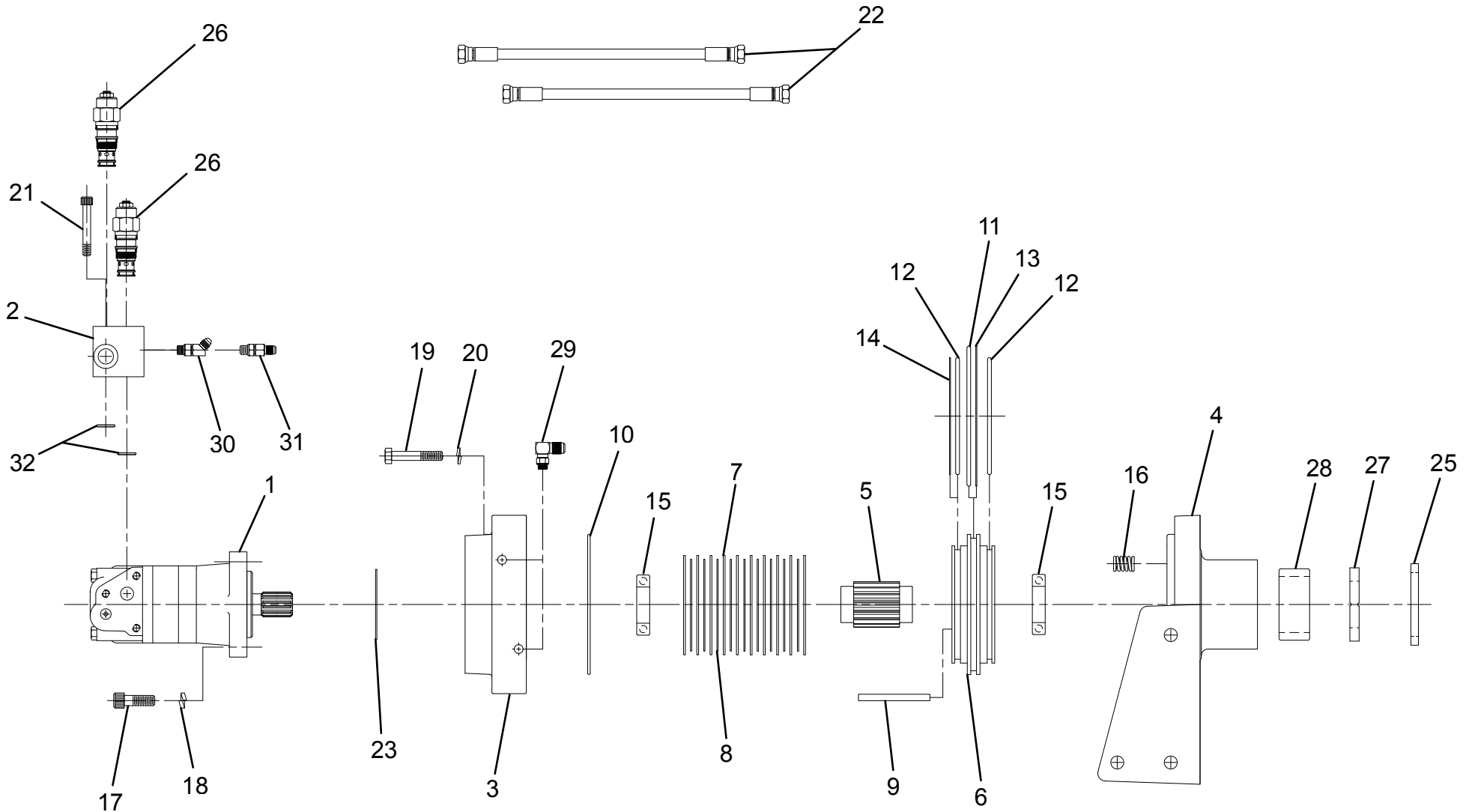
DP WINCH 35K - 7970000066 - GEAR END COVER INSTALLATION

ITEM	PART NO.	DESCRIPTION	QTY
1	9314960022	Cover - Gear End	1
2	9698960016	Piston	1
3	9698960015	Piston	1
4	9309960011	Coupling - Drive	1
5	9754960026	Retaining Ring	1
6	9796960120	O-Ring	1
7	9209960026	Bushing	1
8	9754960046	Retaining Ring	1
9	9754960047	Retaining Ring	1
10	9843960032	Spring - Compression	1
11	9949960028	Washer	1
12	9796960119	O-Ring	2
13	9796960118	O-Ring	1
14	9701960011	Plug	1
15	9701960012	Plug	1
16	9701960018	Plug	1
17	9183960001	Vent - Relief	1
18	7118165250	Capscrew, 0.38"-16NC x 6.50"	12
19	7950160000	Lockwasher 0.38" ID	12
20	9472960054	Gear	1

DP WINCH 35K - 7970000067 (PRIOR TO S/N 0230004251) MOTOR END INSTALLATION

ITEM	PART NO.	DESCRIPTION	QTY	ITEM	PART NO.	DESCRIPTION	QTY
1	9626960018	Motor- Hydraulic	1	31	9443960006	Fitting, Straight Adapter	1
2	9935960027	Valve - Counterbalance	1	32	9796960088	O-Ring - 0.81" I. x 0.09" Section	2
3	9571960006	Brake - Housing	1				
4	9177960004	Support - Motor End	1				
5	9806960019	Shaft - Brake	1				
6	9698960008	Piston - Brake	1				
7	NSS	Plate - Disc - Friction (Sold Only in Kit #9577960139)	10				
8	NSS	Plate - Drive - Brake (Sold Only in Kit # 9577960139)	9				
9	9691960021	Pin - Dowel - 0.31" Dia. x 3.50"	2				
10	NSS	O-Ring - 7.00" OD x 6.75" ID (Sold Only in Kit #9577960120)	1				
11	NSS	O-Ring - 6.84" OD x 6.50" ID (Sold Only in Kit #9577960120)	1				
12	NSS	O-Ring - 5.38" OD x 5.00 ID (Sold Only in Kit #9577960120)	2				
13	NSS	Ring - Back-Up - 6.25" ID (Sold Only in Kit #9577960120)	1				
14	NSS	Ring - Back-Up - 5.278" ID (Sold Only in Kit #9577960120)	1				
15	9082960013	Ball - Bearing - 1.75" I.D.	2				
16	NSS	Spring - Compression - 0.75" (Sold Only in Kit # 9577960139)	12				
17	7118181205	Capscrew, 0.50"-13NC x 1.50" Socket Head GR 8	2				
18	7950180800	Lockwasher, 0.50" ID	2				
19	7118172050	Capscrew, 0.44"-14NC x 2.50" GR 8	6				
20	7950170000	Lockwasher, 0.44" ID	6				
21	7118162005	Capscrew, 0.38"-16NC x 2.50"	3				
22	9570960001	Hose, 0.25 DIA	2				
23	9796960090	O-Ring - 3.00" OD x 2.75" ID	1				
24	70050401	Tag - Warning (Not Shown On Drawing)	1				
25	9796960121	Seal - Shaft - 3.12" ID x 4" OD x 0.38 Thick	1				
26	9935960026	Cartridge - Counterbalance	2				
27	9949960028	Washer - Thrust - Nylon - 3.81 x .406	1				
28	9082960018	Bearing - Roller - Torrington	1				
29	9445040445	Fitting, Swivel Adapter 90 Degree	2				
30	7445040446	Fitting, Swivel Adapter 45 Degree	1				

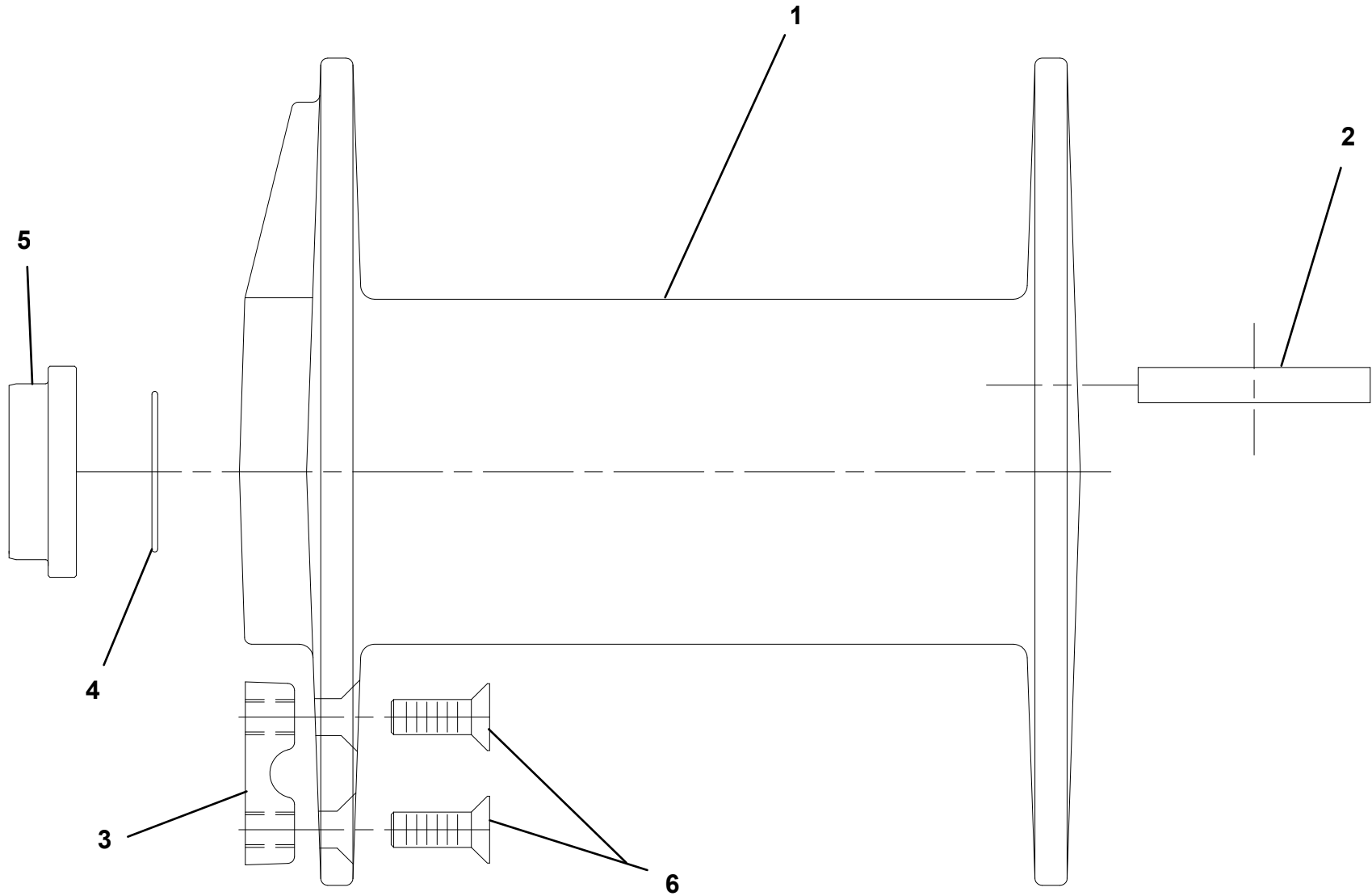
DP WINCH 35K - 7970000067 - MOTOR END INSTALLATION (PRIOR TO S/N 0230004251)



DP WINCH 35K - 7970000067 - DRUM INSTALLATION

ITEM	PART NO.	DESCRIPTION	QTY
1	9970960020	Drum	1
2	9575960012	Key - Drum	2
3	9280960002	Clip - Cable	1
4	9796960089	O-Ring	1
5	9831960018	Spacer	1
6	7110201423	Capscrew, 0.63"-11NC X 1.75"	2

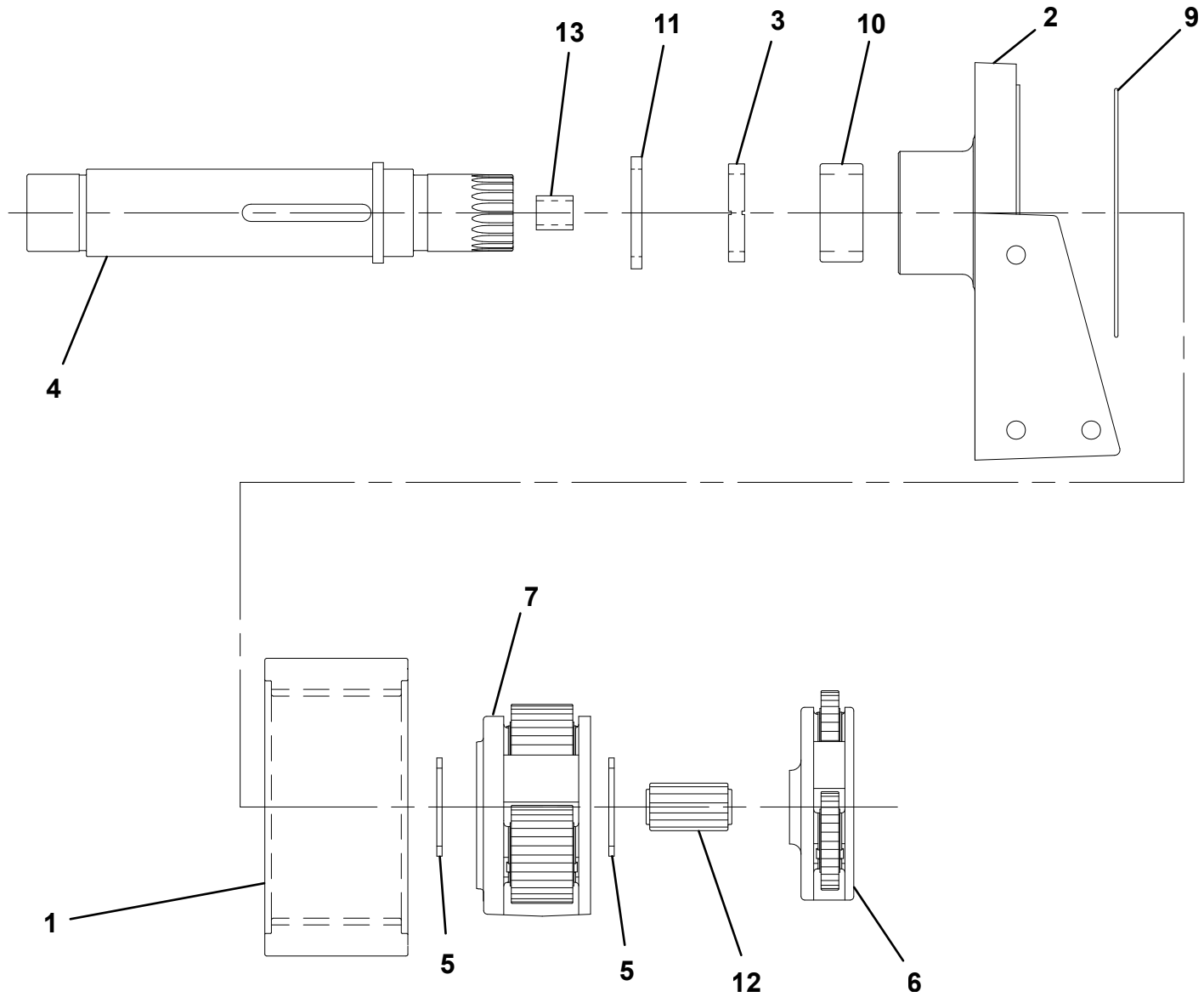
DP WINCH 35K - 7970000067 - DRUM INSTALLATION



DP WINCH 35K - 7970000067 - GEAR END INSTALLATION

ITEM	PART NO.	DESCRIPTION	QTY
1	9472960056	Gear - Ring	1
2	9177960003	Support - Gear End	1
3	9949960028	Washer - Thrust - Nylon - 3.81 x .406	1
4	9806960021	Shaft - Output	1
5	9949960027	Washer - Thrust- Nylon - 3.50" O.D. x 0.18"	2
6	9472960052	Assembly - Carrier - Planetary - Primary	1
7	9472960053	Carrier - Assembly - Secondary	1
8	9330960006	Label - Warning (Not Shown on Drawing)	1
9	9796960120	O-Ring - 8.75" I.D. x .012" Section	1
10	9082960018	Bearing - Roller - Torrington	1
11	9796960121	Seal - Shaft - 3.12" ID x 4" OD x 0.38 Thick	1
12	9472960055	Gear - Sun - 15 Teeth	1
13	9209960025	Bushing - 1.00" I.D. x 1.25" OD x 1.00" LG	1

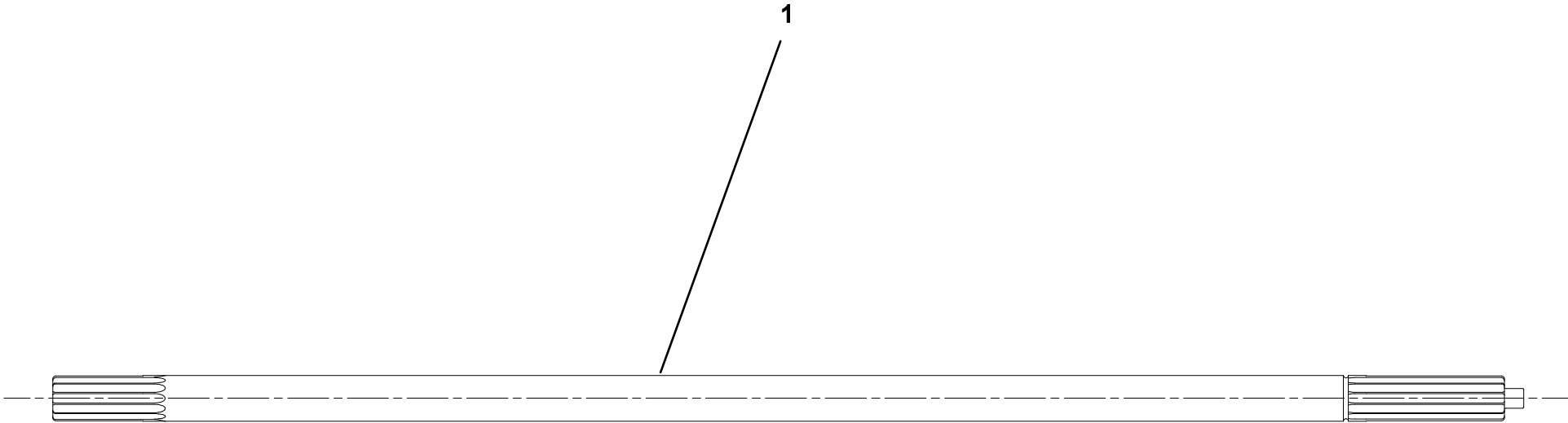
DP WINCH 35K - 7970000067 - GEAR END INSTALLATION



DP WINCH 35K - 7970000067 - INPUT SHAFT

ITEM	PART NO.	DESCRIPTION	QTY
1	9806960020	Input - Shaft	1

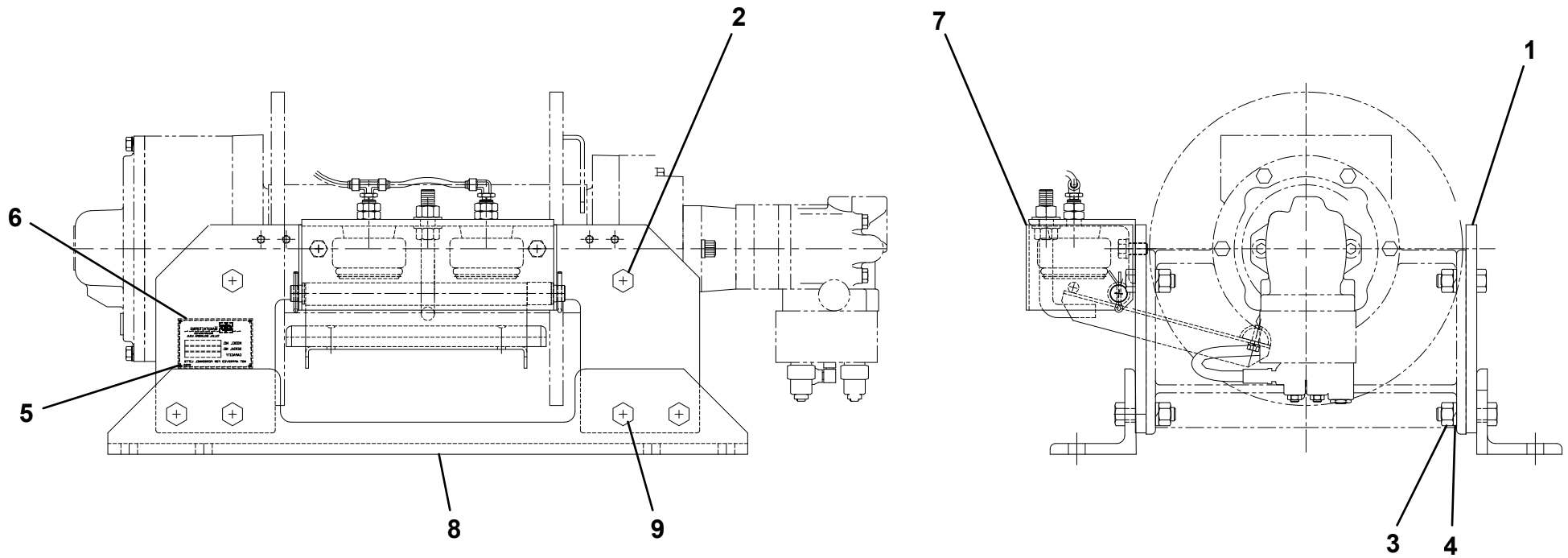
DP WINCH 35K - 7970000067 - INPUT SHAFT



DP WINCH 35K - 7970000067 - BASE MOUNT INSTALLATION

ITEM	PART NO.	DESCRIPTION	QTY
1	9073960003	Base Mount	2
2	7115201850	Capscrew 0.63"-11NC x 2.25"	4
3	7660200001	Nut .63"-11NC	12
4	7950200000	Lockwasher, 0.63" ID	12
5	70050147	Rivet	4
6	70050384	Plate	1
7	70050398	Kit - Cable Hold Down	1
8	9073960004	Base Mount	2
9	7115202250	Capscrew, 0.63"-11NC x 2.75"	8

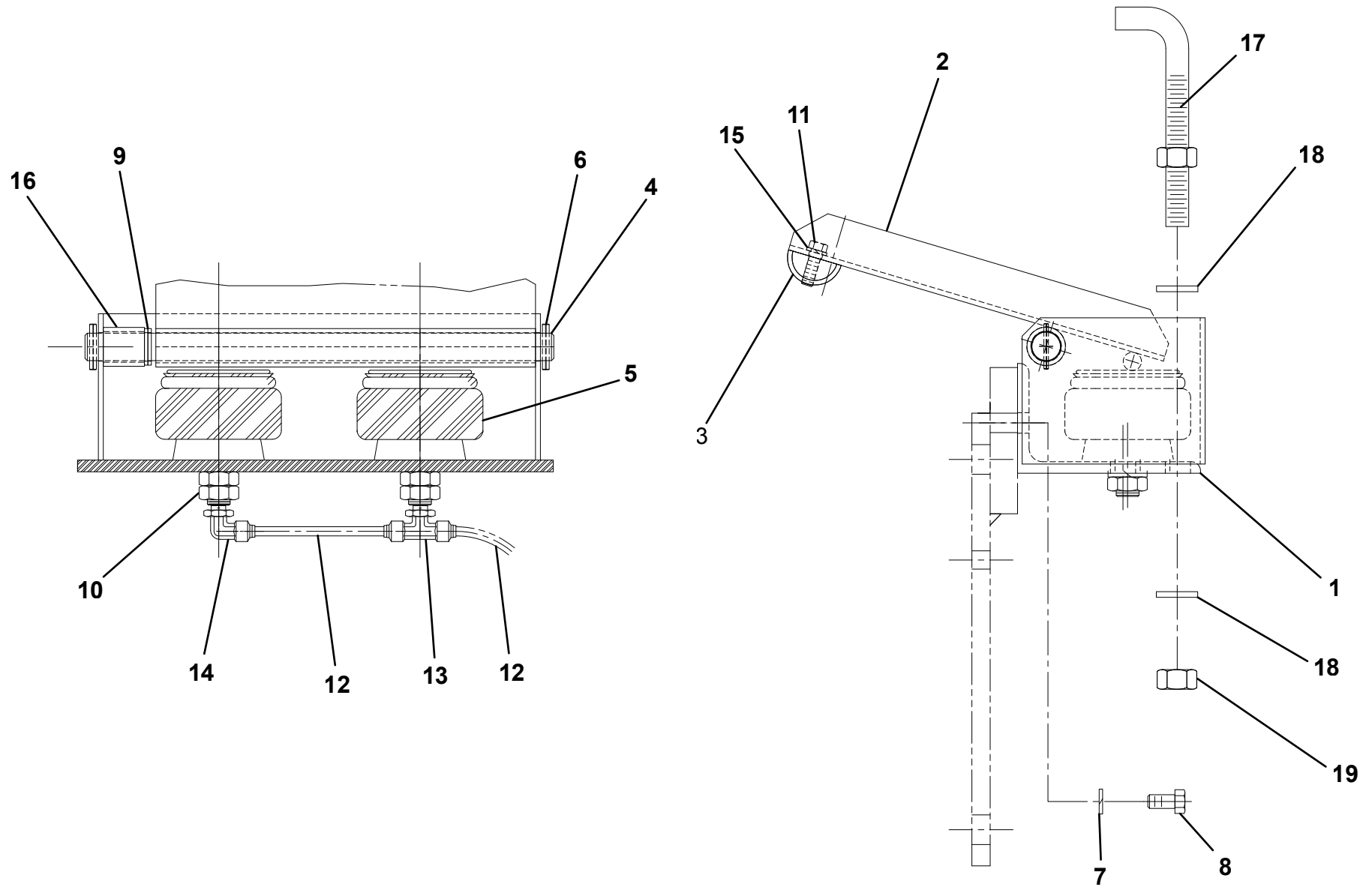
DP WINCH 35K - 7970000067 - BASE MOUNT INSTALLATION



DP WINCH 35K - 7970000067 - CABLE HOLD DOWN KIT

ITEM	PART NO.	DESCRIPTION	QTY
1	9178960011	Bracket - Mounting	1
2	9020960002	Arm - Pivot	1
3	9064960007	Bar - Rub - 1.50" - Half Round	1
4	9691960019	Pin, Pivot	1
5	9843960023	Spring - Cushion - Air - Goodyear	2
6	9690960039	Pin, Cotter 0.19" x 1.50"	2
7	7950180000	Lockwasher, 0.59" ID Nom Reg	2
8	7115181650	Capscrew, 0.50"-13NC x 2.00"	2
9	9949960012	Washer - Thrust	2
10	7660200200	Nut, 0.63"-11NC Hex Jam	4
11	9120960063	Capscrew, 0.31"-18NC x 1.00"	2
12	9912960010	Tubing - Nylon - 0.25" OD	3
13	7443000205	Adapter - Tee - Branch	3
14	7443000204	Adapter - 90 Degree	1
15	9949960050	Lockwasher, 0.31" ID	2
16	9831960009	Spacer - Pin - 1.12"	1
17	9120960019	Bolt - Anchor	1
18	7950200151	Flatwasher, 0.63" ID	2
19	7660200001	Nut .63"-11NC GR5 Hex - Plated	1

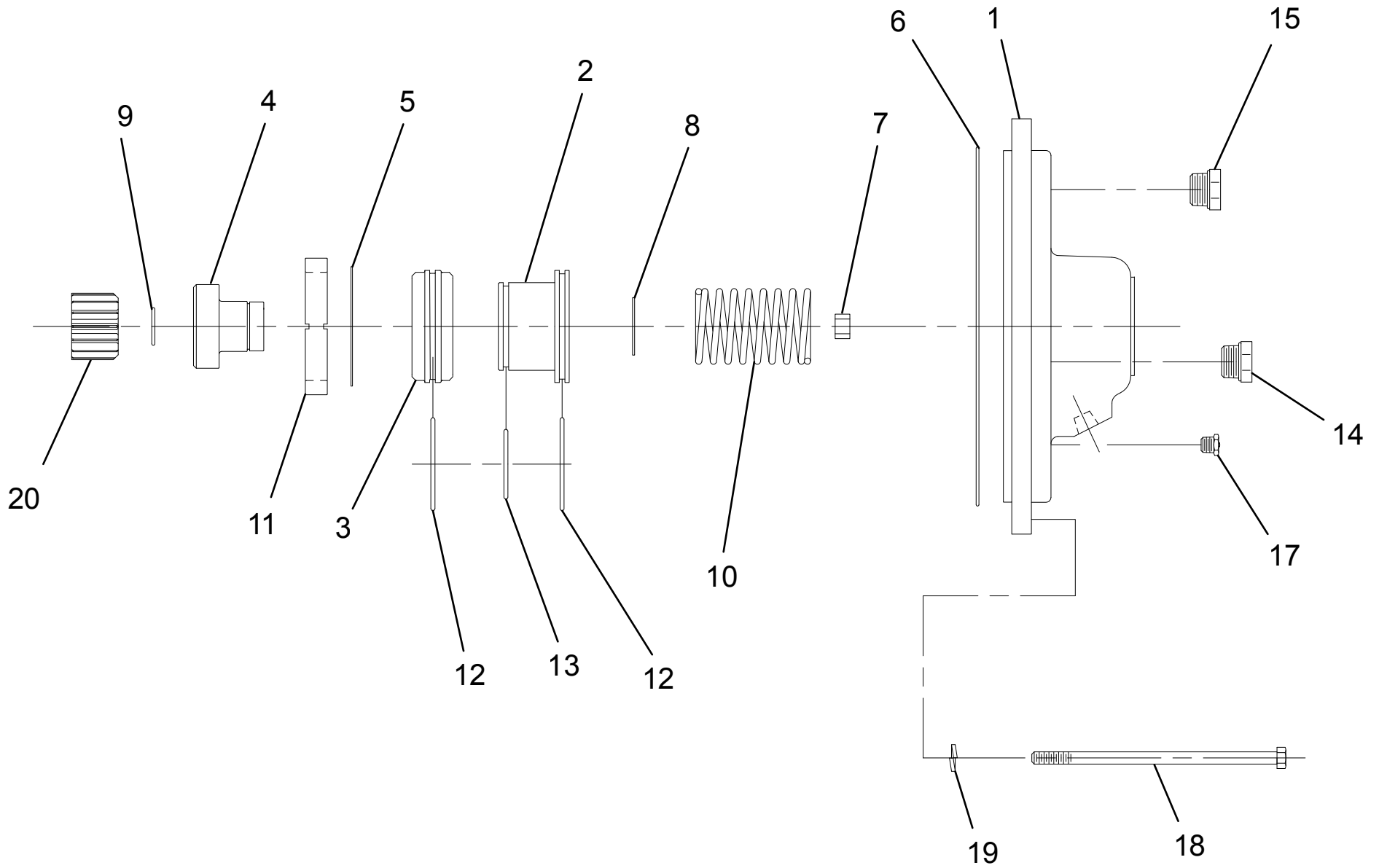
DP WINCH 35K - 7970000067 - CABLE HOLD DOWN KIT



DP WINCH 35K - 7970000067 - GEAR END COVER INSTALLATION

ITEM	PART NO.	DESCRIPTION	QTY
1	9314960022	Cover - Gear End	1
2	9698960016	Piston - AKO B/C/D	1
3	9698960015	Cylinder - Piston	1
4	9309960011	Coupling - Drive	1
5	9754960026	Ring - Retainer - Round Section - 3.00" OD x 3.40	1
6	9796960120	O-Ring - 8.75" I.D. x .012" Section	1
7	9209960026	Bushing - Bronze - 0.63" I.D. x 0.38" OD x 0.38"	1
8	9754960046	Ring - Retainer - 1.25" x 0.05 TH\hk	1
9	9754960047	Ring - Retainer - 0.88" x 0.08" - Round Section	1
10	9843960032	Spring - Compression	1
11	9949960028	Washer - Thrust - Nylon - 3.81 x .406	1
12	9796960119	O-Ring - 2.63" ID x 0.13" Section	2
13	9796960118	O-Ring - 2.13"ID x 2.38" OD Section	1
14	9701960011	Plug - O-Ring Boss - #10 Socket Head - 0.88" - 14	1
15	9701960012	Plug- Socket Head - Boss - O-Ring #10	1
16	9701960018	Caplug - #4 Red - 0.25" NPT (Not Shown on Drawing)	1
17	9183960001	Vent - Relief	1
18	7118165250	Capscrew, 0.38"-16NC x 6.50" GR 8	12
19	7950160000	Lockwasher 0.38" ID - Plated	12
20	9472960054	Gear - Sun - 15 Teeth	1

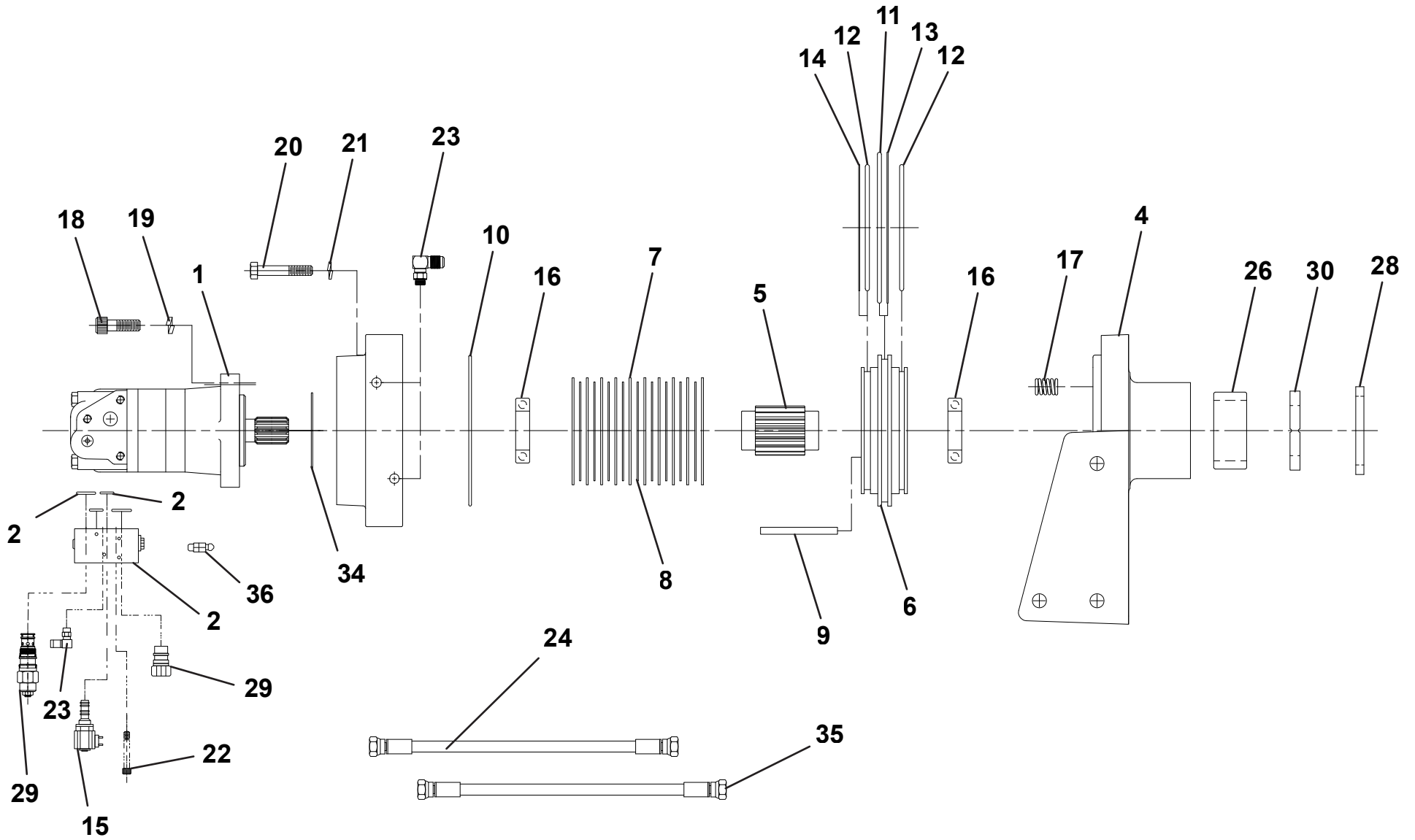
DP WINCH 35K - 7970000067 - GEAR END COVER INSTALLATION



DP WINCH 35K - 1001210256 (S/N 0230004251 TO PRESENT) MOTOR END INSTALLATION

ITEM	PART NO.	DESCRIPTION	QTY
1	70050399	Motor, Hydraulic	1
2	70050368	Valve, Counterbalance	1
3	9571960006	Housing, Brake	1
4	9177960004	Support, Motorend	1
5	9806960019	Shaft	1
6	9698960008	Piston	1
7	9706960023	Plate	10
8	70051302	Plate	9
9	9691960021	Pin	2
10	70051307	O-Ring	1
11	70051305	Ring	1
12	70051303	O-Ring	2
13	70051306	Ring	1
14	70051304	O-Ring	1
15	70050371	Valve, Cartridge	1
16	9082960013	Bearing	2
17	9843960024	Spring	12
18	7118181205	Capscrew, 0.50" - 13NC x 1.50"	2
19	7950180800	Washer, 0.50" ID	2
20	7118172050	Capscrew, 0.43" - 14NC x 2.50"	6
21	7950170000	Washer, 0.43" ID	6
22	70050370	Capscrew, 0.38" - 24NC X 2.50"	4
23	7445040445	Fitting	3
24	70050372	Hose	1
25	70050401	Tag	1
26	9082960018	Bearing	1
28	9796960121	Seal	1
29	9935960026	Cartridge	2
30	9949960028	Washer	1
34	9796960090	O-Ring	1
35	70051309	O-Ring	1
36	9443960006	Fitting	1

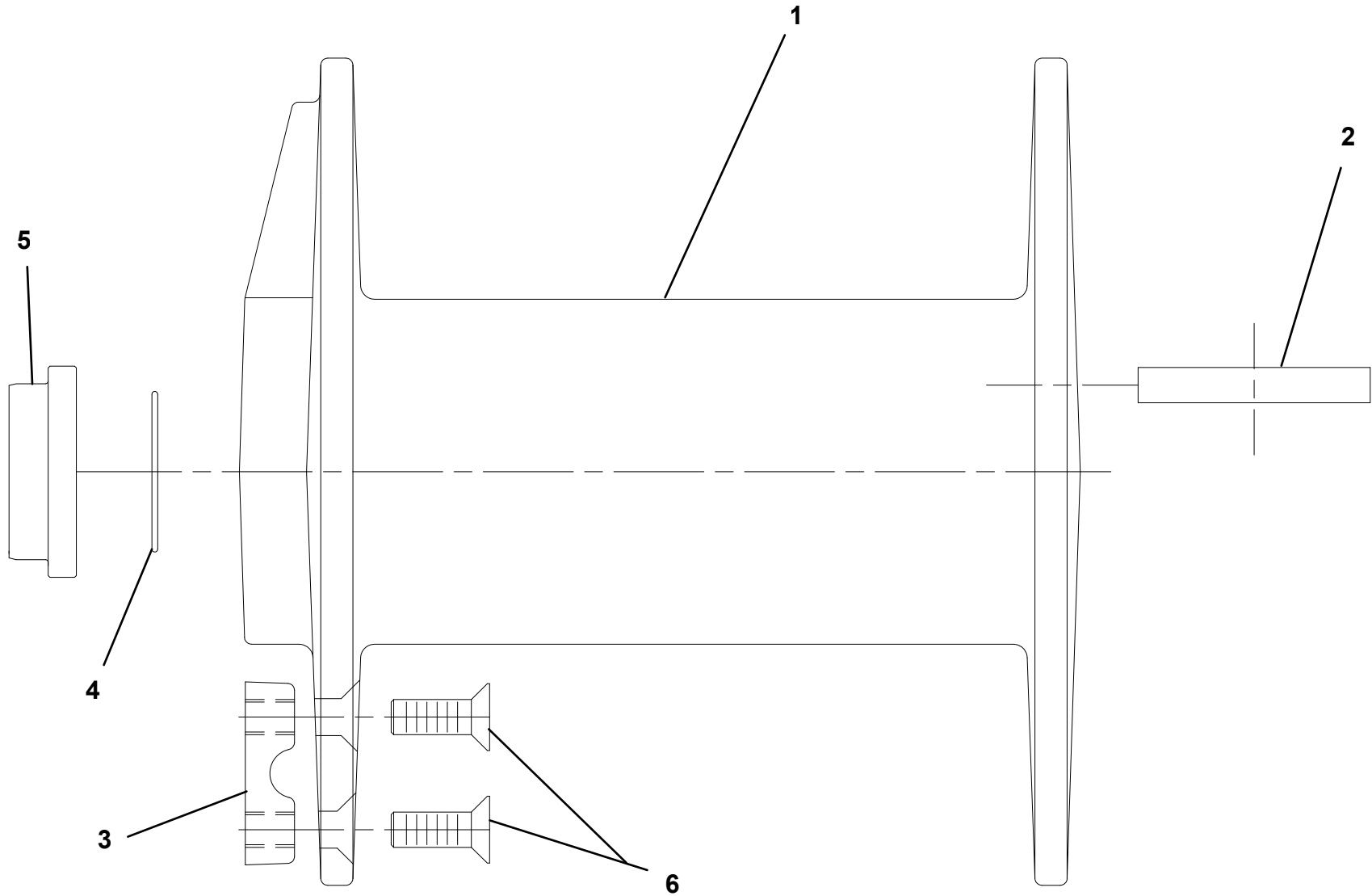
DP WINCH 35K - 1001210256 - MOTOR END INSTALLATION (S/N 0230004251 TO PRESENT)



DP WINCH 35K - 1001210256 - DRUM INSTALLATION (PRIOR TO S/N 0230004251)

ITEM	PART NO.	DESCRIPTION	QTY
1	9970960020	Drum	1
2	9575960012	Key - Drum	2
3	9280960002	Clip - Cable	1
4	9796960089	O-Ring	1
5	9831960018	Spacer	1
6	7110201423	Capscrew, 0.63"-11NC X 1.75"	2

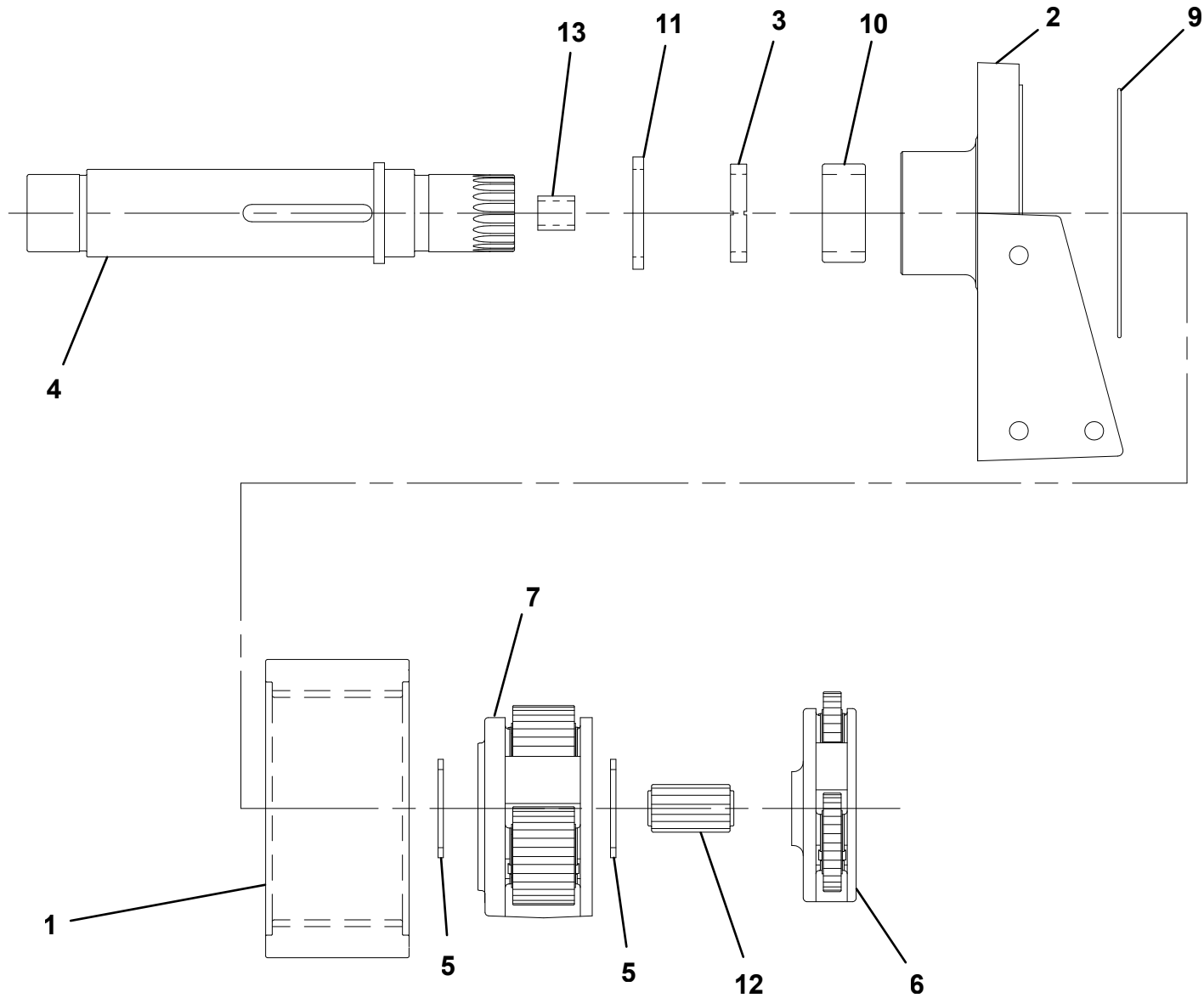
DP WINCH 35K - 1001210256 - DRUM INSTALLATION (PRIOR TO S/N 0230004251)



DP WINCH 35K - 1001210256 - GEAR END INSTALLATION (PRIOR TO S/N 0230004251)

ITEM	PART NO.	DESCRIPTION	QTY
1	70050991	Gear - Ring	1
2	9177960003	Support - Gear End	1
3	9949960028	Washer - Thrust - Nylon - 3.81 x .406	1
4	9806960021	Shaft - Output	1
5	9949960027	Washer - Thrust- Nylon - 3.50" O.D. x 0.18"	2
6	9472960052	Assembly - Carrier - Planetary - Primary	1
7	70050992	Carrier - Assembly - Secondary	1
8	9330960006	Label - Warning (Not Shown on Drawing)	1
9	9796960120	O-Ring - 8.75" I.D. x .012" Section	1
10	9082960018	Bearing - Roller - Torrington	1
11	9796960121	Seal - Shaft - 3.12" ID x 4" OD x 0.38 Thick	1
12	70050993	Gear - Sun - 15 Teeth	1
13	9209960025	Bushing - 1.00" I.D. x 1.25" OD x 1.00" LG	1

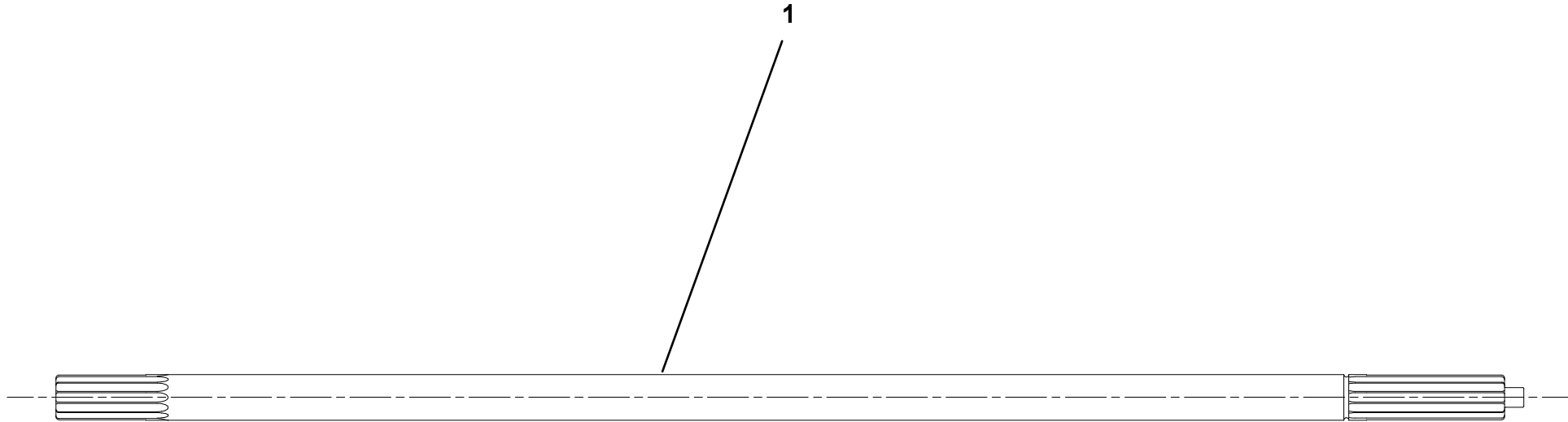
DP WINCH 35K - 1001210256 - GEAR END INSTALLATION (PRIOR TO S/N 0230004251)



DP WINCH 35K - 1001210256 - INPUT SHAFT (PRIOR TO S/N 0230004251)

ITEM	PART NO.	DESCRIPTION	QTY
1	70050994	Input - Shaft	1

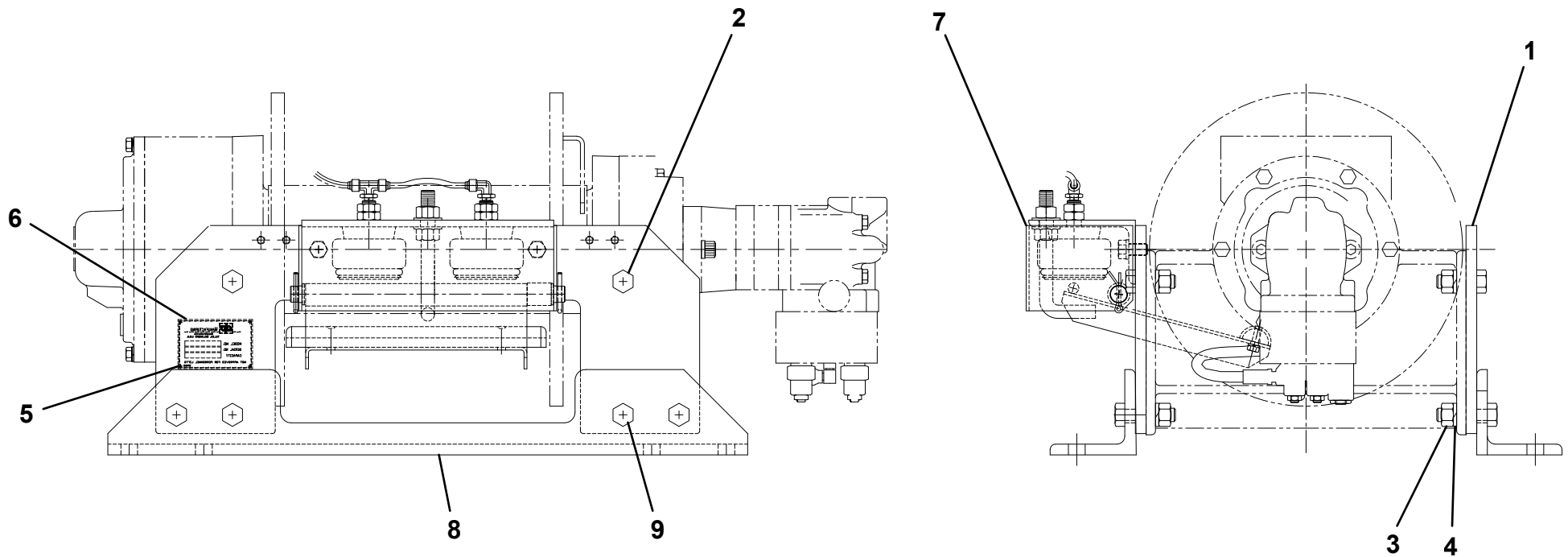
DP WINCH 35K - 1001210256 - INPUT SHAFT (PRIOR TO S/N 0230004251)



DP WINCH 35K - 1001210256 - BASE MOUNT INSTALLATION (PRIOR TO S/N 0230004251)

ITEM	PART NO.	DESCRIPTION	QTY
1	9073960003	Base Mount	2
2	7115201850	Capscrew 0.63"-11NC x 2.25"	4
3	7660200001	Nut .63"-11NC	12
4	7950200000	Lockwasher .63"	12
5	70050147	Rivet	4
6	70050384	Plate	1
7	70050398	Kit - Cable Hold Down	1
8	9073960004	Base Mount	2
9	7115202250	Capscrew, 0.63"-11NC x 2.75"	8

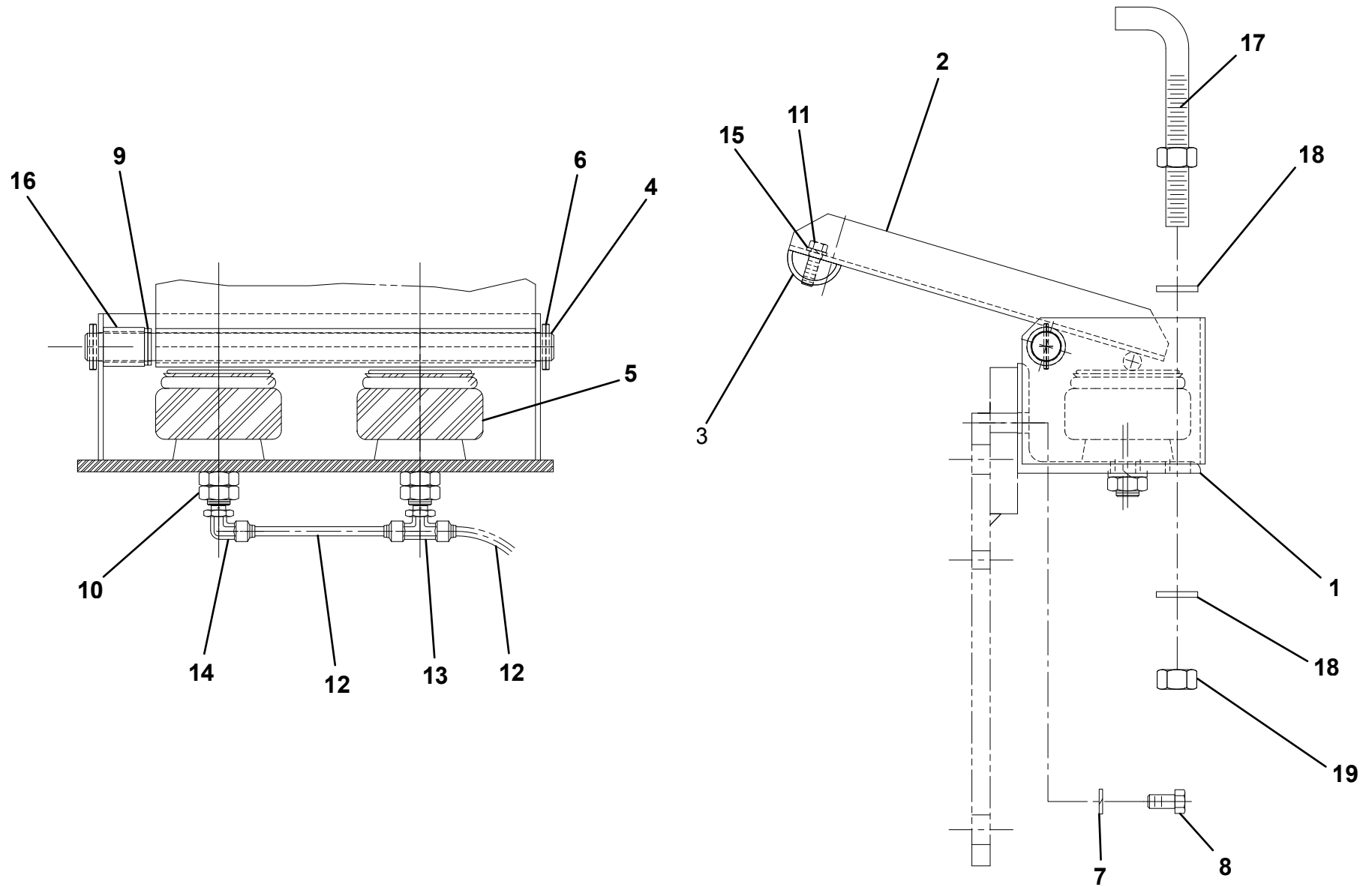
DP WINCH 35K - 1001210256 - BASE MOUNT INSTALLATION (PRIOR TO S/N 0230004251)



DP WINCH 35K - 1001210256 - CABLE HOLD DOWN KIT (PRIOR TO S/N 0230004251)

ITEM	PART NO.	DESCRIPTION	QTY
1	9178960011	Bracket - Mounting	1
2	9020960002	Arm - Pivot	1
3	9064960007	Bar - Rub - 1.50" - Half Round	1
4	9691960019	Pin, Pivot	1
5	9843960023	Spring - Cushion - Air - Goodyear	2
6	9690960039	Pin, Cotter 0.19" x 1.50"	2
7	7950180000	Lockwasher, 0.59" ID Nom Reg	2
8	7115181650	Capscrew, 0.50"-13NC x 2.00"	2
9	9949960012	Washer - Thrust	2
10	7660200200	Nut, 0.63"-11NC Hex Jam	4
11	9120960063	Capscrew, 0.31"-18NC x 1.00"	2
12	9912960010	Tubing - Nylon - 0.25" OD	3
13	7443000205	Adapter - Tee - Branch	3
14	7443000204	Adapter - 90 Degree	1
15	9949960050	Lockwasher, 0.31" ID	2
16	9831960009	Spacer - Pin - 1.12"	1
17	9120960019	Bolt - Anchor	1
18	7950200151	Flatwasher, 0.63" ID	2
19	7660200001	Nut .63"-11NC GR5 Hex - Plated	1

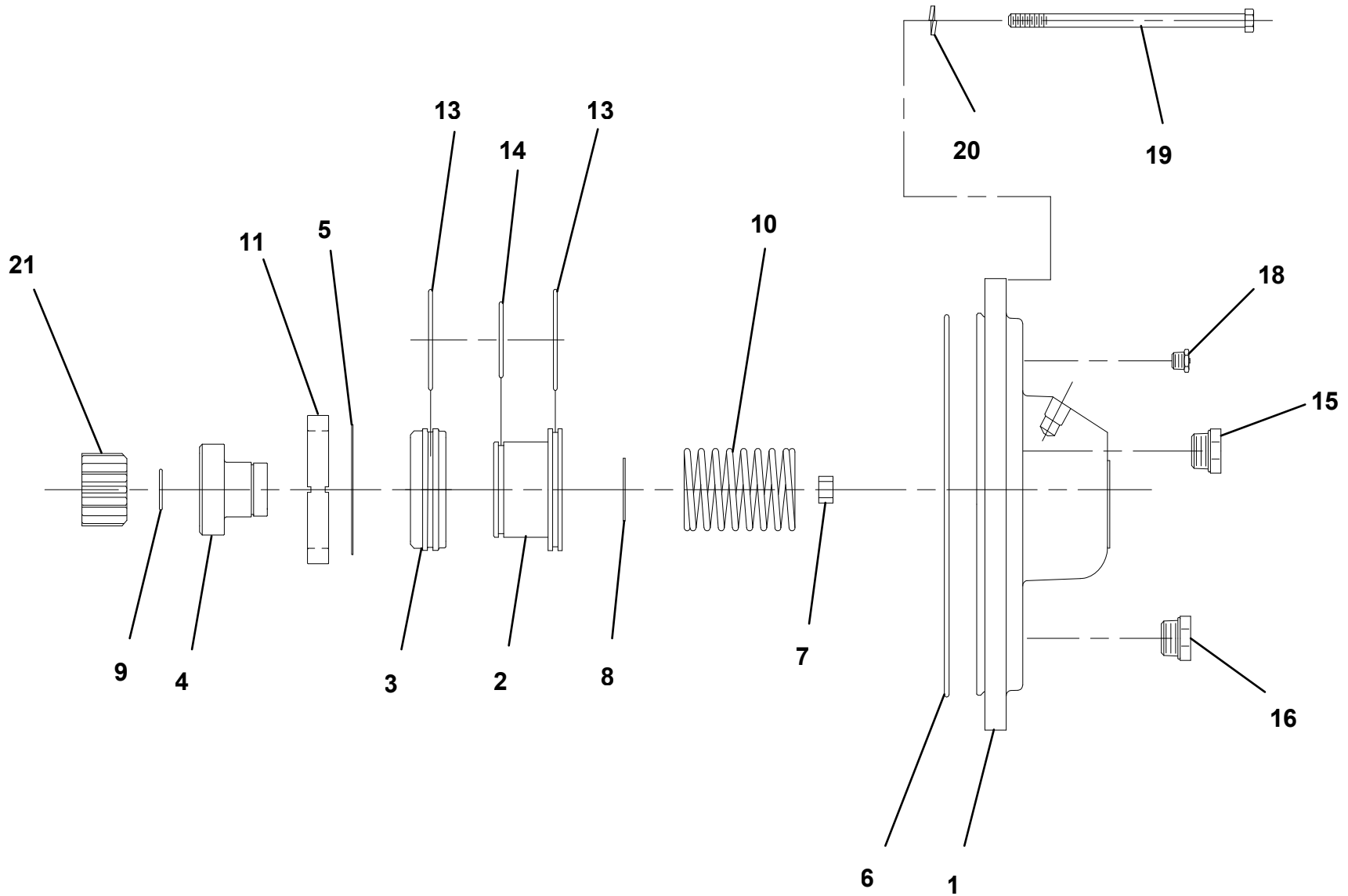
DP WINCH 35K - 1001210256 - CABLE HOLD DOWN KIT (PRIOR TO S/N 0230004251)



DP WINCH 35K - 1001210256 - GEAR END COVER INSTALLATION (PRIOR TO S/N 0230004251)

ITEM	PART NO.	DESCRIPTION	QTY
1	9314960022	Cover	1
2	9698960016	Piston	1
3	9698960015	Piston	1
4	9309960011	Coupling	1
5	9754960026	Retaining Ring	1
6	9796960120	O-Ring	1
7	9209960026	Bushing	1
8	9754960046	Retaining Ring	1
9	9754960047	Retaining Ring	1
10	9843960032	Spring	1
11	9949960028	Washer	1
13	9796960119	O-Ring	2
14	9796960118	O-Ring	1
15	9701960011	Plug	1
15	70050998	O-Ring	1
16	9701960012	Plug	1
16	70050998	O-Ring	1
17	9701960018	Plug	1
18	9183960001	Vent	1
19	70050995	Capscrew, 0.38"-16NC x 5.50"	12
20	7950160000	Lockwasher 0.38" ID	12
21	9472960054	Gear	1

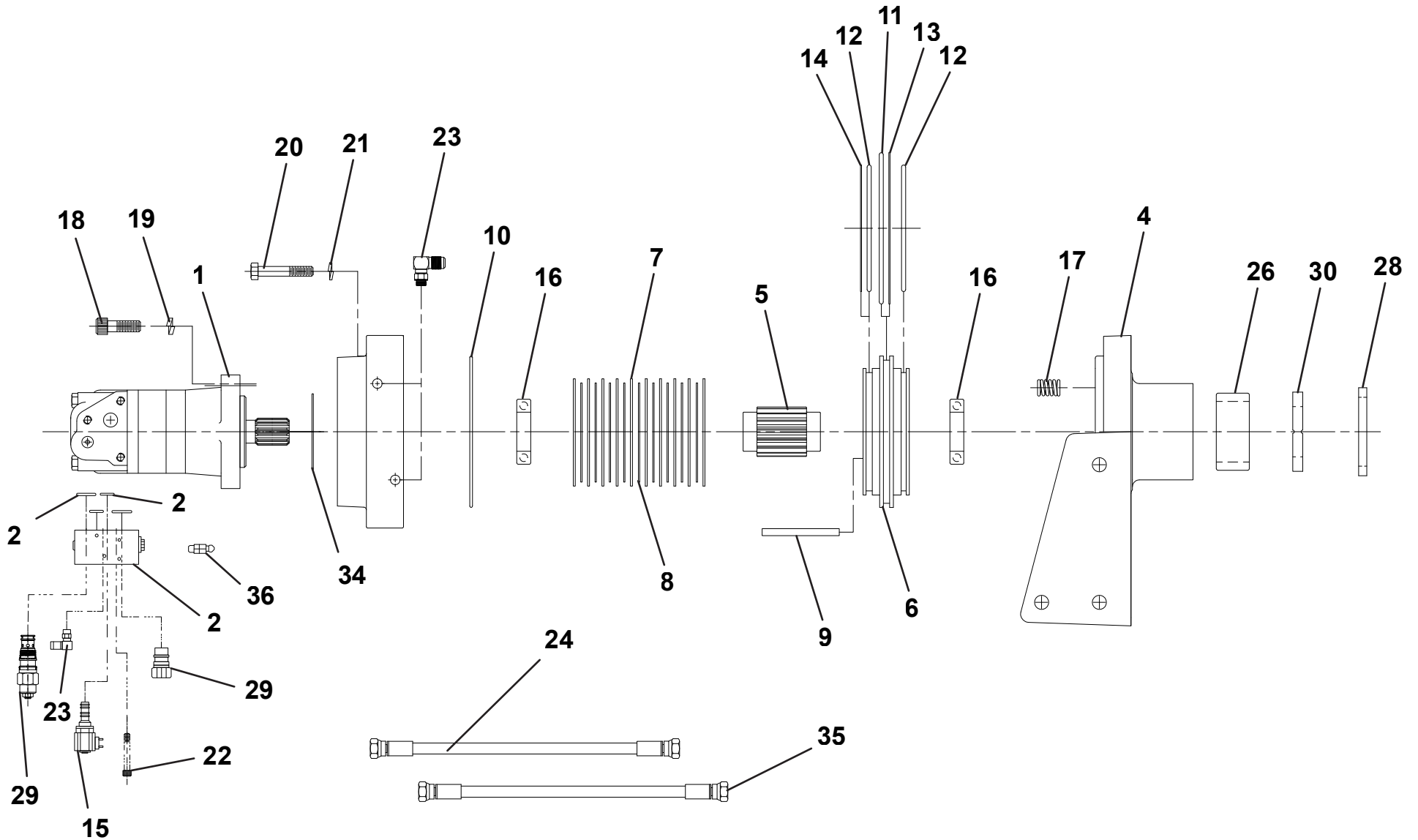
DP WINCH 35K - 1001210256 - GEAR END COVER INSTALLATION (PRIOR TO S/N 0230004251)



DP WINCH 35K - 1001210257 (S/N 0230004251 TO PRESENT) MOTOR END INSTALLATION

ITEM	PART NO.	DESCRIPTION	QTY
1	70050399	Motor, Hydraulic	1
2	70050368	Valve, Counterbalance	1
3	9571960006	Housing, Brake	1
4	9177960004	Support, Motorend	1
5	9806960019	Shaft	1
6	9698960008	Piston	1
7	9706960023	Plate	10
8	70051302	Plate	9
9	9691960021	Pin	2
10	70051307	O-Ring	1
11	70051305	Ring	1
12	70051303	O-Ring	2
13	70051306	Ring	1
14	70051304	O-Ring	1
15	70050371	Valve, Cartridge	1
16	9082960013	Bearing	2
17	9843960024	Spring	12
18	7118181205	Capscrew, 0.50" - 13NC x 1.50"	2
19	7950180800	Washer, 0.50" ID	2
20	7118172050	Capscrew, 0.43" - 14NC x 2.50"	6
21	7950170000	Washer, 0.43" ID	6
22	70050370	Capscrew, 0.38" - 24NC X 2.50"	4
23	7445040445	Fitting	3
24	70050372	Hose	1
25	70050401	Tag	1
26	9082960018	Bearing	1
28	9796960121	Seal	1
29	9935960026	Cartridge	2
30	9949960028	Washer	1
34	9796960090	O-Ring	1
35	70051309	O-Ring	1
36	9443960006	Fitting	1

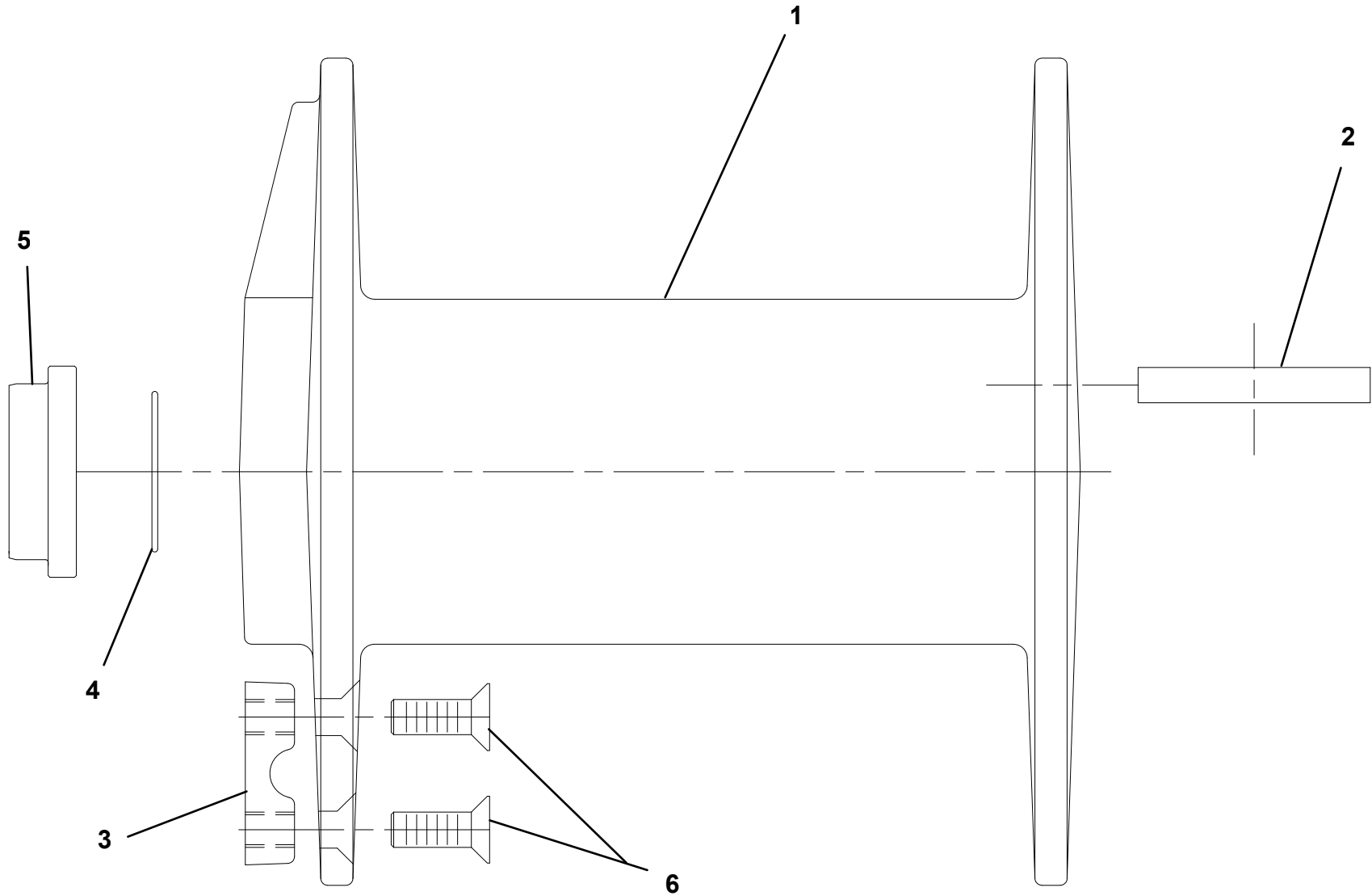
DP WINCH 35K - 1001210257 - MOTOR END INSTALLATION (S/N 0230004251 TO PRESENT)



DP WINCH 35K - 1001210257 - DRUM INSTALLATION (PRIOR TO S/N 0230004251)

ITEM	PART NO.	DESCRIPTION	QTY
1	9970960020	Drum	1
2	9575960012	Key - Drum	2
3	9280960002	Clip - Cable	1
4	9796960089	O-Ring	1
5	9831960018	Spacer	1
6	7110201423	Capscrew, 0.63"-11NC X 1.75"	2

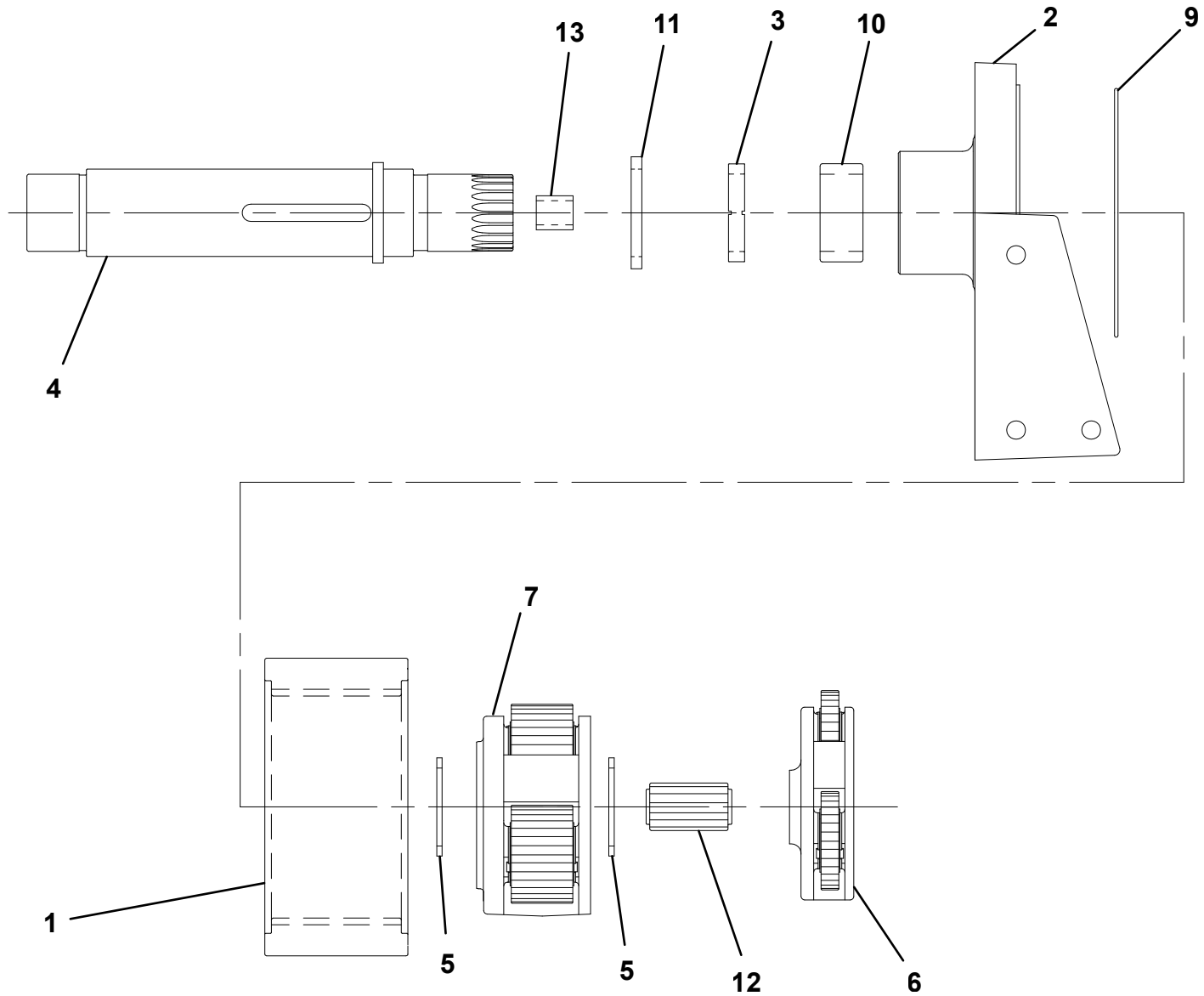
DP WINCH 35K - 1001210257 - DRUM INSTALLATION (PRIOR TO S/N 0230004251)



DP WINCH 35K - 1001210257 - GEAR END INSTALLATION (PRIOR TO S/N 0230004251)

ITEM	PART NO.	DESCRIPTION	QTY
1	70050991	Gear - Ring	1
2	9177960003	Support - Gear End	1
3	9949960028	Washer - Thrust - Nylon - 3.81 x .406	1
4	9806960021	Shaft - Output	1
5	9949960027	Washer - Thrust- Nylon - 3.50" O.D. x 0.18"	2
6	9472960052	Assembly - Carrier - Planetary - Primary	1
7	70050992	Carrier - Assembly - Secondary	1
8	9330960006	Label - Warning (Not Shown on Drawing)	1
9	9796960120	O-Ring - 8.75" I.D. x .012" Section	1
10	9082960018	Bearing - Roller - Torrington	1
11	9796960121	Seal - Shaft - 3.12" ID x 4" OD x 0.38 Thick	1
12	70050993	Gear - Sun - 15 Teeth	1
13	9209960025	Bushing - 1.00" I.D. x 1.25" OD x 1.00" LG	1

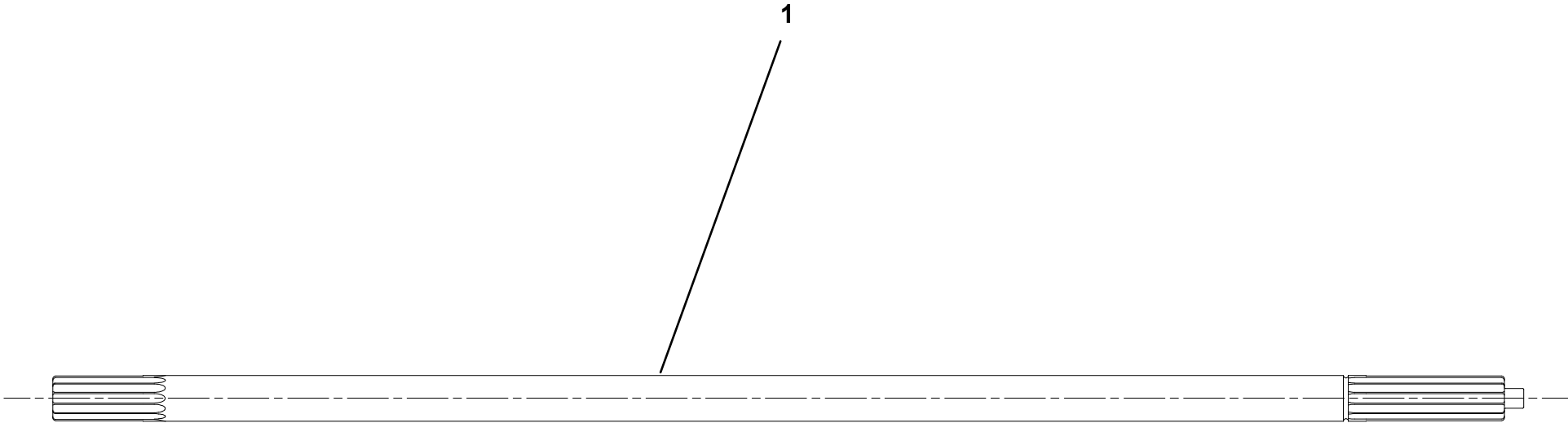
DP WINCH 35K - 1001210257 - GEAR END INSTALLATION (PRIOR TO S/N 0230004251)



DP WINCH 35K - 1001210257 - INPUT SHAFT (PRIOR TO S/N 0230004251)

ITEM	PART NO.	DESCRIPTION	QTY
1	70050994	Input - Shaft	1

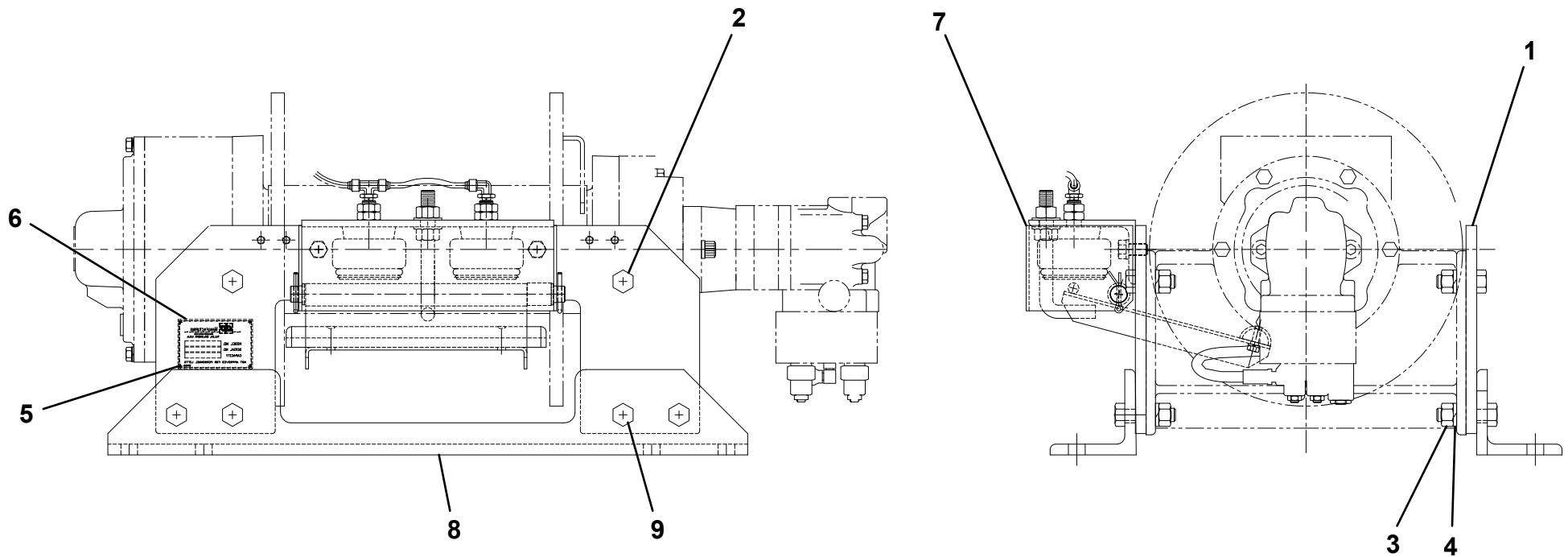
DP WINCH 35K - 1001210257 - INPUT SHAFT (PRIOR TO S/N 0230004251)



DP WINCH 35K - 1001210257 - BASE MOUNT INSTALLATION (PRIOR TO S/N 0230004251)

ITEM	PART NO.	DESCRIPTION	QTY
1	9073960003	Base Mount	2
2	7115201850	Capscrew, 0.63"-11NC x 2.25"	4
3	7660200001	Nut, 0.63"-11NC	12
4	7950200000	Lockwasher, 0.63" ID	12
5	70050147	Rivet	4
6	70050384	Plate	1
7	70050398	Kit - Cable Hold Down	1
8	9073960004	Base Mount	2
9	7115202250	Capscrew, 0.63"-11NC x 2.75"	8

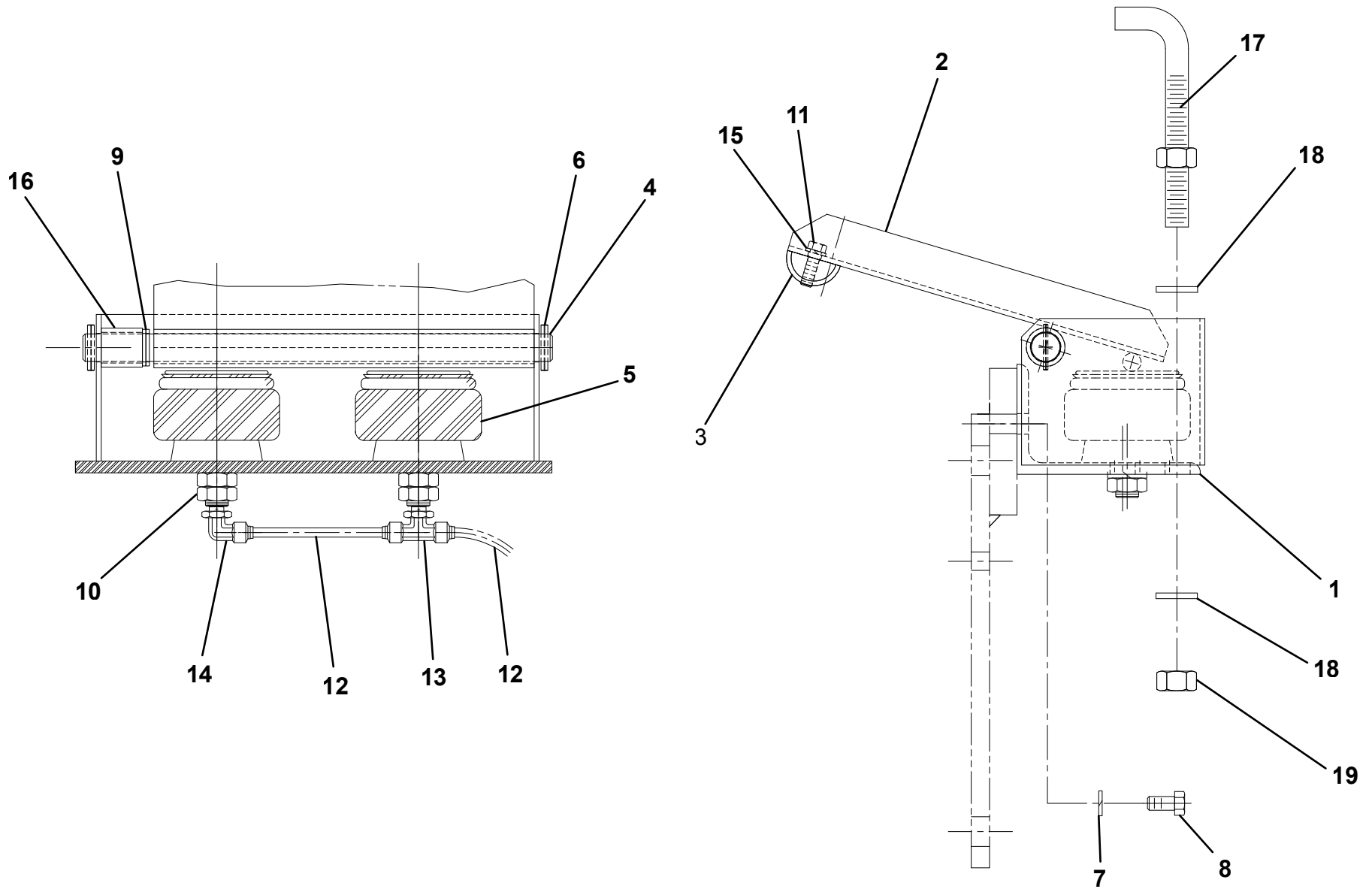
DP WINCH 35K - 1001210257 - BASE MOUNT INSTALLATION (PRIOR TO S/N 0230004251)



DP WINCH 35K - 1001210257 - CABLE HOLD DOWN KIT (PRIOR TO S/N 0230004251)

ITEM	PART NO.	DESCRIPTION	QTY
1	9178960011	Bracket - Mounting	1
2	9020960002	Arm - Pivot	1
3	9064960007	Bar - Rub - 1.50" - Half Round	1
4	9691960019	Pin, Pivot	1
5	9843960023	Spring - Cushion - Air - Goodyear	2
6	9690960039	Pin, Cotter 0.19" x 1.50"	2
7	7950180000	Lockwasher, 0.59" ID Nom Reg	2
8	7115181650	Capscrew, 0.50"-13NC x 2.00"	2
9	9949960012	Washer - Thrust	2
10	7660200200	Nut, 0.63"-11NC Hex Jam	4
11	9120960063	Capscrew, 0.31"-18NC x 1.00"	2
12	9912960010	Tubing - Nylon - 0.25" OD	3
13	7443000205	Adapter - Tee - Branch	3
14	7443000204	Adapter - 90 Degree	1
15	9949960050	Lockwasher, 0.31" ID	2
16	9831960009	Spacer - Pin - 1.12"	1
17	9120960019	Bolt - Anchor	1
18	7950200151	Flatwasher, 0.63" ID	2
19	7660200001	Nut .63"-11NC GR5 Hex - Plated	1

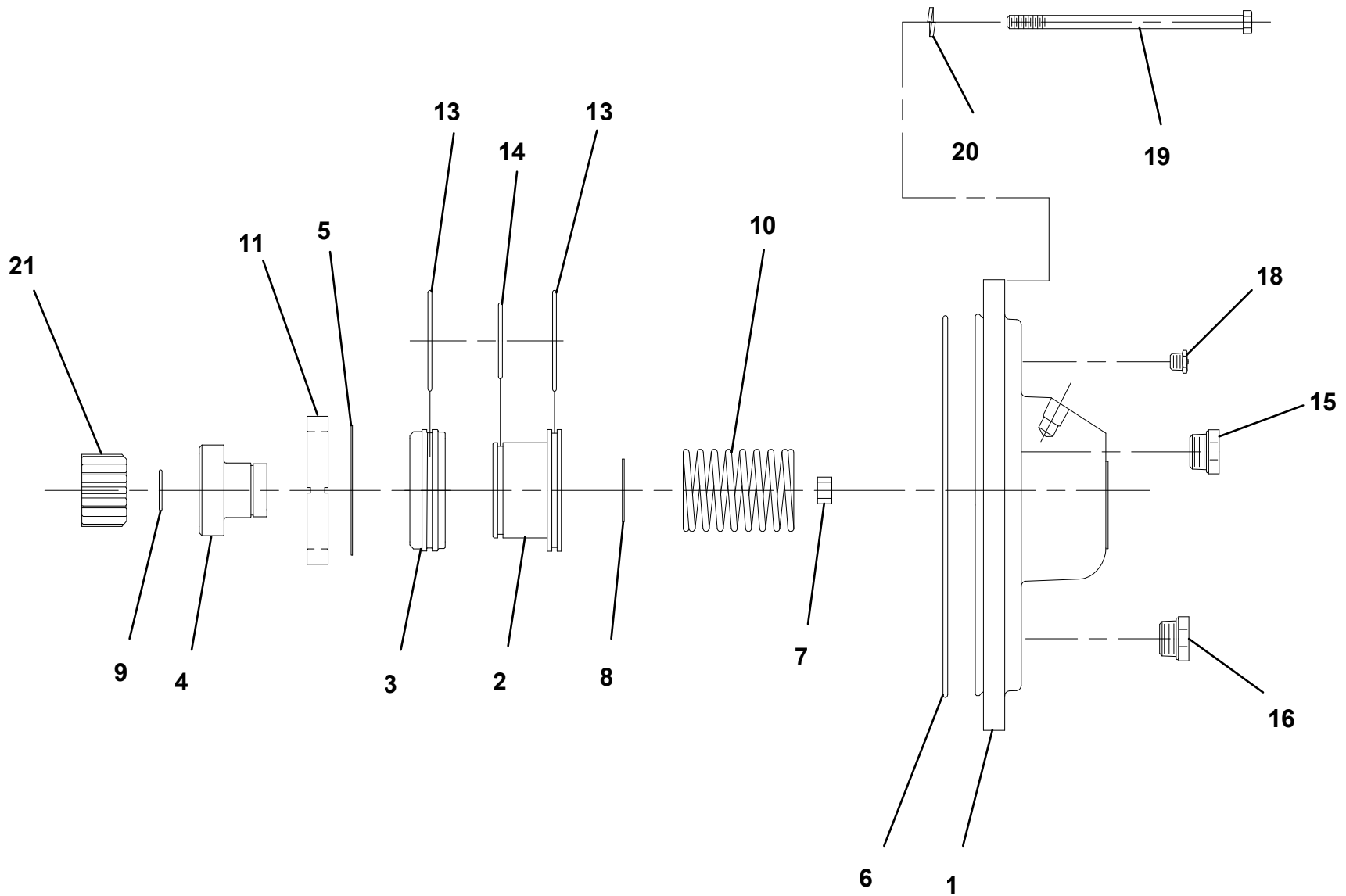
DP WINCH 35K - 1001210257 - CABLE HOLD DOWN KIT (PRIOR TO S/N 0230004251)



DP WINCH 35K - 1001210257 - GEAR END COVER INSTALLATION (PRIOR TO S/N 0230004251)

ITEM	PART NO.	DESCRIPTION	QTY
1	9314960022	Cover - Gear End	1
2	9698960016	Piston	1
3	9698960015	Piston	1
4	9309960011	Coupling - Drive	1
5	9754960026	Retaining Ring	1
6	9796960120	O-Ring	1
7	9209960026	Bushing	1
8	9754960046	Retaining Ring	1
9	9754960047	Retaining Ring	1
10	9843960032	Spring - Compression	1
11	9949960028	Washer	1
13	9796960119	O-Ring	2
14	9796960118	O-Ring	1
15	9701960011	Plug	1
15	70050998	O-Ring	1
16	9701960012	Plug	1
16	70050998	O-Ring	1
17	9701960018	Plug	1
18	9183960001	Vent - Relief	1
19	70050995	Capscrew, 0.38"-16NC x 5.50"	12
20	7950160000	Lockwasher 0.38" ID	12
21	9472960054	Gear	1

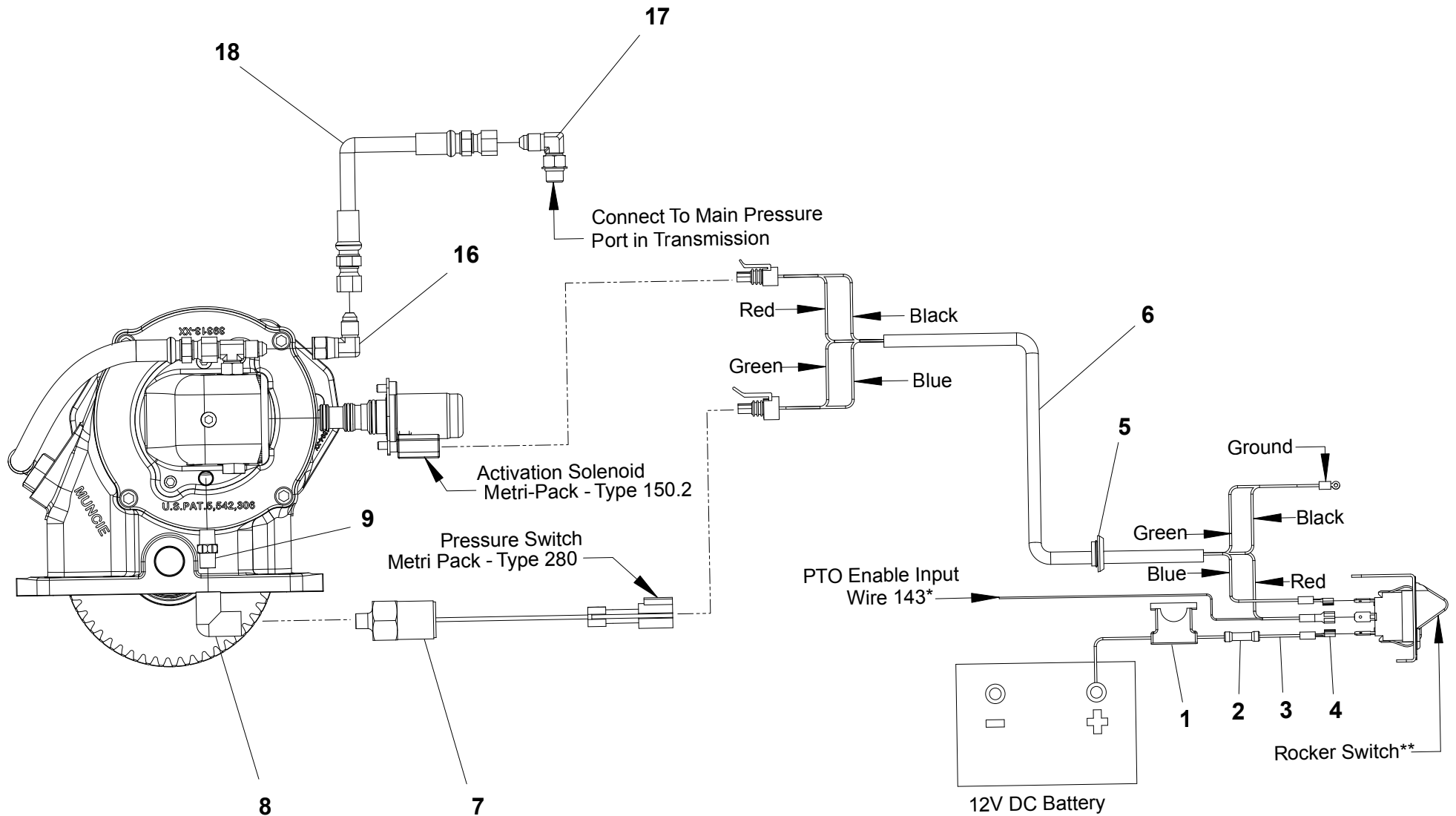
DP WINCH 35K - 1001210257 - GEAR END COVER INSTALLATION (PRIOR TO S/N 0230004251)



POWER TAKE OFF - CS SERIES

ITEM	PART NO.	DESCRIPTION	QTY
1	70050316	Fuse	1
2	70050315	Splice	1
3	70050312	Wire	6 ft
4	70050314	Connector	1
5	70050325	Grommet	1
6	70050328	Harness, Wire	1
7	7870000062	Switch, Pressure	1
8	70050329	Fitting, Elbow	1
9	70050330	Nipple	1
10	70050313	Terminal	2
11	70050331	Connector	3
12	7706000005	Bracket, Switch	1
13	7706000001	Plate	1
14	7870000045	Switch	1
15	70050319	Kit, Bolt	1
16	7443000431	Fitting (Also available in kit #70050467)	1
17	7443000244	Fitting (Also available in kit #70050467)	1
18	70050468	Hose (Also available in kit #70050467)	1

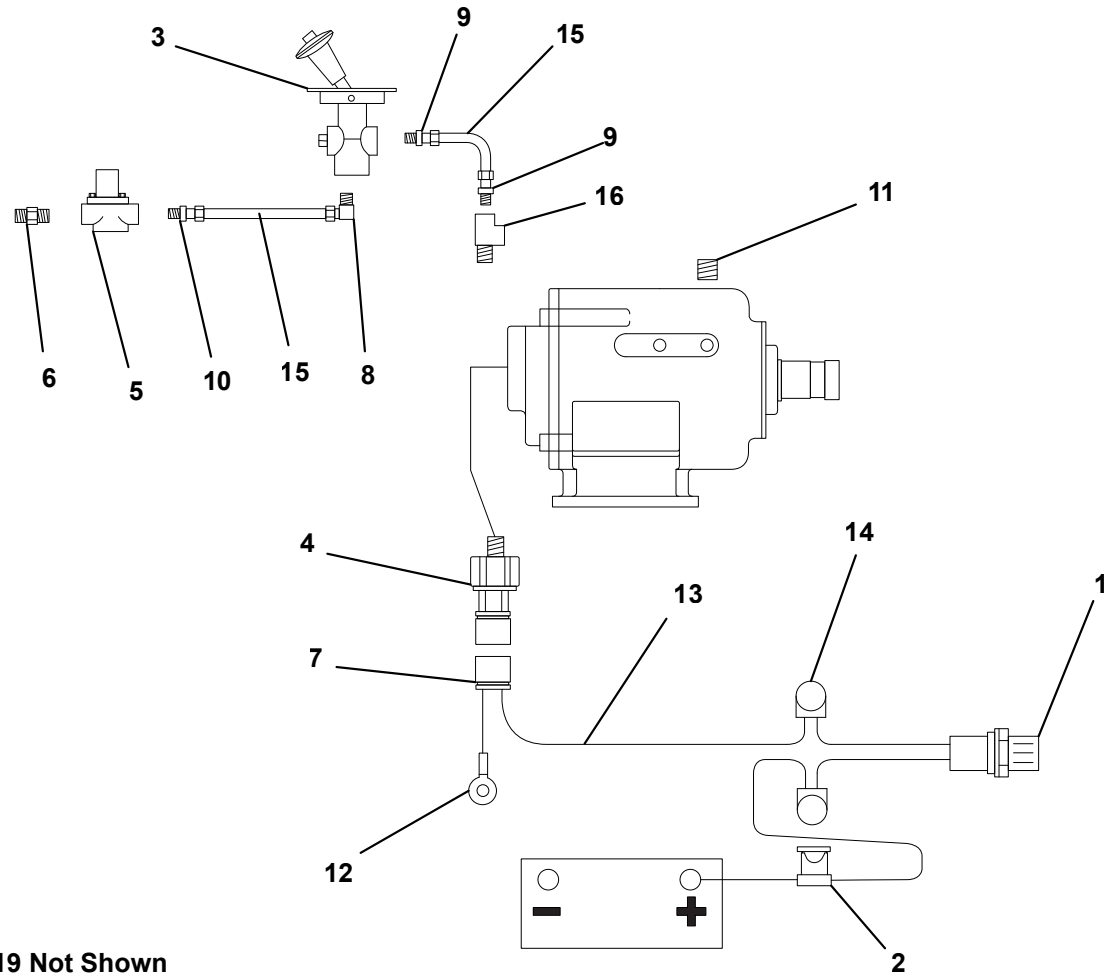
POWER TAKE OFF - CS SERIES



POWER TAKE OFF - SH SERIES

ITEM	PART NO.	DESCRIPTION	QTY
1	7590000049	Assembly. - Light 12V	1
2	70050316	Assembly, Fuse	1
3	7935000104	Valve, Air	1
4	7870000062	Switch, Pressure	1
5	9935740034	Valve, Pressure Protection	1
6	70050308	Nipple, Pipe	1
7	70050668	Wiring Pigtail	1
8	70050310	Fitting	1
9	70050320	Connector	2
10	70050309	Connector	1
11	70050669	Plug	1
12	70050313	Terminal	2
13	70050312	Wire	12 ft
14	70050977	Terminal, Closed End Crimp	3
15	7565000019	Tubing, Air	1
16	9443760018	Fitting	1
17	70050322	Bracket, Dash (Not shown on drawing)	1
18	7706000004	Plate, Face (Not shown on drawing)	1
19	70050319	Kit, Bolt (Not shown on drawing)	1

POWER TAKE OFF - SH SERIES

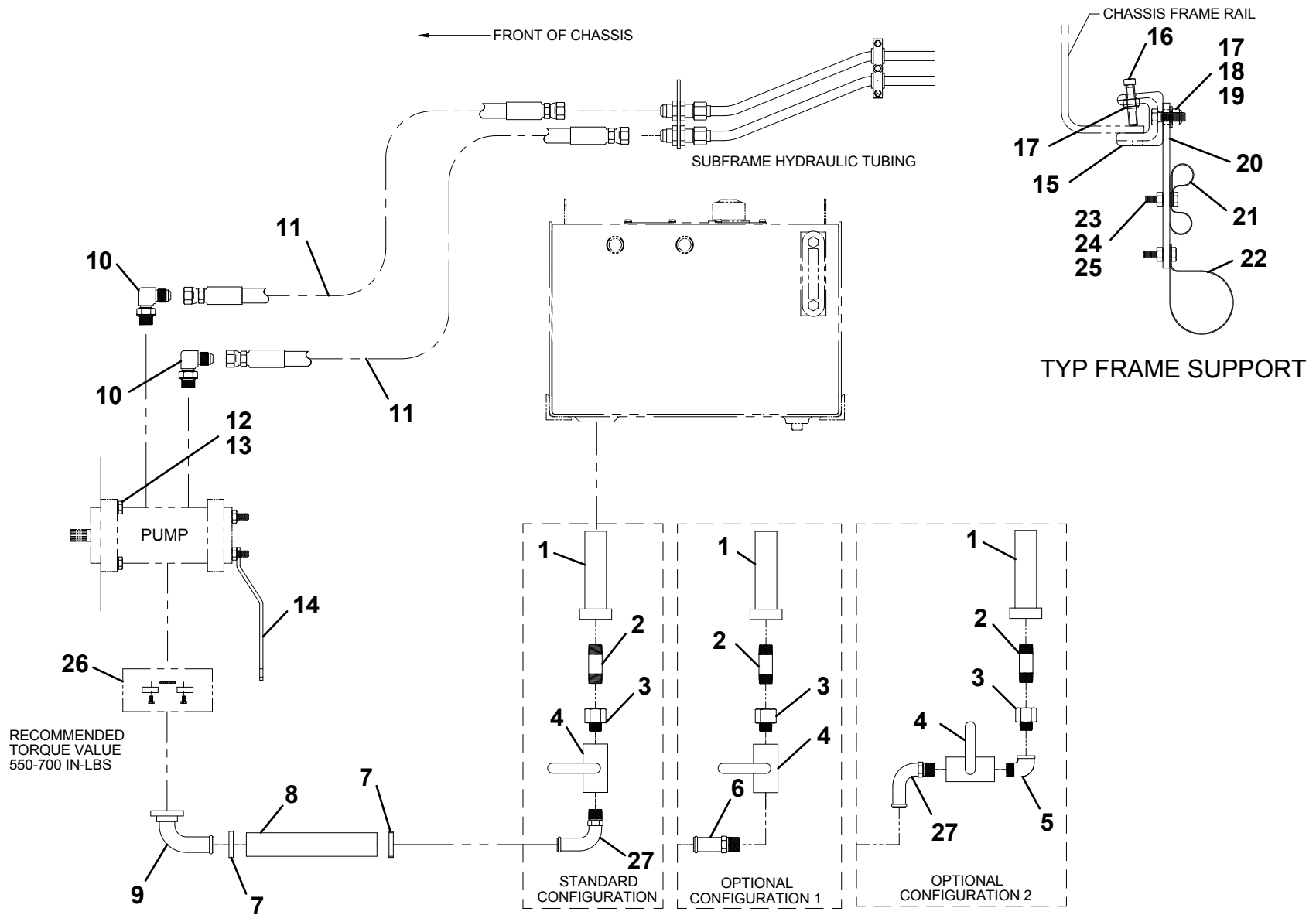


Items # 17, 18 & 19 Not Shown

HYDRAULIC SUPPLY PRESSURE INSTALLATION

ITEM	PART NO.	DESCRIPTION	QTY
1	7430000010	Filter	1
2	7650100137	Nipple	1
3	7444121050	Reducer	1
4	7935000116	Ball Valve	1
5	7444121271	Elbow	A/R
6	7443000130	Fitting	A/R
7	7274000028	Clamp	2
8	8565000026	Hose	19FT
9	1001145056	Elbow	1
10	7445121645	Elbow	2
11	1001204565	Hose	2
12	7115181050	Capscrew, 0.50"-13NC x 1.25"	2
13	7950180000	Lockwasher, 0.59" ID	2
14	4178000248	Bracket	1
15	7274000076	Clamp	10
16	7785152420	Screw, 0.31" - 18 x 1.50"	10
17	7660152601	Locknut 0.31"-18NC	20
18	7115151050	Capscrew, 0.31"-18NC x 1.25"	10
19	7950150161	Flatwasher, 0.31" ID	10
20	4706003844	Plate	10
21	7274000041	Clamp	20
22	7274000071	Clamp	10
23	7115140850	Capscrew, 0.25"-20NC x 1.00"	20
24	7950140152	Washer, 0.25" ID	20
25	7660142601	Locknut, 0.25" -20NC	20
26	7577000213	Flange	1
27	7443000254	Fitting	1

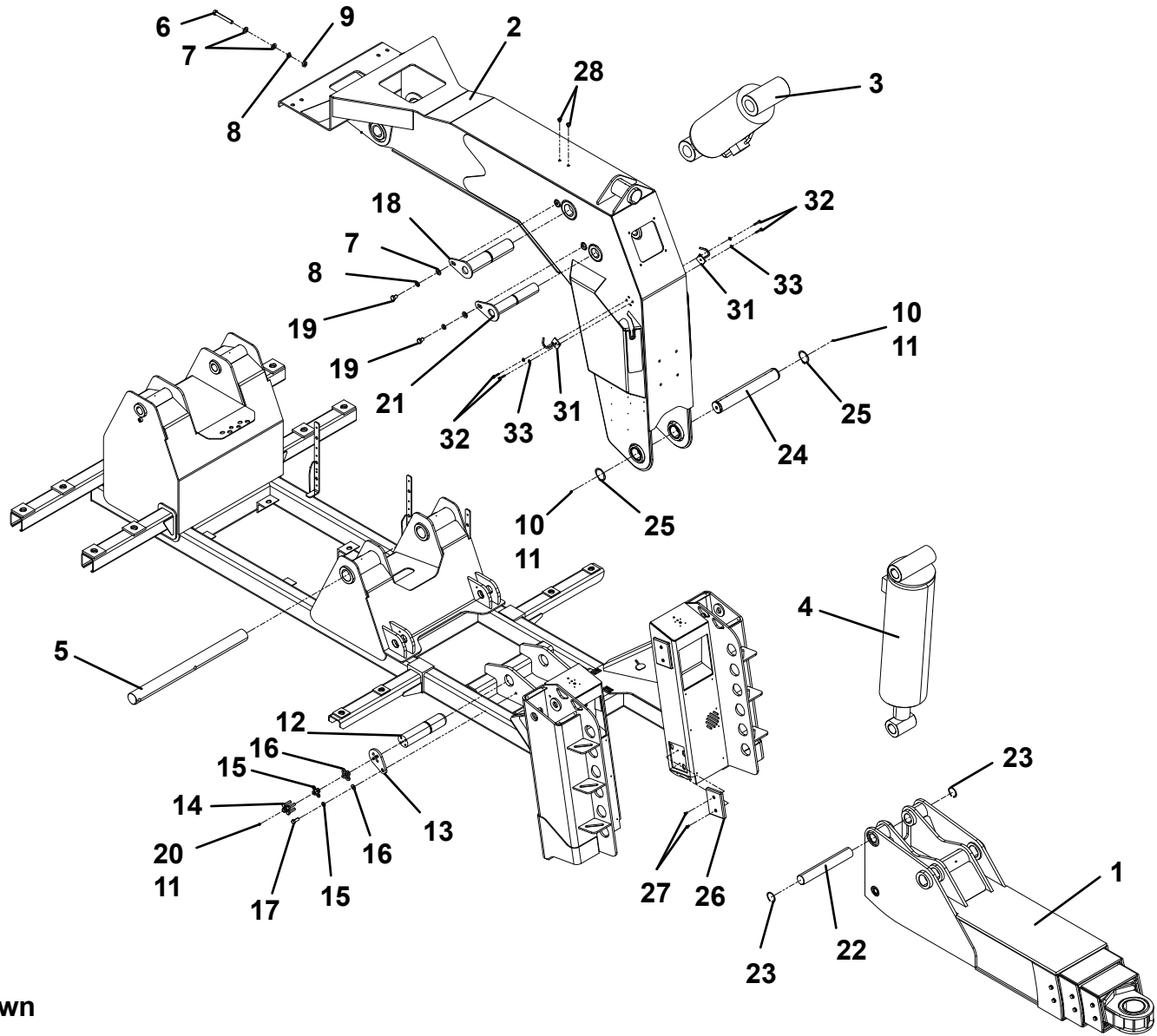
HYDRAULIC SUPPLY PRESSURE INSTALLATION



UNDERLIFT INSTALLATION

ITEM	PART NO.	DESCRIPTION	QTY
1	3170000381	Underlift - 48,000 Lb - 4 Piece Coach	1
	3170000407	Underlift - 48,000 Lb - 3 Piece Coach	1
	3507100001	Underlift - 53,000 Lb	1
2	3170000423	Knee Boom	1
3	7320000063	Cylinder, U/L Lift (48,000 Lb U/L)	1
4	7320000096	Cylinder, U/L Tilt (53,000 Lb U/L)	1
	7320000097	Cylinder, U/L Tilt	1
5	4691000563	Pin	1
6	7118224450	Capscrew, 0.75"-10 NC X 5.00"	1
7	7950220141	Flatwasher, 0.75" ID	4
8	7950220000	Washer, 0.75" ID	3
9	7660220230	Nut, 0.75"-16NF	1
10	7440030000	Grease Fitting	4
11	7253000002	Grease Fitting Cap	7
12	4691000484	Pin	1
13	4706004528	Pin	1
14	7118201650	Capscrew, 0.63"-11NC X 2.00"	4
15	7950200000	Lockwasher, 0.63" ID	5
16	7950200141	Flatwasher, 0.63" ID	5
17	7118201250	Capscrew, 0.63"-11 X 1.50"	3
18	3691000231	Pin	1
19	7115220850	Capscrew, 0.75"-10NC X 1.00"	2
20	7440000000	Grease Fitting	3
21	3691000232	Pin	1
22	4691000290	Pin	1
23	7754000051	Retaining Ring	2
24	4691000291	Pin	1
25	7754000018	Retaining Ring	2
26	4679000127	Pad	4
27	7115161623	Capscrew, 0.38"-16 NC X 2.00"	8
28	7189000017	Bumper	2
29	7262000025	Chain, 0.50" X 18'	2
30	7660202601	Locknut, 0.63"-11NC	2
31	3561000017	Hook Weldment	2
32	7115161450	Capscrew, 0.38"-16NC X 1.75"	4
33	7950160141	Flatwasher, 0.38" ID	4
34	1001151184	Decal, LH	1
35	1001151185	Decal, RH	1

UNDERLIFT INSTALLATION

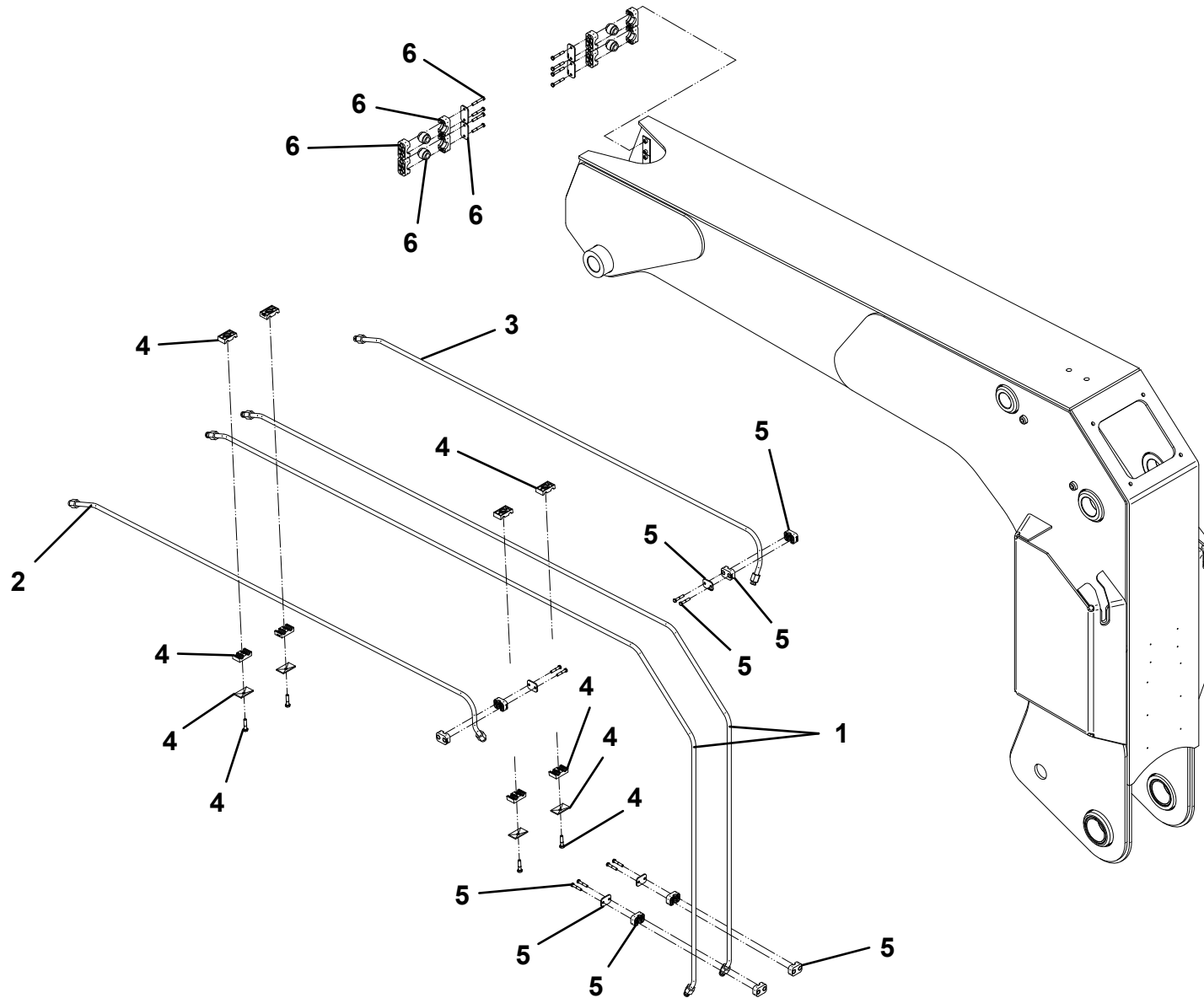


#29 & #30 Not Shown

BOOM TUBE ASSEMBLY

ITEM	PART NO.	DESCRIPTION	QTY
1	7912000300	Tube Assembly	2
2	7912000111	Tube Assembly	1
3	7912000112	Tube Assembly	1
4	1001136447	Clamp	4
5	1001136559	Clamp	4
6	1001142074	Clamp	4

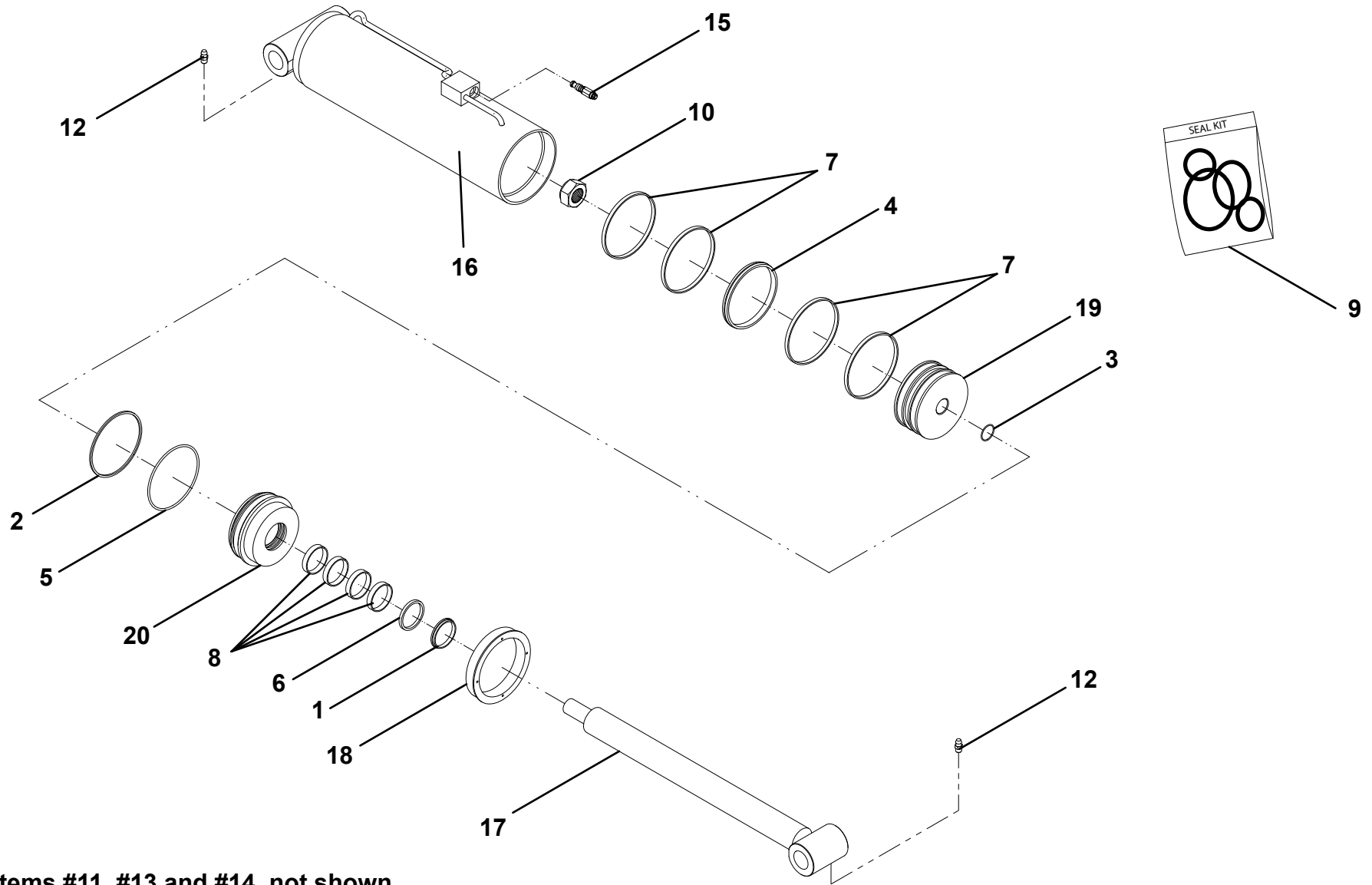
BOOM TUBE ASSEMBLY



UNDERLIFT TILT CYLINDER - 7320000096

ITEM	PART NO.	DESCRIPTION	QTY
1	9796250083	Seal, Wiper	1
2	9754250011	Ring, Back-up	1
3	9796250062	Seal, "O" Ring	1
4	70050544	Seal	1
5	9796250068	Seal, "O" Ring	1
6	70050545	Seal	1
7	9754250017	Ring, Wear	4
8	80004049	Ring, Wear	4
9	7577000063	Kit, Seal	1
10	7005314	Locknut	1
11	70021757	Setscrew	1
12	7005348	Grease Fitting	2
13	70021648	Plug, Port	2
14	7005365	Plug, Port	1
15	70050215	Valve, Counterbalance	1
16	70050594	Assembly, Tube	1
17	70050595	Assembly, Rod	1
18	9254250007	Headcap	1
19	70050548	Piston	1
20	70050549	Head	1

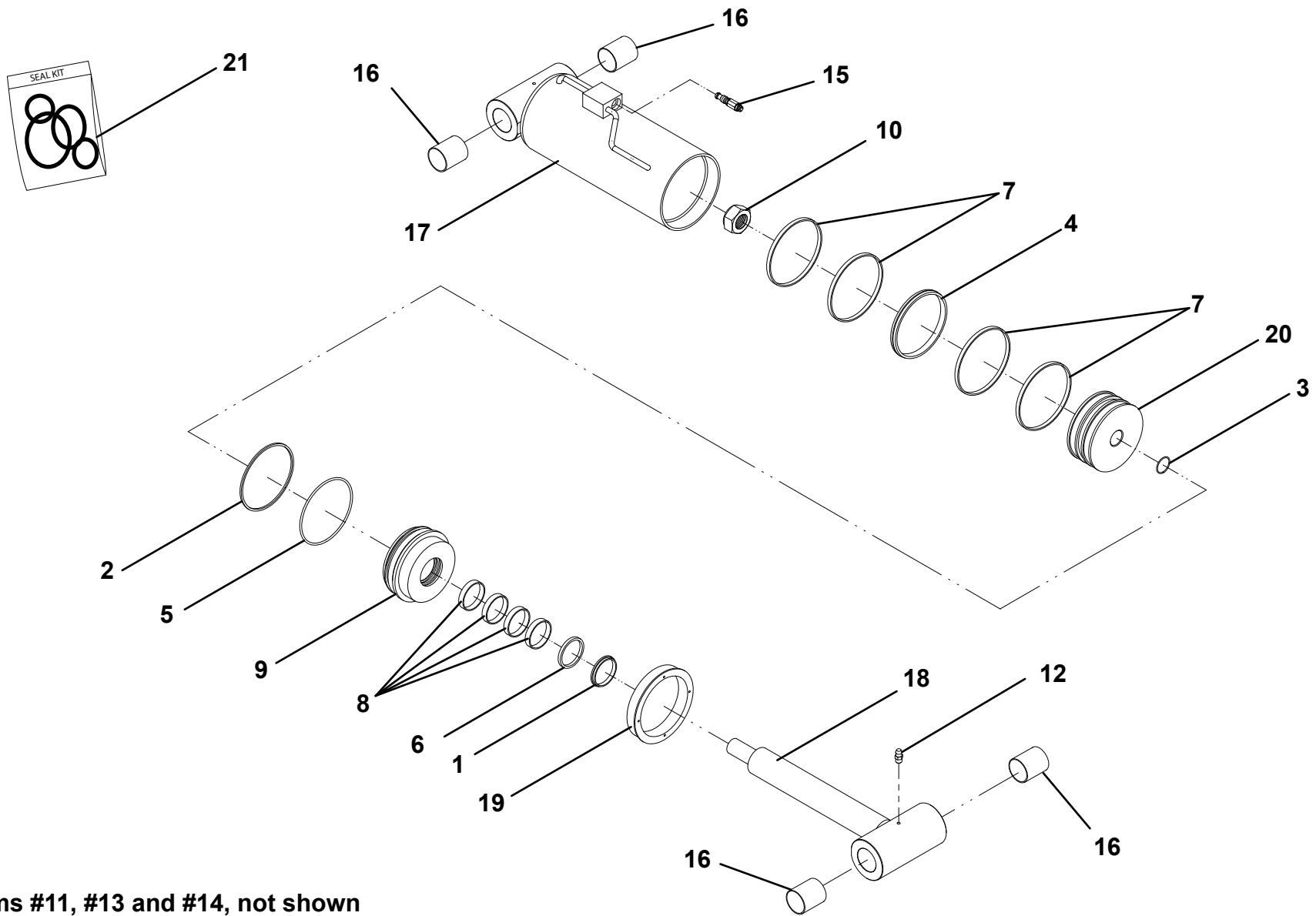
UNDERLIFT TILT CYLINDER - 7320000096



UNDERLIFT TILT CYLINDER - 7320000097

ITEM	PART NO.	DESCRIPTION	QTY
1	9796250084	Wiper	1
2	9796250059	O-Ring	1
3	9796250065	O-Ring	1
4	9796250077	Seal	1
5	9754250012	Back-Up Ring	1
6	9796250078	Seal	1
7	9754250022	Wear Ring	2
8	9754250023	Wear Ring	2
9	70051199	Piston Head	1
10	9661250019	Nut	1
11	9701250006	Nylon Plug	2
12	83304181	Grease Fitting	2
13	9786250005	Setscrew	1
14	9786250004	Setscrew	4
15	9935250032	Counterbalance	1
16	70050232	Bushing	4
17	9912250008	Tube Assembly	1
18	9763250013	Rod Assembly	1
19	9254250008	Headcap	1
20	9698250005	Piston	1
21	7577250188	Head	1
22	70021648	Port Plug	2
23	7005365	Port Plug	1

UNDERLIFT TILT CYLINDER - 7320000097

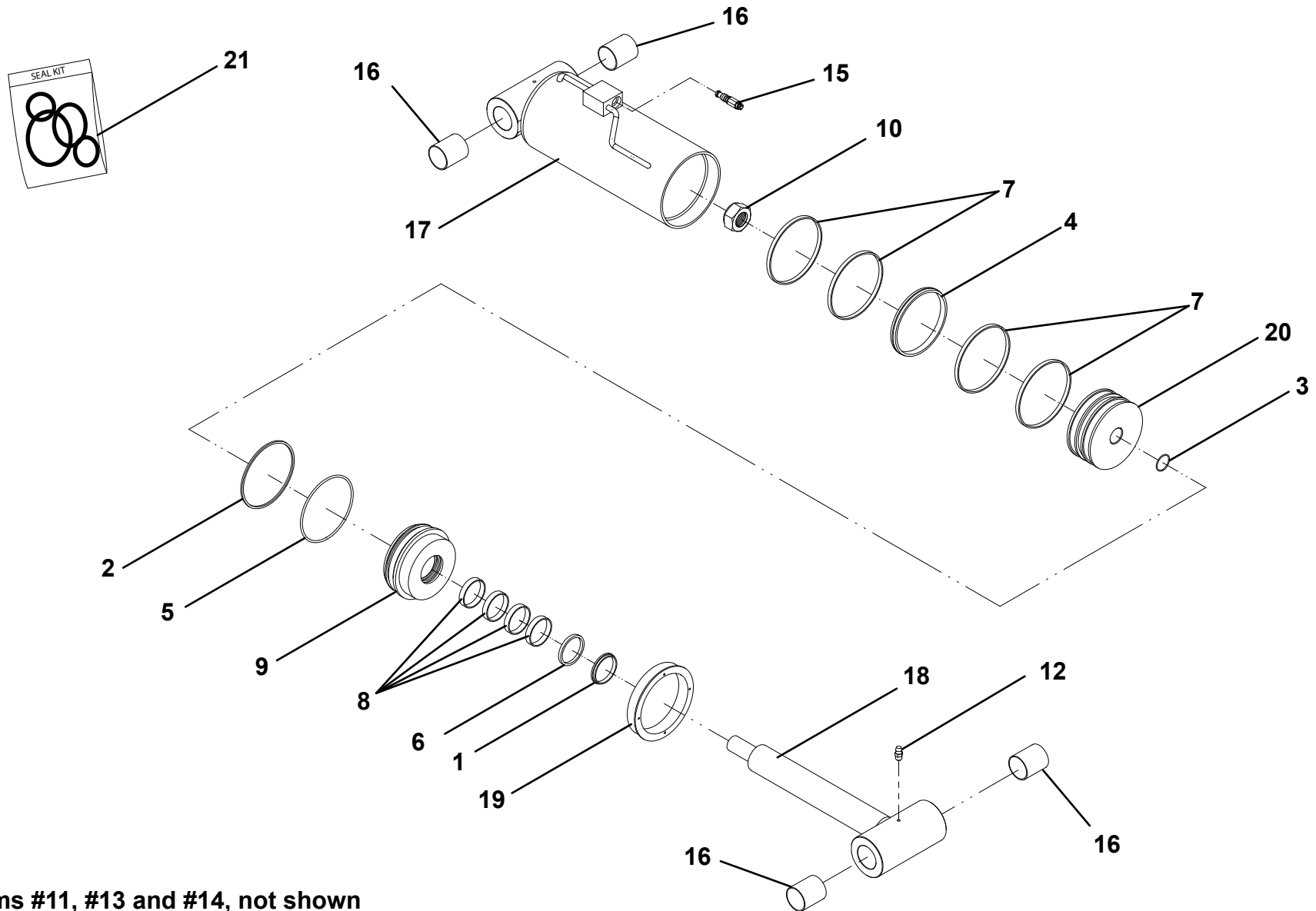


Items #11, #13 and #14, not shown

UNDERLIFT LIFT CYLINDER - 7320000063

ITEM	PART NO.	DESCRIPTION	QTY
1	9796250083	Seal, Wiper	1
2	9754250011	Ring, Back-up	1
3	9796250062	Seal, "O" Ring	1
4	70050544	Seal	1
5	7796250068	Seal, "O" Ring	1
6	70050545	Seal	1
7	9754250017	Ring, Wear	4
8	80004049	Ring, Wear	4
9	70050549	Head	1
10	7005314	Locknut	1
11	70021757	Setscrew	1
12	7005348	Grease Fitting	2
13	7005365	Plug, Port	1
14	70021648	Plug, Port	2
15	70050215	Valve, Counterbalance	1
16	70050232	Bushing	4
17	70050546	Assembly, Tube	1
18	70050547	Assembly, Rod	1
19	9254250007	Headcap	1
20	70050548	Piston	1
21	7577000334	Kit, Seal	1

UNDERLIFT LIFT CYLINDER - 7320000063

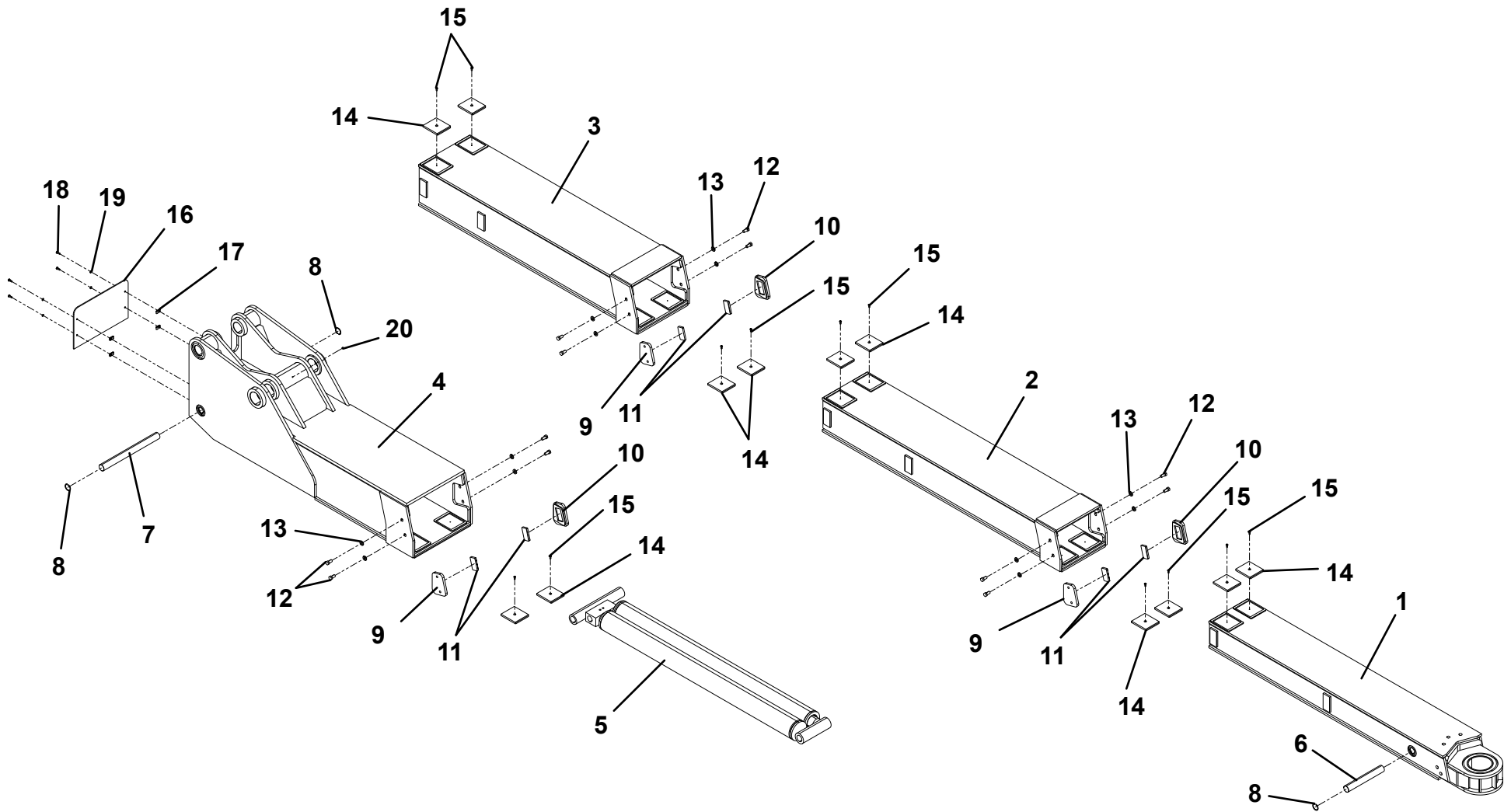


Items #11, #13 and #14, not shown

UNDERLIFT ASSEMBLY - 3170000381 - 48,000 LB (4 SECTION)

ITEM	PART NO.	DESCRIPTION	QTY
1	3170000379	Boom Weldment Fly Section	1
2	3170000380	Boom Weldment 2nd Stage Section	1
3	3170000178	Boom Weldment 3rd Stage Section	1
4	3170000179	Boom Weldment Outer Section	1
5	7320000038	Cylinder	1
6	4691000293	Pin	1
7	4691000321	Pin	1
8	7754000043	Snap-Ring	4
9	3178000273	Bracket LH	3
10	3178000275	Bracket RH	3
11	4679000170	Pad	6
12	7108180850	Capscrew, 0.50"-20NF X 1.00"	12
13	7950180153	Flatwasher, 0.50" ID	12
14	4679000146	Pad	12
15	7114140518	Capscrew, 0.25"-20NC X 0.62"	12
16	4706002428	Plate	1
17	7661000019	U-Nut, 0.25"-20NC	4
18	7115140650	Capscrew, 0.25"-20NC X 0.75"	4
19	7950140000	Lockwasher, 0.25" ID	4
20	7440030000	Grease Fitting	1

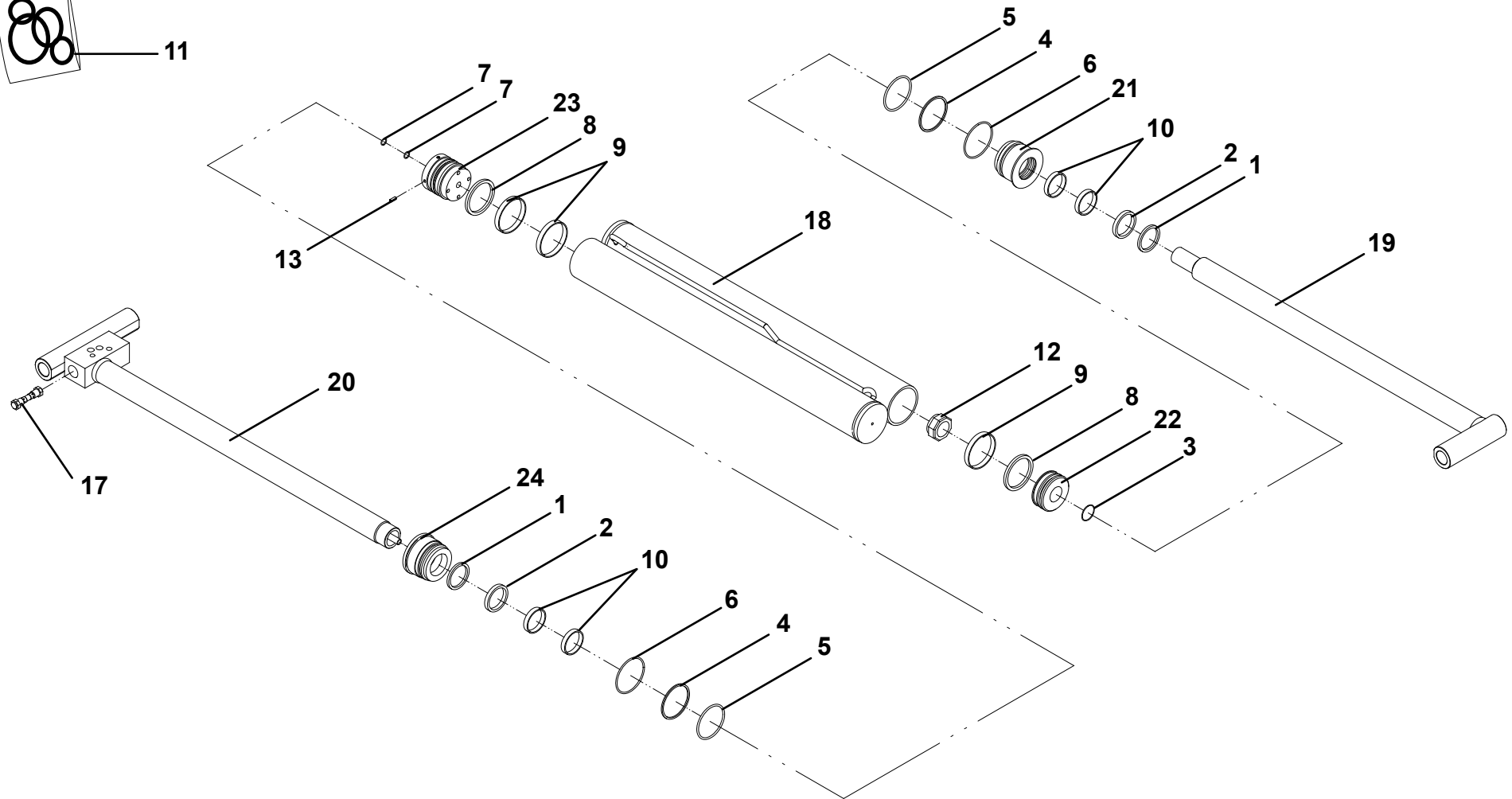
UNDERLIFT ASSEMBLY - 3170000381 - 48,000 LB (4 SECTION)



UNDERLIFT EXTENSION CYLINDER ASSEMBLY - 7320000038

ITEM	PART NO.	DESCRIPTION	QTY
1	9796250081	Seal, Wiper	2
2	7019829	Seal	2
3	7023518	Seal, "O" Ring	1
4	9754250009	Ring, Back-up	2
5	9796250057	Seal, "O" Ring	2
6	9796250058	Seal, "O" Ring	2
7	70050534	Seal, "O" Ring	2
8	9796250073	Seal	2
9	9754250014	Ring, Wear	3
10	70050568	Ring, Wear	4
11	7577250334	Kit, Seal	1
12	7003116	Locknut	1
13	70050535	Setscrew	4
14	7005348	Grease Fitting	2
15	7005365	Plug, Port	2
16	70021648	Plug, Port	2
17	9935250025	Kit, Check Cartridge	1
18	70051197	Assembly, Tube	1
19	70051196	Assembly, Rod	1
20	70050075	Assembly, Rod-Tube	1
21	9553250010	Head	1
22	7024101	Piston	1
23	70050540	Piston	1
24	70050541	Head	1

UNDERLIFT EXTENSION CYLINDER ASSEMBLY - 7320000038

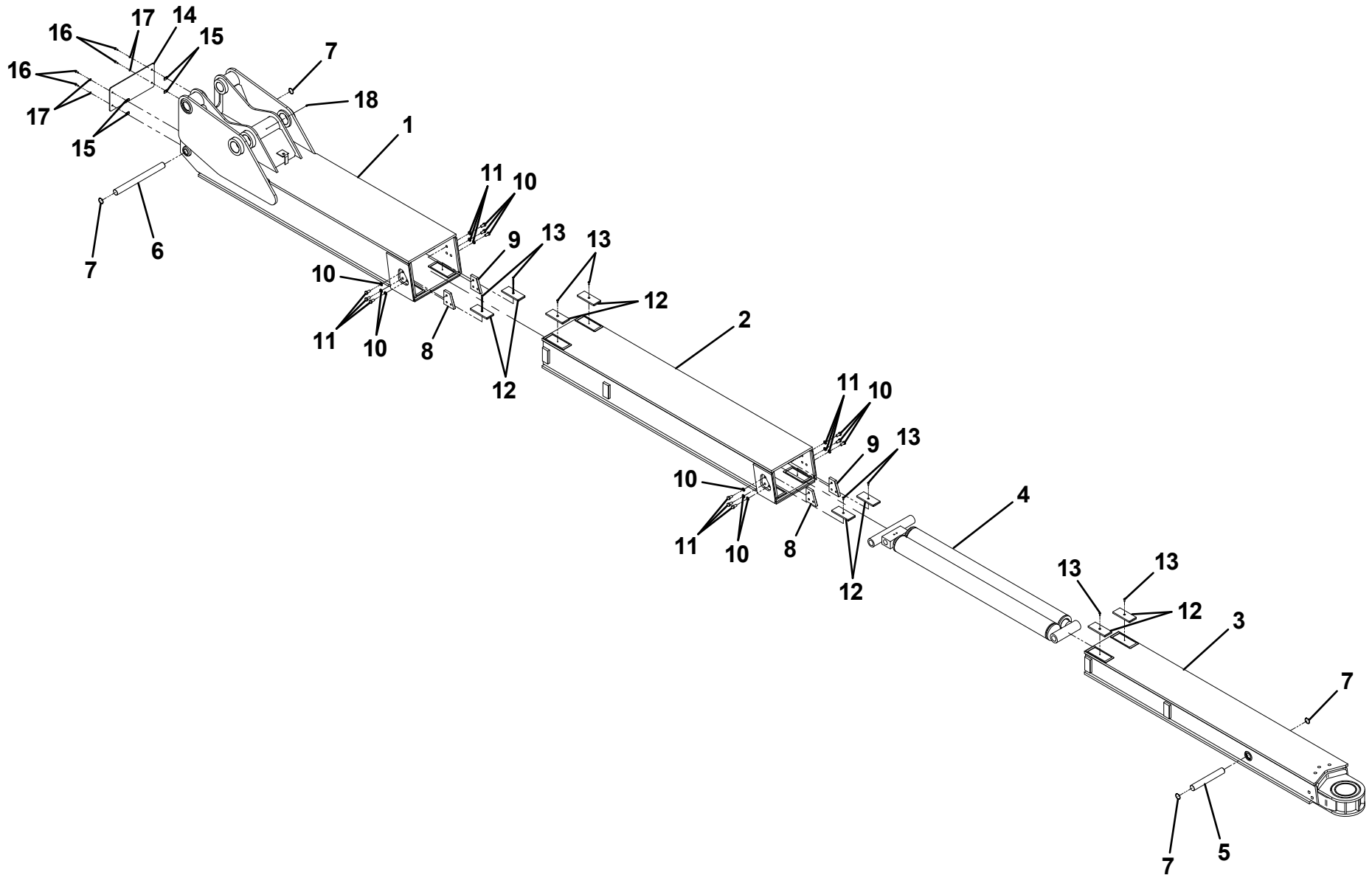


Items #14, #15 and #16, not shown

UNDERLIFT ASSEMBLY - 3170000407 - 48,000 LB (3 SECTION)

ITEM	PART NO.	DESCRIPTION	QTY
1	3170000400	Base Section Boom Weldment	1
2	3170000401	Mid Section Boom Weldment	1
3	3170000406	Fly Section Boom Weldment	1
4	7320000068	Underlift Extension Cylinder Assembly	1
5	4691000293	Pin	1
6	4691000321	Pin	1
7	7754000043	Retaining Ring	4
8	4706005262	Plate	2
9	4706005263	Plate	2
10	7108180850	Capscrew, 0.50"-20NF x 1.00"	12
11	7950180000	Lockwasher, 0.50" ID	12
12	4679000277	Pad, 0.38" Thk	8
	4679000293	Pad, 0.25" Thk	
13	7114140518	Capscrew, 0.25"-20NC x 0.63"	8
14	4706005281	Plate	1
15	7661000019	U-Nut, 0.25"-20NC	4
16	7115140650	Capscrew, 0.25"-20NC x 0.75"	4
17	7950140000	Lockwasher, 0.25" ID	4
18	7440030000	Grease Fitting	1

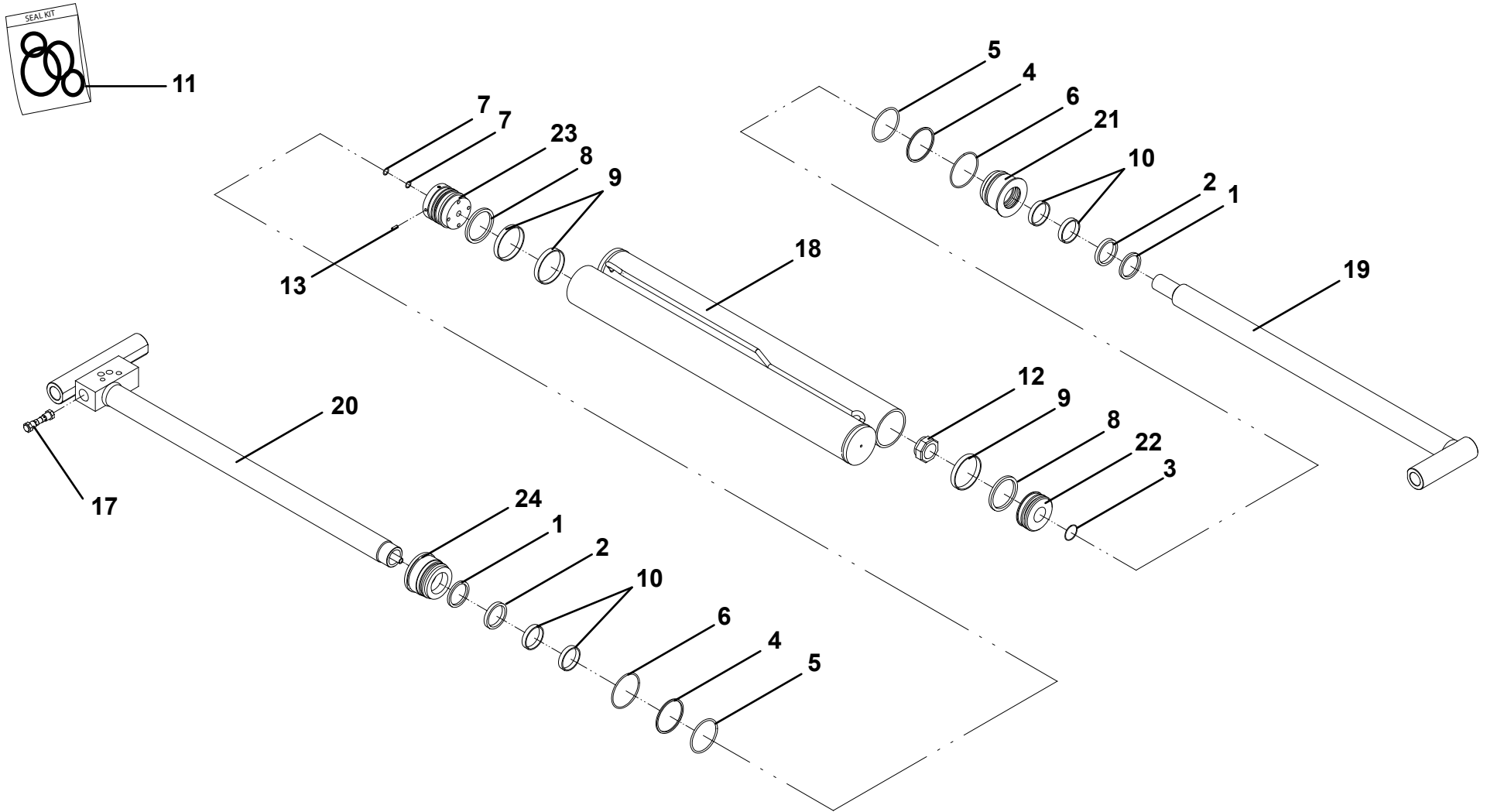
UNDERLIFT ASSEMBLY - 3170000407 - 48,000 LB (3 SECTION)



UNDERLIFT EXTENSION CYLINDER ASSEMBLY - 7320000068

ITEM	PART NO.	DESCRIPTION	QTY
1	9796250081	Seal, Wiper	2
2	7019829	Seal	2
3	7023518	Seal, "O" Ring	1
4	9754250009	Ring, Back-up	2
5	9796250057	Seal, "O" Ring	2
6	9796250058	Seal, "O" Ring	2
7	70050534	Seal, "O" Ring	2
8	9796250073	Seal	2
9	9754250014	Ring, Wear	3
10	80004056	Ring, Wear	4
11	7577250334	Kit, Seal	1
12	7003116	Locknut	1
13	70050535	Setscrew	4
14	7005348	Grease Fitting	2
15	7005365	Plug, Port	2
16	70021648	Plug, Port	2
17	9935250025	Kit, Check Cartridge	1
18	70050550	Assembly, Tube	1
19	70050551	Assembly, Rod	1
20	70050552	Assembly, Rod-Tube	1
21	9553250010	Head	1
22	7024101	Piston	1
23	70050540	Piston	1
24	70050541	Head	1

UNDERLIFT EXTENSION CYLINDER ASSEMBLY - 7320000068

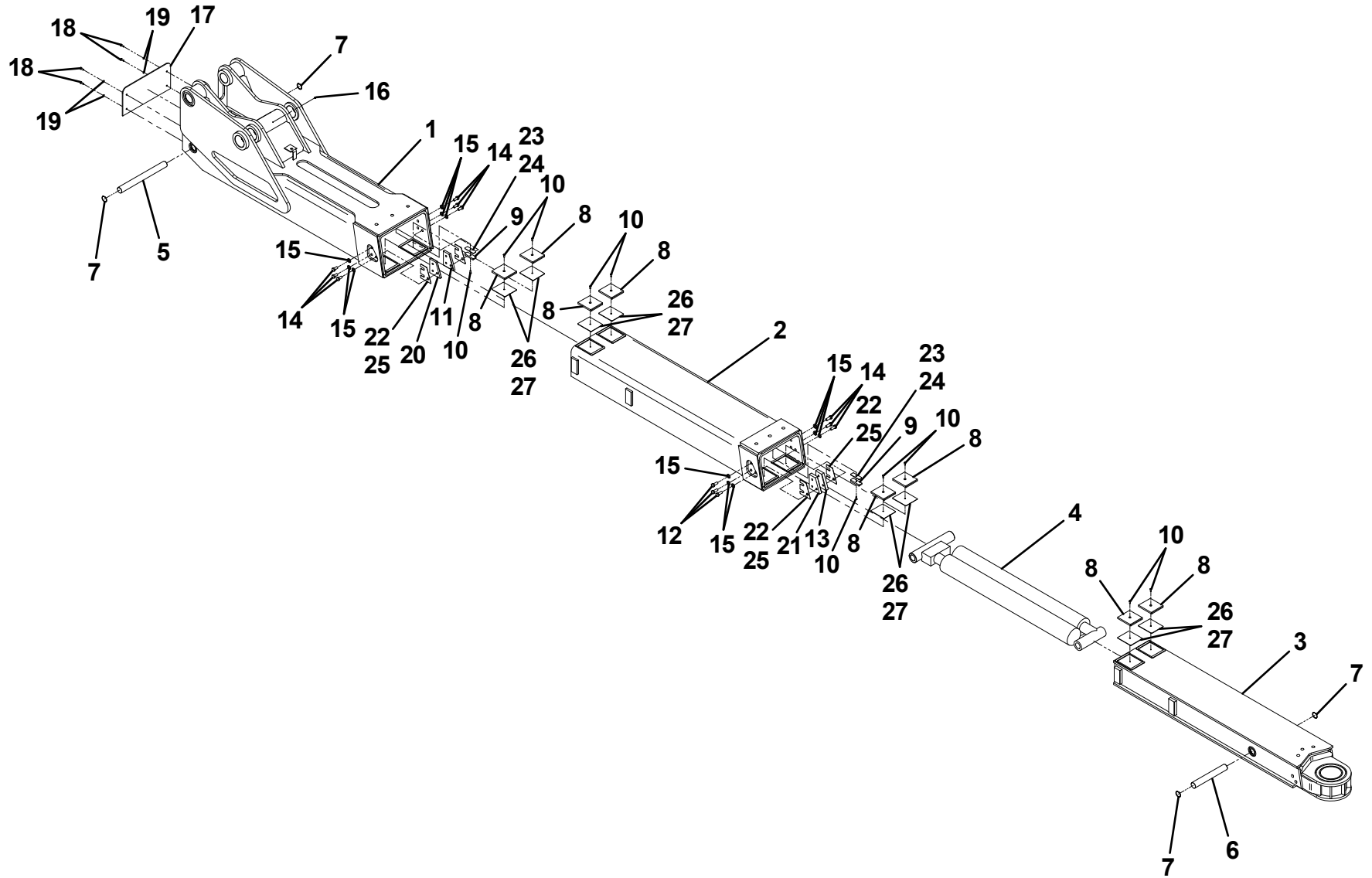


Items #14, #15 and #16, not shown

UNDERLIFT ASSEMBLY - 3507100001 - 53,000 LB

ITEM	PART NO.	DESCRIPTION	QTY
1	3170000125	Base Section Boom Weldment	1
2	3170000124	Mid Section Boom Weldment	1
3	3170000123	Fly Section Boom Weldment	1
4	7320000026	Underlift Extension Cylinder Assembly	1
5	4691000292	Pin	1
6	4691000293	Pin	1
7	7754000043	Retaining Ring	4
8	4679000146	Pad	8
9	4679000147	Pad	2
10	7114140518	Capscrew, 0.25"-20NC x 0.63"	10
11	4706002209	Plate	1
12	7108181050	Capscrew, 0.50"-20NF x 1.25"	6
13	4706002208	Plate	1
14	7108180850	Capscrew, 0.50"-20NF x 1.00"	6
15	7950180153	Flatwasher, 0.50" ID	12
16	7440030000	Grease Fitting	1
17	4706002207	Plate	1
18	7115140650	Plate	4
19	7950140000	Lockwasher, 0.25" ID	4
20	4706002211	Plate	1
21	4706002210	Plate	1
22	4812000057	Shim, 14GA	2
23	4706003708	Plate	2
24	4706003709	Plate	2
25	4706003710	Plate	4
26	4706003717	Plate	8
27	4706003718	Plate	8

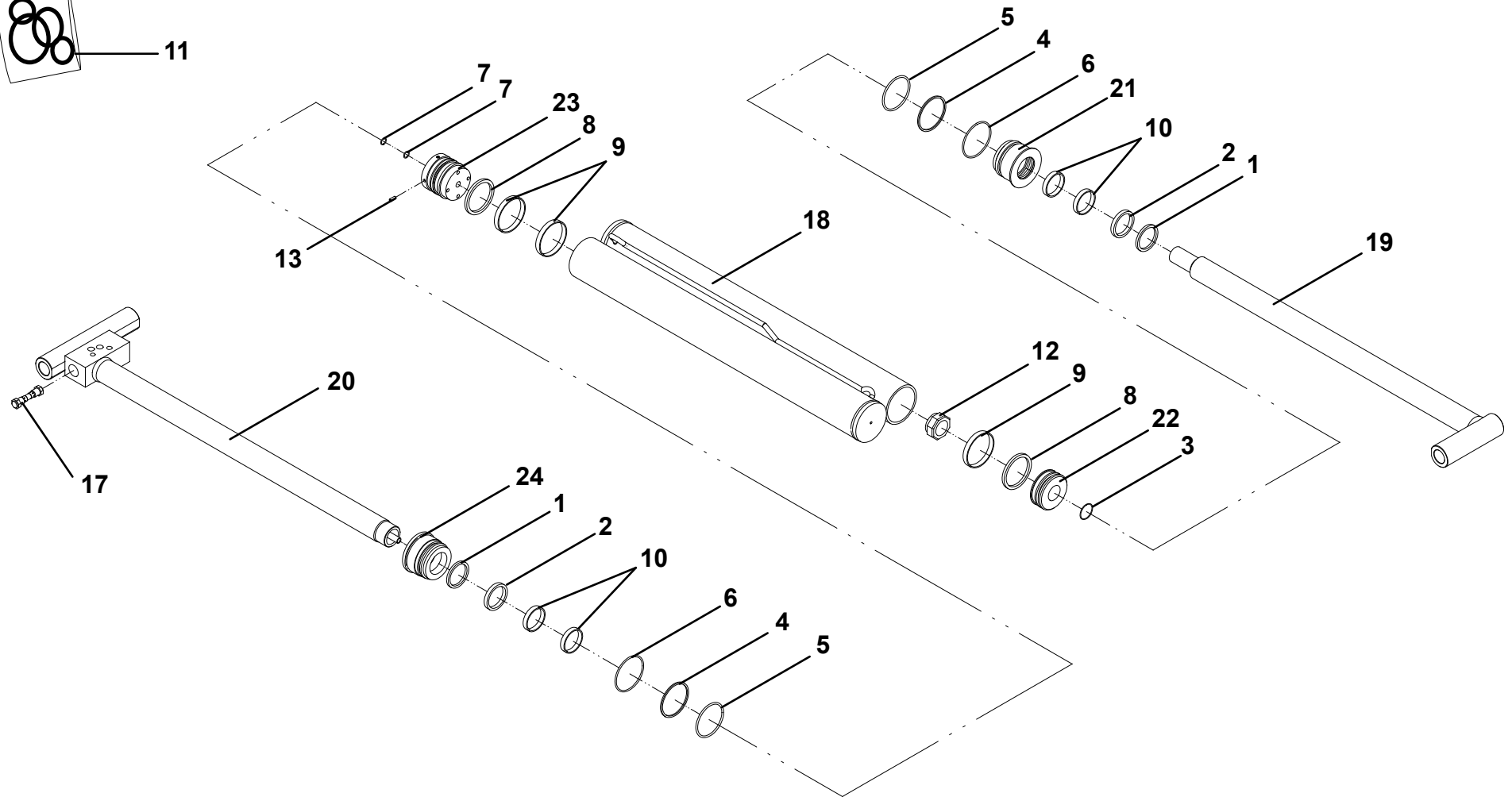
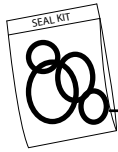
UNDERLIFT ASSEMBLY - 3507100001 - 53,000 LB



UNDERLIFT EXTENSION CYLINDER ASSEMBLY - 732000026

ITEM	PART NO.	DESCRIPTION	QTY
1	9796250081	Seal, Wiper	2
2	7019829	Seal	2
3	7023518	Seal, "O" Ring	1
4	9754250009	Ring, Back-up	2
5	9796250057	Seal, "O" Ring	2
6	9796250058	Seal, "O" Ring	2
7	70050534	Seal, "O" Ring	2
8	9796250073	Seal	2
9	9754250014	Ring, Wear	3
10	70050568	Ring, Wear	4
11	7577250334	Kit, Seal	1
12	7003116	Locknut	1
13	70050535	Setscrew	4
14	7005348	Grease Fitting	2
15	7005365	Plug, Port	2
16	70021648	Plug, Port	2
17	9935250025	Kit, Check Cartridge	1
18	70050536	Assembly, Tube	1
19	70050537	Assembly, Rod	1
20	70050538	Assembly, Rod-Tube	1
21	9553250010	Head	1
22	7024101	Piston	1
23	70050540	Piston	1
24	70050541	Head	1

UNDERLIFT EXTENSION CYLINDER ASSEMBLY - 732000026

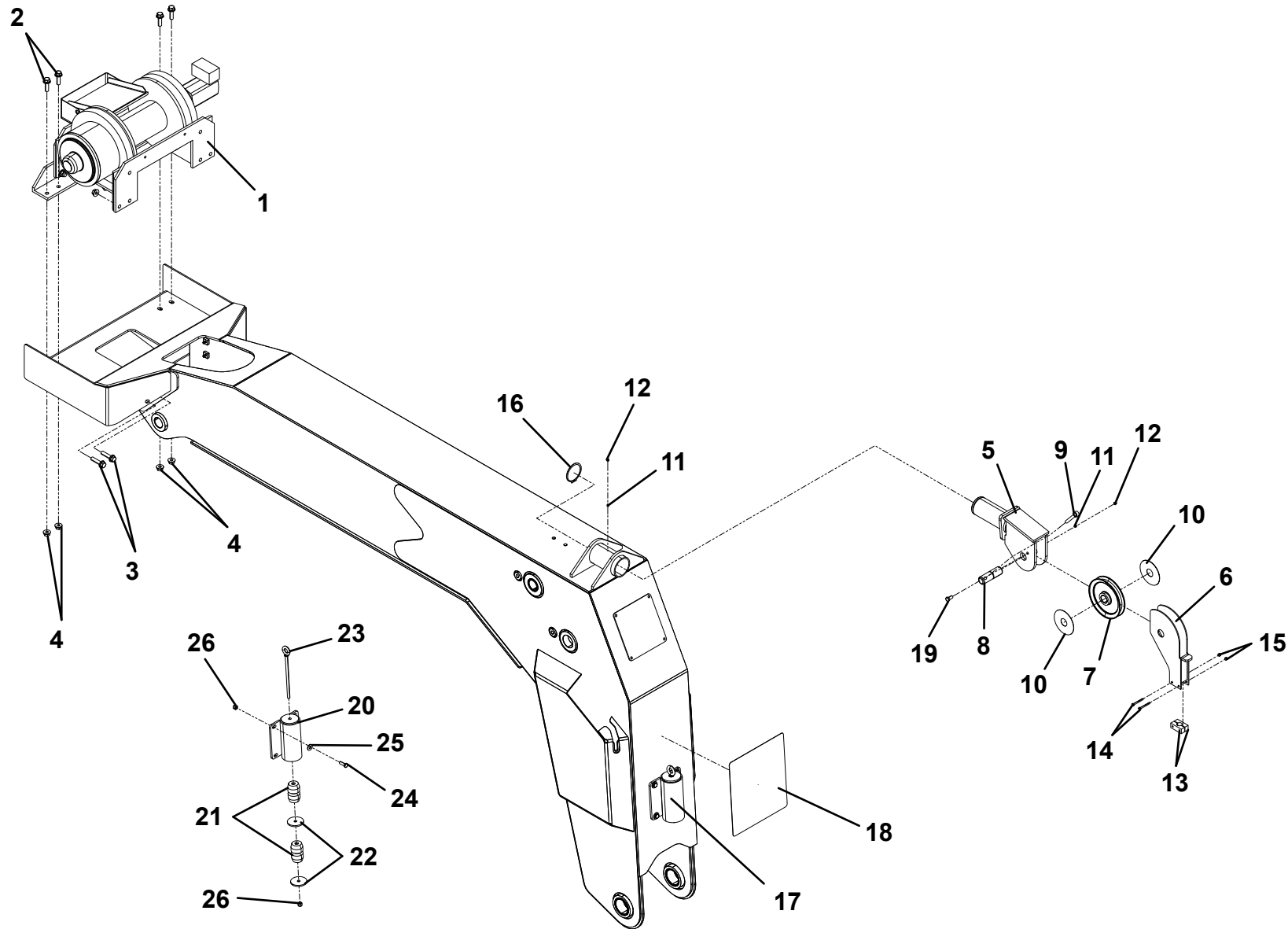


Items #14, #15 and #16, not shown

UNDERLIFT WINCH INSTALLATION

ITEM	PART NO.	DESCRIPTION	QTY
1	797000079	Winch	1
2	7118201616	Capscrew, 0.63"-11NC x 2.00"	4
3	7118202016	Bolt, 0.63"-11NC X 2.50"	4
4	7661000018	Nut, 0.63"-11NC	8
5	1001169617	Sheave Support	1
6	3249000012	Cable Guide	1
7	7809000006	Sheave	1
8	1001169893	Pin	1
9	3841203	Rod	1
10	4949000045	Washer	2
11	7440030000	Grease Fitting	2
12	7253000002	Grease Fitting Cap	2
13	4249000002	Cable Guide	2
14	7115142050	Capscrew, 0.25"-20NC x 2.50"	2
15	7660142604	Locknut, 0.25"-20NC	2
16	7754000049	Retaining Ring	1
17	3249000038	Cable Tie Back	1
18	1001151050	Decal	1
19	7115180850	Capscrew, 0.50"-13NC X 1.00"	1
20	3912000034	Tube Weldment	1
21	7189000014	Spring	2
22	4831000115	Spacer	2
23	7120000053	Ring Bolt, 0.50" - 13NC x 10.00"	1
24	7115181250	Capscrew, 0.50" - 13NC x 1.50"	4
25	7950180150	Flatwasher, 0.50" ID	4
26	7660182601	Locknut, 0.50" - 13NC	5

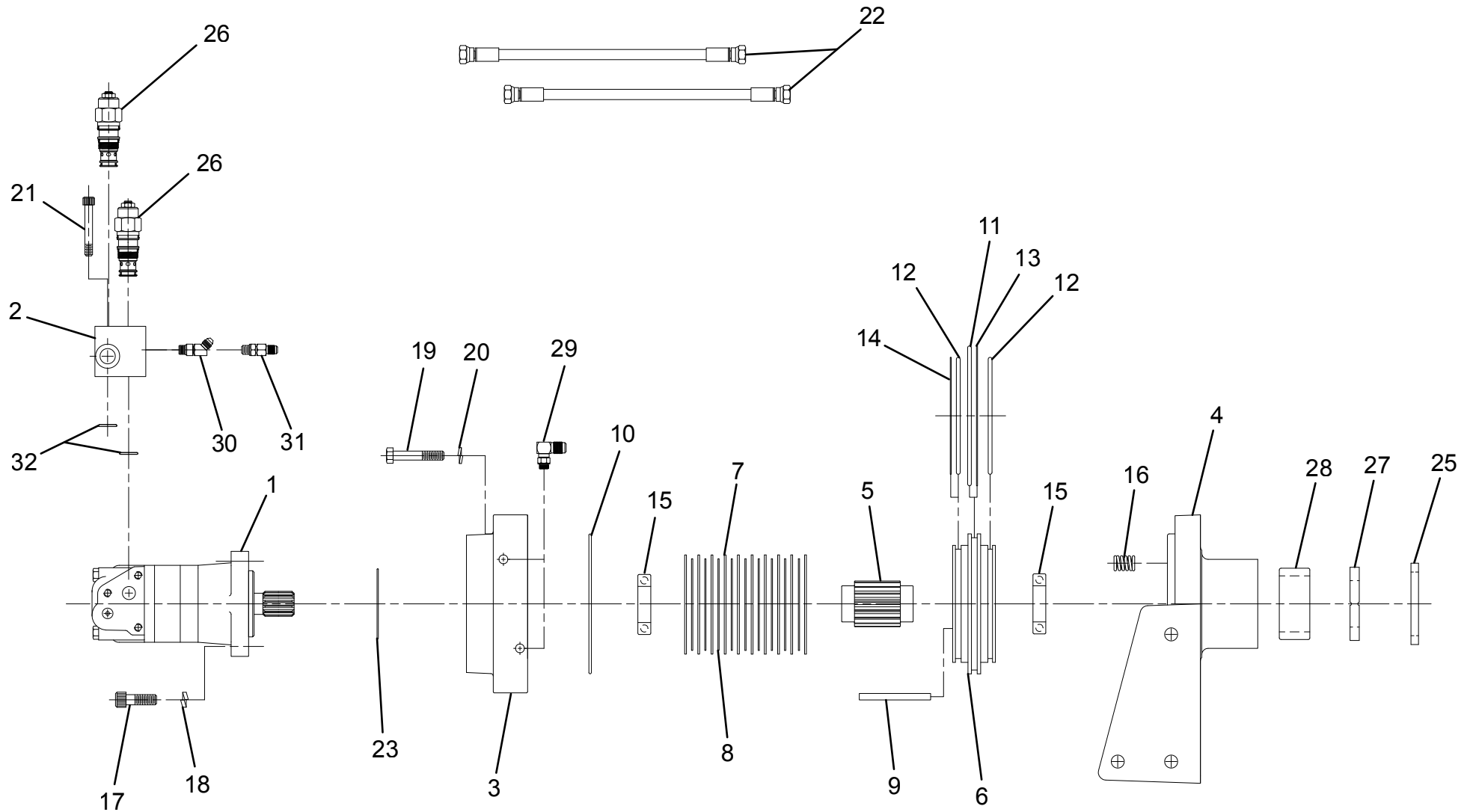
UNDERLIFT WINCH INSTALLATION



DP WINCH 35K - 7970000079 - MOTOR END INSTALLATION

ITEM	PART NO.	DESCRIPTION	QTY	ITEM	PART NO.	DESCRIPTION	QTY
1	9626960018	Motor- Hydraulic	1	31	9443960006	Fitting, Straight Adapter	1
2	9935960027	Valve - Counterbalance	1	32	9796960088	O-Ring - 0.81" I. x 0.09" Section	2
3	9571960006	Brake - Housing	1				
4	9177960004	Support - Motor End	1				
5	9806960019	Shaft - Brake	1				
6	9698960008	Piston - Brake	1				
7	NSS	Plate - Disc - Friction (Sold Only in Kit #9577960139)	10				
8	NSS	Plate - Drive - Brake (Sold Only in Kit # 9577960139)	9				
9	9691960021	Pin - Dowel - 0.31" Dia. x 3.50"	2				
10	NSS	O-Ring - 7.00" OD x 6.75" ID (Sold Only in Kit #9577960120)	1				
11	NSS	O-Ring - 6.84" OD x 6.50" ID (Sold Only in Kit #9577960120)	1				
12	NSS	O-Ring - 5.38" OD x 5.00 ID (Sold Only in Kit #9577960120)	2				
13	NSS	Ring - Back-Up - 6.25" ID (Sold Only in Kit #9577960120)	1				
14	NSS	Ring - Back-Up - 5.278" ID (Sold Only in Kit #9577960120)	1				
15	9082960013	Ball - Bearing - 1.75" I.D.	2				
16	NSS	Spring - Compression - 0.75" (Sold Only in Kit # 9577960139)	12				
17	7118181205	Capscrew, 0.50"-13NC x 1.50" Socket Head GR 8	2				
18	7950180800	Lockwasher, 0.50" ID	2				
19	7118172050	Capscrew, 0.44"-14NC x 2.50" GR 8	6				
20	7950170000	Lockwasher, 0.44" ID	6				
21	7118162005	Capscrew, 0.38"-16NC x 2.50"	3				
22	9570960001	Hose, 0.25 DIA	2				
23	9796960090	O-Ring - 3.00" OD x 2.75" ID	1				
24	70050401	Tag - Warning (Not Shown On Drawing)	1				
25	9796960121	Seal - Shaft - 3.12" ID x 4" OD x 0.38 Thick	1				
26	9935960026	Cartridge - Counterbalance	2				
27	9949960028	Washer - Thrust - Nylon - 3.81 x .406	1				
28	9082960018	Bearing - Roller - Torrington	1				
29	9445040445	Fitting, Swivel Adapter 90 Degree	2				
30	7445040446	Fitting, Swivel Adapter 45 Degree	1				

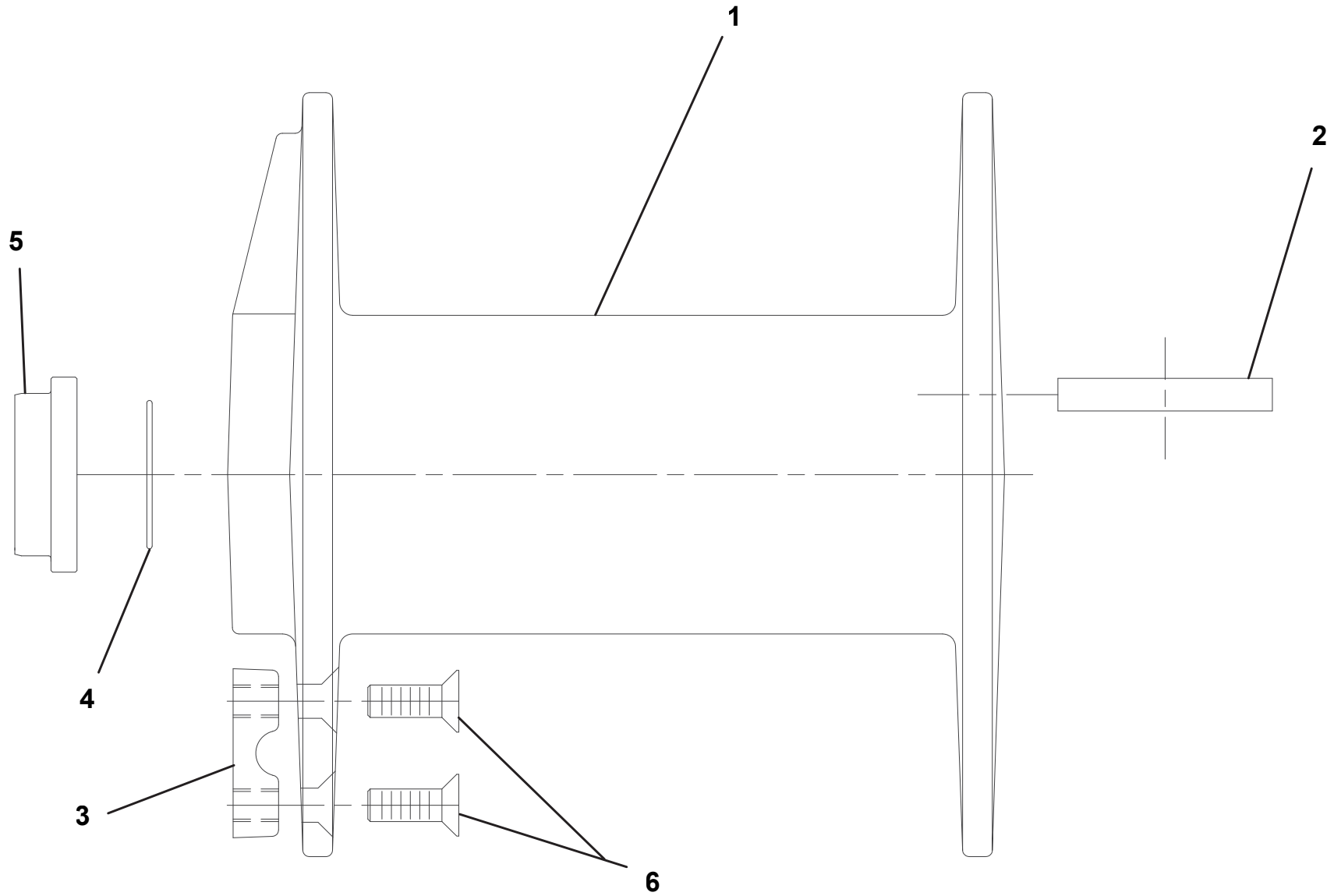
DP WINCH 35K - 7970000079 - MOTOR END INSTALLATION



DP WINCH 35K - 7970000079 - DRUM INSTALLATION

ITEM	PART NO.	DESCRIPTION	QTY
1	9970960020	Drum	1
2	9575960012	Key - Drum	2
3	9280960002	Clip - Cable	1
4	9796960089	O-Ring - 2 3/4 ID x 3 OD x 1/8	1
5	9831960018	Spacer	1
6	7110201423	Capscrew Flathead - 0.63"-11NC X 1.75"	2

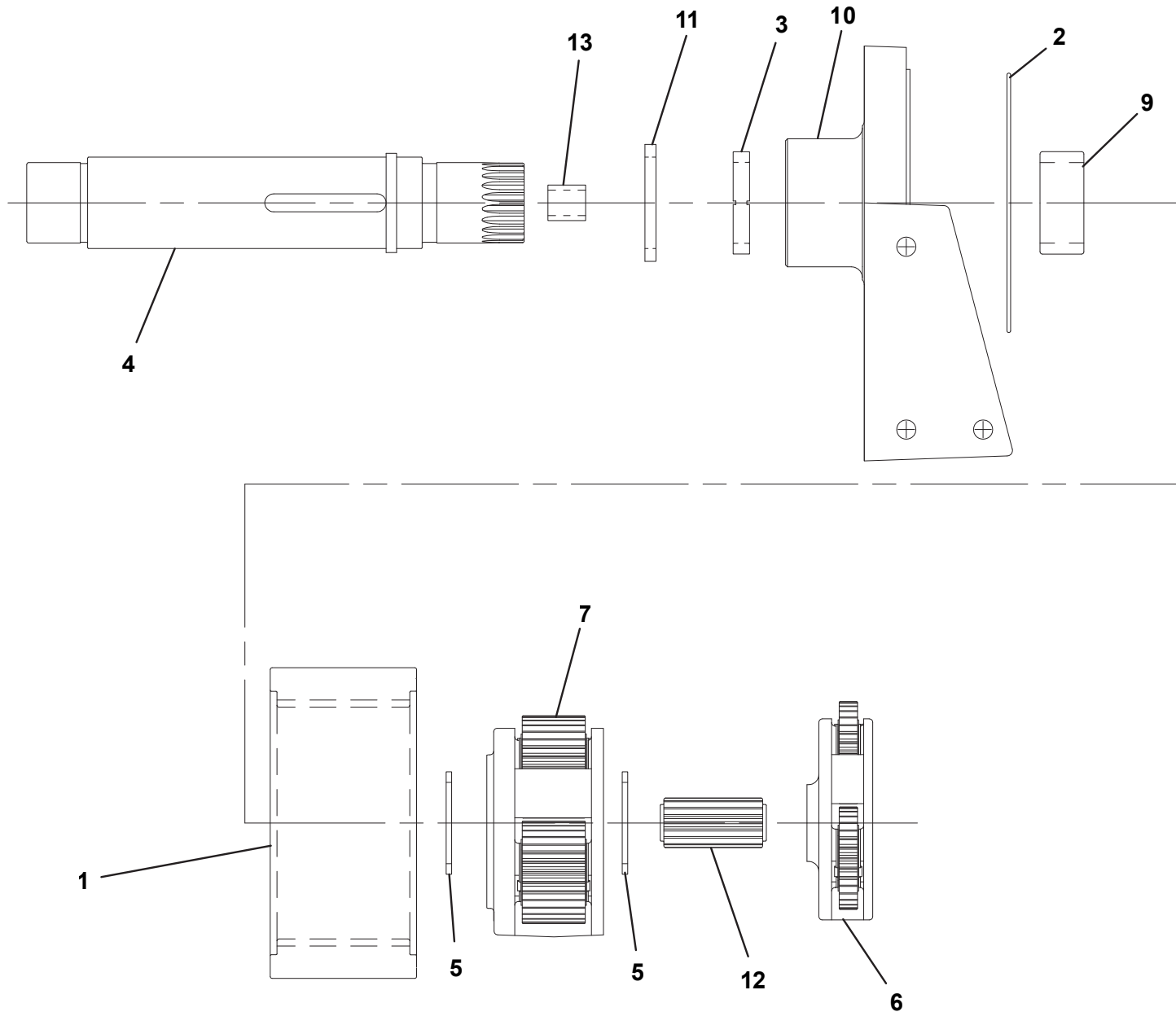
DP WINCH 35K - 7970000079 - DRUM INSTALLATION



DP WINCH 35K - 7970000079 - GEAR END INSTALLATION

ITEM	PART NO.	DESCRIPTION	QTY
1	9970280017	Gear - Ring	1
2	9177960003	Support - Gear End	1
3	9949960028	Washer - Thrust - Nylon - 3.81 x .406	1
4	9806960021	Shaft - Output	1
5	9949960027	Washer - Thrust- Nylon - 3.50" OD x 0.18"	2
6	9472960052	Assembly - Carrier - Planetary - Primary	1
7	9472960053	Carrier - Assembly - Secondary	1
8	9330960006	Label - Warning (Not Shown on Drawing)	1
9	9796960120	O-Ring - 8.75" ID x .012" Section	1
10	9082960018	Bearing - Roller - Torrington	1
11	9796960121	Seal - Shaft - 3.12" ID x 4" OD x 0.38 Thick	1
12	9472960055	Gear - Sun - 15 Teeth	1
13	9209960025	Bushing - 1.00" ID x 1.25" OD x 1.00" LG	1

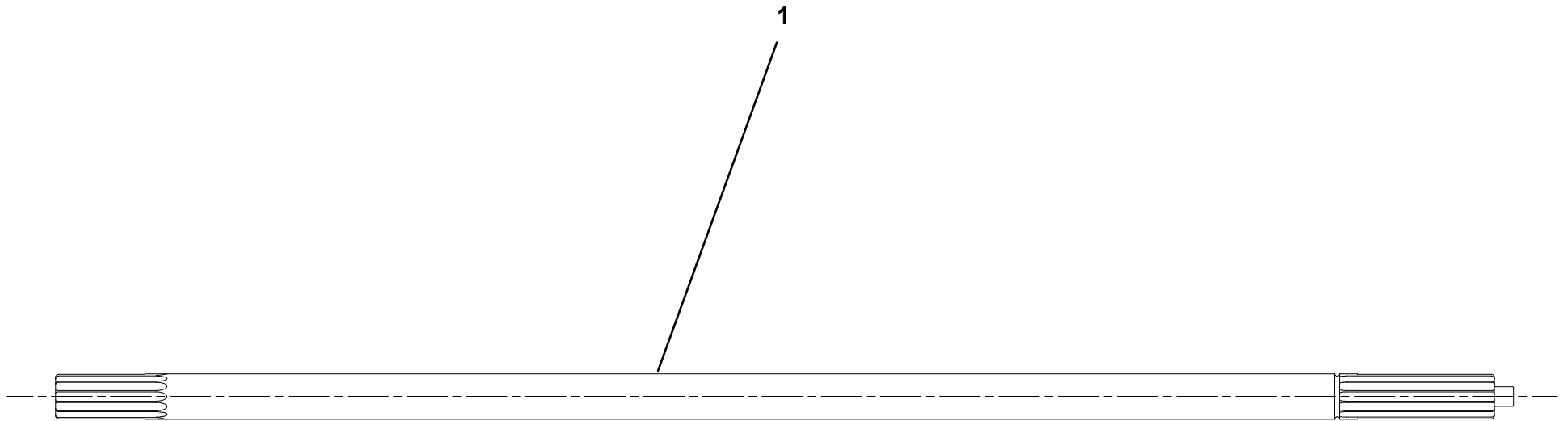
DP WINCH 35K - 797000079 - GEAR END INSTALLATION



DP WINCH 35K - 7970000079 - INPUT SHAFT

ITEM	PART NO.	DESCRIPTION	QTY
1	9806960020	Input - Shaft	1

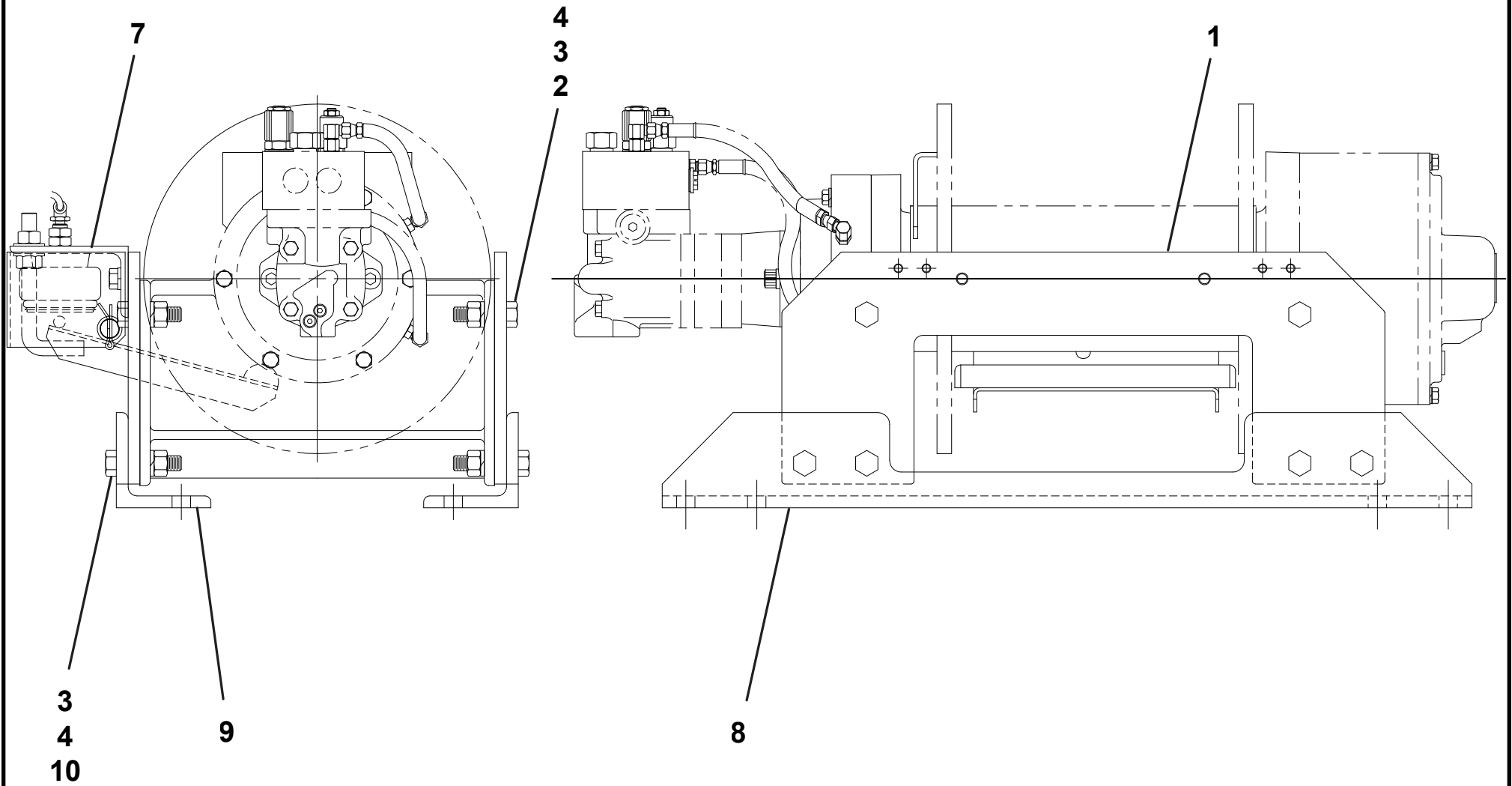
DP WINCH 35K - 7970000079 - INPUT SHAFT



DP WINCH 35K - 7970000079 - BASE MOUNT INSTALLATION

ITEM	PART NO.	DESCRIPTION	QTY
1	9073960003	Base Mount	2
2	7115201850	Capscrew 0.63"-11NC x 2.25" Hex	4
3	7660200001	Nut .63"-11NC GR5 Hex - Plated	12
4	7950200000	Lockwasher .63" Nom Reg CS	12
5	70050147	Rivet - Type - U (Not Shown on Drawing)	4
6	70050384	Plate - ID - Winch (Not Shown on Drawing)	1
7	70050398	Kit - Cable Hold Down	1
8	70050996	Base Mount - Front	1
9	70050997	Base Mount - Rear	1
10	7115202250	Capscrew, 0.63"-11NC x 2.75" Hex Head	8

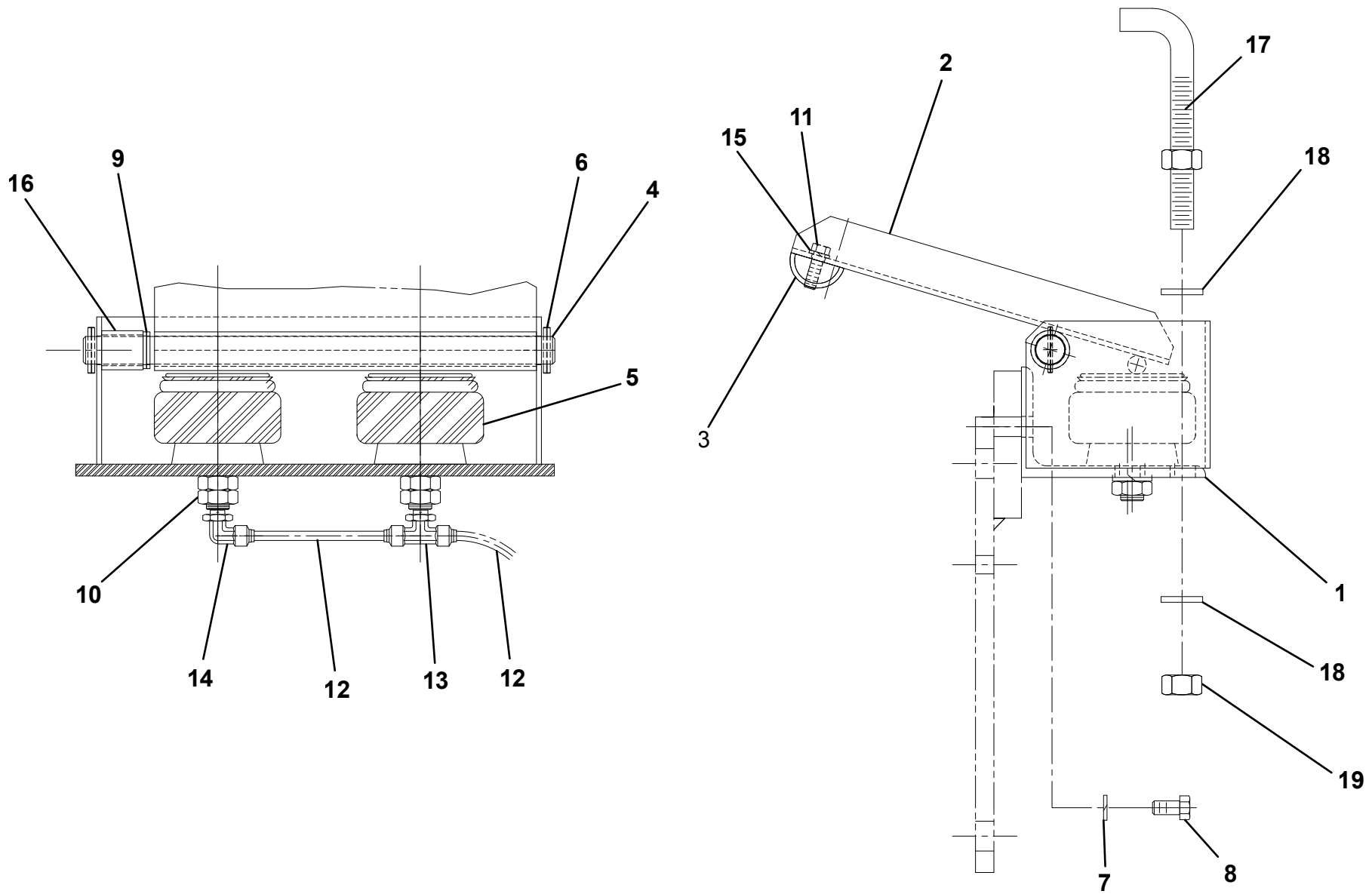
DP WINCH 35K - 7970000079 - BASE MOUNT INSTALLATION



DP WINCH 35K - 7970000079 - CABLE HOLD DOWN KIT

ITEM	PART NO.	DESCRIPTION	QTY
1	9178960011	Bracket - Mounting	1
2	9020960002	Arm - Pivot	1
3	9064960007	Bar - Rub - 1.50" - Half Round	1
4	9691960019	Pin, Pivot	1
5	9843960023	Spring - Cushion - Air - Goodyear	2
6	9690960039	Pin, Cotter 0.19" x 1.50"	2
7	9950180000	Lockwasher, 0.59" ID Nom Reg	2
8	7115181650	Capscrew, 0.50"-13NC x 2.00"	2
9	9949960012	Washer - Thrust	2
10	7660200200	Nut, 0.63"-11NC Hex Jam	4
11	9120960063	Capscrew, 0.31"-18NC x 1.00"	2
12	9912960010	Tubing - Nylon - 0.25" OD	3
13	7443000205	Adapter - Tee - Branch	3
14	7443000204	Adapter - 90 Degree	1
15	9949960050	Lockwasher, 0.31" ID	2
16	9831960009	Spacer - Pin - 1.12"	1
17	9120960019	Bolt - Anchor	1
18	7950200151	Flatwasher, 0.63" ID	2
19	7660200001	Nut .63"-11NC GR5 Hex - Plated	1

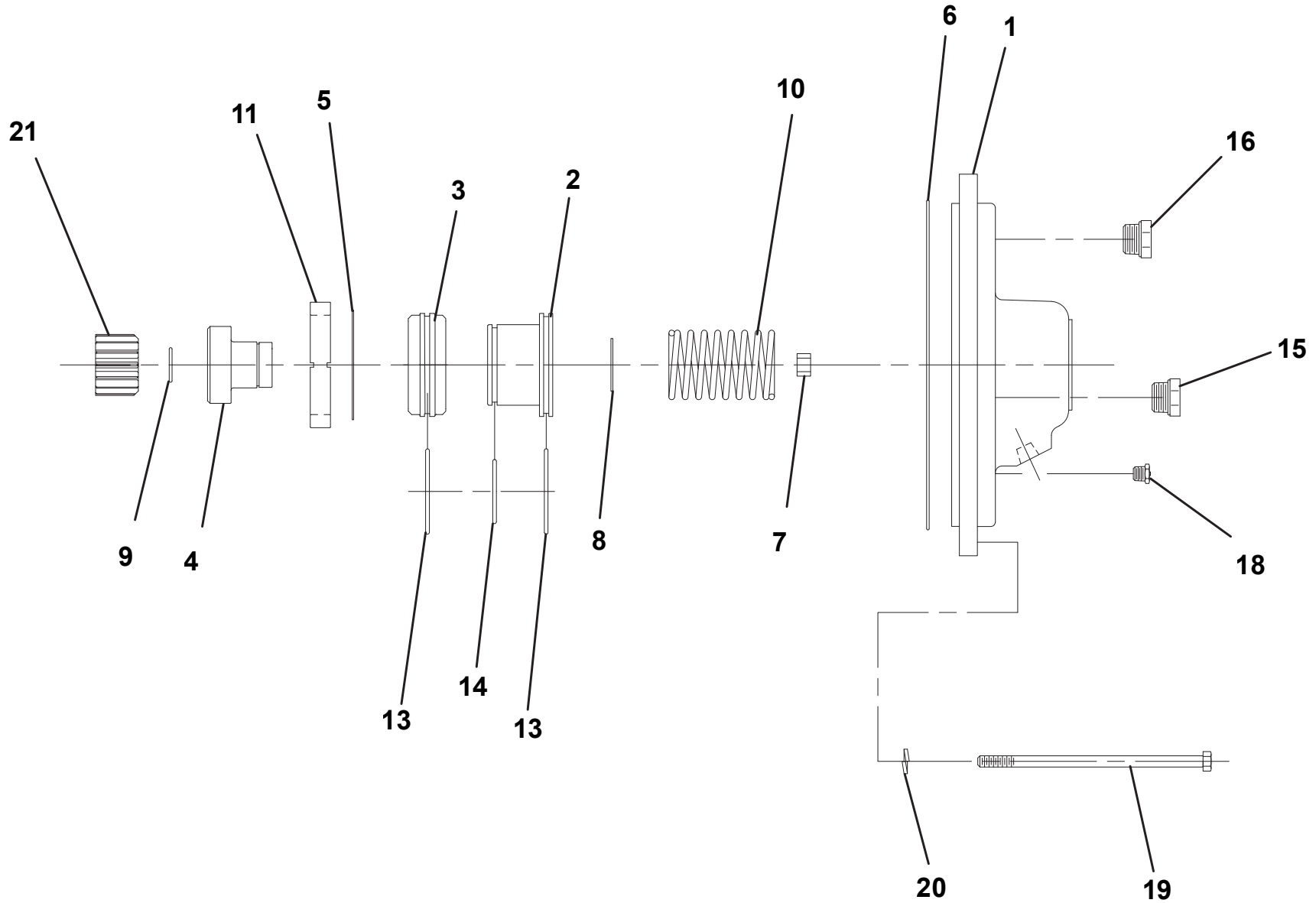
DP WINCH 35K - 7970000079 - CABLE HOLD DOWN KIT



DP WINCH 35K - 7970000079 - GEAR END COVER INSTALLATION

ITEM	PART NO.	DESCRIPTION	QTY
1	9314960022	Cover - Gear End	1
2	9698960016	Piston - AKO B/C/D	1
3	9698960015	Cylinder - Piston	1
4	9309960011	Coupling - Drive	1
5	9754960026	Ring - Retainer - Round Section - 3.00" OD x 3.40	1
6	9796960120	O-Ring - 8.75" ID x .012" Section	1
7	9209960026	Bushing - Bronze - 0.63" ID x 0.38" OD x 0.38"	1
8	9754960046	Ring - Retainer - 1.25" x 0.05 Thick	1
9	9754960047	Ring - Retainer - 0.88" x 0.08" - Round Section	1
10	9843960032	Spring - Compression	1
11	9949960028	Washer - Thrust - Nylon - 3.81 x .406	1
13	9796960119	O-Ring - 2.63" ID x 0.13" Section	2
14	9796960118	O-Ring - 2.13" ID x 2.38" OD Section	1
15	9701960011	Plug - O-Ring Boss - #10 Socket Head - 0.88" - 14	1
15	70050998	O-Ring - Ravine - 1.25"	1
16	9701960012	Plug - Socket Head - Boss - O-Ring #10	1
16	70050998	O-Ring - Ravine - 1.25"	1
17	9701960018	Caplug - #4 Red - 0.25" NPT (Not Shown on Drawing)	1
18	9183960001	Vent - Relief	1
19	70050995	Capscrew, 0.38"-16NC x 5.50" GR 8	12
20	7950160000	Lockwasher 0.38" ID - Plated	12
21	9472960054	Gear - Sun - 15 Teeth	1

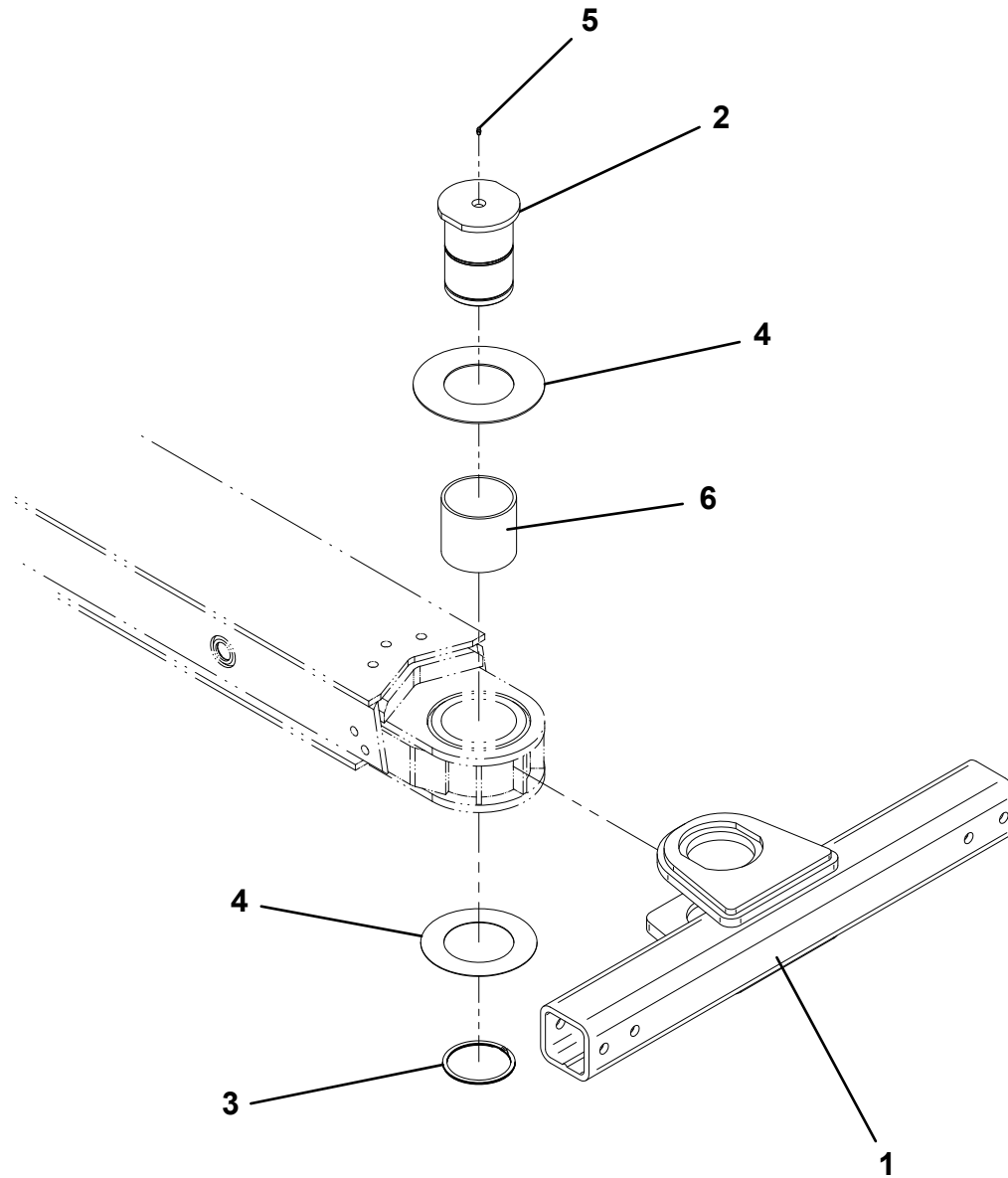
DP WINCH 35K - 7970000079 - GEAR END COVER INSTALLATION



CROSSTUBE INSTALLATION

ITEM	PART NO.	DESCRIPTION	QTY
1	3913000094	Crosstube	1
2	4691000242	Pin	1
3	7754000042	Retaining Ring	1
4	3577000018	Shim	1
5	7440030000	Grease Fitting	1
6	7209000022	Bushing	1

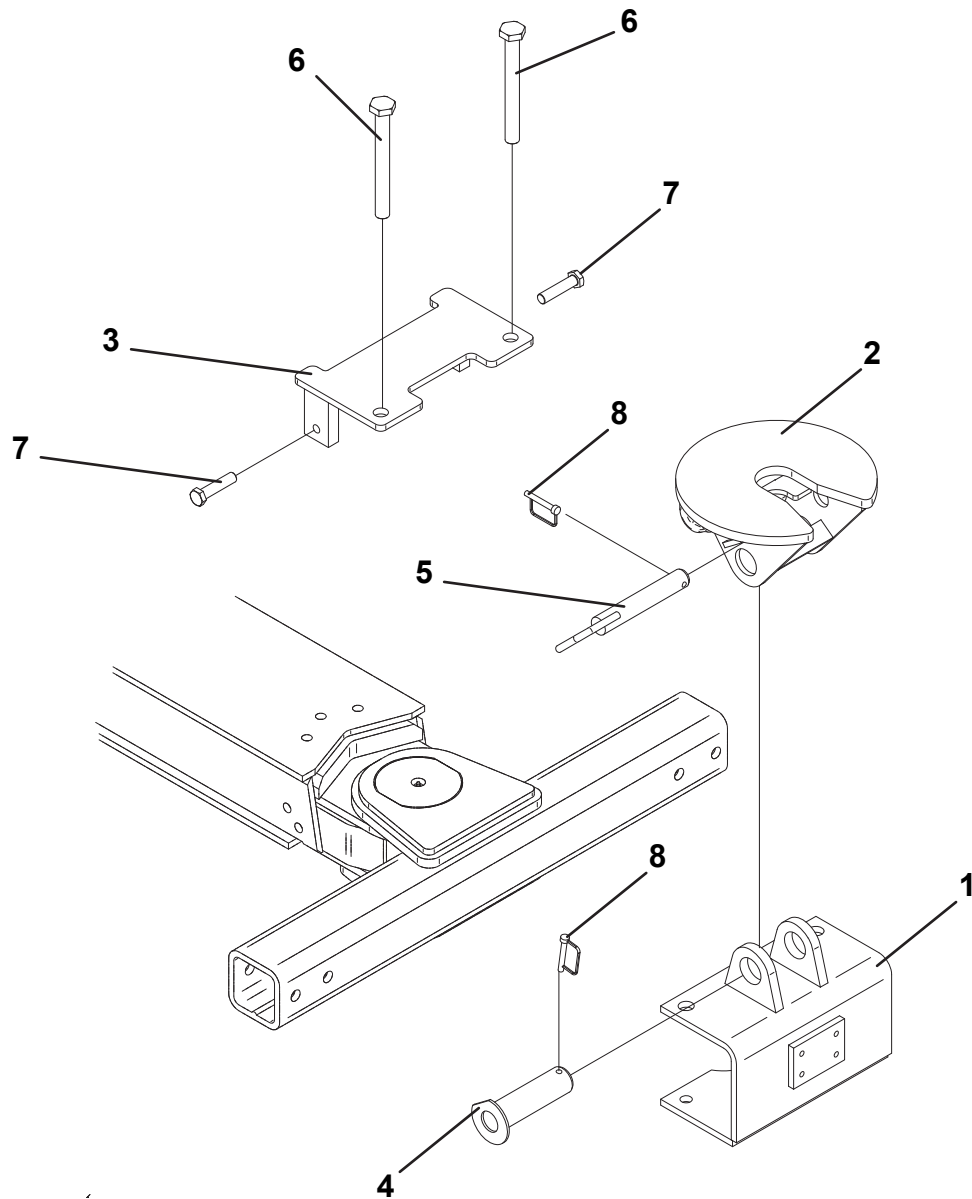
CROSTUBE INSTALLATION



UNDERLIFT TOOLS - 5TH WHEEL INSTALLATION

ITEM	PART NO.	DESCRIPTION	QTY
1	3178000240	Bracket	1
2	3178000499	Bracket	1
3	3706000080	Plate	1
4	3691000144	Pin	1
5	3691000144	Pin	1
6	7118267250	Capscrew, 1.00" - 8UNC x 9.00"	2
7	7120000036	Capscrew, 0.75" - 10UNC x 3.25"	2
8	7691000025	Pin	2

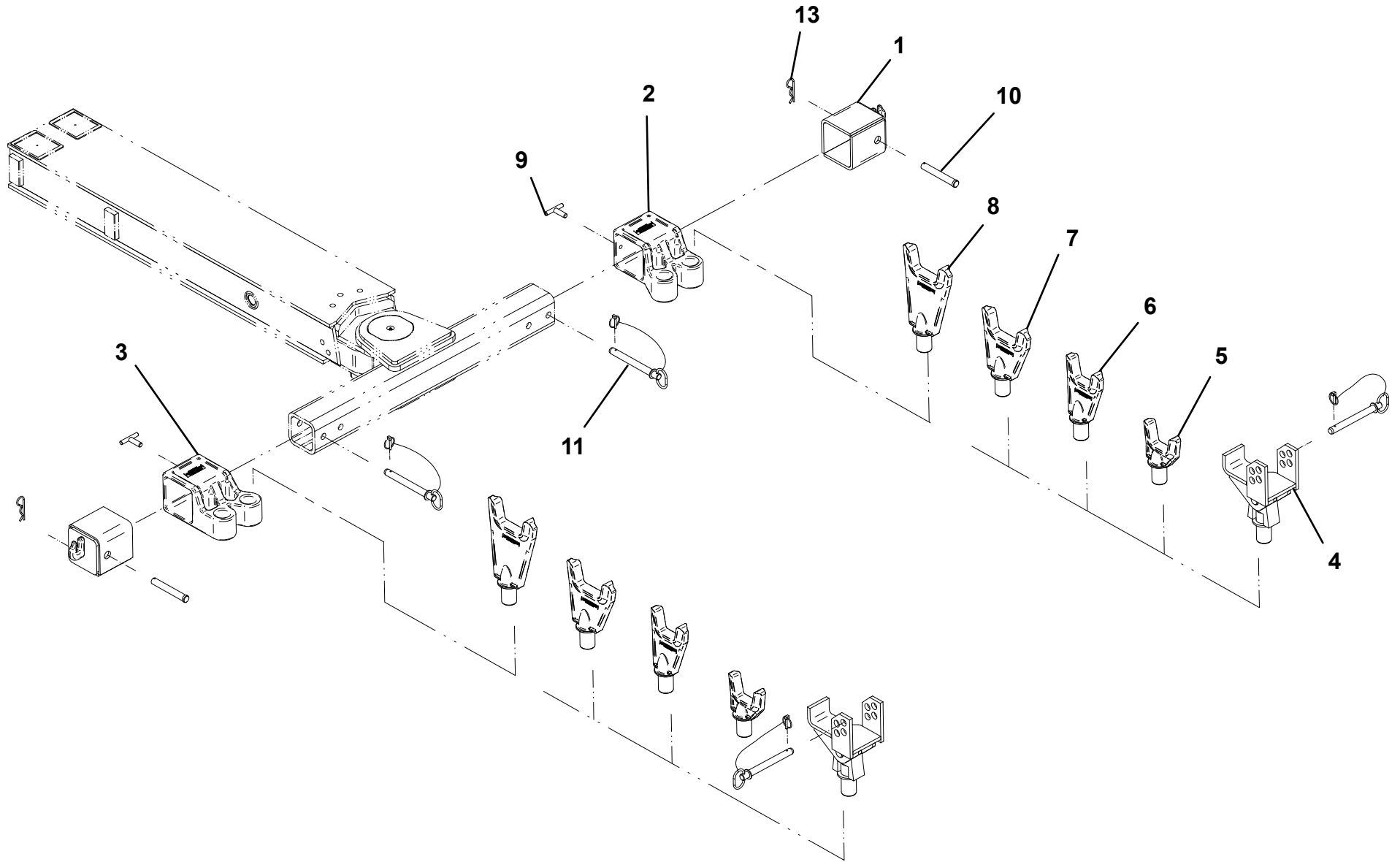
UNDERLIFT TOOLS - 5TH WHEEL INSTALLATION



UNDERLIFT TOOLS - FRAME FORKS

ITEM	PART NO.	DESCRIPTION	QTY
1	3007000004	Chain Hook Adapter	2
2	7007000056	Frame Fork Adapter, RH	1
3	7007000055	Frame Fork Adapter, LH	1
4	3178000226	Spring Lift Bracket	2
5	7454000006	Fork, 3.00" Short	2
6	7454000005	Fork, 3.00" Medium	2
7	7454000003	Fork, 4.50" Medium	2
8	7454000004	Fork, 4.50" Long	2
9	3551000036	T-Handle	2
10	7691000022	Pin	2
11	7691000021	Pin	2
12	1001159568	Strap (Not Shown)	1
13	1001198300	Pin	2

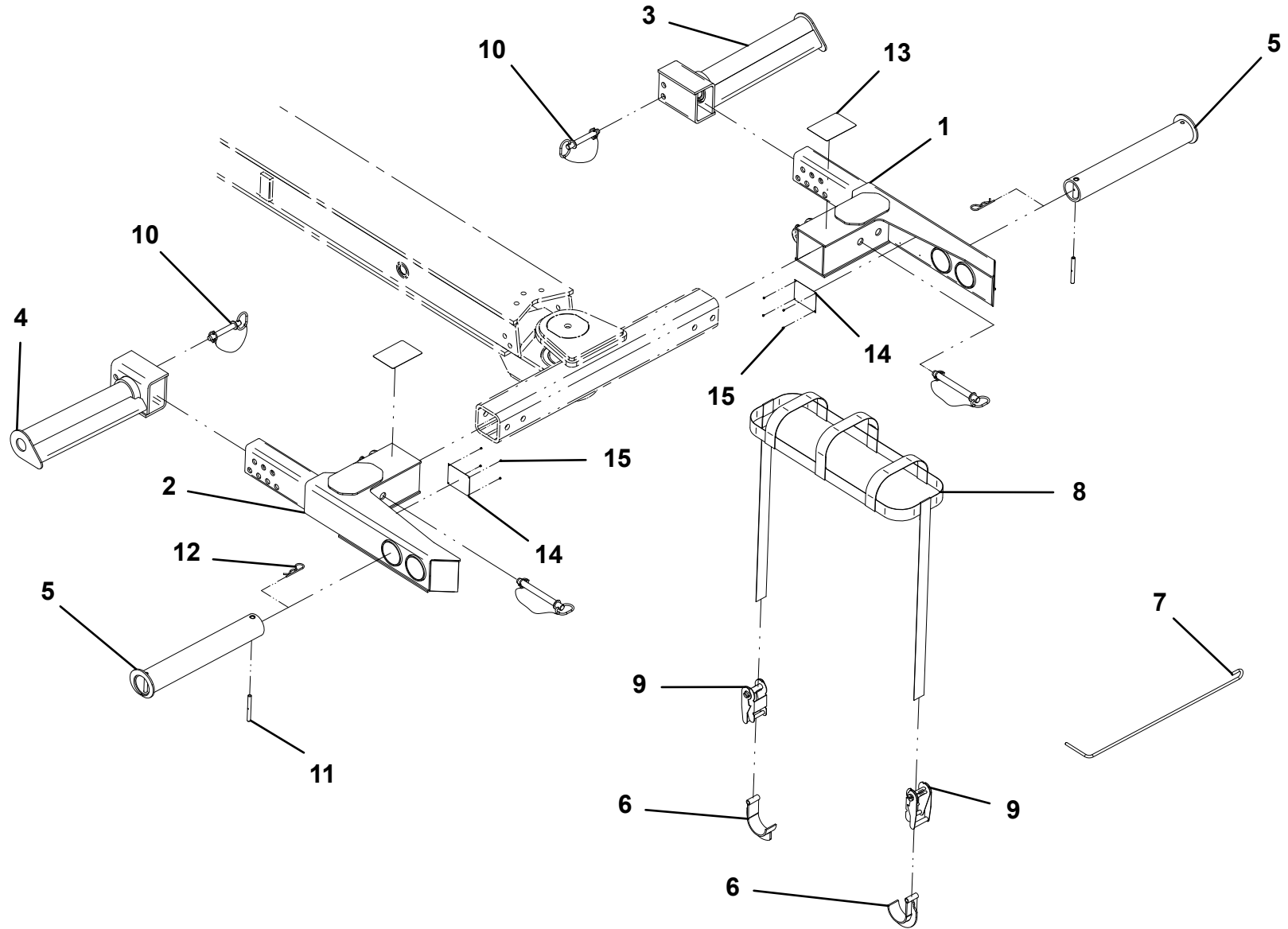
UNDERLIFT TOOLS - FRAME FORKS



UNDERLIFT TOOLS - 14,000 LB TIRE LIFT

ITEM	PART NO.	DESCRIPTION	QTY
1	3484000048	Tire Lift Grid - RH	1
2	3484000049	Tire Lift Grid - LH	1
3	3020000120	Tire Lift Arm Weldment - RH	1
4	3020000119	Tire Lift Arm Weldment - LH	1
5	3912000038	Tire Lift Tube Weldment	2
6	3561000008	Hook	4
7	4561000012	Pull Hook	1
8	7894000037	Strap	2
9	7894000028	Ratchet Strap	4
10	7691000026	Hitch Pin	2
11	4691000274	Pin	4
12	7691000020	Hairpin	4
13	7330000278	Decal, Caution	2
14	1001132268	Decal, Rating	2
15	7759000004	Pop Rivet	8

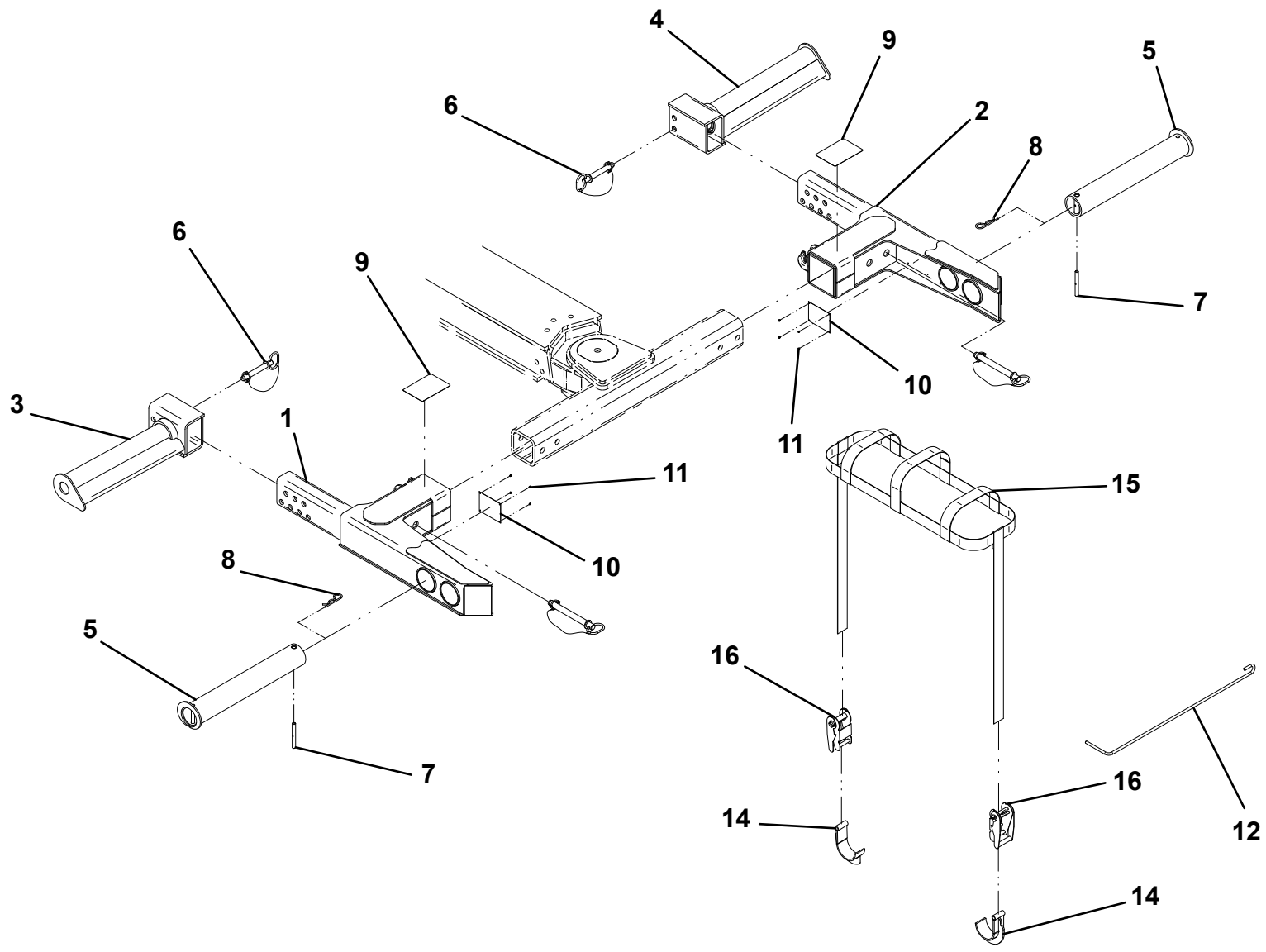
UNDERLIFT TOOLS - 14,000 LB TIRE LIFT



UNDERLIFT TOOLS - 25,000 LB TIRE LIFT

ITEM	PART NO.	DESCRIPTION	QTY
1	3484000072	Tire Lift Grid - LH	1
2	3484000073	Tire Lift Grid - RH	1
3	3020000119	Tire Lift Arm Weldment - LH	1
4	3020000120	Tire Lift Arm Weldment - RH	1
5	3912000033	Tire Lift Tube Weldment	2
6	7691000026	Hitch Pin	2
7	4691000274	Pin	4
8	7691000020	Hairpin	4
9	7330000278	Decal, Caution	2
10	1001132265	Decal, Rating	2
11	7759000004	Pop Rivet	8
12	4561000012	Pull Hook	1
13	7577000368	Strap	1
14	3912000038	Tube Weldment	2
15	3561000008	Hook	4
16	7894000037	Strap	2
17	7894000028	Ratchet Strap	4

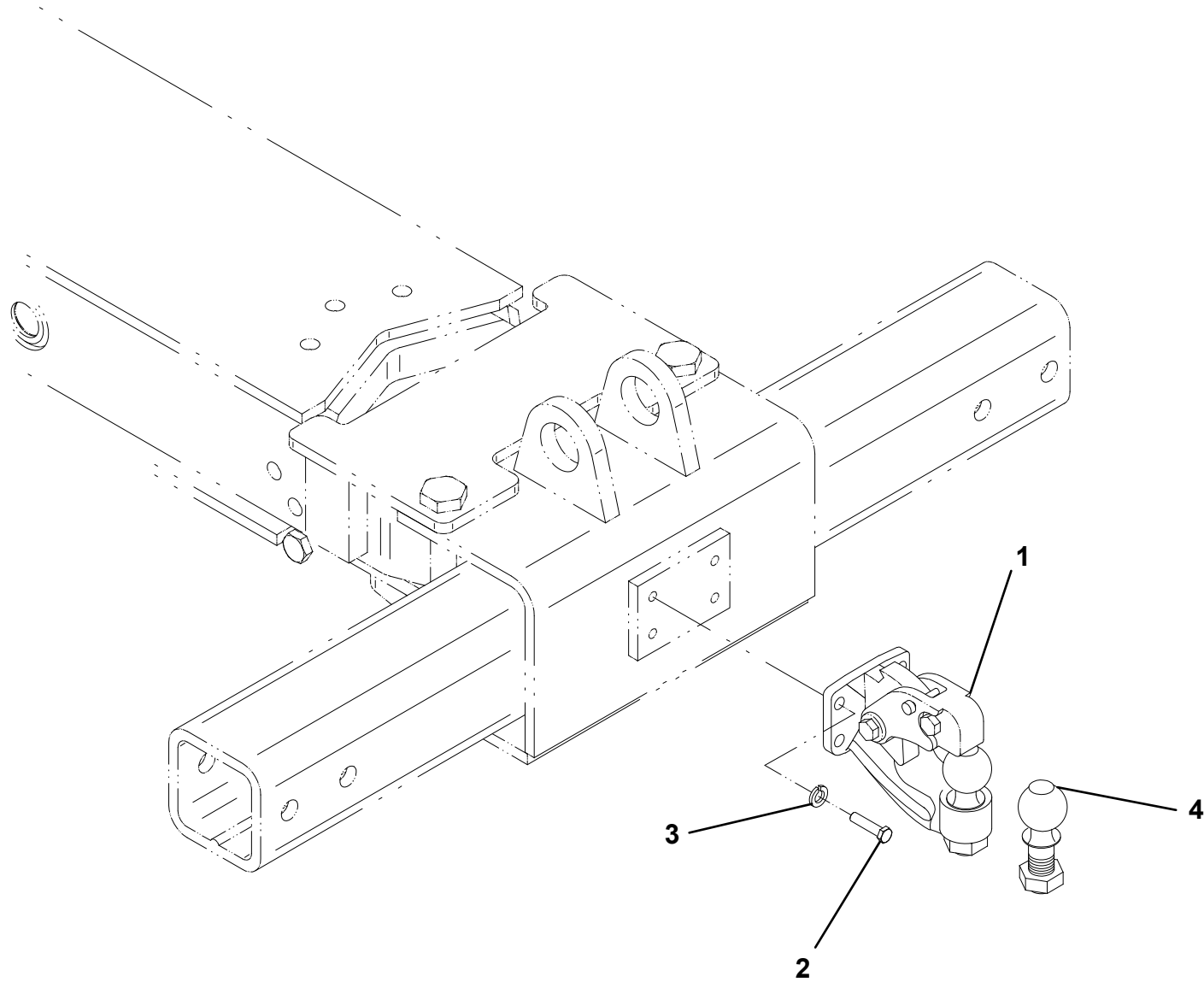
UNDERLIFT TOOLS - 25,000 LB TIRE LIFT



UNDERLIFT TOOLS - PINTLE HOOK

ITEM	PART NO.	DESCRIPTION	QTY
1	7561000020	Hitch, Pintle Hook with 2" Dia. Ball	1
2	7118181250	Capscrew, 0.50"-13NC x 1.50"	4
3	7950180000	Lockwasher, 0.50" ID	4
4	7056000003	Ball, 1.88" Dia	1
	7056000004	Ball, 2.00" Dia	
	7056000005	Ball, 2.31" Dia	
	7056000006	Ball, 50mm Dia	

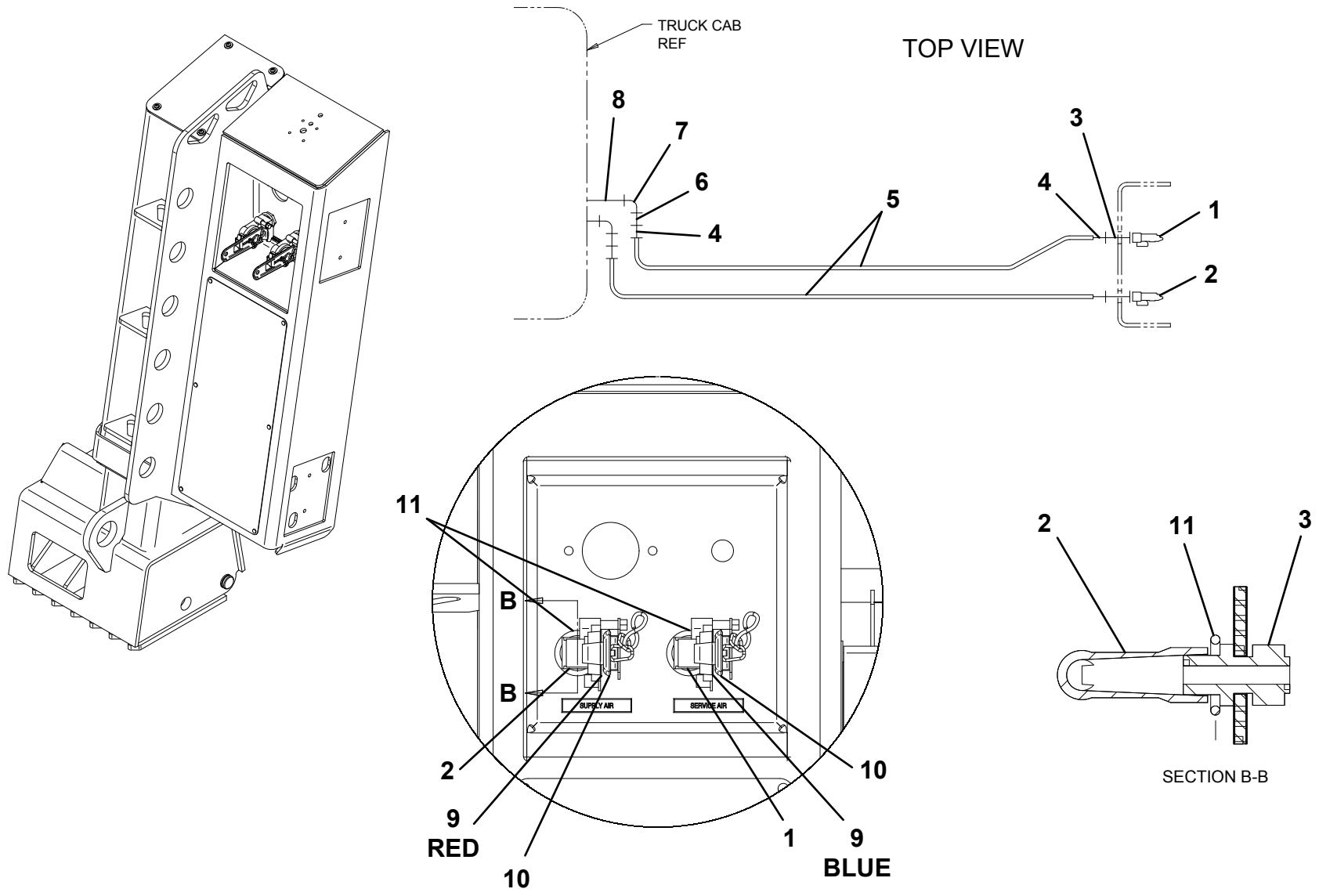
UNDERLIFT TOOLS - PINTLE HOOK



TRAILER AIR INSTALLATION

ITEM	PART NO.	DESCRIPTION	QTY
1	7312000015	Gladhand	1
2	7312000016	Gladhand	1
3	7446502518	Fitting	2
4	7445060435	Fitting	4
5	7565000014	Airline	50 FT
6	7443000148	Bushing	2
7	7443000146	Elbow	2
8	7443000145	Bushing	2
9	7577000145	Seal Kit	1
10	1001170036	Shield	2
11	1001171933	Ring	2

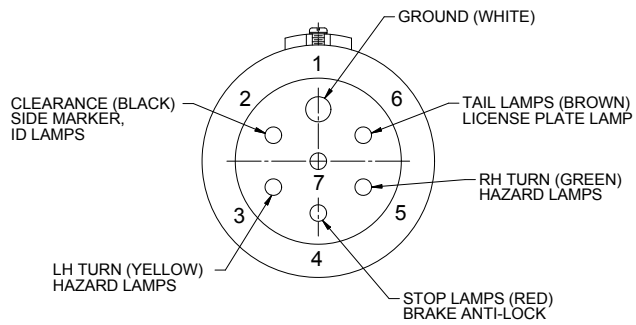
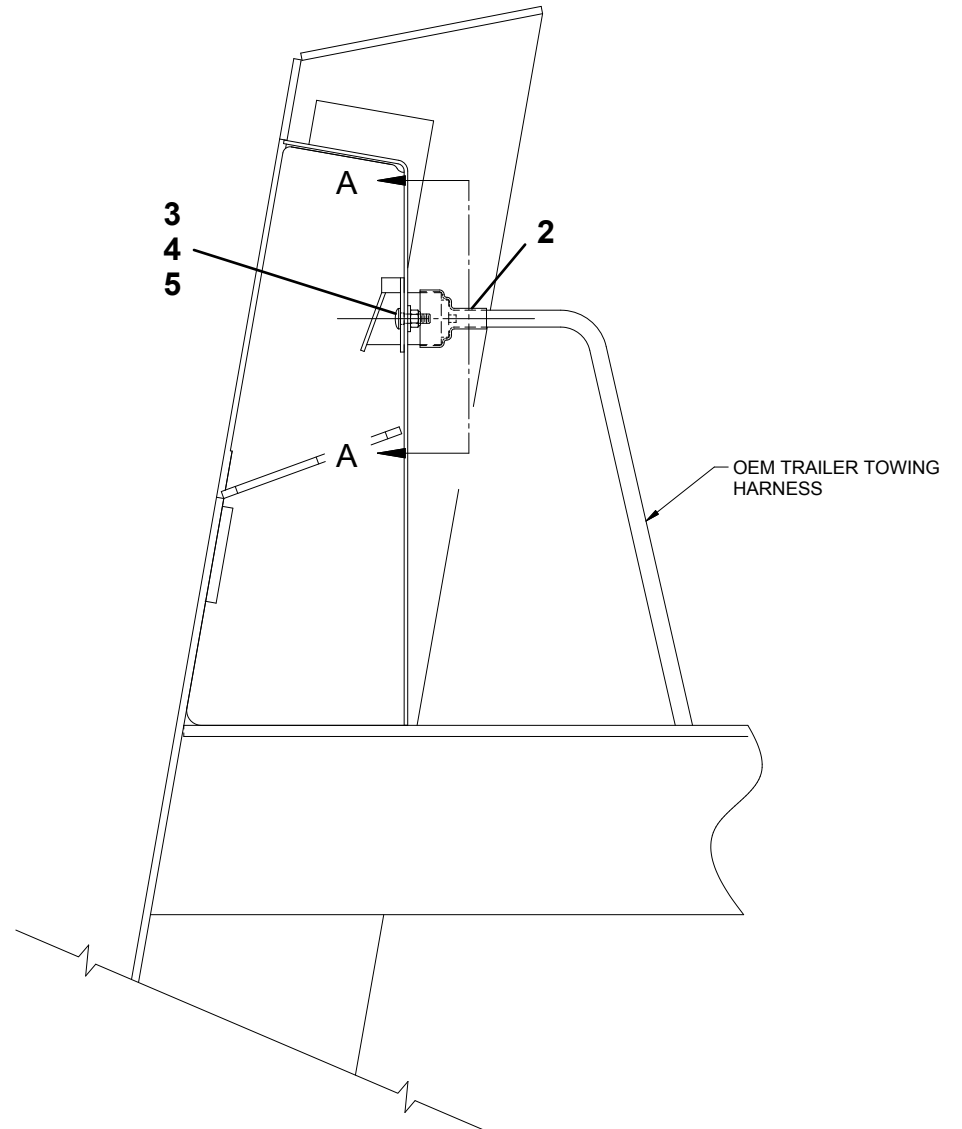
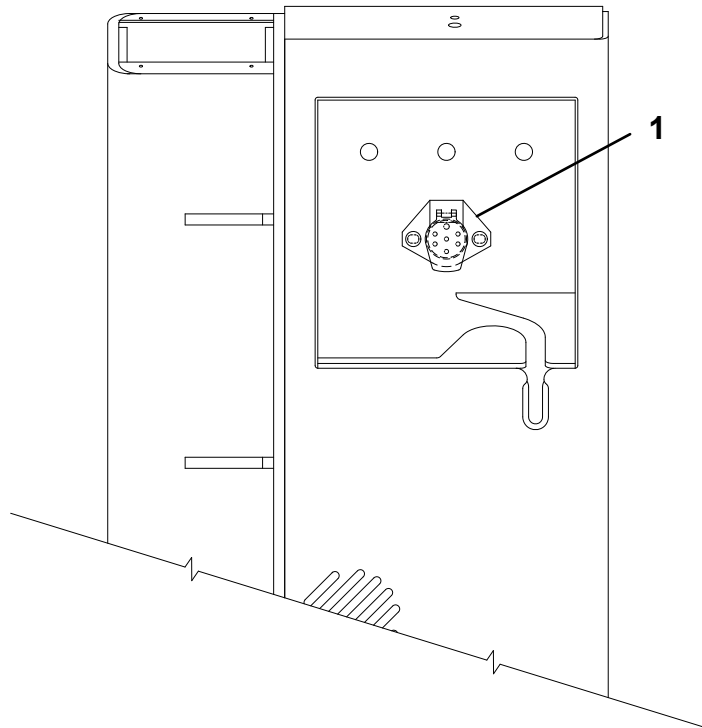
TRAILER AIR INSTALLATION



TRAILER PLUG INSTALLATION

ITEM	PART NO.	DESCRIPTION	QTY
1	7346000055	7-Way Plug	1
2	7346000078	7-Way Plug Boot	1
3	7115150864	Bolt, 0.31"-18NC x 1.00"	2
4	7950150161	Flatwasher, 0.31" ID	2
5	7660152601	Locknut, 0.31"-18NC	2

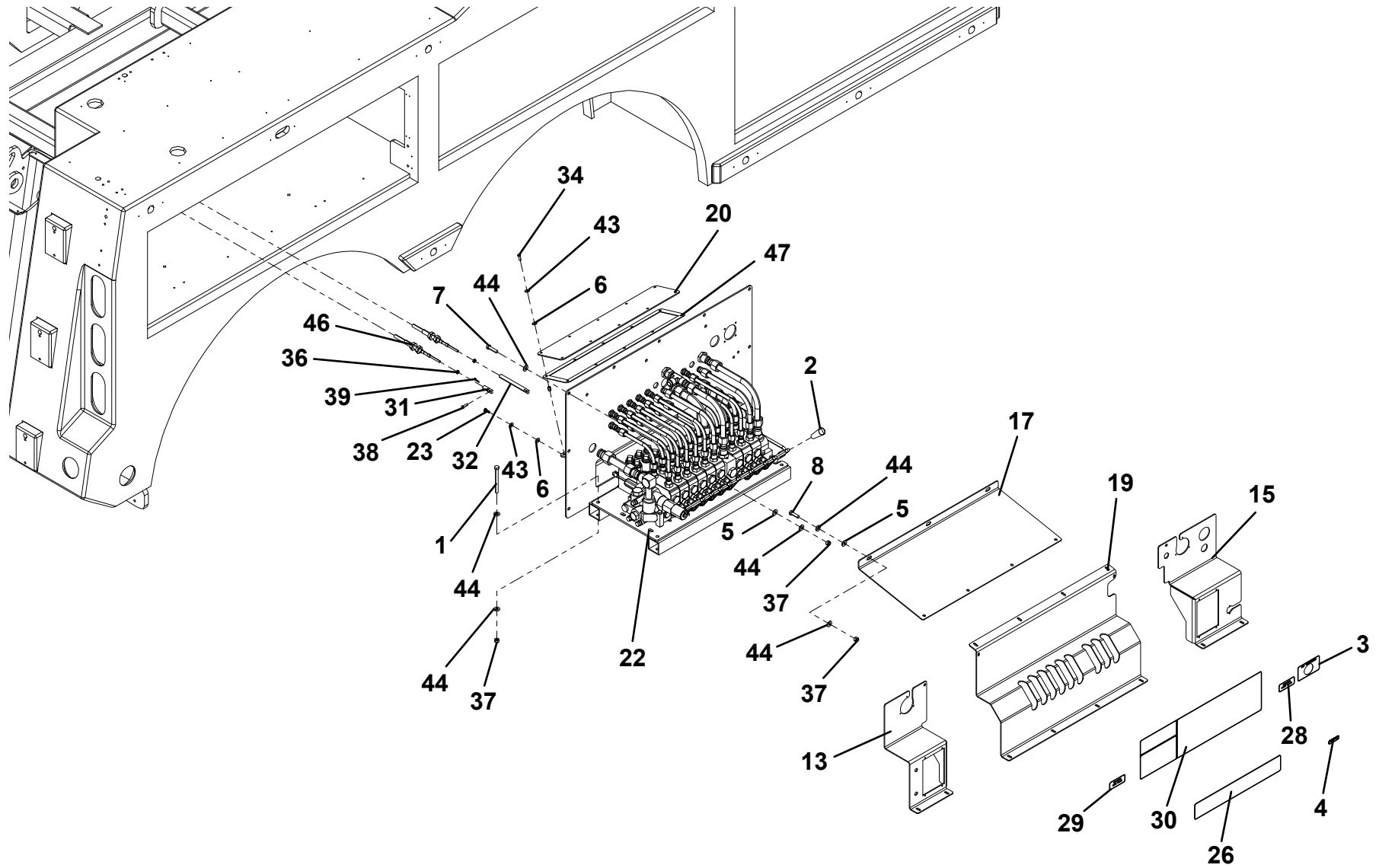
TRAILER PLUG INSTALLATION

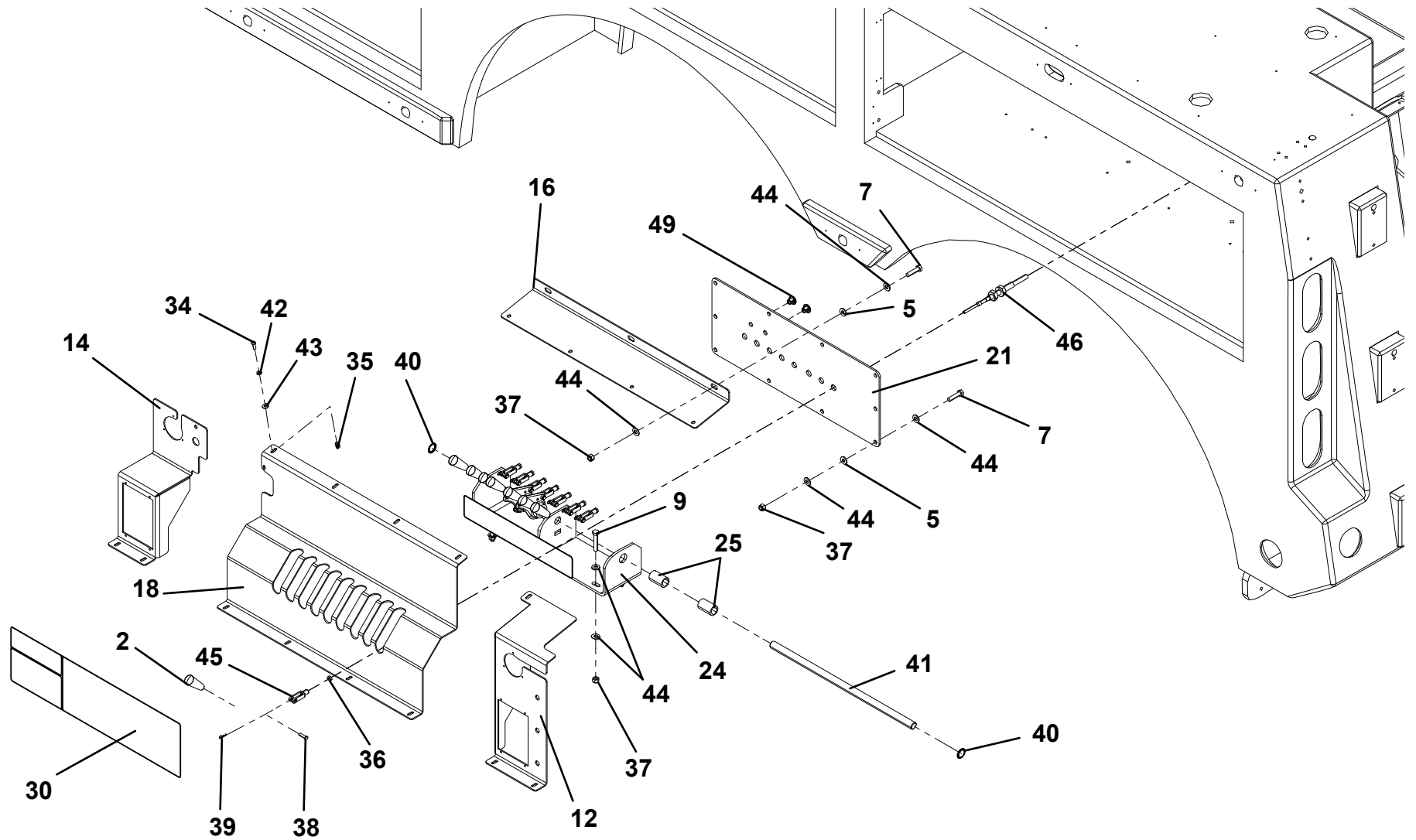


CONTROL INSTALLATION - 9 SECTION - 3 SOLENOID (PRIOR TO S/N 0230004251)

ITEM	PART NO.	DESCRIPTION	QTY	ITEM	PART NO.	DESCRIPTION	QTY
1	641632	Capscrew, 0.38"-16 X 4.00"	4	40	7754000009	Retaining Ring	2
2	1001130491	Control Knob Ball	18	41	7806000008	Shaft	1
3	1001134433	Decal	1	42	7950140003	Lockwasher, 0.25" ID	11
4	1001154277	Decal	1	43	7950140143	Flatwasher, 0.25" ID	40
5	1001166974	Washer	25	44	7950160143	Flatwasher, 0.38" ID	66
6	1001166978	Washer	13	45	7990000003	Yoke	9
7	1001168993	Capscrew, 0.38"-16 X 1.50"	22	46	7248000053	Cable, Push-Pull	9
8	1001169080	Capscrew, 0.38"-16 X 1.25"	3	47	7796000012	Seal	3.5FT
9	1001169083	Capscrew, 0.38"-16 X 2.00"	4	48	3520064	Plug	2
10	1001184827	Handle - Long	2	49	1001201079	Plug	2
11	1001184828	Handle - Short	7				
12	1001189779	Panel, Controls Rear - LH	1				
13	1001189780	Panel, Controls Rear - RH	1				
14	1001189781	Panel, Controls Front - LH	1				
15	1001189782	Panel, Controls Rear - RH	1				
16	1001189783	Panel, Controls Top - LH	1				
17	1001189784	Panel, Controls Top - RH	1				
18	1001202499	Panel, Controls 9 Sect - LH	1				
19	1001202508	Panel, Controls 9 Sect - RH	1				
20	1001189993	Panel	1				
21	1001189994	Bulkhead	1				
22	1001202432	Valve Sub Assembly	1				
23	1001194676	Screw, 0.25" X 0.75"	19				
24	1001194682	Bracket	1				
25	1001194736	Tube	2				
26	1001196907	Decal	1				
27	1001196908	Decal	1				
28	1001196909	Decal	1				
29	1001196910	Decal	1				
30	1001196911	Decal	2				
31	4309000001	Coupling	3				
32	4309000007	Coupling	6				
33	7082000005	Bearing	2				
34	7114140618	Screw, 0.25"-20 X 0.75"	11				
35	7413000002	Nutsert, 0.25"-20	21				
36	7660140230	Nut, 0.25"-28	18				
37	7660162601	Locknut, 0.38"-16NC	33				
38	7690141200	Pin	18				
39	7691000075	Pin	18				

CONTROL INSTALLATION - 9 SECTION - 3 SOLENOID (PRIOR TO S/N 0230004251)



CONTROL INSTALLATION - 9 SECTION - 3 SOLENOID (PRIOR TO S/N 0230004251)

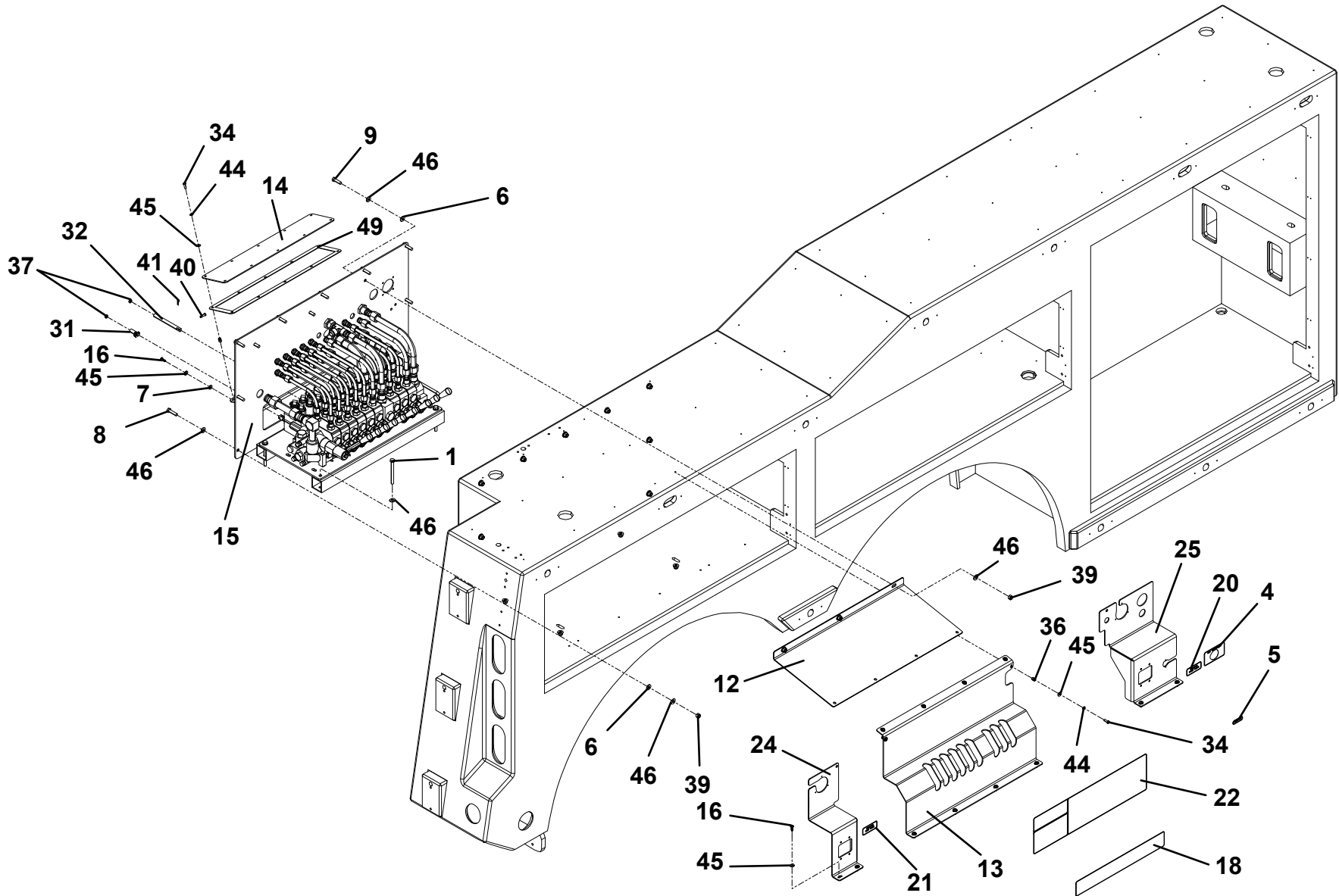
CONTROL INSTALLATION - 9 SECTION - 3 SOLENOID (PRIOR TO S/N 0230004251)

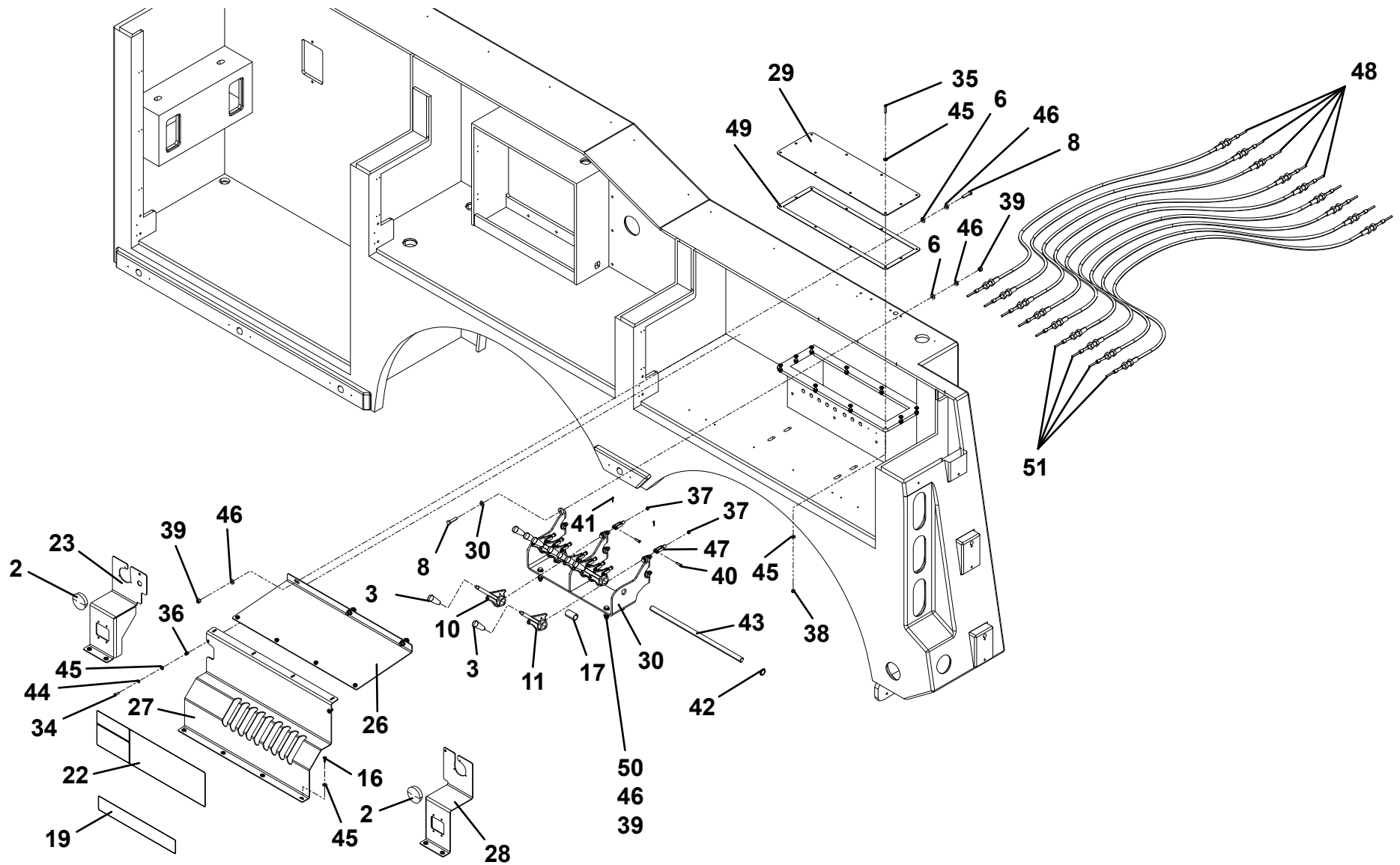
THIS PAGE INTENTIONALLY LEFT BLANK

CONTROL INSTALLATION - 9 SECTION - 3 SOLENOID (S/N 0230004251 TO PRESENT)

ITEM	PART NO.	DESCRIPTION	QTY	ITEM	PART NO.	DESCRIPTION	QTY
1	641632	Capscrew, 0.38"-16 X 4.00"	4	40	7690141200	Pin	18
2	3520064	Plug	2	41	7691000075	Pin	18
3	1001130491	Control Knob	18	42	7754000009	Retaining Ring	2
4	1001134433	Decal	1	43	7806000008	Shaft	1
5	1001154277	Decal	1	44	7950140003	Lockwasher, 0.25" ID	22
6	1001166974	Washer, 0.38"	21	45	7950140143	Flatwasher, 0.25" ID	61
7	1001166978	Washer, 0.25"	3	46	7950160143	Flatwasher, 0.38" ID	58
8	1001168993	Capscrew, 0.38"-16 X 1.50"	18	47	7990000003	Yoke	9
9	1001169080	Capscrew, 0.38"-16 X 1.25"	3	48	1001202741	Cable Push Pull	5
10	1001184827	Handle, Long	2	49	7796000012	Seal	8.7 FT
11	1001184828	Handle, Short	7	50	1001169083	Capscrew, 0.38"-16 X 2.00"	4
12	1001189784	Panel, Controls Top RH	1	51	1001206801	Cable Push Pull	4
13	1001202508	Panel, Controls 9 Sect RH	1				
14	1001189993	Panel, Cable Bracket Cover	1				
15	1001202432	Valve Sub Assembly	1				
16	1001194676	Screw, 0.25" X 0.75"	19				
17	1001194736	Spacer	1				
18	1001202517	Decal	1				
19	1001202518	Decal	1				
20	1001196909	Decal	1				
21	1001196910	Decal	1				
22	1001196911	Decal	2				
23	1001199311	Panel, Controls Front LH	1				
24	1001199322	Panel, Controls Rear RH	1				
25	1001199324	Panel, Controls Front RH	1				
26	1001214902	Panel, Controls Top LH	1				
27	1001219743	Panel, Controls 9 Sect LH	1				
28	1001219691	Panel, Controls Rear LH	1				
29	1001219937	Plate	1				
30	1001220068	Bracket	1				
31	4309000001	Coupling	3				
32	4309000007	Coupling	6				
33	7082000005	Bearing	2				
34	7114140618	Screw, 0.25"-20 X 0.75"	22				
35	7114141018	Screw, 0.25"-20 X 1.25"	10				
36	7413000002	Nutsert, 0.25"-20	22				
37	7660140230	Nut, 0.25"-28	18				
38	7660142601	Locknut, 0.25" -20NC	10				
39	7660162601	Locknut, 0.38"-16NC	29				

CONTROL INSTALLATION - 9 SECTION - 3 SOLENOID (S/N 0230004251 TO PRESENT)



CONTROL INSTALLATION - 9 SECTION - 3 SOLENOID (S/N 0230004251 TO PRESENT)

CONTROL INSTALLATION - 9 SECTION - 3 SOLENOID (S/N 0230004251 TO PRESENT)

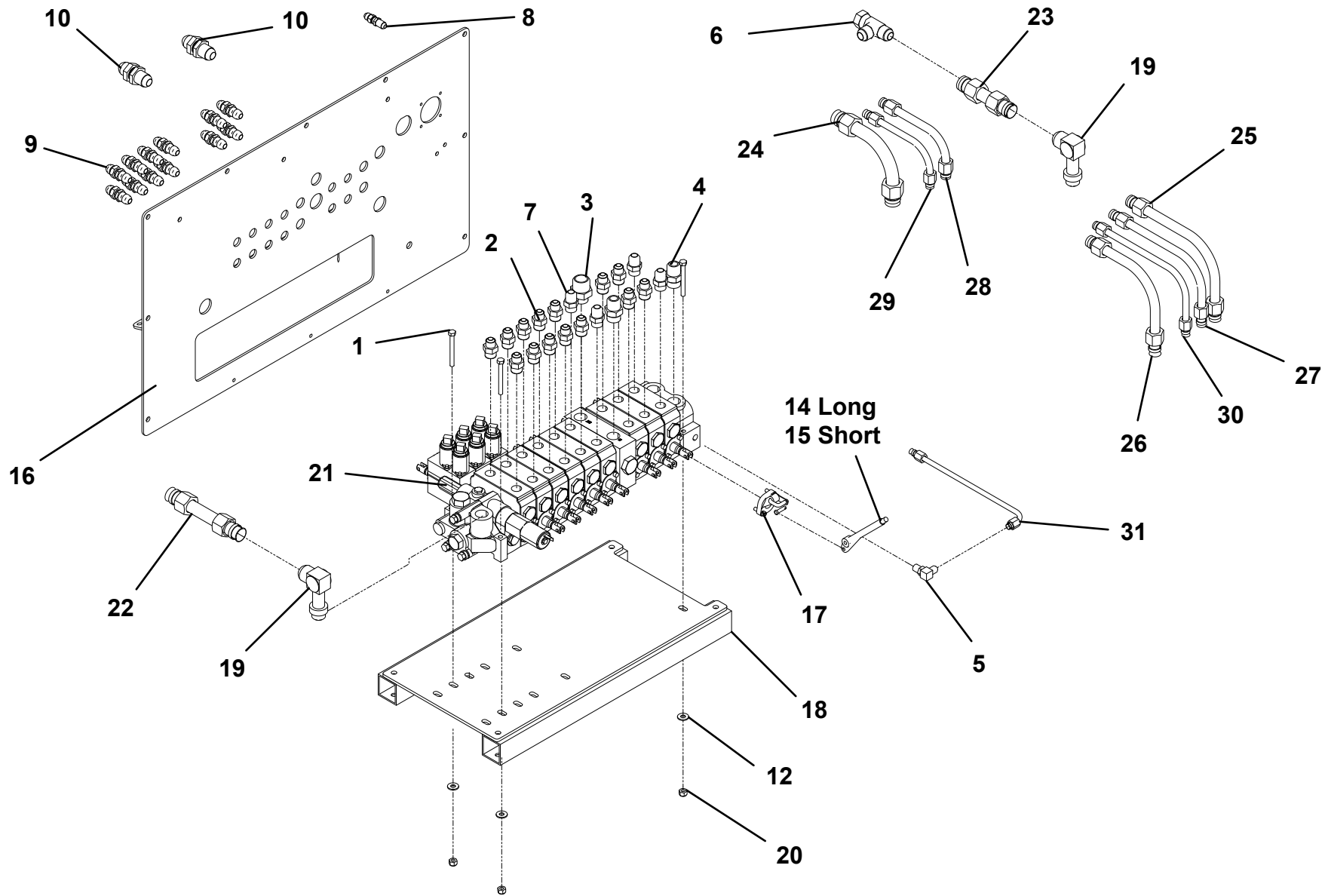
THIS PAGE INTENTIONALLY LEFT BLANK

CONTROL VALVE ASSEMBLY - 1001202432

ITEM	PART NO.	DESCRIPTION	QTY
1	0641524	Capscrew, 5/16" - 18 x 3"	3
2	2220374	Adapter	14
3	2220376	Adapter	1
4	2220451	Adapter	2
5	2220473	Adapter	1
6	2220700	Adapter	1
7	2220947	Adapter	4
8	2230024	Adapter	1
9	2230025	Adapter	14
10	2230027	Fitting	2
11	2230089	Fitting	3
12	4751500	Washer, 5/16" ID	3
13	8760037	Union	4
14	1001184772	Handle, Long	2
15	1001184773	Handle, Short	7
16	1001189989	Panel	1
17	1001194069	Linkage	9
18	3177000060	Mount	1
19	7443000211	Fitting	2
20	7660162601	Locknut, 0.38" - 16NC	3
21	7935000313	Valve, 9 Sec. 3 Sol	1
22	7912000301*	Tube Assembly	1
23	7912000302*	Tube Assembly	1
24	7912000303*	Tube Assembly	1
25	7912000304*	Tube Assembly	1
26	7912000305*	Tube Assembly	1
27	7912000306*	Tube Assembly	2
28	7912000307*	Tube Assembly	2
29	7912000308*	Tube Assembly	6
30	7912000309*	Tube Assembly	6
31	7912000310*	Tube Assembly	1

* Also Available In Tube Kit - 7577000668

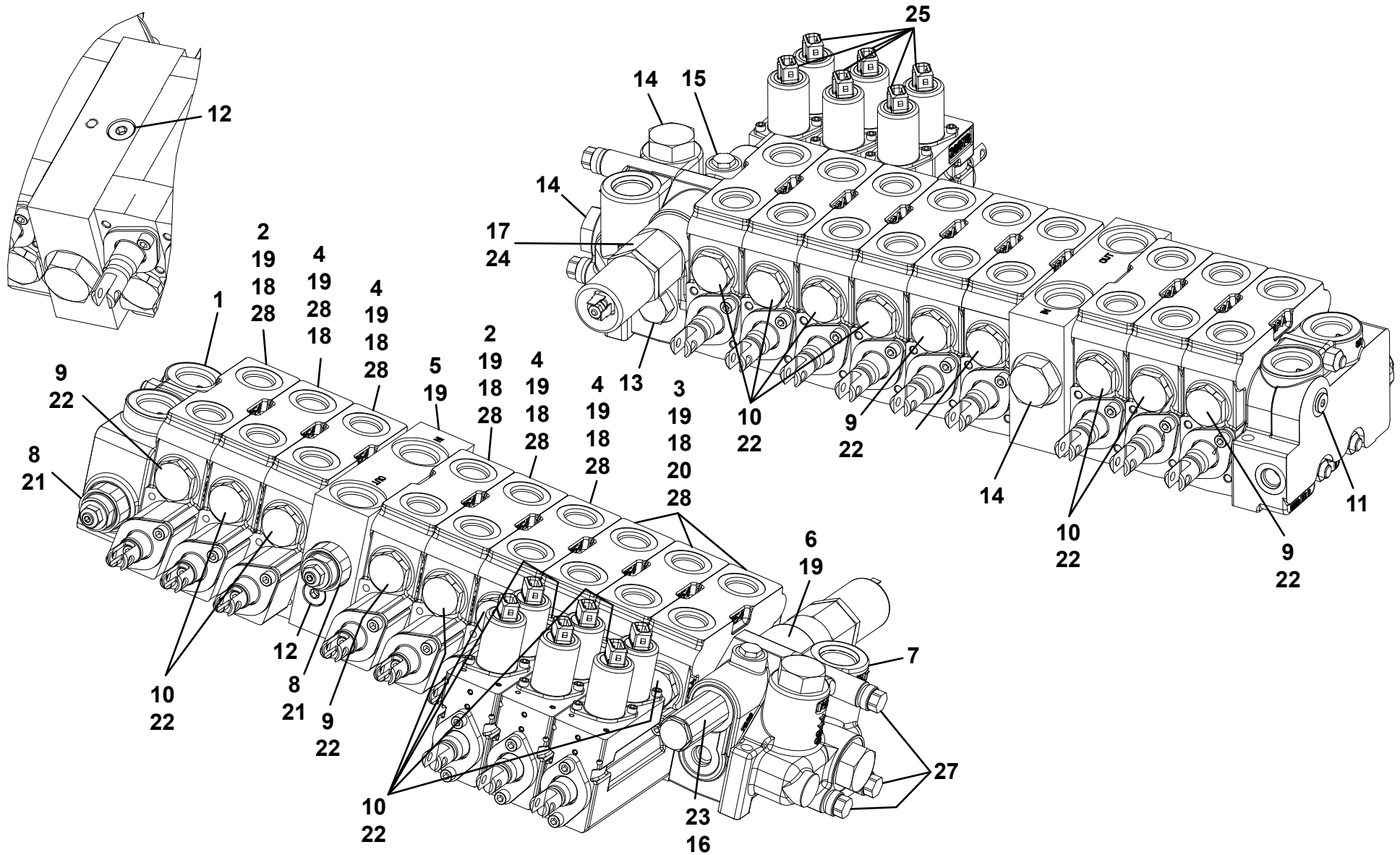
CONTROL VALVE ASSEMBLY - 1001202432



VALVE ASSEMBLY - 7935000313

ITEM	PART NO.	DESCRIPTION	QTY
1	7935000315	Inlet Cover	1
2	9935930122	Valve Section	2
3	9935930119	Valve Section	3
4	7935000320	Valve Section	4
5	7935000316	Inlet	1
6	7935000323	Utility Section	1
7	7935000317	Outlet Cover	1
8	91084009	Relief	2
9	70050243	Plug	4
10	7006847	Plug	14
11	70050245	Plug	1
12	70050246	Plug	2
13	70050247	Plug	1
14	91084017	Plug	3
15	70050249	Plug	1
16	70050241	Pressure Cartridge	1
17	70050242	Solenoid	1
18	70050250	Seal	15
19	70050251	O-Ring	44
20	70050252	O-Ring	6
21	70051081	Seal Kit	2
22	7029865	Seal Kit	18
23	70051080	Seal Kit	1
24	70050256	Seal Kit	1
25	9346930086	Solenoid	6
26	70051079	Seal	1
27	70050239	Stud Assembly	1
28	70050257	Wiper	18

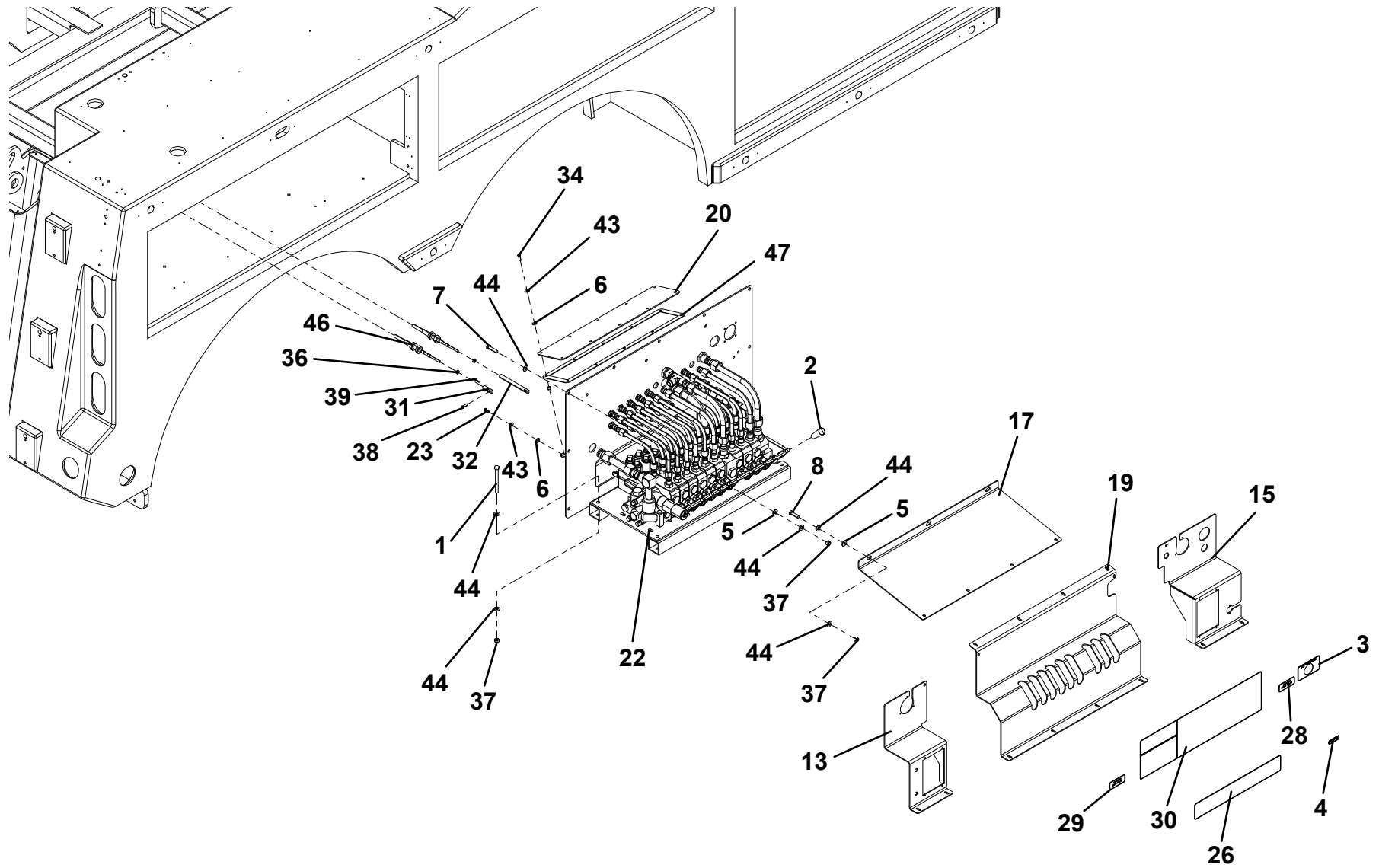
VALVE ASSEMBLY - 7935000313

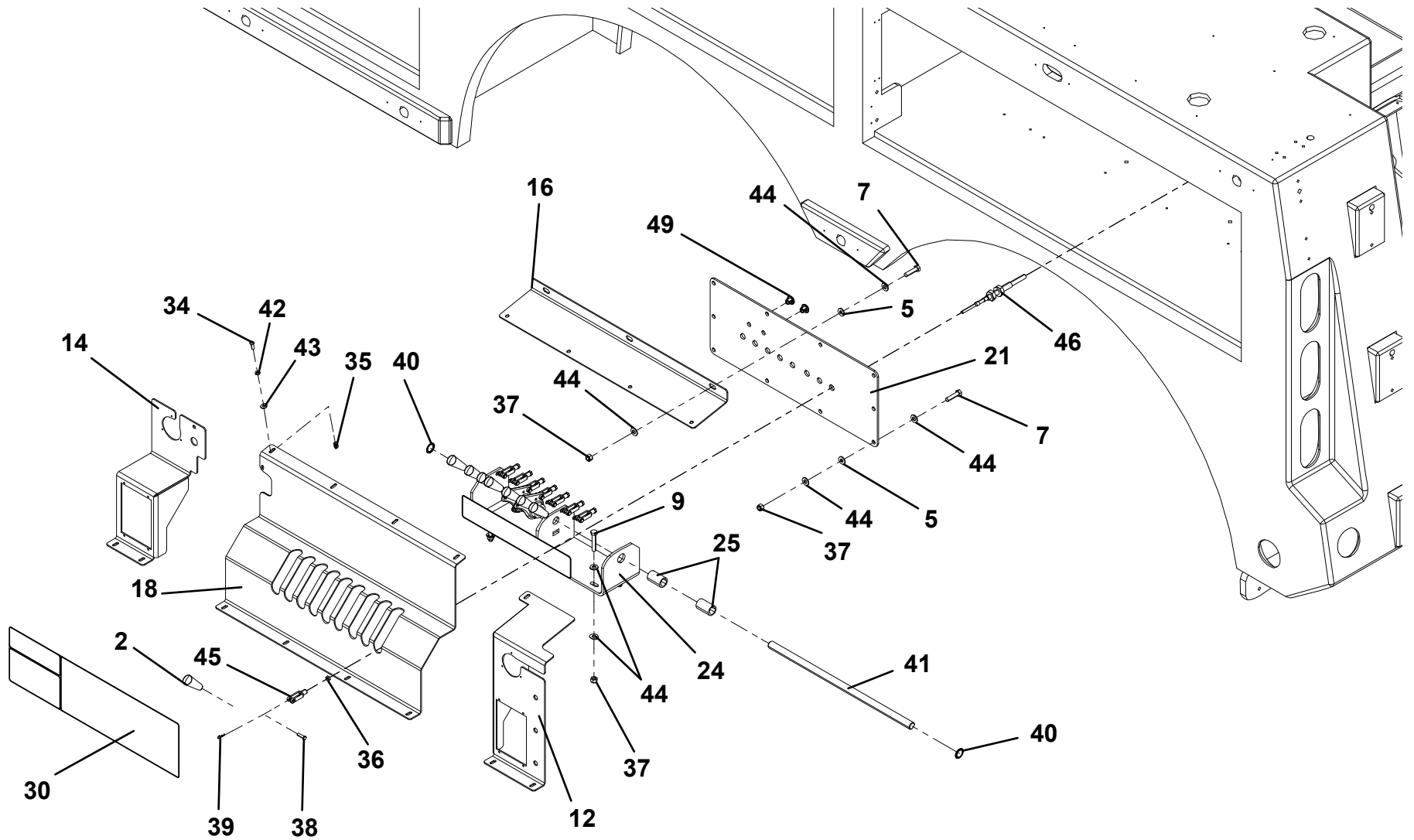


CONTROL INSTALLATION - 9 SECTION - 7 SOLENOID (PRIOR TO S/N 0230004251)

ITEM	PART NO.	DESCRIPTION	QTY	ITEM	PART NO.	DESCRIPTION	QTY
1	641632	Capscrew, 0.38"-16 X 4.00"	4	40	7754000009	Retaining Ring	2
2	1001130491	Control Knob	18	41	7806000008	Shaft	1
3	1001134433	Decal	1	42	7950140003	Lockwasher, 0.25" ID	21
4	1001154277	Decal	1	43	7950140143	Flatwasher, 0.25" ID	40
5	1001166974	Washer, 0.38"	25	44	7950160143	Flatwasher, 0.38" ID	66
6	1001166978	Washer, 0.25"	13	45	7990000003	Yoke	9
7	1001168993	Capscrew, 0.38"-16 X 1.50"	22	46	7248000053	Cable Push Pull	9
8	1001169080	Capscrew, 0.38"-16 X 1.25"	3	47	7796000012	Seal	3.5FT
9	1001169083	Capscrew, 0.38"-16 X 2.00"	4	48	3520064	Plug	2
10	1001184827	Handle, Long	2	49	1001201079	Plug	2
11	1001184828	Handle, Short	7				
12	1001189779	Panel, Controls Rear LH	1				
13	1001189780	Panel, Controls Rear RH	1				
14	1001189781	Panel, Controls Front LH	1				
15	1001189782	Panel, Controls Front RH	1				
16	1001189783	Panel, Controls Top LH	1				
17	1001189784	Panel, Controls Top RH	1				
18	1001202499	Panel, Controls 9 Section LH	1				
19	1001202508	Panel, Controls 9 Section RH	1				
20	1001189993	Panel, Cable Bracket Cover	1				
21	1001189994	Plate	1				
22	1001202433	Valve Sub Assembly	1				
23	1001194676	Screw, 0.25" X 0.75"	19				
24	1001194682	Bracket	1				
25	1001194736	Spacer	2				
26	1001196907	Decal	1				
27	1001196908	Decal	1				
28	1001196909	Decal	1				
29	1001196910	Decal	1				
30	1001196911	Decal	2				
31	4309000001	Coupling	7				
32	4309000007	Coupling	2				
33	7082000005	Bearing	2				
34	7114140618	Screw, 0.25"-20 X 0.75"	11				
35	7413000002	Nutsert, 0.25"-20	21				
36	7660140230	Nut, 0.25"-28	18				
37	7660162601	Locknut, 0.38"-16NC	33				
38	7690141200	Pin	18				
39	7691000075	Pin	18				

CONTROL INSTALLATION - 9 SECTION - 7 SOLENOID (PRIOR TO S/N 0230004251)



CONTROL INSTALLATION - 9 SECTION - 7 SOLENOID (PRIOR TO S/N 0230004251)

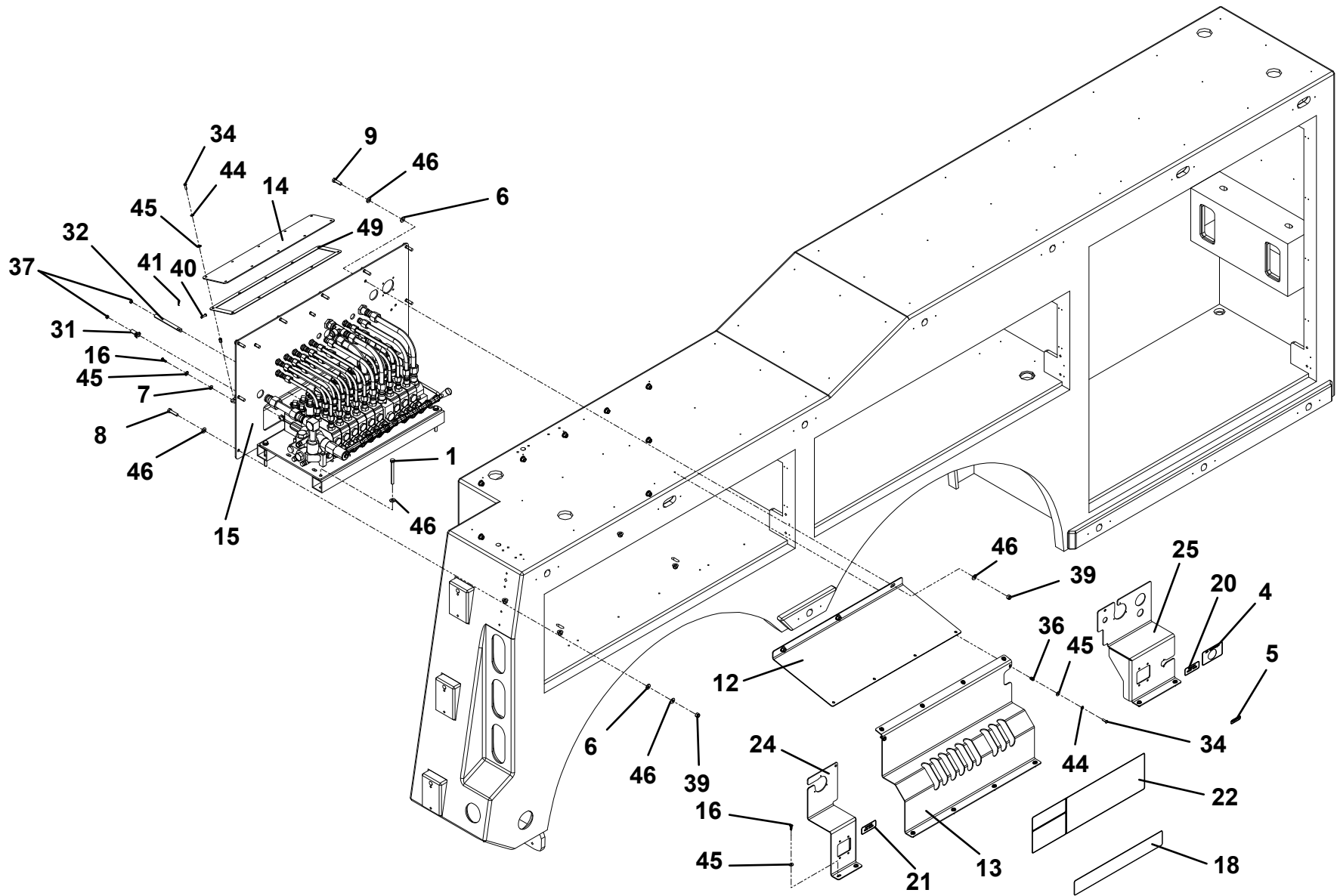
CONTROL INSTALLATION - 9 SECTION - 7 SOLENOID (PRIOR TO S/N 0230004251)

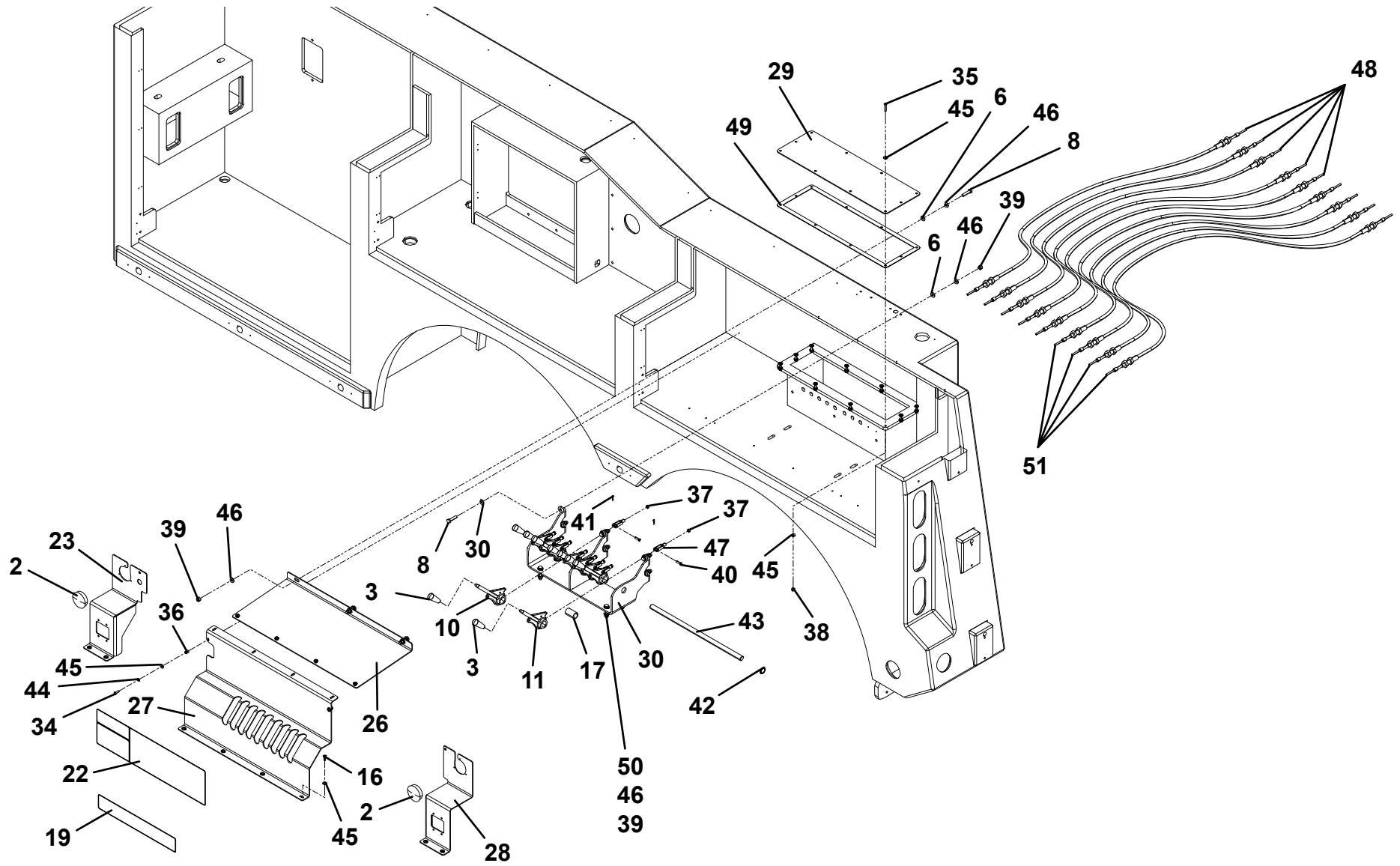
THIS PAGE INTENTIONALLY LEFT BLANK

CONTROL INSTALLATION - 9 SECTION - 7 SOLENOID (S/N 0230004251 TO PRESENT)

ITEM	PART NO.	DESCRIPTION	QTY	ITEM	PART NO.	DESCRIPTION	QTY
1	641632	Capscrew, 0.38"-16 X 4.00"	4	40	7690141200	Pin	18
2	3520064	Plug	2	41	7691000075	Pin	18
3	1001130491	Control Knob	18	42	7754000009	Retaining Ring	2
4	1001134433	Decal	1	43	7806000008	Shaft	1
5	1001154277	Decal	1	44	7950140003	Lockwasher, 0.25" ID	22
6	1001166974	Washer, 0.38"	21	45	7950140143	Flatwasher, 0.25" ID	61
7	1001166978	Washer, 0.25"	3	46	7950160143	Flatwasher, 0.38" ID	58
8	1001168993	Capscrew, 0.38"-16 X 1.50"	18	47	7990000003	Yoke	9
9	1001169080	Capscrew, 0.38"-16 X 1.25"	3	48	1001202741	Cable Push Pull	5
10	1001184827	Handle, Long	2	49	7796000012	Seal	8.7 FT
11	1001184828	Handle, Short	7	50	1001169083	Capscrew, 0.38"-16 X 2.00"	4
12	1001189784	Panel, Controls Top RH	1	51	1001206801	Cable Push Pull	4
13	1001202508	Panel, Controls 9 Sect RH	1				
14	1001189993	Panel, Cable Bracket Cover	1				
15	1001202433	Valve Sub Assembly	1				
16	1001194676	Screw, 0.25" X 0.75"	19				
17	1001194736	Spacer	1				
18	1001202517	Decal	1				
19	1001202518	Decal	1				
20	1001196909	Decal	1				
21	1001196910	Decal	1				
22	1001196911	Decal	2				
23	1001199311	Panel, Controls Front LH	1				
24	1001199322	Panel, Controls Rear RH	1				
25	1001199324	Panel, Controls Front RH	1				
26	1001214902	Panel, Controls Top LH	1				
27	1001219743	Panel, Controls 9 Sect LH	1				
28	1001219691	Panel, Controls Rear LH	1				
29	1001219937	Plate	1				
30	1001220068	Bracket	1				
31	4309000001	Coupling	3				
32	4309000007	Coupling	6				
33	7082000005	Bearing	2				
34	7114140618	Screw, 0.25"-20 X 0.75"	22				
35	7114141018	Screw, 0.25"-20 X 1.25"	10				
36	7413000002	Nutsert, 0.25"-20	22				
37	7660140230	Nut, 0.25"-28	18				
38	7660142601	Locknut, 0.25" -20NC	10				
39	7660162601	Locknut, 0.38"-16NC	29				

CONTROL INSTALLATION - 9 SECTION - 7 SOLENOID (S/N 0230004251 TO PRESENT)



CONTROL INSTALLATION - 9 SECTION - 7 SOLENOID (S/N 0230004251 TO PRESENT)

CONTROL INSTALLATION - 9 SECTION - 7 SOLENOID (S/N 0230004251 TO PRESENT)

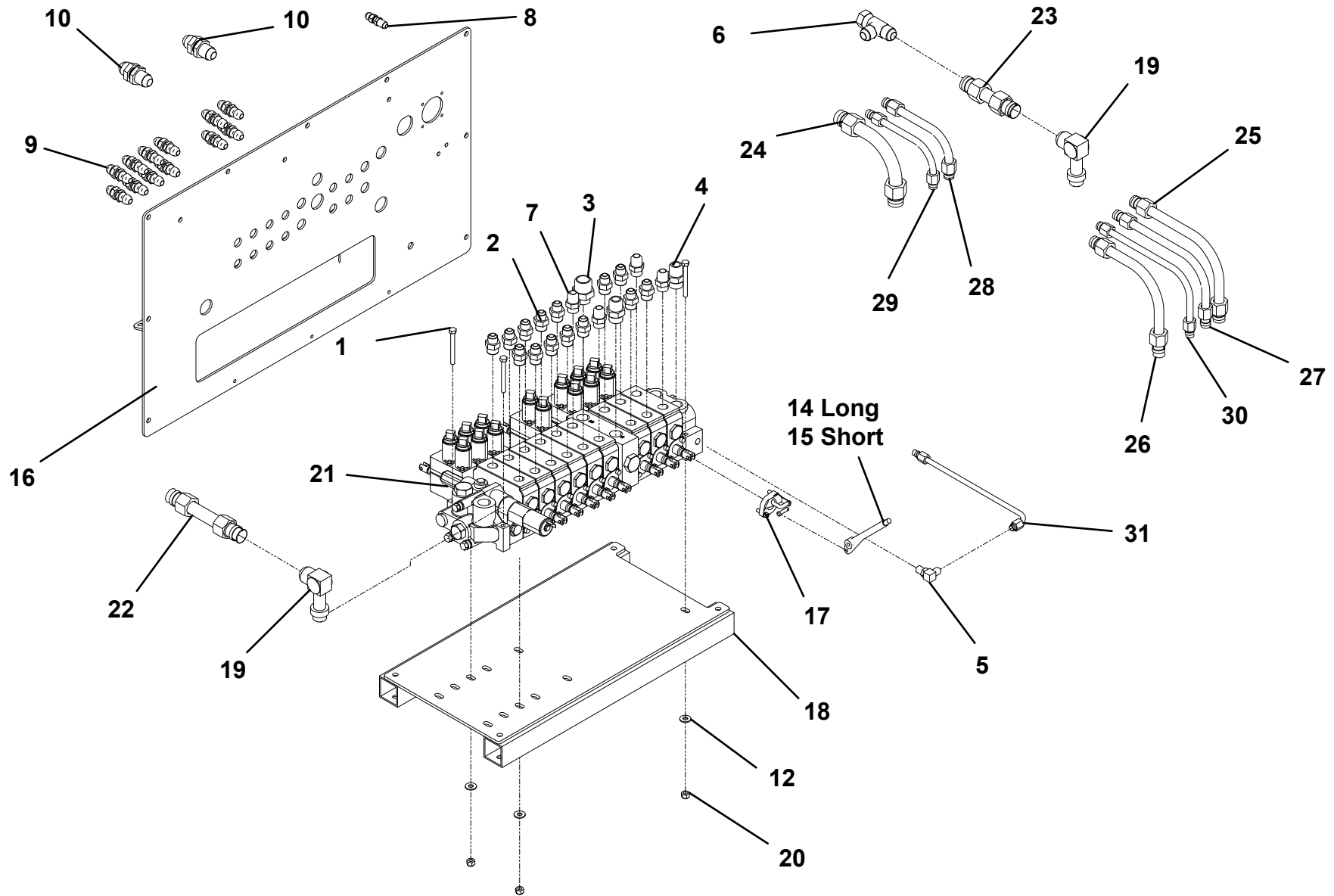
THIS PAGE INTENTIONALLY LEFT BLANK

CONTROL VALVE ASSEMBLY - 1001202433

ITEM	PART NO.	DESCRIPTION	QTY
1	0641524	Capscrew, 5/16" - 18 x 3"	3
2	2220374	Adapter	14
3	2220376	Adapter	1
4	2220451	Adapter	2
5	2220473	Adapter	1
6	2220700	Adapter	1
7	2220947	Adapter	4
8	2230024	Adapter	1
9	2230025	Adapter	14
10	2230027	Fitting	2
11	2230089	Fitting	3
12	4751500	Washer, 5/16" ID	3
13	8760037	Union	4
14	1001184772	Handle, Long	2
15	1001184773	Handle, Short	7
16	1001200355	Panel	1
17	1001194069	Linkage	9
18	3177000060	Mount	1
19	7443000211	Fitting	2
20	7660162601	Locknut, 0.38" - 16NC	3
21	1001203506	Valve, 9 Sec. 7 Sol	1
22	7912000301*	Tube Assembly	1
23	7912000302*	Tube Assembly	1
24	7912000303*	Tube Assembly	1
25	7912000304*	Tube Assembly	1
26	7912000305*	Tube Assembly	1
27	7912000306*	Tube Assembly	2
28	7912000307*	Tube Assembly	2
29	7912000308*	Tube Assembly	7
30	7912000309*	Tube Assembly	7
31	7912000310*	Tube Assembly	1

* Also Available In Tube Kit - 7577000669

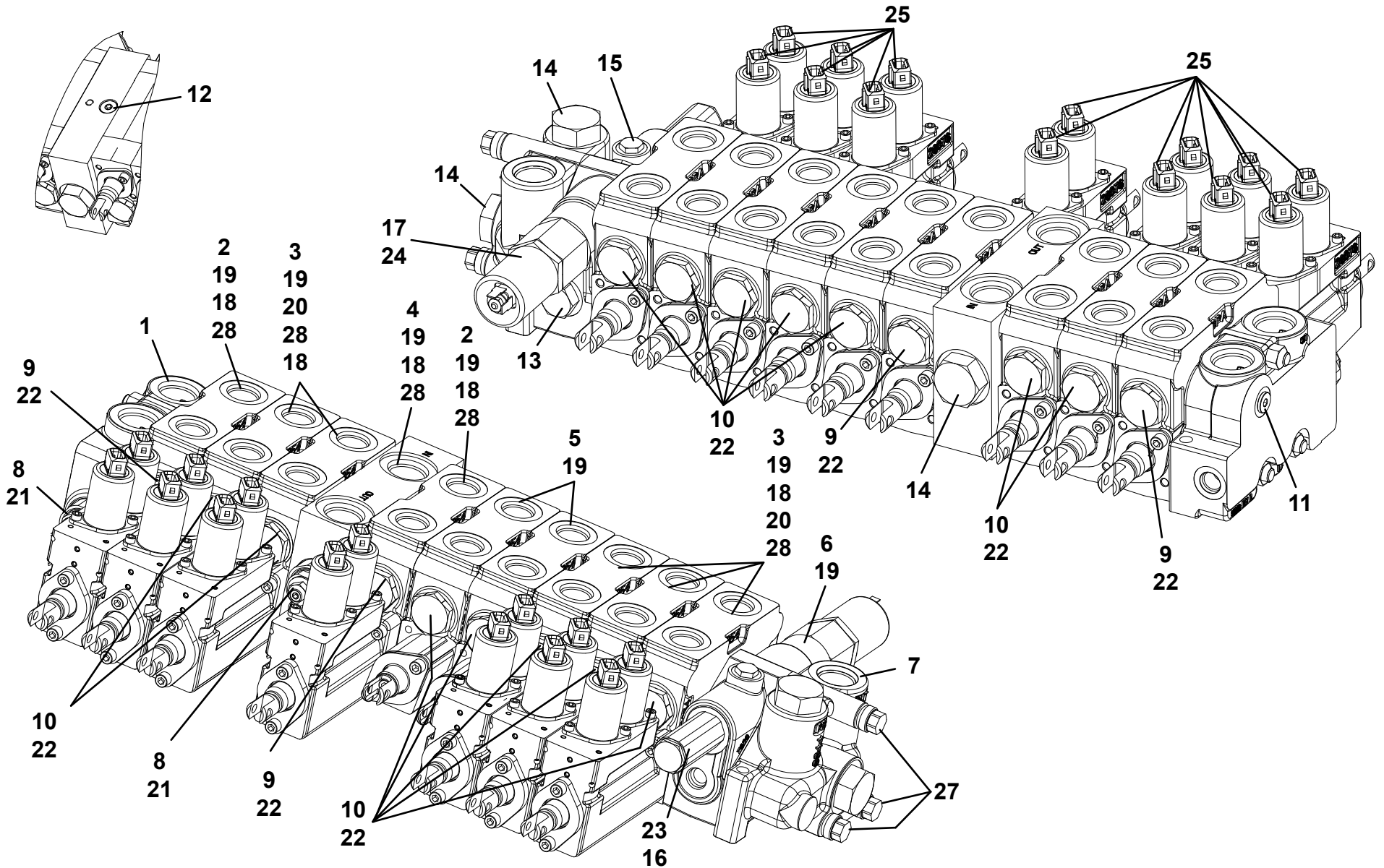
CONTROL VALVE ASSEMBLY - 1001202433



VALVE ASSEMBLY - 1001203506

ITEM	PART NO.	DESCRIPTION	QTY
1	7935000315	Inlet Cover	1
2	9935930120	Valve Section	2
3	9935930119	Valve Section	5
4	7935000316	Inlet	1
5	7935000320	Valve Section	2
6	7935000323	Utility Section	1
7	7935000317	Outlet Cover	1
8	91084009	Relief	2
9	70050243	Plug	4
10	7006847	Plug	14
11	70050245	Plug	1
12	70050246	Plug	2
13	70050247	Plug	1
14	91084017	Plug	3
15	70050249	Plug	1
16	70050241	Pressure Cartridge	1
17	70050242	Solenoid	1
18	70050250	Seal	15
19	70050251	O-Ring	44
20	70050252	O-Ring	6
21	70051081	Seal Kit	2
22	7029865	Seal Kit	18
23	70051080	Seal Kit	1
24	70050256	Seal Kit	1
25	9346930086	Solenoid	8
26	70051079	Seal	1
27	70050239	Stud Assembly	1
28	70050257	Wiper	18

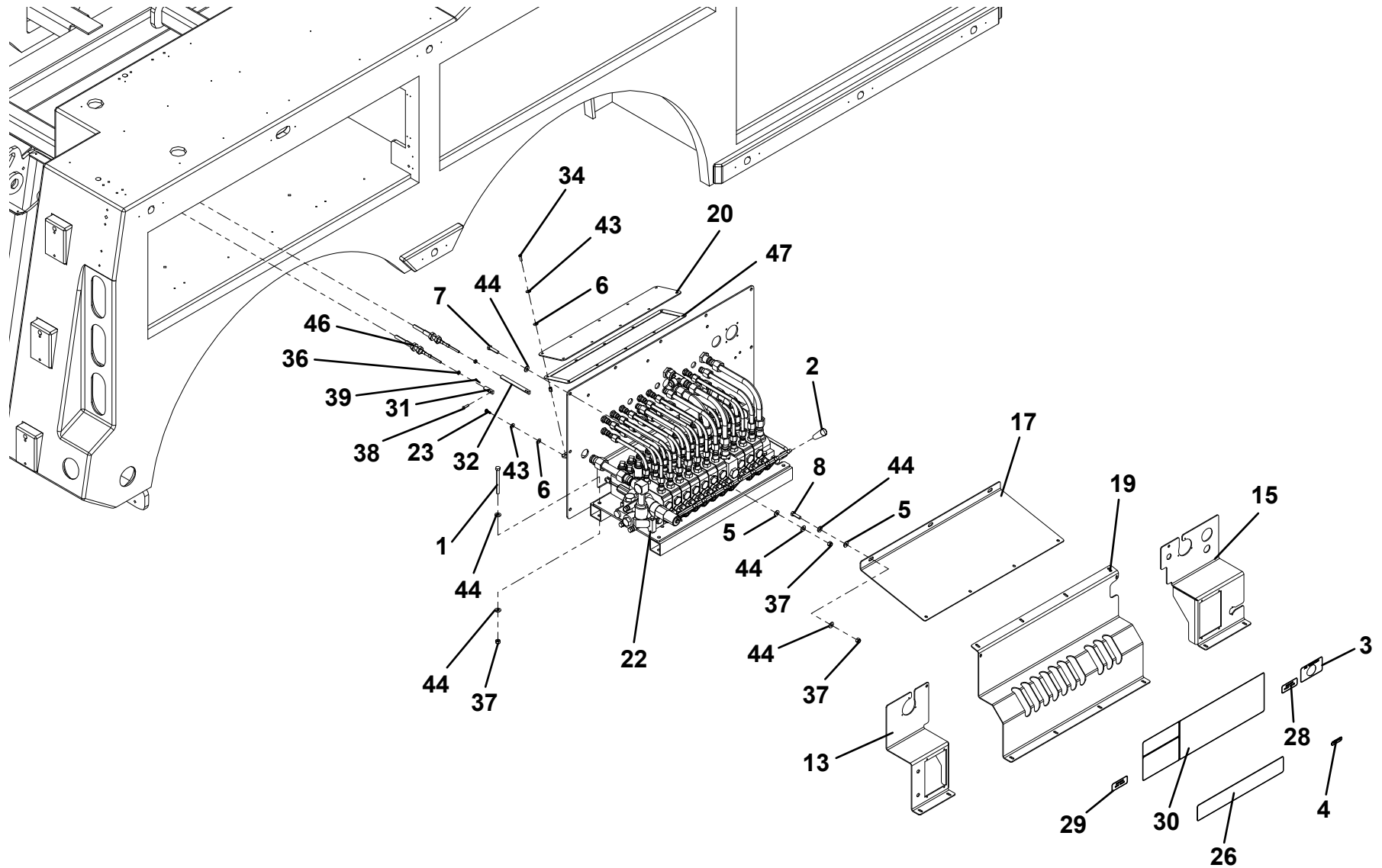
VALVE ASSEMBLY - 1001203506

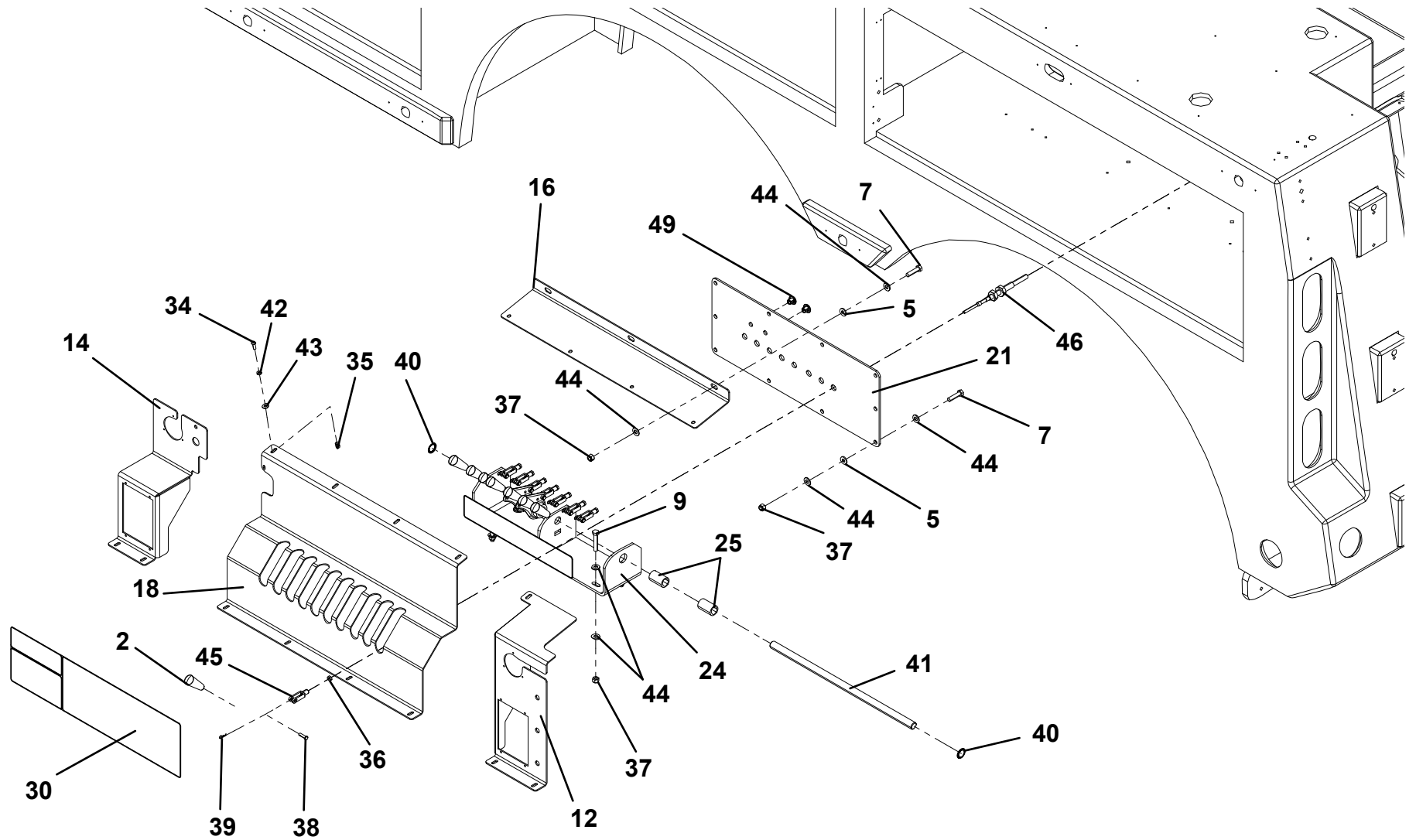


CONTROL INSTALLATION - 10 SECTION - 8 SOLENOID (PRIOR TO S/N 0230004251)

ITEM	PART NO.	DESCRIPTION	QTY	ITEM	PART NO.	DESCRIPTION	QTY
1	641632	Capscrew, 0.38"-16 X 4.00"	4	40	7754000009	Retaining Ring	2
2	1001130491	Control Knob Ball	20	41	7806000008	Shaft	1
3	1001134433	Decal	1	42	7950140003	Lockwasher, 0.25" ID	11
4	1001154277	Decal	1	43	7950140143	Flatwasher, 0.25" ID	40
5	1001166974	Washer	25	44	7950160143	Flatwasher, 0.38" ID	66
6	1001166978	Washer	13	45	7990000003	Yoke	9
7	1001168993	Capscrew, 0.38"-16 X 1.50"	22	46	7248000053	Cable, Push-Pull	9
8	1001169080	Capscrew, 0.38"-16 X 1.25"	3	47	7796000012	Seal	3.5FT
9	1001169083	Capscrew, 0.38"-16 X 2.00"	4	48	3520064	Plug	2
10	1001184827	Handle - Long	3	49	1001201079	Plug	2
11	1001184828	Handle - Short	7				
12	1001189779	Panel, Controls Rear - LH	1				
13	1001189780	Panel, Controls Rear - RH	1				
14	1001189781	Panel, Controls Front - LH	1				
15	1001189782	Panel, Controls Rear - RH	1				
16	1001189783	Panel, Controls Top - LH	1				
17	1001189784	Panel, Controls Top - RH	1				
18	1001203231	Panel, Controls 10 Section LH	1				
19	1001203229	Panel, Controls 10 Section RH	1				
20	1001189993	Panel	1				
21	1001189993	Bulkhead	1				
22	1001202434	Valve assembly	1				
23	1001194676	Screw, 0.25" X 0.75"	19				
24	1001194682	Bracket	1				
25	1001194736	Tube	2				
26	1001196907	Decal	1				
27	1001196908	Decal	1				
28	1001196909	Decal	1				
29	1001196910	Decal	1				
30	1001196911	Decal	2				
31	4309000001	Coupling	8				
32	4309000007	Coupling	2				
33	7082000005	Bearing	2				
34	7114140618	Screw, 0.25"-20 X 0.75"	21				
35	7413000002	Nutsert, 0.25"-20	21				
36	7660140230	Nut, 0.25"-28	20				
37	7660162601	Locknut, 0.38"-16NC	33				
38	7690141200	Pin	20				
39	7691000075	Pin	20				

CONTROL INSTALLATION - 10 SECTION - 8 SOLENOID (PRIOR TO S/N 0230004251)



CONTROL INSTALLATION - 10 SECTION - 8 SOLENOID (PRIOR TO S/N 0230004251)

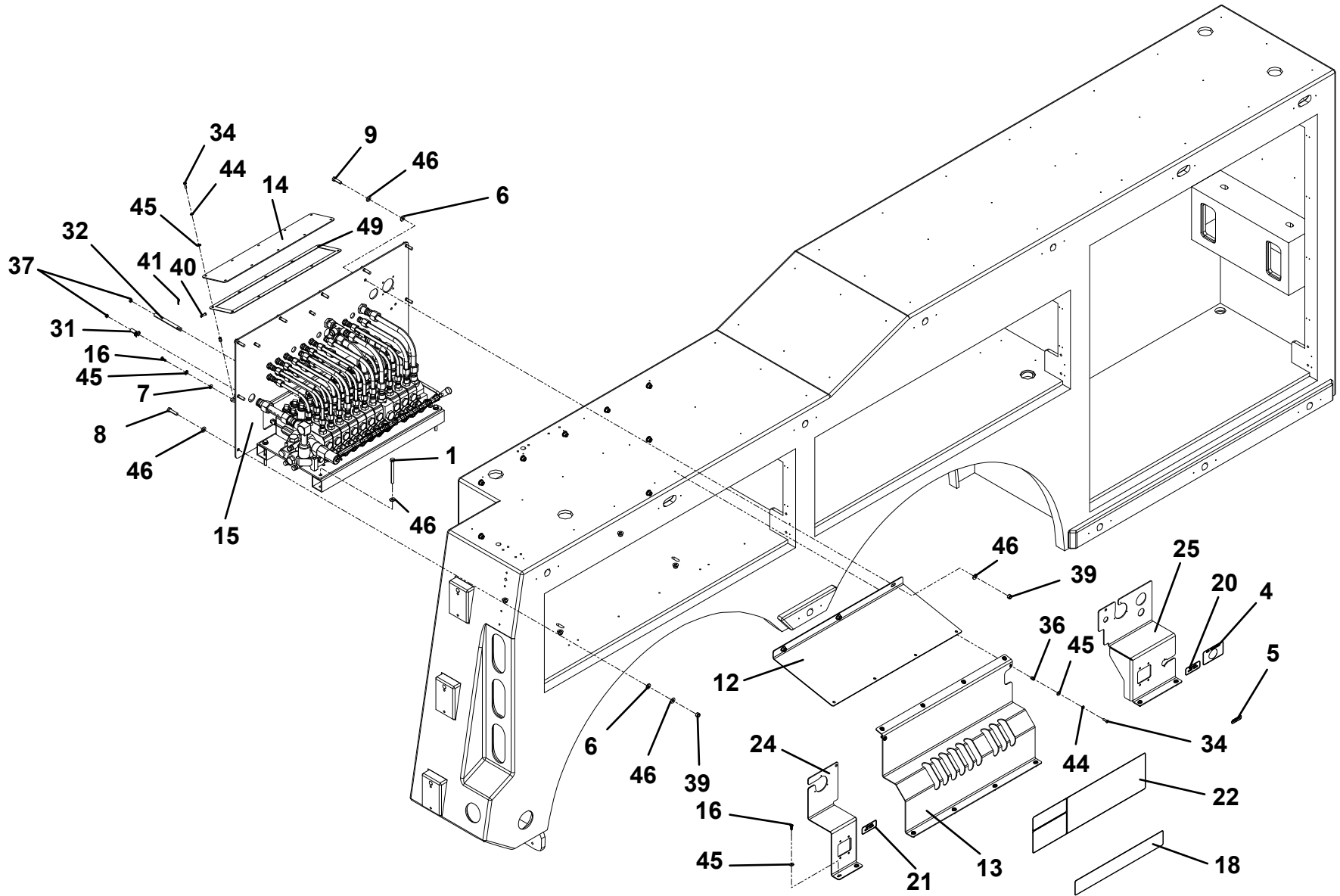
CONTROL INSTALLATION - 10 SECTION - 8 SOLENOID (PRIOR TO S/N 0230004251)

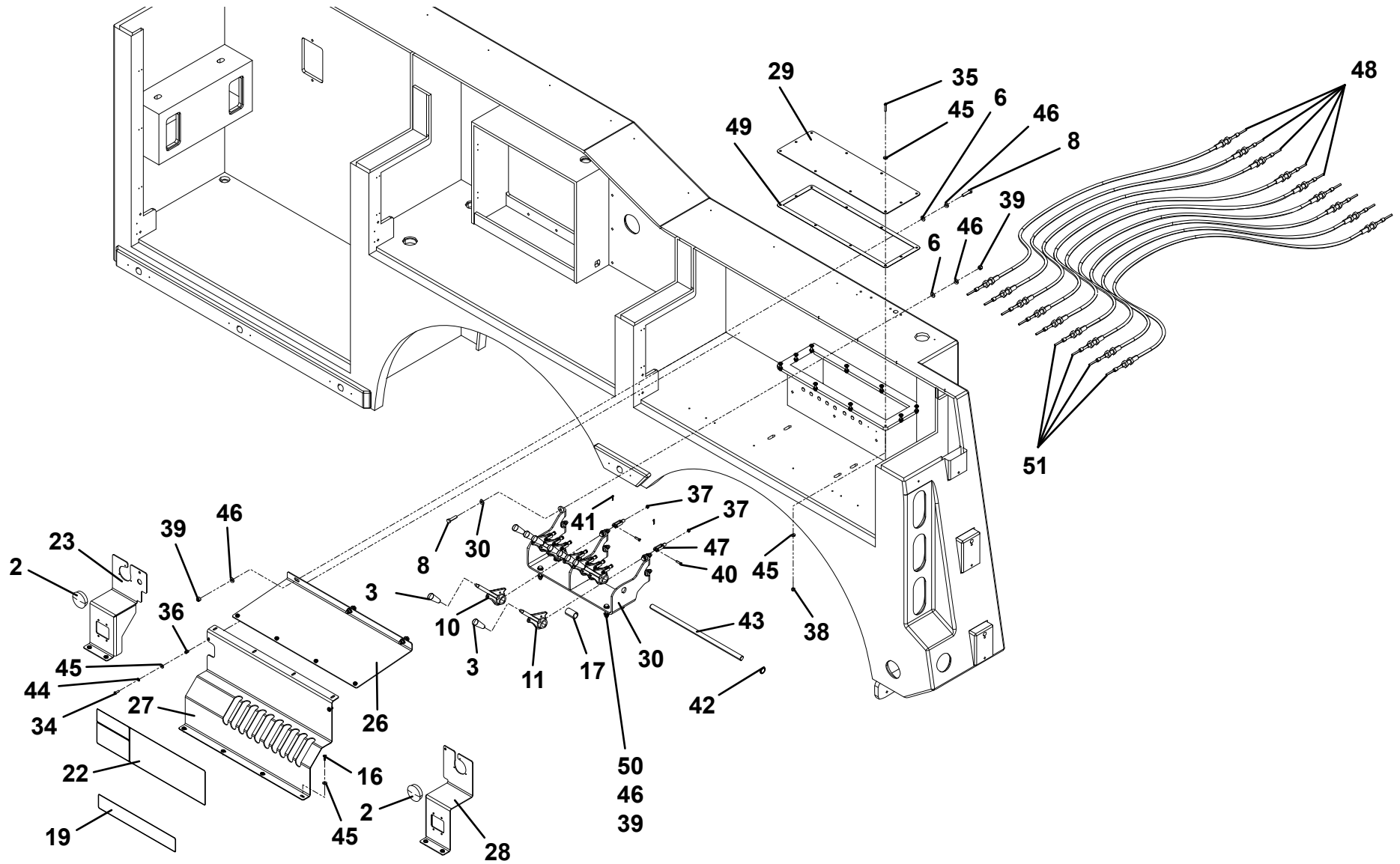
THIS PAGE INTENTIONALLY LEFT BLANK

CONTROL INSTALLATION - 10 SECTION - 8 SOLENOID (S/N 0230004251 TO PRESENT)

ITEM	PART NO.	DESCRIPTION	QTY	ITEM	PART NO.	DESCRIPTION	QTY
1	641632	Capscrew, 0.38"-16 X 4.00"	4	40	7690141200	Pin	18
2	3520064	Plug	2	41	7691000075	Pin	18
3	1001130491	Control Knob	20	42	7754000009	Retaining Ring	2
4	1001134433	Decal	1	43	7806000008	Shaft	1
5	1001154277	Decal	1	44	7950140003	Lockwasher, 0.25" ID	22
6	1001166974	Washer, 0.38"	21	45	7950140143	Flatwasher, 0.25" ID	61
7	1001166978	Washer, 0.25"	3	46	7950160143	Flatwasher, 0.38" ID	58
8	1001168993	Capscrew, 0.38"-16 X 1.50"	18	47	7990000003	Yoke	9
9	1001169080	Capscrew, 0.38"-16 X 1.25"	3	48	1001202741	Cable Push Pull	5
10	1001184827	Handle, Long	2	49	7796000012	Seal	8.7 FT
11	1001184828	Handle, Short	7	50	1001169083	Capscrew, 0.38"-16 X 2.00"	4
12	1001189784	Panel, Controls Top RH	1	51	1001206801	Cable Push Pull	5
13	1001203229	Panel, Controls 10 Sect RH	1				
14	1001189993	Panel, Cable Bracket Cover	1				
15	1001202434	Valve Sub Assembly	1				
16	1001194676	Screw, 0.25" X 0.75"	19				
17	1001194736	Spacer	1				
18	1001202517	Decal	1				
19	1001202518	Decal	1				
20	1001196909	Decal	1				
21	1001196910	Decal	1				
22	1001196911	Decal	2				
23	1001199311	Panel, Controls Front LH	1				
24	1001199322	Panel, Controls Rear RH	1				
25	1001199324	Panel, Controls Front RH	1				
26	1001214902	Panel, Controls Top LH	1				
27	1001219744	Panel, Controls 10 Sect LH	1				
28	1001219691	Panel, Controls Rear LH	1				
29	1001219937	Plate	1				
30	1001220068	Bracket	1				
31	4309000001	Coupling	3				
32	4309000007	Coupling	6				
33	7082000005	Bearing	2				
34	7114140618	Screw, 0.25"-20 X 0.75"	22				
35	7114141018	Screw, 0.25"-20 X 1.25"	10				
36	7413000002	Nutsert, 0.25"-20	22				
37	7660140230	Nut, 0.25"-28	18				
38	7660142601	Locknut, 0.25" -20NC	10				
39	7660162601	Locknut, 0.38"-16NC	29				

CONTROL INSTALLATION - 10 SECTION - 8 SOLENOID (S/N 0230004251 TO PRESENT)



CONTROL INSTALLATION - 10 SECTION - 8 SOLENOID (S/N 0230004251 TO PRESENT)

CONTROL INSTALLATION - 10 SECTION - 8 SOLENOID (S/N 0230004251 TO PRESENT)

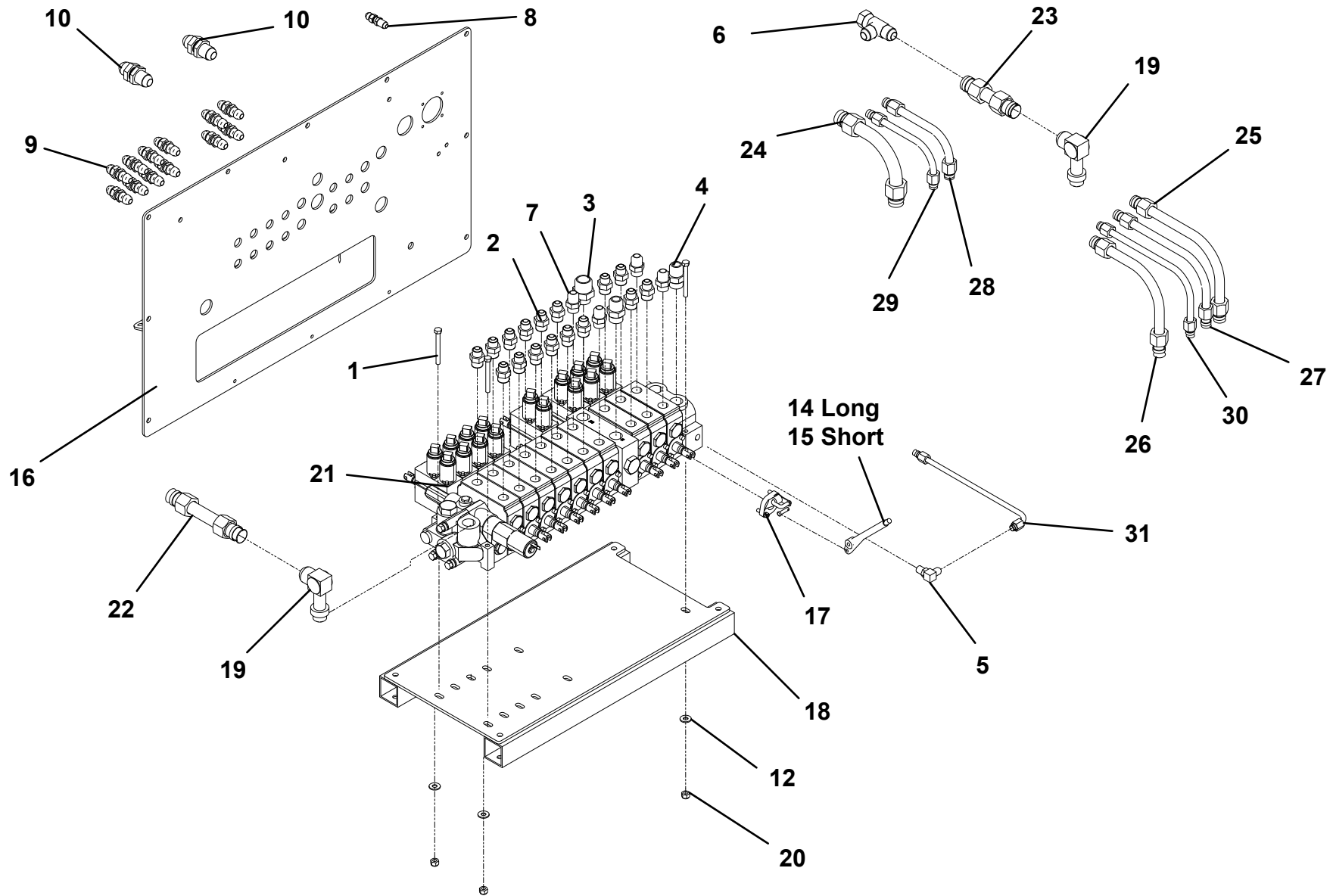
THIS PAGE INTENTIONALLY LEFT BLANK

CONTROL VALVE ASSEMBLY - 1001202434

ITEM	PART NO.	DESCRIPTION	QTY
1	0641524	Capscrew, 5/16" - 18 x 3"	3
2	2220374	Adapter	14
3	2220376	Adapter	1
4	2220451	Adapter	2
5	2220473	Adapter	1
6	2220700	Adapter	1
7	2220947	Adapter	4
8	2230024	Adapter	1
9	2230025	Adapter	14
10	2230027	Fitting	2
11	2230089	Fitting	3
12	4751500	Washer, 5/16" ID	3
13	8760037	Union	4
14	1001184772	Handle, Long	2
15	1001184773	Handle, Short	7
16	1001200355	Panel	1
17	1001194069	Linkage	9
18	3177000060	Mount	1
19	7443000211	Fitting	2
20	7660162601	Locknut, 0.38" - 16NC	3
21	1001203506	Valve, 9 Sec. 7 Sol	1
22	7912000301*	Tube Assembly	1
23	7912000302*	Tube Assembly	1
24	7912000303*	Tube Assembly	1
25	7912000304*	Tube Assembly	1
26	7912000305*	Tube Assembly	1
27	7912000306*	Tube Assembly	2
28	7912000307*	Tube Assembly	2
29	7912000308*	Tube Assembly	7
30	7912000309*	Tube Assembly	7
31	7912000310*	Tube Assembly	1

* Also Available In Tube Kit - 7577000669

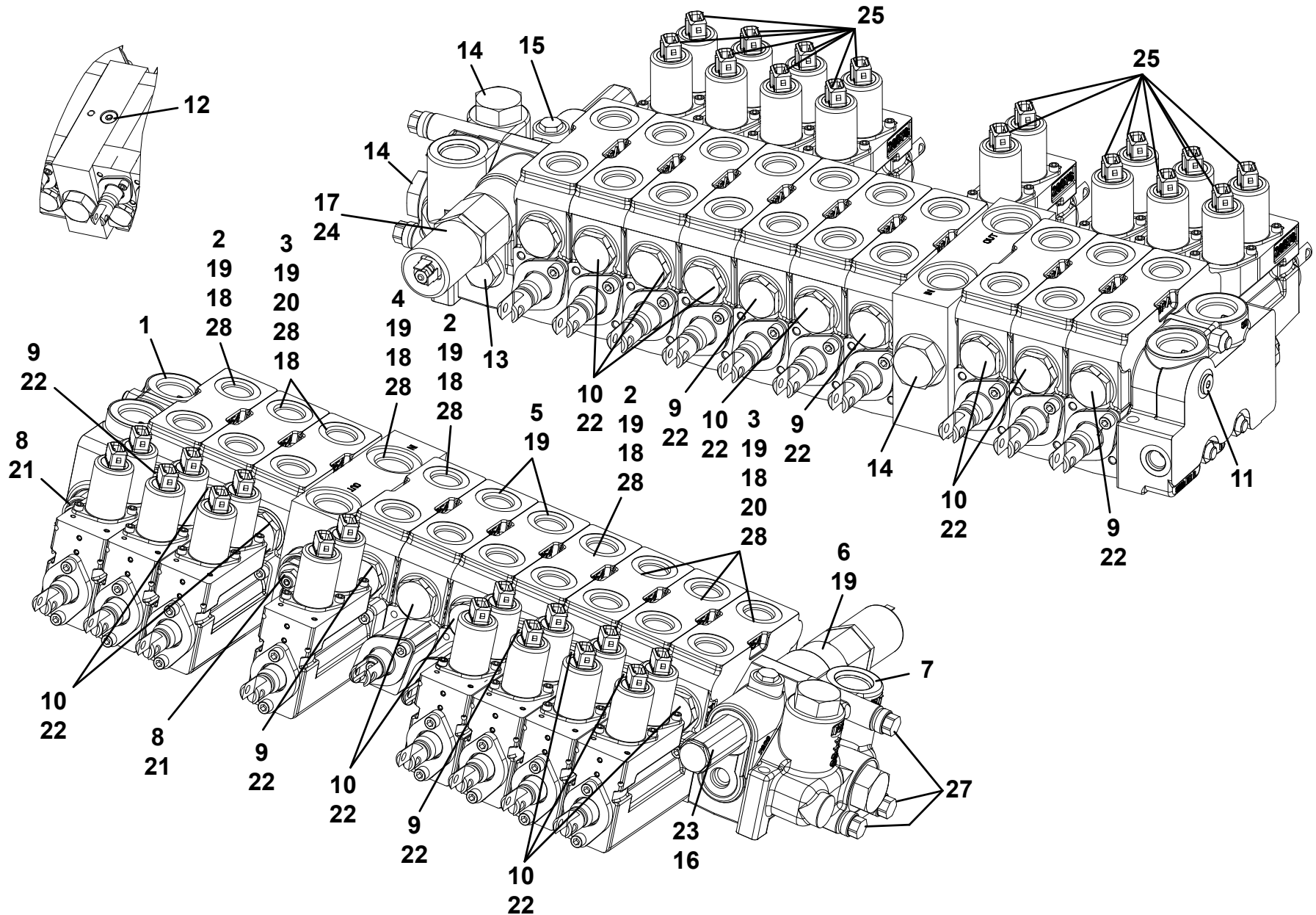
CONTROL VALVE ASSEMBLY - 1001202434



VALVE ASSEMBLY - 7935000374

ITEM	PART NO.	DESCRIPTION	QTY
1	7935000315	Inlet Cover	1
2	9935930120	Valve Section	2
3	9935930119	Valve Section	4
4	7935000316	Inlet	1
5	7935000320	Valve Section	2
6	7935000323	Utility Section	1
7	7935000317	Outlet Cover	1
8	91084009	Relief	2
9	70050243	Plug	6
10	7006847	Plug	12
11	70050245	Plug	1
12	70050246	Plug	2
13	70050247	Plug	1
14	91084017	Plug	3
15	70050249	Plug	1
16	70050241	Pressure Cartridge	1
17	70050242	Solenoid	1
18	70050250	Seal	18
19	70050251	O-Ring	40
20	70050252	O-Ring	6
21	70051081	Seal Kit	2
22	7029865	Seal Kit	20
23	70051080	Seal Kit	1
24	70050256	Seal Kit	1
25	9346930086	Solenoid	16
26	70051079	Seal	1
27	70050239	Stud Assembly	1
28	70050257	Wiper	18

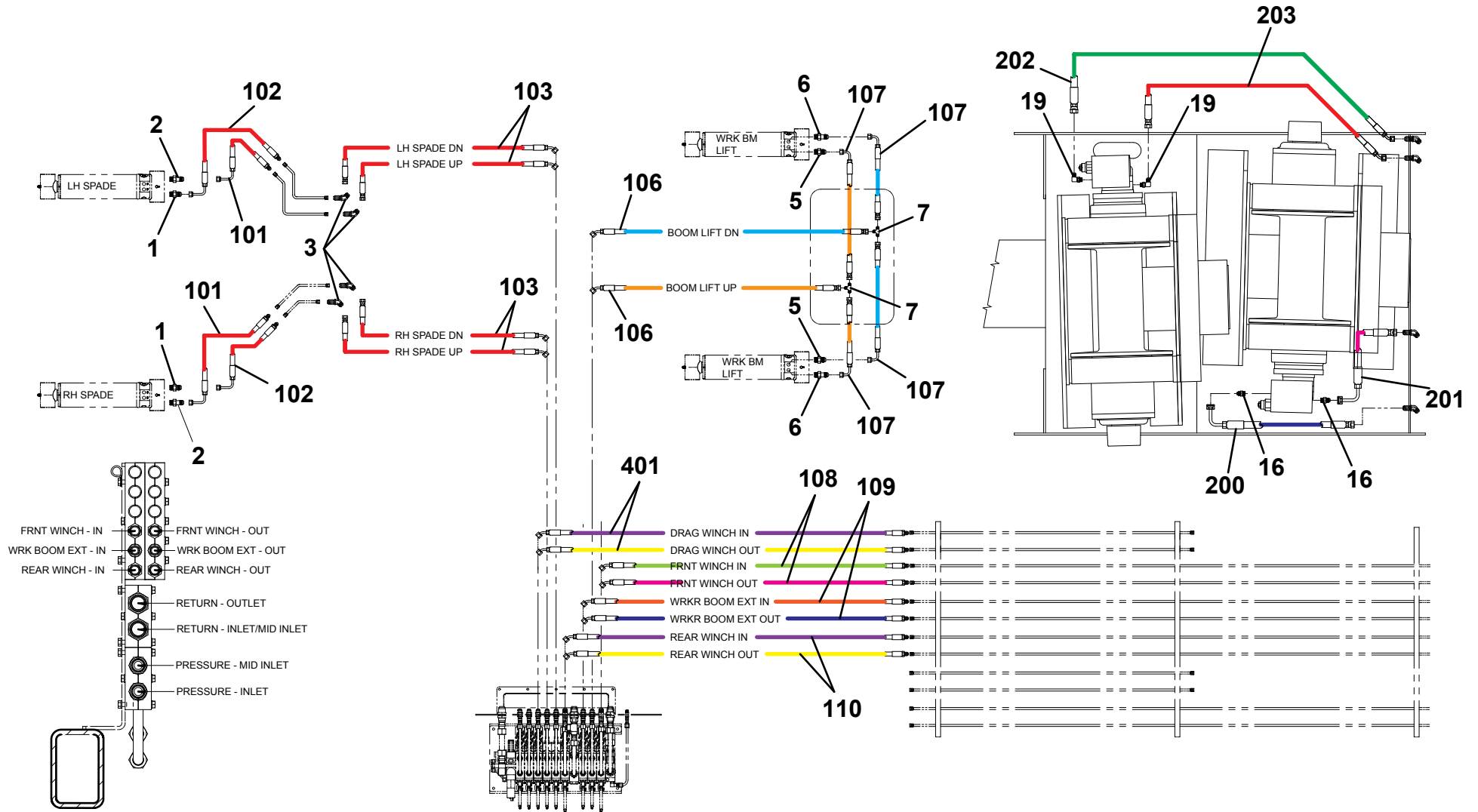
VALVE ASSEMBLY - 7935000374



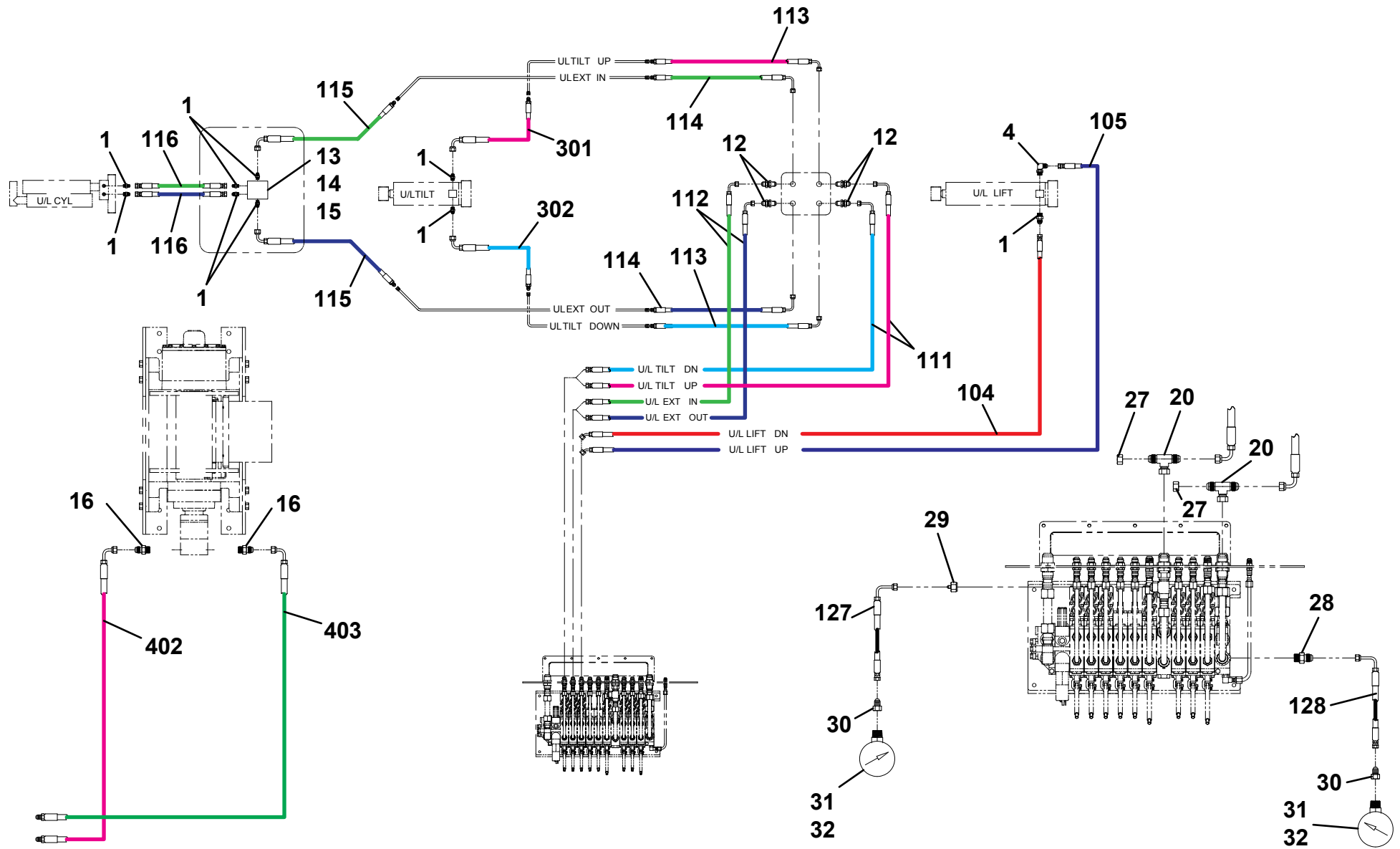
HYDRAULIC LINES AND FITTINGS - 1001204563

ITEM	PART NO.	DESCRIPTION	QTY	ITEM	PART NO.	DESCRIPTION	QTY
1	2220371	Adapter	13	107	4567132019	Hose Assembly	4
2	2220998	Adapter	2	108	1001204809	Hose Assembly	2
3	1001210851	Adapter	4	109	1001204822	Hose Assembly	2
4	2220473	Adapter	1	110	1001204875	Hose Assembly	2
5	2220600	Adapter	2	111	1001205217	Hose Assembly	2
6	7445080644	Fitting	2	112	1001205230	Hose Assembly	2
7	2220362	Adapter	2	113	4569132019	Hose Assembly	2
8	7274000040	Clamp	2	114	4569133020	Hose Assembly	2
9	7115141050	Capscrew, 0.25"-20NC X 1.25"	2	115	4570000271	Hose Assembly	2
10	7950140161	Flatwasher, 0.25" ID	4	116	4567120017	Hose Assembly	2
11	7660142601	Locknut, 0.25" -20NC	2	117	4570000260	Hose Assembly	2
12	2230025	Adapter	4	118	4567152052	Hose Assembly	4
13	4619000006	Manifold	1	119	1001192423	Hose Assembly	1
14	7115161650	Capscrew, 0.38"-16NC X 2.00"	2	120	1001205671	Hose Assembly	1
15	7950160000	Lockwasher, 0.38" ID	2	121	1001205677	Hose Assembly	1
16	7445100843	Adapter	4	122	1001205678	Hose Assembly	1
17	8760268	Adapter	2	123	1001205679	Hose Assembly	1
18	2230035	Adapter	4	124	4569180022	Hose Assembly	1
19	2221042	Adapter	2	125	4569180026	Hose Assembly	1
20	2220682	Adapter	2	126	4570000329	Hose Assembly	1
21	1320224	Clamp	2	127	4567112025	Hose Assembly	1
22	7445161620	Fitting	2	128	4567113031	Hose Assembly	1
23	7430000004	Filter Assembly	2			Winch Hose Kit	
24	7443000158	Fitting	2	200	1001166531	Hose Assembly	1
25	7470000002	Gauge	2	201	4567152018	Hose Assembly	1
26	7445060219	Adapter	1	202	1001166532	Hose Assembly	1
27	2220518	Adapter	2	203	1001166533	Hose Assembly	1
28	2220415	Adapter	1			U/L 530 Hose Kit	
29	1001094694	Adapter	1	300	4570000336	Hose Assembly	1
30	7445040421	Fitting	2	301	4570000335	Hose Assembly	1
31	7470000004	Gauge	2			U/L 565 Hose Kit	
32	7790060676	Capscrew, #6 x 0.38"	2	300	4570000177	Hose Assembly	1
		HDUL Hose Kit		301	4570000176	Hose Assembly	1
101	4570000138	Hose Assembly	2			Drag Winch Hose Kit	
102	4570000301	Hose Assembly	2	401	1001204803	Hose Assembly	2
103	1001204597	Hose Assembly	4	402	4569162027	Hose Assembly	1
104	1001204601	Hose Assembly	1	403	4569162030	Hose Assembly	1
105	1001204639	Hose Assembly	1				
106	1001204706	Hose Assembly	2				

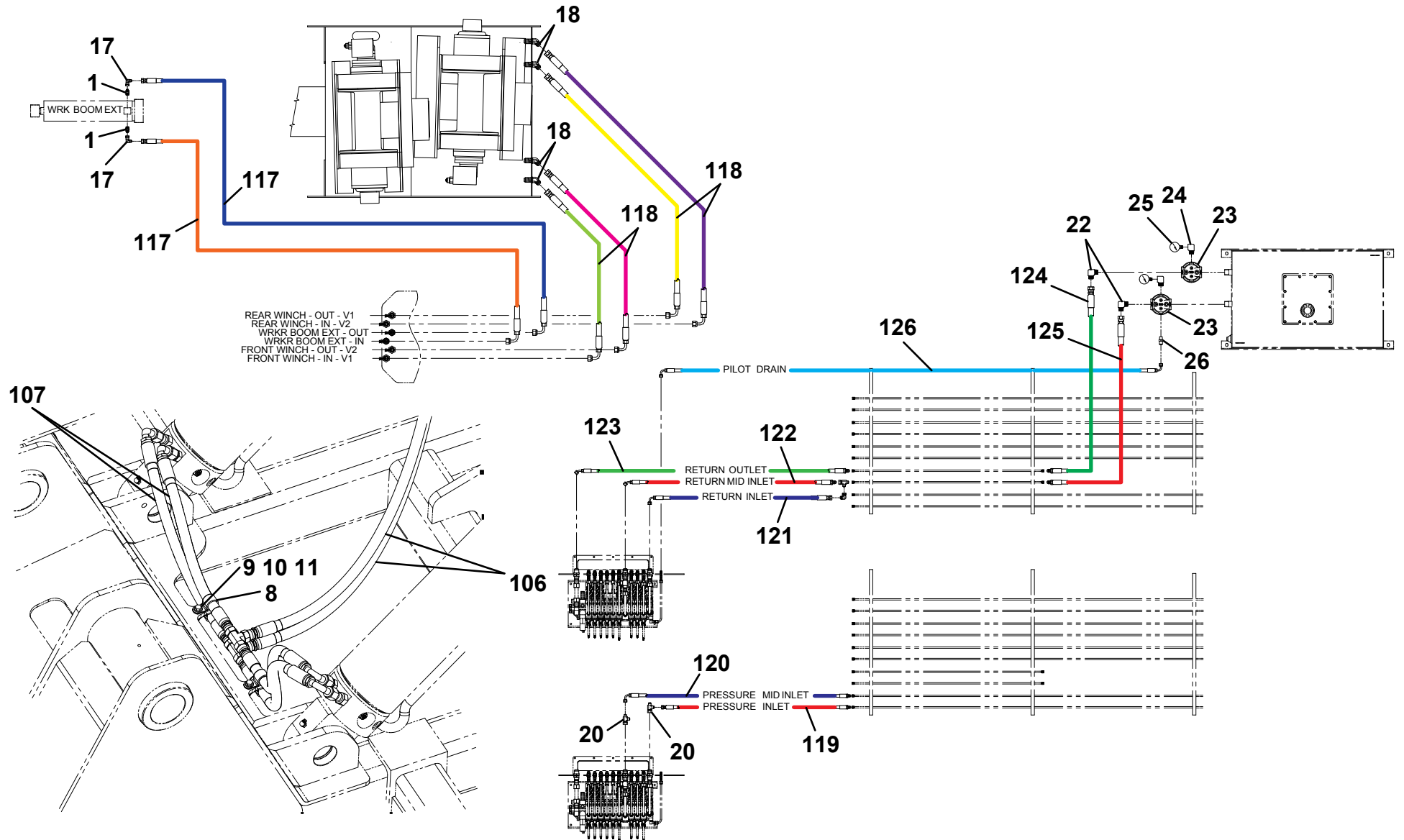
HYDRAULIC LINES AND FITTINGS - 1001204563



HYDRAULIC LINES AND FITTINGS - 1001204563



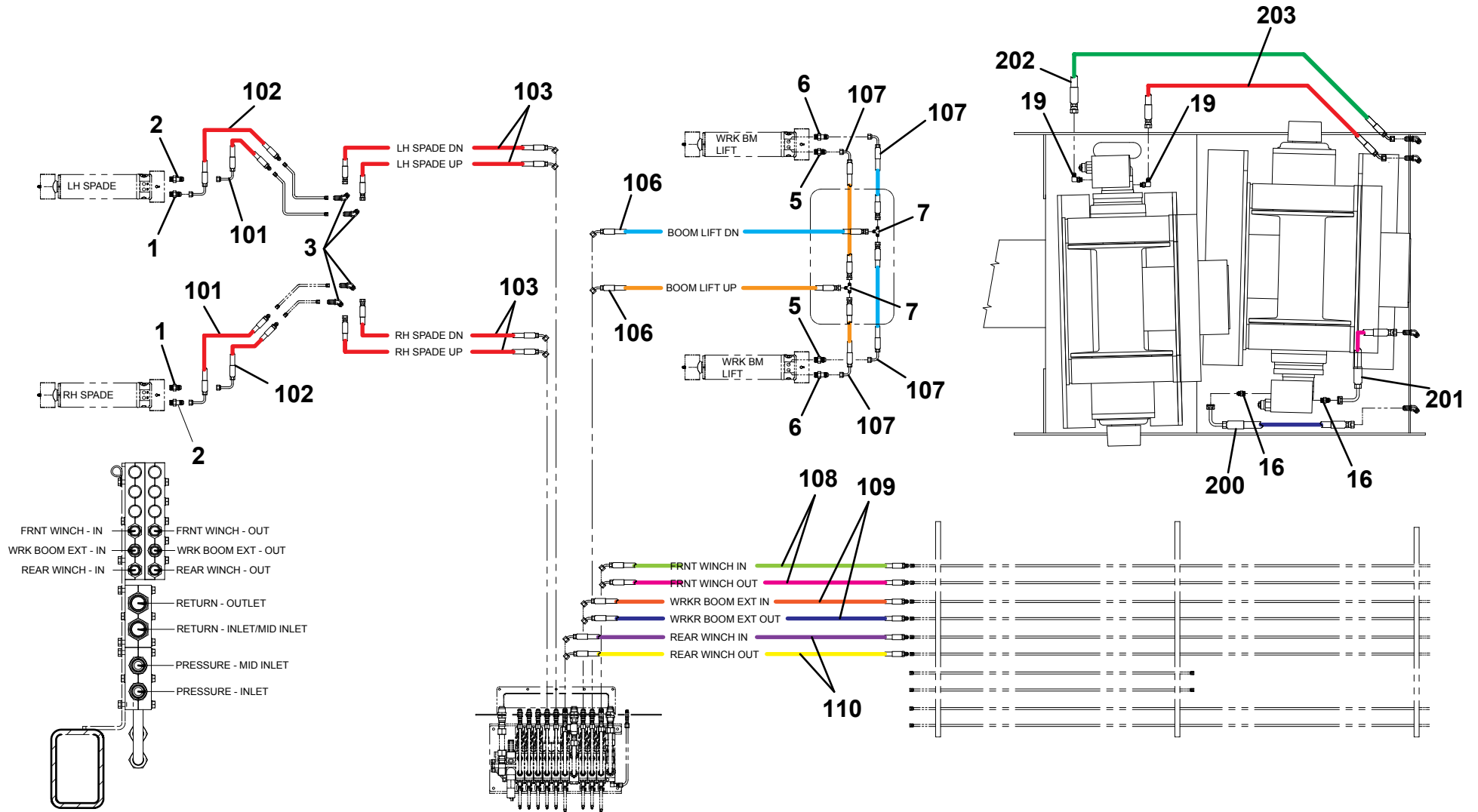
HYDRAULIC LINES AND FITTINGS - 1001204563



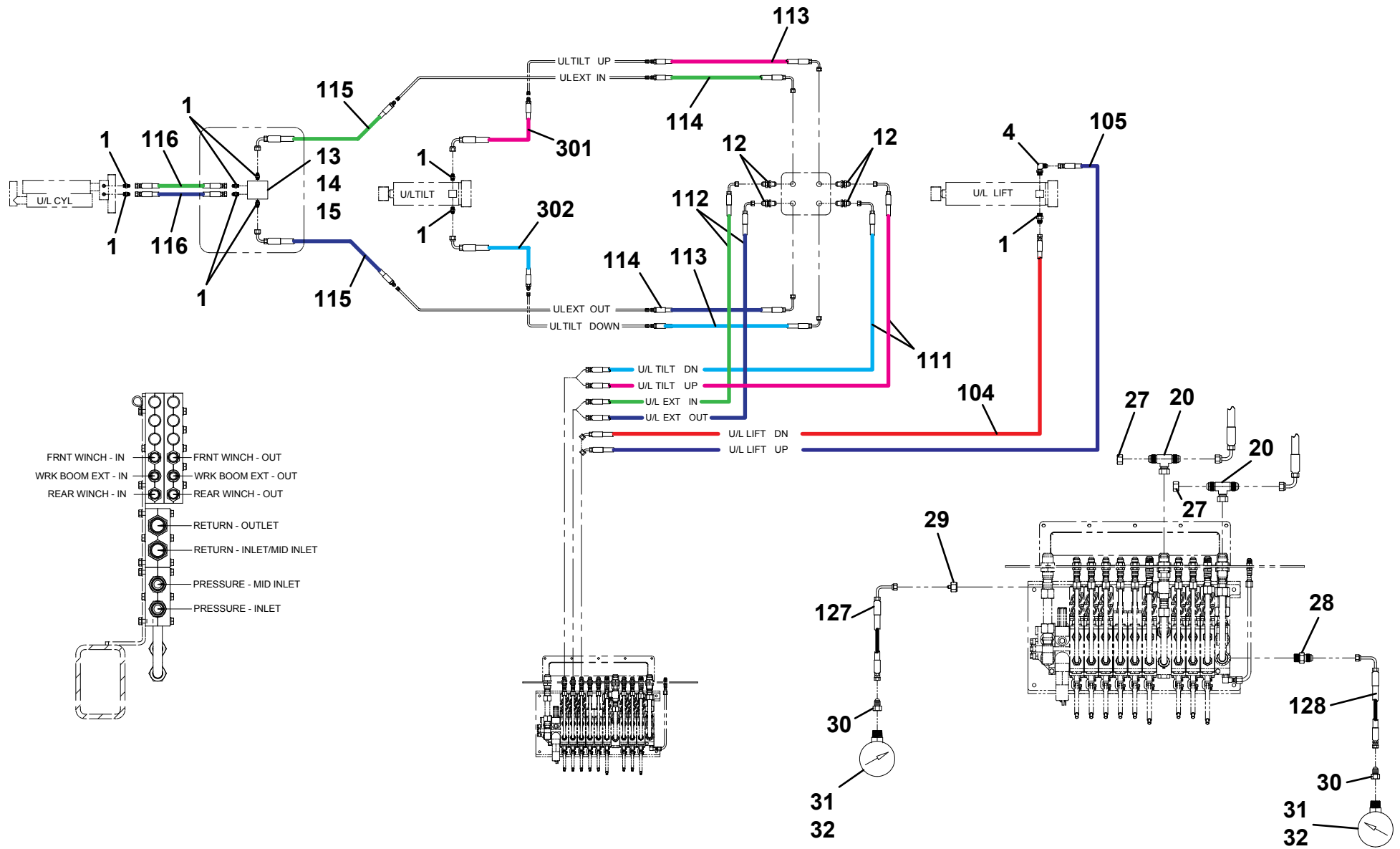
HYDRAULIC LINES AND FITTINGS - 1001205738

ITEM	PART NO.	DESCRIPTION	QTY	ITEM	PART NO.	DESCRIPTION	QTY
1	2220371	Adapter	13	106	1001204706	Hose Assembly	2
2	2220998	Adapter	2	107	4567132019	Hose Assembly	4
3	1001210851	Adapter	4	108	1001204809	Hose Assembly	2
4	2220473	Adapter	1	109	1001204822	Hose Assembly	2
5	2220600	Adapter	2	110	1001204875	Hose Assembly	2
6	7445080644	Fitting	2	111	1001205217	Hose Assembly	2
7	2220362	Adapter	2	112	1001205230	Hose Assembly	2
8	7274000040	Clamp	2	113	4569132019	Hose Assembly	2
9	7115141050	Capscrew, 0.25"-20NC X 1.25"	2	114	4569133020	Hose Assembly	2
10	7950140161	Flatwasher, 0.25" ID	4	115	4570000271	Hose Assembly	2
11	7660142601	Locknut, 0.25" -20NC	2	116	4567120017	Hose Assembly	2
12	2230025	Adapter	4	117	4570000260	Hose Assembly	2
13	4619000006	Manifold	1	118	4567152052	Hose Assembly	4
14	7115161650	Capscrew, 0.38"-16NC X 2.00"	2	119	1001192423	Hose Assembly	1
15	7950160000	Lockwasher, 0.38" ID	2	120	1001205671	Hose Assembly	1
16	7445100843	Adapter	4	121	1001205677	Hose Assembly	1
17	8760268	Adapter	2	122	1001205678	Hose Assembly	1
18	2230035	Adapter	4	123	1001205679	Hose Assembly	1
19	2221042	Adapter	2	124	4569180022	Hose Assembly	1
20	2220682	Adapter	2	125	4569180026	Hose Assembly	1
21	1320224	Clamp	2	126	4570000329	Hose Assembly	1
22	7445161620	Fitting	2	127	4567112025	Hose Assembly	1
23	7430000004	Filter Assembly	2	128	4567113031	Hose Assembly	1
24	7443000158	Fitting	2				
25	7470000002	Gauge	2			Winch Hose Kit	
26	7445060219	Adapter	1	200	1001166531	Hose Assembly	1
27	2220518	Adapter	2	201	4567152018	Hose Assembly	1
28	2220415	Adapter	1	202	1001166532	Hose Assembly	1
29	1001094694	Adapter	1	203	1001166533	Hose Assembly	1
30	7445040421	Fitting	2				
31	7470000004	Gauge	2			U/L 530 Hose Kit	
32	7790060676	Capscrew, #6 x 0.38"	2	300	4570000336	Hose Assembly	1
				301	4570000335	Hose Assembly	1
		HDUL Hose Kit					
101	4570000138	Hose Assembly	2			U/L 565 Hose Kit	
102	4570000301	Hose Assembly	2	300	4570000177	Hose Assembly	1
103	1001204597	Hose Assembly	4	301	4570000176	Hose Assembly	1
104	1001204601	Hose Assembly	1				
105	1001204639	Hose Assembly	1				

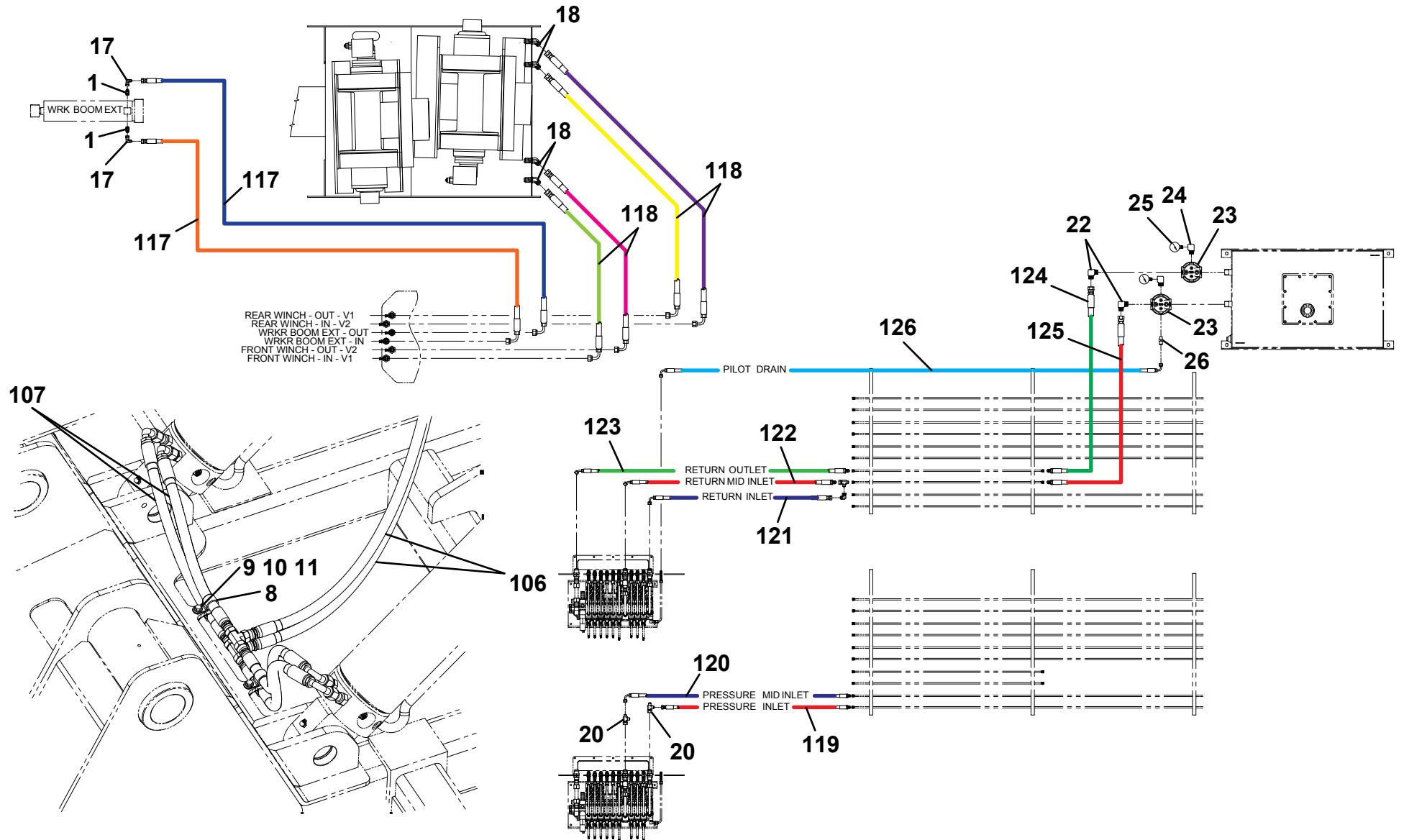
HYDRAULIC LINES AND FITTINGS - 1001205738



HYDRAULIC LINES AND FITTINGS - 1001205738



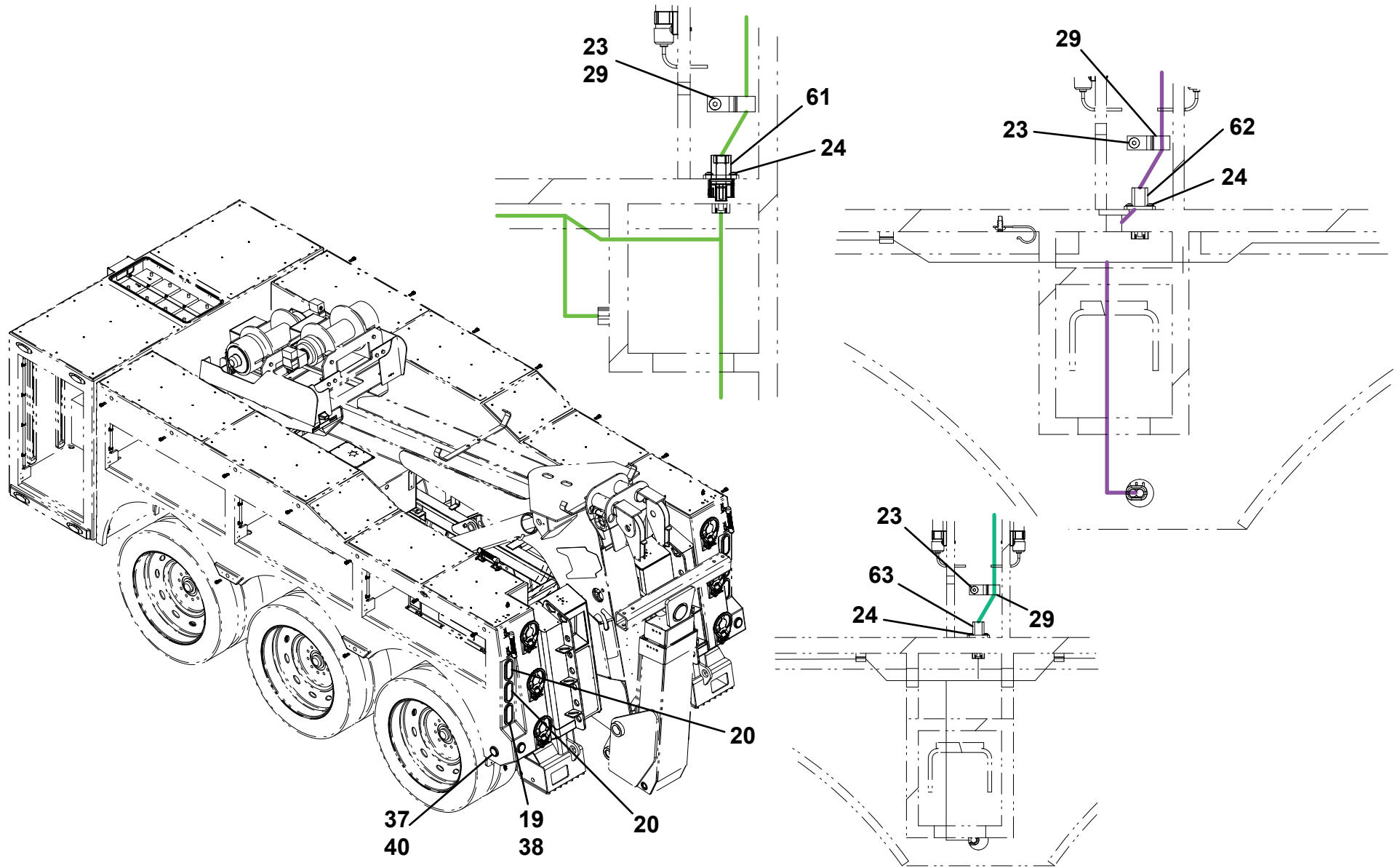
HYDRAULIC LINES AND FITTINGS - 1001205738



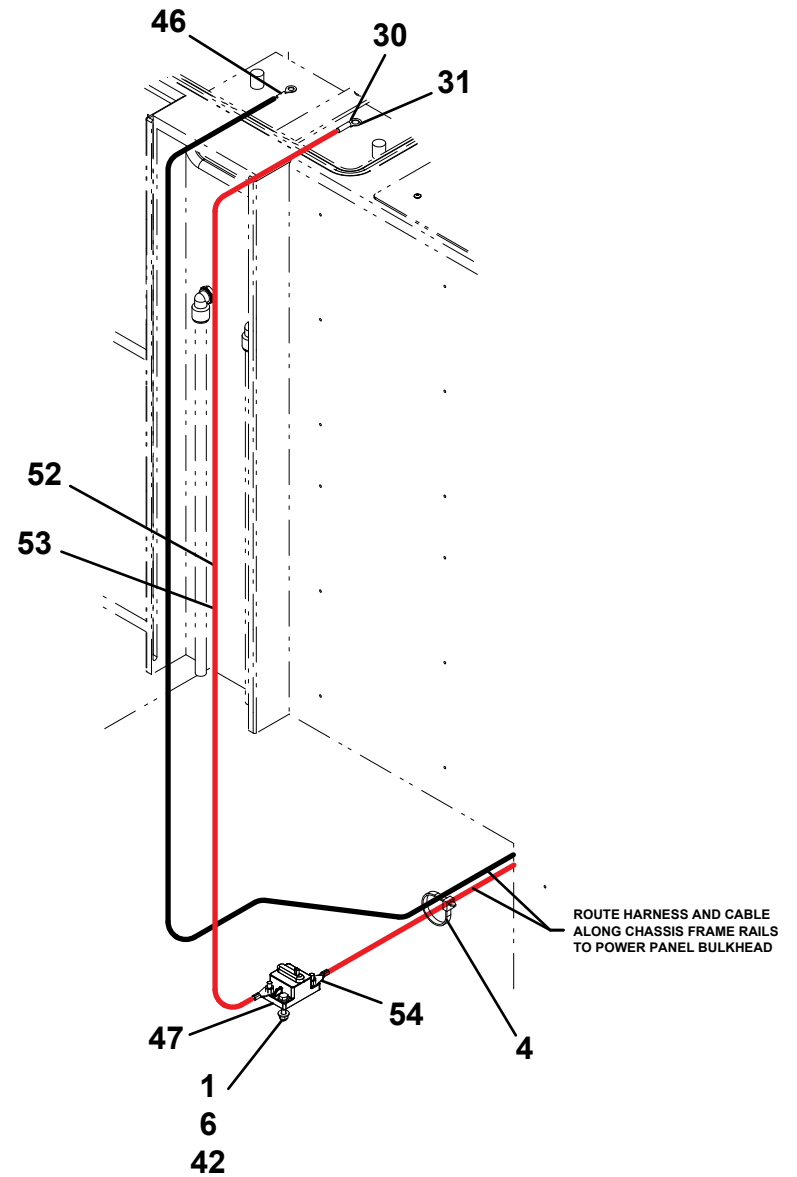
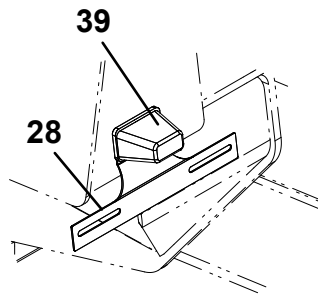
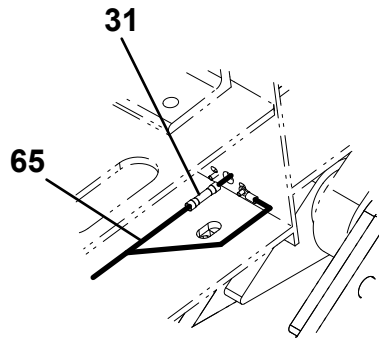
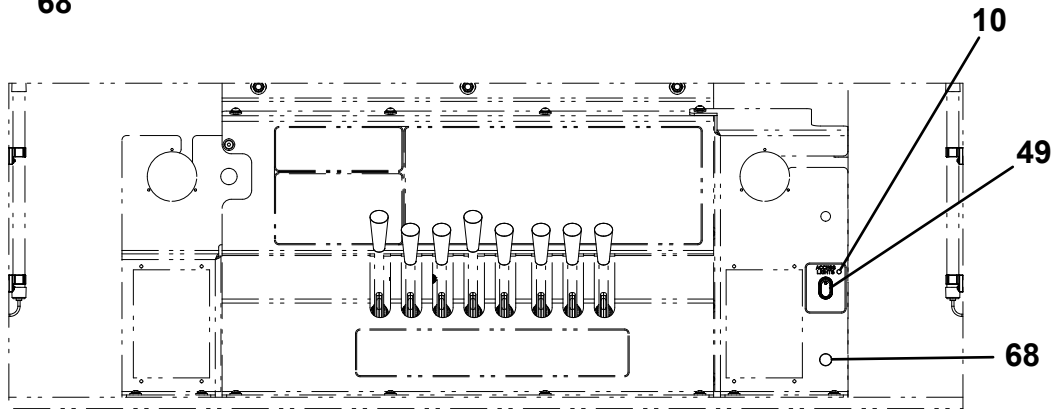
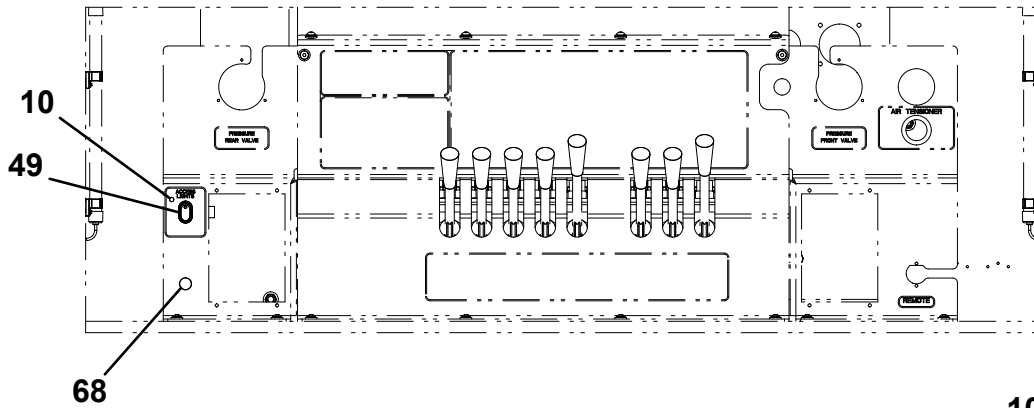
ELECTRICAL INSTALLATION - TRI-AXLE

ITEM	PART NO.	DESCRIPTION	QTY	ITEM	PART NO.	DESCRIPTION	QTY
1	641412	Capscrew, 0.25"-20 X 1.50"	2	40	7590000343	Light	4
2	641506	Capscrew, 0.31"-18 X 0.75"	1	41	7660102601	Nut, #10-24NC	8
3	750604	Screw	8	42	7660142600	Locknut, 0.25"-20NC	2
4	5526000553	Tie Strap	25	43	7660162601	Locknut, 0.38"-16NC	14
5	3760308	Retainer	4	44	7661000023	Locknut, #10-32NF	18
6	4711400	Washer, 0.25" ID	4	45	7740000001	Relay	12
7	4751500	Washer, 0.31" ID	1	46	1001189287	Harness	1
8	4761500	Washer, 0.31" ID	1	47	7870000043	Breaker Switch	1
9	1001122235	Bracket	4	48	7870000123	Power Distribution Panel	1
10	1001167452	Decal	2	49	7870000143	Switch	2
11	1001166930	Latch	4	50	7949000053	Washer	1
12	1001166974	Washer, 0.38" ID	14	51	7950160143	Flatwasher, 0.38" ID	28
13	1001189295	Harness	1	52	7978000011	Cable Jacket	25FT
14	1001167607	Plug	2	53	8597650001	Loom	25FT
15	1001168320	Terminal	1	54	1001125479	Terminal	2
16	1001168321	Terminal	1	55	1001189284	Harness	1
17	1001168322	Terminal	2	56	1001162928	Harness	1
18	1001168993	Capscrew, 0.38"-16 X 1.50"	14	57	1001168323	Cable	1
19	1001174680	Lamp	2	58	1001168325	Cable	1
20	1001174681	Lamp	4	59	1001168326	Cable	2
21	1001191552	Panel	1	60	1001168328	Cable	1
22	1001191602	Panel	1	61	1001189043	Harness	2
23	1001195257	Screw, 0.25" X 0.50"	73	62	1001189044	Harness	2
24	1001196552	Screw, #8 X 0.75"	24	63	1001188949	Harness	2
25	1001197483	Washer	8	64	1001189041	Harness	1
26	7114100618	Screw, #10-24 X 0.75"	8	65	1001189042	Harness	1
27	7120000035	Capscrew, 0.31"-18NC X 0.50"	1	66	1001201384	Socket	1
28	7178000025	License Plate Bracket	1	67	1001144012	Harness	2
29	7280000006	Clip	73	68	7701000067	Plug	2
30	7345242202	Terminal	2				
31	7346000045	Tubing	0.25				
32	7457000006	Fuse	2				
33	7457000011	Fuse	3				
34	7457000012	Fuse	2				
35	7457000019	Fuse	10				
36	7457000023	Fuse	3				
37	1001220431	Grommet	4				
38	7493000026	Grommet	6				
39	7590000105	Light	1				

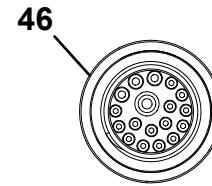
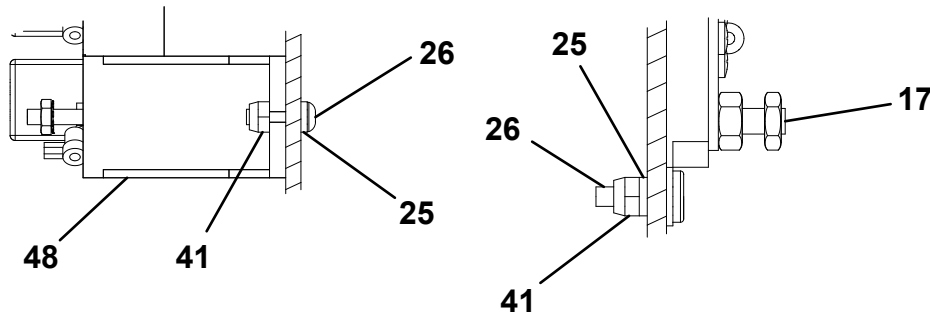
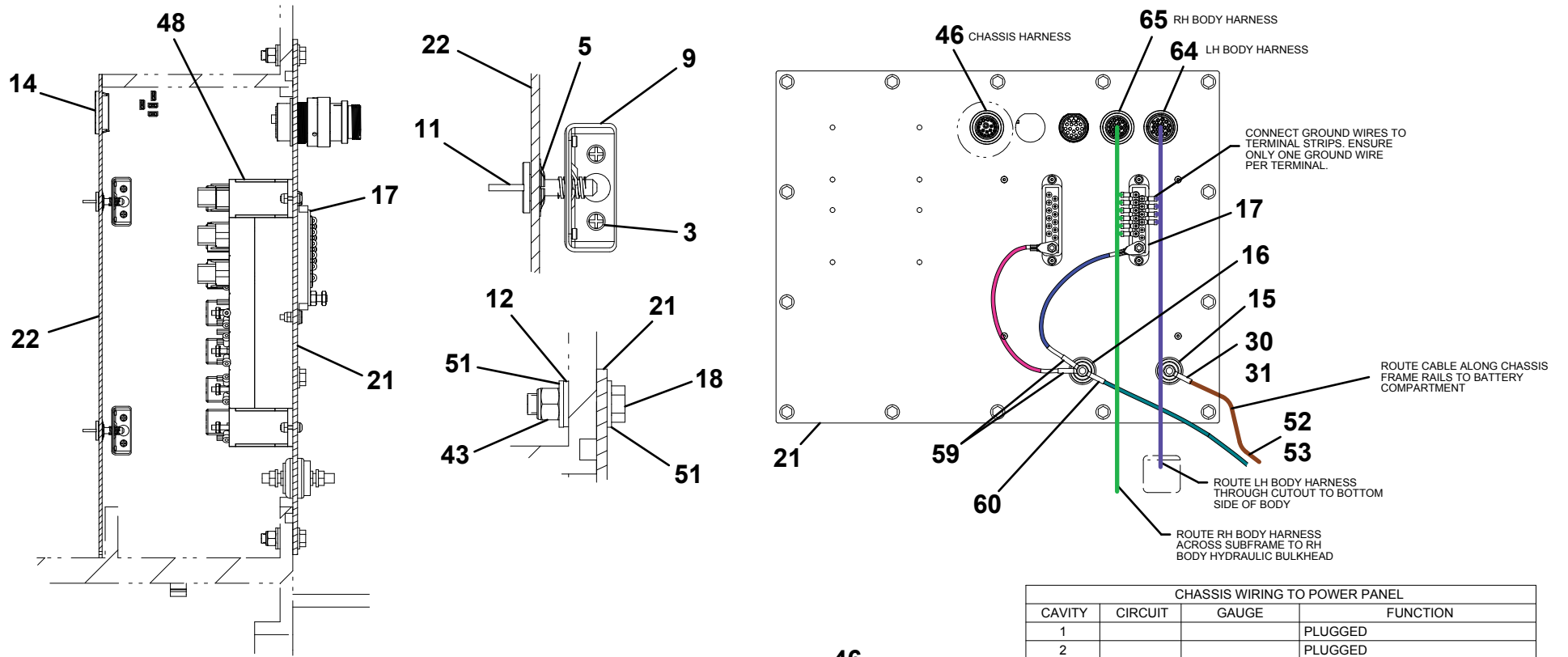
ELECTRICAL INSTALLATION - TRI-AXLE



ELECTRICAL INSTALLATION - TRI-AXLE

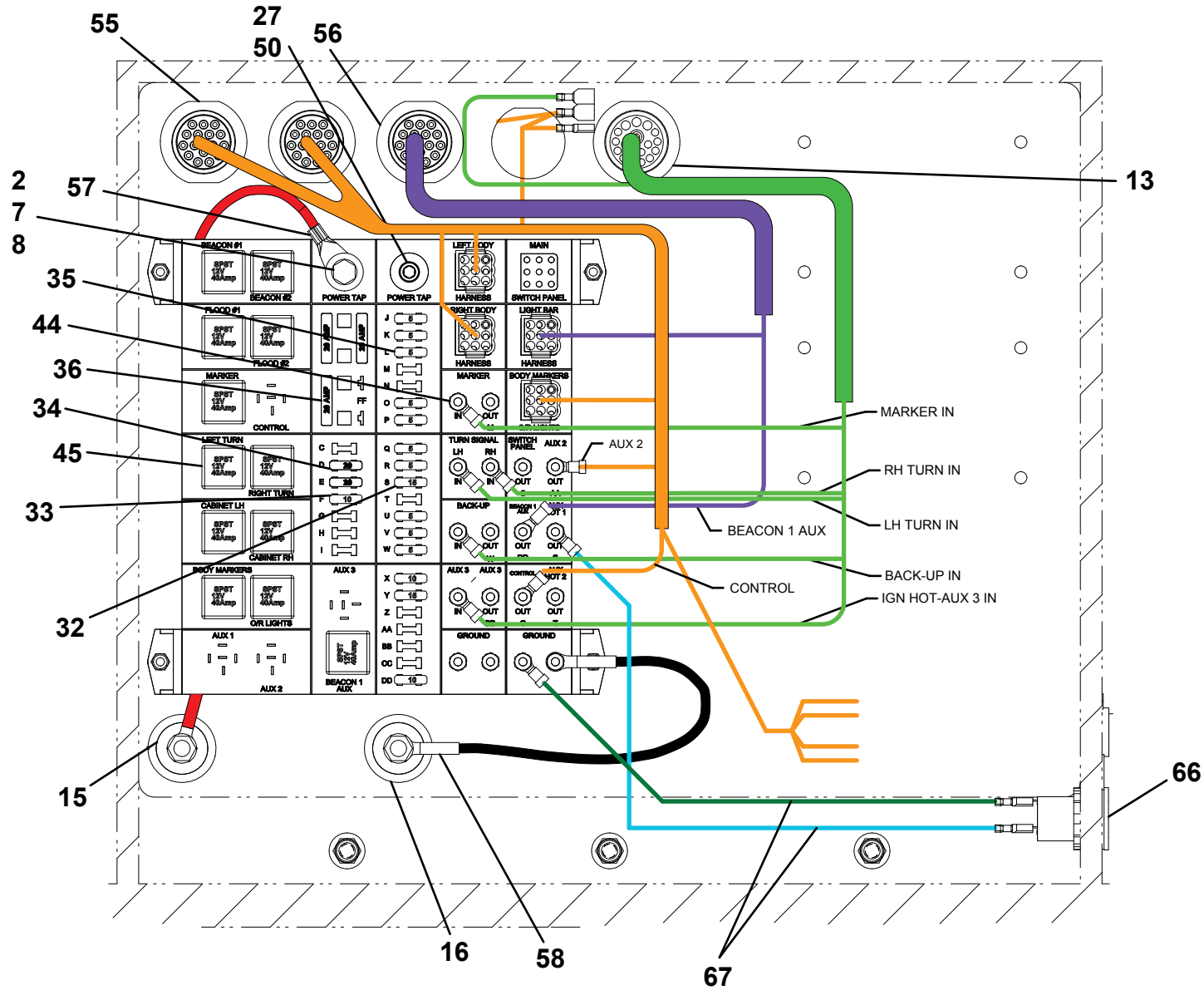


ELECTRICAL INSTALLATION - TRI-AXLE



CHASSIS WIRING TO POWER PANEL			
CAVITY	CIRCUIT	GAUGE	FUNCTION
1			PLUGGED
2			PLUGGED
3			PLUGGED
4			PLUGGED
5			PLUGGED
6	22A	10	FLASHER POWER FROM BATT
7			PLUGGED
8			PLUGGED
9	11	FROM CHASSIS	IGN HOT
10	12	FROM CHASSIS	RH S/T
11	13	FROM CHASSIS	LH S/T
12	14	FROM CHASSIS	MARKER
13	15	FROM CHASSIS	BACK-UP
14			PLUGGED
15			PLUGGED
16			PLUGGED
17			PLUGGED
18			PLUGGED

ELECTRICAL INSTALLATION - TRI-AXLE

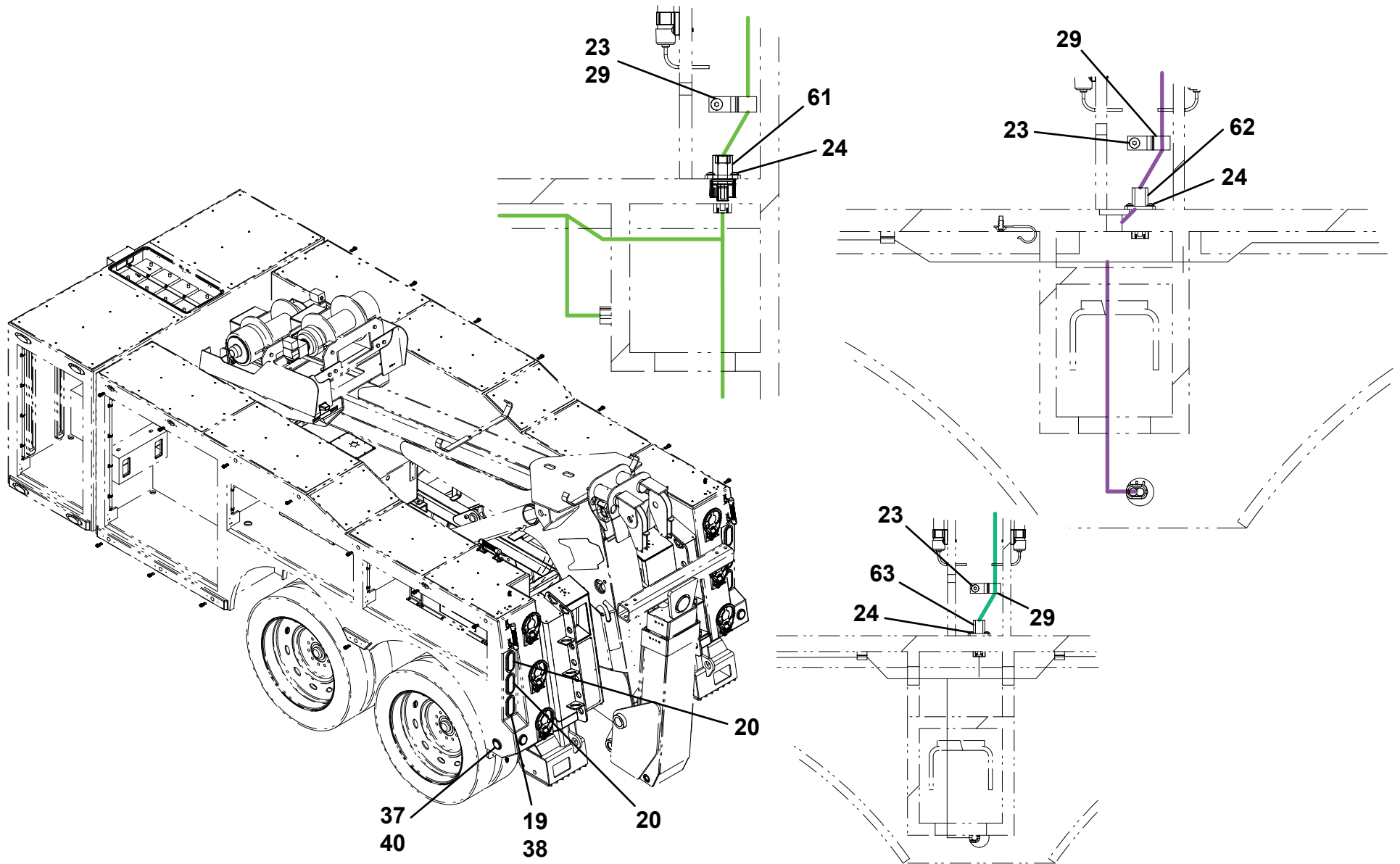


THIS PAGE INTENTIONALLY LEFT BLANK

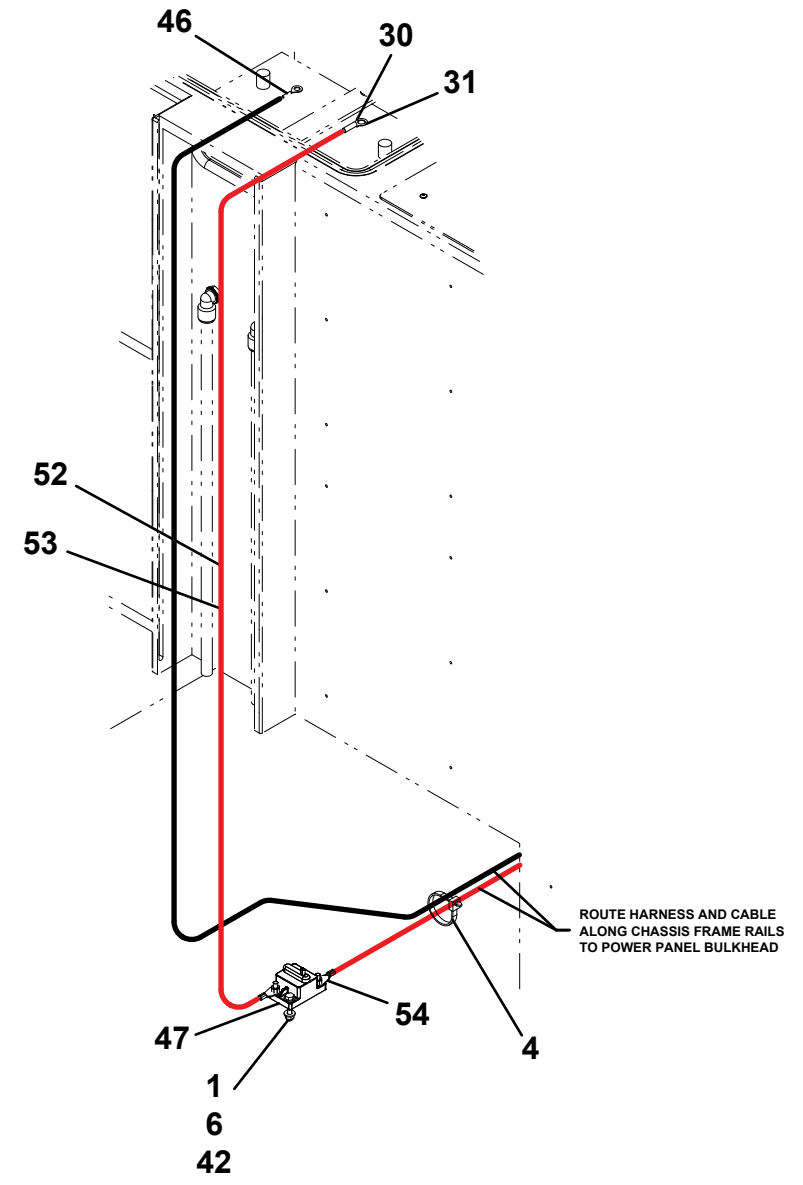
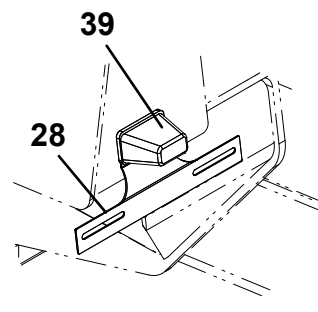
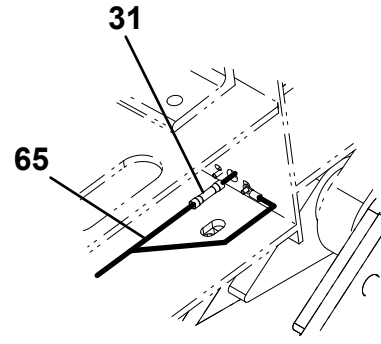
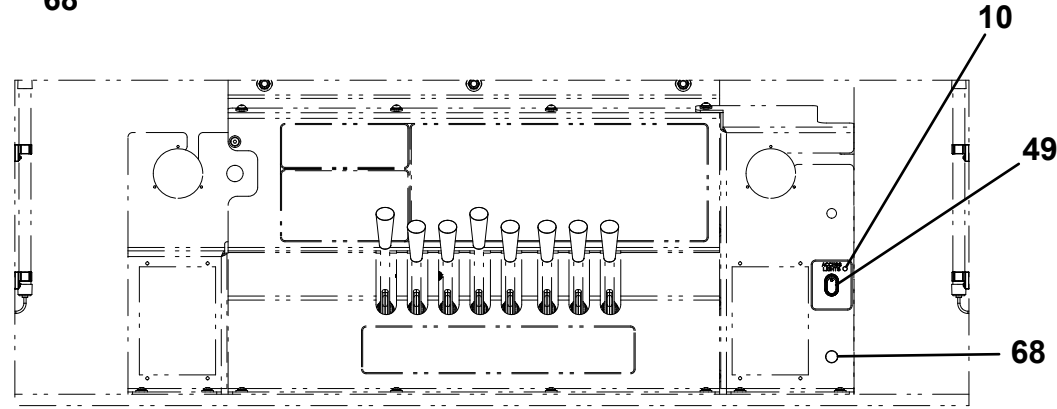
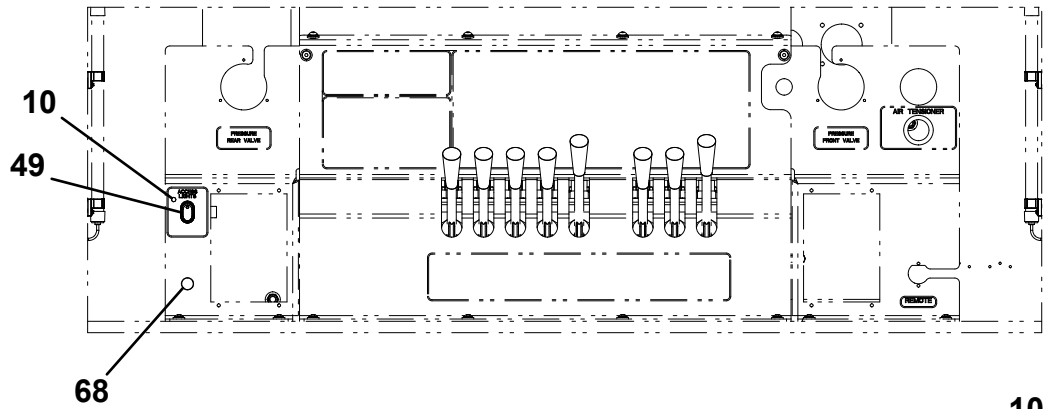
ELECTRICAL INSTALLATION - TANDEM AXLE

ITEM	PART NO.	DESCRIPTION	QTY	ITEM	PART NO.	DESCRIPTION	QTY
1	641412	Capscrew, 0.25"-20 X 1.50"	2	40	7590000343	Light	4
2	641506	Capscrew, 0.31"-18 X 0.75"	1	41	7660102601	Nut, #10-24NC	8
3	750604	Screw	8	42	7660142600	Locknut, 0.25"-20NC	2
4	5526000553	Tie Strap	25	43	7660162601	Locknut, 0.38"-16NC	14
5	3760308	Retaining Ring	4	44	7661000023	Locknut, #10-32NF	18
6	4711400	Washer, 0.25" ID	4	45	7740000001	Relay	12
7	4751500	Washer, 0.31" ID	1	46	1001189287	Harness	1
8	4761500	Washer, 0.31" ID	1	47	7870000043	Breaker	1
9	1001122235	Bracket	4	48	7870000123	Power Distribution Panel	1
10	1001167452	Decal	2	49	7870000143	Switch	2
11	1001166930	Latch	4	50	7949000053	Washer	1
12	1001166974	Washer, 0.38" ID	14	51	7950160143	Flatwasher, 0.38" ID	28
13	1001189295	Harness	1	52	7978000011	Cable	25FT
14	1001167607	Grommet	2	53	8597650001	Loom	25FT
15	1001168320	Terminal	1	54	1001125479	Terminal	2
16	1001168321	Terminal	1	55	1001189284	Harness	1
17	1001168322	Terminal	2	56	1001162928	Harness	1
18	1001168993	Capscrew, 0.38"-16 X 1.50"	14	57	1001168323	Cable	1
19	1001174680	Lamp	2	58	1001168325	Cable	1
20	1001174681	Lamp	4	59	1001168326	Cable	2
21	1001191552	Panel	1	60	1001168328	Cable	1
22	1001191602	Panel	1	61	1001188923	Harness	2
23	1001195257	Screw, 0.25" X 0.50"	73	62	1001188924	Harness	2
24	1001196552	Screw, #8 X 0.75"	24	63	1001188949	Harness	2
25	1001197483	Washer	8	64	1001188961	Harness	1
26	7114100618	Screw, #10-24 X 0.75"	8	65	1001188962	Harness	1
27	7120000035	Capscrew, 0.31"-18NC X 0.50"	1	66	1001201384	Socket	1
28	7178000025	License Plate Bracket	1	67	1001144012	Harness	2
29	7280000006	Clip	73	68	7701000067	Plug	2
30	7345242202	Terminal	2				
31	7346000045	Tubing	0.25				
32	7457000006	Fuse	2				
33	7457000011	Fuse	3				
34	7457000012	Fuse	2				
35	7457000019	Fues	10				
36	7457000023	Fuse	3				
37	1001220431	Grommet	4				
38	7493000026	Grommet	6				
39	7590000105	Light	1				

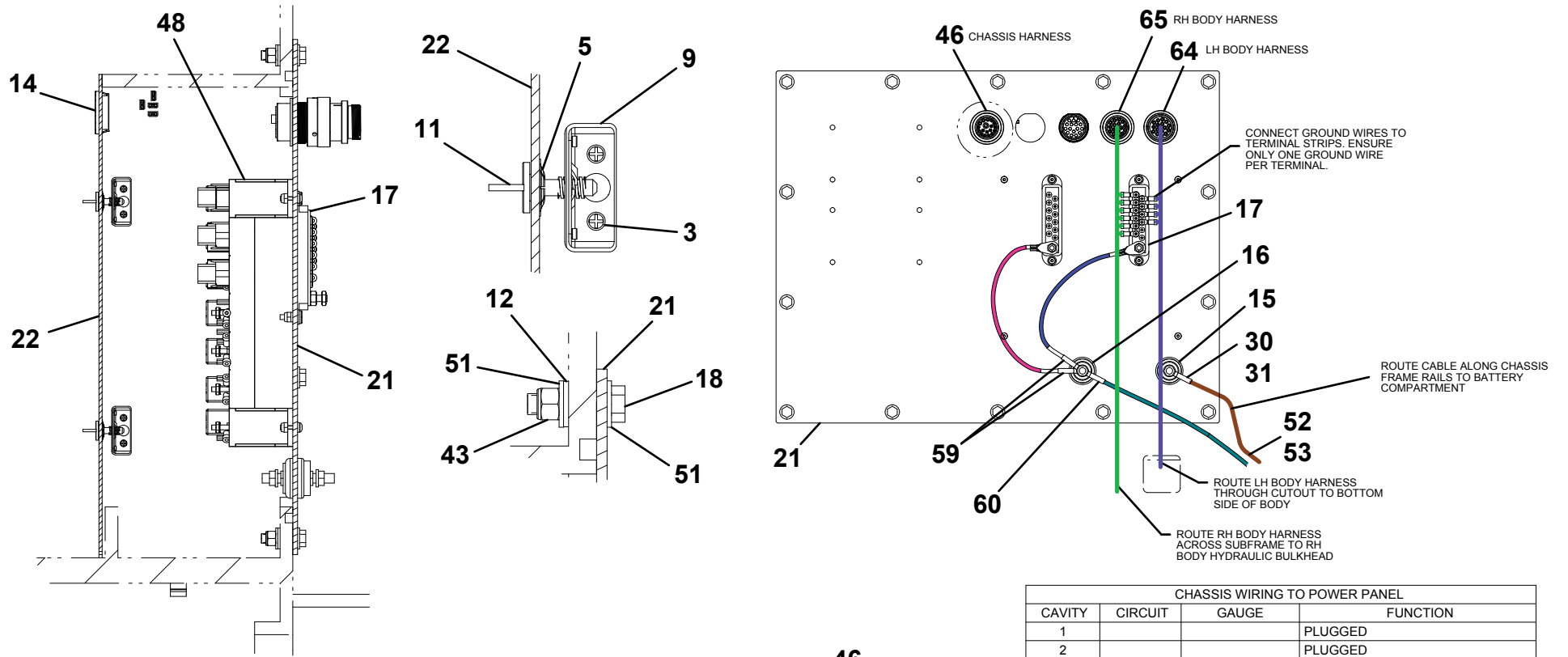
ELECTRICAL INSTALLATION - TANDEM AXLE



ELECTRICAL INSTALLATION - TANDEM AXLE

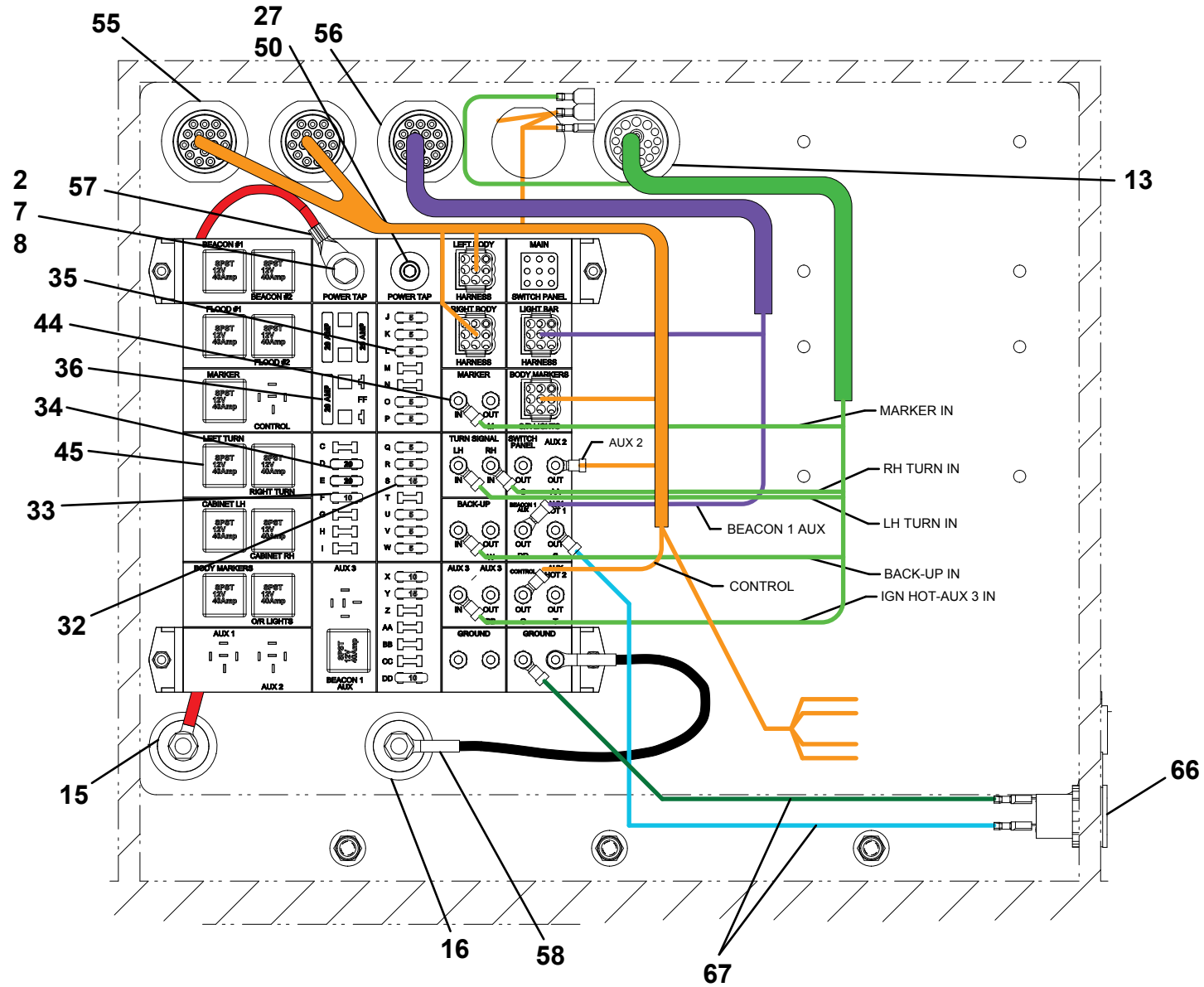


ELECTRICAL INSTALLATION - TANDEM AXLE



CHASSIS WIRING TO POWER PANEL			
CAVITY	CIRCUIT	GAUGE	FUNCTION
1			PLUGGED
2			PLUGGED
3			PLUGGED
4			PLUGGED
5			PLUGGED
6	22A	10	FLASHER POWER FROM BATT
7			PLUGGED
8			PLUGGED
9	11	FROM CHASSIS	IGN HOT
10	12	FROM CHASSIS	RH S/T
11	13	FROM CHASSIS	LH S/T
12	14	FROM CHASSIS	MARKER
13	15	FROM CHASSIS	BACK-UP
14			PLUGGED
15			PLUGGED
16			PLUGGED
17			PLUGGED
18			PLUGGED

ELECTRICAL INSTALLATION - TANDEM AXLE

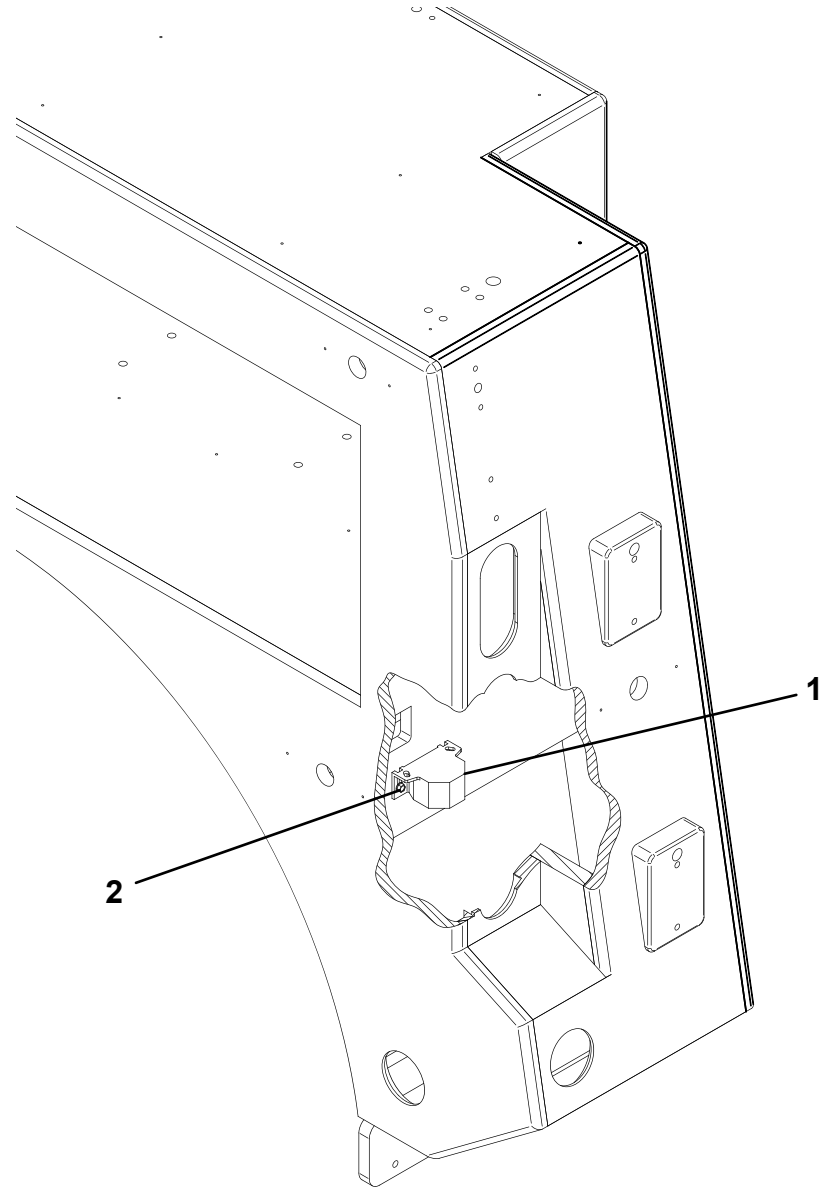


THIS PAGE INTENTIONALLY LEFT BLANK

BACKUP ALARM INSTALLATION

ITEM	PART NO.	DESCRIPTION	QTY
1	7011000006	Alarm, Backup	1
	1001175061	Alarm, Backup Variable	1
2	7790141251	Screw, 0.25" x 0.75"	2

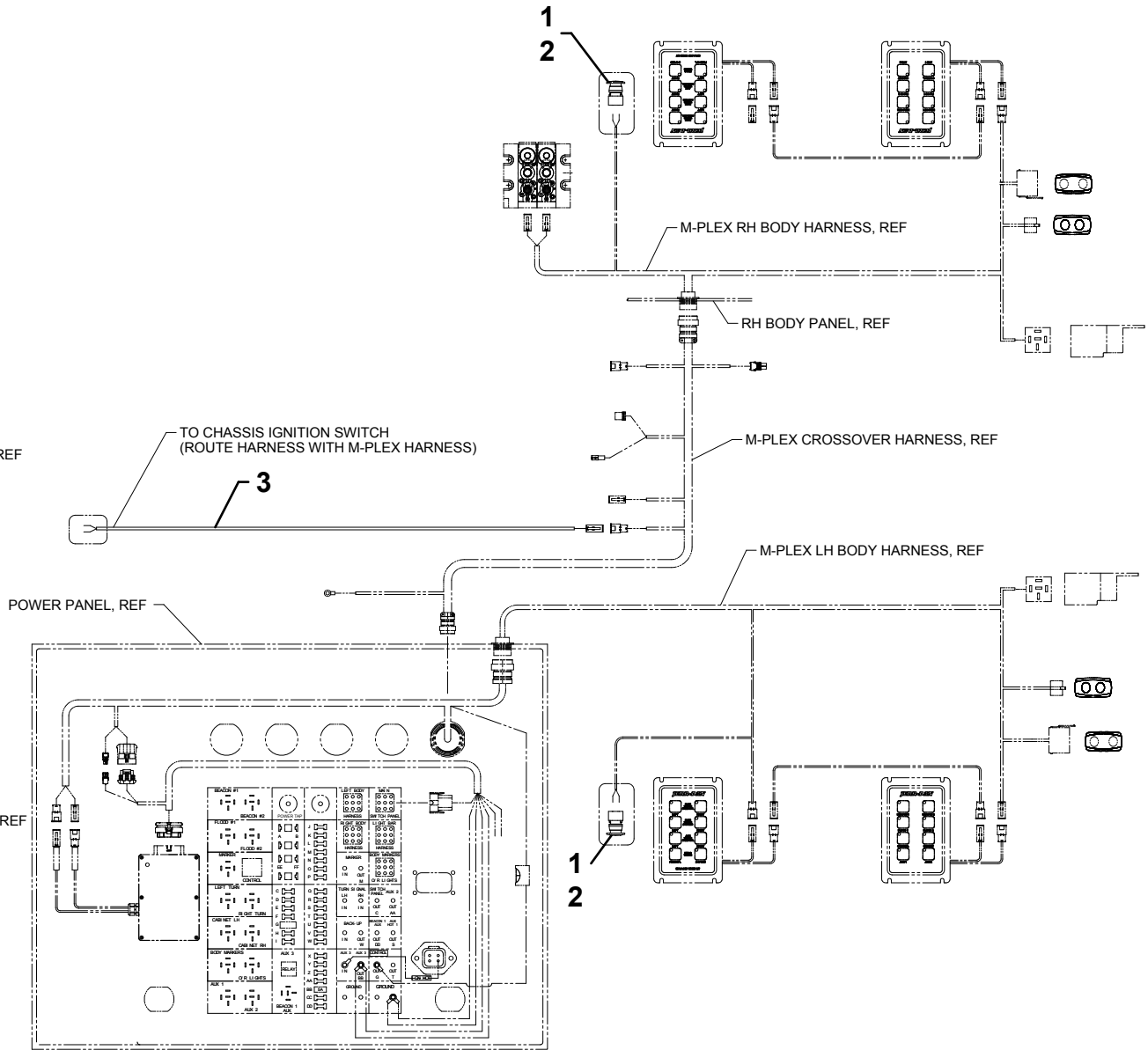
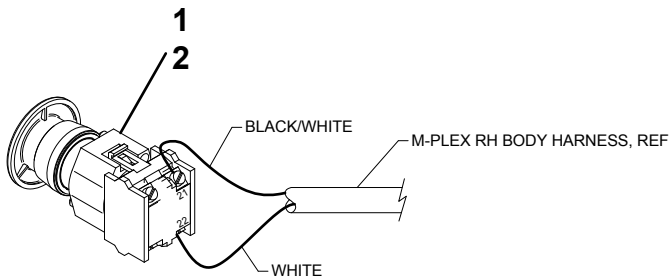
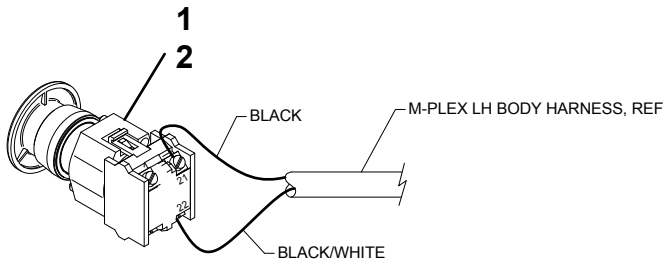
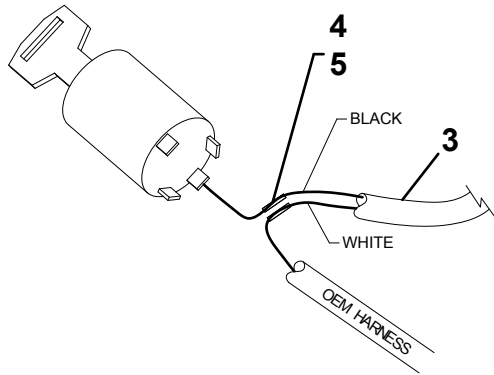
BACKUP ALARM INSTALLATION



E-STOP INSTALLATION

ITEM	PART NO.	DESCRIPTION	QTY
1	7870000128	Switch	2
2	7870000129	Switch	2
3	1001171394	Harness	1
4	7345001714	Terminal	2
5	7346000039	Tubing	1

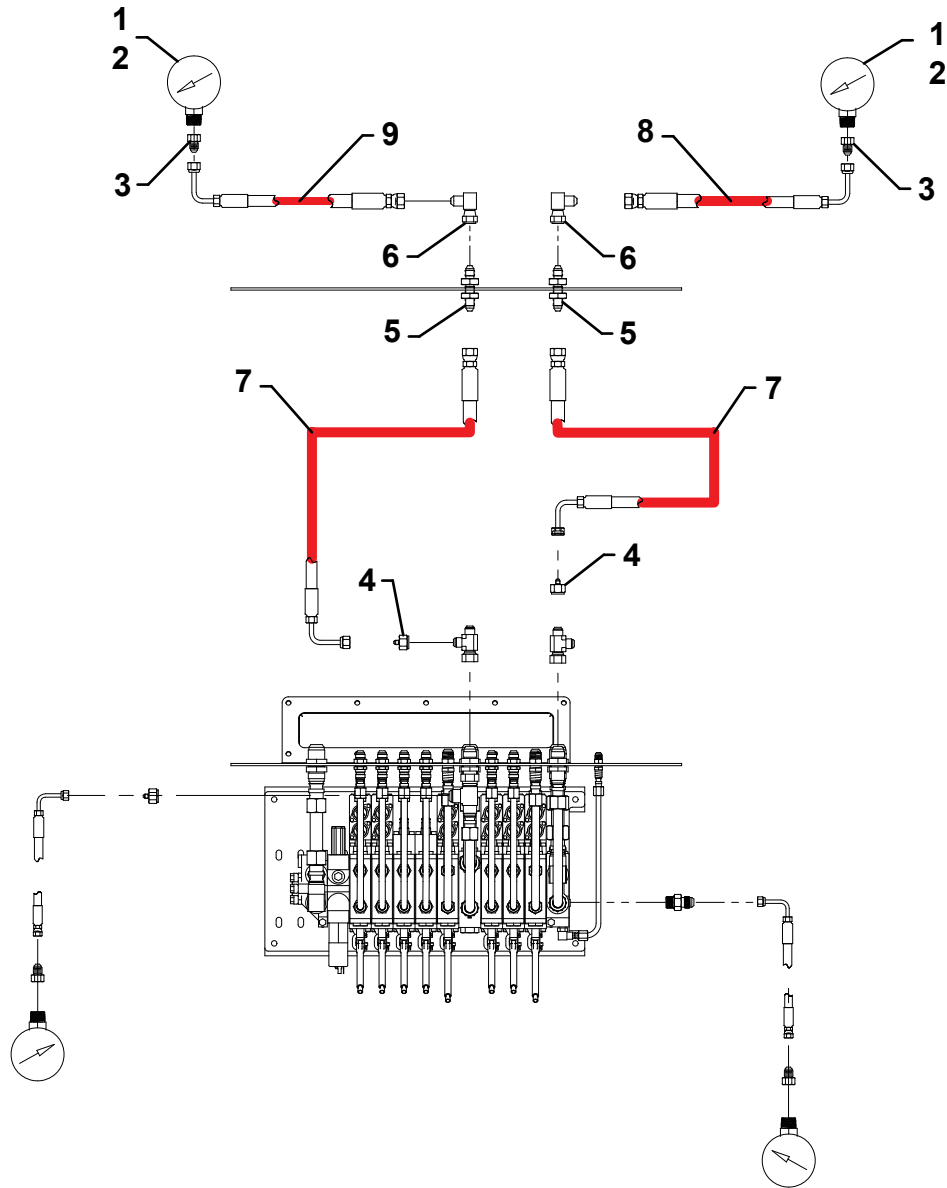
E-STOP INSTALLATION



DRIVER SIDE GAUGE INSTALLATION

ITEM	PART NO.	DESCRIPTION	QTY
1	7470000004	Gauge Mount	2
2	7790060676	Screw, #6 x 0.38"	6
3	7445040421	Fitting	2
4	1001094694	Reducer	2
5	2230021	Adapter	2
6	2220654	Adapter	2
7	1001193233	Hose Assembly	2
8	1001193241	Hose Assembly	1
9	1001193242	Hose Assembly	1

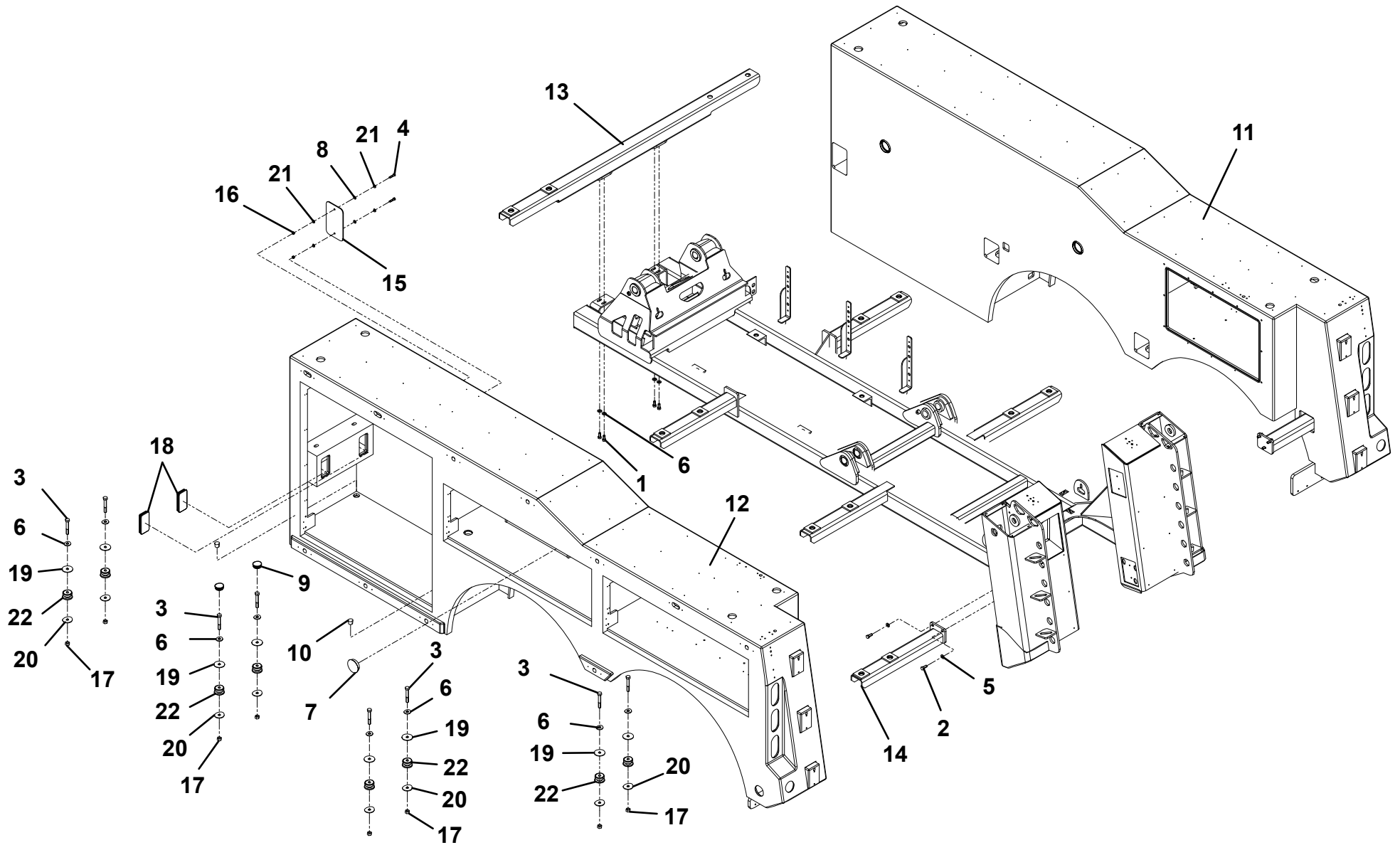
DRIVER SIDE GAUGE INSTALLATION



BODY INSTALLATION - TANDEM

ITEM	PART NO.	DESCRIPTION	QTY
1	641809	Capscrew, 0.50"-13 X 1.13"	4
2	641810	Capscrew, 0.50"-13 X 1.25"	6
3	642032	Capscrew, 0.31"-11 X 4.00"	16
4	1001168993	Capscrew, 0.38"-16 X 1.50"	2
5	4711800	Washer, 0.50" ID	10
6	4752000	Washer, 0.63" ID	16
7	1001151789	Plug	3
8	1001166974	Washer, 0.38" ID	2
9	1001169078	Plug	4
10	1001173847	Plug	4
11	1001200919	Body, Tandem RH	1
12	1001200920	Body, Tandem LH	1
13	1001186935	Mount	1
14	1001186968	Mount	2
15	1001190557	Panel	1
16	7660162601	Locknut, 0.38"-16NC	2
17	7660200001	Nut, 0.63"-11NC	16
18	7701000048	Plug	4
19	7949000019	Washer	16
20	7949000020	Washer	16
21	7950160143	Flatwasher, 0.38" ID	4
22	7636000008	Mount	16

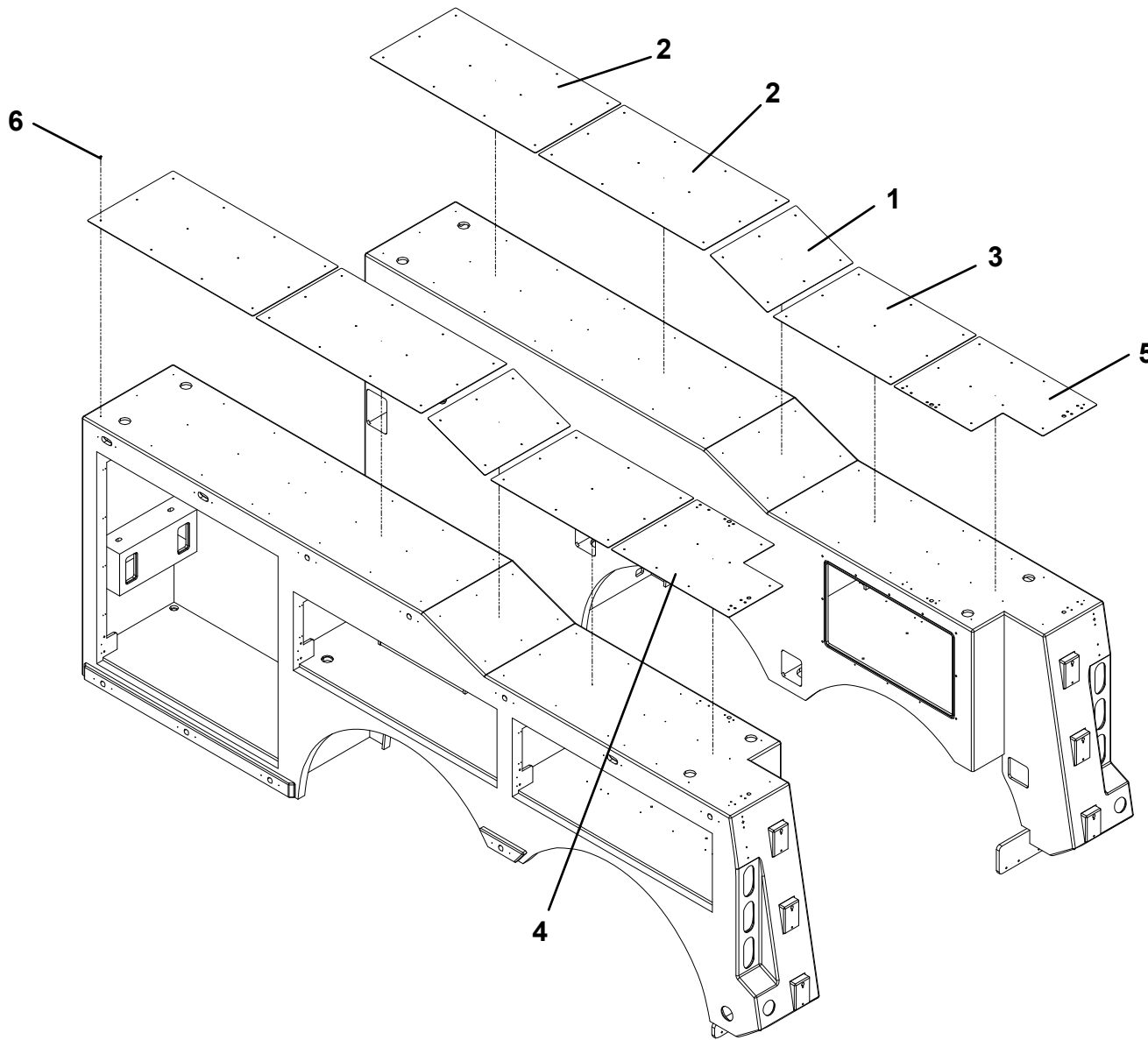
BODY INSTALLATION - TANDEM



DIAMOND PLATE INSTALLATION - TANDEM

ITEM	PART NO.	DESCRIPTION	QTY
1	1001186725	Plate	2
2	1001186726	Plate	4
3	1001186727	Plate	2
4	1001186728	Plate	1
5	1001186835	Plate	1
6	1001192958	Screw. #10 x 0.50"	100

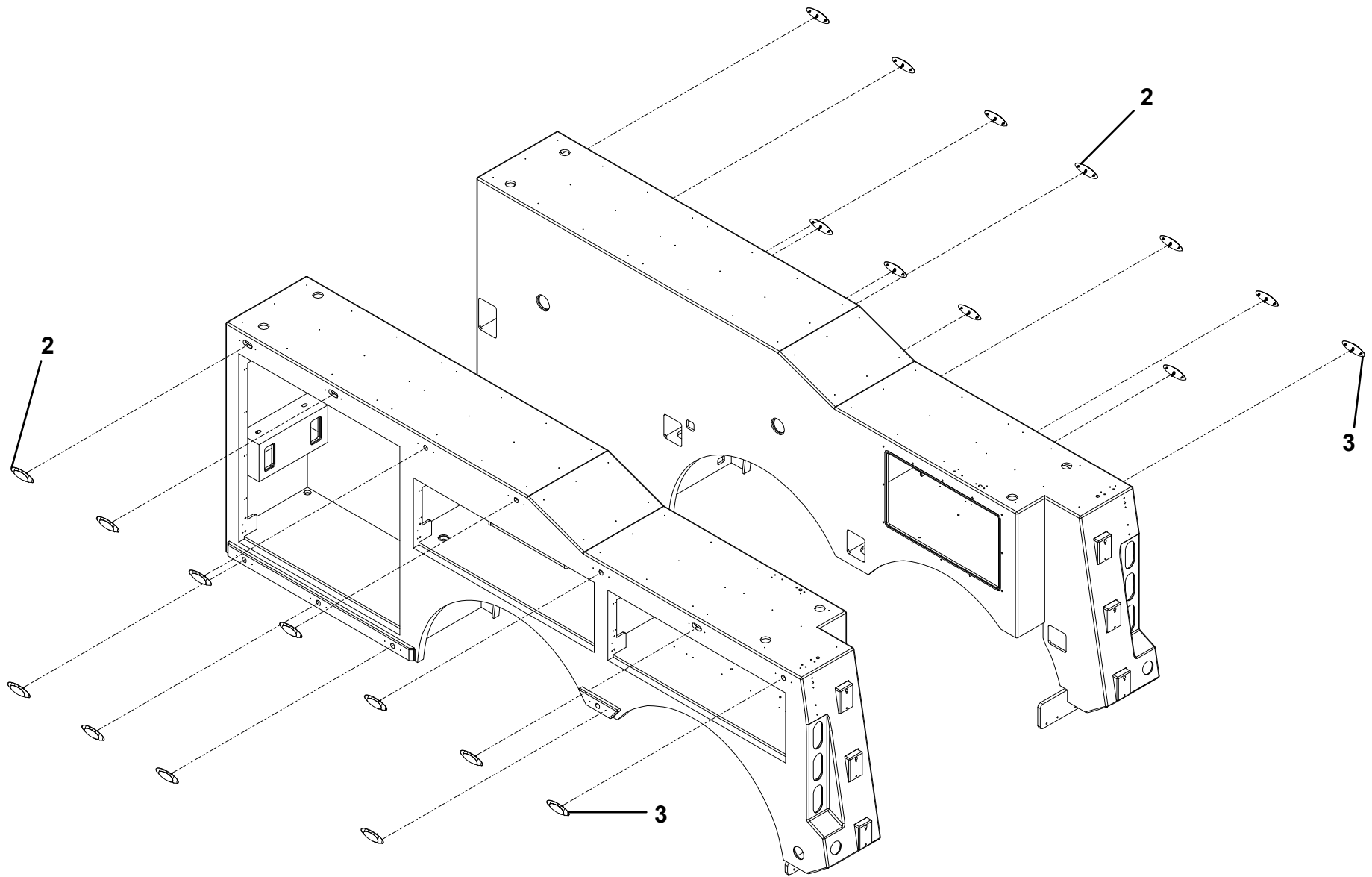
DIAMOND PLATE INSTALLATION - TANDEM



MARKER LIGHT INSTALLATION - TANDEM

ITEM	PART NO.	DESCRIPTION	QTY
1	1001154101	Screw, #10 x 0.38"	44
2	7590000262	Ligh, Amber	20
3	7590000282	Light, Red	2

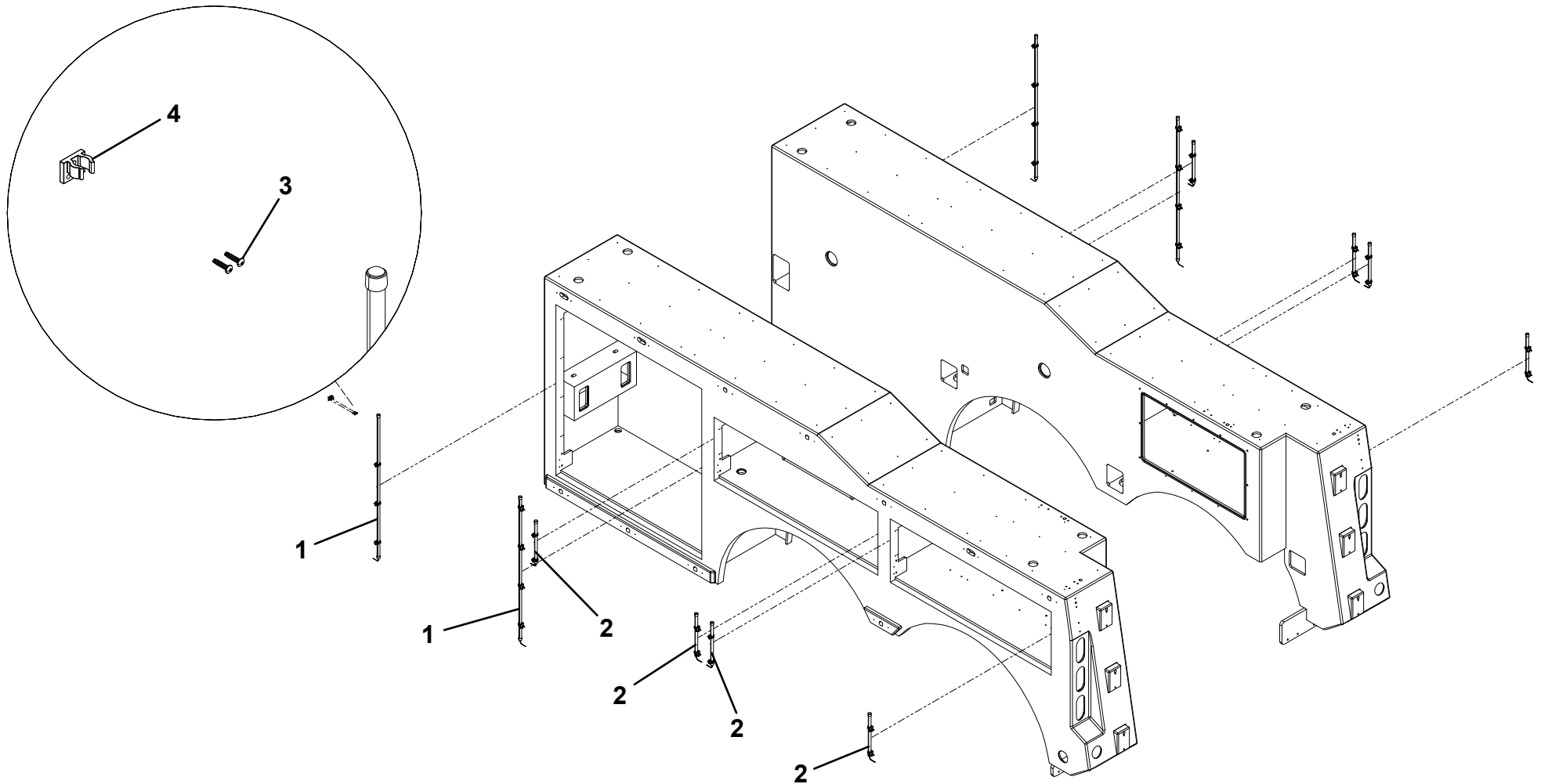
MARKER LIGHT INSTALLATION - TANDEM



COMPARTMENT LIGHT INSTALLATION - TANDEM

ITEM	PART NO.	DESCRIPTION	QTY
1	1001154527	Lamp, 40"	4
2	1001166549	Lamp, 12"	8
3	1001196552	Screw, #8 x 0.75"	64
4	1001199081	Mount	32

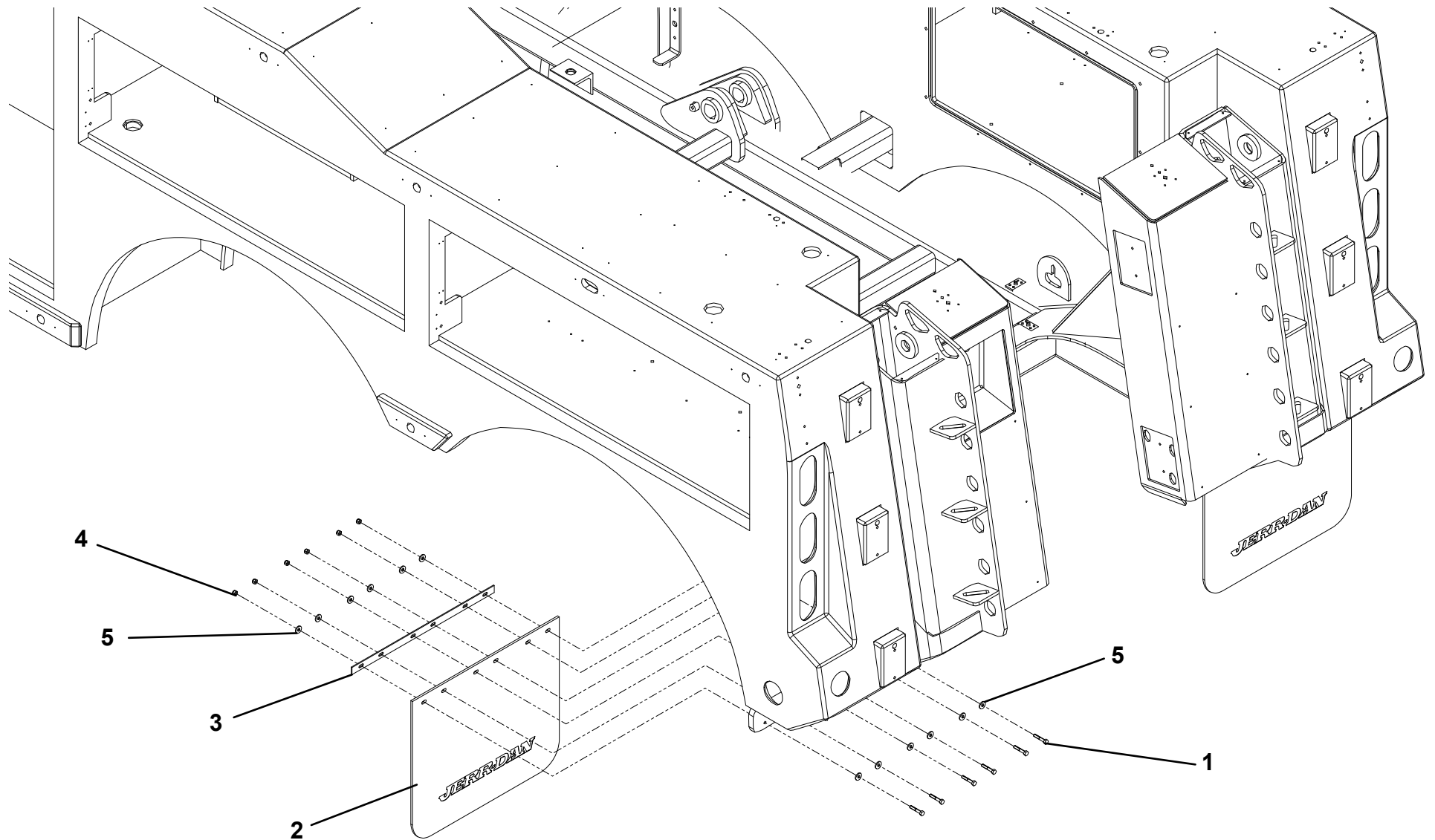
COMPARTMENT LIGHT INSTALLATION - TANDEM



MUDFLAP INSTALLATION - TANDEM

ITEM	PART NO.	DESCRIPTION	QTY
1	0641514	Screw, 0.31" - 18NC x 1.75"	12
2	1001174051	Mud Flap	2
3	4706001815	Plate	2
4	7660152601	Locknut, 0.31" - 18NC	12
5	7950150153	Flatwasher, 0.31"	24

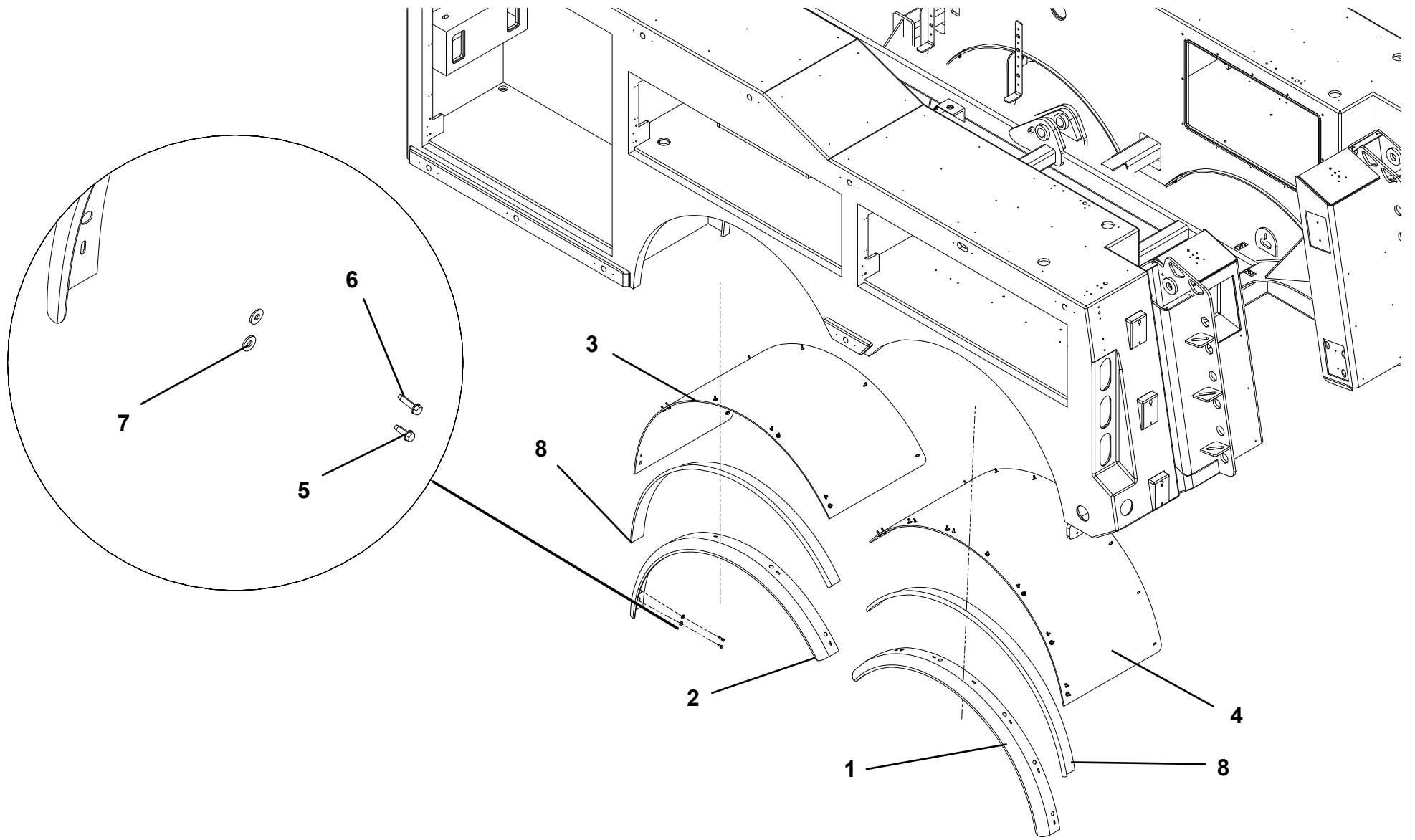
MUDFLAP INSTALLATION - TANDEM



FENDER INSTALLATION - TANDEM

ITEM	PART NO.	DESCRIPTION	QTY
1	1001163358	Fender, Rear	2
2	1001186584	Fender, Front	2
3	1001186606	Liner, Front	2
4	1001186608	Liner, Rear	2
5	7790141251	Screw, 0.25" x 0.75"	24
6	7790141651	Screw, 0.25" x 1.00"	42
7	7950140163	Flatwasher, 0.25" ID	66
8	1001167358	Mould	1

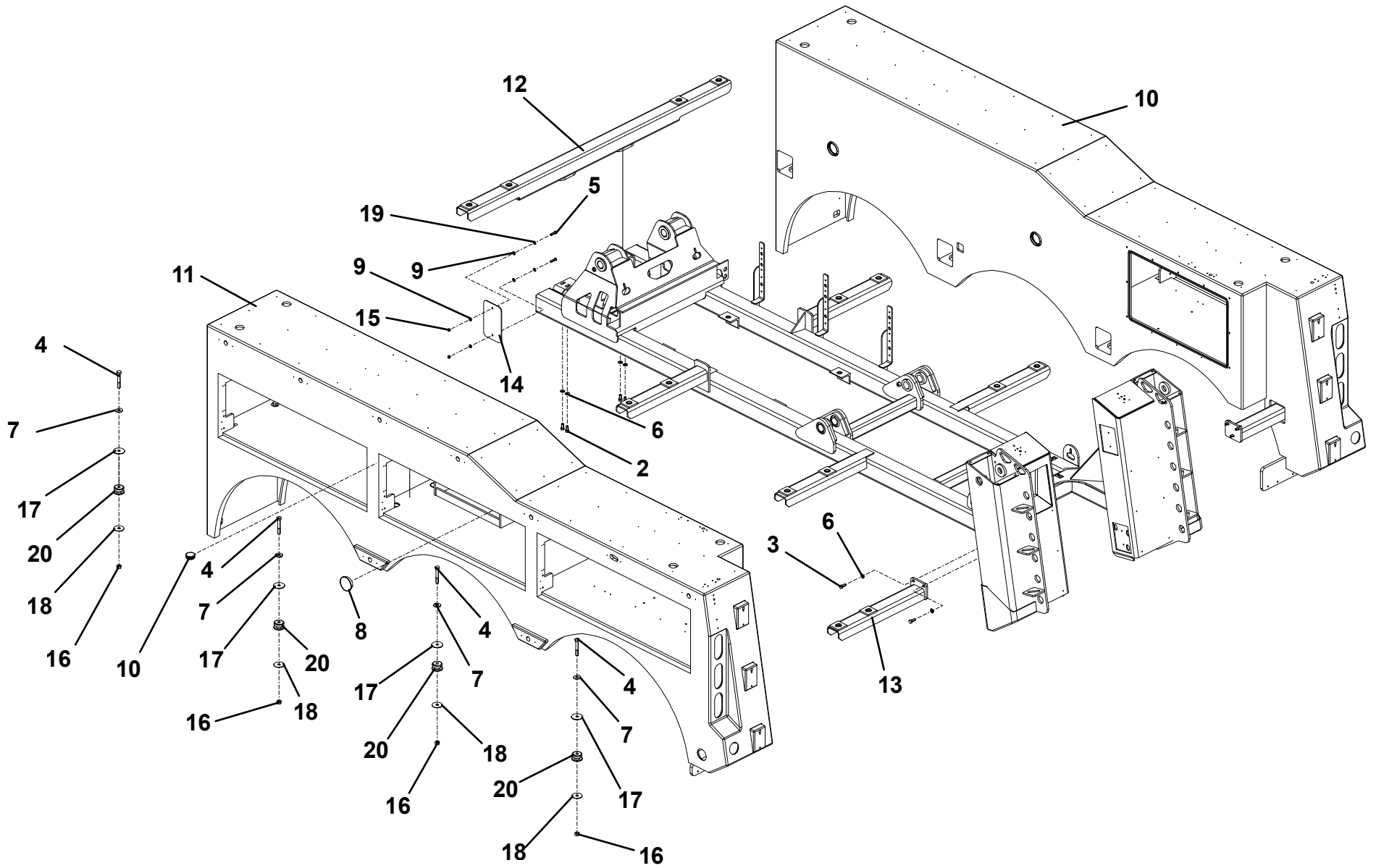
FENDER INSTALLATION - TANDEM



BODY INSTALLATION - TRI-AXLE

ITEM	PART NO.	DESCRIPTION	QTY
1	641809	Capscrew, 0.50"-13 X 1.13"	4
2	641810	Capscrew, 0.50"-13 X 1.25"	6
3	642032	Capscrew, 0.63"-11 X 4.00"	16
4	1001168993	Capscrew, 0.38"-16 X 1.50"	2
5	4711800	Washer, 0.50" ID	10
6	4752000	Washer, 0.63" ID	16
7	1001151789	Plug	3
8	1001166974	Washer, 0.38" ID	2
9	1001169078	Plug	4
10	1001200921	Body, Triaxle RH	1
11	1001200922	Body, Triaxle LH	1
12	1001186935	Mount	1
13	1001186968	Mount	2
14	1001190557	Panel	1
15	7660162601	Locknut, 0.38"-16NC	2
16	7660200001	Nut, 0.63"-11NC	16
17	7949000019	Washer	16
18	7949000020	Washer	16
19	7950160143	Flatwasher, 0.38" ID	4
20	7636000008	Mount	16

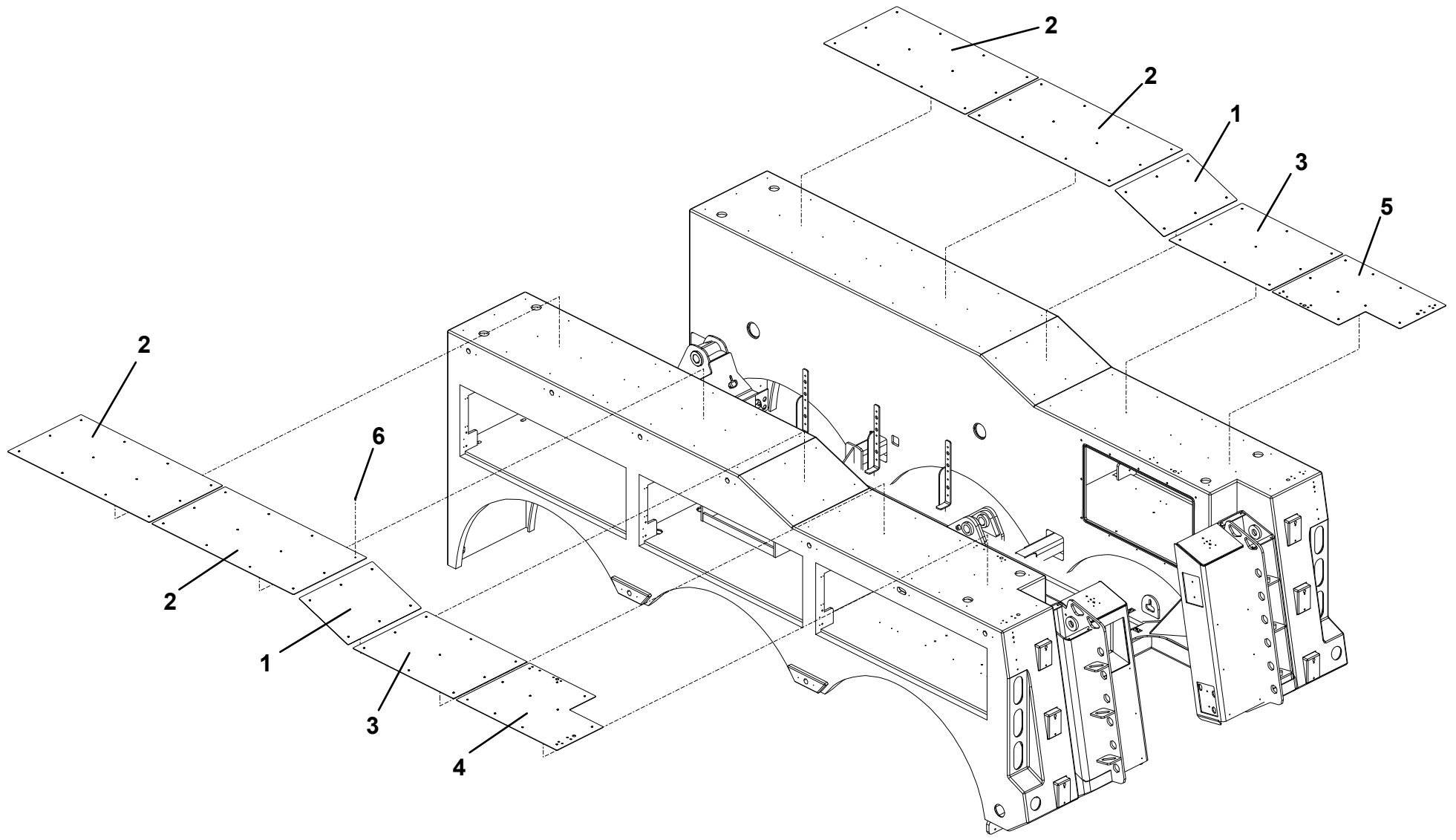
BODY INSTALLATION - TRI-AXLE



DIAMOND PLATE INSTALLATION - TRI-AXLE

ITEM	PART NO.	DESCRIPTION	QTY
1	1001186725	Plate	2
2	1001186726	Plate	4
3	1001186727	Plate	2
4	1001186728	Plate	1
5	1001186835	Plate	1
6	1001192958	Screw, #10 x 0.50"	100

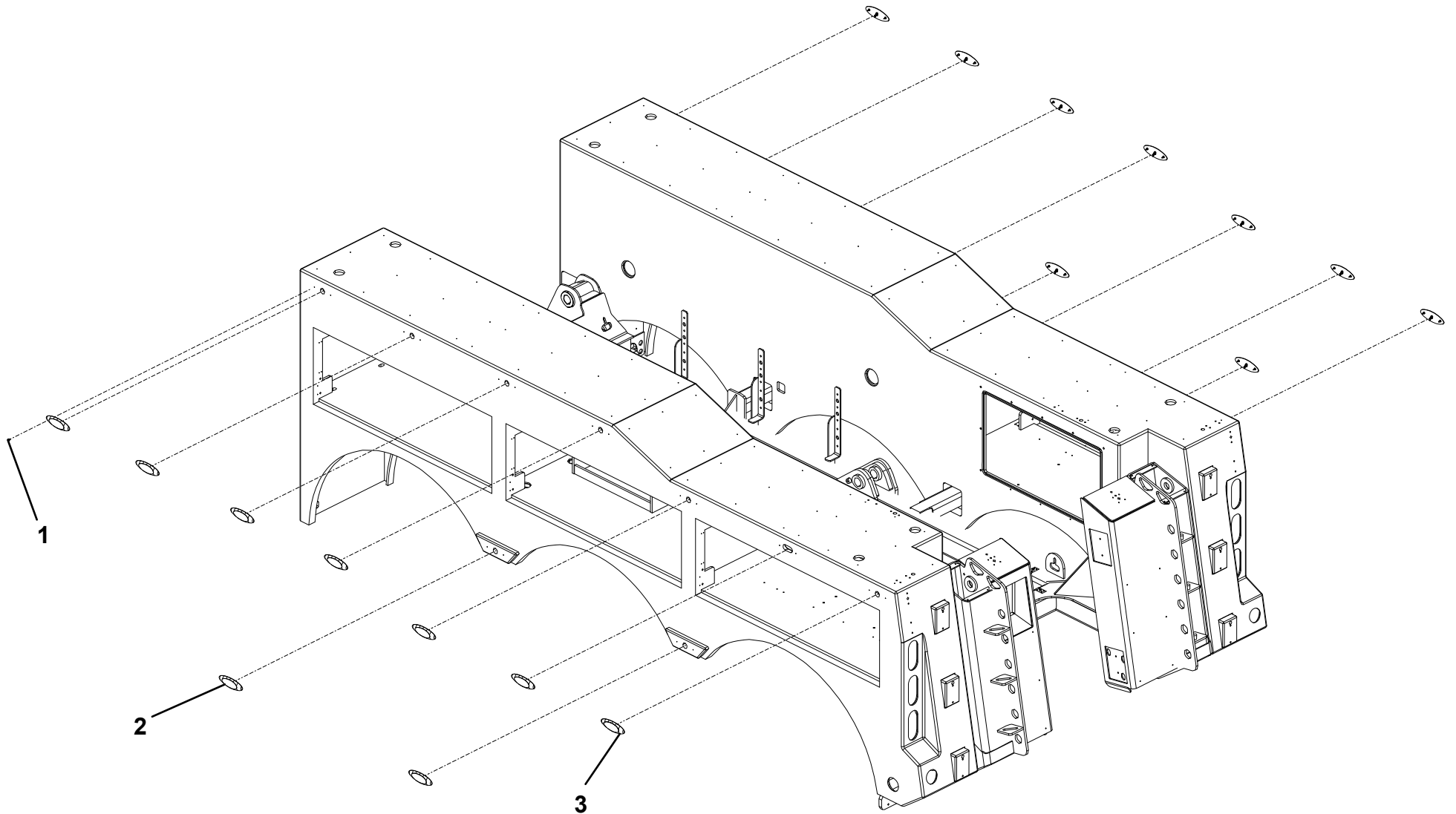
DIAMOND PLATE INSTALLATION - TRI-AXLE



MARKER LIGHT INSTALLATION - TRI-AXLE

ITEM	PART NO.	DESCRIPTION	QTY
1	1001154101	Screw, #10 x 0.38"	36
2	7590000262	Light, Amber	16
3	7590000282	Light, Red	2

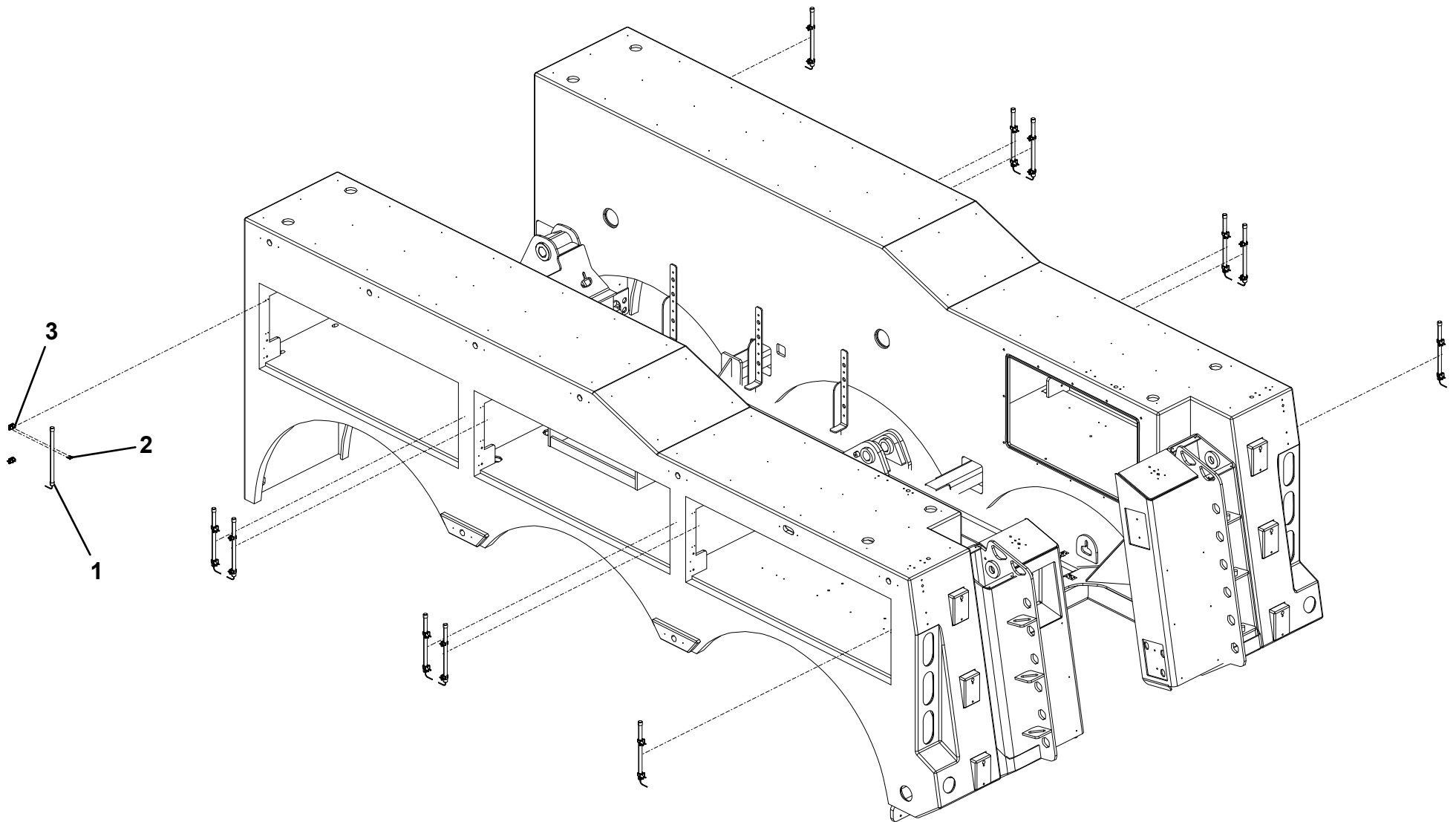
MARKER LIGHT INSTALLATION - TRI-AXLE



COMPARTMENT LIGHT INSTALLATION - TRI-AXLE

ITEM	PART NO.	DESCRIPTION	QTY
1	1001166549	Lamp, 12"	12
2	1001196552	Screw, #8 x 0.75"	48
3	1001199081	Mount	24

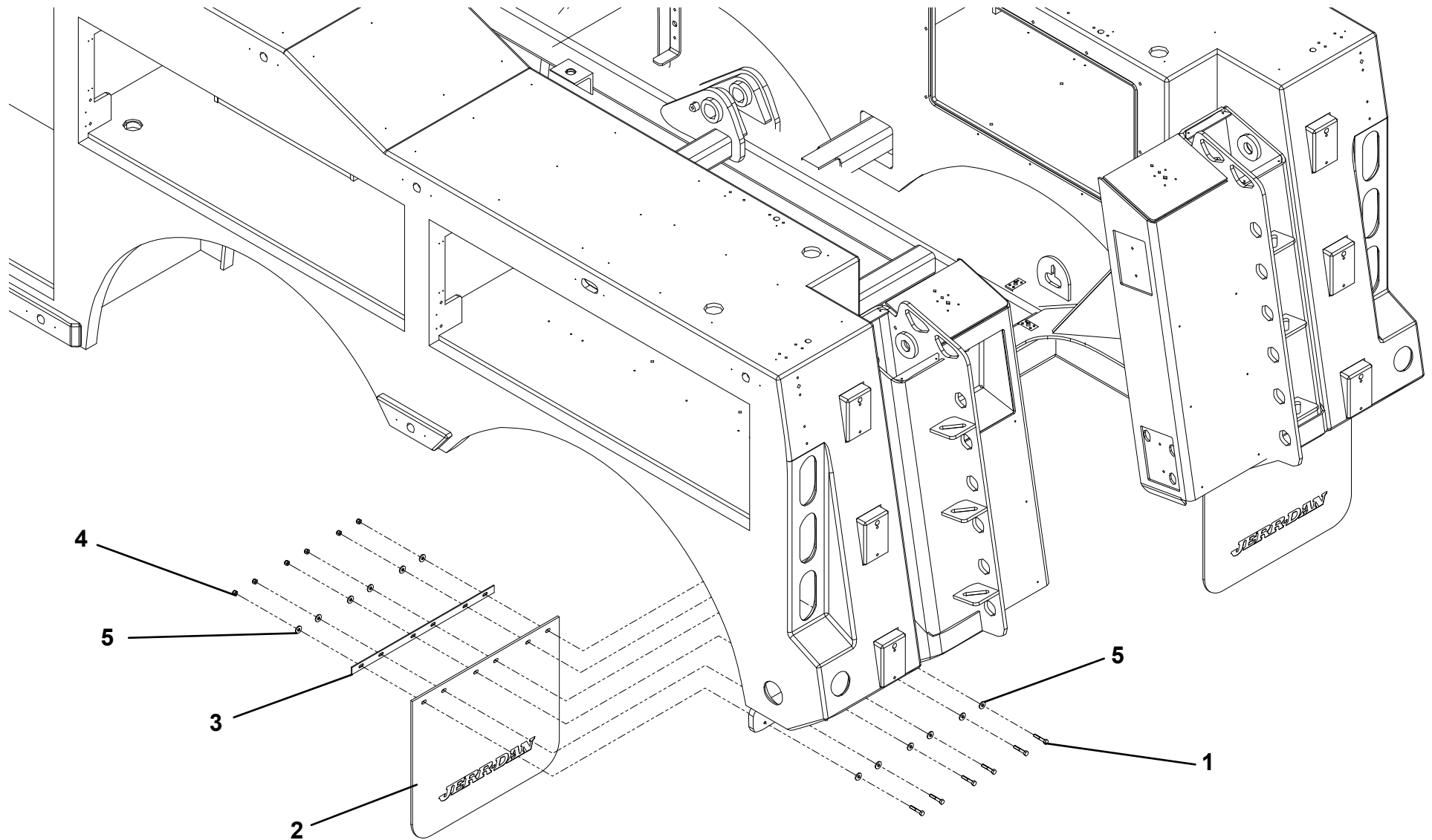
COMPARTMENT LIGHT INSTALLATION - TRI-AXLE



MUDFLAP INSTALLATION - TRI-AXLE

ITEM	PART NO.	DESCRIPTION	QTY
1	0641514	Screw, 0.31" - 18NC x 1.75"	12
2	1001174051	Mud Flap	2
3	4706001815	Plate	2
4	7660152601	Locknut, 0.31" - 18NC	12
5	7950150153	Flatwasher, 0.31"	24

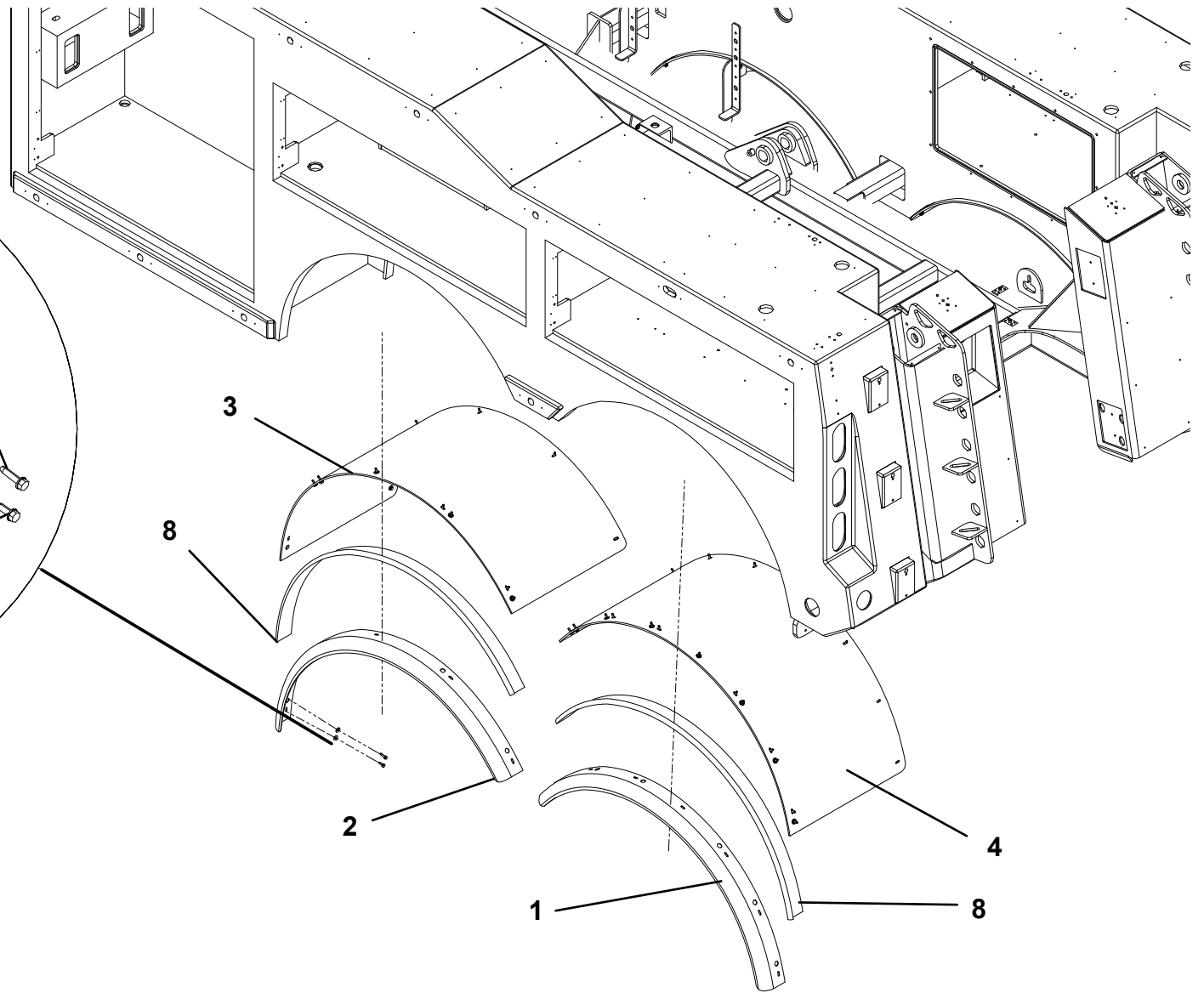
MUDFLAP INSTALLATION - TRI-AXLE



FENDER INSTALLATION - TRI-AXLE

ITEM	PART NO.	DESCRIPTION	QTY
1	1001163358	Fender, Rear	2
2	1001186584	Fender, Front	2
3	1001186606	Liner, Front	2
4	1001186608	Liner, Rear	2
5	7790141251	Screw, 0.25" x 0.75"	24
6	7790141651	Screw, 0.25" x 1.00"	42
7	7950140163	Flatwasher, 0.25" ID	66
8	1001167358	Mould	1

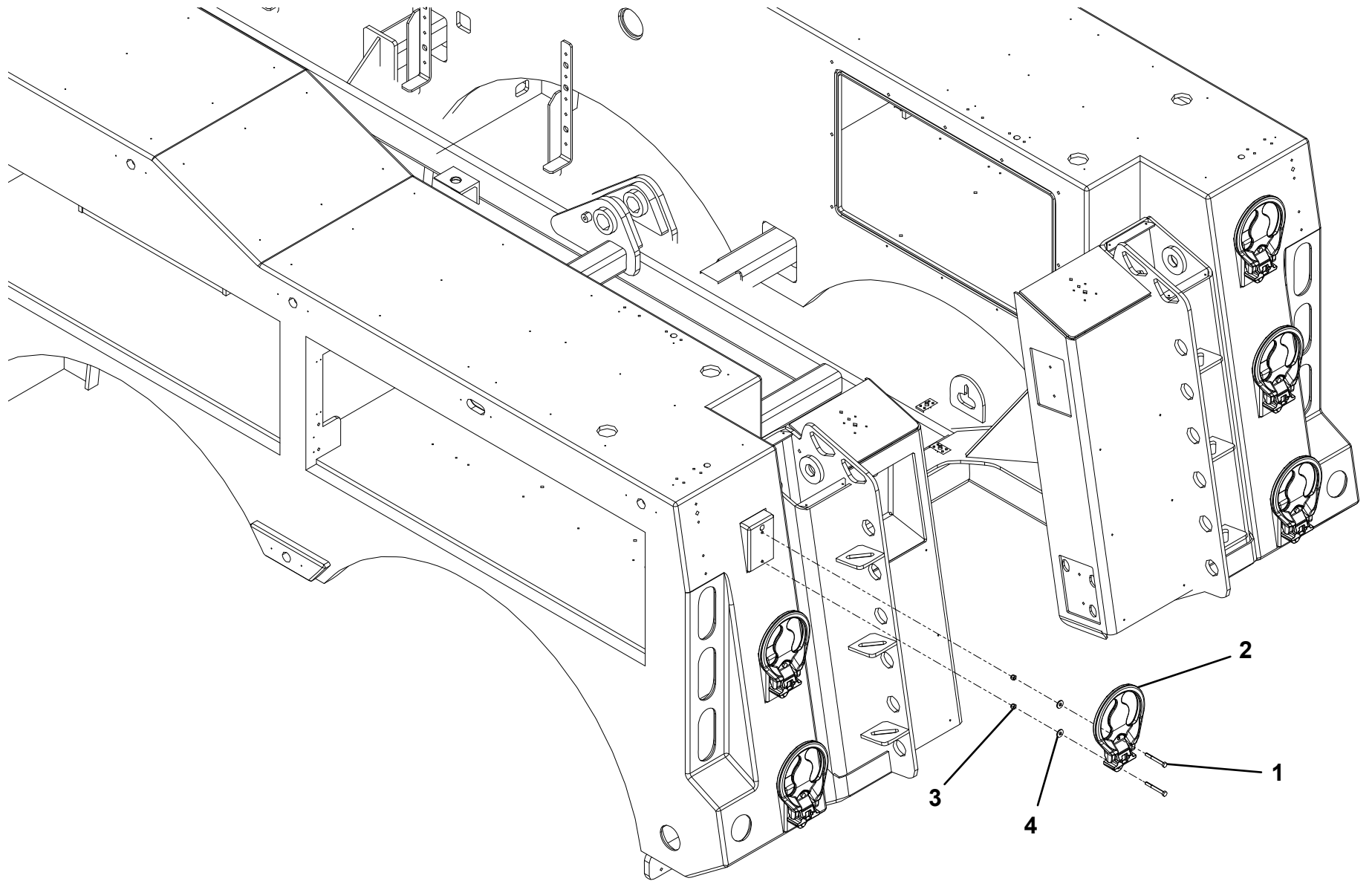
FENDER INSTALLATION - TRI-AXLE



STEP INSTALLATION

ITEM	PART NO.	DESCRIPTION	QTY
1	1001167455	Scew, 0.31" - 18NC x 2.75"	12
2	1001167456	Step	6
3	7660152601	Locknut, 0.31" - 18NC	12
4	7950150153	Flatwasher, 0.31" ID	12

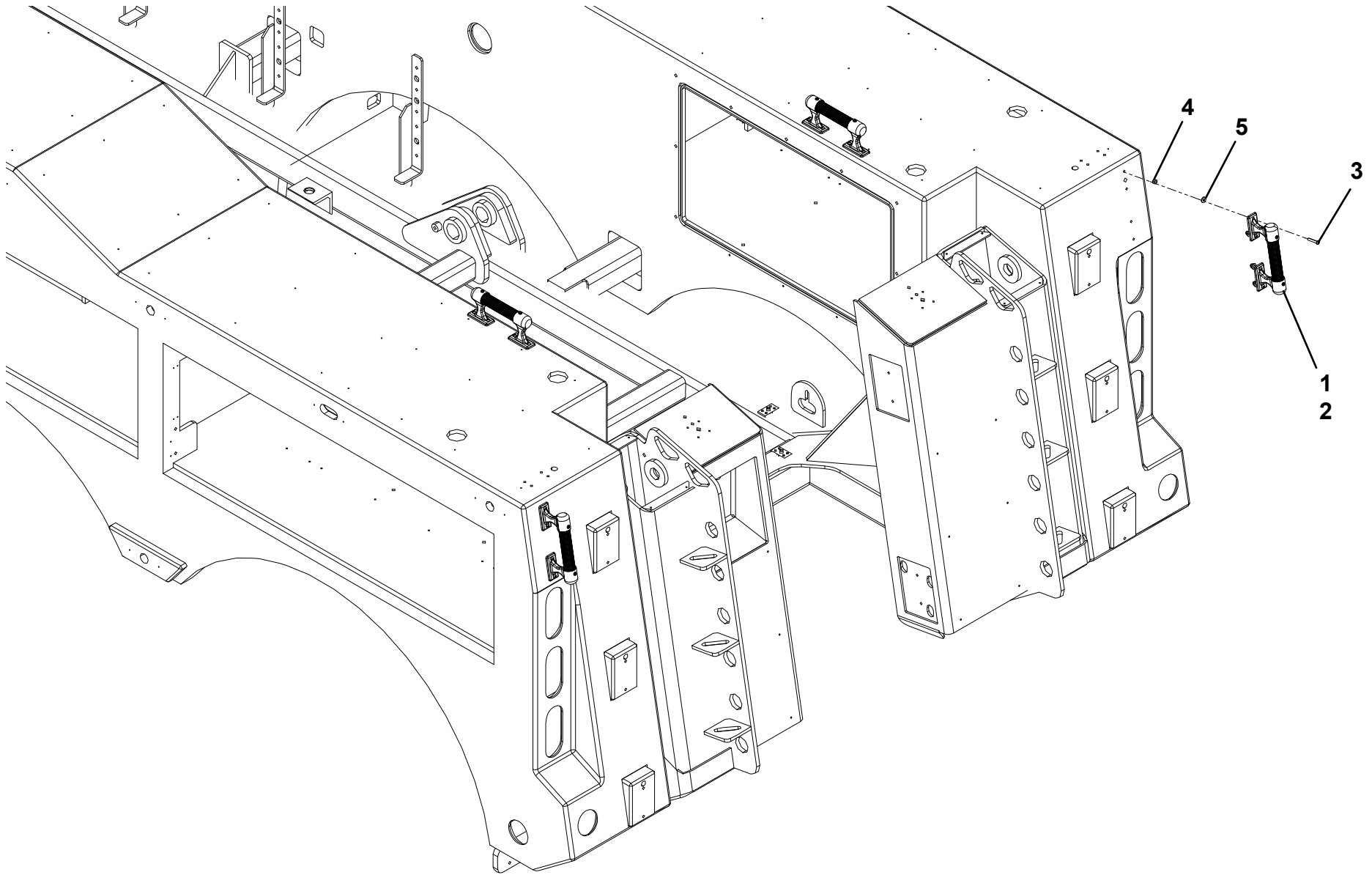
STEP INSTALLATION



GRAB HANDLE INSTALLATION

ITEM	PART NO.	DESCRIPTION	QTY
1	1001170849	Handle	4
2	1001170937	Screw	8
3	7114141218	Screw, 0.25" - 20NC x 1.50"	16
4	7660142600	Locknut, 0.25" - 20NC	16
5	7950140143	Flatwasher, 0.25" ID	16

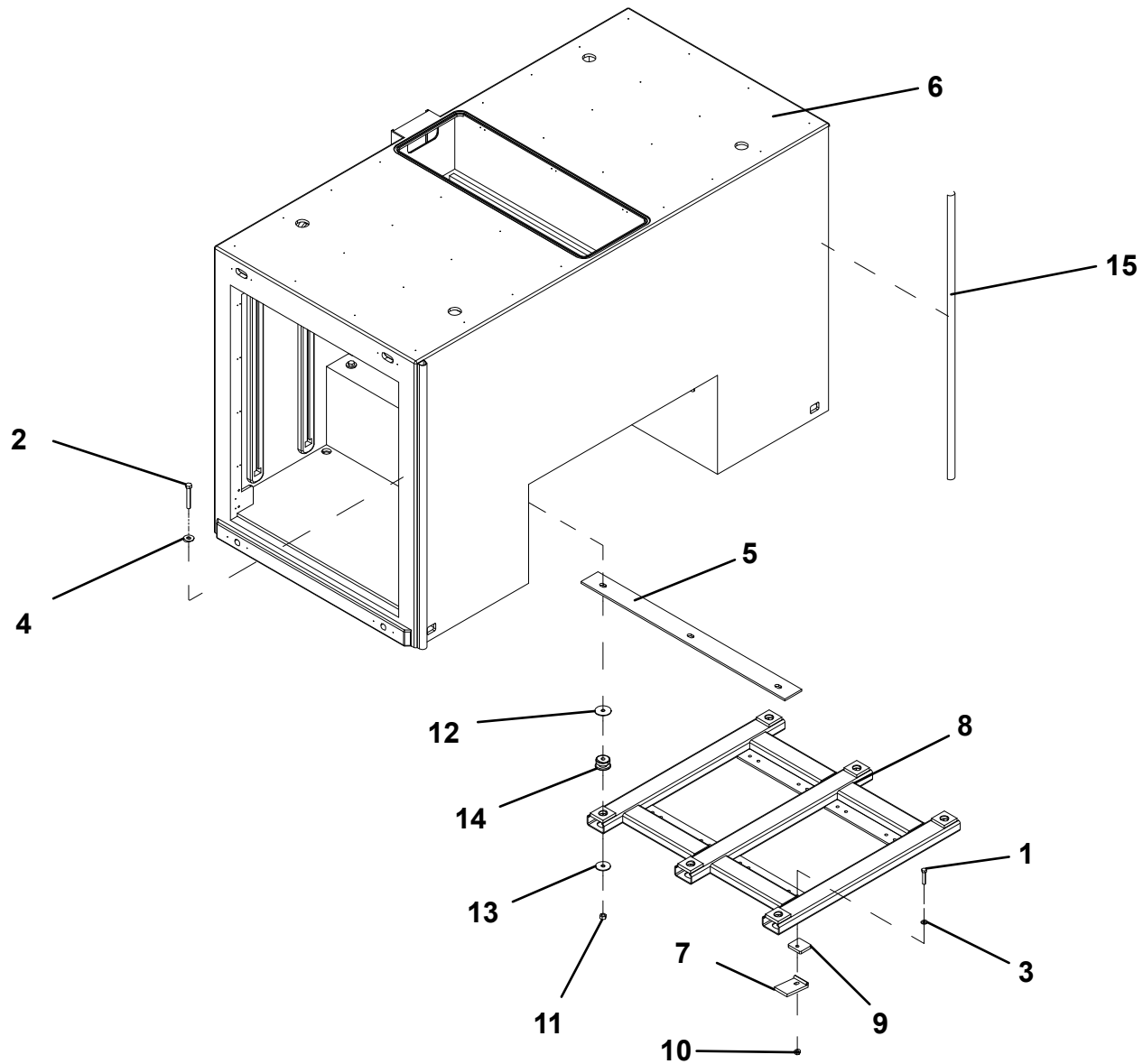
GRAB HANDLE INSTALLATION



TOOLBOX INSTALLATION - 51" W/ BATTERIES

ITEM	PART NO.	DESCRIPTION	QTY
1	641820	Capscrew, 0.50"-13 X 2.50"	8
2	642034	Capscrew, 0.63"-11 X 4.25"	6
3	4711800	Washer, 0.50" ID	8
4	4752000	Washer, 0.63" ID	6
5	1001165692	Support Tunnel Plate	2
6	1001185657	Tunnel Tool Box W/Batteries	1
7	3274000011	Clamp Weldment	8
8	3911000068	Toolbox Mount	1
9	4705000705	Plate	8
10	7660182301	Locknut, 0.50"-13NC	8
11	7660200001	Nut, 0.63"-11NC	6
12	7949000019	Washer	6
13	7949000020	Washer	6
14	7636000008	Mount	6
15	8632000011	Seal	10FT

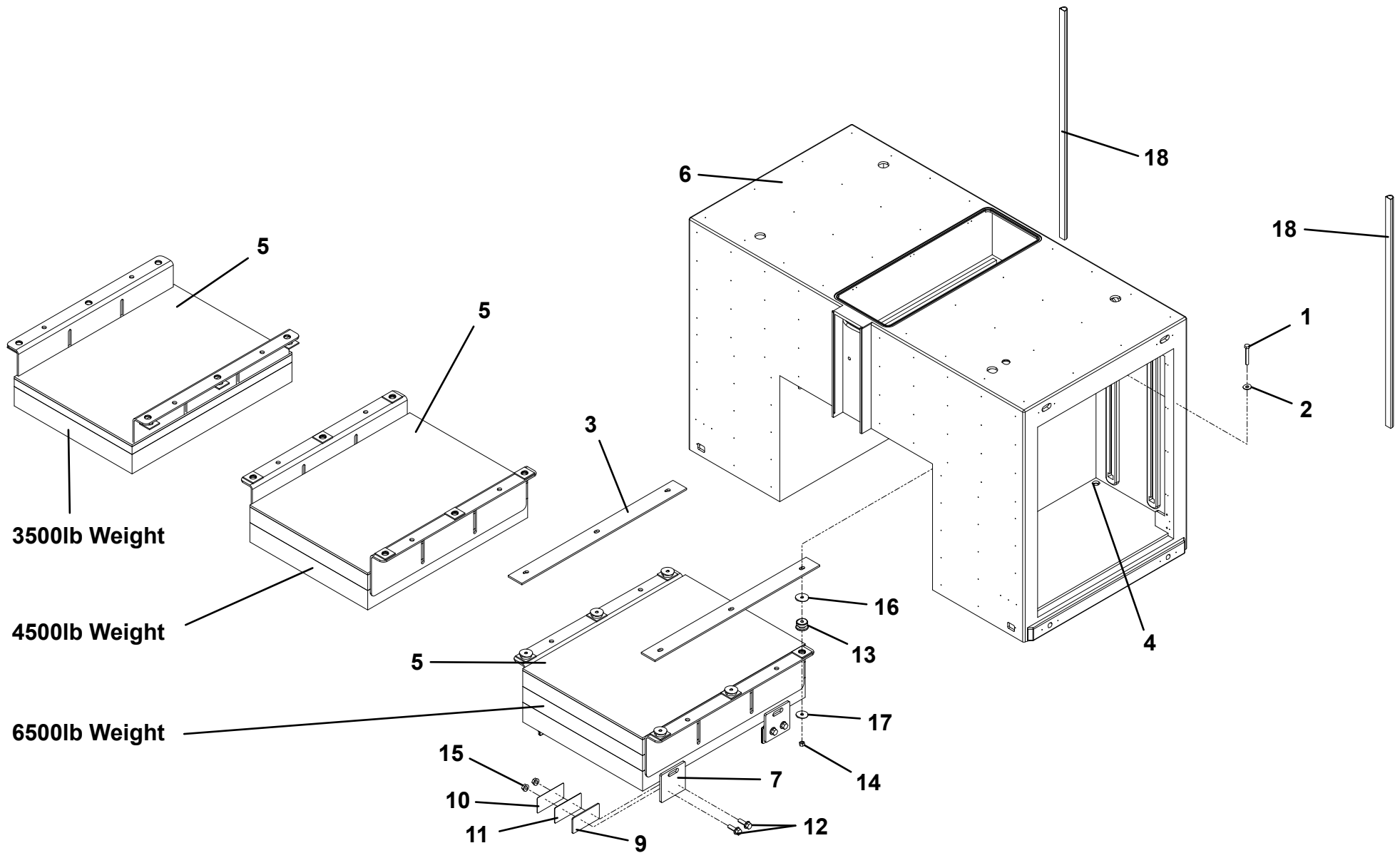
TOOLBOX INSTALLATION - 51" W/ BATTERIES



TOOLBOX INSTALLATION - 51" W/ BATTERIES AND COUNTER WEIGHT

ITEM	PART NO.	DESCRIPTION	QTY
1	642034	Screw, 0.625"-11NC x 4.25"	6
2	4752000	Washer, 0.625"	6
3	1001165692	Support	2
4	1001173847	Plug	4
5	1001219831	Weight, 6500lb	1
	1001211487	Weight, 4500lb	
	1001211486	Weight, 3500lb	
6	1001219833	Tunnel Toolbox 51"	1
7	1001219916	Plate	4
8	1001219921	Shim Kit	1
9	1001219917	Shim, 0.25"	4
10	1001219918	Shim, 11 ga	4
11	1001219919	Shim, 16 ga	4
12	7118221816	Capscrew, 0.75"-10NC X 2.25"	8
13	7636000008	Rubber Mount	6
14	7660200001	Nut, 0.63"-11NC	6
15	7660222308	Locknut, 0.75"-10NC	8
16	7949000019	Washer, Head	6
17	7949000020	Washer, Tail	6
18	8632000011	Seal	10FT

TOOLBOX INSTALLATION - 51" W/ BATTERIES AND COUNTER WEIGHT



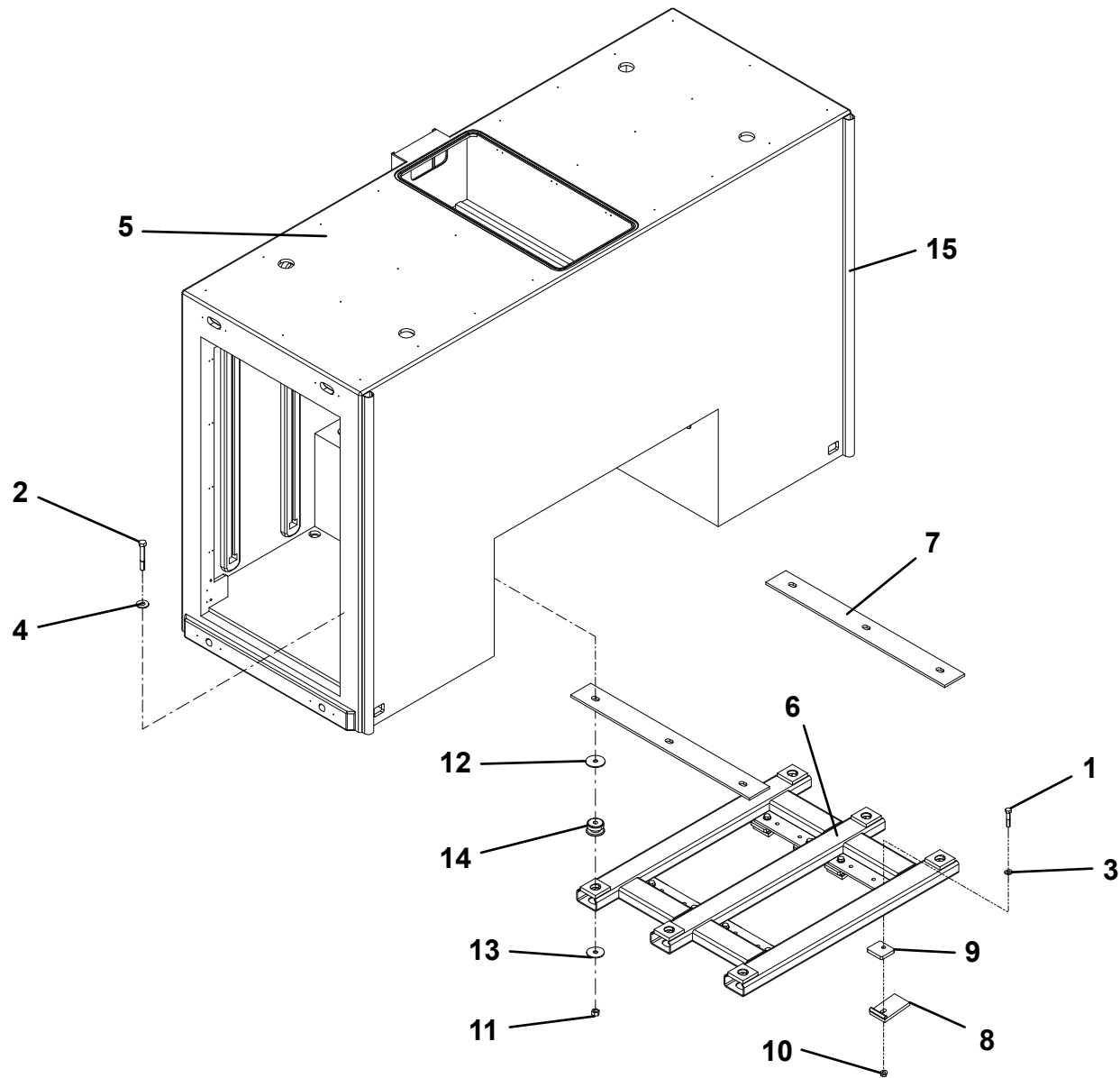
TOOLBOX ASSEMBLY - 51" W/ BATTERIES

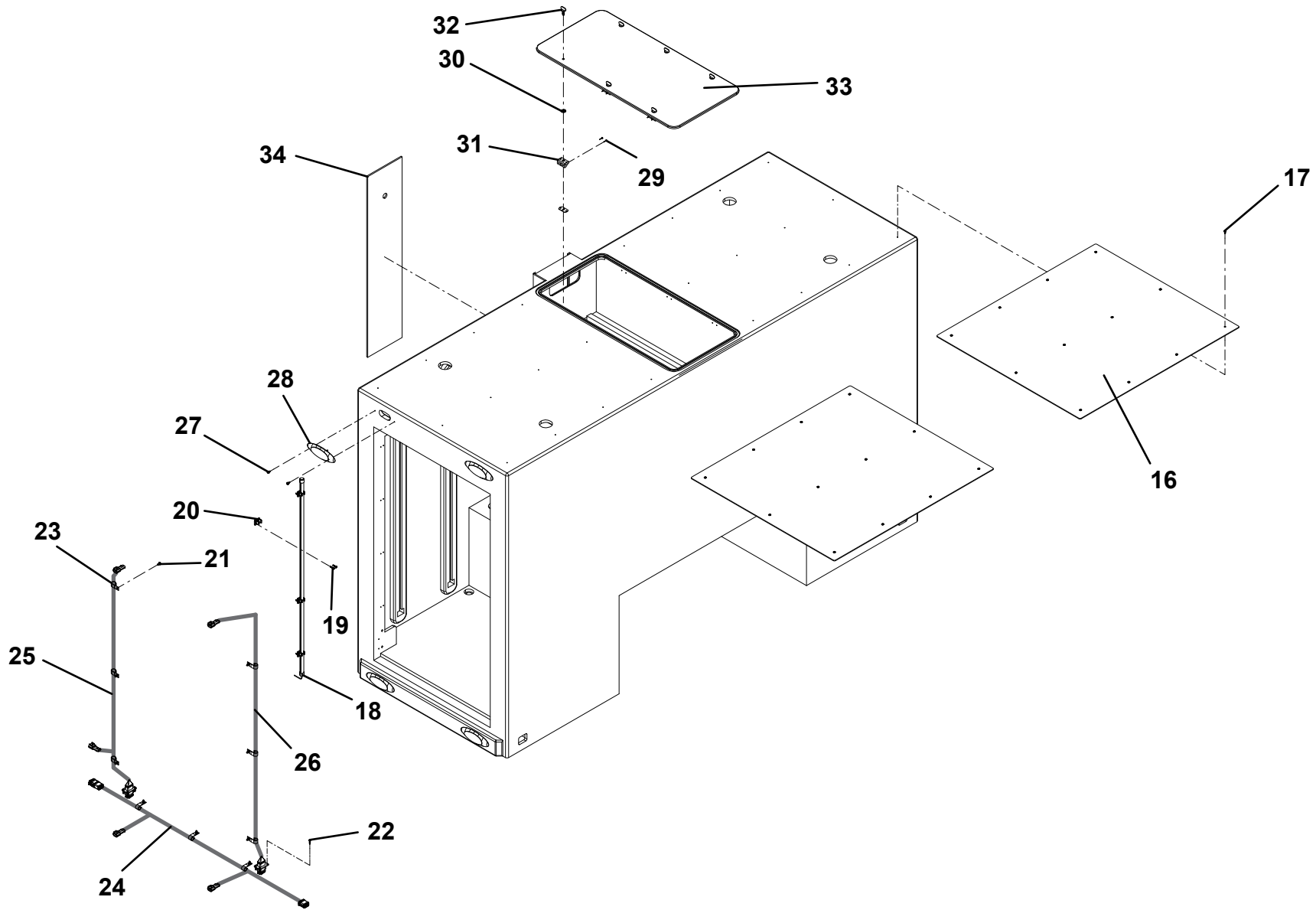
ITEM	PART NO.	DESCRIPTION	QTY
1	1001187000	Plate	2
2	1001192958	Screw, #10 x 0.50"	32
3	1001154527	Light	4
4	1001196552	Screw #8 x 0.75"	32
5	1001199081	Mount	16
6	1001195257	Screw 0.25" x 0.50"	20
7	1001196552	Screw, #8 x 0.75"	16
8	7280000006	Clip	20
9	1001188904	Harness	2
10	1001188920	Harness	2
11	1001188921	Harness	2
12	1001154101	Screw	16
13	7590000262	Light	8
14	750605	Screw	12
15	3760308	Retainer	6
16	1001122235	Bracket	6
17	1001166674	Cover	1
18	1001166930	Latch	6
19	1001185654	Cover	1

TOOLBOX INSTALLATION - 39" W/ BATTERIES

ITEM	PART NO.	DESCRIPTION	QTY
1	641820	Screw, 0.50"-13 X 2.50"	8
2	642034	Screw, 0.625"-11 X 4.25"	6
3	4711800	Washer, 0.50" ID	8
4	4752000	Washer, 0.625" ID	6
5	1001186491	Tunnel Toolbox	1
6	1001187063	Mount	1
7	1001197338	Plate	2
8	3274000011	Clamp	8
9	4705000705	Plate	8
10	7660182301	Locknut, 0.50"-13NC	8
11	7660200001	Nut, 0.63"-11NC	6
12	7949000019	Washer, Head	6
13	7949000020	Washer, Tail	6
14	7636000008	Mount	6
15	8632000011	Seal	10FT
16	1001186993	Plate	2
17	1001192958	Screw, #10 x 0.05"	24
18	1001154527	Lamp	4
19	1001196552	Screw, #8 x 0.75"	32
20	1001199081	Mount	16
21	1001195257	Screw, 0.25" x 0.50"	18
22	1001196552	Screw, #8 x 0.75"	16
23	7280000006	Clip	18
24	1001188919	Harness	2
25	1001188920	Harness	2
26	1001188921	Harness	2
27	1001154101	Screw	16
28	7590000262	Light	8
29	750605	Screw	12
30	3760308	Retainer	6
31	1001122235	Bracket	6
32	1001166930	Latch	6
33	1001182569	Cover	1
34	1001185654	Cover	1

TOOLBOX INSTALLATION - 39" W/ BATTERIES



TOOLBOX INSTALLATION - 39" W/ BATTERIES

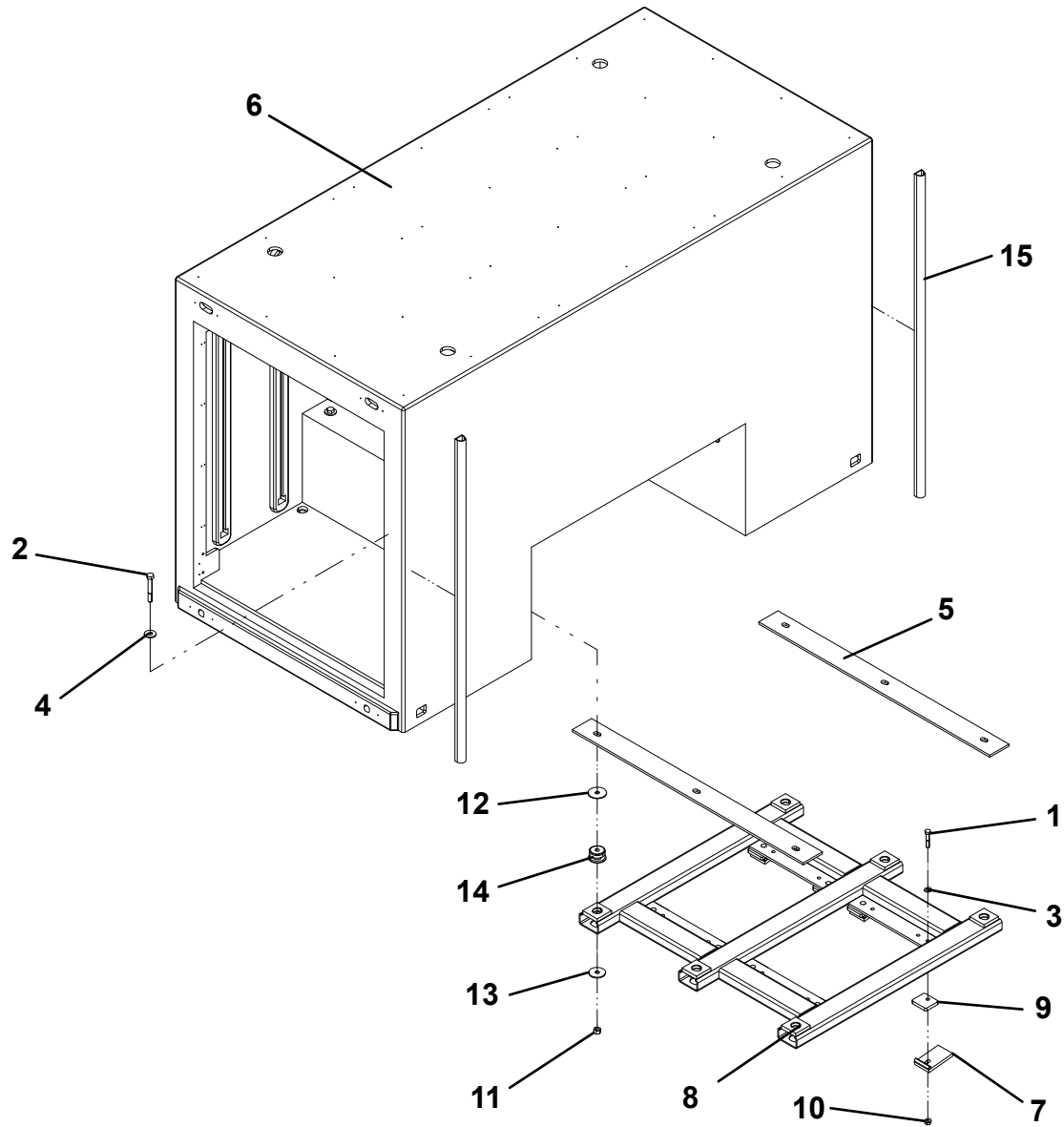
TOOLBOX INSTALLATION - 39" W/ BATTERIES

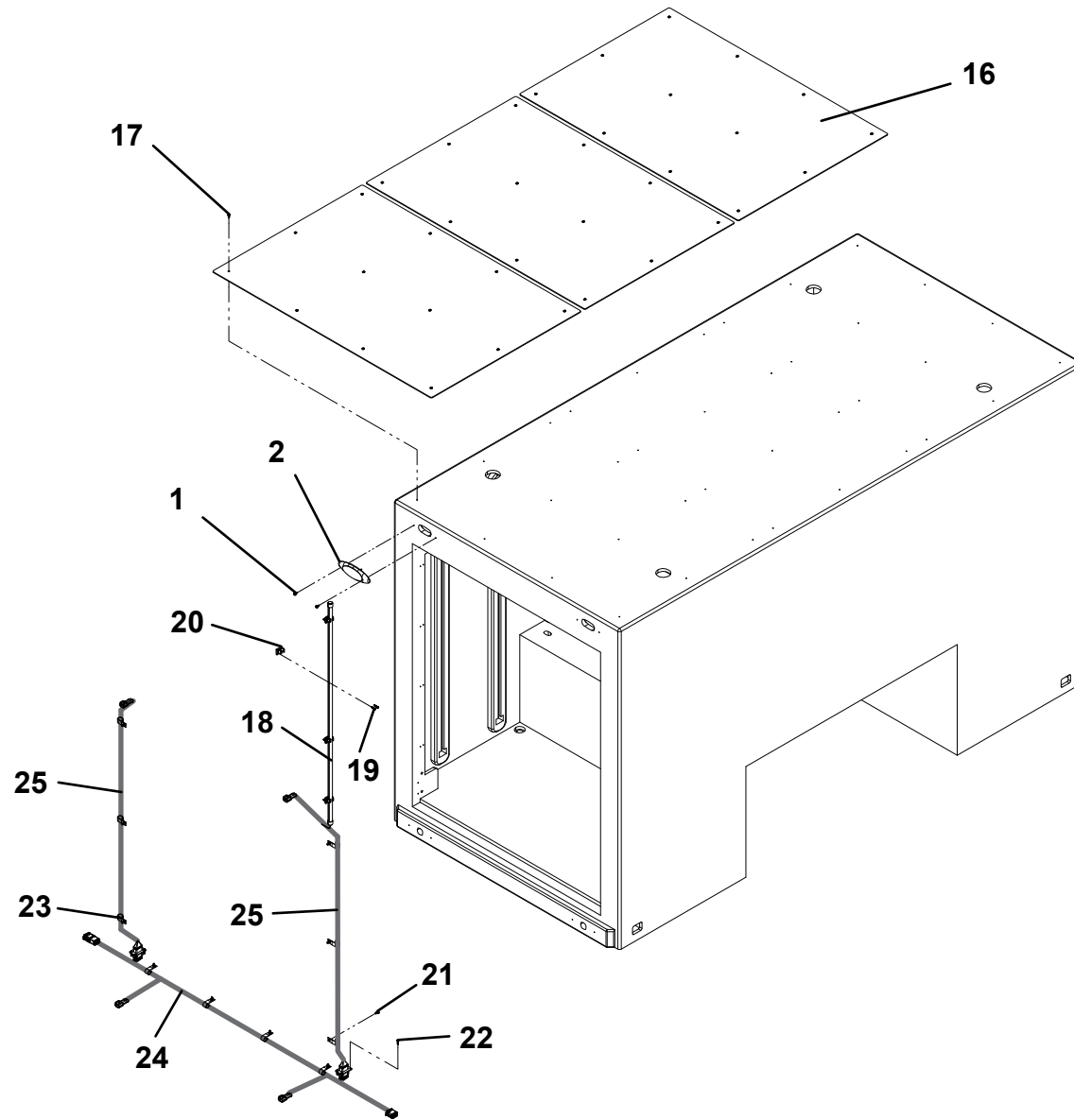
THIS PAGE INTENTIONALLY LEFT BLANK

TOOLBOX INSTALLATION - 49" W/O BATTERIES

ITEM	PART NO.	DESCRIPTION	QTY
1	641820	Screw, 0.50"-13 X 2.50"	8
2	642034	Screw, 0.625"-11 X 4.25"	6
3	4711800	Washer, 0.50" ID	8
4	4752000	Washer, 0.625" ID	6
5	1001165692	Plate	2
6	1001186416	Tunnel Toolbox 48"	1
7	3274000011	Clamp	8
8	3911000068	Mount	1
9	4705000705	Plate	8
10	7660182301	Locknut, 0.50"-13NC	8
11	7660200001	Nut, 0.63"-11NC	6
12	7949000019	Washer, Head	6
13	7949000020	Washer, Tail	6
14	7636000008	Mount	6
15	8632000011	Seal	10FT
16	1001187009	Plate	3
17	1001192958	Screw, #10 x 0.50"	36
18	1001154527	Lamp	4
19	1001196552	Screw, #8 x 0.75"	32
20	1001199081	Mount	16
21	1001195257	Screw, 0.25" x 0.50"	20
22	1001196552	Screw, #8 x 0.75"	16
23	7280000006	Clip	20
24	1001188904	Harness	2
25	1001188921	Harness	4
26	1001192958	Screw, #10 x 0.50"	16
27	7590000262	Light	8

TOOLBOX INSTALLATION - 49" W/O BATTERIES



TOOLBOX INSTALLATION - 49" W/O BATTERIES

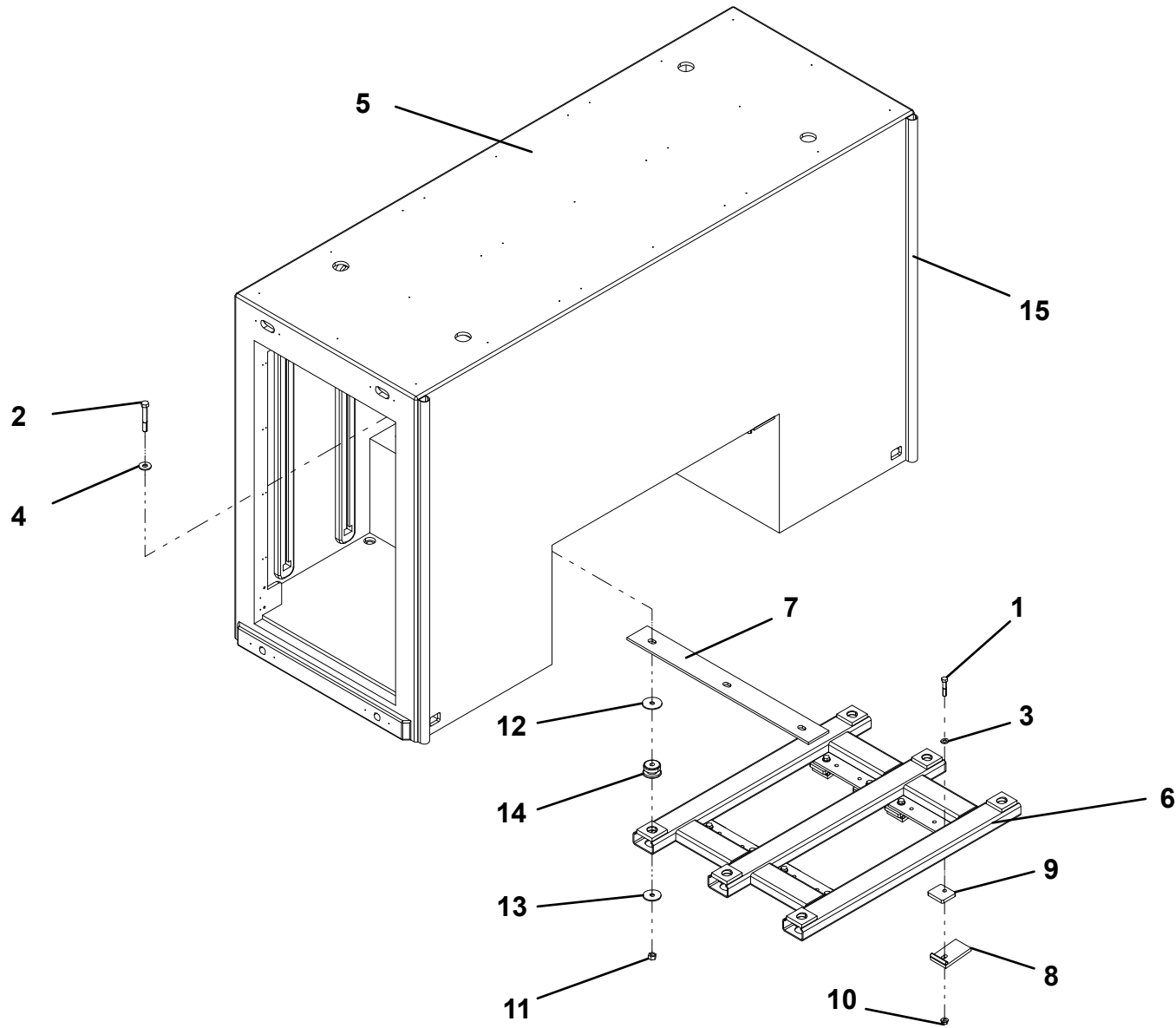
TOOLBOX INSTALLATION - 49" W/O BATTERIES

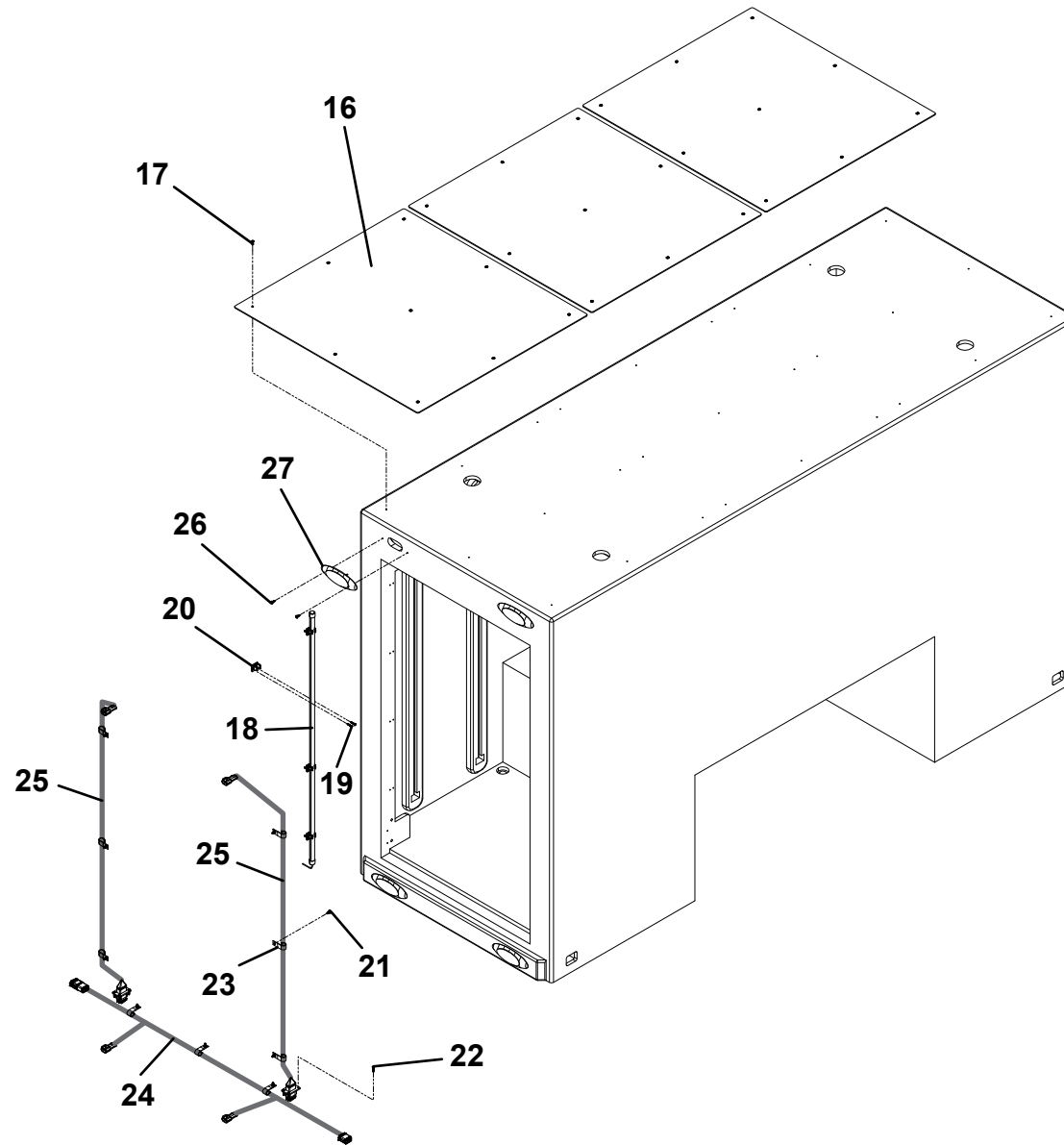
THIS PAGE INTENTIONALLY LEFT BLANK

TOOLBOX INSTALLATION - 37" W/O BATTERIES

ITEM	PART NO.	DESCRIPTION	QTY
1	641820	Screw, 0.50-13 X 2.50"	8
2	642034	Screw, 0.625"-11 X 4.25	6
3	4711800	Washer, 0.50" ID	8
4	4752000	Washer, 0.625" ID	6
5	1001185600	Tunnel Toolbox	1
6	1001187063	Mount	1
7	1001197338	Plate	2
8	3274000011	Clamp	8
9	4705000705	Plate	8
10	7660182301	Locknut, 0.50"-13NC	8
11	7660200001	Nut, 0.63"-11NC	6
12	7949000019	Washer, Head	6
13	7949000020	Washer, Tail	6
14	7636000008	Mount	6
15	8632000011	seal	10FT
16	1001186997	Plate	3
17	1001192958	Screw, #10 x 0.50"	27
18	1001154527	Lamp	4
19	1001196552	Screw, #8 x 0.75"	32
20	1001199081	Mount	16
21	1001195257	Screw, 0.25" x 0.50"	18
22	1001196552	Screw, #8 x 0.75"	16
23	7280000006	Clip	18
24	1001188919	Harness	2
25	1001188921	Harness	4
26	1001192958	Screw, #10 x 0.50"	16
27	7590000262	Light	8

TOOLBOX INSTALLATION - 37" W/O BATTERIES



TOOLBOX INSTALLATION - 37" W/O BATTERIES

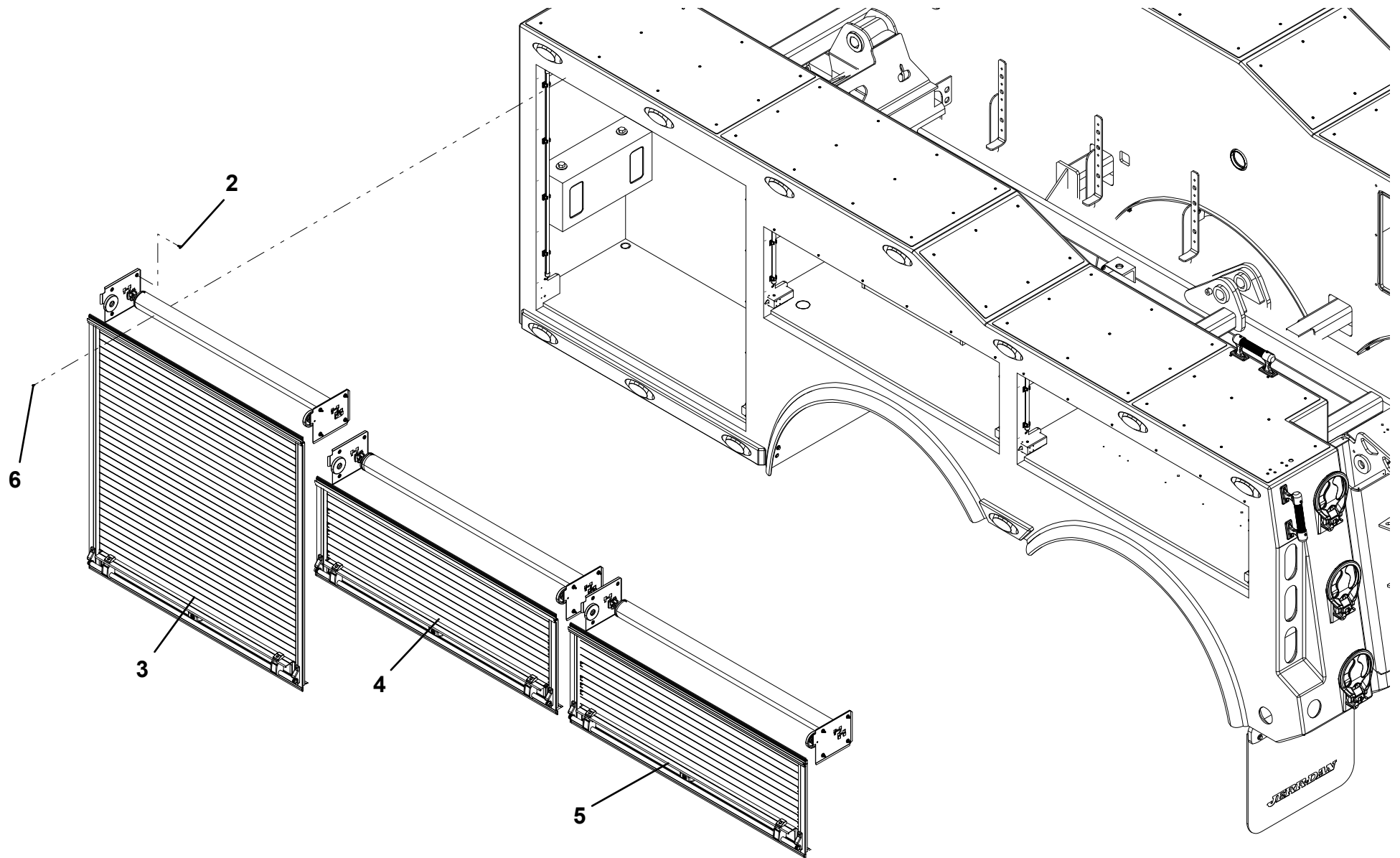
TOOLBOX INSTALLATION - 37" W/O BATTERIES

THIS PAGE INTENTIONALLY LEFT BLANK

DOOR INSTALLATION - TANDEM BODY

ITEM	PART NO.	DESCRIPTION	QTY
		Painted	
1	1001192958	Screw, #10 X 0.50"	60
2	1001195257	Screw, 0.25" X 0.50"	48
3	1001197159	Door, 48.10" X 47.50"	2
4	1001197160	Door, 17.90" X 53.30"	2
5	1001197161	Door, 17.90" X 52.40"	2
6	1001198602	Screw, #8 X 0.38"	34
		Brushed	
1	1001192958	Screw, #10 X 0.50"	60
2	1001195257	Screw, 0.25" X 0.50"	48
3	1001186988	Door, 48.10" X 47.50"	2
4	1001186989	Door, 17.90" X 53.30"	2
5	1001186990	Door, 17.90" X 52.40"	2
6	1001198602	Screw, #8 X 0.38"	34

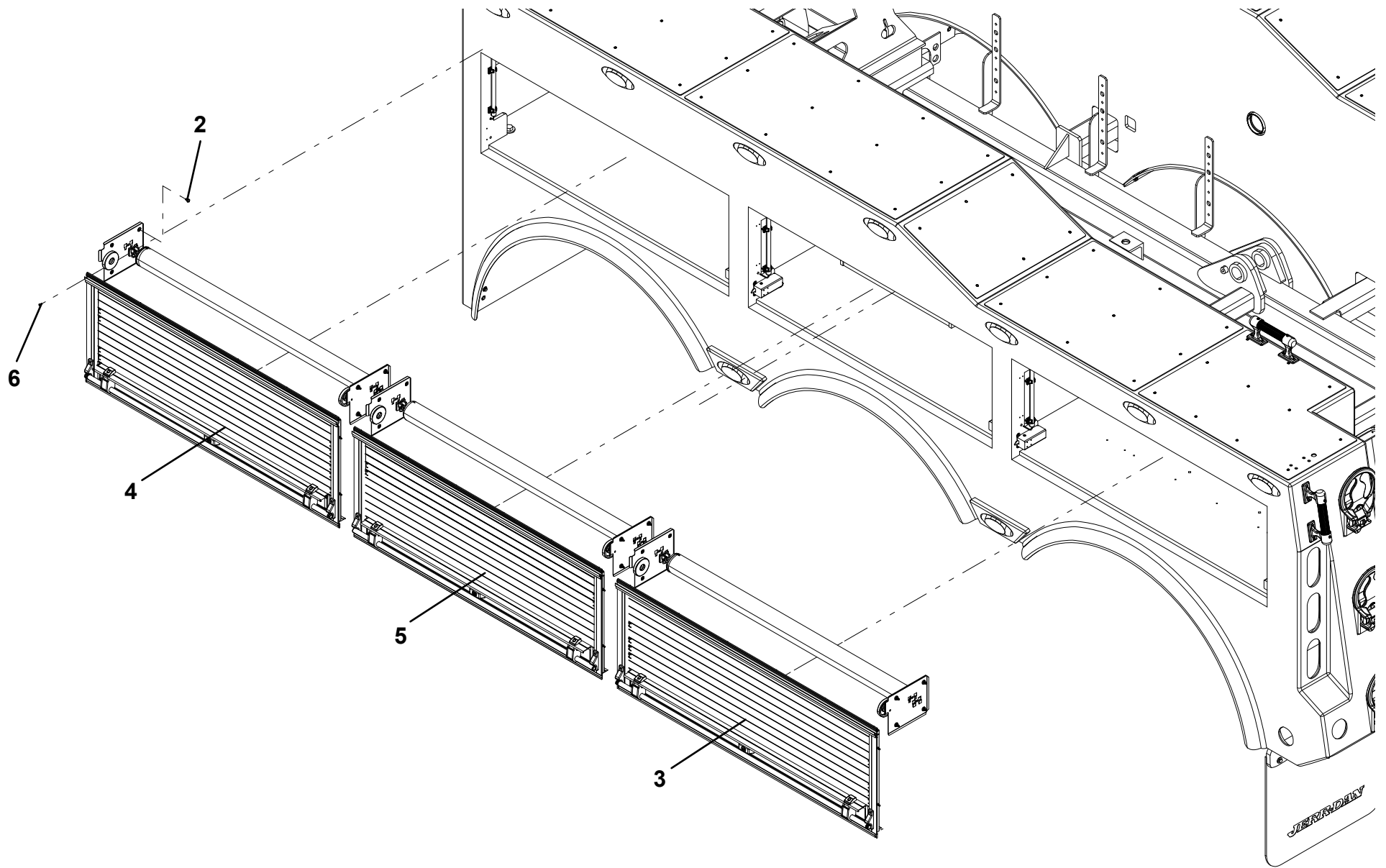
DOOR INSTALLATION - TANDEM BODY



DOOR INSTALLATION - TRI-AXLE

ITEM	PART NO.	DESCRIPTION	QTY
		Painted	
1	1001192958	Screw, #10 X 0.50"	48
2	1001195257	Screw, 0.25" X 0.50"	48
3	1001197161	Door, 17.90" X 52.40"	2
4	1001197162	Door, 17.90" X 50.80"	2
5	1001197163	Door, 17.90" X 50.00"	2
6	1001198602	Screw, #8 X 0.38"	36
		Brushed	
1	1001192958	Screw, #10 X 0.50"	48
2	1001195257	Screw, 0.25" X 0.50"	48
3	1001186990	Door, 17.90" X 52.40"	2
4	1001186991	Door, 17.90" X 50.80"	2
5	1001186992	Door, 17.90" X 50.00"	2
6	1001198602	Screw, #8 X 0.38"	36

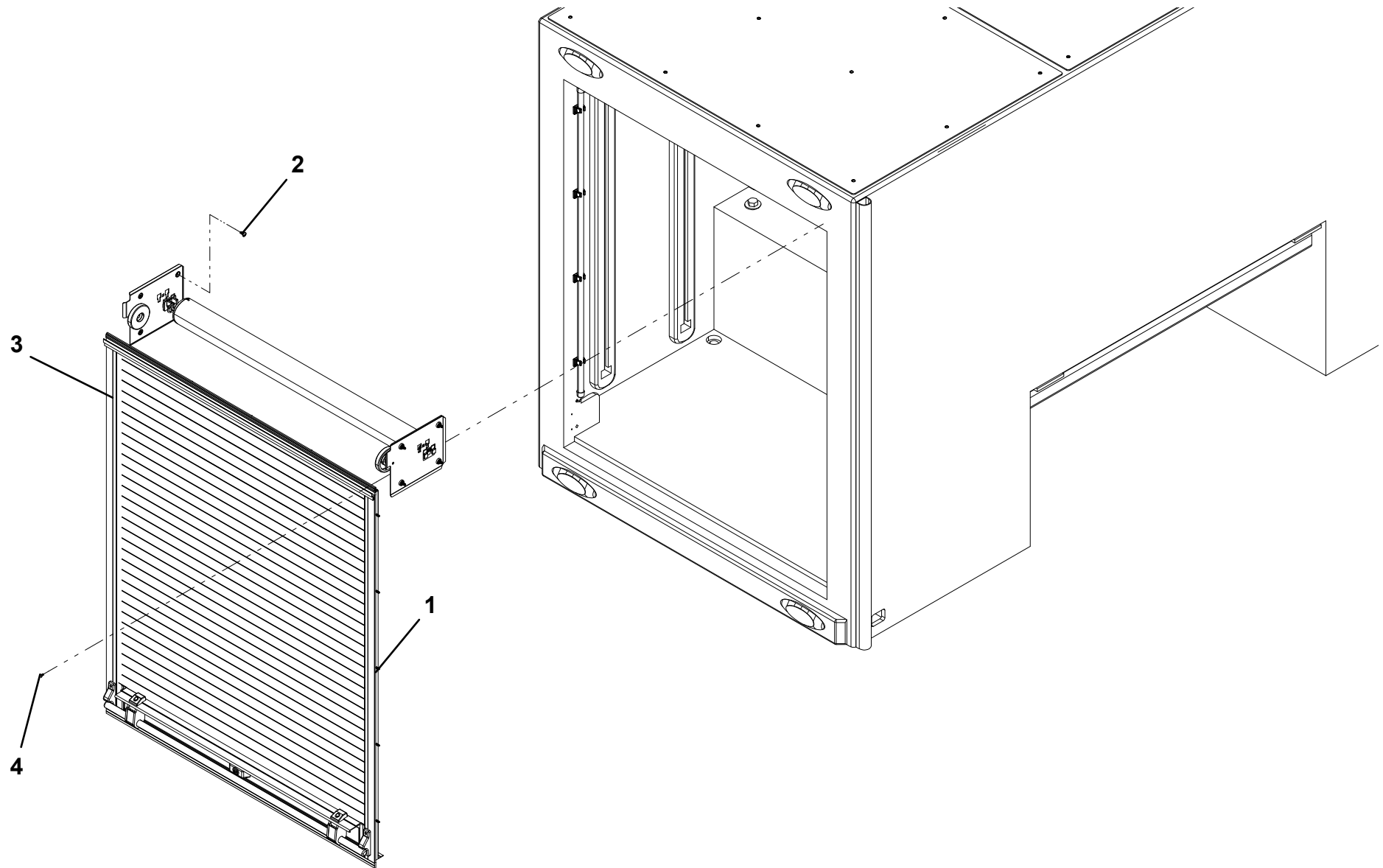
DOOR INSTALLATION - TRI-AXLE



DOOR INSTALLATION - 51" AND 49" TUNNEL TOOLBOX

ITEM	PART NO.	DESCRIPTION	QTY
		Painted	
1	1001192958	Screw, #10 X 0.50"	28
2	1001195257	Screw, 0.25" X 0.50"	16
3	1001197158	Door, 48.10" X 39.80"	2
4	1001198602	Screw, #8 X 0.38"	8
		Brushed	
1	1001192958	Screw, #10 X 0.50"	28
2	1001195257	Screw, 0.25" X 0.50"	16
3	1001186987	Door, 48.10" X 39.80"	2
4	1001198602	Screw, #8 X 0.38"	8

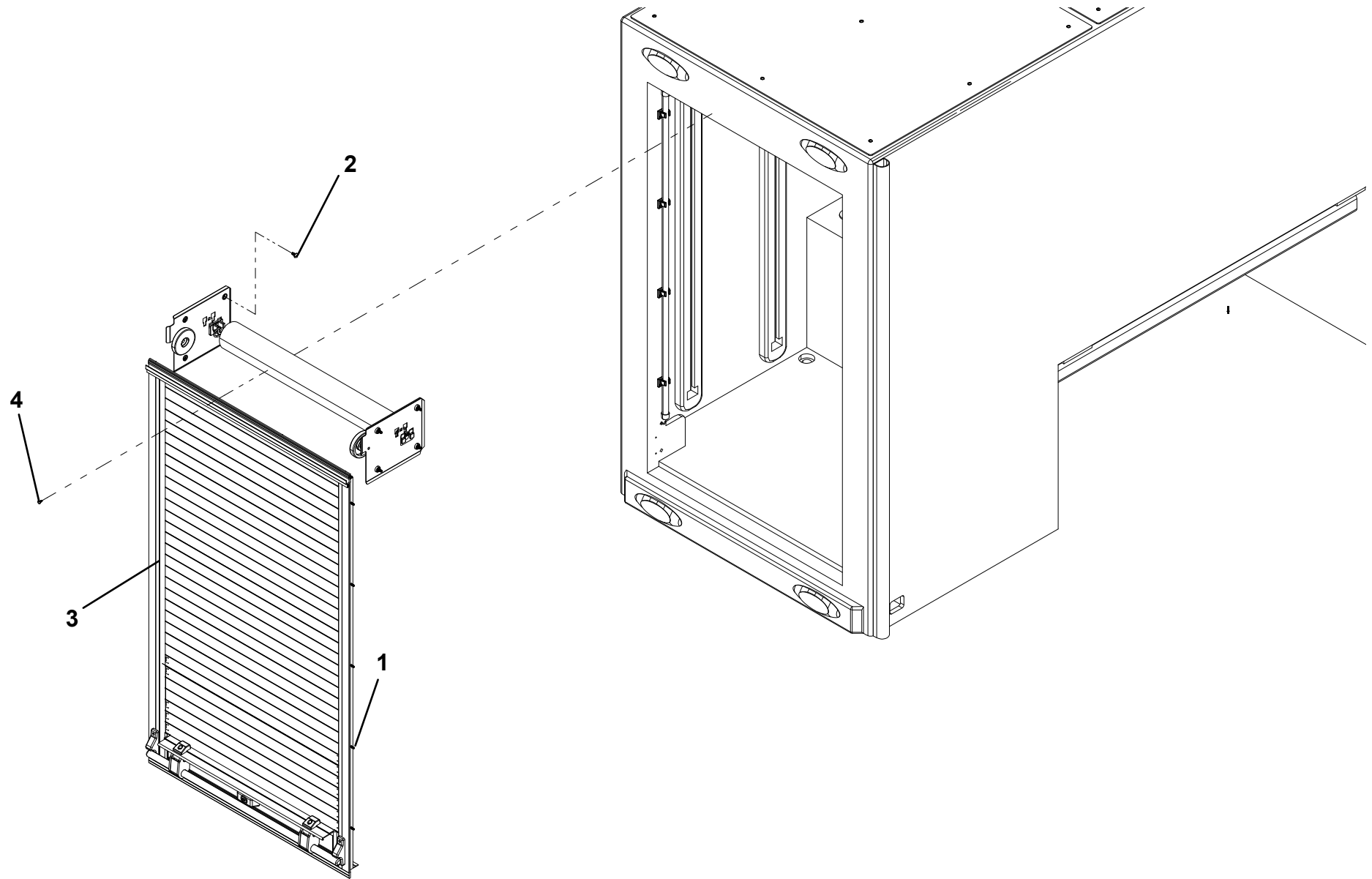
DOOR INSTALLATION - 51" AND 49" TUNNEL TOOLBOX



DOOR INSTALLATION - 39" AND 37" TUNNEL TOOLBOX

ITEM	PART NO.	DESCRIPTION	QTY
		Painted	
1	1001192958	Screw, #10 X 0.50"	28
2	1001195257	Screw, 0.25" X 0.50"	16
3	1001197181	Door, 48.10" X 27.80"	2
4	1001198602	Screw, #8 X 0.38"	8
		Brushed	
1	1001192958	Screw, #10 X 0.50"	28
2	1001195257	Screw, 0.25" X 0.50"	16
3	1001186986	Door, 48.10" X 27.80"	2
4	1001198602	Screw, #8 X 0.38"	8

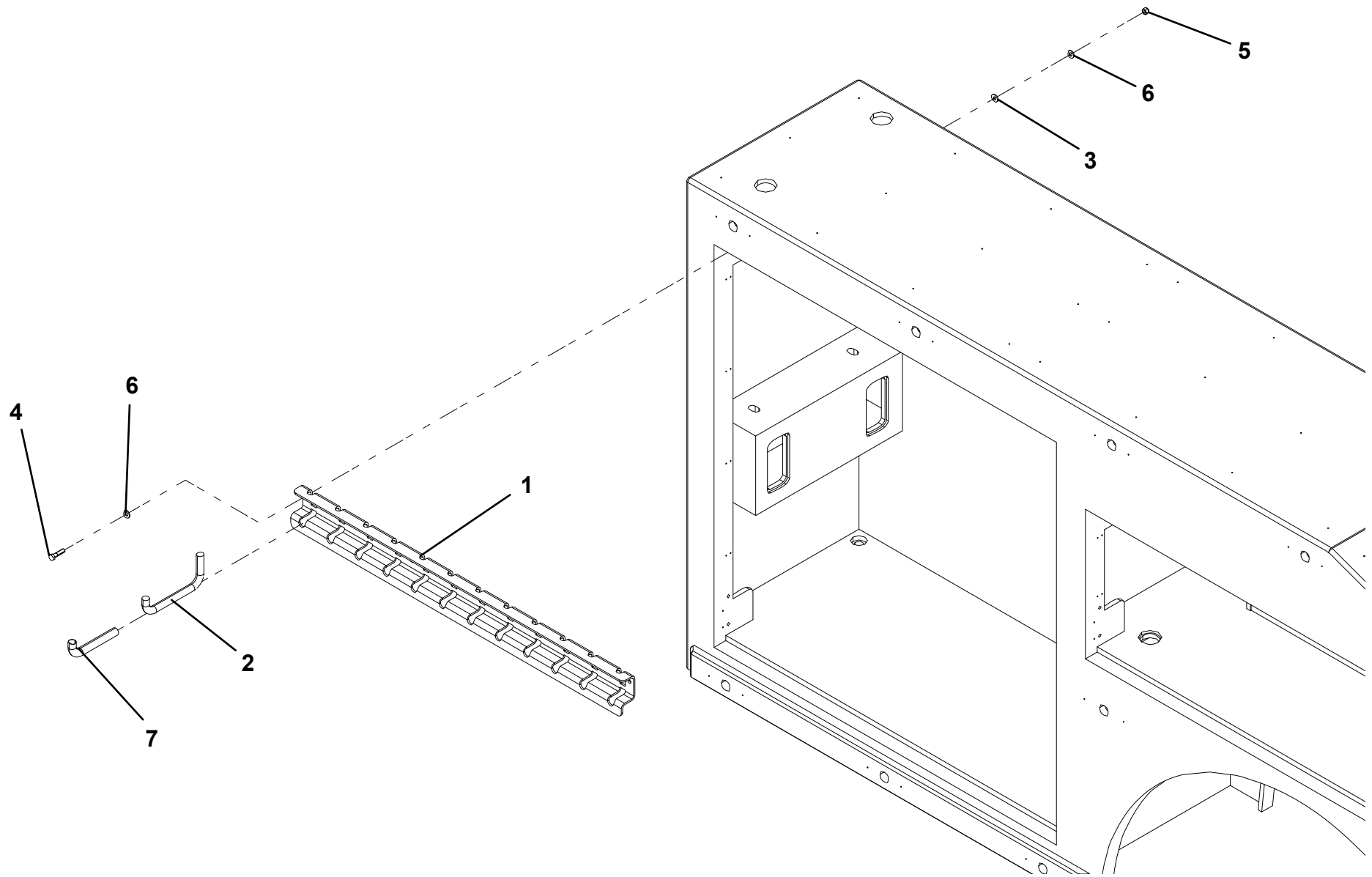
DOOR INSTALLATION - 39" AND 37" TUNNEL TOOLBOX



SHACKLE RACK INSTALLATION - TANDEM

ITEM	PART NO.	DESCRIPTION	QTY
1	1001164601	Bracket	2
2	1001164614	Shackle Hook	24
3	1001166974	Washer, 0.38" ID	10
4	1001168993	Screw, 0.38"-16 X 1.50"	10
5	7660162601	Locknut, 0.38"-16NC	10
6	7950160143	Flatwasher, 0.38" ID	20
7	7346000040	Tubing	3.7

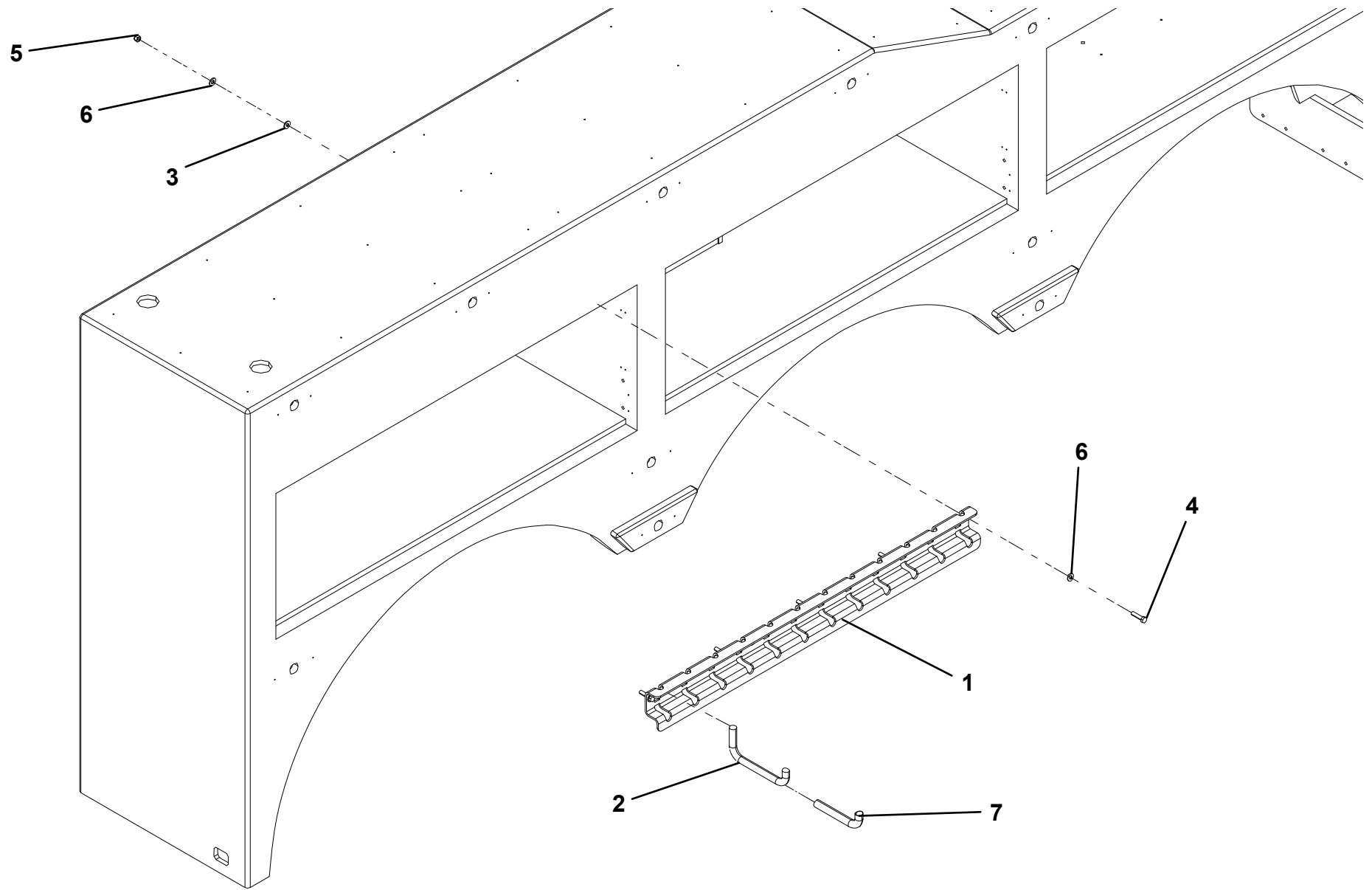
SHACKLE RACK INSTALLATION - TANDEM



SHACKLE RACK INSTALLATION - TRI-AXLE

ITEM	PART NO.	DESCRIPTION	QTY
1	1001164601	Bracket	2
2	1001164614	Shackle Hook	24
3	1001166974	Washer, 0.38" ID	10
4	1001168993	Screw, 0.38"-16 X 1.50"	10
5	7660162601	Locknut, 0.38"-16NC	10
6	7950160143	Flatwasher, 0.38" ID	20
7	7346000040	Tubing	3.7

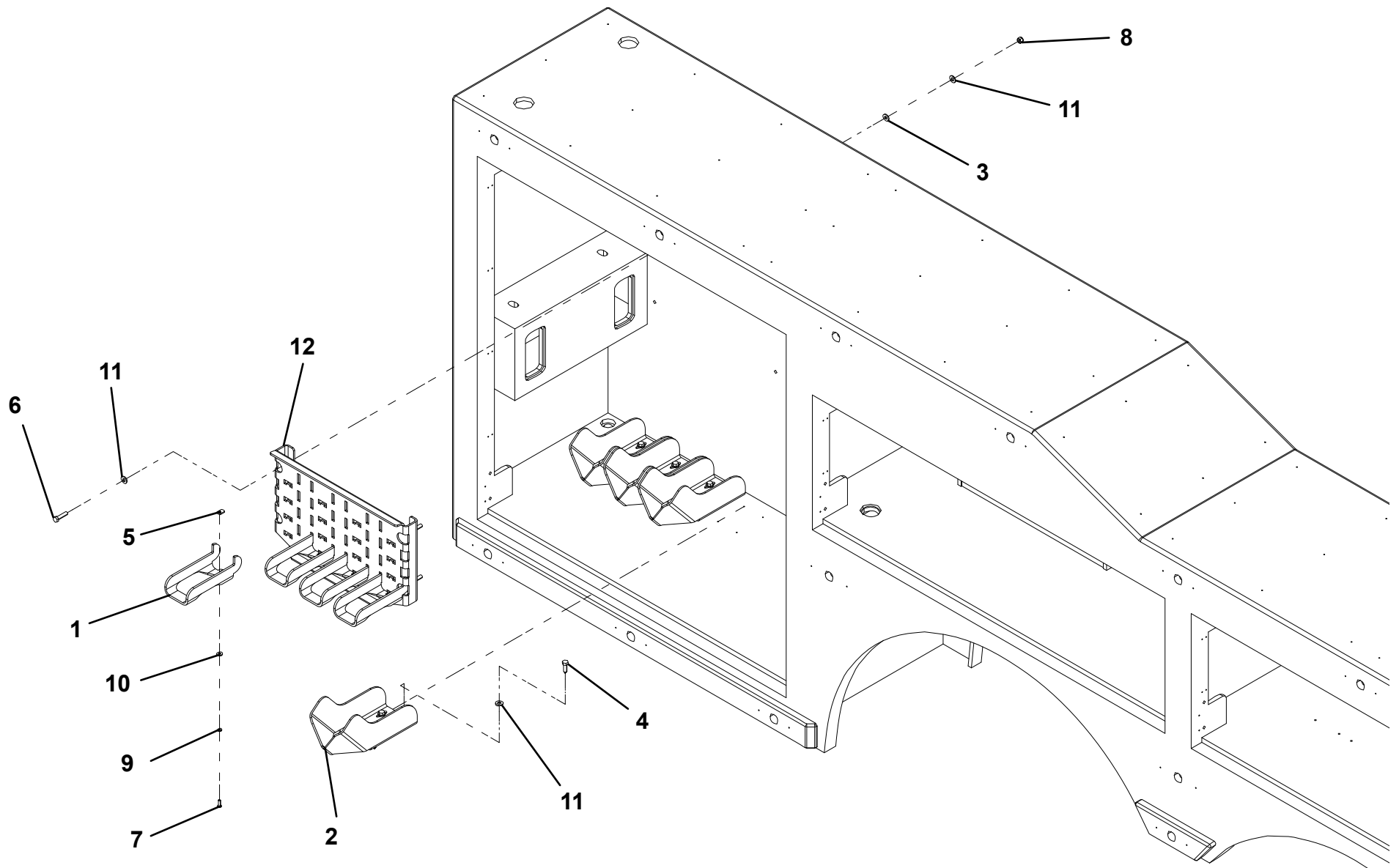
SHACKLE RACK INSTALLATION - TRI-AXLE



SNATCH BLOCK STORAGE INSTALLATION - TANDEM

ITEM	PART NO.	DESCRIPTION	QTY
1	1001164560	Bracket, Top	4
2	1001164562	Bracket, Bottom	4
3	1001166974	Washer, 0.38"	4
4	1001168545	Screw, 0.38" X 1.25"	16
5	1001168733	Nut, 0.25"-20	4
6	1001168993	Screw, 0.38"-16 X 1.50"	4
7	7114140618	Nut, 0.25"-20 X 0.75"	4
8	7660162601	Locknut, 0.38"-16NC	4
9	7950140003	Lockwasher, 0.25" ID	4
10	7950140143	Flatwasher, 0.25" ID	4
11	7950160143	Flatwasher, 0.38" ID	24
12	1001201112	Bracket	1

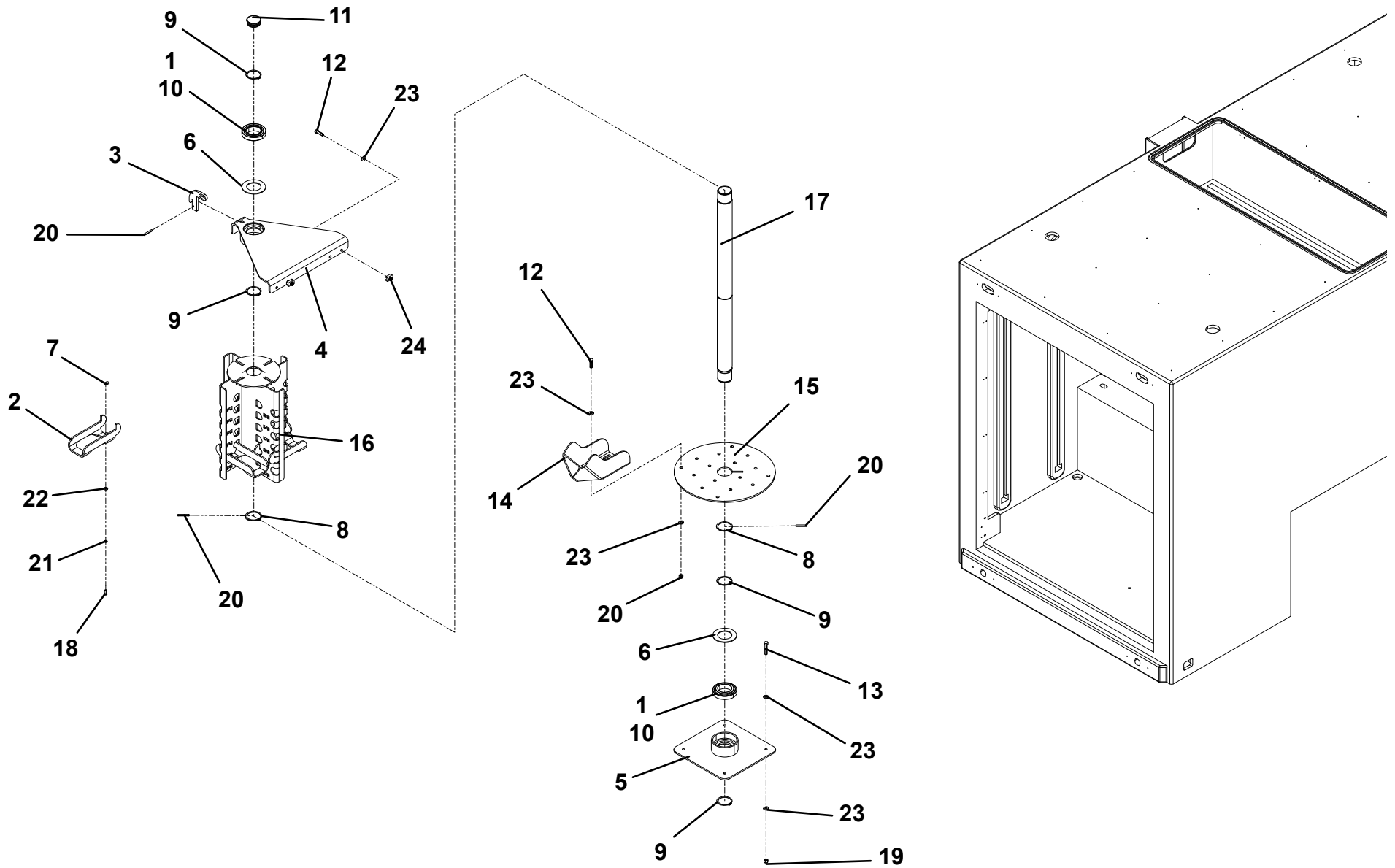
SNATCH BLOCK STORAGE INSTALLATION - TANDEM



SNATCH BLOCK STORAGE INSTALLATION - TRI-AXLE

ITEM	PART NO.	DESCRIPTION	QTY
1	3020029	Lube, Bearing Grease	A/R
2	1001164560	Bracket, Top	4
3	1001165564	Plate	1
4	1001165570	Bracket	1
5	1001165571	Bracket	1
6	1001165584	Plate	2
7	1001168733	Nut, 0.25"-20	4
8	1001169063	Retaining Ring	2
9	1001169064	Retaining Ring	4
10	1001169076	Bearing	2
11	1001169078	Plug	1
12	1001169080	Screw, 0.38"-16 X 1.25"	18
13	1001169083	Screw, 0.38"-16 X 2.00"	4
14	1001190342	Bracket	4
15	1001190359	Support	1
16	1001190361	Bracket	1
17	1001192126	Tube	1
18	7114140618	Bolt, 0.25"-20 X 0.75"	4
19	7660162601	Locknut, 0.38"-16NC	20
20	7690142845	Pin	3
21	7950140003	Lockwasher, 0.25" ID	4
22	7950140143	Flatwasher, 0.25" ID	4
23	7950160143	Flatwasher, 0.38" ID	42
24	1001166644	Nut, 0.38"-16	2

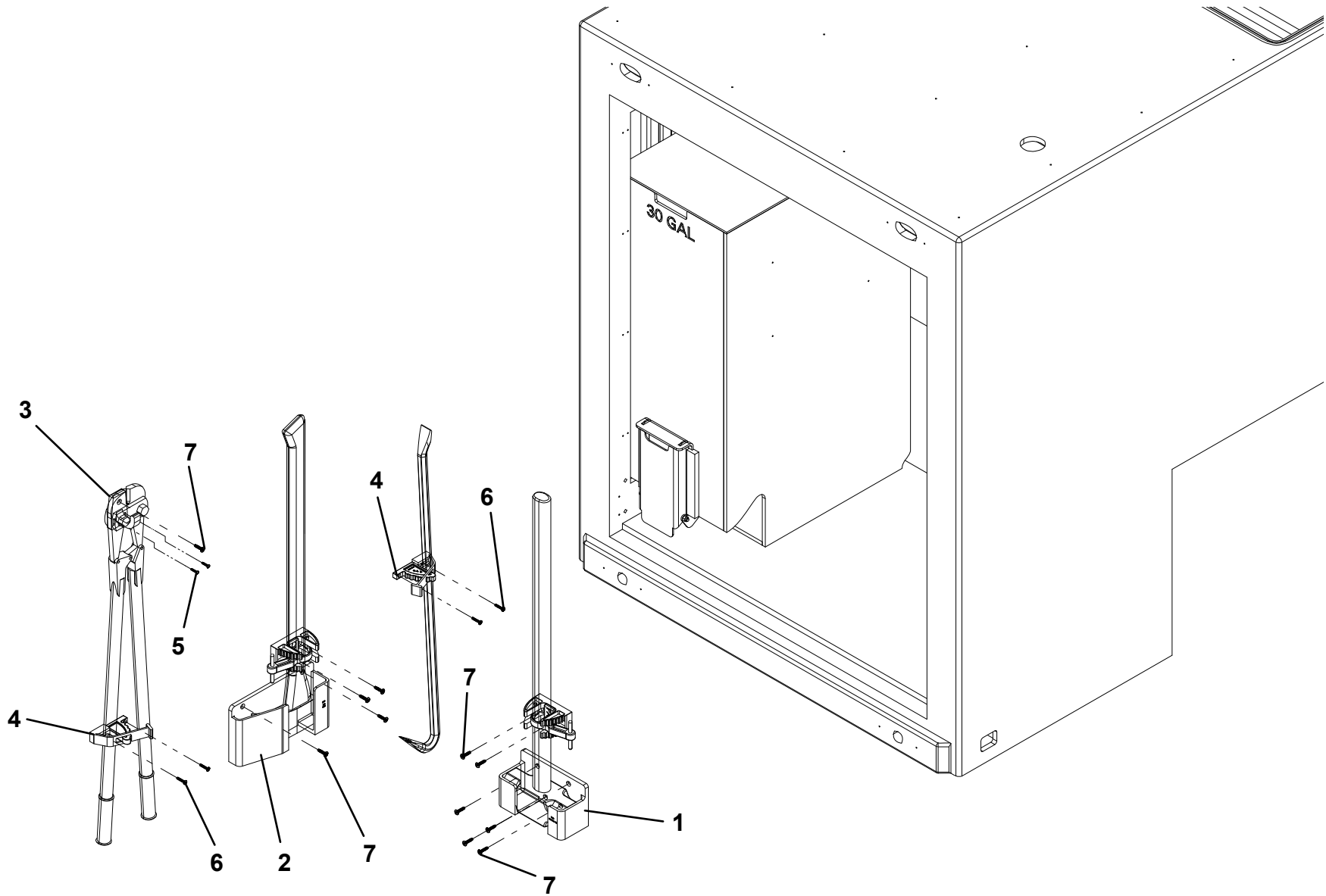
SNATCH BLOCK STORAGE INSTALLATION - TRI-AXLE



TOOL STORAGE

ITEM	PART NO.	DESCRIPTION	QTY
1	1001201215	Bracket	1
2	1001201216	Bracket	1
3	1001201217	Bracket	1
4	1001201218	Bracket	2
5	1001196552	Screw, #8 x 0.75"	2
6	1001201366	Screw, #10 x 1.00"	4
7	1001201367	Screw, 0.25" x 1.00"	11

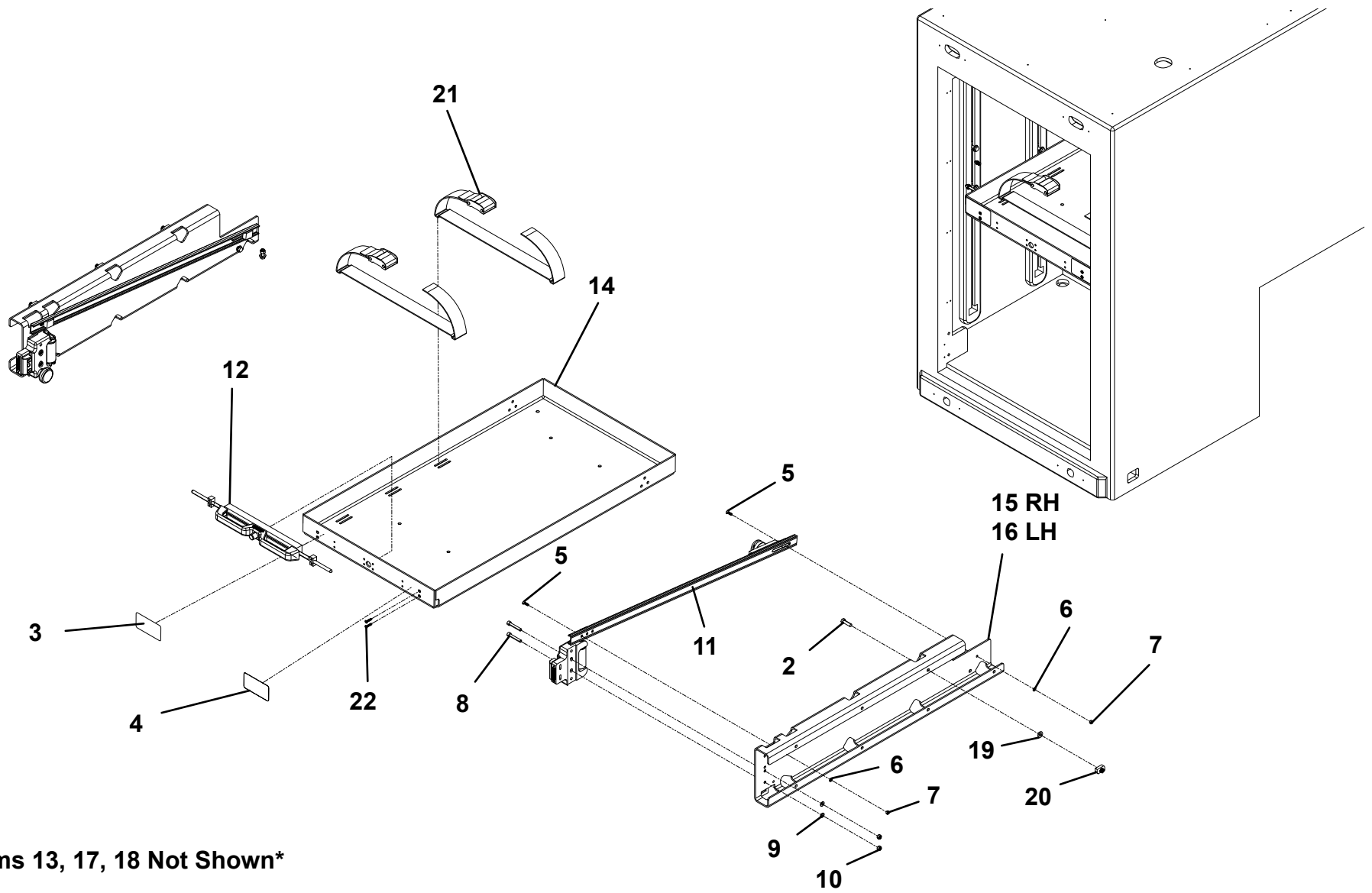
TOOL STORAGE



TILT DOWN STORAGE TRAY

ITEM	PART NO.	DESCRIPTION	QTY	ITEM	PART NO.	DESCRIPTION	QTY
		TANDEM				TRI-AXLE	
1	3020029	Bearing Grease	A/R	1	3020029	Bearing Grease	A/R
2	1001169080	Screw, 0.38"-16 X 1.25"	36	2	1001169080	Screw, 0.38"-16 X 1.25"	36
3	1001170090	Decal	3	3	1001170090	Decal	3
4	1001170091	Decal	3	4	1001170091	Decal	3
5	1001170305	Bolt, #6-20	12	5	1001170305	Bolt, #6-20	12
6	1001170307	Washer, M6 ID	12	6	1001170307	Washer, M6 ID	12
7	1001170310	Nut, M6	12	7	1001170310	Nut, M6	12
8	1001170328	Screw, M8-50	12	8	1001170328	Screw, M8-50	12
9	1001170329	Washer, M8 ID	12	9	1001170329	Washer, M8 ID	12
10	1001170330	Nut, M8	12	10	1001170330	Nut, M8	12
11	1001170331	Roller Assembly	3	11	1001170331	Roller Assembly	3
12	1001170332	Latch	3	12	1001170332	Latch	3
13	1001179349	Strap	6	13	1001179349	Strap	6
14	1001182841	Tilt-Down Drawer	3	14	1001197693	Tilt-Down Drawer	3
15	1001183735	Bracket, RH	3	15	1001183735	Bracket, RH	3
16	1001183736	Bracket, LH	3	16	1001183736	Bracket, LH	3
17	7114160850	Screw, 0.38"-16 X 1.00"	12	17	7114160850	Screw, 0.38"-16 X 1.00"	12
18	7660162601	Locknut, 0.38"-16NC	12	18	7660162601	Locknut, 0.38"-16NC	12
19	7950160141	Flatwasher, 0.38" ID	48	19	7950160141	Flatwasher, 0.38" ID	48
20	1001166644	Nut, 0.38"-16	36	20	1001166644	Nut, 0.38"-16	36
21	1001170428	Strap	6	21	1001170428	Strap	6
22	1001200997	Screw, M5X25	12	22	1001200997	Screw, M5X25	12

TILT DOWN STORAGE TRAY

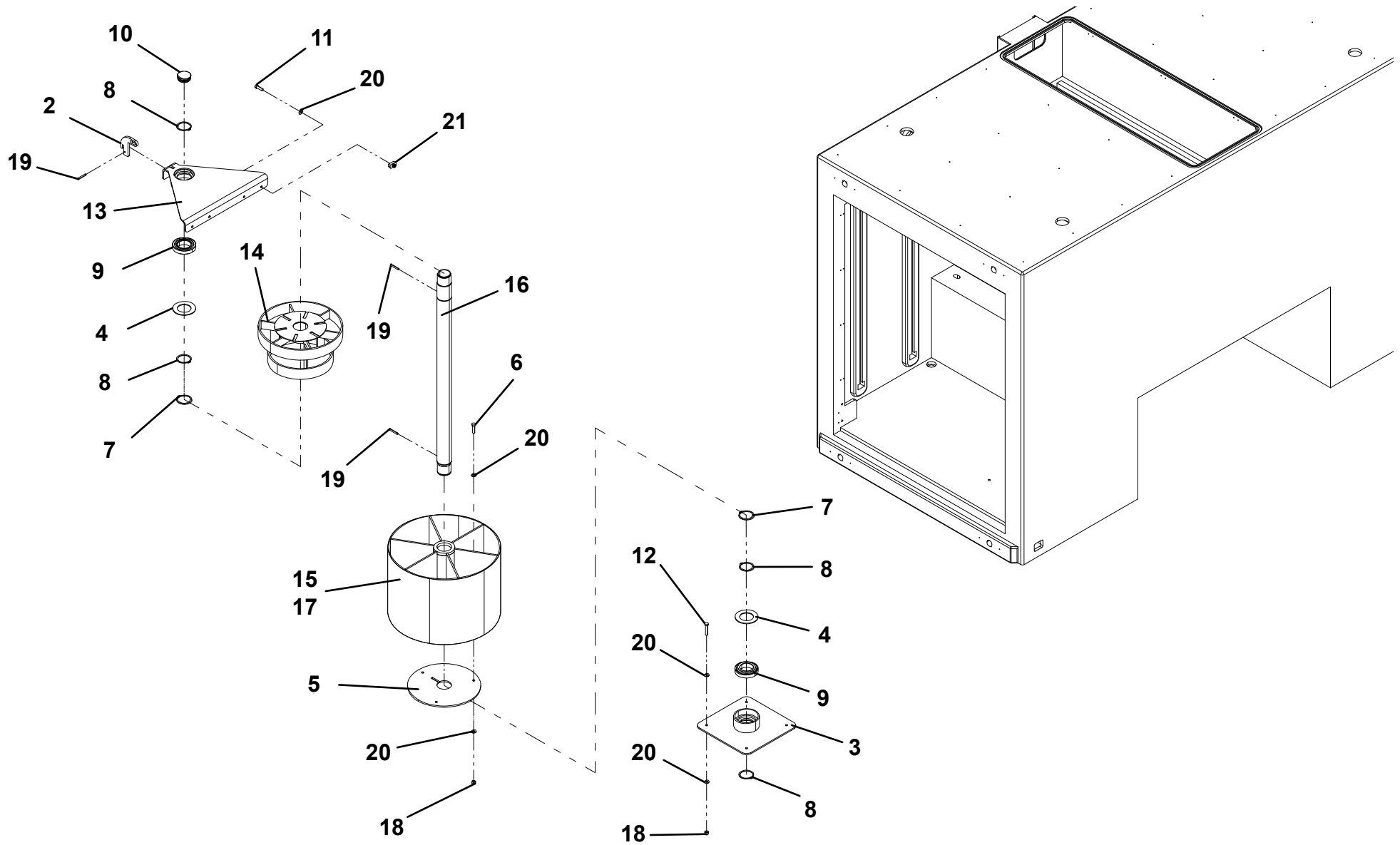


Items 13, 17, 18 Not Shown

ROTARY CHAIN RACK

ITEM	PART NO.	DESCRIPTION	QTY
1	3020029	Bearing Grease	1
2	1001165564	Plate	1
3	1001165571	Bracket	1
4	1001165584	Plate	2
5	1001165652	Support	1
6	1001168993	Screw, 0.38"-16 X 1.50"	3
7	1001169063	Retaining Ring	2
8	1001169064	Retaining Ring	4
9	1001169076	Bearing	2
10	1001169078	Plug	1
11	1001169080	Screw, 0.38"-16 X 1.25"	2
12	1001169083	Screw, 0.38"-16 X 2.00"	4
13	1001190218	Bracket	1
14	1001190223	Bracket	1
15	1001190228	Tray	1
16	1001190265	Tube	1
17	7330000535	Decal	1
18	7660162604	Locknut, 0.38"-16 NC	7
19	7690142845	Pin	3
20	7950160143	Flatwasher, 0.38" ID	16
21	1001166644	Nut, 0.38"-16	2

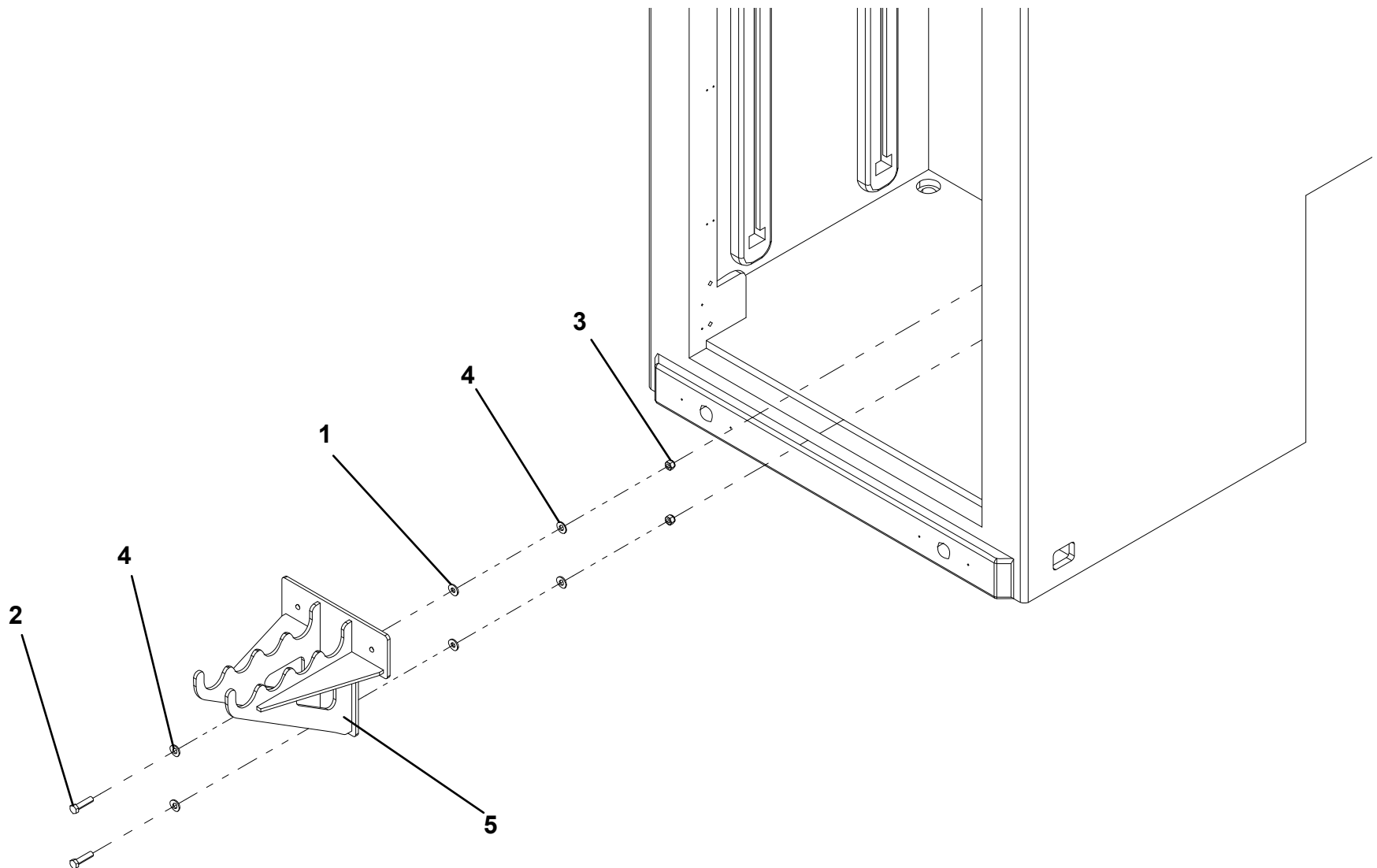
ROTARY CHAIN RACK



CHAIN BINDER INSTALLATION

ITEM	PART NO.	DESCRIPTION	QTY
Tandem			
1	1001166974	Washer, 0.38" ID	2
2	1001168993	Screw, 0.38"-16 x 1.50"	2
3	7660162601	Locknut, 0.38"-16	2
4	7950160143	Flatwasher, 0.38" ID	4
5	1001182853	Support	1
Tri-Axle			
1	1001169080	Screw, 0.38"-16 x 1.25"	2
2	7950160143	Flatwasher, 0.38" ID	2
3	1001166644	Nut, 0.38"-16	2
4	1001182853	Support	4

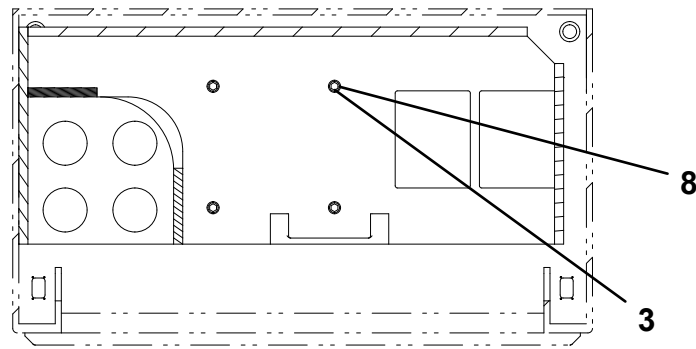
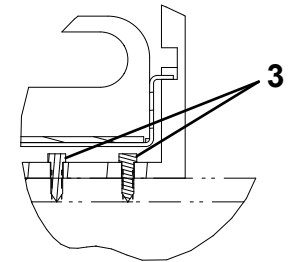
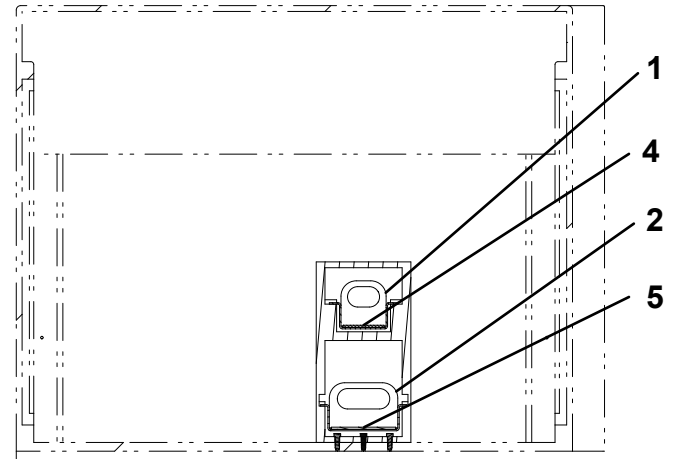
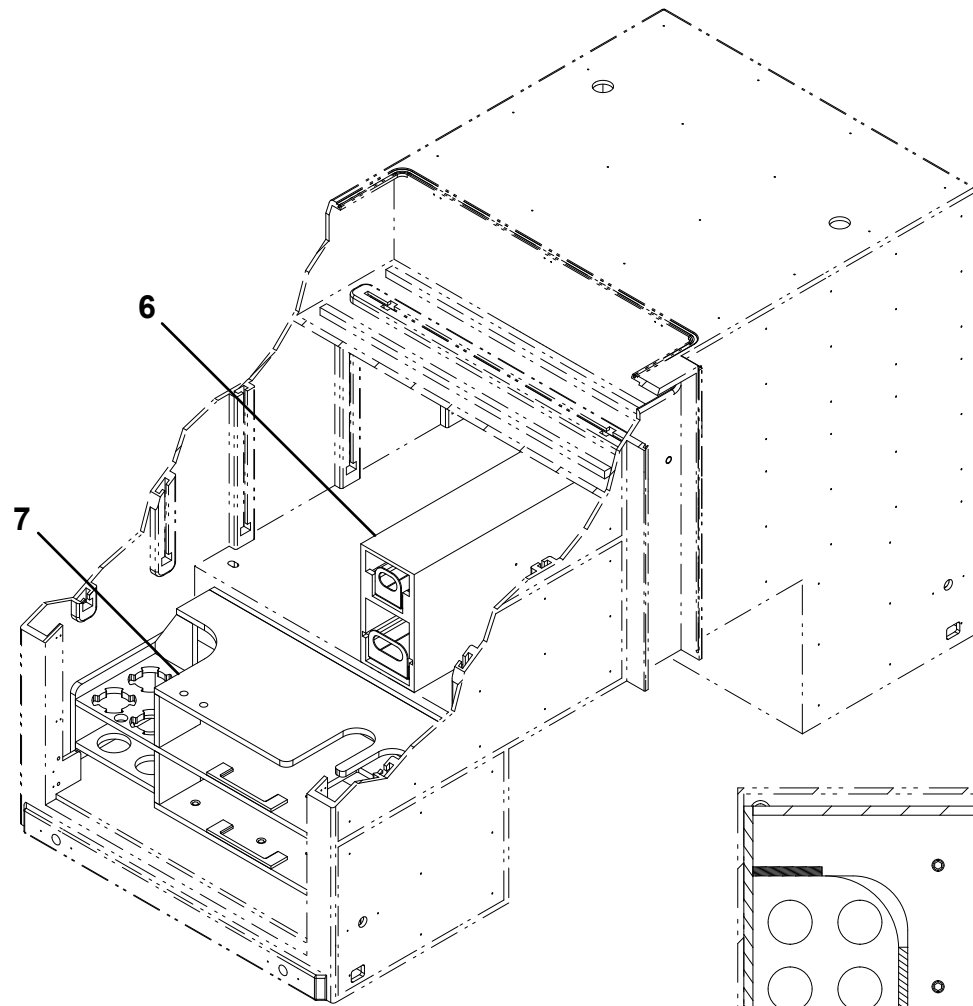
CHAIN BINDER INSTALLATION



TIRE LIFT STORAGE 51" AND 49" TOOLBOX

ITEM	PART NO.	DESCRIPTION	QTY
1	1001165862	Channel, Large	1
2	1001165863	Channel, Small	1
3	1001168545	Screw, 0.38" X 1.25"	10
4	1001170968	Pad, Small	1
5	1001170970	Pad, Large	1
6	1001170971	Bracket	1
7	1001190409	Bus Arm Storage	1
8	7950160143	Flatwasher, 0.38" ID	4

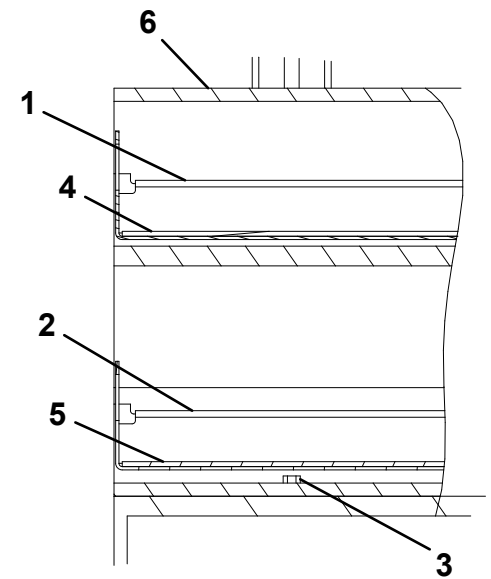
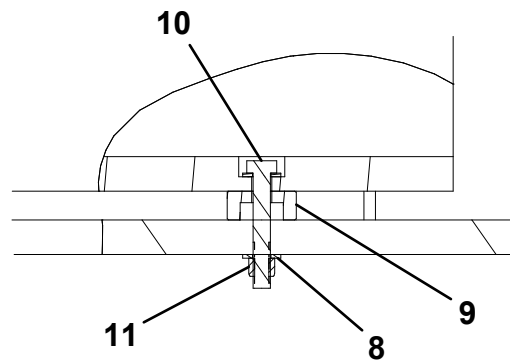
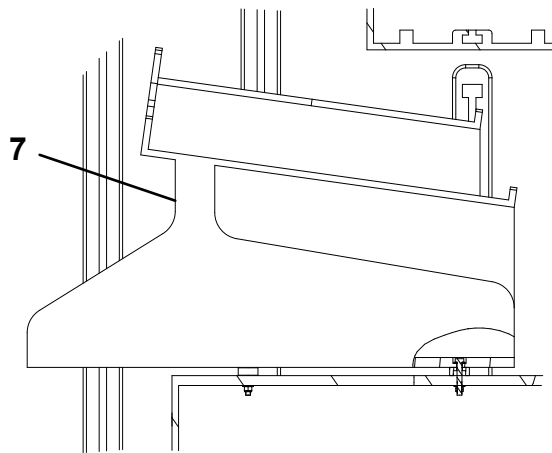
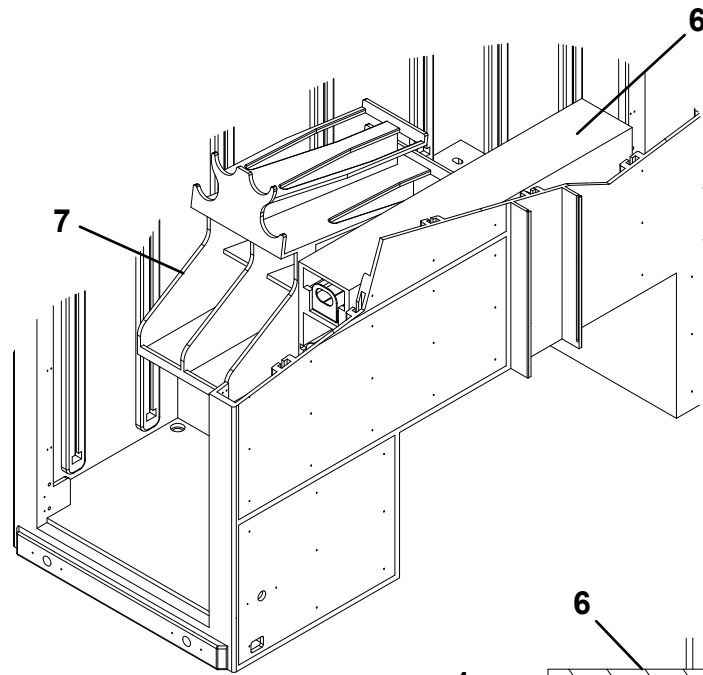
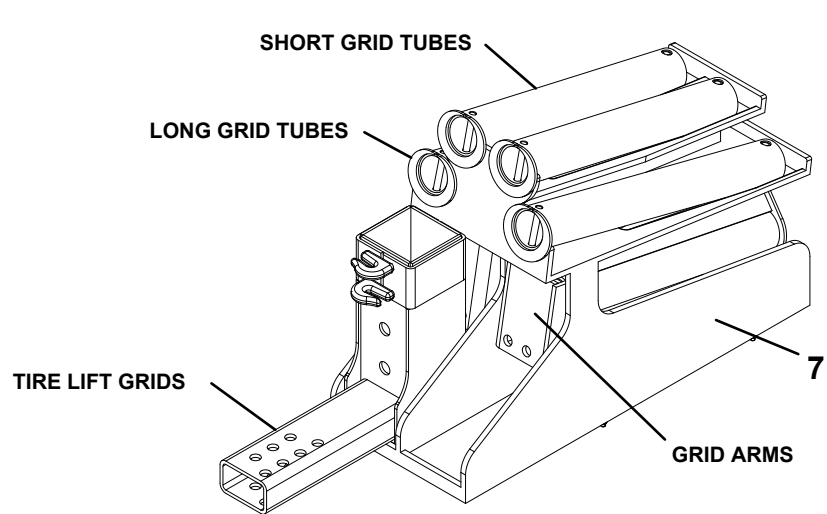
TIRE LIFT STORAGE 51" AND 49" TOOLBOX



TIRE LIFT STORAGE - 39" AND 37" TOOLBOX

ITEM	PART NO.	DESCRIPTION	QTY
1	1001165862	Tray, Small	1
2	1001165863	Tray, Large	1
3	1001168545	Screw, 0.38" X 1.25"	4
4	1001170968	Pad, Small	1
5	1001170970	Pad, Large	1
6	1001170971	Bracket	1
7	1001192287	Storage	1
8	7950160143	Flatwasher, 0.38" ID	8
9	1001190579	Mount	4
10	7115162050	Screw, 0.38"-16NC X 2.50"	4
11	7660162601	Locknut, 0.38"-16NC	4

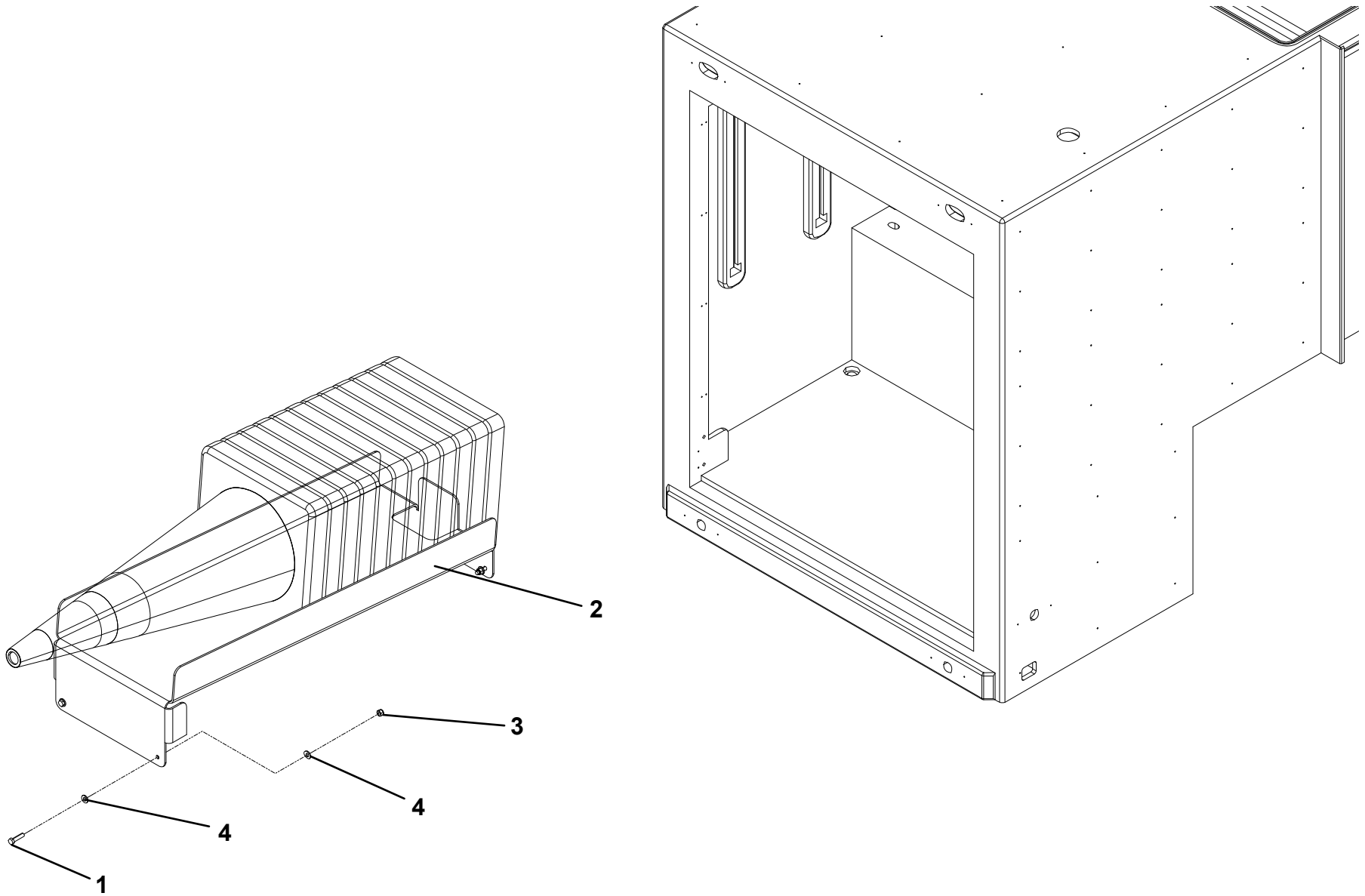
TIRE LIFT STORAGE - 39" AND 37" TOOLBOX



TRAFFIC CONE STORAGE

ITEM	PART NO.	DESCRIPTION	QTY
1	1001168993	Screw, 0.38"-16 x 1.50"	4
2	1001190551	Bracket	1
3	7660162601	Locknut, 0.25"-20	4
4	7950160143	Flatwasher, 0.38" ID	8

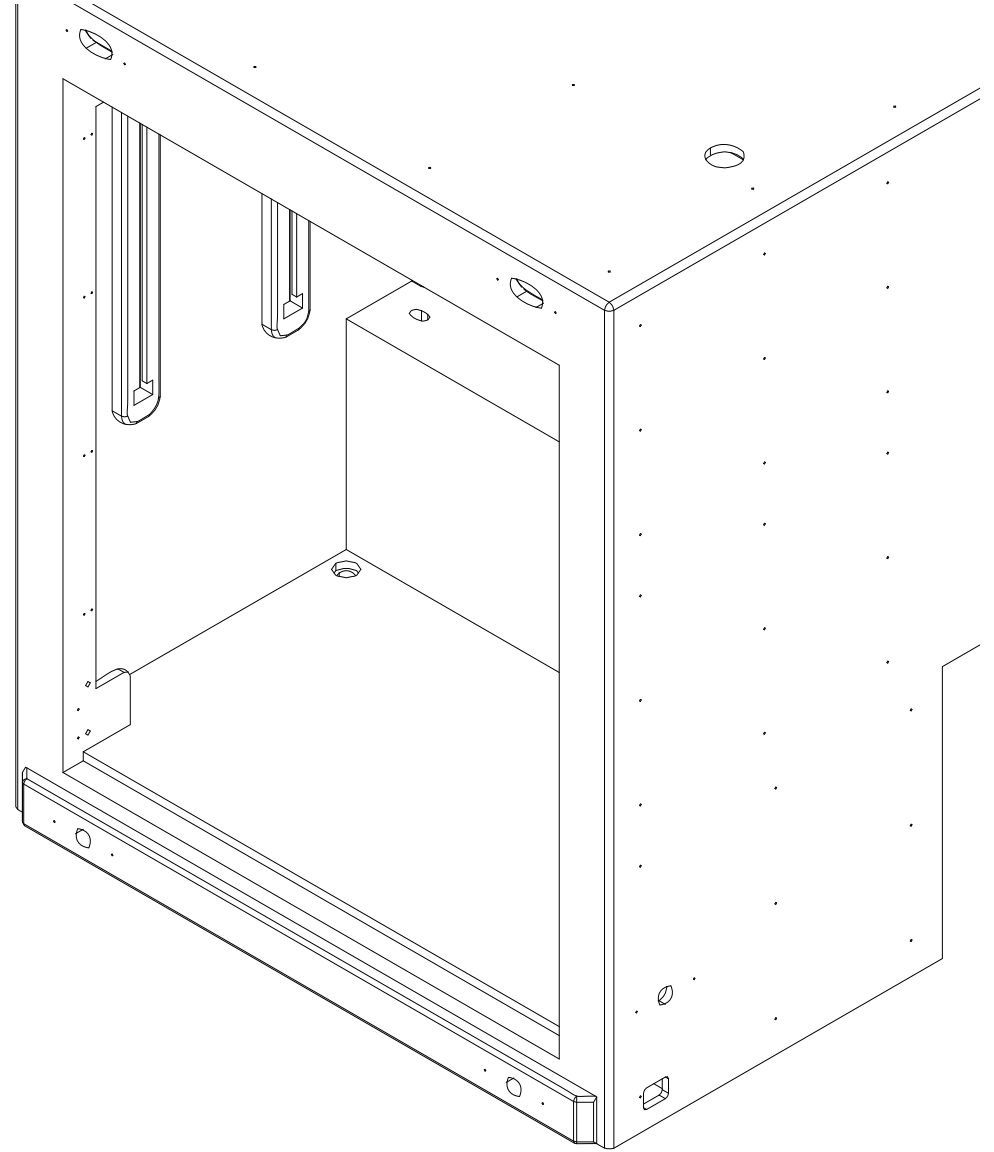
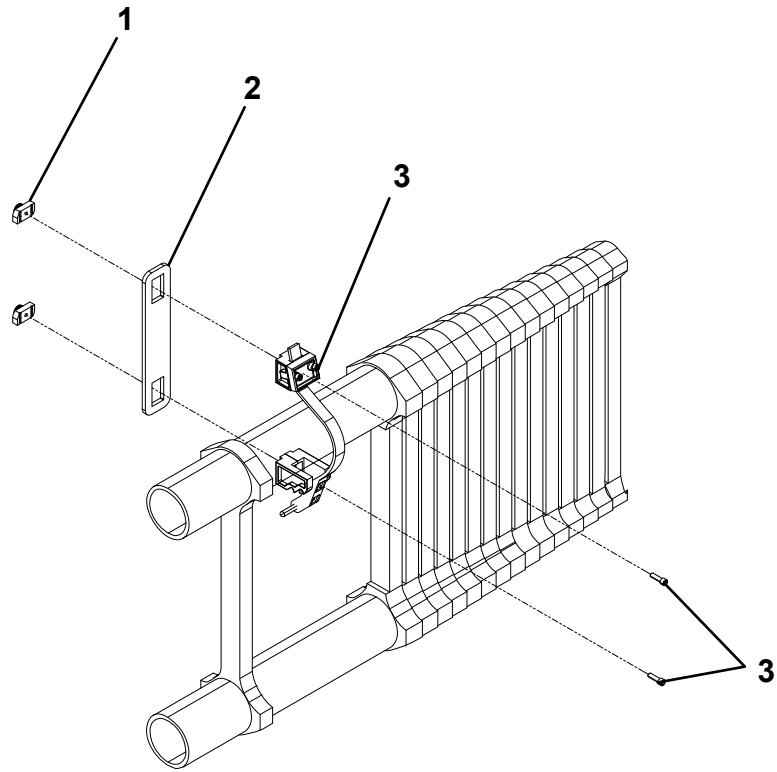
TRAFFIC CONE STORAGE



LADDER STORAGE

ITEM	PART NO.	DESCRIPTION	QTY
1	1001183037	Nut, 0.25"-20	2
2	1001201523	Plate	1
3	1001201534	Bracket	1

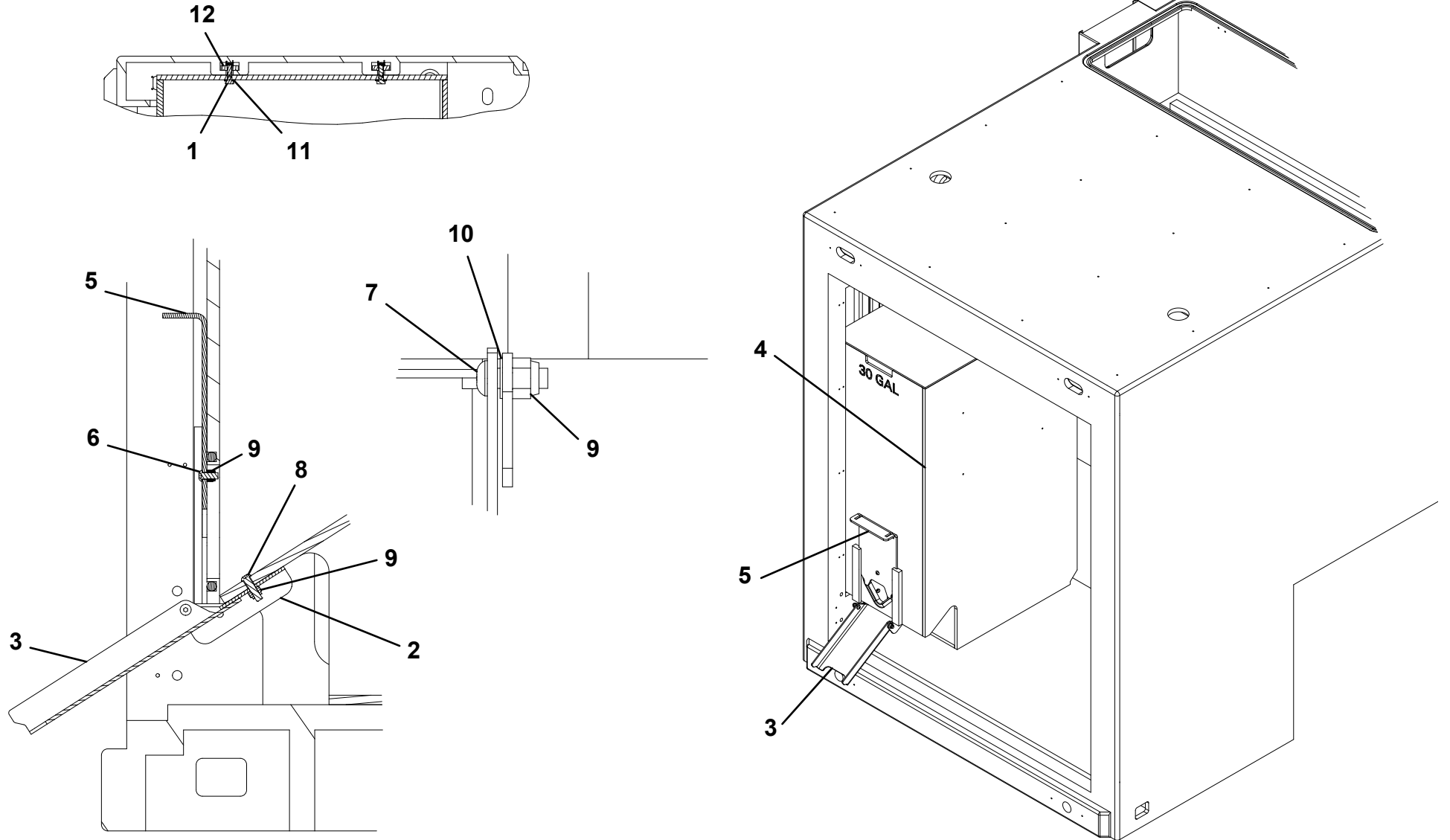
LADDER STORAGE



STAY DRY SILO INSTALLATION

ITEM	PART NO.	DESCRIPTION	QTY
1	1001169080	Screw, 0.38"-16 X 1.25"	4
2	1001190050	Bracket	1
3	1001190055	Bracket	1
4	1001190128	Container	1
5	1001190148	Cover	1
6	7114140518	Screw, 0.25"-20 X 0.625"	1
7	7114140618	Screw, 0.25"-20 X 0.75"	2
8	7114140818	Capscrew, 0.25"-20 X 1.00"	3
9	7660142600	Locknut, 0.25"-20NC	6
10	7949000056	Washer, 0.27" ID	2
11	7950160143	Flatwasher, 0.38" ID	4
12	1001166644	Nut, 0.38"-16 UNC	4

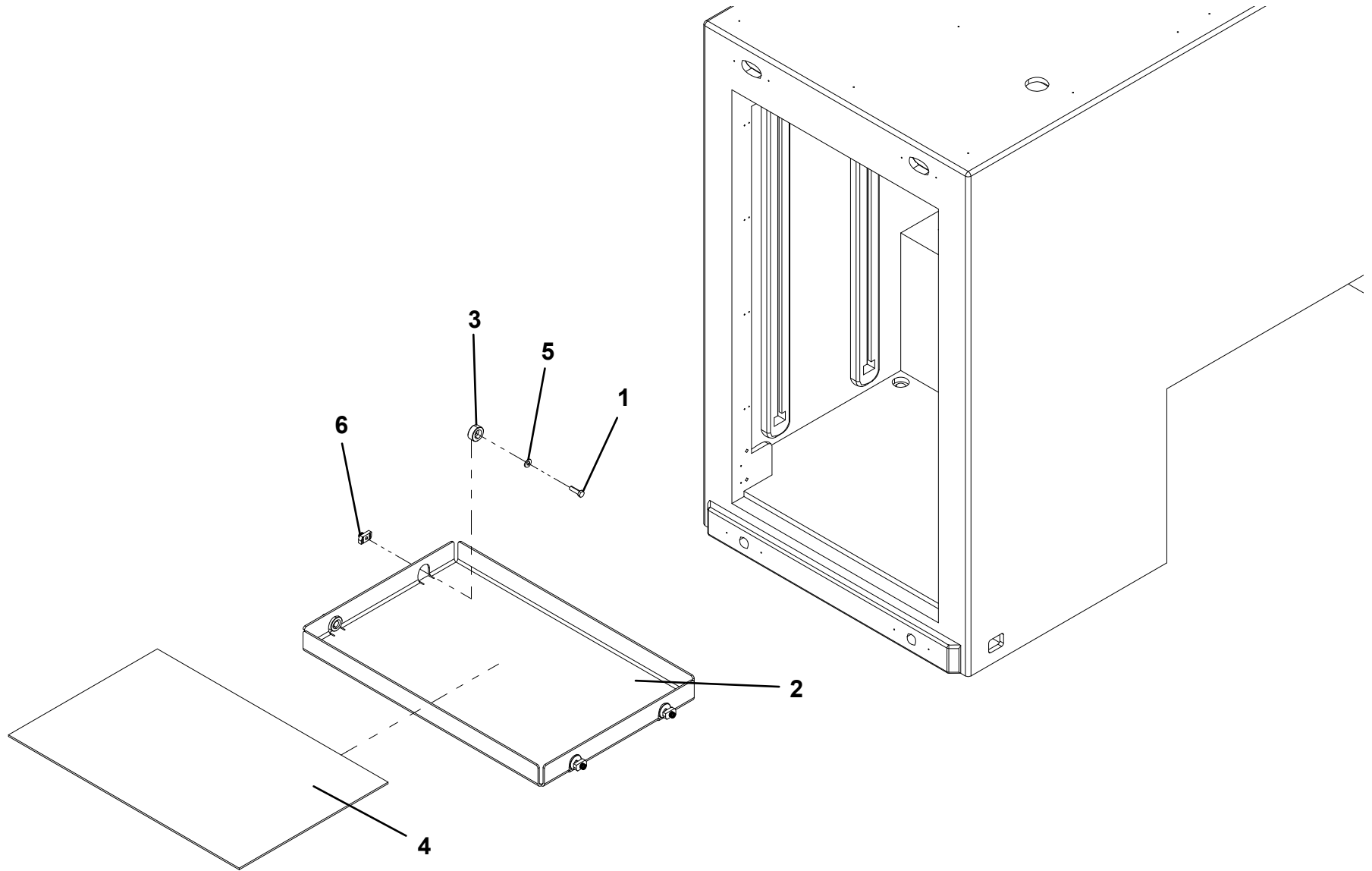
STAY DRY SILO INSTALLATION



SHELVING INSTALLATION

ITEM	PART NO.	DESCRIPTION	QTY
36" Toolbox Shelving			
1	1001169080	Screw, 0.38"-16 x 1.25"	4
2	1001190360	Shelf, 36"	1
3	1001190579	Mount	4
4	1001196386	Pad, 36"	1
5	7950160143	Flatwasher, 0.38" ID	4
6	1001166644	Nut, 0.38"-16	4
48" Toolbox Shelving			
1	1001169080	Screw, 0.38"-16 x 1.25"	4
2	1001190532	Shelf, 48"	1
3	1001190579	Mount	4
4	1001196387	Pad, 48"	1
5	7950160143	Flatwasher, 0.38" ID	4
6	1001166644	Nut, 0.38"-16	4

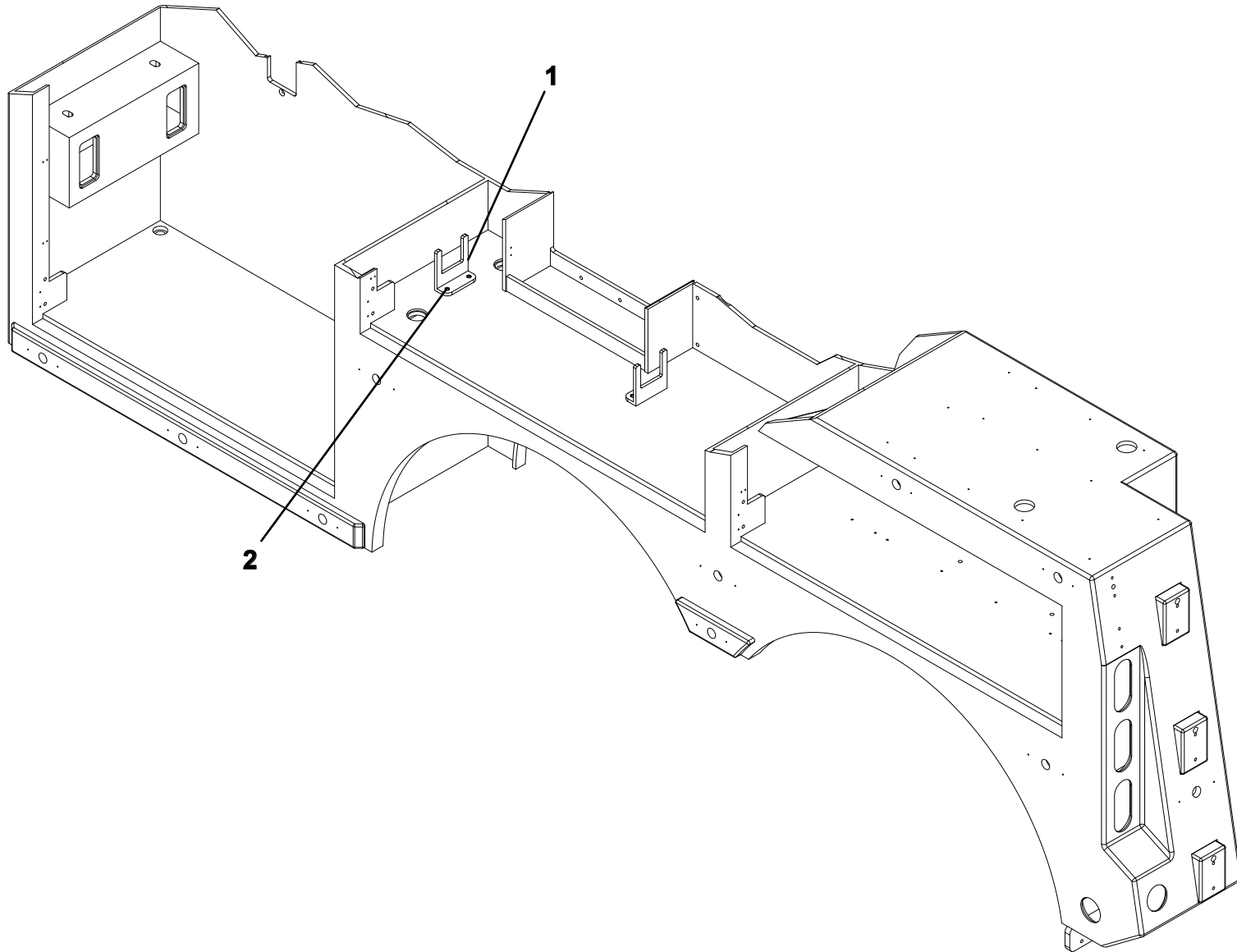
SHELVING INSTALLATION



TOW LIGHT STORAGE

ITEM	PART NO.	DESCRIPTION	QTY
1	1001170618	Bracket	2
2	1001195523	Screw, 0.25" x 1.00"	4

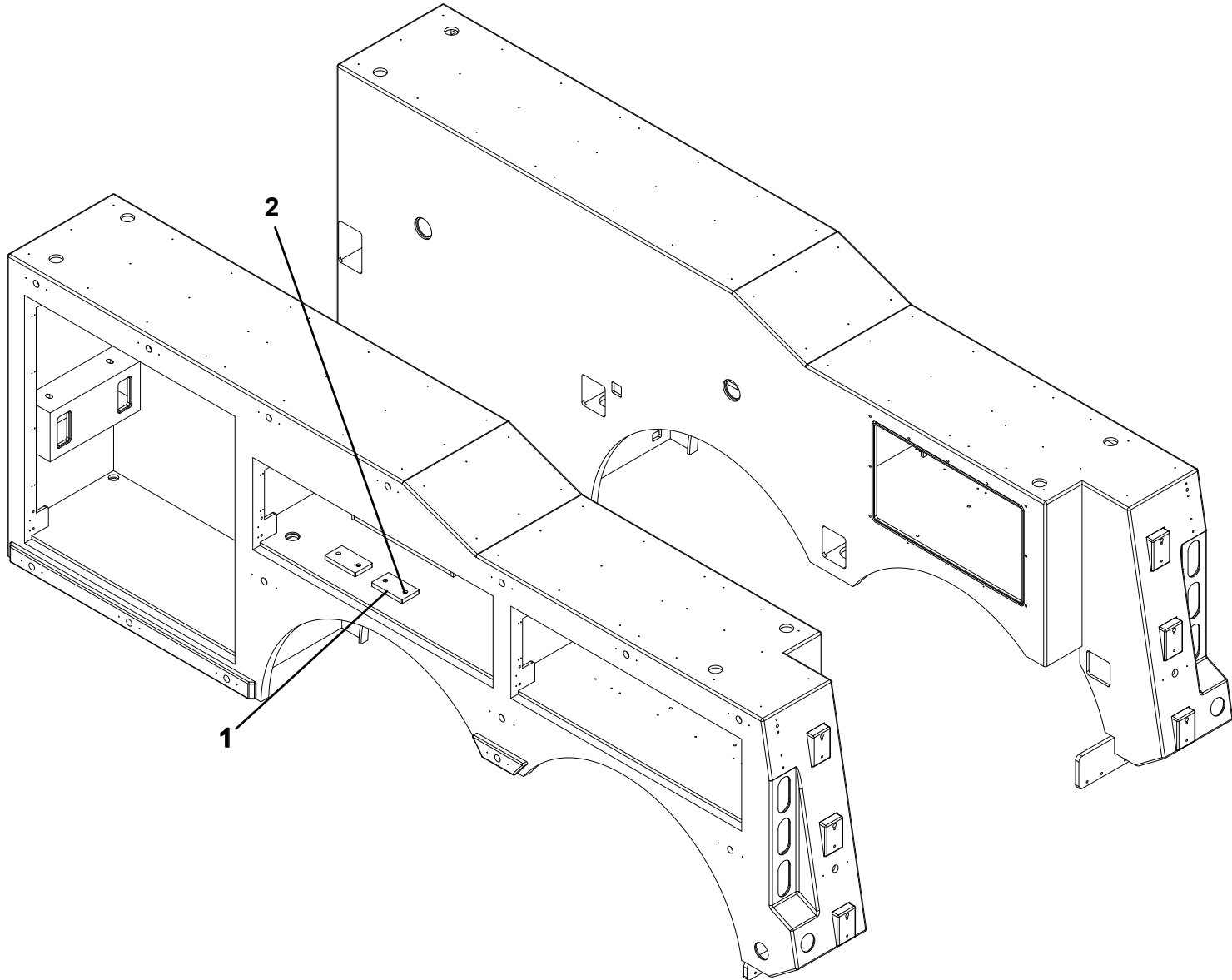
TOW LIGHT STORAGE



WHEEL CHOCK STORAGE

ITEM	PART NO.	DESCRIPTION	QTY
1	1001170707	Wheel Chock Stop	4
2	1001195523	Screw, 0.25" x 1.00"	8

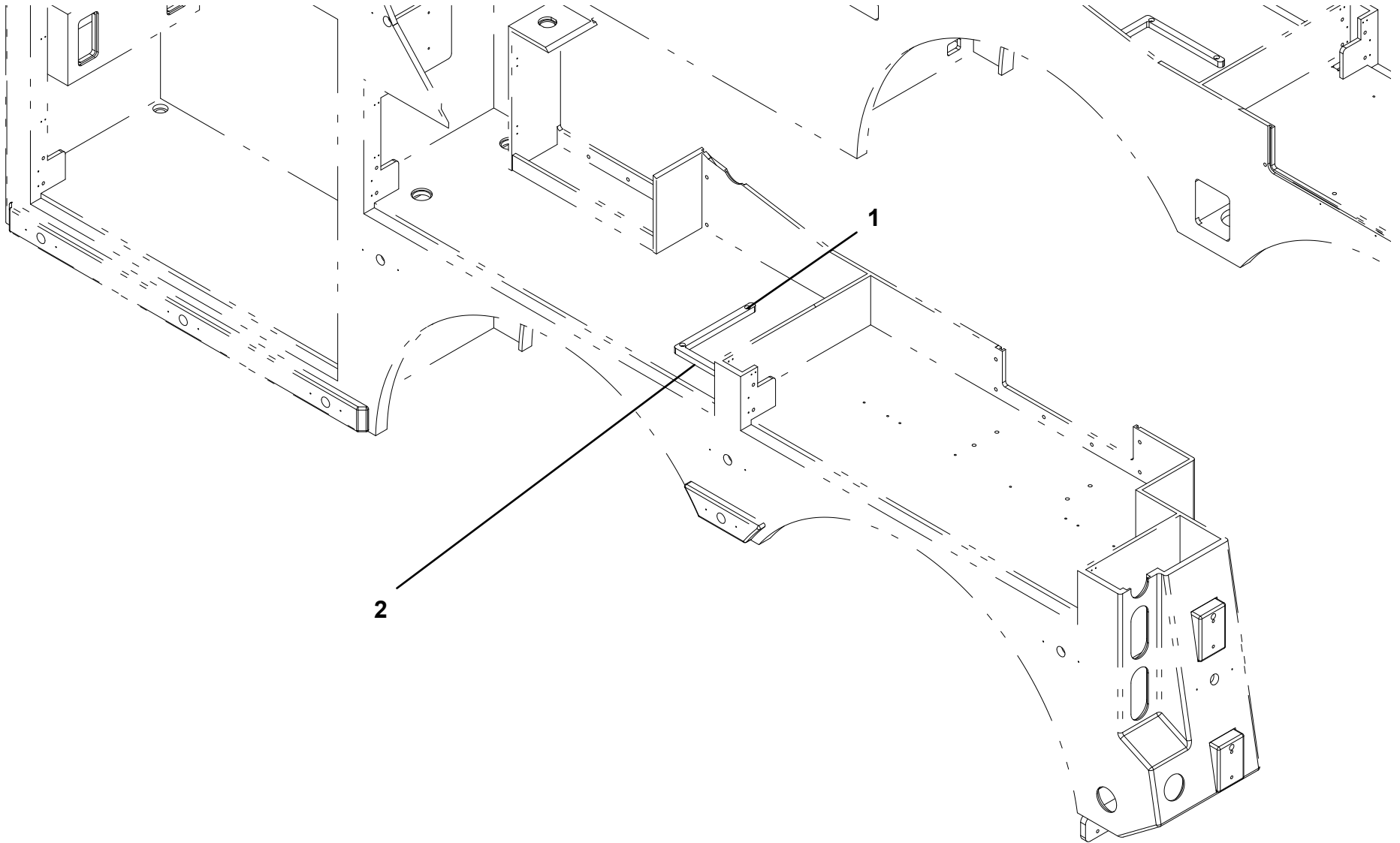
WHEEL CHOCK STORAGE



FLARE STORAGE

ITEM	PART NO.	DESCRIPTION	QTY
1	1001195523	Screw, 0.25" x 1.00"	8
2	1001201695	Bracket	2

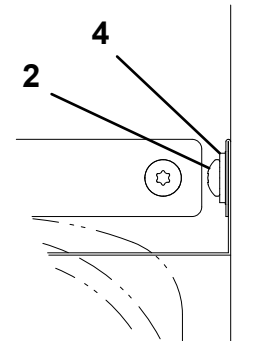
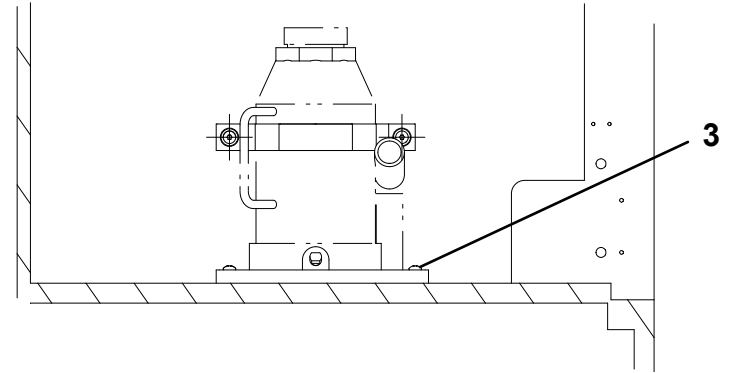
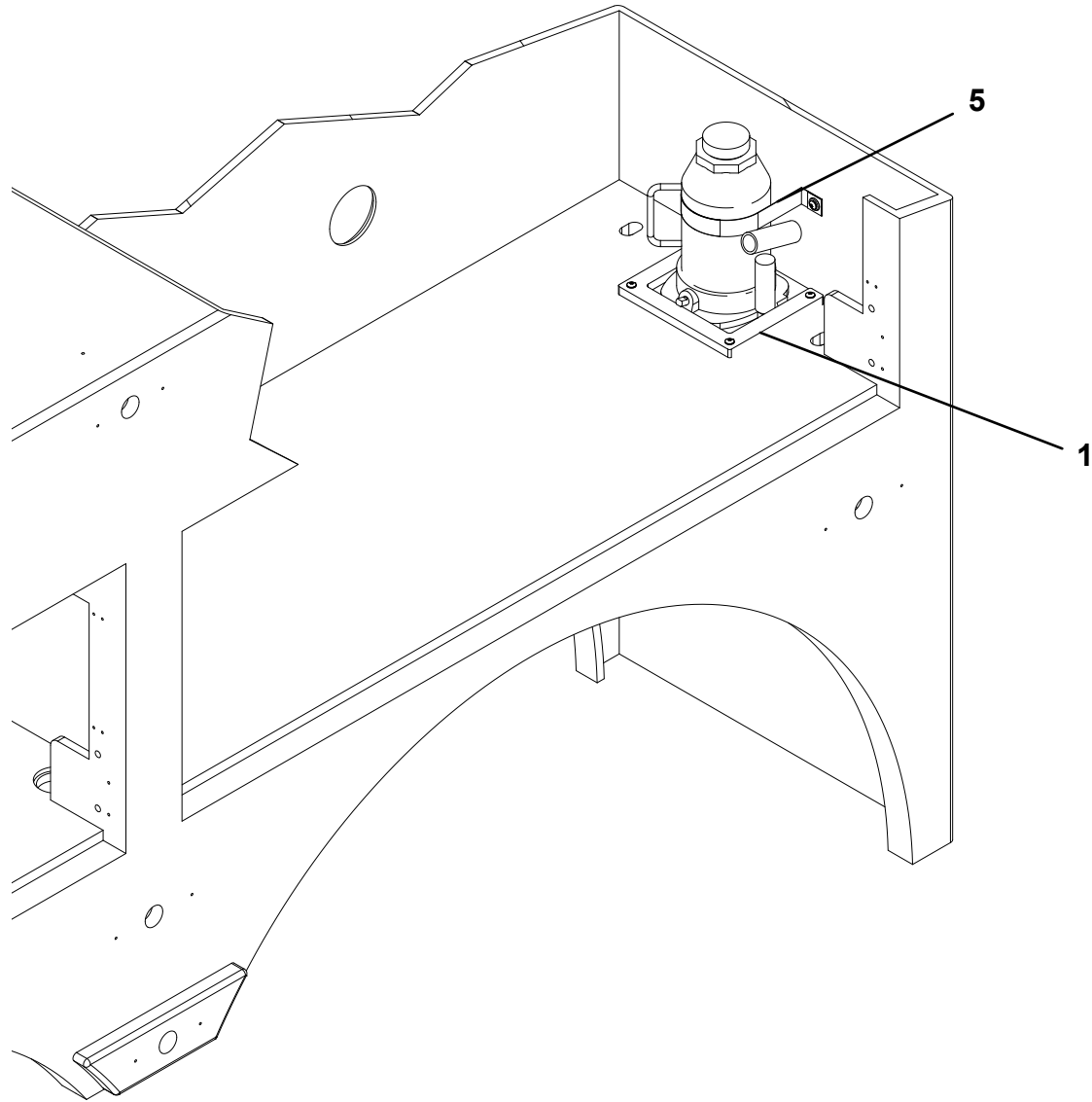
FLARE STORAGE



BOTTLE JACK STORAGE

ITEM	PART NO.	DESCRIPTION	QTY
1	1001170839	Bracket	1
2	1001195257	Screw, 0.25" x 0.50"	2
3	1001195523	Screw, 0.25" x 1.00"	4
4	7950140143	Flatwasher, 0.25" ID	2
5	1001167268	Strap	2

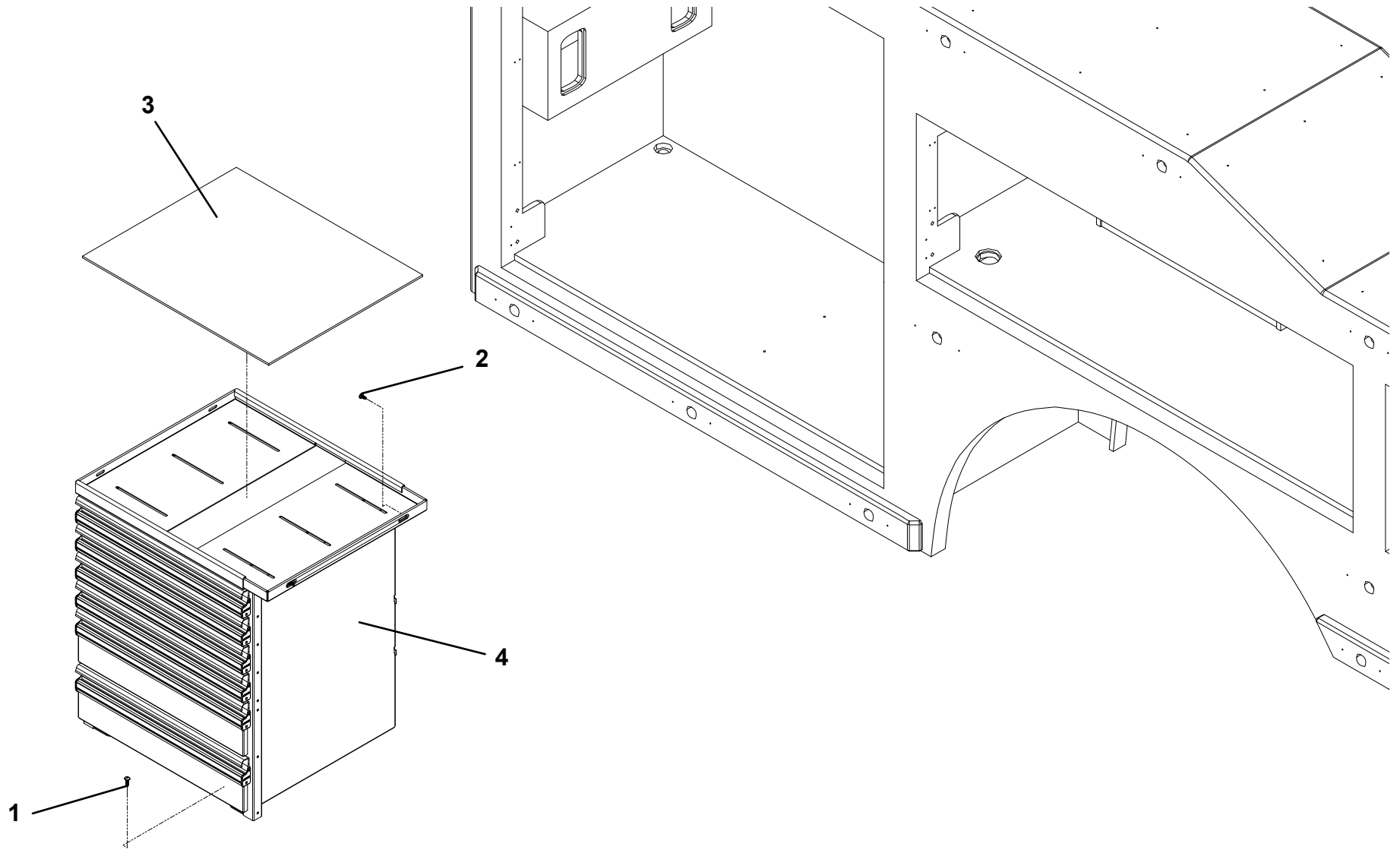
BOTTLE JACK STORAGE



TOOL DRAWER INSTALLATION - TANDEM

ITEM	PART NO.	DESCRIPTION	QTY
1	1001194676	Screw, 0.25" x 0.75"	6
2	1001195257	Screw, 0.25" x 0.50"	8
3	1001195279	Pad	1
4	1001190410	ToolBox	1

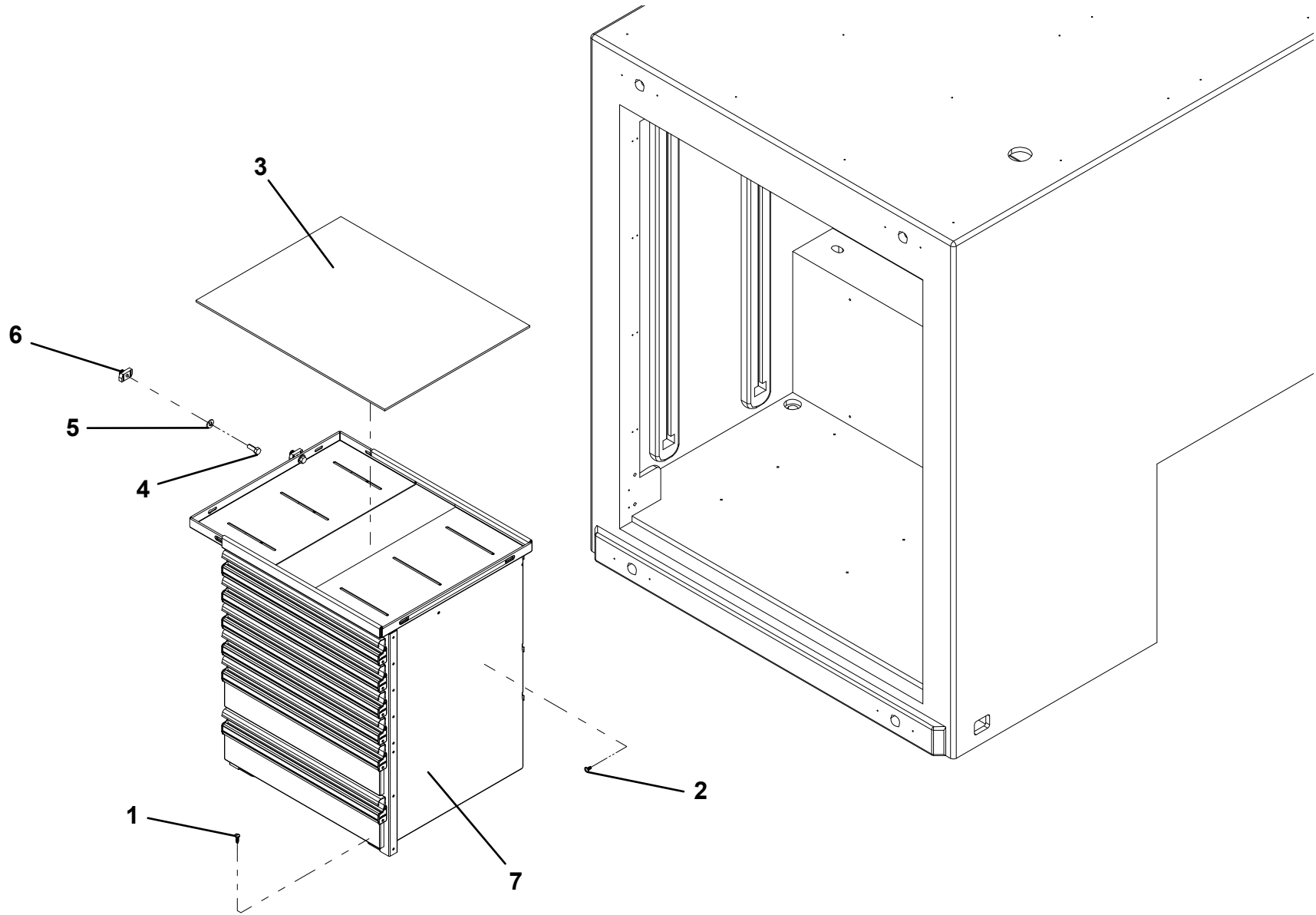
TOOL DRAWER INSTALLATION - TANDEM



TOOL DRAWER INSTALLATION - TRI-AXLE

ITEM	PART NO.	DESCRIPTION	QTY
1	1001194676	Screw, 0.25" x 0.75"	6
2	1001195257	Screw, 0.25" x 0.50"	4
3	1001195341	Pad	1
4	7114160850	Bolt, 0.38"-16 x 1.00"	2
5	7950160143	Flatwasher, 0.38" ID	2
6	1001166644	Nut, 0.38"-16	2
7	1001190410	ToolBox	1

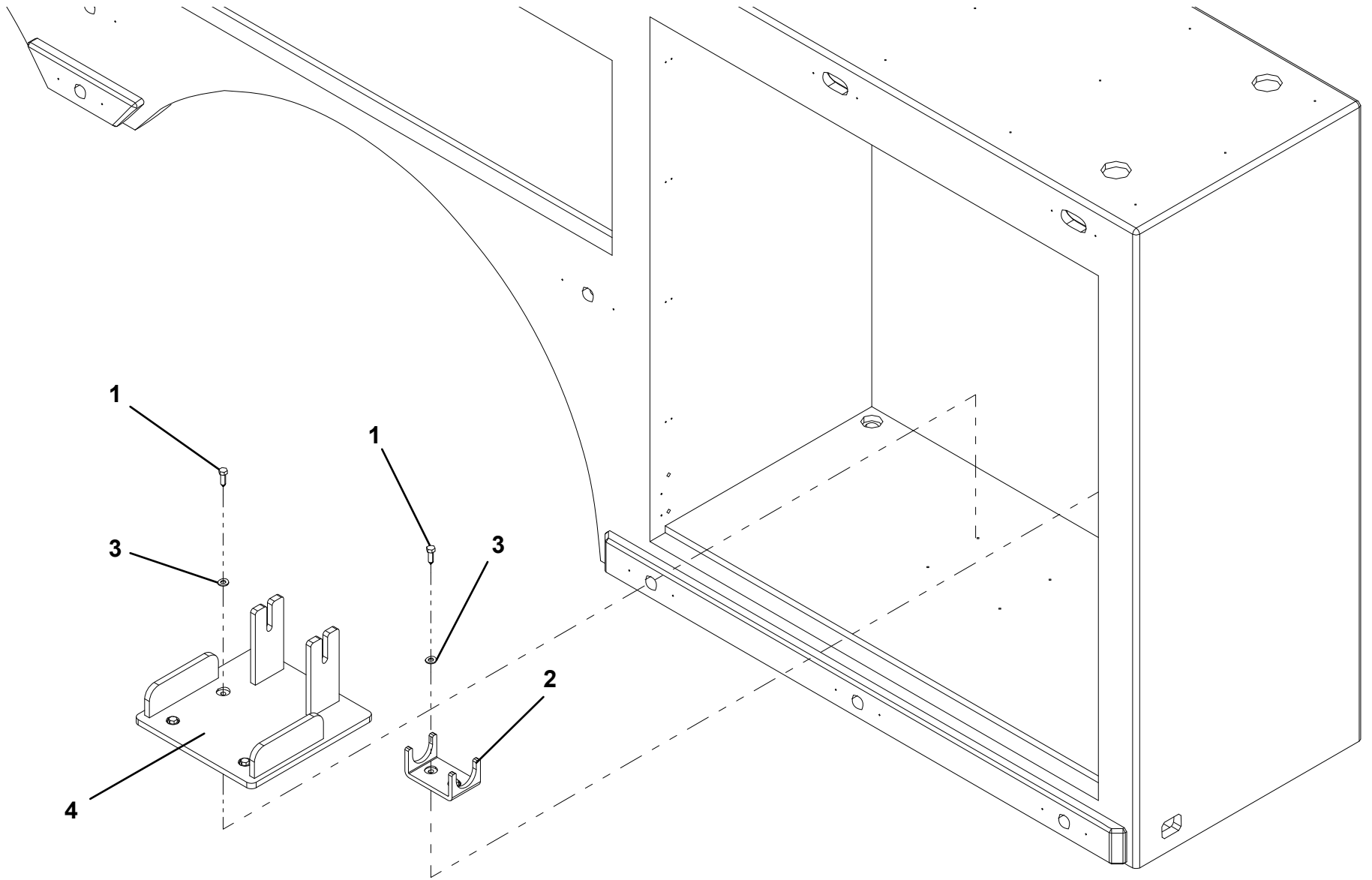
TOOL DRAWER INSTALLATION - TRI-AXLE



FIFTH WHEEL STORAGE INSTALLATION

ITEM	PART NO.	DESCRIPTION	QTY
1	1001168545	Screw, 0.38" x 1.25"	6
2	1001190568	Bracket	1
3	7950160143	Flatwasher, 0.38" ID	6
4	1001191810	Bracket	1

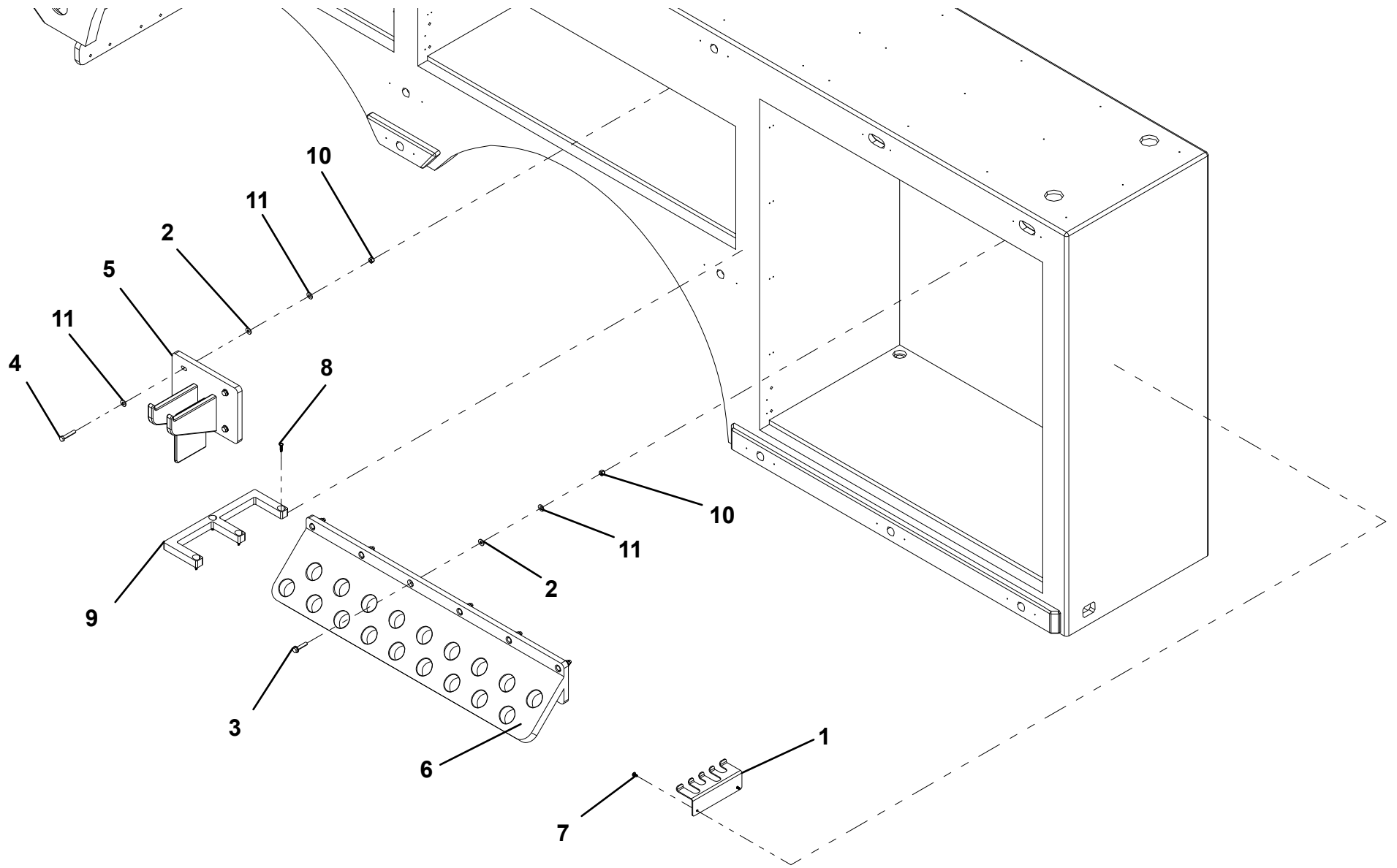
FIFTH WHEEL STORAGE INSTALLATION



FRAME FORK STORAGE INSTALLATION

ITEM	PART NO.	DESCRIPTION	QTY
1	1001160799	Bracket	1
2	1001166974	Washer, 0.38" ID Rubber	10
3	1001168544	Screw, 0.38"-16 X 1.75"	6
4	1001169083	Screw, 0.38"-16 X 2.00"	4
5	1001190926	Bracket	1
6	1001190988	Bracket	1
7	1001195257	Screw, 0.25" X 0.50"	2
8	1001195523	Screw, 0.25" X 1.00"	4
9	1001195838	Bracket	1
10	7660162601	Locknut, 0.38"-16NC	10
11	7950160143	Flatwasher, 0.38" ID	20

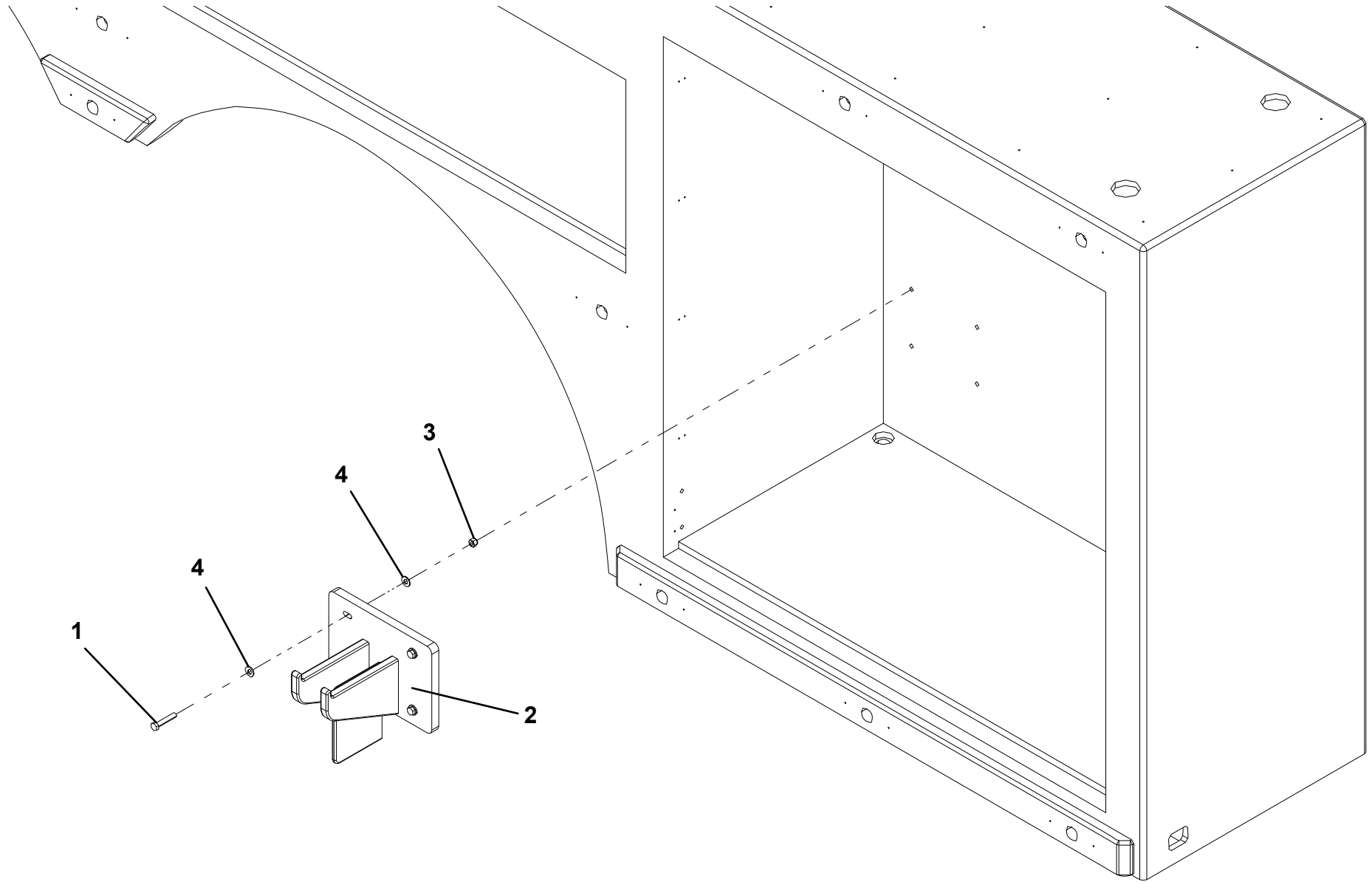
FRAME FORK STORAGE INSTALLATION



FORK RISER STORAGE INSTALLATION

ITEM	PART NO.	DESCRIPTION	QTY
1	1001169083	Screw, 0.38"-16 x 2.00"	4
2	1001190926	Bracket	1
3	7660162601	Locknut, 0.25"-20	4
4	7950160143	Flatwasher, 0.38" ID	8

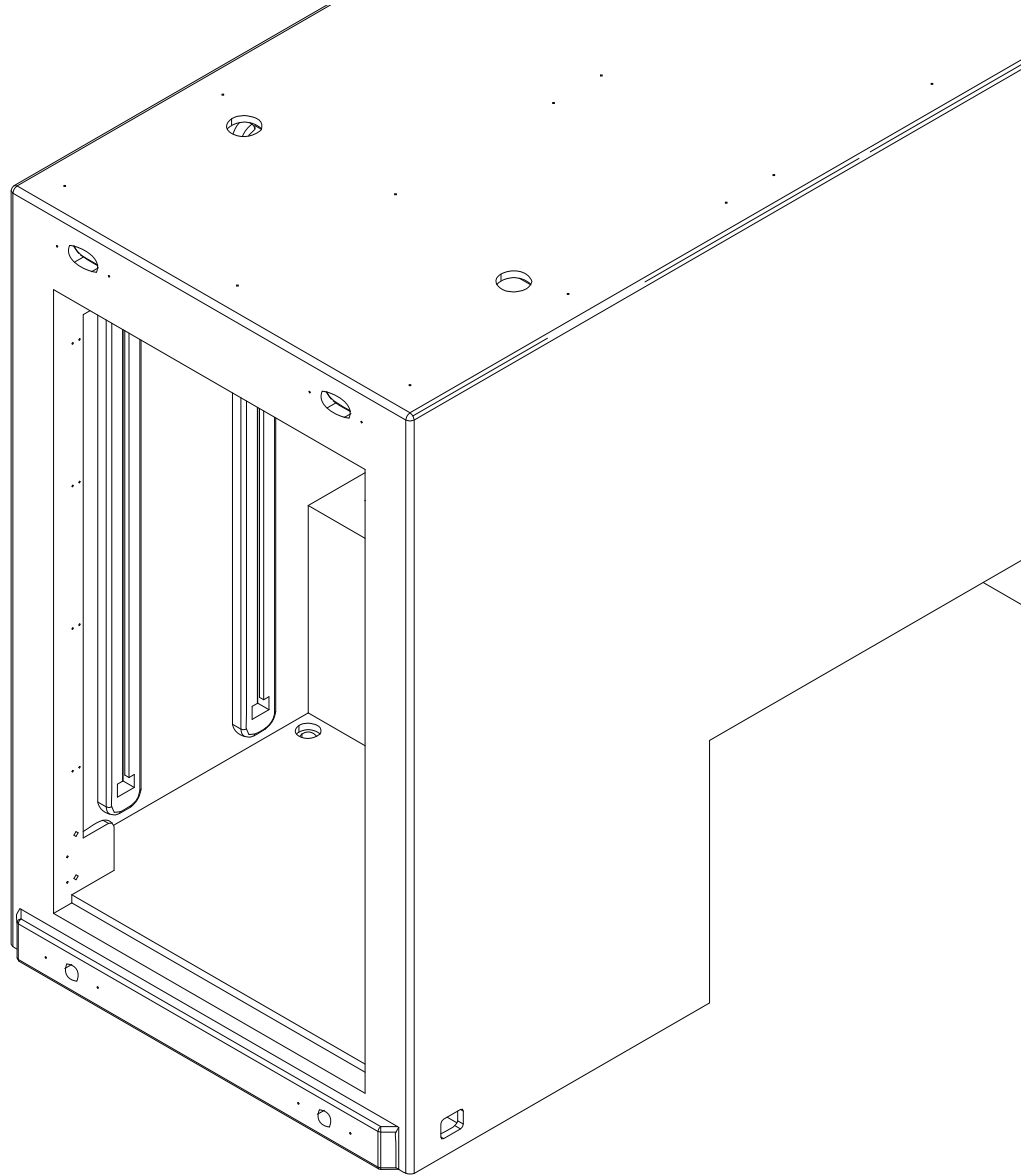
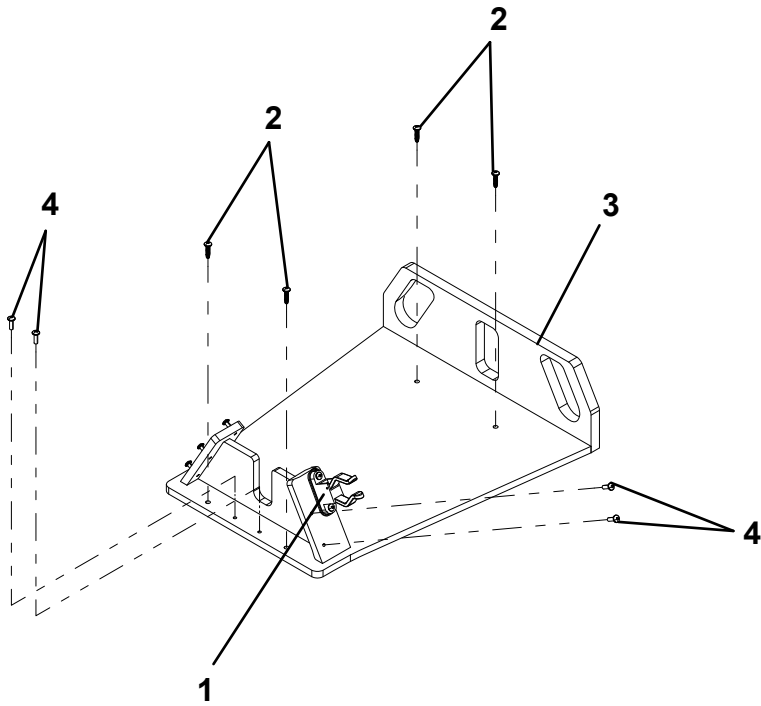
FORK RISER STORAGE INSTALLATION



GRIZZLY BAR STORAGE

ITEM	PART NO.	DESCRIPTION	QTY
1	1001175059	Clamp	5
2	1001195523	Screw, 0.25" x 1.00"	4
3	1001201916	Bracket	1
4	1001209657	Screw, #12 x 0.75"	10

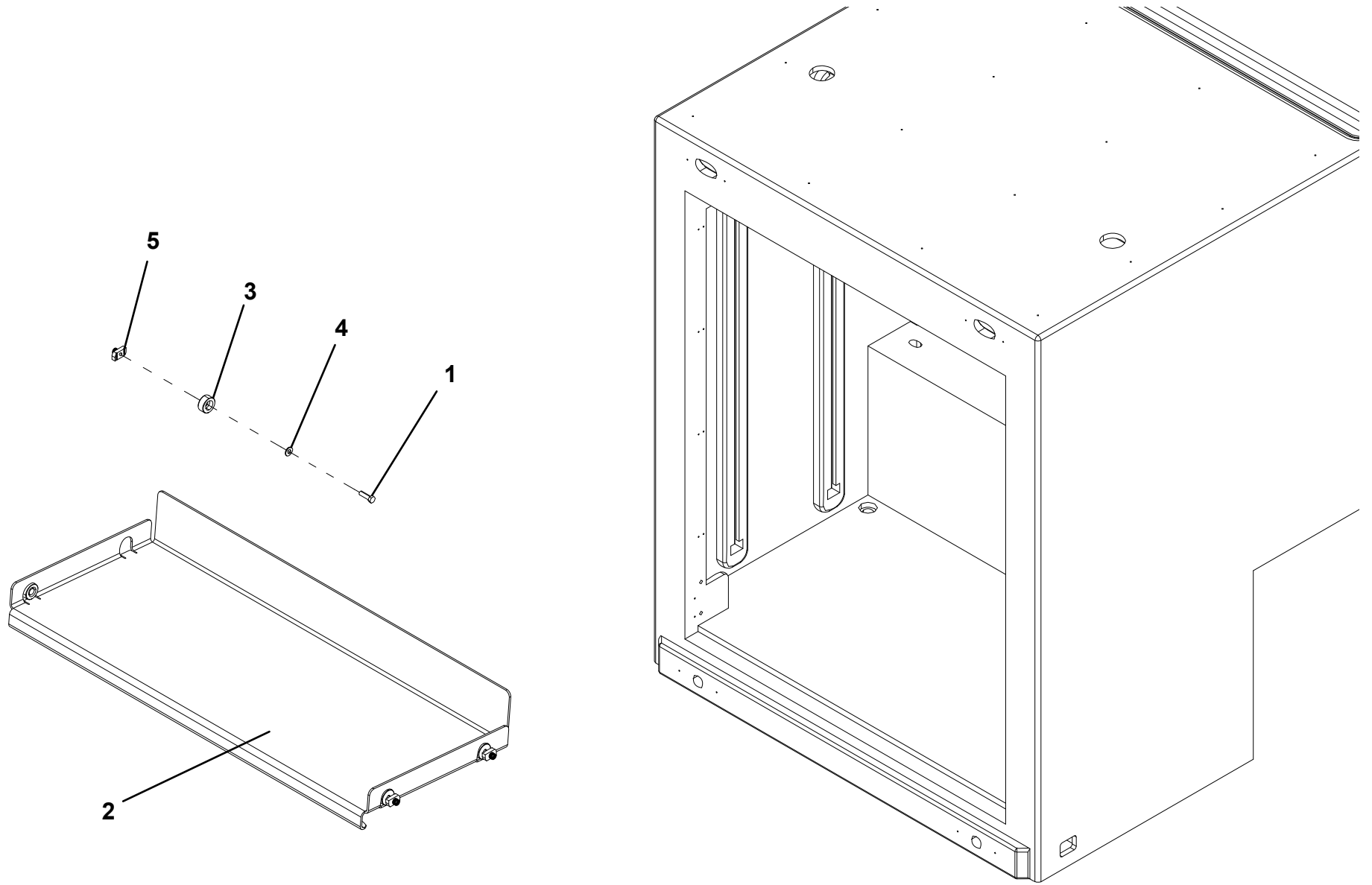
GRIZZLY BAR STORAGE



AIR BAG STORAGE SHELF

ITEM	PART NO.	DESCRIPTION	QTY
48" Tunnel Toolbox			
1	1001169080	Screw, 0.38"-16 x 1.25"	8
2	1001190364	Panel	2
3	1001190579	Mount	8
4	7950160143	Flatwasher, 0.38" ID	8
5	1001166644	Nut, 0.38"-16	8
36" Tunnel Toolbox			
1	1001169080	Screw, 0.38"-16 x 1.25"	8
2	1001190579	Panel	8
3	1001190954	Mount	2
4	7950160143	Flatwasher, 0.38" ID	8
5	1001166644	Nut, 0.38"-16	8

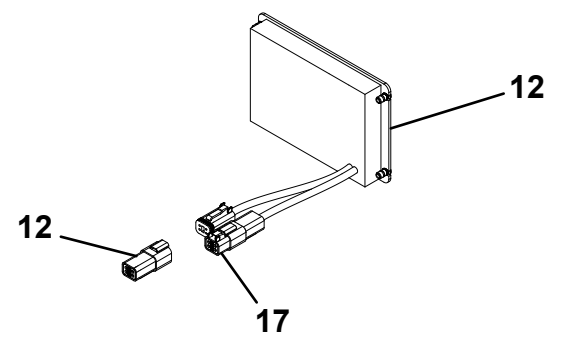
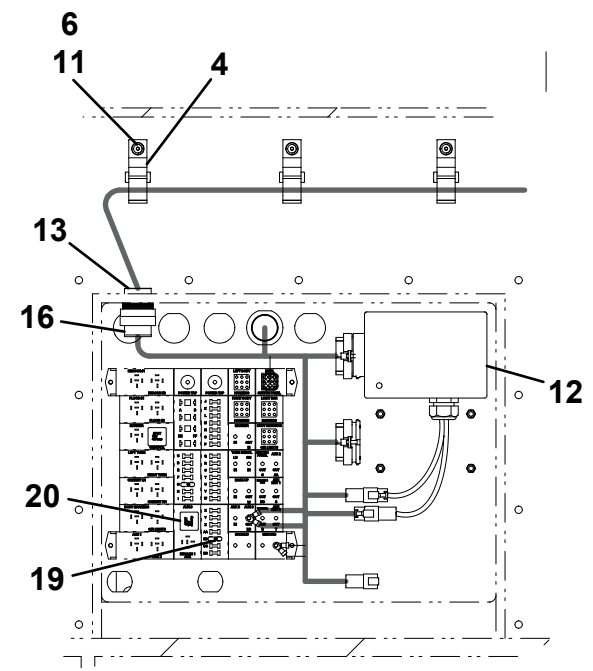
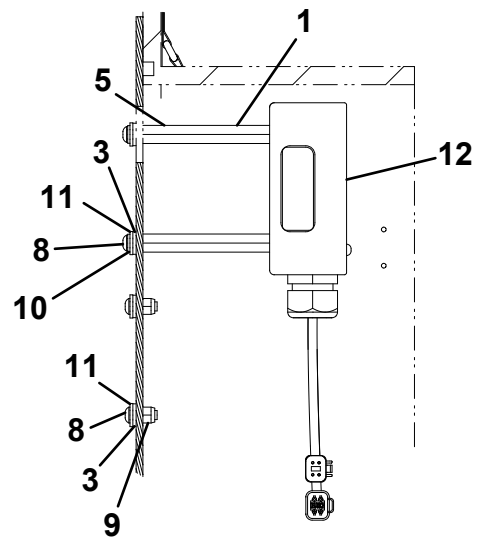
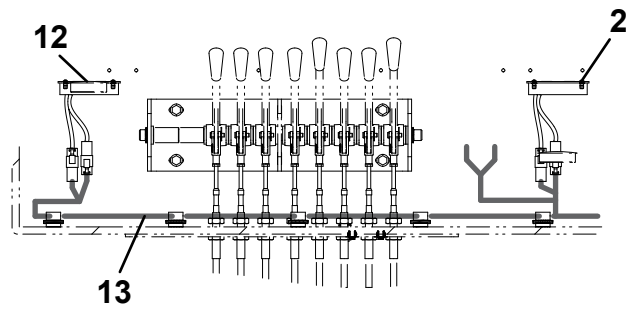
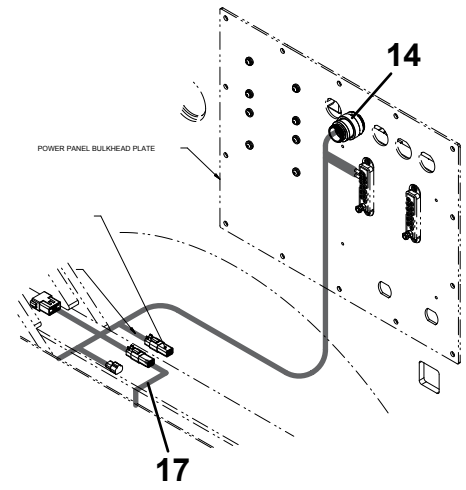
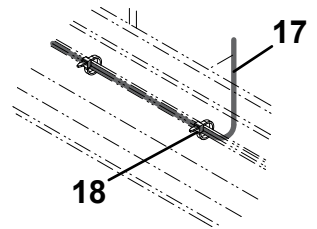
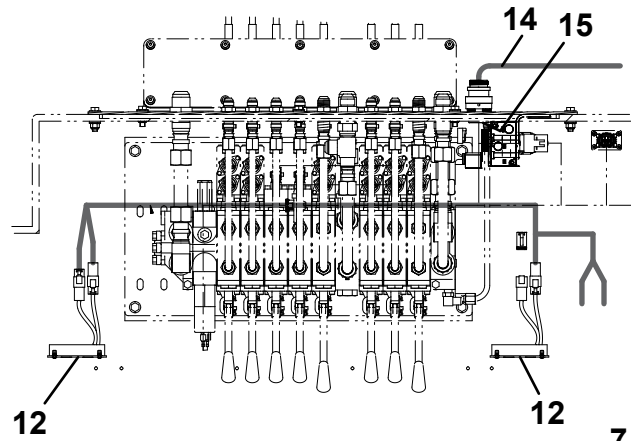
AIR BAG STORAGE SHELF



SWITCH PANEL INSTALLATION (PRIOR TO S/N 0230004251)

ITEM	PART NO.	DESCRIPTION	QTY
1	100011	Loctite	A/R
2	1001151546	Nutsert, #8-32 UNC	20
3	1001166978	Washer, 0.25" ID	8
4	1001167310	Cable Strap	12
5	1001191612	Nut, 0.25"-20	4
6	1001195257	Screw, 0.25" X 0.50"	12
7	7114080418	Bolt, #8-32 X 0.50"	20
8	7114140618	Bolt, 0.25"-20 X 0.75"	8
9	7660142600	Locknut, 0.25"-20NC	4
10	7950140003	Lockwasher, 0.25" ID	4
11	7950140143	Flatwasher, 0.25" ID	20
12	1001135132	Electrical M Plex	1
13	1001189197	Harness	1
14	1001189207	Harness	1
15	1001189219	Harness	1
16	1001189296	Harness	1
17	7552000455	Harness	1
18	7894000004	Tie Strap	15
19	7457000006	Fuse	1
20	7740000001	Relay	1
21	7701000067	Plug	1
22	1001097942	Washer, #8 ID	20

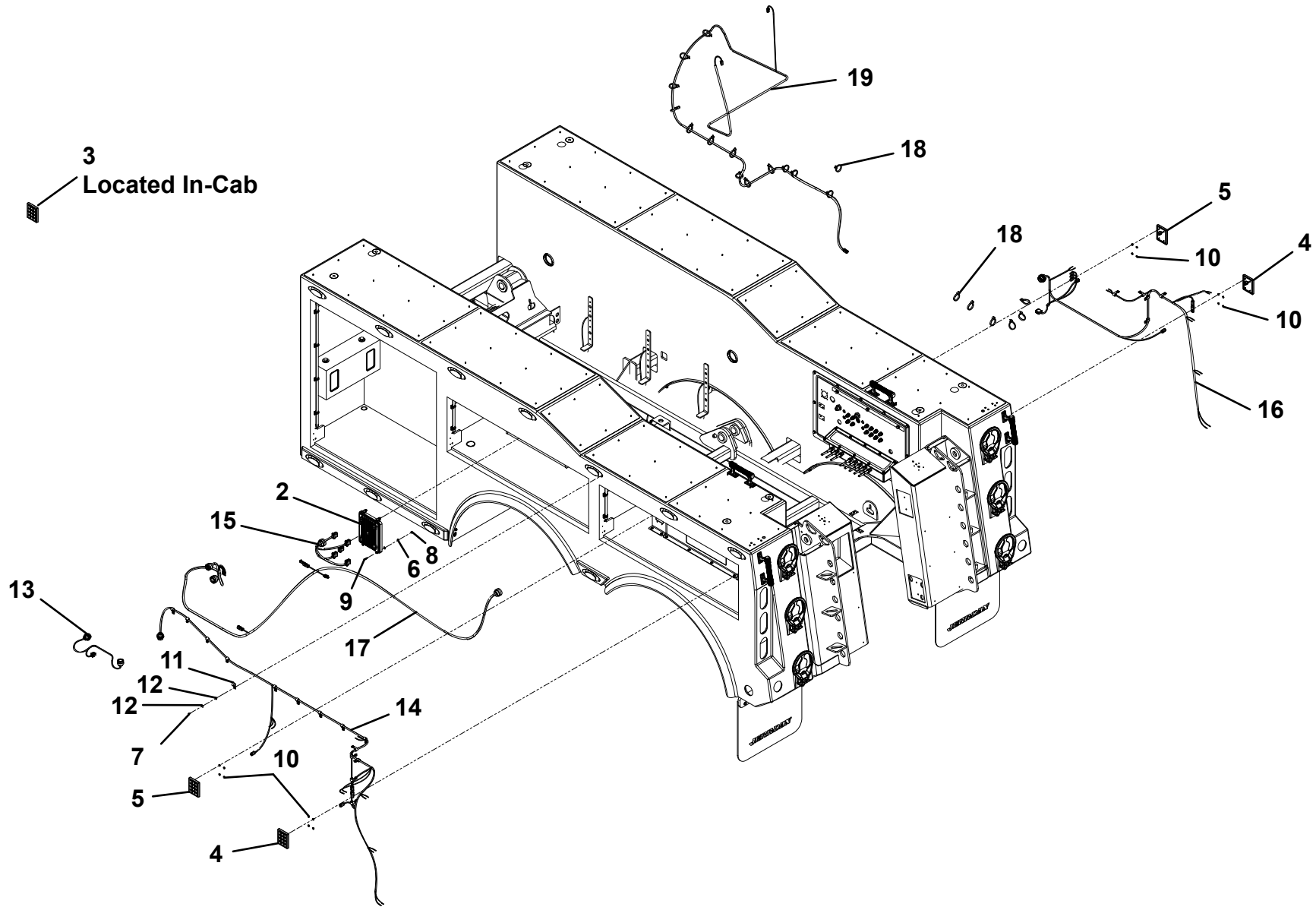
SWITCH PANEL INSTALLATION (PRIOR TO S/N 0230004251)



SWITCH PANEL INSTALLATION (S/N 0230004251 TO PRESENT)

ITEM	PART NO.	DESCRIPTION	QTY
1	1001205244	Multiplex Kit	1
2	1001211000*	Multiplex Module	1
3	1001211001*	Keypad, In Cab	1
4	1001211002*	Keypad, In Body	2
5	1001211003*	Keypad, Winch	2
6	1001166978	Washer, 0.25" ID	4
7	1001195257	Screw, 0.25" x 0.50"	20
8	7660142601	Locknut, 0.25" - 20NC	4
9	1001209590	Screw, 0.25" x 1.00"	4
10	1001209616	Nut, #10 - 32NC	16
11	7280000006	Clip	20
12	7950140143	Flatwasher, 0.25" ID	44
13	1001208950	Harness, Left Jumper	1
14	1001208951	Harness, Left Body	1
15	1001208952	Harness, Multiplex to PDP	1
16	1001215100	Harness, Right Body	1
17	1001216916	Harness, Crossover	1
18	5526000553	Tie Strap	35
19	1001217309	Harness, Winch	1
20	7346000039	Tubing	0.5ft

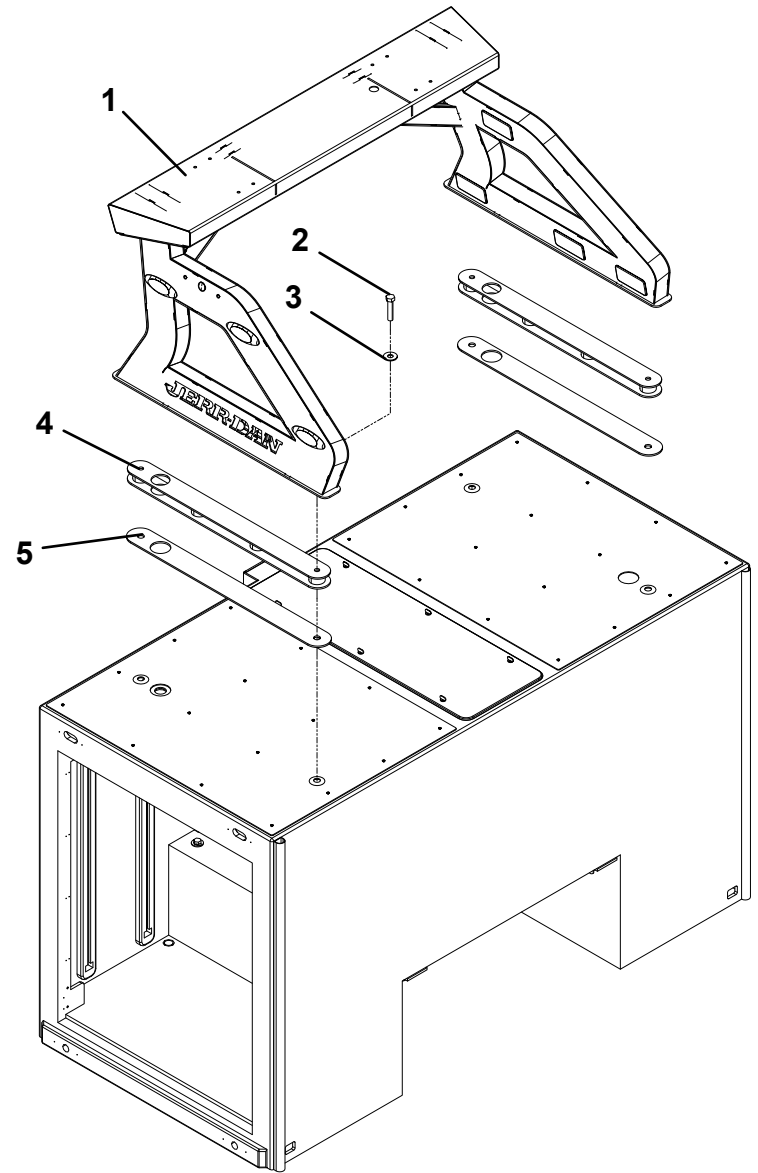
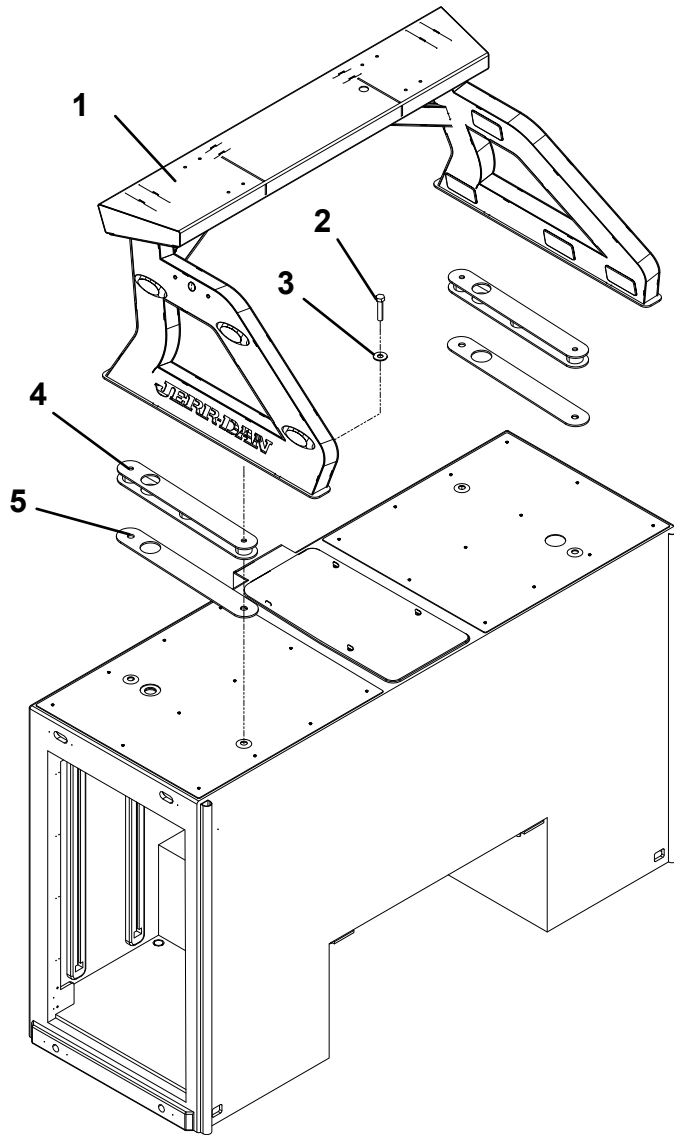
SWITCH PANEL INSTALLATION (S/N 0230004251 TO PRESENT)

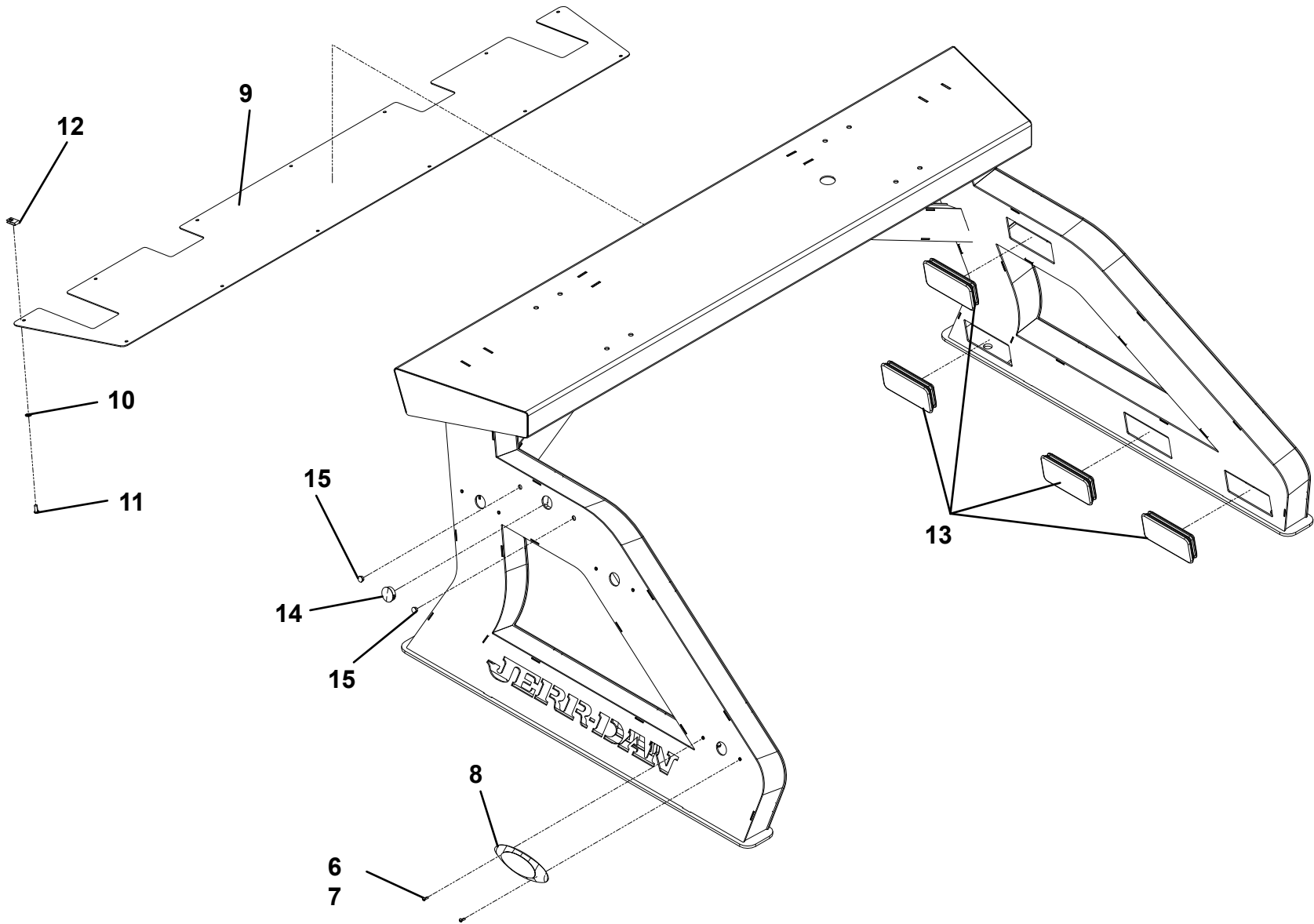


PYLON INSTALLATION

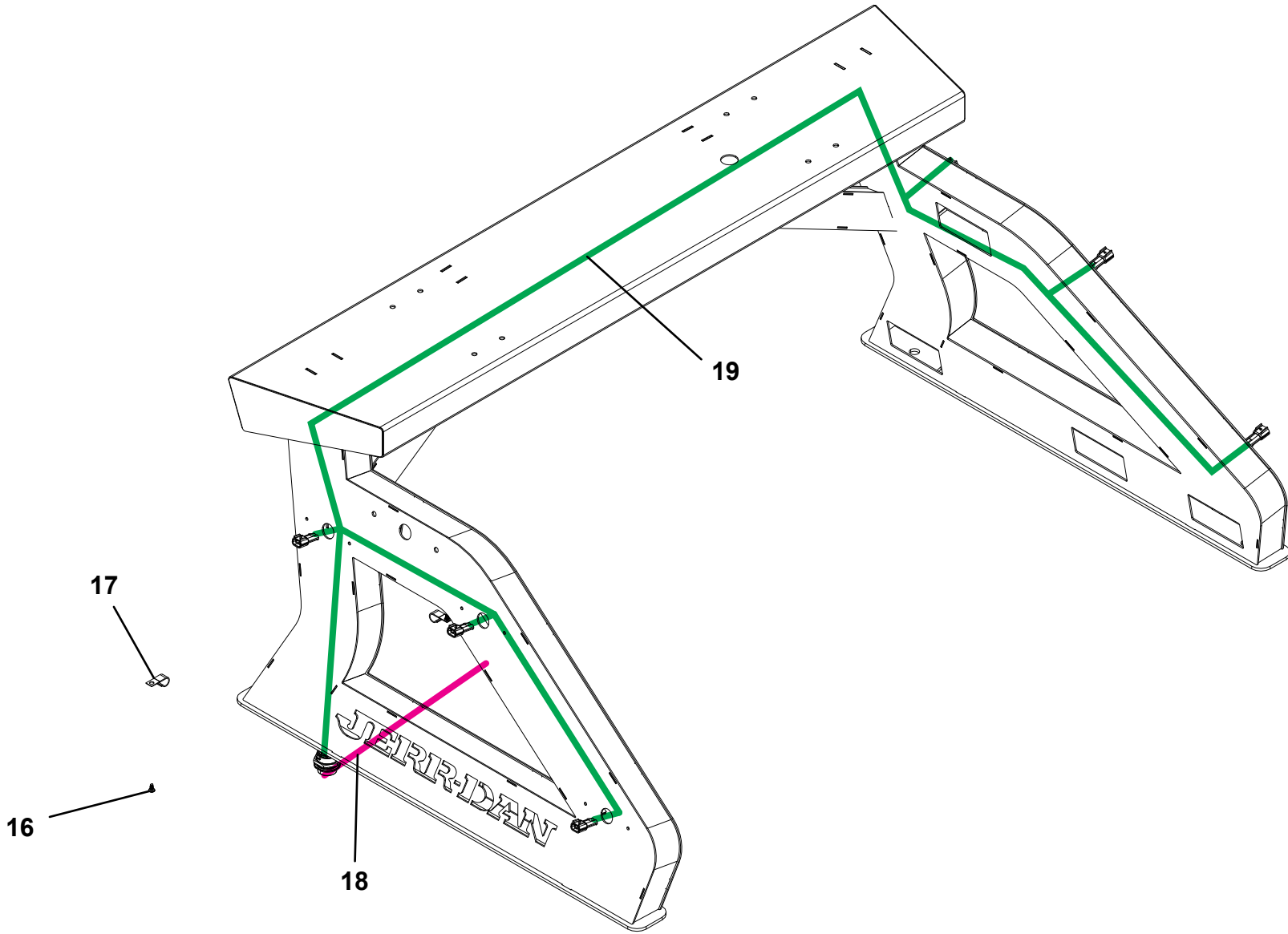
ITEM	PART NO.	DESCRIPTION	QTY
Pylon			
1	1001213102	34" Pylon	1
	1001213509	39" Pylon	1
	1001214577	57" Pylon	1
Adapter Installation			
2	0642228	Capscrew, 0.75" - 10NC x 3.50"	4
3	4752200	Washer, 0.75" ID	4
4	1001213112	Mount, 24"	2
	1001213111	Mount, 36"	2
5	1001214350	Seal, 24"	2
	1001214130	Seal, 36"	2
Light Installation			
6	1001151546	Nut, #8 - 32NC	12
7	7114080418	Screw, #8 - 32NC x 0.50"	12
8	7590000262	Light, Amber	6
Pylon Cover Installation			
9	1001213093	Plate, 34"	1
	1001213522	Plate, 39"	1
	1001214590	Plate, 57"	1
10	1001143686	Washer, 0.25" ID	12
11	7114140518	Screw, 0.25" - 20NC x 0.625"	12
12	7661000019	U-Nut, 0.25" - 20NC	12
Pylon Assembly			
13	7701000048	Plug	8
14	7701000049	Plug	2
15	7701000056	Plug	4
Harness Installation			
16	1001195257	Screw, 0.25" x 0.50"	3
17	7280000006	Clip	3
18	1001189656	Headboard Harness, 34" & 39"	1
	1001214605	Headboard Harness, 57"	1
19	1001189657	Headboard Harness, Main 34" & 39"	1
	1001215110	Headboard Harness, Main 57"	

PYLON INSTALLATION



PYLON INSTALLATION

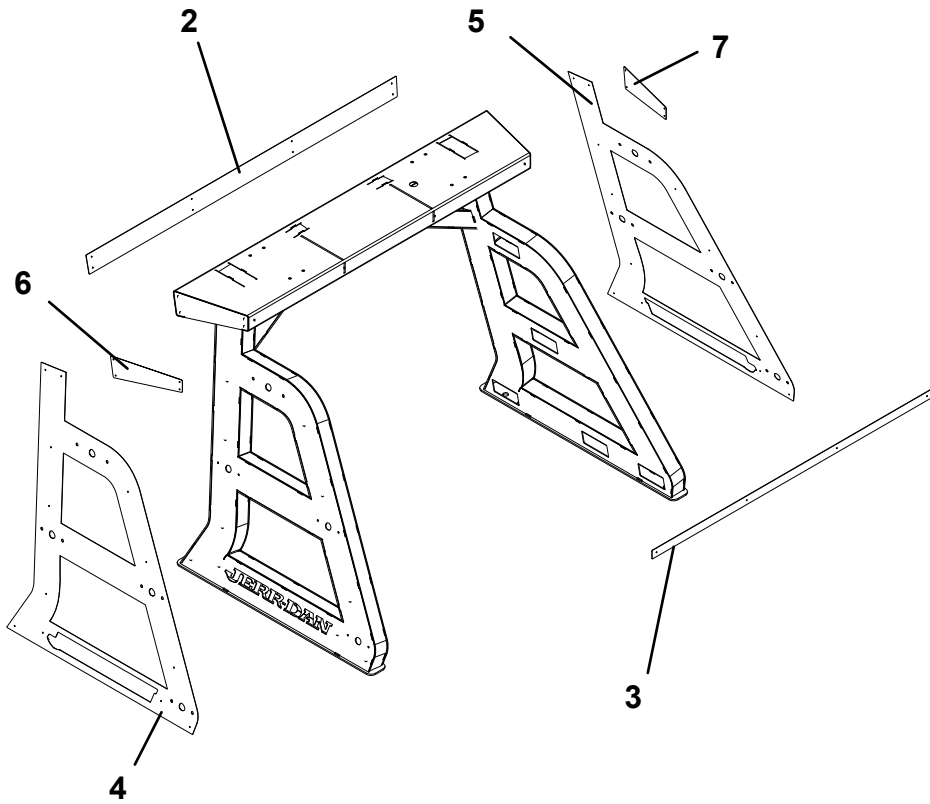
PYLON INSTALLATION



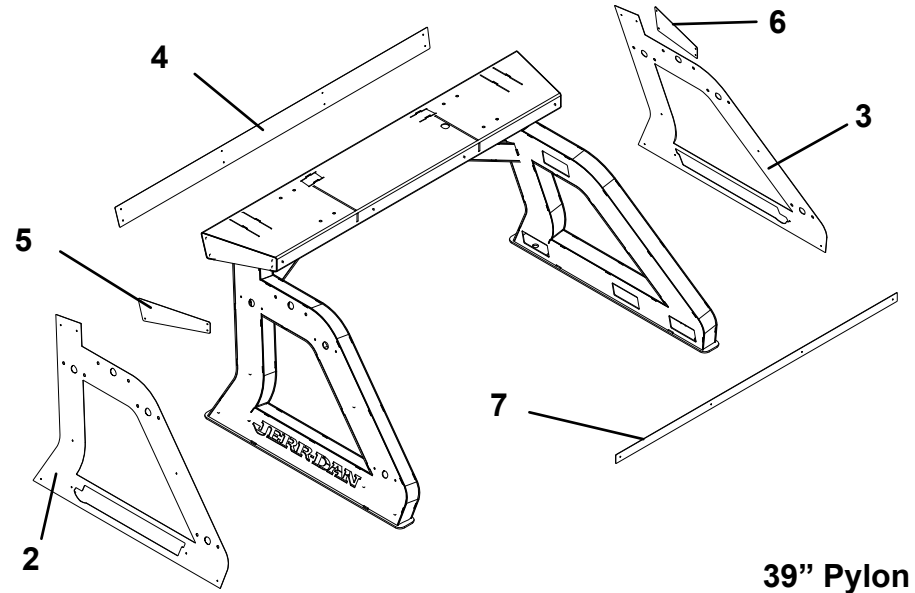
PYLON DRESS-UP KIT

ITEM	PART NO.	DESCRIPTION	QTY	ITEM	PART NO.	DESCRIPTION	QTY
34" Pylon				34" Pylon - Polished			
1	1001156424	Pop Rivet	42	1	1001156424	Pop Rivet	42
2	1001220169	Plate, Front	1	2	1001220363	Plate, Front	1
3	1001220234	Plate, Back	1	3	1001220364	Plate, Back	1
4	1001220345	Plate, Side LH	1	4	1001220369	Plate, Side LH	1
5	1001220349	Plate, Side RH	1	5	1001220370	Plate, Side RH	1
6	1001220352	Plate, Top Side LH	1	6	1001220371	Plate, Top Side LH	1
7	1001220353	Plate, Top Side RH	1	7	1001220372	Plate, Top Side RH	1
39" Pylon				39" Pylon - Polished			
1	1001156424	Pop Rivet	44	1	1001156424	Pop Rivet	44
2	1001220167	Plate, Side LH	1	2	1001220365	Plate, Side LH	1
3	1001220168	Plate, Side RH	1	3	1001220366	Plate, Side RH	1
4	1001220169	Plate, Front	1	4	1001220369	Plate, Front	1
5	1001220170	Plate, Top Side LH	1	5	1001220370	Plate, Top Side LH	1
6	1001220171	Plate, Top Side RH	1	6	1001220373	Plate, Top Side RH	1
7	1001220234	Plate, Back	1	7	1001220374	Plate, Back	1
57" Pylon				57" Pylon - Polished			
1	1001156424	Pop Rivet	52	1	1001156424	Pop Rivet	52
2	1001220169	Plate, Front	1	2	1001220367	Plate, Front	1
3	1001220234	Plate, Back	1	3	1001220368	Plate, Back	1
4	1001220350	Plate, Side LH	1	4	1001220369	Plate, Side LH	1
5	1001220351	Plate, Side RH	1	5	1001220370	Plate, Side RH	1
6	1001220354	Plate, Top Side LH	1	6	1001220375	Plate, Top Side LH	1
7	1001220355	Plate, Top Side RH	1	7	1001220376	Plate, Top Side RH	1

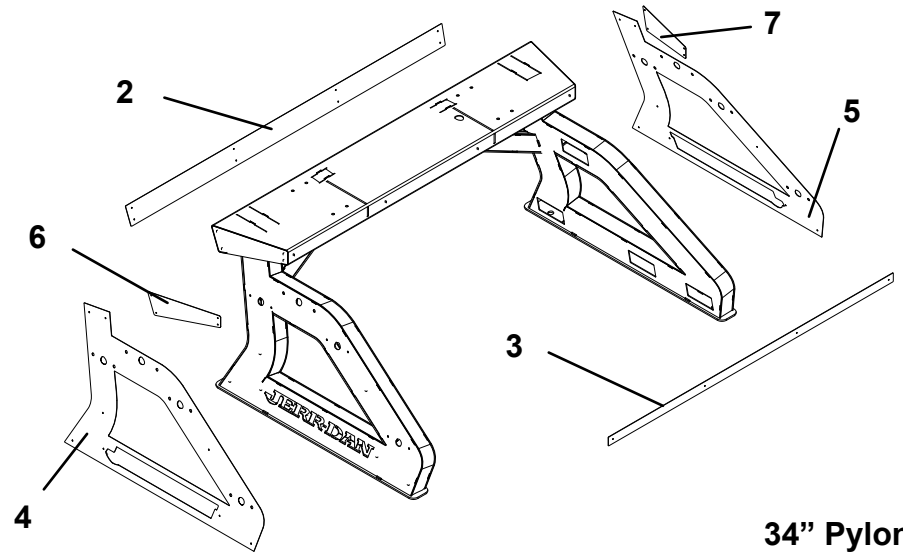
PYLON DRESS-UP KIT



57" Pylon



39" Pylon

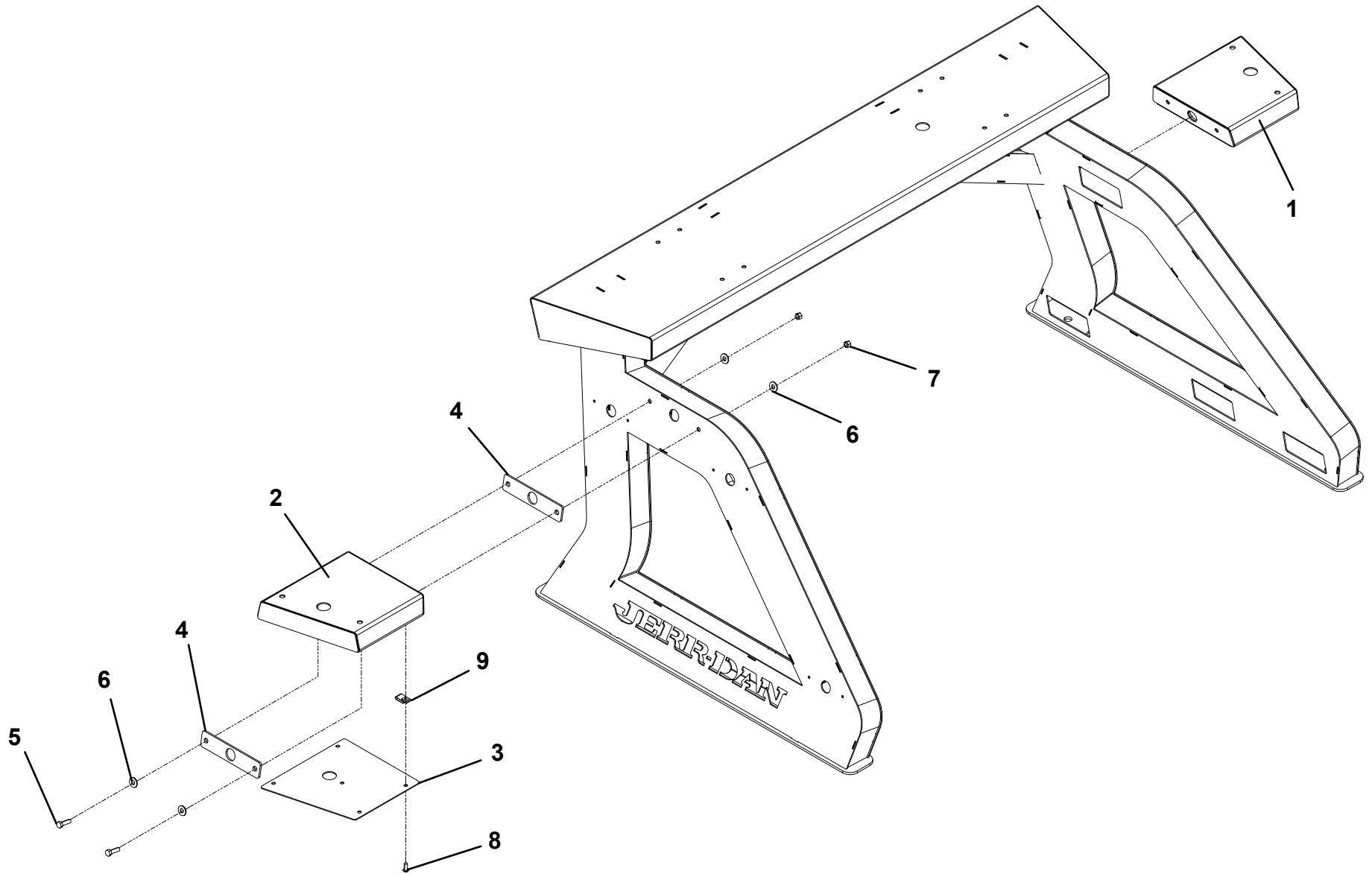


34" Pylon

WING LIGHT BRACKET INSTALLATION

ITEM	PART NO.	DESCRIPTION	QTY
1	1001213104	Mount, RH	1
2	1001213105	Mount, LH	1
3	1001213110	Plate	2
4	1001214129	Plate	4
5	0641610	Capscrew, 0.38" - 16NC x 1.25"	4
6	4751600	Washer, 0.38" ID	8
7	3271605	Nut, 0.38" - 16NC	4
8	7114150618	Screw, 0.31" - 18NC x 0.75"	8
9	7661000029	Nut, 0.31" - 18NC	8

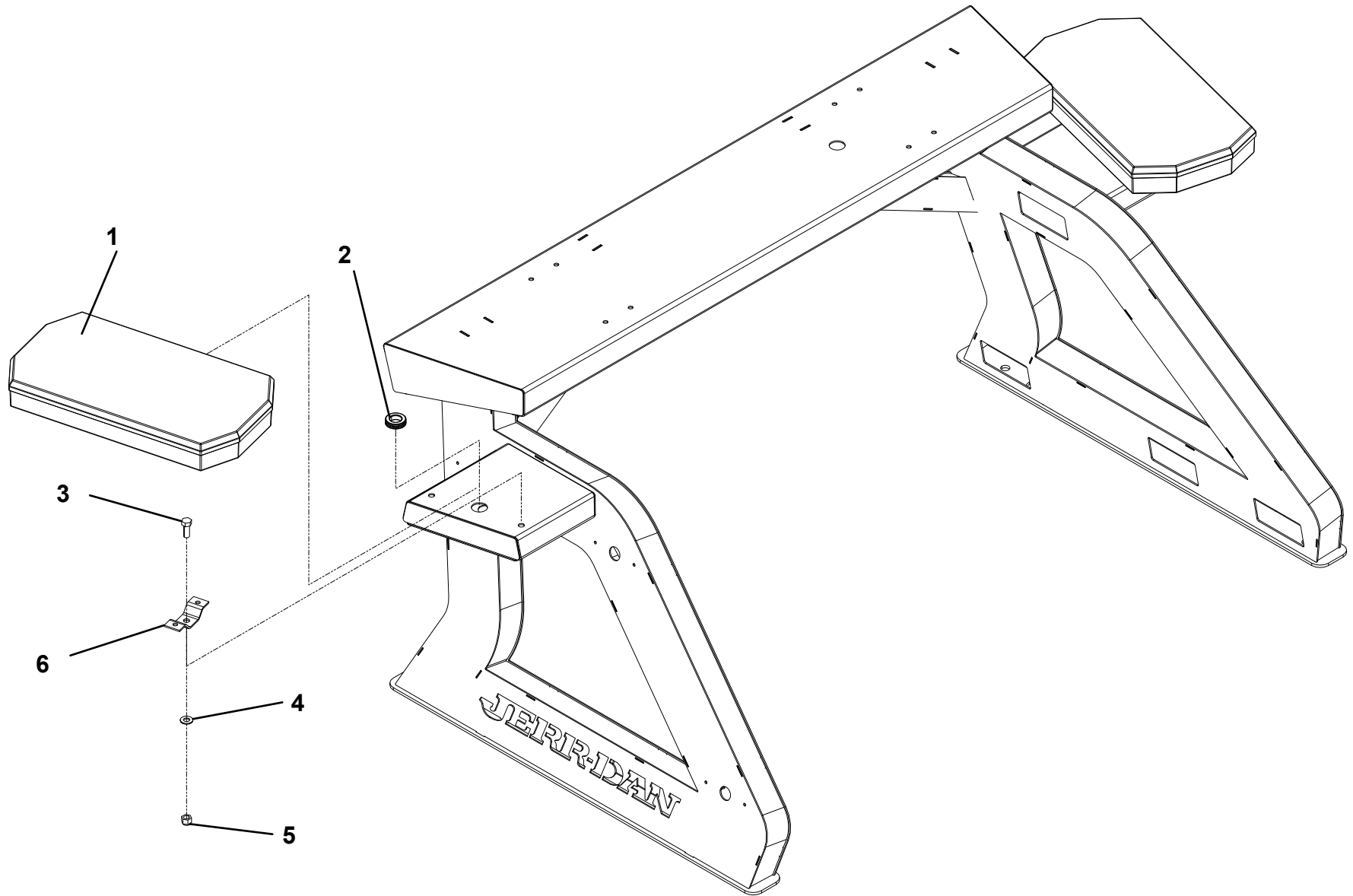
WING LIGHT BRACKET INSTALLATION



WING LIGHT INSTALLATION

ITEM	PART NO.	DESCRIPTION	QTY
1	1001133591	Light, Amber CD3	2
	1001129861	Light, Amber Whelen	2
2	7493000011	Grommet	2
3	0641810	Capscrew, 0.50" - 13NC x 1.25"	4
4	4711800	Washer, 0.50" ID	4
5	7660182601	Locknut, 0.50" - 13NC	4
6	4178000402	Bracket	4

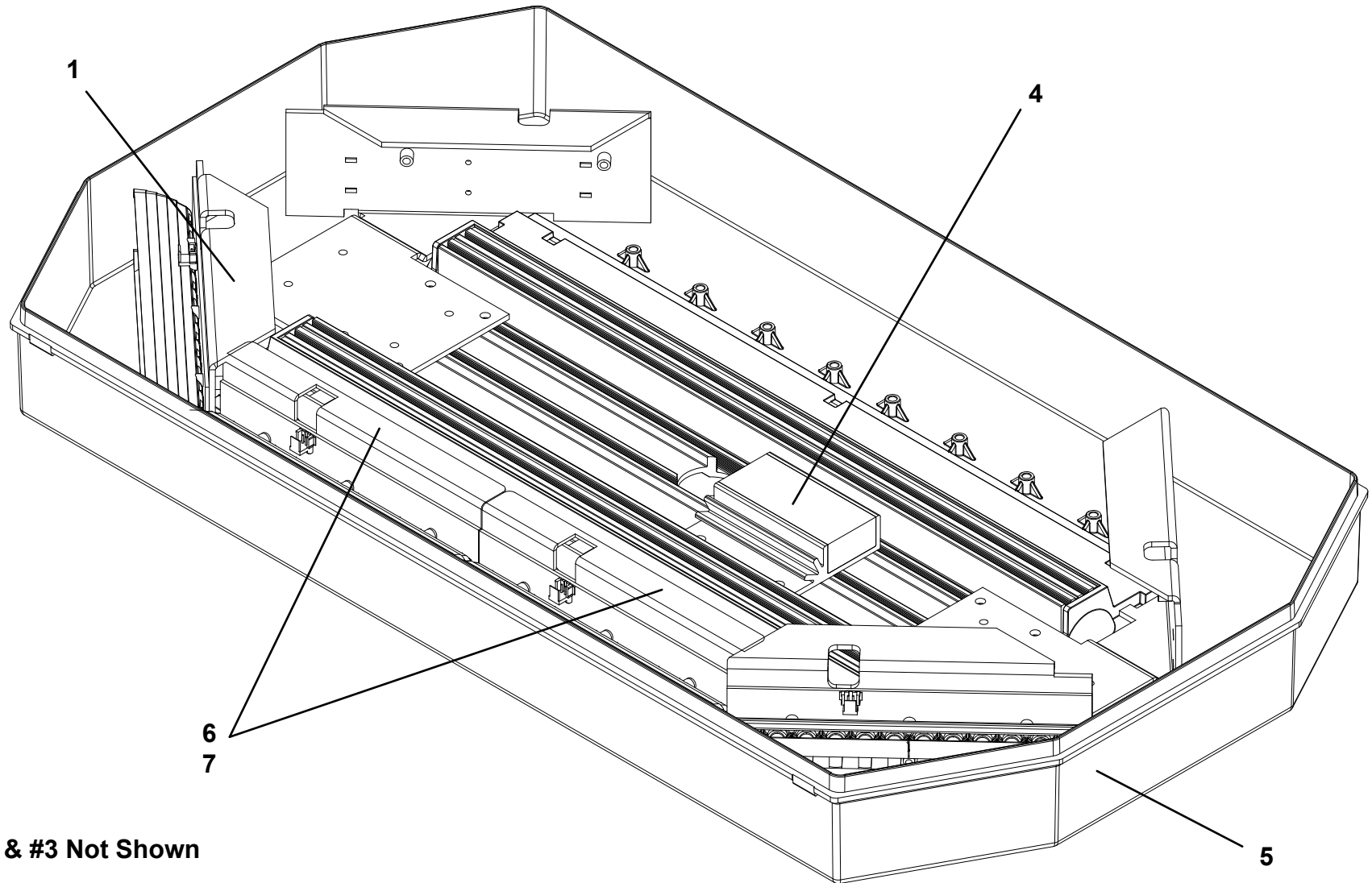
WING LIGHT INSTALLATION



PUBLIC SAFETY LIGHT BAR - 1001133591

ITEM	PART NO.	DESCRIPTION	QTY
1	70051014	LED Corner Module & Bracket	2
2	70051015	Lens, Clear Upper	1
3	70051016	Cable, JERR-DAN 2 Wire	1
4	9346310098	Flasher	1
5	70051017	Lens, Clear Lower	1
6	9590310201	LED Center Module	2
7	70051018	Bracket, Mounting	1

PUBLIC SAFETY LIGHT BAR - 1001133591

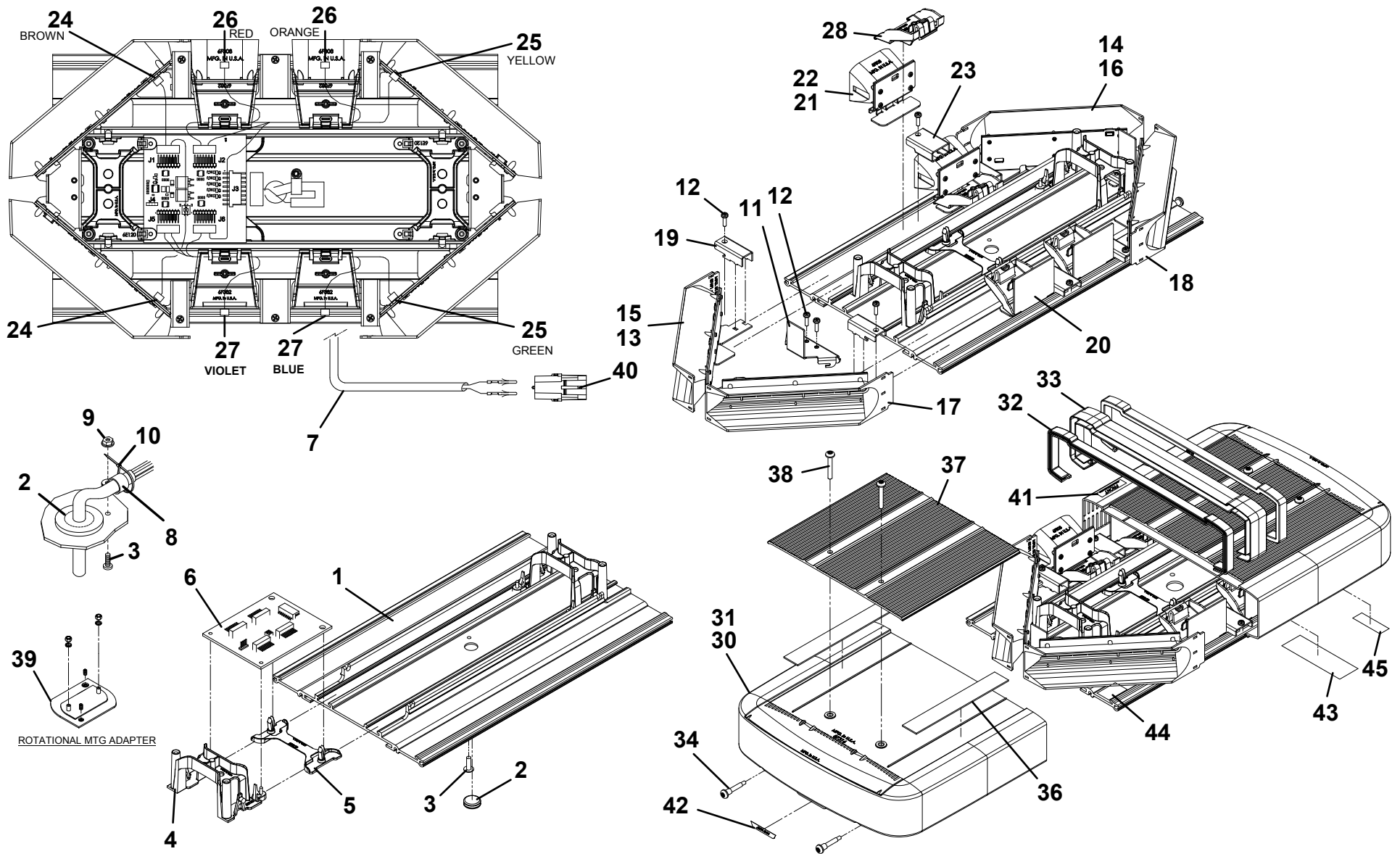


#2 & #3 Not Shown

22" WHELEN LIGHT BAR - 1001199478

ITEM	PART NO.	DESCRIPTION	QTY
1	70051019	Base	1
2	70050169	Grommet	1
3	70051020	Screw, 10-24NC X 0.88"	1
4	70051021	Bracket, Bulkhead Lens Mount	2
5	70051022	Bracket, I/O Anchor	1
6	70051023	Assembly, I/O BD Mini	1
7	70051024	Assembly, Cable	1
8	70051025	Clamp, Cable	1
9	70050174	Nut, Wiz 10-24Nc	1
10	70051026	Ty Wrap, 6" Black	AR
11	70051027	Bracket, End Clamp	2
12	70051028	Screw, 6-32Nc X 0.50"	10
13	70051029	Assy, Corner L-Front/R-Rear Amber	1
14	70051030	Assy, Corner L-Rear/R-Front Amber	1
15	70051031	Assy, Corner L-Front/R-Rear Blue	1
16	70051032	Assy, Corner L-Rear/R-Front Blue	1
17	70051033	Assembly, Blank Rear Drvr Corner	1
18	70051034	Assembly, Blank Rear Pass Corner	1
19	70051035	Bracket, Corner Clamp	4
20	70051036	Bracket, Half Filler	2
21	70051037	Sub Assy, Short Directional Amber	2
22	70051038	Sub Assy, Short Directional Blue	2
23	70051039	Bracket, Filler	2
24	70051040	Assembly, Harness	1
25	70051041	Assembly, Harness	1
26	70051042	Assembly, Harness	1
27	70051043	Assembly, Harness	1
28	70051044	Bracket, Snap-In	4
29	70051045	Ty Wrap, 3" Black	AR
30	70051046	Sub Assy, Cut Dome Clear	2
31	70051047	Sub Assy, Cut Dome Blue	2
32	70051048	Seal, Lens Divider	2
33	70051049	Divider, Lens	1
34	70051050	Screw, 10-24NC X 1.25"	4
36	70051051	Tape, VHB Endcap Trim Mount	4
37	70051052	Cover, Top Extruded 7.325"	2

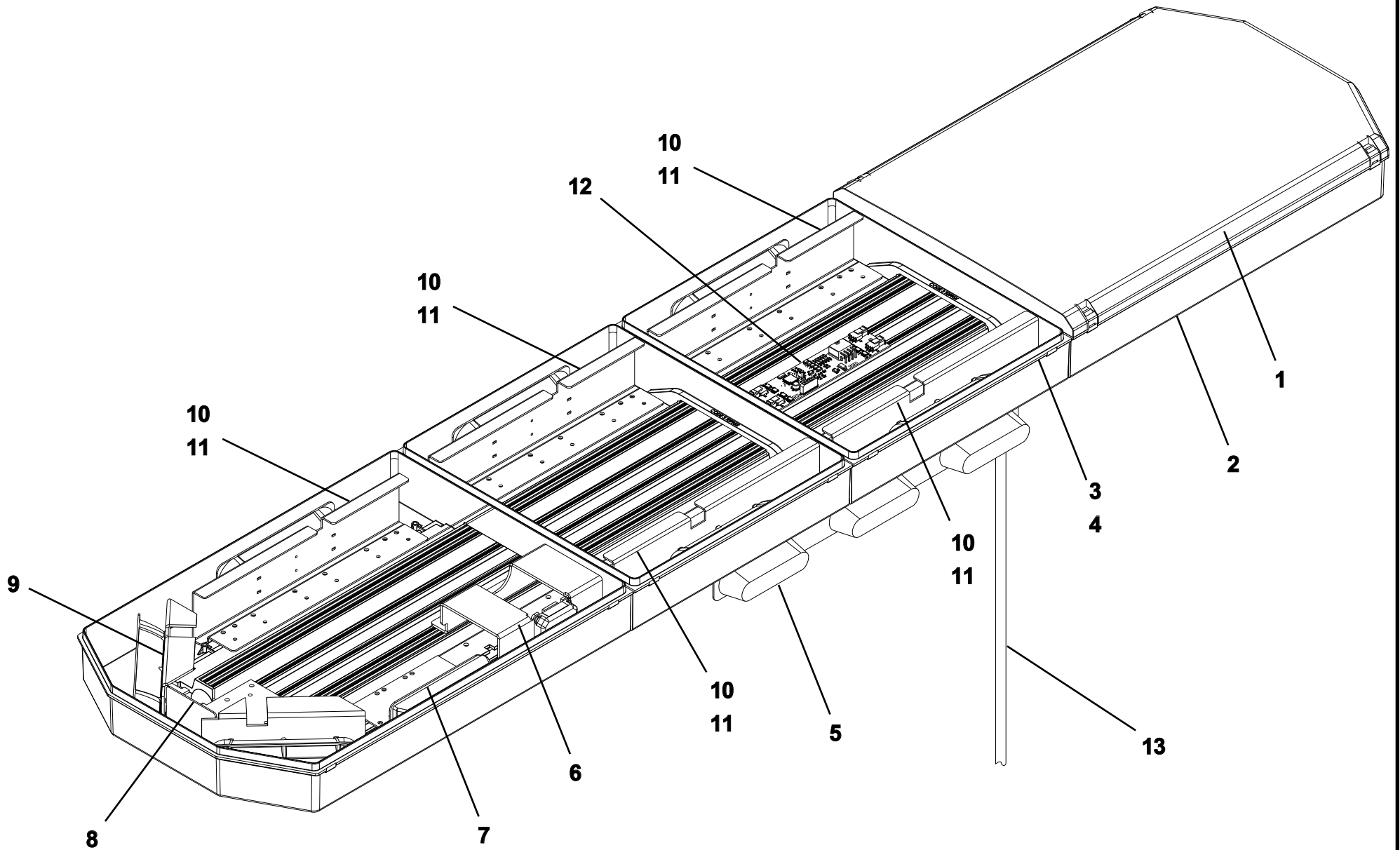
22" WHELEN LIGHT BAR - 1001199478



LIGHTBAR - CODE 3 - 1001136990

ITEM	PART NO.	DESCRIPTION	QTY
1	9590310197	Lens, Clear Upper Outboard	2
2	9590310200	Lens, Clear, Lower Outboard	2
3	9590310203	Lens, Clear Lower Center	2
4	9590310195	Lens, Clear Upper Center	2
5	1001126269	3 Light D.O.T. Strip	1
6	70050164	Worklight, LED	2
7	1001130702	Module, LED Stop/Tail/Turn	2
8	70050166	Bracket, Blank	4
9	9590310206	Module, Bracket	4
10	9590310205	Module, Led Amber	6
11	9590310202	Bracket, Mounting	6
12	70050167	Controller, General	1
13	70050165	Cable, Jerr-Dan 9 Wire	1
14	70050980	Harness, Internal Input	1
15	70050981	Harness, Internal Output	1

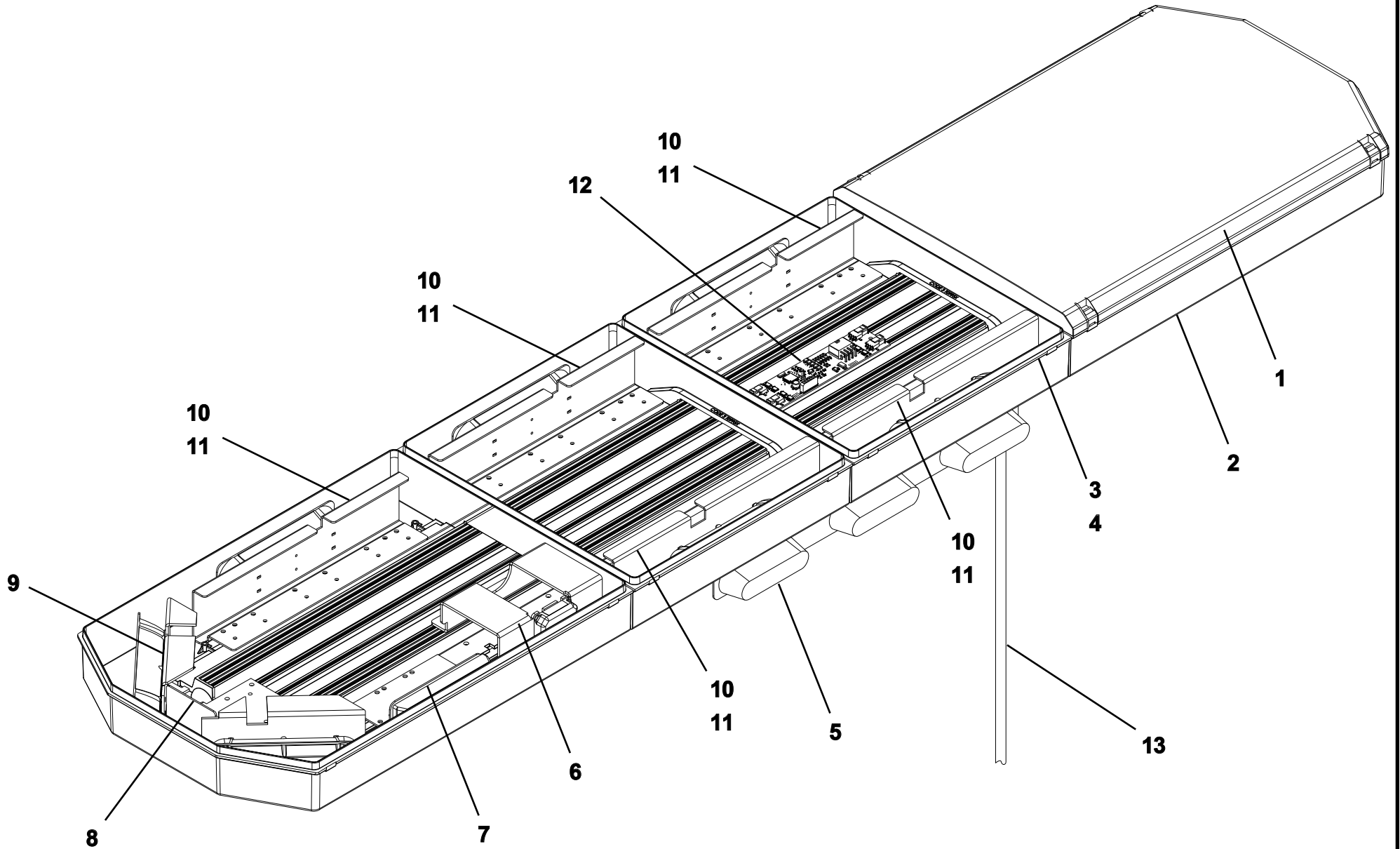
LIGHTBAR - CODE 3 - 1001136990



LIGHTBAR - CODE 3 - 1001152815

ITEM	PART NO.	DESCRIPTION	QTY
1	9590310197	Lens, Clear Upper Outboard	2
2	9590310200	Lens, Clear, Lower Outboard	2
3	9590310203	Lens, Clear Lower Center	2
4	9590310195	Lens, Clear Upper Center	2
5	1001126269	3 Light Strip	1
6	70050164	Worklight	2
7	1001130702	Module	2
8	70050166	Bracket	4
9	70050979	Bracket	6
10	70050722	Module	6
11	9590310202	Bracket	6
12	70050167	Controller	1
13	70050165	Cable	1
14	70050980	Harness	1
15	70050981	Harness	1

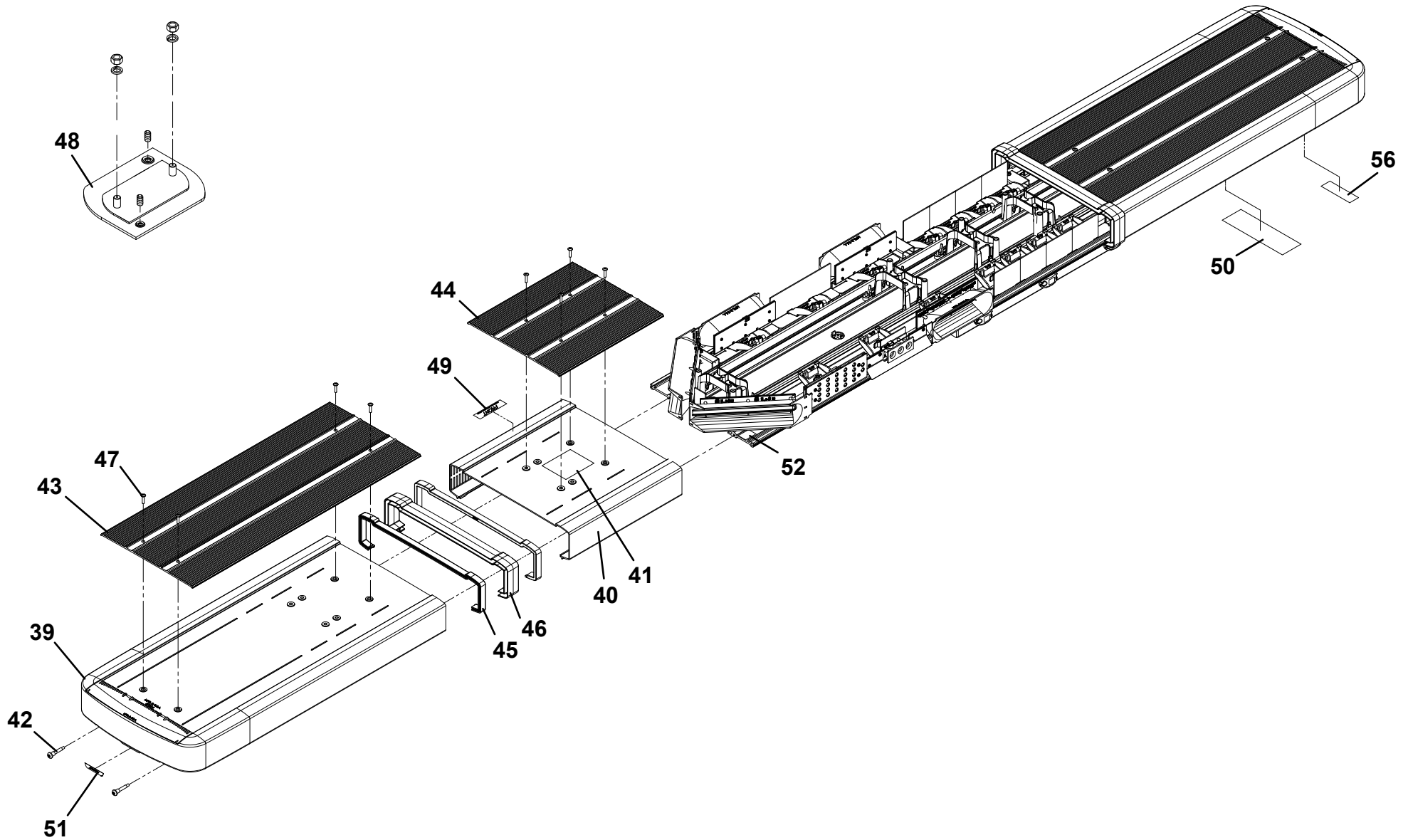
LIGHTBAR - CODE 3 - 1001152815



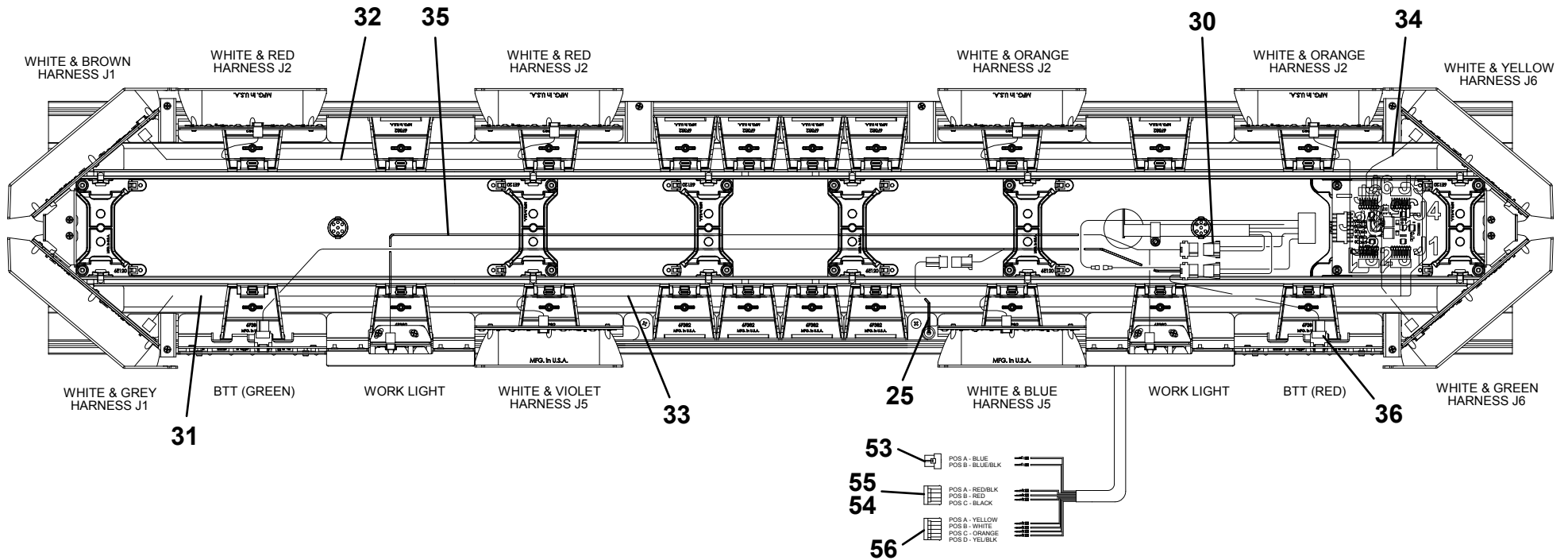
LIGHTBAR - WHELEN - 1001199475

ITEM	PART NO.	DESCRIPTION	QTY	ITEM	PART NO.	DESCRIPTION	QTY
1	70051058	Base	1	40	70051077	Lens	1
2	70050169	Grommet	1	41	70051078	Label	1
3	70050170	Plug	2	42	70050203	Screw, #10-24NC X 1.25"	4
4	70051059	Screw, #10-24NC x 0.88"	1	43	70051062	Cover	2
5	70051021	Bracket	6	44	70051061	Cover	1
6	70051022	Bracket	1	45	70051048	Seal	4
7	70051023	Circuit Board	1	46	70051049	Lens	2
8	70051060	Cable	1	47	70051053	Screw, #10 X 0.88"	12
9	70050665	Clamp	1	48	70050204	Adapter	2
10	70050174	Nut, #10-24NC	1	49	70051055	Label	1
11	70051026	Tiewrap	AR	50	70050207	Label	1
12	70051027	Bracket	2	51	70051056	Label	2
13	70051035	Bracket	4	52	70051057	Label	1
14	70051028	Screw, #6-32NC X 0.50"	10	53	70050208	Housing	1
15	70051029	Lamp, Rear Amber	2	54	70050209	Connector	1
16	70051030	Lamp, Front Amber	2	55	70050210	Housing	1
17	70051063	Lamp, 6 LED	6	56	70050211	Housing	1
18	70051064	Lamp, 3 LED	2				
19	70051065	Lamp	2				
20	70051066	Bracket	2				
21	70051036	Bracket	8				
22	70051039	Bracket	2				
23	70050176	Grommet	1				
24	70051068	Lamp	1				
25	70050178	Harness	1				
26	70051069	Bracket	2				
27	70050179	Screw, #10-32NF X 0.50"	2				
28	70050180	Lockwasher, #10 ID	2				
29	70050181	Housing	1				
30	70050175	Housing	2				
31	70051070	Harness	1				
32	70051071	Harness	1				
33	70051072	Harness	1				
34	70051073	Harness	1				
35	70051074	Harness	1				
36	70051075	Harness	1				
37	70051044	Bracket	20				
38	70051045	Tiewrap	AR				
39	70051076	Lens	1				

LIGHTBAR - WHELEN - 1001199475



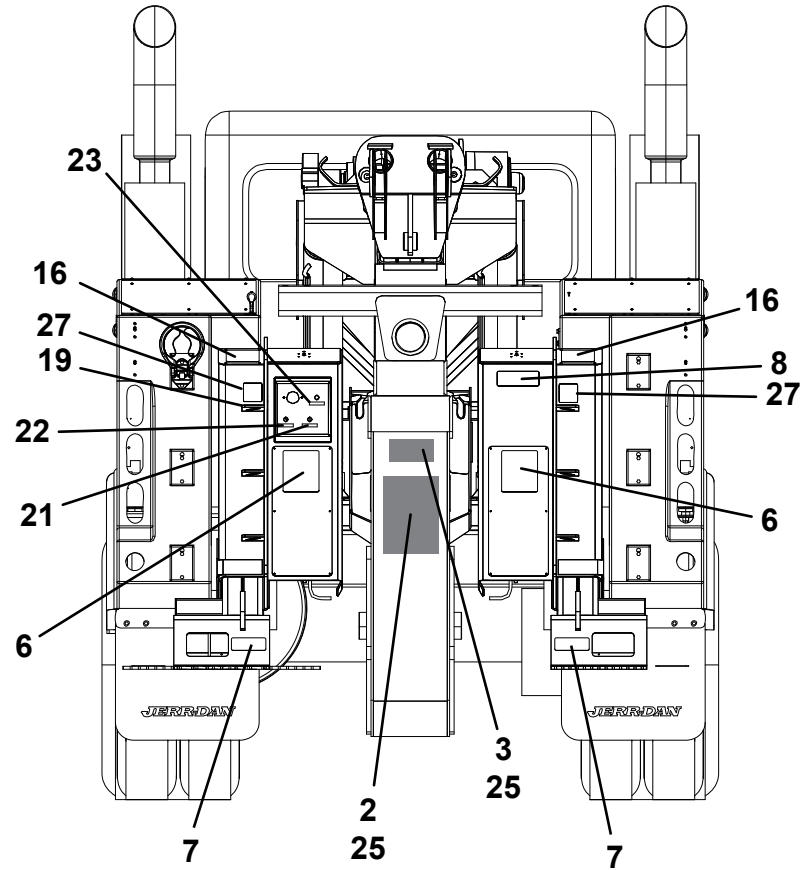
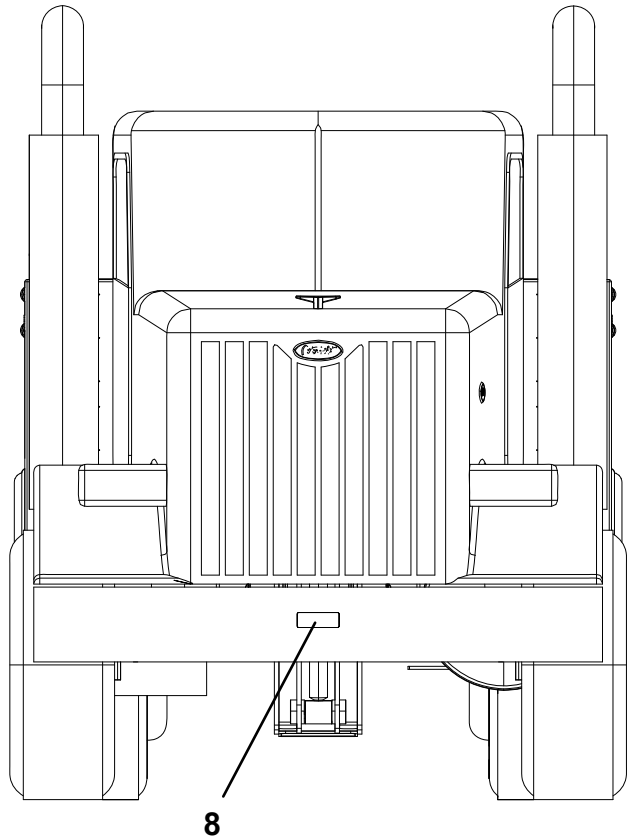
LIGHTBAR - WHELEN - 1001199475

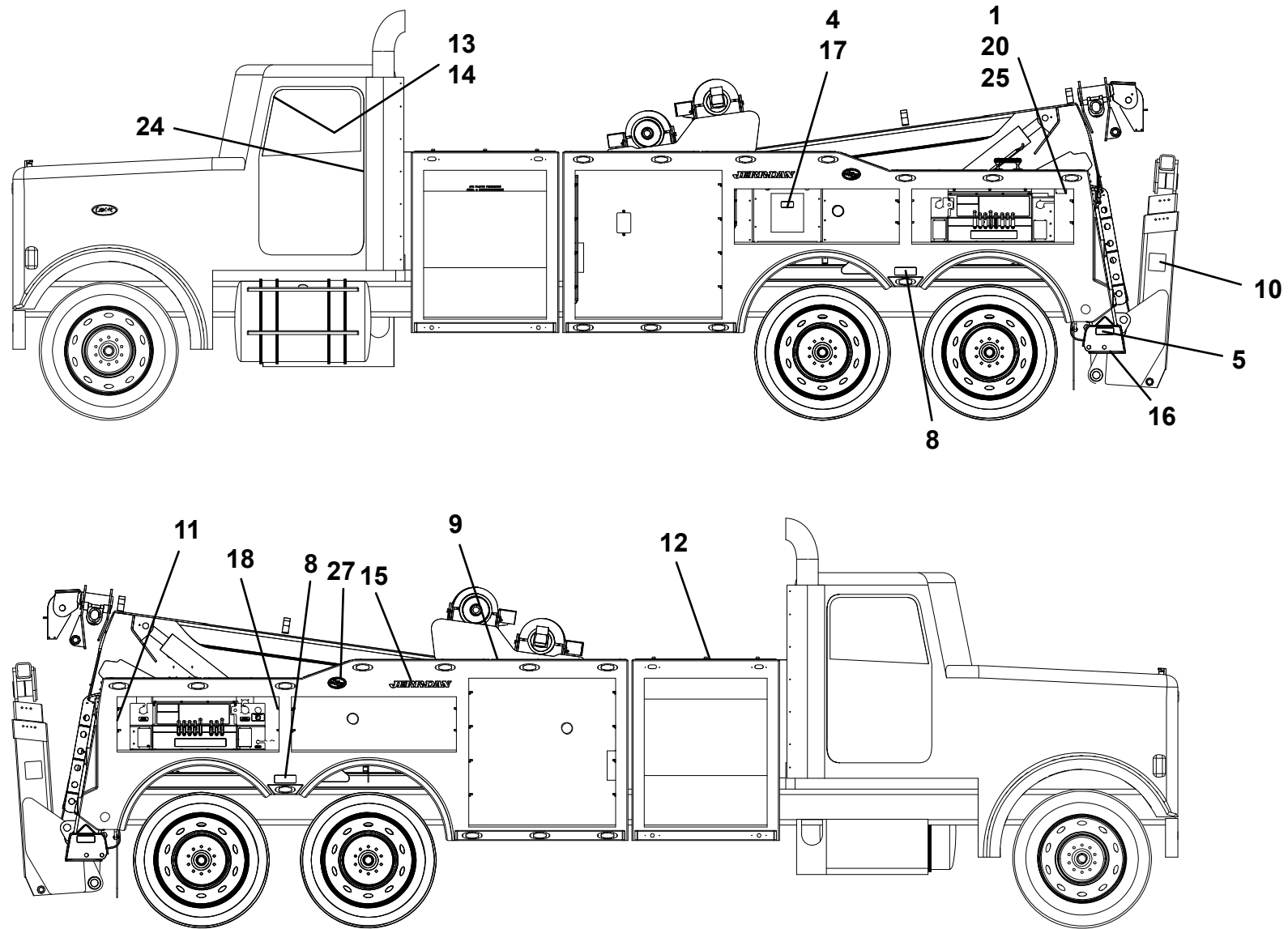


DECALINSTALLATION

ITEM	PART NO.	DESCRIPTION	QTY
1	1001127220	Decal, Tag	1
2	1001132328	Decal, Placard	1
3	1001132346	Patent	1
4	1001136075	Decal, Hazardous Voltage	1
5	1001136080	Decal, Recover Stability	2
6	1001136091	Decal, Towed Load	2
7	1001136094	Decal, Crushing Hazard	2
8	1001136103	Decal, Electrocutation	4
9	1001136119	Decal, Hydraulic Hazard	1
10	1001137169	Decal, Pinch	2
11	1001138537	Decal, Hook	2
12	1001138612	Decal, Battery	1
13	1001141227	Decal, Backing	1
14	1001142828	Decal, Fall	1
15	1001206367	Decal, Jerr-Dan	2
16	1001174346	Decal, Spade Step	4
17	1001198881	Decal, Fuse Panel	1
18	1001205331	Decal, Lube Chart	1
19	1001199065	Decal, Step	6
20	7330000143	Decal, Made in the USA	1
21	7330000208	Decal, Service Air	1
22	7330000209	Decal, Supply Air	1
23	7330000210	Decal, Aux. Air	1
24	7330000689	Cert. Decal	1
25	7759000004	Pop Rivet	14
26	1001206364	Decal JFB Badge	2
27	1001142452	Decal	2

DECAL INSTALLATION



DECAL INSTALLATION

DECAL INSTALLATION

THIS PAGE INTENTIONALLY LEFT BLANK

PART NUMBER INDEX

Part Number	Page	Part Number	Page	Part Number	Page	Part Number	Page
100011.....	348	2230025.....	190, 202, 214, 218, 222	140, 144, 148		70050252.....	192, 204, 216
641412.....	226, 232	2230027.....	190, 202, 214	70021757.....	132, 136	70050256.....	192, 204, 216
0641420.....	34	2230035.....	218, 222	70050075.....	140	70050257.....	192, 204, 216
641506.....	226, 232	2230089.....	190, 202, 214	70050147.....	46, 60, 74, 88, 102, 116,	70050308.....	124
0641514.....	252, 264	3020029.....	304, 308, 310	160		70050309.....	124
0641524.....	190, 202, 214	3271605.....	358	70050164.....	366, 368	70050310.....	124
0641610.....	358	3520064.....	182, 186, 194, 198, 206,	70050165.....	366, 368	70050312.....	122, 124
641632.....	182, 186, 194, 198, 206, 210	210		70050166.....	366, 368	70050313.....	122, 124
0641808.....	34	3760308.....	226, 232, 276, 278	70050167.....	366, 368	70050314.....	122
641809.....	244, 256	3841203.....	34, 150	70050169.....	364, 370	70050315.....	122
641810.....	244, 256, 360	3841258.....	32, 34	70050170.....	370	70050316.....	122, 124
641820.....	272, 278, 282, 286	4711400.....	226, 232	70050174.....	364, 370	70050319.....	122, 124
0642010.....	34	4711800.....	244, 256, 272, 278, 282,	70050175.....	370	70050320.....	124
642032.....	244, 256	286, 360		70050176.....	370	70050322.....	124
642034.....	272, 274, 278, 282, 286	4712000.....	34	70050178.....	370	70050325.....	122
0642228.....	352	4751500.....	190, 202, 214, 226, 232	70050179.....	370	70050328.....	122
750604.....	226, 232	4751600.....	358	70050180.....	370	70050329.....	122
750605.....	276, 278	4752000.....	244, 256, 272, 274, 278,	70050181.....	370	70050330.....	122
811810.....	34	282, 286		70050203.....	370	70050331.....	122
1320224.....	218, 222	4752200.....	352	70050204.....	370	70050384.....	46, 60, 74, 88, 102, 116,
2220362.....	218, 222	4761500.....	226, 232	70050207.....	370	160	
2220371.....	218, 222	7003116.....	30, 140, 144, 148	70050208.....	370	70050398.....	46, 60, 74, 88, 102, 116,
2220374.....	190, 202, 214	7003212.....	20	70050209.....	370	160	
2220376.....	190, 202, 214	7005314.....	132, 136	70050210.....	370	70050401.....	38, 52, 66, 80, 152
2220415.....	218, 222	7005322.....	20	70050211.....	370	70050468.....	122
2220451.....	190, 202, 214	7005348.....	132, 136, 140, 144, 148	70050215.....	20, 132, 136	70050531.....	20
2220473.....	190, 202, 214, 218, 222	7005365.....	20, 26, 30, 132, 134, 136,	70050232.....	134, 136	70050534.....	140, 144, 148
2220518.....	218, 222	140, 144, 148		70050239.....	192, 204, 216	70050535.....	140, 144, 148
2220600.....	218, 222	7006847.....	192, 204, 216	70050241.....	192, 204, 216	70050536.....	148
2220654.....	242	7019828.....	20	70050242.....	192, 204, 216	70050537.....	148
2220682.....	218, 222	7019829.....	140, 144, 148	70050243.....	192, 204, 216	70050538.....	148
2220700.....	190, 202, 214	7023518.....	140, 144, 148	70050245.....	192, 204, 216	70050540.....	140, 144, 148
2220947.....	190, 202, 214	7024101.....	140, 144, 148	70050246.....	192, 204, 216	70050541.....	140, 144, 148
2220998.....	218, 222	7029865.....	192, 204, 216	70050247.....	192, 204, 216	70050544.....	132, 136
2221042.....	218, 222	8760037.....	190, 202, 214	70050249.....	192, 204, 216	70050545.....	132, 136
2230021.....	242	8760268.....	218, 222	70050250.....	192, 204, 216	70050546.....	136
2230024.....	190, 202, 214	70021648.....	20, 26, 30, 132, 134, 136,	70050251.....	192, 204, 216	70050547.....	136

PART NUMBER INDEX

Part Number	Page	Part Number	Page	Part Number	Page	Part Number	Page
70050548	132, 136	70051027	364, 370	70051065	370	1001130702	366, 368
70050549	132, 136	70051028	364, 370	70051066	370	1001132265	174
70050550	144	70051029	364, 370	70051068	370	1001132268	172
70050551	144	70051030	364, 370	70051069	370	1001132328	374
70050552	144	70051031	364	70051070	370	1001132346	374
70050568	140, 148	70051032	364	70051071	370	1001133591	360, 362
70050594	132	70051033	364	70051072	370	1001134433	182, 186, 194, 198, 206, 210
70050595	132	70051034	364	70051073	370	1001135132	348
70050665	370	70051035	364, 370	70051074	370	1001136075	374
70050668	124	70051036	364, 370	70051075	370	1001136080	374
70050669	124	70051037	364	70051076	370	1001136091	374
70050722	368	70051038	364	70051077	370	1001136094	374
70050977	124	70051039	364, 370	70051078	370	1001136103	374
70050979	368	70051040	364	70051079	192, 204, 216	1001136119	374
70050980	366, 368	70051041	364	70051080	192, 204, 216	1001136447	22, 130
70050981	366, 368	70051042	364	70051081	192, 204, 216	1001136559	130
70050991	42, 56, 98, 112	70051043	364	70051187	26	1001136990	366
70050992	42, 56, 98, 112	70051044	364, 370	70051188	26	1001137169	374
70050993	42, 56, 98, 112	70051045	364, 370	70051189	26	1001137487	22
70050994	44, 58, 100, 114	70051046	364	70051196	140	1001138537	374
70050995	50, 64, 106, 120, 164	70051047	364	70051197	140	1001138612	374
70050996	160	70051048	364, 370	70051199	134	1001141227	374
70050997	160	70051049	364, 370	80004049	132, 136	1001142074	130
70050998	50, 64, 106, 120, 164	70051050	364	80004056	144	1001142452	374
70051014	362	70051051	364	83304140	26	1001142828	374
70051015	362	70051052	364	83304181	134	1001143686	352
70051016	362	70051053	370	91084009	192, 204, 216	1001144012	226, 232
70051017	362	70051055	370	91084017	192, 204, 216	1001144626	8
70051018	362	70051056	370	1001094694	218, 222, 242	1001144659	8
70051019	364	70051057	370	1001097942	348	1001144924	8
70051020	364	70051058	370	1001122235	226, 232, 276, 278	1001145056	126
70051021	364, 370	70051059	370	1001125479	226, 232	1001151050	150
70051022	364, 370	70051060	370	1001126269	366, 368	1001151184	128
70051023	364, 370	70051061	370	1001127220	374	1001151185	128
70051024	364	70051062	370	1001129861	360	1001151546	348, 352
70051025	364	70051063	370	1001130491	182, 186, 194, 198, 206, 210	1001151789	244, 256
70051026	364, 370	70051064	370				

PART NUMBER INDEX

Part Number	Page	Part Number	Page	Part Number	Page	Part Number	Page
1001152815	368	1001167358	254, 266	1001170328	308	1001184828	182, 186, 194, 198, 206, 210
1001154101	248, 260, 276, 278	1001167452	226, 232	1001170329	308	1001185600	286
1001154277	182, 186, 194, 198, 206, 210	1001167455	268	1001170330	308	1001185654	276, 278
1001154527	250, 276, 278, 282, 286	1001167456	268	1001170331	308	1001185657	272
1001156424	356	1001167607	226, 232	1001170332	308	1001186416	282
1001159568	170	1001168320	226, 232	1001170428	308	1001186491	278
1001160799	340	1001168321	226, 232	1001170618	326	1001186584	254, 266
1001162928	226, 232	1001168322	226, 232	1001170707	328	1001186606	254, 266
1001163358	254, 266	1001168323	226, 232	1001170839	332	1001186608	254, 266
1001164560	302, 304	1001168325	226, 232	1001170849	270	1001186625	246, 258
1001164562	302	1001168326	226, 232	1001170937	270	1001186726	246, 258
1001164601	298, 300	1001168328	226, 232	1001170968	314, 316	1001186727	246, 258
1001164614	298, 300	1001168544	340	1001170970	314, 316	1001186727	246, 258
1001165564	304, 310	1001168545	302, 314, 316, 338	1001170971	314, 316	1001186728	246, 258
1001165570	304	1001168733	302, 304	1001171394	240	1001186835	246, 258
1001165571	304, 310	1001168993	182, 186, 194, 198, 206, 210, 226, 232, 244, 256, 298, 300, 302, 310, 312, 318	1001171933	178	1001186935	244, 256
1001165584	304, 310	1001169063	304, 310	1001171950	24	1001186968	244, 256
1001165652	310	1001169064	304, 310	1001172491	24	1001186986	296
1001165692	272, 274, 282	1001169076	304, 310	1001173847	244, 274	1001186987	294
1001165862	314, 316	1001169078	244, 256, 304, 310	1001174051	252, 264	1001186988	290
1001165863	314, 316	1001169080	182, 186, 194, 198, 206, 210, 304, 308, 310, 312, 322, 324, 346	1001174346	374	1001186989	290
1001166531	218, 222	1001169083	182, 186, 194, 198, 206, 210, 304, 310, 340, 342	1001174680	226, 232	1001186990	290, 292
1001166532	218, 222	1001169609	32, 34	1001174681	226, 232	1001186991	292
1001166533	218, 222	1001169617	150	1001175059	344	1001186992	292
1001166549	250, 262	1001169893	150	1001175061	238	1001186993	278
1001166644	304, 308, 310, 312, 322, 324, 336, 346	1001170036	178	1001179349	308	1001186997	286
1001166674	276	1001170037	32, 34	1001182569	278	1001187000	276
1001166930	226, 232, 276, 278	1001170090	308	1001182841	308	1001187009	282
1001166974	182, 186, 194, 198, 206, 210, 226, 232, 244, 256, 298, 300, 302, 312, 340	1001170091	308	1001182853	312	1001187063	278, 286
1001166978	182, 186, 194, 198, 206, 210, 348, 350	1001170305	308	1001183037	320	1001188904	276, 282
1001167268	332	1001170307	308	1001183735	308	1001188919	278, 286
1001167310	348	1001170310	308	1001183736	308	1001188920	276, 278
				1001184765	36	1001188921	276, 278, 282, 286
				1001184772	190, 202, 214	1001188923	232
				1001184773	190, 202, 214	1001188924	232
				1001184827	182, 186, 194, 198, 206, 210	1001188949	226, 232
						1001188961	232

PART NUMBER INDEX

Part Number	Page	Part Number	Page	Part Number	Page	Part Number	Page
1001188962.....	232	1001190360.....	324	1001195341.....	336	1001199475.....	370
1001189041.....	226	1001190361.....	304	1001195523 326, 328, 330, 332, 340,		1001199478.....	364
1001189042.....	226	1001190364.....	346	344		1001200919.....	244
1001189043.....	226	1001190409.....	314	1001195838.....	340	1001200920.....	244
1001189044.....	226	1001190410.....	334, 336	1001196386.....	324	1001200921.....	256
1001189197.....	348	1001190532.....	324	1001196387.....	324	1001200922.....	256
1001189207.....	348	1001190551.....	318	1001196552 226, 232, 250, 262, 276,		1001200997.....	308
1001189219.....	348	1001190557.....	244, 256	278, 282, 286, 306		1001201079.....	182, 194, 206
1001189284.....	226, 232	1001190568.....	338	1001196907.....	182, 194, 206	1001201112.....	302
1001189287.....	226, 232	1001190579.....	316, 324, 346	1001196908.....	182, 194, 206	1001201215.....	306
1001189295.....	226, 232	1001190926.....	340, 342	1001196909 182, 186, 194, 198, 206,		1001201216.....	306
1001189296.....	348	1001190954.....	346	210		1001201217.....	306
1001189656.....	352	1001190988.....	340	1001196910 182, 186, 194, 198, 206,		1001201218.....	306
1001189657.....	352	1001191552.....	226, 232	210		1001201366.....	306
1001189779.....	182, 194, 206	1001191602.....	226, 232	1001196911 182, 186, 194, 198, 206,		1001201367.....	306
1001189780.....	182, 194, 206	1001191612.....	348	210		1001201384.....	226, 232
1001189781.....	182, 194, 206	1001191810.....	338	1001197158.....	294	1001201523.....	320
1001189782.....	182, 194, 206	1001192126.....	304	1001197159.....	290	1001201695.....	330
1001189783.....	182, 194, 206	1001192287.....	316	1001197160.....	290	1001201916.....	344
1001189784 182, 186, 194, 198, 206,		1001192423.....	218, 222	1001197161.....	290, 292	1001202056.....	36
210		1001192958 246, 258, 276, 278, 282,		1001197162.....	292	1001202432.....	186, 190, 198, 210
		286, 290, 292, 294, 296		1001197163.....	292	1001202433.....	202
1001189785.....	182, 194	1001193233.....	242	1001197181.....	296	1001202434.....	206, 214
1001189786.....	182, 194	1001193241.....	242	1001197338.....	278, 286	1001202508.....	186, 198, 210
1001189989.....	190, 202, 214	1001193242.....	242	1001197482.....	36	1001202517.....	186, 198, 210
1001189993 182, 186, 194, 198, 206,		1001193527.....	182	1001197483.....	36, 226, 232	1001202518.....	186, 198, 210
210		1001194069.....	190, 202, 214	1001197506.....	36	1001202741.....	186, 198, 210
1001189994.....	182, 194	1001194284.....	194	1001197693.....	308	1001202800.....	8
1001190050.....	322	1001194676 182, 186, 194, 198, 206,		1001198300.....	170	1001203229.....	206, 210
1001190055.....	322	210, 334, 336		1001198602.....	290, 292, 294, 296	1001203231.....	206
1001190128.....	322	1001194682.....	182, 194, 206	1001198881.....	374	1001203506.....	202, 204, 214
1001190148.....	322	1001194736 182, 186, 194, 198, 206,		1001199065.....	374	1001204565.....	126
1001190218.....	310	210		1001199081 250, 262, 276, 278, 282,		1001204597.....	218, 222
1001190223.....	310	1001195257 226, 232, 276, 278, 282,		286		1001204601.....	218, 222
1001190228.....	310	286, 290, 292, 294, 296, 332,		1001199311.....	186, 198, 210	1001204639.....	218, 222
1001190265.....	310	334, 336, 340, 348, 350, 352		1001199322.....	186, 198, 210	1001204706.....	218, 222
1001190342.....	304	1001195279.....	334	1001199324.....	186, 198, 210	1001204803.....	218
1001190359.....	304						

PART NUMBER INDEX

Part Number	Page	Part Number	Page	Part Number	Page	Part Number	Page
1001204809.....	218, 222	1001213522.....	352	1001220355.....	356	3178000499.....	168
1001204822.....	218, 222	1001214129.....	358	1001220363.....	356	3249000001.....	32, 34
1001204875.....	218, 222	1001214130.....	352	1001220364.....	356	3249000012.....	150
1001205217.....	218, 222	1001214350.....	352	1001220365.....	356	3249000038.....	150
1001205230.....	218, 222	1001214577.....	352	1001220366.....	356	3263000118.....	18
1001205244.....	350	1001214590.....	352	1001220367.....	356	3274000011.....	8, 272, 278, 282, 286
1001205331.....	374	1001214605.....	352	1001220368.....	356	3484000048.....	172
1001205671.....	218, 222	1001214902.....	186, 198, 210	1001220369.....	356	3484000049.....	172
1001205677.....	218, 222	1001215100.....	350	1001220370.....	356	3484000072.....	174
1001205678.....	218, 222	1001215110.....	352	1001220371.....	356	3484000073.....	174
1001205679.....	218, 222	1001216916.....	350	1001220372.....	356	3507100001.....	128, 146
1001206364.....	374	1001217309.....	350	1001220373.....	356	3551000036.....	170
1001206367.....	374	1001219190.....	34	1001220374.....	356	3561000008.....	172, 174
1001206801.....	186, 198, 210	1001219691.....	186, 198, 210	1001220375.....	356	3561000017.....	128
1001208950.....	350	1001219743.....	186, 198, 210	1001220376.....	356	3577000018.....	166
1001208951.....	350	1001219831.....	274	3007000004.....	170	3577000037.....	24
1001208952.....	350	1001219833.....	274	3020000119.....	172, 174	3636000068.....	32, 34
1001209590.....	350	1001219916.....	274	3020000120.....	172, 174	3691000126.....	18
1001209616.....	350	1001219917.....	274	3170000123.....	146	3691000144.....	168
1001209657.....	344	1001219918.....	274	3170000124.....	146	3691000231.....	128
1001210256.....	34	1001219919.....	274	3170000125.....	146	3691000232.....	128
1001210257.....	34	1001219921.....	274	3170000178.....	138	3691000255.....	24
1001210851.....	218, 222	1001219937.....	186, 198, 210	3170000179.....	138	3691000256.....	24
1001211000.....	350	1001220068.....	186, 198, 210	3170000183.....	24	3691000267.....	18
1001211001.....	350	1001220167.....	356	3170000379.....	138	3706000080.....	168
1001211002.....	350	1001220168.....	356	3170000380.....	138	3706000261.....	18
1001211003.....	350	1001220169.....	356	3170000381.....	128, 138	3750000055.....	14
1001211486.....	274	1001220170.....	356	3170000400.....	142	3750000056.....	16
1001211487.....	274	1001220171.....	356	3170000401.....	142	3868000157.....	8
1001213093.....	352	1001220234.....	356	3170000406.....	142	3911000068.....	272, 282
1001213102.....	352	1001220345.....	356	3170000407.....	128, 142	3912000033.....	174
1001213104.....	358	1001220349.....	356	3170000423.....	128	3912000034.....	150
1001213105.....	358	1001220350.....	356	3177000060.....	190, 202, 214	3912000036.....	18
1001213110.....	358	1001220351.....	356	3178000226.....	170	3912000038.....	172, 174
1001213111.....	352	1001220352.....	356	3178000240.....	168	3913000094.....	166
1001213112.....	352	1001220353.....	356	3178000273.....	138	4062000269.....	8
1001213509.....	352	1001220354.....	356	3178000275.....	138	4062000324.....	8

PART NUMBER INDEX

Part Number	Page	Part Number	Page	Part Number	Page	Part Number	Page
4062000688.....	8	4679000293.....	142	4706005281.....	142	7115150650.....	12
4178000248.....	126	4691000200.....	18	4812000057.....	146	7115150850.....	12
4178000402.....	360	4691000207.....	18	4831000115.....	150	7115150864.....	180
4249000001.....	32, 34	4691000242.....	166	4949000031.....	32, 34	7115151050.....	126
4249000002.....	150	4691000274.....	172, 174	4949000045.....	150	7115161450.....	128
4309000001.....	182, 186, 194, 198, 206, 210	4691000290.....	128	5526000553.....	226, 232, 350	7115161623.....	128
4309000007.....	182, 186, 194, 198, 206, 210	4691000291.....	128	7007000036.....	12	7115161650.....	18, 218, 222
4561000012.....	172, 174	4691000292.....	146	7007000055.....	170	7115162050.....	316
4567112025.....	218, 222	4691000293.....	138, 142, 146	7007000056.....	170	7115180850.....	150
4567113031.....	218, 222	4691000321.....	138, 142	7011000006.....	238	7115181050.....	24, 126
4567120017.....	218, 222	4691000484.....	128	7056000003.....	176	7115181250.....	150
4567132019.....	218, 222	4691000563.....	128	7056000004.....	176	7115181650.....	48, 62, 76, 90, 104, 118, 162
4567152018.....	218, 222	4705000705.....	272, 278, 282, 286	7056000005.....	176	7115181850.....	14
4567152052.....	218, 222	4706001815.....	252, 264	7056000006.....	176	7115182050.....	8
4569132019.....	218, 222	4706002163.....	8	7082000005.....	182, 186, 194, 198, 206, 210	7115201050.....	32
4569133020.....	218, 222	4706002207.....	146	7108180850.....	138, 142, 146	7115201850.....	46, 60, 74, 88, 102, 116, 160
4569162027.....	218	4706002208.....	146	7108181050.....	146	7115202250.....	46, 60, 74, 88, 102, 116, 160
4569162030.....	218	4706002209.....	146	7110201423.....	40, 54, 68, 82, 96, 110, 154	7115220850.....	128
4569180022.....	218, 222	4706002210.....	146	7114080418.....	348, 352	7118162005.....	38, 52, 66, 80, 152
4569180026.....	218, 222	4706002211.....	146	7114100618.....	226, 232	7118165250.....	78, 92
4570000138.....	218, 222	4706002235.....	16	7114100818.....	36	7118172050.....	38, 52, 66, 80, 152
4570000176.....	218, 222	4706002417.....	32, 34	7114140518.....	18, 138, 142, 146, 322, 352	7118181016.....	32
4570000177.....	218, 222	4706002428.....	138	7114140618.....	182, 186, 194, 198, 206, 210, 302, 304, 322, 348	7118181205.....	38, 52, 66, 80, 152
4570000260.....	218, 222	4706002491.....	10	7114140818.....	322	7118181250.....	176
4570000271.....	218, 222	4706002554.....	8	7114141018.....	186, 198, 210	7118201250.....	128
4570000301.....	218, 222	4706002555.....	8	7114141218.....	270	7118201616.....	32, 34, 150
4570000329.....	218, 222	4706002556.....	8	7114150618.....	358	7118201650.....	128
4570000335.....	218, 222	4706003708.....	146	7114150850.....	36	7118202016.....	32, 34, 150
4570000336.....	218, 222	4706003709.....	146	7114160850.....	308, 336	7118221816.....	8, 274
4619000006.....	218, 222	4706003710.....	146	7115140650.....	138, 142, 146	7118224450.....	128
4679000127.....	128	4706003716.....	18	7115140850.....	126	7118242050.....	8
4679000146.....	138, 146	4706003717.....	146	7115141050.....	218, 222	7118267250.....	168
4679000147.....	146	4706003718.....	146	7115142050.....	32, 150	7120000035.....	226, 232
4679000170.....	138	4706003844.....	126			7120000036.....	168
4679000277.....	142	4706004528.....	128				
		4706005262.....	142				
		4706005263.....	142				

PART NUMBER INDEX

Part Number	Page	Part Number	Page	Part Number	Page	Part Number	Page
7120000053	150	7320000068	142	7443000176	36	7470000002	218, 222
7178000025	226, 232	7320000070	24, 26	7443000178	36	7470000003	16
7183000004	16	7320000076	144, 148	7443000204	48, 62, 76, 90, 104, 118, 162	7470000004	218, 222, 242
7189000014	150	7320000096	128, 132	7443000205	48, 62, 76, 90, 104, 118, 162	7470000006	36
7189000017	128	7320000097	128, 134	7443000211	190, 202, 214	7493000011	360
7209000022	166	7330000143	374	7443000244	122	7493000026	226, 232
7209000023	12	7330000207	374	7443000254	126	7552000455	348
7209000024	12	7330000209	374	7443000329	36	7561000020	176
7209000032	12	7330000210	374	7443000431	122	7565000014	178
7209000033	12	7330000278	172, 174	7443000448	36	7565000016	36
7248000037	32	7330000535	310	7444030037	36	7565000019	124
7248000040	32	7330000689	374	7444121050	126	7577000063	132
7248000053	182, 194, 206	7345001714	240	7444121271	126	7577000145	178
7248000055	32	7345242202	226, 232	7445040421	218, 222, 242	7577000167	20, 30
7248000078	32	7346000039	240, 350	7445040445	38, 52, 66	7577000213	126
7248000079	32	7346000040	298, 300	7445040446	38, 52, 66, 80, 152	7577000334	136
7248000080	32	7346000045	226, 232	7445060219	218, 222	7577000368	174
7253000002	18, 24, 32, 34, 128, 150	7346000055	180	7445060435	178	7577000668	190, 202, 214
7262000025	128	7346000078	180	7445080644	218, 222	7577250188	134
7274000028	126	7413000002	182, 186, 194, 198, 206, 210	7445080825	12	7577250296	26
7274000030	12	7430000004	218, 222	7445100843	218, 222	7577250334	140, 144, 148
7274000040	218, 222	7430000010	126	7445101025	12	7590000049	124
7274000041	126	7440000000	128	7445121225	12	7590000105	226, 232
7274000049	12	7440030000	18, 24, 32, 34, 128, 138, 142, 146, 150, 166	7445121645	126	7590000262	248, 260, 276, 278, 282, 286, 352
7274000071	126	7440030400	26, 30	7445161620	218, 222	7590000282	248, 260
7274000076	126	7443000130	126	7446502518	178	7590000343	226, 232
7280000006	226, 232, 276, 278, 282, 286, 350, 352	7443000139	36	7454000003	170	7636000006	14
7295000029	36	7443000145	178	7454000004	170	7636000008	244, 256, 272, 274, 278, 282, 286
7312000015	178	7443000146	178	7454000005	170	7650100137	126
7312000016	178	7443000148	36, 178	7454000006	170	7660102601	36, 226, 232
7320000006	18, 20	7443000149	36	7457000006	226, 232, 348	7660140230	182, 186, 194, 198, 206, 210
7320000026	146	7443000154	36	7457000011	226, 232	7660142600	226, 232, 270, 322, 348
7320000031	30	7443000156	36	7457000012	226, 232	7660142601....	32, 34, 126, 186, 198, 210, 218, 222, 350
7320000038	138, 140	7443000158	218, 222	7457000019	226, 232		
7320000063	128, 136	7443000173	36	7457000023	226, 232		

PART NUMBER INDEX

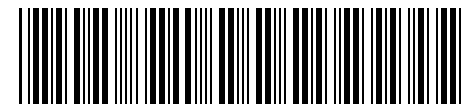
Part Number	Page	Part Number	Page	Part Number	Page	Part Number	Page
7660142604.....	150	7691000026	172, 174	7870000043	226, 232	7935000116.....	126
7660152601..	36, 126, 180, 252, 264, 268	7691000075	182, 186, 194, 198, 206, 210	7870000045	122	7935000120	36
7660162601.....	18, 182, 186, 190, 194, 198, 202, 206, 210, 214, 226, 232, 244, 256, 298, 300, 302, 304, 308, 312, 316, 318, 340, 342	7698250012.....	30	7870000062	122, 124	7935000313.....	190, 192
7660162604	310	7701000025	16	7870000123.....	226, 232	7935000315.....	192, 204, 216
7660182301	8, 32, 34, 272, 278, 282, 286	7701000048	244, 352	7870000128.....	240	7935000316	192, 204, 216
7660182601.....	14, 150, 360	7701000049	352	7870000129.....	240	7935000317.....	192, 204, 216
7660200001 ...	46, 48, 60, 62, 74, 76, 88, 90, 102, 104, 116, 118, 160, 162, 244, 256, 272, 274, 278, 282, 286	7701000056	352	7870000143.....	226, 232	7935000320	192, 204, 216
7660200200	48, 62, 76, 90, 104, 118, 162	7701000067	226, 232, 348	7894000004.....	36, 348	7935000323	192, 204, 216
7660202601	128	7706000001	122	7894000028.....	172, 174	7935000330	202, 214
7660220230	128	7706000004.....	124	7894000037.....	172, 174	7935000374.....	216
7660222308	8, 274	7706000005.....	122	7912000111	130	7949000015	14
7660242308	8	7740000001	226, 232, 348	7912000112.....	130	7949000016	14
7661000018.....	32, 34, 150	7754000000	226, 232, 348	7912000119.....	22	7949000019	244, 256, 272, 274, 278, 282, 286
7661000019.....	138, 142, 352	7754000008.....	18	7912000120.....	22	7949000020	244, 256, 272, 274, 278, 282, 286
7661000022	12	7754000009	182, 186, 194, 198, 206, 210	7912000121.....	22	7949000025.....	18
7661000023	226, 232	7754000018	128	7912000122.....	22	7949000053.....	226, 232
7661000027	12	7754000033	18	7912000280.....	12	7949000056.....	322
7661000029	358	7754000042	166	7912000281.....	12	7949000061.....	8
7661000041.....	36	7754000043.....	138, 142, 146	7912000282.....	12	7950100143.....	36
7690141200	182, 186, 194, 198, 206, 210	7754000049.....	32, 34, 150	7912000283.....	12	7950140000	16, 138, 142, 146
7690142845.....	304, 310	7754000051	128	7912000284	12	7950140003	182, 186, 194, 198, 206, 210, 302, 304, 348
7691000019.....	18	7759000004.....	172, 174, 374	7912000285.....	12	7950140143..	36, 182, 186, 194, 198, 206, 210, 270, 302, 304, 332, 348, 350
7691000020	172, 174	7759000018.....	10	7912000287.....	12	7950140152.....	126
7691000021.....	170	7785152420.....	126	7912000288.....	12	7950140153.....	18
7691000022	170	7790060676	218, 222, 242	7912000289.....	12	7950140161.....	218, 222
7691000025	168	7790141251	238, 254, 266	7912000300	130	7950140163.....	254, 266
		7790141253.....	16	7912000301.....	190, 202, 214	7950150000	12
		7790141651.....	254, 266	7912000302	190, 202, 214	7950150153.....	252, 264, 268
		7796000012	182, 186, 194, 198, 206, 210	7912000303	190, 202, 214	7950150161.....	126, 180
		7796000051	16	7912000304	190, 202, 214	7950160000	50, 64, 78, 92, 106, 120, 164, 218, 222
		7796250068.....	136	7912000305	190, 202, 214	7950160141	128, 308
		7806000008	182, 186, 194, 198, 206, 210	7912000306	190, 202, 214		
		7809000006.....	150	7912000307.....	190, 202, 214		
		7809000019	32, 34	7912000308	190, 202, 214		
				7912000309	190, 202, 214		
				7912000310.....	190, 202, 214		
				7935000104	124		

PART NUMBER INDEX

Part Number	Page	Part Number	Page	Part Number	Page	Part Number	Page
7950160143	182, 186, 194, 198, 206, 210, 226, 232, 244, 256, 298, 300, 302, 304, 310, 312, 314, 316, 318, 322, 324, 336, 338, 340, 342, 346	8597650001	226, 232	9346310098	362	9698250020	26
7950160161	18	8632000011	272, 274, 278, 282, 286	9346930086	192, 204, 216	9698960008	38, 52, 66, 80, 152
7950170000	38, 52, 66, 80, 152	9020960002	48, 62, 76, 90, 104, 118, 162	9443760018	124	9698960015	50, 64, 78, 92, 106, 120, 164
7950180000	24, 48, 62, 76, 90, 104, 118, 126, 142, 176	9064960007	48, 62, 76, 90, 104, 118, 162	9443960006	38, 52, 66, 80, 152	9698960016	50, 64, 78, 92, 106, 120, 164
7950180141	14	9073960003	46, 60, 74, 88, 102, 116, 160	9445040445	80, 152	9701250006	134
7950180150	150	9073960004	46, 60, 74, 88, 102, 116	9472960052	42, 56, 70, 84, 98, 112, 156	9701960011	50, 64, 78, 92, 106, 120, 164
7950180153	138, 146	9082960013	38, 52, 66, 80, 152	9472960053	70, 84, 156	9701960012	50, 64, 78, 92, 106, 120, 164
7950180161	24	9082960018	38, 42, 52, 56, 66, 70, 80, 84, 98, 112, 152, 156	9472960054	50, 64, 78, 92, 106, 120, 164	9701960013	38, 52
7950180252	8	9120960019	48, 62, 76, 90, 104, 118, 162	9472960055	70, 84, 156	9701960018	50, 64, 78, 92, 106, 120, 164
7950180800	38, 52, 66, 80, 152	9120960063	48, 62, 76, 90, 104, 118, 162	9553250009	20	9724250014	20
7950200000	46, 60, 74, 88, 102, 116, 128, 160	9177960003	42, 56, 70, 84, 98, 112, 156	9553250010	30, 140, 144, 148	9754250009	20, 140, 144, 148
7950200141	32, 128	9177960004	38, 52, 66, 80, 152	9553250018	26	9754250011	132, 136
7950200151	48, 62, 76, 90, 104, 118, 162	9178960011	48, 62, 76, 90, 104, 118, 162	9570960001	38, 52, 66, 80, 152	9754250012	134
7950220000	128	9183960001	50, 64, 78, 92, 106, 120, 164	9571960006	38, 52, 66, 80, 152	9754250014	140, 144, 148
7950220141	128	9209960025	42, 56, 70, 84, 98, 112, 156	9575960012	40, 54, 68, 82, 96, 110, 154	9754250015	20
7970000049	32, 38, 40, 42, 44, 46, 48, 50, 96, 98, 100, 102, 104, 106	9209960026	50, 64, 78, 92, 106, 120, 164	9590310195	366, 368	9754250017	132, 136
7970000050	32, 52, 54, 56, 58, 60, 62, 64, 110, 112, 114, 116, 120	9254250007	132, 136	9590310197	366, 368	9754250022	134
7970000066	32, 66, 68, 70, 72, 74, 76, 78	9254250008	134	9590310200	366, 368	9754250023	134
7970000067	32, 80, 82, 84, 86, 88, 90, 92	9280960002	40, 54, 68, 82, 96, 110, 154	9590310201	362	9754250024	26
7970000079	150, 152, 154, 156, 158, 160, 162, 164	9309960011	50, 64, 78, 92, 106, 120, 164	9590310202	366, 368	9754250054	26
7978000011	226, 232	9314960022	50, 64, 78, 92, 106, 120, 164	9590310203	366, 368	9754250055	26
7990000003	182, 186, 194, 198, 206, 210	9330960006	42, 56, 70, 84, 98, 112, 156	9590310205	366	9754960026	50, 64, 78, 92, 106, 120, 164
8565000026	126			9590310206	366	9754960046	50, 64, 78, 92, 106, 120, 164
				9626960013	38, 52	9754960047	50, 64, 78, 92, 106, 120, 164
				9626960018	66, 80, 152	9763250009	20
				9661250019	134	9763250013	134
				9661250027	26	9763250019	30
				9690960039	48, 62, 76, 90, 104, 118, 162	9786250004	134
				9691960019	48, 62, 76, 90, 104, 118, 162	9786250005	134
				9691960021	38, 52, 66, 80, 152	9796250057	20, 140, 144, 148
				9698250005	134		



Phone (800) 926-9666



5376000181