

JD35IND HDUL HEAVY DUTY WRECKER PARTS MANUAL

JERR-DAN[®]

An Oshkosh Corporation Company

13224 Fountainhead Plaza
Hagerstown, MD 21742
Phone (717) 597-7111
www.jerr-dan.com

5-376-000158
Rev 0 - July 01, 2012

© 2012 Jerr-Dan Corporation. All Rights Reserved.

This manual covers the following Jerr-Dan Models:

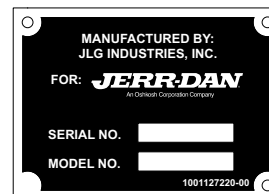
JD35IND HDUL - 35 Ton Independent HDUL

Jerr-Dan Corporation strives to provide information that is accurate, complete and useful. Descriptions and illustrative material contained within this manual are as accurate as known at the time of publication and are subject to change, without notice, as a result of continuous product improvements. Jerr-Dan reserves the right to amend the information in this document at any time without prior notice.

Information contained in this manual reflects how this vehicle was built at the factory. Modifications or additions by the distributor or owner are not reflected in this manual.

This parts manual does not include service parts information for the commercial chassis (IHC, Ford, GM, etc.). That information is provided by the chassis manufacturer.

When ordering parts, please refer to your unit's Serial Number and Model Number. This information is be found on the aluminum tag riveted to the inside of the driver's side rear compartment of the main body.



Additional or replacement manuals can be ordered by calling Jerr-Dan Parts at 717-597-7111. Price and availability will be quoted at time of the request.

Please report comments and/or errors by contacting Jerr-Dan Corporation's Technical Publications Department by e-mail at technicalpublications@jerr-dan.com or by FAX on 717-485-7162.

Manufactured under one or more of the following patents: 5,575,606; 5,672,042; 5,697,741; 5,713,714; 5,722,810; 5,782,596; 5,839,775 and 6,315,515 B1 with other Patents Pending.

Jerr-Dan and the Jerr-Dan logo are registered trademarks and Run Hard is a service mark of Jerr-Dan Corporation, Greencastle, PA USA.

The material in this document is confidential and the property of Jerr-Dan Corporation. No part of this document may be photocopied, reproduced or translated to another language without the express written consent of Jerr-Dan Corporation.

THIS PAGE INTENTIONALLY LEFT BLANK

INDEX

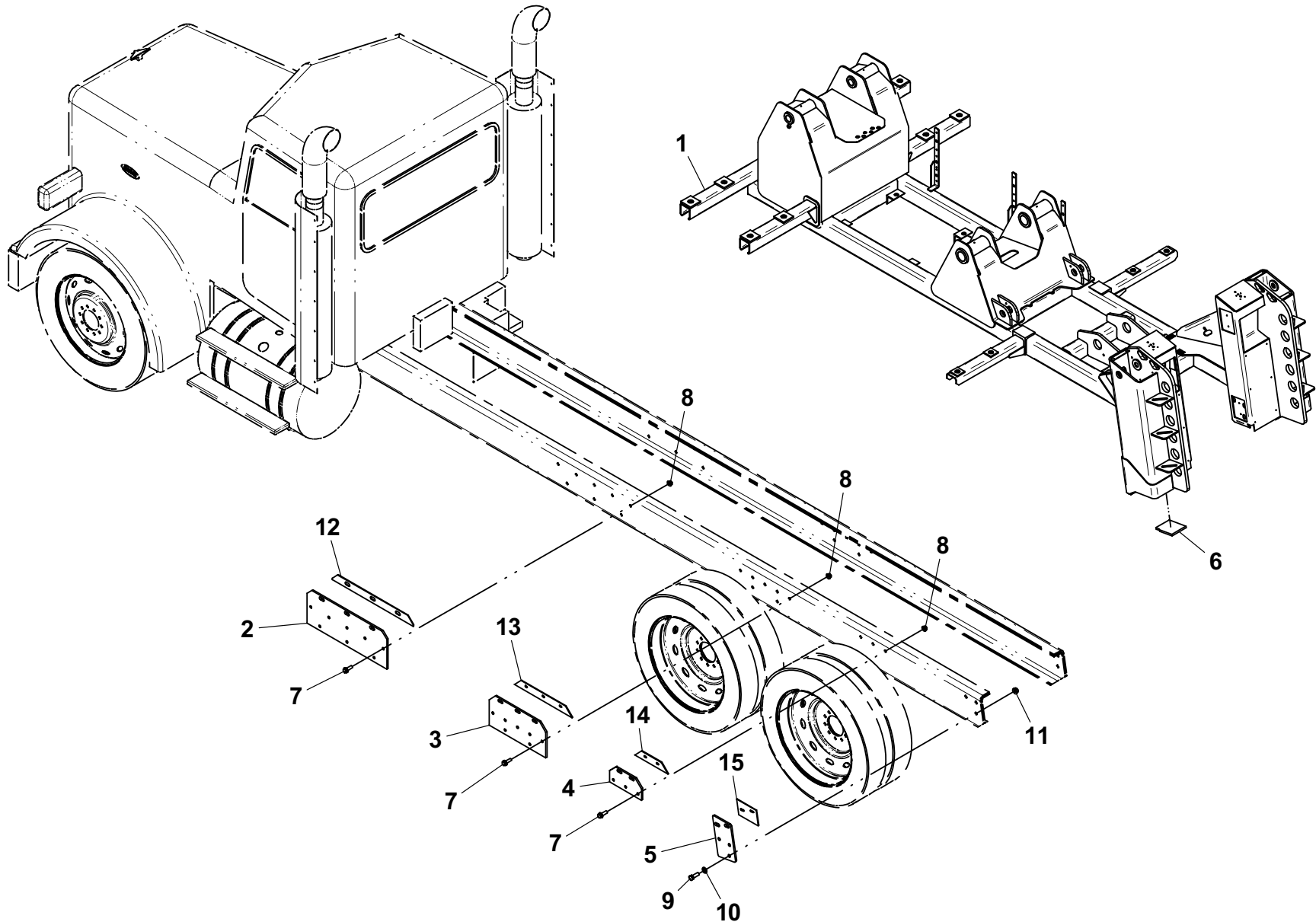
DESCRIPTION	PAGE
Subframe Installation (86" Body)	6 - 7
Subframe Installation (146" Body).....	8 - 9
Subframe Hydraulic Tubing	10 - 11
Hydraulic Tank Installation	12 - 13
Hydraulic Tank Assembly	14 - 15
Rear Spade Installation	16 - 17
Rear Spade Tubing	18 - 19
Boom Installation - 2 Piece Boom	20 - 21
Wrecker Boom Assembly - 2 Piece Boom	22 - 23
Winch Installation DP25K & DP35K Planetary Winches	24 - 25
Boom Tube Assembly	26 - 27
Underlift Installation	28 - 29
Underlift Assembly - 53,000 LB (Standard)	30 - 31
Underlift Assembly - 56,500 LB (Optional)	32 - 33
Underlift Winch Installation	34 - 35
Crosstube Installation	36 - 37
Underlift Tools - Frame Forks	38 - 39
Underlift Tools - 14,000 LB Tire Lift	40 - 41
Underlift Tools - 25,000 LB Tire Lift	42 - 43
Underlift Tools - Fifth Wheel Attachment	44 - 45
Underlift Tools - Pintle Hook	46 - 47
Rear Tail Plate Installation	48 - 49
Controls - Control Valve Installation	50 - 51
Controls - Push-Pull Cables Installation - 6 & 14 Function	52 - 53
Controls - Push-Pull Cables Installation - 16 Function	54 - 55
Controls - Control Valve Assembly - 3935000178 & 3935000180	56 - 57
Controls - Control Valve Assembly - 3935000218	58 - 59
Controls - 6 Function Non-Proportional Miratron	60 - 61
Controls - 12 Function Non-Proportional Miratron	62 - 63
Controls - 12 Function Proportional Miratron	64 - 65
Controls - Electrical Emergency Stop	66 - 67
Hydraulics - Supply-Pressure-Return.....	68 - 69
Hydraulics - Lines and Fittings	70 - 75
Driver Side Hydraulic Pressure Gauges	76 - 77
Driver Side Hydraulic Pressure Gauges W/ Drag Winch Option	78 - 79
Driver & Passenger Side Winch Air Controls - DP 25K & 35K	80 - 83
Winch Electric Speed Controls - DP 25K & 35K	84 - 87
Winch Electric 2-Speed Main & Drag Winch Controls	88 - 89
Decals.....	90 - 91

SUBFRAME INSTALLATION - 86" BODY

ITEM	PART NO.	DESCRIPTION	QTY
1	3868000277	Subframe	1
2	4706002262	Plate	2
3	4706002961	Plate	2
4	4706002490	Plate	2
5	4706002554	Plate	2
6	4062000688	Bar	2
7	7118221816	Capscrew, 0.75"-10NC x 2.25"	36
8	7660222308	Locknut, 0.75"-10NC	36
9	7118242050	Capscrew, 0.88"-9NC x 2.50"	6
10	7949000061	Washer, 0.88" ID	6
11	7660242308	Locknut, 0.88"-9NC	6
12	4062000269*	Bar	2
13	4706002163*	Plate	2
14	4706002555*	Plate	2
15	4706002556*	Plate	2

* Also Available In Shim Kit - 3577000118

SUBFRAME INSTALLATION - 86" BODY

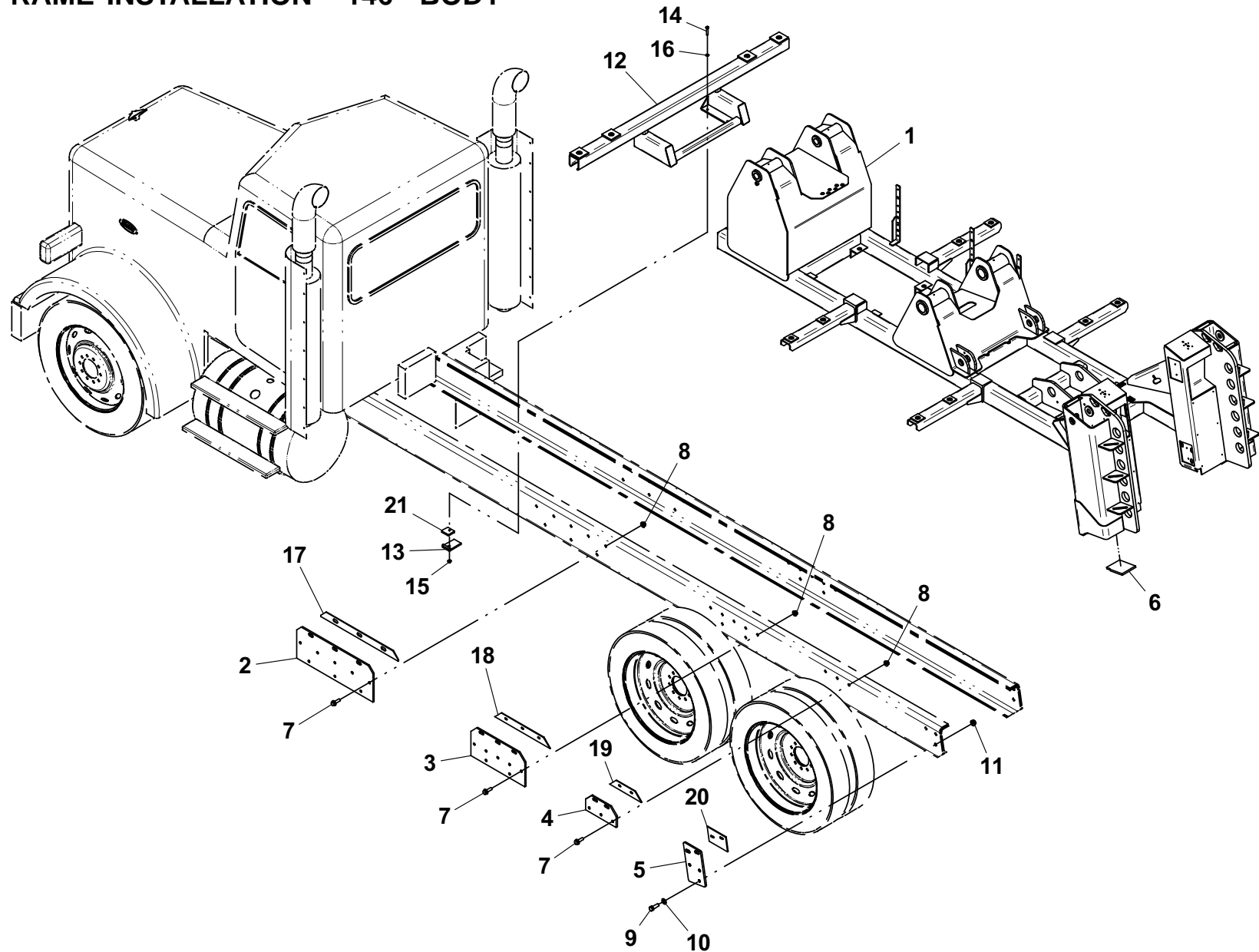


SUBFRAME INSTALLATION - 146" BODY

ITEM	PART NO.	DESCRIPTION	QTY
1	3868000278	Subframe	1
2	4706002262	Plate	2
3	4706002961	Plate	2
4	4706002490	Plate	2
5	4706002554	Plate	2
6	4062000688	Bar	2
7	7118221816	Capscrew, 0.75"-10NC x 2.25"	36
8	7660222308	Locknut, 0.75"-10NC	36
9	7118242050	Capscrew, 0.88"-9NC x 2.50"	6
10	7949000061	Washer, 0.88" ID	6
11	7660242308	Locknut, 0.88"-9NC	6
12	3868000157	Subframe Weld Stand Alone	1
13	3274000011	Toolbox Clamp Weldment	4
14	7115182050	Capscrew, 0.50"-13NC x 2.50"	4
15	7660182301	Locknut, 0.50"-13NC	4
16	7950182052	Flatwasher, 0.50" ID	4
17	4062000269	Bar	2
18	4706002163	Plate	2
19	4706002555	Plate	2
20	4706002556	Plate	2
21	4705000705	Plate	4

* Also Available In Shim Kit - 3577000118

SUBFRAME INSTALLATION - 146" BODY

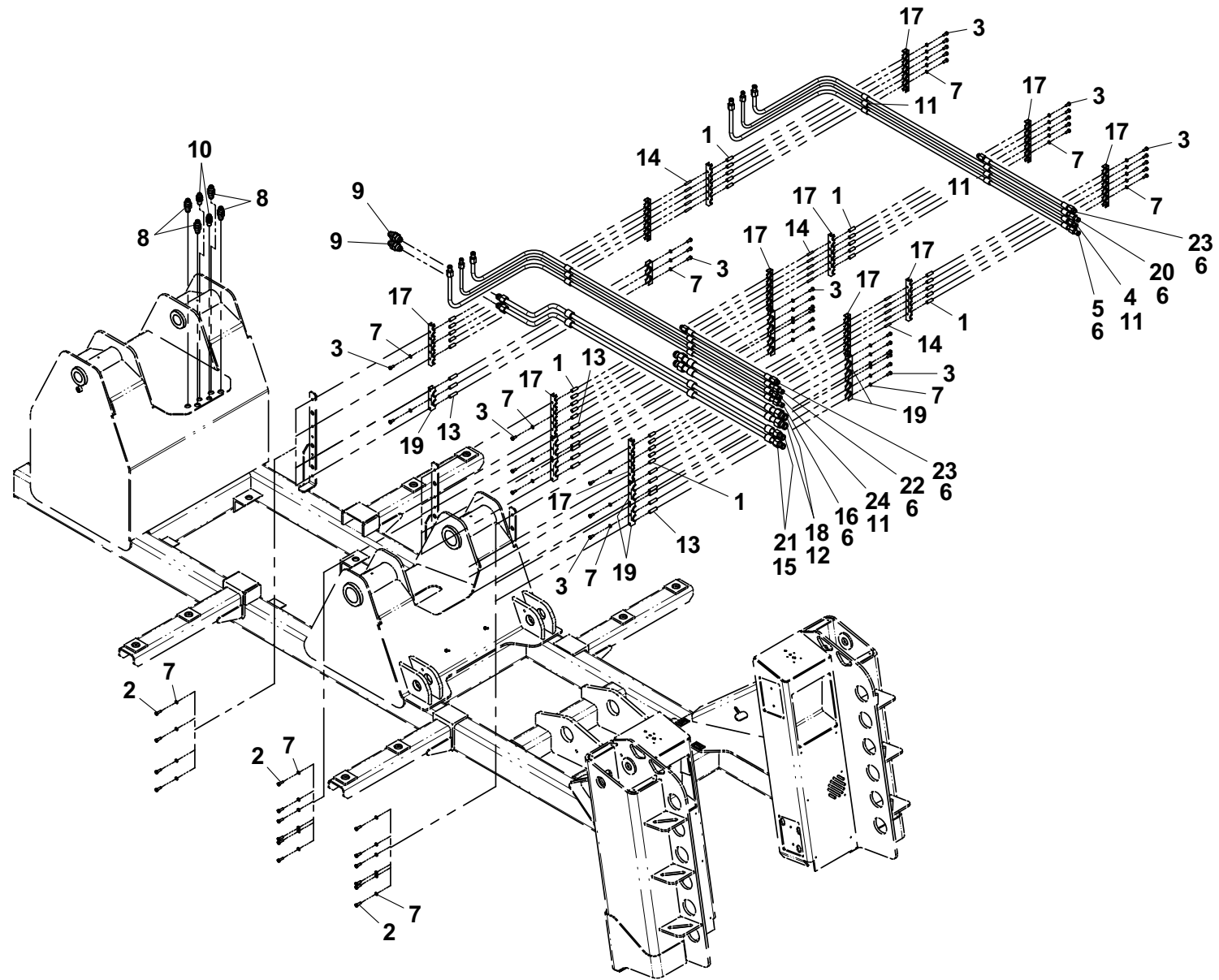


SUBFRAME HYDRAULIC TUBING

ITEM	PART NO.	DESCRIPTION	QTY
1	766100022	Nut, 0.31"-18NC	30
2	7115150850	Capscrew, 0.31"-18NC x 1.00"	16
3	7115150650	Capscrew, 0.31"-18NC x 0.75"	38
4	7912000282	Tube Assembly	1
5	7912000280	Tube Assembly	1
6	7209000024	Bushing, 0.62" ID x 1.31"	14
7	7950150000	Washer, 0.31" ID	54
8	7445101025	Bulkhead	4
9	7445121225	Bulkhead	2
10	7445080825	Bulkhead	2
11	7209000023	Bushing, 0.50" ID x 1.31"	6
12	7209000033	Bushing, #16	4
13	7661000027	Stacking Nut	15
14	7007000036	Adapter	15
15	7209000032	Bushing, #12	6
16	7912000281	Tube Assembly	1
17	7274000030	Clamping Unit	6
18	7912000287	Tube Assembly	2
19	7274000049	Clamp	5
20	7912000284	Tube Assembly	1
21	7912000288	Tube Assembly	2
22	7912000285	Tube Assembly	1
23	7912000289*	Tube Assembly	2
24	7912000283	Tube Assembly	1

* For Use With Drag Winch Option

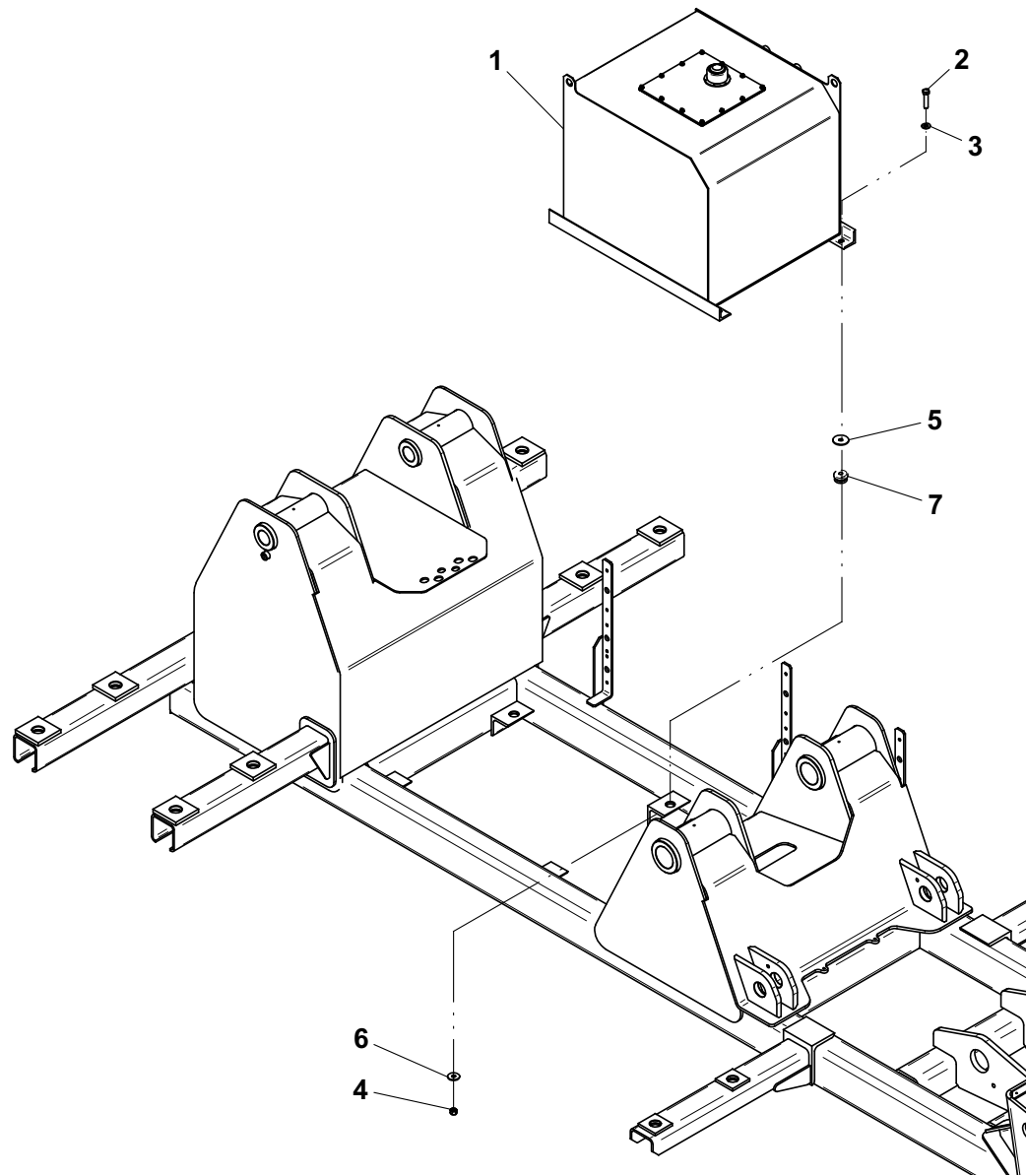
SUBFRAME HYDRAULIC TUBING



HYDRAULIC TANK INSTALLATION

ITEM	PART NO.	DESCRIPTION	QTY
1	3750000055	Hydraulic Tank Assembly	1
2	7115181850	Capscrew, 0.50"-13NC x 2.25"	4
3	7950180141	Flatwasher, 0.50" ID	4
4	7660182601	Locknut, 0.50"-13NC	4
5	7949000015	Washer, Head	4
6	7949000016	Washer, Tail	4
7	7636000006	Rubber Mount	4

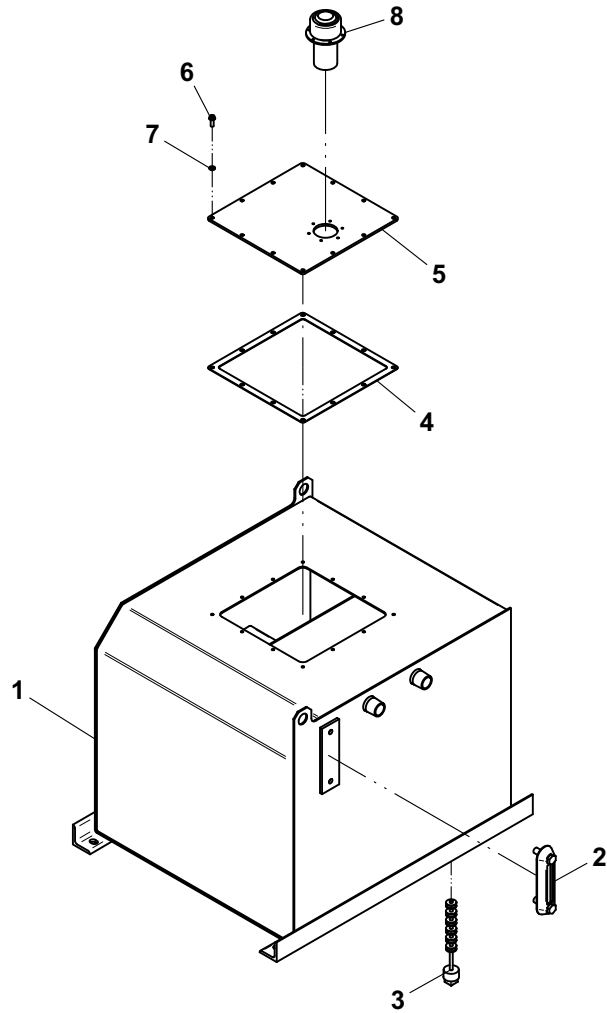
HYDRAULIC TANK INSTALLATION



HYDRAULIC TANK ASSEMBLY

ITEM	PART NO.	DESCRIPTION	QTY
1	3750000056	Hydraulic Tank	1
2	7470000003	Gauge, Sight	1
3	7701000025	Plug, Magnetic	1
4	7796000051	Gasket	1
5	4706002235	Plate	1
6	7790141253	Capscrew, 0.25"-20NC x 0.75"	12
7	7950140000	Lockwasher, 0.25" ID	12
8	7183000002	Breather, Filler Cap	1

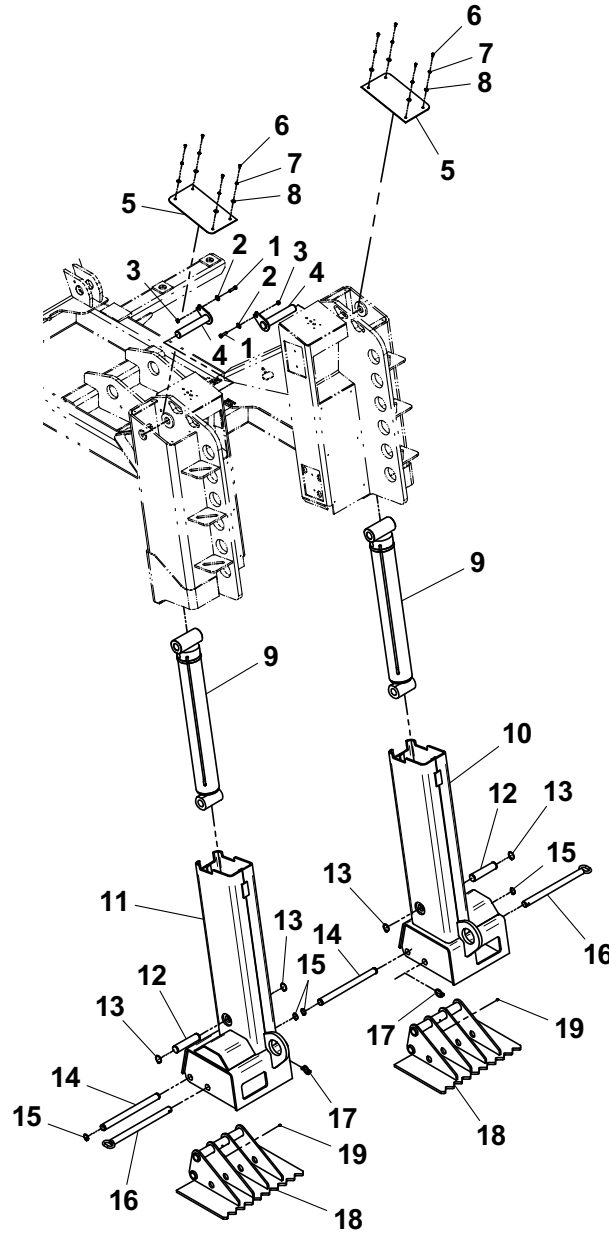
HYDRAULIC TANK ASSEMBLY



REAR SPADE INSTALLATION

ITEM	PART NO.	DESCRIPTION	QTY
1	7115161250	Capscrew, 0.38"-16 NC x 1.50"	2
2	7950160161	Flatwasher, 0.38" I.D.	2
3	7660162601	Locknut, 0.38"-16 NC	2
4	3691000267	Pin	2
5	4706003716	Plate	2
6	7114140518	Capscrew, 0.25"-20 NC x 0.62"	8
7	7949000025	Lockwasher, 11MM ID	8
8	7950140153	Flatwasher, 0.25" ID	8
9	7320000006	Spade Cylinder Assembly	2
10	3263000061	Channel Weld RH	1
11	3263000062	Channel Weld LH	1
12	4691000207	Pin	2
13	7754000033	Retaining Ring	4
14	4691000200	Pin	2
15	7754000008	Retaining Ring	4
16	3691000126	Pin	2
17	7691000019	Lynch Pin	2
18	3706000335	Spade Claw Plate	2
19	7440030000	Grease Fitting	2

REAR SPADE INSTALLATION

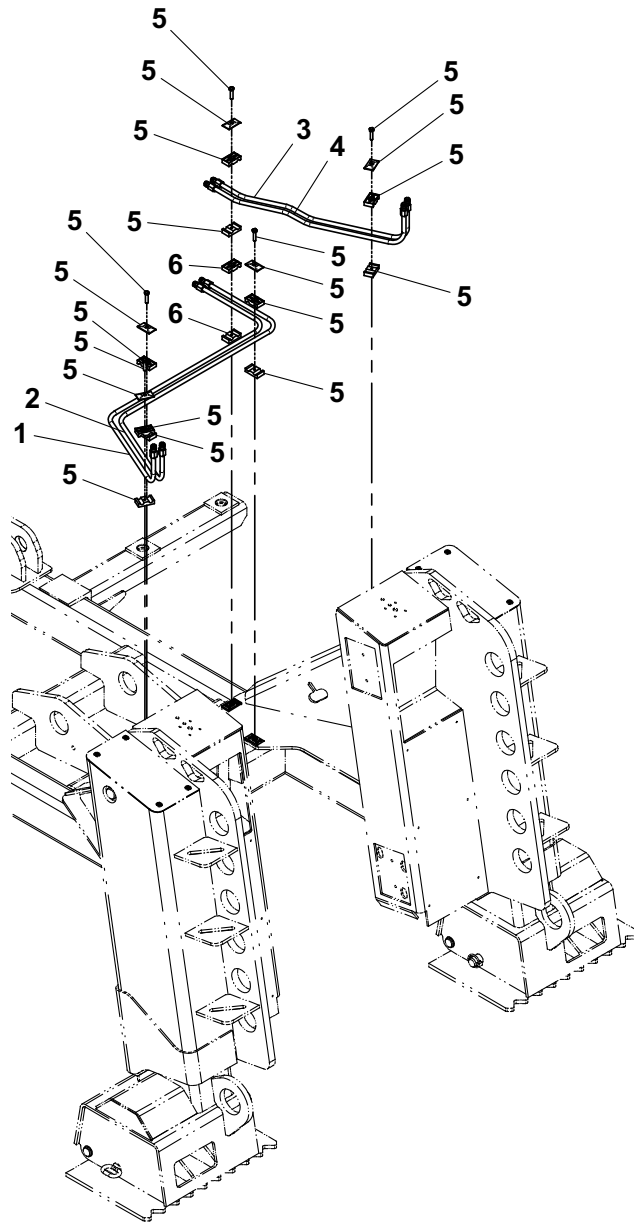


REAR SPADE TUBING

ITEM	PART NO.	DESCRIPTION	QTY
1	7912000245*	Tube Assembly	1
2	7912000246*	Tube Assembly	1
3	7912000247*	Tube Assembly	1
4	7912000248*	Tube Assembly	1
5	7274000050	Clamp	5
6	7274000064	Clamp	1

* Available In Hydraulic Tubing Kit - 7577000637

REAR SPADE TUBING

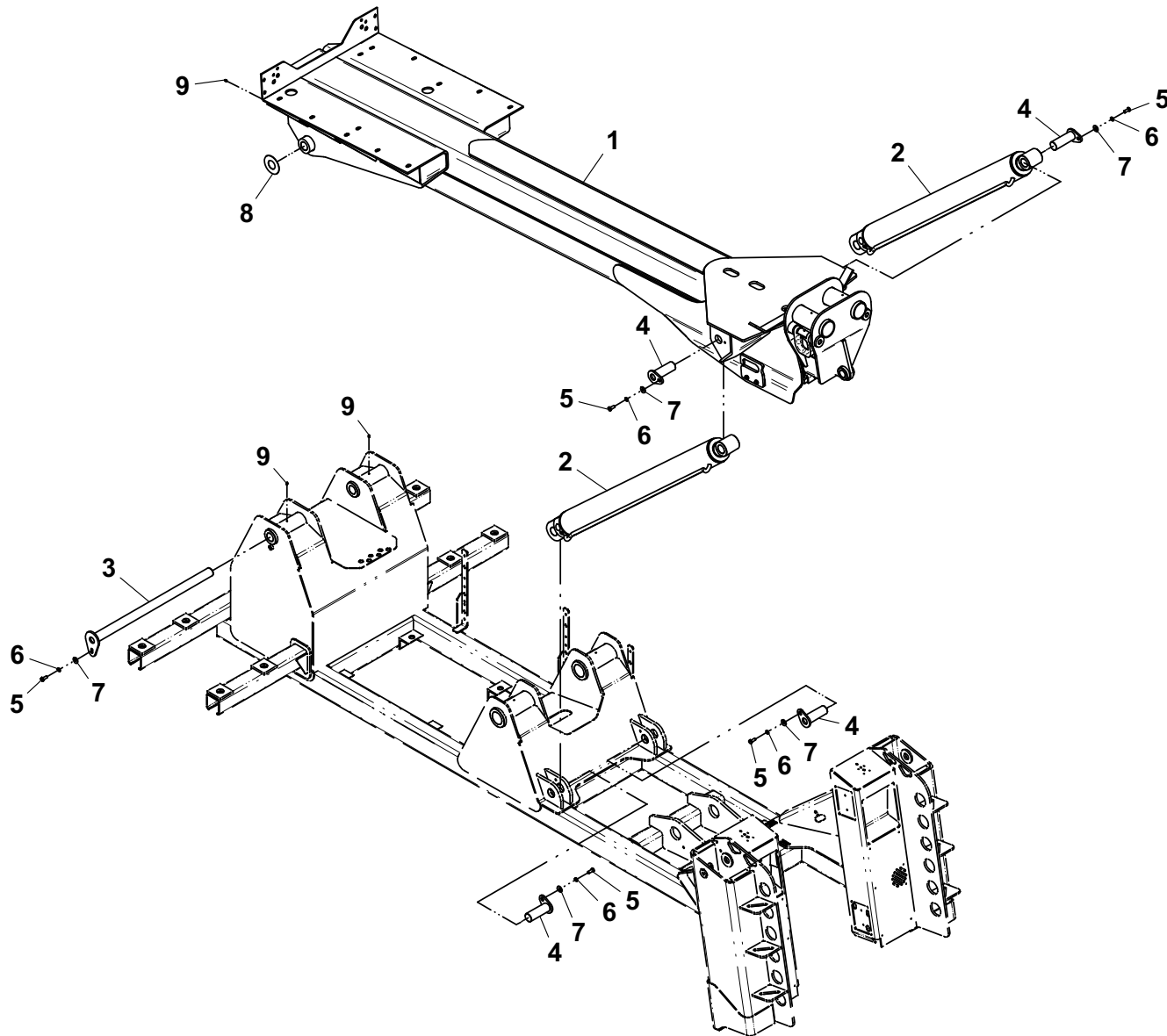


BOOM INSTALLATION - 2 PIECE BOOM

ITEM	PART NO.	DESCRIPTION	QTY
1	3170000183	Boom Assembly	1
2	7320000070	Lift Cylinder Assembly	2
3	3691000256	Pin	1
4	3691000255	Pin	4
5	7115181050	Capscrew, 0.50"-13NC x 1.25"	5
6	7950180000	Lockwasher, 0.59" ID	5
7	7950180161	Flat washer, 0.50" ID	5
8	4949000031*	Shim, 0.63" Thick	2
	4949000032*	Shim, 0.93" Thick	2
9	7440030000	Fitting	3

* Also Available In Shim Kit - 3577000037

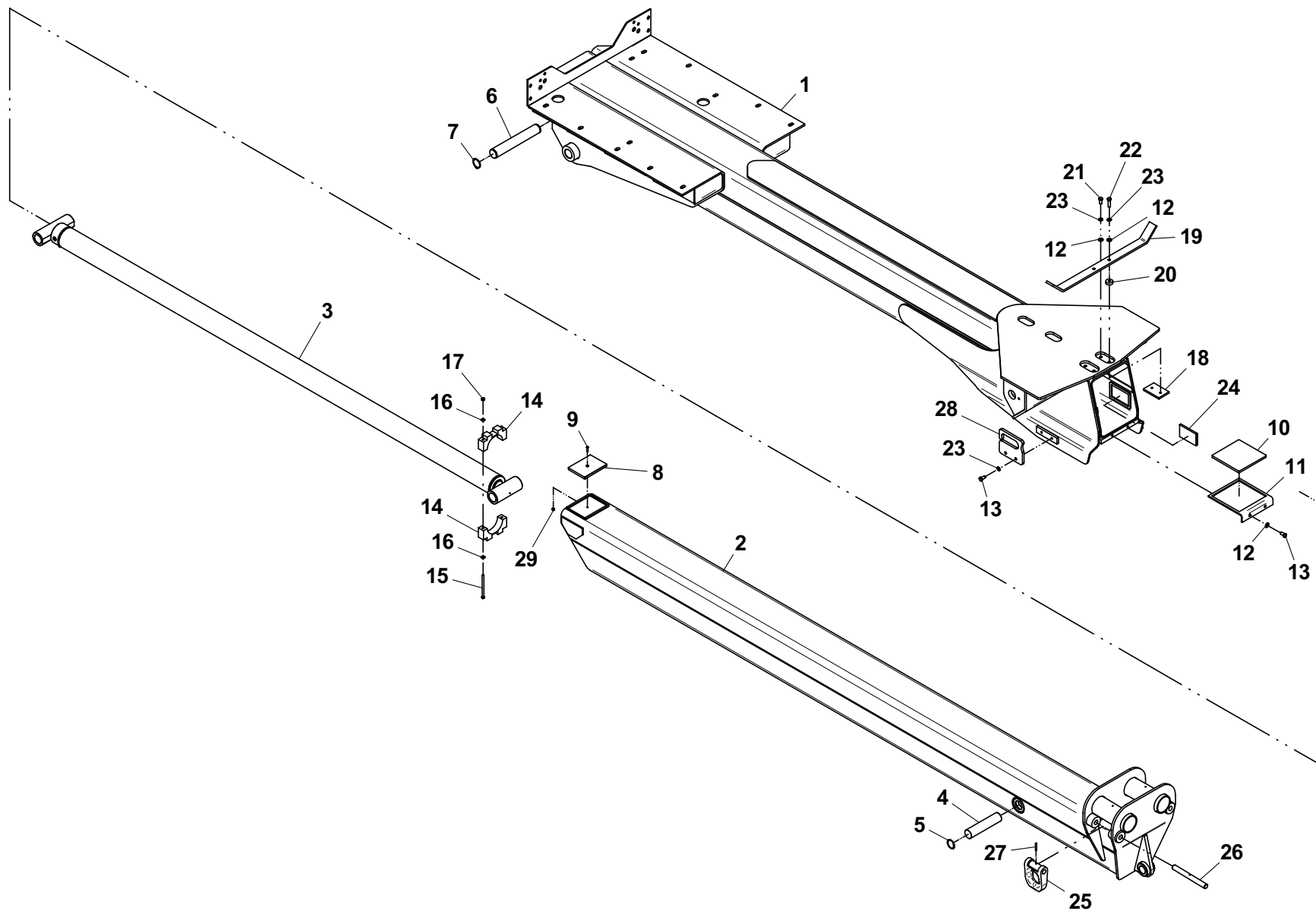
BOOM INSTALLATION - 2 PIECE BOOM



WRECKER BOOM ASSEMBLY - 2 PIECE BOOM

ITEM	PART NO.	DESCRIPTION	QTY
1	3170000182	Base Section Boom Weldment	1
2	3170000148	Fly Section Boom Weldment	1
3	7320000031	Extension Cylinder Assembly	1
4	4691000323	Pin	1
5	7754000061	Retaining Ring	2
6	4691000208	Pin	1
7	7754000048	Retaining Ring	2
8	4679000163	Pad	1
9	7114140818	Capscrew, 0.25"-20NC x 1.00"	1
10	4679000162	Pad	1
11	4706002435	Plate	1
12	7950180153	Flatwasher, 0.50" ID	6
13	7115180850	Capscrew, 0.50"-13NC x 1.00"	6
14	4177000033	Brace	2
15	7115164450	Capscrew, 0.38"-16NC x 5.50"	2
16	7950160251	Flatwasher, 0.38" ID	4
17	7660161600	Locknut, 0.38"-16NC	2
18	4831000061	Spacer, 0.38" x 3.00" x 4.50"	2
19	4062000158	Bar	1
20	4831000064	Spacer, 1.50" x 0.515" x 0.50"	2
21	7115180750	Capscrew, 0.50"-13NC x 0.88"	2
22	7115181450	Capscrew, 0.50"-13NC x 1.75"	2
23	7950180000	Lockwasher, 0.59" ID	8
24	4679000168	Pad	2
25	4754000003	D-Ring	2
26	4691000243	Boom Nose Ring	2
27	7690142845	Pin	2
28	4706002856	Plate	2
29	7660142604	Locknut, 0.25"-20NC	1

WRECKER BOOM ASSEMBLY - 2 PIECE BOOM



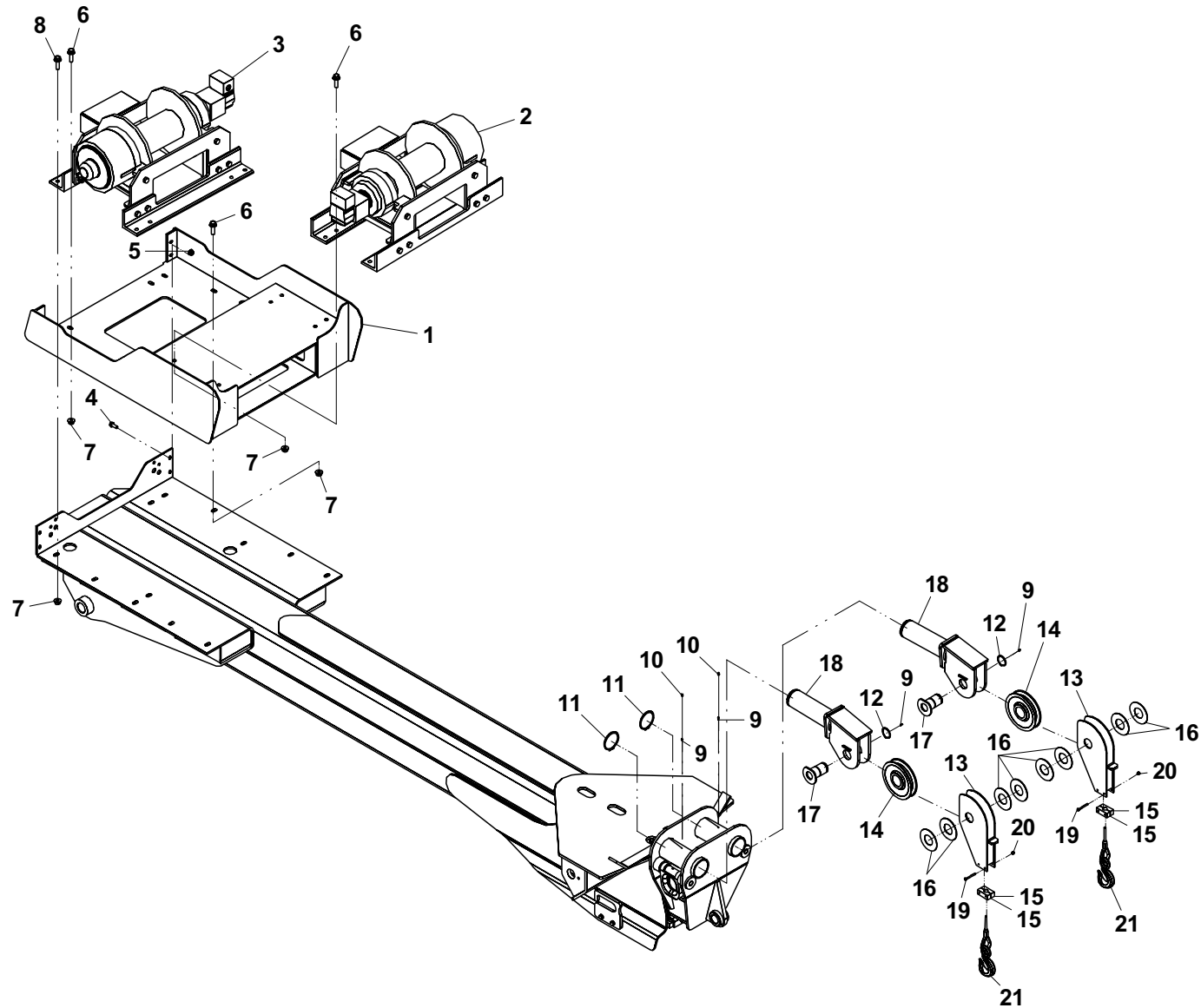
WINCH INSTALLATION - DP25K & DP35K PLANETARY WINCHES

ITEM	PART NO.	DESCRIPTION	QTY	ITEM	PART NO.	DESCRIPTION	QTY
		Winch Install DP 25K				Winch Install DP 35K	
1	3636000068	Bracket, Winch Mount	1	1	3636000068	Bracket, Winch Mount	1
2	7970000050	Winch, DP 25K - RH	1	2	7970000067	Winch, DP 35K - RH	1
3	7970000049	Winch, DP 25K - LH	1	3	7970000066	Winch, DP 35K - LH	1
4	7118181016	Capscrew, 0.50"-13NC x 1.25"	4	4	7118181016	Capscrew, 0.50"-13NC x 1.25"	4
5	7660182301	Locknut, 0.50"-13NC	4	5	7660182301	Locknut, 0.50"-13NC	4
6	7118201616	Capscrew, 0.63"-11NC x 2.00"	16	6	7118201616	Capscrew, 0.63"-11NC x 2.00"	16
7	7661000018	Nut, 0.63"-11NC	22	7	7661000018	Nut, 0.63"-11NC	22
8	7118202016	Bolt, 0.63"-11NC x 2.50"	6	8	7118202016	Bolt, 0.63"-11NC x 2.50"	6
9	7440030000	Grease Fitting	2	9	7440030000	Grease Fitting	2
10	7253000002	Grease Cap	2	10	7253000002	Grease Cap	2
11	7754000049	Retaining Ring, 3.50" Dia.	2	11	7754000049	Retaining Ring, 3.50" Dia.	2
12	7754000048	Retaining Ring, 2.00" Dia.	2	12	7754000048+	Retaining Ring, 2.00" Dia.	2
13	3249000001	Cable Guide Weldment	2		7754000033*	Retaining Ring, 1.50" Dia.	2
14	7809000019	Sheave, 7.75" Dia. (0.63" Wire Rope)	2	13	3249000001+	Cable Guide Weldment	2
15	4249000001	Cable Guide, 1.00" x 1.75" x 2.75"	4		3249000012*	Cable Guide Weldment	2
16	3577000019	Sheave Shim Kit	1	14	7809000019+	Sheave, 7.75" Dia. (0.63" Wire Rope)	2
17	3691000129	Pin	2		7809000006*	Sheave, 8.00" Dia. (0.75" Wire Rope)	2
18	3249000010	Sheave Support Weldment	2	15	4249000001+	Cable Guide, 1.00" x 1.75" x 2.75"	4
19	7115142050	Capscrew, 0.25"-20NC x 2.50"	4		4249000002*	Cable Guide, 1.00" x 0.81" x 2.75"	4
20	7660141600	Locknut, 0.25"-20NC	4	16	3577000019+	Sheave Shim Kit	1
21	7248000040	Wire Rope 0.63" x 200' W/ 5T Hoist	1		4949000045*	Washer, 5.00" OD x 1.53" ID	4
	7248000078	Wire Rope 0.63" x 200' W/ 5T Swivel	1	17	3691000129+	Pin	2
	7248000037	Wire Rope 0.63" x 250' W/ 5T Hoist	1		3691000169*	Pin	2
	7248000079	Wire Rope 0.63" x 250' W/ 5T Swivel	1	18	3249000010+	Sheave Support Weldment	2
					3249000011*	Sheave Support Weldment	2
				19	7115142050	Capscrew, 0.25"-20NC x 2.50"	4
				20	7660141600	Locknut, 0.25"-20NC	4
				21	7248000040+	Wire Rope, 0.63" x 200' W/ 5T Hoist	1
					7248000078+	Wire Rope, 0.63" x 200' W/ 5T Swivel	1
					7248000037+	Wire Rope, 0.63" x 250' W/ 5T Hoist	1
					7248000079+	Wire Rope, 0.63" x 250' W/ 5T Swivel	1
					7248000055*	Wire Rope, 0.75" x 200' W/ 7T Hoist	1
					7248000080*	Wire Rope, 0.75" x 200' W/ 7T Swivel	1

* Denotes Parts Used In 3/4" (0.75") Wire Cable Option

+ Denotes Parts Used In 5/8" (0.63") Wire Cable Option

WINCH INSTALLATION - DP25K & DP35K PLANETARY WINCHES

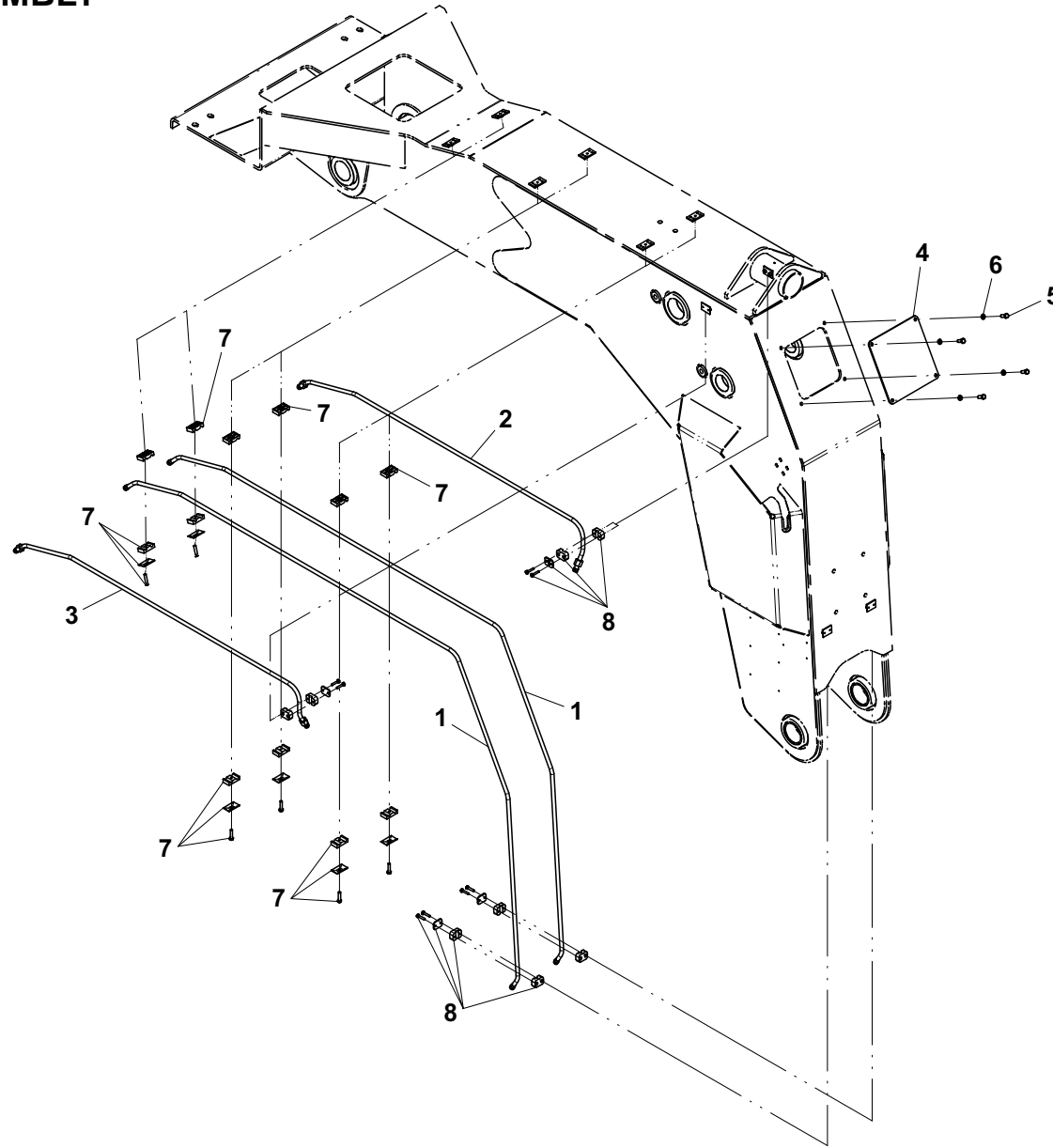


BOOM TUBE ASSEMBLY

ITEM	PART NO.	DESCRIPTION	QTY
1	7912000239*	Tube Assembly	2
2	7912000240*	Tube Assembly	1
3	7912000241*	Tube Assembly	1
4	4706002206	Plate	1
5	7115160850	Capscrew, 0.38"-16NC x 1.00"	4
6	7950160000	Lockwasher, 0.38" ID	4
7	7274000050	Clamp Assembly	6
8	7274000051	Clamp Assembly	4

* Available In Hydraulic Tubing Kit - 7577000661

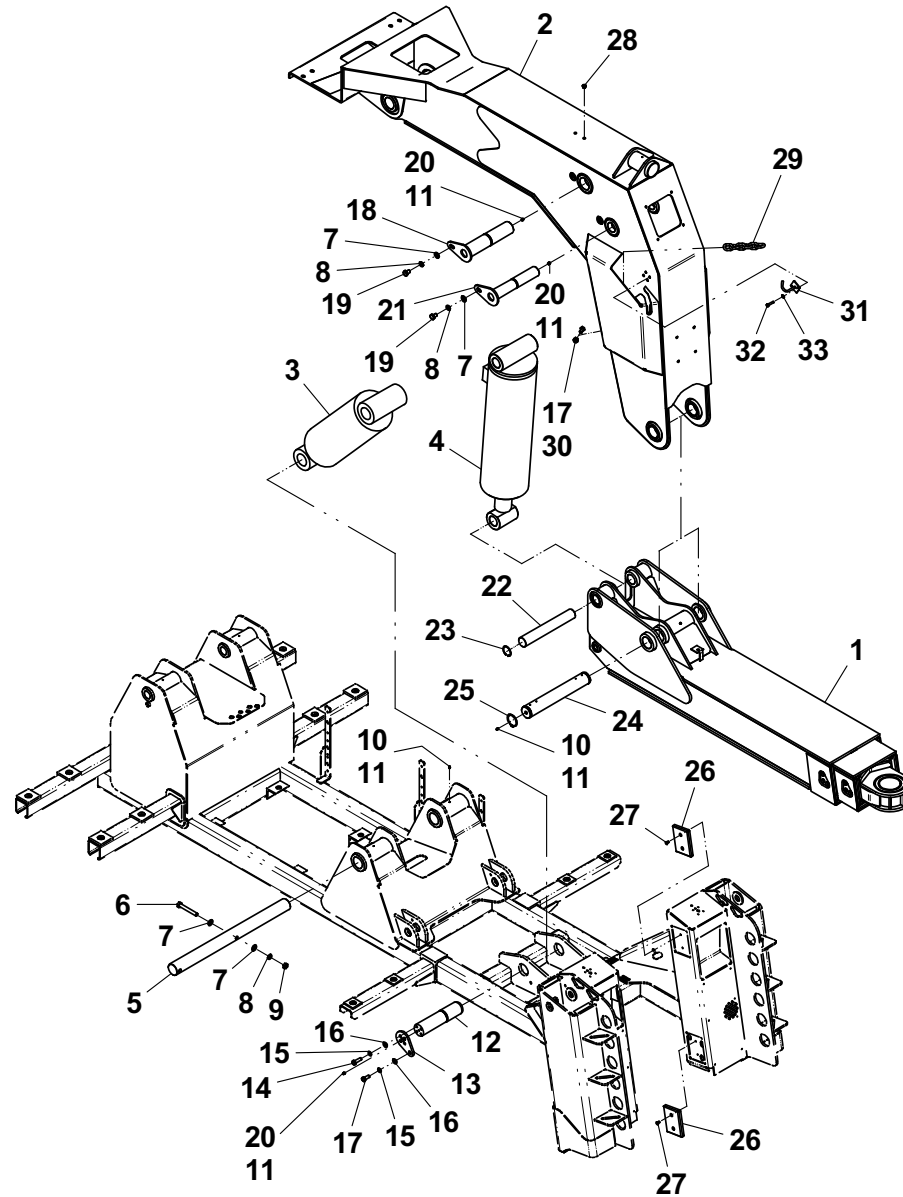
BOOM TUBE ASSEMBLY



UNDERLIFT INSTALLATION

ITEM	PART NO.	DESCRIPTION	QTY
1	3507100001	Underlift Assembly - 53,000 LB (Standard)	1
	3170000407	Underlift Assembly - 56,500 LB (Optional)	1
2	3170000423	Underlift Boom Weldment	1
3	7320000063	Lift Cylinder	1
4	7320000096	Tilt Cylinder - (Standard)	1
	7320000097	Tilt Cylinder - (Optional)	1
5	4691000563	Pin	1
6	7118224450	Capscrew, 0.75"-10NC x 5.50"	1
7	7950220141	Flatwasher, 0.75" ID	4
8	7950220000	Washer, 0.75" ID	3
9	7660220230	Nut, 0.75"-16NF	1
10	7440030000	Grease Fitting	4
11	7253000002	Grease Fitting Cap	7
12	4691000484	Pin	1
13	4706004528	Plate	1
14	7118201650	Capscrew, 0.63"-11NC x 2.00"	4
15	7950200000	Lockwasher, 0.63" ID	5
16	7950200141	Flatwasher, 0.63" ID	5
17	7118201250	Capscrew, 0.63"-11NC x 1.50"	3
18	3691000231	Pin	1
19	7115220850	Capscrew, 0.75"-10NC x 1.00"	2
20	7440000000	Grease Fitting	3
21	3691000232	Pin	1
22	4691000290	Pin	1
23	7754000051	Retaining Ring	2
24	4691000291	Pin	1
25	7754000018	Retaining Ring	2
26	4679000127	Pad	4
27	7115161623	Capscrew, 0.38"-16NC x 2.00"	8
28	7189000017	Bumper	2
29	7262000025	Chain W/Latch Hook	2
30	7660202601	Locknut, 0.63"-11NC	2
31	3561000017	Hook Weldment	2
32	7115161450	Capscrew, 0.38"-16NC x 1.75"	4
33	7950160141	Flatwasher, 0.38" ID	4

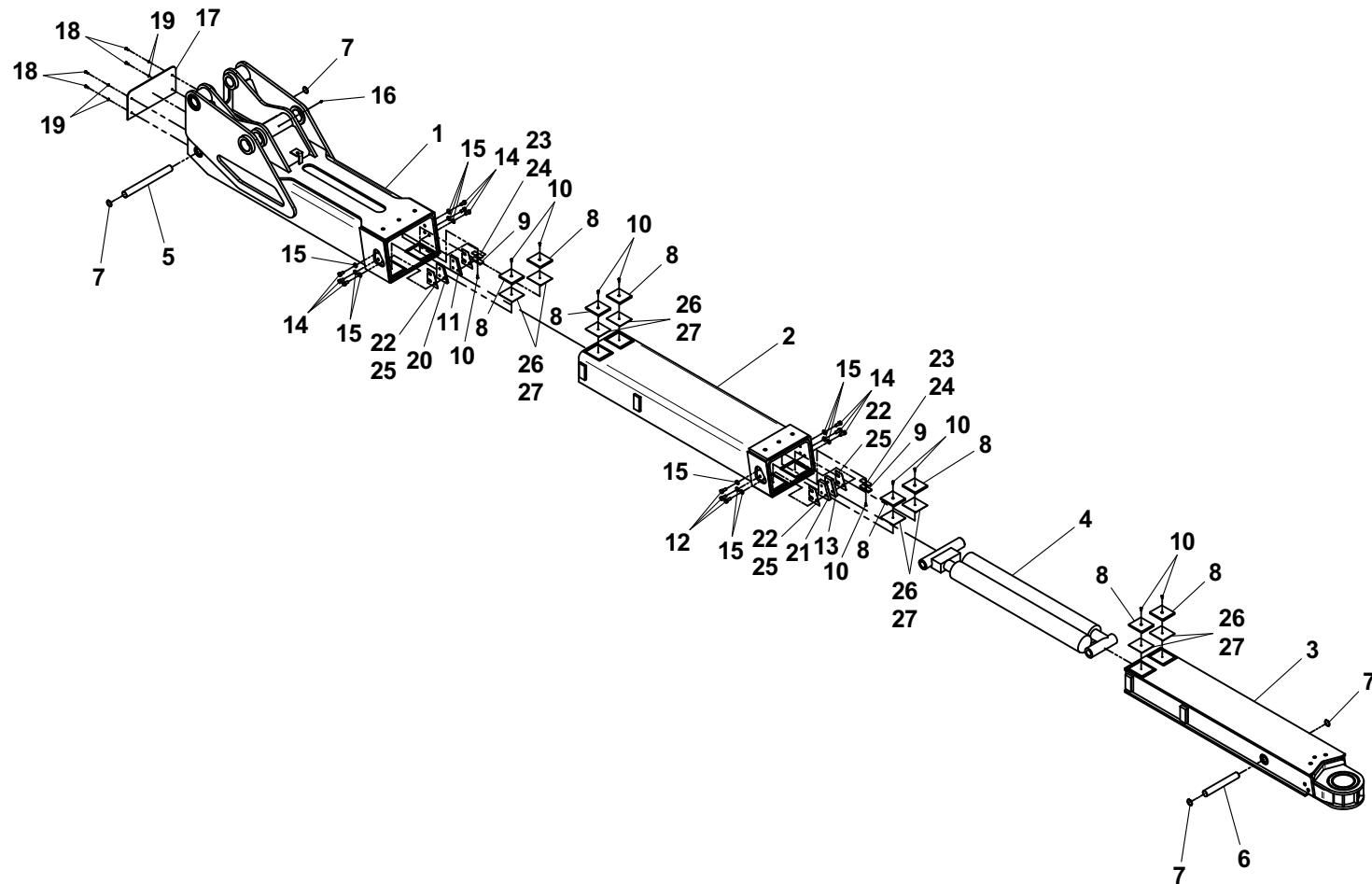
UNDERLIFT INSTALLATION



UNDERLIFT ASSEMBLY - 3507100001 - 53,000 LB - 3 PIECE BOOM (STANDARD)

ITEM	PART NO.	DESCRIPTION	QTY
1	3170000125	Base Section Boom Weldment	1
2	3170000124	Mid Section Boom Weldment	1
3	3170000123	Fly Section Boom Weldment	1
4	7320000026	Underlift Extension Cylinder Assembly	1
5	4691000292	Pin	1
6	4691000293	Pin	1
7	7754000043	Retaining Ring	4
8	4679000146	Pad	8
9	4679000147	Pad	2
10	7114140518	Capscrew, 0.25"-20NC x 0.63"	10
11	4706002209	Plate	1
12	7108181050	Capscrew, 0.50"-20NF x 1.25"	6
13	4706002208	Plate	1
14	7108180850	Capscrew, 0.50"-20NF x 1.00"	6
15	7950180153	Flatwasher, 0.50" ID	12
16	7440030000	Grease Fitting	1
17	4706002207	Plate	1
18	7115140650	Capscrew, 0.25"-20NC x 0.75"	4
19	7950140000	Lockwasher, 0.25" ID	4
20	4706002211	Plate	1
21	4706002210	Plate	1
22	4812000057	Shim, 14GA	2
23	4706003708	Plate	2
24	4706003709	Plate	2
25	4706003710	Plate	4
26	4706003717	Plate	8
27	4706003718	Plate	8

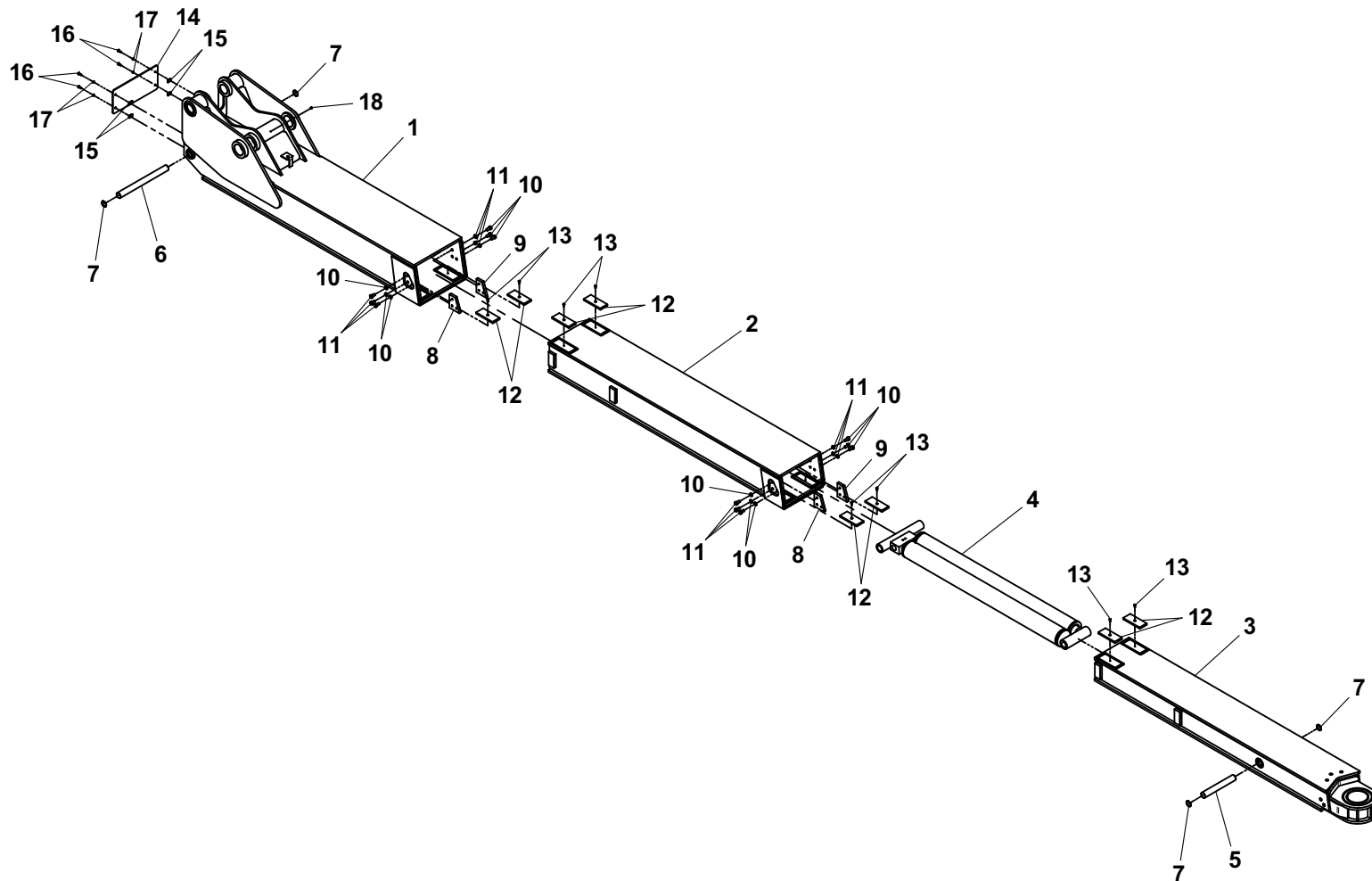
UNDERLIFT ASSEMBLY - 3507100001 - 53,000 LB - 3 PIECE BOOM (STANDARD)



UNDERLIFT ASSEMBLY - 3170000407 - 56,500 LB - 3 PIECE BOOM (OPTIONAL)

ITEM	PART NO.	DESCRIPTION	QTY
1	3170000400	Base Section Boom Weldment	1
2	3170000401	Mid Section Boom Weldment	1
3	3170000406	Fly Section Boom Weldment	1
4	7320000068	Underlift Extension Cylinder Assembly	1
5	4691000293	Pin	1
6	4691000321	Pin	1
7	7754000043	Retaining Ring	4
8	4706005262	Plate	2
9	4706005263	Plate	2
10	7108180850	Capscrew, 0.50"-20NF x 1.00"	12
11	7950180000	Lockwasher, 0.50" ID	12
12	4679000277	Pad, 0.38 Thk	8
	4679000293	Pad, 0.25 Thk	8
13	7114140518	Capscrew, 0.25"-20NC x 0.63"	8
14	4706005281	Plate	1
15	7661000019	U-Nut, 0.25"-20NC	4
16	7115140650	Capscrew, 0.25"-20NC x 0.75"	4
17	7950140000	Lockwasher, 0.25" ID	4
18	7440030000	Grease Fitting	1

UNDERLIFT ASSEMBLY - 3170000407 - 56,500 LB - 3 PIECE BOOM (OPTIONAL)

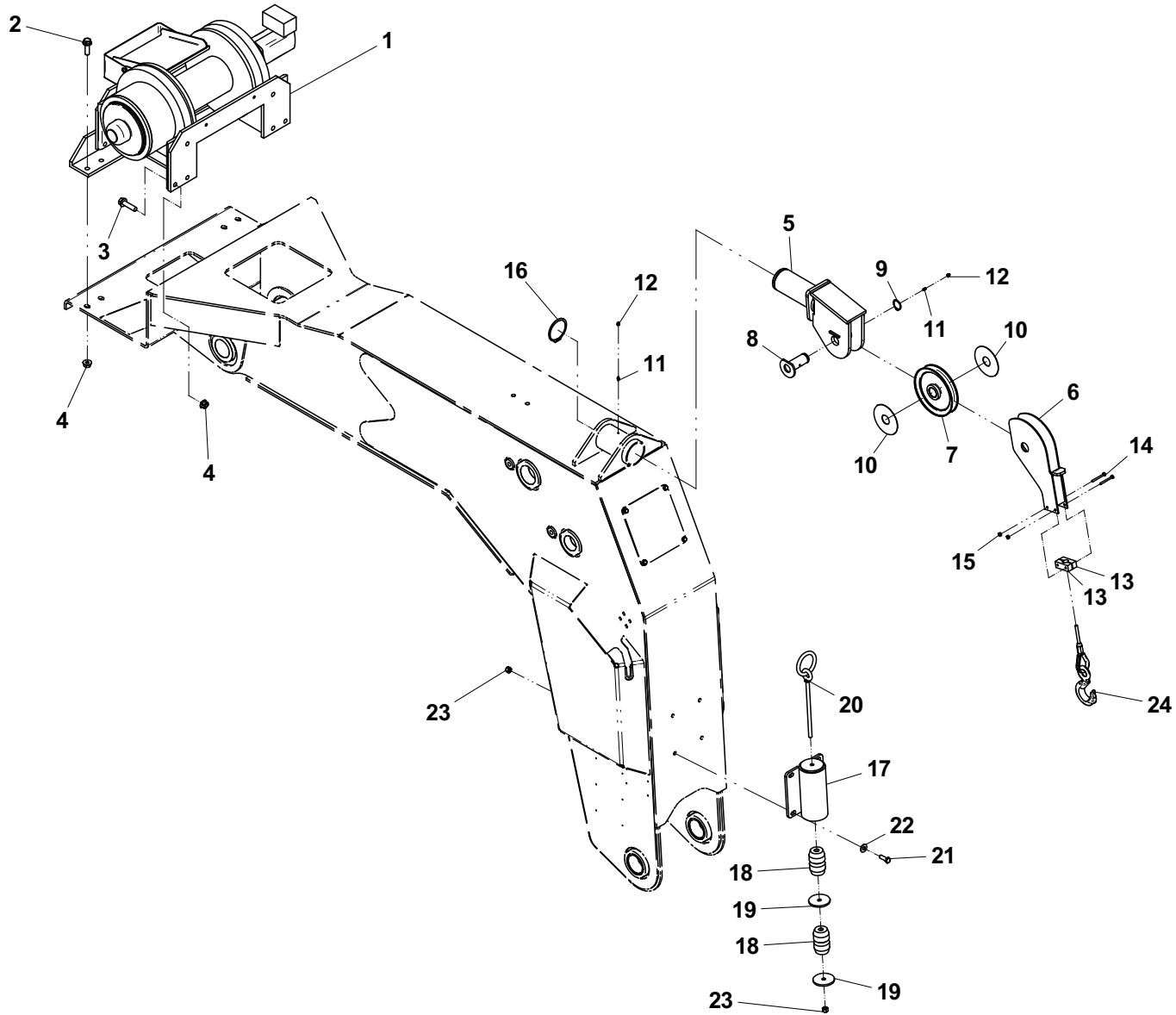


UNDERLIFT WINCH INSTALLATION (OPTIONAL)

ITEM	PART NO.	DESCRIPTION	QTY
1	797000079	Winch	1
2	7118201616	Capscrew, 0.63"-11NC x 2.00"	4
3	7118202016	Bolt, 0.63" x 2.50"	4
4	7661000018	Nut, 0.63"-11NC	8
5	3249000015	Sheave Support Weldment	1
6	3249000012	Cable Guide Weldment	1
7	7809000006	Sheave	1
8	3691000169	Pin Weldment	1
9	7754000058	Retaining Ring	1
10	4949000045	Washer	2
11	7440030000	Fitting, 0.25"-28NF	2
12	7253000002	Grease Fitting	2
13	4949000002	Cable Guide	2
14	7115142050	Capscrew, 0.25"-20NC x 2.50"	2
15	7660142604	Locknut, 0.25"-20NC	2
16	7754000049	Retaining Ring	1
17	3912000034*	Tube Weldment	1
18	7189000014*	Spring	2
19	4831000115*	Spacer	2
20	7120000053*	Ring Bolt, 0.50"-13NC x 10.00"	1
21	7115181250*	Capscrew, 0.50"-13NC x 1.50"	4
22	7950180150*	Flatwasher, 0.50" ID	4
23	7660182601*	Locknut, 0.50"-13NC	5
24	7248000037	Cable, 0.63" x 250'	1
	7248000079	Cable, 0.63" x 250' w/Swivel Hook	1
	7248000055	Cable, 0.75" x 200'	1
	7248000080	Cable, 0.75" x 200' w/Swivel Hook	1

* Available in Cable Tie Back Assembly - 3249000038

UNDERLIFT WINCH INSTALLATION (OPTIONAL)

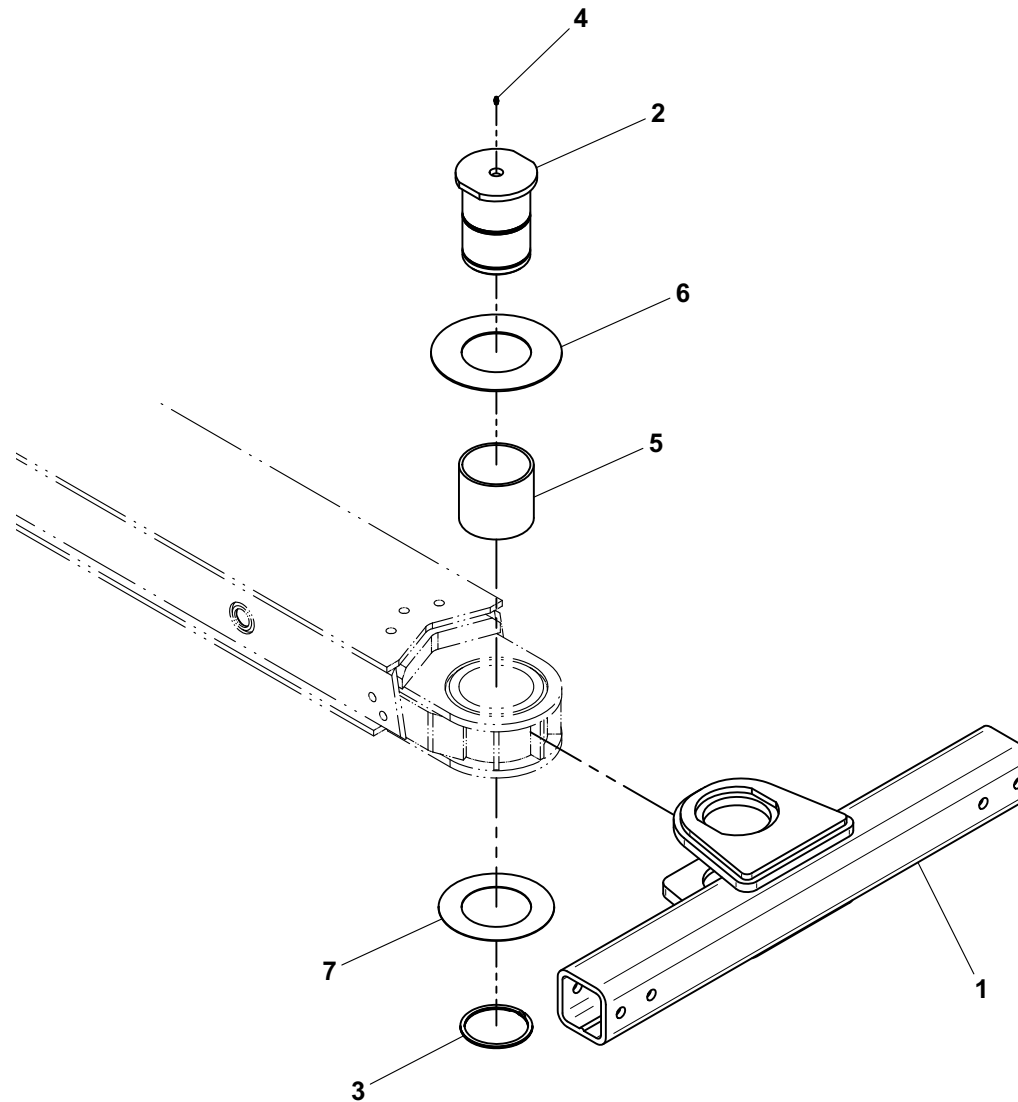


CROSSTUBE INSTALLATION

ITEM	PART NO.	DESCRIPTION	QTY
1	3913000094	Crosstube Weldment	1
2	4691000242	Pin	1
3	7754000042	Retaining Ring	1
4	7440300000	Grease Fitting	1
5	7209000022	Bushing	1
6	4949000041*	Washer, 0.125" Thk	1
7	4949000042*	Washer, 0.63" Thk	2

* Available in Shim Kit - 3577000018

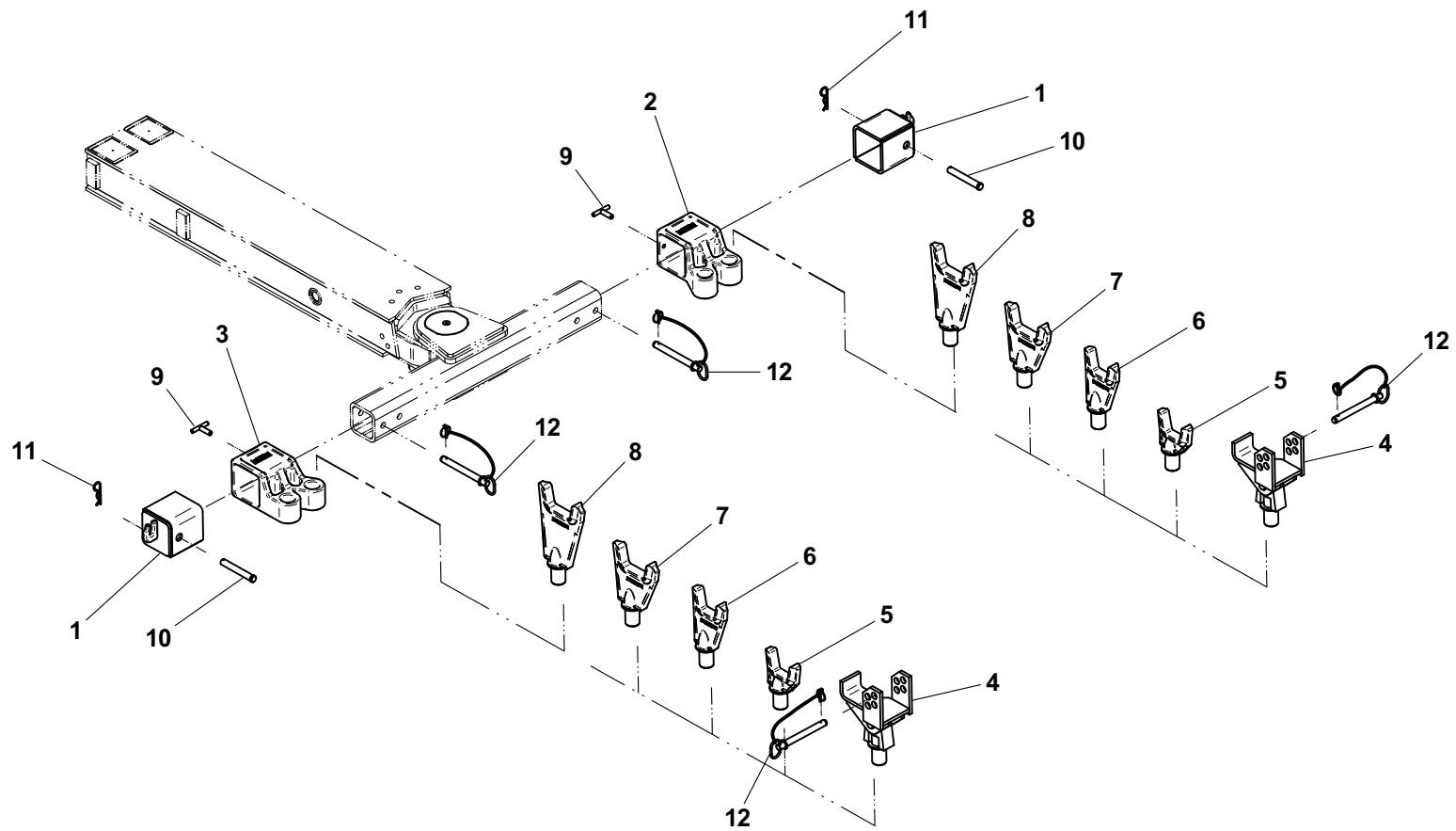
CROSTUBE INSTALLATION



UNDERLIFT TOOLS - FRAME FORKS

ITEM	PART NO.	DESCRIPTION	QTY
1	3007000004	Adapter, Chain Hook	2
2	7007000056	Adapter, Frame Fork - RH	1
3	7007000055	Adapter, Frame Fork - LH	1
4	3178000226	Spring Lift Bracket	2
5	7454000006	Fork, 3.00" Short	2
6	7454000005	Fork, 3.00" Medium	2
7	7454000003	Fork, 4.50" Medium	2
8	7454000004	Fork, 4.50" Long	2
9	3551000036	T-Handle	2
10	7691000022	Pin	2
11	7691000020	Hairpin	2
12	7691000021	Hitch Pin	2
13	7262000026	Chain, Tie-Down	2

UNDERLIFT TOOLS - FRAME FORKS



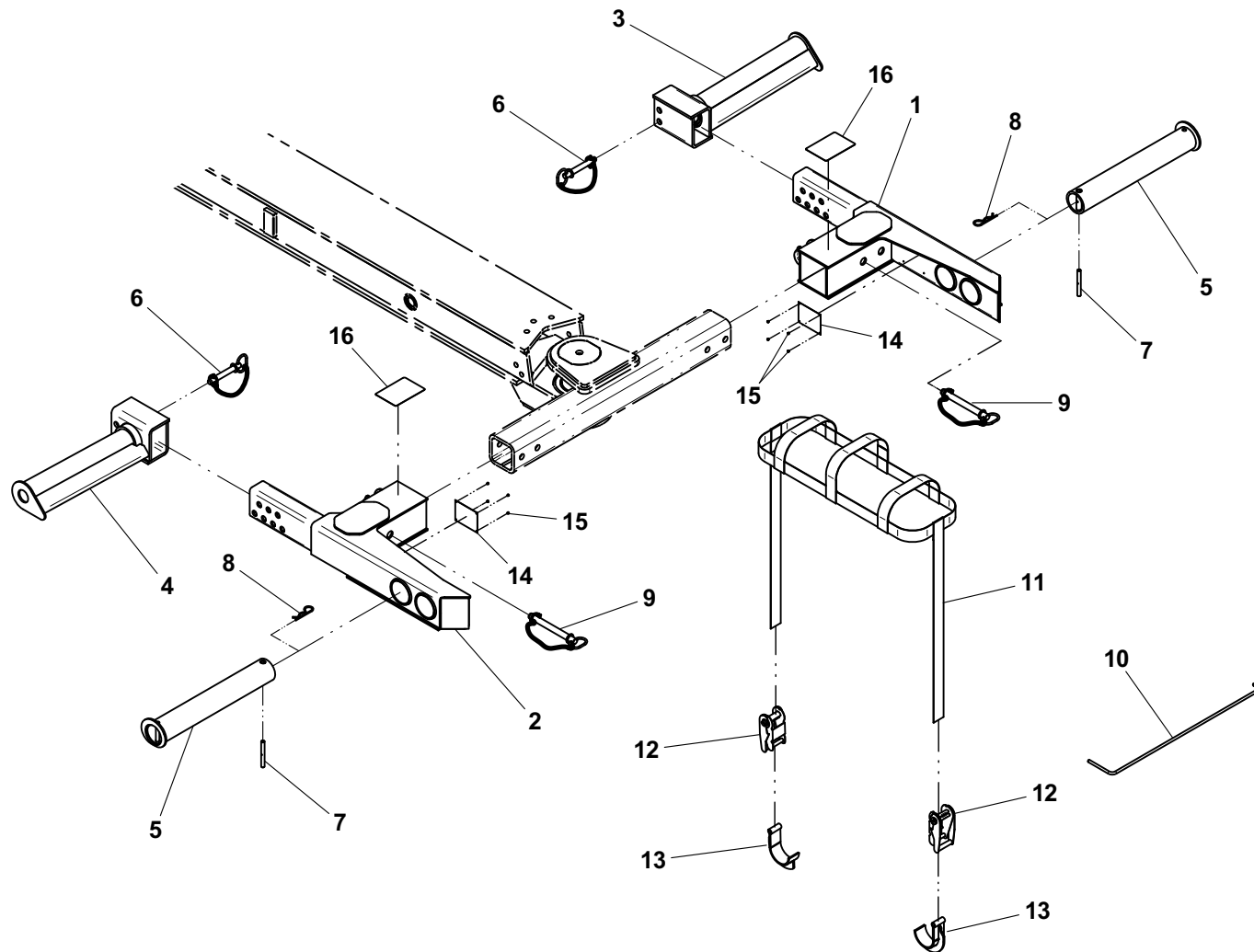
Item #13, not shown

UNDERLIFT TOOLS - 14,000 LB TIRE LIFT

ITEM	PART NO.	DESCRIPTION	QTY
1	3484000048*	Tire Lift Grid - RH	1
2	3484000049*	Tire Lift Grid - LH	1
3	3020000120*	Tire Lift Arm Weldment - RH	1
4	3020000119*	Tire Lift Arm Weldment - LH	1
5	3912000038*	Tire Lift Tube Weldment	2
6	7691000026*	Hitch Pin	2
7	4691000274*	Pin	2
8	7691000020*	Hairpin	2
9	7691000021	Hitch Pin	2
10	4561000012*	Hook, Pull	1
11	7894000037*	Strap, 2" Wide (Standard - Yellow)	2
	7894000041*	Strap, 2" Wide (Optional - Orange)	2
12	7894000028*	Ratchet, 2" Wide Strap	4
13	3561000008*	Hook, 2" Wide Strap	4
14	7330000550*	Decal	2
15	7759000004*	Rivet	8
16	7330000278*	Decal	2

* Also available as - 2503550088

UNDERLIFT TOOLS - 14,000 LB TIRE LIFT



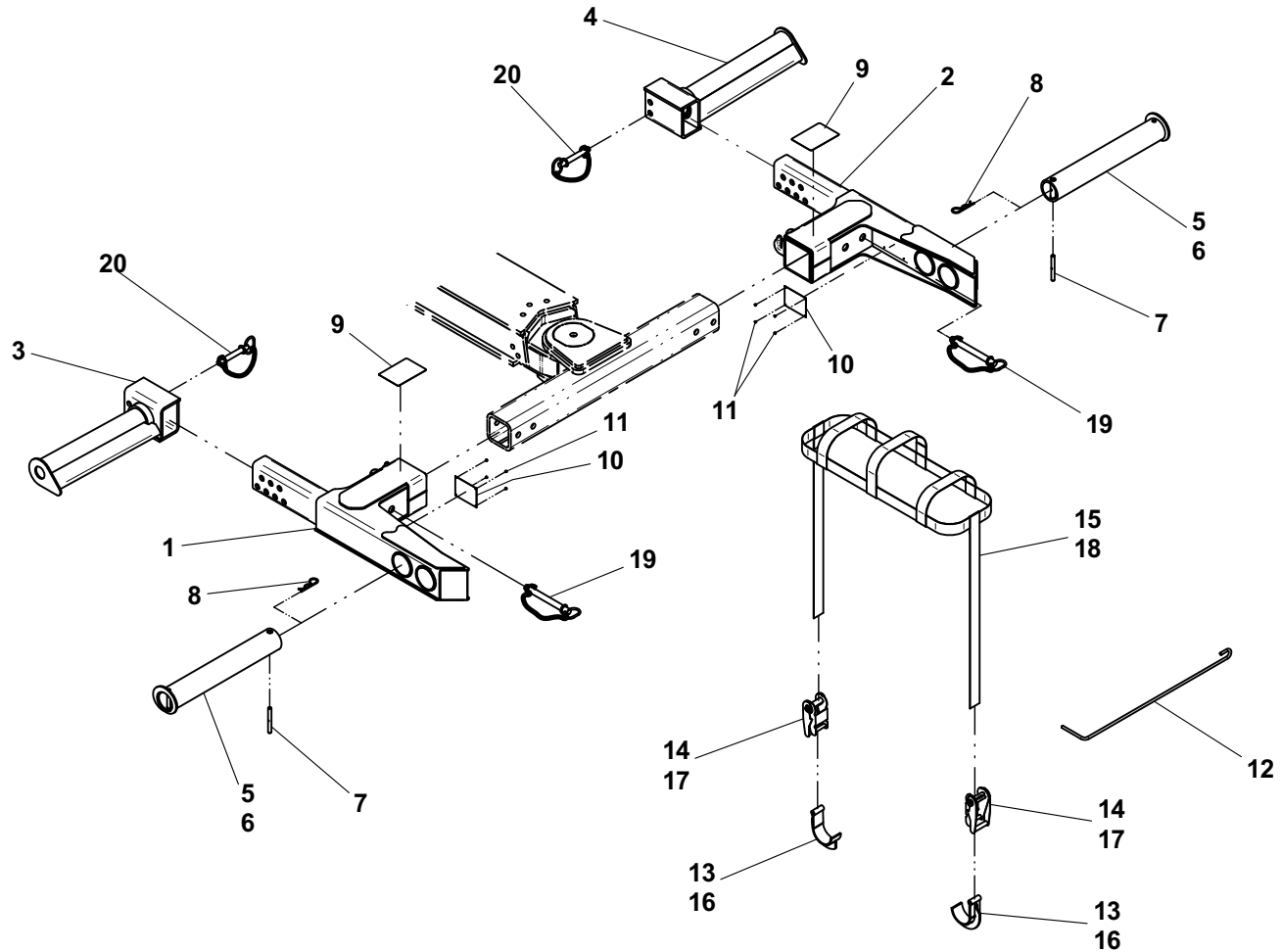
UNDERLIFT TOOLS - 25,000 LB TIRE LIFT

ITEM	PART NO.	DESCRIPTION	QTY
1	3484000072^	Tire Lift Grid - LH	1
2	3484000073^	Tire Lift Grid - RH	1
3	3020000119^	Tire Lift Arm Weldment - LH	1
4	3020000120^	Tire Lift Arm Weldment - RH	1
5	3912000038^	Tire Lift Tube Weldment - 23" Long	2
6	3912000033^	Tire Lift Tube Weldment - 27.5" Long	2
7	4691000274^	Pin	2
8	7691000020^	Hairpin	2
9	7330000278^	Decal	2
10	7330000550^	Decal	2
11	7759000004^	Rivet	8
12	4561000012^	Hook, Pull	1
13	3561000015*	Hook, 3" Wide Strap	4
14	7894000060*	Ratchet, 3" Wide Strap	4
15	7894000057*	Strap, 3" Wide	2
16	3561000008^	Hook, 2" Wide Strap	4
17	7894000028^	Ratchet, 2" Wide Strap	4
18	7894000037^	Strap, 2" Wide	2
19	7691000021	Hitch Pin	2
20	7691000026^	Hitch Pin	2

^ Also available as - 2502880300

* Available in Strap Kit - 7577000368

UNDERLIFT TOOLS - 25,000 LB TIRE LIFT

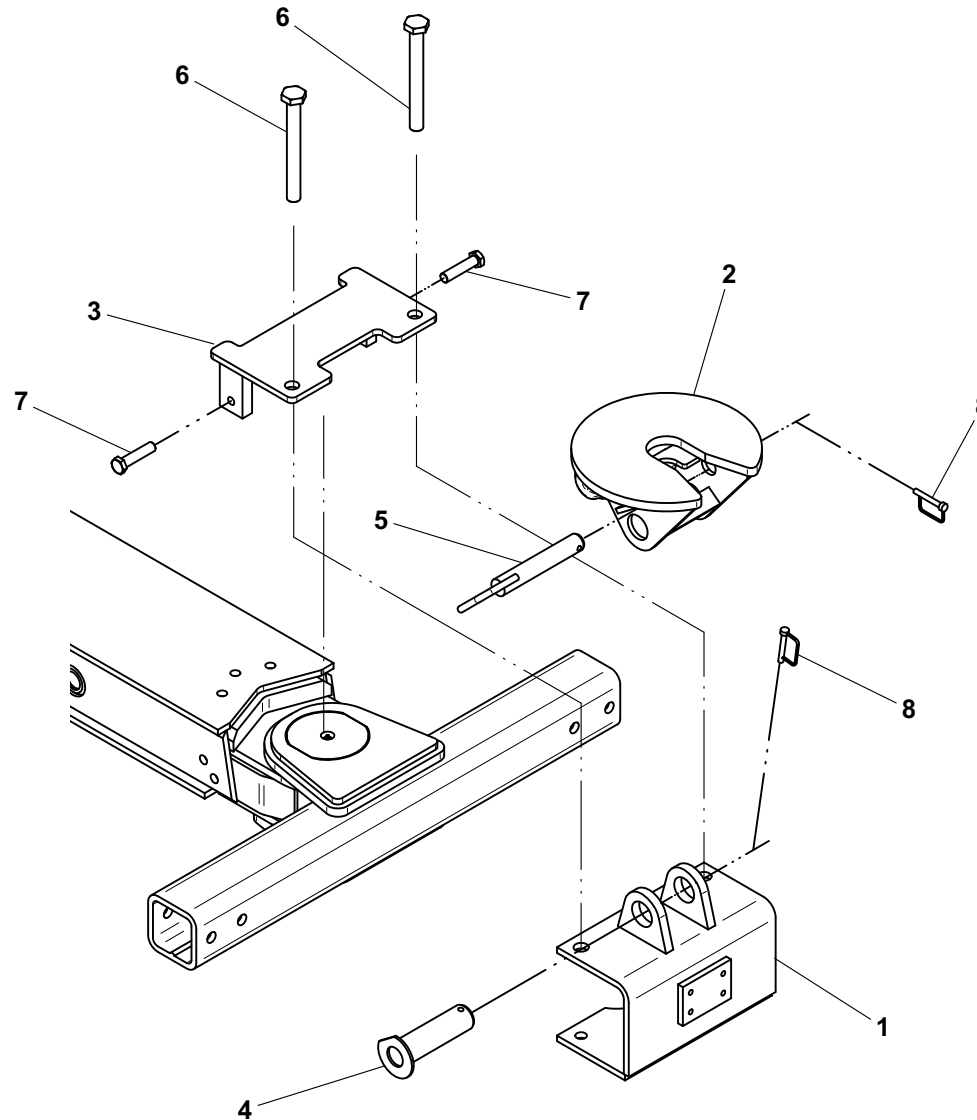


UNDERLIFT TOOLS - FIFTH WHEEL ATTACHMENT

ITEM	PART NO.	DESCRIPTION	QTY
1	3178000240*	Bracket Weldment	1
2	3178000499*	Bracket, Fifth Wheel Weldment	1
3	3706000080*	Plate Weldment	1
4	3691000144*	Pin	1
5	3691000145*	Pin	1
6	7118267250*	Capscrew, 1.00"-8NC x 9.00"	2
7	7120000036*	Capscrew, 0.75"-10NC x 3.25"	2
8	7691000025*	Pin	2

* Also available as - 2503880033

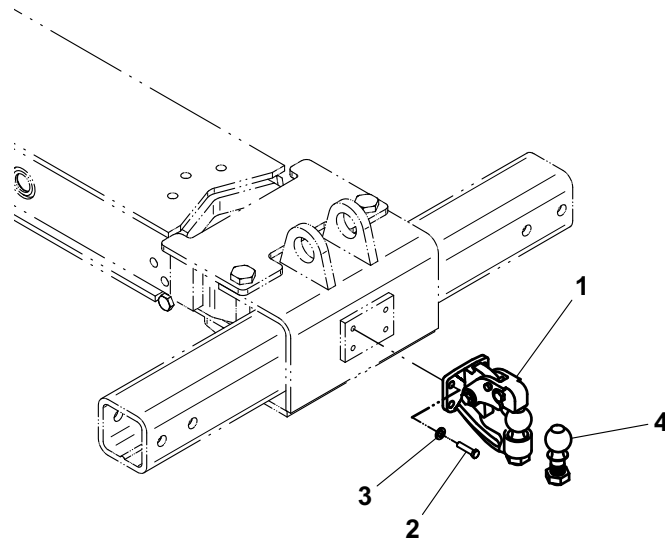
UNDERLIFT TOOLS - FIFTH WHEEL ATTACHMENT



UNDERLIFT TOOLS - PINTLE HOOK

ITEM	PART NO.	DESCRIPTION	QTY
1	7561000020	Hitch, Pintle Hook with 2" Dia. Ball	1
2	7118181250	Capscrew, 0.50"-13NC x 1.50"	4
3	7950180000	Lockwasher, 0.50" ID	4
4	7056000003	Ball, 1.88" Dia	1
	7056000004	Ball, 2.00" Dia	1
	7056000005	Ball, 2.31" Dia	1
	7056000006	Ball, 50mm Dia	1

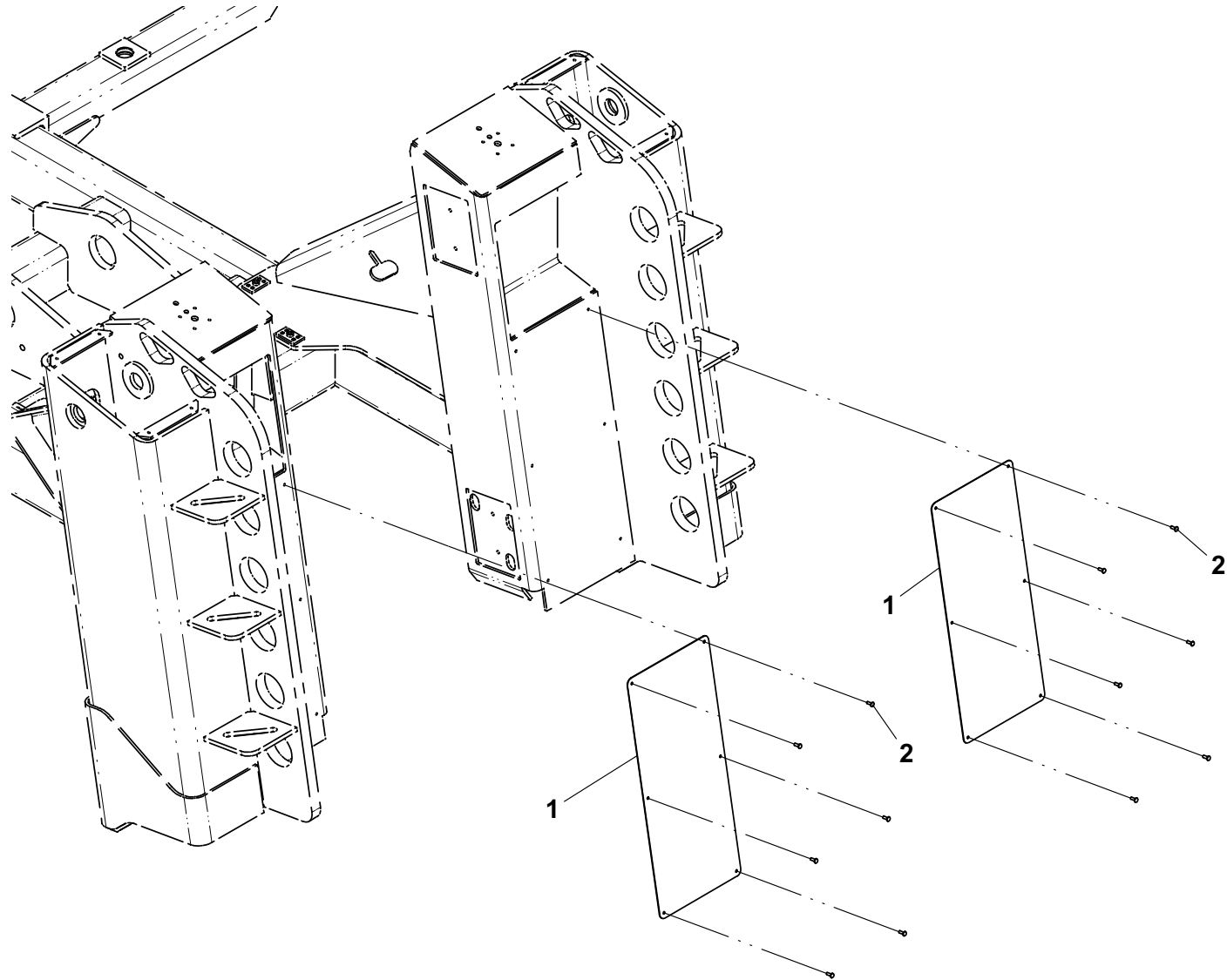
UNDERLIFT TOOLS - PINTLE HOOK



REAR TAIL PLATE INSTALLATION

ITEM	PART NO.	DESCRIPTION	QTY
1	4706005772	Plate	2
2	7759000018	Rivet	12

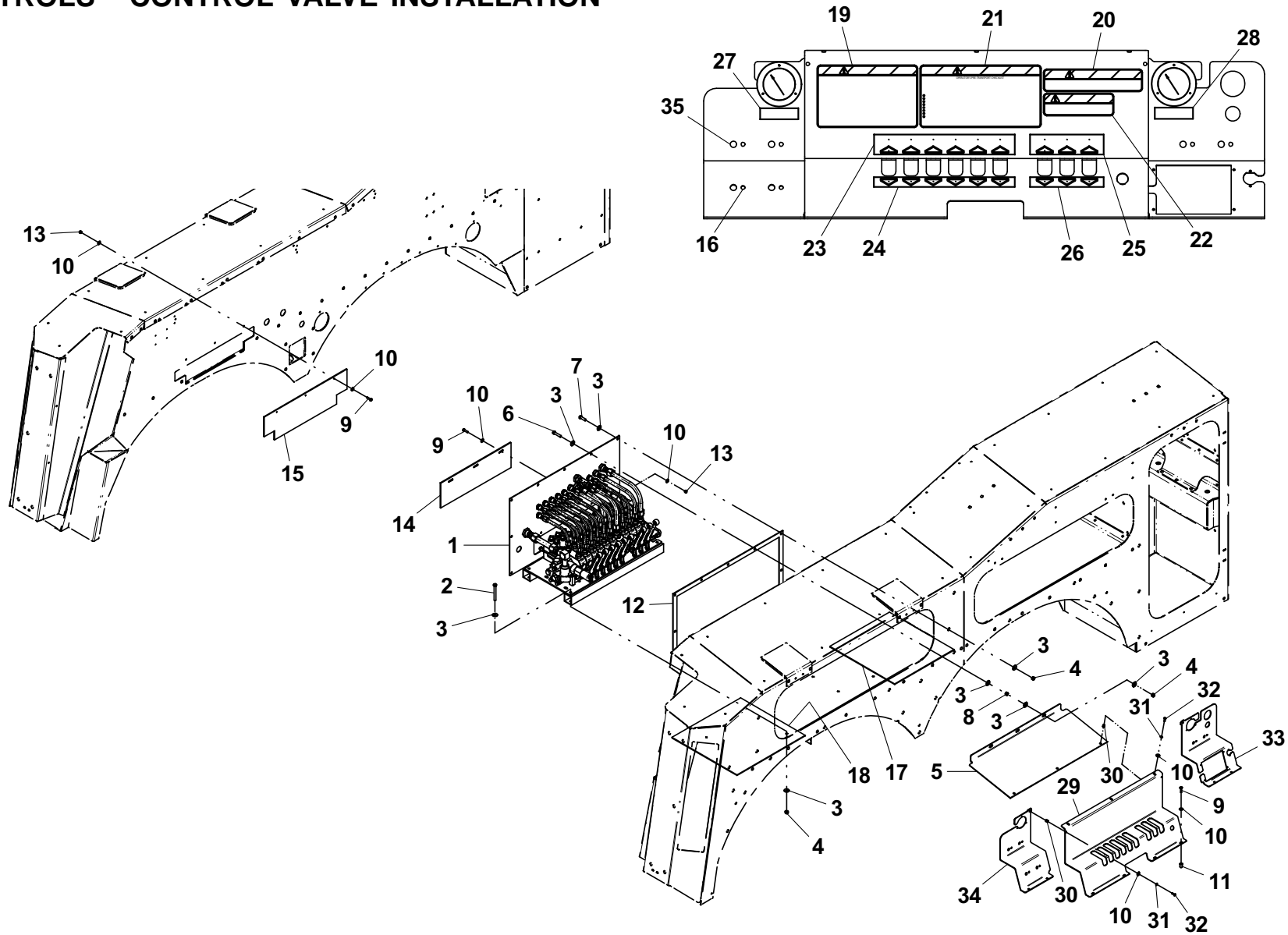
REAR TAIL PLATE INSTALLATION



CONTROLS - CONTROL VALVE INSTALLATION

ITEM	PART NO.	DESCRIPTION	QTY	ITEM	PART NO.	DESCRIPTION	QTY
1	3935000199	Control Valve Assy - 9 Sect 3 Sol 24V	1	30	7413000002	Nutsert, 0.25"-20 NC	5
	3935000200	Control Valve Assy - 9 Sect 7 Sol 24V	1	31	7950140000	Lockwasher, 0.25" ID	5
	3935000201	Control Valve Assy - 9 Sect 9 Sol 24V	1	32	7114140618	Capscrew, 0.25"-20NC x 0.75"	5
	3935000178	Control Valve Assy - 9 Sect 7 Sol 12V	1	33	4314000208	Coverplate	1
	3935000180	Control Valve Assy - 9 Sect 3 Sol 12V	1	34	4314000209	Coverplate	1
	3935000179	Control Valve Assy - 9 Sect 9 Sol 12V	1	35	7701000067	Plug, 0.50"	4
2	7115162850	Capscrew, 0.38"-16NC x 3.50"	4				
3	7950160161	Flatwasher, 0.38" ID	32				
4	7660162601	Locknut, 0.38"-16NC	13				
5	4706005589	Plate	1				
6	7115161450	Capscrew, 0.38"-16NC x 1.75"	3				
7	7115161050	Capscrew, 0.38"-16NC x 1.25"	6				
8	7660160000	Nut, 0.38"-16NC	3				
9	7115140850	Capscrew, 0.25"-20NC x 1.00"	14				
10	7590140161	Flatwasher, 0.25" ID	25				
11	7661000006	Well Nut, 0.25"-20 NC	8				
12	7796000012	Seal	8ft				
13	7660142601	Locknut, 0.25"-20NF	6				
14	4706005591	Plate	1				
15	4706002643	Plate	1				
16	4679000171	Pad	1				
17	4679000143	Pad, Rubber	1				
18	4679000144	Pad, Rubber	1				
19	7330000199	Decal	1				
20	7330000262	Decal	1				
21	7330000200	Decal	1				
22	7330000253	Decal	1				
23	7330000302	Decal	1				
24	7330000304	Decal	1				
25	7330000299	Decal	1				
26	7330000300	Decal	1				
27	7330000256	Decal	1				
28	7330000257	Decal	1				
29	4706005656	Panel	1				

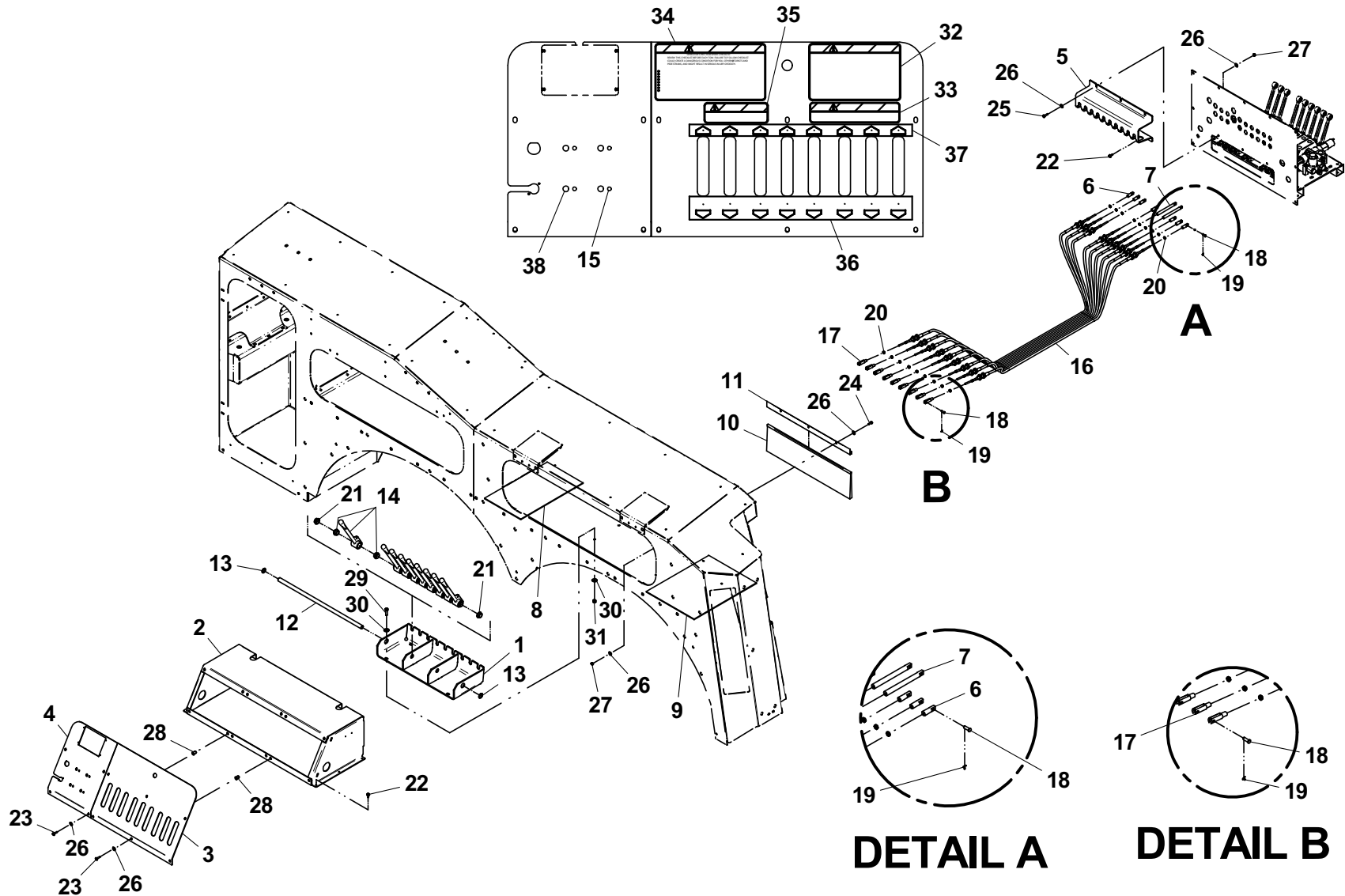
CONTROLS - CONTROL VALVE INSTALLATION



CONTROLS - PUSH-PULL CABLES INSTALLATION - 6 FUNCTION & 14 FUNCTION

ITEM	PART NO.	DESCRIPTION	QTY	ITEM	PART NO.	DESCRIPTION	QTY
1	3178000260	Bracket Weldment	1	33	7330000262	Decal	1
2	2686000016	Panel Weldment	1	34	7330000200	Decal	1
3	4706002746	Plate	1	35	7330000253	Decal	1
4	4314000210	Coverplate	1	36	7330000703	Decal	1
5	4706005594	Plate, LH Cable Bracket	1	37	7330000702	Decal	1
6	4309000001	Coupling	3	38	7701000067	Plug, 0.50"	4
7	4309000007	Coupling, Cable	6				
8	4679000119	Pad	1				
9	4679000131	Pad	1				
10	4638000003	Brush	1				
11	4411000113	Extrusion Brush Holder	1				
12	7806000005	Shaft	1				
13	7754000009	Retaining Ring	2				
14	7551000034	Handle	9				
15	7701000058	Plug, 0.31"	4				
16	7248000053	Push-Pull Cable	9				
17	7990000003	Yoke	9				
18	7690141200	Pin	18				
19	7690000810	Pin	18				
20	7660140230	Nut, 0.25"-28NF	18				
21	7082000005	Bearing, 0.75" ID x 1.00" OD x 0.50"	2				
22	7790141056	Screw, 0.25"-20NC x 0.63"	13				
23	7111140813	Screw, 0.25"-20NC x 1.00"	10				
24	7115140650	Capscrew, 0.25"-20NC x 0.75"	3				
25	7115140850	Capscrew, 0.25"-20NC x 1.00"	3				
26	7950140161	Flatwasher, 0.25" ID	22				
27	7660142601	Locknut, 0.25"-20NC	6				
28	7661000006	Nut, 0.25"-20NC	10				
29	7115161050	Capscrew, 0.38"-16NC x 1.25"	4				
30	7950160161	Flatwasher, 0.38" ID	8				
31	7660162601	Locknut, 0.38"-16NC	4				
32	7330000199	Decal	1				

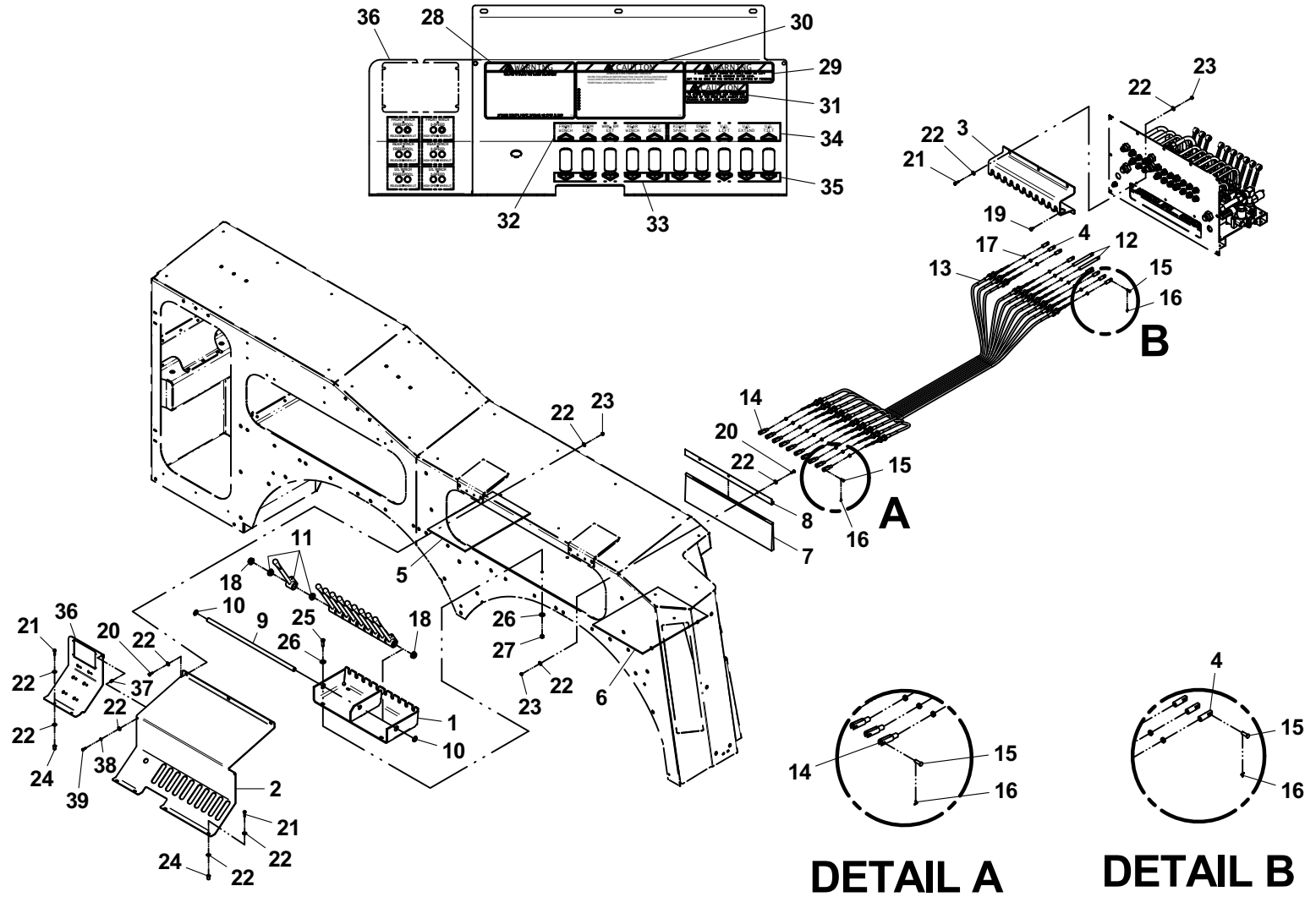
CONTROLS - PUSH-PULL CABLES INSTALLATION - 6 FUNCTION & 14 FUNCTION



CONTROLS - PUSH-PULL CABLES INSTALLATION - 16 FUNCTION

ITEM	PART NO.	DESCRIPTION	QTY	ITEM	PART NO.	DESCRIPTION	QTY
1	3178000343	Plate, RH Cable Bracket	1	35	7330000444	Decal	1
2	4706003848	Plate	1	36	4314000211	Plate	1
3	4706005628	Plate	1	37	7413000002	Nutsert, 0.25"-20NC	1
4	4309000001	Coupling	8	38	7950140000	Lockwasher, 0.25" ID	1
5	4679000119	Pad	1	39	7114140618	Capscrew, 0.25"-20NC	1
6	4679000131	Pad	1				
7	4638000003	Brush	1				
8	4411000113	Extrusion, Brush Holder	1				
9	7806000005	Shaft	1				
10	7754000009	Retaining Ring	2				
11	7551000033	Handle	10				
12	4309000007	Coupling	2				
13	7248000068	Push-Pull Cable	10				
14	7990000003	Yoke	10				
15	7690141200	Clevis Pin	20				
16	7690000810	Cotter Pin	20				
17	7660140230	Nut, 0.25"-28NF	20				
18	7082000005	Bearing	2				
19	7790141056	Screw, Self Tapping - 0.25"-20NC x 0.63"	3				
20	7115140650	Capscrew, 0.25"-20NC x 0.75"	6				
21	7115140850	Capscrew, 0.25"-20NC x 1.00"	9				
22	7950140161	Flatwasher, 0.25" ID	31				
23	7660142601	Locknut, 0.25"-20NC	9				
24	7661000006	Well Nut, 0.25"-20NC	6				
25	7115161050	Capscrew, 0.38"-16NC x 1.25"	4				
26	7950160161	Flatwasher, 0.38" ID	8				
27	7660162601	Locknut, 0.38"-16NC	4				
28	7330000199	Decal	1				
29	7330000262	Decal	1				
30	7330000200	Decal	1				
31	7330000253	Decal	1				
32	7330000441	Decal	1				
33	7330000442	Decal	1				
34	7330000443	Decal	1				

CONTROLS - PUSH-PULL CABLES INSTALLATION - 16 FUNCTION

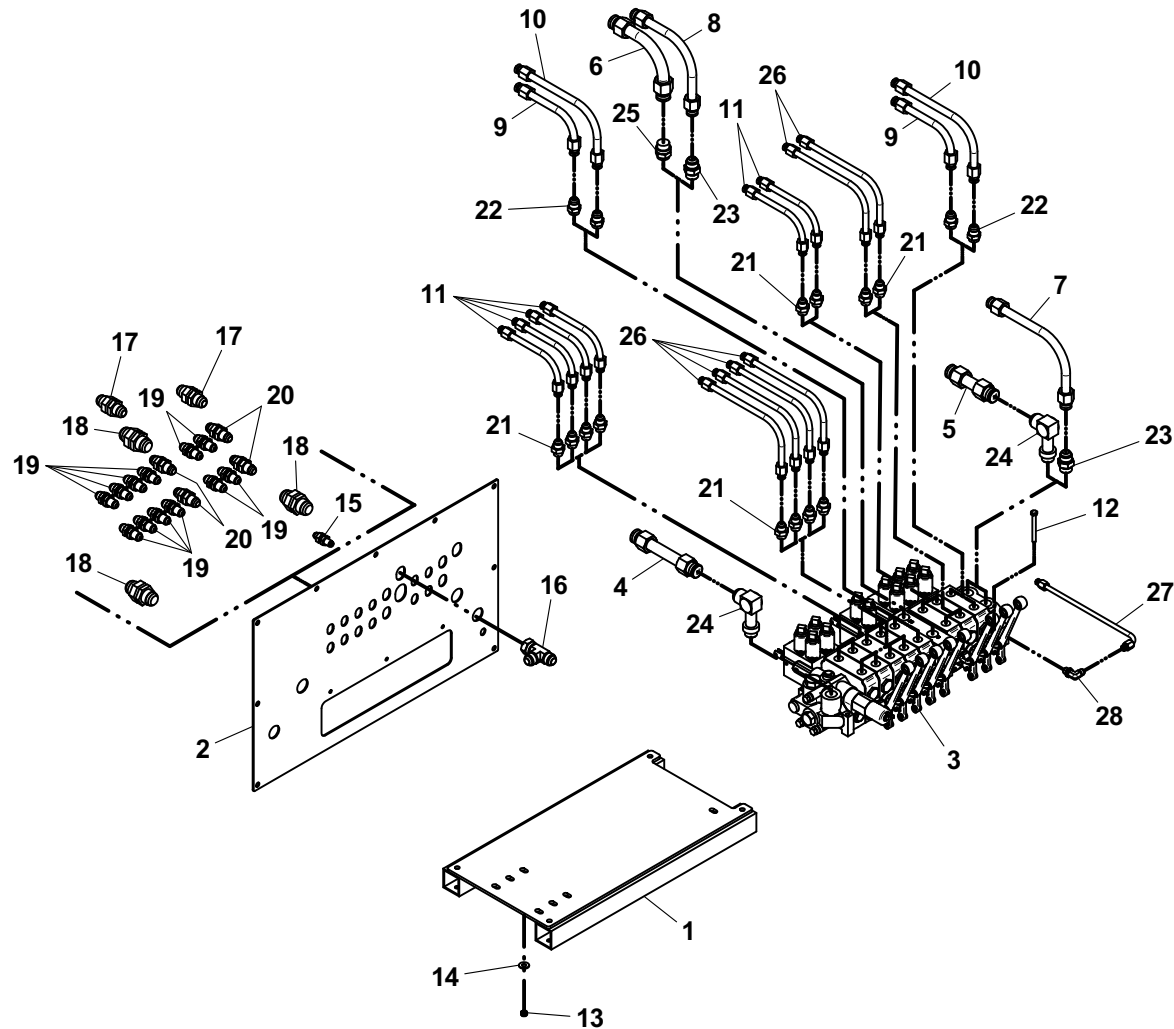


CONTROLS - CONTROL VALVE ASSEMBLY - 3935000178 & 3935000180

ITEM	PART NO.	DESCRIPTION	QTY
1	3177000060	Valve Mount Weldment	1
2	4706005657	Plate	1
3	3935000186	Valve Assembly - 6 Function Remote	1
	3935000187	Valve Assembly - 12 Function Remote	1
4	7912000301*	Tube Assembly	1
5	7912000302*	Tube Assembly	1
6	7912000303*	Tube Assembly	1
7	7912000304*	Tube Assembly	1
8	7912000305*	Tube Assembly	1
9	7912000306*	Tube Assembly	2
10	7912000307*	Tube Assembly	2
11	7912000308*	Tube Assembly	6
12	7115152450	Capscrew, 0.31"-18NC x 3.00"	3
13	7660152601	Locknut, 0.31"-18NC	3
14	7950140161	Flatwasher, 0.31" ID	3
15	7445060625	Fitting, Union Bulkhead	1
16	7443000012	Tee	1
17	7445121225	Fitting, Union Bulkhead	2
18	7445161625	Fitting, Union Bulkhead	3
19	7445080825	Fitting, Union Bulkhead	12
20	7445101025	Fitting, Union Bulkhead	4
21	7445081043	Adapter	12
22	7445101043	Adapter	4
23	7445121243	Adapter	2
24	7443000211	Elbow	2
25	7445151243	Adapter	1
26	7912000309*	Tube Assembly	6
27	7912000310*	Tube Assembly	1
28	7445060645	Elbow	1

* Available in Hydraulic Tubing Kit - 7577000668

CONTROLS - CONTROL VALVE ASSEMBLY - 3935000178 & 3935000180

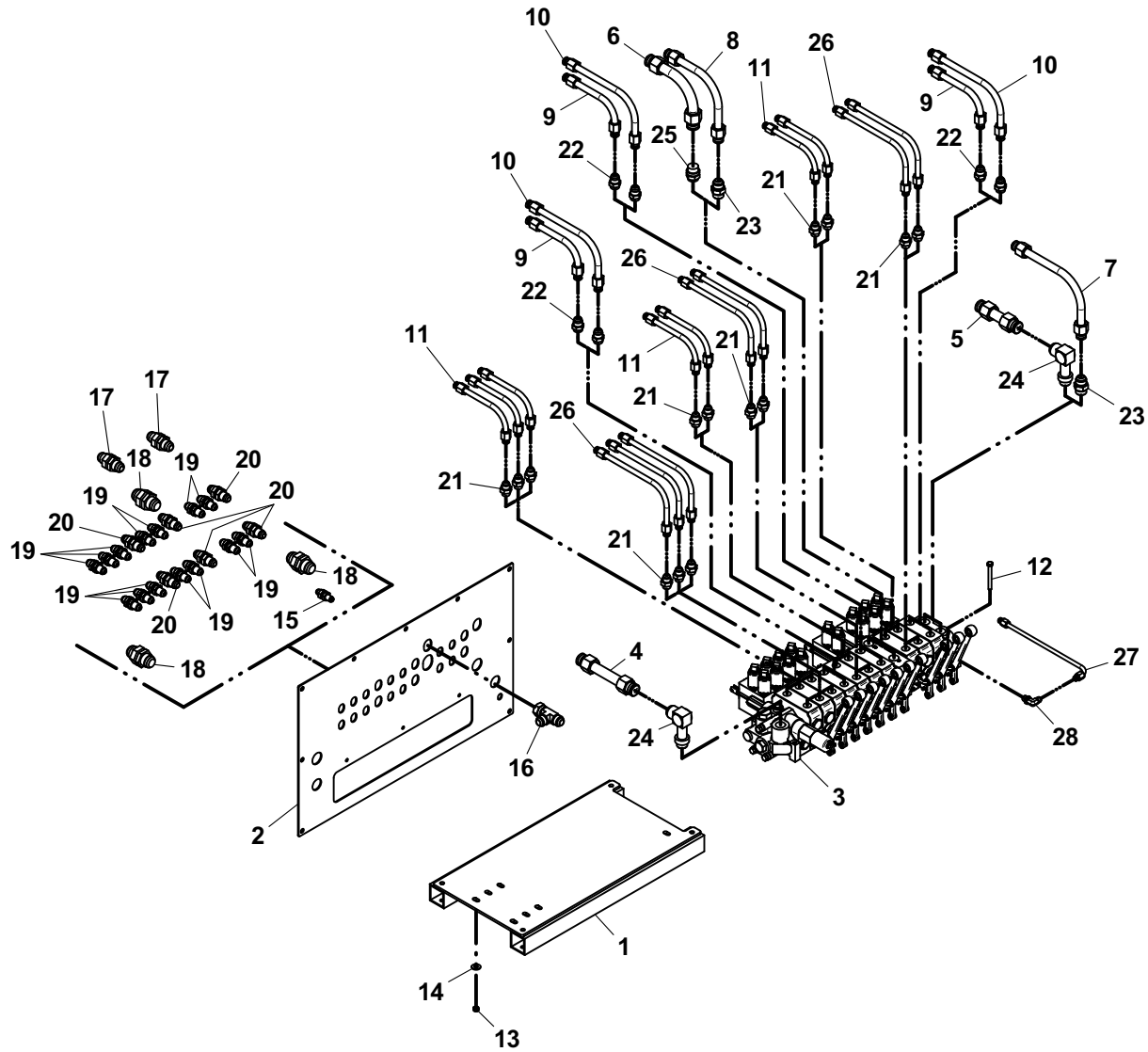


CONTROLS - CONTROL VALVE ASSEMBLY - 3935000218

ITEM	PART NO.	DESCRIPTION	QTY
1	3177000060	Valve Mount Weldment	1
2	4706005626	Control Closure	1
3	7935000374	Valve Assembly	1
4	7912000301*	Tube Assembly	1
5	7912000302*	Tube Assembly	1
6	7912000303*	Tube Assembly	1
7	7912000304*	Tube Assembly	1
8	7912000305*	Tube Assembly	1
9	7912000306*	Tube Assembly	3
10	7912000307*	Tube Assembly	3
11	7912000308*	Tube Assembly	7
12	7115152450	Capscrew, 0.31"-18NC x 3.00"	3
13	7660152601	Locknut, 0.31"-18NC	3
14	7950140161	Flatwasher, 0.31" ID	3
15	7445060625	Fitting, Union Bulkhead	1
16	7443000012	Tee	1
17	7445121225	Fitting, Union Bulkhead	2
18	7445161625	Fitting, Union Bulkhead	3
19	7445080825	Fitting, Union Bulkhead	14
20	7445101025	Fitting, Union Bulkhead	6
21	7445081043	Adapter	14
22	7445101043	Adapter	6
23	7445121243	Adapter	2
24	7443000211	Elbow	2
25	7445151243	Adapter	1
26	7912000309*	Tube Assembly	7
27	7912000310*	Tube Assembly	1
28	7445060645	Elbow	1

* Available in Hydraulic Tubing Kit - 7577000670

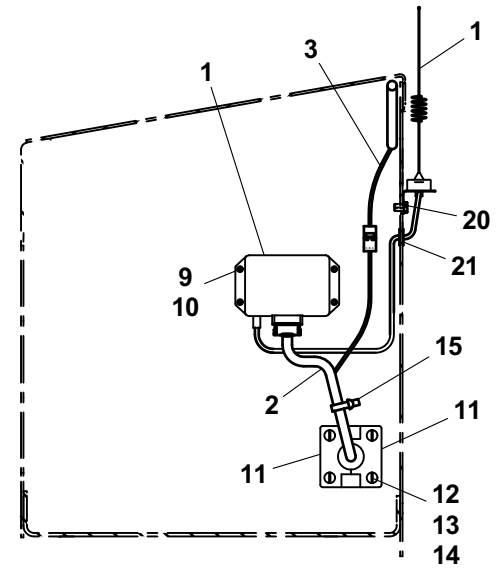
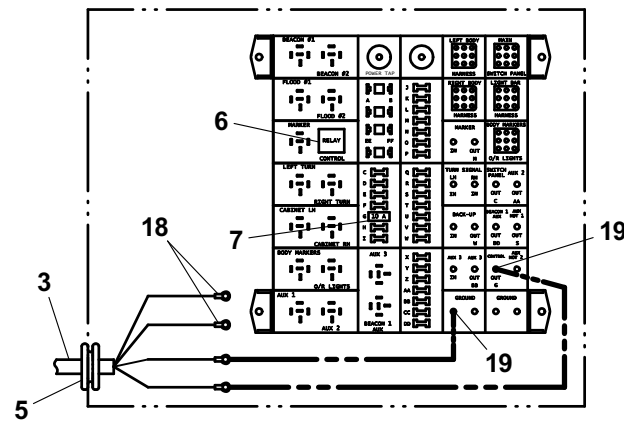
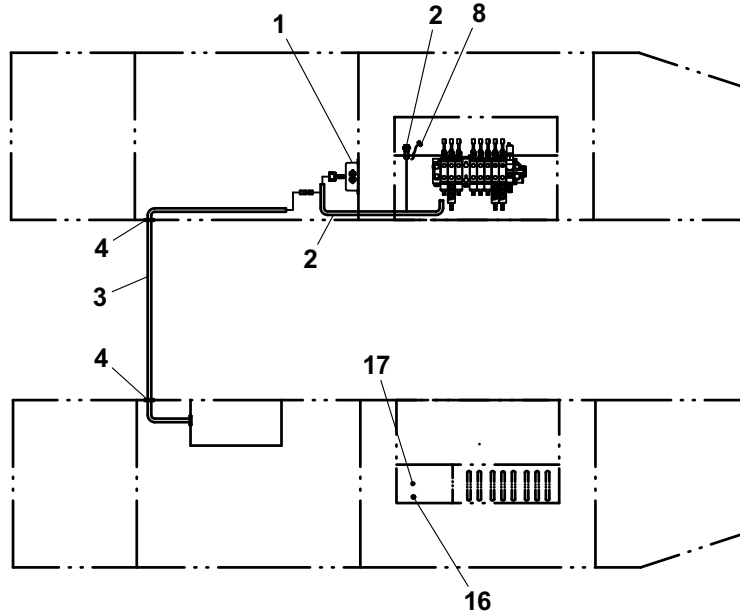
CONTROLS - CONTROL VALVE ASSEMBLY - 3935000218



CONTROLS - 6 FUNCTION NON-PROPORTIONAL MIRATRON

ITEM	PART NO.	DESCRIPTION	QTY
1	7295000146	Antenna	1
2	7552000383	Harness	1
3	7552000148	Harness	1
4	7493000014	Grommet	2
5	7493000011	Grommet	1
6	7740000001	Relay, 40 Amp	1
7	7457000011	Relay, 40 Amp	1
8	7346000068	Dust Cap	1
9	7114100518	Capscrew, #10-24NC x 0.63"	4
10	7660102604	Locknut, #10-24NC	4
11	3314000010	Coverplate	2
12	7950140161	Flatwasher, 0.25" ID	8
13	7660142601	Locknut, 0.25"-20NC	4
14	7111140613	Screw, 0.25"-20NC x 0.75"	4
15	5526000553	Tie Strap	5
16	7701000007	Plug	1
17	7701000032	Plug	1
18	7346000039	Tubing, Heat Shrink	12in
19	7661000023	Locknut, #10-32NF	2
20	7790100856	Screw, Self Tapping - #10 Dia x 0.50"	3
21	7493000020	Grommet	1

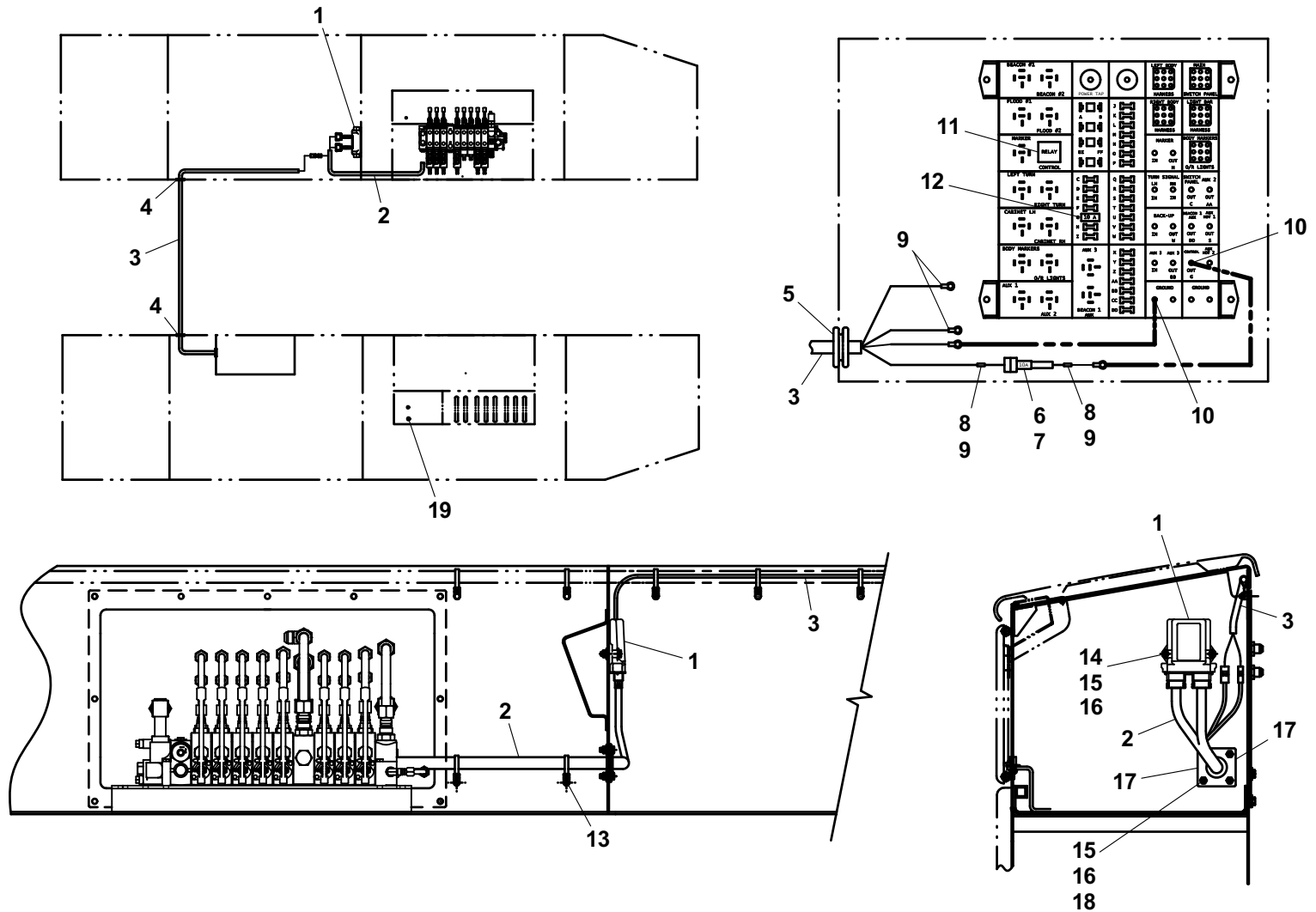
CONTROLS - 6 FUNCTION NON-PROPORTIONAL MIRATRON



CONTROLS - 12 FUNCTION NON-PROPORTIONAL MIRATRON

ITEM	PART NO.	DESCRIPTION	QTY
1	7295000124	Remote Controller	1
2	7552000371	Harness	1
3	7552000148	Harness	1
4	7493000014	Grommet	2
5	7493000011	Grommet	1
6	7346000029	In-Line Fuse Holder	1
7	7457000008	Fuse - 10 Amp	1
8	7345001714	Electrical Terminal	2
9	7346000039	Tubing, Heat Shrink	12in
10	7661000023	Locknut, #10-32NF	2
11	7740000001	Relay, 40 Amp	1
12	7457000006	Fuse - 15 Amp	1
13	7894000042	Tie Strap	2
14	7115141250	Capscrew, 0.25"-20NC x 1.50"	2
15	7950140161	Flatwasher, 0.25" ID	12
16	7660142600	Locknut, 0.25"-20NC	6
17	3314000010	Coverplate	2
18	7115140650	Capscrew, 0.25"-20NC x 0.75"	4
19	7701000007	Plug	1
20	5526000553	Tie Strap	5

CONTROLS - 12 FUNCTION NON-PROPORTIONAL MIRATRON

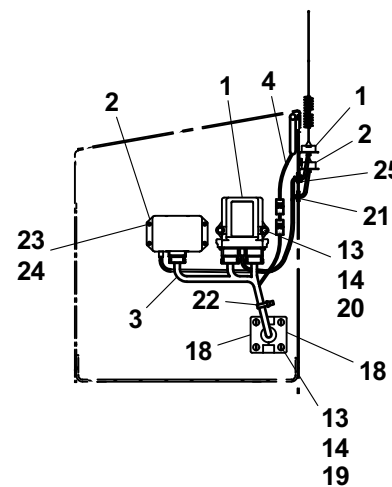
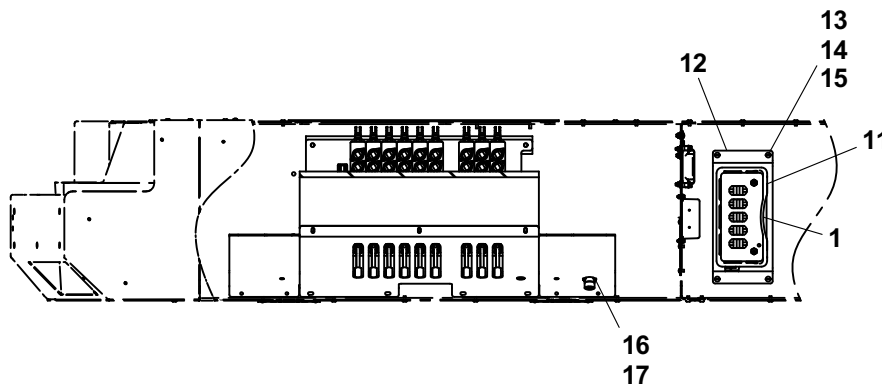
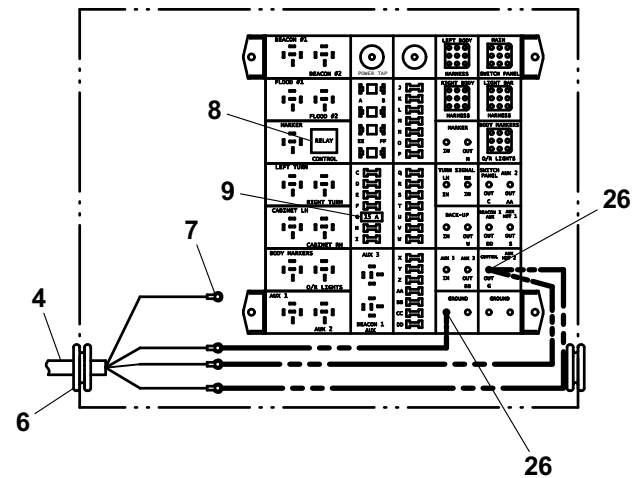
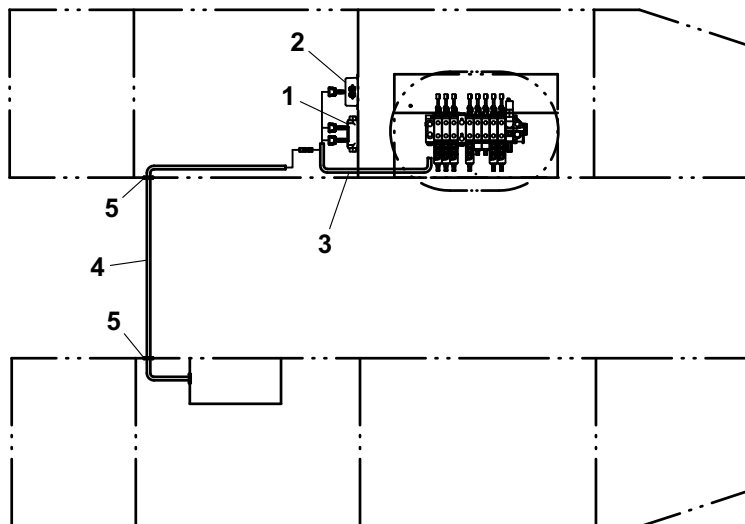


Item #20, not shown

CONTROLS - 12 FUNCTION PROPORTIONAL MIRATRON

ITEM	PART NO.	DESCRIPTION	QTY
1	7295000148	Remote Controller	1
2	7295000146	Antenna	1
3	7552000433	Harness	1
4	7552000148	Harness	1
5	7493000014	Grommet	2
6	7493000011	Grommet	1
7	7346000039	Tubing, Heat Shrink	12in
8	7740000001	Relay, 40 Amp	1
9	7457000006	Fuse - 15 Amp	1
10	7894000004	Tie Strap	1
11	8632000012	Trim	30in
12	4178000699	Bracket	1
13	7950140161	Flatwasher, 0.25" ID	12
14	7660142601	Locknut, 0.25"-20NC	10
15	7111140813	Screw, 0.25"-20NC x 1.00"	4
16	7120000047	Screw, #4-40NC x 0.63"	2
17	7660040000	Nut, #4-40NC	2
18	3314000010	Coverplate	2
19	7111140613	Screw, 0.25"-20NC x 0.75"	4
20	7115141250	Capscrew, 0.25"-20NC x 1.50"	2
21	7493000020	Grommet	2
22	5526000553	Tie Strap	5
23	7114100518	Capscrew, #10-24NC x 0.63"	4
24	7660102604	Locknut, #10-24NC	4
25	7790100856	Screw, 0.25"-20NC x 0.75"	6
26	7661000023	Locknut, #10-32NF	2
27	7075000006	Battery	3
28	7075000003	Battery	1

CONTROLS - 12 FUNCTION PROPORTIONAL MIRATRON

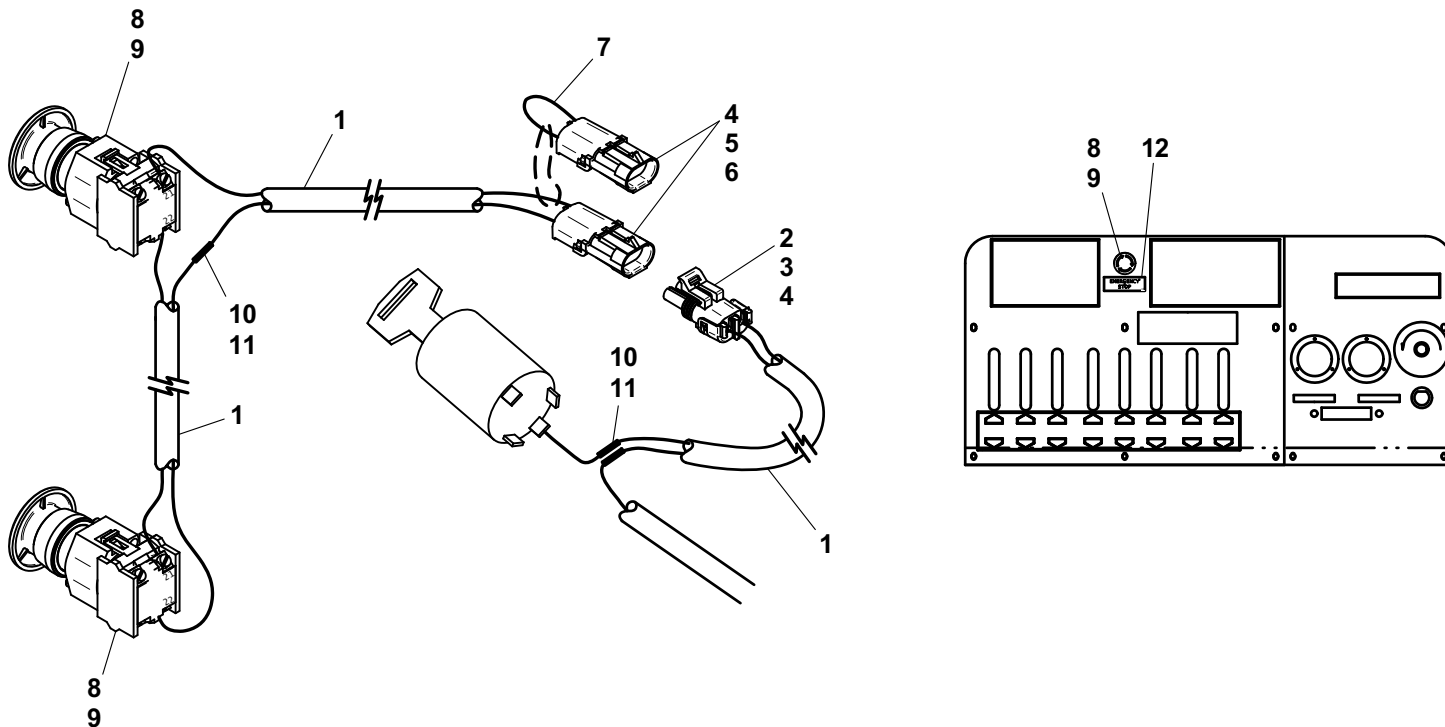


Items #10, #20, #27 and #28, not shown

CONTROLS - ELECTRICAL EMERGENCY STOP

ITEM	PART NO.	DESCRIPTION	QTY
1	8977010103	Wire, 16GA. - 2 Conductor	40ft
2	7346000094	Electrical Connector	1
3	7346000035	Electrical Terminal	2
4	7346000037	Seal, Cable	6
5	7346000087	Electrical Connector	2
6	7346000099	Electrical Terminal	4
7	8977500100	Wire, 16GA. Black	3in
8	7870000128	Switch, Emergency Pushbutton	2
9	7870000129	Switch, Emergency Contact Block	2
10	7345001704	Electrical Terminal	3
11	7346000039	Tubing, Heat Shrink	6in
12	7330000755	Decal	2
13	5526000553	Tie Strap	1

CONTROLS - ELECTRICAL EMERGENCY STOP



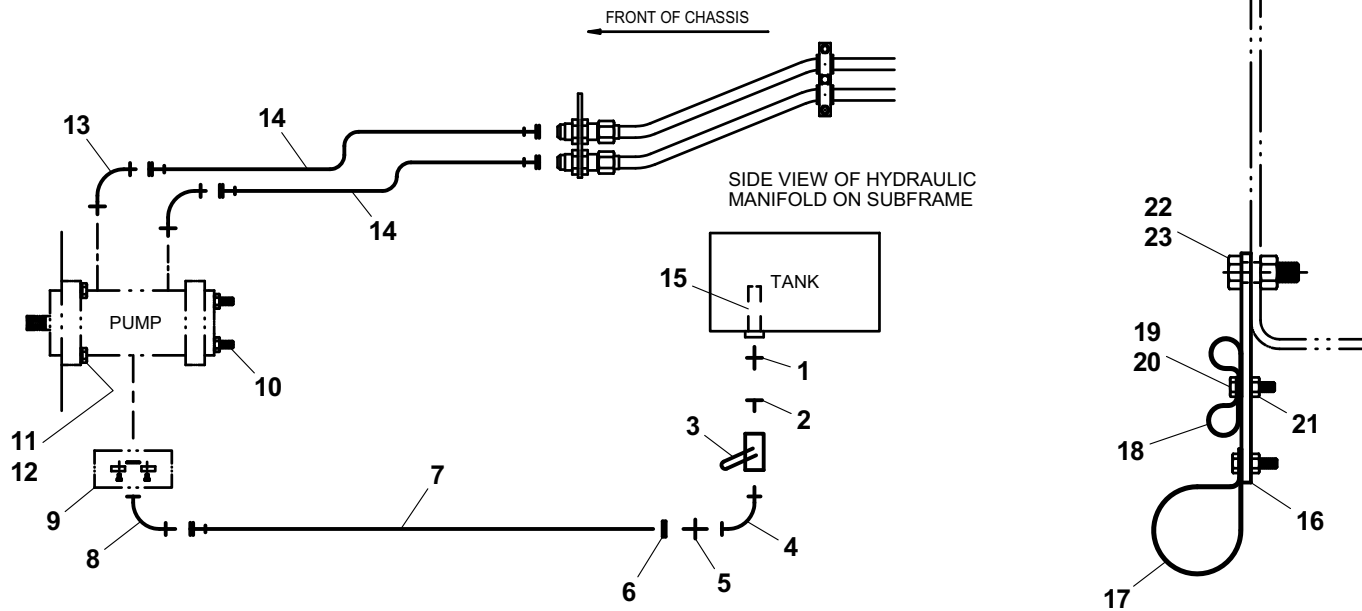
Item #13, not shown

HYDRAULICS - SUPPLY-PRESSURE-RETURN

ITEM	PART NO.	DESCRIPTION	QTY
1	7650100137	Pipe Nipple	1
2	7444121050	Reducer	1
3	7635000116	Valve, Ball	1
4	7444121271	Elbow	1
5	7443000130	Fitting	1
6	7274000028	Clamp	1
7	See Note 1	Hose - Supply	1
8	7443000222	Fitting	1
9	7577000213	Split Flange	1
10	7724000044	Pump	1
11	7115181050	Capscrew, 0.50"-13NC x 1.25"	2
12	7950180000	Lockwasher, 0.50" ID	2
13	7445121645	Elbow	2
14	See Note 1	Hose - Pressure	2
15	7430000010	Filter, Tank	1
16	4706003844	Plate	5
17	7274000071	Clamp	5
18	7274000040	Clamp	10
19	7115140850	Capscrew, 0.25"-20NC x 1.00"	10
20	7950140152	Flatwasher, 0.25" ID	10
21	7660142601	Locknut, 0.25"-20NC	10
22	7115181250	Capscrew, 0.50"-13NC x 1.50"	5
23	7660000011	Locknut, 0.50"-13NC	5
24	4178000248	Bracket	1

Note 1: Varies depending on chassis, transmission and PTO type.
Consult factory for part numbers.

HYDRAULICS - SUPPLY-PRESSURE-RETURN



TYP FRAME SUPPORT

Item #24, not shown

HYDRAULICS - LINES AND FITTINGS

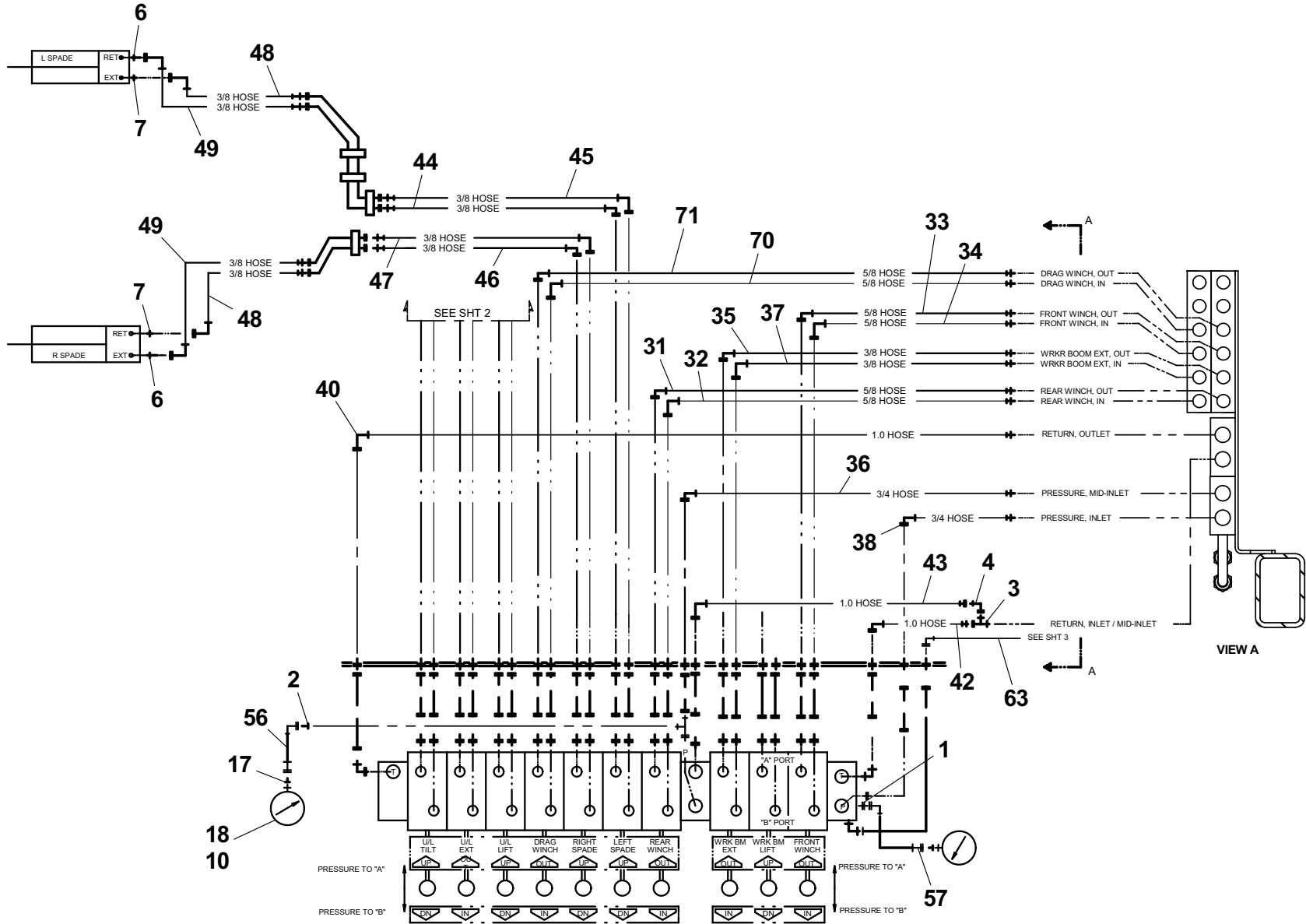
ITEM	PART NO.	DESCRIPTION	QTY	ITEM	PART NO.	DESCRIPTION	QTY
1	7445040443	Adapter	1	37	4569133035*	Hose Assembly	1
2	7443000207	Reducer	1	38	4569173035*	Hose Assembly	1
3	7443000213	Fitting	1	39	4567132041*	Hose Assembly	1
4	7445161672	Fitting	1	40	4569183055*	Hose Assembly	1
5	7445080825	Union	4	41	4567133041*	Hose Assembly	1
6	7443000109	Adapter	6	42	4567182028*	Hose Assembly	1
7	7445060643	Adapter	13	43	4567183040*	Hose Assembly	1
8	7445060645	Elbow	1	44	4569132032*	Hose Assembly	1
9	7445100843	Adapter	4	45	4567133032*	Hose Assembly	1
10	7790060676	Screw, #6 x 0.38"	6	46	4569132038*	Hose Assembly	1
11	7445080837	Union	2	47	4569133038*	Hose Assembly	1
12	7445060672	Elbow	2	48	4570000138*	Hose Assembly	2
13	7445161620	Elbow	2	49	4570000301*	Hose Assembly	2
14	7430000004	Filter Assembly, Oil	2	50	4570000192*	Hose Assembly	1
15	7443000150	Adapter	2	51	4570000166*	Hose Assembly	1
16	7470000002	Gauge, Oil	2	52	4569132019*	Hose Assembly	2
17	7445040421	Fitting	2	53	4569133020*	Hose Assembly	2
18	7470000004	Gauge	2	54	4567120017*	Hose Assembly	2
19	7474000040	Clamp	4	55	4570000271*	Hose Assembly	2
20	7115141050	Capscrew, 0.25"-20NC x 1.25"	4	56	4567112025*	Hose Assembly	1
21	7950140161	Flatwasher, 0.25" ID	8	57	4567113031*	Hose Assembly	1
22	7660142601	Locknut, 0.25"-20NC	4	58	4567132019*	Hose Assembly	4
23	7445060219	Adapter	1	59	4567152052*	Hose Assembly	4
24	7274000063	Clamp	1	60	4570000260*	Hose Assembly	2
25	7445101032	Fitting	6	61	4569180022*	Hose Assembly	1
26	4619000006	Manifold	1	62	4569180026*	Hose Assembly	1
27	7115161650	Capscrew, 0.38"-16NC x 2.00"	2	63	4570000329*	Hose Assembly	1
28	7950160000	Lockwasher, 0.38" ID	2				
29	4570000245*	Hose Assembly	2				
30	4570000246*	Hose Assembly	2				
31	4569162038*	Hose Assembly	1				
32	4569163038*	Hose Assembly	1				
33	4569162029*	Hose Assembly	1				
34	4569163029*	Hose Assembly	1				
35	4569132035*	Hose Assembly	1				
36	4569173042*	Hose Assembly	1				

HYDRAULICS - LINES AND FITTINGS

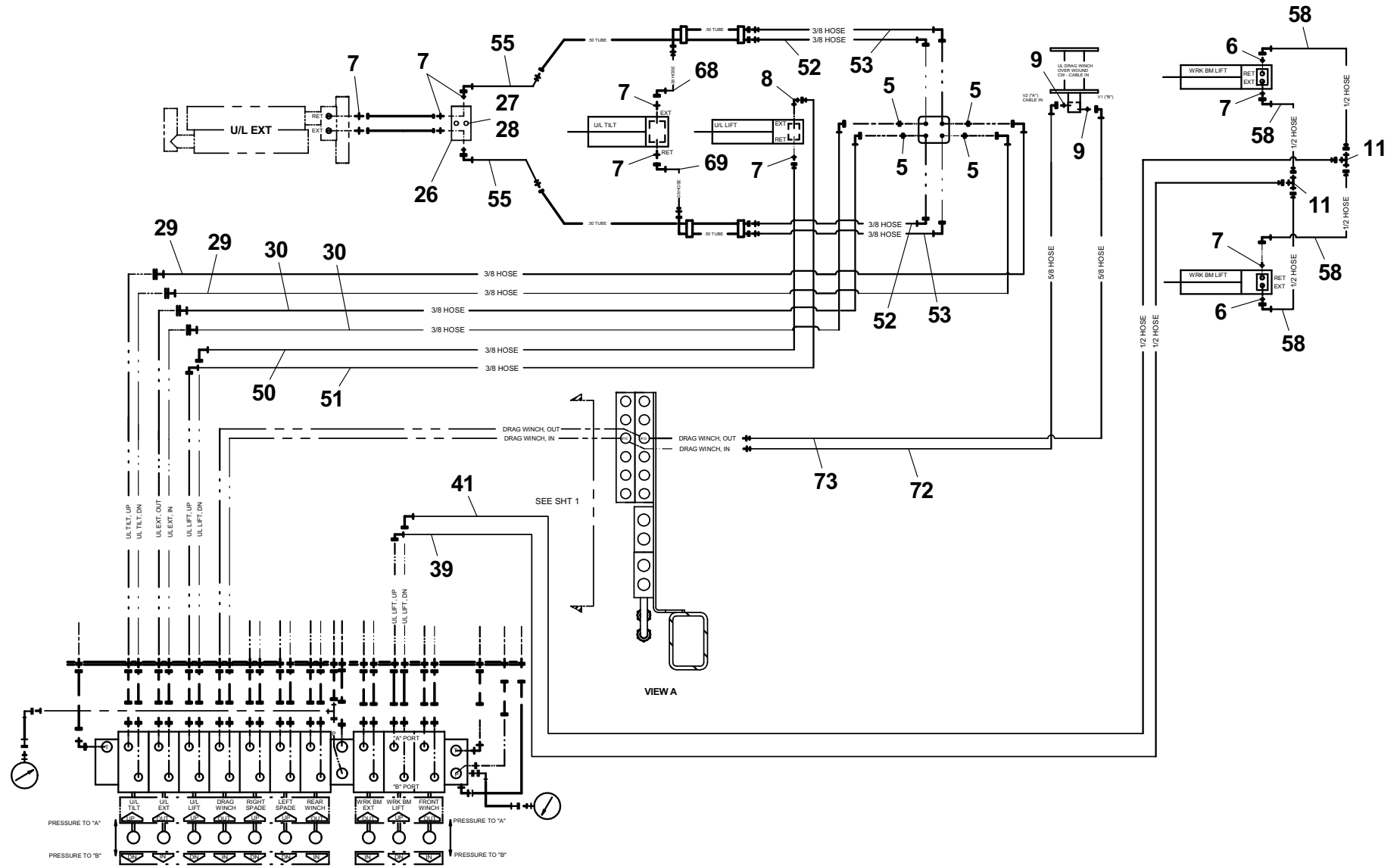
ITEM	PART NO.	DESCRIPTION	QTY
64	4567152024#	Hose Assembly	1
65	4567152018#	Hose Assembly	1
66	4570000106#	Hose Assembly	1
67	4570000107#	Hose Assembly	1
68	4570000335^	Hose Assembly	1
	4570000302+	Hose Assembly	1
69	4570000336^	Hose Assembly	1
	4570000176+	Hose Assembly	1
70	4569163042-	Hose Assembly	1
71	4569162042-	Hose Assembly	1
72	4569162027-	Hose Assembly	1
73	4569162030-	Hose Assembly	1

* Available in Hydraulic Tubing Kit - 7577000662
 # Available in Hydraulic Tubing Kit - 7577000648
 ^ Available in Hydraulic Tubing Kit - 7577000664
 + Available in Hydraulic Tubing Kit - 7577000665
 - Available in Hydraulic Tubing Kit - 7577000663

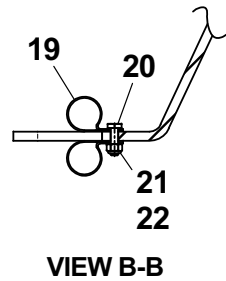
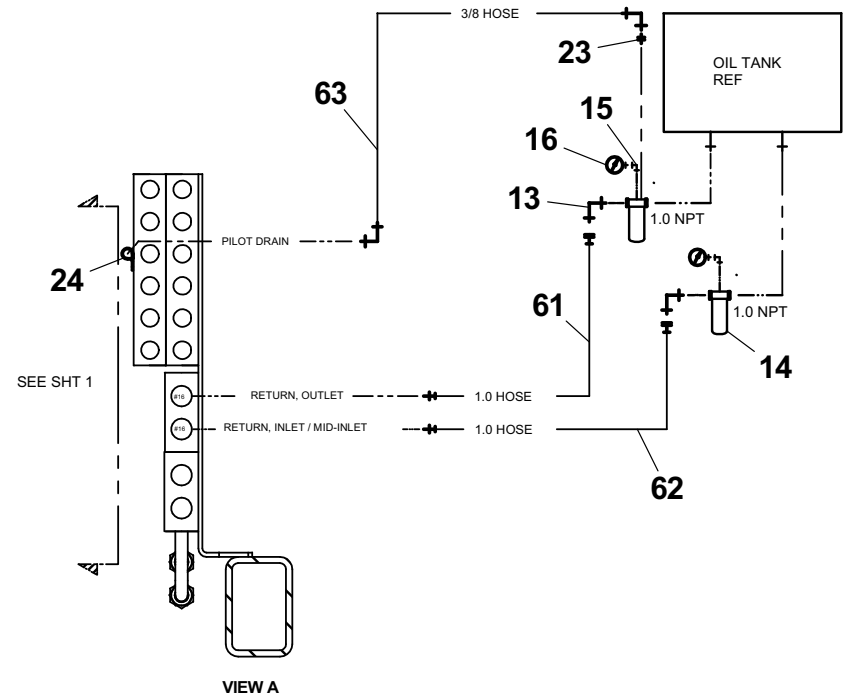
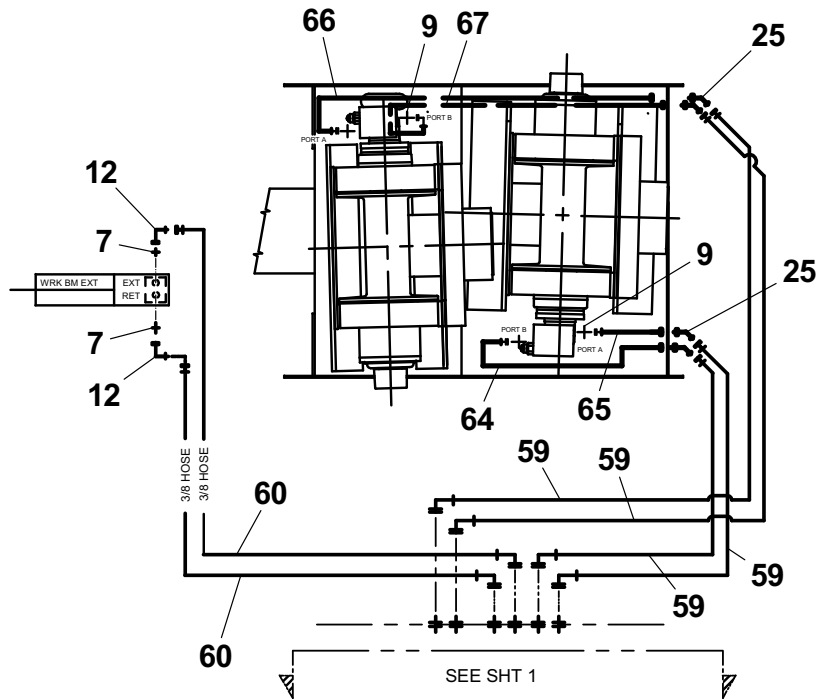
HYDRAULICS - LINES AND FITTINGS



HYDRAULICS - LINES AND FITTINGS



HYDRAULICS - LINES AND FITTINGS



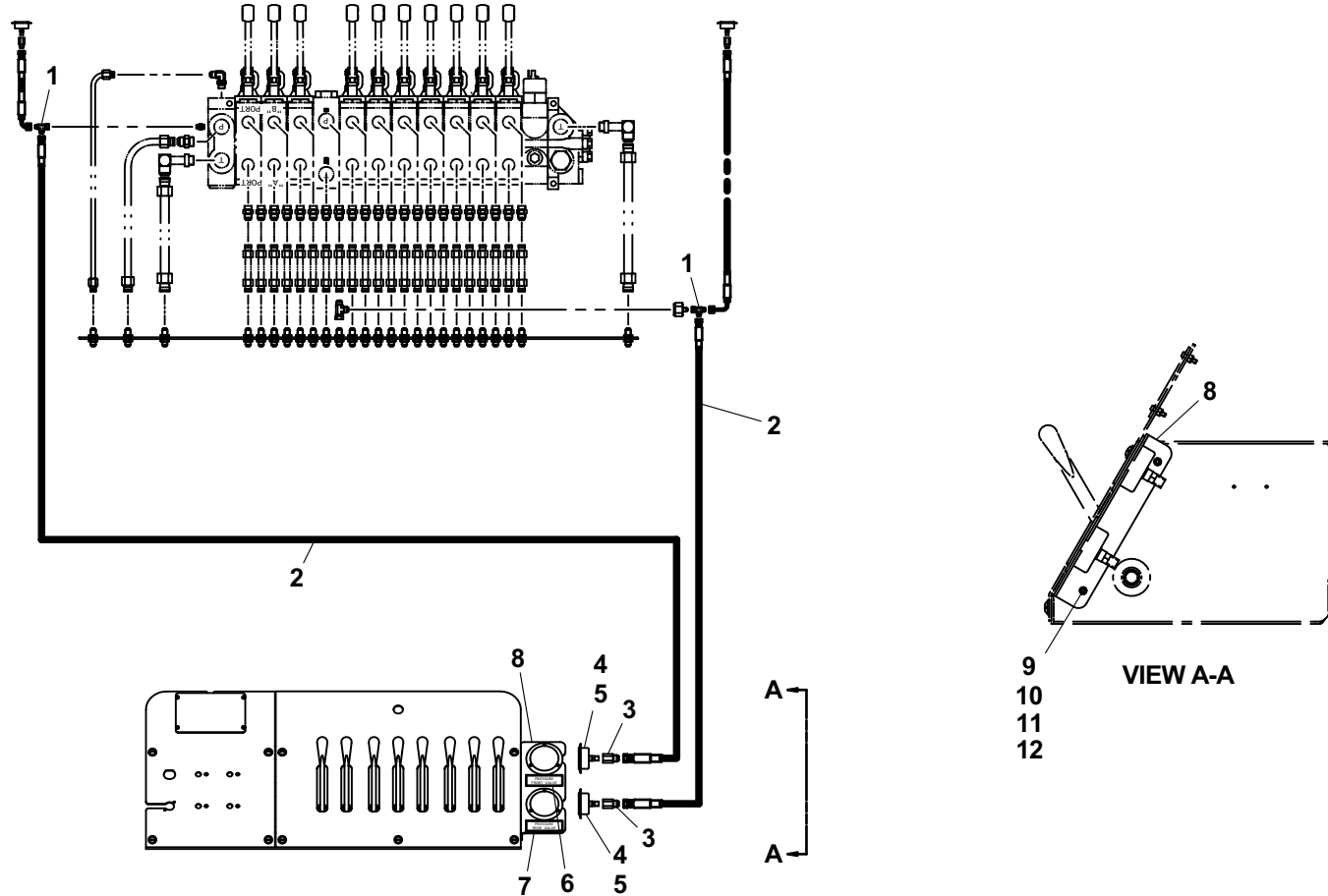
HYDRAULICS - LINES AND FITTINGS

THIS PAGE INTENTIONALLY LEFT BLANK

DRIVER SIDE HYDRAULIC PRESSURE GAUGES

ITEM	PART NO.	DESCRIPTION	QTY
1	7443000026	Tee	2
2	4567110141	Hose Assembly	2
3	7445040421	Fitting	2
4	7470000004	Gauge, Pressure	2
5	7790060676	Screw, #6 x 0.38"	6
6	7330000257	Decal - Pressure Front Valve	1
7	7330000256	Decal - Pressure Rear Valve	1
8	4178000858	Bracket	1
9	7413000002	Nutsert, 0.25"-20 NC	2
10	7950140161	Flatwasher, 0.25" ID	2
11	7950140000	Lockwasher, 0.25" ID	2
12	7114140618	Capscrew, 0.25"-20NC x 0.75"	2

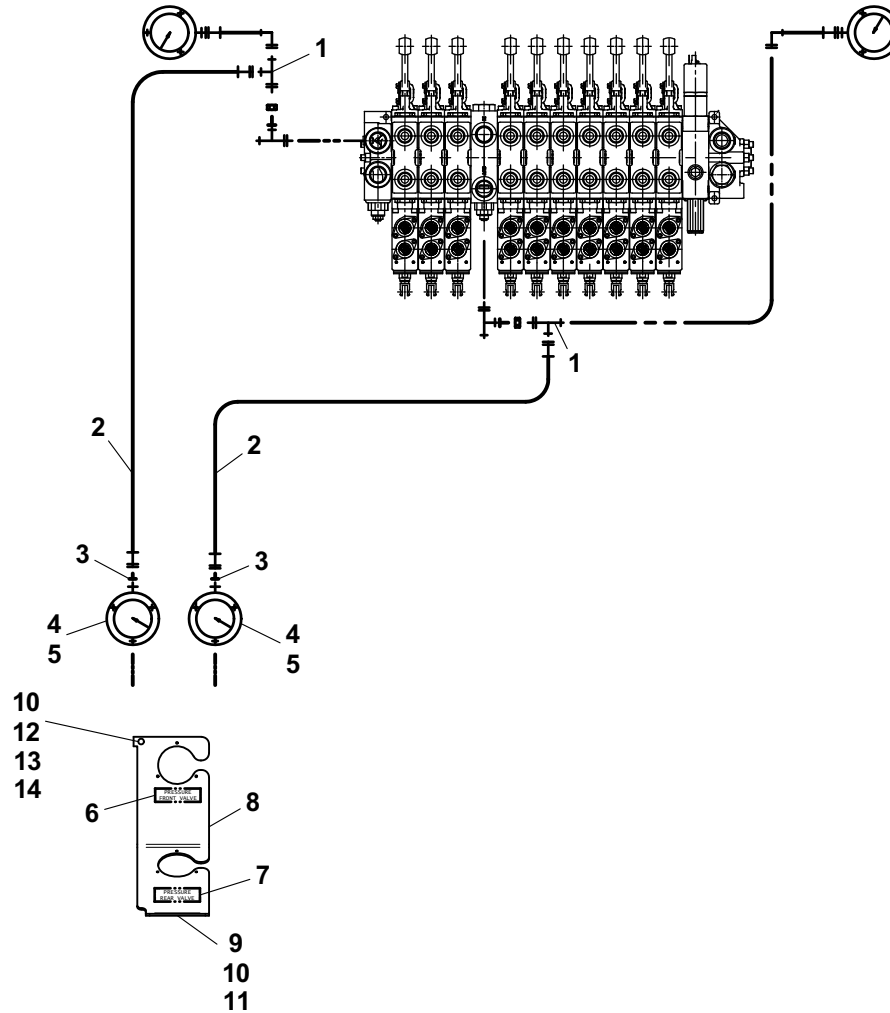
DRIVER SIDE HYDRAULIC PRESSURE GAUGES



DRIVER SIDE HYDRAULIC PRESSURE GAUGES W/ DRAG WINCH OPTION

ITEM	PART NO.	DESCRIPTION	QTY
1	7443000026	Tee	2
2	4567110141	Hose Assembly	2
3	7445040421	Fitting	2
4	7470000004	Gauge, Pressure	2
5	7790060676	Screw, #6 x 0.38"	6
6	7330000257	Decal - Pressure Front Valve	1
7	7330000256	Decal - Pressure Rear Valve	1
8	4314000215	Coverplate	1
9	7115140850	Capscrew, 0.25"-20NC x 1.00"	1
10	7950140161	Flatwasher, 0.25" ID	2
11	7661000006	Nut, Well	2
12	7114140618	Capscrew, 0.25"-20NC x 0.75"	1
13	7413000002	Nutsert, 0.25"-20NC	1
14	7950140000	Lockwasher, 0.25" ID	1

DRIVER SIDE HYDRAULIC PRESSURE GAUGES W/ DRAG WINCH OPTION



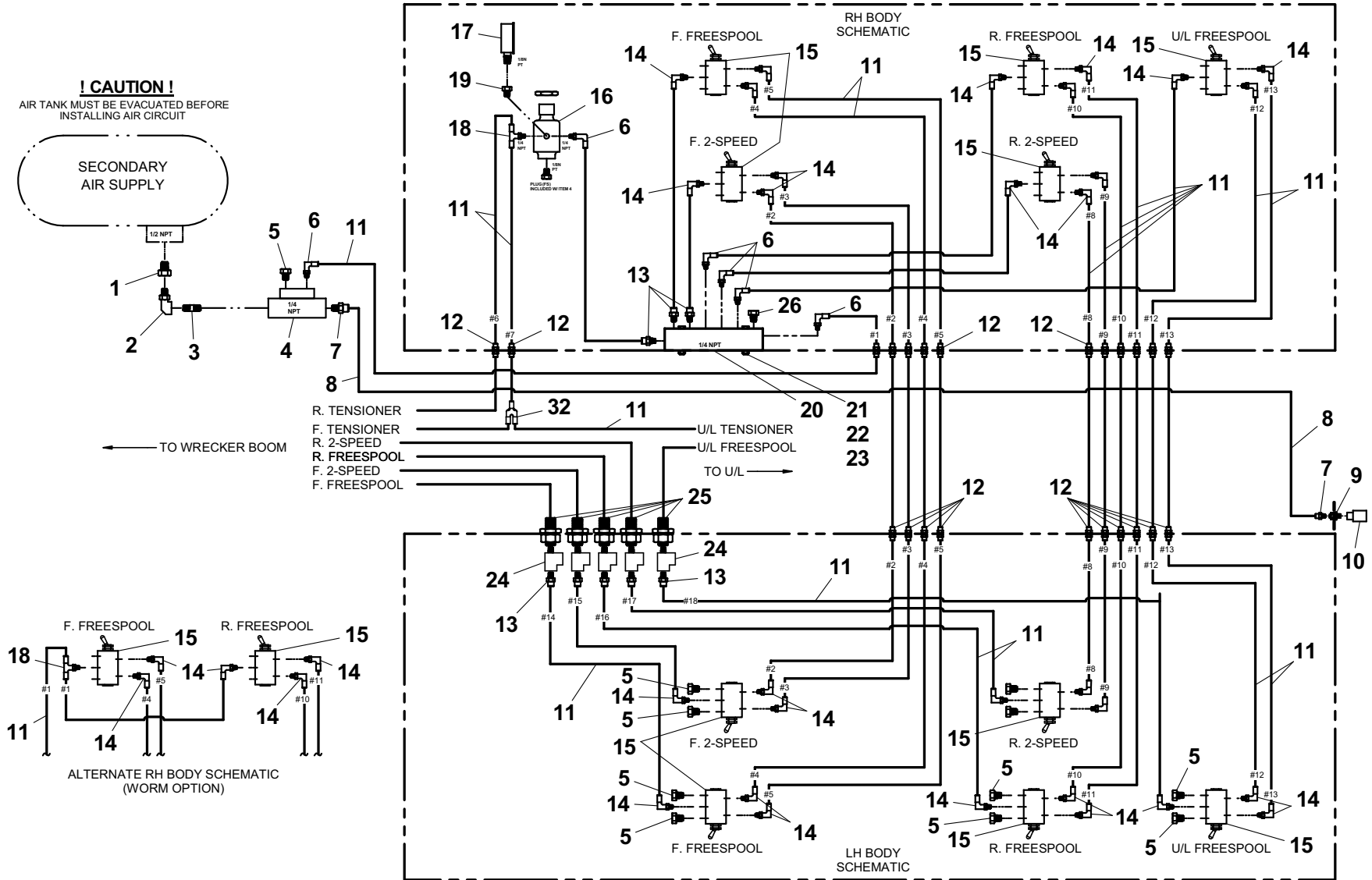
DRIVER & PASSENGER SIDE WINCH AIR CONTROLS - DP 25K & 35K

ITEM	PART NO.	DESCRIPTION	QTY
1	7443000154	Bushing	1
2	7443000155	Elbow	1
3	7443000156	Nipple	1
4	7935000120	Valve, Pressure Protection	1
5	7443000152	Plug	5
6	7443000139	Elbow	5
7	7443000175	Fitting	2
8	7565000014	Airline, Tubing 0.38 OD	25ft
9	7446502518	Fitting, Bulkhead	1
10	7312000017	Coupling	1
11	7565000016	Airline, Tubing 0.25 OD	150ft
12	7443000178	Union	15
13	7443000329	Fitting	4
14	7443000173	Elbow	12
15	7935000351	Valve, Air	4
16	7295000029	Air Regulator	1
17	7470000006	Gauge, Air Pressure	1
18	7443000174	Tee	1
19	7443000146	Elbow	1
20	4619000005	Manifold	1
21	7115142450	Capscrew, 0.25"-20NC x 3.00"	2
22	7660142601	Locknut, 0.25"-20NC	2
23	7950140161	Flatwasher, 0.25" ID	4
24	7443000287	Tee	2
25	7443000243	Fitting, Bulkhead	2
26	7444020014	Plug	4
28	7330000737	Decal - Front Winch Freespool	2
29	7330000738	Decal - Rear Winch Freespool	2
30	7330000741	Decal - U/L Winch Freespool	2
31	7443000448	Fitting	1

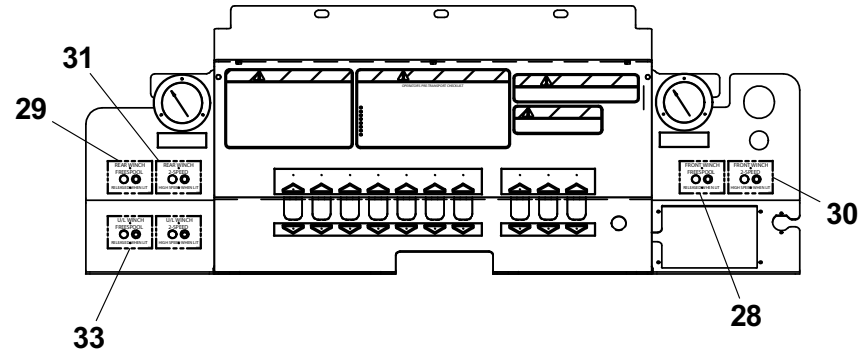
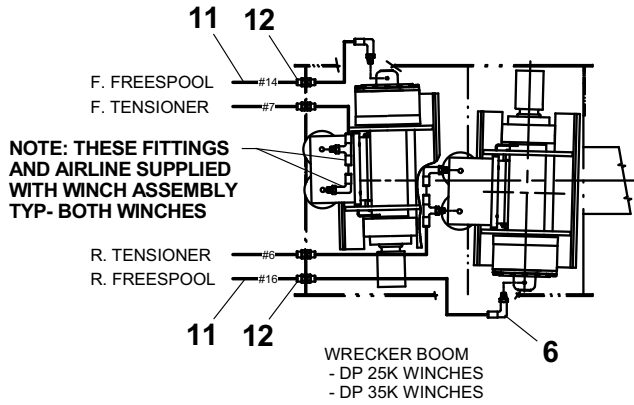
DRIVER & PASSENGER SIDE WINCH AIR CONTROLS - DP 25K & 35K

! CAUTION !
AIR TANK MUST BE EVACUATED BEFORE
INSTALLING AIR CIRCUIT

SECONDARY
AIR SUPPLY

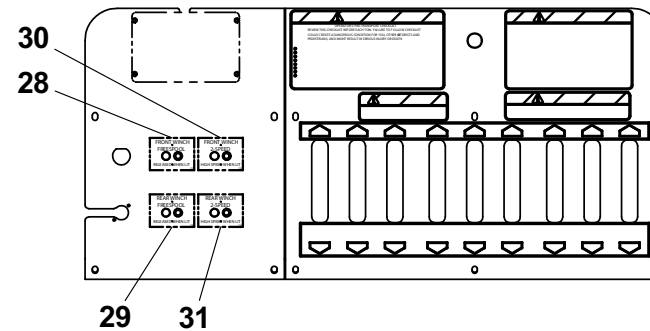
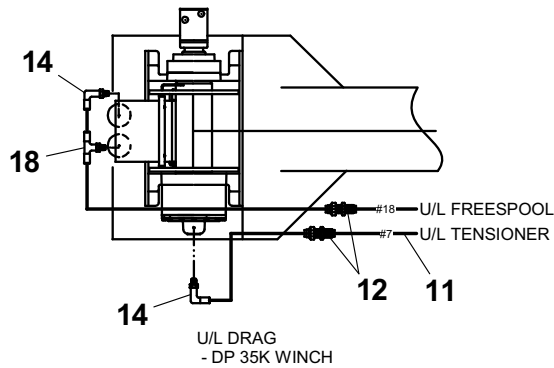


DRIVER & PASSENGER SIDE WINCH AIR CONTROLS - DP 25K & 35K



RH CONTROL STATION

DECAL INSTALLATION
30-60 TON, 8-10 SECT VALVES



LH CONTROL STATION

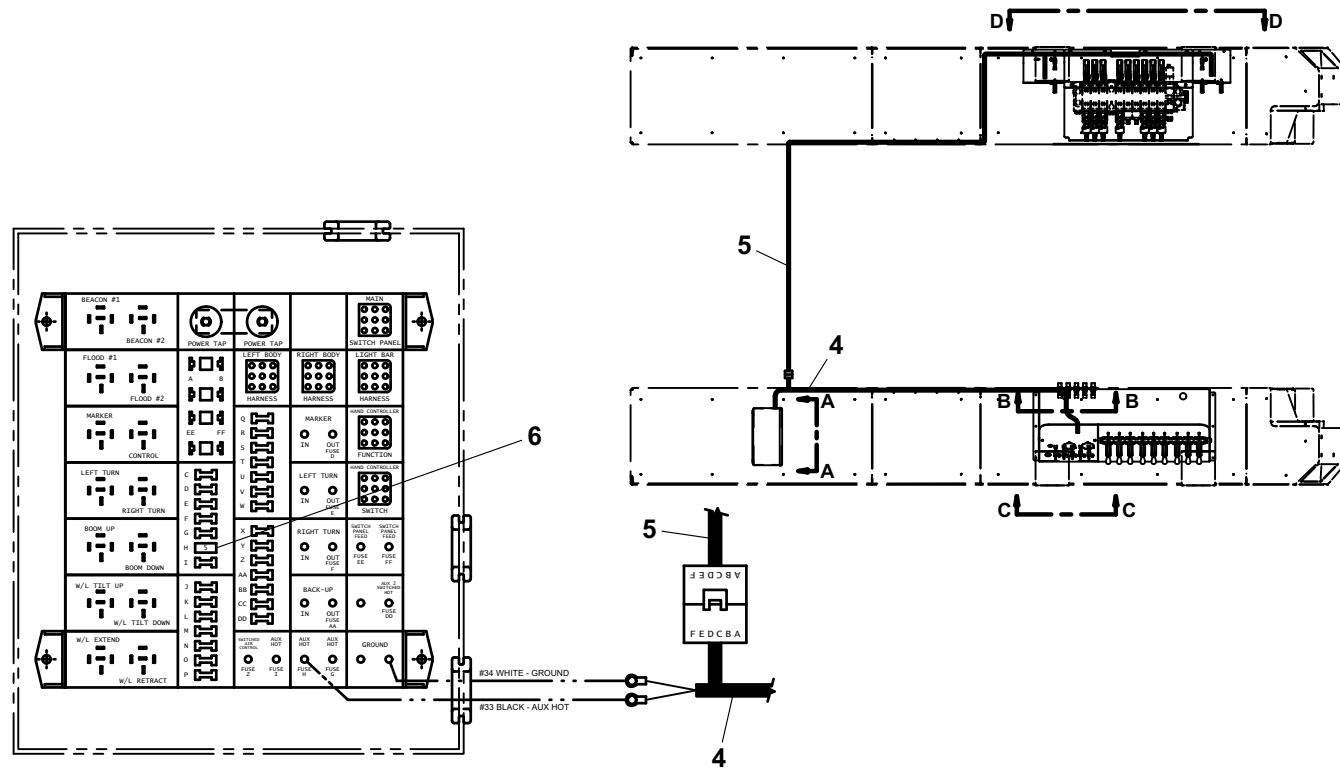
DECAL INSTALLATION
25-60 TON, 8 & 9 SECT VALVES

THIS PAGE INTENTIONALLY LEFT BLANK

WINCH ELECTRIC SPEED/FREE SPOOL CONTROLS - DP 25K & 35K

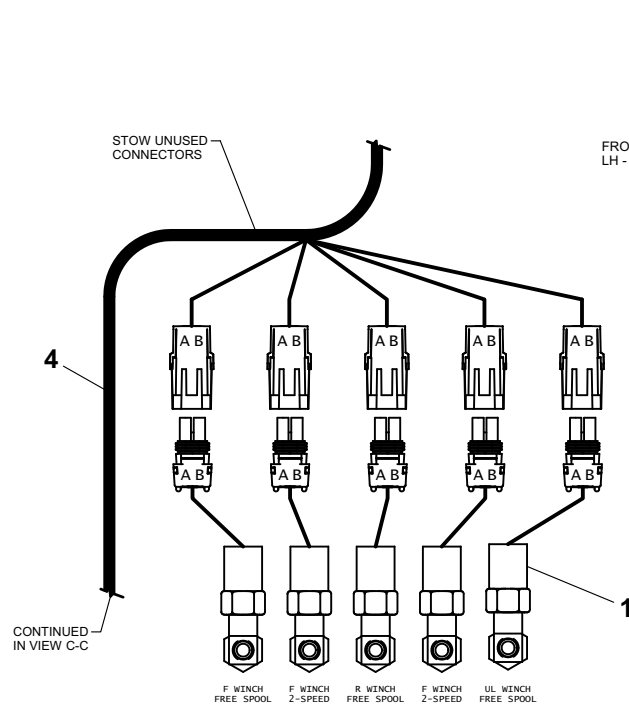
ITEM	PART NO.	DESCRIPTION	QTY
1	7870000136	Pressure Switch	2
2	7590000364	Light	4
3	7346000039	Tubing, Heat Shrink	6in
4	7552000414	Harness	1
5	7552000415	Harness	1
6	7457000019	Fuse, 5 Amp	1

WINCH ELECTRIC SPEED/FREE SPOOL CONTROLS - DP 25K & 35K

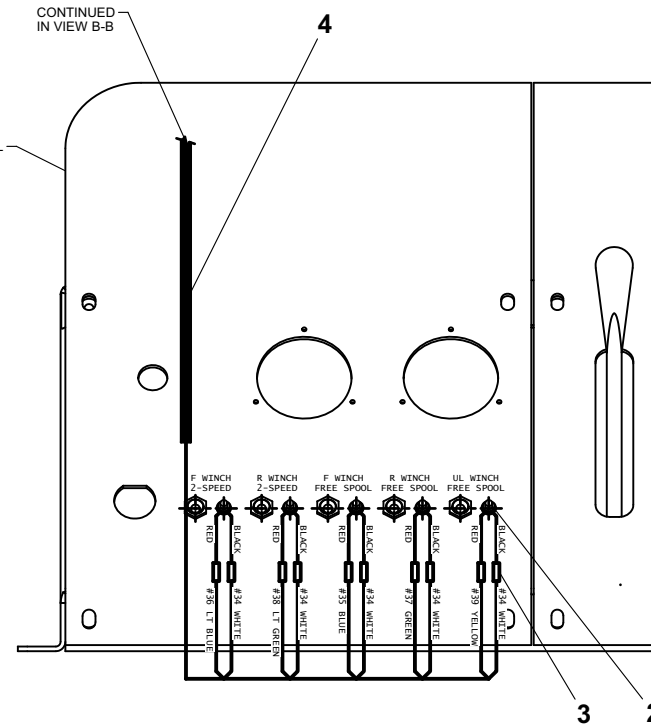


VIEW A-A
DIST PANEL

WINCH ELECTRIC SPEED/FREE SPOOL CONTROLS - DP 25K & 35K

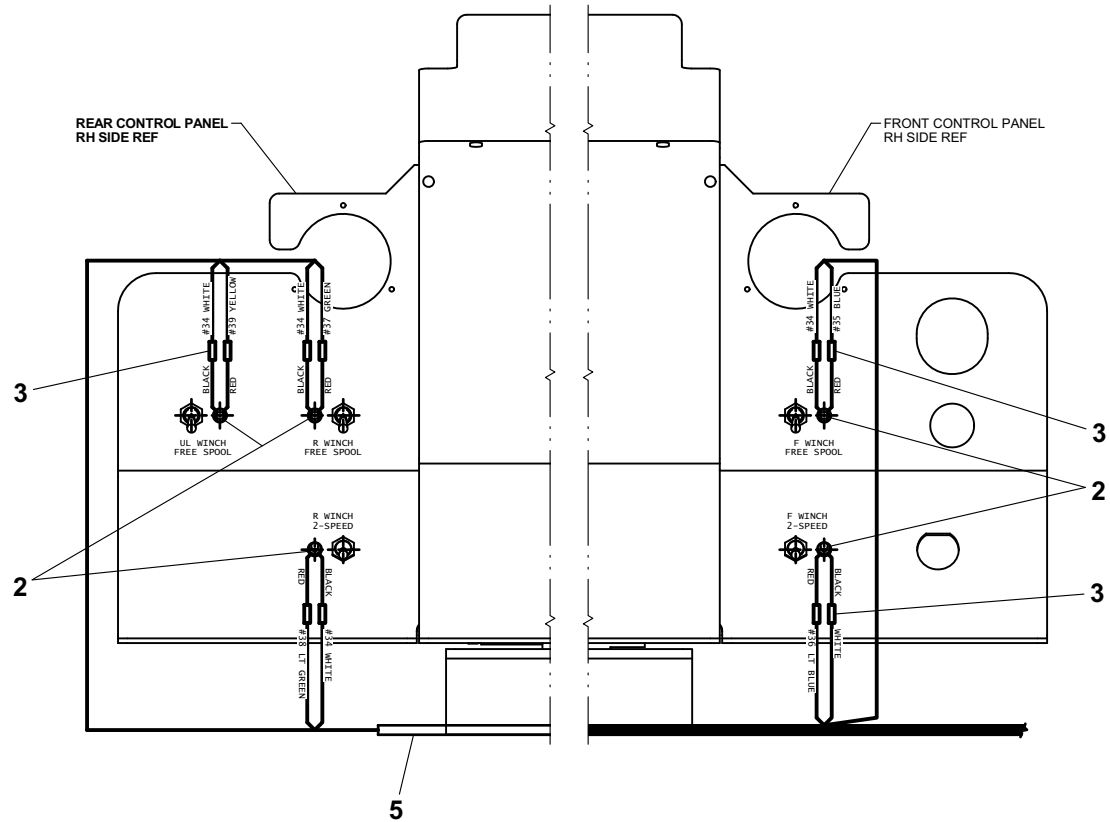


VIEW B-B
PRESSURE SWITCH CONNECTIONS



VIEW C-C
LH CONTROL STATION

WINCH ELECTRIC SPEED/FREE SPOOL CONTROLS - DP 25K & 35K

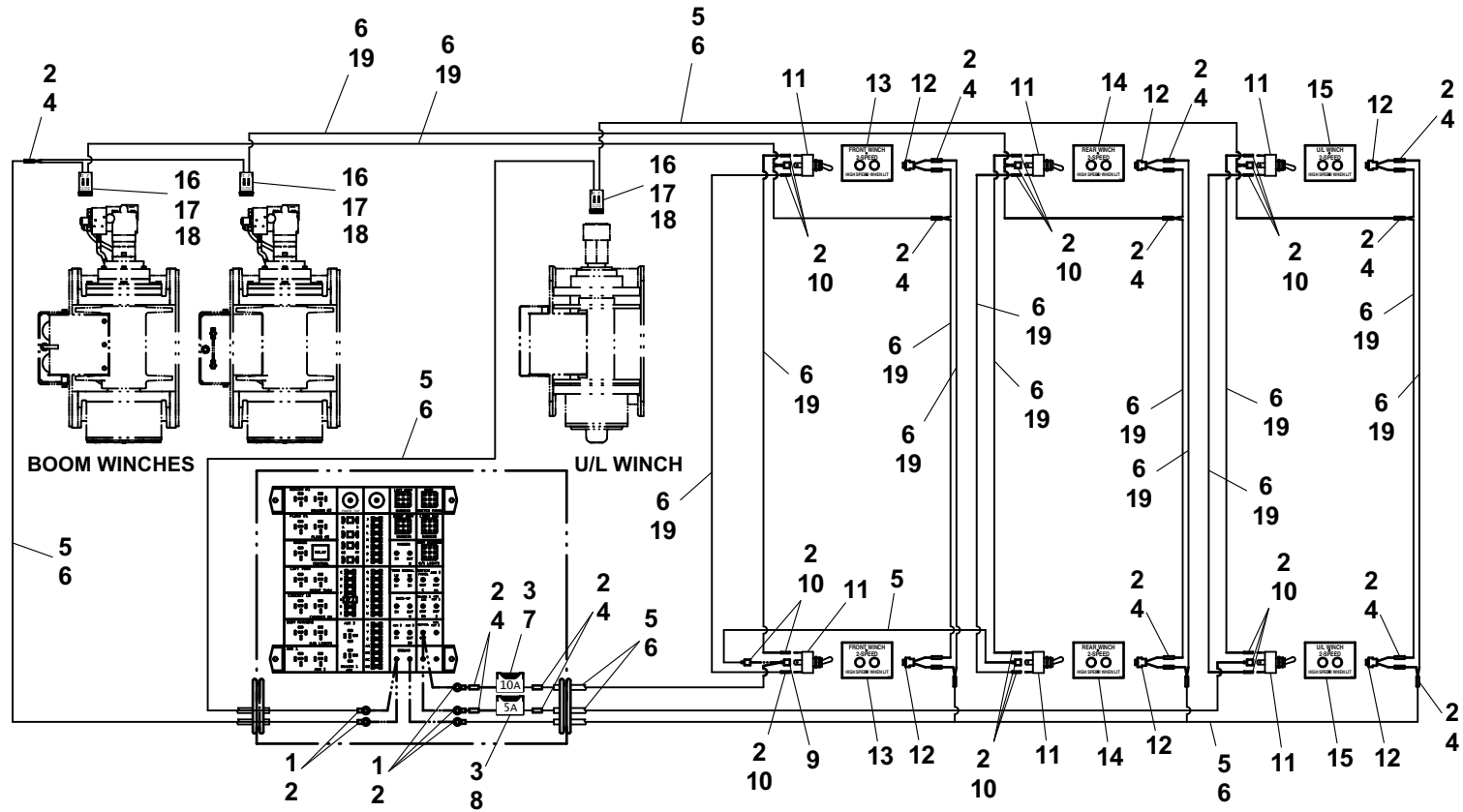


VIEW D-D
RH CONTROL STATION

WINCH ELECTRIC 2-SPEED MAIN & DRAG CONTROLS

ITEM	PART NO.	DESCRIPTION	QTY
1	7345211702	Terminal	5
2	7346000039	Tubing	2
3	7346000029	Fuse Holder	2
4	7345001714	Terminal	23
5	8977510200	Wire 14GA - Red	75ft
6	8594100002	Wire Loom, 0.25" Black	175ft
7	7457000011	Fuse, 10 AMP	1
8	7457000019	Fuse, 5 AMP	1
9	7346000264	Connector	1
10	7345001710	Tab	18
11	7870000145	Toggle Switch	6
12	7590000364	LED Light	6
13	7330000739	Decal, Front Winch	2
14	7330000740	Decal, Rear Winch	2
15	7330000831	Decal, U/L Winch	2
16	7346000273	Terminal	6
17	7346000274	Connector	3
18	7346000275	Wedge Lock	3
19	8977010103	Wire, 16 GA	100ft

WINCH ELECTRIC 2-SPEED MAIN & DRAG CONTROLS

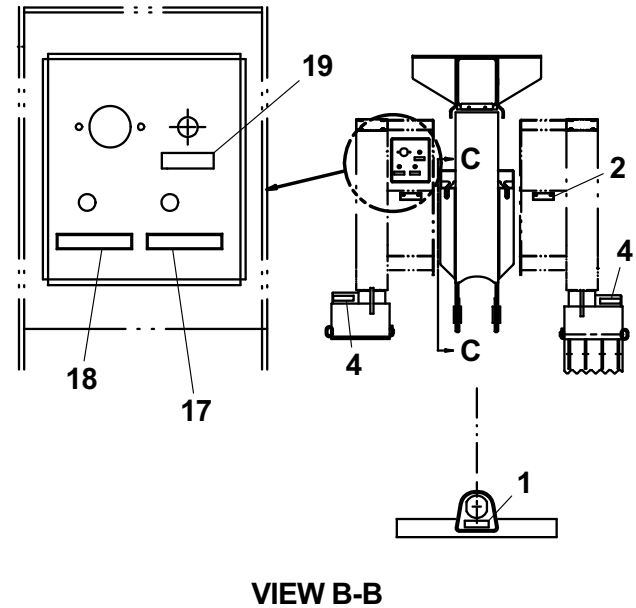
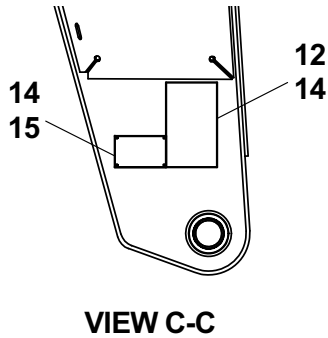
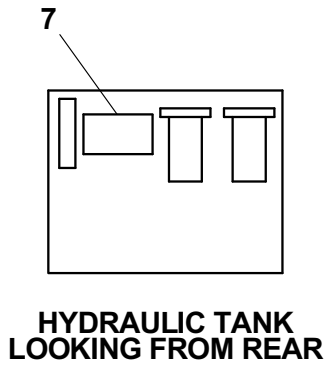
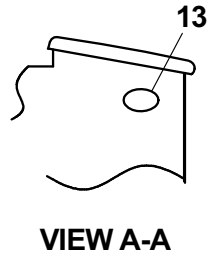
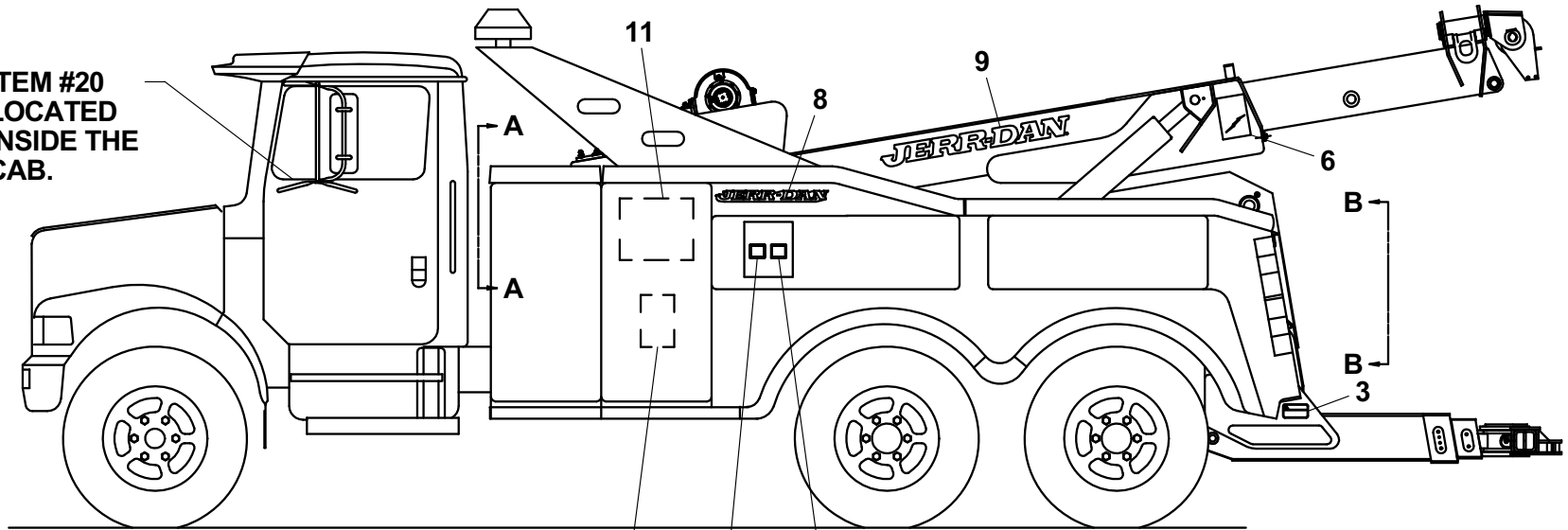


DECALS

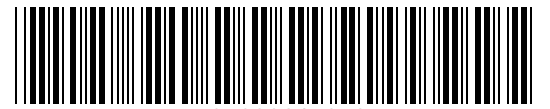
ITEM	PART NO.	DESCRIPTION	QTY
1	7330000211	Decal - Safety Chains	1
2	7330000122	Decal - Wheel Lift	2
3	7330000599	Decal - Moving Parts	2
4	7330000193	Decal - Wheel Lift	2
5	7330000202	Decal - Shock Warning	1
6	7330000203	Decal - Shock Warning	2
7	7330000034	Decal - Wheel Lift	1
8	7330000108	Decal - Jerr-Dan Nameplate	2
9	7330000294	Decal - Jerr-Dan (Red)	2
10	7330000270	Decal - Lubrication	1
11	7330000610	Decal - Lubrication	1
12	1001132328	Decal - Serial No./Load Rating	1
13	7330000143	Decal - Made In The USA	1
14	7759000004	Pop Rivet	10
15	1001132346	Decal - Patent	1
16	7330000426	Decal - Fuse Panel Schematic	1
17	7330000208	Decal - Service Air	1
18	7330000209	Decal - Supply Air	1
19	7330000210	Decal - Auxiliary Air	1
20	7330000139	Decal - Checklist Reminder	1

DECALS

ITEM #20
LOCATED
INSIDE THE
CAB.



THIS PAGE INTENTIONALLY LEFT BLANK



5376000158-0