

ADJUSTABLE PERFORMANCE COUNTERWEIGHT PARTS MANUAL

JERR-DAN[®]

An Oshkosh Corporation Company

13224 Fountainhead Plaza
Hagerstown, MD 21742
Phone (717) 597-7111
www.jerr-dan.com



5-376-000183
Rev 0 - March 1, 2017

© 2017 Jerr-Dan Corporation. All Rights Reserved

This manual covers the following Jerr-Dan Models:

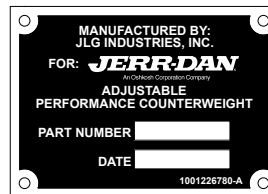
Adjustable Performance Counterweight

Jerr-Dan Corporation strives to provide information that is accurate, complete and useful. Descriptions and illustrative material contained within this manual are as accurate as known at the time of publication and are subject to change, without notice, as a result of continuous product improvements. Jerr-Dan reserves the right to amend the information in this document at any time without prior notice.

Information contained in this manual reflects how this vehicle was built at the factory. Modifications or additions by the distributor or owner are not reflected in this manual.

This parts manual does not include service parts information for the commercial chassis (IHC, Ford, GM, etc.). That information is provided by the chassis manufacturer.

When ordering parts, please refer to your unit's Serial Number and Model Number. This information is be found on the aluminum tag riveted to the inside of the driver's side rear compartment of the main body.



Additional or replacement manuals can be ordered by calling Jerr-Dan Parts at 717-597-7111. Price and availability will be quoted at time of the request.

Please report comments and/or errors by contacting Jerr-Dan Corporation's Technical Publications Department by e-mail at technicalpublications@jerr-dan.com or by FAX on 717-485-7162.

Manufactured under one or more of the following patents: 5,575,606; 5,672,042; 5,697,741; 5,713,714; 5,722,810; 5,782,596; 5,839,775 and 6,315,515 B1 with other Patents Pending.

Jerr-Dan and the Jerr-Dan logo are registered trademarks and Run Hard is a service mark of Jerr-Dan Corporation, Hagerstown, MD USA.

The material in this document is confidential and the property of Jerr-Dan Corporation. No part of this document may be photocopied, Reproduced or translated to another language without the express written consent of Jerr-Dan Corporation.

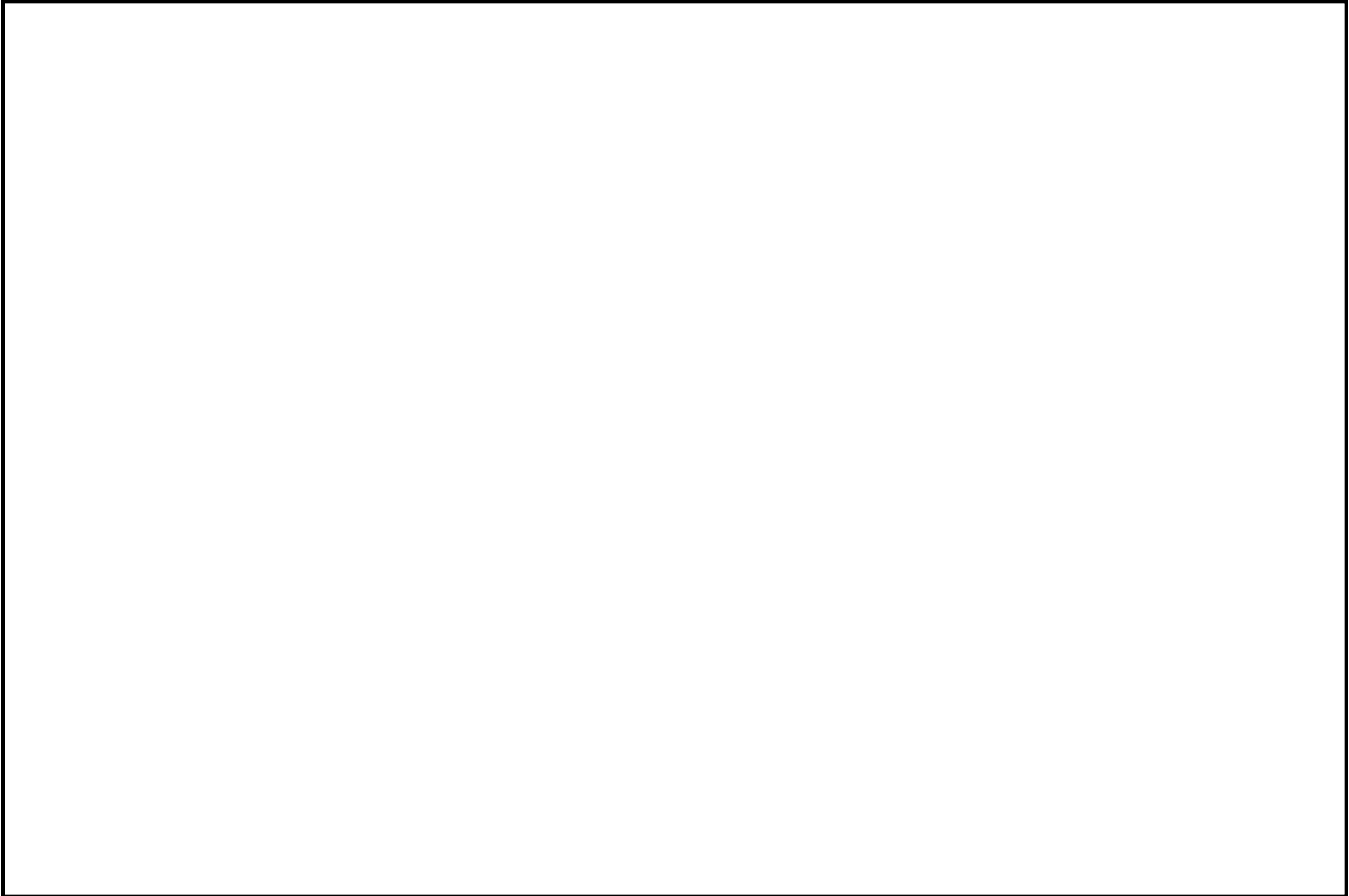


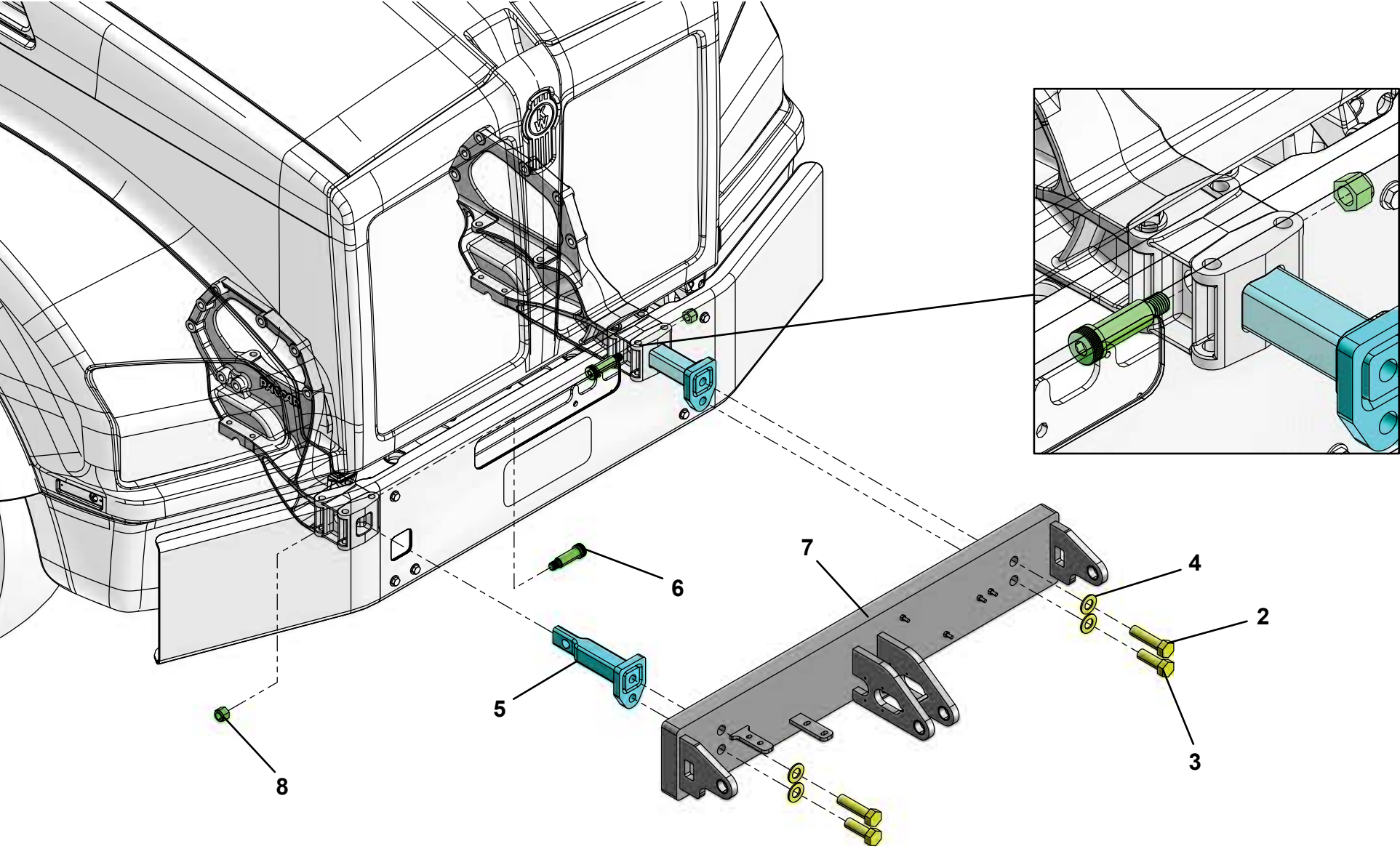
TABLE OF CONTENTS

Adapter Plate Installation - Kenworth.....	6
Adapter Plate Installation - Peterbilt.....	8
Adapter Plate Installation - Peterbilt 389.....	10
APC Assembly.....	12
Cylinder Assembly - 1001213623.....	18
Pump Assembly - 1001202057.....	20
Valve Assembly.....	22
Weight Installation.....	24
Part Number Index.....	27

ADAPTER PLATE INSTALLATION - KENWORTH

ITEM	PART NO.	DESCRIPTION	QTY
1	0100019	Loctite	A/R
2	0642624	Capscrew, 1.00" - 8NC x 3.00"	2
3	0642632	Capscrew, 1.00" - 8NC x 4.00"	2
4	4712600	Washer, 1.00" ID	4
5	1001209638	Adapter	2
6	1001210455	Bolt, 0.75" - 10NC x 2.50"	2
7	1001213843	Counterweight Support	1
8	7660222601	Nut, 0.75" - 10NC	2

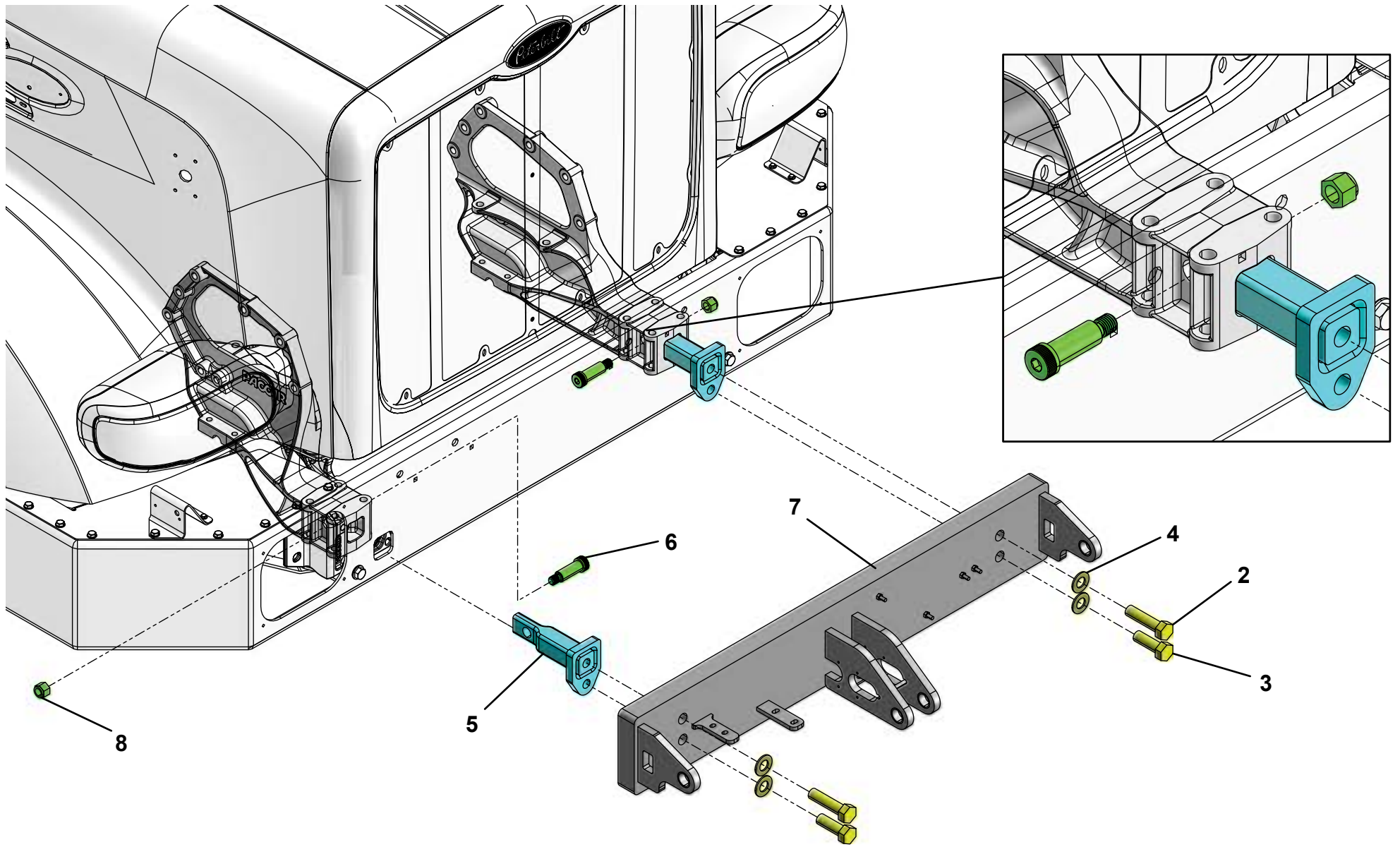
ADAPTER PLATE INSTALLATION - KENWORTH



ADAPTER PLATE INSTALLATION - PETERBILT

ITEM	PART NO.	DESCRIPTION	QTY
1	0100019	Loctite	A/R
2	0642624	Capscrew, 1.00" - 8NC x 3.00"	2
3	0642632	Capscrew, 1.00" - 8NC x 4.00"	2
4	4712600	Washer, 1.00" ID	4
5	1001209623	Adapter	2
6	1001210455	Bolt, 0.75" - 10NC x 2.50"	2
7	1001213843	Counterweight Support	1
8	7660222601	Nut, 0.75" - 10NC	2

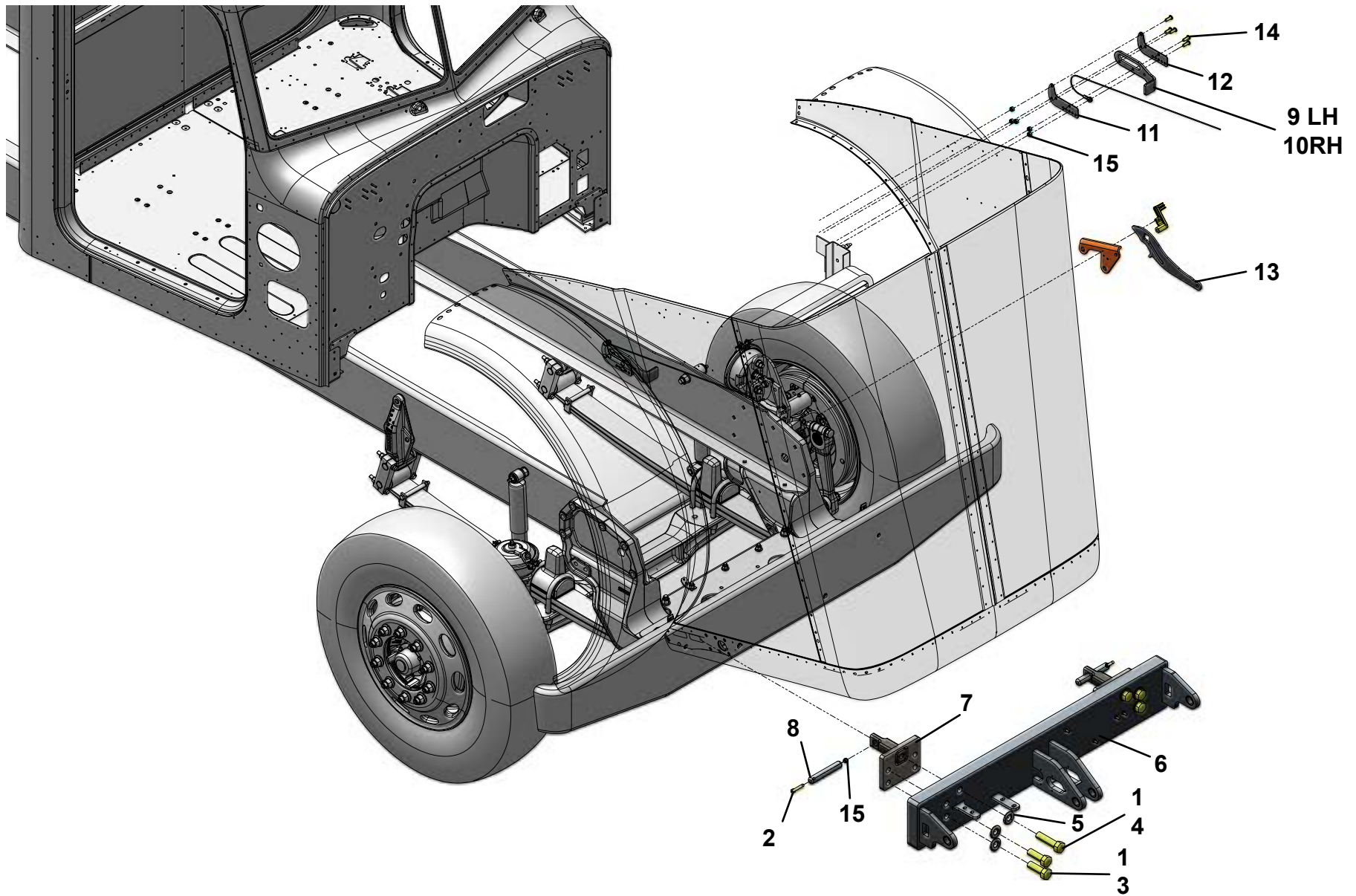
ADAPTER PLATE INSTALLATION - PETERBILT



ADAPTER PLATE INSTALLATION - PETERBILT 389

ITEM	PART NO.	DESCRIPTION	QTY
1	0100019	Loctite	A/R
2	0641622	Capscrew, 0.38" - 16NC x 2.75"	2
3	0642624	Capscrew, 1.00" - 8NC x 3.00"	4
4	0642632	Capscrew, 1.00" - 8NC x 4.00"	2
5	4712600	Washer, 1.00" ID	6
6	1001213843	Plate	1
7	1001222900	Pin	2
8	1001222903	Pin	2
9	1001225521	Bracket, RH	1
10	1001225522	Bracket, LH	1
11	1001225523	Plate	2
12	1001225524	Plate	2
13	1001225525	Plate	1
14	7114160818	Screw, 0.38" - 16NC x 1.00"	10
15	7660162601	Locknut, 0.38" - 16NC	12

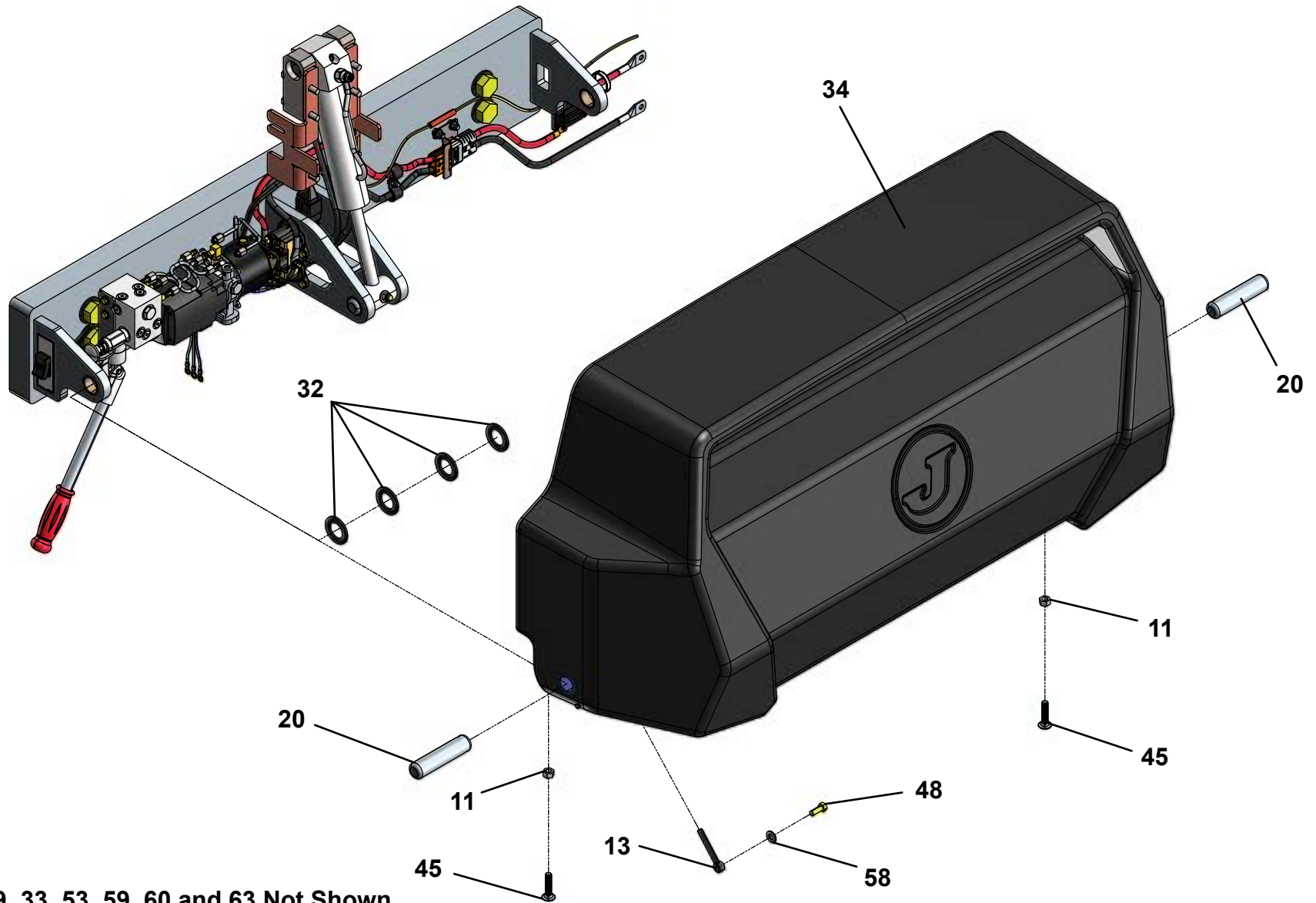
ADAPTER PLATE INSTALLATION - PETERBILT 389



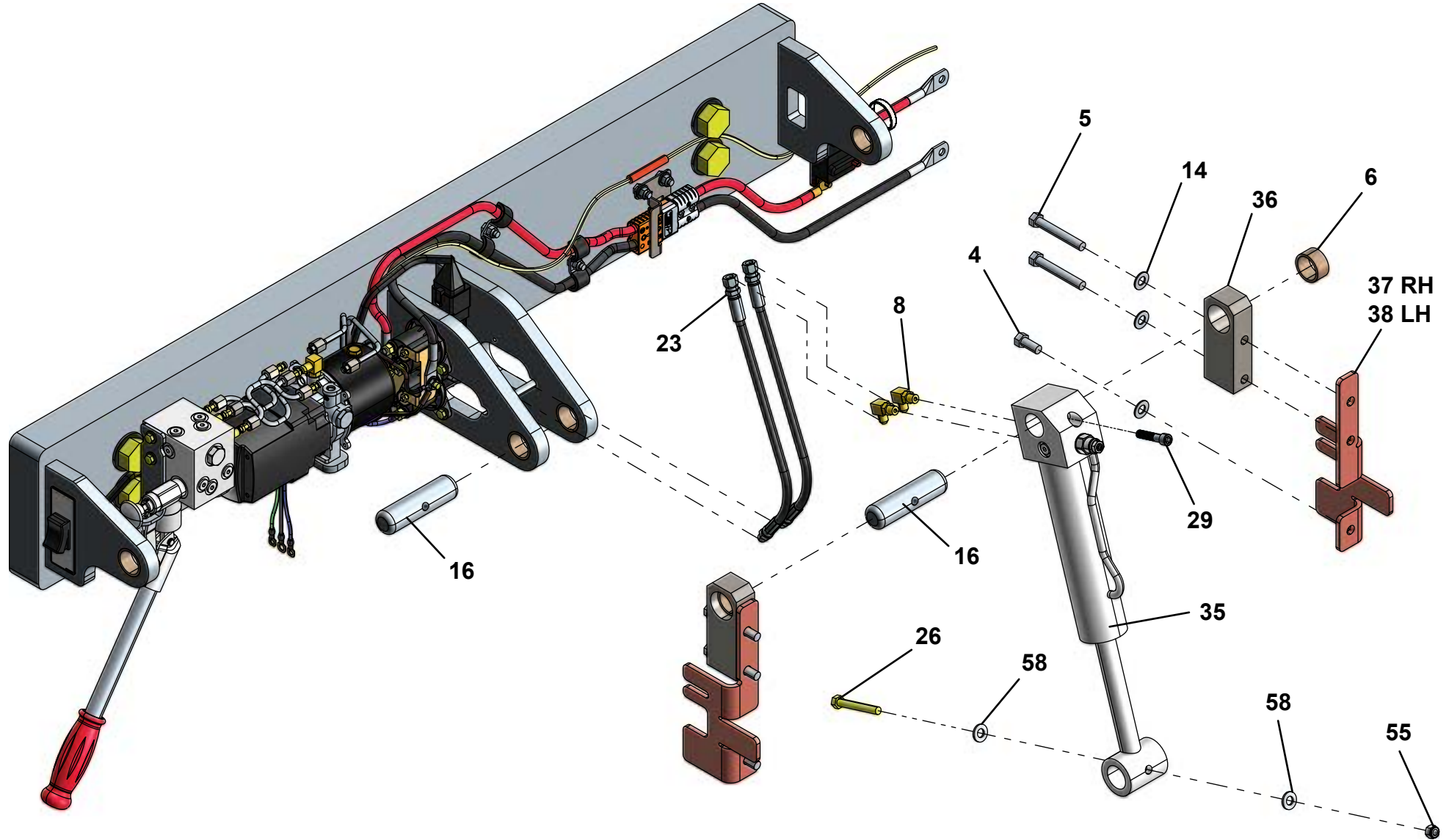
ADJUSTABLE PERFORMANCE COUNTERWEIGHT ASSEMBLY

ITEM	PART NO.	DESCRIPTION	QTY	ITEM	PART NO.	DESCRIPTION	QTY
1	100011	Loctite	A/R	41	1001213965	Bracket	1
2	641405	Capscrew, 0.25"-20NC X 0.625"	6	42	1001214025	Connector	2
4	641708	Capscrew, 0.44"-14NC X 1.00"	2	43	1001214026	Terminal	4
5	641724	Capscrew, 0.44"-14 X 3.00"	4	44	1001214084	Relay	2
6	962257	Bushing	2	45	1001214097	Bolt, 0.44"-14NC X 2.00"	2
7	2220415	Adapter	3	46	1001214230	Terminal	2
8	2220466	Adapter	3	47	7114151650	Capscrew, 0.31"-18NC X 2.00"	1
9	2220711	Fitting	2	48	7114160850	Capscrew, 0.38"-16 X 1.00"	2
10	2560122	Handle	1	49	7274000039	Cover	1
11	3311701	Nut, 0.44"-14NC	2	50	7274000066	Clamp	2
12	1001223629	Harness, Ignition Jumper	1	51	7274000086	Clamp	2
13	3841143	Keeper	2	52	7346000019	Breaker	1
14	4711700	Washer, 0.44" ID	6	53	7346000045	Tubing	0.5ft
15	1001114761	Grip	1	54	7660152601	Locknut, 0.31"-18NC	7
16	1001199209	Pin	2	55	7660162601	Locknut, 0.38"-16NC	1
17	1001199458	Valve	1	56	7894000004	Tie Strap	20
18	1001202057	Pump	1	57	7950140143	Flatwasher, 0.25" ID	6
19	1001203556	Pipe	3	58	7950160153	Flatwasher, 0.38" ID	8
20	1001204591	Pin	2	59	8597650001	Loom	20
21	1001209675	Pipe	1	60	8892040001	Tape	0.06
22	1001209676	Pipe	1	61	1001117115	Terminal	2
23	1001209970	Hose Assembly	2	62	1001117116	Terminal	2
24	1001210306	Plate	1	63	1001210959	Wire	0.2ft
25	1001210425	Switch	1	64	1001210960	Wire	0.2ft
26	1001210452	Bolt, 0.38"-16NC X 2.75"	1	65	1001130310	Adhesive	A/R
27	1001210454	Bolt, 0.38"-16NC X 0.88"	4	66	1001210965	Decal	1
28	641506	Capscrew, 0.32" -18NC X 0.75"	2	67	1001214905	Bracket	1
29	1001210561	Bolt, 0.32"-16NC X 1.75"	1	68	7950150143	Flatwasher, 0.31" ID	3
30	1001223597	Harness	1	69	1001217784	Decal	1
31	1001210580	Harness	1	70	7457000019	Fuse	1
32	1001210700	Washer	4	71	1001226780	ID Plate	1
33	1001210983	Sleeve	0.2ft				
34	1001213444	Weight	1				
35	1001213623	Cylinder	1				
36	1001213795	Retaining Pin	2				
37	1001213849	Bracket, RH	1				
38	1001213850	Bracket, LH	1				
39	1001213910	Buss Bar	1				
40	1001213911	Buss Bar	1				

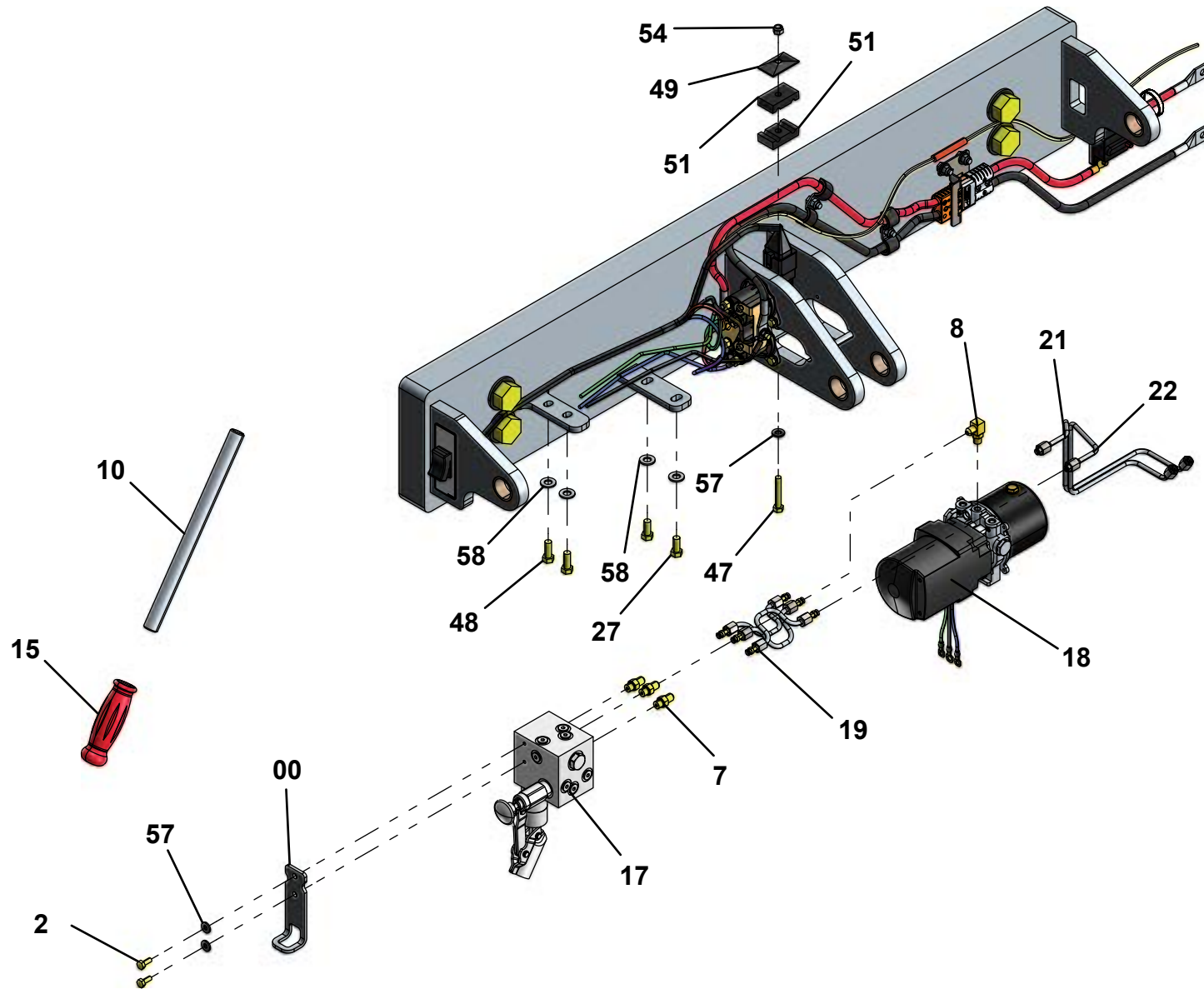
ADJUSTABLE PERFORMANCE COUNTERWEIGHT ASSEMBLY

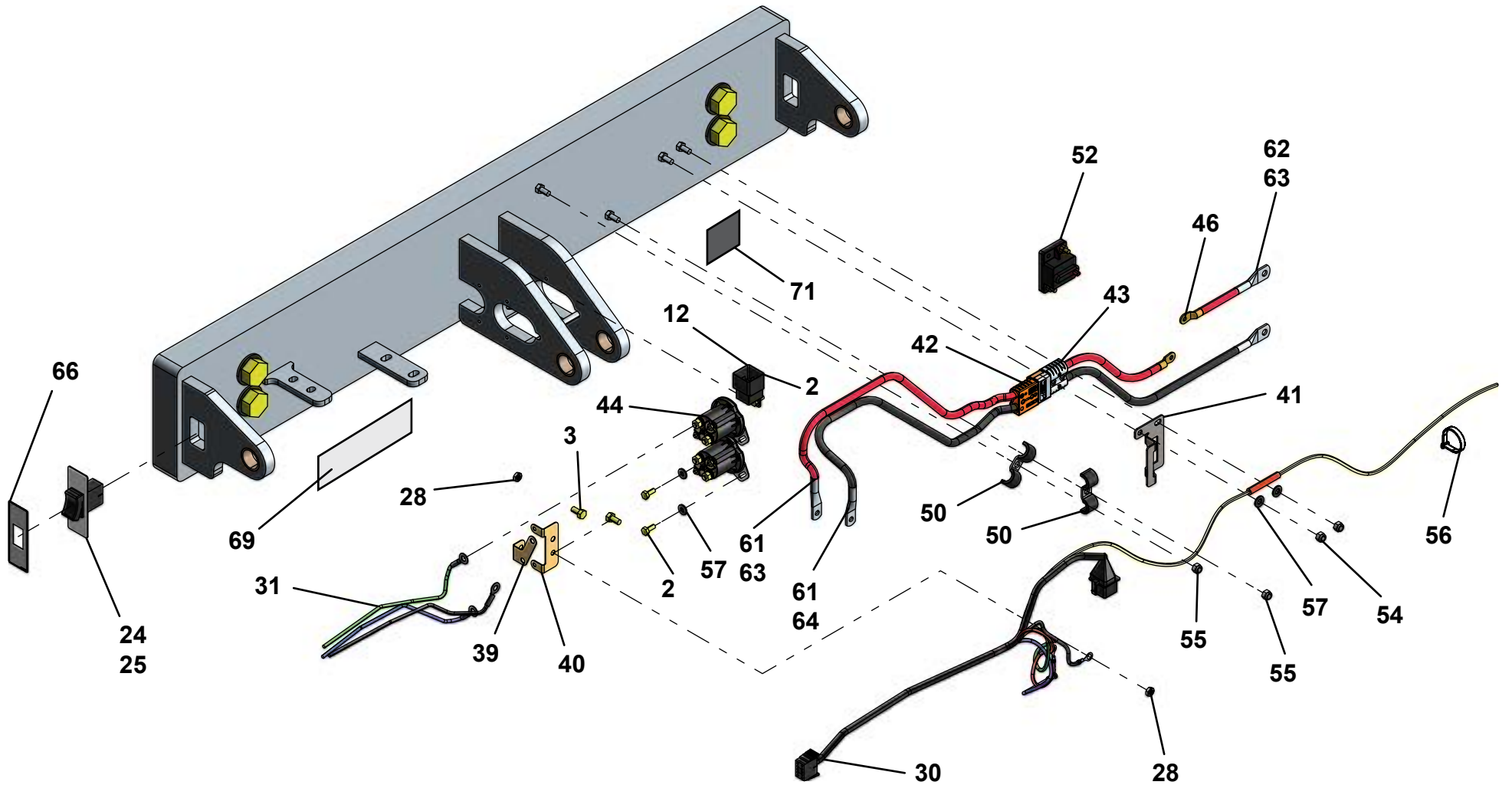


Item # 1, 9, 33, 53, 59, 60 and 63 Not Shown

ADJUSTABLE PERFORMANCE COUNTERWEIGHT ASSEMBLY

ADJUSTABLE PERFORMANCE COUNTERWEIGHT ASSEMBLY



ADJUSTABLE PERFORMANCE COUNTERWEIGHT ASSEMBLY

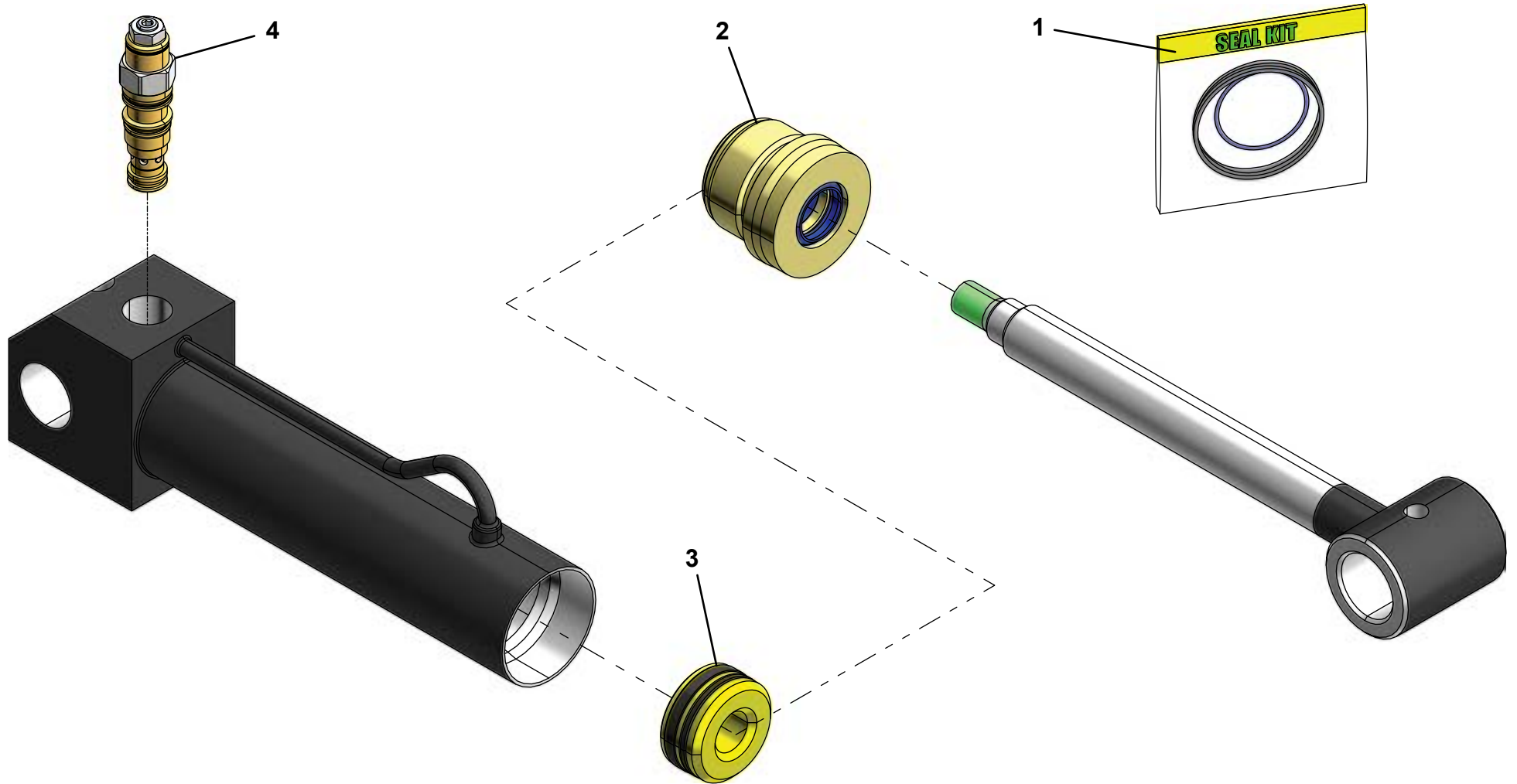
ADJUSTABLE PERFORMANCE COUNTERWEIGHT ASSEMBLY

THIS PAGE INTENTIONALLY LEFT BLANK

CYLINDER ASSEMBLY - 1001213623

ITEM	PART NO.	DESCRIPTION	QTY
1	70051201	Seal Kit, Cylinder	1
2	70051202	Kit, Head	1
3	70051203	Kit, Piston	1
4	70051204	Counterbalance Valve	1

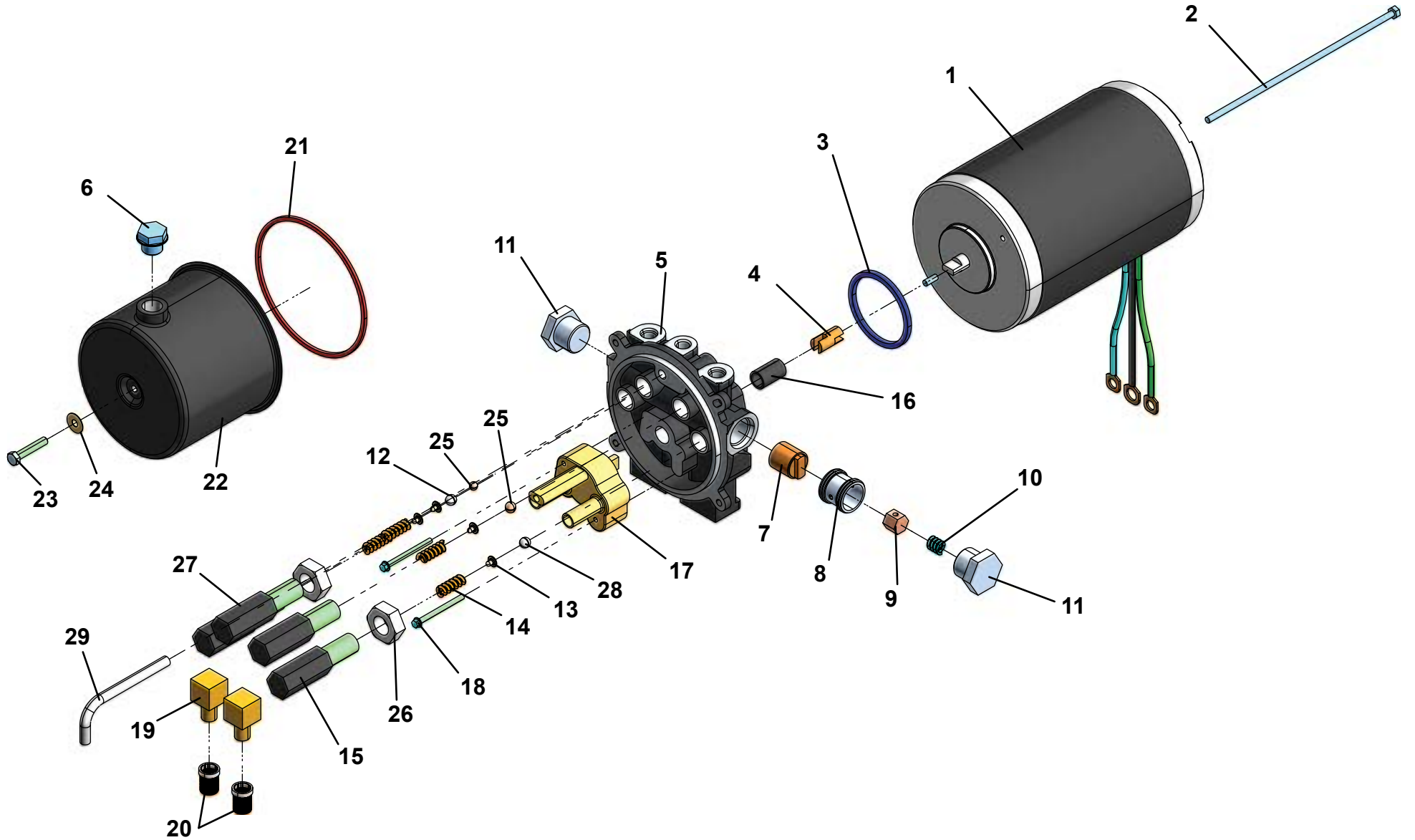
CYLINDER ASSEMBLY - 1001213623



PUMP ASSEMBLY - 1001202057

ITEM	PART NO.	DESCRIPTION	QTY
1	70051252	Motor Kit	1
2	Incl in Item #1	Motor Mounting Stud	2
3	Incl in Item #1	O-Ring	1
4	70051233	Coupling	1
5	N/A	Adapter	1
6	70051253	Filler Breather	1
7A	N/A	Spool	1
7B	N/A	Spool	1
8	N/A	Check Seat	2
9	70051236	Poppet	2
10	70051237	Spring	2
11	70051238	Hex Plug Retainer	2
12	70051254	Cartridge TRV	2
13	Incl in Item #12	Eyelet	0
14	Incl in Item #12	Spring	0
15	Incl in Item #12	Thermal RV Adjusting Cap	0
16	In Seal Kit	Shaft Seal	1
17	70051255	Pump	1
18	70051256	Pump Screw	2
19	70051259	Suction Elbow	2
20	70051243	Suction Filter	2
21	70051244	Reservoir Seal	1
22	70051257	Reservoir Kit	1
23A	Incl in Item #22	Reservoir Screw	0
24A	Incl in Item #22	O-Ring	0
25	70051258	RV Cartridge	2
26	Incl in Item #25	Hexnut	0
27	Incl in Item #25	RV Adjusting Screw	0
28	Incl in Item #25	0.25" Steel Ball	0

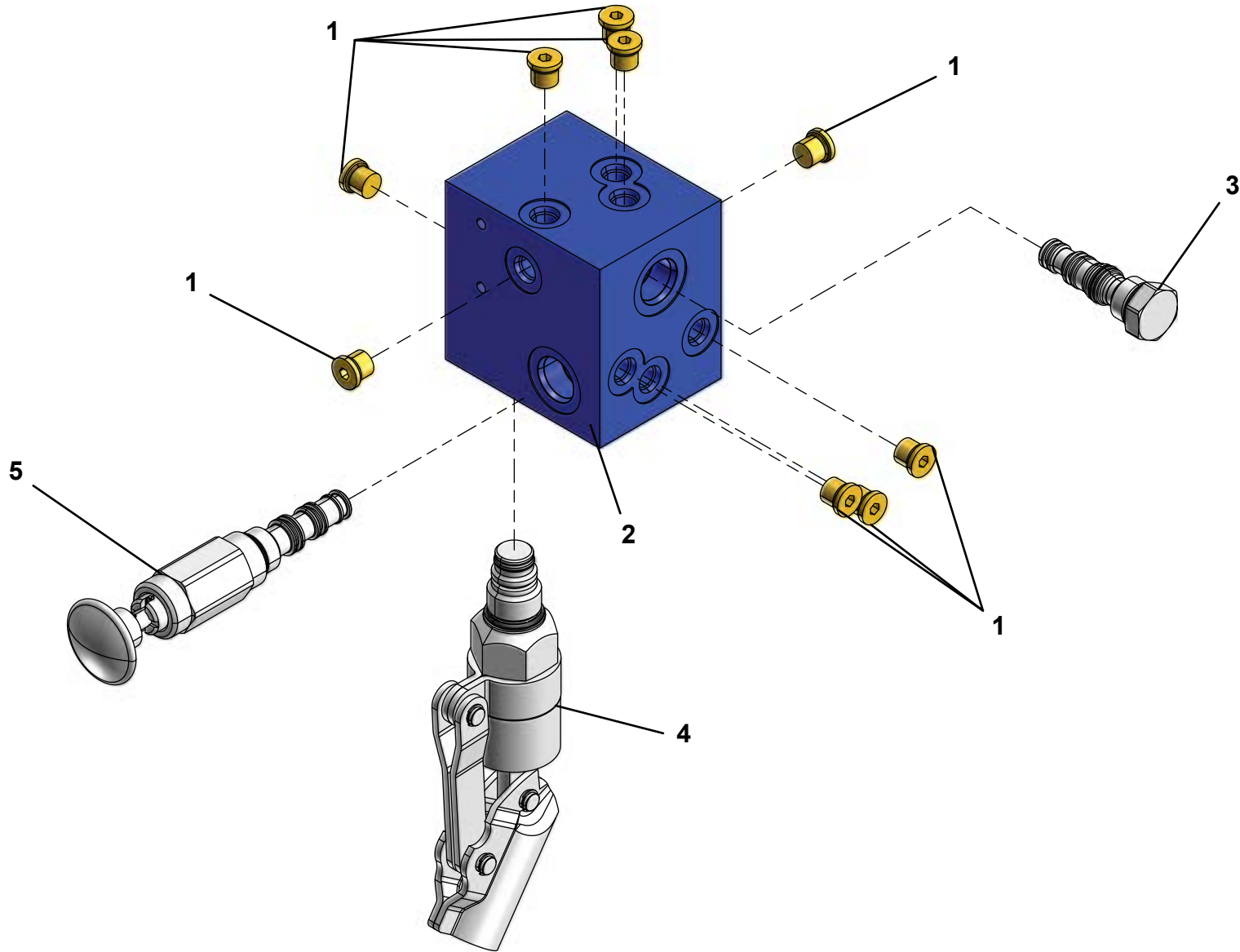
PUMP ASSEMBLY - 1001202057



VALVE ASSEMBLY

ITEM	PART NO.	DESCRIPTION	QTY
1	2220883	Plug	9
2	2221207	Valve Block	1
3	2221208	Check Valve	1
4	2221209	Hand Pump	1
5	2221210	Directional Valve	1

VALVE ASSEMBLY



WEIGHT INSTALLATION

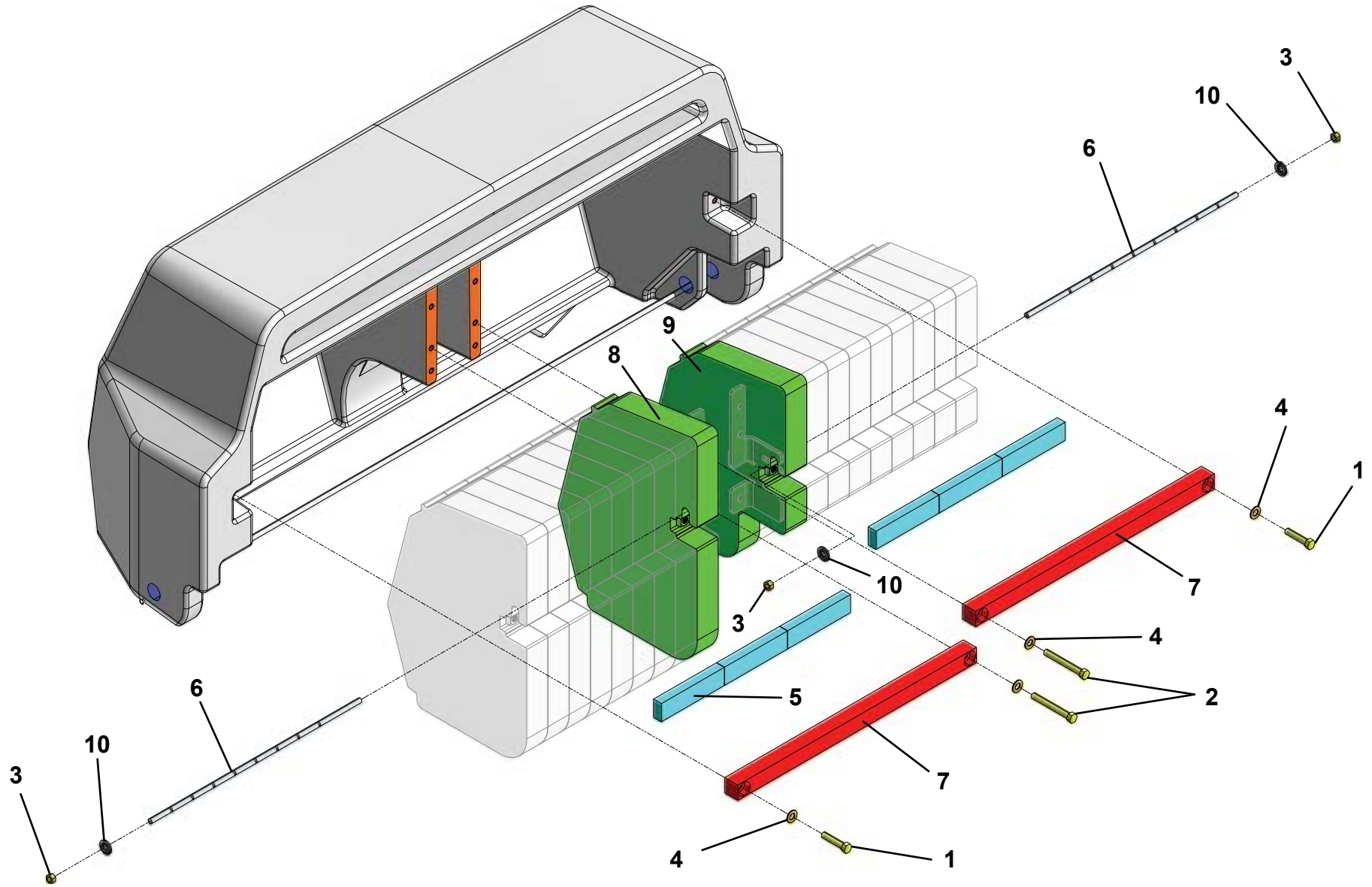
ITEM	PART NO.	DESCRIPTION	QTY
3600 LB Weight			
1	641716	Capscrew, 0.44"-14NC X 2.00"	2
2	641728	Capscrew, 0.44"-14NC X 3.50"	2
3	3271605	Nut, 0.38"-16NC	4
4	4711700	Washer, 0.44" ID	4
5	1001209958	Shim	6
6	1001211361	Rod 0.38"-16NC X 20.00"	2
7	1001213656	Bar	2
8	1001213802	Weight, Large	9
9	1001213803	Weight, Small	9
10	7950160163	Flatwasher, 0.38" ID	4

ITEM	PART NO.	DESCRIPTION	QTY
2500 LB Weight			
1	641716	Capscrew, 0.44"-14NC X 2.00"	2
2	641728	Capscrew, 0.44"-14NC X 3.50"	2
3	3271605	Nut, 0.38"-16NC	4
4	4711700	Washer, 0.44" ID	4
5	1001209958	Shim	4
6	1001211361	Rod 0.38"-16NC X 20.00"	2
7	1001213656	Bar	2
8	1001213802	Weight, Large	4
9	1001213803	Weight, Small	4
10	7950160163	Flatwasher, 0.38" ID	4

ITEM	PART NO.	DESCRIPTION	QTY
3000 LB Weight			
1	641716	Capscrew, 0.44"-14NC X 2.00"	2
2	641728	Capscrew, 0.44"-14NC X 3.50"	2
3	3271605	Nut, 0.38"-16NC	4
4	4711700	Washer, 0.44" ID	4
5	1001209958	Shim	4
6	1001211361	Rod 0.38"-16NC X 20.00"	2
7	1001213656	Bar	2
8	1001213802	Weight, Large	6
9	1001213803	Weight, Small	6
10	7950160163	Flatwasher, 0.38" ID	4

ITEM	PART NO.	DESCRIPTION	QTY
2100 LB Weight			
1	641716	Capscrew, 0.44"-14NC X 2.00"	2
2	641728	Capscrew, 0.44"-14NC X 3.50"	2
3	3271605	Nut, 0.38"-16NC	4
4	4711700	Washer, 0.44" ID	4
5	1001209958	Shim	2
6	1001211361	Rod 0.38"-16NC X 20.00"	2
7	1001213656	Bar	2
8	1001213802	Weight, Large	2
9	1001213803	Weight, Small	2
10	7950160163	Flatwasher, 0.38" ID	4

WEIGHT INSTALLATION



THIS PAGE INTENTIONALLY LEFT BLANK

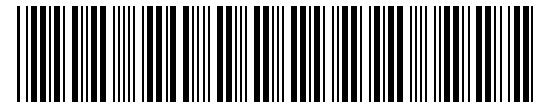
PART NUMBER INDEX

Part Number	Page	Part Number	Page	Part Number	Page	Part Number	Page
100011.....	12	70051253.....	20	1001213623.....	12	7660222601.....	6, 8
0100019.....	6, 8, 10	70051254.....	20	1001213656.....	24	7894000004.....	12
641405.....	12	70051255.....	20	1001213795.....	12	7950140143.....	12
641506.....	12	70051256.....	20	1001213802.....	24	7950150143.....	12
0641622.....	10	70051257.....	20	1001213803.....	24	7950160153.....	12
641708.....	12	70051258.....	20	1001213843.....	6, 8, 10	7950160163.....	24
641716.....	24	70051259.....	20	1001213849.....	12	8597650001.....	12
641724.....	12	1001114761.....	12	1001213850.....	12	8892040001.....	12
641728.....	24	1001117115.....	12	1001213910.....	12		
0642624.....	6, 8, 10	1001117116.....	12	1001213911.....	12		
0642632.....	6, 8, 10	1001130310.....	12	1001213965.....	12		
962257.....	12	1001199209.....	12	1001214025.....	12		
2220415.....	12	1001199458.....	12	1001214026.....	12		
2220466.....	12	1001202057.....	12	1001214084.....	12		
2220711.....	12	1001203556.....	12	1001214097.....	12		
2220883.....	22	1001204591.....	12	1001214230.....	12		
2221207.....	22	1001209623.....	8	1001214905.....	12		
2221208.....	22	1001209638.....	6	1001217784.....	12		
2221209.....	22	1001209675.....	12	1001222900.....	10		
2221210.....	22	1001209676.....	12	1001222903.....	10		
2560122.....	12	1001209958.....	24	1001223629.....	12		
3271605.....	24	1001209970.....	12	1001225521.....	10		
3311701.....	12	1001210306.....	12	1001225522.....	10		
3841143.....	12	1001210425.....	12	1001225523.....	10		
4711700.....	12, 24	1001210452.....	12	1001225524.....	10		
4712600.....	6, 8, 10	1001210454.....	12	1001225525.....	10		
70051201.....	18	1001210455.....	6, 8	1001226780.....	12		
70051202.....	18	1001210561.....	12	7114151650.....	12		
70051203.....	18	1001210579.....	12	7114160818.....	10		
70051204.....	18	1001210580.....	12	7114160850.....	12		
70051233.....	20	1001210700.....	12	7274000039.....	12		
70051236.....	20	1001210959.....	12	7274000066.....	12		
70051237.....	20	1001210960.....	12	7274000086.....	12		
70051238.....	20	1001210965.....	12	7346000019.....	12		
70051243.....	20	1001210983.....	12	7346000045.....	12		
70051244.....	20	1001211361.....	24	7660152601.....	12		
70051252.....	20	1001213444.....	12	7660162601.....	10, 12		

THIS PAGE INTENTIONALLY LEFT BLANK



Phone (800) 926-9666



5376000183-0