

**STANDARD DUTY  
LOW PROFILE CARRIER  
PARTS MANUAL**

***JERR-DAN***<sup>®</sup>

An Oshkosh Corporation Company

13224 Fountainhead Plaza  
Hagerstown, MD 21742  
Phone (717) 597-7111  
[www.jerr-dan.com](http://www.jerr-dan.com)

5-376-000140  
Rev 0 - August 01, 2010

© 2010 Jerr-Dan Corporation. All Rights Reserved.



This manual covers the following Jerr-Dan Models:

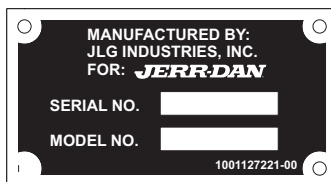
|            |   |  |           |   |  |
|------------|---|--|-----------|---|--|
| NGAF6T-LP  | - | 6 Ton Low Profile Aluminum Pioneer Fixed Rail            | SRR6T-LP  | - | 6 Ton Low Profile Steel Removable Rail     |
| NGADF6T-LP | - | 6 Ton Low Profile Aluminum Pioneer Dual Angle Fixed Rail | SRRD6T-LP | - | 6 Ton Low Profile Steel Shark              |
| NGAR6T-LP  | - | 6 Ton Low Profile Aluminum Pioneer Removable Rail        | STRB6T-LP | - | 6 Ton Low Profile Steel B.I.C. Transporter |
| NGAT6T-LP  | - | 6 Ton Low Profile Aluminum Pioneer Transporter           |           |   |  |

Jerr-Dan Corporation strives to provide information that is accurate, complete and useful. Descriptions and illustrative material contained within this manual are as accurate as known at the time of publication and are subject to change, without notice, as a result of continuous product improvements. Jerr-Dan reserves the right to amend the information in this document at any time without prior notice.

Information contained in this manual reflects how this vehicle was built at the factory. Modifications or additions by the distributor or owner are not reflected in this manual.

This parts manual does not include service parts information for the commercial chassis (IHC, Ford, GM, etc.). That information is provided by the chassis manufacturer.

When ordering parts, please refer to your unit's Serial Number and Model Number. This information is found on the aluminum tag riveted to the front left corner of the deck as shown below:



Additional or replacement manuals can be ordered by calling Jerr-Dan Parts at 717-597-7111. Price and availability will be quoted at time of the request.

Please report comments and/or errors by contacting Jerr-Dan Corporation's Technical Publications Department by e-mail at [technicalpublications@jerr-dan.com](mailto:technicalpublications@jerr-dan.com) or by FAX on 717-485-7162.

Manufactured under one or more of the following patents: 5,133,633; 5,575,606; 5,697,741; 5,951,235; 6,231,294 B1; 6,315,515 B1; 6,336,783 B1; 6,447,239 B2 and 7,264,305 B2 with other Patents Pending.

Jerr-Dan and the Jerr-Dan logo are registered trademarks and Run Hard is a service mark of Jerr-Dan Corporation, Greencastle, PA USA.

The material in this document is confidential and the property of Jerr-Dan Corporation. No part of this document may be photocopied, reproduced or translated to another language without the express written consent of Jerr-Dan Corporation.

**THIS PAGE INTENTIONALLY LEFT BLANK**



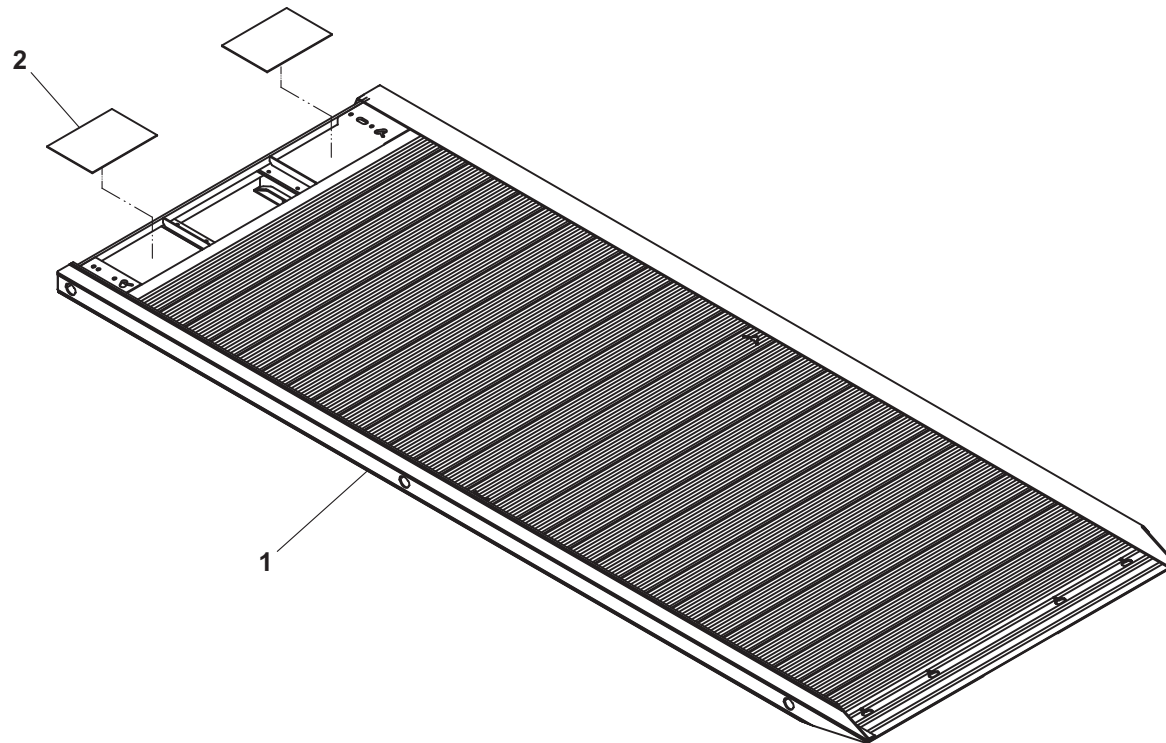
# INDEX

| DESCRIPTION  | PAGE    | DESCRIPTION  | PAGE      |
|--|---------|--|-----------|
| Deck - 6 Ton Aluminum Fixed Rail Low Profile (NGAF6T-LP) .....                   | 6 - 7   | Manual L-Arm Wheel Lift Grid .....                           | 100 - 101 |
| Deck - 6 Ton Aluminum Dual Angle Fixed Rail Low Profile (NGADF6T-LP) .....       | 8 - 9   | Manual T37 Pivoting Wheel Lift Grid .....                    | 102 - 103 |
| Deck - 6 Ton Aluminum Removable Rail Low Profile (NGAR6T-LP) .....               | 10 - 11 | Hydraulic Rear Dock Stabilizer .....                         | 104 - 105 |
| Deck - 6 Ton Aluminum Transporter Low Profile (NGAT6T-LP) .....                  | 12 - 13 | Hydraulic Rear Dock Stabilizer w/ Reese Hitch Receiver ..... | 106 - 107 |
| Deck - 6 Ton Steel Removable Rail Low Profile (SRR6T-LP) .....                   | 14 - 15 | Roll Cylinder Assembly .....                                 | 108 - 109 |
| Deck - 6 Ton Steel Low Profile Shark (SRRD6T-LP) .....                           | 16 - 17 | Tilt Cylinder Assembly .....                                 | 110 - 111 |
| Deck - 6 Ton Steel Transporter Low Profile (STRB6T-LP) .....                     | 18 - 19 | Wheel Lift Extend Cylinder Assembly .....                    | 112 - 113 |
| Adjustable Roll Cylinder Bracket - Deck .....                                    | 20 - 21 | IRL/Stabilizer Cylinder Assembly.....                        | 114 - 115 |
| Standard Deck Mounted Headboard .....  | 22 - 23 | Stabilizer Cylinder Assembly.....                            | 116 - 117 |
| Deluxe Deck Mounted Headboard .....  | 24 - 25 | Lightbars .....  | 118 - 119 |
| Bucket Rest Headboard .....  | 26 - 27 | Switch Panels .....  | 120 - 121 |
| Stationary Headboard .....   | 28 - 29 | Work Lights .....  | 122 - 123 |
| Worm Gear Winch .....  | 30 - 31 | Bolt-On D-Rings .....  | 124 - 125 |
| Worm Gear Winch Cable Roller Guide / Tensioner Plate .....                       | 32 - 33 | Remote Control Operation(s) .....                            | 126 - 127 |
| Manual Remote Free Spool - Deck Mounted Headboard .....                          | 34 - 35 | Remote Throttle Control .....                                | 128 - 129 |
| Manual Remote Free Spool - Stationary Headboard .....                            | 36 - 37 | Glad Hands and 7-Way Connector .....                         | 130 - 131 |
| Manual Remote Air Free Spool .....   | 38 - 39 | Air Supply Disconnect .....                                  | 132 - 133 |
| Subframe .....   | 40 - 41 | Jump Start Kit.....  | 134 - 135 |
| Hold Down .....  | 42 - 43 | Folding Deck Ladder .....                                    | 136 - 137 |
| Slide Pad .....  | 44 - 45 | Chains and Straps .....                                      | 138 - 139 |
| Mud Flap .....   | 46 - 47 | Decals .....   | 140 - 141 |
| Lightboxes .....   | 48 - 49 | Accessory Equipment .....                                    | 142 - 143 |
| Final Assembly .....   | 50 - 51 | Hydraulic Schematic .....                                    | 144 - 148 |
| Hydraulic Reservoir and Toolbox / Basket .....                                   | 52 - 57 | Electrical Schematic .....                                   | 149       |
| Toolbox .....  | 58 - 59 |  |           |
| Toolbox Shelf .....  | 60 - 61 |  |           |
| Toolbox Light .....  | 62 - 63 |  |           |
| Toolbox Top Stowage Tray and Marker Lights .....                                 | 64 - 65 |  |           |
| Dual Controls - 3 Bank .....   | 66 - 67 |  |           |
| Dual Controls - 4 Bank .....   | 68 - 69 |  |           |
| Dual Controls - 5 Bank .....   | 70 - 71 |  |           |
| Hydraulic Components - Standard .....  | 72 - 75 |  |           |
| Hydraulic Components - Standard (Hose Track) .....                               | 76 - 77 |  |           |
| Hydraulic Components - Hose Routing / Mounting (Ford, GM & IHC) .....            | 78 - 79 |  |           |
| Hydraulic Components - IRL Wheel Lift with Manual Grids .....                    | 80 - 81 |  |           |
| Hydraulic Components - Hydraulic Rear Dock Stabilizer .....                      | 82 - 83 |  |           |
| Hydraulic Components - Stabilizer w/ Reese Hitch or Pintle Hitch Mtg Plate ..... | 84 - 85 |  |           |
| Electrical Components - Standard w/ Deck Mounted Headboard .....                 | 86 - 87 |  |           |
| Electrical Components - Standard w/ Stationary Headboard .....                   | 88 - 89 |  |           |
| Electrical Components - Optional (Tail Light Converter) .....                    | 90 - 91 |  |           |
| Deck Marker Lights .....   | 92 - 93 |  |           |
| Headboard Side Marker Lights .....   | 94 - 95 |  |           |
| Additional Deck Marker Lights .....  | 96 - 97 |  |           |
| IRL Wheel Lift .....   | 98 - 99 |  |           |

**DECK - 6 TON ALUMINUM FIXED RAIL LOW PROFILE (NGAF6T-LP)**

| ITEM | PART NO.   | DESCRIPTION          | QTY |
|------|------------|----------------------|-----|
| 1    | 3097000675 | 21' Deck - 96" wide  | 1   |
|      | 3097000676 | 21' Deck - 102" wide |     |
|      | 3097000779 | 22' Deck - 96" wide  |     |
|      | 3097000780 | 22' Deck - 102" wide |     |
| 2    | 7679000017 | Chain Tray Mat       | 2   |

## DECK - 6 TON ALUMINUM FIXED RAIL LOW PROFILE (NGAF6T-LP)

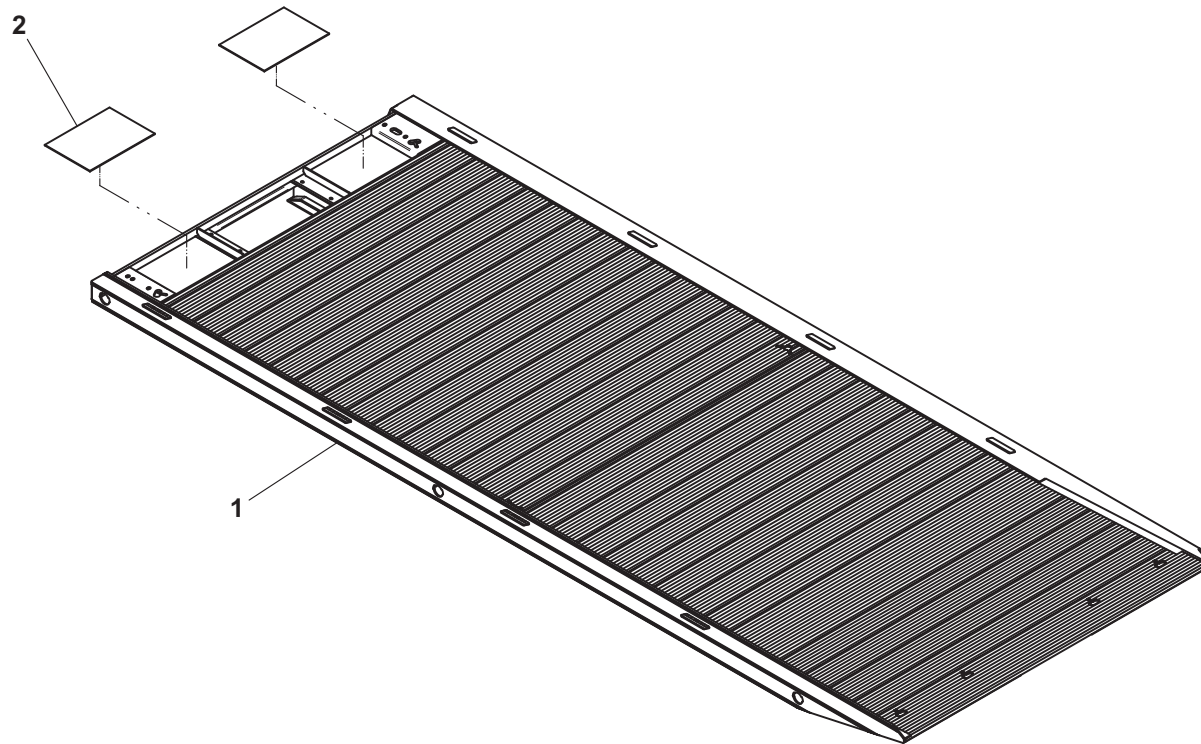


21' deck shown

**DECK - 6 TON ALUMINUM DUAL ANGLE FIXED RAIL LOW PROFILE (NGADF6T-LP)**

| ITEM | PART NO.   | DESCRIPTION          | QTY |
|------|------------|----------------------|-----|
| 1    | 3097000681 | 21' Deck - 96" wide  | 1   |
|      | 3097000682 | 21' Deck - 102" wide |     |
|      | 3097000781 | 22' Deck - 96" wide  |     |
|      | 3097000782 | 22' Deck - 102" wide |     |
| 2    | 7679000017 | Chain Tray Mat       | 2   |

## DECK - 6 TON ALUMINUM DUAL ANGLE FIXED RAIL LOW PROFILE (NGADF6T-LP)

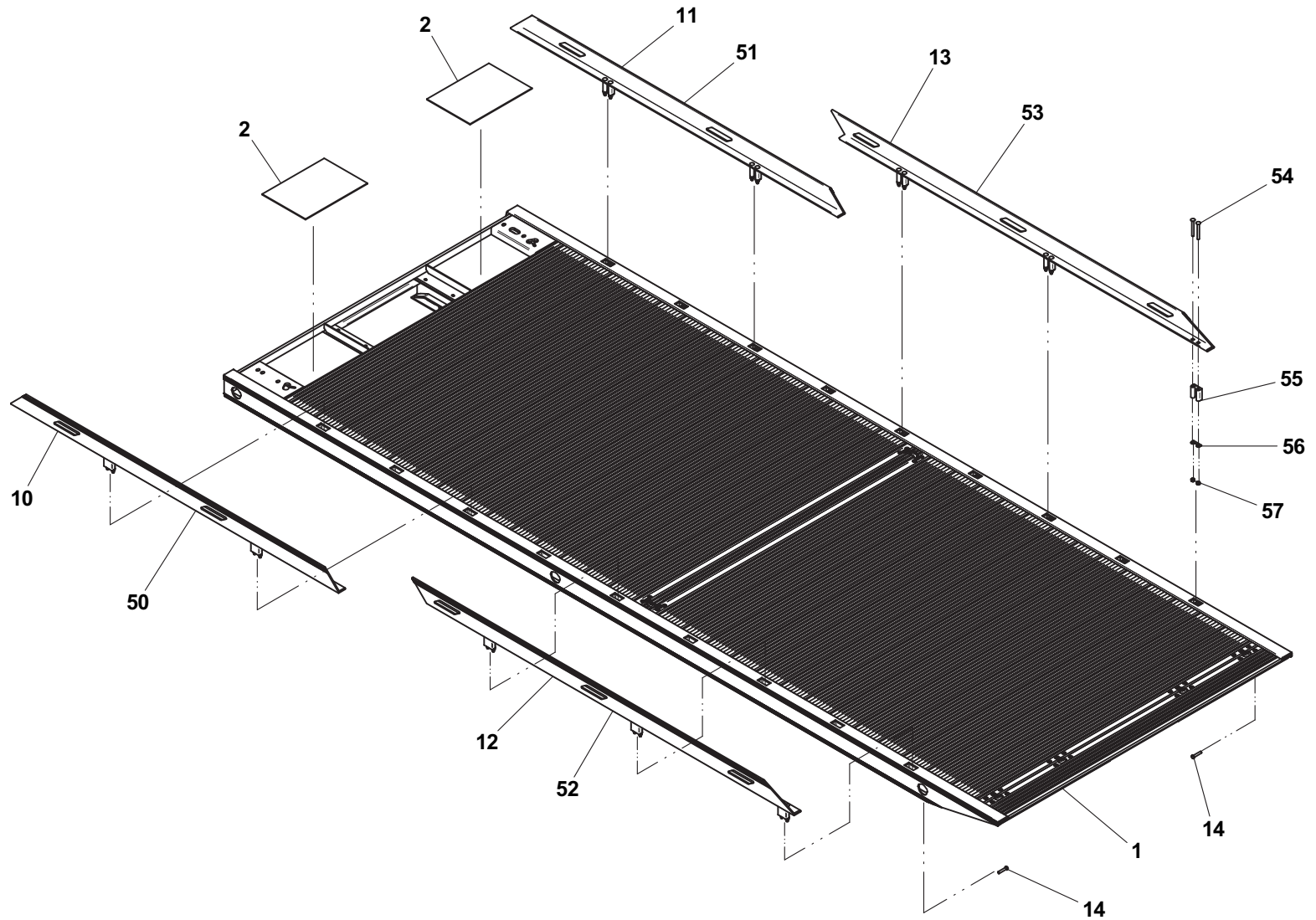


21' deck shown

**DECK - 6 TON ALUMINUM REMOVABLE RAIL LOW PROFILE (NGAR6T-LP)**

| ITEM | PART NO.   | DESCRIPTION          | QTY | ITEM | PART NO.   | DESCRIPTION                                | QTY |
|------|------------|----------------------|-----|------|------------|--|-----|
| 1    | 3097000673 | 21' Deck - 96" wide  | 1   |      |            | <i>Standard Aluminum Removable Rails:</i>  |     |
|      | 3097000674 | 21' Deck - 102" wide |     |      |            |  |     |
|      | 3097000777 | 22' Deck - 96" wide  |     | 10   | 3017000121 | Angle Assembly LH Front                    | 1   |
|      | 3097000778 | 22' Deck - 102" wide |     | 11   | 3017000122 | Angle Assembly RH Front                    | 1   |
| 2    | 7679000017 | Chain Tray Mat       | 2   | 12   | 3017000129 | Angle Assembly LH Rear (21' deck)          | 1   |
|      |            |                      |     |      | 3017000131 | Angle Assembly LH Rear (22' deck)          |     |
|      |            |                      |     | 13   | 3017000130 | Angle Assembly RH Rear (21' deck)          | 1   |
|      |            |                      |     |      | 3017000132 | Angle Assembly RH Rear (22' deck)          |     |
|      |            |                      |     | 14   | 7120000005 | Capscrew, 0.50"-13NC x 2.50"               | 10  |
|      |            |                      |     |      |            | <i>Parts Breakdown of Angle Assemblies</i> |     |
|      |            |                      |     | 50   | 4017001699 | Angle LH Front                             | 1   |
|      |            |                      |     | 51   | 4017001700 | Angle RH Front                             |     |
|      |            |                      |     | 52   | 4017001707 | Angle LH Rear (21' deck)                   | 1   |
|      |            |                      |     |      | 4017001709 | Angle LH Rear (22' deck)                   |     |
|      |            |                      |     | 53   | 4017001708 | Angle RH Rear (21' deck)                   |     |
|      |            |                      |     |      | 4017001710 | Angle RH Rear (22' deck)                   |     |
|      |            |                      |     | 54   | 7115183664 | Carriage Bolt, 0.50"-13NC x 4.50"          | 20  |
|      |            |                      |     | 55   | 8411080102 | Extrusion                                  | 10  |
|      |            |                      |     | 56   | 4706006228 | Plate                                      | 10  |
|      |            |                      |     | 57   | 7660182601 | Locknut, 0.50"-13NC                        | 20  |

# DECK - 6 TON ALUMINUM REMOVABLE RAIL LOW PROFILE (NGAR6T-LP)



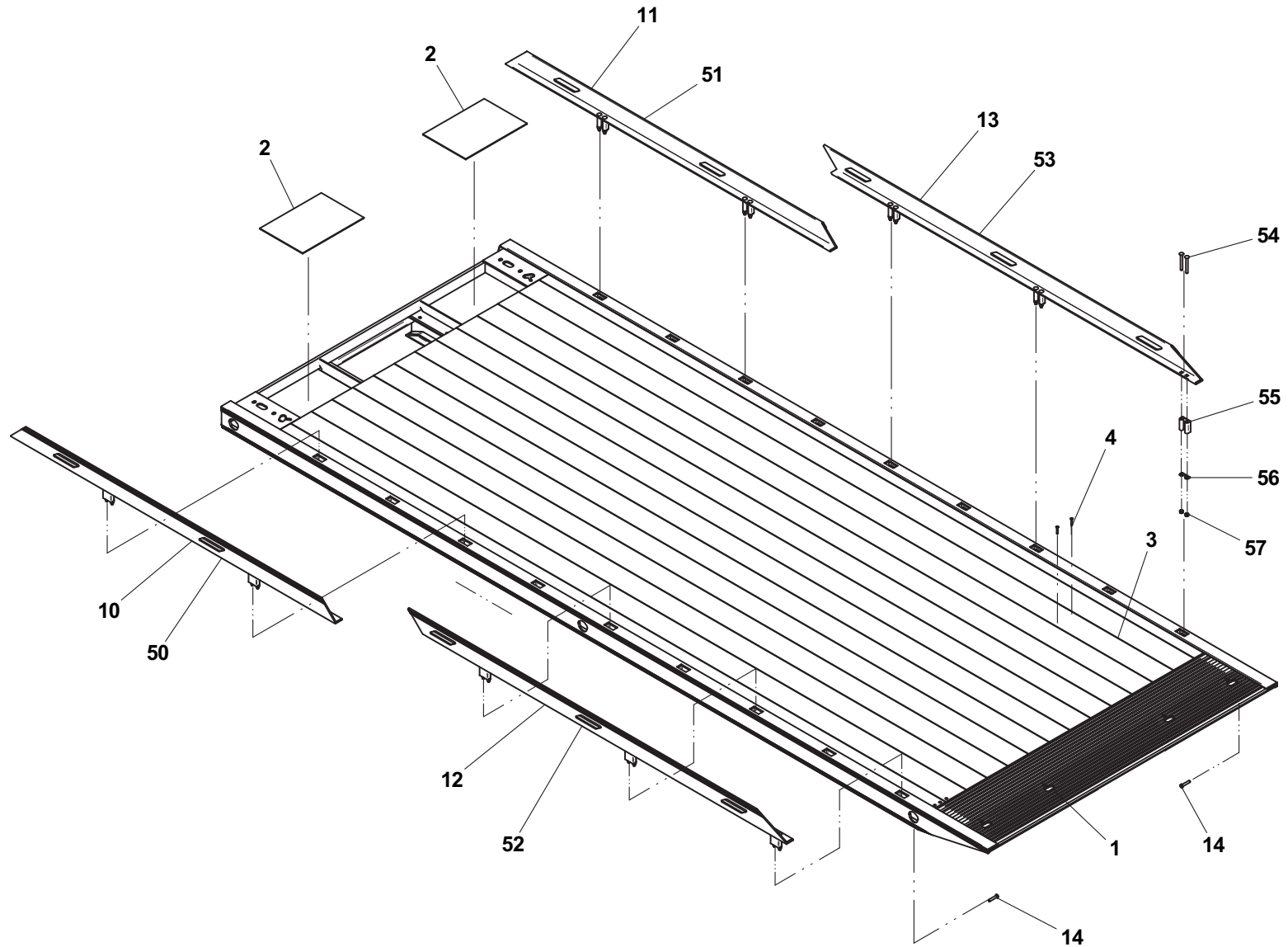
21' deck shown

**DECK - 6 TON ALUMINUM TRANSPORTER LOW PROFILE (NGAT6T-LP)**

| ITEM | PART NO.      | DESCRIPTION               | QTY | ITEM | PART NO.   | DESCRIPTION                                | QTY |
|------|---------------|---------------------------|-----|------|------------|--|-----|
| 1    | 3097000679    | 21' Deck - 95" wide       | 1   |      |            | <i>Standard Aluminum Removable Rails:</i>  |     |
|      | 3097000680    | 21' Deck - 102" wide      |     |      |            |  |     |
|      | 3097000785    | 22' Deck - 95" wide       |     | 10   | 3017000121 | Angle Assembly LH Front                    | 1   |
|      | 3097000786    | 22' Deck - 102" wide      |     | 11   | 3017000122 | Angle Assembly RH Front                    | 1   |
| 2    | 7679000017    | Chain Tray Mat            | 2   | 12   | 3017000129 | Angle Assembly LH Rear (21' deck)          | 1   |
| 3    | Contact Parts | Keruing Board             | A/R |      | 3017000131 | Angle Assembly LH Rear (22' deck)          |     |
| 4    | 7786000007    | Screw, 0.31"-18NC x 2.00" | A/R | 13   | 3017000130 | Angle Assembly RH Rear (21' deck)          | 1   |
|      |               |                           |     |      | 3017000132 | Angle Assembly RH Rear (22' deck)          |     |
|      |               |                           |     | 14   | 7120000005 | Capscrew, 0.50"-13NC x 2.50"               | 10  |
|      |               |                           |     |      |            | <i>Parts Breakdown of Angle Assemblies</i> |     |
|      |               |                           |     | 50   | 4017001699 | Angle LH Front                             | 1   |
|      |               |                           |     | 51   | 4017001700 | Angle RH Front                             |     |
|      |               |                           |     | 52   | 4017001707 | Angle LH Rear (21' deck)                   | 1   |
|      |               |                           |     |      | 4017001709 | Angle LH Rear (22' deck)                   |     |
|      |               |                           |     | 53   | 4017001708 | Angle RH Rear (21' deck)                   |     |
|      |               |                           |     |      | 4017001710 | Angle RH Rear (22' deck)                   |     |
|      |               |                           |     | 54   | 7115183664 | Carriage Bolt, 0.50"-13NC x 4.50"          | 20  |
|      |               |                           |     | 55   | 8411080102 | Extrusion                                  | 10  |
|      |               |                           |     | 56   | 4706006228 | Plate                                      | 10  |
|      |               |                           |     | 57   | 7660182601 | Locknut, 0.50"-13NC                        | 20  |



# DECK - 6 TON ALUMINUM TRANSPORTER LOW PROFILE (NGAT6T-LP)

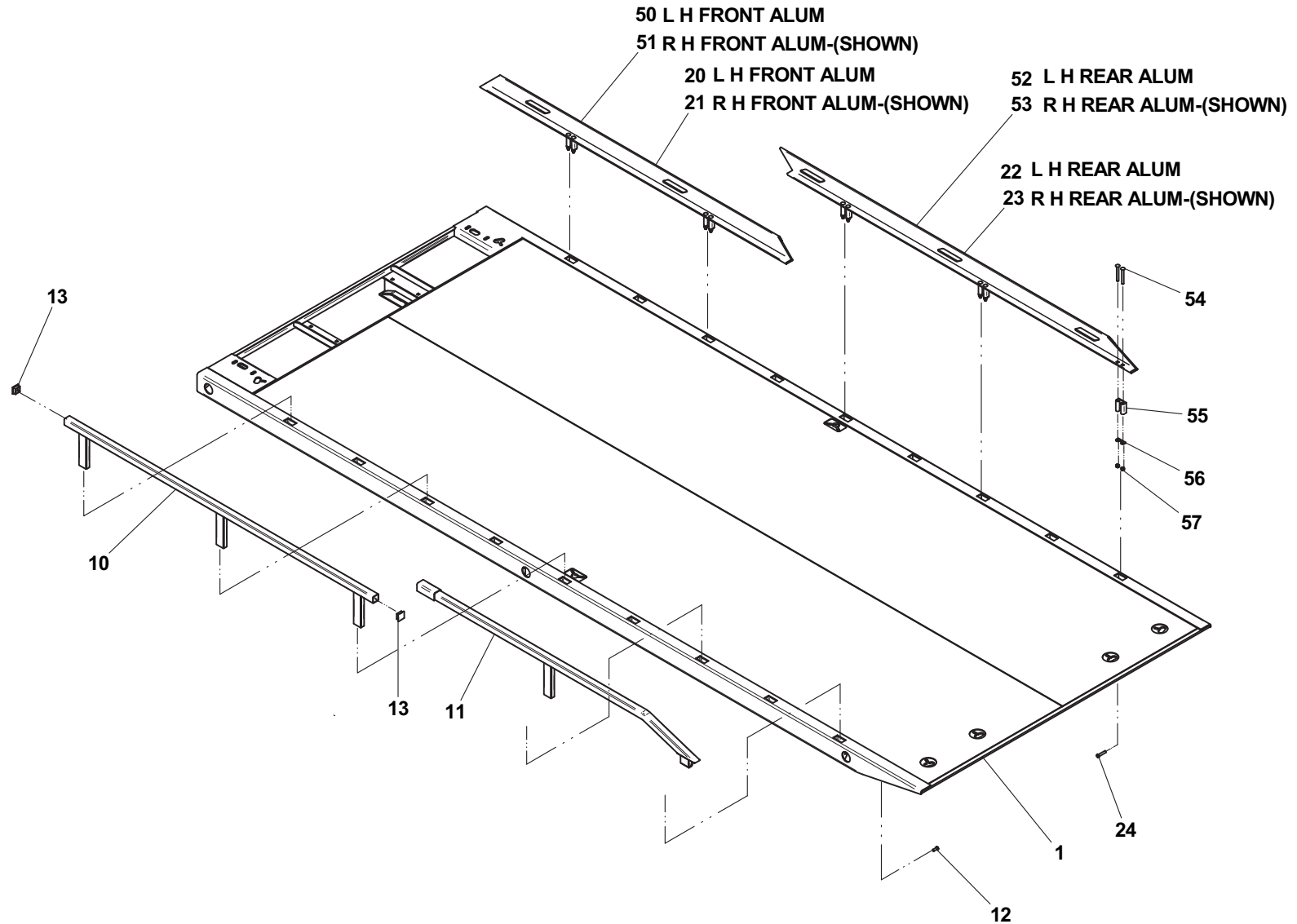


21' deck shown

**DECK - 6 TON STEEL REMOVABLE RAIL LOW PROFILE (SRR6T-LP)**

| ITEM | PART NO.   | DESCRIPTION          | QTY | ITEM | PART NO.   | DESCRIPTION                                    | QTY |
|------|------------|----------------------|-----|------|------------|--|-----|
| 1    | 3097000745 | 21' Deck - 95" wide  | 1   |      |            | <i>Standard Steel Tubular Removable Rails:</i> |     |
|      | 3097000649 | 21' Deck - 102" wide |     |      |            |  |     |
|      | 3097000773 | 22' Deck - 95" wide  |     | 10   | 3017000282 | Rail Weldment Front                            | 2   |
|      | 3097000774 | 22' Deck - 102" wide |     | 11   | 3017000283 | Rail Weldment Rear                             | 2   |
|      |            |                      |     | 12   | 7115181050 | Capscrew, 0.50"-13NC x 1.25"                   | 10  |
|      |            |                      |     | 13   | 7701000033 | End Cap  | 4   |
|      |            |                      |     |      |            | <i>Optional Aluminum Removable Rails:</i>      |     |
|      |            |                      |     | 20   | 3017000121 | Angle Assembly LH Front                        | 1   |
|      |            |                      |     | 21   | 3017000122 | Angle Assembly RH Front                        | 1   |
|      |            |                      |     | 22   | 3017000129 | Angle Assembly LH Rear (21' deck)              | 1   |
|      |            |                      |     |      | 3017000131 | Angle Assembly LH Rear (22' deck)              |     |
|      |            |                      |     | 23   | 3017000130 | Angle Assembly RH Rear (21' deck)              | 1   |
|      |            |                      |     |      | 3017000132 | Angle Assembly RH Rear (22' deck)              |     |
|      |            |                      |     | 24   | 7120000005 | Capscrew, 0.50"-13NC x 2.50"                   | 10  |
|      |            |                      |     |      |            | <i>Parts Breakdown of Angle Assemblies</i>     |     |
|      |            |                      |     | 50   | 4017001699 | Angle LH Front                                 | 1   |
|      |            |                      |     | 51   | 4017001700 | Angle RH Front                                 |     |
|      |            |                      |     | 52   | 4017001707 | Angle LH Rear (21' deck)                       | 1   |
|      |            |                      |     |      | 4017001709 | Angle LH Rear (22' deck)                       |     |
|      |            |                      |     | 53   | 4017001708 | Angle RH Rear (21' deck)                       |     |
|      |            |                      |     |      | 4017001710 | Angle RH Rear (22' deck)                       |     |
|      |            |                      |     | 54   | 7115183664 | Carriage Bolt, 0.50"-13NC x 4.50"              | 20  |
|      |            |                      |     | 55   | 8411080102 | Extrusion                                      | 10  |
|      |            |                      |     | 56   | 4706006228 | Plate  | 10  |
|      |            |                      |     | 57   | 7660182601 | Locknut, 0.50"-13NC                            | 20  |

# DECK - 6 TON STEEL REMOVABLE RAIL LOW PROFILE (SRR6T-LP)

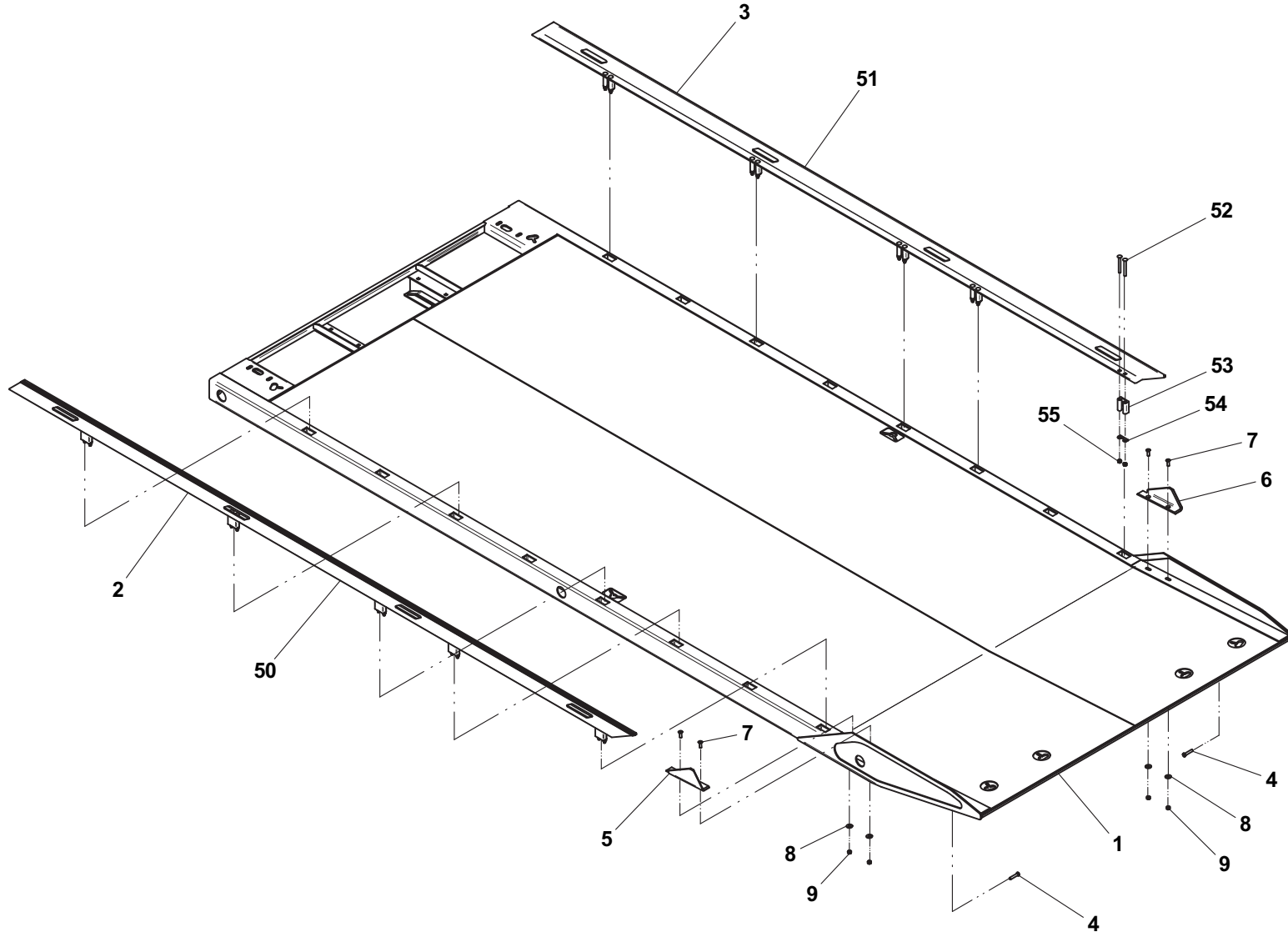


21' deck shown with standard removable steel rails on left side and optional aluminum removable rails on right side

**DECK - 6 TON STEEL LOW PROFILE SHARK (SRRD6T-LP)**

| ITEM | PART NO.   | DESCRIPTION                                | QTY | ITEM | PART NO. | DESCRIPTION | QTY |
|------|------------|--|-----|------|----------|-------------|-----|
| 1    | 3097000751 | 21' Deck - 95" wide                        | 1   |      |          |             |     |
|      | 3097000723 | 21' Deck - 102" wide                       |     |      |          |             |     |
|      | 3097000775 | 22' Deck - 95" wide                        |     |      |          |             |     |
|      | 3097000776 | 22' Deck - 102" wide                       |     |      |          |             |     |
| 2    | 3017000139 | Angle Assembly LH (21' deck)               | 1   |      |          |             |     |
|      | 3017000142 | Angle Assembly LH (22' deck)               |     |      |          |             |     |
| 3    | 3017000140 | Angle Assembly RH (21' deck)               | 1   |      |          |             |     |
|      | 3017000143 | Angle Assembly RH (22' deck)               |     |      |          |             |     |
| 4    | 7120000005 | Capscrew, 0.50"-13NC x 2.50"               | 10  |      |          |             |     |
|      |            | <i>Parts Breakdown of Angle Assemblies</i> |     |      |          |             |     |
| 50   | 4017001717 | Angle LH (21' deck)                        | 1   |      |          |             |     |
|      | 4017001740 | Angle LH (22' deck)                        |     |      |          |             |     |
| 51   | 4017001718 | Angle RH (21' deck)                        | 1   |      |          |             |     |
|      | 4017001741 | Angle RH (22' deck)                        |     |      |          |             |     |
| 52   | 7115183664 | Carriage Bolt, 0.50"-13NC x 4.50"          | 20  |      |          |             |     |
| 53   | 8411080102 | Extrusion                                  | 10  |      |          |             |     |
| 54   | 4706006228 | Plate                                      | 10  |      |          |             |     |
|      | 7660182601 | Locknut, 0.50"-13NC                        | 20  |      |          |             |     |

# DECK - 6 TON STEEL LOW PROFILE SHARK (SRRD6T-LP)

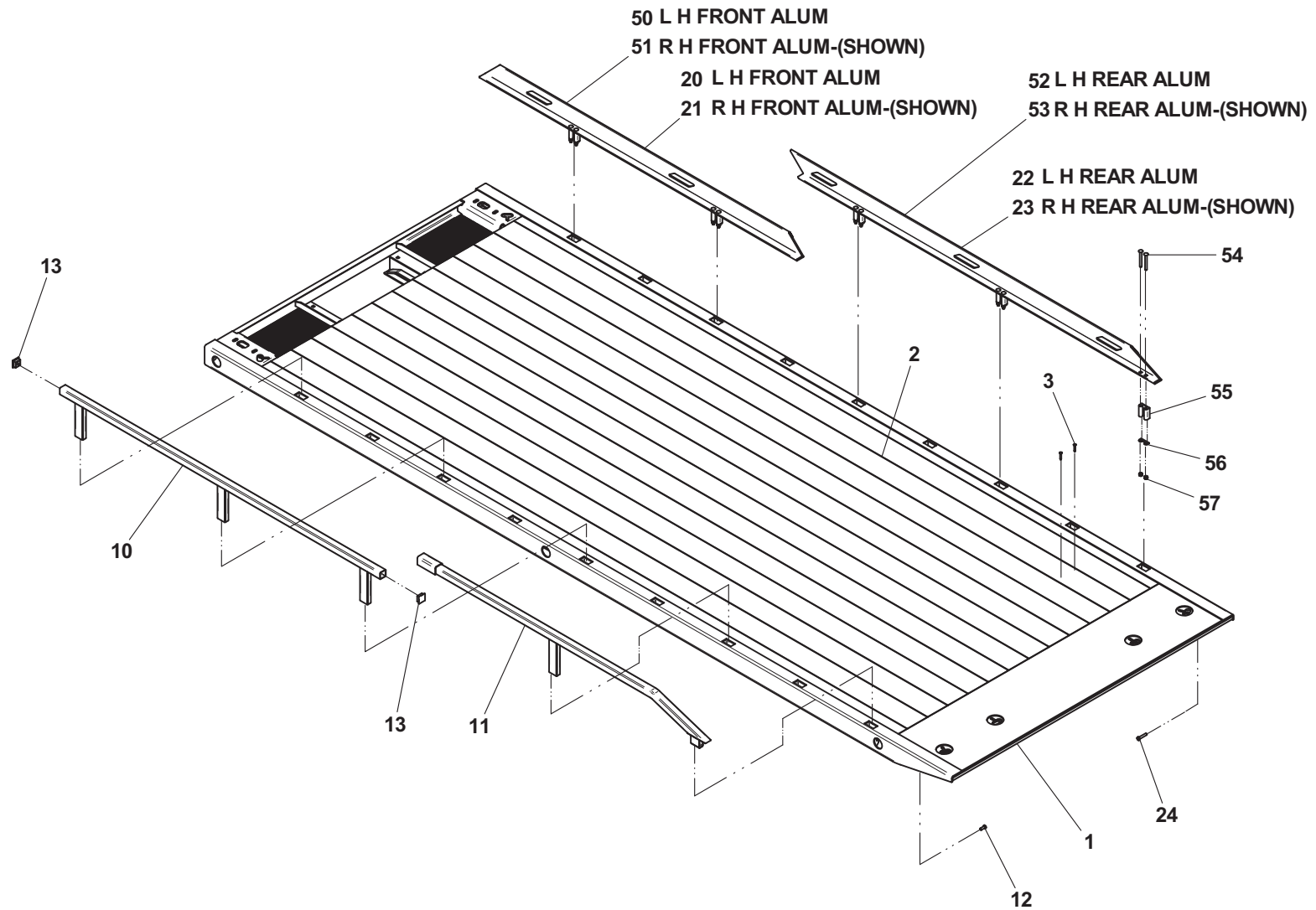


21' deck shown

**DECK - 6 TON STEEL TRANSPORTER LOW PROFILE (STRB6T-LP)**

| ITEM | PART NO.      | DESCRIPTION               | QTY | ITEM | PART NO.   | DESCRIPTION                                    | QTY |
|------|---------------|---------------------------|-----|------|------------|--|-----|
| 1    | 3097000728    | 21' Deck - 95" wide       | 1   |      |            | <i>Standard Steel Tubular Removable Rails:</i> |     |
|      | 3097000729    | 21' Deck - 102" wide      |     |      |            |  |     |
|      | 3097000783    | 22' Deck - 95" wide       |     | 10   | 3729000282 | Rail Weldment Front (21 & 22' decks)           | 2   |
|      | 3097000784    | 22' Deck - 102" wide      |     | 11   | 3729000283 | Rail Weldment Rear (21' & 22' decks)           | 2   |
| 2    | Contact Parts | Keruing Board             | A/R | 12   | 7115181050 | Capscrew, 0.50"-13NC x 1.25"                   | 10  |
| 3    | 7786000007    | Screw, 0.31"-18NC x 2.00" | A/R | 13   | 7701000033 | End Cap  | 4   |
|      |               |                           |     |      |            | <i>Optional Aluminum Removable Rails:</i>      |     |
|      |               |                           |     | 20   | 3017000121 | Angle Assembly LH Front                        | 1   |
|      |               |                           |     | 21   | 3017000122 | Angle Assembly RH Front                        | 1   |
|      |               |                           |     | 22   | 3017000129 | Angle Assembly LH Rear (21 deck)               | 1   |
|      |               |                           |     |      | 3017000131 | Angle Assembly LH Rear (22' deck)              |     |
|      |               |                           |     | 23   | 3017000130 | Angle Assembly RH Rear (21 deck)               | 1   |
|      |               |                           |     |      | 3017000132 | Angle Assembly RH Rear (22' deck)              |     |
|      |               |                           |     | 24   | 7120000005 | Capscrew, 0.50"-13NC x 2.50"                   | 10  |
|      |               |                           |     |      |            | <i>Parts Breakdown of Angle Assemblies</i>     |     |
|      |               |                           |     | 50   | 4017001699 | Angle LH Front                                 | 1   |
|      |               |                           |     | 51   | 4017001700 | Angle RH Front                                 |     |
|      |               |                           |     | 52   | 4017001707 | Angle LH Rear (21' deck)                       | 1   |
|      |               |                           |     |      | 4017001709 | Angle LH Rear (22' deck)                       |     |
|      |               |                           |     | 53   | 4017001708 | Angle RH Rear (21' deck)                       |     |
|      |               |                           |     |      | 4017001710 | Angle RH Rear (22' deck)                       |     |
|      |               |                           |     | 54   | 7115183664 | Carriage Bolt, 0.50"-13NC x 4.50"              | 20  |
|      |               |                           |     | 55   | 8411080102 | Extrusion                                      | 10  |
|      |               |                           |     | 56   | 4706006228 | Plate  | 10  |
|      |               |                           |     | 57   | 7660182601 | Locknut, 0.50"-13NC                            | 20  |

# DECK - 6 TON STEEL TRANSPORTER LOW PROFILE (STRB6T-LP)



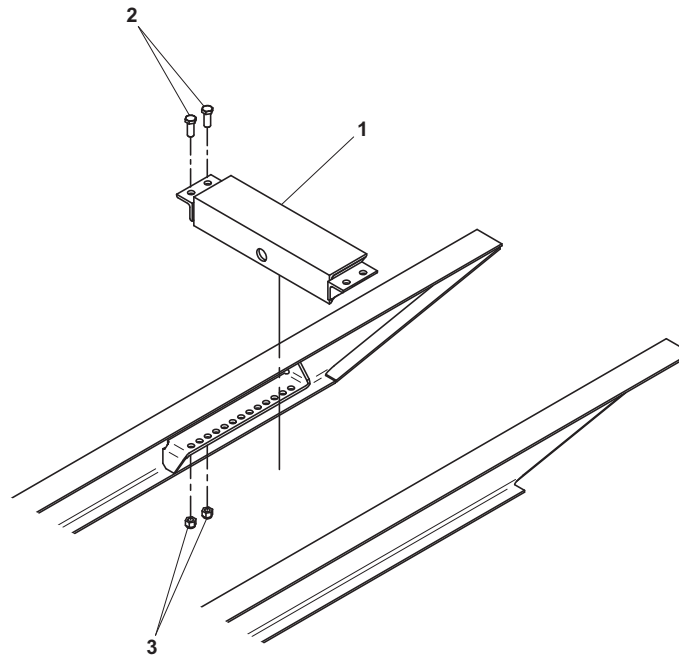
21' deck shown with optional removable steel rails on left side and optional aluminum removable rails on right side

**ADJUSTABLE ROLL CYLINDER BRACKET - DECK**

| ITEM | PART NO.   | DESCRIPTION                  | QTY |
|------|------------|------------------------------|-----|
| 1    | 3017000104 | Roll Cylinder Angle          | 1   |
| 2    | 7115221650 | Capscrew, 0.75"-10NC x 2.00" | 4   |
| 3    | 7660222601 | Nut, 0.75"-10NC, Nyloc       | 4   |



## ADJUSTABLE ROLL CYLINDER BRACKET - DECK

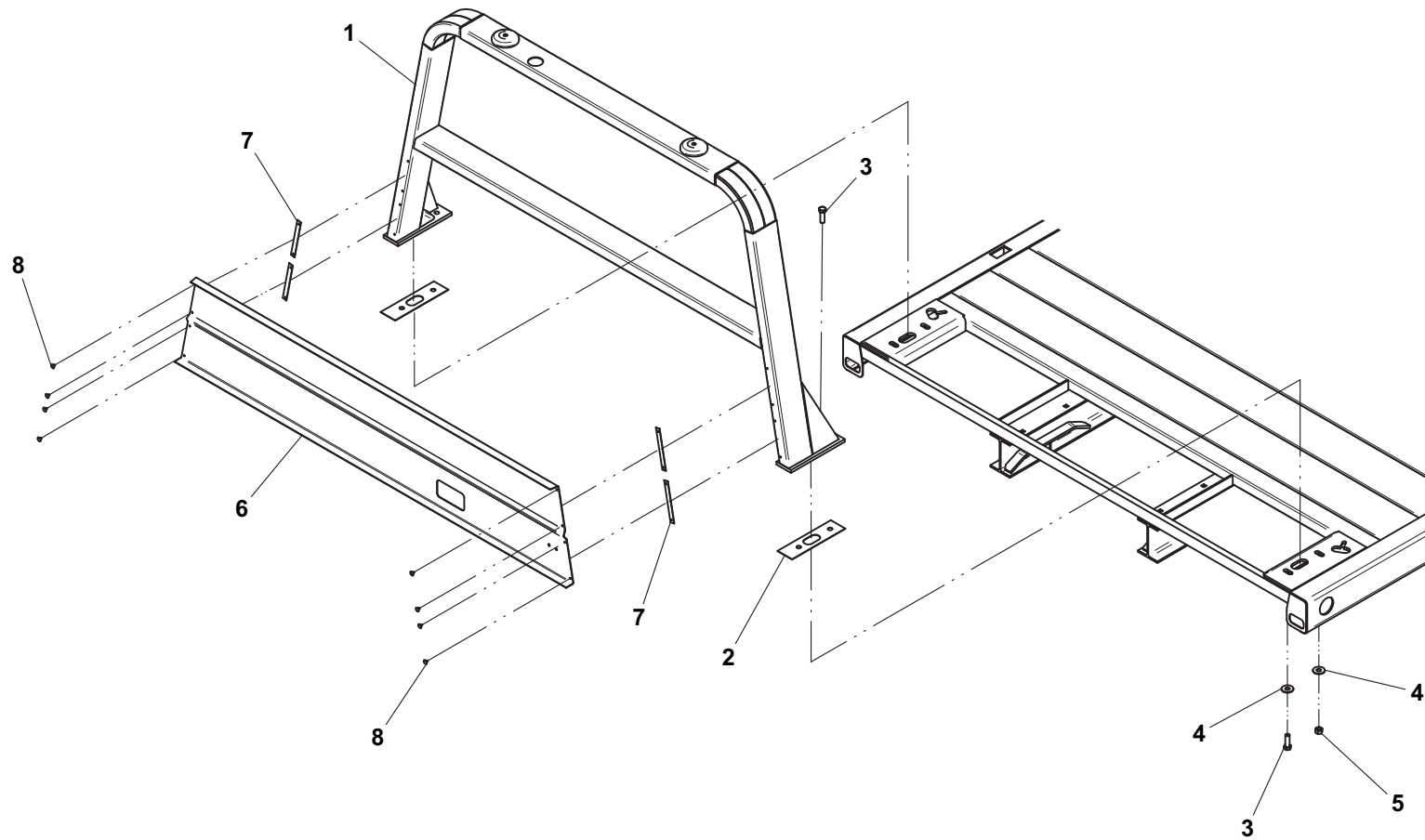


**STANDARD DECK MOUNTED HEADBOARD**

| ITEM | PART NO.   | DESCRIPTION   | QTY | ITEM | PART NO.    | DESCRIPTION  | QTY |
|------|------------|---|-----|------|-------------|--|-----|
| 1    | 1001129136 | Standard Headboard Weld - 36.50"<br>Black Paint (w/ std remote free spool)  | 1   | 6    | 4686000295* | Panel (36.50" or 45.50" headboard<br>w/ std remote free spool) | 1   |
|      | 1001129137 | Standard Headboard Weld - 36.50"<br>Silver Paint (w/ std remote free spool) |     |      | 4686000296* | Panel (50.50" or 57.50" headboard<br>w/std remote free spool)  |     |
|      | 1001129138 | Standard Headboard Weld - 45.50"<br>Black Paint (w/ std remote free spool)  |     |      | 4686000301* | Panel (45.50" headboard<br>w/ air remote free spool)           |     |
|      | 1001129139 | Standard Headboard Weld - 45.50"<br>Silver Paint (w/ std remote free spool) |     |      | 4686000302* | Panel (50.50" or 57.50" headboard<br>w/ air remote free spool) |     |
|      | 1001129144 | Standard Headboard Weld - 45.50"<br>Black Paint (w/ air remote free spool)  |     | 7    | 4892000008* | Tape (36.50" or 45.50" headboard)                              | 4   |
|      | 1001129145 | Standard Headboard Weld - 45.50"<br>Silver Paint (w/ air remote free spool) |     | 8    | 7759000022* | Pop Rivet  | 8   |
|      | 1001129140 | Standard Headboard Weld - 50.50"<br>Black Paint (w/ std remote free spool)  |     |      |             |  |     |
|      | 1001129141 | Standard Headboard Weld - 50.50"<br>Silver Paint (w/ std remote free spool) |     |      |             |  |     |
|      | 1001129146 | Standard Headboard Weld - 50.50"<br>Black Paint (w/ air remote free spool)  |     |      |             |  |     |
|      | 1001129148 | Standard Headboard Weld - 50.50"<br>Silver Paint (w/ air remote free spool) |     |      |             |  |     |
|      | 1001129142 | Standard Headboard Weld - 57.50"<br>Black paint (w/ std remote free spool)  |     |      |             |  |     |
|      | 1001129143 | Standard Headboard Weld - 57.50"<br>Black paint (w/ std remote free spool)  |     |      |             |  |     |
|      | 1001129149 | Standard Headboard Weld - 57.50"<br>Black Paint (w/ air remote free spool)  |     |      |             |  |     |
|      | 1001129150 | Standard Headboard Weld - 57.50"<br>Silver Paint (w/ air remote free spool) |     |      |             |  |     |
| 2    | 4796000037 | Gasket  | 2   |      |             |  |     |
| 3    | 7105201650 | Capscrew, 0.63"-18NF x 2.00"  | 4   |      |             |  |     |
| 4    | 7950200152 | Flatwasher, 0.63" ID  | 4   |      |             |  |     |
| 5    | 7660200035 | Nut, 0.63"-18NF   | 2   |      |             |  |     |

\* included with Standard Headboard Weld

# STANDARD DECK MOUNTED HEADBOARD

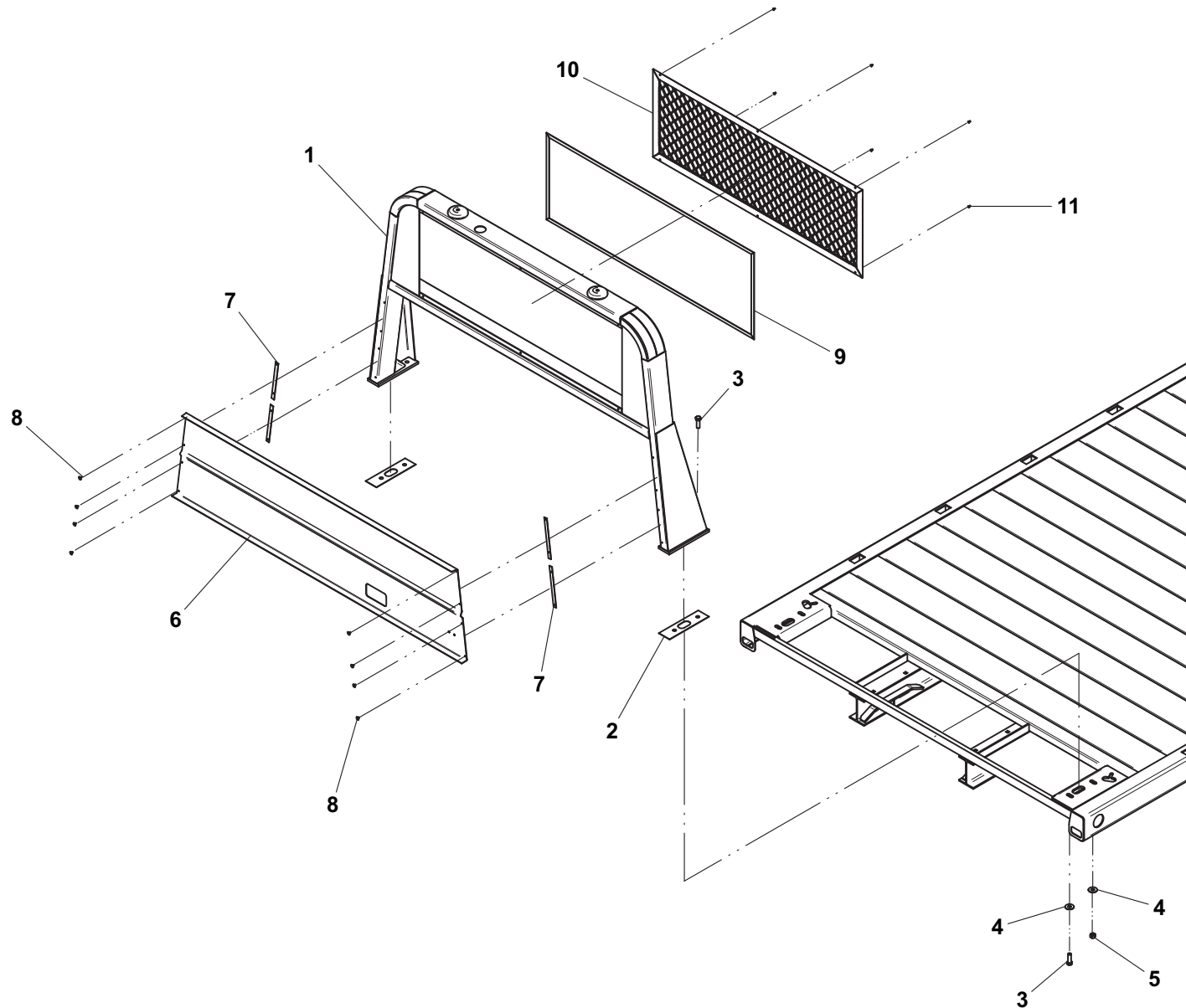


**DELUXE DECK MOUNTED HEADBOARD**

| ITEM | PART NO.   | DESCRIPTION   | QTY | ITEM | PART NO.    | DESCRIPTION  | QTY |
|------|------------|---|-----|------|-------------|--|-----|
| 1    | 1001129151 | Deluxe Headboard Weld - 36.50"<br>Black Paint (w/ std remote free spool)  | 1   | 6    | 4686000295* | Panel (36.50" or 45.50" headboard<br>w/ std remote free spool) | 1   |
|      | 1001129152 | Deluxe Headboard Weld - 36.50"<br>Silver Paint (w/ std remote free spool) |     |      | 4686000296* | Panel (50.50" or 57.50" headboard<br>w/ std remote free spool) |     |
|      | 1001129153 | Deluxe Headboard Weld - 45.50"<br>Black Paint (w/ std remote free spool)  |     |      | 4686000301* | Panel (45.50" headboard<br>w/ air remote free spool)           |     |
|      | 1001129154 | Deluxe Headboard Weld - 45.50"<br>Silver Paint (w/ std remote free spool) |     |      | 4686000302* | Panel (50.50" or 57.50" headboard<br>w/ air remote free spool) |     |
|      | 1001129159 | Deluxe Headboard Weld - 45.50"<br>Black Paint (w/ air remote free spool)  |     | 7    | 4892000008* | Tape (36.50" or 45.50" headboard)                              | 4   |
|      | 1001129160 | Deluxe Headboard Weld - 45.50"<br>Silver Paint (w/ air remote free spool) |     | 8    | 4892000009* | Tape (50.50" or 57.50" headboard)                              |     |
|      | 1001129155 | Deluxe Headboard Weld - 50.50"<br>Black Paint (w/ std remote free spool)  |     | 8    | 7759000022* | Pop Rivet  | 8   |
|      | 1001129156 | Deluxe Headboard Weld - 50.50"<br>Silver Paint (w/ std remote free spool) |     | 9    | 3391000020  | Screen Weld (36.50" headboard)                                 | 1   |
|      | 1001129161 | Deluxe Headboard Weld - 50.50"<br>Black Paint (w/ air remote free spool)  |     | 9    | 3391000021  | Screen Weld (45.50" headboard)                                 |     |
|      | 1001129162 | Deluxe Headboard Weld - 50.50"<br>Silver Paint (w/ air remote free spool) |     |      | 3391000017  | Screen Weld (50.50" headboard)                                 |     |
|      | 1001129157 | Deluxe Headboard Weld - 57.50"<br>Black Paint (w/ std remote free spool)  |     |      | 3391000022  | Screen Weld (57.50" headboard)                                 |     |
|      | 1001129158 | Deluxe Headboard Weld - 57.50"<br>Silver Paint (w/ std remote free spool) |     | 10   | 4796000003  | Gasket   | 1   |
|      | 1001129163 | Deluxe Headboard Weld - 57.50"<br>Black Paint (w/ air remote free spool)  |     | 11   | 7759000015  | Rivet  | 6   |
|      | 1001129164 | Deluxe Headboard Weld - 57.50"<br>Silver Paint (w/ air remote free spool) |     |      |             |  |     |
| 2    | 4796000037 | Gasket  | 2   |      |             |  |     |
| 3    | 7105201650 | Capscrew, 0.63"-18NF x 2.00"  | 4   |      |             |  |     |
| 4    | 7950200152 | Flatwasher, 0.63" ID  | 4   |      |             |  |     |
| 5    | 7660200035 | Nut, 0.63"-18NF   | 2   |      |             |  |     |

\* included with Deluxe Headboard Weld

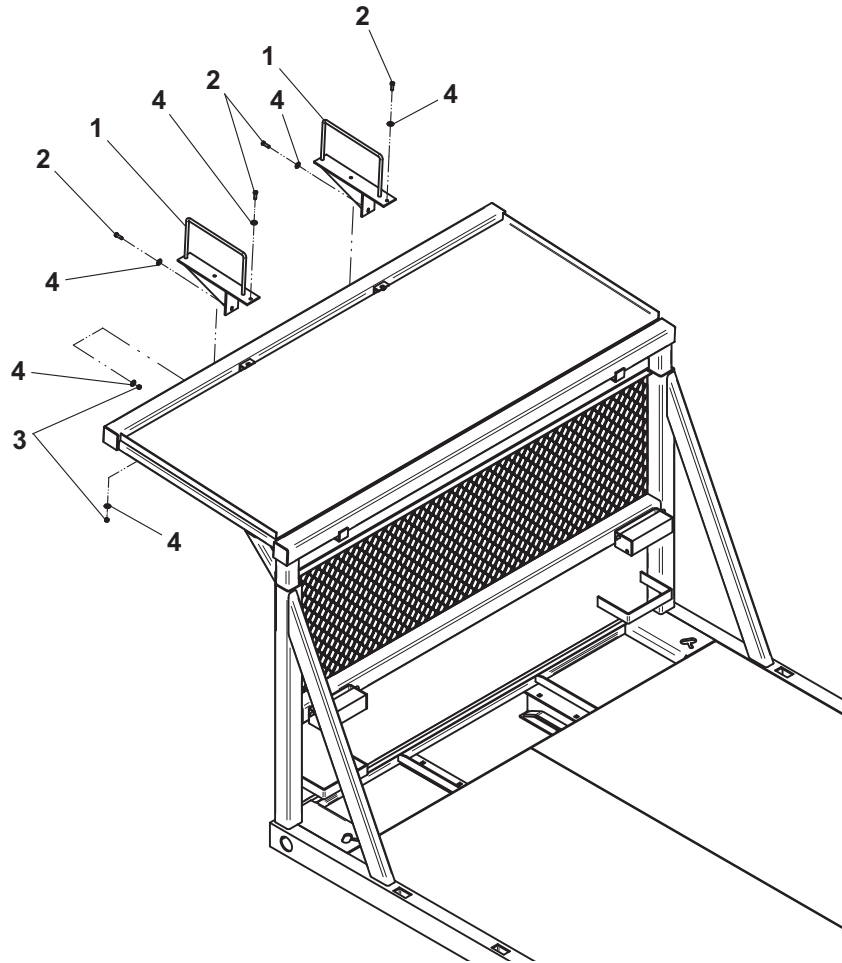
# DELUXE DECK MOUNTED HEADBOARD



**BUCKET REST HEADBOARD**

| ITEM | PART NO.   | DESCRIPTION                  | QTY |
|------|------------|------------------------------|-----|
| 1    | 3636000078 | Lightbar Mount               | 2   |
| 2    | 7115161050 | Capscrew, 0.38"-16NC x 1.25" | 4   |
| 3    | 7660161600 | Locknut, 0.38"-16NC          | 4   |
| 4    | 7950160160 | Flatwasher, 0.38" ID         | 4   |

# BUCKET REST HEADBOARD

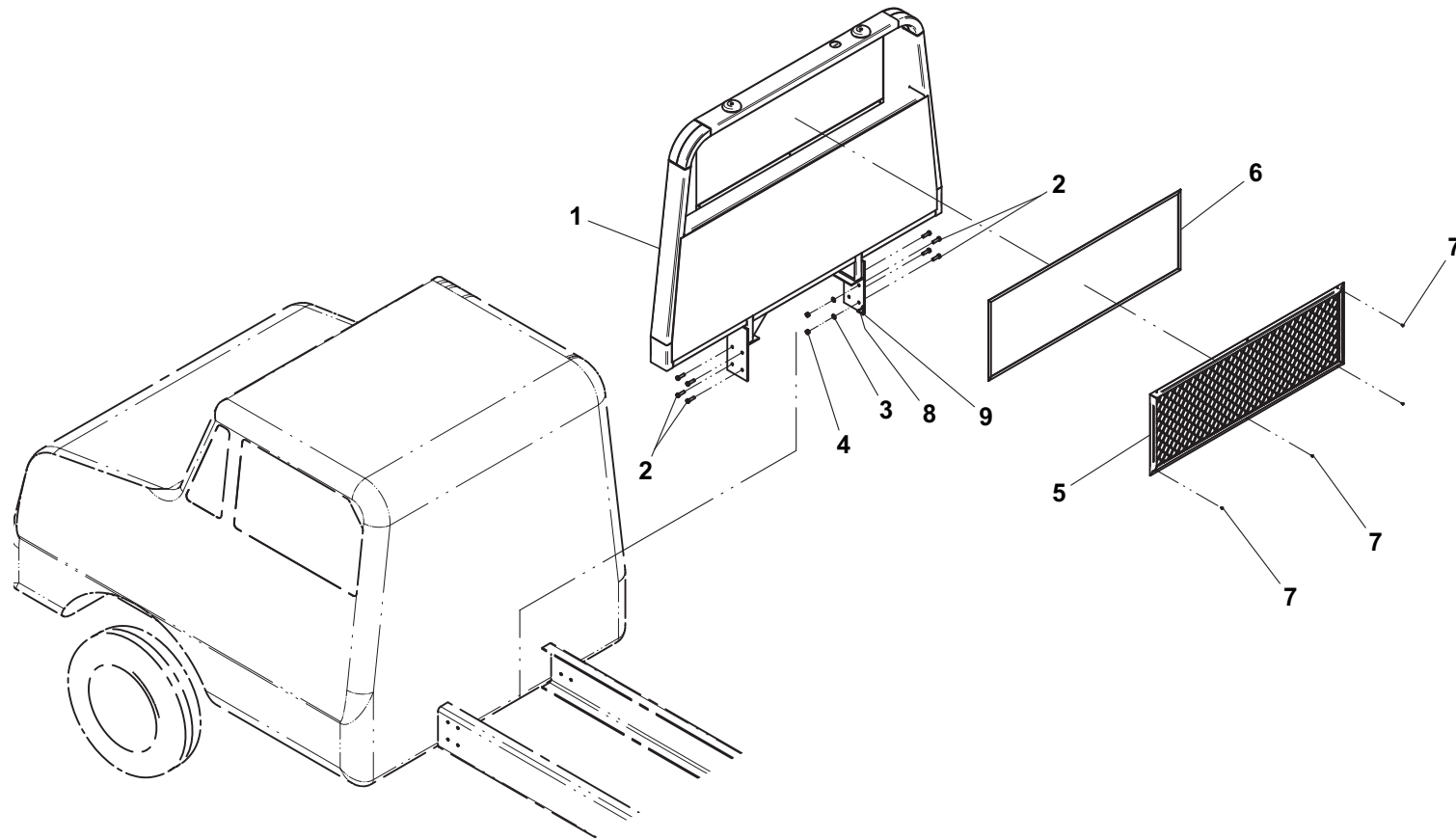


**STATIONARY HEADBOARD**

| ITEM | PART NO.   | DESCRIPTION  | QTY |
|------|------------|--|-----|
| 1    | 1001129165 | Stationary Headboard Weld - 57.00"<br>Black Paint  | 1   |
|      | 1001129166 | Stationary Headboard Weld - 57.00"<br>Silver Paint |     |
|      | 1001129167 | Stationary Headboard Weld - 62.00"<br>Black Paint  |     |
|      | 1001129168 | Stationary Headboard Weld - 62.00"<br>Silver Paint |     |
|      | 1001129169 | Stationary Headboard Weld - 69.00"<br>Black Paint  |     |
|      | 1001129170 | Stationary Headboard Weld - 69.00"<br>Silver Paint |     |
| 2    | 7105181650 | Capscrew, 0.50"-20NF x 2.00"                       | 8   |
| 3    | 7950180153 | Flatwasher, 0.50" ID                               | 8   |
| 4    | 7660182333 | Locknut, 0.50"-20NF                                | 8   |
| 5    | 3391000014 | Screen Weld (57.00" headboard)                     | 1   |
|      | 3391000017 | Screen Weld (62.00" headboard)                     |     |
|      | 3391000018 | Screen Weld (69.00" headboard)                     |     |
| 6    | 4796000003 | Gasket   | 1   |
| 7    | 7759000015 | Rivet  | 6   |
| 8    | 4705000607 | Shim - 0.25"                                       | A/R |
| 9    | 4705000608 | Shim - 0.12"                                       | A/R |



# STATIONARY HEADBOARD

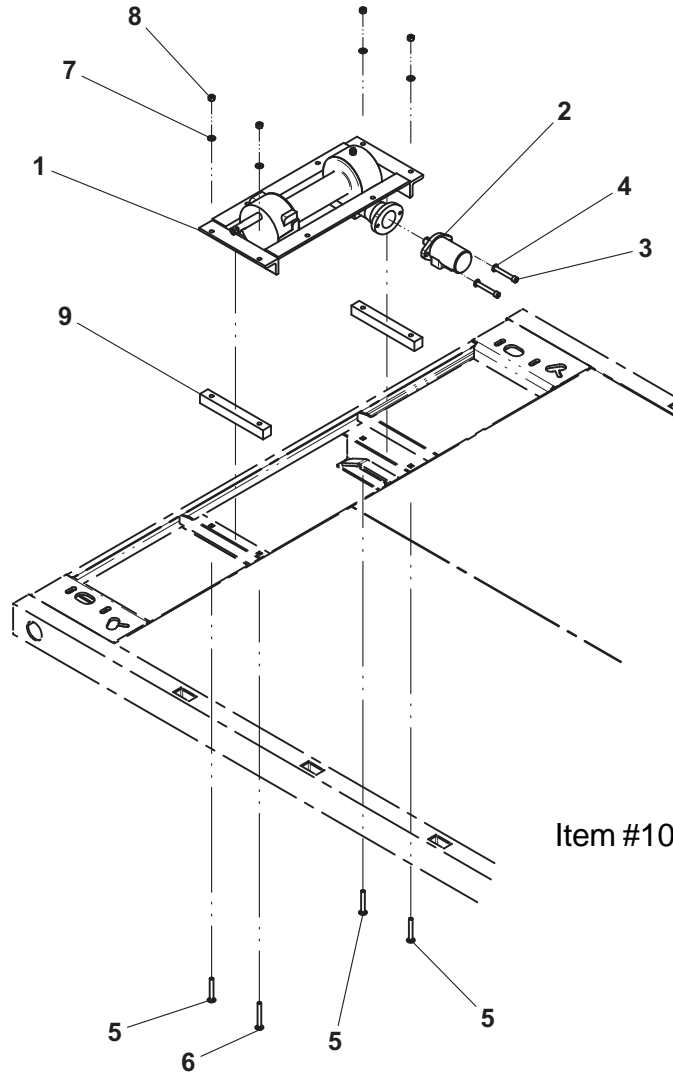


**WORM GEAR WINCH**

| ITEM | PART NO.   | DESCRIPTION  | QTY |
|------|------------|--|-----|
| 1    | 7970000121 | Winch - 8,000 lb Worm Gear<br>(w/ std remote free spool)     | 1   |
|      | 7970000142 | Winch - 8,000 lb Worm Gear<br>(w/ air remote free spool)     |     |
|      | 7970000123 | Winch - 10,000 lb Worm Gear<br>(w/ std remote free spool)    |     |
|      | 7970000140 | Winch - 10,000 lb Worm Gear<br>(w/ air remote free spool)    |     |
| 2    | 7626000014 | Orbit Motor  | 1   |
| 3    | 7115181250 | Capscrew, 0.50"-13NC x 1.50"                                 | 2   |
| 4    | 7950180400 | Lockwasher, 0.50" ID   | 2   |
| 5    | 7115181464 | Carriage Bolt, 0.50"-13NC x 1.75"<br>(steel decks)           | 3   |
|      | 7115182864 | Carriage Bolt, 0.50"-13NC x 3.5"<br>(steel transporters)     |     |
|      | 7115181864 | Carriage Bolt, 0.50"-13NC x 2.25"<br>(aluminum decks)        |     |
|      | 7115183264 | Carriage Bolt, 0.50"-13NC x 4.00"<br>(aluminum transporters) |     |
| 6    | 7115181864 | Carriage Bolt, 0.50"-13NC x 2.25"<br>(steel decks)           | 1   |
|      | 7115183264 | Carriage, 0.50"-13NC x 4.00"<br>(steel transporters)         |     |
|      | 7115182264 | Carriage Bolt, 0.50"-13NC x 2.75"<br>(aluminum decks)        |     |
|      | 7115183664 | Capscrew, 0.50"-13NC x 4.50"<br>(aluminum transporters)      |     |
| 7    | 7950180153 | Flatwasher, 0.50" ID   | 4   |
| 8    | 7660182601 | Locknut, 0.50"-13NC  | 4   |
| 9    | 4062000318 | Bar (transporters only)                                      | 2   |
| 10   | 7248000063 | Cable, 0.38" dia x 56' (8,000lb winch)                       | 1   |
|      | 7248000064 | Cable, 0.44" dia x 56' (10,000lb winch)                      |     |

Refer to manufacturer's manual for winch parts list

# WORM GEAR WINCH



8,000 lb winch shown on transporter deck

**WORM GEAR WINCH CABLE ROLLER GUIDE / TENSIONER PLATE**

| ITEM | PART NO.    | DESCRIPTION                       | QTY |
|------|-------------|-----------------------------------|-----|
| 1    | 3178000433* | Bracket Weld                      | 1   |
| 2    | 7115181464  | Carriage Bolt, 0.50"-13NC x 1.75" | 4   |
| 3    | 7950180153  | Flatwasher, 0.50" ID              | 4   |
| 4    | 7660182601  | Locknut, 0.50"-13NC               | 4   |
| 5    | 4706003766  | Plate                             | 1   |
| 6    | 7843000035  | Spring                            | 2   |
| 7    | 4912000130* | Roller                            | 1   |
| 8    | 4806000014* | Shaft                             | 1   |
| 9    | 4912000394* | Roller                            | 2   |
| 10   | 4806000011* | Shaft                             | 2   |
| 11   | 7209000011* | Bushing                           | 6   |
| 12   | 7949000034* | Spacer                            | 4   |
| 13   | 7754000022* | Retaining Ring                    | 6   |

\* also available in Cable Guide / Tensioner Assembly, P/N 2249000017



**MANUAL REMOTE FREE SPOOL - DECK MOUNTED HEADBOARD**

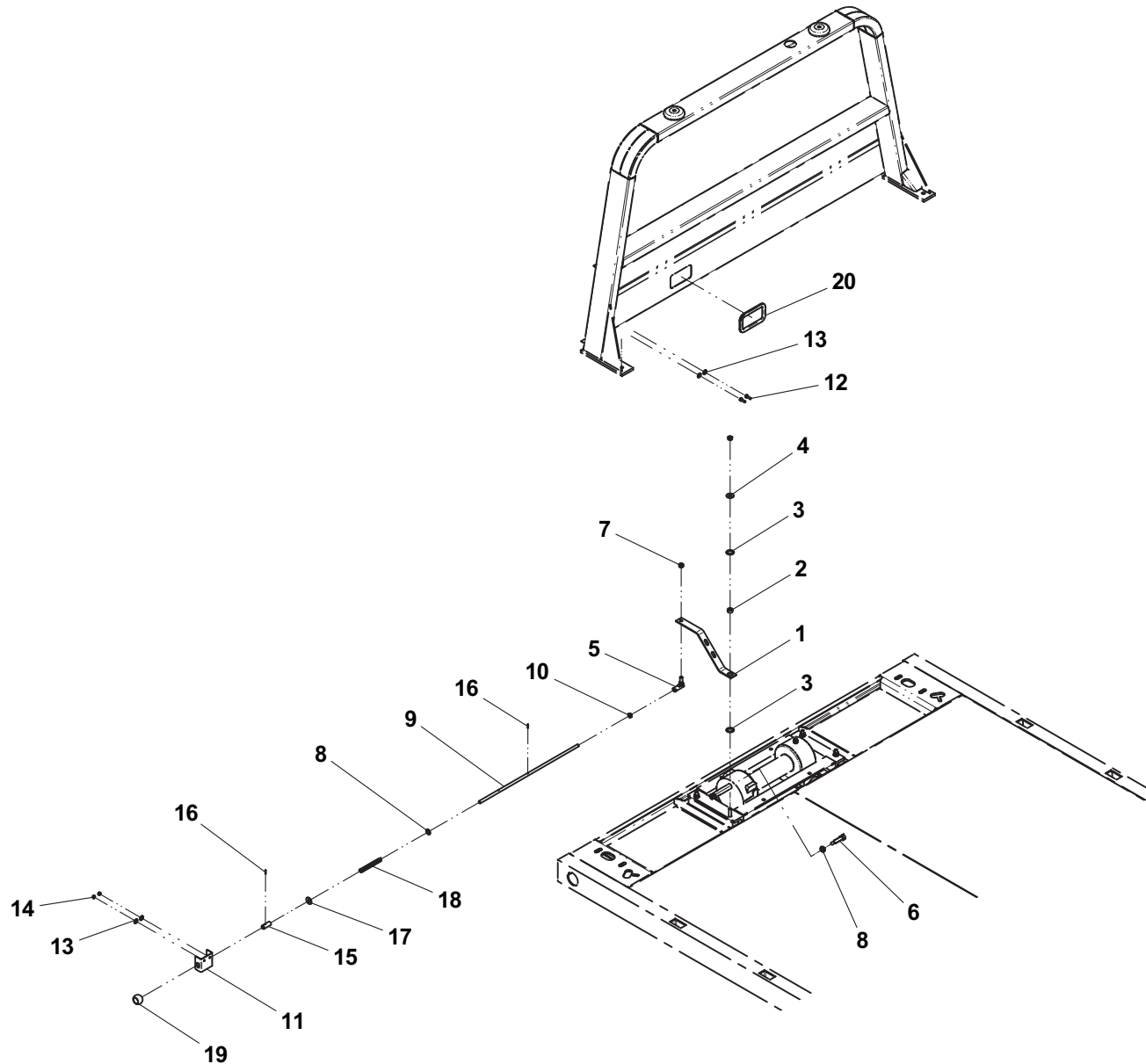
| ITEM | PART NO.    | DESCRIPTION                    | QTY |
|------|-------------|--------------------------------|-----|
| 1    | 4587000004* | Lever                          | 1   |
| 2    | 4209000328* | Bushing                        | 1   |
| 3    | 7082000010* | Nylon Washer                   | 2   |
| 4    | 7950180161* | Flatwasher, 0.50" ID           | 1   |
| 5    | 7309000002* | Coupling                       | 1   |
| 6    | 7691000046* | Clevis Pin                     | 1   |
| 7    | 7660182631* | Locknut, 0.50"-20NF            | 1   |
| 8    | 7950180143* | Flatwasher, 0.50" ID           | 2   |
| 9    | 4763000348* | Rod                            | 1   |
| 10   | 7660180234* | Nut, 0.50"-20NF                | 1   |
| 11   | 4178000673* | Bracket                        | 1   |
| 12   | 7115150850* | Capscrew, 0.31"-18NC x 1.00"   | 2   |
| 13   | 7950150161* | Flatwasher, 0.31" ID           | 4   |
| 14   | 7660152601* | Locknut, 0.31"-18NC            | 2   |
| 15   | 4209000147* | Bushing (worm gear winch)      | 1   |
|      | 4209000145* | Bushing (planetary gear winch) |     |
| 16   | 7690051274* | Pin                            | 2   |
| 17   | 7949000030* | Nylon Washer                   | 1   |
| 18   | 7843000027* | Spring                         | 1   |
| 19   | 7551000017* | Knob                           | 1   |
| 20   | 4632000009* | Trim Lok                       | 1   |

\* also available in complete Remote Free Spool Installation:

P/N 2970000021 for 8,000 / 10,000 lb worm gear winch

P/N 2970000019 for 8,000 lb planetary gear winch

# MANUAL REMOTE FREE SPOOL - DECK MOUNTED HEADBOARD



**MANUAL REMOTE FREE SPOOL - STATIONARY HEADBOARD**

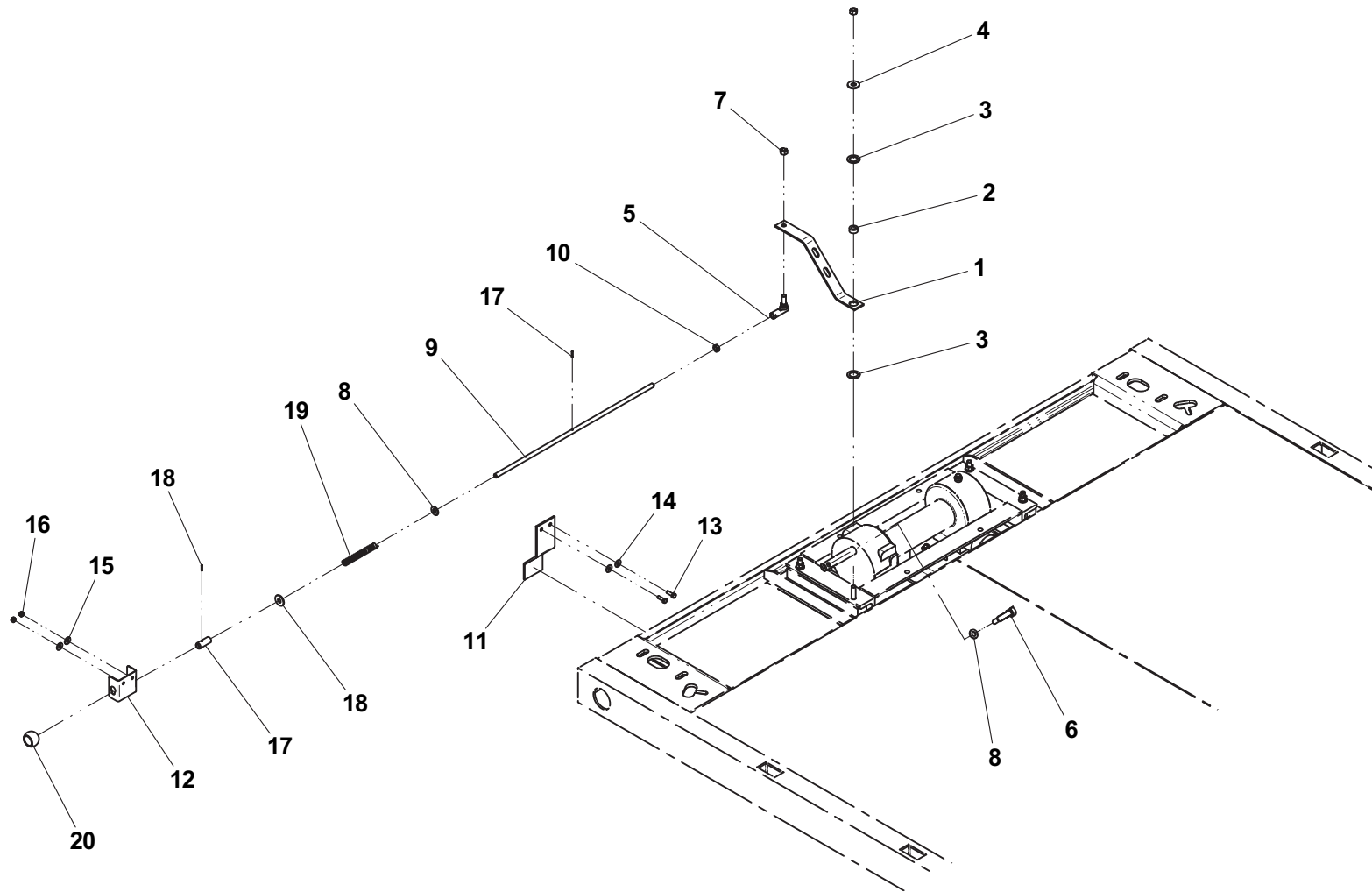
| ITEM | PART NO.     | DESCRIPTION                    | QTY |
|------|--------------|--------------------------------|-----|
| 1    | 4587000005*# | Lever                          | 1   |
| 2    | 4209000328*# | Bushing                        | 1   |
| 3    | 7082000010*# | Nylon Washer                   | 2   |
| 4    | 7950180161*# | Flatwasher, 0.50" ID           | 1   |
| 5    | 7309000002*# | Coupling                       | 1   |
| 6    | 7691000046*# | Clevis Pin                     | 1   |
| 7    | 7660182631*# | Locknut, 0.50"-20NF            | 1   |
| 8    | 7950180143*# | Flatwasher, 0.50" ID           | 2   |
| 9    | 4763000348*# | Rod                            | 1   |
| 10   | 7660180234*# | Locknut, 0.50"-20NF            | 1   |
| 11   | 4178000674*  | Bracket (steel decks)          | 1   |
|      | 4017001499#  | Bracket (aluminum decks)       |     |
| 12   | 4178000673*# | Bracket                        | 1   |
| 13   | 7115150850*# | Capscrew, 0.31"-18NC x 1.00"   | 2   |
| 14   | 7950150161*# | Flatwasher, 0.31" ID           | 4   |
| 15   | 7660152601*# | Locknut, 0.31"-18NC            | 2   |
| 16   | 4209000147*# | Bushing (worm gear winch)      | 1   |
|      | 4209000145*# | Bushing (planetary gear winch) |     |
| 17   | 7690051274*# | Pin                            | 2   |
| 18   | 7949000030*# | Nylon Washer                   | 1   |
| 19   | 7843000027*# | Spring                         | 1   |
| 20   | 7551000017*# | Knob                           | 1   |

# also available in complete Remote Free Spool Installation - aluminum deck :  
P/N 2970000053 for 8,000 / 10,000 lb worm gear winch  
P/N 2970000051 for 8,000 lb planetary gear winch

\* also available in complete Remote Free Spool Installation - steel deck:  
P/N 2970000052 for 8,000 / 10,000 lb worm gear winch  
P/N 2970000050 for 8,000 lb planetary gear winch



# MANUAL REMOTE FREE SPOOL - STATIONARY HEADBOARD

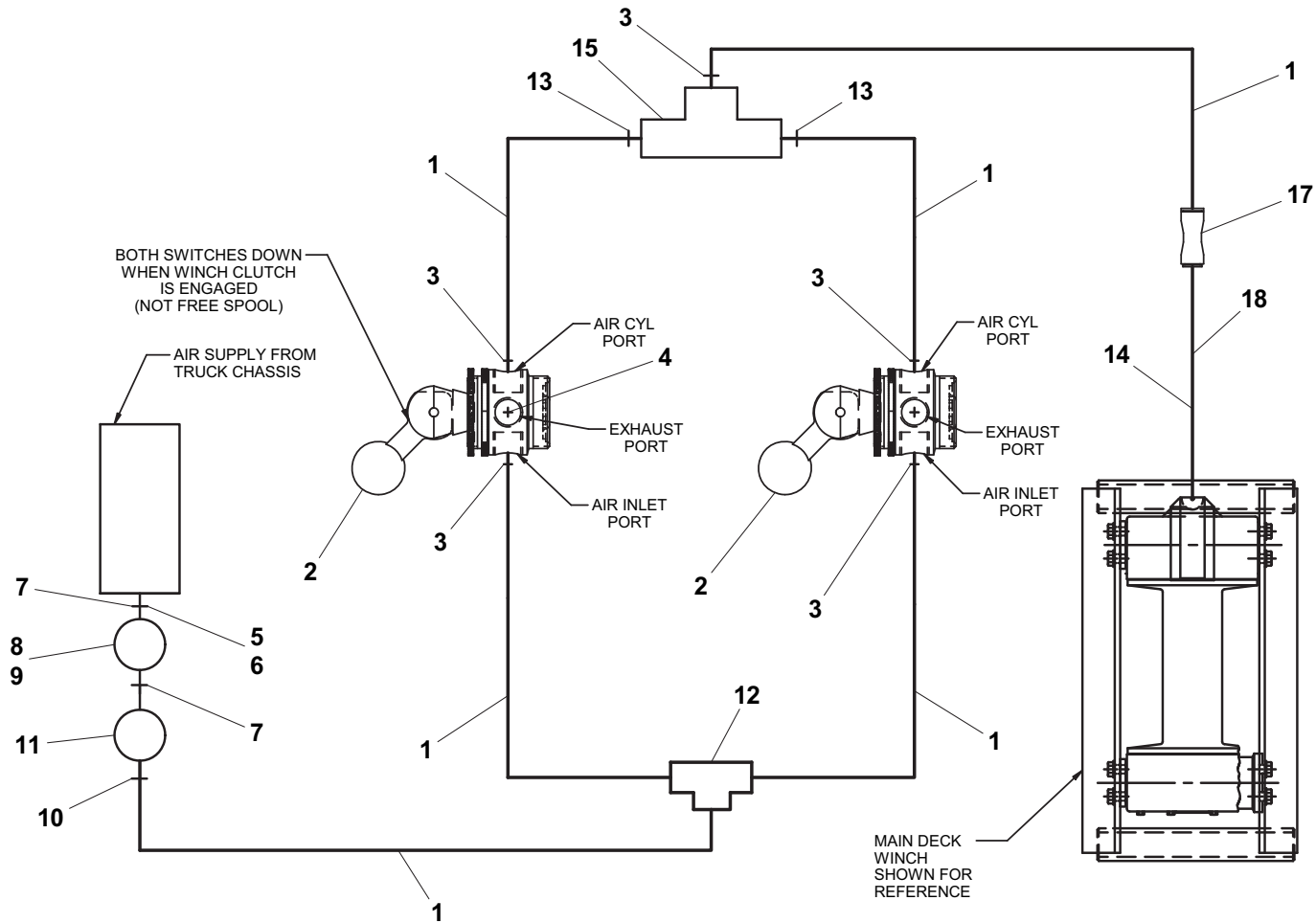


**MANUAL REMOTE AIR FREE SPOOL**

| ITEM | PART NO.   | DESCRIPTION               | QTY |
|------|------------|---------------------------|-----|
| 1    | 7565000014 | Air line Tubing           | *   |
| 2    | 7935000182 | Air Valve                 | 2   |
| 3    | 7443000364 | Fitting                   | 5   |
| 4    | 7640000002 | Air Exhaust Muffler       | 2   |
| 5    | 7443000154 | Fitting                   | 1   |
| 6    | 7443000111 | Fitting                   | 1   |
| 7    | 7443000156 | Nipple                    | 2   |
| 8    | 7935000120 | Pressure Protection Valve | 1   |
| 9    | 7443000152 | Plug                      | 1   |
| 10   | 7443000366 | Fitting                   | 1   |
| 11   | 7935000248 | Air Regulator             | 1   |
| 12   | 7443000371 | Tee                       | 1   |
| 13   | 7443000365 | Fitting                   | 2   |
| 14   | 8597650001 | Loom                      | *   |
| 15   | 7935000229 | Shuttle Valve             | 1   |
| 16   | 7894000004 | Tie Strap                 | *   |
| 17   | 7443000443 | Union                     | 1   |
| 18   | 7565000016 | Airline Tubing            | *   |

\* - Quantity varies depending on deck length and chassis

# MANUAL REMOTE AIR FREE SPOOL

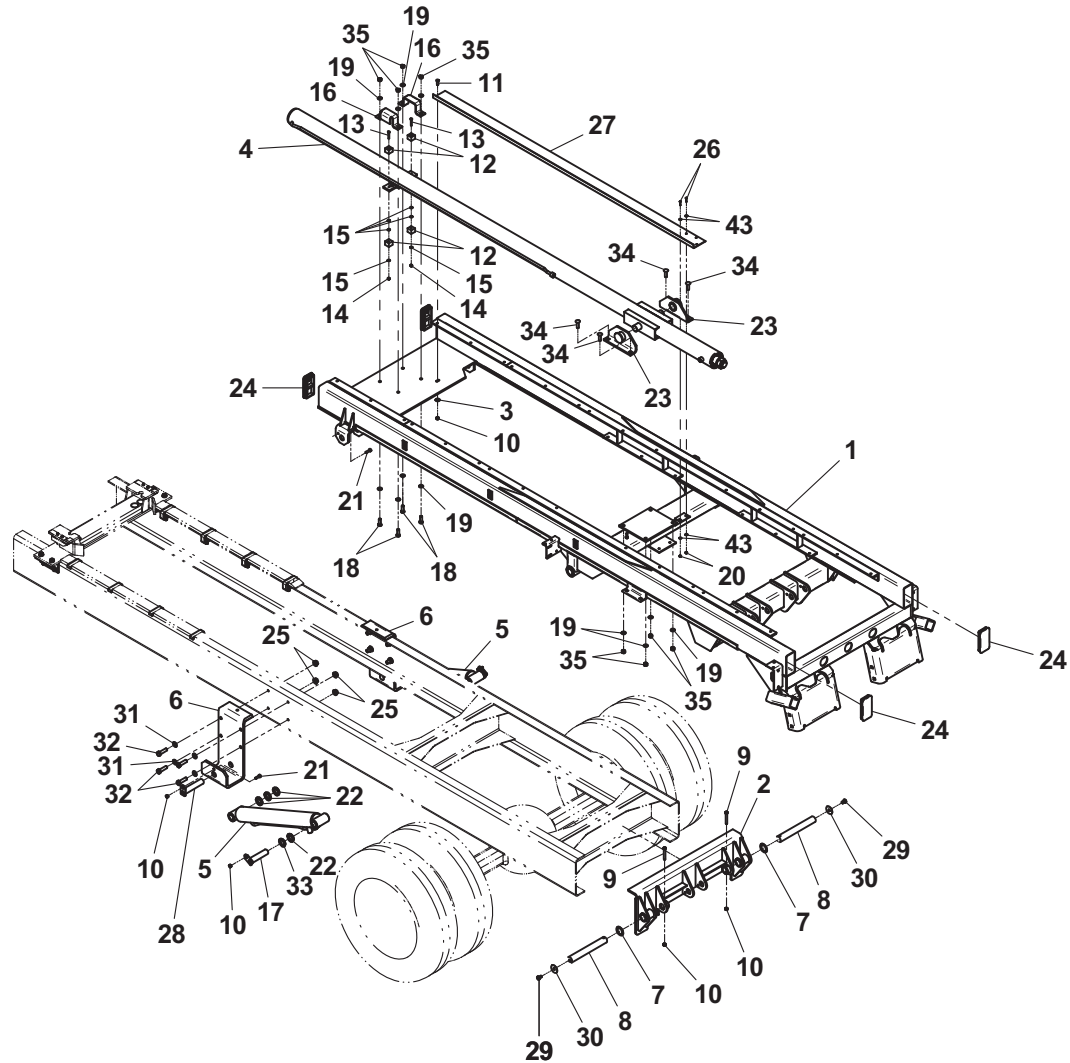


Item #16, Tie Strap, not shown

**SUBFRAME**

| ITEM | PART NO.   | DESCRIPTION                  | QTY | ITEM | PART NO.   | DESCRIPTION                       | QTY |
|------|------------|------------------------------|-----|------|------------|-----------------------------------|-----|
| 1    | 3868000316 | Subframe Weld - Standard     | 1   | 31   | 7950200242 | Flatwasher, 0.63 ID               | 8   |
|      | 3868000318 | Subframe Weld - Galvanized   |     | 32   | 7105201850 | Capscrew, 0.63"-18NF x 2.25"      | 8   |
| 2    | 3905000014 | Trunnion Weld                | 1   | 33   | 4209000358 | Bushing                           | 2   |
| 3    | 7950160161 | Flatwasher, 0.38 ID          | 1   | 34   | 7115181464 | Carriage Bolt, 0.50"-13NC x 1.75" | 4   |
| 4    | 3320000238 | Roll Cylinder Assembly       | 1   | 35   | 7660182601 | Locknut, 0.50"-13NC               | 8   |
| 5    | 3320000122 | Tilt Cylinder Assembly       | 2   |      |            |                                   |     |
| 6    | 4178000805 | Bracket                      | 2   |      |            |                                   |     |
| 7    | 7949000008 | Washer, 2.25" ID             | 2   |      |            |                                   |     |
| 8    | 4691000573 | Pin                          | 2   |      |            |                                   |     |
| 9    | 7115162450 | Capscrew, 0.38"-16NC x 3.00" | 2   |      |            |                                   |     |
| 10   | 7660162601 | Locknut, 0.38"-16NC          | 7   |      |            |                                   |     |
| 11   | 7118161026 | Capscrew, 0.38"-16NC x 1.25" | 1   |      |            |                                   |     |
| 12   | 7189000026 | Bumper, Polyurethane         | 4   |      |            |                                   |     |
| 13   | 7114141450 | Capscrew, 0.25"-20NC x 1.75" | 2   |      |            |                                   |     |
| 14   | 7660142604 | Locknut, 0.25"-20NC          | 2   |      |            |                                   |     |
| 15   | 7950140143 | Flatwasher, 0.25" ID         | 6   |      |            |                                   |     |
| 16   | 4178000912 | Bracket                      | 2   |      |            |                                   |     |
| 17   | 3691000166 | Pin Weld                     | 2   |      |            |                                   |     |
| 18   | 7115221650 | Capscrew, 0.75"-10NC x 2.00" | 4   |      |            |                                   |     |
| 19   | 7950180153 | Flatwasher, .050" ID         | 12  |      |            |                                   |     |
| 20   | 7660102604 | Locknut, #10-24NC            | 2   |      |            |                                   |     |
| 21   | 7115161050 | Capscrew, 0.38"-16NC x 1.25" | 4   |      |            |                                   |     |
| 22   | 4209000337 | Bushing                      | 8   |      |            |                                   |     |
| 23   | 3636000144 | Mount, Roll Trunnion         | 2   |      |            |                                   |     |
| 24   | 7701000048 | Plug                         | 4   |      |            |                                   |     |
| 25   | 7660202347 | Locknut, 0.63"-18NF          | 8   |      |            |                                   |     |
| 26   | 7114100818 | Capscrew, #10-24NC x 1.00"   | 2   |      |            |                                   |     |
| 27   | 4706006405 | Plate, Tray                  | 1   |      |            |                                   |     |
| 28   | 3691000273 | Pin Weld                     | 2   |      |            |                                   |     |
| 29   | 7115180650 | Capscrew, 0.50"-13NC x 0.75" | 2   |      |            |                                   |     |
| 30   | 7949000072 | Washer, 0.50 ID              | 2   |      |            |                                   |     |

# SUBFRAME

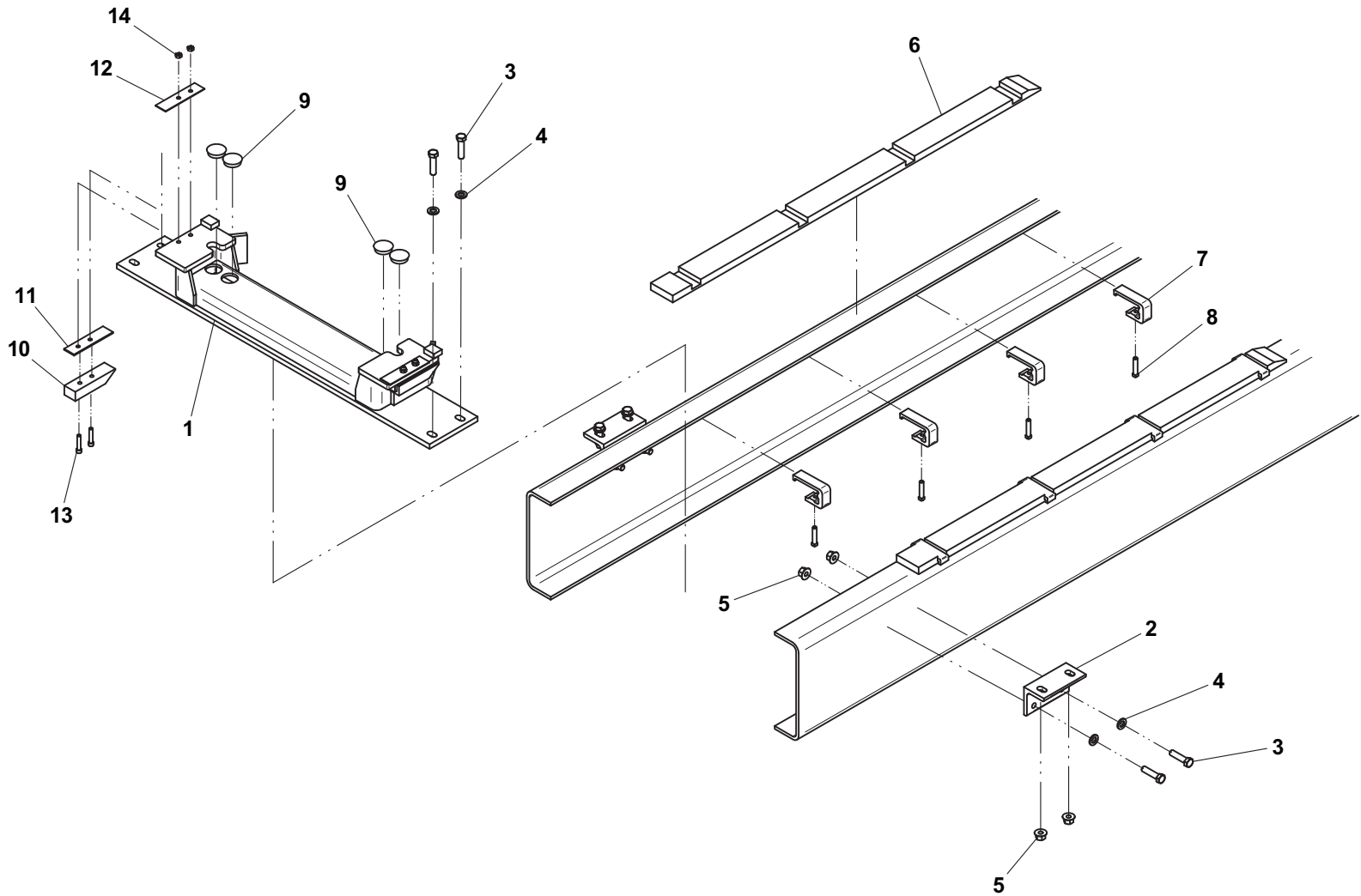


**HOLD DOWN**

| ITEM | PART NO.    | DESCRIPTION                  | QTY |
|------|-------------|------------------------------|-----|
| 1    | 3558000019* | Hold Down Weld               | 1   |
| 2    | 4017001271  | Angle                        | 2   |
| 3    | 7105181650  | Capscrew, 0.50"-20NF x 2.00" | 8   |
| 4    | 7950180153  | Flatwasher, 0.50" ID         | 8   |
| 5    | 7660182333  | Locknut, 0.50"-20NF          | 4   |
| 6    | 4679000332  | Wear Pad                     | 2   |
| 7    | 7274000125  | Clamp                        | 8   |
| 8    | 7120000032  | Screw, 0.38"-16NF x 1.75"    | 8   |
| 9    | 7701000063  | Plug                         | 4   |
| 10   | 4679000221* | Wear Pad                     | 2   |
| 11   | 4812000071* | Shim - 0.12"                 | 2   |
| 12   | 4812000072* | Shim - 0.06"                 | 2   |
| 13   | 7114151218* | Capscrew, 0.31"-18NC x 1.50" | 4   |
| 14   | 7660152601* | Locknut, 0.31"-18NC          | 4   |

\* also available in Hold Down Assembly, P/N 3558000019

# HOLD DOWN

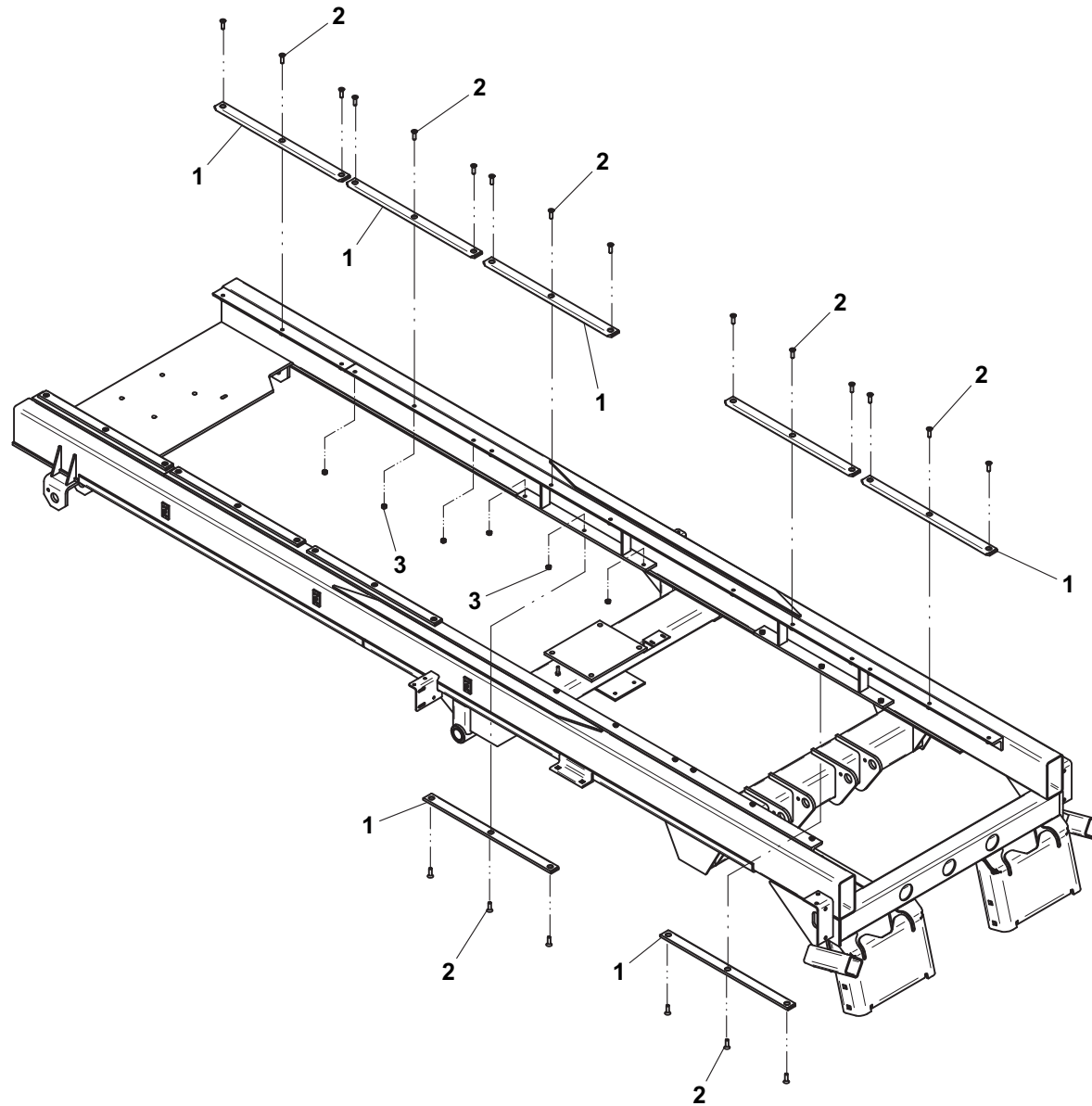


**SLIDE PAD**

| ITEM | PART NO.   | DESCRIPTION               | QTY |
|------|------------|---------------------------|-----|
| 1    | 4679000145 | Wear Pad                  | 14  |
| 2    | 7118161026 | Screw, 0.38"-16NC x 1.25" | 42  |
| 4    | 7660162601 | Locknut, 0.38"-16NC       | 42  |



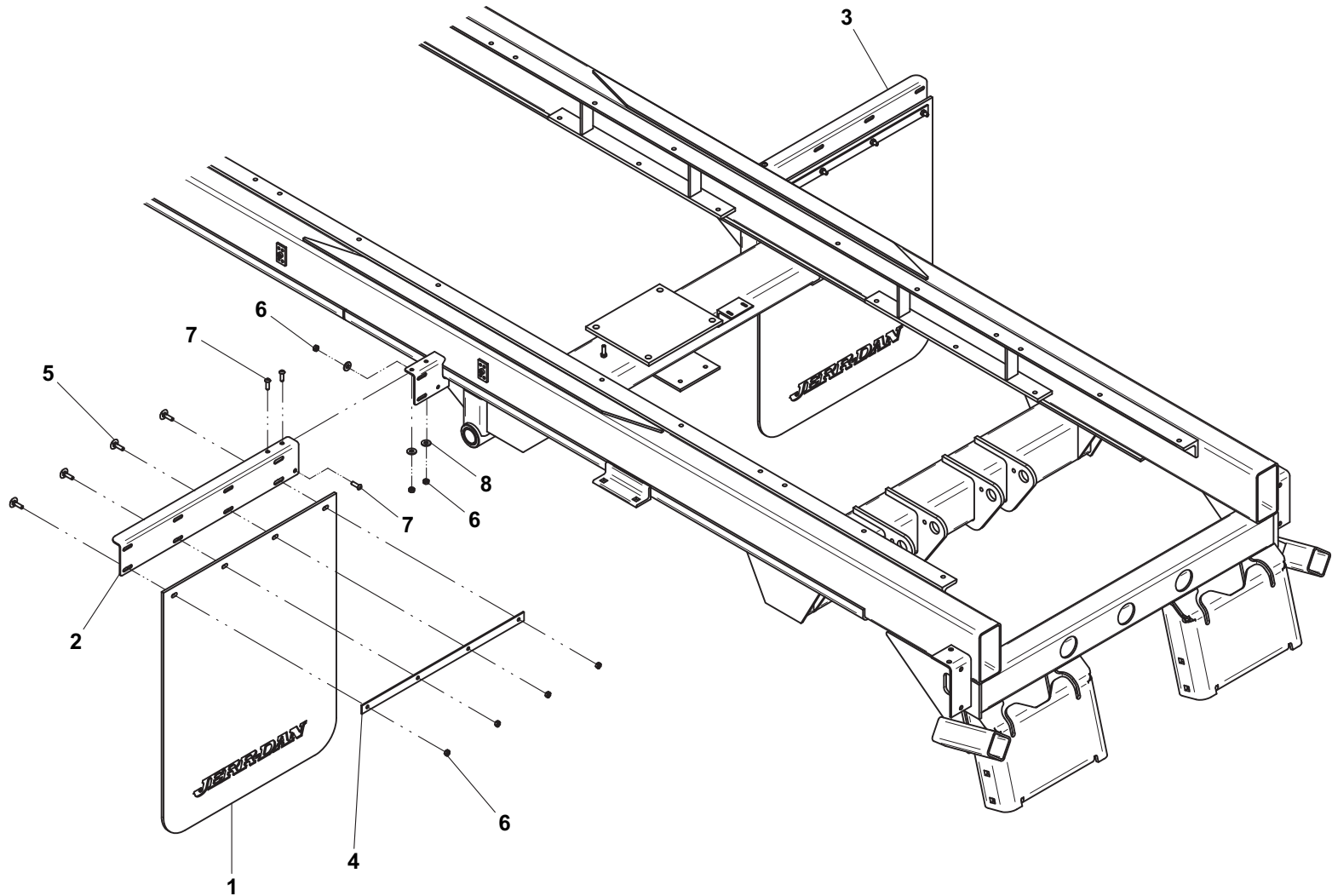
# SLIDE PAD



**MUD FLAP**

| ITEM | PART NO.   | DESCRIPTION                       | QTY |
|------|------------|-----------------------------------|-----|
| 1    | 7638000004 | Mud Flap                          | 2   |
| 2    | 4017001742 | Plate, LH                         | 1   |
| 3    | 4017001743 | Plate, RH                         | 1   |
| 4    | 4706006427 | Plate                             | 2   |
| 5    | 7111150864 | Carriage Bolt, 0.31"-18NC x 1.00" | 8   |
| 6    | 7660152601 | Locknut, 0.31"-18NC               | 14  |
| 7    | 7114150818 | Capscrew, 0.31"-18NC x 1.00"      | 6   |
| 8    | 7950150153 | Flat Washer, 0.31" ID             | 6   |

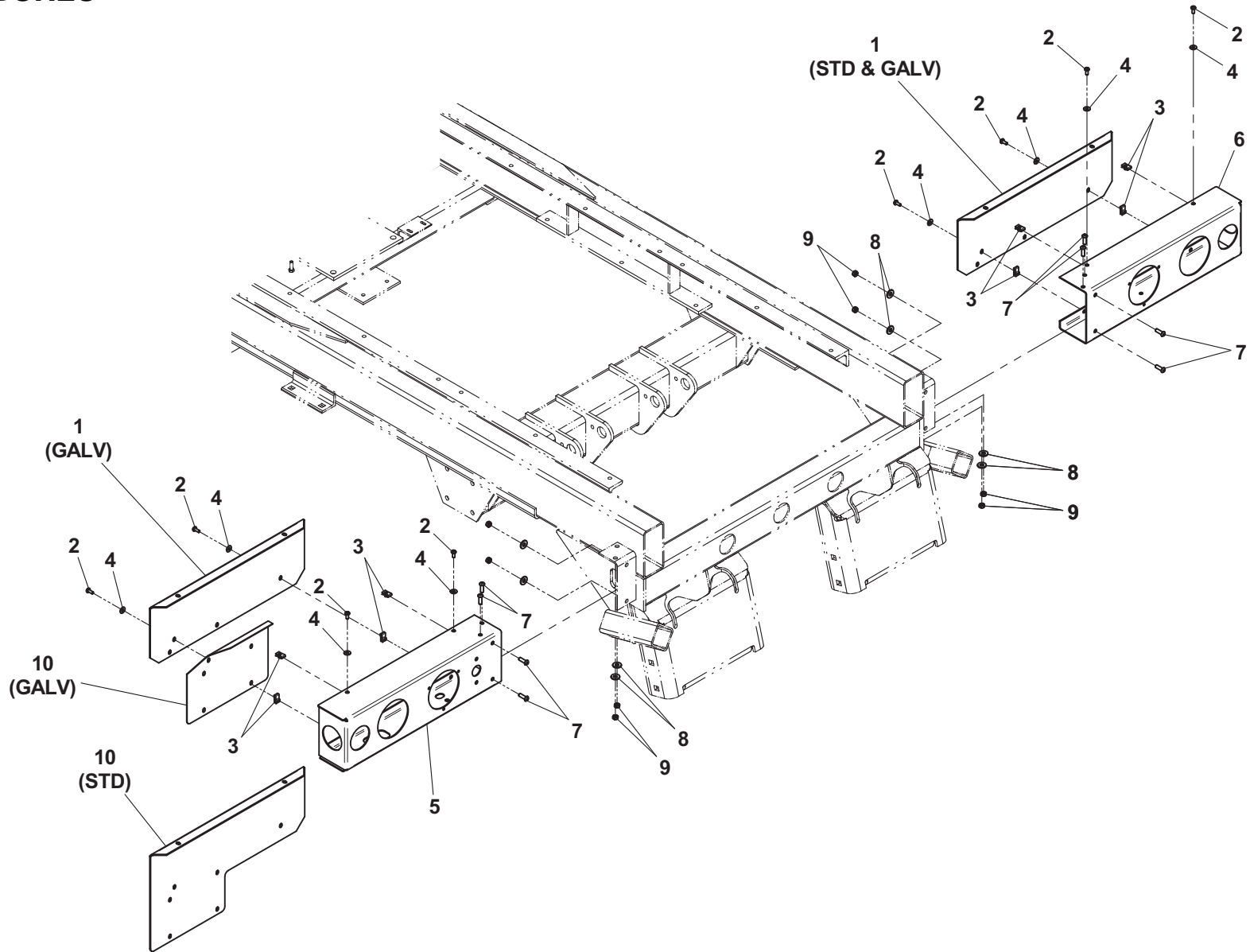
# MUD FLAP



**LIGHTBOXES**

| ITEM | PART NO.   | DESCRIPTION                  | QTY |
|------|------------|------------------------------|-----|
| 1    | 4314000235 | Coverplate - Standard        | 1   |
|      | 4314000072 | Coverplate - Galvanized      | 2   |
| 2    | 7114140529 | Screw, 0.25"-20NC x 0.63"    | 8   |
| 3    | 7661000042 | U-Nut, 0.25"-20NC            | 8   |
| 4    | 7949000023 | Nylon Washer, 0.26" ID       | 8   |
| 5    | 3178000544 | Lightbox - LH                | 1   |
| 6    | 3178000545 | Lightbox - RH                | 1   |
| 7    | 7114150818 | Capscrew, 0.31"-18NC x 1.00" | 8   |
| 8    | 7950150153 | Flatwasher, 0.31" ID         | 8   |
| 9    | 7660152601 | Locknut, 0.31"-18NC          | 8   |
| 10   | 4314000232 | Coverplate - Standard        | 1   |
|      | 4178000863 | Bracket - Galvanized         |     |

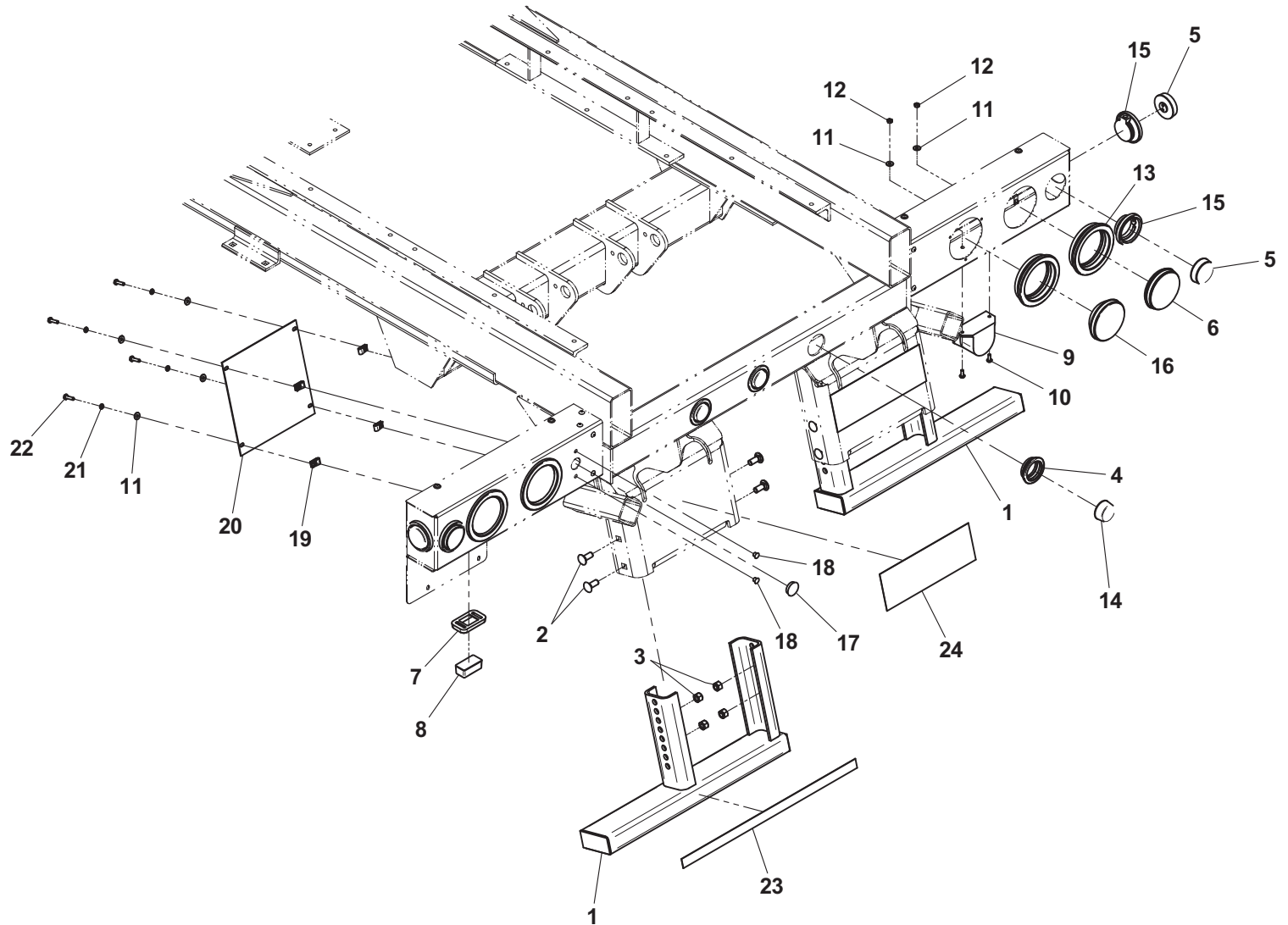
# LIGHTBOXES



**FINAL ASSEMBLY**

| ITEM | PART NO.   | DESCRIPTION                           | QTY |
|------|------------|---------------------------------------|-----|
| 1    | 3190000058 | Bumper Tube Weld - Short - Standard   | 2   |
|      | 3190000060 | Bumper Tube Weld - Short - Galvanized |     |
| 2    | 7115181064 | Carriage Bolt, 0.50"-13NC x 1.25"     | 8   |
| 3    | 7660182601 | Locknut, 0.50"-13NC                   | 8   |
| 4    | 7493000023 | Grommet                               | 3   |
| 5    | 7590000343 | Marker Light - Red (LED)              | 4   |
| 6    | 7590000341 | Stop/Tail/Turn Light - Red (LED)      | 2   |
| 7    | 7493000010 | Grommet                               | 1   |
| 8    | 7590000103 | License Plate Light                   | 1   |
| 9    | 7011000007 | Back-Up Alarm                         | 1   |
| 10   | 7114140528 | Screw, 0.25"-20NC x 0.63"             | 2   |
| 11   | 7949000023 | Nylon Washer, 0.26" ID                | 10  |
| 12   | 7660142601 | Locknut, 0.25-20NC                    | 2   |
| 13   | 7493000002 | Grommet                               | 4   |
| 14   | 7590000340 | Marker Light - Red (LED)              | 3   |
| 15   | 7493000009 | Grommet                               | 4   |
| 16   | 7590000113 | Back-Up Light - White (Std)           | 2   |
| 17   | 7701000049 | Plug                                  | 1   |
| 18   | 7701000055 | Plug                                  | 2   |
| 19   | 7661000064 | U-Nut Clip, 0.25"-20NC                | 8   |
| 20   | 4314000200 | Cover Plate - Standard                | 2   |
|      | 4314000204 | Cover Plate - Galvanized              |     |
| 21   | 7950140000 | Lockwasher, 0.25" ID                  | 8   |
| 22   | 7115140850 | Capscrew, 0.25"-20NC x 1.00"          | 8   |
| 23   | 7330000428 | Reflective Tape                       | 2   |
| 24   | 7679000020 | Non-Skid Pad                          | 2   |

# FINAL ASSEMBLY



**HYDRAULIC RESERVOIR AND TOOLBOX / BASKET**

| ITEM | PART NO.    | DESCRIPTION                        | QTY* | ITEM | PART NO.   | DESCRIPTION   | QTY* |
|------|-------------|------------------------------------|------|------|------------|---|------|
| 1    | 4178000331  | Mounting Bracket - Short           |      | 20   | 4632000015 | Moulding - 15" deep basket                                |      |
|      | 4178000291  | Mounting Bracket - Std             |      |      | 4632000048 | Moulding - 24" deep basket                                |      |
|      | 4178000339  | Mounting Bracket - Long            |      | 21   | 7002000410 | Stainless Steel Cover Plate for Basket<br>includes rivets |      |
| 2    | 4178000330  | Mounting Bracket - Short           |      | 22   | 3178000566 | Bracket Weldment  |      |
|      | 4178000290  | Mounting Bracket - Std             |      | 23   | 7701000051 | Plug  |      |
|      | 4178000338  | Mounting Bracket - Long            |      |      |            |   |      |
| 3    | 3750000018  | Hydraulic Reservoir Assembly       |      |      |            |   |      |
| 4    | 7183000004+ | Breather Filler Cap Assembly       |      |      |            |   |      |
| 5    | 7470000027+ | Level Gauge                        |      |      |            |   |      |
| 6    | 7430000014+ | Strainer                           |      |      |            |   |      |
| 7    | 7105181650  | Capscrew, 0.50"-20NF x 2.00"       |      |      |            |   |      |
| 8    | 7950180153  | Flat Washer, 0.50" ID              |      |      |            |   |      |
| 9    | 7660182333  | Locknut, 0.50"-20NF                |      |      |            |   |      |
| 10   | 7115150850  | Capscrew, 0.31"-18NC x 1.00"       |      |      |            |   |      |
| 11   | 7950150161  | Flatwasher, 0.31" ID               |      |      |            |   |      |
| 12   | 7660152601  | Locknut, 0.31"-18NC                |      |      |            |   |      |
| 13   | 3899000130  | Toolbox Assembly - 36" x 18" x 18" |      |      |            |   |      |
|      | 3899000131  | Toolbox Assembly - 36" x 18" x 14" |      |      |            |   |      |
|      | 3899000132  | Toolbox Assembly - 48" x 18" x 18" |      |      |            |   |      |
|      | 3899000133  | Toolbox Assembly - 60" x 18" x 18" |      |      |            |   |      |
|      | 3899000172  | Toolbox Assembly - 78" x 21" X 20" |      |      |            |   |      |
| 14   | 4679000256^ | Rubber Pad (36" toolbox)           |      |      |            |   |      |
|      | 4679000257^ | Rubber Pad (48" toolbox)           |      |      |            |   |      |
|      | 4679000258^ | Rubber Pad (60" toolbox)           |      |      |            |   |      |
|      | 4679000322^ | Rubber Pad (78" toolbox)           |      |      |            |   |      |
| 15   | 7118181216  | Capscrew, 0.50"-13NC x 1.50"       |      |      |            |   |      |
| 16   | 7660182301  | Locknut, 0.50"-13NC                |      |      |            |   |      |
| 17   | 4706002361  | Plate                              |      |      |            |   |      |
| 18   | 4017000777  | High Mount Angle                   |      |      |            |   |      |
| 19   | 3899000053  | Basket - 15" deep                  |      |      |            |   |      |
|      | 3899000075  | Basket - 24" deep                  |      |      |            |   |      |

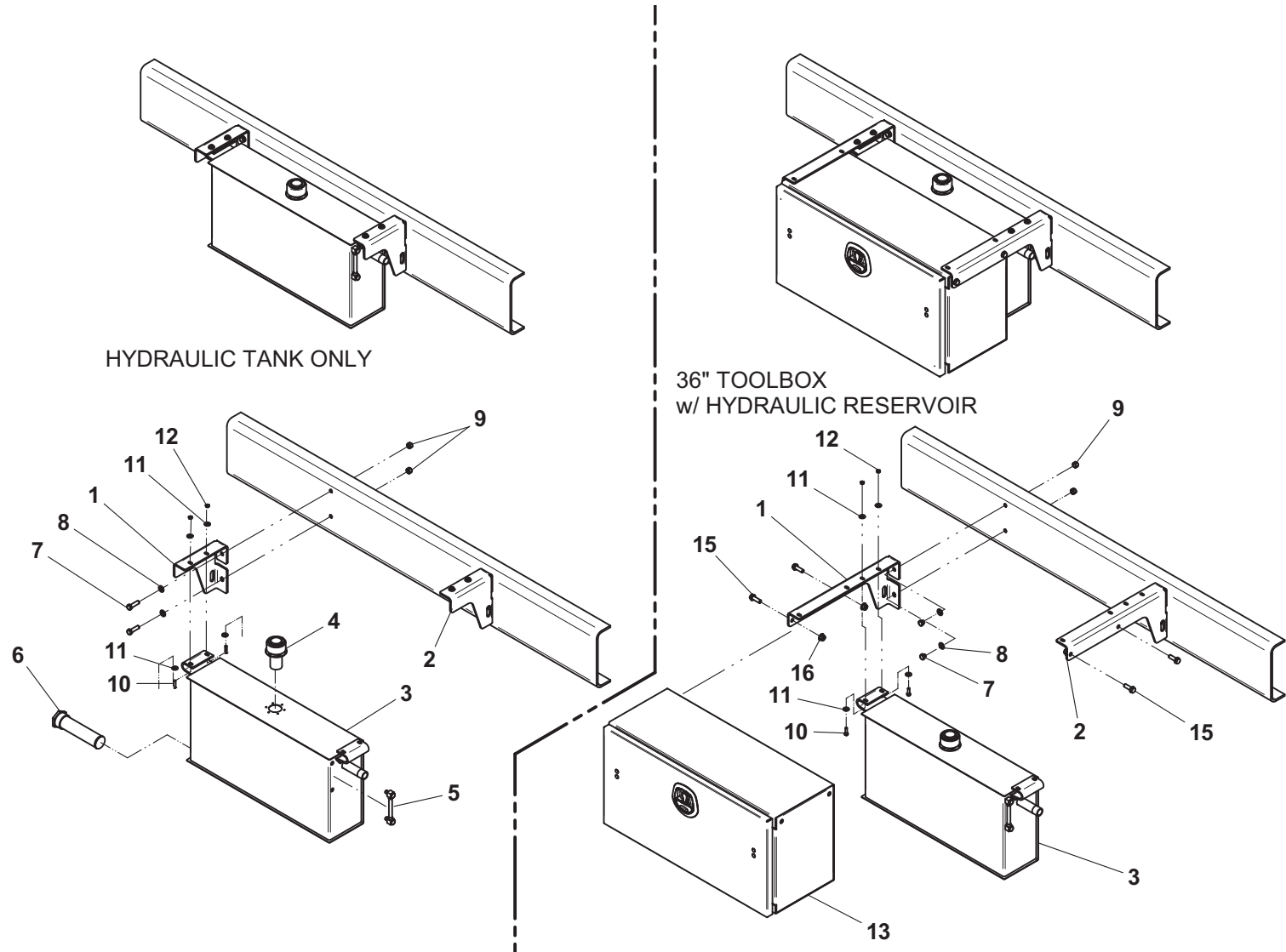
+ also available in Hydraulic Reservoir Assembly, P/N 3750000018

^ included in Toolbox Assembly

\* Quantities vary depending on Hydraulic Tank / Toolbox / Basket mounting configuration.

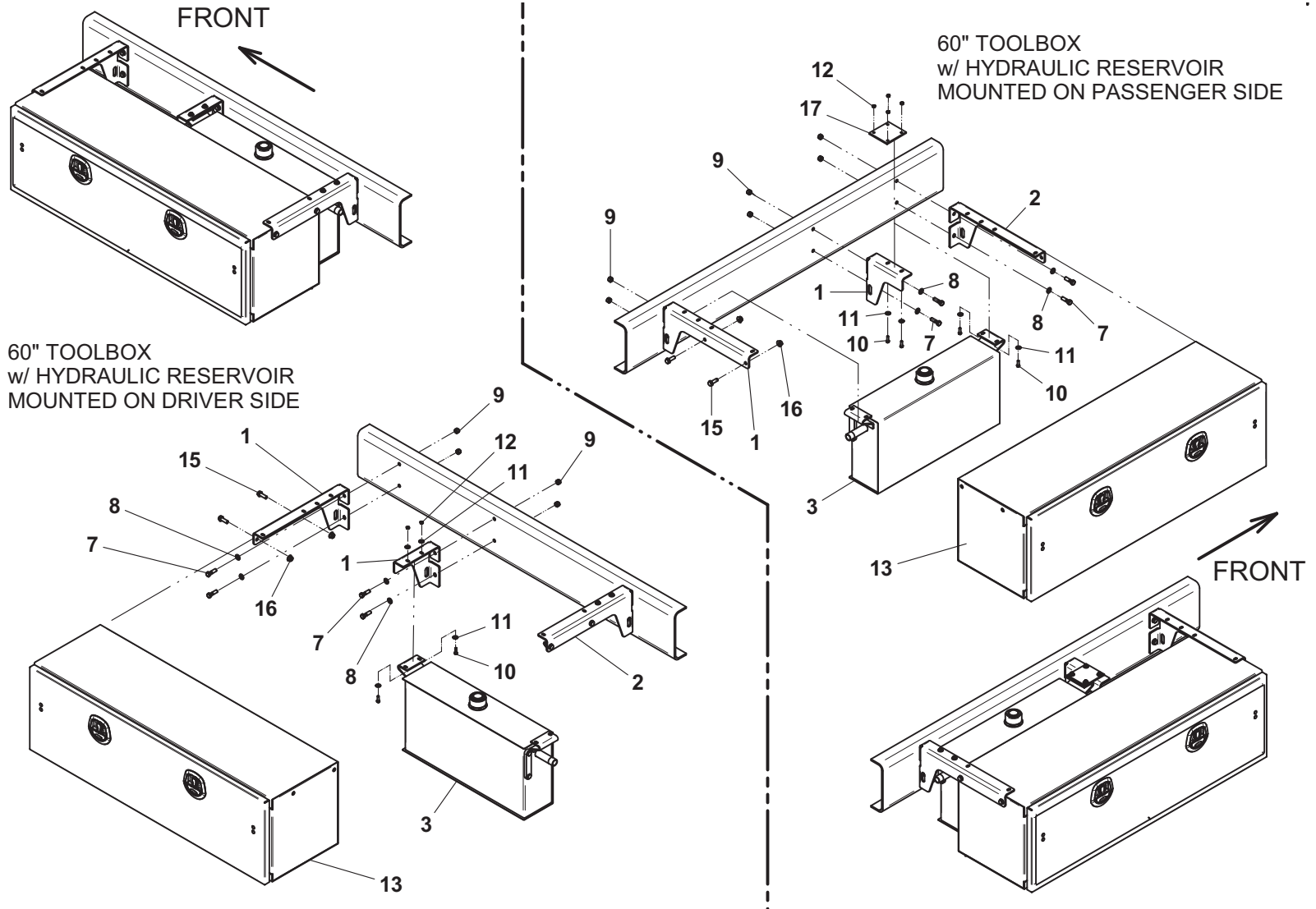


# HYDRAULIC RESERVOIR AND TOOLBOX / BASKET



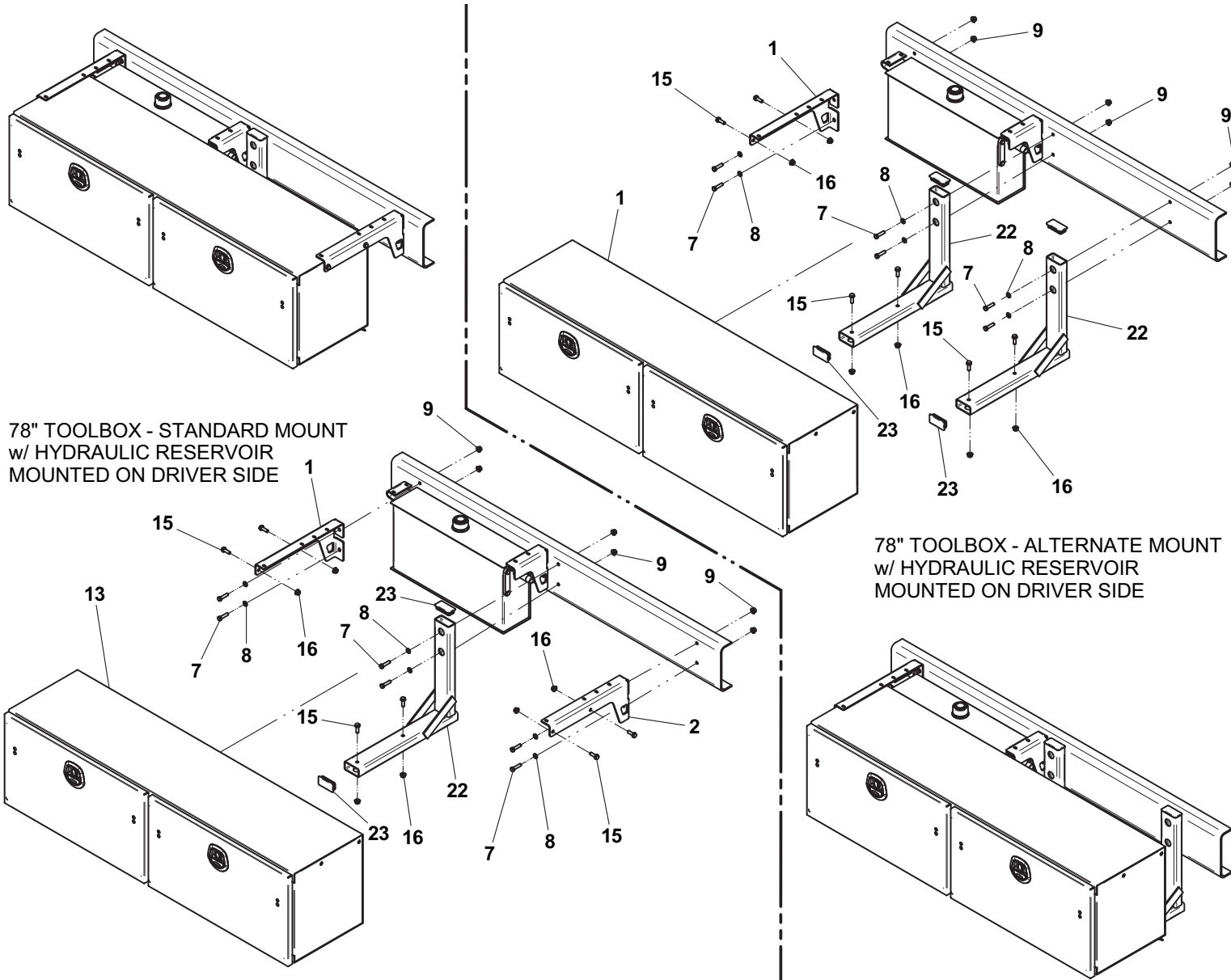
Item #14, Toolbox Rubber Pad, not shown

### HYDRAULIC RESERVOIR AND TOOLBOX / BASKET

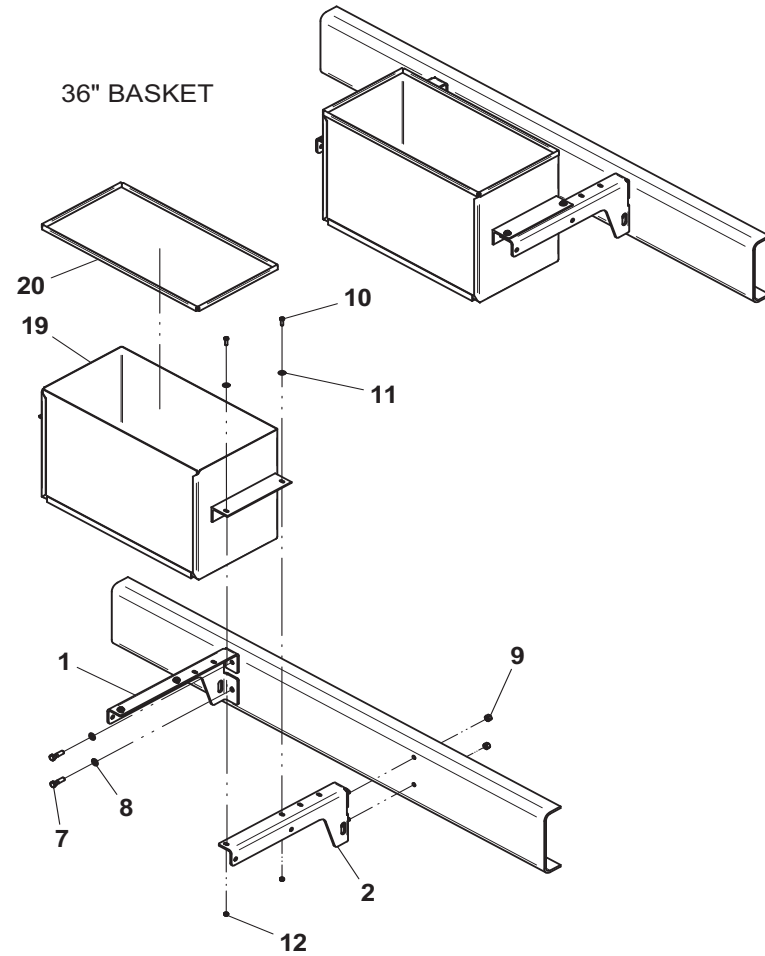
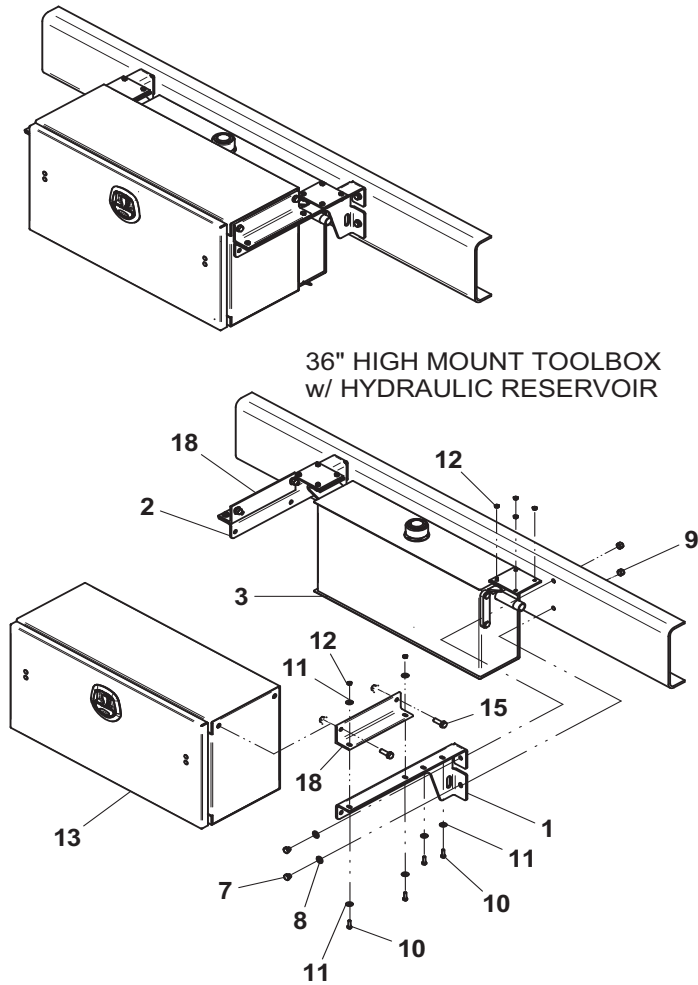


Item #14, Toolbox Rubber Pad, not shown

# HYDRAULIC RESERVOIR AND TOOLBOX / BASKET



## HYDRAULIC RESERVOIR AND TOOLBOX / BASKET



Items #14, Toolbox Rubber Pad and #21, Stainless Cover for Basket, not shown

**THIS PAGE INTENTIONALLY LEFT BLANK**

**TOOLBOX**

| ITEM | PART NO.   | DESCRIPTION                         | QTY | ITEM | PART NO.     | DESCRIPTION                             | QTY |
|------|------------|-------------------------------------|-----|------|--------------|---|-----|
| 1    | 3899000125 | Toolbox Weld (36" toolbox)          | 1   |      |              | <i>Toolbox Door Assembly Components</i> |     |
|      | 3899000126 | Toolbox Weld (36" narrow toolbox)   |     |      |              | <i>(per door)</i>                       |     |
|      | 3899000128 | Toolbox Weld (60" toolbox)          | 1   | 101  | 4706005020   | Toolbox Door (36" toolbox)              | 1   |
|      | 3899000127 | Toolbox Weld (48" toolbox)          | 1   |      | 4706005021   | Toolbox Door (48" toolbox)              | 1   |
|      | 3899000173 | Toolbox Weld (78" toolbox)          | 1   |      | 4706005022   | Toolbox Door (60" toolbox)              | 1   |
| 2    | 4679000256 | Rubber Pad (36" toolbox)            | 1   |      | 4706006234   | Toolbox Door (78" toolbox)              | 1   |
|      | 4679000257 | Rubber Pad (36" narrow toolbox)     | 1   | 102  | 7585000019^  | Latch (36" & 78")                       | 1   |
|      | 4679000258 | Rubber Pad (48" toolbox)            | 1   |      | 7585000019^  | Latch (48" & 60")                       | 2   |
|      | 4679000259 | Rubber Pad (60" toolbox)            | 1   | 103  | 7555000016*  | Hinge (36" & 78" toolbox)               | 1   |
|      | 4679000322 | Rubber Pad (78" toolbox)            | 1   |      | 7555000016*  | Hinge (60" toolbox)                     | 2   |
| 3    | 4796000009 | Gasket (36" toolbox)                | 1   |      | 7555000015*  | Hinge (48" toolbox)                     | 1   |
|      | 4796000010 | Gasket (48" toolbox)                | 1   | 104  | 7759000020*^ | Rivet (36" & 78" toolbox)               | 18  |
|      | 4796000011 | Gasket (60" toolbox)                | 1   |      | 7759000020*^ | Rivet (48" toolbox)                     | 28  |
|      | 4796000012 | Gasket (78" toolbox)                | 2   |      | 7759000020*^ | Rivet (60" toolbox)                     | 36  |
| 4    | 9899000014 | Toolbox Door Assembly (36" toolbox) | 1   | 105  | 4178000599*  | Bracket                                 | 2   |
|      | 9899000015 | Toolbox Door Assembly (48" toolbox) | 1   | 106  | 7114140465*  | Carriage Bolt, 0.25"-20NC x 0.50"       | 4   |
|      | 9899000016 | Toolbox Door Assembly (60" toolbox) | 1   | 107  | 7660142604*  | Locknut, 0.25"-20NC                     | 4   |
|      | 9899000023 | Toolbox Door Assembly (78" toolbox) | 1   | 108  | 7592000005^  | S Link (36", 48", 60" toolbox)          | 4   |
|      |            |                                     |     |      | 7592000005^  | S Link (78" toolbox)                    | 8   |
|      |            |                                     |     | 109  | 7248000114^  | Cable (36", 48" & 60" toolbox)          | 2   |
|      |            |                                     |     |      | 7248000155^  | Cable (78" toolbox)                     | 4   |

\* Also available in Toolbox Door Sub Assembly:

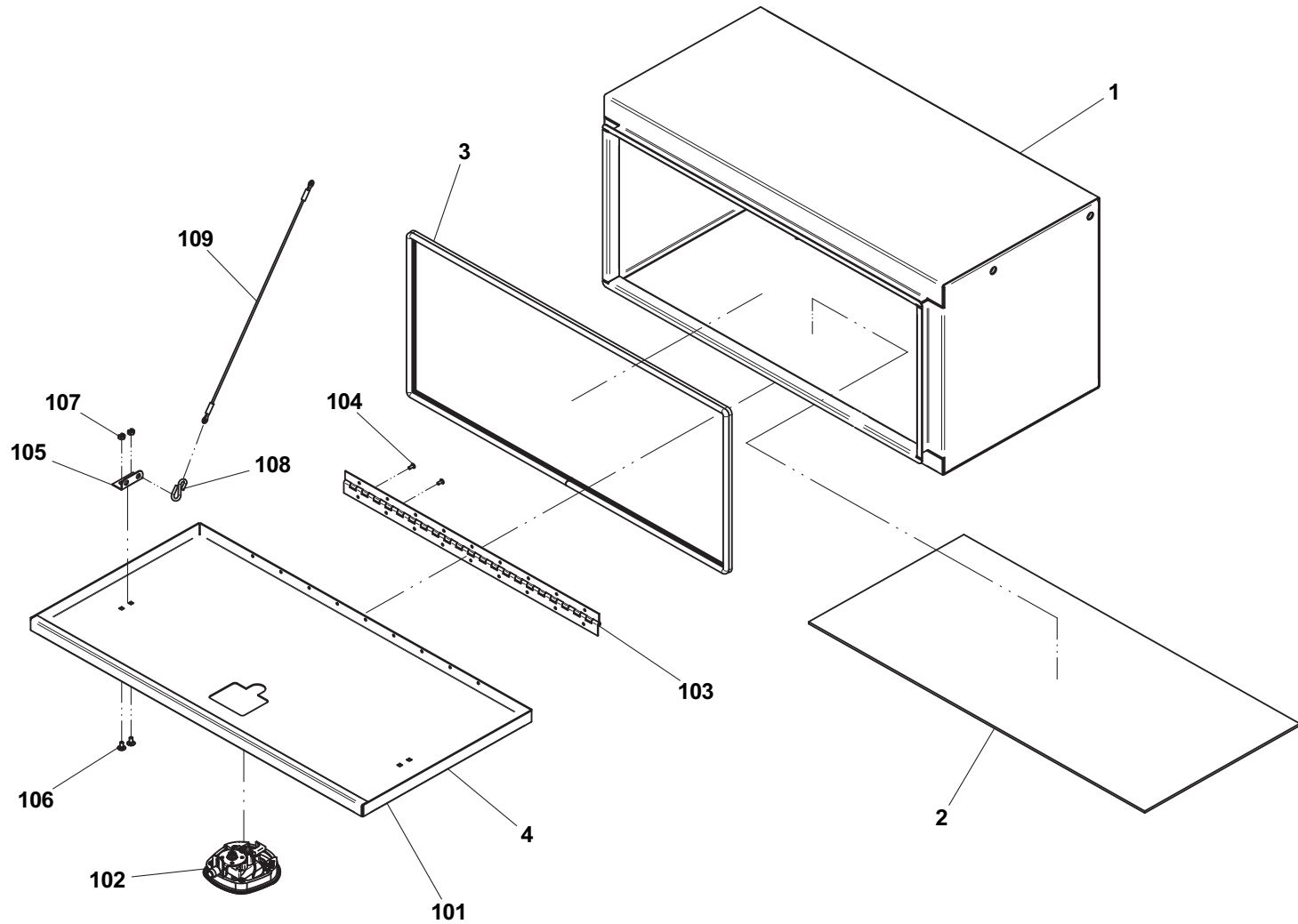
- 9899000020 - 36" Toolbox
- 9899000021 - 48" Toolbox
- 9899000022 - 60" Toolbox
- 9899000024 - 78" Toolbox

^ Also available in Toolbox Door Hardware Kit:

- 9577030278 - 36" Toolbox
- 9577030279 - 48" Toolbox
- 9577030280 - 60" Toolbox
- 9577030303 - 78" Toolbox

Quantities listed are for one toolbox

# TOOLBOX



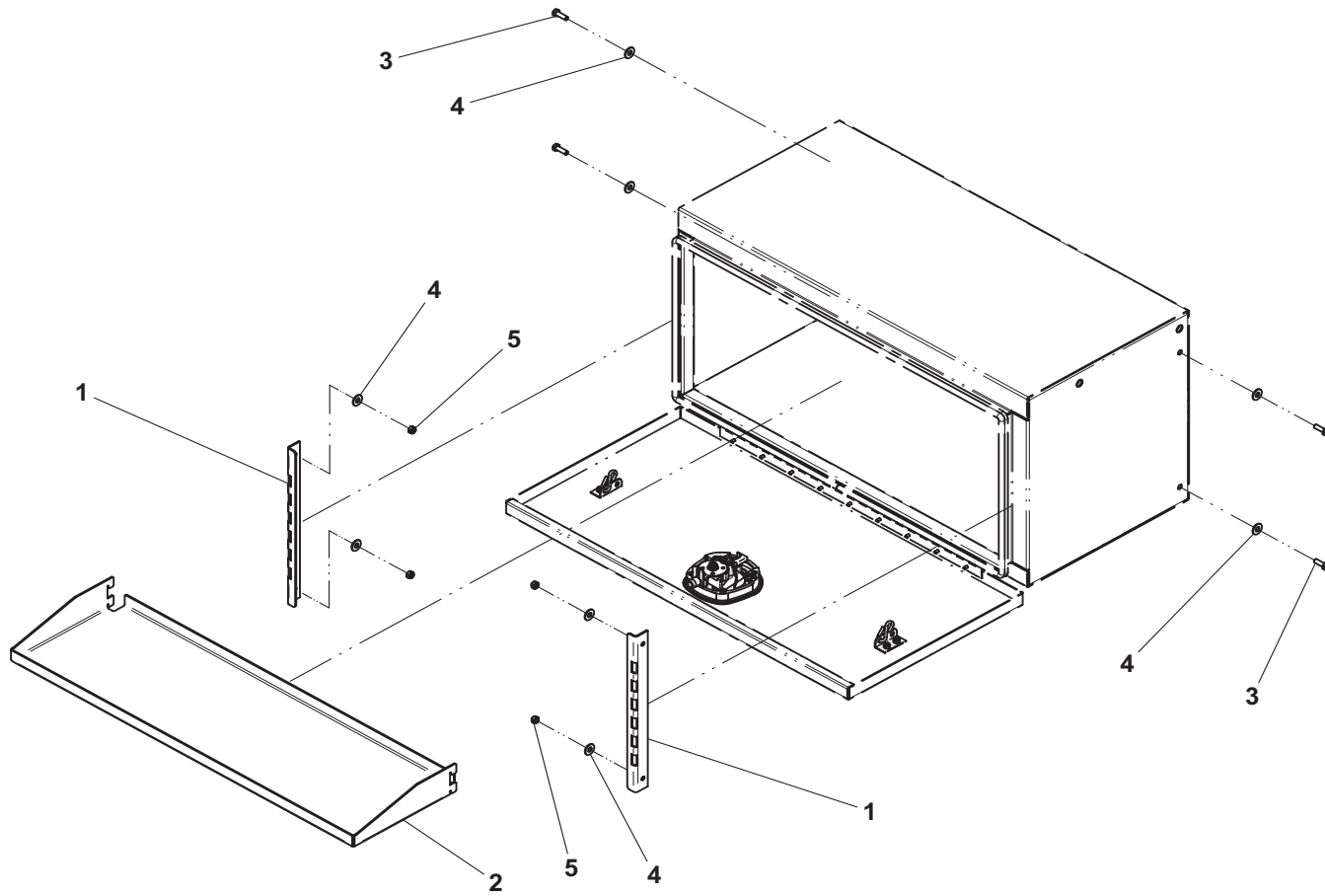
36" Toolbox shown

**TOOLBOX SHELF**

| ITEM | PART NO.   | DESCRIPTION                  | QTY |
|------|------------|------------------------------|-----|
| 1    | 4017001403 | Angle                        | 2   |
| 2    | 4811000841 | Shelf (36" toolbox)          | 1   |
|      | 4811000843 | Shelf (48" toolbox)          |     |
|      | 4811000868 | Shelf (60" toolbox)          |     |
| 3    | 7115150850 | Capscrew, 0.31"-18NC x 1.00" | 4   |
| 4    | 7950150161 | Flatwasher, 0.31" ID         | 8   |
| 5    | 7660152601 | Locknut, 0.31"-18NC          | 4   |



# TOOLBOX SHELF



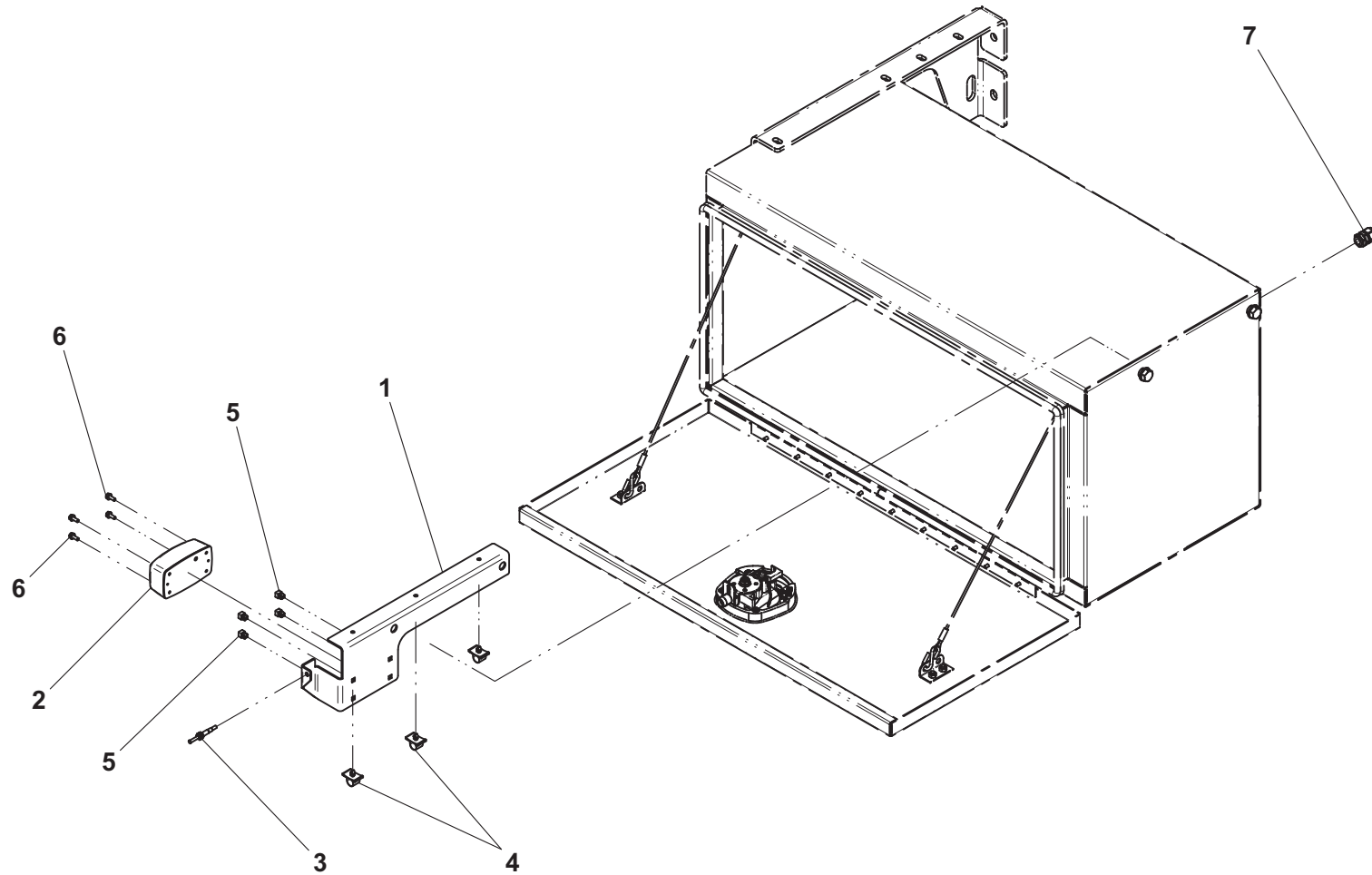
36" Toolbox shown

**TOOLBOX LIGHT**

| ITEM | PART NO.    | DESCRIPTION           | QTY |
|------|-------------|-----------------------|-----|
| 1    | 4178000578* | Bracket               | 1   |
| 2    | 7590000273* | Dome Lamp             | 1   |
| 3    | 7870000115* | Switch                | 1   |
| 4    | 7280000007* | Wire Mount Clip       | 3   |
| 5    | 7661000047* | Panel Nut             | 4   |
| 6    | 7790100856* | Screw, #10 x 0.50"    | 4   |
| 7    | 7443000377  | Fitting               | 1   |
| 8    | 7552000297  | Toolbox Light Harness | 1   |

\* included in Toolbox Light Bracket Assembly

## TOOLBOX LIGHT

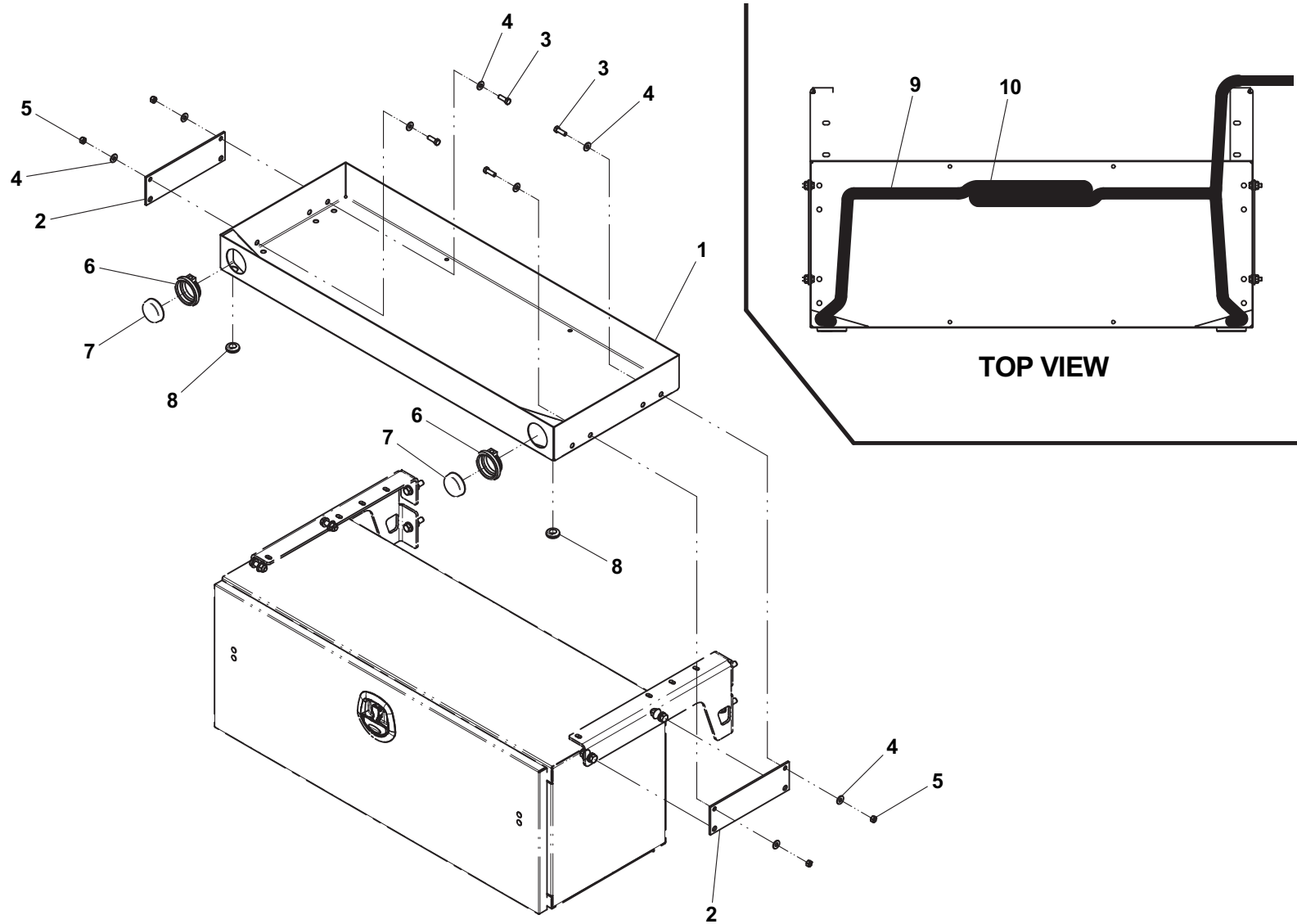


Item #8, Toolbox Light Harness, not shown  
48" Toolbox Shown

**TOOLBOX TOP STOWAGE TRAY AND MARKER LIGHTS**

| ITEM | PART NO.   | DESCRIPTION                  | QTY |
|------|------------|------------------------------|-----|
| 1    | 3811000053 | Tray Weldment (36" Toolbox)  | 1   |
|      | 3811000054 | Tray Weldment (48" Toolbox)  |     |
|      | 3811000055 | Tray Weldment (60" Toolbox)  |     |
|      | 3811000057 | Tray Weldment (78" Toolbox)  |     |
| 2    | 4706006216 | Plate                        | 2   |
| 3    | 7115160950 | Capscrew, 0.38"-16NC x 1.12" | 4   |
| 4    | 7950150161 | Flat Washer, 0.38" ID        | 8   |
| 5    | 7660162601 | Locknut, 0.38"-16NC          | 4   |
| 6    | 7493000009 | Grommet                      | 2   |
| 7    | 7493000031 | Marker Light - Amber (LED)   | 2   |
| 8    | 7493000031 | Grommet                      | 2   |
| 9    | 7552000451 | Toolbox Light Tray Harness   | 1   |
| 10   | 7894000004 | Tie Strap                    | 6   |

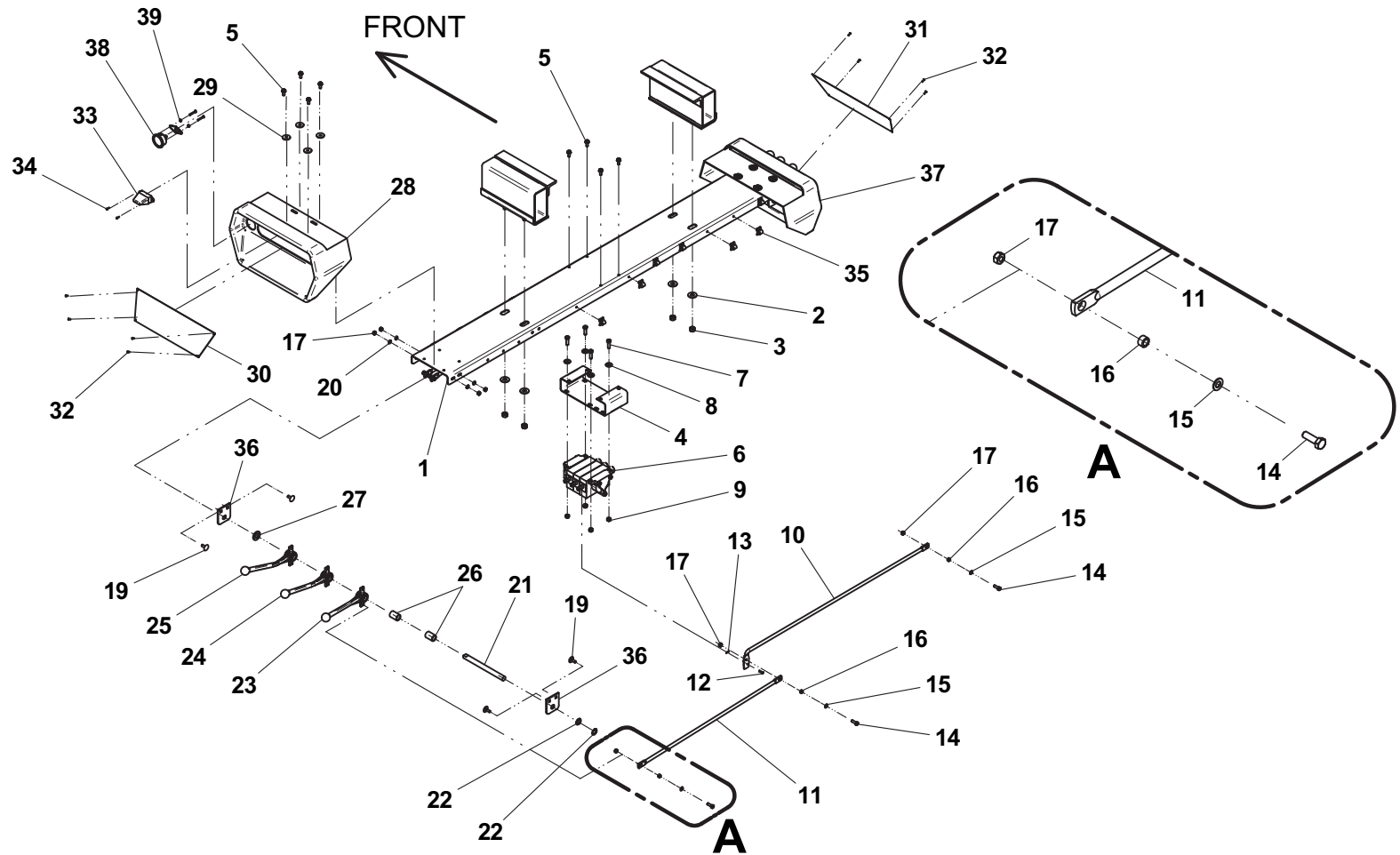
# TOOLBOX TOP STORAGE TRAY AND MARKER LIGHTS



**DUAL CONTROLS - 3 BANK**

| ITEM | PART NO.     | DESCRIPTION                       | QTY | ITEM | PART NO.   | DESCRIPTION       | QTY |
|------|--------------|-----------------------------------|-----|------|------------|-------------------|-----|
| 1    | 4263000431   | Channel                           | 1   | 29   | 7949000054 | Washer, 0.34" ID  | 8   |
| 2    | 7950180161   | Flatwasher, 0.50" ID              | 4   | 30   | 7330000648 | Control Panel, LH | 1   |
| 3    | 7660182601   | Locknut, 0.50"-13NC               | 4   | 31   | 7330000649 | Control Panel, RH | 1   |
| 4    | 4263000430   | Channel                           | 1   | 32   | 7759000006 | Pop Rivet         | 8   |
| 5    | 7790151253   | Screw, 0.31"-18NC x 0.75"         | 12  | 33   | 7590000087 | Lamp              | 2   |
| 6    | 3935000115   | Control Valve                     | 1   | 34   | 7791060872 | Screw, #6 x 0.50" | 4   |
| 7    | 7111161050   | Capscrew, 0.38"-16NC x 1.25"      | 4   | 35   | 7280000007 | Wire Clip         | 11  |
| 8    | 7950160161   | Flatwasher, 0.38" ID              | 4   | 36   | 4606000217 | Lug               | 4   |
| 9    | 7660162601   | Locknut, 0.38"-16NC               | 4   | 37   | 7560000007 | Control Hood, RH  | 1   |
| 10   | 4763000280   | Control Rod                       | 3   | 38   | 7470000023 | Gauge             | 1   |
| 11   | 4763000279   | Control Rod                       | 3   | 39   | 7661000057 | Jam Nut, M5       | 2   |
| 12   | 7690101200   | Clevis Pin                        | 3   |      |            |                   |     |
| 13   | 7691000056   | Cotter Pin                        | 3   |      |            |                   |     |
| 14   | 7115150850   | Capscrew, 0.31"-18NC x 1.00"      | 9   |      |            |                   |     |
| 15   | 7949000011   | Flatwasher, 0.31" ID              | 9   |      |            |                   |     |
| 16   | 4831000069   | Spacer                            | 9   |      |            |                   |     |
| 17   | 7660152601   | Locknut, 0.31"-18NC               | 17  |      |            |                   |     |
| 18   | Not Required |                                   |     |      |            |                   |     |
| 19   | 7115150664   | Carriage Bolt, 0.31"-18NC x 0.75" | 8   |      |            |                   |     |
| 20   | 7950150000   | Washer, 0.31" ID                  | 8   |      |            |                   |     |
| 21   | 7691000064   | Pin                               | 2   |      |            |                   |     |
| 22   | 7754000009   | Retaining Ring                    | 4   |      |            |                   |     |
| 23   | 7551000018   | Control Handle                    | 2   |      |            |                   |     |
| 24   | 7551000020   | Control Handle                    | 2   |      |            |                   |     |
| 25   | 7551000021   | Control Handle                    | 2   |      |            |                   |     |
| 26   | 4211000001   | Bushing                           | 4   |      |            |                   |     |
| 27   | 7950220141   | Flatwasher, 0.75" ID              | 4   |      |            |                   |     |
| 28   | 7560000008   | Control Hood, LH                  | 1   |      |            |                   |     |

# DUAL CONTROLS - 3 BANK

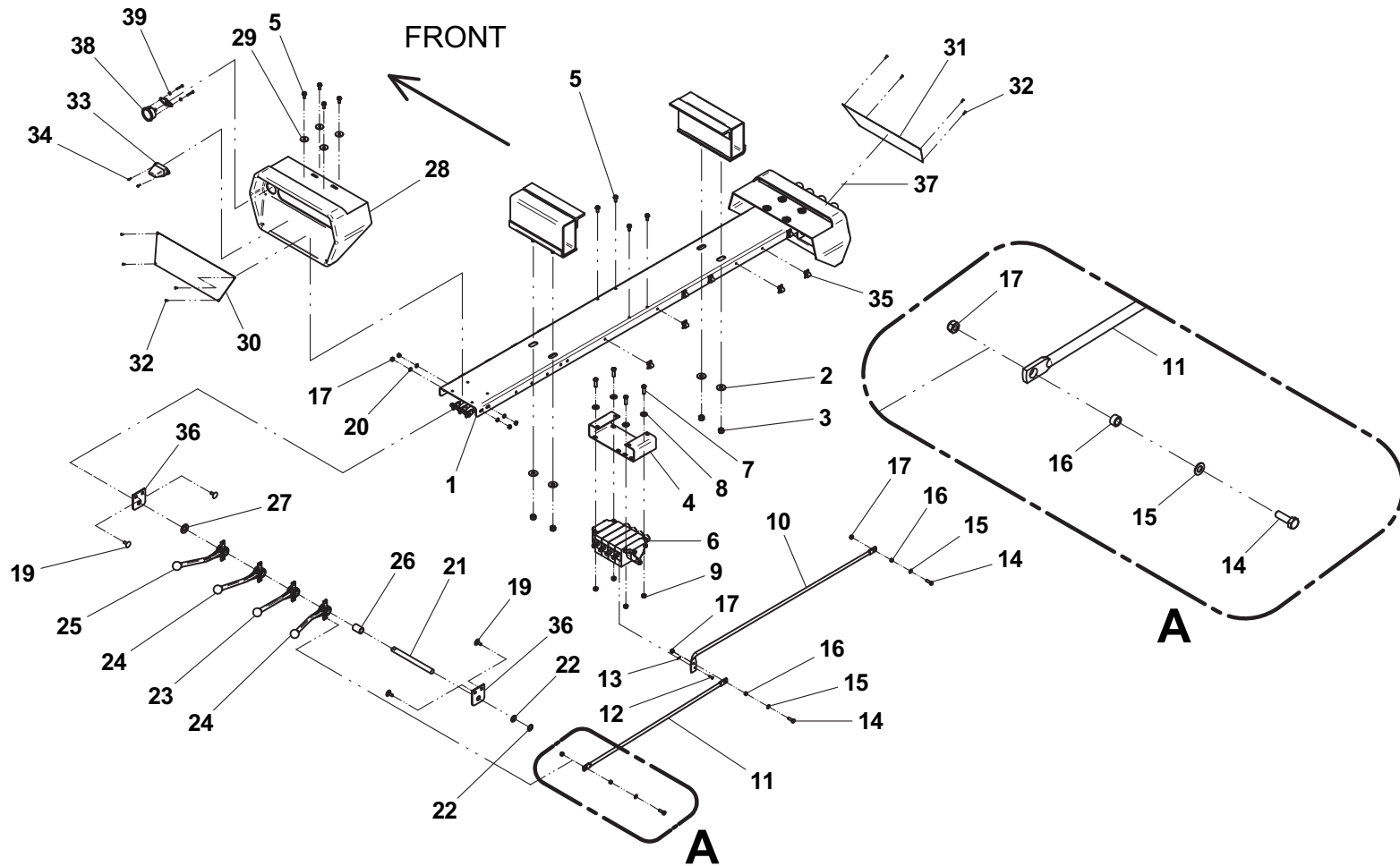


**DUAL CONTROLS - 4 BANK**

| ITEM | PART NO.     | DESCRIPTION                       | QTY | ITEM | PART NO.   | DESCRIPTION                    | QTY |
|------|--------------|-----------------------------------|-----|------|------------|--------------------------------|-----|
| 1    | 4263000431   | Channel                           | 1   | 30   | 7330000650 | Control Panel, LH (stabilizer) | 1   |
| 2    | 7950180161   | Flatwasher, 0.50" ID              | 4   | 31   | 7330000651 | Control Panel, RH (stabilizer) | 1   |
| 3    | 7660182601   | Locknut, 0.50"-13NC               | 4   | 32   | 7759000006 | Pop Rivet                      | 8   |
| 4    | 4263000430   | Channel                           | 1   | 33   | 7590000087 | Lamp                           | 2   |
| 5    | 7790151253   | Screw, 0.31"-18NC x 0.75"         | 12  | 34   | 7791060872 | Screw, #6 x 0.50"              | 4   |
| 6    | 3935000116   | Control Valve                     | 1   | 35   | 7280000007 | Wire Clip                      | 11  |
| 7    | 7111161050   | Capscrew, 0.38"-16NC x 1.25"      | 4   | 36   | 4606000217 | Lug                            | 4   |
| 8    | 7950160161   | Flatwasher, 0.38" ID              | 4   | 37   | 7560000007 | Control Hood, RH               | 1   |
| 9    | 7660162601   | Locknut, 0.38"-16NC               | 4   | 38   | 7470000023 | Gauge                          | 1   |
| 10   | 4763000280   | Control Rod                       | 4   | 39   | 7661000057 | Jam Nut, M5                    | 2   |
| 11   | 4763000279   | Control Rod                       | 4   |      |            |                                |     |
| 12   | 7690101200   | Clevis Pin                        | 4   |      |            |                                |     |
| 13   | 7691000056   | Cotter Pin                        | 4   |      |            |                                |     |
| 14   | 7115150850   | Capscrew, 0.31"-18NC x 1.00"      | 12  |      |            |                                |     |
| 15   | 7949000011   | Flatwasher, 0.31" ID              | 12  |      |            |                                |     |
| 16   | 4831000069   | Spacer                            | 12  |      |            |                                |     |
| 17   | 7660152601   | Locknut, 0.31"-18NC               | 20  |      |            |                                |     |
| 18   | Not Required |                                   |     |      |            |                                |     |
| 19   | 7115150664   | Carriage Bolt, 0.31"-18NC x 0.75" | 8   |      |            |                                |     |
| 20   | 7950150000   | Washer, 0.31" ID                  | 8   |      |            |                                |     |
| 21   | 7691000064   | Pin                               | 2   |      |            |                                |     |
| 22   | 7754000009   | Retaining Ring                    | 4   |      |            |                                |     |
| 23   | 7551000018   | Control Handle                    | 2   |      |            |                                |     |
| 24   | 7551000020   | Control Handle                    | 4   |      |            |                                |     |
| 25   | 7551000021   | Control Handle                    | 2   |      |            |                                |     |
| 26   | 4211000001   | Bushing                           | 2   |      |            |                                |     |
| 27   | 7950220141   | Flatwasher, 0.75" ID              | 2   |      |            |                                |     |
| 28   | 7560000008   | Control Hood, LH                  | 1   |      |            |                                |     |
| 29   | 7949000054   | Washer, 0.34" ID                  | 8   |      |            |                                |     |



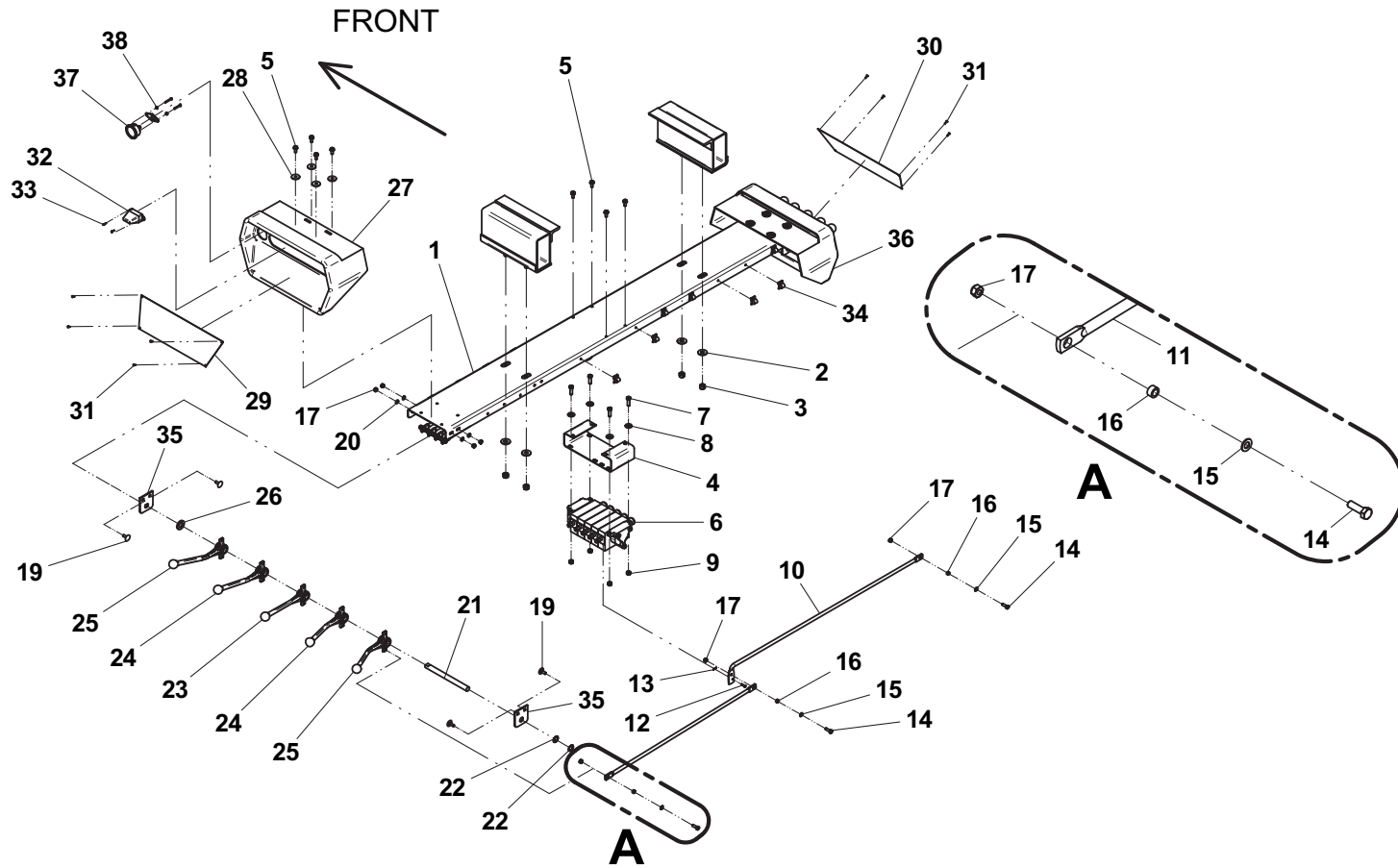
# DUAL CONTROLS - 4 BANK



**DUAL CONTROLS - 5 BANK**

| ITEM | PART NO.     | DESCRIPTION                       | QTY | ITEM | PART NO.   | DESCRIPTION       | QTY |
|------|--------------|-----------------------------------|-----|------|------------|-------------------|-----|
| 1    | 4263000431   | Channel - Standard                | 1   | 29   | 7330000648 | Control Panel, LH | 1   |
|      | 4263000776   | Channel - Galvanized              |     | 30   | 7330000649 | Control Panel, RH | 1   |
| 2    | 7950180161   | Flatwasher, 0.50" ID              | 4   | 31   | 7759000006 | Pop Rivet         | 8   |
| 3    | 7660182601   | Locknut, 0.50"-13NC               | 4   | 32   | 7590000087 | Lamp              | 2   |
| 4    | 4263000430   | Channel - Standard                | 1   | 33   | 7791060872 | Screw, #6 x 0.50" | 4   |
|      | 4263000622   | Channel - Galvanized              |     | 34   | 7280000007 | Wire Clip         | 11  |
| 5    | 7790151253   | Screw, 0.31"-18NC x 0.75"         | 12  | 35   | 4606000217 | Lug               | 4   |
| 6    | 3935000117   | Control Valve                     | 1   | 36   | 7560000007 | Control Hood, RH  | 1   |
| 7    | 7111161050   | Capscrew, 0.38"-16NC x 1.25"      | 4   | 37   | 7470000023 | Gauge             | 1   |
| 8    | 7950160161   | Flatwasher, 0.38" ID              | 4   | 38   | 7661000057 | Jam Nut, M5       | 2   |
| 9    | 7660162601   | Locknut, 0.38"-16NC               | 4   |      |            |                   |     |
| 10   | 4763000280   | Control Rod                       | 5   |      |            |                   |     |
| 11   | 4763000279   | Control Rod                       | 5   |      |            |                   |     |
| 12   | 7690101200   | Clevis Pin                        | 5   |      |            |                   |     |
| 13   | 7691000056   | Cotter Pin                        | 5   |      |            |                   |     |
| 14   | 7115150850   | Capscrew, 0.31"-18NC x 1.00"      | 15  |      |            |                   |     |
| 15   | 7949000011   | Flatwasher, 0.31" ID              | 15  |      |            |                   |     |
| 16   | 4831000069   | Spacer                            | 15  |      |            |                   |     |
| 17   | 7660152601   | Locknut, 0.31"-18NC               | 23  |      |            |                   |     |
| 18   | Not Required |                                   |     |      |            |                   |     |
| 19   | 7115150664   | Carriage Bolt, 0.31"-18NC x 0.75" | 8   |      |            |                   |     |
| 20   | 7950150000   | Washer, 0.31" ID                  | 8   |      |            |                   |     |
| 21   | 7691000064   | Pin                               | 2   |      |            |                   |     |
| 22   | 7754000009   | Retaining Ring                    | 4   |      |            |                   |     |
| 23   | 7551000018   | Control Handle                    | 2   |      |            |                   |     |
| 24   | 7551000020   | Control Handle                    | 4   |      |            |                   |     |
| 25   | 7551000021   | Control Handle                    | 4   |      |            |                   |     |
| 26   | 7950220141   | Flatwasher, 0.75" ID              | 2   |      |            |                   |     |
| 27   | 7560000008   | Control Hood, LH                  | 1   |      |            |                   |     |
| 28   | 7949000054   | Washer, 0.34" ID                  | 8   |      |            |                   |     |

# DUAL CONTROLS - 5 BANK



**HYDRAULIC COMPONENTS - STANDARD**

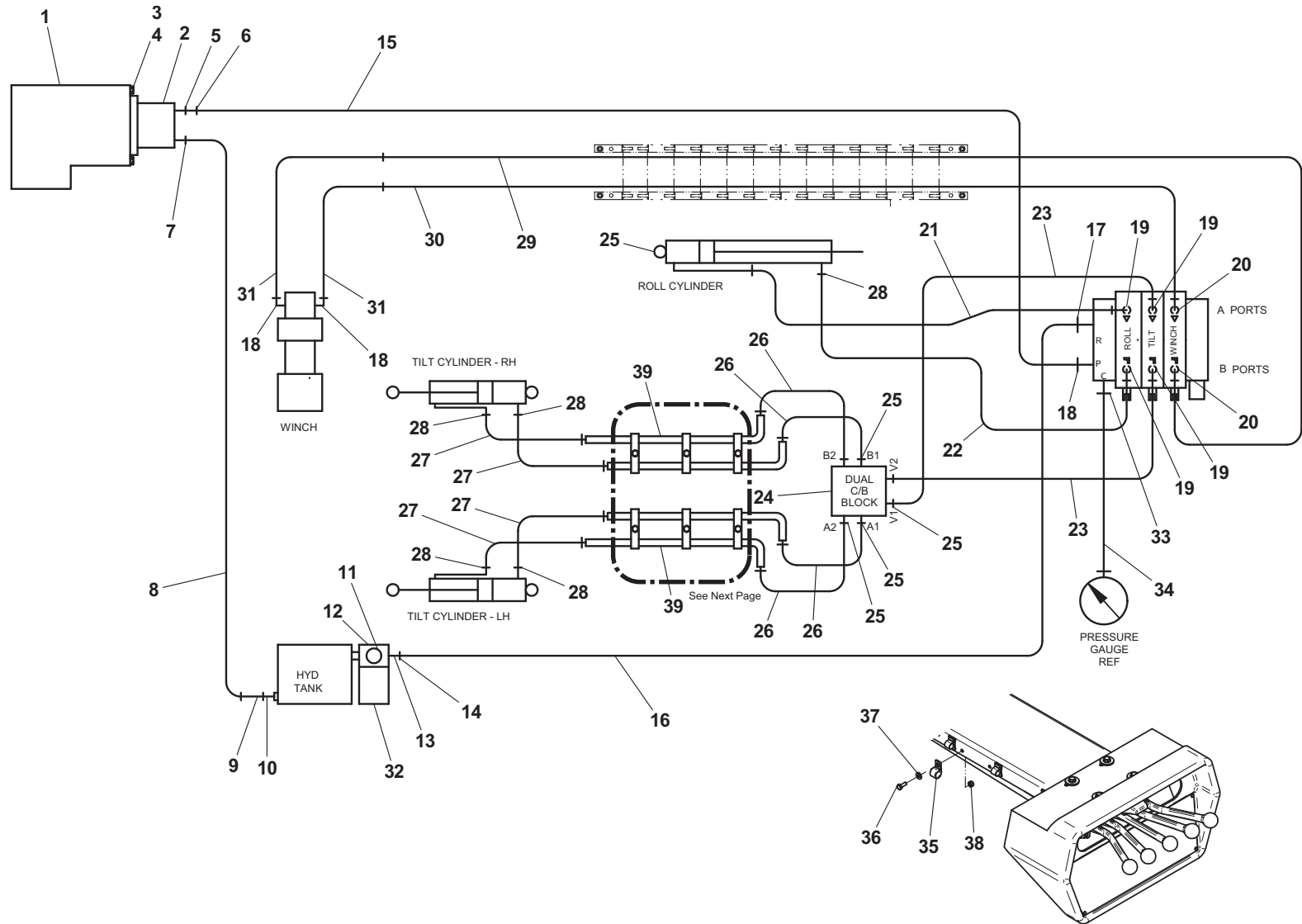
| ITEM | PART NO.    | DESCRIPTION               | QTY | ITEM | PART NO.    | DESCRIPTION                  | QTY |
|------|-------------|---------------------------|-----|------|-------------|------------------------------|-----|
| 1    | See Note 1  | PTO                       | 1   | 31   | 4567430133  | Hose Assembly                | 2   |
| 2    | 7724000126  | Pump                      | 1   | 32   | 7431000001^ | Filter Element               | 1   |
| 3    | 7115181050  | Capscrew                  | 2   | 33   | 7445040443  | Adapter                      | 1   |
| 4    | 7950180000  | Lockwasher                | 2   | 34   | 4567122039* | Hose Assembly                | 1   |
| 5    | 7445081643  | Adapter                   | 1   | 35   | 7274000063  | P-Clamp                      | 1   |
| 6    | 7443000023  | Elbow                     | 1   | 36   | 7115140650  | Capscrew, 0.25"-20NC x 0.75" | 1   |
| 7    | 7443000124  | Adapter                   | 1   | 37   | 7950140141  | Flatwasher, 0.25" ID         | 1   |
| 8    | See Note 1  | Supply Hose               | 1   | 38   | 7660142601  | Locknut, .025"-20NC          | 1   |
| 9    | 7443000013  | Nipple                    | 1   | 39   | 7912000349  | Tube Assembly                | 4   |
| 10   | 7274000002  | Clamp                     | 2   | 40   | 7274000064  | Clamp                        | 6   |
| 11   | 7430000003  | Filter Assembly           | 1   | 41   | 3314000056  | Coverplate                   | 2   |
| 12   | 7470000002  | Gauge                     | 1   | 42   | 7115150450  | Capscrew, 0.31"-18NC x 0.50" | 6   |
| 13   | 7443000319  | Fitting                   | 1   | 43   | 7950160141  | Flatwasher, 0.38" ID         | 6   |
| 14   | 7274000080  | Clamp                     | 2   |      |             |                              |     |
| 15   | See Note 1  | Pressure Hose Assembly    | 1   |      |             |                              |     |
| 16   | See Note 1  | Return Hose               | 1   |      |             |                              |     |
| 17   | 7443000446  | Adapter                   | 1   |      |             |                              |     |
| 18   | 7445081045  | Elbow                     | 3   |      |             |                              |     |
| 19   | 7445060843  | Adapter                   | 4   |      |             |                              |     |
| 20   | 7445080843  | Adapter                   | 2   |      |             |                              |     |
| 21   | 4567123051* | Hose Assembly             | 1   |      |             |                              |     |
| 22   | 4567122024* | Hose Assembly             | 1   |      |             |                              |     |
| 23   | 4567122019  | Hose Assembly             | 2   |      |             |                              |     |
| 24   | 7935000306  | Dual Counterbalance Valve | 1   |      |             |                              |     |
| 25   | 7445060643  | Adapter                   | 4   |      |             |                              |     |
| 26   | 4570000379* | Hose Assembly             | 4   |      |             |                              |     |
| 27   | 4570000376* | Hose Assembly             | 4   |      |             |                              |     |
| 28   | 7445060645  | Elbow                     | 5   |      |             |                              |     |
| 29   | 4569432122  | Hose Assembly             | 1   |      |             |                              |     |
| 30   | 4569433122  | Hose Assembly             | 1   |      |             |                              |     |

\* included in Hose Kit, P/N 4577000013

^ also available in Filter Assembly, P/N 7430000003

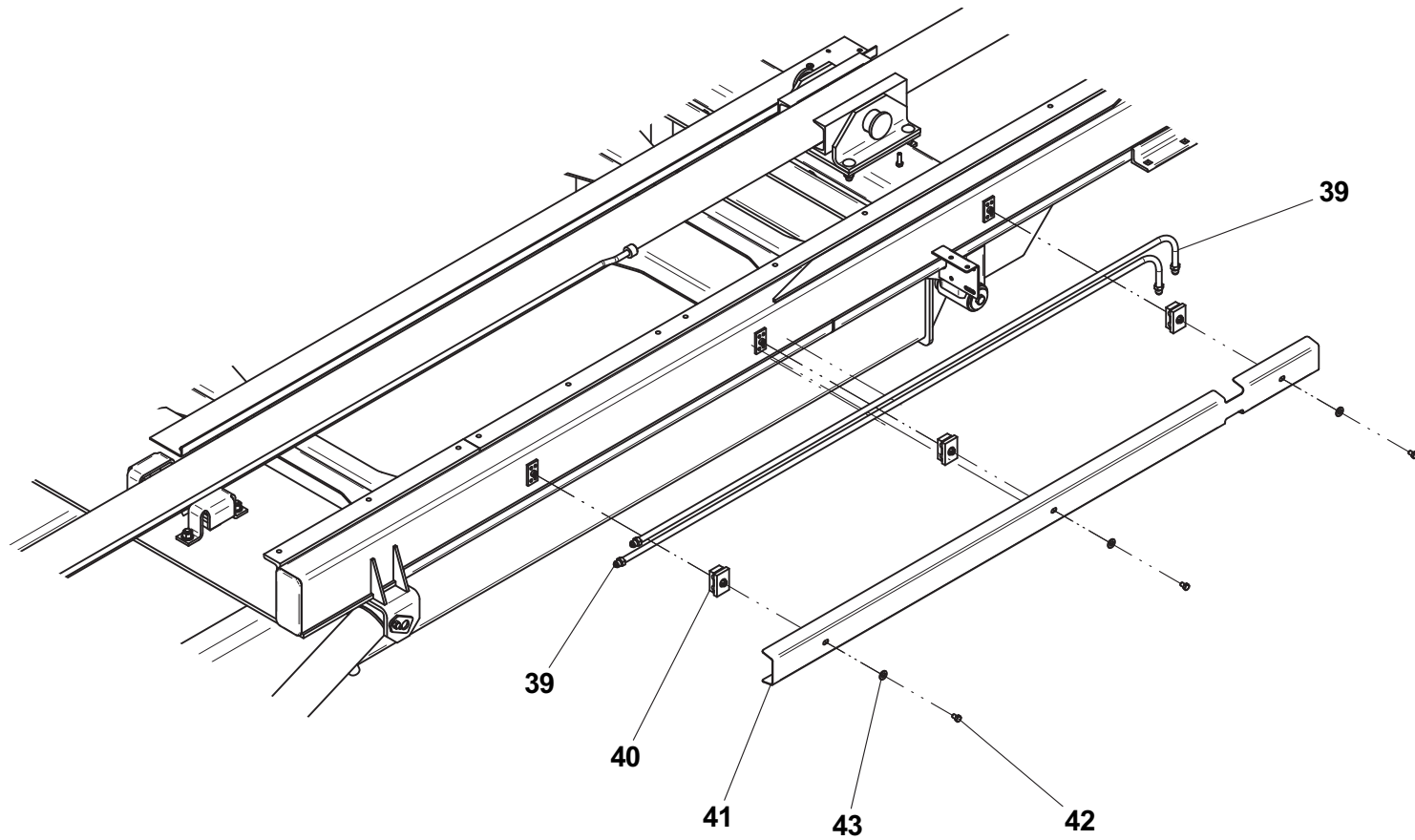
Note 1: Varies depending on chassis, transmission , PTO type & deck length.  
Consult factory for part numbers.

# HYDRAULIC COMPONENTS - STANDARD



CLAMP FOR PRESSURE GAUGE HOSE, ITEM #34

## HYDRAULIC COMPONENTS - STANDARD



**THIS PAGE INTENTIONALLY LEFT BLANK**

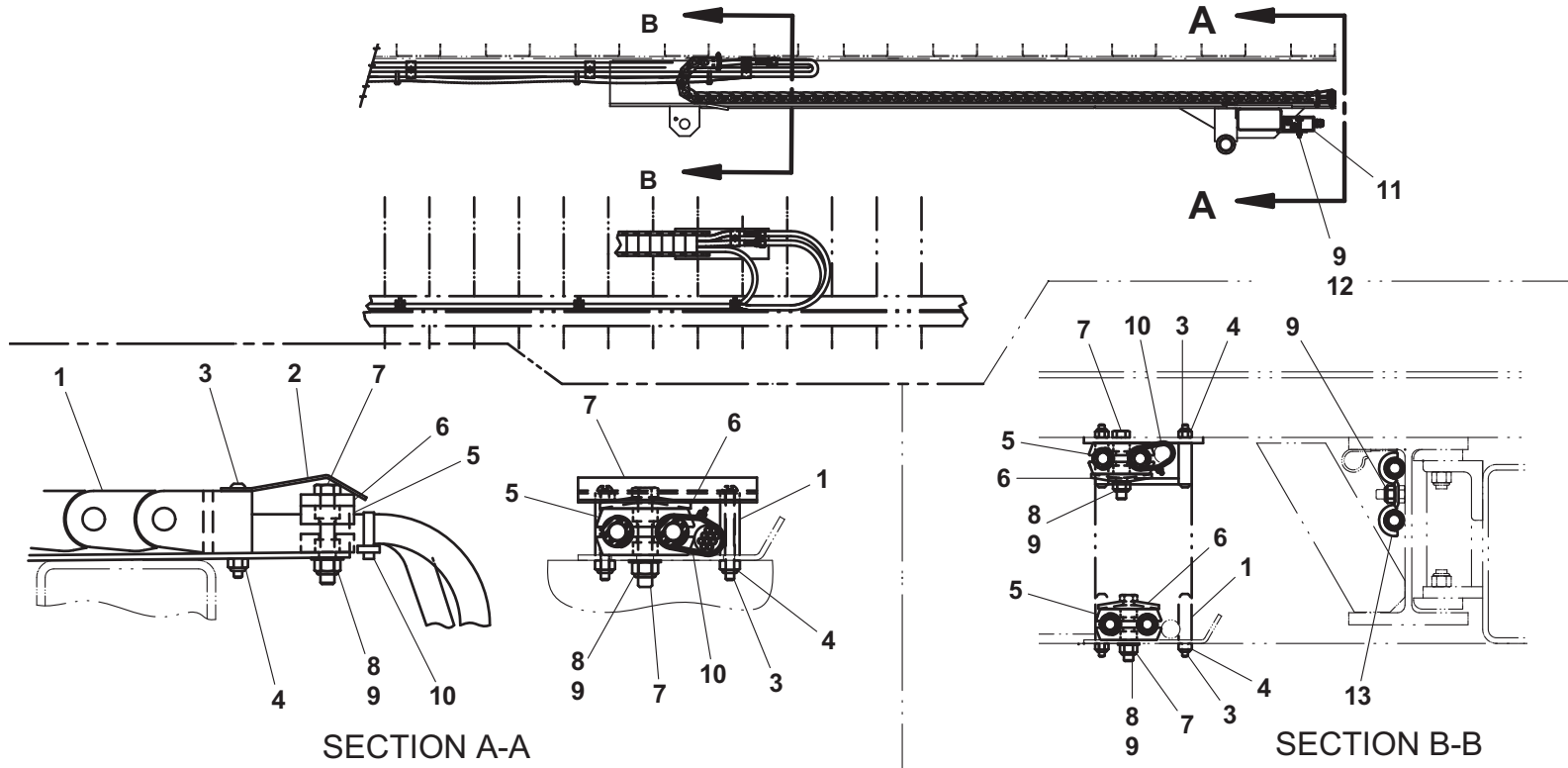
**HYDRAULIC COMPONENTS - STANDARD (HOSE TRACK)**

| ITEM | PART NO.   | DESCRIPTION                  | QTY |
|------|------------|------------------------------|-----|
| 1    | 7904000001 | Hose Track                   | 1   |
| 2    | 4706003038 | Plate                        | 1   |
| 3    | 7114101618 | Capscrew                     | 4   |
| 4    | 7660102604 | Locknut, #10-24NC            | 4   |
| 5    | 7274000038 | Clamp                        | 4   |
| 6    | 7274000039 | Clamp Cover                  | 2   |
| 7    | 7115151650 | Capscrew, 0.31"-18NC x 2.00" | 2   |
| 8    | 7950150161 | Flatwasher, 0.31" ID         | 4   |
| 9    | 7660152601 | Locknut, 0.31"-18NC          | 8   |
| 10   | 7894000004 | Tie Strap                    | 10  |
| 11   | 7935000306 | Counterbalance Valve         | 1   |
| 12   | 7115151850 | Capscrew, 0.31"-18NC x 2.50" | 2   |
| 13   | 7274000066 | Double Clamp                 | 4   |
| 14   | 7280000013 | Clip                         | *   |

\* Quantity varies depending on deck length and deck type.



# HYDRAULIC COMPONENTS - STANDARD (HOSE TRACK)

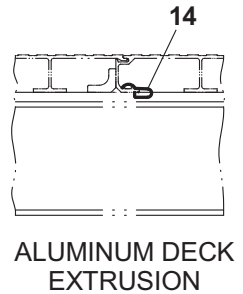


SECTION A-A

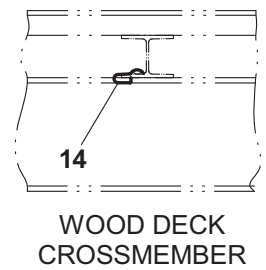
SECTION B-B



STEEL & WOOD  
DECK MAIN BEAM



ALUMINUM DECK  
EXTRUSION



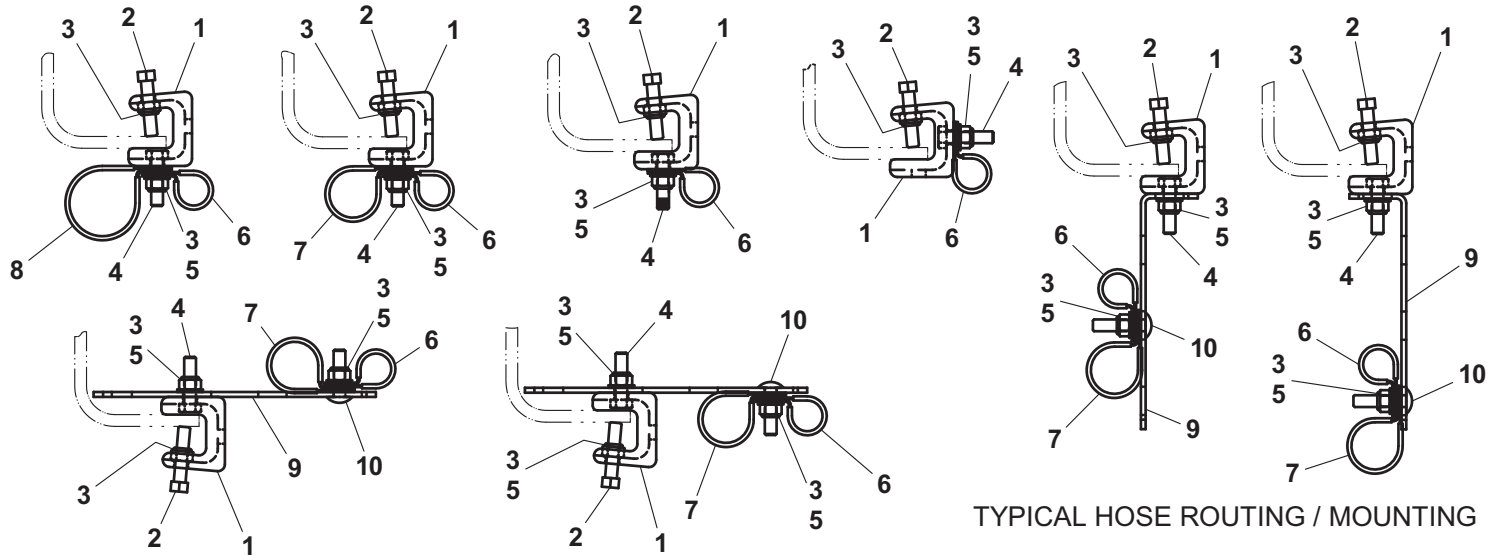
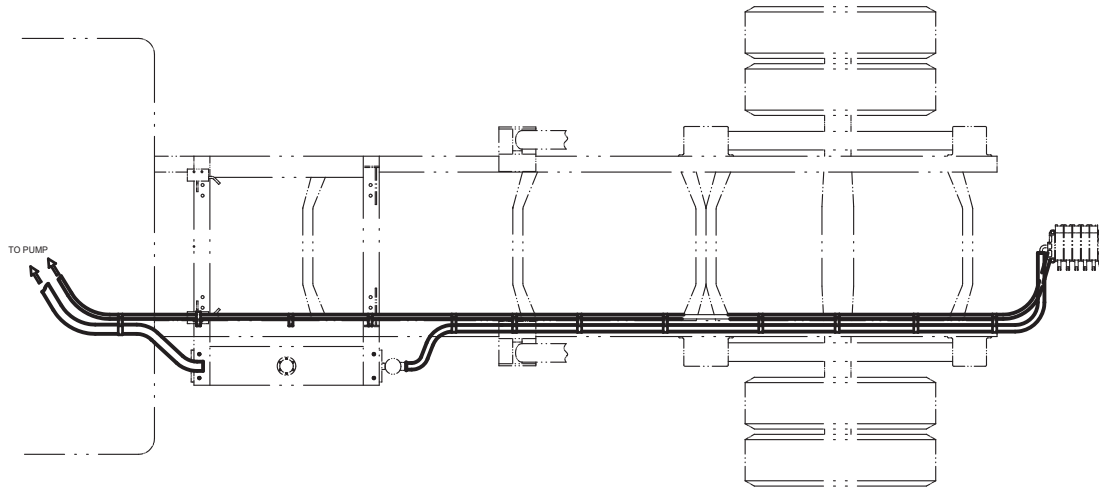
WOOD DECK  
CROSSMEMBER

**HYDRAULIC COMPONENTS - HOSE ROUTING / MOUNTING (FORD, GM & IHC)**

| ITEM | PART NO.   | DESCRIPTION                       | QTY |
|------|------------|-----------------------------------|-----|
| 1    | 7274000076 | Cast Frame Clamp                  | *   |
| 2    | 7785152420 | Set Screw, 0.31"-18NC x 1.50"     | *   |
| 3    | 7660152601 | Locknut, 0.31"-18NC               | *   |
| 4    | 7115151050 | Capscrew, 0.31"-18NC x 1.25"      | *   |
| 5    | 7950150161 | Flatwasher, 0.31" ID              | *   |
| 6    | 7274000040 | Clamp                             | *   |
| 7    | 7274000041 | Clamp                             | *   |
| 8    | 7274000042 | Clamp                             | *   |
| 9    | 4706003844 | Plate                             | *   |
| 10   | 7115151064 | Carriage Bolt, 0.31"-18NC x 1.25" | *   |

\* Quantity varies depending on deck length and deck type

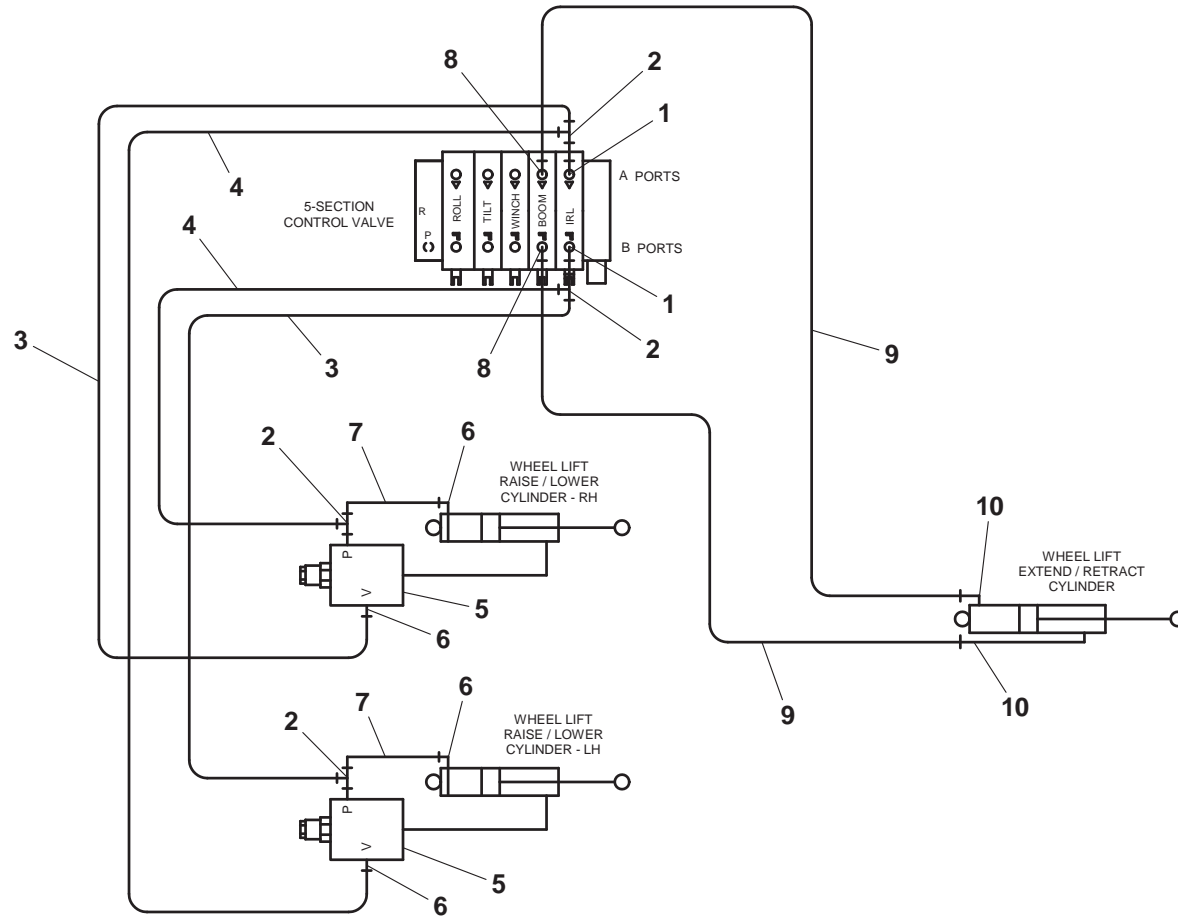
# HYDRAULIC COMPONENTS - HOSE ROUTING / MOUNTING (FORD, GM & IHC)



**HYDRAULIC COMPONENTS - IRL WHEEL LIFT WITH MANUAL GRIDS**

| ITEM | PART NO.   | DESCRIPTION          | QTY |
|------|------------|----------------------|-----|
| 1    | 7443000129 | Reducer              | 2   |
| 2    | 7445060648 | Tee                  | 4   |
| 3    | 4567123045 | Hose Assembly        | 2   |
| 4    | 4567122043 | Hose Assembly        | 2   |
| 5    | 7935000305 | Counterbalance Valve | 2   |
| 6    | 7445060645 | Elbow                | 4   |
| 7    | 4567122014 | Hose Assembly        | 2   |
| 8    | 7443040843 | Adapter              | 2   |
| 9    | 4567110034 | Hose Assembly        | 2   |
| 10   | 7445040446 | Elbow                | 2   |

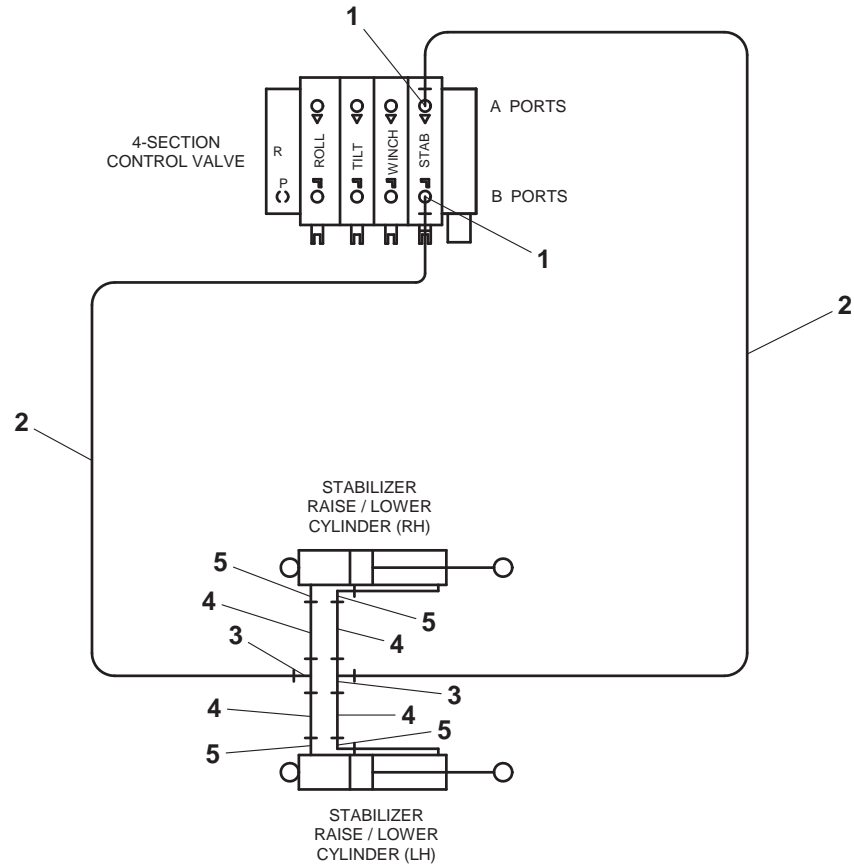
# HYDRAULIC COMPONENTS - IRL WHEEL LIFT WITH MANUAL GRIDS



**HYDRAULIC COMPONENTS - HYDRAULIC REAR DOCK STABILIZER**

| ITEM | PART NO.   | DESCRIPTION   | QTY |
|------|------------|---------------|-----|
| 1    | 7445060843 | Adapter       | 2   |
| 2    | 4567122035 | Hose Assembly | 2   |
| 3    | 7445060637 | Tee           | 2   |
| 4    | 4567120019 | Hose Assembly | 4   |
| 5    | 7445060645 | Elbow         | 4   |

# HYDRAULIC COMPONENTS - HYDRAULIC REAR DOCK STABILIZER

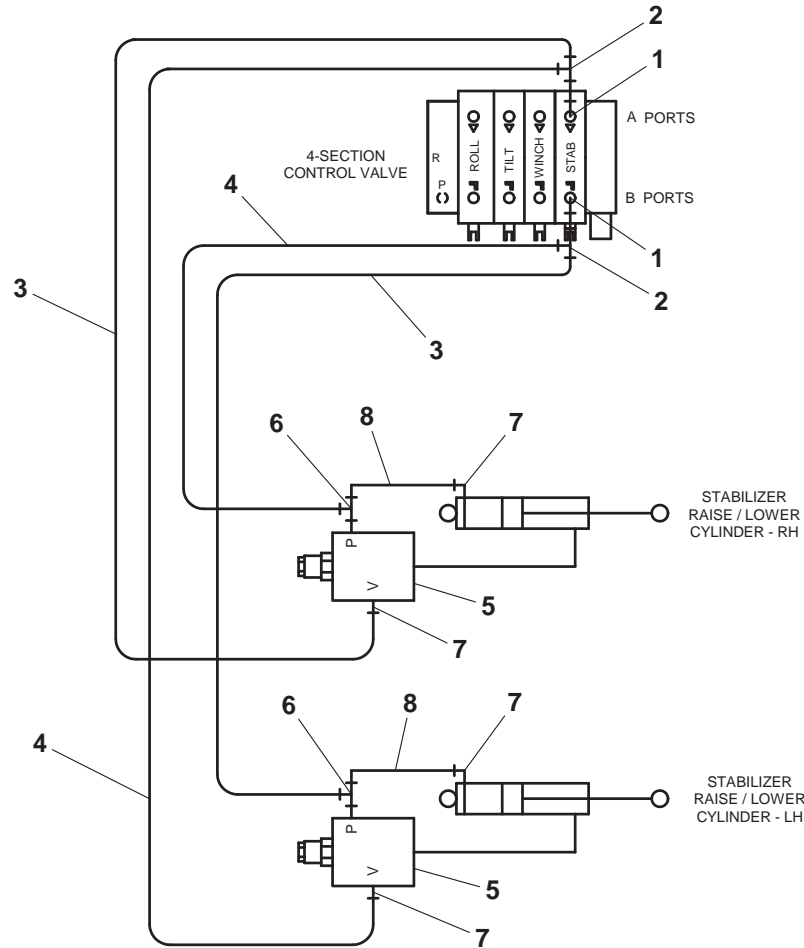


**HYDRAULIC COMPONENTS - STABILIZER W/ REESE HITCH RECEIVER OR PINTLE HITCH MTG PLT**

| ITEM | PART NO.   | DESCRIPTION          | QTY |
|------|------------|----------------------|-----|
| 1    | 7445060845 | Elbow                | 2   |
| 2    | 7443000030 | Tee                  | 2   |
| 3    | 4567123050 | Hose Assembly        | 2   |
| 4    | 4567122046 | Hose Assembly        | 2   |
| 5    | 7935000305 | Counterbalance Valve | 2   |
| 6    | 7445060648 | Tee                  | 2   |
| 7    | 7445060645 | Elbow                | 4   |
| 8    | 4567122014 | Hose Assembly        | 2   |



# HYDRAULIC COMPONENTS - STABILIZER W/ REESE HITCH RECEIVER OR PINTLE HITCH MTG PLT



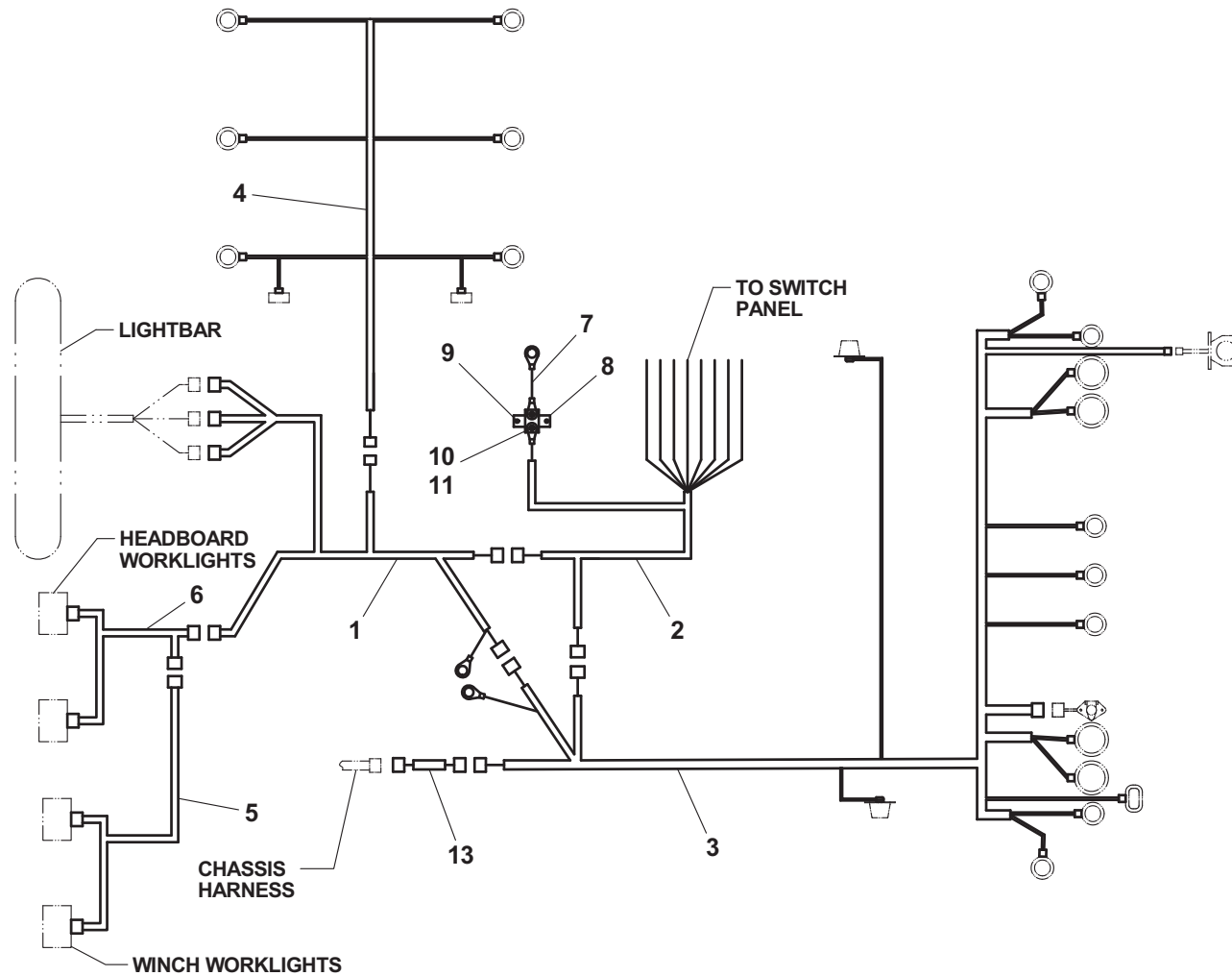
**ELECTRICAL COMPONENTS - STANDARD W/ DECK MOUNTED HEADBOARD**

| ITEM | PART NO.    | DESCRIPTION                      | QTY |
|------|-------------|----------------------------------|-----|
| 1    | 7552000098  | Subframe to Deck Harness         | 1   |
| 2    | 7552000074  | Subframe to Cab Harness          | 1   |
| 3    | 7552000135  | Subframe Harness                 | 1   |
| 4    | 7552000177  | Deck Harness (21' deck)          | 1   |
|      | 7552000179  | Deck Harness (22' deck)          |     |
| 5    | 7552000166  | Winch Lights Harness             | 1   |
| 6    | 7552000222  | Work Lights on Headboard Harness | 1   |
| 7    | 1001129882^ | Breaker Harness                  | 1   |
| 8    | 7457000004^ | Circuit Breaker                  | 1   |
| 9    | 7790100856^ | Screw, #10 x 0.50"               | 2   |
| 10   | 7345221902^ | Terminal                         | 1   |
| 11   | 7950100151^ | Flatwasher, 0.19" ID             | 2   |
| 12   | 7280000013  | Clip                             | *   |
| 13   | 7577000194  | Wiring Connector Kit             | 1   |
| 14   | 4346000005  | Heat Shrink Tubing - 1.50"       | 5   |

\* Quantity varies depending on deck construction.

^ Only used with Jerr-dan Supplied Switch Panels.

# ELECTRICAL COMPONENTS - STANDARD W/ DECK MOUNTED HEADBOARD



Item #12, Clip and #14, Tubing, not shown.

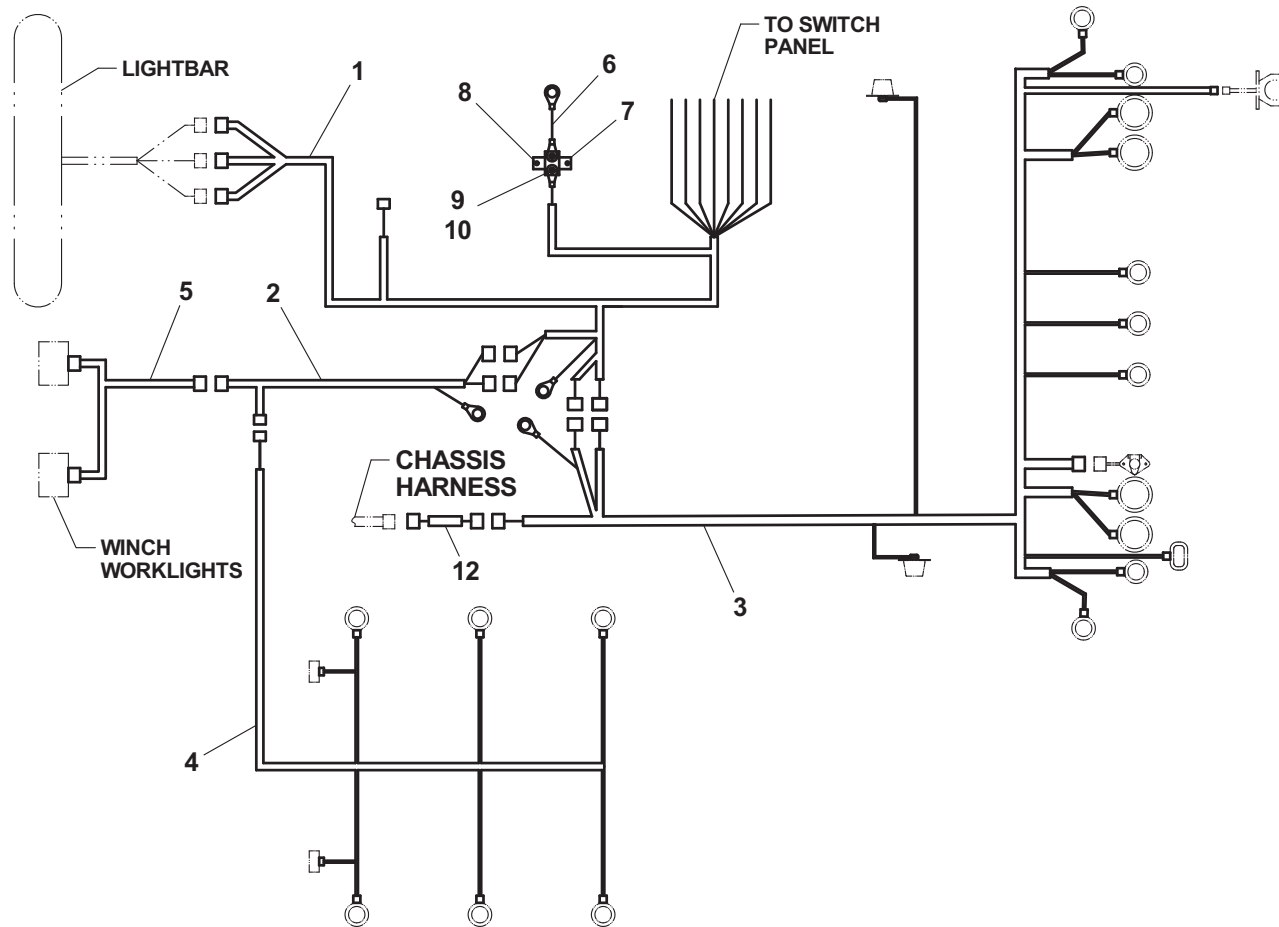
**ELECTRICAL COMPONENTS - STANDARD W/ STATIONARY HEADBOARD**

| ITEM | PART NO.    | DESCRIPTION                | QTY |
|------|-------------|----------------------------|-----|
| 1    | 7552000204  | Subframe to Cab Harness    | 1   |
| 2    | 7552000075  | Subframe to Deck Harness   | 1   |
| 3    | 7552000135  | Subframe Harness           | 1   |
| 4    | 7552000177  | Deck Harness (21' deck)    | 1   |
|      | 7552000179  | Deck Harness (22' deck)    |     |
| 5    | 7552000166  | Winch Lights Harness       | 1   |
| 6    | 7345241902^ | Terminal                   | 1   |
| 7    | 7457000004^ | Circuit Breaker            | 1   |
| 8    | 7790100856^ | Screw, #10 x 0.50"         | 2   |
| 9    | 7345221902^ | Terminal                   | 2   |
| 10   | 7950100151^ | Flatwasher, 0.19" ID       | 2   |
| 11   | 7280000013  | Clip                       | *   |
| 12   | 7577000194  | Wiring Connector Kit       | 1   |
| 13   | 4346000005  | Heat Shrink Tubing - 1.50" | 5   |

\* Quantity varies depending on deck construction.

^ Only used with Jerr-dan Supplied Switch Panels.

# ELECTRICAL COMPONENTS - STANDARD W/ STATIONARY HEADBOARD

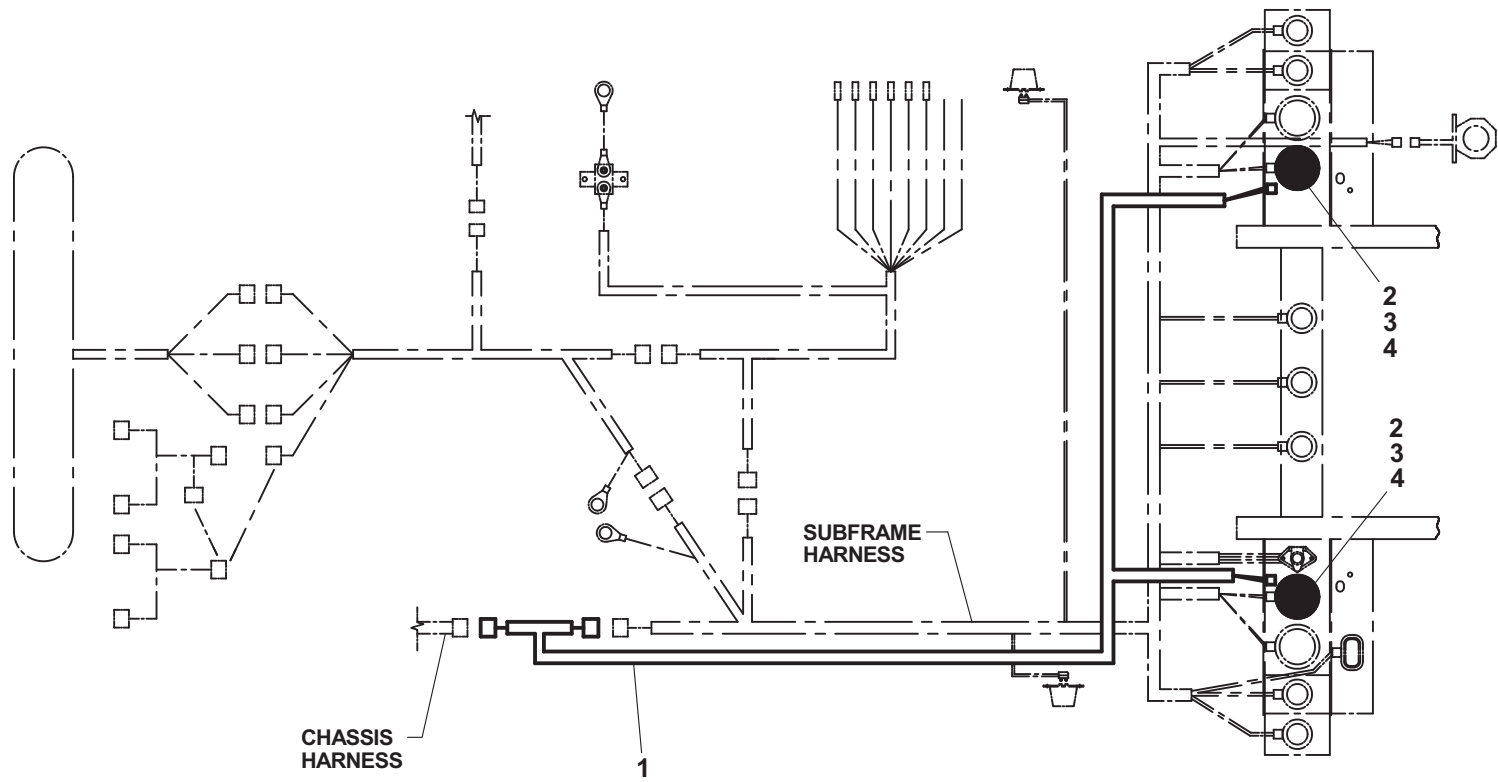


Item #11, Clip and #13, Tubing, not shown.

**ELECTRICAL COMPONENTS - OPTIONAL (TAIL LIGHT CONVERTER)**

| ITEM | PART NO.   | DESCRIPTION                | QTY |
|------|------------|----------------------------|-----|
| 1    | 7552000472 | Harness                    | 1   |
| 2    | 7590000432 | Stop/Tail/Turn Light       | 2   |
| 3    | 7114101018 | Capscrew, #10-24NC x 1.25" | 6   |
| 4    | 7660102604 | Locknut, #10-24NC          | 6   |

# ELECTRICAL COMPONENTS - OPTIONAL (TAIL LIGHT CONVERTER)

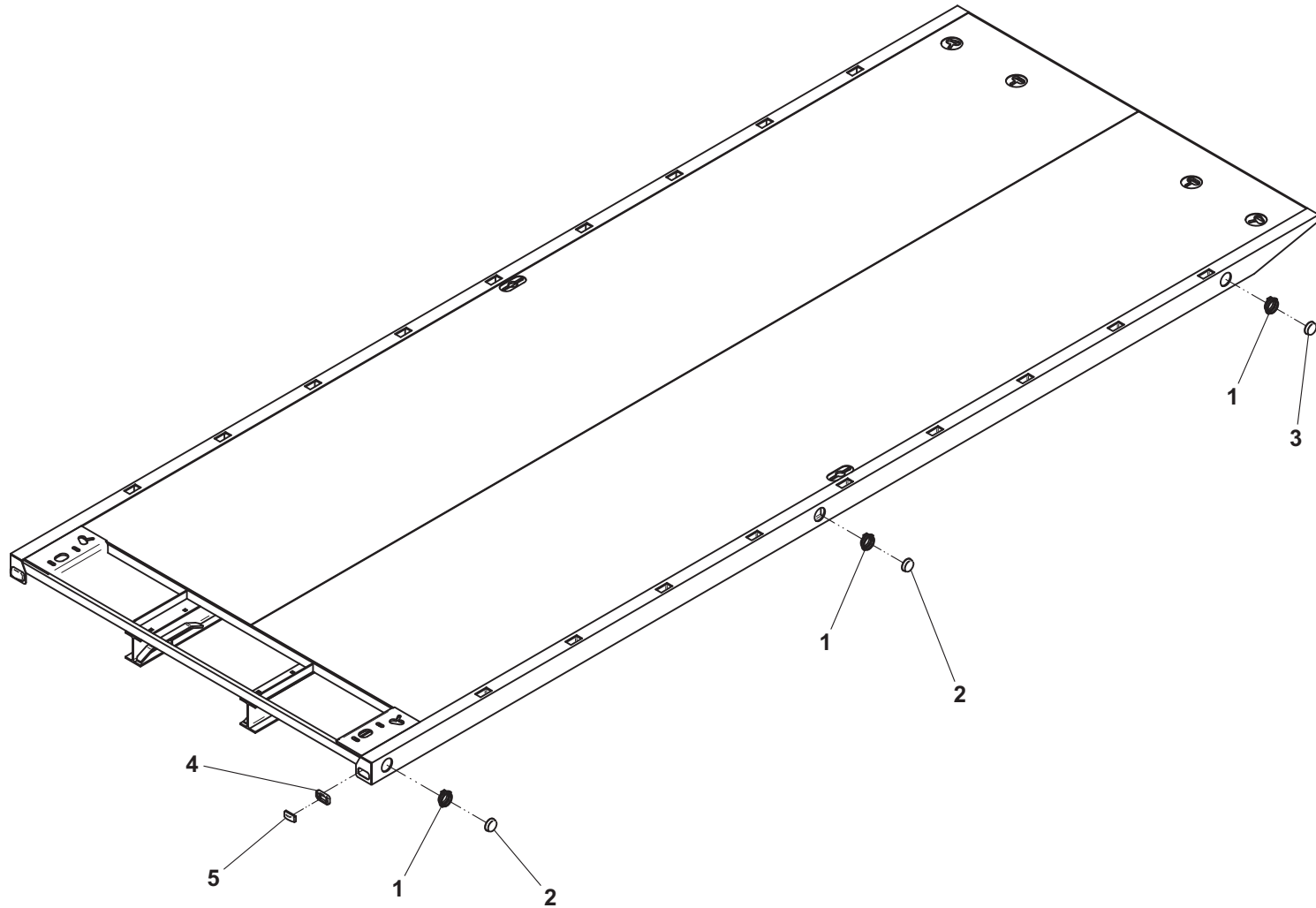


**DECK MARKER LIGHTS**

| ITEM | PART NO.   | DESCRIPTION                | QTY |
|------|------------|----------------------------|-----|
| 1    | 7493000009 | Grommet                    | 6   |
| 2    | 7590000342 | Marker Light - Amber (LED) | 4   |
| 3    | 7590000343 | Marker Light - Red (LED)   | 2   |
| 4    | 7493000010 | Grommet                    | 2   |
| 5    | 7590000339 | Marker Light - Amber (LED) | 2   |



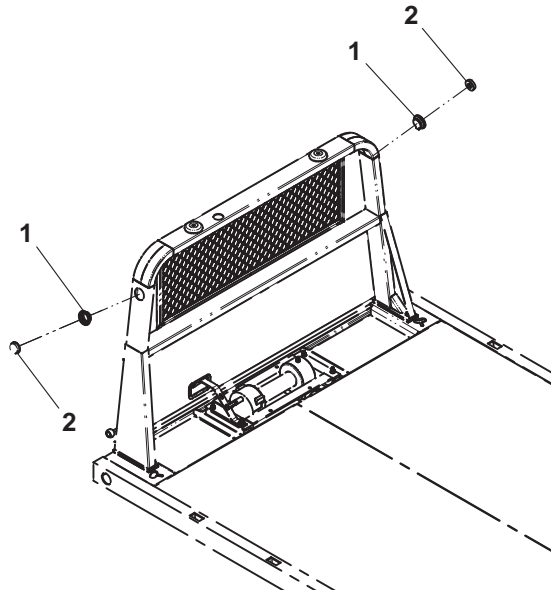
# DECK MARKER LIGHTS



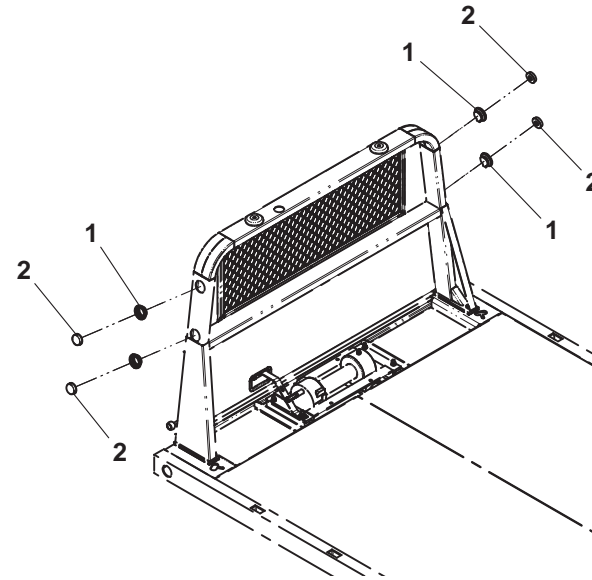
**HEADBOARD SIDE MARKER LIGHTS**

| ITEM | PART NO.   | DESCRIPTION   | QTY |
|------|------------|---|-----|
| 1    | 7493000009 | Grommet (36" headboard)                                   | 2   |
|      | 7493000009 | Grommet (45", 50" & 57" headboards)                       | 4   |
| 2    | 7590000342 | Marker Light - Amber (LED)<br>(36" headboard)             | 2   |
|      | 7590000342 | Marker Light - Amber (LED)<br>(45", 50" & 57" headboards) | 4   |
| 3    | 7552000409 | Headboard to Cab Harness                                  | 1   |

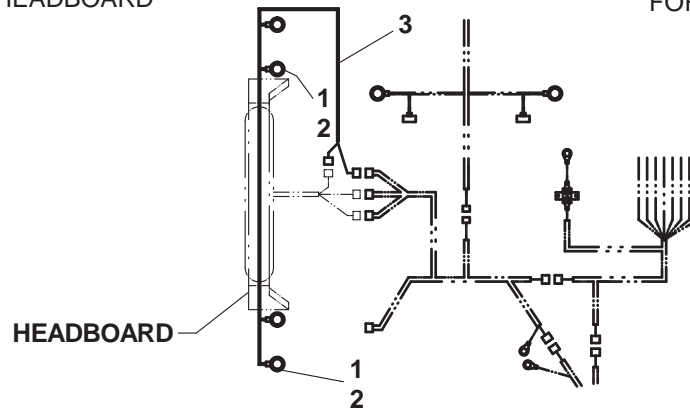
# HEADBOARD SIDE MARKER LIGHTS



FOR 36" & 40" HEADBOARD



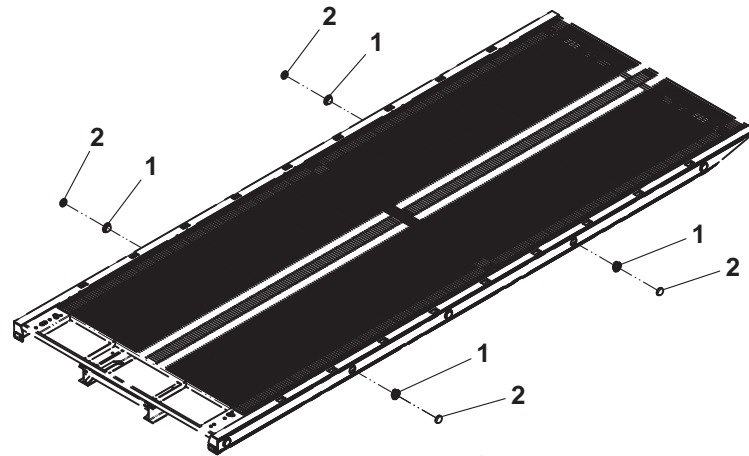
FOR 45", 50" & 57" HEADBOARD



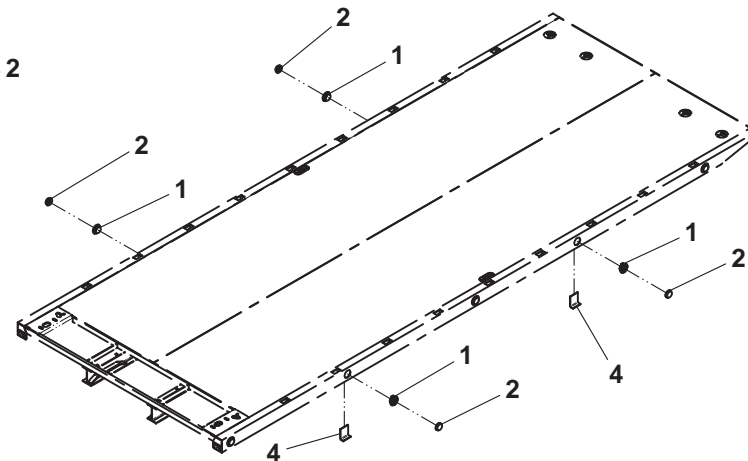
**ADDITIONAL DECK MARKER LIGHTS**

| ITEM | PART NO.   | DESCRIPTION                     | QTY |
|------|------------|---------------------------------|-----|
| 1    | 7493000009 | Grommet                         | 4   |
| 2    | 7590000342 | Marker Light - Amber (LED)      | 4   |
| 3    | 7552000212 | Additional Markers Deck Harness | 1   |
| 4    | 4017001059 | Angle                           | 4   |
| 5    | 7280000018 | Wire Clip                       | 16  |

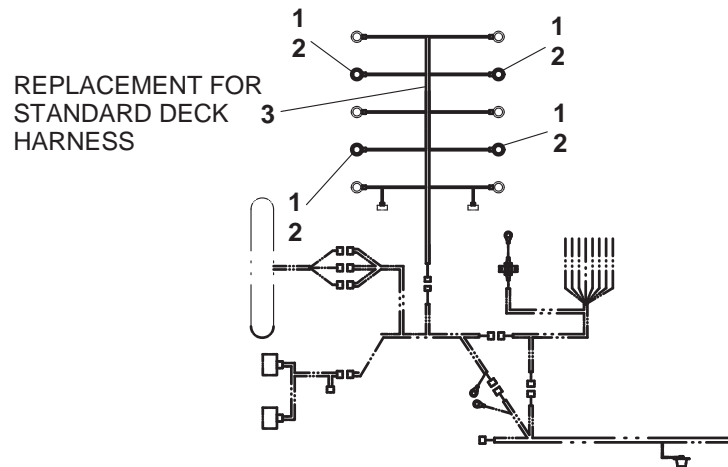
# ADDITIONAL DECK MARKER LIGHTS



ALUMINUM DECK



STEEL DECK



REPLACEMENT FOR  
STANDARD DECK  
HARNESS

Item #5, Wire Clip, not shown.

**IRL WHEEL LIFT**

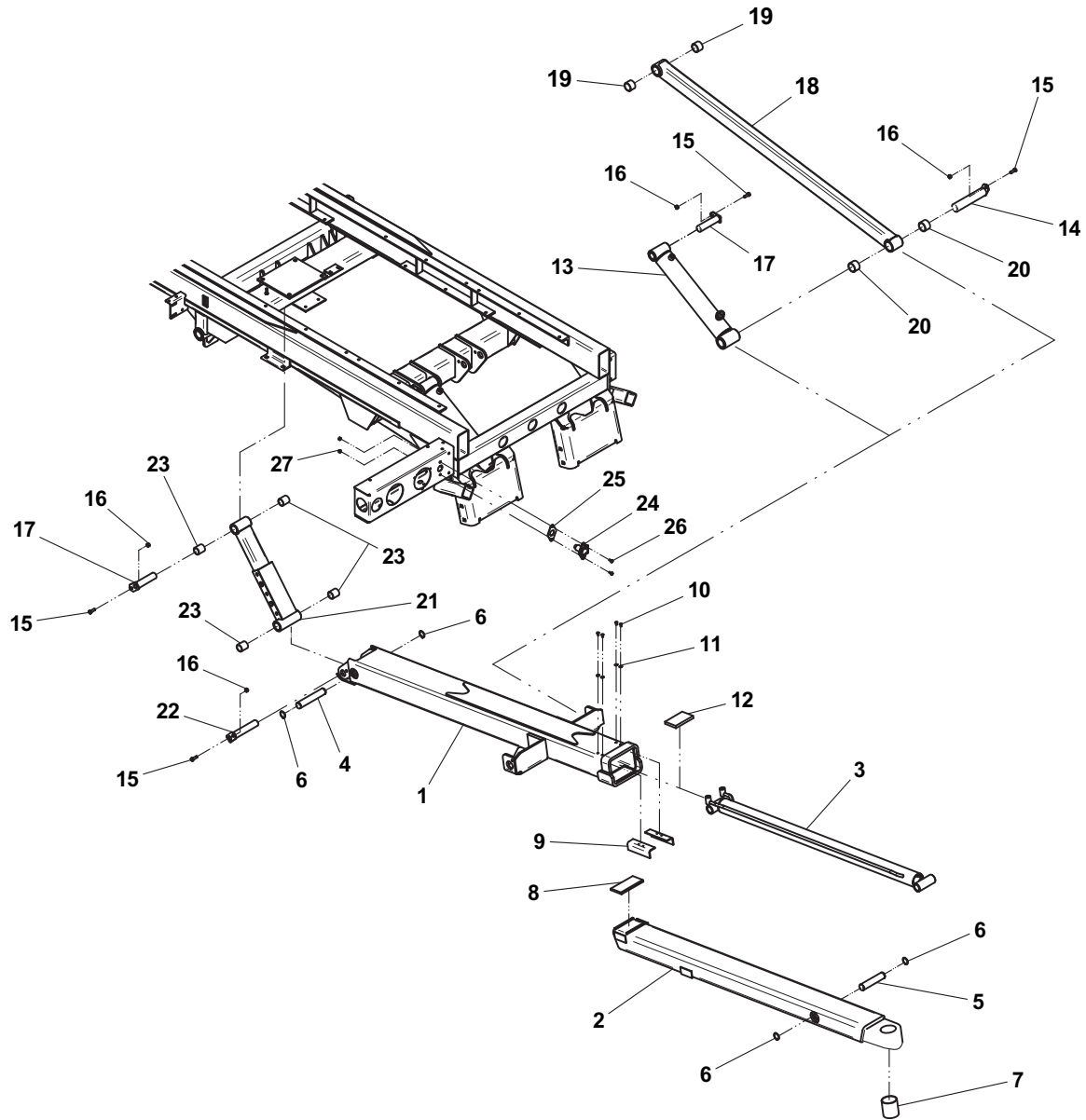
| ITEM | PART NO.    | DESCRIPTION                  | QTY |
|------|-------------|------------------------------|-----|
| 1    | 3170000162  | Outer Boom Weld - Standard   | 1   |
|      | 3170000504  | Outer Boom Weld - Galvanized |     |
| 2    | 3911000078  | Inner Boom Weld              | 1   |
| 3    | 3320000115  | Cylinder Assembly            | 1   |
| 4    | 4691000296  | Pin                          | 1   |
| 5    | 4691000268  | Pin                          | 1   |
| 6    | 7754000006  | Retaining Ring               | 4   |
| 7    | 7082000021* | Bushing                      | 1   |
| 8    | 4679000046  | Wear Pad                     | 1   |
| 9    | 4017000739  | Angle                        | 2   |
| 10   | 7118140418  | Capscrew, 0.25"-20NC x 0.50" | 4   |
| 11   | 7950100151  | Washer, 0.19" ID             | 4   |
| 12   | 4679000211  | Wear Pad                     | 1   |
| 13   | 3320000114  | Cylinder Assembly            | 2   |
| 14   | 3691000164  | Pin Weld                     | 2   |
| 15   | 7115160950  | Capscrew, 0.38"-16NC x 1.12" | 6   |
| 16   | 7660162601  | Locknut, 0.38"-16NC          | 6   |
| 17   | 3691000073  | Pin Weld                     | 3   |
| 18   | 3020000102  | Arm Weld - Standard          | 2   |
|      | 3020000131  | Arm Weld - Galvanized        |     |
| 19   | 7082000017+ | Bearing                      | 4   |
| 20   | 7082000018+ | Bearing                      | 4   |
| 21   | 3592000040  | Link Assembly - Standard     | 1   |
|      | 3592000066  | Link Assembly - Galvanized   |     |
| 22   | 3691000069  | Pin Weld                     | 1   |
| 23   | 7082000016^ | Bearing                      | 4   |
| 24   | 7291000010  | 4-Way Receptacle             | 1   |
| 25   | 7796000048  | Gasket                       | 1   |
| 26   | 7114140528  | Screw                        | 2   |
| 27   | 7660142601  | Locknut                      | 2   |

\* included in Inner Boom Weld, P/N 3911000078

+ included in Arm Weld, P/Ns 3020000102 & 3020000131

^ included in Link Weld, P/Ns 3592000040 & 3592000066

# IRL WHEEL LIFT



**MANUAL L-ARM WHEEL LIFT GRID**

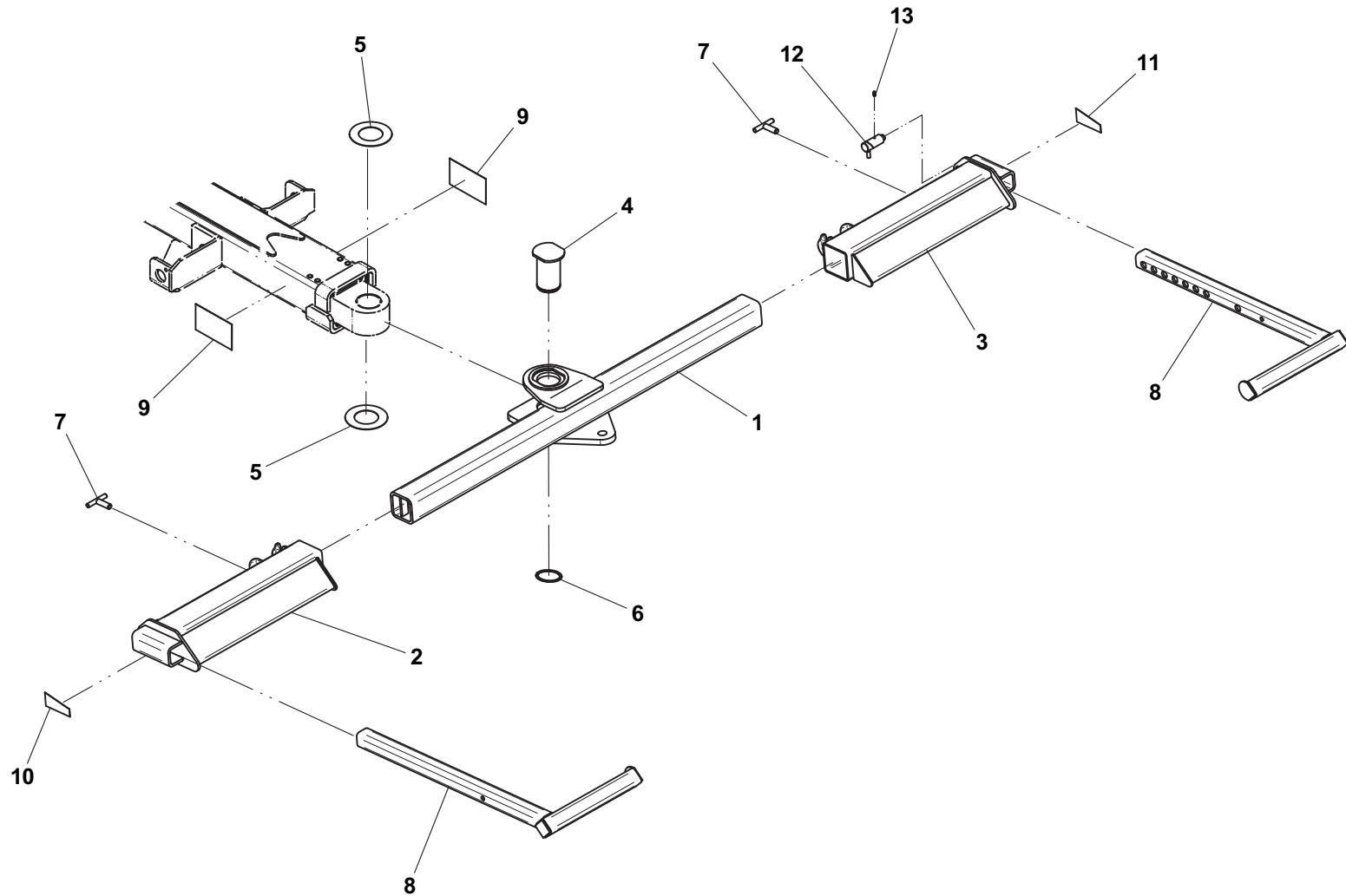
| ITEM | PART NO.    | DESCRIPTION                                   | QTY |
|------|-------------|---|-----|
| 1    | 3913000097  | Pivot Tube Weld<br>(w/ ball hitch plate)      | 1   |
|      | 3913000100  | Pivot Tube Weld<br>(w/ 2" reese receiver)     |     |
|      | 3913000101  | Pivot Tube Weld<br>(w/ 2-1/2" reese receiver) |     |
| 2    | 3484000091  | Grid Weld - LH                                | 1   |
| 3    | 3484000090  | Grid Weld - RH                                | 1   |
| 4    | 4691000427  | Pivot Pin                                     | 1   |
| 5    | 4949000047  | Washer  | 2   |
| 6    | 7754000024  | Retaining Ring                                | 1   |
| 7    | 3551000036  | T-Handle                                      | 2   |
| 8    | 3511880049  | L-Arm Weld - Standard                         | 2   |
|      | 3020000132  | L-Arm Weld - Galvanized                       |     |
| 9    | 7330000419  | Reflective Tape                               | 2   |
| 10   | 7330000420  | Reflective Tape - LH                          | 1   |
| 11   | 7330000432  | Reflective Tape - RH                          | 1   |
| 12   | 3551000011* | Cam Lock Assembly                             | 2   |
| 13   | 7440030000^ | Grease Fitting                                | 2   |

\* 3551000011, Cam Lock Assembly, included with 3484000091 & 3484000090, Grid Weld

^ 7440030000, Grase Fitting, included with 3551000011, Cam Lock Assembly



# MANUAL L-ARM WHEEL LIFT GRID



Pivot tube weld with IRL ball hitch mounting plate shown

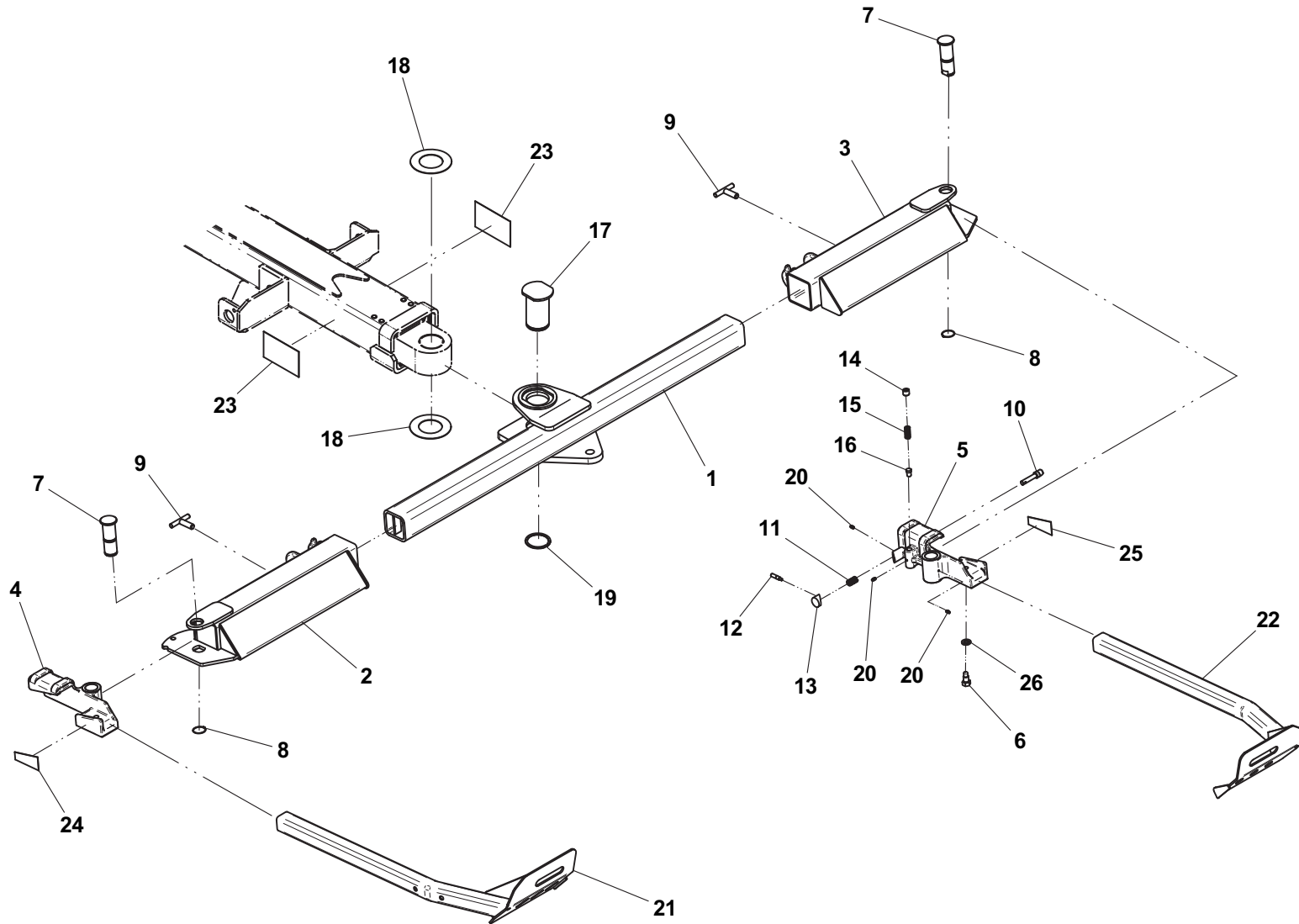
**MANUAL T37 PIVOTING WHEEL LIFT GRID**

| ITEM | PART NO.     | DESCRIPTION                                   | QTY | ITEM | PART NO.   | DESCRIPTION          | QTY |
|------|--------------|---|-----|------|------------|----------------------|-----|
| 1    | 3913000097   | Pivot Tube Weld<br>(w/ ball hitch plate)      | 1   | 25   | 7330000432 | Reflective tape      | 1   |
|      | 3913000100   | Pivot Tube Weld<br>(w/ 2" reese receiver)     |     | 26   | 7950200000 | Lockwasher, 0.63" ID | 2   |
|      | 3913000101   | Pivot Tube Weld<br>(w/ 2-1/2" reese receiver) |     |      |            |                      |     |
| 2    | 3484000017*  | Grid Weld - LH                                | 1   |      |            |                      |     |
| 3    | 3484000016+  | Grid Weld - RH                                | 1   |      |            |                      |     |
| 4    | 4259000002*  | Pivot Casting, LH                             | 1   |      |            |                      |     |
| 5    | 4259000001+  | Pivot Casting, RH                             | 1   |      |            |                      |     |
| 6    | 4691000354*+ | Pin   | 2   |      |            |                      |     |
| 7    | 4691000357*+ | Pin   | 2   |      |            |                      |     |
| 8    | 7754000037*+ | Retaining Ring                                | 2   |      |            |                      |     |
| 9    | 3551000036   | T-Handle                                      | 2   |      |            |                      |     |
| 10   | 4691000186*+ | Pin   | 2   |      |            |                      |     |
| 11   | 7843000006*+ | Spring  | 2   |      |            |                      |     |
| 12   | 4763000184*+ | Rod   | 2   |      |            |                      |     |
| 13   | 4254000005*+ | Cap   | 2   |      |            |                      |     |
| 14   | 7786000006*+ | Screw   | 2   |      |            |                      |     |
| 15   | 7843000016*+ | Spring  | 2   |      |            |                      |     |
| 16   | 4691000183*+ | Pin   | 2   |      |            |                      |     |
| 17   | 4691000427   | Pivot Pin                                     | 1   |      |            |                      |     |
| 18   | 4949000047   | Washer  | 2   |      |            |                      |     |
| 19   | 7754000024   | Retaining Ring                                | 1   |      |            |                      |     |
| 20   | 7440030000   | Grease Fitting                                | 6   |      |            |                      |     |
| 21   | 3020000029   | L-Arm Weld - LH                               | 1   |      |            |                      |     |
| 22   | 3020000030   | L-Arm Weld - RH                               | 1   |      |            |                      |     |
| 23   | 7330000419   | Reflective Tape                               | 2   |      |            |                      |     |
| 24   | 7330000420   | Reflective Tape                               | 1   |      |            |                      |     |

\* also available in Grid Assembly, LH, P/N 3484000047

+ also available in Grid Assembly, RH, P/N 3484000046

# MANUAL T37 PIVOTING WHEEL LIFT GRID



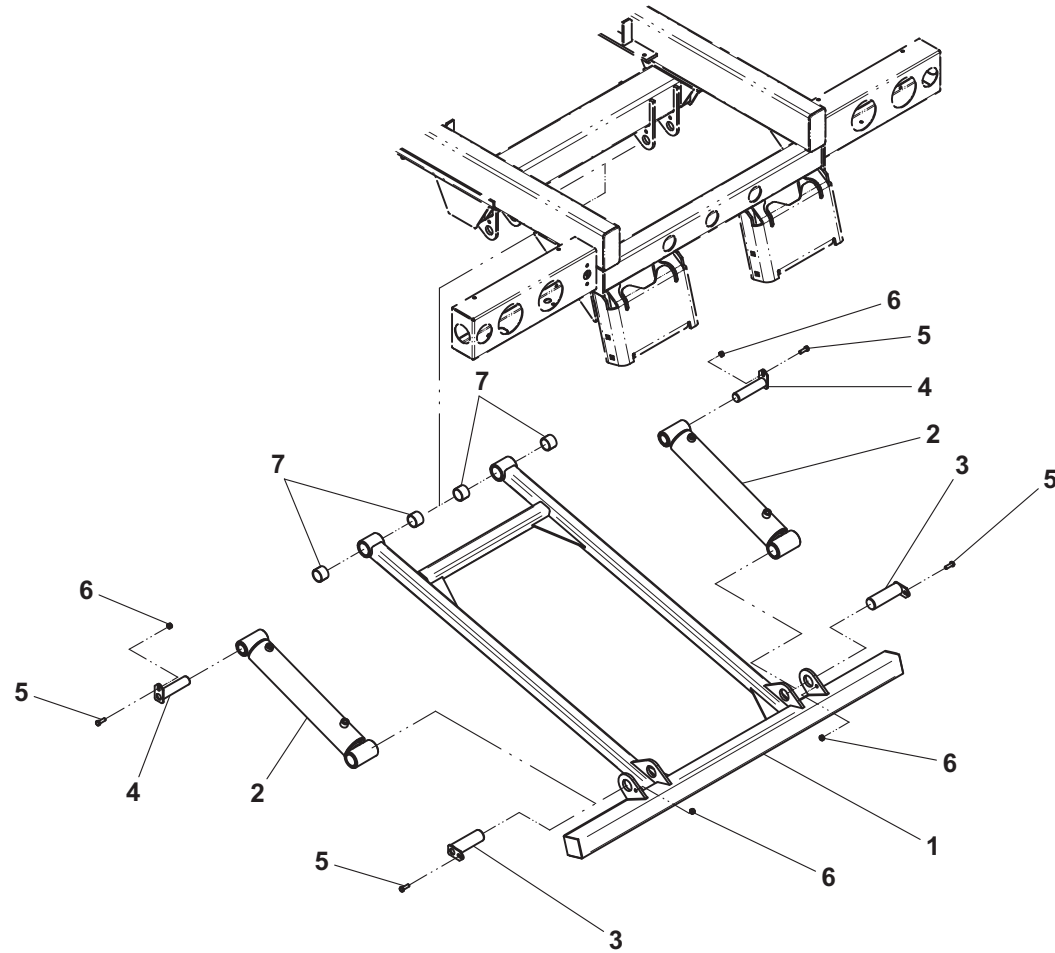
Pivot tube weld with IRL ball hitch mounting plate shown

**HYDRAULIC REAR DOCK STABILIZER**

| ITEM | PART NO.    | DESCRIPTION                  | QTY |
|------|-------------|------------------------------|-----|
| 1    | 3849000043  | Stabilizer Weld              | 1   |
| 2    | 3320000119  | Cylinder Assembly            | 2   |
| 3    | 3691000165  | Pin Weld                     | 2   |
| 4    | 3691000073  | Pin Weld                     | 2   |
| 5    | 7115160950  | Capscrew, 0.38"-16NC x 1.12" | 4   |
| 6    | 7660162601  | Locknut, 0.38"-16NC          | 4   |
| 7    | 7082000017* | Bearing                      | 4   |

\* included in Stabilizer Weld, P/N 3849000043

# HYDRAULIC REAR DOCK STABILIZER

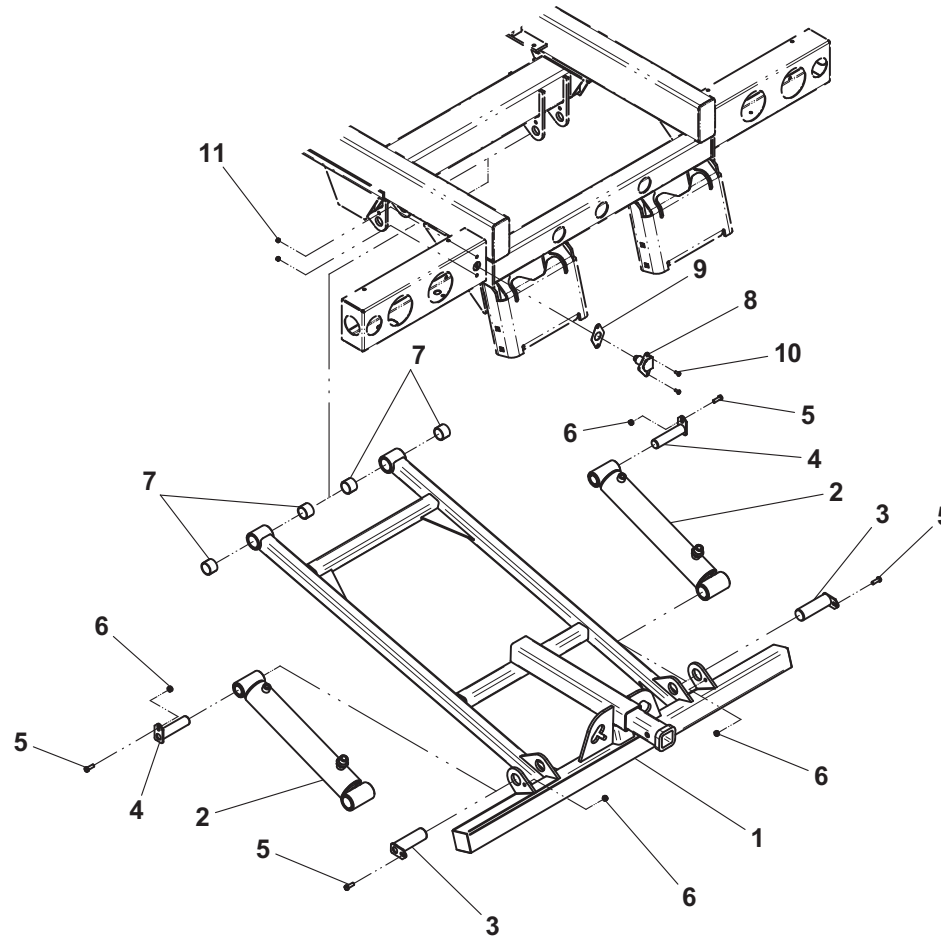


**HYDRAULIC REAR DOCK STABILIZER WITH REESE HITCH RECEIVER**

| ITEM | PART NO.    | DESCRIPTION  | QTY |
|------|-------------|--|-----|
| 1    | 3849000044  | Stabilizer Weld<br>(with 2.50" Reese Hitch Receiver) | 1   |
| 2    | 3320000114  | Cylinder Assembly                                    | 2   |
| 3    | 3691000165  | Pin Weld   | 2   |
| 4    | 3691000073  | Pin Weld   | 2   |
| 5    | 7115160950  | Capscrew, 0.38"-16NC x 1.12"                         | 4   |
| 6    | 7660162601  | Locknut, 0.38"-16NC                                  | 4   |
| 7    | 7082000017* | Bearing  | 4   |
| 8    | 7291000010  | 4-Way Receptacle                                     | 1   |
| 9    | 7796000048  | Gasket   | 1   |
| 10   | 7114140528  | Screw, 0.25"-20NC x .63"                             | 2   |
| 11   | 7660142601  | Locknut, 0.25"-20NC                                  | 2   |

\* included in Stabilizer Weld, P/N 384900004

# HYDRAULIC REAR DOCK STABILIZER WITH REESE HITCH RECEIVER



**ROLL CYLINDER ASSEMBLY - P/N 3320000238**

| ITEM | PART NO.      | DESCRIPTION             | QTY |
|------|---------------|-------------------------|-----|
| 1    | 3071000220    | Barrel Weld             | 1   |
| 2    | 4763000093    | Rod                     | 1   |
| 3    | 4698000009*   | Piston                  | 1   |
| 4    | 7754000013* # | Wear Ring               | 2   |
| 5    | 7796000064* # | Piston Locking "T" Seal | 1   |
| 6    | 7755226609* # | Back-Up Ring            | 2   |
| 7    | 7755226000* # | "O" Ring                | 1   |
| 8    | 4553000010^   | Head                    | 1   |
| 9    | 7755338000^ # | "O" Ring                | 1   |
| 10   | 7755338609^ # | Back-Up Ring            | 1   |
| 11   | 7754000012^ # | Wear Ring               | 1   |
| 12   | 7796000025^ # | Rod Seal                | 1   |
| 13   | 7796000008^ # | Rod Wiper Seal          | 1   |
| 14   | 7754000016 #  | Retaining Ring          | 1   |
| 15   | 7754000027 #  | Retaining Ring          | 1   |
| 16   | 7661000035    | Locknut                 | 2   |

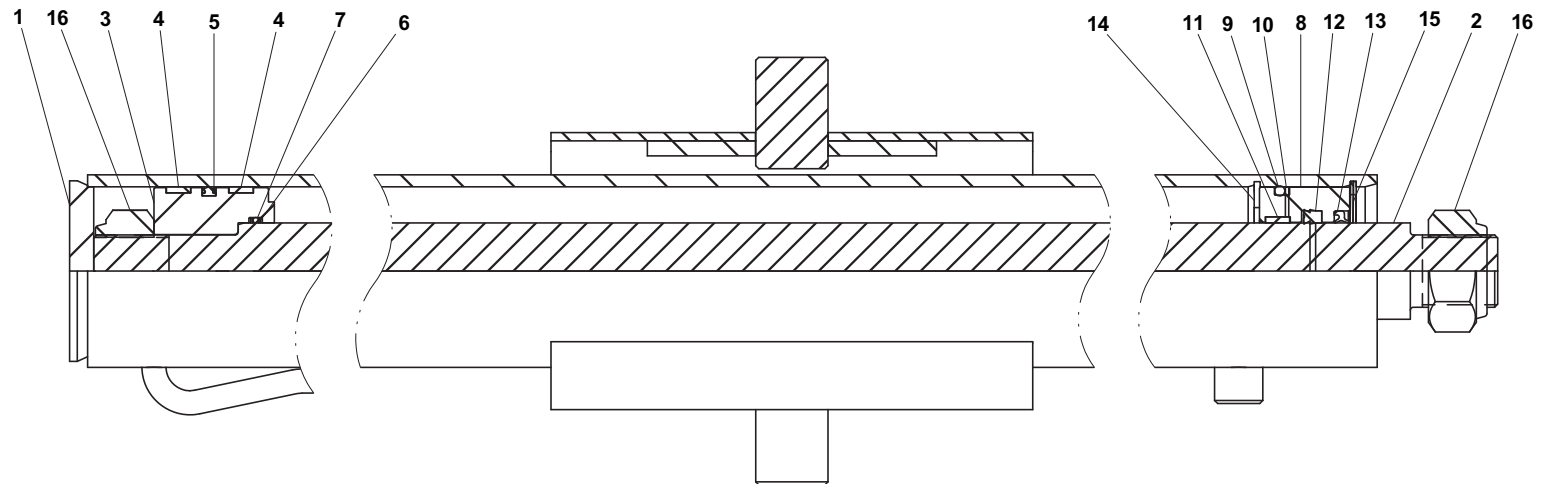
\* included in Piston Assembly, P/N 3698000004

^ included in Head Assembly, P/N 3553000014

# available only in Service Kit #7577250025



# ROLL CYLINDER ASSEMBLY - P/N 3320000238



**TILT CYLINDER ASSEMBLY - P/N 3320000122**

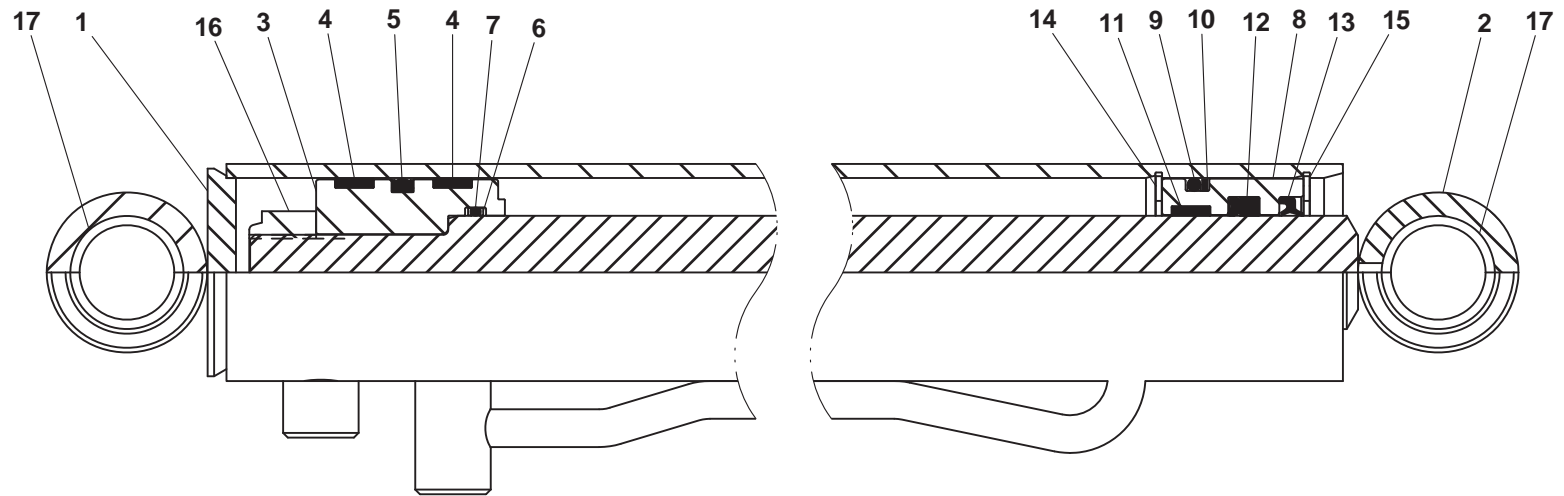
| ITEM | PART NO.      | DESCRIPTION             | QTY |
|------|---------------|-------------------------|-----|
| 1    | 3071000117    | Barrel Weld             | 1   |
| 2    | 3763000127    | Rod Weld                | 1   |
| 3    | 4698000007*   | Piston                  | 1   |
| 4    | 7754000003* # | Wear Ring               | 2   |
| 5    | 7796000063* # | Piston Locking "T" Seal | 1   |
| 6    | 7755224609* # | Back-Up Ring            | 2   |
| 7    | 7755224000* # | "O" Ring                | 1   |
| 8    | 4553000008^   | Head                    | 1   |
| 9    | 7755330008^ # | "O" Ring                | 1   |
| 10   | 7755334609^ # | Back-Up Ring            | 1   |
| 11   | 7754000004^ # | Wear Ring               | 1   |
| 12   | 7796000045^ # | Rod Seal                | 1   |
| 13   | 7796000024^ # | Rod Wiper Seal          | 1   |
| 14   | 7754000002#   | Retaining Ring          | 1   |
| 15   | 7754000026#   | Retaining Ring          | 1   |
| 16   | 7661000034    | Locknut                 | 1   |
| 17   | 7082000016    | Bearing                 | 4   |

\* included in Piston Assembly, P/N 3698000001

^ included Head Assembly, P/N 3553000011

# available only in Service Kit #7577250042

# TILT CYLINDER ASSEMBLY - P/N 3320000122



**WHEEL LIFT EXTEND CYLINDER ASSEMBLY - P/N 3320000115**

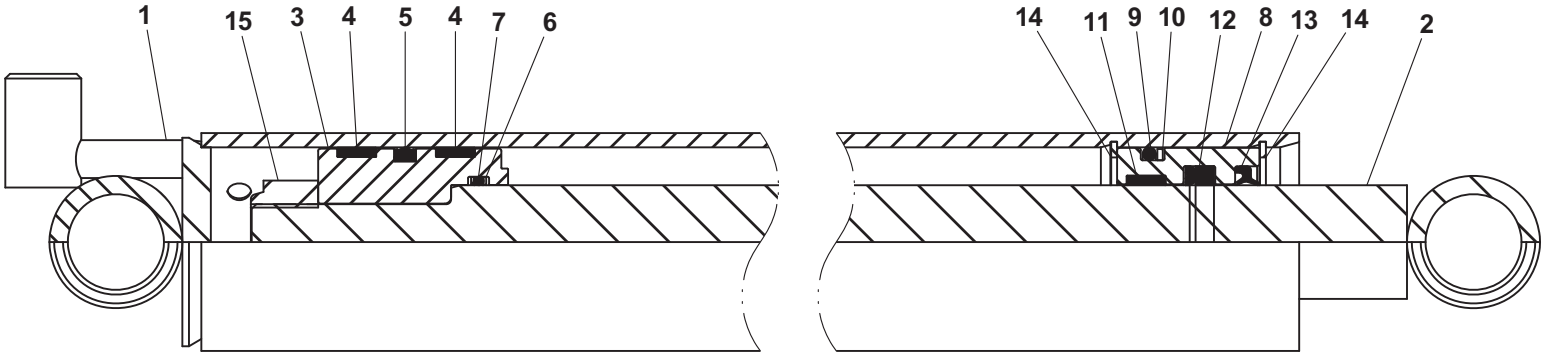
| ITEM | PART NO.      | DESCRIPTION             | QTY |
|------|---------------|-------------------------|-----|
| 1    | 3071000106    | Barrel Weld             | 1   |
| 2    | 3763000119    | Rod Weld                | 1   |
| 3    | 4698000015*   | Piston                  | 1   |
| 4    | 7754000053* # | Wear Ring               | 2   |
| 5    | 7796000067* # | Piston Locking "T" Seal | 1   |
| 6    | 7755222609* # | Back-Up Ring            | 2   |
| 7    | 7755222000* # | "O" Ring                | 1   |
| 8    | 4553000016^   | Head                    | 1   |
| 9    | 7755330000^#  | "O" Ring                | 1   |
| 10   | 7755330609^#  | Back-Up Ring            | 1   |
| 11   | 7754000054^#  | Wear Ring               | 1   |
| 12   | 7796000045^#  | Rod Seal                | 1   |
| 13   | 7796000046^#  | Rod Wiper Seal          | 1   |
| 14   | 7754000051#   | Retaining Ring          | 2   |
| 15   | 7661000034    | Locknut                 | 1   |

\* included in Piston Assembly, P/N 3698000006

^ included in Head Assembly, P/N 3553000016

# available only in Service Kit #7577250206

**WHEEL LIFT EXTEND CYLINDER ASSEMBLY - P/N 3320000115**



**IRL/STABILIZER CYLINDER ASSEMBLY - P/N 3320000114**

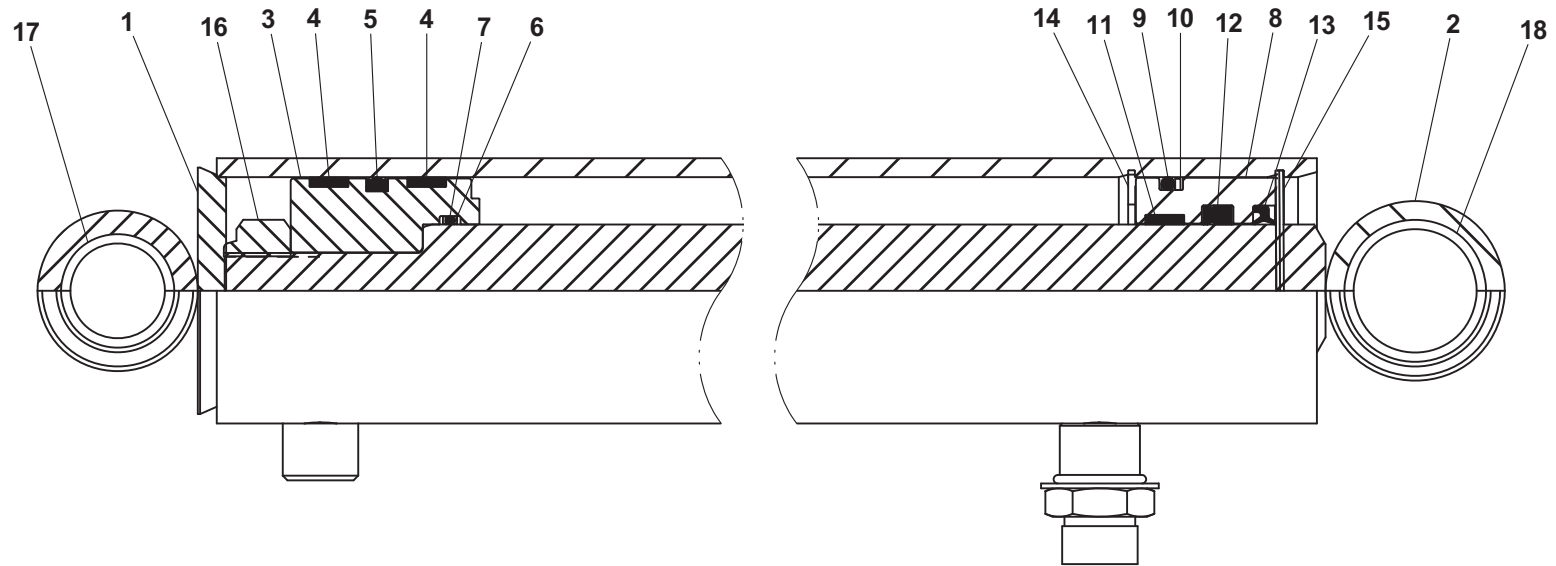
| ITEM | PART NO.      | DESCRIPTION             | QTY |
|------|---------------|-------------------------|-----|
| 1    | 3071000105    | Barrel Weld             | 1   |
| 2    | 3763000118    | Rod Weld                | 1   |
| 3    | 4698000007*   | Piston                  | 1   |
| 4    | 7754000003* # | Wear Ring               | 2   |
| 5    | 7796000063* # | Piston Locking "T" Seal | 1   |
| 6    | 7755224609* # | Back-Up Ring            | 2   |
| 7    | 7755224000* # | "O" Ring                | 1   |
| 8    | 4553000008^   | Head                    | 1   |
| 9    | 7755334000^ # | "O" Ring                | 1   |
| 10   | 7755334609^ # | Back-Up Ring            | 1   |
| 11   | 7754000004^ # | Wear Ring               | 1   |
| 12   | 7796000024^ # | Rod Seal                | 1   |
| 13   | 7796000008^ # | Rod Wiper Seal          | 1   |
| 14   | 7754000002 #  | Retaining Ring          | 1   |
| 15   | 7754000026 #  | Retaining Ring          | 1   |
| 16   | 7661000034    | Locknut                 | 1   |
| 17   | 7082000016    | Bearing                 | 2   |
| 18   | 7082000018    | Bearing                 | 2   |

\* included in Piston Assembly, P/N 3698000001

^ included in Head Assembly, P/N 3553000011

# available only in Service Kit #7577250024

# IRL/STABILIZER CYLINDER ASSEMBLY - P/N 3320000114



**STABILIZER CYLINDER ASSEMBLY - P/N 3320000119**

| ITEM | PART NO.      | DESCRIPTION             | QTY |
|------|---------------|-------------------------|-----|
| 1    | 3071000110    | Barrel Weld             | 1   |
| 2    | 3763000118    | Rod Weld                | 1   |
| 3    | 4698000007*   | Piston                  | 1   |
| 4    | 7754000003* # | Wear Ring               | 2   |
| 5    | 7796000063* # | Piston Locking "T" Seal | 1   |
| 6    | 7755224609* # | Back-Up Ring            | 2   |
| 7    | 7755224000* # | "O" Ring                | 1   |
| 8    | 4553000008^   | Head                    | 1   |
| 9    | 7755334000^ # | "O" Ring                | 1   |
| 10   | 7755334609^ # | Back-Up Ring            | 1   |
| 11   | 7754000004^ # | Wear Ring               | 1   |
| 12   | 7796000024^ # | Rod Seal                | 1   |
| 13   | 7796000008^ # | Rod Wiper Seal          | 1   |
| 14   | 7754000002 #  | Retaining Ring          | 1   |
| 15   | 7754000026 #  | Retaining Ring          | 1   |
| 16   | 7661000034    | Locknut                 | 1   |
| 17   | 7082000016    | Bearing                 | 2   |
| 18   | 7082000018    | Bearing                 | 2   |

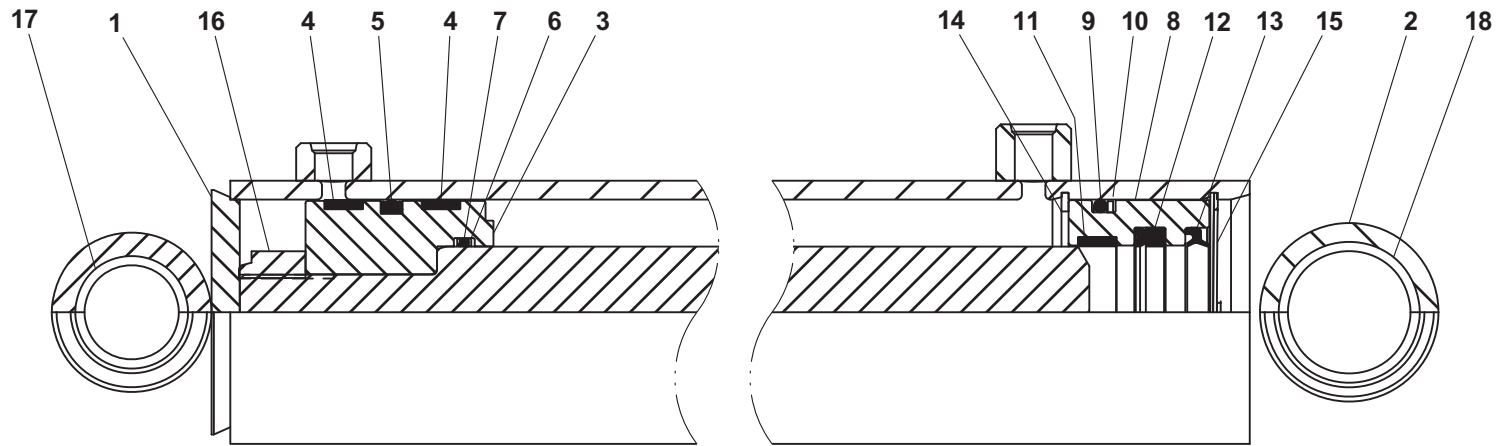
\* included in Piston Assembly, P/N 3698000001

^ included in Head Assembly, P/N 3553000011

# available only in Service Kit #7577250024



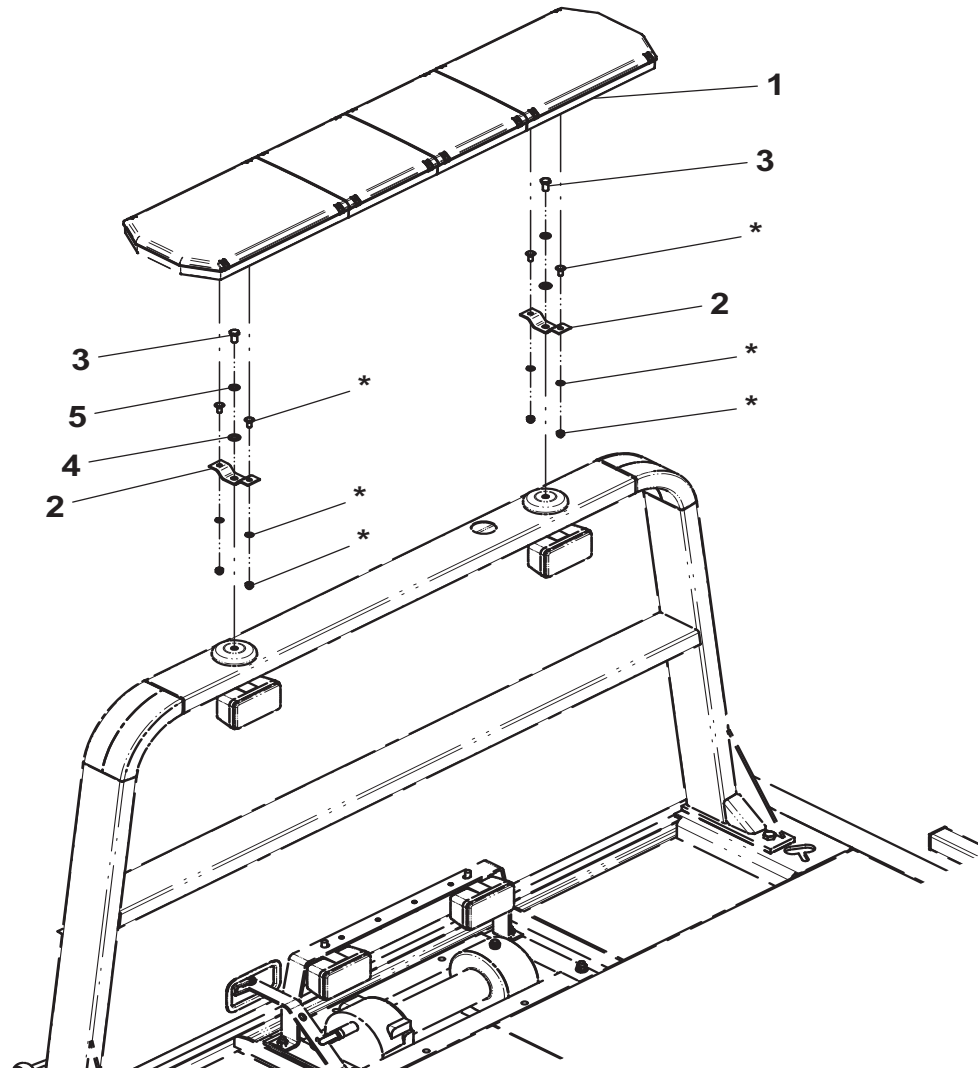
# STABILIZER CYLINDER ASSEMBLY - P/N 3320000119



**LIGHTBARS**

| ITEM | PART NO.   | DESCRIPTION                  | QTY |
|------|------------|------------------------------|-----|
| 1    | 7590000363 | Lightbar, Amber LED          | 1   |
| 2    | 4178000402 | Bracket (standard mount)     | 2   |
|      | 4178000437 | Bracket (high mount)         |     |
| 3    | 7115180850 | Capscrew, 0.50"-13NC x 1.00" | 2   |
| 4    | 7950180252 | Flatwasher, 0.50" ID         | 2   |
| 5    | 7950180000 | Lockwasher, 0.50" ID         | 2   |

# LIGHTBARS

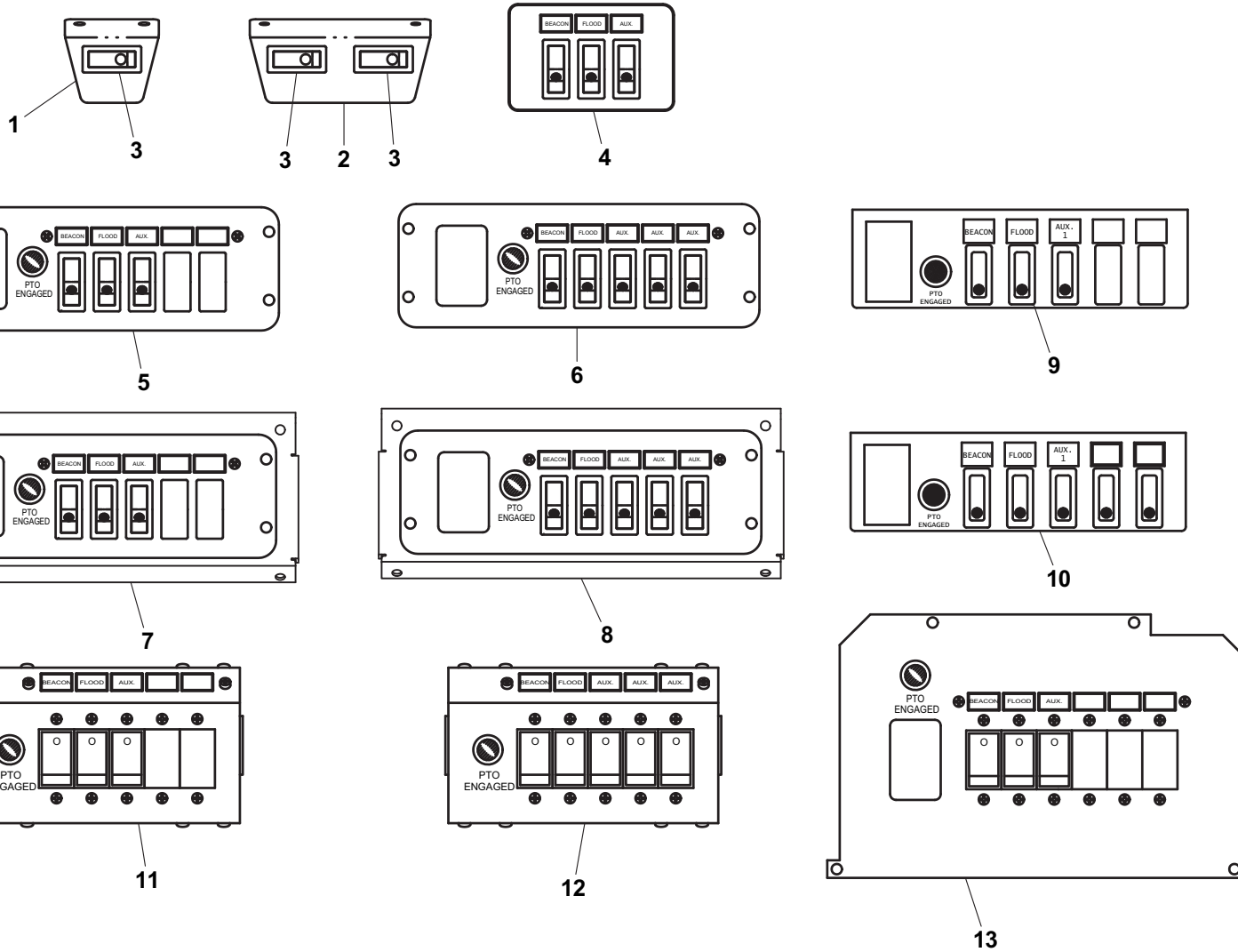


\* included in Lightbar

**SWITCH PANELS**

| ITEM | PART NO.   | DESCRIPTION   | QTY |
|------|------------|---|-----|
| 1    | 4178000403 | Bracket - 1 Function Switch Panel                       | 1   |
| 2    | 4178000427 | Bracket - 2 Function Switch Panel                       | 1   |
| 3    | 7870000083 | Switch  | 1   |
| 4    | 7870000113 | Switch Panel - 3 Function, Mini In-Dash                 | 1   |
| 5    | 7870000100 | Switch Panel - 3 Function, In-Dash                      | 1   |
| 6    | 7870000106 | Switch Panel - 5 Function, In-Dash                      | 1   |
| 7    | 7870000134 | Switch Panel - 3 Function, Under Dash                   | 1   |
| 8    | 7870000137 | Switch Panel - 5 Function, Under Dash                   | 1   |
| 9    | 2870000022 | Switch Panel - 3 Function, In-Dash<br>for Ford F650/750 | 1   |
| 10   | 2870000021 | Switch Panel - 5 Function, In-Dash<br>for Ford F650/750 | 1   |
| 11   | 7870000053 | Switch Panel - 3 Function, Under Dash                   | 1   |
| 12   | 7870000063 | Switch Panel - 5 Function, Under Dash                   | 1   |
| 13   | 7870000076 | Switch Panel - 3 Function, In-Dash                      | 1   |

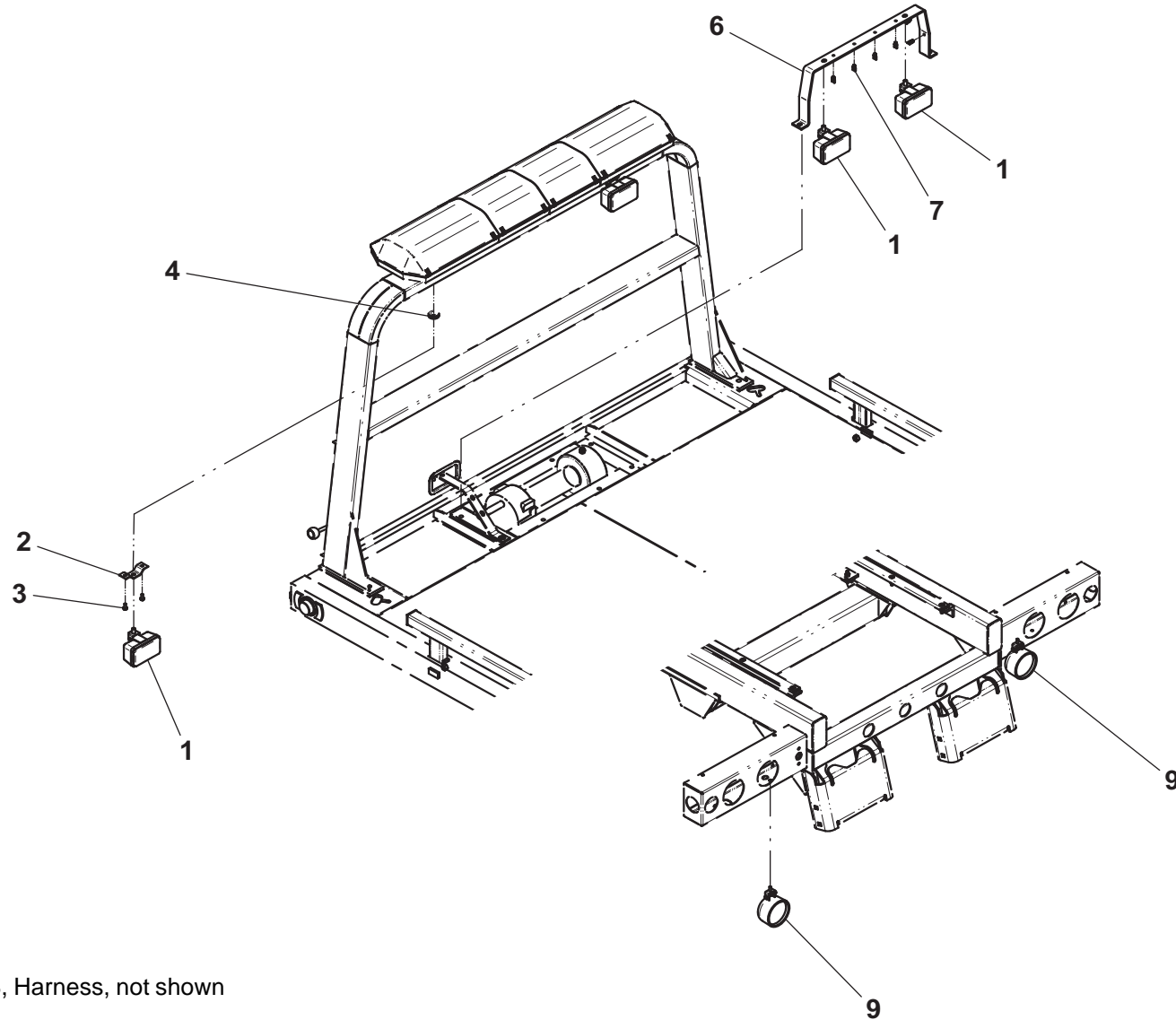
# SWITCH PANELS



**WORK LIGHTS**

| ITEM | PART NO.   | DESCRIPTION   | QTY |
|------|------------|---|-----|
| 1    | 7590000223 | Work Light  | 4   |
| 2    | 4178000402 | Bracket   | 2   |
| 3    | 7790151253 | Screw, 0.31"-18NC x 0.75  | 4   |
| 4    | 7493000003 | Grommet   | 2   |
| 5    | 7552000222 | Harness - Headboard Work Lights                                 | 1   |
|      | 7552000360 | Harness - Headboard Work Lights<br>(Bucket Rest Headboard Only) | 1   |
| 6    | 4178000423 | Bracket   | 1   |
| 7    | 7280000011 | Clip - Winch Work Lights  | 6   |
| 8    | 7552000166 | Harness - Winch Work Lights                                     | 1   |
| 9    | 7590000185 | Work Light  | 2   |

# WORK LIGHTS



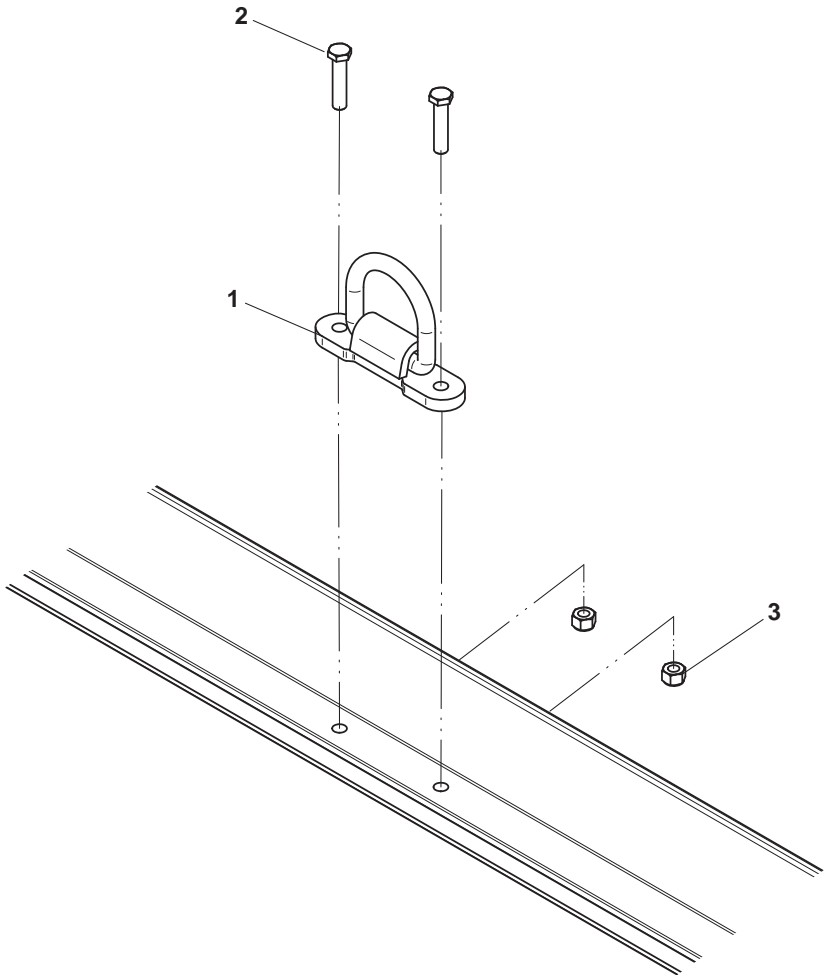
Items #5 & #8, Harness, not shown

**BOLT-ON D-RINGS**

| ITEM | PART NO.   | DESCRIPTION                  | QTY |
|------|------------|------------------------------|-----|
| 1    | 3556000019 | D-Ring                       | 1   |
| 2    | 7115182050 | Capscrew, 0.50"-13NC x 2.50" | 2   |
| 3    | 7660182601 | Locknut, 0.50"-13NC          | 2   |



# BOLT-ON D-RINGS



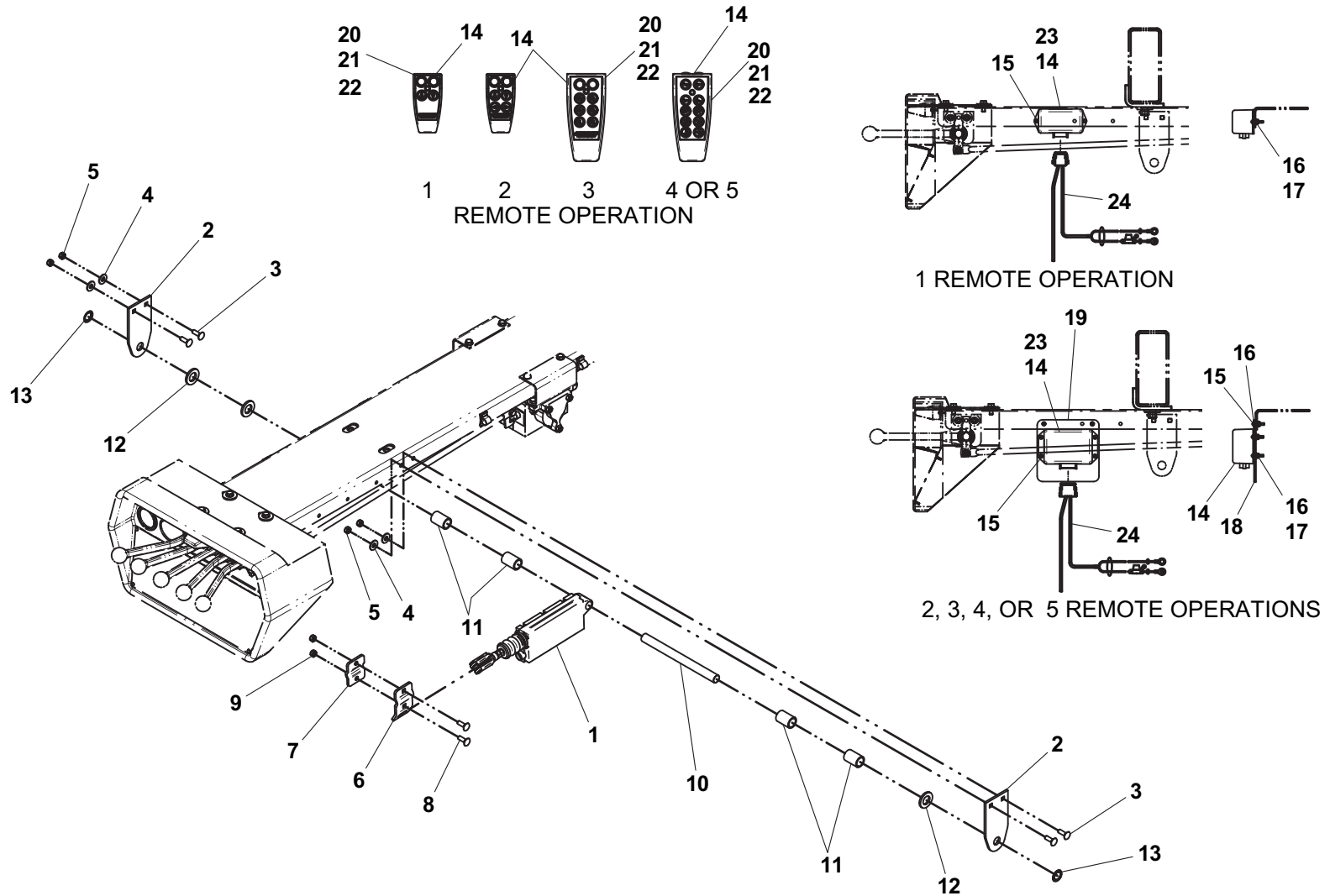
**1, 2, 3, 4 OR 5 REMOTE CONTROL OPERATIONS**

| ITEM | PART NO.   | DESCRIPTION  | QTY | ITEM | PART NO.    | DESCRIPTION  | QTY |
|------|------------|--|-----|------|-------------|--|-----|
| 1    | 7005000003 | Linear Actuator 12V  | 1*  | 18   | 4706005595  | Plate (2, 3, 4, or 5 remote operations)                        | 1   |
| 2    | 4706005361 | Plate  | 2   | 19   | 7330000696  | Decal - Controller Functions<br>(3, 4, or 5 remote operations) | 1   |
| 3    | 7115150864 | Carriage Bolt, 0.31"-18NC x 1.00"                            | 4   |      |             |  |     |
| 4    | 7950150161 | Flatwasher, 0.31" ID   | 4   | 20   | 9295310032# | Transmitter (1 remote operation)                               | 1   |
| 5    | 7660152601 | Locknut, 0.31"-18NC  | 4   |      | 9295310033# | Transmitter (2 remote operations)                              |     |
| 6    | 4178000664 | Bracket  | 1*  |      | 9295310034# | Transmitter (3 remote operations)                              |     |
| 7    | 4178000665 | Bracket  | 1*  |      | 9295310036# | Transmitter (4 or 5 remote operations)                         |     |
| 8    | 7115150864 | Carriage Bolt, 0.31"-18NC x 1.00"                            | 2*  | 21   | 9295310030# | Belt Clip  | 1   |
| 9    | 7660152601 | Locknut, 0.31"-18NC  | 2*  | 22   | 9295310042# | Rubber Boot (1 or 2 remote operations)                         | 1   |
| 10   | 4691000141 | Pin (3, 4 or 5 section control valve)                        | 1   |      | 9295310029# | Rubber Boot (3, 4, or 5 remote operations)                     |     |
|      | 4691000373 | Pin (6 section control valve)                                |     | 23   | 9295310037# | Receiver (1 remote operation)                                  | 1   |
|      | 4691000374 | Pin (7 section control valve)                                |     |      | 9295310038# | Receiver (2 remote operations)                                 |     |
| 11   | 4211000001 | Bushing  | 4*  |      | 9295310039# | Receiver (3 remote operations)                                 |     |
| 12   | 7950220141 | Flatwasher, 0.75" ID   | 4   |      | 9295310050# | Receiver (4 or 5 remote operations)                            |     |
| 13   | 7754000009 | Retaining Ring   | 2   | 24   | 7552000391  | Harness (1 remote operation)                                   | 1   |
| 14   | 7295000106 | Controller (1 remote operation)                              | 1   |      | 7552000392  | Harness (2 remote operations)                                  |     |
|      | 7295000108 | Controller (2 remote operations)                             |     |      | 7552000393  | Harness (3 remote operations)                                  |     |
|      | 7295000109 | Controller (3 remote operations)                             |     |      | 7552000426  | Harness (4 or 5 remote operations)                             |     |
|      | 7295000111 | Controller (4 or 5 remote operations)                        |     |      |             |  |     |
| 15   | 7114100810 | Screw, #10-24NC x 1.00"<br>(1 remote operation)              | 2   |      |             |  |     |
|      | 7114100810 | Screw, #10-24NC x 1.00"<br>(2, 3, 4, or 5 remote operations) | 6   |      |             |  |     |
| 16   | 7950140151 | Flatwasher, 0.19" ID<br>(1 remote operation)                 | 2   |      |             |  |     |
|      | 7950140151 | Flatwasher, 0.19" ID<br>(2, 3, 4, or 5 remote operations)    | 8   |      |             |  |     |
| 17   | 7660102604 | Locknut, #10-18NC<br>(1 remote operation)                    | 2   |      |             |  |     |
|      | 7660102604 | Locknut, #10-18NC<br>(2, 3, 4, or 5 remote operations)       | 6   |      |             |  |     |

\* quantities are for 1 remote operation, adjust quantities for 2, 3, 4, or 5 remote operations

# included with Controller, item #14

# 1, 2, 3, 4 OR 5 REMOTE CONTROL OPERATIONS



One Remote Operation shown

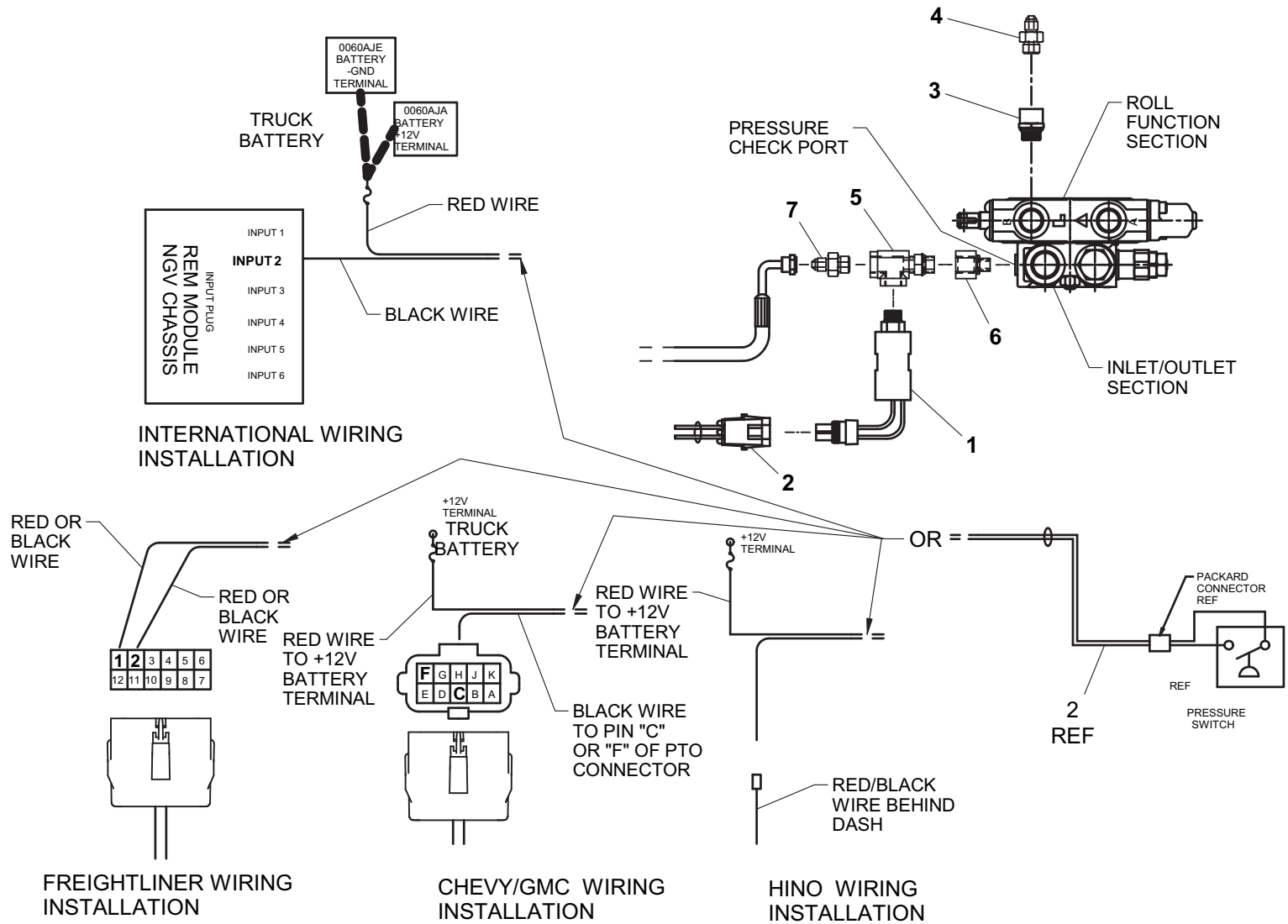
Items #19, Decal - Controller Functions, not shown

**REMOTE THROTTLE CONTROL**

| ITEM | PART NO.    | DESCRIPTION     | QTY |
|------|-------------|-----------------|-----|
| 1    | 7346000208  | Pressure Switch | 1   |
| 2    | 7552000241  | Harness         | 1   |
| 3    | 7443000427* | Check Valve     | 1   |
| 4    | 7445060643* | Adapter         | 1   |
| 5    | 7443000432  | Tee             | 1   |
| 6    | 7443000469  | Fitting         | 1   |
| 7    | 7445040643  | Adapter         | 1   |

\* also available in Check Valve w/ Adapter, P/N 7443000428.

# REMOTE THROTTLE CONTROL



**GLAD HANDS AND 7- WAY CONNECTOR**

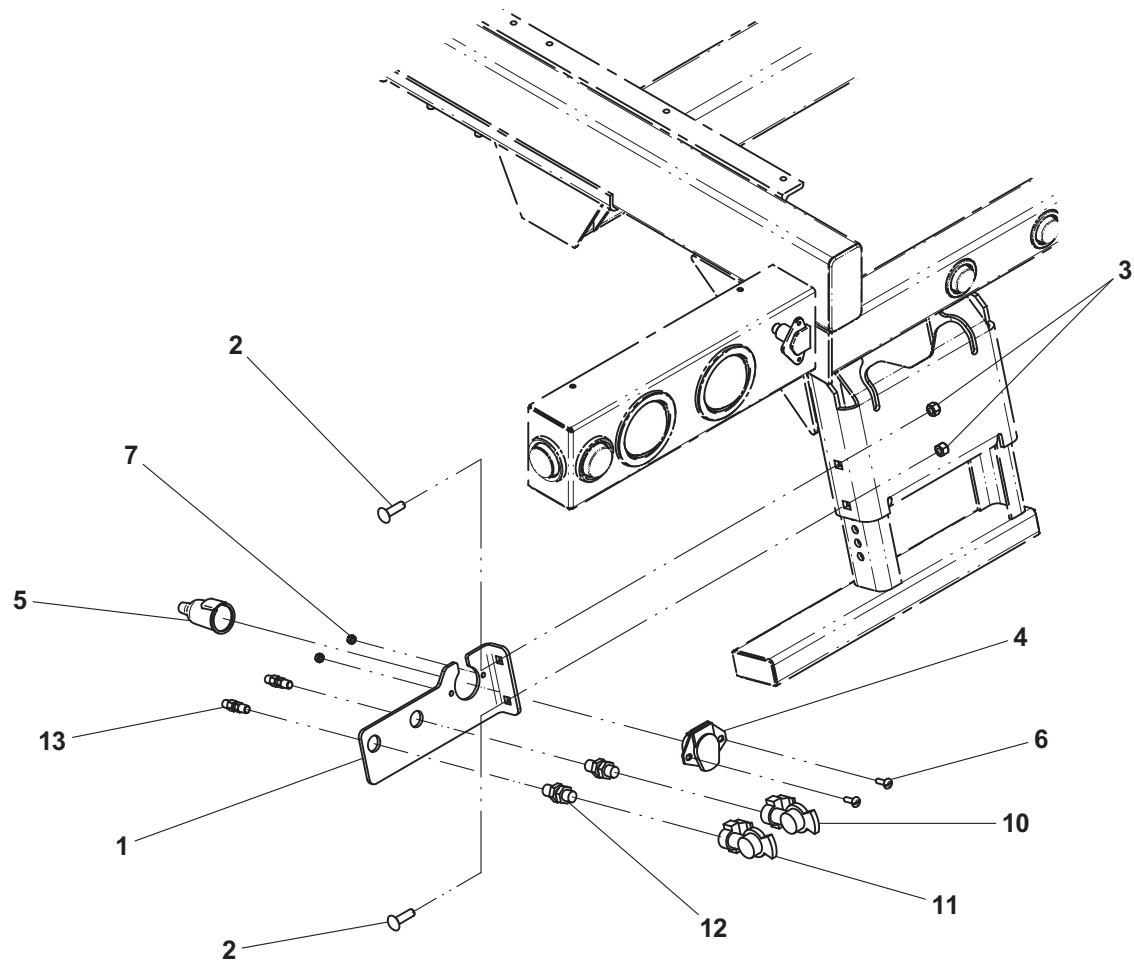
| ITEM | PART NO.    | DESCRIPTION                         | QTY   |
|------|-------------|-------------------------------------|-------|
| 1    | 4178000666* | Bracket                             | 1     |
| 2    | 7115181464* | Carriage Bolt, 0.50"-13NC x 1.75"   | 2     |
| 3    | 7660182601* | Locknut, 0.50"-13NC                 | 2     |
| 4    | 7346000055+ | Electrical Receptacle 7-way Connect | 1     |
| 5    | 7346000078+ | Electrical Boot                     | 1     |
| 6    | 7111150813+ | Capscrew, 0.31"-18NC x 1.00"        | 2     |
| 7    | 7660152601+ | Locknut, 0.31"-18NC                 | 2     |
| 8    | 7346000132  | Electrical Adapter 7 to 4 way       | 1     |
| 9    | 7346000157  | Electrical Adapter 7 to 6 way       | 1     |
| 10   | 7312000015^ | Gladhand                            | 1     |
| 11   | 7312000016^ | Gladhand                            | 1     |
| 12   | 7446502518^ | Bulkhead Fitting                    | 2     |
| 13   | 7446382506^ | Connector                           | 2     |
| 14   | 7577000145^ | Seal Kit Gladhand                   | 1     |
| 15   | 7565000014^ | Airline Tubing                      | 50 ft |
| 16   | 7312000013^ | Union                               | 2     |

\* also available in Bracket Install Glad Hands and 7 Way, P/N 2178000037

+ also available in Electrical Install 7 Way Connector, P/N 2346000008

^ also available in Glad Hand Install, P/N 2002000016

## GLAD HANDS AND 7- WAY CONNECTOR



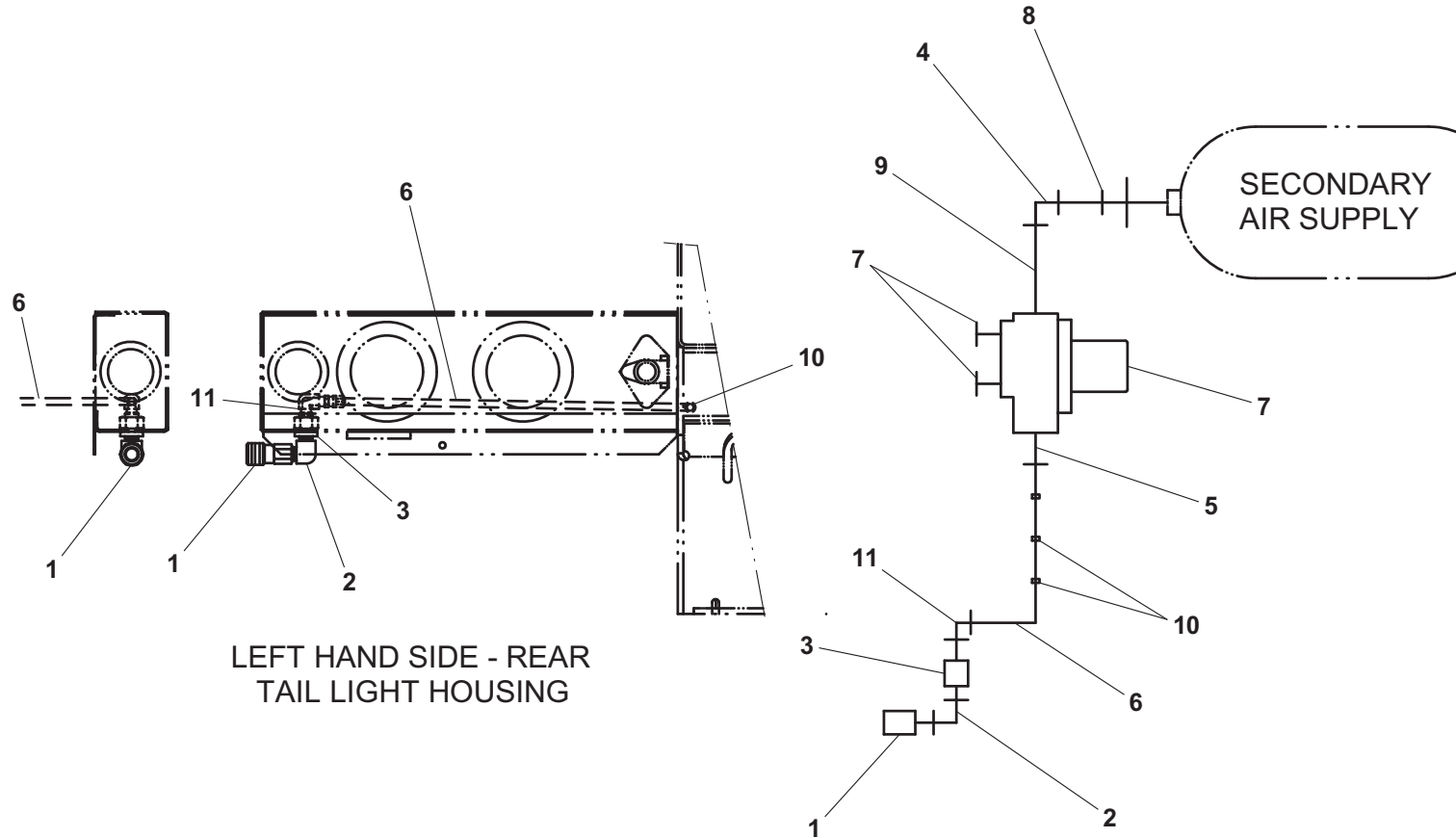
Item #8 Electrical Adapter 7 to 4 Way not shown  
Item #9 Electrical Adapter 7 to 6 Way not shown  
Item #14, Seal Kit Gladhand; #15, Airline Tubing; & #16, Union not shown

**AIR SUPPLY DISCONNECT**

| ITEM | PART NO.   | DESCRIPTION      | QTY   |
|------|------------|------------------|-------|
| 1    | 7312000017 | Coupling         | 1     |
| 2    | 7445080853 | Elbow            | 1     |
| 3    | 7446502518 | Bulkhead Fitting | 1     |
| 4    | 7443000111 | Elbow            | 1     |
| 5    | 7446382506 | Connector        | 1     |
| 6    | 7565000014 | Airline Tubing   | 32 ft |
| 7    | 7935000120 | Air Valve        | 1     |
| 8    | 7443000154 | Bushing          | 1     |
| 9    | 7443000156 | Nipple           | 1     |
| 10   | 7894000031 | Cable Tie        | 6     |
| 11   | 7443000366 | Fitting          | 1     |



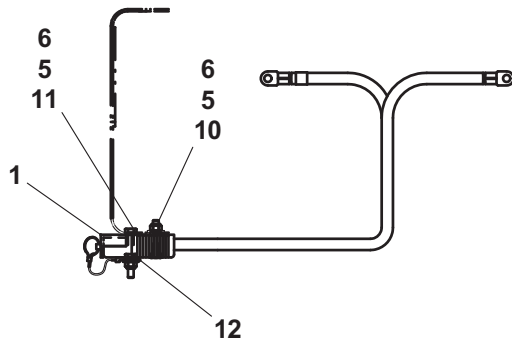
# AIR SUPPLY DISCONNECT



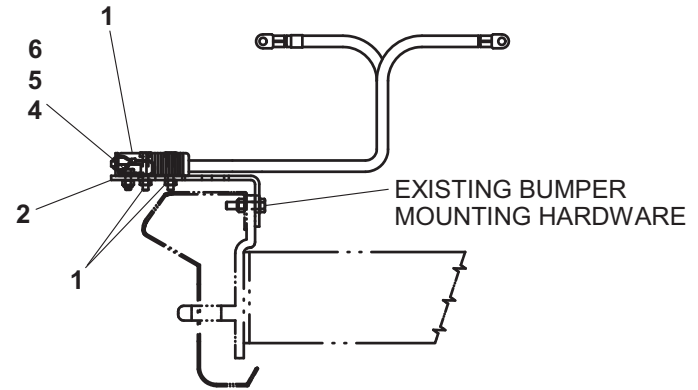
**JUMP START KIT**

| ITEM | PART NO.   | DESCRIPTION  | QTY |
|------|------------|--|-----|
| 1    | 7002000386 | Jump Start Plug (IHC & Other)                      | 1   |
|      | 7002000385 | Jump Start Plug (Ford & GM)                        |     |
| 2    | 4178000372 | Bracket (Ford & Other)                             | 1   |
|      | 4178000202 | Bracket (GM)                                       |     |
| 3    | 4178000203 | Bracket (GM)                                       | 1   |
|      | 4706003210 | Plate (Other)                                      |     |
| 4    | 7110140605 | Capscrew, 0.25"-20NC x 0.75"<br>(Ford, GM & Other) | 1   |
| 5    | 7950140161 | Flatwasher, 0.25" ID (Ford & Other)                | 1   |
|      | 7950140161 | Flatwasher, 0.25" ID (IHC)                         | 2   |
|      | 7950140161 | Flatwasher, 0.25" ID (GM)                          | 3   |
| 6    | 7660142600 | Locknut, 0.25"-20NC (Ford, GM & Other)             | 1   |
|      | 7660142600 | Locknut, 0.25"-20NC (IHC)                          | 2   |
| 7    | 7115151064 | Carriage Bolt, 0.31"-18NC x 1.25" (Other)          | 2   |
| 8    | 7950150161 | Flatwasher, 0.31" ID (Other)                       | 2   |
| 9    | 7660152601 | Locknut, 0.31"-18NC (Other)                        | 2   |
| 10   | 7115141450 | Capscrew, 0.25"-20NC x 1.75" (IHC)                 | 1   |
| 11   | 7115141650 | Capscrew, 0.25"-20NC x 2.00" (IHC)                 | 1   |
| 12   | 7660140000 | Hex Nut, 0.25"-20NC (IHC)                          | 1   |
|      | 7660140000 | Hex Nut, 0.25"-20NC (GM)                           | 2   |
| 13   | 7111140850 | Capscrew, 0.25"-20NC x 1.00" (GM)                  | 2   |
| 14   | 7115181050 | Capscrew, 0.50"-13NC x 1.25" (GM)                  | 1   |
| 15   | 7950180153 | Flatwasher, 0.50" ID (GM)                          | 1   |
| 16   | 7660180000 | Hex Nut, 0.50"-13NC (GM)                           | 1   |

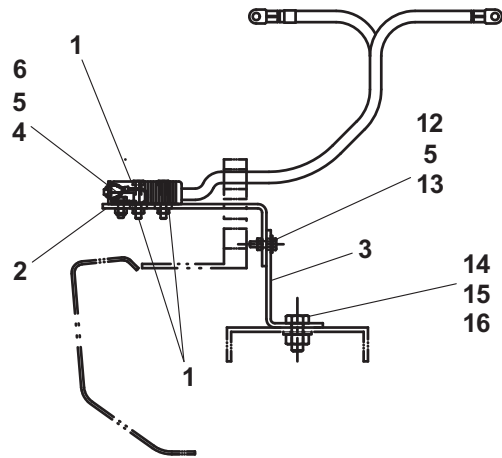
# JUMP START KIT



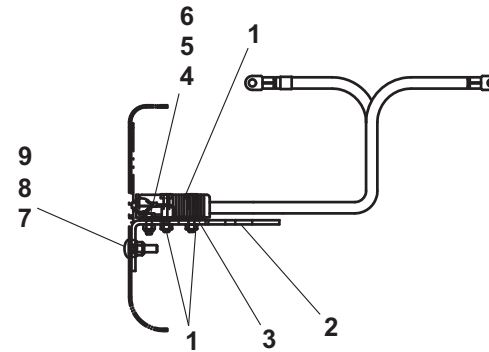
IHC FRONT BUMPER



FORD FRONT BUMPER



CHEVY FRONT BUMPER

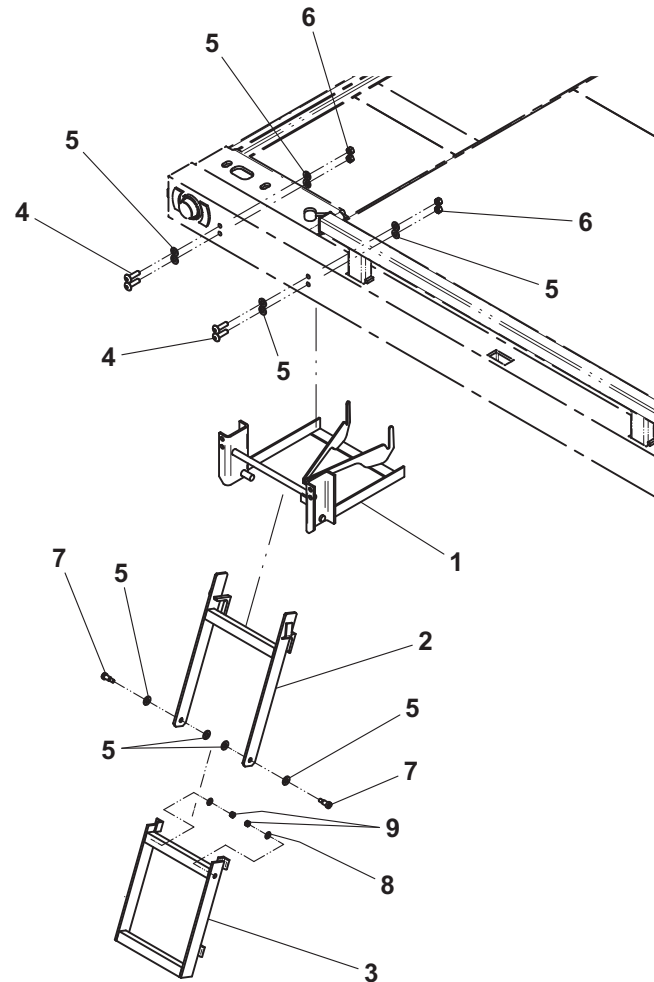


ALL OTHER FRONT BUMPERS

**FOLDING DECK LADDER**

| ITEM | PART NO.   | DESCRIPTION                       | QTY |
|------|------------|-----------------------------------|-----|
| 1    | 3178000555 | Bracket Weld                      | 1   |
| 2    | 3002000009 | Ladder Top Weld                   | 1   |
| 3    | 3002000008 | Ladder Bottom Weld                | 1   |
| 4    | 7114181418 | Capscrew, 0.50"-13NC x 1.75"      | 4   |
| 5    | 7950180141 | Flatwasher, 0.50" ID              | 12  |
| 6    | 7660182601 | Locknut, 0.50"-13NC               | 4   |
| 7    | 7115180606 | Shoulder Bolt, 0.50"-13NC x 0.75" | 2   |
| 8    | 7950160161 | Flatwasher, 0.38" ID              | 2   |
| 9    | 7660162601 | Locknut, 0.38"-16NC               | 2   |

# FOLDING DECK LADDER



**CHAINS AND STRAPS**

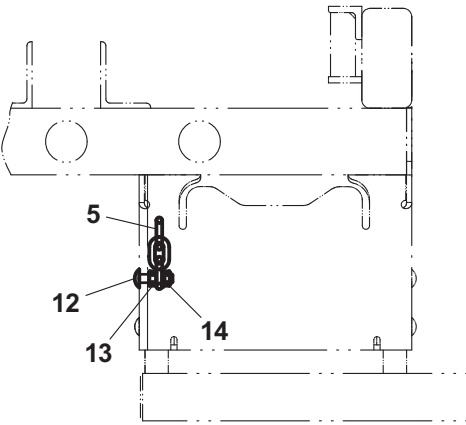
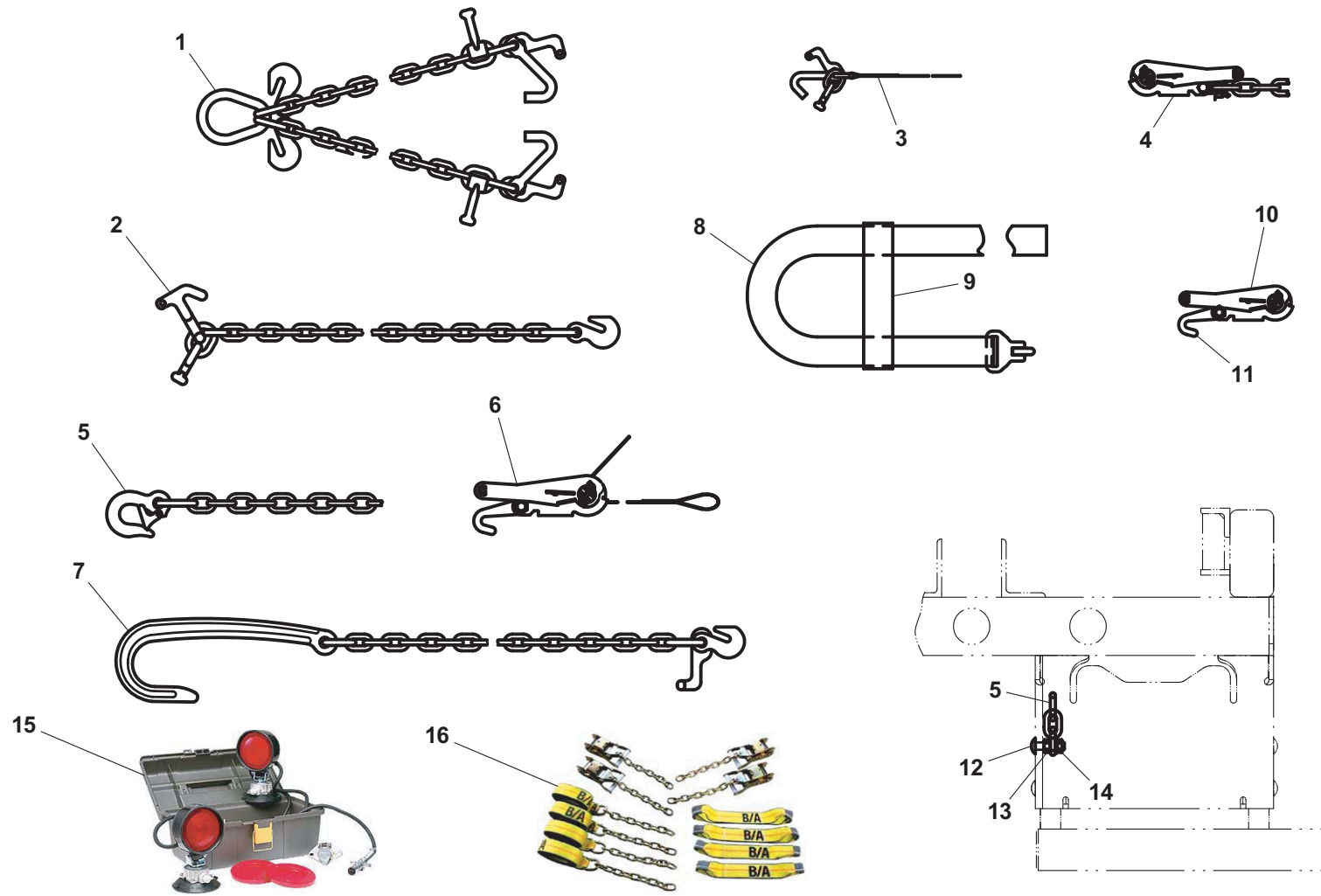
| ITEM | PART NO.    | DESCRIPTION                       | QTY |
|------|-------------|-----------------------------------|-----|
| 1    | 7262000022* | Winch V-Chain                     | 1   |
| 2    | 7262000056* | Front Tie-Down Chain              | 2   |
| 3    | 7894000019* | Rear Tie-Down Strap               | 2   |
| 4    | 7894000020* | Rear Tie Down Ratchet             | 2   |
| 5    | 7262000040  | Wheel Lift Chain                  | 2   |
| 6    | 7894000034+ | Wheel Lift Tire Strap             | 2   |
| 7    | 7262000010  | Towbar Chain                      | 2   |
| 8    | 7894000058^ | Tire Strap (hydraulic grid)       | 1   |
| 9    | 7894000059^ | Choker (hydraulic grid)           | 1   |
| 10   | 7894000028^ | Ratchet (hydraulic grid)          | 1   |
| 11   | 7561000024^ | Forged Hook (hydraulic grid)      | 1   |
| 12   | 7115181664  | Carriage Bolt, 0.50"-13NC x 2.00" | 2   |
| 13   | 7660180001  | Nut, 0.50"-13NC                   | 2   |
| 14   | 7660182601  | Locknut, 0.50"-13NC               | 2   |
| 15   | 5525000752  | Magnetic Tow Lights               | 1   |
| 16   | 7894000073  | 8 Point Tie-Down Kit              | 1   |

\* also available in Deck Chain / Tie-Down Kit, P/N 7577000208

^ also available in Hydraulic Grid Wheel Lift Tie-Down Kit, P/N 7577000376

+ also available in Wheel Lift Tie-Down Strap and Ratchet Kit, P/N 7577000242

# CHAINS AND STRAPS



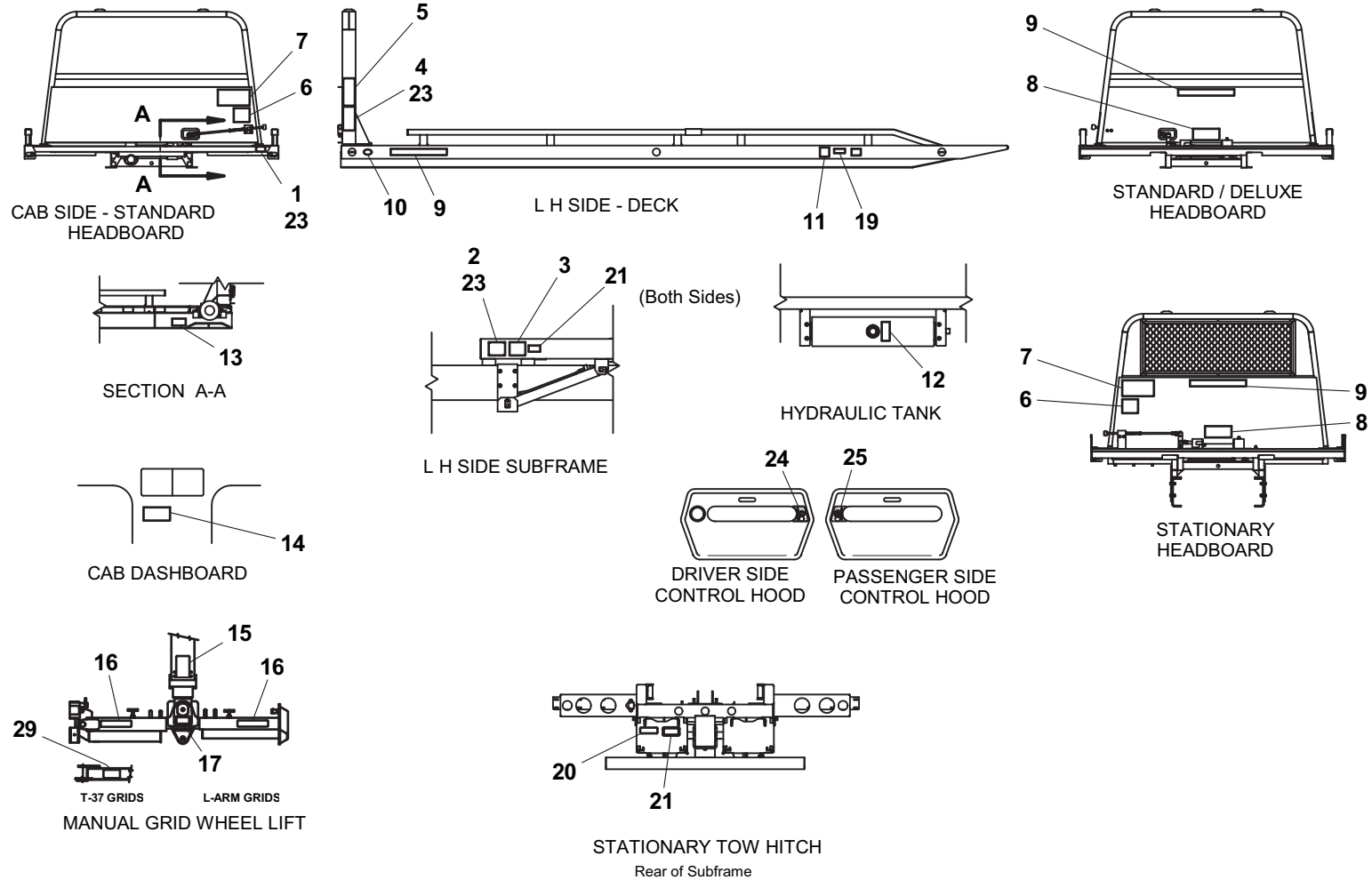
CHAIN BOX AT REAR OF SUBFRAME

**DECALS**

| ITEM | PART NO.   | DESCRIPTION                               | QTY |
|------|------------|---|-----|
| 1    | 1001127221 | Serial Number Tag                         | 1   |
| 2    | 7330000338 | Subframe / Patent Tag                     | 1   |
| 3    | 7330000502 | Decal - Slide Pad / Pivot Joint           | 1   |
| 4    | 7330000159 | STAR Placard                              | 1   |
| 5    | 7330000275 | Decal - Operator's Pre-Checklist          | 1   |
| 6    | 7330000242 | Decal - Free Spool (bolt-on headboard)    | 1   |
|      | 7330000495 | Decal - Free Spool (stationary headboard) |     |
| 7    | 7330000478 | Decal - Lubrication Chart                 | 1   |
| 8    | 7330000012 | Decal - Winch                             | 1   |
| 9    | 7330000433 | Jerr-Dan Nameplate                        | 3   |
| 10   | 7330000143 | Decal - Made In The USA                   | 1   |
| 11   | 7330000044 | Decal - Align Arrow, Red                  | 2   |
|      | 7330000045 | Decal - Align Arrow, White                |     |
| 12   | 7330000272 | Decal - Oil Level                         | 1   |
| 13   | 7330000330 | Decal - Cable Track                       | 1   |
| 14   | 7330000139 | Decal - Checklist Reminder                | 1   |
| 15   | 7330000684 | Decal - Safety                            | 1   |
| 16   | 7330000683 | Decal - Safety                            | 2   |
| 17   | 7330000060 | Decal - Wheel Lift Hitch                  | 1   |
| 18   | 7330000036 | Secure Vehicle                            | 2   |
| 19   | 7330000176 | Decal - Air Suspension                    | 1   |
| 20   | 7330000274 | Decal - Overloading Tow Option            | 1   |
| 21   | 7330000599 | Decal - Pinch Point                       | 3   |
| 22   | 9330740009 | Decal Kit - Muncie PTO                    | 1   |
| 23   | 7759000004 | Pop Rivet                                 | 12  |
| 24   | 7330000675 | Decal - Air Free Spool Control, LH        | 1   |
| 25   | 7330000676 | Decal - Air Free Spool Control, RH        | 1   |
| 26   | 7330000176 | Decal - Air Suspension                    | 1   |



# DECALS

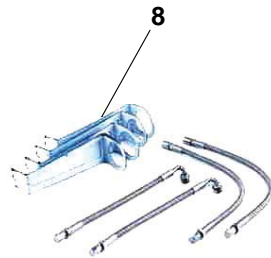
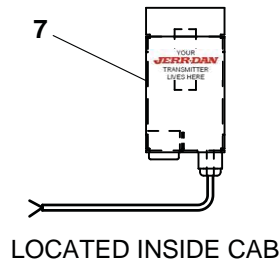
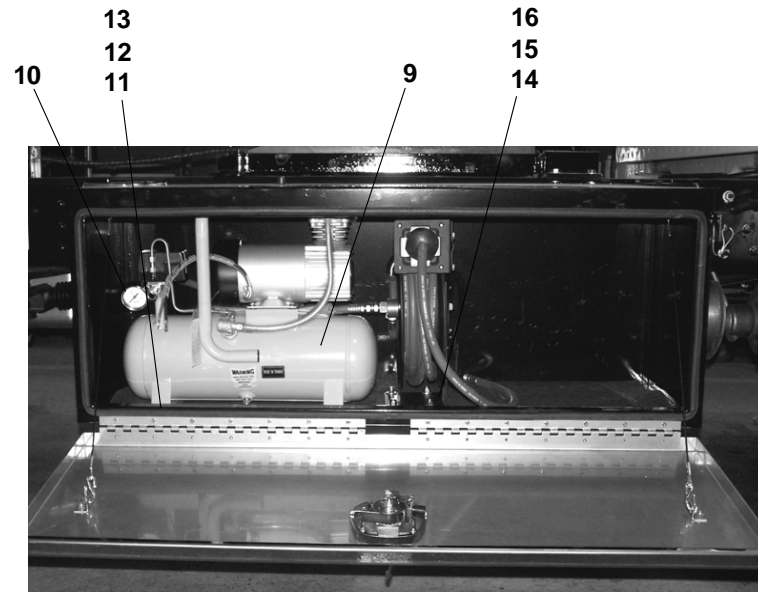
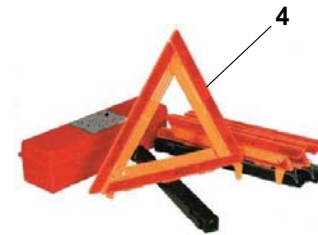


Items #22, Decal Kit - Munice PTO, not shown

**ACCESSORY EQUIPMENT**

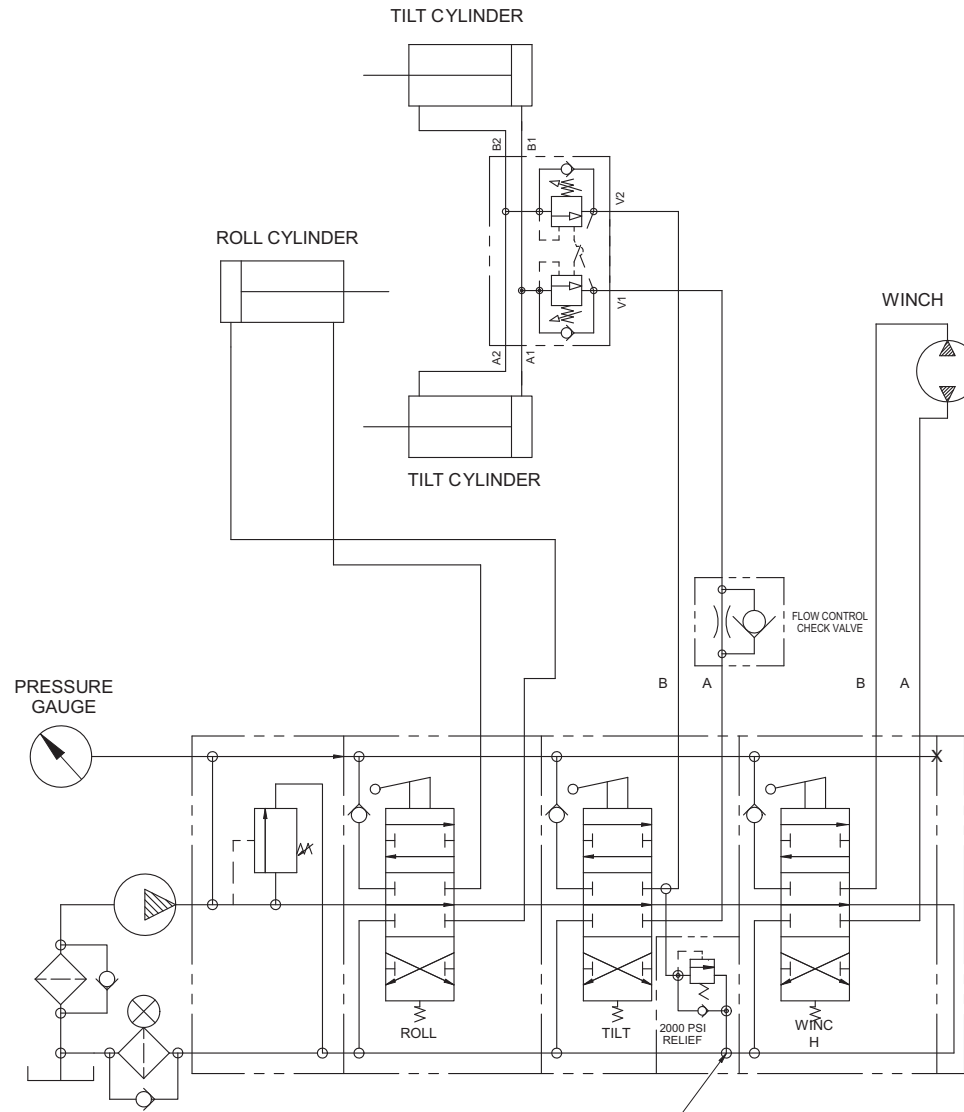
| ITEM | PART NO.     | DESCRIPTION                       | QTY |
|------|--------------|-----------------------------------|-----|
| 1    | 7002000449   | Magnetic Tow Lights               | 1   |
| 2    | 7002000404   | Fire Extinguisher                 | 1   |
| 3    | 7002000448   | Wheel Chock                       | 1   |
| 4    | 7002000285   | Reflective Triangles              | 1   |
| 5    | 7002000451   | Load Binder - 0.38" Chain         | 1   |
| 6    | Not Required |                                   |     |
| 7    | 7002000521   | Remote Control Transmitter Holder | 1   |
| 8    | 7002000447   | Valve Stem Extension Kit          | 1   |
| 9    | 7002000503   | Air Compressor with Hose Reel     | 1   |
| 10   | 7443000111   | Elbow                             | 1   |
| 11   | 7115161050   | Capscrew, 0.38"-16NC x 1.25"      | 4   |
| 12   | 7950150161   | Flatwasher, 0.31" ID              | 4   |
| 13   | 7660162601   | Locknut, 0.38"-16NC               | 4   |
| 14   | 7115181050   | Capscrew, 0.50"-13NC x 1.25"      | 4   |
| 15   | 7950180153   | Flatwasher, 0.50" ID              | 8   |
| 16   | 7660182601   | Locknut, 0.50"-13NC               | 4   |

# ACCESSORY EQUIPMENT



SHOWN MOUNTED INSIDE 48" TOOLBOX

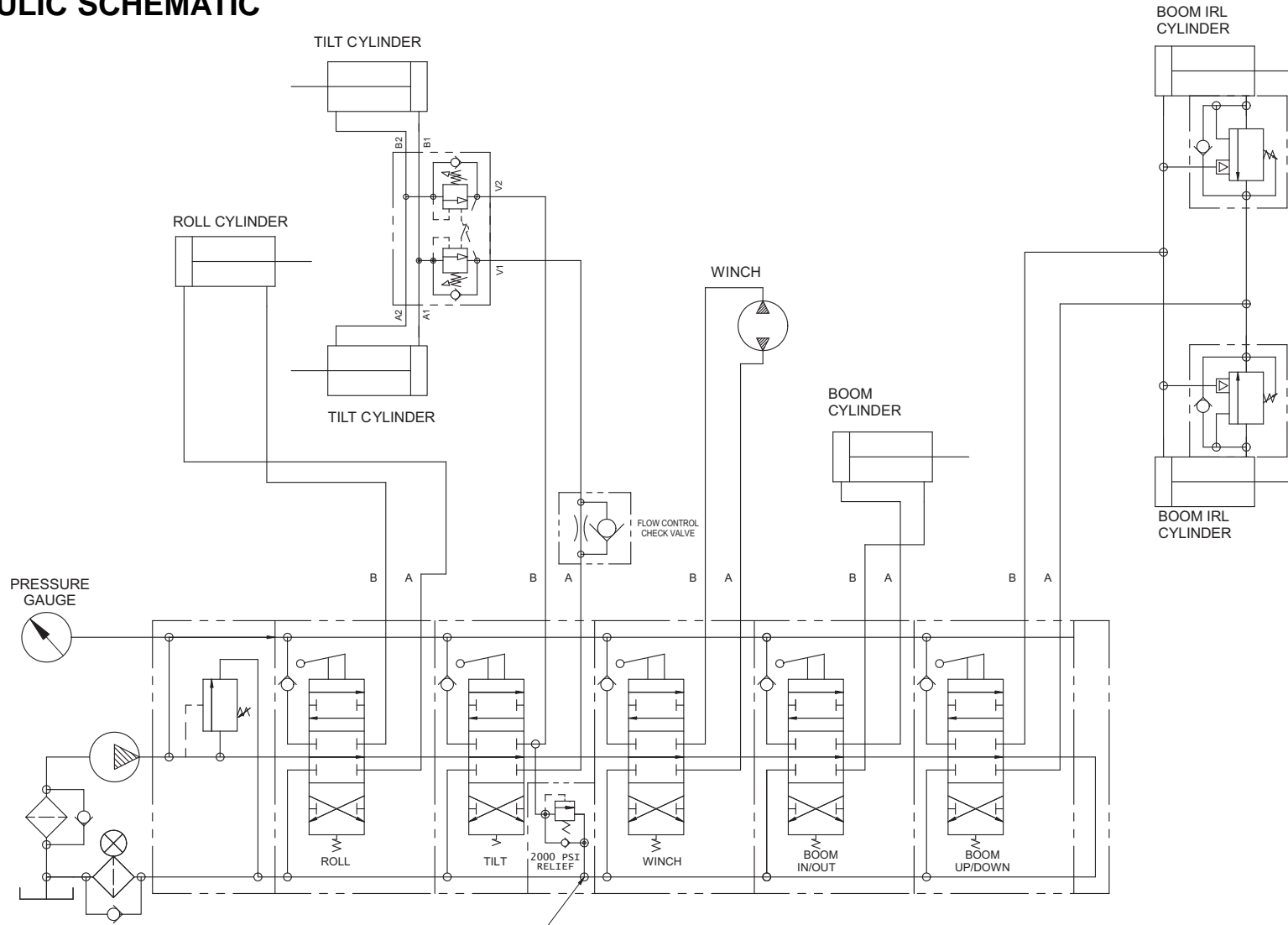
# HYDRAULIC SCHEMATIC



TILT RELIEF ON  
UNITS WITH INBOARD  
TILT CYLINDERS ONLY

3 Bank Control Valve - No Tow Option

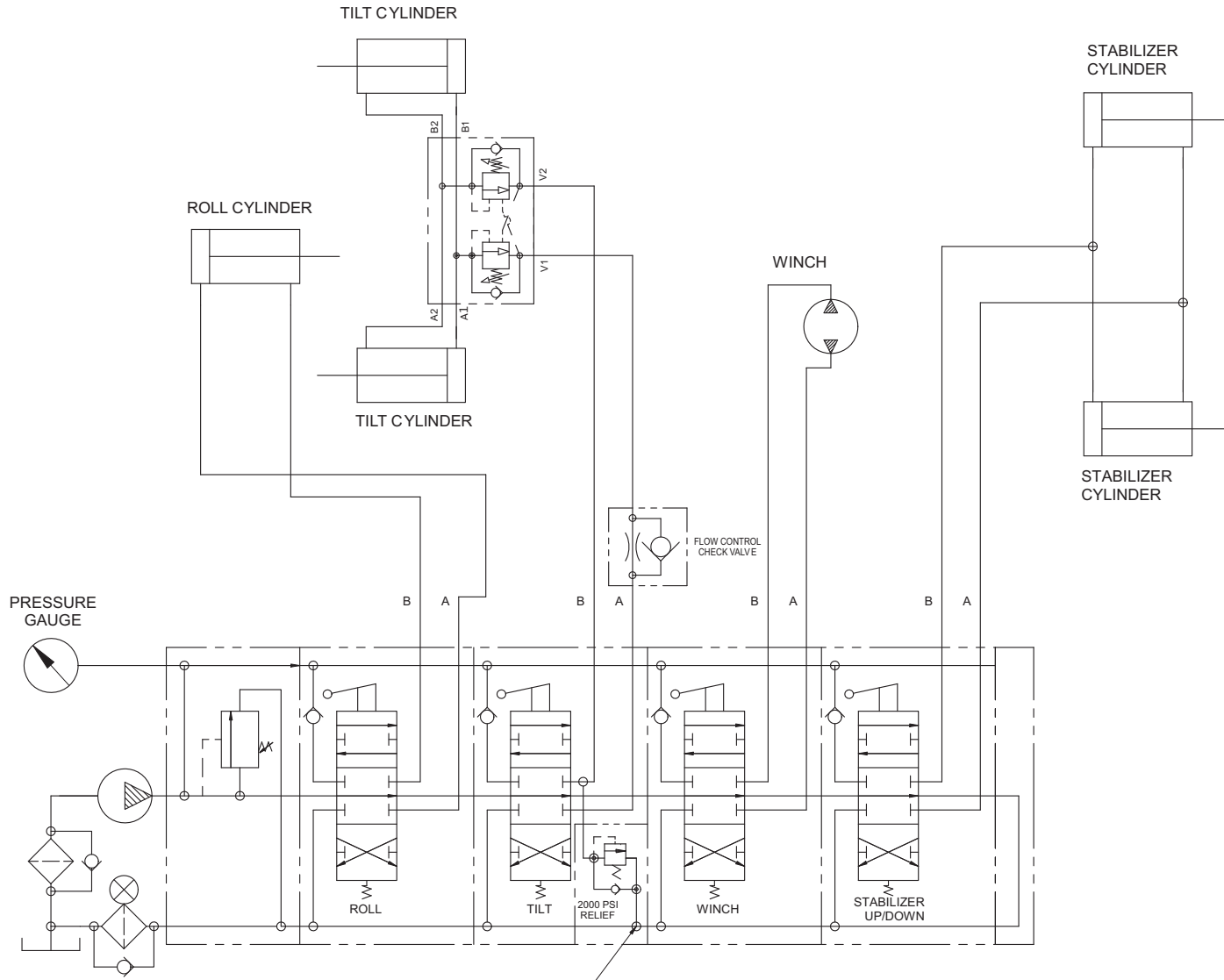
# HYDRAULIC SCHEMATIC



5 Bank Control Valve - IRL Tow Option

TILT RELIEF ON  
UNITS WITH INBOARD  
TILT CYLINDERS ONLY

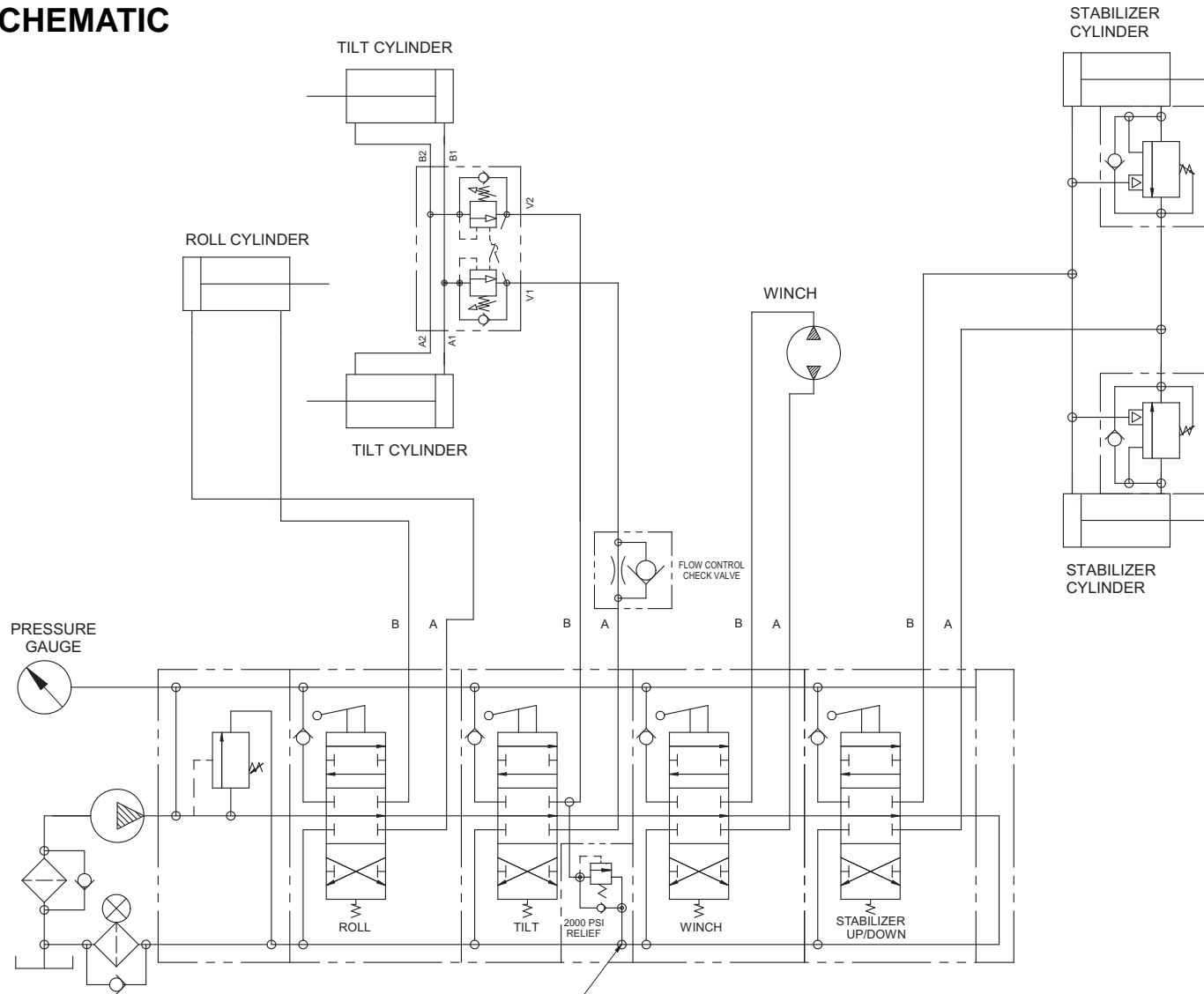
# HYDRAULIC SCHEMATIC



4 Bank Control Valve - Stabilizer Option

TILT RELIEF ON  
UNITS WITH INBOARD  
TILT CYLINDERS ONLY

# HYDRAULIC SCHEMATIC



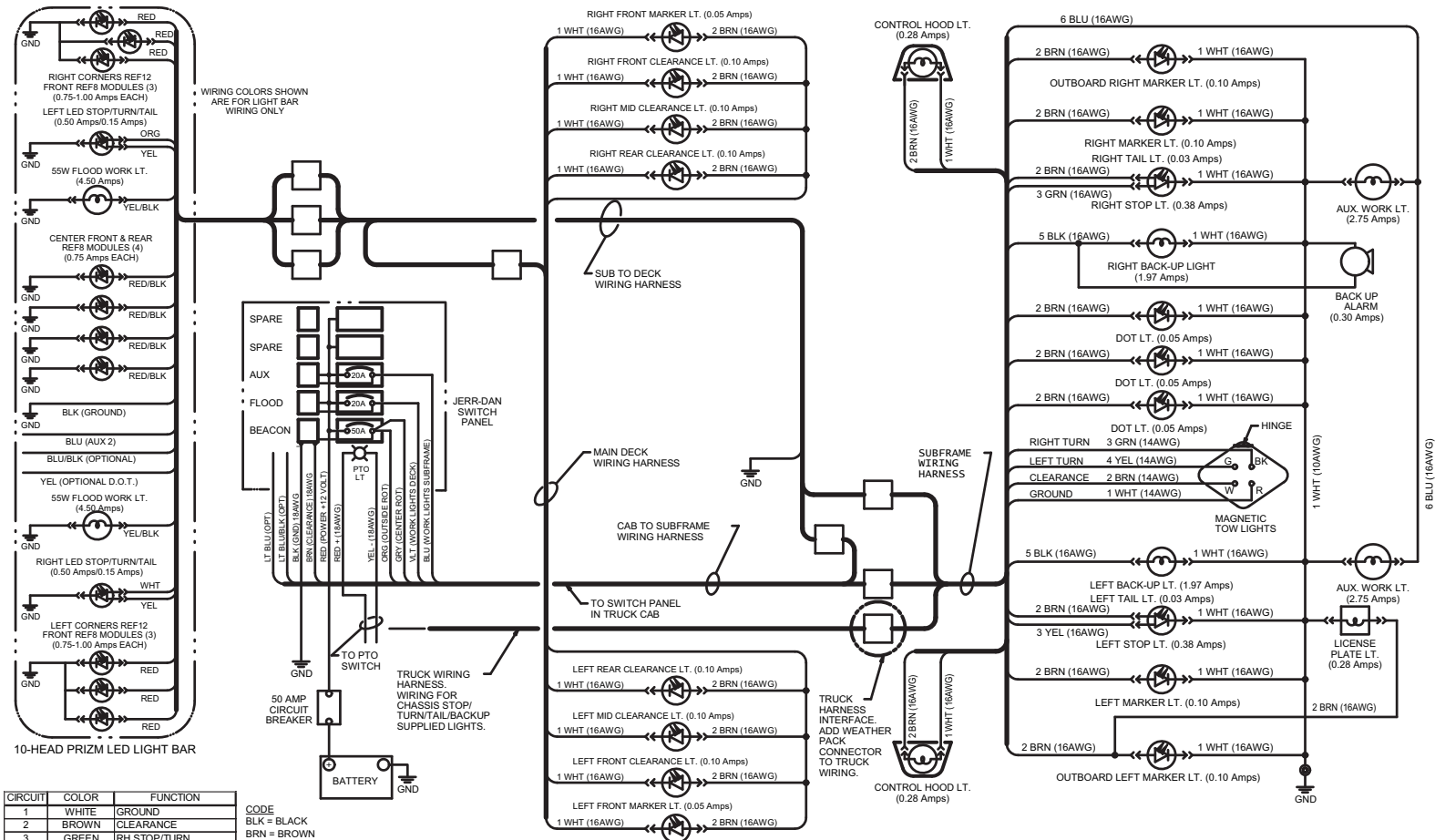
4 Bank Control Valve - Stabilizer with Tow Option

TILT RELIEF ON  
UNITS WITH INBOARD  
TILT CYLINDERS ONLY

**THIS PAGE INTENTIONALLY LEFT BLANK**



# ELECTRICAL SCHEMATIC

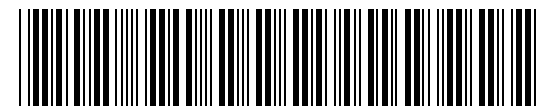


| CIRCUIT | COLOR         | FUNCTION             |
|---------|---------------|----------------------|
| 1       | WHITE         | GROUND               |
| 2       | BROWN         | CLEARANCE            |
| 3       | GREEN         | RH STOP/TURN         |
| 4       | YELLOW        | LH STOP/TURN         |
| 5       | BLACK         | BACK-UP              |
| 6       | BLUE          | WORK LIGHTS (SUBFR)  |
| 7       | VIOLET        | WORK LIGHTS (LT-BAR) |
| 8       | GRAY          | BEACON (ROTATORS)    |
| 9       | ORANGE        | AUX 1 (FLASHER)      |
| 10      | LT BLUE/BLACK | OPTION               |
| 11      | LT BLUE       | AUX 2                |

| CODE | DESCRIPTION |
|------|-------------|
| BLK  | BLACK       |
| BRN  | BROWN       |
| BLU  | BLUE        |
| GRN  | GREEN       |
| RED  | RED         |
| YEL  | YELLOW      |
| LT   | LIGHT       |
| ORG  | ORANGE      |
| VLT  | VIOLET      |
| WHT  | WHITE       |

**THIS PAGE INTENTIONALLY LEFT BLANK**





5376000140-0