

STANDARD DUTY CARRIER PARTS MANUAL

JERR-DAN[®]

An Oshkosh Corporation Company

13224 Fountainhead Plaza
Hagerstown, MD 21742
Phone (717) 597-7111
www.jerr-dan.com

5-376-000089
Rev 08 - March 1, 2014

© 2014 Jerr-Dan Corporation. All Rights Reserved

This manual covers the following Jerr-Dan Models:

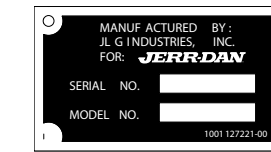
NGAF	- 6 Ton Aluminum Pioneer Fixed Rail	NGAT	- 6 Ton Aluminum Pioneer Transporter
NGADF	- 6 Ton Aluminum Pioneer Dual Angle Fixed Rail	WSRB	- 6 Ton Steel Rustler
NGAR	- 6 Ton Aluminum Pioneer Removable Rail	RRSB	- 6 Ton Steel Removable Rail B.I.C.
NGAT	- 6 Ton Aluminum Pioneer Transporter	SLPB	- 6 Ton Steel Shark

Jerr-Dan Corporation strives to provide information that is accurate, complete and useful. Descriptions and illustrative material contained within this manual are as accurate as known at the time of publication and are subject to change, without notice, as a result of continuous product improvements. Jerr-Dan reserves the right to amend the information in this document at any time without prior notice.

Information contained in this manual reflects how this vehicle was built at the factory. Modifications or additions by the distributor or owner are not reflected in this manual.

This parts manual does not include service parts information for the commercial chassis (IHC, Ford, GMC, etc.). That information is provided by the chassis manufacturer.

When ordering parts, please refer to your unit's Serial Number and Model Number. This information is be found on the aluminum tag riveted to the front left corner of the deck as shown below.



Additional or replacement manuals can be ordered by calling Jerr-Dan Parts at 717-597-7111. Price and availability will be quoted at time of the request.

Please report comments and/or errors by contacting Jerr-Dan Corporation's Technical Publications Department by e-mail at technicalpublications@jerr-dan.com or by FAX on 717-485-7162.

Manufactured under one or more of the following patents: 5,133,633; 5,575,606; 5,697,741; 5,951,235; 6,231,294 B1; 6,315,515 B1; 6,336,783 B1; 6,447,239 B2; and 7,264,305 B2 with other Patents Pending.

Jerr-Dan and the Jerr-Dan logo are registered trademarks and Run Hard is a service mark of Jerr-Dan Corporation, Greencastle, PA USA.

The material in this document is confidential and the property of Jerr-Dan Corporation. No part of this document may be photocopied, reproduced or translated to another language without the express written consent of Jerr-Dan Corporation.

TABLE OF CONTENTS

Deck - 6 Ton Aluminum Fixed Rail (NGAF).....	8	Dodge Ram 5500 Brake Cable Rework.....	94
Deck - 6 Ton Aluminum Dual Angle Fixed Rail (NGADF).....	10	Dodge Ram 5500 Fuel Tank Hose Install.....	96
Deck - 6 Ton Aluminum Removable Rail (NGAR).....	12	Isuzu NRR Frame Reinforcement -176" WB.....	98
Deck - 6 Ton Aluminum Transporter (NGAT).....	14	Isuzu NRR Frame Reinforcement -150" WB.....	100
Deck - 6 Ton Steel Rustler (WSRB).....	16	Hydraulic Reservoir And Toolbox / Basket.....	104
Deck - 6 Ton Steel Removable Rail (RRSB).....	18	Toolbox.....	110
Deck - 6 Ton Steel Shark (SLPB).....	20	Toolbox Shelf.....	112
Deck - 6 Ton Steel Transporter (STRB).....	22	Toolbox Light.....	114
Steel Bolt-In Keyslots.....	24	Toolbox Top Storage Tray And Marker Lights.....	116
Standard Bolt-On Headboard.....	26	Toolbox Top Storage Tray And Marker Lights w/Underbox Mount.....	118
Deluxe Bolt-On Headboard.....	28	24" Tunnel Toolbox Installation.....	120
Bucket Rest Headboard.....	30	Dual Controls - 3 Bank.....	124
Stationary Headboard.....	32	Dual Controls - 4 Bank.....	126
Worm Gear Winch.....	34	Dual Controls - 5 Bank.....	128
Planetary Gear Winch.....	36	Dual Controls - 6 Bank.....	130
Worm Gear Winch Cable Roller Guide / Tensioner Plate.....	38	Dual Controls - 7 Bank.....	132
Planetary Gear Winch Cable Roller Guide / Tensioner Plate.....	40	Hydraulic Components - Standard.....	134
Planetary Gear Winch Cable Roller Guide / Tensioner Plate.....	42	Hydraulic Components - Standard.....	136
Planetary Gear Winch Cable Roller Guide / Tensioner Plate.....	44	Hydraulic Components - Hose Routing (Std IHC).....	138
Planetary Gear Winch Cable Roller Guide / Tensioner Plate.....	46	Hydraulic Components - Hose Routing (Std Cab IHC 144CA).....	140
Manual Remote Free Spool - Bolt-On Headboard.....	48	Hydraulic Components - Hose Routing (EXT Cab IHC 150CA).....	142
Dual Manual Remote Free Spool - Bolt-On Headboard.....	50	Hydraulic Components - Hose Routing (Ford STD Cab).....	144
Manual Remote Free Spool - Stationary Headboard.....	52	Hydraulic Components - Hose Routing (Ford Ext Cab 150CA).....	146
Dual Manual Remote Free Spool - Stationary Headboard.....	54	Hydraulic Components - Hose Routing (Hino).....	148
Manual Remote Air Free Spool.....	56	Hydraulic Components - Hose Routing (Freightliner).....	150
Subframe (Outboard Tilt Cylinders).....	60	Hydraulic Components - Hose Routing (Peterbilt).....	152
Subframe (Inboard Tilt Cylinders).....	64	Hydraulic Components - Hose Routing (Chevy/GMC).....	154
Subframe (High Dump Tilt Cylinders).....	68	Hydraulic Components - Hose Routing (Dodge).....	156
Slide Pads.....	72	Hydraulic Components - Hose Routing (Std UD).....	158
Mud Flaps.....	74	Hydraulic Components - IRL Wheel lift With Manual Grids.....	160
Mud Flaps - Ford F550 & Dodge Ram 5500.....	76	Hydraulic Components - IRL Wheel lift With Hydraulic Grids.....	162
Final Assembly.....	78	Hydraulic Components - ZOD Wheel lift With Manual Grids.....	164
Final Assembly.....	80	Hydraulic Components - ZOD Wheel lift With Hydraulic Grids.....	166
Ford F550 Frame Reinforcement and Spring Spacers.....	82	Hydraulic Components - Stabilizer w/ Reese Rec Or Pintle Hitch.....	168
Ford F550 Subframe Modifications.....	84	Hydraulic Components - Stabilizer w/ Hyd Pintle Hitch Mtg Plate.....	170
GMC C4500/5500 Subframe Modifications.....	86	Hydraulic Components - IRL Tow Option.....	172
GMC C4500/5500 Brake Cable Rework & Rear Fuel Tank Mod.....	88	Hydraulic Components - Hydraulic Extend Tow Option.....	174
Dodge Ram 5500 Frame Reinforcement.....	90	Electrical Components - Standard w/ Bolt-On Headboard.....	176
Dodge Ram 5500 Frame Reinforcement 2013 & Newer.....	92	Electrical Components - Standard w/ Stationary Headboard.....	178

TABLE OF CONTENTS

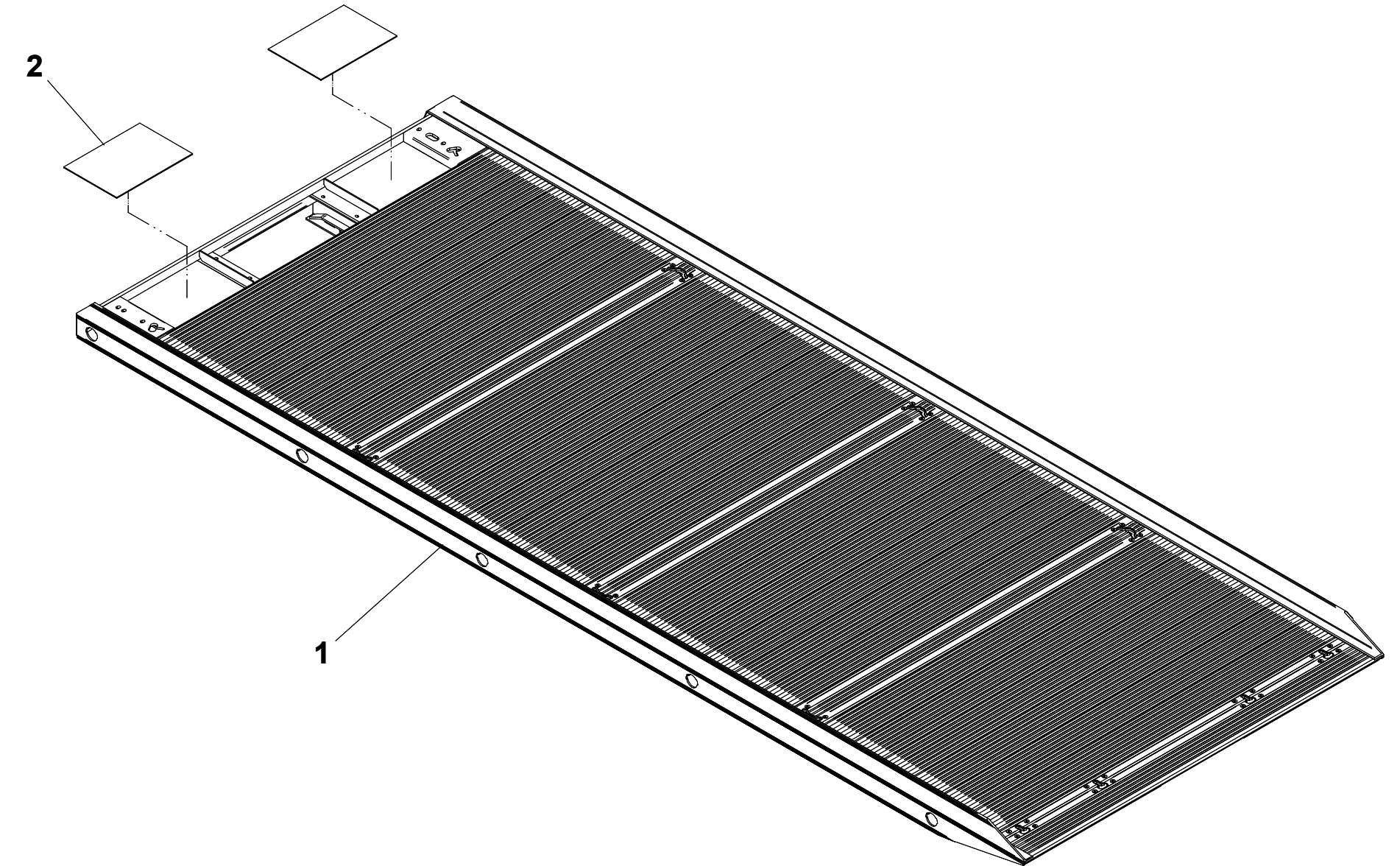
Deck Marker Lights.....	180	Switch Panels.....	262
R.A.I.L. Marker Lights.....	182	Work Lights.....	264
Headboard Side Marker Lights.....	184	Bolt-On D-Rings.....	266
Electrical Components - Optional (Tail Light Converter).....	186	Approach Tip Roller.....	268
IRL Wheel Lift - Manual Grids.....	188	1, 2, 3, 4 or 5 Remote Control Operations.....	270
IRL Wheel Lift - Hydraulic Grids.....	190	6 or 7 Remote Control Operations.....	272
ZOD Wheel Lift - Manual Grids.....	192	Remote Throttle Control.....	274
ZOD Wheel Lift - Hydraulic Grids.....	194	Glad Hands And 7-Way Connector.....	276
Manual L-Arm Wheel Lift Grid w/ Ball Plate.....	196	Air Supply Disconnect.....	278
Manual L-Arm Wheel Lift Grid w/ Reese Reciever.....	198	Jump Start Kit.....	280
Manual L-Arm Wheel Lift Grid w/ Pintle Plate.....	200	Folding Deck Ladder.....	282
Manual T37 Pivoting Wheel Lift Grid w/ Ball Plate.....	202	Chains And Straps.....	284
Manual T37 Pivoting Wheel Lift Grid w/ Reese Reciever.....	204	Towing Safety Tools.....	286
Hydraulic Wheel Lift Grid.....	206	Decals.....	288
Hydraulic Rear Dock Stabilizer.....	212	Winch - 8K Planetary Gear w/Manual Freespool - 7970000056.....	290
Hydraulic Rear Dock Stabilizer w/ Reese Hitch Receiver.....	214	Winch - 8K Worm Gear w/ Manual Freespool - 7970000121.....	292
Hydraulic Rear Dock Stabilizer w/ Hyd Ext Pintle Hitch Mtg Plate.....	216	Winch -10K Worm Gear w/ Manual Freespool - 7970000123.....	294
Hydraulic Rear Dock Stabilizer w/ Man Ext Pintle Hitch Mtg Plate.....	218	Winch -10K Worm Gear w/ Air Freespool - 7970000140.....	296
Ball Hitch Mounting Plate - IRL.....	220	Winch - 8K Worm Gear w/ Air Freespool - 7970000142.....	298
Ball Hitch Mounting Plate - Hydraulic Extend.....	222	Winch -10K Planetary Gear w/ Manual Freespool - 7970000158.....	300
Ball Hitch Mounting Plate - Manual Extend.....	224	Winch -10K Planetary Gear w/ Air Freespool - 7970000166.....	302
Pintle Hitch Mounting Plate - IRL.....	226	Lightbar 58" Code3 - 1001136989 & 1001136993.....	304
Pintle Hitch Mounting Plate - Hydraulic Extend.....	228	Lightbar 60" Whelen - 7590000403.....	306
Pintle Hitch Mounting Plate - Manual Extend.....	230	TG Series PTO Installation - Electric/Air Shift.....	310
Towbar - IRL.....	232	TG Series PTO Installation - Air Shift.....	312
Towbar - Hydraulic Extend.....	234	TG Series PTO Installation - E-Hydra Shift.....	314
AutoGrid Cylinder Assembly - P/N 7320000064.....	236	TG Series PTO Installation - Lectra Shift.....	316
IRL Cylinder Assembly - P/N 3320000114.....	238	CS6/CS8 Series PTO Installation - Electric/Air Shift.....	318
Wheel Lift Extend Cylinder Assembly - P/N 3320000115.....	240	CS6/CS8 Series PTO Installation - Electric/Hydraulic Shift.....	320
Tow Option Extend Cylinder Assembly - P/N 3320000116.....	242	CS24 Series PTO Installation.....	322
Tow Option Extend Cylinder Assembly - P/N 3320000117.....	244	Valve Assembly - 3935000111.....	324
ZOD Cylinder Assembly - P/N 3320000118.....	246	Valve Assembly - 3935000115.....	326
Tilt Cylinder Assembly (Inboard) - P/N 3320000120.....	248	Valve Assembly - 3935000116.....	328
Tilt Cylinder Assembly - P/N 3320000122.....	250	Valve Assembly - 3935000117.....	330
IRL Cylinder Assembly - P/N 3320000134.....	252	Valve Assembly - 3935000118.....	332
ZOD Cylinder Assembly - P/N 3320000135.....	254	Valve Assembly - 3935000150.....	334
ZOD Cylinder Assembly - P/N 7330000157.....	256	Valve Assembly - 3935000166.....	336
Roll Cylinder Assembly - P/N 3320000236.....	258	Valve Assembly - 1001145986.....	338
Lightbars.....	260	Valve Assembly - 1001146603.....	340

TABLE OF CONTENTS

Accessory Equipment.....	342
Hydraulic Schematic.....	344
Electrical Schematic.....	353
Part Number Index.....	354

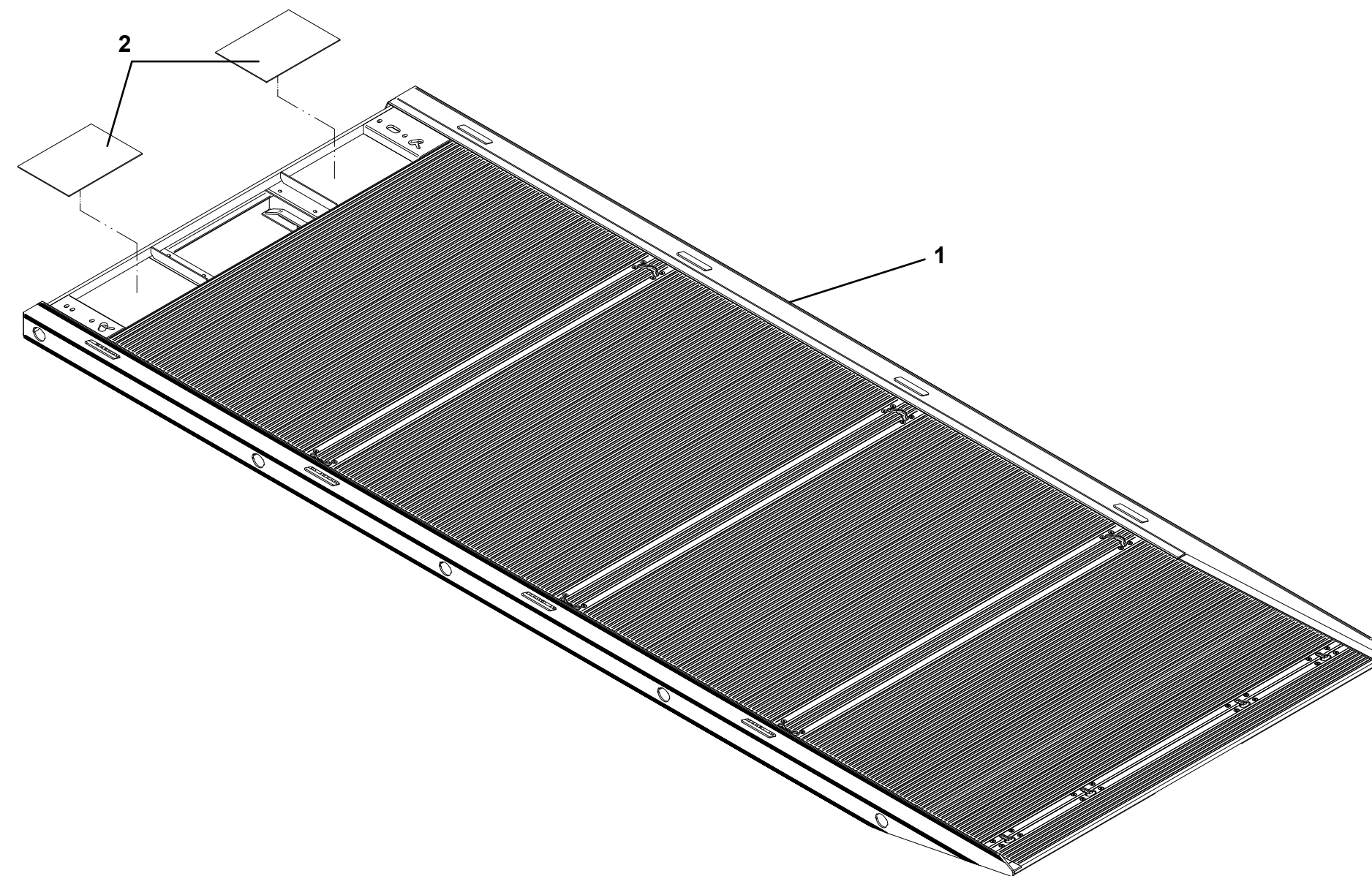
DECK - 6 TON ALUMINUM FIXED RAIL (NGAF)

ITEM	PART NO.	DESCRIPTION	QTY
1	3097000655	19' Deck - 96" Wide	1
	3097000656	19' Deck - 102" Wide	
	3097000665	20' Deck - 96" Wide	
	3097000666	20' Deck - 102" Wide	
	1001128462	21' Deck - 90" Wide	
	3097000675	21' Deck - 96" Wide	
	3097000676	21' Deck - 102" Wide	
2	7679000017	Chain Tray Mat	2

DECK - 6 TON ALUMINUM FIXED RAIL (NGAF)

DECK - 6 TON ALUMINUM DUAL ANGLE FIXED RAIL (NGADF)

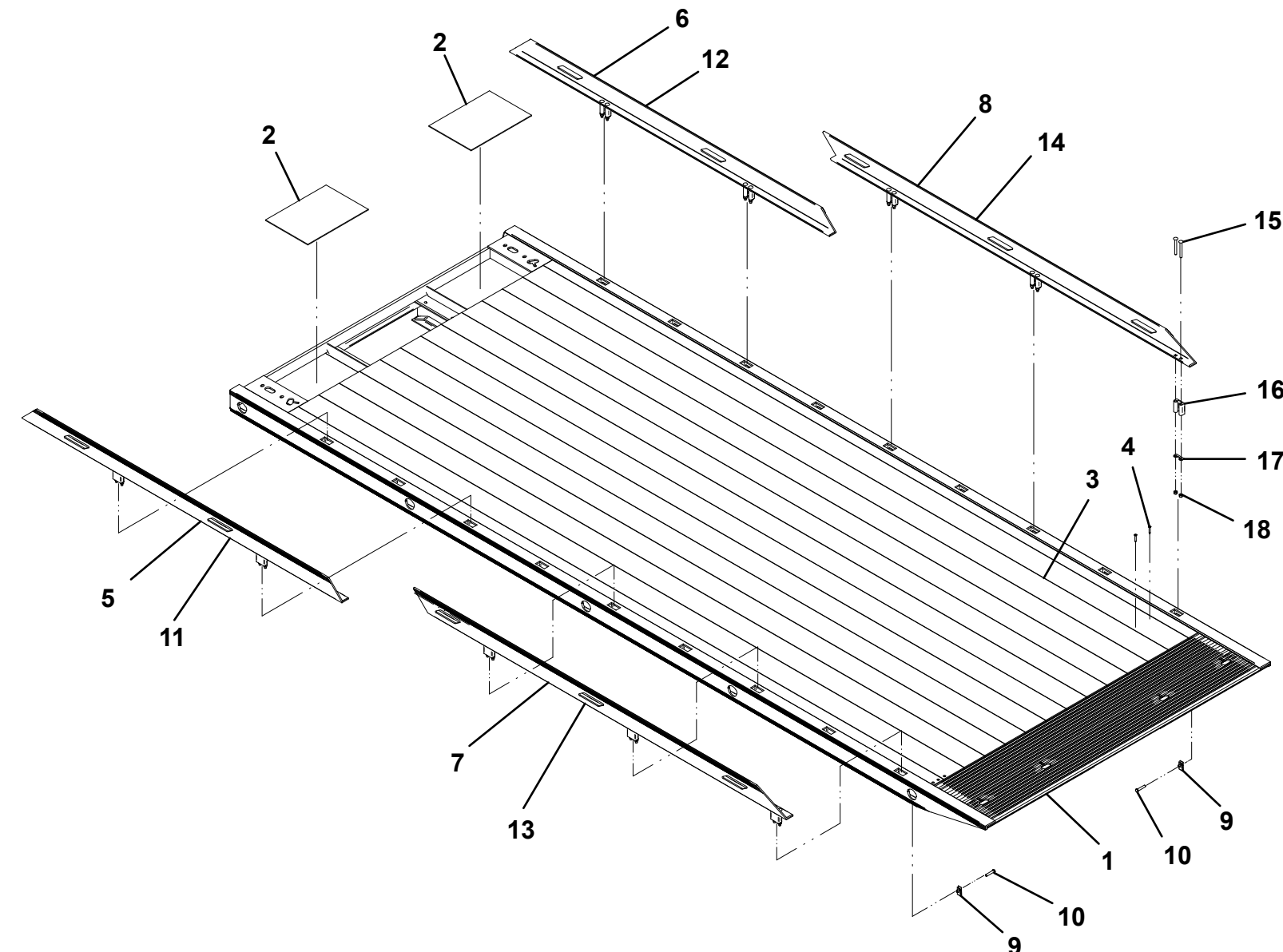
ITEM	PART NO.	DESCRIPTION	QTY
1	3097000682	21' Deck -102" Wide	1
	3097000681	21' Deck - 96"	
	3097000672	20' Deck -102" Wide	
	3097000671	20' Deck - 96"	
	3097000662	19' Deck -102" Wide	
	3097000661	19' Deck - 96"	
2	7679000017	Chain Tray Mat	2

DECK - 6 TON ALUMINUM DUAL ANGLE FIXED RAIL (NGADF)

DECK - 6 TON ALUMINUM TRANSPORTER (NGAT)

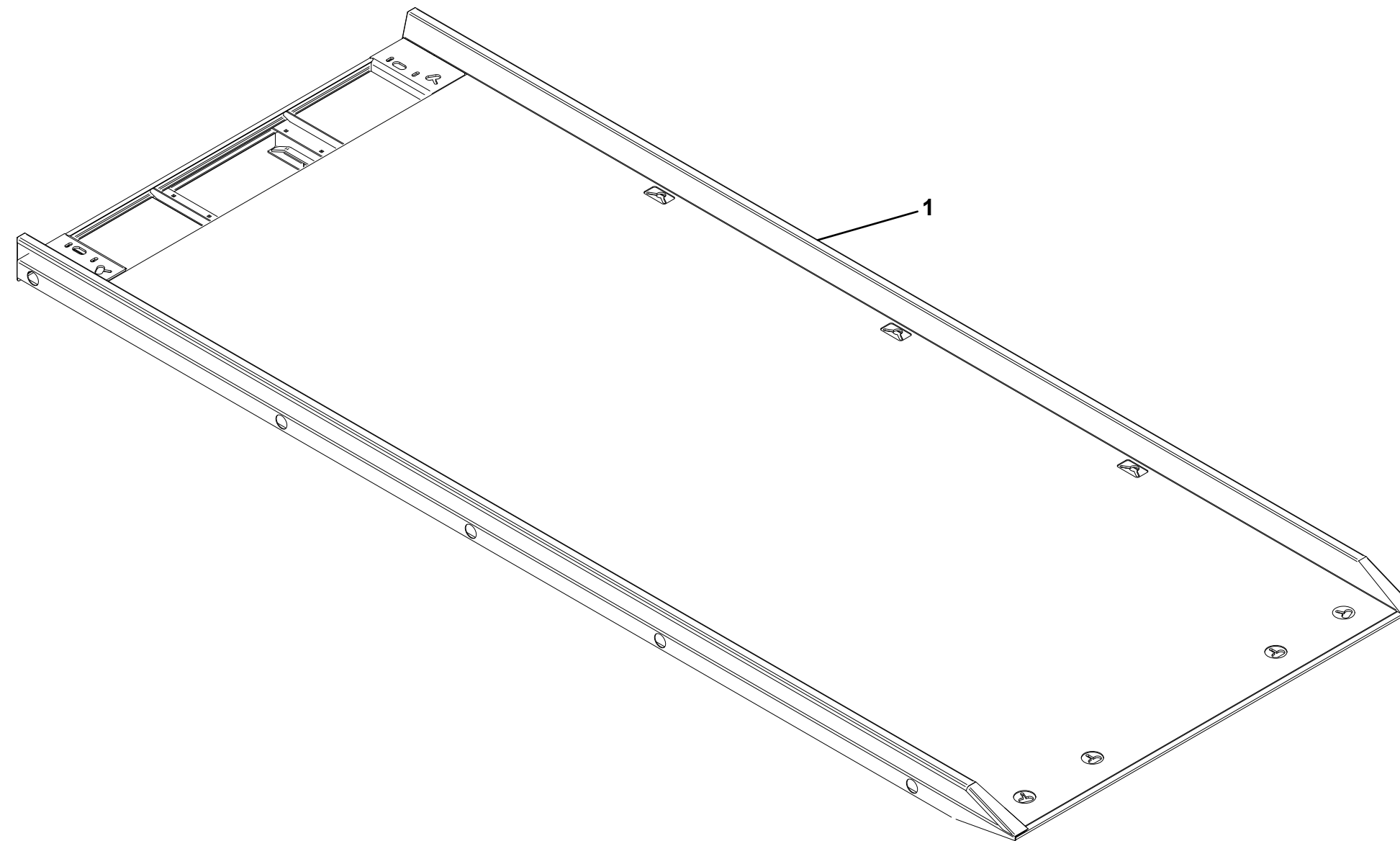
ITEM	PART NO.	DESCRIPTION	QTY	ITEM	PART NO.	DESCRIPTION	QTY
1	Consult Factory	19' Deck - 95" Wide, 12" X-mem spacing	1			Standard Aluminum Removable Rails	
	Consult Factory	19' Deck - 95" Wide, 8" X-mem spacing		5	3017000121	Angle Assembly LH Front	1
	Consult Factory	19' Deck -102" Wide, 12" X-mem spacing		6	3017000122	Angle Assembly RH Front	1
	Consult Factory	19' Deck -102" Wide, 8" X-mem spacing		7	3017000127	Angle Assembly LH Rear (19' & 20' decks)	1
	Consult Factory	20' Deck - 95" Wide, 12" X-mem spacing			3017000129	Angle Assembly LH Rear (21' deck)	
	Consult Factory	20' Deck - 95" Wide, 8" X-mem spacing		8	3017000128	Angle Assembly RH Rear (19' & 20' decks)	1
	Consult Factory	20' Deck -102" Wide, 12" X-mem spacing			3017000130	Angle Assembly RH Rear (21' deck)	
	Consult Factory	20' Deck -102" Wide, 8" X-mem spacing		9	7661000055	U-Nut	12
	Consult Factory	21' Deck - 95" Wide, 12" X-mem spacing		10	7120000005	Capscrew, 0.50"-13NC x 2.50"	10
	Consult Factory	21' Deck - 95" Wide, 8" X-mem spacing				Parts Breakdown of Angle Assemblies	
	Consult Factory	21' Deck -102" Wide, 12" X-mem spacing		11	4017001699	Angle LH Front	1
	Consult Factory	21' Deck -102" Wide, 8" X-mem spacing		12	4017001700	Angle RH Front	
2	7679000017	Chain Tray Mat	2	13	4017001705	Angle LH Rear (19' & 20' decks)	1
3	Consult Factory	Keruing Board	A/R		4017001707	Angle LH Rear (21' deck)	
4	7786000007	Screw, 0.31"-18NC x 2.00"	A/R	14	4017001706	Angle RH Rear (19' & 20' decks)	
					4017001708	Angle RH Rear (21' deck)	
				15	1001137970	Carriage Bolt, 0.50"-13NC x 4.50"	20
				16	8411080102	Extrusion	10
				17	4706006228	Plate	10
				18	7660182601	Locknut, 0.50"-13NC	20

DECK - 6 TON ALUMINUM TRANSPORTER (NGAT)



DECK - 6 TON STEEL RUSTLER (WSRB)

ITEM	PART NO.	DESCRIPTION	QTY
1	Consult Factory	19' Deck - 96" Wide	1
	Consult Factory	19' Deck - 102" Wide	
	Consult Factory	20' Deck - 96" Wide	
	Consult Factory	20' Deck - 102" Wide	
	Consult Factory	21' Deck - 96" Wide	
	Consult Factory	21' Deck - 102" Wide	

DECK - 6 TON STEEL RUSTLER (WSRB)

DECK - 6 TON STEEL REMOVABLE RAIL (RRSB)

ITEM	PART NO.	DESCRIPTION	QTY
1	Consult Factory	19' Deck - 96" Wide	1
	Consult Factory	19' Deck -102" Wide	
	Consult Factory	19' High Dump Deck - 96" Wide	
	Consult Factory	20' Deck - 96" Wide	
	Consult Factory	20' Deck -102" Wide	
	Consult Factory	21' Deck - 90" Wide	
	Consult Factory	21' Deck - 96" Wide	
	Consult Factory	21' Deck -102" Wide	

ITEM	PART NO.	DESCRIPTION	QTY
2	3729000259	Rail Weldment Front (19' & 20' decks)	2
	3729000260	Rail Weldment Front (21' deck)	
3	3729000262	Rail Weldment Rear (19' & 20' decks)	2
	3729000261	Rail Weldment Rear (21' deck)	
4	7115181050	Capscrew, 0.50"-13NC x 1.25"	10
5	7701000033	End Cap	4

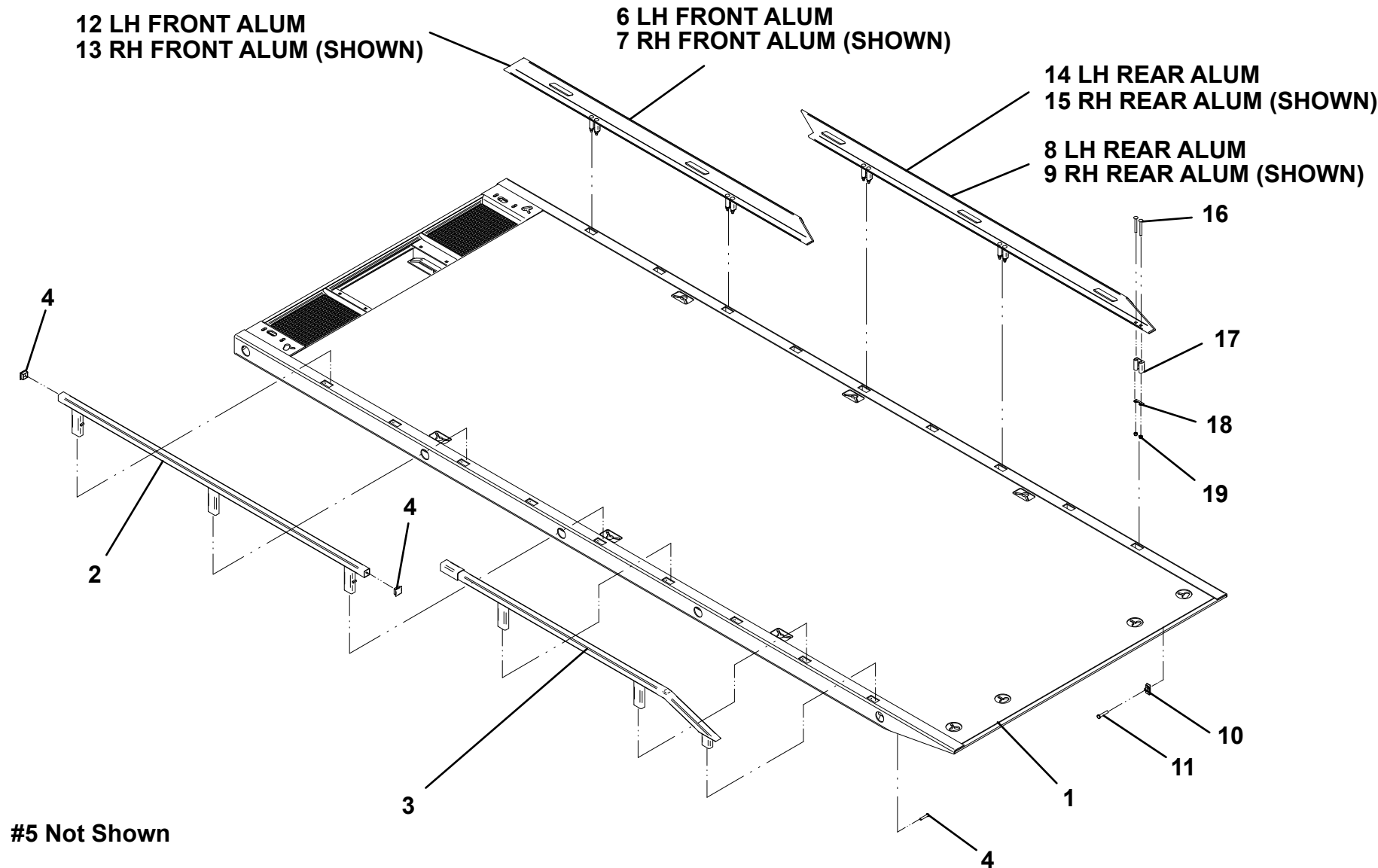
Optional Aluminum Removable Rails:

6	3017000121	Angle Assembly LH Front	1
7	3017000122	Angle Assembly RH Front	1
8	3017000127	Angle Assembly LH Rear (19' & 20' decks)	1
	3017000129	Angle Assembly LH Rear (21' deck)	
9	3017000128	Angle Assembly RH Rear (19' & 20' decks)	1
	3017000130	Angle Assembly RH Rear (21' deck)	
10	7661000055	U-Nut	10
11	7120000005	Capscrew, 0.50"-13NC x 2.50"	10

Parts Breakdown of Angle Assemblies

12	4017001699	Angle LH Front	1
13	4017001700	Angle RH Front	
14	4017001705	Angle LH Rear (19' & 20' decks)	1
	4017001707	Angle LH Rear (21' deck)	
15	4017001706	Angle RH Rear (19' & 20' decks)	
	4017001708	Angle RH Rear (21' deck)	
16	1001137970	Carriage Bolt, 0.50"-13NC x 4.50"	20
17	8411080102	Extrusion	10
18	4706006228	Plate	10
19	7660182601	Locknut, 0.50"-13NC	20

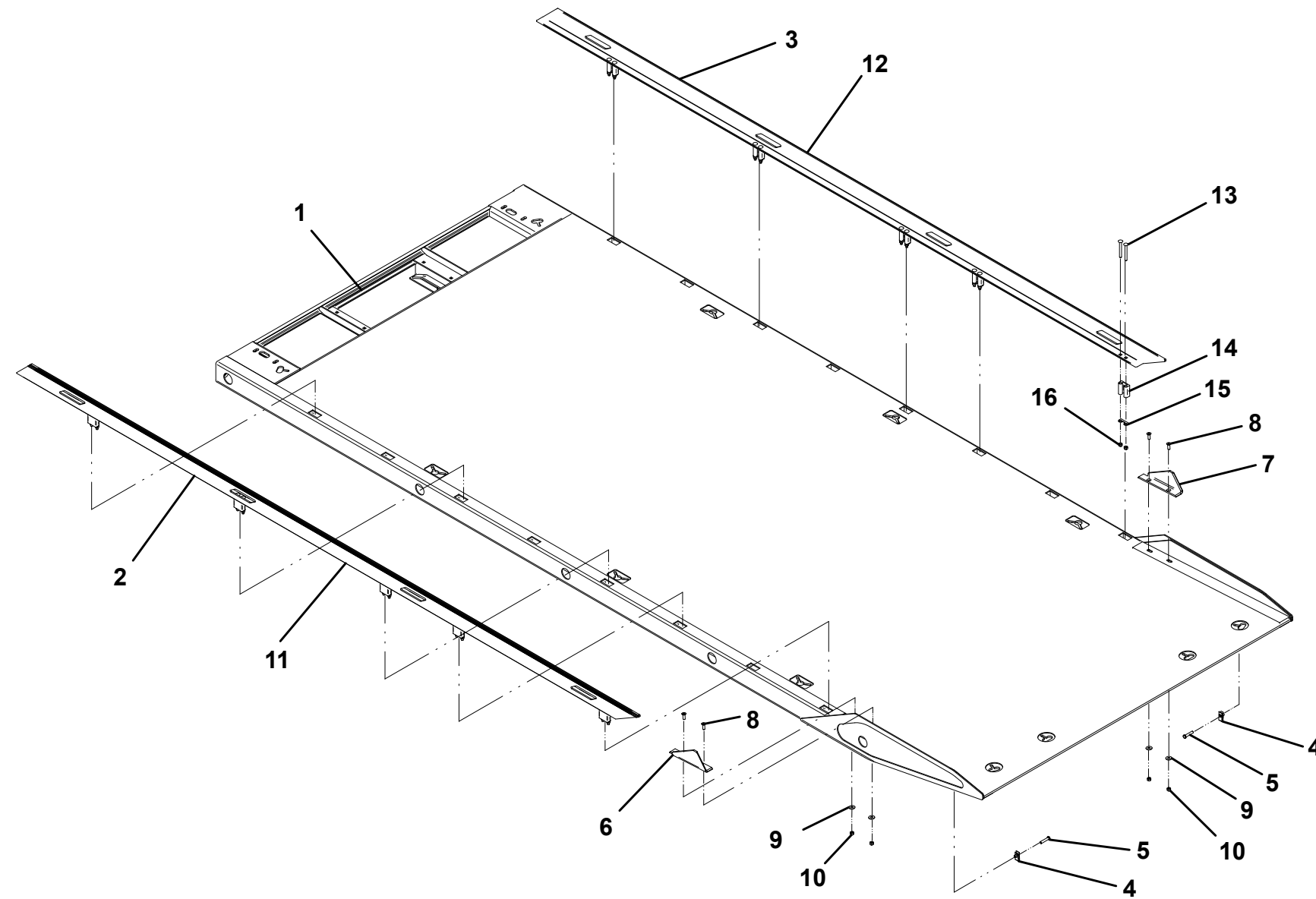
DECK - 6 TON STEEL REMOVABLE RAIL (RRSB)



DECK - 6 TON STEEL SHARK (SLPB)

ITEM	PART NO.	DESCRIPTION	QTY	ITEM	PART NO.	DESCRIPTION	QTY
1	Consult Factory	19' Deck, 6 Ton, 102" Wide	1			Parts Breakdown of Angle Assemblies	
	Consult Factory	20' Deck, 6 Ton, 102" Wide					
	Consult Factory	21' Deck, 6 Ton, 102" Wide					
2	3017000135	Angle Assembly LH (19' deck)	1	11	4017001713	Angle LH (19' deck)	1
	3017000137	Angle Assembly LH (20' deck)			4017001715	Angle LH (20' deck)	
	3017000139	Angle Assembly LH (21' deck)			4017001717	Angle LH (21' deck)	
3	3017000136	Angle Assembly RH (19' deck)	1	12	4017001714	Angle RH (19' deck)	1
	3017000138	Angle Assembly RH (20' deck)			4017001716	Angle RH (20' deck)	
	3017000140	Angle Assembly RH (21' deck)			4017001718	Angle RH (21' deck)	
4	7661000055	U-Nut (19' & 20' decks)	8	13	1001137970	Carriage Bolt, 0.50"-13NC x 4.50" (19' & 20' decks)	16
	7661000055	U-Nut (21' deck)	10				
5	7120000005	Capscrew, 0.50"-13NC x 2.50" (19' & 20' decks)	8		1001137970	Carriage Bolt, 0.50"-13NC x 4.50" (21' deck)	20
	7120000005	Capscrew, 0.50"-13NC x 2.50" (21' deck)	10	14	8411080102	Extrusion (19' & 20' decks)	8
6	4178000874	Bracket, LH	1			Extrusion (21' deck)	10
7	4178000873	Bracket, RH	1	15	4706006228	Plate (19' & 20' decks)	8
8	7115181223	Screw, 0.50"-13NC x 1.50"	4			Plate (21' deck)	10
9	7950180161	Flatwasher, 0.50" ID	4		7660182601	Locknut, 0.50"-13NC (19' & 20' decks)	16
10	7660182601	Locknut, 0.50"-13NC	4			Locknut, 0.50"-13NC (21' deck)	20

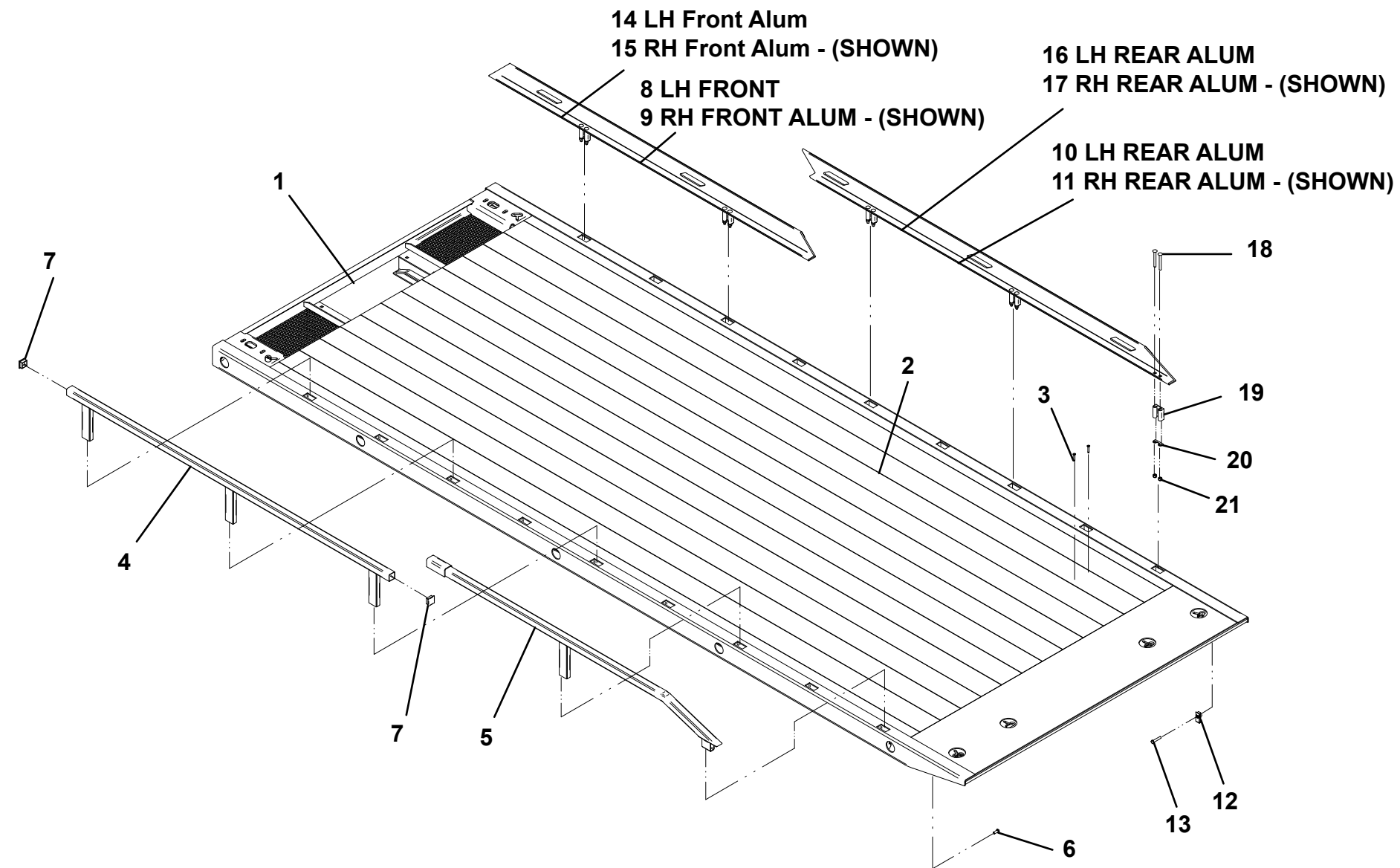
DECK - 6 TON STEEL SHARK (SLPB)



DECK - 6 TON STEEL TRANSPORTER (STRB)

ITEM	PART NO.	DESCRIPTION	QTY	ITEM	PART NO.	DESCRIPTION	QTY
1	Consult Factory	19' Deck, 95" Wide, 8" X-mem spacing	1			Standard Steel Tubular Removable Rails:	
	Consult Factory	19' Deck, 102" Wide, 8" X-mem spacing					
	Consult Factory	20' Deck, 95" Wide, 8" X-mem spacing					
	Consult Factory	20' Deck -102" Wide, 8" X-mem spacing		4	3729000259	Rail Weldment Front (19' & 20' decks)	2
	Consult Factory	21' Deck - 95" Wide, 8" X-mem spacing			3729000260	Rail Weldment Front (21' deck)	
	Consult Factory	21' Deck -102" Wide, 8" X-mem spacing		5	3729000262	Rail Weldment Rear (19' & 20' decks)	2
2	Consult Factory	Keruing Board	A/R		3729000261	Rail Weldment Rear (21' deck)	
3	7786000007	Screw, 0.31"-18NC x 2.00"	A/R	6	7115181050	Capscrew, 0.50"-13NC x 1.25"	10
				7	7701000033	End Cap	4
						Optional Aluminum Removable Rails:	
				8	3017000121	Angle Assembly LH Front	1
				9	3017000122	Angle Assembly RH Front	1
				10	3017000127	Angle Assembly LH Rear (19' & 20' decks)	1
					3017000129	Angle Assembly LH Rear (21' deck)	
				11	3017000128	Angle Assembly RH Rear (19' & 20' decks)	1
					3017000130	Angle Assembly RH Rear (21' deck)	
				12	7661000055	U-Nut	10
				13	7120000005	Capscrew, 0.50"-13NC x 2.50"	10
						Parts Breakdown of Angle Assemblies	
				14	4017001699	Angle LH Front	1
				15	4017001700	Angle RH Front	
				16	4017001705	Angle LH Rear (19' & 20' decks)	1
					4017001707	Angle LH Rear (21' deck)	
				17	4017001706	Angle RH Rear (19' & 20' decks)	
					4017001708	Angle RH Rear (21' deck)	
				18	1001137970	Carriage Bolt, 0.50"-13NC x 4.50"	20
				19	8411080102	Extrusion	10
				20	4706006228	Plate	10
				21	7660182601	Locknut, 0.50"-13NC	20

DECK - 6 TON STEEL TRANSPORTER (STRB)

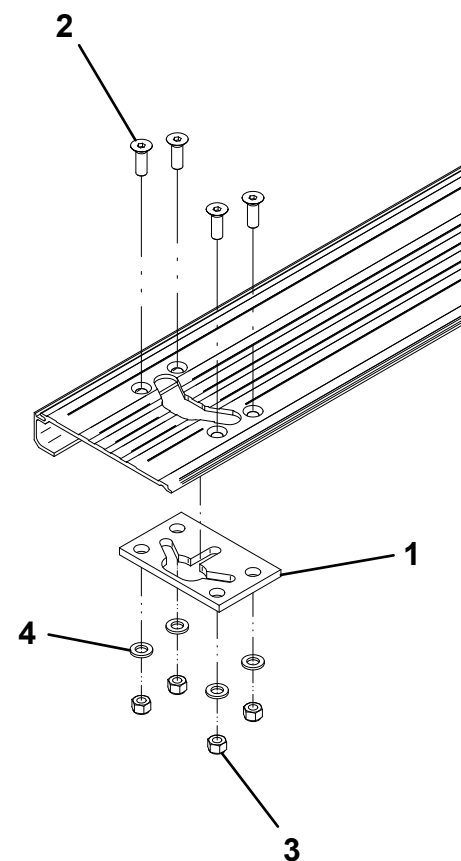


STEEL BOLT-IN KEYSLOTS

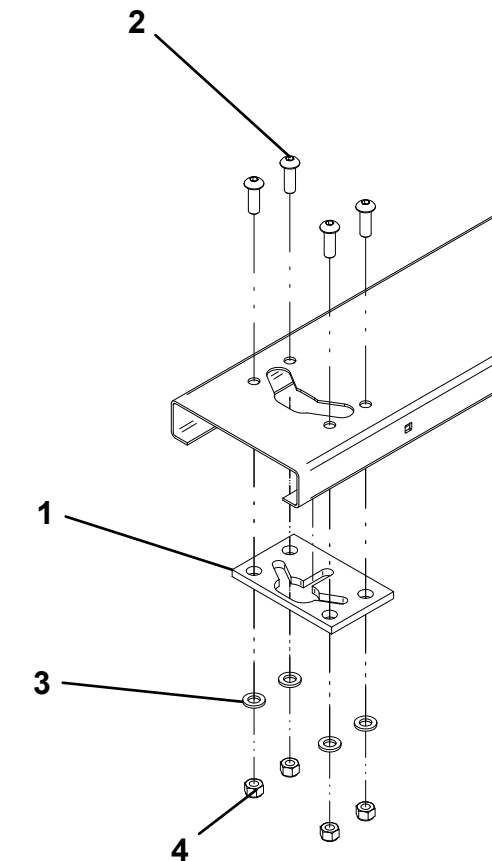
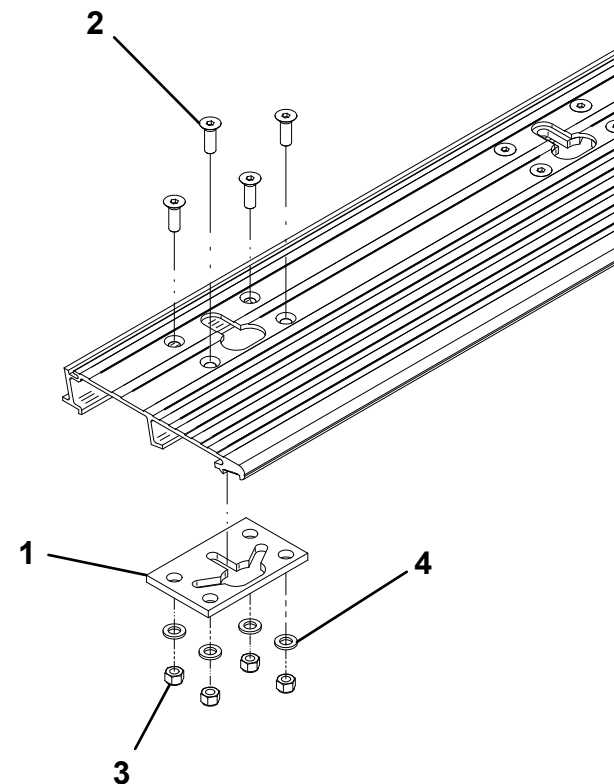
ITEM	PART NO.	DESCRIPTION	QTY
Aluminum Decks			
1	4706005551	Keyslot Plate	1
2	1001138460	Screw, 0.50"-13NC x 1.50" Flat Head	4*
3	7660182601	Locknut, 0.50"-13NC	4*
4	7950180153	Flatwasher, 0.50" ID	4*
Steel Panel Decks			
1	4706005551	Keyslot Plate	1
2	1001138460	Capscrew, 0.50"-13NC x 1.50"	4*
3	7950180153	Flatwasher, 0.50" ID	4*
4	7660182601	Locknut, 0.50"-13NC	4*

*Quantities are per item #1

STEEL BOLT-IN KEYSLOTS



ALUMINUM DECKS



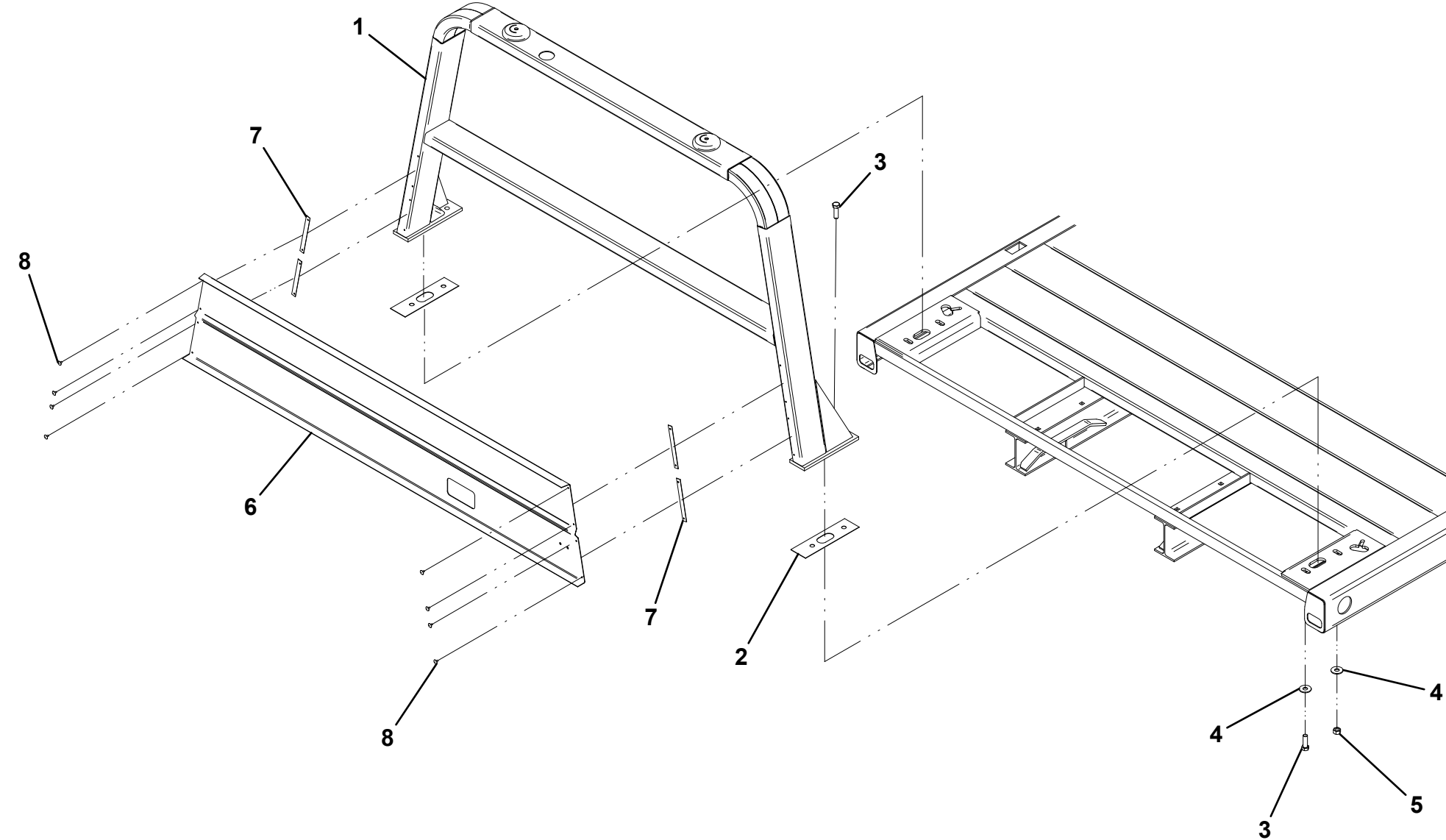
STEEL PANEL DECKS

STANDARD BOLT-ON HEADBOARD

ITEM	PART NO.	DESCRIPTION	QTY
1	1001129362	Standard Headboard Weld - 36.50"	1
	1001129364	Standard Headboard Weld - 45.50"	
	1001129378	Standard Headboard Weld - 50.50"	
	1001129379	Standard Headboard Weld - 57.50"	
2	4796000037	Gasket	2
3	7105201650	Capscrew, 0.63"-18NF x 2.00"	4
4	7950200152	Flatwasher, 0.63" ID	4
5	7660200035	Nut, 0.63"-18NF	2
6	4686000295	Panel (36.50" or 45.50" headboard w/ std. remote free spool)	1
	4686000296*	Panel (50.50" or 57.50" headboard w/ std. remote free spool)	
	4686000301*	Panel (45.50" headboard w/ air remote free spool)	
	4686000302*	Panel (50.50" or 57.50" headboard w/ air remote free spool)	
7	4892000008	Tape (36.50" or 45.50" headboard)	4
	4892000009	Tape (50.50" or 57.50" headboard)	
8	7759000022	Pop Rivet	8

*included with Standard Headboard Weld

STANDARD BOLT-ON HEADBOARD

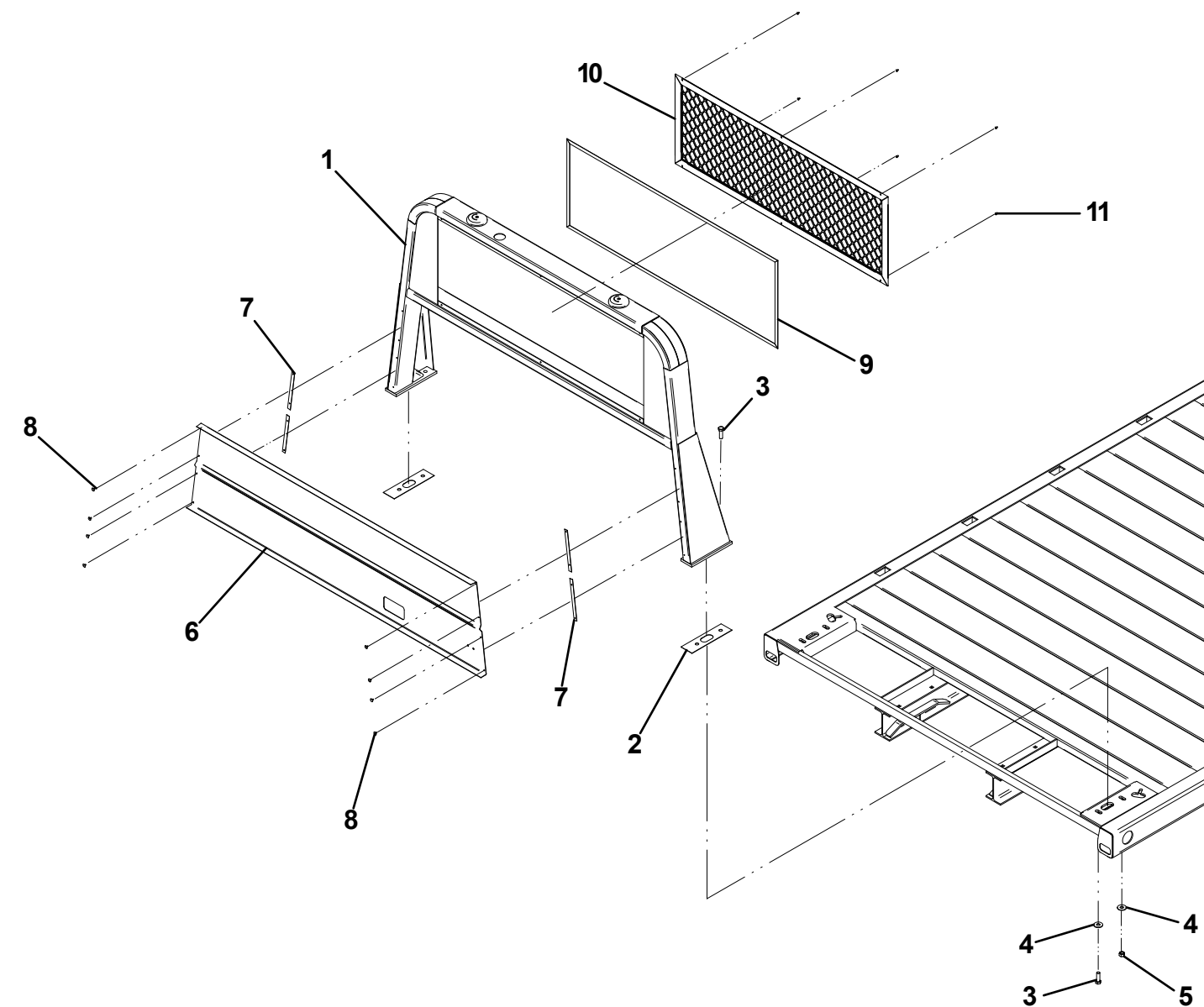


DELUXE BOLT-ON HEADBOARD

ITEM	PART NO.	DESCRIPTION	QTY	ITEM	PART NO.	DESCRIPTION	QTY
1	1001129151	Deluxe Headboard Weld - 36.50" (w/ std. remote free spool)	1	9	3391000020	Screen Weld (36.50" headboard)	1
	1001129153	Deluxe headboard Weld - 45.50" (w/ std. remote free spool)			3391000021	Screen Weld (45.50" headboard)	
	1001129159	Deluxe Headboard Weld - 45.50" (w/ air remote free spool)			3391000017	Screen Weld (50.50" headboard)	
	1001129155	Deluxe Headboard Weld - 50.50" (w/ std. remote free spool)			3391000022	Screen Weld (57.50" headboard)	
	1001129161	Deluxe Headboard Weld - 50.50" (w/ air remote free spool)		10	4796000003	Gasket	1
	1001129157	Deluxe Headboard Weld - 57.50" (w/ std. remote free spool)		11	7759000015	Rivet	6
	1001129163	Deluxe Headboard Weld - 57.50" (w/ air remote free spool)					
2	4796000037	Gasket	2				
3	7105201650	Capscrew, 0.63"-18NF x 2.00"	4				
4	7950200152	Flatwasher, 0.63" ID	4				
5	7660200035	Nut, 0.63"-18NF	2				
6	4686000295*	Panel (36.50" or 45.50" headboard w/ std. remote free spool)	1				
	4686000296*	Panel (50.50" or 57.50" headboard w/ std. remote free spool)					
	4686000301*	Panel (45.50" headboard w/ air remote free spool)					
	4686000302*	Panel (50.50" or 57.50" headboard w/ air remote free spool)					
7	4892000008*	Tape (36.50" or 45.50" headboard)	4				
	4892000009*	Tape (50.50" or 57.50" headboard)					
8	7759000022	Pop Rivet	8				

*included with Deluxe Headboard Weld

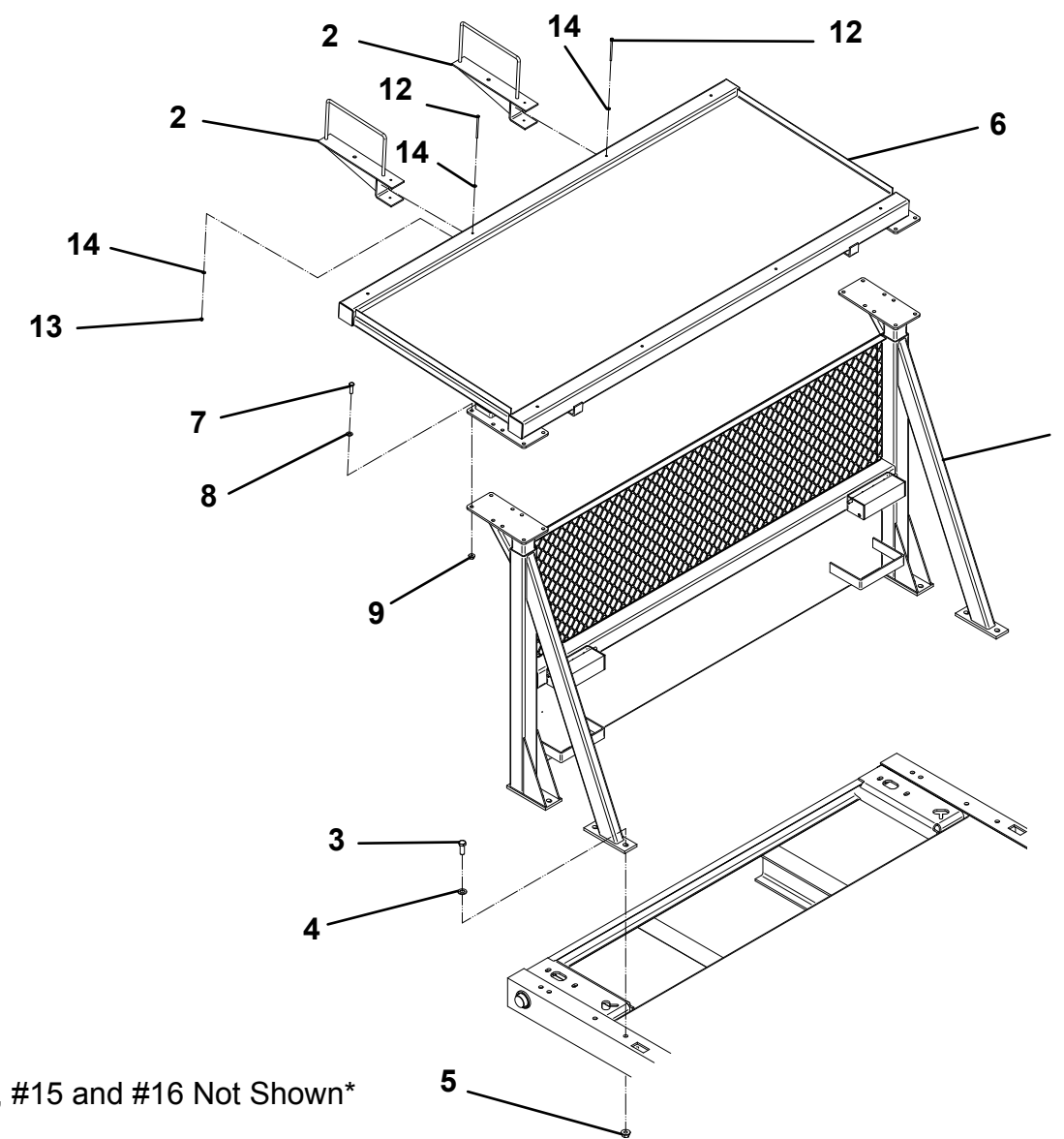
DELUXE BOLT-ON HEADBOARD



BUCKET REST HEADBOARD

ITEM	PART NO.	DESCRIPTION	QTY
1	1001132350	Lower Headboard Weldment	1
	1001139503	Lower Headboard Weldment	1
	1001141918	Lower Headboard Weldment	1
2	1001141889	Light Bar Bracket	2
3	7115222050	Capscrew, 0.75"-10NC x 2.50"	8
4	7950220141	Flatwasher, 0.75" ID	8
5	7660222308	Locknut, 0.75"-10NC	8
6	1001141875	Upper Headboard Weldment	1
7	7115181450	Capscrew, 0.50"-13NC x 1.75"	16
8	7950180143	Flatwasher, 0.50" ID	16
9	7660182304	Locknut, 0.50"-13NC	16
10	7894000042	Tie Strap	30
11	7701000058	Plug	16
12	641436	Capscrew, 0.25 -20NC x 4.50	2
13	7660142601	Locknut, 0.25" -20NC	2
14	7950140143	Flatwasher, 0.25" ID	4
15	7660142601	Locknut, 0.50"-13NC	2
16	7280000019	Clip	1

BUCKET REST HEADBOARD

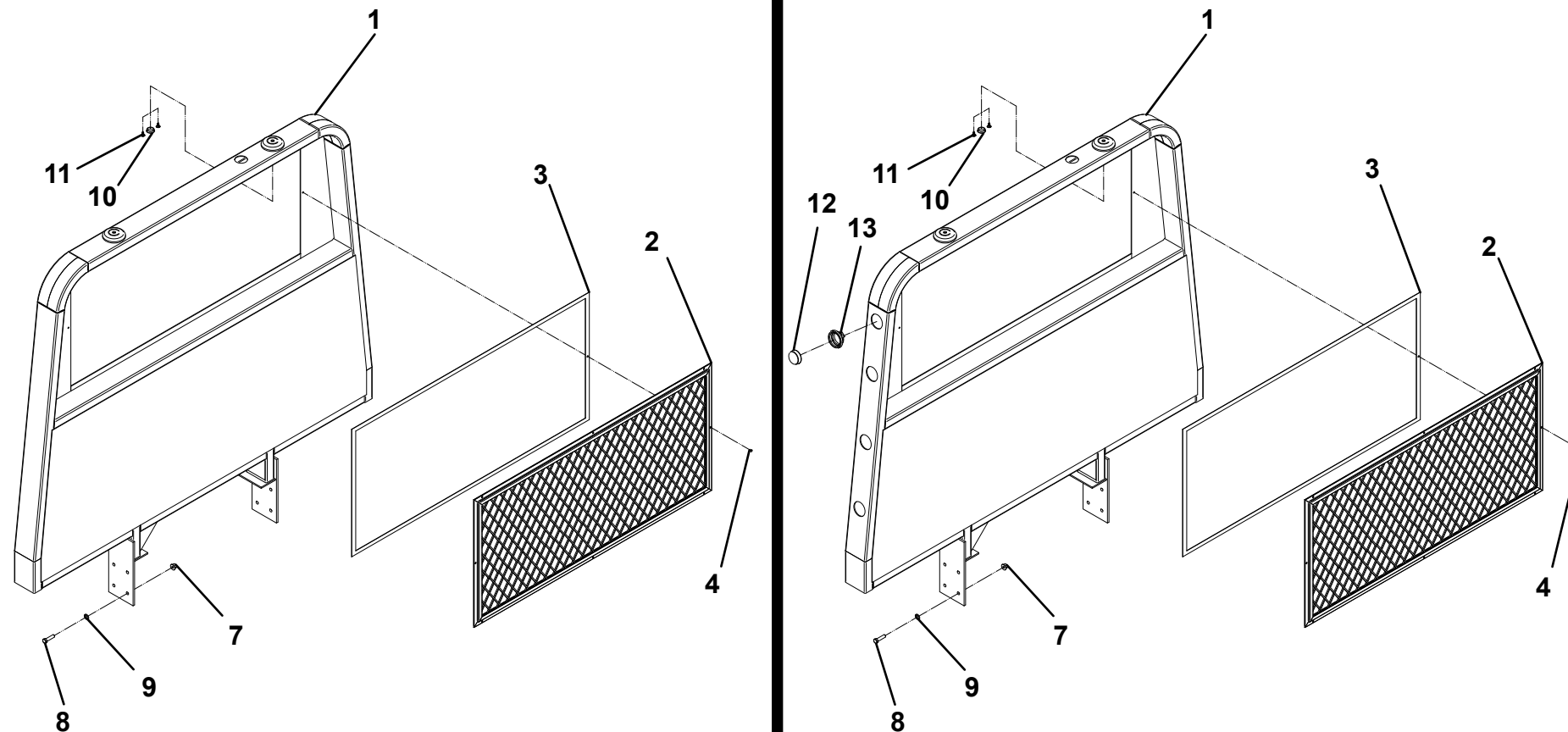


Item #10, #11, #15 and #16 Not Shown

STATIONARY HEADBOARD

ITEM	PART NO.	DESCRIPTION	QTY	ITEM	PART NO.	DESCRIPTION	QTY
Stationary Headboards w/o Lights				Stationary Headboards w/ Lights			
1	1001129171	Stationary Headboard, 48" Ford < 2011	1	1	1001133225	Stationary Headboard, 69.00" w/ Lights	1
	1001129173	Stationary Headboard, 48"		2	3391000018	Screen Weldment	1
	1001129165	Stationary Headboard, 57"		3	4796000003	Gasket	1
	1001129167	Stationary Headboard, 62"		4	7759000015	Rivet	8
	1001129169	Stationary Headboard, 69"		5	4705000607	Shim	2
2	3391000014	Screen Weldment, (48" & 57" Headboards)	1	6	4705000608	Shim	2
	3391000017	Screen Weldment, (62" Headboards)		7	7660182333	Locknut, 0.50"-20NF	8
	3391000018	Screen Weldment, (69" Headboards)		8	7105180153	Capscrew, 0.50"-20NF x 2.00"	8
3	4796000003	Gasket	1	9	7950180153	Flatwasher, 0.50" ID	8
4	7759000015	Rivet	8	10	7701000049	Plug	2
5	4705000607	Shim	2	11	7413000013	Push-In Fastener	4
6	4705000608	Shim	2	12	7590000342	Light	8
7	7660182333	Locknut, 0.50"-20NF	8	13	7493000009	Grommet	8
8	7105180153	Capscrew, 0.50"-20NF x 2.00"	8	14	1001133195	Harness	1
9	7950180153	Flatwasher, 0.50" ID	8				
10	7701000049	Plug	2				
11	7413000013	Push-In Fastener	4				

STATIONARY HEADBOARD



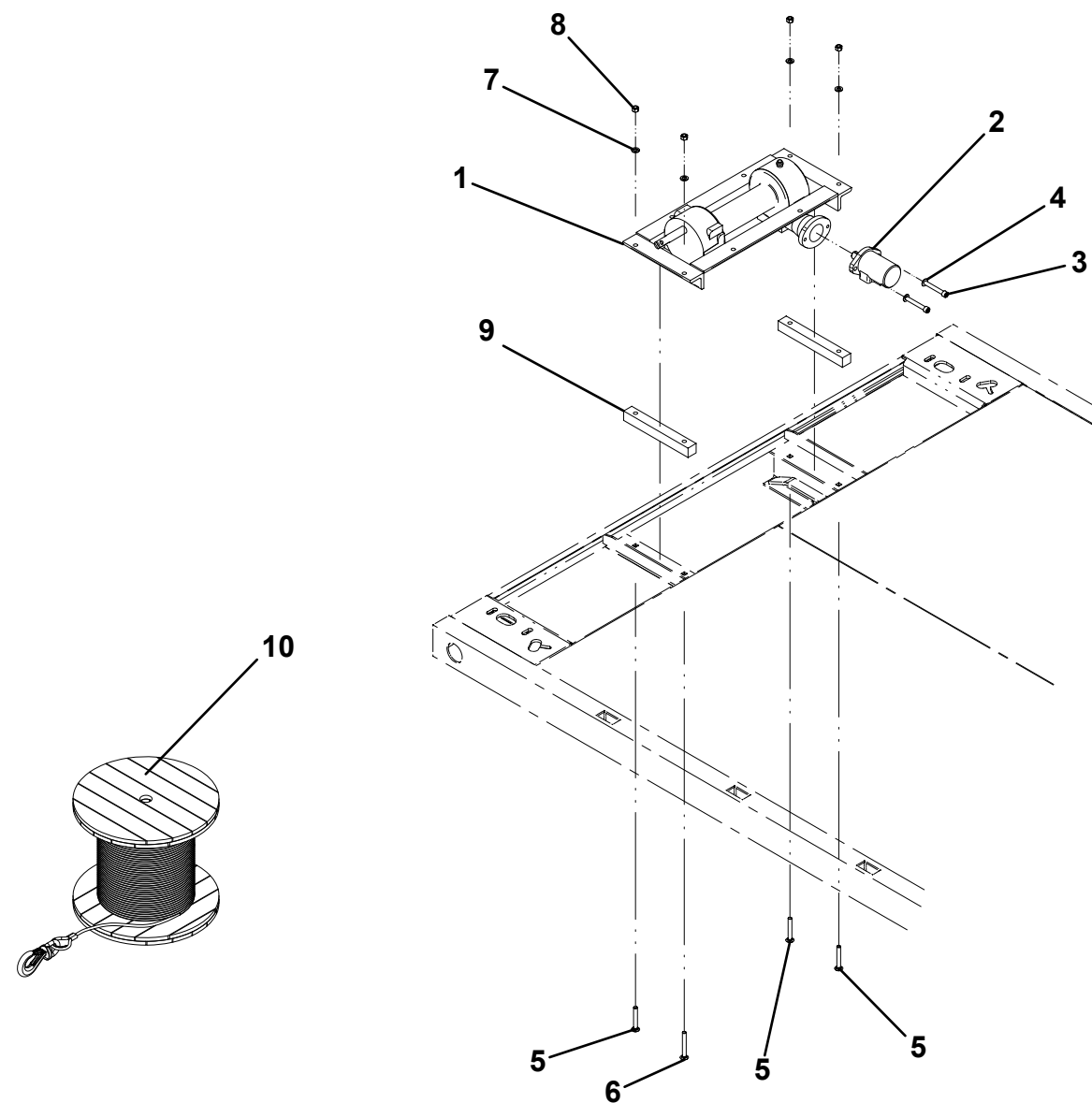
Item #5 and #6 Not Shown

Item #5, #6 and #14 Not Shown

WORM GEAR WINCH

ITEM	PART NO.	DESCRIPTION	QTY
1	7970000121	Winch - 8,000 lb. Worm Gear (w/ std. remote free spool)	1
	7970000142	Winch - 8,000 lb. Worm Gear (w/ air remote free spool)	
	7970000123	Winch -10,000 lb. Worm Gear (w/ std. remote free spool)	
	7970000140	Winch -10,000 lb. Worm Gear (w/ air remote free spool)	
2	7626000014	Orbit Motor	1
3	7115181250	Capscrew, 0.50"-13NC x 1.50"	2
4	7950180400	Lockwasher, 0.50" ID	2
5	7115181464	Carriage Bolt, 0.50"-13NC x 1.75" (steel decks)	3
	7115182864	Carriage Bolt, 0.50"-13NC x 3.5" (steel transporters)	
	7115181864	Carriage Bolt, 0.50"-13NC x 2.25" (aluminum decks)	
	7115183264	Carriage Bolt, 0.50"-13NC x 4.00" (aluminum transporters)	
6	7115181864	Carriage Bolt, 0.50"-13NC x 2.25" (steel decks)	1
	7115183264	Carriage Bolt, 0.50"-13NC x 4.00" (steel transporters)	
	7115182264	Carriage Bolt, 0.50"-13NC x 2.75" (aluminum decks)	
	7115183664	Capscrew, 0.50"-13NC x 4.50" (aluminum transporters)	
7	7950180153	Flatwasher, 0.50" ID	4
8	7660182601	Locknut, 0.50"-13NC	4
9	4062000318	Bar (transporters only)	2
10	7248000063	Cable, 0.38" dia x 56' (8,000lb winch)	1
	7248000064	Cable, 0.44" dia x 56' (10,000lb winch)	

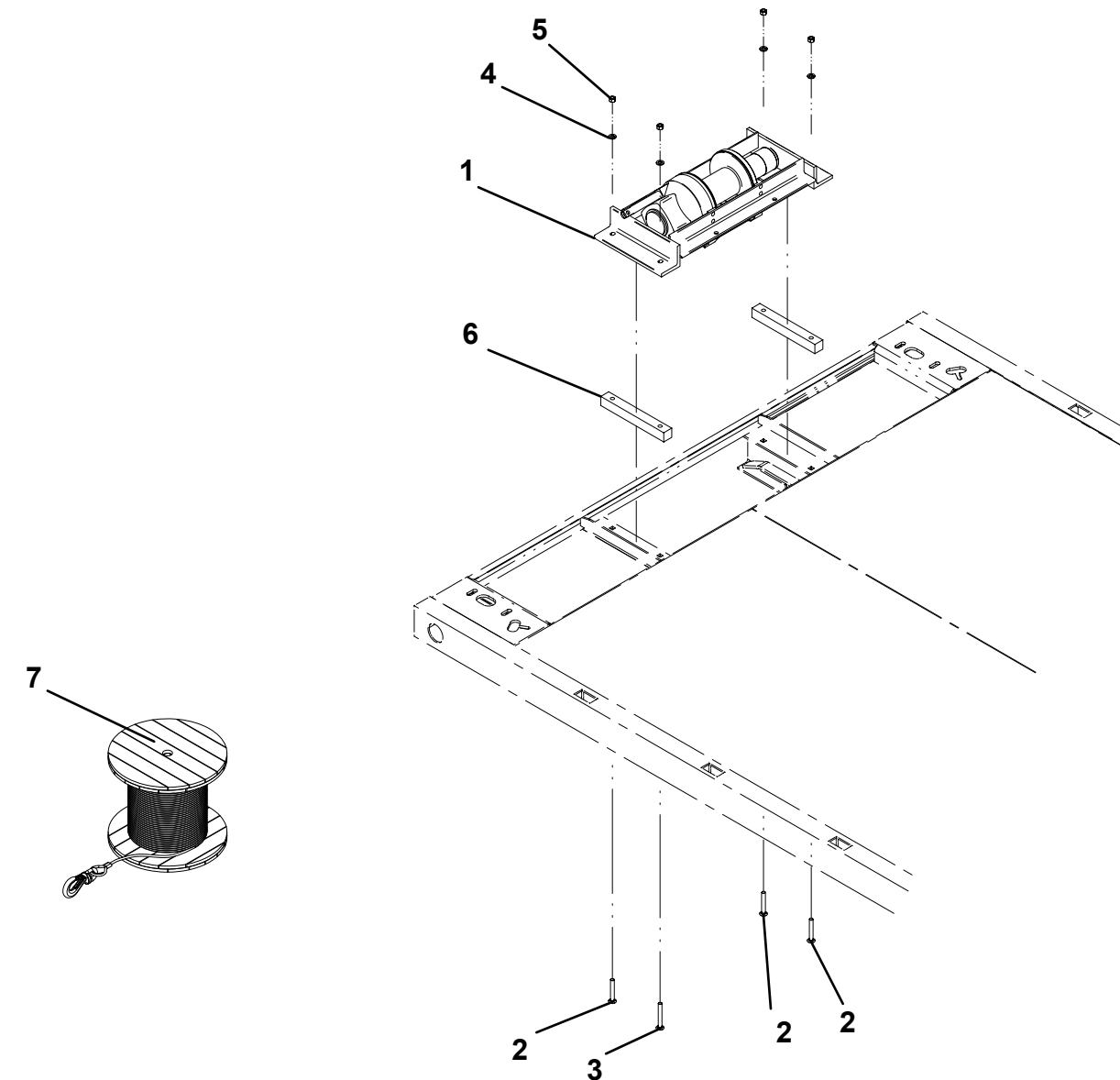
WORM GEAR WINCH



PLANETARY GEAR WINCH

ITEM	PART NO.	DESCRIPTION	QTY
1	7970000056	Winch - 8,000 lb. Planetary Gear (w/ std. remote free spool)	1
2	7115181464	Carriage Bolt, 0.50"-13NC x 1.75" (steel decks)	3
	7115182864	Carriage Bolt, 0.50"-13NC x 3.50" (steel transporters)	
	7115181864	Carriage Bolt, 0.50"-13NC x 2.25" (aluminum decks)	
	7115183264	Carriage Bolt, 0.50"-13NC x 4.00" (aluminum transporters)	
3	7115181864	Carriage Bolt, 0.50"-13NC x 2.25" (steel decks)	1
	7115183264	Carriage Bolt, 0.50"-13NC x 4.00" (steel transporters)	
	7115182264	Carriage Bolt, 0.50"-13NC x 2.75" (aluminum decks)	
	7115183664	Capscrew, 0.50"-13NC x 4.50" (aluminum transporters)	
4	7950180153	Flatwasher, 0.50" ID	4
5	7660182601	Locknut, 0.50"-13NC	4
6	4062000318	Bar (transporters only)	2
7	7248000063	Cable, 0.38" dia x 56'	1

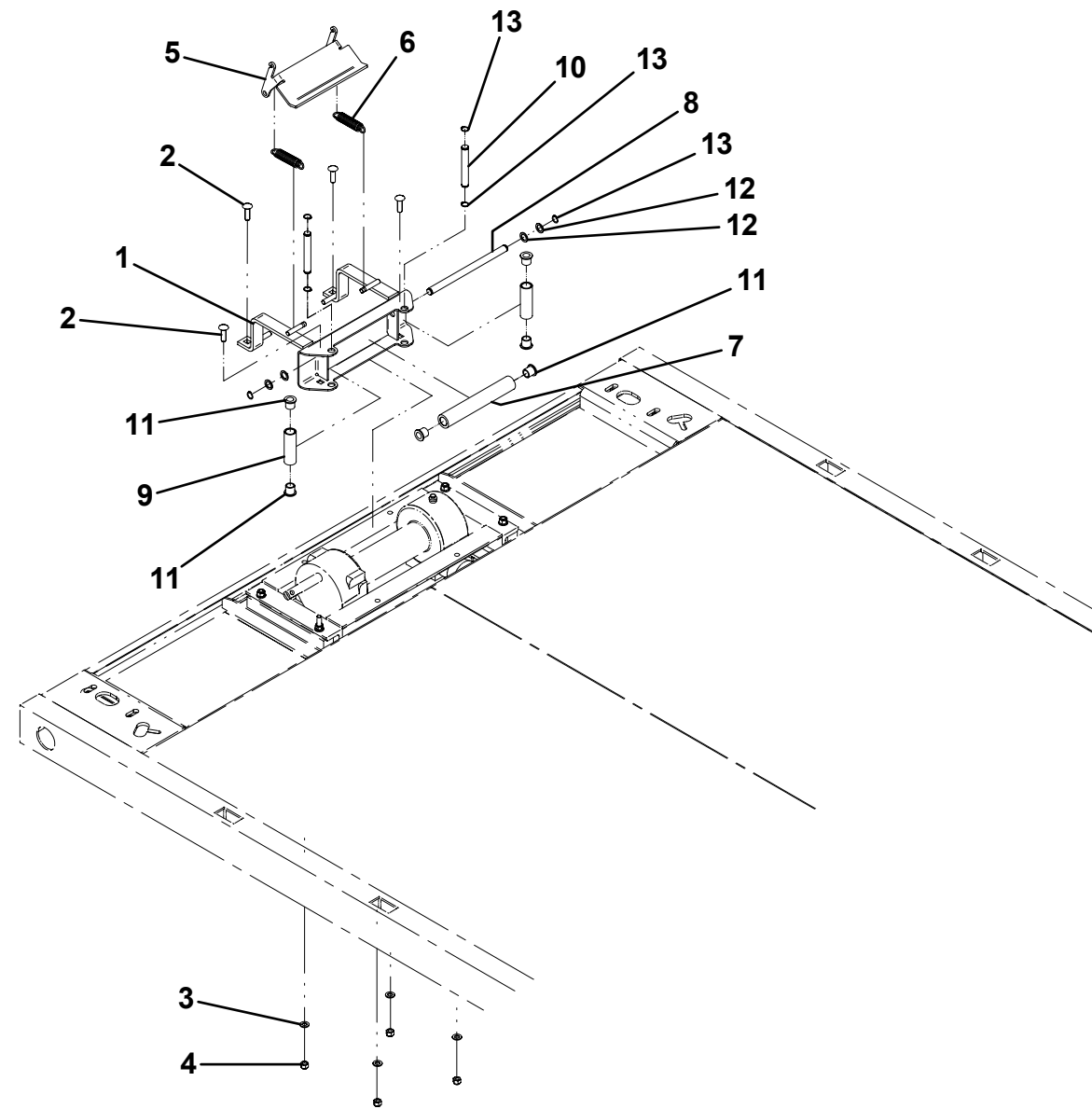
PLANETARY GEAR WINCH



WORM GEAR WINCH CABLE ROLLER GUIDE / TENSIONER PLATE

ITEM	PART NO.	DESCRIPTION	QTY
1	3178000433*	Bracket Weld	1
2	7115181464	Carriage Bolt, 0.50"-13NC x 1.75"	4
3	7950180153	Flatwasher, 0.50" ID	4
4	7660182601	Locknut, 0.50"-13NC	4
5	4706003766	Plate	1
6	7843000035	Spring	2
7	4912000130*	Roller	1
8	4806000014*	Shaft	1
9	4912000394	Roller	2
10	4806000011*	Shaft	2
11	7209000011*	Bushing	6
12	7949000034*	Spacer	4
13	7754000022*	Retaining Ring	6

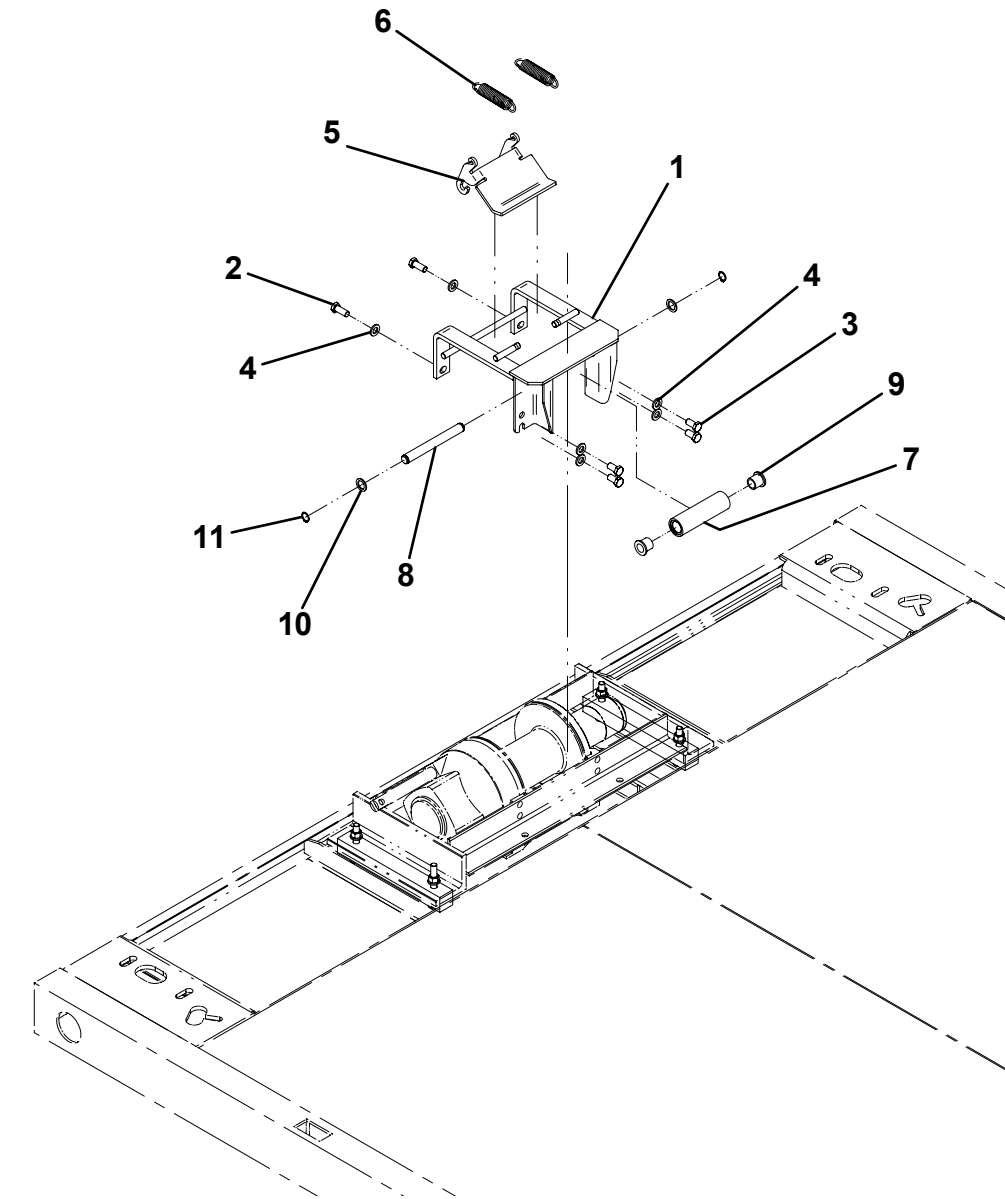
WORM GEAR WINCH CABLE ROLLER GUIDE / TENSIONER PLATE



PLANETARY GEAR WINCH CABLE ROLLER GUIDE / TENSIONER PLATE

ITEM	PART NO.	DESCRIPTION	QTY
1	3178000347	Bracket Weld	1
2	7115181050	Capscrew, 0.50"-13NC x 1.25"	2
3	7115180850	Capscrew, 0.50"-13NC x 1.00"	4
4	7950180153	Flatwasher, 0.50" ID	6
5	4706003792	Plate	1
6	7843000035	Spring	2
7	4912000345*	Roller	1
8	4691000421*	Shaft	1
9	7209000011*	Bushing	2
10	7949000034*	Spacer	2
11	7754000022*	Retaining Ring	2

PLANETARY GEAR WINCH CABLE ROLLER GUIDE / TENSIONER PLATE



PLANETARY GEAR WINCH CABLE ROLLER GUIDE / TENSIONER PLATE

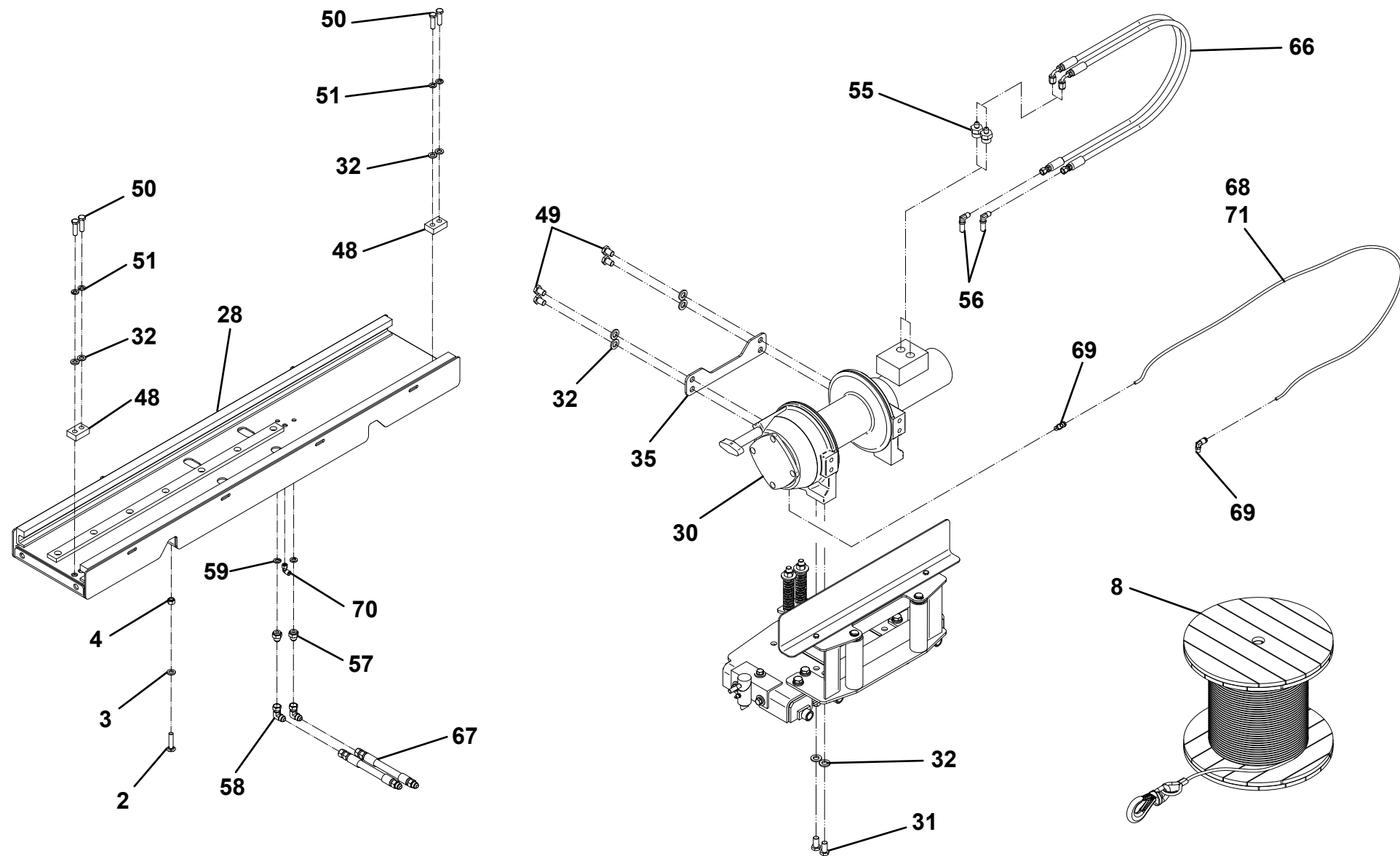
ITEM	PART NO.	DESCRIPTION	QTY	ITEM	PART NO.	DESCRIPTION	QTY
Sliding Winch Kit -1001142545				Sliding Winch Assy -1001142543			
1	1001142543*	Sliding Winch Assembly	1	28	1001144486	Sliding Winch, Base	1
2	1001138522	Bolt, 0.50"-13NC x 2.25"	4	29	1001144491	Sliding Winch, Slide	1
3	7950180153	Flatwasher, 0.50" ID	4	30	7970000166	Winch, Air Freespool	1
4	7660182601	Locknut, 0.50"-13NC	4		7970000158	Winch, Manual Freespool	
5	1001145934*	Sliding Winch, HLF Kit	1	31	7115180850	Capscrew, 0.50"-13NC x 1.00"	8
6	1001146028*	Accessory Handle	1	32	7950180153	Flatwasher, 0.50" ID	20
7	1001145935*	Air Freespool, Kit	1	33	440287	Bearing	12
8	7248000064	Wire Rope, 0.44" x 56' w/ Swivel Hook	1	34	3321701	Nut, 0.437"-20NC	12
Cam Lock Assy -1001144498				35	1001142550	Plate	1
9	1001144499	Cam Weldment	1	36	1001142461	Tensioner	1
10	4254000005	Cap	1	37	1001137970	Bolt, 0.50"-13NC x 4.50"	1
11	4691000186	Pin	1	38	7660182601	Locknut, 0.50"-13NC	3
12	4763000184	Rod	1	39	1001142553	Rod	2
13	7843000006	Spring	1	40	7660180001	Nut, 0.50"-13NC	2
14	7440030000	Grease Fitting	1	41	7843000004	Spring	2
15	7253000002	Grease Fitting Cap	1	42	7950180161	Flatwasher, 0.50" ID	2
Roller Guide Assy -1001145780				43	1001145780*	Roller Guide Assembly	1
16	1001145636	Mount	1	44	1001144498*	Cam Lock	1
17	4912000345	Tube	2	45	1001138546	Bolt, 0.38"-16NC x 1.00"	3
18	4691000421	Pin	2	46	7950160000	Lockwasher, 0.38" ID	3
19	4912000130	Tube	2	47	7950160162	Flatwasher, 0.38" ID	3
20	4806000014	Shaft	2	48	1001144543	Stop Block	2
21	7209000011	Bushing	8	49	7115180650	Capscrew, 0.50"-13NC x 0.75"	4
22	7949000034	Spacer	8	50	1001139199	Bolt, 0.50"-13NC x 1.75"	4
23	7754000022	Retaining Ring	8	51	7950180000	Lockwasher, 0.59" ID	8
24	1001150704	Plate	1	52	1001139343	Bolt, 0.50"-13NC x 1.25"	4
25	7115140650	Capscrew, 0.25"-20NC x 0.75"	2	53	1001142962	Decal	2
26	7660140001	Nut, 0.25"-20NC	2	Sliding Winch HLF -1001145934			
27	7950140143	Flatwasher, 0.25" ID	2	54	1001145963*	Hose Kit	1
				55	7445041043	Adapter	2
				56	7445040431	Elbow	2
				57	1001144448	Adapter	2
				58	7445080872	Elbow	2
				59	7950170000	Lockwasher, 0.44" ID	2

PLANETARY GEAR WINCH CABLE ROLLER GUIDE / TENSIONER PLATE

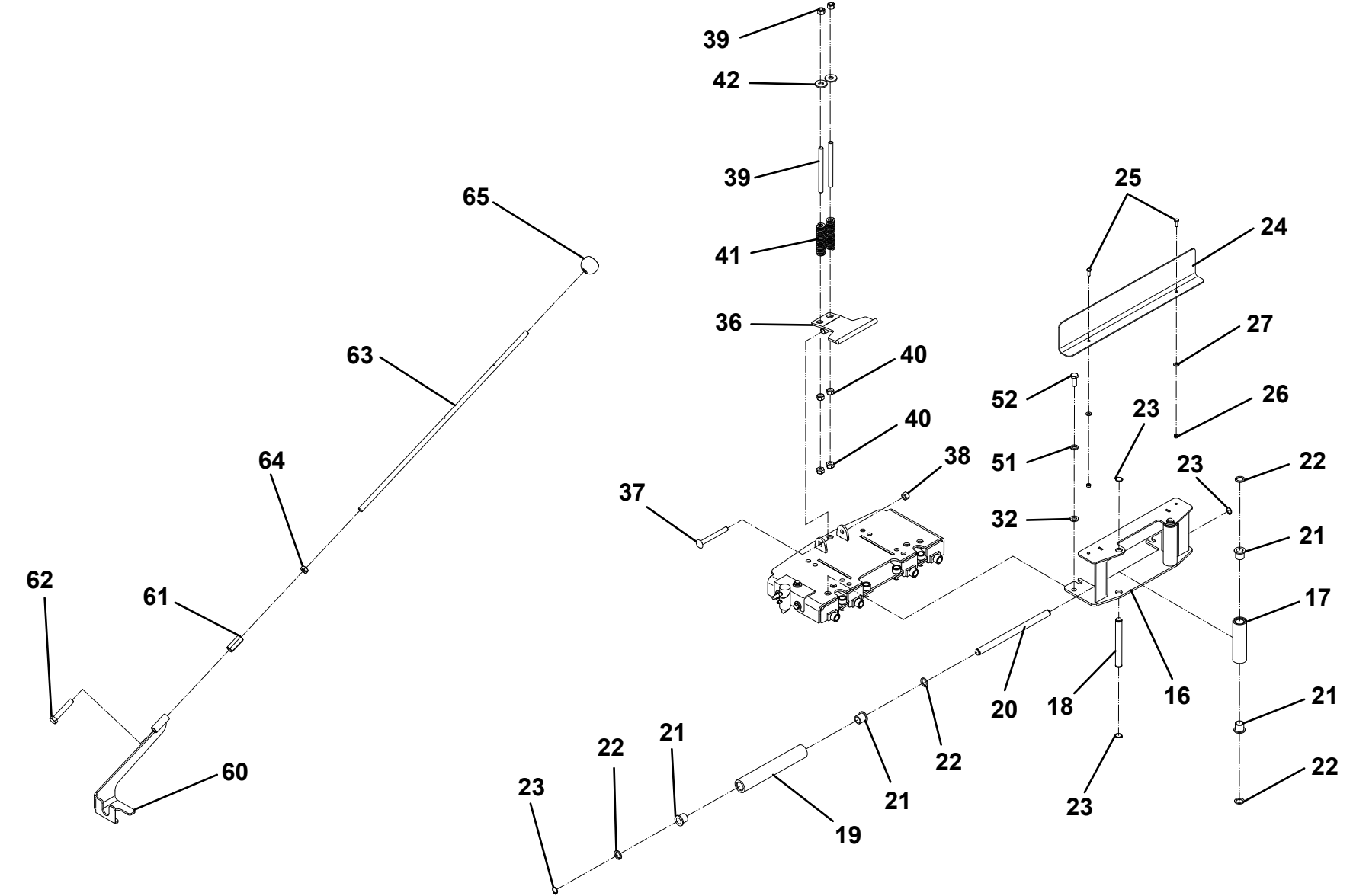
ITEM	PART NO.	DESCRIPTION	QTY
Sliding Winch Handle -1001146028			
60	1001146029	Handle	1
61	1001146027	Nut, 0.50"-20NC	1
62	651822	Capscrew, 0.50"-20NC x 2.75"	1
63	4763000348	Rod	1
64	7660180234	Nut, 0.50"-20NF	1
65	7551000017	Knob	1
Hose Kit -1001145963			
66	1001145987	Hose Assembly	1
67	1001145980	Hose Assembly	2
Sliding Winch Air Freespool			
68	8597650001	Loom	1.5ft
69	7443000173	Fitting	2
70	1001127985	Adapter	1
71	7565000016	Airline	5ft

* Part Numbers Sold As Kits. See Breakdowns For Kit Parts

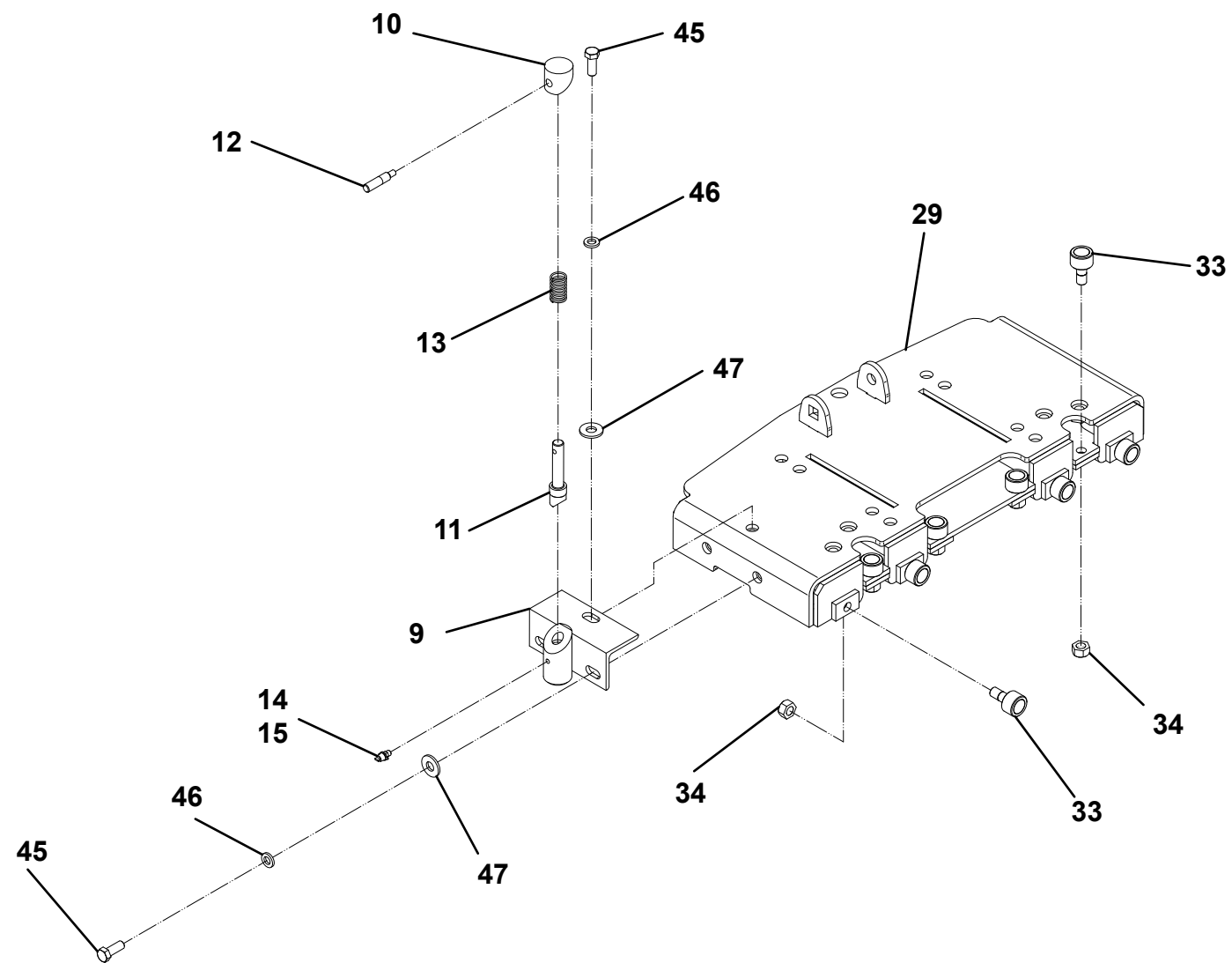
PLANETARY GEAR WINCH CABLE ROLLER GUIDE / TENSIONER PLATE



PLANETARY GEAR WINCH CABLE ROLLER GUIDE / TENSIONER PLATE



PLANETARY GEAR WINCH CABLE ROLLER GUIDE / TENSIONER PLATE



PLANETARY GEAR WINCH CABLE ROLLER GUIDE / TENSIONER PLATE

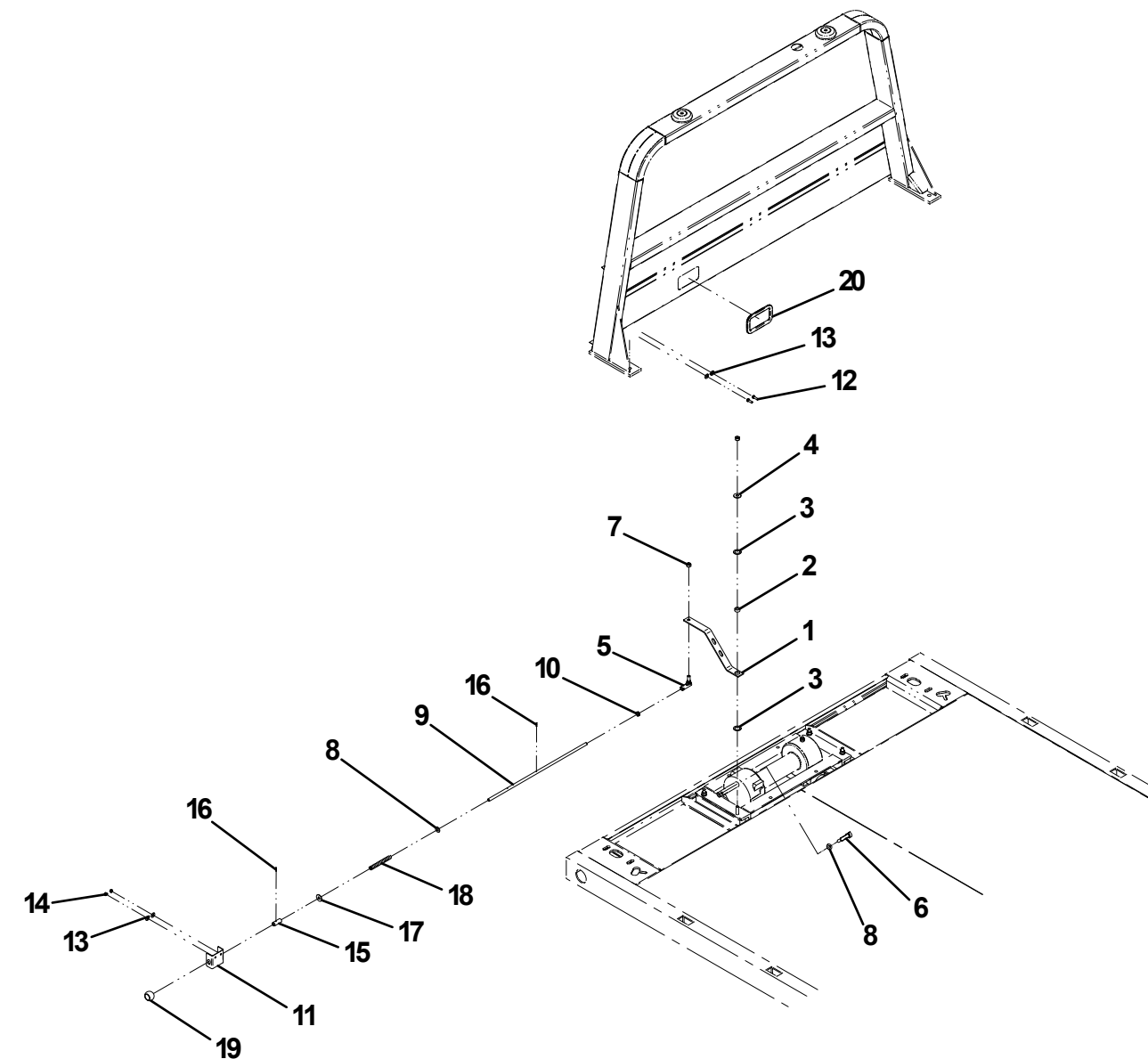
THIS PAGE INTENTIONALLY LEFT BLANK

MANUAL REMOTE FREE SPOOL - BOLT-ON HEADBOARD

ITEM	PART NO.	DESCRIPTION	QTY
1	4587000004*	Lever	1
2	4209000328*	Bushing	1
3	7082000010*	Nylon Washer	2
4	7950180161*	Flatwasher, 0.50" ID	1
5	7309000002*	Coupling	1
6	7691000046*	Clevis Pin	1
7	7660182631*	Locknut, 0.50"-20NF	1
8	7950180143*	Flatwasher, 0.50" ID	2
9	4763000348*	Rod	1
10	7660180234*	Nut, 0.50"-20NF	1
11	4178000673*	Bracket	1
12	7115150850*	Capscrew, 0.31"-18NC x 1.00"	2
13	7950150161*	Flatwasher, 0.31" ID	4
14	7660152601*	Locknut, 0.31"-18NC	2
15	4209000147*	Bushing (worm gear winch)	1
	4209000145*	Bushing (planetary gear winch)	
16	7690051274*	Pin	2
17	7949000030*	Nylon Washer	1
18	7843000027*	Spring	1
19	7551000017*	Knob	1
20	4632000009*	Trim Lok	1

*also available in complete Remote Free Spool Installation:
 P/N 2970000021 for 8,000 / 10,000 lb. worm gear winch
 P/N 2970000019 for 8,000 lb. planetary gear winch

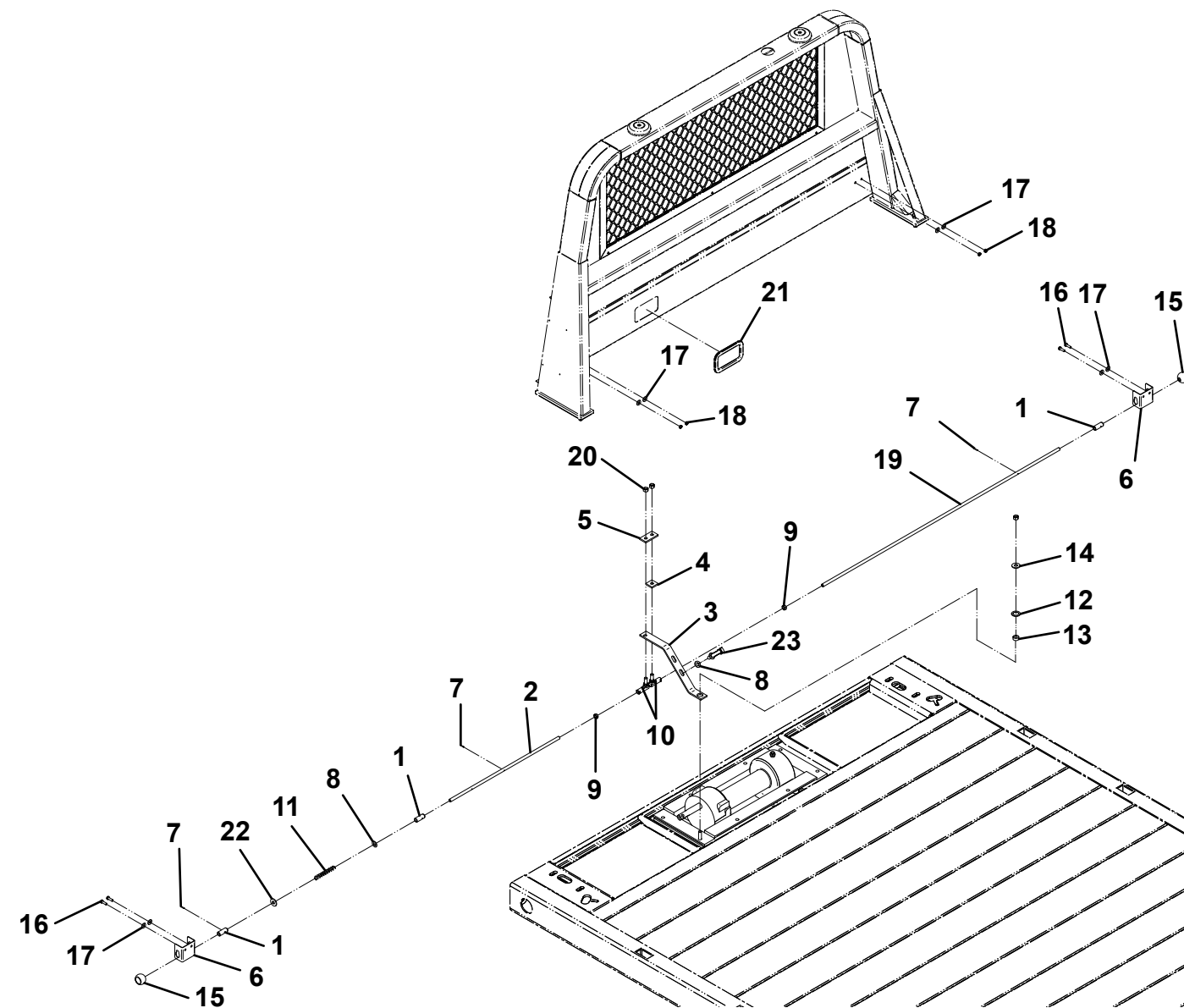
MANUAL REMOTE FREE SPOOL - BOLT-ON HEADBOARD



DUAL MANUAL REMOTE FREE SPOOL - BOLT-ON HEADBOARD

ITEM	PART NO.	DESCRIPTION	QTY
1	4209000147	Bushing	3
2	4763000348	Rod, 26.56"	1
3	4587000004	Bracket	1
4	1001156246	Bar	1
5	1001156247	Bar	1
6	1001156245	Bracket	2
7	7690051274	Pin	3
8	7950180143	Flatwasher, 0.50" ID	2
9	7660180234	Nut, 0.50"-20NF	2
10	7309000002	Ball Joint	2
11	1001156249	Spring	1
12	7082000010	Washer, 1.00" ID	1
13	4209000146	Bushing	1
14	7950180161	Flatwasher, 0.50" ID	1
15	7551000017	Knob	2
16	7115150850	Capscrew, 0.31"-18NC x 1.00"	4
17	7950150161	Flatwasher, 0.31" ID	8
18	7660152601	Locknut, 0.31"-18NC	4
19	1001156248	Rod, 57.50"	1
20	7660182631	Locknut, 0.50"-20NF	2
21	4632000009	Trim	1
22	7949000030	Washer, 0.53" ID	1
23	7691000046	Pin	1

DUAL MANUAL REMOTE FREE SPOOL - BOLT-ON HEADBOARD



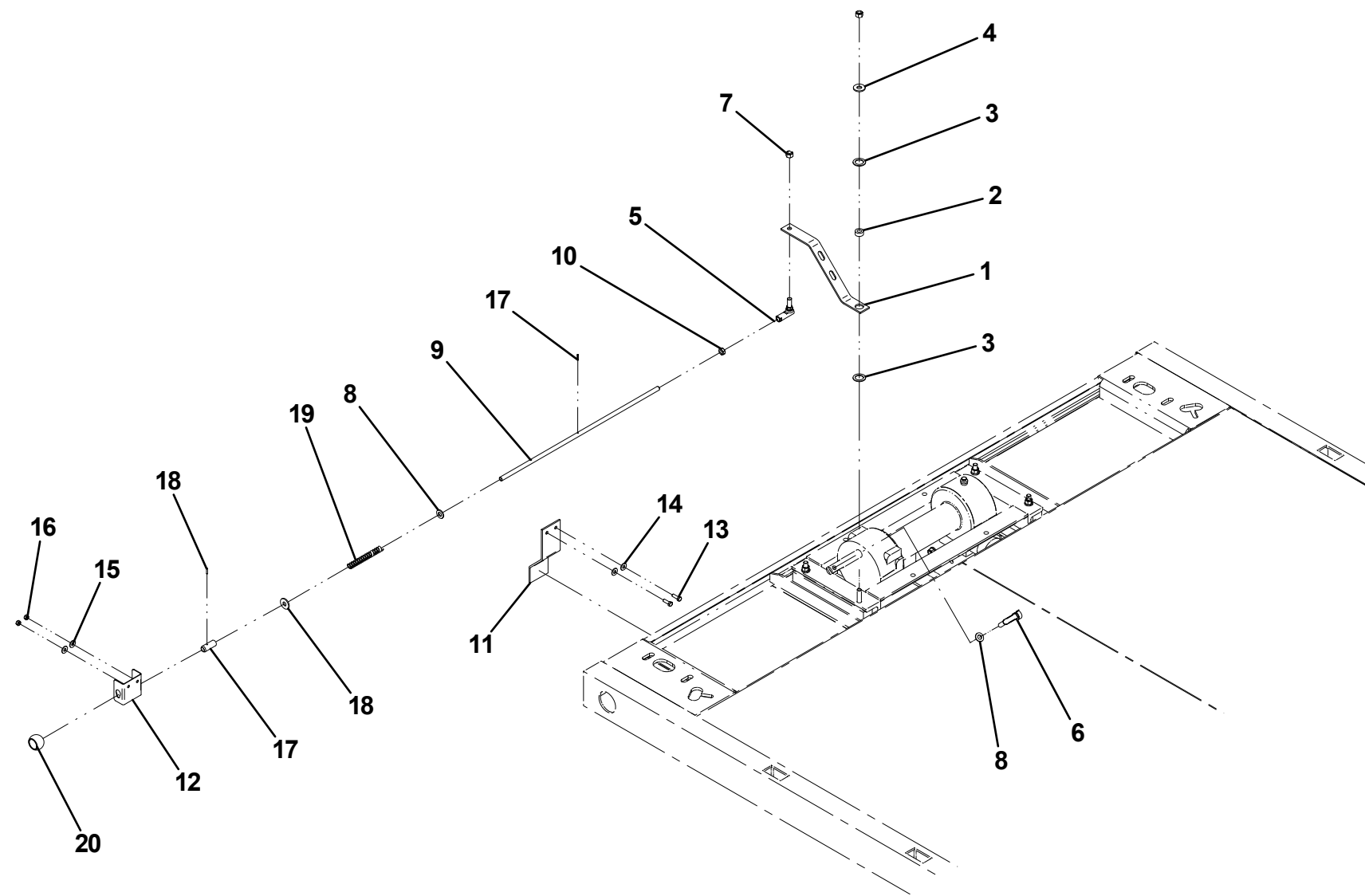
MANUAL REMOTE FREE SPOOL - STATIONARY HEADBOARD

ITEM	PART NO.	DESCRIPTION	QTY
1	4587000005*#	Lever	1
2	4209000328*#	Bushing	1
3	7082000010*#	Nylon Washer	2
4	7950180161*#	Flatwasher, 0.50" ID	1
5	7309000002*#	Coupling	1
6	7691000046*#	Clevis Pin	1
7	7660182631*#	Locknut, 0.50"-20NF	1
8	7950180143*#	Flatwasher, 0.50" ID	2
9	4763000348*#	Rod	1
10	7660180234*#	Nut, 0.50"-20NF	1
11	4178000674*	Bracket (steel decks)	1
	4017001499#	Bracket (aluminum decks)	
12	4178000673*#	Bracket	1
13	7115150850*#	Capscrew, 0.31"-18NC x 1.00"	4
14	7950150161*#	Flatwasher, 0.31" ID	8
15	7660152601*#	Locknut, 0.31"-18NC	4
16	4209000147*#	Bushing (worm gear winch)	1
	4209000145*#	Bushing (planetary gear winch)	
17	7690051274*#	Pin	2
18	7949000030*#	Nylon Washer	1
19	7843000027*#	Spring	1
20	7551000017*#	Knob	1

*also available in complete Remote Free Spool Installation-aluminum deck:
 P/N 2970000053 for 8,000 / 10,000 lb. worm gear winch
 P/N 2970000051 for 8,000 lb. planetary gear winch

*also available in complete Remote Free Spool Installation-steel deck:
 P/N 2970000052 for 8,000 / 10,000 lb. worm gear winch
 P/N 2970000050 for 8,000 lb. planetary gear winch

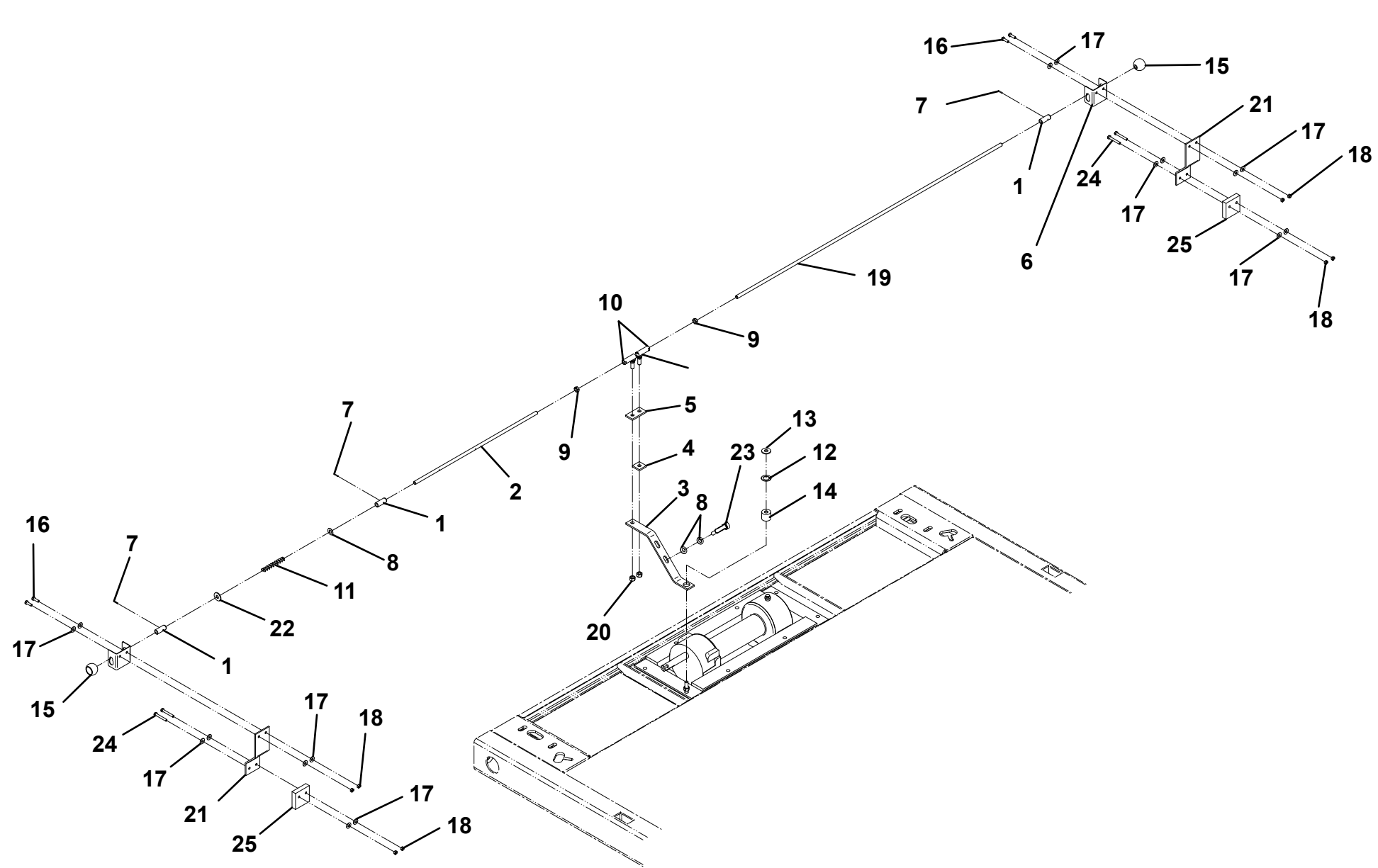
MANUAL REMOTE FREE SPOOL - STATIONARY HEADBOARD



DUAL MANUAL REMOTE FREE SPOOL - STATIONARY HEADBOARD

ITEM	PART NO.	DESCRIPTION	QTY
1	4209000147	Bushing	3
2	4763000348	Rod, 26.56"	1
3	4587000005	Bracket	1
4	1001156246	Bar	1
5	1001156247	Bar	1
6	1001156245	Bracket	2
7	7690051274	Pin	3
8	7950180143	Flatwasher, 0.50" ID	2
9	7660180234	Nut, 0.50"-20NF	2
10	7309000002	Coupling	2
11	1001156249	Spring	1
12	7082000010	Washer, 1.00" ID	1
13	4209000146	Bushing	1
14	7950180161	Flatwasher, 0.50" ID	1
15	7551000017	Knob	2
16	7115150850	Capscrew, 0.31"-18NC x 1.00"	4
17	7950150161	Flatwasher, 0.31" ID	16
18	7660152601	Locknut, 0.31"-18NC	8
19	1001156248	Rod, 57.50"	1
20	7660182631	Locknut, 0.50"-20NF	2
21	4178000674	Bracket	2
22	7949000030	Washer, 0.53" ID	1
23	7691000046	Pin	1
24	7115151850	Capscrew, 0.31"-18NC x 2.25"	4
25	4679000208	Pad	2

DUAL MANUAL REMOTE FREE SPOOL - STATIONARY HEADBOARD

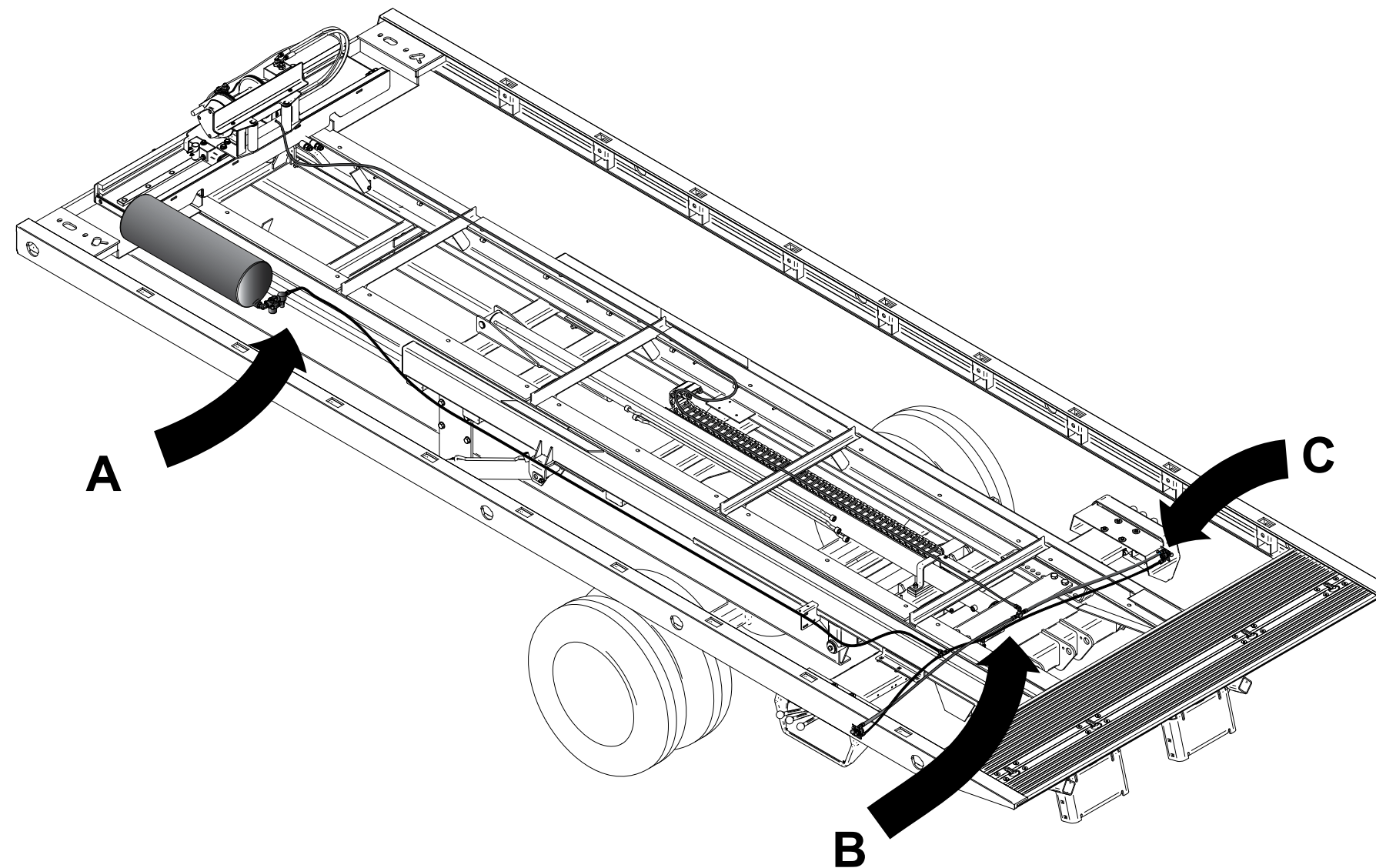


MANUAL REMOTE AIR FREE SPOOL

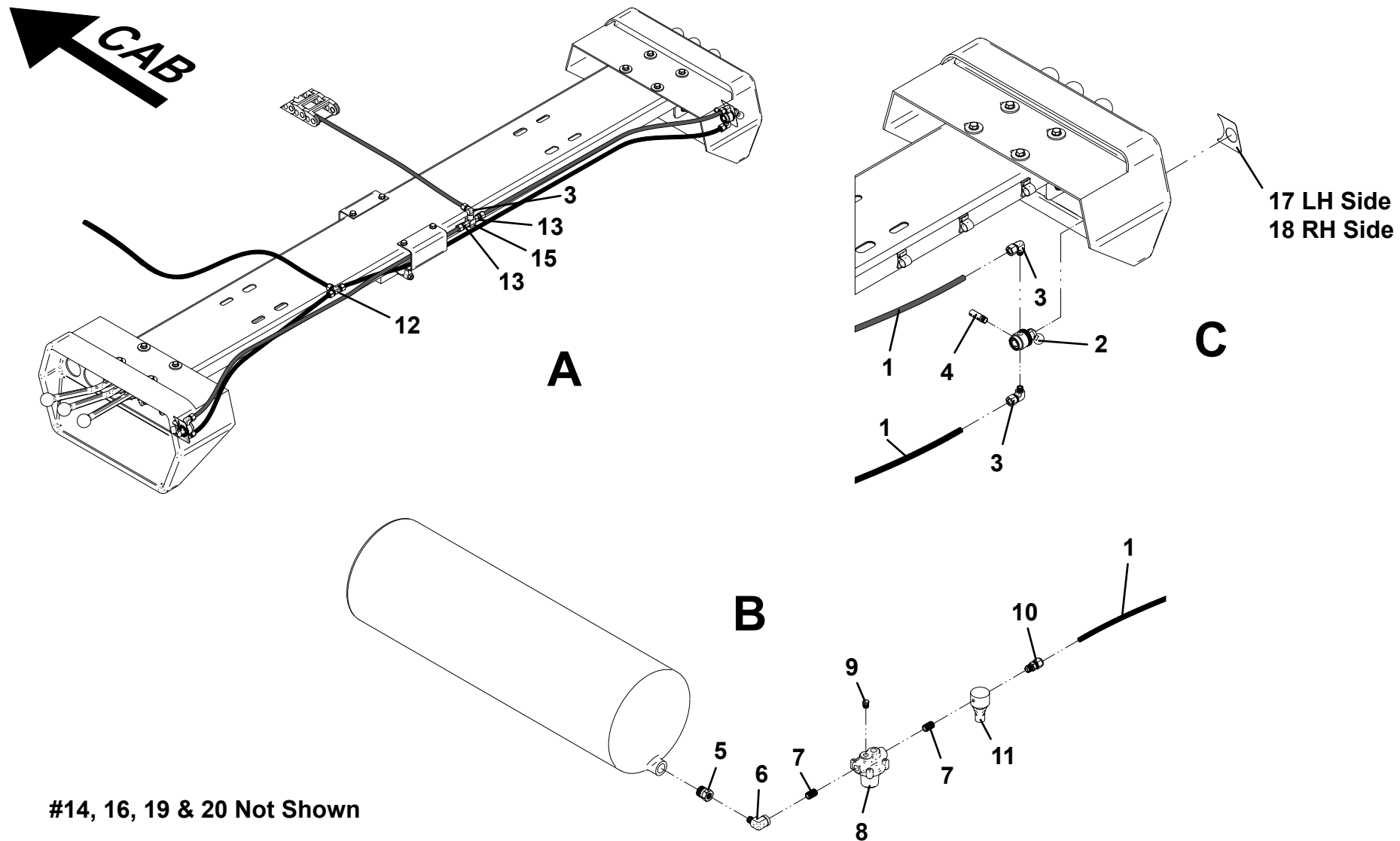
ITEM	PART NO.	DESCRIPTION	QTY
1	7565000014	Airline Tubing	*
2	7935000182	Air Valve	2
3	7443000364	Fitting	5
4	7640000002	Air Exhaust Muffler	2
5	7443000154	Fitting	1
6	7443000155	Fitting	1
7	7443000156	Nipple	2
8	7935000120	Pressure Protection Valve	1
9	7443000152	Plug	1
10	7443000366	Fitting	1
11	7935000248	Air Regulator	1
12	7443000371	Tee	1
13	7443000365	Fitting	2
14	8597650001	Loom	*
15	7935000229	Shuttle Valve	1
16	7894000004	Tie Strap	*
17	7330000675	Decal LH	1
18	7330000676	Decal RH	1
19	7443000443	Union	1
20	7565000016	Airline Tubing	*

*- Quantity varies depending on deck length and chassis

MANUAL REMOTE AIR FREE SPOOL



MANUAL REMOTE AIR FREE SPOOL



#14, 16, 19 & 20 Not Shown

MANUAL REMOTE AIR FREE SPOOL

THIS PAGE INTENTIONALLY LEFT BLANK

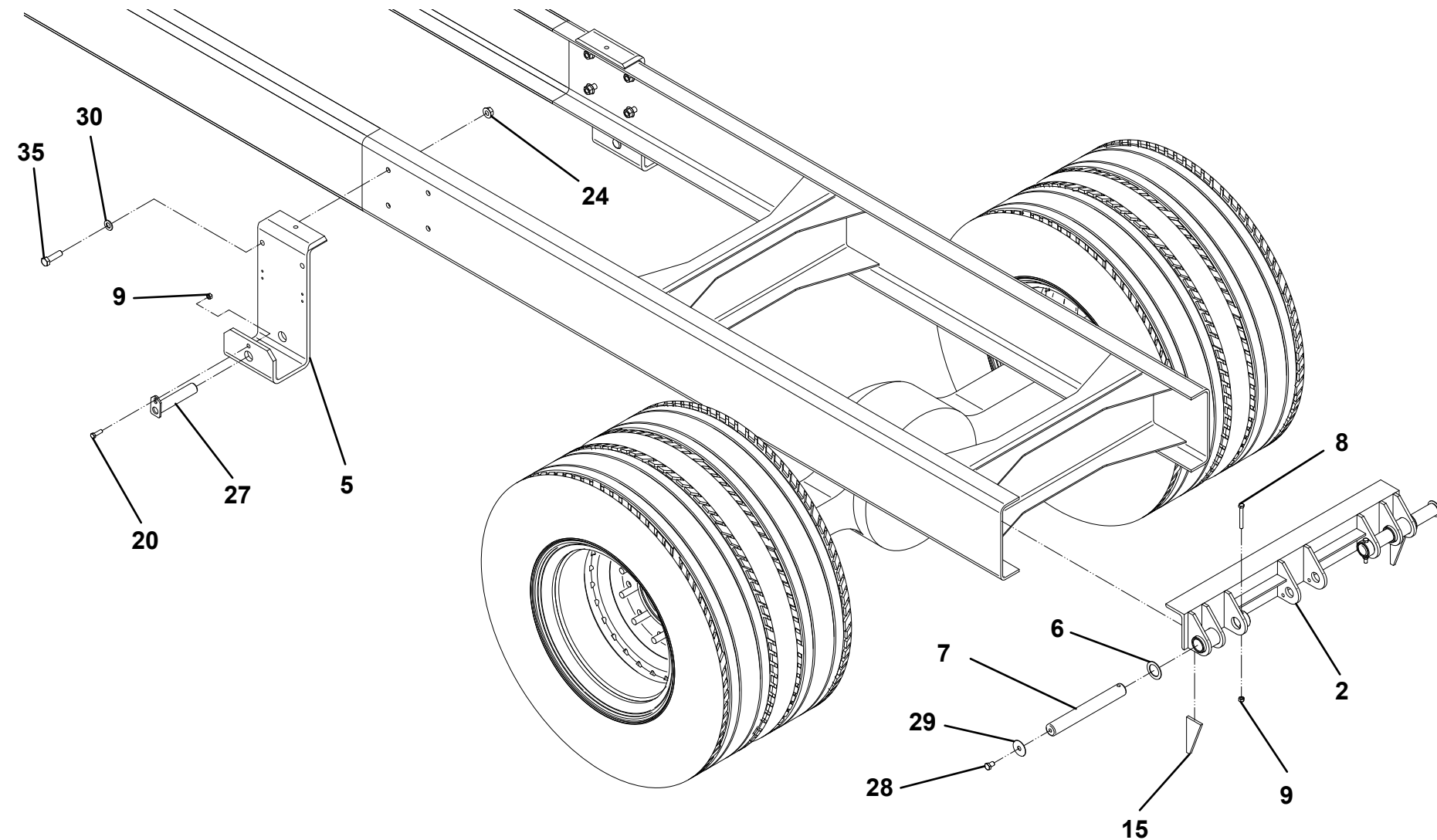
SUBFRAME (OUTBOARD TILT CYLINDERS)

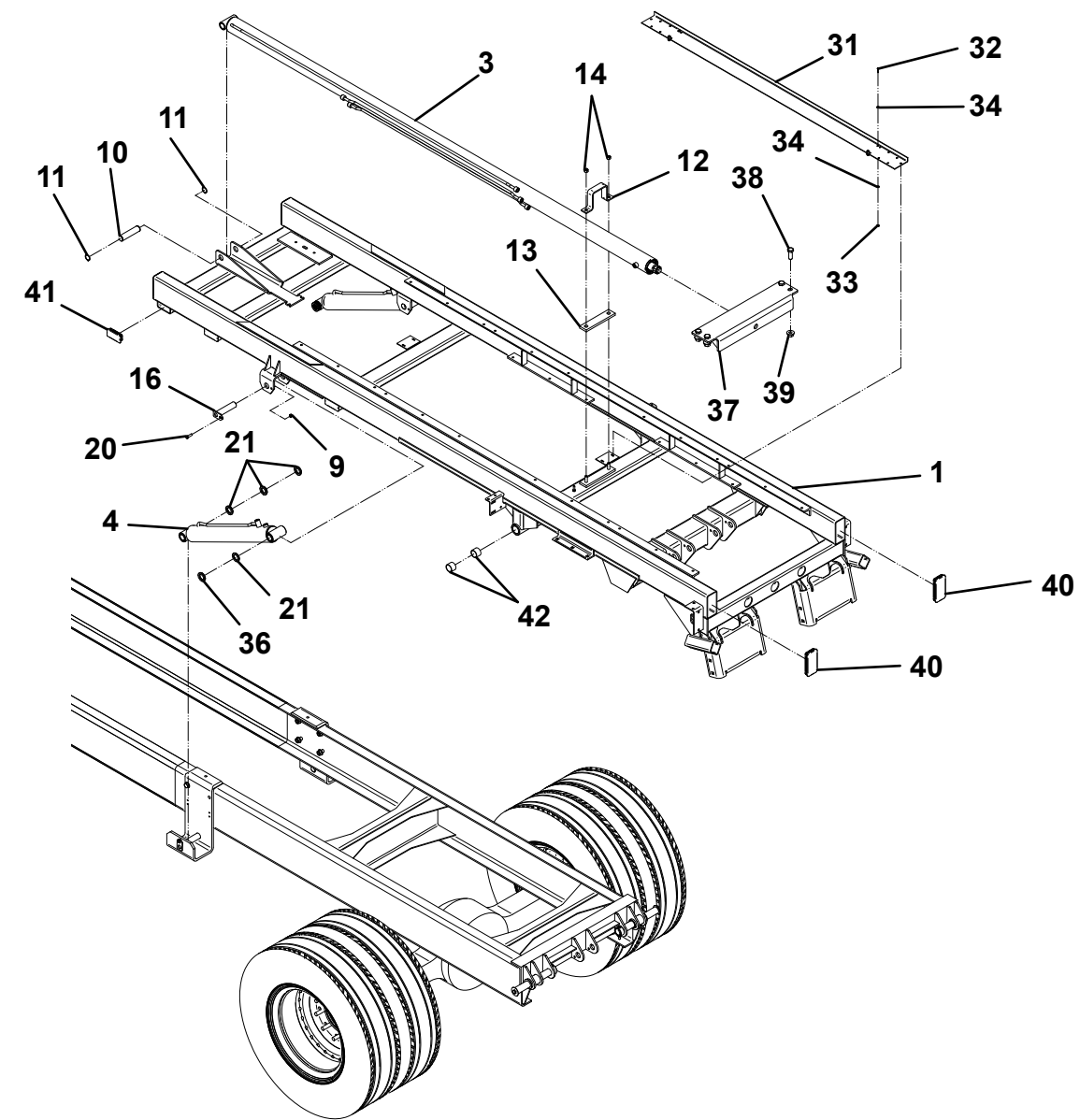
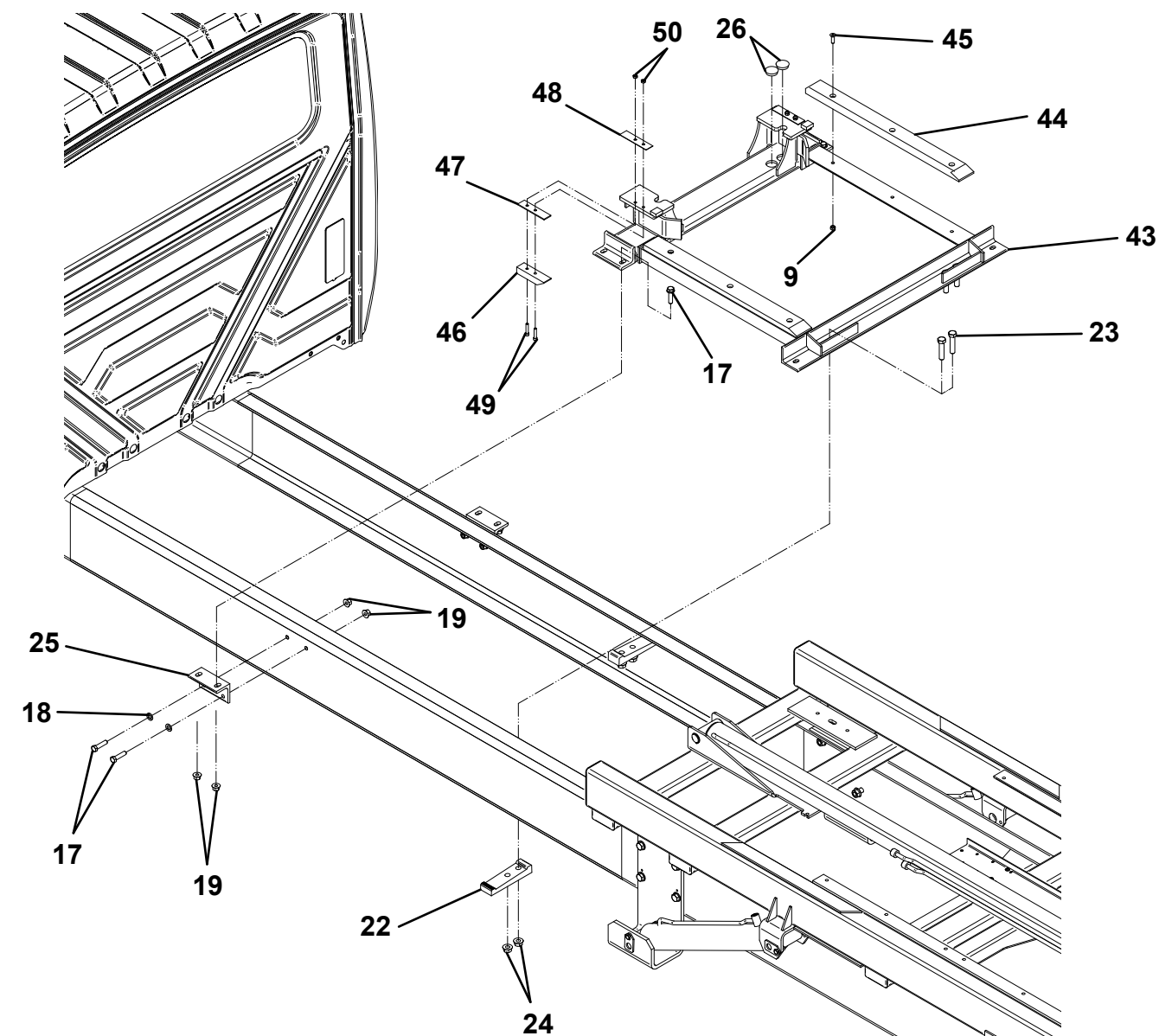
ITEM	PART NO.	DESCRIPTION	QTY
1	1001131644	Subframe - Standard	1
	1001134510	Subframe - Galvanized	
2	3905000012	Trunnion Weld	1
3	3320000236	Cylinder	1
4	3320000122	Cylinder	2
5	4178000805	Saddle Bracket	2
6	7949000008	Washer, 2.25" OD x 1.52" ID	2
7	4691000573	Pin	2
8	7115162450	Capscrew, 0.38"-16NC x 3.00"	2
9	7660162601	Locknut, 0.38"-16NC	12
10	4691000429	Pin	1
11	7754000006	Retaining Ring	2
12	4178000367	Bracket	1
13	4679000151	Wear Pad	1
14	7660182601	Locknut, 0.50"-13NC	2
15	4497000358	Gusset	2
16	3691000166	Pin	2
17	7105181650	Capscrew, 0.50"-20NF x 2.00"	8
18	7950180153	Flatwasher, 0.50" ID	8
19	7660182333	Locknut, 0.50"-20NF	8
20	7115161050	Capscrew, 0.38"-16NC x 1.25"	4
21	4209000337	Bushing	8
22	7274000046	Clamp	2
23	7105202250	Capscrew, 0.63"-18NF x 2.75"	4
24	7660202347	Locknut, 0.63"-18NF	12
25	4017001271	Bracket	2
26	7701000063	Plug	4
27	3691000273	Pin	2
28	7115180650	Capscrew, 0.50"-13NC x 0.75"	2
29	7949000072	Washer, 2.00" OD x 0.50 ID	2
30	7950200242	Flatwasher, 0.63" ID	8
31	4706005958	Plate	1
32	7114100818	Capscrew, #10 -24NC x 1.00"	4
33	7660102604	Locknut, #10-24UNC	4
34	7950100151	Flatwasher, 0.19" ID	8
35	7105201850	Capscrew, 0.63"-18NF x 2.25"	8
36	4209000358	Bushing	2
37	3017000103	Roll Cylinder Angle	1
38	7115221650	Capscrew, 0.75"-10NC x 2.00"	4

ITEM	PART NO.	DESCRIPTION	QTY
39	7660222308	Locknut, 0.75"-10NC	4
40	7701000048	Plug	4
41	7701000051	Plug	6
42	7082000017	Bearing	4
43	3558000013	Hold Down Weldment	1
44	4679000153	Pad	2
45	7118161026	Capscrew, 0.38"-16NC x 1.25"	6
46	4679000221	Pad	2
47	4812000071	Shim	2
48	4812000072	Shim	2
49	7114151218	Capscrew, 0.31"-18NC x 1.50"	4
50	7660152601	Locknut, 0.31"-18NC	4

*included in Hold Down Weld, P/N 3558000014

SUBFRAME (OUTBOARD TILT CYLINDERS)



SUBFRAME (OUTBOARD TILT CYLINDERS)**SUBFRAME (OUTBOARD TILT CYLINDERS)**

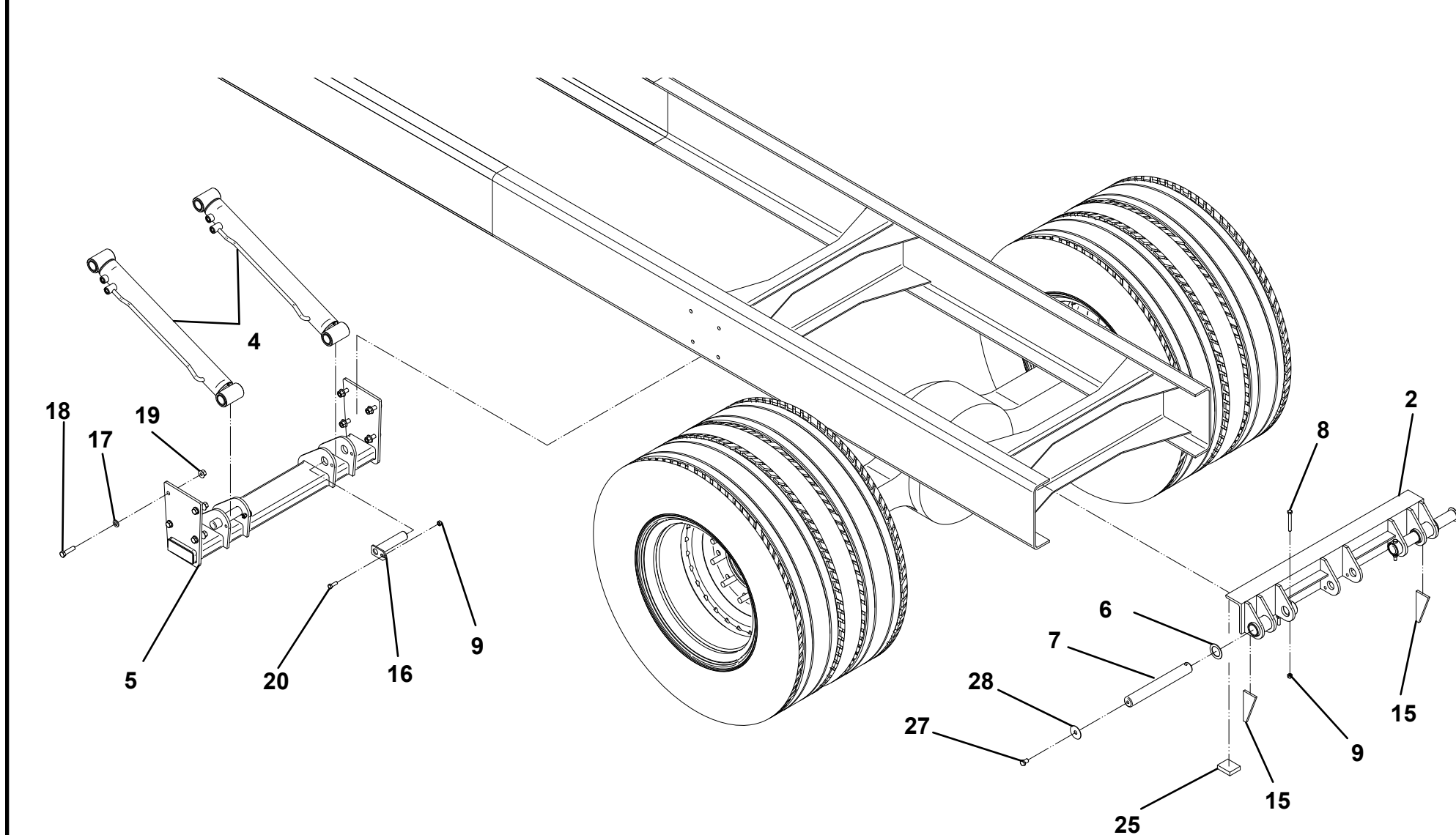
SUBFRAME (INBOARD TILT CYLINDERS)

ITEM	PART NO.	DESCRIPTION	QTY
1	1001135177	Subframe - Standard	1
	1001135178	Subframe - Galvanized	
2	3905000012	Trunnion Weld	1
3	3320000236	Cylinder	1
4	3320000120	Cylinder	2
5	3316000054	Crossmember Weldment	1
6	7949000008	Washer, 2.25" OD x 1.52" ID	2
7	4691000573	Pin	2
8	7115162450	Capscrew, 0.38"-16NC x 3.00"	2
9	7660162601	Locknut, 0.38"-16NC	12
10	4691000429	Pin	1
11	7754000006	Retaining Ring	2
12	4178000367	Bracket	1
13	4679000151	Wear Pad	1
14	7660182601	Locknut, 0.50"-13NC	2
15	4497000358	Gusset	2
16	3691000166	Pin	4
17	7950180153	Flatwasher, 0.50" ID	10
18	7105181650	Capscrew, 0.50"-20NF x 2.00"	10
19	7660182333	Locknut, 0.50"-20NF	10
20	7115160950	Capscrew, 0.38"-16NC x 1.25"	4
21	7274000046	Clamp	2
22	7105202250	Capscrew, 0.63"-18NF x 2.75"	4
23	7660202347	Locknut, 0.63"-18NF	4
24	4017001250	Angle	2
25	1001134995	Bar	2
26	7701000063	Plug	4
27	7115180650	Capscrew, 0.50"-13NC x 0.75"	2
28	7949000072	Washer, 2.00" OD x 0.50 ID	2
29	4706005958	Plate	1
30	7114100818	Capscrew, #10 -24NC x 1.00"	4
31	7660102604	Locknut, #10-24UNC	4
32	7950100151	Flatwasher, 0.19" ID	8
33	3017000103	Roll Cylinder Angle	1
34	7115221650	Capscrew, 0.75"-10NC x 2.00"	4
35	7660222308	Locknut, 0.75"-10NC	4
36	1001134994	Pad	6
37	7786000007	Screw, 0.31"-18NC x 2.00"	4
38	741512	Screw, 0.31"	2

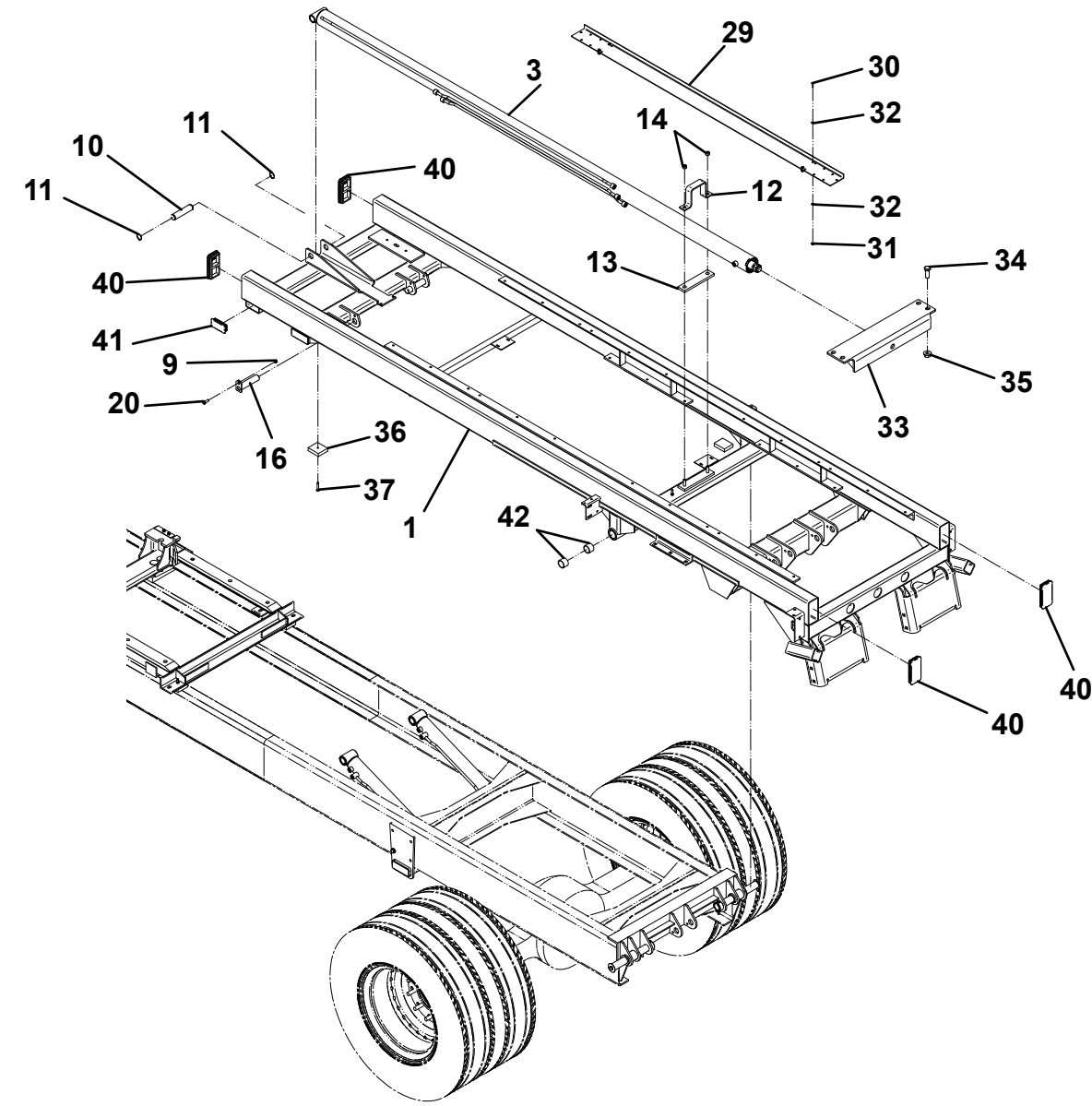
ITEM	PART NO.	DESCRIPTION	QTY
39	7660152601	Locknut, 0.31"-18NC	6
40	7701000048	Plug	4
41	7701000051	Plug	2
42	7082000017	Bearing	4
43	3558000013	Hold Down Weldment	1
44	4679000153	Pad	2
45	7118161026	Capscrew, 0.38"-16NC x 1.25"	6
46	4679000221	Pad	2
47	4812000071	Shim	2
48	4812000072	Shim	2
49	7114151218	Capscrew, 0.31"-18NC x 1.50"	4

*included in Hold Down Weld, P/N 3558000014

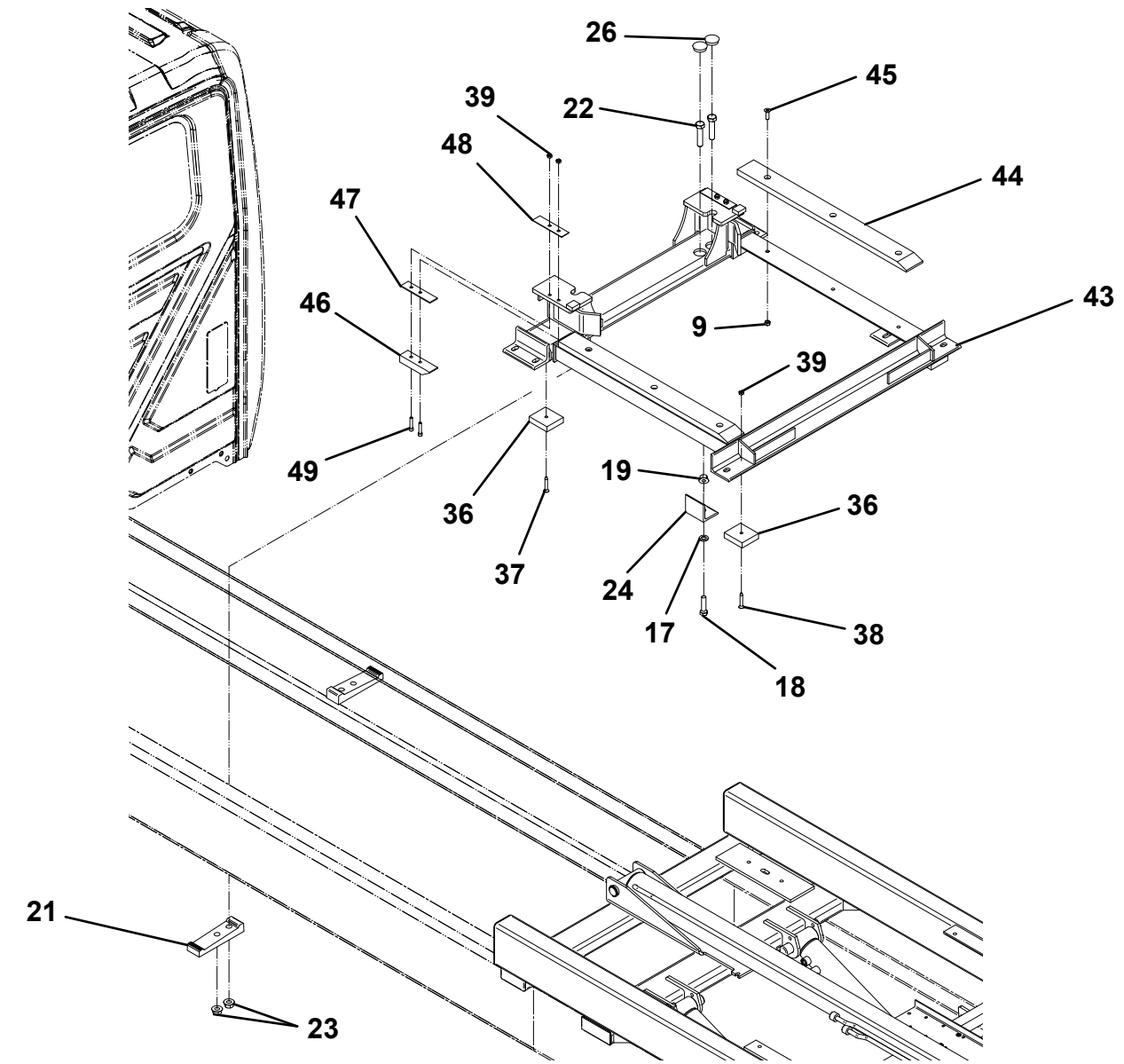
SUBFRAME (INBOARD TILT CYLINDERS)



SUBFRAME (INBOARD TILT CYLINDERS)



SUBFRAME (INBOARD TILT CYLINDERS)



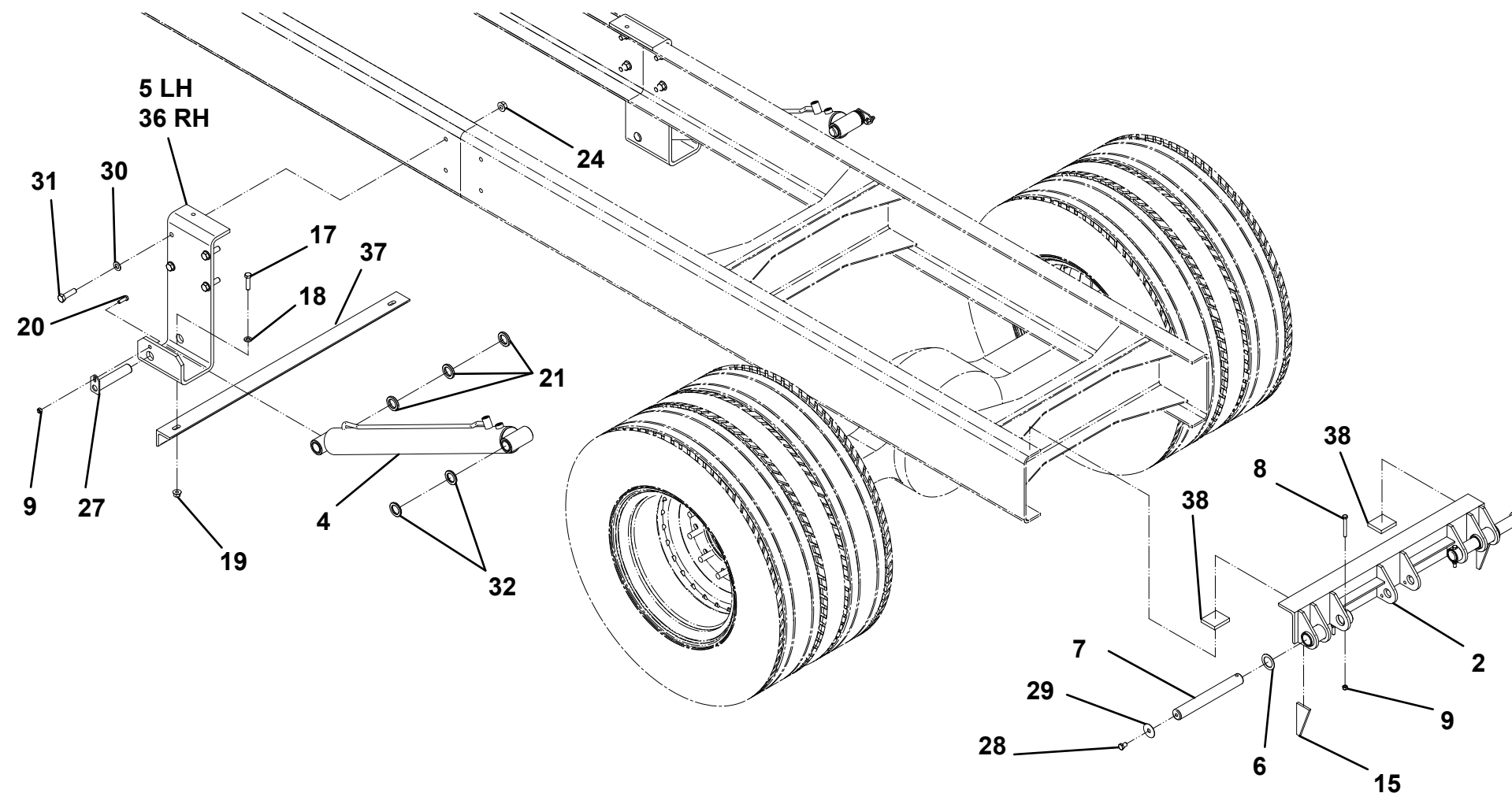
SUBFRAME (HIGH DUMP TILT CYLINDERS)

ITEM	PART NO.	DESCRIPTION	QTY
1	1001135123	Subframe - Standard	1
2	3905000012	Trunnion Weld	1
3	3320000236	Cylinder	1
4	3320000154	Cylinder	2
5	1001135157	Saddle Plate - LH Side	1
6	7949000008	Washer, 2.25" OD x 1.52" ID	2
7	4691000573	Pin	2
8	7115162450	Capscrew, 0.38"-16NC x 3.00"	2
9	7660162601	Locknut, 0.38"-16NC	12
10	4691000429	Pin	1
11	7754000006	Retaining Ring	2
12	4178000367	Bracket	1
13	4679000151	Wear Pad	1
14	7660182601	Locknut, 0.50"-13NC	2
15	4497000358	Gusset	2
16	3691000166	Pin	2
17	7105181650	Capscrew, 0.50"-20NF x 2.00"	10
18	7950180153	Flatwasher, 0.50" ID	10
19	7660182333	Locknut, 0.50"-20NF	10
20	7115161050	Capscrew, 0.38"-16NC x 1.25"	4
21	4209000337	Bushing	6
22	7274000046	Clamp	2
23	7105202250	Capscrew, 0.63"-18NF x 2.75"	4
24	7660202347	Locknut, 0.63"-18NF	12
25	4017001271	Angle	2
26	7701000063	Bar	4
27	3691000273	Pin	2
28	7115180650	Capscrew, 0.50"-13NC x 0.75"	2
29	7949000072	Washer, 2.00" OD x 0.50 ID	2
30	7950200242	Flatwasher, 0.63" ID	8
31	7105201850	Capscrew, 0.63"-18NF x 2.25"	8
32	4209000358	Bushing	4
33	3017000103	Roll Cylinder Angle	1
34	7115221650	Capscrew, 0.75"-10NC x 2.00"	4
35	7660222308	Locknut, 0.75"-10NC	4
36	1001135158	Saddle Plate - RH	1
37	4017001407	Angle	1
38	4705000507	Plate	10
39	4706005958	Plate	1

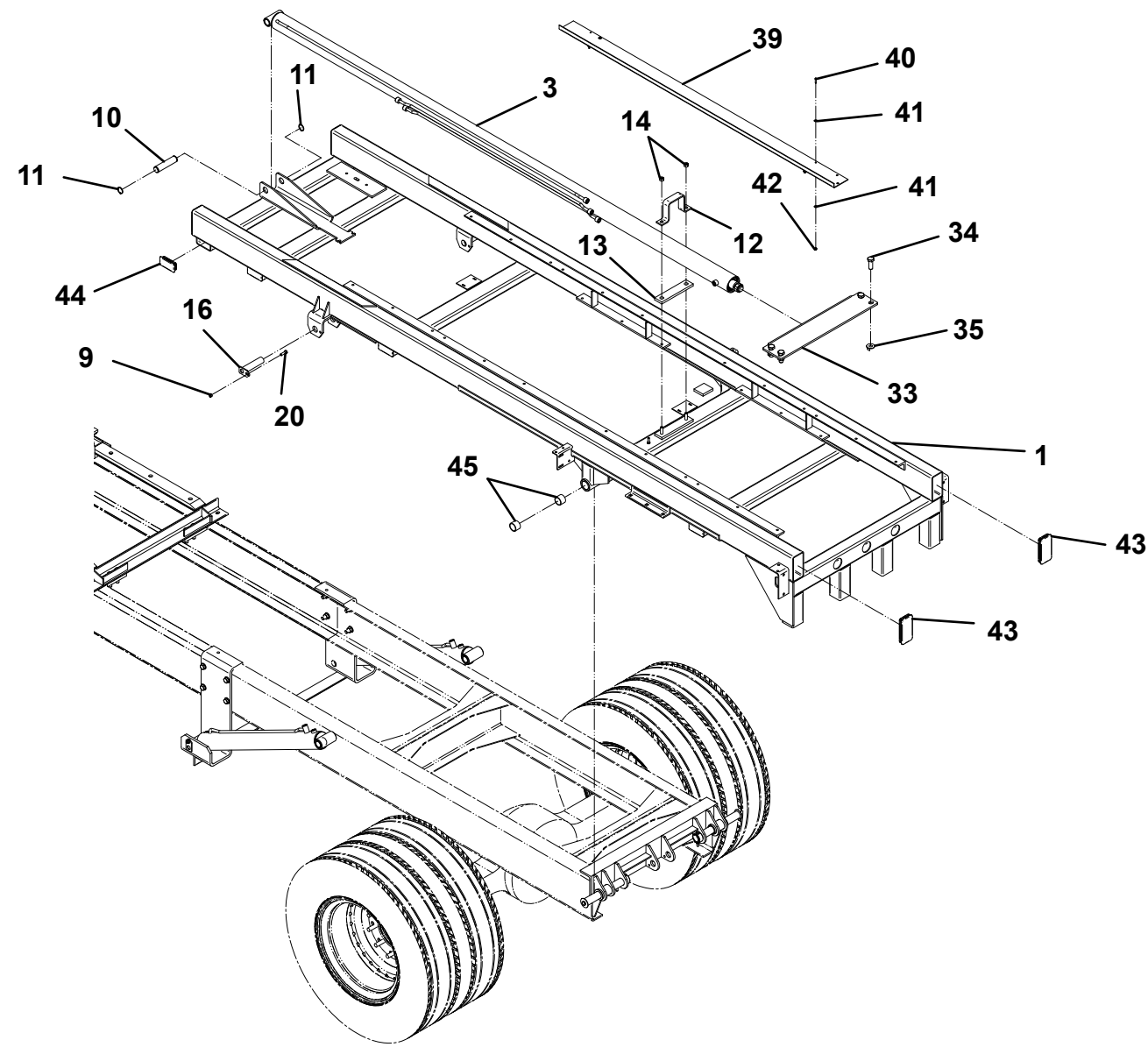
ITEM	PART NO.	DESCRIPTION	QTY
40	7114100818	Capscrew, #10 -24NC x 1.00"	4
41	7950100151	Flatwasher, 0.19" ID	8
42	7660102604	Locknut, #10 -24NC	4
43	7701000048	Plug	4
44	7701000051	Plug	8
45	7082000017	Bearing	4
46	3558000013	Hold Down Weldment	1
47	4679000153	Pad	2
48	7118161026	Capscrew, 0.38"-16NC x 1.25"	6
49	4679000221	Pad	2
50	4812000071	Shim	2
51	4812000072	Shim	2
52	7114151218	Capscrew, 0.31"-18NC x 1.50"	4
53	7660152601	Locknut, 0.31"-18NC	4

*included in Hold Down Weld, P/N 3558000014

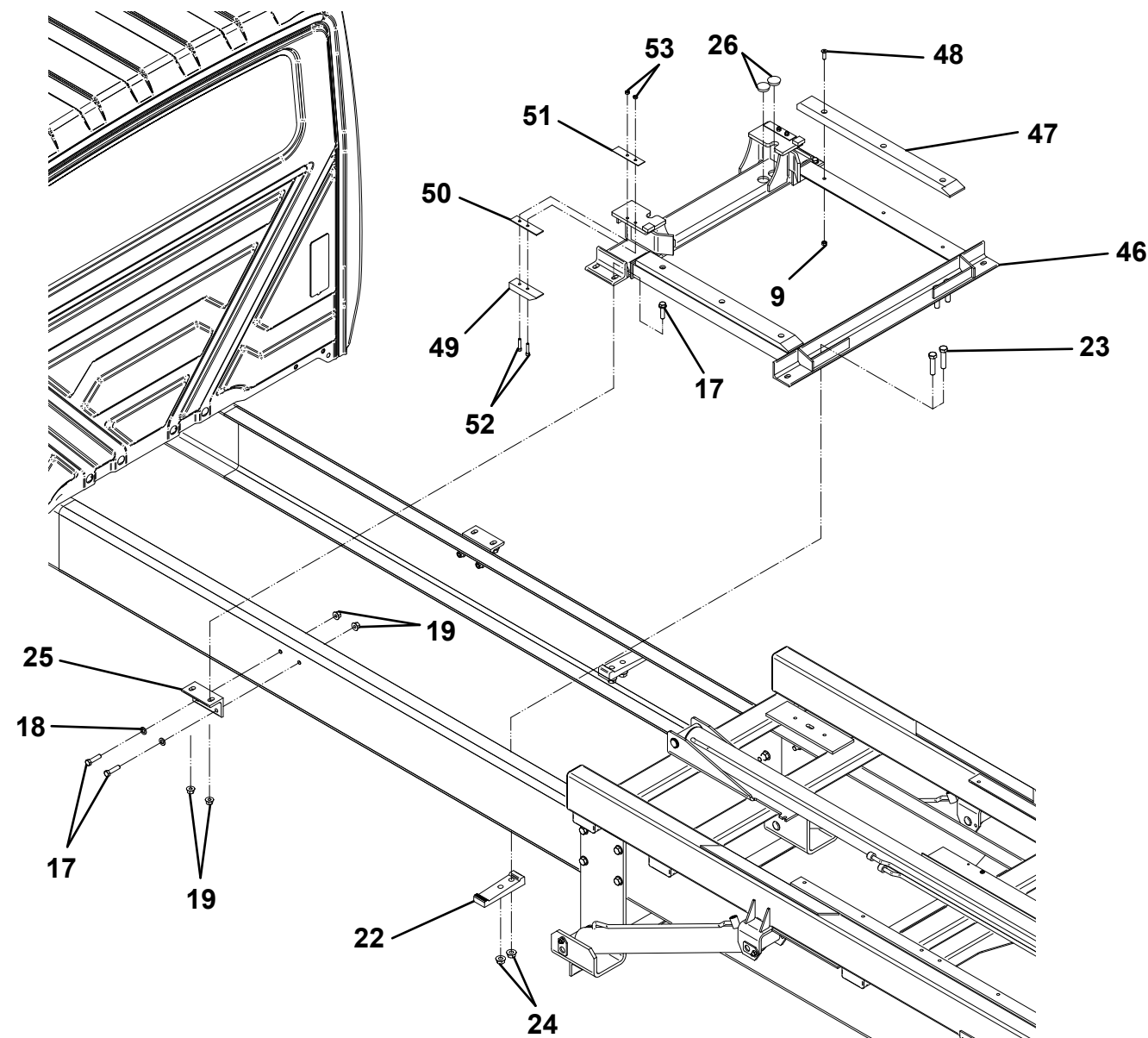
SUBFRAME (HIGH DUMP TILT CYLINDERS)



SUBFRAME (HIGH DUMP TILT CYLINDERS)



SUBFRAME (HIGH DUMP TILT CYLINDERS)

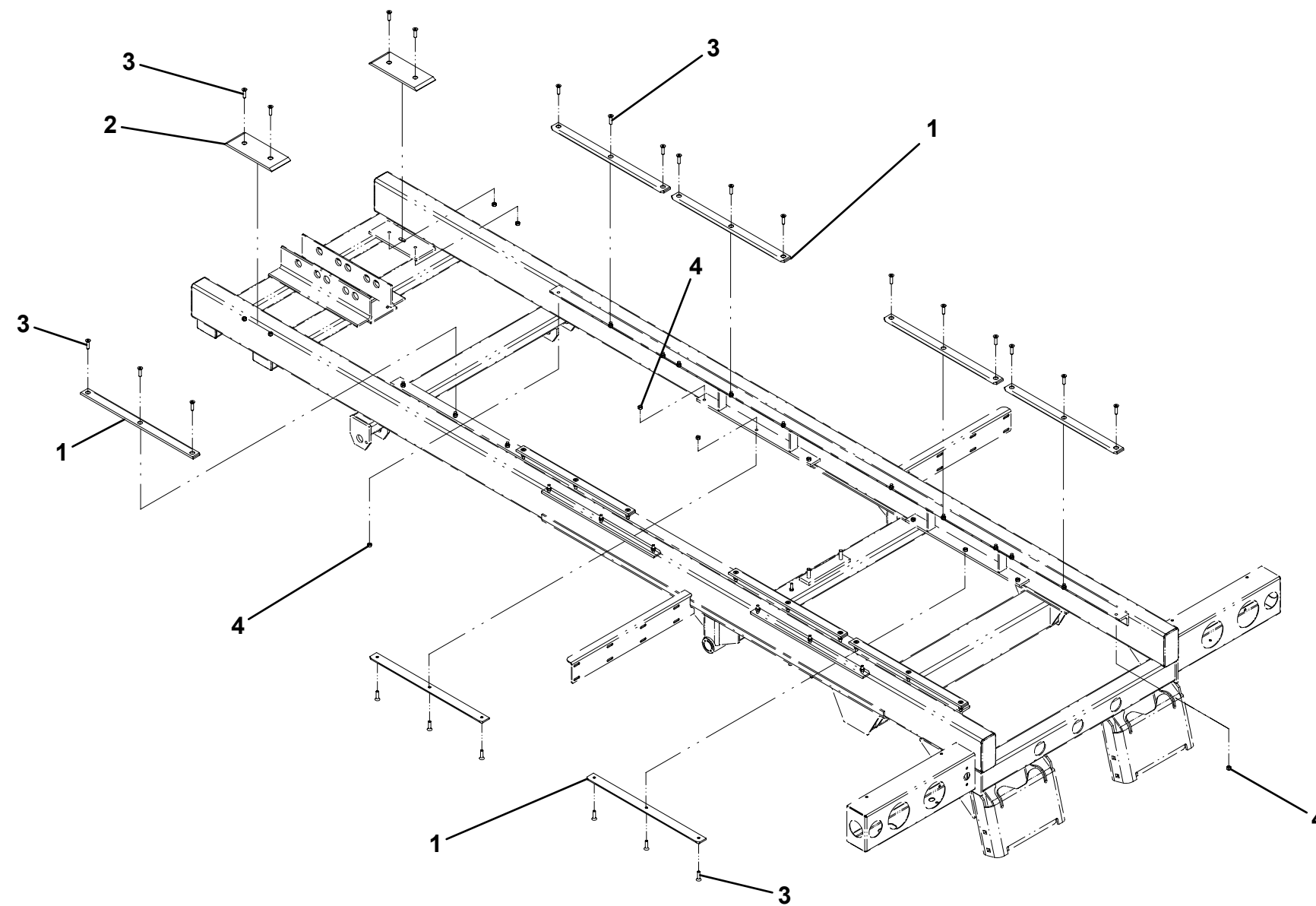


SLIDE PADS

ITEM	PART NO.	DESCRIPTION	QTY
1	4679000145*^	Wear Pad	12
2	4679000154^	Wear Pad (20' & 21" decks only)	2
3	7118161026*	Screw, 0.38"-16NC x 1.25" (19' decks)	36
	7118161026^	Screw, 0.38"-16NC x 1.25" (20' & 21" decks)	40
4	7660162601*	Locknut, 0.38"-16NC (19' decks)	36
	7660162601^	Locknut, 0.38"-16NC (20' & 21' decks)	40

*included in Wear Pad Kit P/N 9577000226 for 19' decks
 ^included in Wear Pad Kit P/N 9577000227 for 20' & 21' decks

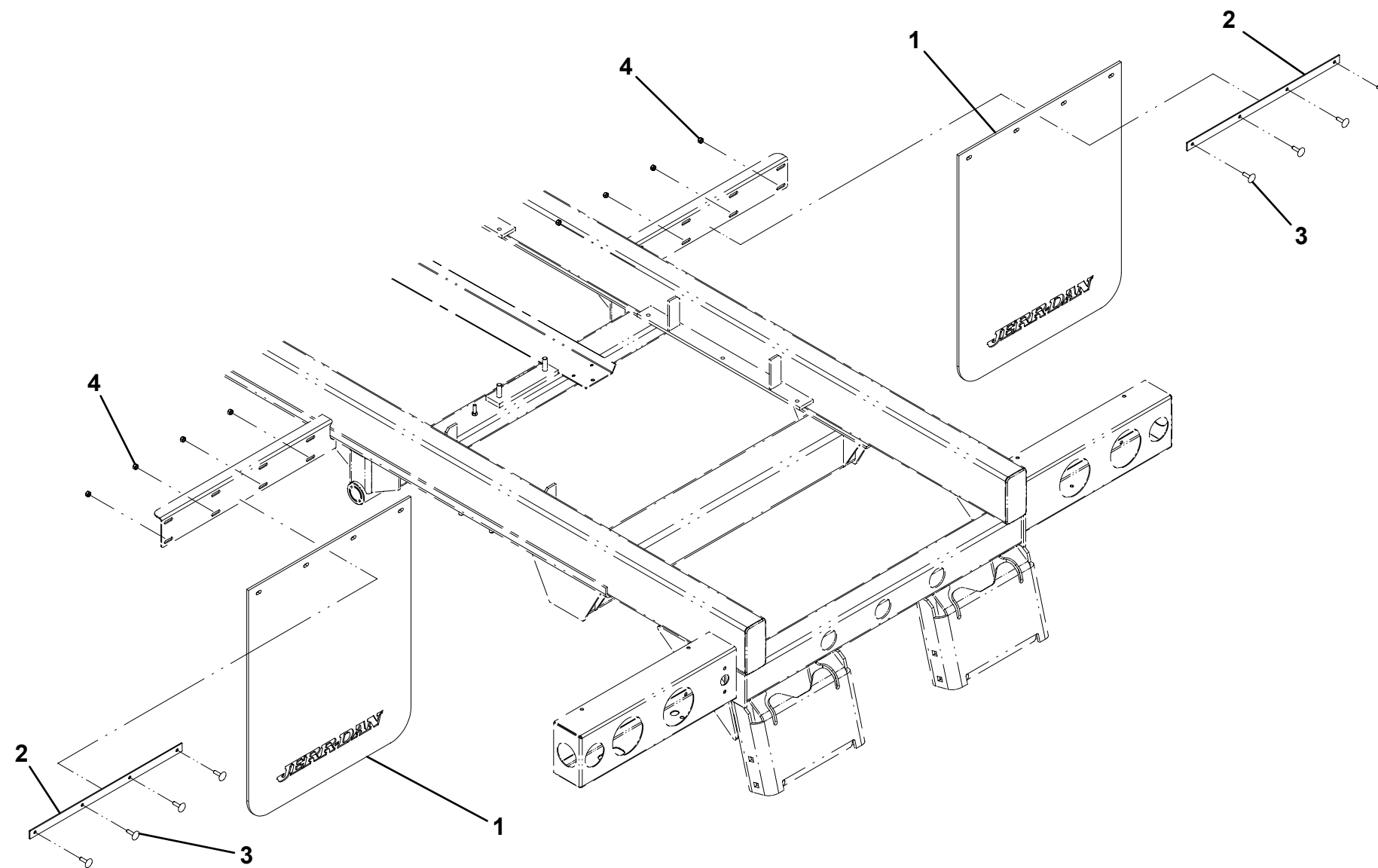
SLIDE PADS



MUD FLAPS

ITEM	PART NO.	DESCRIPTION	QTY
1	7638000004	Mud Flap - Standard, 30" long	2
	7638000013	Mud Flap - High Frame, 36" long	
2	4706000233	Plate - Standard	2
	4706004383	Plate - Galvanized	
3	7111150864	Carriage Bolt, 0.31"-18NC x 1.00"	8
4	7660152601	Locknut, 0.31"-18NC	8

MUD FLAPS

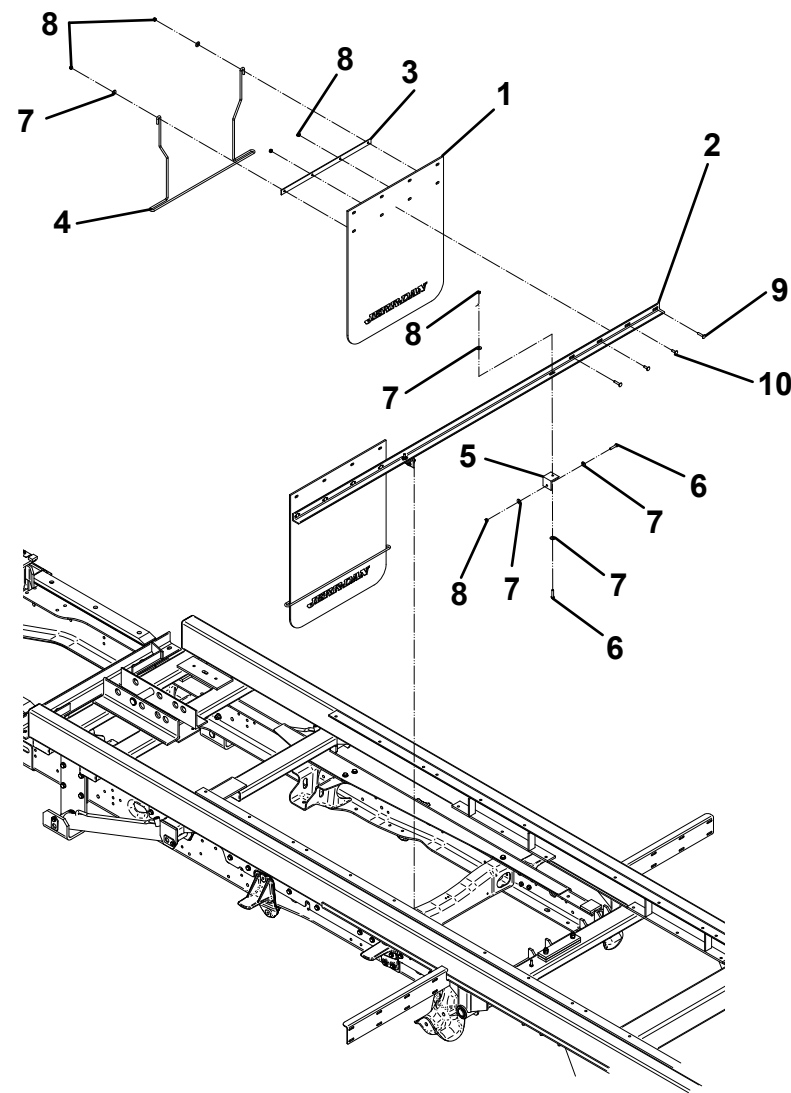


MUD FLAPS - FORD F550 & DODGE RAM 5500

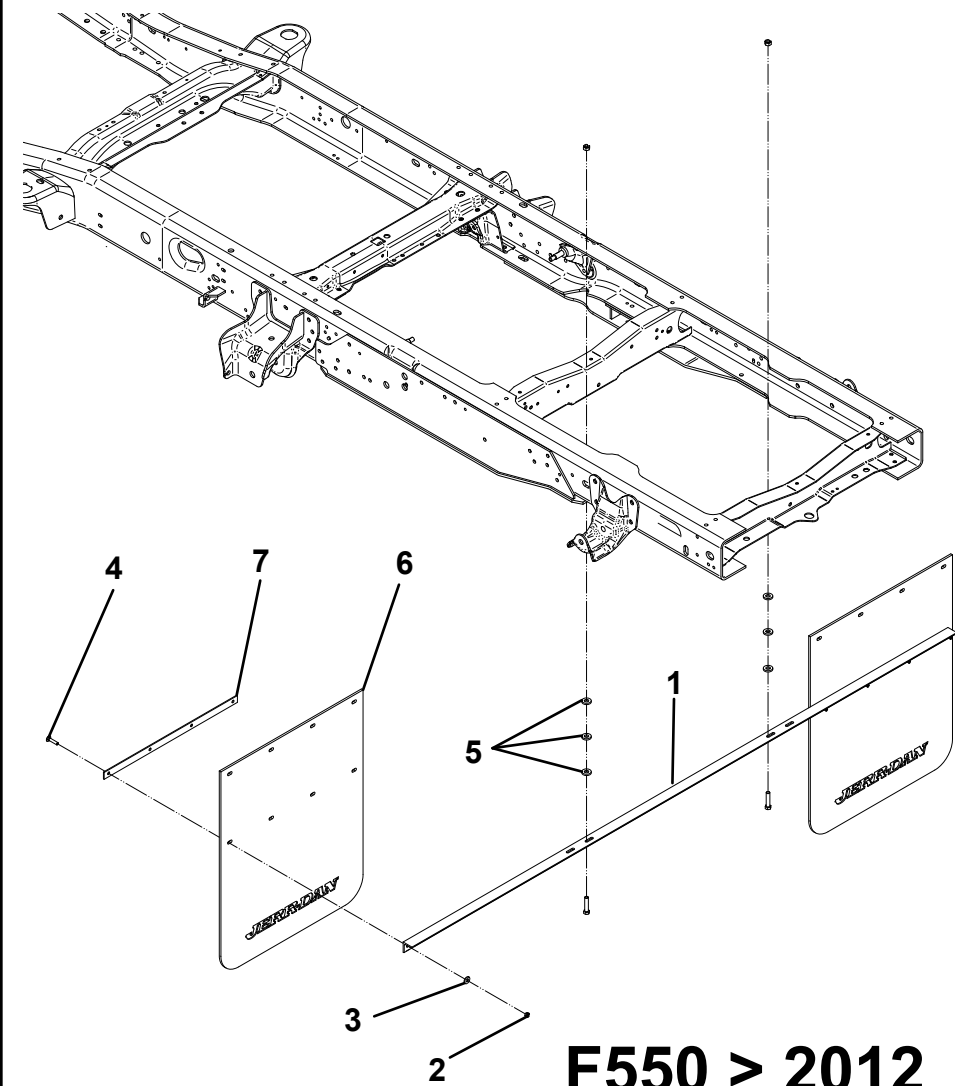
ITEM	PART NO.	DESCRIPTION	QTY	ITEM	PART NO.	DESCRIPTION	QTY
1	7638000004*	Mud Flap - Standard, 30" long	2	1	1001147117	F550 > 2012 Angle	1
	7638000013*	Mud Flap - High Frame, 36" long		2	7115151264	Carriage Bolt, 0.31"-18NC x 1.50"	8
2	4017001550*	Mount Angle	1	3	7950150161	Flatwasher, 0.31" ID	16
3	4706000233*	Plate	2	4	7660152601	Locknut, 0.31"-18NC	8
4	7178000044*	Anti-Sail Bracket	2	5	4891800	Washer, 0.50" ID	6
5	4017001587*	Angle	2	6	7638000004	Mud Flap - Standard 30" long	2
6	7115151050*	Capscrew, 0.31"-18NC x 1.25" (Ford)	4	7	4706000233	Plate	2
	7115151250*	Capscrew, 0.31"-18NC x 1.50" (Dodge)					
7	7950150161*	Flatwasher, 0.31" ID	12				
8	7660152601*	Locknut, 0.31"-18NC	12				
9	7115151264*	Carriage Bolt, 0.31"-18NC x 1.50"	4				
10	7111150864*	Carriage Bolt, 0.31"-18NC x 1.00"	4				

*2008 and later F550 with diesel engine

MUD FLAPS - FORD F550 & DODGE RAM 5500



F550 < 2011 & D5500

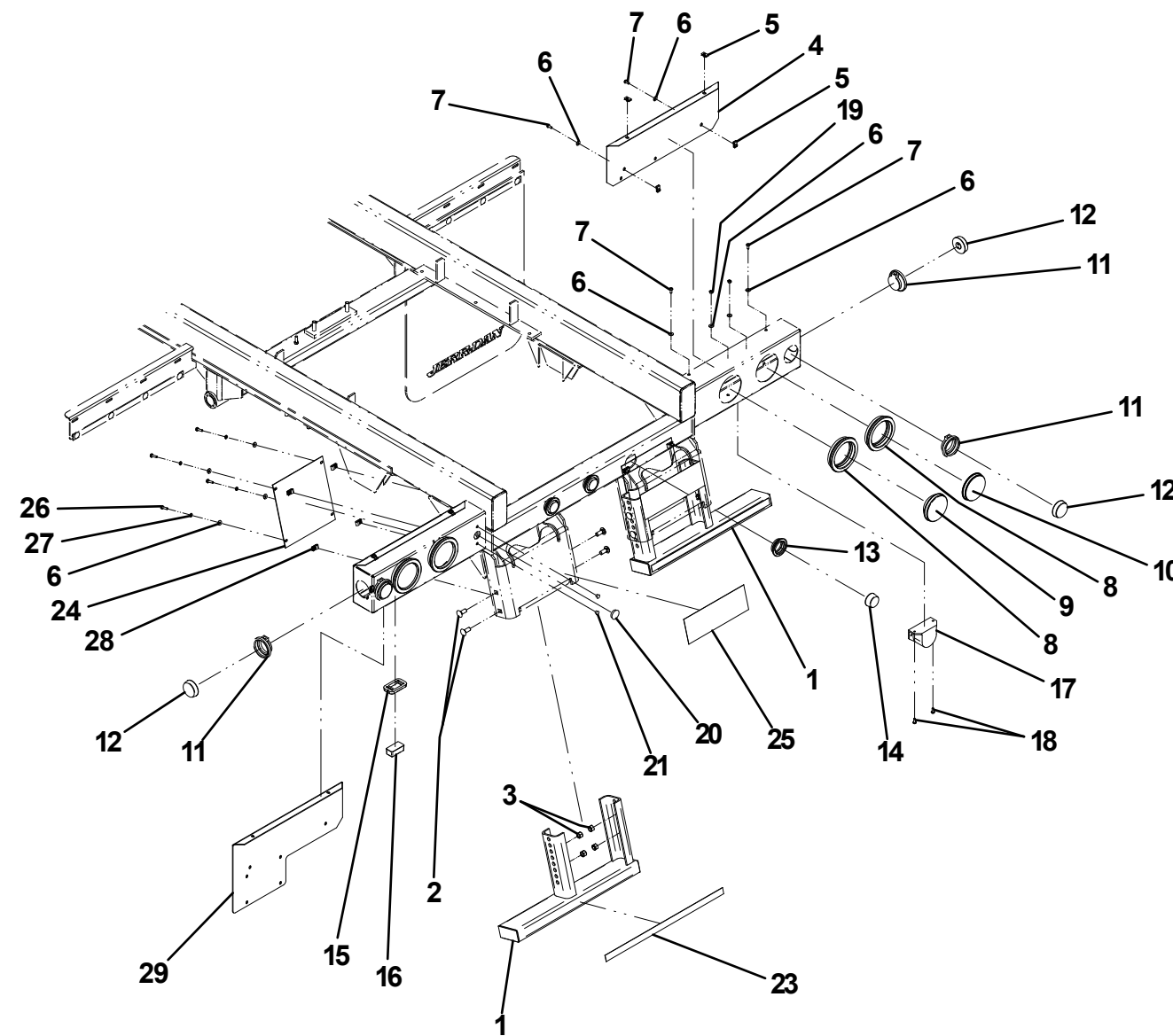


F550 > 2012

FINAL ASSEMBLY

ITEM	PART NO.	DESCRIPTION	QTY
1	3190000037	Bumper Tube Weld - Short - Standard	2
	3190000050	Bumper Tube Weld - Short - Galvanized	
	3190000034	Bumper Tube Weld - Long - Standard	
	3190000049	Bumper Tube Weld - Long - Galvanized	
2	7115181064	Carriage Bolt, 0.50"-13NC x 1.25"	8
3	7660182601	Locknut, 0.50"-13NC	8
4	4314000235	Light Box Cover - RH	1
5	7661000042	U-Nut, 0.25"-20NC	8
6	7949000023	Nylon Washer, 0.26" ID	18
7	7114140529	Screw, 0.25"-20NC x 0.63"	8
8	7493000002	Grommet	4
9	7590000113	Back-Up Light - White (Std.)	2
10	7590000341	Stop/Tail/Turn Light - Red (LED)	2
11	7493000009	Grommet	4
12	7590000343	Marker Light - Red (LED)	4
13	7493000023	Grommet	3
14	7590000340	Marker Light - Red (LED)	3
15	7493000010	Grommet	1
16	7590000251	License Plate Light	1
17	7011000007	Back-Up Alarm	1
18	7114140528	Screw, 0.25"-20NC x 0.63"	2
19	7660142601	Locknut, 0.25"-20NC	2
20	7701000049	Plug	1
21	7701000055	Plug	2
22	Not Required		
23	7330000428	Reflective Tape	2
24	4314000200	Cover Plate - Standard	2
	4314000204	Cover Plate - Galvanized	
25	7679000020	Non-Skid Pad	2
26	7115140850	Screw, 0.25"-20NC x 1.00"	8
27	7950140000	Lockwasher, 0.25" ID	8
28	7661000064	U-Nut Clip, 0.25"-20NC	8
29	4314000232	Light Box Cover - LH	1

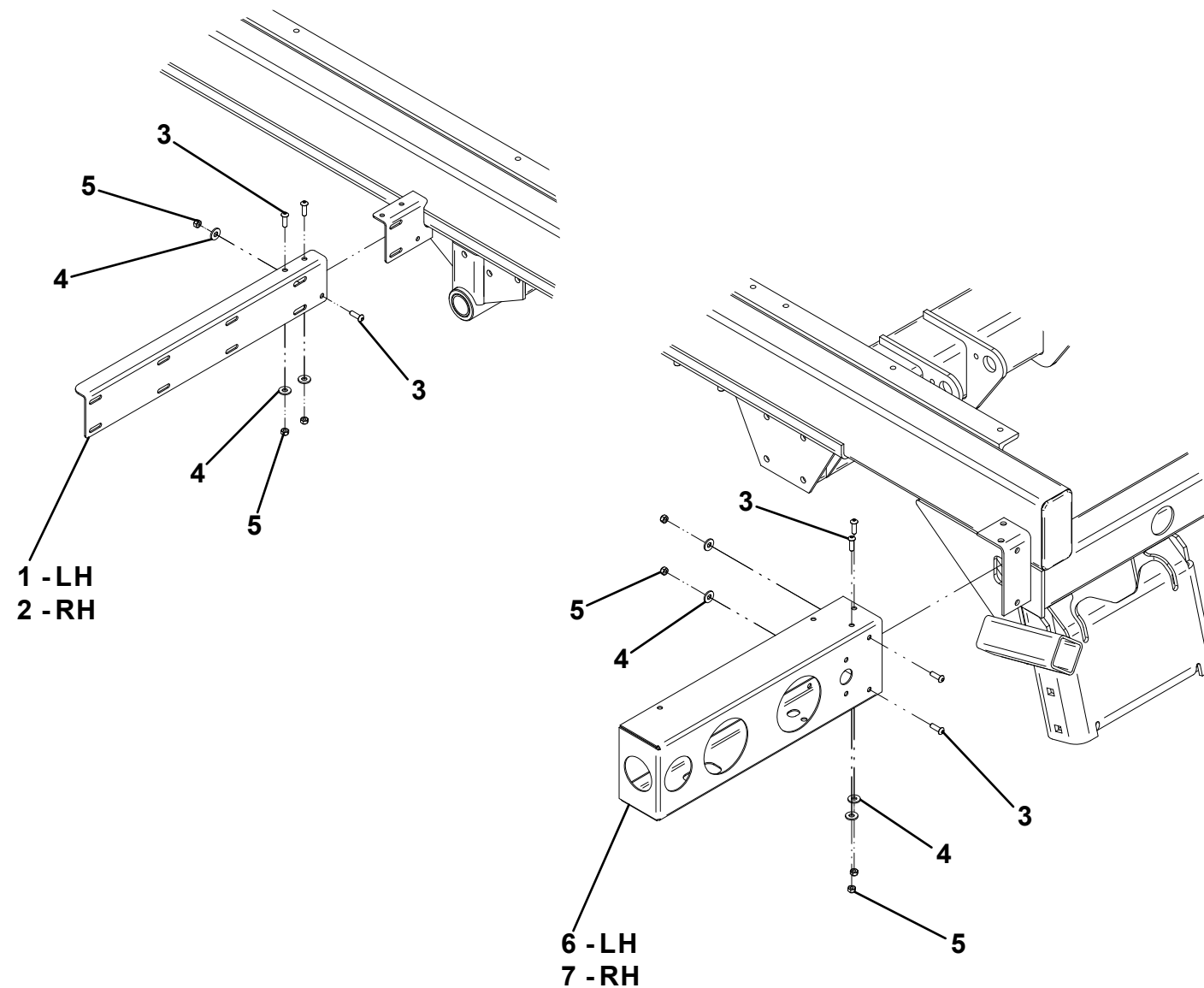
FINAL ASSEMBLY



FINAL ASSEMBLY

ITEM	PART NO.	DESCRIPTION	QTY
1	4017001566	Angle - LH - Galvanized	1
	4017001742	Angle - LH - Black	1
2	4017001567	Angle - RH - Galvanized	1
	4017001743	Angle - RH - Black	1
3	7114150818	Capscrew, 0.31"-18NC x 1.00"	14
4	7950150153	Flatwasher, 0.31" ID	14
5	7660152601	Locknut, 0.31"-18NC	14
6	1001173947	Lightbox - LH - Galvanized	1
	1001173945	Lightbox - LH - Black	1
7	1001173946	Lightbox - RH - Galvanized	1
	1001173944	Lightbox - RH - Black	1

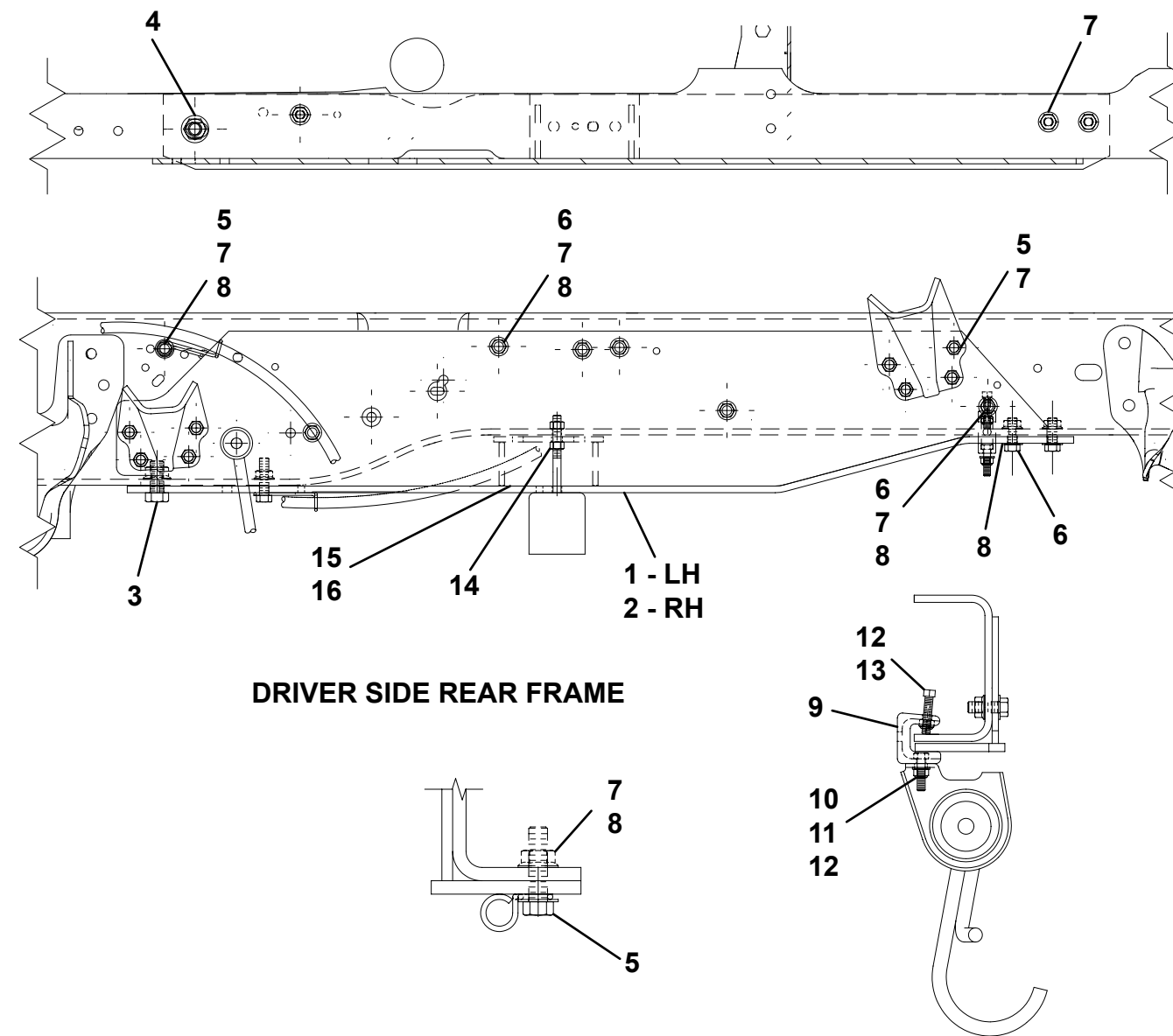
FINAL ASSEMBLY



FORD F550 FRAME REINFORCEMENT AND SPRING SPACERS

ITEM	PART NO.	DESCRIPTION	QTY
1	3177000053	Brace Weld - LH	1
2	3177000054	Brace Weld - RH	1
3	7105201250	Capscrew, 0.63"-18NF x 1.75"	2
4	7660202347	Locknut, 0.63"-18NF	2
5	7105171450	Capscrew, 0.44"-20NF x 1.75"	18
6	7105171050	Capscrew, 0.44"-20NF x 1.25"	19
7	7660172331	Locknut, 0.44"-20NF	37
8	7950170142	Flatwasher, 0.44" ID	21
9	7274000076	Clamp	1
10	7115151050	Capscrew, 0.31"-18NC x 1.25"	1
11	7950150161	Flatwasher, 0.31" ID	1
12	7660152601	Locknut, 0.31"-18NC	2
13	7785152420	Set Screw, 0.31"-18NC x 1.50"	1
14	7661000065	Nut, M10 x 1.5	2
15	7813000048	Spacer	2
16	7120000044	U-Bolt	4

FORD F550 FRAME REINFORCEMENT AND SPRING SPACERS

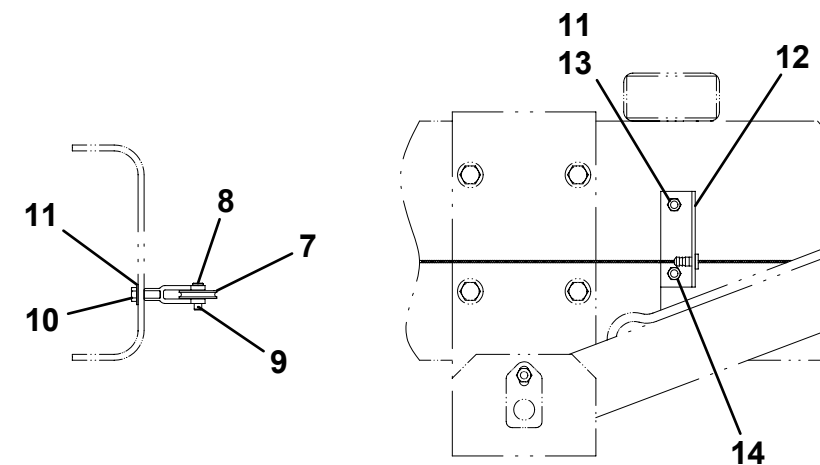


DRIVER SIDE REAR FRAME

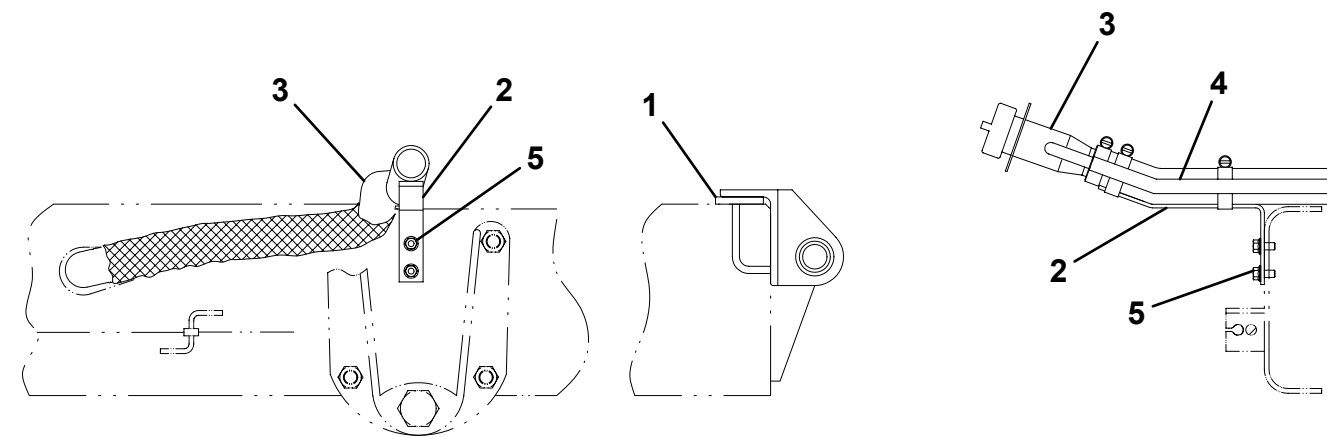
FORD F550 SUBFRAME MODIFICATIONS

ITEM	PART NO.	DESCRIPTION	QTY
1	4062000281	Bar	2
2	4178000283	Bracket	1
3	7570000016	Fuel Filler Hose	1
4	7570000017	Fuel Vent Hose	1
5	7790161253	Screw, 0.38"-16NC x 0.75"	2
6	7277000001	Clevis	1
7	4809000003	Sheave	1
8	7690151601	Clevis Pin	1
9	7690021610	Cotter Pin	1
10	7105150850	Capscrew, 0.31"-24NF x 1.00"	1
11	7950150161	Flatwasher, 0.31" ID	3
12	4178000287	Bracket	1
13	7115151050	Capscrew, 0.31"-18NC x 1.25"	2
14	7660152601	Locknut, 0.31"-18NC	2

FORD F550 SUBFRAME MODIFICATIONS



DRIVER'S SIDE

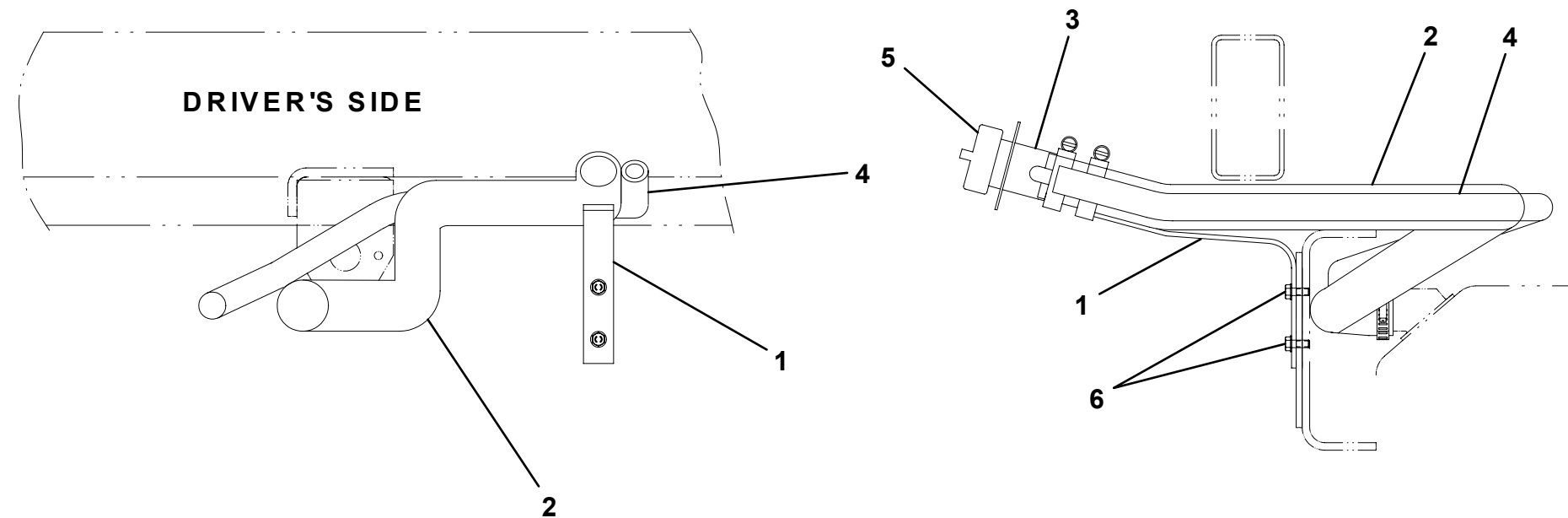


DRIVER'S SIDE

GMC C4500/5500 SUBFRAME MODIFICATIONS

ITEM	PART NO.	DESCRIPTION	QTY
1	4178000421	Bracket	1
2	7570000023	Fuel Filler Hose (2005 & earlier)	1
	7570000031	Fuel Filler Hose (2006 & later)	
3	7912000233	Fuel Fillneck (2006 & later diesel)	1
	7912000235	Fuel Fillneck (2006 & later gas)	
4	7570000017	Fuel Vent Hose (2006 & later diesel)	1
5	7254000021	Fill Cap (2006 & later gas only)	1
6	7790151253	Taptite Screw, 0.31"-18NC x 0.75"	2

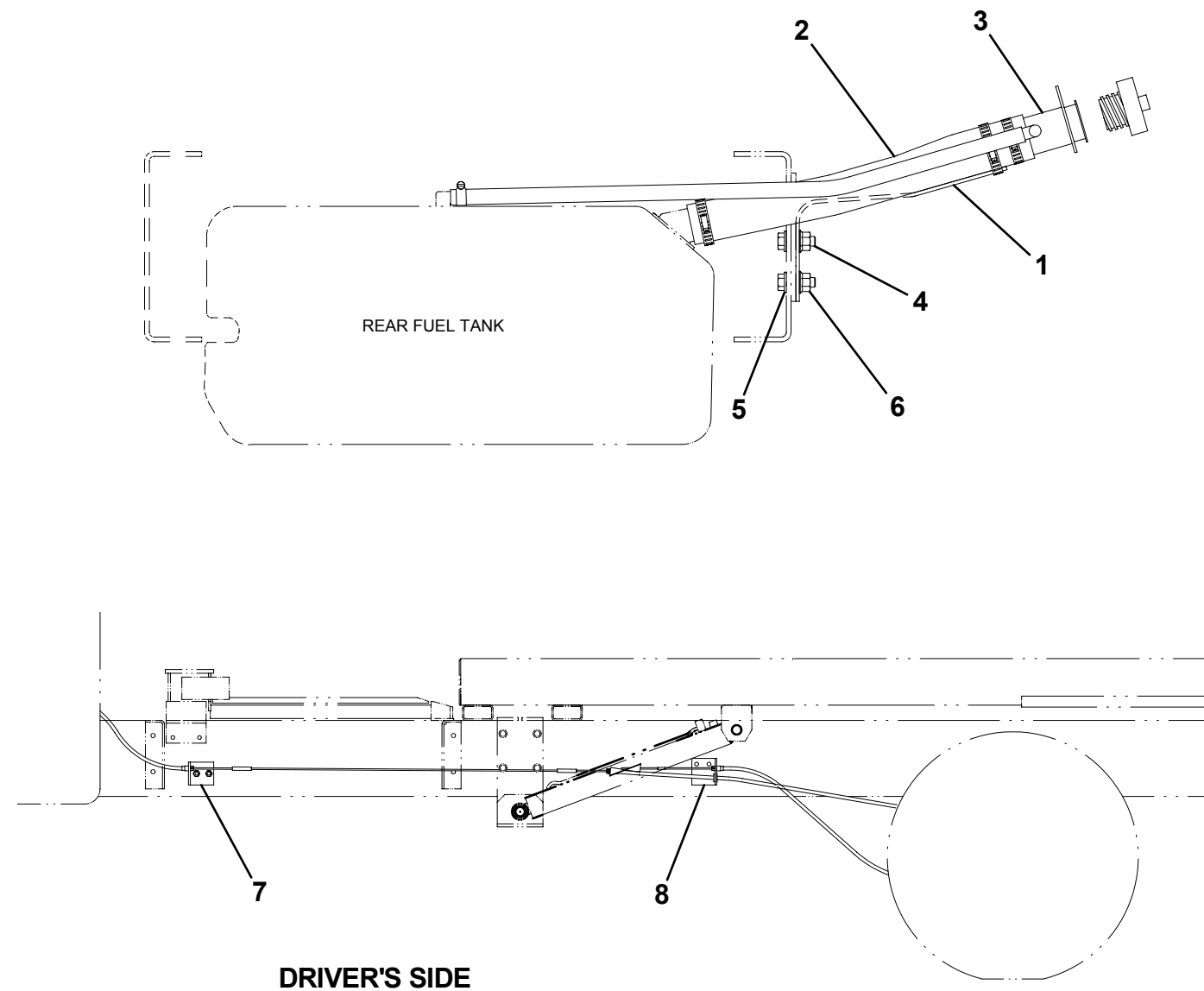
GMC C4500/5500 SUBFRAME MODIFICATIONS



GMC C4500/5500 BRAKE CABLE REWORK & REAR FUEL TANK MOD

ITEM	PART NO.	DESCRIPTION	QTY
1	4178000421	Bracket	1
2	7570000025	Fuel Filler Hose (2005 & earlier)	1
3	7912000234	Fuel Fillneck (2006 & later diesel)	1
	7912000236	Fuel Fillneck (2006 & later gas)	
4	7105181650	Capscrew, 0.50"-20NF x 2.00"	2
5	7950180153	Flatwasher, 0.50" ID	2
6	7660182333	Locknut, 0.50"-20NF	2
7	4178000474	Bracket	1
8	4178000475	Bracket (2006 & earlier)	1
	4178000682	Bracket (2007 & later)	

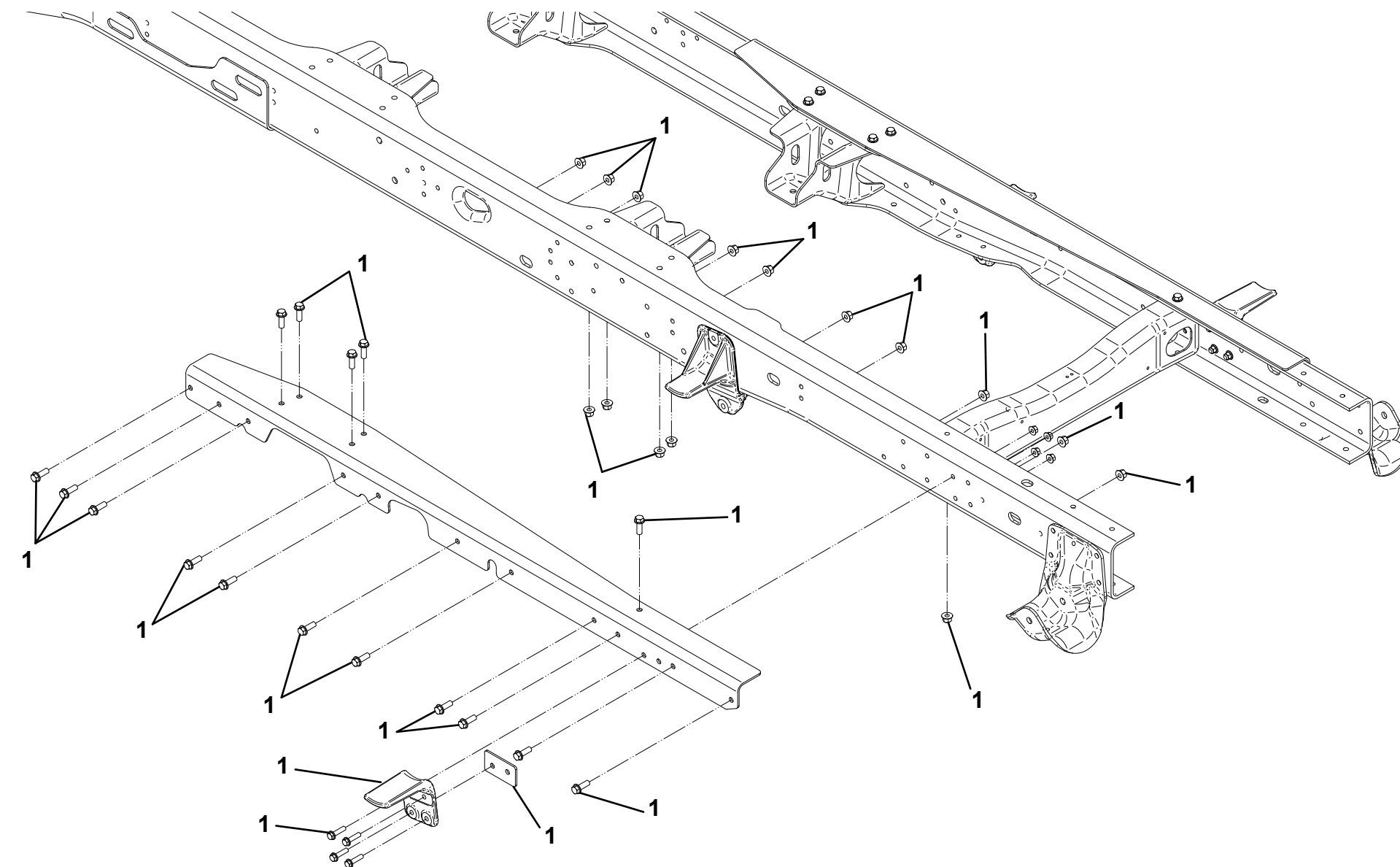
GMC C4500/5500 BRAKE CABLE REWORK & REAR FUEL TANK MOD



DRIVER'S SIDE

DODGE RAM 5500 FRAME REINFORCEMENT

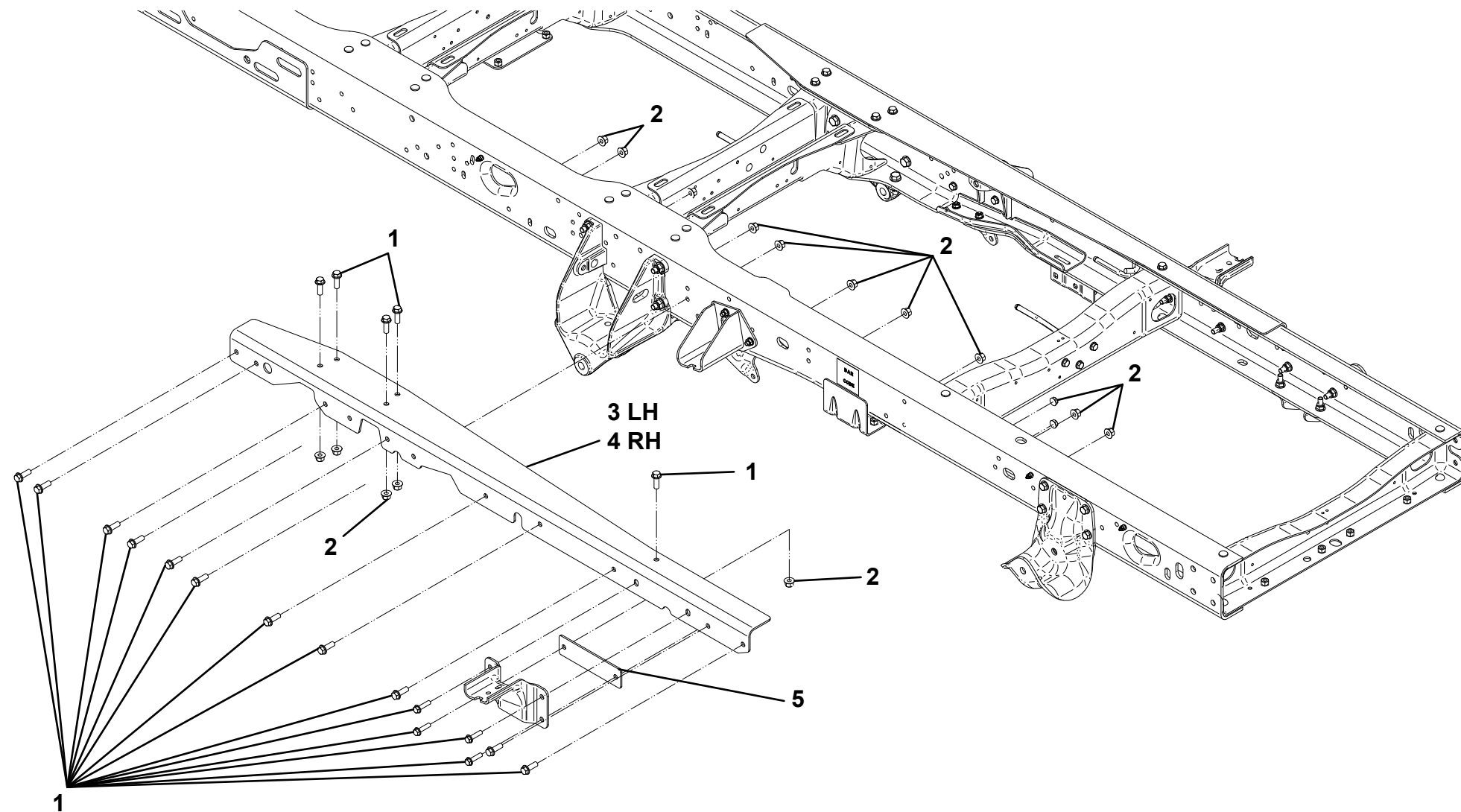
ITEM	PART NO.	DESCRIPTION	QTY
1	7577000483	Frame Reinforcement Kit	1

DODGE RAM 5500 FRAME REINFORCEMENT

DODGE RAM 5500 FRAME REINFORCEMENT 2013 & NEWER

ITEM	PART NO.	DESCRIPTION	QTY
1	5251215	Bolt, 12MM x 35MM	32
2	1001164169	Nut, 12MM x 1.75	32
3	1001160363	Plate, LH	1
4	1001160362	Plate, RH	1
5	1001160365	Plate	2

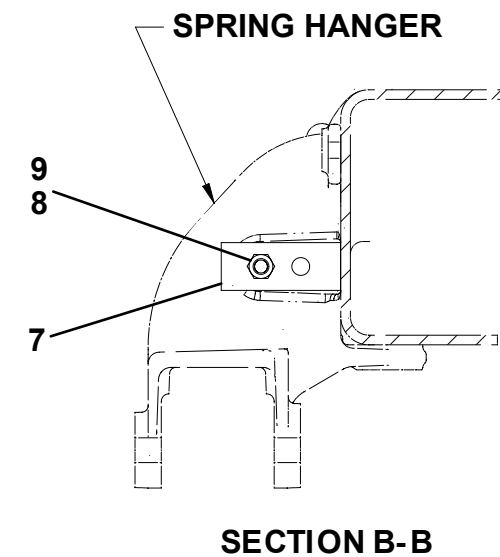
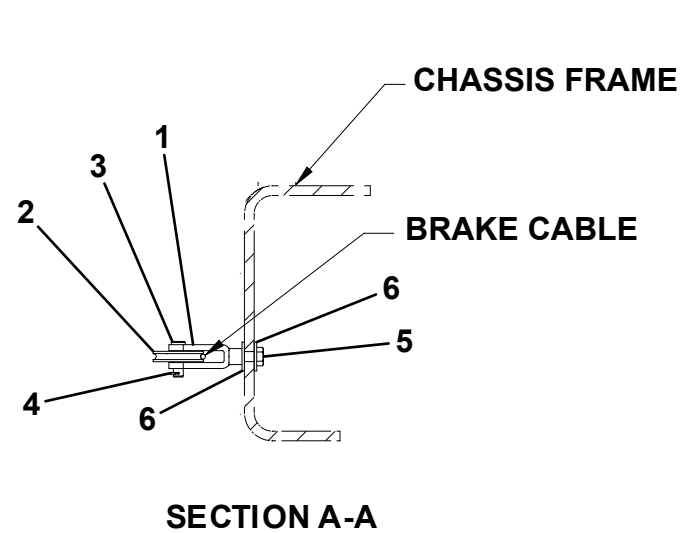
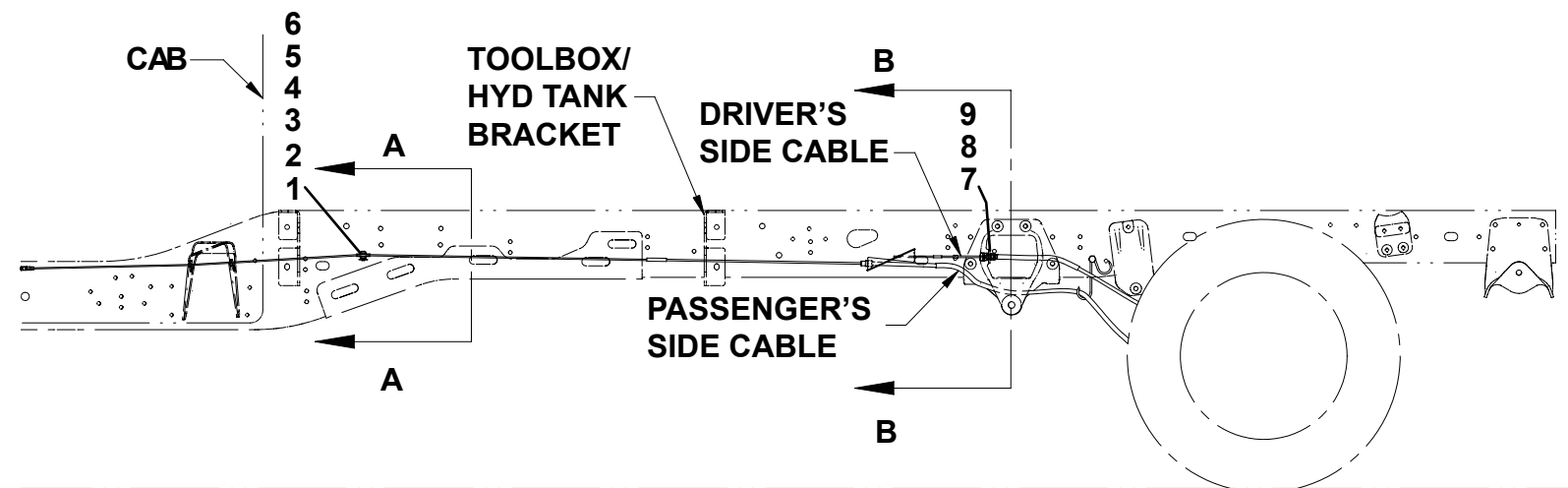
DODGE RAM 5500 FRAME REINFORCEMENT 2013 & NEWER



DODGE RAM 5500 BRAKE CABLE REWORK

ITEM	PART NO.	DESCRIPTION	QTY
1	4277000005	Adjustable Clevis	1
2	4809000003	Sheave	1
3	7690151601	Clevis Pin	1
4	7690021610	Cotter Pin	1
5	7105150850	Capscrew, 0.31"-24NF x 1.00"	1
6	7950150161	Flatwasher, 0.31" ID	2
7	4178000747	Bracket	1
8	7115181005	Capscrew, 0.50"-13NC x 1.25"	1
9	7660182601	Locknut, 0.50"-13NC	1

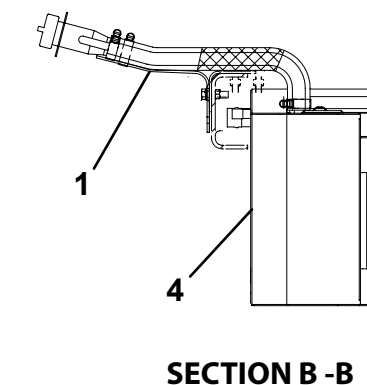
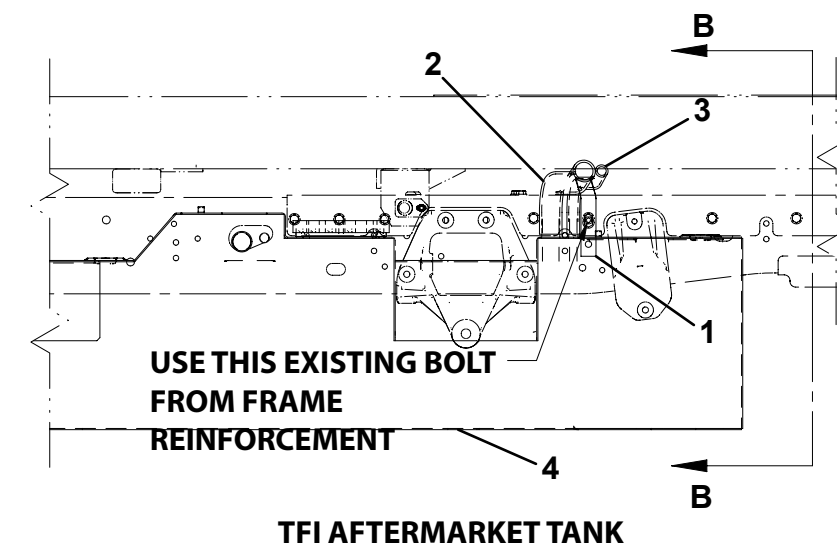
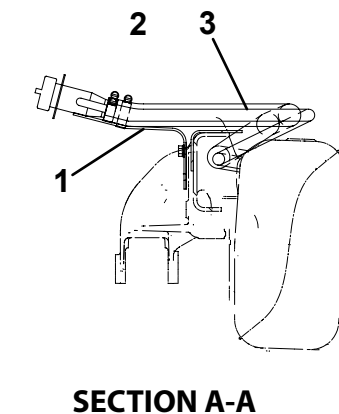
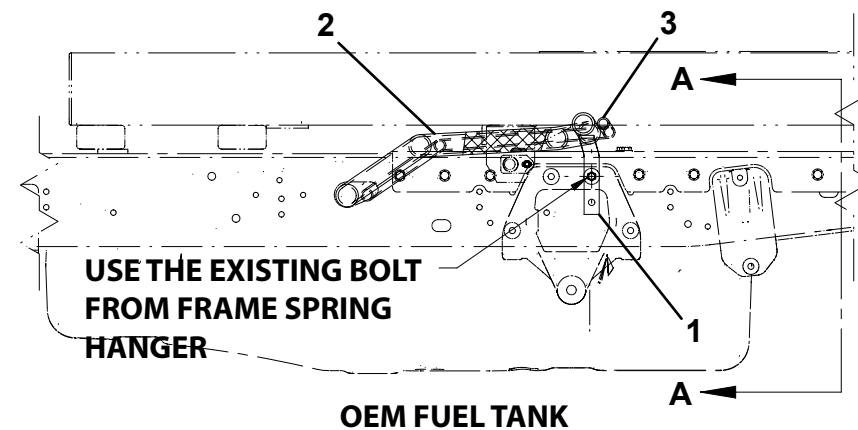
DODGE RAM 5500 BRAKE CABLE REWORK



DODGE RAM 5500 FUEL TANK HOSE INSTALL

ITEM	PART NO.	DESCRIPTION	QTY
1	4178000421	Bracket	1
2	7570000016	Fuel Filler Hose (OEM fuel tank)	1
	7570000035	Fuel Filler Hose (TFI fuel tank)	
3	7570000017	Fuel Vent Hose	1
4	7890000041	Tank (Dodge 48 gal)	1

DODGE RAM 5500 FUEL TANK HOSE INSTALL

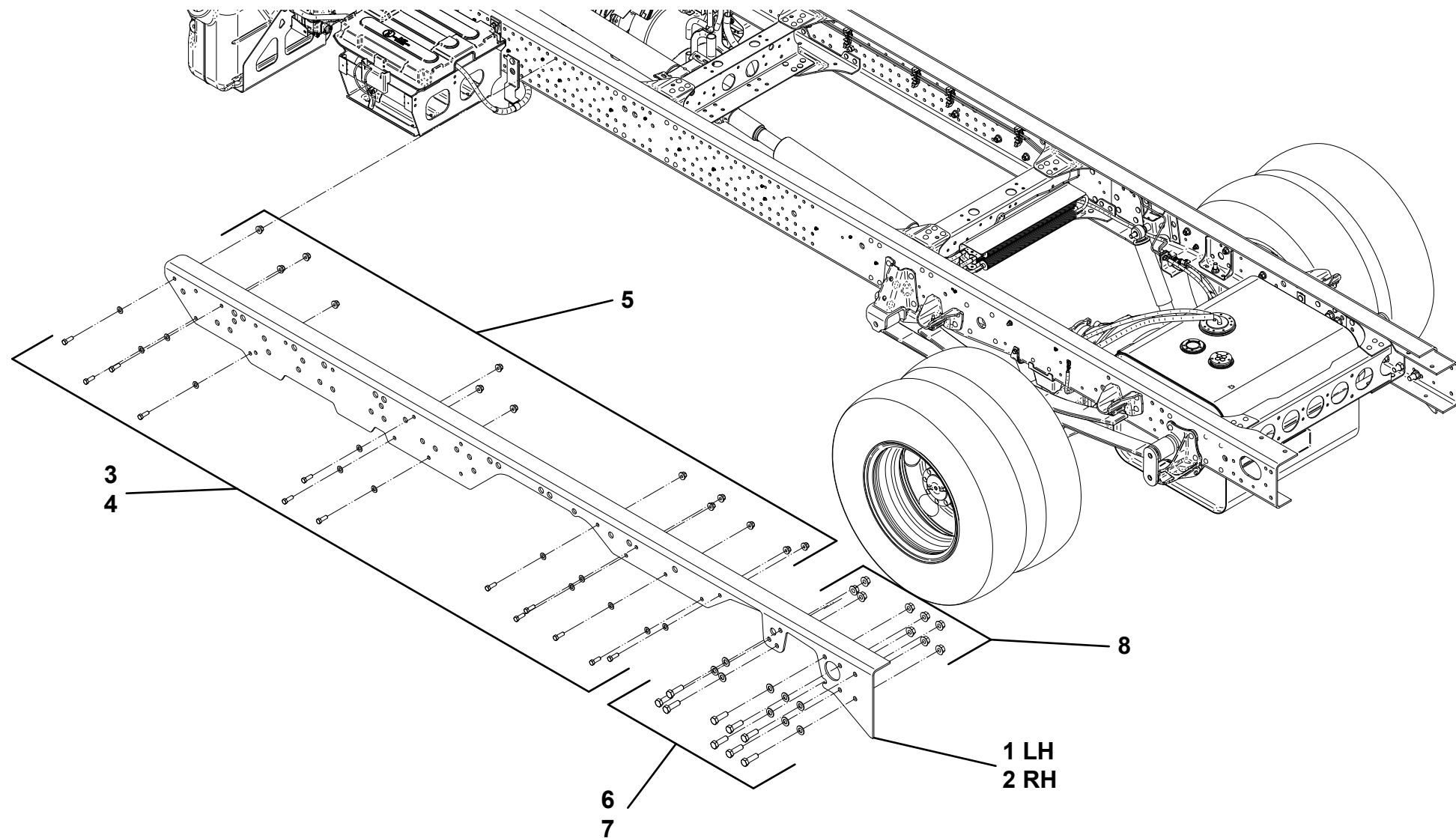


ISUZU NRR FRAME REINFORCEMENT -176" WB

ITEM	PART NO.	DESCRIPTION	QTY
1	1001155971	Plate, LH Side	1
2	1001155972	Plate, RH Side	1
3	7105171050	Capscrew, 0.44"-20NF x 1.25"	31
4	7950170142	Flatwasher, 0.44" ID	31
5	7660172331	Locknut, 0.44"-20NF	31
6	7105201650	Capscrew, 0.63"-18NF x 2.00"	18
7	7950200242	Flatwasher, 0.63" ID	18
8	7660202347	Locknut, 0.63"-18NF	18

*Also sold as a Kit P/N 1001156082

ISUZU NRR FRAME REINFORCEMENT -176" WB



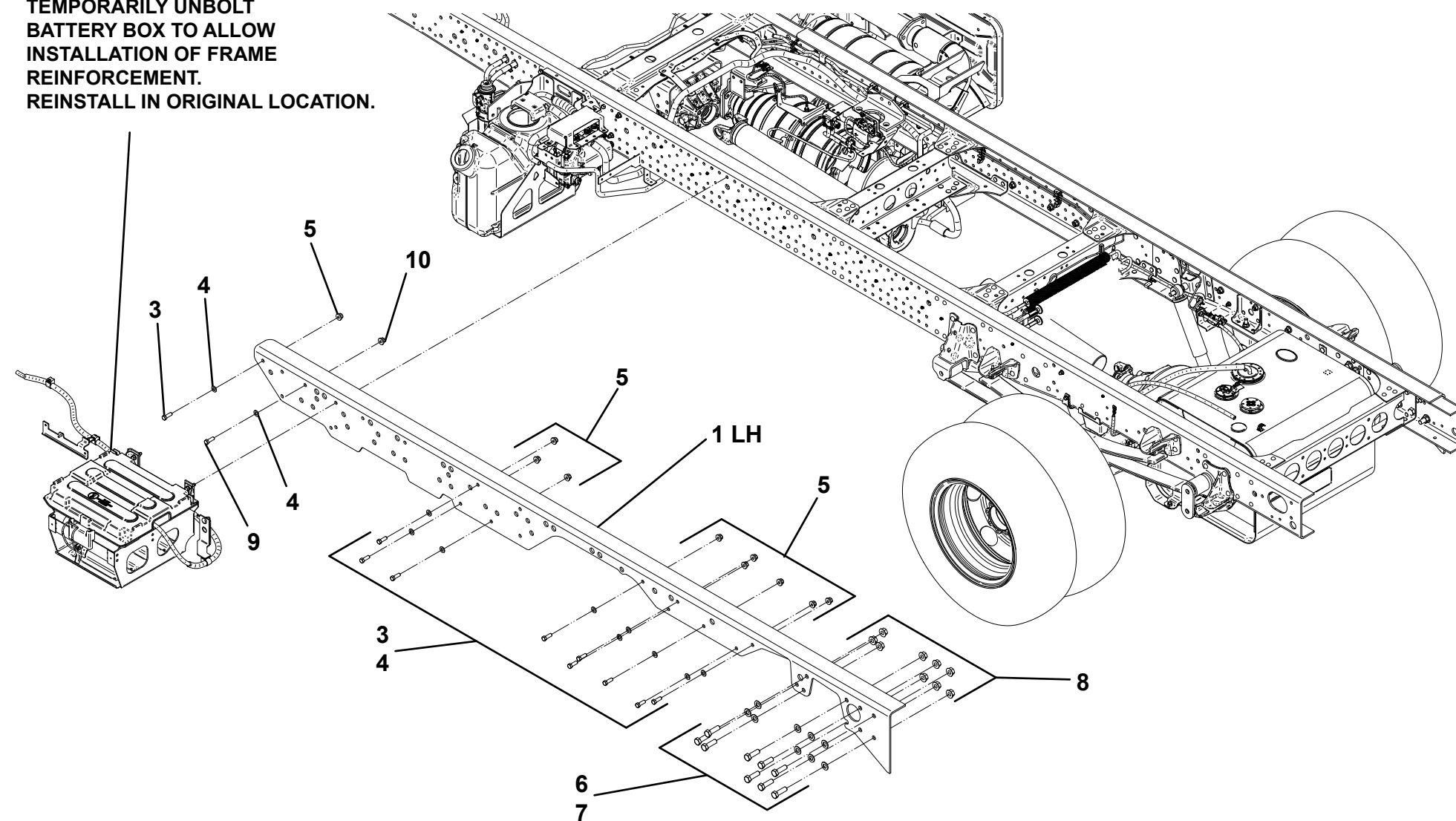
ISUZU NRR FRAME REINFORCEMENT -150" WB

ITEM	PART NO.	DESCRIPTION	QTY
1	1001155971	Plate	1
2	1001155972	Plate	1
3	7105171050	Capscrew, 0.44"-20NF x 1.25"	22
4	7950170142	Flatwasher, 0.44" ID	27
5	7660172331	Locknut, 0.44"-20NF	22
6	7105201650	Capscrew, 0.63"-18NF x 2.00"	18
7	7950200242	Flatwasher, 0.63" ID	18
8	7660202347	Locknut, 0.63"-18NF	18
9	761015	Bolt, M10 - 35 x 8.8	5
10	5261000	Nut, M10	5
11	1001132794	Clamp	1
12	4706003844	Plate	2
13	7115151064	Bolt, 0.31"-18NC x 1.25"	2
14	7950150161	Flatwasher, 0.31" ID	2
15	7660152601	Locknut, 0.31"-18NC	2
16	7274000105	Clamp	2
17	7274000040	Clamp	1
18	7894000004	Tie Strap	1

*Also sold as a Kit P/N 1001156081

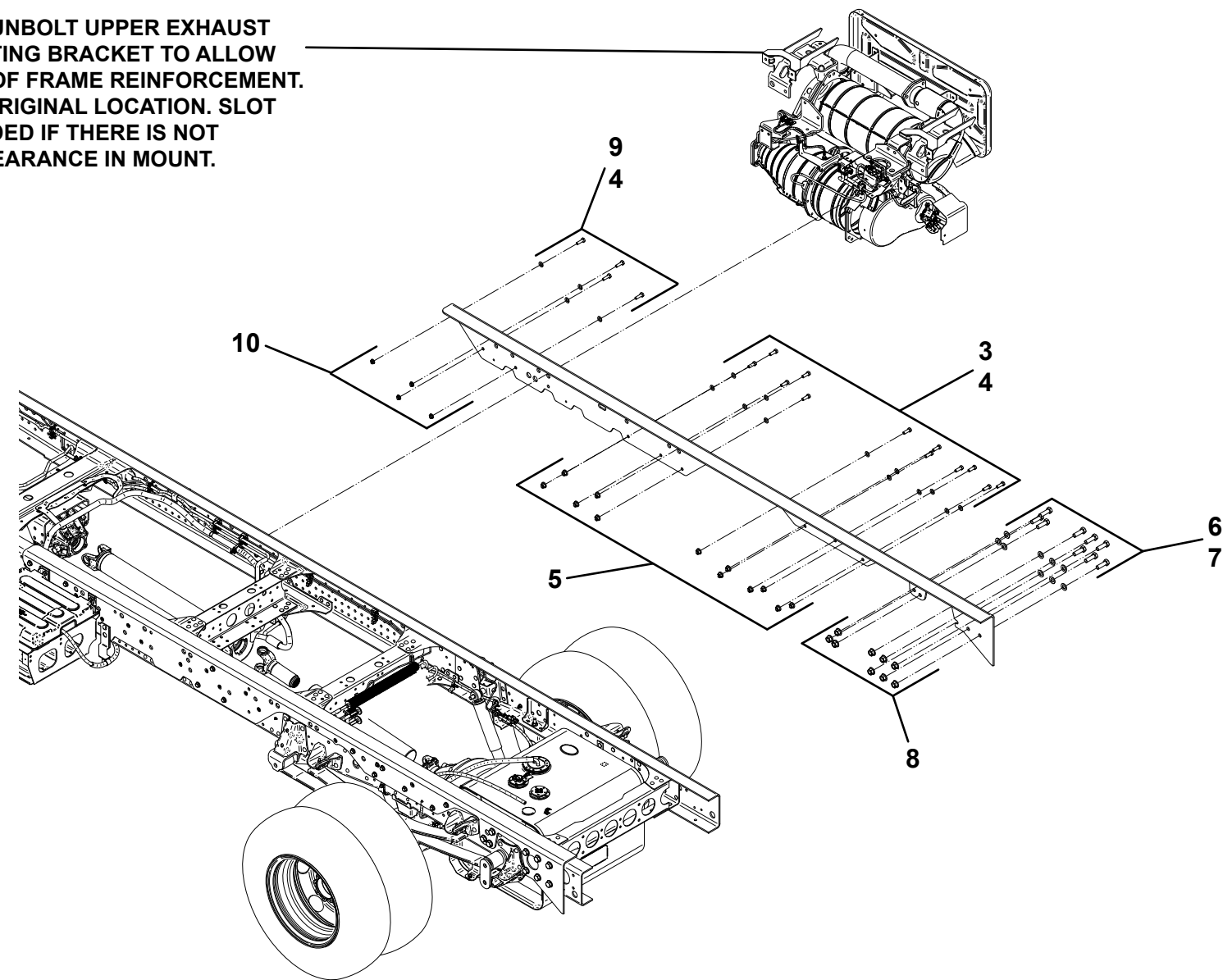
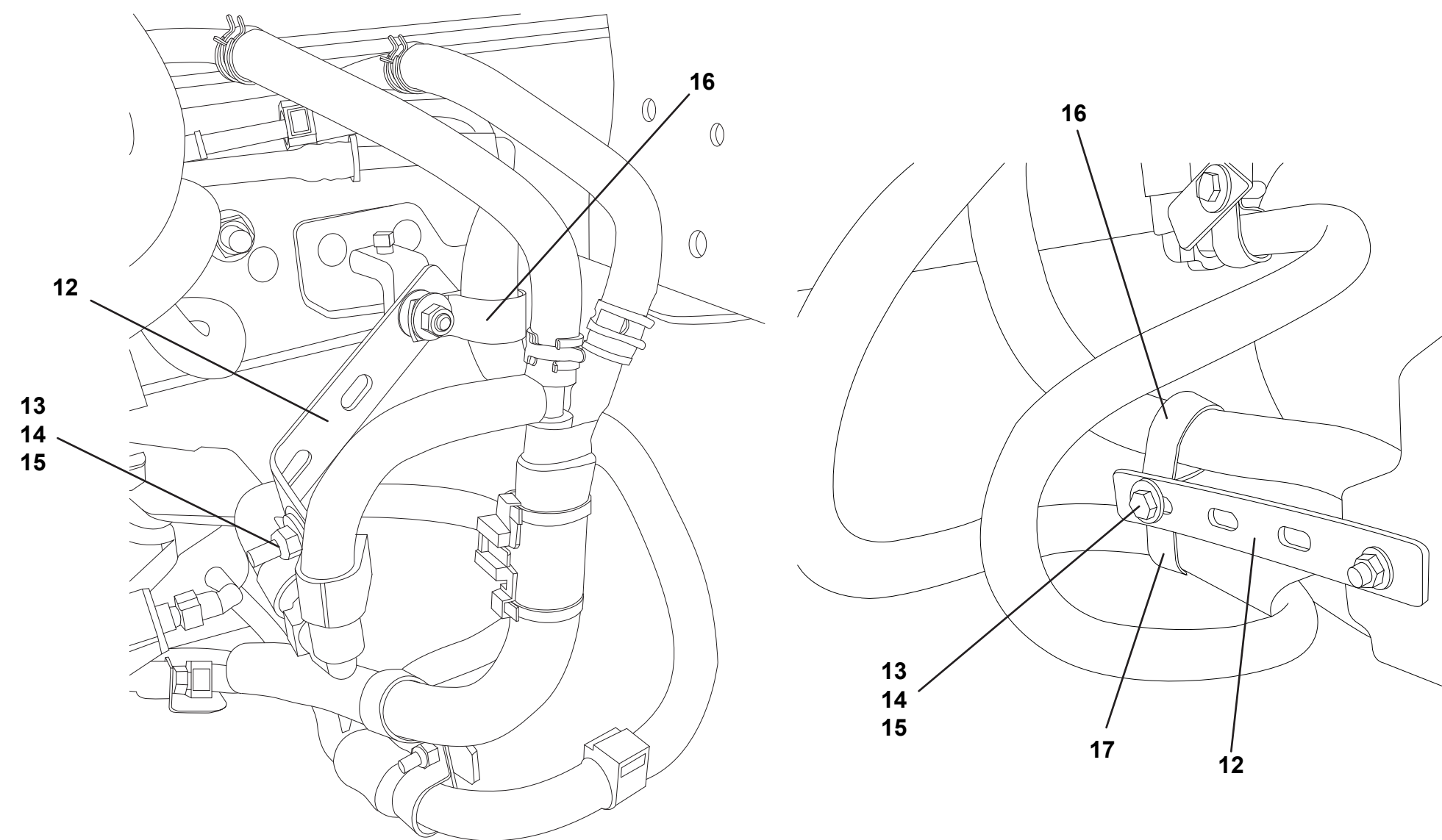
ISUZU NRR FRAME REINFORCEMENT -150" WB

TEMPORARILY UNBOLT BATTERY BOX TO ALLOW INSTALLATION OF FRAME REINFORCEMENT. REINSTALL IN ORIGINAL LOCATION.



ISUZU NRR FRAME REINFORCEMENT -150" WB

TEMPORARILY UNBOLT UPPER EXHAUST SYSTEM MOUNTING BRACKET TO ALLOW INSTALLATION OF FRAME REINFORCEMENT. REINSTALL IN ORIGINAL LOCATION. SLOT HOLES AS NEEDED IF THERE IS NOT SUFFICIENT CLEARANCE IN MOUNT.

**ISUZU NRR FRAME REINFORCEMENT -150" WB**

HYDRAULIC RESERVOIR AND TOOLBOX / BASKET

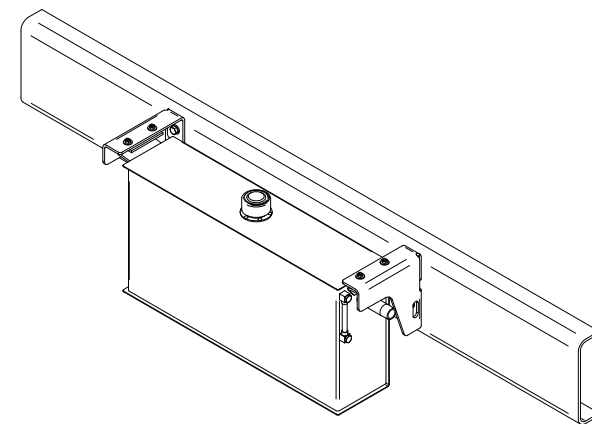
ITEM	PART NO.	DESCRIPTION	QTY	ITEM	PART NO.	DESCRIPTION	QTY
1	4178000331	Mounting Bracket - Short		20	4632000015	Moulding -15" deep basket	
	4178000291	Mounting Bracket - Std.			4632000048	Moulding -24" deep basket	
	4178000339	Mounting Bracket - Long		21	7002000410	Stainless Steel Cover Plate for Basket includes rivet	
2	4178000330	Mounting Bracket - Short		22	1001156006	Bracket Weldment	
	4178000290	Mounting Bracket - Std.		23	7701000051	Plug	
	4178000338	Mounting Bracket - Long					
3	3750000018	Hydraulic Reservoir Assembly					
4	7183000004+	Breather Filler Cap Assembly					
5	7470000027+	Level Gauge					
6	7430000014+	Strainer					
7	7105181650	Capscrew, 0.50"-20NF x 2.00"					
8	7950180153	Flatwasher, 0.50" ID					
9	7660182333	Locknut, 0.50"-20NF					
10	7115150850	Capscrew, 0.31"-18NC x 1.00"					
11	7950150161	Flatwasher, 0.31" ID					
12	7660152601	Locknut, 0.31"-18NC					
13	3899000130	Toolbox Assembly - 36" x 18" x 18"					
	3899000131	Toolbox Assembly - 36" x 18" x 14"					
	3899000132	Toolbox Assembly - 48" x 18" x 18"					
	3899000133	Toolbox Assembly - 60" x 18" x 18"					
	3899000172	Toolbox Assembly - 78" x 21" x 20"					
14	4679000256^	Rubber Pad (36" toolbox)					
	4679000257^	Rubber Pad (48" toolbox)					
	4679000258^	Rubber Pad (60" toolbox)					
	4679000322^	Rubber Pad (78" toolbox)					
15	7118181216	Capscrew, 0.50"-13NC x 1.50"					
16	7660182301	Locknut, 0.50"-13NC					
17	4706002361	Plate					
18	4017000777	High Mount Angle					
19	3899000053	Basket -15" deep					
	3899000075	Basket -24" deep					

+ also available in Hydraulic Reservoir Assembly, P/N 3750000018

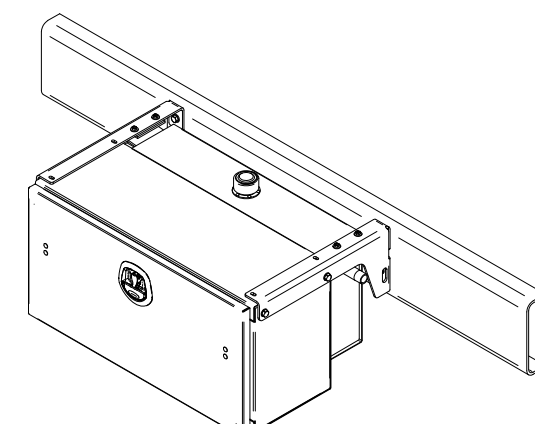
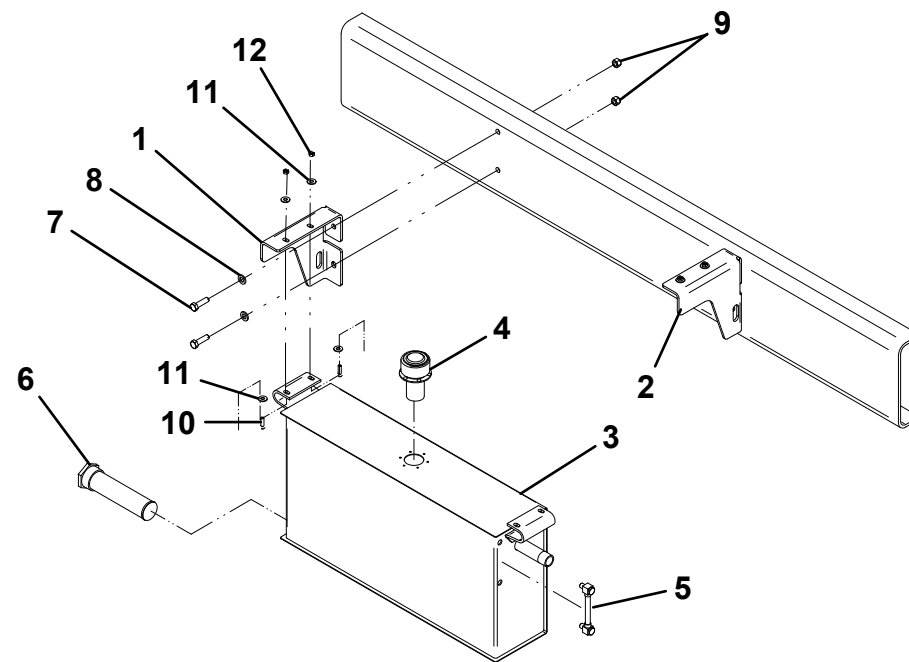
^ included in Toolbox Assembly

*Quantities vary depending on Hydraulic Tank / Toolbox / Basket mounting configuration.

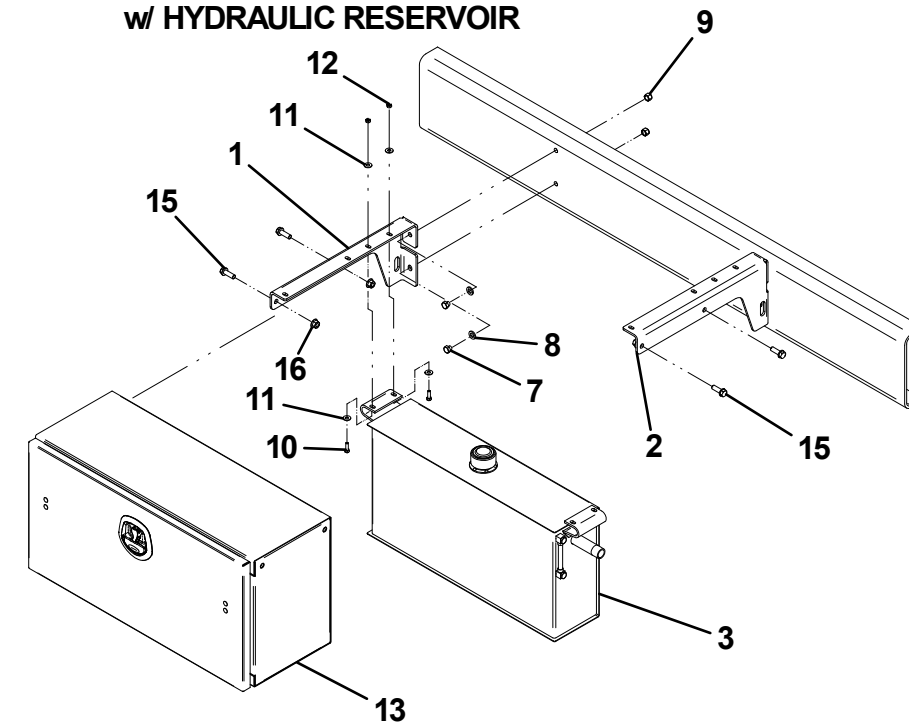
HYDRAULIC RESERVOIR AND TOOLBOX / BASKET



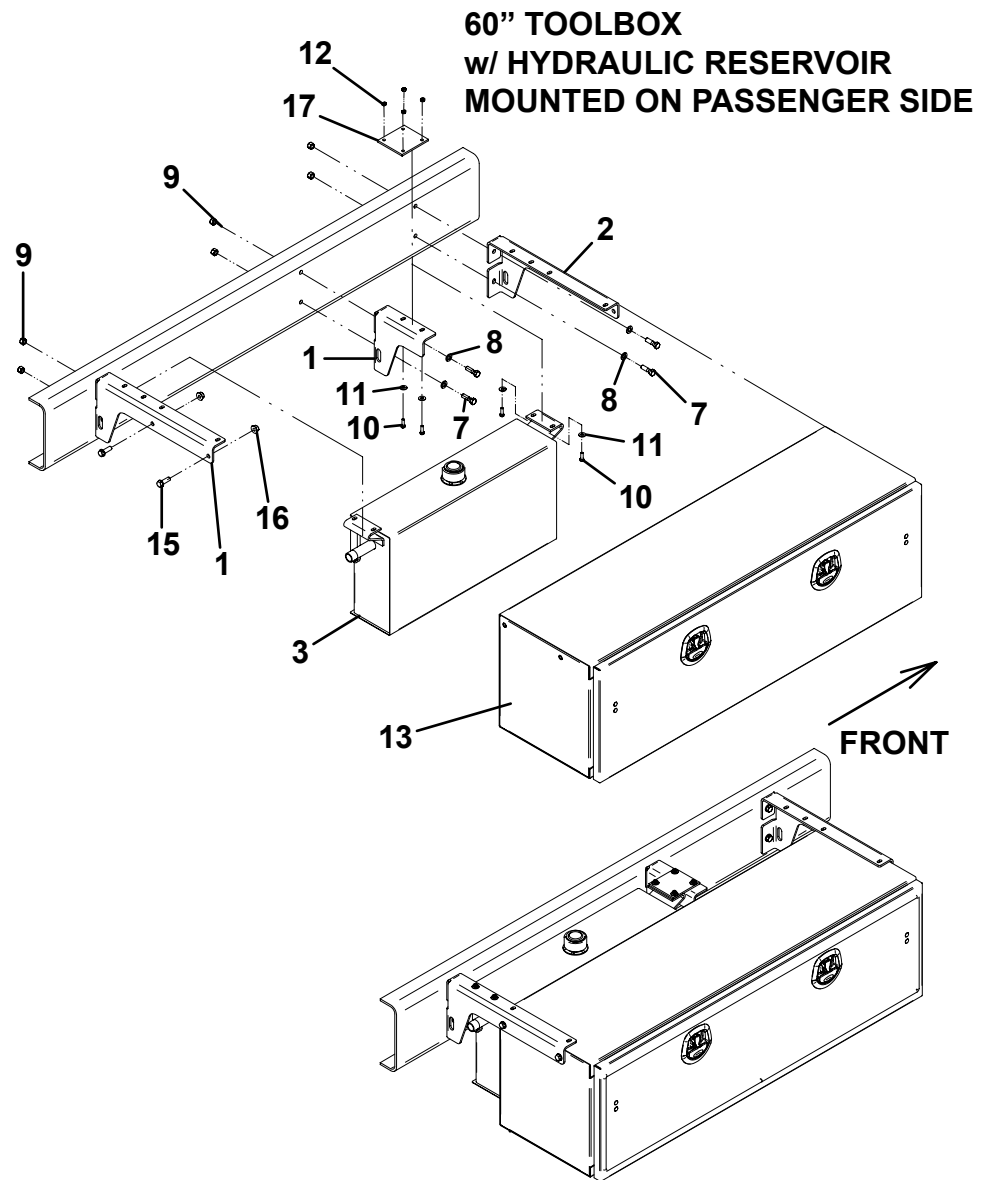
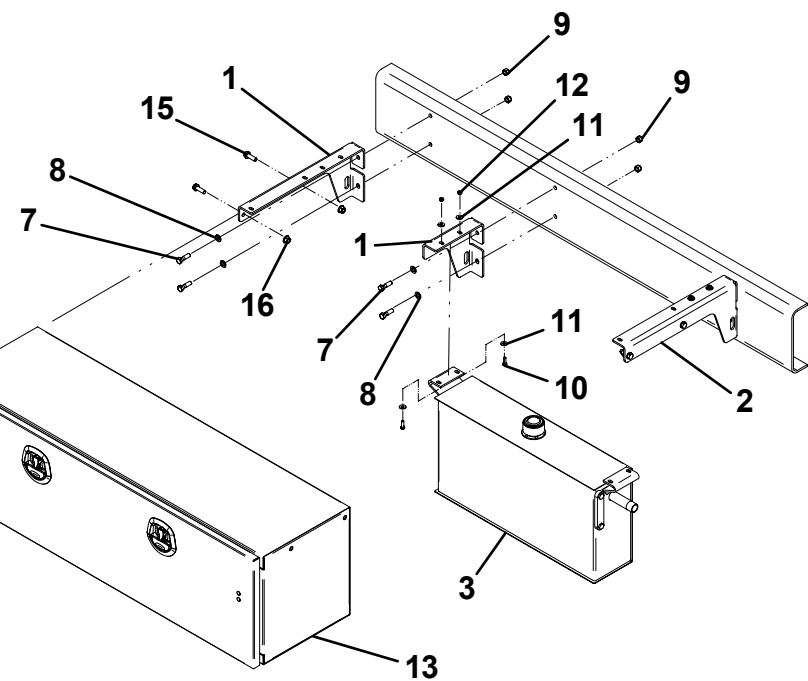
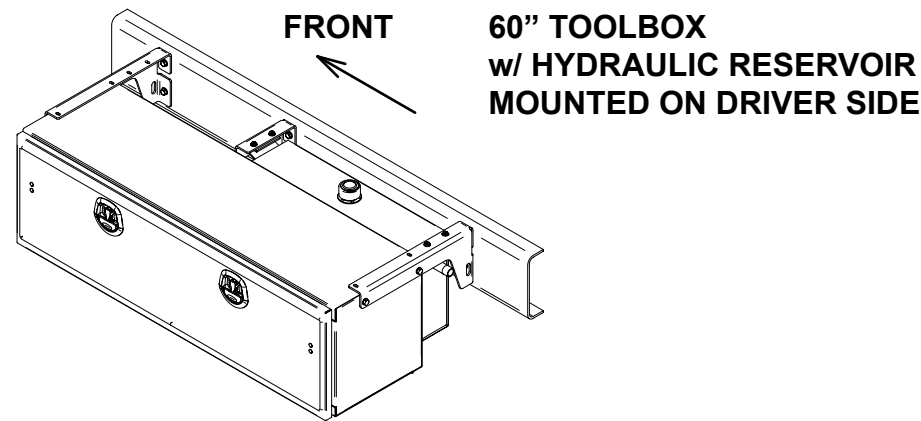
HYDRAULIC TANK ONLY



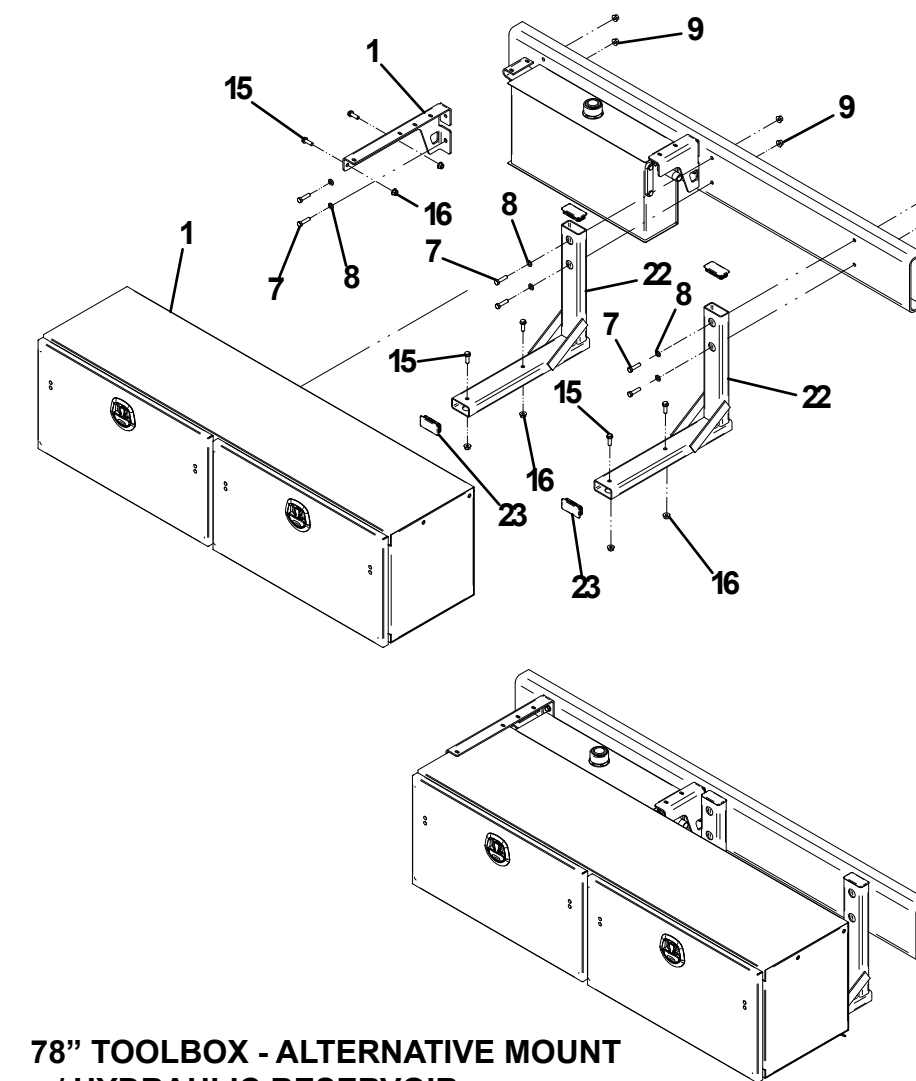
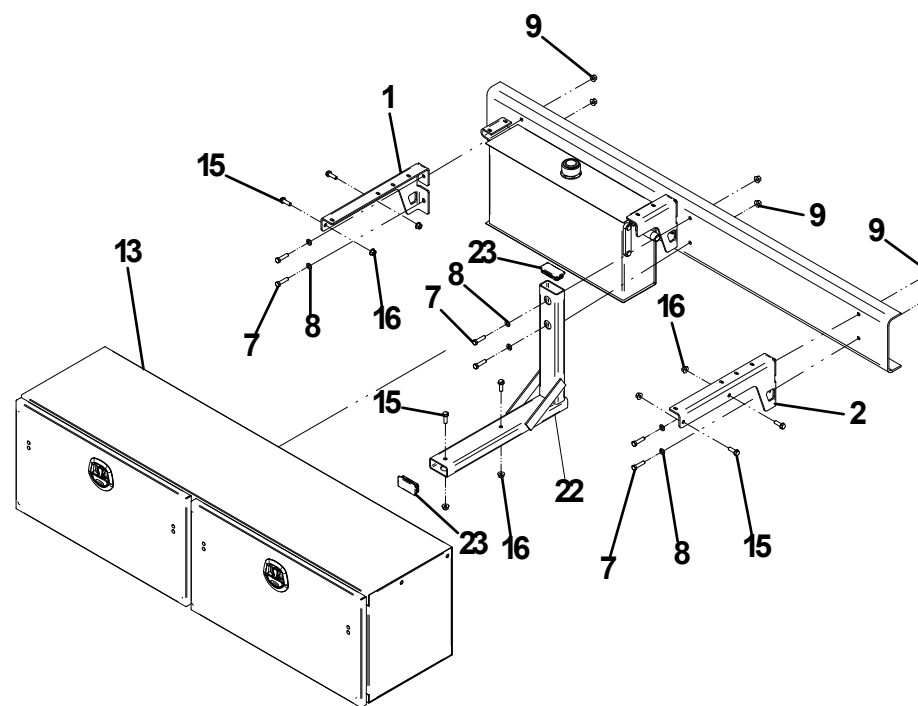
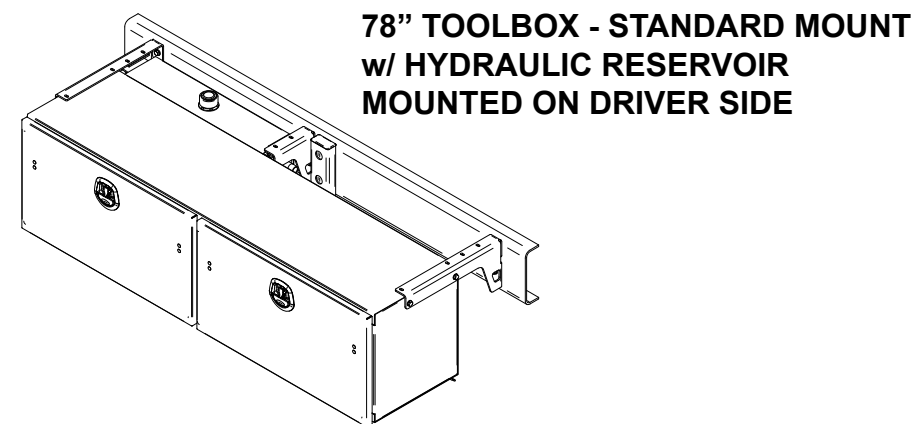
**36" TOOLBOX
w/ HYDRAULIC RESERVOIR**



HYDRAULIC RESERVOIR AND TOOLBOX / BASKET

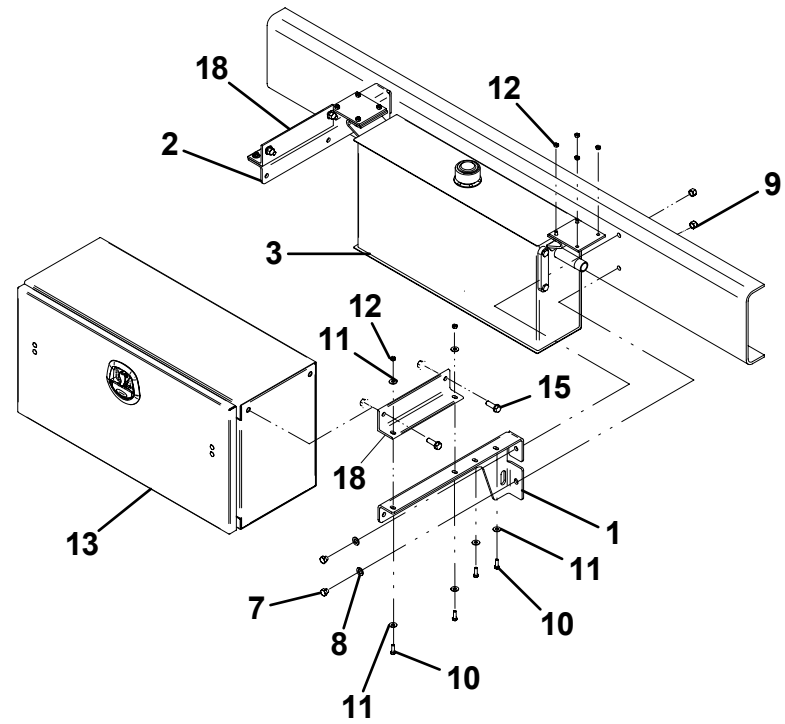
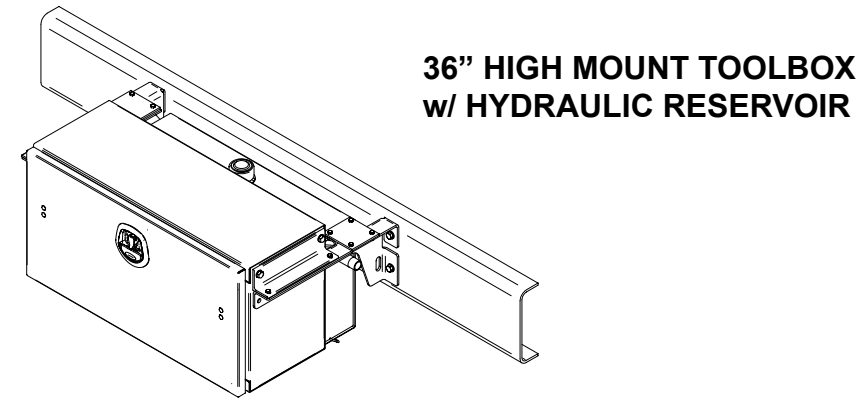


HYDRAULIC RESERVOIR AND TOOLBOX / BASKET

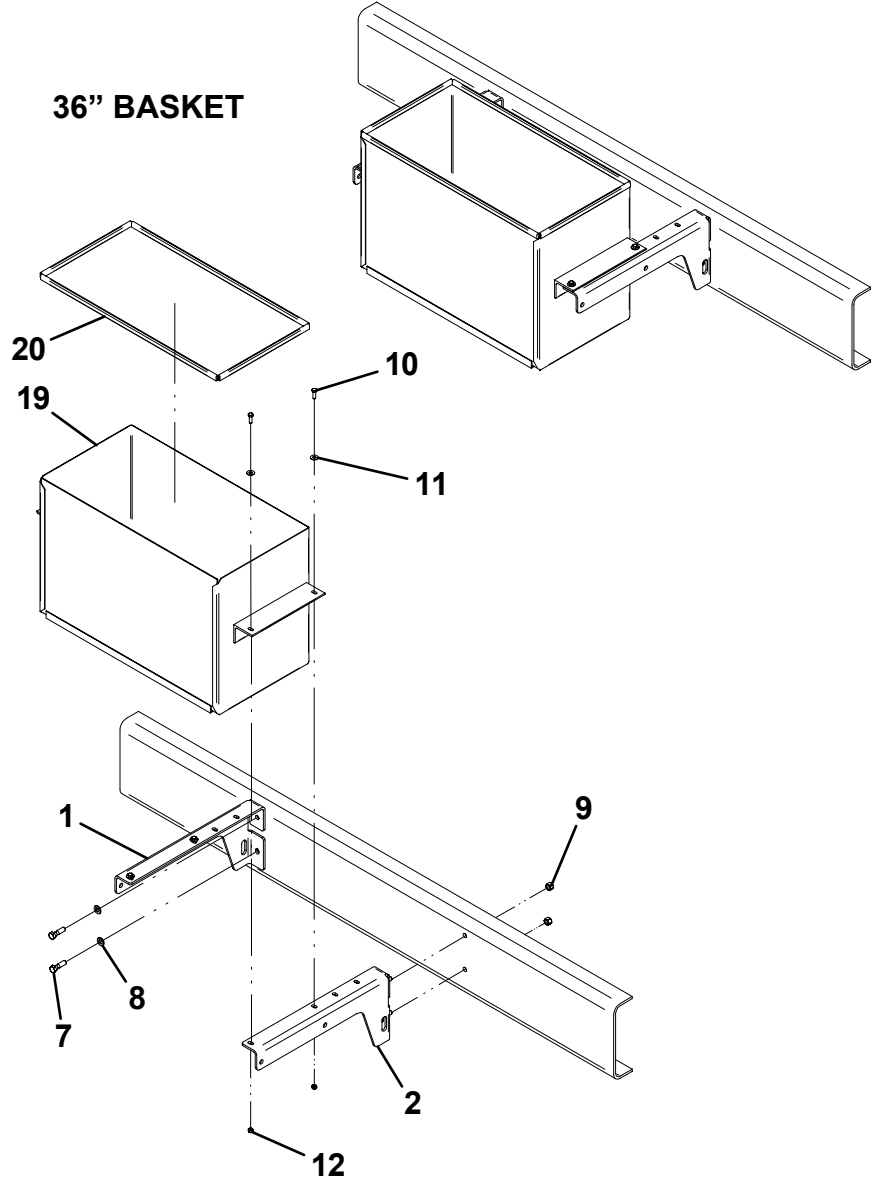


78" TOOLBOX - ALTERNATIVE MOUNT
w/ HYDRAULIC RESERVOIR
MOUNTED ON DRIVER SIDE

HYDRAULIC RESERVOIR AND TOOLBOX / BASKET



36" BASKET



HYDRAULIC RESERVOIR AND TOOLBOX / BASKET

THIS PAGE INTENTIONALLY LEFT BLANK

TOOLBOX

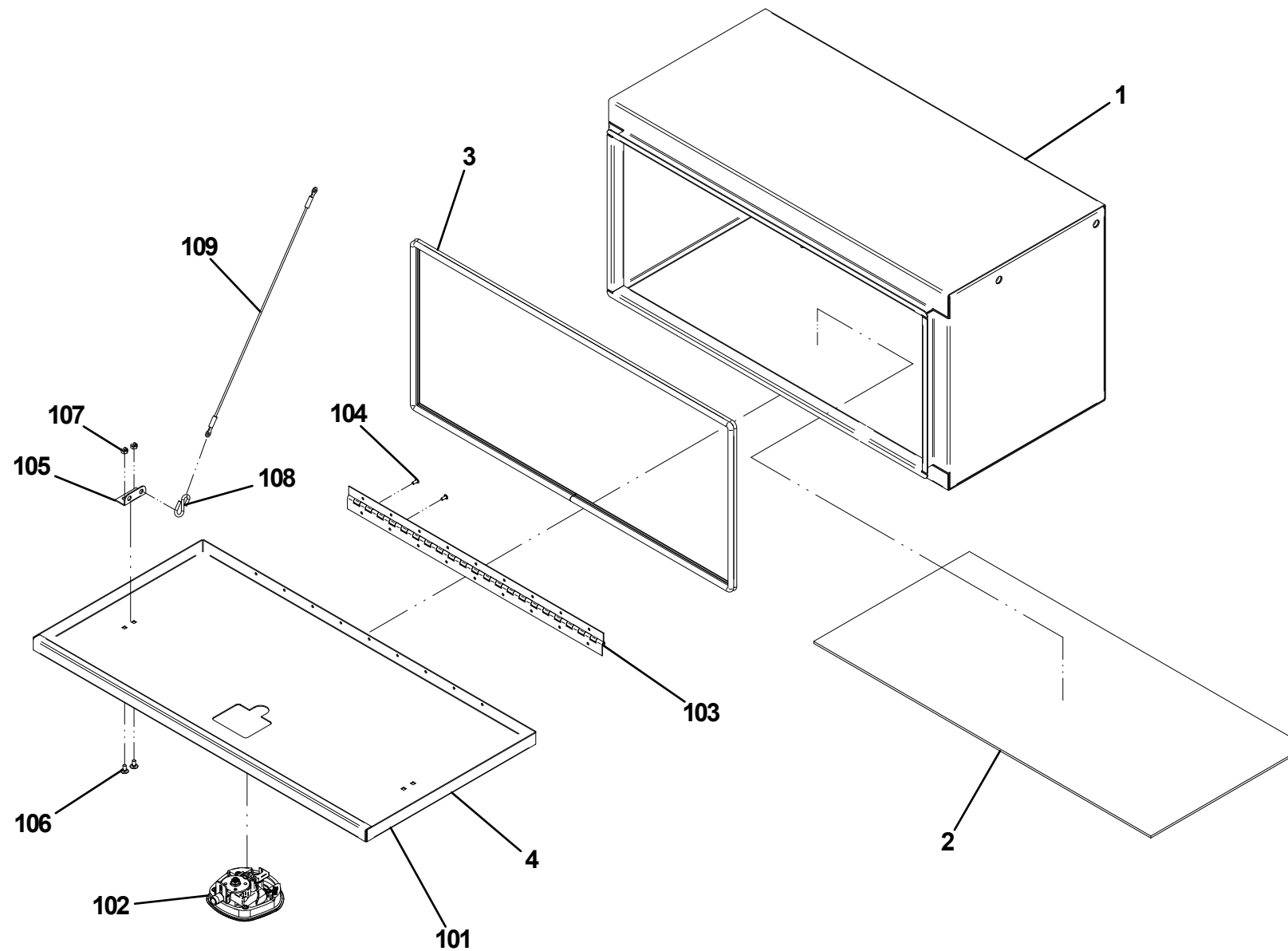
ITEM	PART NO.	DESCRIPTION	QTY	ITEM	PART NO.	DESCRIPTION	QTY
1	3899000125	Toolbox Weld (36" toolbox)	1	101	4706005020	Toolbox Door Assembly	
	3899000126	Toolbox Weld (60" toolbox)	1		4706005021	Components	
	3899000127	Toolbox Weld (48" toolbox)	1		4706005022	(per door)	
	3899000173	Toolbox Weld (78" toolbox)	1				
2	4679000256	Rubber Pad (36" toolbox)	1	256	4706005020	Toolbox Door (36" toolbox)	1
	4679000257	Rubber Pad(36" narrow toolbox)	1	257	4706005021	Toolbox Door (48" toolbox)	1
	4679000258	Rubber Pad (48" toolbox)	1	258	4706005022	Toolbox Door (60" toolbox)	1
	4679000258	Rubber Pad (60" toolbox)	1	259	4706006234	Toolbox Door (78" toolbox)	1
3	4679000322	Rubber Pad (78" toolbox)	1	301	7585000019^	Latch (36" & 78")	1
	4796000009	Gasket (36" toolbox)	1	302	7585000019^	Latch (48" & 60")	2
	4796000010	Gasket (48" toolbox)	1	303	7555000016*	Hinge (36" & 78" toolbox)	1
	4796000011	Gasket (60" toolbox)	1	304	7555000016*	Hinge (60" toolbox)	2
4	4796000012	Gasket (78" toolbox)	2	305	7555000015*	Hinge (48" toolbox)	1
	9899000014	Toolbox Door Assembly (36" toolbox)	1	306	7759000020*^	Rivet (36" & 78" toolbox)	18
	9899000015	Toolbox Door Assembly (48" toolbox)	1	307	7759000020*^	Rivet (48" toolbox)	28
	9899000016	Toolbox Door Assembly (60" toolbox)	1	308	7759000020*^	Rivet (60" toolbox)	36
	9899000023	Toolbox Door Assembly (78" toolbox)	1	309	4178000599*	Bracket	2
				310	7114140465*	Carriage Bolt, 0.25"-20NC x 0.50"	4
				311	7660142604*	Locknut, 0.25"-20NC	4
				312	7592000005^	S Link (36", 48", 60" toolbox)	4
				313	7592000005^	S Link (78" toolbox)	8
				314	7248000114^	Cable (36", 48", & 60" toolbox)	2
				315	7248000155^	Cable (78" toolbox)	4

* Also available in Toolbox Door Sub-Assembly:
 9899000020 - 36" Toolbox
 9899000021 - 48" Toolbox
 9899000022 - 60" Toolbox
 9899000024 - 78" Toolbox

^ Also available in Toolbox Door Hardware Kit:
 9577030278 - 36" Toolbox
 9577030279 - 48" Toolbox
 9577030280 - 60" Toolbox
 9577030303 - 78" Toolbox

Quantities listed are for one toolbox

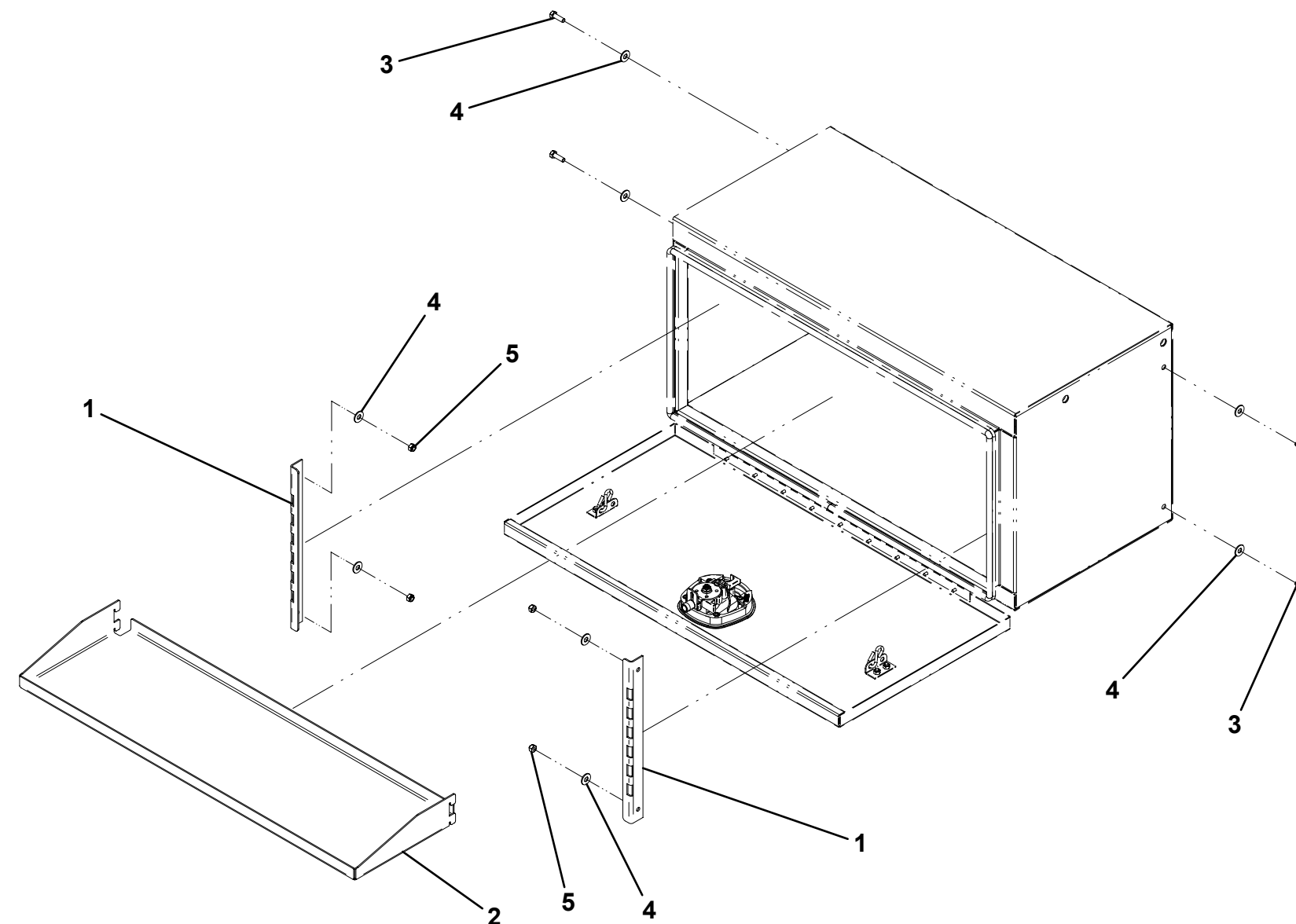
TOOLBOX



TOOLBOX SHELF

ITEM	PART NO.	DESCRIPTION	QTY
1	4017001403	Angle	2
2	4811000841	Shelf (36" toolbox)	1
	4811000843	Shelf (48" toolbox)	
	4811000868	Shelf (60" toolbox)	
3	7115150850	Capscrew, 0.31"-18NC x 1.00"	4
4	7950150161	Flatwasher, 0.31" ID	8
5	7660152601	Locknut, 0.31"-18NC	4

TOOLBOX SHELF

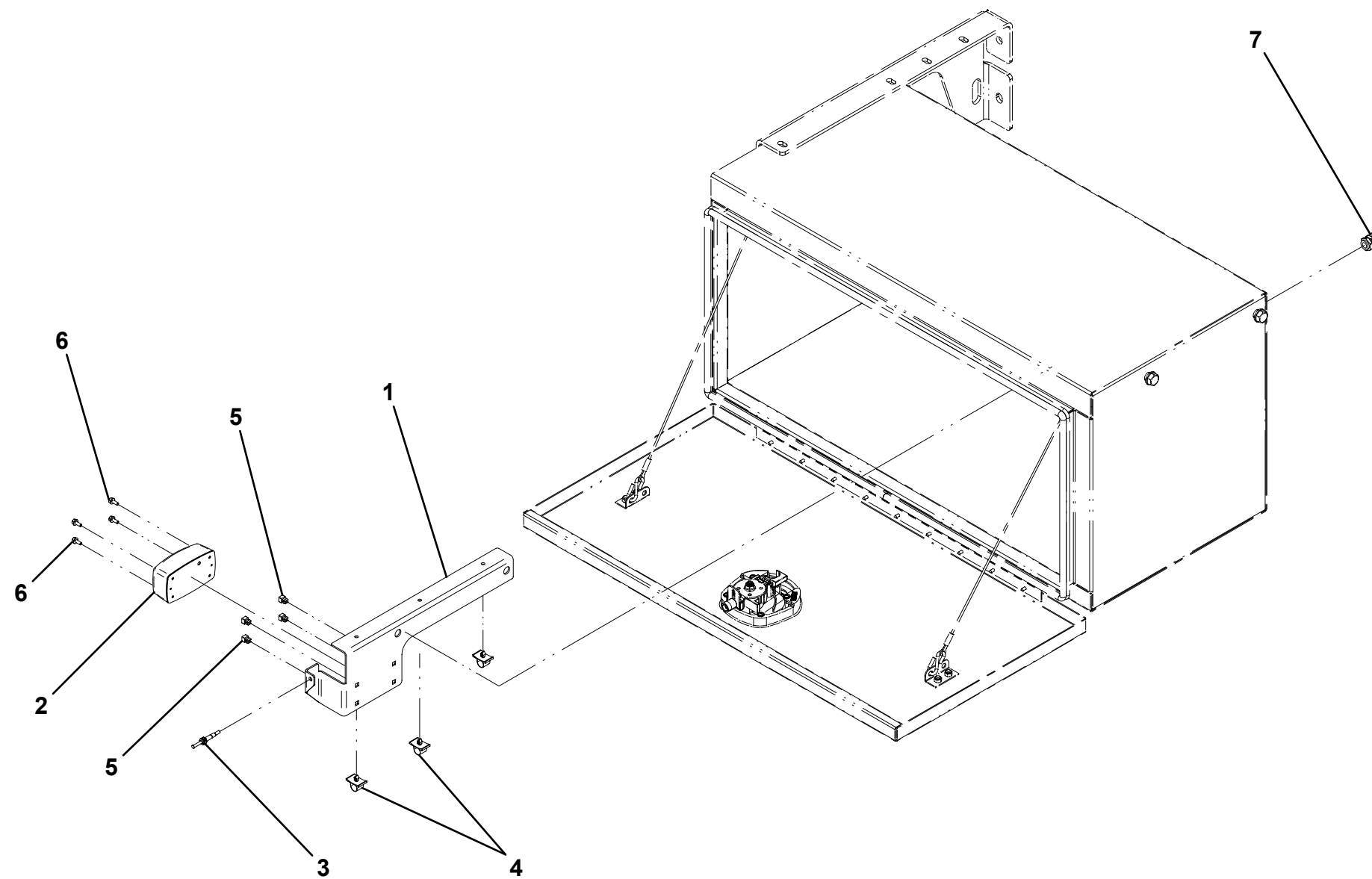


TOOLBOX LIGHT

ITEM	PART NO.	DESCRIPTION	QTY
1	4178000578*	Bracket	1
2	7590000273*	Dome Light	1
3	7870000115*	Switch	1
4	7280000007*	Wire Mount Clip	3
5	7661000047*	Panel Nut	4
6	7790100856*	Screw, #10 x 0.50"	4
7	7443000377	Fitting	1
8	7552000297	Toolbox Light Harness	1

* included in Toolbox Light Bracket Assembly P/N 3178000437

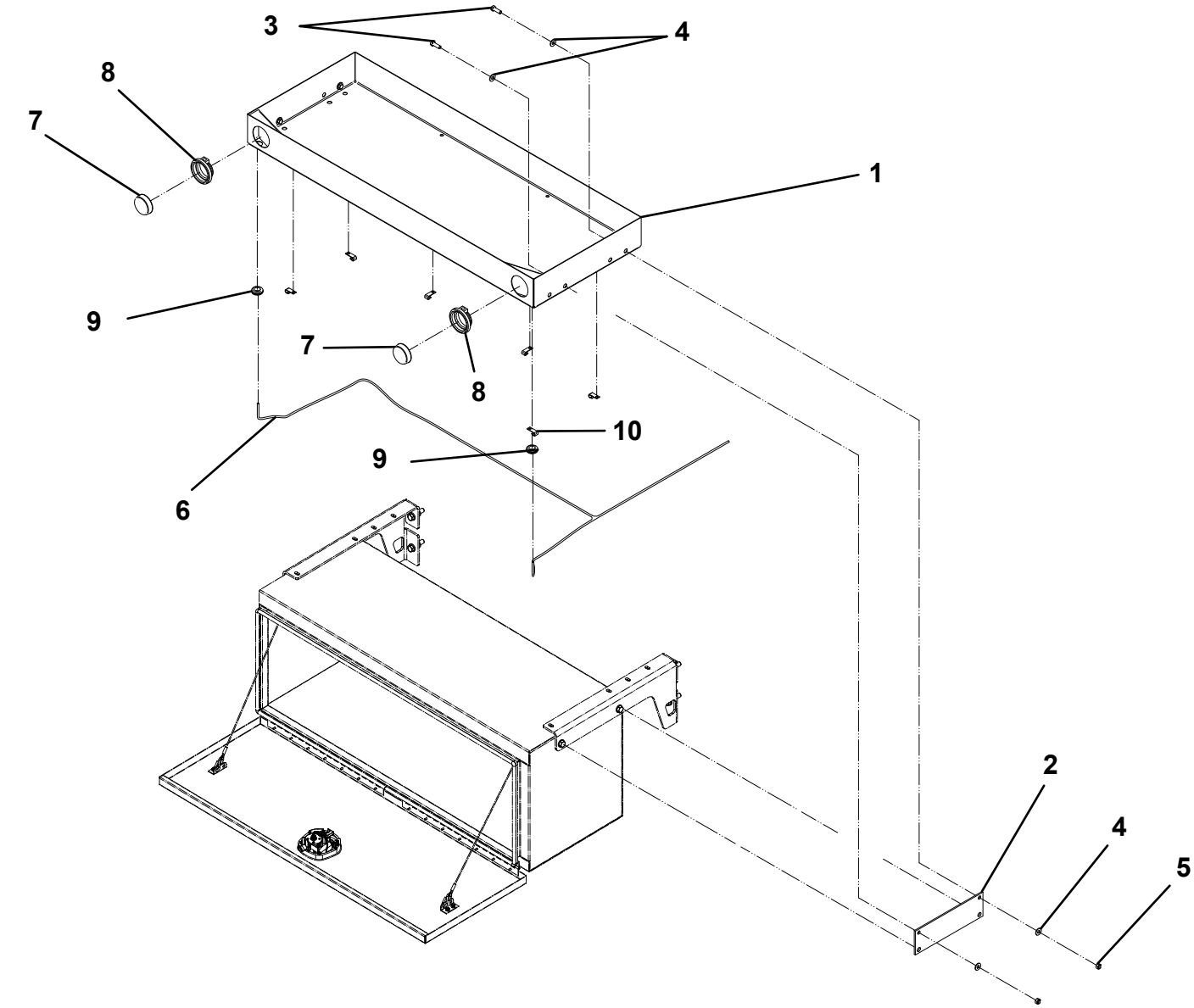
TOOLBOX LIGHT



TOOLBOX TOP STORAGE TRAY AND MARKER LIGHTS

ITEM	PART NO.	DESCRIPTION	QTY
1	3811000053*	Tray Weldment (36" Toolbox)	1
	3811000054	Tray Weldment (48" Toolbox)	
	3811000055	Tray Weldment (60" Toolbox)	
	3811000057	Tray Weldment (78" Toolbox)	
2	4706006216	Plate	2
3	7115160950	Capscrew, 0.38"-16NC x 1.12"	4
4	7950150161	Flatwasher, 0.38" ID	8
5	7660162601	Locknut, 0.38"-16NC	8
6	7552000451	Toolbox Light Tray Harness	1
7	7590000342	Marker Light - Amber (LED)	2
8	7493000009	Grommet	2
9	7493000031	Grommet	2
10	7894000004	Tie Strap	6

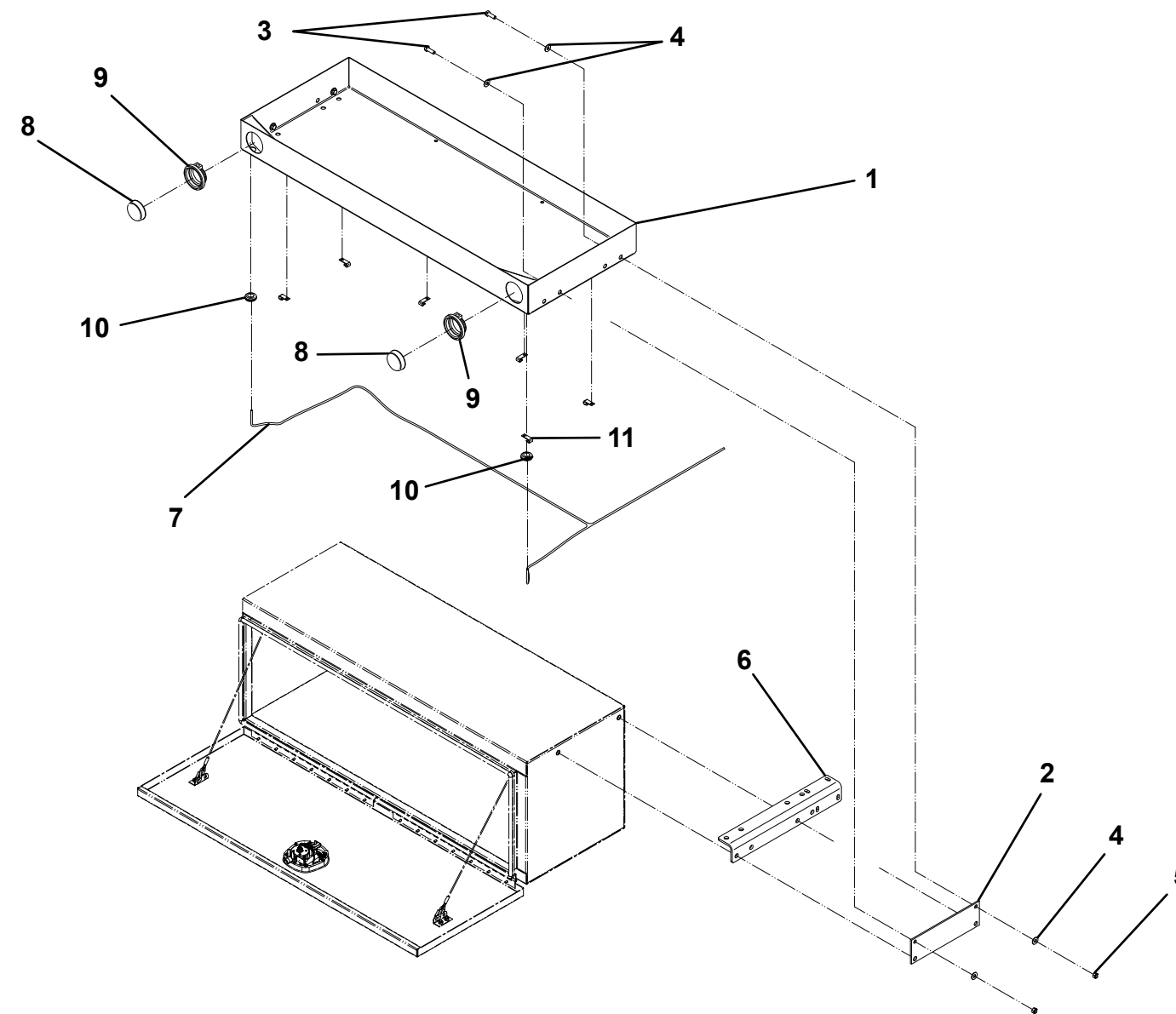
TOOLBOX TOP STORAGE TRAY AND MARKER LIGHTS



TOOLBOX TOP STORAGE TRAY AND MARKER LIGHTS W/UNDERBOX MOUNT

ITEM	PART NO.	DESCRIPTION	QTY
1	3811000053*	Tray Weldment (36" Toolbox)	1
	3811000054	Tray Weldment (48" Toolbox)	
	3811000055	Tray Weldment (60" Toolbox)	
	3811000057	Tray Weldment (78" Toolbox)	
2	4706006216	Plate	2
3	7115160950	Capscrew, 0.38"-16NC x 1.12"	4
4	7950150161	Flatwasher, 0.38" ID	8
5	7660162601	Locknut, 0.38"-16NC	8
6	1001155975	Bracket	1
7	7552000451	Toolbox Light Tray Harness	1
8	7590000342	Marker Light - Amber (LED)	2
9	7493000009	Grommet	2
10	7493000031	Grommet	2
11	7894000004	Tie Strap	6

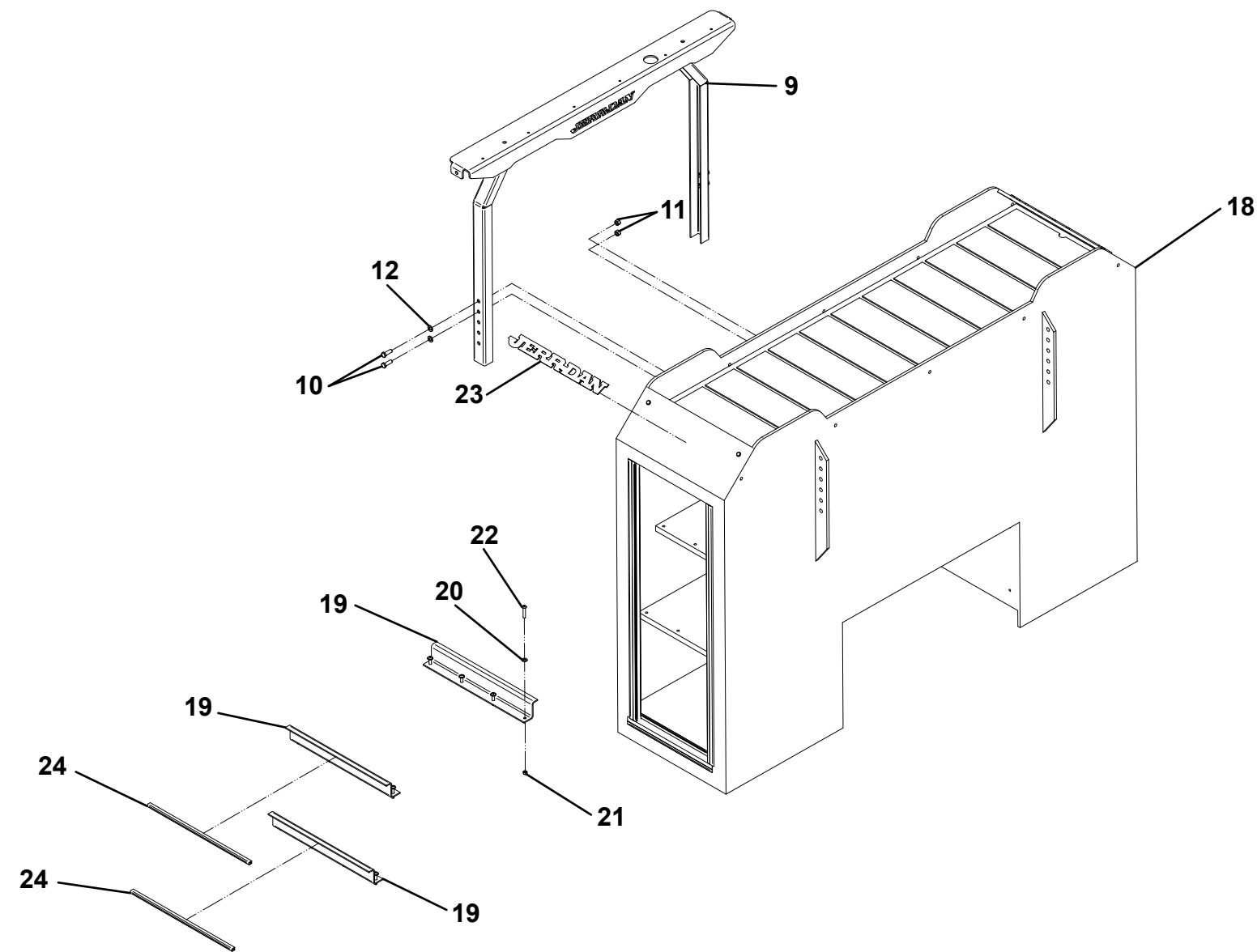
TOOLBOX TOP STORAGE TRAY AND MARKER LIGHTS W/ UNDERBOX MOUNT



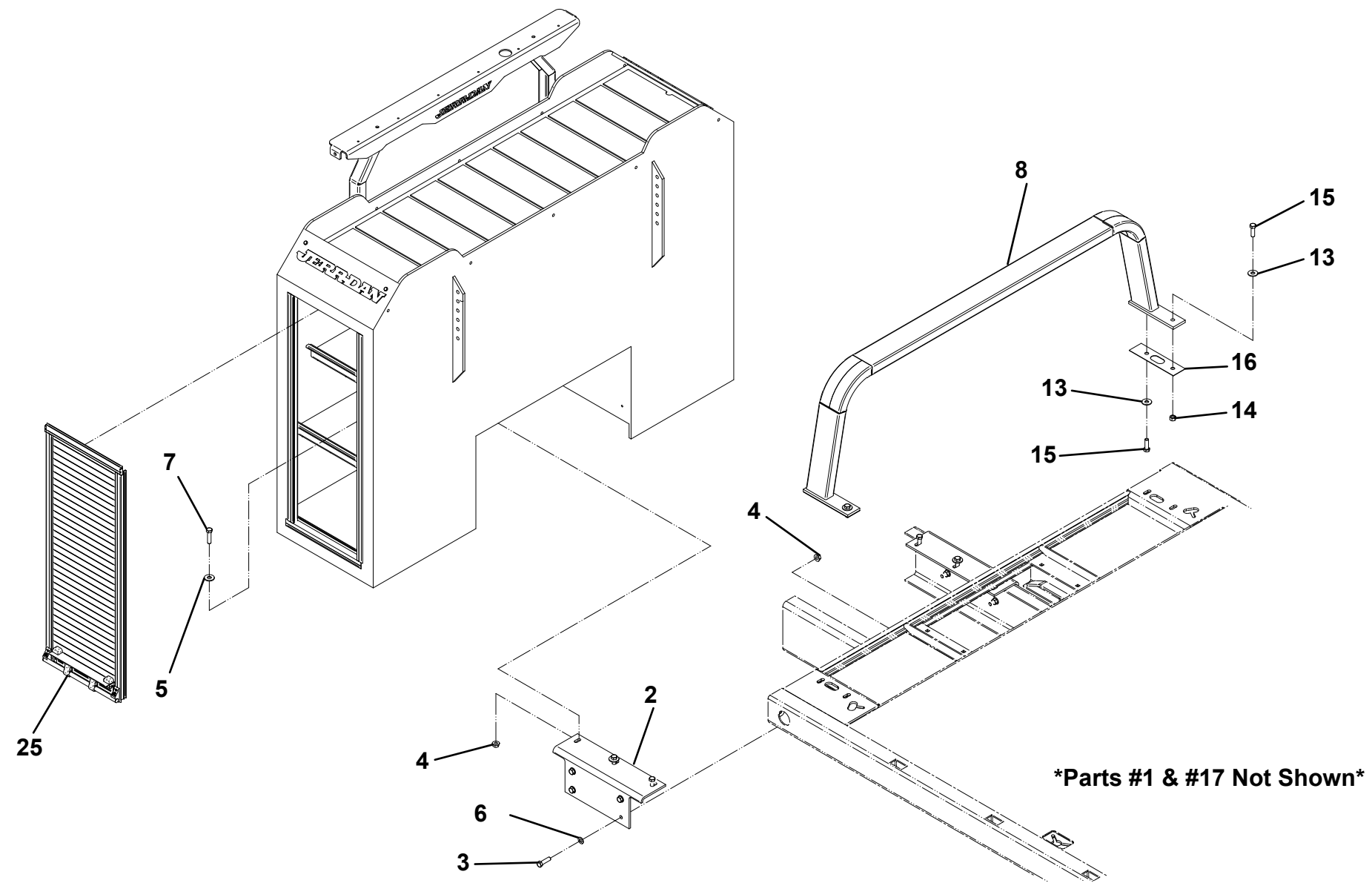
24" TUNNEL TOOLBOX INSTALLATION

ITEM	PART NO.	DESCRIPTION	QTY
1	1001143227	Toolbox Assembly	1
2	1001148455	Bracket	2
3	7105201850	Bolt, 0.62"-18NF x 2.25"	8
4	7660202347	Locknut, 0.63"-18NF	14
5	7950200161	Flatwasher, 0.63" ID	6
6	7950200242	Flatwasher, 0.63" ID	8
7	7105202050	Bolt, 0.62"-18NF x 2.50"	6
8	1001148180	Bumper	1
9	1001148385	Bracket	1
10	7115181250	Capscrew, 0.50"-13NC x 1.50"	4
11	7660182601	Locknut, 0.50"-13NC	4
12	7950180153	Flatwasher, 0.50" ID	4
13	7950200152	Flatwasher, 0.62" ID	4
14	7660200035	Nut, 0.63"-18NF	2
15	7105201650	Bolt, 0.62"-18NF x 2.00"	4
16	4796000037	Gasket	2
17	1001146552	Harness	1
Toolbox Assembly -1001143227			
18	1001142430	Toolbox	1
19	1001143257	Bracket	6
20	7950160153	Flatwasher, 0.38" ID	24
21	7660162601	Locknut, 0.38"-16NC	24
22	7114161618	Capscrew, 0.38"-16NC x 2.00"	24
23	7330000408	Decal, Jerr-Dan Logo	2
24	8632000002	Trim	7.5 ft
25	70050659	R.O.M. Door	2

24" TUNNEL TOOLBOX INSTALLATION



24" TUNNEL TOOLBOX INSTALLATION



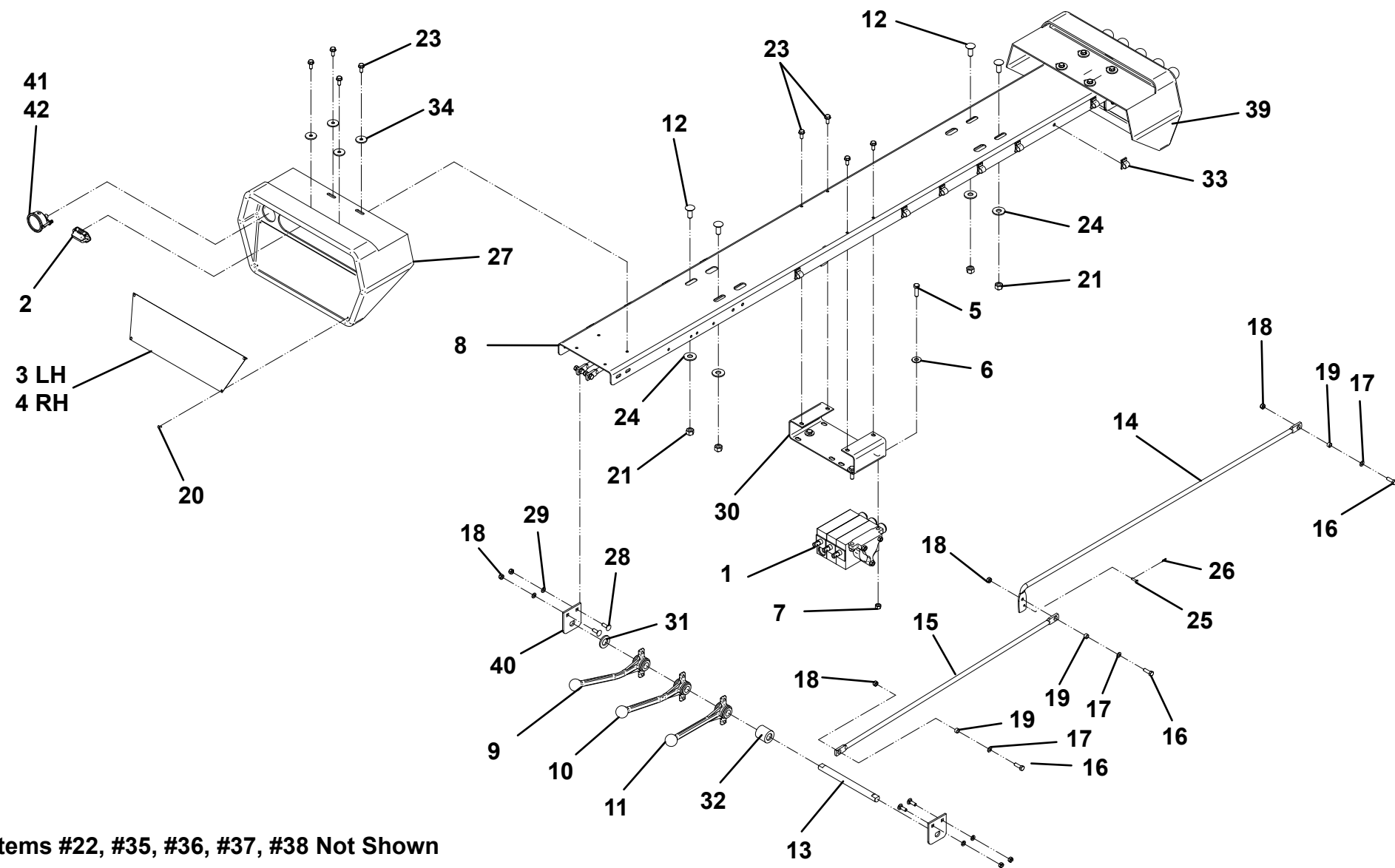
24" TUNNEL TOOLBOX INSTALLATION

THIS PAGE INTENTIONALLY LEFT BLANK

DUAL CONTROLS - 3 BANK

ITEM	PART NO.	DESCRIPTION	QTY	ITEM	PART NO.	DESCRIPTION	QTY
1	3935000115	Valve Assy 3 Bank w/TR	1	40	4606000217	Plate	4
2	1001143764	Lamp	2	41	7470000023	Gauge	1
3	7330000648	Decal, w/ IRL LH	1	42	7661000057	Nut, M5	2
4	7330000649	Decal, w/ IRL RH	1				
5	7111161050	Capscrew, 0.38"-16NC x 1.25"	4				
6	7950160161	Flatwasher, 0.38" ID	4				
7	7660162601	Locknut, 0.38"-16NC	4				
8	1001170189	Channel	1				
9	7551000021	Handle Control 2.20" Offset	2				
10	7551000020	Handle Control 1.32" Offset	2				
11	7551000018	Handle Control Straight	2				
12	7115181064	Bolt .50"-13NC x 1.25" Carriage	4				
13	7691000064	Rod,Controls 0.75 Dia x 9.00	2				
14	1001170187	Rod, 90 Deg Bent 96"	3				
15	1001170188	Rod, Straight 96"	3				
16	7115150850	Capscrew, 0.31"-18NC x 1.00"	9				
17	7949000011	Flatwasher, 0.328"ID	9				
18	7660152601	Locknut, 0.31"-18NC	17				
19	4831000069	Spacer, Control Linkage	9				
20	7759000006	Pop Rivet	8				
21	7660182601	Locknut, 0.50"-13NC	4				
22	8632000012	Trim	0.5				
23	7790151253	Screw, 0.31"-18NC x 0.75"	12				
24	7950180161	Flatwasher, 0.50" ID	4				
25	7690101200	Pin	3				
26	7691000056	Pin, Hairpin Cotter	3				
27	3560000010	Control Hood Assy W/Gauge	1				
28	7115150664	Bolt, 0.31"-18NC x 0.75"	8				
29	7950150161	Washer, 0.31" ID	8				
30	1001135272	Channel	1				
31	7950220141	Flatwasher, 0.75" ID	2				
32	4211000001	Bushing	4				
33	7280000007	Clip	11				
34	7949000054	Washer, 0.34" ID	8				
35	7950140141	Flatwasher, 0.25" ID	1				
36	7660142601	Locknut, 0.25"-20NC	1				
37	7115140650	Capscrew, 0.25"-20NC x 0.75"	1				
38	7274000063	Clamp	1				
39	7560000007	Control Hood, RH	1				

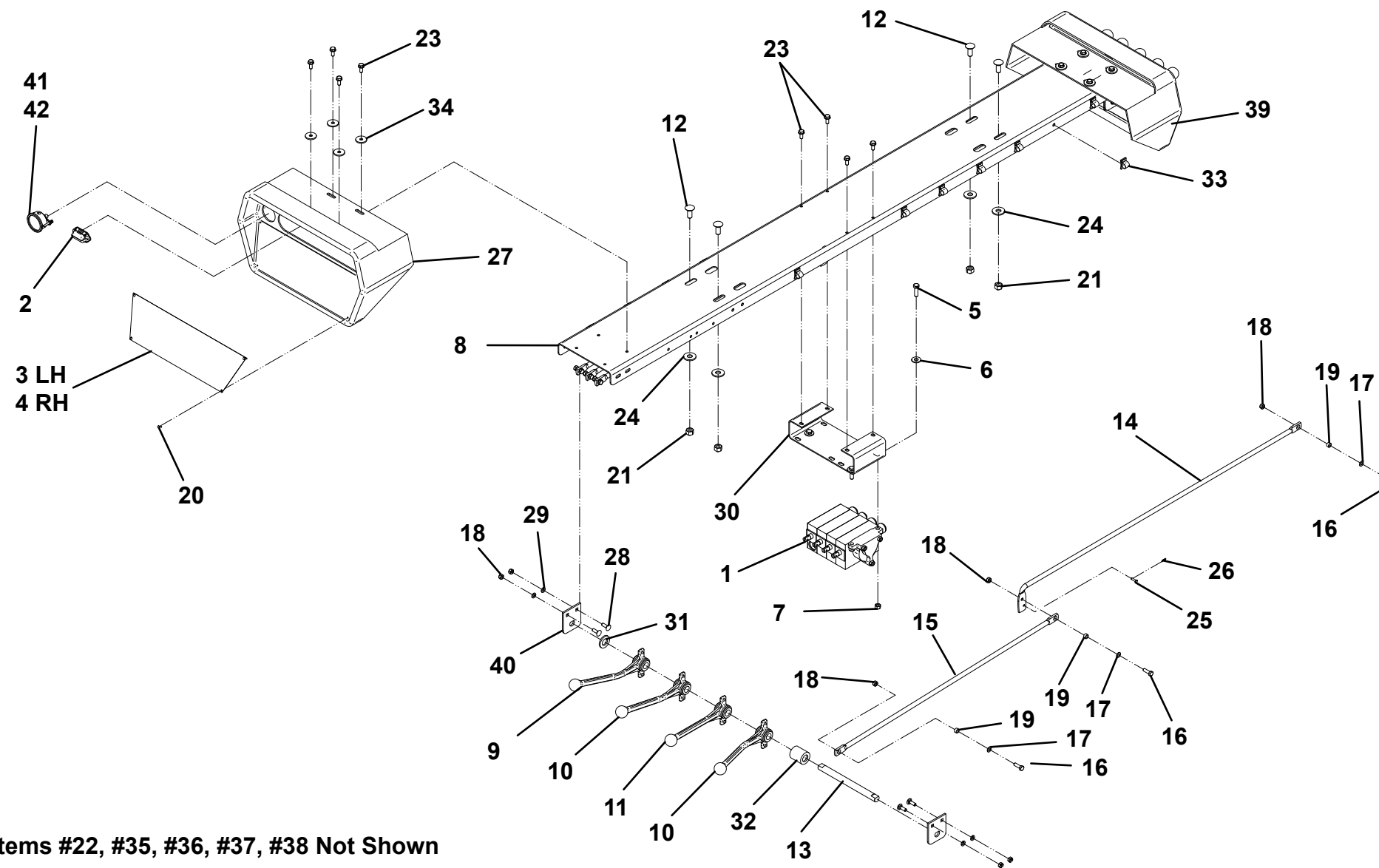
DUAL CONTROLS - 3 BANK



DUAL CONTROLS - 4 BANK

ITEM	PART NO.	DESCRIPTION	QTY	ITEM	PART NO.	DESCRIPTION	QTY
1	1001145986	Valve, Assy 4 Bank	1	37	7115140650	Capscrew, 0.25"-20NC x 0.75"	1
	3935000116	Valve Assy 4 Bank w/TR	1	38	7274000063	Clamp	1
2	1001143764	Lamp	2	39	7560000007	Control Hood, RH	1
3	7330000650	Decal, w/Stabilizer LH	1	40	4606000217	Plate	4
	7330000648	Decal, w/ IRL LH	1	41	7470000023	Gauge	1
4	7330000651	Decal, w/Stabilizer LH	1	42	7661000057	Nut, M5	2
	7330000649	Decal, w/ IRL RH	1				
5	7111161050	Capscrew, 0.38"-16NC x 1.25"	4				
6	7950160161	Flatwasher, 0.38" ID	4				
7	7660162601	Locknut, 0.38"-16NC	4				
8	1001170189	Channel	1				
9	7551000021	Handle Control 2.20" Offset	2				
10	7551000020	Handle Control 1.32" Offset	4				
11	7551000018	Handle Control Straight	2				
12	7115181064	Bolt .50"-13NC x 1.25" Carriage	4				
13	7691000064	Rod, Controls 0.75 Dia x 9.00	2				
14	1001170187	Rod, 90 Deg Bent 96"	4				
15	1001170188	Rod, Straight 96"	4				
16	7115150850	Capscrew, 0.31"-18NC x 1.00"	12				
17	7949000011	Flatwasher, 0.328"ID	12				
18	7660152601	Locknut, 0.31"-18NC	20				
19	4831000069	Spacer, Control Linkage	12				
20	7759000006	Pop Rivet	8				
21	7660182601	Locknut, 0.50"-13NC	4				
22	8632000012	Trim	0.5				
23	7790151253	Screw, 0.31"-18NC x 0.75"	12				
24	7950180161	Flatwasher, 0.50" ID	4				
25	7690101200	Pin	4				
26	7691000056	Pin, Hairpin Cotter	4				
27	3560000010	Control Hood Assy W/Gauge	1				
28	7115150664	Bolt, 0.31"-18NC x 0.75"	8				
29	7950150161	Washer, 0.31" ID	8				
30	1001135272	Channel	1				
31	7950220141	Flatwasher, 0.75" ID	2				
32	4211000001	Bushing	2				
33	7280000007	Clip	11				
34	7949000054	Washer, 0.34"ID	8				
35	7950140141	Flatwasher, 0.25" ID	1				
36	7660142601	Locknut, 0.25"-20NC	1				

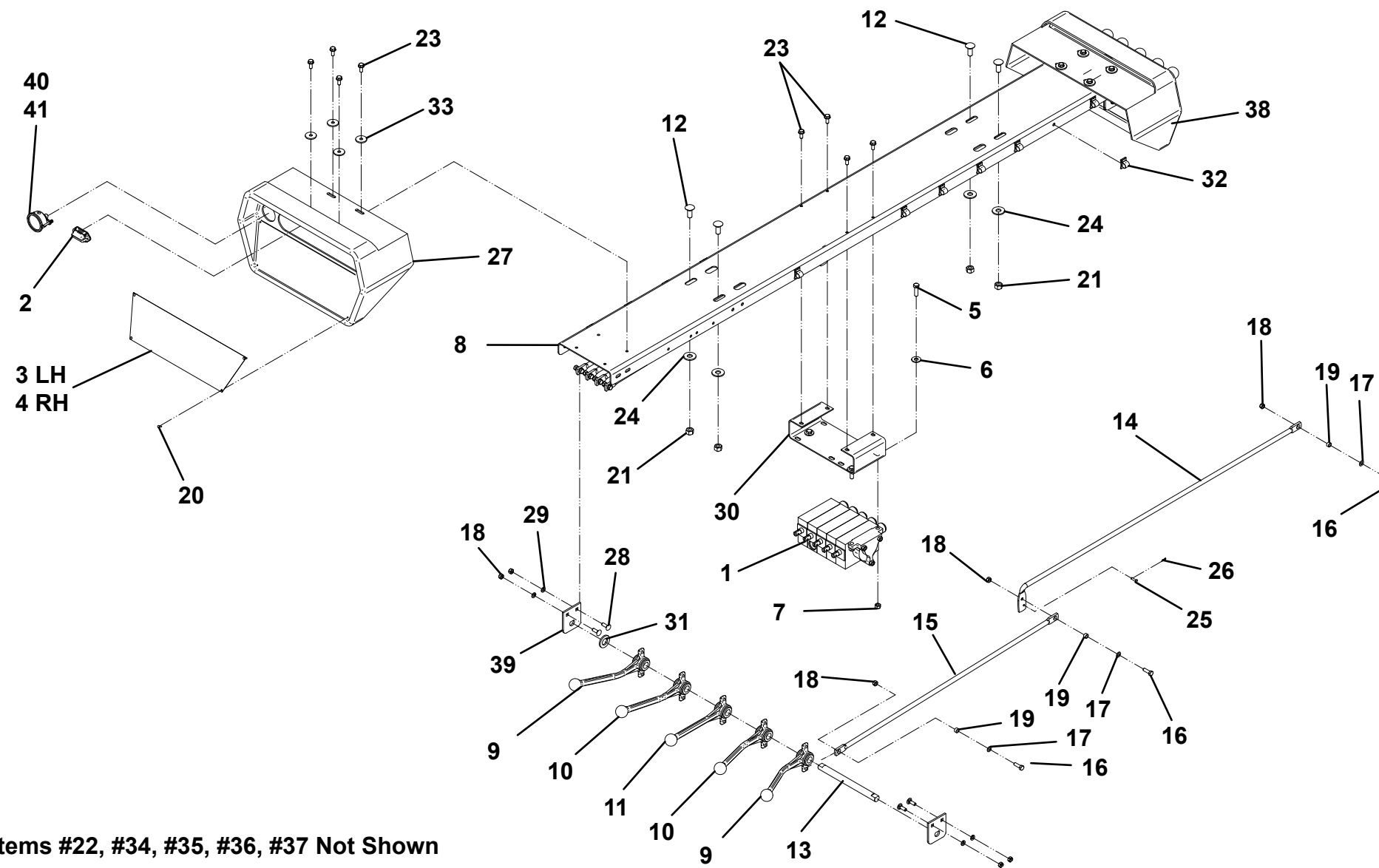
DUAL CONTROLS - 4 BANK



DUAL CONTROLS - 5 BANK

ITEM	PART NO.	DESCRIPTION	QTY	ITEM	PART NO.	DESCRIPTION	QTY
1	1001146603	Valve, Assy 5 Bank	1	36	7115140650	Capscrew, 0.25"-20NC x 0.75"	1
	3935000117	Valve Assy 5 Bank w/TR	1	37	7274000063	Clamp	1
2	1001143764	Lamp	2	38	7560000007	Control Hood, RH	1
3	7330000648	Decal, w/ IRL LH	1	39	4606000217	Plate	4
	7330000650	Decal, w/Stabilizer LH	1	40	7470000023	Gauge	1
4	7330000649	Decal, w/ IRL RH	1	41	7661000057	Nut, M5	2
	7330000651	Decal, w/Stabilizer LH	1				
5	7111161050	Capscrew, 0.38"-16NC x 1.25"	4				
6	7950160161	Flatwasher, 0.38" ID	4				
7	7660162601	Locknut, 0.38"-16NC	4				
8	1001170189	Channel	1				
9	7551000021	Handle Control 2.20" Offset	4				
10	7551000020	Handle Control 1.32" Offset	4				
11	7551000018	Handle Control Straight	2				
12	7115181064	Bolt .50"-13NC x 1.25" Carriage	4				
13	7691000064	Rod, Controls 0.75 Dia x 9.00	2				
14	1001170187	Rod, 90 Deg Bent 96"	5				
15	1001170188	Rod, Straight 96"	5				
16	7115150850	Capscrew, 0.31"-18NC x 1.00"	15				
17	7949000011	Flatwasher, 0.328"ID	15				
18	7660152601	Locknut, 0.31"-18NC	23				
19	4831000069	Spacer, Control Linkage	15				
20	7759000006	Pop Rivet	8				
21	7660182601	Locknut, 0.50"-13NC	4				
22	8632000012	Trim	0.5				
23	7790151253	Screw, 0.31"-18NC x 0.75"	12				
24	7950180161	Flatwasher, 0.50" ID	4				
25	7690101200	Pin	5				
26	7691000056	Pin, Hairpin Cotter	5				
27	3560000010	Control Hood Assy W/Gauge	1				
28	7115150664	Bolt, 0.31"-18NC x 0.75"	8				
29	7950150000	Washer, 0.31" ID	8				
	7950150161	Flatwasher, 0.31" ID	8				
30	1001135272	Channel	1				
31	7950220141	Flatwasher, 0.75" ID	2				
32	7280000007	Clip	11				
33	7949000054	Washer, 0.34"ID	8				
34	7950140141	Flatwasher, 0.25" ID	1				
35	7660142601	Locknut, 0.25"-20NC	1				

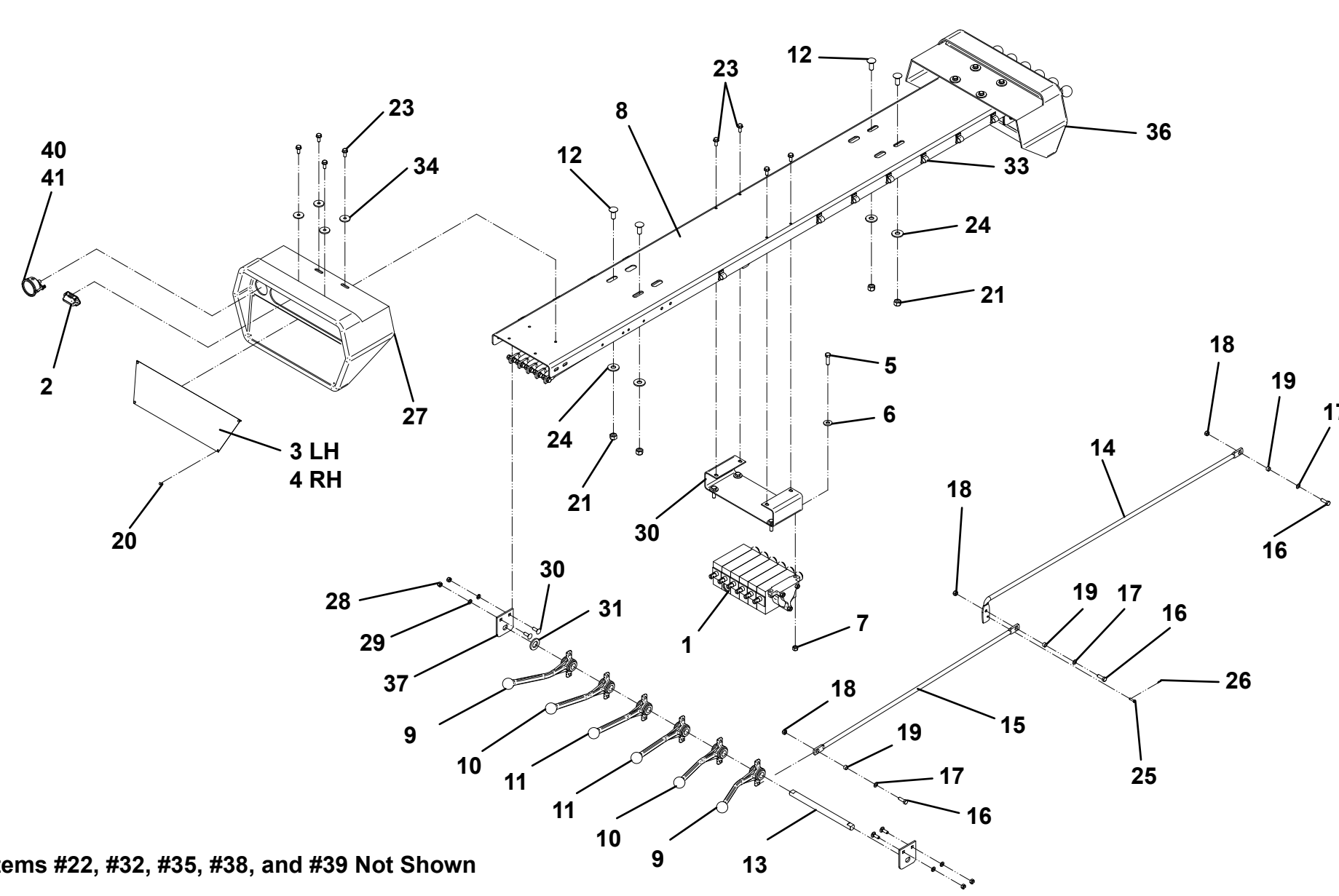
DUAL CONTROLS - 5 BANK



DUAL CONTROLS - 6 BANK

ITEM	PART NO.	DESCRIPTION	QTY	ITEM	PART NO.	DESCRIPTION	QTY
1	3935000125	Valve Bank, 6 Section - IRL	1	34	7949000054	Washer, 0.34"ID	8
	3935000166	Valve Bank, 6 Section - AUTOGrid	1	35	7660142601	Locknut, 0.25"-20NC	1
	3935000118	Valve Bank, 6 Section - ZOD	1	36	7560000007	Control Hood	1
2	1001143764	Lamp	2	37	4606000217	Lug	4
3	7330000864	Decal, Control Panel - Dual Winch - LH	1	38	7274000063	Clamp	1
	7330000657	Decal, Control Panel - IRL - AUTOGrid - LH	1	39	7115140650	Capscrew, 0.25"-20NC x 0.75"	1
	7330000652	Decal, Control Panel - ZOD - LH	1				
4	7330000865	Decal, Control Panel - Dual Winch - RH	1				
	7330000658	Decal, Control Panel - IRL - AUTOGrid - RH	1				
	7330000653	Decal, Control Panel - ZOD - RH	1				
5	7111161050	Capscrew, 0.38"-16NC x 1.25"	3				
6	7950160161	Flatwasher, 0.38" ID	4				
7	7660162601	Locknut, 0.38"-16NC	4				
8	1001170191	Channel	1				
9	7551000021	Handle, Control 2.20" Offset	4				
10	7551000020	Handle, Control 1.32" Offset	4				
11	7551000019	Handle, Control 0.44" Offset	4				
12	7115181064	Bolt, 0.50"-13NC x 1.25"	6				
13	7691000065	Rod	2				
14	1001170187	Rod	6				
15	1001170188	Rod	6				
16	7115150850	Capscrew, 0.31"-18NC x 1.00"	18				
17	7949000011	Flatwasher, 0.328" ID	18				
18	7660152601	Locknut, 0.31"-18NC	26				
19	4831000069	Spacer	18				
20	7759000006	Pop Rivet	8				
21	7660182601	Locknut, 0.50"-13NC	4				
22	8632000012	Trim	0.5				
23	7790151253	Screw, 0.31"-18NC x 0.75"	12				
24	7950180161	Flatwasher, 0.50" ID	4				
25	7690101200	Pin	6				
26	7691000056	Pin, Cotter	6				
27	3560000010	Control Hood, w/Gauge	1				
28	7115150664	Bolt, 0.31"-18NC x 0.75"	8				
29	7950150161	Flatwasher, 0.31" ID	8				
30	1001135329	Channel	1				
31	7950220141	Flatwasher, 0.75" ID	2				
32	7950140141	Flatwasher, 0.25" ID	1				
33	7280000007	Clip	11				

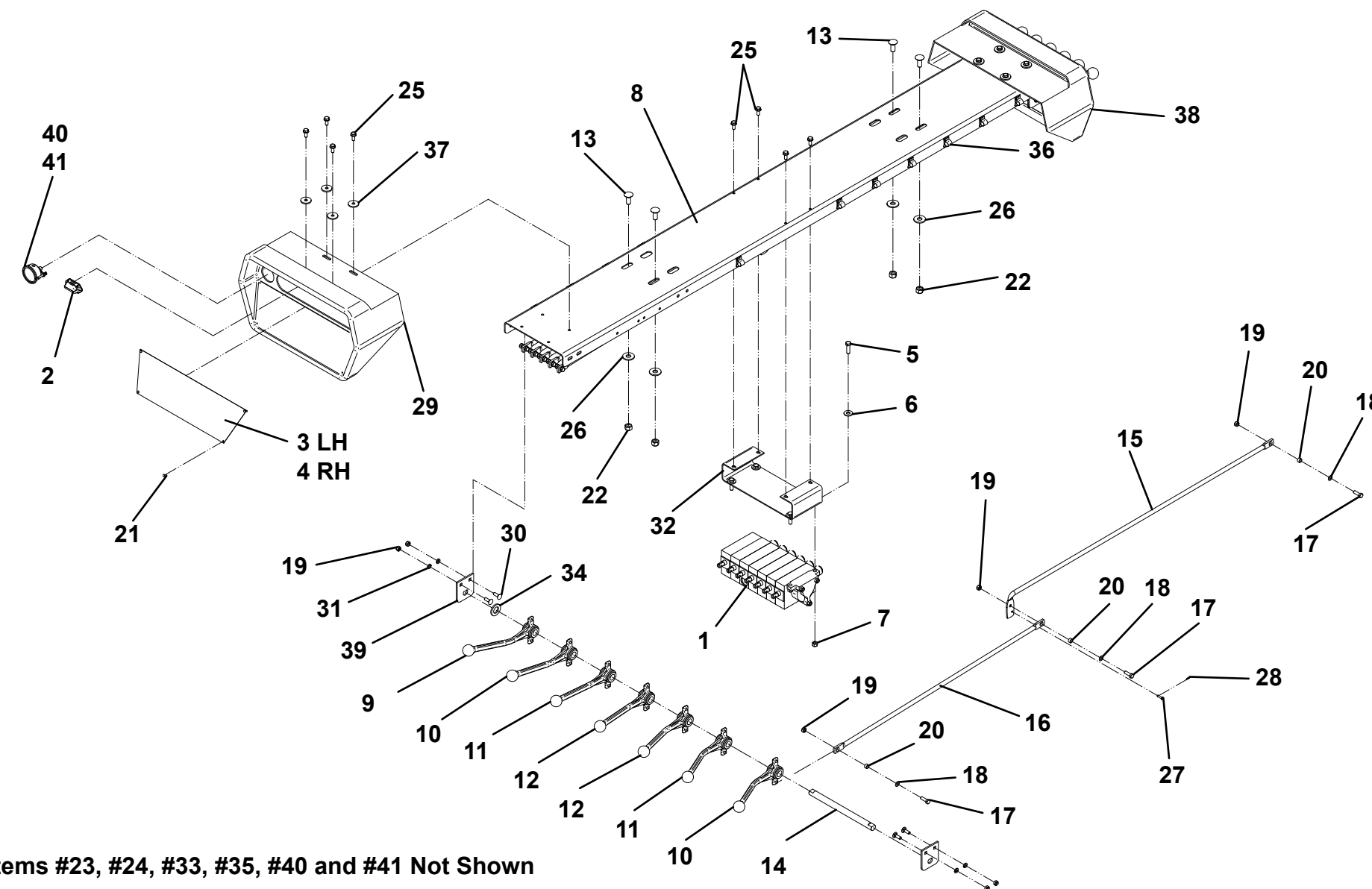
DUAL CONTROLS - 6 BANK



DUAL CONTROLS - 7 BANK

ITEM	PART NO.	DESCRIPTION	QTY	ITEM	PART NO.	DESCRIPTION	QTY
1	3935000150	Valve Bank, 7 Section	1	40	7274000063	Clamp	1
2	1001143764	Lamp	2	41	7115140650	Capscrew, 0.25"-20NC x 0.75"	1
3	7330000548	Decal, Control Panel - LH	1				
4	7330000549	Decal, Control Panel - RH	1				
5	7111161050	Capscrew, 0.38"-16NC x 1.25"	4				
6	7950160161	Flatwasher, 0.38" ID	4				
7	7660162601	Locknut, 0.38"-16NC	4				
8	1001170190	Channel	1				
9	7551000022	Handle, Control 3.08" Offset	2				
10	7551000021	Handle, Control 2.20" Offset	4				
11	7551000020	Handle, Control 1.32" Offset	4				
12	7551000019	Handle, Control 0.44" Offset	4				
13	7115181064	Bolt, 0.50"-13NC x 1.25"	6				
14	7691000066	Rod	2				
15	1001170187	Rod	7				
16	1001170188	Rod	7				
17	7115150850	Capscrew, 0.31"-18NC x 1.00"	21				
18	7949000011	Flatwasher, 0.328" ID	21				
19	7660152601	Locknut, 0.31"-18NC	29				
20	4831000069	Spacer	21				
21	7759000004	Pop Rivet	8				
22	7660182601	Locknut, 0.50"-13NC	6				
23	8632000012	Trim	0.5				
24	7950140141	Flatwasher, 0.25" ID	1				
25	7790151253	Screw, 0.31"-18NC x 0.75"	12				
26	7950180161	Flatwasher, 0.50" ID	6				
27	7690101200	Pin	7				
28	7691000056	Pin, Cotter	7				
29	3560000010	Control Hood, w/Gauge	1				
30	7115150664	Bolt, 0.31"-18NC x 0.75"	8				
31	7950150161	Flatwasher, 0.31" ID	8				
32	4263000464	Channel	1				
33	7660142601	Locknut, 0.25"-20NC	1				
34	7950220141	Flatwasher, 0.75" ID	4				
35	4211000001	Bushing	2				
36	7280000007	Clip	11				
37	7949000054	Washer, 0.34"ID	8				
38	7560000007	Control Hood	1				
39	4606000217	Lug	4				

DUAL CONTROLS - 7 BANK

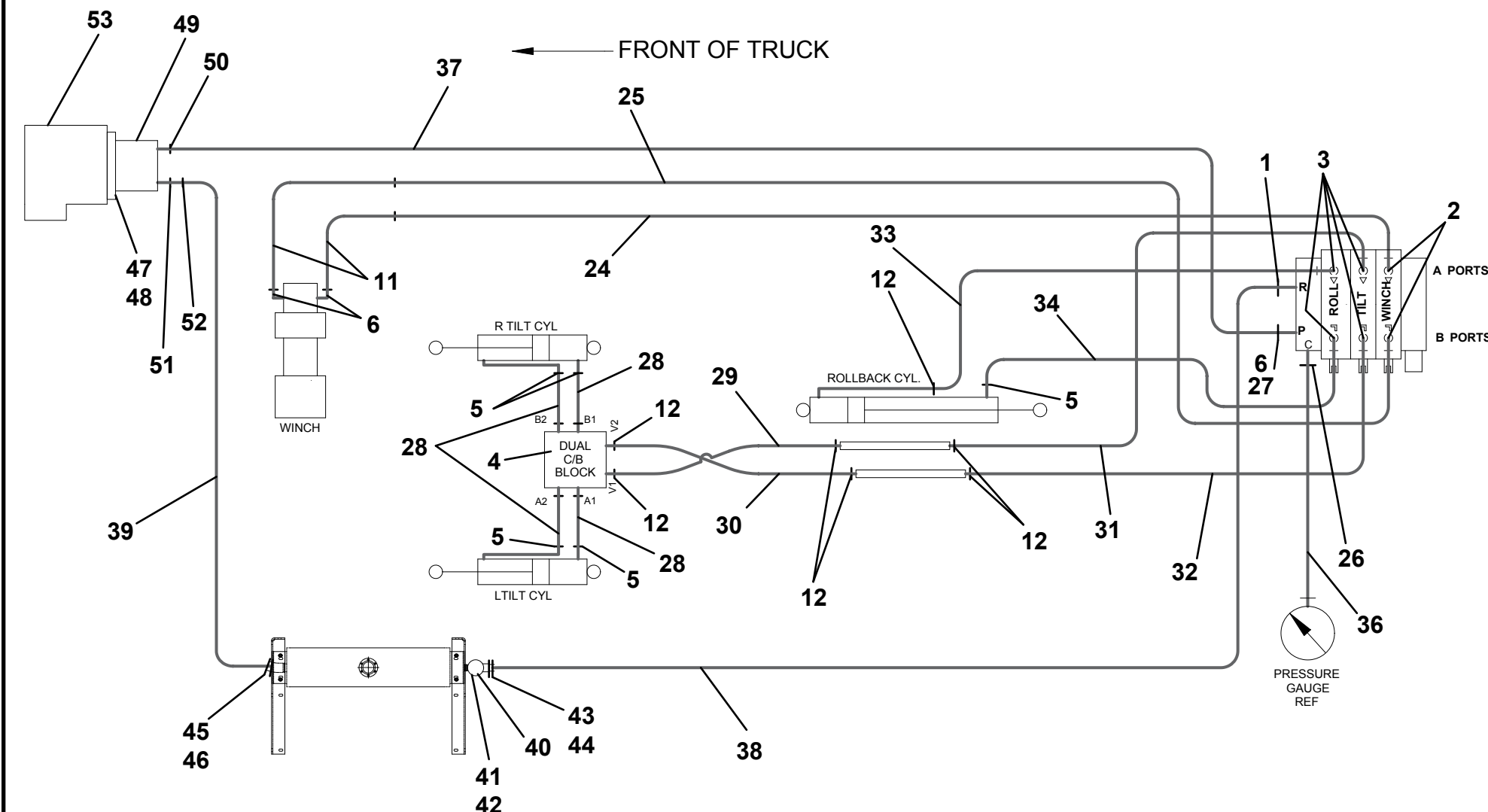


HYDRAULIC COMPONENTS - STANDARD

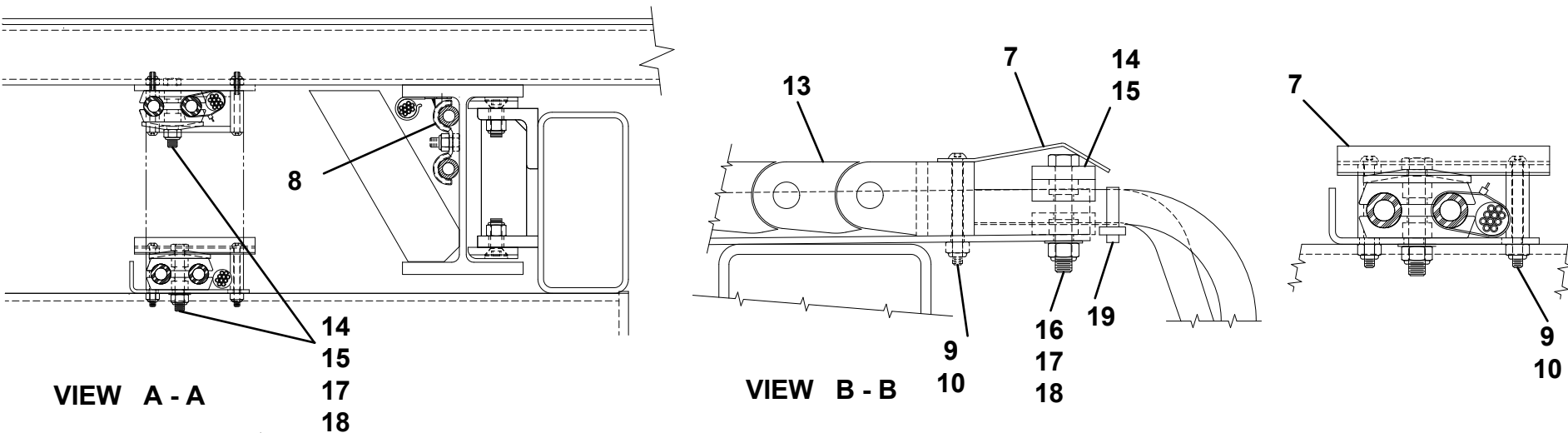
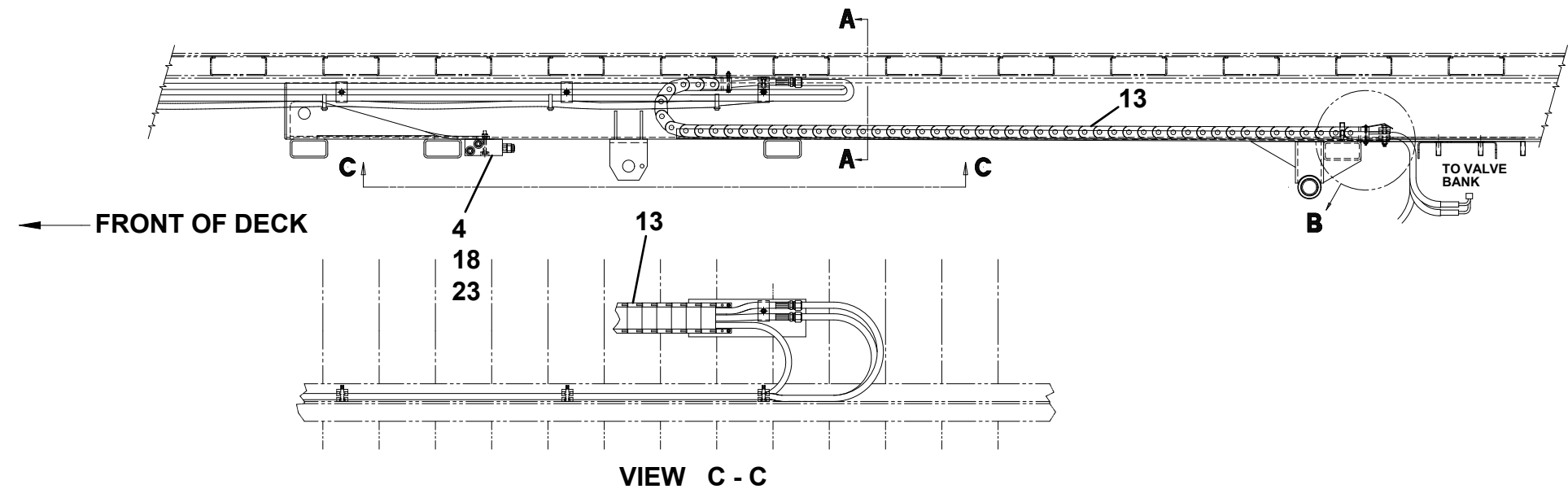
ITEM	PART NO.	DESCRIPTION	QTY	ITEM	PART NO.	DESCRIPTION	QTY
1	7443000446	Fitting	1	39	See Note 1	Supply Hose	1
2	7445080843	Adapter	2	40	7430000003	Filter Assembly	1
3	7445060843	Adapter	4	41	7470000002	Gauge	1
4	7935000306	Valve Assembly	1	42	7443000158	Elbow	1
5	7445060645	Elbow	5	43	7443000319	Fitting	1
6	7445081045	Elbow	3	44	7274000080	Clamp	2
7	4706003038	Plate	1	45	7443000013	Nipple	1
8	7274000066	Clamp	4	46	7274000002	Clamp	2
9	7114101618	Capscrew, #10-24NC x 2.00"	4	47	7950180000	Lockwasher, 0.59" ID	2
10	7660102604	Locknut, #10-24UNC	4	48	7115181050	Capscrew, 0.50"-13NC x 1.25"	2
11	4567430118	Hose Assembly	2	49	7724000126	Pump	1
12	7445060643	Adapter	7	50	7443000124	Adapter	1
13	7904000007	Cable Track	1	51	7445081643	Adapter	1
14	7274000038	Clamp	4	52	7443000023	Elbow	1
15	7274000039	Cover	2	53	See Note 1	PTO	1
16	7950150161	Flatwasher, 0.31" ID	4				
17	7115151650	Capscrew, 0.31"-18NC x 2.00"	2				
18	7660152601	Locknut, 0.31"-18NC	12				
19	7894000004	Tie Strap	10				
20	7274000040	Clamp, 0.81" DIA	1				
21	7274000041	Clamp, 1.25" DIA	1				
22	7274000042	Clamp, 1.75" DIA	1				
23	7115151850	Capscrew, 0.31"-18NC x 2.25"	2				
24	4569433115	Hose Assembly	1				
25	4569432115	Hose Assembly	1				
26	7445040443	Adapter	1				
27	7445080818	Nut, #8	1				
28	4570000195	Hose Assembly	4				
	4570000198	Hose Assembly	4				
	1001130605	Hose Assembly	4				
29	4567120015	Hose Assembly	1				
30	4567120017	Hose Assembly	1				
31	4567123042	Hose Assembly	1				
32	4567122038	Hose Assembly	1				
33	4567123044	Hose Assembly	1				
34	4567122027	Hose Assembly	1				
36	4567112039	Hose Assembly	1				
37	See Note 1	Hose Assembly	1				
38	See Note 1	Return Hose	1				

Note 1: Varies depending on chassis, transmission, PTO type & deck length. Consult factory for part numbers.

HYDRAULIC COMPONENTS - STANDARD



HYDRAULIC COMPONENTS - STANDARD



HYDRAULIC COMPONENTS - STANDARD

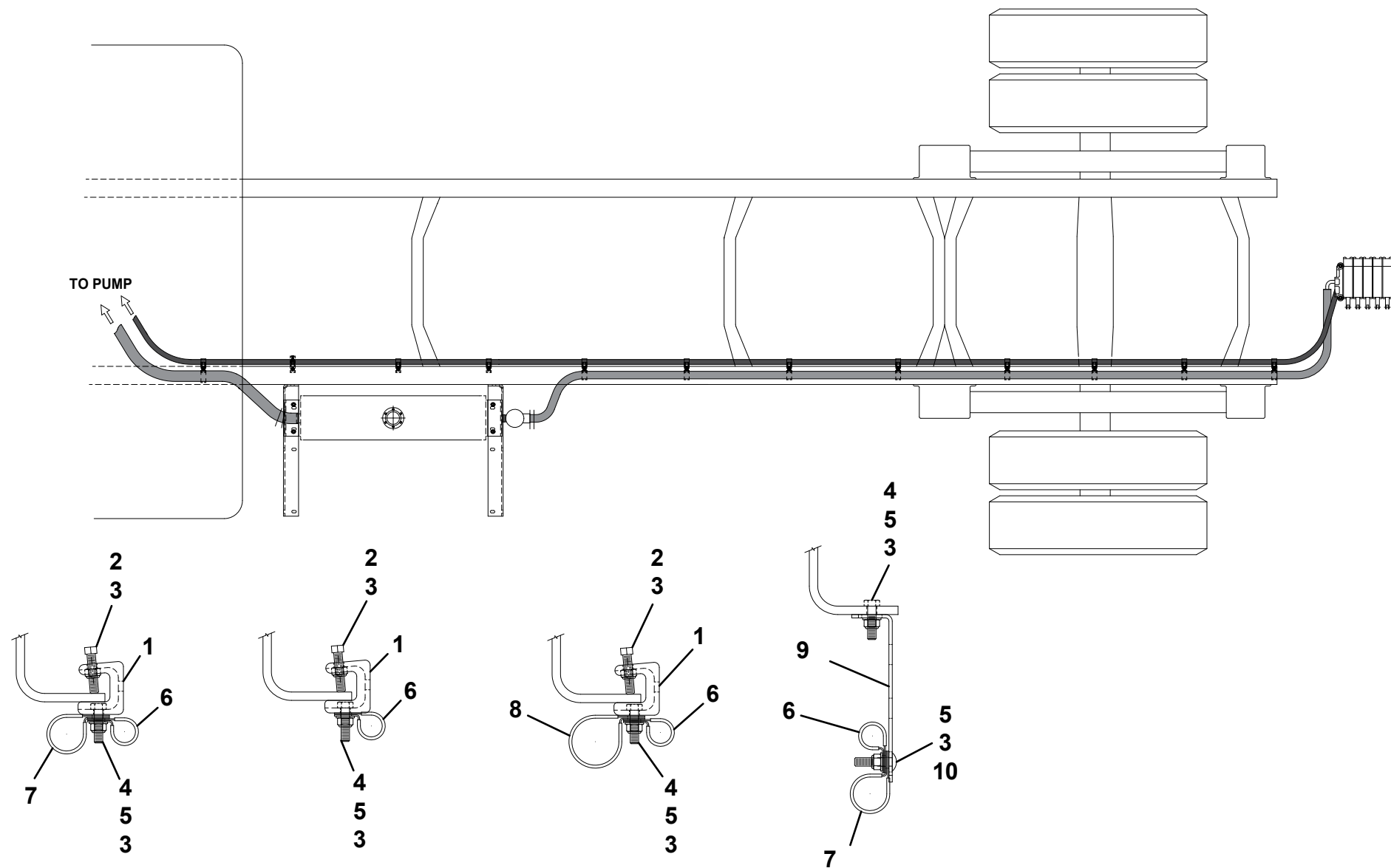
THIS PAGE INTENTIONALLY LEFT BLANK

HYDRAULIC COMPONENTS - HOSE ROUTING (STD IHC)

ITEM	PART NO.	DESCRIPTION	QTY
1	7274000076	Clamp	1
2	7785152420	Screw, 0.31"-18 x 1.50"	1
3	7660152601	Locknut, 0.31"-18NC	2
4	7115151050	Capscrew, 0.31"-18NC x 1.25"	1
5	7950150161	Flatwasher, 0.31" ID	1
6	7274000040	Clamp, 0.81"	1
7	7274000041	Clamp, 1.25"	1
8	7274000042	Clamp, 1.75"	1
9	4706003844	Plate	1
10	7115151064	Bolt, 0.31"-18NC x 1.25"	1

* Quantity varies depending on deck length and deck type.

HYDRAULIC COMPONENTS - HOSE ROUTING (STD IHC)

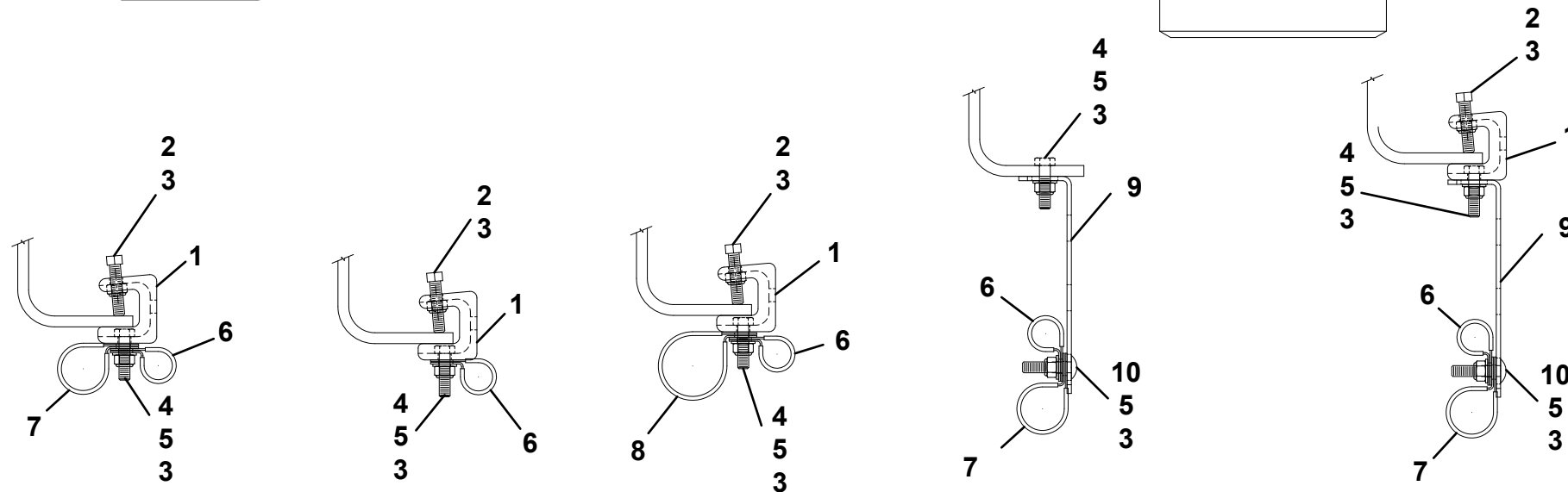
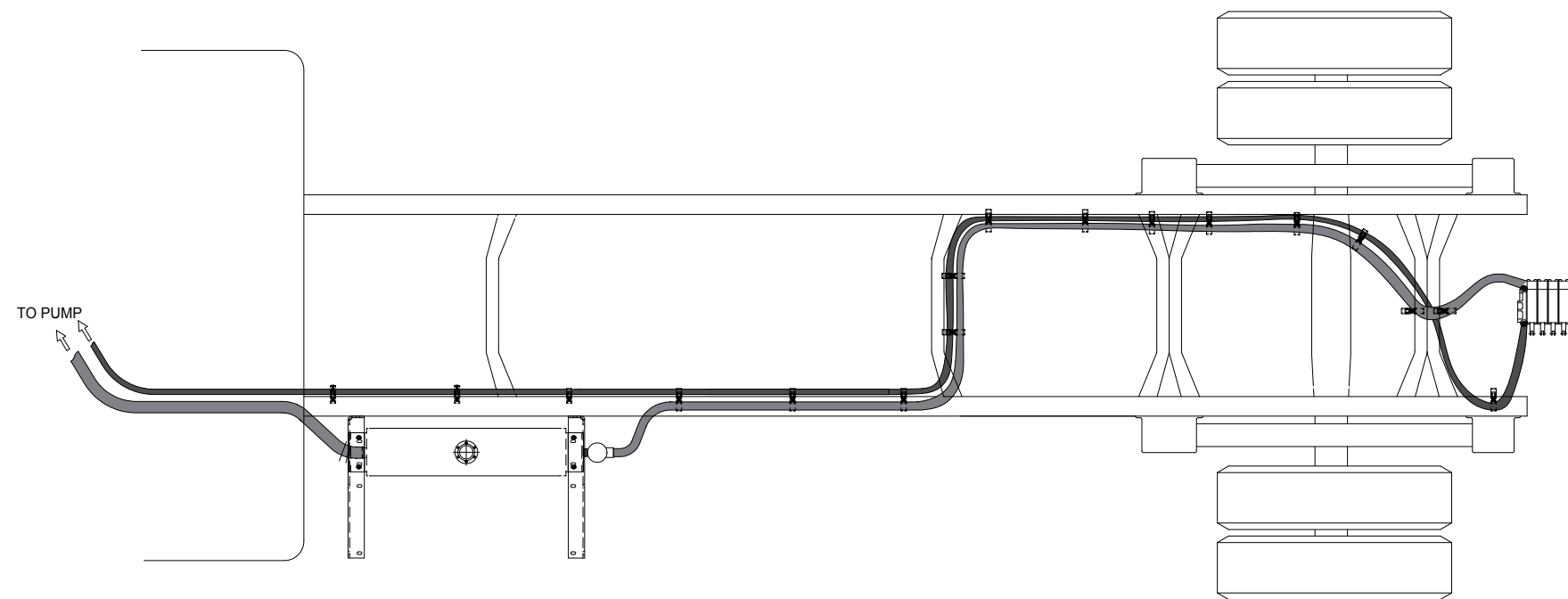


HYDRAULIC COMPONENTS - HOSE ROUTING (STD CAB IHC 144CA)

ITEM	PART NO.	DESCRIPTION	QTY
1	7274000076	Cast Frame Clamp	*
2	7785152420	Set Screw, 0.31"-18NC x 1.50"	*
3	7660152601	Locknut, 0.31"-18NC	*
4	7115151050	Capscrew, 0.31"-18NC x 1.25"	*
5	7950150161	Flatwasher, 0.31" ID	*
6	7274000040	Clamp	*
7	7274000041	Clamp	*
8	7274000042	Clamp	*
9	4706003844	Plate	*
10	7115151064	Carriage Bolt, 0.31"-18NC x 1.25"	*

* Quantity varies depending on deck length and deck type.

HYDRAULIC COMPONENTS - HOSE ROUTING (STD CAB IHC 144CA)

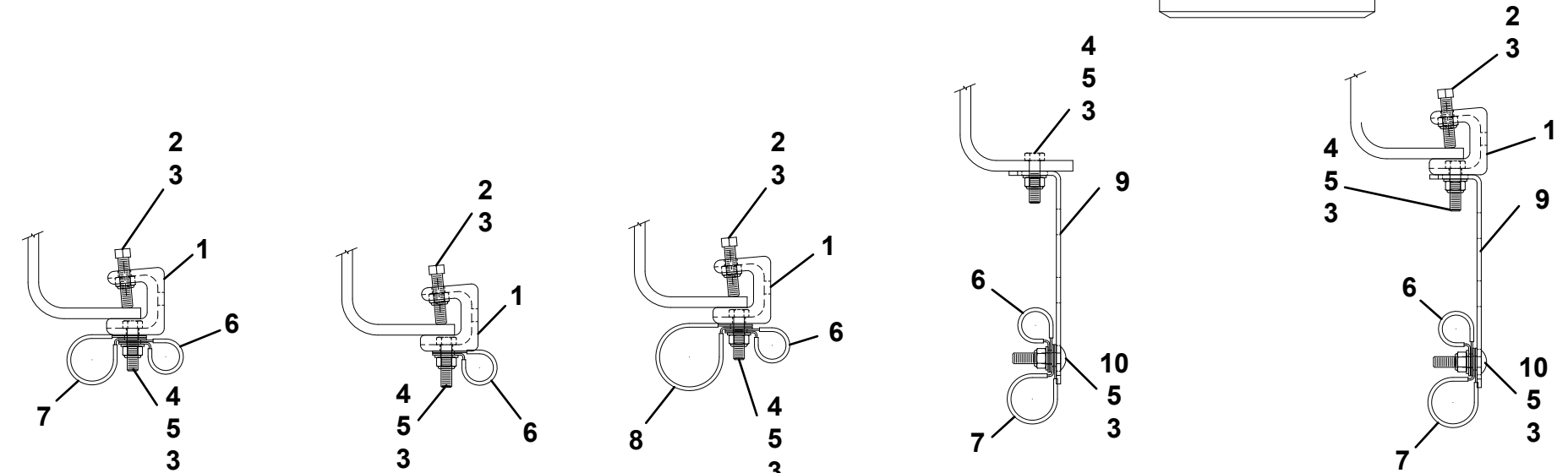
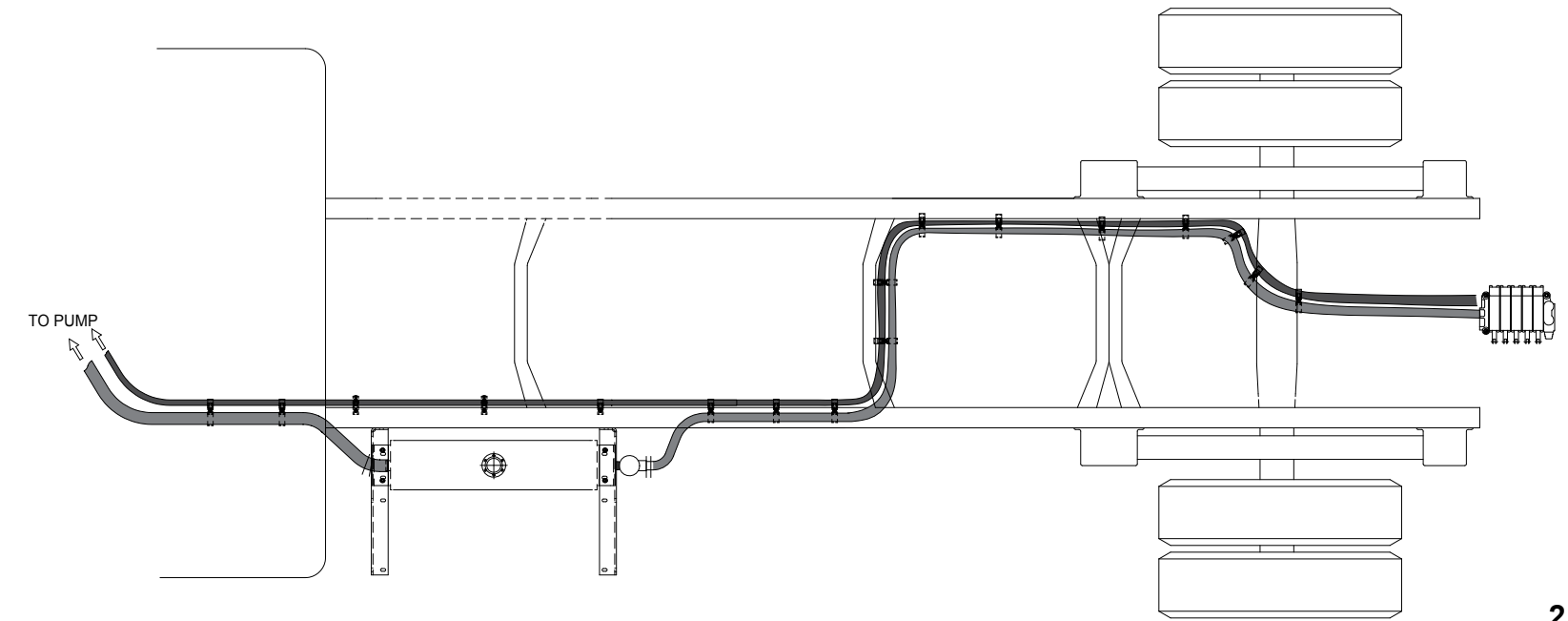


HYDRAULIC COMPONENTS - HOSE ROUTING (EXT CAB IHC 150CA)

ITEM	PART NO.	DESCRIPTION	QTY
1	7274000076	Cast Frame Clamp	*
2	7785152420	Set Screw, 0.31"-18NC x 1.50"	*
3	7660152601	Locknut, 0.31"-18NC	*
4	7115151050	Capscrew, 0.31"-18NC x 1.25"	*
5	7950150161	Flatwasher, 0.31" ID	*
6	7274000040	Clamp	*
7	7274000041	Clamp	*
8	7274000042	Clamp	*
9	4706003844	Plate	*
10	7115151064	Carriage Bolt, 0.31"-18NC x 1.25"	*

* Quantity varies depending on deck length and deck type.

HYDRAULIC COMPONENTS - HOSE ROUTING (EXT CAB IHC 150CA)

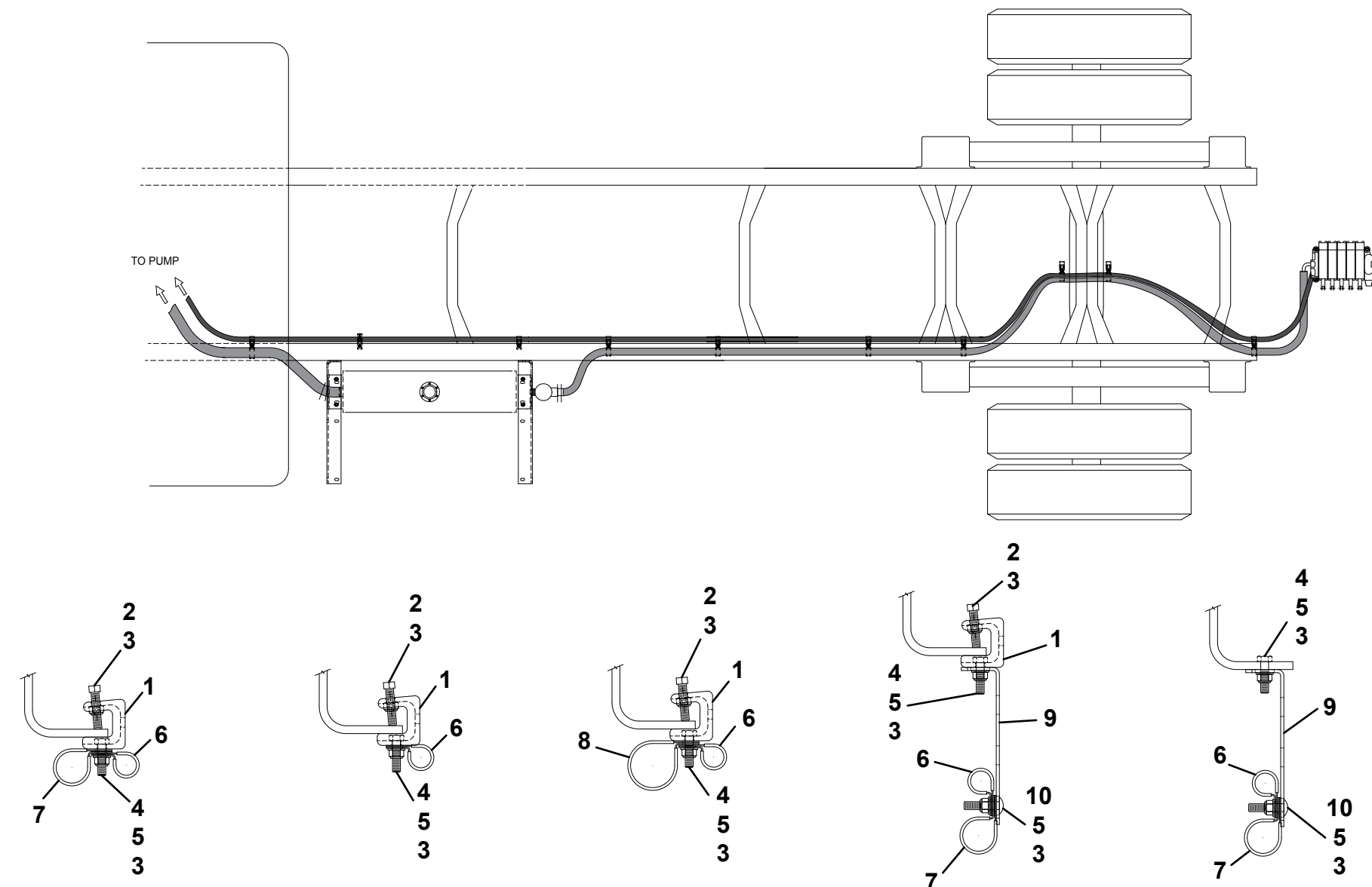


HYDRAULIC COMPONENTS - HOSE ROUTING (FORD STD CAB)

ITEM	PART NO.	DESCRIPTION	QTY
1	7274000076	Clamp	*
2	7785152420	Screw, 0.31"-18 x 1.50"	*
3	7660152601	Locknut, 0.31"-18NC	*
4	7115151050	Capscrew, 0.31"-18NC x 1.25"	*
5	7950150161	Flatwasher, 0.31" ID	*
6	7274000040	Clamp, 0.81"	*
7	7274000041	Clamp, 1.25"	*
8	7274000042	Clamp, 1.75"	*
9	4706003844	Plate	*
10	7115151064	Bolt, 0.31"-18NC x 1.25"	*

* Quantity varies depending on deck length and deck type.

HYDRAULIC COMPONENTS - HOSE ROUTING (FORD STD CAB)

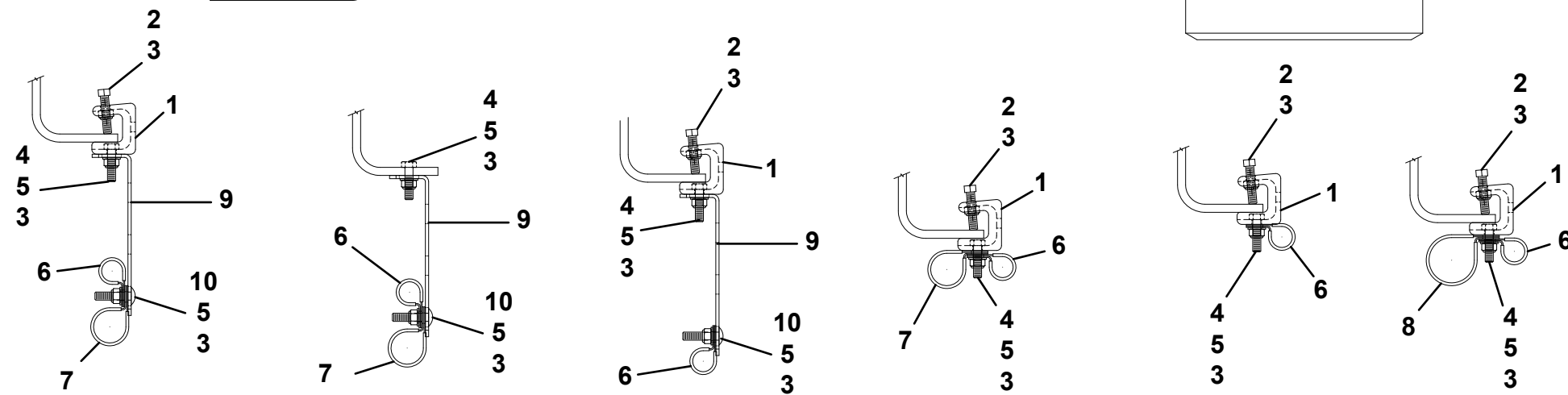
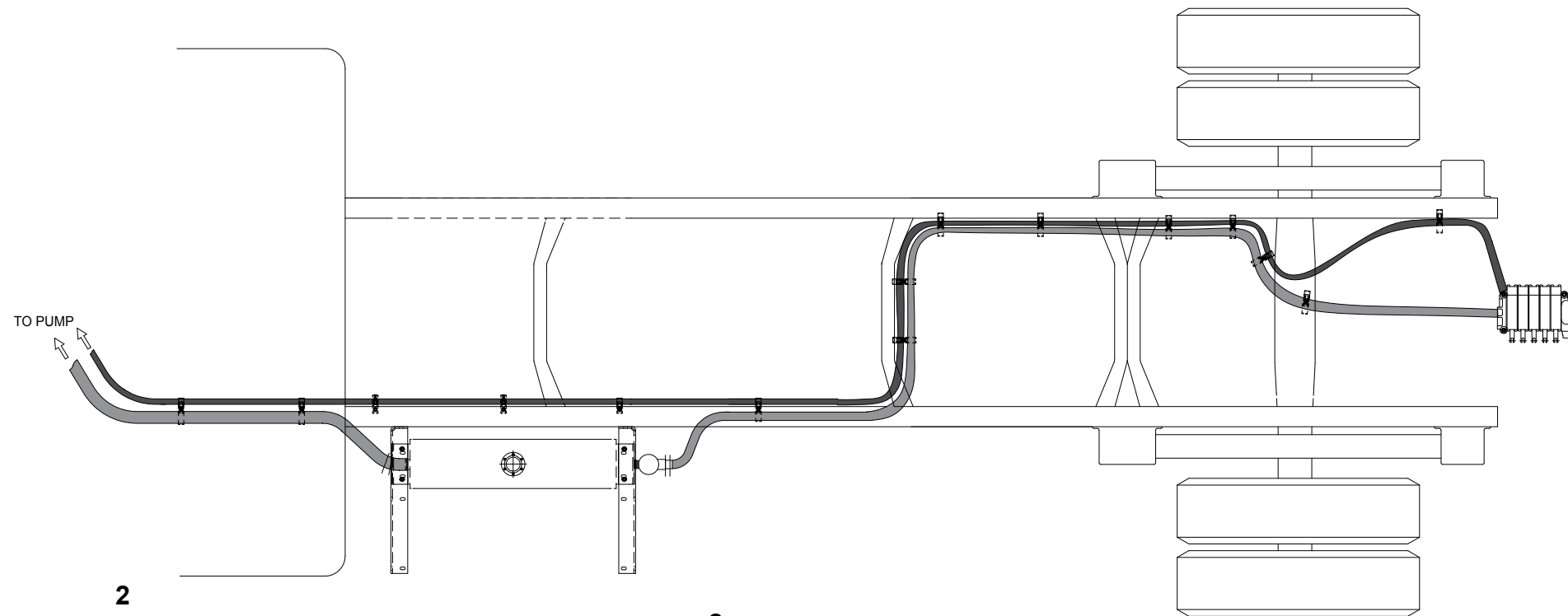


HYDRAULIC COMPONENTS - HOSE ROUTING (FORD EXT CAB 150CA)

ITEM	PART NO.	DESCRIPTION	QTY
1	7274000076	Clamp	*
2	7785152420	Screw, 0.31"-18 x 1.50"	*
3	7660152601	Locknut, 0.31"-18NC	*
4	7115151050	Capscrew, 0.31"-18NC x 1.25"	*
5	7950150161	Flatwasher, 0.31" ID	*
6	7274000040	Clamp, 0.81"	*
7	7274000041	Clamp, 1.25"	*
8	7274000042	Clamp, 1.75"	*
9	4706003844	Plate	*
10	7115151064	Bolt, 0.31"-18NC x 1.25"	*

* Quantity varies depending on deck length and deck type.

HYDRAULIC COMPONENTS - HOSE ROUTING (FORD EXT CAB 150CA)

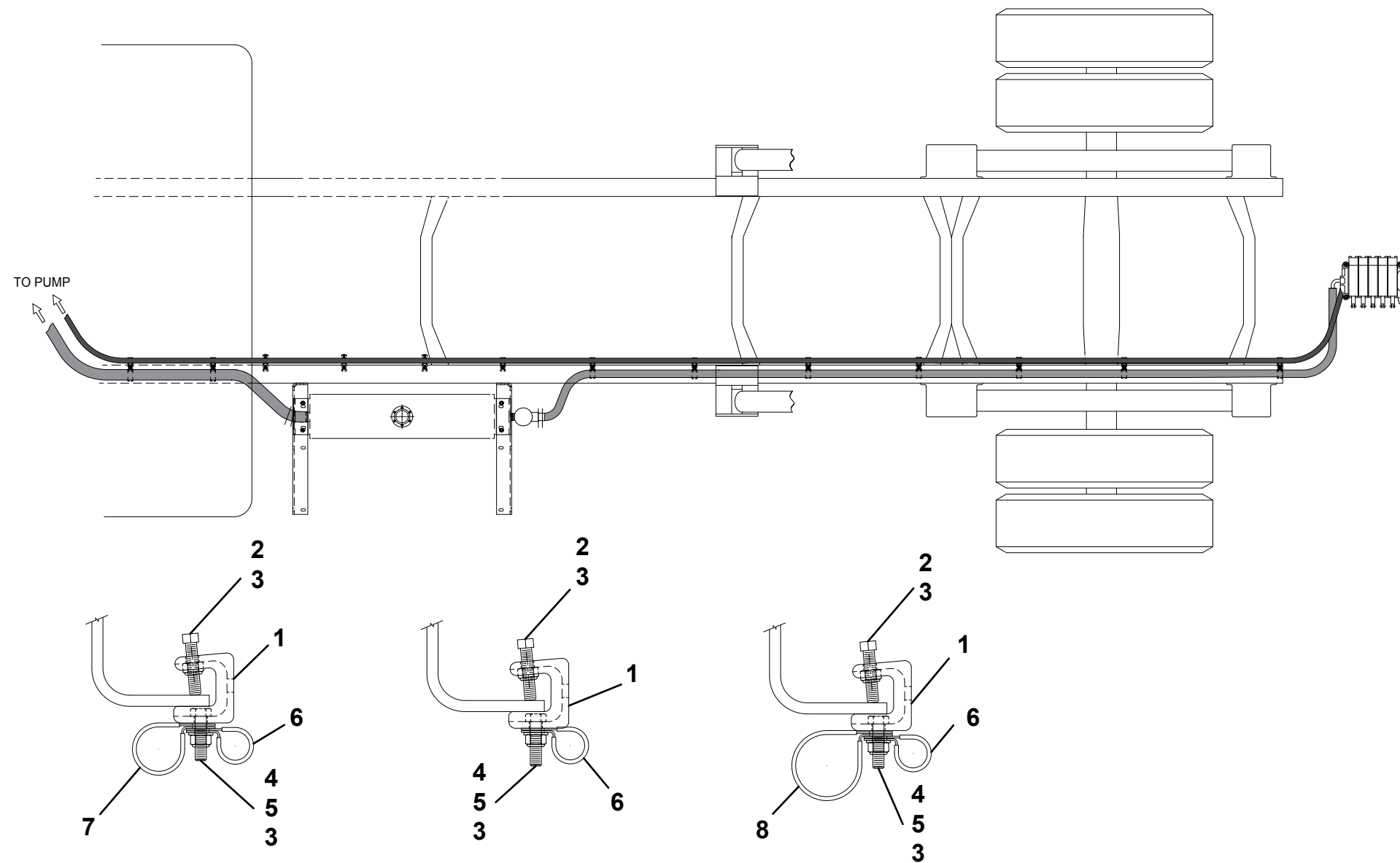


HYDRAULIC COMPONENTS - HOSE ROUTING (HINO)

ITEM	PART NO.	DESCRIPTION	QTY
1	7274000076	Clamp	*
2	7785152420	Screw, 0.31"-18 x 1.50"	*
3	7660152601	Locknut, 0.31"-18NC	*
4	7115151050	Capscrew, 0.31"-18NC x 1.25"	*
5	7950150161	Flatwasher, 0.31" ID	*
6	7274000040	Clamp, 0.81"	*
7	7274000041	Clamp, 1.25"	*
8	7274000042	Clamp, 1.75"	*

* Quantity varies depending on deck length and deck type.

HYDRAULIC COMPONENTS - HOSE ROUTING (HINO)

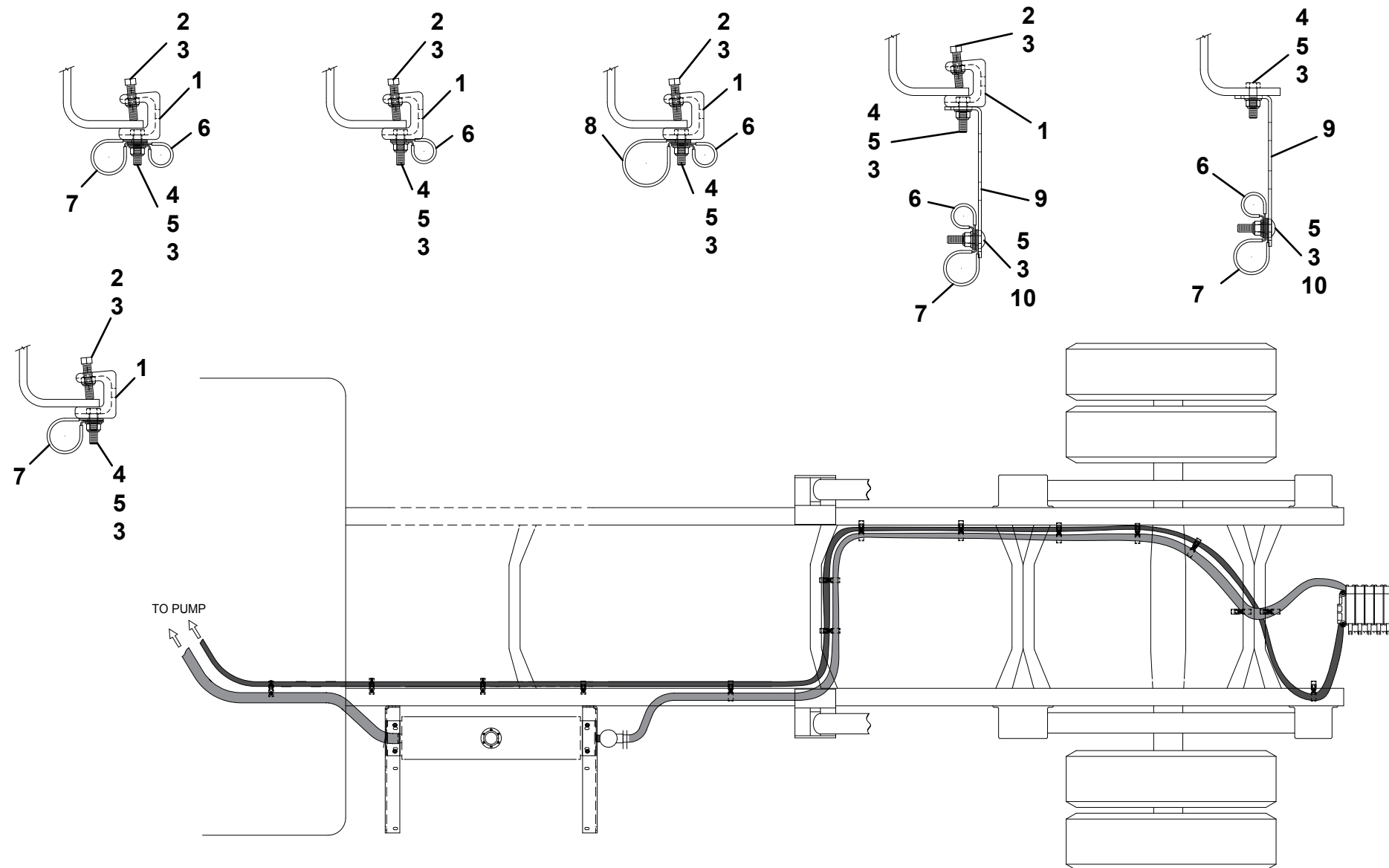


HYDRAULIC COMPONENTS - HOSE ROUTING (FREIGHTLINER)

ITEM	PART NO.	DESCRIPTION	QTY
1	7274000076	Clamp	*
2	7785152420	Screw, 0.31"-18 x 1.50"	*
3	7660152601	Locknut, 0.31"-18NC	*
4	7115151050	Capscrew, 0.31"-18NC x 1.25"	*
5	7950150161	Flatwasher, 0.31" ID	*
6	7274000040	Clamp, 0.81"	*
7	7274000041	Clamp, 1.25"	*
8	7274000042	Clamp, 1.75"	*
9	4706003844	Plate	*
10	7115151064	Bolt, 0.31"-18NC x 1.25"	*

* Quantity varies depending on deck length and deck type.

HYDRAULIC COMPONENTS - HOSE ROUTING (FREIGHTLINER)

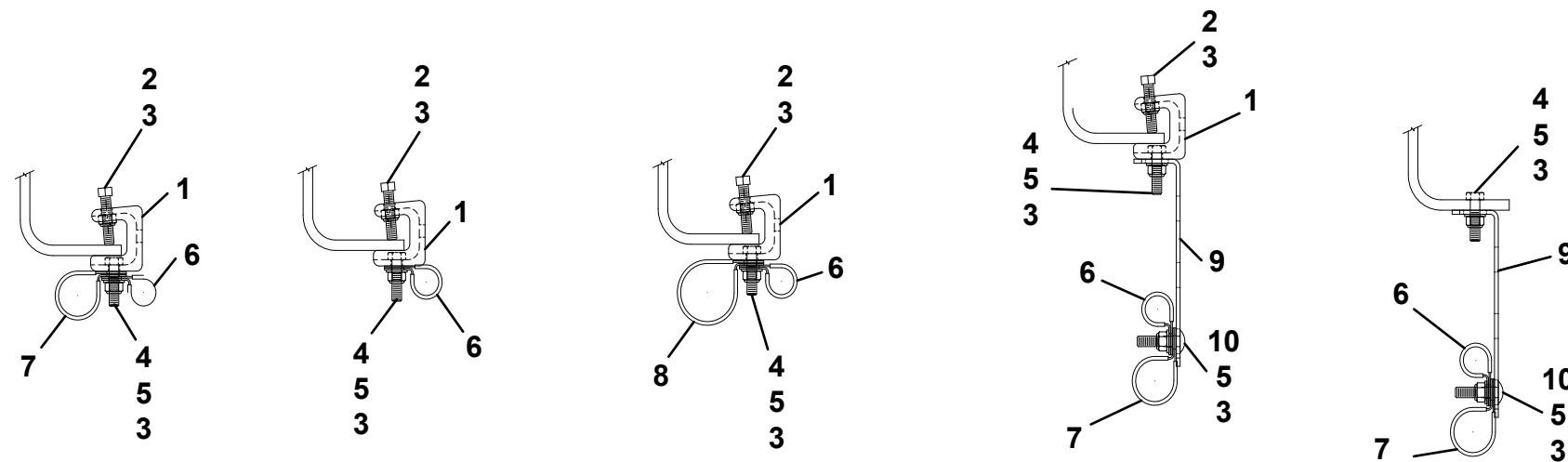
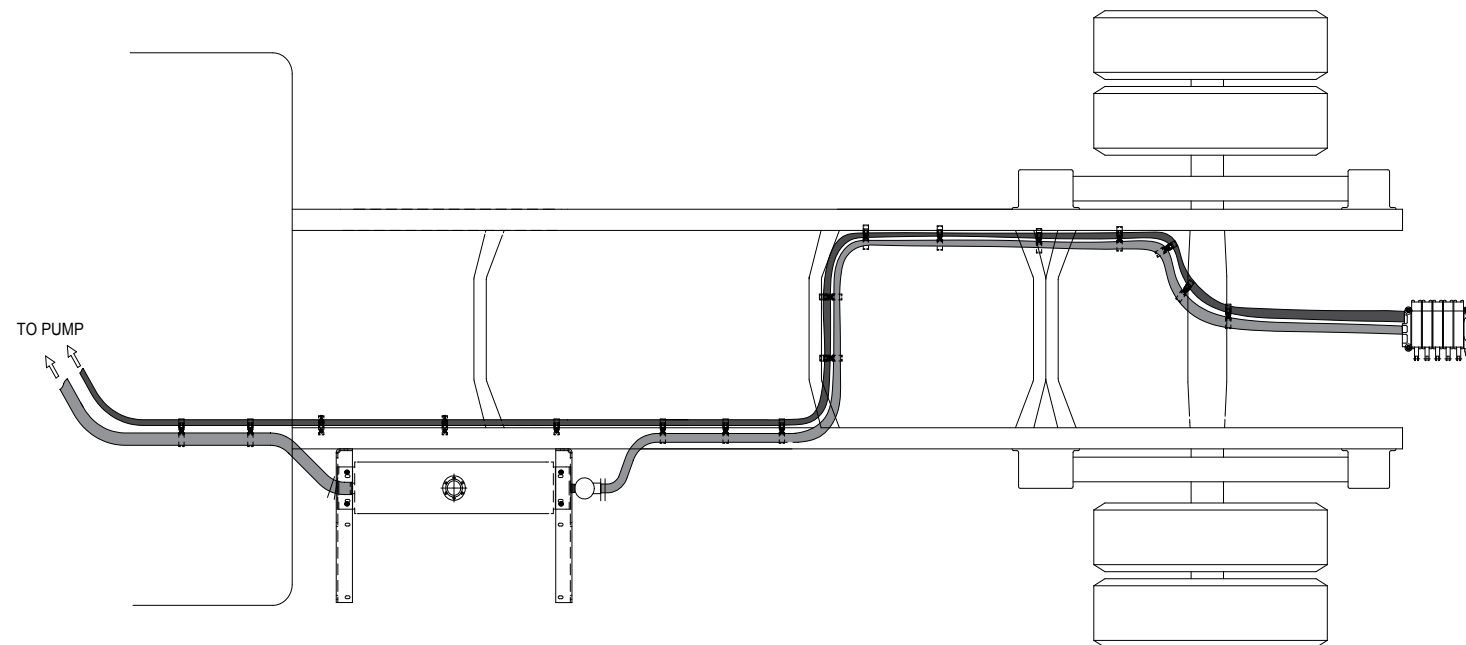


HYDRAULIC COMPONENTS - HOSE ROUTING (PETERBILT)

ITEM	PART NO.	DESCRIPTION	QTY
1	7274000076	Clamp	*
2	7785152420	Screw, 0.31"-18 x 1.50"	*
3	7660152601	Locknut, 0.31"-18NC	*
4	7115151050	Capscrew, 0.31"-18NC x 1.25"	*
5	7950150161	Flatwasher, 0.31" ID	*
6	7274000040	Clamp, 0.81"	*
7	7274000041	Clamp, 1.25"	*
8	7274000042	Clamp, 1.75"	*
9	4706003844	Plate	*
10	7115151064	Bolt, 0.31"-18NC x 1.25"	*

* Quantity varies depending on deck length and deck type.

HYDRAULIC COMPONENTS - HOSE ROUTING (PETERBILT)

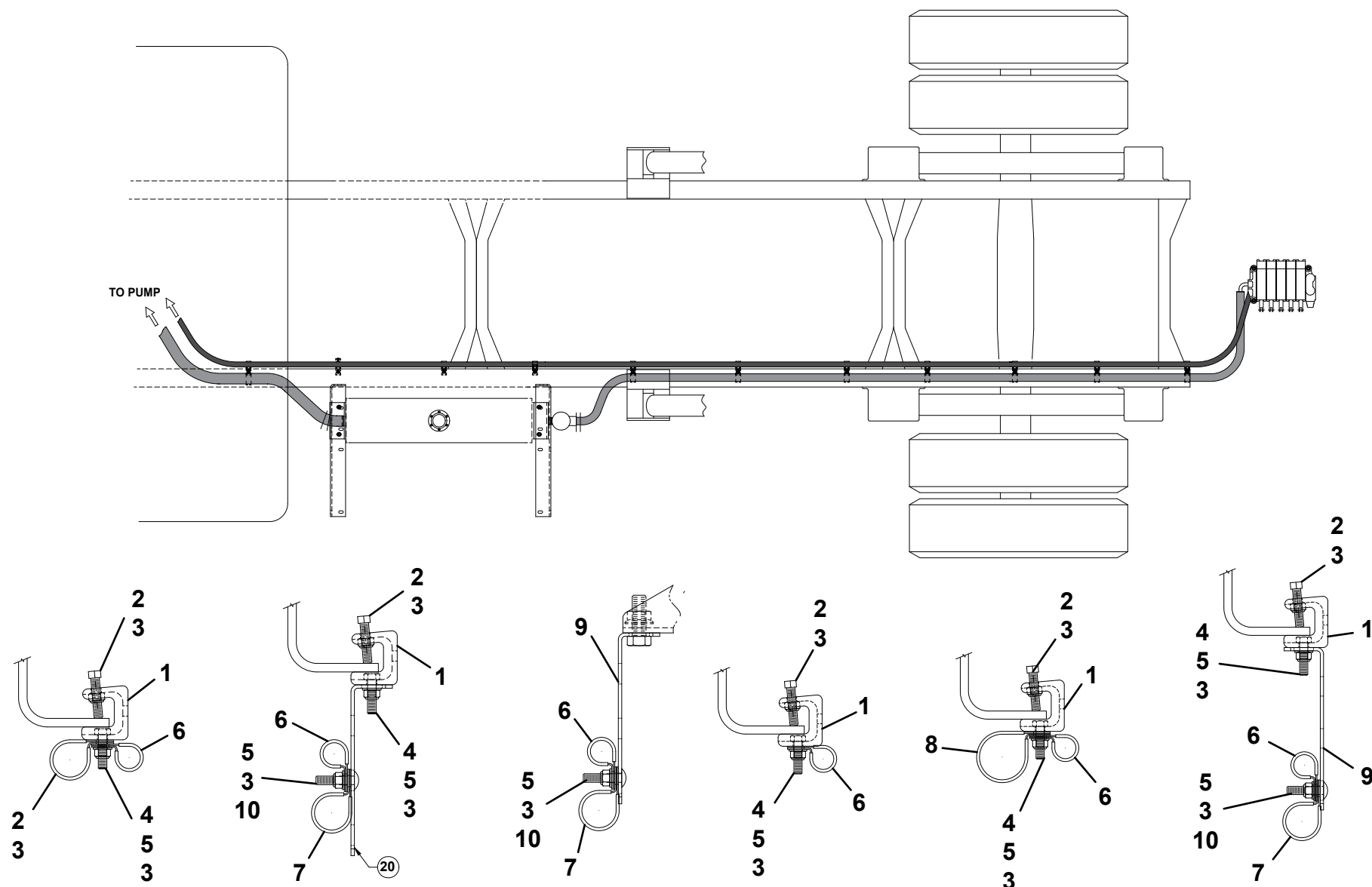


HYDRAULIC COMPONENTS - HOSE ROUTING (CHEVY/GMC)

ITEM	PART NO.	DESCRIPTION	QTY
1	7274000076	Cast Frame Clamp	*
2	7785152420	Set Screw, 0.31"-18NC x 1.50"	*
3	7660152601	Locknut, 0.31"-18NC	*
4	7115151050	Capscrew, 0.31"-18NC x 1.25"	*
5	7950150161	Flatwasher, 0.31" ID	*
6	7274000040	Clamp	*
7	7274000041	Clamp	*
8	7274000042	Clamp	*
9	4706003844	Plate	*
10	7115151064	Carriage Bolt, 0.31"-18NC x 1.25"	*

* Quantity varies depending on deck length and deck type.

HYDRAULIC COMPONENTS - HOSE ROUTING (CHEVY/GMC)

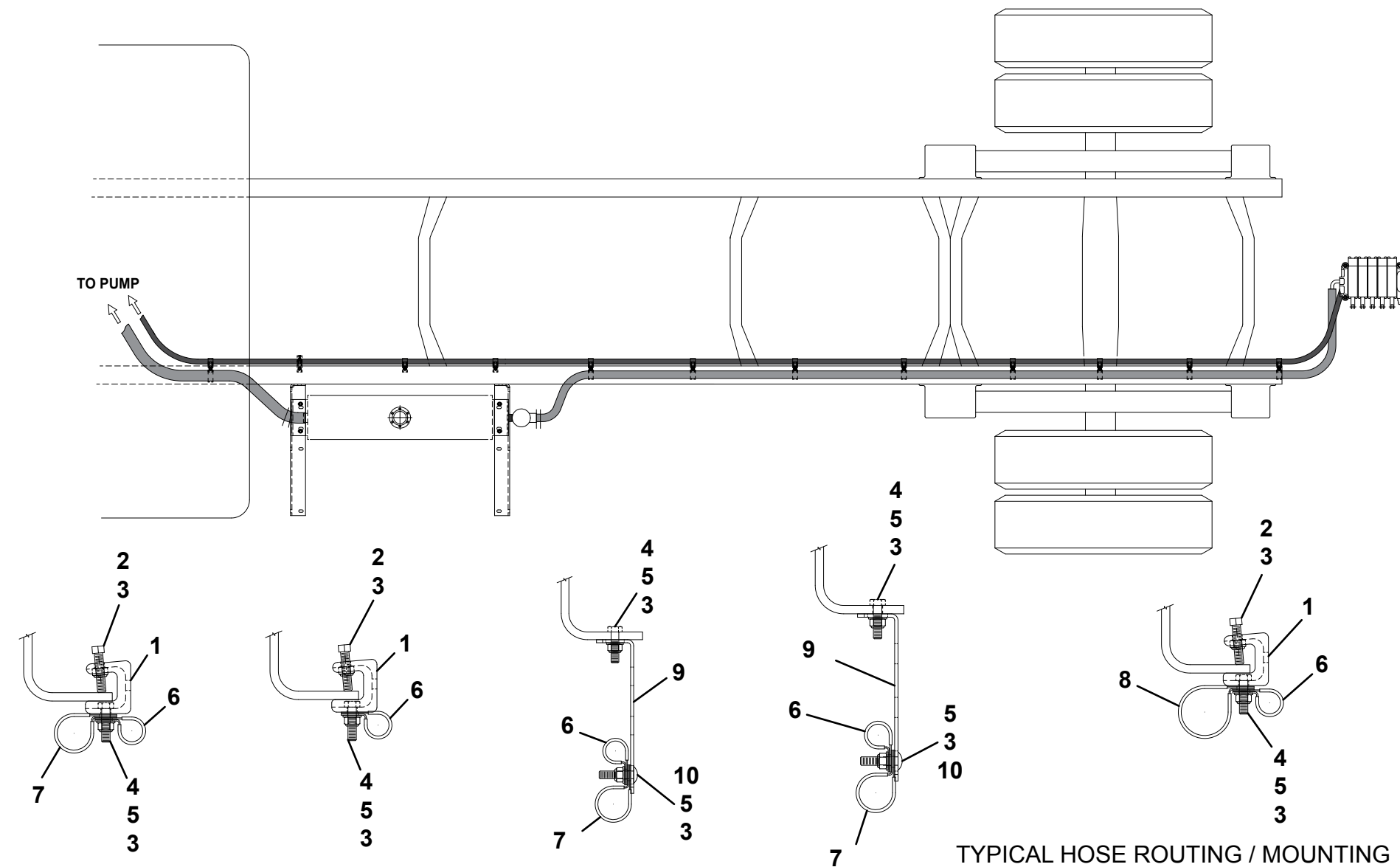


HYDRAULIC COMPONENTS - HOSE ROUTING (DODGE)

ITEM	PART NO.	DESCRIPTION	QTY
1	7274000076	Clamp	*
2	7785152420	Screw, 0.31"-18 x 1.50"	*
3	7660152601	Locknut, 0.31"-18NC	*
4	7115151050	Capscrew, 0.31"-18NC x 1.25"	*
5	7950150161	Flatwasher, 0.31" ID	*
6	7274000040	Clamp, 0.81"	*
7	7274000041	Clamp, 1.25"	*
8	7274000042	Clamp, 1.75"	*
9	4706003844	Plate	*
10	7115151064	Bolt, 0.31"-18NC x 1.25"	*

* Quantity varies depending on deck length and deck type.

HYDRAULIC COMPONENTS - HOSE ROUTING (DODGE)

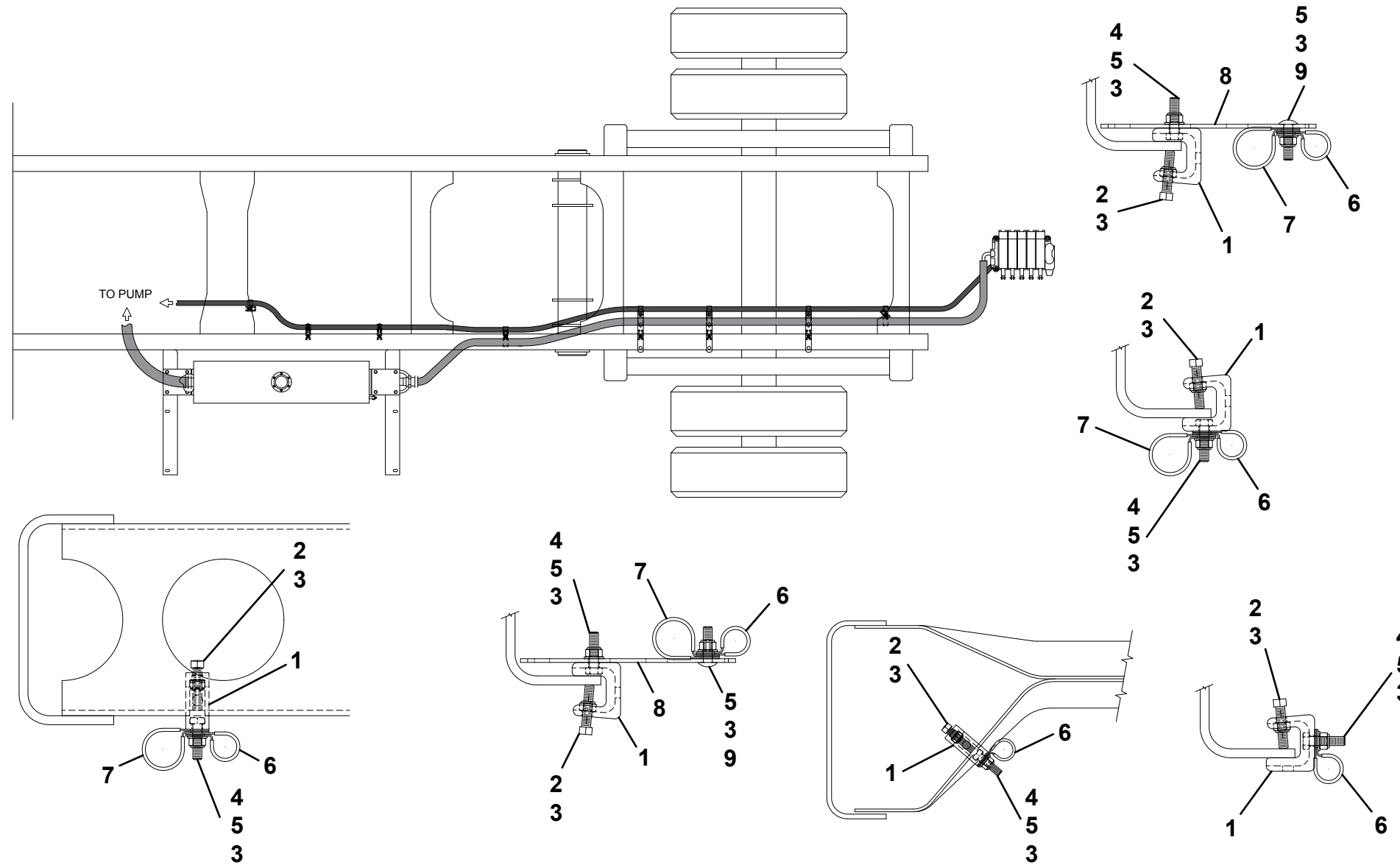


HYDRAULIC COMPONENTS - HOSE ROUTING (STD UD)

ITEM	PART NO.	DESCRIPTION	QTY
1	7274000076	Clamp	*
2	7785152420	Screw, 0.31"-18 x 1.50"	*
3	7660152601	Locknut, 0.31"-18NC	*
4	7115151050	Capscrew, 0.31"-18NC x 1.25"	*
5	7950150161	Flatwasher, 0.31" ID	*
6	7274000040	Clamp, 0.81"	*
7	7274000041	Clamp, 1.25"	*
8	4706003844	Plate	*
9	7115151064	Bolt, 0.31"-18NC x 1.25"	*

* Quantity varies depending on deck length and deck type.

HYDRAULIC COMPONENTS - HOSE ROUTING (STD UD)

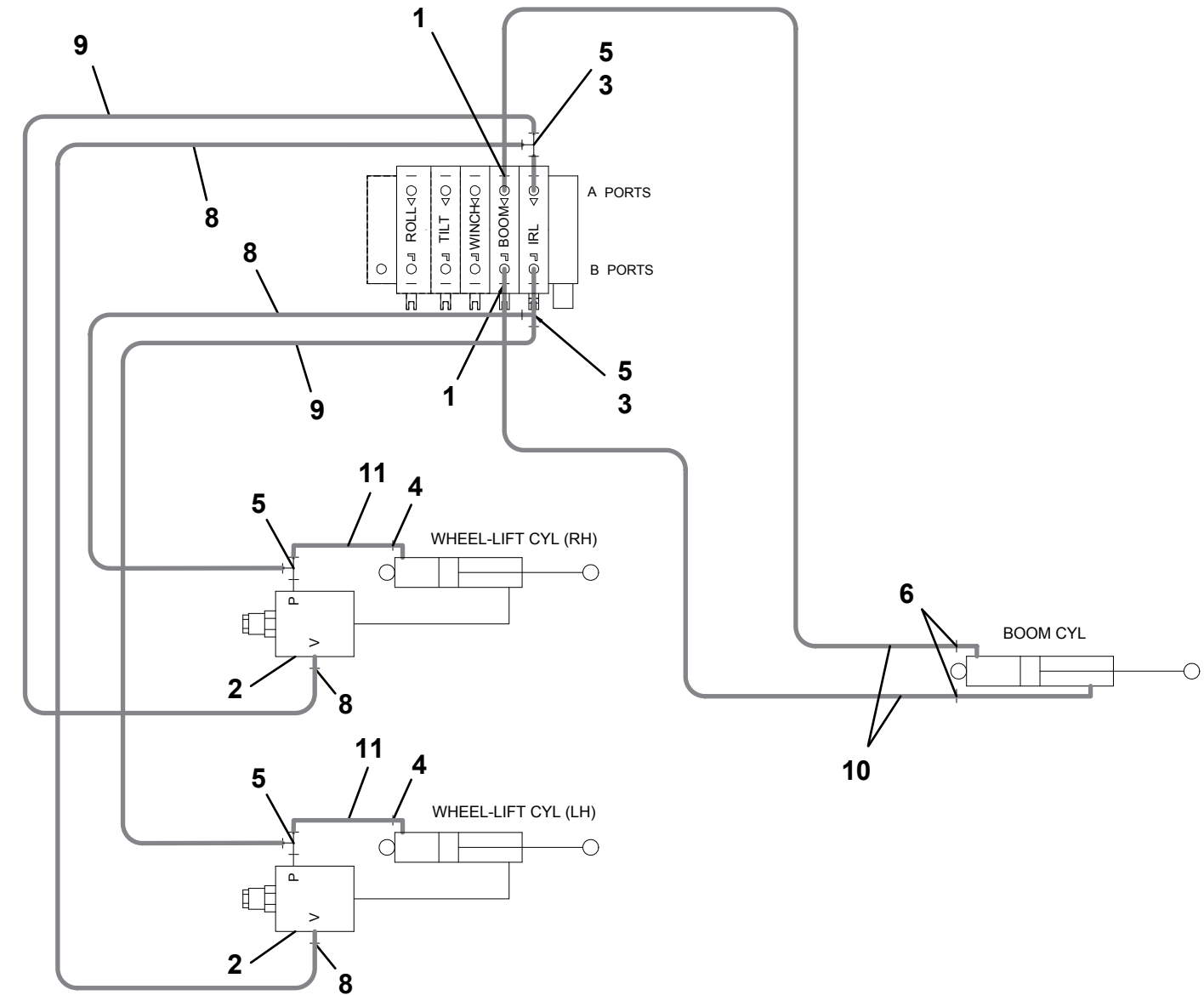


HYDRAULIC COMPONENTS - IRL WHEEL LIFT WITH MANUAL GRIDS

ITEM	PART NO.	DESCRIPTION	QTY
1	7445040843	Adapter	2
2	7935000305	Counter Balance	2
3	7443000129	Reducer	2
4	7445060645	Elbow	4
5	7445060648	Elbow	4
6	7445040446	Elbow	2
7	5526000553	Tie Straps	12
8	4567122032	Hose Assembly	2
9	4567123034	Hose Assembly	2
10	4567110032	Hose Assembly	2
11	4567122014	Hose Assembly	2

* also available in Hose Kit, P/N 4577000002

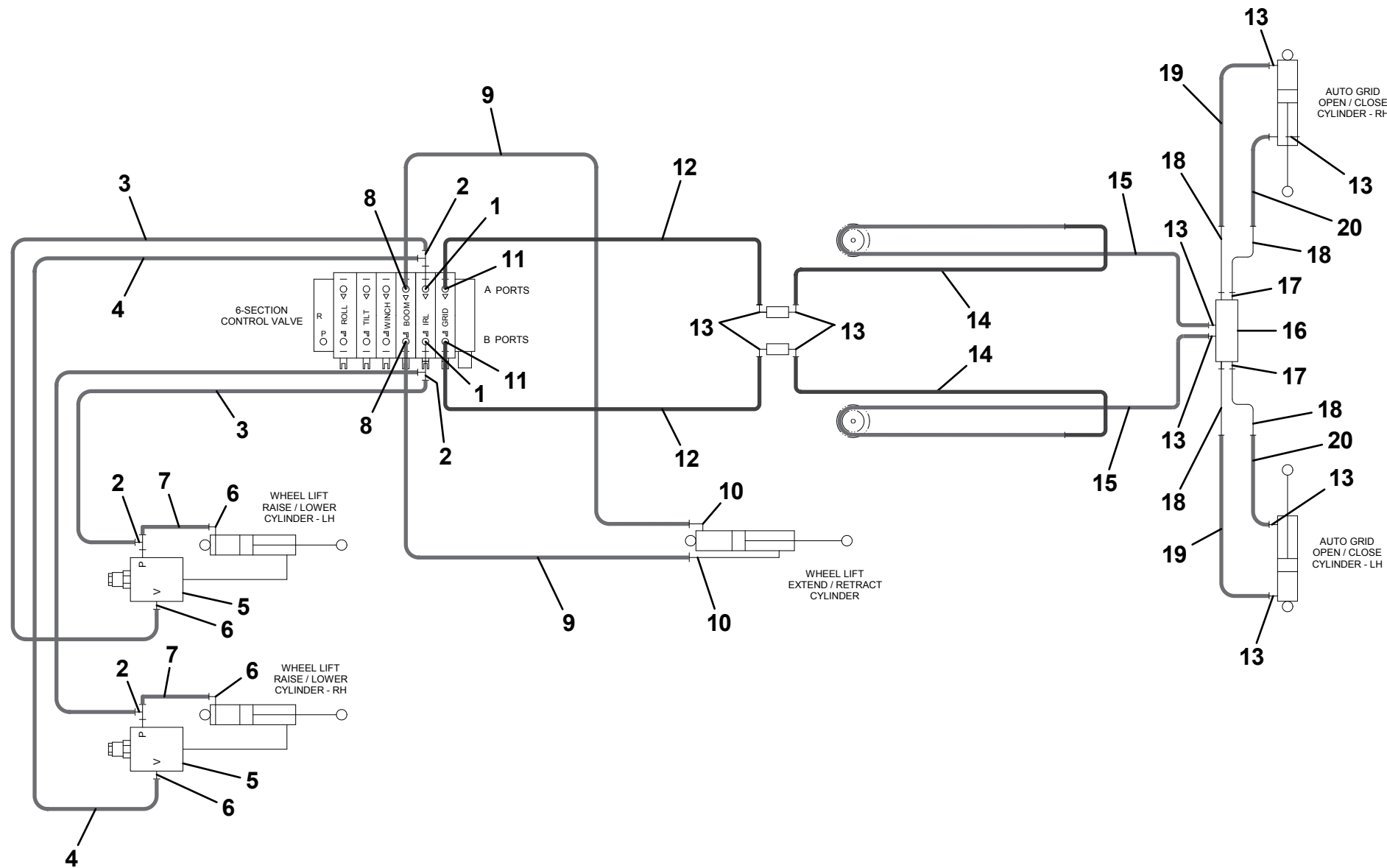
HYDRAULIC COMPONENTS - IRL WHEEL LIFT WITH MANUAL GRIDS



HYDRAULIC COMPONENTS - IRL WHEEL LIFT WITH HYDRAULIC GRIDS

ITEM	PART NO.	DESCRIPTION	QTY
1	7443000129	Reducer	2
2	7445060648	Tee	4
3	4567123034	Hose Assembly	2
4	4567122032	Hose Assembly	2
5	7935000305	Counterbalance Valve	2
6	7445060645	Elbow	4
7	4567122014	Hose Assembly (Manual Grids)	2
	4567122014	Hose Assembly (Hyd Grids - low frame)	
	4567122012	Hose Assembly (Hyd Grids - high frame)	
8	7445040843	Adapter	2
9	4567110032	Hose Assembly (Manual Grids)	2
	4567110042	Hose Assembly (Hyd Grids - low frame)	
	4567110038	Hose Assembly (Hyd Grids - high frame)	
10	7445040446	Elbow	2
11	7443040843	Adapter	2
12	4567110038	Hose Assembly (Manual Grids)	2
	4567110038	Hose Assembly (Hyd Grids - low frame)	
	4567110034	Hose Assembly (Hyd Grids - high frame)	
13	7445040445	Elbow	10
14	7912000237	Tube Assembly	2
15	4570000234	Hose Assembly	2
16	4619000013	Manifold	1
17	7445040443	Adapter	4
18	7912000184	Tube Assembly	4
19	4570000210	Hose Assembly	2
20	4570000211	Hose Assembly	2

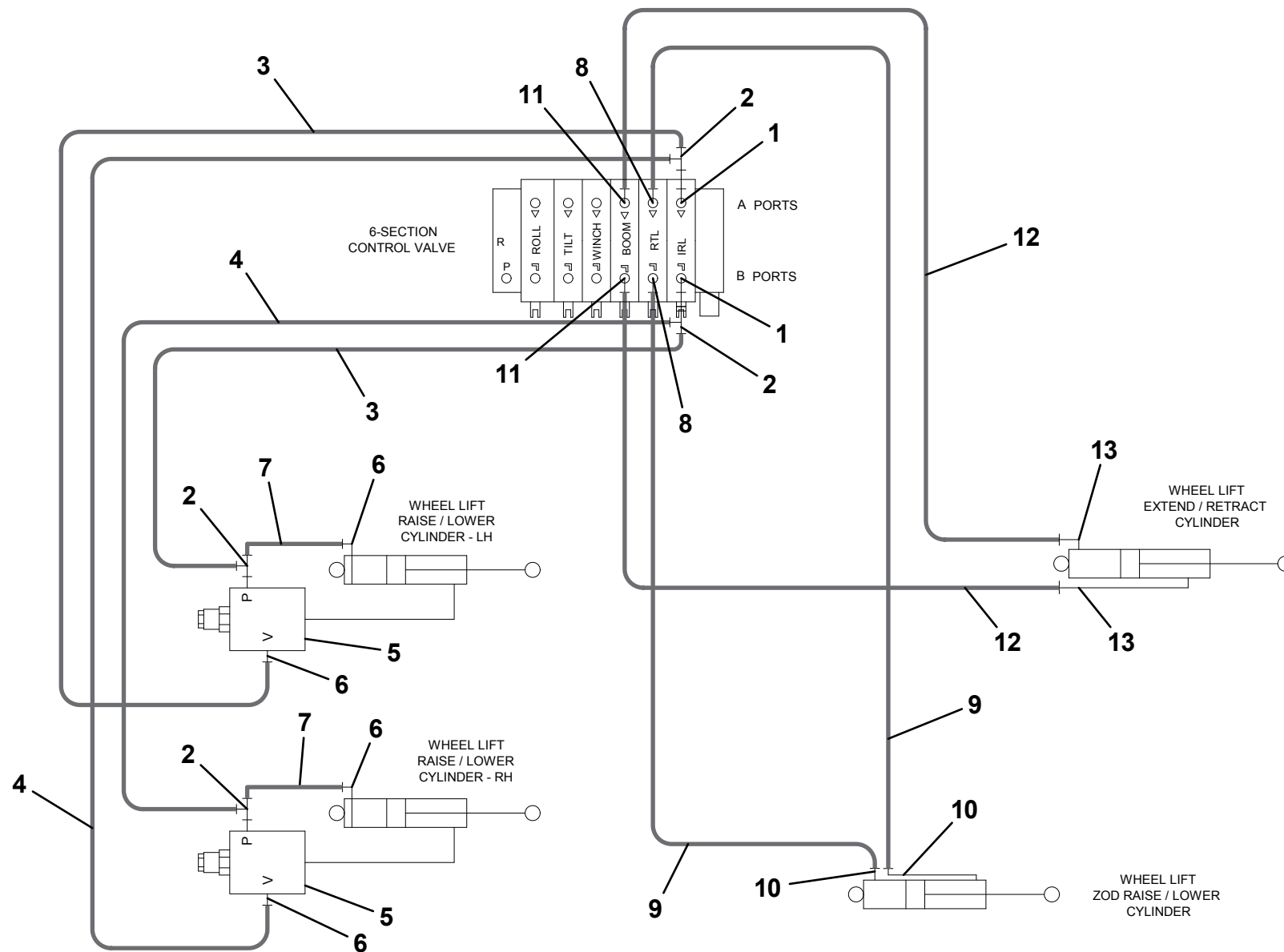
HYDRAULIC COMPONENTS - IRL WHEEL LIFT WITH HYDRAULIC GRIDS



HYDRAULIC COMPONENTS - ZOD WHEEL LIFT WITH MANUAL GRIDS

ITEM	PART NO.	DESCRIPTION	QTY
1	7443000129	Reducer	2
2	7445060648	Tee	4
3	4567123034	Hose Assembly	2
4	4567122032	Hose Assembly	2
5	7935000305	Counterbalance Valve	2
6	7445060645	Elbow	4
7	4567122014	Hose Assembly	2
8	7445060843	Adapter	2
9	4567120025	Hose Assembly	2
10	7445060643	Adapter	4
11	7445040843	Adapter	2
12	4567110034	Hose Assembly	2
13	7445040446	Elbow	2

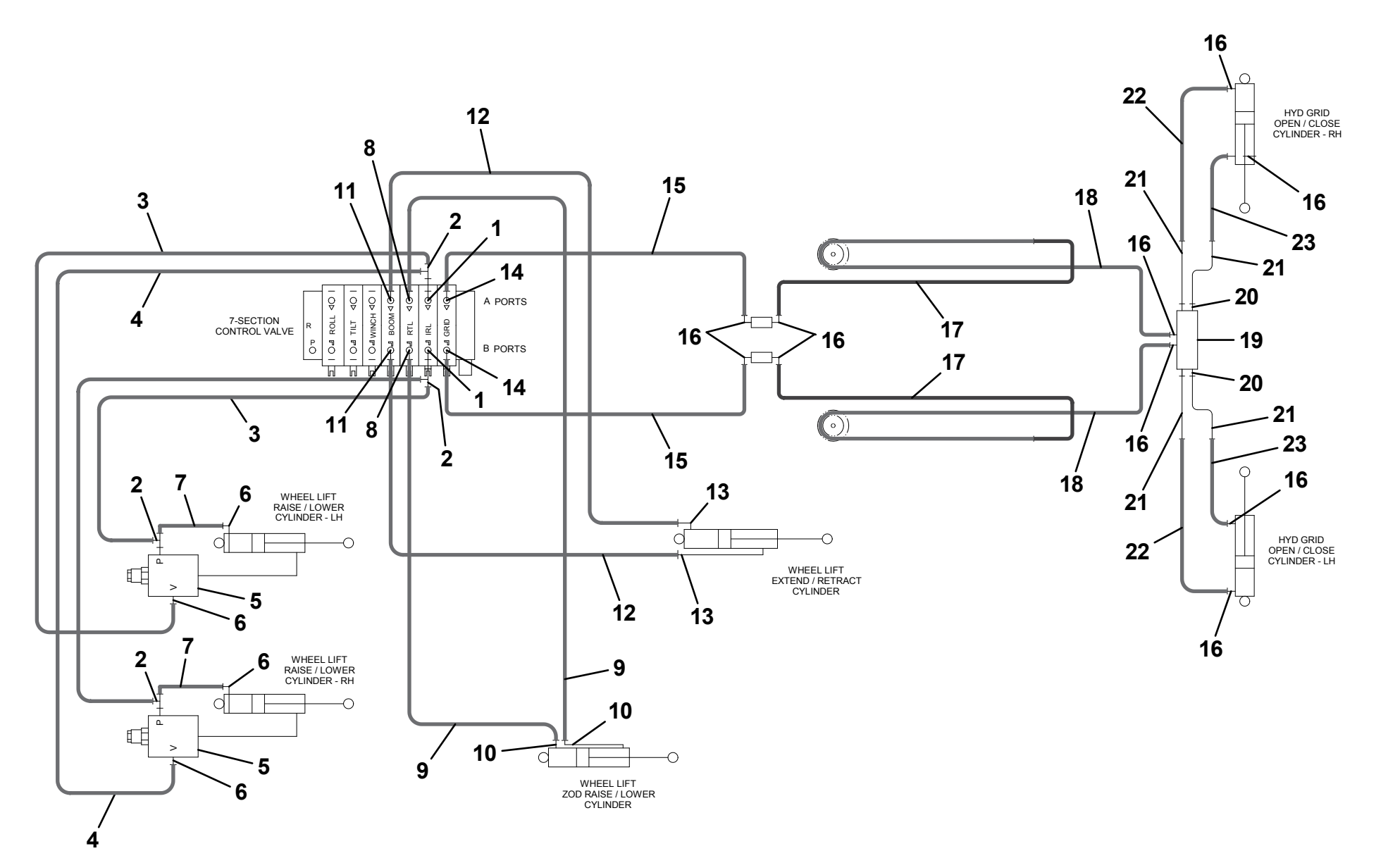
HYDRAULIC COMPONENTS - ZOD WHEEL LIFT WITH MANUAL GRIDS



HYDRAULIC COMPONENTS - ZOD WHEEL LIFT WITH HYDRAULIC GRIDS

ITEM	PART NO.	DESCRIPTION	QTY
1	7443000129	Reducer	2
2	7445060648	Tee	4
3	4567123034	Hose Assembly	2
4	4567122032	Hose Assembly	2
5	7935000305	Counterbalance Valve	2
6	7445060645	Elbow	4
7	4567122014	Hose Assembly (Manual Grids)	2
	4567122014	Hose Assembly (Hyd Grids - low frame)	
	4567122012	Hose Assembly (Hyd Grids - high frame)	
8	7445060843	Adapter	2
9	4567120025	Hose Assembly	2
10	7443060643	Adapter	2
11	7445040843	Adapter	2
12	4567110032	Hose Assembly (Manual Grids)	2
	4567110042	Hose Assembly (Hyd Grids - low frame)	
	4567110038	Hose Assembly (Hyd Grids - high frame)	
13	7445040446	Elbow	2
14	7443040843	Adapter	2
15	4567110038	Hose Assembly (Manual Grids)	2
	4567110038	Hose Assembly (Hyd Grids - low frame)	
	4567110034	Hose Assembly (Hyd Grids - high frame)	
16	7445040445	Elbow	10
17	7912000237	Tube Assembly	2
18	4570000234	Hose Assembly	2
19	4619000013	Manifold	1
20	7445040443	Adapter	4
21	7912000184	Tube Assembly	4
22	4570000210	Hose Assembly	2
23	4570000211	Hose Assembly	2

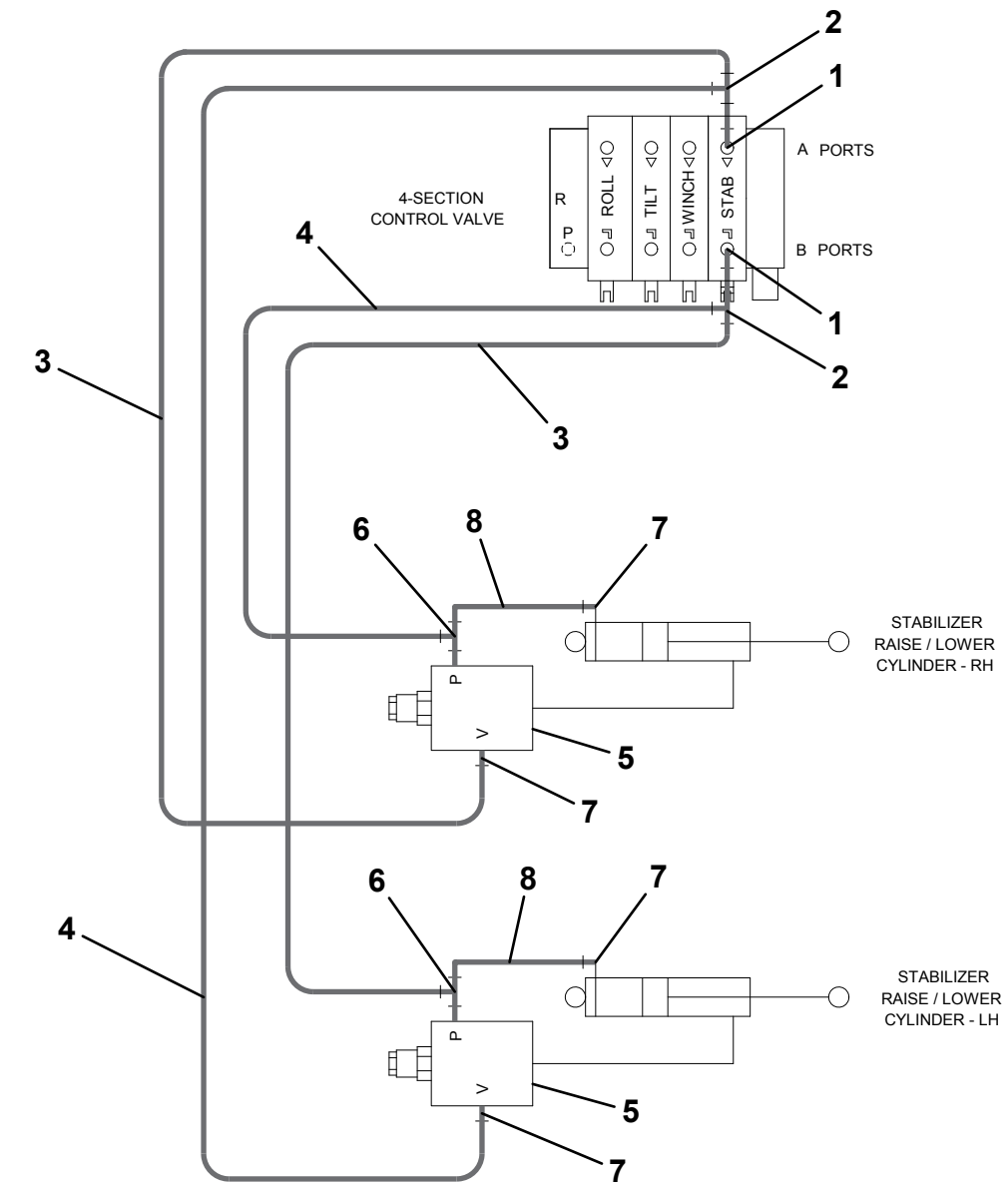
HYDRAULIC COMPONENTS - ZOD WHEEL LIFT WITH HYDRAULIC GRIDS



HYDRAULIC COMPONENTS - STABILIZER W/ REESE REC OR PINTLE HITCH

ITEM	PART NO.	DESCRIPTION	QTY
1	7445060845	Elbow	2
2	7443000030	Tee	2
3	4567122032	Hose Assembly	2
4	4567122050	Hose Assembly	2
5	7935000305	Counterbalance Valve	2
6	7445060648	Tee	2
7	7445060645	Elbow	4
8	4567122014	Hose Assembly	2

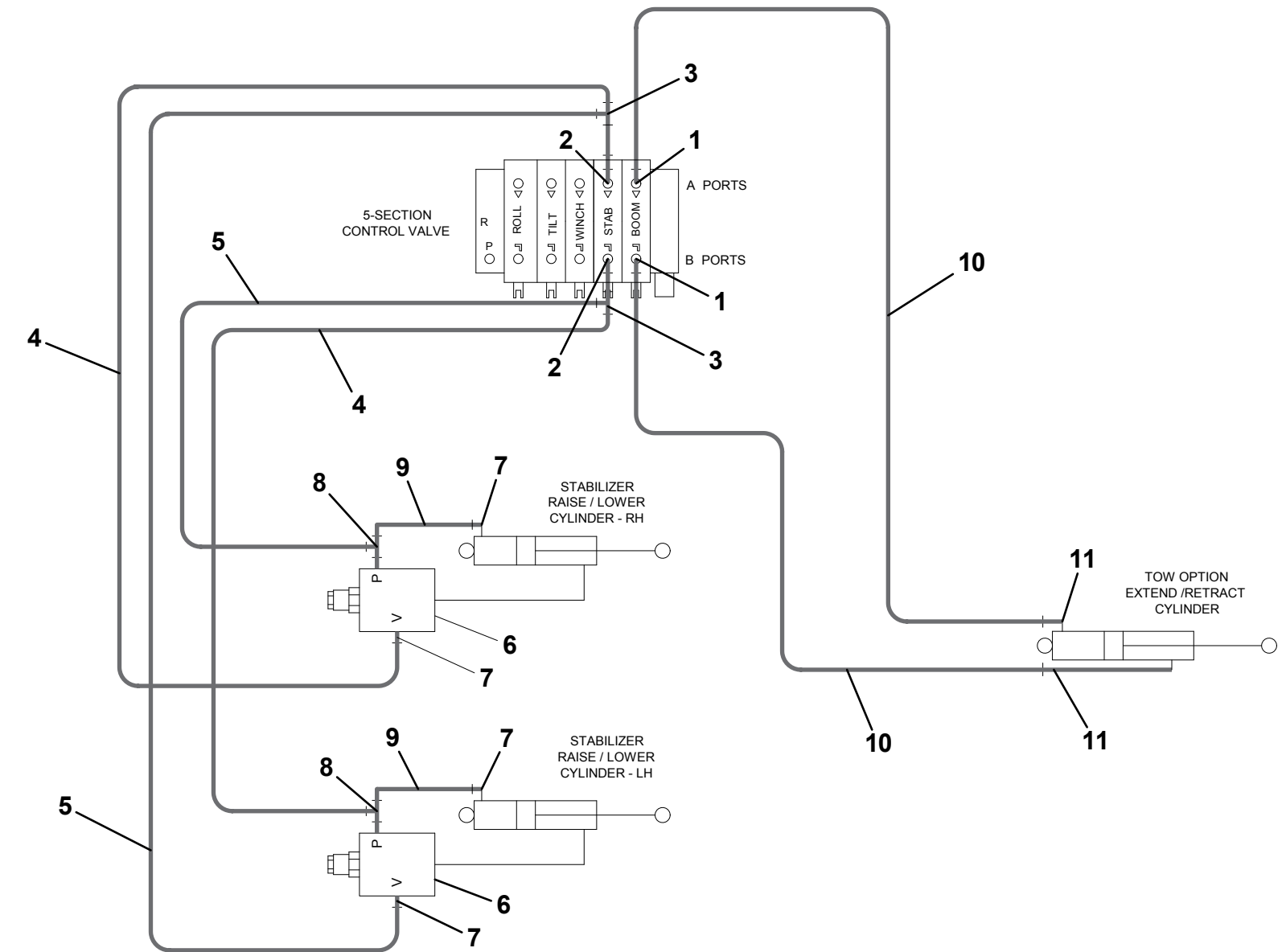
HYDRAULIC COMPONENTS - STABILIZER W/ REESE REC OR PINTLE HITCH



HYDRAULIC COMPONENTS - STABILIZER W/ HYD PINTLE HITCH MTG PLATE

ITEM	PART NO.	DESCRIPTION	QTY
1	7445060843	Adapter	2
2	7445060845	Elbow	2
3	7443000030	Tee	2
4	4567122032	Hose Assembly	2
5	4567122050	Hose Assembly	2
6	7935000305	Counterbalance Valve	2
7	7445060645	Elbow	4
8	7445060648	Tee	2
9	4567122014	Hose Assembly	2
10	4567120024	Hose Assembly	2
11	7445060643	Adapter	2

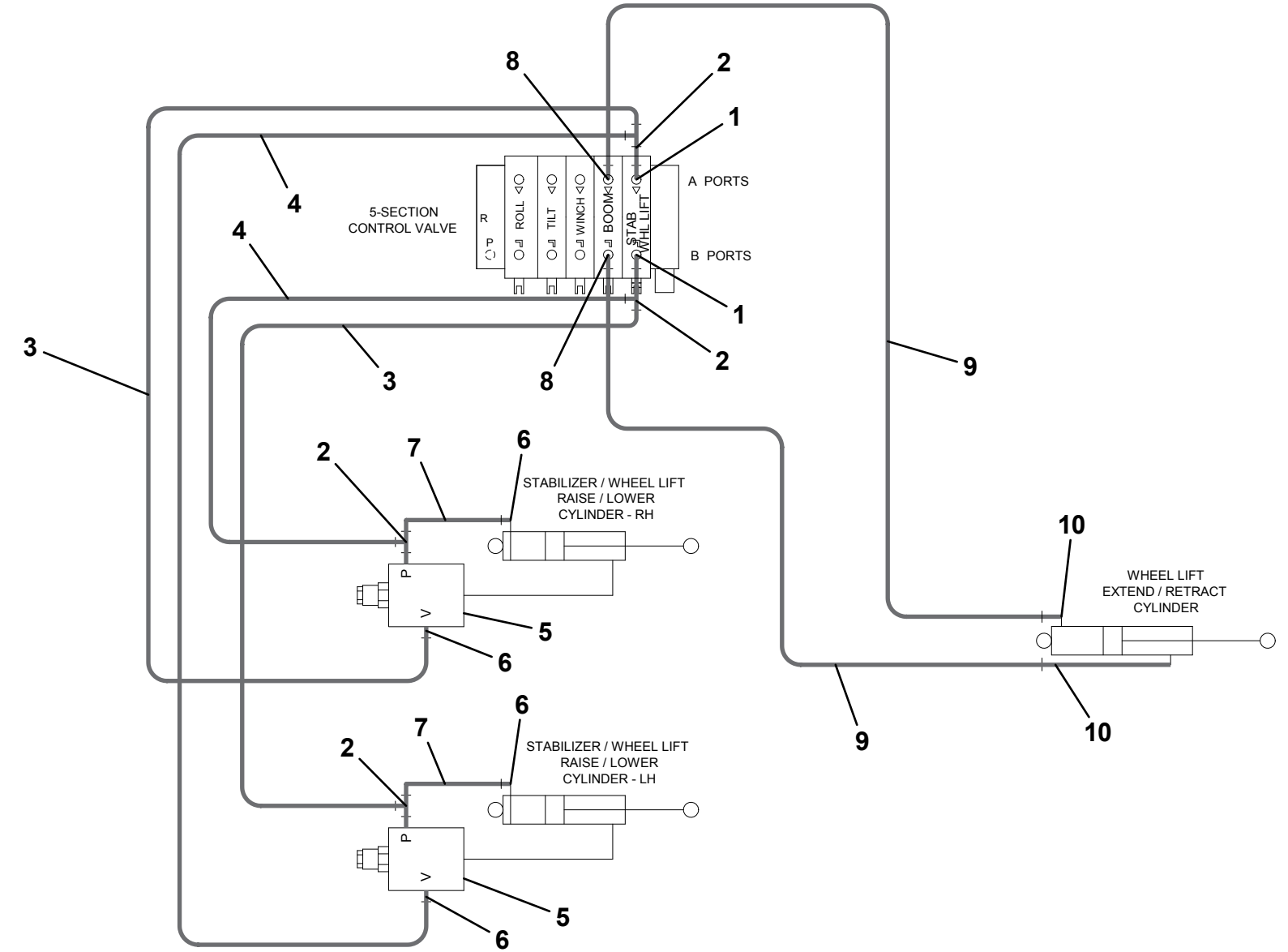
HYDRAULIC COMPONENTS - STABILIZER W/ HYD PINTLE HITCH MTG PLATE



HYDRAULIC COMPONENTS - IRL TOW OPTION

ITEM	PART NO.	DESCRIPTION	QTY
1	7443000129	Reducer	2
2	7445060648	Tee	4
3	4567123034	Hose Assembly	2
4	4567122032	Hose Assembly	2
5	7935000305	Counterbalance Valve	2
6	7445060645	Elbow	4
7	4567122014	Hose Assembly	2
8	7445040843	Adapter	2
9	4567112042	Hose Assembly	2
10	7445040645	Elbow	2

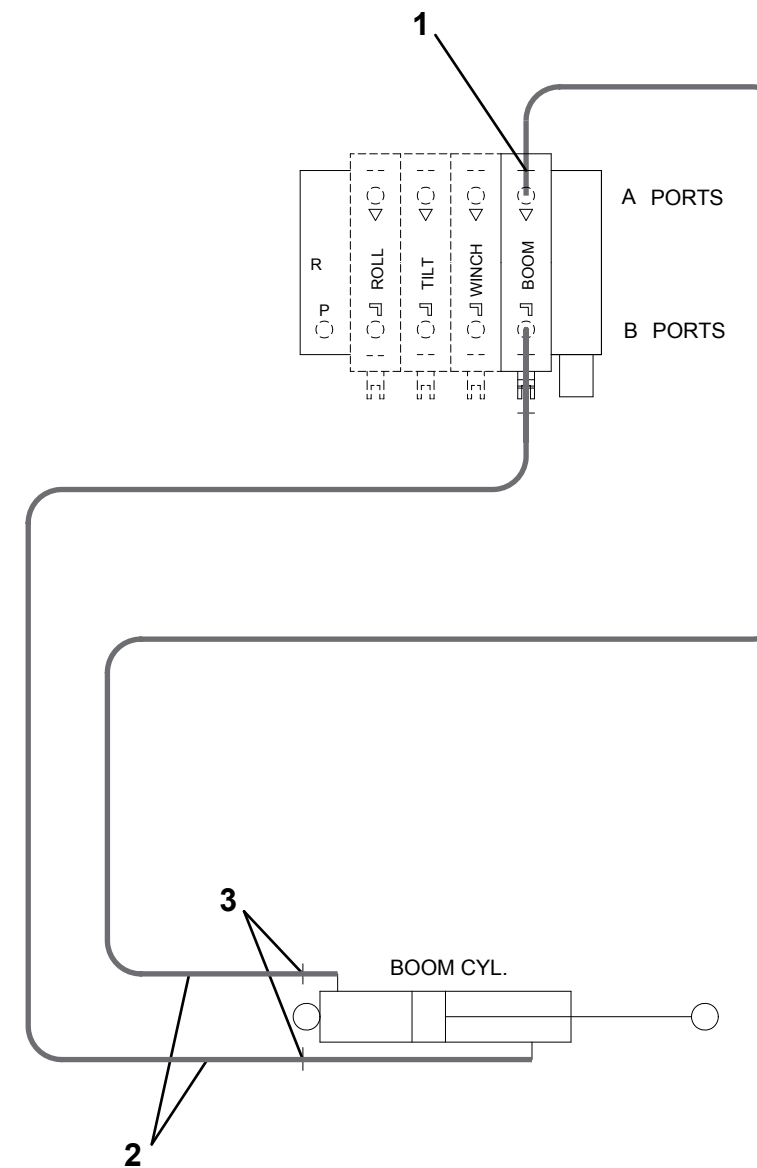
HYDRAULIC COMPONENTS - IRL TOW OPTION



HYDRAULIC COMPONENTS - HYDRAULIC EXTEND TOW OPTION

ITEM	PART NO.	DESCRIPTION	QTY
1	7445040843	Adapter	2
2	4567112042	Hose Assembly	2
3	7445040645	Elbow	2

HYDRAULIC COMPONENTS - HYDRAULIC EXTEND TOW OPTION

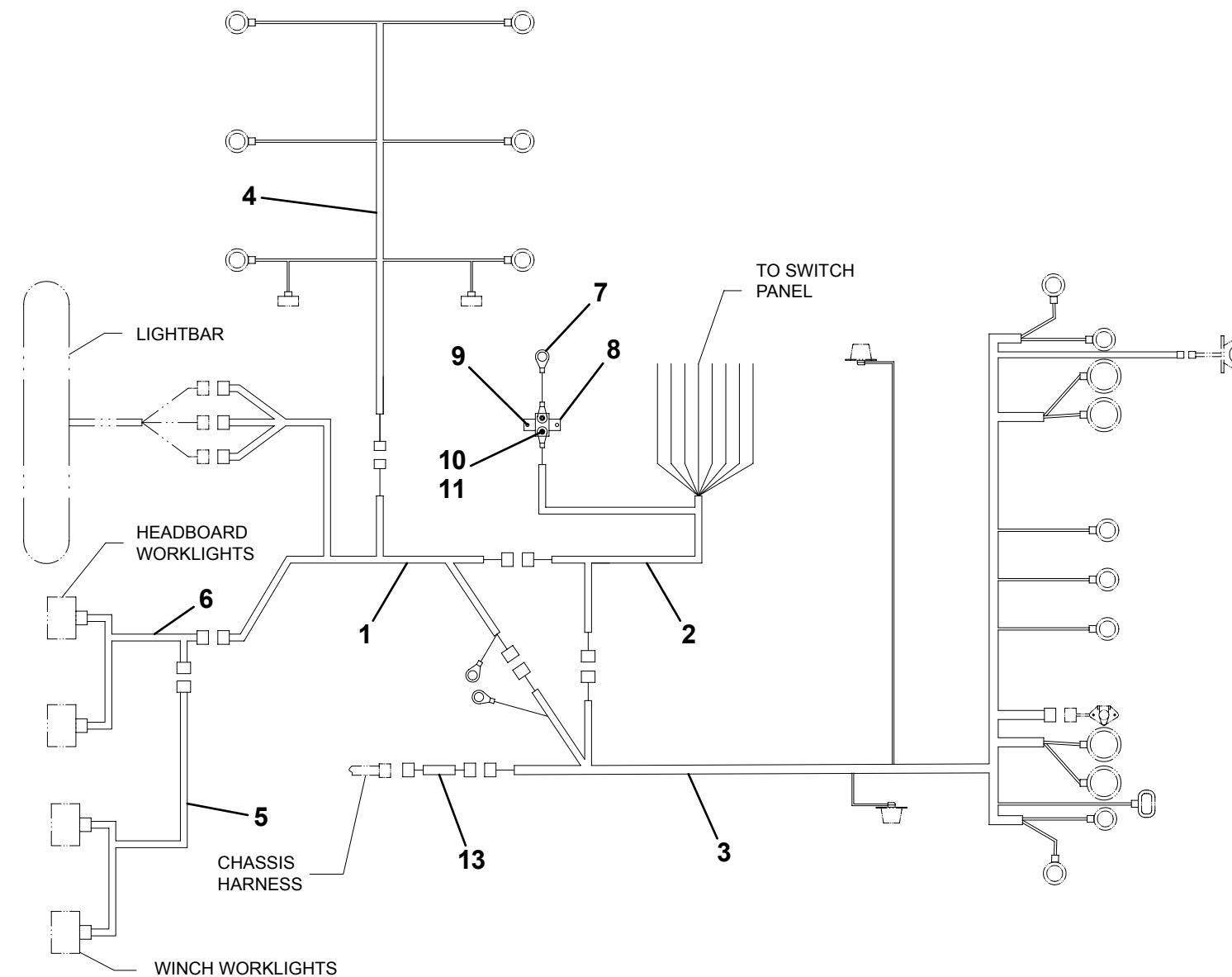


ELECTRICAL COMPONENTS - STANDARD W/ BOLT-ON HEADBOARD

ITEM	PART NO.	DESCRIPTION	QTY
1	7552000098	Subframe to Deck Harness	1
2	7552000074	Subframe to Cab Harness	1
3	7552000126	Subframe Harness	1
4	7552000177	Deck Harness	1
5	7552000166	Winch Lights Harness	1
6	7552000222	Work Lights on Headboard Harness	1
7	7345241902	Terminal	1
8	7457000004	Circuit Breaker	1
9	7790100856	Screw, #10 x 0.50"	2
10	7345221902	Terminal	2
11	7950100151	Flatwasher, 0.19" ID	2
12	7280000013	Clip	*
13	7577000194	Wiring Connector Kit	1

* Quantity varies depending on deck construction

ELECTRICAL COMPONENTS - STANDARD W/ BOLT-ON HEADBOARD

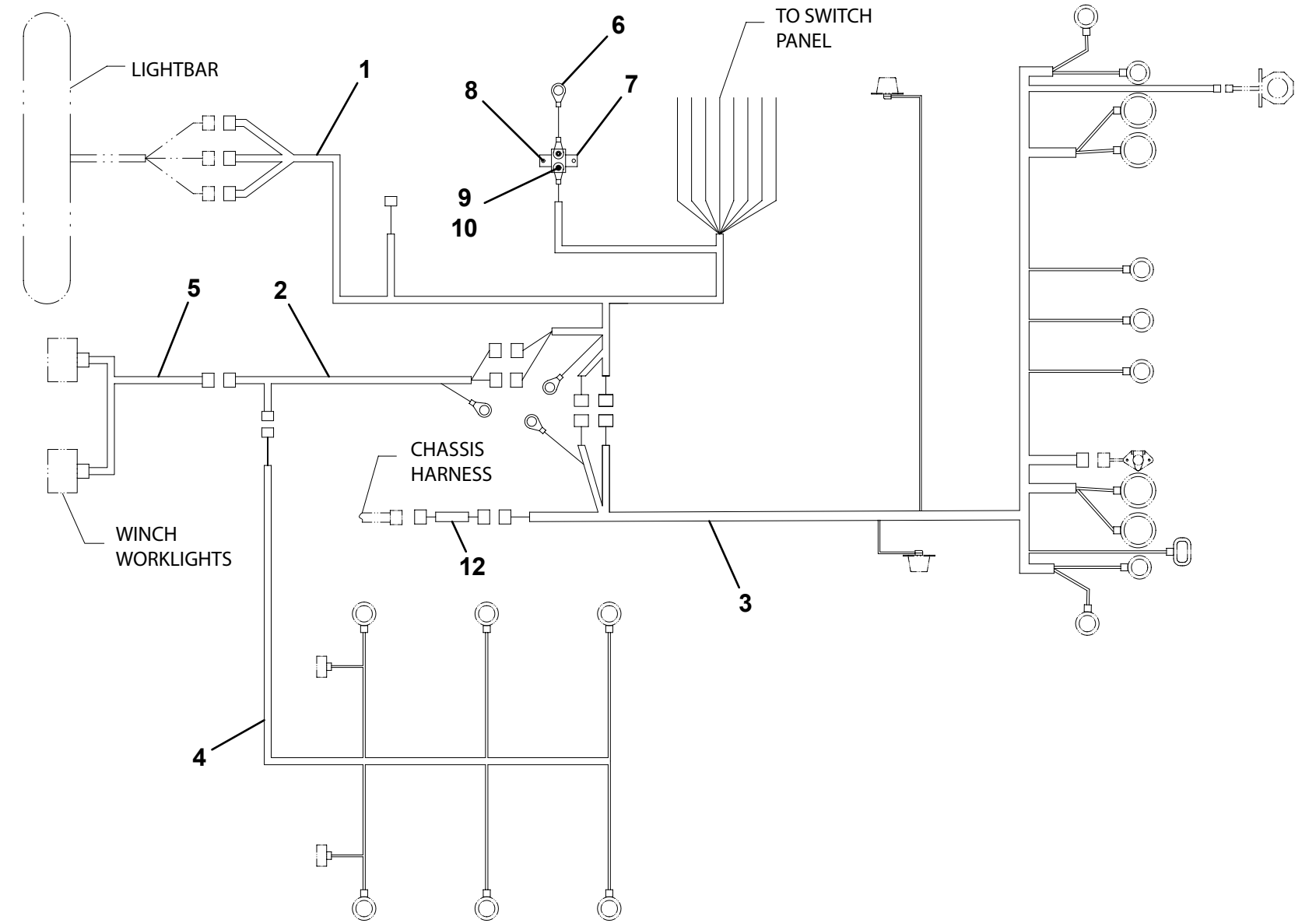


ELECTRICAL COMPONENTS - STANDARD W/ STATIONARY HEADBOARD

ITEM	PART NO.	DESCRIPTION	QTY
1	7552000204	Subframe to Cab Harness	1
2	7552000075	Subframe to Deck Harness	1
3	7552000126	Subframe Harness	1
4	7552000177	Deck Harness	1
5	7552000166	Winch Lights Harness	1
6	7345241902	Terminal	1
7	7457000004	Circuit Breaker	1
8	7790100856	Screw, #10 x 0.50"	2
9	7345221902	Terminal	2
10	7950100151	Flatwasher, 0.19" ID	2
11	7280000013	Clip	*
12	7577000194	Wiring Connector Kit	1

* Quantity varies depending on deck construction

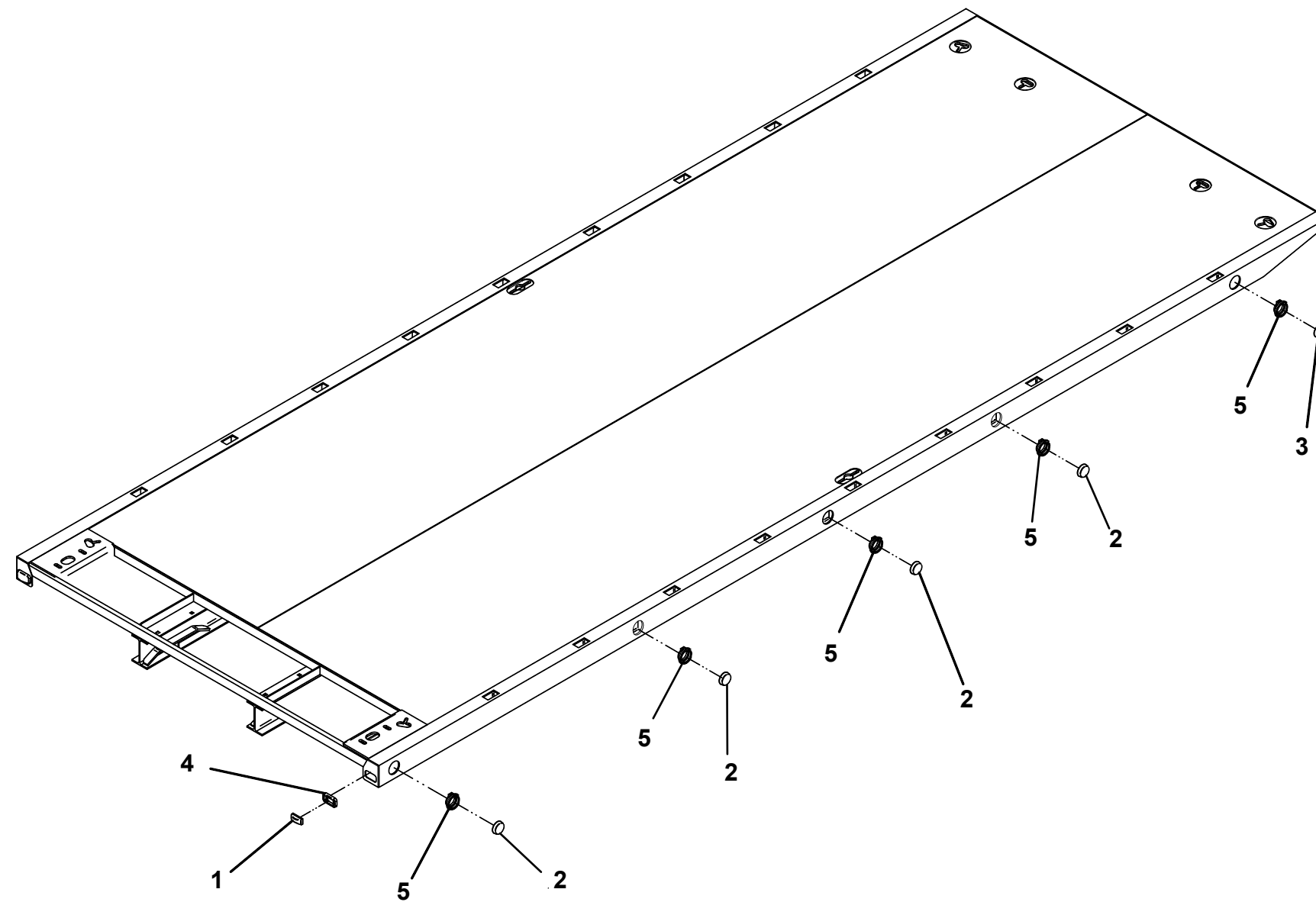
ELECTRICAL COMPONENTS - STANDARD W/ STATIONARY HEADBOARD



DECK MARKER LIGHTS

ITEM	PART NO.	DESCRIPTION	QTY
1	7590000339	Light, Amber	2
	7590000148	Light, Amber - 24V	2
2	7590000342	Light, Round - Amber	8
	7590000133	Light, Round - Amber - 24V	8
3	7590000343	Light, Round - Red	2
	7590000132	Light, Round - Red - 24V	2
4	7493000010	Grommet	2
5	7493000009	Grommet	10

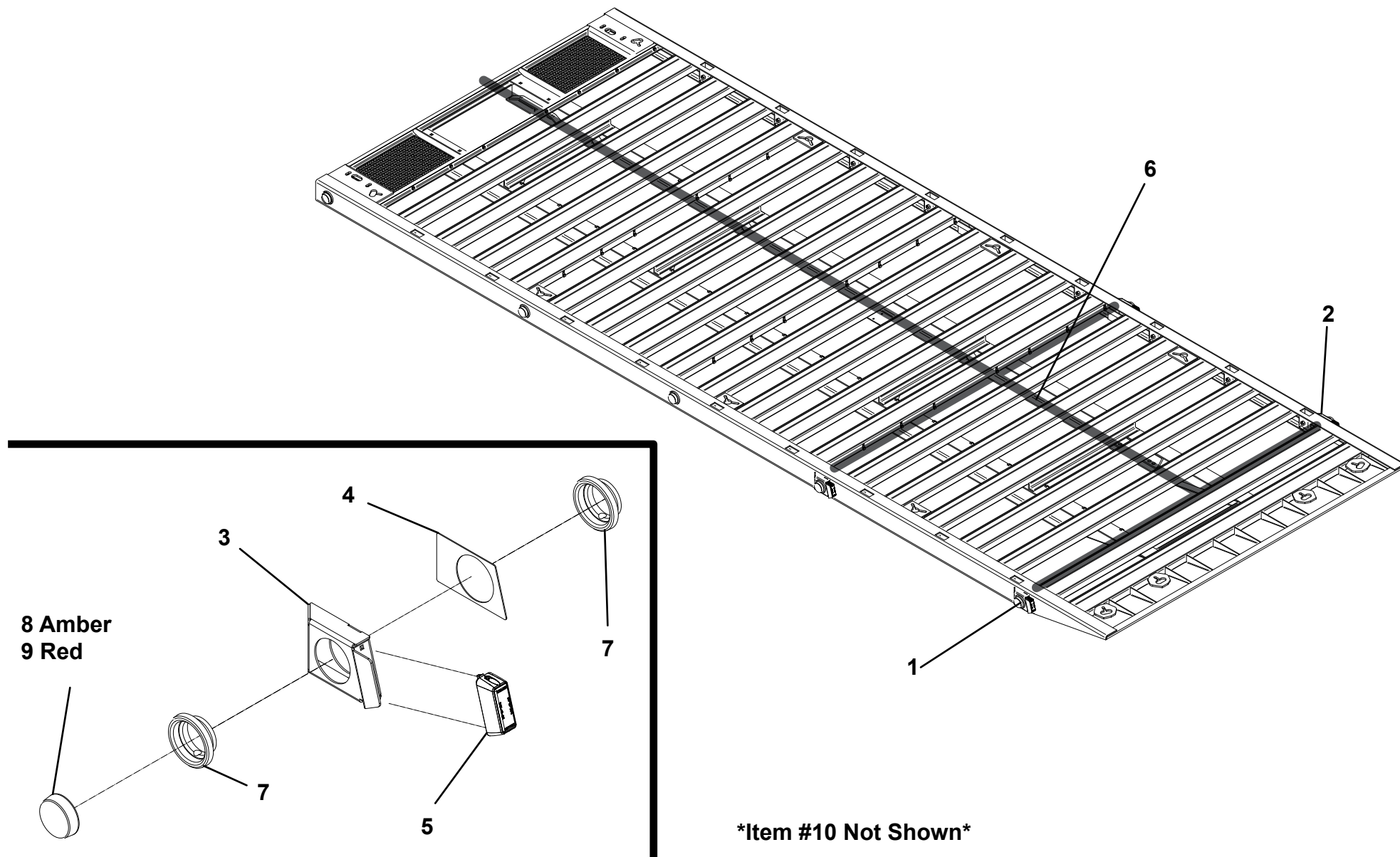
DECK MARKER LIGHTS



R.A.I.L. MARKER LIGHTS

ITEM	PART NO.	DESCRIPTION	QTY
1	1001145074	Bracket w/ Whelen Flash, LH	2
2	1001145075	Bracket w/ Whelen Flash, RH	2
3	1001143064	Bracket, LH	2
	1001143063	Bracket, RH	2
4	1001145629	Double Sided Tape	4
5	1001143690	Lamp, Strobe	4
6	1001143642	Harness	1
7	7493000009	Grommet	8
8	7590000342	Light, Amber	2
9	7590000343	Light, Red	2
10	1001144986	Harness, Headboard	1

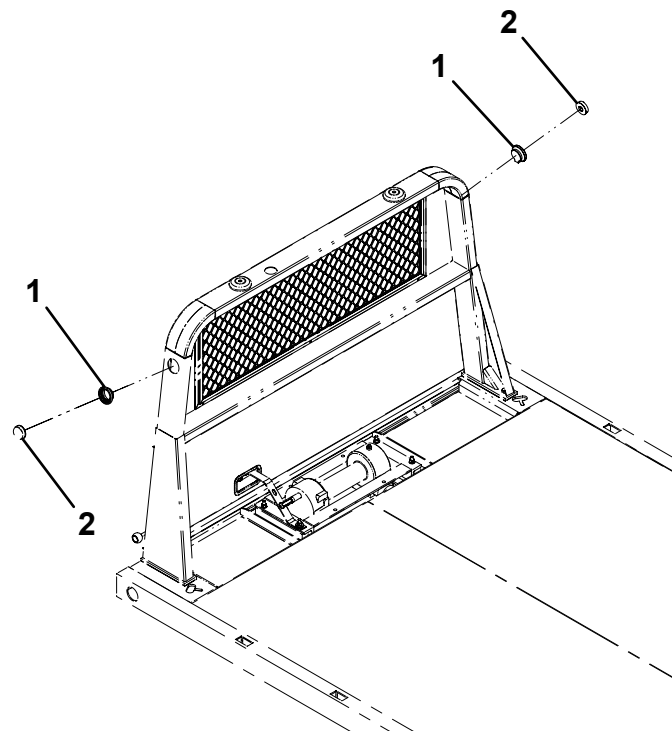
R.A.I.L. MARKER LIGHTS



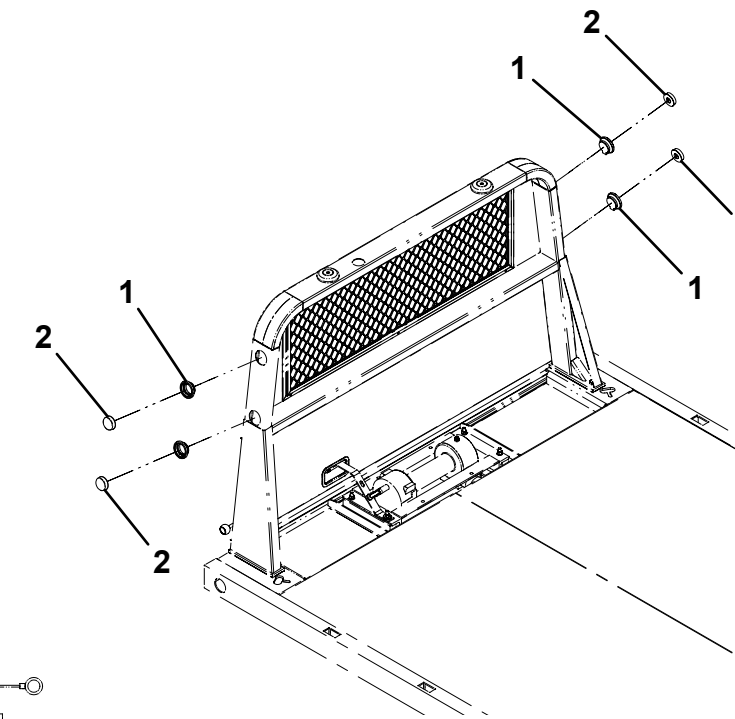
HEADBOARD SIDE MARKER LIGHTS

ITEM	PART NO.	DESCRIPTION	QTY
1	7493000009	Grommet (36" & 40" Headboard)	2
	7493000009	Grommet (45", 50" & 57" Headboard)	4
2	7590000342	Marker Light - Amber (LED) (36" & 40" Headboard)	2
	7590000342	Marker Light - Amber (LED) (45", 50" & 57" Headboard)	4
3	7552000409	Headboard to Cab Harness	1

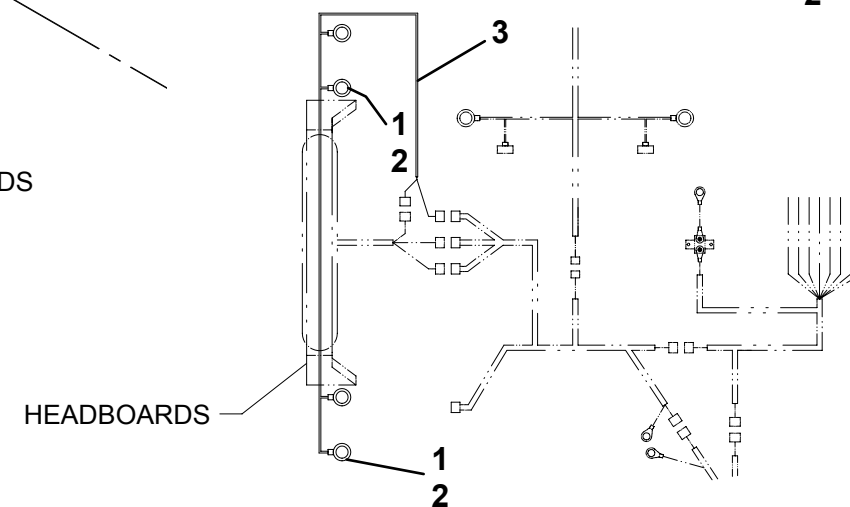
HEADBOARD SIDE MARKER LIGHTS



FOR 36" & 40" HEADBOARDS



FOR 45", 50" & 57" HEADBOARDS

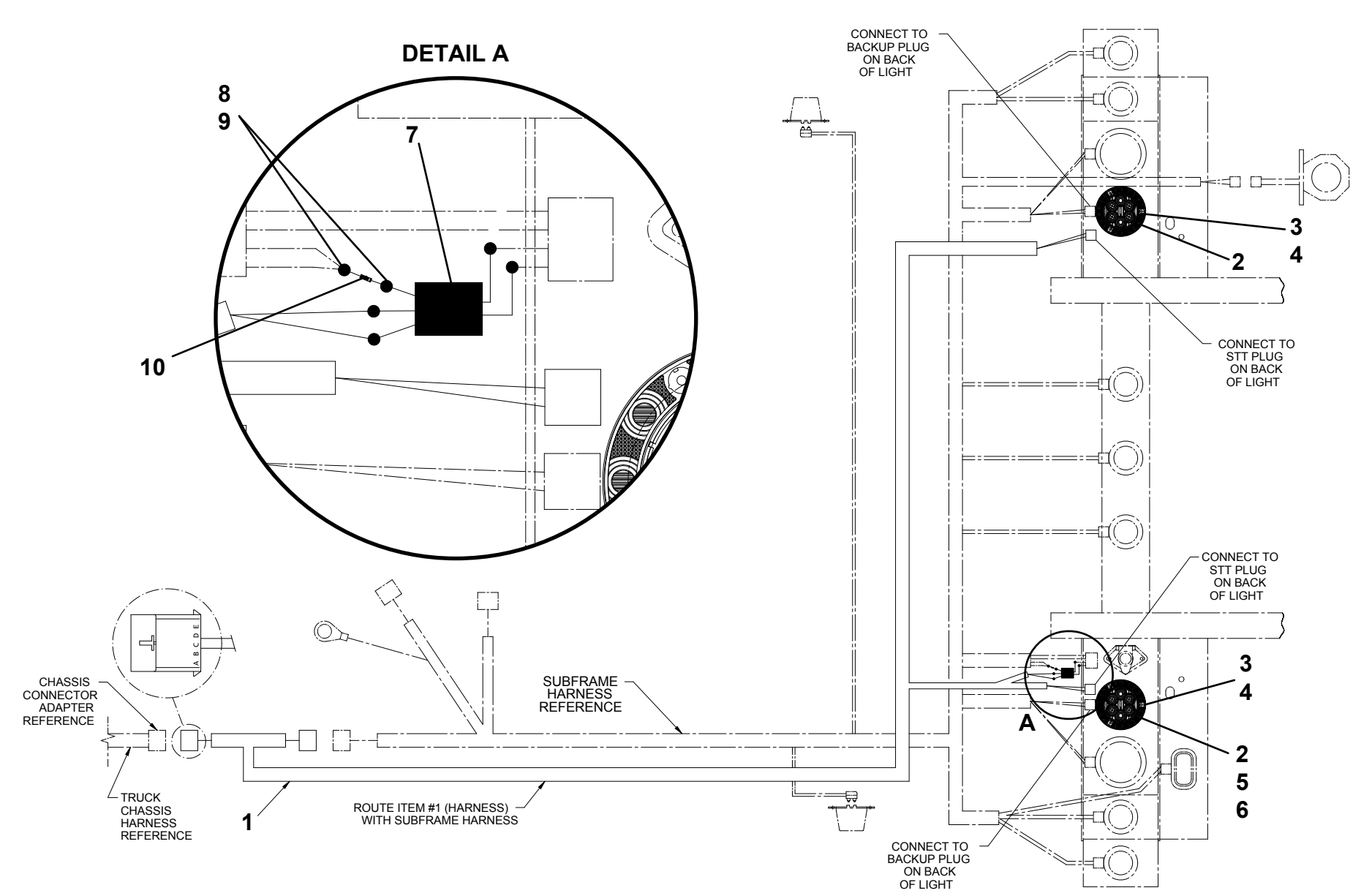


HEADBOARDS

ELECTRICAL COMPONENTS - OPTIONAL (TAIL LIGHT CONVERTER)

ITEM	PART NO.	DESCRIPTION	QTY
1	7552000472	Harness	1
2	7590000432	Light	2
3	7114101018	Capscrew, #10-24NC x 1.25"	6
4	7660102604	Locknut, #10-24UNC	6
5	1001142769	Light	-2
6	7493000002	Grommet	-2
7	1001159336	Converter	1
8	7345001714	Terminal	6
9	7346000039	Heat Shrink Tubing	0.2
10	1001100949	Diode	1

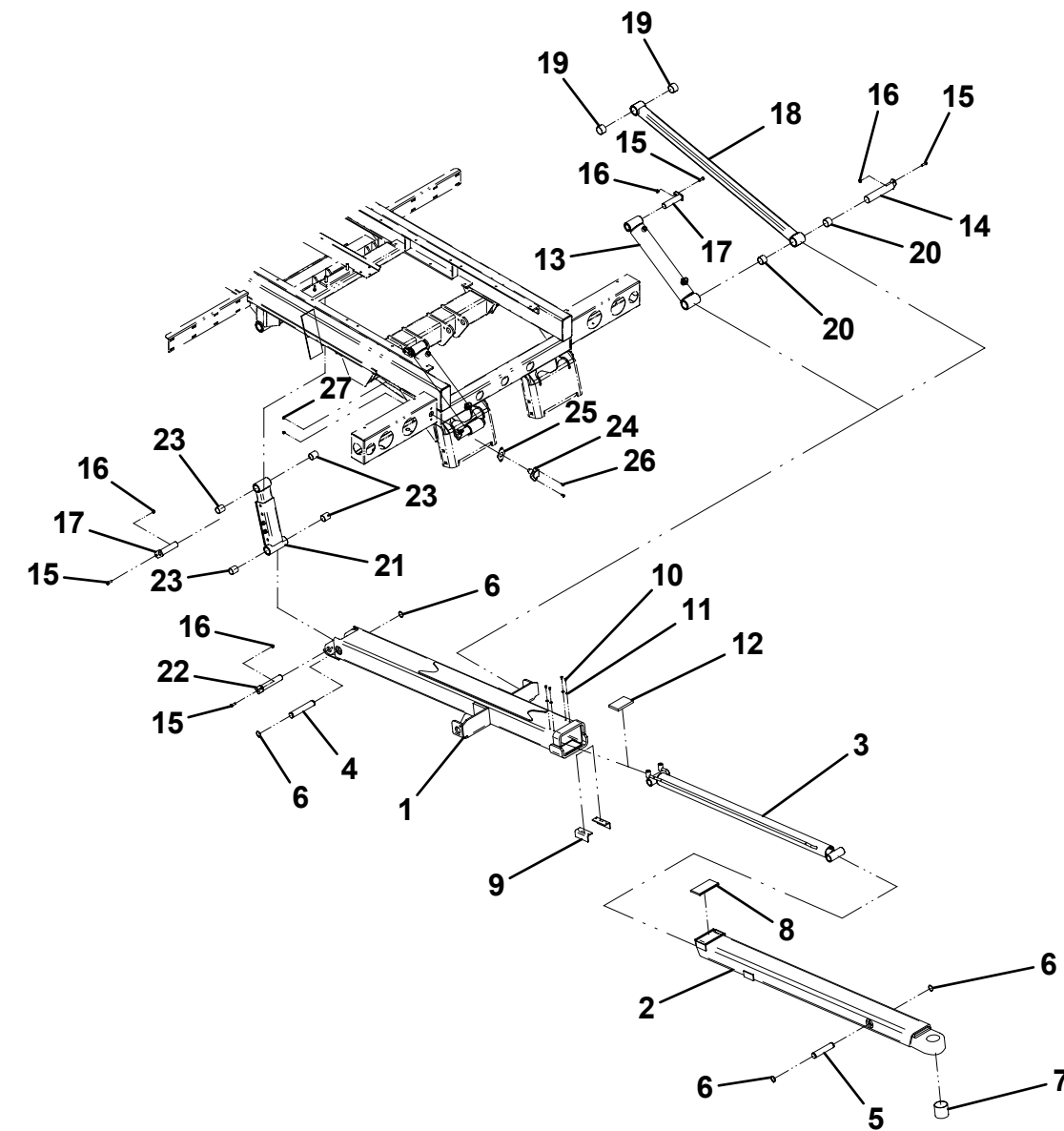
ELECTRICAL COMPONENTS - OPTIONAL (TAIL LIGHT CONVERTER)



IRL WHEEL LIFT - MANUAL GRIDS

ITEM	PART NO.	DESCRIPTION	QTY
1	3170000170	Boom Outer Weld - Standard	1
	3170000445	Boom Outer Weld - Standard - Galvanized	1
	3170000450	Boom Outer Weld - Extended	1
	3170000456	Boom Outer Weld - Extended - Galvanized	1
2	1001158626	Tube Inner Weld	1
3	3320000115	Cylinder	1
4	4691000296	Pin	1
5	4691000268	Pin	1
6	7754000006	Retaining Ring	4
7	7209000030	Bushing	1
8	4679000046	Pad	1
9	4017000739	Angle	2
10	7118140418	Capscrew, 0.25"-20NC x 0.50"	4
11	4751300	Flatwasher, 0.18"	4
12	4679000211	Pad	1
13	3320000114	Cylinder	2
14	3691000164	Pin	2
15	7115160950	Bolt, 0.38"-16NC x 1.13"	6
16	7660162601	Locknut, 0.38"-16NC	6
17	3691000166	Pin	3
18	3020000113	Arm Weld - Galvanized	2
	3020000097	Arm Weld - Standard	2
19	7082000017	Bearing	4
20	7082000018	Bearing	4
21	3592000057	Link Assembly - Galvanized	1
	3592000036	Link Assembly - Standard	1
22	3691000069	Pin	1
23	7082000016	Bearing	4
24	7291000010	Connector Assembly	1
25	7796000048	Gasket	1
26	7114140528	Screw, 0.25"-20NC x 0.63"	2
27	7660142601	Locknut, 0.25"-20NC	2

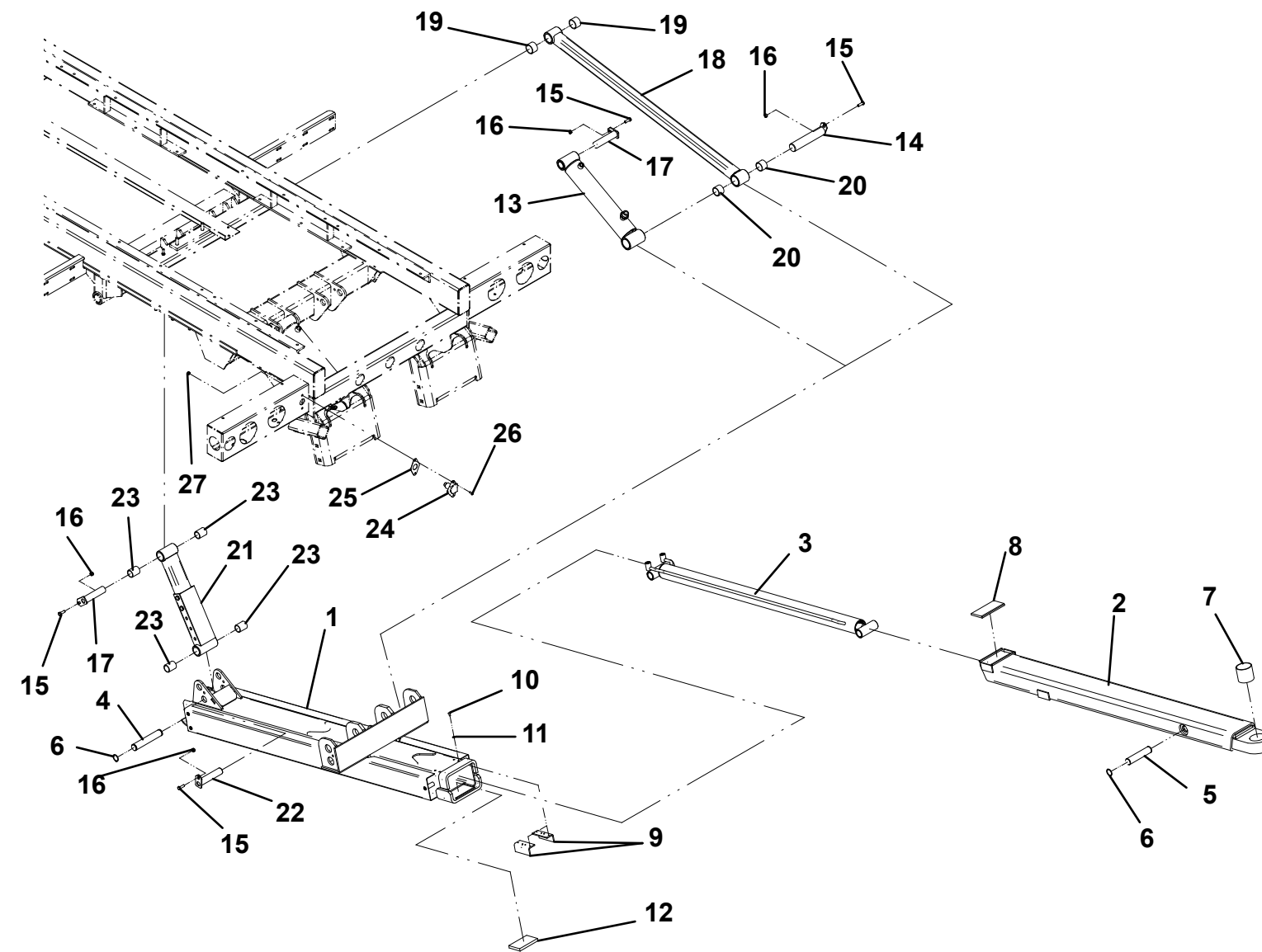
IRL WHEEL LIFT - MANUAL GRIDS



IRL WHEEL LIFT - HYDRAULIC GRIDS

ITEM	PART NO.	DESCRIPTION	QTY
1	317000428	Boom Weld Outer	1
2	1001158626	Tube Weld Inner	1
3	3320000115	Cylinder	1
4	4691000296	Pin	1
5	4691000268	Pin	1
6	7754000006	Retaining Ring	4
7	7209000030	Bushing	1
8	4679000046	Pad	1
9	4017000739	Angle	2
10	7118140418	Capscrew 0.25"-20NC x 0.50"	4
11	4751300	Flatwasher, 0.18" ID	4
12	4679000211	Pad	1
13	3320000114	Cylinder - High Frame	2
	3320000134	Cylinder	
14	3691000164	Pin	2
15	7115160950	Bolt, 0.38"-16NC x 1.13"	6
16	7660162601	Locknut, 0.38"-16NC	6
17	3691000166	Pin	3
18	3020000097	Arm Weld - High Frame	2
	3020000110	Arm Weld	2
19	7082000017	Bearing	4
20	7082000018	Bearing	4
21	3592000054	Link Assembly	1
22	3691000092	Pin	1
23	7082000016	Bearing	4
24	7291000010	Connector Assembly	1
25	7796000048	Gasket	1
26	7114140528	Screw, 0.25"-20NC x 0.63"	2
27	7660142601	Locknut, 0.25" -20NC	2

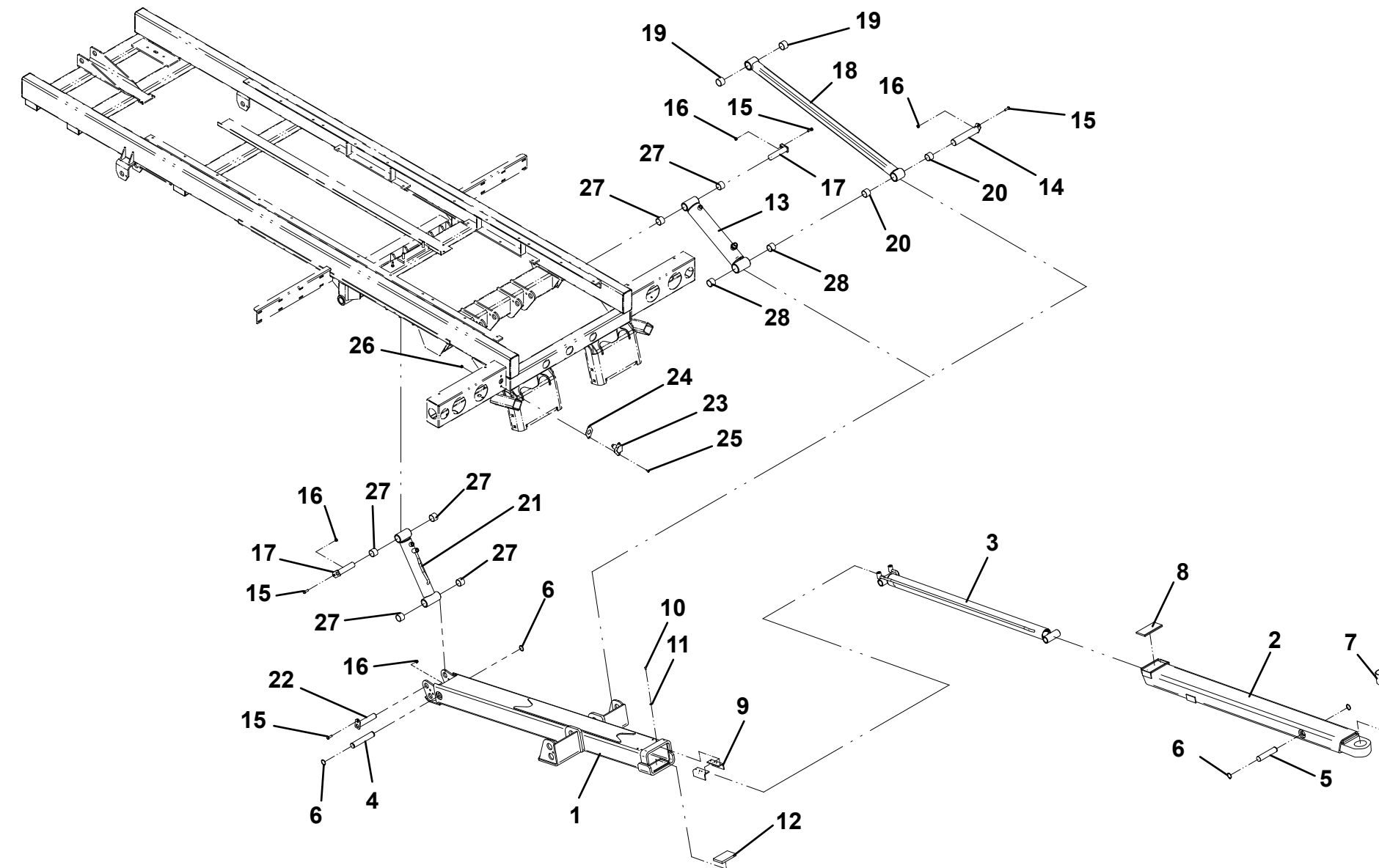
IRL WHEEL LIFT - HYDRAULIC GRIDS



ZOD WHEEL LIFT - MANUAL GRIDS

ITEM	PART NO.	DESCRIPTION	QTY
1	3170000237	Boom Weld Outer - Standard	1
	3170000460	Boom Weld Outer - Galvanized	1
	3170000504	Boom Weld Outer - Galvanized (T-37 Grids)	
2	1001158626	Tube Weld Inner	1
	1001158627	Tube Weld Inner - Galvanized (T-37 Grids)	
3	3320000115	Cylinder	1
4	4691000296	Pin	1
5	4691000268	Pin	1
6	7754000006	Retaining Ring	4
7	7209000030	Bushing	1
8	4679000046	Pad	2
9	4017000739	Angle	2
10	7118140418	Capscrew, 0.25"-20NC x 0.50"	4
11	4751300	Flatwasher, 0.18" ID	4
12	4679000211	Pad	1
13	3320000114	Cylinder	2
14	3691000164	Pin	2
15	7115160950	Bolt, 0.38"-16NC x 1.13"	6
16	7660162601	Locknut, 0.38"-16NC	6
17	3691000166	Pin	3
18	3020000097	Arm Weld - Standard	2
	3020000113	Arm Weld - Galvanized	2
19	7082000017	Bearing	4
20	7082000018	Bearing	4
21	3320000118	Cylinder	1
22	3691000069	Pin	1
23	7291000010	Connector Assembly	1
24	7796000048	Gasket	1
25	7114140528	Screw, 0.25"-20NC x 0.63"	2
26	7660142601	Locknut, 0.25"-20NC	2
27	7082000016	Bearing	8
28	7082000018	Bearing	4

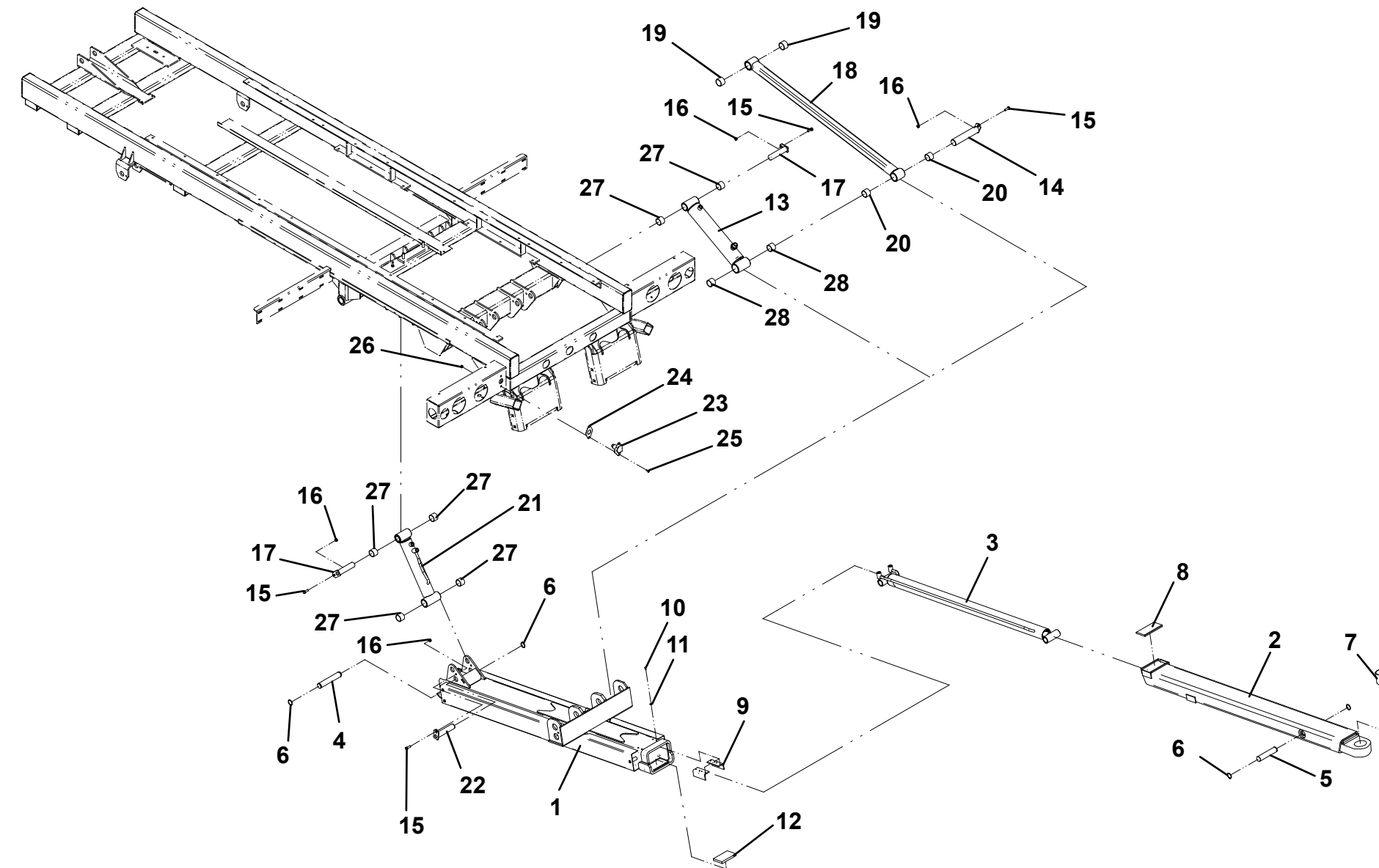
ZOD WHEEL LIFT - MANUAL GRIDS



ZOD WHEEL LIFT - HYDRAULIC GRIDS

ITEM	PART NO.	DESCRIPTION	QTY
1	3170000428	Boom Weld Outer	1
2	1001158626	Tube Weld Inner	1
3	3320000115	Cylinder	1
4	4691000296	Pin	1
5	4691000268	Pin	1
6	7754000006	Retaining Ring	4
7	7209000030	Bushing	1
8	4679000046	Pad	1
9	4017000739	Angle	2
10	7118140418	Capscrew, 0.25"-20NC x 0.50"	4
11	4751300	Flatwasher, 0.18" ID	4
12	4679000211	Pad	1
13	3320000114	Cylinder	2
14	3691000164	Pin	2
15	7115160950	Bolt, 0.38"-16NC x 1.13"	6
16	7660162601	Locknut, 0.38"-16NC	6
17	3691000166	Pin	3
18	3020000097	Arm Weldment, 53.88"	2
	3020000110	Arm Weldment - Frame Heights > 37.00"	2
19	7082000017	Bearing	4
20	7082000018	Bearing	4
21	3320000157	Cylinder	1
22	3691000092	Pin	1
23	7291000010	Connector Assembly	1
24	7660142601	Locknut, 0.25"-20NC	2
25	7114140528	Screw .25"-20NC x 0.63"	2
26	7796000048	Gasket	1
27	7082000016	Bearing	8
28	7082000018	Bearing	4

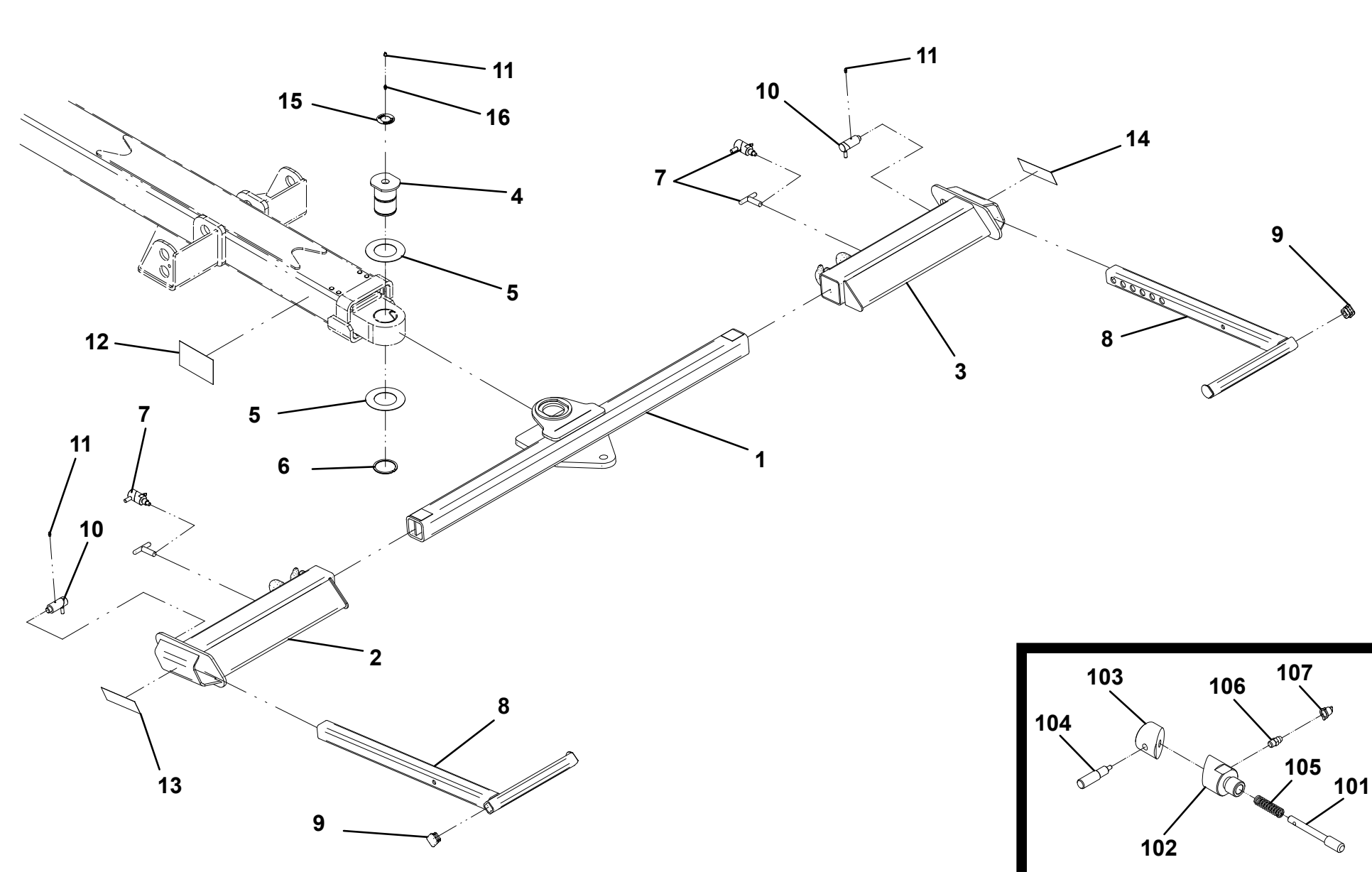
ZOD WHEEL LIFT - HYDRAULIC GRIDS



MANUAL L-ARM WHEEL LIFT GRID W/ BALL PLATE

ITEM	PART NO.	DESCRIPTION	QTY
1	3913000093	Tube Weld Pivot w/ Ball Plate - IRL	1
	3913000096	Tube Weld Pivot w/ Ball Plate - ZOD	1
2	3484000035	Grid Weld LH	1
3	3484000034	Grid Weld RH	1
4	4691000278	Pin	1
5	4949000047	Washer, 5.00" OD x 2.84" ID	2
6	7754000024	Retaining Ring	1
7	3551000036	T-Handle	2
	1001153950	Cam-Lock	2
8	3020000072	L-Arm Weld - Standard	2
8	3020000114	L-Arm Weld Galvanized	2
9	7701000062	Plug	2
10	3551000011	Cam Lock Assembly	2
11	7253000002	Grease Fitting	1
12	7330000419	Decal	2
13	7330000417	Decal, LH	1
14	7330000418	Decal, RH	1
15	7330000609	Decal, Grease Required	1
16	7440030000	Grease Fitting	2
101	1001153944	Pin	1
102	1001153945	Tube	1
103	1001153946	Cap	1
104	1001153947	Handle	1
105	1001153971	Spring	1
106	7440030000	Grease Fitting	1
107	7253000002	Grease Fitting Cap	1

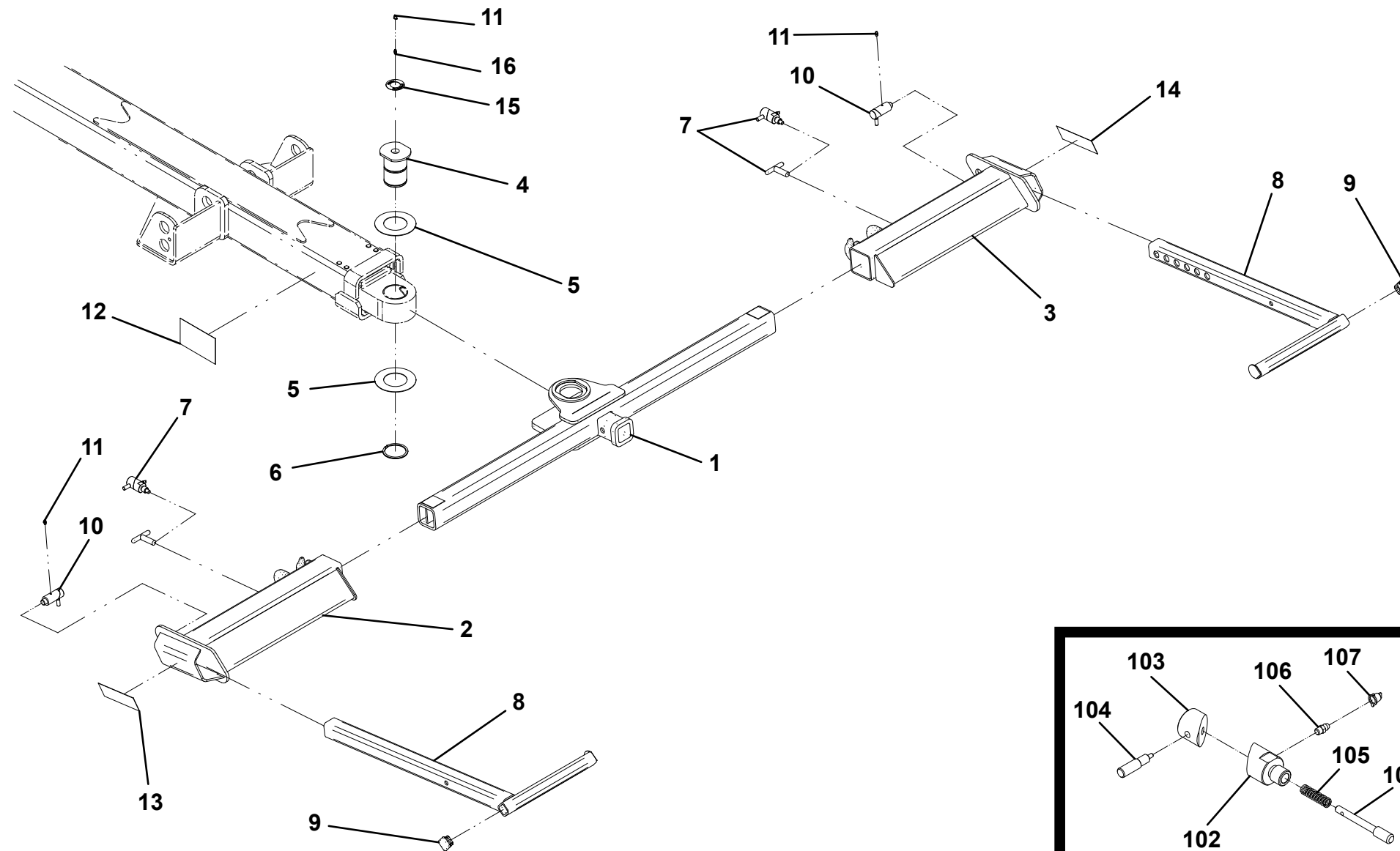
MANUAL L-ARM WHEEL LIFT GRID W/ BALL PLATE



MANUAL L-ARM WHEEL LIFT GRID W/ REESE RECIEVER

ITEM	PART NO.	DESCRIPTION	QTY
1	3913000098	Tube Weld Pivot w/ Reese - IRL	1
	3913000099	Tube Weld Pivot w/ Reese - ZOD	1
2	3484000035	Grid Weld LH	1
3	3484000034	Grid Weld RH	1
4	4691000278	Pin	1
5	4949000047	Washer, 5.00" OD x 2.84" ID	2
6	7754000024	Retaining Ring	1
7	3551000036	T-Handle	2
	1001153950	Cam-Lock	2
8	3020000072	L-Arm Weld - Standard	2
8	3020000114	L-Arm Weld - Galvanized	2
9	7701000062	Plug	2
10	3551000011	Cam Lock Assembly	2
11	7253000002	Grease Fitting	1
12	7330000419	Decal	2
13	7330000417	Decal, LH	1
14	7330000418	Decal, RH	1
15	7330000609	Decal, Grease Required	1
16	7440030000	Grease Fitting	2
101	1001153944	Pin	1
102	1001153945	Tube	1
103	1001153946	Cap	1
104	1001153947	Handle	1
105	1001153971	Spring	1
106	7440030000	Grease Fitting	1
107	7253000002	Grease Fitting Cap	1

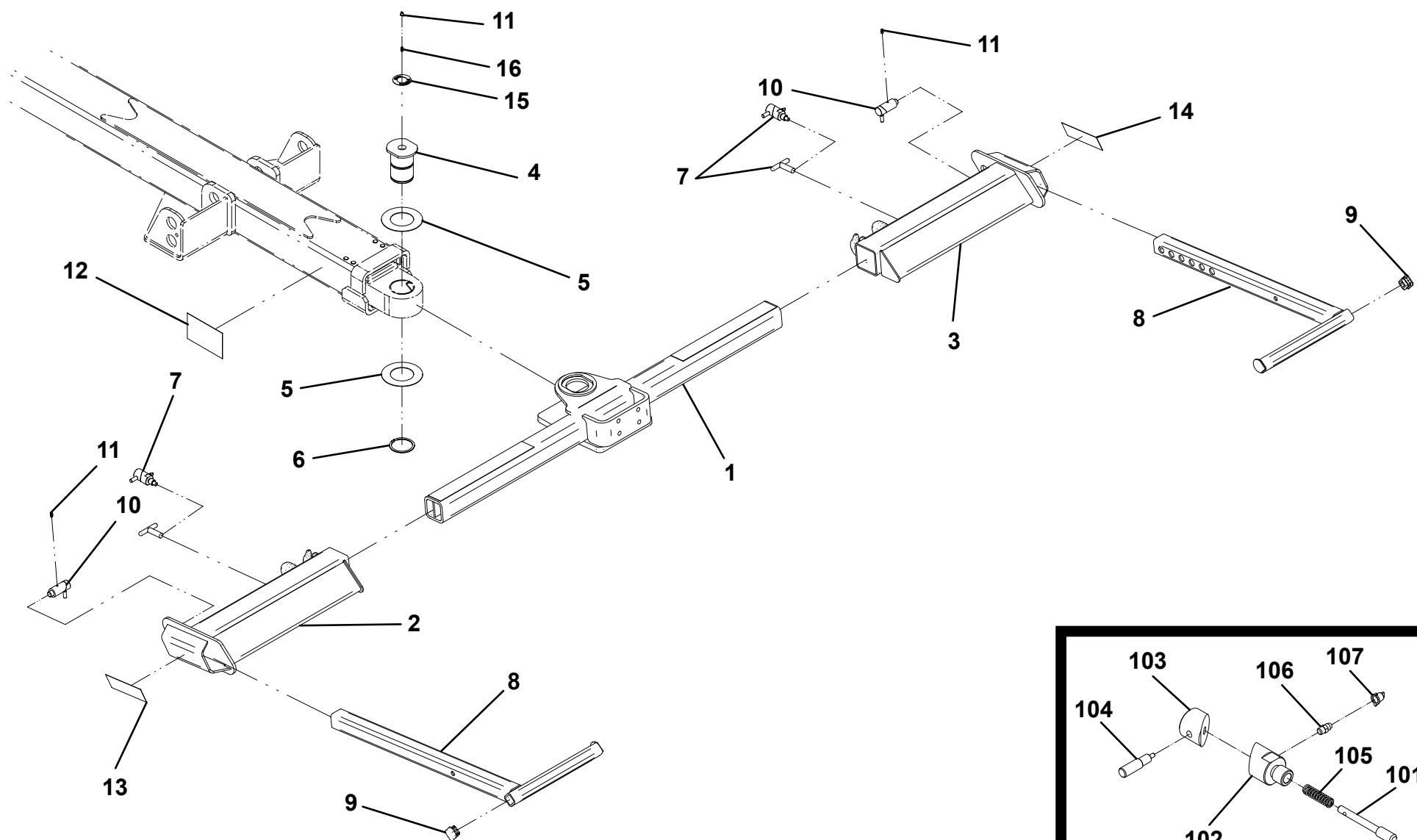
MANUAL L-ARM WHEEL LIFT GRID W/REESE RECIEVER



MANUAL L-ARM WHEEL LIFT GRID W/ PINTLE PLATE

ITEM	PART NO.	DESCRIPTION	QTY
1	3550001747	Tube Weld Pivot w/ Pintle	1
2	3484000035	Grid Weld LH	1
3	3484000034	Grid Weld RH	1
4	4691000278	Pin	1
5	4949000047	Washer, 5.00" OD x 2.84" ID	2
6	7754000024	Retaining Ring	1
7	3551000036	T-Handle	2
	1001153950	Cam-Lock	2
8	3020000072	L-Arm Weld - Standard	2
9	7701000062	Plug	2
10	3551000011	Cam Lock Assembly	2
11	7253000002	Grease Fitting	1
12	7330000419	Decal	2
13	7330000417	Decal, LH	1
14	7330000418	Decal, RH	1
15	7330000609	Decal, Grease Required	1
16	7440030000	Grease Fitting	2
101	1001153944	Pin	1
102	1001153945	Tube	1
103	1001153946	Cap	1
104	1001153947	Handle	1
105	1001153971	Spring	1
106	7440030000	Grease Fitting	1
107	7253000002	Grease Fitting Cap	1

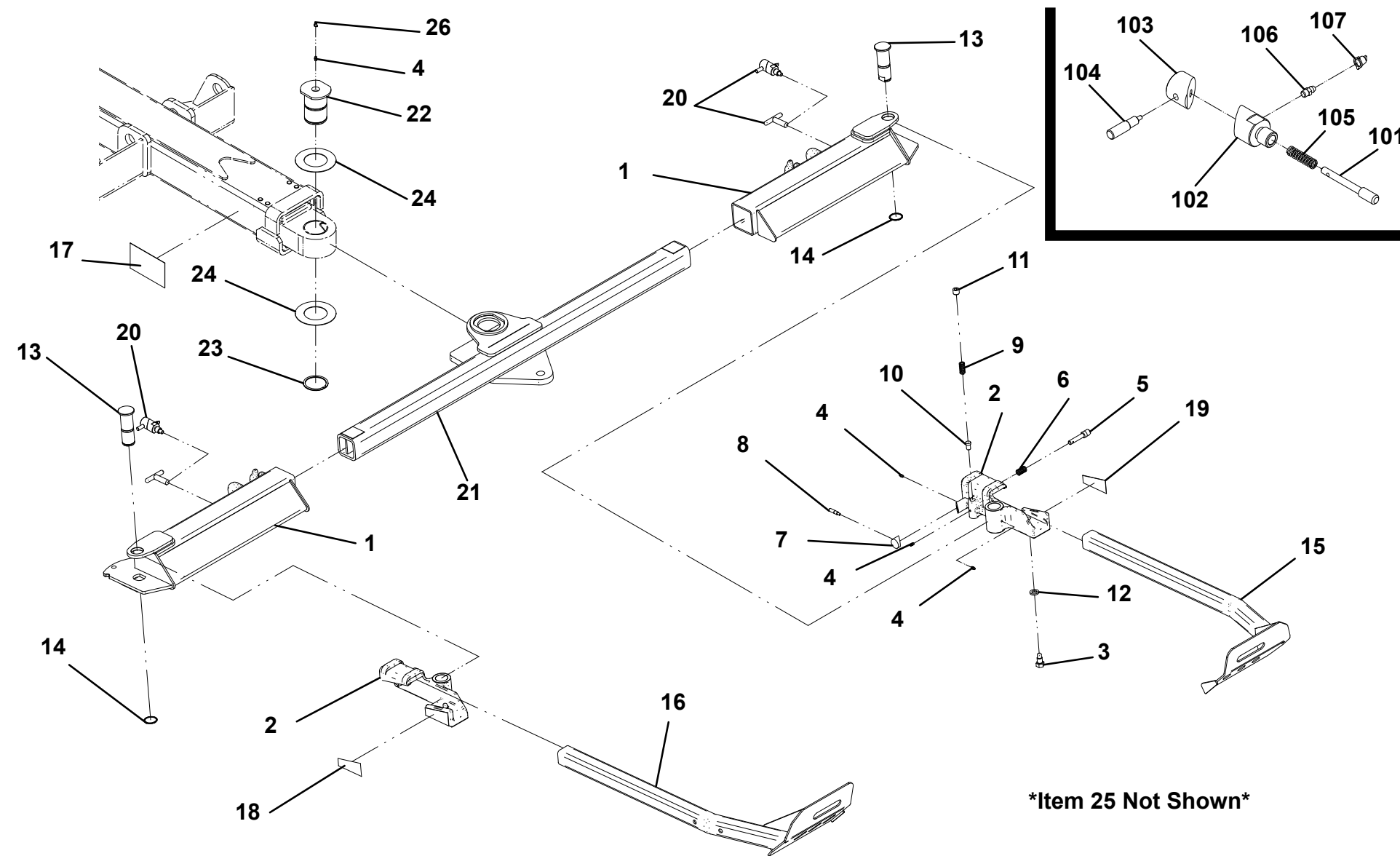
MANUAL L-ARM WHEEL LIFT GRID W/ PINTLE PLATE



MANUAL T37 PIVOTING WHEEL LIFT GRID W/ BALL PLATE

ITEM	PART NO.	DESCRIPTION	QTY
1	3484000051	Grid Weld LH	1
2	4259000002	Grid Pivot LH	1
3	4691000354	Pin	1
4	7440030000	Grease Fitting	4
5	4691000186	Pin	1
6	7843000006	Spring	1
7	4254000005	Cap, 1.25" x 1.22"	1
8	4763000184	Rod	1
9	7843000016	Spring	1
10	4691000183	Pin	1
11	7786000006	Screw, 0.75"-10NC x 0.63"	1
12	7950200000	Lockwasher, 0.63" ID	1
13	4691000357	Pin	1
14	7754000037	Retaining Ring	1
1	3484000050	Grid Weld RH	1
2	4259000001	Grid Pivot RH	1
15	3020000030	L-Arm Weld RH	1
16	3020000029	L-Arm Weld LH	1
17	7330000419	Decal	2
18	7330000420	Decal LH	1
19	7330000432	Decal RH	1
20	3551000036	T-Handle Weld	2
	1001153950	Cam-Lock	2
21	3913000093	Tube Weld Pivot w/Ball Plate - IRL	1
	3913000096	Tube Weld Pivot w/Ball Plate - ZOD	1
22	4691000278	Pin	1
23	7754000024	Retaining Ring	1
24	4949000047	Washer, 5.00" OD x 2.84" ID	2
25	7330000609	Decal	1
26	7253000002	Grease Fitting Cap	1
101	1001153944	Pin	1
102	1001153945	Tube	1
103	1001153946	Cap	1
104	1001153947	Handle	1
105	1001153971	Spring	1
106	7440030000	Grease Fitting	1
107	7253000002	Grease Fitting Cap	1

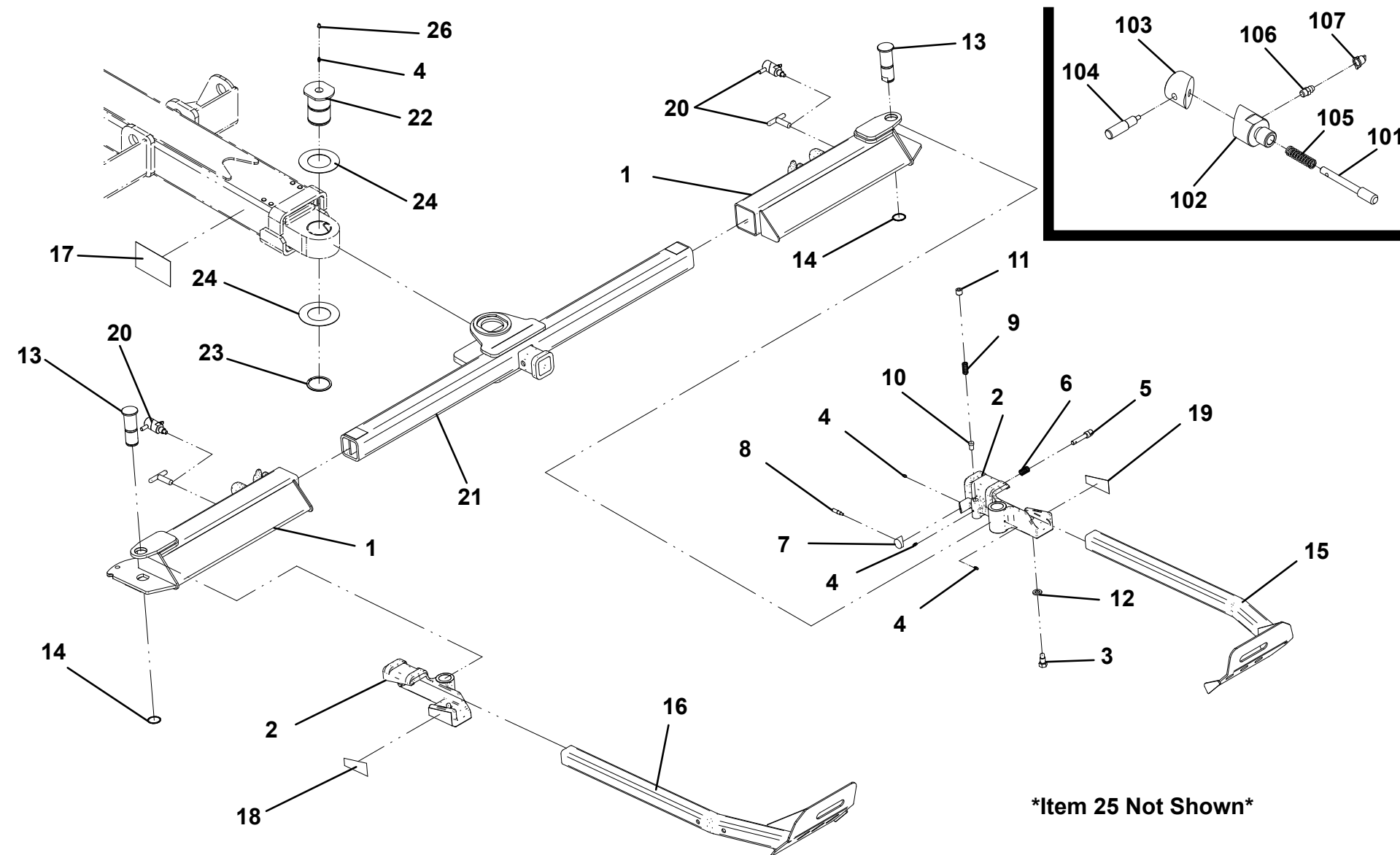
MANUAL T37 PIVOTING WHEEL LIFT GRID W/ BALL PLATE



MANUAL T37 PIVOTING WHEEL LIFT GRID W/ REESE RECIEVER

ITEM	PART NO.	DESCRIPTION	QTY
1	3484000051	Grid Weld LH	1
2	4259000002	Grid Pivot LH	1
3	4691000354	Pin	1
4	7440030000	Grease Fitting	4
5	4691000186	Pin	1
6	7843000006	Spring	1
7	4254000005	Cap, 1.25" x 1.22"	1
8	4763000184	Rod	1
9	7843000016	Spring	1
10	4691000183	Pin	1
11	7786000006	Screw, 0.75"-10NC x 0.63"	1
12	7950200000	Lockwasher, 0.63" ID	1
13	4691000357	Pin	1
14	7754000037	Retaining Ring	1
1	3484000050	Grid Weld RH	1
2	4259000001	Grid Pivot RH	1
15	3020000030	L-Arm Weld RH	1
16	3020000029	L-Arm Weld LH	1
17	7330000419	Decal	2
18	7330000420	Decal LH	1
19	7330000432	Decal RH	1
20	3551000036	T-Handle Weld	2
	1001153950	Cam-Lock	2
21	3913000098	Tube Weld Pivot - Reese - IRL	1
	3913000099	Tube Weld Pivot - Reese - ZOD	1
22	4691000278	Pin	1
23	7754000024	Retaining Ring	1
24	4949000047	Washer, 5.00" OD x 2.84" ID	2
25	7330000609	Decal	1
26	7253000002	Grease Fitting Cap	1
101	1001153944	Pin	1
102	1001153945	Tube	1
103	1001153946	Cap	1
104	1001153947	Handle	1
105	1001153971	Spring	1
106	7440030000	Grease Fitting	1
107	7253000002	Grease Fitting Cap	1

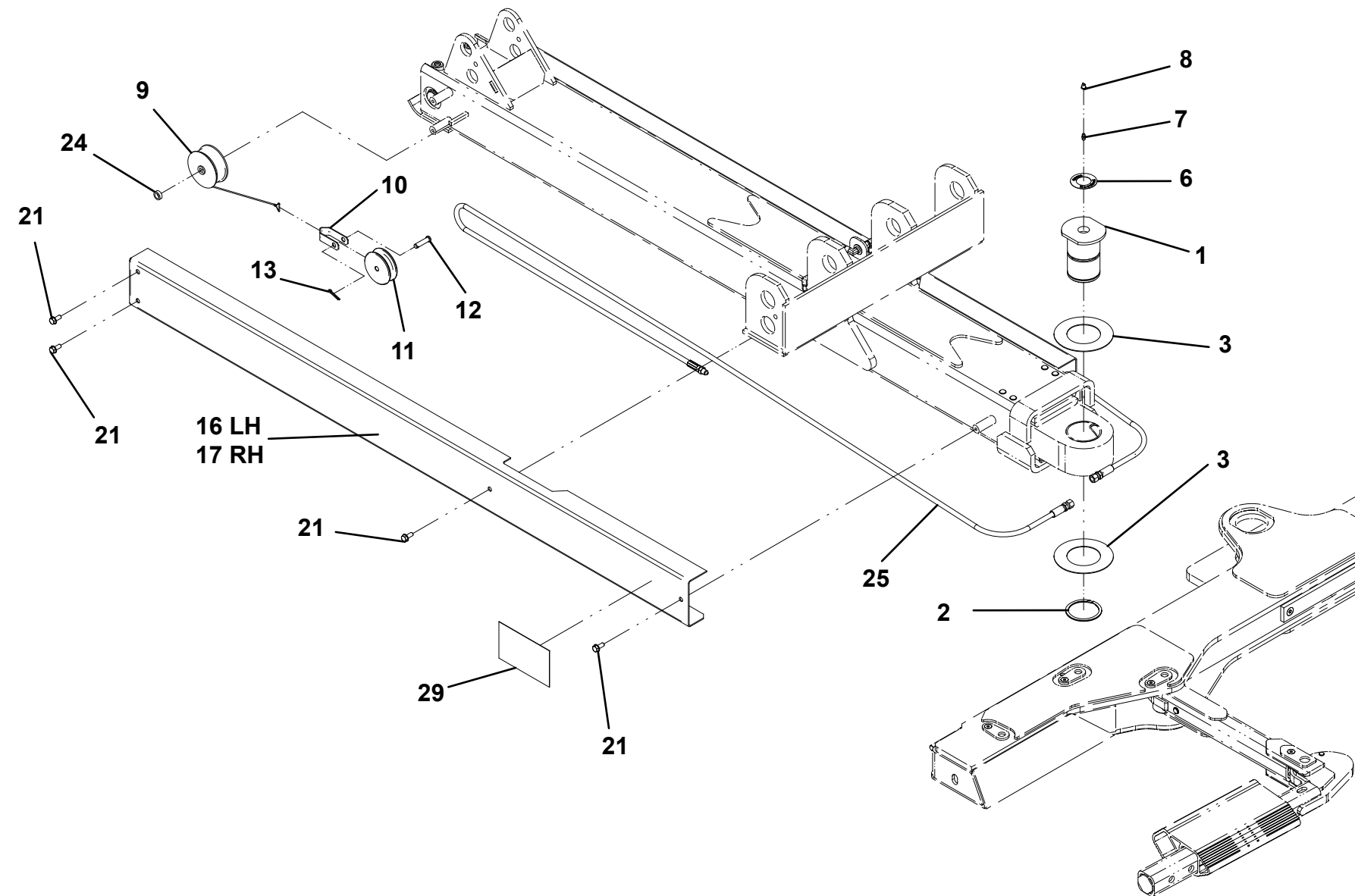
MANUAL T37 PIVOTING WHEEL LIFT GRID W/ REESE RECIEVER



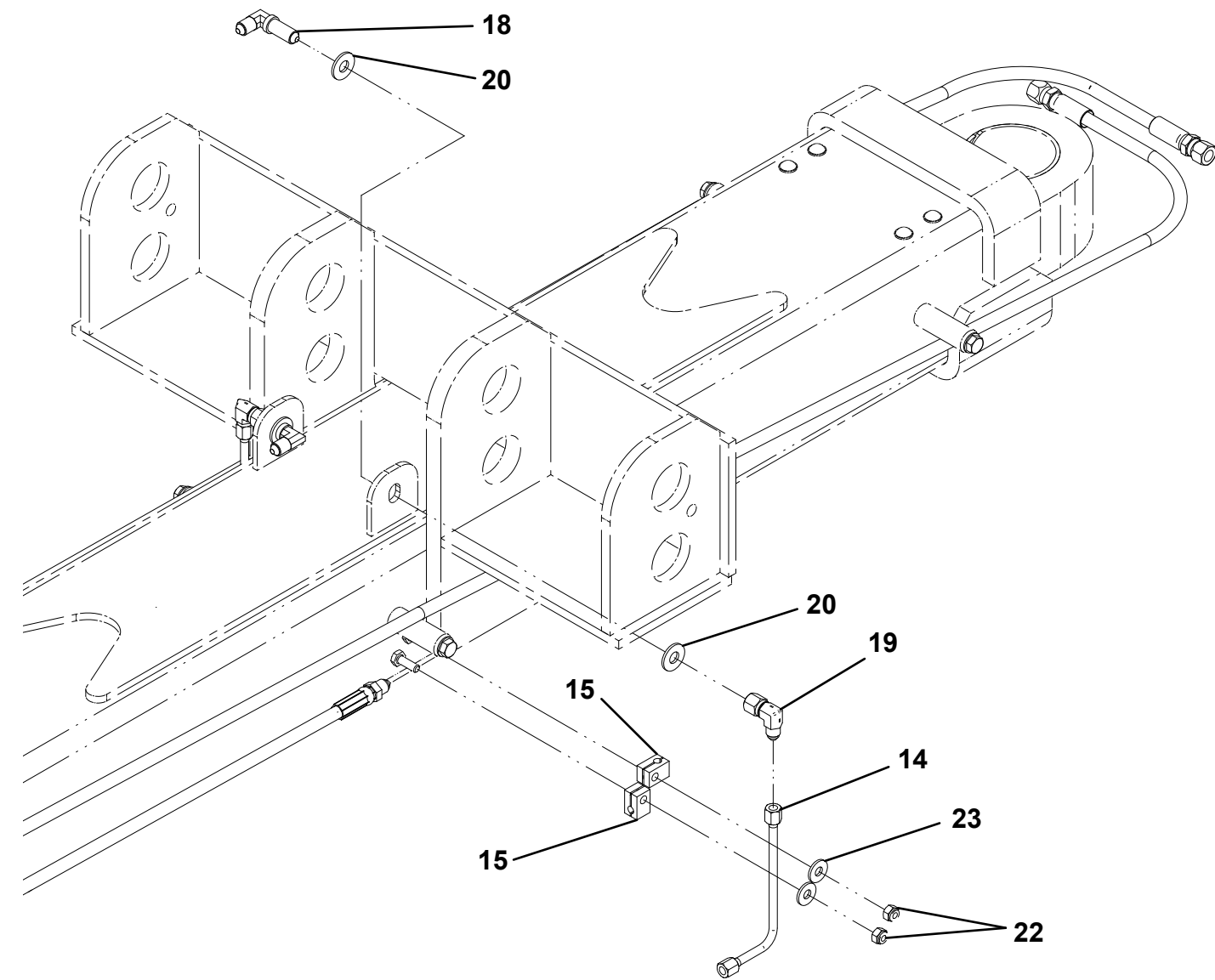
HYDRAULIC WHEEL LIFT GRID

ITEM	PART NO.	DESCRIPTION	QTY	ITEM	PART NO.	DESCRIPTION	QTY
1	4691000198	Pin	1	40	7754000006	Retaining Ring	2
2	7754000024	Retaining Ring	1	41	7754000087	Retaining Ring	4
3	4949000047	Washer, 2.84" ID	2	42	7690021210	Pin	2
4	4679000268	Pad	1	43	4949000072	Washer, 1.27" ID	4
5	7118161026	Capscrew, 0.38"-16NC x 1.25"	2	44	8411080091	L-Arm Spacer	2
6	7330000609	Decal, Grease Required	1	45	3484000074	Grid Weldment	1
7	7440030000	Grease Fitting	1	46	4314000189	Coverplate	2
8	7253000002	Grease Fitting Cap	1	47	4619000013	Manifold	1
9	7732000002	Reel w/ Spring	2	48	7912000184	Tube	4
10	4706003501	Plate	2	49	7320000064	Cylinder	2
11	7719000004	Pulley	2	50	3691000229	Pin	4
12	7691000040	Pin	2	51	7274000039	Clamp Cover	2
13	7691000042	Cotter Pin	2	52	3592000052	Link Weldment	2
14	7912000237	Tube	2	53	3592000051	Link Weldment	2
15	7274000073	Hose Clamp 0.25"	4	54	4706003497	Plate	2
16	4314000117	Cover Plate, LH	1	55	3020000115	Arm Weldment - LH	1
17	4314000118	Cover Plate, RH	1	56	3020000111	Arm Weldment - RH	1
18	7445040431	Elbow	2	57	3691000230	Pin	2
19	7445040472	Elbow	2	58	7445040443	Adapter	4
20	7950150161	Flatwasher, 0.31" ID	4	59	7274000086	Clamp Half	4
21	7790151253	Screw, 0.31"-18NC x 0.75"	8	60	7754000022	Retaining Ring	4
22	7660142604	Locknut, 0.25"-20NC	4	61	7785140400	Screw, 0.25"-20NC x 0.25"	2
23	7950140153	Flatwasher, 0.25" ID	4	62	7114140518	Capscrew, 0.25"-20NC x 0.62"	4
24	4831000109	Spacer	2	63	7115151250	Capscrew, 0.31"-18NC x 1.50"	4
25	4570000234	Hose	2	64	7950150000	Washer, 0.31" ID	2
26	7445040445	Elbow	6	65	1001137904	Bolt, 0.31"-18NC x 1.25"	6
27	4570000211	Hose	2	66	7660152601	Locknut, 0.31"-18NC	6
28	4570000212	Hose	2	67	7950140143	Flatwasher, 0.25" ID	4
29	7330000419	Decal	2	68	7082000027	Bearing	6
30	3020000112	Arm Weldment	2	69	7082000026	Bearing	10
31	3691000222	Pin	2				
32	7115150423	Capscrew, 0.31"-18NC x 0.50"	2				
33	4691000527	Pin	2				
34	7690144005	Pin	2				
35	7690141600	Pin	2				
36	7719000005	Pulley	2				
37	4831000112	Spacer	4				
38	7843000043	Spring	2				
39	7248000115	Cable	2				

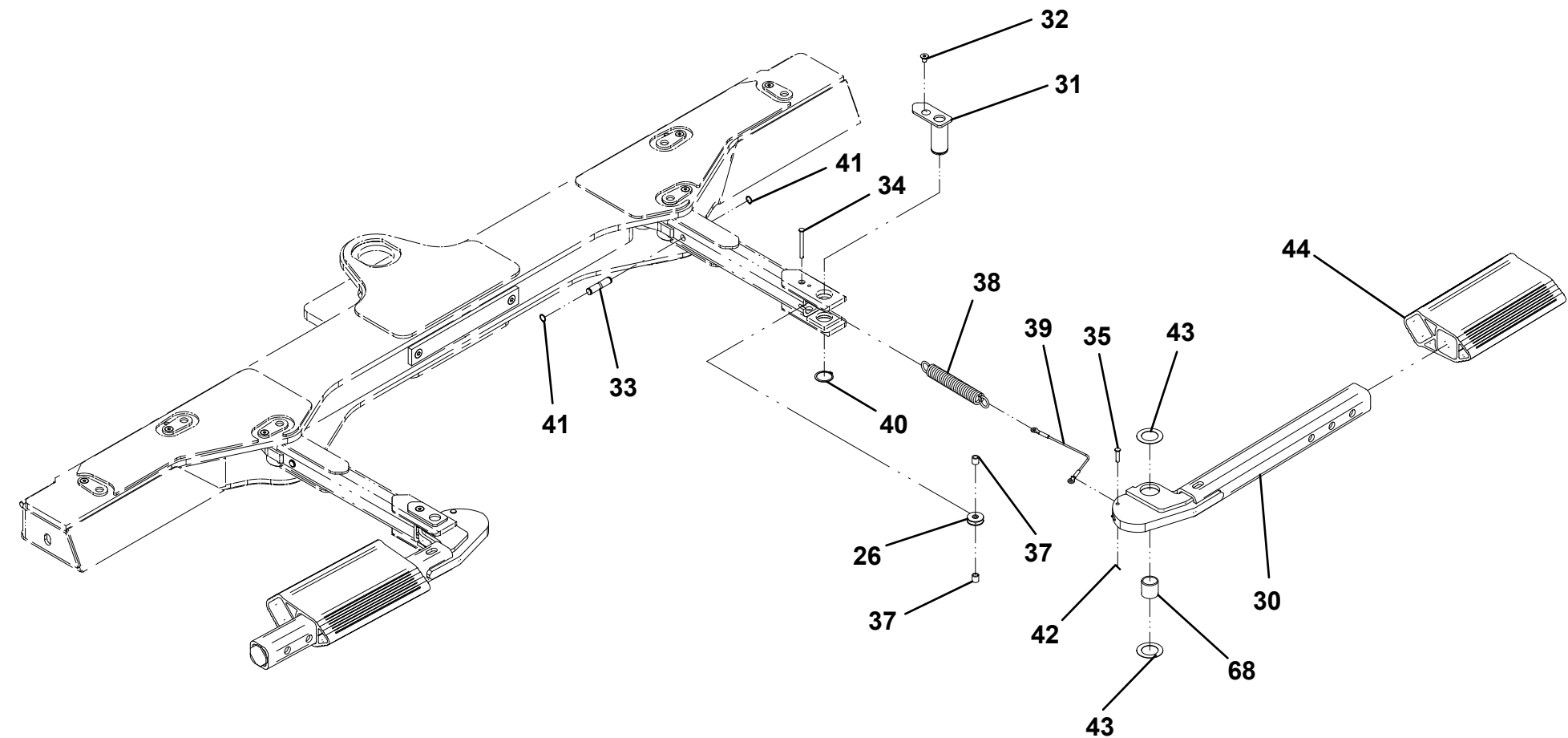
HYDRAULIC WHEEL LIFT GRID



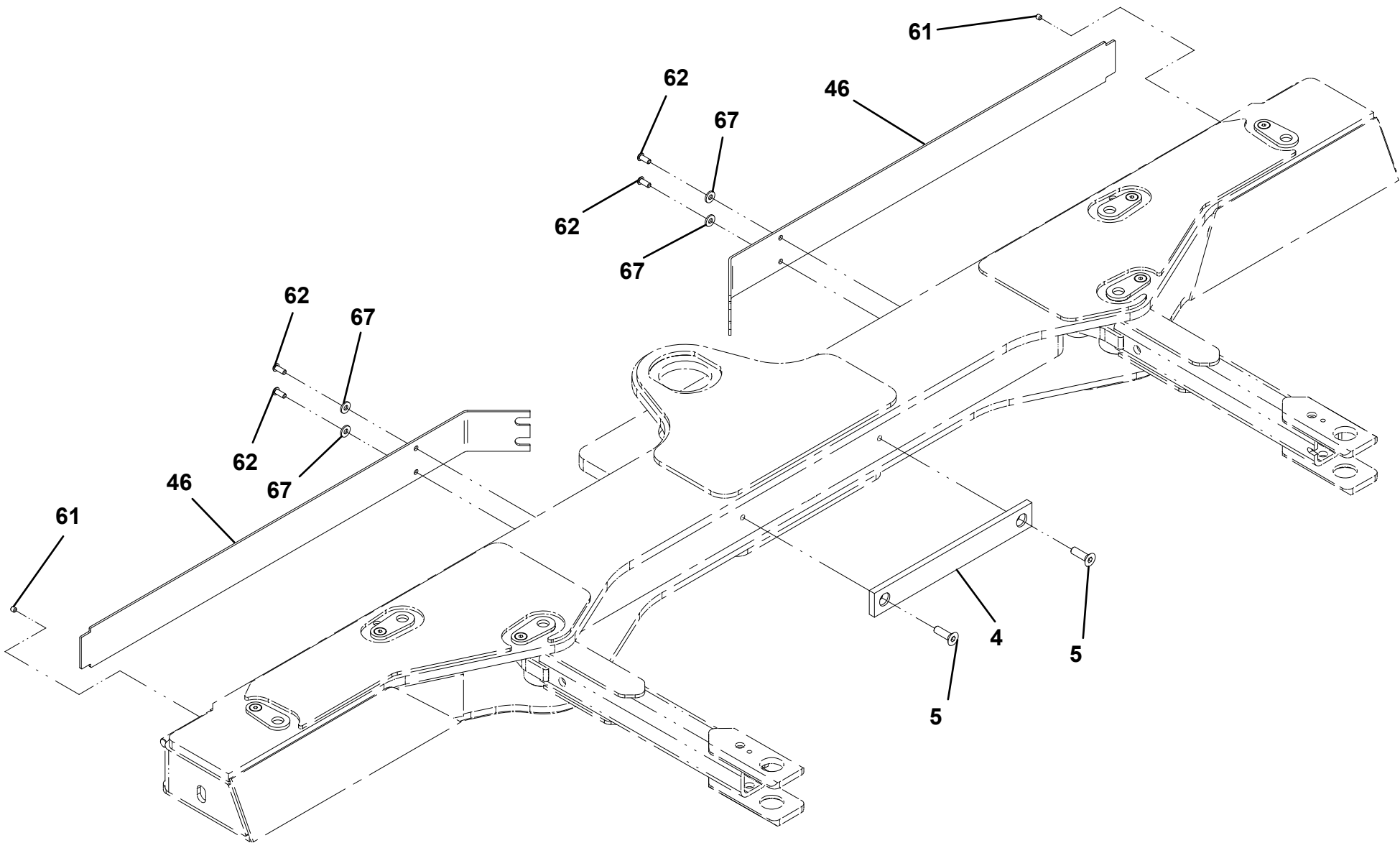
HYDRAULIC WHEEL LIFT GRID



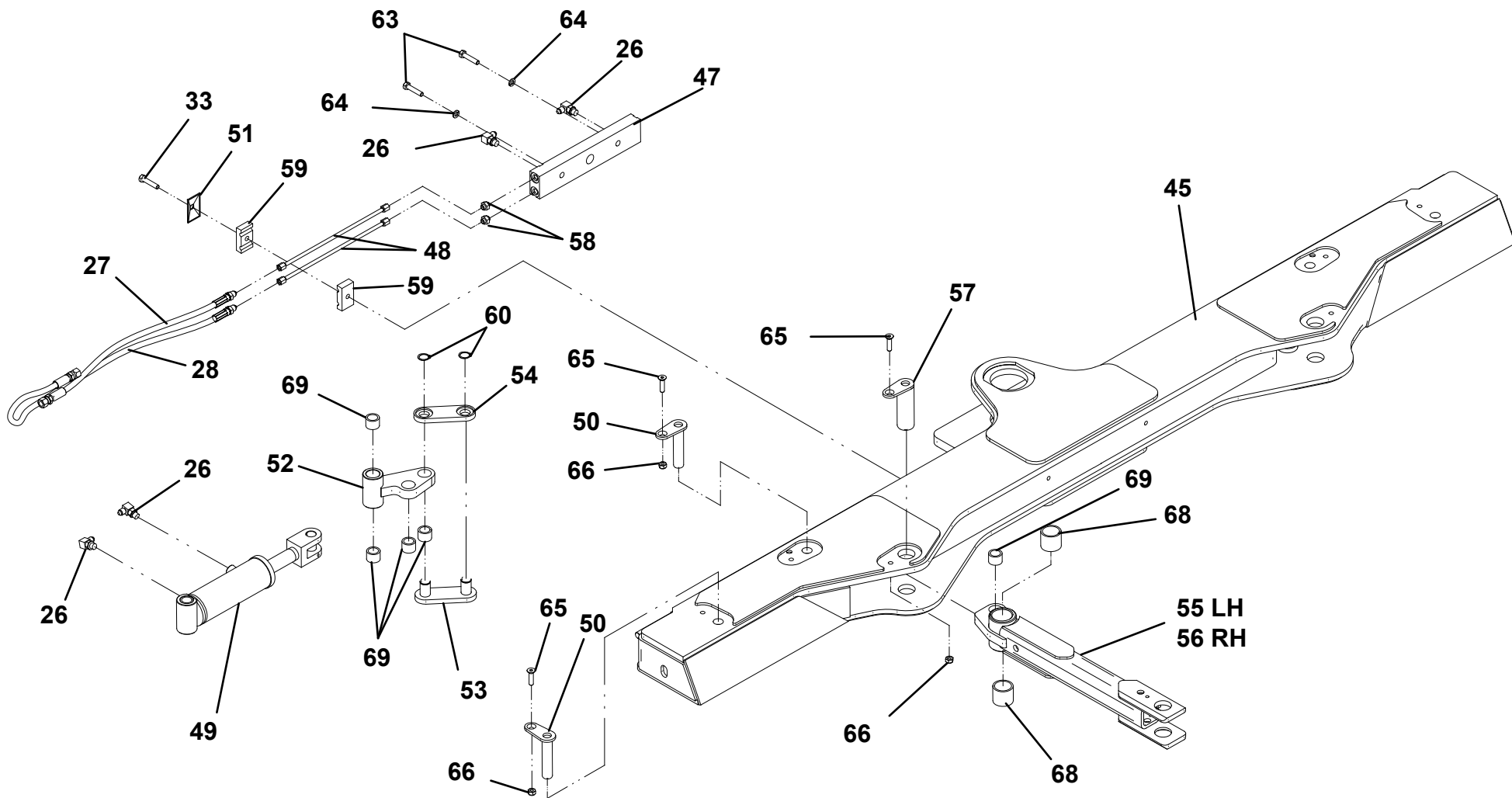
HYDRAULIC WHEEL LIFT GRID



HYDRAULIC WHEEL LIFT GRID



HYDRAULIC WHEEL LIFT GRID

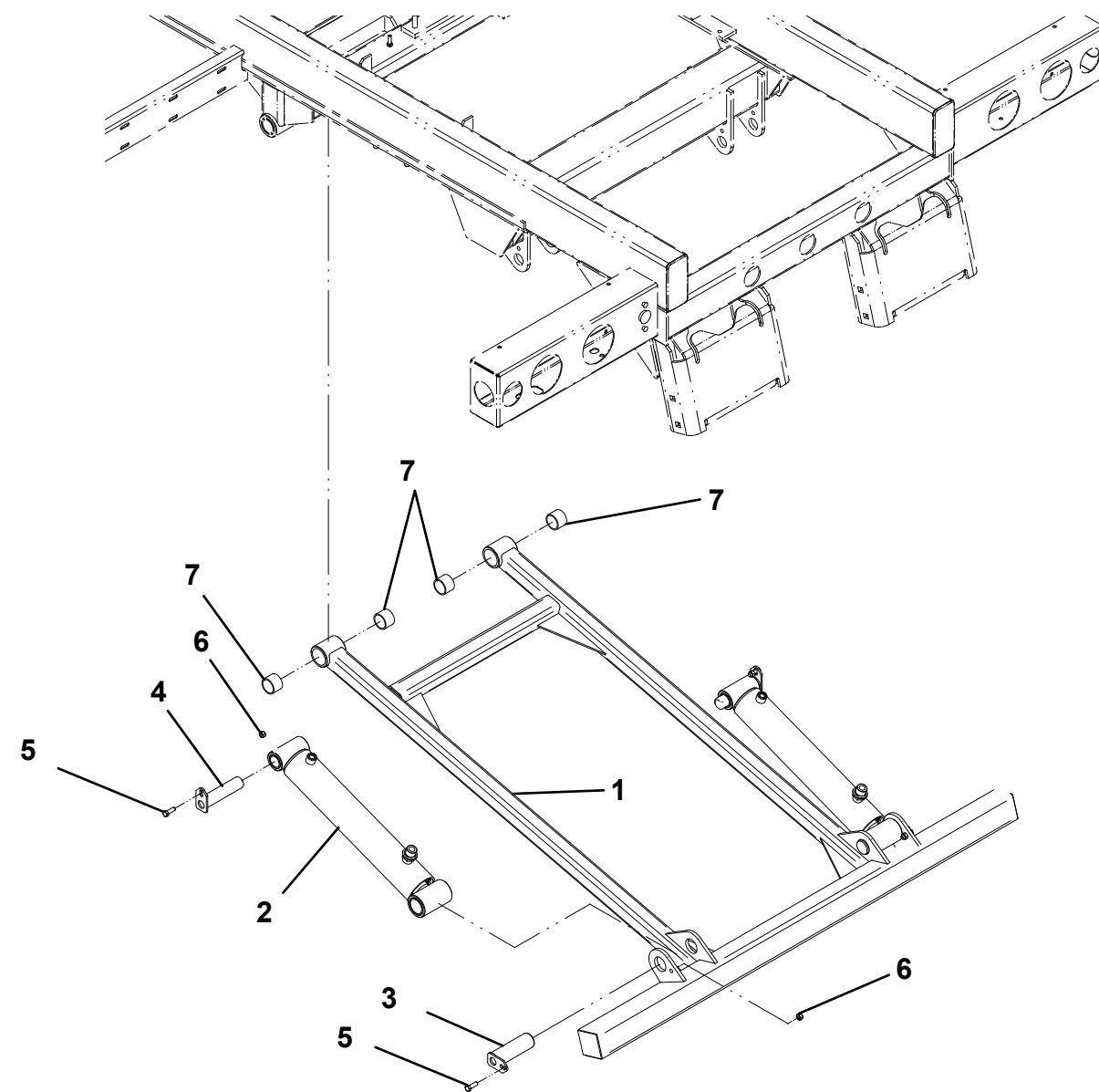


HYDRAULIC REAR DOCK STABILIZER

ITEM	PART NO.	DESCRIPTION	QTY
1	3849000021	Stabilizer Rear Dock Weld	1
2	3320000114	Cylinder	2
3	3691000165	Pin	2
4	3691000166	Pin	2
5	7115160950	Bolt, 0.38"-16NC x 1.13"	4
6	7660162601	Locknut, 0.38"-16NC	4
7	7082000017	Bearing	4

* included in Stabilizer Weld, P/N 3849000021

HYDRAULIC REAR DOCK STABILIZER



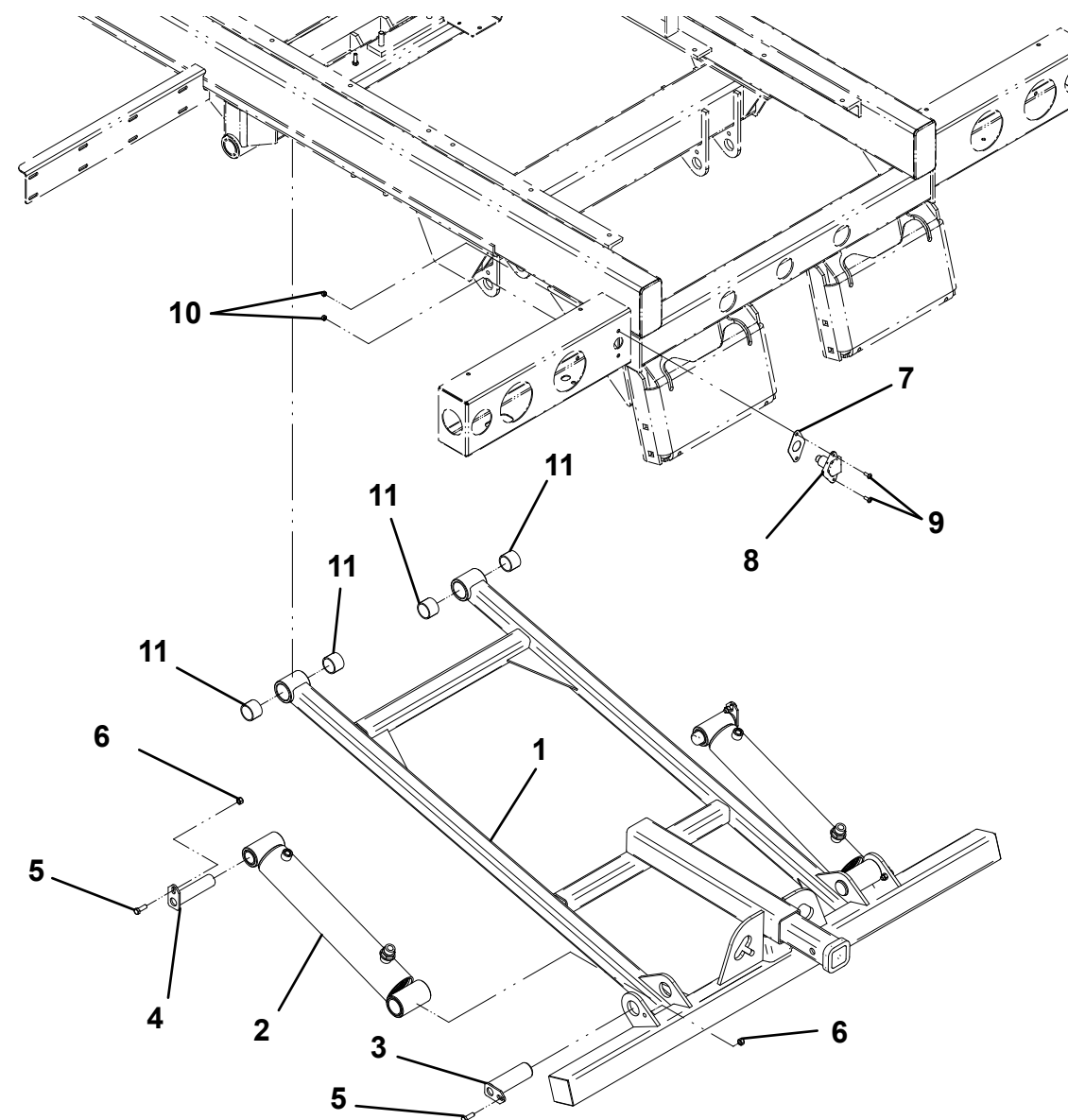
HYDRAULIC REAR DOCK STABILIZER W/ REESE HITCH RECEIVER

ITEM	PART NO.	DESCRIPTION	QTY
1	3849000023	Stabilizer Weld w/ 2.00" Reese	1
	3849000041	Stabilizer Weld w/ 2.50" Reese	
2	3320000114	Cylinder	2
3	3691000165	Pin	2
4	3691000166	Pin	2
5	7115160950	Bolt, 0.38"-16NC x 1.13"	4
6	7660162601	Locknut, 0.38"-16NC	4
7	7796000048	Gasket	1
8	7291000010	Connector	1
9	7114140528	Screw, 0.25"-20NC x 0.63"	2
10	7660142601	Locknut, 0.25"-20NC	2
11	7082000017	Bearing	4

* included in Stabilizer Weld, P/N 3849000023

^ included in Stabilizer Weld, P/N 3849000041

HYDRAULIC REAR DOCK STABILIZER W/ REESE HITCH RECEIVER

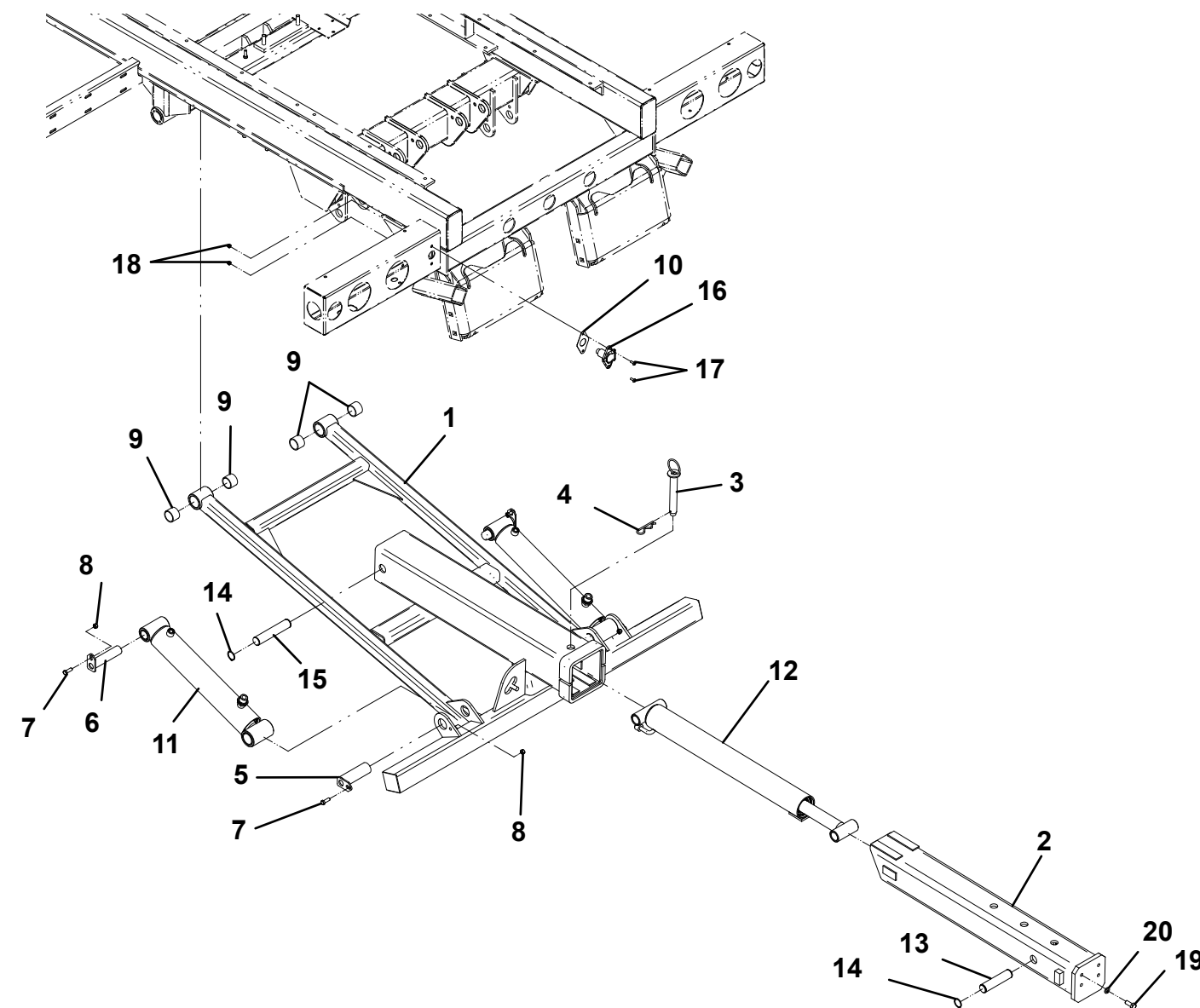


HYDRAULIC REAR DOCK STABILIZER W/ HYD EXT PINTLE HITCH MTG PLATE

ITEM	PART NO.	DESCRIPTION	QTY
1	3849000022	Stabilizer Weld w/ Pintle	1
2	1001127297	Boom Weld	1
3	3691000064	Pin	1
4	7691000001	Pin	1
5	3691000165	Pin	2
6	3691000166	Pin	2
7	7115160950	Bolt, 0.38"-16NC x 1.13"	4
8	7660162601	Locknut, 0.38"-16NC	4
9	7082000017	Bearing	4
10	7796000048	Gasket	1
11	3320000114	Cylinder	2
12	3320000117	Cylinder	1
13	4691000429	Pin	1
14	7754000006	Retaining Ring	4
15	4691000430	Pin	1
16	7291000010	Receptacle	1
17	7114140528	Screw, 0.25"-20NC x 0.63"	2
18	7660142601	Locknut, 0.25"-20NC	2
19	691810	Screw, 0.5"-20 x 1.25"	4
20	4761800	Washer, 0.50" ID	4

* included in Stabilizer Weld, P/N 3849000022

HYDRAULIC REAR DOCK STABILIZER W/ HYD EXT PINTLE HITCH MTG PLATE

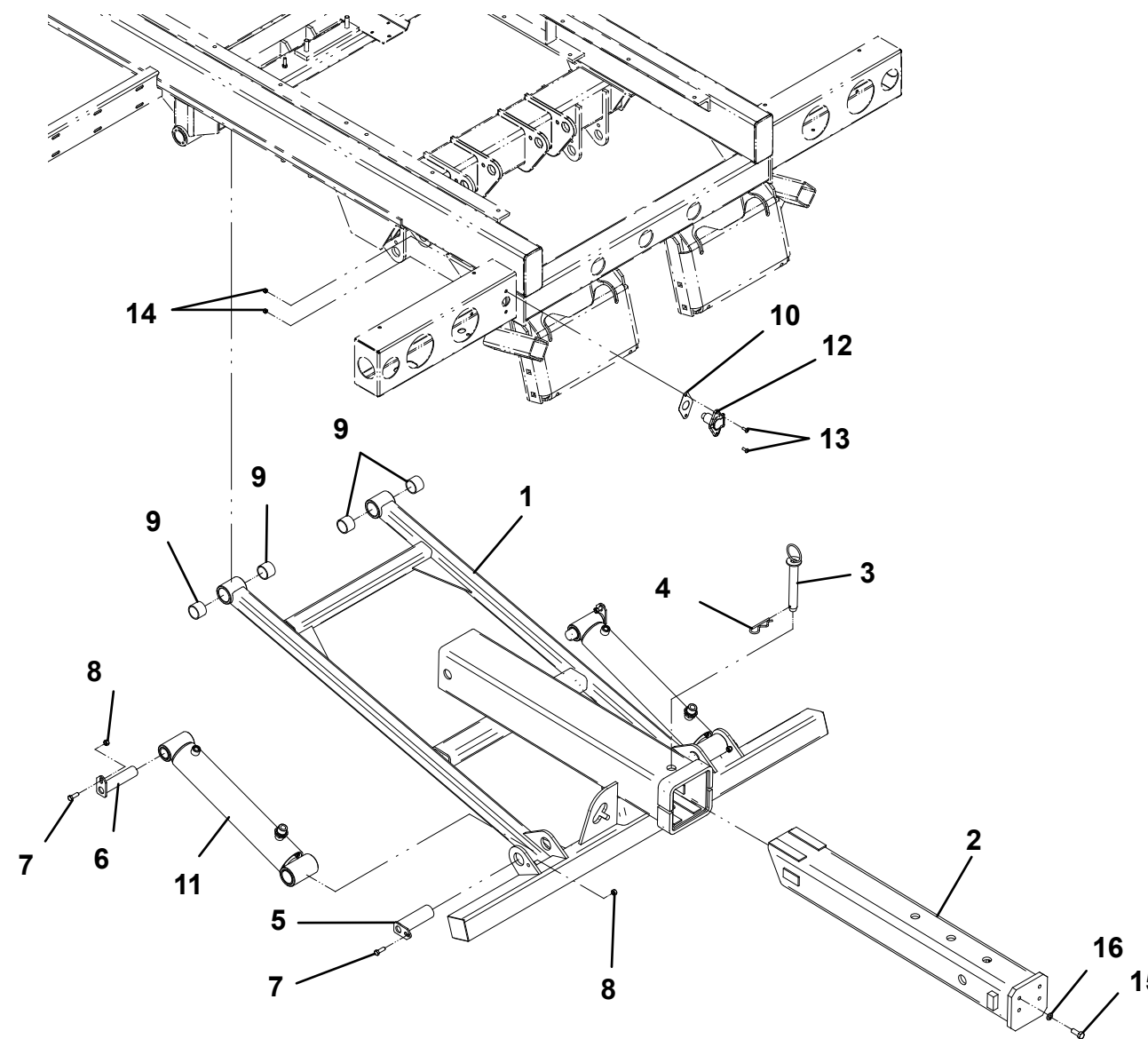


HYDRAULIC REAR DOCK STABILIZER W/ MAN EXT PINTLE HITCH MTG PLATE

ITEM	PART NO.	DESCRIPTION	QTY
1	3849000022	Stabilizer Weld w/ Pintle	1
2	1001127297	Boom Weld	1
3	3691000064	Pin	1
4	7691000001	Pin	1
5	3691000165	Pin	2
6	3691000166	Pin	2
7	7115160950	Bolt, 0.38"-16NC x 1.13"	4
8	7660162601	Locknut, 0.38"-16NC	4
9	7082000017	Bearing	1
10	7796000048	Gasket	1
11	3320000114	Cylinder	2
12	7291000010	Receptacle	1
13	7114140528	Screw, 0.25"-20NC x 0.63"	2
14	7660142601	Locknut, 0.25"-20NC	2
15	691810	Screw, 0.5"-20 x 1.25"	4
16	4761800	Washer, 0.50" ID	4

* included in Stabilizer Weld, P/N 3849000022

HYDRAULIC REAR DOCK STABILIZER W/ MAN EXT PINTLE HITCH MTG PLATE

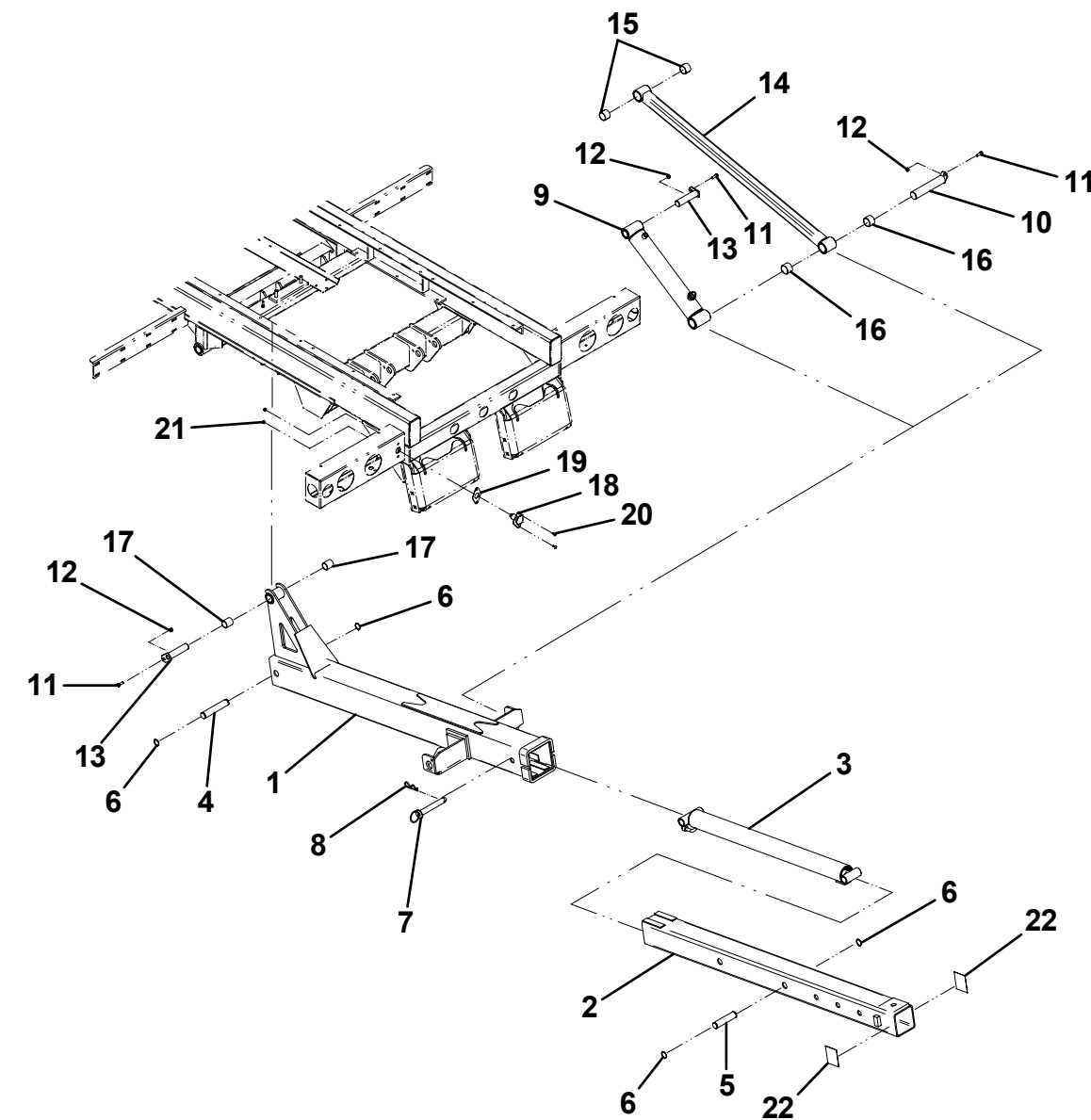


BALL HITCH MOUNTING PLATE - IRL

ITEM	PART NO.	DESCRIPTION	QTY
1	3170000275	Outer Boom Weld	1
2	3911000062	Inner Boom Weld	1
3	3320000116	Cylinder Assembly	1
4	4691000430	Pin	1
5	4691000429	Pin	1
6	7754000006	Retaining Ring	4
7	3691000064	Pin Weld	1
8	7691000001	Hair Pin	1
9	3320000114	Cylinder Assembly	2
10	3691000164	Pin Weld	2
11	7115160950	Capscrew, 0.38"-16NC x 1.12"	5
12	7660162601	Locknut, 0.38"-16NC	5
13	3691000166	Pin Weld	3
14	3020000097	Arm Weld	2
15	7082000017*	Bushing	4
16	7082000018*	Bushing	4
17	7082000016+	Bushing	2
18	7291000010	4-Way Receptacle	1
19	7796000048	Gasket	1
20	7114140528	Screw, 0.25"-20NC x 0.63"	2
21	7660142601	Locknut, 0.25"-20NC	2
22	4330000002	Reflective Tape	2

* included in Arm Weld, P/N 3020000097
 + included in Outer Boom Weld, P/N 3170000275

BALL HITCH MOUNTING PLATE - IRL

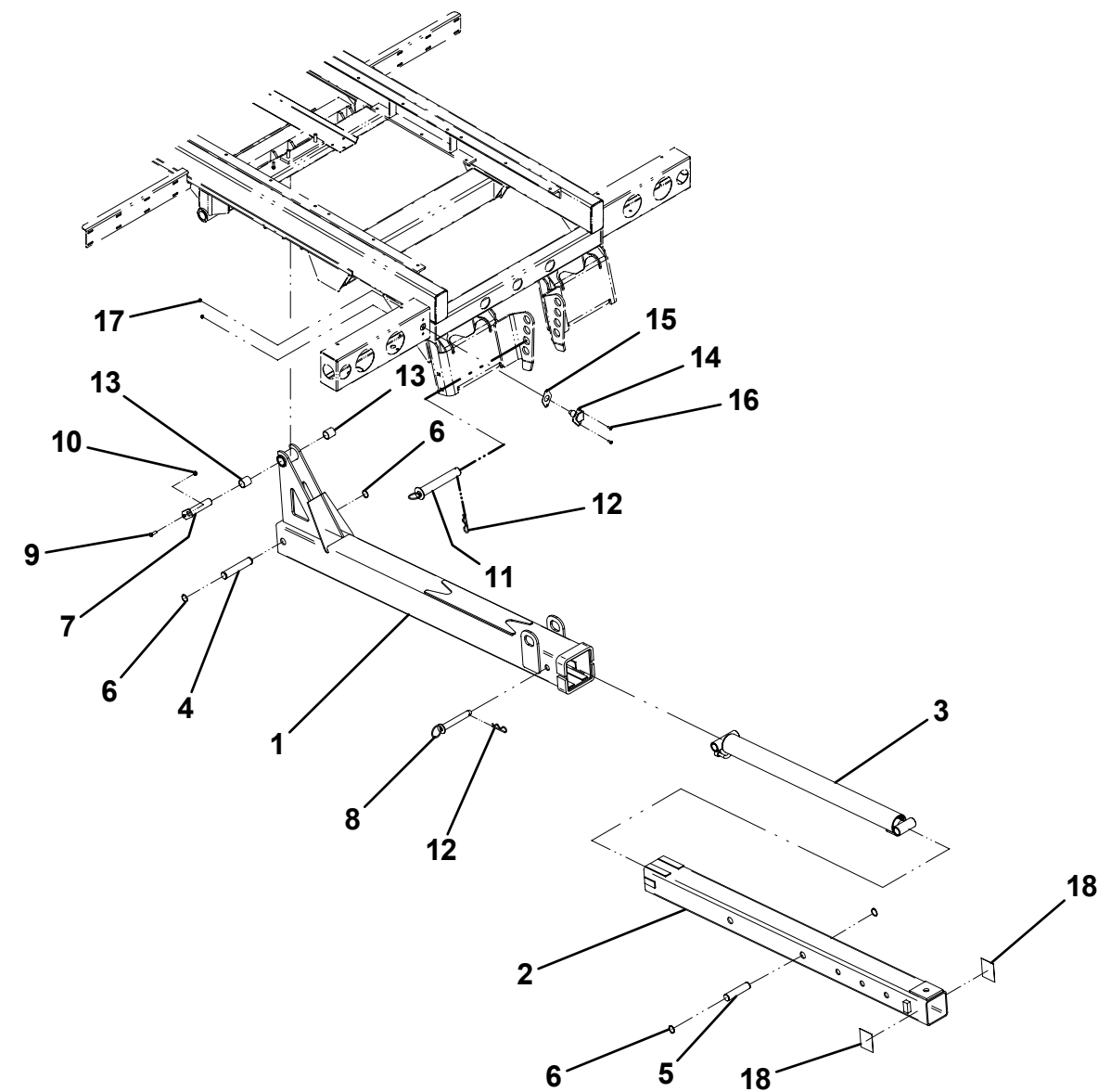


BALL HITCH MOUNTING PLATE - HYDRAULIC EXTEND

ITEM	PART NO.	DESCRIPTION	QTY
1	3170000276	Outer Boom Weld	1
2	3911000062	Inner Boom Weld	1
3	3320000116	Cylinder Assembly	1
4	4691000430	Pin	1
5	4691000429	Pin	1
6	7754000006	Retaining Ring	4
7	3691000166	Pin Weld	1
8	3691000064	Pin Weld	1
9	7115160950	Capscrew, 0.38"-16NC x 1.12"	1
10	7660162601	Locknut, 0.38"-16NC	1
11	3691000097	Pin Weld	1
12	7691000001	Hair Pin	2
13	7082000016*	Bushing	2
14	7291000010	4-Way Receptacle	1
15	7796000048	Gasket	1
16	7114140528	Screw, 0.25"-20NC x 0.63"	2
17	7660142601	Locknut, 0.25"-20NC	2
18	4330000002	Reflective Tape	2

* included in Outer Boom Weld, P/N 3170000276

BALL HITCH MOUNTING PLATE - HYDRAULIC EXTEND

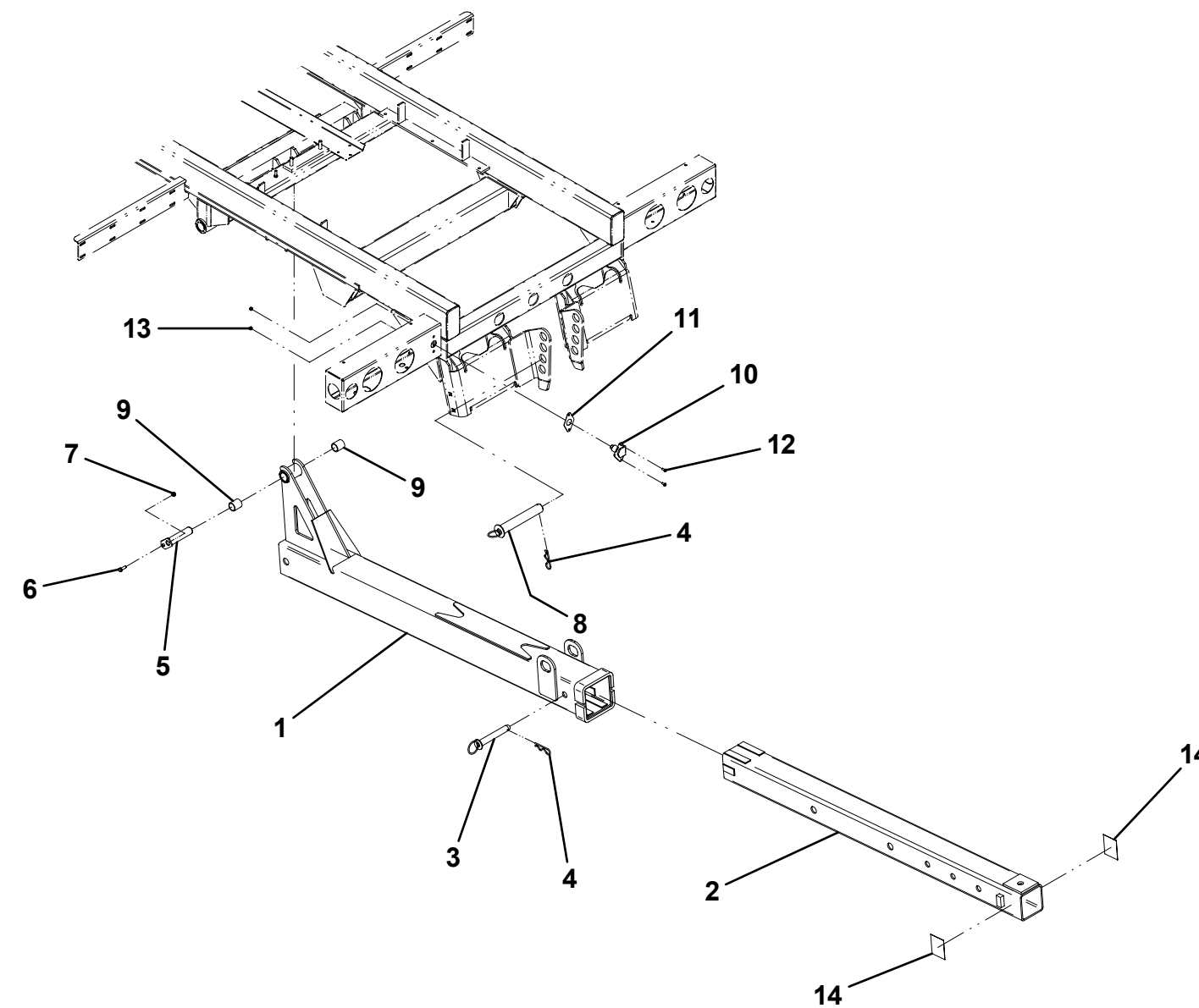


BALL HITCH MOUNTING PLATE - MANUAL EXTEND

ITEM	PART NO.	DESCRIPTION	QTY
1	3170000276	Outer Boom Weld	1
2	3911000062	Inner Boom Weld	1
3	3691000064	Pin Weld	1
4	7691000001	Hair Pin	2
5	3691000166	Pin Weld	1
6	7115160950	Capscrew, 0.38"-16NC x 1.12"	1
7	7660162601	Locknut, 0.38"-16NC	1
8	3691000097	Pin Weld	1
9	7082000016*	Bushing	2
10	7291000010	4-Way Receptacle	1
11	7796000048	Gasket	1
12	7114140528	Screw, 0.25"-20NC x 0.63"	2
13	7660142601	Locknut, 0.25"-20NC	2
14	4330000002	Reflective Tape	2

* included in Outer Boom Weld, P/N 3170000276

BALL HITCH MOUNTING PLATE - MANUAL EXTEND

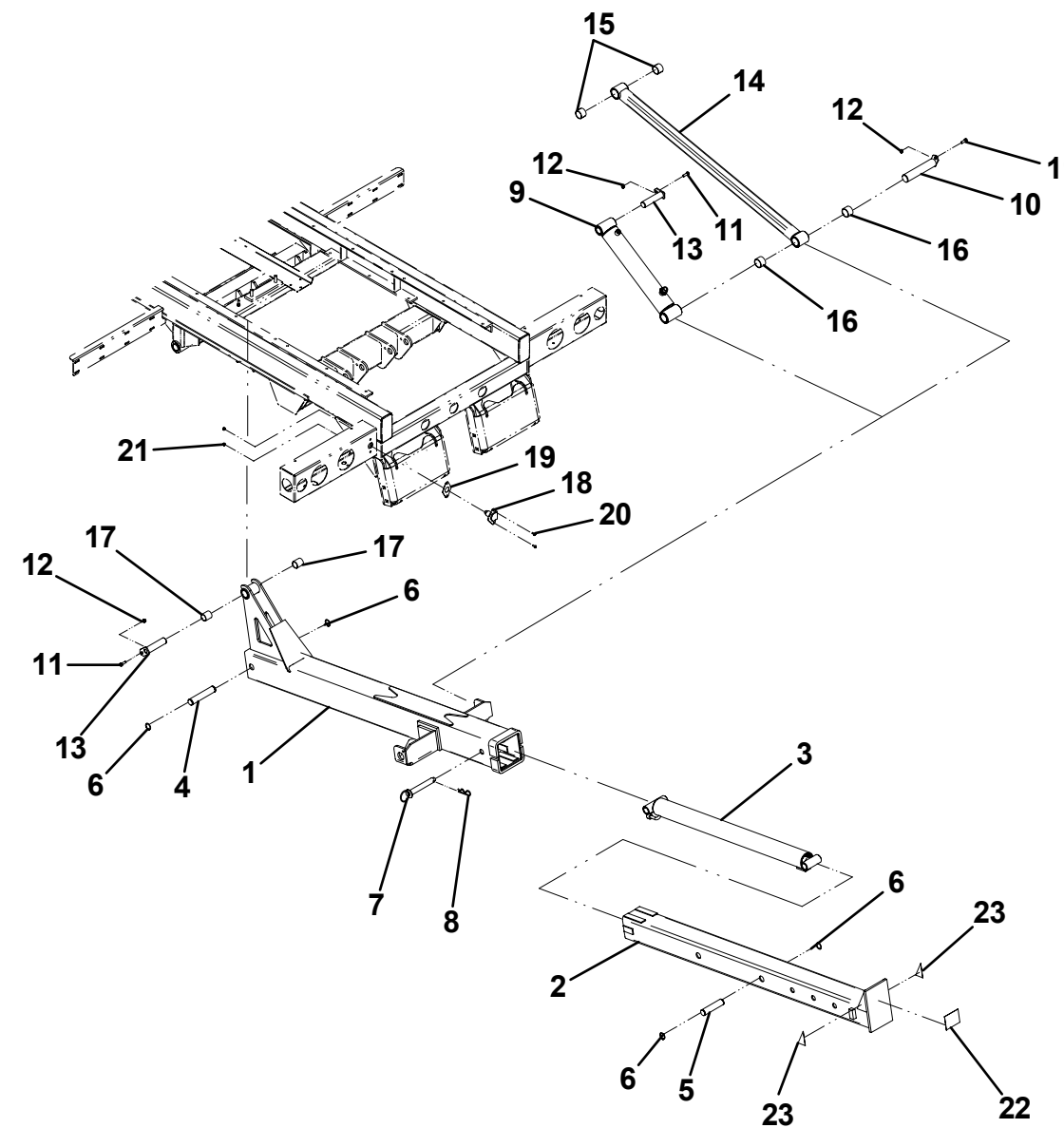


PINTLE HITCH MOUNTING PLATE - IRL

ITEM	PART NO.	DESCRIPTION	QTY
1	3170000275	Outer Boom Weld	1
2	3170000208	Inner Boom Weld	1
3	3320000116	Cylinder Assembly	1
4	4691000430	Pin	1
5	4691000429	Pin	1
6	7754000006	Retaining Ring	4
7	3691000064	Pin Weld	1
8	7691000001	Hair Pin	1
9	3320000114	Cylinder Assembly	2
10	3691000164	Pin Weld	2
11	7115160950	Capscrew, 0.38"-16NC x 1.12	5
12	7660162601	Locknut, 0.38"-16NC	5
13	3691000166	Pin Weld	3
14	3020000097	Arm Weld	2
15	7082000017*	Bushing	4
16	7082000018*	Bushing	4
17	7082000016+	Bushing	2
18	7291000010	4-Way Receptacle	1
19	7796000048	Gasket	1
20	7114140528	Screw, 0.25"-20NC x 0.63"	2
21	7660142601	Locknut, 0.25"-20NC	2
22	4330000002	Reflective Tape	1
23	4330000645	Reflective Tape, LH	1
24	4330000646	Reflective Tape, RH	1

* included in Arm Weld, P/N 3020000097
 + included in Outer Boom Weld, P/N 3170000275

PINTLE HITCH MOUNTING PLATE - IRL

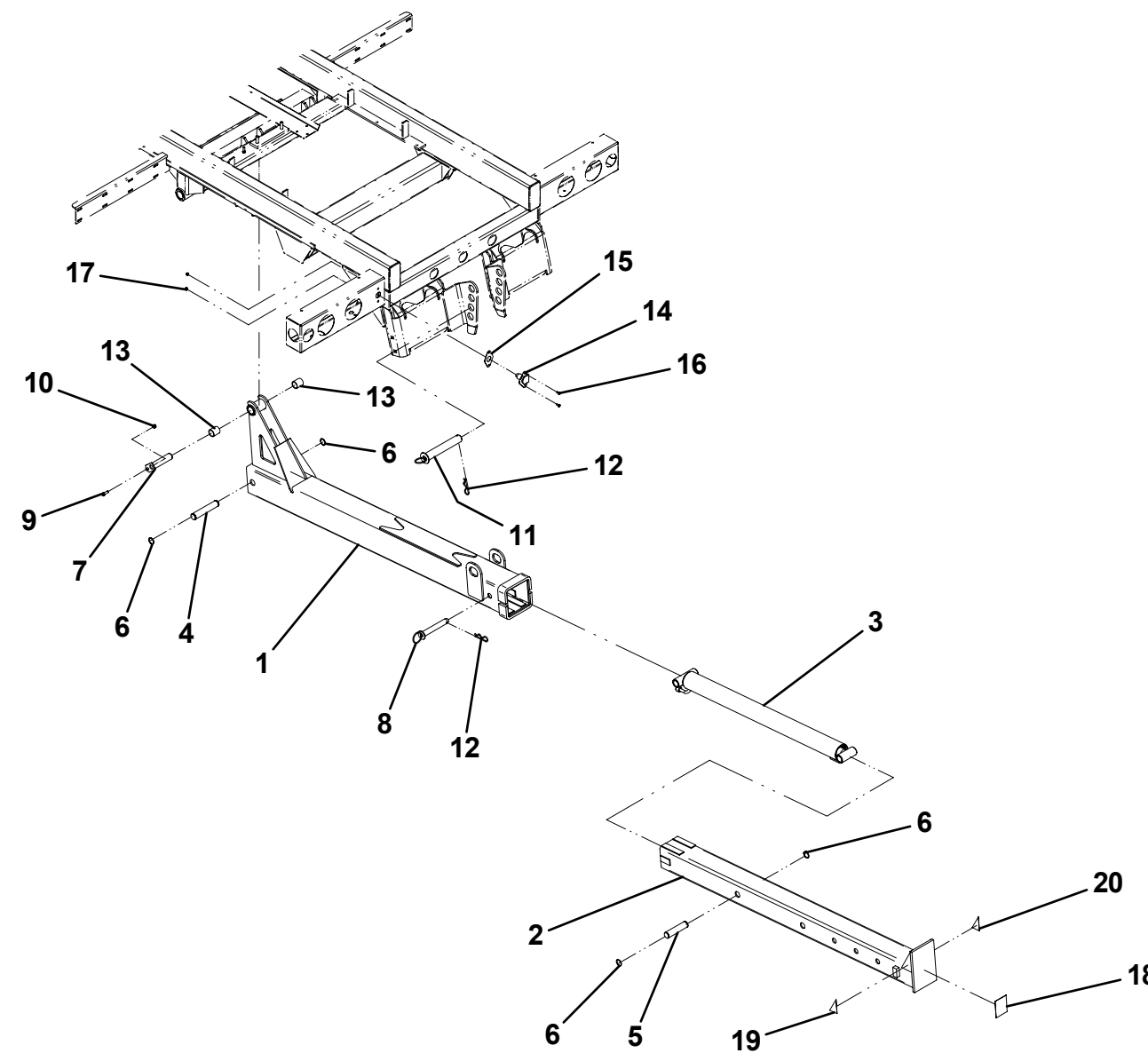


PINTLE HITCH MOUNTING PLATE - HYDRAULIC EXTEND

ITEM	PART NO.	DESCRIPTION	QTY
1	3170000276	Outer Boom Weld	1
2	3170000208	Inner Boom Weld	1
3	3320000116	Cylinder Assembly	1
4	4691000430	Pin	1
5	4691000429	Pin	1
6	7754000006	Retaining Ring	4
7	3691000166	Pin Weld	1
8	3691000064	Pin Weld	1
9	7115160950	Capscrew, 0.38"-16NC x 1.12"	1
10	7660162601	Locknut, 0.38"-16NC	1
11	3691000097	Pin Weld	1
12	7691000001	Hair Pin	2
13	7082000016*	Bushing	2
14	7291000010	4-Way Receptacle	1
15	7796000048	Gasket	1
16	7114140528	Screw, 0.25"-20NC x 0.63"	2
17	7660142601	Locknut, 0.25"-20NC	2
18	4330000002	Reflective Tape	1
19	4330000645	Reflective Tape, LH	1
20	4330000646	Reflective Tape, RH	1

* included in Outer Boom Weld, P/N 3170000276

PINTLE HITCH MOUNTING PLATE - HYDRAULIC EXTEND

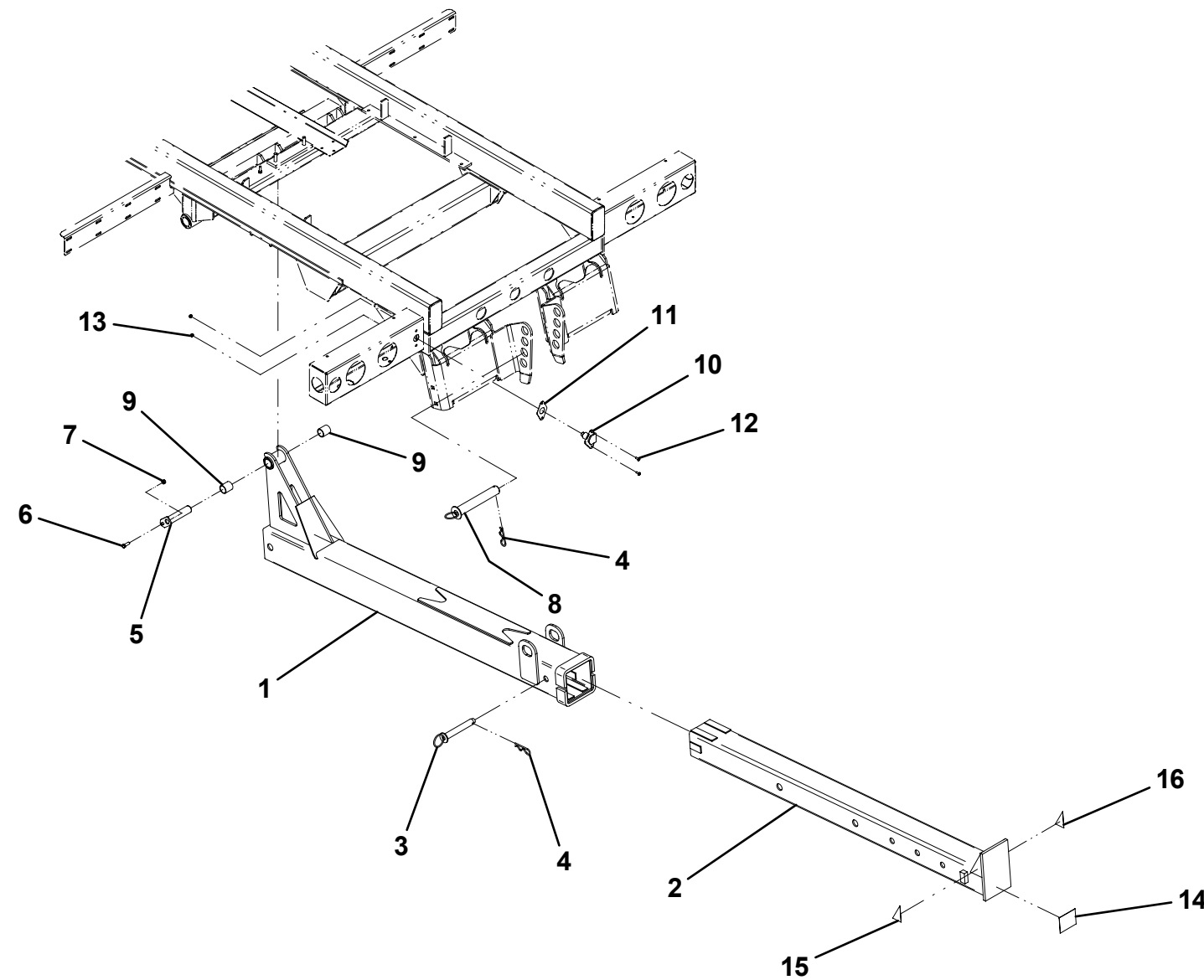


PINTLE HITCH MOUNTING PLATE - MANUAL EXTEND

ITEM	PART NO.	DESCRIPTION	QTY
1	3170000276	Outer Boom Weld	1
2	3170000208	Inner Boom Weld	1
3	3691000064	Pin Weld	1
4	7691000001	Hair Pin	2
5	3691000166	Pin Weld	1
6	7115160950	Capscrew, 0.38"-16NC x 1.12"	1
7	7660162601	Locknut, 0.38"-16NC	1
8	3691000097	Pin Weld	1
9	7082000016*	Bushing	2
10	7291000010	4-Way Receptacle	1
11	7796000048	Gasket	1
12	7114140528	Screw, 0.25"-20NC x 0.63"	2
13	7660142601	Locknut, 0.25"-20NC	2
14	4330000002	Reflective Tape	1
15	4330000645	Reflective Tape, LH	1
16	4330000646	Reflective Tape, RH	1

* included in Outer Boom Weld, P/N 3170000276

PINTLE HITCH MOUNTING PLATE - MANUAL EXTEND



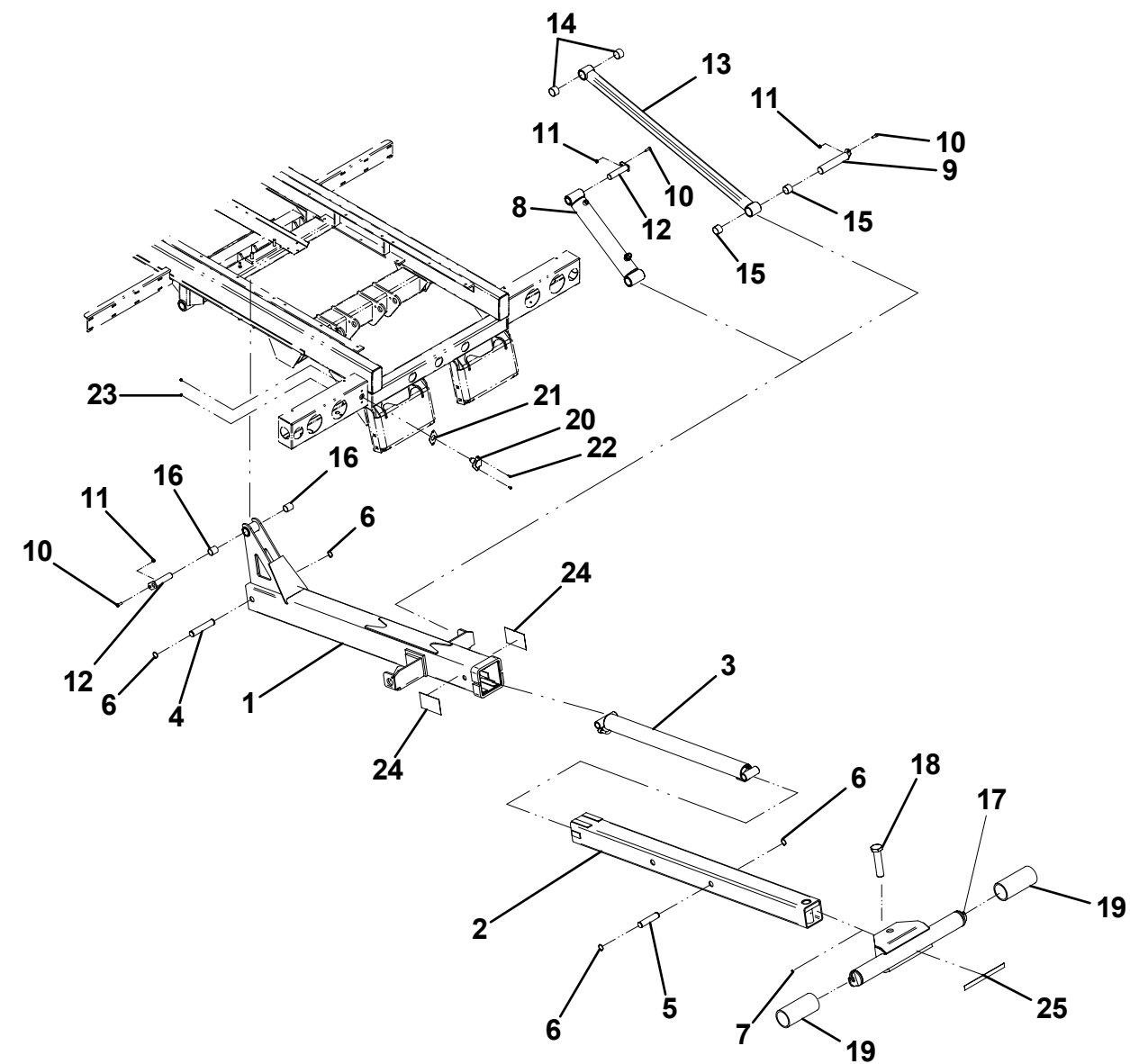
TOWBAR - IRL

ITEM	PART NO.	DESCRIPTION	QTY
1	3170000275	Outer Boom Weld	1
2	3170000048	Inner Boom Weld	1
3	3320000116	Cylinder Assembly	1
4	4691000430	Pin	1
5	4691000429	Pin	1
6	7754000006	Retaining Ring	4
7	7440030000	Grease Fitting	1
8	3320000114	Cylinder Assembly	2
9	3691000164	Pin Weld	2
10	7115160950	Capscrew, 0.38"-16NC x 1.12"	5
11	7660162601	Locknut, 0.38"-16NC	5
12	3691000073	Pin Weld	3
13	3020000097	Arm Weld	2
14	7082000017*	Bushing	4
15	7082000018*	Bushing	4
16	7082000016+	Bushing	2
17	3556000023	Tow Hitch Weld	1
18	4120000008	Capscrew, 1.50"-12NF x 6.38"	1
19	7912000011	Tube Rubber	2
20	7291000010	4-Way Receptacle	1
21	7796000048	Gasket	1
22	7114140528	Screw, 0.25"-20NC x 0.63"	2
23	7660142601	Locknut, 0.25"-20NC	2
24	7330000419	Reflective Tape	2
25	4330000001	Reflective Tape	1

* included in Arm Weld, P/N 3020000097

+ included in Outer Boom Weld, P/N 3170000275

TOWBAR - IRL

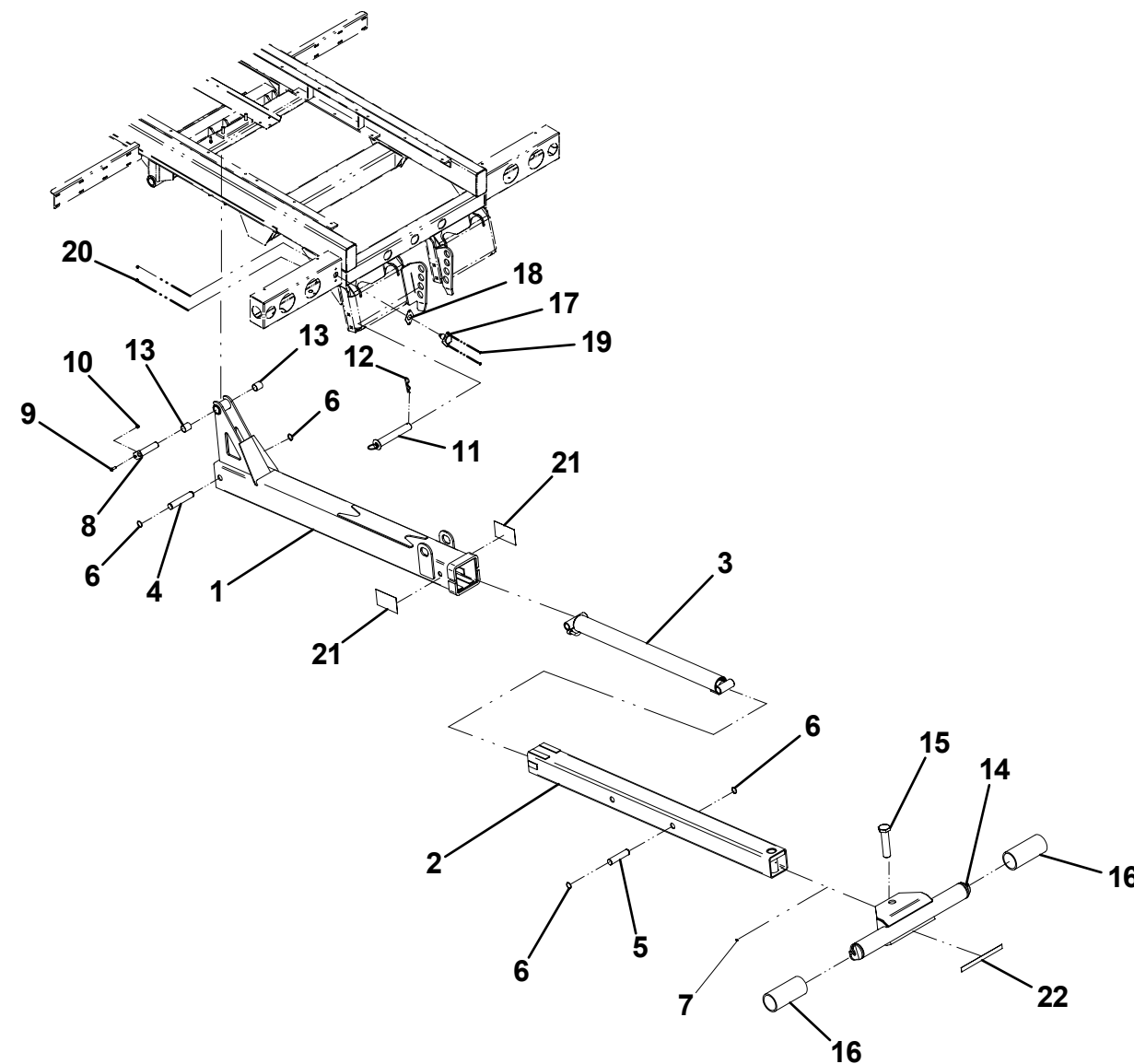


TOWBAR - HYDRAULIC EXTEND

ITEM	PART NO.	DESCRIPTION	QTY
1	3170000276	Outer Boom Weld	1
2	3170000048	Inner Boom Weld	1
3	3320000116	Cylinder Assembly	1
4	4691000430	Pin	1
5	4691000429	Pin	1
6	7754000006	Retaining Ring	4
7	7440030000	Grease Fitting	1
8	3691000073	Pin Weld	1
9	7115160950	Capscrew, 0.38"-16NC x 1.12"	1
10	7660162601	Locknut, 0.38"-16NC	1
11	3691000097	Pin Weld	1
12	7691000001	Hair Pin	1
13	7082000016*	Bushing	2
14	3556000023	Tow Hitch Weld	1
15	4120000008	Capscrew, 1.50"-12NF x 6.38"	1
16	7912000011	Tube Rubber	2
17	7291000010	4-Way Receptacle	1
18	7796000048	Gasket	1
19	7114140528	Screw, 0.25"-20NC x 0.63"	2
20	7660142601	Locknut, 0.25"-20NC	2
21	4330000002	Reflective Tape	2
22	4330000001	Reflective Tape	1

* included in Outer Boom Weld, P/N 3170000276

TOWBAR - HYDRAULIC EXTEND

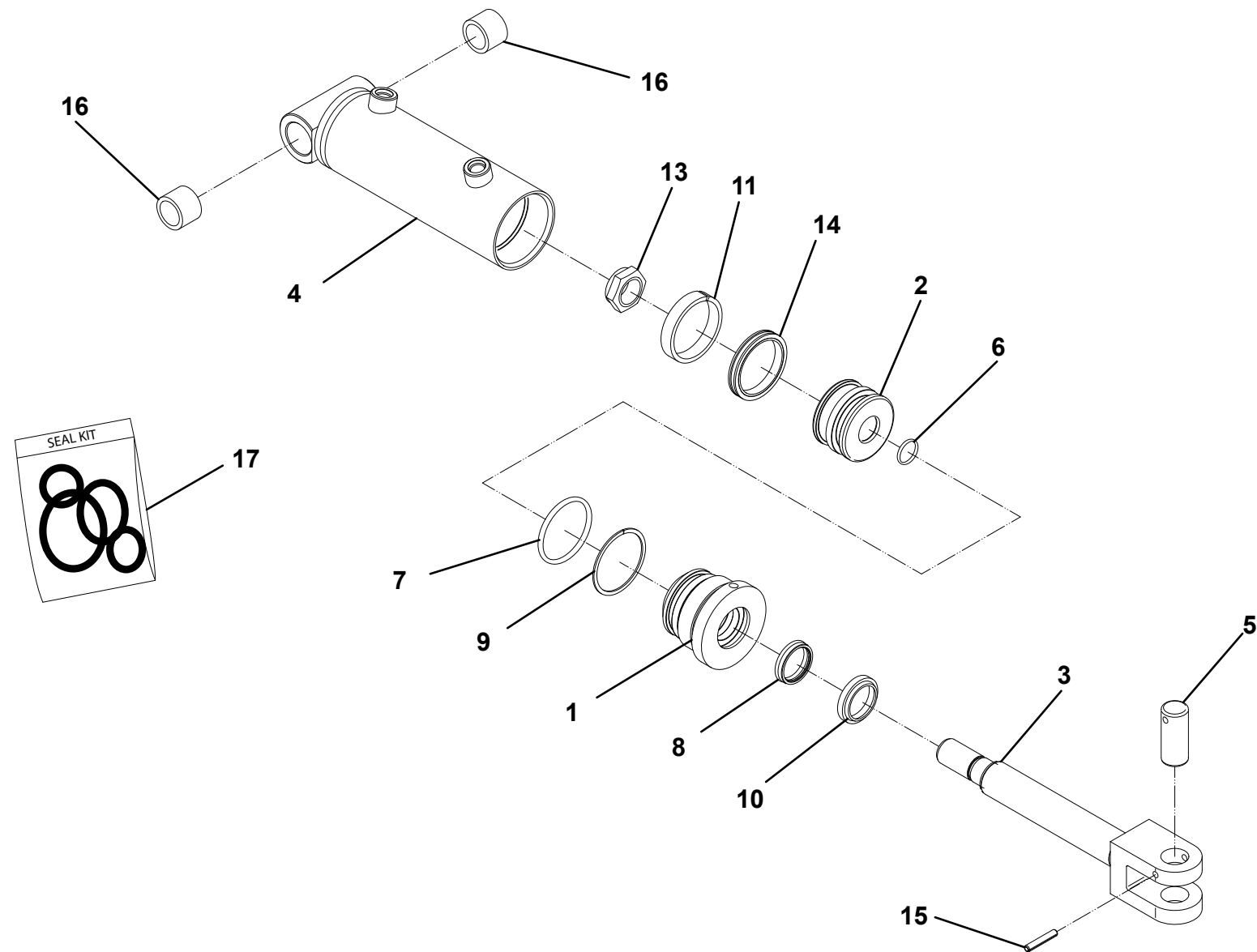


AUTOGRID CYLINDER ASSEMBLY - P/N 732000064

ITEM	PART NO.	DESCRIPTION	QTY
1	7027336	Gland	1
2	7027338	Piston	1
3	70050632	Rod Assembly	1
4	70050633	Barrel Assembly	1
5	70050634	Retention Pin	1
6	70050635*	O-Ring	1
7	70050636*	O-Ring	1
8	70050637*	Rod Seal	1
9	70050638*	Backup Ring	1
10	70050639*	Rod Wiper	1
11	70050640*	Wear Ring	1
12	70050641	Plug	2
13	70050642	Locknut, 0.75"-16	1
14	70050643	Piston Seal	1
15	70050644	Roll Pin	1
16	7082000026	Bearing	2
17	7027341	Seal Kit	1

* included in seal kit #7027341

AUTOGRID CYLINDER ASSEMBLY - P/N 732000064



IRL CYLINDER ASSEMBLY - P/N 3320000114

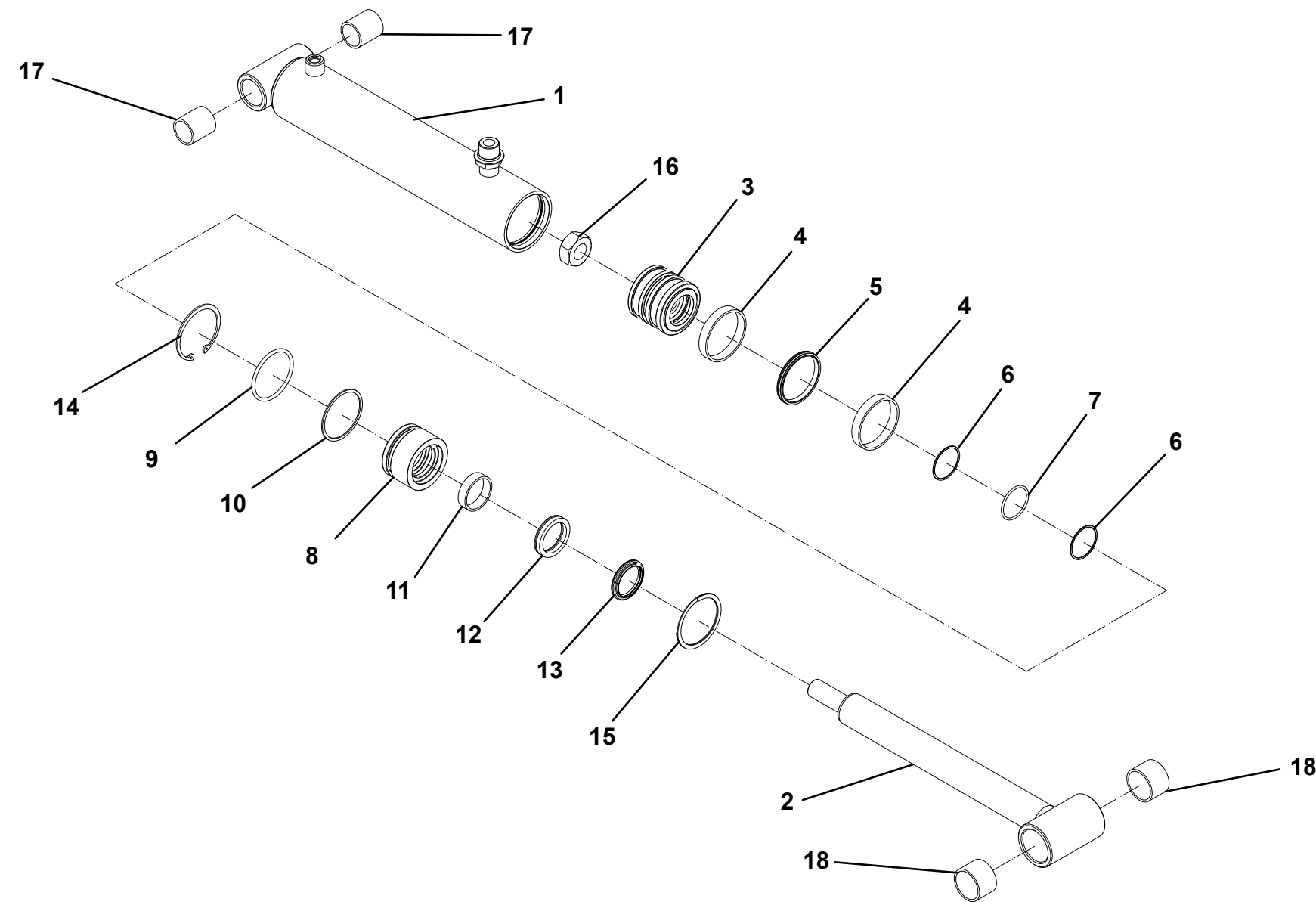
ITEM	PART NO.	DESCRIPTION	QTY
1	3071000105	Barrel Weld	1
2	3763000118	Rod Weld	1
3	4698000007*	Piston	1
4	7754000003*#	Wear Ring	2
5	7796000063*#	Piston Locking "T" Seal	1
6	7755224609*#	Back-Up Ring	2
7	7755224000*#	"O" Ring	1
8	4553000008^	Head	1
9	7755334000^#	"O" Ring	1
10	7755334609^#	Back-Up Ring	1
11	7754000004^#	Wear Ring	1
12	7796000024^#	Rod Seal	1
13	7796000008^#	Rod Wiper Seal	1
14	7754000002#	Retaining Ring	1
15	7754000026#	Retaining Ring	1
16	7661000034	Locknut	1
17	7082000016	Bearing	2
18	7082000018	Bearing	2

* included in Piston Assembly, P/N 3698000001

^ included in Head Assembly, P/N 3553000011

available only in Service Kit #7577250024

IRL CYLINDER ASSEMBLY - P/N 3320000114



WHEEL LIFT EXTEND CYLINDER ASSEMBLY - P/N 3320000115

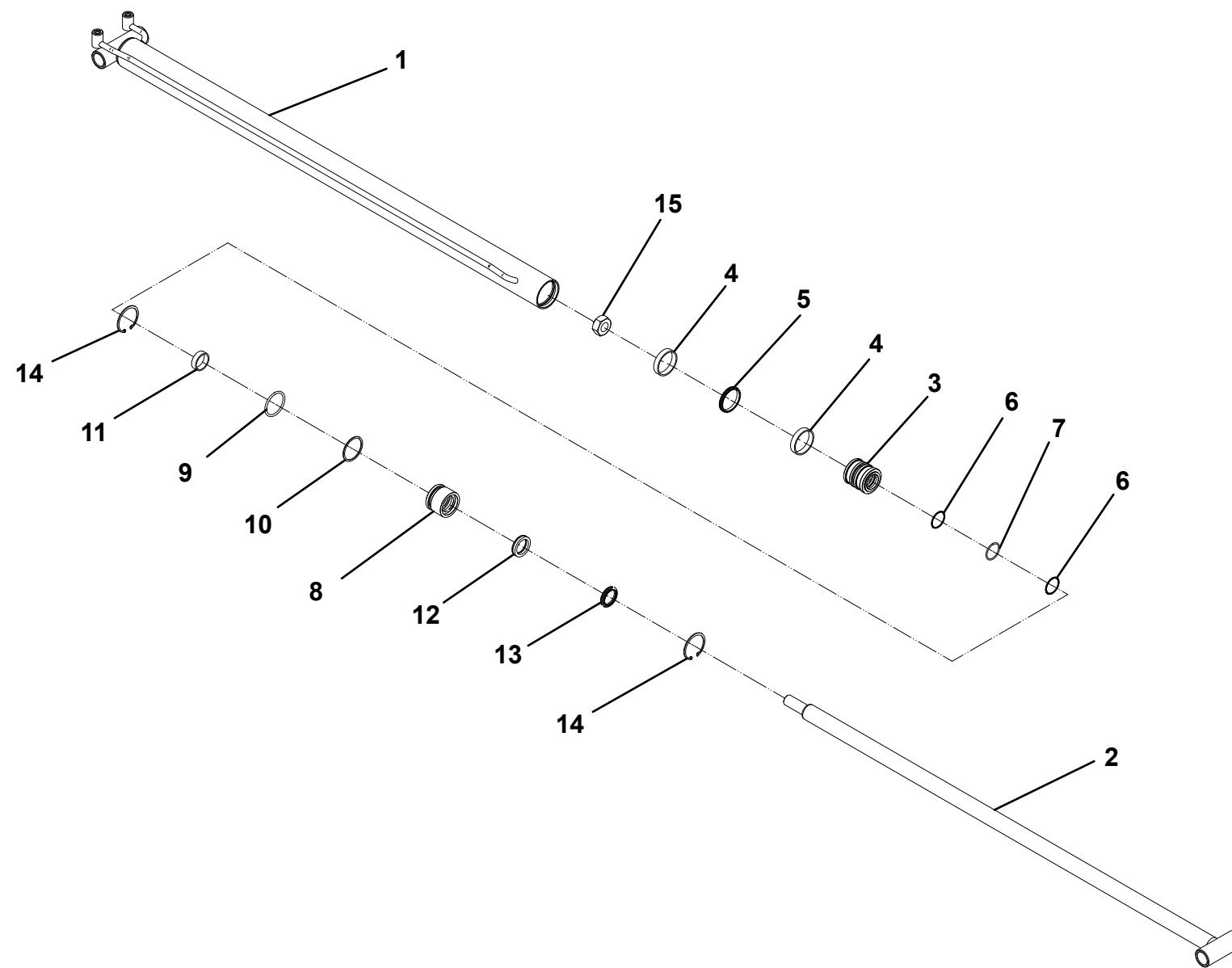
ITEM	PART NO.	DESCRIPTION	QTY
1	3071000106	Barrel Weld	1
2	3763000119	Rod Weld	1
3	4698000015*	Piston	1
4	7754000053*#	Wear Ring	2
5	7796000067*#	Piston Locking "T" Seal	1
6	7755222609*#	Back-Up Ring	2
7	7755222000*#	"O" Ring	1
8	4553000016^	Head	1
9	7755330000^#	"O" Ring	1
10	7755330609^#	Back-Up Ring	1
11	7754000054^#	Wear Ring	1
12	7796000045^#	Rod Seal	1
13	7796000046^#	Rod Wiper Seal	1
14	7754000051#	Retaining Ring	2
15	7661000034	Locknut	1

* included in Piston Assembly, P/N 3698000006

^ included in Head Assembly, P/N 3553000016

available only in Service Kit #7577250206

WHEEL LIFT EXTEND CYLINDER ASSEMBLY - P/N 3320000115



TOW OPTION EXTEND CYLINDER ASSEMBLY - P/N 3320000116

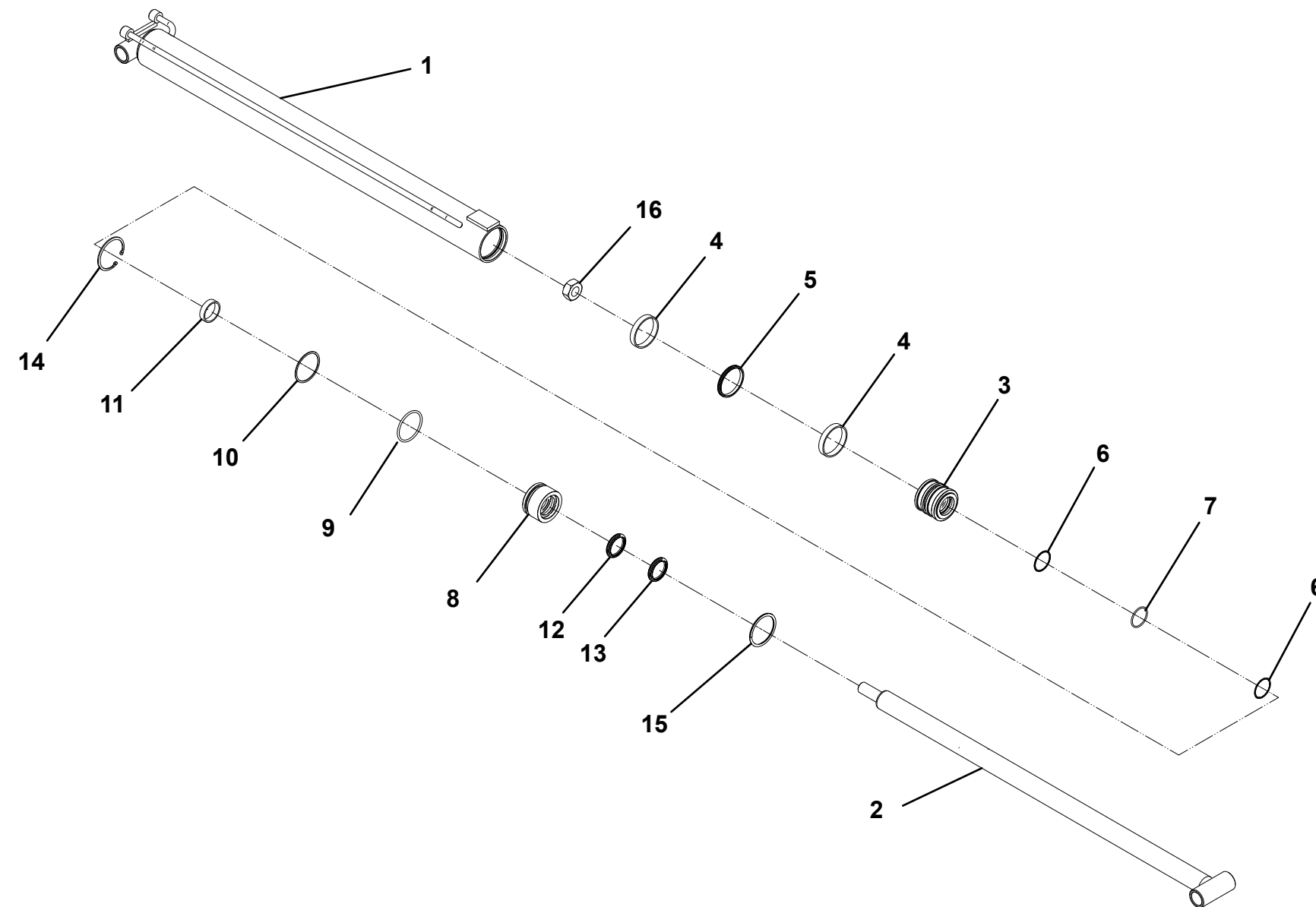
ITEM	PART NO.	DESCRIPTION	QTY
1	3071000107	Barrel Weld	1
2	3763000120	Rod Weld	1
3	4698000007*	Piston	1
4	7754000003*#	Wear Ring	2
5	7796000063*#	Piston Locking "T" Seal	1
6	7755224609*#	Back-Up Ring	2
7	7755224000*#	"O" Ring	1
8	4553000008^	Head	1
9	7755334000^#	"O" Ring	1
10	7755334609^#	Back-Up Ring	1
11	7754000004^#	Wear Ring	1
12	7796000024^#	Rod Seal	1
13	7796000008^#	Rod Wiper Seal	1
14	7754000002#	Retaining Ring	1
15	7754000026#	Retaining Ring	1
16	7661000034	Locknut	1

* included in Piston Assembly, P/N 3698000001

^ included in Head Assembly, P/N 3553000011

available only in Service Kit #7577250024

TOW OPTION EXTEND CYLINDER ASSEMBLY - P/N 3320000116

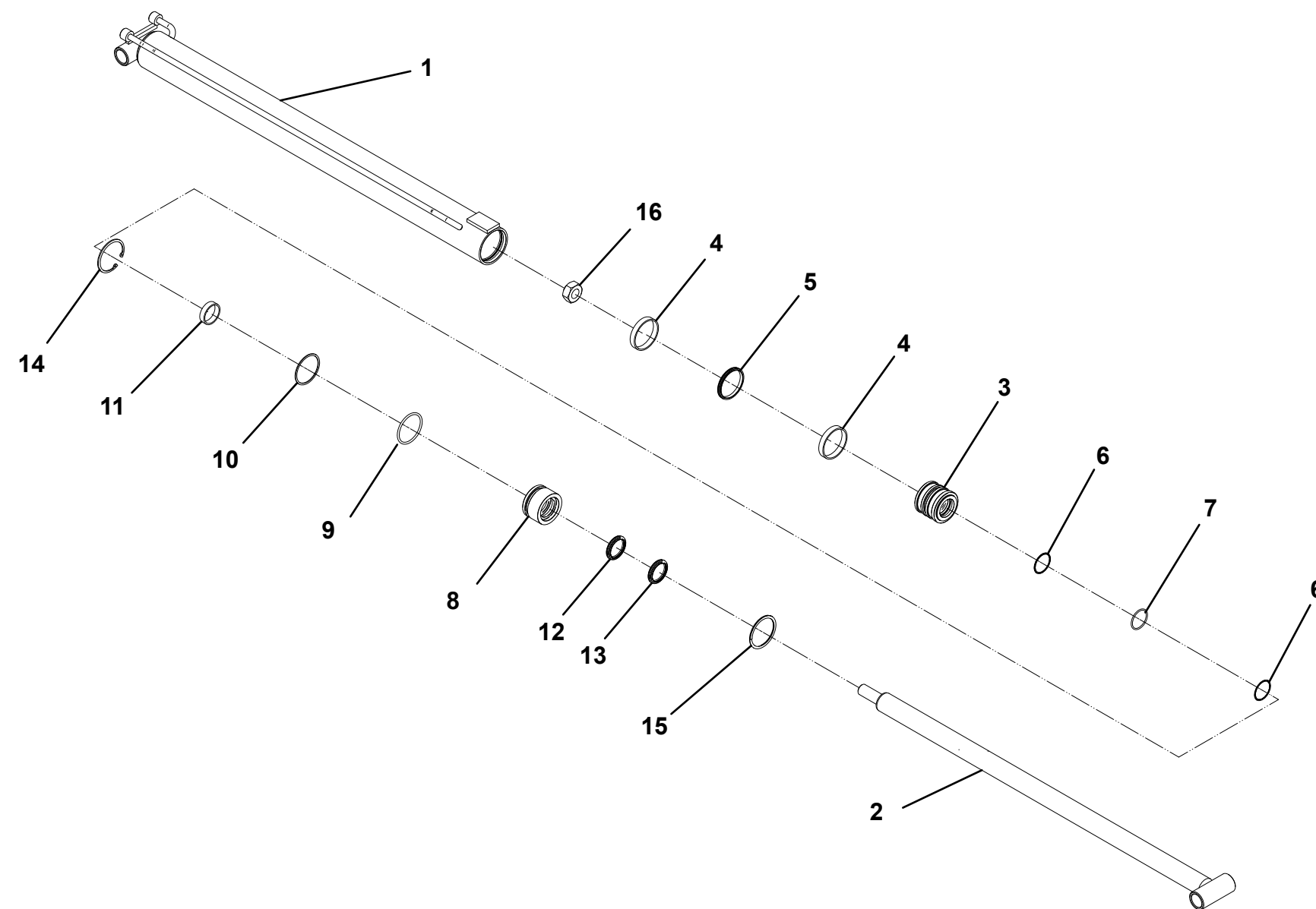


TOW OPTION EXTEND CYLINDER ASSEMBLY - P/N 3320000117

ITEM	PART NO.	DESCRIPTION	QTY
1	3071000108	Barrel Weld	1
2	3763000121	Rod Weld	1
3	4698000007*	Piston	1
4	7754000003*#	Wear Ring	2
5	7796000063*#	Piston Locking "T" Seal	1
6	7755224609*#	Back-Up Ring	2
7	7755224000*#	"O" Ring	1
8	4553000008^	Head	1
9	7755334000^#	"O" Ring	1
10	7755334609^#	Back-Up Ring	1
11	7754000004^#	Wear Ring	1
12	7796000024^#	Rod Seal	1
13	7796000008^#	Rod Wiper Seal	1
14	7754000002#	Retaining Ring	1
15	7754000026#	Retaining Ring	1
16	7661000034	Locknut	1

* included in Piston Assembly, P/N 3698000001
 ^ included in Head Assembly, P/N 3553000011
 # available only in Service Kit #7577250024

TOW OPTION EXTEND CYLINDER ASSEMBLY - P/N 3320000117



ZOD CYLINDER ASSEMBLY - P/N 3320000118

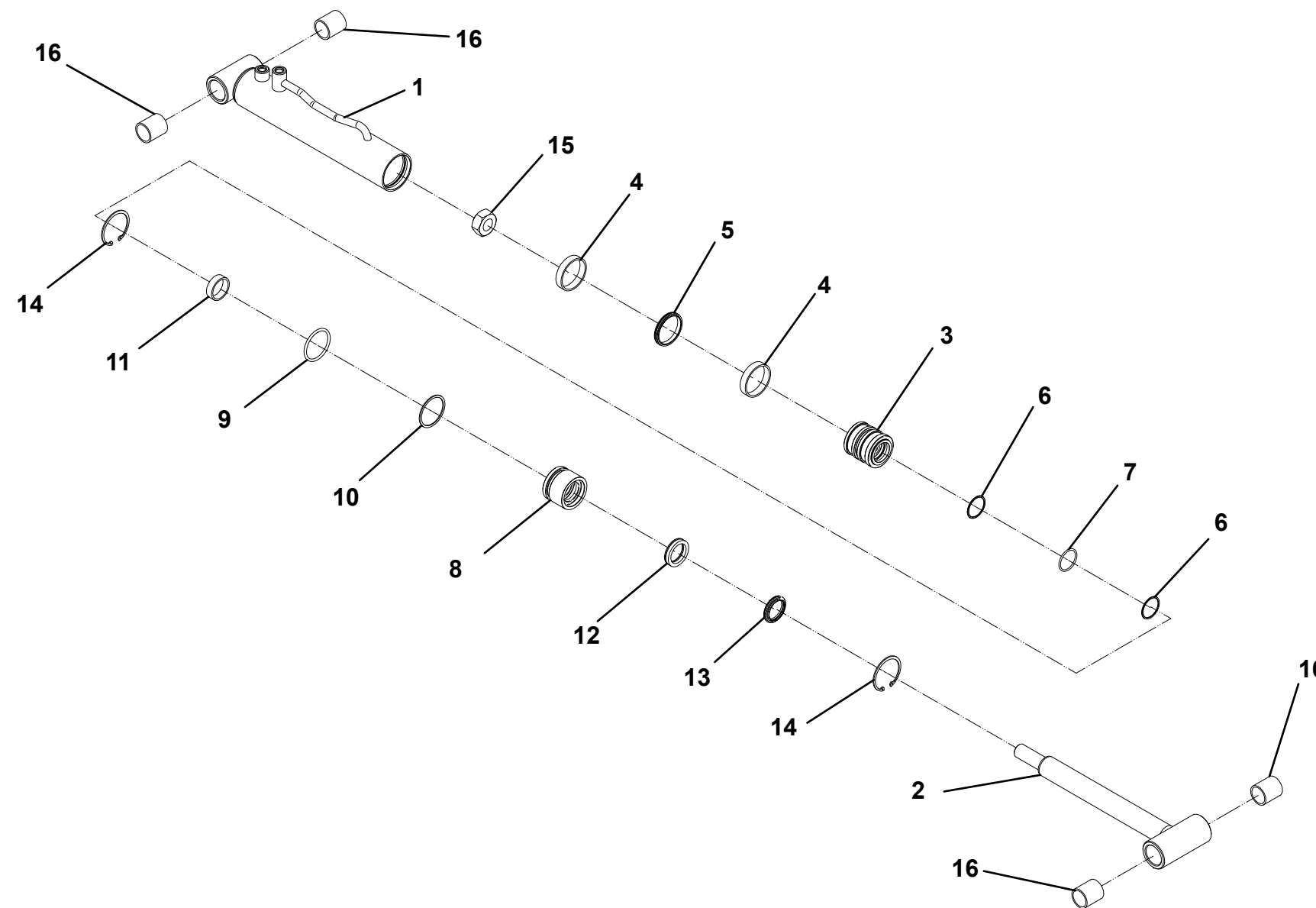
ITEM	PART NO.	DESCRIPTION	QTY
1	3071000109	Barrel Weld	1
2	3763000122	Rod Weld	1
3	4698000015*	Piston	1
4	7754000053*#	Wear Ring	2
5	7796000067*#	Piston Locking "T" Seal	1
6	7755224609*#	Back-Up Ring	2
7	7755224000*#	"O" Ring	1
8	4553000016^	Head	1
9	7755330000^#	"O" Ring	1
10	7755330609^#	Back-Up Ring	1
11	7754000054^#	Wear Ring	1
12	7796000045^#	Rod Seal	1
13	7796000046^#	Rod Wiper Seal	1
14	7754000051#	Retaining Ring	2
15	7661000034	Locknut	1
16	7082000016	Bearing	4

* included in Piston Assembly, P/N 3698000006

^ included in Head Assembly, P/N 3553000016

available only in Service Kit #7577250206

ZOD CYLINDER ASSEMBLY - P/N 3320000118



TILT CYLINDER ASSEMBLY (INBOARD) - P/N 3320000120

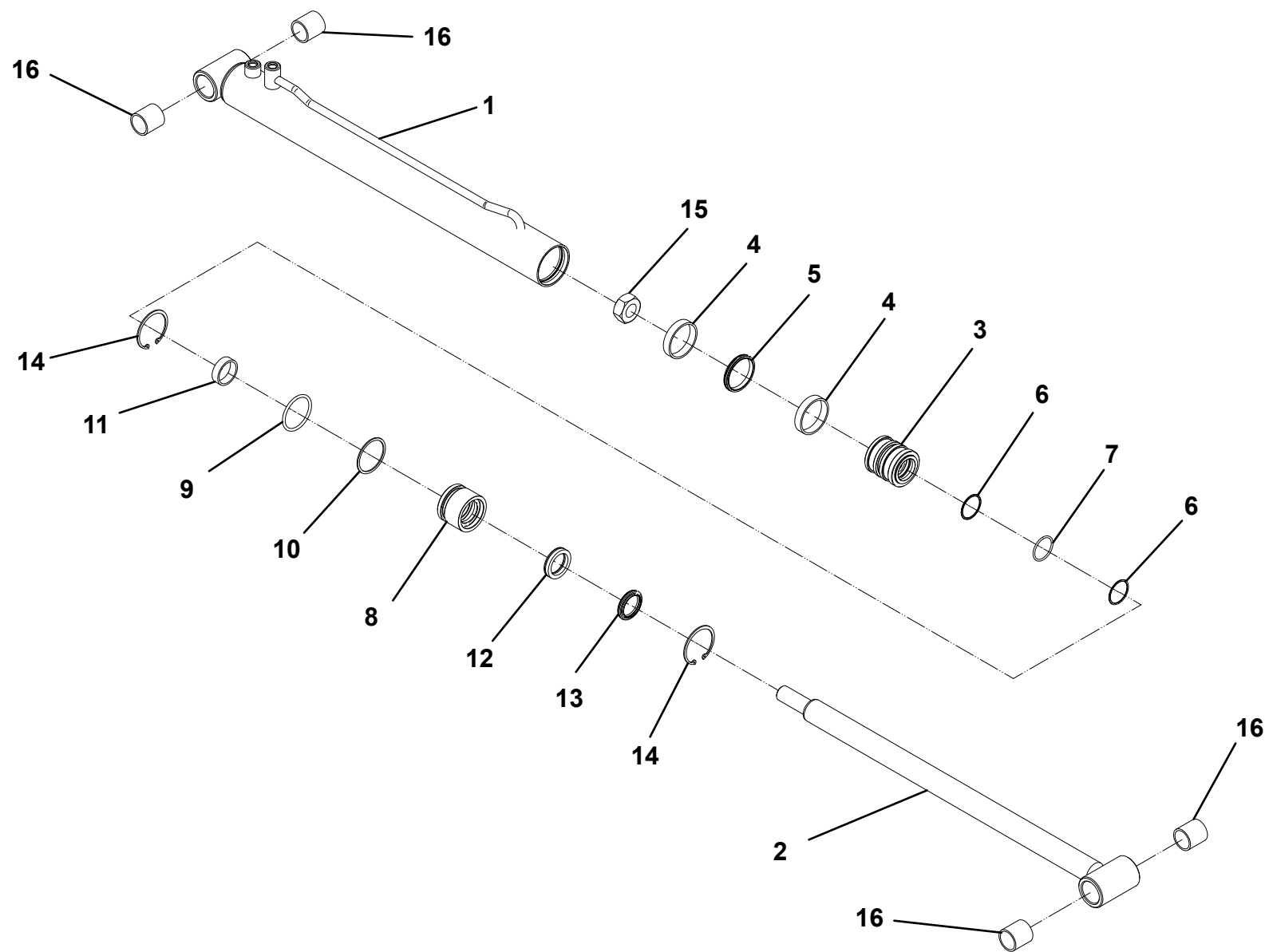
ITEM	PART NO.	DESCRIPTION	QTY
1	3071000111	Barrel Weld	1
2	3763000123	Rod Weld	1
3	4698000015*	Piston	1
4	7754000053*#	Wear Ring	2
5	7796000067*#	Piston Locking "T" Seal	1
6	7755222609*#	Back-Up Ring	2
7	7755222000*#	"O" Ring	1
8	4553000016^	Head	1
9	7755330000^#	"O" Ring	1
10	7755330609^#	Back-Up Ring	1
11	7754000054^#	Wear Ring	1
12	7796000045^#	Rod Seal	1
13	7796000046^#	Rod Wiper Seal	1
14	7754000051#	Retaining Ring	2
15	7661000011	Locknut	1
16	7082000016	Bearing	4

* included in Piston Assembly, P/N 3698000006

^ included in Head Assembly, P/N 3553000016

available only in Service Kit #7577250206

TILT CYLINDER ASSEMBLY (INBOARD) - P/N 3320000120

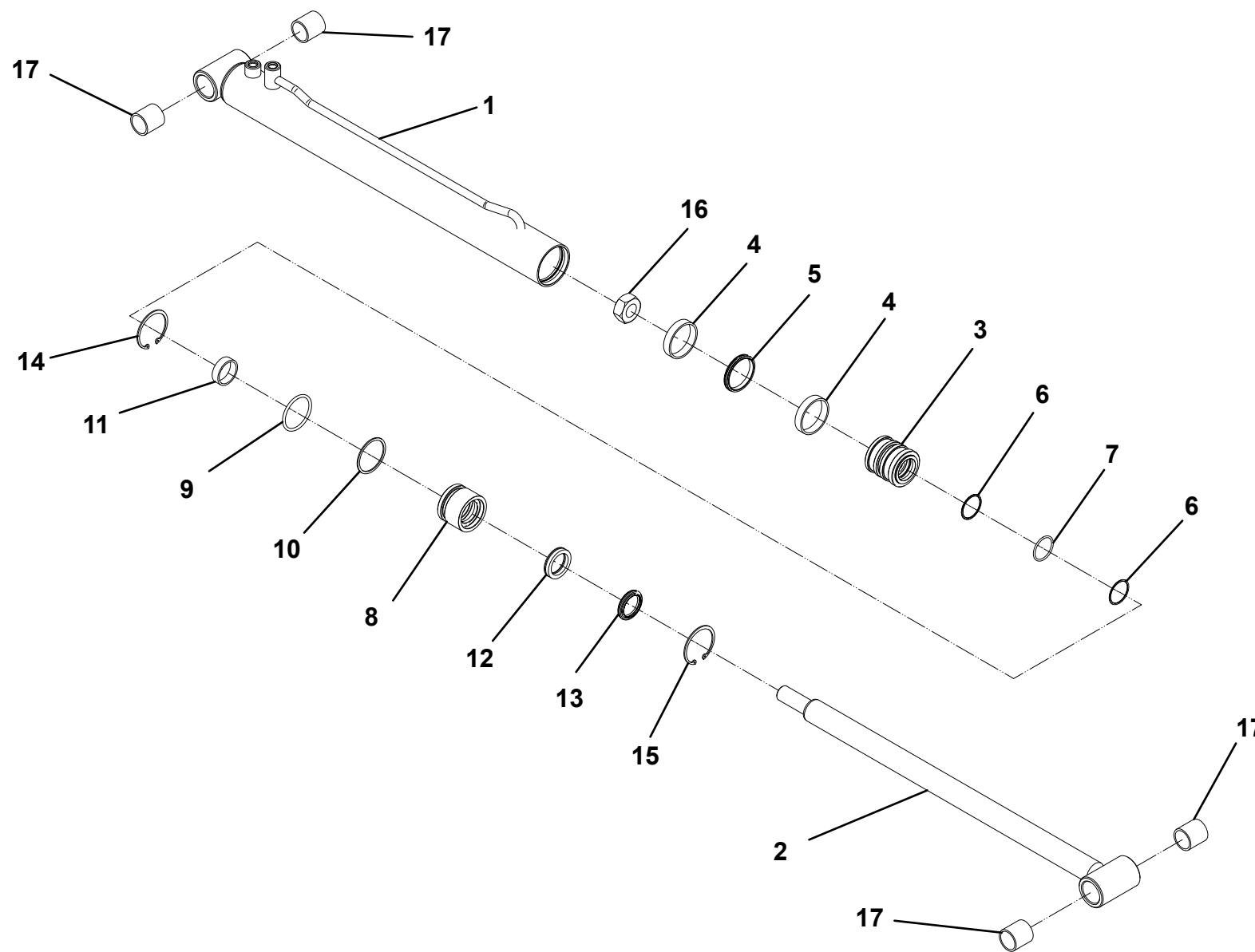


TILT CYLINDER ASSEMBLY - P/N 3320000122

ITEM	PART NO.	DESCRIPTION	QTY
1	3071000117	Barrel Weld	1
2	3763000127	Rod Weld	1
3	4698000007*	Piston	1
4	7754000003*#	Wear Ring	2
5	7796000063*#	Piston Locking "T" Seal	1
6	7755224609*#	Back-Up Ring	2
7	7755224000*#	"O" Ring	1
8	4553000008^	Head	1
9	7755330008^#	"O" Ring	1
10	7755334609^#	Back-Up Ring	1
11	7754000004^#	Wear Ring	1
12	7796000045^#	Rod Seal	1
13	7796000024^#	Rod Wiper Seal	1
14	7754000002#	Retaining Ring	2
15	7754000026#	Locknut	1
16	7661000034	Locknut	1
17	7082000016	Bearing	4

* included in Piston Assembly, P/N 3698000001
 ^ included in Head Assembly, P/N 3553000011
 # available only in Service Kit #7577250024

TILT CYLINDER ASSEMBLY - P/N 3320000122



IRL CYLINDER ASSEMBLY - P/N 3320000134

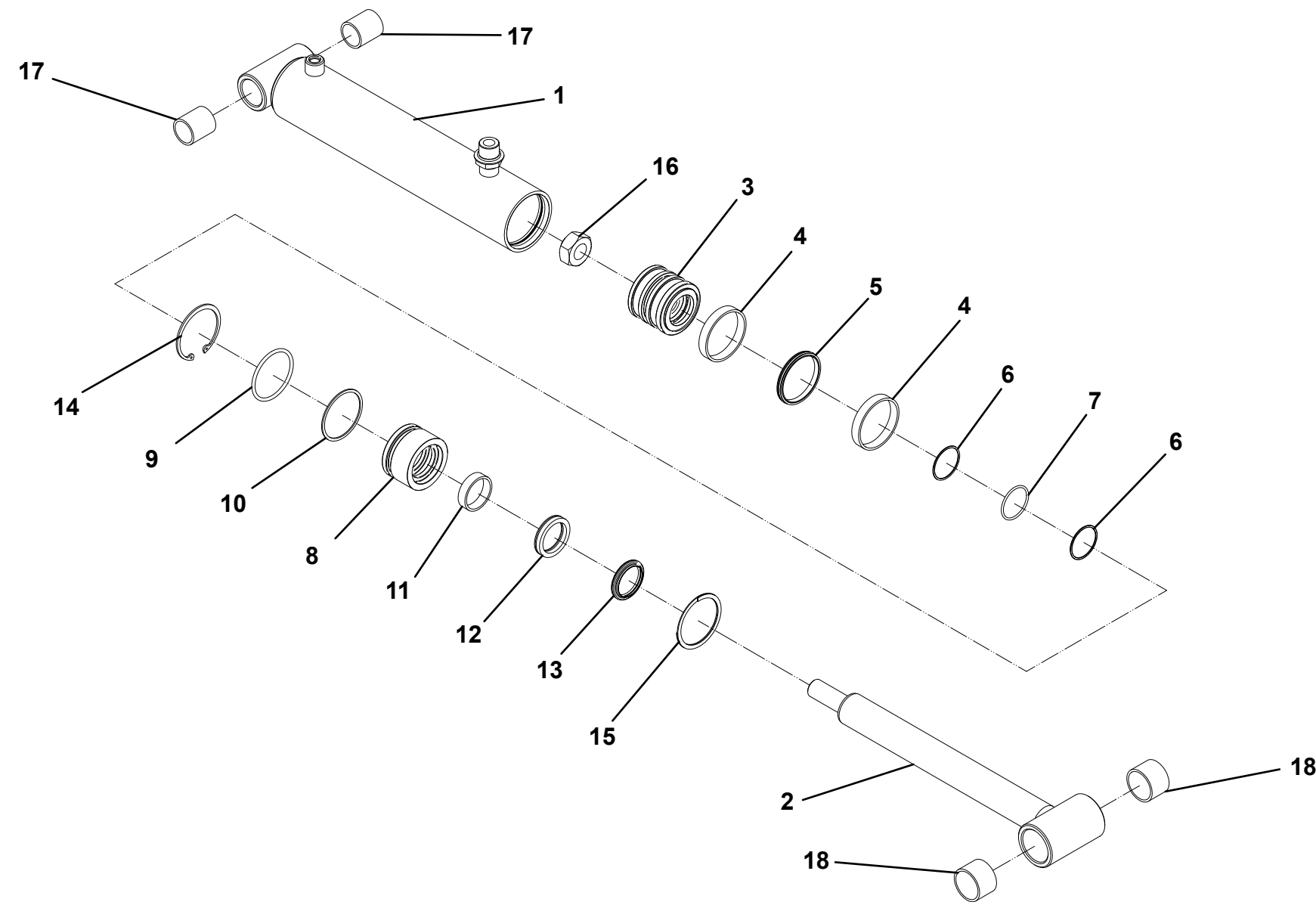
ITEM	PART NO.	DESCRIPTION	QTY
1	3071000131	Barrel Weld	1
2	3763000139	Rod Weld	1
3	4698000007*	Piston	1
4	7754000003*#	Wear Ring	2
5	7796000063*#	Piston Locking "T" Seal	1
6	7755224609*#	Back-Up Ring	2
7	7755224000*#	"O" Ring	1
8	4553000008^	Head	1
9	7755334000^#	"O" Ring	1
10	7755334609^#	Back-Up Ring	1
11	7754000004^#	Wear Ring	1
12	7796000024^#	Rod Seal	1
13	7796000008^#	Rod Wiper Seal	1
14	7754000002#	Retaining Ring	1
15	7754000026#	Retaining Ring	1
16	7661000034	Locknut	1
17	7082000016	Bearing	2
18	7082000018	Bearing	2

* included in Piston Assembly, P/N 3698000001

^ included in Head Assembly, P/N 3553000011

available only in Service Kit #7577250024

IRL CYLINDER ASSEMBLY - P/N 3320000134

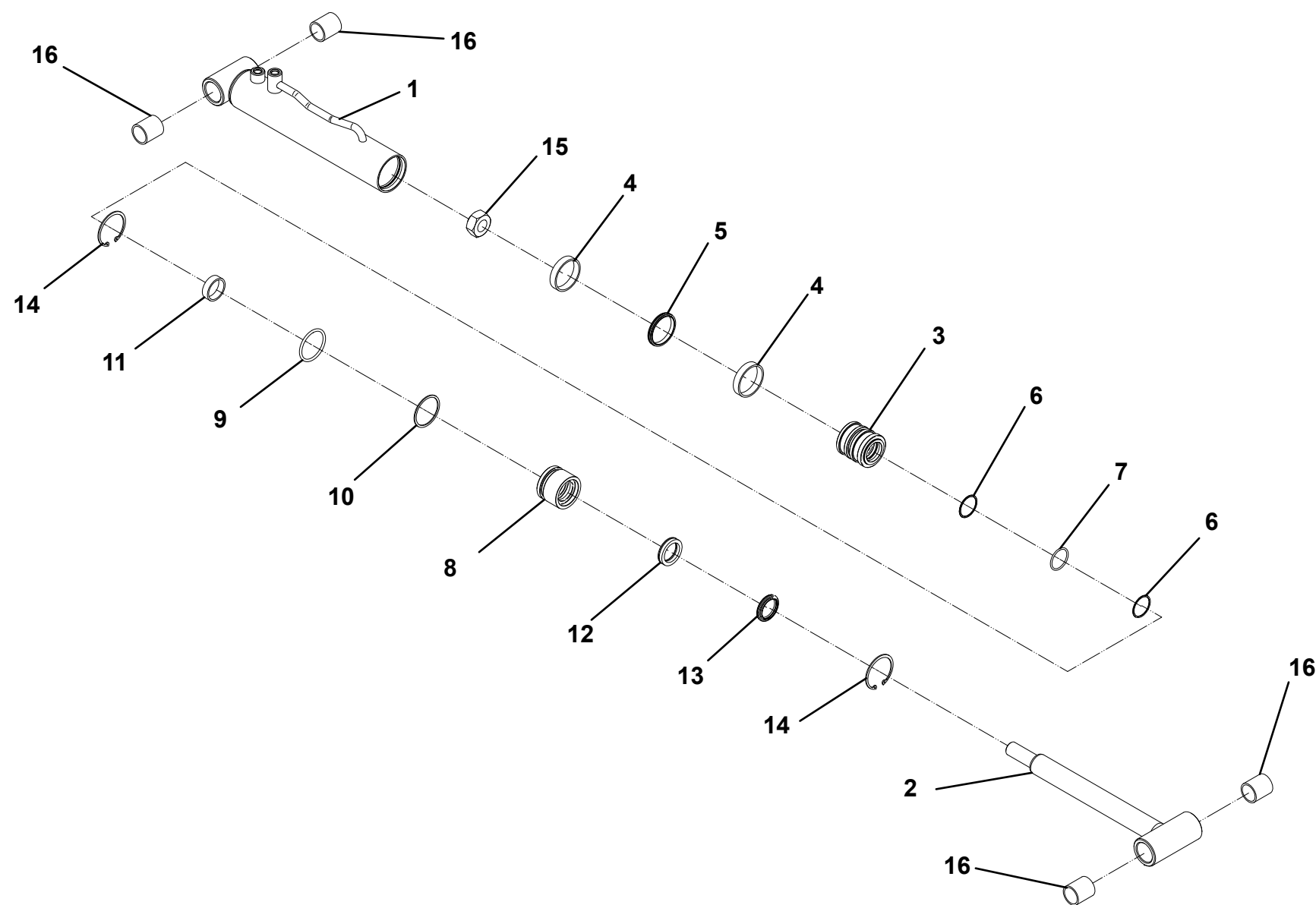


ZOD CYLINDER ASSEMBLY - P/N 3320000135

ITEM	PART NO.	DESCRIPTION	QTY
1	3071000139	Barrel Weld	1
2	3763000140	Rod Weld	1
3	4698000015*	Piston	1
4	7754000053*#	Wear Ring	2
5	7796000067*#	Piston Locking "T" Seal	1
6	7755224609*#	Back-Up Ring	2
7	7755224000*#	"O" Ring	1
8	4553000016^	Head	1
9	7755330000^#	"O" Ring	1
10	7755330609^#	Back-Up Ring	1
11	7754000054^#	Wear Ring	1
12	7796000045^#	Rod Seal	1
13	7796000046^#	Rod Wiper Seal	1
14	7754000051#	Retaining Ring	2
15	7661000034	Locknut	1
16	7082000016	Bearing	4

* included in Piston Assembly, P/N 3698000006
 ^ included in Head Assembly, P/N 3553000016
 # available only in Service Kit #7577250206

ZOD CYLINDER ASSEMBLY - P/N 3320000135



ZOD CYLINDER ASSEMBLY - P/N 7330000157

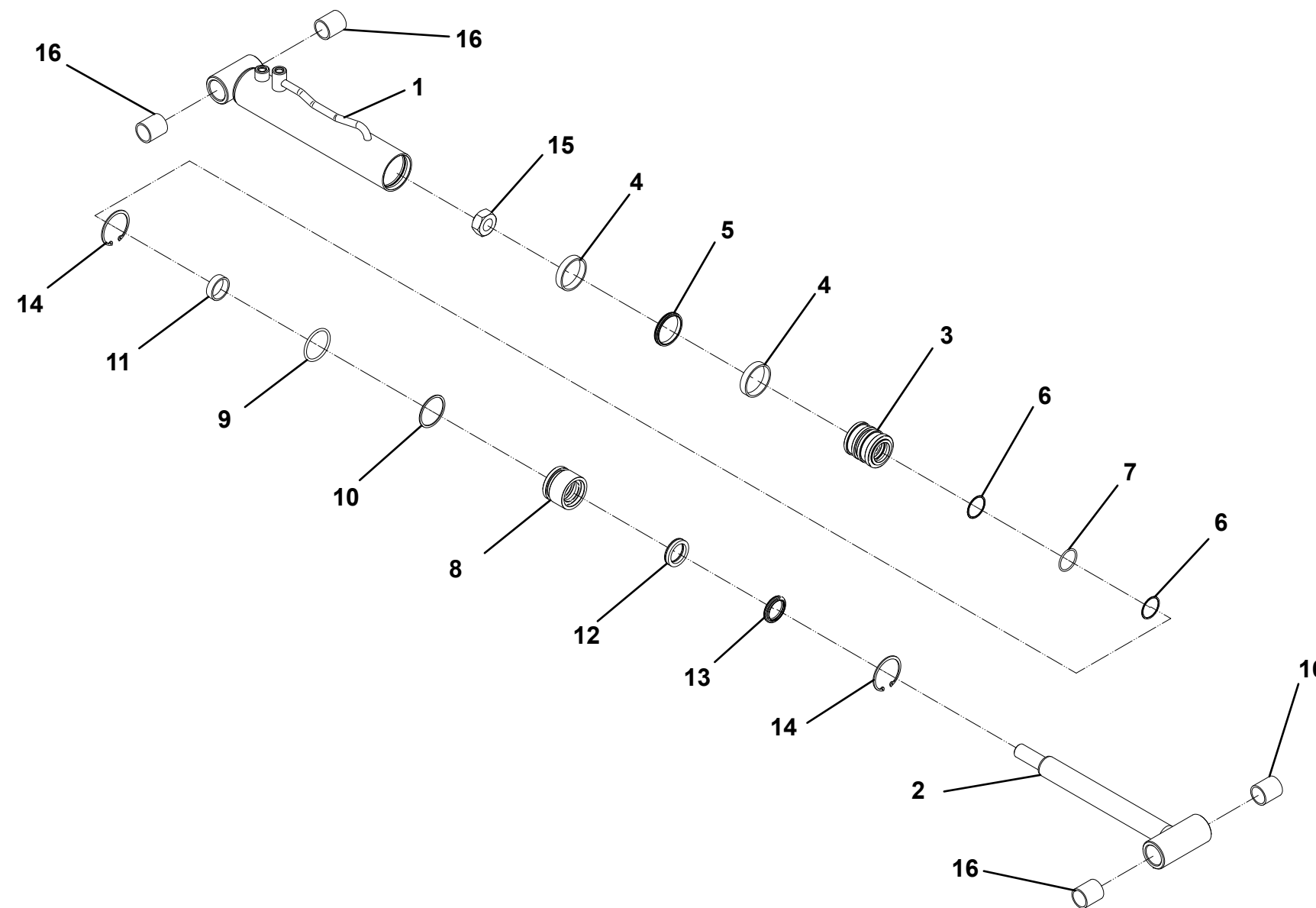
ITEM	PART NO.	DESCRIPTION	QTY
1	3071000109	Barrel Weld	1
2	3763000170	Rod Weld	1
3	4698000015*	Piston	1
4	7754000053*#	Wear Ring	2
5	7796000067*#	Piston Locking "T" Seal	1
6	7755224609*#	Back-Up Ring	2
7	7755224000*#	"O" Ring	1
8	4553000016^	Head	1
9	7755330000^#	"O" Ring	1
10	7755330609^#	Back-Up Ring	1
11	7754000054^#	Wear Ring	1
12	7796000045^#	Rod Seal	1
13	7796000046^#	Rod Wiper Seal	1
14	7754000051#	Retaining Ring	2
15	7661000034	Locknut	1
16	7082000016	Bearing	4

* included in Piston Assembly, P/N 3698000006

^ included in Head Assembly, P/N 3553000016

available only in Service Kit #7577250206

ZOD CYLINDER ASSEMBLY - P/N 3320000157



ROLL CYLINDER ASSEMBLY - P/N 3320000236

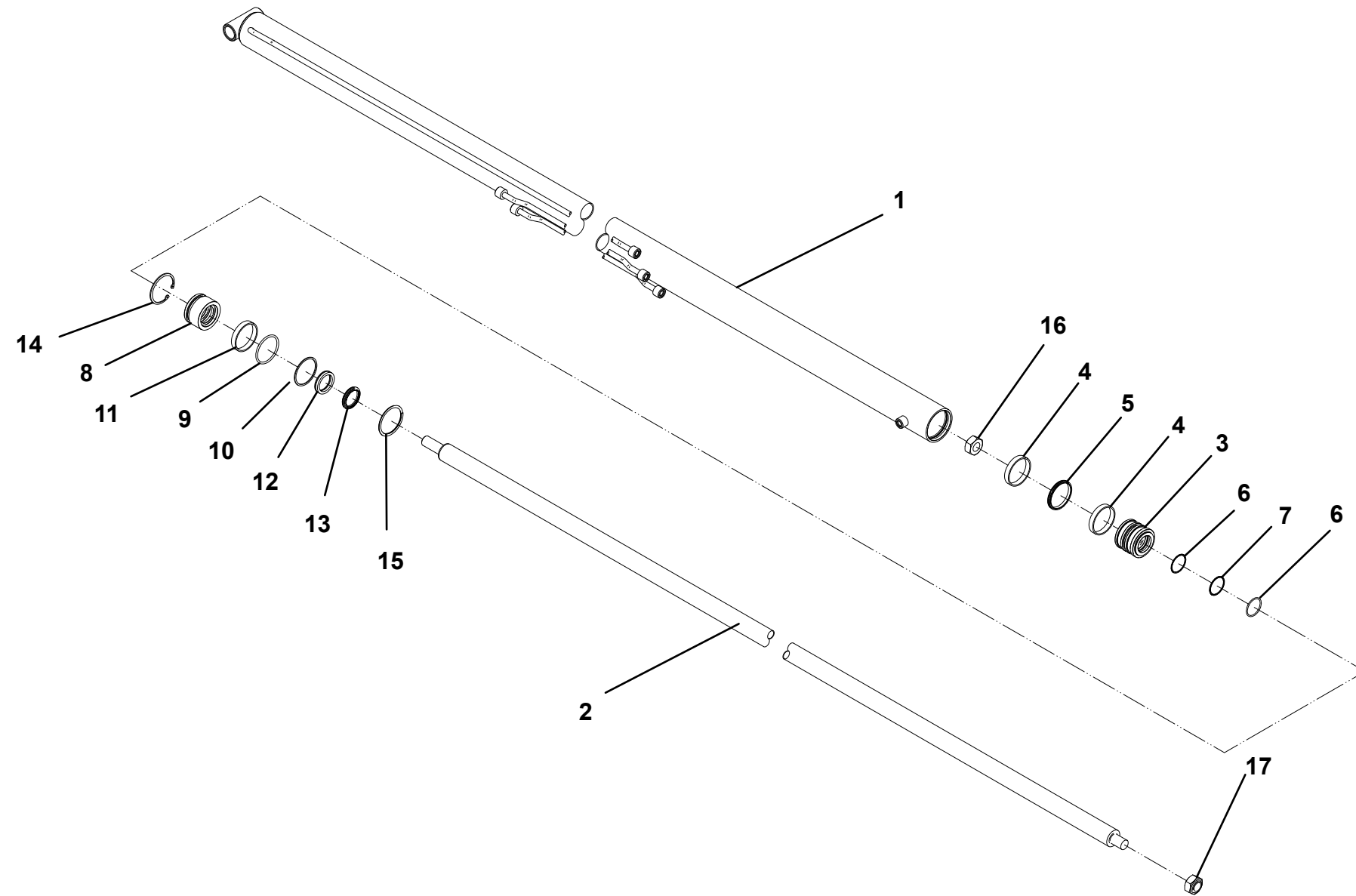
ITEM	PART NO.	DESCRIPTION	QTY
1	3071000218	Barrel Weld	1
2	4763000204	Rod	1
3	4698000007*	Piston	1
4	7754000003*#	Wear Ring	2
5	7796000063*#	Piston Locking "T" Seal	1
6	7755224609*#	Back-Up Ring	2
7	7755224000*#	"O" Ring	1
8	4553000008^	Head	1
9	7755334000^#	"O" Ring	1
10	7755334609^#	Back-Up Ring	1
11	7754000004^#	Wear Ring	1
12	7796000024^#	Rod Seal	1
13	7796000008^#	Rod Wiper Seal	1
14	7754000002#	Retaining Ring	1
15	7754000026#	Retaining Ring	1
16	7661000034	Locknut	1
17	1001148308	Nut, 1.00"-14NF	1

* included in Piston Assembly, P/N 3698000001

^ included in Head Assembly, P/N 3553000011

available only in Service Kit #7577250024

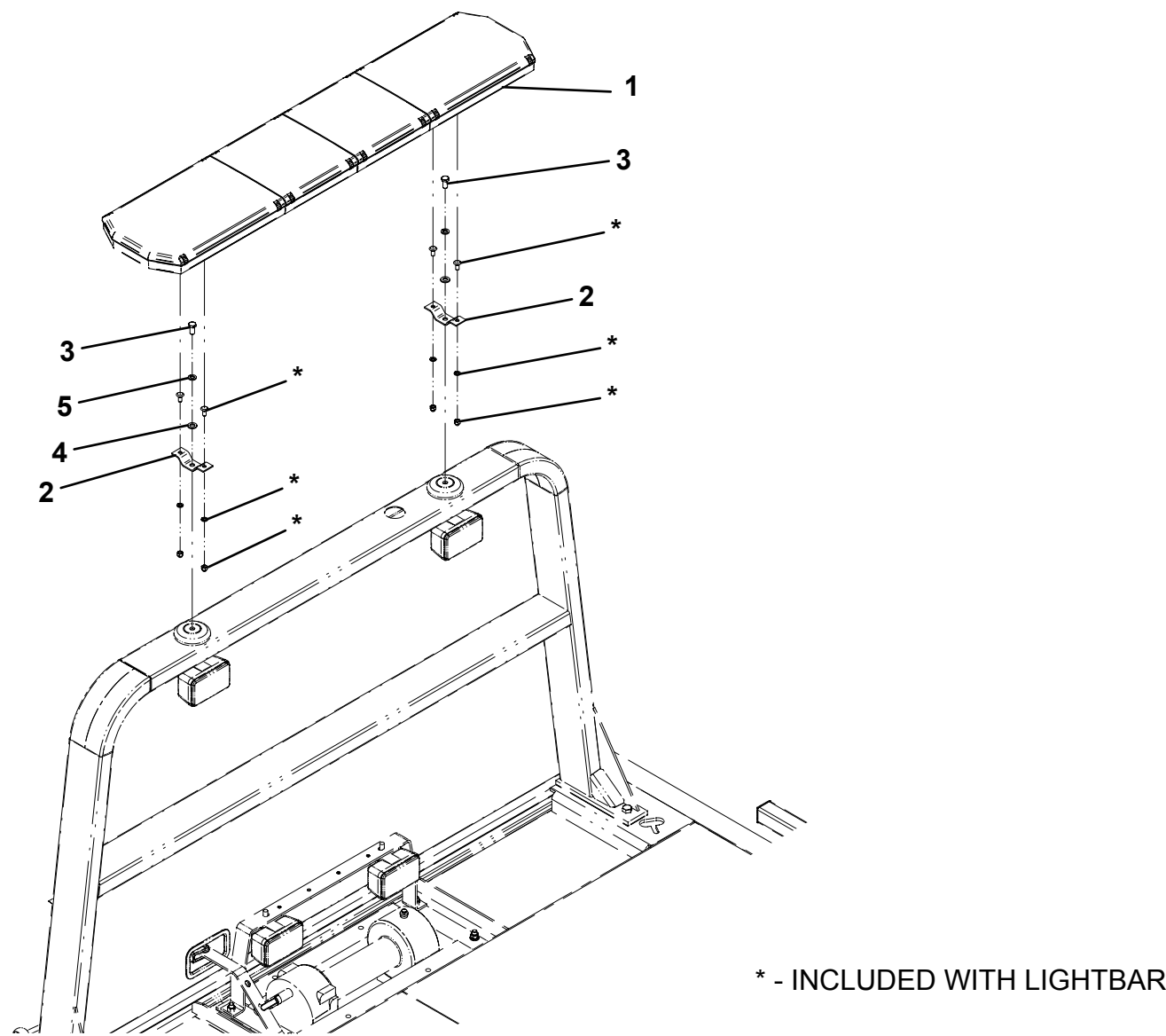
ROLL CYLINDER ASSEMBLY - P/N 3320000236



LIGHTBARS

ITEM	PART NO.	DESCRIPTION	QTY
1	1001136989	Lightbar, Prizm, Amber LED	1
	1001136993	Lightbar, Prizm, Red LED	
	7590000403	Lightbar, Whelen, Amber LED	
2	4178000402	Bracket (standard mount)	2
	4178000437	Bracket (high mount)	
3	7115180850	Capscrew, 0.50"-13NC x 1.00"	2
4	7950180252	Flatwasher, 0.50" ID	2
5	7950180000	Lockwasher, 0.50" ID	2

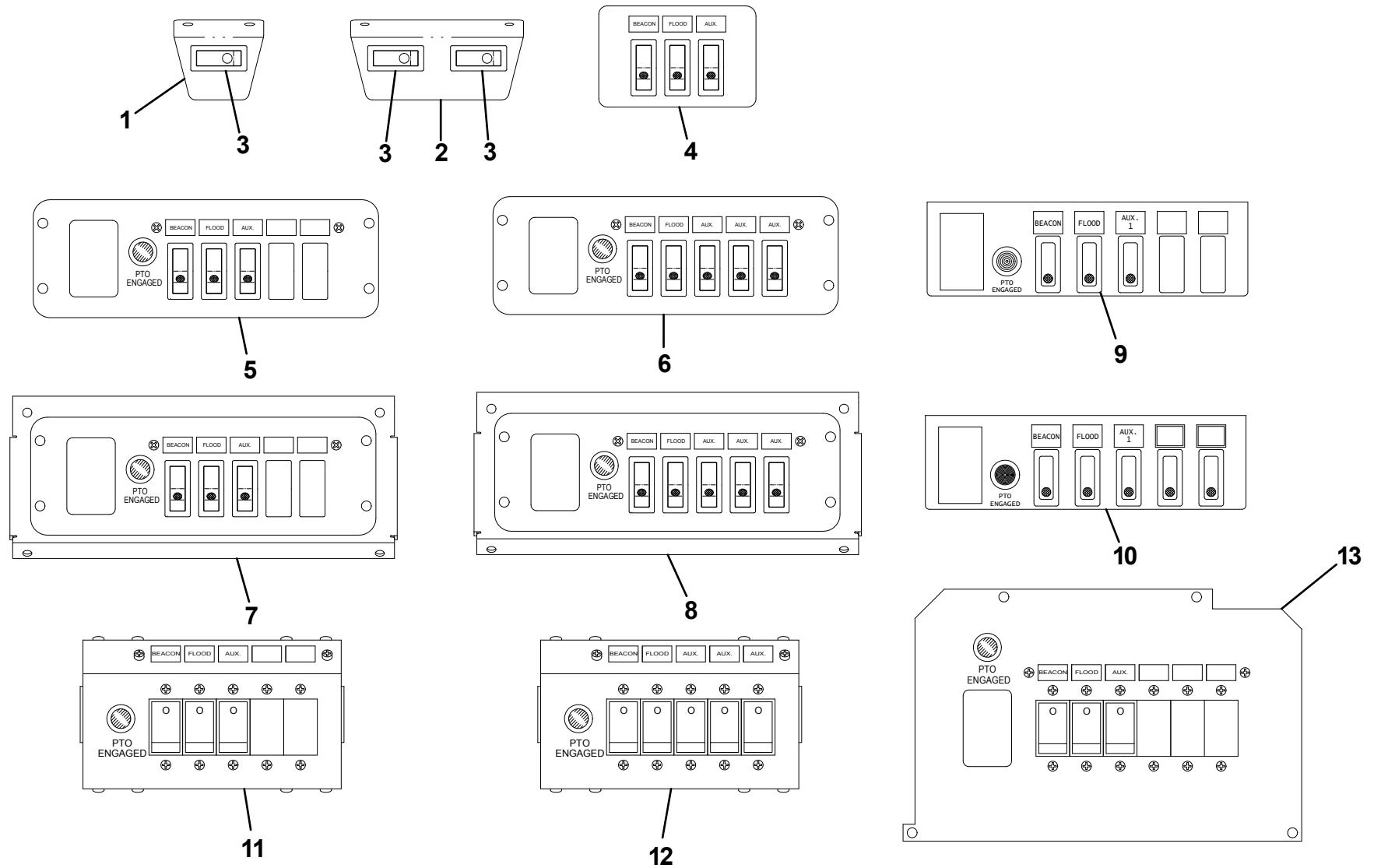
LIGHTBARS



SWITCH PANELS

ITEM	PART NO.	DESCRIPTION	QTY
1	4178000403	Bracket -1 Function Switch Panel	1
2	4178000427	Bracket -2 Function Switch Panel	1
3	7870000083	Switch	1
4	7870000113	Switch Panel - 3 Function, Mini In-Dash	1
5	7870000100	Switch Panel - 3 Function, In-Dash	1
6	7870000106	Switch Panel - 5 Function, In-Dash	1
7	7870000134	Switch Panel - 3 Function, Under Dash	1
8	7870000137	Switch Panel - 5 Function, Under Dash	1
9	2870000022	Switch Panel - 3 Function, In-Dash for Ford F650/750	1
10	2870000021	Switch Panel - 5 Function, In-Dash for Ford F650/750	1
11	7870000053	Switch Panel - 3 Function, Under Dash	1
12	7870000063	Switch Panel - 5 Function, Under Dash	1
13	7870000076	Switch Panel - 3 Function, In-Dash for IHC 4300/4400	1

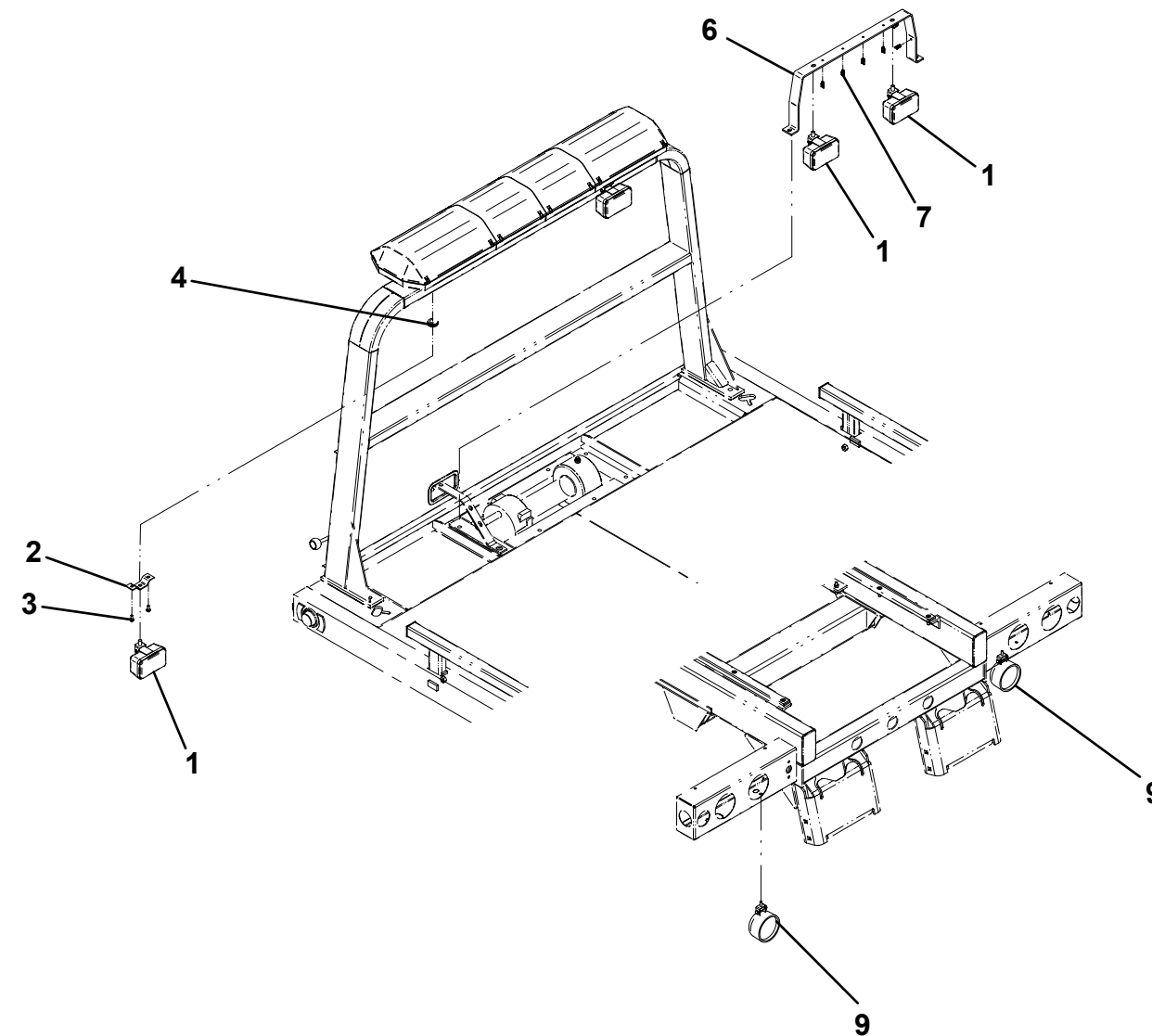
SWITCH PANELS



WORK LIGHTS

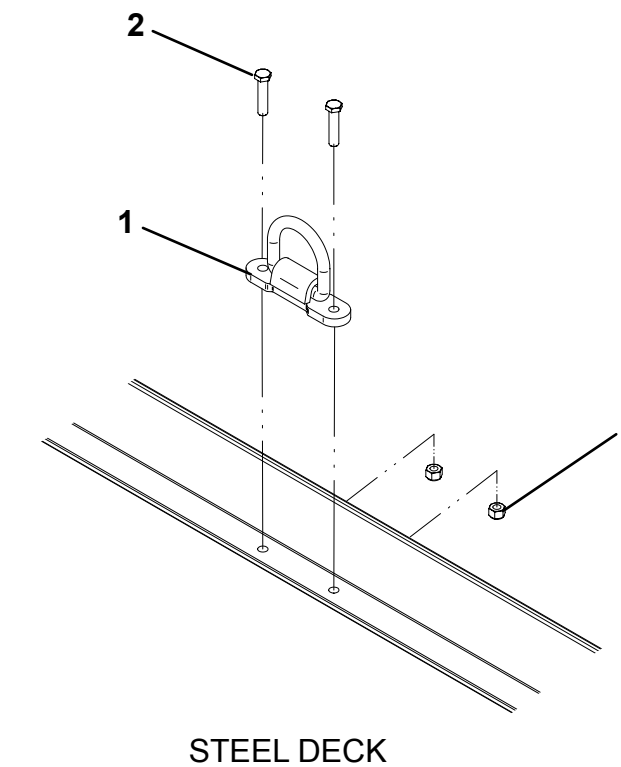
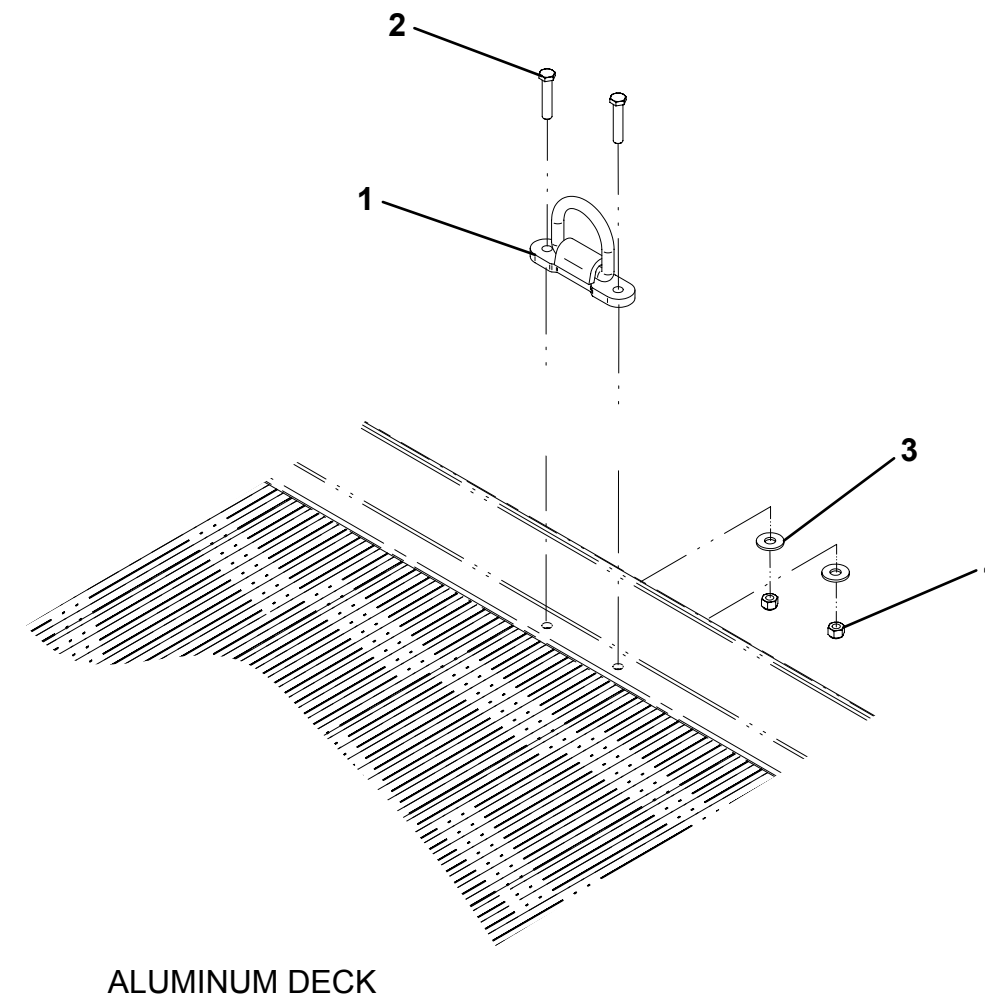
ITEM	PART NO.	DESCRIPTION	QTY
1	7590000223	Work Light	4
2	4178000402	Bracket	2
3	7790151253	Screw, 0.31"-18NC x 0.75"	4
4	7493000003	Grommet	2
5	7552000222	Harness - Headboard Work Lights	1
	7552000360	Harness - Headboard Work Lights (Bucket Rest Headboard Only)	1
6	4178000423	Bracket	1
7	7280000011	Clip - Winch Work Lights	6
8	7552000166	Harness - Winch Work Lights	1
9	7590000185	Work Light	2

WORK LIGHTS



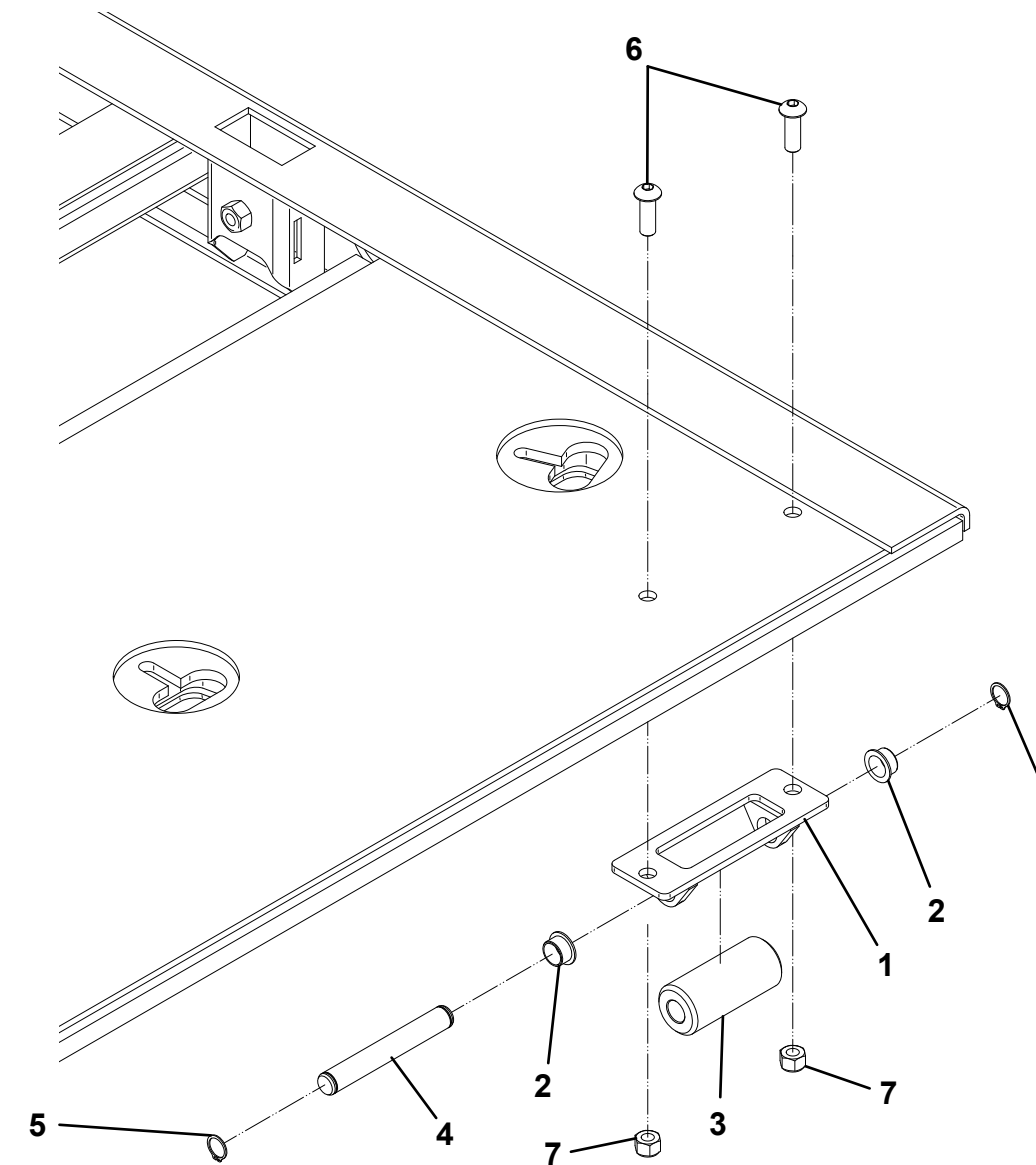
BOLT-ON D-RINGS

ITEM	PART NO.	DESCRIPTION	QTY
1	3556000019	D-Ring	1
2	7115182050	Capscrew, 0.50"-13NC x 2.50"	2
3	7950180161	Flatwasher, 0.50" ID (aluminum decks only)	2
4	7660182601	Locknut, 0.50"-13NC	2

BOLT-ON D-RINGS

APPROACH TIP ROLLER INSTALLATION

ITEM	PART NO.	DESCRIPTION	QTY
1	3550001912	Bracket	1
2	7550000074	Bearing	2
3	7550000073	Roller	1
4	4691000568	Pin	1
5	7754000022	Retaining Ring	2
6	7114181218	Capscrew, 0.50"-13NC x 1.50"	2
7	7660182601	Locknut, 0.50"-13NC	2

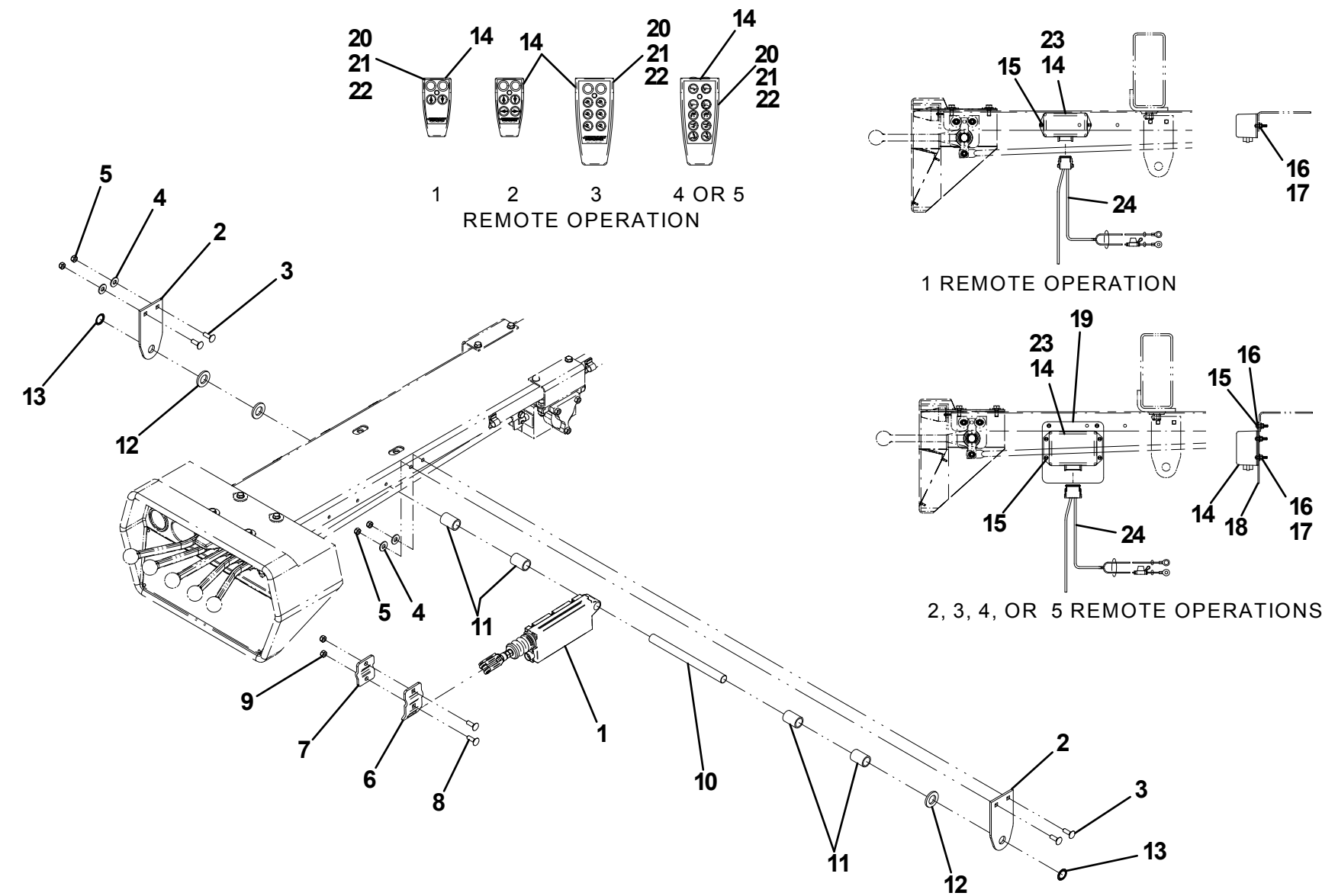
APPROACH TIP ROLLER INSTALLATION

1, 2, 3, 4 OR 5 REMOTE CONTROL OPERATIONS

ITEM	PART NO.	DESCRIPTION	QTY	ITEM	PART NO.	DESCRIPTION	QTY
1	7005000003	Linear Actuator 12V	1*	19	7330000696	Decal - Controller Functions (3, 4, or 5 remote operations)	1
2	4706005361	Plate	2	20	9295310032#	Transmitter (1 remote operation)	1
3	7115150864	Carriage Bolt, 0.31"-18NC x 1.00"	4		9295310033#	Transmitter (2 remote operations)	
4	7950150161	Flatwasher, 0.31" ID	4		9295310034#	Transmitter (3 remote operations)	
5	7660152601	Locknut, 0.31"-18NC	4		9295310036#	Transmitter (4 or 5 remote operations)	
6	4178000664	Bracket	1*	21	9295310030#	Belt Clip	1
7	4178000665	Bracket	1*	22	9295310042#	Rubber Boot (1 or 2 remote operations)	1
8	7115150864	Carriage Bolt, 0.31"-18NC x 1.00"	2*		9295310029#	Rubber Boot (3, 4, or 5 remote operations)	
9	7660152601	Locknut, 0.31"-18NC	2*	23	9295310037#	Receiver (1 remote operation)	1
10	4691000141	Pin (3, 4 or 5 section control valve)	1		9295310038#	Receiver (2 remote operations)	
	4691000373	Pin (6 section control valve)			9295310039#	Receiver (3 remote operations)	
	4691000374	Pin (7 section control valve)			9295310050#	Receiver (4 or 5 remote operations)	
11	4211000001	Bushing	4*	24	7552000391	Harness (1 remote operation)	1
12	7950220141	Flatwasher, 0.75" ID	4		7552000392	Harness (2 remote operations)	
13	7754000009	Retaining Ring	2		7552000393	Harness (3 remote operations)	
14	7295000106	Controller (1 remote operation)	1		7552000426	Harness (4 or 5 remote operations)	
	7295000108	Controller (2 remote operations)					
	7295000109	Controller (3 remote operations)					
	7295000111	Controller (4 or 5 remote operations)					
15	7114100810	Screw, #10-24NC x 1.00" (1 remote operation)	2				
	7114100810	Screw, #10-24NC x 1.00" (2, 3, 4, or 5 remote operations)	6				
16	7950140151	Flatwasher, 0.19" ID (1 remote operation)	2				
	7950140151	Flatwasher, 0.19" ID (2, 3, 4, or 5 remote operations)	8				
17	7660102604	Locknut, #10-18NC (1 remote operation)	2				
	7660102604	Locknut, #10-18NC (2, 3, 4, or 5 remote operations)	6				
18	4706005595	Plate (2, 3, 4, or 5 remote operations)	1				

* quantities are for 1 remote operation, adjust quantities for 2, 3, 4, or 5 remote operations
 # included with Controller, item #14

1, 2, 3, 4 OR 5 REMOTE CONTROL OPERATIONS

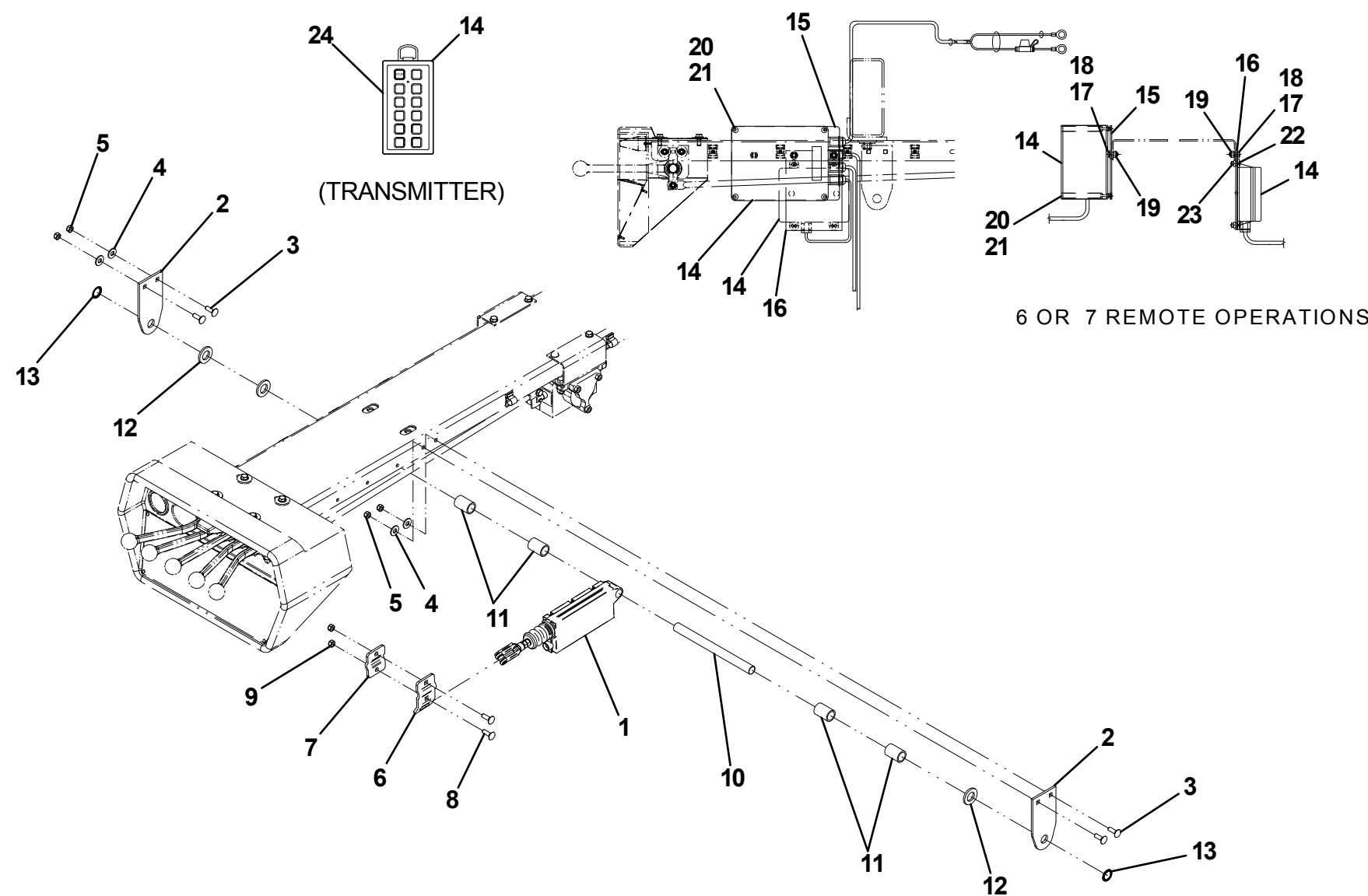


6 OR 7 REMOTE CONTROL OPERATIONS

ITEM	PART NO.	DESCRIPTION	QTY
1	700500003	Linear Actuator 12V	1*
2	4706005361	Plate	2
3	7115150864	Carriage Bolt, 0.31"-18NC x 1.00"	4
4	7950150161	Flatwasher, 0.31" ID	4
5	7660152601	Locknut, 0.31"-18NC	4
6	4178000664	Bracket	1*
7	4178000665	Bracket	1*
8	7115150864	Carriage Bolt, 0.31"-18NC x 1.00"	2*
9	7660152601	Locknut, 0.31"-18NC	2*
10	4691000373	Pin (6 section control valve)	
	4691000374	Pin (7 section control valve)	
11	4211000001	Bushing	4*
12	7950220141	Flatwasher, 0.75" ID	4
13	7754000009	Retaining Ring	2
14	7295000102	Controller (6 remote operations)	1
	7295000103	Controller (7 remote operations)	
15	4706005396	Plate	1
16	4706003650	Plate	1
17	7115140650	Capscrew, 0.25"-20NC x 0.75"	5
18	7950140141	Flatwasher, 0.25" ID	5
19	7660142601	Locknut, 0.25"-20NC	5
20	7114080618	Capscrew, #8-32NC x 0.75"	4
21	7660082604	Locknut, #8-32NC	4
22	7104100613	Screw, #10-32NF x 0.34"	4
23	7661000007	Wellnut, #10-32NF	4
24	9295310026#	Transmitter (6 or 7 remote operations)	1
25	7330000612	Decal - Controller Functions	1

* quantities are for 1 remote operation, adjust quantities for 6 or 7 remote operations
 # included with Controller, item #14 (6 or 7 remote operations)

6 OR 7 REMOTE CONTROL OPERATIONS

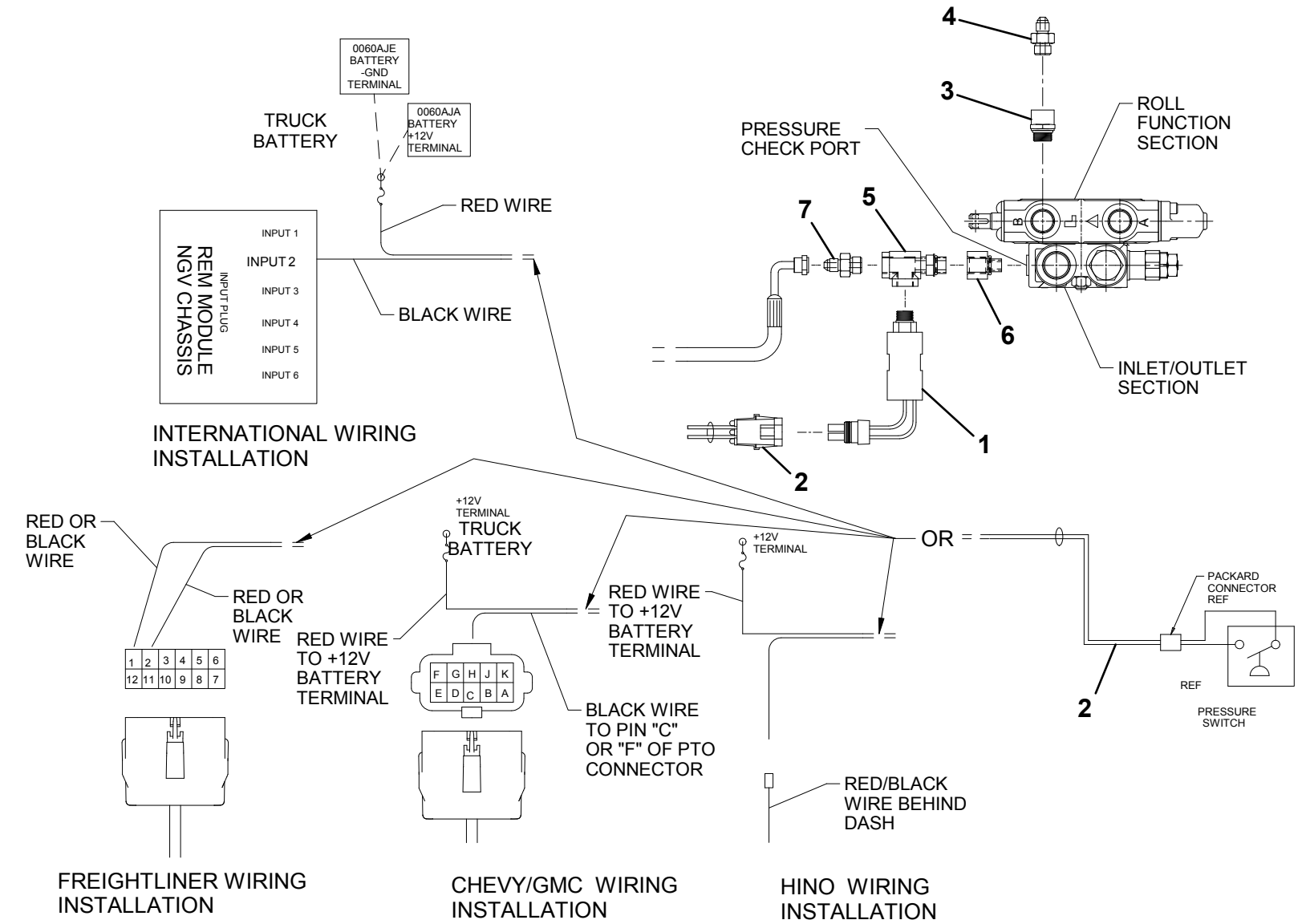


REMOTE THROTTLE CONTROL

ITEM	PART NO.	DESCRIPTION	QTY
1	7346000208	Pressure Switch	1
2	7552000241	Harness	1
3	7443000427*	Check Valve	1
4	7445060643*	Adapter	1
5	7443000432	Tee	1
6	7443000469	Fitting	1
7	7445040643	Adapter	1

* also available in Check Valve w/ Adapter, P/N 7443000428.

REMOTE THROTTLE CONTROL

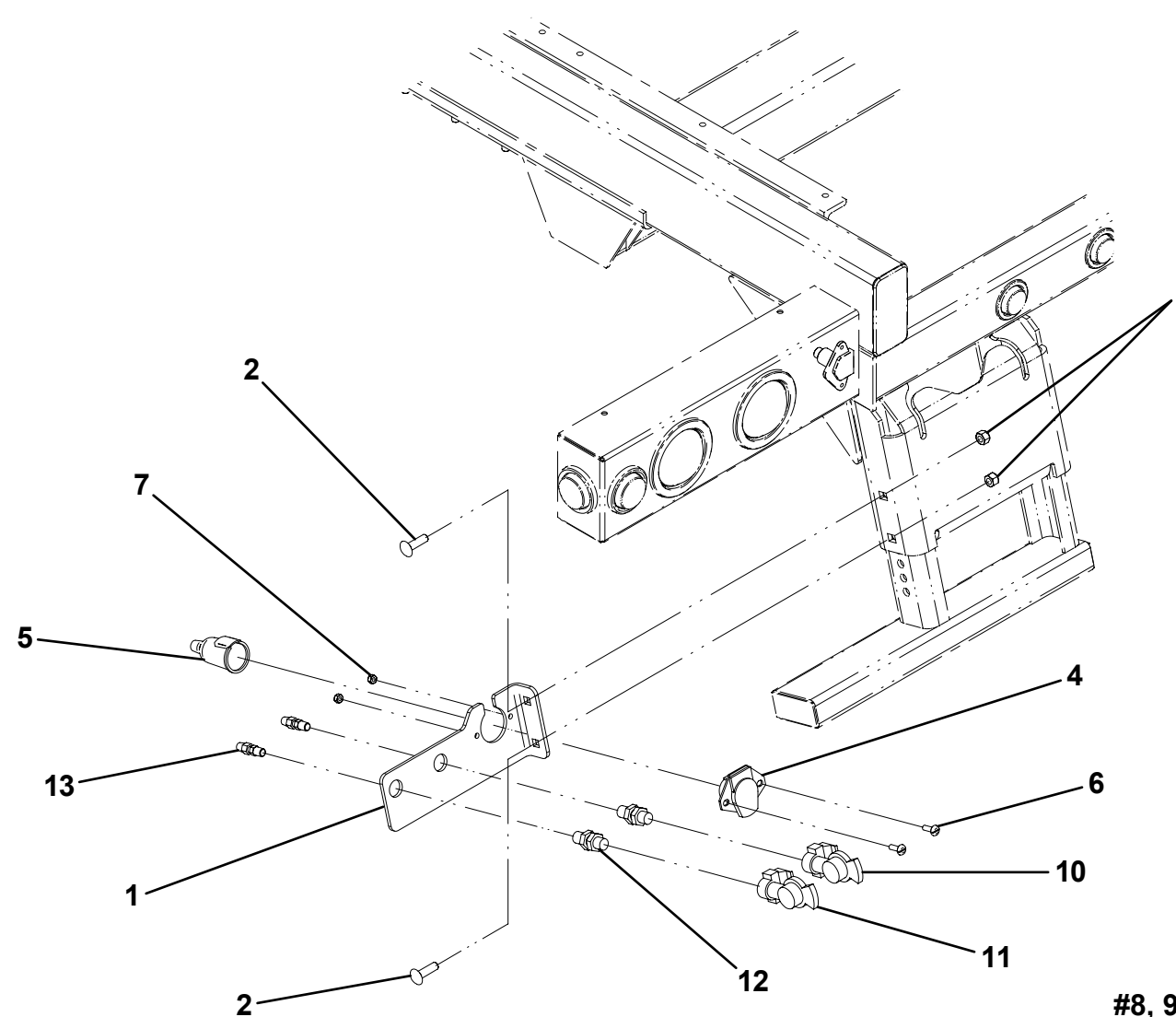


GLAD HANDS AND 7-WAY CONNECTOR

ITEM	PART NO.	DESCRIPTION	QTY
1	4178000666*	Bracket	1
2	7115181464*	Carriage Bolt, 0.50"-13NC x 1.75"	2
3	7660182601*	Locknut, 0.50"-13NC	2
4	7346000055+	Electrical Receptacle 7-way Connect	1
5	7346000078+	Electrical Boot	1
6	7111150813+	Capscrew, 0.31"-18NC x 1.00"	2
7	7660152601+	Locknut, 0.31"-18NC	2
8	7346000132	Electrical Adapter 7 to 4 way	1
9	7346000157	Electrical Adapter 7 to 6 way	1
10	7312000015^	Gladhand	1
11	7312000016^	Gladhand	1
12	7446502518^	Bulkhead Fitting	2
13	7446382506^	Connector	2
14	7577000145^	Seal Kit Gladhand	1
15	7565000014^	Airline Tubing	50ft
16	7312000013^	Union	2

* also available in Bracket Install Gladhands and 7 Way, P/N 2178000037
 + also available in Electrical Install 7 Way Connector, P/N 2346000008
 ^ also available in Gladhand Install, P/N 2002000016

GLAD HANDS AND 7-WAY CONNECTOR

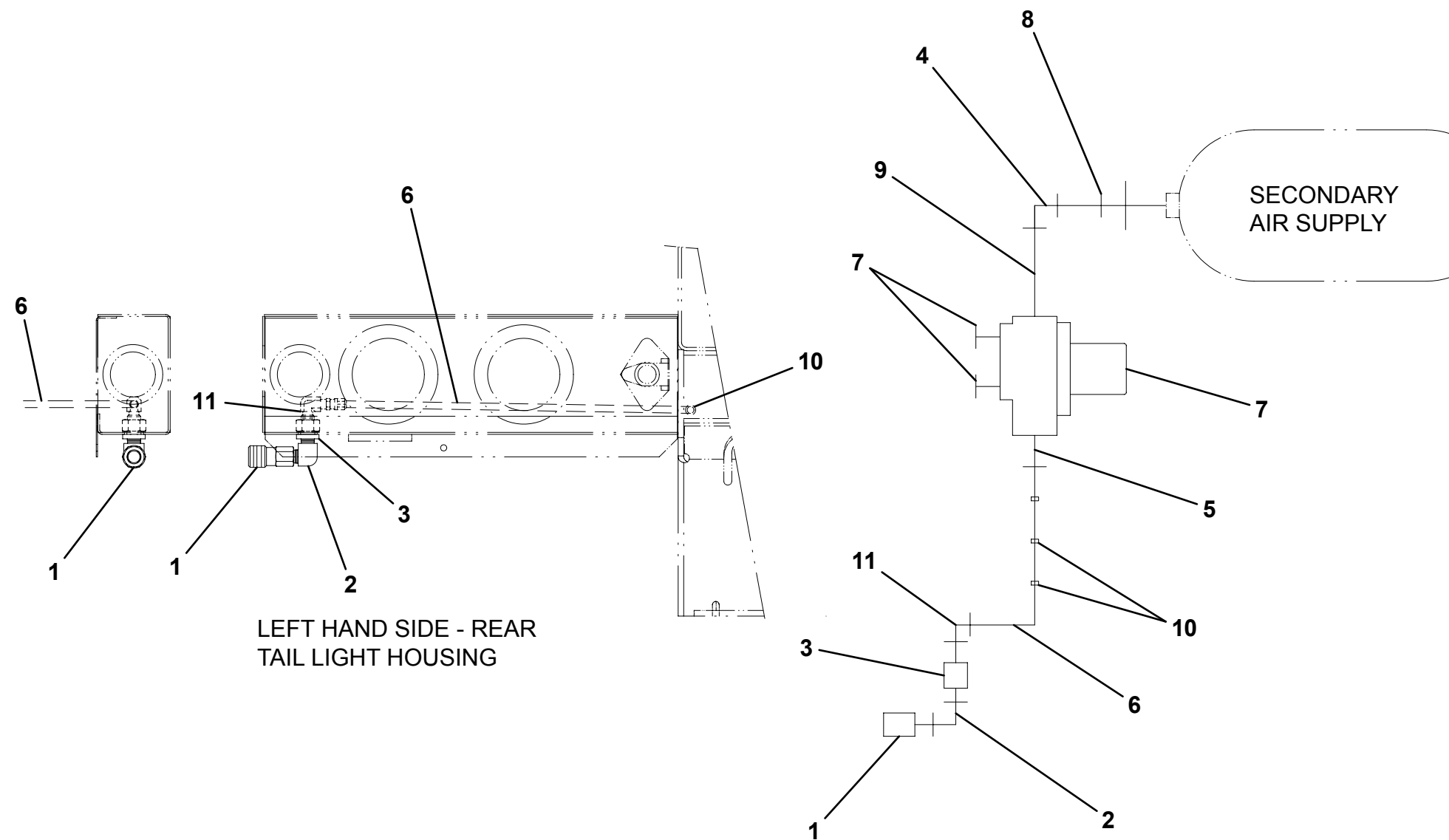


#8, 9, 14, 15 & 16 Not Shown

AIR SUPPLY DISCONNECT

ITEM	PART NO.	DESCRIPTION	QTY
1	7312000017	Coupling	1
2	7445080853	Elbow	1
3	7446502518	Bulkhead Fitting	1
4	7443000111	Elbow	1
5	7446382506	Connector	1
6	7565000014	Airline Tubing	32 ft
7	7935000120	Air Valve	1
8	7443000154	Bushing	1
9	7443000156	Nipple	1
10	7894000031	Cable Tie	6
11	7443000366	Fitting	1

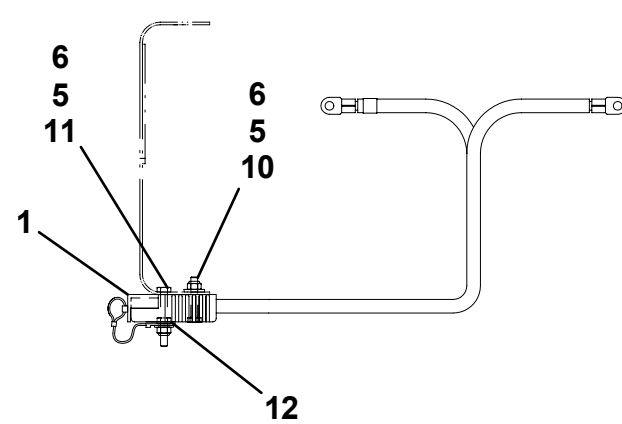
AIR SUPPLY DISCONNECT



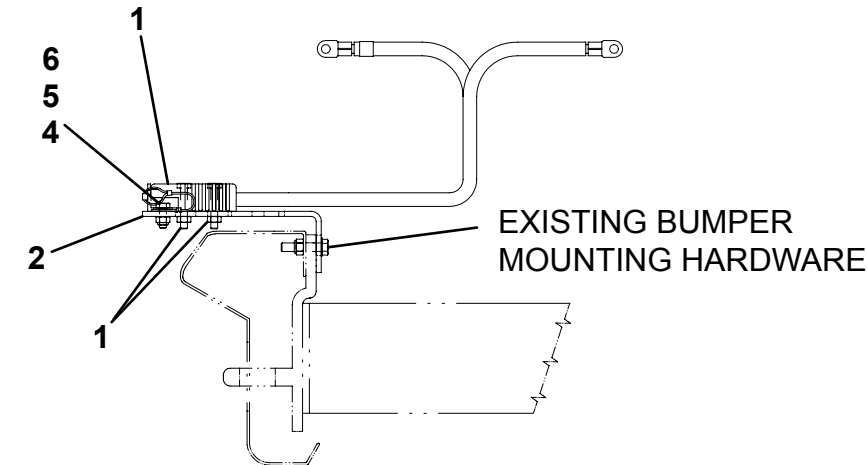
JUMP START KIT

ITEM	PART NO.	DESCRIPTION	QTY
1	7002000386	Jump Start Plug (IHC & Other)	1
	7002000385	Jump Start Plug (Ford & GMC)	
2	4178000372	Bracket (Ford & Other)	1
	4178000202	Bracket (GMC)	
3	4178000203	Bracket (GMC)	1
	4706003210	Plate (Other)	
4	7110140605	Capscrew, 0.25"-20NC x 0.75" (Ford, GMC & Other)	1
5	7950140161	Flatwasher, 0.25" ID (Ford & Other)	1
	7950140161	Flatwasher, 0.25" ID (IHC)	2
	7950140161	Flatwasher, 0.25" ID (GMC)	3
6	7660142600	Locknut, 0.25"-20NC (Ford, GMC & Other)	1
	7660142600	Locknut, 0.25"-20NC (IHC)	2
7	7115151064	Carriage Bolt, 0.31"-18NC x 1.25" (Other)	2
8	7950150161	Flatwasher, 0.31" ID (Other)	2
9	7660152601	Locknut, 0.31"-18NC (Other)	2
10	7115141450	Capscrew 0.25"-20NC x 1.75" (IHC)	1
11	7115141650	Capscrew, 0.25"-20NC x 2.00" (IHC)	1
12	7660140000	Hex Nut, 0.25"-20NC (IHC)	1
	7660140000	Hex Nut, 0.25"-20NC (GMC)	2
13	7111140850	Capscrew, 0.25"-20NC x 1.00" (GMC)	2
14	7115181050	Capscrew, 0.50"-13NC x 1.25" (GMC)	1
15	7950180153	Flatwasher, 0.50" ID (GMC)	1
16	7660180000	Hex Nut, 0.50"-13NC (GMC)	1

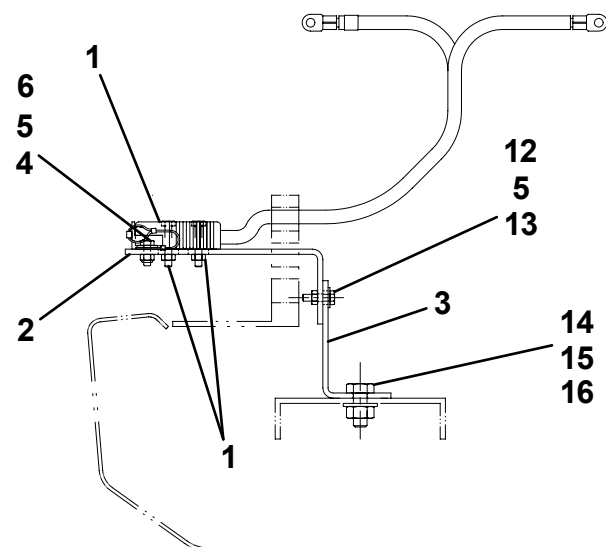
JUMP START KIT



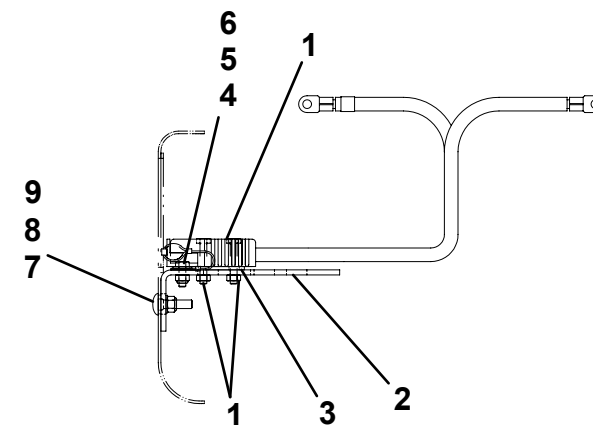
IHC FRONT BUMPER



FORD FRONT BUMPER



CHEVY FRONT BUMPER

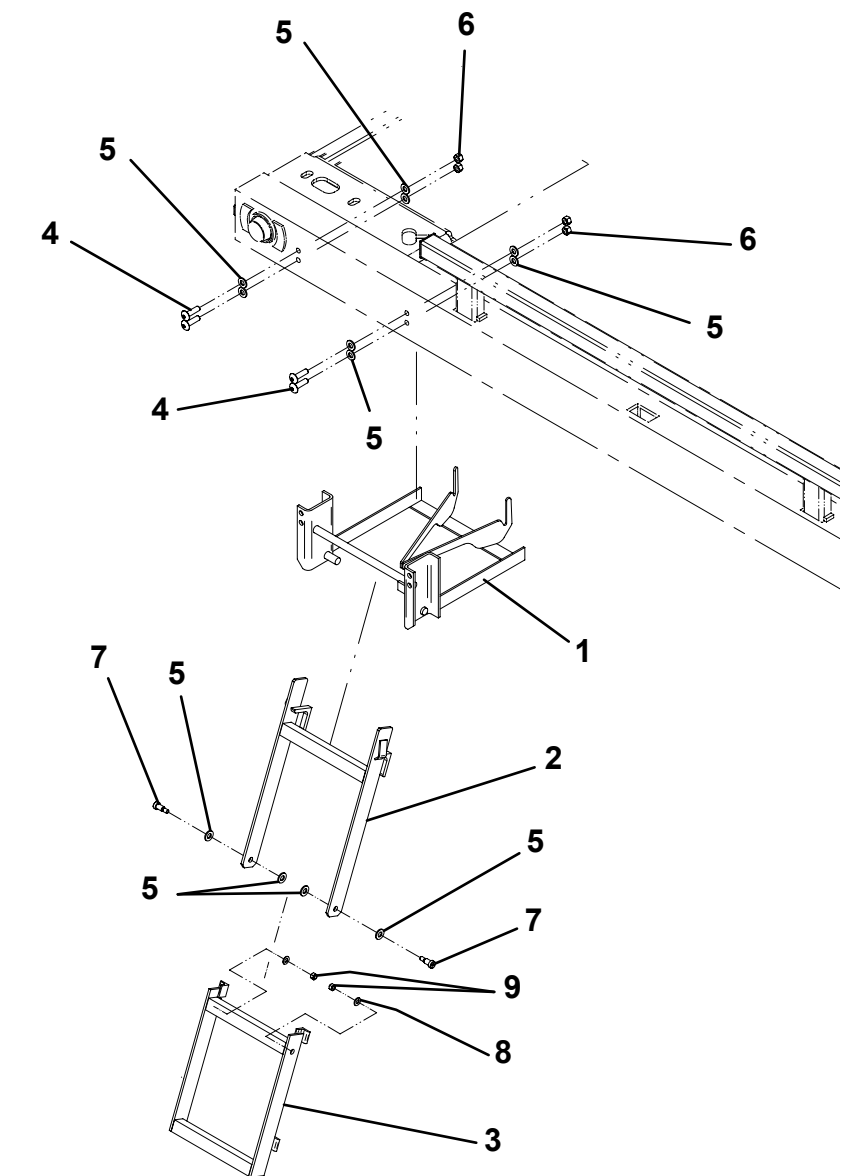


ALL OTHER FRONT BUMPERS

FOLDING DECK LADDER

ITEM	PART NO.	DESCRIPTION	QTY
1	3178000555	Bracket Weld	1
2	3002000009	Ladder Top Weld	1
3	3002000008	Ladder Bottom Weld	1
4	7114181418	Capscrew, 0.50"-13NC x 1.75"	4
5	7950180141	Flatwasher, 0.50" ID	12
6	7660182601	Locknut, 0.50"-13NC	4
7	7115180606	Shoulder Bolt, 0.50"-13NC x 0.75"	2
8	7950160161	Flatwasher, 0.38" ID	2
9	7660162601	Locknut, 0.38"-16NC	2

FOLDING DECK LADDER



CHAINS AND STRAPS

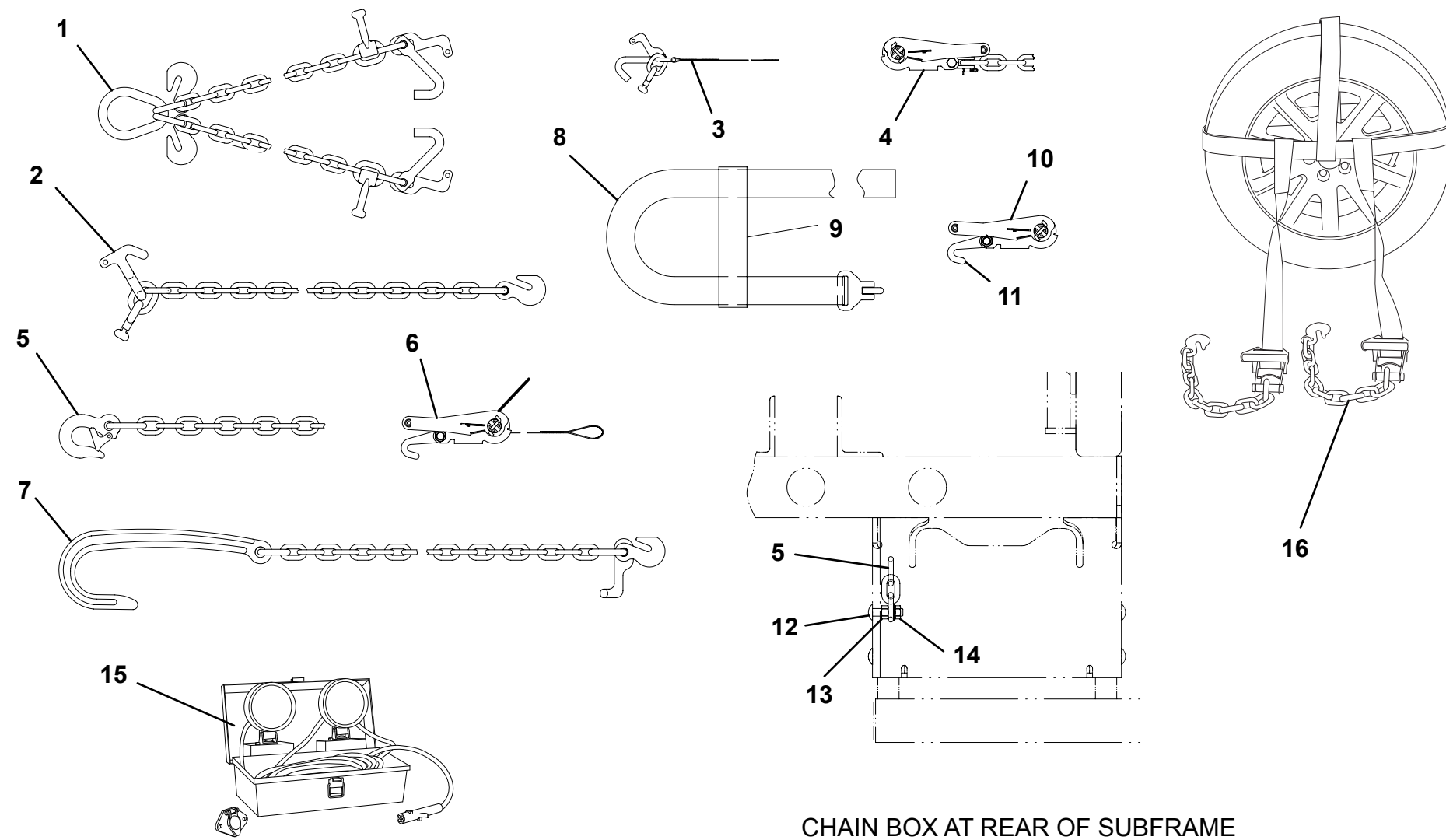
ITEM	PART NO.	DESCRIPTION	QTY
1	7262000022*	Winch V-Chain	1
2	7262000056*	Front Tie-Down Chain	2
3	7894000019*	Rear Tie-Down Strap	2
4	7894000020*	Rear Tie-Down Ratchet	2
5	7262000040	Wheel Lift Chain	2
6	7894000034+	Wheel Lift Tire Strap	2
7	7262000010	Towbar Chain	2
8	7894000058^	Tire Strap (hydraulic Grid)	1
9	7894000059^	Choker (hydraulic Grid)	1
10	7894000028^	Ratchet (hydraulic Grid)	1
11	7561000024^	Forged Hook (hydraulic Grid)	1
12	7115181664	Carriage Bolt, 0.50"-13NC x 2.00"	2
13	7660180001	Nut, 0.50"-13NC	2
14	7660182601	Locknut, 0.50"-13NC	2
15	5525000752	Magnetic Tow Lights	1
16	7894000073	8 Point Tie-Down Kit	1

* also available in Deck Chain / Tie-Down Kit, P/N 7577000208

^ also available in Hydraulic Grid Wheel Lift Tie-Down Kit, P/N 7577000376

+ also available in Wheel Lift Tie-Down Strap and Ratchet Kit, P/N 7577000242

CHAINS AND STRAPS

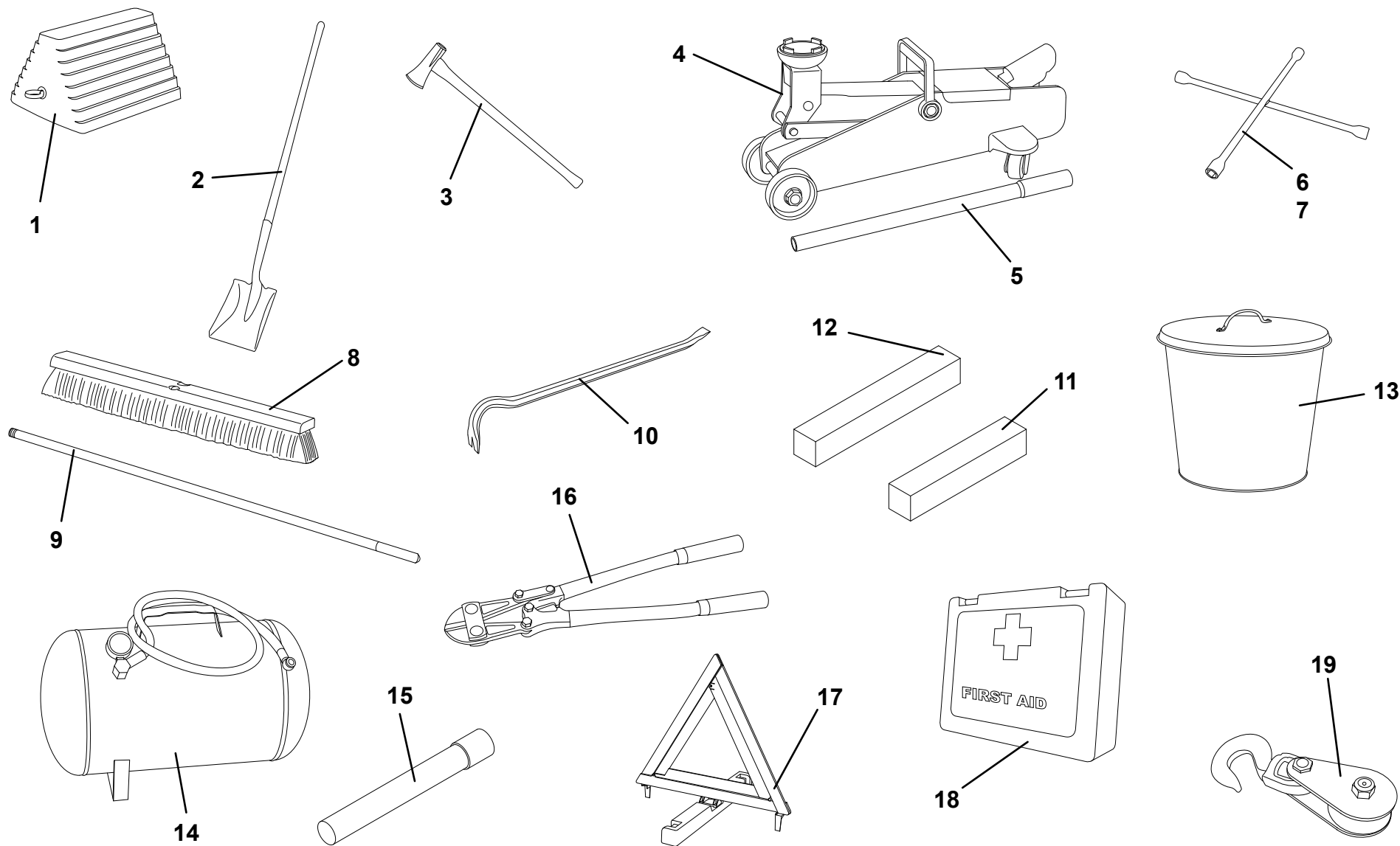


TOWING SAFETY TOOLS

ITEM	PART NO.	DESCRIPTION	QTY
1	9002000141*	Wheel Chock	1
2	9900000001*	Shovel	1
3	9900000006*	Maul Axe	1
4	9900000004*	Floor Jack -2.5 Ton	1
5	9900000005*	Floor Jack Handle	1
6	9900000007*	Lug Wrench - Metric	1
7	9900000008*	Lug Wrench - SAE	1
8	9900000002*	Broom Head	1
9	9900000003*	Broom Handle	1
10	9900000009*	Pry Bar	1
11	9611000001*	Wood Crossbeam-4'	1
12	9611000002*	Wood Crossbeam-5'	1
13	9002000142*	Trash Can - 4 Gallon	2
14	9890000002*	Air Tank - 5 Gallon	1
15	9002000143*	Flare - 30 Minute	6
16	9900000010*	Bolt Cutters -24"	1
17	9002000144*	Triangle Flare Kit	1
18	9002000145*	First AID Kit -25 Person	1
19	9002000146*	Snatch Block w/ Hook	1

* also available in Towing Safety Tools Kit, P/N 3577000120

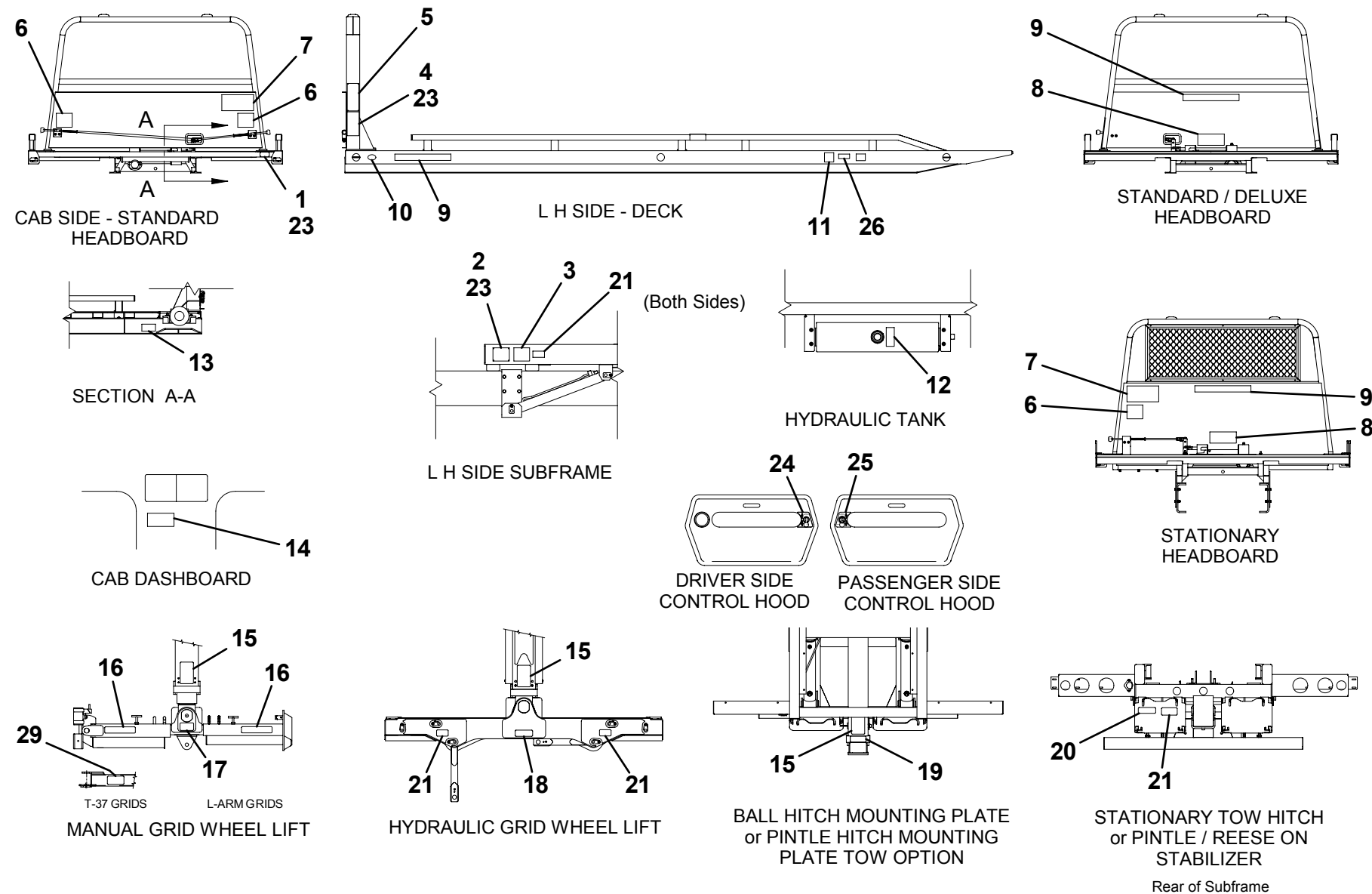
TOWING SAFETY TOOLS



DECALS

ITEM	PART NO.	DESCRIPTION	QTY
1	1001127221	Serial Number Tag	1
2	1001132766	Subframe / Patent Tag	1
3	1001168591	Decal - Slide Pad / Pivot Joint	1
4	1001132764	STAR Placard	1
5	7330000275	Decal - Operator's Pre-Checklist	1
6	7330000242	Decal - Free Spool (bolt-on headboard)	1
	7330000495	Decal - Free Spool (stationary headboard)	1
	1001156252	Decal - Dual Free Spool	2
7	7330000478	Decal - Lubrication Chart	1
8	7330000012	Decal - Winch	1
9	1001153789	Jerr-Dan Nameplate	2
10	7330000143	Decal - Made In The USA	1
11	7330000044	Decal - Align Arrow, Red	2
	7330000045	Decal - Align Arrow, White	2
12	7330000272	Decal - Oil Level	1
13	7330000330	Decal - Cable Track	1
14	7330000139	Decal - Checklist Reminder	1
15	7330000684	Decal - Safety	1
16	7330000683	Decal - Safety	2
17	7330000060	Decal - Wheel Lift Hitch	1
18	7330000036	Secure Vehicle	2
19	7330000391	Decal - Tow Boom Configuration	1
20	7330000274	Decal - Overloading Tow Option	1
21	7330000599	Decal - Pinch Point	3
22	9330740009	Decal Kit - Muncie PTO	1
23	7759000004	Pop Rivet	12
24	7330000675	Decal - Air Free Spool Control, LH	1
25	7330000676	Decal - Air Free Spool Control, RH	1
26	7330000176	Decal - Air Suspension	1
27	7330000628	Decal - Control Switch (F550 only)	1
28	7330000700	Decal - PTO Operation (LCF & CF600 only)	1
29	7330000385	Decal - T-37 Grids	2

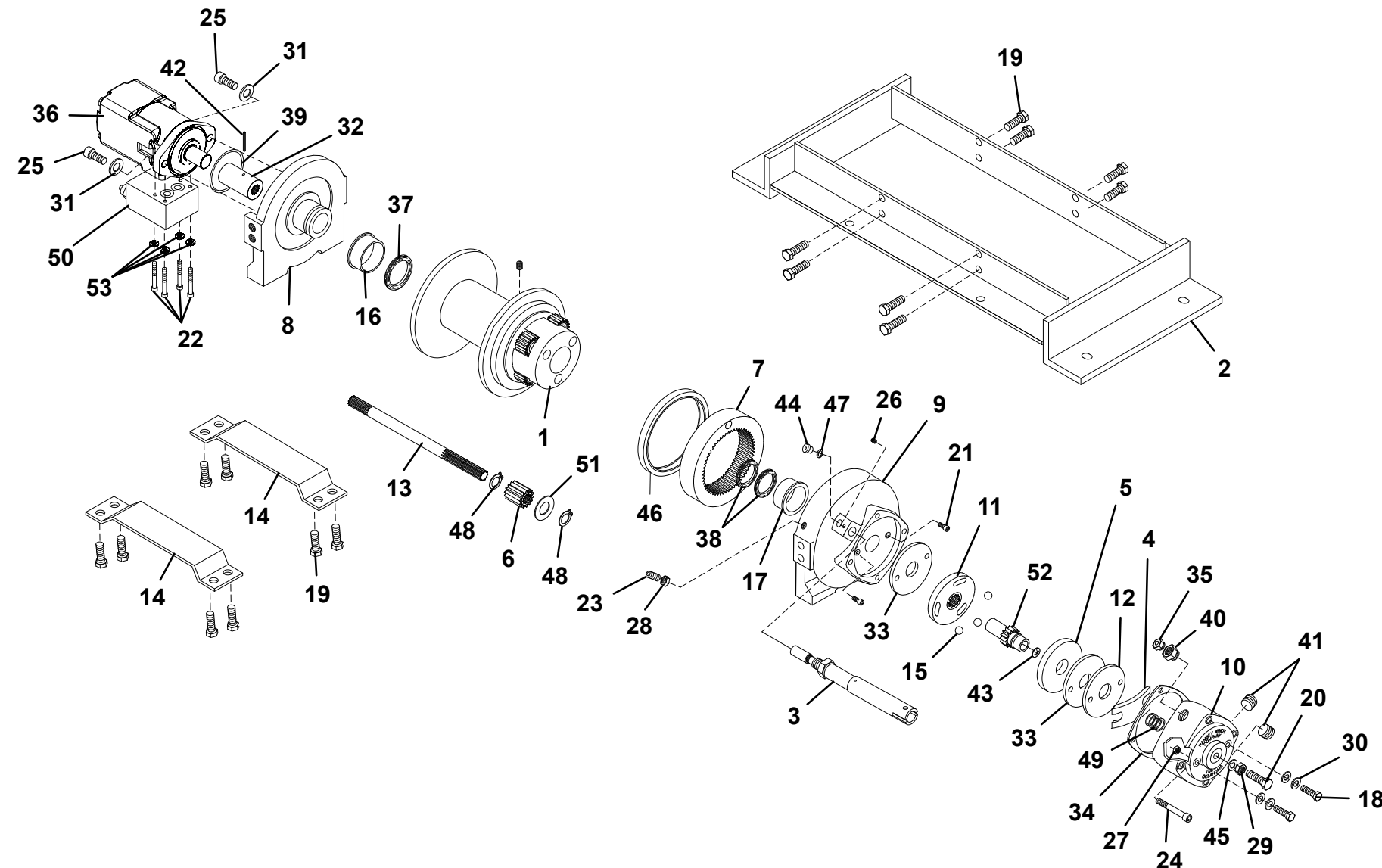
DECALS



WINCH - 8K PLANETARY GEAR W/MANUAL FREESPOOL - 797000056

ITEM	PART NO.	DESCRIPTION	QTY	ITEM	PART NO.	DESCRIPTION	QTY
1	9970280019	Drum Assembly - Y	1	40	9970468002	Reducer	1
2	9970960057	Frame Assembly	1	41	9701960015	Plug, Pipe	2
3	9587960009	Shifter Assembly	1	42	9691960001	Pin, Spiral	1
4	9843960027	Spring - Flat, Brake	1	43	9701960014	Plug	1
5	70050031	Cam Plate - Brake "A" Rotation	1	44	9701960016	Plug	1
6	9472960042	Gear - Output, Sun	1	45	9796960123	Seal	1
7	9472960043	Gear - Ring	1	46	9796960049	Seal - Gear Housing	1
8	9082960033	End Bearing - Motor	1	47	9812960005	Shim	1
9	70050616	Housing - Gear, End Bearing	1	48	9754960039	Snap Ring	2
10	70050690	Housing - Brake	1	49	9970494010	Spring	1
11	9706960084	Hub - Plate	1	50	9935960023	Valve - Counterbalance ("A" Rotation)	1
12	9706960028	Retaining Plate	1	51	9949960017	Washer - Thrust	1
13	9806960017	Shaft - Input "Y"	1	52	9806960031	Brake - Shaft	1
14	70050691	Tie Plate "Y"	2	53	9970418163	Lockwasher, 0.31" ID	4
15	9970400007	Ball	3				
16	9209960022	Bushing - Drum, Motor End	1				
17	9209960023	Bushing - Drum, Gear	1				
18	9120960021	Bolt, 0.38"-16NC x 1.75"	2				
19	9120960025	Capscrew, 0.50"-13NC x 0.75"	16				
20	9120960023	Bolt, 0.50"-13NC x 2.25"	1				
21	9120960022	Capscrew, 0.25"-20NC x 0.50"	2				
22	70050619	Capscrew, 0.31"-18NC x 2.50"	4				
23	9786960066	Setscrew, 0.38"-16NC x 1.00"	1				
24	9120960026	Capscrew, 0.38"-16NC x 2.75"	4				
25	9120960061	Capscrew, 0.50"-13NC x 1.50"	2				
26	7785140404	Setscrew, 0.25"-20NC x 0.25"	1				
27	7660160001	Hexnut, .038"-16NC	4				
28	70050628	Jamnut, 0.38"-16NC	1				
29	7660180201	Jamnut, 0.50"-13NC	1				
30	9970418184	Flatwasher, 0.38" ID	4				
31	9949960031	Lockwasher, 0.50" ID	2				
32	9309960009	Coupling - Hydraulic Motor	1				
33	9706960029	Plate - Brake	2				
34	9796960047	Gasket - Brake Housing	1				
35	9970456008	Fitting, Relief	1				
36	70050692	Motor, Hydraulic	1				
37	9796960050	O-Ring	1				
38	9796960048	Quad Ring	2				
39	9796960051	O-Ring	1				

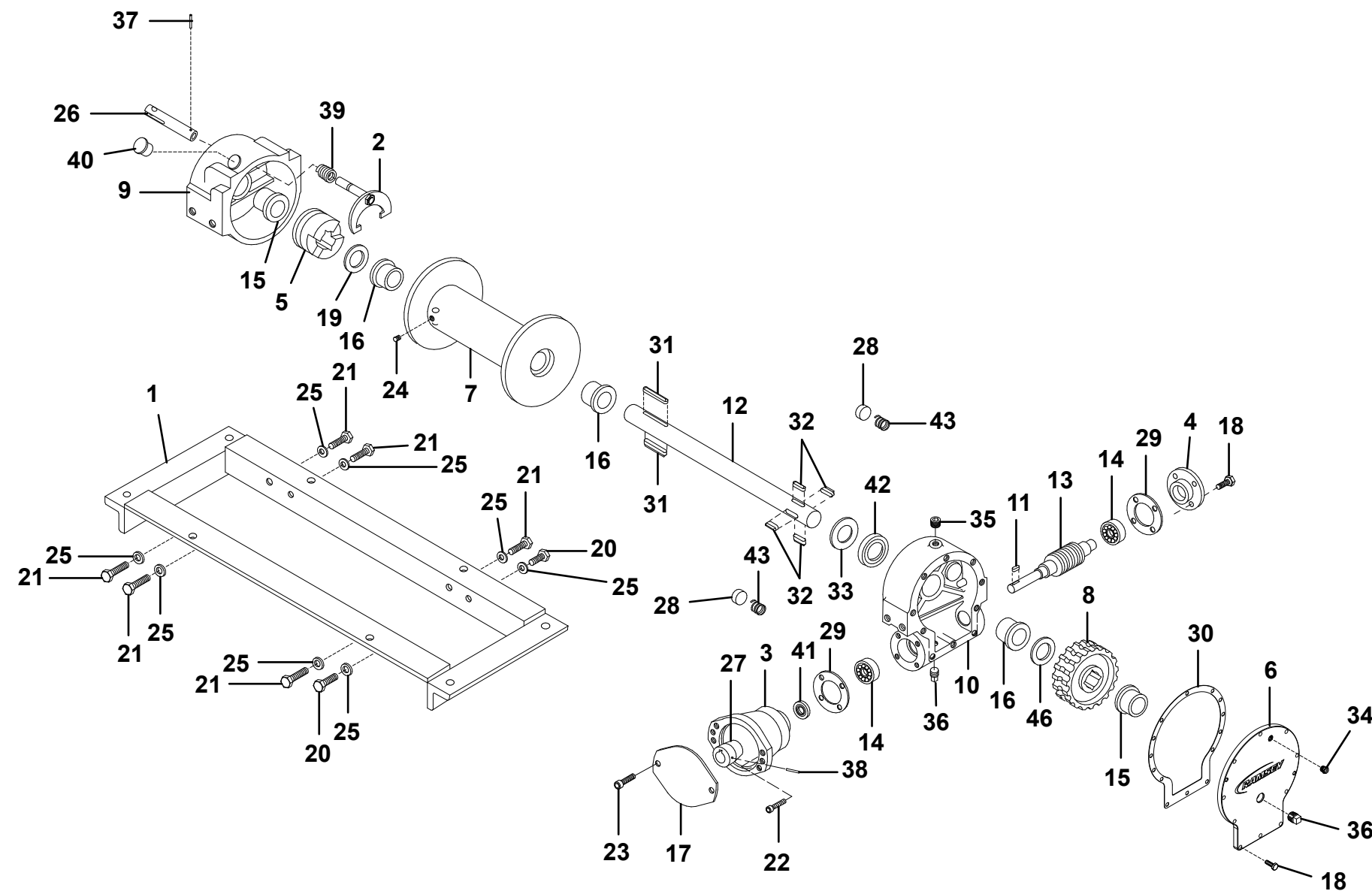
WINCH - 8K PLANETARY GEAR W/MANUAL FREESPOOL - 797000056



WINCH - 8K WORM GEAR W/ MANUAL FREESPOOL - 7970000121

ITEM	PART NO.	DESCRIPTION	QTY	ITEM	PART NO.	DESCRIPTION	QTY
1	70050694	Frame Assembly	1	40	9970472013	Plug	1
2	70050678	Shifter Assembly	1	41	9970486009	Seal, Oil	1
3	9970300057	Adapter	1	42	9970486017	Seal, Oil	1
4	9970316083	Bearing Cap	1	43	9970494002	Spring	2
5	9970960060	Jaw Clutch	1				
6	9314960024	Cover - Gear Housing	1				
7	9970960068	Drum - "Std"	1				
8	9472960072	Gear R.H. 34:1	1				
9	9560960021	Housing - Clutch	1				
10	9560960011	Housing - Gear	1				
11	9970342027	Key	1				
12	9806960009	Shaft - Drum "Std"	1				
13	9970960062	Worm R.H. 34:1	1				
14	9970402002	Bearing - Ball	2				
15	9970412003	Bushing	4				
16	9970412045	Bushing	4				
17	70050679	Adapter Cover	1				
18	9970414045	Capscrew, 0.25"-20NC x 0.88"	14				
19	9970518015	Washer - Thrust	1				
20	9120960034	Bolt, 0.38"-16NC x 1.00" Lg	2				
21	9120960059	Capscrew, 0.38"-16NC x 1.25"	6				
22	70050682	Capscrew, 0.25"-20NC x 1.75"	4				
23	9120960061	Capscrew, 0.50"-13NC x 1.50"	2				
24	9786960015	Setscrew, 0.38"-16NC x 0.50"	1				
25	9970418177	Lockwasher, 0.38" ID	8				
26	9007960003	Adapter - Rod	1				
27	9970431008	Coupling	1				
28	9970330010	Disc Brake	2				
29	9970442184	Gasket	2				
30	9970442205	Gasket	1				
31	9970450006	Barth Key	2				
32	9575960014	Barth Key	4				
33	9970518014	Washer - Thrust	1				
34	9970456008	Fitting, Relief	1				
35	9701960015	Plug, Pipe	1				
36	9970468011	Plug, Pipe	2				
37	9691960035	Pin, Spiral	1				
38	9691960001	Pin, Spiral	1				
39	9970494053	Spring	1				

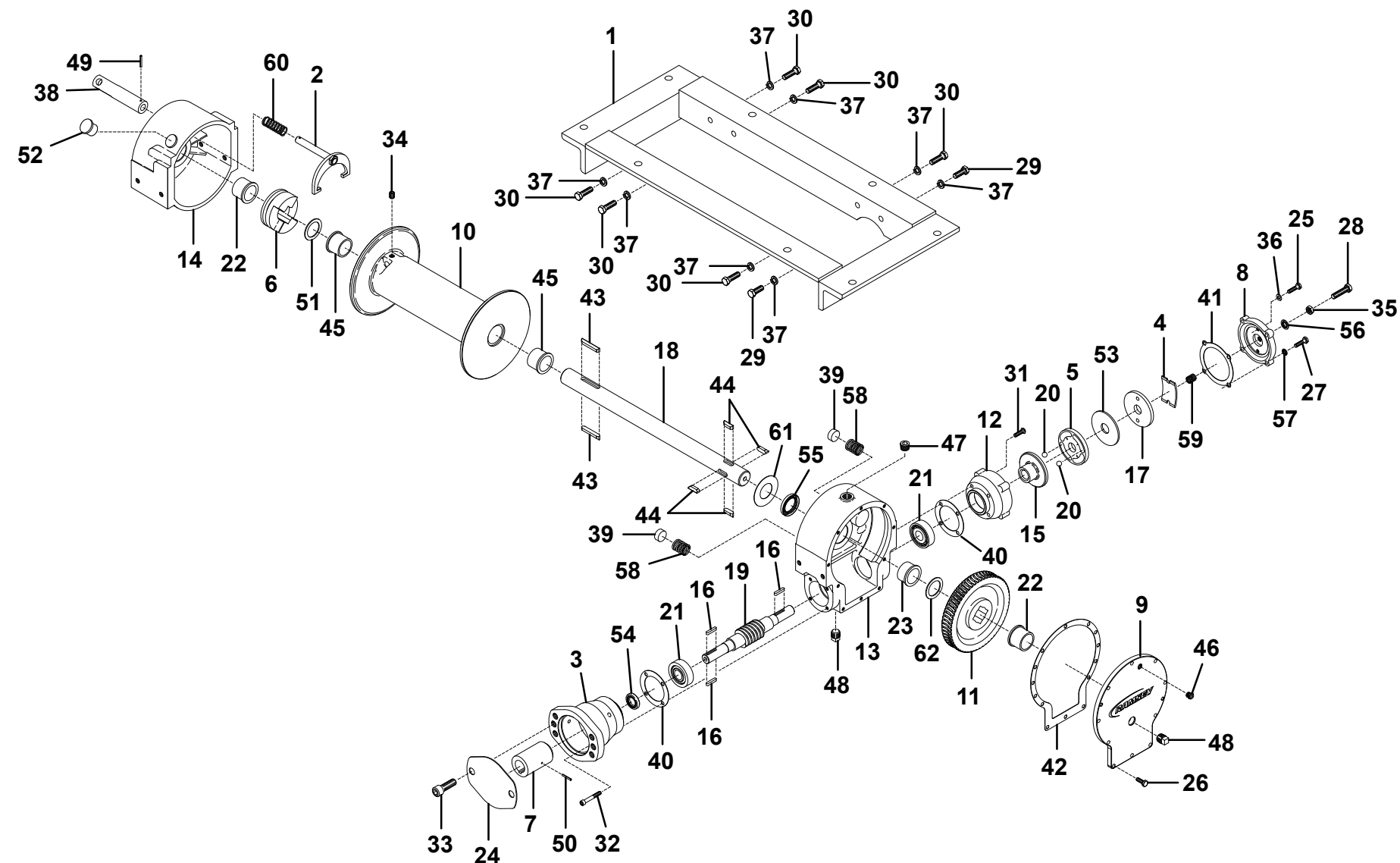
WINCH - 8K WORM GEAR W/ MANUAL FREESPOOL - 7970000121



WINCH -10K WORM GEAR W/ MANUAL FREESPOOL - 797000123

ITEM	PART NO.	DESCRIPTION	QTY	ITEM	PART NO.	DESCRIPTION	QTY
1	70050677	Frame Assembly	1	40	9970442184	Gasket	2
2	70050678	Shifter Assembly	1	41	9796960139	Gasket	1
3	9970300057	Adapter	1	42	9970442205	Gasket	1
4	9970960036	Spring - Flat	1	43	9970450006	Barth Key	2
5	1001126187	Plate - Cam	1	44	9575960014	Barth Key	4
6	9970960060	Jaw Clutch	1	45	9970412045	Bushing	2
7	9309960020	Coupling	1	46	9970456008	Fitting, Relief	1
8	9970960034	Cover - Brake	1	47	9701960015	Plug, Pipe	1
9	9314960024	Cover - Gear Housing	1	48	9970468011	Plug, Pipe	2
10	9970960068	Drum - Cable	1	49	9691960035	Pin, Spiral	1
11	9472960068	Gear R.H. 30:1	1	50	9691960001	Pin, Spiral	1
12	9571960010	Housing - Brake	1	51	9970518015	Washer - Thrust	2
13	9560960011	Housing - Gear	1	52	9970472013	Plug	1
14	9560960021	Housing - Clutch	1	53	9970960037	Plate - Thrust	1
15	1001126188	Hub - Brake	1	54	9970486009	Seal, Oil	1
16	9970342027	Key	3	55	9970486017	Seal, Oil	1
17	1001126192	Plate - Retainer	1	56	9796960176	Seal, Thread	1
18	9970960051	Shaft - Drum	1	57	9796960177	Seal, Thread	4
19	9472960069	Worm R.H. 30:1	1	58	9970494002	Spring	2
20	9970400003	Ball	2	59	9970960035	Spring	1
21	9970402002	Bearing - Ball	2	60	9970494053	Spring	1
22	9970412003	Bushing	4	61	9970518014	Washer - Thrust	1
23	9970960052	Bushing	1				
24	70050679	Cover - Adapter	1				
25	9970960038	Capscrew, 0.25"-20NC x 1.00" All Thrd	2				
26	9970414045	Capscrew, 0.25"-20NC x 0.75"	10				
27	70050680	Capscrew, 0.25"-20NC x 1.00"	4				
28	9120960075	Capscrew, 0.38"-16NC x 1.50"	1				
29	9120960034	Capscrew, 0.38"-16NC x 1.00"	2				
30	9120960059	Capscrew, 0.38"-16NC x 1.25"	6				
31	70050681	Capscrew, 0.25"-20NC x 0.88"	4				
32	70050682	Capscrew, 0.25"-20NC x 1.75"	4				
33	9120960061	Capscrew, 0.50"-13NC x 1.50"	2				
34	9786960015	Setscrew, 0.38"-16NC x 0.50"	1				
35	70050628	Jamnut, 0.38"-16NC	1				
36	9949960054	Flatwasher, 0.25" ID	2				
37	9970418177	Lockwasher, 0.38" ID	8				
38	9007960003	Adapter - Rod	1				
39	9970330010	Disc - Brake	2				

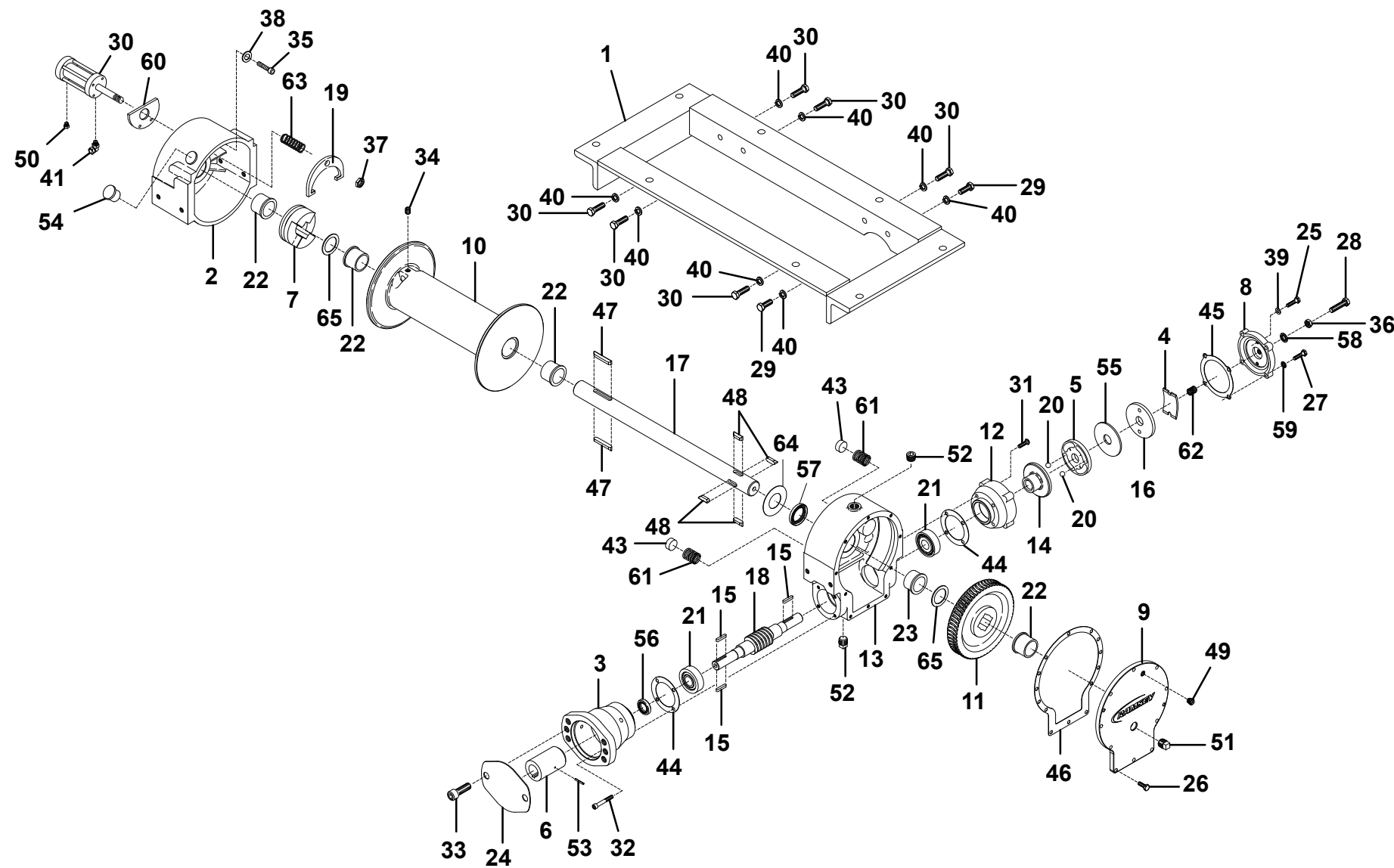
WINCH -10K WORM GEAR W/ MANUAL FREESPOOL - 797000123



WINCH -10K WORM GEAR W/ AIR FREESPOOL - 7970000140

ITEM	PART NO.	DESCRIPTION	QTY	ITEM	PART NO.	DESCRIPTION	QTY
1	70050677	Frame Assembly	1	40	9970418177	Lockwasher, 0.38" ID	8
2	70050684	Housing - Clutch	1	41	9443960021	Fitting, Elbow	1
3	9970300057	Adapter	1	42	70050065	Cylinder, Air	1
4	9970960036	Spring - Flat	1	43	9970330010	Disc - Brake	2
5	1001126187	Plate - Cam	1	44	9970442184	Gasket	2
6	9309960020	Coupling	1	45	9796960139	Gasket	1
7	9970960060	Jaw Clutch	1	46	9970442205	Gasket	1
8	9970960034	Cover - Brake	1	47	9970450006	Barth Key	2
9	9314960024	Cover - Gear Housing	1	48	9575960014	Barth Key	4
10	9970960068	Drum - Cable	1	49	9970456008	Fitting, Relief	1
11	9472960068	Gear R.H. 30:1	1	50	9183960002	Breather Vent	1
12	9571960010	Housing - Brake	1	51	9970468011	Plug, Pipe	2
13	9560960011	Housing - Gear	1	52	9701960015	Plug, Pipe	1
14	1001126188	Hub - Brake	1	53	9691960001	Pin, Spiral	1
15	9970342027	Key	3	54	9970472013	Plug	1
16	1001126192	Plate - Retainer	1	55	9970960037	Plate - Thrust	1
17	9970960051	Shaft - Drum	1	56	9970486009	Seal, Oil	1
18	9472960069	Worm R.H. 30:1	1	57	9970486017	Seal, Oil	1
19	70050685	Yoke	1	58	9796960176	Seal, Thread	1
20	9970400003	Ball	2	59	9796960177	Seal, Thread	4
21	9970402002	Bearing - Ball	2	60	70050689	Shim	1
22	9970412003	Bushing	4	61	9970494002	Spring	2
23	9970960052	Bushing	1	62	9970960035	Spring	1
24	70050679	Cover - Adapter	1	63	9970494053	Spring	1
25	9970960038	Capscrew, 0.25"-20NC x 1.00" All Thrd	2	64	9970518014	Washer - Thrust	1
26	9970414045	Capscrew, 0.25"-20NC x 0.75"	10	65	9970518015	Washer - Thrust	2
27	70050680	Capscrew, 0.25"-20NC x 1.00"	4	66	9970412045	Bushing	2
28	9120960075	Capscrew, 0.38"-16NC x 1.50"	1				
29	9120960034	Capscrew, 0.38"-16NC x 1.00"	2				
30	9120960059	Capscrew, 0.38"-16NC x 1.25"	6				
31	70050681	Capscrew, 0.25"-20NC x 0.88"	4				
32	70050682	Capscrew, 0.25"-20NC x 1.75"	4				
33	9120960061	Capscrew, 0.50"-13NC x 1.50"	2				
34	9786960015	Setscrew, 0.38"-16NC x 0.50"	1				
35	70050686	Screw, #6-32NC x 1.00"	4				
36	70050628	Jamnut, 0.38"-16NC	1				
37	70050687	Locknut, 0.38"-16NC ID	1				
38	70050688	Lockwasher, #6 ID	4				
39	9949960054	Flatwasher, 0.25" ID	2				

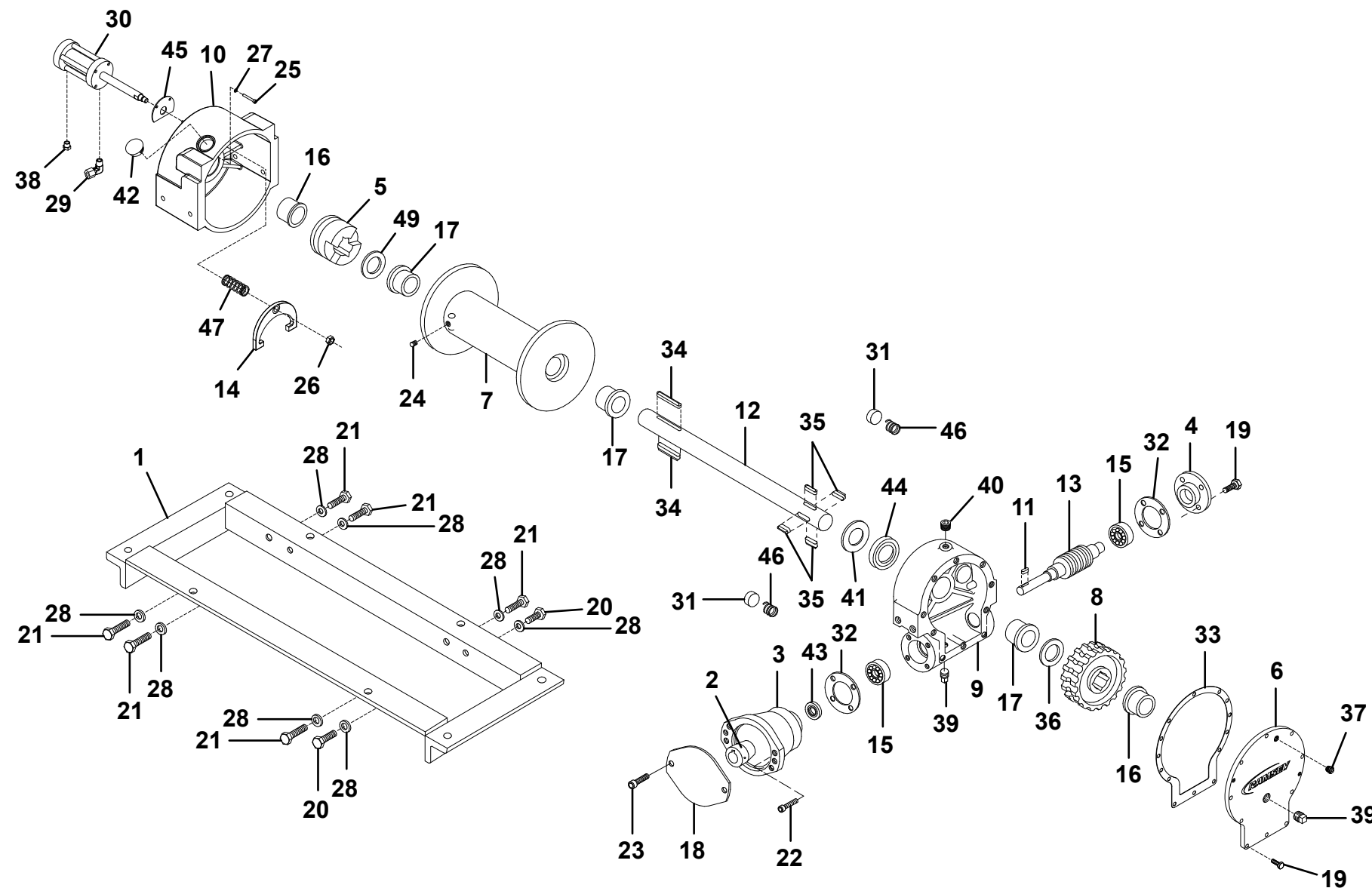
WINCH -10K WORM GEAR W/ AIR FREESPOOL - 7970000140



WINCH - 8K WORM GEAR W/ AIR FREESPOOL - 7970000142

ITEM	PART NO.	DESCRIPTION	QTY	ITEM	PART NO.	DESCRIPTION	QTY
1	70050694	Frame Assembly	1	40	9701960015	Plug, Pipe	1
2	70050695	Coupling Assembly	1	41	9970518014	Washer - Thrust	1
3	9970300057	Adapter	1	42	9970472013	Plug	1
4	9970316083	Bearing Cap	1	43	9970486009	Seal, Oil	1
5	9970960060	Jaw Clutch	1	44	9970486017	Seal, Oil	1
6	9314960024	Cover - Gear HSG	1	45	70050689	Shim	1
7	9970960068	Drum - "Std"	1	46	9970494002	Spring	2
8	9472960072	Gear, Worm	1	47	9970494053	Spring	1
9	9560960011	Housing - Gear	1				
10	70050696	Housing - Clutch	1				
11	9970342027	Key	1				
12	9806960009	Shaft - Drum	1				
13	9970960062	Worm	1				
14	70050697	Yoke	1				
15	9970402002	Bearing - Ball	2				
16	9970412003	Bushing	2				
17	9970412045	Bushing	3				
18	70050679	Adapter Cover	1				
19	9970414045	Capscrew, 0.25"-20NC x 0.88"	14				
20	9120960034	Bolt, 0.38"-16NC x 1.00"	2				
21	9120960059	Capscrew, 0.38"-16NC x 1.25"	6				
22	70050682	Capscrew, 0.25"-20NC x 1.75"	4				
23	9120960061	Capscrew, 0.50"-13NC x 1.50"	2				
24	9786960015	Setscrew, 0.38"-16NC x 0.50"	1				
25	70050686	Screw, #6-32NC x 1.00"	4				
26	70050687	Locknut, 0.38"-16NC ID	1				
27	70050688	Lockwasher, #6 ID	4				
28	9970415177	Lockwasher, 0.38" ID	8				
29	70050698	Fitting, Elbow	1				
30	70050065	Cylinder, Air	1				
31	9970330010	Disc Brake	2				
32	9970442184	Gasket	2				
33	9970442205	Gasket	1				
34	9970450006	Key	2				
35	9575960014	Key	4				
36	9970518015	Washer - Thrust	2				
37	9970456008	Fitting, Relief	1				
38	9183960002	Breather Vent	1				
39	9970468011	Plug, Pipe	3				

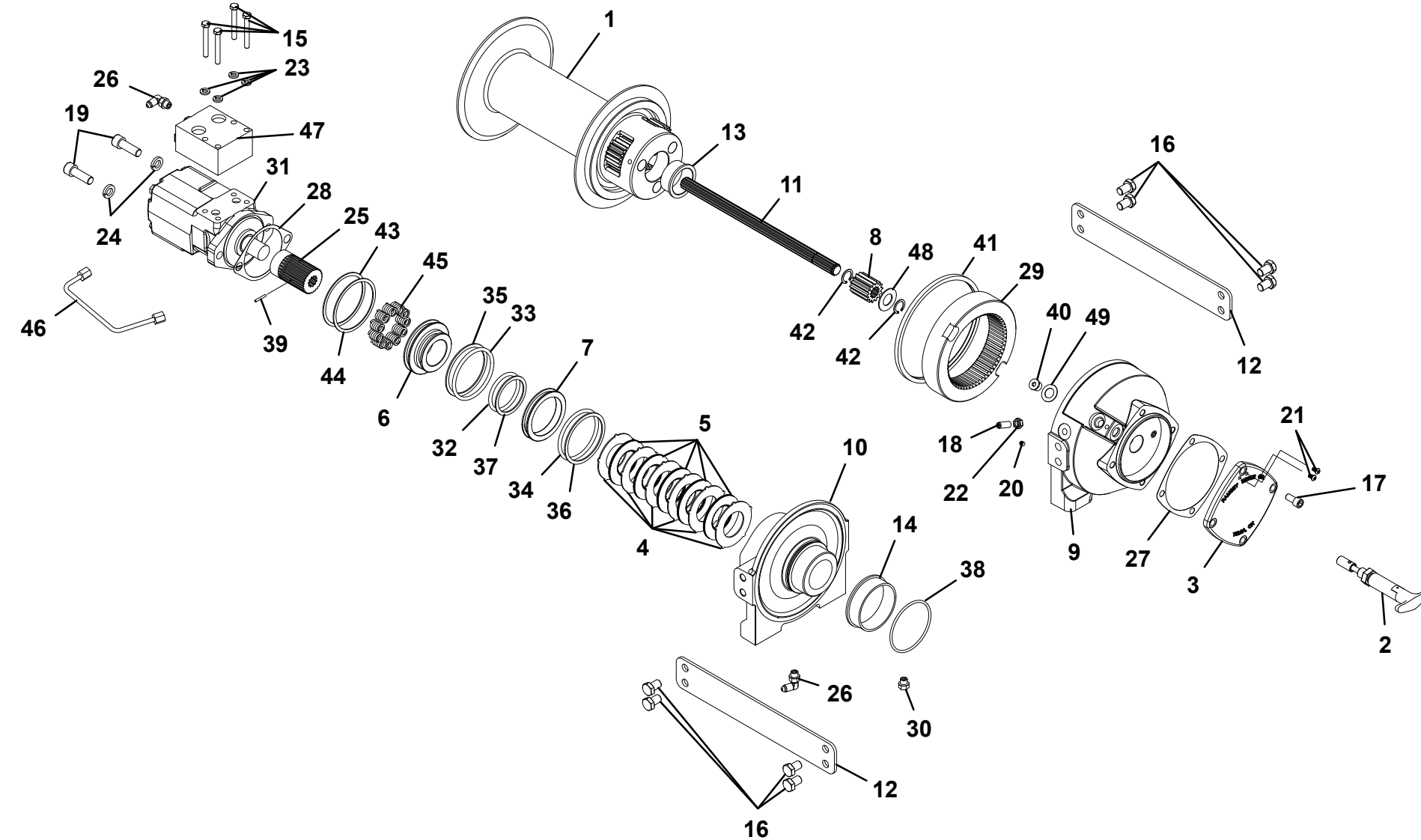
WINCH - 8K WORM GEAR W/ AIR FREESPOOL - 7970000142



WINCH -10K PLANETARY GEAR W/ MANUAL FREESPOOL - 7970000158

ITEM	PART NO.	DESCRIPTION	QTY	ITEM	PART NO.	DESCRIPTION	QTY
1	70050525	Drum Assembly "Y"	1	40	9701960016	Plug	1
2	9551960018	Shifter Assembly	1	41	9796960049	Seal	1
3	70050625	Cover - Gear Housing	1	42	9754960039	Snap Ring	2
4	70050612	Stator - Brake	6	43	70050466	Ring - Internal Retaining	2
5	70050613	Disc Brake	5	44	70050626	Ring - Internal Retaining	1
6	70050614	Piston Brake	1	45	70050622	Spring - Brake	11
7	70050615	Piston Brake Backup	1	46	9912960035	Tube - Brake Release (Ports Up)	1
8	9472960042	Gear - Output, Sun	1	47	9935960142	Valve - Motor Control "B" Rotation	1
9	70050616	End Bearing - Gear housing	1	48	9812960005	Washer - Thrust	1
10	70050456	End Bearing - Motor	1	49	9949960017	Washer - Thrust	1
11	70050617	Shaft - Input "Y" Drum	1				
12	70050618	Plate - Tie "Y" Drum	2				
13	9209960023	Bushing - Drum	1				
14	70050457	Bushing - Drum, Motor End	1				
15	70050619	Capscrew, 0.31"-18NC x 2.50"	4				
16	9120960025	Capscrew, 0.50"-13NC x 0.75"	8				
17	9120960081	Capscrew, 0.38"-16NC x 0.75"	4				
18	9786960006	Setscrew, 0.38"-16NC x 1.00"	1				
19	70050627	Capscrew, 0.50"-13NC x 1.75"	2				
20	7785140404	Setscrew, 0.25"-20NC x 0.25"	1				
21	70050620	Screw, #10-24NC x 0.38"	2				
22	70050628	Jamnut, 0.38"-16NC	1				
23	9970418163	Lockwasher, 0.31" ID	4				
24	9949960031	Lockwasher, 0.50" ID	2				
25	70050621	Coupling - Motor	1				
26	9443960010	Fitting	2				
27	9796960047	Gasket	1				
28	70050458	Gasket	1				
29	9472960043	Gear - Ring	1				
30	9183960002	Fitting, Vent	1				
31	9626960027	Motor - Hydraulic	1				
32	70050459	O-Ring	1				
33	70050460	O-Ring	1				
34	70050461	O-Ring	1				
35	70050462	Ring - Backup	1				
36	70050463	Ring - Backup	1				
37	70050464	Ring - Backup	1				
38	70050465	O-Ring	1				
39	9691960001	Pin, Spiral	1				

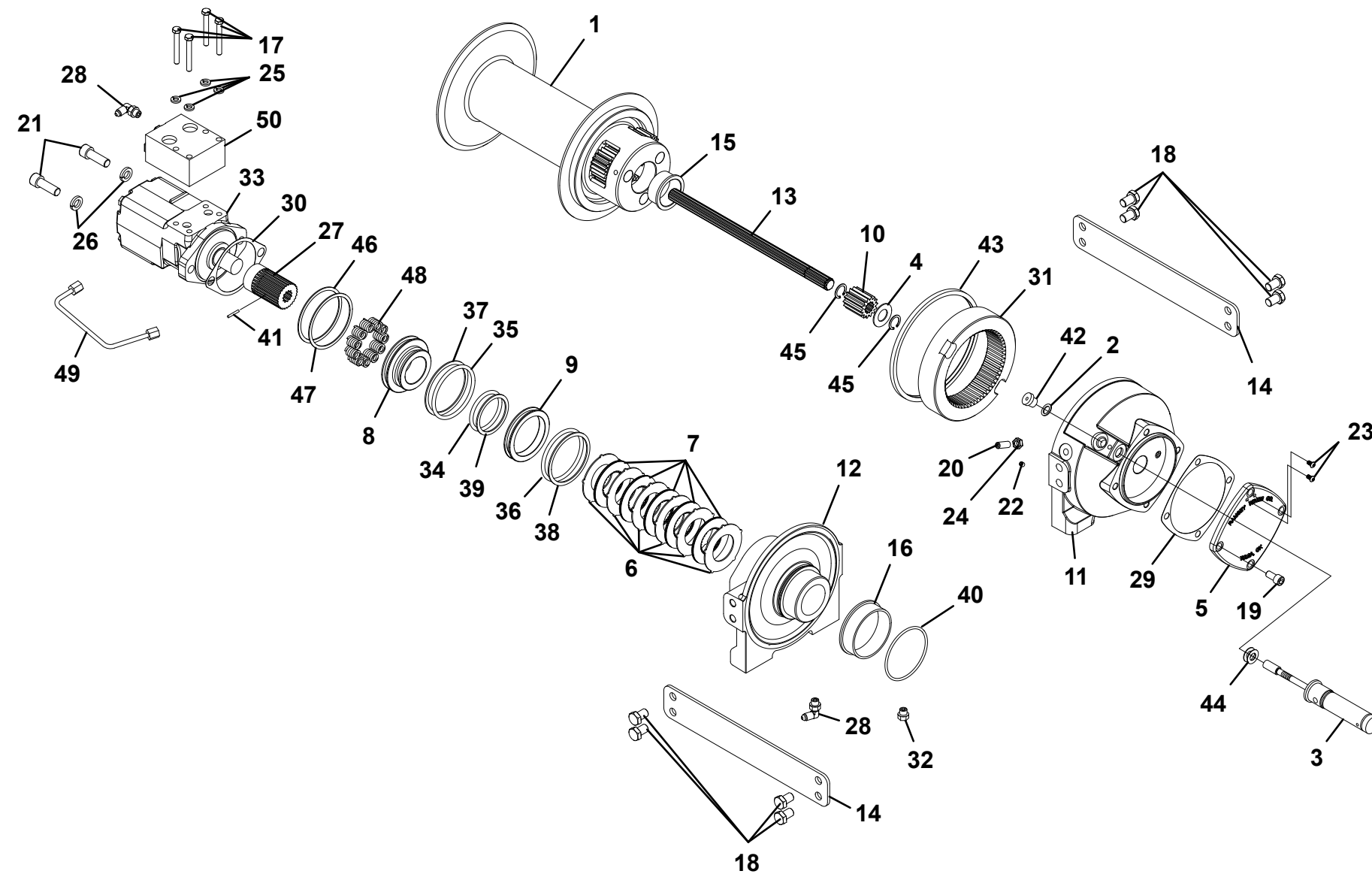
WINCH -10K PLANETARY GEAR W/ MANUAL FREESPOOL - 7970000158



WINCH -10K PLANETARY GEAR W/ AIR FREESPOOL - 7970000166

ITEM	PART NO.	DESCRIPTION	QTY	ITEM	PART NO.	DESCRIPTION	QTY
1	70050525	Drum Assembly "Y"	1	40	70050465	O-Ring	1
2	9812960005	Shifter Assembly	1	41	9691960001	Pin, Spiral	1
3	70050662	Decal - Slide Pad / Pivot Joint	1	42	9701960016	Plug	1
4	9949960017	Washer - Thrust	1	43	9796960049	Seal	1
5	70050625	Cover - Gear Housing	1	44	70050100	Shim	2
6	70050612	Stator - Brake	6	45	9754960039	Snap Ring	2
7	70050613	Disc Brake	5	46	70050466	Ring - Internal Retaining	1
8	70050614	Piston Brake	1	47	70050626	Ring - Internal Retaining	1
9	70050615	Piston Brake Backup	1	48	70050622	Spring - Brake	11
10	9742960064	Gear - Output, Sun	1	49	9912960035	Tube - Brake Release (Ports Up)	1
11	70050616	End Bearing - Gear housing	1	50	70050701	Valve - Motor Control "A" Rotation	1
12	70050456	End Bearing - Motor	1				
13	70050617	Shaft - Input "Y" Drum	1				
14	70050618	Plate - Tie "Y" Drum	2				
15	9209960023	Bushing - Drum	1				
16	70050457	Bushing - Drum, Motor End	1				
17	70050619	Capscrew, 0.31"-18NC x 2.50"	4				
18	9120960025	Capscrew, 0.50"-13NC x 0.75"	8				
19	9120960081	Capscrew, 0.38"-16NC x 0.75"	4				
20	9786960006	Setscrew, 0.38"-16NC x 1.00"	1				
21	70050627	Capscrew, 0.50"-13NC x 1.75"	2				
22	7785140404	Setscrew, 0.25"-20NC x 0.25"	1				
23	70050620	Screw, #10-24NC x 0.38"	2				
24	70050628	Jamnut, 0.38"-16NC	1				
25	9970418163	Lockwasher, 0.31" ID	4				
26	9949960031	Lockwasher, 0.50" ID	2				
27	70050621	Coupling - Motor	1				
28	9443960010	Fitting	2				
29	9796960047	Gasket	1				
30	70050458	Gasket	1				
31	9472960043	Gear - Ring	1				
32	9183960002	Fitting, Vent	1				
33	9626960027	Motor - Hydraulic	1				
34	70050459	O-Ring	1				
35	70050460	O-Ring	1				
36	70050461	O-Ring	1				
37	70050462	Ring - Backup	1				
38	70050463	Ring - Backup	1				
39	70050464	Ring - Backup	1				

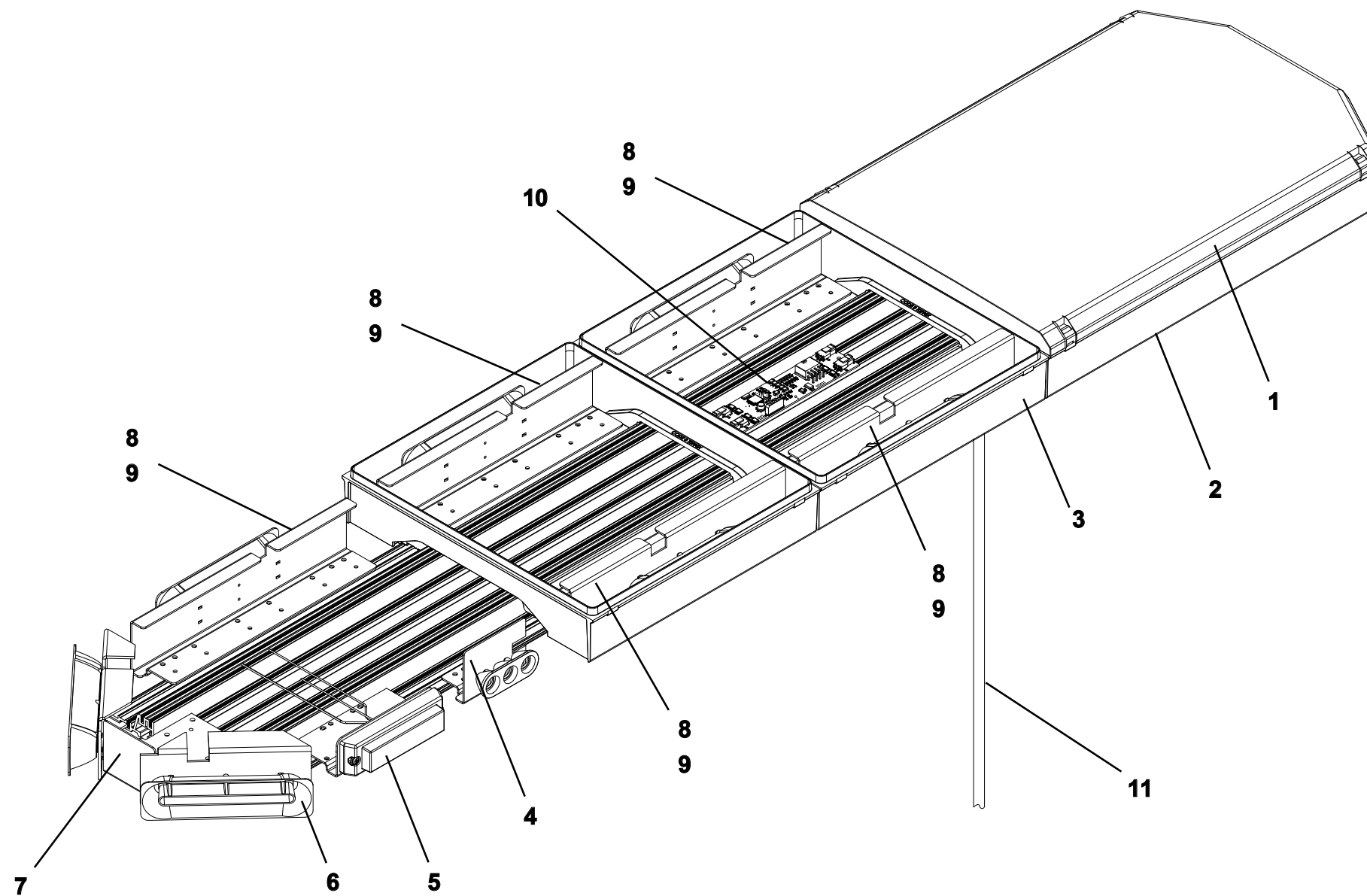
WINCH -10K PLANETARY GEAR W/ AIR FREESPOOL - 7970000166



LIGHTBAR 58" CODE3 - 1001136989 & 1001136993

ITEM	PART NO.	DESCRIPTION	QTY
1	9590310197	Lens, Clear Upper Outboard	2
2	70050012	Lens, Clear Lower Outboard	2
3	9590310203	Lens, Clear Lower Center	2
4	70050164	Light, LED Work	2
5	1001130702	Light, LED Stop/Tail/Turn	2
6	9590310206	Light, Amber LED Corner Module	4
	70050721	Light, Red LED Corner Module	4
7	70050166	Bracket	2
8	9590310205	Light, Amber LED Module	6
	70050722	Light, Red LED Module	6
9	9590310202	Bracket, Center	6
10	70050167	Controller, Central	1
11	9552310007	Harness	1

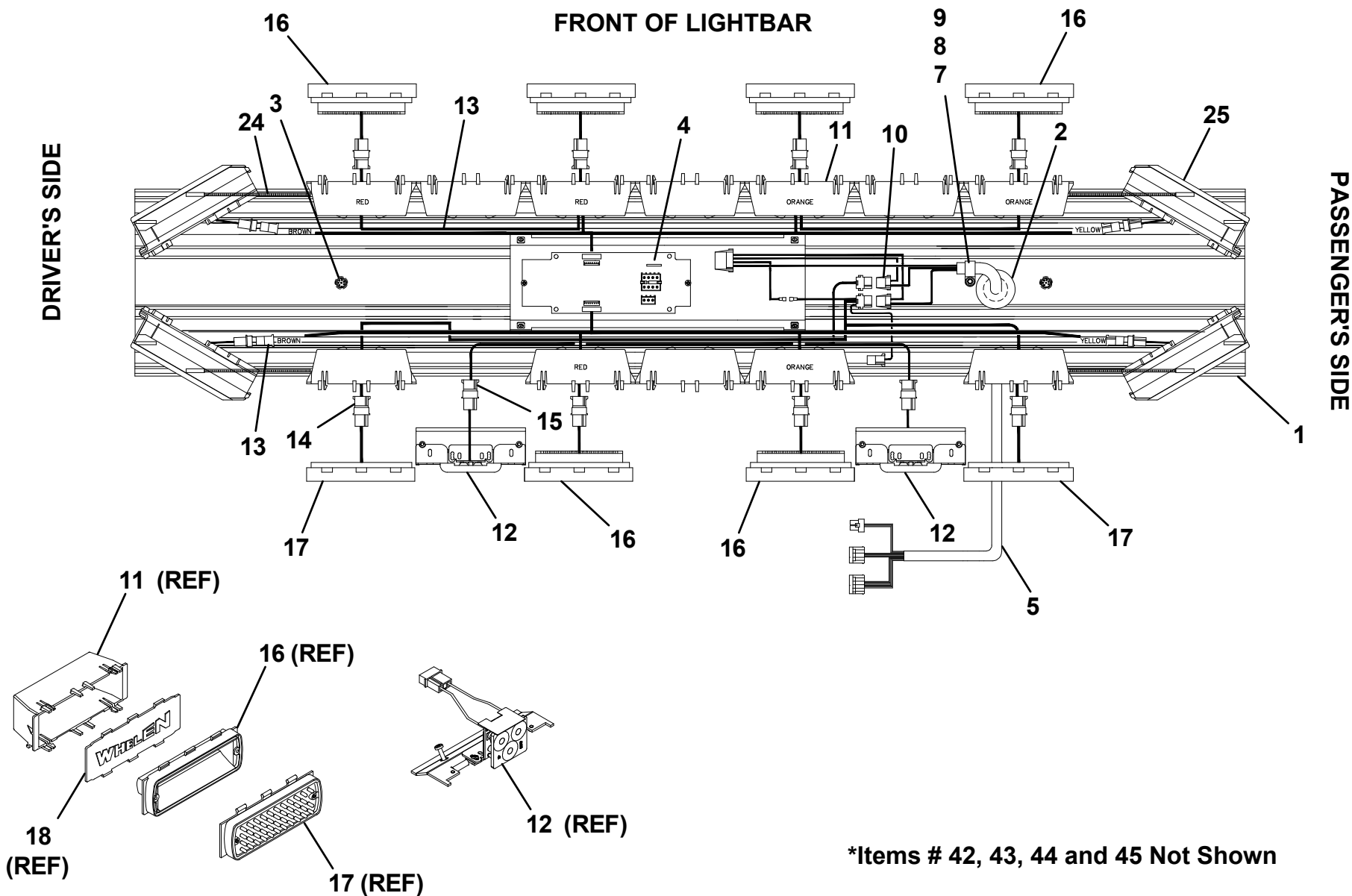
LIGHTBAR 58" CODE3 - 1001136989 & 1001136993



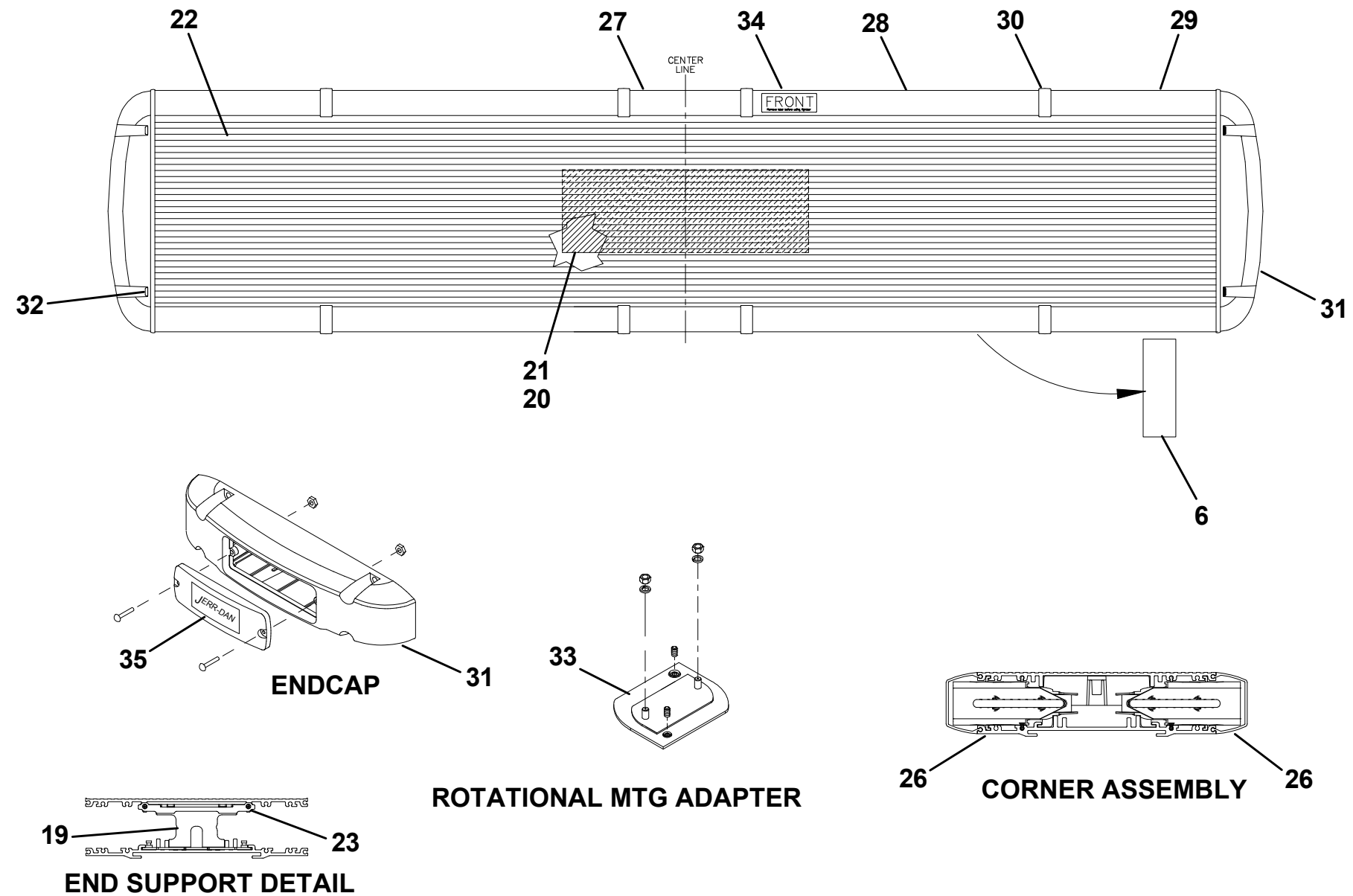
LIGHTBAR 60" WHELEN - 7590000403

ITEM	PART NO.	DESCRIPTION	QTY
1	70050663	Base	1
2	70050169	Grommet	1
3	70050170	Plug	2
4	70050163	Assembly, HC I/O Liberty, Jerr-Dan	1
5	70050664	Cable	1
6	70050207	Label, Model & Serial Number	1
7	70050172	Screw, #10-24NC x 1.00"	1
8	70050665	Clamp	1
9	70050174	Wixnut, #10-24NC	1
10	70050175	Housing	2
11	70050182	Housing	12
12	70050183	LR11 TD Single Full 20 Deg.	2
13	70050666	Harness	2
14	70050185	Harness	1
15	70050186	Harness	1
16	70050187	Light Assembly, LED	6
17	70050188	500 BTT Max	2
18	70050189	Panel	4
19	70050190	End Support Bracket	2
20	70050191	Insulator	1
21	70050192	Decal	1
22	70050193	Top, Extruded	1
23	70050194	Screw #10-24NC x 0.38"	4
24	70050195	Spacer	4
25	70050196	Corner LED Assembly	4
26	70050197	Spacer	4
27	70050198	Lens	2
28	70050199	Lens	4
29	70050200	Lens	4
30	70050201	Lens Divider	8
31	70050667	End Cap	2
32	70050203	Screw, #10-24NC x 1.25"	8
33	70050204	Rotational MTG Adapter	2
34	70050205	Label, "Front"	1
35	70050206	Label, Jerr-Dan Logo	1

LIGHTBAR 60" WHELEN - 7590000403



LIGHTBAR 60" WHELEN - 7590000403



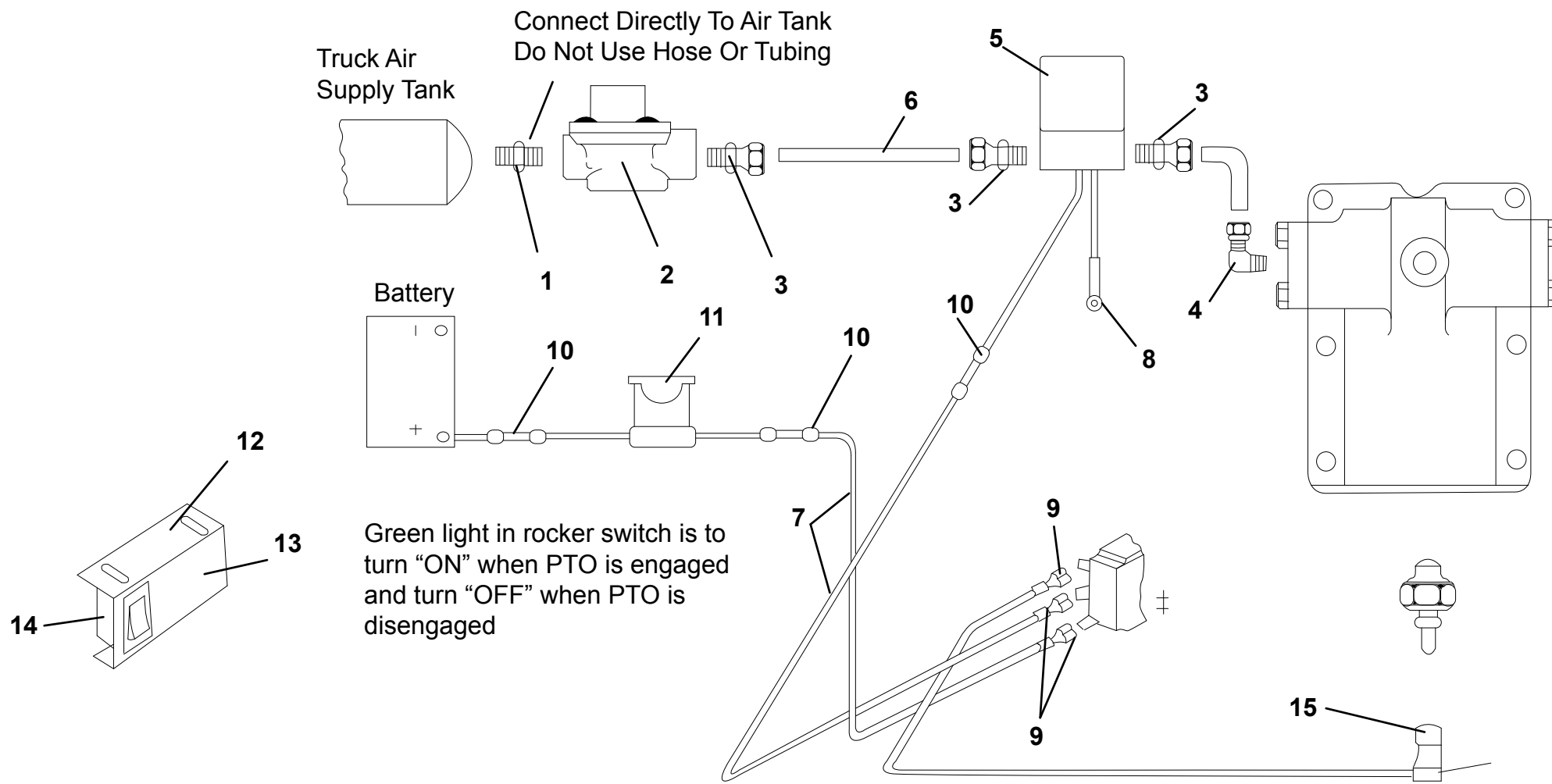
LIGHTBAR 60" WHELEN - 7590000403

THIS PAGE INTENTIONALLY LEFT BLANK

TG SERIES PTO INSTALLATION - ELECTRIC/AIR SHIFT

ITEM	PART NO.	DESCRIPTION	QTY
1	70050308	Nipple, Pipe	1
2	9935740034	Pressure Protection Valve	1
3	70050309	Fitting	3
4	70050310	Fitting	1
5	9346760019	12v Solenoid Valve	1
	70050311	24v Solenoid Valve	1
6	7565000019	Tubing,	30ft
7	70050312	Wire	30ft
8	70050313	Terminal	1
9	70050314	Terminal	3
10	70050315	Butt Splice	3
11	70050316	Fuse Assembly	1
12	7706000005	Dash Bracket	1
13	7706000003	Face Plate	1
14	7870000045	Switch 12VDC	1
	70050317	Switch 24VDC	1
15	70050318	Connector	1
16	70050319	Bolt Kit	1

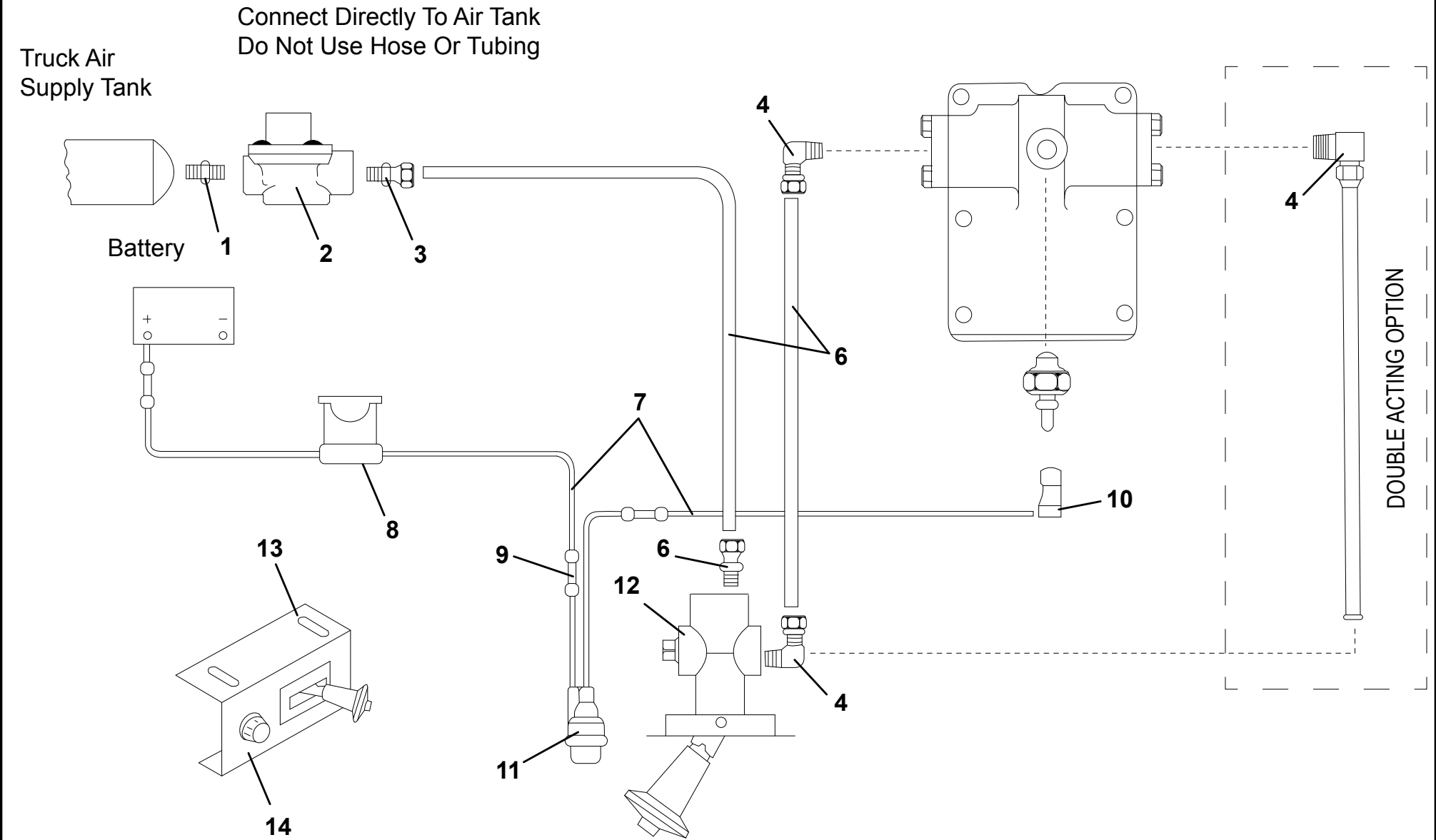
TG SERIES PTO INSTALLATION - ELECTRIC/AIR SHIFT



TG SERIES PTO INSTALLATION - AIR SHIFT

ITEM	PART NO.	DESCRIPTION	QTY
1	70050308	Pipe Nipple	1
2	9935740034	Pressure Protection Valve	1
3	70050309	Fitting	1
4	70050310	Fitting	2
5	70050320	Fitting	1
6	7565000019	Tubing	30ft
7	70050312	Wire	12ft
8	70050316	Fuse Assembly	1
9	70050315	Butt Splice	3
10	70050318	Connector	1
11	7590000049	12V Light	1
12	70050321	24V Light	1
13	7935000104	Air Valve	1
14	70050322	Dash Bracket	1
15	7706000004	Face Plate	1
16	70050319	Bolt Kit	1

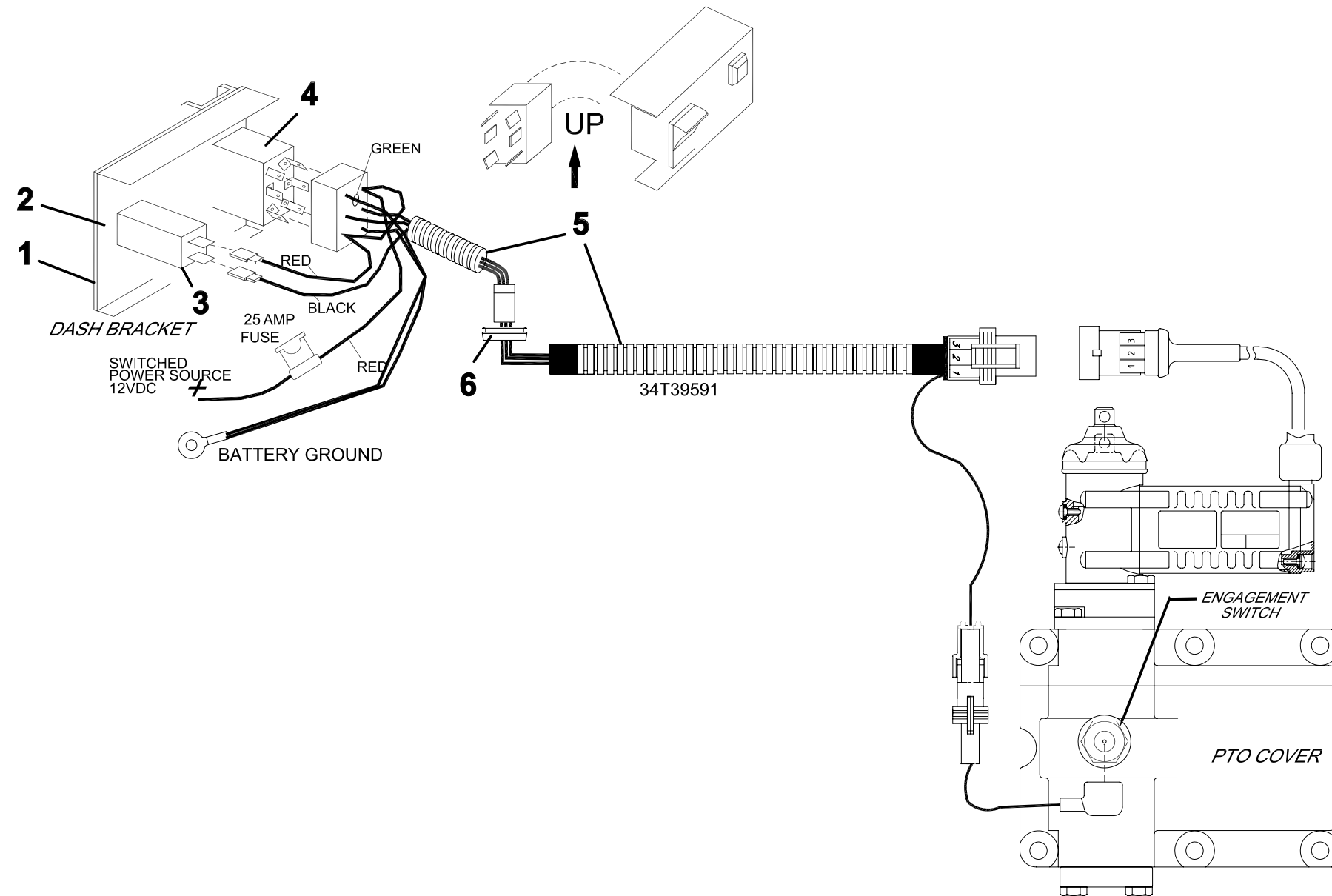
TG SERIES PTO INSTALLATION - AIR SHIFT



TG SERIES PTO INSTALLATION - E-HYDRA SHIFT

ITEM	PART NO.	DESCRIPTION	QTY
1	70050323	Face Plate	1
2	7706000005	Dash Bracket	1
3	70050324	Light, 12VDC	1
4	9870310035	Switch	1
5	9552310025	Wire Harness	1
6	70050660	Grommet	1
NS	70050319	Kit, Bolt	1
NS	9330740011	Dash Label	1
NS	9330740010	Caution Label	1

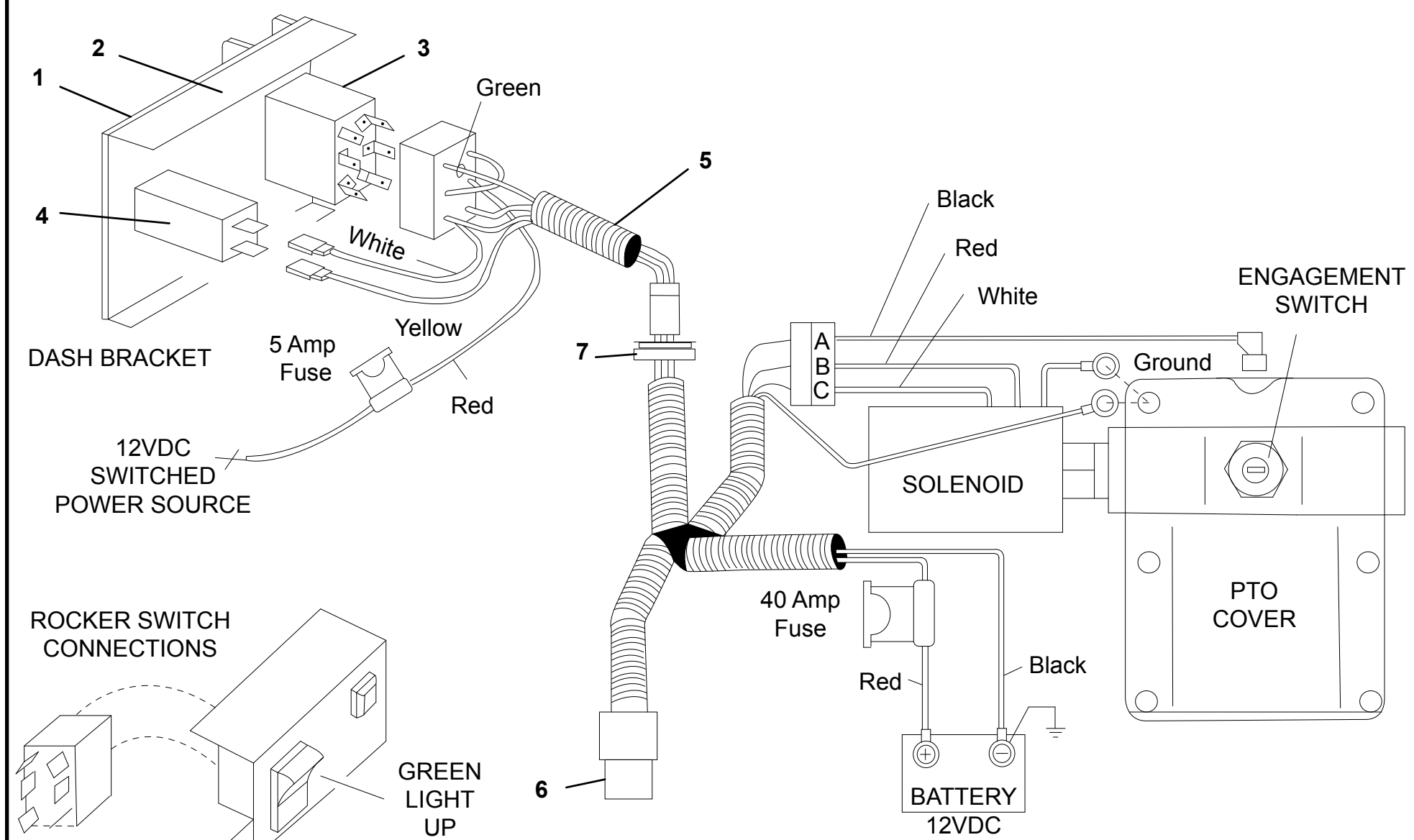
TG SERIES PTO INSTALLATION - E-HYDRA SHIFT



TG SERIES PTO INSTALLATION - LECTRA SHIFT

ITEM	PART NO.	DESCRIPTION	QTY
1	70050323	Face Plate	1
2	7706000005	Dash Bracket	1
3	7870000052	Switch	1
4	70050324	Light, 12VDC	1
5	9552740006	Wire Harness	1
6	9740740002	Relay	1
7	70050325	Grommet	1
8	70050326	Sheet Metal Screws	1
9	70050327	Wire Tie	5
10	70050319	Bolt Kit	1
11	9330740004	Dash Label	1

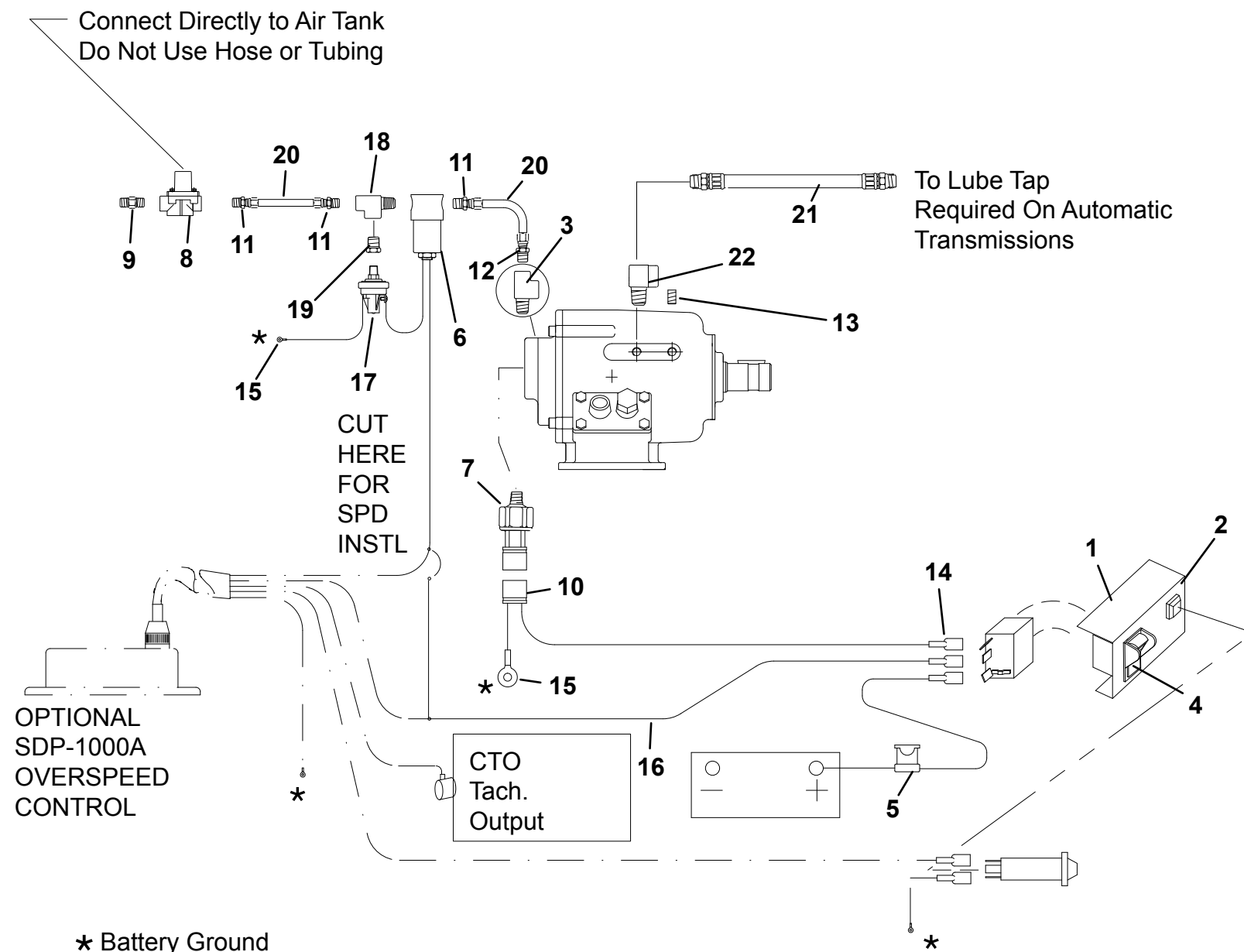
TG SERIES PTO INSTALLATION - LECTRA SHIFT



CS6/CS8 SERIES PTO INSTALLATION - ELECTRIC/AIR SHIFT

ITEM	PART NO.	DESCRIPTION	QTY
1	7706000005	Switch Bracket	1
2	7706000001	Face Plate	1
3	9443760018	Fitting, Street Tee	1
4	7870000045	Switch 12V	1
5	70050316	Fuse Assembly	1
6	9346760019	Valve, Solenoid 12V	1
7	7870000062	Pressure Switch	1
8	9935740034	Valve, Pressure Protection	1
9	70050308	Nipple	1
10	70050668	Wiring Pigtail	1
11	70050309	Connector, Male	2
12	70050310	Connector, Male	2
13	70050669	Plug, Pipe	1
14	70050314	Connector, Female Spade	3
15	70050313	Terminal	2
16	70050312	Wire	12
17	70050670	Switch, Pressure Safety	1
18	70050671	Fitting, Street Tee	1
19	70050672	Bushing, Reducer	1
20	7565000019	Air Tubing - 30Ft	1
21	70050674	Lube Hose Assembly	1
22	9443760009	Fitting	1
NS	70050673	Kit, Solenoid Bracket	1

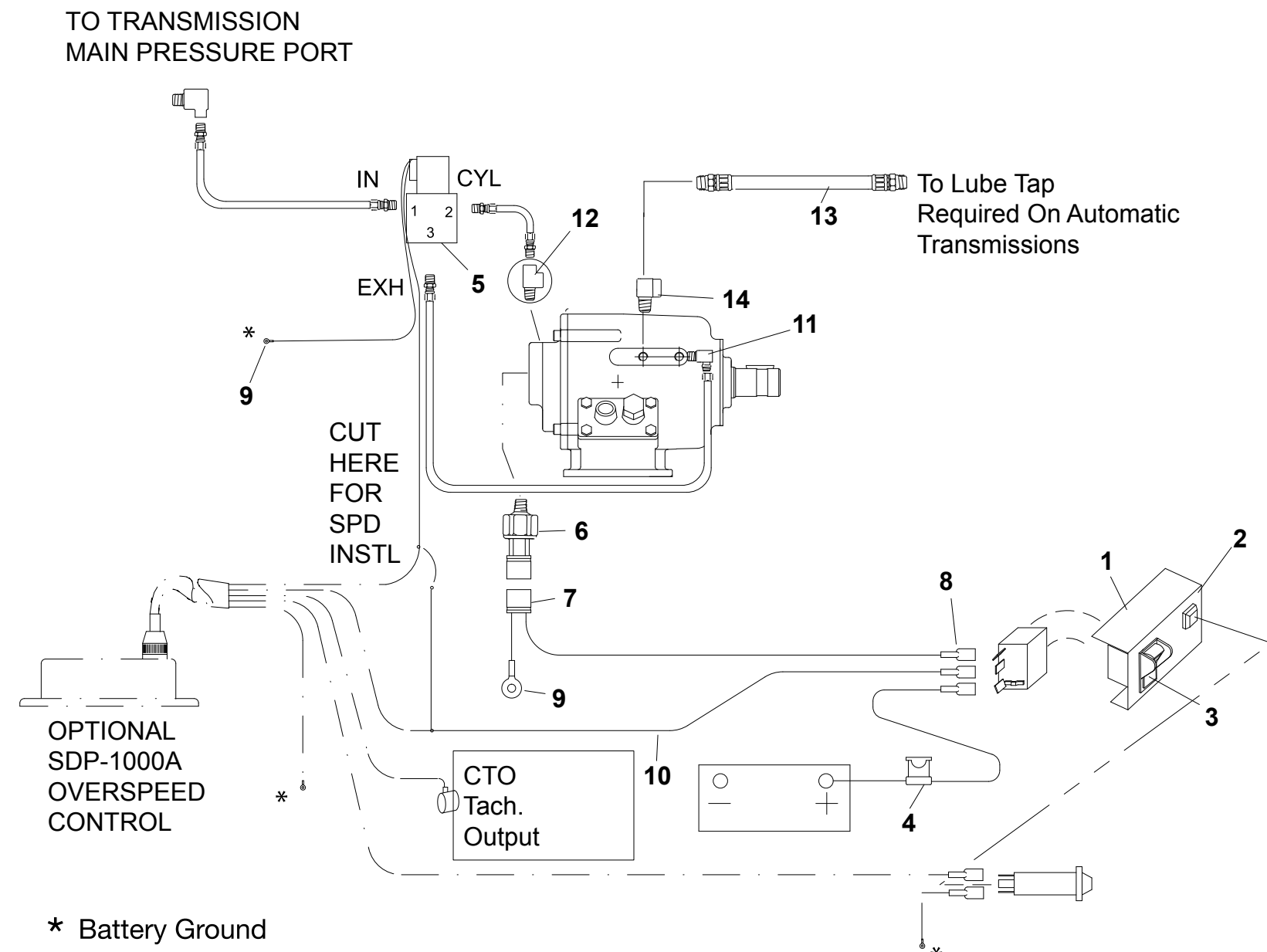
CS6/CS8 SERIES PTO INSTALLATION - ELECTRIC/AIR SHIFT



CS6/CS8 SERIES PTO INSTALLATION - ELECTRIC/HYDRAULIC SHIFT

ITEM	PART NO.	DESCRIPTION	QTY
1	7706000005	Switch Bracket	1
2	7706000001	Face Plate	1
3	7870000045	Switch 12V	1
4	70050316	Fuse Assembly	1
5	70050723	Valve, Solenoid 12V	1
6	7870000062	Pressure Switch	1
7	70050668	Wiring Pigtail	1
8	70050314	Connector, Female Spade	3
9	70050313	Terminal	2
10	70050312	Wire	12
11	70050675	Elbow	1
12	9443760018	Fitting, Street Tee	1
13	70050674	Lube Hose Assembly	1
14	9443760009	Fitting	2

CS6/CS8 SERIES PTO INSTALLATION - ELECTRIC/HYDRAULIC SHIFT

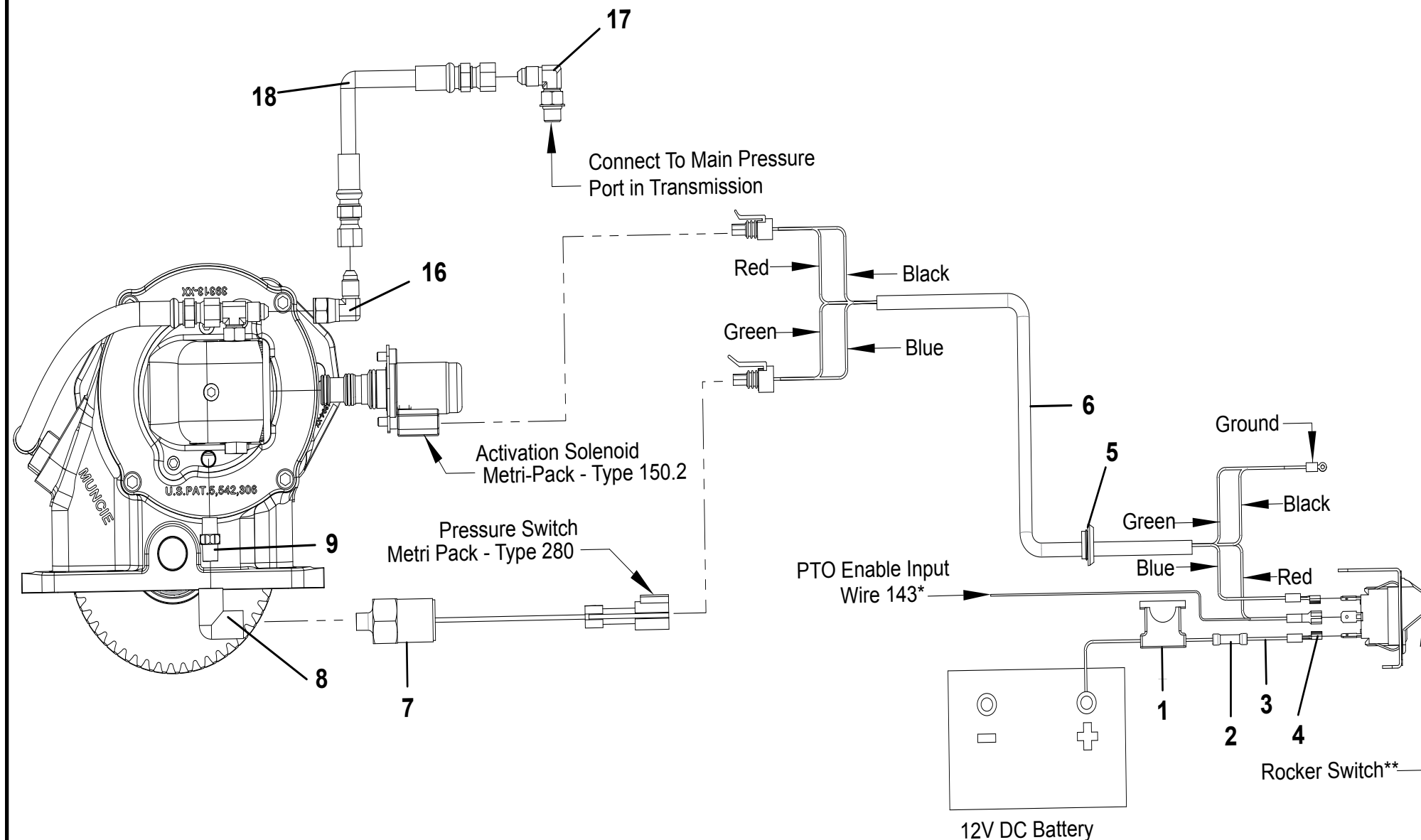


CS24 SERIES PTO INSTALLATION

ITEM	PART NO.	DESCRIPTION	QTY
1	70050316	Fuse Assembly	1
2	70050315	Butt Splice	1
3	70050312	Wire	6ft
4	70050314	Connector	1
5	70050325	Grommet	1
6	70050328	Wire Harness	1
7	7870000062	Pressure Switch	1
8	70050329	Elbow	1
9	70050330	Nipple	1
10	70050313	Terminal	2
11	70050331	Connector	3
12	7706000005	Switch Bracket	1
13	7706000001	Face Plate	1
14	7870000045	Switch, 12V	1
15	70050319	Bolt Kit	1
16	7443000431*	Fitting	1
17	7443000244*	Fitting	1
18	70050468*	Hose	1

* Also available as Hose Kit - 70050467

CS24 SERIES PTO INSTALLATION

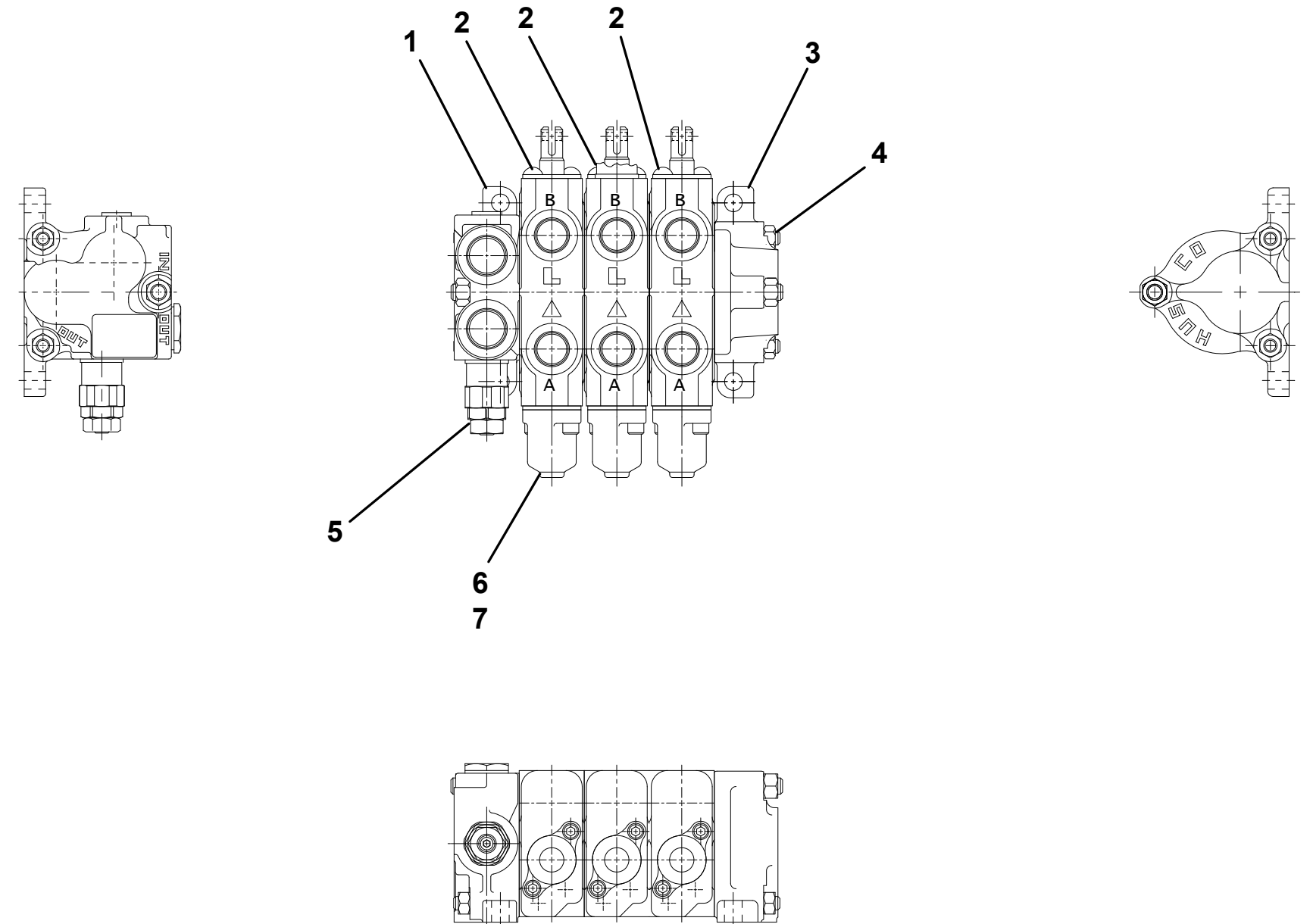


*Item # 10, 11, 12, 13 14, and 15 Not Shown

VALVE ASSEMBLY - 3935000111

ITEM	PART NO.	DESCRIPTION	QTY
1	7935000369	Valve, Inlet	1
2	7935000170	Valve, Single Clevis	3
3	7935000173	Valve, End	1
4	7577000215	Kit, Bolt/Tierod	1
5	7935000174	Valve, Relief - 2500 PSI	1
6	9843930044	Cap	A/R
7	7577000343	Kit, Cap	A/R
NS	9577930187	Kit, Spool Seal	A/R

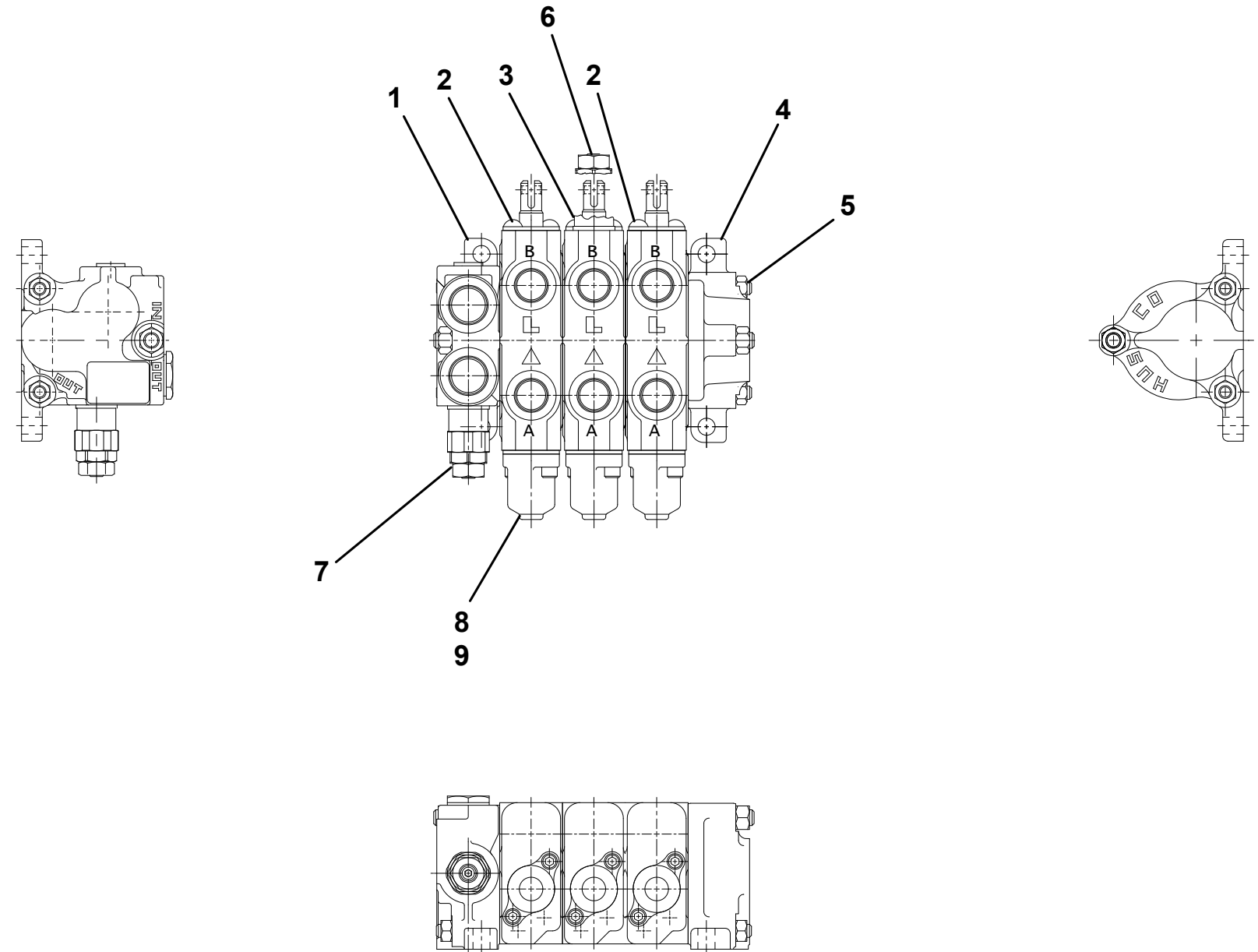
VALVE ASSEMBLY - 3935000111



VALVE ASSEMBLY - 3935000115

ITEM	PART NO.	DESCRIPTION	QTY
1	7935000369	Valve, Inlet	1
2	7935000170	Valve, Single Clevis	2
3	7935000227	Valve w/ Relief	1
4	7935000173	Valve, End	1
5	7577000215	Kit, Bolt/Tierod	1
6	7935000388	Valve, Relief - 2000 PSI	1
7	7935000174	Valve, Relief - 2500 PSI	1
8	9843930044	Cap	A/R
9	7577000343	Kit, Cap	A/R
NS	9577930187	Kit, Spool Seal	A/R

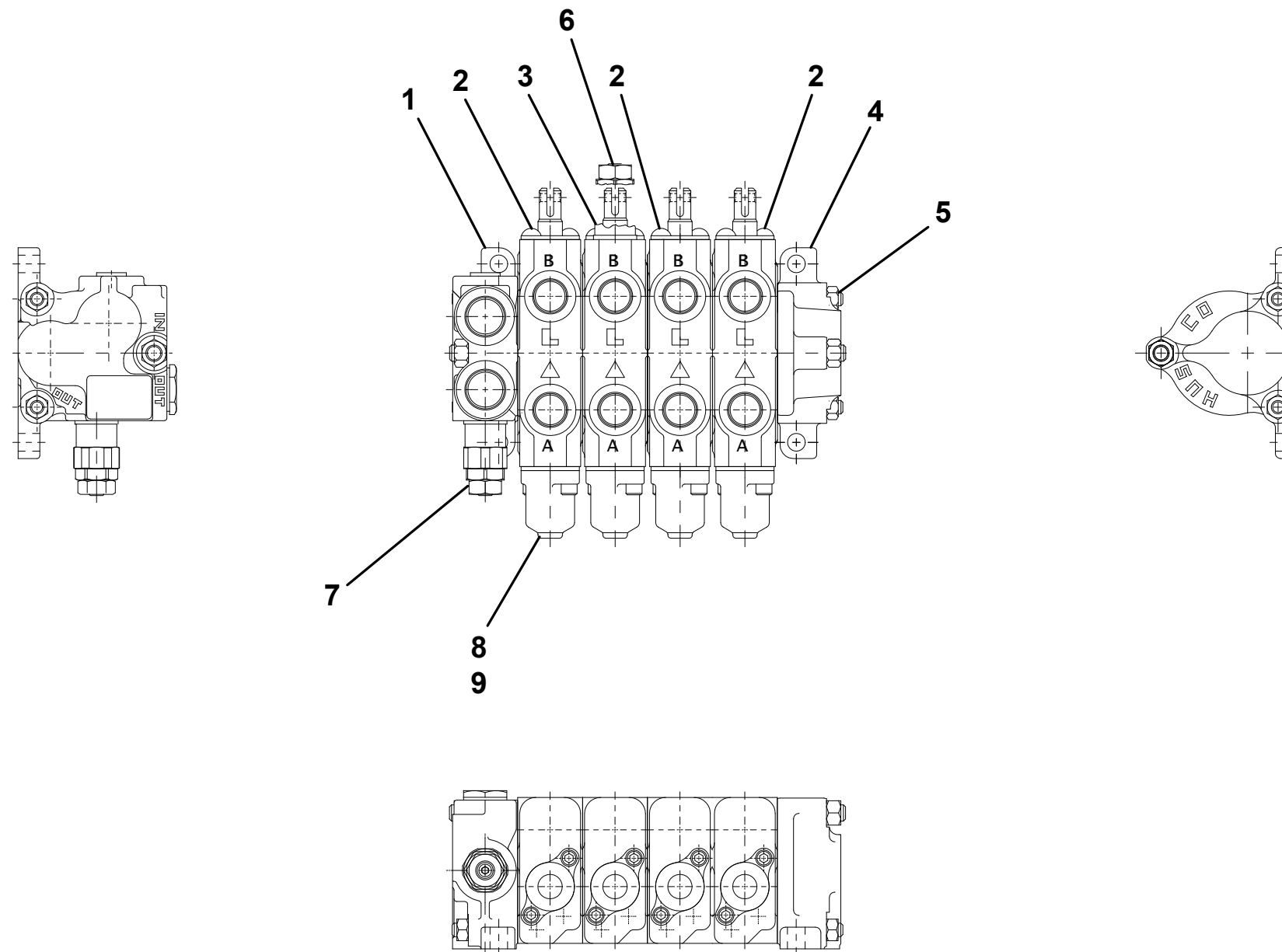
VALVE ASSEMBLY - 3935000115



VALVE ASSEMBLY - 3935000116

ITEM	PART NO.	DESCRIPTION	QTY
1	7935000369	Valve, Inlet	1
2	7935000170	Valve, Single Clevis	3
3	7935000227	Valve w/ Relief	1
4	7935000173	Valve, End	1
5	7577000216	Kit, Bolt/Tierod	1
6	7935000388	Valve, Relief - 2000 PSI	1
7	7935000174	Valve, Relief - 2500 PSI	1
8	9843930044	Cap	A/R
9	7577000343	Kit, Cap	A/R
NS	9577930187	Kit, Spool Seal	A/R

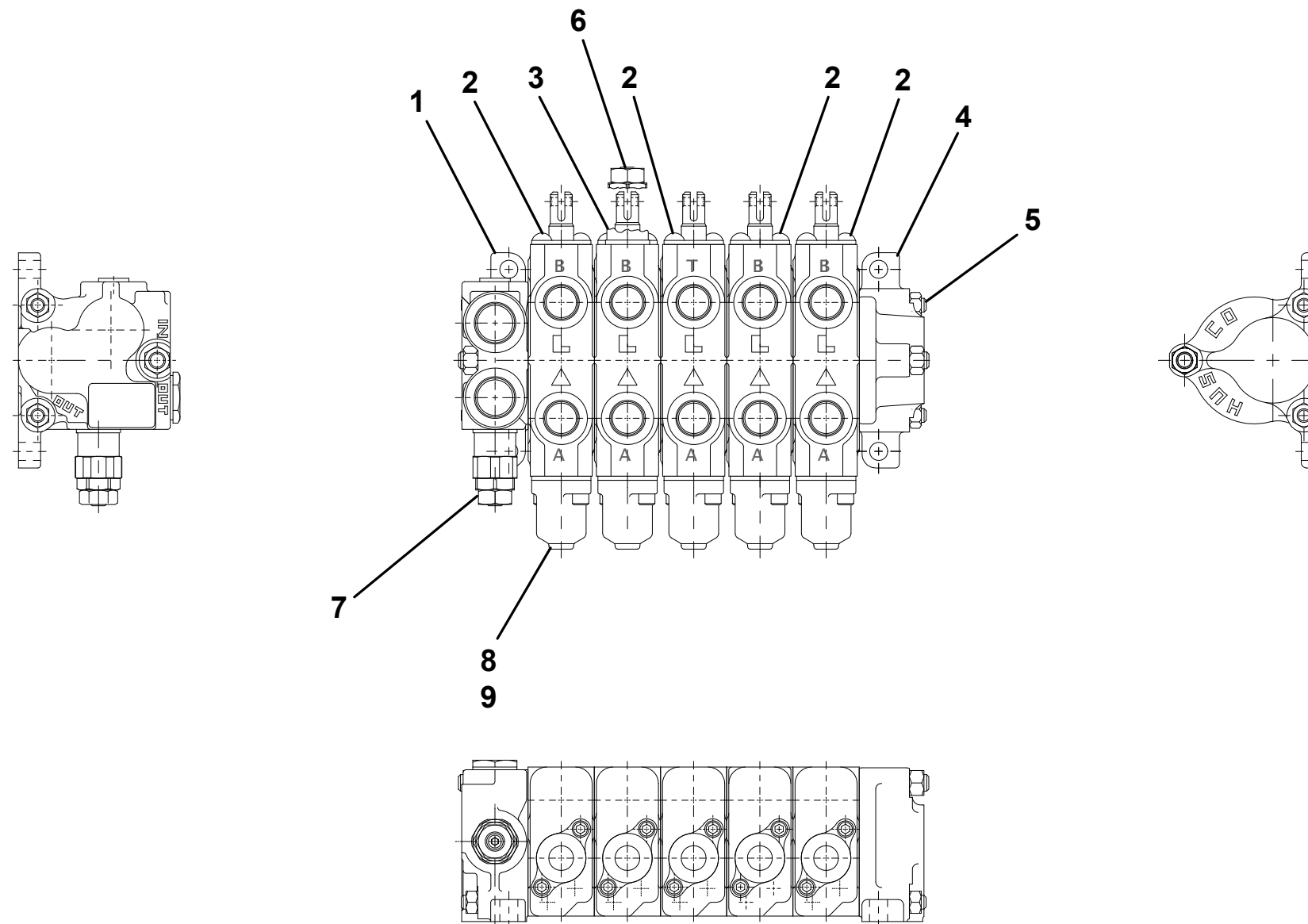
VALVE ASSEMBLY - 3935000116



VALVE ASSEMBLY - 3935000117

ITEM	PART NO.	DESCRIPTION	QTY
1	7935000369	Valve, Inlet	1
2	7935000170	Valve, Single Clevis	4
3	7935000227	Valve w/ Relief	1
4	7935000173	Valve, End	1
5	7577000217	Kit, Bolt/Tierod	1
6	7935000388	Valve, Relief - 2000 PSI	1
7	7935000174	Valve, Relief - 2500 PSI	1
8	9843930044	Cap	A/R
9	7577000343	Kit, Cap	A/R
NS	9577930187	Kit, Spool Seal	A/R

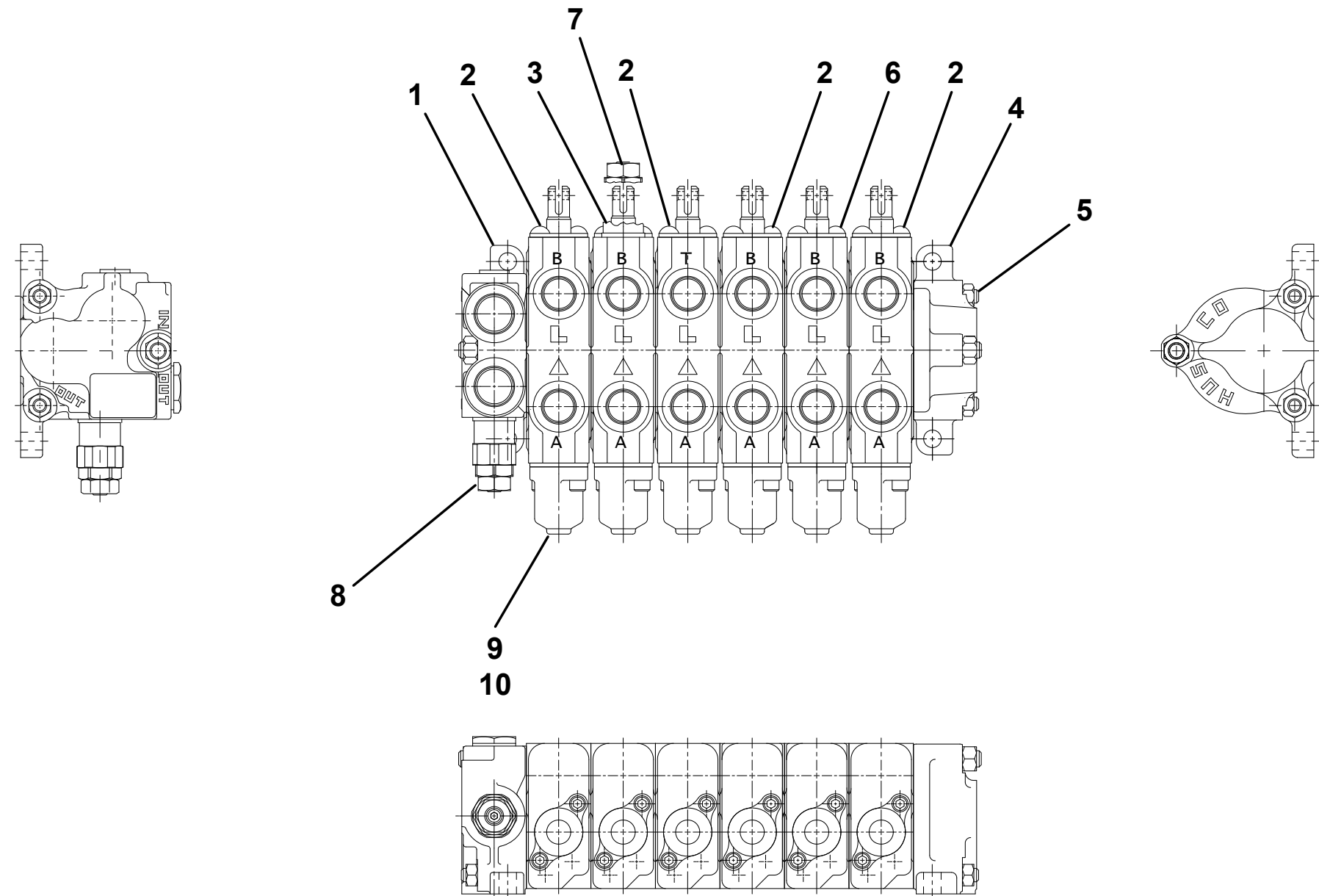
VALVE ASSEMBLY - 3935000117



VALVE ASSEMBLY - 3935000118

ITEM	PART NO.	DESCRIPTION	QTY
1	7935000369	Valve, Inlet	1
2	7935000170	Valve, Single Clevis	4
3	7935000227	Valve w/ Relief	1
4	7935000173	Valve, End	1
5	7577000218	Kit, Bolt/Tierod	1
6	7935000171	Valve w/ Counterbalance	1
7	7935000388	Valve, Relief - 2000 PSI	1
8	7935000174	Valve, Relief - 2500 PSI	1
9	9843930044	Cap	A/R
10	7577000343	Kit, Cap	A/R
NS	9577930187	Kit, Spool Seal	A/R

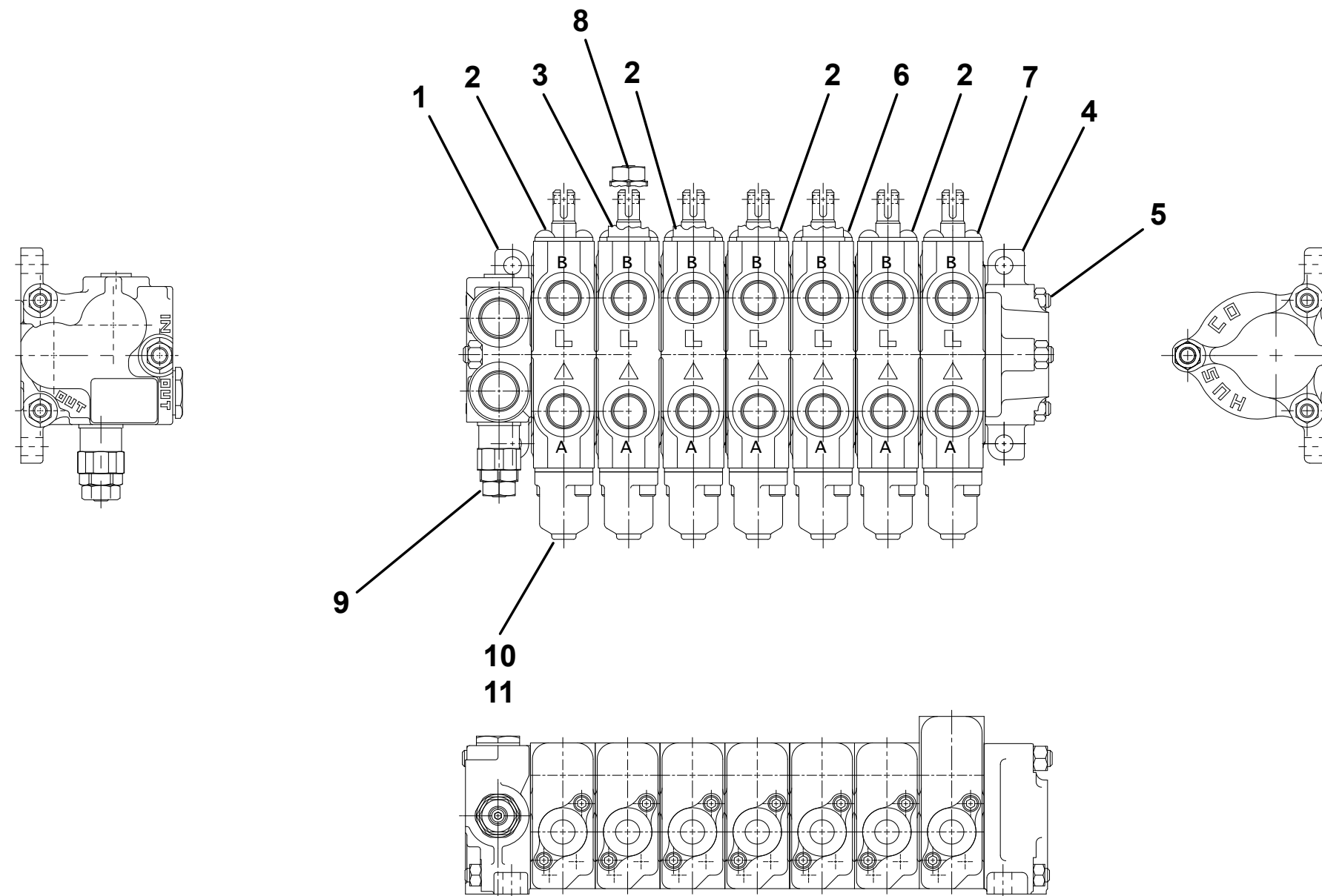
VALVE ASSEMBLY - 3935000118



VALVE ASSEMBLY - 3935000150

ITEM	PART NO.	DESCRIPTION	QTY
1	7935000369	Valve, Inlet	1
2	7935000170	Valve, Single Clevis	4
3	7935000227	Valve w/ Relief	1
4	7935000173	Valve, End	1
5	7577000238	Kit, Bolt/Tierod	1
6	7935000171	Valve w/ Counterbalance	1
7	7395000265	Valve w/ PO Check	1
8	7935000388	Valve, Relief - 2000 PSI	1
9	7935000174	Valve, Relief - 2500 PSI	1
10	9843930044	Cap	A/R
11	7577000343	Kit, Cap	A/R
NS	9577930187	Kit, Spool Seal	A/R

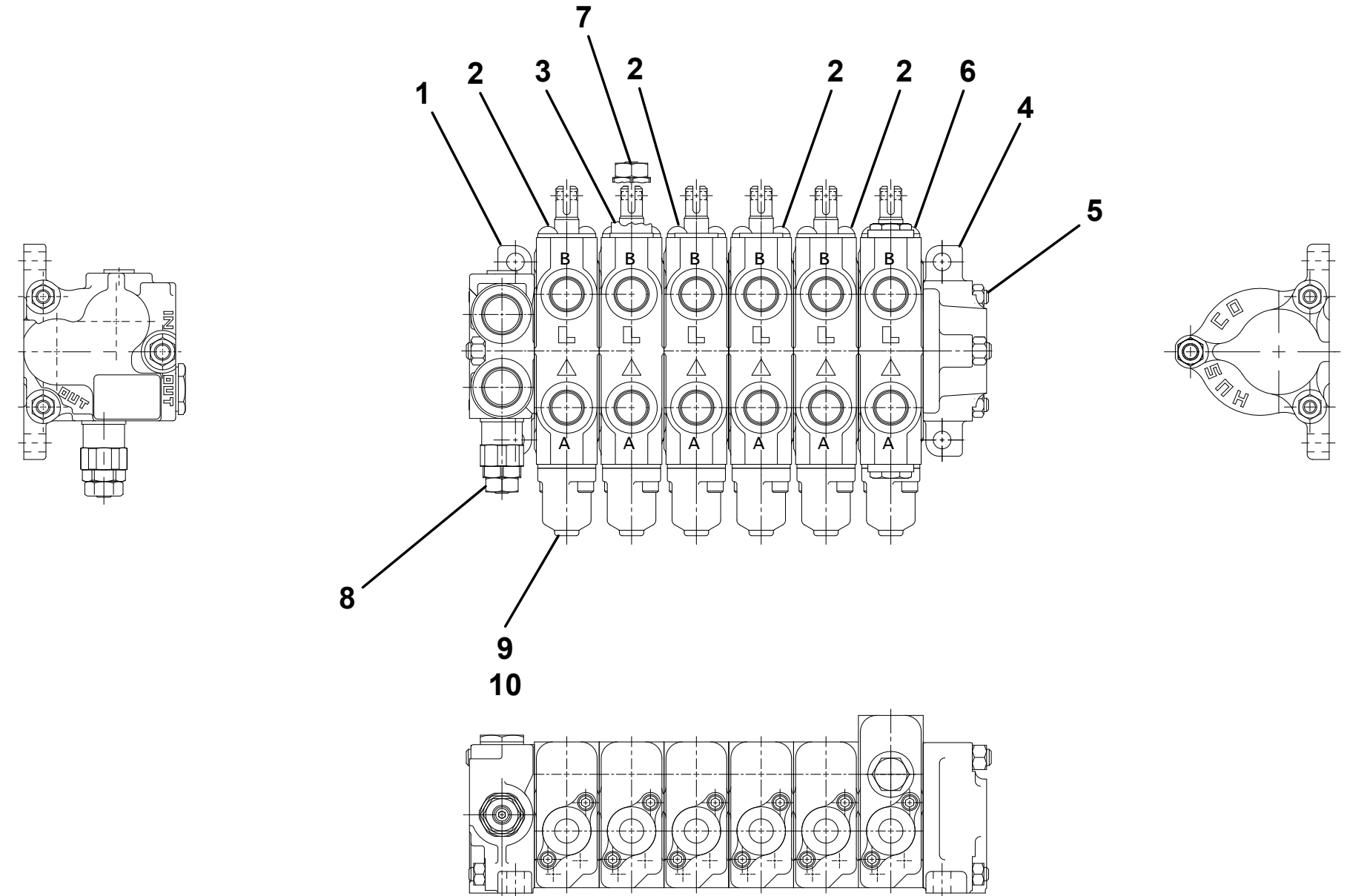
VALVE ASSEMBLY - 3935000150



VALVE ASSEMBLY - 3935000166

ITEM	PART NO.	DESCRIPTION	QTY
1	7935000369	Valve, Inlet	1
2	7935000170	Valve, Single Clevis	4
3	7935000227	Valve w/ Relief	1
4	7935000173	Valve, End	1
5	7577000218	Kit, Bolt/Tierod	1
6	7395000265	Valve w/ PO Check	1
7	7935000388	Valve, Relief - 2000 PSI	1
8	7935000174	Valve, Relief - 2500 PSI	1
9	9843930044	Cap	A/R
10	7577000343	Kit, Cap	A/R
NS	9577930187	Kit, Spool Seal	A/R

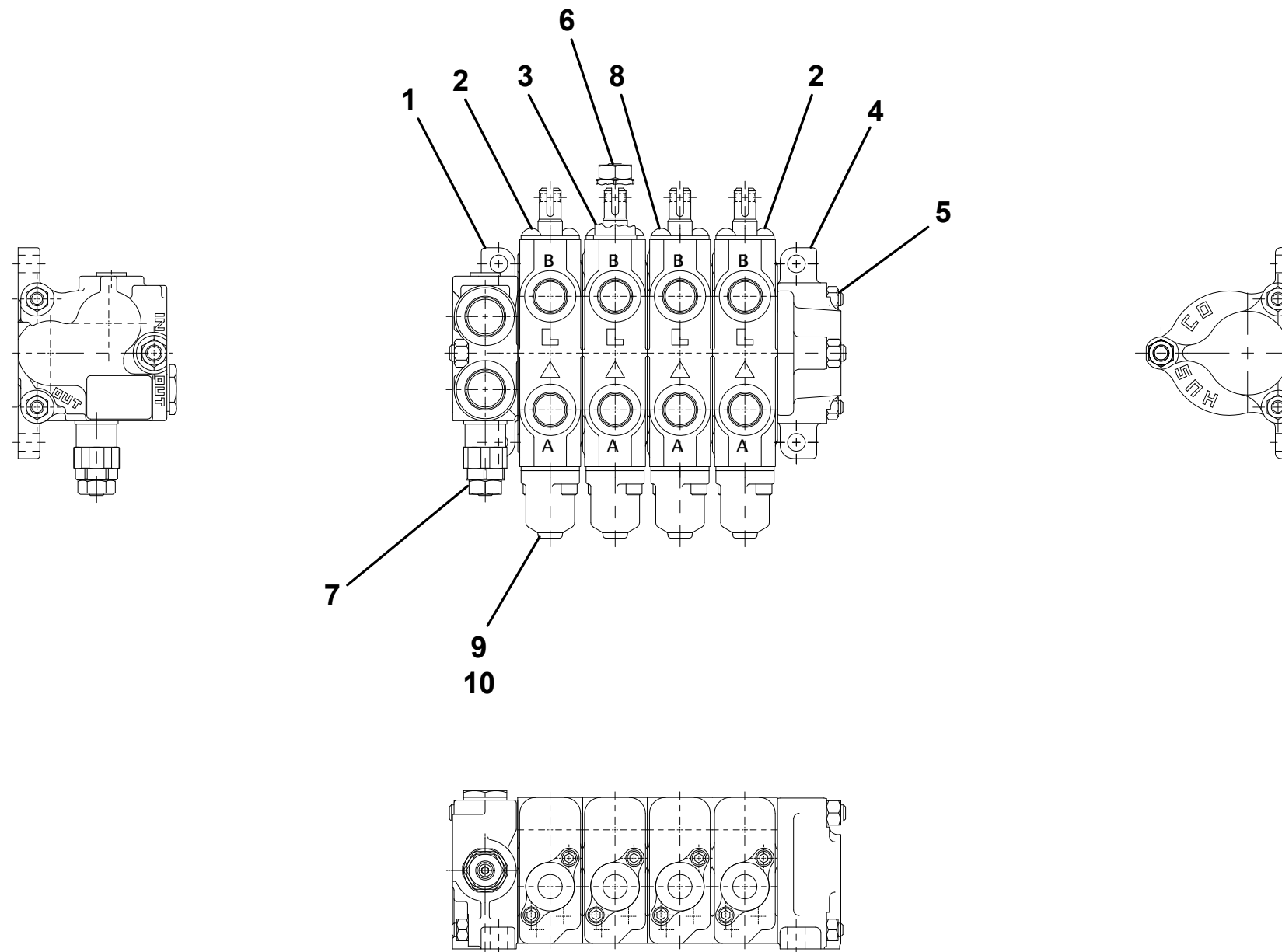
VALVE ASSEMBLY - 3935000166



VALVE ASSEMBLY - 1001145986

ITEM	PART NO.	DESCRIPTION	QTY
1	7935000369	Valve, Inlet	1
2	7935000170	Valve, Single Clevis	2
3	7935000227	Valve w/ Relief	1
4	7935000173	Valve, End	1
5	7577000216	Kit, Bolt/Tierod	1
6	7935000388	Valve, Relief - 2000 PSI	1
7	7935000174	Valve, Relief - 2500 PSI	1
8	1001133740	Valve, Single Clevis, Motor Spool	1
9	9843930044	Cap	A/R
10	7577000343	Kit, Cap	A/R
NS	9577930187	Kit, Spool Seal	A/R

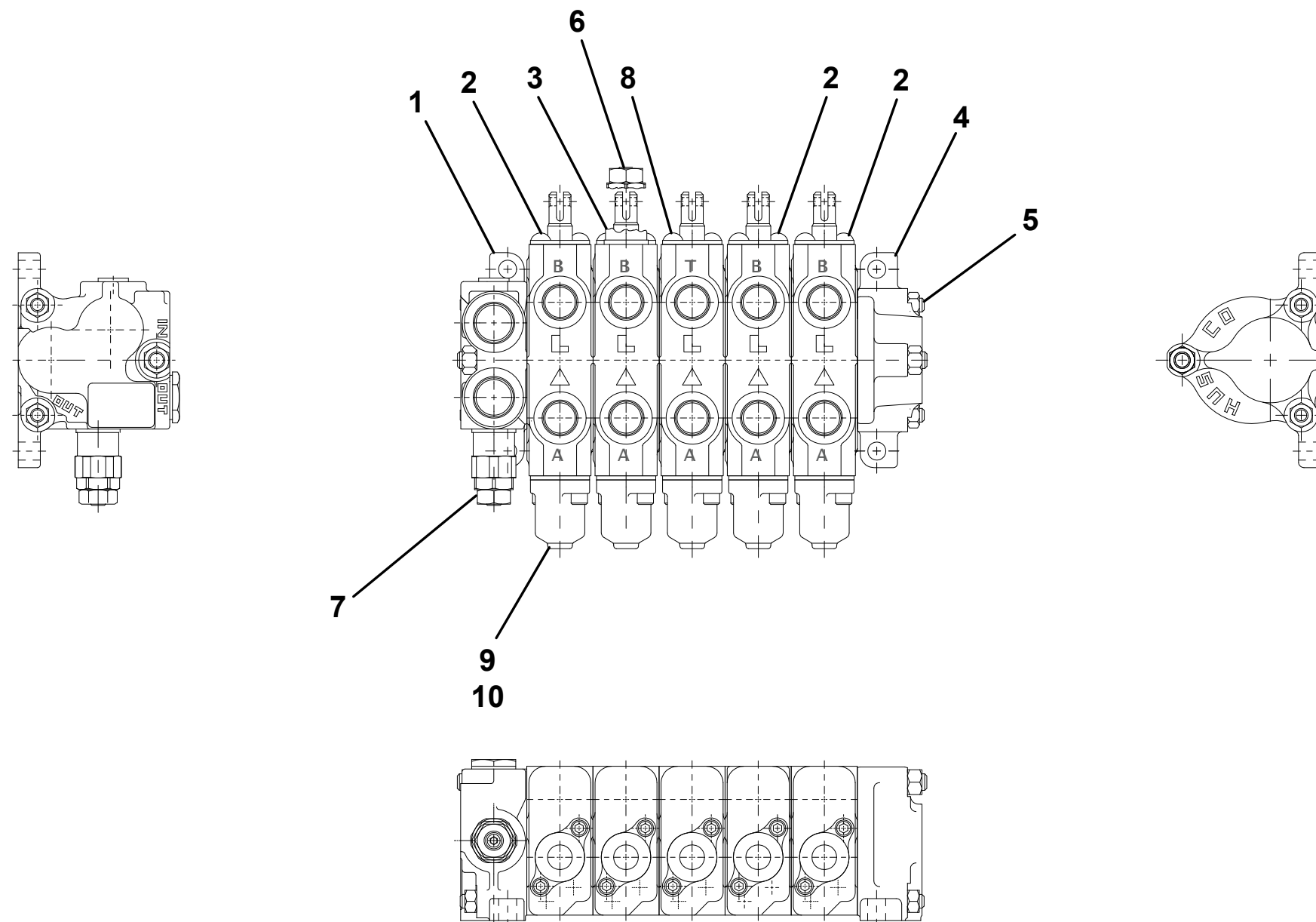
VALVE ASSEMBLY - 1001145986



VALVE ASSEMBLY - 1001146603

ITEM	PART NO.	DESCRIPTION	QTY
1	7935000369	Valve, Inlet	1
2	7935000170	Valve, Single Clevis	3
3	7935000227	Valve w/ Relief	1
4	7935000173	Valve, End	1
5	7577000217	Kit, Bolt/Tierod	1
6	7935000388	Valve, Relief - 2000 PSI	1
7	7935000174	Valve, Relief - 2500 PSI	1
8	1001133740	Valve, Single Clevis, Motor Spool	1
9	9843930044	Cap	A/R
10	7577000343	Kit, Cap	A/R
NS	9577930187	Kit, Spool Seal	A/R

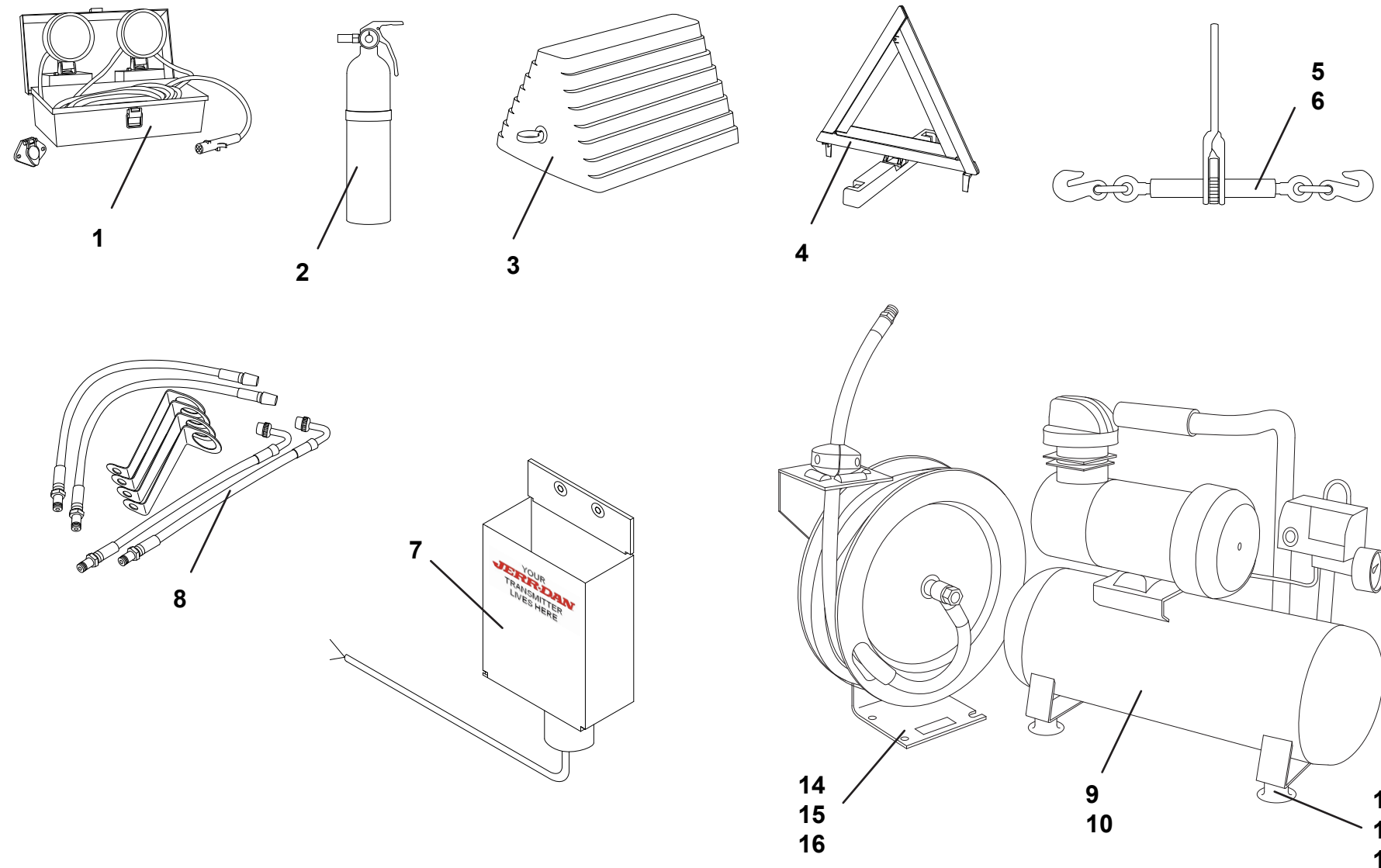
VALVE ASSEMBLY - 1001146603



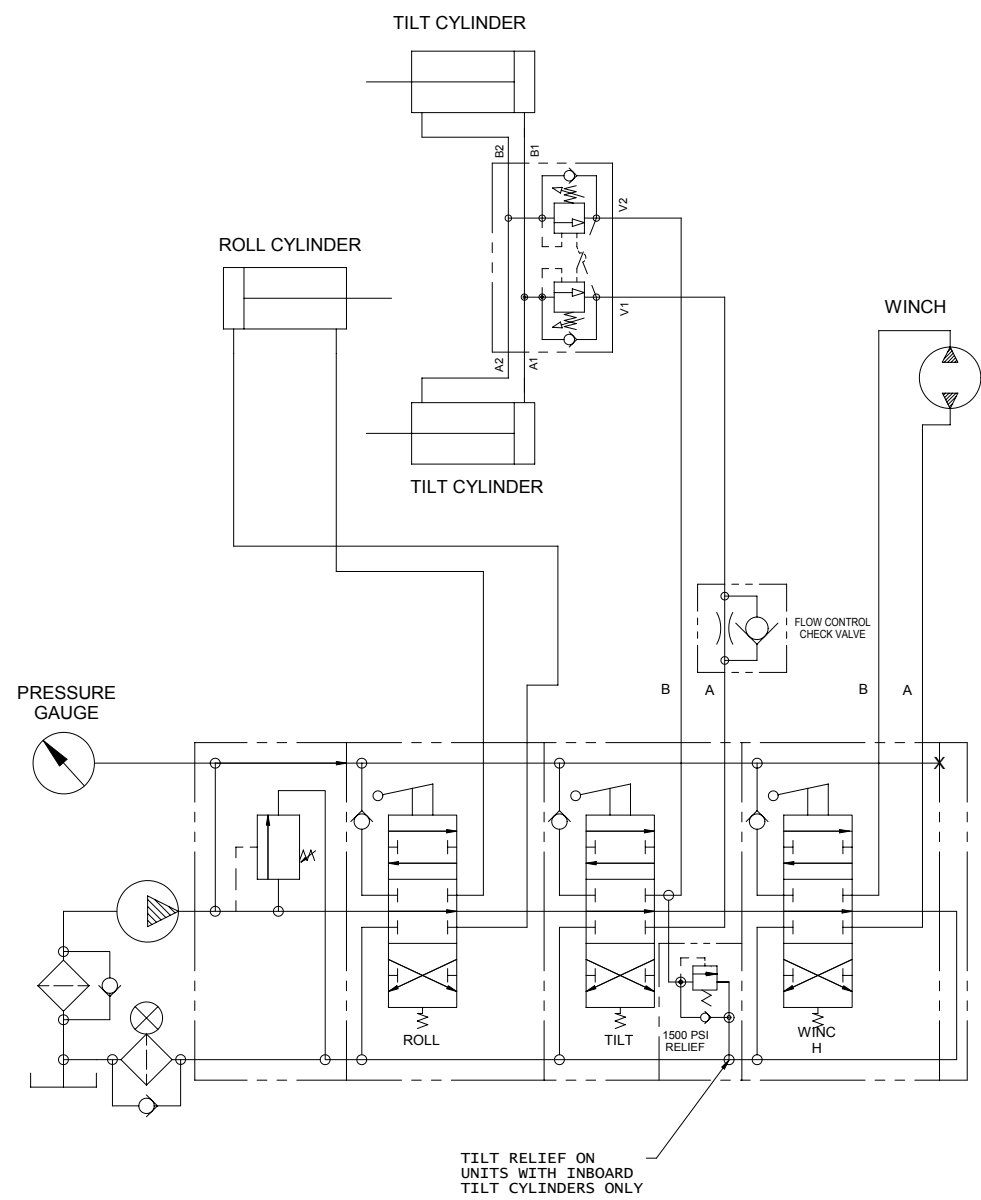
ACCESSORY EQUIPMENT

ITEM	PART NO.	DESCRIPTION	QTY
1	7002000449	Magnetic Tow Lights	1
2	7002000404	Fire Extinguisher	1
3	7002000448	Wheel Chock	1
4	7002000285	Reflective Triangles	1
5	7002000451	Load Binder - 0.38" Chain	1
6	Not Required		
7	7002000521	Remote Control Transmitter Holder	1
8	7002000447	Valve Stem Extension Kit	1
9	7002000503	Air Compressor with Hose Reel	1
10	7443000155	Elbow	1
11	7115161050	Capscrew, 0.38"-16NC x 1.25"	4
12	7950150161	Flatwasher, 0.31" ID	4
13	7660162601	Locknut, 0.38"-16NC	4
14	7115181050	Capscrew, 0.50"-13NC x 1.25"	4
15	7950180153	Flatwasher, 0.50" ID	8
16	7660182601	Locknut, 0.50"-13NC	4

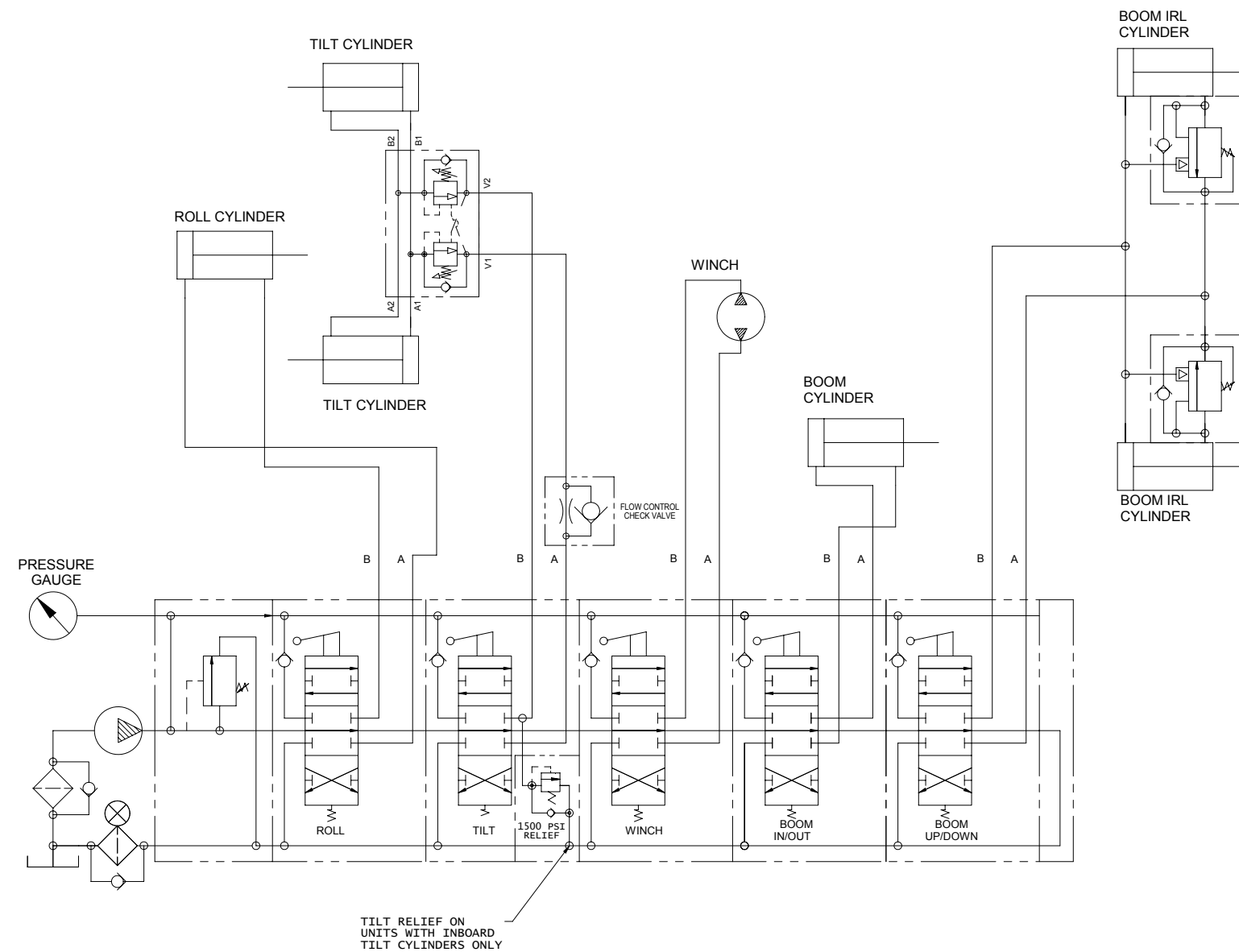
ACCESSORY EQUIPMENT



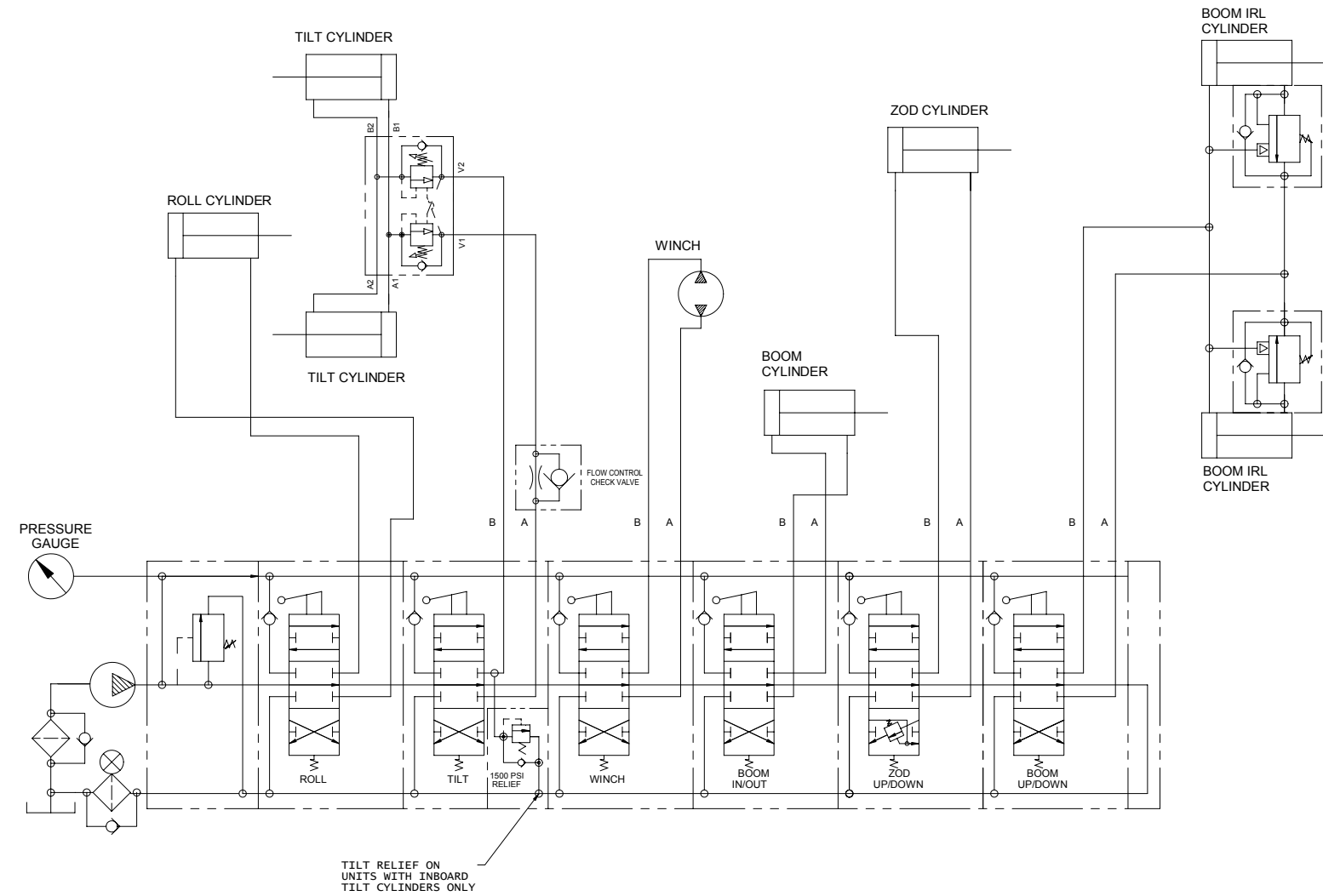
HYDRAULIC SCHEMATIC



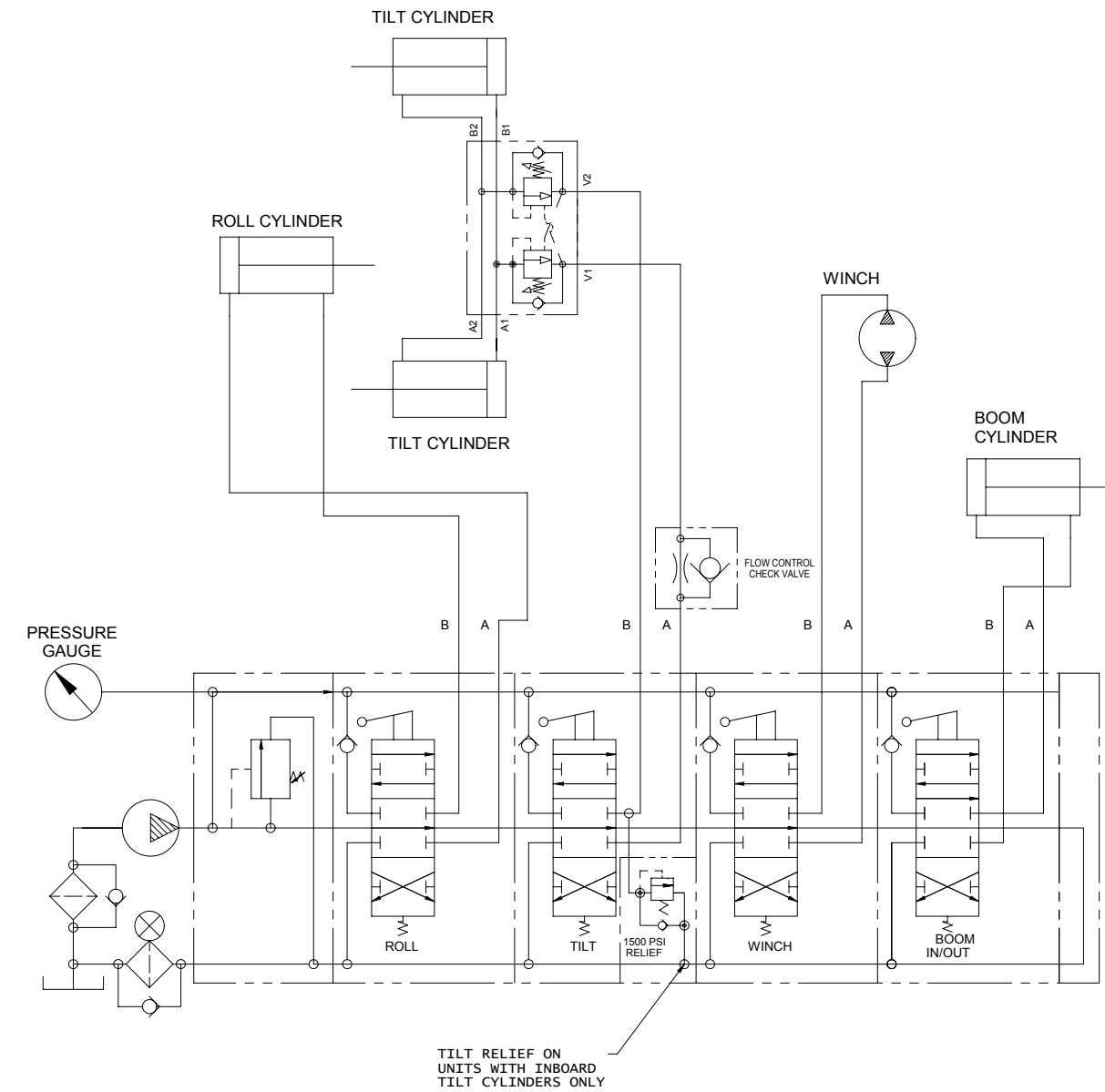
HYDRAULIC SCHEMATIC



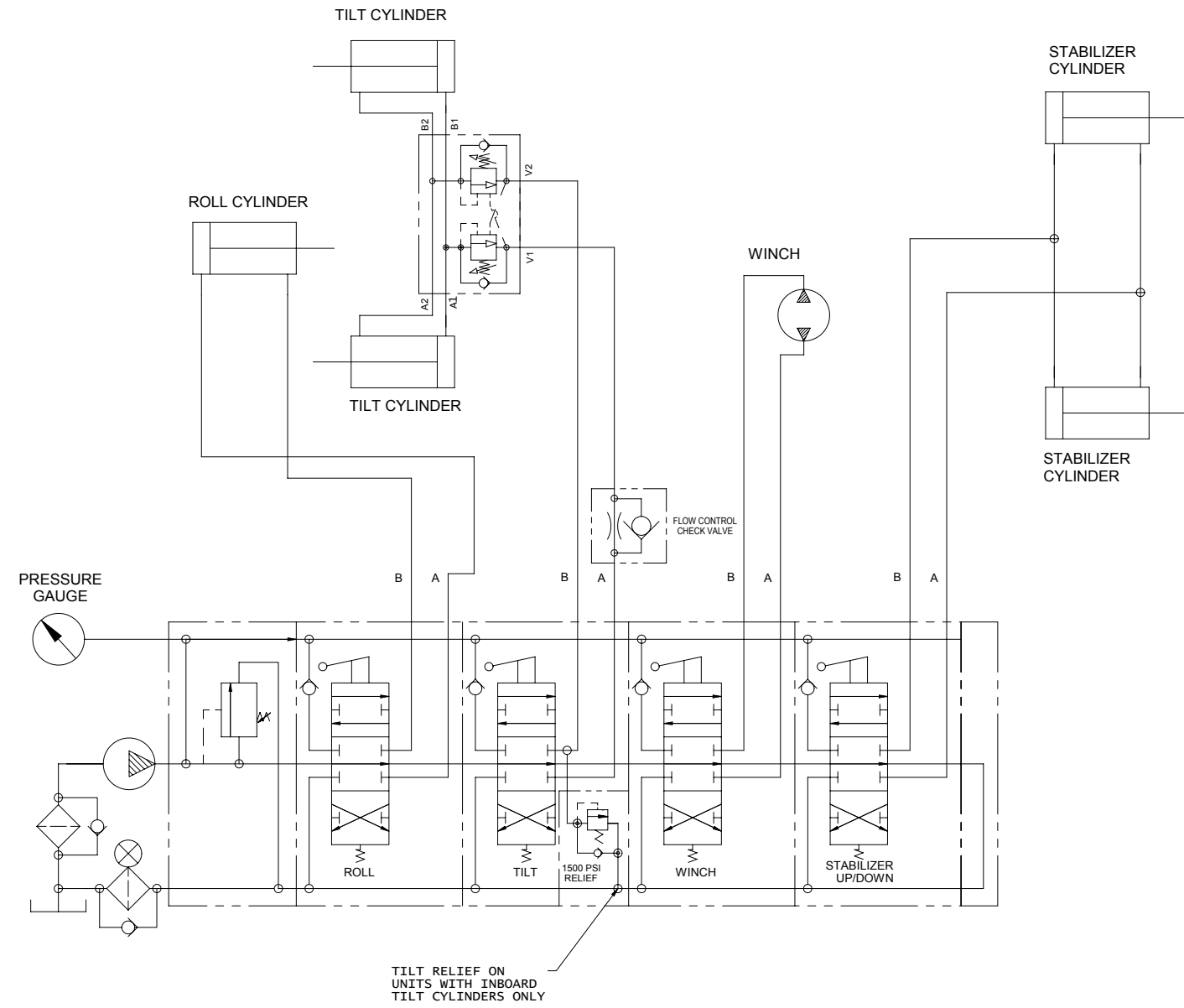
HYDRAULIC SCHEMATIC



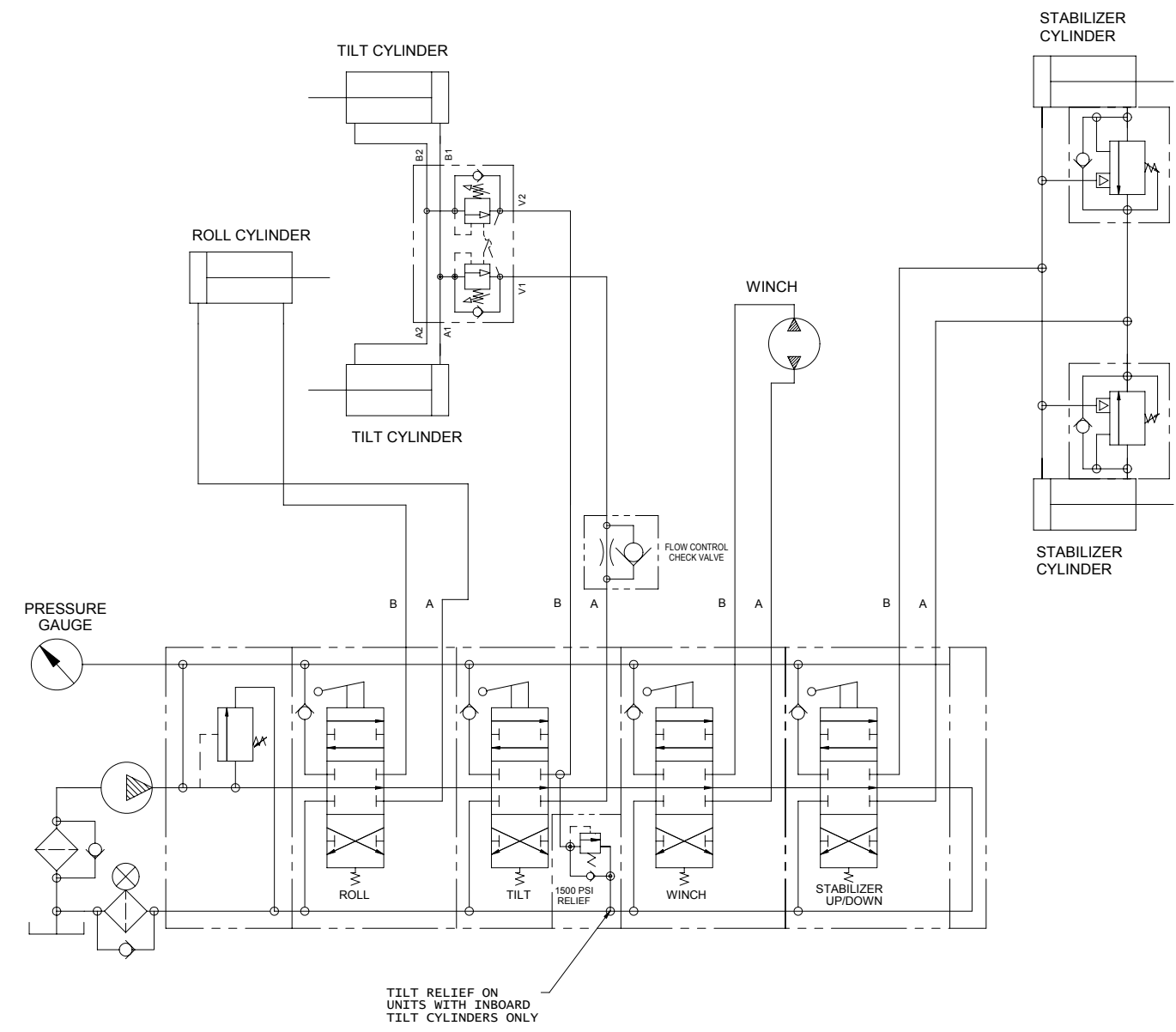
HYDRAULIC SCHEMATIC



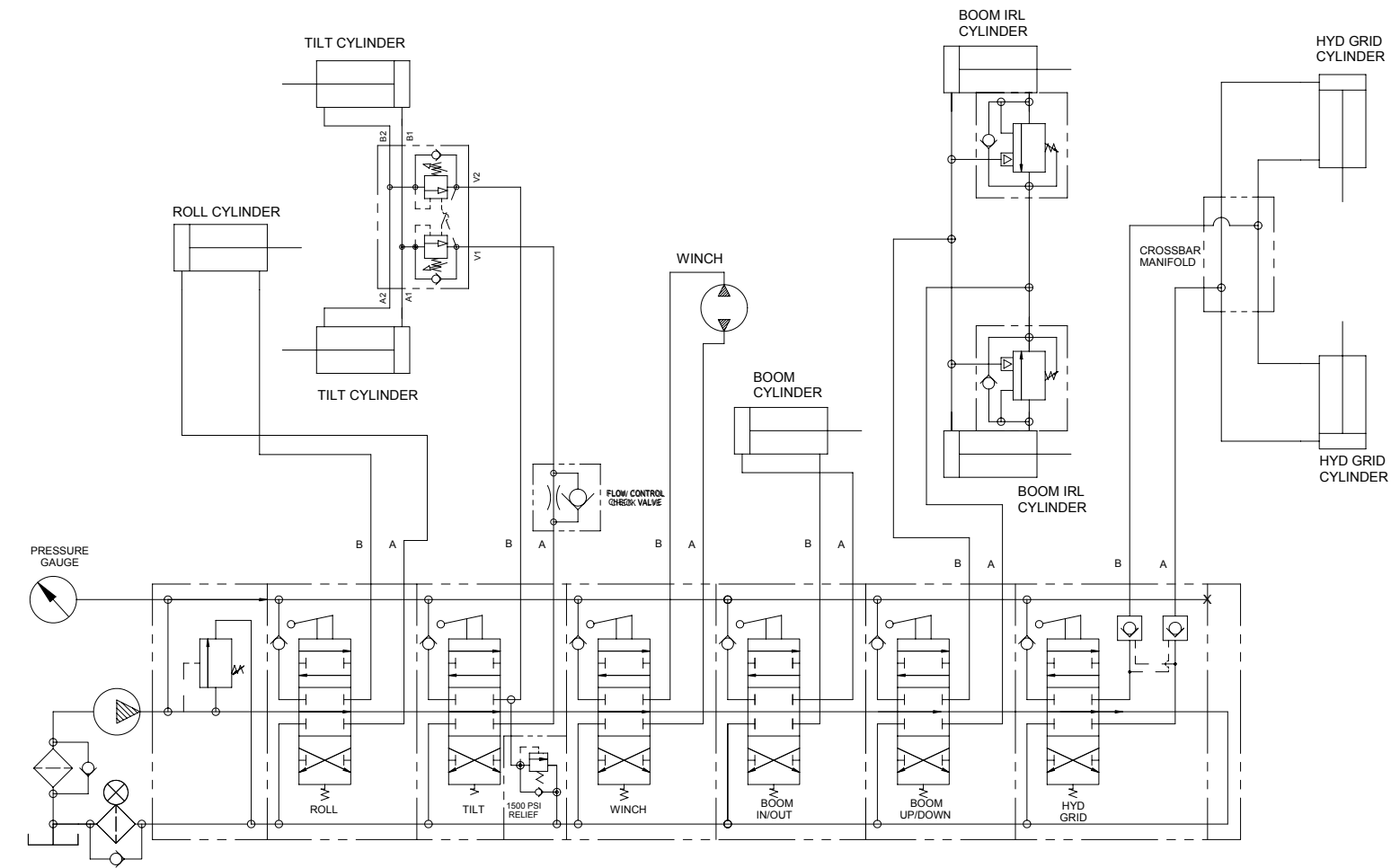
HYDRAULIC SCHEMATIC



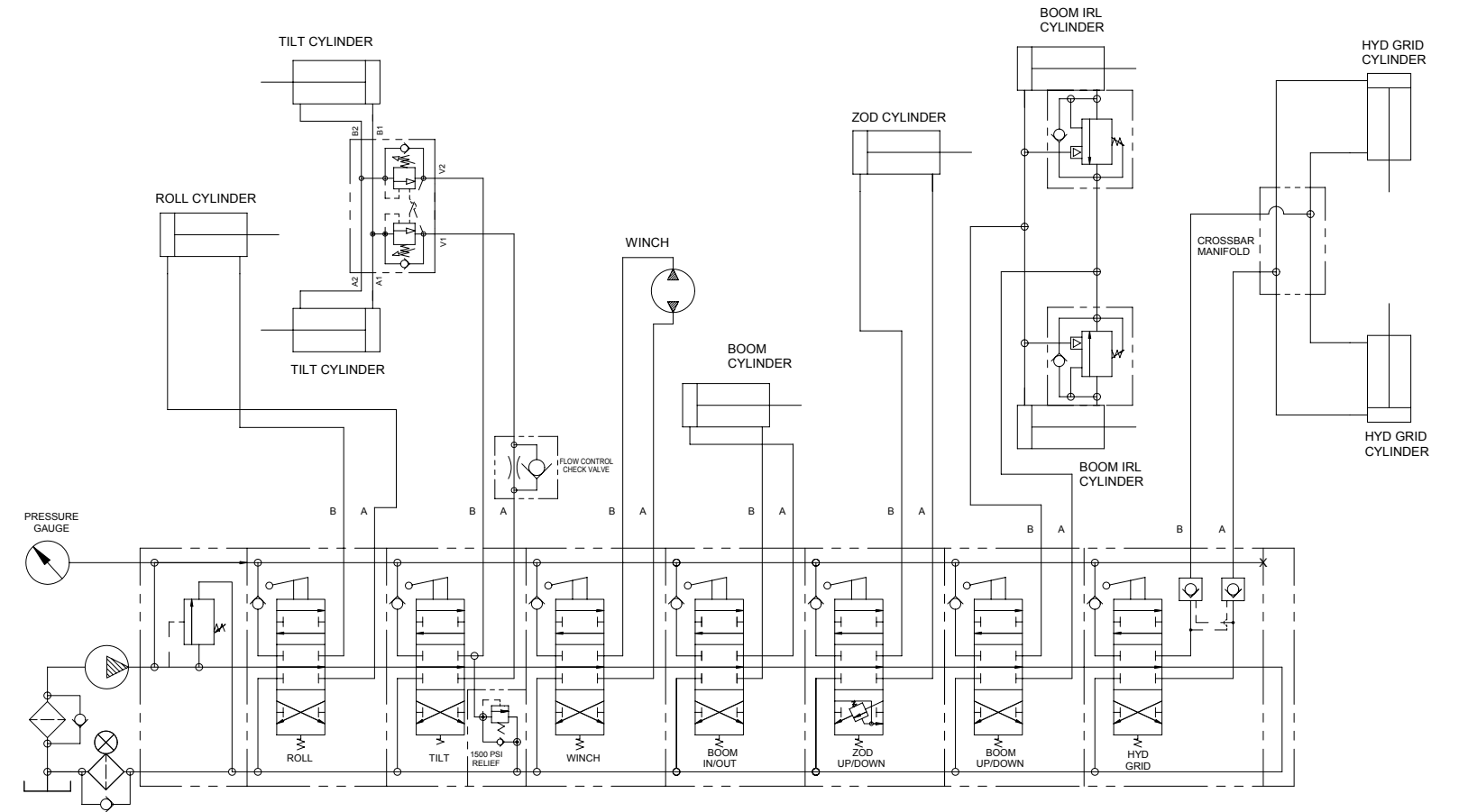
HYDRAULIC SCHEMATIC



HYDRAULIC SCHEMATIC

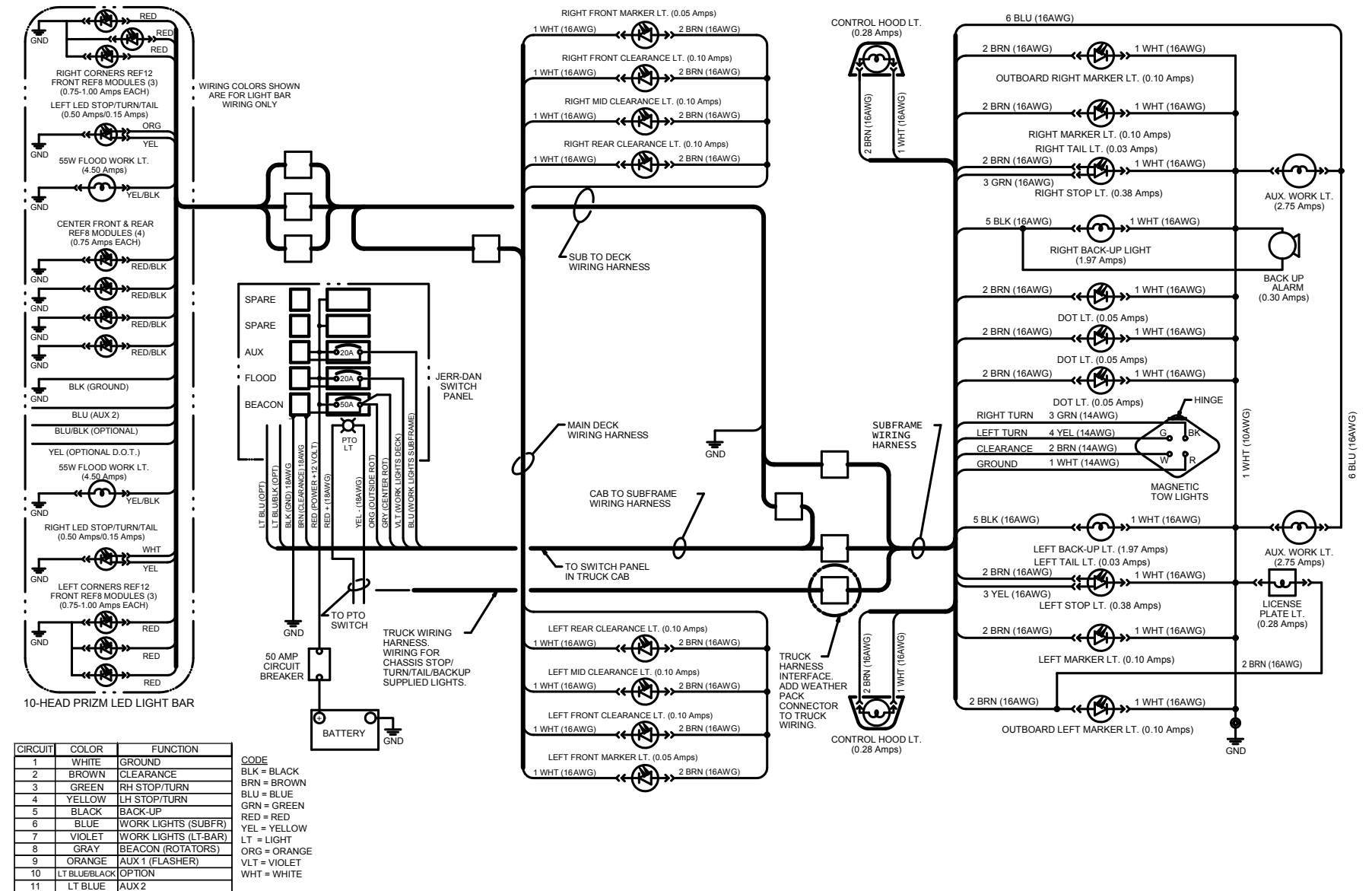


HYDRAULIC SCHEMATIC



THIS PAGE INTENTIONALLY LEFT BLANK

ELECTRICAL SCHEMATIC



PART NUMBER INDEX

Part Number	Page	Part Number	Page	Part Number	Page	Part Number	Page
440287	42	70050192	306	70050330	322	70050638	236
641436	30	70050193	306	70050331	322	70050639	236
651822	43	70050194	306	70050456	300, 302	70050640	236
691810	216, 218	70050195	306	70050457	300, 302	70050641	236
741512	64	70050196	306	70050458	300, 302	70050642	236
761015	100	70050197	306	70050459	300, 302	70050643	236
3321701	42	70050198	306	70050460	300, 302	70050644	236
4751300	188, 190, 192, 194	70050199	306	70050461	300, 302	70050659	120
4761800	216, 218	70050200	306	70050462	300, 302	70050660	314
4891800	76	70050201	306	70050463	300, 302	70050662	302
5251215	92	70050203	306	70050464	300, 302	70050663	306
5261000	100	70050204	306	70050465	300, 302	70050664	306
7027336	236	70050205	306	70050466	300, 302	70050665	306
7027338	236	70050206	306	70050467	322	70050666	306
7027341	236	70050207	306	70050468	322	70050667	306
70050012	304	70050308	310, 312, 318	70050525	300, 302	70050668	318, 320
70050031	290	70050309	310, 312, 318	70050612	300, 302	70050669	318
70050065	296, 298	70050310	310, 312, 318	70050613	300, 302	70050670	318
70050100	302	70050311	310	70050614	300, 302	70050671	318
70050163	306	70050312	310, 312, 318, 320, 322	70050615	300, 302	70050672	318
70050164	304	70050313	310, 318, 320, 322	70050616	290, 300, 302	70050673	318
70050166	304	70050314	310, 318, 320, 322	70050617	300, 302	70050674	318, 320
70050167	304	70050315	310, 312, 322	70050618	300, 302	70050675	320
70050169	306	70050316	310, 312, 318, 320, 322	70050619	290, 300, 302	70050677	294, 296
70050170	306	70050317	310	70050620	300, 302	70050678	292, 294, 296
70050172	306	70050318	310, 312	70050621	300, 302	70050679	292, 294, 296, 298
70050174	306	70050319	310, 312, 314, 316, 322	70050622	300, 302	70050680	294, 296
70050175	306	70050320	312	70050625	300, 302	70050681	294, 296
70050182	306	70050321	312	70050626	300, 302	70050682	292, 294, 296, 298
70050183	306	70050322	312	70050627	300, 302	70050685	296
70050185	306	70050323	314, 316	70050628	290, 294, 296, 300, 302	70050686	296, 298
70050186	306	70050324	314, 316	70050632	236	70050687	296, 298
70050187	306	70050325	316, 322	70050633	236	70050688	296, 298
70050188	306	70050326	316	70050634	236	70050689	296, 298
70050189	306	70050327	316	70050635	236	70050690	290
70050190	306	70050328	322	70050636	236	70050691	290
70050191	306	70050329	322	70050637	236	70050692	290

PART NUMBER INDEX

Part Number	Page	Part Number	Page	Part Number	Page	Part Number	Page
70050694	292, 298	1001134994	64	1001144486	42	1001155975	118
70050695	298	1001134995	64	1001144491	42	1001156006	104
70050696	298	1001135123	68	1001144498	42	1001156081	100
70050697	298	1001135157	68	1001144499	42	1001156082	98
70050698	298	1001135158	68	1001144543	42	1001156245	50, 54
70050701	302	1001135177	64	1001144986	182	1001156246	50, 54
70050721	304	1001135178	64	1001145074	182	1001156247	50, 54
70050722	304	1001135272	124, 126, 128	1001145075	182	1001156248	50, 54
70050723	320	1001135329	130	1001145629	182	1001156249	50, 54
1001100949	186	1001136989	260, 304	1001145636	42	1001156252	288
1001126187	294, 296	1001136993	260, 304	1001145780	42	1001158626	188, 190, 192, 194
1001126188	294, 296	1001137904	206	1001145934	42	1001158627	192
1001126192	294, 296	1001137970	12, 14, 18, 20, 22, 42	1001145935	42	1001159336	186
1001127221	288	1001138460	24	1001145963	42	1001160362	92
1001127297	216, 218	1001138522	42	1001145980	43	1001160363	92
1001127985	43	1001138546	42	1001145986	126, 338	1001160365	92
1001128462	8	1001139199	42	1001145987	43	1001164169	92
1001129165	32	1001139343	42	1001146027	43	1001168591	288
1001129167	32	1001139503	30	1001146028	42	1001170187	124, 126, 128, 130, 132
1001129169	32	1001141875	30	1001146029	43	1001170188	124, 126, 128, 130, 132
1001129171	32	1001141889	30	1001146552	120	1001170189	124, 126, 128
1001129173	32	1001141918	30	1001146603	128, 340	1001170190	132
1001129362	26	1001142430	120	1001147117	76	1001170191	130
1001129364	26	1001142461	42	1001148180	120	1001173944	80
1001129378	26	1001142543	42	1001148308	258	1001173945	80
1001129379	26	1001142550	42	1001148385	120	1001173946	80
1001130605	134	1001142553	42	1001148455	120	1001173947	80
1001130702	304	1001142769	186	1001150704	42	2002000016	276
1001131644	60	1001142962	42	1001153789	288	2178000037	276
1001132350	30	1001143063	182	1001153944	196, 198, 200, 202, 204	2346000008	276
1001132764	288	1001143064	182	1001153945	196, 198, 200, 202, 204	2870000021	262
1001132766	288	1001143227	120	1001153946	196, 198, 200, 202, 204	2870000022	262
1001132794	100	1001143257	120	1001153947	196, 198, 200, 202, 204	2970000019	48
1001133195	32	1001143642	182	1001153950	196, 198, 200, 202, 204	2970000021	48
1001133225	32	1001143690	182	1001153971	196, 198, 200, 202, 204	2970000050	52
1001133740	338, 340	1001143764	124, 126, 128, 130, 132	1001155971	98, 100	2970000051	52
1001134510	60	1001144448	42	1001155972	98, 100	2970000052	52

Part Number	Page	Part Number	Page	Part Number	Page	Part Number	Page
2970000053	52	3097000655	8	3190000050	78	3558000013	60, 64, 68
3002000008	282	3097000656	8	3316000054	64	3558000014	60, 64, 68
3002000009	282	3097000661	10	3320000114		3560000010	124, 126, 128, 130, 132
3017000103	60, 64, 68	3097000662	10		188, 190, 192, 194, 212, 214,	3577000120	286
3017000121	12, 14, 18, 22	3097000663	12		216, 218, 220, 226, 232, 238	3592000036	188
3017000122	12, 14, 18, 22	3097000664	12	3320000115	188, 190, 192, 194, 240	3592000051	206
3017000127	12, 14, 18, 22	3097000665	8	3320000116	220, 222, 226, 228, 232,	3592000052	206
3017000128	12, 14, 18, 22	3097000666	8		234, 242	3592000054	190
3017000129	14, 18, 22	3097000671	10	3320000117	216, 244	3592000057	188
3017000130	12, 14, 18, 22	3097000672	10	3320000118	192, 246	3691000064	216, 218, 220, 222, 224,
3017000135	20	3097000673	12	3320000120	64, 248		226, 228, 230
3017000136	20	3097000674	12	3320000122	60, 250	3691000069	188, 192
3017000137	20	3097000675	8	3320000134	190, 252	3691000073	232, 234
3017000138	20	3097000676	8	3320000135	254	3691000092	190, 194
3017000139	20	3097000681	10	3320000154	68	3691000097	222, 224, 228, 230, 234
3017000140	20	3097000682	10	3320000157	194	3691000164	188, 190, 192, 194, 220,
3020000029	202, 204	3170000048	232, 234	3320000236	60, 64, 68, 258		226, 232
3020000030	202, 204	3170000170	188	3391000014	32	3691000165	212, 214, 216, 218
3020000072	196, 198, 200	3170000208	226, 228, 230	3391000017	28, 32	3691000166	60,
3020000097	188, 190, 192, 194, 220,	3170000237	192	3391000018	32		64, 68, 188, 190, 192, 194, 212,
	226, 232	3170000275	220, 226, 232	3391000020	28		214, 216, 218, 220, 222, 224,
3020000110	190, 194	3170000276	222, 224, 228, 230, 234	3391000021	28		226, 228, 230
3020000111	206	3170000428	190, 194	3391000022	28	3691000222	206
3020000112	206	3170000445	188	3484000034	196, 198, 200	3691000229	206
3020000113	188, 192	3170000450	188	3484000035	196, 198, 200	3691000230	206
3020000114	196, 198	3170000456	188	3484000050	202, 204	3691000273	60, 68
3020000115	206	3170000460	192	3484000051	202, 204	3698000001	238, 242, 244, 250, 252,
3071000105	238, 252	3170000504	192	3484000074	206		258
3071000106	240	3177000053	82	3550001747	200	3698000006	240, 246, 248, 254, 256
3071000107	242, 244	3177000054	82	3550001912	268	3729000259	18, 22
3071000109	246, 254, 256	3178000347	40	3551000011	196, 198, 200	3729000260	18, 22
3071000111	248	3178000433	38	3551000036	196, 198, 200, 202, 204	3729000261	18, 22
3071000117	250	3178000437	114	3553000011	238, 242, 244, 250, 252,	3729000262	18, 22
3071000218	258	3178000555	282		258	3750000018	104
3097000129	12	3190000034	78	3553000016	240, 246, 248, 254, 256	3763000118	238, 252
3097000653	12	3190000037	78	3556000019	266	3763000119	240
3097000654	12	3190000049	78	3556000023	232, 234	3763000120	242, 244

Part Number	Page	Part Number	Page	Part Number	Page	Part Number	Page
3763000122	246, 254, 256	4017000777	104	4178000367	60, 64, 68	4314000117	206
3763000123	248	4017001250	64	4178000372	280	4314000118	206
3763000127	250	4017001271	60, 68	4178000402	260, 264	4314000189	206
3811000053	116, 118	4017001403	112	4178000403	262	4314000200	78
3811000054	116, 118	4017001407	68	4178000421	86, 88, 96	4314000204	78
3811000055	116, 118	4017001499	52	4178000423	264	4330000001	232, 234
3811000057	116, 118	4017001550	76	4178000427	262	4330000002	220, 222, 224, 226,
3849000021	212	4017001566	80	4178000437	260		228, 230, 234
3849000022	216, 218	4017001567	80	4178000474	88	4330000645	226, 228, 230
3849000023	214	4017001587	76	4178000475	88	4330000646	226, 228, 230
3849000041	214	4017001699	12, 14, 18, 22	4178000578	114	4497000358	60, 64, 68
3899000053	104	4017001700	12, 14, 18, 22	4178000599	110	4553000008	238, 242, 244, 250,
3899000075	104	4017001705	12, 14, 18, 22	4178000664	270, 272		252, 258
3899000125	110	4017001706	12, 14, 18, 22	4178000665	270, 272	4553000016	240, 246, 248, 254, 256
3899000126	110	4017001707	12, 14, 18, 22	4178000666	276	4567110032	160, 162, 166
3899000127	110	4017001708	12, 14, 18, 22	4178000667	276	4567110034	162, 164, 166
3899000130	104	4017001713	20	4178000673	48, 52	4567110038	162, 166
3899000131	104	4017001714	20	4178000674	52, 54	4567110039	162, 166
3899000132	104	4017001715	20	4178000682	88	4567110042	162, 166
3899000133	104	4017001716	20	4178000747	94	4567112039	134
3899000172	104	4017001717	20	4178000805	60	4567112042	172, 174
3899000173	110	4017001718	20	4178000863	78	4567120015	134
3905000012	60, 64, 68	4017001718	20	4178000873	20	4567120017	134
3911000062	220, 222, 224	4017001742	80	4178000874	20	4567120024	170
3913000093	196, 202	4017001743	80	4209000145	48, 52	4567120025	164, 166
3913000096	196, 202	4062000281	84	4209000146	50, 54	4567122012	162, 166
3913000098	198, 204	4062000318	34, 36	4209000147	48, 50, 52, 54	4567122014	160, 162, 164, 166, 168,
3913000099	198, 204	4120000008	232, 234	4209000172	170, 172		
3935000111	324	4178000202	280	4209000328	48, 52	4567122027	134
3935000115	124, 326	4178000203	280	4209000337	60, 68	4567122032	160, 162, 164, 166, 168,
3935000116	126, 328	4178000283	84	4209000358	60, 68		170, 172
3935000117	128, 330	4178000287	84	4211000001	124, 126, 132, 270, 272	4567122038	134
3935000118	130, 332	4178000290	104	4254000005	42, 202, 204	4567122050	168, 170
3935000125	130	4178000291	104	4259000001	202, 204	4567123034	160, 162, 164, 166, 172
3935000150	132, 334	4178000299	104	4259000002	202, 204	4567123042	134
3935000166	130, 336	4178000330	104	4263000464	132	4567123044	134
4017000739	188, 190, 192, 194	4178000331	104	4277000005	94	4567123048	134
		4178000338	104	4314000043	78	4567430118	134
		4178000339	104			4569432115	134

Part Number	Page	Part Number	Page	Part Number	Page	Part Number	Page
4569433115	134	4691000278	196, 198, 200, 202, 204	4706005551	24	7002000385	280
4570000195	134	4691000296	188, 190, 192, 194	4706005595	270	7002000386	280
4570000198	134	4691000354	202, 204	4706005958	60, 64, 68	7002000404	342
4570000210	162, 166	4691000357	202, 204	4706006216	116, 118	7002000410	104
4570000211	162, 166, 206	4691000373	270, 272	4706006228	12, 14, 18, 20, 22	7002000447	342
4570000212	206	4691000374	270, 272	4706006234	110	7002000448	342
4570000234	162, 166, 206	4691000421	40, 42	4763000184	42, 202, 204	7002000449	342
4577000002	160	4691000429	60, 64, 68, 216, 220, 222, 226, 228, 232, 234	4763000204	258	7002000451	342
4587000004	48, 50	4691000430	216, 220, 222, 226, 228, 232, 234	4763000348	43, 48, 50, 52, 54	7002000503	342
4587000005	52, 54	4691000430	216, 220, 222, 226, 228, 232, 234	4796000003	28, 32	7002000521	342
4606000217	124, 126, 128, 130, 132	4691000527	206	4796000009	110	7005000003	270, 272
4619000013	162, 166, 206	4691000568	268	4796000010	110	7011000007	78
4632000009	48, 50	4691000573	60, 64, 68	4796000011	110	7082000010	48, 50, 52, 54
4632000015	104	4698000007	238, 242, 244, 250, 252, 258	4796000012	110	7082000016	188, 190, 192, 194, 220, 222, 224, 226, 228, 230, 232, 234, 238, 246, 248, 250, 252, 254, 256
4632000048	104	4698000015	240, 246, 248, 254, 256	4796000037	26, 28, 120	7082000017	60, 64, 68, 188, 190, 192, 194, 212, 214, 216, 218, 220, 226, 232
4679000046	188, 190, 192, 194	4705000507	68	4806000011	38	7082000018	188, 190, 192, 194, 220, 226, 232, 238, 252
4679000145	72	4705000607	32	4806000014	38, 42	7104100613	272
4679000151	60, 64, 68	4705000608	32	4809000003	84, 94	7105150850	84, 94
4679000153	60, 64, 68	4706000233	74, 76	4811000841	112	7105171050	82, 98, 100
4679000154	72	4706002361	104	4811000843	112	7105171450	82
4679000208	54	4706003038	134	4811000868	112	7105180153	32
4679000211	188, 190, 192, 194	4706003210	280	4812000071	60, 64, 68	7105181650	60, 64, 68, 88, 104
4679000221	60, 64, 68	4706003497	206	4812000072	60, 64, 68	7105201250	82
4679000256	104, 110	4706003501	206	4831000069	124, 126, 128, 130, 132	7105201650	26, 28, 98, 100, 120
4679000257	104, 110	4706003650	272	4831000109	206	7105201850	60, 68, 120
4679000258	104, 110	4706003766	38	4831000112	206	7105202050	120
4679000268	206	4706003792	40	4892000008	26, 28	7105202250	60, 64, 68
4679000322	104, 110	4706003844	100, 138, 140, 142, 144, 146, 150, 152, 154, 156, 158	4892000009	26, 28	7110140605	280
4686000295	26, 28	4706004383	74	4912000130	38, 42	7111140850	280
4686000296	26, 28	4706005020	110	4912000345	40, 42		
4686000301	26, 28	4706005021	110	4912000394	38		
4686000302	26, 28	4706005022	110	4949000047	196, 198, 200, 202, 204, 206		
4691000141	270	4706005021	110				
4691000183	202, 204	4706005022	110				
4691000186	42, 202, 204	4706005022	110				
4691000198	206	4706005361	270, 272				
4691000268	188, 190, 192, 194	4706005396	272				

Part Number	Page	Part Number	Page	Part Number	Page	Part Number	Page
7111150813	276	7115151264	76	7209000030	188, 190, 192, 194	7280000011	264
7111150864	74, 76	7115151650	134	7248000063	34, 36	7280000013	176, 178
7111161050	124, 126, 128, 130, 132	7115151850	54, 134	7248000064	34, 42	7280000019	30
7114080618	272	7115160950	64, 116, 118, 188, 190, 192, 194, 212, 214, 216, 218, 220, 222, 224, 226, 228, 230, 232, 234	7248000114	110	7291000010	188, 190, 192, 194, 214, 216, 218, 220, 222, 224, 226, 228, 230, 232, 234
7114100810	270	7115162450	60, 64, 68	7248000115	206	7295000102	272
7114100818	60, 64, 68	7115180606	282	7248000155	110	7295000103	272
7114101018	186	7115180650	42, 60, 64, 68	7253000002	42, 196, 198, 200, 202, 204, 206	7295000106	270
7114101618	134	7115180850	40, 42, 260	7254000021	86	7295000108	270
7114140465	110	7115181005	94	7262000010	284	7295000109	270
7114140518	206	7115181050	18, 22, 40, 134, 280, 342	7262000022	284	7295000111	270
7114140528	78, 188, 190, 192, 194, 214, 216, 218, 220, 222, 224, 226, 228, 230, 232, 234	7115181064	78, 124, 126, 128, 130, 132	7262000040	284	7309000002	48, 50, 52, 54
7114140529	78	7115181223	20	7262000056	284	7312000013	276
7114150818	80	7115181250	34, 120	7274000002	134	7312000015	276
7114151218	60, 64, 68	7115181450	30	7274000038	134	7312000016	276
7114161618	120	7115181464	34, 36, 38, 276	7274000039	134, 206	7312000017	278
7114181218	268	7115181664	284	7274000040	100, 134, 138, 140, 142, 144, 146, 148, 150, 152, 154, 156, 158	7320000064	206, 236
7114181418	282	7115181864	34, 36	7274000042	134, 138, 140, 142, 144, 146, 148, 150, 152, 154, 156	7330000012	288
7115140650	42, 124, 126, 128, 130, 132, 272	7115182050	266	7274000046	60, 64, 68	7330000014	288
7115140850	78	7115182264	34, 36	7274000063	124, 126, 128, 130, 132	7330000015	288
7115141450	280	7115182864	34, 36	7274000066	134	7330000139	288
7115141650	280	7115183264	34, 36	7274000063	124, 126, 128, 130, 132	7330000143	288
7115150423	206	7115183664	14, 34, 36	7274000073	206	7330000157	256
7115150664	124, 126, 128, 130, 132	7115221650	60, 64, 68	7274000076	82, 138, 140, 142, 144, 146, 148, 150, 152, 154, 156, 158	7330000176	288
7115150850	48, 50, 52, 54, 104, 112, 124, 126, 128, 130, 132	7115222050	30	7280000007	114, 124, 126, 128, 130, 132	7330000242	288
7115150850	48, 50, 52, 54, 104, 112, 124, 126, 128, 130, 132	7118140418	188, 190, 192, 194	7280000007	114, 124, 126, 128, 130, 132	7330000272	288
7115150864	270, 272	7118161026	60, 64, 68, 72, 206	7277000001	84	7330000274	288
7115151050	76, 82, 84, 138, 140, 142, 144, 146, 148, 150, 152, 154, 156, 158	7118181216	104	7280000007	114, 124, 126, 128, 130, 132	7330000275	288
7115151064	100, 138, 140, 142, 144, 146, 150, 152, 154, 156, 158, 280	7120000005	12, 14, 18, 20, 22	7280000007	114, 124, 126, 128, 130, 132	7330000330	288
7115151250	76, 206	7120000044	82	7280000007	114, 124, 126, 128, 130, 132	7330000385	288
		7178000044	76			7330000391	288
		7183000004	104			7330000408	120
		7209000011	38, 40, 42			7330000417	196, 198, 200
						7330000418	196, 198, 200

Part Number	Page	Part Number	Page	Part Number	Page	Part Number	Page
7330000419	196, 198, 200, 202, 204, 206, 232	7346000157	276	7445040443	134, 162, 166, 206	7551000018	124, 126, 128
7330000420	202, 204	7346000208	274	7445040445	162, 166, 206	7551000019	130, 132
7330000428	78	7395000265	334, 336	7445040446	160, 162, 164, 166	7551000020	124, 126, 128, 130, 132
7330000432	202, 204	7413000013	32	7445040472	206	7551000021	124, 126, 128, 130, 132
7330000478	288	7430000003	134	7445040643	274	7551000022	132
7330000495	288	7430000014	104	7445040645	172, 174	7552000074	176
7330000548	132	7440030000	42, 196, 198, 200, 202, 204, 206, 232, 234	7445040843	160, 162, 164, 166, 172, 174	7552000075	178
7330000549	132	7443000013	134	7445041043	42	7552000098	176
7330000599	288	7443000023	134	7445060643	134, 164, 170, 274	7552000126	176, 178
7330000609	196, 198, 200, 202, 204, 206	7443000030	168, 170	7445060645	134, 160, 162, 164, 166, 168, 170, 172	7552000166	176, 178, 264
7330000612	272	7443000030	168, 170	7445060648	160, 162, 164, 166, 168, 170, 172	7552000177	176, 178
7330000628	288	7443000111	278	7445060648	160, 162, 164, 166, 168, 170, 172	7552000204	178
7330000648	124, 126, 128	7443000124	134	7445060843	134, 164, 166, 170	7552000222	176, 264
7330000649	124, 126, 128	7443000129	160, 162, 164, 166, 172	7445060845	168, 170	7552000241	274
7330000650	126, 128	7443000152	56	7445080818	134	7552000297	114
7330000651	126, 128	7443000154	56, 278	7445080843	134	7552000360	264
7330000652	130	7443000155	56, 342	7445080853	278	7552000391	270
7330000653	130	7443000156	56, 278	7445080853	278	7552000392	270
7330000657	130	7443000158	134	7445080872	42	7552000393	270
7330000658	130	7443000173	43	7445081045	134	7552000409	184
7330000675	56, 288	7443000244	322	7445081643	134	7552000426	270
7330000676	56, 288	7443000319	134	7446382506	276, 278	7552000451	116, 118
7330000683	288	7443000364	56	7446502518	276, 278	7552000472	186
7330000684	288	7443000365	56	7457000004	176, 178	7555000015	110
7330000696	270	7443000366	56, 278	7470000002	134	7555000016	110
7330000700	288	7443000371	56	7470000002	134	7560000007	124, 126, 128, 130, 132
7330000864	130	7443000377	114	7470000023	124, 126, 128	7561000024	284
7330000865	130	7443000427	274	7470000027	104	7565000014	56, 276, 278
7345001714	186	7443000428	274	7493000002	78, 186	7565000016	43, 56
7345221902	176, 178	7443000431	322	7493000003	264	7565000019	310, 312, 318
7345241902	176, 178	7443000432	274	7493000009	32, 78, 180, 182, 184	7570000016	84, 96
7346000039	186	7443000440	274	7493000010	78, 180	7570000017	84, 86, 96
7346000055	276	7443000443	56	7493000023	78	7570000023	86
7346000078	276	7443000446	134	7493000031	116, 118	7570000025	88
7346000132	276	7443040843	162, 166	7500000073	268	7570000031	86
		7443060643	166	7550000074	268	7570000035	96
		7445040431	42, 206	7551000017	43, 48, 50, 52, 54	7577000145	276

Part Number	Page	Part Number	Page	Part Number	Page	Part Number	Page
7577000194	176, 178	7638000013	74, 76	7691000066	132	7660182601	12, 14, 18, 20, 22, 24, 34, 36, 38, 42, 60, 64, 68, 78, 94, 120, 124, 126, 128, 130, 132, 266, 268, 276, 282, 284, 342
7577000208	284	7640000002	56	7701000033	18, 22	7660102604	60, 64, 68, 134, 186, 270
7577000215	324, 326	7660082604	272	7701000048	60, 64, 68	7660140000	280
7577000216	328, 338	7660102604	60, 64, 68, 134, 186, 270	7701000049	32, 78	7660140001	42
7577000217	330, 340	7660140000	280	7701000051	60, 64, 68, 104	7660142600	280
7577000218	332, 336	7660140001	42	7701000055	78	7660142601	30, 78, 124, 126, 128, 130, 132, 188, 190, 192, 194, 214, 216, 218, 220, 222, 224, 226, 228, 230, 232, 234, 272
7577000238	334	7660202347	60, 64, 68, 82, 98, 100, 120	7701000058	30	7660142604	110, 206
7577000242	284	7660222308	30, 60, 64, 68	7701000062	196, 198, 200	7577250206	240, 246, 248, 254, 256
7577000343	324, 326, 328, 330, 332, 334, 336, 338, 340	7661000007	272	7701000063	60, 64, 68	7585000019	110
7577000376	284	7661000011	248	7706000001	318, 320, 322	7590000049	312
7577000483	90	7661000034	238, 240, 242, 244, 246, 250, 252, 254, 256, 258	7706000003	310	7590000113	78
7577250024	238, 242, 244, 250, 252, 258	7661000042	78	7706000004	312	7590000132	180
7577250206	240, 246, 248, 254, 256	7661000047	114	7706000005	310, 314, 316, 318, 320, 322	7590000133	180
7585000019	110	7661000055	12, 14, 18, 20, 22	7706000006	318, 320, 322	7590000148	180
7590000049	312	7661000057	124, 126, 128	7706000007	310	7590000185	264
7590000113	78	7661000064	78	7706000008	312	7660152601	48, 50, 52, 54, 60, 64, 68, 74, 76, 80, 82, 84, 100, 104, 112, 124, 126, 128, 130, 132, 134, 138, 140, 142, 144, 146, 148, 150, 152, 154, 156, 158, 206, 270, 272, 276, 280
7590000132	180	7661000065	82	7706000009	310, 314, 316, 318, 320, 322	7660162601	60, 64, 68, 72, 116, 118, 120, 124, 126, 128, 130, 132, 188, 190, 192, 194, 212, 214, 216, 218, 220, 222, 224, 226, 228, 230, 232, 234, 282, 342
7590000133	180	7679000017	8, 10, 12, 14	7706000010	310, 314, 316, 318, 320, 322	7660172331	82, 98, 100
7590000148	180	7679000020	78	7706000011	310	7660180000	280
7590000185	264	7690021210	206	7706000012	310	7660180001	42, 284
7590000223	264	7690021610	84, 94	7706000013	310	7660180201	290
7590000251	78	7690051274	48, 50, 52, 54	7706000014	310	7660180234	43, 48, 50, 52, 54
7590000273	114	7690101200	124, 126, 128, 130, 132	7706000015	310	7660182301	104
7590000339	180	7690141600	206	7706000016	310	7660182304	30
7590000340	78	7690144005	206	7706000017	310	7660182333	32, 60, 64, 68, 88, 104
7590000341	78	7690151601	84, 94	7706000018	310		
7590000342	32, 116, 118, 180, 182, 184	7691000001	216, 218, 220, 222, 224, 226, 228, 230, 234	7706000019	310		
7590000343	78, 180, 182	7691000040	206	7706000020	310		
7590000403	260, 306	7691000042	206	7706000021	310		
7590000432	186	7691000046	48, 50, 52, 54	7706000022	310		
7592000005	110	7691000056	124, 126, 128, 130, 132	7706000023	310		
7626000014	34	7691000064	124, 126, 128	7706000024	310		
7638000004	74, 76	7691000065	130	7706000025	310		

Part Number	Page	Part Number	Page	Part Number	Page	Part Number	Page
9970300057	292, 294, 296, 298	9970960060	292, 294, 296, 298				
9970316083	292, 298	9970960062	292, 298				
9970330010	292, 294, 296, 298	9970960068	292, 294, 296, 298				
9970342027	292, 294, 296, 298						
9970400003	294, 296						
9970400007	290						
9970402002	292, 294, 296, 298						
9970412003	292, 294, 296, 298						
9970412045	292, 294, 296, 298						
9970414045	292, 294, 296, 298						
9970415177	298						
9970418163	290, 300, 302						
9970418177	292, 294, 296						
9970418184	290						
9970431008	292						
9970442184	292, 294, 296, 298						
9970442205	292, 294, 296, 298						
9970450006	292, 294, 296, 298						
9970456008	290, 292, 294, 296, 298						
9970468002	290						
9970468011	292, 294, 296, 298						
9970472013	292, 294, 296, 298						
9970486009	292, 294, 296, 298						
9970486017	292, 294, 296, 298						
9970494002	292, 294, 296, 298						
9970494010	290						
9970494053	292, 294, 296, 298						
9970518014	292, 294, 296, 298						
9970518015	292, 294, 296, 298						
9970960034	294, 296						
9970960035	294, 296						
9970960036	294, 296						
9970960037	294, 296						
9970960038	294, 296						
9970960051	294, 296						
9970960052	294, 296						
9970960057	290						

THIS PAGE INTENTIONALLY LEFT BLANK



537600089- 8