

\$7.50

# LIGHT DUTY

## OPERATIONS, MAINTENANCE AND PARTS MANUAL

# **JERR-DAN**

An Oshkosh Corporation Company

1080 Hykes Road  
Greencastle, PA 17225

Phone (717) 597-7111

[www.jerr-dan.com](http://www.jerr-dan.com)



## TABLE OF CONTENTS

Warranty .....	0.1
Certification Notice .....	0.5
<b>Safety</b> .....	<b>1.0</b>
Decal Group .....	1.5
 Operation.....	 2.0
 Maintenance and Lubrication .....	 3.0
Lubrication Chart .....	3.2
Troubleshooting.....	3.3
 Parts .....	 4.0
Rustler Deck.....	4.2
Wrangler Lite Deck.....	4.3
Viper Deck.....	4.6
Final Assembly Basic Unit.....	4.7
Dual Controls.....	4.10
Hydraulic Towbar (1,500 lb.) .....	4.11
Hydraulic Towbar (with and without IRL).....	4.14
Hydraulic Wheellift Towbar (with and without IRL).....	4.15
Lo-Profile Hydraulic Wheellift Towbar (with and without IRL) .....	4.18
Hydraulic Towbar Wheelgrid Assembly.....	4.19
Lo-Profile Hydraulic Towbar Wheelgrid Assembly .....	4.22
Hydraulic Components .....	4.23
Hydraulic Components Hydraulic Towbar .....	4.26
Hydraulic Components Hydraulic Towbar with IRL.....	4.27
Light and Wiring .....	4.30
Rollback Cylinder.....	4.32
Tilt Cylinder .....	4.34
Towbar Cylinder .....	4.36
Wheellift Towbar Cylinder .....	4.38
IRL Cylinder.....	4.40
Winch Assembly (8,000 lb. Worm Gear).....	4.42
Winch Assembly (8,000 lb. Planetary).....	4.43
Dual Controls (ZOD).....	4.46
Hydraulic Wheellift Towbar (ZOD).....	4.47
Hydraulic Towbar Wheelgrid Assembly (ZOD).....	4.50
Hydraulic Components (ZOD) .....	4.51
RTL Cylinder (ZOD) .....	4.54
Wheellift Towbar Cylinder (ZOD) .....	4.55
Wheellift Cylinder (ZOD) .....	4.58





# **JERR-DAN**

1080 Hykes Road Greencastle, PA 17225  
(717) 597-7111

## **LIMITED WARRANTY Coverage and Procedures**

Like our wheel lift and car carrier products, Jerr-Dan warranty programs are designed for the long haul.

Whether you own a wheel lift or car carrier, you are assured that your equipment is of the highest quality, and is covered under this limited warranty.\*

Our one-year unlimited mileage plan is offered for wheel lifts and car carriers. This warranty is designed for the most comprehensive protection of your specific equipment.

### **WHEEL LIFT:**

The Jerr-Dan one-year warranty covers material and workmanship including the following:

- I. Body
- II. Substructure
- III. Wheel lift assembly
- IV. Wrecker boom assembly
- V. Winch and winch components (excluding cable)
- VI. Hydraulics
- VII. Electrical wiring assembly.

### **CAR CARRIERS:**

The Jerr-Dan one-year warranty covers material and workmanship including the following:

- I. Deck
- II. Winch and winch components (excluding cable)
- III. Substructure
- IV. Hydraulics
- V. Electrical wiring assembly

Rev. 2

Date 11-15-97

Procedures for warranty coverage:

1. Contact Jerr-Dan for the distributor nearest you — Call 1-800-926-9666.
2. If there is not an authorized Jerr-Dan warranty service center nearby, find a convenient, qualified non-Jerr-Dan service center and send in their estimate of repair cost before any work is performed to:

Jerr-Dan Corporation  
A Subsidiary of Durakon Industries, Inc.  
Warranty Department  
1080 Hykes Road  
Greencastle, PA 17225

Be sure to include your daytime phone number.

3. Authorization for repairs under this limited warranty will be provided by telephone within 24 hours of receipt of valid warranty claims.
- \*4. This outlines the Jerr-Dan One-Year Warranty Plan. For exact coverages, please consult your limited warranty and/or vehicle service contract. Coverage does not include damages caused by excessive abuse or consequential damages resulting from the lack of proper service, maintenance or need for repairs. All plans begin at original retail purchase date.

Rev. 2

Date 11-15-97



# JERR-DAN

Subsidiary of Durakon Industries, Inc  
1080 Hykes Road Greencastle, PA 17225  
(717) 597-7111

## LIMITED WARRANTY

**Manufacturer's Warranty.** Manufacturer's sole warranty shall be the following, which Distributor shall make on behalf of Manufacturer by conspicuous notice in writing accompanying each contract or memorandum of sale:

1. **Warranty.** Jerr-Dan Corporation, ("Manufacturer") warrants each new product made by it to be free from defects in material or workmanship for one year from the date of initial sale, lease, rental, or other disposition of such product, and agrees only to repair or replace at its own expense, f.o.b. the place or places of manufacture, at manufacturer's option, any part or parts of the product found to be defective in material or workmanship, provided Manufacturer is notified of such defect or defects within the one year warranty period and given a reasonable time to correct the defect. In no case, shall the warranty extend to defects in materials, components, or services furnished by third parties. Defects caused by chemical action, or the presence of abrasive materials and defects arising following the operation beyond rated capacity or the improper use or application of any Products shall not be considered defects within the scope of the foregoing warranty. If any repairs or alterations are made or any parts are replaced during the period covered by any warranty above mentioned by other than an authorized Manufacturer's Distributor in accordance with authorized Manufacturer's service manuals or with other than parts, accessories, or attachments authorized by Manufacturer for use in its products, customer shall pay for all such repairs or parts without recourse against Manufacturer, and Manufacturer shall be relieved of responsibility for fulfillment of this warranty with respect to parts or components of all repairs, alterations or replacements so made. No claims for labor shall be considered unless authorized by Manufacturer.

2. **Disclaimer as to Consequential or Special Damages.** Under no circumstances shall Manufacturer be liable for any consequential or special damage which any person, firm, corporation, or other entity may suffer or claim to suffer or incur or claim to incur as a result of any defect in the product or in any correction or alteration thereof made or furnished by Manufacturer or others. "Consequential" or "special damages" as used herein includes but is not limited to costs of transportation, lost sales, lost orders, lost profits, lost income, increased overhead, labor and material costs and cost of manufacturing variances and operational inefficiencies.

3. **Maximum Liability.** The maximum liability of Manufacturer under the exclusive warranty set forth herein shall be the amount paid to Manufacturer by the vendor of the component with respect to the product to which such vendor warranty applies.

4. **Limitation of Liability.** The limitation of liability provisions herein shall apply to any and all claims or suits brought against Manufacturer, including any claim based upon negligence, breach of contract, breach of warranty, strict liability or any other theories upon which liability may be asserted against Manufacturer.

Rev. \_\_\_\_\_ 2 \_\_\_\_\_

5. **Exclusive and Entire Warranty.** The warranty constitutes Manufacturer's entire warranty as to the product and it is expressly agreed that the remedies of dealer and those claiming under dealer as stated in this warranty are exclusive. Manufacturer does not assume (and has not authorized any other person to assume on its behalf) any other warranty or liability in connection with any product covered by this warranty.

MANUFACTURER EXPRESSLY DISCLAIMS ANY AND ALL OTHER WARRANTIES OF ANY KIND WHATSOEVER AS TO THE PRODUCT FURNISHED HEREUNDER, INCLUDING BUT NOT LIMITED TO EXPRESS OR IMPLIED WARRANTIES AS TO MERCHANTABILITY, FITNESS FOR PARTICULAR PURPOSES SOLD, DESCRIPTION OR QUALITY OF THE PRODUCT FURNISHED HEREUNDER.

6. **Notice of Occurrence.** This warranty shall be void if, upon the occurrence of any incident involving any product made by Manufacturer, and resulting in any personal injury or property damage, customer shall fail to notify Manufacturer within 24 hours of such occurrence or permit Manufacturer audit representatives to have immediate access to such product and to all records of and within the control of the customer and/or distributor relating to the product and the occurrence.

7. **Filing of Warranty Claim.** Upon notifying the Manufacturer of a failure, the Manufacturer or its representative will verbally authorize and confirm by letter the repairs to be made. Verbal authorization will require the following information:

- A) Owner's name and telephone number.
- B) The dealer's name from whom it was purchased.
- C) The Manufacturer's unit serial number.
- D) Telephone number of the party making the repairs.
- E) The part numbers needed to make repairs.
- F) Owner to be informed of C.O.D. on parts, 50% to assure return of defective parts.

At this time, the Manufacturer will ship as soon as practical the parts needed to make the repair. Included with the parts will be the invoice for the parts and a Request for Warranty form, with the Warranty Return Tags.

The vehicle owner/dealer will complete the Request for Warranty form and the Warranty Return Tag marked "Return with Shipping Notice." Both documents should be attached to the shipping notice and returned to the Manufacturer by mail. The parts to be returned shall be tagged with the Warranty Return Tag (more than one part pertaining to the same warranty claim shall be identified with the same warranty claim number—see number on Warranty Return Tag). All parts under this claim shall be returned to the Manufacturer pre-paid for warranty evaluation.

Upon receiving the part or parts for warranty evaluation, the part will be inspected and tested. After being inspected and tested, the decision to honor or deny warranty claim shall be based on analysis of all available information.

When warranty is honored, the Manufacturer, will reimburse the owner/dealer in the amount agreed to by both parties.

If warranty is denied, the owner and distributor will be notified in writing of the decision and a full explanation for the decision will be given.

8. Manufacturer may at any time amend the foregoing form of warranty without prior notice.

Rev. 2

Date 11-15-97



## NOTICE

MANUFACTURED BY:

DATE OF MANUFACTURE \_\_\_\_ mo. \_\_\_\_ yr.

INCOMPLETE VEHICLE MANUFACTURED BY:

DATE INC. VEH. MFD. \_\_\_\_ mo. \_\_\_\_ yr.

GVWR \_\_\_\_\_

GAWR FRONT \_\_\_\_\_ with  
\_\_\_\_\_ tires,  
\_\_\_\_\_ rims, @ \_\_\_\_\_ psi cold \_\_\_\_\_

GAWR INTERMEDIATE (1) \_\_\_\_\_ with  
\_\_\_\_\_ tires,  
\_\_\_\_\_ rims, @ \_\_\_\_\_ psi cold \_\_\_\_\_

GAWR INTERMEDIATE (2) \_\_\_\_\_ with  
\_\_\_\_\_ tires,  
\_\_\_\_\_ rims, @ \_\_\_\_\_ psi cold \_\_\_\_\_

GAWR REAR \_\_\_\_\_ with  
\_\_\_\_\_ tires,  
\_\_\_\_\_ rims, @ \_\_\_\_\_ psi cold \_\_\_\_\_

Conformity of the chassis-cab to Federal Motor Vehicle Safety Standards, which have been previously fully certified by the incomplete vehicle manufacturer or intermediate vehicle manufacturer, has not been affected by final-stage manufacture. The vehicle has been completed in accordance with the prior manufacturer's instructions, where applicable. This vehicle conforms to all other applicable Federal Motor Vehicle Safety Standards in effect in:

\_\_\_\_\_ mo. \_\_\_\_ yr.

VEHICLE IDENTIFICATION NUMBER:

VEHICLE TYPE: \_\_\_\_\_

This certification sticker appears on every Jerr-Dan unit mounted on a new chassis and is required by law. Jerr-Dan Corporation will not certify any unit for a capacity greater than the chassis manufacturer's specified rating. The capacity ratings of Jerr-Dan units do not imply that vehicles can be used without regard to gross vehicle weight ratings (GVWR) or gross axle rating limitations.

The payload carrying capacity of any truck is determined by the GVWR of the cab chassis, the curb weight of the cab chassis and the weight of the body. It is important that you determine that your truck has satisfactory carrying capacity and axle ratings for your specific application. Jerr-Dan's authorized sales representatives are available to assist you in this regard.

Rev. \_\_\_\_\_ 2 \_\_\_\_\_

Date 11-15-97 \_\_\_\_\_



## SAFETY

Safety is all-important when working with machinery. Accidents happen when established safety practices have been overlooked.

Read and practice all safety points listed in this manual. Safety is the prime responsibility of the operator.

1. Read operating and loading instructions thoroughly.
2. Review the Safe Towing Application Rating (S.T.A.R.) placard located on the headboard of the deck, and become familiar with the loads that your unit can safely transport.
3. Observe all warning decals.
4. Make sure you are clear of oncoming traffic. Dual controls (driver's side and passenger's side) are standard on all Jerr-Dan roll back units.
5. Always put bumper on the ground to support the body and truck frame.

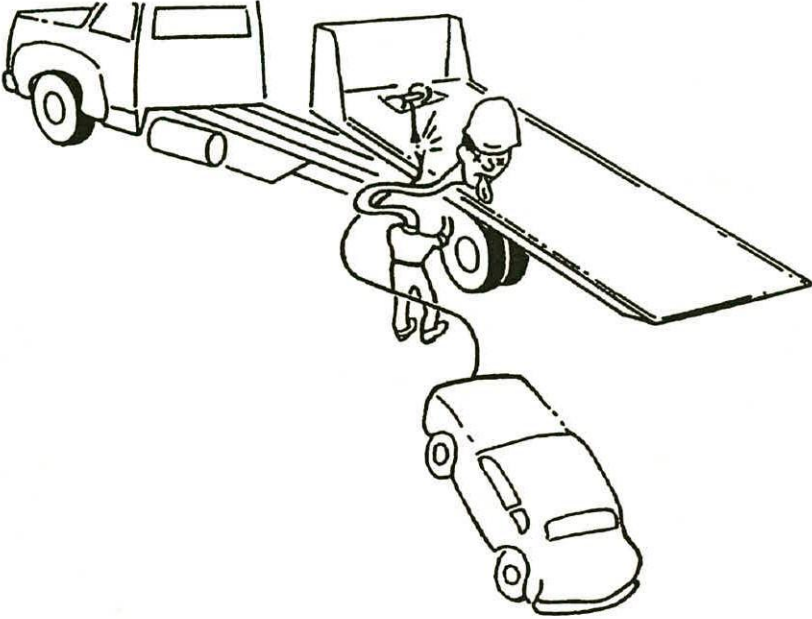


6. Never exceed the rated capacity of the body or truck chassis or use tow bar/wheel lift without a vehicle on the deck.

Rev. \_\_\_\_\_

Date \_\_\_\_\_

7. Never winch from the side of the bed. Winch only from the rear with load in line of winch.

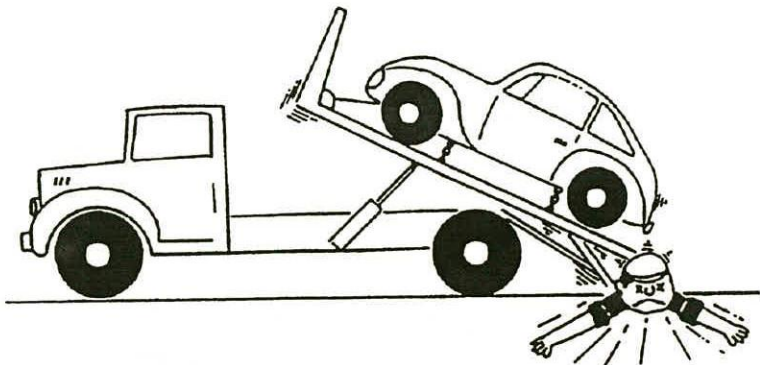


8. Always try to winch from the center of the load.
9. Maintain winch cable in good condition. Replace when worn, kinked or frayed. Do not use cable clamps.

Rev. \_\_\_\_\_

Date \_\_\_\_\_

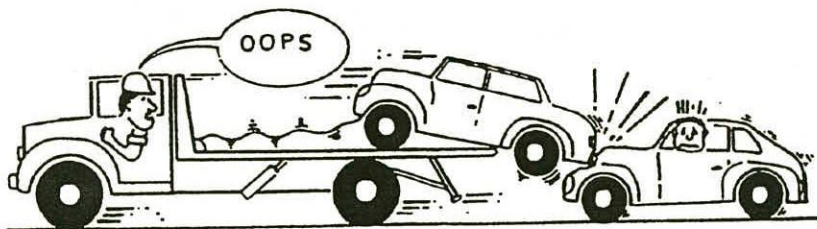
10. When loading or unloading the deck and operating the winch, make certain the area behind the load is clear of personnel and obstacles.



11. Distribute load evenly on the deck. Do not concentrate the load on one section of the deck, to the rear of the truck axles, or use tow bar/wheel lift without a load on the deck.



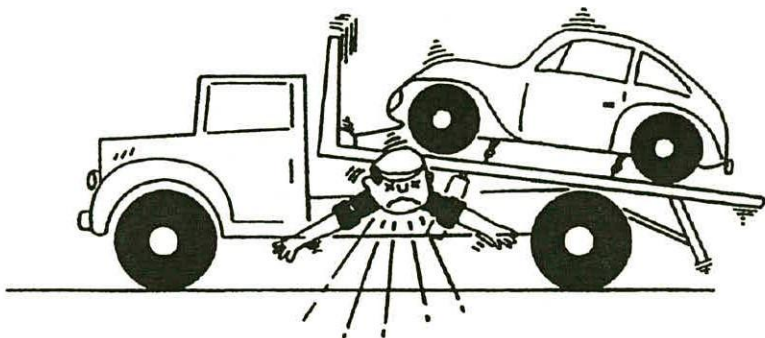
12. Secure cargo to the deck at both the front and rear before the truck is driven. Do not rely on the winch as the only means of holding the load.



Rev. \_\_\_\_\_

Date \_\_\_\_\_

13. Keep alert. Do not be distracted during any operating sequences.

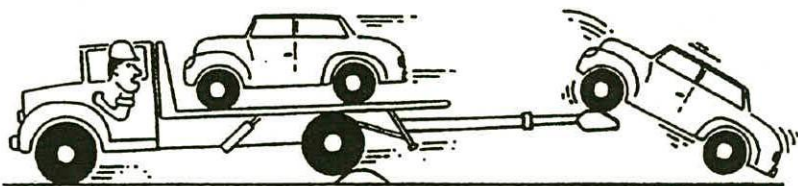


14. Do not work behind truck with vehicle on deck unless vehicle is secured at front of deck. (Do not rely on winch.)

15. Read and follow tow bar instructions for proper towing.

16. Do not exceed tow bar/wheel lift ratings. Overloading can cause unsafe steering and braking conditions.

17. Always use both wheel straps on wheel lift tow bar.



18. Use separate safety chains from towed vehicle to subframe for standard tow bar and wheel lift tow bar.

Rev. \_\_\_\_\_

Date \_\_\_\_\_

19. Insure deck is in the locked position before traveling.
20. Review operator's pre-transport checklist located on the headboard of the deck each time you move a vehicle.
21. Block up deck before performing any service or maintenance work under deck.

Rev. \_\_\_\_\_

Date \_\_\_\_\_

## DECAL GROUP

# JERR-DAN

(LOGO)

**OPERATING INSTRUCTIONS**

**JERR-DAN**

- ALL OPERATORS SHOULD BE TRAINED AND UNDERSTAND THE OPERATOR'S MANUAL.
- ASSURE SAFETY OF ALL PERSONNEL.
- TILT ONLY WHEN DECK ALIGNED WITH RED CONTROL HANDLE AND TILT INDICATOR.
- ASSURE ENGAGEMENT OF WITCH DOGS.
- COMPLY WITH ALL LOAD RATINGS.
- CAPACITY LOADS MUST BE UNIFORMLY DISTRIBUTED.
- ABSOLUTELY SECURE ALL LOADS.
- USE SAFETY CHAIN FROM DECK TO TOWBAR HOOK (DURING TOWBAR USE).
- DO NOT OPERATE IF DAMAGED OR DEFECTIVE.
- ASSURE PROPER MAINTENANCE.
- OPERATOR'S PHS BEFORE DAMAGING THROUGHSTATION.

126

(STANDARD DECAL, RIGHT SIDE)

**OPERATING INSTRUCTIONS**

**JERR-DAN**

- ALL OPERATORS SHOULD BE TRAINED AND UNDERSTAND THE OPERATOR'S MANUAL.
- ASSURE SAFETY OF ALL PERSONNEL.
- TILT ONLY WHEN DECK ALIGNED WITH RED CONTROL HANDLE AND TILT INDICATOR.
- ASSURE ENGAGEMENT OF WITCH DOGS.
- COMPLY WITH ALL LOAD RATINGS.
- CAPACITY LOADS MUST BE UNIFORMLY DISTRIBUTED.
- ABSOLUTELY SECURE ALL LOADS.
- USE SAFETY CHAIN FROM DECK TO TOWBAR HOOK (DURING TOWBAR USE).
- DO NOT OPERATE IF DAMAGED OR DEFECTIVE.
- ASSURE PROPER MAINTENANCE.
- OPERATOR'S PHS BEFORE DAMAGING THROUGHSTATION.

126

(STANDARD DECAL, LEFT SIDE)

**LUBRICATION CHART**

**JERR-DAN®**  
WRANGLER TRANSPORTER

CHART COVERS **JERR-DAN** DECK SYSTEM ONLY

\* INDICATES DUAL RANGE HYD. FLUID S W 20  
AUTO TRANS FLUID MAY BE SUBSTITUTED IF NECESSARY

\*\* INDICATES LITHIUM BASE GREASE (AND GRAPHITE BASE)

INTERNAL CHECKS	REF. NO.	IDENTIFICATION	SERVICE	LUBRICANT	NO. OF POINTS
50 OR ANNUALLY	13	CABLE	OIL	ENGINE OIL	1
	12	ARMATURE	OIL	ENGINE OIL	2
100 OR 3- MONTHLY	1	TILT CYLINDER	LUBE	MFG	4
	2	HITCH	LUBE	MFG	1
	3	BLADE SLOCS	COAT	MFG	12
	4	SUSPENSE POINT	LUBE	MFG	2
	5	VALVE SPINDS	CLEAN & OIL	ENGINE OIL	3-5
	6	WITCH DOGS	COAT	**	4
	7	HOIST GUIDE	COAT	MFG	2
	8	HOIST RESERVOIR	CHEK	MFG	1
	11	FLANGER	LUBE	MFG	4
	12	TOWBAR POINT	LUBE	MFG	1
14	DR. CYLINDER	LUBE	MFG	4	
15	CONTROL HANDLE	LUBE	MFG	6-10	
350 OR BI- ANNUALLY	7	WITCH BOX	CHEK	GLS + 100	1
	8	HYD BREAKER	CLEAN & OIL	ENGINE OIL	1
	10 16 17	HYD FILTER DECK STRANCHER	CHEK OIL	**	1 2
1000 OPERATING HOURS	2	WITCH BOX	DRYIN FILE	GLS + 100	1
	8	HYD RESERVOIR	DRYIN FILE	**	1

(LUBRICATION CHART)

Rev. \_\_\_\_\_

Date \_\_\_\_\_



# **WARNING**

**5 WRAPS MIN. OF CABLE MUST BE LEFT ON DRUM TO ACHIEVE RATED LOAD.  
NOT TO BE USED IN THE MOVING OR LIFTING OF PERSONS.**

012

(WINCH)

## **CAUTION**

**OIL LEVEL 3/4 FULL WITH CYLINDERS FULLY RETRACTED MUST BE MAINTAINED**

007

(HYDRAULIC OIL LEVEL)

MANUFACTURED BY  
**JERR-DAN CORPORATION**

MFG. UNDER ONE OR MORE  
OF THE FOLLOWING PATENTS:

3,430,792      4,239,275  
3,450,282      4,353,597  
                  4,368,002

**OTHER PATENTS PENDING**

016

(PATENT)

MANUFACTURED BY

**JERR-DAN CORP.**

GREENCASTLE, PENNSYLVANIA

SERIAL NO.

MODEL NO.

VEHICLE IDENT NO.

001

(SERIAL NUMBER)

**SLIDE DECK UNTIL  
ARROW ALIGNS WITH  
RED HYD. LEVER  
BEFORE TILTING**



044

(DECK ALIGNMENT)

Rev. \_\_\_\_\_

Date \_\_\_\_\_



(WHEEL LIFT WARNING)



(WHEEL LIFT WARNING)



(WHEEL LIFT WARNING)

Rev. \_\_\_\_\_

Date \_\_\_\_\_

MANUFACTURED BY:  
**SHULAM CORPORATION**  
888 WYRES ROAD  
CHENOCASTLE, PA 17253  
1-800-928-9848



MODEL NO: [ ] SERIAL NO: [ ]  
DECK CAPACITY: [ ] LBS. [ ] LBS.  
TOWBAR/WHEELLEAF CAPACITY: [ ] LBS.

\*Load Distribution Chart indicates the  
maximum weight limits for the  
synchro-lift, electric suspension and  
steering.

TRUCK CHASSIS INFORMATION

VIN: [ ] C.A.: [ ] IN

REAR AXLE WEIGHT RATING (RAWR): [ ]

LBS. FRONT AXLE (TOWBAR)

LBS. SECOND AXLE (TWIN)

per maximum specified maximum load or  
over the specification of the truck.

DO NOT EXCEED THE FOLLOWING WEIGHTS

PER THE

TRUCK

AND

WEIGHT

LBS. ON CAMBER DECK WITH

LBS. ON TOWBAR/WHEELLEAF

LBS. ON CAMBER DECK WITH

LBS. ON TOWBAR/WHEELLEAF

LOSS OF VEHICLE CONTROL, WHICH COULD  
RESULT IN SERIOUS BODILY INJURY OR  
DEATH, CAN OCCUR IF EXCESSIVE  
TOWBAR/POINT LOAD IS EXERCISED.

Maximum towbar/point load is 12,500 lbs.  
and should not be exceeded. Exceeding it  
may result in damage to the truck and/or  
loss of control of the truck.

DO NOT EXCEED THE FOLLOWING WEIGHTS

PER THE

TRUCK

AND

WEIGHT

LBS. ON CAMBER DECK WITH

LBS. ON TOWBAR/WHEELLEAF

LBS. ON CAMBER DECK WITH

LBS. ON TOWBAR/WHEELLEAF

LOSS OF VEHICLE CONTROL, WHICH COULD  
RESULT IN SERIOUS BODILY INJURY OR  
DEATH, CAN OCCUR IF EXCESSIVE  
TOWBAR/POINT LOAD IS EXERCISED.

Maximum towbar/point load is 12,500 lbs.  
and should not be exceeded. Exceeding it  
may result in damage to the truck and/or  
loss of control of the truck.

DO NOT EXCEED THE FOLLOWING WEIGHTS

PER THE

TRUCK

AND

WEIGHT

LBS. ON CAMBER DECK WITH

LBS. ON TOWBAR/WHEELLEAF

LBS. ON CAMBER DECK WITH

LBS. ON TOWBAR/WHEELLEAF

LOSS OF VEHICLE CONTROL, WHICH COULD  
RESULT IN SERIOUS BODILY INJURY OR  
DEATH, CAN OCCUR IF EXCESSIVE  
TOWBAR/POINT LOAD IS EXERCISED.

Maximum towbar/point load is 12,500 lbs.  
and should not be exceeded. Exceeding it  
may result in damage to the truck and/or  
loss of control of the truck.

DO NOT EXCEED THE FOLLOWING WEIGHTS

PER THE

TRUCK

AND

WEIGHT

LBS. ON CAMBER DECK WITH

LBS. ON TOWBAR/WHEELLEAF

LBS. ON CAMBER DECK WITH

LBS. ON TOWBAR/WHEELLEAF

LOSS OF VEHICLE CONTROL, WHICH COULD  
RESULT IN SERIOUS BODILY INJURY OR  
DEATH, CAN OCCUR IF EXCESSIVE  
TOWBAR/POINT LOAD IS EXERCISED.

Maximum towbar/point load is 12,500 lbs.  
and should not be exceeded. Exceeding it  
may result in damage to the truck and/or  
loss of control of the truck.

DO NOT EXCEED THE FOLLOWING WEIGHTS

PER THE

TRUCK

AND

WEIGHT

LBS. ON CAMBER DECK WITH

LBS. ON TOWBAR/WHEELLEAF

LBS. ON CAMBER DECK WITH

LBS. ON TOWBAR/WHEELLEAF

LOSS OF VEHICLE CONTROL, WHICH COULD  
RESULT IN SERIOUS BODILY INJURY OR  
DEATH, CAN OCCUR IF EXCESSIVE  
TOWBAR/POINT LOAD IS EXERCISED.

Maximum towbar/point load is 12,500 lbs.  
and should not be exceeded. Exceeding it  
may result in damage to the truck and/or  
loss of control of the truck.

DO NOT EXCEED THE FOLLOWING WEIGHTS

PER THE

TRUCK

AND

WEIGHT

LBS. ON CAMBER DECK WITH

LBS. ON TOWBAR/WHEELLEAF

LBS. ON CAMBER DECK WITH

LBS. ON TOWBAR/WHEELLEAF

LOSS OF VEHICLE CONTROL, WHICH COULD  
RESULT IN SERIOUS BODILY INJURY OR  
DEATH, CAN OCCUR IF EXCESSIVE  
TOWBAR/POINT LOAD IS EXERCISED.

Maximum towbar/point load is 12,500 lbs.  
and should not be exceeded. Exceeding it  
may result in damage to the truck and/or  
loss of control of the truck.

DO NOT EXCEED THE FOLLOWING WEIGHTS

PER THE

TRUCK

AND

WEIGHT

LBS. ON CAMBER DECK WITH

LBS. ON TOWBAR/WHEELLEAF

LBS. ON CAMBER DECK WITH

LBS. ON TOWBAR/WHEELLEAF

(S.T.A.R. PLACARD)

**OPERATOR'S  
PRE-TRANSPORT CHECKLIST**  
▲ CAUTION ▲

Always inspect tractor before and after  
operation. A qualified operator could create  
a dangerous condition for you, others,  
property and equipment and more  
result in serious injury or death.

**VEHICLE OR DECK CONDUCT**

- HOLD ALL HANDLES OR EQUIPMENT AND  
DO NOT LOCK CHAIR HIGH DIRECTLY TO  
VEHICLE. USE A HOODUP CHAIR.
  - VEST/WEAR/COVER HEADSET.
  - ALWAYS WEAR YOUR SEATBELT. Always  
to avoid shoulder restraint belt OF  
CHASSIS.
  - BE FIRM OF FEEL IN SPREAD JOINTS  
OR CHASSIS. ALWAYS ATTACHED TO  
VEHICLE AND DECK.
  - \* TOWBAR VEHICLE IN PULL OR IN  
TOWBAR POSITION. ALWAYS IN "UP"  
• DO YOU ATTACH FRONT SAFETY CHAIN  
TO SPACER?
  - DO NOT OVERLOAD. SET LOAD RATING  
ON FRONT OF UNIT. STOP VEHICLE AT  
ONCE AND RELEASING LOAD IF YOU  
EXCEED FRONT END OF TRUCK FEELS  
SHAKING OR VIBRATION. ALWAYS IN  
STEERING FIELD EXCESSIVELY UPON  
LOAD OR VEHICLE CONTROL. CAN RESULT  
IN SERIOUS ACCIDENT AND CAN CAUSE A  
SERIOUS ACCIDENT.
- VEHICLE OR TOWBAR CONDUCT**
- DO YOU WEAR SEATED SEATBELT ON  
TOWBAR VEHICLE?
  - \* 5 SECOND OUTDRIVE SET FOR FRONT  
TOWBAR VEHICLE. TOWBAR  
MAIN SAFETY AND TOWBAR HEIGHT  
ADJUSTMENT LIGHTS. TOWBAR ON TOWBAR  
AND BOTH TOWBAR SAFETY CHAIN ATTACHED  
FROM TOWBAR TRUCK TO TOWBAR VEHICLE?  
• DO YOU WEAR SEATED SEATBELT ON  
TOWBAR VEHICLE?  
• DO NOT OVERLOAD TOWBAR VEHICLE.

Towbar and Star Corporation

**(CHECKLIST)**

Rev. \_\_\_\_\_  
Date \_\_\_\_\_  
1.8





## OPERATION

### A. Controls

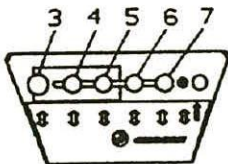
The operating controls for the deck are conveniently located in the control box at the sides of the deck on both the driver's and passenger's side.

All operators must be trained and understand the contents of the operator's manual before operating any controls.

Assure adequate operating clearance and the safety of all personnel before operating the rollback deck.

The following controls are provided:

1. Power-take-off (push-pull knob in truck cab)
2. Auxiliary engine throttle control
3. Rollback control (first handle in control box)
4. Tilt control (second handle in control box)
5. Winch control (third handle in control box)
6. Tow bar - Extend/Retract (fourth handle in control box)
7. Tow bar - Raise/Lower (fifth handle in control box)

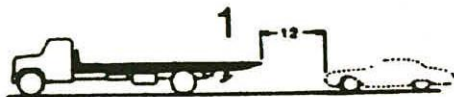


### B. Tilting the Deck/Loading

#### 1. Position

Park the truck with the rear of the deck approximately 12 feet from the object to be loaded and in line with that object.

- 1a. Set the parking brake.
- 1b. With the engine running, engage the PTO per instructions in the truck cab.
- 1c. Set the auxiliary throttle. After operating the unit several times, one will establish a feel for the optimum speed. **DO NOT OVERSPEED.**



Rev. \_\_\_\_\_

Date \_\_\_\_\_

## 2. Roll

Raise the rollback handle and the deck will slide back. Roll the deck rearward approximately 12 inches to clear the mechanical hold downs at the front of the frame. A decal is provided on the rubrail to aid in determining the amount to roll. Align the decal pointer with the red control handle.



## 3. Tilt

Raise the tilt control lever, raising the forward end of the deck until the rear bumper rests firmly on the ground.



## 4. Roll

Raise the roll handle and the deck will slide back. Continue this operation until the approach plate of the deck has contacted the ground.

Make sure that the rear bumper and the approach plate are both in firm contact with the ground before loading. There should be an equal weight distribution between the rear bumper and the end of the deck.



Rev. \_\_\_\_\_

Date \_\_\_\_\_

## 5. Winch

Attach winch cable to object, or if vehicle to the "T" slots in the frame. If the vehicle does not have "T" slots, attach "J" hooks to the vehicle's frame only. With the towed vehicle's transmission in neutral and brakes released, winch the vehicle onto the deck to its transport position (See winch operating instructions). Secure the load against movement in all directions. Set brakes if a vehicle.



**CAUTION:** Leave winch cable attached and taut. Anchor front of vehicle or load with safety tie downs to keyslots provided in front of the deck. Winch cable is not intended to tie down load.

**CAUTION:** Always winch load onto deck, never drive a vehicle onto the tilted deck.

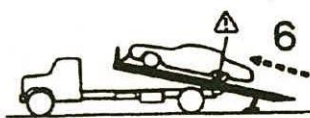
**CAUTION:** Make sure that the load is side-to-side centered.

**CAUTION:** Remain clear of load when winching onto deck.

## 6. Roll

Lower the roll control handle to roll the deck up the incline until the deck is in the proper position for tilting.

**NOTE:** The alignment decal on the rubrail must be even with the red control handle, or slightly behind that handle, when leveling the deck.



## 7. Tilt

Lower the front of the deck until the deck supports align with the wood strips on the frame.



**NOTE:** The deck must **not** be fully forward when tilting or it will damage the hold downs.

Rev. \_\_\_\_\_

Date \_\_\_\_\_

## 8. Roll

Roll the deck forward until it is in the full forward position and under the hold downs.



## 9. Secure Load

Securely fasten the load to be transported with safety tie downs to keyslots provided in rear of deck. Set brakes (if a vehicle) and use wheel blocks and tie downs for safe transport.

**NOTE:** Use safety tie downs at front of load. Do not rely on winch cable alone.

## 10. Disconnect PTO

Disconnect the power-take-off before engaging the transmission. Overspeeding of the pump will greatly shorten its life or ruin it completely.

## C. Operating the Winch

1. Raise the winch control handle to power unreel the cable while a second person keeps the cable taut.

**NOTE:** If a one-man operation exists, disengage the spool and unreel the cable while keeping it taut. Re-engage the spool after unreeling and attaching the cable.

**NOTE:** The winch clutch allows rapid unspooling of the cable, from cable drum, for hooking onto the load. The clutch is operated by the shifter lever located on the side of the winch.

**NOTE:** TO DISENGAGE CLUTCH simply pull out on the "T" handle and rotate 90° counter-clockwise and release to lock in the "OUT" position. The cable may now be free-spoiled from the drum.

Rev. \_\_\_\_\_

Date \_\_\_\_\_



**NOTE:** TO ENGAGE CLUTCH simply pull out on the "T" handle and rotate 90° clockwise and release. If the clutch does not engage, operate the valve winch control until the clutch engages. The winch is now ready for pulling. DC NOT attempt to pull a load unless the handle is fully a the "IN" position.

2. Lower the winch control handle to wind the cable and pull the load onto the deck.

**CAUTION:** Clutch must be totally engaged before starting winch.

**CAUTION:** Do not disengage clutch under load.

**CAUTION:** Also remember that cables can break, winches fail and hooks become disengaged. **DO NOT WORK BELOW THE LOAD!**

**CAUTION:** Replace cable when worn or damaged. Always wear gloves when handling cable. **DO NOT USE CABLE CLAMPS.**

**CAUTION:** Maintain a minimum of 5 turns of cable on the spool at a times. Also maintain a uniform wrap of the cable on the spool.

#### **D. Tilting the Deck/Unloading**

##### **1. Position**

Park the truck with the rear of the deck approximately 12 feet from desired position of vehicle being unloaded.

- 1a. Set the parking brake.
- 1b. With the engine running, engage the PTO per instructions in the truck cab.
- 1c. Set the auxiliary throttle. After operating the unit several times one will establish a feel for the optimum speed. **DO NOT OVERSPEED.**
- 1d. Partially release bindings of the load but maintain restraint against movement of the load in any direction.



Rev. \_\_\_\_\_

Date \_\_\_\_\_

## 2. Roll

Raise the rollback handle and the deck will slide back. Roll the deck rearward approximately 12 inches to clear the mechanical hold downs at the front of the frame. A decal is provided on the rubrail to aid in determining the amount to roll. Align the decal pointer with the red control handle.



## 3. Tilt

Raise the tilt control handle, raising the forward end of the deck until the rear bumper rests firmly on the ground.



## 4. Roll

Raise the roll handle and the deck will slide back. Continue this operation until the approach plate has contacted the ground.

Make sure that the rear bumper and the approach plate are both in firm contact with the ground before unloading. There should be an equal weight distribution between the rear bumper and the end of the deck.



## 5. Winch

Securely tighten the winch cable and finish unbinding the load. Winch off the load (See winch operating instructions). Store the winch cable by fastening the hook to the deck and winching the cable taut.

**CAUTION:** Remain clear of load when unbinding and winching off the deck.



Rev. \_\_\_\_\_

Date \_\_\_\_\_

## E. Operation of the Tow Bar (Option)

1. Position the truck approximately 4 feet ahead of the vehicle to be towed. Engage PTO and set truck's parking brake.
2. Raise the tow bar control handle to fully extend the tow bar.
3. Roll deck until red arrow is aligned with the red valve lever.



4. Tilt deck until tow bar is even with or below bumper of vehicle that is to be towed. Tow bar may now be positioned higher or lower by repositioning the pins above or below the support tube.
5. Attach chains with "J" hooks to appropriate frame members of vehicle to be towed and to tow bar straps. If tow bar straps are used it may be necessary to shorten them by wrapping them around the hitch bar and reconnecting chain.



6. Level the main deck and check for adequate wheel clearance under towed vehicle. Check hitch bar location and be certain that it is even with or below bumper of towed vehicle. Retighten and readjust the chains and/or straps if necessary. Roll deck full forward to engage hold downs.
7. Connect all electrical connections for lights of towed vehicle. Attach safety chains from the bumper to the tow bar.



**NOTE:** IRL option allows the tow bar to be raised or lowered independent of the deck for ease of operation.

**CAUTION:** Always tow with the tow bar extended so that adequate clearance is maintained between deck and towed vehicle.

Rev. \_\_\_\_\_

Date \_\_\_\_\_

- CAUTION:** Properly secure the vehicle being towed. Use separate safety chains from towed vehicle to truck sub-frame.
- CAUTION:** After unloading the vehicle being towed, retract the tow bar before tilting or rolling the deck.
- CAUTION:** When not in use, tow bar must be in upper position and fully retracted.
- CAUTION:** Always use safety pin while tow bar is being used to prevent damage to vehicles in the event of a hydraulic failure.
- CAUTION:** The tow bar option is designed for the transport of a second vehicle only. Under no circumstances should a single vehicle recovery be transported on the tow bar as it may cause unsafe steering and braking conditions. Single vehicle recovery should be on the deck only.

8. Disengage the PTO.

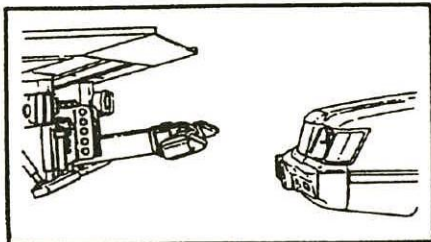
Rev. \_\_\_\_\_

Date \_\_\_\_\_

## F. Operation of the Wheel Lift Tow Bar (Option)

The wheel lift tow bar allows a second vehicle to be towed damage free on its own suspension by utilizing a wheel grid similar to the Jerr-Dan HPL wheel lift. It may be purchased with or without the IRL (Independent Raise, Lower) feature. The wheel lift cross bar may also be used as a conventional tow bar for badly damaged or heavier vehicles.

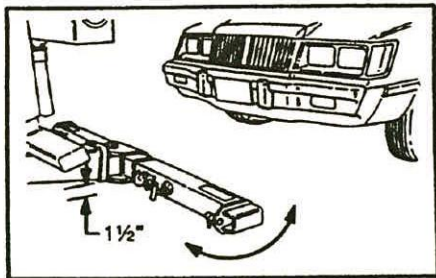
**CAUTION:** Because of the additional boom extension and load point of the towed vehicle, the wheel lift tow bar places more load on the rear axle and unloads the front axle more than a conventional tow bar. Overloading wheel lift tow bar may result in unsafe steering and braking conditions and may damage truck frame. Also, never use wheel lift without a vehicle on the deck. Single vehicle recovery should utilize the deck only.



1. Position the truck within 3 to 4 ft. of the subject vehicle and as close to the direction of the pull as possible.

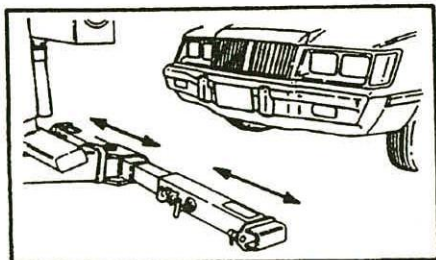
2. Set the truck's parking brakes.

3. Confirm the truck's position in relation to the vehicle to be towed. Three (3) to four (4) feet is recommended.



**Be sure the towed vehicle is not in gear or park. Keep the brake set.**

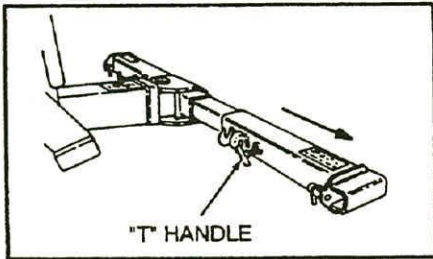
4. Lower the lift arm to about 1-1/2" from the ground and swing the cross bar parallel to the tires.



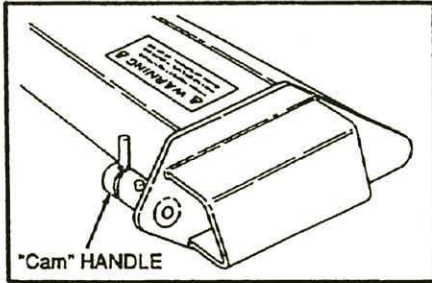
5. Set the grid width as required for the vehicle to be towed. Be sure both grids are as close to the center of the boom as possible.

Rev. \_\_\_\_\_

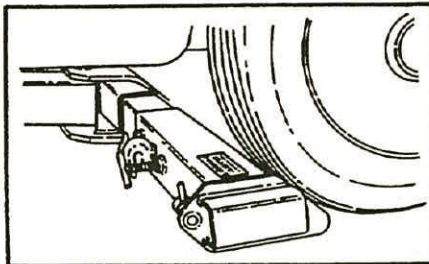
Date \_\_\_\_\_



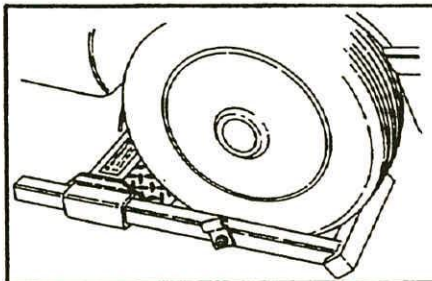
6. To set the grid width, loosen the "T" handles on the front of the grid arms and pull the grids out. Be sure both grids are as close to the center of the boom as possible, and wide enough to allow the "L" arms to slide into their channels. Tighten the "T" handles to secure the grids.



7. Retract the "Cam" handle locking pin on the grid by turning it a half turn. It should remain in the open position.



8. Extend the lift arm under the vehicle being sure that all under carriage parts are cleared and that the front portion of the grid is in contact with both tires. Lower the grid fully to the ground. **There is no reason for the operator to get under the vehicle.**



9. Visually inspect the tire to grid contact before proceeding.
10. Take the "L" arms and slide them into the channels on the side of the grid. Insure that they are resting snugly against the tires, with the "L" arms in close contact with the tires, reset the locking pin by turning the "Cam" handle back to the original position. **Be sure that the pin seats in one of the holes.** The tires are now confined front and back.

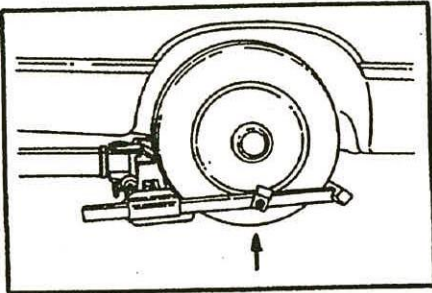
Rev. \_\_\_\_\_

Date \_\_\_\_\_

11. After securing the grid arm around the towed vehicles tires and before making the actual lift, check to be sure the towed vehicle's parking brake is released, the transmission is in neutral, and the wheels are straight.

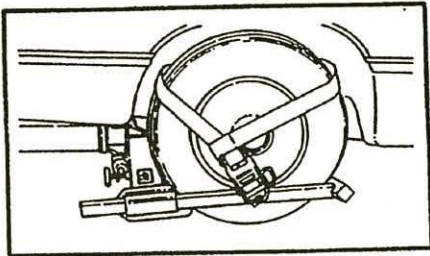
**NOTE:** If vehicle to be towed is on a slope, do not release the brake until the tie-down straps are installed. Observe the wheels in the grid for any slippage.

12. It is recommended that the steering wheel be secured by a steering wheel strap for any tow.



13. Lift the vehicle high enough to allow tires to clear ground.

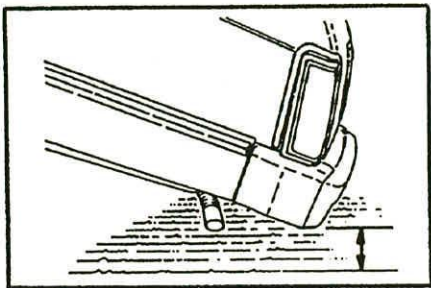
14. Remove the tie down straps from toolboxes and attach the tie down straps. (See the following section on the tie-down straps.)



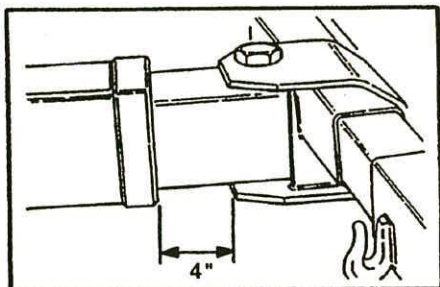
15. With the straps in place, the vehicle in neutral and the parking brake released, you can move the vehicle safely up, down, in or out. All of these movements are hydraulically controlled.

Rev. \_\_\_\_\_

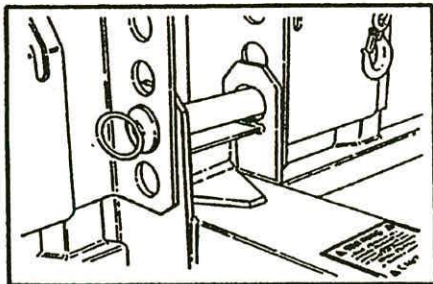
Date \_\_\_\_\_



16. Raise the vehicle into the final towing position observing the far end for sufficient ground clearance. It is possible to set the rear of a front lifted vehicle completely onto the ground, causing damage. Take irregular roadsurfaces into consideration. Observe the lift function from the side and away from both vehicles if possible.



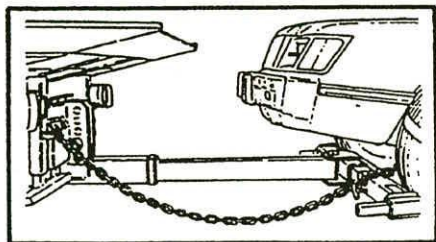
17. Power retract the grid boom until the towed vehicle is about 3 to 4 feet from the back of the truck. Leave enough room to maneuver around corners without corner binding or causing contact between the two (2) vehicles. **Be sure that the boom is extended at least 4" to insure unobstructed crossbar pivoting.**



18. Be sure to maintain sufficient clearances with the bottom of the towed vehicle.

19. Install safety pin to insure mechanism does not drop in the event of a hydraulic failure.

20. Attach the safety chains and magnetic towing lights.



Rev. \_\_\_\_\_

Date \_\_\_\_\_



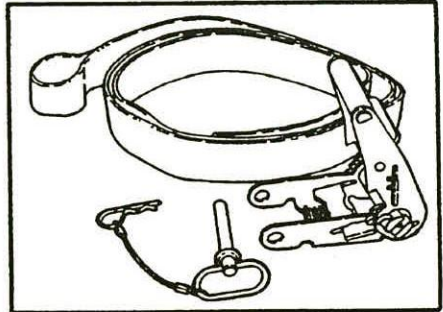
## TIE DOWN STRAPS

Your carrier is supplied with a set of high strength polyester web tie down straps. They are to be used to secure wheels of the towed vehicle to the wheel lift grid. **NEVER TOW A VEHICLE WITHOUT THE TIE DOWN STRAPS INSTALLED.**

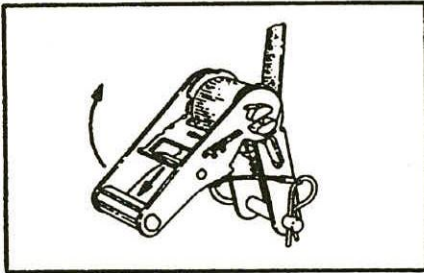
The tie down strap assembly is comprised of 3 basic components:

1. The Strap
2. The ratchet spool mechanism
3. The ratchet retaining pin and cotter key

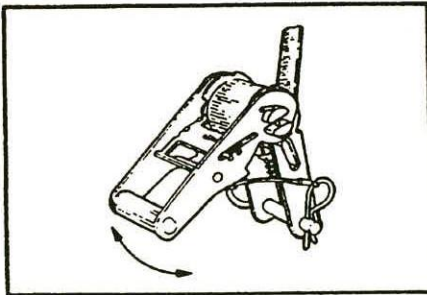
The following steps should be followed to properly install the tie down straps:



### USING THE RATCHET SPOOL MECHANISM



1. First the spool must be set into "free spool". This is done by pulling the lock bar out and swinging the handle upward until it rests in the free spool notch and then simply pulling out the amount of strap required to fit over the tire.



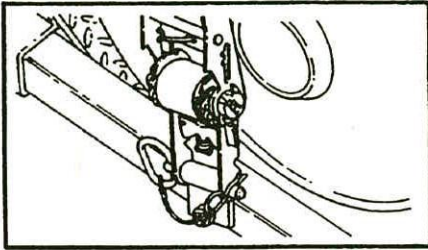
2. Now pull on the lock bar and move it downward until it engages the ratchet teeth on the take up spool. By pushing and pulling the handle up and down, the strap will be wound onto the spool.

3. To release the ratchet, simply pull on the locking bar, disengaging the teeth and raise the handle to the "free spool" position.

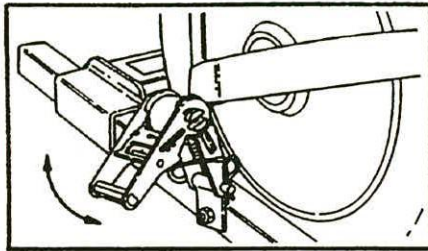
Rev. \_\_\_\_\_

Date \_\_\_\_\_

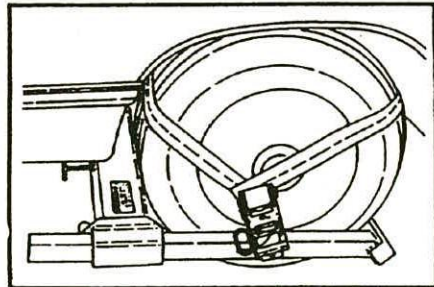
## INSTALLING THE TIE DOWN STRAP



1. With the vehicle lifted just barely off the ground, attach the strap to the wheel grid. Be sure the ratchet pin is secured with the hairpin cotter pin.



2. Set the ratchet spool in "free spool" position and pull the webbed strap out and form a loop which will wrap around the tire. Be sure the loop is over approximately 1/3 of the tire.



3. Take up the slack in the strap by reattaching the take up spool arm. Continue until the tires show some compression.

4. Raise the wheel grid to the towing position. **RE-TIGHTEN THE RACHET PERIODICALLY AS TIRE SETTLES IN GRID FROM TOWING**

Rev. \_\_\_\_\_

Date \_\_\_\_\_

## MAINTENANCE AND LUBRICATION

Jerr-Dan rollback truck decks are designed for years of service with little maintenance. This small amount of maintenance, however, is very important for durability and for safe operation of the deck.

Maintenance is an owner/user responsibility as neither the manufacturer nor the distributor can normally control this function.

Use only safe practices when maintaining this equipment. Never get under a tilted deck unless it is adequately supported (don't rely on the hydraulic system). Always shut off the engine before reaching into pinch areas as when checking the hydraulic oil level or greasing under the deck. Maintain a clean shop for safety. Clean up spilled oil immediately.

Inspect the vehicle and deck system periodically for damage or evidence of pending failure. Damaged or broken parts should be replaced immediately. Never operate a machine which is known to be defective or operating improperly. The cause of any binding or leakage should be determined immediately and the problem promptly fixed.

Sliding surfaces are to be cleaned and coated with a heavy grease periodically. Cleaning every 6 months is recommended for normal highway operations, but this frequency will vary appreciably with the type of service. Sliding on dirty wear surfaces will cause rapid wear. Fittings on linkage pivots should be greased every 2 months, again depending upon usage. See Lube Chart.

Check the hydraulic oil level bimonthly or after any leakage. Use 5W20 Dual Range hydraulic oil. (Automatic transmission fluid may be used in the hydraulic system if necessary.)

The proper oil level is best checked by rolling the deck back enough to gain access to the fill plug (unless the chassis configuration caused the oil tank to be mounted abnormally far to the rear). The oil tank should be about 2/3 full with the deck so positioned (shut off the engine after moving the deck). This will result in a 3/4 full tank with the cylinders fully retracted (deck fully forward). (Proper oil level is achieved when the hydraulic oil just covers the bottom of the screen in the filter neck.)

The hydraulic filter located on the return side of the hydraulic tank comes equipped with a restriction indicator gauge. This gauge shows the operator the condition of the filter element. When the needle reaches the red band (25 psi), the filter is starting to bypass and the element needs to be changed. Failure to change the element will result in premature wear and/or failure of any or all of the hydraulic components. **Only check gauge with hydraulic fluid at operating temperatures. Cold oil is more dense and will give a false indicator gauge reading.**

If a cylinder seal leaks, disassemble the cylinder and ascertain the cause of the leak. Small scores caused by chips or contaminated fluid can usually be worked out with fine emory cloth to avoid repetition of the trouble. Whenever any seal replacement is necessary, it is always advisable to replace all seals in that component. These seals are available in kits. Also, thoroughly clean all components before reassembly.

Rev. \_\_\_\_\_

Date \_\_\_\_\_

## NORMAL CARE AND CLEANING OF YOUR ALUMINUM DECK

To retain the original appearance of all types of aluminum finishes, it is important to keep the finish clean and free of dirt accumulation. For periodic routine cleaning, we recommend washing with water containing any mild, non-abrasive soap or detergent such as those found around the house or recommended for washing automotive finishes, or any of the numerous non-etching, non-abrasive aluminum cleaners which are available at grocery stores, department stores, hardware stores, and automotive stores. To apply these cleaners use a soft cloth or sponge for smooth surfaces. Follow the cleaning with a thorough rinsing of the surface with clear water and drying with a chamols or cloth to prevent spotting or streaking. To help keep the surface clean, to protect the finish from minor scratches or abrasion, and to facilitate later cleaning, a coat of non-abrasive liquid or paste wax, such as those recommended for the care of automotive finishes, should be applied to the clean, dry surface.

Wax coatings should normally be replenished every three to six months. The exact life of the wax coating is dependent on the degree and severity of exposure and maintenance between waxings. To get the longest life from wax coatings, excessive grime and soil should not be allowed to accumulate, and the waxed surface should be washed as often as needed with clear, cool water and dried with a damp chamols or cloth. A protective wax coating is particularly important for preservation of the finish in seaboard localities and in industrial areas where finish is exposed to industrial fallout.

Rev. \_\_\_\_\_

Date \_\_\_\_\_

LUBRICATION CHART  
 **JERR-DAN**<sup>®</sup>  
 WRANGLER  
 TRANSPORTER

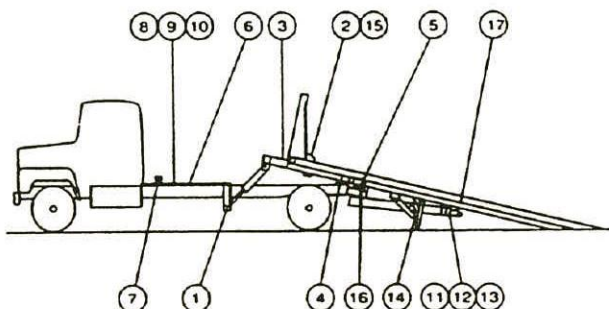


CHART COVERS **JERR-DAN** DECK SYSTEM ONLY

\* INDICATES DUAL RANGE HYD. FLUID 5 W 20  
 AUTO TRANS FLUID MAY BE SUBSTITUTED IF NECESSARY

\*\* INDICATES LITHIUM BASE GREASE (NO GRAPHITE BASE)

INTERVAL (HOURS)	REF. NO.	IDENTIFICATION	SERVICE	LUBRICANT	NO. OF POINTS
50 OR MONTHLY	15	CABLE	OIL	ENGINE OIL	1
	12	ADJ HANDLE	OIL	ENGINE OIL	2
100 OR BI-MONTHLY	1	TILT CYLINDER	LUBE	MPG	4
	2	WINCH	LUBE	MPG	1
	3	SLIDE BLOCKS	COAT	MPG	12
	4	SUBFRAME PIVOT	LUBE	MPG	2
	5	VALVE SPOOLS	CLEAN & OIL	ENGINE OIL	3-5
	6	WOOD STRIPS	COAT	*	2
	7	BODY GUIDE	COAT	MPG	2
	8	HYD RESERVOIR	CHECK	*	1
	11	PLUNGER	LUBE	MPG	4
	13	TOWBAR PIVOT	LUBE	MPG	1
14	IRL CYLINDER	LUBE	MPG	4	
16	CONTROL HANDLE	LUBE	MPG	6-10	
250 OR SEMI ANNUALLY	2	WINCH BOX	CHECK	GL5 # 140	1
	9	HYD BREATHER	CLEAN & OIL	ENGINE OIL	1
	10	HYD FILTER	CHANGE		1
	17	DECK STRINGER	COAT	**	2
1000 OPERATING HOURS	2	WINCH BOX	DRAIN-FILL	GL5 # 140	1
	8	HYD RESERVOIR	DRAIN-FILL	*	1

Rev. \_\_\_\_\_

Date \_\_\_\_\_

## TROUBLESHOOTING

### PROBLEMS ENCOUNTERED WHILE UNIT IS IN TRANSIT

PROBLEM	CAUSE	SOLUTION
Looseness and rattling of deck	a. Loose Hold Down Blocks	a. Snug blocks against flange of "I" beam and tighten.
	b. Rollback Cylinder Support not adjusted properly	b. Snug rubber bolting against cylinder barrel and tighten.

### WINCH FUNCTIONING IMPROPERLY

Winch screeches during operation	a. Insufficient lubrication	a. Lubricate per lube chart
Winch will not pull load on deck	a. Free spooling device disengaged	a. Engage
	b. Insufficient Relief Valve pressure	b. Reset to correct setting using gauge
	c. Sheared keys or broken chain at coupling	c. Inspect and replace
	d. Hydraulic pump worn	d. Inspect and replace
Cable build-up on one side of spool or other	a. Off centered load	a. Recenter load if possible

### VALVE BANK FUNCTIONING IMPROPERLY

Valve bypasses oil or squeals during all operations	a. Insufficient relief valve setting	a. Reset to correct setting using gauge
	b. Broken relief spring	b. Inspect and replace
Valve handles stick, tight or frozen	a. Insufficient lubrication	a. Lubricate per lube chart
	b. Broken centering spring or clogged with dirt at bottom of spool	b. Inspect, clean or replace
Valve leaks at top or bottom of spools	a. Defective seals	a. Replace

### CYLINDERS FUNCTIONING IMPROPERLY

Cylinders leak oil	a. Defective seals or rod	a. Inspect and replace
Erratic operation of cylinders	a. Air in hydraulic system	a. Cycle hydraulic system 10-15 times to remove air
	b. Defective pump (Pulsating)	b. Replace if necessary

### HYDRAULIC SYSTEM FUNCTIONING IMPROPERLY

Slow Operation	a. Low engine RPM	a. Speed up engine
	b. Low oil level	b. Reservoir should be 3/4 full with cylinders retracted
	c. Blocked, restricted or collapsed hoses	c. Inspect, remove blockage or reposition hoses affected
		d. Dirty hydraulic oil
	e. Hydraulic pump worn	e. Rebuild or replace
	f. Relief valve in valve bank bypassing	f. 1) Reset to correct pressure using gauge 2) Check if relief spring is broken. Replace if necessary

Rev. \_\_\_\_\_

Date \_\_\_\_\_

## TROUBLESHOOTING

### P.T.O. FUNCTIONING IMPROPERLY

PROBLEM	CAUSE	SOLUTION
Cable tight or frozen	a. Cable kinked or bent b. Cable and P.T.O. connection not adjusted properly c. Mounting bracket nuts are over tightened at P.T.O. knob	a. Straighten or replace b. Inspect and adjust c. Loosen if necessary
Rattling noise in P.T.O.	a. P.T.O. backlash too loose	a. Shims must be removed (Consult P.T.O. manual)
Howling noise in P.T.O.	a. P.T.O. backlash too tight	a. Shims must be added (Consult P.T.O. manual)
Gear oil leak between P.T.O. and pump	a. Defective shaft seal	a. Remove and replace
P.T.O. will not engage or disengage	a. Cable and P.T.O. connection not adjusted properly b. Defective shifter cover plate	a. Inspect and adjust b. Inspect and replace

### HYDRAULIC PUMP FUNCTIONING IMPROPERLY

Cavitation: pump usually noisy	a. Low oil supply b. Heavy oil c. Dirty oil filter d. Restriction in suction line	a. Fill to proper level b. Fill with proper oil c. Clean or replace d. Remove
Pump takes too long to respond or fails to respond	a. Low oil supply b. Insufficient relief valve pressure c. Pump worn or damaged	a. Fill to proper level b. Reset to correct setting using gauge c. Repair or replace
Oil Heating up	a. Foreign material lodged in relief valve b. Using too light oil c. Dirty oil d. Oil level too low e. Insufficient relief valve pressure f. Relief valve pressure too high g. Pump worn (slippage)	a. Insect and remove b. Drain and refill with clean oil c. Drain, flush, and refill with clean oil d. Fill to proper level e. Set to correct setting using gauge f. Same as "e" g. Repair or replace
Oil foaming	a. Air leaking into suction line from tank to pump b. Wrong kind of oil c. Oil level too low	a. Tighten all connections b. Drain and refill with non-foaming type hydraulic oil c. Fill to proper level
Hydraulic oil leak between P.T.O. and pump Pump leaks at front and rear covers	a. Defective shaft seal a. Defective seals	a. Replace shaft seal a. Replace seals

Rev. \_\_\_\_\_

Date \_\_\_\_\_





## PARTS

To order repair parts, call your nearest Jerr-Dan Distributor or call 800-876-1415 for further information.

Give Sales Order No., Serial No. and Model No. along with part number and description of part.

## PARTS LIST -- RUSTLER DECK

Ref. No.	Part No.	Description	Qty.
1	3097000124	Steel Deck (17') (96" Wide)	1
	3097000123	Steel Deck (18') (96" Wide)	
	3097000122 <sup>1</sup>	Steel Deck (19') (96" Wide)	
	3097000064	Aluminum Deck (17')	
	3097000065	Aluminum Deck (18')	
	3097000067 <sup>1</sup>	Aluminum Deck (19')	
	3097000119 <sup>1</sup>	Aluminum Deck (19') (96" Wide)	
2	3241000029	Headboard (34.50")	1
	3241000040	Headboard (40.50")	
	3241000030	Headboard (45.50")	
3	7105201650	Hex Head Capscrew	4
4	7950200152	Flat Washer	4
5	7660200035	Hex Nut	2
6	7970000008	Winch Assembly	1
7	7950160050	Lock Washer	8
8	7115160850	Hex Head Capscrew	8
9	7115181450	Hex Head Capscrew	4
10	7660182301	Flanged Locknut	4
11	7626000008	Orbit Motor	1
12	7950180450	Lock Washer	2
13	7115181050	Hex Head Capscrew	2
14	7248000001	Cable	1
15	7590000010	Amber Light	2
16	3706000058	Tilt Lockout Striker Plate	1
17	7115161050	Hex Head Capscrew (Aluminum Decks Only)	2
18	7660162301	Flanged Locknut (Aluminum Decks Only)	2
19	4706000989	Plate (Aluminum Decks Only)	2
20	3178000136 <sup>2</sup>	Bracket Weldment	1
21	4806000011 <sup>2</sup>	Shaft	2
22	7754000022 <sup>2</sup>	Retaining Ring	8
23	4806000014 <sup>2</sup>	Shaft	1
24	4806000015 <sup>2</sup>	Shaft	1
25	4912000087 <sup>2</sup>	Roller Tube	2
26	7209000011 <sup>2</sup>	Bushing	8
27	4912000130 <sup>2</sup>	Roller Tube	2
28	7115181250 <sup>2</sup>	Hex Head Capscrew	4
29	7660182601 <sup>2</sup>	Locknut	4
30	7843000007 <sup>2</sup>	Extension Spring	2
31	7111141407 <sup>2</sup>	Flat Head Machine Screw	2
32	7660141600 <sup>2</sup>	Locknut	2
33	9551960017 <sup>3</sup>	Handle	1
34	9283960001 <sup>3</sup>	Collar	1
35	9691960001 <sup>3</sup>	Spring Pin	4
36	9178960007 <sup>3</sup>	Mounting Bracket	1
37	9843960013 <sup>3</sup>	Spring	1
38	9949960007 <sup>3</sup>	Flat Washer	2
39	9763960002 <sup>3</sup>	Shifter Rod	1
40	9691960011 <sup>3</sup>	Spring Pin	1
41	9309690004 <sup>3</sup>	Coupling	1
42	9120960015 <sup>3</sup>	Hex Head Capscrew	2
43	9661960010 <sup>3</sup>	Hex Nut	2
44	9949960008 <sup>3</sup>	Flat Washer	4

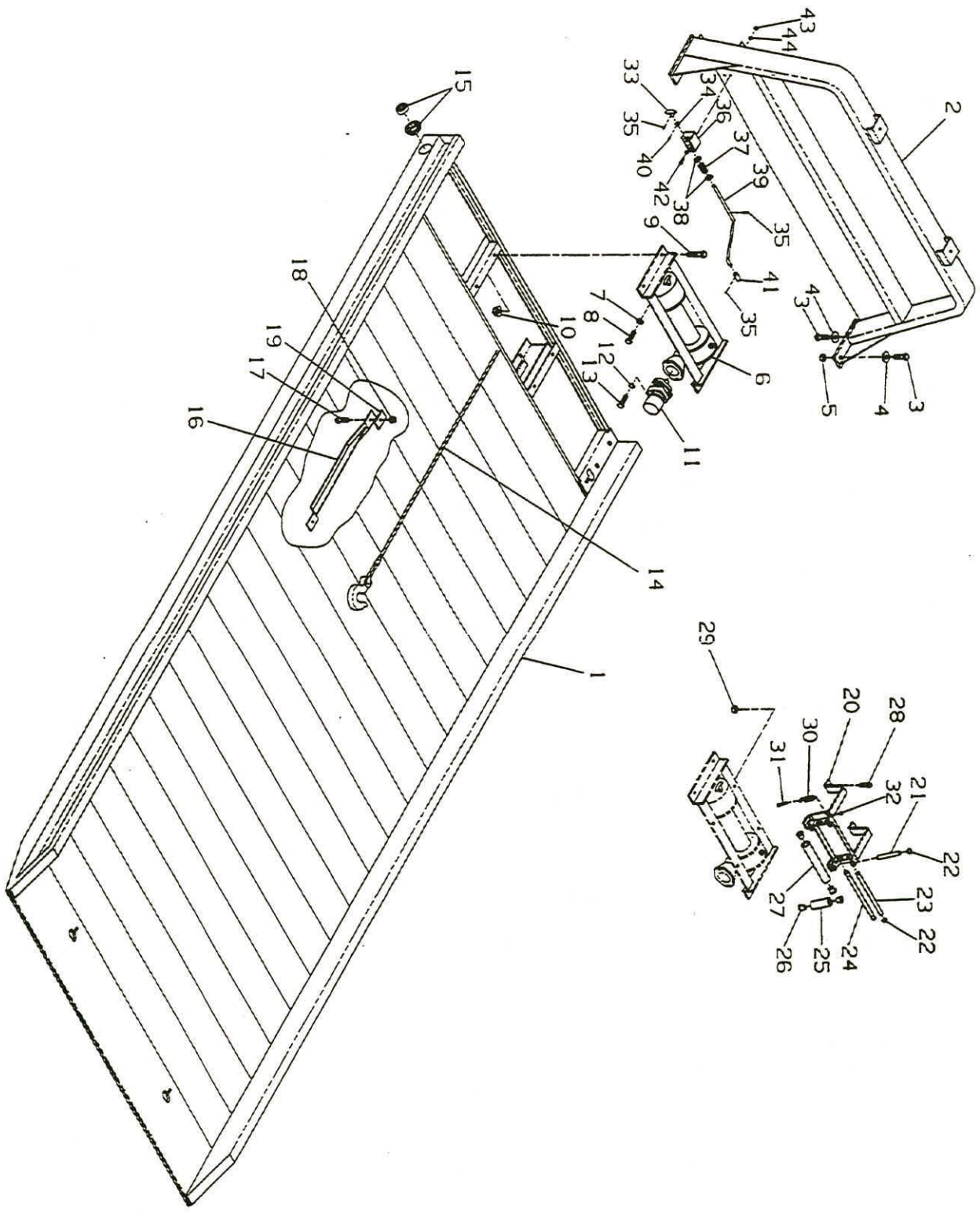
<sup>1</sup> Consult Factory for Foreign Chassis Components

<sup>2</sup> Also Available as Assembly #2500900448

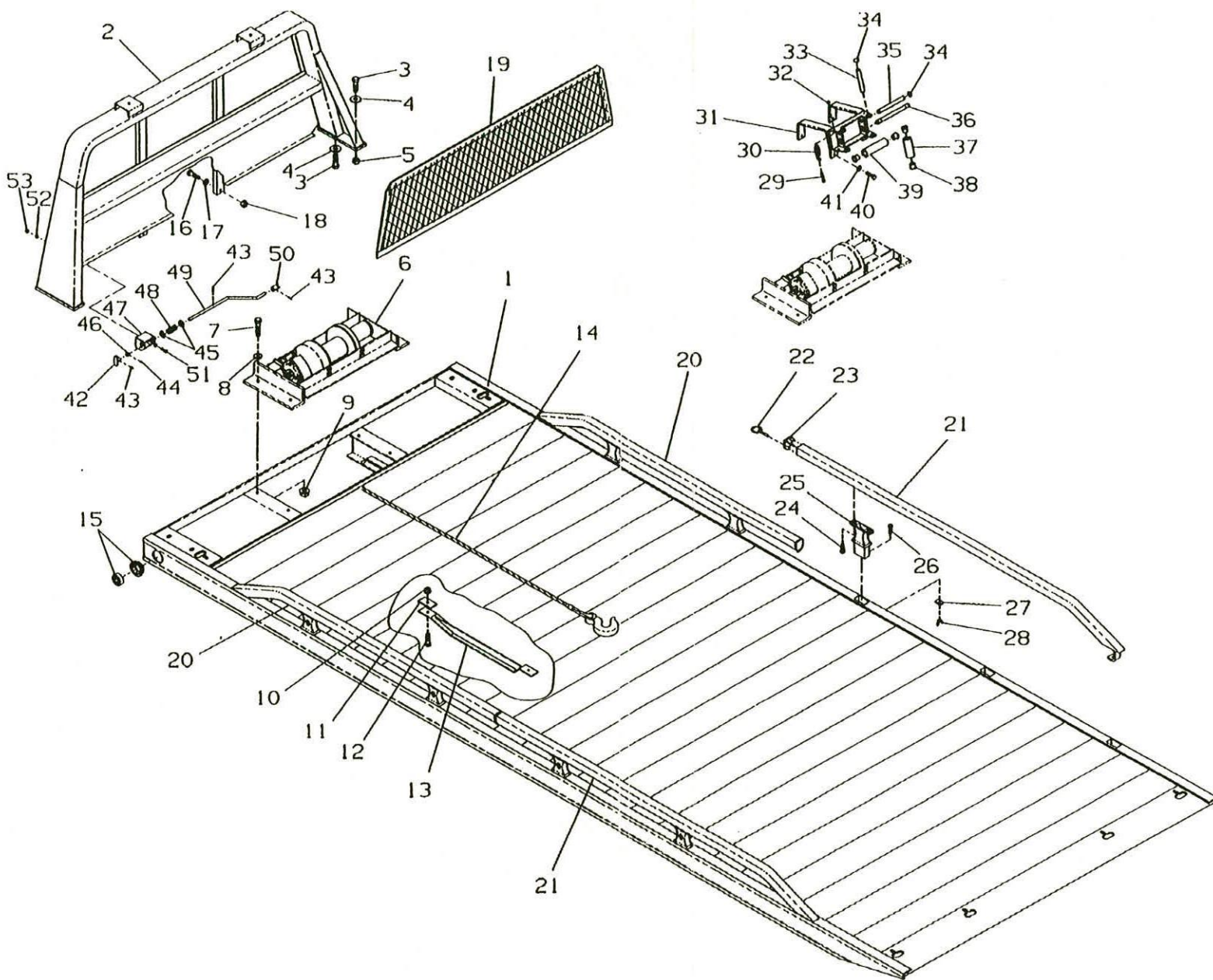
<sup>3</sup> Also Available as Assembly #7551000012

Rev. 1  
Date 07-01-95

RUSTLER DECK



# WRANGLER LITE DECK



## PARTS LIST -- WRANGLER LITE DECK

Ref. No.	Part No.	Description	Qty.
1	3097000058	Aluminum Deck (17")	1
	3097000055 <sup>1</sup>	Aluminum Deck (18'-4")	
2	3241000027	Headboard (34.50")	1
	3241000041	Headboard (40.50")	
	3241000025	Headboard (45.50")	
3	7105201650	Hex Head Capscrew (Alum. Decks Only)	4
4	7950200152	Flat Washer	4
5	7660200035	Hex Nut	2
6	7950000024	Planetary Winch Assembly	1
7	7115181450	Hex Head Capscrew	4
8	7950180153	Flat Washer	4
9	7660182301	Flanged Locknut	4
10	7660162301	Flanged Locknut (Alum. Decks Only)	2
11	4706000989	Plate (Alum. Decks Only)	2
12	7115161050	Hex Head Capscrew (Alum. Decks Only)	2
13	3706000058	Tilt Lockout Striker Plate	1
14	7248000001	Cable	1
15	7590000010	Amber Light	2
16	7115181050	Hex Head Capscrew	2
17	7950180161	Flat Washer	2
18	7660182601	Locknut	2
19	3391000001	Headboard Screen (34.50")	1
	3391000002	Headboard Screen (40.50"&45.50")	
20	3537300016 <sup>4</sup>	Front Raised Rail Tube Assembly	2
21	3537300015 <sup>4</sup>	Rear Raised Rail Tube Assembly	2
22	7391000003 <sup>4</sup>	Klik Pin	2
23	7254000002 <sup>4</sup>	End Cap	4
24	7118161025 <sup>4*</sup>	Bolt	16
25	7259000002 <sup>4*</sup>	Post	8
26	7111161051 <sup>4*</sup>	Bolt	10
27	4062000002 <sup>4*</sup>	Retaining Plate	10
28	7660162100 <sup>4*</sup>	Wing Nut	10
29	7111141407 <sup>2</sup>	Flat Head Machine Screw	2
30	7843000007 <sup>2</sup>	Extension Spring	2
31	3500900021 <sup>2</sup>	Bracket Weldment	1
32	7660141600 <sup>2</sup>	Locknut	2
33	4806000011 <sup>2</sup>	Shaft	2
34	7754000022 <sup>2</sup>	Retaining Ring	8
35	4806000012 <sup>2</sup>	Shaft	1
36	4806000013 <sup>2</sup>	Shaft	1
37	4912000087 <sup>2</sup>	Roller Tube	2
38	7209000011 <sup>2</sup>	Bushing	8
39	4912000086 <sup>2</sup>	Roller Tube	2
40	7115181050 <sup>2</sup>	Hex Head Capscrew	4
41	7950180000 <sup>2</sup>	Lock Washer	4
42	9551960017 <sup>3</sup>	Handle	1
43	9691960001 <sup>3</sup>	Spring Pin	4
44	9691960011 <sup>3</sup>	Spring Pin	1
45	9949960007 <sup>3</sup>	Flat Washer	2
46	9283960002 <sup>3</sup>	Collar	1
47	9178960007 <sup>3</sup>	Mounting Bracket	1
48	9843960013 <sup>3</sup>	Spring	1
49	9763960003 <sup>3</sup>	Shifter Rod	1
50	9309960005 <sup>3</sup>	Coupling	1
51	9120960015 <sup>3</sup>	Hex Head Capscrew	2
52	9949960008 <sup>3</sup>	Flat Washer	4
53	9661960010 <sup>3</sup>	Hex Nut	2

<sup>1</sup> Consult Factory for Foreign Components

<sup>2</sup> Also Available as Assembly #2500900548

<sup>3</sup> Also Available as Assembly #7551000009

<sup>4</sup> Also Available in Rail Kit #9577790035

\* Also Available in Post Kit #9577790084

Rev. \_\_\_\_\_

Date \_\_\_\_\_

## PARTS LIST -- ELITE DECK

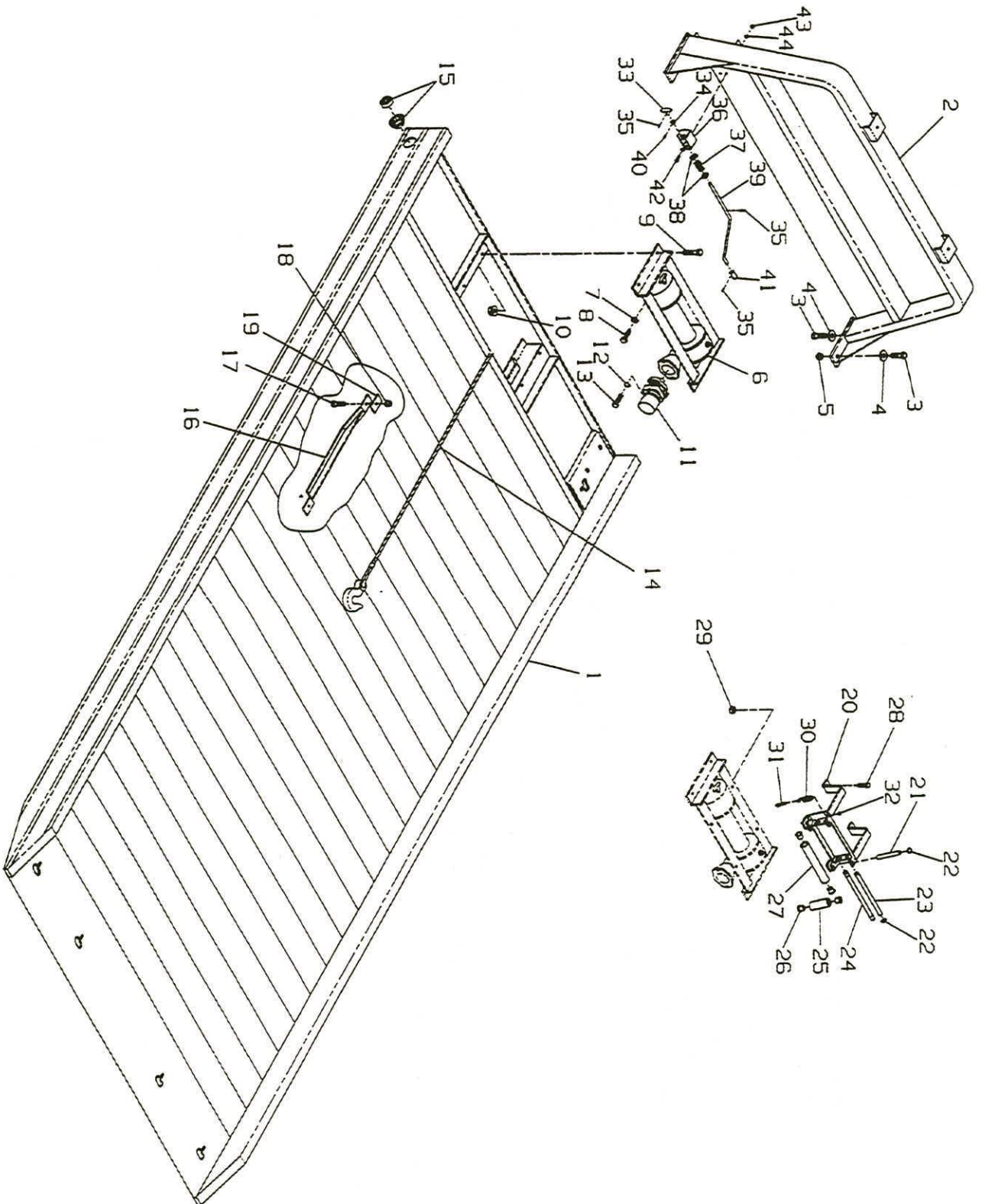
Ref. No.	Part No.	Description	Qty.
1	3097000121 <sup>1</sup>	Aluminum Deck (19")	1
2	3241000029	Headboard (34.50")	1
	3241000040	Headboard (40.50")	
	3241000030	Headboard (45.50")	
3	7105201650	Hex Head Capscrew	4
4	7950200152	Flat Washer	4
5	7660200035	Hex Nut	2
6	7970000008	Winch Assembly	1
7	7950160050	Lock Washer	8
8	7115160850	Hex Head Capscrew	8
9	7115181450	Hex Head Capscrew	4
10	7660182301	Flanged Locknut	4
11	7626000008	Orbit Motor	1
12	7950180450	Lock Washer	2
13	7115181050	Hex Head Capscrew	2
14	7248000001	Cable	1
15	7590000010	Amber Light	2
16	3706000058	Tilt Lockout Striker Plate	1
17	7115161050	Hex Head Capscrew (Aluminum Decks Only)	2
18	7660162301	Flanged Locknut (Aluminum Decks Only)	2
19	4706000989	Plate (Aluminum Decks Only)	2
20	3178000136 <sup>2</sup>	Bracket Weldment	1
21	4806000011 <sup>2</sup>	Shaft	2
22	7754000022 <sup>2</sup>	Retaining Ring	8
23	4806000014 <sup>2</sup>	Shaft	1
24	4806000015 <sup>2</sup>	Shaft	1
25	4912000087 <sup>2</sup>	Roller Tube	2
26	7209000011 <sup>2</sup>	Bushing	8
27	4912000130 <sup>2</sup>	Roller Tube	2
28	7115181250 <sup>2</sup>	Hex Head Capscrew	4
29	7660182601 <sup>2</sup>	Locknut	4
30	7843000007 <sup>2</sup>	Extension Spring	2
31	7111141407 <sup>2</sup>	Flat Head Machine Screw	2
32	7660141600 <sup>2</sup>	Locknut	2
33	9551960017 <sup>3</sup>	Handle	1
34	9283960001 <sup>3</sup>	Collar	1
35	9691960001 <sup>3</sup>	Spring Pin	4
36	9178960007 <sup>3</sup>	Mounting Bracket	1
37	9843960013 <sup>3</sup>	Spring	1
38	9949960007 <sup>3</sup>	Flat Washer	2
39	9763960002 <sup>3</sup>	Shifter Rod	1
40	9691960011 <sup>3</sup>	Spring Pin	1
41	9309690004 <sup>3</sup>	Coupling	1
42	9120960015 <sup>3</sup>	Hex Head Capscrew	2
43	9661960010 <sup>3</sup>	Hex Nut	2
44	9949960008 <sup>3</sup>	Flat Washer	4

<sup>1</sup> Consult Factory for Foreign Chassis Components

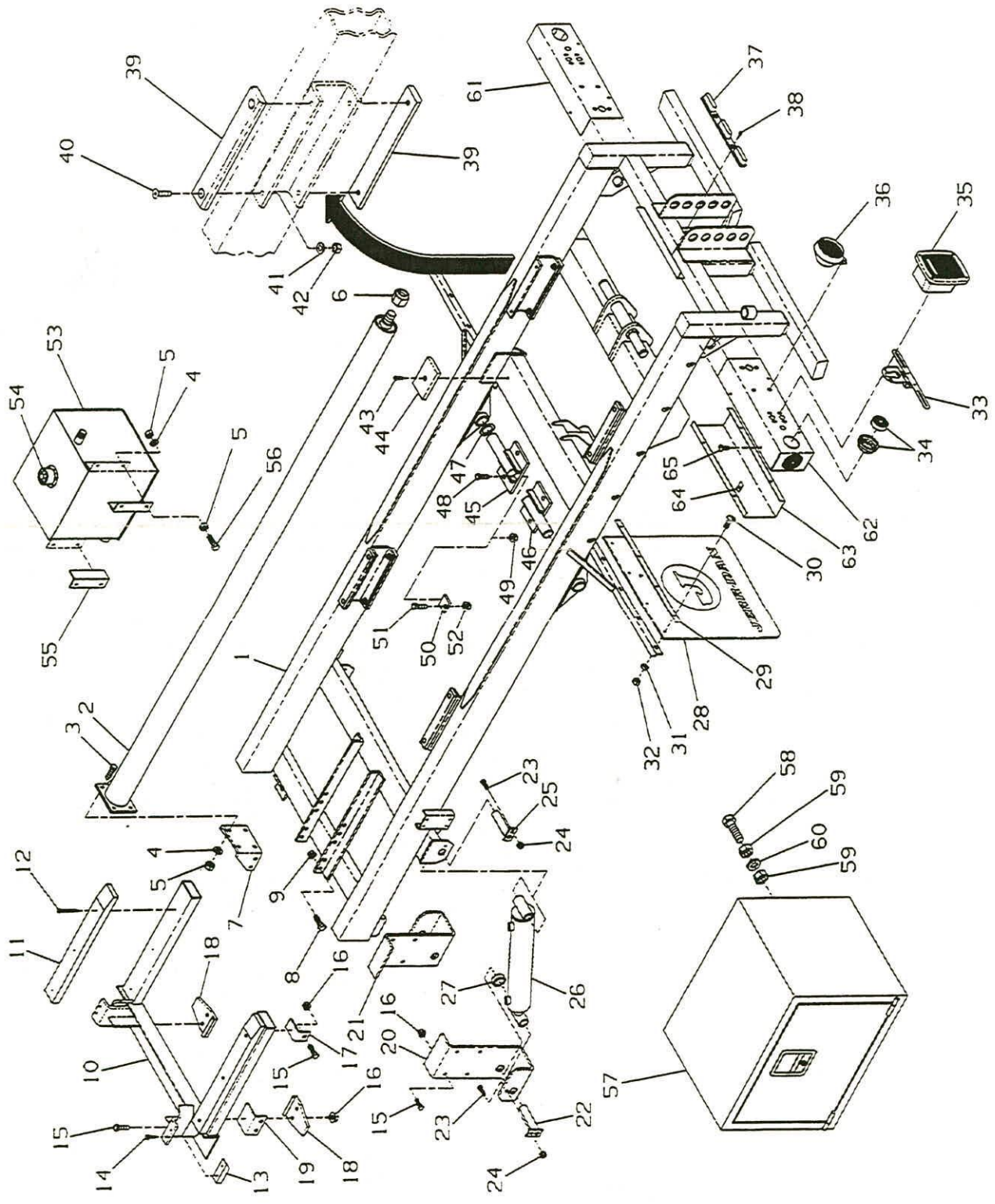
<sup>2</sup> Also Available as Assembly #2500900448

<sup>3</sup> Also Available as Assembly #7551000012

ELITE DECK



FINAL ASSEMBLY BASIC UNIT



Rev. \_\_\_\_\_  
Date \_\_\_\_\_



PARTS LIST -- FINAL ASSEMBLY BASIC UNIT			
Ref. No.	Part No.	Description	Qty.
1	3888000088	Subframe	1
2	3320000010	Rollback Cylinder	1
3	7115181450	Hex Head Capscrew	4
4	7950180000	Lock Washer	8
5	7660180000	Hex Nut	8
6	7660262031	Locknut	1
7	4178000154	Bracket	1
8	7115181250	Hex Head Capscrew	4
9	7661000011	Flanged Locknut	4
10	3636000038	Hold Down Base	1
11	4679000079	Wood Block	2
12	7120000010	Self-Drilling Screw	6
13	4679000020 <sup>2</sup>	Hold Down Pad	2
14	7790151856 <sup>2</sup>	Self-Tapping Screw	4
15	7105181450	Hex Head Capscrew	14
16	7660182333	Flanged Locknut	14
17	4017000405 <sup>1</sup>	Angle	2
18	3274000003 <sup>1</sup>	Retaining Clamp (Ford & IHC)	2
19	4017000457 <sup>1</sup>	Retaining Clamp (Chevys)	2
20	4178000178 <sup>1</sup>	L.H. Saddle	1
21	4178000179 <sup>1</sup>	R.H. Saddle	1
22	3691000092	Pin Weldment	2
23	7115180850	Hex Head Capscrew	4
24	7660182301	Flanged Locknut	4
25	3691000073	Pin Weldment	2
26	3320000009	Tilt Cylinder	2
27	4209000020	Spacer (11/16")	2
	4209000084	Spacer (5/16")	4
28	7638000004	Mud Flap	2
29	4706000233	Back-Up Strip	2
30	7111150813	Truss Head Screw	8
31	7950150000	Lock Washer	8
32	7660150000	Hex Nut	8
33	3555184002	Bracket	1
34	7690000009	Clearance Light (Red)	4
35		Stop, Turn, Tail Lamp	2
36	7590000011	Work Light	2
37	7590000007	Bar Light	1
38	7790141056	Self-Tapping Screw	2
39	4679000018 <sup>2</sup>	Wear Pad	8
40	7115181023 <sup>2</sup>	Flat Head Capscrew	16
41	7950180000 <sup>2</sup>	Lock Washer	16
42	7660180000 <sup>2</sup>	Hex Nut	16
43	7118180823 <sup>2</sup>	Flat Head Capscrew	2
44	4679000019 <sup>2</sup>	Wear Pad	2
45	3691000082 <sup>2</sup>	R.H. Trunnion Pin	1
	3691000080	R.H. Trunnion Pin (Chevy 3500HD)	1
46	3691000083 <sup>1</sup>	L.H. Trunnion Pin	1
	3691000080	L.H. Trunnion Pin (Chevy 3500HD)	1
47	7949000003	Washer	2
48	7105201450	Hex Head Capscrew	4
49	7660202331	Flanged Locknut	4
50	4706000964	Fill Plate (Chevy 3500HD)	2
51	7105201850	Hex Head Capscrew	2
52	7660202331	Flanged Locknut	2
53	3750000002 <sup>1</sup>	Oil Reservoir	1
54	7183000002	Filler Breather Cap	1
55	4017000063	Angle	2
56	7111181850	Hex Head Capscrew	4
57	3899000009 <sup>1</sup>	Toolbox	1
	3899000011	Toolbox with Stainless Steel Door	1
58	7105222050	Hex Head Capscrew	4
59	7660221338	Hex Nut	8
60	7950220000	Lock Washer	4
61	3178000171	R.H. Light Box	1
62	3178000172	L.H. Light Box	1

PARTS LIST -- FINAL ASSEMBLY BASIC UNIT			
Ref. No.	Part No.	Description	Qty.
83	4811000032	Closure Plate	2
64	7661000019	Clip Nut	8
65	7111140513	Machine Screw	8

<sup>1</sup> Consult Factory for Foreign Chassis Components  
<sup>2</sup> Available in Wear Pad Service Kit #9577650084

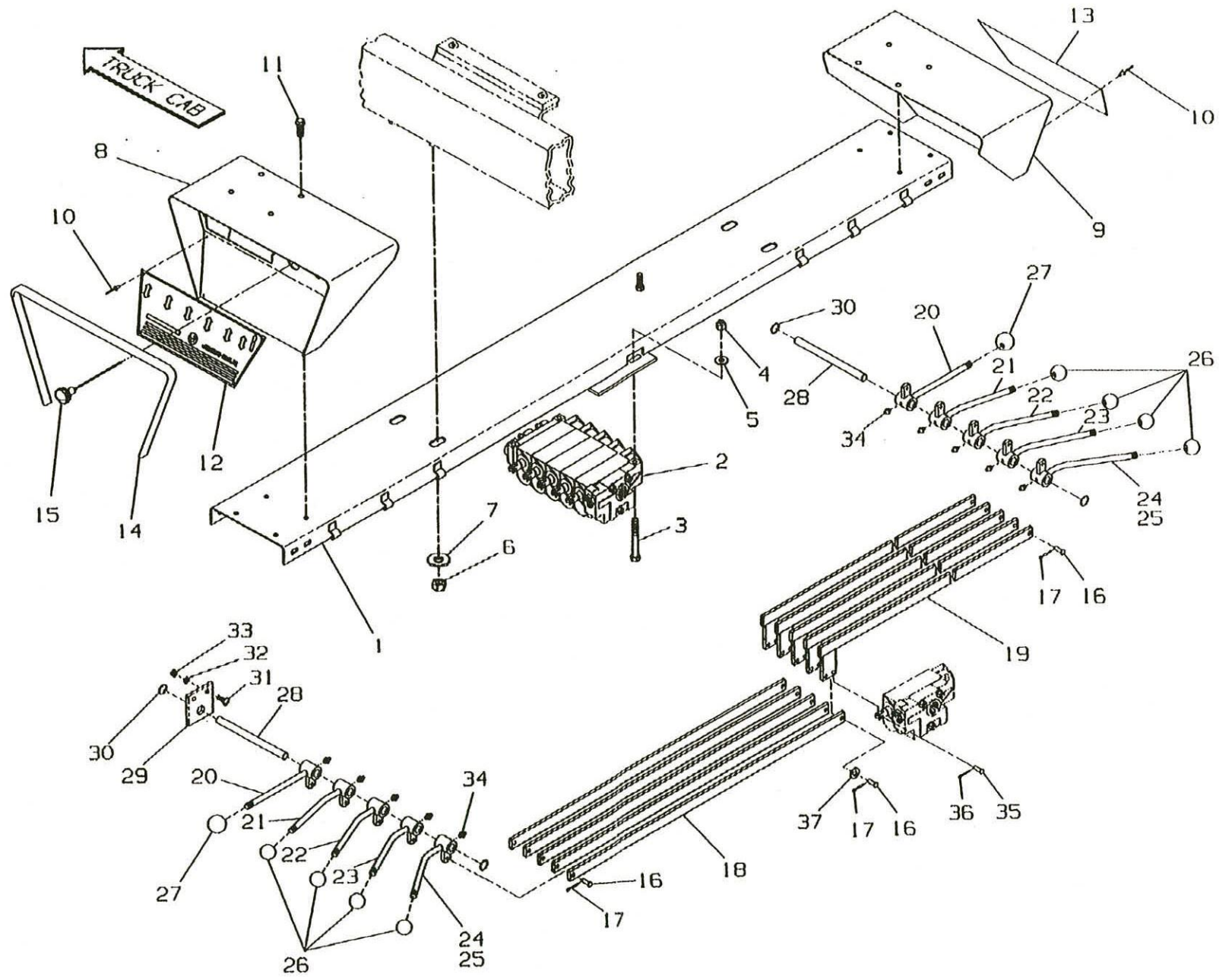
Rev. 1  
Date 07-01-95

**PARTS LIST -- DUAL CONTROLS  
(5 BANK VALVE SHOWN)**

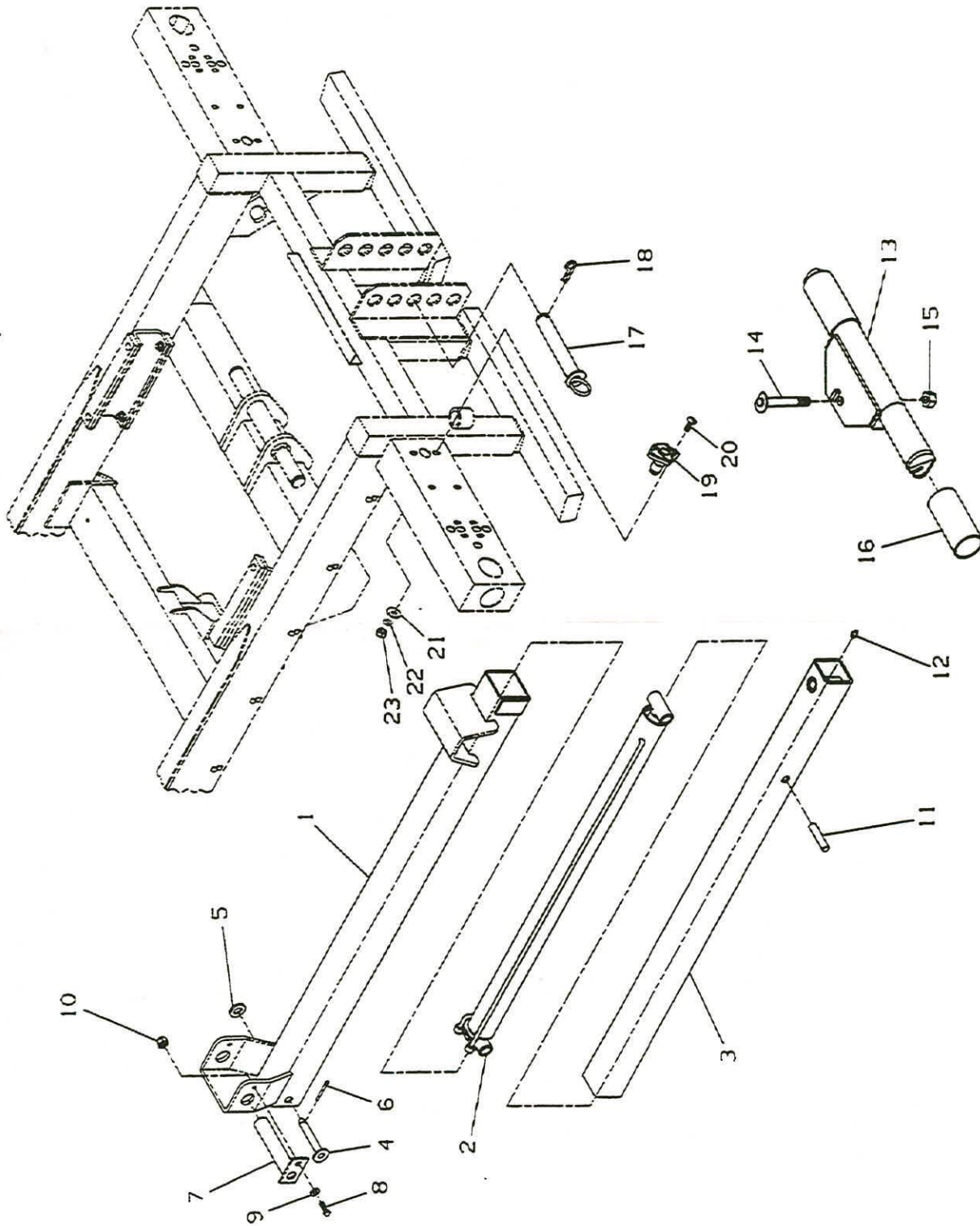
Ref. No.	Part No.	Description	Qty.
1	3177000033	Controls Support Weldment	1
2	4935000051	Control Valve (5 Bank)	1
	4935000050	Control Valve (4 Bank)	
	4935000049	Control Valve (3 Bank)	
3	7111163250	Hex Head Capscrew	3
4	7660161605	Locknut	3
5	7950160151	Flat Washer	3
6	7660181600	Locknut	4
7	7950180161	Flat Washer	4
8	3177000030	L.H. Control Hood	1
9	3177000031	R.H. Control Hood	1
10	7759000004	Pop Rivet	8
11	7115150625	Machine Screw	8
12	7330000155	L.H. Control Placard	1
13	7330000156	R.H. Control Placard	1
14	4632000004	Trim Molding	2
15	7590000012	Light	1
16	7690151200	Clevis Pin	9,12,15
17	7690021610	Cotter Pin	9,12,15
18	4763000123	Control Rod	3,4,5
19	3763000050	Control Rod	3,4,5
20	3551000017	Handle Weldment	2,2,2
21	3551000002	Handle Weldment	2,2,2
22	3551000013	Handle Weldment	2,2,2
23	3551000015	Handle Weldment	0,2,2
24	3551000031	Handle Weldment	0,0,2
25	4209000021	Bushing	4,2,0
26	7551000002	Black Knob	4,6,8
27	7551000003	Red Knob	2
28	4691000141	Pin	2
29	4606000065	Lug	4
30	7754000009	Retaining Ring	4
31	7111150864	Bolt	4
32	7950150000	Lock Washer	4
33	7660152601	Locknut	4
34	7440030000	Grease Fitting	6,8,10
35	7690141200	Clevis Pin	3,4,5
36	7690000810	Cotter Pin	3,4,5
37	7949000011	Flat Washer	3,4,5

Rev. 1  
Date 07-01-95

# DUAL CONTROLS



1500# HYDRAULIC TOW BAR



Rev. \_\_\_\_\_  
Date \_\_\_\_\_

**PARTS LIST -- 1500# HYDRAULIC TOW BAR INSTALLATION**

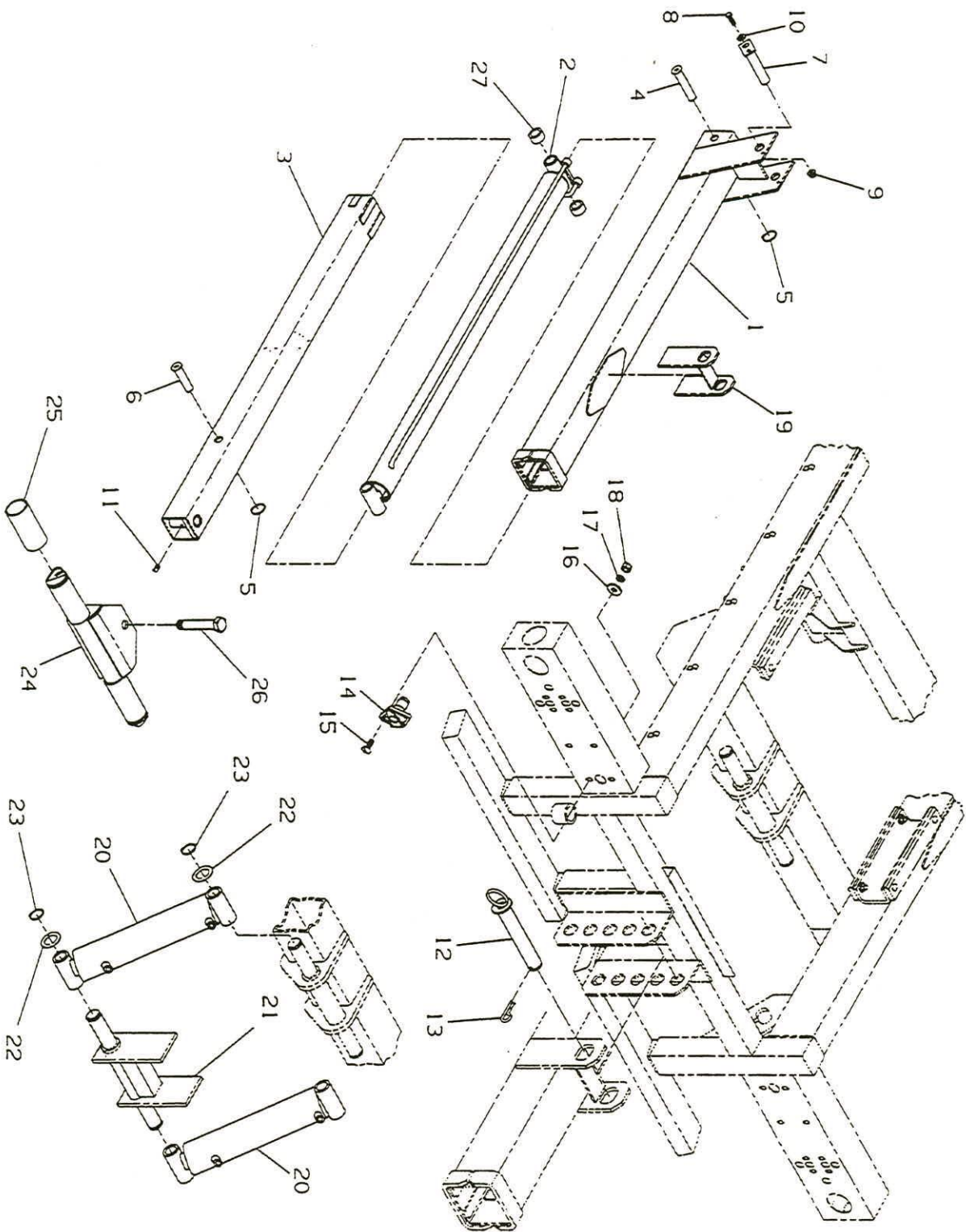
Ref. No.	Part No.	Description	Qty.
1	3170000034	Outer Tube Weldment	1
2	3320000013	Tow Bar Cylinder	1
3	3170000035	Inner Tube Weldment	1
4	3691000025	Pin Weldment	1
5	7950220161	Flat Washer	1
6	7690144010	Cotter Pin	1
7	3691000093	Pin Weldment	1
8	7118151250	Hex Head Capscrew	1
9	7950150161	Flat Washer	1
10	7660152600	Locknut	1
11	4691000042	Pin	1
12	7440030000	Grease Fitting	1
13	3556000006	Tow Hitch	1
14	3691000026	Hitch Pin	1
15	7660261630	Locknut	1
16	7912000011	Rubber Tube	2
17	3691000097	Pin Weldment	1
18	7691000001	Hair Pin	1
19	7291000003	Female Receptacle	1
20	7111140613	Truss Head Screw	2
21	7950140161	Flat Washer	2
22	7950140000	Lock Washer	2
23	7660140000	Hex Nut	2

Rev. \_\_\_\_\_  
Date \_\_\_\_\_

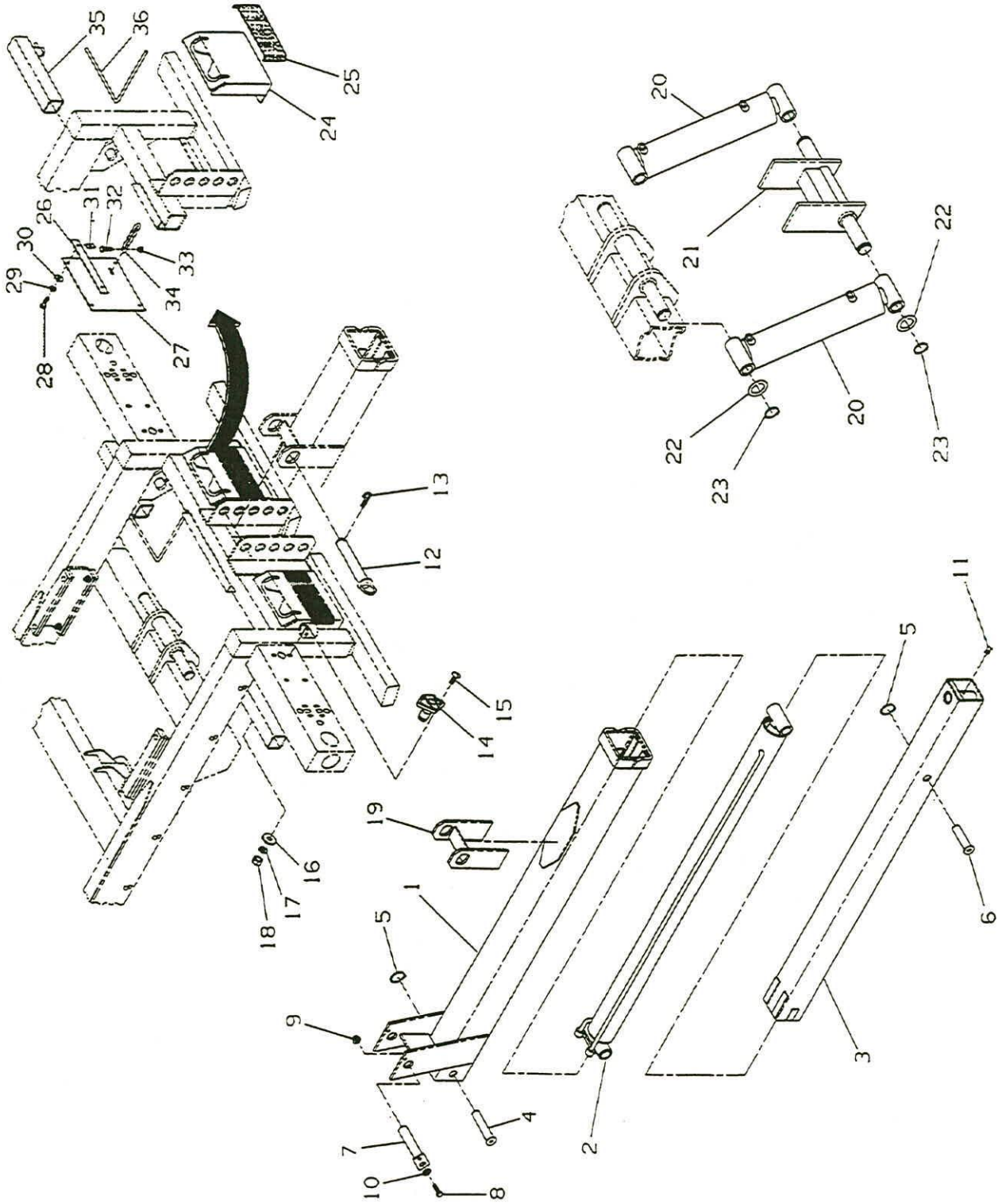
**PARTS LIST -- 3500# HYDRAULIC TOW BAR  
WITH AND WITHOUT IRL**

Ref. No.	Part No.	Description	Qty.
1	3170000074	Outer Tube Weldment	1
2	3320000020	Tow Bar Cylinder	1
3	3170000048	Inner Tube Weldment	1
4	3691000042	Pin Weldment	1
5	7754000006	Retaining Ring	2
6	3691000011	Pin Weldment	1
7	3691000093	Pin Weldment	1
8	7115161250	Hex Head Capscrew	1
9	7660162301	Flanged Locknut	1
10	7950160161	Flat Washer	1
11	7440000200	Grease Fitting 45°	1
12	3691000097	Pin Weldment	1
13	7691000001	Hair Pin	1
14	7291000003	Female Receptacle	1
15	7111140613	Truss Head Screw	2
16	7950140161	Flat Washer	2
17	7950140000	Lock Washer	2
18	7660140000	Hex Nut	2
19	3606000012	Lug Weldment (Low)	1
	3606000017	Lug Weldment (High)	1
20	3320000041	IRL Cylinder	2
21	3178000155	Bracket	1
22	7949000008	Washer	4
23	7754000014	Retaining Ring	4
24	3556000023	Tow Hitch	1
25	7912000011	Rubber Tube	2
26	4120000008	Bolt	1
27	4209000020	Spacer	2

3500# HYDRAULIC TOW BAR  
WITH AND WITHOUT IRL



**3500# HYDRAULIC WHEEL LIFT TOW BAR  
WITH AND WITHOUT IRL**



Rev. \_\_\_\_\_  
Date \_\_\_\_\_



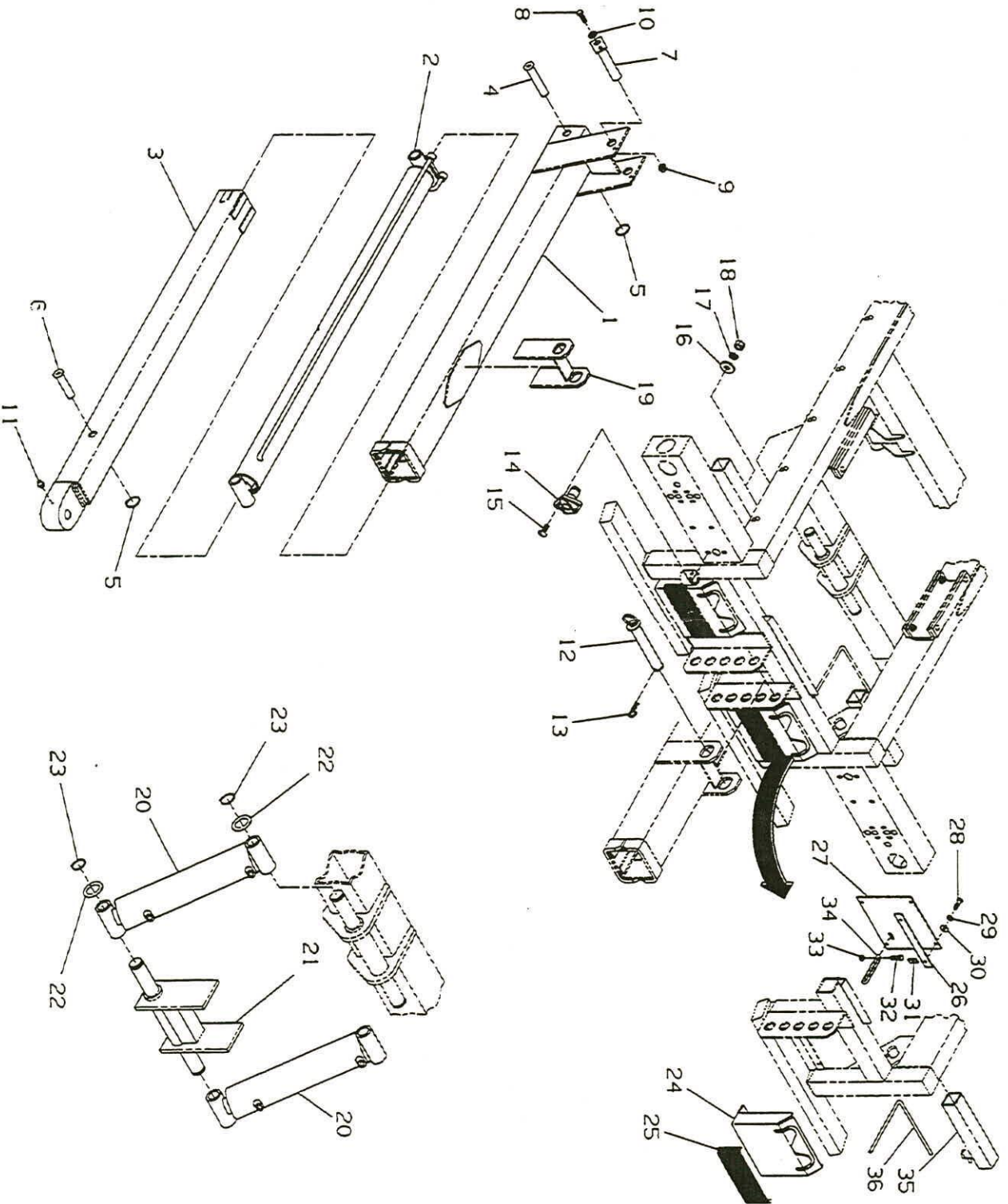
**PARTS LIST -- 3500# HYDRAULIC WHEEL LIFT TOW BAR  
WITH AND WITHOUT IRL**

Ref. No.	Part No.	Description	Qty.
1	3170000074	Outer Tube Weldment	1
2	3320000021	Tow Bar Cylinder	1
3	3170000046	Inner Tube Weldment	1
4	3691000042	Pin Weldment	1
5	7754000006	Retaining Ring	2
6	3691000011	Pin Weldment	1
7	3691000093	Pin Weldment	1
8	7115161250	Hex Head Capscrew	1
9	7660162301	Flanged Locknut	1
10	7950160161	Flat Washer	1
11	7440000200	Grease Fitting 45°	1
12	3691000097	Pin Weldment	1
13	7691000001	Hair Pin	1
14	7291000003	Female Receptacle	1
15	7111140613	Truss Head Screw	2
16	7950140161	Flat Washer	2
17	7950140000	Lock Washer	2
18	7660140000	Hex Nut	2
19	3606000012	Lug Weldment (Low)	1
	3606000017	Lug Weldment (High)	1
20	3320000041	IRL Cylinder	2
21	3178000155	Bracket	1
22	7949000008	Washer	4
23	7754000014	Retaining Ring	4
24	7706001412	Chain Pocket	2
25	7679000008	Chain Rub Pad	2
26	4062000108	Bar	4
27	4811000030	Back Plate	2
28	7115140850	Hex Head Capscrew	8
29	7950140000	Lock Washer	8
30	7950140152	Flat Washer	8
31	7661000019	Clip Nut	8
32	7115171050	Hex Head Capscrew	2
33	7660172600	Locknut	2
34	7262000020	Chain Assembly	2
35	3913000043	L-Arm Storage Tube	2
36	4495000007	Hose Guard	1

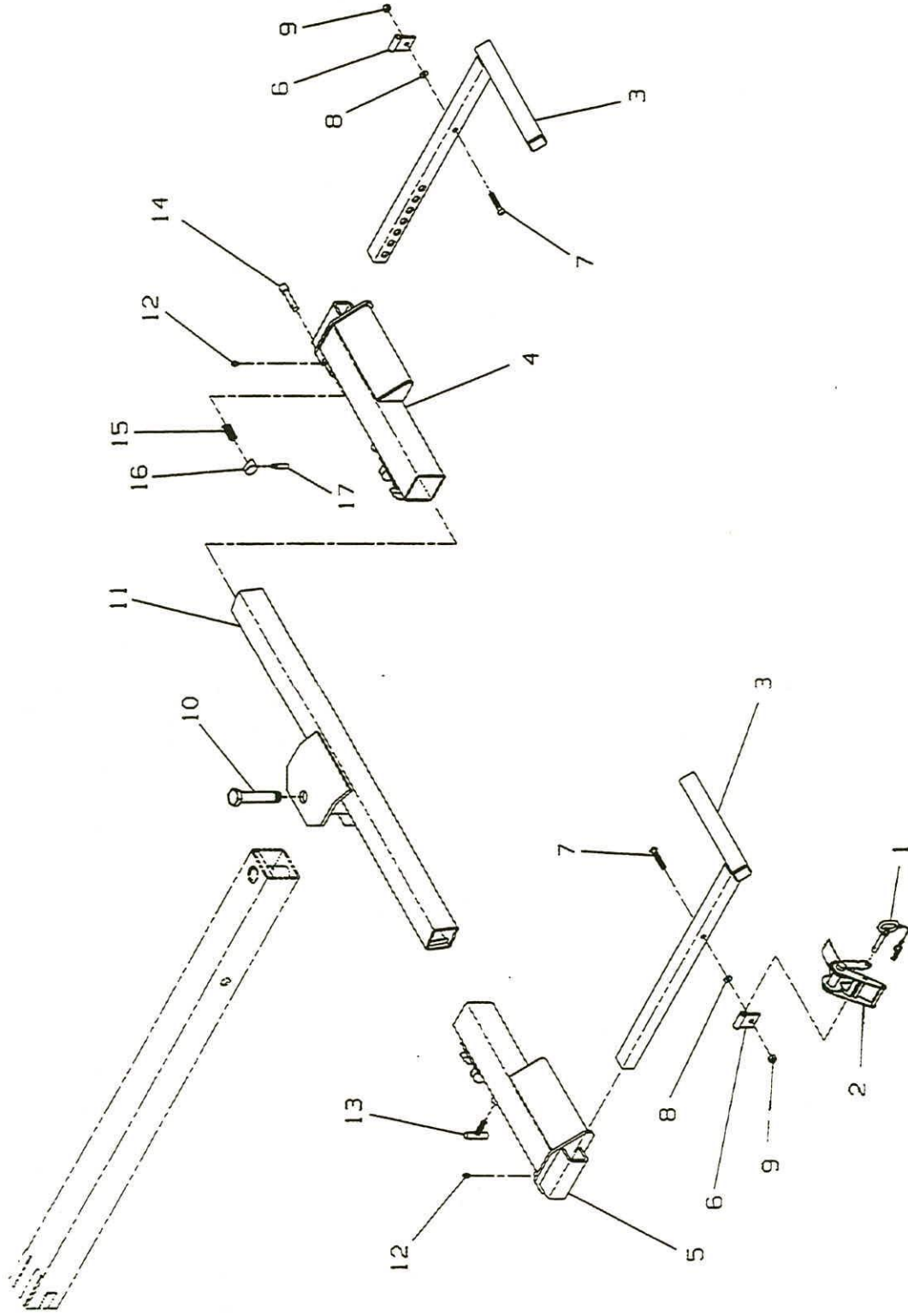
**PARTS LIST -- LO-PROFILE  
3500# HYDRAULIC WHEEL LIFT TOW BAR  
WITH AND WITHOUT IRL**

Ref. No.	Part No.	Description	Qty.
1	3170000074	Outer Tube Weldment	1
2	3320000021	Tow Bar Cylinder	1
3	3170000073	Inner Tube Weldment	1
4	3691000042	Pin Weldment	1
5	7754000006	Retaining Ring	2
6	3691000011	Pin Weldment	1
7	3691000093	Pin Weldment	1
8	7115161250	Hex Head Capscrew	1
9	7660162301	Flanged Locknut	1
10	7950160161	Flat Washer	1
11	7440000200	Grease Fitting 45°	1
12	3691000097	Pin Weldment	1
13	7691000001	Hair Pin	1
14	7291000003	Female Receptacle	1
15	7111140613	Truss Head Screw	2
16	7950140161	Flat Washer	2
17	7950140000	Lock Washer	2
18	7660140000	Hex Nut	2
19	3606000012	Lug Weldment (Low)	1
	3606000017	Lug Weldment (High)	1
20	3320000041	IRL Cylinder	2
21	3178000155	Bracket	1
22	7949000008	Washer	4
23	7754000014	Retaining Ring	4
24	7706001412	Chain Pocket	2
25	7679000008	Chain Rub Pad	2
26	4062000108	Bar	4
27	4811000030	Back Plate	2
28	7115140850	Hex Head Capscrew	8
29	7950140000	Lock Washer	8
30	7950140152	Flat Washer	8
31	7661000019	Clip Nut	8
32	7115171050	Hex Head Capscrew	2
33	7660172600	Locknut	2
34	7262000020	Chain Assembly	2
35	3913000043	L-Arm Storage Tube	2
36	4495000007	Hose Guard	1

**LO-PROFILE  
3500# WHEEL LIFT TOW BAR  
WITH AND WITHOUT IRL**



**HYDRAULIC WHEEL LIFT TOW BAR  
WHEEL GRID ASSEMBLY**



## PARTS LIST -- HYDRAULIC TOW BAR WHEEL GRID ASSEMBLY

Ref. No.	Part No.	Description	Qty.
1	7691000011	Hitch Pin	2
2	7894000002	Tie Down Strap	2
3	3511880049*	L-Arm	2
4	3511880080	R.H. Grid Weldment	1
5	3511880081	L.H. Grid Weldment	1
6	3178000001*	Anchor Bracket	2
7	7118182418*	Button Head Capscrew	2
8	7950180153*	Flat Washer	2
9	7660181630*	Hex Locknut	2
10	4120000008	Bolt	1
11	3500880056	Pivot Tube	1
12	7440030000	Grease Fitting	2
13	3551000026	T-Handle	2
14	4691000188	Pin	2
15	7843000006	Spring	2
16	4254000006	Cap	2
17	4763000184	Rod	2

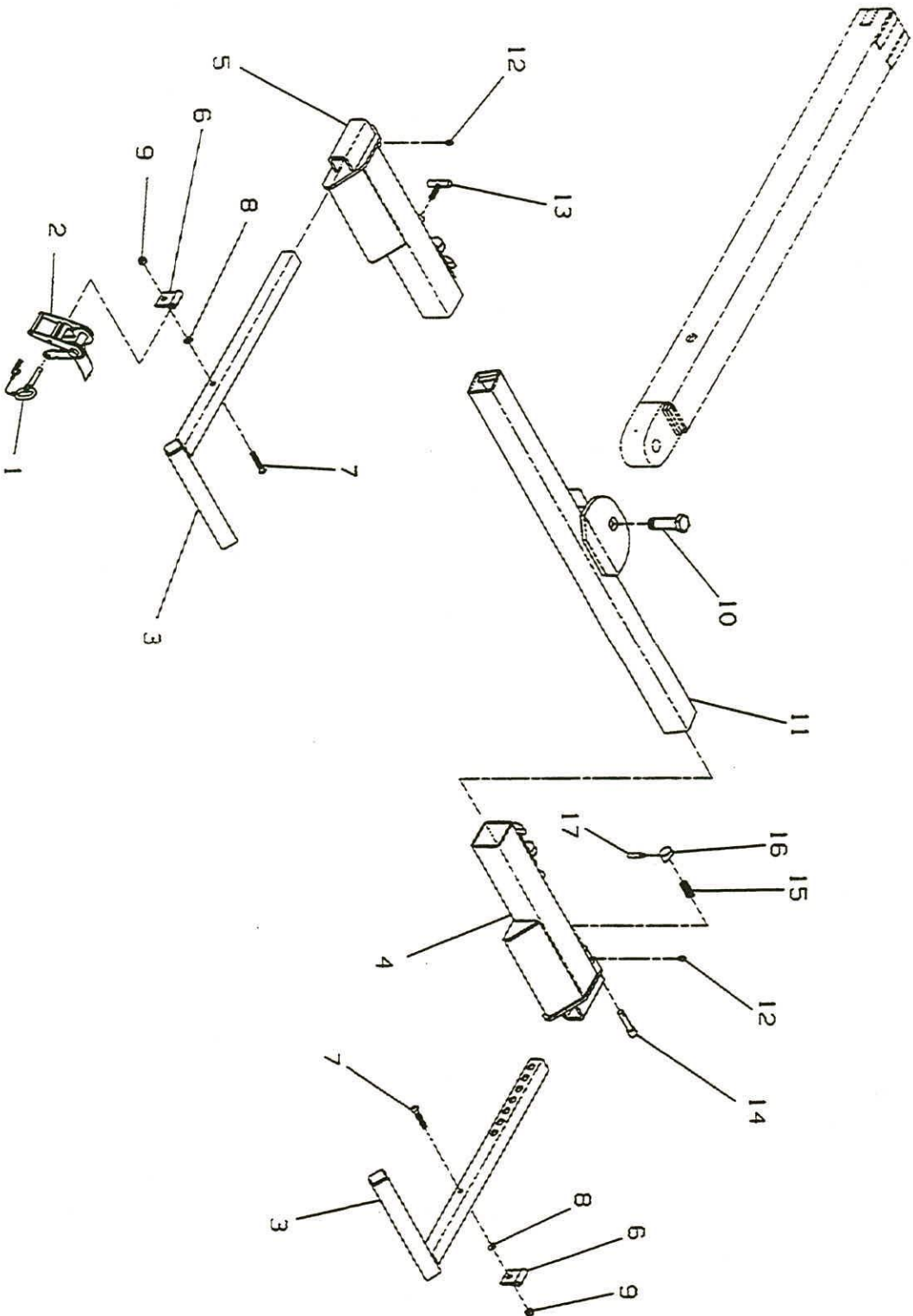
\*Also available in L-Arm Replacement Kit #9577000002

**PARTS LIST -- LO-PROFILE  
HYDRAULIC TOW BAR WHEEL GRID ASSEMBLY**

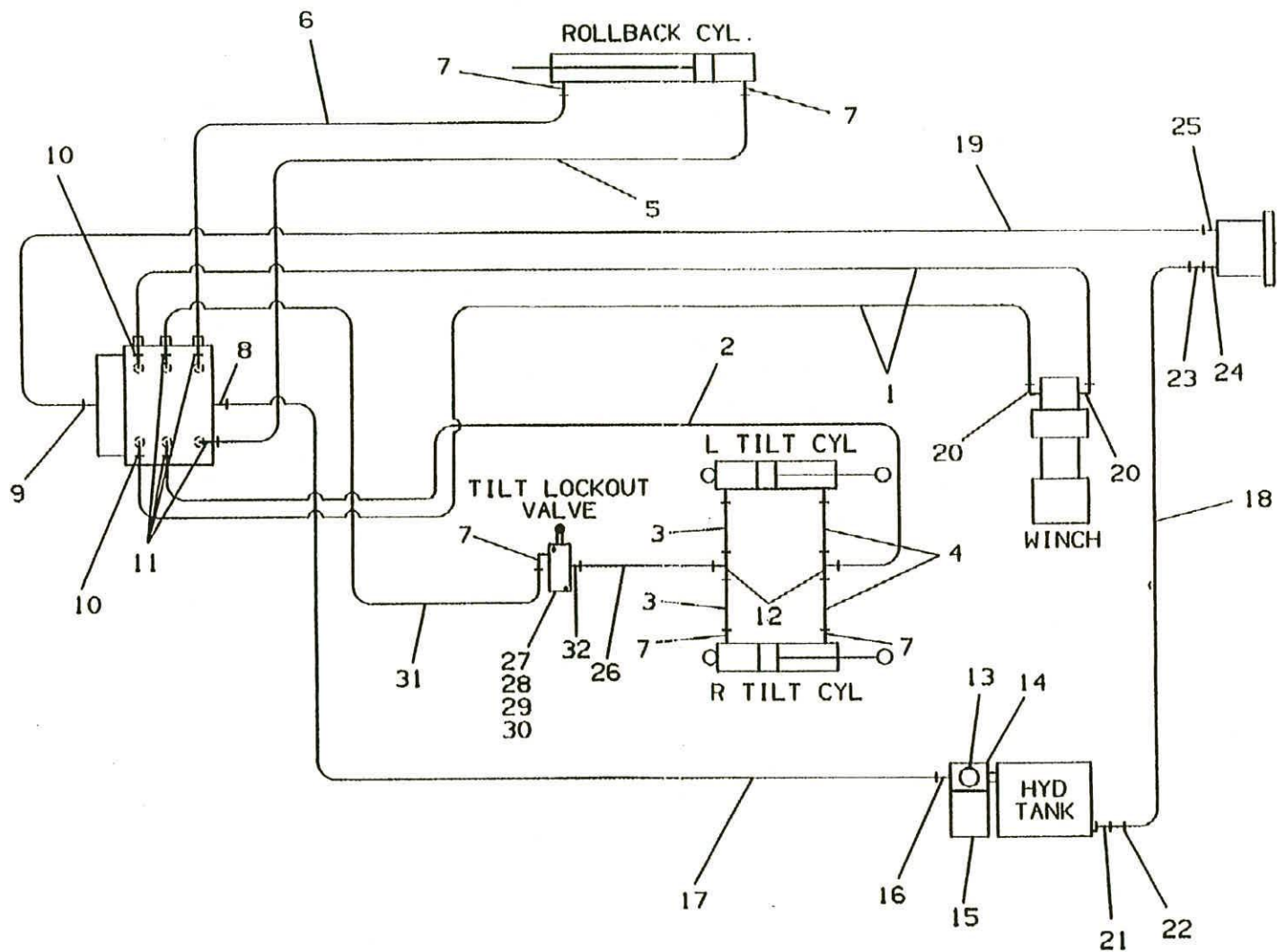
Ref. No.	Part No.	Description	Qty.
1	7691000011	Hitch Pin	2
2	7894000002	Tie Down Strap	2
3	3511880049*	L-Arm	2
4	3511880080	R.H. Grid Weldment	1
5	3511880081	L.H. Grid Weldment	1
6	3178000001*	Anchor Bracket	2
7	7118182418*	Button Head Capscrew	2
8	7950180153*	Flat Washer	2
9	7660181630*	Hex Locknut	2
10	4120000011	Bolt	1
11	3500880062	Pivot Tube	1
12	7440030000	Grease Fitting	2
13	3551000026	T-Handle	2
14	4691000188	Pin	2
15	7843000006	Spring	2
16	4254000006	Cap	2
17	4763000184	Rod	2

\*Also available in L-Arm Replacement Kit #9577000002

LO-PROFILE  
HYDRAULIC WHEEL LIFT TOW BAR  
WHEEL GRID ASSEMBLY



# HYDRAULIC COMPONENTS





## PARTS LIST -- HYDRAULIC COMPONENTS

Ref. No.	Part No.	Description	Qty.
1	4567132178	Winch Hose (17' Deck)	2
	4567132190*	Winch Hose (18' Deck)	
	4567132198*	Winch Hose (19' Deck)	
2	4567122100	Tilt Supply Hose	1
3	4567120020	Tilt Base Hose	2
4	4567120038	Tilt Rod Hose	2
5	4567122104	Rollback Base Hose	1
6	4567122047	Rollback Rod Hose	1
7	7445060645	90° Elbow	7
8	7445121245	90° Elbow	1
9	7445081245	90° Elbow	1
10	7445081043	Straight Adapter	2
11	7445061043	Straight Adapter	4
12	7445060637	Tee	2
13	7470000002	Gauge	1
14	7430000003	Filter Assembly	1
15	7431000001	Filter Element	1
16	**	Fitting	
17	**	Return Hose	1
18	**	Suction Hose	1
19	**	Pressure Hose	1
20	**	Fitting	
21	**	Fitting	
22	**	Fitting	
23	**	Fitting	
24	**	Fitting	
25	**	Fitting	
26	4567122034	Tilt Supply Hose	1
27	7935000102	Tilt Lockout Valve	1
28	7115161650	Hex Head Capscrew	2
29	7660162601	Locknut	2
30	7950160161	Flat Washer	2
31	4570000064	Tilt Supply Hose	1
32	7445060643	Straight Adapter	1

\*Consult Factory for Foreign Chassis Components

\*\*Consult Factory for Part Numbers and Quantities

**PARTS LIST -- HYDRAULIC COMPONENTS  
HYDRAULIC TOWBAR**

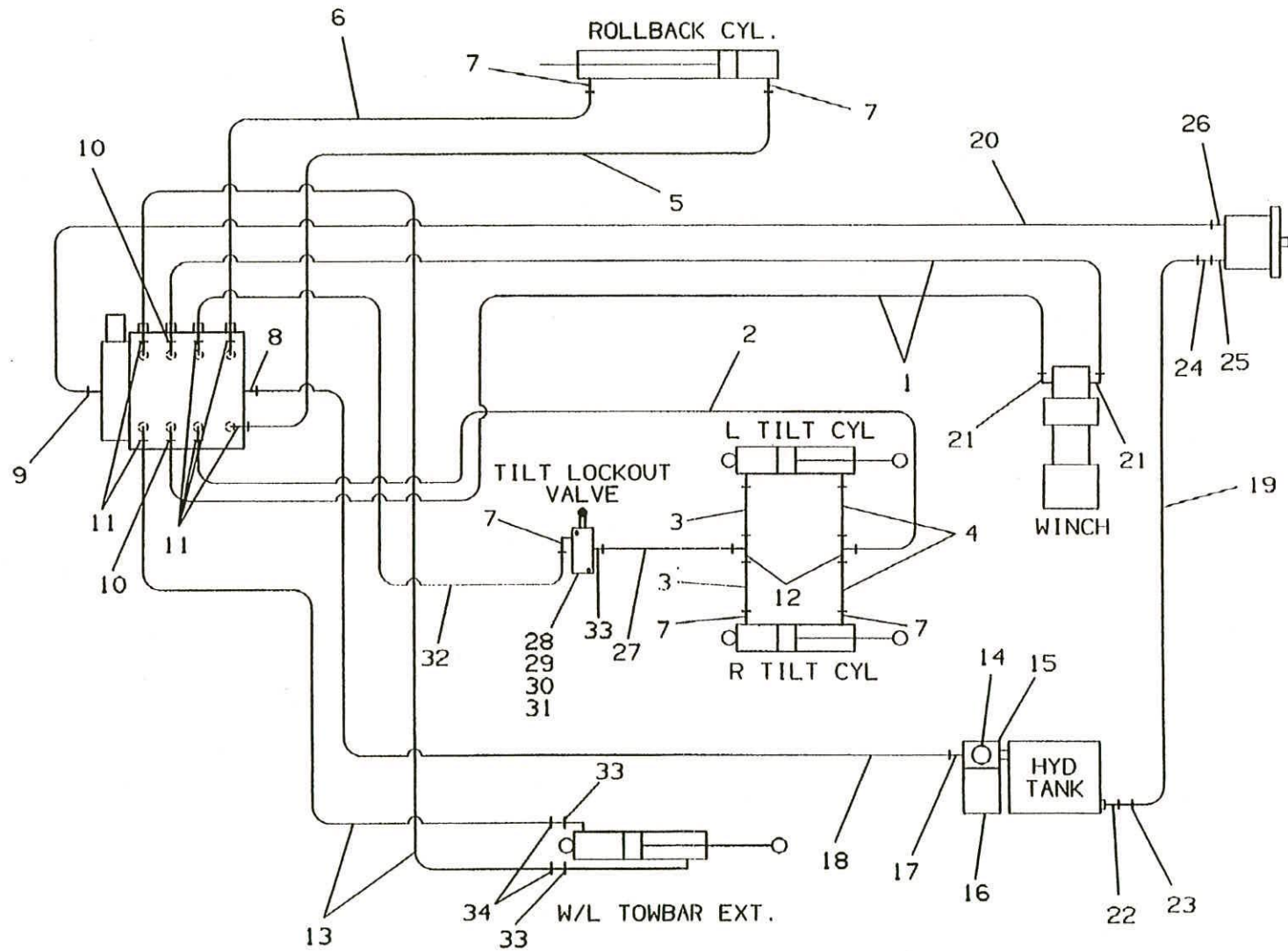
Ref. No.	Part No.	Description	Qty.
1	4567132178	Winch Hose (17' Deck)	2
	4567132190*	Winch Hose (18' Deck)	
	4567132198*	Winch Hose (19' Deck)	
2	4567122100	Tilt Supply Hose	1
3	4567120020	Tilt Base Hose	2
4	4567120038	Tilt Rod Hose	2
5	4567122104	Rollback Base Hose	1
6	4567122047	Rollback Rod Hose	1
7	7445060645	90° Elbow	7
8	7445121245	90° Elbow	1
9	7445081245	90° Elbow	1
10	7445081043	Straight Adapter	2
11	7445061043	Straight Adapter	6
12	7445060637	Tee	2
13	4567122040	Towbar Supply Hose	2
14	7470000002	Gauge	1
15	7430000003	Filter Assembly	1
16	7431000001	Filter Element	1
17	**	Fitting	
18	**	Return Hose	1
19	**	Suction Hose	1
20	**	Pressure Hose	1
21	**	Fitting	
22	**	Fitting	
23	**	Fitting	
24	**	Fitting	
25	**	Fitting	
26	**	Fitting	
27	4567122034	Tilt Supply Hose	1
28	7935000102	Tilt Lockout Valve	1
29	7115161650	Hex Head Capscrew	2
30	7660162601	Locknut	2
31	7950160161	Flat Washer	2
32	4570000064	Tilt Supply Hose	1
33	7445060643	Straight Adapter	3
34	7445060672	90° Elbow	2

\*Consult Factory for Foreign Chassis Components

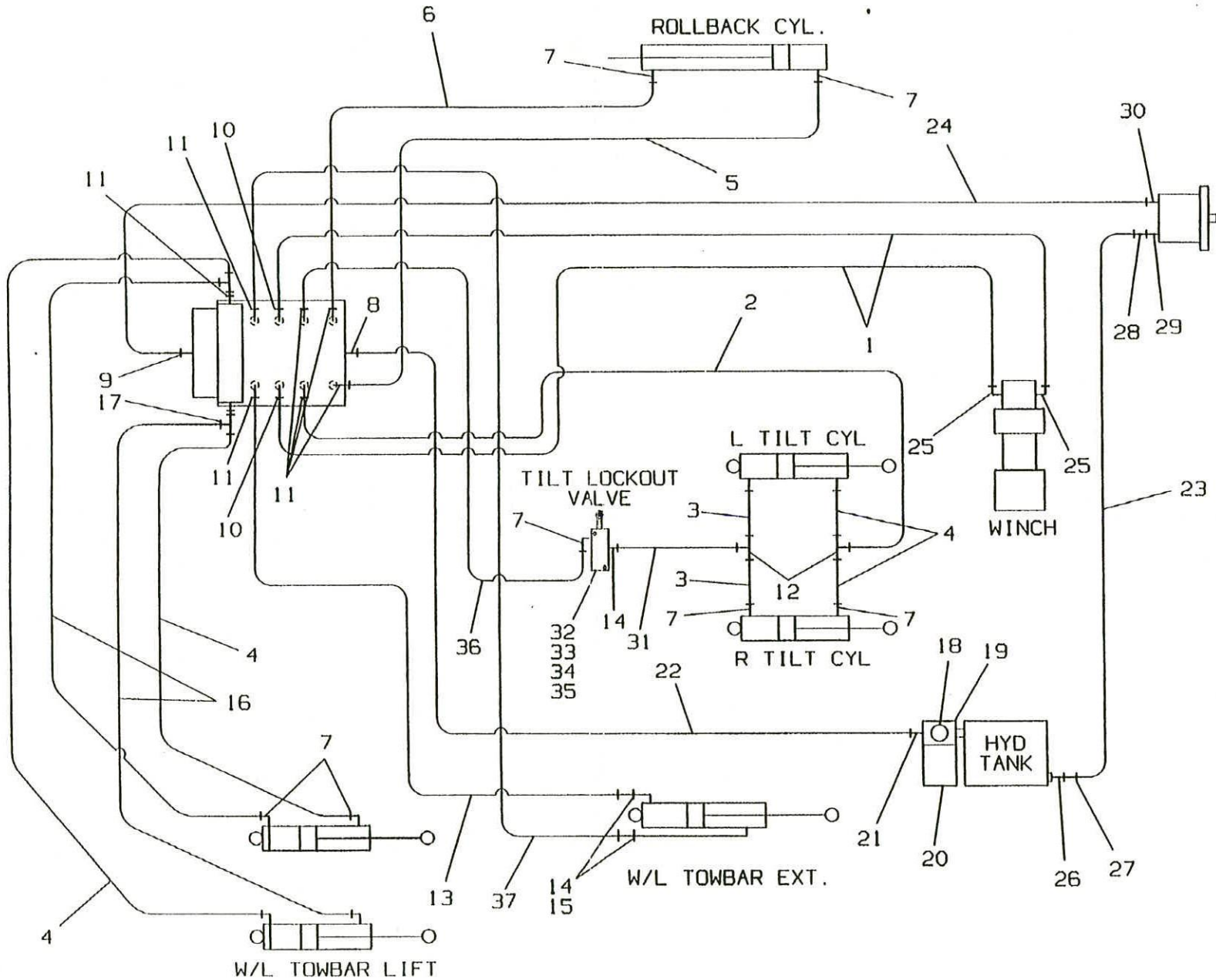
\*\*Consult Factory for Part Numbers and Quantities

Rev. \_\_\_\_\_  
Date \_\_\_\_\_

HYDRAULIC COMPONENTS  
HYDRAULIC TOW BAR



**HYDRAULIC COMPONENTS  
HYDRAULIC TOW BAR WITH IRL**



**PARTS LIST -- HYDRAULIC COMPONENTS  
HYDRAULIC TOWBAR WITH IRL**

Ref. No.	Part No.	Description	Qty.
1	4567132178	Winch Hose (17'Deck)	2
	4567132190*	Winch Hose (18'Deck)	
	4567132198*	Winch Hose (19'Deck)	
2	4567122100	Tilt Supply Hose	1
3	4567120020	Tilt Base Hose	2
4	4567120038	Tilt Rod/Towbar Lift Hose	4
5	4567122104	Rollback Base Hose	1
6	4567122047	Rollback Rod Hose	1
7	7445060645	90° Elbow	11
8	7445121245	90° Elbow	1
9	7445081245	90° Elbow	1
10	7445081043	Straight Adapter	2
11	7445061043	Straight Adapter	8
12	7445060637	Tee	2
13	4567122040	Towbar Base Hose	1
14	7445060643	Straight Adapter	3
15	7445060672	90° Elbow	2
16	4567122043	Towbar Lift Hose	2
17	7443000030	Tee	2
18	7470000002	Gauge	1
19	7430000003	Filter Assembly	1
20	7431000001	Filter Element	1
21	**	Fitting	
22	**	Return Hose	1
23	**	Suction Hose	1
24	**	Pressure Hose	1
25	**	Fitting	
26	**	Fitting	
27	**	Fitting	
28	**	Fitting	
29	**	Fitting	
30	**	Fitting	
31	4567122034	Tilt Supply Hose	1
32	7935000102	Tilt Lockout Valve	1
33	7115161650	Hex Head Capscrew	2
34	7660162601	Locknut	2
35	7950160161	Flat Washer	2
36	4570000064	Tilt Supply Hose	1
37	4567123040	Towbar Lift Hose	1

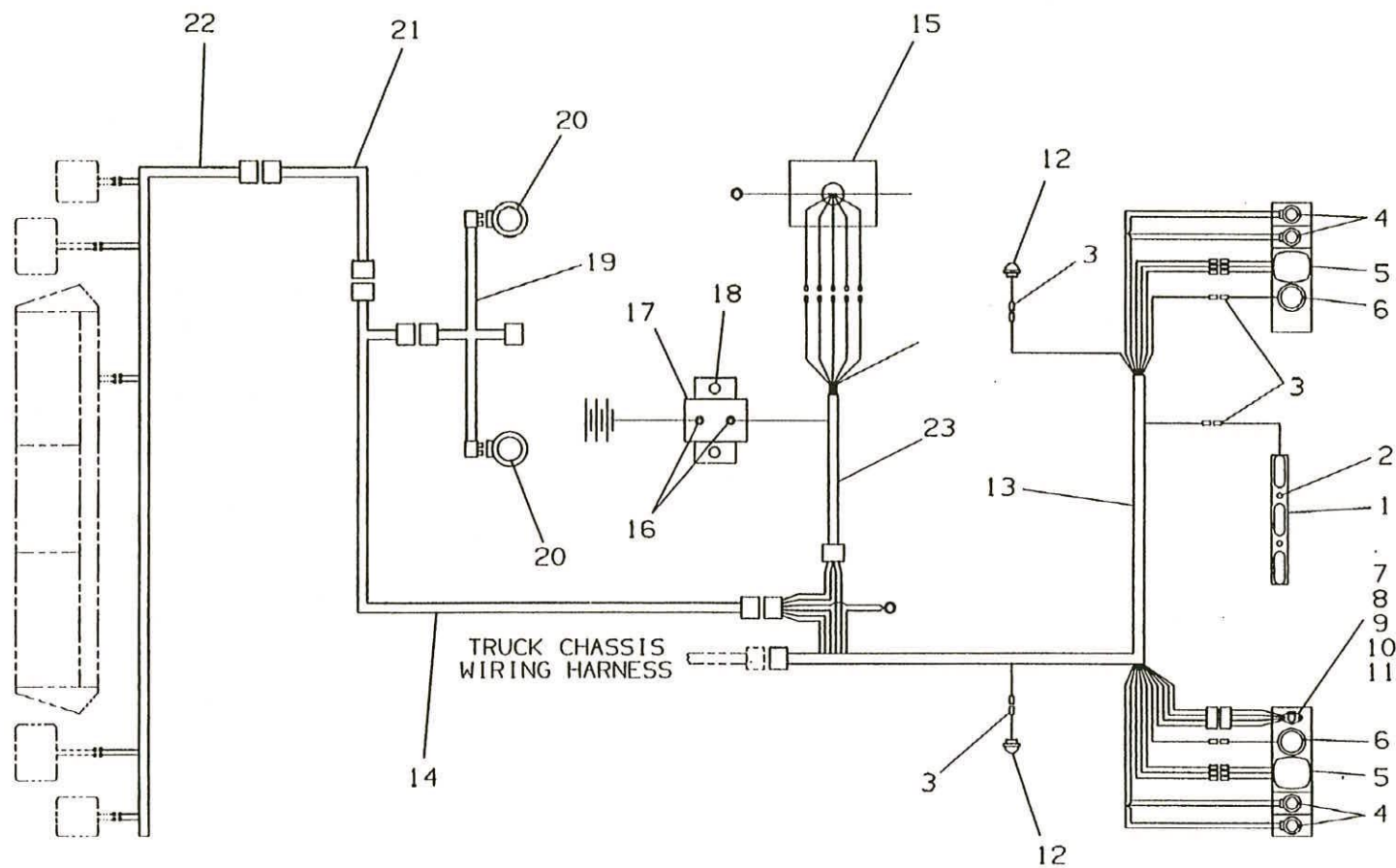
\*Consult Factory for Foreign Chassis Components

\*\*Consult Factory for Part Numbers and Quantities

## PARTS LIST -- LIGHTS AND WIRING

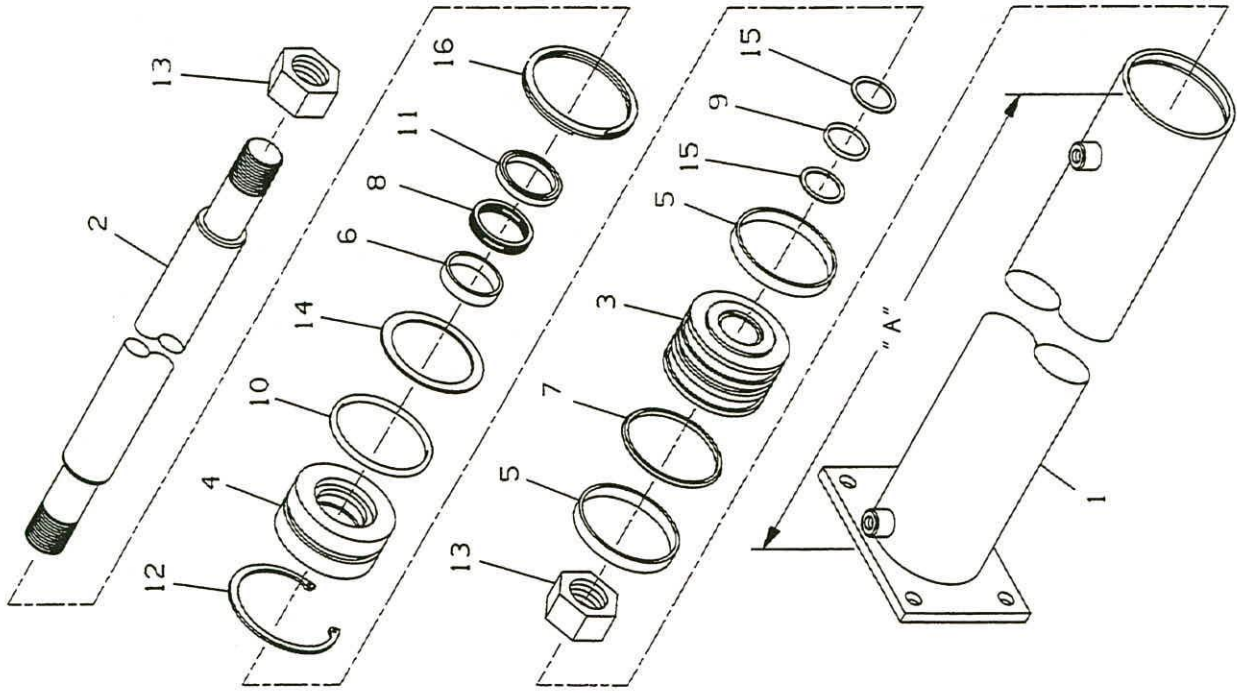
Ref. No.	Part No.	Description	Qty.
1	7590000007	Bar Lamp	1
2	7790141056	Self-Tapping Screw	2
3	7345001703	Terminal Pin	16
4	7590000009	Red Light	4
5		Stop-Tail-Turn Light	2
6	7590000011	Work Light	2
7	7291000003	Female Receptacle	1
8	7111140613	Truss Head Screw	2
9	7660140000	Nut	2
10	7950140000	Lock Washer	2
11	7950140161	Flat Washer	2
12	7590000012	Light	2
13	7552000005	Wiring Harness	1
14	7552000007	Wiring Harness (Units without Emergency Lights)	1
	7552000006	Wiring Harness (Units with Emergency Lights)	1
15	7870000017	Switch Box	1
16	7345211901	Terminal Ring	4
17	7457000004	Circuit Breaker	1
18	7790100856	Self-Tapping Screw	2
19	7552000021	Wiring Harness	1
20	7590000010	Amber Light	2
21	7552000009	Wiring Harness	1
22	7552000004	Wiring Harness	1
23	7552000010	Wiring Harness	1

# LIGHTS AND WIRING



WIRE COLOR	FUNCTION
ORANGE	BEACON LIGHTS
PURPLE	FLOOD LIGHTS
BLUE	TRACTOR LIGHTS
BROWN	PARKING LIGHTS
RED	POWER (HOT)
GREY	EXTRA
BLACK	BACK-UP LIGHTS
GREEN	RIGHT TURN
YELLOW	LEFT TURN
WHITE	GROUND

ROLLBACK CYLINDER  
3320000010





**PARTS LIST -- ROLLBACK CYLINDER  
3320000010**

Ref. No.	Part No.	Description	Qty.
1	3071000010	Barrel ("A" = 102.38)	1
2	4763000106	Rod ("A" = 109.50)	1
3	4698000007	Piston	1
4	4553000008	Head	1
5	7754000003*	Ring, Wear	2
6	7754000004*	Ring, Wear	1
7	7796000006*	Seal, Piston	1
8	7796000024*	Seal, Rod	1
9	7755224000*	"O" Ring	1
10	7755334000*	"O" Ring	1
11	7796000008*	Seal, Rod Wiper	1
12	7754000002*	Ring, Retaining	1
13	7660262031	Locknut	2
14	7755334609*	Ring, Back-up	1
15	7755224609*	Ring, Back-up	2
16	7754000026	Ring, Retaining	1

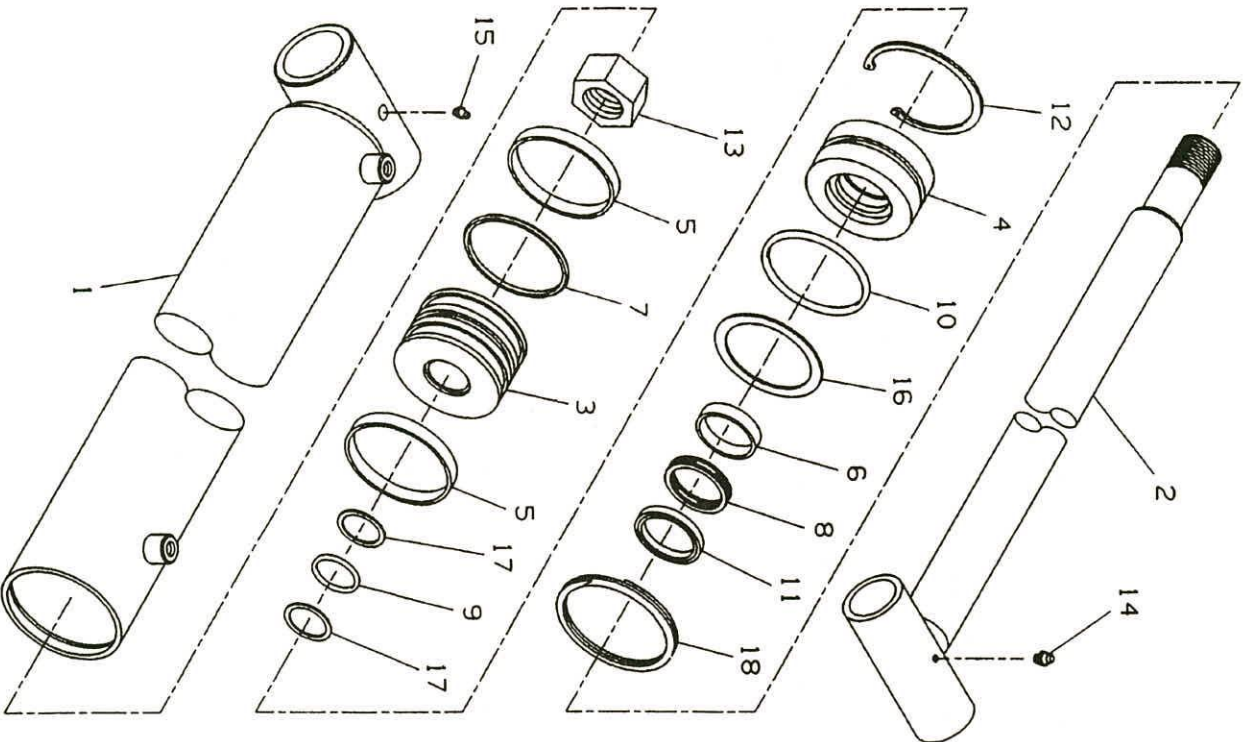
\* Available only in service kit #7577250024

**PARTS LIST -- TILT CYLINDER  
3320000009**

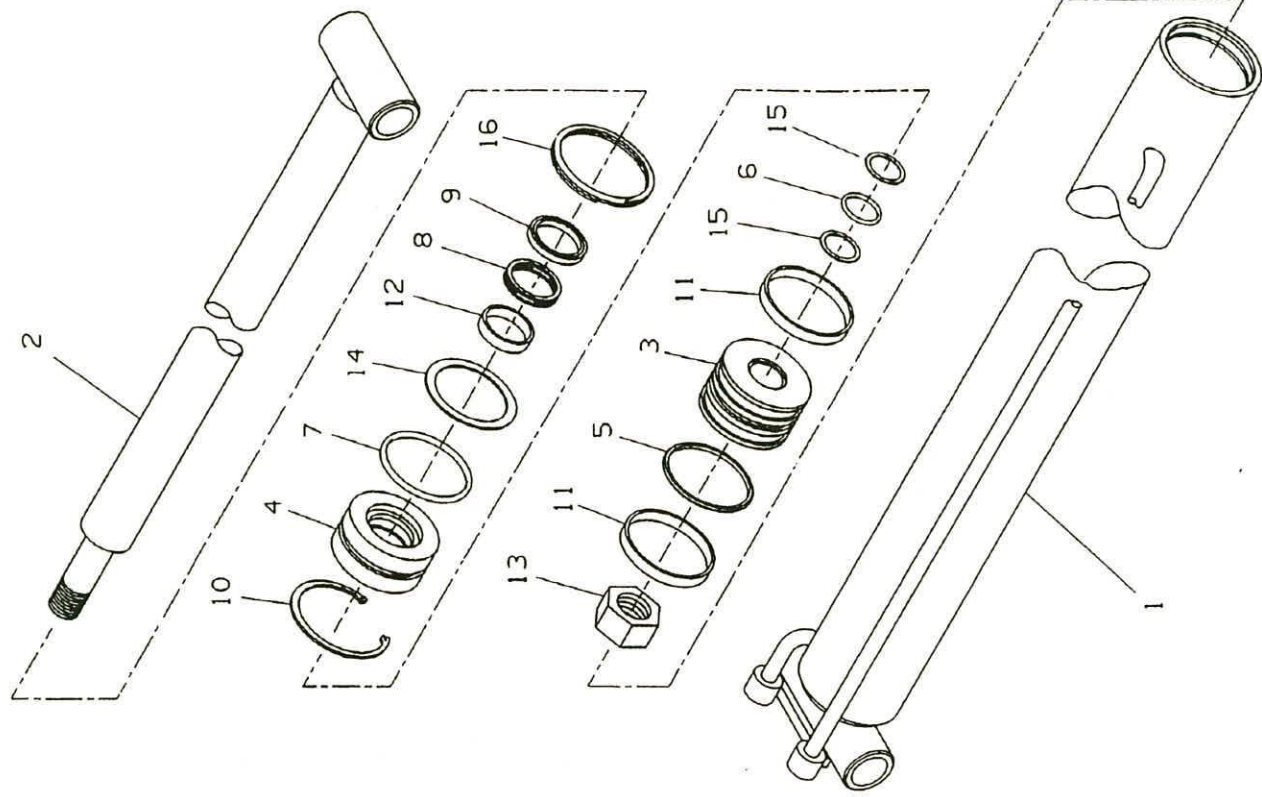
Ref. No.	Part No.	Description	Qty.
1	3071000009	Barrel Weldment	1
2	3763000033	Rod	1
3	4698000007	Piston	1
4	4553000008	Head	1
5	7754000003*	Ring, Wear	2
6	7754000004*	Ring, Wear	1
7	7796000006*	Seal, Piston 'T'	1
8	7796000024*	Seal, Rod	1
9	7755224000*	"O" Ring	1
10	7755334000*	"O" Ring	1
11	7796000008*	Seal, Rod Wiper	1
12	7754000002*	Ring, Retaining	1
13	7660262031	Locknut	1
14	7440000000	Fitting, Grease	1
15	7440000200	Fitting, Grease 45°	1
16	7755334609*	Ring, Back-up	1
17	7755224609*	Ring, Back-up	2
18	7754000026*	Ring, Retaining	1

\*Available only in service kit #7577250024

TILT CYLINDER  
3320000009



**TOW BAR CYLINDER**  
**3320000013**  
**3320000020**



**PARTS LIST -- TOW BAR CYLINDER  
332000013**

Ref. No.	Part No.	Description	Qty.
1	3071000014	Barrel	1
2	3763000034	Rod	1
3	4698000011	Piston	1
4	4553000011	Head	1
5	7796000026*	Seal, Piston	1
6	7755214000*	"O" Ring	1
7	7755327000*	"O" Ring	1
8	7796000023*	Seal, Rod	1
9	7796000005*	Seal, Wiper	1
10	7754000001*	Ring, Retaining	1
11	7796000030*	Ring, Wear	2
12	7754000036*	Ring, Wear	1
13	7660202031	Locknut	1
14	7755327609*	Ring, Back-up	1
15	7755214609*	Ring, Back-up	2
16	7754000025*	Ring, Retaining	1

\*Available only in service kit #7577250023

**PARTS LIST -- TOW BAR CYLINDER  
332000020**

Ref. No.	Part No.	Description	Qty.
1	3071000020	Barrel	1
2	3763000035	Rod	1
3	4698000007	Piston	1
4	4553000008	Head	1
5	7796000006*	Seal, Piston	1
6	7755224000*	"O" Ring	1
7	7755334000*	"O" Ring	1
8	7796000024*	Seal, Rod	1
9	7796000008*	Seal, Wiper	1
10	7754000002*	Ring, Retaining	1
11	7754000003*	Ring, Wear	2
12	7754000004*	Ring, Wear	1
13	7660262031	Locknut	1
14	7755334609*	Ring, Back-up	1
15	7755224609*	Ring, Back-up	2
16	7754000026*	Ring, Retaining	1

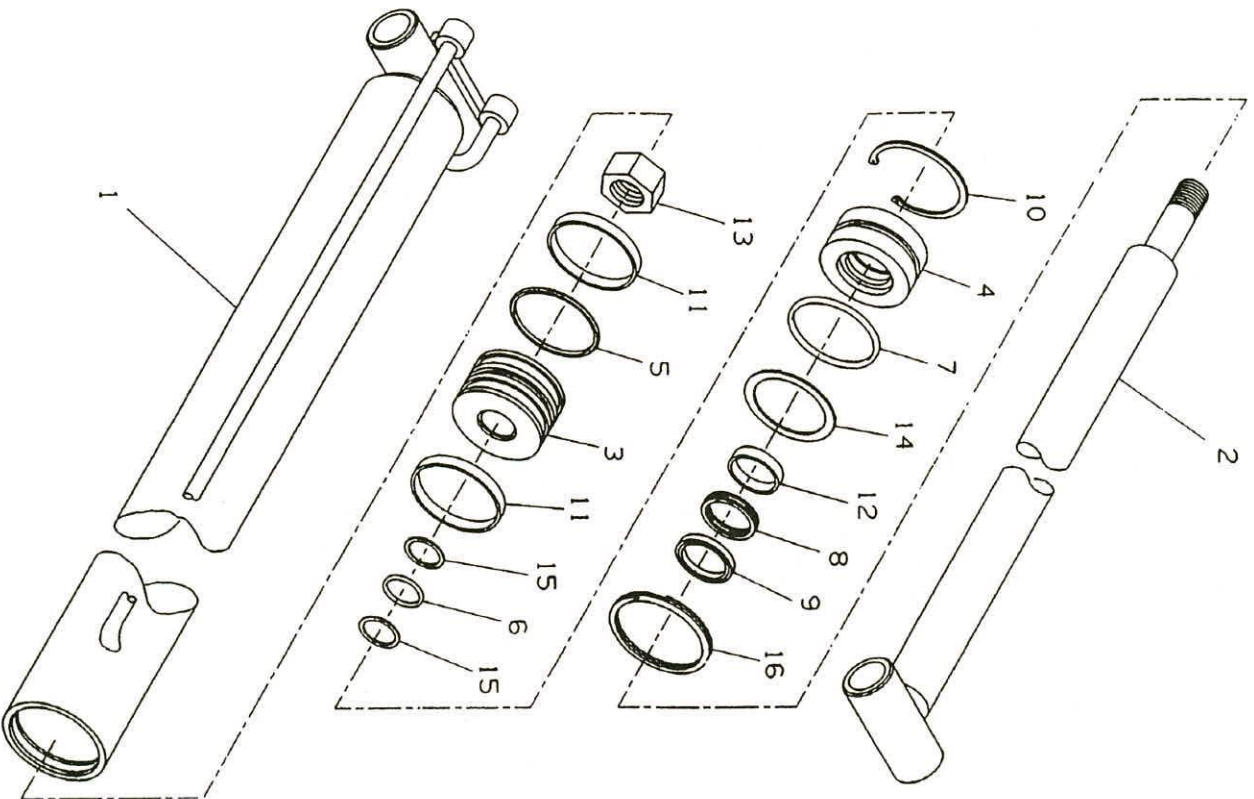
\*Available only in service kit #7577250024

**PARTS LIST -- WHEEL LIFT TOW BAR CYLINDER  
332000021**

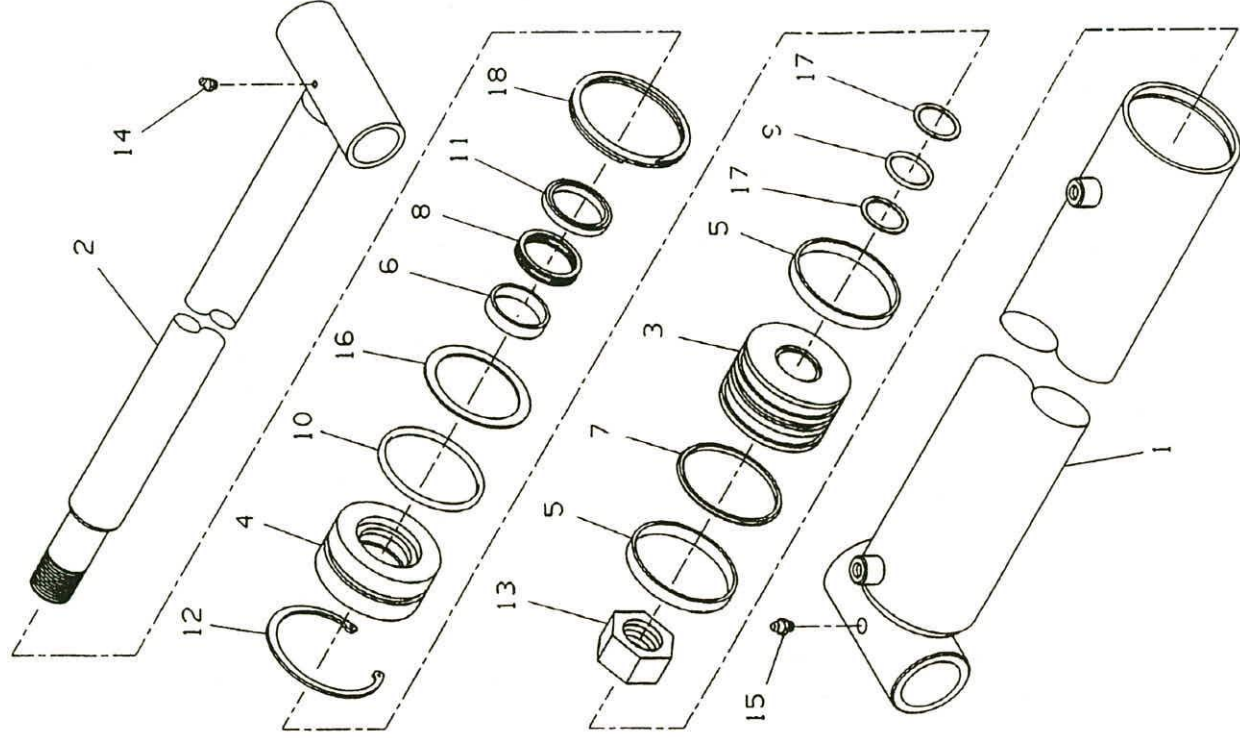
Ref. No.	Part No.	Description	Qty.
1	3071000021	Barrel	1
2	3763000036	Rod	1
3	4698000007	Piston	1
4	4553000008	Head	1
5	7796000006*	Seal, Piston 'T'	1
6	7755224000*	"O" Ring	1
7	7755334000*	"O" Ring	1
8	7796000024*	Seal, Rod	1
9	7796000008*	Seal, Rod Wiper	1
10	7754000002*	Ring, Retaining	1
11	7754000003*	Ring, Wear	1
12	7754000004*	Ring, Wear	1
13	7660262031	Locknut	1
14	7755334609*	Ring, Back-Up	1
15	7755224609*	Ring, Back-Up	2
16	7754000026*	Ring, Retaining	1

\*Available only in service kit #7577250024

WHEEL LIFT TOW BAR CYLINDER  
3320000021



IRL CYLINDER  
3320000041





**PARTS LIST -- IRL CYLINDER  
3320000041**

Ref. No.	Part No.	Description	Qty.
1	3071000040	Barrel	1
2	3763000053	Rod	1
3	4698000007	Piston	1
4	4698000008	Head	1
5	7754000003*	Ring, Wear	2
6	7754000004*	Ring, Wear	1
7	7796000006*	Seal, Piston "T"	1
8	7796000024*	Seal, Rod	1
9	7755224000*	"O" Ring	1
10	7755334000*	"O" Ring	1
11	7796000008*	Seal, Wiper	1
12	7754000002*	Ring, Retaining	1
13	7660262031	Nut, Lock	1
14	7440000200	Fitting, Grease 45°	1
15	7440000000	Fitting, Grease	1
16	7755334609*	Ring, Back-up	1
17	7755224609*	Ring, Back-up	2
18	7754000026*	Ring, Retaining	1

\*Available only in service kit #7577250024

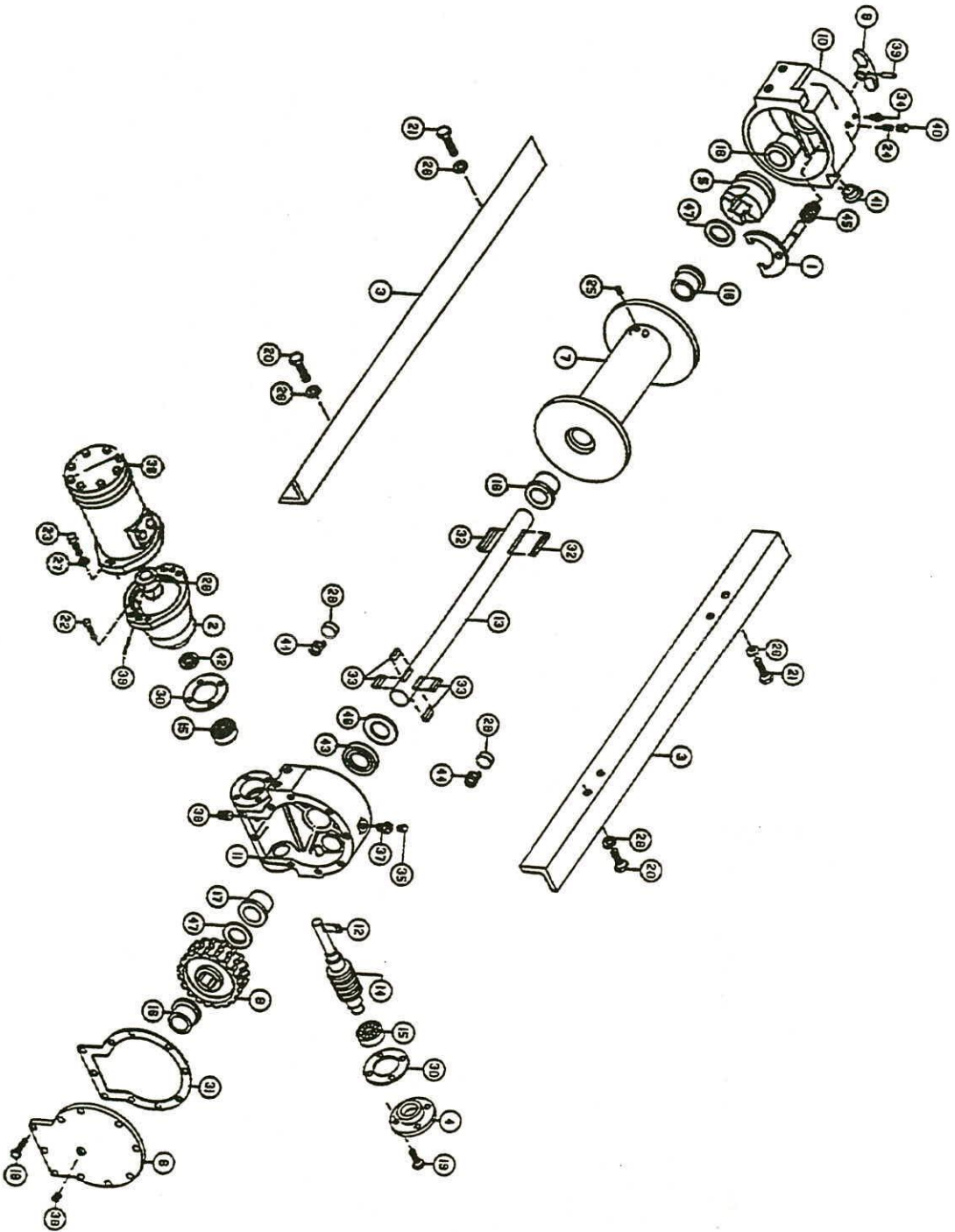
## PARTS LIST -- MODEL H-200 RAM-LOK

Ref. No.	Part No.	Description	Qty.
1	276028	Shifter Assembly	1
2	300057	Adapter	1
3	302809	Angle-Std.	2
	302810	Angle-Y	2
4	316083	Bearing Cap	1
5	324160	Jaw Clutch	1
6	328134	Cover	1
7	332007	Drum-"Y"	1
	332105	Drum-"Std."	1
8	334161	Gear R.H. 60:1	1
	334163	Gear R.H. 46:1	1
	334165	Gear R.H. 30:1	1
9	336010	Handle	1
10	338208	Housing-Clutch	1
11	338273	Housing-Gear	1
12	342027	Key	1
13	357479	Shaft-Drum-"Std"	1
	357481	Shaft-Drum-"Y"	1
14	368002	Worm R.H. 46:1	1
	368007	Worm R.H. 60:1	1
	368011	Worm R.H. 30:1	1
15	402002	Bearing-Ball	2
16	412003	Bushing	4
17	412045	Bushing	1
18	414038	Capscrew 1/4- 20NCx3/4 LG.	10
19	414045	Capscrew 1/4- 20NCx7/8 LG.	4
20	414279	Capscrew 3/8- 16NCx3/4 LG.	2
21	414282	Capscrew 3/8- 16NCx1-1/4 LG.	6
22	414842	Capscrew 1/4- 20NCx1-3/4 LG.	4
23	414952	Capscrew 1/2- 13NCx1-1/2 LG.	2
24	416030	Setscrew 1/4- 20NCx3/8 LG.	1
25	416059	Setscrew 3/8- 16NCx1/2 LG.	1
26	418177	Lockwasher 3/8	8
27	418218	Lockwasher 1/2	2
28	431008	Coupling	1
29	438014	Disc-Brake	2
30	442184	Gasket	2
31	442205	Gasket	1
32	450006	Key-Barth	2
33	450016	Key-Barth	4
34	456001	Fitting-Lube	1
35	456008	Fitting-Relief	1
36	458050	Motor-Hyd.	1
37	468002	Reducer	1
38	468011	Pipe Plug	2
39	470033	Spirol Pin	2
40	472012	Plug-Rubber	1
41	472013	Plastic Plug	1
42	486009	Oil Seal	1
43	486017	Oil Seal	1
44	494002	Spring	2
45	494053	Spring	1
46	518014	Thrust Washer	1
47	518015	Thrust Washer	2

Rev. \_\_\_\_\_

Date \_\_\_\_\_

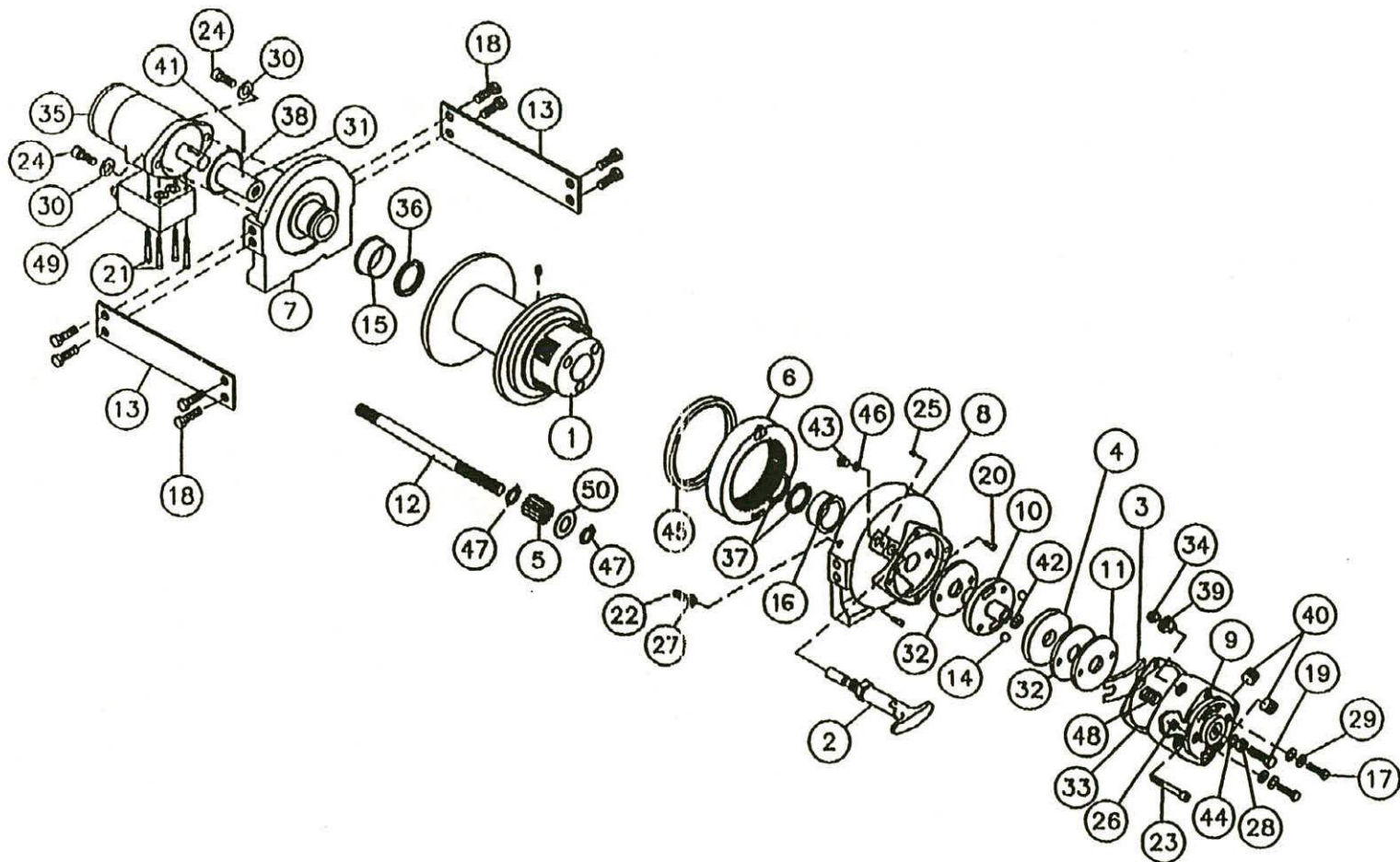
WINCH ASSEMBLY  
8000# WORM GEAR



4.42

Rev. \_\_\_\_\_  
Date \_\_\_\_\_

WINCH ASSEMBLY  
8000# PLANETARY GEAR



# PARTS LIST -- RPH 8000 WITH MANUAL CLUTCH SHIFTER

Ref. No.	Part No.	Description	Qty.
1	234165	Drum Ass'y "Y"	1
2	276048	Shifter Ass'y	1
3	306035	Spring-Flat Brk.	1
4	314015	Cam Plate-Brake	1
5	334174	Gear-Output, Sun	1
6	334175	Gear-Ring	1
7	338286	End Bearing-Motor	1
8	338287	Housing-Gear, End Bearing	1
9	338288	Housing-Brake	1
10	340074	Hub-Brake	1
11	352021	Retainer Plate	1
12	357489	Shaft-Input "Y"	1
13	395163	Tie Plate "Y"	2
14	400007	Ball	2
15	412084	Bushing-Drum, Motor End	1
16	412085	Bushing-Drum, Gear	1
17	414273	Capscrew 3/8-16NC x 1-3/4 LG.	2
18	414581	Capscrew 1/2-13NC x 3/4 LG.	8
19	414622	Capscrew 1/2-13NC x 2-1/4 LG.	1
20	414836	Capscrew 1/4-20NC x 1/2 LG.	2
21	414868	Capscrew 5/16-18NC x 2-1/2 LG.	4
22	414926	Setscrew 3/8-16NC x 1 LG.	1
23	414934	Capscrew 3/8-16NC x 2-3/4 LG.	4
24	414948	Capscrew 1/2-13NC x 1-1/4 LG.	2
25	416030	Setscrew 1/4-20NC x 3/8 LG.	1
26	418034	Nut 3/8 - 16NC	2
27	418036	Nut 3/8-16NC	1
28	418061	Nut 1/2-13NC	1
29	418184	Washer 3/8 ID	4
30	418218	Lockwasher 1/2 ID	2
31	431013	Coupling-Hyd. Motor	1
32	438018	Plate-Brake	2
33	442212	Gasket-Brk. Hsg.	1
34	456008	Relief Fitting	1
35	458074	Motor-Hydraulic (For Model with Counterbalance Valve)	1
	458075	Motor-Hydraulic (For Model without Counterbalance Valve)	1
36	462046	O-Ring	1
37	462047	Quad-Ring	2
38	462048	O-Ring	1
39	468002	Reducer	1
40	468018	Pipe Plug	2
41	470033	Spirol Pin	1
42	472051	Plug	1
43	472052	Plug	1
44	486076	Seal	1
45	486080	Seal-Gear Hsg.	1
46	488008	Shim	1
47	490003	Snap Ring	2
48	494010	Spring	1
49	516008	Valve-Counterbalance ("A" Rotation)	1
	516009	Valve-Counterbalance ("B" Rotation)	1
50	518047	Washer-Thrust	1

Rev. \_\_\_\_\_  
Date \_\_\_\_\_

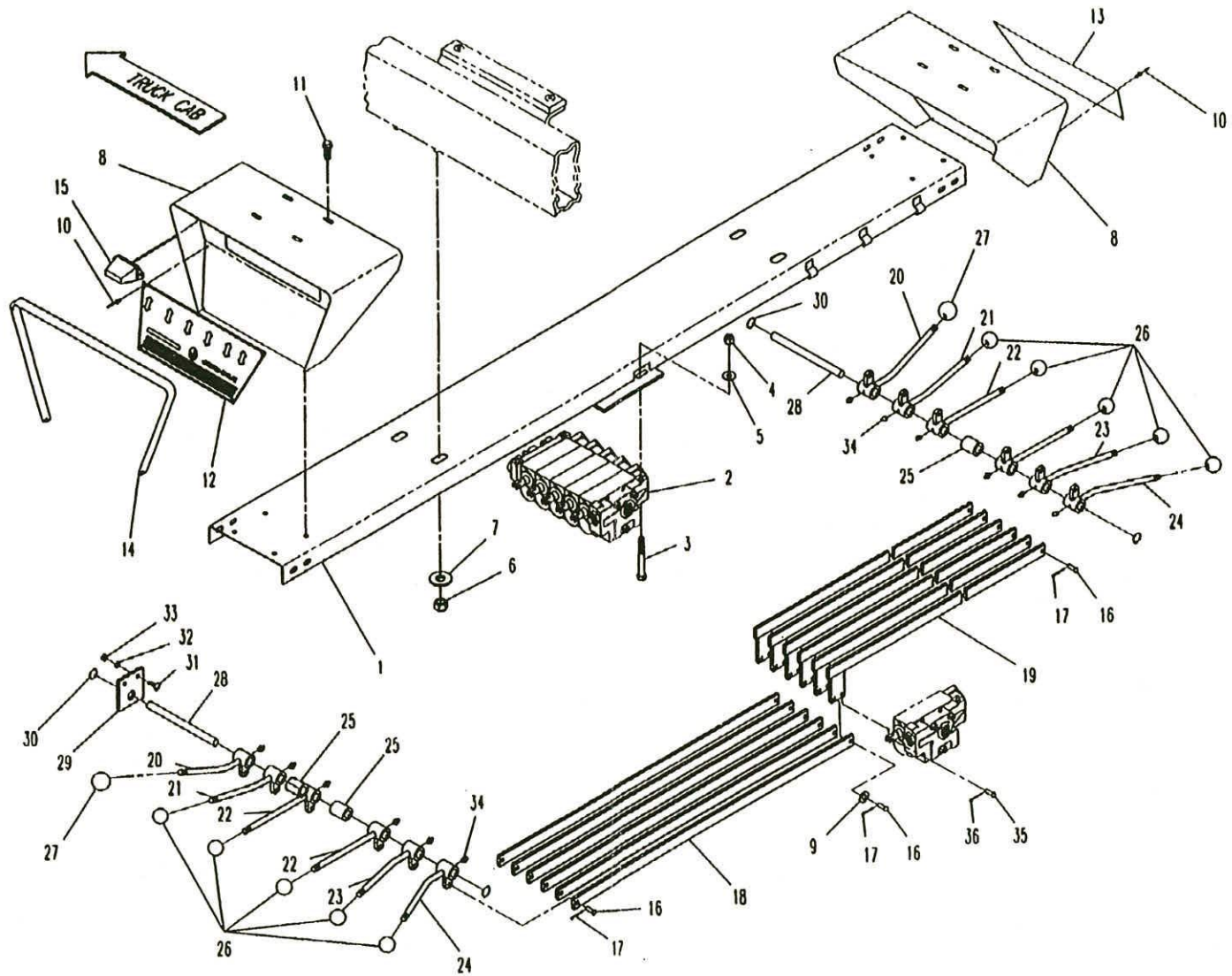
## PARTS LIST - RTL DUAL CONTROLS (ZOD)

Ref. No.	Part No.	Description	Qty.
1	3177000037	Controls Support Weldment	1
2	4935000056	Control Valve (6 Bank)	1
3	7111163250	Hex Head Capscrew	3
4	7660161605	Locknut	3
5	7950160151	Flat Washer	3
6	7660181600	Locknut	4
7	7950180161	Flat Washer	4
8	3560000005	Control Hood	2
9	7949000011	Flat Washer	6
10	7759000004	Pop Rivet	8
11	7115150625	Machine Screw	8
12	7330000219	L.H. Control Placard	1
13	7330000220	R.H. Control Placard	1
14	4632000004	Trim Molding	2
15	7590000087	Light	2
16	7690151200	Clevis Pin	18
17	7690021610	Cotter Pin	18
18	4763000123	Control Rod	18
19	3763000050	Control Rod	18
20	3551000013	Handle Weldment	2
21	3551000001	Handle Weldment	2
22	3551000017	Handle Weldment	4
23	3551000002	Handle Weldment	2
24	3551000012	Handle Weldment	2
25	4209000135	Bushing	2
26	7551000002	Black Knob	10
27	7551000003	Red Knob	2
28	4691000263	Pin	2
29	4606000065	Lug	4
30	7754000009	Retaining Ring	4
31	7111150864	Bolt	8
32	7950150000	Lock Washer	8
33	7660152601	Locknut	8
34	7440030000	Grease Fitting	12
35	7690141200	Clevis Pin	6
36	7690000810	Cotter Pin	6

Rev. 2

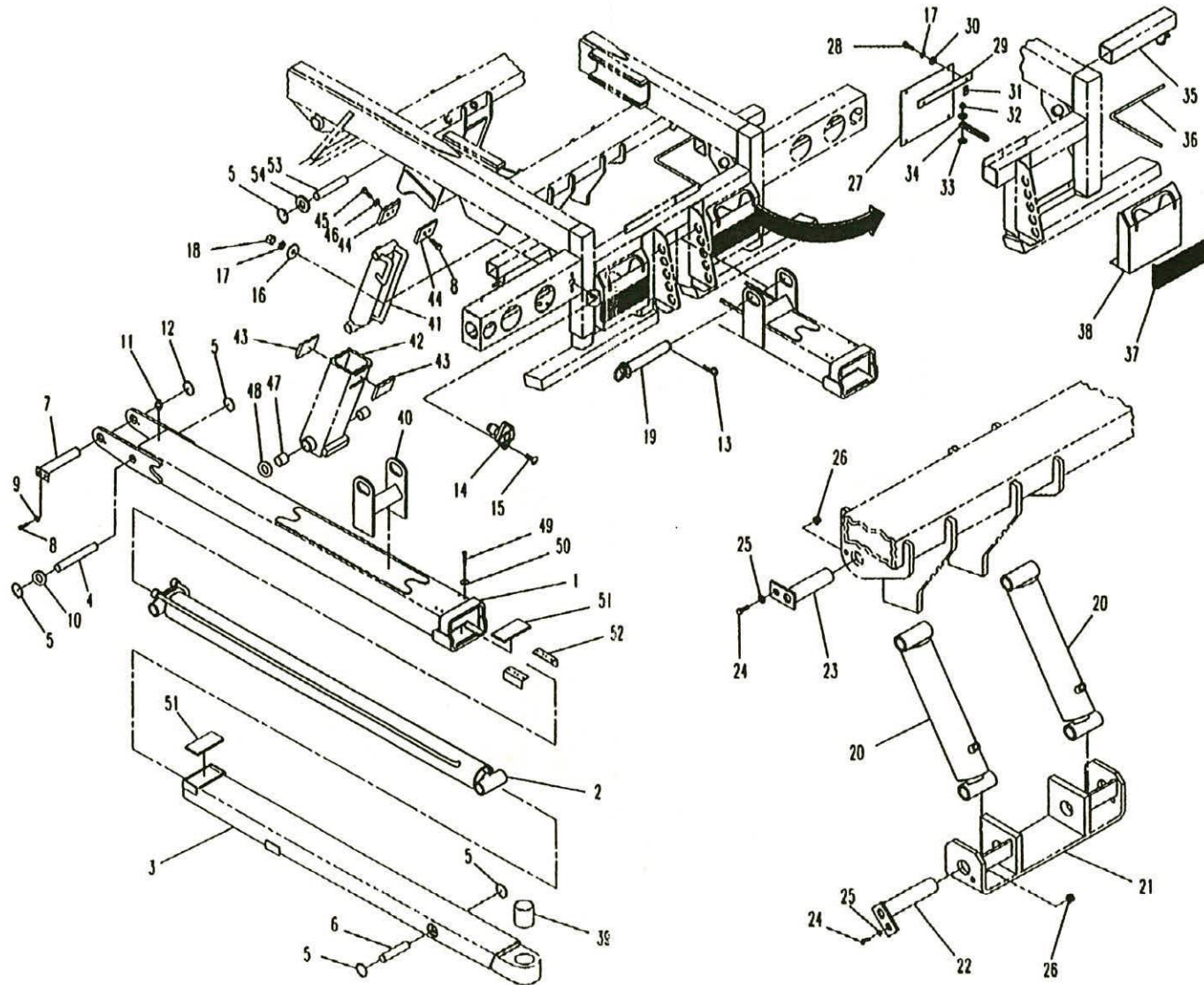
Date 11-15-97

# RTL DUAL CONTROLS



Rev. 2  
Date 11-15-97

3500# HYDRAULIC WHEEL LIFT TOW BAR  
WITH RTL (ZOD)



Rev. 2  
Date 11-15-97



**PARTS LIST -- 3500# HYDRAULIC WHEEL LIFT TOW BAR  
WITH RTL (ZOD)**

Ref. No.	Part No.	Description	Qty.
1	3911000039	Outer Tube Weldment	1
2	3320000056	Tow Bar Cylinder	1
3	3911000040	Inner Tube Weldment	1
4	4691000267	Pin	1
5	7754000006	Retaining Ring	6
6	4691000268	Pin	1
7	3691000142	Pin	1
8	7115160650	Capscrew	3
9	7950160161	Flat Washer	1
10	7949000026	Washer	2
11	7440030000	Grease Fitting	1
12	7754000014	Retaining Ring	1
13	7691000001	Hair Pin	1
14	7291000003	Female Receptacle	1
15	7111140613	Truss Head Screw	2
16	7950140161	Flat Washer	2
17	7950140000	Lock Washer	10
18	7660140000	Hex Nut	2
19	3691000097	Pin Weldment	1
20	3320000054	Cylinder	2
21	3178000236	Bracket Weldment	1
22	3691000141	Pin Weldment	2
23	3691000073	Pin Weldment	2
24	7118151250	Capscrew	4
25	7950150161	Flat Washer	4
26	7660152601	Lock Nut	4
27	4811000030	Back Plate	2
28	7115140850	Capscrew	8
29	4062000108	Bar	4
30	7950140152	Flat Washer	8
31	7661000019	Clip Nut	8
32	7660172600	Locknut	2
33	7950160252	Flatwasher	4
34	7262000020	Chain Assembly	2
35	3913000043	L-Arm Storage Tube	2
36	4495000007	Hose Guard	1
37	7679000008	Chain Rub Pad	2
38	7706001412	Chain Pocket	2
39	7209000028	Bushing	1
40	3606000019	Lug Weldment	1
41	3320000055	Cylinder	1
42	3913000053	Inner Tube Weldment	1
43	4679000134	Wear Pad	2
44	7679000014	Wear Pad	2
45	7115161050	Capscrew	2
46	7949000028	Flat Washer	2
47	7211000004	Bushing	2
48	7949000008	Washer	3
49	7118140418	Capscrew	4
50	7950100151	Flat Washer	4
51	4679000046	Wear Pad	2
52	4017000739	Guide	2
53	4691000265	Pin	1
54	7949000026	Washer	2

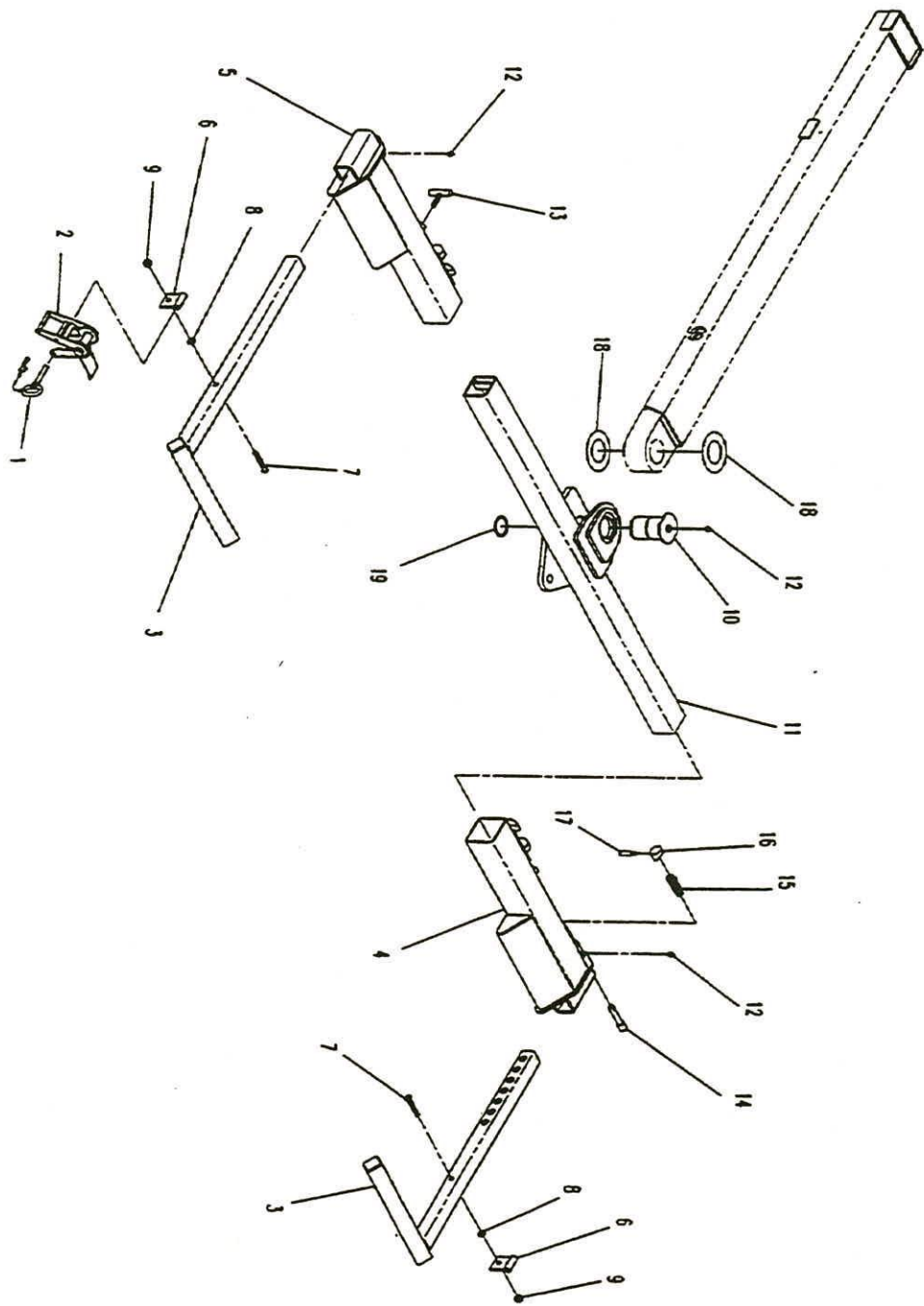
Rev. 2  
Date 11-15-97

**PARTS LIST -- HYDRAULIC TOW BAR WHEEL GRID ASSEMBLY  
(ZOD)**

<b>Ref. No.</b>	<b>Part No.</b>	<b>Description</b>	<b>Qty.</b>
1	7691000011	Hitch Pin	2
2	7894000002	Tie Down Strap	2
3	3511880049*	L-Arm	2
4	3511880080	R.H. Grid Weldment	1
5	3511880081	L.H. Grid Weldment	1
6	3178000001*	Anchor Bracket	2
7	7118182418*	Button Head Capscrew	2
8	7950180153*	Flat Washer	2
9	7660181630*	Hex Locknut	2
10	4691000103	Pin	1
11	3913000054	Pivot Pin	1
12	7440030000	Grease Fitting	2
13	3551000026	T-Handle	2
14	4691000188	Pin	2
15	7843000006	Spring	2
16	4254000006	Cap	2
17	4763000184	Rod	2
18	4949000047	Nylatron Washer	2
19	7754000024	Retaining Ring	1

\*Also available in L-Arm Replacement Kit #9577000002

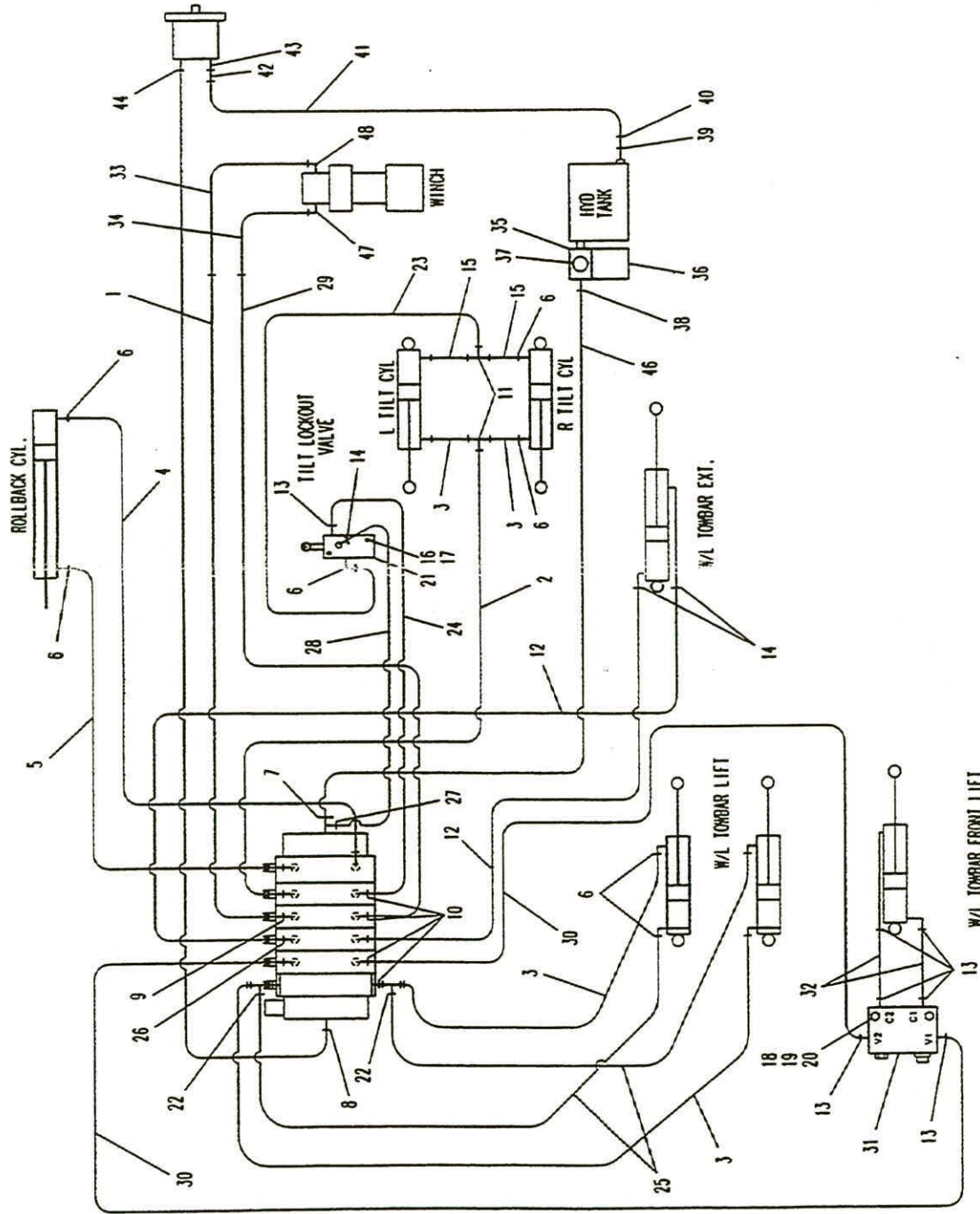
HYDRAULIC TOW BAR WHEELGRID ASSEMBLY (ZOD)



4.50

Rev. 2  
Date 11-15-97

# HYDRAULIC COMPONENTS (ZOD)



Rev. 2  
Date 11-15-97

**PARTS LIST – HYDRAULIC COMPONENTS  
HYDRAULIC TOWBAR WITH RTL (ZOD)**

Ref. No.	Part No.	Description	Qty.
1	4569433122	Winch Hose	1
2	4567122100	Tilt Supply Hose	1
3	4567120038	Tilt Rod/Towbar Lift Hose	4
4	4567123104	Rollback Base Hose	1
5	4567122047	Rollback Rod Hose	1
6	7445060645	90° Elbow	11
7	4443000003	90° Adapter	1
8	7445081245	90° Elbow	1
9	7445081043	Straight Adapter	2
10	7445061043	Straight Adapter	8
11	7445060637	Tee	2
12	4567112038	Tow Bar Ext. Hose	1
13	7445060643	Straight Adapter	7
14	7445040445	90° Elbow	3
15	4567120020	Tilt Base Hose	2
16	7115161850	Capscrew	2
17	7660162301	Locknut	2
18	7115151650	Capscrew	2
19	7660152601	Locknut	2
20	7950150161	Flat Washer	2
21	7935000125	Tilt Lockout Valve	1
22	7443000030	Tee	2
23	4567122034	Tilt Supply Hose	1
24	4570000064	Tilt Supply Hose	1
25	4567122034	Tow Bar Lift Hose	2
26	7445041043	Straight Adapter	2
27	7445040219	Straight Adapter	1
28	4570000081	Return Hose	1
29	4569432120	Winch Hose	1
30	4567122024	Tow Bar Lift Supply Hose	2
31	7935000011	Valve	1
32	7912000038	Hydraulic Tube	2
33	7912000042	Hydraulic Tube (worm winch)	1
	7912000040	Hydraulic Tube (plan. winch)	1
34	7912000042	Hydraulic Tube (worm winch)	1
	7912000041	Hydraulic Tube (plan. winch)	1
35	7430000003	Filter Assembly	1
36	7431000001	Filter Element	1
37	7470000002	Gauge	1
38	**	Fitting	
39	**	Fitting	
40	**	Fitting	
41	**	Suction Hose	1
42	**	Fitting	
43	**	Fitting	
44	**	Fitting	
45	**	Pressure Hose	1
46	**	Return Hose	1
47	**	Fitting	
48	**	Fitting	

\*\*Consult Factory for Part Numbers and Quantities

Rev. 2  
Date 11-15-97

**PARTS LIST - RTL CYLINDER**  
**332000054**

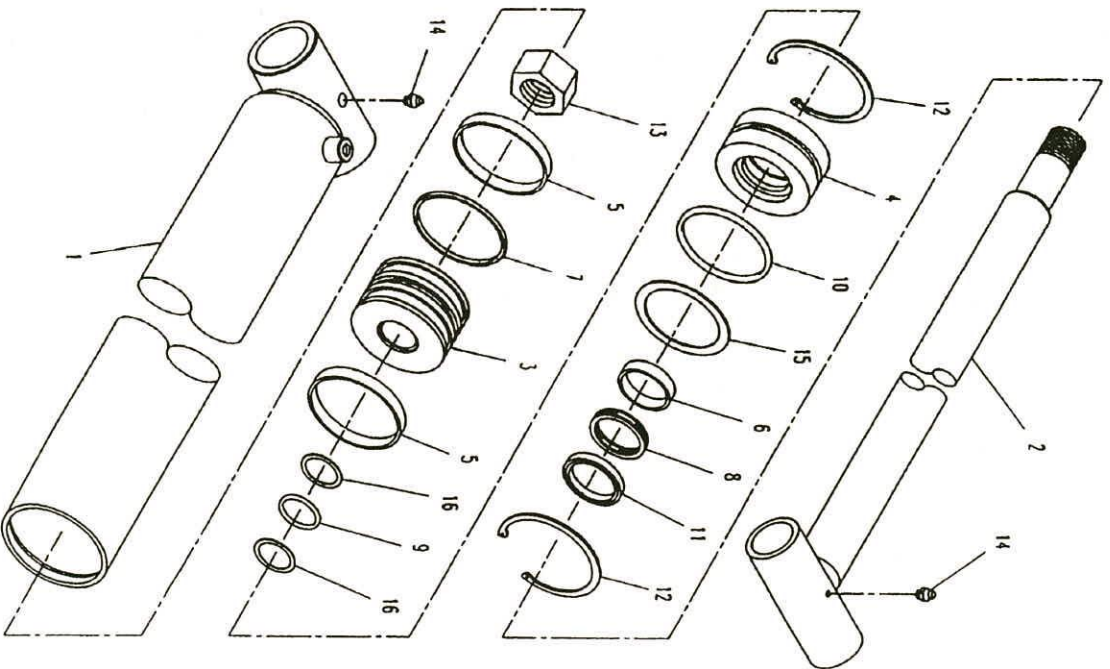
Ref. No.	Part No.	Description	Qty.
1	3071000050	Barrel	1
2	3763000072	Rod	1
3	4698000015	Piston	1
4	4553000016	Head	1
5	7754000053*	Ring, Wear	2
6	7754000054*	Ring, Wear	1
7	7796000044*	Seal, Piston "T"	1
8	7796000045*	Seal, Rod	1
9	7755222000*	"O" Ring	1
10	7755330000*	"O" Ring	1
11	7796000046*	Seal, Rod Wiper	1
12	7754000051*	Ring, Retaining	2
13	7660262031	Locknut	1
14	7440030000	Grease Fitting	2
15	7755330609*	Ring, Back-up	1
16	7755222609*	Ring, Back-up	2

\*Available only in service kit #7577000183

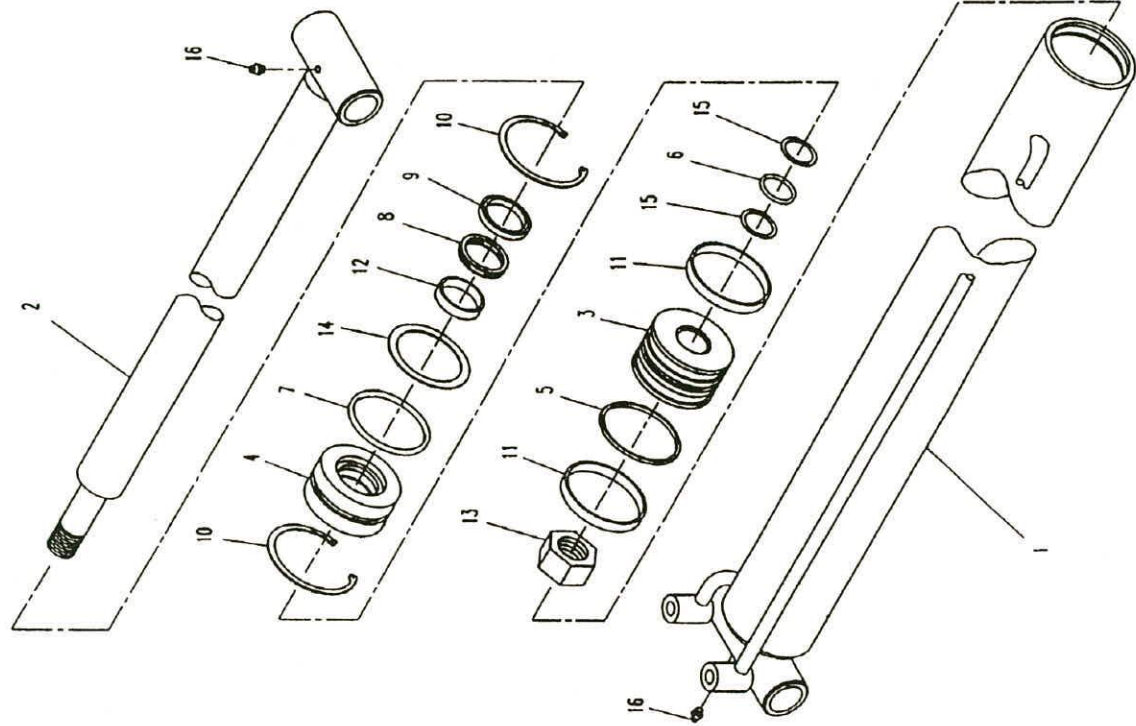
Rev. 2

Date 11-15-97

RTL CYLINDER  
3320000054



**TOWBAR CYLINDER (ZOD)**  
3320000056





**PARTS LIST - WHEEL LIFT TOWBAR CYLINDER (ZOD)**  
**3320000056**

<b>Ref. No.</b>	<b>Part No.</b>	<b>Description</b>	<b>Qty.</b>
1	3071000052	Barrel	1
2	3763000074	Rod	1
3	4698000015	Piston	1
4	4553000016	Head	1
5	7796000044*	Seal, Piston "T"	1
6	7755222000*	"O" Ring	1
7	7755330000*	"O" Ring	1
8	7796000045*	Seal, Rod	1
9	7796000046*	Seal, Rod Wiper	1
10	7754000051*	Ring, Retaining	2
11	7754000053*	Ring, Wear	2
12	7754000054*	Ring, Wear	1
13	7660262031	Locknut	1
14	7755330609*	Ring, Back-up	1
15	7755222609*	Ring, Back-up	2
16	7440030000	Grease Fitting	2

\*Available only in service kit #7577000183

Rev. 2

Date 11-15-97

**PARTS LIST - WHEEL LIFT CYLINDER (ZOD)**  
**3320000055**

Ref. No.	Part No.	Description	Qty.
1	3071000051	Barrel	1
2	3763000073	Rod	1
3	4698000007	Piston	1
4	4553000008	Head	1
5	7796000006*	Seal, Piston "T"	1
6	7755224000*	"O" Ring	1
7	7755334000*	"O" Ring	1
8	7796000024*	Seal, Rod	1
9	7796000008*	Seal, Rod Wiper	1
10	7754000002*	Ring, Retaining	1
11	7754000003*	Ring, Wear	2
12	7754000004*	Ring, Wear	1
13	7660262031	Locknut	1
14	7755334609*	Ring, Back-up	1
15	7755224609*	Ring, Back-up	2
16	7754000027*	Ring, Retaining	1
17	7440030200	Grease Fitting	1

\*Available only in service kit #7577250024

Rev. 2



# ***JERR-DAN***

An Oshkosh Corporation Company

1080 Hykes Road  
Greencastle, PA 17225

Phone (717) 597-7111

[www.jerr-dan.com](http://www.jerr-dan.com)