



## OWNER'S MANUAL

# 220 SNATCHER

## PARTS

NOTE: MANUAL including SPECIFICATIONS, subject to change without notice.  
All ratings specified are based on structural factors only,  
not vehicle capacities or capabilities.



Miller Industries Towing Equipment Inc.  
8503 Hilltop Drive  
Ooltewah, Tennessee 37363  
Phone (423) 238-4171 • FAX (423) 238-5371

FORM NO. 0501700  
04 / 2010  
PRICE \$25.00

## LIMITED WARRANTY

MILLER INDUSTRIES TOWING EQUIPMENT INC., hereinafter referred to as MILLER, warrants to the original purchaser that each new MILLER wrecker or other MILLER products will be free from defects in material and workmanship for a period of twelve (12) months from date placed in service, but in no event shall such warranty period exceed twenty-four (24) months from date of manufacture by MILLER. The purchaser must promptly notify MILLER in writing of any failure in material or workmanship. In no event shall MILLER accept such notification later than twenty-four (24) months from date of delivery or twelve (12) months from date placed in service, whichever is earlier.

MILLER's obligation under this warranty, statutory or otherwise, is limited to the repair or replacement at the MILLER factory, or at a point designated by MILLER, of such part or parts as shall appear upon inspection by MILLER to be defective in material or workmanship. New or remanufactured parts will be used for any replacement at MILLER's option. This warranty is not transferable. This warranty does not obligate MILLER to bear the cost of labor or transportation charges in connection with the repair or replacement of any parts found to be defective, nor shall it apply to a product upon which repairs or alterations have been made unless authorized by MILLER.

EXCEPT AS EXPRESSLY SET FORTH IN THIS WARRANTY, MILLER MAKES NO OTHER WARRANTY, EXPRESS OR IMPLIED, AND HEREBY DISCLAIMS ALL OTHER WARRANTIES INCLUDING, BUT NOT LIMITED TO, THE IMPLIED WARRANTIES OF MERCHANTABILITY AND FITNESS FOR A PARTICULAR PURPOSE. MILLER shall in no event be liable for claimed downtime, claimed loss of profits or goodwill, or any other special, incidental, indirect, or consequential damages concerning or relating to any product or parts, whether based on negligence, strict liability, breach of contract, breach of warranty, misrepresentation or any other legal theory, regardless of whether the loss resulted from any general or particular requirement which MILLER knew or had reason to know about at the time of sale.

MILLER MAKES NO WARRANTY, EXPRESS OR IMPLIED, AS TO THE FINISHED PRODUCTS MANUFACTURED OR SUPPLIED BY ANOTHER MANUFACTURER AND SUPPLIED BY MILLER TO PURCHASER, including, but not limited to, any vehicle to which a MILLER product may be affixed or any accessories or wire rope, and MILLER EXPRESSLY DISCLAIMS ANY IMPLIED WARRANTIES OF MERCHANTABILITY OR FITNESS FOR A PARTICULAR PURPOSE AS TO SUCH EQUIPMENT OR PRODUCTS. This language shall in no way affect or diminish the rights of the purchaser to rely on such warranties as are extended by such manufacturers or suppliers. MILLER shall, to the extent permitted under applicable law, pass on to the purchaser such manufacturer's or seller's warranty.

MILLER, whose policy is one of continuous improvement, reserves the right to improve its products through changes in design or materials as it may deem desirable without being obligated to incorporate such changes in products previously sold. This warranty is not intended to cover or include the following items, which are set forth by way of example and not limitation:

- A. Normal deterioration of trim, paint, lettering, and appearance items due to wear or exposure to weather, road conditions, road treatments, etc.
- B. Any damage or defect due to accident, misuse, abuse, improper or unauthorized repairs, failure to provide reasonable and necessary maintenance, or uses for which the equipment was not designed or intended.
- C. Alterations or modifications that affect performance, operation or reliability.
- D. Normal maintenance parts including, but not limited to, wear pads, bushings, wire rope, mud flaps, fenderettes, light bulbs, hydraulic oil, filters, and tow sling belts.

**IT IS EXPRESSLY UNDERSTOOD THAT MILLER MAKES NO IMPLIED WARRANTY THAT MILLER PRODUCTS SHALL BE FIT FOR THE PURPOSE OF LIFTING OR MOVING PEOPLE OR FOR ANY OTHER IMPROPER USE.**



Miller Industries Towing Equipment Inc.  
8503 Hilltop Drive  
Ooltewah, Tennessee 37363  
Telephone (423) 238-4171

**SERIAL NUMBER**

## **OWNER, USER AND OPERATOR:**

We appreciate your choice of our towing and recovery unit for your application. Our number one priority is user safety which is best achieved by our joint efforts. We feel that you can make a major contribution to safety if you, as the equipment owner and operator:

1. **Comply with Federal, State, and Local Regulations.**
2. **Read, Understand, and Follow the Instructions in this Manual.**
3. **Use Good, Safe Work Practices in a Common Sense Way.**
4. **Only have Authorized and Trained Personnel performing maintenance on the Towing and Recovery Unit.**

# TABLE OF CONTENTS

It is assumed by the manufacturer that the Owner/Operator has a thorough knowledge of the accepted and lawful retrieval and towing methods as dictated by his city, county or state. The manufacturer rejects any liability claim that may result from the incorrect or unlawful application of its equipment.

## Section I - PARTS

SUBFRAME ASSEMBLY .....	I-2 & I-3
BOOM ASSEMBLY .....	I-4 & I-5
WHEEL LIFT ASSEMBLY .....	I-6 & I-7
CROSSBAR ASSEMBLY .....	I-8 & I-9
BOOM HYDRAULICS .....	I-10 & I-11
WHEEL LIFT HYDRAULICS .....	I-12 & I-13
CLAW HYDRAULICS .....	I-14 & I-15

## **Section VI - PARTS**

This Section is provided by the manufacturer for the purpose of ordering any component part of the **Holmes 220 Snatcher** that may be required when part replacement is necessary. Be certain to use only original equipment replacement parts for warranty purposes as well as for keeping your unit in its original state and optimum operating capacities.

When ordering replacement or spare parts be sure to provide the following information to the manufacturer's **Parts Department**.

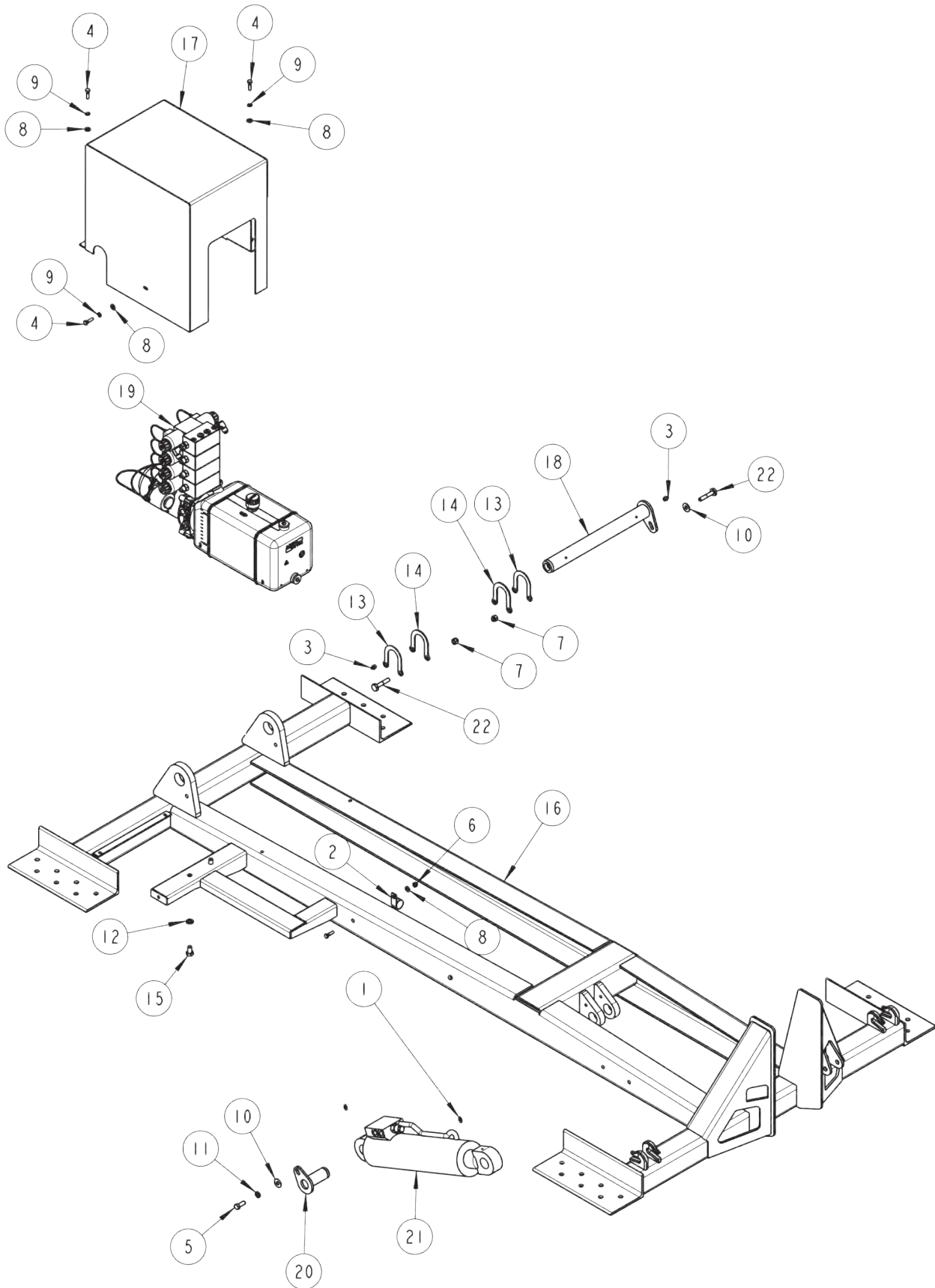
1. **Manual Number & Date of Publication**
2. **Manual Page Number**
3. **Page Title**
4. **Reference Number of Part Desired**
5. **Part Number**
6. **Part Description**
7. **Quantity of Part Desired**

Providing this information will help ensure that the correct parts will be delivered to you in an expedient manner without delay. Should additional information be required for repair or replacement of certain components, contact your Wrecker Manufacturer Authorized Representative.

The Manufacturer reserves the right, without notice or obligation, to improve or modify their products, which may change the specifications, models and feature availability.

# Section I - PARTS (cont'd)

## SUBFRAME ASSEMBLY



**Section I - PARTS (cont'd)**

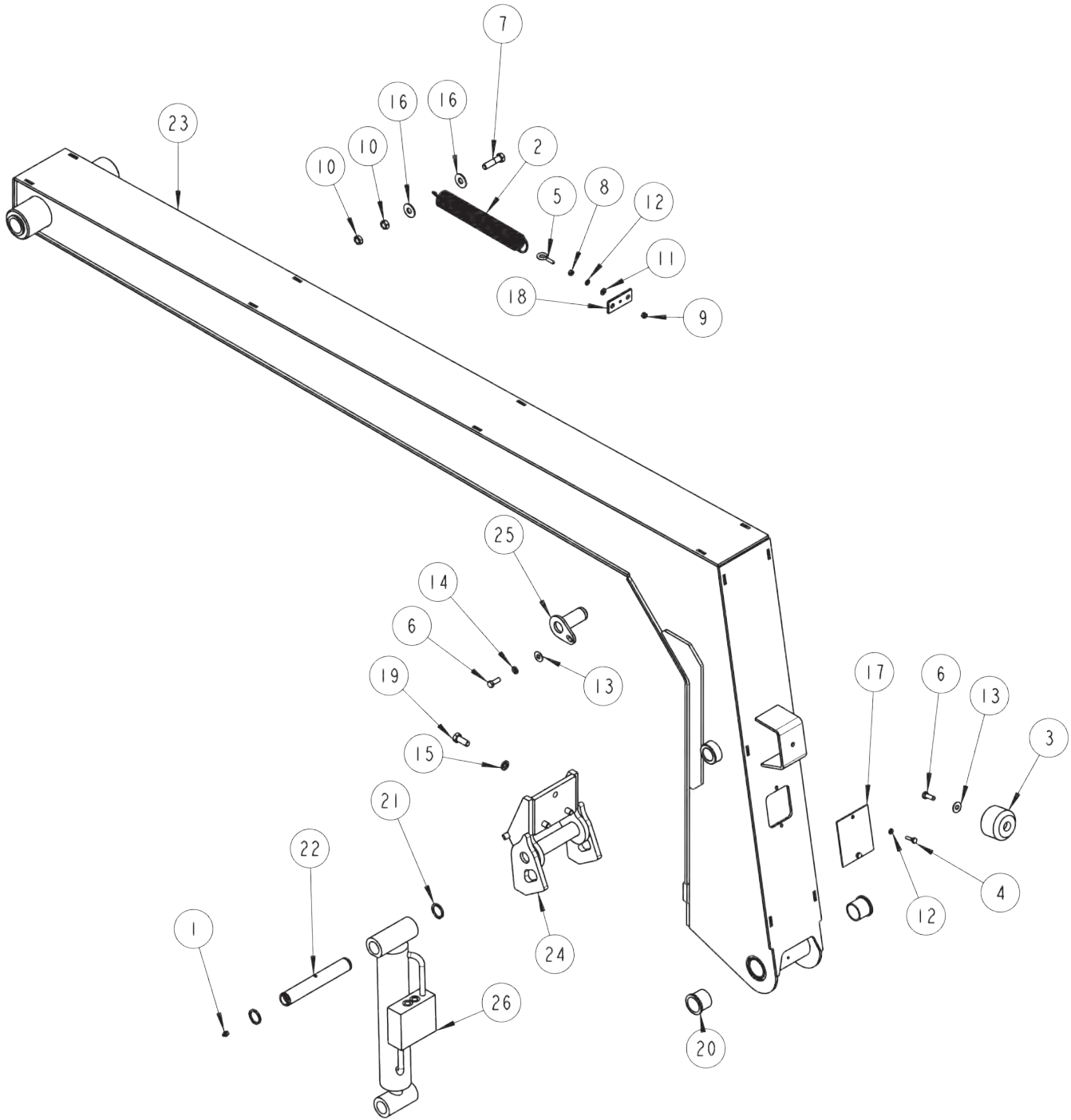
**SUBFRAME ASSEMBLY**

ITEM	PART NUMBER	DESCRIPTION	QTY
1	0300113	GREASE FITTING, 1/4-28 STRAIGHT	2
2	0300134	HOSE CLAMP, 1" INSULATED	2
3	0301895	GREASE FITTING, 1/8 NPT STRAIGHT	2
4	0400070	1/4-20 X 1 HHCS GR5 ZP	4
5	0400126	3/8-16 X 1 HHCS GR.5,ZP	1
6	0400367	1/4-20 NYLOCK HEX NUT ZP	2
7	0400392	3/8-16 NYLOCK HEX NUT ZP	2
8	0400451	1/4 FLAT WASHER ZP	6
9	0400452	1/4 HELICAL LOCK WASHER ZP	4
10	0400480	3/8 FLAT WASHER ZP	2
11	0400482	3/8 HELICAL LOCK WASHER ZP	1
12	0400487	7/16 HELICAL LOCK WASHER ZP	2
13	0719519	SHIM - BOOM PIVOT ( .0747 THICK )	2
14	0719520	SHIM- BOOM PIVOT (.1196 THK)	2
15	9041353	7/16-20 UNF X 3/4 LG. HHCS	2
16	25318004	SUBFRAME WELD'T	1
17	25318008	HPU COVER WELDMENT	1
18	25318010	BOOM PIVOT PIN WELDMENT	1
19	25319009	HPU ASSEMBLY	1
20	805351000	PIN WELDMENT	1
21	810710000	LIFT CYLINDER	1
22	HD0230	3/8-16 X 2 HHCS GR5 ZP	2



# Section I - PARTS (cont'd)

## BOOM ASSEMBLY





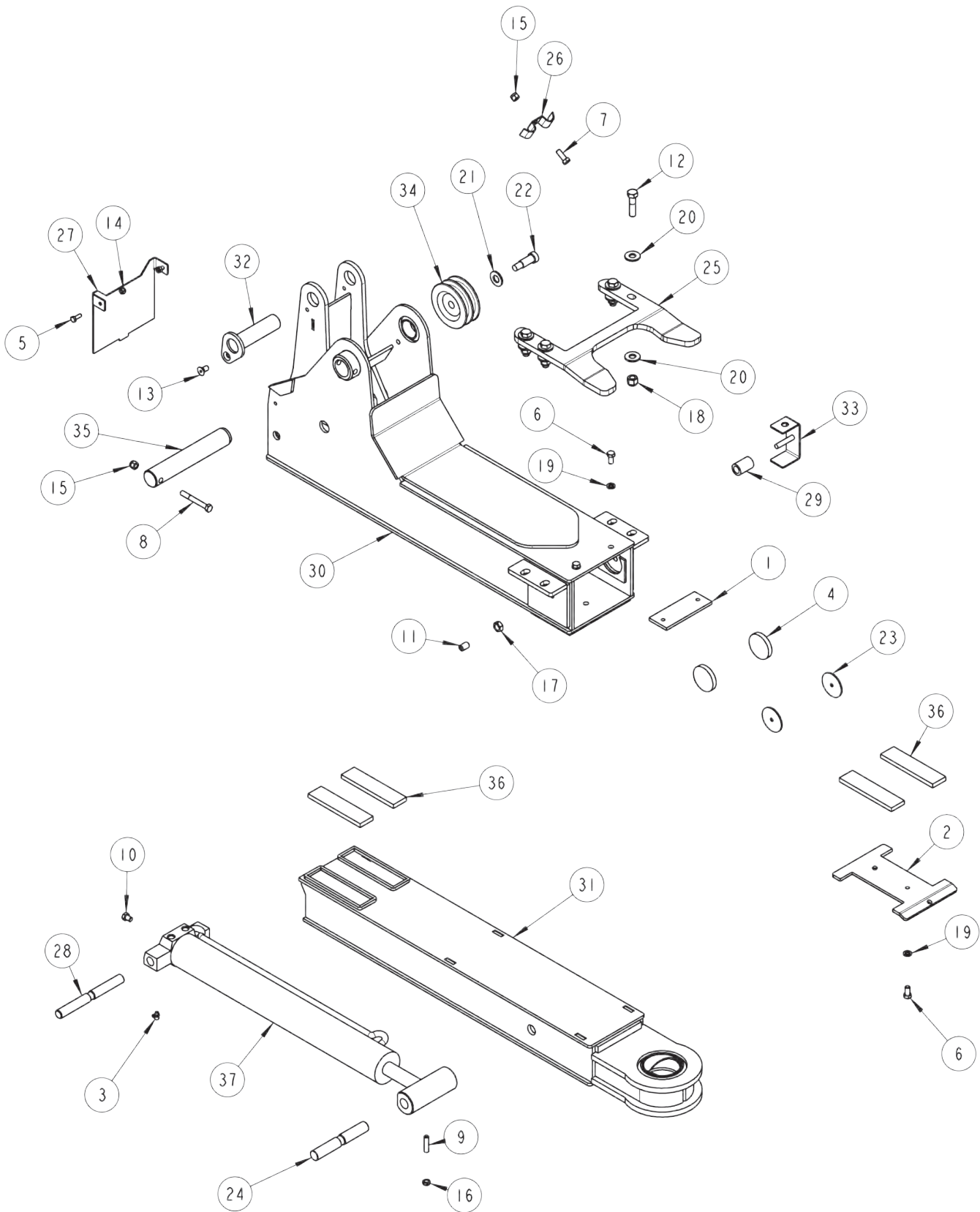
## Section I - PARTS (cont'd)

### BOOM ASSEMBLY

ITEM	PART NUMBER	DESCRIPTION	QTY
1	0301895	GREASE FITTING, 1/8 NPT STRAIGHT	1
2	0303521	SPRING, HOSE TENSIONER	1
3	0306688	TIMBREN SPRING	1
4	0400070	1/4-20 X 1 HHCS GR5 ZP	2
5	0400082	1/4-20 X 1.125 EYE BOLT	1
6	0400126	3/8-16 X 1 HHCS GR.5,ZP	2
7	0400343	1/2-13 X 2 HHCS GR.8,ZP	1
8	0400366	1/4-20 HEX NUT ZP	1
9	0400367	1/4-20 NYLOCK HEX NUT ZP	1
10	0400410	NUT, 1/2"-13 HEX JAM ZP	2
11	0400451	1/4 FLAT WASHER ZP	1
12	0400452	1/4 HELICAL LOCK WASHER ZP	3
13	0400480	3/8 FLAT WASHER ZP	2
14	0400482	3/8 HELICAL LOCK WASHER ZP	1
15	0400491	1/2 HELICAL LOCK WASHER ZP	3
16	0400492	1/2 FLAT WASHER ZP	2
17	0708519	PLATE, ACCESS COVER	1
18	0718102	BAR HOSE TENSIONER	1
19	9041402	1/2-13NC X 1 1/4 HHCS, ZP,GR.8	3
20	9053713	FLANGE BEARING, 1-1/2" I.D. OILITE	2
21	9056125	SNAP RING - 1-1/4" HEAVY DUTY	2
22	25317081	PIN, UPPER TILT CYLINDER	1
23	25318001	BOOM - PICKUP WHEEL SNATCHER	1
24	25318005	TILT STOP WELDT	1
25	805351000	PIN WELDMENT	1
26	810730000	CYLINDER HYDRAULIC FOLD	1

# Section I - PARTS (cont'd)

## WHEEL LIFT BOOM ASSEMBLY



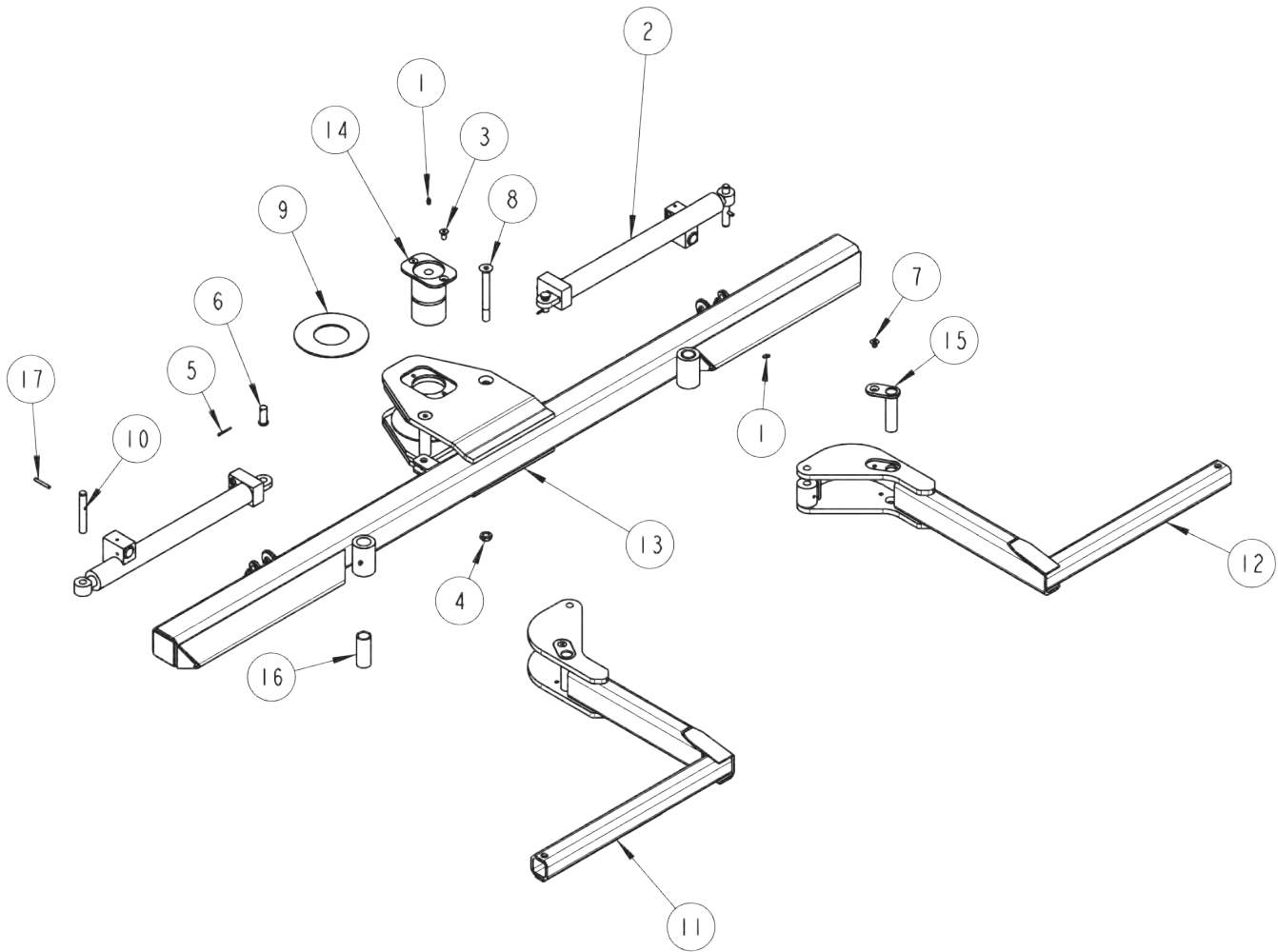
## Section I - PARTS (cont'd)

### WHEEL LIFT BOOM ASSEMBLY

ITEM	PART NUMBER	DESCRIPTION	QTY
1	3012-794003	BAR - SPACER	1
2	3012-794004	PLATE - UL PAD CAGE	1
3	0301397	GREASE FITTING, 90 DEG	2
4	0306819	PAD, SLIDE	2
5	0400066	1/4-20 X 3/4 HHCS GR.5,ZP	2
6	0400121	3/8-16NC X 3/4 HHCS GR. B	4
7	0400126	3/8-16 X 1 HHCS GR.5,ZP	1
8	0400133	3/8-16 X 3 HHCS GR.5,ZP	1
9	0400139	SCREW, 3/8"-16 X 1-1/2" HEX SKT SET	1
10	0400154	3/8-16 X 1/2 HHCS GR.5,ZP	1
11	0400204	1/2-13X3/4 SKT HD SET	2
12	0400343	1/2-13 X 2 HHCS GR.8,ZP	4
13	0400349	SCREW, 3/8"-16 X 3/4" FL HD SKT	1
14	0400367	1/4-20 NYLOCK HEX NUT ZP	2
15	0400392	3/8-16 NYLOCK HEX NUT ZP	2
16	0400398	3/8-16 NYLOCK HALF-NUT ZP	1
17	0400410	NUT, 1/2"-13 HEX JAM ZP	2
18	0400416	1/2-13 NYLOCK HEX NUT GR.8, ZP	4
19	0400482	3/8 HELICAL LOCK WASHER ZP	4
20	0400497	1/2 FLAT WASHER GR.8,YZ PLATED	8
21	0400505	5/8 FLAT WASHER SAE	1
22	0400606	5/8 X 1-1/4 SHOULDER BOLT	1
23	0717674	SHIM - PAD SPACER	2
24	0718216	SHAFT- INNER TUBE CYLINDER	1
25	0718217	PLATE - XBAR POSITIONING	1
26	9048166	TUBE CLAMP, DOUBLE	1
27	25317020	PLATE - W/L FRONT COVER	1
28	25317105	PIN - EXTEND	1
29	25317200	BEARING - HOSE	1
30	25318002	OUTER W/L WELD'T	1
31	25318003	INNER STINGER BOOM WELD'T	1
32	25318011	PIN WELDMENT, TILT CYL LOWER	1
33	25318013	HOSE KEEPER	1
34	810040004	SHEAVE, SMALL GROOVED	1
35	810350001	PIN, STINGER PIVOT	1
36	896040002	NYLATRON PAD	4
37	0310639	CYLINDER 2.5 BORE X 1.13	1

Section I - PARTS (cont'd)

CROSSBAR ASSEMBLY



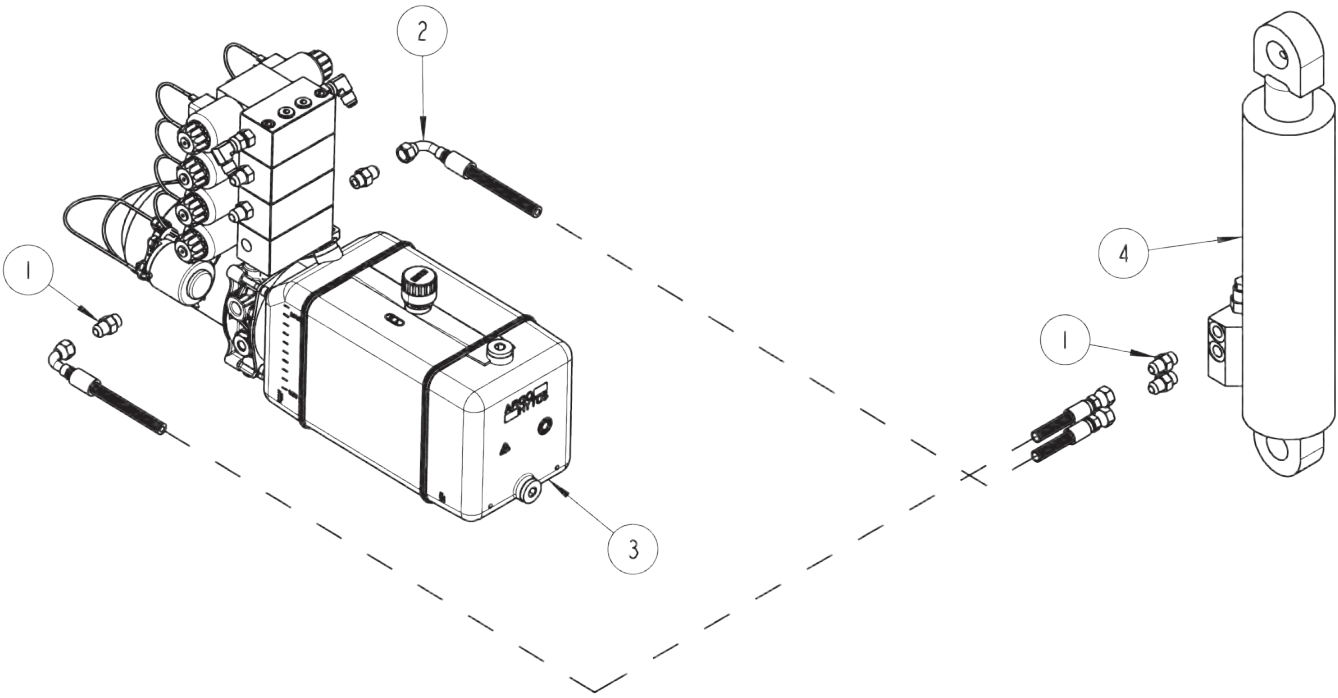
## Section I - PARTS (cont'd)

### CROSSBAR ASSEMBLY

ITEM	PART NUMBER	DESCRIPTION	QTY
1	0300113	GREASE FITTING, 1/4-28 STRAIGHT	3
2	0303844	CYLINDER, SWING L-ARM	2
3	0400349	SCREW, 3/8"-16 X 3/4" FL HD SKT	2
4	0400428	5/8-11 FLEXLOC THIN HIGH	2
5	0400546	COTTER PIN, 1/8" X 1-1/4"	2
6	0400590	CLEVIS PIN	2
7	0400667	3/8-16X1/2 FLT SOC HD THREAD LOCK	2
8	0401006	3/8"-16 X 1" FL HD SKT CAP SCREW	2
9	0710092	THRUST WASHER	2
10	0713885	PIN - CYLINDER (L-ARM END)	2
11	0806978	LEFT L ARM WLDT	1
12	0806979	RIGHT L-ARM WLDT	1
13	0806980	CROSSBAR WELDMENT	1
14	0806981	PIN PIVOT WLDT-XBAR	1
15	0806982	PIN L ARM PIVOT	2
16	E300002	BEARING - CLAW PIVOT	2
17	HD0106	1/4 X 1-3/4 ROLL PIN ZP	2

Section I - PARTS (cont'd)

BOOM HYDRAULICS



# Section I - PARTS (cont'd)

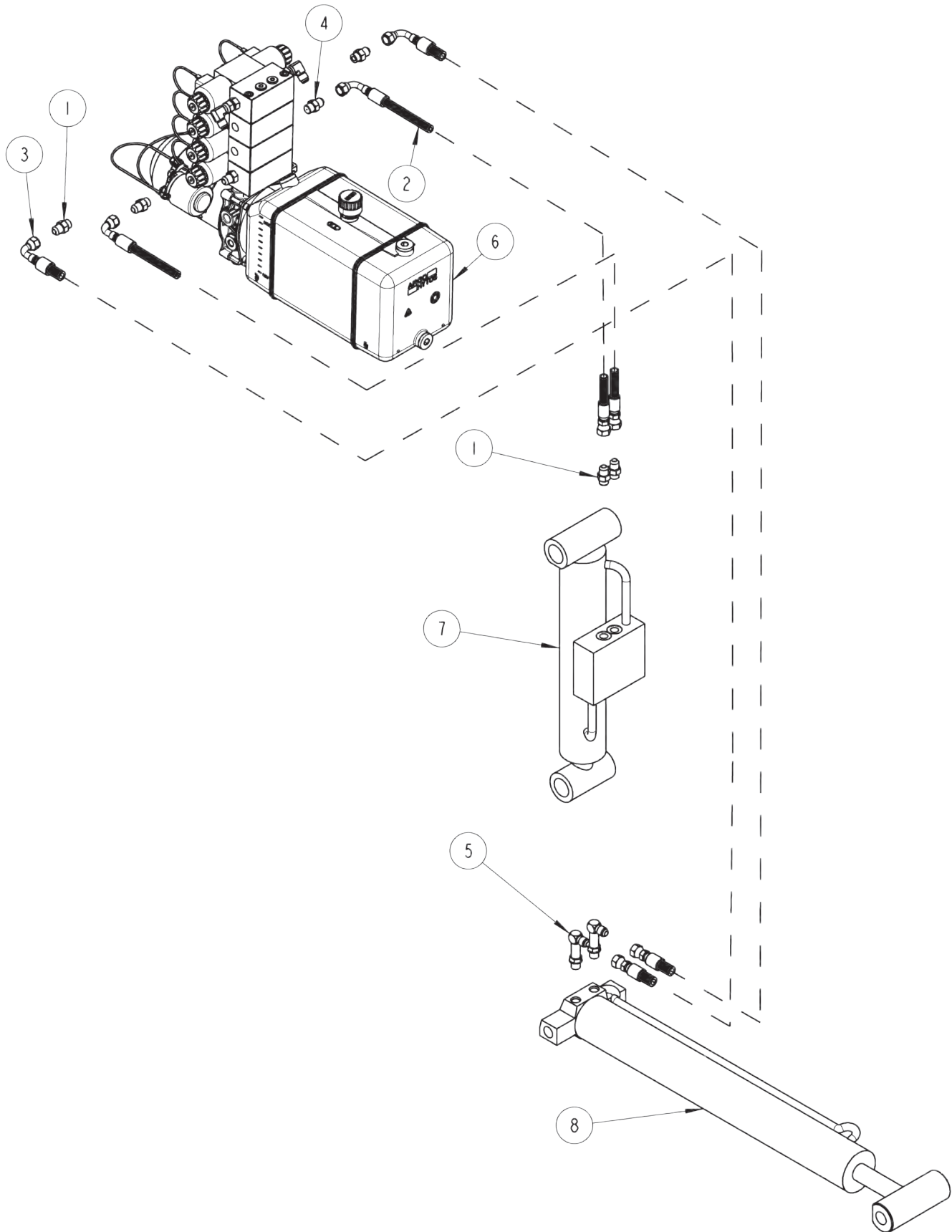
## BOOM HYDRAULICS

ITEM	PART NUMBER	DESCRIPTION	QTY
1	0301522	CONNECTOR 6MJ-6MB	9
2	0310311	HOSE ASSY - 72" LG	2
3	25319009	HPU ASSEMBLY	1
4	810710000	LIFT CYLINDER	1



Section I - PARTS (cont'd)

WHEEL LIFT HYDRAULICS



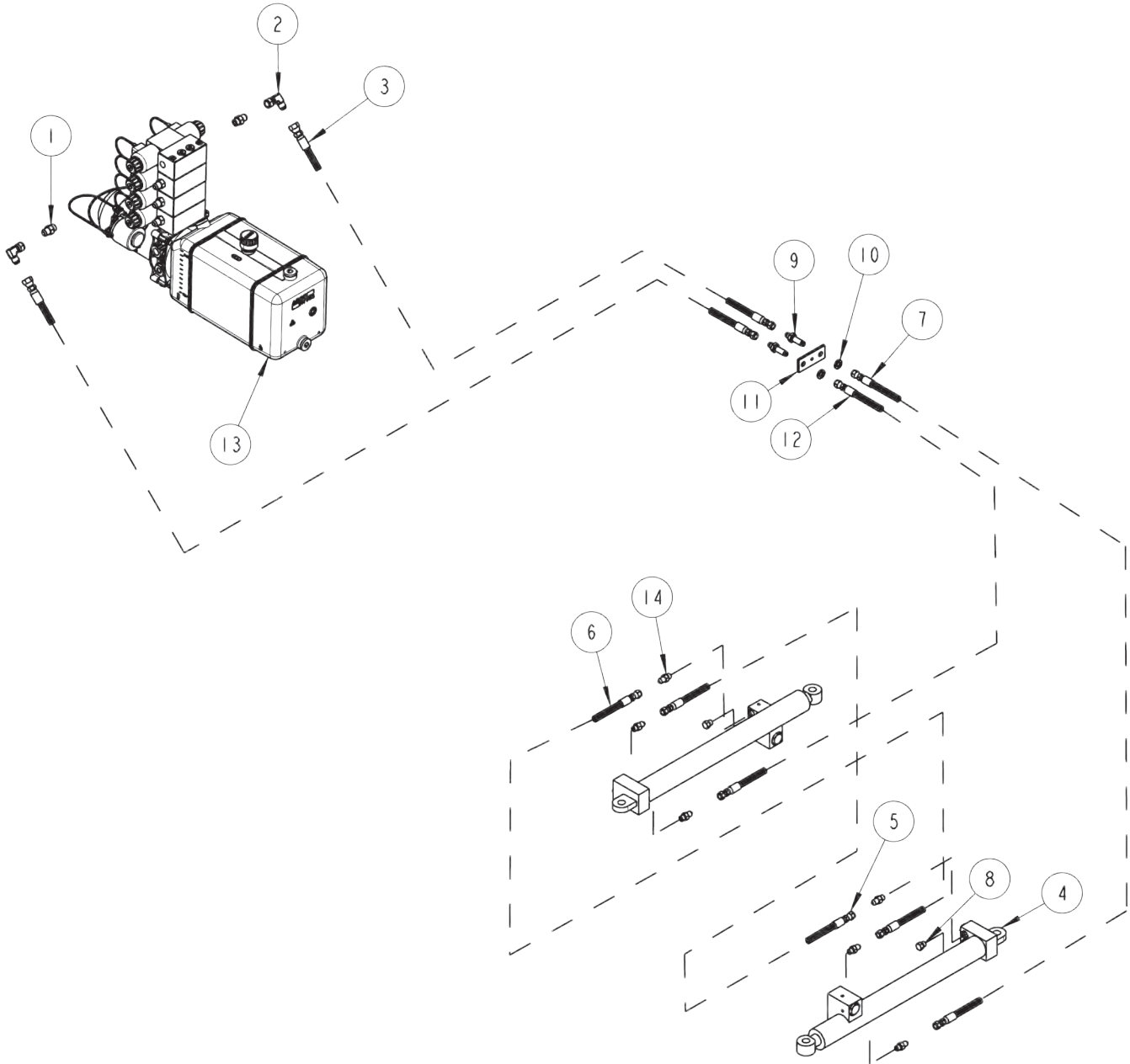
**Section I - PARTS (cont'd)**

**WHEEL LIFT HYDRAULICS**

ITEM	PART NUMBER	DESCRIPTION	QTY
1	0301522	CONNECTOR 6MJ-6MB	9
2	0301921	HOSE ASSEMBLY, 128" LG	2
3	0302922	HOSE ASSEMBLY, 170" LG	2
4	0307042	CONNECTOR, (6MJ-6MBR-3/64)	1
5	0307460	FITTING, ELBOW, 6MJ-6MB90L	2
6	25319009	HPU ASSEMBLY	1
7	810730000	CYLINDER HYDRAULIC FOLD	1
8	0310639	CYLINDER 2.5 BORE X 1.13	1

# Section I - PARTS (cont'd)

## CLAW HYDRAULICS



**Section I - PARTS (cont'd)**

**CLAW HYDRAULICS**

ITEM	PART NUMBER	DESCRIPTION	QTY
1	0301522	CONNECTOR 6MJ-6MB	7
2	0301696	ELBOW, 6MJ-6FJX90	2
3	0302531	HOSE ASSY - 75" LG	2
4	0303844	CYLINDER, SWING L-ARM	2
5	0303860	HOSE ASSEMBLY, 10-3/4"	1
6	0303861	HOSE ASSEMBLY, 17"	1
7	0303862	HOSE ASSEMBLY - 112" LG	1
8	0303886	PLUG - 1/4 SAE O-RING	2
9	0306817	BULKHEAD UNION (4MJ-4BLKHD W/NUT)	2
10	0400487	7/16 HELICAL LOCK WASHER ZP	2
11	0718102	BAR HOSE TENSIONER	1
12	25313002	HOSE ASSEMBLY - 110" LG	1
13	25319009	HPU ASSEMBLY	1
14	HC1291	CONNECTOR, 4MJ-4MB STR	6







Miller Industries Towing Equipment Inc.  
8503 Hilltop Drive • Ooltewah, Tennessee 37363 • (423) 238-4171  
[www.millerind.com](http://www.millerind.com)