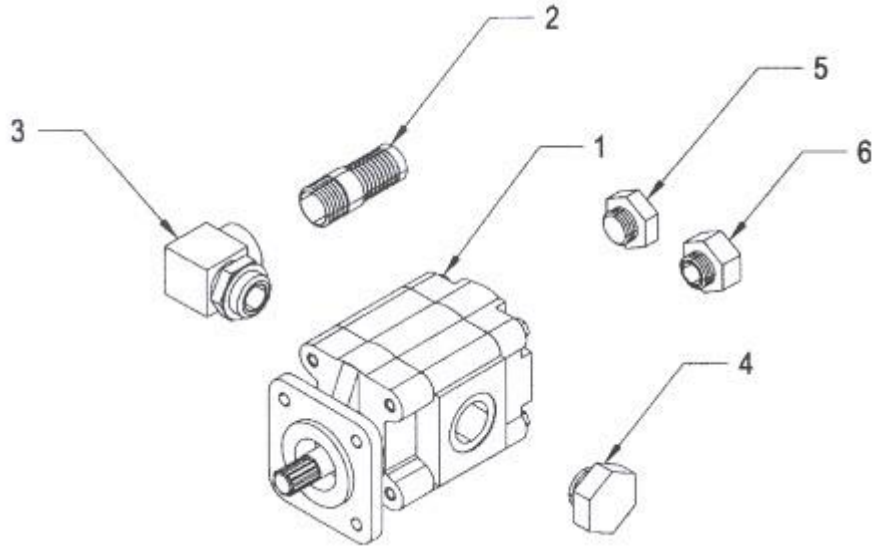


## Parts

### Direct Mount Pump



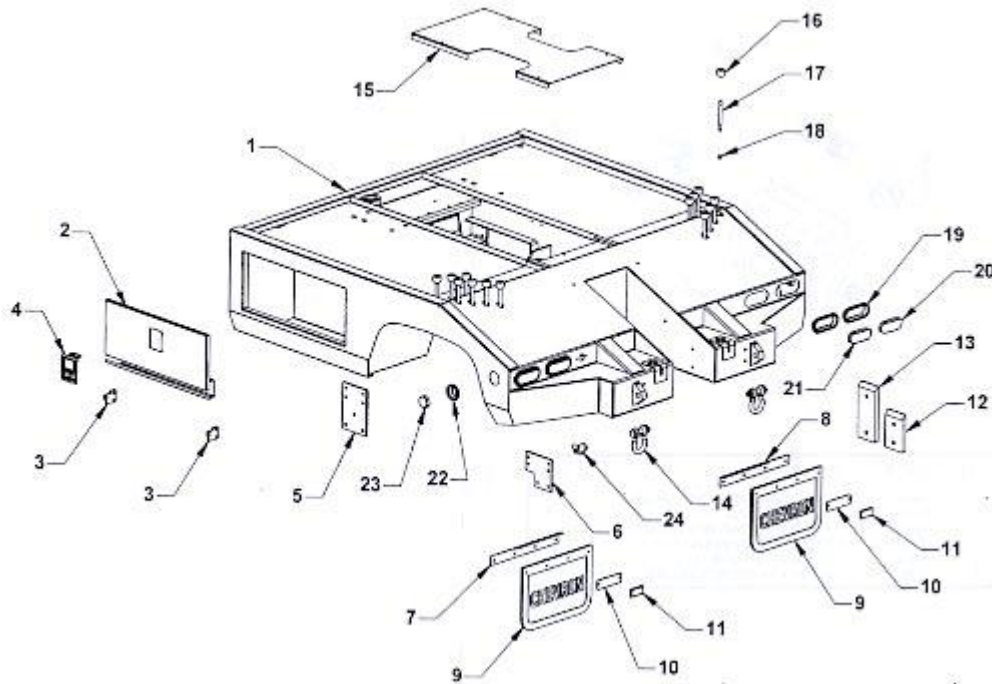
ITEM	PART NUMBER	DESCRIPTION	NUMBER REQUIRED
1	78008	PUMP - 18 GPM	1
	78006	PUMP - 24 GPM	1
2	77CH0	1-1/4 X 3 NPT NIPPLE	1
3	77C90	1-1/4 X 90 M-F O-RING ADAPTER 887-554-20	1
4	77620	1-1/4 O-RING PLUG 900598-20	1
5	44316	1 O-RING PLUG 900598-16	1
6	779E1	1 O-RING PLUG X 3/4 PIPE REDUCER 2216-12 X 16	1



# Parts

RENEGADE 408V & 408T

## 408V & 408T body Components



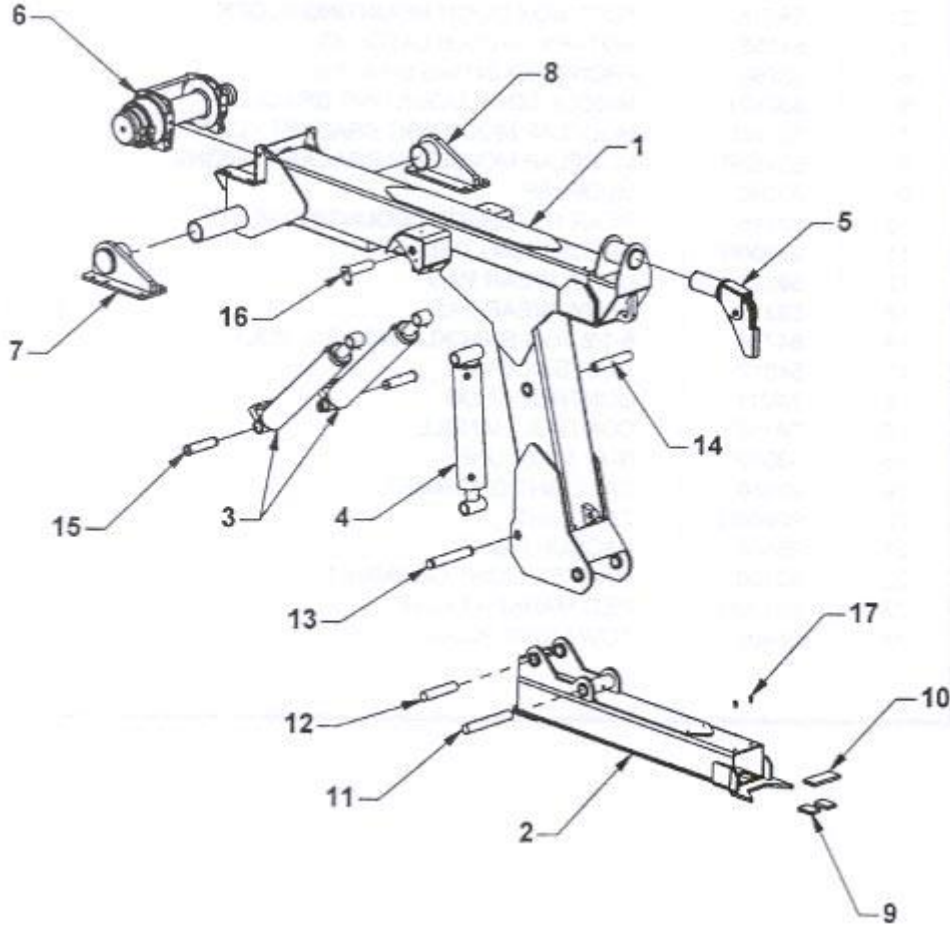
ITEM	PART NUMBER	DESCRIPTION	NUMBER REQUIRED
1	5033V	INTEGRATED WRECKER BODY	1
2	5A300	TOOL BOX DOOR	2
3	5A316	TOOL BOX DOOR WELDMENT BLOCK	4
4	54658	ROTARY PADDLE LATCH #3	2
5	53263	FRONT MOUNTING BRACKET	2
6	532501	MIDDLE BODY MOUNTING BRACKET	2
7	53182L	MUDFLAP MOUNTING BRACKET - LEFT	1
8	53182R	MUDFLAP MOUNTING BRACKET - RIGHT	1
9	A1040	MUDFLAP	2
10	59115	REAR REFLECTOR MOUNTING PLATE	2
11	93300R	REFLECTOR - RED	2
12	59320	UHHW WEAR PAD	2
13	59319	UHHW WEAR PAD	2
14	84716	6-1/2 TON SHACKLE W/NUT & BOLT	2
15	54312	ACCESS COVER	1
16	7A211	CONTROL KNOB	14
17	7A168	CONTROL HANDLE	14
18	83320	NUT 1/2-20 UNF	14
19	92650	TAILLIGHT GROMMET	4
20	92600R	TAILLIGHT	2
21	95600	BACKUP LIGHT	2
22	93150	MARKER LIGHT GROMMET	2
23	93100R	RED MAKER LIGHT	2
24	98400	TOW LIGHT PLUG	1



RENEGADE 408V & 408T

# Parts

## 408V Integrated Boom Components - Single Line



ITEM	PART NUMBER	DESCRIPTION	NUMBER REQUIRED
1	6I1023	INTEGRATED BOOM	1
2	6I1071	UNDERLIFT OUTER TUBE - AUTOGRIP	1
--	6I1072	UNDERLIFT OUTER TUBE - CONVENTIONAL	1
3	720112	BOOM LIFT CYLINDER	2
4	720122	UNDERLIFT TILT/FOLD CYLINDER	1
5	61366G	BOOM END SWIVEL GROUP	2
6	71102L	PLANETARY WINCH - LEFT	1
7	6I1330L	TRUNNION BRACKET - LEFT	1
8	6I1330R	TRUNNION BRACKET - RIGHT	1
9	65612	NYLATRON WEAR PAD 1/2 x 2 x 4	2
10	65121	UHMW WEAR PAD 12 x 2-1/2 x 6	1
11	6I1620	UNDERLIFT PIVOT PIN 1.480 x 10	1
--	86150I	SNAP RING 1.50 INTERNAL	2
12	6I1740	UNDERLIFT TILT PIN 1.480 x 8.125	1
--	86150I	SNAP RING 1.50 INTERNAL	2
13	6I1625	UNDERLIFT LEVELER PIN 1.480 x 8.25	1
14	6I1545	UNDERLIFT TILT PIN 1.480 x 8.125	2
--	86150I	SNAP RING 1.50 INTERNAL	2

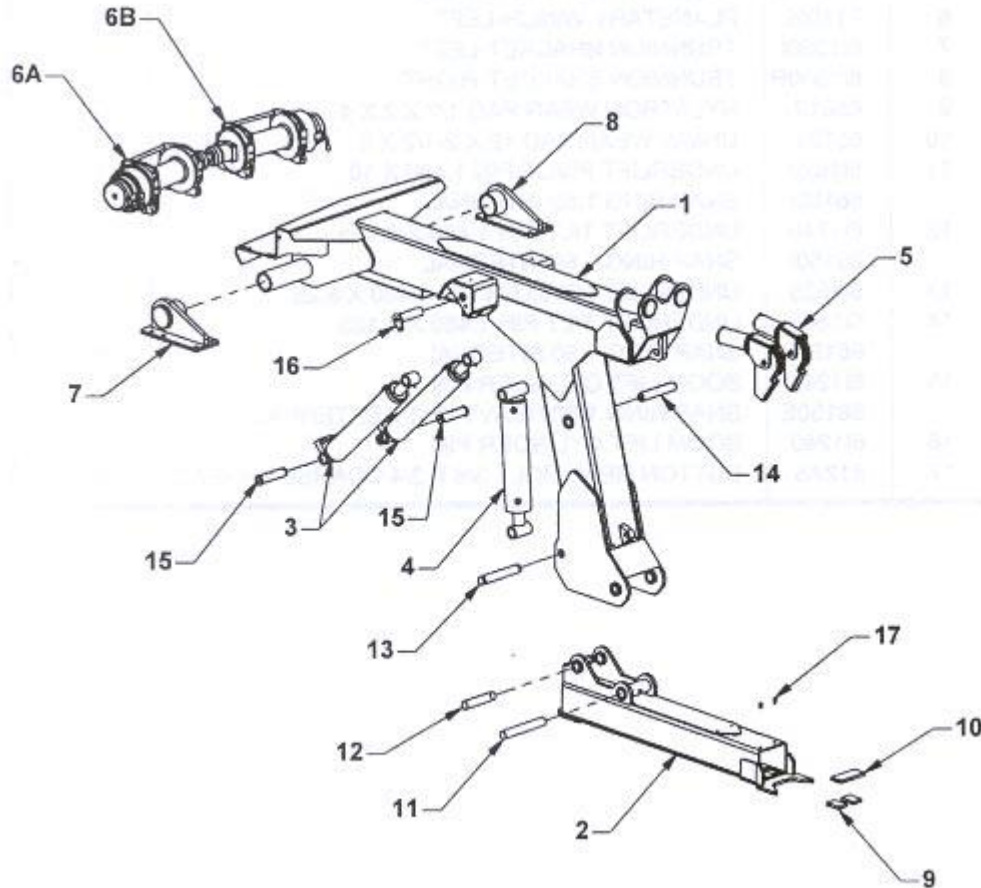
15	611245	BOOM LIFT CYLINDER PIN	2
--	86150E	SNAP RING 1.50 HEAVY DUTY EXTERNAL	2
16	811240	BOOM LIFT CYLINDER PIN	2
17	812A5	BUTTON HEAD BOLT 3/8 x 3/4 COARSE THREAD	2



# Parts

RENEGADE 408V & 408T

## 408V Integrated Boom Components - Twin Line



ITEM	PART NUMBER	DESCRIPTION	NUMBER REQUIRED
1	6I1024	INTEGRATED BOOM	1
2	6I1071	UNDERLIFT OUTER TUBE - AUTOGRIP	1
--	6I1072	UNDERLIFT OUTER TUBE - CONVENTIONAL	1
3	720112	BOOM LIFT CYLINDER	2
4	720122	UNDERLIFT TILT/FOLD CYLINDER	1
5	61366G	BOOM END SWIVEL GROUP	2
6A	71102L	PLANETARY WINCH - LEFT	1
6B	71102R	PLANETARY WINCH - RIGHT	1
7	6I1330L	TRUNNION BRACKET - LEFT	1
8	6I1330R	TRUNNION BRACKET - RIGHT	1
9	65612	NYLATRON WEAR PAD 1/2 x 2 x 4	2
10	65121	UHMW WEAR PAD 12 x 2-1/2 x 6	1
11	6I1620	UNDERLIFT PIVOT PIN 1.480 x 10	1
--	86150I	SNAP RING 1.50 INTERNAL	2
12	6I1740	UNDERLIFT TILT PIN 1.480 x 8.125	1
--	86150I	SNAP RING 1.50 INTERNAL	2
13	6I1625	UNDERLIFT LEVELER PIN 1.480 x 8.25	1
14	6I1545	UNDERLIFT TILT PIN 1.480 x 8.125	2
--	86150I	SNAP RING 1.50 INTERNAL	2

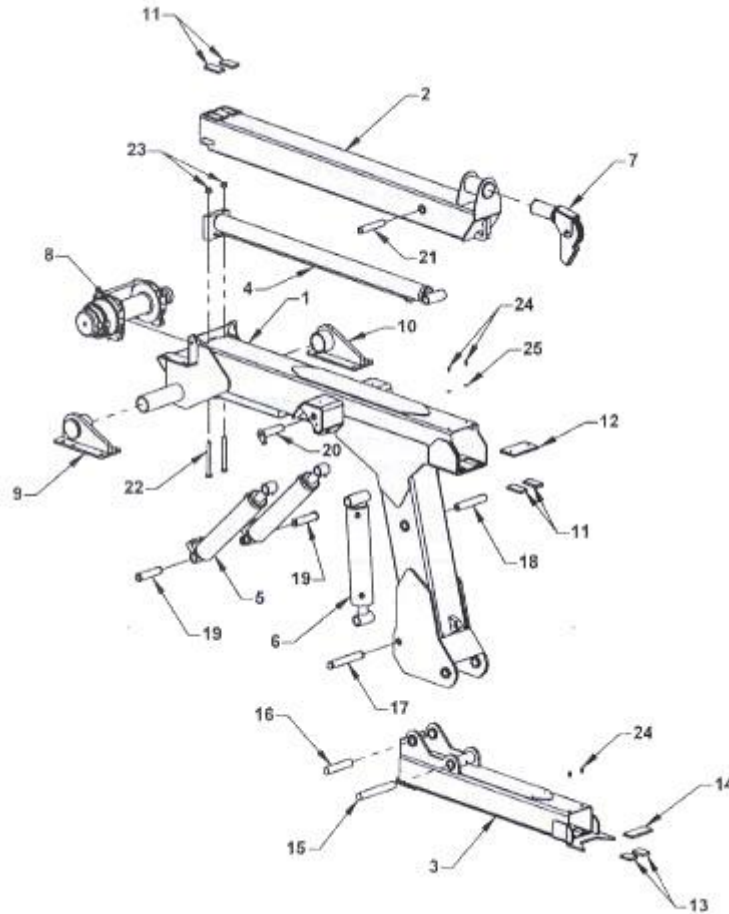
15	6I1245	BOOM LIFT CYLINDER PIN	2
--	86150E	SNAP RING 1.50 HEAVY DUTY EXTERNAL	2
16	8I1240	BOOM LIFT CYLINDER PIN	2
17	812A5	BUTTON HEAD BOLT 3/8 x 3/4 COARSE THREAD	2



RENEGADE 408V & 408T

# Parts

## 408V Integrated Boom Components - Twin Line



ITEM	PART NUMBER	DESCRIPTION	NUMBER REQUIRED
1	6I1033	INTEGRATED BOOM - OUTER 408T2	1
2	6I1053	INNER BOOM TUBE - 408T2	1
3	6I1071	UNDERLIFT OUTER TUBE - AUTOGRIP	1
--	6I1072	UNDERLIFT OUTER TUBE - CONVENTIONAL	1
4	721033	BOOM EXTENSION CYLINDER	1
5	720112	BOOM LIFT CYLINDER	2
6	720122	UNDERLIFT TILT/FOLD CYLINDER	1
7	61366G	BOOM END SWIVEL	2
8	71102L	PLANETARY WINCH - LEFT	1

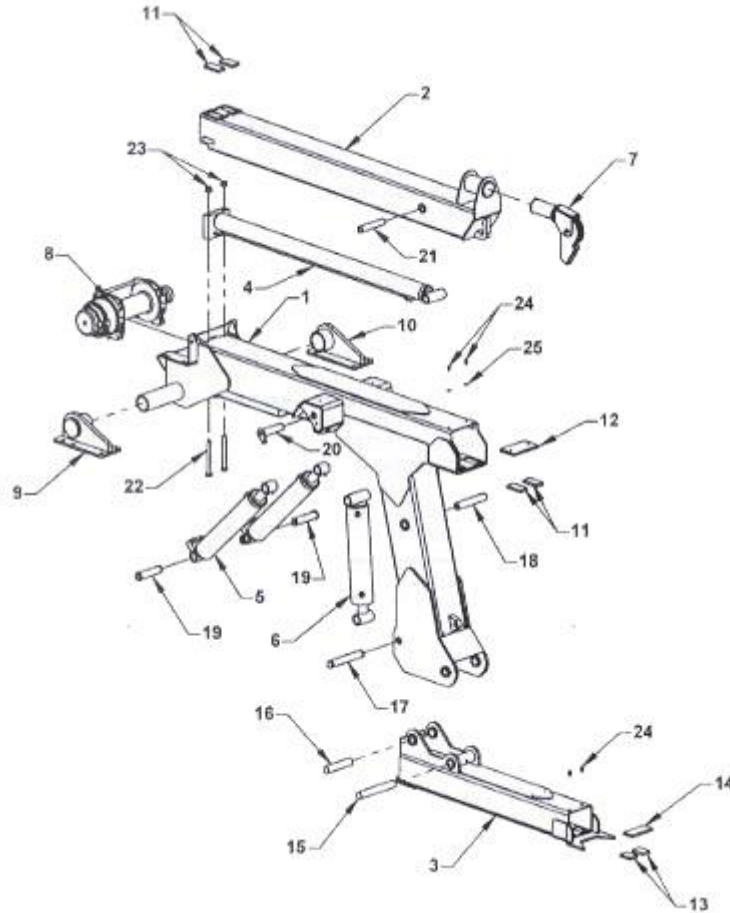
9	6I1330L	TRUNNION BRACKET - LEFT	1
10	6I1330R	TRUNNION BRACKET - RIGHT	1
11	63595	NYLATRON WEAR PAD 1/2 x 2/4	2
12	63431	UHMW WEAR PAD 1/2 x 4 x 8	1
13	65612	NYLATRON WEAR PAD 1/2 x 2 x 3	2
14	65121	UHMW WEAR PAD 1/2 x 2-1/2 x 6	1
15	6I1620	UNDERLIFT PIVOT PIN 1.480 x 10	1
--	86150I	SNAP RING 1.50 INTERNAL	2
16	6I1740	UNDERLIFT TILT PIN 1.480 x 7	1
--	86150I	SNAP RING 1.50 INTERNAL	2
17	6I1625	UNDERLIFT LEVELER PIN 1.50 x 8.25	1
18	6I1545	UNDERLIFT TILT PIN 1.480 x 8-1/8	1
--	86150I	SNAP RING 1.50 INTERNAL	2
19	6I1245	BOOM LIFT CYLINDER PIN 1.480 x 6.5 SRG	1
--	86150E	SNAP-RING 1.50 HEAVY DUTY EXTERNAL	2
20	6I1240	BOOM LIFT CYLINDER PIN	2
21	6I1339	PIN BOOM EXTENSION CYLINDER	1
--	86125I	SNAP-RING 1.25 INTERNAL	2
22	81670	BOLT 3/4 x 7 GRADE 8 COARSE THREAD	2
23	83521	3/4 COARSE THREAD NYLON LOCK NUT	2
24	812A5	BUTTON BOLT 3/8 x 3/4 COARSE THREAD	4
25	82210	3/8 FLAT WASHER	2



RENEGADE 408V & 408T

# Parts

## 408V Integrated Boom Components - Twin Line



ITEM	PART NUMBER	DESCRIPTION	NUMBER REQUIRED
1	6I1033	INTEGRATED BOOM - OUTER 408T2	1
2	6I1053	INNER BOOM TUBE - 408T2	1
3	6I1071	UNDERLIFT OUTER TUBE - AUTOGRIP	1
--	6I1072	UNDERLIFT OUTER TUBE - CONVENTIONAL	1
4	721033	BOOM EXTENSION CYLINDER	1
5	720112	BOOM LIFT CYLINDER	2
6	720122	UNDERLIFT TILT/FOLD CYLINDER	1
7	6I366G	BOOM END SWIVEL	2
8	71102L	PLANETARY WINCH - LEFT	1
9	6I1330L	TRUNNION BRACKET - LEFT	1
10	6I1330R	TRUNNION BRACKET - RIGHT	1
11	63595	NYLATRON WEAR PAD 1/2 x 2/4	2
12	63431	UHMW WEAR PAD 1/2 x 4 x 8	1
13	65612	NYLATRON WEAR PAD 1/2 x 2 x 3	2
14	65121	UHMW WEAR PAD 1/2 x 2-1/2 x 6	1
15	6I1620	UNDERLIFT PIVOT PIN 1.480 x 10	1
--	86150I	SNAP RING 1.50 INTERNAL	2
16	6I1740	UNDERLIFT TILT PIN 1.480 x 7	1



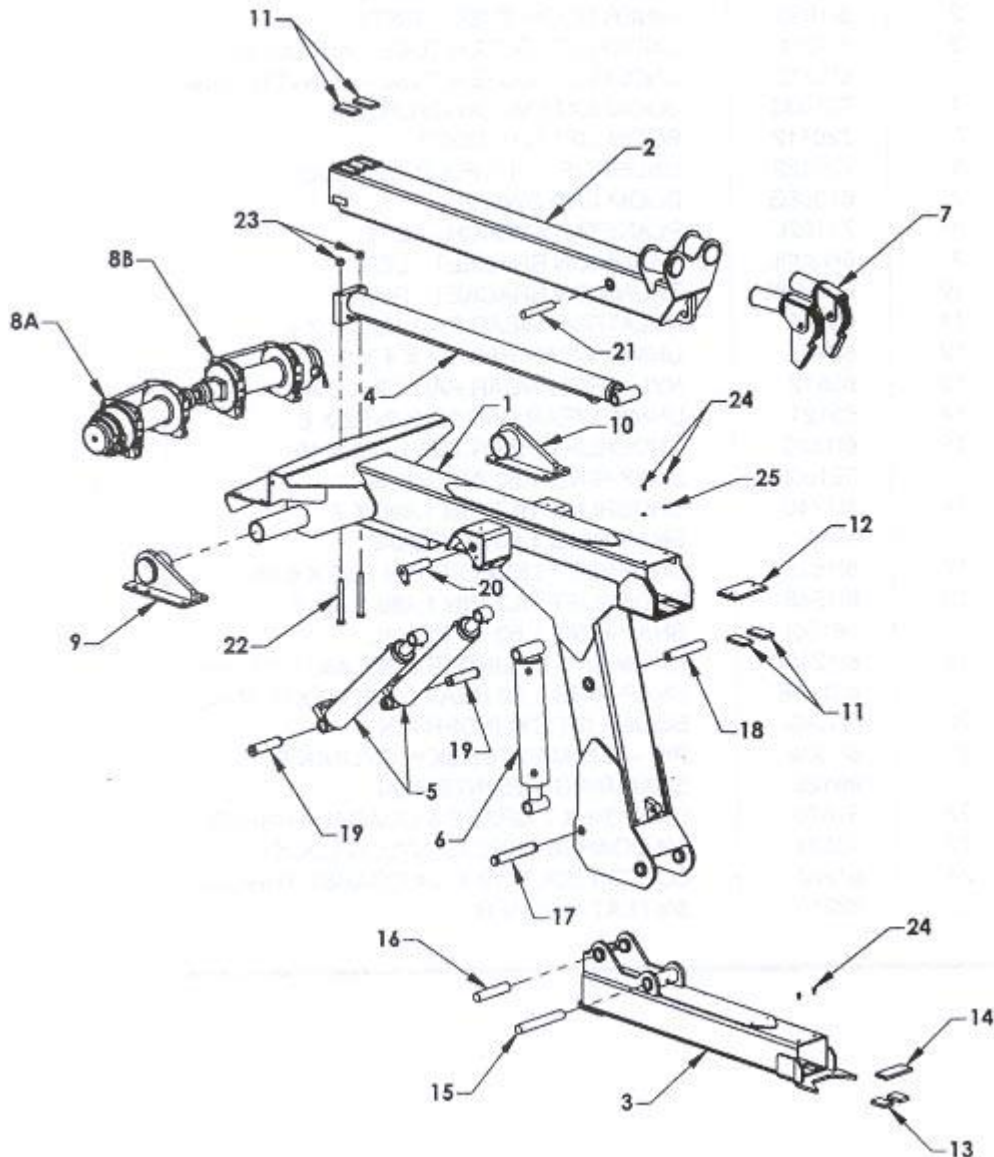
--	86150I	SNAP RING 1.50 INTERNAL	2
17	6I1625	UNDERLIFT LEVELER PIN 1.50 x 8.25	1
18	6I1545	UNDERLIFT TILT PIN 1.480 x 8-1/8	1
--	86150I	SNAP RING 1.50 INTERNAL	2
19	6I1245	BOOM LIFT CYLINDER PIN 1.480 x 6.5 SRG	1
--	86150E	SNAP-RING 1.50 HEAVY DUTY EXTERNAL	2
20	6I1240	BOOM LIFT CYLINDER PIN	2
21	6I1339	PIN BOOM EXTENSION CYLINDER	1
--	86125I	SNAP-RING 1.25 INTERNAL	2
22	81670	BOLT 3/4 x 7 GRADE 8 COARSE THREAD	2
23	83521	3/4 COARSE THREAD NYLON LOCK NUT	2
24	812A5	BUTTON BOLT 3/8 x 3/4 COARSE THREAD	4
25	82210	3/8 FLAT WASHER	2



RENEGADE 408V & 408T

# Parts

## 408T Integrated Boom Components - Twin Line



ITEM	PART NUMBER	DESCRIPTION	NUMBER REQUIRED
1	6I1034	INTEGRATED BOOM - OUTER 408T2	1
2	6I1054	INNER BOOM TUBE - 408T2	1
3	6I1071	UNDERLIFT OUTER TUBE - AUTOGRIP	1
--	6I1072	UNDERLIFT OUTER TUBE - CONVENTIONAL	1
4	721033	BOOM EXTENSION CYLINDER	1
5	720112	BOOM LIFT CYLINDER	2
6	720122	UNDERLIFT TILT/FOLD CYLINDER	1
7	61366G	BOOM END SWIVEL	2
8A	71102L	PLANETARY WINCH - LEFT	1
8A	71102R	PLANETARY WINCH - RIGHT	1

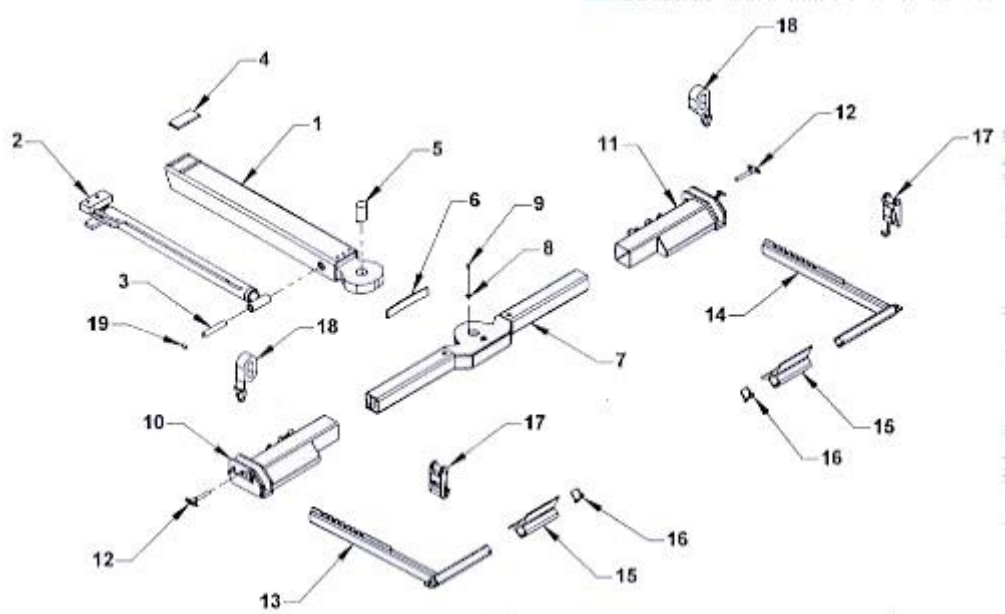
9	6I1330L	TRUNNION BRACKET - LEFT	1
10	6I1330R	TRUNNION BRACKET - RIGHT	1
11	63595	NYLATRON WEAR PAD 1/2 x 2/4	2
12	63431	UHMW WEAR PAD 1/2 x 4 x 8	1
13	65612	NYLATRON WEAR PAD 1/2 x 2 x 3	2
14	65121	UHMW WEAR PAD 1/2 x 2-1/2 x6	1
15	6I1620	UNDERLIFT PIVOT PIN 1.480 x 10	1
--	86150I	SNAP RING 1.50 INTERNAL	2
16	6I1740	UNDERLIFT TILT PIN 1.480 x 7	1
--	86150I	SNAP RING 1.50 INTERNAL	2
17	6I1625	UNDERLIFT LEVELER PIN 1.50 x 8.25	1
18	6I1545	UNDERLIFT TILT PIN 1.480 x 8-1/8	1
--	86150I	SNAP RING 1.50 INTERNAL	2
19	6I1245	BOOM LIFT CYLINDER PIN 1.480 x 6.5 SRG	1
--	86150E	SNAP-RING 1.50 HEAVY DUTY EXTERNAL	2
20	6I1240	BOOM LIFT CYLINDER PIN	2
21	6I1339	PIN BOOM EXTENSION CYLINDER	1
--	86125I	SNAP-RING 1.25 INTERNAL	2
22	81670	BOLT 3/4 x 7 GRADE 8 COARSE THREAD	2
23	83521	3/4 COARSE THREAD NYLON LOCK NUT	2
24	812A5	BUTTON BOLT 3/8 x 3/4 COARSE THREAD	4
25	82210	3/8 FLAT WASHER	2



RENEGADE 408V & 408T

# Parts

## 408V & 408T Wheel Lift Components (standard)



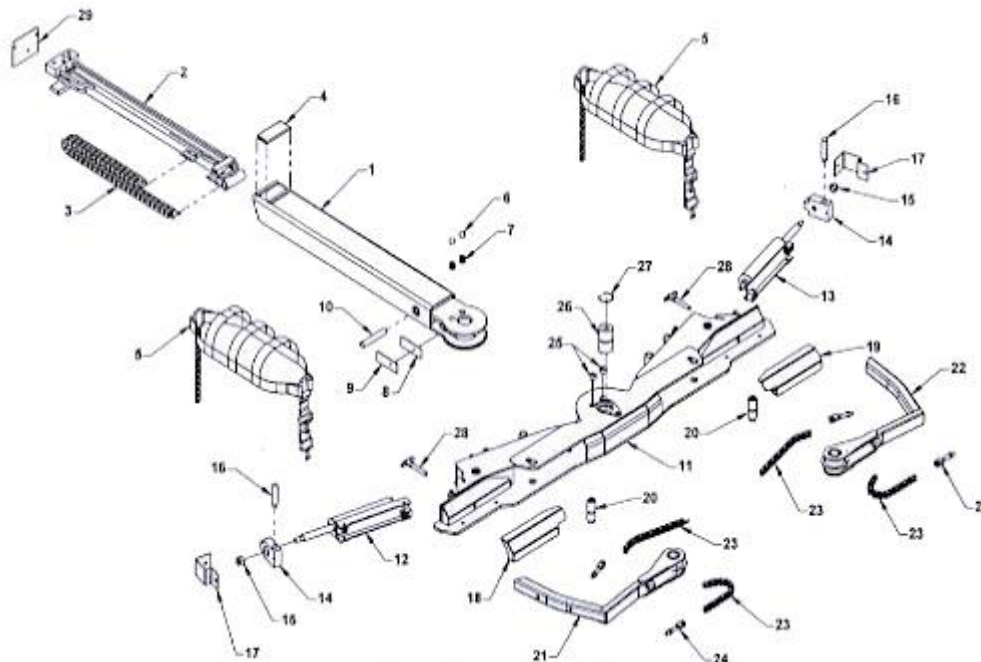
ITEM	PART NUMBER	DESCRIPTION	NUMBER REQUIRED
1	611088	INNER BOOM	1
2	720163	EXTENSION CYLINDER	1
3	643572	PIN .980 x 5.812	1
4	65621	NYLATRON WEAR PAD	1
5	65435	CROSSBAR PIVOT PIN	1
6	65228	DETENT LEAF SPRING	1
7	65515	CROSSBAR	1
8	82210	3/8 FLAT WASHER - HEAVY DUTY	1
9	812A5	BOLT 3/8 x 5/8 BUTTON HEAD	1
10	65265L	WHEEL GRID - LEFT	1
11	65250R	WHEEL GRID - RIGHT	1
12	84921	T-PIN WITH LANYARD	2
13	65250L	L-ARM - LEFT	1
14	65250R	L-ARM - RIGHT	1
15	65245	WHEEL PAN	2
16	84911	5/16 SAFETY SNAP PIN	2
17	65280A	RATCHET	2
18	65285	STRAP	2
19	86100I	SNAP-RING 1.00 INCH INTERNAL	2



RENEGADE 408V & 408T

# Parts

## 408VA & 408TA Wheel Lift Components



ITEM	PART NUMBER	DESCRIPTION	NUMBER REQUIRED
1	611086	INNER TUBE	1
2	720144	EXTENSION CYLINDER	1
3	69726	HOSE TRACK	1
4	65621	NYLATRON WEAR PAD	1
5	65286	BASKET STRAP - AUTO	2
	65287	BASKET STRAP - TRUCK	2
6	69325	DETENT BALL	2
7	69320	DETENT SPRING	2
8	64304R	RUBBER GASKET	2
9	64304C	HOSE CLAMP PLATE	2
10	643572	PIN .980 x 5-7/8	1
11	644002	AUTOGRIP CROSSBAR WELDMENT	1
12	720152L	L-ARM CYLINDER - LEFT	1
13	720152R	L-ARM CYLINDER - RIGHT	1
14	727162	L-ARM CYLINDER MOUNTING BLOCK	2
15	83520	NYLON LOCK NUT 3/4-16 UNF	4
16	644432	L-ARM CYLINDER MOUNTING PIN	2
17	644292	CROSSBAR GRAVEL GUARD	2
18	697402L	WHEEL CHOCK - LEFT	1
19	697402R	WHEEL CHOCK - RIGHT	1
20	644452	L-ARM PIVOT PIN	2

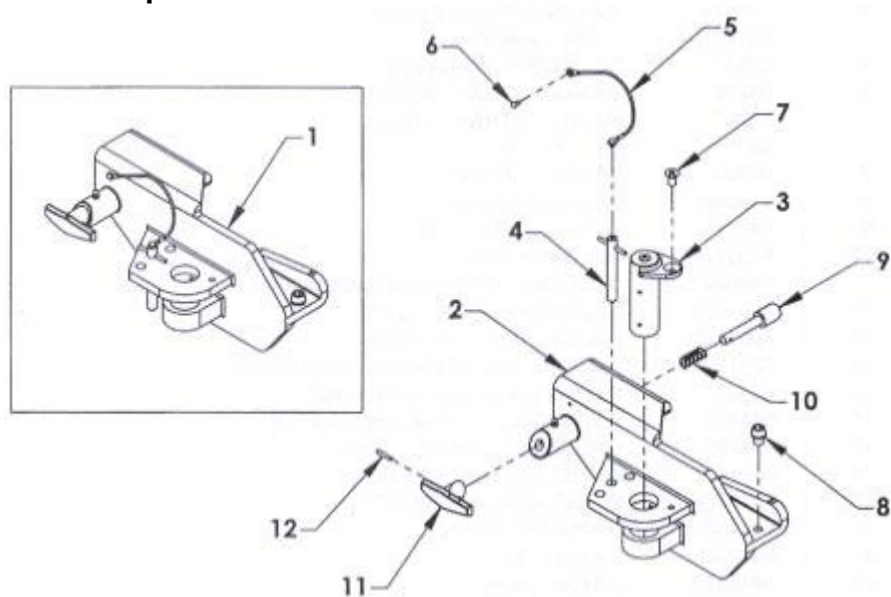
21	644352L	L-ARM - LEFT	1
22	644352R	L-ARM - RIGHT	1
23	87440	L-ARM CHAIN	4
24	64437	L-ARM CHAIN CLEVIS	4
	83411	NYLON LOCK NUT 5/8-11 UNC	4
25	64327	DETENT SCREW	2
26	644402	CROSSBAR PIVOT PIN	1
27	86250I	RETAINING RING 2.50 INTERNAL	1
28	84921	5/8 T-PIN	2
29	69335	GRAVEL GUARD	1



RENEGADE 408V & 408T

# Parts

## Pivot L-Arm Receiver Group



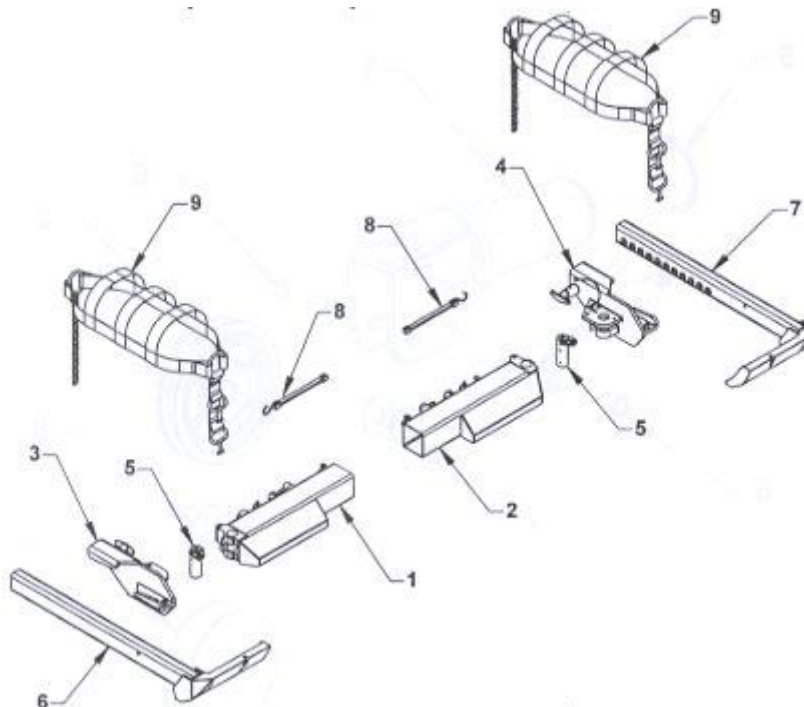
ITEM	PART NUMBER	DESCRIPTION	NUMBER REQUIRED
1	659820L	PIVOT L-ARM RECEIVER GROUP - LEFT	1
--	659820R	PIVOT L-ARM RECEIVER GROUP - RIGHT (shown)	1
2	659821L	PIVOT L-ARM RECEIVER CASTING - LEFT	1
--	659821R	PIVOT L-ARM RECEIVER CASTING - RIGHT (shown)	1
3	659822	L-ARM RECEIVER CASTING PIVOT PIN	1
4	659826	PIVOT LOCK PIN	1
5	659827	LANYARD	1
6	85016	RIVET	1
7	81225	FLAT HEAD SOCKET CAP SCREW 3/8-16 UNC x 1/2	1
8	81226	TAPERED SOCKET CAP SCREW 1/2-13 UNC x 1/2	1
9	659824	7/8 CAM PIN	1
10	89100	CAM PIN SPRING	1
11	659825	T-HANDLE	1
12	84675	ROLL PIN 3/16 x 1	1



RENEGADE 408V & 408T

# Parts

## Pivot Wheel Grids & L-Arms



ITEM	PART NUMBER	DESCRIPTION	NUMBER REQUIRED
1	659815L	PIVOT WHEEL GRID - LEFT	1
2	659815R	PIVOT WHEEL GRID - RIGHT	1
3	659820L	PIVOT RECEIVER GROUP - LEFT	1
4	659820R	PIVOT L-ARM RECEIVER GROUP - RIGHT	1
5	659822	L-ARM RECEIVER CASTING PIVOT PIN	1
6	659830L	LEFT ALUMINUM L-ARM	1
7	659830R	RIGHT ALUMINUM L-ARM	1
8	AA009G	RUBBER TENSION STRAP W/ S-HOOK	2
9	65286	BASKET STRAP - CAR	2
--	65287	BASKET STRAP - TRUCK	2

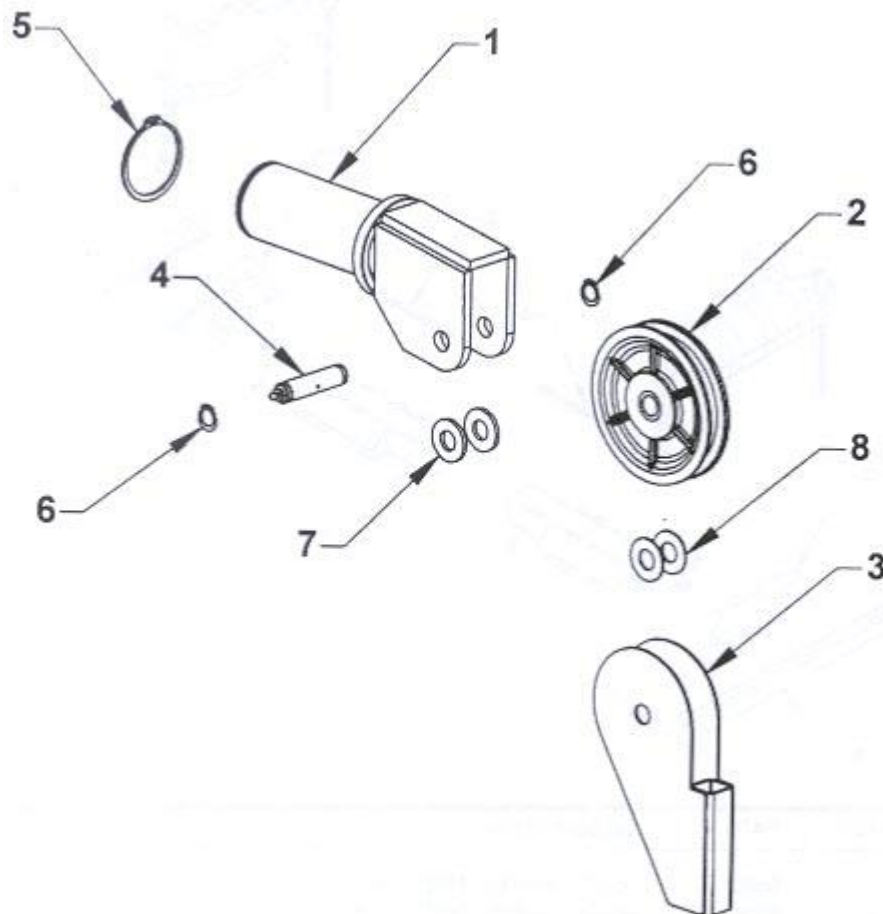




RENEGADE 408V & 408T

# Parts

## 4 Series Boom End Swivel



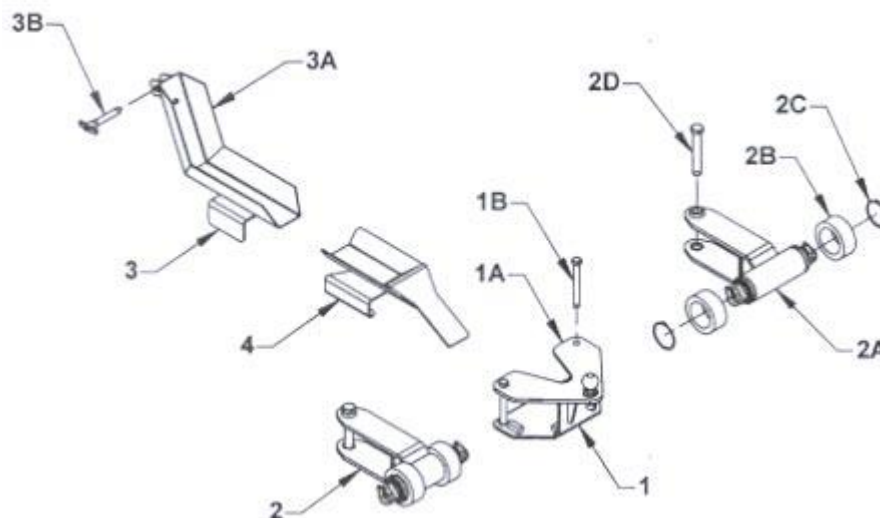
ITEM	PART NUMBER	DESCRIPTION	NUMBER REQUIRED
1	61366	BOOM END SWIVEL	1
2	69120	PULLEY - 6 INCH	1
3	61370	CABLE FOLLOWER	1
4	61364	PIN .750 x 3-1/8	1
5	86287E	RETAINING RING 2-7/8 EXTERNAL	1
6	86075E	RETAINING RING 3/4 EXTERNAL	2
7	82510	FLAT WASHER 3/4 x 1-1/2 x .120	2
8	82511	FLAT WASHER 3/4 x 1-1/2 x .060	2



RENEGADE 408V & 408T

# Parts

## 408V & 408T Autogrip Attachments



ITEM	PART NUMBER	DESCRIPTION	NUMBER REQUIRED
1	694510G	TOW BALL ATTACHMENT GROUP (ball excluded)	1
1A	694510	TOW BALL BRACKET WELDMENT	1
1B	816665	BOLT 3/4-10 UNC x 6.5	2
2	659002G	TOW BAR ATTACHMENT GROUP	2
2A	659002	TOW BAR WELDMENT	1
2B	64910	RUBBER RING	2
2C	86350E	RETAINING RING 3.5 EXTERNAL	2
2D	81815	BOLT 1.00-8 UNC x 6.5	1
3	694540G	MOTORCYCLE FRONT TIRE SADDLE GROUP	1
3A	694540	MOTORCYCLE FRONT TIRE SADDLE	1
3B	84922	T-PIN 3/4 x 4	1
4	694550	MOTORCYCLE REAR TIRE SADDLE	1
--	694560	STRAP TIE-DOWN KIT (not shown)	1