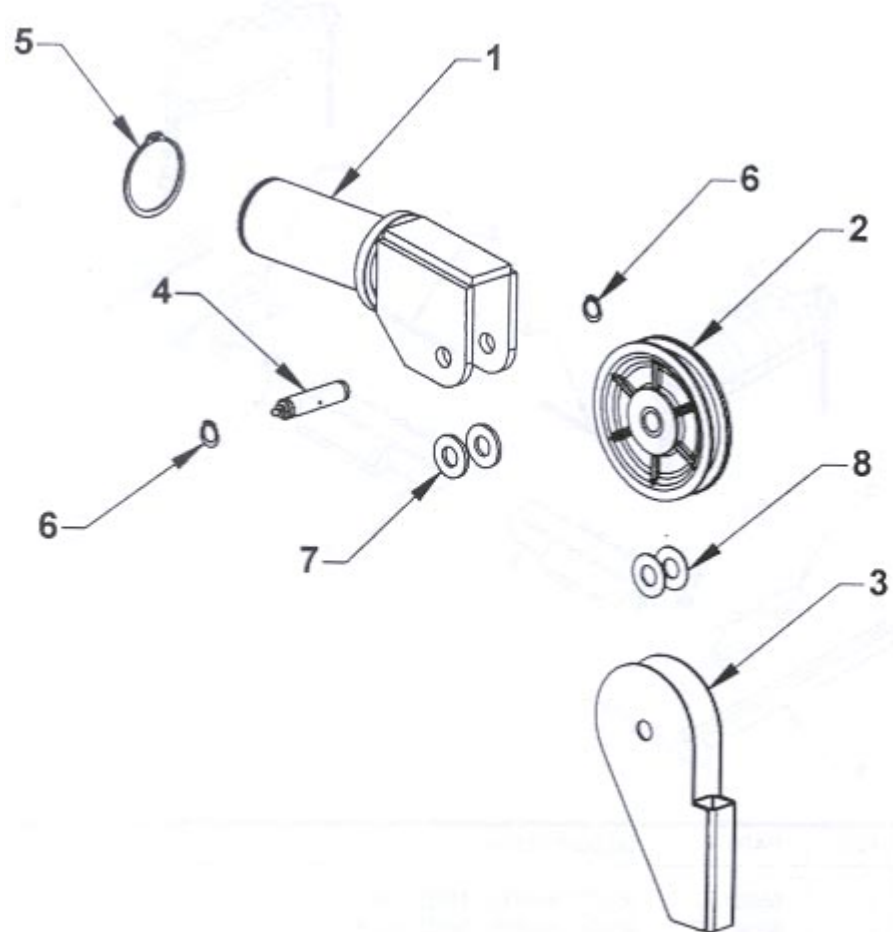


4 Series Boom End Swivel



ITEM	PART NUMBER	DESCRIPTION	NUMBER REQUIRED
1	61366	BOOM END SWIVEL	1
2	69120	PULLEY - 6 INCH	1
3	61370	CABLE FOLLOWER	1
4	61364	PIN .750 x 3-1/8	1
5	86287E	RETAINING RING 2-7/8 EXTERNAL	1
6	86075E	RETAINING RING 3/4 EXTERNAL	2
7	82510	FLAT WASHER 3/4 x 1-1/2 x .120	2
8	82511	FLAT WASHER 3/4 x 1-1/2 x .060	2