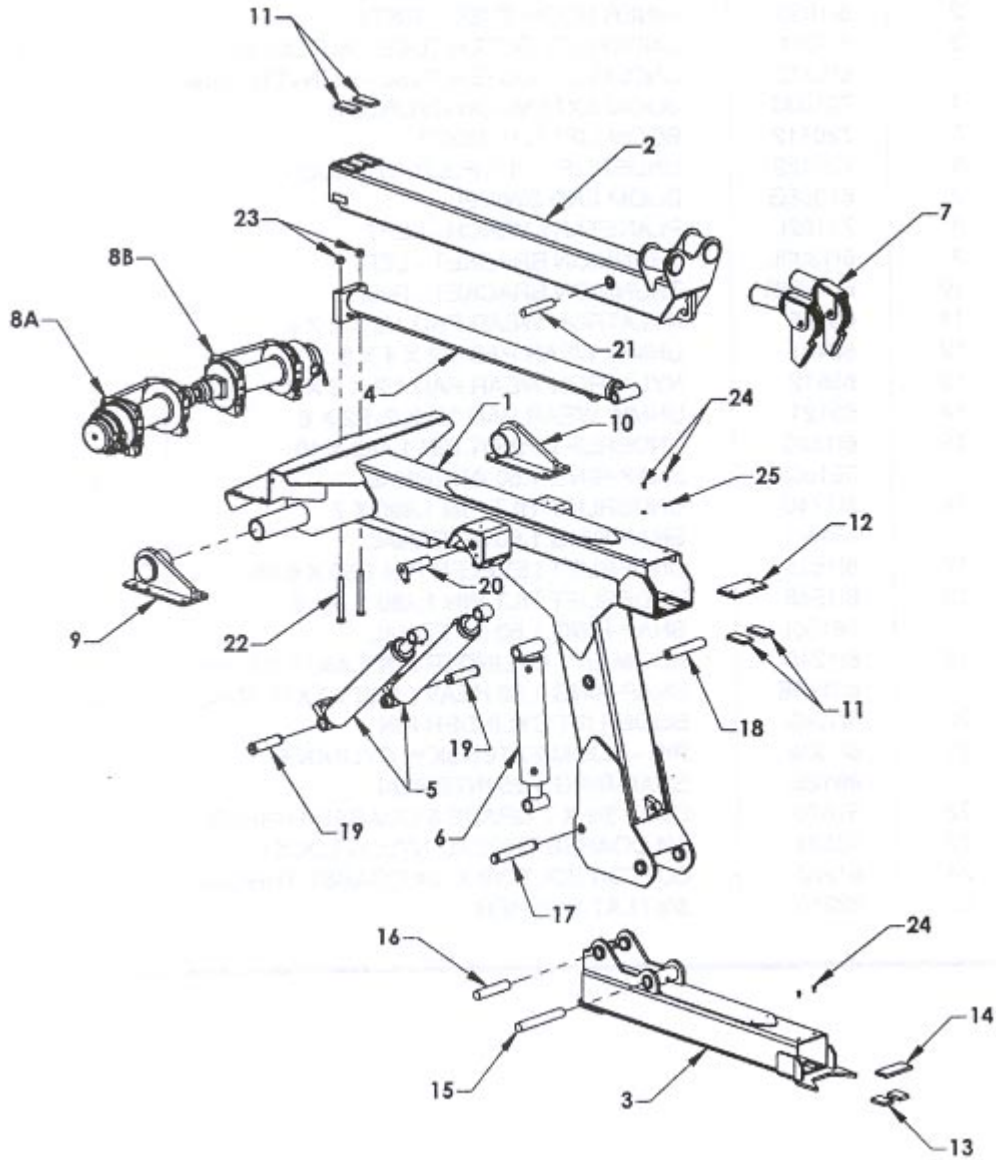


408T Integrated Boom Components - Twin Line



ITEM	PART NUMBER	DESCRIPTION	NUMBER REQUIRED
1	611034	INTEGRATED BOOM - OUTER 408T2	1
2	611054	INNER BOOM TUBE - 408T2	1
3	611071	UNDERLIFT OUTER TUBE - AUTOGRIP	1
--	611072	UNDERLIFT OUTER TUBE - CONVENTIONAL	1
4	721033	BOOM EXTENSION CYLINDER	1
5	720112	BOOM LIFT CYLINDER	2
6	720122	UNDERLIFT TILT/FOLD CYLINDER	1
7	61366G	BOOM END SWIVEL	2
8A	71102L	PLANETARY WINCH - LEFT	1
8A	71102R	PLANETARY WINCH - RIGHT	1

9	6I1330L	TRUNNION BRACKET - LEFT	1
10	6I1330R	TRUNNION BRACKET - RIGHT	1
11	63595	NYLATRON WEAR PAD 1/2 x 2/4	2
12	63431	UHMW WEAR PAD 1/2 x 4 x 8	1
13	65612	NYLATRON WEAR PAD 1/2 x 2 x 3	2
14	65121	UHMW WEAR PAD 1/2 x 2-1/2 x6	1
15	6I1620	UNDERLIFT PIVOT PIN 1.480 x 10	1
-	86150I	SNAP RING 1.50 INTERNAL	2
16	6I1740	UNDERLIFT TILT PIN 1.480 x 7	1
-	86150I	SNAP RING 1.50 INTERNAL	2
17	6I1625	UNDERLIFT LEVELER PIN 1.50 x 8.25	1
18	6I1545	UNDERLIFT TILT PIN 1.480 x 8-1/8	1
-	86150I	SNAP RING 1.50 INTERNAL	2
19	6I1245	BOOM LIFT CYLINDER PIN 1.480 x 6.5 SRG	1
-	86150E	SNAP-RING 1.50 HEAVY DUTY EXTERNAL	2
20	6I1240	BOOM LIFT CYLINDER PIN	2
21	6I1339	PIN BOOM EXTENSION CYLINDER	1
-	86125I	SNAP-RING 1.25 INTERNAL	2
22	81670	BOLT 3/4 x 7 GRADE 8 COARSE THREAD	2
23	83521	3/4 COARSE THREAD NYLON LOCK NUT	2
24	812A5	BUTTON BOLT 3/8 x 3/4 COARSE THREAD	4
25	82210	3/8 FLAT WASHER	2