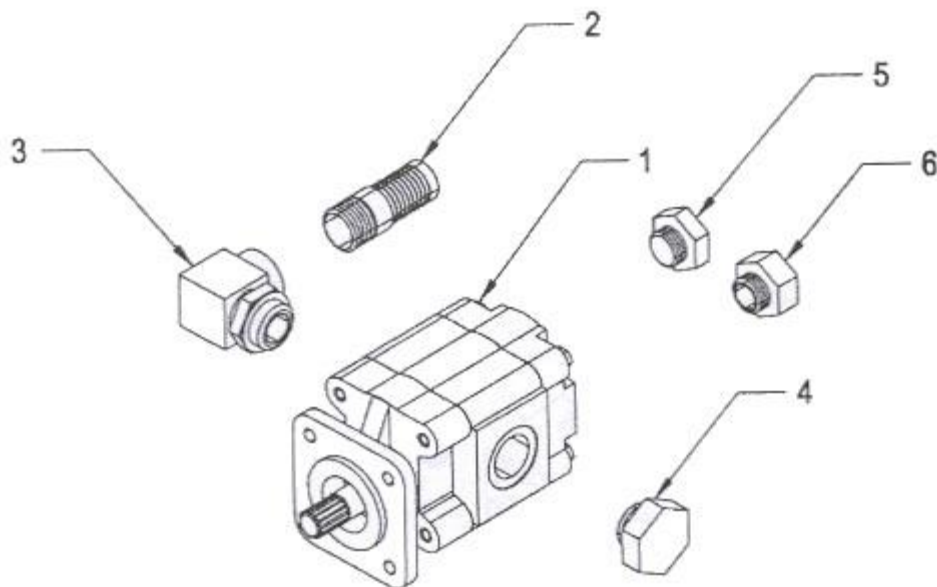




408V & 408T Series

Parts

Direct Mount Pump



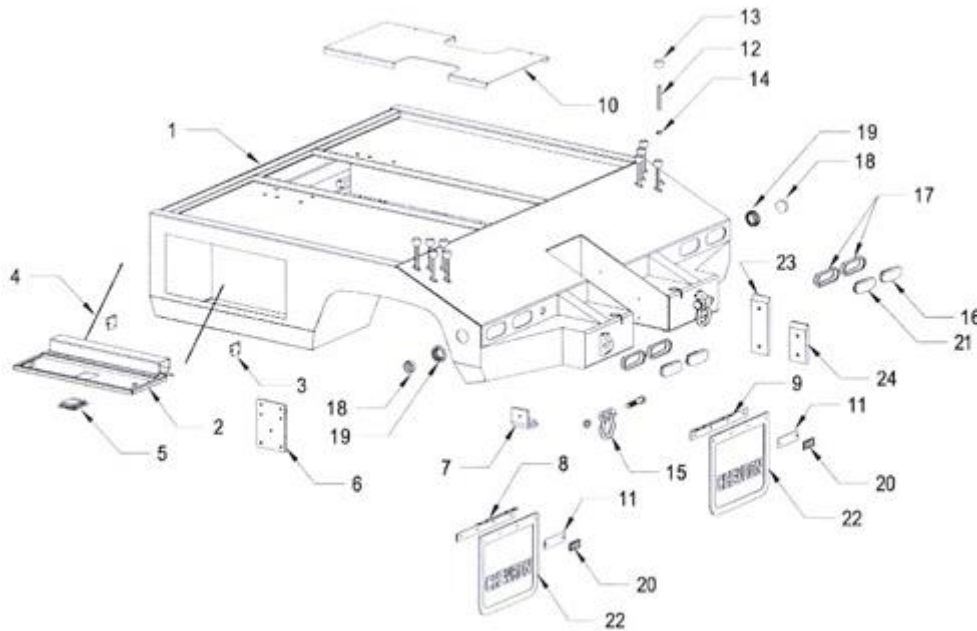
ITEM	PART NUMBER	DESCRIPTION	NUMBER REQUIRED
1	78008	PUMP - 18 GPM	1
	78006	PUMP - 24 GPM	1
2	77CH0	1-1/4 X 3 NPT NIPPLE	1
3	77C90	1-1/4 X 90 M-F O-RING ADAPTER 887-554-20	1
4	77620	1-1/4 O-RING PLUG 900598-20	1
5	44316	1 O-RING PLUG 900598-16	1
6	779E1	1 O-RING PLUG X 3/4 PIPE REDUCER 2216-12 X 16	1



408V & 408T Series

Parts

408V & 408T Body Components



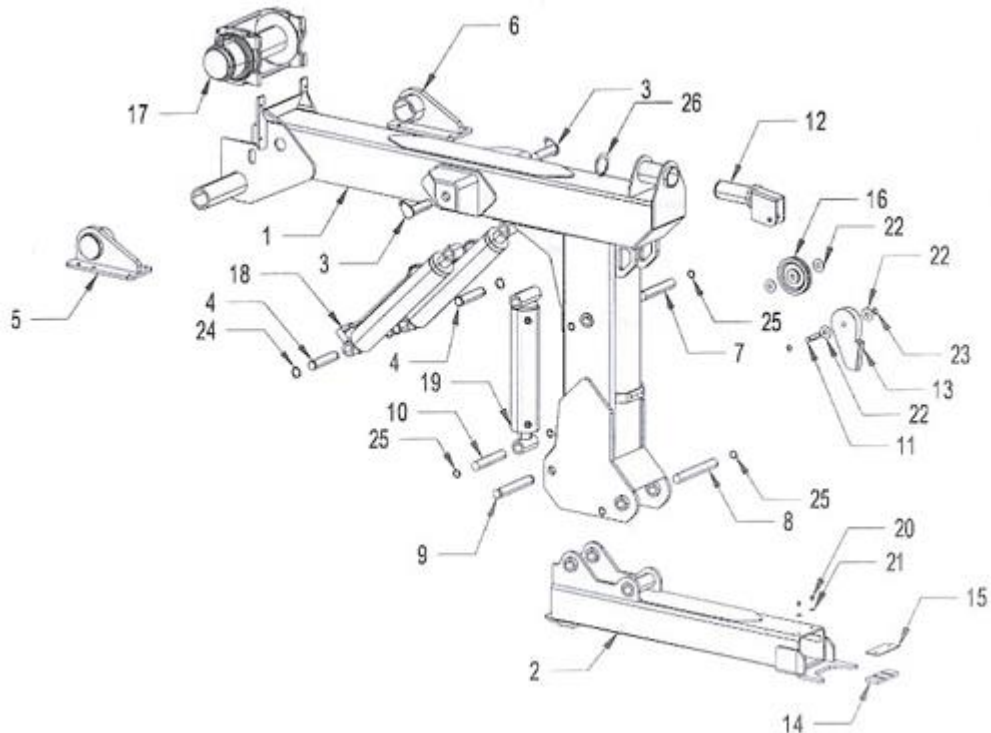
ITEM	PART NUMBER	DESCRIPTION	NUMBER REQUIRED
1	5033I	WRECKER BODY	1
2	5A310	TOOL BOX DOOR	1
3	5A316	TOOL BOX DOOR MOUNTING BLOCK	2
4	5A221	TOOL BOX DOOR LANYARD - 21"	2
5	37558	PADDLE LATCH - ROTARY	1
6	53263	FRONT MOUNTING BRACKET - 34" FRAME	2
7	53264	MIDDLE BODY SUPPORT	2
8	53182L	MUDFLAP MOUNTING BRACKET - LEFT	1
9	53182R	MUDFLAP MOUNTING BRACKET - RIGHT	1
10	54312	ACCESS COVER	1
11	59115	REAR REFLECTOR MOUNTING PLATE	2
12	7A166	CONTROL HANDLE	10
13	7A211	CONTROL KNOB	10
14	83425	5/8 JAM NUT	10
15	84716	6-12 TON SHACKLE W/NUT & BOLT	2
16	92600R	TAIL LIGHT	2
17	92650	TAIL LIGHT GROMMET	4
18	93100R	SIDE MARKER LIGHT - RED	2
19	93150	MARKER LIGHT GROMMET - 2-1/2" ROUND	2
20	93300R	REFLECTOR - RED	2
21	95600	BACKUP LIGHT	2
22	A10040	MUDFLAP	2
23	59319	UHHW WEAR PAD	2
24	59320	UHHW WEAR PAD	2



408V & 408T Series

Parts

408V Integrated Boom Components Single Line



ITEM	PART NUMBER	DESCRIPTION	NUMBER REQUIRED
1	6I1021	INTEGRATED BOOM	1
2	6I1070	INTEGRATED OUTER LOWER BOOM	1
3	6I1240	PIN- BOOM LIFT CYLINDER ROD	2
4	6I1245	PIN - BOOM LIFT CYLINDER BASE	2
5	6I1330L	TRUNNION BRACKET - LEFT	1
6	6I1330R	TRUNNION BRACKET - RIGHT	1
7	6I1545	PIN - POWER TILT CYLINDER BASE	1
8	6I1620	PIN- OUTER BOOM PIVOT	1
9	6I1625	PIN- POWER TILT RESTRICTOR	1
10	6I1740	PIN - POWER TILT CYLINDER ROD	1
11	6I364	PULLEY PIN	1
12	6I366	SWIVEL INSERT	1
13	6I370	WIRE ROPE FOLLOWER	1
14	65753	NYLATRON WEAR PAD 1/2 x 2-1/2	1
15	65758	NYLATRON SPACER PAD	1
16	69120	PULLEY - 6"	1
17	71102L	WINCH - PLANETARY - LEFT	1
18	720112	CYLINDER INTEGRATED BOOM LIFT	2
19	720122	CYLINDER INTEGRATED POWER TILT	1

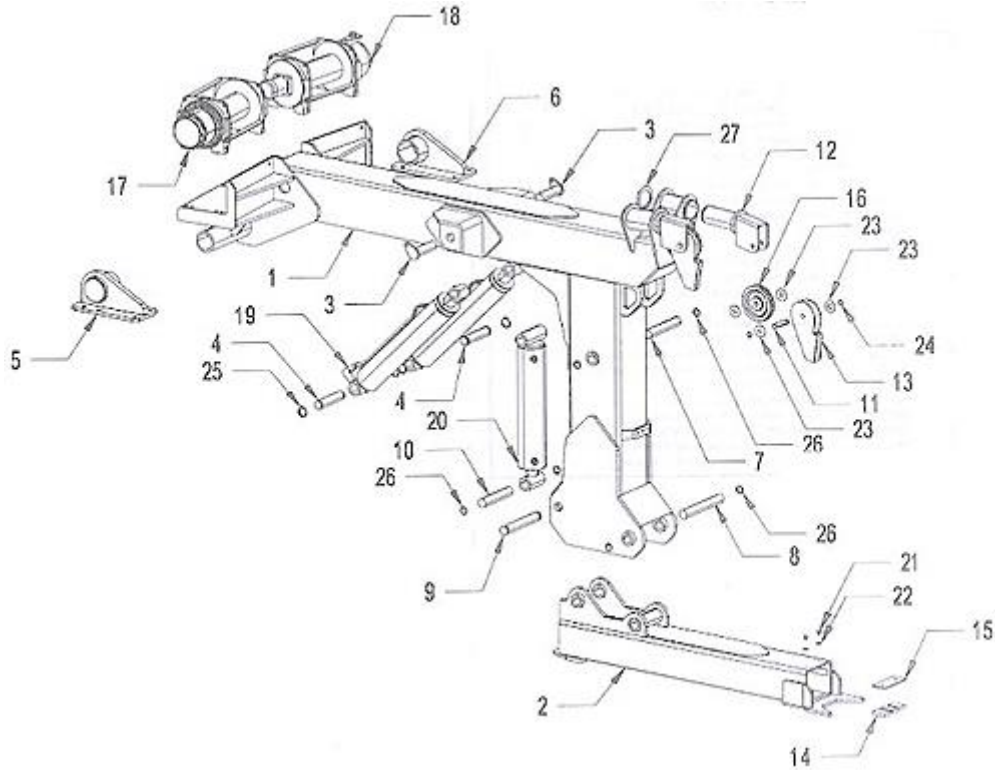
20	812A5	BOLT - SOCKET HEAD BUTTON - 3/8 x 1/2	2
21	82210	FLAT WASHER - 3/8	2
22	82510	FLAT WASHER - 3/4	4
23	86075E	SNAP-RING .75" EXTERNAL	2
24	86150E	SNAP-RING 1.50" INTERNAL	4
25	86150I	SNAP-RIG 1.50" INTERNAL	6
26	86287E	SNAP-RING 2.875" EXTERNAL	1



Parts

408V & 408T Series

408V Integrated Boom Components Twin Line



ITEM	PART NUMBER	DESCRIPTION	NUMBER REQUIRED
1	6I1022	INTEGRATED BOOM	1
2	6I1070	INTEGRATED OUTER LOWER BOOM	1
3	6I1240	PIN- BOOM LIFT CYLINDER ROD	2
4	6I1245	PIN - BOOM LIFT CYLINDER BASE	2
5	6I1330L	TRUNNION BRACKET - LEFT	1
6	6I1330R	TRUNNION BRACKET - RIGHT	1
7	6I1545	PIN - POWER TILT CYLINDER BASE	1
8	6I1620	PIN- OUTER BOOM PIVOT	1
9	6I1625	PIN- POWER TILT RESTRICTOR	1
10	6I1740	PIN - POWER TILT CYLINDER ROD	1



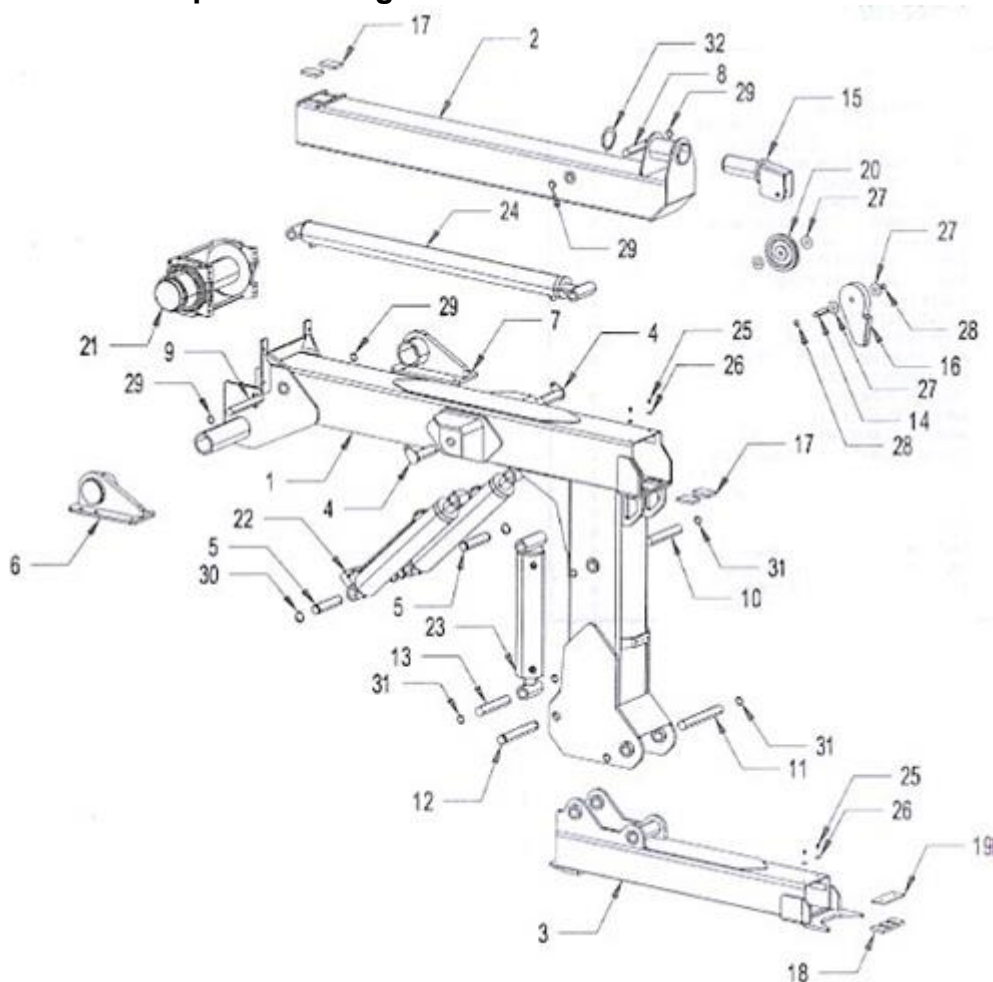
11	61364	PULLEY PIN	2
12	61366	SWIVEL INSERT	2
13	61370	WIRE ROPE FOLLOWER	2
14	65753	NYLATRON WEAR PAD 1/2 x 2-1/2	1
15	65758	NYLATRON SPACER PAD	1
16	69120	PULLEY - 6"	2
17	71102L	WINCH - PLANETARY - LEFT	1
18	71102R	WINCH - PLANETARY - RIGHT	1
19	720112	CYLINDER INTEGRATED BOOM LIFT	2
20	720122	CYLINDER UPPER EXTENSION	1
21	812A5	BOLT - SOCKET HEAD BUTTON - 3/8 x 1/2	2
22	82210	FLAT WASHER - 3/8	2
23	82510	FLAT WASHER - 3/4	8
24	86075E	SNAP-RING .75" EXTERNAL	4
25	86150E	SNAP-RING 1.50" EXTERNAL	4
26	86150I	SNAP-RIG 1.50" INTERNAL	6
27	86287E	SNAP-RING 2.875" EXTERNAL	2



408V & 408T Series

Parts

408T Integrated Boom Components Single Line



ITEM	PART NUMBER	DESCRIPTION	NUMBER REQUIRED
1	6I1031	INTEGRATED BOOM	1
2	6I1050	INTEGRATED UPPER BOOM - SINGLE LINE	1
3	6I1070	INTEGRATED OUTER LOWER BOOM	1
4	6I1240	PIN- BOOM LIFT CYLINDER ROD	2
5	6I1245	PIN - BOOM LIFT CYLINDER BASE	2
6	6I1330L	TRUNNION BRACKET - LEFT	1
7	6I1330R	TRUNNION BRACKET - RIGHT	1
8	6I1339	PIN - UPPER EXTENSION CYLINDER ROD	1
9	6I1340	PIN - UPPER EXTENSION CYLINDER BASE	1

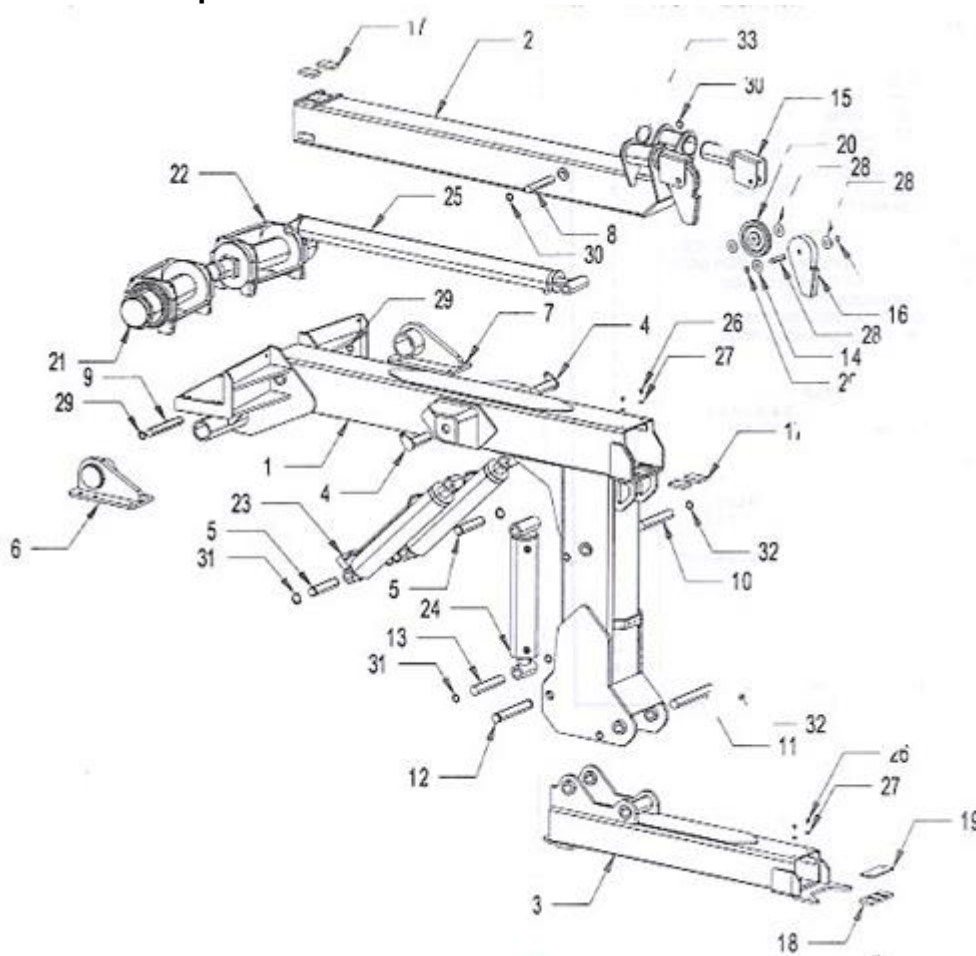
10	6I1545	PIN - POWER TILT CYLINDER BASE	1
11	6I1620	PIN- OUTER BOOM PIVOT	1
12	6I1625	PIN- POWER TILT RESTRICTOR	1
13	6I1740	PIN - POWER TILT CYLINDER ROD	1
14	61364	PULLEY PIN	1
15	61366	SWIVEL INSERT	1
16	61370	WIRE ROPE FOLLOWER	1
17	61735	NYLATRON WEAR PAD 1/2 x 2-1/2 x 3	4
18	65753	NYLATRON WEAR PAD 1/2 x 2-1/2	1
19	65758	NYLATRON SPACER PAD	1
20	69120	PULLEY - 6"	1
21	71102L	WINCH - PLANETARY - LEFT	1
22	720112	CYLINDER INTEGRATED BOOM LIFT	2
23	720122	CYLINDER INTEGRATED POWER TILT	1
24	720122	CYLINDER UPPER EXTENSION	1
25	812A5	BOLT - SOCKET HEAD BUTTON - 3/8 x 1/2	2
26	82210	FLAT WASHER - 3/8	2
27	82510	FLAT WASHER - 3/4	4
28	86075E	SNAP-RING .75" EXTERNAL	2
29	86125I	SNAP-RING 1.75" INTERNAL	4
30	86150E	SNAP-RING 1.50" EXTERNAL	4
31	86150I	SNAP-RIG 1.50" INTERNAL	6
32	86287E	SNAP-RING 2.875" EXTERNAL	1



408V & 408T Series

Parts

408T Integrated Boom Components Twin Line



ITEM	PART NUMBER	DESCRIPTION	NUMBER REQUIRED
1	6I1032	INTEGRATED BOOM	1
2	6I1052	INTEGRATED UPPER BOOM - TWIN LINE	1
3	6I1070	INTEGRATED OUTER LOWER BOOM	1
4	6I1240	PIN- BOOM LIFT CYLINDER ROD	2
5	6I1245	PIN - BOOM LIFT CYLINDER BASE	2
6	6I1330L	TRUNNION BRACKET - LEFT	1
7	6I1330R	TRUNNION BRACKET - RIGHT	1
8	6I1339	PIN - UPPER EXTENSION CYLINDER ROD	1
9	6I1340	PIN - UPPER EXTENSION CYLINDER BASE	1
10	6I1545	PIN - POWER TILT CYLINDER BASE	1
11	6I1620	PIN- OUTER BOOM PIVOT	1
12	6I1625	PIN- POWER TILT RESTRICTOR	1
13	6I1740	PIN - POWER TILT CYLINDER ROD	1

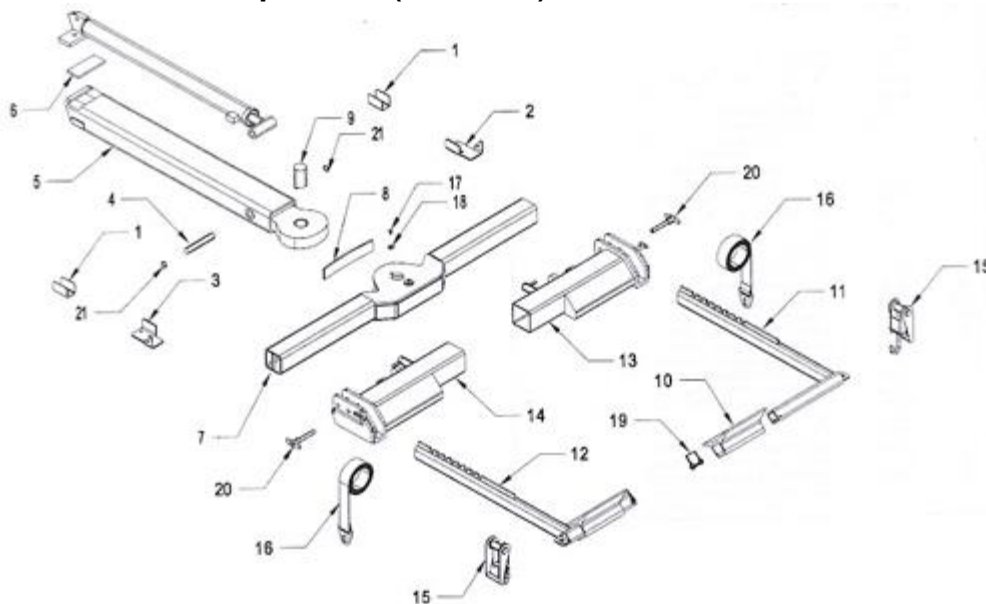
14	61364	PULLEY PIN	1
15	61366	SWIVEL INSERT	1
16	61370	WIRE ROPE FOLLOWER	1
17	61735	NYLATRON WEAR PAD 1/2 x 2-1/2 x 3	4
18	65753	NYLATRON WEAR PAD 1/2 x 2-1/2	1
19	65758	NYLATRON SPACER PAD	1
20	69120	PULLEY - 6"	1
21	71102L	WINCH - PLANETARY - LEFT	1
22	71102R	WINCH - PLANETARY - RIGHT	1
23	720112	CYLINDER INTEGRATED BOOM LIFT	2
24	720122	CYLINDER INTEGRATED POWER TILT	1
25	720122	CYLINDER UPPER EXTENSION	1
26	812A5	BOLT - SOCKET HEAD BUTTON - 3/8 x 1/2	2
27	82210	FLAT WASHER - 3/8	2
28	82510	FLAT WASHER - 3/4	4
29	86075E	SNAP-RING .75" EXTERNAL	2
30	86125I	SNAP-RING 1.75" INTERNAL	4
31	86150E	SNAP-RING 1.50" EXTERNAL	4
32	86150I	SNAP-RIG 1.50" INTERNAL	6
33	86287E	SNAP-RING 2.875" EXTERNAL	1



408V & 408T Series

Parts

408VA & 408TA Wheel Lift Components (standard)



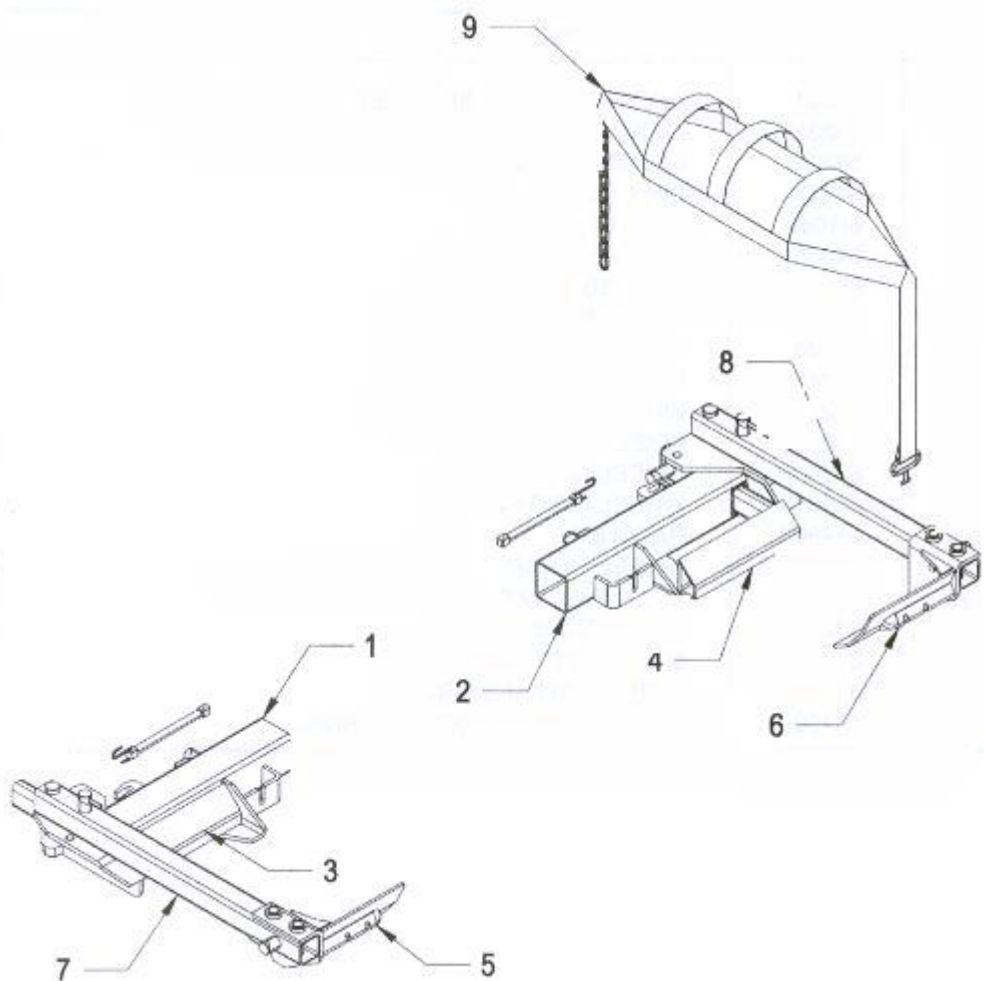
ITEM	PART NUMBER	DESCRIPTION	NUMBER REQUIRED
1	59231	L-ARM CHANNEL BRACKET	2
2	59232R	L-ARM MOUNTING BRACKET - RIGHT	1
3	59232L	L-ARM MOUNTING BRACKET - LEFT	1
4	64357	PIN - .980 x 5.875	1
5	65816	INNER BOOM	1
6	64355	WEAR PAD	1
7	65515	CROSSBAR WELDMENT	1
8	65228	YOKE SPRING	1
9	65435	CROSSBAR PIVOT PIN	1
10	65245	REMOVABLE PAN	2
11	65250R	WHEEL RETAINER - RIGHT	1
12	65250L	WHEEL RETAINER - LEFT	1
13	65256R	WHEEL GRID - RIGHT	1
14	65265L	WHEEL GRID - LEFT	1
15	65280A	RATCHET	2
16	65285	WHEEL STRAP	2
17	812A5	BOLT 3/8 x 1/2 ROUND ALLEN HEAD	1
18	82210	WASHER 3/8 FLAT	1
19	84911	5/16 SAFTEY SNAP PIN	2
20	84921	T-PIN W/LANYARD	2
21	86100I	SNAP-RING 1" INTERNAL	2



408V & 408T Series

Parts

408V & 408T Wheel Lift Components (optional backsaver)



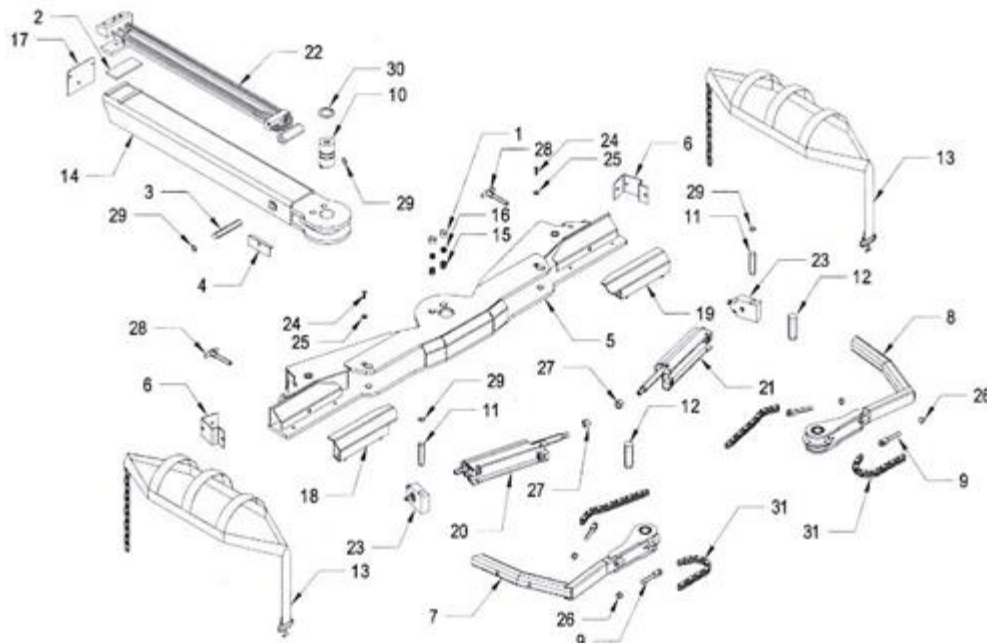
ITEM	PART NUMBER	DESCRIPTION	NUMBER REQUIRED
1	659100L	WHEEL GRID - LEFT	1
2	659100R	WHEEL GRID - RIGHT	1
3	65930L	WHEEL CHOCK - LEFT	1
4	65930R	WHEEL CHOCK - RIGHT	1
5	65940L	WHEEL PAN - LEFT	1
6	65940R	WHEEL PAN - RIGHT	1
7	65960L	WHEEL ARM - LEFT	1
8	65960R	WHEEL ARM - RIGHT	1
9	65286	WHEEL STRAP - AUTO - YELLOW	2
-	65287	WHEEL STRAP - TRUCK - BLUE	2



408V & 408T Series

Parts

408VA & 408TA Wheel Lift Components



ITEM	PART NUMBER	DESCRIPTION	NUMBER REQUIRED
1	64327	SCREW-LUG CROSSBAR DETENT	2
2	64355	WEAR PAD	1
3	64357	.980 x 5-7/8 PIN	1
4	64358	HOSE CLAMP	2
5	64400	CROSSBAR WELDMENT	1
6	64429	HOSE GUARD	2
7	64435L	WHEEL RETAINER - LEFT	1
8	64435R	WHEEL RETAINER - RIGHT	1
9	64437	CHAIN CLEVIS	4
10	64440	CROSSBAR PIVOT PIN 2-1/2 DIAMETER	1
11	64443	WHEEL RETAINER CYLINDER PIN	2
12	64445	ARM PIVOT PIN	2
13	65286	BASKET TIRE STRAP - AUTO	2
-	65287	BASKET TIRE STRAP - TRUCK	2
14	65820	INNER BOOM	1
15	69320	CROSSBAR DETENT SPRING	2
16	69325	CROSSBAR DETENT BALL	2
17	69336	GRAVEL GUARD	1
18	69740L	WHEEL SPACER - LEFT	1
19	69740R	WHEEL SPACER - RIGHT	1
20	72015L	WHEEL RETAINER CYLINDER - LEFT	1

21	72015R	WHEEL RETAINER CYLINDER - RIGHT	1
22	72192	EXTENSION CYLINDER	1
23	727A6	L-ARM CYLINDER END BLOCK	2
24	812A5	3/8 ALLEN BOLT	2
25	82110	5/16 FLAT WASHER	2
26	83411	5/8 NYLON LOCK NUT	4
27	83520	3/4 NYLON LOCK NUT	2
28	84921	T-PIN 5/8 x 3	2
29	86100I	SNAP-RING 1.000" INTERNAL	4
30	86250I	SNAP-RING 2.500" INTERNAL	1
31	87440	AUTO GRIP ARM CHAIN	4
32	AA009	9" TRAP STRAP	2