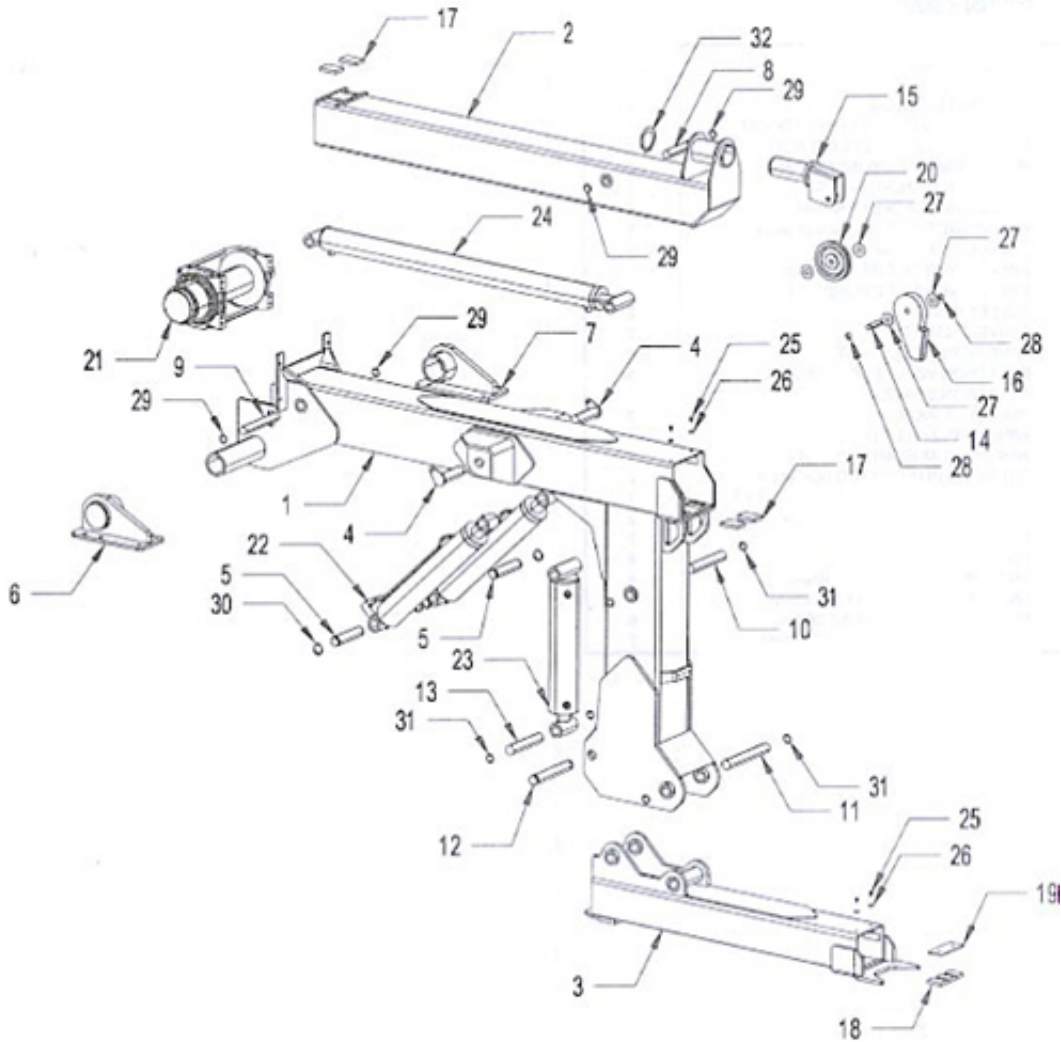


Parts

408T Integrated Boom Components Single Line



ITEM	PART NUMBER	DESCRIPTION	NUMBER REQUIRED
1	6I1031	INTEGRATED BOOM	1
2	6I1050	INTEGRATED UPPER BOOM - SINGLE LINE	1
3	6I1070	INTEGRATED OUTER LOWER BOOM	1
4	6I1240	PIN- BOOM LIFT CYLINDER ROD	2
5	6I1245	PIN - BOOM LIFT CYLINDER BASE	2
6	6I1330L	TRUNNION BRACKET - LEFT	1
7	6I1330R	TRUNNION BRACKET - RIGHT	1
8	6I1339	PIN - UPPER EXTENSION CYLINDER ROD	1
9	6I1340	PIN - UPPER EXTENSION CYLINDER BASE	1
10	6I1545	PIN - POWER TILT CYLINDER BASE	1
11	6I1620	PIN- OUTER BOOM PIVOT	1
12	6I1625	PIN- POWER TILT RESTRICTOR	1
13	6I1740	PIN - POWER TILT CYLINDER ROD	1
14	6I364	PULLEY PIN	1
15	6I366	SWIVEL INSERT	1

16	61370	WIRE ROPE FOLLOWER	1
17	61735	NYLATRON WEAR PAD 1/2 x 2-1/2 x 3	4
18	65753	NYLATRON WEAR PAD 1/2 x 2-1/2	1
19	65758	NYLATRON SPACER PAD	1
20	69120	PULLEY - 6"	1
21	71102L	WINCH - PLANETARY - LEFT	1
22	720112	CYLINDER INTEGRATED BOOM LIFT	2
23	720122	CYLINDER INTEGRATED POWER TILT	1
24	720122	CYLINDER UPPER EXTENSION	1
25	812A5	BOLT - SOCKET HEAD BUTTON - 3/8 x 1/2	2
26	82210	FLAT WASHER - 3/8	2
27	82510	FLAT WASHER - 3/4	4
28	86075E	SNAP-RING .75" EXTERNAL	2
29	86125I	SNAP-RING 1.75" INTERNAL	4
30	86150E	SNAP-RING 1.50" EXTERNAL	4
31	86150I	SNAP-RIG 1.50" INTERNAL	6
32	86287E	SNAP-RING 2.875" EXTERNAL	1