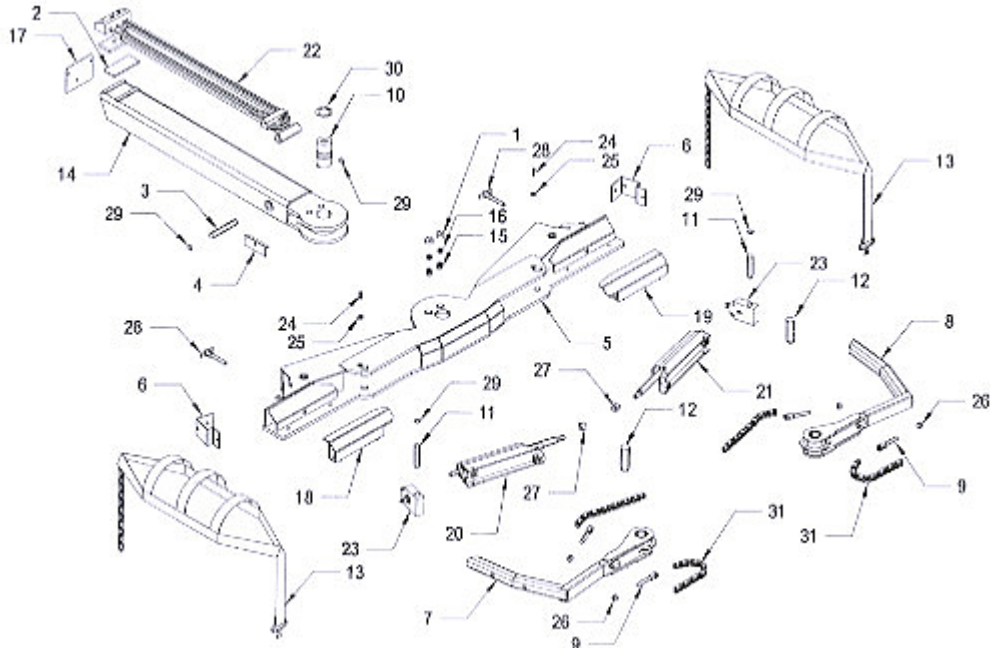


408A Wheel Lift Components



ITEM	PART NUMBER	DESCRIPTION	NUMBER REQUIRED
1	64327	SCREW-LUG CROSSBAR DETENT	2
2	64355	WEAR PAD	1
3	64357	.980 x 5-7/8 PIN	1
4	64358	HOSE CLAMP	2
5	64400	CROSSBAR WELDMENT	1
6	64429	HOSE GUARD	2
7	64435L	WHEEL RETAINER - LEFT	1
8	64435R	WHEEL RETAINER - RIGHT	1
9	64437	CHAIN CLEVIS	4
10	64440	CROSSBAR PIVOT PIN 2-1/2 DIAMETER	1
11	64443	WHEEL RETAINER CYLINDER PIN	2
12	64445	ARM PIVOT PIN	2
13	65286	BASKET TIRE STRAP - AUTO	2
-	65287	BASKET TIRE STRAP - TRUCK	2
14	65820	INNER BOOM	1
15	69320	CROSSBAR DETENT SPRING	2
16	69325	CROSSBAR DETENT BALL	2
17	69336	GRAVEL GUARD	1
18	69740L	WHEEL SPACER - LEFT	1
19	69740R	WHEEL SPACER - RIGHT	1
20	72015L	WHEEL RETAINER CYLINDER - LEFT	1
21	72015R	WHEEL RETAINER CYLINDER - RIGHT	1
22	72192	EXTENSION CYLINDER	1

23	727A6	L-ARM CYLINDER END BLOCK	2
24	812A5	3/8 ALLEN BOLT	2
25	82110	5/16 FLAT WASHER	2
26	83411	5/8 NYLON LOCK NUT	4
27	83520	3/4 NYLON LOCK NUT	2
28	84921	T-PIN 5/8 x 3	2
29	86100I	SNAP-RING 1.000" INTERNAL	4
30	86250I	SNAP-RING 2.500" INTERNAL	1
31	87440	AUTO GRIP ARM CHAIN	4
32	AA009	9" TRAP STRAP	2