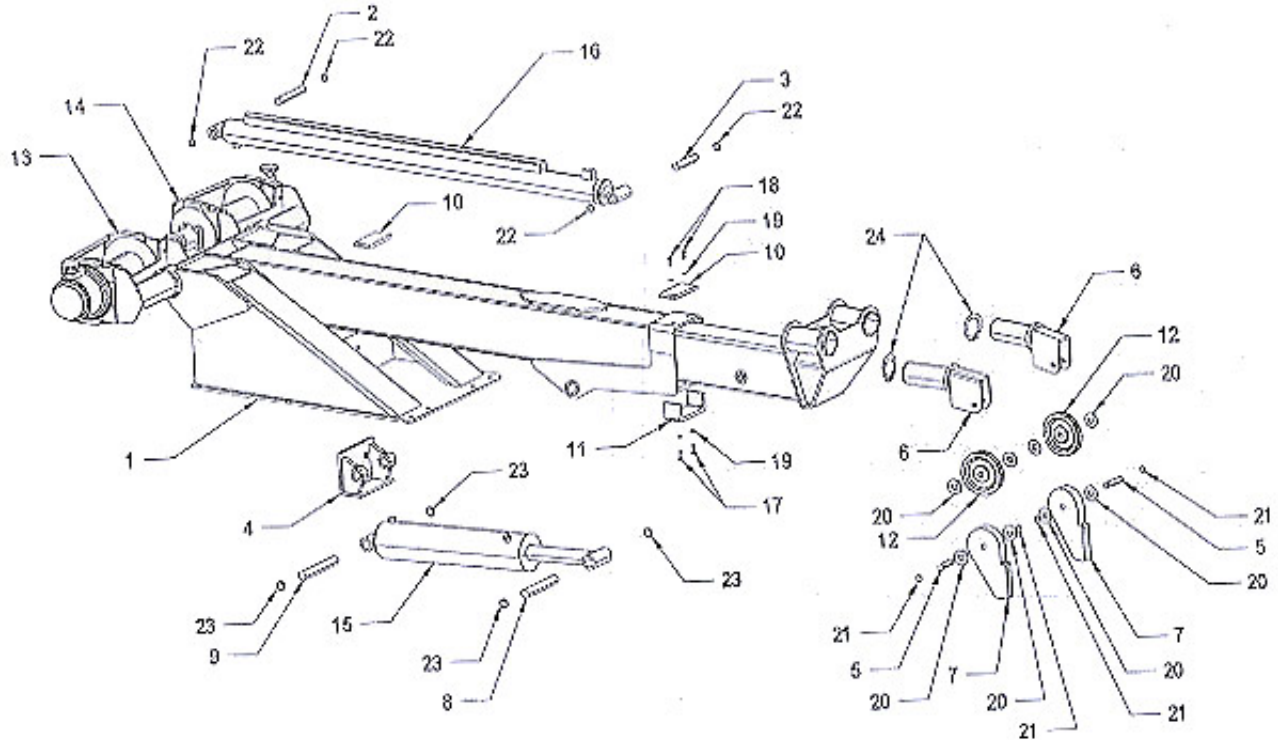


408,408A & 410 Recovery Boom Components



ITEM	PART NUMBER	DESCRIPTION	NUMBER REQUIRED
1	60125	8-TON RECOVERY BOOM TWIN LINE	1
-	60115	8-TON RECOVERY BOOM SINGLE LINE	1
-	60145	10-TON RECOVERY BOOM TWIN LINE	1
2	613A1	PIN - BOOM EXTENSION CYLINDER BASE	1
3	613A2	PIN - BOOM EXTENSION CYLINDER ROD	1
4	61320	LIFT CYLINDER BASE MOUNT	1
5	61364	PULLEY PIN - 408 & 408A	1 or 2
-	61368	PULLEY BOLT 410 & 410A	2
6	61366	SWIVEL INSERT - 408 & 408A	1 or 2
-	61369	SWIVEL INSERT - 410 & 410A	2
7	61370	CABLE FOLLOWER - 408 & 408A	1 or 2
-	61379	CABLE FOLLOWER - 410 & 410A	2
8	61383	PIN - BOOM LIFT CYLINDER ROD	1
9	61384	PIN - BOOM LIFT CYLINDER BASE	1
10	61410	BOOM BEARING PAD	2
11	61412	BOOM BEARING CHANNEL	1
12	69120	PULLEY - 6" 408 & 408A	1 or 2
-	69125	PULLEY - 6" 410 & 410A	2
13	71102L	WINCH 408 & 408A	0 or 1
-	71105L	WINCH - 410 & 410A	1
14	71102R	WINCH - 408 & 408A	0 or 1
-	71105R	WINCH - 410 & 410A	1
15	72140	CYLINDER - BOOM LIFT	1

16	72150	CYLINDER - BOOM EXTENSION	1
17	81110	BOLT - 5/16 x 1	2
18	81117	BOLT - 5/16 x 7/8	2
19	82130	FLAT WASHER - 5/16	4
20	82510	FLAT WASHER - M3/4 - 408 & 408A	4 or 8
-	82717	FLAT WASHER - 1 x 1.75 - 410 & 410A	8
21	86075E	SNAP-RING .75" EXTERNAL	2 or 4
-	83610	NUT - 7/8 NYLON LOCK 410 & 410A	2
22	86100I	SNAP-RING 1.00" INTERNAL	4
23	86125I	SNAP-RING 1.25" INTERNAL	4
24	86287E	SNAP-RING 2.875" EXTERNAL	1 or 2