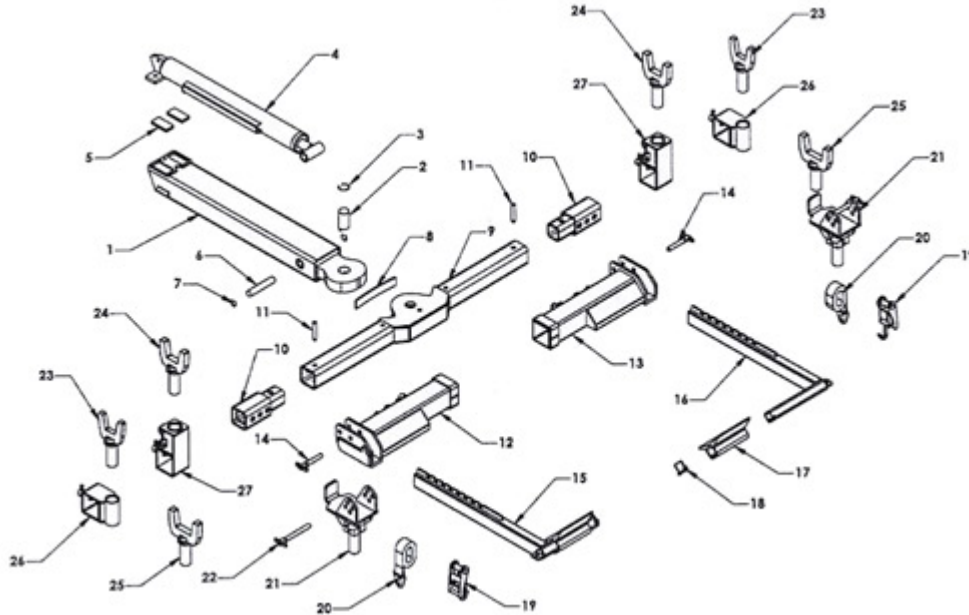


1014 Wheel Lift Components & Hook-Up Attachments



ITEM	PART NUMBER	DESCRIPTION	NUMBER REQUIRED
1	68300	INNERTIBE WELDMENT	1
2	66430	CROSSBAR PIVOT PIN	1
3	86200I	PIVOT PIN RETAINING RING 2" INTERNAL	1
4	7216143	WHEEL LIFT EXTENSION CYLINDER	1
5	63595	WEAR PAD NYLATRON 1/2 x 2 x 4	2
6	68321	PIN 1.230 x 6-5/8	1
7	86125I	RETAINING RING 1.25 INTERNAL	2
8	65228	YOKE SPRING 1.75 x 10.875	1
9	68510	CROSSBAR	1
10	68530	CROSSBAR EXTENSION	2
11	68545	CROSSBAR EXTENSION PIN	2
12	66260L	WHEEL GRID - LEFT	1
13	66260R	WHEEL GRID - RIGHT	1
14	84922	T-PIN W/LANYARD 3/4 x 3.50	2
15	66250L	LEFT L-ARM 6000 LB. CAPACITY	1
-	66254L	LEFT L-ARM 4000 LB. CAPACITY	1
16	66250R	RIGHT L-ARM 6000 LB. CAPACITY	1
-	66240R	RIGHT L-ARM 4000 LB. CAPACITY	1
17	65245	REMOVABLE WHEEL PAN	2
18	84611	5/16 SAFETY SNAP PIN	2
19	65280A	RATCHET	2
20	65285	WHEEL STRAP	2
21	66320	SPRING SHACKLE ADAPTOR	2
22	84923	T-PIN 3/4 x 6.50	2
23	66290	2" FRAME FORK	2
24	66300	3" FRAME FORK	2

25	66310	4" FRAME FORK	2
26	66280	FORK HOLDER - SHORT	2
27	66330	FORK HOLDER - ELEVATED	2