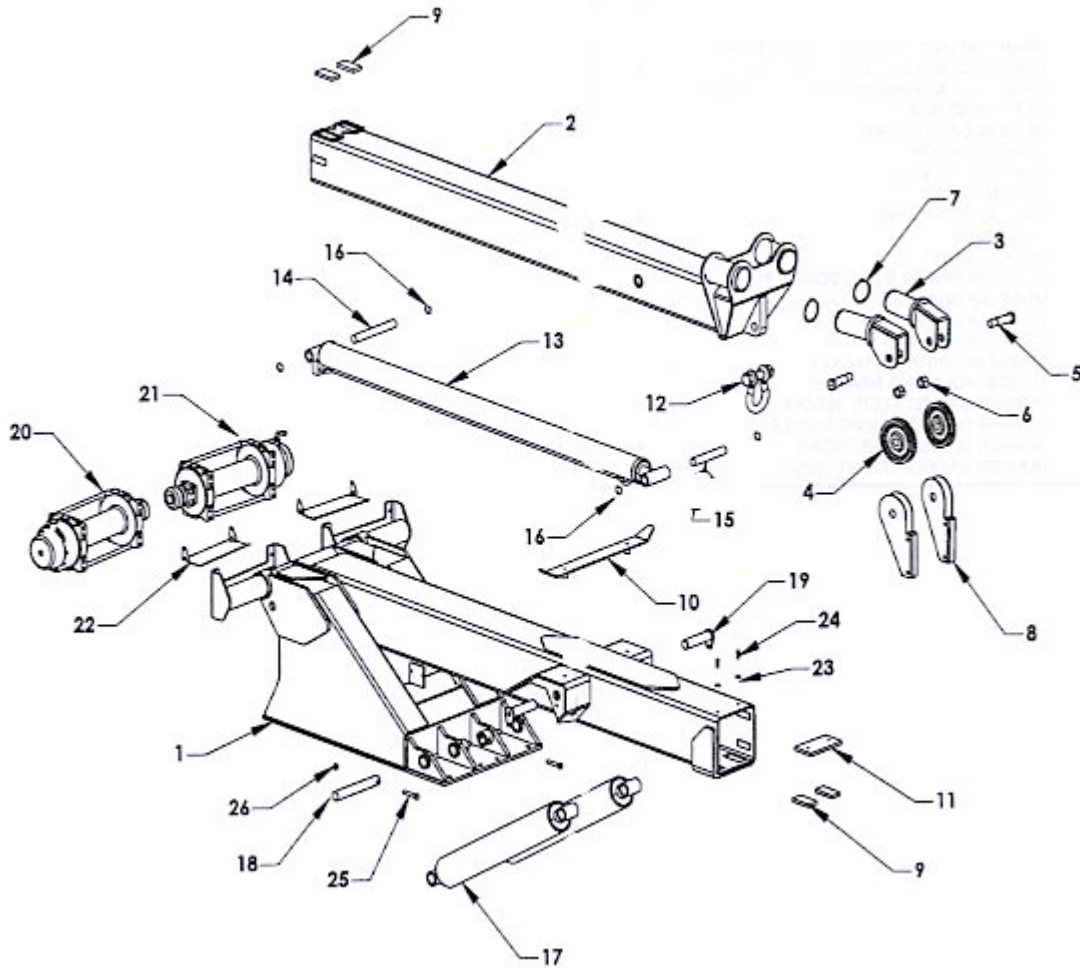


1014 Recovery Boom Components



ITEM	PART NUMBER	DESCRIPTION	NUMBER REQUIRED
1	60610	RECOVERY BOOM 12,000 LB. WINCHES	1
-	60620	RECOVERY BOOM 15,000 LB. WINCHES	1
2	63510	INNER BOOM TUBE	1
3	63520	BOOM END SWIVEL	2
4	69140	PULLEY 7"	2
5	61763	PULLEY BOLT	2
6	83812	NUT 1.125 - 12 NYLON LOCK	2
7	86350E	RETAINING RING 3.50 EXTERNAL	2
8	63530	CABLE FOLLOWER	2
9	63595	WEAR PAD 1/2 x 2 x 4 NYLATRON	2
10	63450	BOOM ANTLER	1
11	63431	SHIM PAD 1/2 x 4 x 7.5 UHMW	1
12	84715	9/12 TON SHACKLE WITH NUT & BOLT	2
13	7236145	BOOM EXTENSION CYLINDER	1
14	63545	PIN 1.230 x 9.812	1

15	63435	PIN 1.230 x 7.562	1
16	86125I	RETAINING RING 1.25 INTERNAL	4
17	7236144	BOOM LIFT CYLINDER	2
18	63381	PIN 1.480 x 10.125	2
19	63382	PIN 1.480 x 5.75	2
20	71106L	WINCH 12,000 LB. LEFT	1
-	71107L	WINCH 15,000 LB. LEFT	1
21	71106R	WINCH 12,000 LB. RIGHT	1
-	71107R	WINCH 15,000 LB. RIGHT	1
22	A9017	TENSION KIT FOR 12,000 LB. WINCH	2
-	A9024	TENSION KIT FOR 15,000 LB WINCH	2
23	82130	FLAT WASHER 5/16	2
24	81117	CAP SCREW 5/16 x 7/8	2
25	81453	BOLT 1/2 x 3 COARSE THREAD	2
26	83312	NYLON LOCK NUT 1/2 COARSE THREAD	2