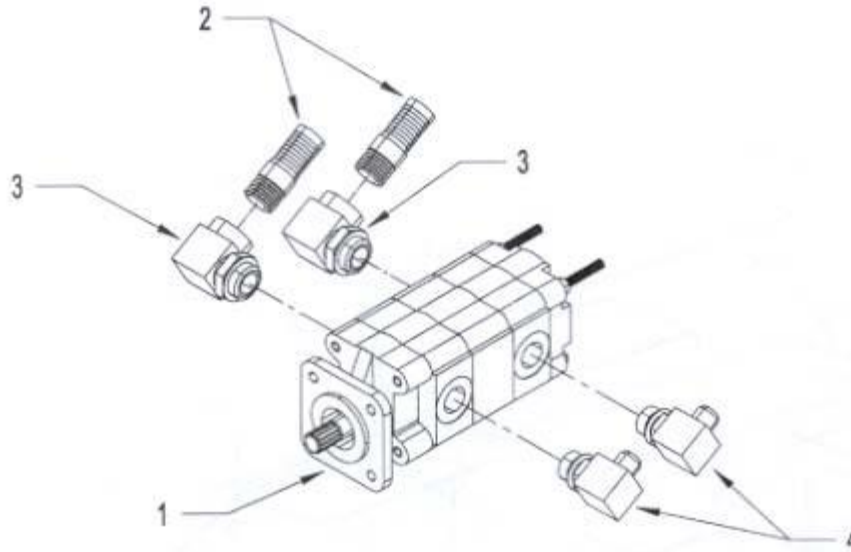


1014 Series

Parts

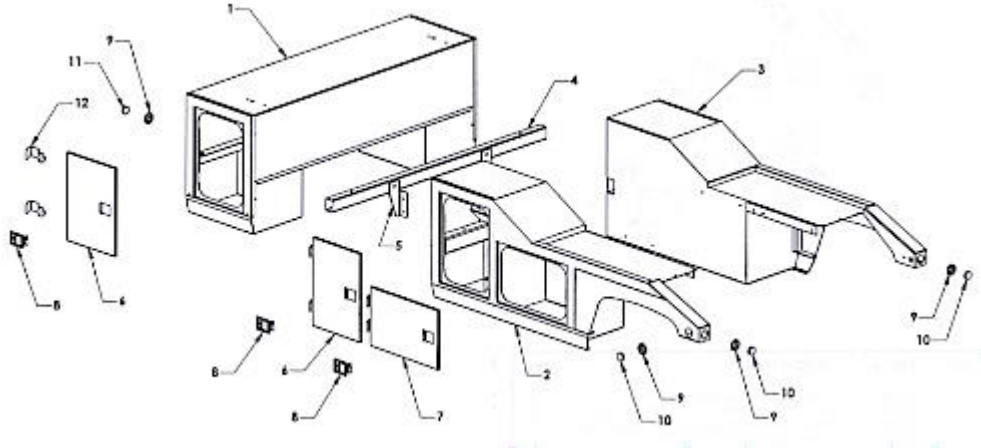
Direct Mount Tandem Pump



ITEM	PART NUMBER	DESCRIPTION	NUMBER REQUIRED
1	78014	TANDEM PUMP 15 GPM x 15 GPM	1
2	77CH0	1-1/4 x 3 NPT NIPPLE	2
3	77C90	1-1/4 x 90 M-F O-RING ADAPTER 887-554-20	2
4	77C91	1 M O-RING x 3/4 MJIC x 90	2

Parts

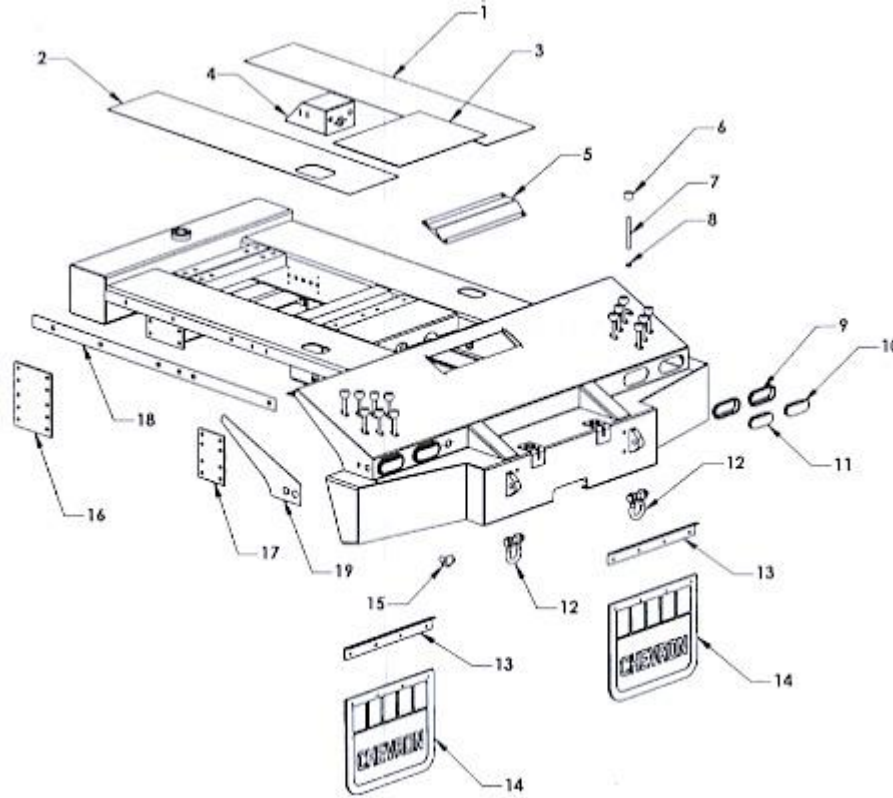
1014 Modular Box Components



ITEM	PART NUMBER	DESCRIPTION	NUMBER REQUIRED
1	5469028	28" TUNNEL BOX	1
2	5464120L	MODULAR BOX - DRIVER SIDE 120 CA	1
-	5464108L	MODULAR BOX - DRIVER SIDE 108 CA	1
3	5464120R	MODULAR BOX - PASSENGER SIDE 120 CA	1
-	5464108R	MODULAR BOX - PASSENGER SIDE 108 CA	1
4	54650	MODULAR BOX FRONT CROSSMEMBER	1
5	54665L	CROSSMEMBER MOUNTING BRACKET - LEFT	2
-	54665R	CROSSMEMBER MOUNTING BRACKET - RIGHT	2
6	54660	FRONT DOOR	4
7	54680	REAR DOOR - 120 CA	2
-	54670	REAR DOOR 108 CA	2
8	54658	ROTARY PADDLE LATCH	6
9	93150	MARKER LIGHT GROMMET	6
10	93100R	RED REFLECTIVE MARKER LIGHT	4
11	93100A	AMBER REFLECTIVE MARKER LIGHT	2
12	54635	DOOR HINGE	12

Parts

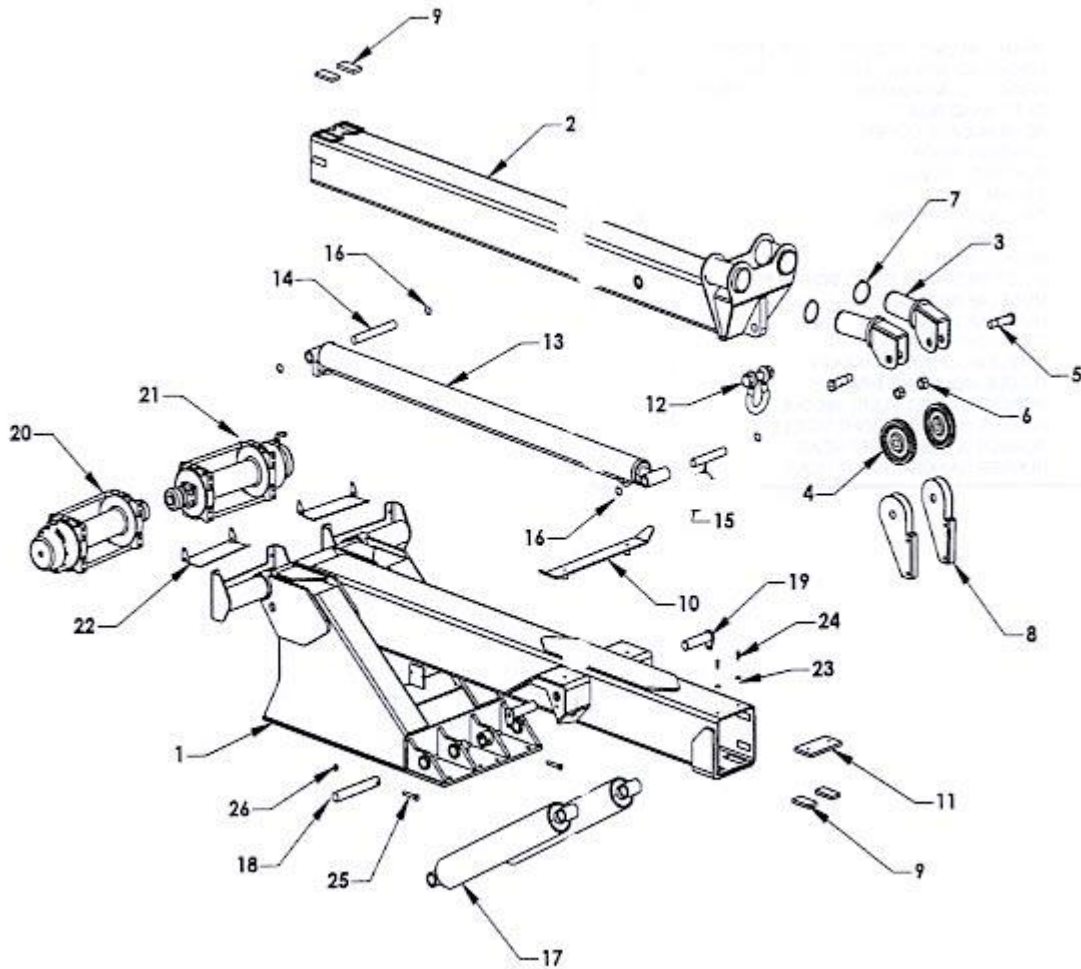
1014 Subframe Components



ITEM	PART NUMBER	DESCRIPTION	NUMBER REQUIRED
1	261191	BRIGHT ALUMINUM DECK PLATE - RIGHT	1
2	261192	BRIGHT ALUMINUM DECK PLATE - LEFT	1
3	261193	BRIGHT ALUMINUM DECK PLATE - MIDDLE	1
4	A70500	GLAD HAND BOX	1
5	51141	REAR ACCESS COVER	1
6	7A211	CONTROL KNOBS	14
7	7A165	CONTROL HANDLE	14
8	83421	5/8 JAM NUT	14
9	92650	TAIL LIGHT GROMMET	4
10	92600R	TAIL LIGHT	2
11	95600	BACKUP LIGHT	2
12	84716	6-1/2 TON SCACKLE & SCREW PIN	2
13	26285	MUDFLAP BRACKET	2
14	A1070	MUDFLAP 24 x 21	2
15	98400	TOW LIGHT SOCKET	1
16	26324	FRONT MOUNTING BRACKET	2
17	26325	MIDDLE MOUNTING BRACKET	2
18	54602L	RUBBER GASKET - LEFT MIDDLE	1
-	54602R	RUBBER GASKET - RIGHT MIDDLE	1
19	54603L	RUBBER GASKET - LEFT REAR	1
-	54603R	RUBBER GASKET - RIGHT REAR	1

Parts

1014 Recovery Boom Components



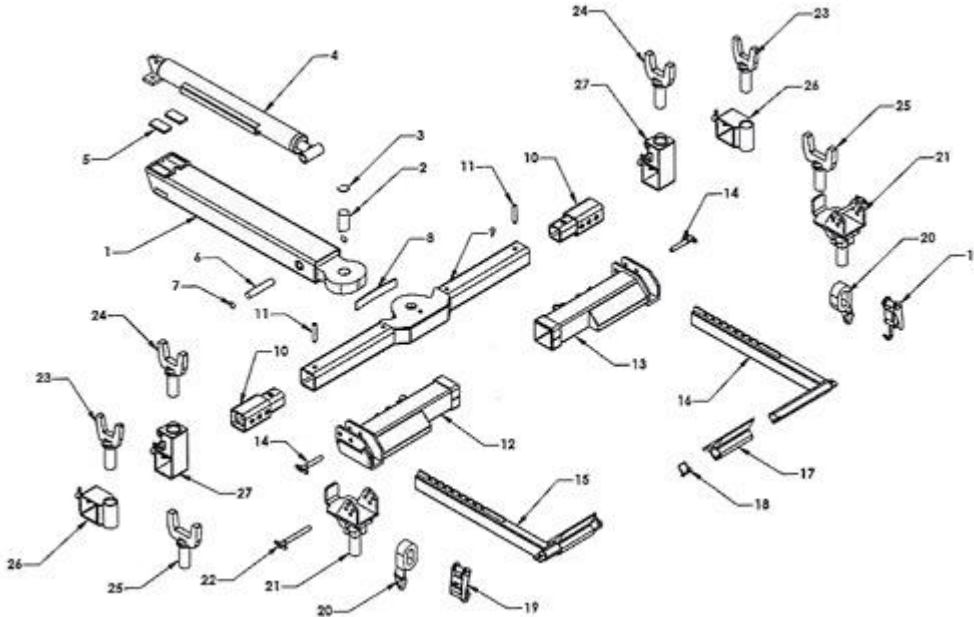
ITEM	PART NUMBER	DESCRIPTION	NUMBER REQUIRED
1	60610	RECOVERY BOOM 12,000 LB. WINCHES	1
-	60620	RECOVERY BOOM 15,000 LB. WINCHES	1
2	63510	INNER BOOM TUBE	1
3	63520	BOOM END SWIVEL	2
4	69140	PULLEY 7"	2
5	61763	PULLEY BOLT	2
6	83812	NUT 1.125 - 12 NYLON LOCK	2
7	86350E	RETAINING RING 3.50 EXTERNAL	2
8	63530	CABLE FOLLOWER	2
9	63595	WEAR PAD 1/2 x 2 x 4 NYLATRON	2
10	63450	BOOM ANTLER	1
11	63431	SHIM PAD 1/2 x 4 x 7.5 UHMW	1
12	84715	9/12 TON SHACKLE WITH NUT & BOLT	2
13	7236145	BOOM EXTENSION CYLINDER	1
14	63545	PIN 1.230 x 9.812	1
15	63435	PIN 1.230 x 7.562	1

16	86125I	RETAINING RING 1.25 INTERNAL	4
17	7236144	BOOM LIFT CYLINDER	2
18	63381	PIN 1.480 x 10.125	2
19	63382	PIN 1.480 x 5.75	2
20	71106L	WINCH 12,000 LB. LEFT	1
-	71107L	WINCH 15,000 LB. LEFT	1
21	71106R	WINCH 12,000 LB. RIGHT	1
-	71107R	WINCH 15,000 LB. RIGHT	1
22	A9017	TENSION KIT FOR 12,000 LB. WINCH	2
-	A9024	TENSION KIT FOR 15,000 LB WINCH	2
23	82130	FLAT WASHER 5/16	2
24	81117	CAP SCREW 5/16 x 7/8	2
25	81453	BOLT 1/2 x 3 COARSE THREAD	2
26	83312	NYLON LOCK NUT 1/2 COARSE THREAD	2

Parts

1014 Series

1014 Underlift Components

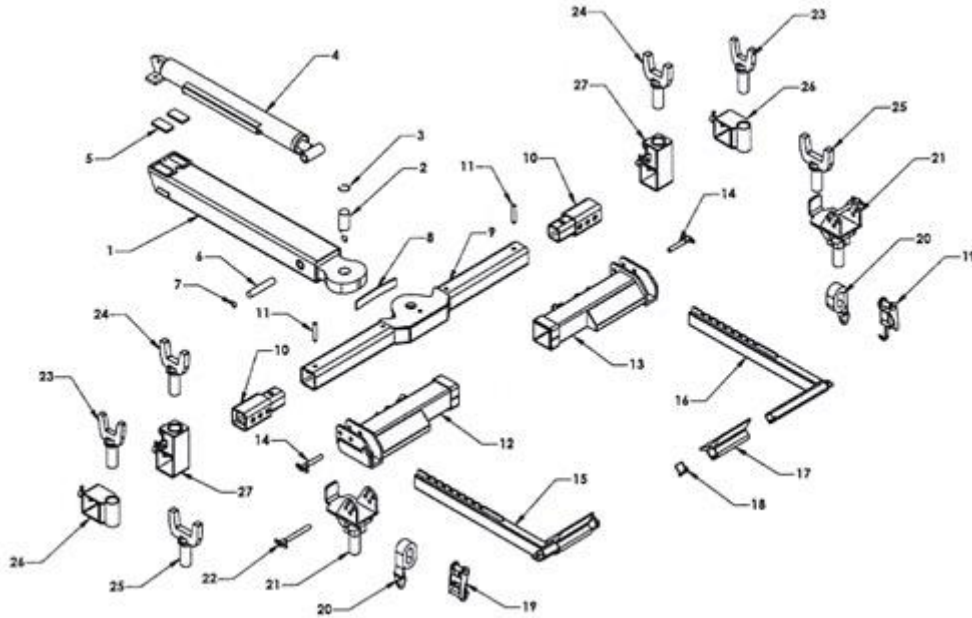


ITEM	PART NUMBER	DESCRIPTION	NUMBER REQUIRED
1	68100	SLIDE CARRIAGE	1
2	68200	L-BOOM	1
3	7216142	LIFT CYLINDER	2
4	7216141	POWER TILT CYLINDER	2
5	68125	SLIDE CARRIAGE PIVOT PIN 1.975 x 22.938	1
6	68701	UNDERLIFT MOUNTING BRACKET	2
7	81710	BOLT 7/8 x 2.25 COARSE THREAD	6
8	83611	NUT 7/8 COARSE THREAD	6
9	26306	PIN 1.480 x 20.875 SNAP-RING GROOVE	1
10	68123	PIN 1.480 x 10625 SNAP-RING GROOVE	1
11	86150E	RETAINING RING 1.50 EXTERNAL	4
12	64712	PIN .980 x 7 SNAP-RING GROOVE	2
13	86100E-1	RETAINING RING 1.00 EXTERNAL	4
14	65714	PIN .980 x 7 SNAP-RING GROOVE	2
15	83100I	RETAINING RING 1.00 INTERNAL	4
16	68231	SHIM PAD 1/2 x 2.5 x 6.5	1
17	812A7	BOLT 3/8 x 3/4 COARSE THREAD BUTTON HEAD	2
18	83311	FLAT WASHER 3/8 ID x 9/16 OD	2
19	61735	WEAR PAD 2.5 x 3 NYLATRON	2
20	68130	WEAR STRIP 3.8 x 2.75 x 32.75	4
21	812F0	FLAT HEAD SCREW 5/16 x 1	20
22	812F1	FLAT HEAD SCREW 5/16 x 1.5	4
23	83120	NYLON LOCK NUT 5/16	24

Parts

1014 Series

1014 Wheel Lift Components & Hook-Up Attachments



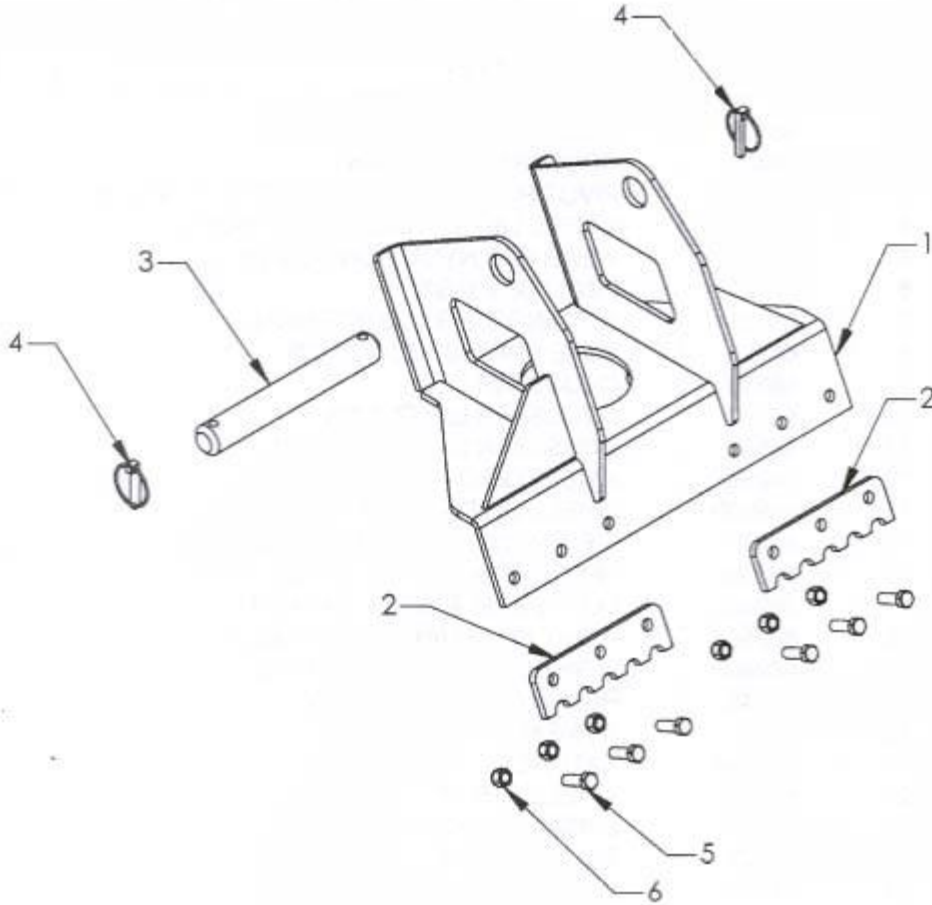
ITEM	PART NUMBER	DESCRIPTION	NUMBER REQUIRED
1	68300	INNERTIBE WELDMENT	1
2	66430	CROSSBAR PIVOT PIN	1
3	86200I	PIVOT PIN RETAINING RING 2" INTERNAL	1
4	7216143	WHEEL LIFT EXTENSION CYLINDER	1
5	63595	WEAR PAD NYLATRON 1/2 x 2 x 4	2
6	68321	PIN 1.230 x 6-5/8	1
7	86125I	RETAINING RING 1.25 INTERNAL	2
8	65228	YOKE SPRING 1.75 x 10.875	1
9	68510	CROSSBAR	1
10	68530	CROSSBAR EXTENSION	2
11	68545	CROSSBAR EXTENSION PIN	2
12	66260L	WHEEL GRID - LEFT	1
13	66260R	WHEEL GRID - RIGHT	1
14	84922	T-PIN W/LANYARD 3/4 x 3.50	2
15	66250L	LEFT L-ARM 6000 LB. CAPACITY	1
-	66254L	LEFT L-ARM 4000 LB. CAPACITY	1
16	66250R	RIGHT L-ARM 6000 LB. CAPACITY	1
-	66240R	RIGHT L-ARM 4000 LB. CAPACITY	1
17	65245	REMOVABLE WHEEL PAN	2
18	84611	5/16 SAFETY SNAP PIN	2
19	65280A	RATCHET	2
20	65285	WHEEL STRAP	2
21	66320	SPRING SHACKLE ADAPTOR	2
22	84923	T-PIN 3/4 x 6.50	2
23	66290	2" FRAME FORK	2
24	66300	3" FRAME FORK	2
25	66310	4" FRAME FORK	2
26	66280	FORK HOLDER - SHORT	2

CHEVRON™

1014 Series

Parts

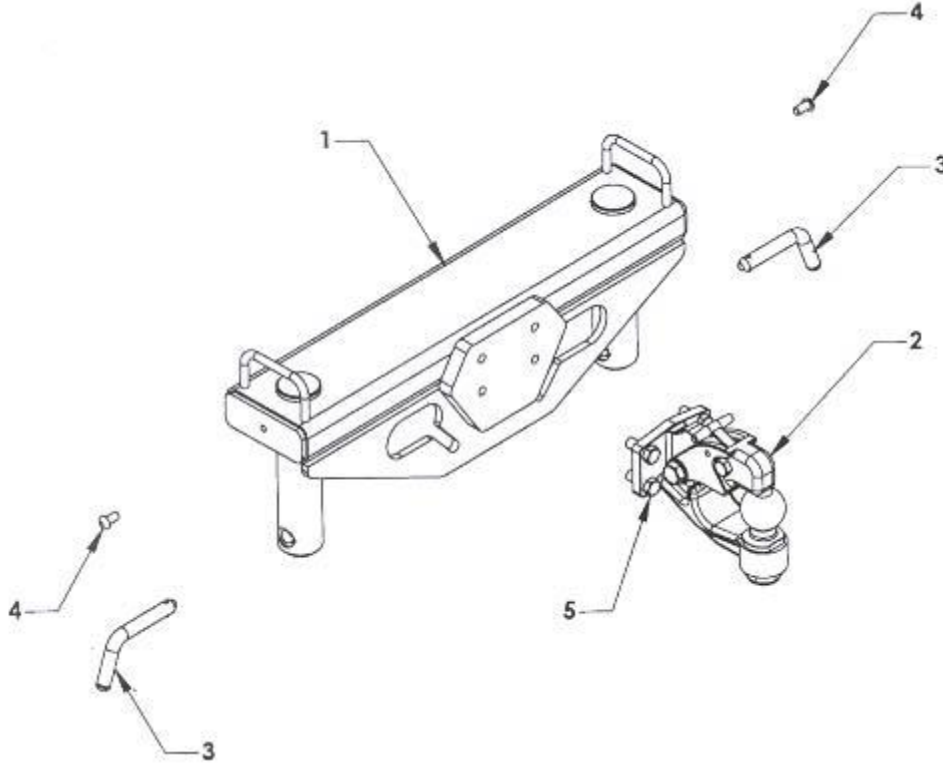
Underlift Spade Group



ITEM	PART NUMBER	DESCRIPTION	NUMBER REQUIRED
-	6961410G	SPADE GROUP	-
1	6961410	SPADE WELDMENT	1
2	6961413	SPADE TEETH	2
3	6961419	SPADE MOUNTING PIN	1
4	84712	LINCH PIN - 1.50	2
5	81439	BOLT 1/2-13 x 1.75	6
6	883312	NYLON LOCK NUT 1/2-13	6

Parts

Pintle Hitch Group



ITEM	PART NUMBER	DESCRIPTION	NUMBER REQUIRED
	66370G	PINTLE HITCH GROUP	1
1	66370W	PINTLE HITCH WELDMENT	1
2	A3020	TOW BALL PINTLE HITCH	1
3	33678	RETAINING PIN	2
4	812A6	3/8X5/8 BUTTON HEAD BOLT	4
	5A220	LANYARD	2
5	81428	BOLT 1/2-13X1.25 GRADE 5 OR 8	4
	82310	1/2 LOCK WASHER	4