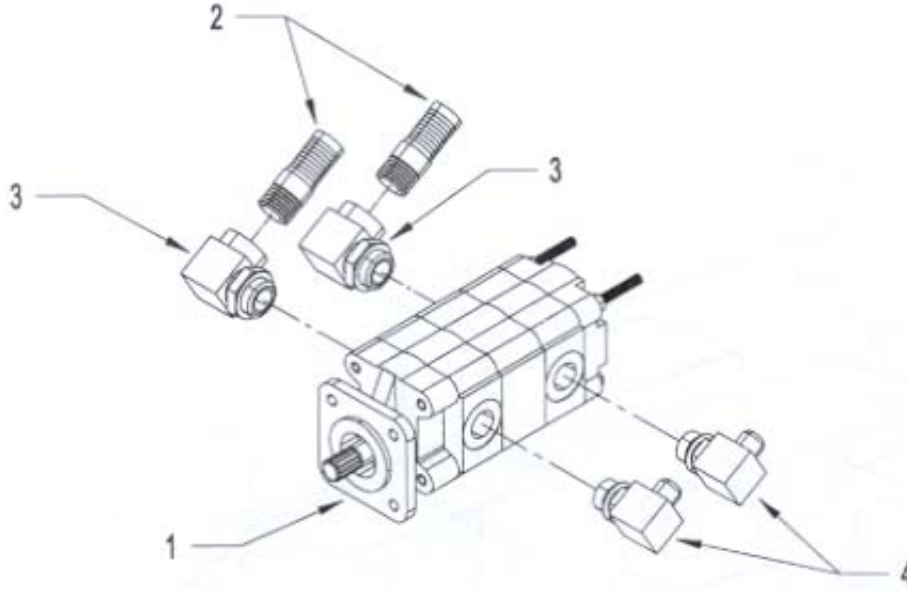


Parts

Direct Mount Tandem Pump



ITEM	PART NUMBER	DESCRIPTION	NUMBER REQUIRED
1	78014	TANDEM PUMP 15 GPM x 15 GPM	1
2	77CH0	1-1/4 x 3 NPT NIPPLE	2
3	77C90	1-1/4 x 90 M-F O-RING ADAPTER 887-554-20	2
4	77C91	1 M O-RING x 3/4 MJIC x 90	2