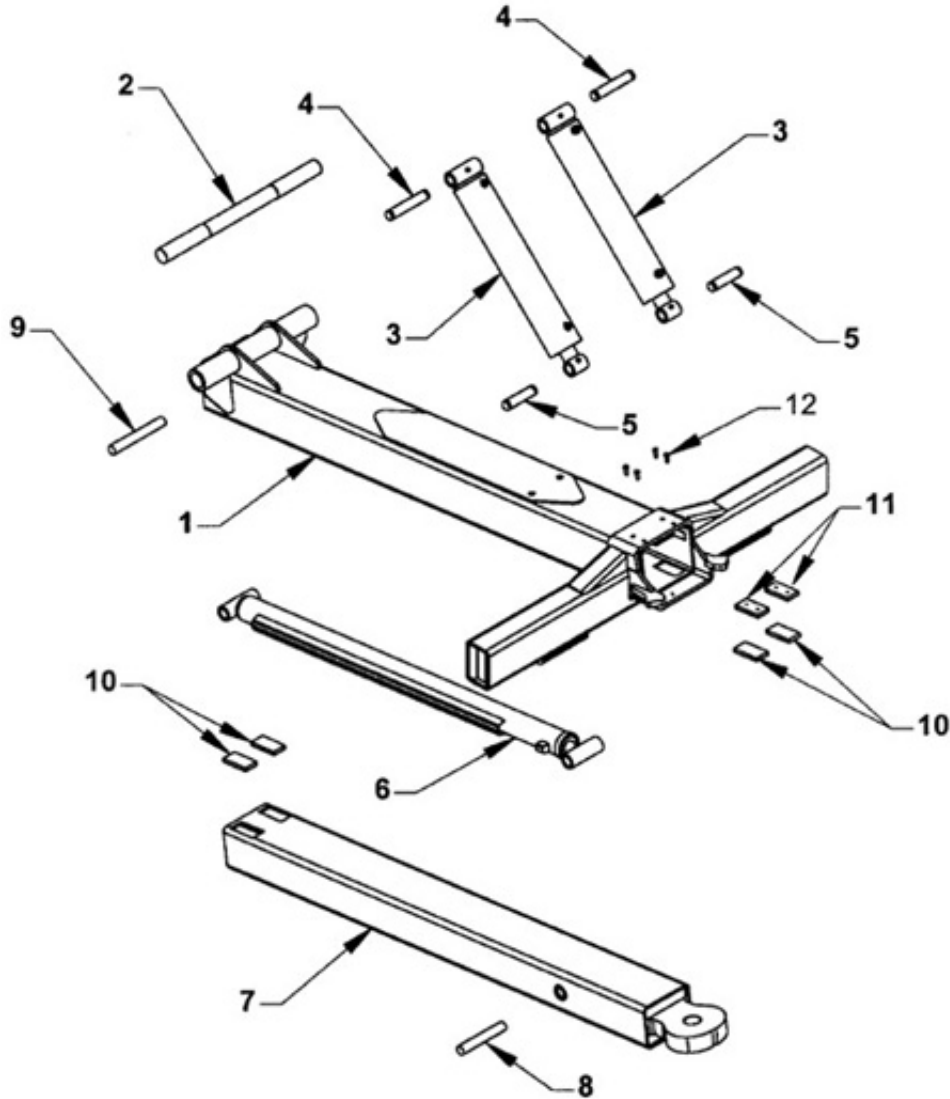


Underlift Components



ITEM	PART NUMBER	DESCRIPTION	NUMBER REQUIRED
1	10261	UNDERLIFT BOOM TUBE - OUTER	1
2	16364	UNDERLIFT PIVOT PIN 1.975 x 27.50	1
3	72118	STABILIZER CYLINDER	2
4	16363	CYLINDER BASE PIN 1.230 x 6.688	2
5	16362	CYLINDER ROD PIN 1.230 x 5.00	2
6	72138	UNDERLIFT EXTENSION CYLINDER	1
7	10262	UNDERLIFT BOOM TUBE - INNER	1
8	72938	EXTENSION CYLINDER ROD PIN 1.230 x 7-5/8	1
9	72937	EXTENSION CYLINDER BASE PIN 1.230 x 9	1
10	63595	NYLATRON WEAR PAD 1/2 x 2 x 4	4
11	63595T	NYLATRON WEAR PAD 1/2 x 2 x 4 TAPPED	2
12	812A8	3/8 - 16 X 1 BUTTON HEAD BOLT	4