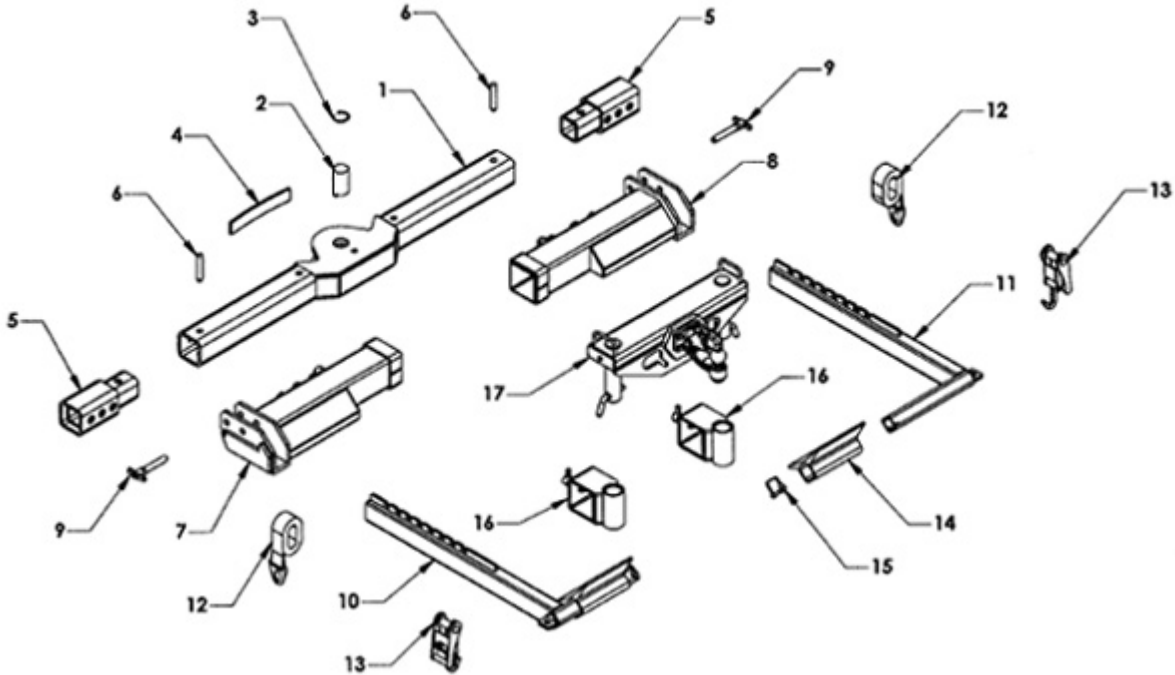


### Underlift Attachments



ITEM	PART NUMBER	DESCRIPTION	NUMBER REQUIRED
1	68510	CROSSBAR	1
2	66430	CROSSBAR PIVOT PIN	1
3	862001	RETAINING RING 2.00 INCH INTERNAL	1
4	65228	CROSSBAR CENTER SPRING	1
5	68530	CROSSBAR EXTENSION	2
6	68545	CROSSBAR EXTENSION PIN	2
7	66260L	WHEEL GRID - LEFT	1
8	66260R	WHEEL GRID - RIGHT	1
9	84922	T-PIN W/ LANYARD 3/4 x 3.5	2
10	66250L	LEFT L-ARM 6000 LB.	1
11	66250R	RIGHT L-ARM 6000 LB.	1
12	65285	WHEEL STRAP	2
13	65280A	RATCHET	2
14	65245	REMOVABLE WHEEL PAN	2
15	84911	WHEEL PAN RETAINING PIN	2
16	66280	SHORT FORK HOLDER (OPTIONAL)	2
17	66370G	PINTLE HITCH ADAPTOR (OPTIONAL)	1