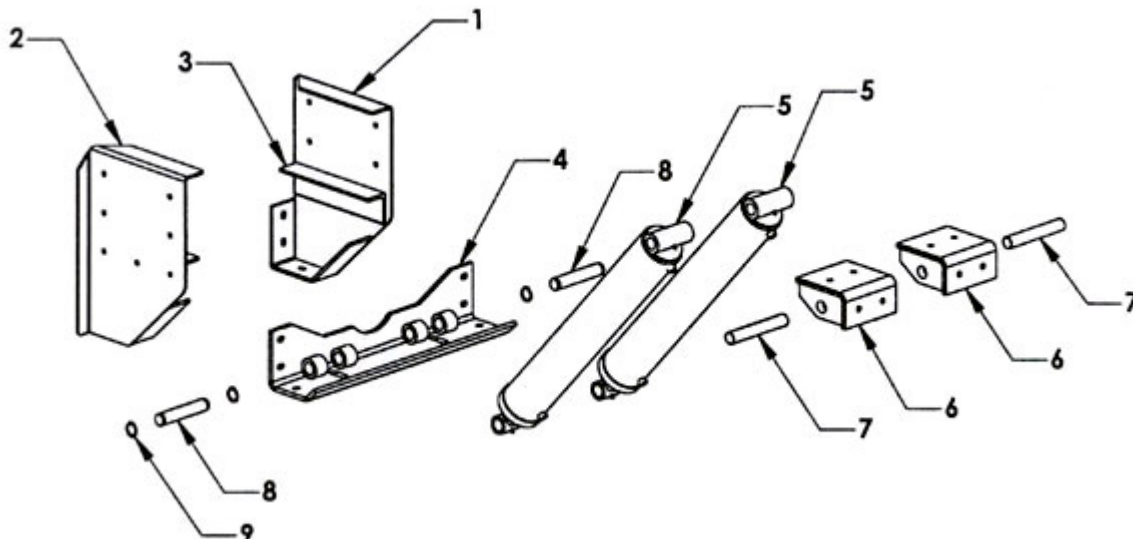


Tilt Cylinder Components



| ITEM | PART NUMBER | DESCRIPTION | NUMBER REQUIRED |
|------|-------------|-------------------------------------|-----------------|
| 1 | 1A510R | TILT CYLINDER SADDLE-RIGHT | 1 |
| 2 | 1A510L | TILT CYLINDER SADDLE-LEFT | 1 |
| 3 | 1A514 | UNDERFRAME SUPPORT ANGLE | 2 |
| 4 | 1A530 | CONNECTING ANGLE | 1 |
| 5 | 72116 | TILT CYLINDER | 2 |
| 6 | 13430 | TILT CYLINDER FOOT | 2 |
| 7 | 13435 | TILT CYLINDER BASE PIN 1.480 x 9.25 | 2 |
| 8 | 1A534 | TILT CYLINDER ROD PIN 1.480 x 7.875 | 2 |
| 9 | 86150E | RETAINING RING 7200-150 | 4 |