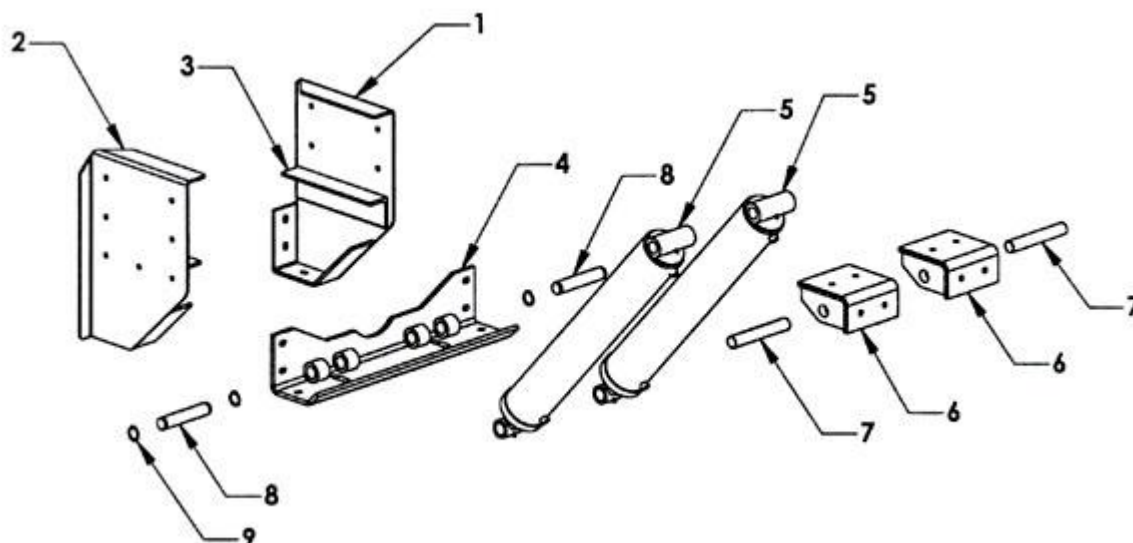


Series 30

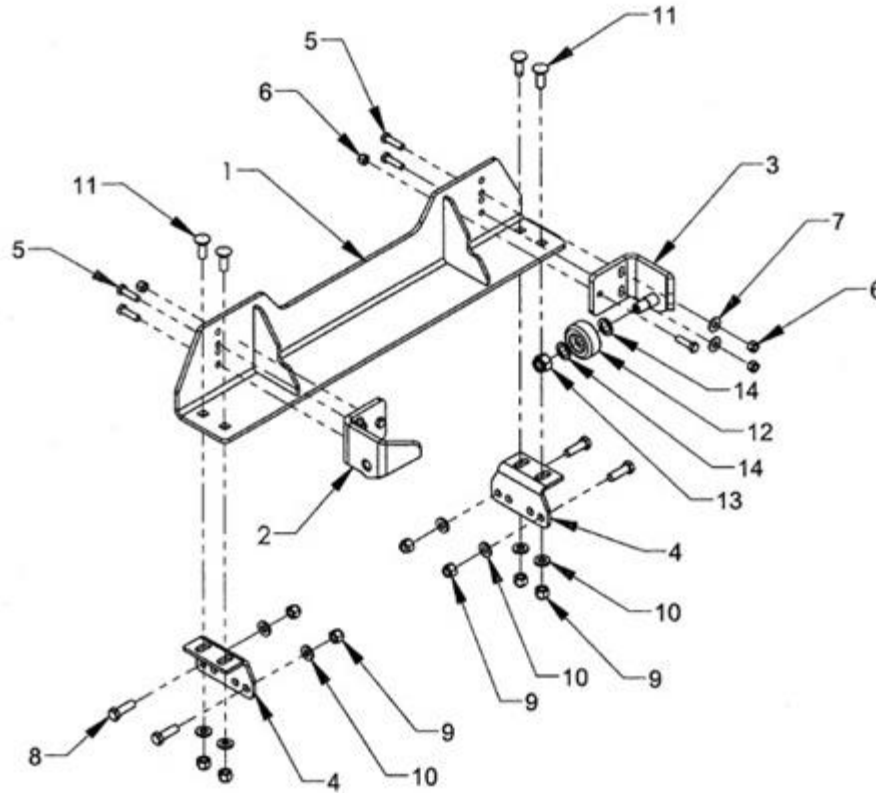
Parts

Tilt Cylinder Components



ITEM	PART NUMBER	DESCRIPTION	NUMBER REQUIRED
1	1A510R	TILT CYLINDER SADDLE-RIGHT	1
2	1A510L	TILT CYLINDER SADDLE-LEFT	1
3	1A514	UNDERFRAME SUPPORT ANGLE	2
4	1A530	CONNECTING ANGLE	1
5	72116	TILT CYLINDER	2
6	13430	TILT CYLINDER FOOT	2
7	13435	TILT CYLINDER BASE PIN 1.480 x 9.25	2
8	1A534	TILT CYLINDER ROD PIN 1.480 x 7.875	2
9	86150E	RETAINING RING 7200-150	4

Body Lock



ITEM	PART NUMBER	DESCRIPTION	NUMBER REQUIRED
1	364002	BODY LOCK WELDMENT	1
2	36315L	BODY LOCK HOLD-DOWN (LEFT)	1
3	36315R	BODY LOCK HOLD-DOWN (RIGHT)	1
4	364062	MOUNTING BRACKET	2
5	81438	BOLT, HHCS 1/2-20 x 1-3/4	6
6	83324	NYLON LOCK NUT, 1/2-20 ZP	6
7	82310	FLAT WASHER, 1/2 ZP	4
8	81520	BOLT, HHCS 5/8-11 x 2 ZP GRADE 5	4
9	83411	NYLON LOCK NUT, 5/8-11 ZP	4
10	82410	FLAT WASHER, 5/8 ZP	8
11	81517	CARRIAGE BOLT, 5/8-11 x 1-3/4 ZP GRADE 5	4
12	36310	HOLD-DOWN WHEEL	2
13	83610	NYLON LOCK NUT, 7/8-14 ZP	2
14	82710	FLAT WASHER, 1 ID x 1-1/2 OD	4



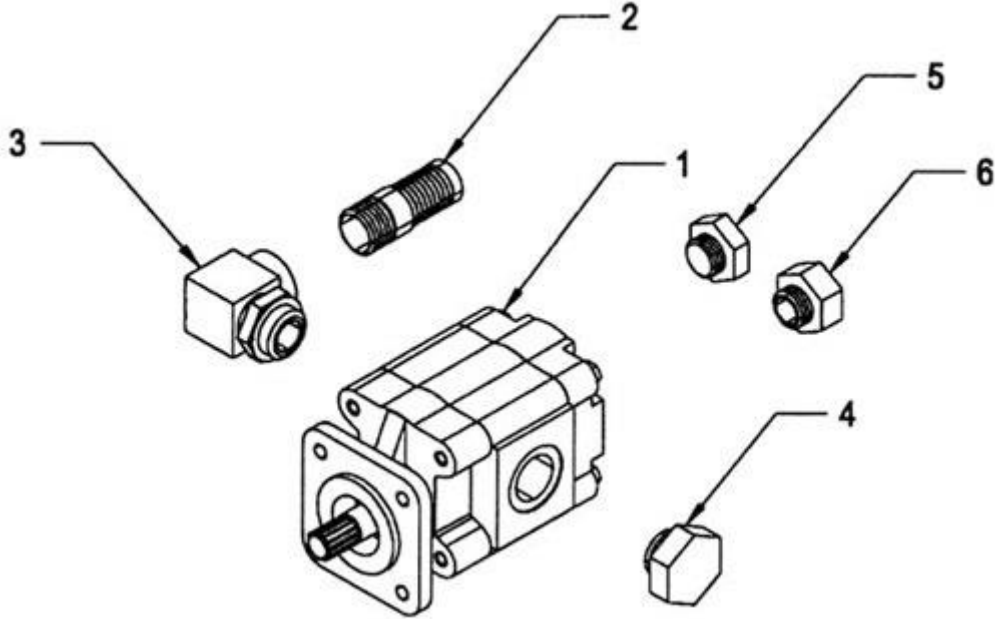
Series 30

Parts

800-222-6047

www.zips.com

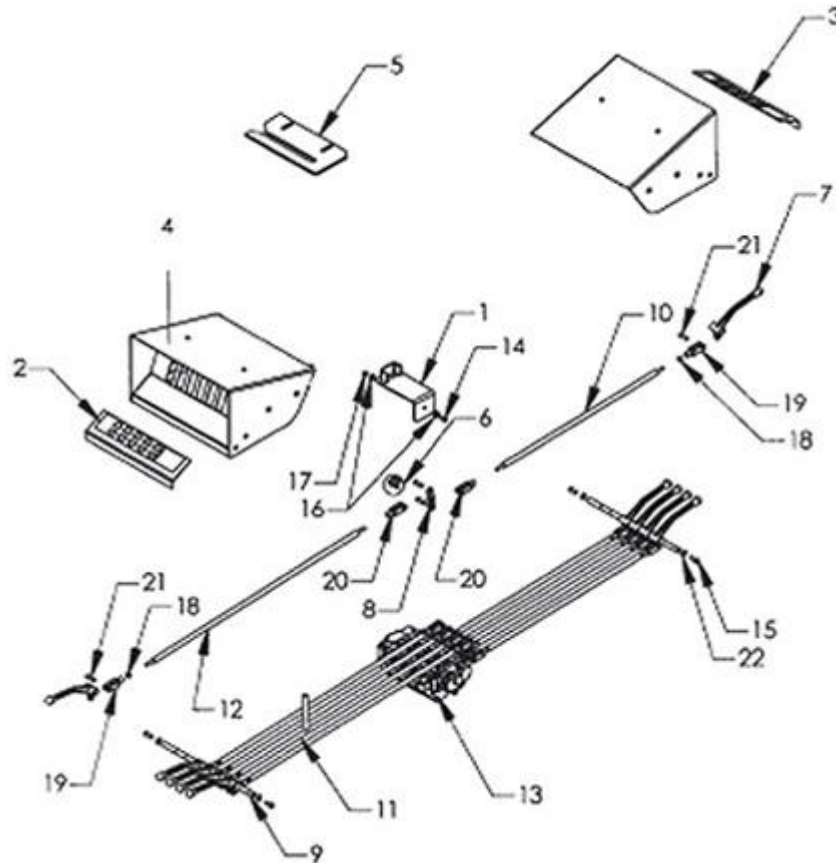
Direct Mount Pump



ITEM	PART NUMBER	DESCRIPTION	NUMBER REQUIRED
1	78006	PUMP-24 GPM	1
2	77CH0	1-1/4 x 3 NPT NIPPLE	1
3	77C90	1-1/4 x 90 M-F O-RING ADAPTER 887-554-20	1
4	77620	1-1/4 O-RING PLUG 900598-20	1
5	77616	1 O-RING PLUG 900598-16	1
6	779E1	1 O-RING PLUG x 3/4 PIPE REDUCER 2216-12 x 16	1

EVERYTHING YOU NEED TO TOW, RIG, RECOVER & HAUL

Control Components



ITEM	PART NUMBER	DESCRIPTION	NUMBER REQUIRED
1	181409	ANTI- TILT ROD GUIDE	1
2	18212L	CONTROL PANEL I.D. PLATE (DRIVER SIDE)	1
3	18212R	CONTROL PANEL I.D. PLATE (PASSENGER SIDE)	1
4	18274KL	HOOD KIT - LEFT (PANEL, HOOD, BOLTS, NUTS)	1
	18274KR	HOOD KIT - RIGHT (PANEL, HOOD, BOLTS, NUTS)	1
5	33813	ANTI-TILT PLATE	1
6	7A010	PIN & LINK ASSEMBLY	5
7	7A111	CONTROL HANDLE	10
8	7A121	BELL CRANK	5
9	7A5752	HANDLE CROSS ROD	2
10	7A527A	CONTROL ROD 27-1/4	5
11	7A536A	ANTI-TILT CONTROL ROD 36-1/2	1
12	7A537A	CONTROL ROD 36-1/2	4
13	74115	CONTROL VALVE - 5 SPOOL	1
14	81110	BOLT 5/16-18 UNC x 7/8	1
15	812A9	BOLT 3/8-16 UNC x 1 BUTTON HEAD STAINLESS	4
16	82110	FLAT WASHER 5/16	2
17	83125	NUT 5/16-18 UNC NYLON LOCK	1

EVERYTHING YOU NEED TO TOW, RIG, RECOVER & HAUL

18	83215	NUT 3/8-24 UNF	10
19	84530	CLEVIS 3/8-24 UNF RIGHT HAND THREAD	10
20	84540	CLEVIS 3/8-24 UNF LEFT HAND THREAD	10
21	84620	CLEVIS PIN 3/8	20
22	86062E	SNAP-RING 5/8 EXTERNAL	4



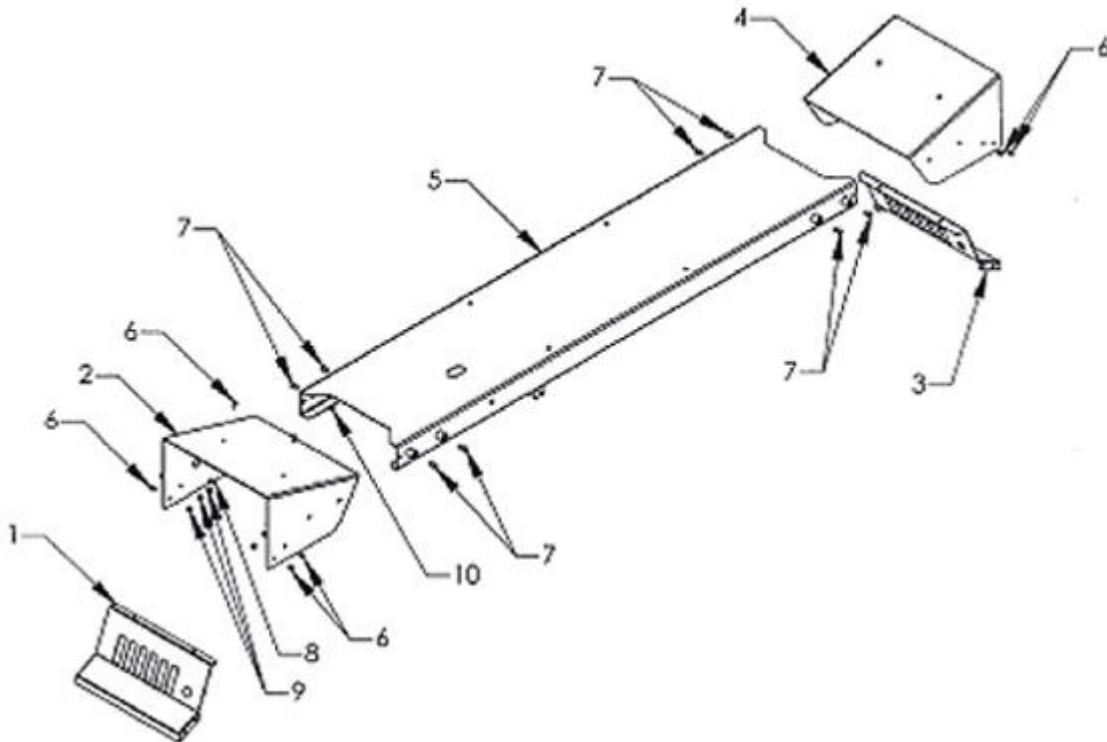
Series 30

Parts

800-222-6047

www.zips.com

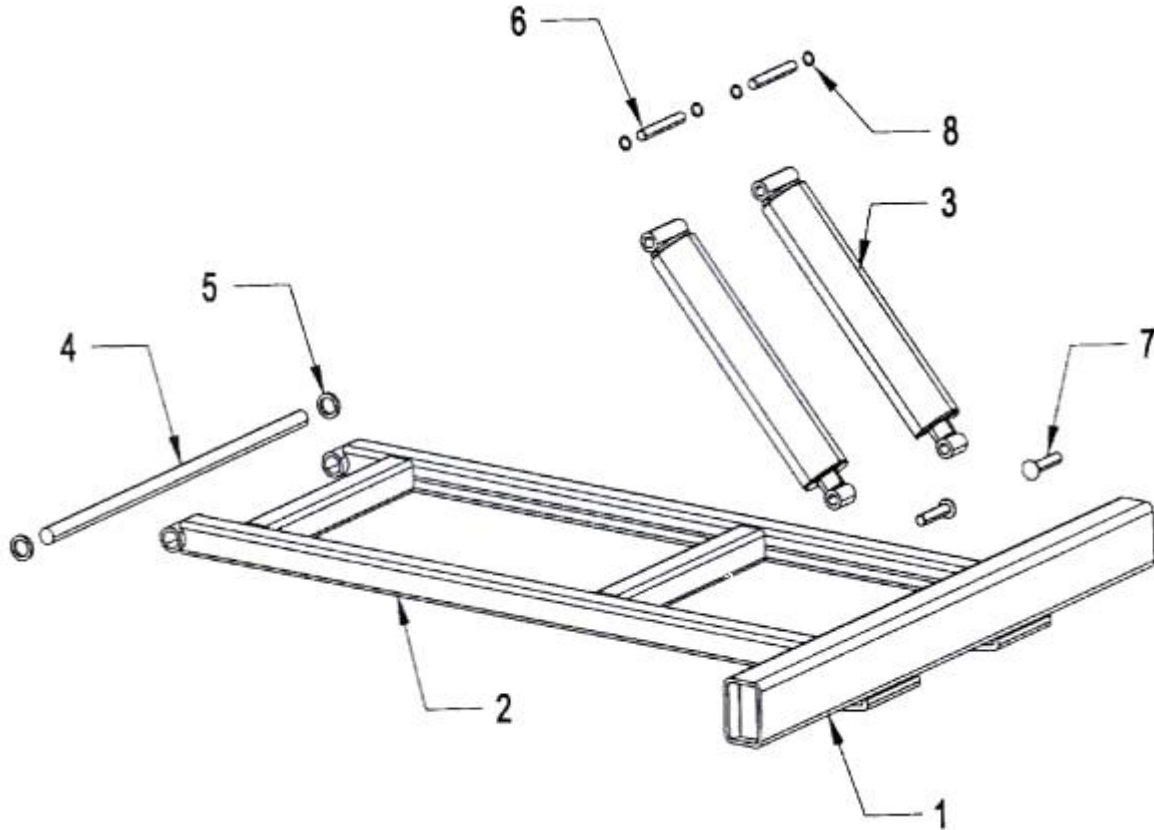
Control Hood



ITEM	PART NUMBER	DESCRIPTION	NUMBER REQUIRED
1	18126L	CONTROL PANEL - LEFT	1
2	181274L	CONTROL HOOD - LEFT	1
	181274KL	HOOD KIT - LEFT (PANEL, HOOD, BOLTS, NUTS)	
3	18126R	CONTROL PANEL - RIGHT	1
4	181274R	CONTROL HOOD - RIGHT	1
	181274KR	HOOD KIT - RIGHT (PANEL, HOOD, BOLTS, NUTS)	
5	181283W	CONTROL ARM WELDMENT	1
6	811A6	BOLT 5/16-18 UNC x 5/8 BUTTON HEAD STAINLESS	12
7	812A7	BOLT 3/8-16 UNC x 3/4 BUTTON HEAD STAINLESS	8
8	82110	FLAT WASHER 5/16	4
9	83125	NUT 5/16-18 UNC NYLON LOCK	12
10	83215	NUT 3/8-16 UNC NYLON LOCK	4

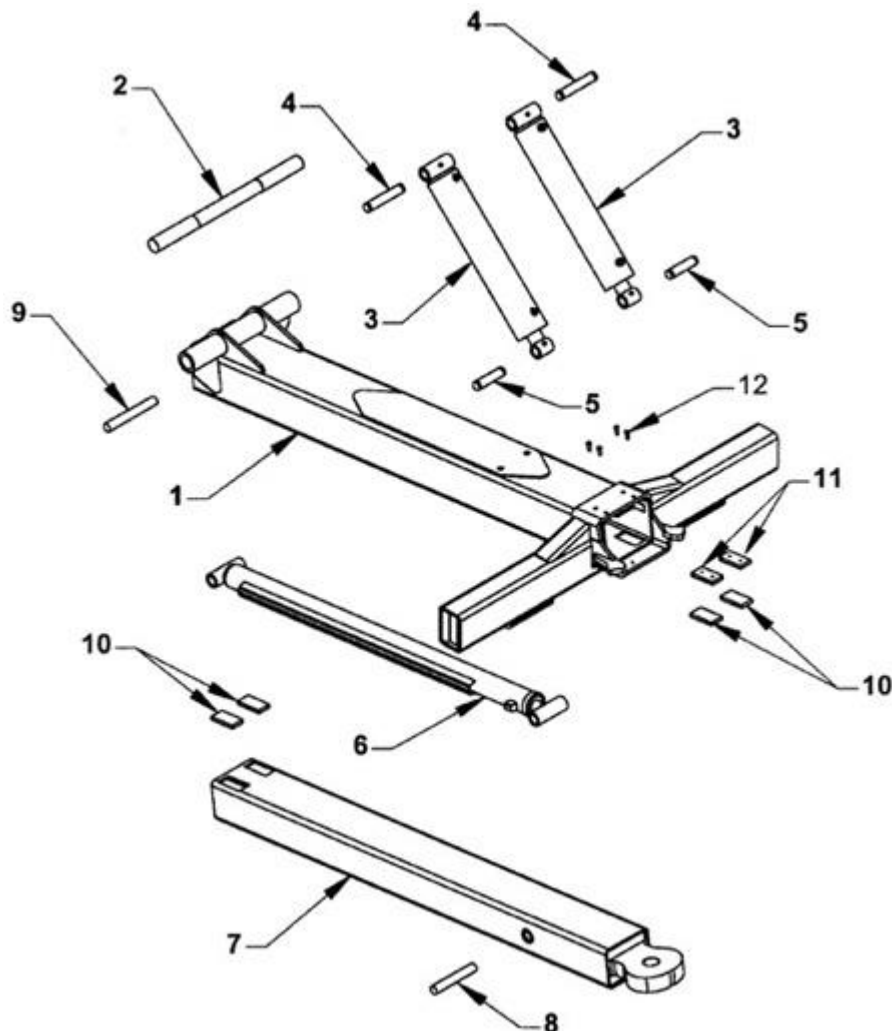
EVERYTHING YOU NEED TO TOW, RIG, RECOVER & HAUL

Hydraulic Stabilizer Components



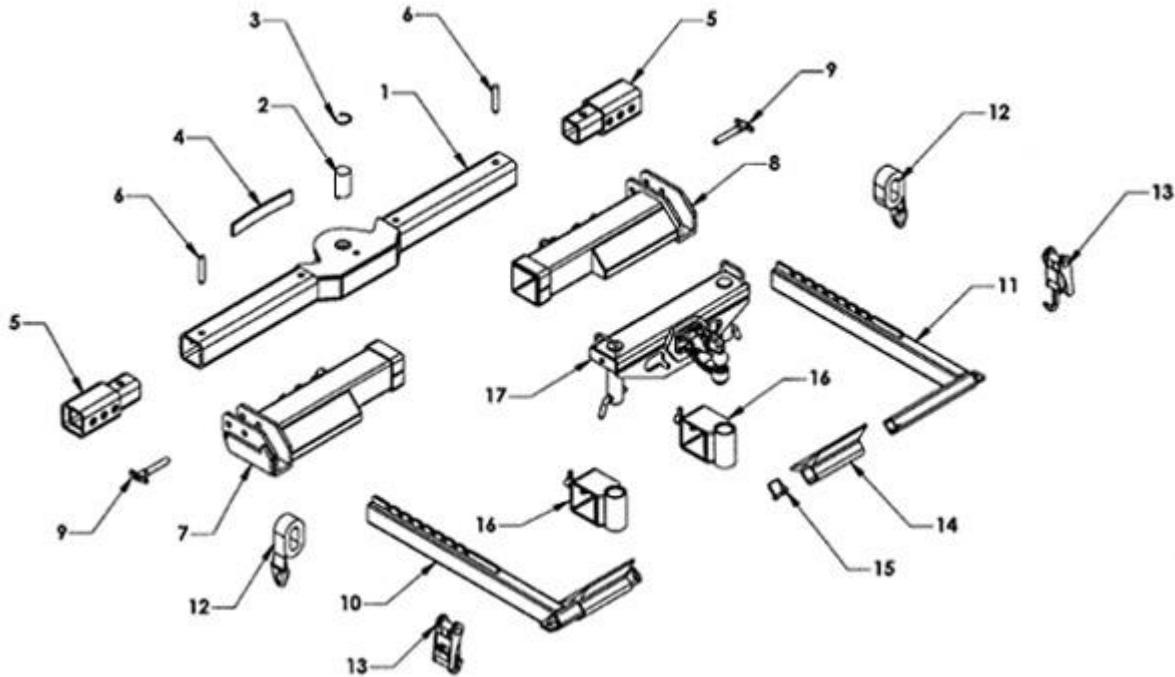
ITEM	PART NUMBER	DESCRIPTION	NUMBER REQUIRED
1	16310	STABILIZER TUBE	1
2	16320	TRAILING ARM	2
3	72118	STABILIZER CYLINDER	2
4	16340	STABILIZER PIVOT PIN	1
5	16341	PIVOT PIN WELD-ON RING	2
6	16361	CYLINDER BASE PIN .980 x 6-5/8	2
7	16360	CYLINDER ROD PIN .980 x 4-3/8	2
8	86100E-1	SNAP-RING	4

Underlift Components



ITEM	PART NUMBER	DESCRIPTION	NUMBER REQUIRED
1	10261	UNDERLIFT BOOM TUBE - OUTER	1
2	16364	UNDERLIFT PIVOT PIN 1.975 x 27.50	1
3	72118	STABILIZER CYLINDER	2
4	16363	CYLINDER BASE PIN 1.230 x 6.688	2
5	16362	CYLINDER ROD PIN 1.230 x 5.00	2
6	72138	UNDERLIFT EXTENSION CYLINDER	1
7	10262	UNDERLIFT BOOM TUBE - INNER	1
8	72938	EXTENSION CYLINDER ROD PIN 1.230 x 7-5/8	1
9	72937	EXTENSION CYLINDER BASE PIN 1.230 x 9	1
10	63595	NYLATRON WEAR PAD 1/2 x 2 x 4	4
11	63595T	NYLATRON WEAR PAD 1/2 x 2 x 4 TAPPED	2
12	812A8	3/8 - 16 X 1 BUTTON HEAD BOLT	4

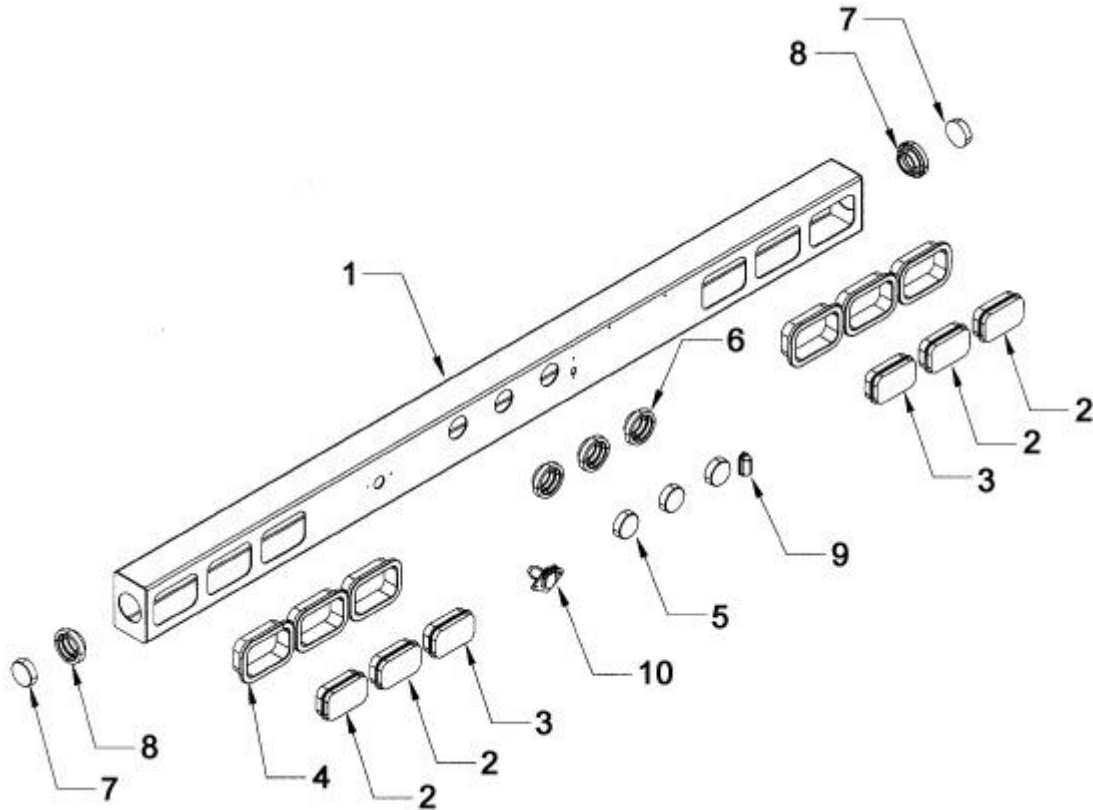
Underlift Attachments



ITEM	PART NUMBER	DESCRIPTION	NUMBER REQUIRED
1	68510	CROSSBAR	1
2	66430	CROSSBAR PIVOT PIN	1
3	862001	RETAINING RING 2.00 INCH INTERNAL	1
4	65228	CROSSBAR CENTER SPRING	1
5	68530	CROSSBAR EXTENSION	2
6	68545	CROSSBAR EXTENSION PIN	2
7	66260L	WHEEL GRID - LEFT	1
8	66260R	WHEEL GRID - RIGHT	1
9	84922	T-PIN W/ LANYARD 3/4 x 3.5	2
10	66250L	LEFT L-ARM 6000 LB.	1
11	66250R	RIGHT L-ARM 6000 LB.	1
12	65285	WHEEL STRAP	2
13	65280A	RATCHET	2
14	65245	REMOVABLE WHEEL PAN	2
15	84911	WHEEL PAN RETAINING PIN	2
16	66280	SHORT FORK HOLDER (OPTIONAL)	2
17	66370G	PINTLE HITCH ADAPTOR (OPTIONAL)	1

EVERYTHING YOU NEED TO TOW, RIG, RECOVER & HAUL

Tail Light Components



ITEM	PART NUMBER	DESCRIPTION	NUMBER REQUIRED
1	19500	TAIL LIGHT HOUSING	1
	19510	TAIL LIGHT HOUSING - HITCH	1
2	96500	LIGHT - TAIL, STOP, TURN MODEL 45202R	4
3	95500	LIGHT - BACKUP MODEL 45204	2
4	96550	GROMMET MODEL 45700	6
5	94500	ICC LIGHT MODEL 40	3
6	94550	GROMMET MODEL 30	3
7	93100R	MARKER LIGHT MODEL 10	2
8	93150	GROMMET MODEL 10	2
9	97150	LIGHT - LICENSE PLATE	1
10	98400	TOW LIGHT PLUG - 4 PRONG	1
	98600	TOW LIGHT PLUG - 6 PRONG	1



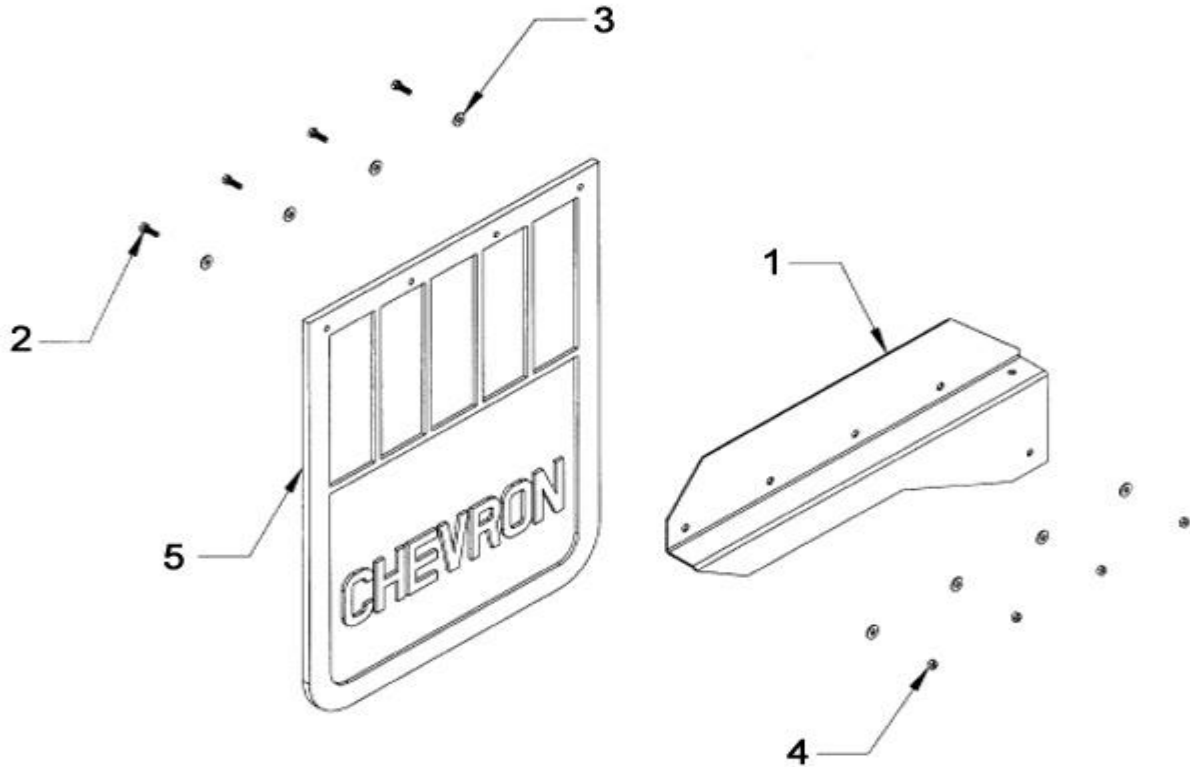
Series 30

Parts

800-222-6047

www.zips.com

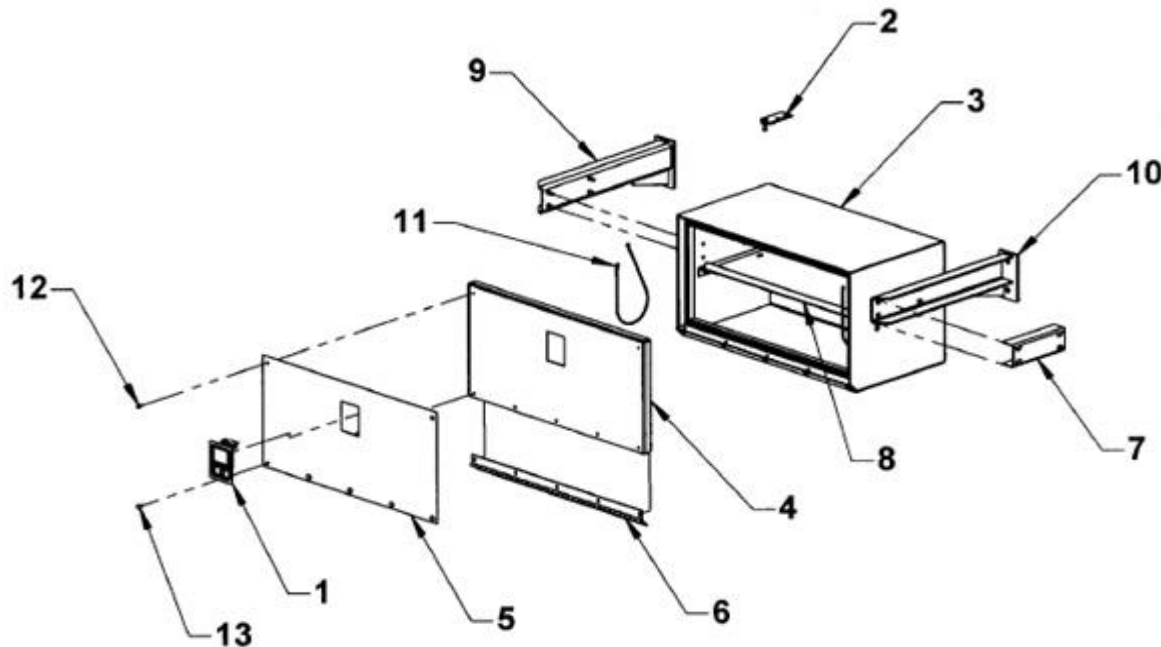
Mudflap Components



ITEM	PART NUMBER	DESCRIPTION	NUMBER REQUIRED
1	1235030L	MUDFLAP MOUNTING BRACKET	1
	1235030R	MUDFLAP MOUNTING BRACKET	1
2	81110	5/16 x 1 BOLT	8
3	82110	5/16 FLAT WASHER	16
4	83125	5/16 NYLON LOCK NUT	8
5	A1030	MUDFLAP 24 x 30	2

EVERYTHING YOU NEED TO TOW, RIG, RECOVER & HAUL

33" Aluminum Toolbox - 37700



ITEM	PART NUMBER	DESCRIPTION	NUMBER REQUIRED	
1	54658	ROTARY PADDLE LATCH	1	
	54657	GASKET FOR PADDLE LATCH	1	
	81111	#8-32 x 1/2 STAINLESS ONE WAY SCREW	4	
	83111	#8-32 STAINLESS KEPT NUT	4	
	376182	STRIKER PIN MOUNTING PLATE	1	
2	54659	STRIKER PIN	1	
	83125	NYLON LOCK NUT 5/16-18	1	
	37710W	BOX WELDMENT	1	
4	37720W	DOOR WELDMENT	1	
	37720A	DOOR ASSEMBLY	1	
	37725	STAINLESS STEEL DOOR COVER PANEL	1	
6	37730	HINGE	1	
7	37760	TANDEM BOX SPACER CHANNEL (OPTIONAL)	1	
8	37770	SHELF	1	
9	37850L	TOOLBOX MOUNTING BRACKET - LEFT	1	
10	37850R	TOOLBOX MOUNTING BRACKET - RIGHT	1	
11	5A221	LANYARD - 21 INCH	2	
	12	81100	STAINLESS CARRIAGE BLOT 1/4-20 x 3/4	2
		83100	NUT 1/4-20	2
		82020	LOCK WASHER 1/4	2
13	81115	STAINLESS CARRIAGE BLOT 5/16-18 x 3/4	10	
	83115	NUT 5/16-18	10	
	82130	LOCK WASHER 5/16	10	

EVERYTHING YOU NEED TO TOW, RIG, RECOVER & HAUL



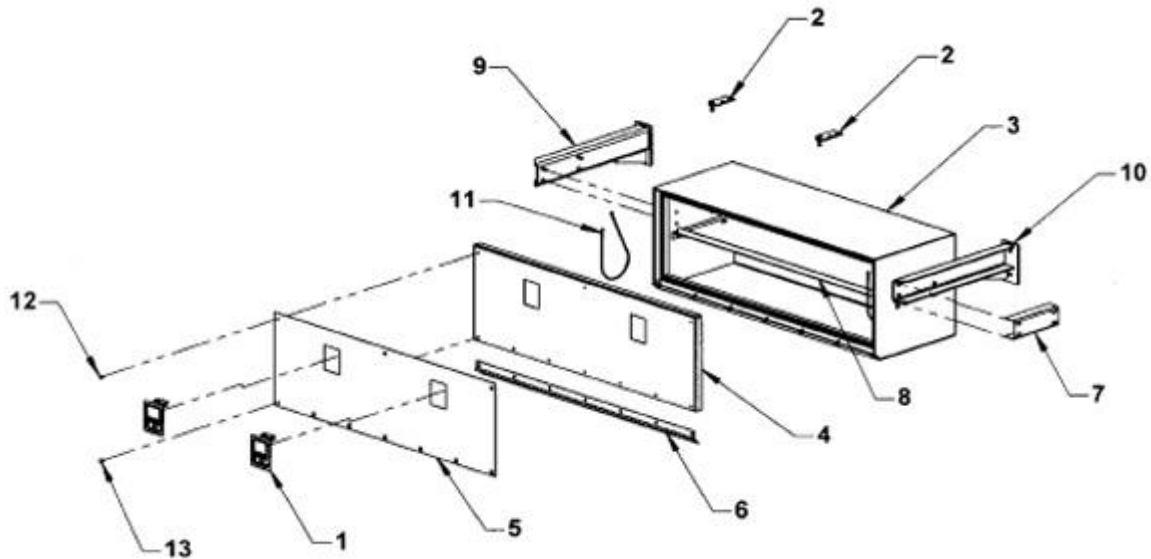
Series 30

Parts

800-222-6047

www.zips.com

49" Aluminum Toolbox - 37800



ITEM	PART NUMBER	DESCRIPTION	NUMBER REQUIRED
1	54658	ROTARY PADDLE LATCH	2
	54657	GASKET FOR PADDLE LATCH	2
	81111	#8-32 x 1/2 STAINLESS ONE WAY SCREW	8
	83111	#8-32 STAINLESS KEPT NUT	8
2	376182	STRIKER PIN MOUNTING PLATE	2
	54659	STRIKER PIN	2
	83125	NYLON LOCK NUT 5/16-18	2
3	37810W	BOX WELDMENT	1
4	37820W	DOOR WELDMENT	1
	37820A	DOOR ASSEMBLY	1
5	37825	STAINLESS STEEL DOOR COVER PANEL	1
6	37630	HINGE	1
7	37760	TANDEM BOX SPACER CHANNEL (OPTIONAL)	1
8	37670	SHELF	1
9	37850L	TOOLBOX MOUNTING BRACKET - LEFT	1
10	37850R	TOOLBOX MOUNTING BRACKET - RIGHT	1
11	5A221	LANYARD - 21 INCH	2
12	81100	STAINLESS CARRIAGE BLOT 1/4-20 x 3/4	3
	83100	NUT 1/4-20	3
	82020	LOCK WASHER 1/4	3
13	81115	STAINLESS CARRIAGE BLOT 5/16-18 x 3/4	14
	83115	NUT 5/16-18	14

EVERYTHING YOU NEED TO TOW, RIG, RECOVER & HAUL

82130 LOCK WASHER 5/16
 82110 FLAT WASHER 5/16

14
 14



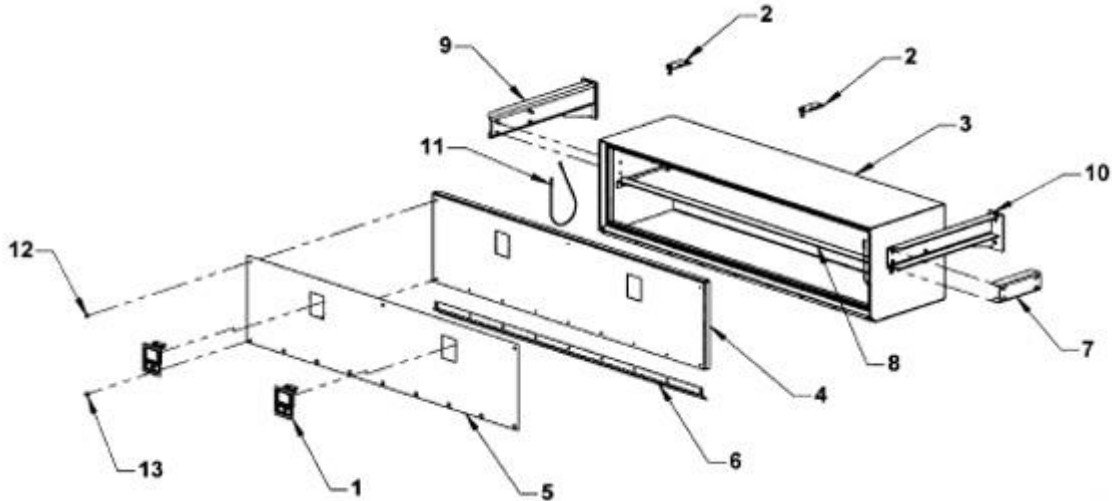
Series 30

Parts

800-222-6047

www.zips.com

65" Aluminum Toolbox - 37900



ITEM	PART NUMBER	DESCRIPTION	NUMBER REQUIRED
1	54658	ROTARY PADDLE LATCH	2
	54657	GASKET FOR PADDLE LATCH	2
	81111	#8-32 x 1/2 STAINLESS ONE WAY SCREW	8
	83111	#8-32 STAINLESS KEPT NUT	8
2	376182	STRIKER PIN MOUNTING PLATE	2
	54659	STRIKER PIN	2
	83125	NYLON LOCK NUT 5/16-18	2
3	37910W	BOX WELDMENT	1
4	37920W	DOOR WELDMENT	1
	37920A	DOOR ASSEMBLY	1
5	37925	STAINLESS STEEL DOOR COVER PANEL	1
6	37930	HINGE	1
7	37960	TANDEM BOX SPACER CHANNEL (OPTIONAL)	1
8	37970	SHELF	1
9	37850L	TOOLBOX MOUNTING BRACKET - LEFT	1
10	37850R	TOOLBOX MOUNTING BRACKET - RIGHT	1
11	5A221	LANYARD - 21 INCH	2
12	81100	STAINLESS CARRIAGE BLOT 1/4-20 x 3/4	3
	83100	NUT 1/4-20	3
	82020	LOCK WASHER 1/4	3
13	81115	STAINLESS CARRIAGE BLOT 5/16-18 x 3/4	18
	83115	NUT 5/16-18	18
	82130	LOCK WASHER 5/16	18

EVERYTHING YOU NEED TO TOW, RIG, RECOVER & HAUL



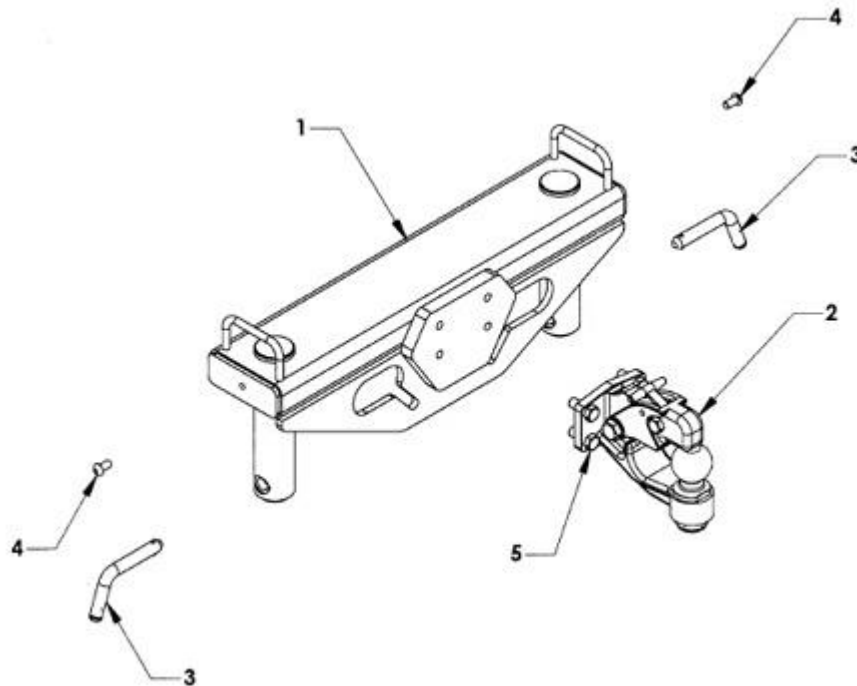
Series 30

Parts

800-222-6047

www.zips.com

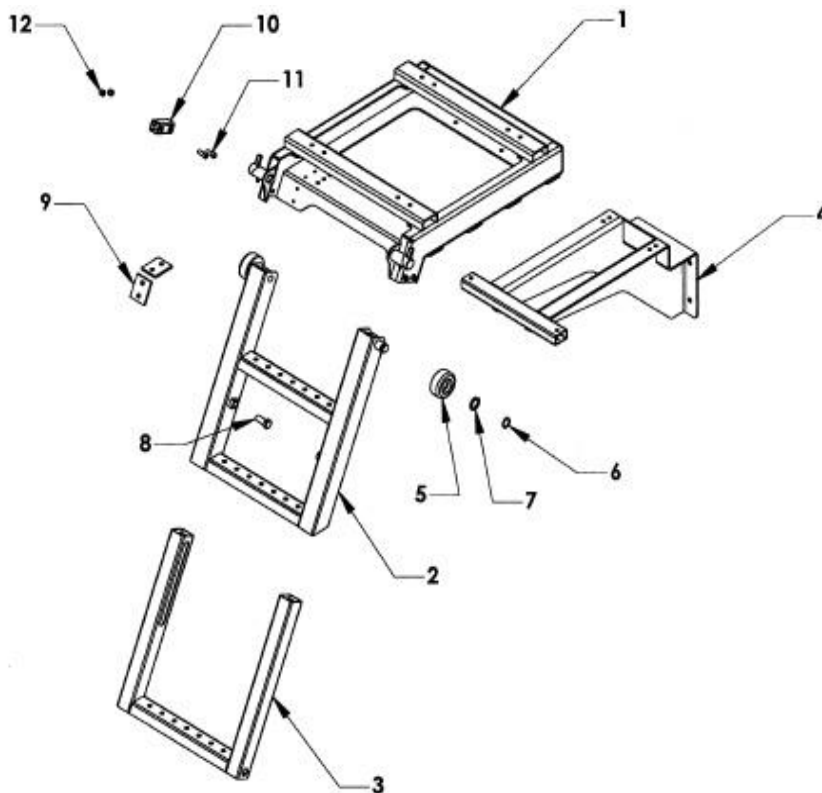
Pintle Hitch Group



ITEM	PART NUMBER	DESCRIPTION	NUMBER REQUIRED
	66370G	PINTLE HITCH GROUP	1
1	66370W	PINTLE HITCH WELDMENT	1
2	A3020	TOW BALL PINTLE HITCH	1
3	66378	RETAINING PIN	2
4	812A6	3/8 x 5/8 BUTTONHEAD BOLT	4
	5A220	LANYARD	2
5	81428	BOLT 1/2-13 x 1.25 GRADE 5 OR 8	4
	82310	1/2 LOCK WASHER	4

EVERYTHING YOU NEED TO TOW, RIG, RECOVER & HAUL

Retractable Ladder



ITEM	PART NUMBER	DESCRIPTION	NUMBER REQUIRED
	390000	LADDER ASSEMBLY	1
1	391010	LADDER CARRIAGE	1
2	391020	UPPER RUNG ASSEMBLY	1
3	391030	LOWER RUNG ASSEMBLY	1
4	391040	FRAME MOUNTING BRACKET - OPTIONAL	1
5	36310	WHEEL	2
6	86100E	RETAINING RING 1.00 EXTERNAL	2
7	82710	FLAT WASHER 1 x 1.50	2
8	391026	RETAINING BOLT 5/8-11 x 1-1/2	2
9	391018	WEAR PAD	4
10	391015	RETAINING TUBE	2
11	81221	ALLEN HEAD BOLT 3/8-16 x 1	4
12	83211	NYLON LOCK NUT 3/8-16	4