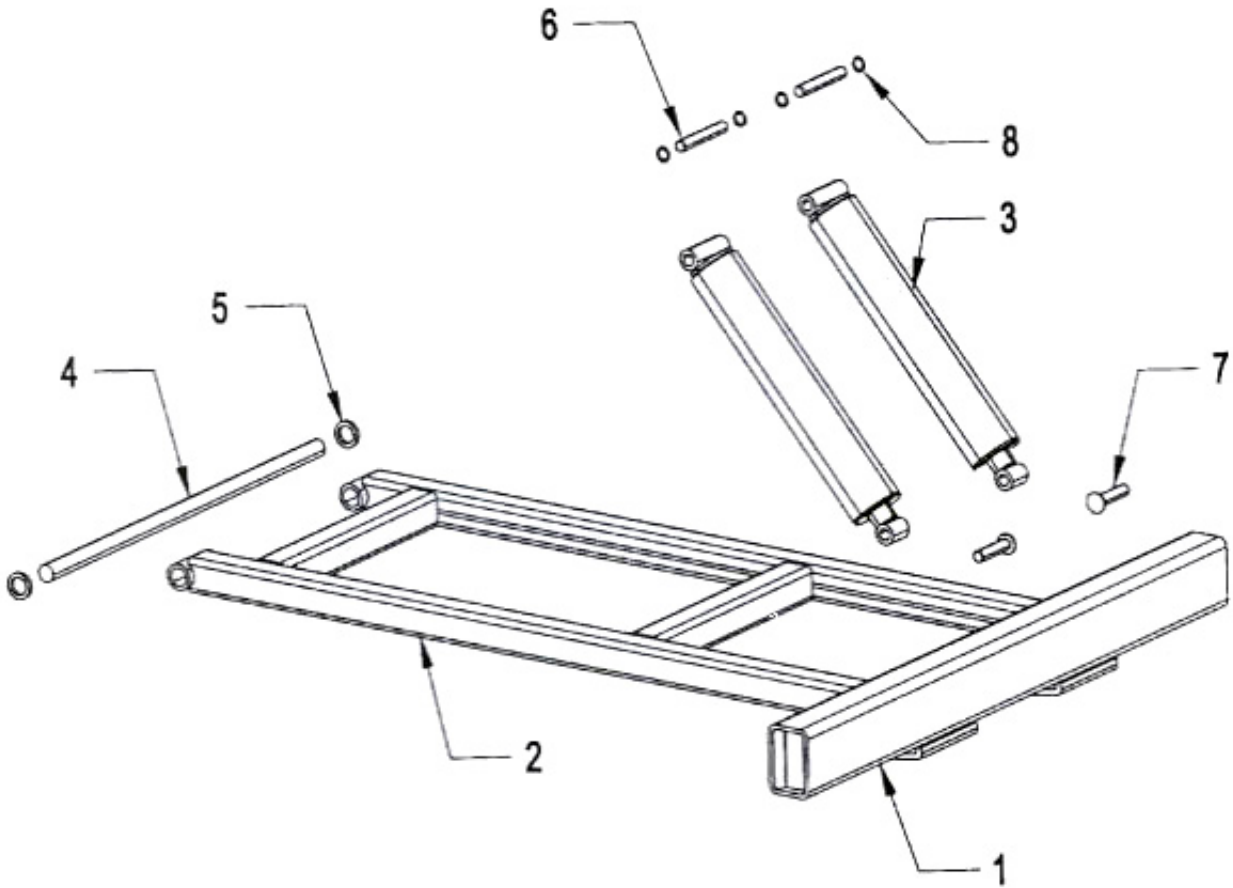


Hydraulic Stabilizer Components



ITEM	PART NUMBER	DESCRIPTION	NUMBER REQUIRED
1	16310	STABILIZER TUBE	1
2	16320	TRAILING ARM	2
3	72118	STABILIZER CYLINDER	2
4	16340	STABILIZER PIVOT PIN	1
5	16341	PIVOT PIN WELD-ON RING	2
6	16361	CYLINDER BASE PIN .980 x 6-5/8	2
7	16360	CYLINDER ROD PIN .980 x 4-3/8	2
8	86100E-1	SNAP-RING	4