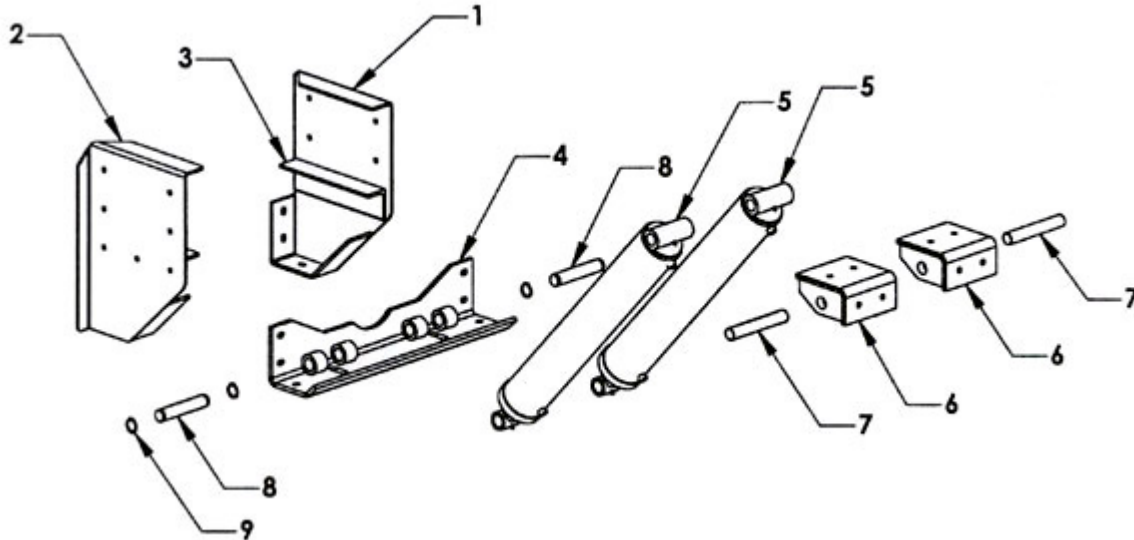


Tilt Cylinder Components



ITEM	PART NUMBER	DESCRIPTION	NUMBER REQUIRED
1	1A510R	TILT CYLINDER SADDLE-RIGHT	1
2	1A510L	TILT CYLINDER SADDLE-LEFT	1
3	1A514	UNDERFRAME SUPPORT ANGLE	2
4	1A520	CONNECTING ANGLE	1
5	72114E	TILT CYLINDER	2
6	13420	TILT CYLINDER FOOT	2
7	13423	TILT CYLINDER BASE PIN 1.480 x 9.25	2
8	1A724	TILT CYLINDER ROD PIN 1.480 x 7.875	2
9	86150E	RETAINING RING 7200-150	4