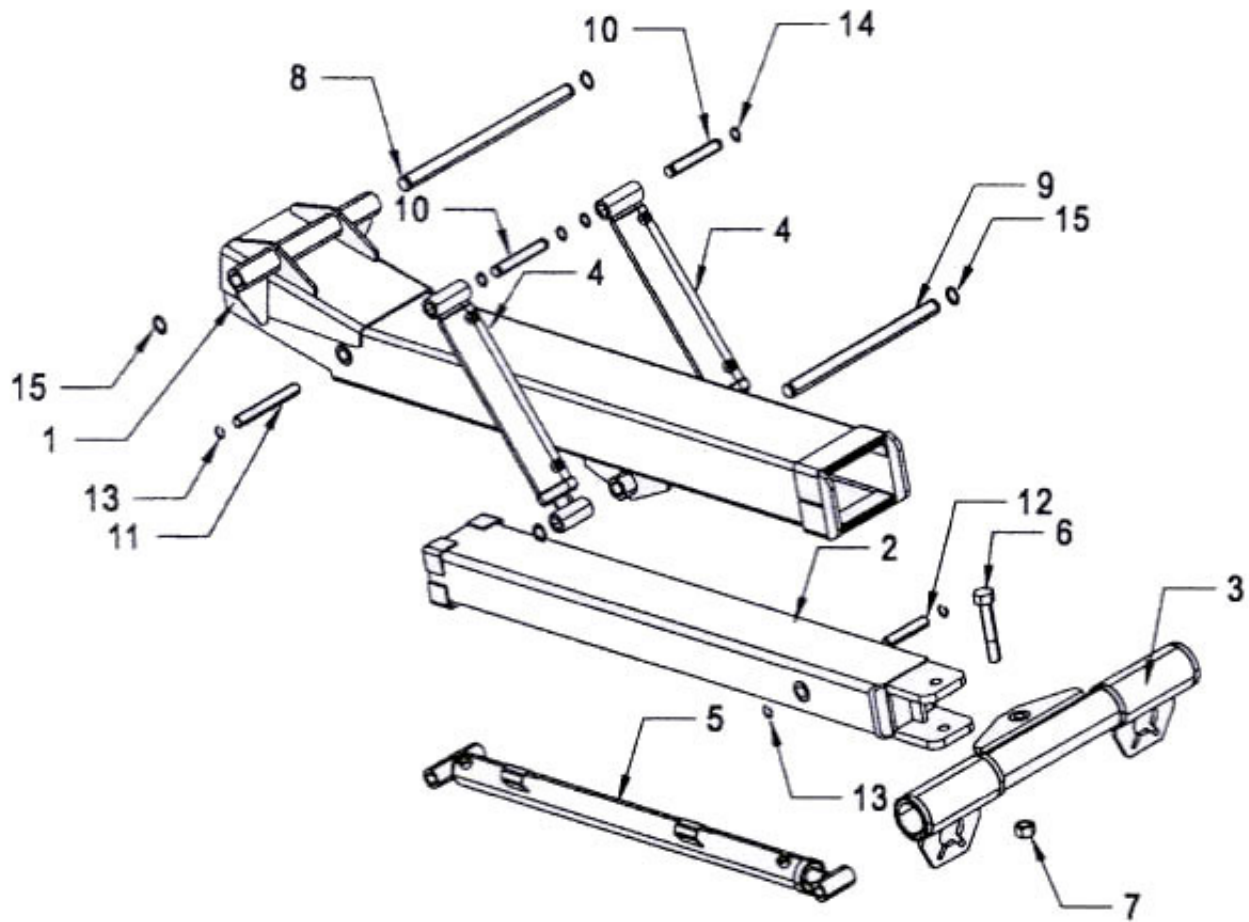


Series 20 Hitch Components



ITEM	PART NUMBER	DESCRIPTION	NUMBER REQUIRED
1	14240	HITCH TUBE - OUTER	1
2	14250	HITCH TUBE - INNER	1
3	15110	TOWBAR	1
4	72135	HITCH LIFT CYLINDER	2
5	72132	HITCH EXTENSION CYLINDER	1
6	15022	TOWBAR BOLT	1
7	83610	7/8 NYLON LOCK NUT	1
8	14518	HITCH/WHEEL LIFT PIVOT PIN	1
9	14519	LIFT CYLINDER PIVOT PIN	1
10	17190	CYLINDER BASE PIN .980 x 5-7/8 SPRING	2
11	72936	CYLINDER BASE PIN .980 x 7-1/8	1
12	72941	CYLINDER ROD PIN .980 x 4-3/4	1
13	86100I	SNAP RING 1.00 INTERNAL	4
14	86100E-1	SNAP RIG 1.00 EXTERNAL-7200	4
15	86125E-1	SNAP RIG 1.25 EXTERNAL-7200	4