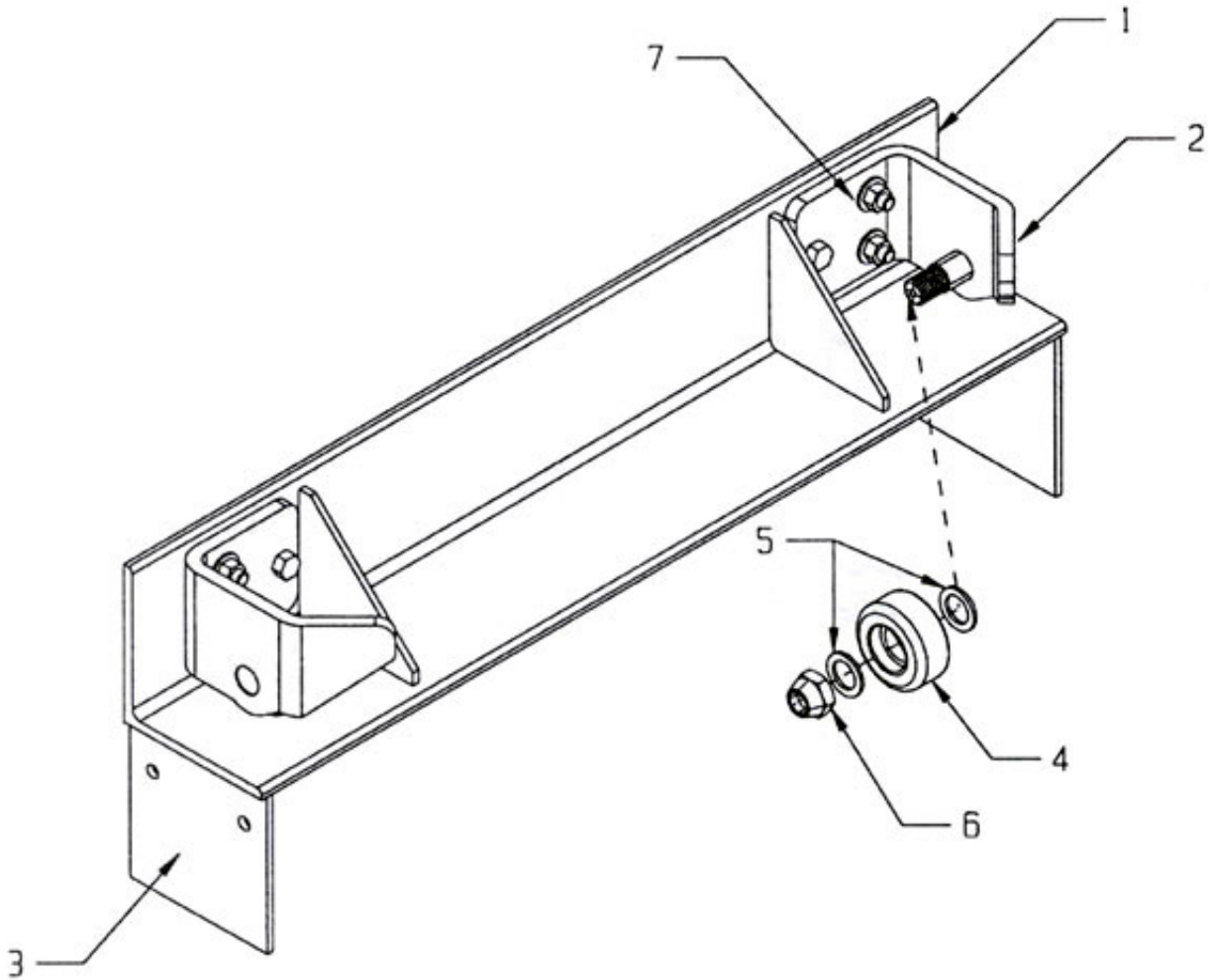


Body Lock



ITEM	PART NUMBER	DESCRIPTION	NUMBER REQUIRED
1	36300	BODY LOCK ANGLE	1
2	36315L	HOLD DOWN BRACKET LEFT	1
	36315R	HOLD DOWN BRACKET RIGHT	1
	36315KL	INCLUDES 36315L, 36310, 82710 & 83610	
	36315KR	INCLUDES 36315R, 36310, 82710 & 83610	
3	36315	SIDE MOUNTING	2
4	36310	ROLLER BEARING	2
5	82710	THRUST WASHER	2
6	83610	7/8-14 UNF NYLON LOCK NUT	2
7	81240	BOLT 1/2-20 x 1-3/3 GRADE 5	6
	83324	NYLON LOCK NUT 1/2-20	6