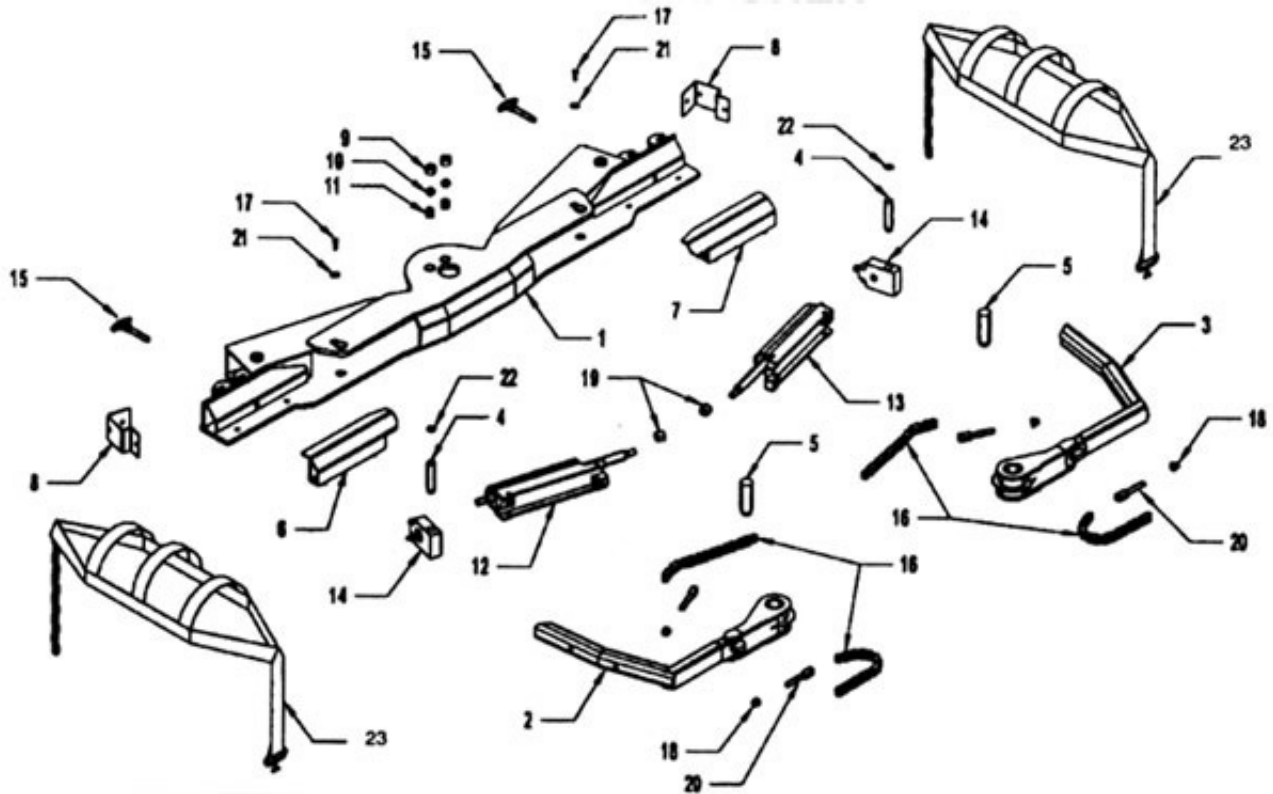


### Autogrip II Components



ITEM	PART NUMBER	DESCRIPTION	NUMBER REQUIRED
1	644002	CROSSBAR WELDMENT	1
2	644352CL	WHEEL RETAINER LEFT	1
3	644352CR	WHEEL RETAINER RIGHT	1
4	644432	WHEEL RETAINER CYLINDER PIN	2
5	644452	ARM PIVOT PIN	2
6	697402L	WHEEL SPACER LEFT	1
7	697402R	WHEEL SPACER RIGHT	1
8	644292	HOSE GUARD	2
9	64327	SCREW PLUG CROSSBAR DETENT	2
10	69325	CROSSBAR DETENT BALL	2
11	69320	CROSSBAR DETENT SPRING	2
12	720152L	WHEEL RETAINER CYLINDER LEFT	1
13	720152R	WHEEL RETAINER CYLINDER RIGHT	1
14	727162	L-ARM CYLINDER END BLOCK	2
15	84291	T-PIN 5/8 x 3	2
16	87440	AUTOGRIP ARM CHAIN	4
	81127	5/16 x 1-1/4 SHOULDER SHCS 1/4-20 UNC	4
	83105	1/4-20 UNC NYLON LOCK NUT	4
17	812A5	3/8 ALLEN BOLT	2
18	83411	5/8 NYLON LOCK NUT	4
19	83520	3/4 NYLON LOCK NUT	2
20	64441	CHAIN CLEVIS	4
	81126	5/16 x 1 SHOULDER SHCS 1/4-20 UNC	4
	83105	1/4-20 UNC NYLON LOCK NUT	4

21	82110	5/16 FLAT WASHER	2
22	86100I	SNAP RING 1.000" INTERNAL	2
23	65286	BASKET TIRE STRAP - AUTO	2
	66287	BASKET TIRE STRAP - TRUCK	2