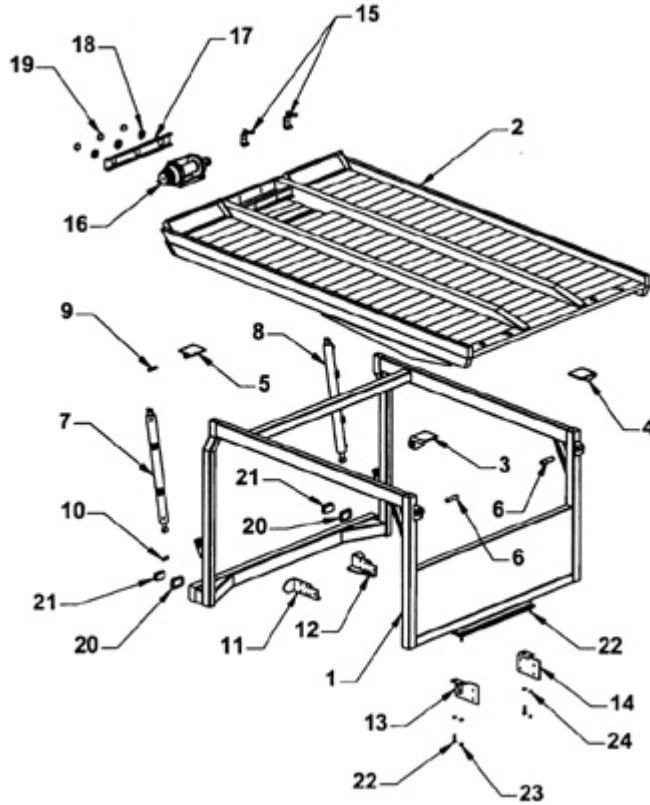


### Cab Carrier Components



ITEM	PART NUMBER	DESCRIPTION	NUMBER REQUIRED
1	40104	FRAME GM KODIAK, INT'L 4900	1
	40105	FRAME - INT'L 4400, KENWORTH, FREIGHTLINER FL70	1
	04106	FRAME - FORD F750	1
2	41800	STEEL DECK STANDARD	1
	41801	STEEL DECK SETBACK	1
	41854	ALUMINUM DECK STANDARD	1
	41855	ALUMINUM DECK SETBACK	1
3	45165L	HINGE PLATE LT	1
4	45165R	HINGE PLATE RT	1
5	45135	CYLINDER BRACKET	2
6	45120	HINGE PIN	2
7	72130L	LIFT CYLINDER - LT	1
8	72130R	LIFT CYLINDER RT	1
9	43145	CYLINDER PIN - TOP	2
10	43140	CYLINDER PIN - BOTTOM	2
11	434300L	FRONT MOUNTING BRACKET - LT	1
12	434300R	FRONT MOUNTING BRACKET - RT	1
13	43250L	REAR MOUNTING BRACKET - LT	1
	43250L2	REAR MOUNTING BRACKET - LT INT'L 4400	1

14	43250R	REAR MOUNTING BRACKET -RT	1
15	43535	SAFETY CHAIN HOOK	2
16	71102	PLANETARY WINCH	1
	87141	WINCH CABLE 3/8 x 62FT.	1
17	43510	ALUMINUM BEZEL	1
18	93150	GROMMET MARKER LIGHT	3
19	93100A	MARKER LIGHT- AMBER	3
20	96650	GROMMET TURN SIGNAL	2
21	98010	TURN SIGNAL - AMBER	2
22	81610	BOLT 3/4-10 UNC x 3 GRADE 5	4
23	83520	NYLON LOCK NUT 3/4-10 UNC	4
24	82510	FLAT WASHER 3/4	8