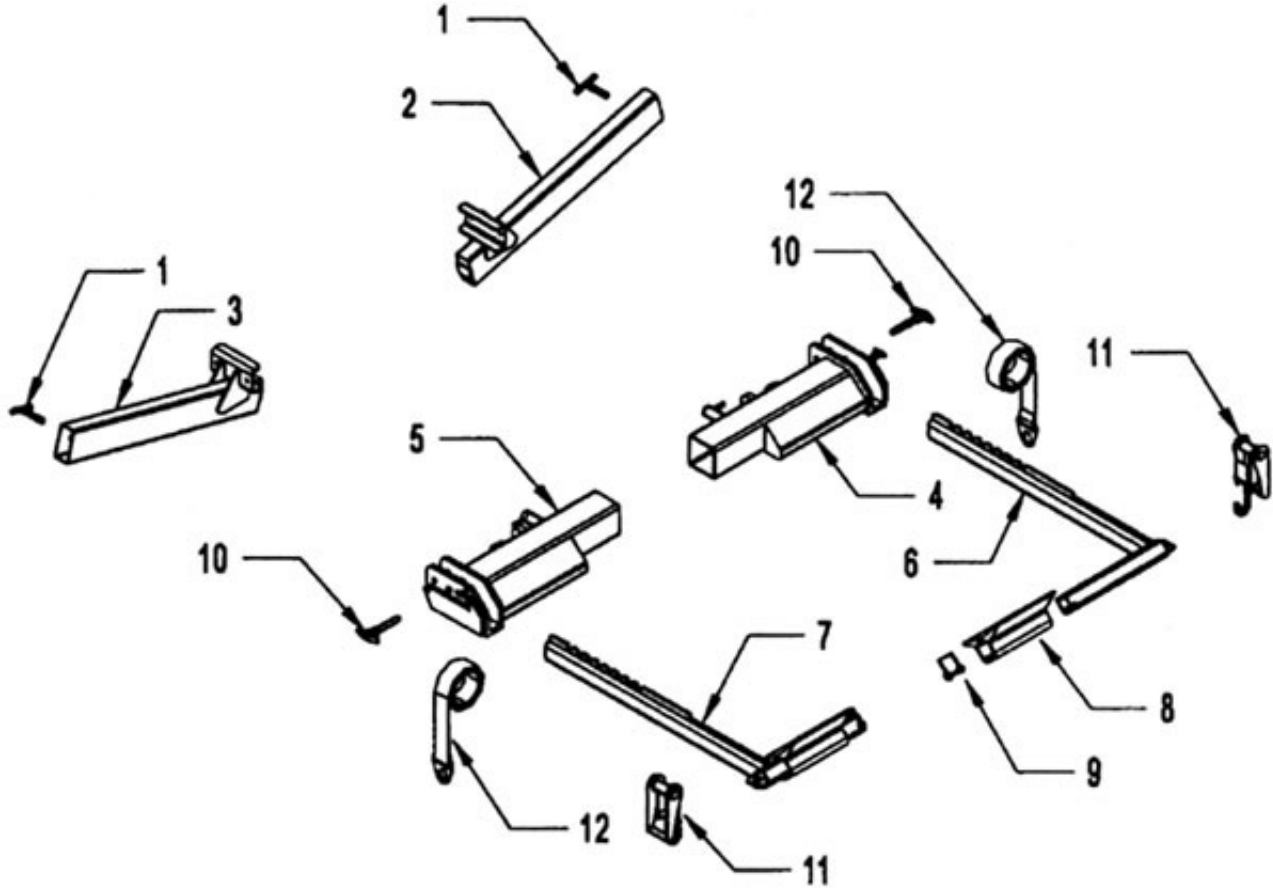


### Wheel Lift / Releasable L - Arms



ITEM	PART NUMBER	DESCRIPTION	NUMBER REQUIRED
1	12614	FRICITION PIN L-ARM STORAGE TUBE	2
2	12615R	L-ARM STORAGE TUBE -RT	1
3	12615L	L-ARM STORAGE TUBE -LT	1
4	65265R	WHEEL GRID - RT	1
5	65265L	WHEEL GRID - LT	1
6	65250R	WHEEL RETAINER - RT	1
7	65250L	WHEEL RETAINER - LT	1
8	65245	REMOVABLE PAN	2
9	84911	5/16 SAFTY SNAP PIN	2
10	84921	T-PIN W/ LANYARD	2
11	65280A	RATCHET	2
12	65285	WHEEL STRAP	2