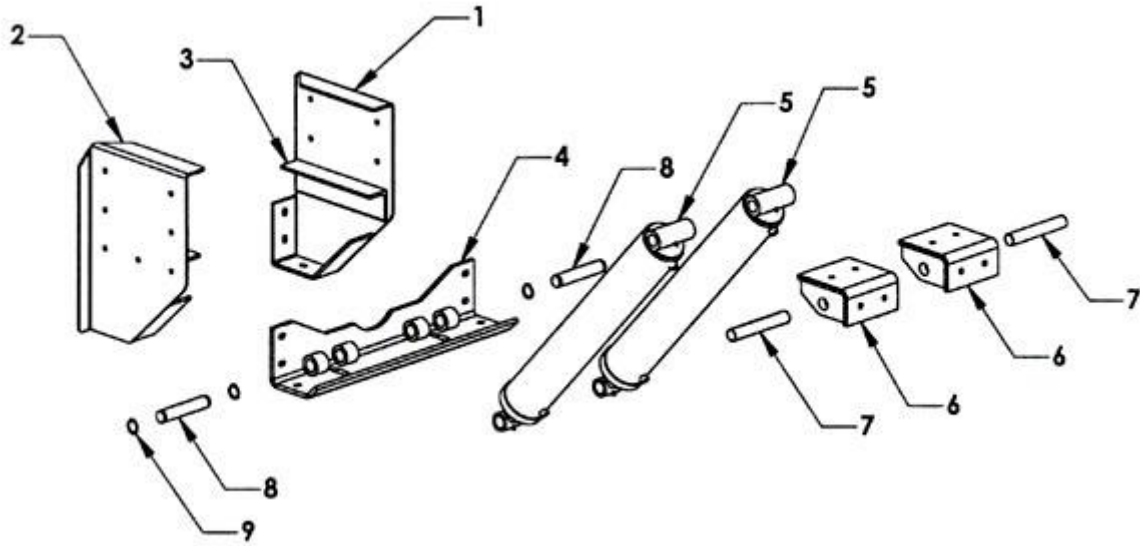


Series 16

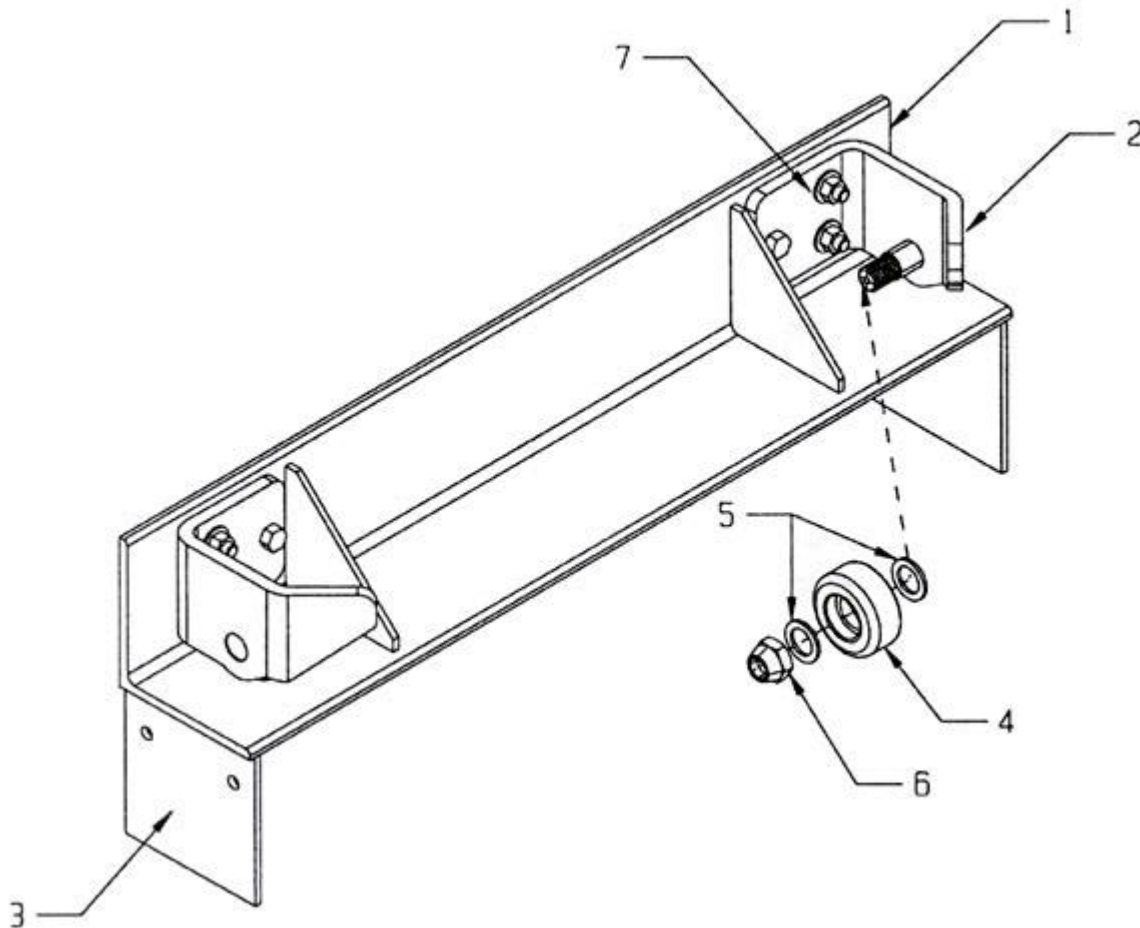
Parts

Tilt Cylinder Components



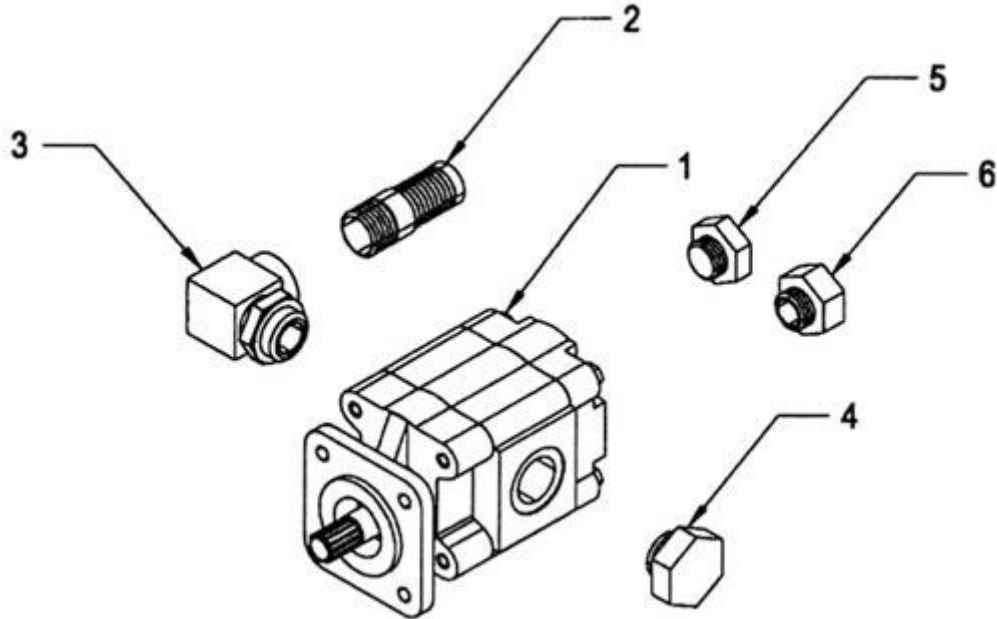
ITEM	PART NUMBER	DESCRIPTION	NUMBER REQUIRED
1	1A510R	TILT CYLINDER SADDLE-RIGHT	1
2	1A510L	TILT CYLINDER SADDLE-LEFT	1
3	1A514	UNDERFRAME SUPPORT ANGLE	2
4	1A520	CONNECTING ANGLE	1
5	72114	TILT CYLINDER	2
6	13420	TILT CYLINDER FOOT	2
7	13423	TILT CYLINDER BASE PIN 1.480 x 9.25	2
8	1A828	TILT CYLINDER ROD PIN 1.480 x 7.875	2
9	86100E	RETAINING RING 7200-150	4

Body Lock



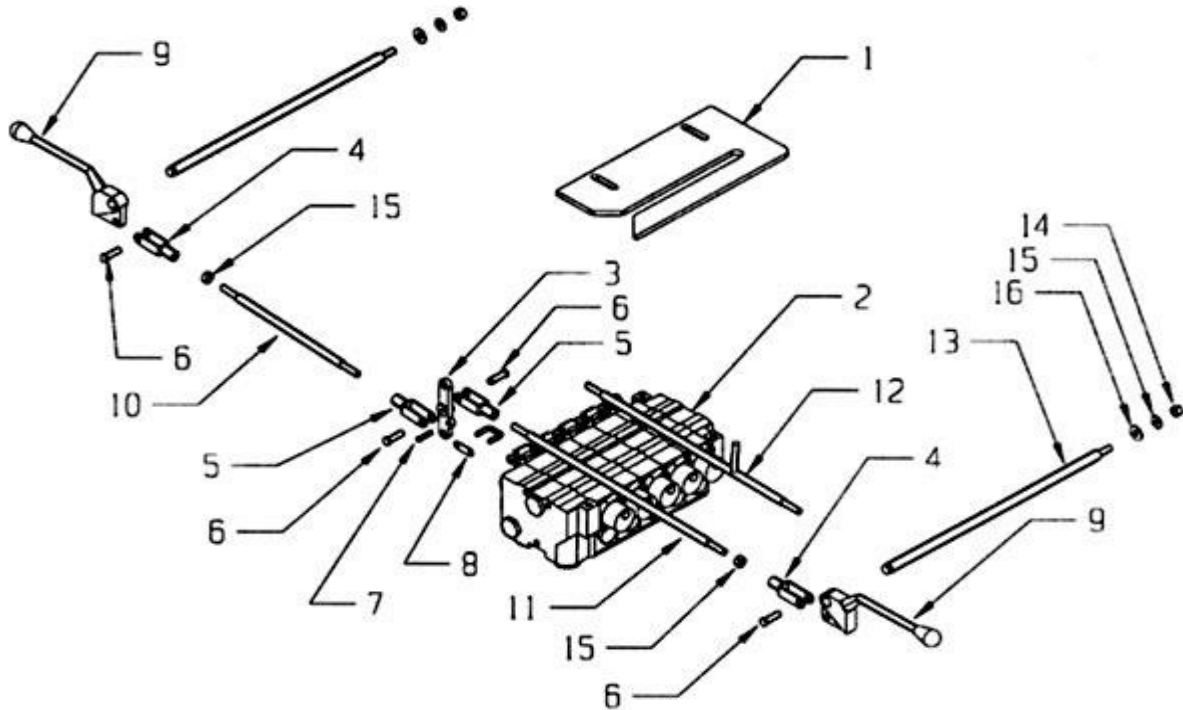
ITEM	PART NUMBER	DESCRIPTION	NUMBER REQUIRED
1	36300	BODY LOCK ANGLE	1
2	36315L	HOLD DOWN BRACKET LEFT	1
	36315R	HOLD DOWN BRACKET RIGHT	1
	36315KL	INCLUDES 36315L, 36310, 82710 & 83610	
	36315KR	INCLUDES 36315R, 36310, 82710 & 83610	
3	36315	SIDE MOUNTING	2
4	36310	ROLLER BEARING	2
5	82710	THRUST WASHER	2
6	83610	7/8-14 UNF NYLON LOCK NUT	2
7	81240	BOLT 1/2-20 x 1-3/3 GRADE 5	6
	83324	NYLON LOCK NUT 1/2-20	6

Direct Mount Pump



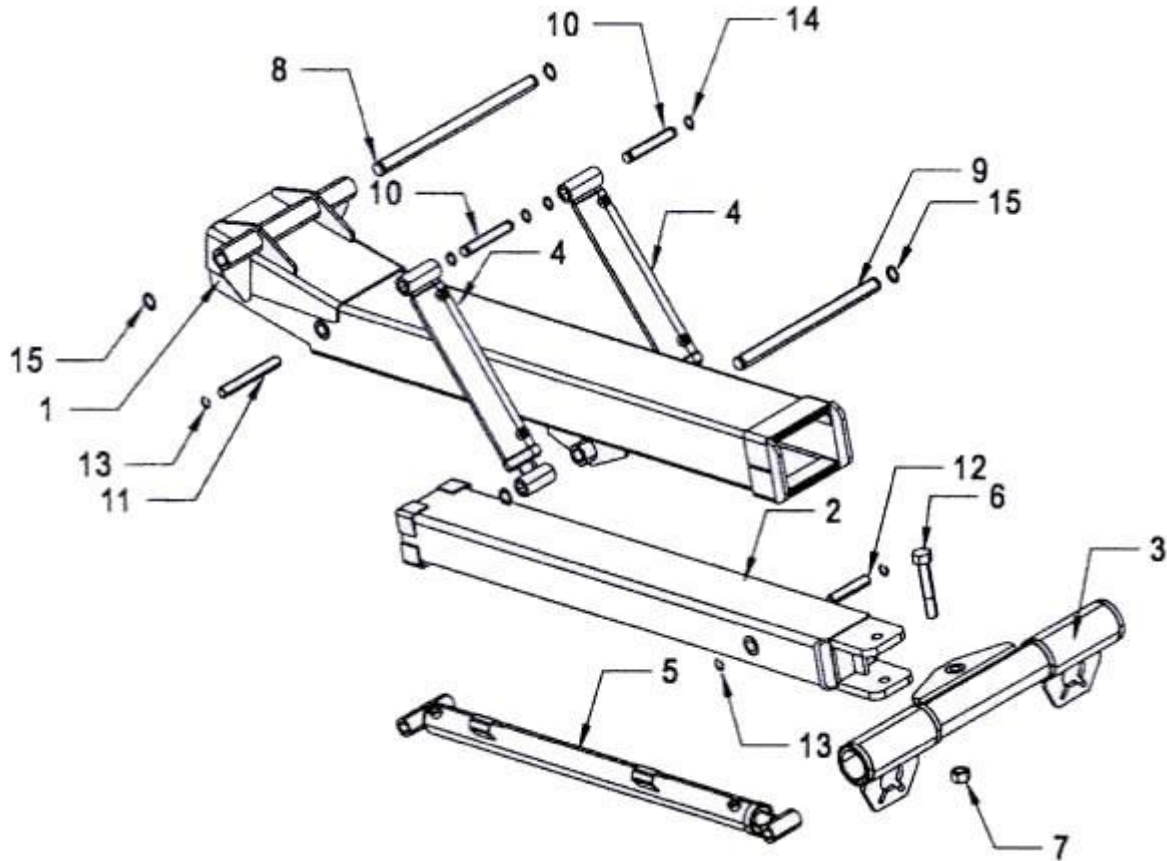
ITEM	PART NUMBER	DESCRIPTION	NUMBER REQUIRED
1	78007	PUMP-18 GPM (SAE 4 BOLT FLANGE)	1
2	77CH0	1-1/4 x 3 NPT NIPPLE	1
3	77C90	1-1/4 x 90 M-F O-RING ADAPTER 887-554-20	1
4	77620	1-1/4 O-RING PLUG 900598-20	1
5	77616	1 O-RING PLUG 900598-16	1
6	779E1	1 O-RING PLUG x 3/4 PIPE REDUCER 2216-12 x 16	1

Control Components



ITEM	PART NUMBER	DESCRIPTION	NUMBER REQUIRED
1	33813	ANTI- TILT BRACKET	1
2	74115	CONTROL VALVE -5 SPOOL	1
3	7A121	BELL CRANK	5
4	84520	CLEVIS 3/8-24 RIGHT HAND THREAD	10
5	84520	CLEVIS 3/8-24 LEFT HAND THREAD	10
6	84620	3/8 CLEVIS PIN	20
7	84610	1/4 CLEVIS PIN	5
8	7A010	PIN AND LINK ASSEMBLY	5
9	7A111	CONTROL HANDLE	10
10	7A527A	CONTROL ROD 27 - 1/4	5
11	7A537A	CONTROL ROD 36-1/2	4
12	7A536T	TILT CONTROL ROD 36-1/2	1
13	7A519A	HANDLE CROSS ROD	2
14	83215	NUT 3/8-24 FINE THREAD	12
15	82220	3/8 LOCK WASHER	2
16	82210	3/8 FLAT WASHER	2

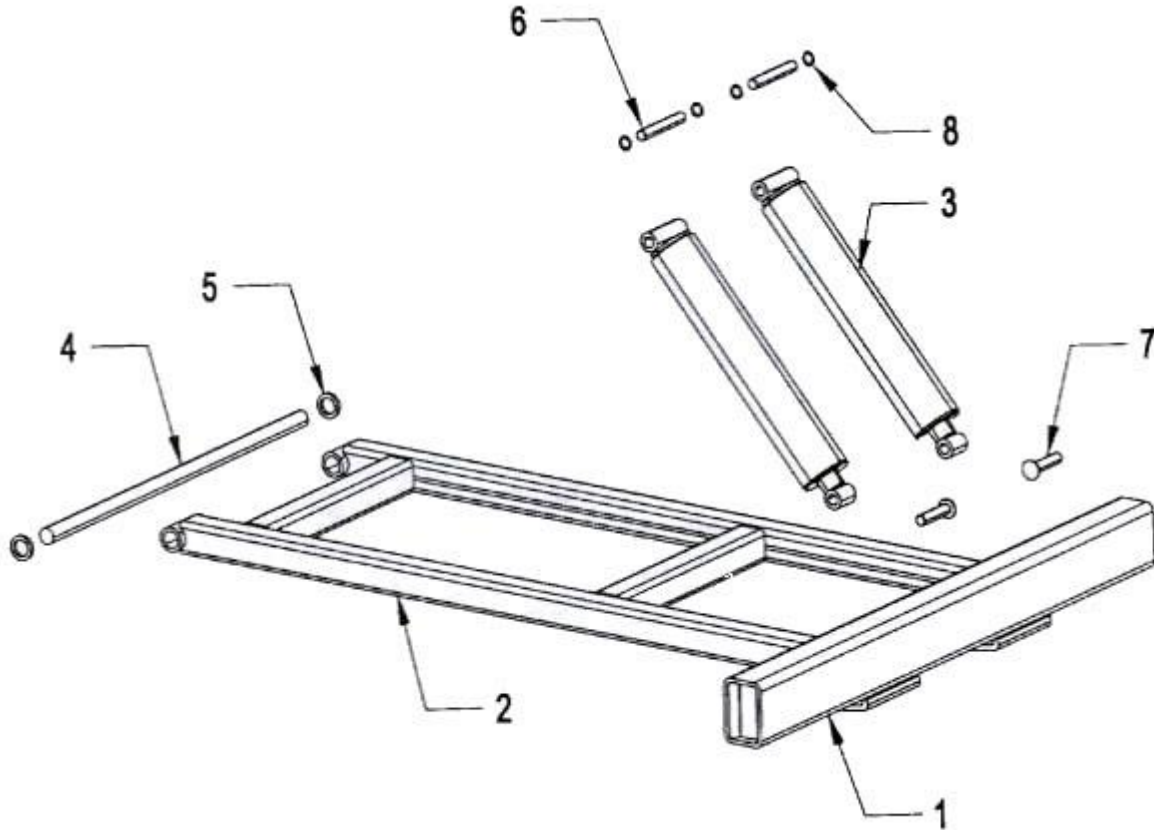
Series 16 Hitch Components



ITEM	PART NUMBER	DESCRIPTION	NUMBER REQUIRED
1	14240	HITCH TUBE - OUTER	1
2	14250	HITCH TUBE - INNER	1
3	15110	TOWBAR	1
4	72135	HITCH LIFT CYLINDER	2
5	72132	HITCH EXTENSION CYLINDER	1
6	15022	TOWBAR BOLT	1
7	83610	7/8 NYLON LOCK NUT	1
8	14518	HITCH/WHEEL LIFT PIVOT PIN	1
9	14519	LIFT CYLINDER PIVOT PIN	1
10	17190	CYLINDER BASE PIN .980 x 5-7/8 SPRING	2
11	72936	CYLINDER BASE PIN .980 x 7-1/8	1
12	72941	CYLINDER ROD PIN .980 x 4-3/4	1
13	86100I	SNAP RING 1.00 INTERNAL	4
14	86100E-1	SNAP RIG 1.00 EXTERNAL-7200	4
15	86125E-1	SNAP RIG 1.25 EXTERNAL-7200	4

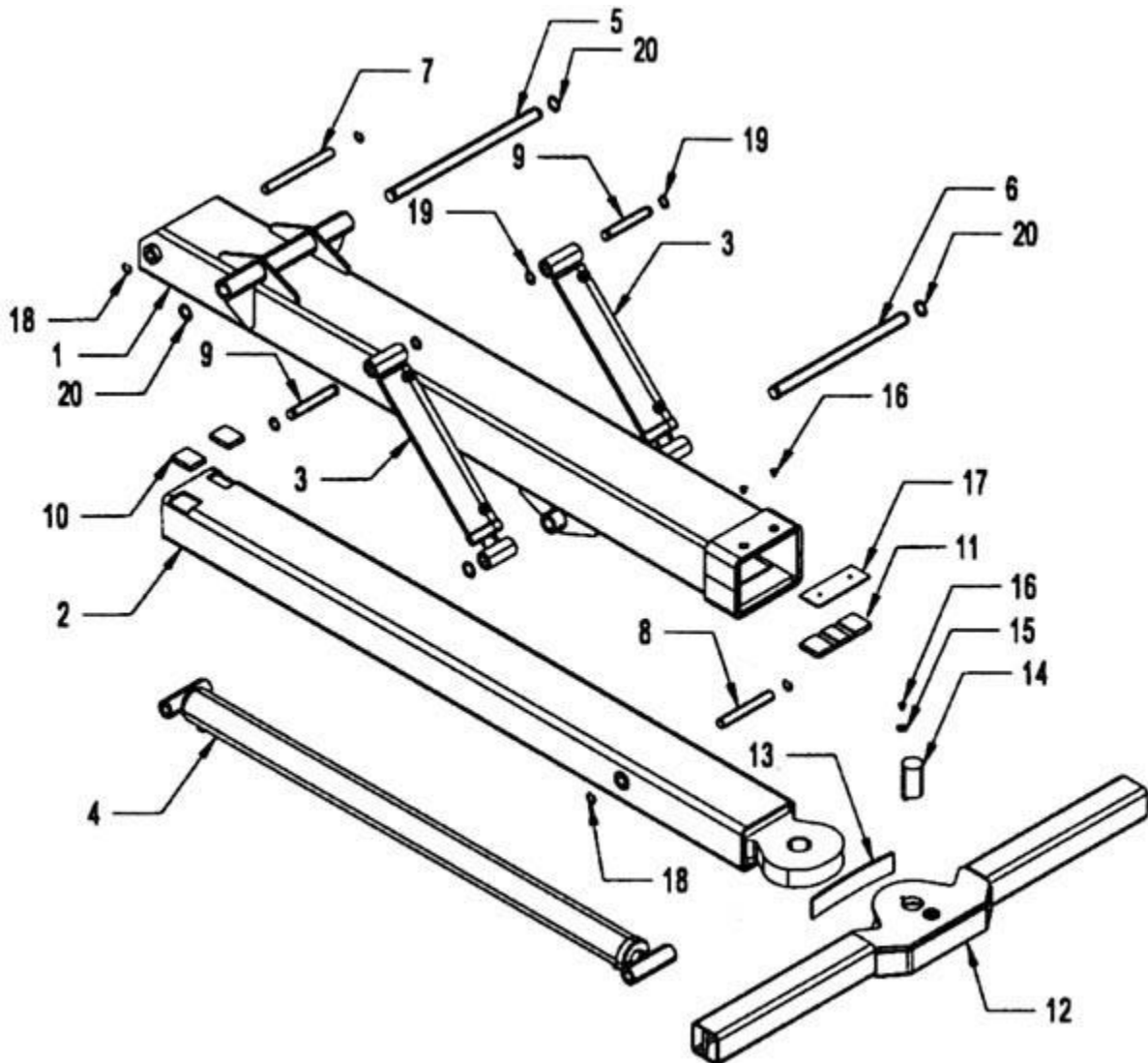
EVERYTHING YOU NEED TO TOW, RIG, RECOVER & HAUL

Hydraulic Stabilizer Components



ITEM	PART NUMBER	DESCRIPTION	NUMBER REQUIRED
1	16310	STABILIZER TUBE	1
2	16320	TRAILING ARM	2
3	72118	STABILIZER CYLINDER	2
4	16340	STABILIZER PIVOT PIN	1
5	16341	PIVOT PIN WELD-ON RING	2
6	16363	CYLINDER BASE PIN .980 x 6-5/8	2
7	16362	CYLINDER ROD PIN .980 x 4-3/8	2
8	86125E-1	SNAP-RING	4

Wheel Lift



ITEM	PART NUMBER	DESCRIPTION	NUMBER REQUIRED
1	102412	WHEEL LIFT TUBE - OUTER	1
2	10244	WHEEL LIFT TUBE - INNER	1
3	72135	WHEEL LIFT LIFT CYLINDER	2
4	72127	WHEEL LIFT EXTENSION CYLINDER	1
5	14518	WHEEL LIFT PIVOT PIN	1
6	14519	LIFT CYLINDER PIVOT PIN	1
7	72935	CYLINDER BASE PIN .980 x 8-3/4	1
8	72940	CYLINDER ROD PIN .980 x 6-3/4	1
9	17190	CYLINDER BASE PIN .980 x 5-7/8 SPRING	2
10	65612	NYLATRON WEAR PAD	2
11	65611	NYLATRON WEAR PAD-GROOVED	1

12	65515	CROSSBAR
13	65228	LEAF SPRING
14	65435	CROSSBAR PIVOT PIN
15	82212	WASHER 3/8 I.D. x 1 O.D.
16	812A5	SOCKET HEAD BUTTON - 3/8 x 1/2
17	65616	SHIM
18	86100I	SNAP RING 1.00 INTERNAL
19	86100E-1	SNAP RING 1.00 EXTERNAL -7200
20	86125E-1	SNAP RING 1.25 EXTERNAL -7200

1
1
1
1
3
1
4
4
4



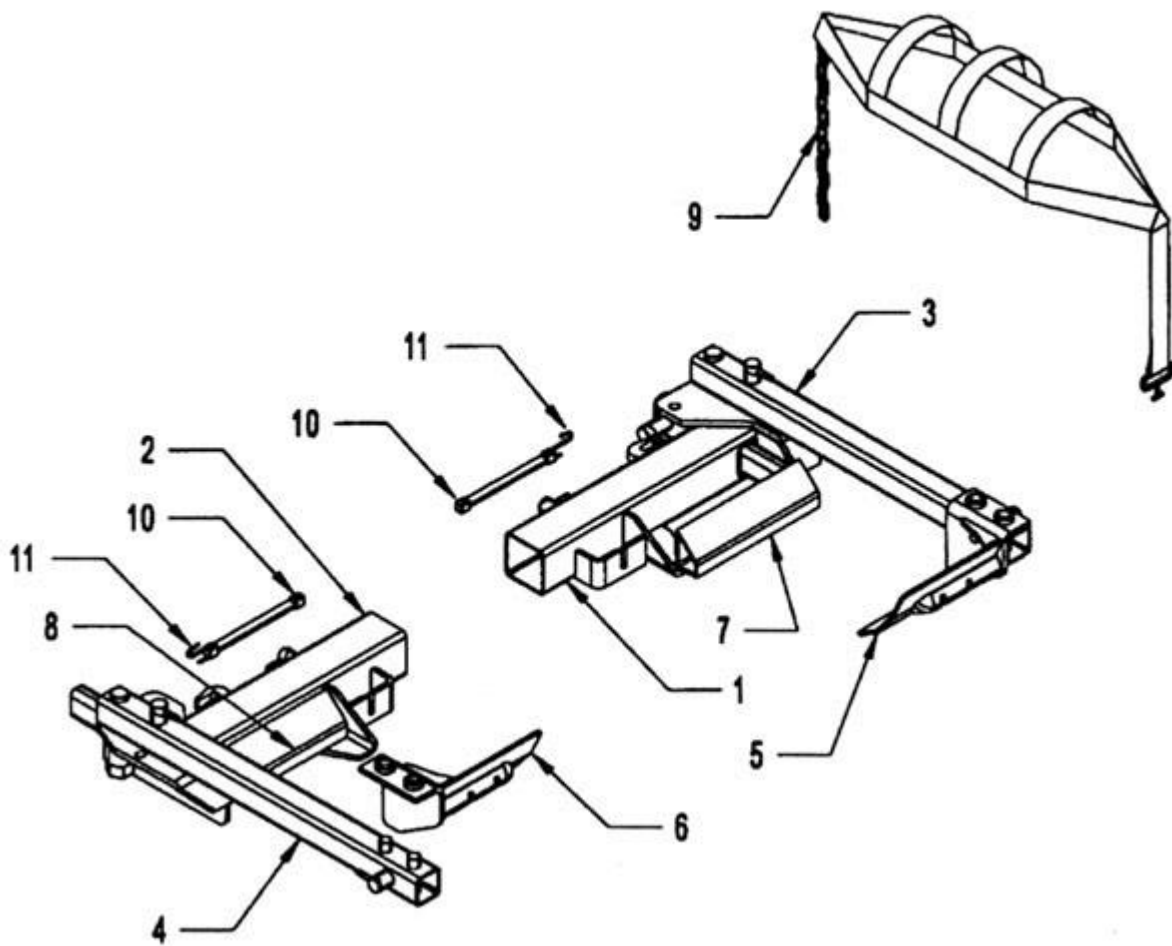
Series 16

Parts

800-222-6047

www.zips.com

Wheel Lift / Backsaver



ITEM	PART NUMBER	DESCRIPTION	NUMBER REQUIRED
1	659100R	WHEEL GRID - RIGHT	1
2	659100L	WHEEL GRID - LEFT	1
3	65960R	WHEEL RETAINER ARM - RIGHT	1
4	65960L	WHEEL RETAINER ARM- LEFT	1
5	65940CR	WHEEL RETAINER PAN RIGHT	1
6	65940CL	WHEEL RETAINER PAN LEFT	1

EVERYTHING YOU NEED TO TOW, RIG, RECOVER & HAUL

7	65930R	WHEEL CHOCK - RIGHT	1
8	65930L	WHEEL CHOCK - LEFT	1
9	65286	BASKET TIRE STRAP - AUTO	2
	65287	BASKET TIRE STRAP - TRUCK	2
10	AA009	9 INCH TARP STRAP	2
11	AA003	S-HOOK	2



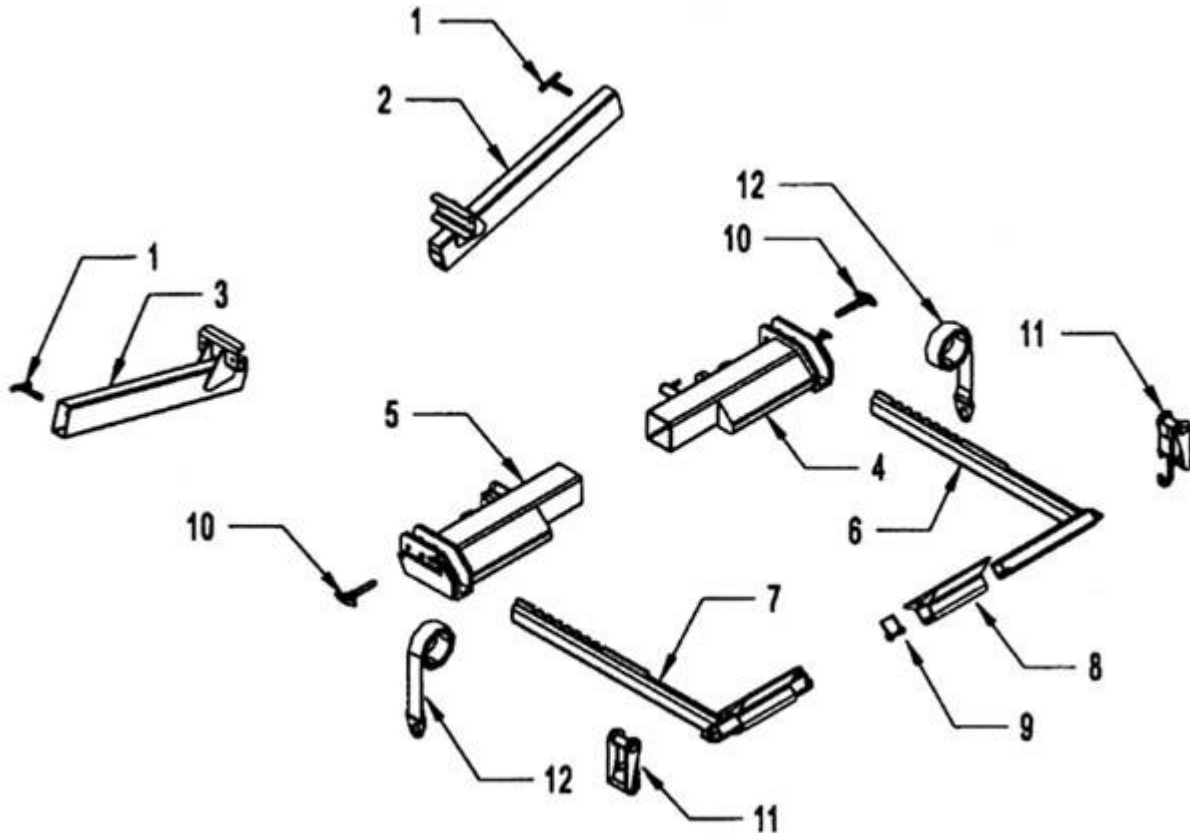
Series 16

Parts

800-222-6047

www.zips.com

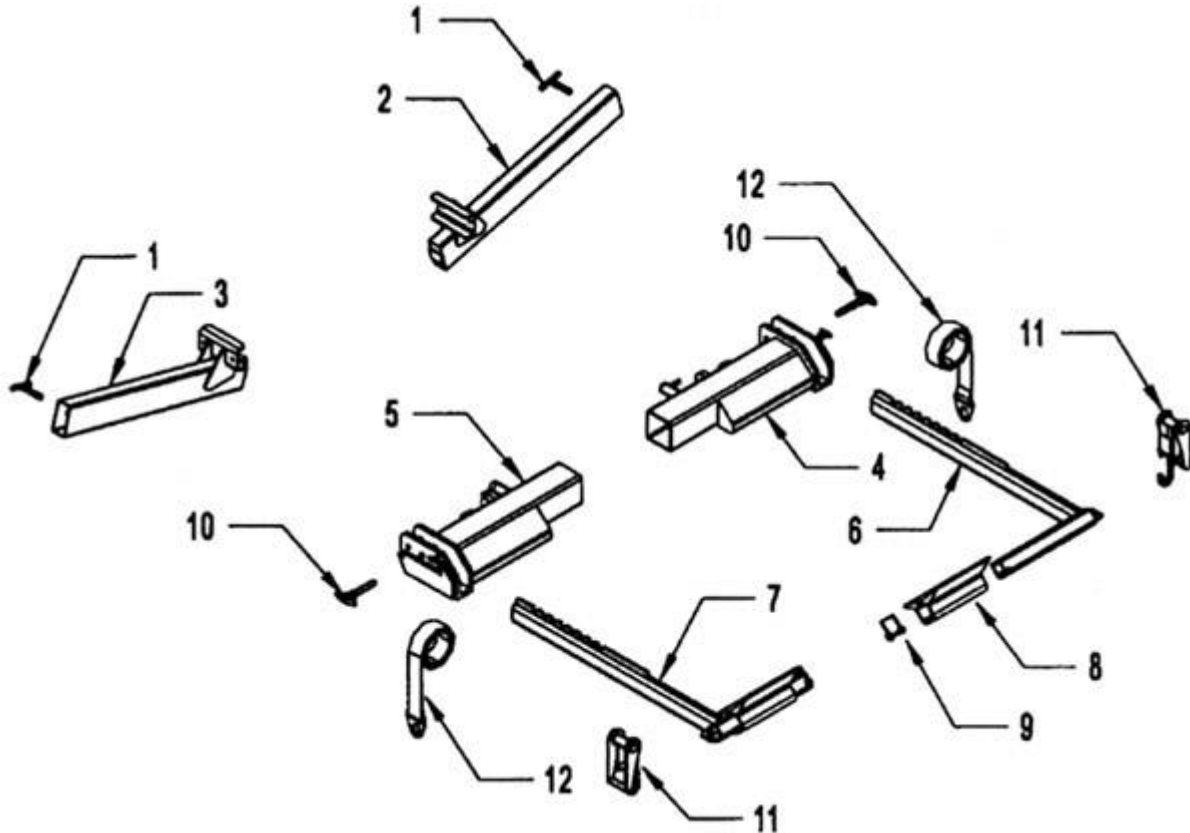
Wheel Lift / Releasable L - Arms



ITEM	PART NUMBER	DESCRIPTION	NUMBER REQUIRED
1	12614	FRICTION PIN L-ARM STORAGE TUBE	2
2	12615R	L-ARM STORAGE TUBE -RT	1
3	12615L	L-ARM STORAGE TUBE -LT	1
4	65265R	WHEEL GRID - RT	1
5	65265L	WHEEL GRID - LT	1
6	65250R	WHEEL RETAINER - RT	1
7	65250L	WHEEL RETAINER - LT	1
8	65245	REMOVABLE PAN	2
9	84911	5/16 SAFTY SNAP PIN	2
10	84921	T-PIN W/ LANYARD	2
11	65280A	RATCHET	2
12	65285	WHEEL STRAP	2

EVERYTHING YOU NEED TO TOW, RIG, RECOVER & HAUL

Wheel Lift / Releasable L - Arms



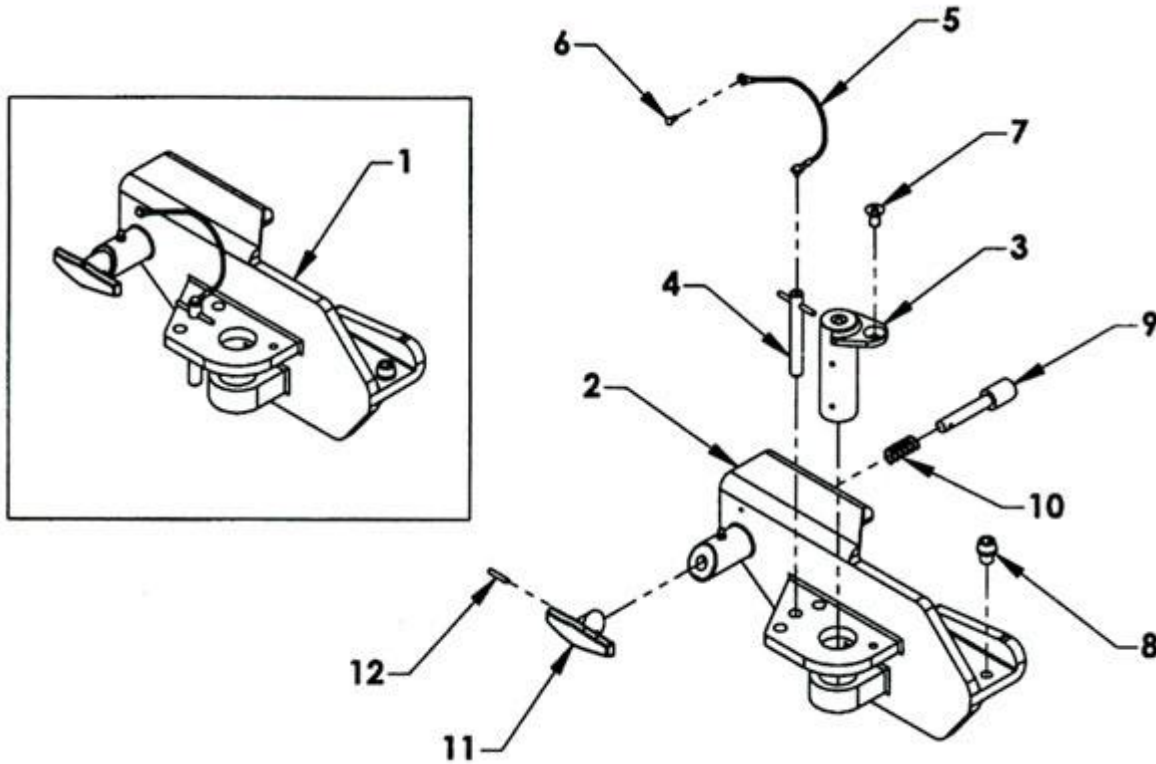
ITEM	PART NUMBER	DESCRIPTION	NUMBER REQUIRED
1	12614	FRICITION PIN L-ARM STORAGE TUBE	2
2	12615R	L-ARM STORAGE TUBE -RT	1
3	12615L	L-ARM STORAGE TUBE -LT	1
4	65265R	WHEEL GRID - RT	1
5	65265L	WHEEL GRID - LT	1
6	65250R	WHEEL RETAINER - RT	1
7	65250L	WHEEL RETAINER - LT	1
8	65245	REMOVABLE PAN	2
9	84911	5/16 SAFTY SNAP PIN	2
10	84921	T-PIN W/ LANYARD	2
11	65280A	RATCHET	2
12	65285	WHEEL STRAP	2

EVERYTHING YOU NEED TO TOW, RIG, RECOVER & HAUL

Series 16

Parts

Pivot L-Arm Receiver Group (Optional)



ITEM	PART NUMBER	DESCRIPTION	NUMBER REQUIRED
1	659820L	PIVOT L-ARM RECEIVER GROUP - LEFT	1
	659820R	PIVOT L-ARM RECEIVER GROUP - RIGHT (SHOWN)	1
2	659821L	PIVOT L-ARM RECEIVER CASTING - LEFT	1
	659821R	PIVOT L-ARM RECEIVER CASTING - RIGHT (SHOWN)	1
3	659822	L-ARM RECEIVER CASTING PIVOT PIN	1
4	659826	PIVOT LOCK PIN	1
5	659827	LANYARD	1
6	85016	RIVET	1
7	81225	FLAT HEAD SOCKET CAP SCREW 3/8-16 UNC x 1/2	1
8	81226	TAPERED SOCKET CAP SCREW 1/2-13 UNC x 1/2	1

EVERYTHING YOU NEED TO TOW, RIG, RECOVER & HAUL

9	659824	7/8 CAM PIN	1
10	89100	CAM PIN SPRING	1
11	659825	T-HANDLE	1
12	84675	ROLL PIN 3/16 x 1	1



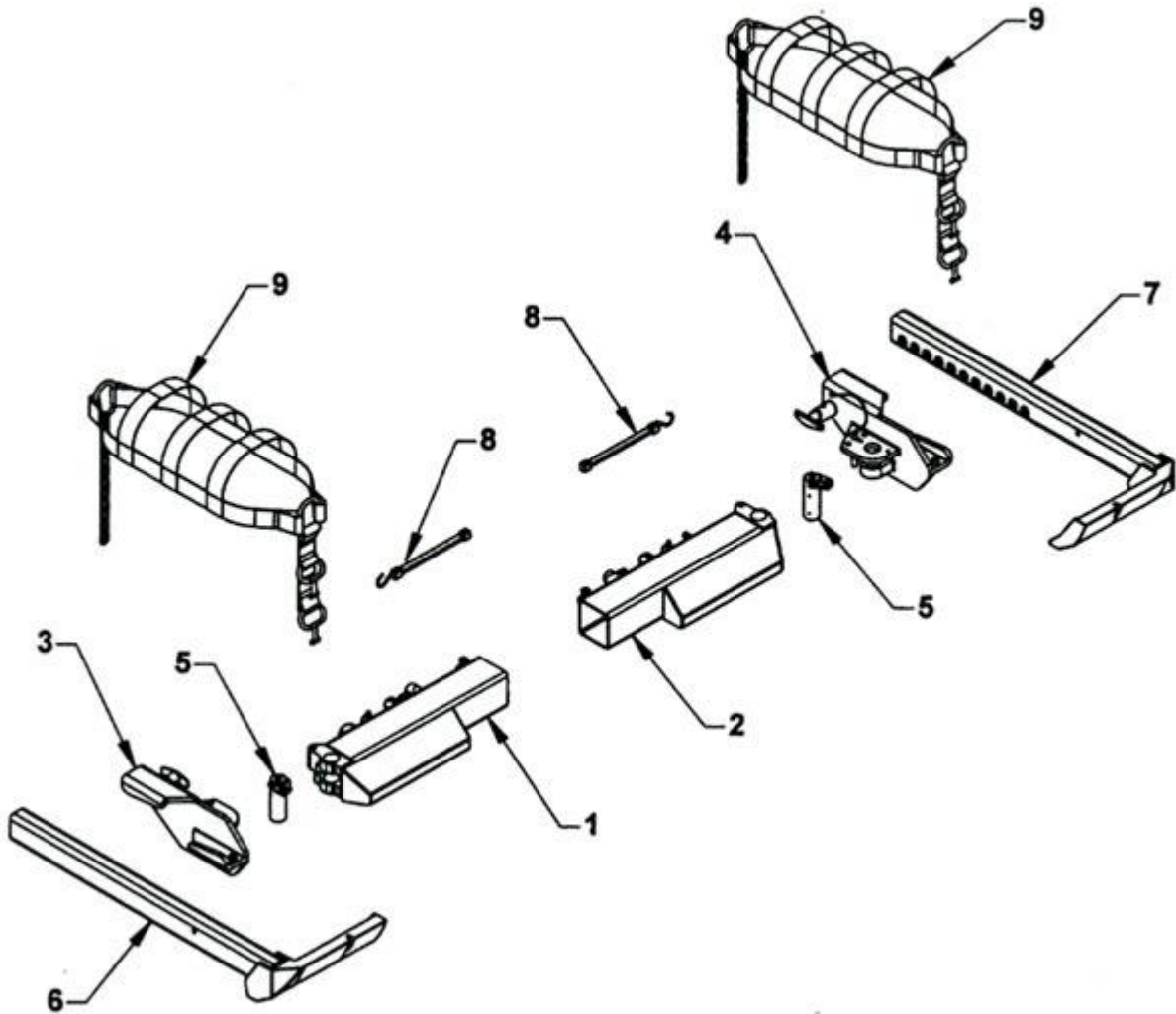
Series 16

Parts

800-222-6047

www.zips.com

Pivot Wheel Grids and L-Arms



ITEM	PART NUMBER	DESCRIPTION	NUMBER REQUIRED
1	659811L	PIVOT L-ARM RECEIVER GROUP - LEFT	1
2	659811R	PIVOT L-ARM RECEIVER GROUP - RIGHT (SHOWN)	1
3	659820L	PIVOT L-ARM RECEIVER GROUP - LEFT	1
4	659820R	PIVOT L-ARM RECEIVER GROUP - RIGHT (SHOWN)	1
5	659822	L-ARM RECEIVER CASTING PIVOT PIN	1
6	659830L	LEFT ALUMINUM L-ARM	1

EVERYTHING YOU NEED TO TOW, RIG, RECOVER & HAUL

7	659830R	RIGHT ALUMINUM L-ARM	1
8	AA009G	RUBBER TENSION STRAP WITH S-HOOK	2
9	65286	BASKET STRAP - CAR	2
	65287	BASKET STRAP - TRUCK	2



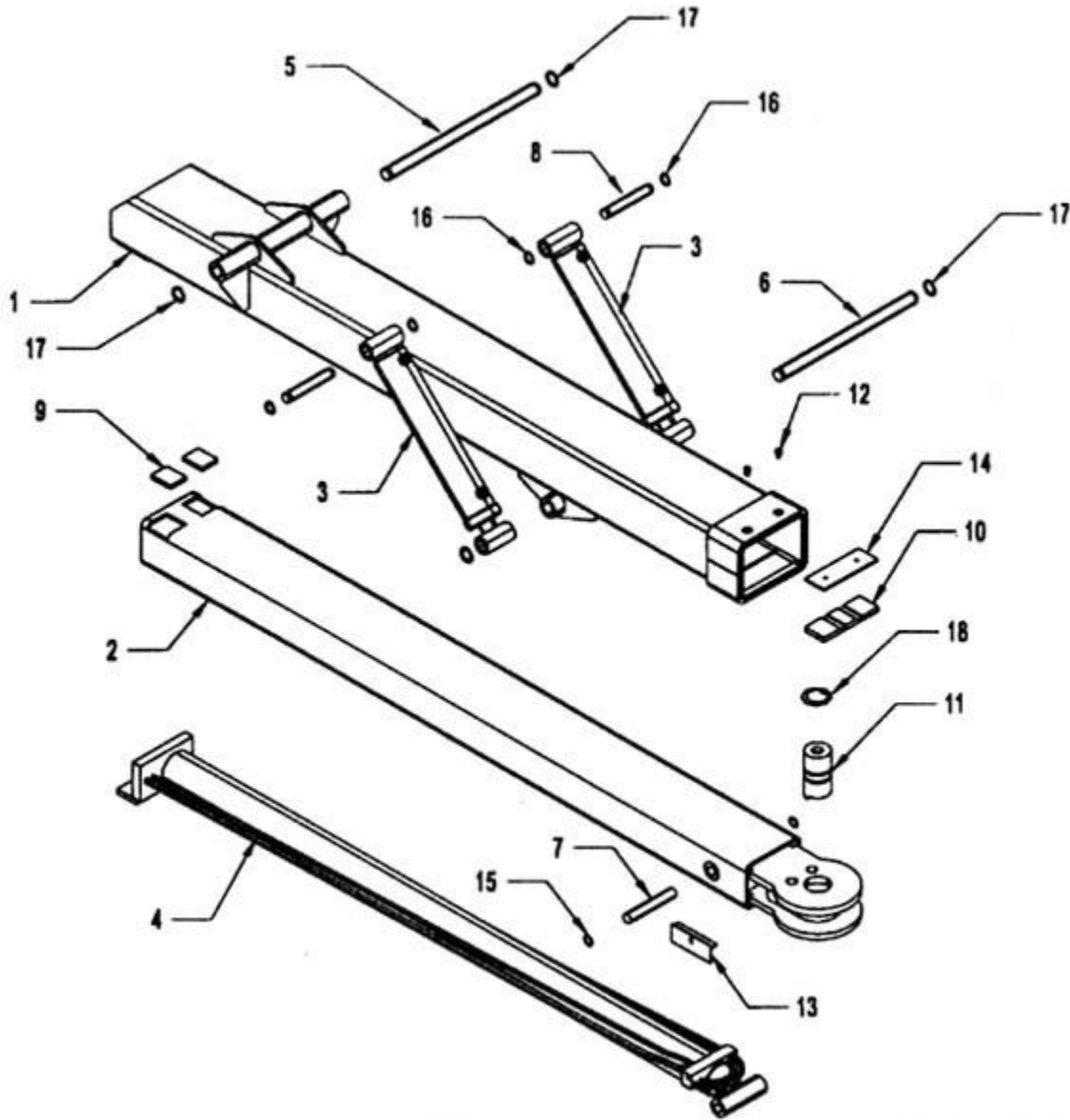
Series 16

Parts

800-222-6047

www.zips.com

Autogrip II Components



ITEM	PART NUMBER	DESCRIPTION	NUMBER REQUIRED
1	102512	WHEEL LIFT TUBE OUTER	1
2	102522	WHEEL LIFT TUBE INNER	1
3	72135	WHEEL LIFT LIFT CYLINDER	2

EVERYTHING YOU NEED TO TOW, RIG, RECOVER & HAUL

4	72129	WHEEL LIFT EXTENSION CYLINDER	1
5	14518	WHEEL LIFT PIVOT PIN	1
6	14519	LIFT CYLINDER PIVOT PIN	1
7	72940	CYLINDER BASE PIN .980 x 8-3/4	1
8	17190	CYLINDER BASE PIN .980 x 5-7/8	2
9	65612	NYLATRON WEAR PAD	2
10	65611	NYLATRON WEAR PAD - GROOVED	1
11	644402	CROSSBAR PIVOT PIN 2-1/2 DIAMETER	1
12	812A5	SOCKET HEAD BUTTON - 3/8 x 1/2	2
13	64358	HOSE CLAMP	2
14	65616	SHIM	1
15	86100I	SNAP RING 1.00 INTERNAL	2
16	86100E-1	SNAP RING 1.00 EXTERNAL 7200	4
17	86125E-1	SNAP RING 1.25 EXTERNAL 7200	4
18	86250I	SNAP RING 2.500 INTERNAL	1



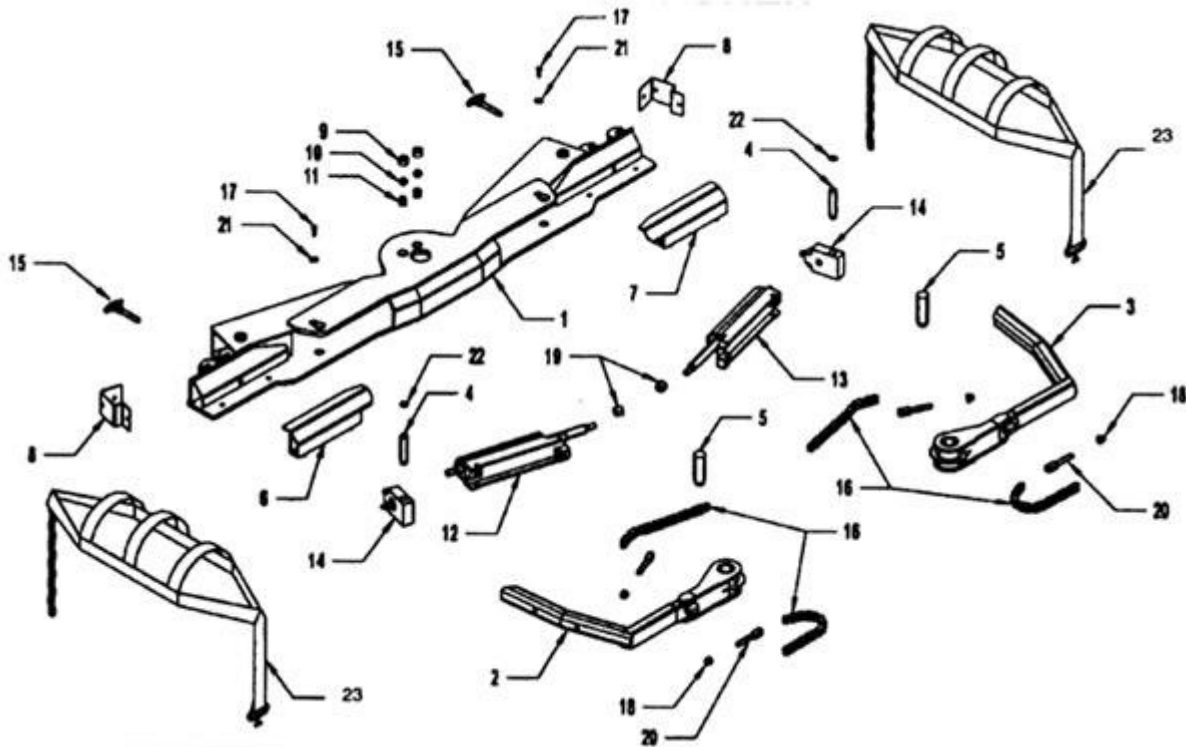
Series 16

Parts

800-222-6047

www.zips.com

Autogrip II Components



ITEM	PART NUMBER	DESCRIPTION	NUMBER REQUIRED
1	644002	CROSSBAR WELDMNT	1
2	644352CL	WHEEL RETAINER LEFT	1
3	644352CR	WHEEL RETAINER RIGHT	1
4	644432	WHEEL RETAINER CYLINDER PIN	2
5	644452	ARM PIVOT PIN	2
6	697402L	WHEEL SPACER LEFT	1

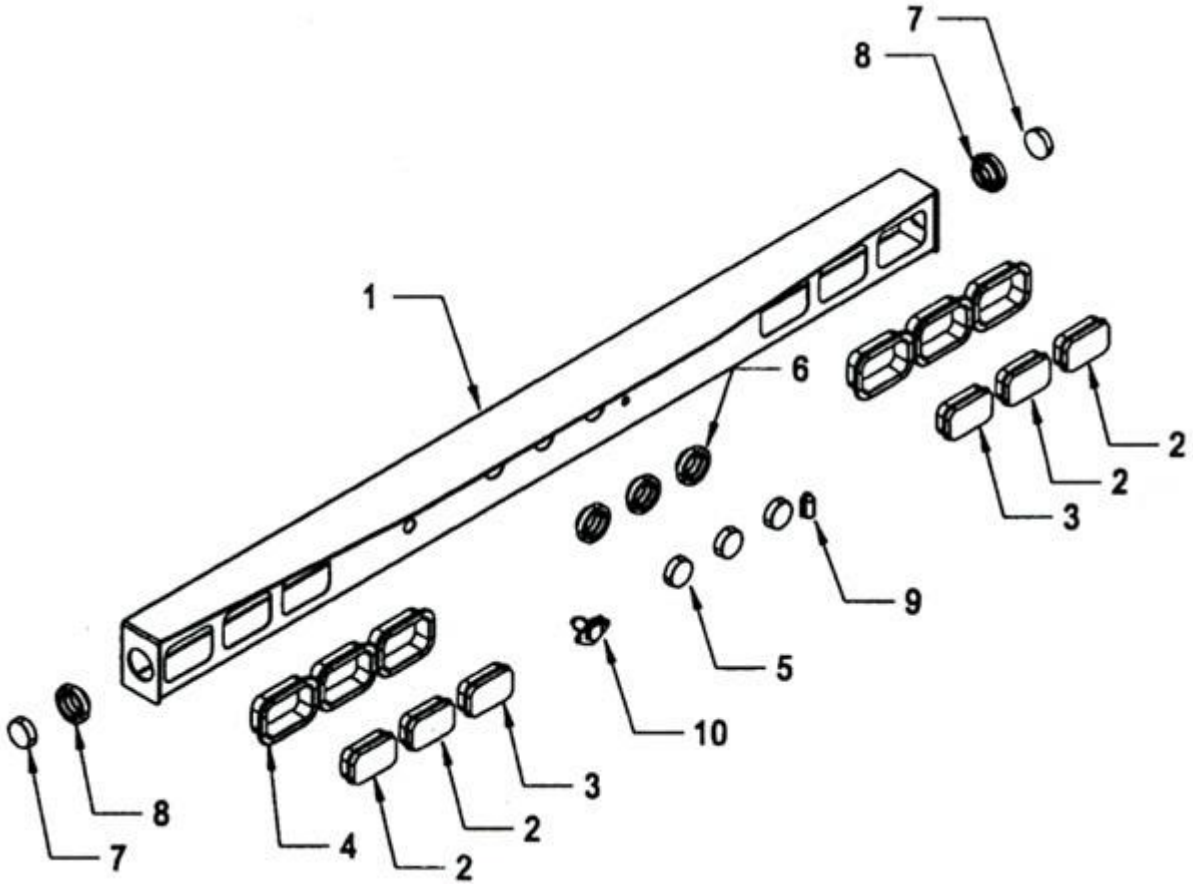
EVERYTHING YOU NEED TO TOW, RIG, RECOVER & HAUL

7	697402R	WHEEL SPACER RIGHT	1
8	644292	HOSE GUARD	2
9	64327	SCREW PLUG CROSSBAR DETENT	2
10	69325	CROSSBAR DETENT BALL	2
11	69320	CROSSBAR DETENT SPRING	2
12	720152L	WHEEL RETAINER CYLINDER LEFT	1
13	720152R	WHEEL RETAINER CYLINDER RIGHT	1
14	727162	L-ARM CYLINDER END BLOCK	2
15	84291	T-PIN 5/8 x 3	2
16	87440	AUTOGRIP ARM CHAIN	4
	81127	5/16 x 1-1/4 SHOULDER SHCS 1/4-20 UNC	4
	83105	1/4-20 UNC NYLON LOCK NUT	4
17	812A5	3/8 ALLEN BOLT	2
18	83411	5/8 NYLON LOCK NUT	4
19	83520	3/4 NYLON LOCK NUT	2
20	64441	CHAIN CLEVIS	4
	81126	5/16 x 1 SHOULDER SHCS 1/4-20 UNC	4
	83105	1/4-20 UNC NYLON LOCK NUT	4
21	82110	5/16 FLAT WASHER	2
22	86100I	SNAP RING 1.000" INTERNAL	2
23	65286	BASKET TIRE STRAP - AUTO	2
	66287	BASKET TIRE STRAP - TRUCK	2



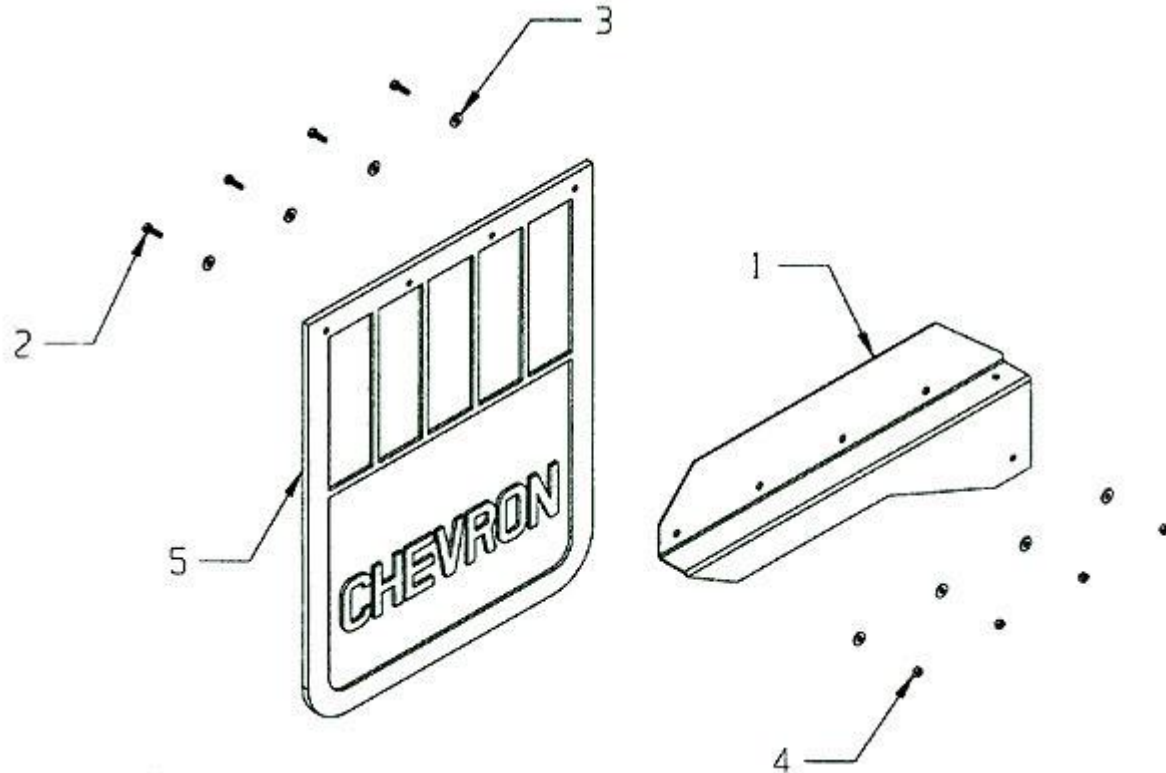
EVERYTHING YOU NEED TO TOW, RIG, RECOVER & HAUL

Tail Light Components



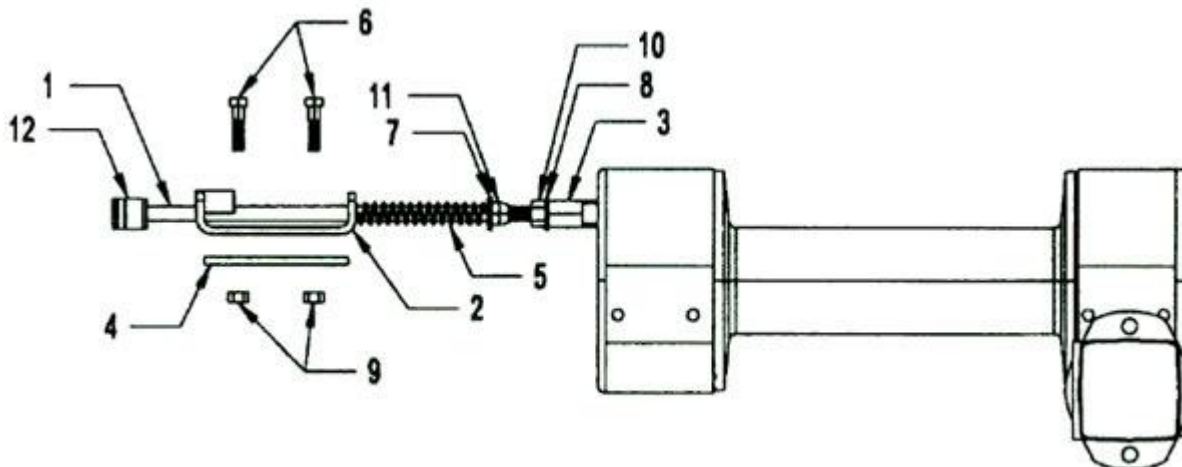
ITEM	PART NUMBER	DESCRIPTION	NUMBER REQUIRED
1	19500	TAIL LIGHT HOUSING	1
	19510	TAIL LIGHT HOUSING - HITCH	1
2	96500	LIGHT - TAIL, STOP, TURN MODEL 45202R	4
3	95500	LIGHT - BACKUP MODEL 45204	2
4	96550	GROMMET MODEL 45700	6
5	94500	ICC LIGHT MODEL 40	3
6	94550	GROMMET MODEL 30	3
7	93100R	MARKER LIGHT MODEL 10	2
8	93150	GROMMET MODEL 10	2
9	97150	LIGHT - LICENSE PLATE	1
10	98400	TOW LIGHT PLUG - 4 PRONG	1
	98600	TOW LIGHT PLUG - 6 PRONG	1

Mudflap Components



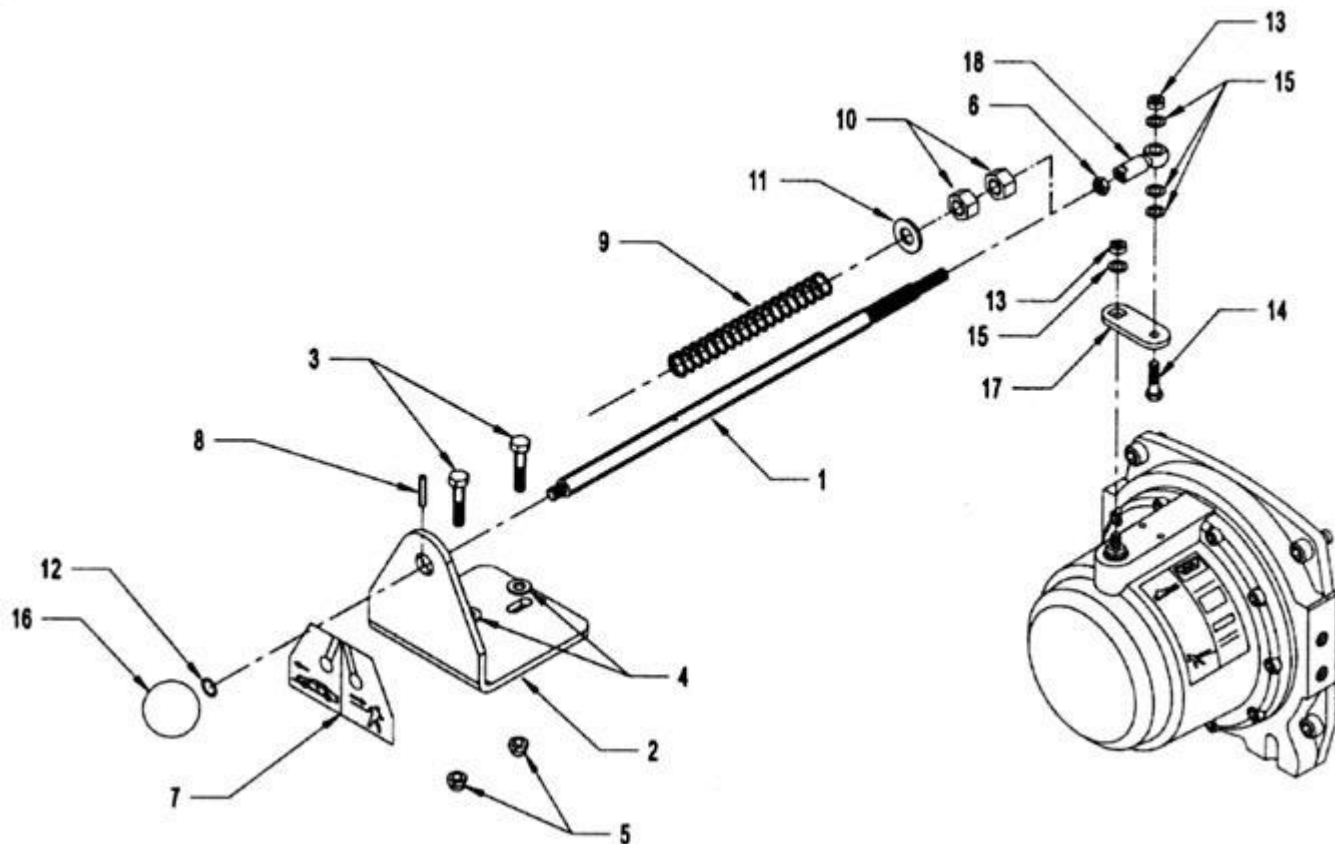
ITEM	PART NUMBER	DESCRIPTION	NUMBER REQUIRED
1	12350L	MUDFLAP MOUNTING BRACKET	1
	12350R	MUDFLAP MOUNTING BRACKET	1
2	81110	5/16 x 1 BOLT	8
3	82110	5/16 FLAT WASHER	16
4	83125	5/16 NYLON LOCK NUT	8
5	A1030	MUDFLAP 24 x 30	2

Ramsey Winch Clutch Handle



ITEM	PART NUMBER	DESCRIPTION	NUMBER REQUIRED
1	71810	REMOTE CLUTCH ROD	1
2	71811	REMOTE CLUTCH MOUNTING BRACKET	1
3	71812	1/2-13 UNC COUPLING	1
4	71813	1/4 UHMW SHIM (FOR STEEL CARRIERS)	1
5	71815	REMOTE CLUTCH SPRING	1
6	81243	3/8 x 1-3/4 UNC BOLT	2
7	82310	1/2 FLAT WASHER	1
8	82320	1/2 LOCK WASHER	1
9	83211	3/8-13 UNC NYLON LOCK NUT	2
10	83311	1/2-13 UNC NUT	1
11	83321	1/2-13 UNC NYLON LOCK NUT	1
12	88105	T-HANDLE	1
	84665	5/32 x 1 PLATED ROLL PIN	1

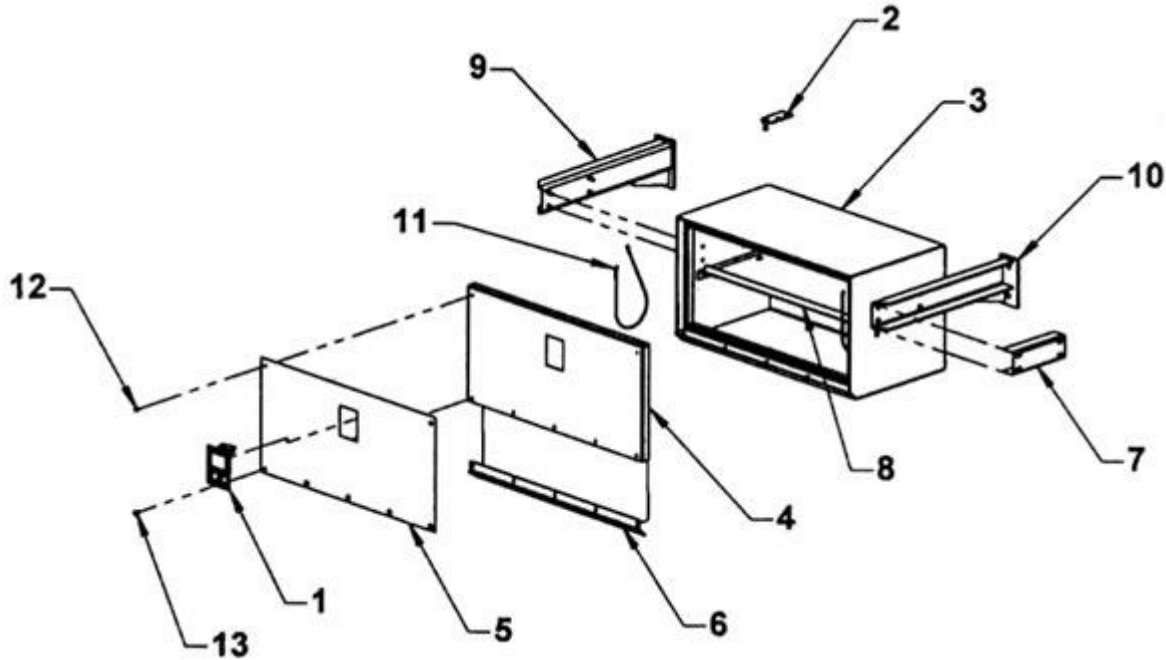
Warn Winch Remote Clutch



ITEM	MFGR	PART NUMBER	DESCRIPTION	NUMBER REQUIRED
1	CHEVRON	71873	REMOTE CLUTCH ROD	1
2	CHEVRON	71874	REMOTE HANDLE BRACKET	1
3	CHEVRON	81122	5/16-18 UNC x 1-1/2 BOLTS	2
4	CHEVRON	82130	5/16 FLAT WASHER	2
5	CHEVRON	83125	5/16-18 UNC NYLON LOCK NUT	2
6	CHEVRON	83215	3/8-24 UNF NUT	1
7	CHEVRON	AA870	HANDLE BRACKET DECAL	1
8	CHEVRON	84680	3/16 x 1 SPLIT PIN	1
9	CHEVRON	71875	SPRING	1
10	CHEVRON	83310	1/2-13 UNC NUT	2
11	CHEVRON	82310	1/2 FLAT WASHER	1
12	WARN	WW1146	3/8 STAR WASHER	1
13	WARN	WW6779	3/8-16 UNC NYLON LOCK NUT	2
14	WARN	WW8160	3/8-16 UNC x 1-1/2 BOLT	1
15	WARN	WW11524	3/8 FLAT WASHER	4
16	WARN	WW15604	CLUTCH ROD KNOB	1
17	WARN	WW25364	CLUTCH SHIFTER PLATE	1
18	WARN	WW25671	BALL JOINT ROD END	1

EVERYTHING YOU NEED TO TOW, RIG, RECOVER & HAUL

33" Aluminum Toolbox - 37700



ITEM	PART NUMBER	DESCRIPTION	NUMBER REQUIRED	
1	54658	ROTARY PADDLE LATCH	1	
	54657	GASKET FOR PADDLE LATCH	1	
	81111	#8-32 x 1/2 STAINLESS ONE WAY SCREW	4	
	83111	#8-32 STAINLESS KEPT NUT	4	
	376182	STRIKER PIN MOUNTING PLATE	1	
2	54659	STRIKER PIN	1	
	83125	NYLON LOCK NUT 5/16-18	1	
	37710W	BOX WELDMENT	1	
4	37720W	DOOR WELDMENT	1	
	37720A	DOOR ASSEMBLY	1	
	37725	STAINLESS STEEL DOOR COVER PANEL	1	
6	37730	HINGE	1	
7	37760	TANDEM BOX SPACER CHANNEL (OPTIONAL)	1	
8	37770	SHELF	1	
9	37850L	TOOLBOX MOUNTING BRACKET - LEFT	1	
10	37850R	TOOLBOX MOUNTING BRACKET - RIGHT	1	
11	5A221	LANYARD - 21 INCH	2	
	12	81100	STAINLESS CARRIAGE BLOT 1/4-20 x 3/4	2
		83100	NUT 1/4-20	2
		82020	LOCK WASHER 1/4	2
13	81115	STAINLESS CARRIAGE BLOT 5/16-18 x 3/4	10	
	83115	NUT 5/16-18	10	
	82130	LOCK WASHER 5/16	10	

EVERYTHING YOU NEED TO TOW, RIG, RECOVER & HAUL



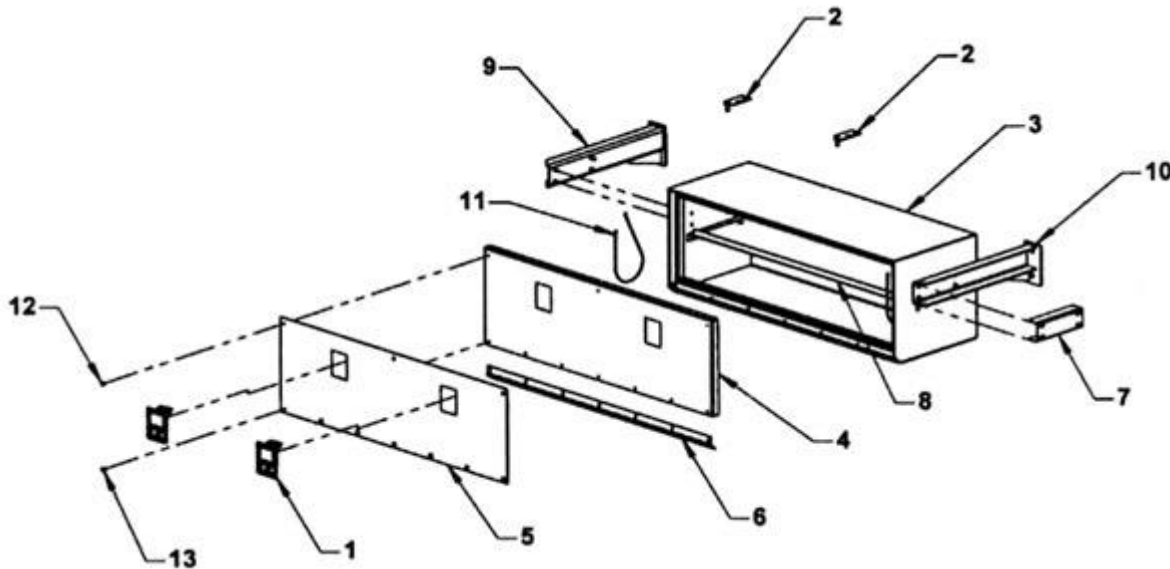
Series 16

Parts

800-222-6047

www.zip.com

49" Aluminum Toolbox - 37800



ITEM	PART NUMBER	DESCRIPTION	NUMBER REQUIRED
1	54658	ROTARY PADDLE LATCH	2
	54657	GASKET FOR PADDLE LATCH	2
	81111	#8-32 x 1/2 STAINLESS ONE WAY SCREW	8
	83111	#8-32 STAINLESS KEPT NUT	8
2	376182	STRIKER PIN MOUNTING PLATE	2
	54659	STRIKER PIN	2
	83125	NYLON LOCK NUT 5/16-18	2
3	37810W	BOX WELDMENT	1
4	37820W	DOOR WELDMENT	1
	37820A	DOOR ASSEMBLY	1
5	37825	STAINLESS STEEL DOOR COVER PANEL	1
6	37630	HINGE	1
7	37760	TANDEM BOX SPACER CHANNEL (OPTIONAL)	1
8	37670	SHELF	1
9	37850L	TOOLBOX MOUNTING BRACKET - LEFT	1
10	37850R	TOOLBOX MOUNTING BRACKET - RIGHT	1
11	5A221	LANYARD - 21 INCH	2
12	81100	STAINLESS CARRIAGE BLOT 1/4-20 x 3/4	3
	83100	NUT 1/4-20	3
	82020	LOCK WASHER 1/4	3
13	81115	STAINLESS CARRIAGE BLOT 5/16-18 x 3/4	14
	83115	NUT 5/16-18	14

EVERYTHING YOU NEED TO TOW, RIG, RECOVER & HAUL

82130 LOCK WASHER 5/16
 82110 FLAT WASHER 5/16

14
 14



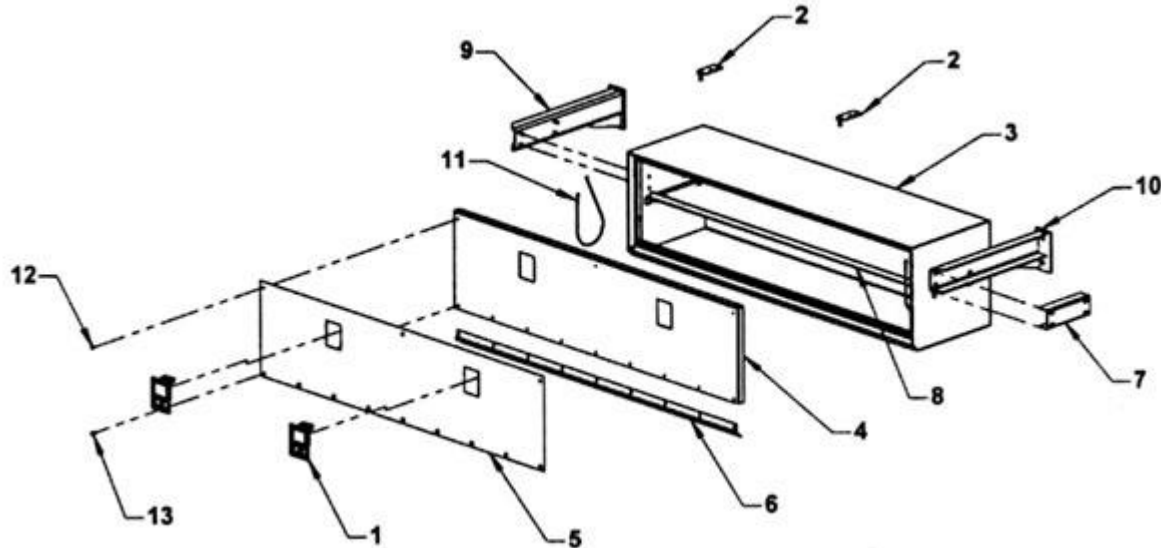
Series 16

Parts

800-222-6047

www.zips.com

65" Aluminum Toolbox - 37900



ITEM	PART NUMBER	DESCRIPTION	NUMBER REQUIRED
1	54658	ROTARY PADDLE LATCH	2
	54657	GASKET FOR PADDLE LATCH	2
	81111	#8-32 x 1/2 STAINLESS ONE WAY SCREW	8
	83111	#8-32 STAINLESS KEPT NUT	8
2	376182	STRIKER PIN MOUNTING PLATE	2
	54659	STRIKER PIN	2
	83125	NYLON LOCK NUT 5/16-18	2
3	37910W	BOX WELDMENT	1
4	37920W	DOOR WELDMENT	1
	37920A	DOOR ASSEMBLY	1
5	37925	STAINLESS STEEL DOOR COVER PANEL	1
6	37930	HINGE	1
7	37960	TANDEM BOX SPACER CHANNEL (OPTIONAL)	1
8	37970	SHELF	1
9	37850L	TOOLBOX MOUNTING BRACKET - LEFT	1
10	37850R	TOOLBOX MOUNTING BRACKET - RIGHT	1
11	5A221	LANYARD - 21 INCH	2
12	81100	STAINLESS CARRIAGE BLOT 1/4-20 x 3/4	3
	83100	NUT 1/4-20	3
	82020	LOCK WASHER 1/4	3
13	81115	STAINLESS CARRIAGE BLOT 5/16-18 x 3/4	18
	83115	NUT 5/16-18	18

EVERYTHING YOU NEED TO TOW, RIG, RECOVER & HAUL



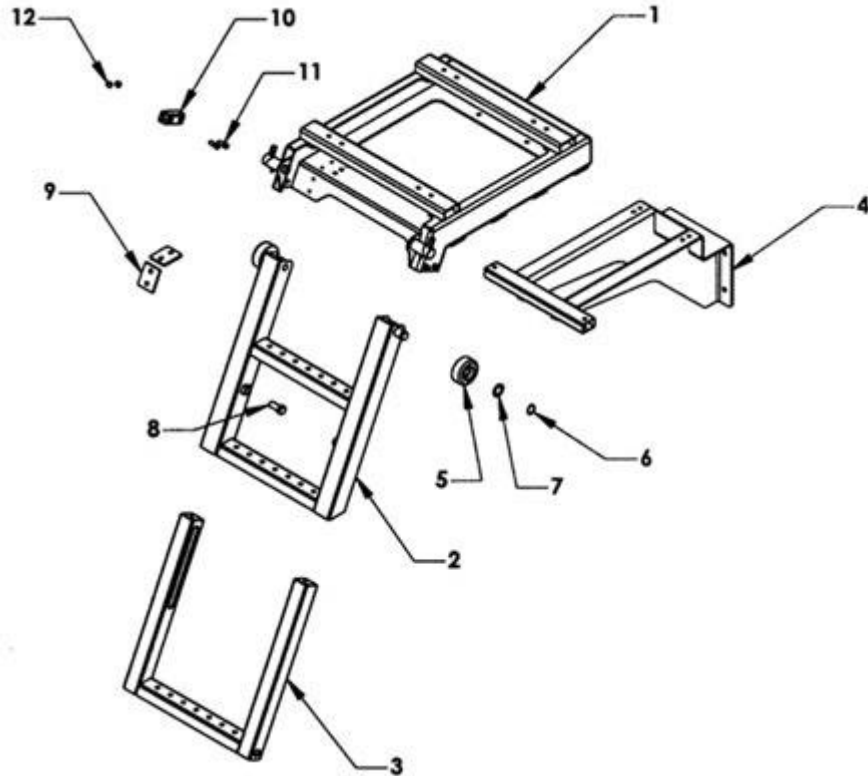
Series 16

Parts

800-222-6047

www.zips.com

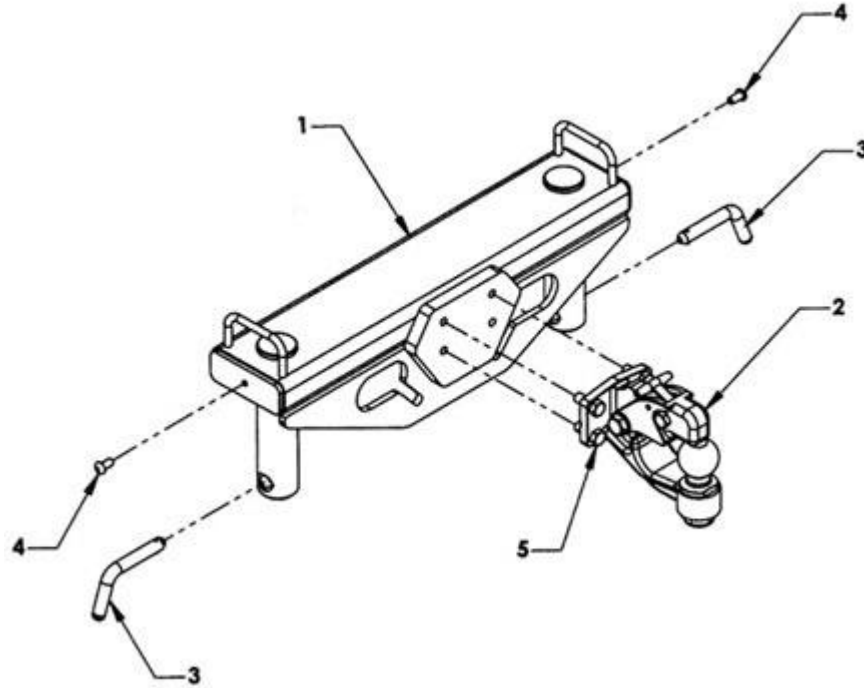
Retractable Ladder



ITEM	PART NUMBER	DESCRIPTION	NUMBER REQUIRED
	390000	LADDER ASSEMBLY	1
1	391010	LADDER CARRIAGE	1
2	391020	UPPER RUNG ASSEMBLY	1
3	391030	LOWER RUNG ASSEMBLY	1
4	391040	FRAME MOUNTING BRACKET - OPTIONAL	1
5	36310	WHEEL	2
6	86100E	RETAINING RING 1.00 EXTERNAL	2
7	82710	FLAT WASHER 1 x 1.50	2
8	391026	RETAINING BOLT 5/8-11 x 1-1/2	2
9	391018	WEAR PAD	4
10	391015	RETAINING TUBE	2
11	81221	ALLEN HEAD BOLT 3/8-16 x 1	4
12	83211	NYLON LOCK NUT 3/8-16	4

EVERYTHING YOU NEED TO TOW, RIG, RECOVER & HAUL

Pintle Hitch Group



ITEM	PART NUMBER	DESCRIPTION	NUMBER REQUIRED
	66370G	PINTLE HITCH GROUP	1
1	66370W	PINTLE HITCH WELDMENT	1
2	A3020	TOW BALL PINTLE HITCH	1
3	66378	RETAINING PIN	2
4	812A6	3/8 x 5/8 BUTTONHEAD BOLT	4
	5A220	LANYARD	2
5	81428	BOLT 1/2-13 x 1.25 GRADE 5 OR 8	4
	82310	1/2 LOCK WASHER	4