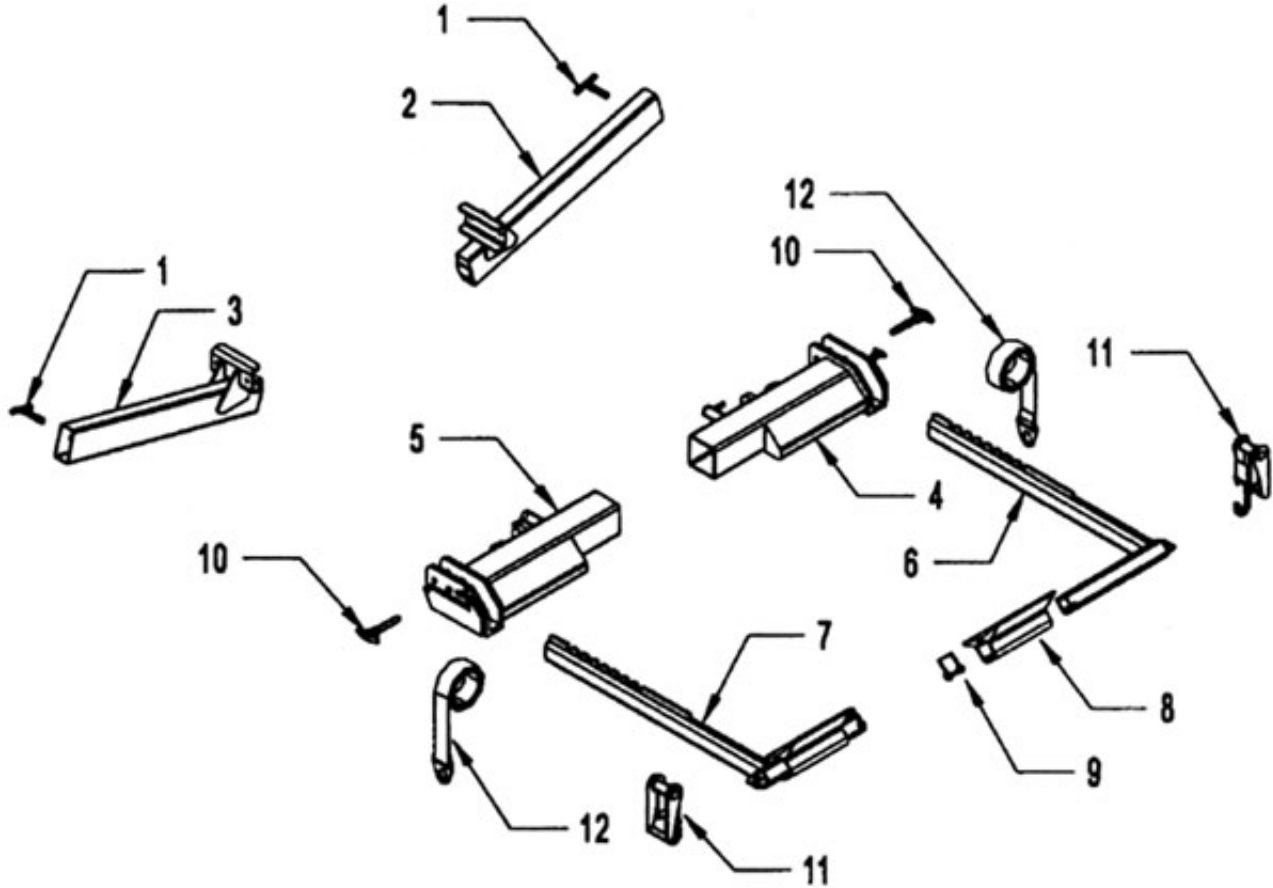


Wheel Lift / Releasable L - Arms



| ITEM | PART NUMBER | DESCRIPTION | NUMBER REQUIRED |
|------|-------------|----------------------------------|-----------------|
| 1 | 12614 | FRICITION PIN L-ARM STORAGE TUBE | 2 |
| 2 | 12615R | L-ARM STORAGE TUBE -RT | 1 |
| 3 | 12615L | L-ARM STORAGE TUBE -LT | 1 |
| 4 | 65265R | WHEEL GRID - RT | 1 |
| 5 | 65265L | WHEEL GRID - LT | 1 |
| 6 | 65250R | WHEEL RETAINER - RT | 1 |
| 7 | 65250L | WHEEL RETAINER - LT | 1 |
| 8 | 65245 | REMOVABLE PAN | 2 |
| 9 | 84911 | 5/16 SAFTY SNAP PIN | 2 |
| 10 | 84921 | T-PIN W/ LANYARD | 2 |
| 11 | 65280A | RATCHET | 2 |
| 12 | 65285 | WHEEL STRAP | 2 |