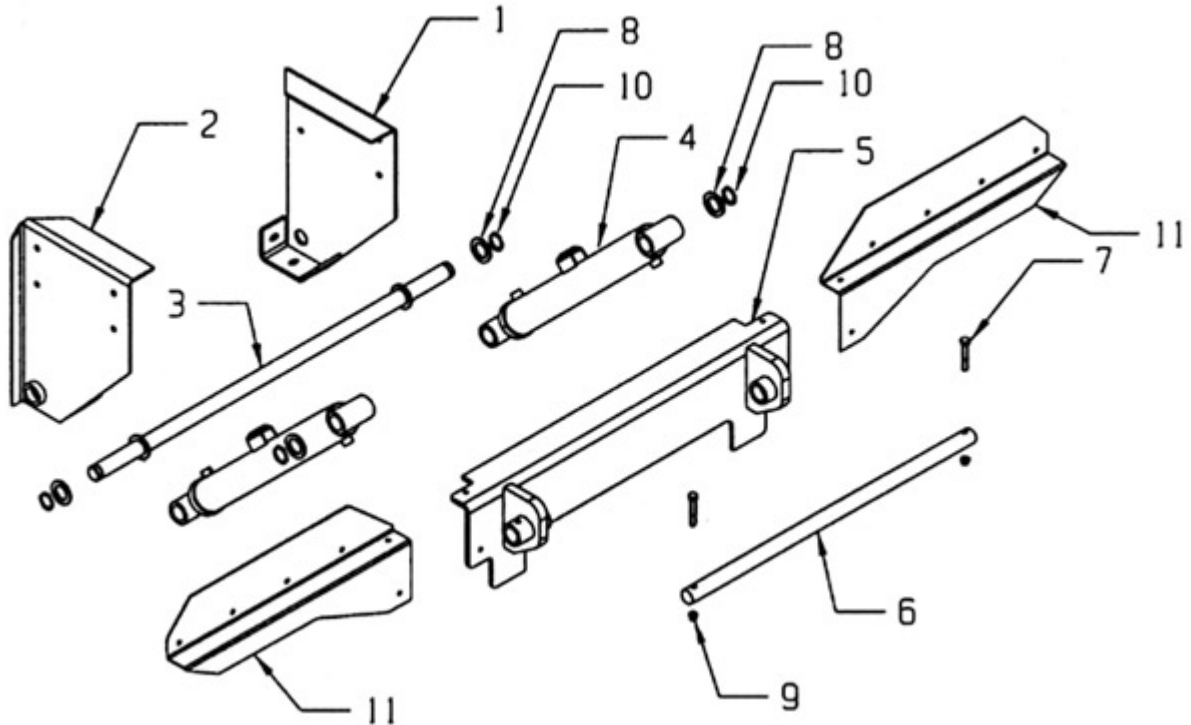


### Outboard Tilt Cylinders



| ITEM | PART NUMBER | DESCRIPTION                            | NUMBER REQUIRED |
|------|-------------|--|-----------------|
| 1    | 1A720R      | TILT CYLINDER SADDLE RIGHT             | 1               |
| 2    | 1A720L      | TILT CYLINDER SADDLE LEFT              | 1               |
| 3    | 1A130       | SADDLE SHAFT                           | 1               |
| 4    | 72109       | TILT CYLINDER                          | 2               |
| 5    | 17500       | HINGE ANGLE                            | 1               |
| 6    | 17198       | HINGE PIN 1-1/2 x 36                   | 1               |
| 7    | 81451       | BOLT 1/2-20 UNF x 3 GRADE 5            | 2               |
| 8    | 82720       | THRUST WASHER 2-3/8 O.D. x 1-9/16 I.D. | 6               |
| 9    | 83324       | NYLON LOCK NUT 1/2-20 UNF              | 2               |
| 10   | 86150E      | SANP RING 3100 - 150                   | 4               |
| 11   | 12350L/R    | SPLASH GUARD                           | 2               |