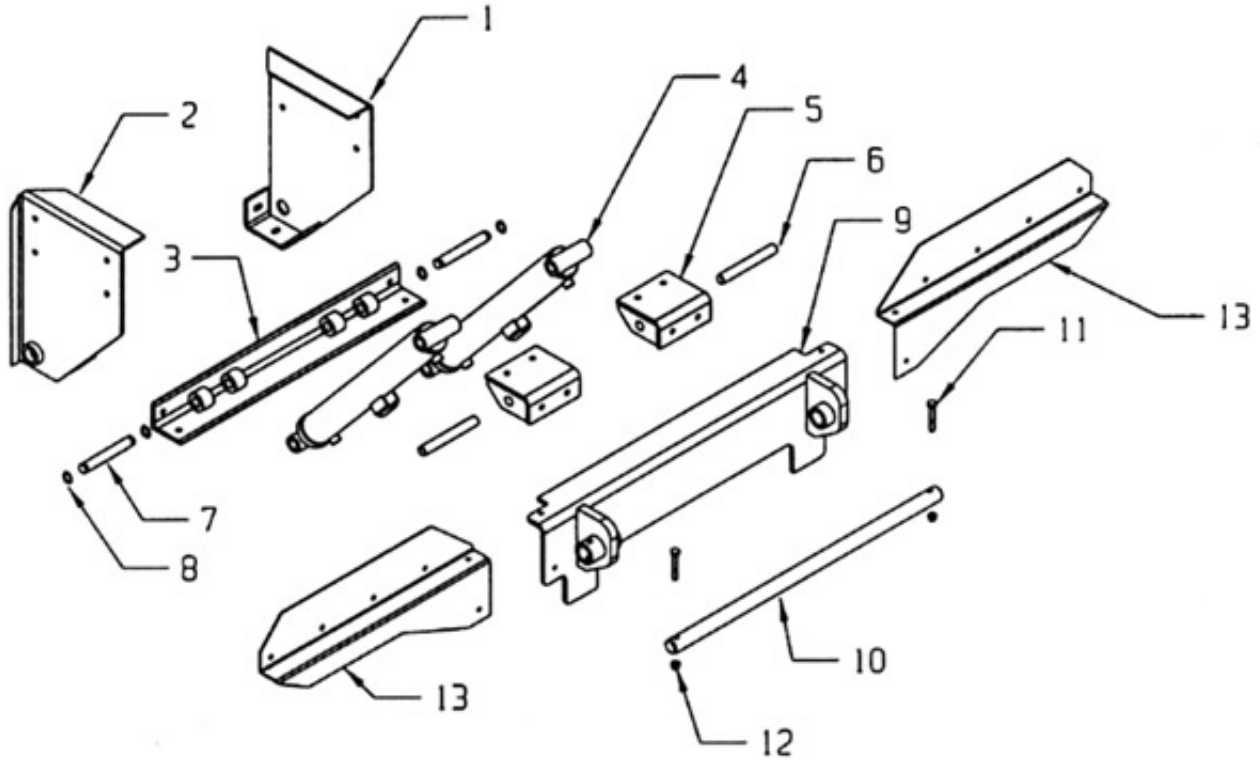


Inboard Tilt Cylinders - Optional



ITEM	PART NUMBER	DESCRIPTION	NUMBER REQUIRED
1	1A720R	TILT CYLINDER SADDLE RIGHT	1
2	1A720L	TILT CYLINDER SADDLE LEFT	1
3	1A725	SADDLE TILT CYLINDER ANGLE	1
4	72108	TILT CYLINDER	2
5	13420	TILT CYLINDER PIVOT BASE	2
6	13423	.980 x 7-1/2 BASE PIN	2
7	1A724	.980 x 6-1/8 SPRING ROD PIN	2
8	86100E-1	SNAP RING 7200-98	4
9	17500	HINGE ANGLE	1
10	17198	HINGE PIN 1-1/2 x 36	1
11	81451	BOLT 1/2-20 UNF x 3 GRADE 5	2
12	83324	NYLON LOCK NUT 1/2-20 UNF	2
13	12350L/R	SPLASH GUARD	2