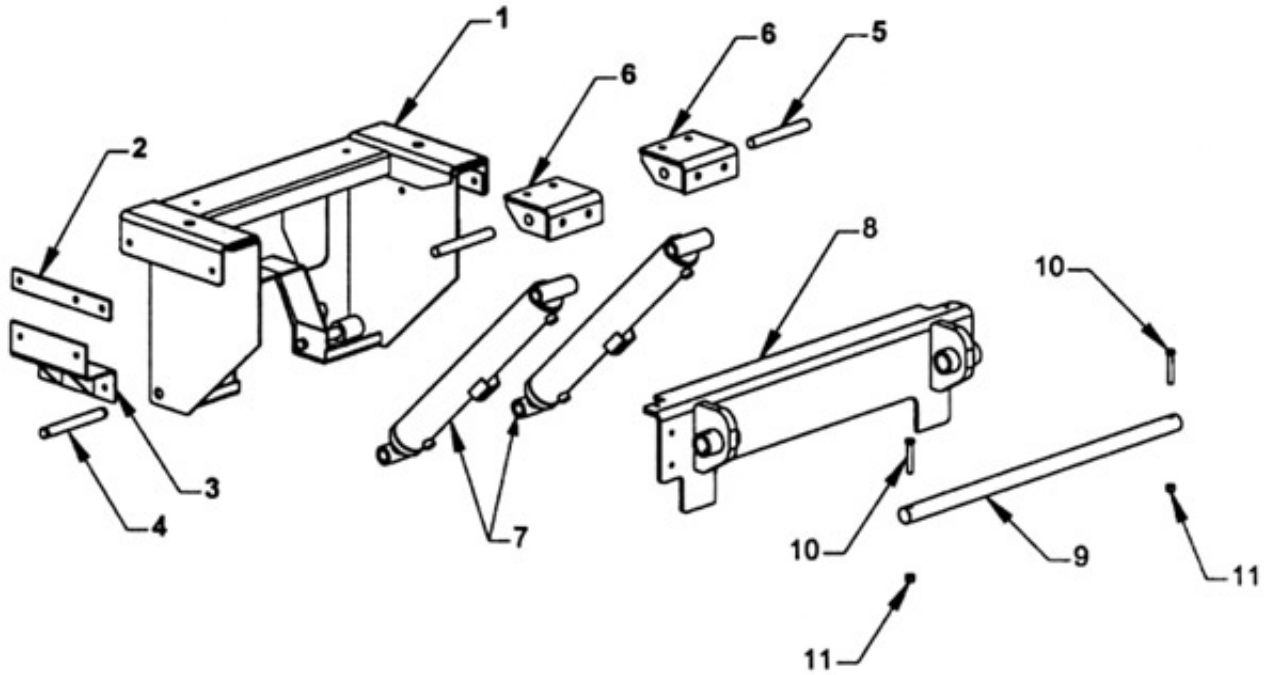


### Inboard Tilt Cylinders Internal Saddles



ITEM	PART NUMBER	DESCRIPTION	NUMBER REQUIRED
1	1A800	INTERNAL SADDLE	1
2	1A821S	SADDLE SHIM	2
3	1A825	FRAME MOUNTING BRACKET	2
4	1A828	TILT CYLINDER PIN .980 x 8-1/8	2
5	13423	TILT CYLINDER PIN .980 x 7-1/2	2
6	13420	TILT CYLINDER FOOT	2
7	72108	TILT CYLINDER	2
8	17500	HINGE ANGLE	1
9	17198	HINGE PIN 1.50 x 36	1
10	81451	BOLT 1/2-20 UNF x 3 GRADE 5	2
11	83324	NYLON LOCK NUT 1/2-20 UNF	2