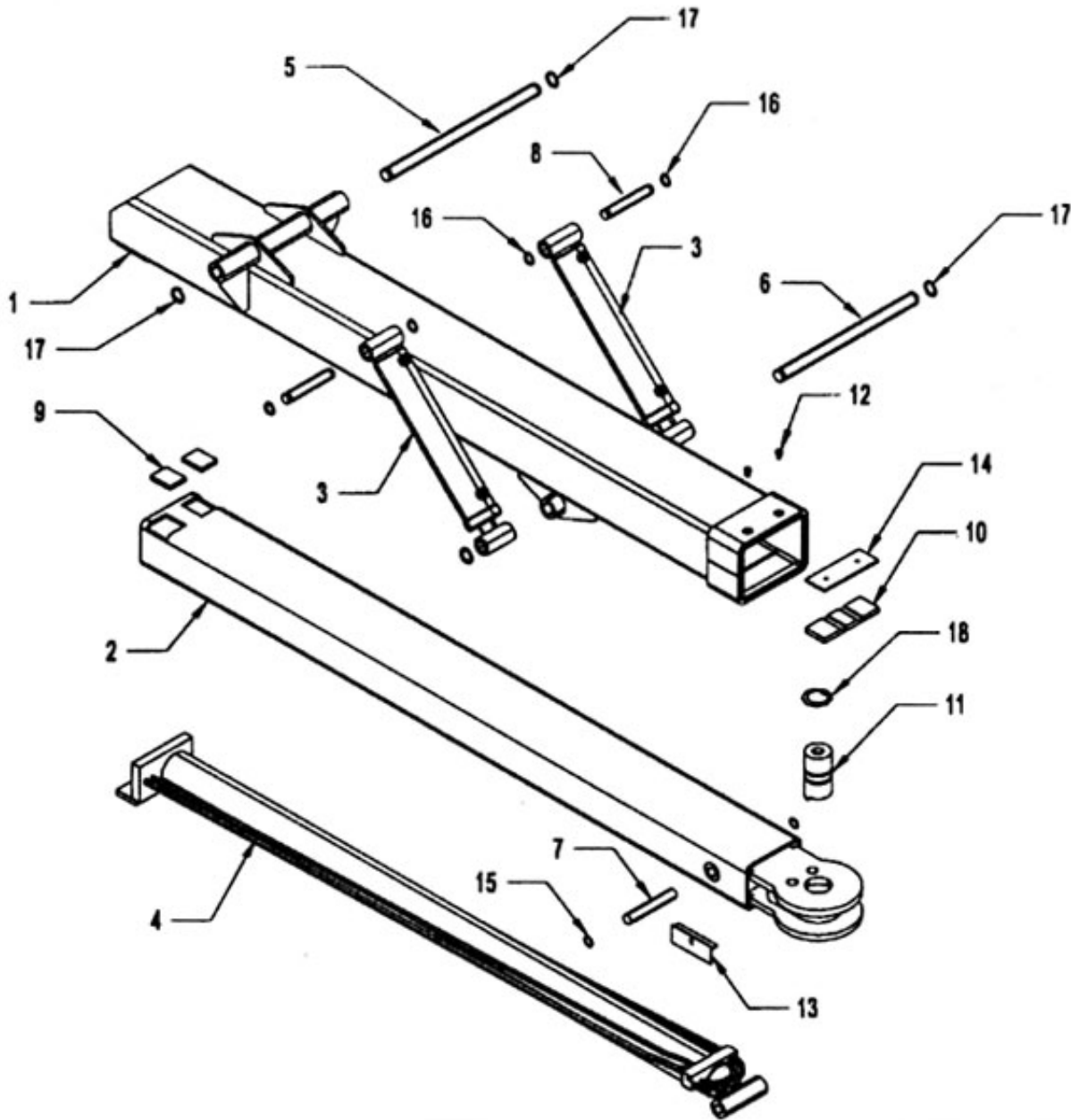


Autogrip II Components



ITEM	PART NUMBER	DESCRIPTION	NUMBER REQUIRED
1	102512	WHEEL LIFT TUBE OUTER	1
2	102522	WHEEL LIFT TUBE INNER	1
3	72135	WHEEL LIFT LIFT CYLINDER	2
4	72129	WHEEL LIFT EXTENSION CYLINDER	1
5	14518	WHEEL LIFT PIVOT PIN	1
6	14519	LIFT CYLINDER PIVOT PIN	1
7	72940	CYLINDER BASE PIN .980 x 8-3/4	1
8	17190	CYLINDER BASE PIN .980 x 5-7/8	2
9	65612	NYLATRON WEAR PAD	2
10	65611	NYLATRON WEAR PAD - GROOVED	1
11	644402	CROSSBAR PIVOT PIN 2-1/2 DIAMETER	1
12	812A5	SOCKET HEAD BUTTON - 3/8 x 1/2	2

13	64358	HOSE CLAMP	2
14	65616	SHIM	1
15	86100I	SNAP RING 1.00 INTERNAL	2
16	86100E-1	SNAP RING 1.00 EXTERNAL 7200	4
17	86125E-1	SNAP RING 1.25 EXTERNAL 7200	4
18	86250I	SNAP RING 2.500 INTERNAL	1