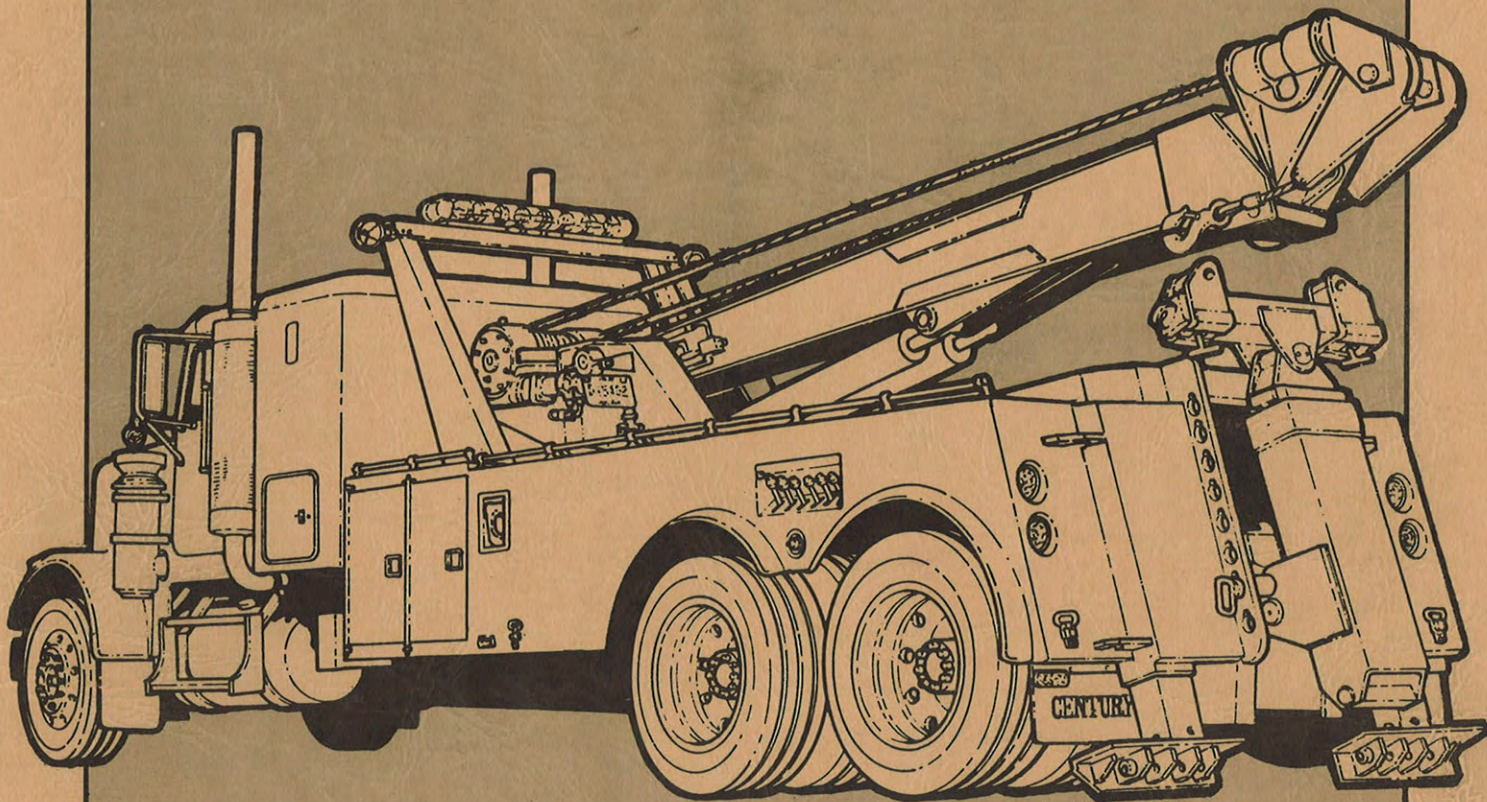


CENTURY®



OWNER'S MANUAL SUPER DUTY UNDERLIFT (SDU)

**CENTURY®
WRECKER
CORPORATION**

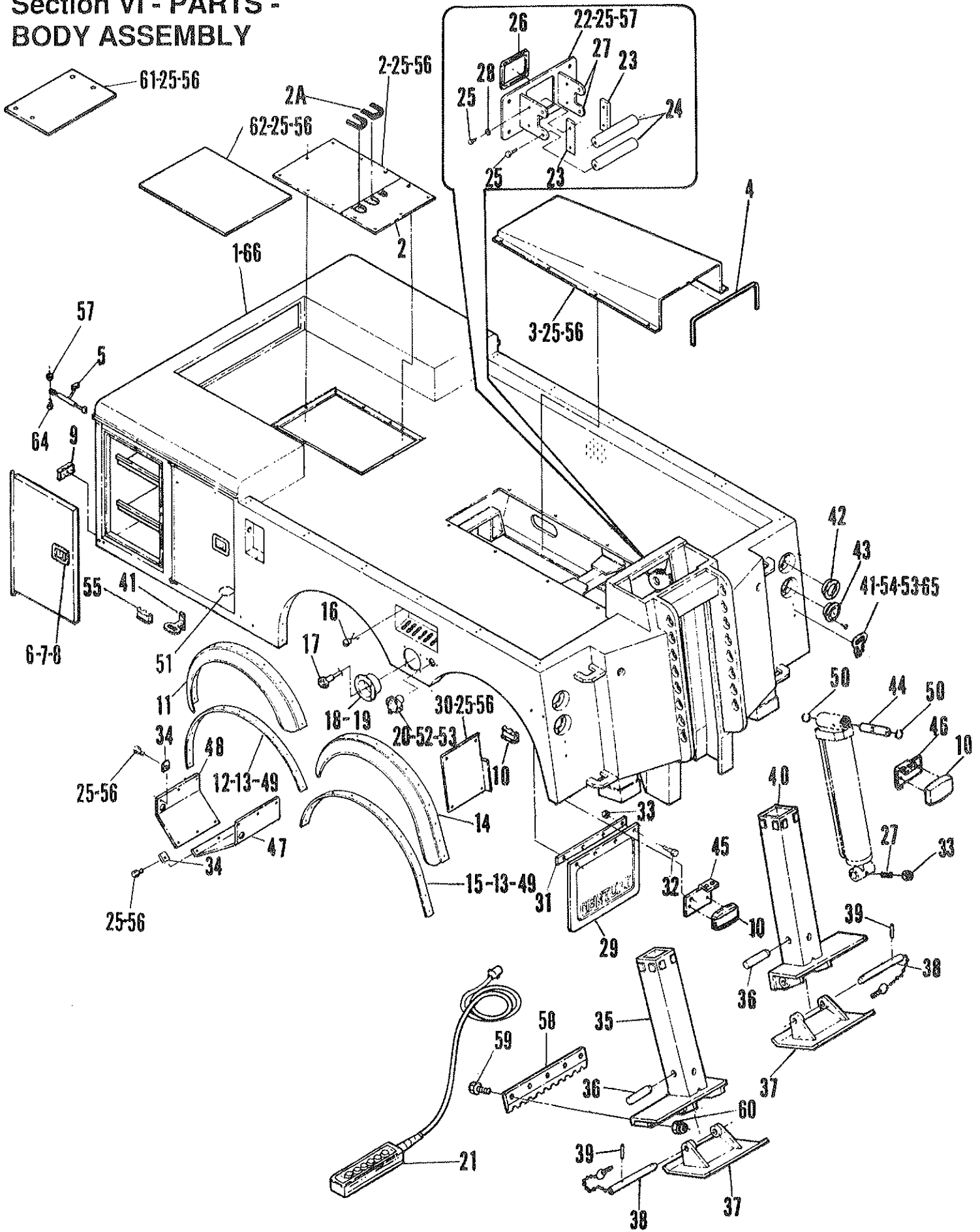
I-75 at Ooltewah Exit #11 • 8503 Hilltop Drive • Ooltewah, Tennessee 37363 • (615) 238-4171
Mailing Address: P.O. Box 120 • Ooltewah, Tennessee 37363 • Telex: 856967 CENWKRTN UD
FORM NO. 0500321—F87
PRICE \$15.00

**Installation, Operation,
Maintenance & Parts**

Section VI

PARTS

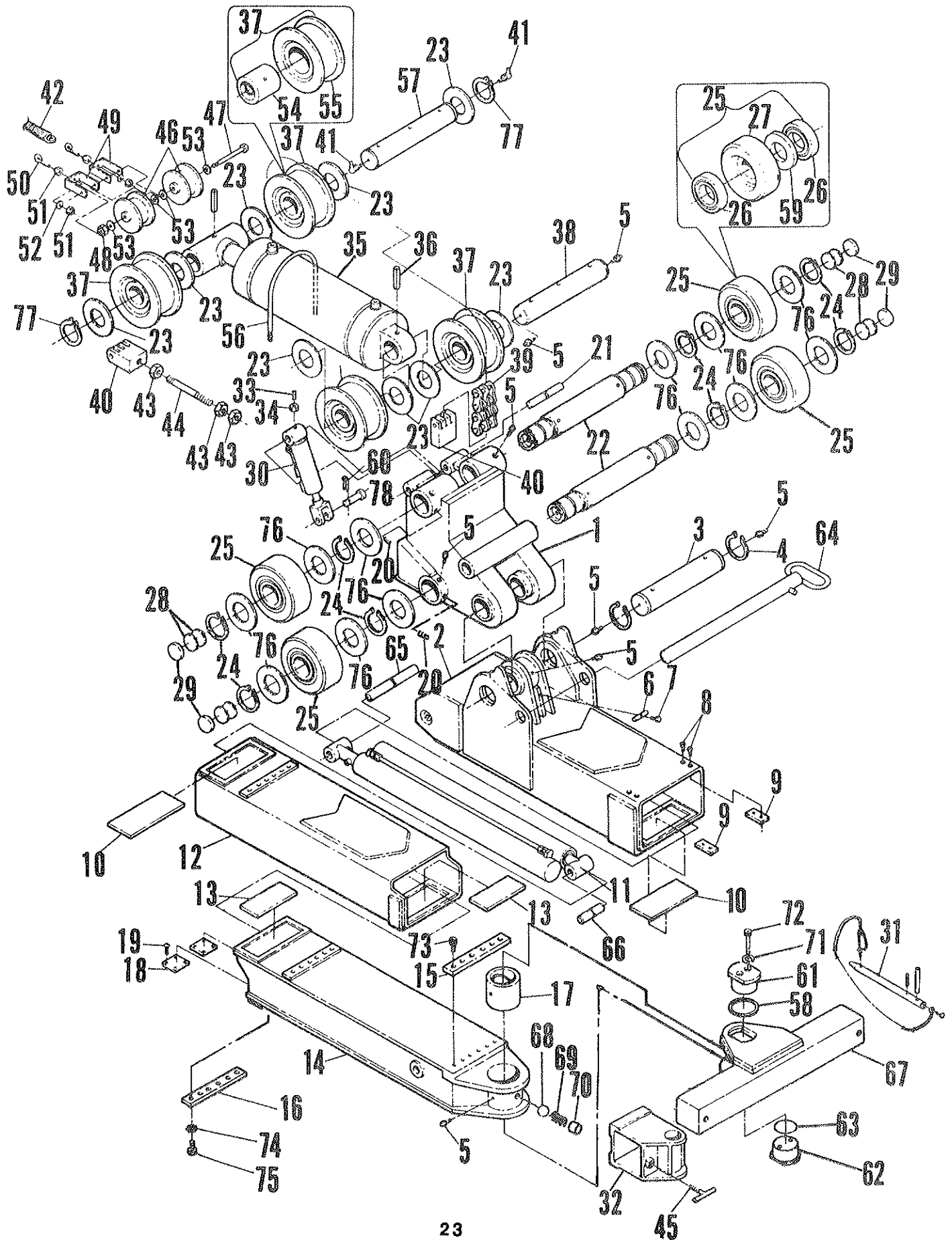
Section VI - PARTS - BODY ASSEMBLY



Section VI - PARTS - BODY ASSEMBLY

REF. NO.	NO. REQ'D.	PART NUMBER	DESCRIPTION
1	1	0801058	BODY WELDMENT--1040 & 1040 B
--	1	0801059	BODY WELDMENT-- 925
2	1	0703787	VALVE ACCESS COVER, REAR-- 925, 1040 & 1040 B
--	1	0703788	VALVE ACCESS COVER, FRONT --925
--	1	0703789	VALVE ACCESS COVER, FRONT --1040 & 1040 B
2A	--	0703615	HOSE GUARD
--	--	0703616	HOSE GUARD
3	1	0801061	LIFT CYLINDER COVER WELDMENT
4	1	0703614	TRIM, LIFT CYLINDER COVER
5	4	0301912	DOOR CHECK
6	4	0300027	LATCH, TOOL COMPARTMENT
7	16	0400021	SCREW, #8-32 X 1/2" RD. HD. PHILLIPS, SS
8	16	0400351	KEPS NUT, #8-32, PL
9	2	0300428	LIGHT, FRONT MARKER (AMBER)
10	4	0300427	LIGHT, SIDE MARKER (RED)
11	2	0703610	RUBBER FENDER, FRONT
12	2	0703609	RETAINER, RUBBER FENDER, FRONT
13	52	0400566	RIVET, 1/4" DIA.
14	2	0703611	RUBBER FENDER, REAR
15	2	0703570	RETAINER, RUBBER FENDER, REAR
16	4	0300867	LIGHT, CONTROL STATION
17	1	0301218	THROTTLE CONTROL, 35 FT.
18	1	0701328	HOUSING, THROTTLE CONTROL
19	4	0400567	RIVET, 1/4" DIA.
20	2	0305018	H.D. 7-WAY TRAILER CONNECTOR
21	1	0301834	HAND CONTROL ASS'Y
22	1	0801035	BRACKET, FAIRLEAD
23	2	0703442	SKID, FAIRLEAD
24	2	0703441	ROLLER, FAIRLEAD
25	38	0400066	SCREW, 1/4"-20 X 3/4" HEX. HD. CAP
26	1	0703303	GROMMET
27	2	0400139	SCREW, 3/8"-16 X 1-1/2" LG. SKT. HD. SET
28	4	0400451	WASHER, 1/4" FLAT
29	2	0301223	MUD FLAP
30	2	0703562	MUD GUARD, REAR HALF
31	2	0700554	BAR, MUD FLAP MTG.
32	8	0400122	SCREW, 3/8"-16 X 1-1/4" LG. HEX. HD. CAP, GR. 5, PL. 8
33	8	0400392	NUT, 3/8"-16 HEX. NYLOK, PL.
34	26	0400369	CLIP, 1/4" J-TYPE TINNERMAN
35	1	0801037	L. REAR INNER JACK WELDMENT
36	2	0703458	LOWER JACK SHAFT
37	2	0801039	PIN-ON JACK PAD
38	2	0900910	PIN, JACK PAD
39	2	0400554	ROLL PIN
40	1	0801038	R. REAR INNER JACK WELDMENT
41	2	0300097	BOARDING STEPS, CHROME
42	2	0300501	LIGHT, STOP & TURN--COMPLETE
43	2	0300505	LIGHT, BACK-UP--COMPLETE
44	2	0703457	SHAFT, JACK CYL. UPPER
45	1	0700159	BRKT., REAR CLEARANCE, L.H.
46	1	0700160	BRKT., REAR CLEARANCE, R.H.

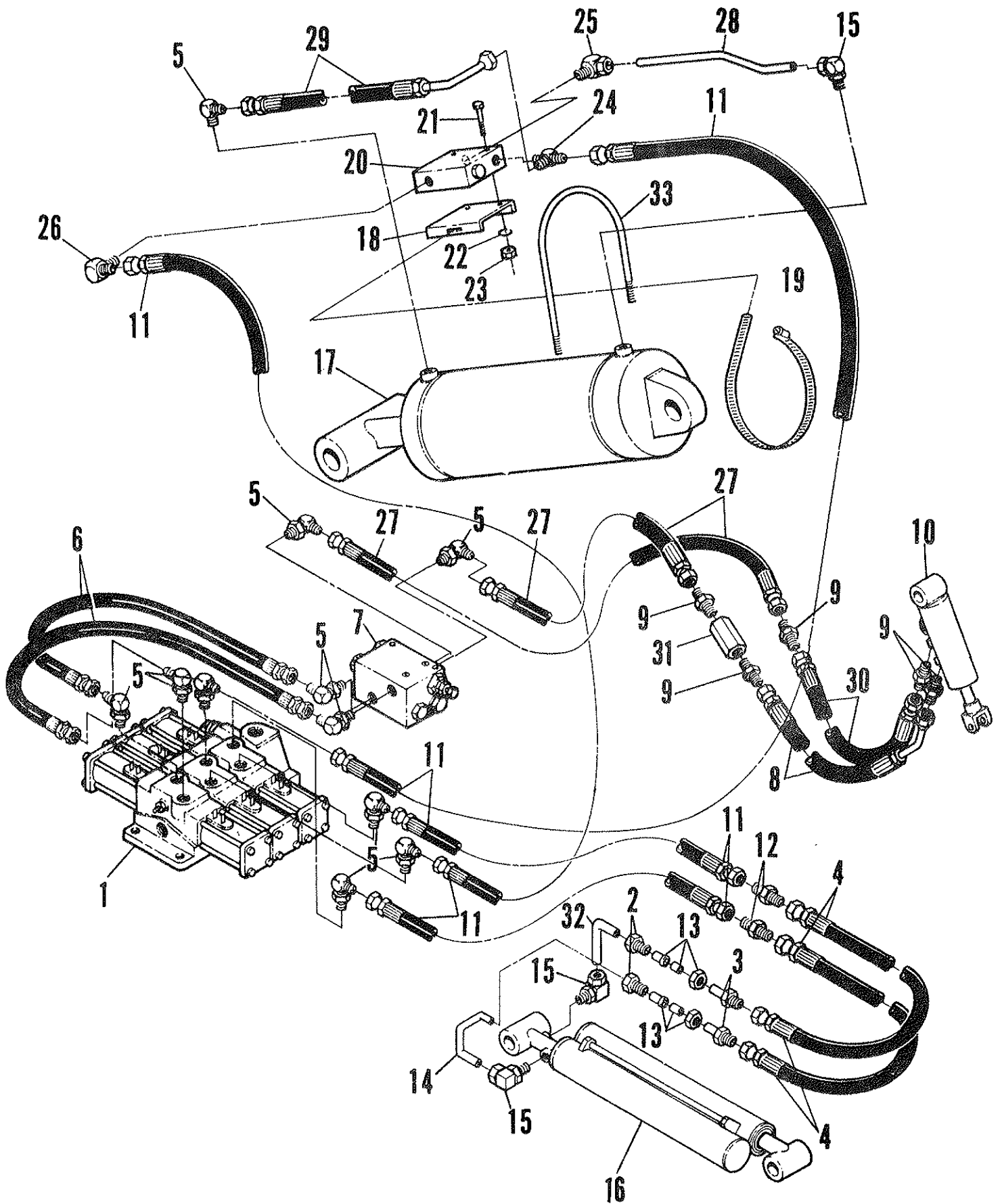
Section VI - PARTS - SDU UNDERLIFT



Section VI - PARTS - SDU UNDERLIFT

REF. NO.	NO. REQ'D.	PART NUMBER	DESCRIPTION
1	1	0801040	VERTICAL BOOM WELDMENT
2	1	0801001	OUTER BOOM WELDMENT, SDU
3	1	0703243	SHAFT, BOOM PIVOT
4	2	0301814	EXTERNAL RETAINING RING, BOOM PIVOT SHAFT
5	10	0300113	GREASE FITTING, 1/4"-28 STR.
6	1	0703583	BAR, HYDRAULIC HOSE RETAINING
7	1	0400066	SCREW, 1/4"-20 X 3/4" LG. HEX. HD. CAP, ZP
8	4	0400152	SCREW, 3/8"-24NF X 5/8" LG. FLAT SKT. HD.
9	2	0703231	STOP PLATE, OUTER BOOM
10	2	0301817	SLIDER PAD, HORIZONTAL BOOM (LARGE)
11	1	0301811	CYLINDER, SDU BOOM EXTENSION
12	1	0800998	SECOND STAGE BOOM WELDMENT, SDU
13	2	0301818	SLIDER PAD, HORIZONTAL BOOM (SMALL)
14	1	0801065	THIRD STAGE BOOM WELDMENT, SDU
15	1	0703238	BAR, THIRD STAGE BOOM RETRACTING
16	1	0703233	STOP PLATE
17	1	0301821	BUSHING, PIVOT PIN
18	2	0703277	PAD, SLIDER
19	8	0400044	SCREW, #10 TYPE "U" DRIVE
20	2	0400204	SCREW, 1/2"-13NC X 3/4" LG. SKT. HD. SET, CUP PT.
21	1	0703259	SHAFT, VERTICAL BOOM CYLINDER
22	2	0900880	SHAFT, ROLLER
23	8	0703396	SPACER, SHEAVE WHEEL
24	8	0301835	EXTERNAL RETAINING RING, ROLLER SHAFT - 3 11/32"
25	4	0900888	ROLLER & BEARING ASS'Y (INCL. ITEMS 26, 27 & 59)
26	8	0301838	BEARING
27	4	0703405	ROLLER
28	(AS REQ'D)	0703394	SHIM, ROLLER SHAFT
29	4	0301833	SPACER PAD, ROLLER SHAFT
30	1	0301765	CYLINDER, SDU BOOM FOLDING
31	2	0900900	RETAINER PIN ASS'Y
32	2	0800994	BRACKET, LIFT FORK ADAPTOR
33	1	0400139	SCREW, 3/8"-16 X 1-1/2" LG. SKT. HD. SET
34	1	0400392	NUT, 3/8"-16 NYLON LOCK
35	1	0301810	CYLINDER, SDU BOOM LIFT
36	2	0400572	SPRING PIN, 1/2 " DIA. X 4" LG.
37	4	0900864	SHEAVE ASS'Y, LIFT CHAIN (INCL. ITEMS 54 & 55)
38	1	0703244	SHAFT, CYL. END - LIFT CYLINDER
39	2	0301831	LIFT CHAIN
40	4	0703407	BRACKET, LIFT CHAIN ATTACHING
41	2	0301397	GREASE FITTING, 90° ELL.
42	4	0301869	SPRING, HOSE TENSIONER PULLEY
43	6	0400445	NUT, 1"-14NF HEX., GR. 8, ZP
44	2	0703415	ROD, CHAIN TENSIONER
45	2	0800993	TEE HANDLE
46	2	0703484	PULLEY, HOSE TENSIONER
47	1	0400190	SCREW, 1/2"-13 X 6-1/2" LG. HEX. HD. CAP
48	1	0400408	NUT, 1/2"-13 LOCK
49	2	0703487	BRACKET, HOSE TENSIONER
50	2	0400082	EYEBOLT, 1/4"-20 X 1-1/8" LG.

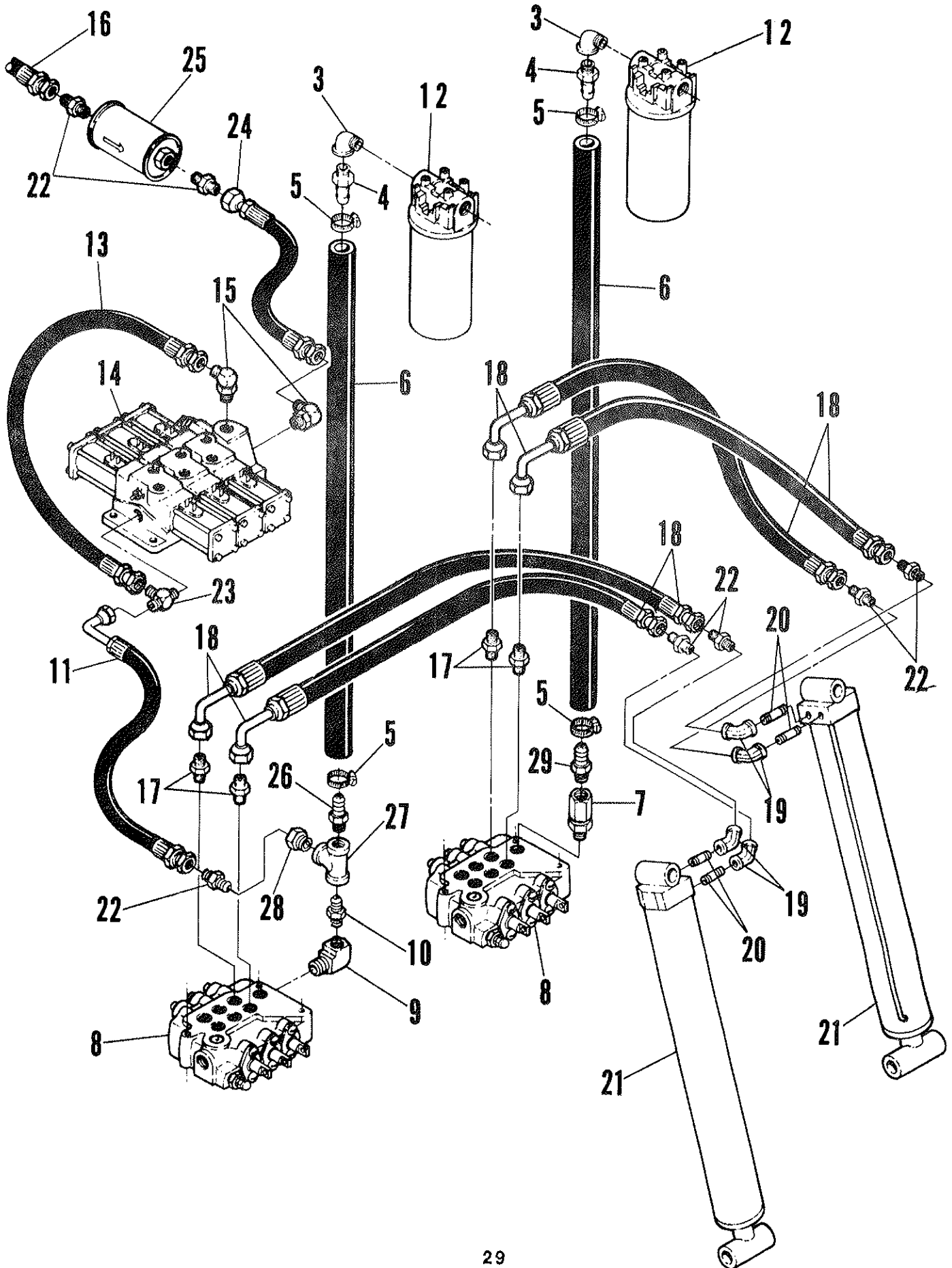
Section VI - PARTS - SDU VERTICAL/HORIZONTAL BOOM HYDRAULICS



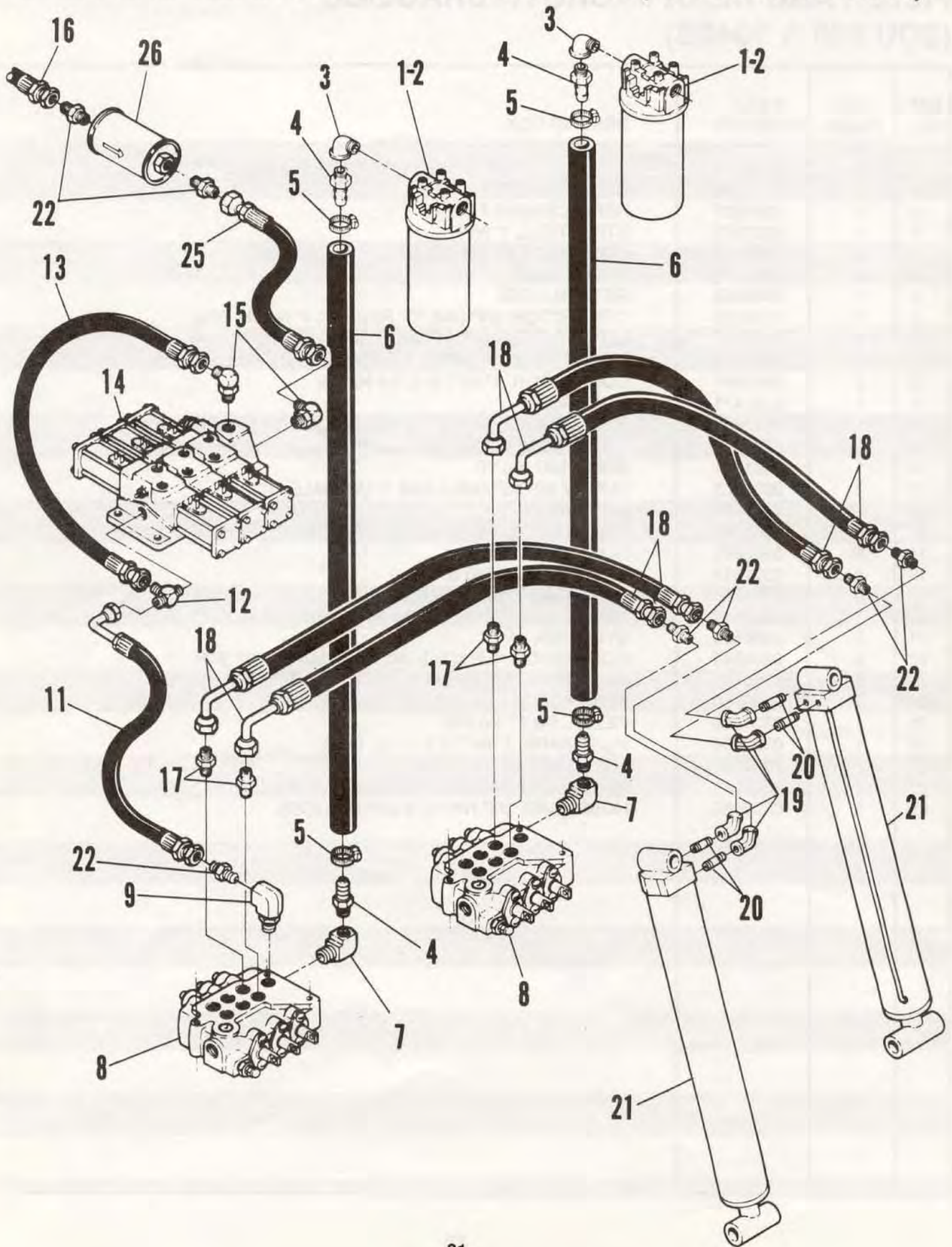
Section VI - PARTS - SDU VERTICAL/HORIZONTAL BOOM HYDRAULICS

REF. NO.	NO. REQ'D.	PART NUMBER	DESCRIPTION
1	1	0301841	SOLENOID VALVE (SDU)
2	2	0301873	UNION, 3/8" TUBE
3	2	0301872	TUBE NIPPLE, 3/8"
4	2	0301878	HOSE ASS'Y
5	11	0301470	ELBOW, 1/2" SAE "O" RING X 3/8" JIC
6	2	0301660	HOSE ASS'Y
7	1	0301730	VALVE, DOUBLE HOLDING
8	1	0301880	HOSE ASS'Y, 3/8" X 9' LG.
9	4	0301522	CONNECTOR, STR. 3/8" SAE MALE X 3/8" JIC MALE
10	1	0301765	FOLD CYLINDER
11	4	0301875	HOSE ASS'Y
12	3	0301422	UNION, 3/8" JIC MALE HEX.
13	2	0301871	ADAPTOR, TUBE REDUCER - "O" RING SEAL
14	1	0703584	TUBE, 1/2"
15	3	0300901	ELBOW, 90° X 1/2" TUBE X 8MSAE
16	1	0301811	EXTEND CYLINDER
17	1	0301810	LIFT CYLINDER
18	1	0703435	PLATE, HOLDING VALVE MOUNTING
19	1	0300644	CLAMP, 8" HOSE
20	1	0301731	HOLDING VALVE
21	2	0400114	SCREW, 5/16"-18 X 3" LG. HEX. HD. CAP
22	2	0400464	LOCKWASHER, 5/16", ZP
23	2	0400382	NUT, 5/16"-18 NYLON LOCK HEX.
24	1	0301782	TEE, MALE RUN 6MJ X 4MP X 6MJ
25	1	0301874	ELBOW, 90° - 3/8" NPT X 1/2" TUBE
26	1	0300209	ELBOW, 90°
27	2	0301876	HOSE ASS'Y
28	1	0703545	TUBE 1/2"
29	1	0301412	HOSE ASS'Y
30	1	0301879	HOSE ASS'Y, 3/8" X 8'-11" LG.
31	1	0301837	IN LINE ORFICE
32	1	0703585	TUBE, 1/2"
33	1	0703416	U-BOLT, LIFT CYL. RESTRAINING

Section VI - PARTS -
FILTER AND REAR JACKS HYDRAULICS (SDU 925 & 1040B)



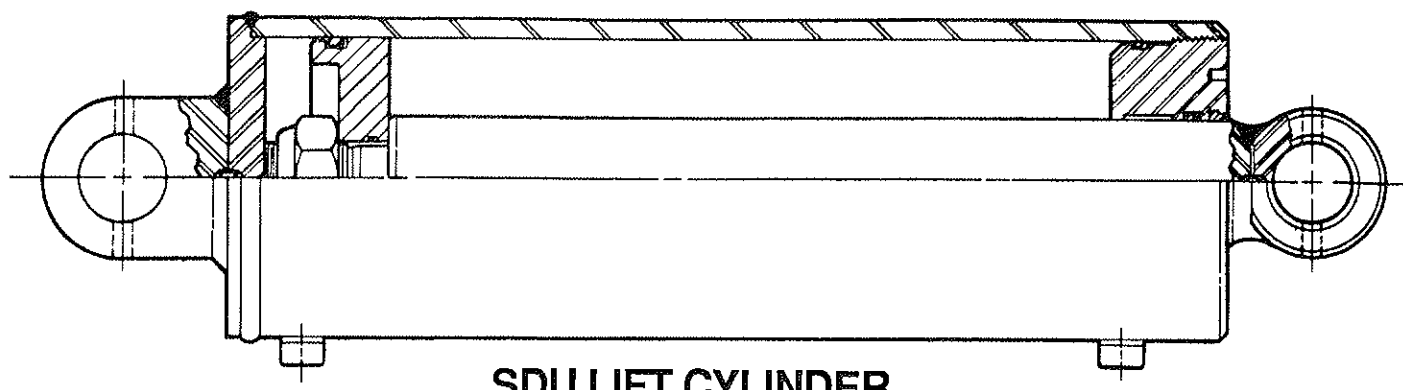
Section VI - PARTS -
FILTER AND REAR JACKS HYDRAULICS (SDU 1040 & 1050)



**Section VI - PARTS -
 FILTER AND REAR JACKS HYDRAULICS
 (SDU 1040 & 1050)**

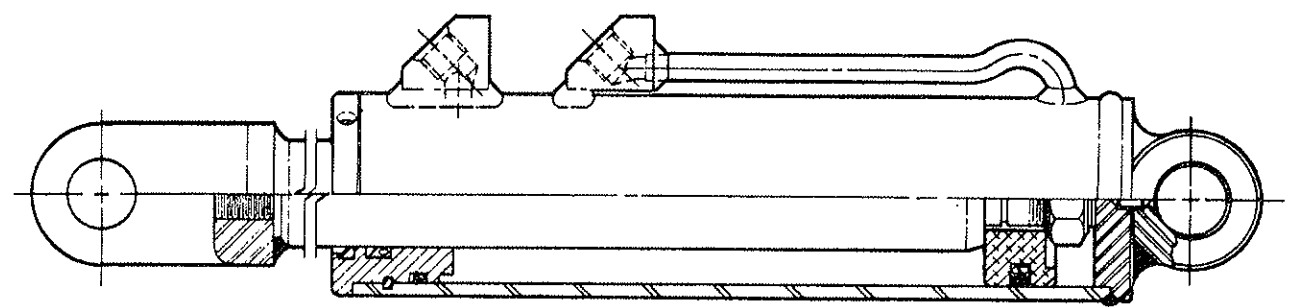
REF. NO.	NO. REQ'D.	PART NUMBER	DESCRIPTION
1	1	0300628	RETURN FILTER, SPIN-ON W/HOUSING, (LONG)
2	1	0301230	REPLACEMENT FILTER
1	1	0301894	RETURN FILTER, SPIN-ON W/HOUSING, (SHORT)
2	1	0301894	REPLACEMENT FILTER
3	1	0300692	STREET ELL, 1" NPT
4	2	0300492	HOSE BARB, 1" SAE "O" RING X 1" I.D. HOSE -1040
5	2	0300071	HOSE CLAMP, 1"
6	1	0300058	RETURN HOSE
7	2	0302084	ELBOW, 90° X 1" NPT FEM X 1" SAE "O" - RING
8	2	0301865	CONTROL VALVE, 3 SPOOL
9	1	0300666	ELBOW, 90° 3/4" MALE NPT X 3/4" FEM NPT
10	1	0301391	CONNECTOR, 1/2" JIC MALE X 3/4" NPT MALE STR.
11	1	0301471	HOSE ASS'Y
12	1	0301667	TEE, 1/2" MALE SAE X 1/2" MALE JIC X 1/2" MALE JIC
13	1	0301410	HOSE ASS'Y.
14	1	0301841	SOLENOID VALVE
15	2	0301388	ELBOW, 90° 1/2" MALE SAE X 1/2" MALE JIC
16	1	0300165	HOSE ASS'Y
17	4	0301780	CONNECTOR, 1/2" MALE JIC X 1/2" MALE SAE "O" RING STR.
18	4	0301911	HOSE ASS'Y - 1040
19	4	0301816	ELBOW, 45° X 1/2" FEM NPT
20	4	0301819	NIPPLE, CYL. 1/2" NPT SCH. 80 X 401/2" LG. BLK. PIPE
21	2	0300680	CYLINDER, JACK
22	6	0300040	CONNECTOR, 1/2" MALE JIC X 1/2" MALE NPT STR.
23	1	0300628	RETURN FILTER, SPIN-ON W/HOUSING
24	1	0301230	REPLACEMENT FILTER - 1040
25	1	0300750	HOSE ASS'Y
26	1	0301699	FILTER, INLET INLINE

**Section VI - PARTS -
SDU HYDRAULIC CYLINDERS**



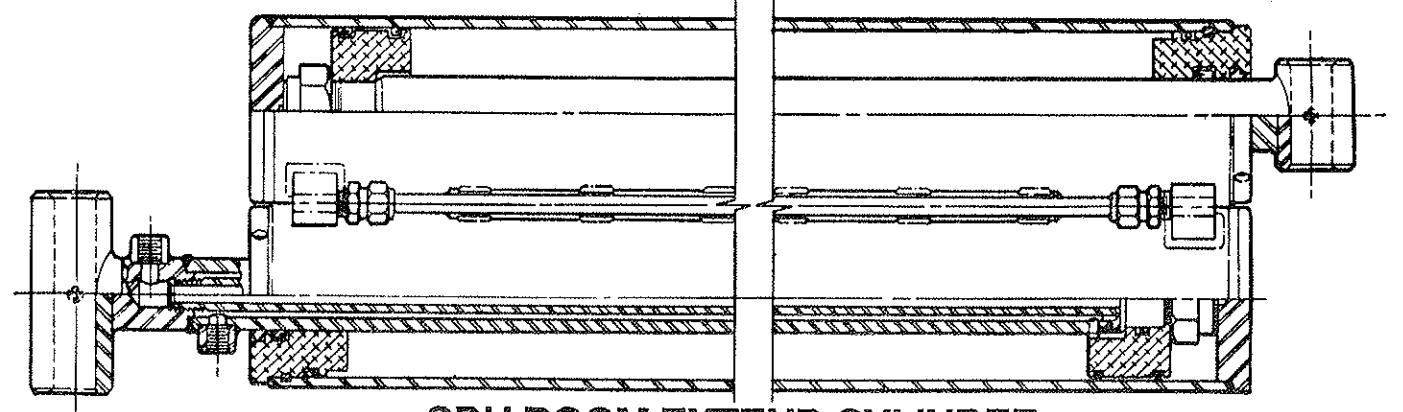
SDU LIFT CYLINDER

REF. NO.	NO. REQ'D.	PART NUMBER	DESCRIPTION
1	1	0301810	HYDRAULIC CYLINDER, SDU LIFT (COMPLETE)
2	1	0304242	SEAL KIT, SDU LIFT CYLINDER



SDU FOLD CYLINDER

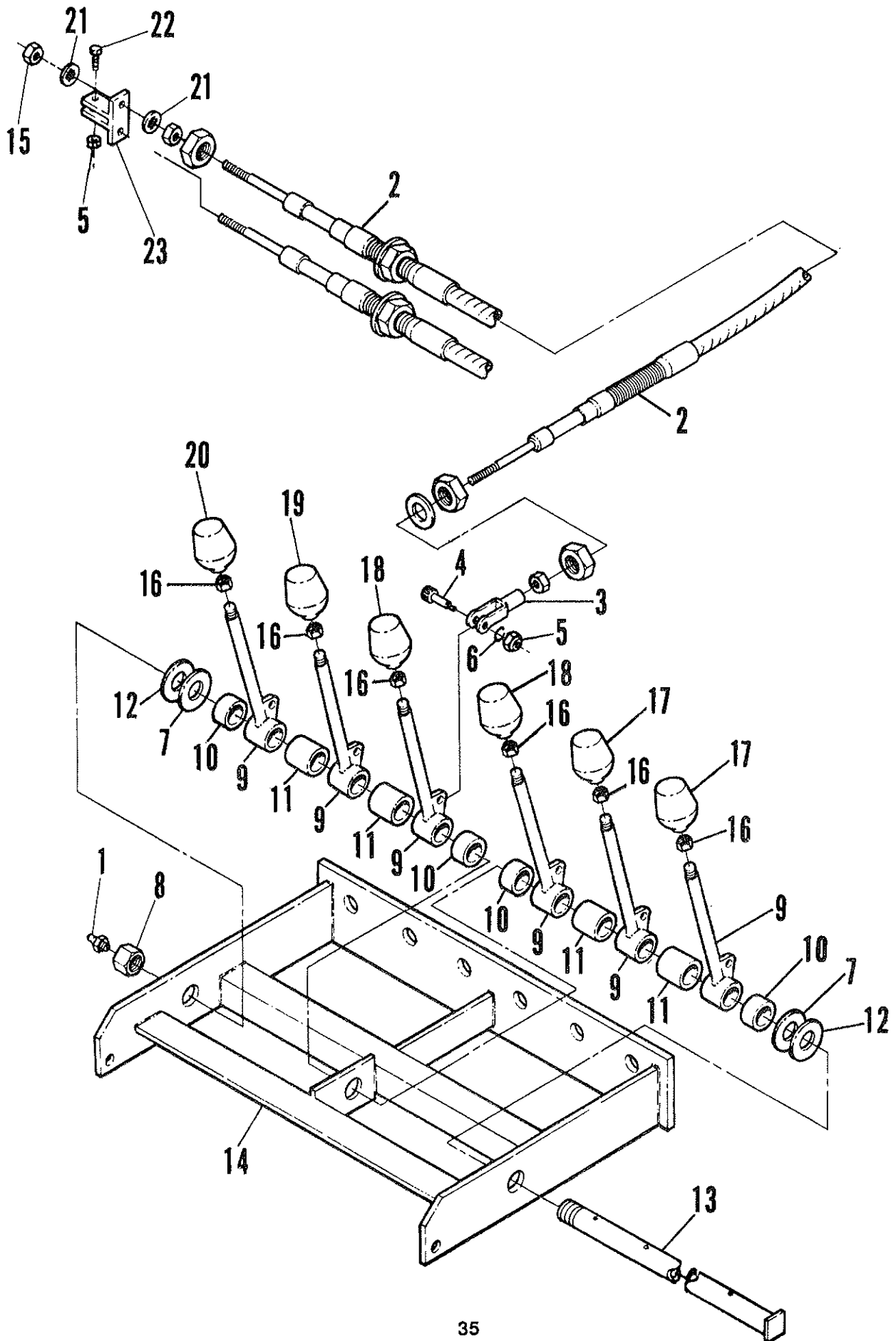
REF. NO.	NO. REQ'D.	PART NUMBER	DESCRIPTION
1	1	0301765	HYDRAULIC CYLINDER, SDU FOLD (COMPLETE)
2	1	0304244	SEAL KIT, SDU FOLD CYLINDER



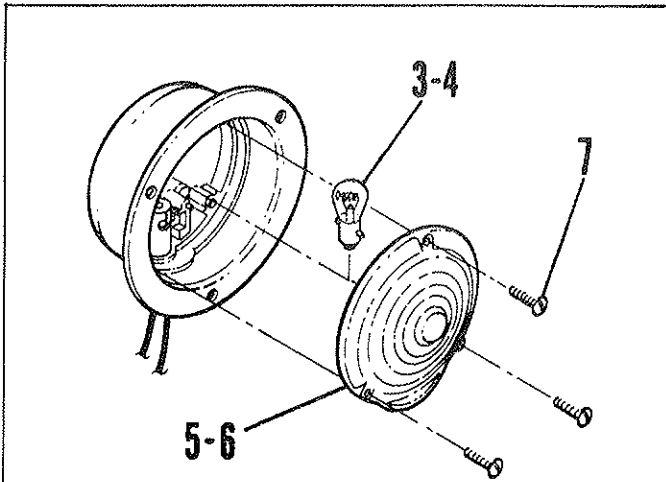
SDU BOOM EXTEND CYLINDER

REF. NO.	NO. REQ'D.	PART NUMBER	DESCRIPTION
1	1	0301811	HYDRAULIC CYLINDER, SDU EXTEND (COMPLETE)
2	1	0304243	SEAL KIT, SDU EXTEND CYLINDER

Section VI - PARTS - CONTROL ASSEMBLY

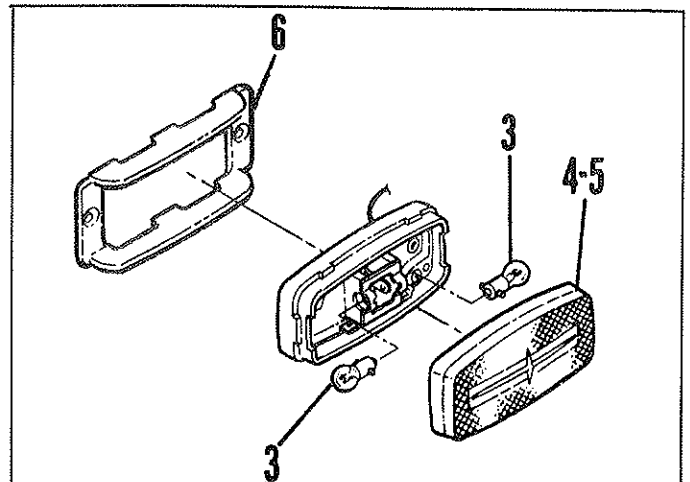


Section VI - PARTS - LIGHT KIT



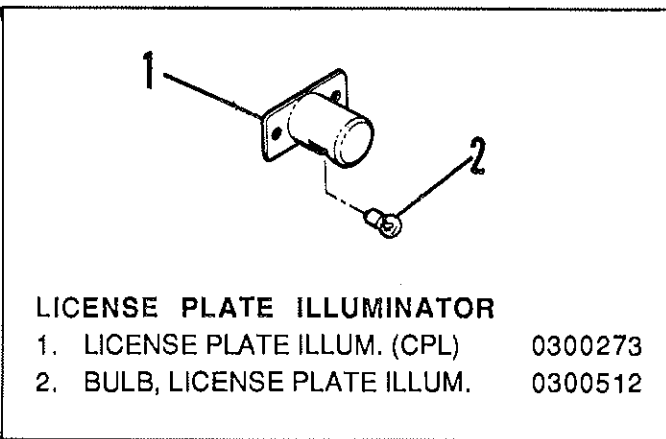
STOP & TURN/BACK-UP LIGHTS

- | | |
|----------------------------------|---------|
| 1. LIGHT, STOP & TURN (COMPLETE) | 0300501 |
| 2. LIGHT, BACK-UP (COMPLETE) | 0300505 |
| 3. BULB, STOP & TURN | 0300498 |
| 4. BULB, BACK-UP | 0300503 |
| 5. LENS, STOP & TURN (RED) | 0300499 |
| 6. LENS, BACK-UP (CLEAR) | 0300504 |
| 7. SCREW, LENS | 0300500 |



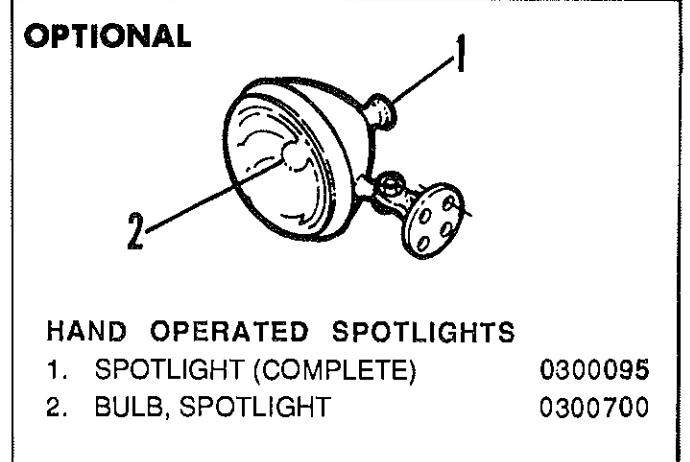
MARKER LIGHTS - RED & AMBER

- | | |
|---------------------------------|---------|
| 1. LIGHT, RED MARKER (COMPLETE) | 0300427 |
| 2. LIGHT, AMBER MARKER (CPL) | 0300428 |
| 3. BULB, MARKER LIGHT | 0300507 |
| 4. LENS, RED MARKER | 0300508 |
| 5. LENS, AMBER MARKER | 0300510 |
| 6. GUARD, MARKER LIGHT (OPT) | 0300242 |



LICENSE PLATE ILLUMINATOR

- | | |
|-------------------------------|---------|
| 1. LICENSE PLATE ILLUM. (CPL) | 0300273 |
| 2. BULB, LICENSE PLATE ILLUM. | 0300512 |

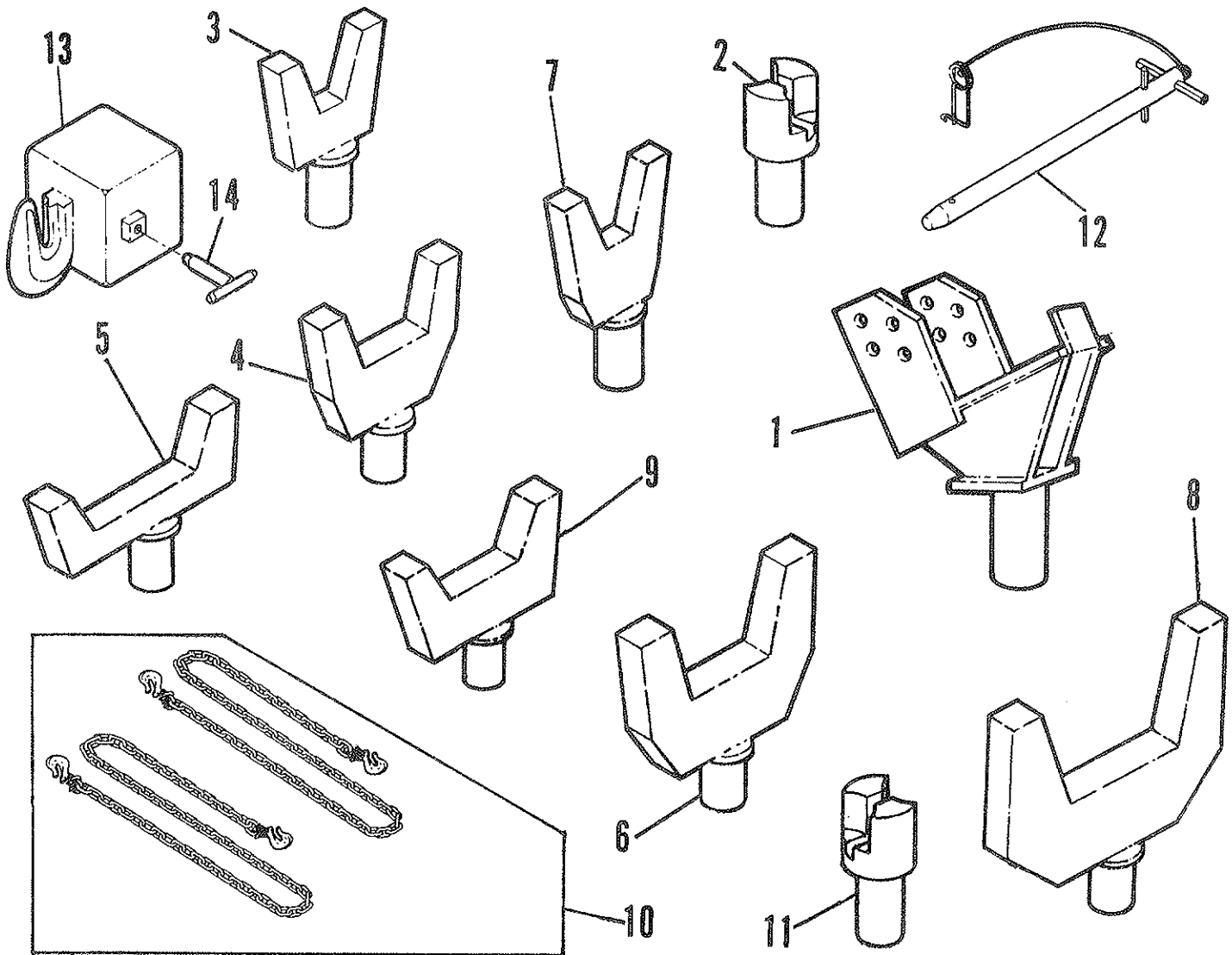


OPTIONAL

HAND OPERATED SPOTLIGHTS

- | | |
|-------------------------|---------|
| 1. SPOTLIGHT (COMPLETE) | 0300095 |
| 2. BULB, SPOTLIGHT | 0300700 |

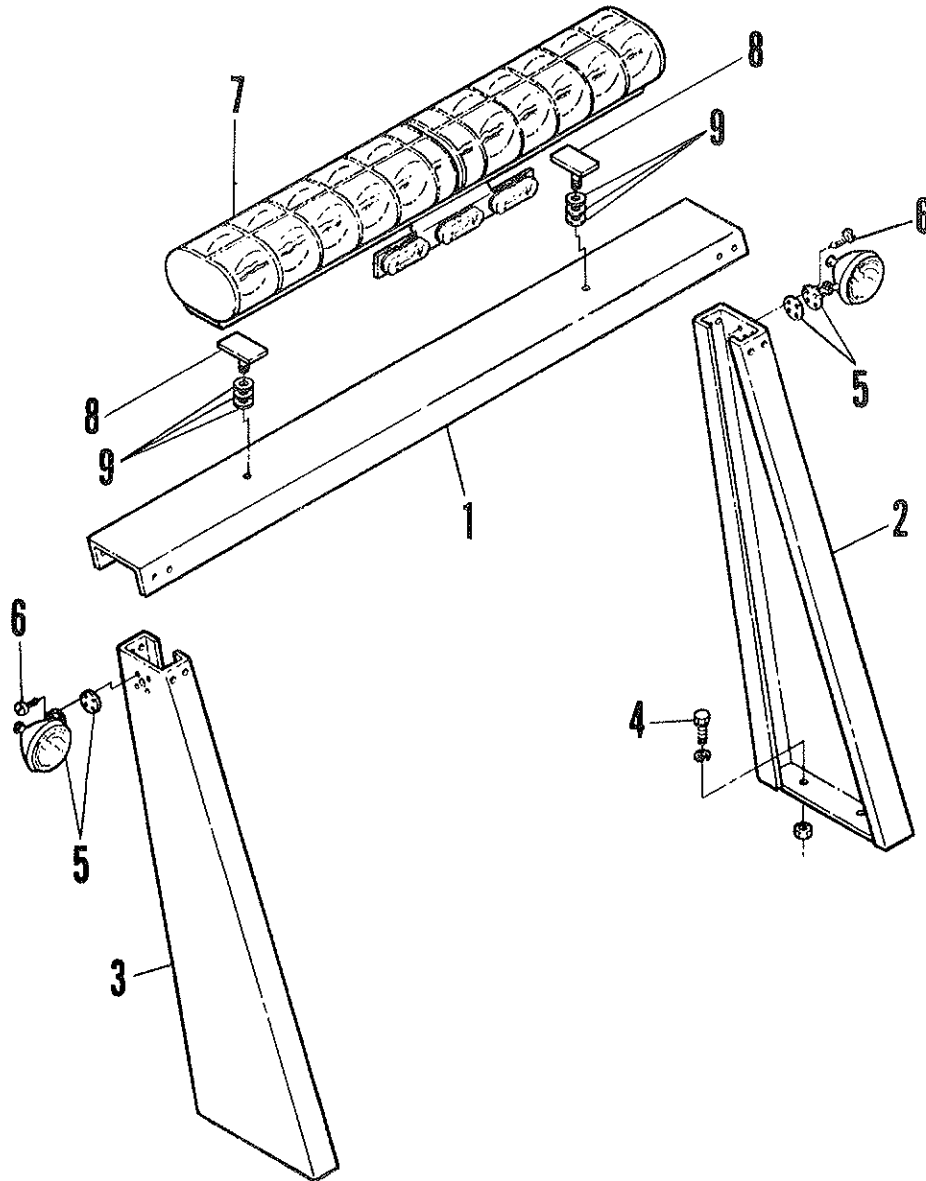
Section VI - PARTS - LIFT ADAPTORS



REF. NO.	NO. REQ'D.	PART NUMBER	DESCRIPTION
1	2	0801090	SPRING LIFT BRACKET (OPTIONAL)
2	2	0703591	5/8" CHAIN LIFT ADAPTOR
3	2	0800858	FORK WELDMENT, SHORT (3" OPENING)
4	2	0800857	FORK WELDMENT, MEDIUM (3" OPENING) (OPTIONAL)
5	2	0801086	FORK WELDMENT, SHORT (4-1/2" OPENING)
6	2	0801088	FORK WELDMENT, LONG (4-1/2" OPENING)
7	2	0800859	FORK WELDMENT, LONG (3" OPENING)
8	2	0801077	REAR AXLE FORK, 6" OPENING (OPTIONAL)
9	2	0801087	FORK WELDMENT MEDIUM (4-1/2" OPENING)(OPTIONAL)
10	2	0301205	TOWBAR CHAINS, 5/8" X 96" W/ HOOKS (OPTIONAL)
11	2	0703785	1/2" CHAIN LIFT, HI-STRENGTH (OPTIONAL)
12	2	0900900	RETAINER PIN, SPRING LIFT BRACKET (OPTIONAL)
13	1	0801182	CHAIN HOOK ADAPTOR, R.H. (OPTIONAL)
--	1	0801183	CHAIN HOOK ADAPTOR, L.H. (OPTIONAL)
14	2	0801184	TEE HANDLE

Section VII - OPTIONAL EQUIPMENT

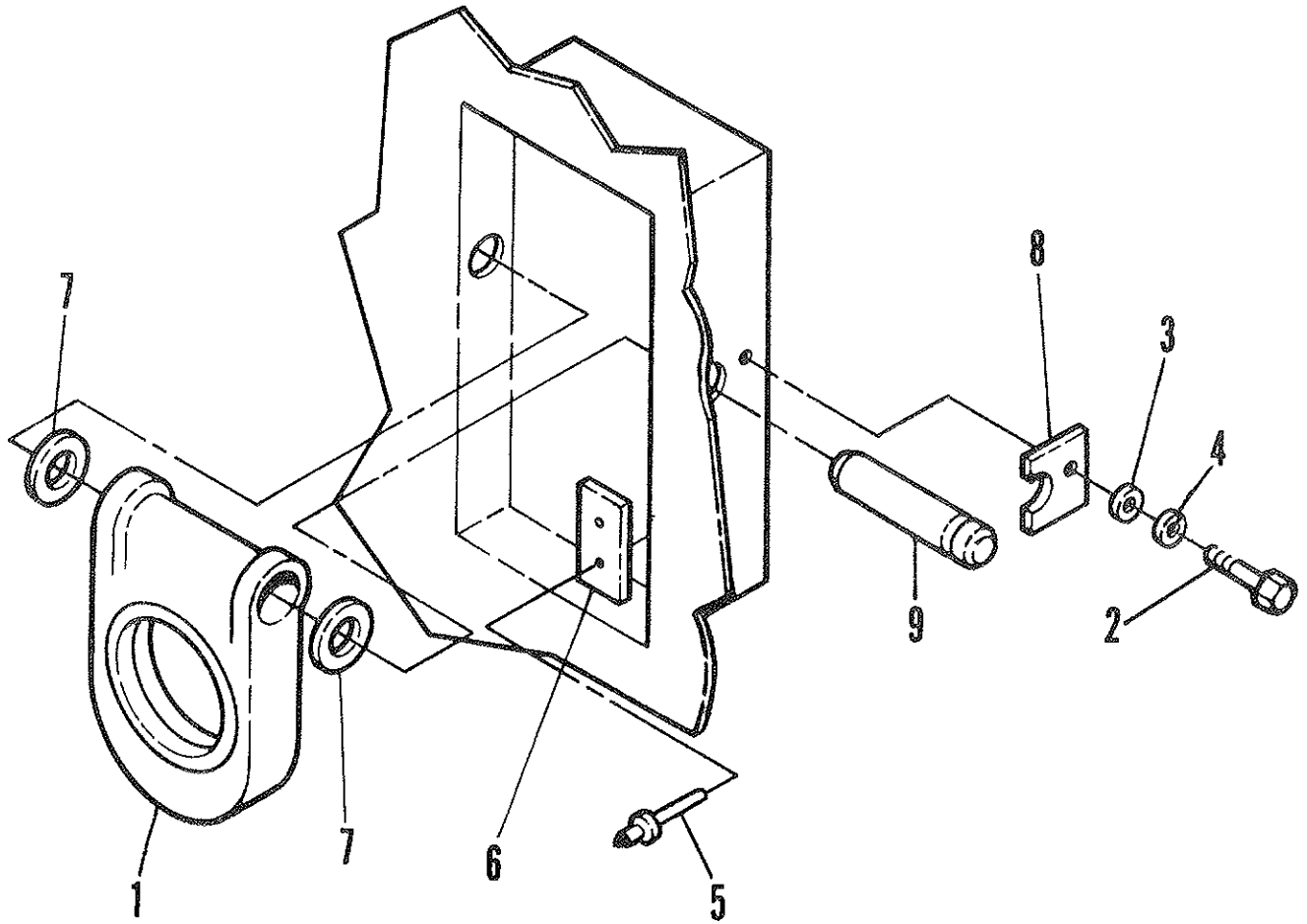
LIGHT BAR ASSEMBLY



REF. NO.	NO. REQ'D.	PART NUMBER	DESCRIPTION
--	1	1100326	SDU BODY LIGHT BAR KIT (COMPLETE)
1	1	0801098	TOP CHANNEL WELDMENT
2	1	0800878	RIGHT SUPPORT CHANNEL WELDMENT
3	1	0800877	LEFT SUPPORT CHANNEL WELDMENT
4	1	0900750	HARDWARE KIT, MOUNTING
5	2	0300095	SPOTLIGHT W/ GASKET
6	8	0400027	SCREW, #8-32 X 5/8" SELF-TAPPING
7	1	0301359	SPECIAL LIGHT, WRECKER
8	2	0800539	"T" BOLT ADAPTOR
9	8	0400480	FLATWASHER, 3/8"

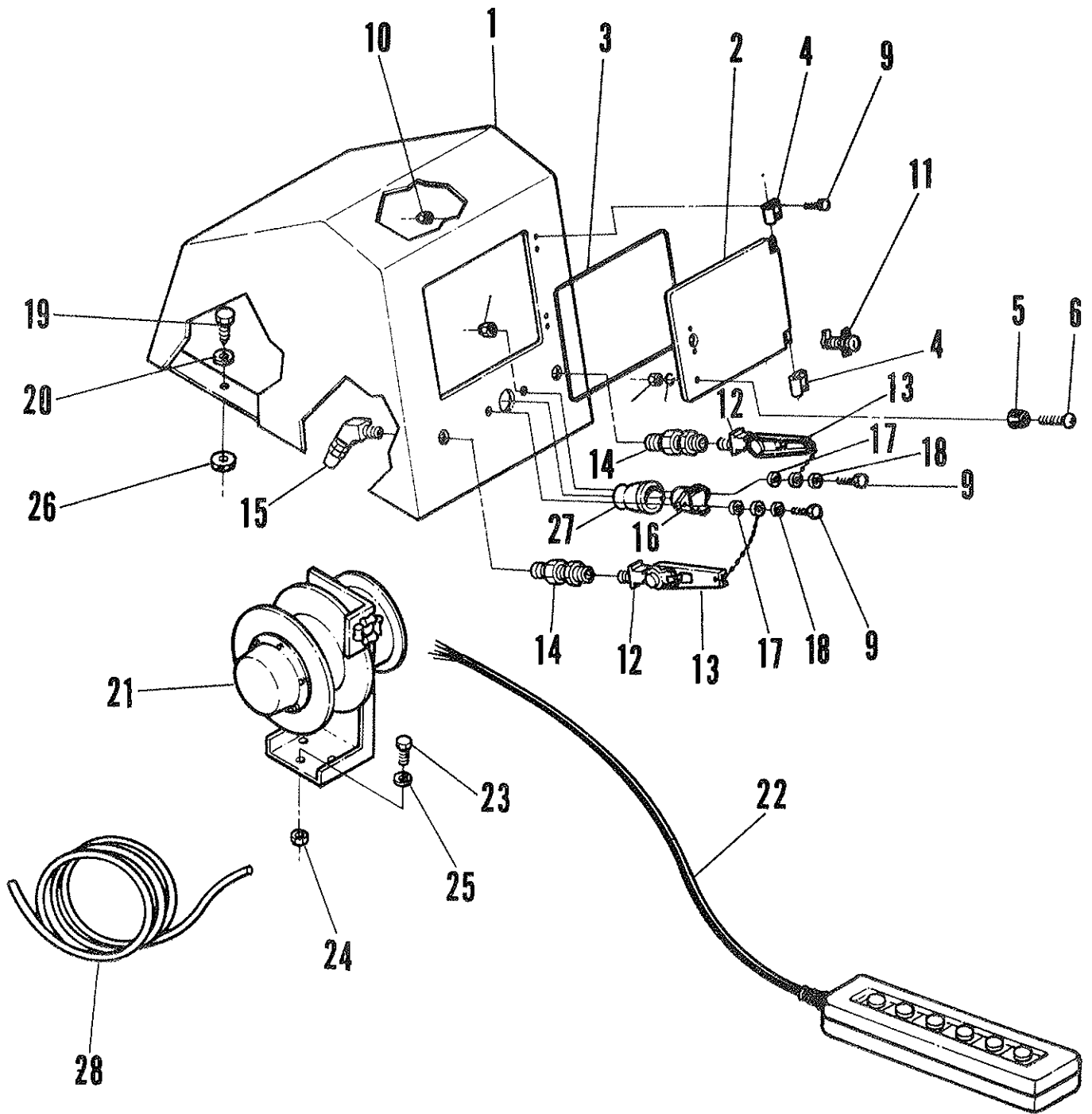
Section VII - OPTIONAL EQUIPMENT

"D" - RING

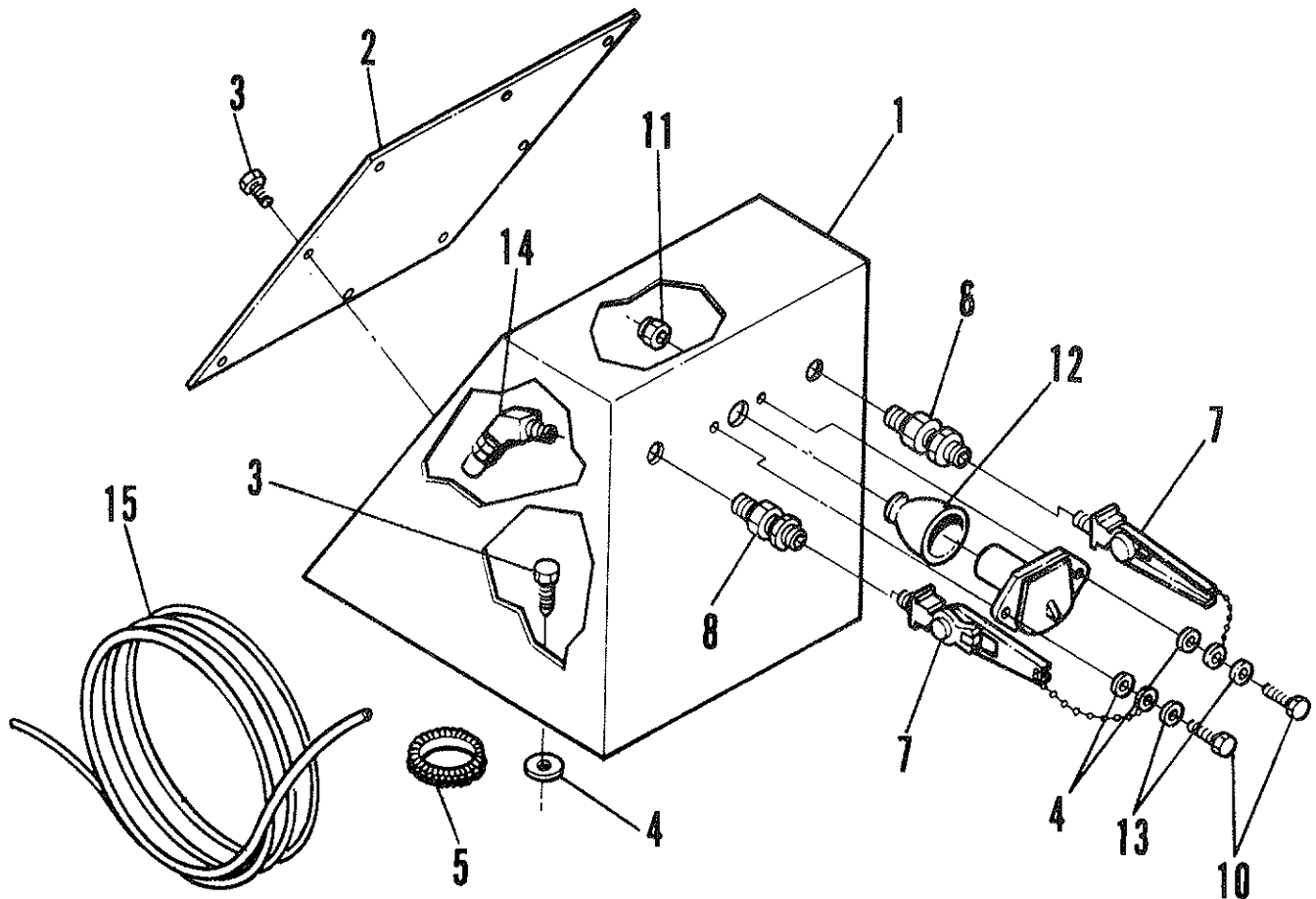


REF. NO.	NO. REQ'D	PART NUMBER	DESCRIPTION
1	1	0301102	HEAVY DUTY "D" RING
2	1	0400121	SCREW, 3/8" - 16 x 3/4", CAP HEX GR. 5
3	1	0400480	WASHER, 3/8" FLAT, ZINC PL.
4	1	0400482	LOCKWASHER, 3/8" HELICAL, ZINC PL.
5	2	0400566	RIVET, 1/4" PLATED
6	1	0701421	BUMPER
7	2	0701616	WASHER, SHAFT
8	1	0701693	RETAINER, "D" RING SHAFT
9	1	0701694	SHAFT, 1 3/8" DIA.

Section VII - OPTIONAL EQUIPMENT CONTROL REEL & HOUSING ASSEMBLY



Section VII - OPTIONAL EQUIPMENT GLAD HAND HOUSING ASSEMBLY



REF. NO.	NO. REQ'D.	PART NUMBER	DESCRIPTION
--	--	1100441	CONTROL HOUSING-COMplete
--	--	0900973	HOUSING ASS'Y., GLAD HAND
1	1	0801099	HOUSING, WELDED GLAD HAND
2	1	0703797	LID HOUSING, WELDED
3	9	0400062	SCREW, 1/4"-20 X 3/4" LG. HEX. HD., SELF-TAPPING, ZP
4	4	0400451	FLATWASHER, 1/4", ZP
5	1	0301862	GROMMET
6	2	0301944	GLAD HAND COUPLING
7	2	0301945	GLAD HAND PLUG
8	2	0301946	CONNECTOR
9	1	0301948	H.D. 7-WAY TRAILER CONNECTOR
10	2	0400070	SCREW, 1/4"-20 X 1" LG. HEX. HD. CAP, GR. 5, ZP
11	2	0400367	NUT, 1/4"-20 NYLON LOCK HEX., ZP
12	1	0301909	RECEPTACLE BOOT
13	2	0400463	FLATWASHER, 5/16", ZP
14	2	0301947	ADAPTER, 1/4 NPTM X 3/8" SYN. HOSE
15	2	0703795	HOSE, 3/8" X 4' LG. SYN.

**CENTURY
WRECKER
CORPORATION**

I-75 at Ooltewah Exit #11 • 8503 Hilltop Drive • Ooltewah, Tennessee 37363 • (615) 238-4171
Mailing Address: P.O. Box 120 • Ooltewah, Tennessee 37363 • Telex: 856967 CENWKRTN UD