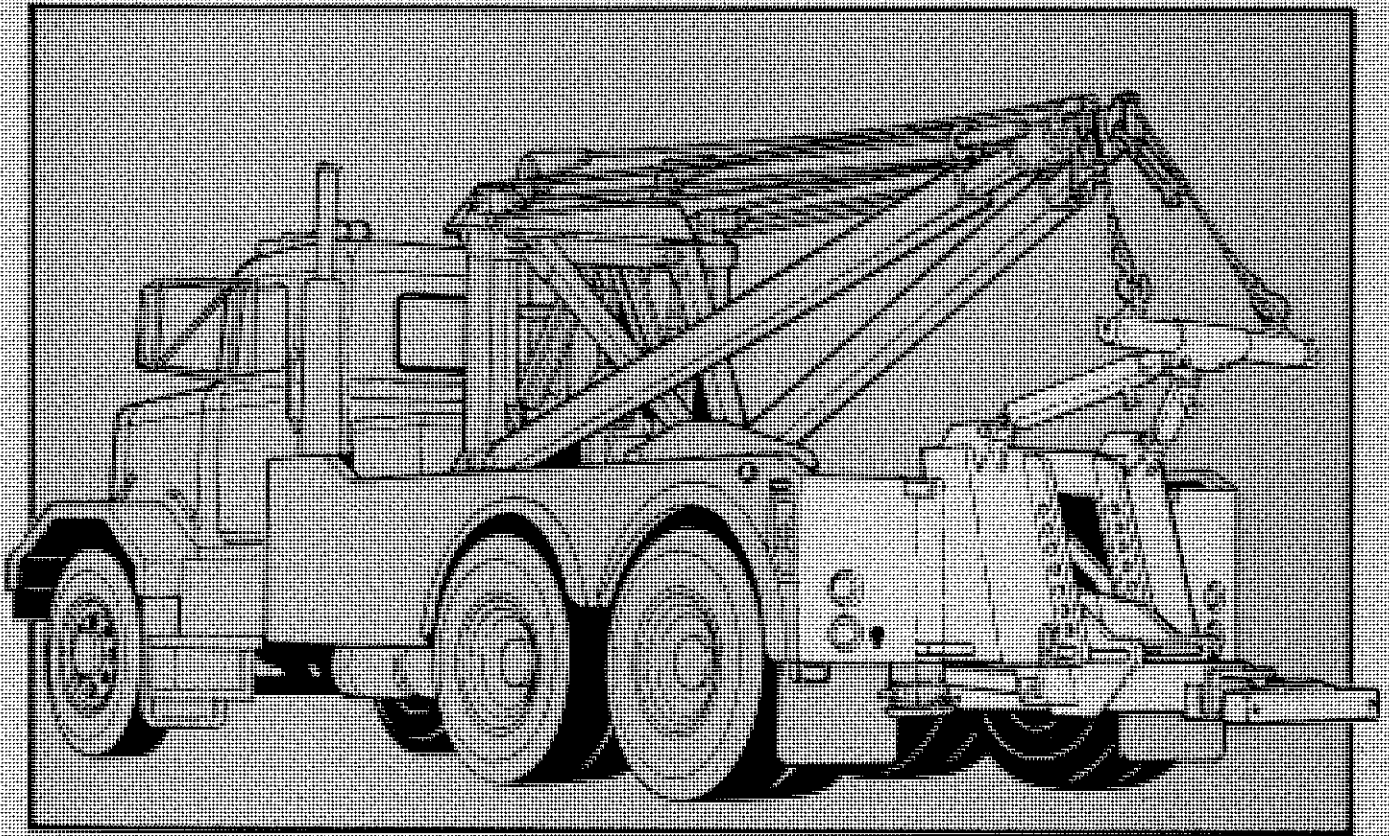


CENTURY®



OWNER'S MANUAL HEAVY DUTY UNDERLIFT RETROFIT (HDUR)

CENTURY®
WRECKER
CORPORATION

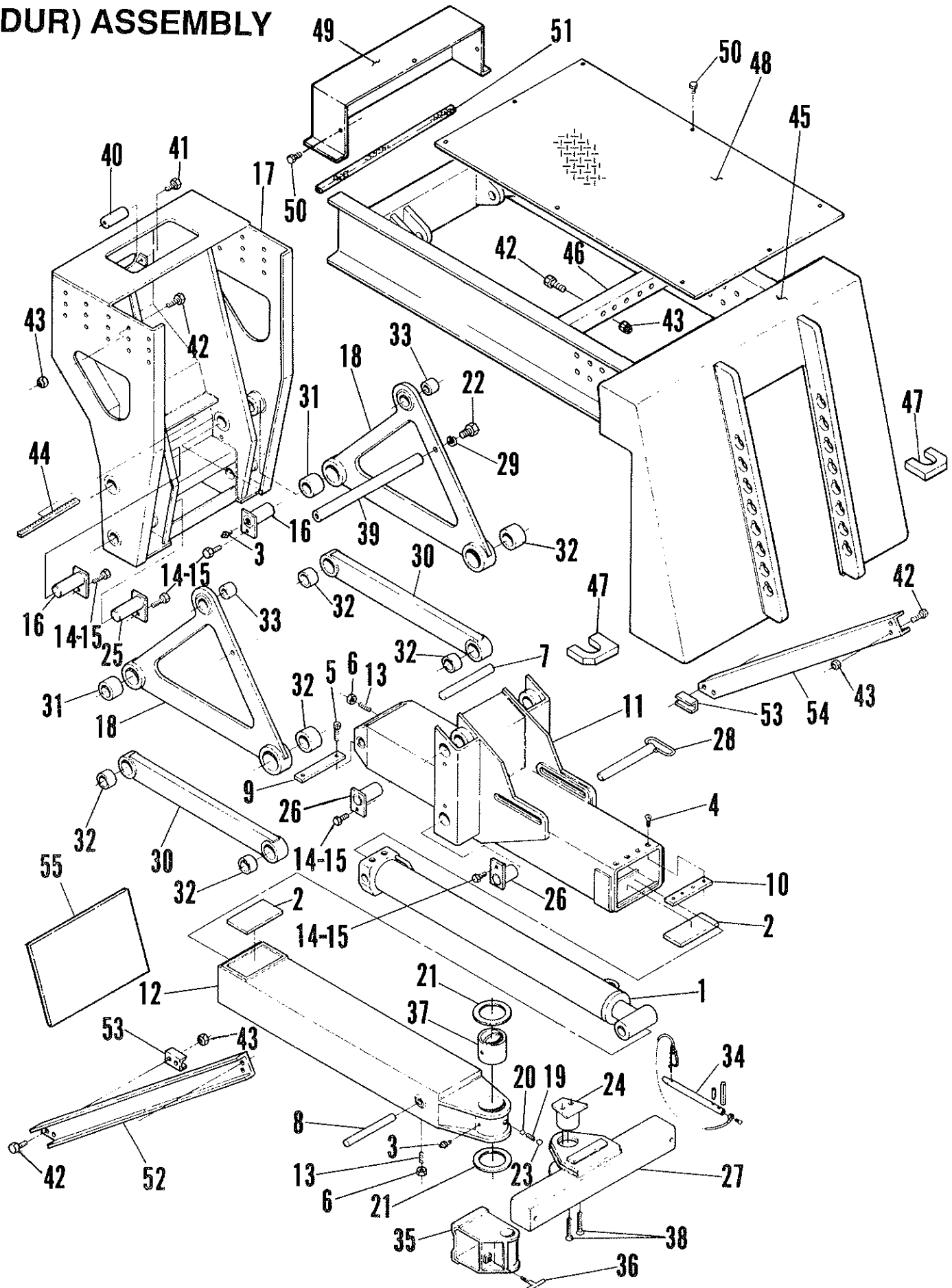
INSTALLATION, OPERATION,
MAINTENANCE & PARTS

I-75 at Collewah Exit #11 • 5503 Hilltop Drive • Collewah, Tennessee 37351 • (615) 238-4171
Mailing Address: P.O. Box 120 • Collewah, Tennessee 37352 • Telex 255567 CENWKRTH UD
MANUAL NO. 5503370
PRICE \$15.05

Section VI

PARTS

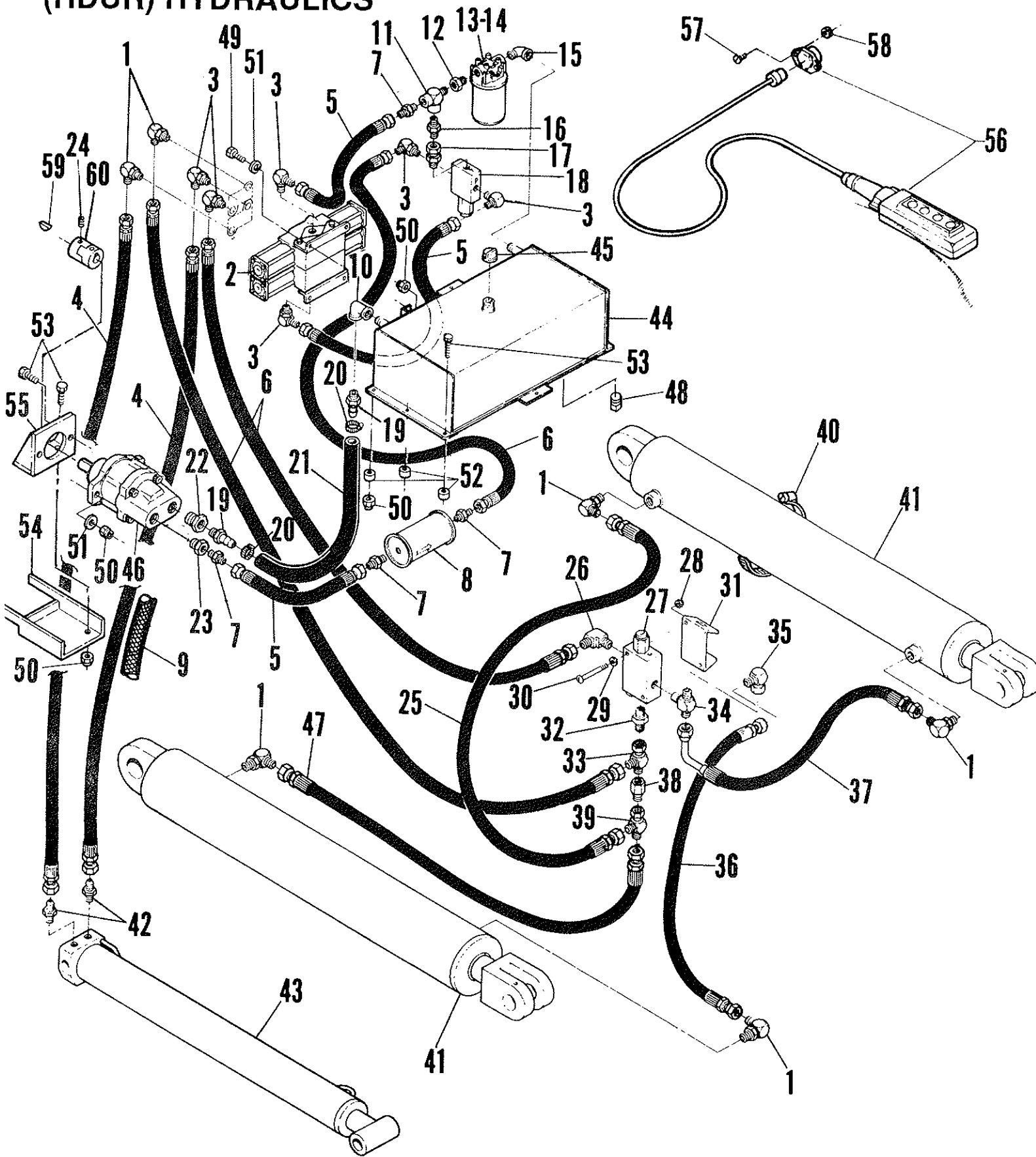
Section VI - PARTS (HDUR) ASSEMBLY



Section VI - PARTS (HDUR) ASSEMBLY

REF. NO.	NO. REQ'D.	PART NUMBER	DESCRIPTION
1	1	0302002	CYLINDER, HDU EXTEND
2	2	0302009	PAD, NYLATRON SLIDE
3	6	0300113	GREASE FITTING, 1/4" - 28 STR.
4	4	0400134	SCREW, 3/8" - 24 X 3/4" LG. FLAT SOCKET HD.
5	2	0400207	SCREW, 1/2" - 20 X 3/4" LG. SOCKET HD. CAP
6	2	0400392	NUT, 3/8" - 16 NYLON LOCK ZINC PL
7	1	0703996	SHAFT, EXT. CYL. OUTER BOOM
8	1	0703997	SHAFT, EXT. CYL. INNER BOOM
9	1	0704001	GUIDE BAR
10	1	0704017	STOP PLATE, OUTER BOOM
11	1	0801155	OUTER BOOM WELDMENT
12	1	0801154	INNER BOOM WELDMENT
13	2	0400139	SCREW, 3/8" - 16 NC SOC HD. SET
14	4	0400177	SCREW, 1/2" - 13 X 1-1/4" LG. HEX. HD. CAP. GR. 5 ZINC PL
15	8	0400408	NUT, 1/2" - 13 NYLON LOCK ZINC PL
16	2	0801147	SHAFT, FRAME UPPER ARM
17	1	0801156	FRAME WELDMENT
18	2	0801141	UPPER ARM & CRANK WELDMENT
19	1	0301197	SPRING
20	1	0301398	BALL
21	2	0302006	THRUST WASHER
22	2	0400323	SCREW, 1" - 8 X 2-1/2" LG. HEX. HD. CAP. GR. 5
23	1	0704000	DETENT SPRING SPACER
24	1	0801146	PIVOT PIN WELDMENT
25	2	0801148	SHAFT, FRAME LOWER ARM
26	4	0801149	SHAFT, BOOM UPPER & LOWER
27	1	0801152	CROSSBAR
28	1	0900879	SAFETY PIN
29	2	0400516	LOCKWASHER, HELICAL 1" ZINC PLATED
30	2	0801153	LOWER ARM WELDMENT
31	2	0302005	BUSHING, UPPER ARM & CRANK
32	6	0302004	BUSHING, LOWER PIVOT ARM
33	2	0302003	BUSHING, UPPER ARM & CRANK CYLINDER PIN
34	2	0900900	PIN ASS'Y, RETAINING
35	2	0801150	FORK ADAPTOR WELDMENT
36	2	0800993	TEE HANDLE
37	1	0302019	BUSHING, PIVOT PIN
38	2	0400208	SCREW, 1/2" - 20 NF X 2 LG. SOC. FLT. HD.
39	1	0703974	TUBE, CONNECTING
40	1	0703441	ROLLER
41	2	0400070	SCREW, 1/4" - 20 NC X 1" LG. HEX. HD. CAP. ZINC PL
42	23	0400302	SCREW, 7/8" - 9 NC X 2" LG. HEX. HD. CAP. ZINC PL
43	23	0400436	NUT, 7/8" - 9 NC NYLON LOCK ZINC PL
44	1	0301870	GROMMET, CATERPILLAR
45	1	0801386	FRAME, SLIDE-IN RAIL & TAILGATE WELDMENT
46	1	0704041	ANGLE - HDU FRAME ATTACHING
47	2	0704733	PLATE - TWO POSITION ANCHOR
48	1	0704730	COVER, REAR DECK
49	1	0801387	COVERPLATE, VALVE WELDMENT
50	11	0400066	SCREW, 1/4" - 20 X 3/4" LG. HEX. HD. CAP, GR. 5, ZP
51	1	0704732	TRIM LOCK
52	1	0704002	CHANNEL, L.H. SUPPORT
53	2	0801151	BRACKET, SUPPORT BRACE
54	1	0704003	CHANNEL, R.H. SUPPORT
55	2	0704739	COVER, REAR MUD GUARD CUT-OUT

Section III - PARTS (HDUR) HYDRAULICS

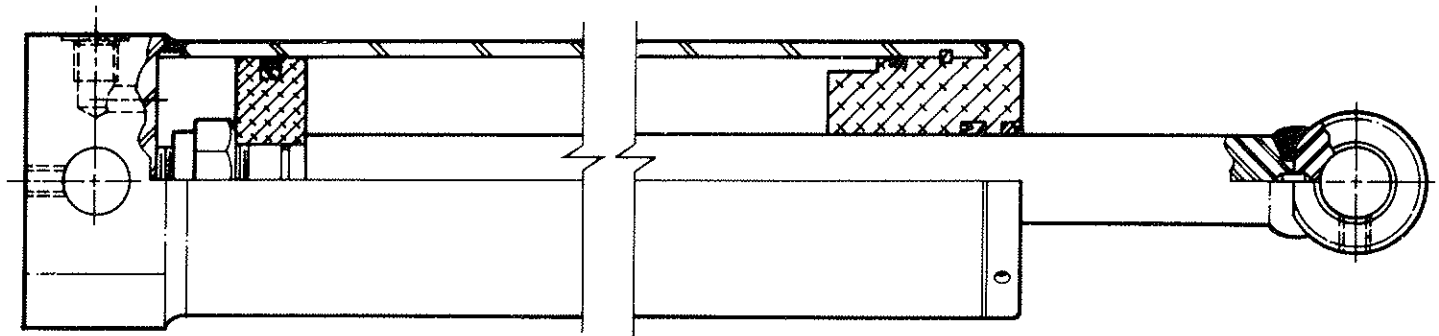


Section VI - PARTS (HDUR) HYDRAULICS

REF. NO.	NO. REQ'D.	PART NUMBER	DESCRIPTION
1	6	0301470	ELBOW, 90° MALE SWIVEL
2	1	0301379	VALVE, SOLENOID
3	6	0301388	ELBOW, 90° MALE SWIVEL
4	2	0301662	HOSE ASS'Y, 120" LG.
5	3	0301414	HOSE ASS'Y
6	2	0300659	HOSE ASS'Y
7	4	0300040	CONNECTOR, STRAIGHT
8	1	0301699	FILTER, IN-LINE
9	1	0301672	SCUFF GUARD
10	1	0302107	ELBOW, 90° F
11	1	0301440	TEE, MALE X FEMALE X FEMALE
12	1	0300757	CONNECTOR, REDUCER
13	1	0300136	FILTER W/HOUSING
14	1	0300146	FILTER, SPIN-ON REPLACEMENT
15	1	0300288	ELBOW, STREET
16	1	0302104	CONNECTOR, STRAIGHT
17	1	0302105	CONNECTOR, SWIVEL
18	1	0301595	VALVE, RESTRICTOR
19	2	0300055	HOSE BARB
20	2	0300071	CLAMP HOSE
21	1	0302103	HOSE RETURN
22	1	0302113	REDUCER
23	1	0300050	REDUCER
24	2	0400120	SCREW, LOCKING SET
25	2	0302000	HOSE ASS'Y
26	1	0302051	ELBOW, 90° MALE
27	1	0301731	VALVE HOLDING
28	2	0400367	NUT, NYLON LOCK
29	2	0400451	WASHER, FLAT
30	2	0400064	SCREW, PAN HEAD
31	1	0703001	BRACKET, VALVE MOUNTING
32	1	0302053	CONNECTOR, STRAIGHT
33	1	0302052	TEE, FEMALE SWIVEL X MALE X MALE
34	1	0301855	TEE, MALE X MALE X MALE
35	1	0301993	ELBOW, 90° FEMALE SWIVEL X MALE
36	1	0301997	HOSE ASS'Y
37	1	0301999	HOSE ASS'Y
38	1	0301995	CONNECTOR, REDUCER
39	1	0301996	TEE, FEMALE SWIVEL X MALE X MALE
40	1	0300133	CLAMP, MOUNTING BRACKET
41	2	0302050	CYLINDER, HDU LIFT
42	2	0301522	CONNECTOR, STRAIGHT
43	1	0302002	CYLINDER, HDU EXTEND
44	1	0801385	RESERVOIR
45	1	0702741	CAP, RESERVOIR FULL
46	1	0302101	PUMP, HYDRAULIC W/1/4" SQ. KEY
47	1	0301998	HOSE ASS'Y.
48	1	0300347	PLUG, SQ. HD.
49	4	0400122	SCREW, 3/8" - 16 X 1-1/4" LG. HEX. HD. CAP. GR. 5 ZP
50	14	0400392	NUT, 3/8" - 16 NYLON LOCK

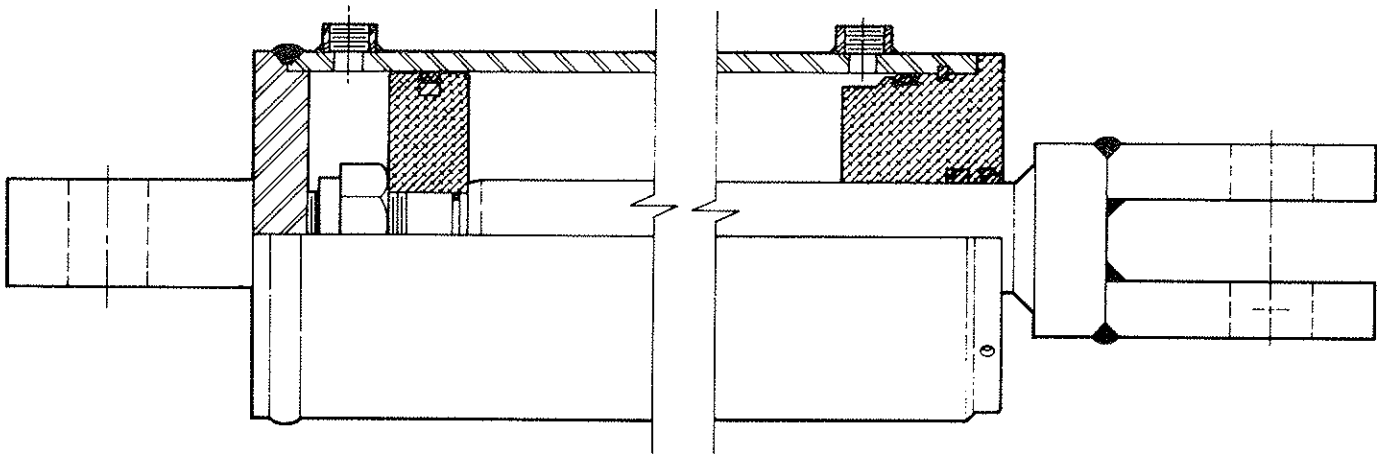
Section VI - PARTS

HYDRAULIC CYLINDERS



HDUR BOOM EXTEND CYLINDER

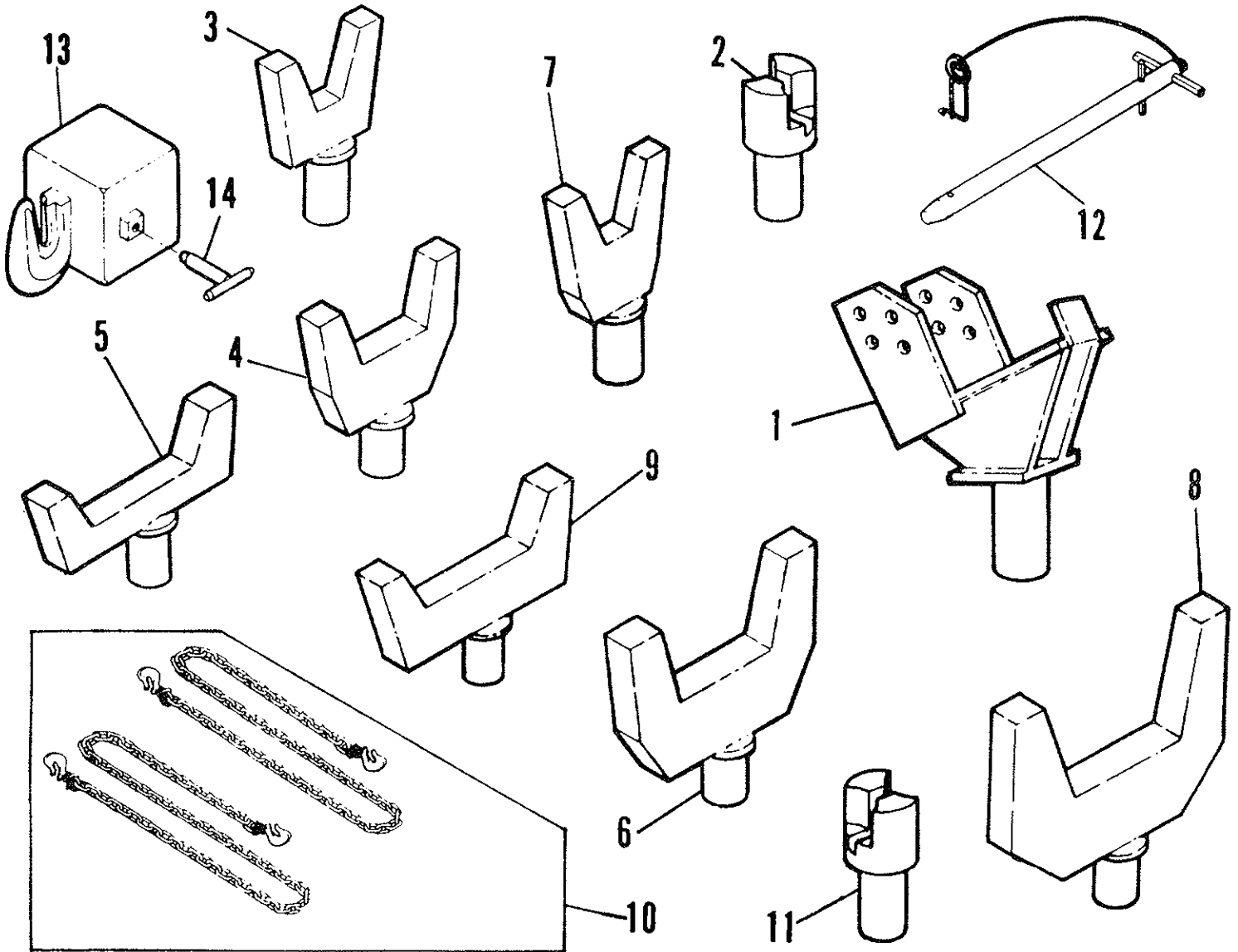
REF. NO.	NO. REQ'D.	PART NUMBER	DESCRIPTION
1	1	0302002	HYDRAULIC CYLINDER, BOOM EXTEND (COMPLETE)
2	1	0304319	SEAL KIT, BOOM EXTEND CYLINDER



HDUR LIFT CYLINDER (4" BORE)

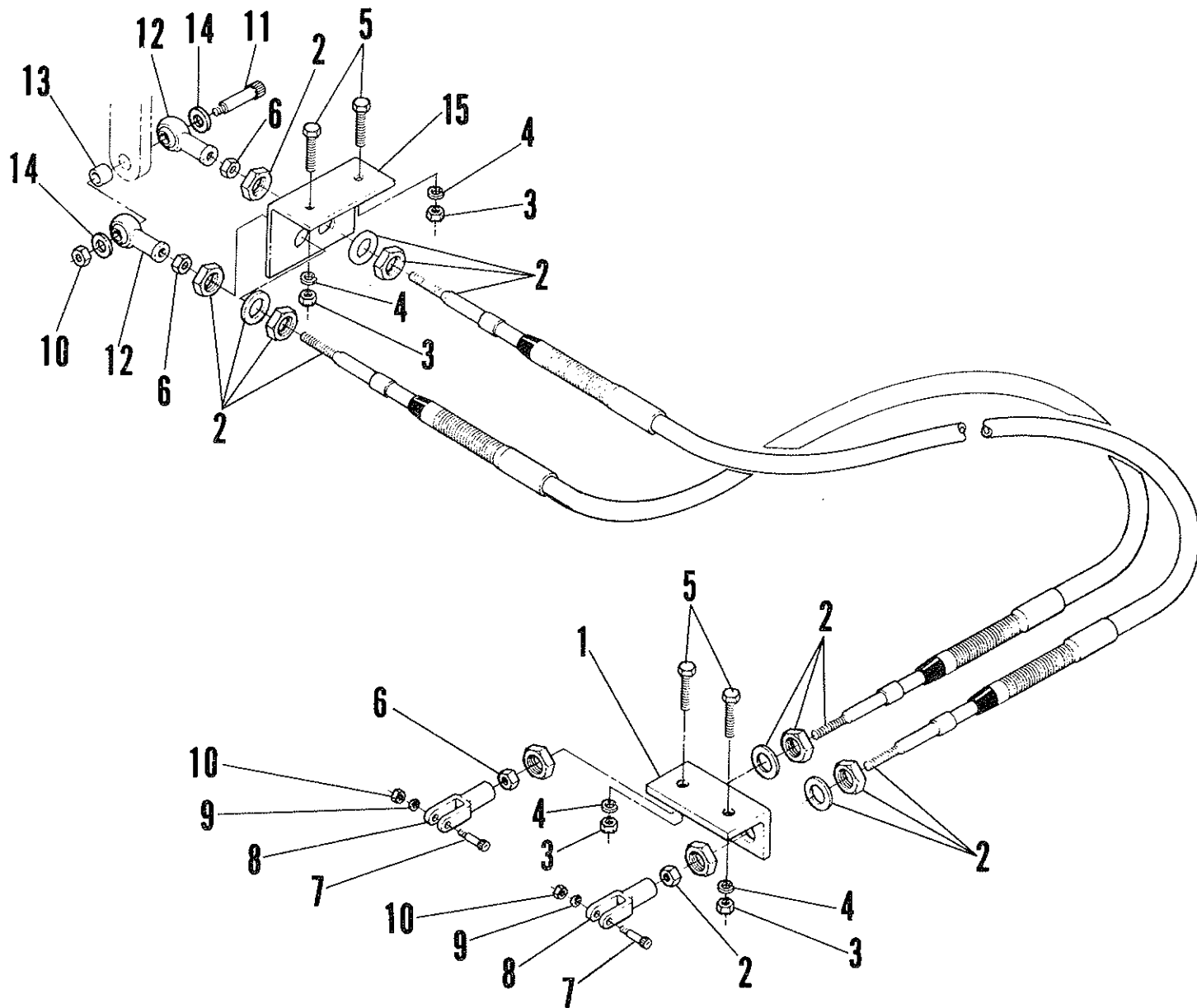
REF. NO.	NO. REQ'D.	PART NUMBER	DESCRIPTION
1	1	0302050	HYDRAULIC CYLINDER, HDUR LIFT (4" BORE) COMPLETE
2	1	0304320	SEAL KIT, HDUR LIFT CYLINDER (4" BORE)

Section VI - PARTS - LIFT ADAPTORS



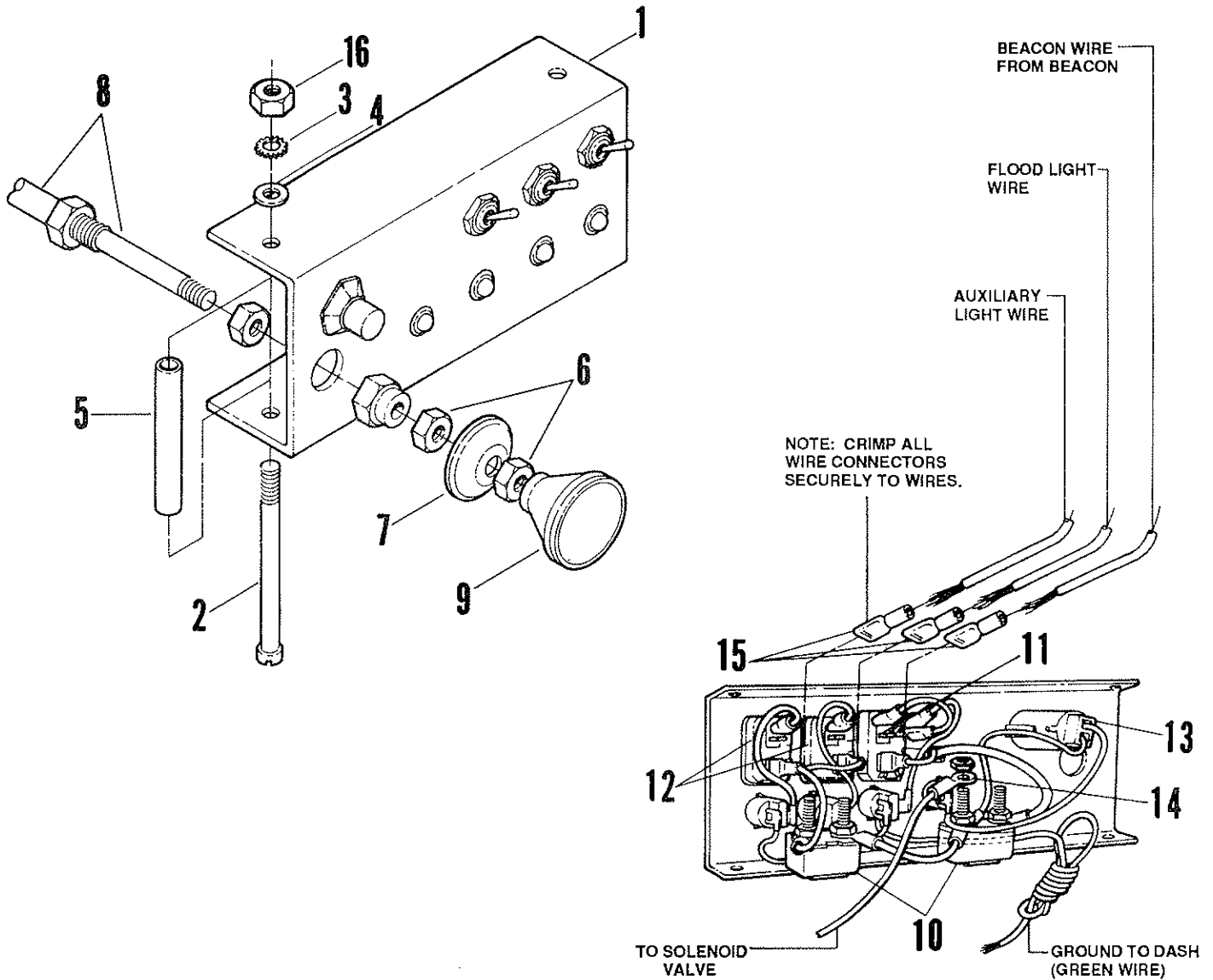
REF. NO.	NO. REQ'D.	PART NUMBER	DESCRIPTION
1	2	0801090	SPRING LIFT BRACKET (OPTIONAL)
2	2	0703591	5/8" CHAIN LIFT ADAPTOR
3	2	0800858	FORK WELDMENT, SHORT (3" OPENING)
4	2	0800857	FORK WELDMENT, MEDIUM (3" OPENING) (OPT)
5	2	0801086	FORK WELDMENT, SHORT (4-1/2" OPENING)
6	2	0801088	FORK WELDMENT, LONG (4-1/2" OPENING)
7	2	0800859	FORK WELDMENT, LONG (3" OPENING)
8	2	0801077	REAR AXLE FORK, 6" OPENING (OPTIONAL)
9	2	0801087	FORK WELDMENT MEDIUM (4-1/2" OPENING)(OPT)
10	2	0301205	TOWBAR CHAINS, 5/8" X 96" W/HOOKS (OPTIONAL)
11	2	0703785	1/2" CHAIN LIFT, ADAPTOR (OPTIONAL)
12	2	0900900	RETAINER PIN, SPRING LIFT BRACKET (OPTIONAL)
13	1	0801186	CHAIN HOOK ADAPTOR, R.H. (OPTIONAL)
—	1	0801187	CHAIN HOOK ADAPTOR, L.H. (OPTIONAL)
14	2	0801184	TEE HANDLE

Section VII - OPTIONAL EQUIPMENT CONTROL CABLE ASSEMBLY



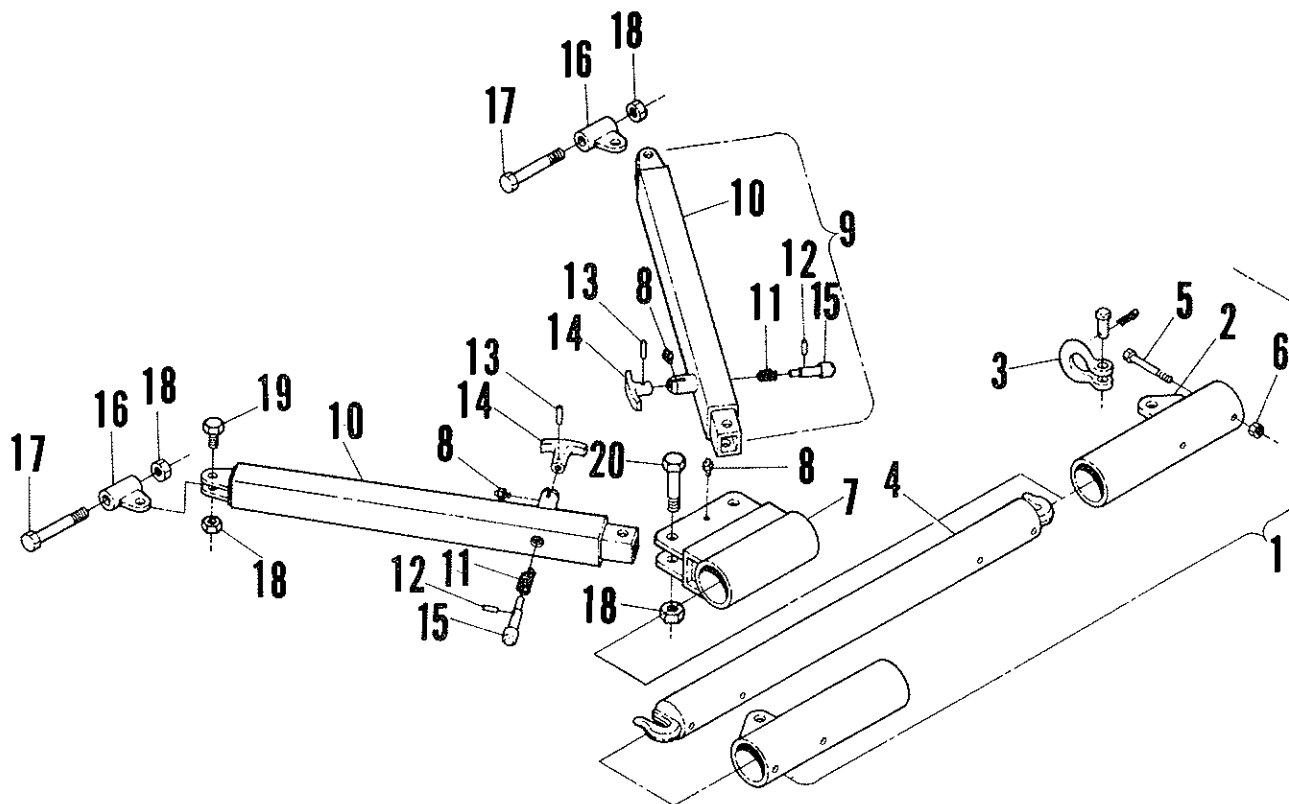
REF. NO.	NO. REQ'D.	PART NUMBER	DESCRIPTION
1	2	0704736	BRACKET, REAR CONTROL CABLE MOUNTING
2	4	0302109	CABLE, CONTROL ASS'Y.
3	8	0400407	NUT, 1/2" - 13 HEX ZP
4	8	0400491	WASHER, 1/2" HELICAL LOCK - ZP
5	8	0400209	SCREW, 1/2" - 13 X 1-1/4" LG. GR. 5 ZP HEX HD. CAP
6	8	0400388	NUT, 3/8" - 24 ZP HEX JAM
7	4	0400095	BOLT, 5/16" - 18 X 1" LG. SOCKET HEAD SHOULDER
8	4	0302110	YOKE, ADJUSTABLE END
9	4	0400482	WASHER, 3/8" HELICAL ZP LOCK
10	6	0400382	NUT, 5/16" - 18 ZP NYLON LOCK
11	2	0400092	BOLT, 5/16" - 18 X 1-11/2" LG. SOCKET HEAD SHOULDER
12	4	0302111	ROD END
13	2	0704738	BUSHING, 9/16" O.D. X 14 GA. X .397 I.D. D.O.M. CLUTCH SHIFTER
14	4	0400463	WASHER, 5/16" ZP FLAT
15	2	0704737	BRACKET, FRONT CONTROL CABLE MOUNTING

Section VII - OPTIONAL EQUIPMENT DASHBOARD PANEL



REF. NO.	NO. REQ'D.	PART NUMBER	DESCRIPTION
1	1	0304155	SWITCH PANEL HOUSING
2	2	0304156	MTG. SCREW #10 - 32 x 3 - 3/8
3	2	0304157	LOCKWASHER, #10 EXT. TOOTH
4	2	0304158	FLAT WASHER, #10
5	2	0304159	SPACER TUBE
6	2	0304160	JAM NUT
7	1	0304161	ACTUATOR DISK
8	1	0301421	PTO CABLE, 14 FT.
9	1	0304163	PTO KNOB
10	2	0304162	CIRCUIT BREAKER, 40 AMP
11	1	0304154	SWITCH, DOUBLE POLE, SINGLE THROW
12	2	0304006	SWITCH, SINGLE POLE, SINGLE THROW
13	1	0304164	PTO LIGHT SWITCH
14	1	0301503	RING CONNECTOR
15	3	0304165	SPADE CONNECTOR
16	2	0304166	NUT, 10-32

Section VII - OPTIONAL EQUIPMENT HEAVY DUTY TRUCK HITCH



REF. NO.	NO. REQ'D.	PART NUMBER	DESCRIPTION
—	—	1201041	ASSEMBLY, HEAVY DUTY TRUCK HITCH
1	1	0900100	ASSEMBLY, ANCHOR BAR (INCLUDES ITEMS 2 THRU 8)
2	2	0800409	LIFTER SLEEVE WELDMENT
3	2	0300335	SHACKLE
4	1	0800182	ANCHOR BAR WELDMENT
5	4	0400190	BOLT, 1/2" - 13 X 6-1/2" LG. HEX. HD. GR. 5, PL.
6	4	0400408	NUT, 1/2" - 13 NYLOK PL.
7	1	0800181	SWIVEL WELDMENT
8	3	0300113	GREASE FITTING
9	2	0900187	SPACER BAR ASS'Y. (INCLUDES ITEMS 8 & 10 THRU 15)
10	2	0800343	SPACER BAR WELDMENT
11	2	0300004	SPRING, PLUNGER
12	2	0400563	ROLL PIN, 3/16" X 1-3/4" LG. PL.
13	2	0400561	ROLL PIN, 5/32" X 3/4" LG. PL.
14	2	0300331	HANDLE, TEE
15	2	0700526	PIN, PLUNGER
16	2	0800171	TRUNNION WELDMENT
17	2	0400324	BOLT, 1" - 8 X 7-1/2" LG. HEX. HD. GR. 5, PL.
18	6	0400444	NUT, 1" - 8 HEX. NYLOK GR. 5, PL.
19	2	0400332	BOLT, 1" - 8 X 3-1/2" LG. HEX. HD. GR. 5, PL.
20	2	0400331	BOLT, 1" - 8 X 5-1/2" LG. HEX. HD. GR. 5, PL.
21	2	0301205	CHAIN ASS'Y.

**CENTURY -
WRECKER
CORPORATION**

1-75 at Collewah Est #11 • 8503 Hilltop Drive • Collewah, Tennessee 37053 • (615) 238-4171

Mailing Address: P.O. Box 120 • Collewah, Tennessee 37053 • Telex 056967 CENWKR TN UD