

CENTURY®

LEGENDARY LEADERSHIP



OWNER'S MANUAL

1060S / SDU2

INSTALLATION, OPERATION, MAINTENANCE & PARTS

**NOTE: MANUAL including SPECIFICATIONS, subject to change without notice
All ratings specified are based on structural factors only,
not vehicle capacities or capabilities.**

CENTURY®

Miller Industries Towing Equipment Inc.

8503 Hilltop Drive

Ooltewah, Tennessee 37363

Phone (423) 238-4171 • FAX (423) 238-5371

FORM NO. 0501058

01 / 2000

PRICE \$25.00

LIMITED WARRANTY

MILLER INDUSTRIES TOWING EQUIPMENT INC., hereinafter referred to as MILLER, warrants to the original purchaser that each new MILLER wrecker or other MILLER products will be free from defects in material and workmanship for a period of twelve (12) months from date placed in service, but in no event shall such warranty period exceed twenty-four (24) months from date of manufacture by MILLER. The purchaser must promptly notify MILLER in writing of any failure in material or workmanship. In no event shall MILLER accept such notification later than twenty-four (24) months from date of delivery or twelve (12) months from date placed in service, whichever is earlier.

MILLER's obligation under this warranty, statutory or otherwise, is limited to the repair or replacement at the MILLER factory, or at a point designated by MILLER, of such part or parts as shall appear upon inspection by MILLER to be defective in material or workmanship. New or remanufactured parts will be used for any replacement at MILLER's option. This warranty is not transferable. This warranty does not obligate MILLER to bear the cost of labor or transportation charges in connection with the repair or replacement of any parts found to be defective, nor shall it apply to a product upon which repairs or alterations have been made unless authorized by MILLER.

EXCEPT AS EXPRESSLY SET FORTH IN THIS WARRANTY, MILLER MAKES NO OTHER WARRANTY, EXPRESS OR IMPLIED, AND HEREBY DISCLAIMS ALL OTHER WARRANTIES INCLUDING, BUT NOT LIMITED TO, THE IMPLIED WARRANTIES OF MERCHANTABILITY AND FITNESS FOR A PARTICULAR PURPOSE. MILLER shall in no event be liable for claimed downtime, claimed loss of profits or goodwill, or any other special, incidental, indirect, or consequential damages concerning or relating to any product or parts, whether based on negligence, strict liability, breach of contract, breach of warranty, misrepresentation or any other legal theory, regardless of whether the loss resulted from any general or particular requirement which MILLER knew or had reason to know about at the time of sale.

MILLER MAKES NO WARRANTY, EXPRESS OR IMPLIED, AS TO THE FINISHED PRODUCTS MANUFACTURED OR SUPPLIED BY ANOTHER MANUFACTURER AND SUPPLIED BY MILLER TO PURCHASER, including, but not limited to, any vehicle to which a MILLER product may be affixed or any accessories or wire rope, and MILLER EXPRESSLY DISCLAIMS ANY IMPLIED WARRANTIES OF MERCHANTABILITY OR FITNESS FOR A PARTICULAR PURPOSE AS TO SUCH EQUIPMENT OR PRODUCTS. This language shall in no way affect or diminish the rights of the purchaser to rely on such warranties as are extended by such manufacturers or suppliers. MILLER shall, to the extent permitted under applicable law, pass on to the purchaser such manufacturer's or seller's warranty.

MILLER, whose policy is one of continuous improvement, reserves the right to improve its products through changes in design or materials as it may deem desirable without being obligated to incorporate such changes in products previously sold. This warranty is not intended to cover or include the following items, which are set forth by way of example and not limitation:

- A. Normal deterioration of trim, paint, lettering, and appearance items due to wear or exposure to weather, road conditions, road treatments, etc.
- B. Any damage or defect due to accident, misuse, abuse, improper or unauthorized repairs, failure to provide reasonable and necessary maintenance, or uses for which the equipment was not designed or intended.
- C. Alterations or modifications that affect performance, operation or reliability.
- D. Normal maintenance parts including, but not limited to, wear pads, bushings, wire rope, mud flaps, fenderettes, light bulbs, hydraulic oil, filters, and tow sling belts.

IT IS EXPRESSLY UNDERSTOOD THAT MILLER MAKES NO IMPLIED WARRANTY THAT MILLER PRODUCTS SHALL BE FIT FOR THE PURPOSE OF LIFTING OR MOVING PEOPLE OR FOR ANY OTHER IMPROPER USE.



Miller Industries Towing Equipment Inc.
8503 Hilltop Drive
Ooltewah, Tennessee 37363

Telephone (423) 238-4171

SERIAL NUMBER

Section VI - PARTS

This Section is provided by the manufacturer for the purpose of ordering any component part of the **1060S Recovery Unit** and **SDU/2 Underlift** that may be required when part replacement is necessary.

Be certain to use only original equipment replacement parts for warranty purposes as well as for keeping your **1060S Recovery Unit** and **SDU/2 Underlift** in its original state and optimum operating capacities.

When ordering replacement or spare parts be sure to provide the following information to the manufacturer's **Parts Department**.

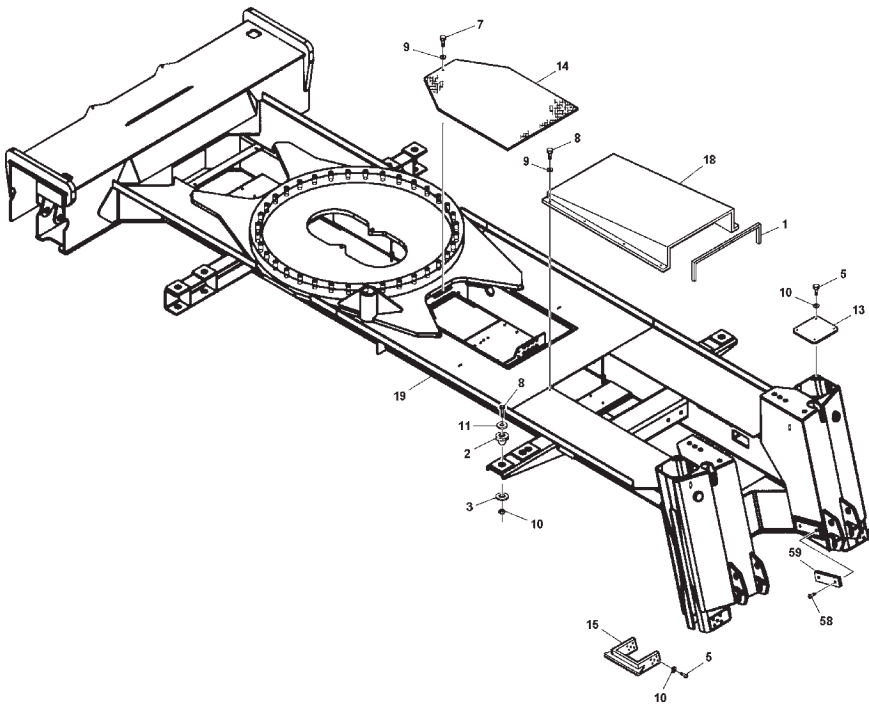
1. **Manual Number & Date of Publication**
2. **Manual Page Number**
3. **Page Title**
4. **Reference Number of Part Desired**
5. **Part Number**
6. **Part Description**
7. **Quantity of Part Desired**

Providing this information will help ensure that the correct parts will be delivered to you in an expedient manner. Should additional information be required for repair or replacement of certain components, contact your Wrecker Manufacturer Authorized Representative.

The Manufacturer reserves the right, without notice or obligation, to improve or modify their products, which may change the specifications, models and feature availability.

Section VI - PARTS (cont'd)

SUBFRAME ASSEMBLY



Section VI - PARTS (cont'd)

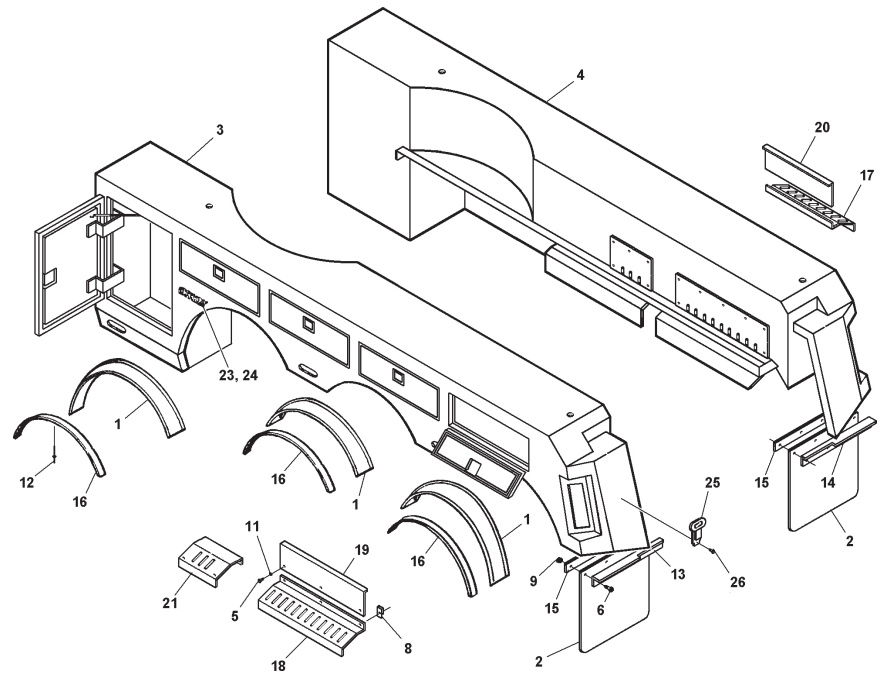
SUBFRAME ASSEMBLY

REF. NO.	NO. REQ'D	PART NUMBER	DESCRIPTION
1	3 FT.	0301851	TRIM-LOK, 1/8"
2	8	0302540	CENTER BONDED MOUNT
3	16	0302541	SPECIAL WASHER
4	7 FT.	0303056	"D" GASKET (NOT SHOWN)
5	20	0400066	SCREW, 1/4"-20 X 3/4" HEX HD CAP
6	4	0400276	SCREW, 5/8"-11 X 4-1/2" HEX HD CAP
7	8	0400281	SCREW, 3/4"-10 X 3-1/2" HEX HD CAP
8	8	0400294	SCREW, 3/4"-10 X 6-1/2" HEX HD CAP
9	16	0400430	NUT, 3/4"-10 HEX NYLOK
10	15	0400452	LOCKWASHER, 1/4" HELICAL
11	8	0400506	WASHER, 5/8" FLAT
12	4	0400508	LOCKWASHER, 5/8" HELICAL
13	2	0707194	COVER, SPADE TUBE
14	1	0710537	PLATE, VALVE COVER
15	2	0712204	REINFORCEMENT, OUTER TUBE
16	1	0714342	COVER, LT CHAIN BOX
17	1	0714343	COVER, RT CHAIN BOX
18	1	0804114	CYLINDER COVER WELDMENT
19	1	0804240	1060S - SDU/2 SUBFRAME WELDMENT
--	--	0902553	"D" RING KIT (NOT SHOWN)
20	2	0400564	ROLL PIN, 3/8" X 1-3/4" (NOT SHOWN)
21	2	0708452	"D" RING, TOWING (NOT SHOWN)
22	2	GA0215	PIN, "D" RING (NOT SHOWN)
--	--	0903729	SAFETY CHAIN ASSEMBLY
23	2	0303445	SAFETY CHAIN - SYSTEM 10
24	2	0400211	SCREW, 1/2"-13 X 1-3/4" HEX HD CAP
25	2	0400408	NUT, 1/2"-13 HEX NYLOK
26	4	0400492	WASHER, 1/2" FLAT

REF. NO.	NO. REQ'D	PART NUMBER	DESCRIPTION
--	--	0903793	HOUSE LOCK KIT (NOT SHOWN)
28	1	0300341	KNOB, BLACK
29	1	0302230	ADJUSTABLE CLEVIS, AC-210
30	1	0302231	ADJUSTABLE CLEVIS, AC-218
31	1	0302641	SPRING, PLUNGER PIN
32	1	0303229	CONTROL CABLE, 90"
33	1	0400070	SCREW, 1/4"-20 X 1" HEX HD CAP
34	1	0400095	SCREW, 5/16"-18 X 1/2" SHOULDER
35	4	0400118	SCREW, 5/16"-18 X 3/4" HEX HD CAP
36	6	0400148	SCREW, 3/8"-16 X 1-1/4" HEX HD CAP
37	1	0400150	SCREW, 3/8"-16 X 2-1/2" HEX HD CAP
38	2	0400365	NUT, 1/4"-28 HEX
39	1	0400367	NUT, 1/4"-20 HEX NYLOK
40	4	0400382	NUT, 5/16"-18 HEX NYLOK
41	2	0400388	NUT, 3/8"-24 HEX NYLOK
42	7	0400392	NUT, 3/8"-16 HEX NYLOK
43	1	0400393	NUT, 3/8"-16 HEX JAM
44	1	0400463	WASHER, 5/16" FLAT
45	5	0400480	WASHER, 3/8" FLAT
46	1	0400492	WASHER, 1/2" FLAT
47	1	0705698	CONNECTOR, ALLTHREAD
48	1	0709331	RETAINING PIN, HOUSE LOCK
49	1	0709380	BELL CRANK, HOUSE LOCK
50	1	0709655	PLATE, CONTROL CABLE MOUNTING
51	1	0711970	BRACKET, HOUSE LOCK CONTROL
52	2	0712230	BOSS, TURNTABLE LOCK
53	1	0712741	COVER PLATE, HOUSE LOCK
54	1	0715717	SPRING, SPACER
55	1	0802859	CONTROL HANDLE, WELDMENT
56	1	0803056	COVER, HOUSE LOCK WELDMENT
57	1	HD0900	BEARING, ROD END 1/4"-28
--	--	0904049	BOOM/TAILGATE BUMPER KIT
58	2	0303481	SLIDE PAD, BUMPER
59	4	0400223	SCREW, 3/8"-16 X 3/4" FL HD SKT

Section VI - PARTS (cont'd)

BODY ASSEMBLY



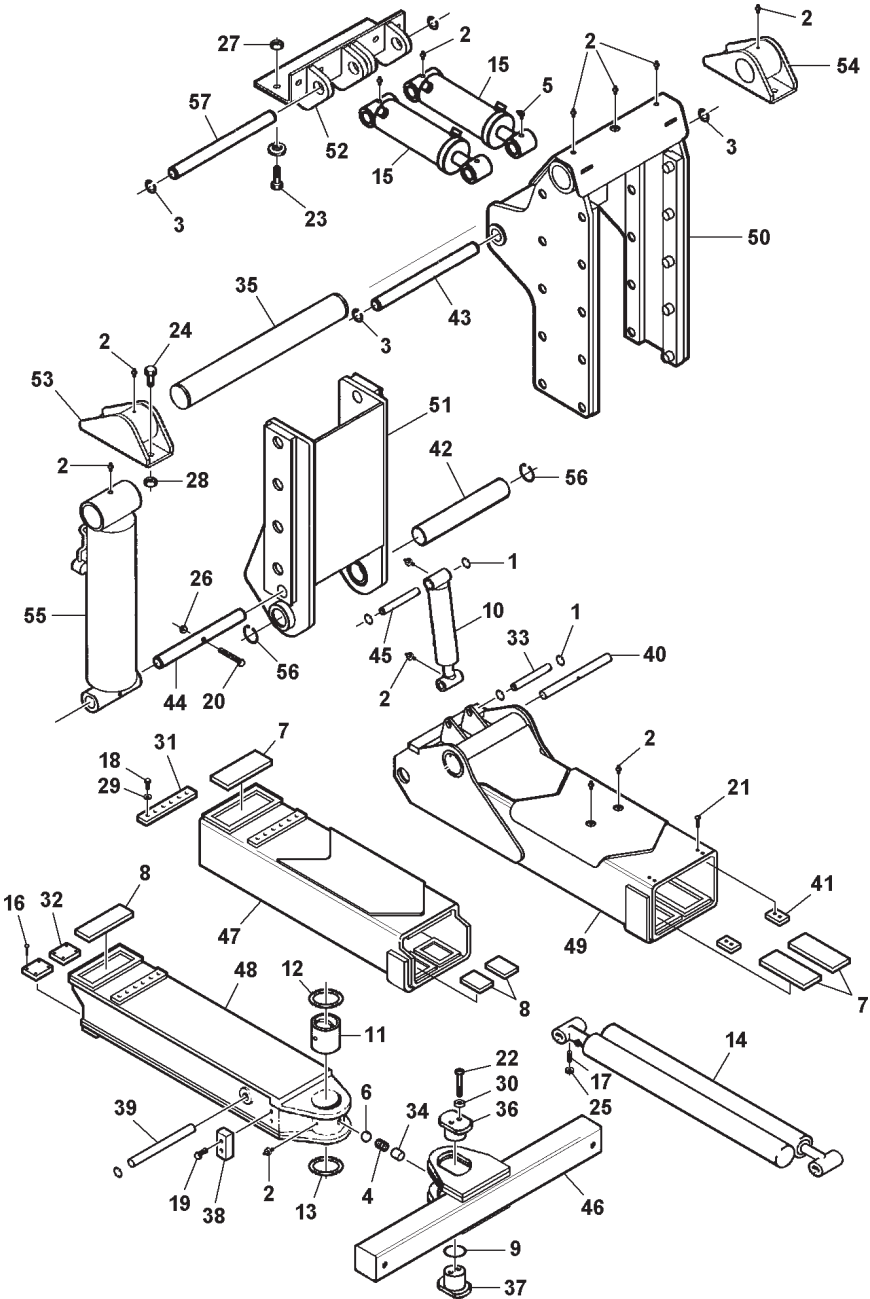
Section VI - PARTS (cont'd)

BODY ASSEMBLY

REF. NO.	NO. REQ'D	PART NUMBER	DESCRIPTION
1	35 FT.	0300345	FENDER, RUBBER
2	2	0301223	MUDFLAP
3	1	0303728	TOOL COMPARTMENT, LEFT 180" C.B.
4	1	0303729	TOOL COMPARTMENT, RIGHT 180" C.B.
5	6	0400066	SCREW, 1/4"-20 X 3/4" HEX HD CAP
6	8	0400122	SCREW, 3/8"-16 X 1-1/4" HEX HD CAP
7	76	0400303	SCREW, 7/8"-9 X 2-1/2" HEX HD CAP
8	6	0400369	CLIP, 1/4" "J" TINNERMAN
9	8	0400392	NUT, 3/8"-16 HEX NYLOK
10	76	0400436	NUT, 7/8"-9 HEX NYLOK
11	6	0400451	WASHER, 1/4" FLAT
12	108	0400566	RIVET, 1/4"
13	1	0705090	ANGLE, MUDFLAP MOUNTING LEFT
14	1	0705091	ANGLE, MUDFLAP MOUNTING RIGHT
15	2	0705092	BAR, MUDFLAP
16	6	0706609	RETAINING STRIP, RUBBER FENDER
17	1	0712761	PANEL, CONTROL
18	1	0712155	PANEL, CONTROL, 12 SLOT
19	1	0712156	PANEL, GAUGE
20	1	0712157	PANEL, WINCH FREE SPOOL
21	1	0712159	PANEL, CONTROL
22	2	0801175	FORK STORAGE BRACKET
--	--	0901496	CENTURY NAMEPLATE KIT
24	6	0400035	SCREW, #10-24 X 1/2" OVAL HD SELF TAP
25	2	0500406	CENTURY NAMEPLATE
--	--	0902113	BOARDING STEP KIT
26	2	0300097	FOLDING STEP
27	4	0400101	SCREW, 5/16"-18 X 1" RD HD SLOTTED
28	4	0400382	NUT, 5/16"-18 HEX NYLOK
--	--	0903069	BACKUP ALARM KIT (NOT SHOWN)
29	1	0303061	BACK UP ALARM
30	2	0400057	SCREW, 1/4"-20 X 1-1/4" HEX HD CAP
31	2	0400367	NUT, 1/4"-20 HEX NYLOK
--	--	0903999	DOOR BUMPER KIT (NOT SHOWN)
32	16	0301934	DOOR STOP
33	16	0400016	SCREW, #8-32 X 1" FL PHL HD MACH

Section VI - PARTS (cont'd)

SDU/2 ASSEMBLY



Section VI - PARTS (cont'd)

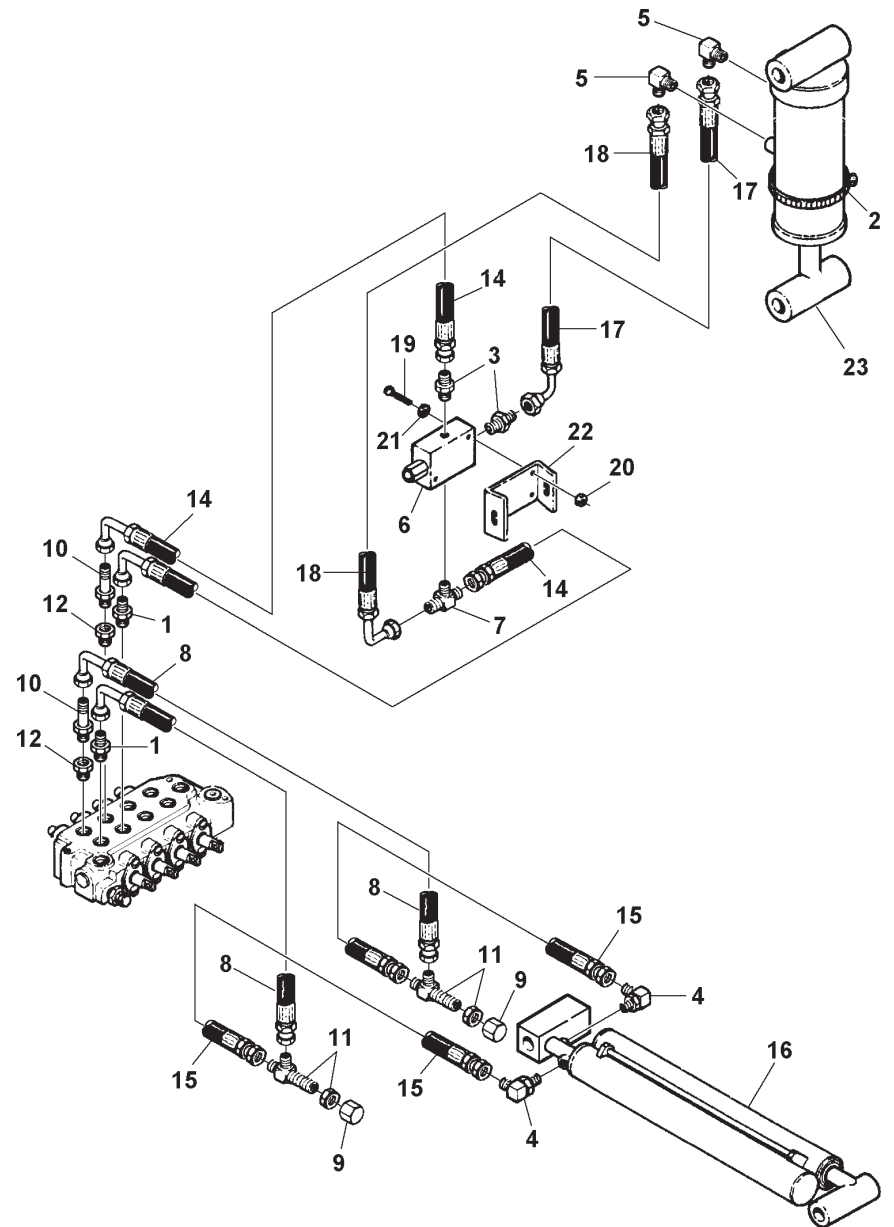
SDU/2 ASSEMBLY

REF. NO.	NO. REQ'D	PART NUMBER	DESCRIPTION
1	4	0300110	SNAP RING, 1"
2	15	0300113	GREASE FITTING
3	4	0300329	SNAP RING, 2" EXTERNAL
4	1	0301197	COMPRESSION SPRING
5	2	0301397	GREASE FITTING, 90°
6	1	0301398	STEEL BALL, 1-3/16"
7	3	0301817	SLIDE PAD
8	3	0301818	SLIDE PAD
9	1	0301822	O-RING, PIVOT PIN
10	1	0302537	FOLD CYLINDER
11	1	0303088	BUSHING, PIVOT PIN
12	2	0303097	THRUST WASHER, 1/8"
13	2	0303098	THRUST WASHER, 1/16"
14	1	0303501	EXTEND CYLINDER
15	2	0303902	TILT CYLINDER
16	8	0400044	DRIVE SCREW, #10 X 1/2" RD HD
17	2	0400139	SCREW, 3/8"-16 X 1-1/2" HEX SKT SET
18	6	0400151	SCREW, 3/8"-24 X 3/4" HEX HD CAP
19	4	0400196	SCREW, 1/2"-13 X 1-1/4" SKT HD CAP
20	1	0400219	SCREW, 1/2"-13 X 4-1/2" HEX HD CAP
21	4	0400228	SCREW, 3/8"-24 X 5/8" BUTTON HD SKT
22	2	0400271	SCREW, 5/8"-11 X 4-1/2" SKT HD CAP
23	8	0400288	SCREW, 3/4"-10 X 2-1/2" HEX HD CAP GR8
24	8	0400306	SCREW, 7/8"-9 X 3" HEX HD CAP GR8
25	2	0400392	NUT, 3/8"-16 NYLOK HEX
26	1	0400408	NUT, 1/2"-13 NYLOK HEX
27	8	0400430	NUT, 3/4"-10 NYLOK HEX
28	8	0400437	NUT, 7/8"-9 NYLOK HEX
29	6	0400481	LOCKWASHER, 3/8" EXTERNAL TOOTH
30	2	0400508	LOCKWASHER, 5/8" HELICAL
31	1	0703233	STOP PLATE
32	2	0703277	SLIDER PAD
33	1	0707179	PIN
34	1	0708470	SPACER, DETENT BALL
35	1	0709242	PIN, MAIN PIVOT

REF. NO.	NO. REQ'D	PART NUMBER	DESCRIPTION
36	1	0710051	PIVOT PIN, TOP HALF
37	1	0710052	PIVOT PIN, BOTTOM HALF
38	2	0710450	RETRACT BAR
39	1	0712174	SHAFT, EXTEND CYLINDER INNER BOOM
40	1	0712195	SHAFT, EXTEND CYLINDER OUTER BOOM
41	2	0712213	STOP PLATE
42	1	0714209	PIVOT PIN
43	1	0714218	PIN, TILT CYLINDER ROD END
44	1	0714219	PIN, LIFT CYLINDER ROD END
45	1	0714240	PIN, FOLD CYLINDER
46	1	0802914	CROSSBAR WELDMENT
47	1	0803441	2ND STAGE BOOM WELDMENT
48	1	0803442	INNER BOOM WELDMENT
49	1	0804029	OUTER BOOM WELDMENT
50	1	0804030	OUTER MAST WELDMENT
51	1	0804032	INNER MAST WELDMENT
52	1	0804034	TILT CYLINDER MOUNTING BRACKET
53	1	0804035	LEFT PIVOT SUPPORT WELDMENT
54	1	0804036	RIGHT PIVOT SUPPORT WELDMENT
55	1	HC0159	LIFT CYLINDER
56	2	HD0152	SNAP RING, 3" EXTERNAL
57	1	UK0126	PIN, TILT CYLINDER BASE END
--	--	0904785	HOSE TENSION KIT (NOT SHOWN)
58	2	0400082	EYEBOLT, 1/4"-20 X 1-1/8"
59	4	0400191	SCREW, 1/2"-13 X 3-3/4" HEX HD CAP
60	2	0400366	NUT, 1/4"-20 HEX
61	1	0400367	NUT, 1/4"-20 NYLOK HEX
62	4	0400413	NUT, 1/2"-20 NYLOK HEX
63	4	0703484	PULLEY, HOSE TENSIONER
64	2	0703487	BRACKET, HOSE TENSIONER PULLEY
65	8	0703488	WASHER, HOSE TENSIONER PULLEY
66	4	0714388	ANGLE, NYLON SHEAVE
67	2	AWS-1011-A	CLAW SPRING

Section VI - PARTS (cont'd)

SDU/2 LIFT & EXTEND HYDRAULICS



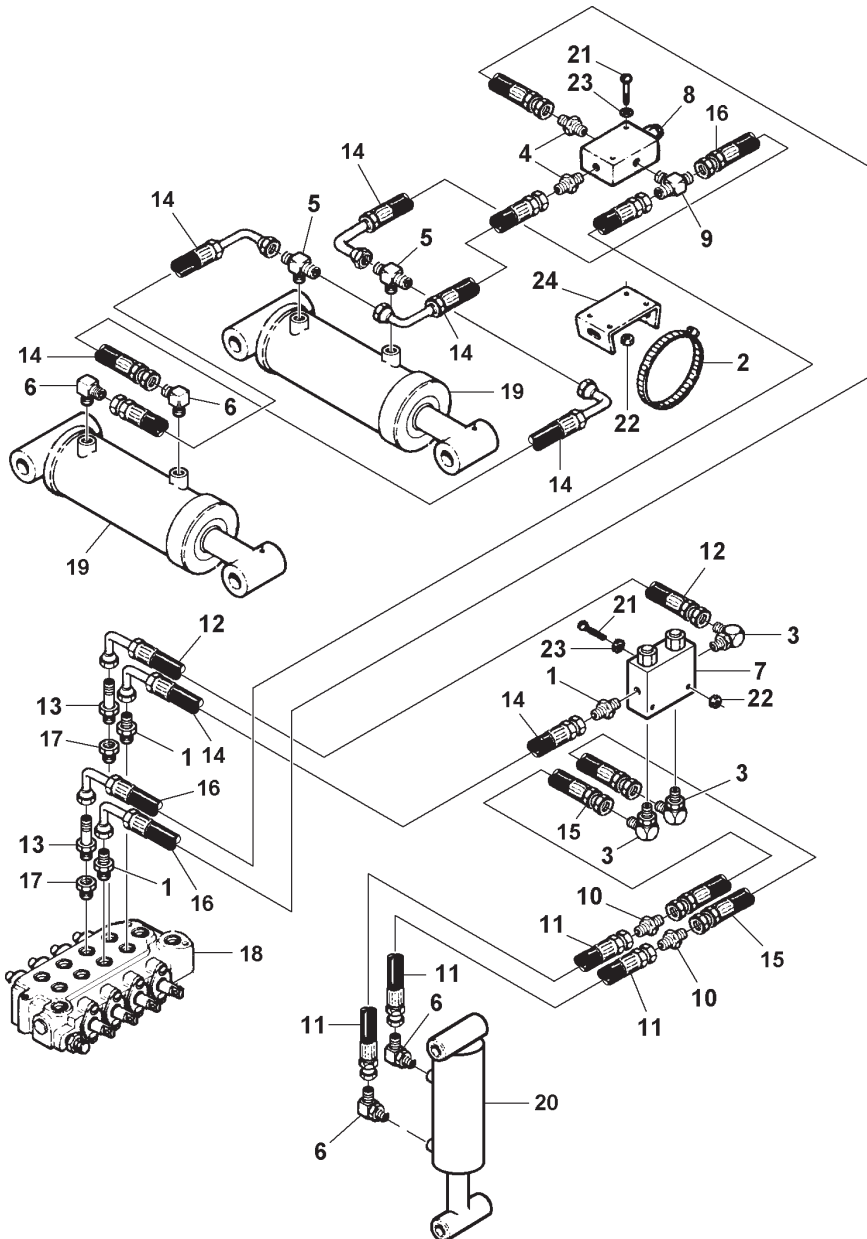
Section VI - PARTS (cont'd)

SDU/2 LIFT & EXTEND HYDRAULICS

REF. NO.	NO. REQ'D	PART NUMBER	DESCRIPTION
1	2	0300044	CONNECTOR, 6MJ-8MB
2	1	0300644	HOSE CLAMP, 8"
3	2	0301425	CONNECTOR, 6MJ-6MP
4	2	0301470	ELBOW, 6MJ-8MB90
5	2	0301620	ELBOW, 6MJ-6MB90
6	1	0301731	HOLDING VALVE
7	1	0301782	MALE RUN TEE, 6MJ-4MP-6MJ
8	2	0301998	HOSE ASSEMBLY, 24"
9	2	0302065	CAP, 6MJ
10	2	0302510	ADAPTER, 6MJ-6MBL
11	2	0302575	BULKHEAD RUN TEE, 6MJ
12	2	0303017	CONNECTOR, 8MB-6FB
13	REF.	0303093	CONTROL VALVE, VDP11DDDC110
14	2	0303170	HOSE ASSEMBLY, 75"
15	2	0303187	HOSE ASSEMBLY, 141"
16	1	0303501	EXTEND CYLINDER
17	1	0303967	HOSE ASSEMBLY, 7"
18	1	0303968	HOSE ASSEMBLY, 10"
19	2	0400078	SCREW, 1/4"-20 X 2" HEX HD CAP
20	2	0400367	NUT, 1/4"-20 HEX NYLOK
21	2	0400451	WASHER, 1/4" FLAT
22	1	0703001	BRACKET, CHECK VALVE MOUNTING
23	1	HC0159	LIFT CYLINDER

Section VI - PARTS (cont'd)

SDU/2 TILT & FOLD HYDRAULICS



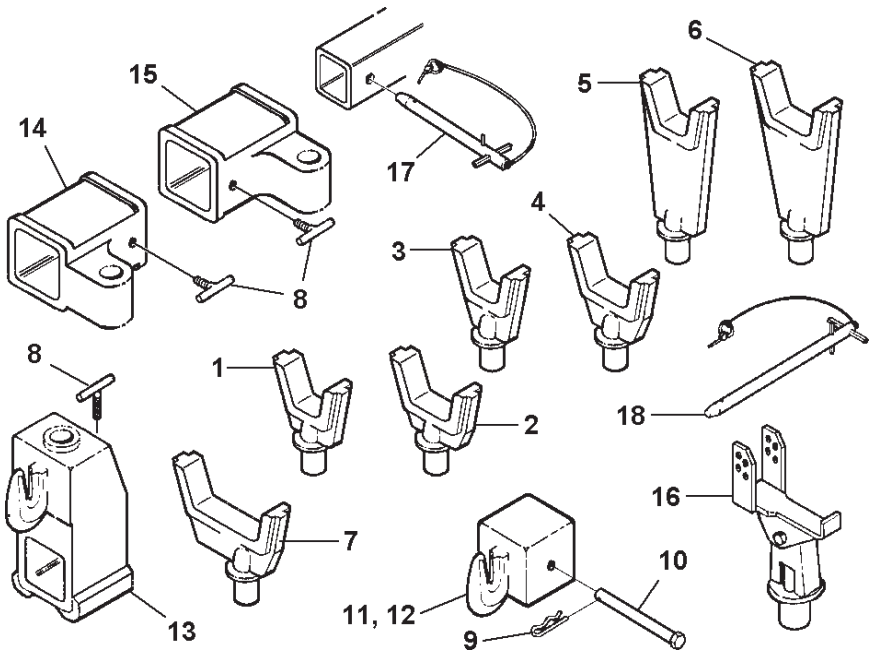
Section VI - PARTS (cont'd)

SDU/2 TILT & FOLD HYDRAULICS

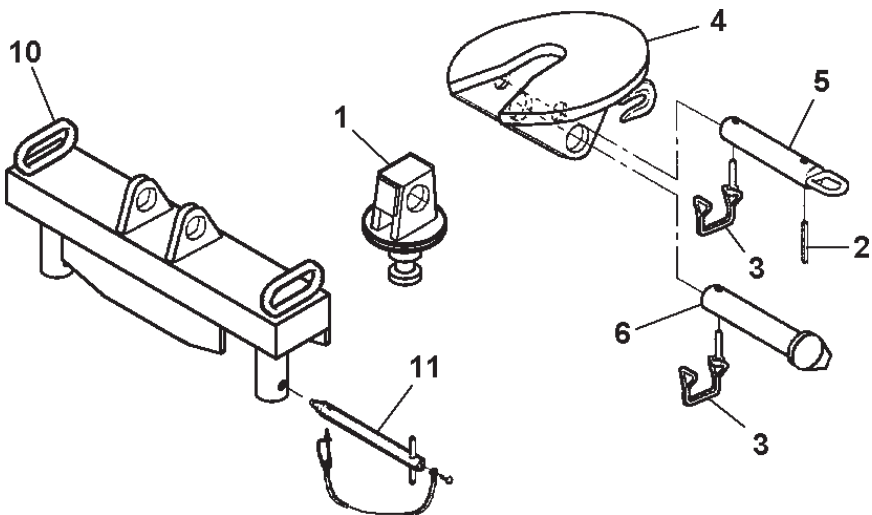
REF. NO.	NO. REQ'D	PART NUMBER	DESCRIPTION
1	2	0300044	CONNECTOR, 6MJ-8MB
2	1	0300365	CLAMP, CHECK VALVE RETAINING, 7"
3	3	0301388	ELBOW, 8MJ-8MB90
4	2	0301425	CONNECTOR, 6MJ-6MP
5	2	0301619	BRANCH TEE, 6MJ-6MJ-6MB
6	2	0301620	ELBOW, 6MJ-6MB90
7	1	0301730	DOUBLE HOLDING VALVE
8	1	0301731	HOLDING VALVE
9	1	0301782	MALE RUN TEE, 6MJ-4MP-6MJ
10	2	0301837	INLINE ORIFICE
11	2	0301997	HOSE ASSEMBLY, 18"
12	1	0301998	HOSE ASSEMBLY, 24"
13	2	0302510	ADAPTER, 6MJ-6MBL
14	5	0302808	HOSE ASSEMBLY, 18"
15	2	0302813	HOSE ASSEMBLY, 108"
16	2	0302886	HOSE ASSEMBLY, 45"
17	2	0303017	CONNECTOR, 8MB-6FB
18	REF.	0303093	CONTROL VALVE, VDP11DDDC110
19	2	0303902	TILT CYLINDER
20	1	0306508	FOLD CYLINDER
21	6	0400078	SCREW, 1/4"-20 X 2" HEX HD CAP
22	6	0400367	NUT, 1/4"-20 HEX NYLOK
23	2	0400451	WASHER, 1/4" FLAT
24	2	0703001	BRACKET, CHECK VALVE MOUNTING

Section VI - PARTS (cont'd)

SDU/2 LIFT ADAPTERS



KING PIN & FIFTH WHEEL ADAPTERS



Section VI - PARTS (cont'd)

SDU LIFT ADAPTERS

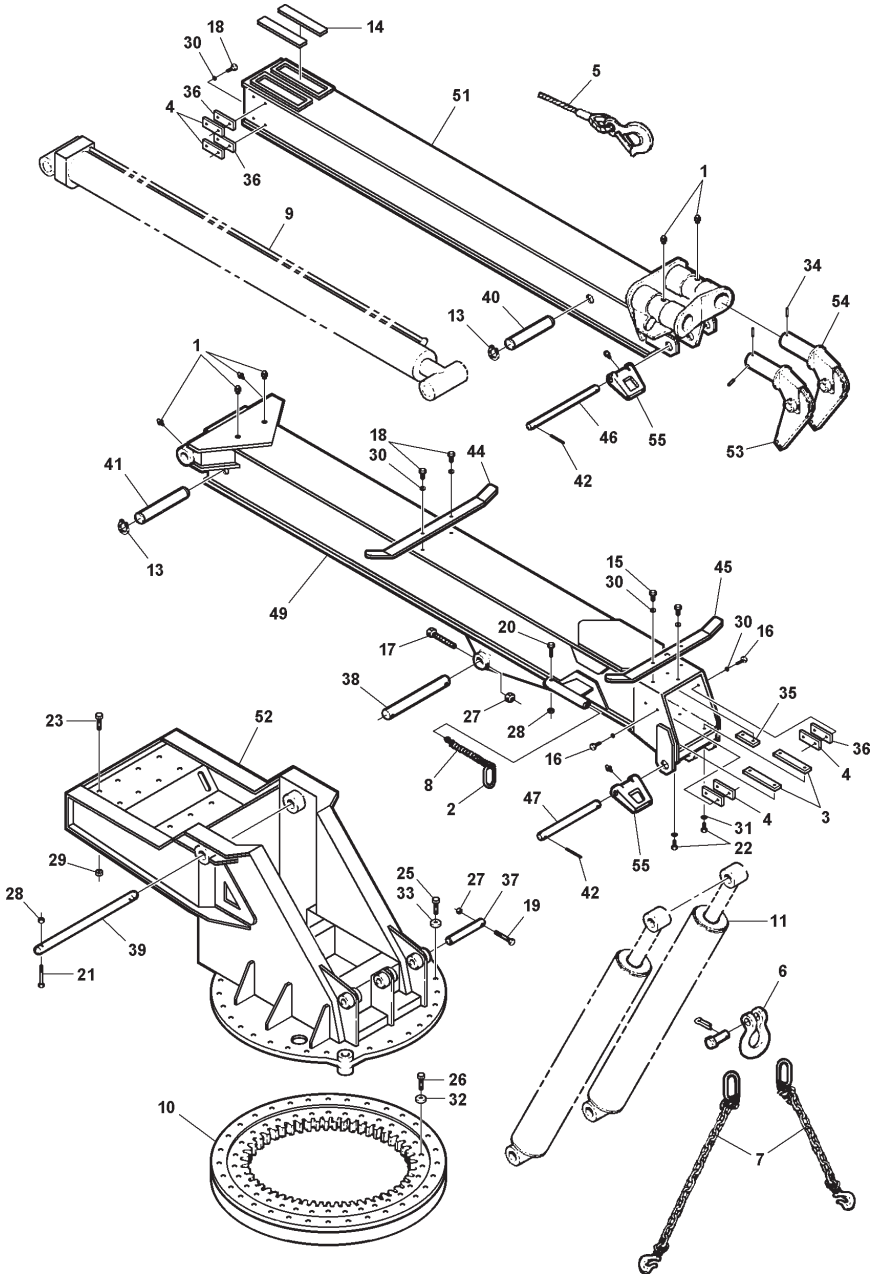
REF. NO.	NO. REQ'D	PART NUMBER	DESCRIPTION
1	2	0200018	FORK, SHORT 3" OPENING
2	2	0200019	FORK, SHORT 4-1/2" OPENING
3	2	0200020	FORK, MEDIUM 3" OPENING
4	2	0200021	FORK, MEDIUM 4-1/2" OPENING
5	2	0200022	FORK, LONG 3" OPENING
6	2	0200023	FORK, LONG 4-1/2" OPENING
7	2	0200024	FORK, OFFSET REAR AXLE 6" OPENING
8	4	0306564	TEE HANDLE, ALUMINUM 5/8" X 1-1/4"
9	2	0400585	HAIR PIN COTTER, 1-1/4"
10	2	0711002	BOLT, MODIFIED 5/8"-11 X 6" w/HOLE
11	1	0801186	CHAIN HOOK ADAPTER, RT
12	1	0801187	CHAIN HOOK ADAPTER, LT
13	2	0801459	RISER BRACKET
14	1	0803591	OFFSET FORK ADAPTER, LT
15	1	0803592	OFFSET FORK ADAPTER, RT
16	2	0802810	SPRING LIFT BRACKET
17	2	0900900	RETAINING PIN ASSEMBLY
18	2	0902321	RETAINER PIN, SPRING LIFT BRACKET

KING PIN & FIFTH WHEEL ADAPTERS

REF. NO.	NO. REQ'D	PART NUMBER	DESCRIPTION
1	1	0803605	KING PIN ADAPTER WELDMENT
--	--	0902782	FIFTH WHEEL ADAPTER (COMPLETE)
2	1	0400555	ROLL PIN, 3/8" X 1-1/2"
3	2	HD1259	PIN, SNAPPER
4	1	VA0660	5TH WHEEL PIVOT PLATE WELDMENT
5	1	VA0661	PULL PIN WELDMENT
6	1	VA0662	PIVOT PIN WELDMENT
--	--	124002211	PINTLE HOOK KIT (COMPLETE)
7	1	0302198	PINTLE HOOK (Not Shown)
8	4	0400176	SCREW, 1/2"-13 X 1" HEX HD CAP
9	4	0400491	LOCKWASHER, 1/2" HELICAL
10	1	0803604	5TH WHEEL, KING PIN ADAPTER & PINTLE HOOK BRACKET
11	2	0902378	RETAINING PIN ASSEMBLY

Section VI - PARTS (cont'd)

RECOVERY BOOM ASSEMBLY



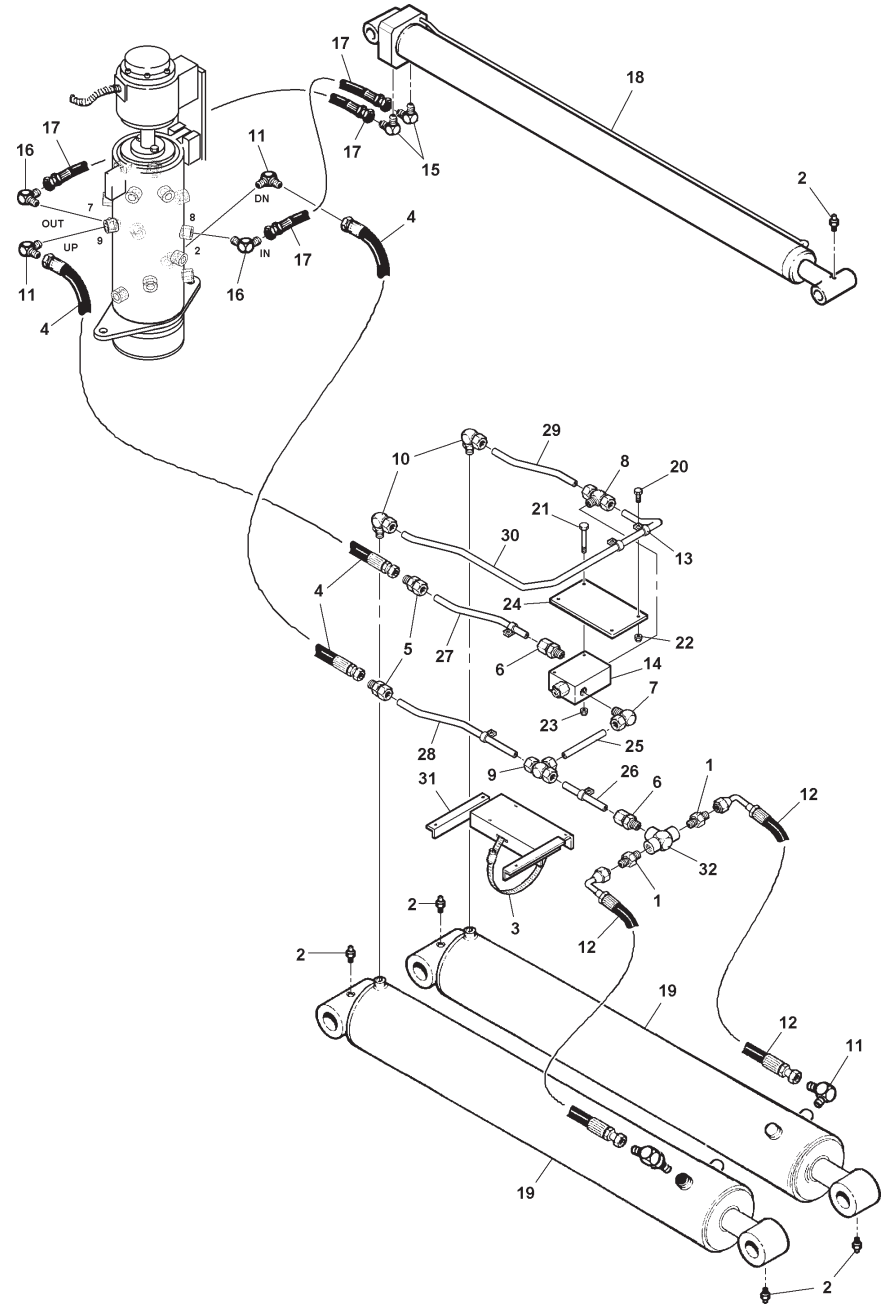
Section VI - PARTS (cont'd)

RECOVERY BOOM ASSEMBLY

REF. NO.	NO. REQ'D	PART NUMBER	DESCRIPTION
1	6	0300113	GREASE FITTING
2	2	0301691	MASTER LINK, OBLONG
3	2	0301923	SLIDE PAD, BOOM BOTTOM
4	6	0301924	SLIDE PAD, BOOM SIDE
5	2	0301989	WIRE ROPE, 6 X 25 IWRC, 3/4" X 250 FT.
6	1	0302060	ANCHOR SHACKLE, 1-1/2"
7	2	0302061	SAFETY CHAIN, 5/8" ALLOY
8	2	0302273	SPRING, WINCH CABLE TIE-BACK
9	1	0302830	BOOM EXTEND CYLINDER
10	1	0303026	SLEW RING
11	2	0303092	BOOM LIFT CYLINDER
12	2	0303504	WINCH, DP S50-50K (Not Shown)
13	4	0305023	SNAP RING
14	2	0305031	SLIDE PAD, INNER BOOM
15	2	0400122	SCREW, 3/8"-16 X 1-1/4" HEX HD CAP
16	8	0400126	SCREW, 3/8"-16 X 1" HEX HD CAP
17	2	0400130	SCREW, 3/8"-16 X 3-1/2" HEX HD CAP
18	8	0400141	SCREW, 3/8"-16 X 7/8" HEX HD CAP
19	2	0400172	SCREW, 3/8"-16 X 4-1/2" HEX HD CAP
20	2	0400205	SCREW, 1/2"-13 X 3" HEX HD CAP
21	1	0400206	SCREW, 1/2"-13 X 5" HEX HD CAP
22	4	0400248	SCREW, 5/8"-11 X 1" HEX HD CAP
23	16	0400298	SCREW, 3/4"-10 X 5" HEX HD CAP
24	1	0400318	SCREW, 1"-8 X 3" SKT HD CAP
25	35	0400336	SCREW, 1"-8 X 3" HEX HD CAP
26	36	0400338	SCREW, 1"-8 X 6-1/2" HEX HD CAP
27	4	0400392	NUT, 3/8"-16 HEX NYLOK
28	3	0400408	NUT, 1/2"-13 HEX NYLOK
29	16	0400430	NUT, 3/4"-10 NYLOK HEX
30	20	0400482	LOCKWASHER, 3/8" HELICAL

REF. NO.	NO. REQ'D	PART NUMBER	DESCRIPTION
31	4	0400508	LOCKWASHER, 5/8" HELICAL
32	36	0400522	WASHER, 1-1/16 X 2 X 1/8" HARDENED
33	36	0400523	WASHER, 1-1/16 X 2-1/2 X 1/8" HARDENED
34	6	0400557	ROLL PIN, 1/2" X 1-1/4"
35	2	0700778	TOP SPACER, OUTER BOOM
36	6	0703734	SHIM, SIDE PLATE, OUTER BOOM
37	2	0703736	SHAFT, CYLINDER PIVOT
38	1	0703737	SHAFT, LIFT CYLINDER PIVOT
39	1	0703738	SHAFT, BOOM PIVOT
40	1	0703739	SHAFT, EXTEND CYLINDER, ROD END
41	1	0703740	SHAFT, EXTEND CYLINDER, BASE END
42	4	0705902	ROLL PIN, 3/8" X 1-3/4"
43	1	0705907	PLATE, ACCESS COVER
44	1	0706042	CABLE WING, LONG
45	1	0706043	CABLE WING, MEDIUM
46	1	0710638	"D" RING PIN, INNER BOOM
47	1	0710643	"D" RING PIN, OUTER BOOM
48	4	0711998	ANGLE, WINCH MOUNTING (Not Shown)
49	1	0801085	OUTER BOOM WELDMENT
50	2	0803721	LOCK WELDMENT
51	1	0804025	INNER BOOM WELDMENT
52	1	0804308	RECOVERY FRAME WELDMENT, 1060S
53	1	0903776	BOOM SWIVEL ASSEMBLY, LEFT
54	1	0903777	BOOM SWIVEL ASSEMBLY, RIGHT
55	4	MM12B	RING, TOWING
--	--	0904612	BOOM ANGLE KIT (Not Shown)
56	1	0303887	INCLINOMETER KIT
57	4	0400045	SCREW, #10-32 X 1/2" THRD CUT RD HD

Section VI - PARTS (cont'd) BOOM HYDRAULICS



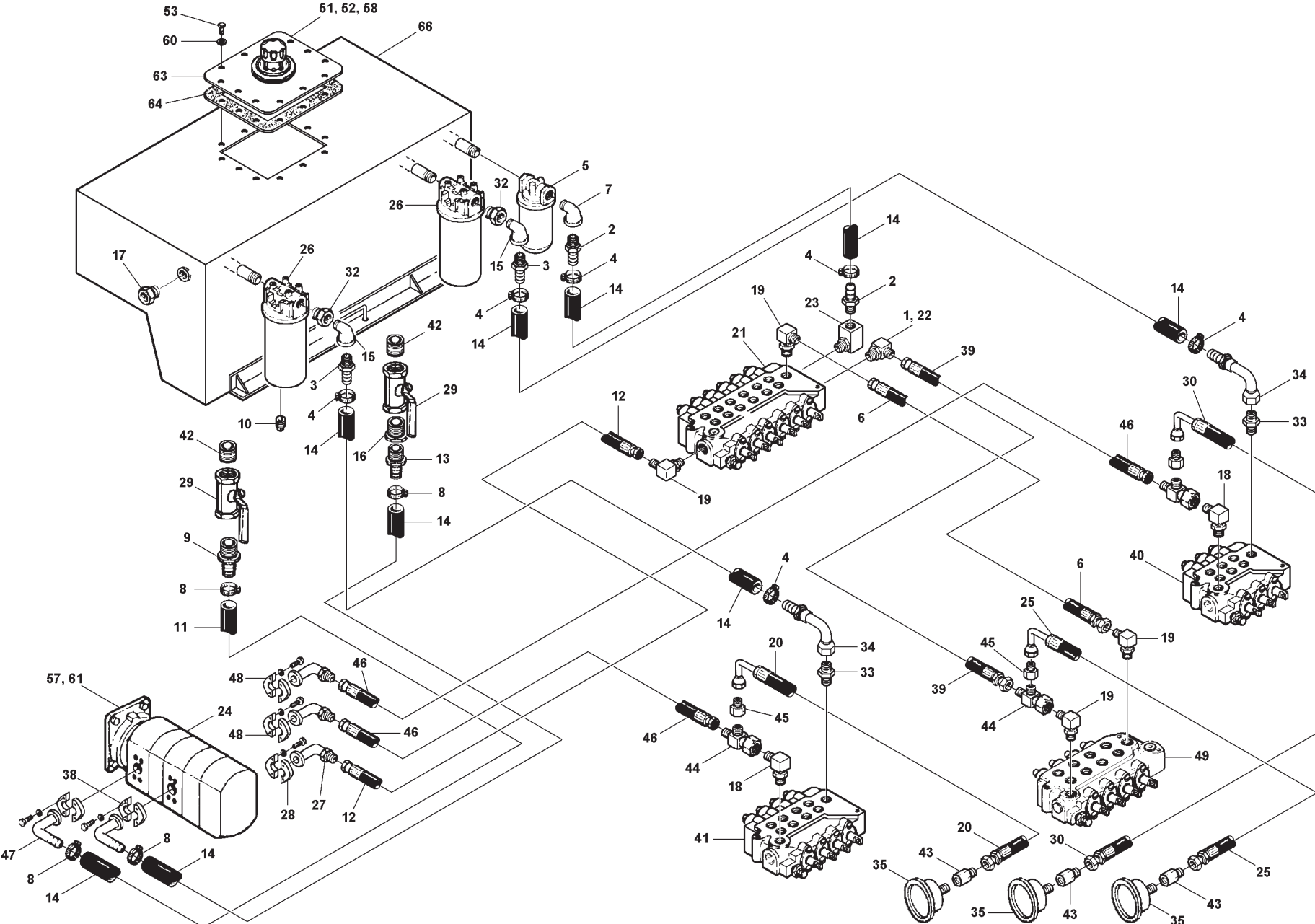
Section VI - PARTS (cont'd)
BOOM HYDRAULICS

REF. NO.	NO. REQ'D	PART NUMBER	DESCRIPTION
1	2	0300040	CONNECTOR, 8MJ-8MP
2	6	0300113	GREASE FITTING
3	1	0300644	HOSE CLAMP, 8"
4	2	0300659	HOSE ASSEMBLY, 45"
5	2	0300761	STRAIGHT ADAPTER
6	2	0300762	MALE CONNECTOR
7	1	0300763	MALE ELBOW
8	1	0300766	MALE BRANCH TEE
9	1	0300767	TEE UNION
10	2	0300901	ELBOW
11	4	0301388	ELL, 8MJ-8MB90
12	2	0301471	HOSE ASSEMBLY, 30"
13	5	0301487	HOSE CLAMP, 1/2" INSULATED
14	1	0301906	HOLDING VALVE, ACTIVATION
15	2	0301983	ELBOW, 10MJ-8MB45
16	2	0302321	ELBOW, 8MJ-8MB45
17	2	0302631	HOSE ASSEMBLY, 68"
18	1	0302830	CYLINDER, EXTEND
19	2	0303092	CYLINDER, BOOM LIFT
20	5	0400066	SCREW, 1/4"-20 X 3/4" HEX HD CAP
21	2	0400107	SCREW, 5/16"-18 X 2-1/2" HEX HD CAP
22	5	0400367	NUT, 1/4"-20 NYLOK HEX
23	2	0400382	NUT, 5/16"-18 NYLOK HEX
24	1	0701680	CLAMP BRACKET, HYD TUBE
25	1	0709708	TUBE, LIFT CYLINDER HYDRAULIC
26	1	0709709	TUBE, LIFT CYLINDER HYDRAULIC
27	1	0709710	TUBE, LIFT CYLINDER HYDRAULIC
28	1	0709711	TUBE, LIFT CYLINDER HYDRAULIC
29	1	0709712	TUBE, LIFT CYLINDER HYDRAULIC
30	1	0709713	TUBE, HYD PIPE, ELEV CYLINDER
31	1	0802883	BRACKET, HOLDING VALVE
32	1	HC1413	TEE FITTING

Section VI - PARTS (cont'd)
PUMP, VALVE & FILTER HYDRAULICS

Section VI - PARTS (cont'd)

PUMP, VALVE & FILTER HYDRAULICS



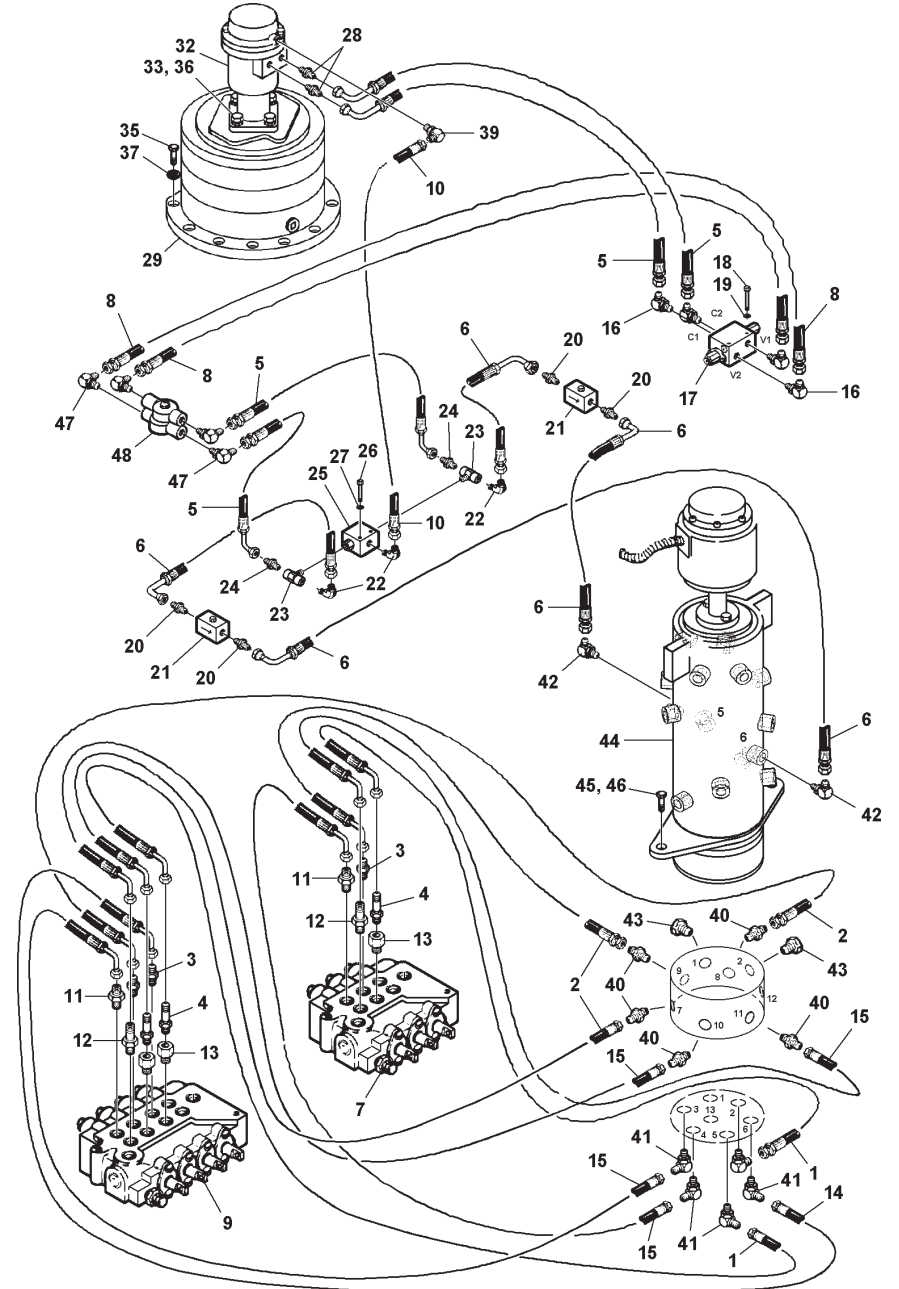
Section VI - PARTS (cont'd)

PUMP, VALVE & FILTER HYDRAULICS

REF. NO.	NO. REQ'D	PART NUMBER	DESCRIPTION
1	2	0300052	ELBOW, 8MJ-10MB90
2	2	0300055	HOSE BARB, 12C4-12MP
3	2	0300056	BARB, 16C4-16MP
4	6	0300071	CLAMP, HOSE, 1"
5	1	0300136	RETURN LINE FILTER ASSEMBLY
6	1	0300212	HOSE ASSEMBLY, 115"
7	1	0300288	STREET ELBOW, 90°, 3/4"
8	4	0300364	CLAMP, HOSE, 1" - 2-1/4"
9	1	0300434	HOSE BARB, 2"
10	1	0300446	PIPE PLUG, 3/4" NPT MALE
11	15 FT.	0300558	SUCTION HOSE, 2"
12	1	0300660	HOSE ASSEMBLY, 120"
13	1	0300666	BARB, 24C4-24MP
14	15 FT.	0300671	SUCTION HOSE, 1-1/2"
15	2	0300692	STREET ELBOW, 90°, 1"
16	1	0301373	PIPE BUSHING, 2" NPT-1-1/2" NPT
17	1	0301541	SIGHT GAGE, TYPE S-1
18	2	0301545	ELBOW, 12MJ-12MB90
19	1	0301547	ELBOW, 8MJ-12MB90
20	1	0301695	HOSE ASSEMBLY, 91"
21	1	0301762	CONTROL VALVE, VDP12DDDDDD10
22	1	0301763	H.P.C.O. ADAPTER
23	1	0301792	ELBOW, 16MB-12FR90
24	1	0301836	HYDRAULIC PUMP, OPPOSITE ENGINE
25	1	0301880	HOSE ASSEMBLY, 107"
26	2	0301894	SPIN-ON FILTER ASSEMBLY
27	1	0301904	ELBOW, 8MJ-12FL90
28	1	0301905	"O" RING FLANGE KIT, 12FH
29	2	0301961	BALL VALVE, BRONZE
30	1	0301965	HOSE ASSEMBLY, 106"
31	2	0302010	STREET ELL, 2" 45 DEG.
32	2	0302108	REDUCER BUSHING, 20MP-16FP
33	2	0302169	"O"-RING CONNECTOR, 16MJ-12MB

REF. NO.	NO. REQ'D	PART NUMBER	DESCRIPTION
34	2	0302170	BENT TUBE, SWIVEL 16C2-16FJX90
35	3	0302205	GAUGE, FLUSH MOUNT, 6000 PSI
36	4	0302227	CENTER BONDED MOUNT (Not Shown)
37	4	0302228	SPECIAL WASHER (Not Shown)
38	1	0302242	FLANGE FITTING, 24FL-24HOSE90
39	1	0302277	HOSE ASSEMBLY, 106"
40	1	0302296	CONTROL VALVE, VDP12CDD118
41	1	0302334	CONTROL VALVE, VDP12CDCD10
42	2	0302367	PIPE NIPPLE, 2" X 4"
43	3	0302577	CONNECTOR, 6MJ-4FP
44	2	0302826	TEE, 12MJ-12FJX-12MJ
45	2	0302829	ADAPTER, 12FJ-6MJ
46	4	0302901	HOSE ASSEMBLY, 120"
47	1	0302931	ELBOW, FLANGE 24-32FL90 W/ FLANGE KIT
48	2	0302932	ELBOW, 12MJ-20FL90 W/ FLANGE KIT
49	1	0303093	CONTROL VALVE
50	12	0303290	CLAMP, 2-1/2" INSULATED (Not Shown)
51	1	0305006	FILLER CAP
52	6	0400036	SCREW, #10-32 X 1" RD HD MACH
53	12	0400122	SCREW, 3/8"-16 X 1-1/4" HEX HD CAP (N.S.)
54	6	0400135	SCREW, 3/8"-16 X 4-1/2" HEX HD CAP (N.S.)
55	3	0400140	SCREW, 3/8"-16 X 4" HEX HD CAP (N.S.)
56	2	0400150	SCREW, 3/8"-16 X 2-1/2" HEX HD CAP (N.S.)
57	4	0400177	SCREW, 1/2"-13 X 1-1/4" HEX HD CAP
58	6	0400357	NUT, #10-32 NYLOK HEX
59	13	0400392	NUT, 3/8"-16 NYLOK HEX
60	12	0400482	LOCKWASHER, 3/8" HELICAL
61	4	0400491	LOCKWASHER, 1/2" HELICAL
62	6	0704045	SPACER, CONTROL VALVE
63	1	0705910	COVER PLATE
64	1	0706114	GASKET, CLEANOUT & FILLER COVER
65	1	0802787	SDU VALVE BRACKET WELDMENT
66	1	0802799	RESERVOIR WELDMENT

Section VI - PARTS (cont'd) FRAME HYDRAULICS



Section VI - PARTS (cont'd)

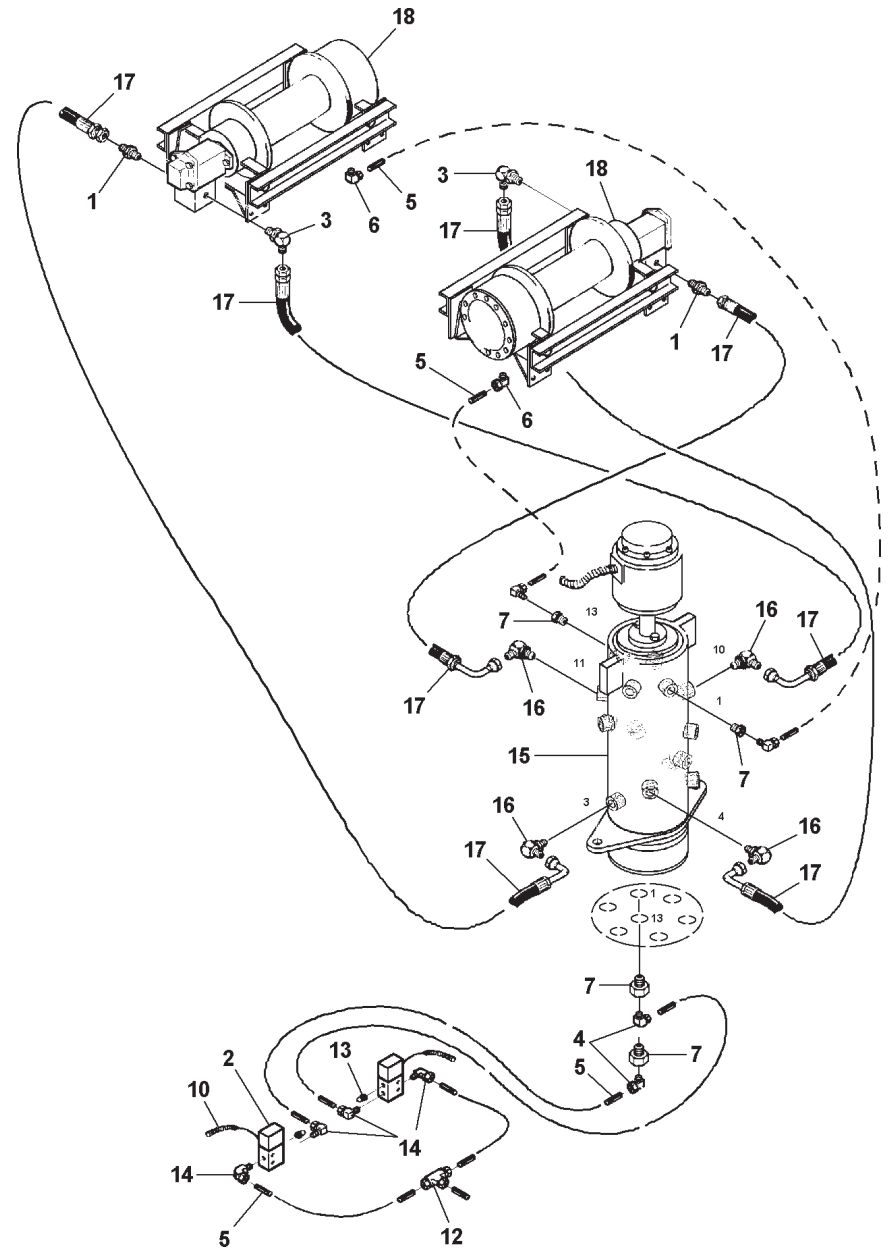
FRAME HYDRAULICS

REF. NO.	NO. REQ'D	PART NUMBER	DESCRIPTION
1	2	0300787	HOSE ASSEMBLY, 53"
2	3	0301370	HOSE ASSEMBLY, 65"
3	3	0301376	CONNECTOR, 8MJ-10MB
4	3	0301445	EXTENDED CONNECTOR, 8MJ-8MBL
5	4	0301471	HOSE ASSEMBLY, 30"
6	4	0301999	HOSE ASSEMBLY, 9"
7	REF.	0302296	CONTROL VALVE, VDP12CDD118
8	2	0302304	HOSE ASSEMBLY, 42"
9	REF.	0302334	CONTROL VALVE, VDP12CDCD10
10	1	0302634	HOSE ASSEMBLY, 20"
11	2	0302827	CONNECTOR, 10MJ-10MB
12	2	0302828	CONNECTOR, 10MJ-10MBL
13	3	0303176	CONNECTOR, 10MB-8FB
14	1	0303182	HOSE ASSEMBLY, 41"
15	4	0303183	HOSE ASSEMBLY, 50"
--	--	0901477	DOUBLE HOLDING VAVLE ASSEMBLY
16	4	0301388	ELBOW, 8MJ-8MB90
17	1	0302472	DOUBLE HOLDING VALVE
18	2	0400130	SCREW, 3/8"-16 X 3-1/2" HEX HD CAP
19	2	0400482	LOCKWASHER, 3/8" HELICAL
--	--	0901480	RESTRICTOR VALVE ASSEMBLY
20	4	0301425	CONNECTOR, 6MJ-6MP
21	2	0303489	RESTRICTOR VALVE
--	--	0903196	SHUTTLE VALVE ASSEMBLY
22	3	0300142	ELBOW, 6MJ-4MP90
23	2	0301868	MALE RUN TEE, 4FP-4FP-4MP
24	2	0302053	REDUCER, 8MJ-4MP
25	1	0302226	SHUTTLE VALVE
26	2	0400090	SCREW, 1/4"-20 X 1-3/4" RD HD
27	2	0400452	LOCKWASHER, 1/4" HELICAL

REF. NO.	NO. REQ'D	PART NUMBER	DESCRIPTION
--	--	0903030	PLANETARY GEAR REDUCER & HYDRAULIC MOTOR ASSEMBLY
28	2	0301376	CONNECTOR, 8MJ-10MB
29	1	0303030	PLANETARY GEAR BOX
30	1	0303031	PINION GEAR (Not Shown)
31	1	0303045	GEARBOX BRAKE (Not Shown)
32	1	0303817	HYDRAULIC MOTOR
33	4	0400177	SCREW, 1/2"-13 X 1-1/4" HEX HD CAP
34	2	0400192	SCREW, 1/2"-20 X 1-3/4" SKT HD CAP (N.S.)
35	16	0400254	SCREW, 5/8"-11 X 2-1/2" HEX HD CAP
36	6	0400491	LOCKWASHER, 1/2" HELICAL
37	16	0400508	LOCKWASHER, 5/8" HELICAL
38	1	0709366	PINION RETAINER (Not Shown)
39	1	IC209	ADAPTER, 6MJ-4MB90
--	--	0903031	ROTARY SWIVEL ASSEMBLY
40	5	0300041	CONNECTOR, 8MJ-8MB
41	7	0301388	ELL, 8MJ-8MB90
42	2	0301470	ELBOW, 6MJ-8MB90
43	4	0302031	PLUG, 8MB HEX SKT
44	2	0303028	HYDRAULIC SWIVEL
45	2	0400272	SCREW, 5/8"-11 X 2-3/4" HEX HD CAP
46	2	0400421	NUT, 5/8"-11 NYLOK HEX
--	--	0903344	CROSSOVER RELIEF VALVE ASSEMBLY
47	4	0301388	ELBOW, 8MJ-8MB90
48	1	0303194	CROSSOVER RELIEF VALVE
49	2	0400107	SCREW, 5/18"-18 X 2-1/2" HEX HD CAP (N.S.)
50	2	0400382	NUT, 5-16"-18 NYLOK HEX (Not Shown)

Section VI - PARTS (cont'd)

WINCH HYDRAULICS & AIR FREE SPOOL



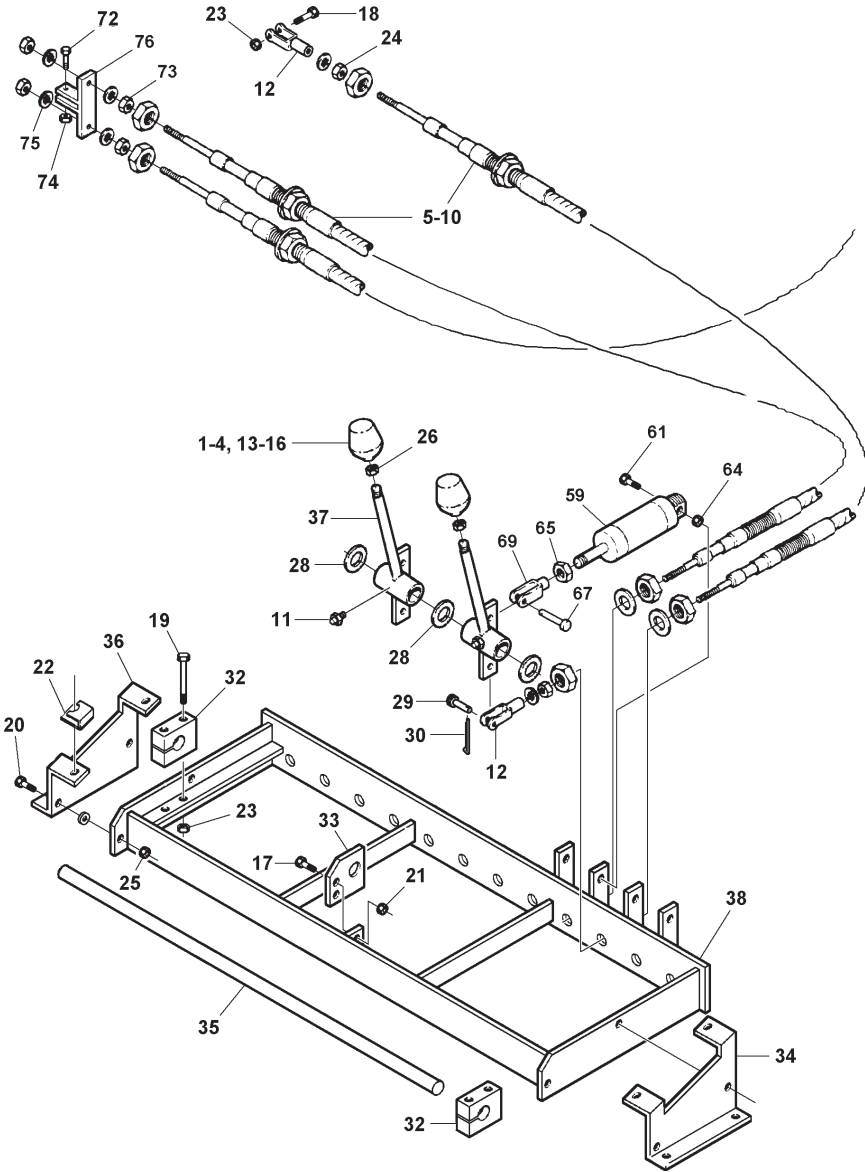
Section VI - PARTS (cont'd)

WINCH HYDRAULICS & AIR FREE SPOOL

REF. NO.	NO. REQ'D	PART NUMBER	DESCRIPTION
1	4	0300041	CONNECTOR, 8MJ-8MB
2	2	0300324	SOLENOID VAVLE, AIR CONTROL
3	2	0301388	ELBOW, 8MJ-8MB90
4	2	0301574	ELBOW, 4TB-4MP90
5	15 FT.	0301577	AIR HOSE, 1/4" O.D.
6	2	0301610	ELBOW, 4TB-4MP
7	4	0302320	REDUCER, 8MB-4FP
8	2	0302321	ELBOW, 8MJ-8MB45
9	2	0302335	CONNECTOR, 4TB-2MP
10	15 FT.	0302431	CONVOLUTED LOOM, 3/8"
11	5	0302434	CABLE TIE, 4"
12	1	0302607	TEE UNION, 4TB-4TB-4TB
13	2	0302677	BREATHER VENT, 2MP
14	4	0302678	ELBOW, 4TB-2MP90
15	REF.	0303028	HYDRAULIC SWIVEL
16	4	0303079	CONNECTOR, 10MJ-8MB
17	4	0303189	HOSE ASSEMBLY, 105"
18	2	0303504	WINCH, DPS50-50K
19	4	0400021	SCREW, #8-32 X 1/2" RD HD PHIL MACH
20	4	0400351	NUT, #8-32 HEX & STAR WASHER

Section VI - PARTS (cont'd)

LEFT CONTROL ASSEMBLY



Section VI - PARTS (cont'd)

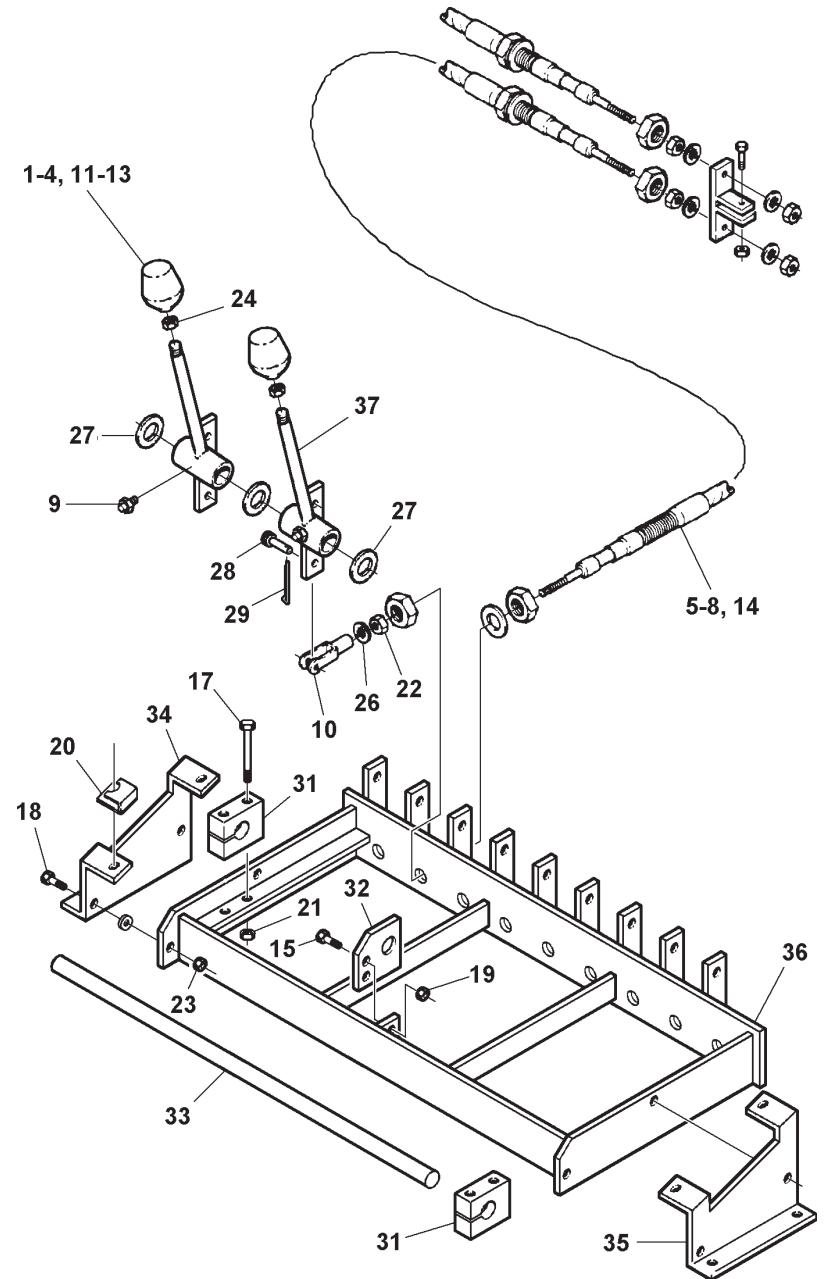
LEFT CONTROL ASSEMBLY

REF. NO.	NO. REQ'D	PART NUMBER	DESCRIPTION
1	2	0300834	CONTROL KNOB, IN-OUT
2	1	0300835	CONTROL KNOB, BOOM UP-DOWN
3	2	0300836	CONTROL KNOB, JACK UP-DOWN
4	1	0300837	CONTROL KNOB, BOOM IN-OUT
5	2	0301884	CONTROL CABLE, 96"
6	1	0301969	CONTROL CABLE, 84"
7	2	0302437	CONTROL CABLE, 168"
8	3	0302449	CONTROL CABLE, 148"
9	3	0302455	CONTROL CABLE, 79"
10	1	0302457	CONTROL CABLE, 104"
11	12	0302726	GREASE FITTING, 1/4"-28 X 45°
12	12	0303008	ADJUSTABLE CLEVIS
13	1	0303379	CONTROL KNOB, SWING CW-CCW
14	1	0303380	CONTROL KNOB, UNDERLIFT IN-OUT
15	1	0303381	CONTROL KNOB, UNDERLIFT UP-DOWN
16	1	0303382	CONTROL KNOB, FOLD UP-DOWN
17	2	0400066	SCREW, 1/4"-20 X 3/4" HEX HD CAP
18	12	0400103	SCREW, 5/16"-18 X 1-1/4" HEX HD CAP
19	4	0400107	SCREW, 5/16"-18 X 2-1/2" HEX HD CAP
20	4	0400122	SCREW, 3/8"-16 X 1-1/4" HEX HD CAP
21	2	0400367	NUT, 1/4"-20 HEX NYLOK
22	4	0400379	NUT, 5/16"-18 "J" TINNER
23	13	0400382	MANNUT, 5/16"-18 HEX NYLOK
24	12	0400383	NUT, 5/16"-24 HEX NYLOK
25	4	0400392	NUT, 3/8"-16 HEX NYLOK
26	12	0400393	NUT, 3/8"-16 HEX JAM
27	4	0400451	WASHER, 1/4" FLAT
28	12	0400512	WASHER, 3/4" FLAT (SPECIAL)
29	12	0400532	CLEVIS PIN, 5/16" X 1"
30	12	0400541	COTTER PIN, 1/16" X 3/4"
31	1	0500225	DECAL, AIR FREE SPOOL (NOT)
32	2	0711235	CLAMP, SHAFT CONTROL BOX
33	1	0711245	PLATE, SHAFT SUPPORT
34	1	0711285	SUPPORT, CONTROL (RIGHT)
35	1	0711984	PIN, CONTROL BOX
36	1	0712006	SUPPORT, CONTROL (LEFT)
37	12	0803294	CONTROL HANDLE WELDMENT
38	1	0803404	CONTROL FRAME WELDMENT

SDU REMOTE CONTROL ASSEMBLY

REF. NO.	NO. REQ'D	PART NUMBER	DESCRIPTION
--	--	0903804	SDU REMOTE CONTROL ASSEMBLY
39	10	0300166	WIRE CONNECTOR, SPADE
40	1	0301574	ELBOW, 4TB-4MP90
41	15 FT.	0301577	AIR HOSE, 1/4" O.D.
42	2	0301610	CONNECTOR, 4TB-4MP
43	2	0301618	BRASS PLUG, 4MP
44	2	0302048	CABLE SEALING GRIP
45	2	0302340	HEX PIPE BUSHING
46	1	0302431	CONVOLUTED LOOM, 3/8" X 8"
47	35	0302434	CABLE TIE, 4" 18 LB.
48	1	0302677	BREATHER VENT, 2MP
49	12	0302678	ELBOW, 4TB-2MP
50	1	0302844	AIR SOLENOID VALVE (6)
51	1	0303226	CIRCUIT BREAKER, HI-AMP WATERPROOF
52	1	0303235	TERMINAL BLOCK
53	8 FT.	0303322	ELECTRICAL CABLE, 16/10 SO
54	1	0303363	AIR FILTER/REGULATOR
55	1	0303364	AIR LUBRICATOR
56	1	0303365	MOUNTING BRACKET
57	1	0303735	BREATHER VENT
58	1	0303781	POWER PAL, 8 POSITION
59	3	0306698	AIR CYLINDER
60	2	0400025	SCREW, #8-32 X 3/4" RD HD SLOTTED
61	3	0400057	SCREW, 1/4"-20 X 1-1/4" HEX HD CAP
62	2	0400078	SCREW, 1/4"-20 X 2" HEX HD CAP
63	2	0400351	HEX NUT & STAR WASHER, #8-32
64	5	0400367	NUT, 1/4"-20 HEX NYLOK
65	3	0400401	NUT, 7/16"-20 HEX JAM
66	2	0400451	WASHER, 1/4" FLAT
67	3	0400527	CLEVIS PIN, 5/16" X 5/8" COTTERLESS
68	1	0711277	SUPPORT, SOLENOID VALVE
69	3	0803181	CLEVIS WELDMENT
70	1	HA0132	GAUGE, 0-160 PSI
--	--	0903836	LEFT & RIGHT CONTROL LINK KIT
71	3	0303008	ADJUSTABLE CLEVIS
72	11	0400112	SCREW, 5/16"-24 X 1-1/4" HEX HD CAP
73	35	0400383	NUT, 5/16"-24 HEX
74	11	0400384	NUT, 5/16"-24 HEX NYLOK
75	32	0400466	LOCKWASHER, 5/16" INT. TOOTH
76	8	0801054	CONTROL CABLE CONNECTOR

Section VI - PARTS (cont'd) RIGHT CONTROL ASSEMBLY



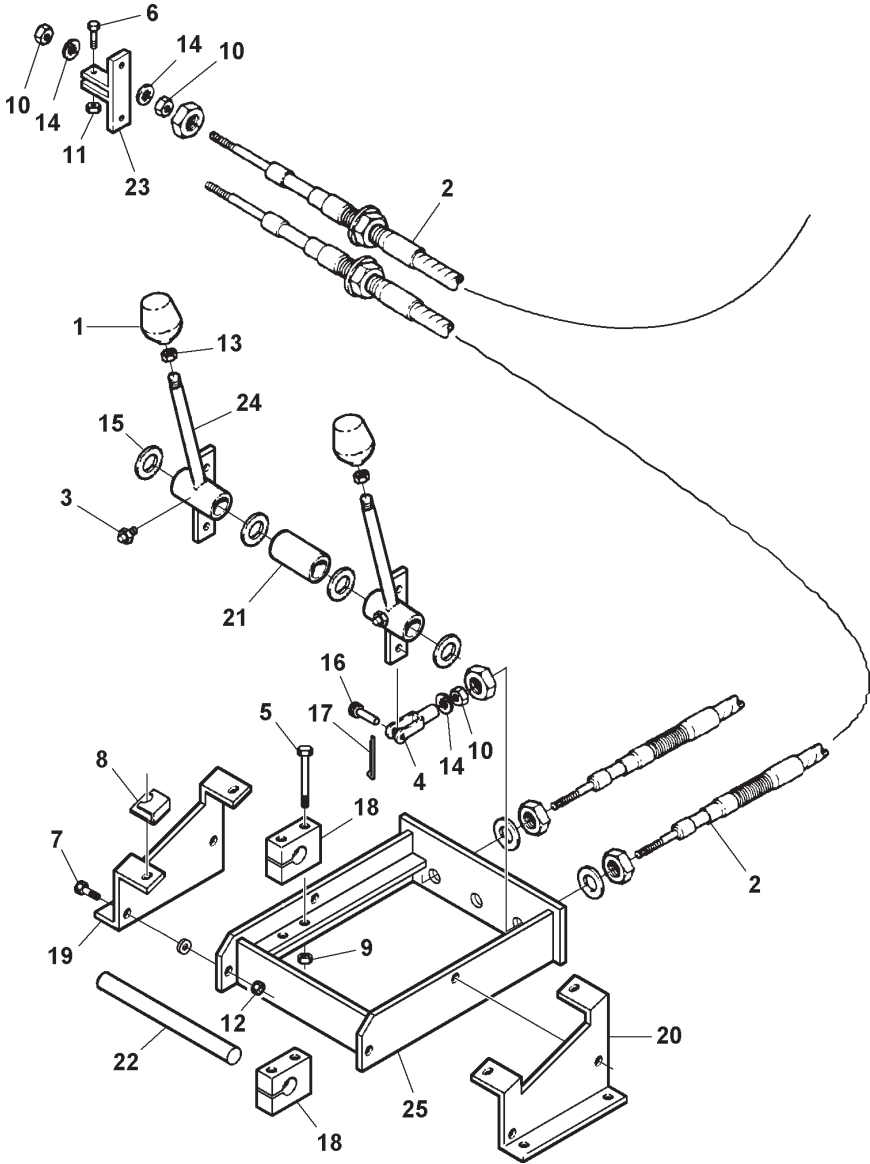
Section VI - PARTS (cont'd)

RIGHT CONTROL ASSEMBLY

REF. NO.	NO. REQ'D	PART NUMBER	DESCRIPTION
1	2	0300834	CONTROL KNOB, IN-OUT
2	1	0300835	CONTROL KNOB, BOOM UP-DOWN
3	2	0300836	CONTROL KNOB, JACK UP-DOWN
4	1	0300837	CONTROL KNOB, BOOM IN-OUT
5	3	0301884	CONTROL CABLE, 96"
6	1	0301969	CONTROL CABLE, 84"
7	2	0302437	CONTROL CABLE, 168"
8	1	0302457	CONTROL CABLE, 104"
9	9	0302726	GREASE FITTING, 1/4"-28 X 45°
10	9	0303008	ADJUSTABLE CLEVIS
11	1	0303379	CONTROL KNOB, SWING CW-CCW
12	1	0303380	CONTROL KNOB, UNDERLIFT IN-OUT
13	1	0303381	CONTROL KNOB, UNDERLIFT UP-DOWN
14	2	0303427	CONTROL CABLE, 114"
15	2	0400066	SCREW, 1/4"-20 X 3/4" HEX HD CAP
16	9	0400103	SCREW, 5/16"-18 X 1-1/4" HEX HD CAP
17	4	0400107	SCREW, 5/16"-18 X 2-1/2" HEX HD CAP
18	4	0400122	SCREW, 3/8"-16 X 1-1/4" HEX HD CAP
19	2	0400367	NUT, 1/4"-20 HEX NYLOK
20	4	0400379	NUT, 5/16"-18 "J" TINNERMAN
21	4	0400382	NUT, 5/16"-18 HEX NYLOK
22	9	0400383	NUT, 5/16"-24 HEX
23	4	0400392	NUT, 3/8"-16 HEX NYLOK
24	9	0400393	NUT, 3/8"-16 HEX JAM
25	4	0400451	WASHER, 1/4" FLAT
26	9	0400466	LOCKWASHER, 5/16" INTERNAL TOOTH
27	9	0400512	WASHER, 3/4" FLAT (SPECIAL)
28	9	0400532	CLEVIS PIN, 5/16" X 1"
29	9	0400541	COTTER PIN, 1/16" X 3/4"
30	1	0500225	DECAL, AIR FREE SPOOL (NOT)
31	2	0711235	CLAMP, SHAFT CONTROL BOX
32	1	0711245	PLATE, SHAFT SUPPORT
33	1	0711246	PIN, CONTROL BOX
34	1	0711284	SUPPORT, CONTROL (LEFT)
35	1	0711285	SUPPORT, CONTROL (RIGHT)
36	1	0803182	CONTROL FRAME WELDMENT
37	9	0803294	CONTROL HANDLE WELDMENT

Section VI - PARTS (cont'd)

CONTROL ASSEMBLY (2 REQ'D)



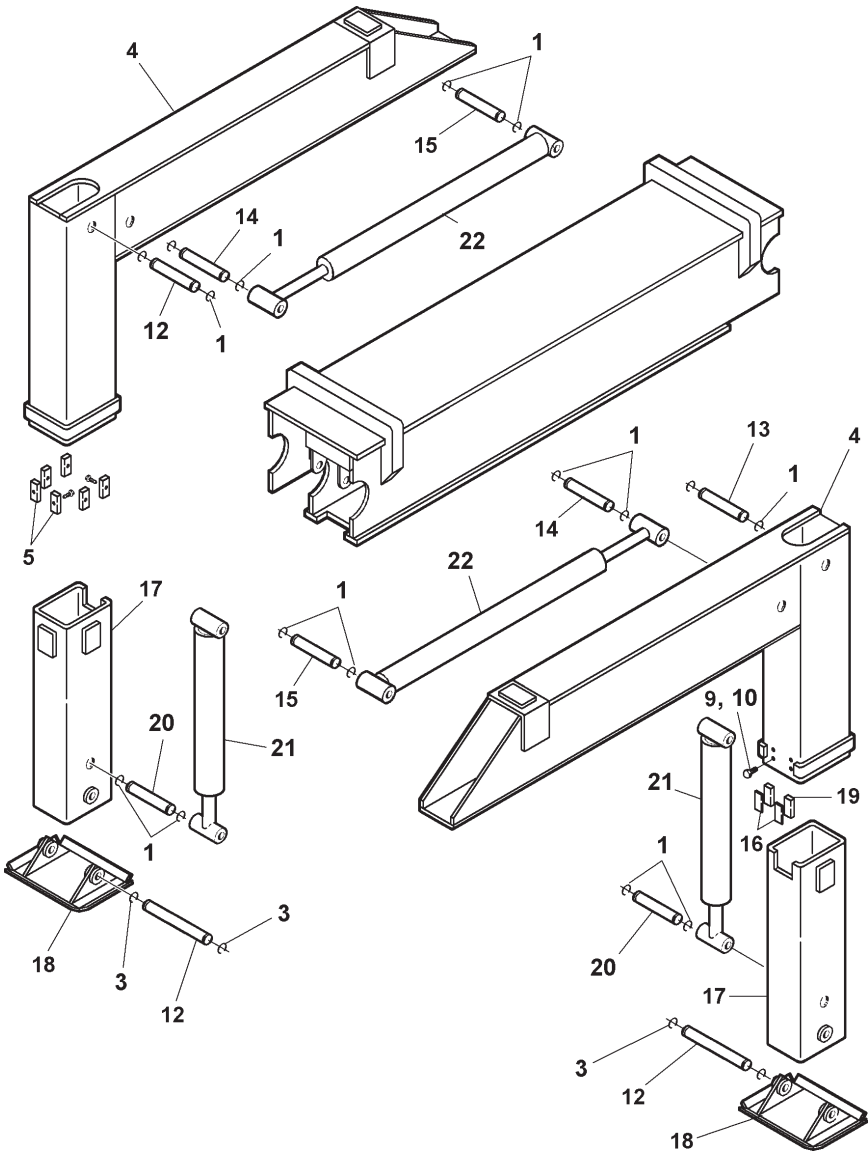
Section VI - PARTS (cont'd)

CONTROL ASSEMBLY (2 REQ'D)

REF. NO.	NO. REQ'D	PART NUMBER	DESCRIPTION
1	2	0300341	CONTROL KNOB
2	2	0302449	CONTROL CABLE, 148"
3	2	0302726	GREASE FITTING, 1/4"-28 X 45°
4	2	0303008	ADJUSTABLE CLEVIS
5	4	0400107	SCREW, 5/16"-18 X 2-1/2" HEX HD CAP
6	2	0400112	SCREW, 5/16"-24 X 1-1/4" HEX HD CAP
7	4	0400122	SCREW, 3/8"-16 X 1-1/4" HEX HD CAP
8	4	0400379	NUT, 5/16"-18 "J" TINNERMAN
9	4	0400382	NUT, 5/16"-18 HEX NYLOK
10	6	0400383	NUT, 5/16"-24 HEX
11	2	0400384	NUT, 5/16"-24 HEX NYLOK
12	4	0400392	NUT, 3/8"-16 HEX NYLOK
13	2	0400393	NUT, 3/8"-16 HEX JAM
14	6	0400466	LOCKWASHER, 5/16" INT. TOOTH
15	4	0400512	WASHER, 3/4" FLAT (SPECIAL)
16	2	0400532	CLEVIS PIN, 5/16" X 1"
17	2	0400541	COTTER PIN, 1/16" X 3/4"
18	2	0711235	CLAMP, SHAFT CONTROL BOX
19	1	0711284	SUPPORT, CONTROL (LEFT)
20	1	0711285	SUPPORT, CONTROL (RIGHT)
21	1	0711574	SPACER TUBE
22	1	0712005	PIN, CONTROL BOX
23	2	0801054	CONTROL CABLE CONNECTOR
24	2	0803294	CONTROL HANDLE WELDMENT
25	1	0803407	CONTROL FRAME WELDMENT

Section VI - PARTS (cont'd)

FRONT OUTRIGGER ASSEMBLY



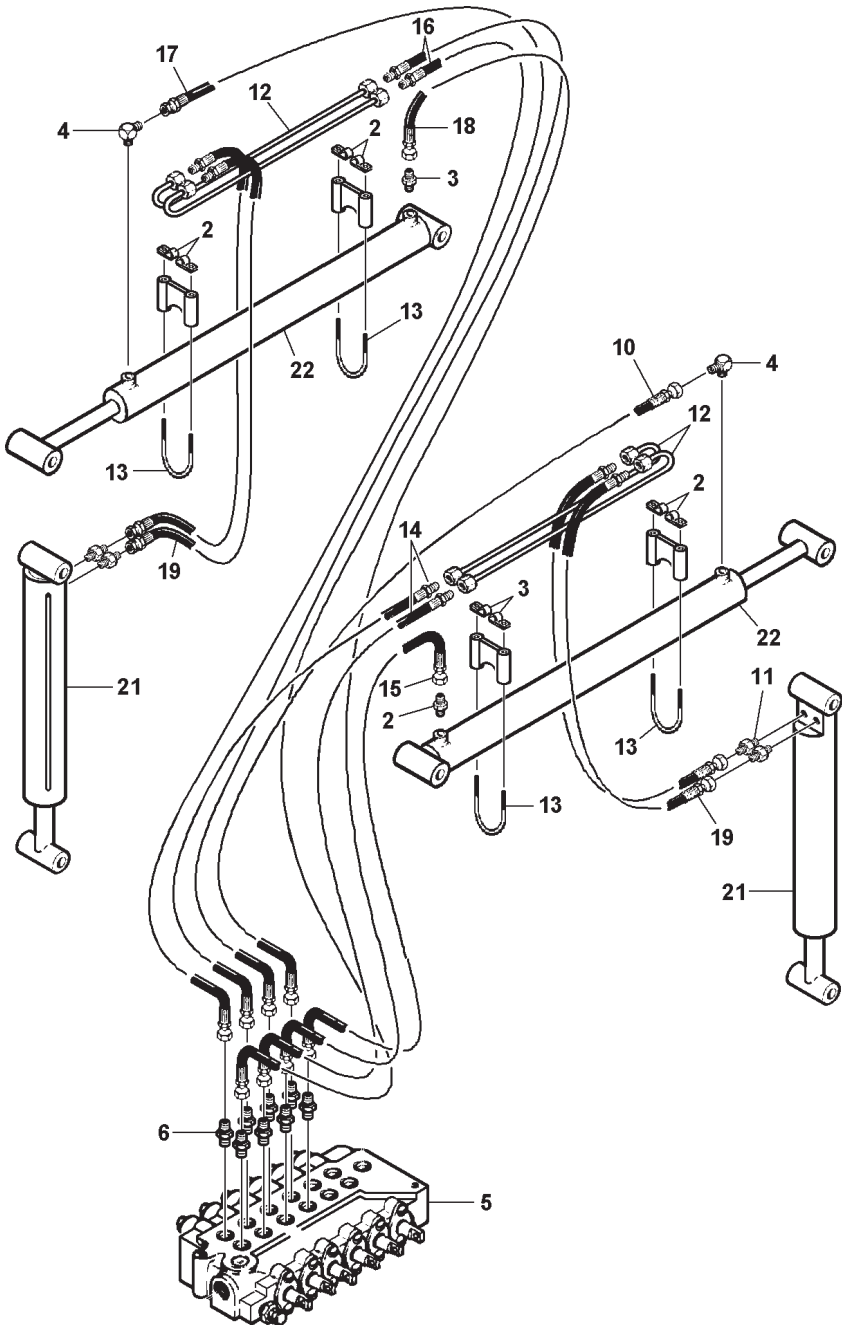
Section VI - PARTS (cont'd)

FRONT OUTRIGGER ASSEMBLY

REF. NO.	NO. REQ'D	PART NUMBER	DESCRIPTION
1	8	0300109	SNAP RING, 1-1/2"
2	4	0300113	GREASE FITTING
3	4	0300329	SNAP RING, 2" EXTERNAL
4	2	0303386	OUTRIGGER BEAM WELDMENT
5	12	0303490	WEAR PAD
6	8	0400039	SCREW, #10-32 X 3/4" FL HD PHIL SELF TAP
7	4	0400118	SCREW, 5/16"-18 X 3/4" HEX HD CAP
8	3	0400140	SCREW, 3/8"-16 X 4" HEX HD CAP
9	8	0400222	SCREW, 3/8"-16 X 1-1/2" SKT HD SET
10	3	0400392	NUT, 3/8"-16 NYLOK HEX
11	8	0400393	NUT, 3/8"-16 HEX JAM
12	2	0705722	SHAFT, OUTRIGGER ARM TO PAD
13	2	0709326	PIN, VERTICAL CYLINDER TO BASE
14	2	0709327	PIN, EXTEND CYLINDER, ROD END
15	2	0709328	PIN, EXTEND CYLINDER, BASE END
16	4	0711913	SHIM, WEAR PAD
17	2	0802779	VERTICAL TUBE WELDMENT
18	2	0802780	FRONT OUTRIGGER PAD WELDMENT
19	4	BK2003	WEAR PAD
20	2	EA0174	PIN, IN/OUT 2ND STAGE, ROD END
21	REF.	HC0124	VERTICAL CYLINDER
22	REF.	HC0164	EXTEND CYLINDER
23	2	HE0239	LIMIT SWITCH, DOOR (NOT SHOWN)
24	2	HE0240	ARM, LIMIT SWITCH (NOT SHOWN)

Section VI - PARTS (cont'd)

FRONT OUTRIGGER HYDRAULICS



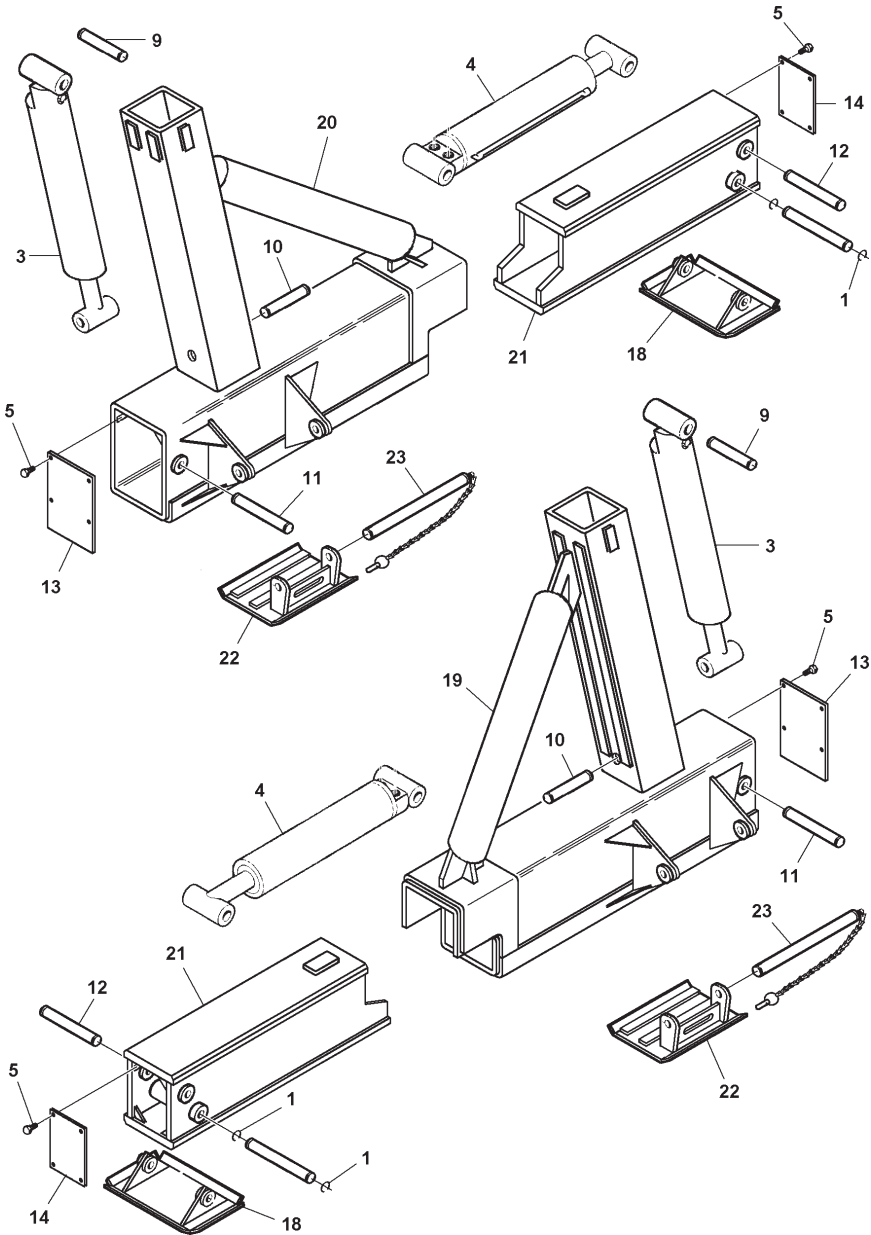
Section VI - PARTS (cont'd)

FRONT OUTRIGGER HYDRAULICS

REF. NO.	NO. REQ'D	PART NUMBER	DESCRIPTION
1	4	0300134	HOSE CLAMP, INSULATED 1" (NOT SHOWN)
2	12	0301487	HOSE CLAMP, 1/2"
3	2	0301522	CONNECTOR, 6MJ-6MB
4	2	0301620	ELBOW, 6MJ-6MB90
5	1	0301762	CONTROL VALVE, VDP12DDDDDD10
6	8	0301778	CONNECTOR, 6MJ-10MB
7	2	0302547	CLAMPING UNIT (Not Shown)
8	4	0302551	NUT, SKT HD STACKING (Not Shown)
9	6	0302569	WIRE TIE, 29-3/4" (Not Shown)
10	1	0302635	HOSE ASSEMBLY, 131"
11	4	0302727	CONNECTOR, 6MJ-8MP
12	4	0303054	TUBE ASSEMBLY
13	4	0303055	SADDLE CLAMP, 4"
14	2	0303184	HOSE ASSEMBLY, 73"
15	1	0303185	HOSE ASSEMBLY, 66"
16	2	0303186	HOSE ASSEMBLY, 82"
17	1	0303187	HOSE ASSEMBLY, 141"
18	1	0303188	HOSE ASSEMBLY, 75"
19	4	0303191	HOSE ASSEMBLY, 96"
20	32 FT.	0303193	BLACK SKUFF JACKET
21	2	HC0124	VERTICAL CYLINDER
22	2	HC0164	EXTEND CYLINDER

Section VI - PARTS (cont'd)

REAR OUTRIGGER ASSEMBLY



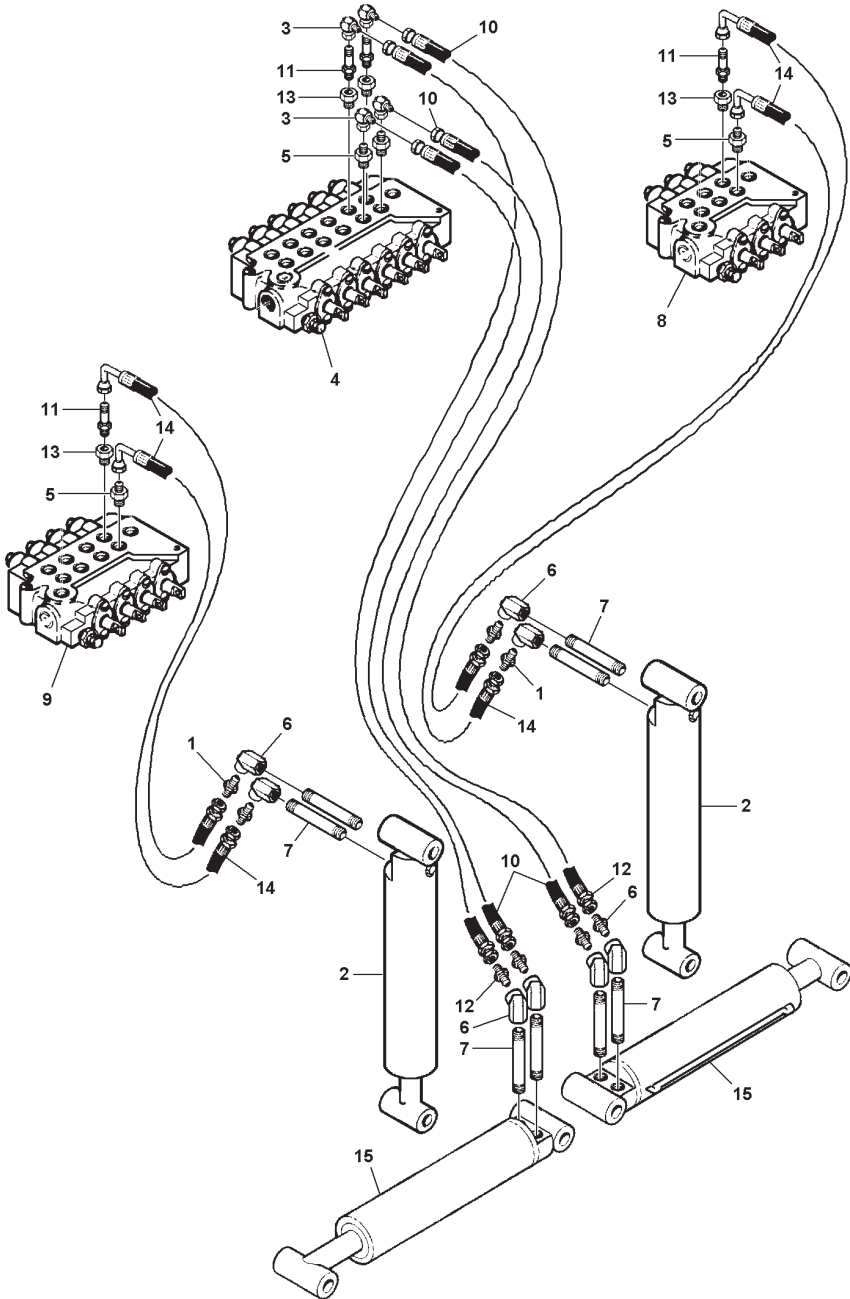
Section VI - PARTS (cont'd)

REAR OUTRIGGER ASSEMBLY

REF. NO.	NO. REQ'D	PART NUMBER	DESCRIPTION
1	4	0300110	SNAP RING, 1"
2	2	0300113	GREASE FITTING
3	REF.	0300680	VERTICAL CYLINDER
4	REF.	0303486	HORIZONTAL CYLINDER
5	16	0400066	SCREW, 1/4"-20 X 3/4" HEX HD CAP
6	2	0400129	SCREW, 3/8"-16 X 3/4" ALLEN HD SET
7	4	0400392	NUT, 3/8"-16 NYLOK HEX
8	16	0400452	LOCKWASHER, 1/4" HELICAL
9	2	0703457	SHAFT, JACK CYLINDER, UPPER
10	2	0703458	SHAFT, JACK CYLINDER, LOWER
11	2	0711973	SHAFT, EXTEND CYLINDER, BASE END
12	2	0711975	SHAFT, EXTEND CYLINDER, ROD END
13	2	0712154	COVER, REAR OUTRIGGER, END
14	2	0712158	COVER, REAR OUTRIGGER
15	2	0712196	PLATE, WRAPPER TIE
16	4	0712197	PLATE, WRAPPER SIDE
17	2	0801039	PIN-ON JACK PAD
18	2	0802780	OUTRIGGER PAD WELDMENT
19	1	0803377	OUTRIGGER WELDMENT, LEFT REAR
20	1	0803378	OUTRIGGER WELDMENT, RIGHT REAR
21	2	0803379	INNER BOOM, REAR HORIZONTAL
22	2	0803475	OUTRIGGER PAD, INTERMEDIATE
23	2	0903803	SHAFT, REAR OUTRIGGER PAD

Section VI - PARTS (cont'd)

REAR OUTRIGGER HYDRAULICS



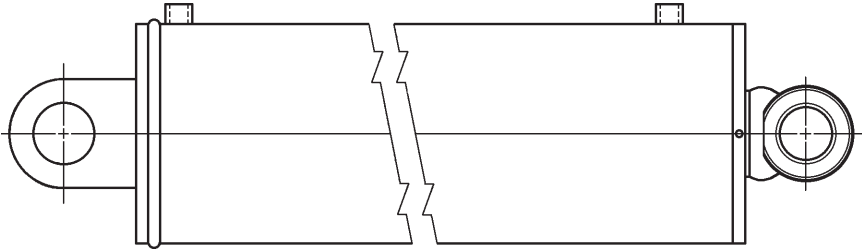
Section VI - PARTS (cont'd)

REAR OUTRIGGER HYDRAULICS

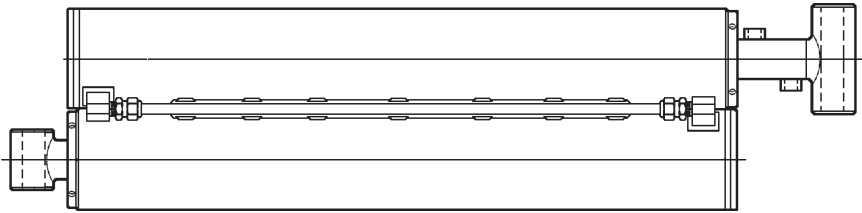
REF. NO.	NO. REQ'D	PART NUMBER	DESCRIPTION
1	4	0300040	CONNECTOR, 8MJ-8MP
2	2	0300680	VERTICAL CYLINDER
3	4	0301696	ELBOW, 6MJ-6FJX90
4	REF.	0301762	CONTROL VALVE, VDP12DDDDDD10
5	4	0301778	CONNECTOR, 10MB-6MJ
6	8	0301816	FITTING, 8FP-8FP45
7	8	0301819	BLACK PIPE NIPPLE, 1/2" X 4-1/2"
8	REF.	0302296	CONTROL VALVE, VDP12CDD118
9	REF.	0302334	CONTROL VALVE, VDP12CDCD10
10	4	0302372	HOSE ASSEMBLY, 240"
11	4	0302510	ADAPTER, 6MJ-6MBL
12	4	0302727	CONNECTOR, 6MJ-8MP
13	4	0303174	CONNECTOR, 10MB-6FB
14	4	0303175	HOSE ASSEMBLY, 102"
15	2	0303486	HORIZONTAL CYLINDER

Section VI - PARTS (cont'd)

HYDRAULIC CYLINDERS - UNDERLIFT



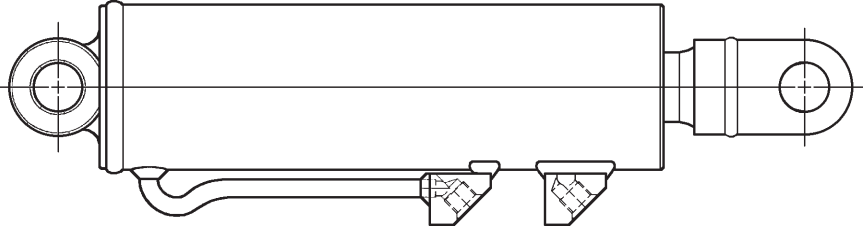
REF. NO.	NO. REQ'D	PART NUMBER	DESCRIPTION
1	1	0302352	CYLINDER, UNDERLIFT LIFT
2	--	--	SEAL KIT, UNDERLIFT LIFT CYLINDER



REF. NO.	NO. REQ'D	PART NUMBER	DESCRIPTION
1	1	0301811	CYLINDER, UNDERLIFT EXTEND
2	--	--	SEAL KIT, UNDERLIFT EXTEND CYLINDER

Section VI - PARTS (cont'd)

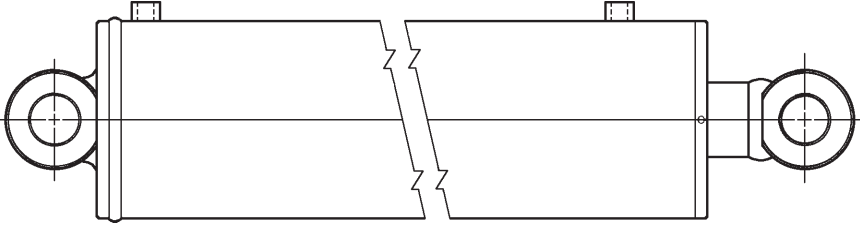
HYDRAULIC CYLINDERS - UNDERLIFT



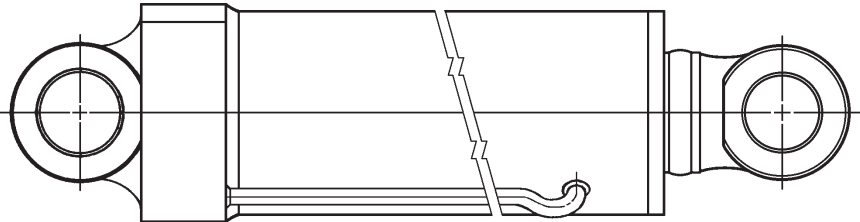
REF. NO.	NO. REQ'D	PART NUMBER	DESCRIPTION
1	1	0303042	CYLINDER, UNDERLIFT FOLD
2	--	--	SEAL KIT, UNDERLIFT FOLD CYLINDER

Section VI - PARTS (cont'd)

HYDRAULIC CYLINDERS - WRECKER



REF. NO.	NO. REQ'D	PART NUMBER	DESCRIPTION
1	2	0303092	CYLINDER, BOOM LIFT
2	--	0304434	SEAL KIT, BOOM LIFT CYLINDER

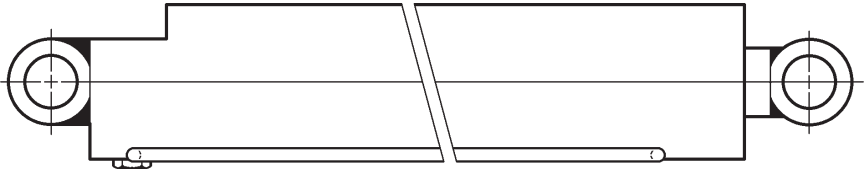


REF. NO.	NO. REQ'D	PART NUMBER	DESCRIPTION
1	1	0302830	CYLINDER, BOOM EXTEND
2	--	0304333	SEAL KIT, BOOM EXTEND CYLINDER

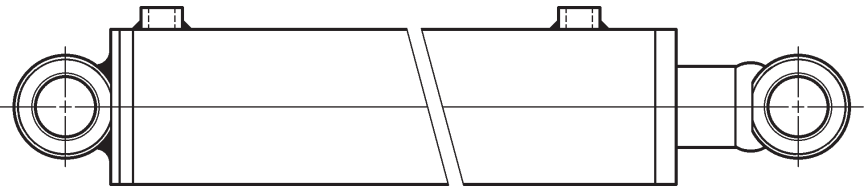
Section VI - PARTS (cont'd)

HYDRAULIC CYLINDERS

FRONT OUTRIGGERS



REF. NO.	NO. REQ'D	PART NUMBER	DESCRIPTION
1	2	HC0124	CYLINDER, FRONT OUTRIGGER VERTICAL SEAL KIT, CYLINDER
2	--	--	

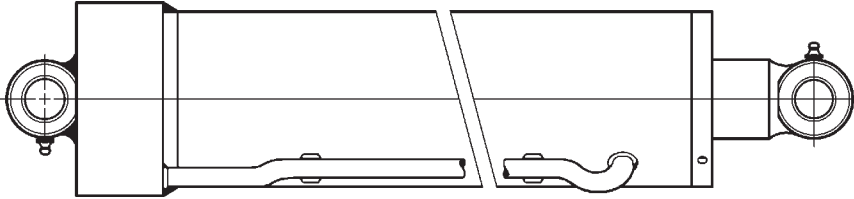


REF. NO.	NO. REQ'D	PART NUMBER	DESCRIPTION
1	2	HC0164	CYLINDER, FRONT OUTRIGGER EXTEND SEAL KIT, CYLINDER
2	--	--	

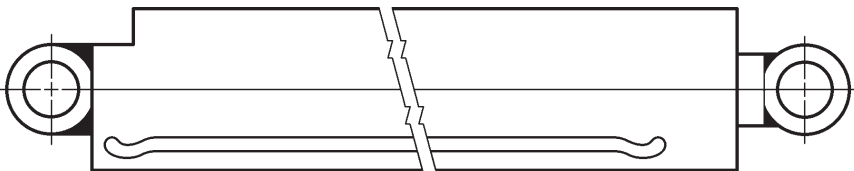
Section VI - PARTS (cont'd)

HYDRAULIC CYLINDERS

REAR OUTRIGGERS



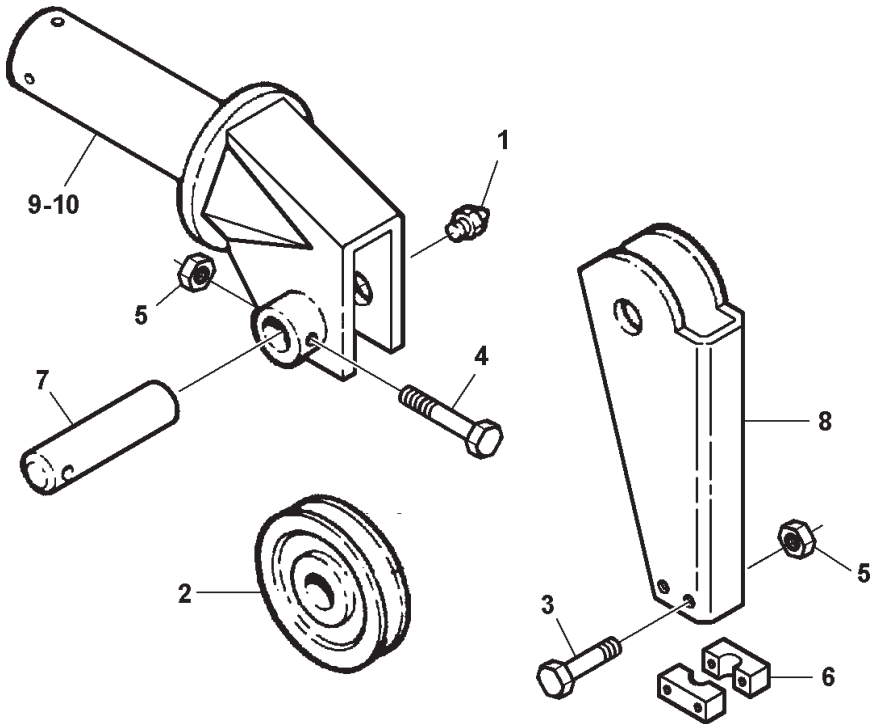
REF. NO.	NO. REQ'D	PART NUMBER	DESCRIPTION
1	2	0300680	CYLINDER, REAR OUTRIGGER VERTICAL
2	--	--	SEAL KIT, CYLINDER



REF. NO.	NO. REQ'D	PART NUMBER	DESCRIPTION
1	2	0303486	CYLINDER, REAR OUTRIGGER EXTEND
2	--	--	SEAL KIT, CYLINDER

Section VI - PARTS (cont'd)

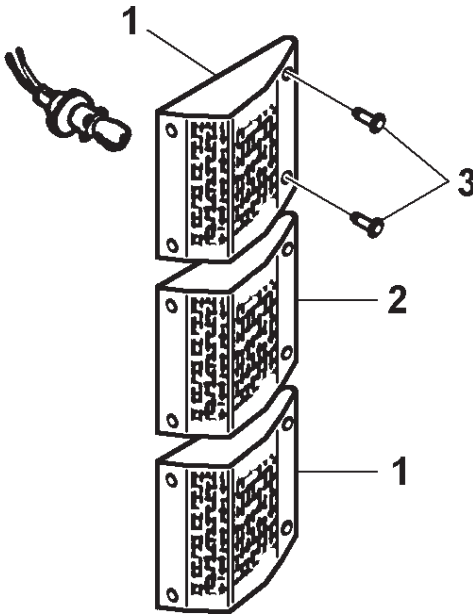
BOOM SWIVEL ASSEMBLY



REF. NO.	NO. REQ'D	PART NUMBER	DESCRIPTION
--	1	0903776	BOOM SWIVEL ASSEMBLY, LEFT (COMPLETE)
--	1	0903777	BOOM SWIVEL ASSEMBLY, RIGHT (COMPLETE)
1	1	0300113	GREASE FITTING
2	1	0300311	SHEAVE, 10"
3	2	0400133	SCREW, 3/8"-16 X 3" HEX HD CAP
4	1	0400140	SCREW, 3/8"-16 X 4" HEX HD CAP
5	3	0400392	NUT, 3/8"-16 NYLOK HEX
6	2	0700511	CABLE GUIDE, BOTTOMS
7	1	0700563	HAFT, SHEAVE
8	1	0802027	CABLE GUIDE WELDMENT
9	1	0803573	SWIVEL WELDMENT, LEFT
10	1	0803574	SWIVEL WELDMENT, RIGHT

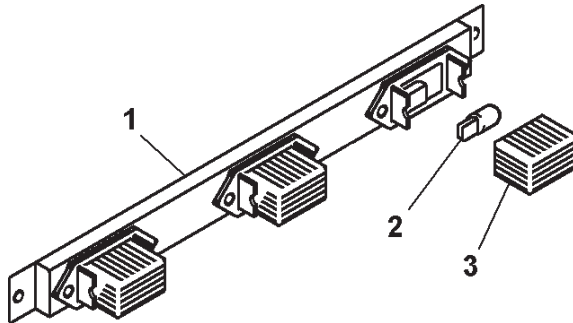
Section VI - PARTS (cont'd)

MODULAR LIGHT KIT

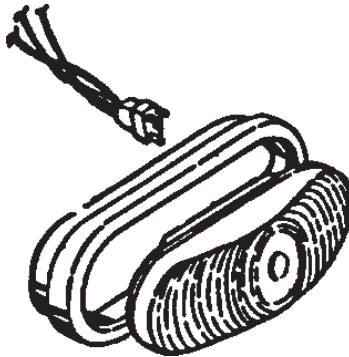


REF. NO.	NO. REQ'D	PART NUMBER	DESCRIPTION
1	4	0302542	LIGHT, STOP & TURN
2	2	0302543	LIGHT, BACKUP
3	24	0400025	SCREW, #8-32 X 3/4" RD HD SLOTTED

Section VI - PARTS (cont'd) MODULAR LIGHT KIT (cont'd)



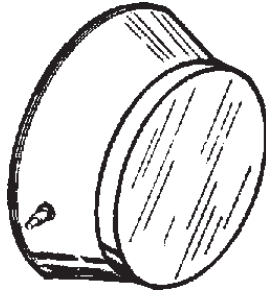
REF. NO.	NO. REQ'D	PART NUMBER	DESCRIPTION
1		0300442	3-LIGHT BAR ASSEMBLY (COMPLETE)
2		0300507	BULB, MARKER LIGHT
3		0300511	LENS, 3-LIGHT BAR



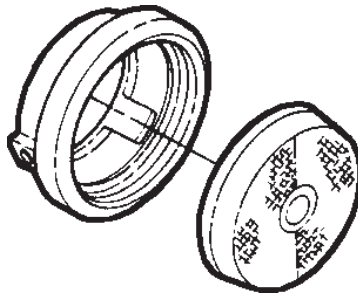
REF. NO.	NO. REQ'D	PART NUMBER	DESCRIPTION
1		0302201	LIGHT, FLOOD (COMPLETE)
2		0302611	LIGHT, AMBER OVAL (COMPLETE)

Section VI - PARTS (cont'd)

MODULAR LIGHT KIT (cont'd)

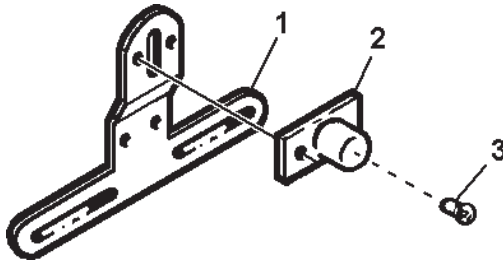


REF. NO.	NO. REQ'D	PART NUMBER	DESCRIPTION
1	18	0302544	LIGHT, DOME (COMPLETE)



REF. NO.	NO. REQ'D	PART NUMBER	DESCRIPTION
1	2	0301742	MARKER LIGHT, SEALED AMBER

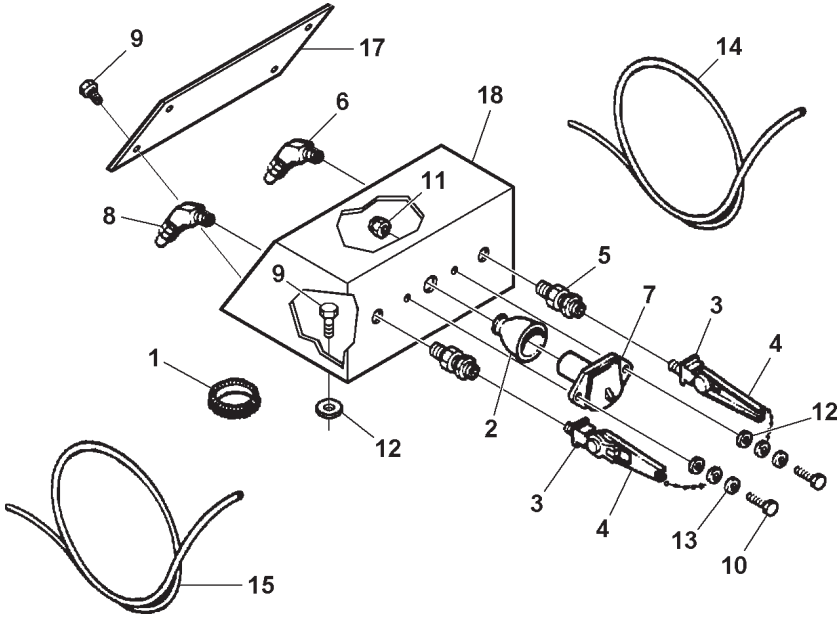
Section VI - PARTS (cont'd) MODULAR LIGHT KIT (cont'd)



REF. NO.	NO. REQ'D	PART NUMBER	DESCRIPTION
1	1	0300076	LICENSE PLATE BRACKET
2	1	0300273	LICENSE PLATE ILLUMINATOR
3	1	0300512	BULB, LICENSE PLATE ILLUMINATOR

Section VI - PARTS (cont'd)

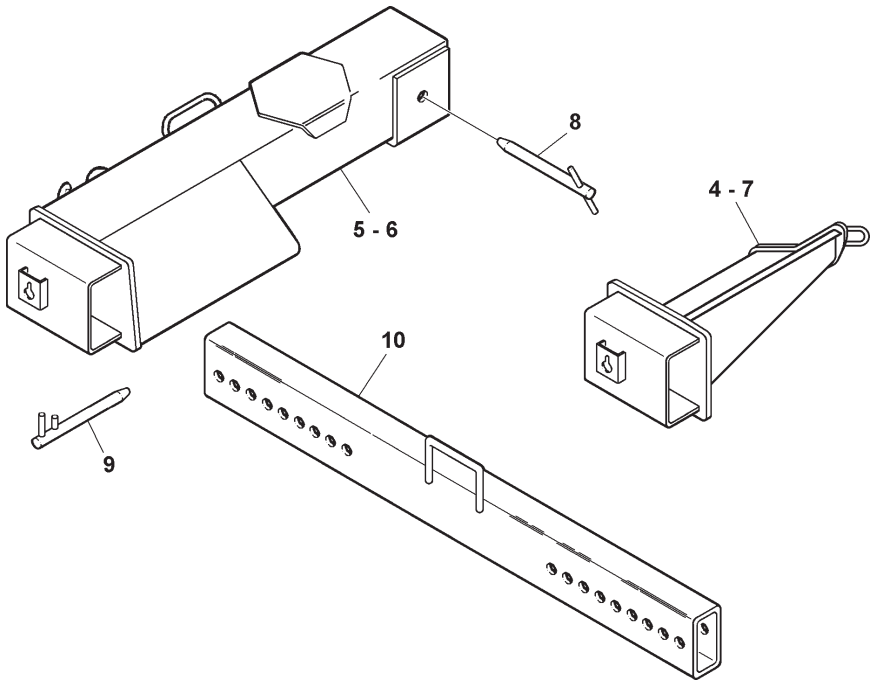
GLAD HAND ASSEMBLY



REF. NO.	NO. REQ'D	PART NUMBER	DESCRIPTION
1	1	0301862	CATERPILLER GROMMET
2	1	0301909	RECEPTACLE BOOT
3	2	0301944	GLAD HAND COUPLING
4	2	0301945	GLAD HAND PLUG
5	2	0301946	BULKHEAD CONNECTOR
6	1	0301947	ADAPTER, 1/4" NPM X 3/8" 45° SYN. HOSE
7	1	0301948	HD 7-WAY TRAILER CONNECTOR
8	1	0302534	ELBOW, 1/4" NPTM X 1/2" 45° SYN. HOSE
9	9	0400062	SCREW, 1/4"-20 X 3/4" HEX HD SELF-TAP
10	2	0400070	SCREW, 1/4"-20 X 1" HEX HEAD CAP
11	2	0400367	NUT, 1/4"-20 NYLOK HEX
12	6	0400451	FLATWASHER, 1/4"
13	2	0400463	FLATWASHER, 5/16"
14	1	0703795	HOSE, 3/8" X 4 FT. SYNTHETIC
15	1	0706925	HOSE, 1/2" X 4 FT. SYNTHETIC
16	1	0710003	SUPPORT, GLAD HAND BOX (Not Shown)
17	1	0710444	LID, GLAD HAND HOUSING
18	1	0802151	GLAD HAND HOUSING

Section VI - PARTS (cont'd)

TRUCK WHEEL LIFT



REF. NO.	NO. REQ'D	PART NUMBER	DESCRIPTION
1	2	0301932	5/16" X 12' H.T. CHAIN ASSEMBLY (N.S.)
2	2	0303150	RATCHET W/ HOOK (N.S.)
3	2	0303680	TIE-DOWN STRAP, ADJUSTABLE (N.S.)
4	1	0802839	TIRE SUPPORT RIGHT
5	1	0802841	OUTER CROSSTUBE LEFT
6	1	0802842	OUTER CROSSTUBE RIGHT
7	1	0802877	TIRE SUPPORT LEFT
8	2	0902947	CROSSTUBE RETAINER PIN
9	4	0903089	RETAINER PIN
10	2	0903480	ADJUSTMENT TUBE
11	2	CH0100	5/16" HOOK W/ PIN (N.S.)

CENTURY®

Miller Industries Towing Equipment Inc.

8503 Hilltop Drive • Ooltewah, Tennessee 37363 • (423) 238-4171

www.millerind.com