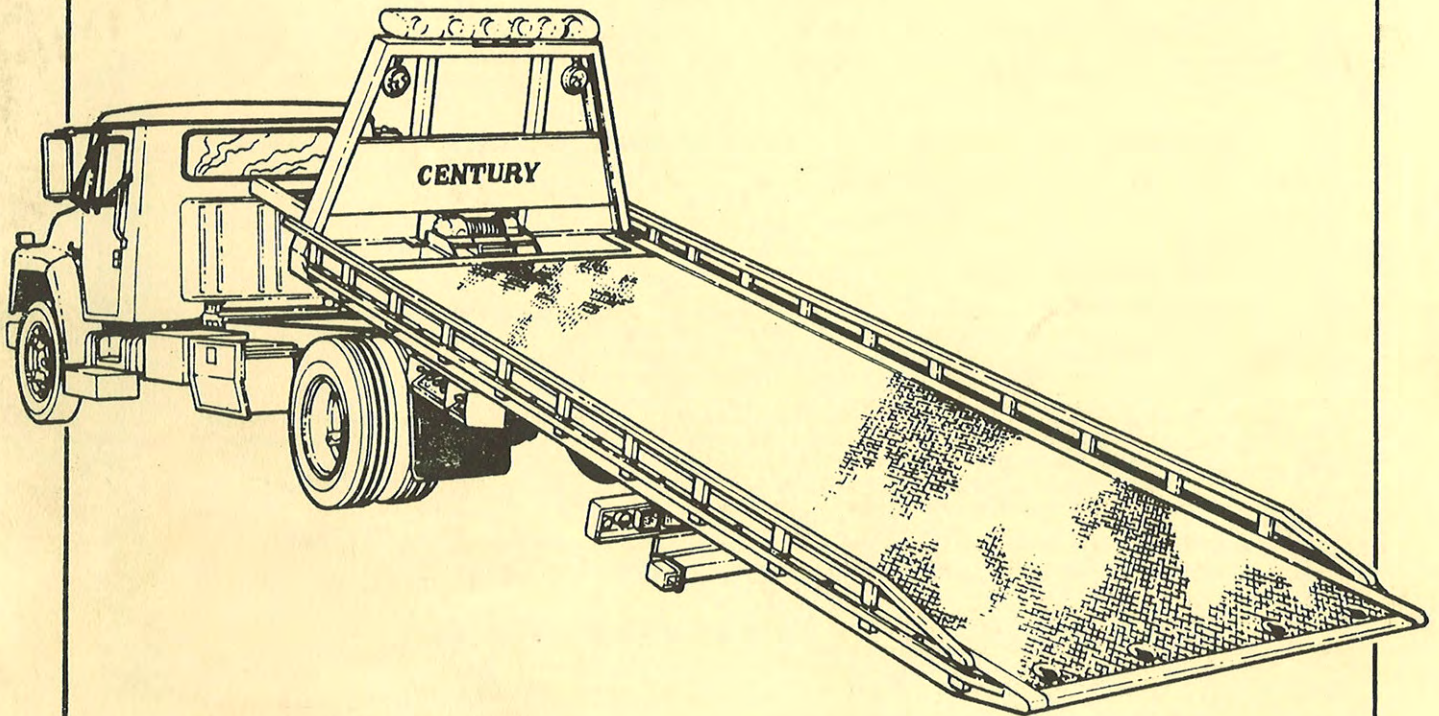


CENTURY®



OWNER'S MANUAL

STEEL CARRIER

Operation, Maintenance & Parts

CENTURY

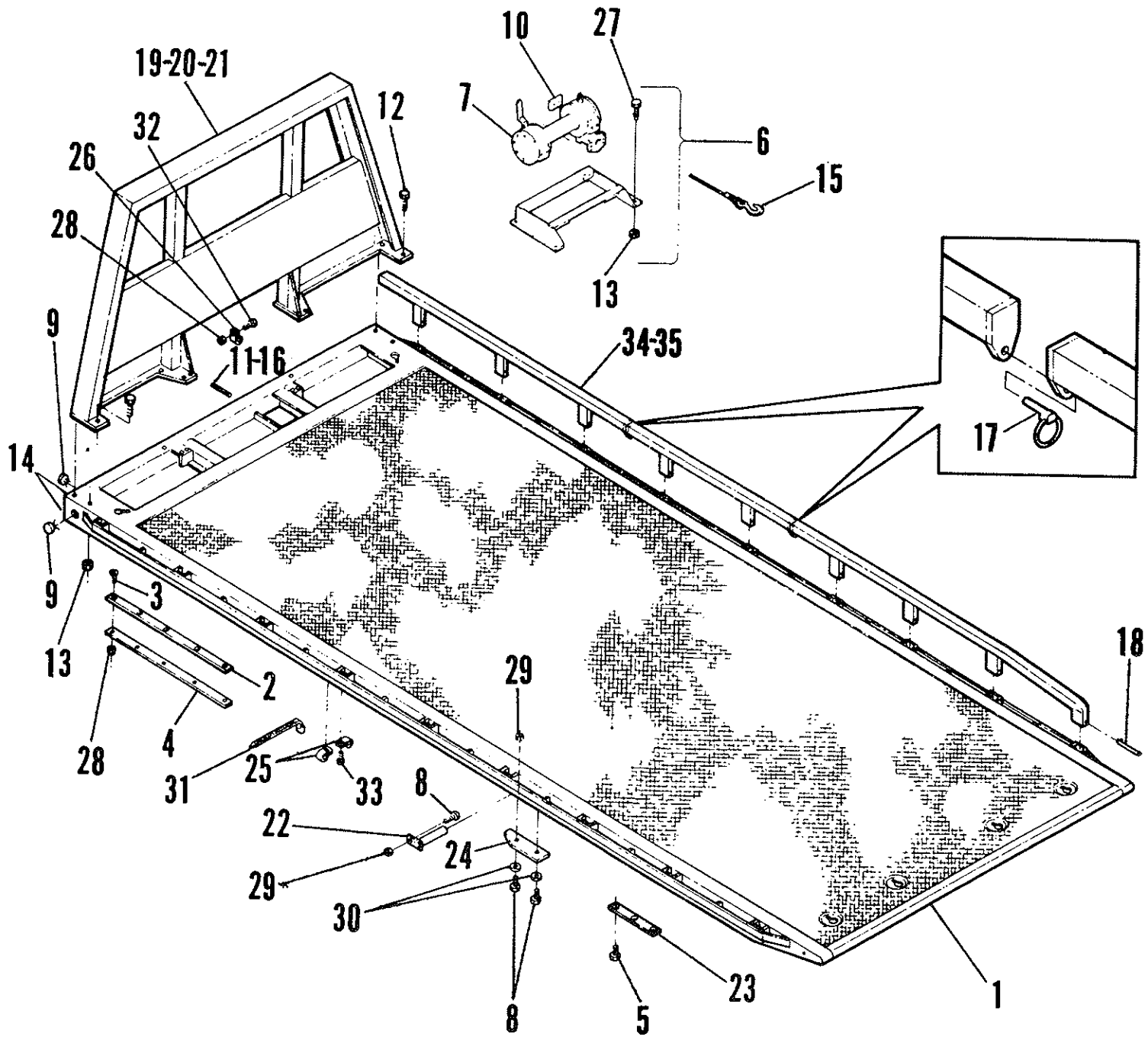
I-75 at Ooltewah Exit #11 • 8503 Hilltop Drive • Ooltewah, Tennessee 37363 • (423) 238-4171 • FAX (423) 238-5371

Mailing Address: P.O. Box 120 • Ooltewah, Tennessee 37363 • Telex: 856967 CENWKRTN UD

FORM NO. 0500350

PRICE \$15.00

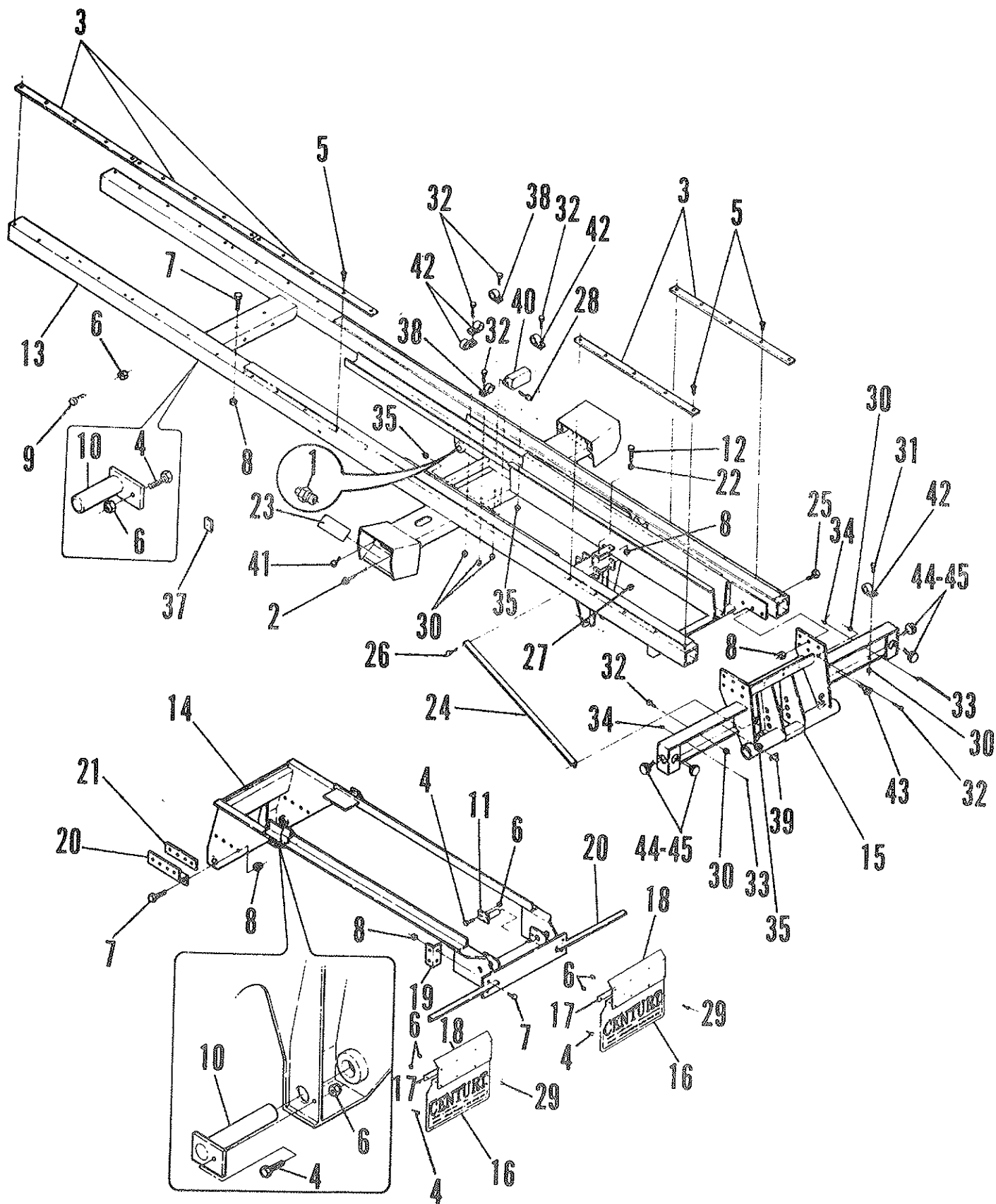
Section VI - PARTS BED ASSEMBLY



Section VI - PARTS BED ASSEMBLY

REF. NO.	NO. REQ'D.	PART NUMBER	DESCRIPTION
1	1	0801190	CARRIER BED WELDMENT
2	2	0302027	BEARING PAD, NYLATRON GS
3	10	0400086	SCREW, 1/4 - 20 X 1-1/4" LG. FLAT HD. SKT. CAP.
4	2	0704153	SHIM, BEARING PAD
5	6	0400085	SCREW, 1/4 - 20 X 1" LG. TYPE "F" PHILLIPS HD.
6	1	0900736	WINCH ASS'Y (COMPLETE)
7	1	0300250	WINCH ASS'Y
8	3	0400122	SCREW, 3/8 - 16 NC X 1-1/4" LG. HEX. HD. CAP.
9	4	0301742	SEALED LAMP (AMBER)
10	2	0701172	SPACER, WINCH BRACKET
11	6	0703230	HEAT SHRINK TUBE
12	10	0400181	SCREW, 1/2 - 13 NC X 1-1/2" LG. HEX. HD. CAP.
13	14	0400408	NUT, 1/2 - 13 NC NYLON LOCK
14	4	0301740	GROMMET MT'G KIT
15	1	0301669	CABLE ASSEMBLY
16	1	0300897	GROMMET
17	4	0301861	PIN, LYNCH
18	10	0302023	HITCH PIN, COTTERLESS
19	1	0801260	CAB PROTECTOR WELDMENT (40" HIGH)
20	1	0801212	CAB PROTECTOR WELDMENT (49" HIGH)
21	1	0801290	CAB PROTECTOR WELDMENT (55" HIGH)
22	1	0801201	CYLINDER PIN
23	2	0704236	STOP BAR
24	1	0704392	ANTI-TILT PLATE
25	16	0300134	HOSE CLAMP
26	1	0301487	HOSE CLAMP
27	4	0400177	SCREW, 1/2 - 13 NC X 1-1/4" LG. HEX. HD. CAP.
28	11	0400367	NUT - 1/4 - 20 NC NYLON LOCK
29	3	0400392	NUT - 3/8 - 16 NC NYLON LOCK
30	2	0400480	WASHER, 3/8 FLAT
31	22	0300132	WIRE TIE
32	1	0400060	SCREW - 1/4 - 20 NC X 1/2" LG. HEX. HD. CAP.
33	8	0400077	SCREW - 1/4 X 1" LG. SELF-DRILLING HEX. HD.
34	---	---	3-PIECE SIDE RAIL KIT (INCLUDES FOLLOWING 3 ITEMS)
	2	0801320	SIDE RAIL, FRONT
	2	0801321	SIDE RAIL, MIDDLE
	2	0801322	SIDE RAIL, REAR
35	---	---	2-PIECE SIDE RAIL KIT (INCLUDES FOLLOWING 2 ITEMS)
	2	0801203	FRONT SIDE RAIL WELDMENT
	2	0801204	REAR SIDE RAIL WELDMENT

Section VI - PARTS MOUNTING & TILT FRAME ASSEMBLY

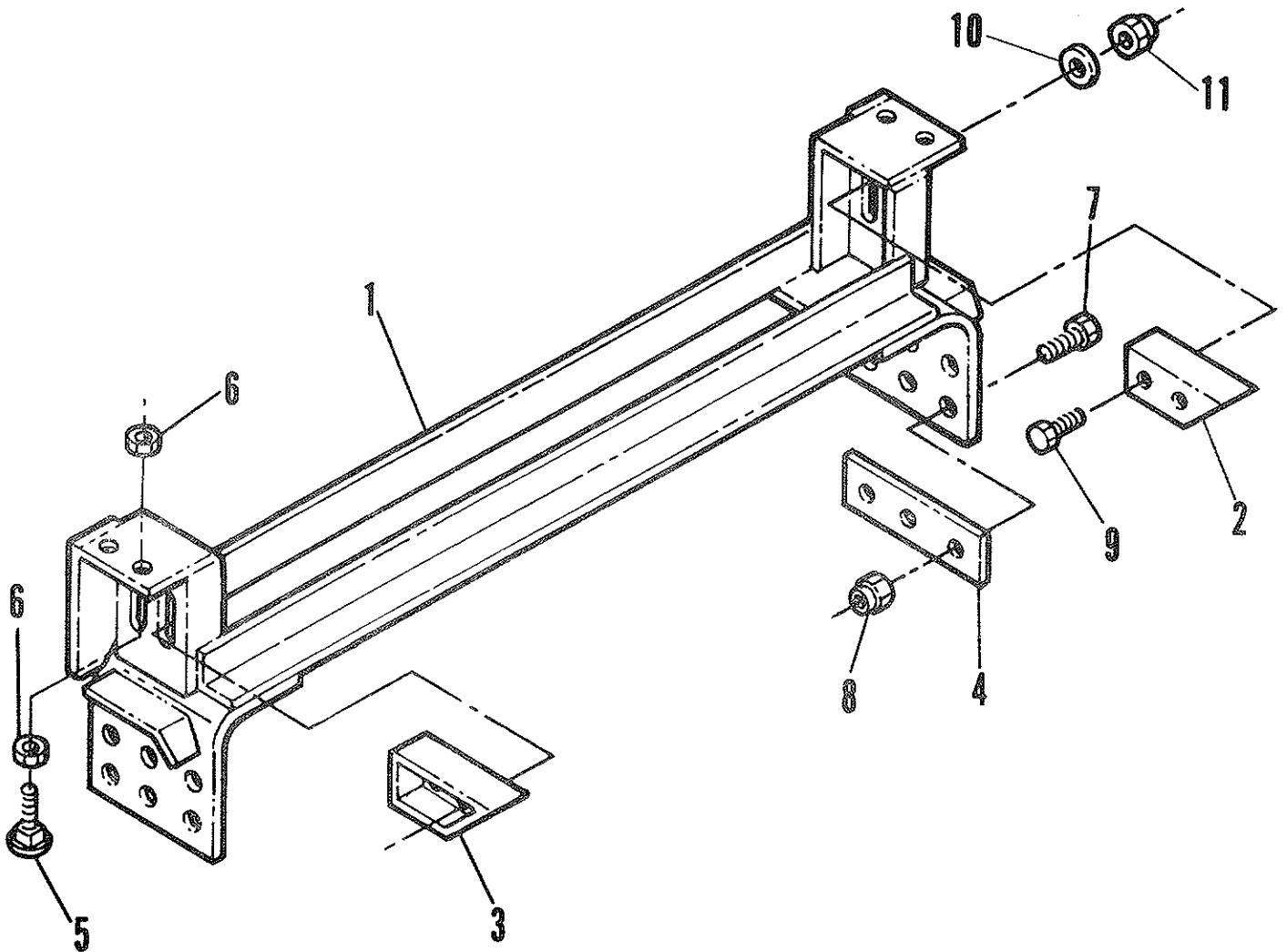


Section VI - PARTS

MOUNTING & TILT FRAME ASSEMBLY

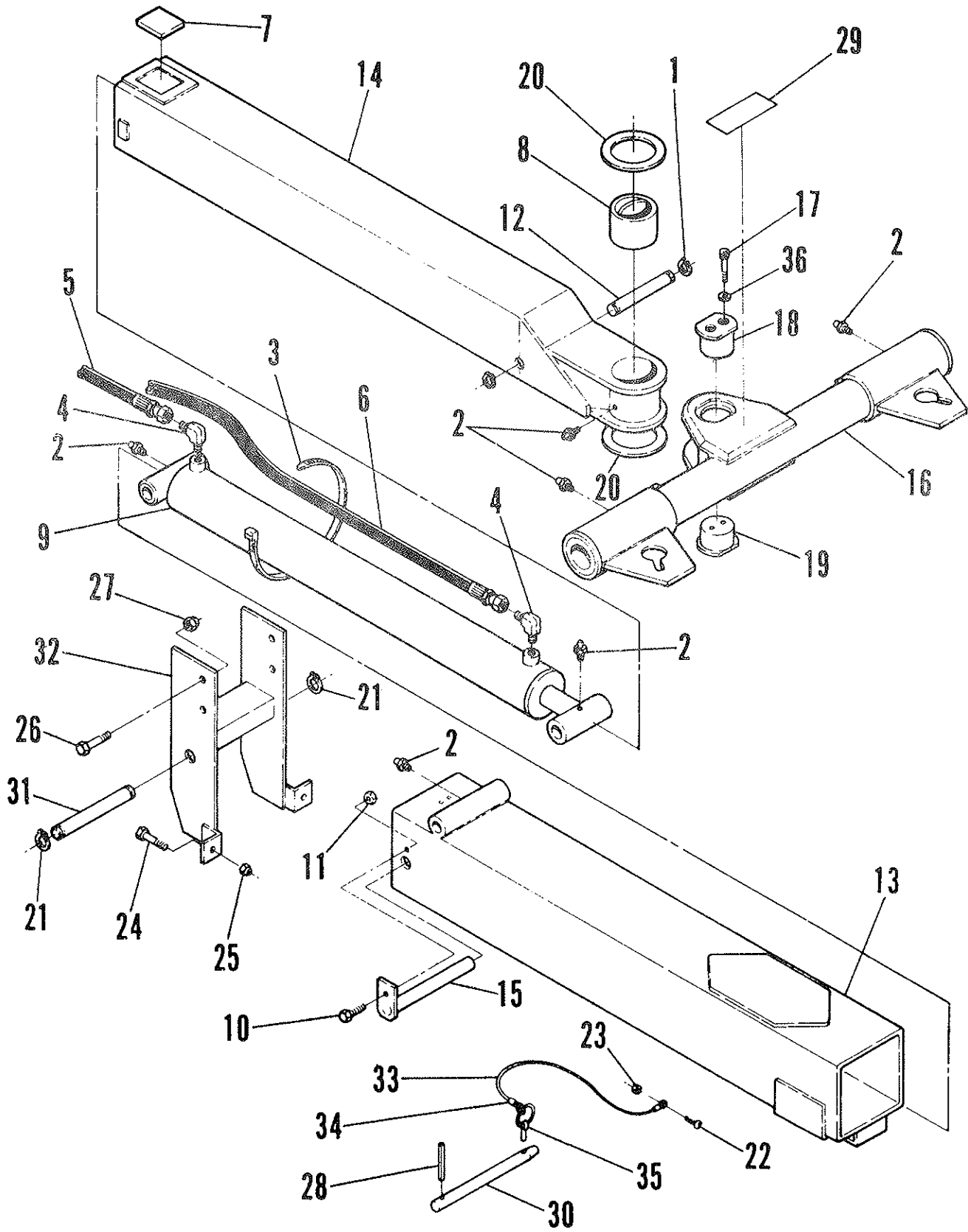
REF. NO.	NO. REQ'D.	PART NUMBER	DESCRIPTION
1	2	0300113	GREASE FITTING
2	1	0300686	THROTTLE, 25'
3	8	0302027	BEARING PADS
4	14	0400122	SCREW, 3/8" - 16 X 1-1/4" LG. HEX. HD. CAP.
5	40	0400085	SCREW, 1/4" - 20 TYPE F X 1" LG.
6	22	0400392	NUT, 3/8" - 16 NYLON LOCK
7	28	0400253	SCREW, 5/8" - 11 X 1-3/4" LG. HEX. HD. CAP.
8	36	0400421	NUT, 5/8" - 11 NYLON LOCK
9	2	0400146	SCREW, 3/8" - 16 X 2-1/4" LG. HEX. HD. CAP.
10	4	0801201	PIN, TILT CYLINDER
11	2	0801202	PIVOT PIN
12	2	0400255	SCREW, 5/8" - 11 X 5-1/2" LG. HEX. HD. CAP.
13	1	0801193	TILT FRAME
14	1	0801195	MOUNTING FRAME
15	1	0801179	STABILIZER
16	2	0301223	MUD FLAP
17	2	0702452	BAR, MUD FLAP MOUNTING
18	2	0704326	SUPPORT, MUD FLAP
19	2	0704378	MOUNTING ANGLE
20	2	0801180	MOUNTING BRACKET
21	2	0704152	SPACER - MOUNTING BRACKET
22	2	0400427	NUT - 5/8" - 11 NC HEX JAM
23	1	0500237	DECAL - CONTROL STATION, L.H.
24	2	0704178	STABILIZER BRACE
25	6	0400260	SCREW, 5/8 - 11 NC X 2" LG. HEX. HD. CAP.
26	4	0400185	SCREW - 1/2 - 13 NC X 1-1/2" LG. HEX. HD. CAP.
27	4	0400408	NUT, 1/2 - 13 NC NYLON LOCK
28	2	0400070	SCREW, 1/4 - 20 NC X 1" LG. HEX. HD. CAP.
29	8	0400126	SCREW, 3/8 - 16 NC X 1" LG. HEX. HD. CAP.
30	17	0400367	NUT, 1/4 - 20 NC NYLON LOCK
31	4	0400060	SCREW, 1/4 - 20 NC X 1/2" LG. HEX. HD. CAP.
32	11	0400071	SCREW, 1/4 - 20 NC X 3/4" LG. HEX. HD. CAP.
33	6	0400021	SCREW, #8 - 32 NC X 1/2" LG. RD. HD.
34	6	0400351	NUT, #8 - 32 NC KEPS
35	6	0400366	NUT, 1/4 - 20 NC
36	4	0300132	WIRE TIE
37	3	0300137	WIRE CLIP
38	1	0300134	HOSE CLAMP
39	1	0300273	LICENSE PLATE ILLUMINATOR
40	1	0301800	JUNCTION BOX
41	1	0300867	CONTROL PANEL ILLUMINATOR
42	8	0301601	CLAMP
43	1	0301671	TOW LIGHT SOCKET
44	4	0301740	GROMMET MOUNTING KIT
45	4	0301741	SEALED LAMP (RED)
46	12	0703230	HEAT SHRINK TUBE

Section VI - PARTS BED LOCK ASSEMBLY



REF. NO.	NO. REQ'D.	PART NUMBER	DESCRIPTION
1	1	0801209	BEDLOCK WELDMENT
2	1	0801206	BEDLOCK PAD, R.H.
3	1	0801205	BEDLOCK PAD, L.H.
4	2	0704334	SPACER, BED LOCK
5	4	0400200	BOLT 1/2-13NC x 2" LG. CARRIAGE, GR. 5 PL
6	8	0400410	NUT, 1/2-13NC HEX JAM
7	6	0400253	SCREW, 5/8-11NC x 1 3/4" LG. CARRIAGE, GR. 5 PL
8	6	0400421	NUT, 5/8-11NC x NYLON LOCK
9	4	0400177	SCREW, 1/2-13NC x 1 1/4" LG. HEX, HD, CAP, GR. 5 PL
10	4	0400492	WASHER, 1/2" FLAT
11	4	0400408	NUT, 1/2-13 NC NYLON LOCK

Section VI - PARTS TOWBAR ASSEMBLY

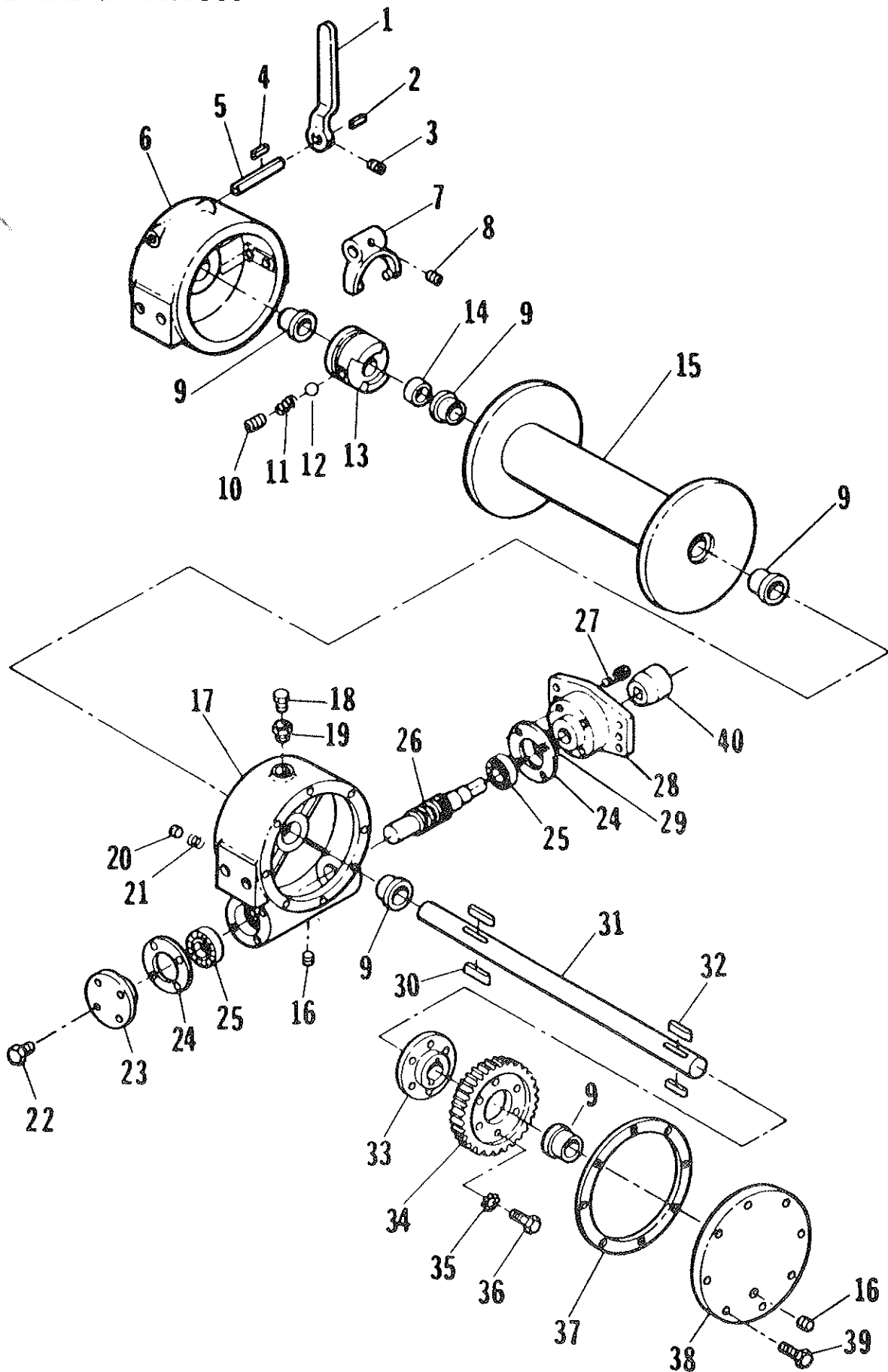


Section VI - PARTS

TOWBAR ASSEMBLY

REF. NO.	NO. REQ'D.	PART NUMBER	DESCRIPTION
1	2	0300110	SNAP RING, 1" DIA.
2	6	0300113	GREASE FITTING
3	4	0300132	WIRE TIE
4	2	0300142	ELBOW, 6MJ - 4MP X 90°
5	1	0301661	HOSE ASSEMBLY, 62" LG.
6	1	0301662	HOSE ASSEMBLY, 120" LG.
7	2	0301850	SLIDE PAD
8	1	0301930	BUSHING, PIVOT PIN
9	1	0302049	CYLINDER, TOW BAR EXTEND
10	1	0400126	SCREW, 3/8" - 16 X 1 LG. HEX. HD.
11	1	0400392	NUT, 3/8" - 16 NYLON LOCK
12	1	0704239	PIN, EXTEND CYL. PIVOT 1" DIA X 6- 3/8" LG.
13	1	0801277	TOW BAR, OUTER TUBE
14	1	0801276	TOW BAR, INNER TUBE
15	1	0801210	PIN, EXTEND CYL. PIVOT
16	1	0801281	TOW BAR, CROSS TUBE
17	2	0400203	SCREW, 1/2 - 13 NC X 3" LG. GR. 8
18	1	0702677	TOP PIVOT PIN, CROSS TUBE
19	1	0702676	BOTTOM PIVOT PIN, CROSS TUBE
20	2	0703747	THRUST WASHER
21	2	0300109	SNAP RING, 1-1/2" DIA.
22	1	0400021	SCREW, #8 - 32 NC X 1/2" LG. PAN HD.
23	1	0400351	NUT, #8 - 32 NC KEPS NUT
24	2	0400177	SCREW, 1/2" - 13 NC X 1-1/4" LG. HEX HD. CAP.
25	2	0400408	NUT, 1/2" - 13 NC NYLON LOCK
26	4	0400283	SCREW, 3/4" - 10 NC X 2" LG. HEX. HD. CAP. GR. 5
27	4	0400430	NUT, 3/4" - 10 NC NYLON LOCK
28	1	0400564	ROLL PIN, 3/8" X 1-3/4
29	1	0500241	DECAL, SAFETY CHAIN WARNING
30	1	0704401	TOW BAR ADJUSTMENT PIN
31	1	0704402	TOW BAR PIVOT PIN
32	1	0801279	TOW BAR SUPPORT
33	1	0301553	KEEPER WIRE
34	1	0301531	SLEEVE
35	1	0301861	PIN LYNCH
36	2	0400491	WASHER, 1/2" LOCK

Section VI - PARTS HYDRAULIC WINCH

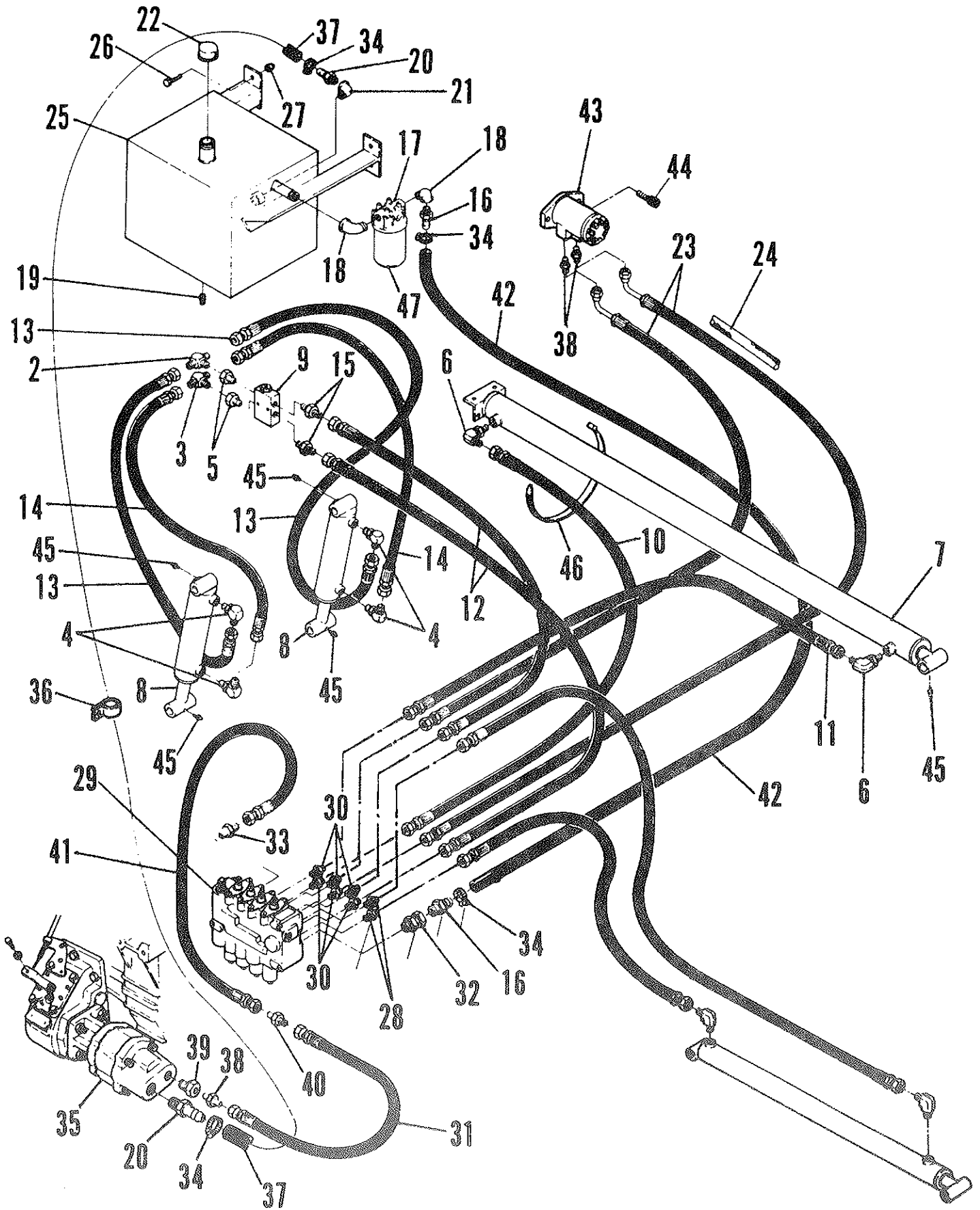


Section VI - PARTS HYDRAULIC WINCH

REF. NO.	NO. REQ'D.	PART NUMBER	DESCRIPTION
1	1	0300261	LEVER
2	1	0300448	KEY
3	1	0300449	SCREW
4	1	0300450	KEY
5	1	0300451	SHAFT
6	1	0300452	CLUTCH HOUSING
7	1	0300398	YOKE
8	1	0300399	SCREW
9	5	0300453	BUSHING
10	1	0300454	SCREW
11	1	0300455	SPRING
12	1	0300456	BALL
13	1	---	CLUTCH
14	1	0300458	SPACER
15	1	0300381	DRUM
16	2	0300459	PLUG
17	1	0300460	HOUSING
18	1	0300461	PLUG
19	1	0300462	REDUCER
20	1	0300463	DRAG BRAKE
21	1	0300464	SPRING
22	16	0300465	SCREW
23	1	0300466	CAP
24	2	0300447	GASKET
25	2	0300467	BEARING
26	1	0300468	WORM
27	1	0300695	SCREW
28	1	0300694	CAP ADAPTOR
29	1	0300471	SEAL
30*	2	---	KEY
31*	1	---	SHAFT
32*	2	---	KEY
33	1	0300472	HUB
34	1	0300473	GEAR
35	6	0300474	WASHER
36	6	0300475	SCREW
37	1	0300476	GASKET
38	1	0300477	COVER
39	4	0300569	SCREW
40	1	0300290	COUPLING

*When ordering specify which serial number.

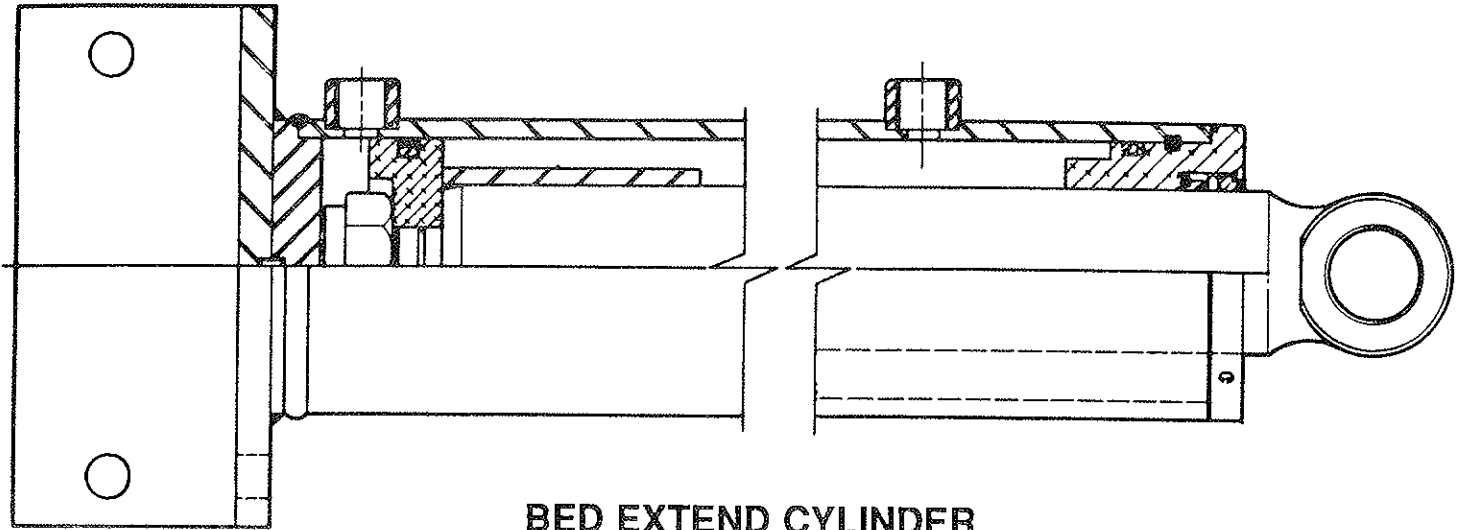
Section VI - PARTS HYDRAULICS



Section VI - PARTS HYDRAULICS

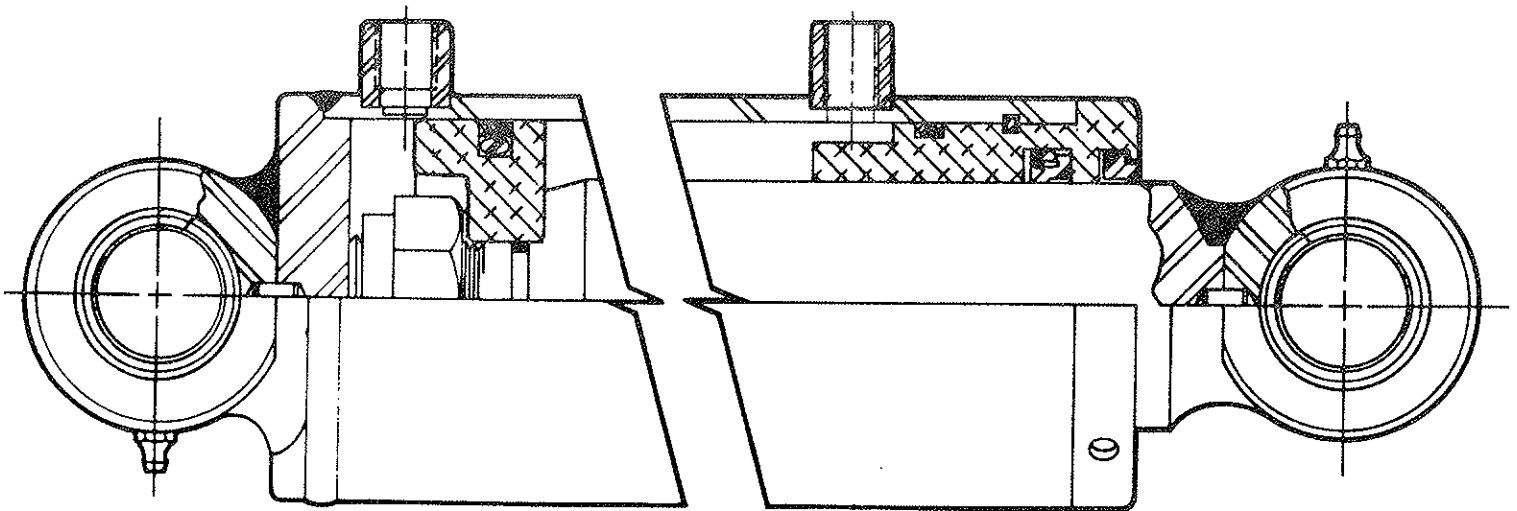
REF. NO.	NO. REQ'D.	PART NUMBER	DESCRIPTION
1	4	0300132	WIRE TIE
2	1	0300206	TEE, 6MJ X 6MJ X 4MP
3	1	0302042	TEE - ORIFICE, 6MJ X 6 MJ X 4MP
4	4	0301470	ELBOW, 6MJ X 8MB X 90°
5	2	0301787	ADAPTOR, 8 MB X 4FP
6	2	0301388	ELBOW, 8MJ X 8MB X 90°
7	1	0302011	CYLINDER, EXTEND
8	2	0302012	CYLINDER, TILT
9	1	0302024	CYLINDER, LOCK VALVE
10	1	0300212	HOSE ASS'Y, 115" LG.
11	1	0301113	HOSE ASS'Y, 82" LG.
12	2	0302034	HOSE ASS'Y, 126" LG.
13	2	0302035	HOSE ASS'Y, 18" LG.
14	2	0302036	HOSE ASS'Y, 26" LG.
15	2	0300041	CONNECTOR, 8MJ X 8MB
16	2	0300055	HOSE BARB, 3/4" HOSE X 3/4" NPT
17	1	0300136	OIL FILTER ASS'Y.
18	2	0300288	STREET ELBOW, 3/4" NPT
19	1	0300347	PLUB, 1/2" NPT. SQ. HD.
20	2	0300056	HOSE BARB, 1" HOSE X 1" NPT
21	1	0300692	STREET ELBOW, 1" NPT
22	1	0702741	CAP, RESERVOIR
23	2	0302033	HOSE ASS'Y, 242" LG.
24	1	0702782	SKUFF JACKET
25	1	0801213	RESERVOIR
26	4	0400181	SCREW, 1/2" - 13 X 1-1/2" LG.
27	4	0400408	NUT, 1/2" - 13 NYLON LOCK
28	2	0300044	CONNECTOR, 6MJ X 8MB
29	1	0300011	VALVE, 4 SPOOL CONTROL
30	6	0300041	CONNECTOR, 1/2" SAE X 1/2" JIC
31	1	0300212	HOSE ASS'Y, 115" LG.
32	1	0300065	SWIVEL, 3/4" SAE X 3/4" NPT FEMALE PIPE
33	1	0300789	CONNECTOR, 5/8" SAE X 1/2" JIC
34	4	0300071	CLAMP, HOSE 1"
35	1	0302026	PUMP
36	1	0300188	HOSE CLAMP, INSULATED
37	1	0300058	HOSE, SUCTION 1" ID X 96" LG.
38	3	0300040	CONNECTOR, 8MJ X 8MP STRAIGHT
39	1	0300050	CONNECTOR, 16 MP X 8FP
40	1	0300865	CONNECTOR, 8MJ
41	1	0301659	HOSE ASS'Y, 150" LG.
42	1	0704366	RETURN HOSE, 3/4" X 20' LG.
43	1	0300090	MOTOR, WINCH
44	2	0400196	SCREW, 1/2" - 13 X 1-1/4" LG. S.H.C.S.
45	5	0300113	GREASE FITTING
46	11	0302062	WIRE TIE
47	1	0300135	ELEMENT, OIL FILTER REPLACEMENT

**Section VI - PARTS
HYDRAULIC CYLINDERS**



BED EXTEND CYLINDER

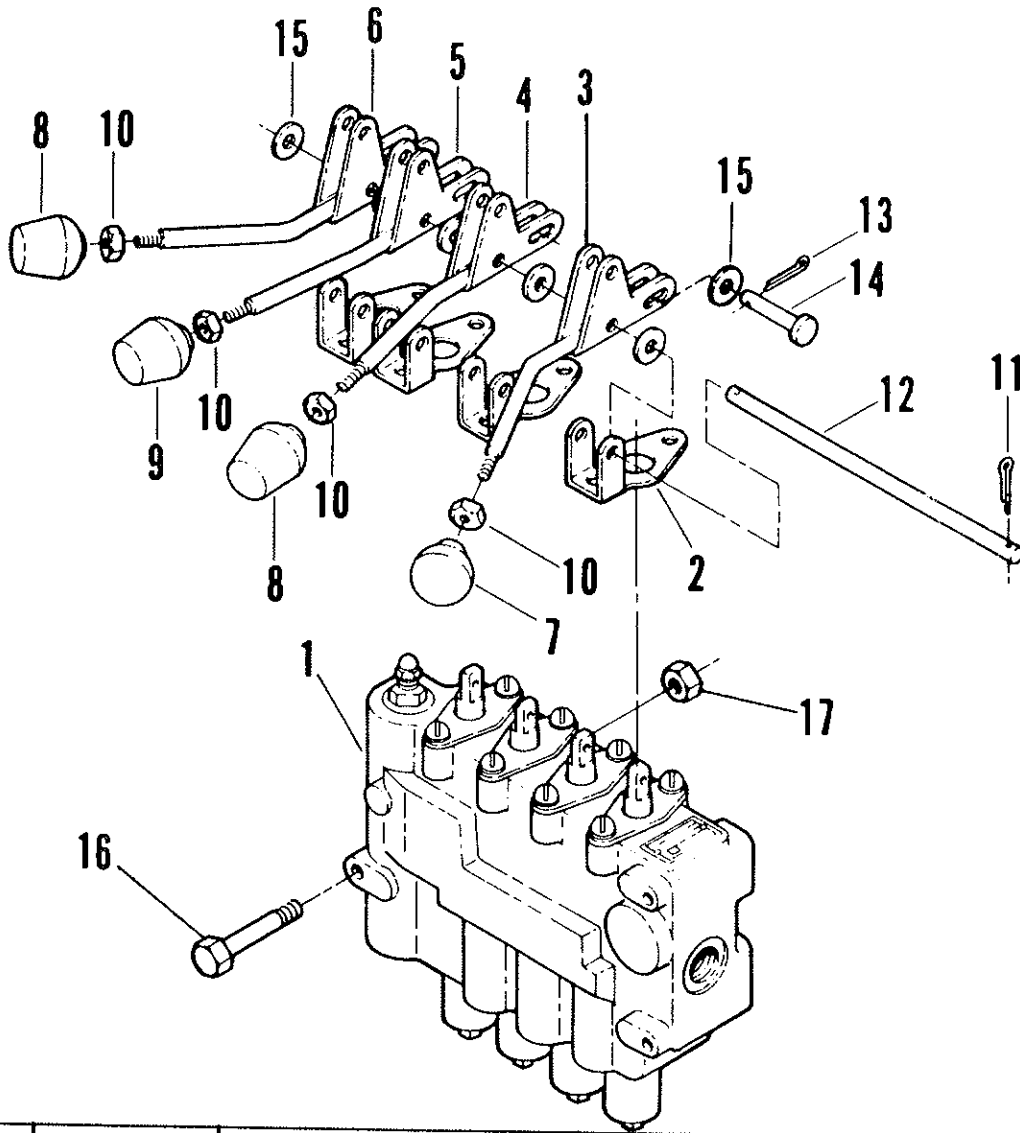
REF. NO.	NO. REQ'D.	PART NUMBER	DESCRIPTION
1	1	0302011	HYDRAULIC CYLINDER, EXTEND (COMPLETE)
2	1	0304322	SEAL KIT, EXTEND CYLINDER



BED TILT CYLINDER

REF. NO.	NO. REQ'D.	PART NUMBER	DESCRIPTION
1	1	0302012	HYDRAULIC CYLINDER, TILT (COMPLETE)
2	1	0304323	SEAL KIT, TILT CYLINDER

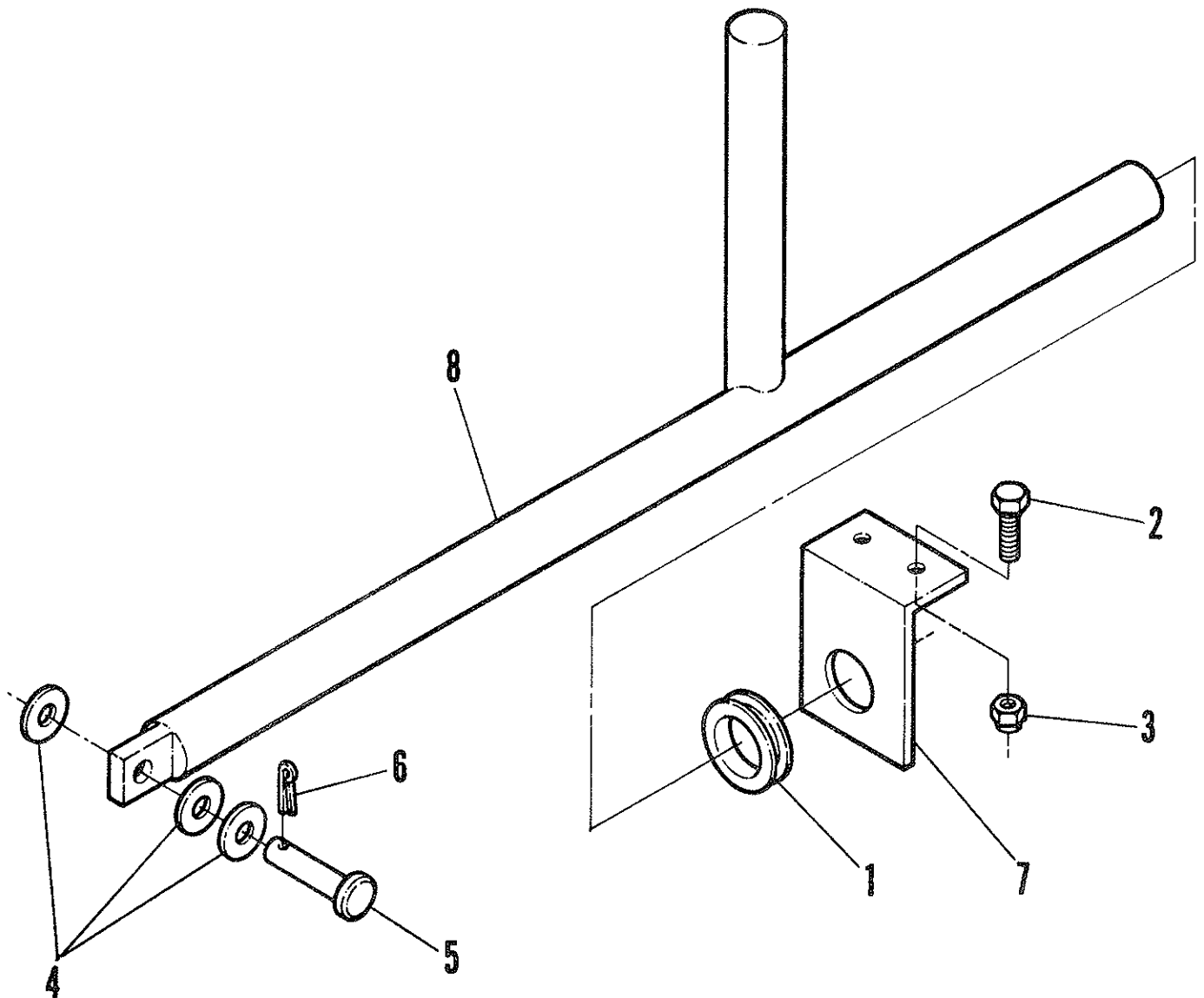
Section VI - PARTS CONTROL ASSEMBLY



REF. NO.	NO. REQ'D.	PART NUMBER	DESCRIPTION
1	1	0300011	4-SPOOL CONTROL VALVE
2	4	0301638	BRACKET, CONTROL HANDLE
3	1	0800798	REAR OUTER CONTROL HANDLE
4	1	0800797	REAR INNER CONTROL HANDLE
5	1	0800795	FWD. INNER CONTROL HANDLE
6	1	0800796	FWD. OUTER CONTROL HANDLE
7	1	0301720	KNOB, BALL
8	2	0300341	KNOB
9	1	0300834	KNOB, "IN-OUT" RED (CABLE)
10	4	0400393	NUT, 3/8" - 16 JAM
11	2	0400541	COTTER PIN, 1/16" X 3/4" LG.
12	1	0702983	CONTROL HANDLE ROD, 5/16" DIA. X 6-1/8" LG.
13	4	0400543	COTTER PIN, 1/8" X 3/4" LG.
14	4	0400532	CLEVIS PIN, 5/16" DIA. X 1" LG.
15	8	0400465	WASHER, 5/16" FLAT
16	3	0400140	SCREW, 3/8 - 16 NC X 4" LG. HEX. HD. CAP.
17	3	0400392	NUT, 3/8 - 16 NC NYLON LOCK

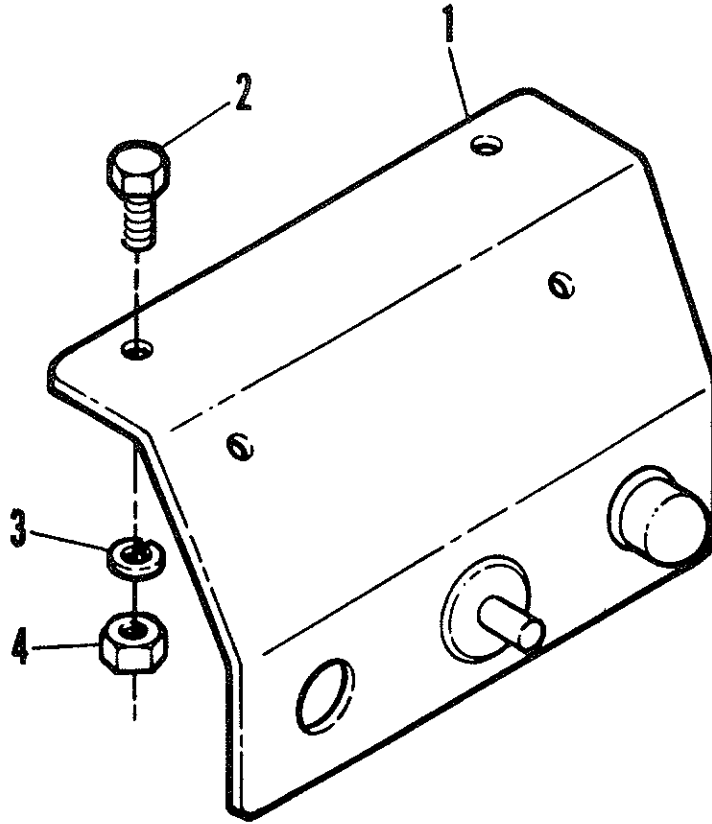
Section VI - PARTS

ANTI-TILT ASSEMBLY



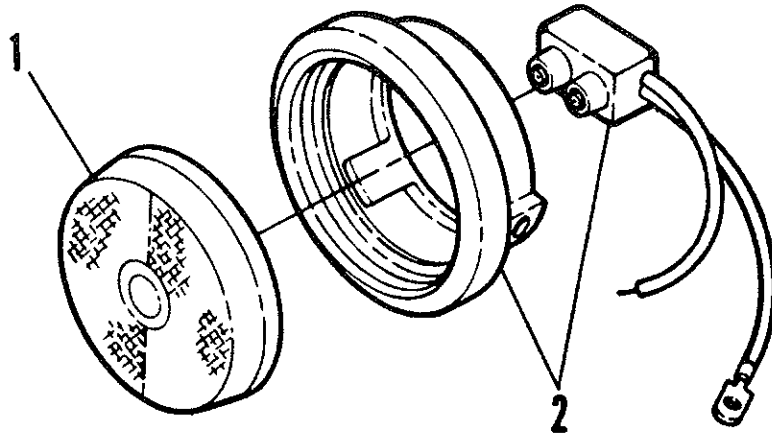
REF. NO.	NO. REQ'D.	PART NUMBER	DESCRIPTION
1	1	0300122	GROMMET, SPLIT PLASTIC
2	2	0400066	SCREW, 1/4 - 20 X 3/4" LG. HEX. HD. CAP.
3	2	0400367	NUT, 1/4 - 20 NYLON LOCK
4	3	0400465	WASHER, 5/16" FLAT
5	1	0400532	CLEVIS PIN, 5/16" DIA. X 1" LG.
6	1	0400543	COTTER PIN, 1/8" DIA. X 3/4" LG.
7	1	0704384	CONTROL ROD SUPPORT
8	1	0801275	VALVE SHIFTER WELDMENT

**Section VI - PARTS
STANDARD PTO PANEL**

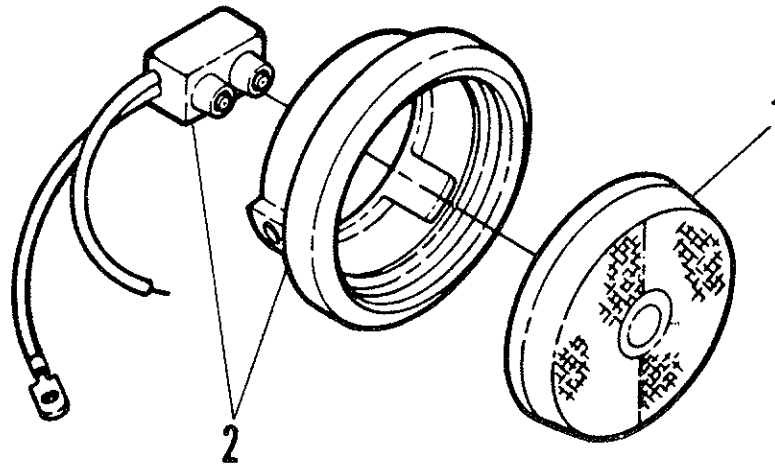


REF. NO.	NO. REQ'D.	PART NUMBER	DESCRIPTION
1	1	0301675	PANEL (COMPLETE)
2	2	0400061	SCREW, 1/4" - 20 x 3/4"
3	2	0400452	LOCKWASHER, 1/4"
4	2	0400366	NUT, 1/4" - 20 HEX

**Section VI - PARTS
LIGHTING**



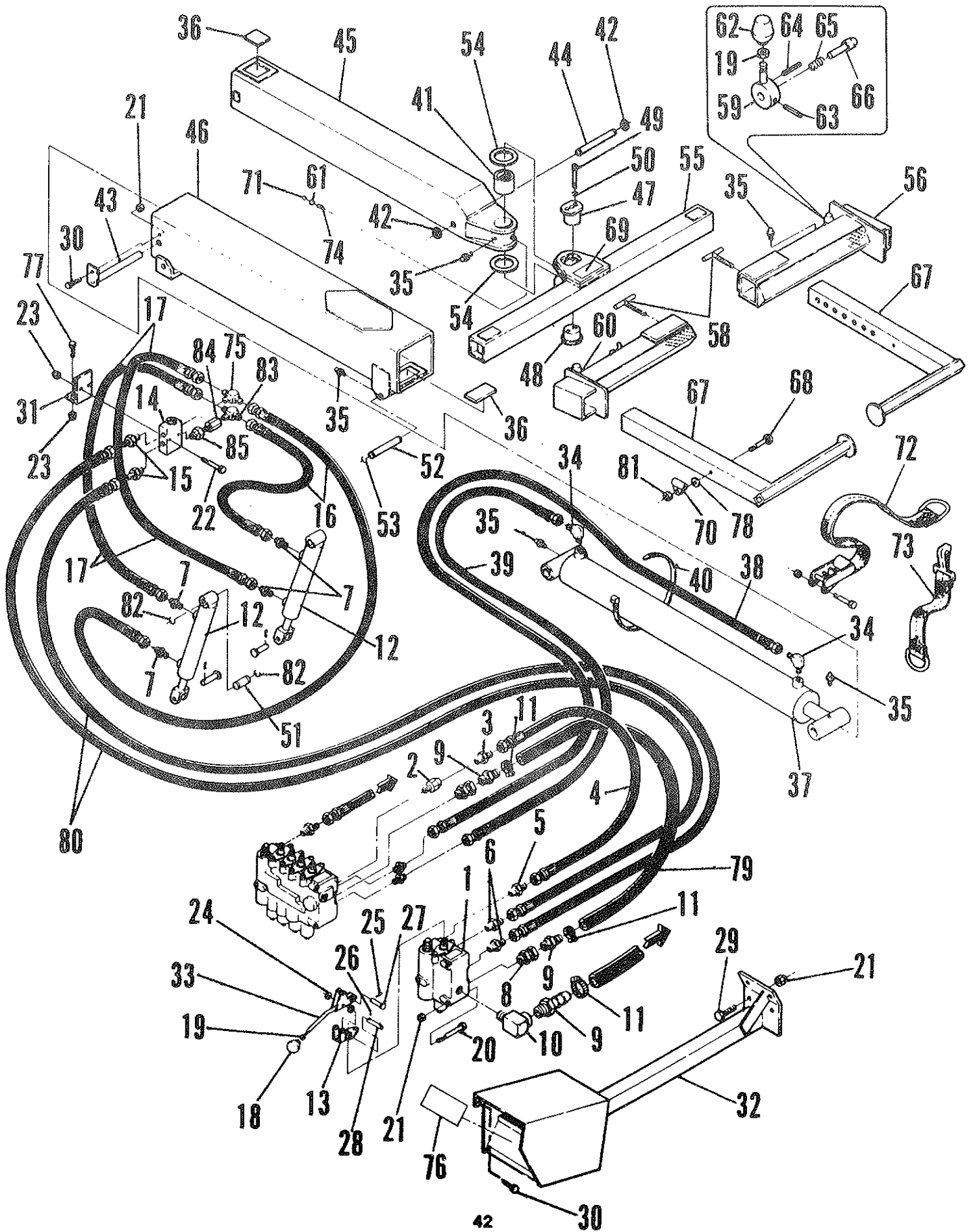
REF. NO.	NO. REQ'D.	PART NUMBER	DESCRIPTION
1	1	0301741	LIGHT ASS'Y., RED
2	1	0301740	GROMMET MOUNTING KIT



REF. NO.	NO. REQ'D.	PART NUMBER	DESCRIPTION
1	1	0301742	LIGHT ASS'Y, AMBER
2	1	0301740	GROMMET MOUNTING KIT

Section VII - OPTIONAL EQUIPMENT

3500 LB WHEEL LIFT ASSEMBLY



Section VII - OPTIONAL EQUIPMENT

3500 LB WHEEL LIFT ASSEMBLY

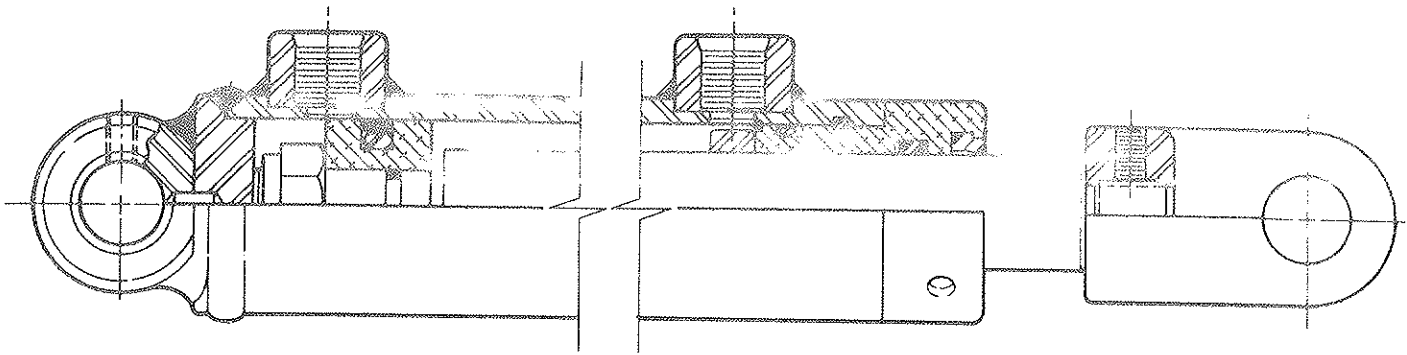
REF. NO.	NO. REQ'D.	PART NUMBER	DESCRIPTION
1	1	0305075	CONTROL VALVE, 1 SPOOL TILT
2	1	0300286	HPCO
3	1	0300041	ADAPTOR, 1/2 JIC X 1/2 SAE
4	1	0301410	HOSE ASS'Y, 23" LG.
5	1	0300789	ADAPTOR, 1/2" JIC X 5/8" SAE
6	2	0300044	CONNECTOR, 3/8" JIC X 1/2" SAE
7	4	0301522	CONNECTOR, 3/8" JIC X 3/8" SAE
8	1	0300065	CONNECTOR, 3/4" SAE M X 3/4" NPT F
9	2	0300055	HOSE BARB, 3/4" HOSE X 3/4" NPT
10	1	0301375	ELBOW, 3/4" SAE X 3/4" NPT F X 90°
11	2	0300071	HOSE CLAMP
12	2	0302028	TILT CYLINDER W/CLEVIS PIN & COTTER KEY
13	1	0301638	BRACKET
14	1	0301640	LOCK VALVE, TILT CYLINDER
15	2	0301424	CONNECTOR, 3/8" JIC X 1/4" NPT
16	2	0301660	HOSE ASS'Y, 21" LG.
17	2	0301402	HOSE ASS'Y, 45" LG.
18	1	0301720	KNOB, BALL
19	3	0400393	NUT, 3/8" - 16 JAM
20	3	0400140	SCREW, 3/8 - 16 NC X 4" LG. HEX. HD.
21	12	0400392	NUT, 3/8 - 16 NYLON LOCK
22	2	0300063	SCREW, 1/4" - 20 X 1-1/2" LG. RD. HD.
23	4	0400367	NUT, 1/4" - 20 NYLON LOCK
24	2	0400465	WASHER, 5/16" FLAT
25	1	0400543	COTTER PIN, 1/8" X 3/4" LG.
26	1	0400541	COTTER PIN, 1/16" X 3/4" LG.
27	1	0400532	CLEVIS PIN, 5/16" DIA X 1" LG.
28	1	0400536	CLEVIS PIN, 5/16" DIA X 1-1/4" LG.
29	4	0400122	SCREW, 3/8" - 16 X 1-1/4" LG. HEX. HD.
30	5	0400126	SCREW, 3/8" - 16 X 1" LG. HEX. HD.
31	1	0704243	VALVE MOUNTING ANGLE
32	1	0801200	CONTROL BOX WELDMENT
33	1	0800797	CONTROL HANDLE
34	2	0300142	ELBOW, 3/8" JIC X 1/4" NPT X 90°
35	8	0300113	GREASE FITTING
36	2	0301850	SLIDE PAD
37	1	0302025	EXTEND CYLINDER
38	1	0301662	HOSE ASS'Y, 120" LG.
39	1	0301681	HOSE ASS'Y, 62" LG.
40	4	0200132	WIRE TIE
41	1	0301930	BUSHING, PIVOT PIN
42	2	0300110	SNAP RING, 1" DIA.
43	1	0801210	PIVOT PIN, EXTEND CYLINDER
44	1	0704239	SHAFT, EXTEND CYLINDER ROD END
45	1	0801208	WHEEL LIFT INNER TUBE
46	1	0801207	WHEEL LIFT OUTER TUBE
47	1	0702677	PIVOT PIN, TOP
48	1	0702676	PIVOT PIN, BOTTOM
49	2	0400203	SCREW, 1/2" - 13 NC X 3" LG. SOCKET HEAD CAP.
50	2	0400491	WASHER, 1/2" LOCK

Section VII - OPTIONAL EQUIPMENT

3500 LB WHEEL LIFT ASSEMBLY (Cont'd)

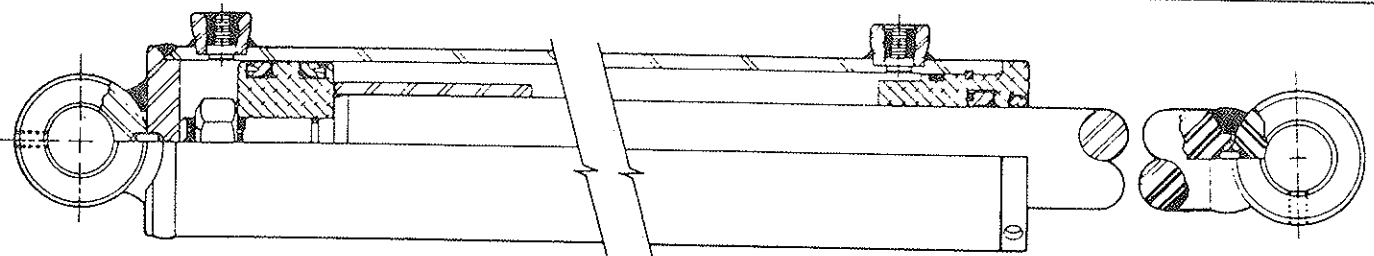
REF. NO.	NO. REQ'D.	PART NUMBER	DESCRIPTION
51	2	0704323	PIN, TILT CYLINDER
52	1	0704322	PIN, WHEEL LIFT PIVOT
53	2	0300109	SNAP RING, 1-1/2" DIA.
54	2	0703747	THRUST WASHER
55	1	0800845	CROSS BAR
56	1	0800902	CROSS TUBE, R.H.
57	1	0800903	CROSS TUBE, L.H.
58	2	0800590	"T" HANDLE
59	1	0800838	PLUNGER HANDLE, R.H.
60	1	0800837	PLUNGER HANDLE, L.H.
61	1	0702681	SPACER, DETENT BALL
62	2	0300341	KNOB
63	2	0400560	ROLL PIN, 5/32" DIA X 1" LG.
64	2	0400559	ROLL PIN, 3/16" DIA X 1" LG.
65	2	0301417	PLUNGER SPRING
66	2	0701916	PLUNGER
67	2	0800841	TIRE RESTRAINT
68	2	0400269	BOLT, 5/8" - 11 NC X 4" LG.
69	1	0500241	DECAL, SAFETY CHAIN WARNING
70	2	0800839	PIVOT TIE DOWN
71	1	0301398	DETENT BALL
72	2	0301682	TIE DOWN RATCHET ASS'Y
73	2	0301681	TIE DOWN STRAP
74	1	0301197	DETENT BALL SPRING
75	1	0300206	TEE, 3/8" JIC X 3/8" JIC X 1/4" NPT
76	1	—	CONTROL PANEL
77	2	0400070	SCREW, 1/4" - 20 X 3/4" LG.
78	2	0400505	WASHER, 5/8" FLAT
79	1	0704411	RETURN HOSE
80	2	0301902	HOSE ASS'Y, 35" LG.
81	2	0400421	NUT, 5/8" - 11 NYLON LOCK
82	4	0301381	SNAP RING, 3/4" DIA.
83	1	0301855	TEE, 3/8" JIC X 3/8" JIC X 3/8" NPT
84	1	0301854	RESTRICTOR VALVE
85	1	0302058	ADAPTOR, 3/8" NPT - 1/4" NPT

Section VII - OPTIONAL EQUIPMENT HYDRAULIC CYLINDERS



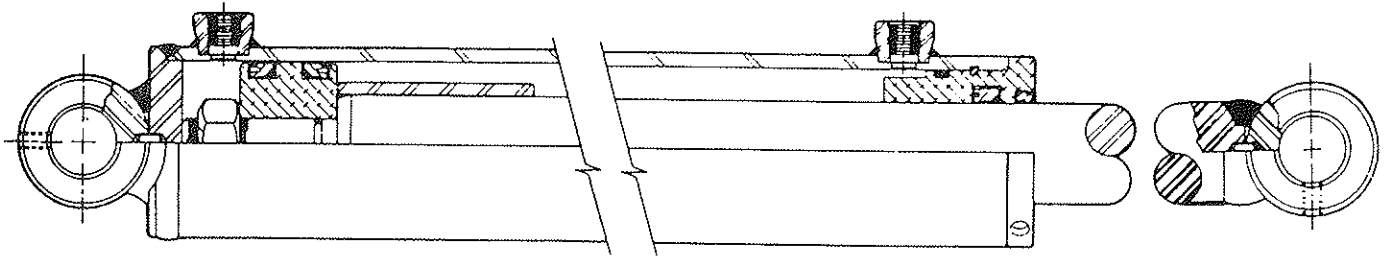
W/L TILT CYLINDER

REF. NO.	NO. REQ'D.	PART NUMBER	DESCRIPTION
1	2	0302028	CYLINDER, W/L TILT
2	1	0304324	SEAL KIT, W/L TILT CYLINDER



TOW BAR EXTEND CYLINDER

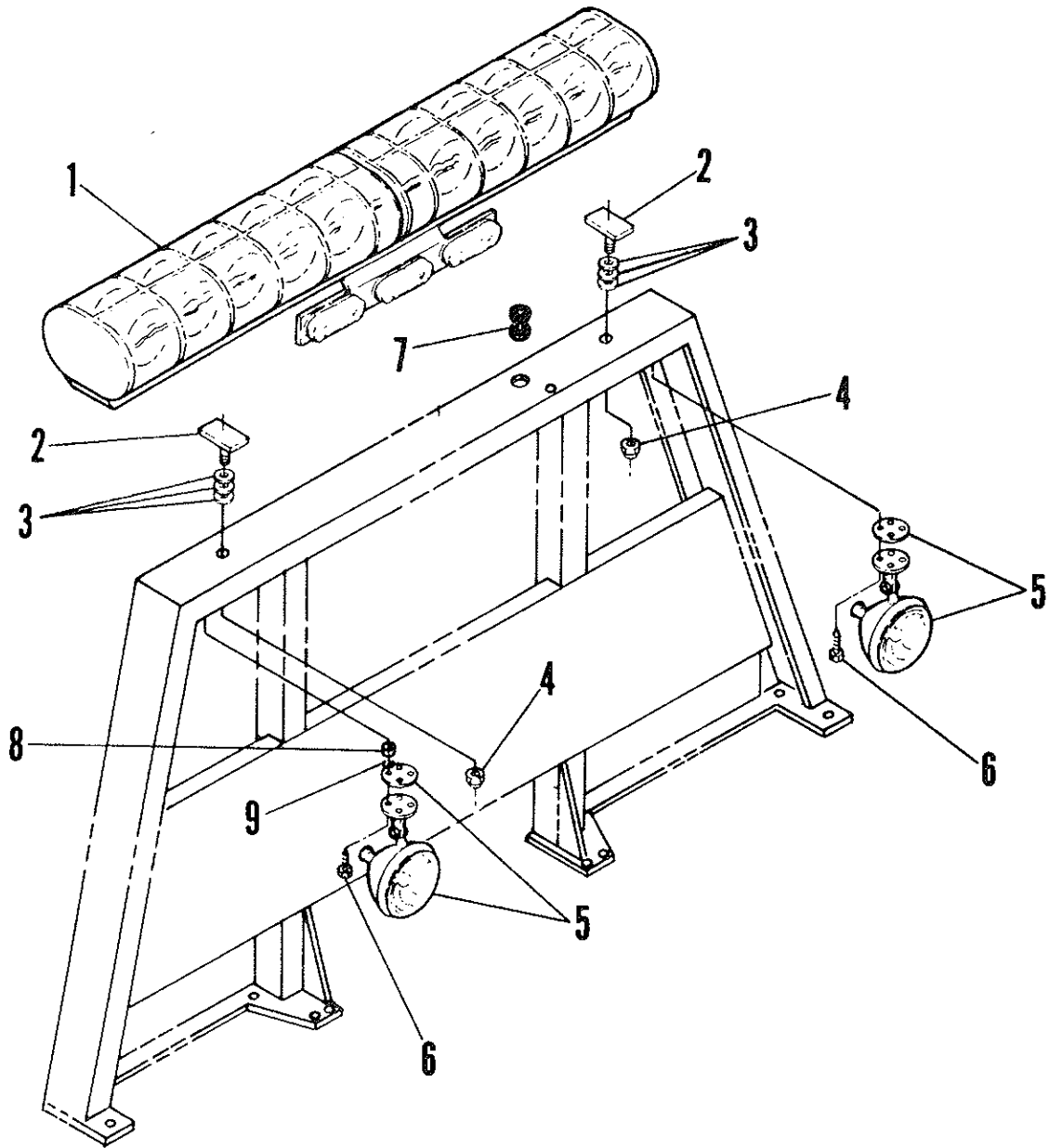
REF. NO.	NO. REQ'D.	PART NUMBER	DESCRIPTION
1	1	0302049	CYLINDER, EXTEND (COMPLETE)
2	1	0304325	SEAL KIT, EXTEND CYLINDER



WHEEL LIFT EXTEND CYLINDER

REF. NO.	NO. REQ'D.	PART NUMBER	DESCRIPTION
1	1	0302025	CYLINDER, EXTEND (COMPLETE)
2	1	0304325	SEAL KIT, EXTEND CYLINDER

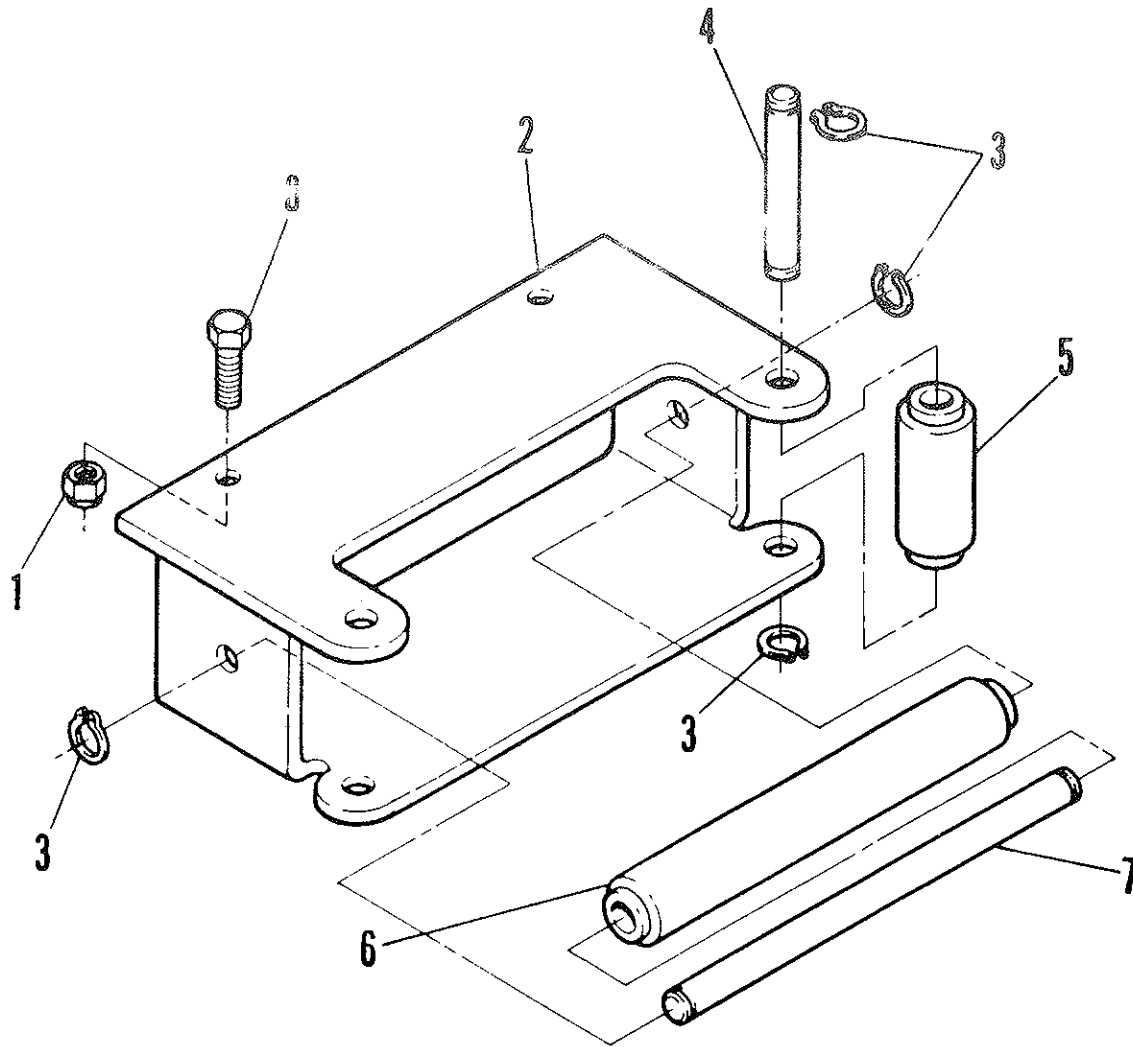
Section VII - OPTIONAL EQUIPMENT LIGHT BAR ASSEMBLY



REF. NO.	NO. REQ'D.	PART NUMBER	DESCRIPTION
1	1	0301359	WRECKER SPECIAL LIGHT
2	2	0800539	"T" BOLT ADAPTOR
3	8	0400480	FLAT WASHER, 3/8"
4	2	0400392	NUT, 3/8" - 16 NYLON LOCK
5	2	0300095	SPOTLIGHT W/GASKET
6	8	0400043	SCREW, #10 - 24 x 1" MACHINE
7	2	0300897	GROMMET, RUBBER
8	8	0400356	NUT, #10 - 24 HEX
9	8	0400520	WASHER, #10 LOCK

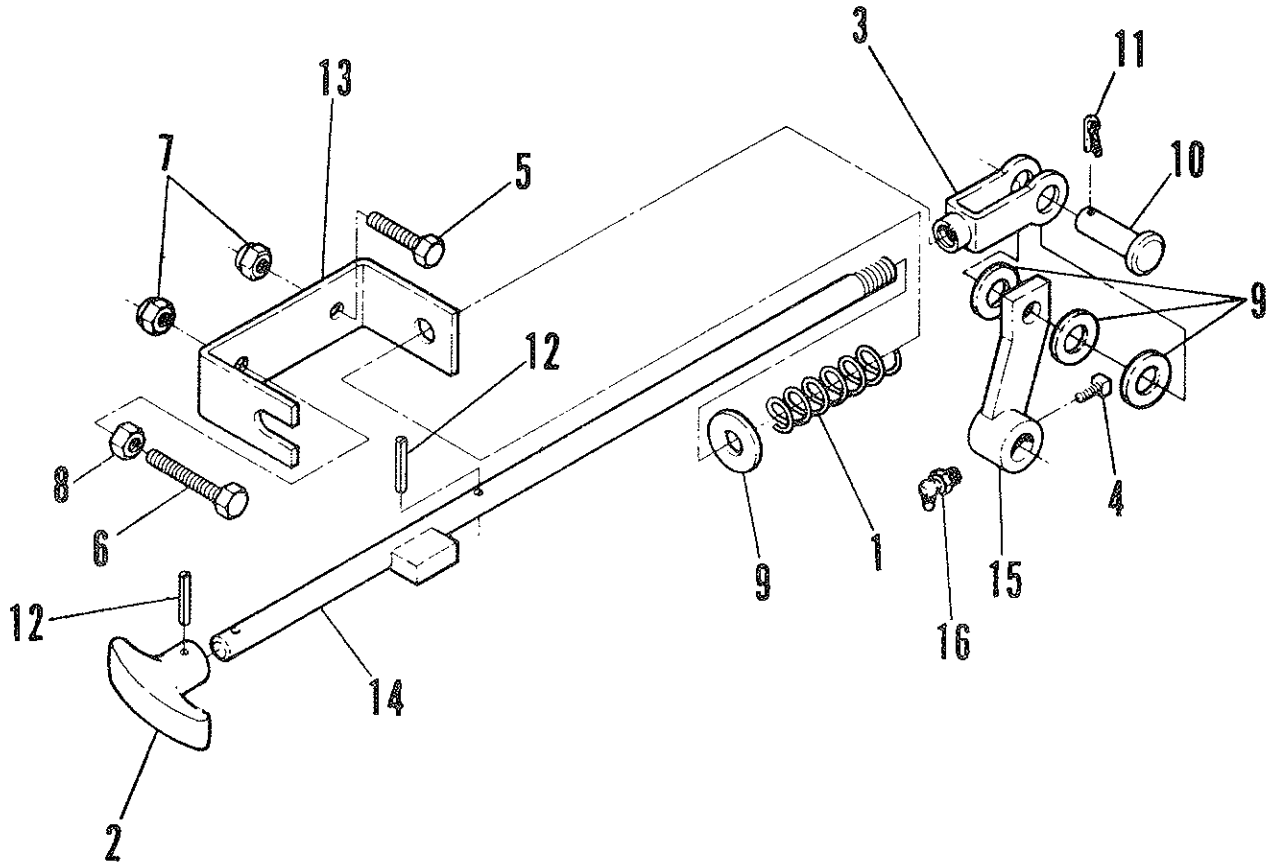
Section VII - OPTIONAL EQUIPMENT

CABLE ROLLER ASSEMBLY



REF. NO.	NO. REQ'D.	PART NUMBER	DESCRIPTION
1	2	0400408	NUT, 1/2" - 13 NYLON LOCK
2	1	0801031	CABLE ROLLER GUIDE WELDMENT
3	6	0301381	SNAP RING
4	2	0702749	CABLE ROLLER SHAFT (SHORT)
5	2	0900734	CABLE ROLLER ASS'Y (SHORT)
6	1	0900735	CABLE ROLLER ASS'Y (LONG)
7	1	0702750	CABLE ROLLER SHAFT (LONG)
8	2	0400177	SCREW, 1/2" - 13 x 1 1/4" HEX HEAD

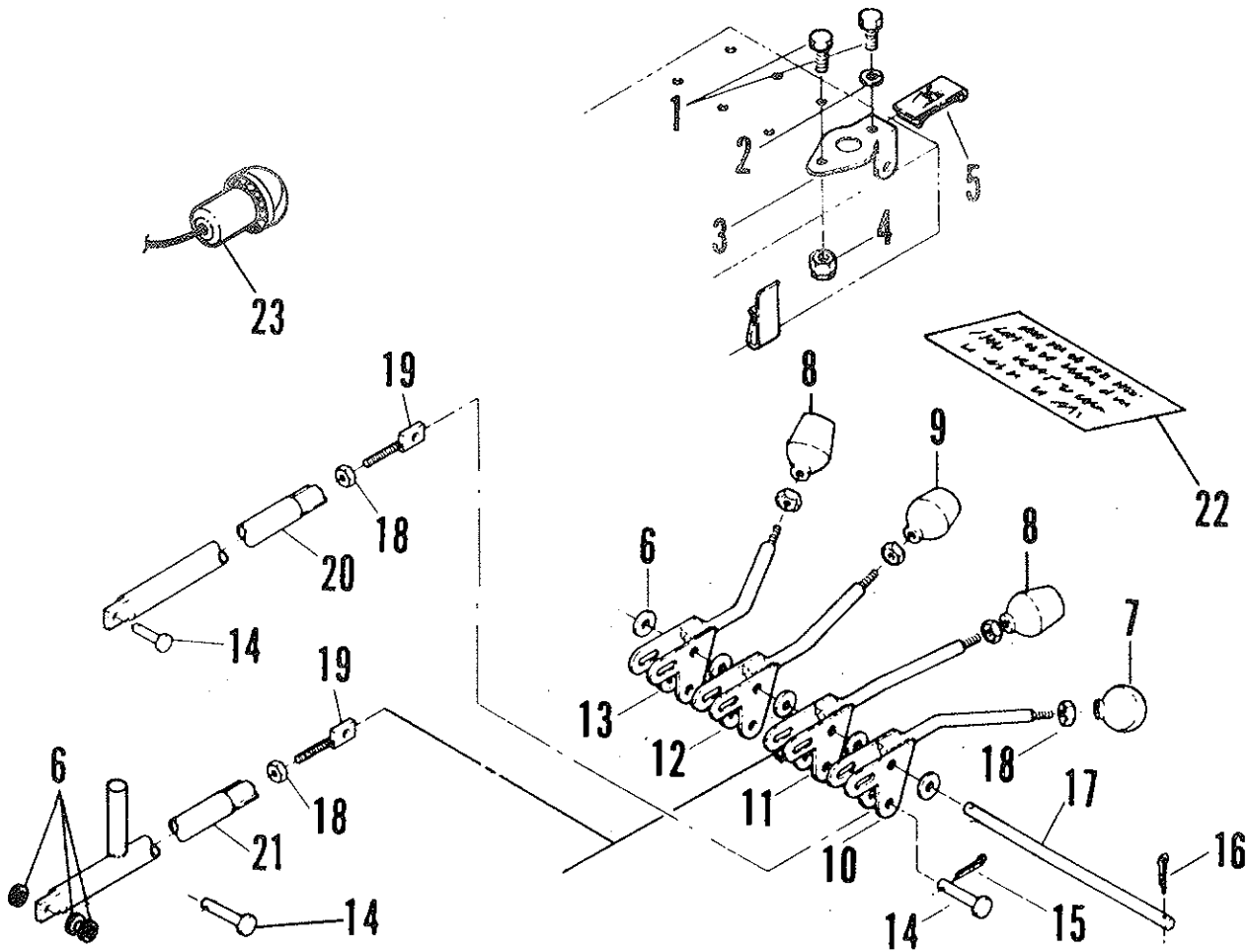
Section VII - OPTIONAL EQUIPMENT WINCH CLUTCH CONTROL



REF. NO.	NO. REQ'D.	PART NUMBER	DESCRIPTION
1	1	0300845	SPRING, COMPRESSION
2	1	0301532	"T" HANDLE
3	1	0301588	ADJUSTING YOKE
4	1	0400116	SCREW, 5/16"-18 X 1/2" LG. SQ. HD. SET
5	1	0400126	SCREW, 3/8"-16 X 1" LG. HEX. HD. CAP
6	1	0400150	SCREW, 3/8"-16 X 2-1/2" LG. HEX. HD. CAP
7	2	0400392	NUT, 3/8" - 16 NYLON LOCK
8	1	0400393	NUT, 3/8"-16 JAM
9	4	0400492	WASHER, 1/2" FLAT
10	1	0400537	PIN, 1/2" DIA. X 1-1/2" LG. CLEVIS
11	1	0400546	PIN, 1/8" X 1-1/4" LG. COTTER
12	2	0400560	PIN, 5/32" X 1" LG. ROLL
13	1	0702408	MOUNTING CHANNEL
14	1	0800780	CONTROL ROD, SINGLE WINCH
15	1	0801270	*WELDMENT, BELL CRANK
16	1	0301397	GREASE FITTING 90°

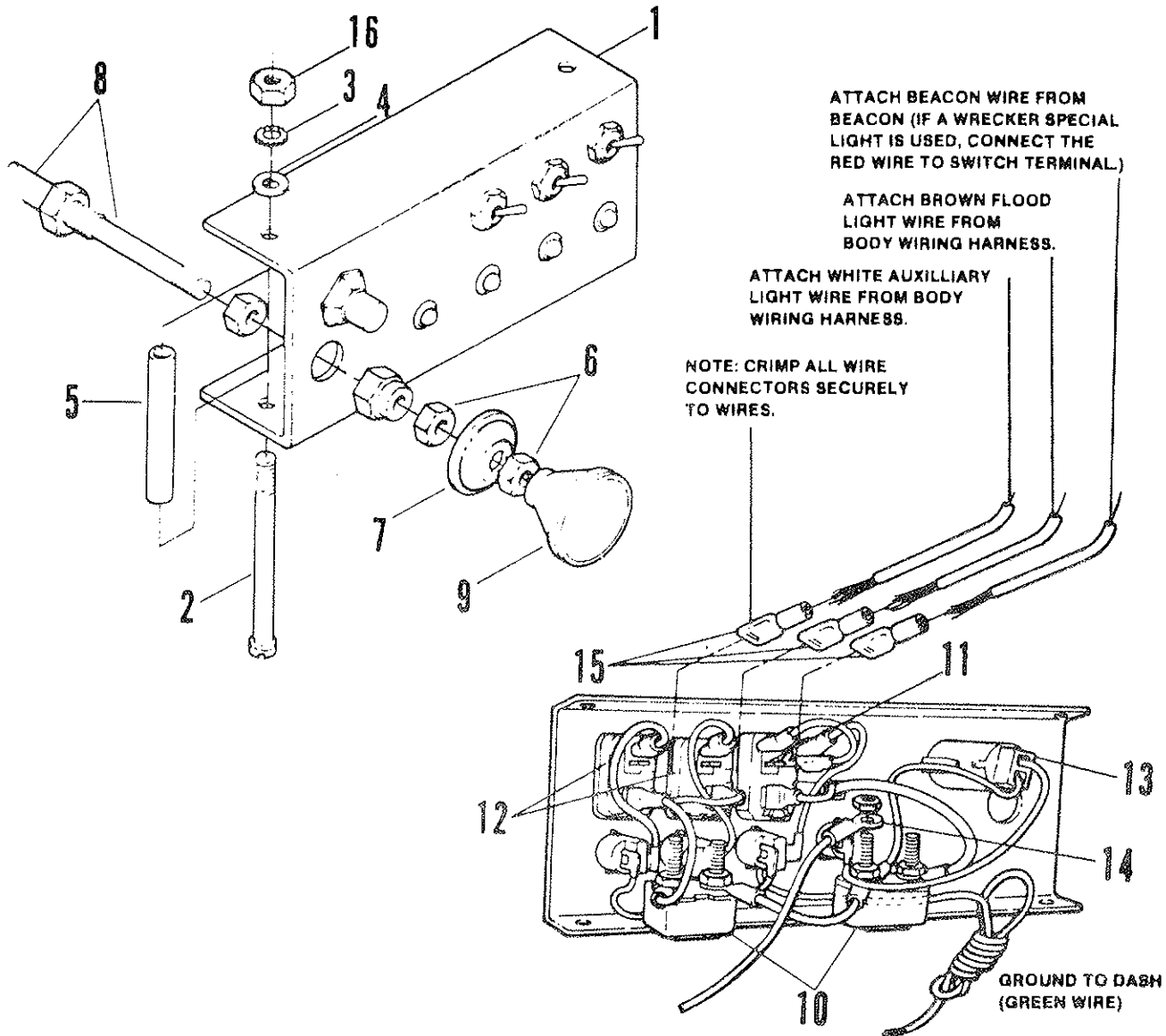
Section VII - OPTIONAL EQUIPMENT

R.H. CONTROL & CROSSROD ASSEMBLY



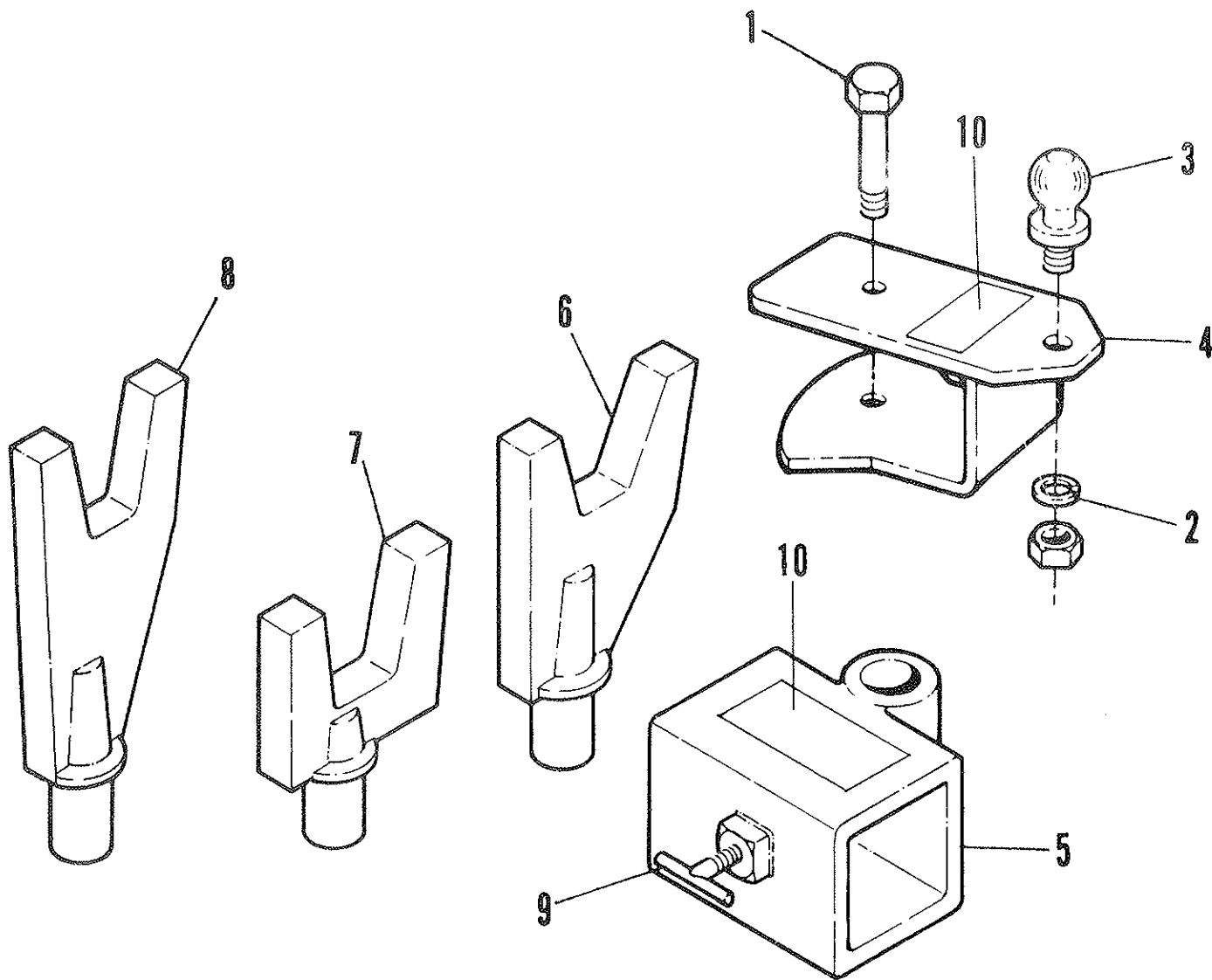
REF. NO.	NO. REQ'D.	PART NUMBER	DESCRIPTION
1	8	0400126	SCREW, 3/8"-16 X 1" HEX HEAD CAP
2	4	0400482	LOCKWASHER, 3/8" HELICAL
3	4	0301638	BRACKET, CONTROL HANDLE
4	4	0400392	NUT, 3/8"-16 NYLON LOCK
5	4	0400243	NUT, 3/8" TINNEMAN "J"
6	11	0400465	WASHER, 5/16" FLAT
7	1	0301720	KNOB, BALL
8	2	0300341	KNOB
9	1	0300834	KNOB, "IN-OUT" RED (CABLE)
10	1	0800796	FWD. OUTER CONTROL HANDLE
11	1	0800795	FWD. INNER CONTROL HANDLE
12	1	0800797	REAR INNER CONTROL HANDLE
13	1	0800798	REAR OUTER CONTROL HANDLE
14	8	0400532	CLEVIS PIN, 5/16" DIA. X 1" LG.
15	8	0400543	COTTER PIN, 1/8" X 3/4" LG.
16	2	0400541	COTTER PIN, 1/16" X 3/4" LG.
17	1	0702983	CONTROL HANDLE ROD, 5/16" DIA. X 6 1/8" LG.
18	8	0400393	NUT, 3/8"-16 JAM
19	4	0800800	CONTROL ROD LINK
20	3	0800799	VALVE SHIFTER
21	1	0801274	VALVE SHIFTER
22	1	0500236	DECAL - CONTROL STATION, R.H.
23	1	0300867	CONTROL PANEL ILLUMINATOR

Section VII - OPTIONAL EQUIPMENT DASHBOARD PANEL



REF. NO.	NO. REQ'D.	PART NUMBER	DESCRIPTION
1	1	0304155	SWITCH PANEL HOUSING
2	2	0304156	MTG. SCREW #10 - 32 x 3 - 3/8
3	2	0304157	LOCKWASHER, #10 EXT. TOOTH
4	2	0304158	FLAT WASHER, #10
5	2	0304159	SPACER TUBE
6	2	0304160	JAM NUT
7	1	0304161	ACTUATOR DISK
8	1	0300395	PTO CABLE, 10 FT.
9	1	0304163	PTO KNOB
10	2	0304162	CIRCUIT BREAKER, 40 AMP
11	1	0304154	SWITCH, DOUBLE POLE, SINGLE THROW
12	2	0304006	SWITCH, SINGLE POLE, SINGLE THROW
13	1	0304164	PTO LIGHT SWITCH
14	1	0301503	RING CONNECTOR
15	3	0304165	SPADE CONNECTOR
16	2	0304166	NUT, 10-32

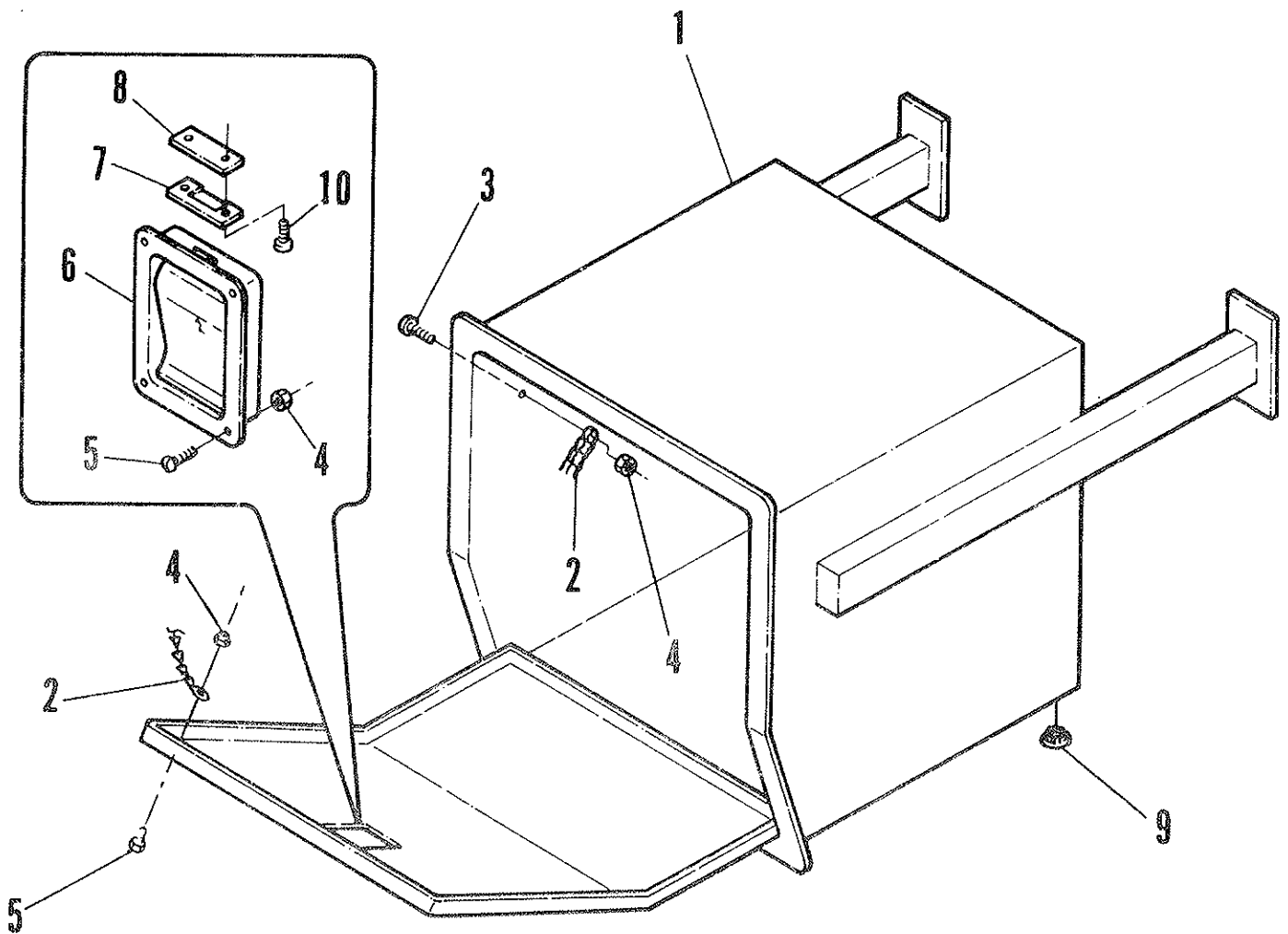
Section VII - OPTIONAL EQUIPMENT LIFT ADAPTORS



REF. NO.	NO. REQ'D.	PART NUMBER	DESCRIPTION
1	1	0400294	TOWBALL MOUNTING BOLT
2	1	0400511	FLATWASHER
3	1	0300091	TOW BALL
4	1	0800820	TOW BALL BRACKET
5	2	0800861	FORK LIFT ADAPTOR
6	2	0800857	FORK WELDMENT, MEDIUM
7	2	0800858	FORK WELDMENT, SHORT
8	2	0800859	FORK WELDMENT, LONG
9	2	0800590	"T" HANDLE
10	2	0500241	DECAL, SAFETY CHAIN WARNING

Section VII - OPTIONAL EQUIPMENT

TOOL BOX (OPTIONAL)



REF. NO.	NO. REQ'D.	PART NUMBER	DESCRIPTION
1	1	0801173	18" TOOL BOX
2	2	0702789	TOOL BOX DOOR CHAIN
3	2	0400025	SCREW, #8 - 32 X 3/4" LG.
4	10	0400351	NUT, #8 - 32 KEPS
5	6	0400021	SCREW, #8 - 32 X 1/2" LG.
6	1	0300027	DOOR LATCH
7	1	0300028	DOOR STRIKER
8	2	0701675	STRIKER SPACER
9	1	0300032	PLUG, 1" DIA. HOLE
10	2	0400045	SCREW #10 - 32 X 1/2" LG.

CENTURY

I-75 at Ooltewah Exit #11 • 8503 Hilltop Drive • Ooltewah, Tennessee 37363 • (423) 238-4171 • FAX (423) 238-5371
Mailing Address: P.O. Box 120 • Ooltewah, Tennessee 37363 • Telex: 856967 CENWKRTN UD